



PARTS CATALOG

ACCESSORIES MERCUISER VOLUME I

SERIAL NUMBER

EXHAUST/ COOLING	Mercruiser Vol. 1 (1986 thru 1993)
OIL TANKS/ OIL COOLERS/ OIL MISC.	Mercruiser Vol. 1 (1986 thru 1993)
POWER STEERING/ TILLER HANDLES/ SHIFT KITS .	Mercruiser Vol. 1 (1986 thru 1993)

TABLE OF CONTENTS:

AUDIO WARNING KIT	78
AUTO TRIM KIT	114
AUXILIARY PULLEY KIT	18
CLOSED COOLING SYSTEM (18390A12)	154
CLOSED COOLING SYSTEM (18390A2, A3, A4, A5)	140
CLOSED COOLING SYSTEM (18390A6, A7, A8)	146
CLOSED COOLING SYSTEM (44446A4, A5)	100
CLOSED COOLING SYSTEM (79607A2)	44
CLOSED COOLING SYSTEM (91036A1, A3, A5, A8)	94
CLOSED COOLING SYSTEM (PART NO. 78094A2)	40
DRIVE SHAFT EXTENSION KIT	158
DUAL ENGINE ATTACHING KIT	26
DUAL ENGINE TIE BAR KIT	30
DUAL ENGINE TIE BAR KIT (W/POWER STEERING)	28
DUAL ENGINE TIE BAR KIT (W/POWER STEERING)	132
ELECTRIC SHIFT ASSEMBLY	70
ELECTRIC SHIFT CONVERSION KIT	74
EXHAUST ELBOW RISER KIT (5XXXXXAX)	56
EXHAUST ELBOW RISER KIT (618XXAX)	60
EXHAUST EXTENSION KIT (59077A1)	58
EXHAUST EXTENSION KIT (62364A1)	62
EXHAUST FLANGE COVER KIT 3"	54
EXHAUST FLANGE COVER KIT 4"	112
EXHAUST KIT	128
EXHAUST PIPE KIT	120
EXTENSION KIT	138
FRESH WATER COOLING KIT (61086A4, A6)	36
FRESH WATER COOLING KIT (74643A1)	34
INSTALLATION KIT	48
MECHANICAL SHIFT CONVERSION KIT	72
MERCATHODE KIT	134
MUFFLER KIT	122
OIL COOLER KIT	136
OIL RESERVOIR ASSEMBLY	66
OIL RESERVOIR KIT	152
PARTS INDEX	162
PNEUMATIC AIR PUMP ASSEMBLY	116
POWER SHIFT	124
POWER STEERING CYLINDER ASSEMBLY (55110A1)	104
POWER STEERING CYLINDER ASSEMBLY (89645A15, 28, 33)	80
POWER STEERING KIT (71333A1)	2
POWER STEERING KIT (76742A4)	6
POWER STEERING PRIORITY VALVE KIT	24
POWER STEERING PUMP ASSEMBLY (71302A31)	86
POWER STEERING PUMP ASSEMBLY (71333A5)	84
POWER STEERING PUMP ASSMEBLY (71302A32, 37)	88
PULLEY ASSEMBLY	20
PUMP MOUNTING KIT (57611A2)	10
PUMP MOUNTING KIT (65515A2)	12
PUMP MOUNTING KIT (65897A2)	14
PUMP RELOCATION KIT (77640A1)	16
PUMP RELOCATION KIT (90981A1)	22
REMOTE OIL FILTER KIT	106
SEA WATER PUMP ASSEMBLY	90
SHIFT ACTUATOR ASSEMBLY	76
SHIFT ACTUATOR ASSEMBLY, COMPLETE	68
SILENCER VALVE KIT	118
SINGLE EXHAUST KIT	64
TRANSOM EXHAUST KIT 3"	52
TRANSOM EXHAUST KIT 4"	110

CONTINUED ON NEXT PAGE ➡

TABLE OF CONTENTS:

TURNBUCKLE ASSEMBLY	130
WATER INLET PLATE KIT	126
WATER PICK-UP KIT	32

NOTE: Indented description indicate that these parts are included in preceding assembly.

AR = As Required

NSS = Not Sold Separate

OPT = Optional

NS = Not Shown

NOTE: Following symbols are located in **SYM** column.

● = CONTENTS OF PUMP KIT [46-72774A37]

■ = COMPONENT PARTS OF THIS SHIFT
ACTUATOR NOT SHOWN ARE NOT
SOLD SEPARATELY.

■ = NO LONGER AVAILABLE

▲ = CONTENTS OF PUMP KIT [46-72774A56]

† = CONTENTS OF INSTALLATION KIT
[44439A2]

○ = CONTENTS OF INSTALLATION KIT
[61937A4]

♣ = CONTENTS OF INSTALLATION KIT
[44443A1]

❖ = CONTENTS OF INSTALLATION KIT
[44443A3]

♥ = CONTENTS OF INSTALLATION KIT
[61937A3]

□ = CONTENTS OF INSTALLATION KIT
[61937A7]

› = CONTENTS OF INSTALLATION KIT
[44443A4]

♠ = CONTENTS OF INSTALLATION KIT
[44443A2]

♣ = COOLANT RECOVERY KIT [71587A10]
SOLD AS COMPLETE KIT ONLY.
COMPONENT PARTS CAN BE
PURCHASED LOCALLY

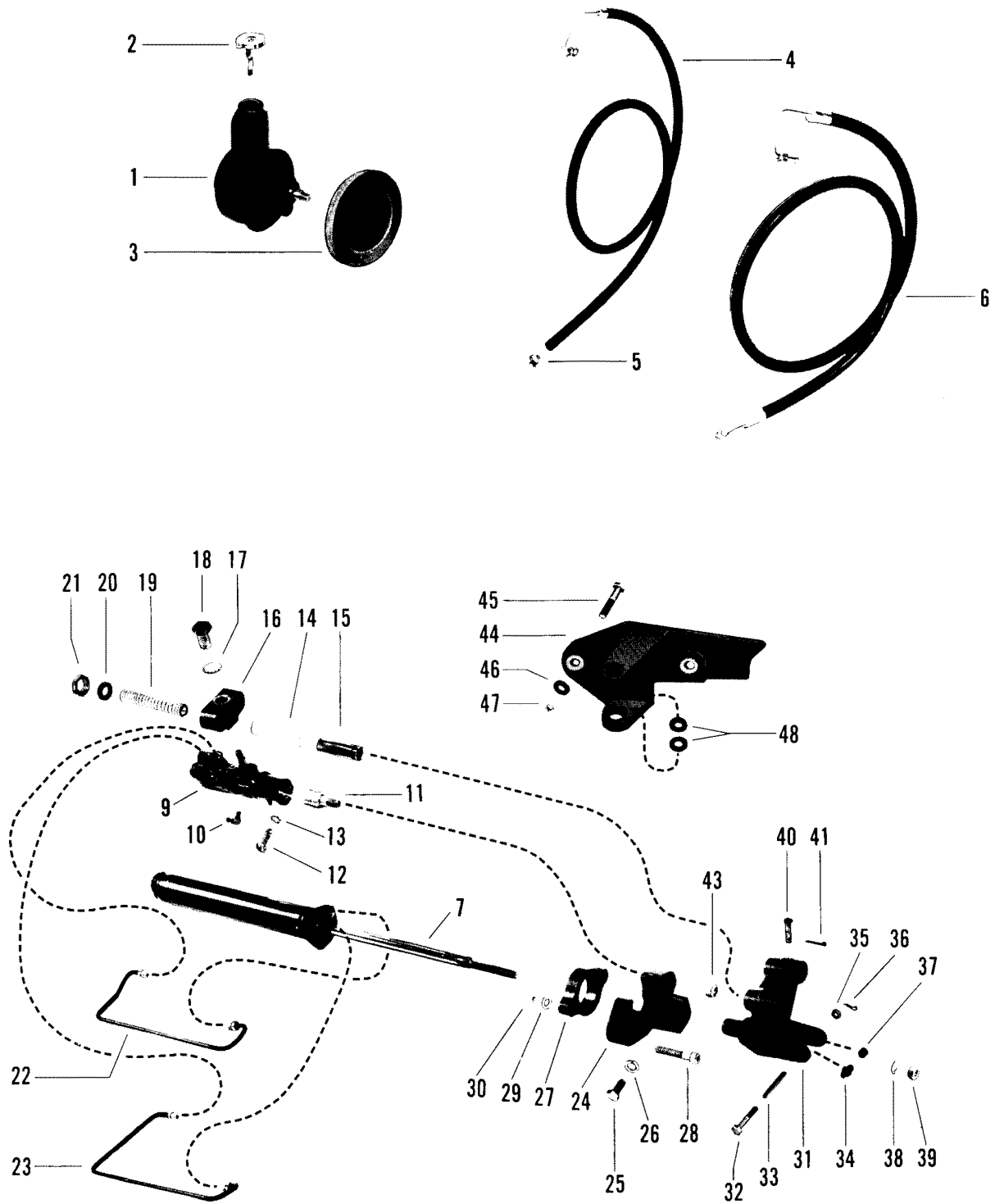
★ = CONTENTS OF INSTALLATION KIT
[61937A6]

THESE PARTS BOOKS/FICHE CARD ARE COPYRIGHTED AND MAY NOT BE DISTRIBUTED OR REPRODUCED IN ANY OTHER FORMAT BY ANYONE OTHER THAN MERCURY MARINE WITHOUT THE PRIOR WRITTEN CONSENT OF MERCURY MARINE.

THIS PAGE INTENTIONALLY LEFT BLANK

THIS PAGE INTENTIONALLY LEFT BLANK

POWER STEERING KIT (71333A1)

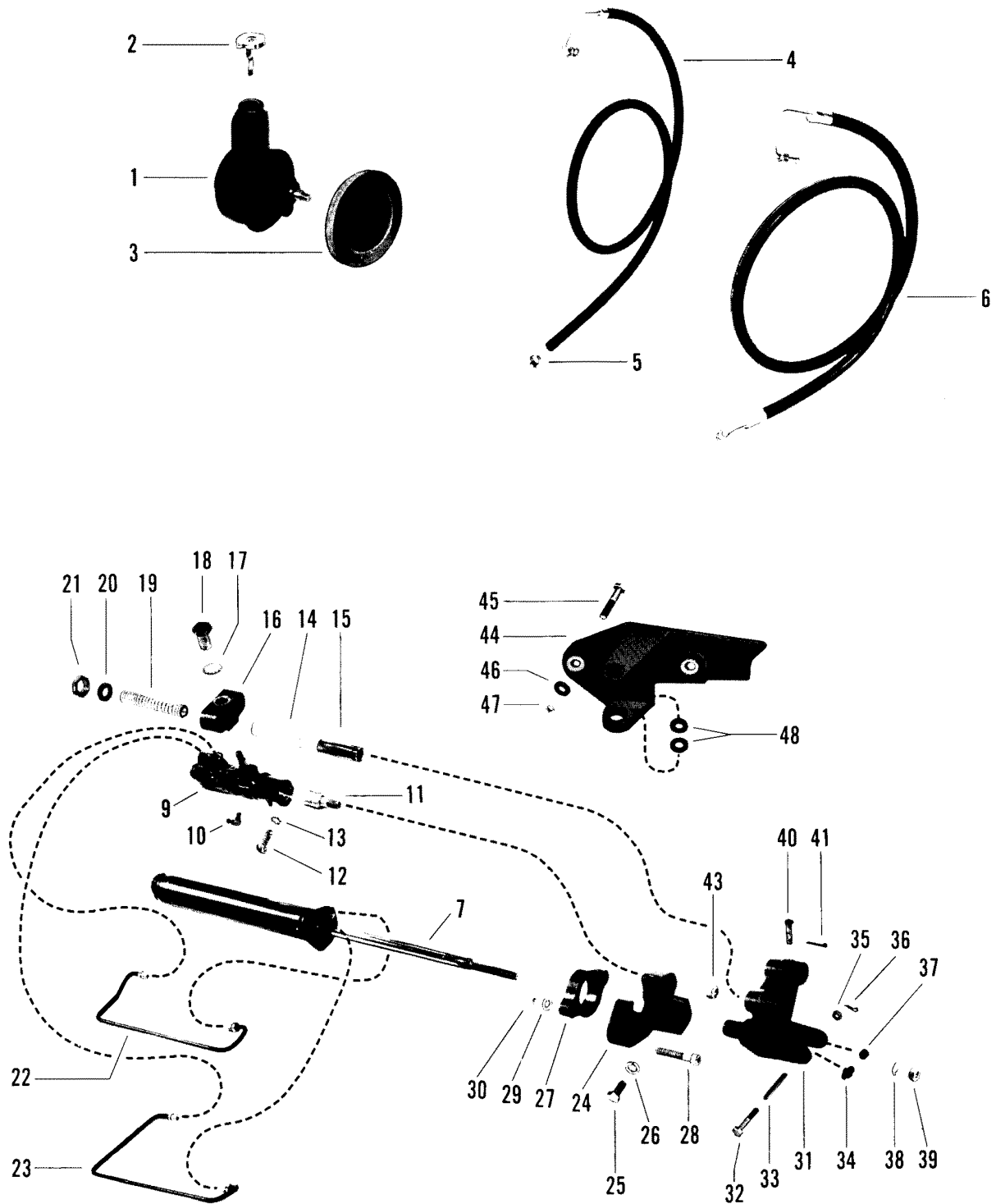


POWER STEERING KIT (71333A1)

REF. NO.	PART NO.	SYM.	QTY.	DESCRIPTION
-	71333A1		1	POWER STEERING KIT
1	90507A3		1	HYDRAULIC PUMP ASSEMBLY
2	NSS		1	CAP, FILLER
3	73873A1		1	PULLEY
4	32-98843-39		1	HOSE, RETURN (72")
5	54-815504206		1	CLAMP
6	32-55116		1	HOSE, PRESSURE (72")
7	85618T		1	CYLINDER (25-58224A1 SEAL REPAIR KIT)
9	816458A1		1	VALVE (25-58226A1 SEAL REPAIR KIT)
10	22-67305		1	GREASE FITTING
11	16-55190T		1	STUD
12	10-37612		1	SCREW (1-1/4")
13	13-35048		1	LOCKWASHER
14	23-60775		1	SLEEVE
15	23-60652		1	SLEEVE
16	55110		1	ADAPTOR (DUAL)
17	13-76629		1	LOCKWASHER
18	11-55111		1	NUT
19	32-55112		1	TUBE
20	12-37985		1	WASHER
21	11-37984		1	NUT
22	32-78895		1	TUBE, EXTENDING
23	32-78896		1	TUBE, EXTRACTING
24	NSS		1	BRACKET
25	10-31832		2	SCREW
26	13-31848		2	LOCKWASHER
27	93520		1	COLLAR
28	NSS		2	SCREW (2")
29	12-20086		2	WASHER
30	11-23161		2	NUT
31	79988A1		1	CLEVIS
32	10-67462		1	SCREW (2-1/4")
33	23-55118		1	SPACER
34	23-60776		1	BUSHING
35	11-49662		1	NUT
36	18-32665		1	COTTER PIN
37	23-60503		1	BUSHING
38	12-20086		1	WASHER
39	11-23161		1	NUT
40	17-52798		1	CLEVIS PIN
41	18-46950		1	COTTER PIN
43	11-28040		1	NUT

CONTINUED ON NEXT PAGE ➡

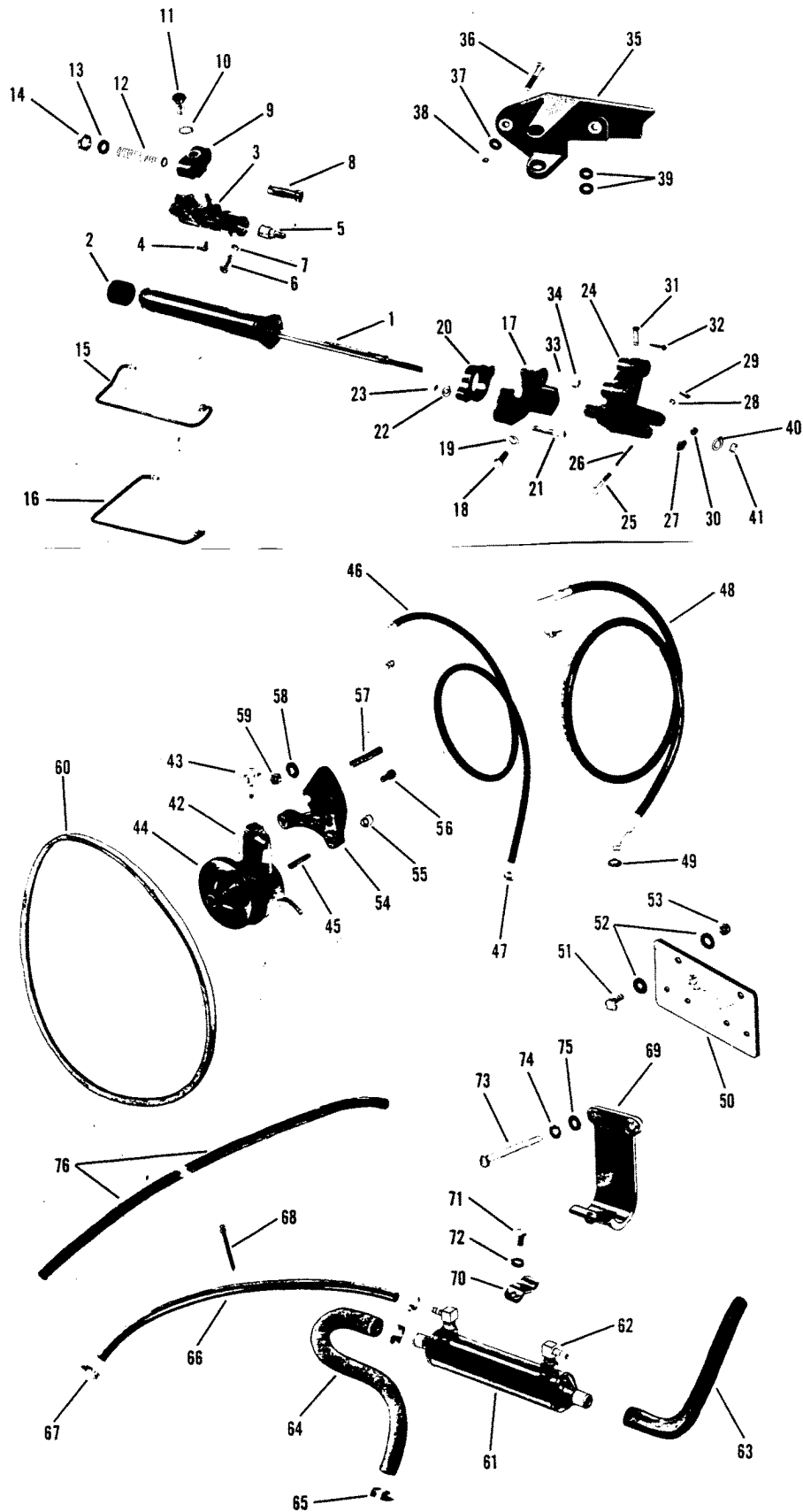
POWER STEERING KIT (71333A1)



POWER STEERING KIT (71333A1)

REF. NO.	PART NO.	SYM.	QTY.	DESCRIPTION
44	60502A1		1	BRACKET
45	10-60504		2	BOLT
46	12-20959		2	WASHER
47	11-20958		2	NUT
48	12-47533		2	WASHER

POWER STEERING KIT (76742A4)

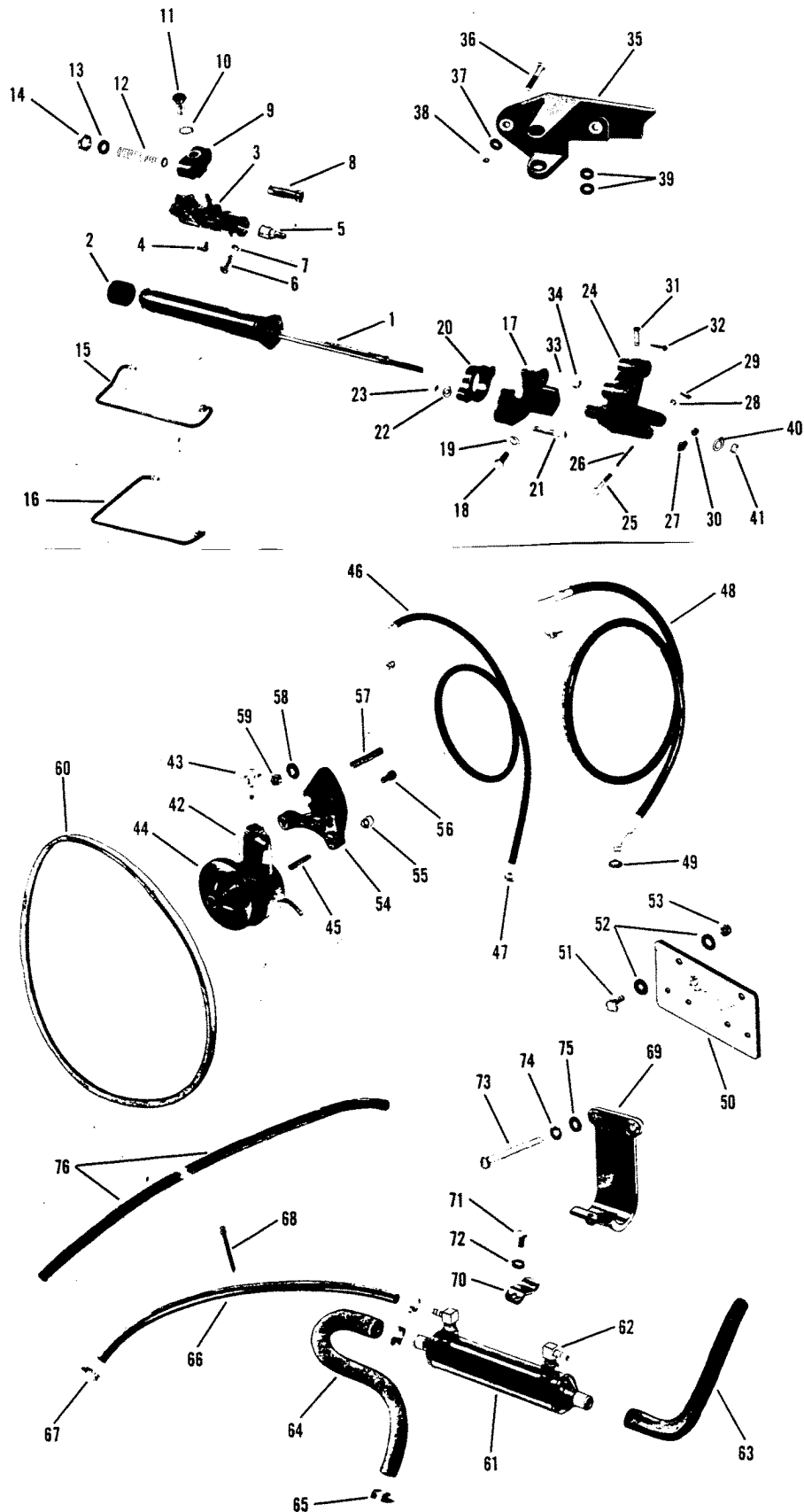


POWER STEERING KIT (76742A4)

REF. NO.	PART NO.	SYM.	QTY.	DESCRIPTION
-	76742A4		1	POWER STEERING GUIDE
1	85618T		1	CYLINDER (25-58224A1 SEAL REPAIR KIT)
2	25059		1	CAP
3	816458A1		1	VALVE (25-58226A1 SEAL REPAIR KIT)
4	22-67305		1	GREASE FITTING
5	16-55109T		1	STUD
6	10-37612		1	SCREW (1-1/4")
7	13-35048		1	LOCKWASHER
8	23-87592A1		1	SLEEVE KIT
9	55110		1	ADAPTOR (DUAL)
10	13-76629		1	LOCKWASHER
11	11-55111		1	NUT
12	32-55112		1	TUBE
13	12-37985		1	WASHER
14	11-37984		1	NUT
15	32-78895		1	TUBE, EXTENDING
16	32-78896		1	TUBE, RETRACTING
17	NSS		1	BRACKET
18	10-31832		2	SCREW
19	13-31848		2	LOCKWASHER
20	93520		1	COLLAR
21	NSS		2	SCREW (2")
22	12-20086		2	WASHER
23	11-23161		2	NUT
24	79988A1		1	CLEVIS
25	10-67462		1	SCREW (2-1/4")
26	23-55118		1	SPACER
27	23-60776		1	BUSHING
28	11-49662		1	NUT
29	18-32665		1	COTTER PIN
30	23-60503		1	BUSHING
31	17-52798		1	PIN
32	18-46950		1	COTTER PIN
33	12-20959		1	WASHER
34	11-28040		1	NUT
35	60502A1		1	BRACKET
36	10-60504		2	BOLT
37	12-20959		2	WASHER
38	11-20958		2	NUT
39	12-47533		2	WASHER
40	12-20086		1	WASHER
41	11-53300		1	NUT
42	90495A7		1	HYDRAULIC PUMP

CONTINUED ON NEXT PAGE ➡

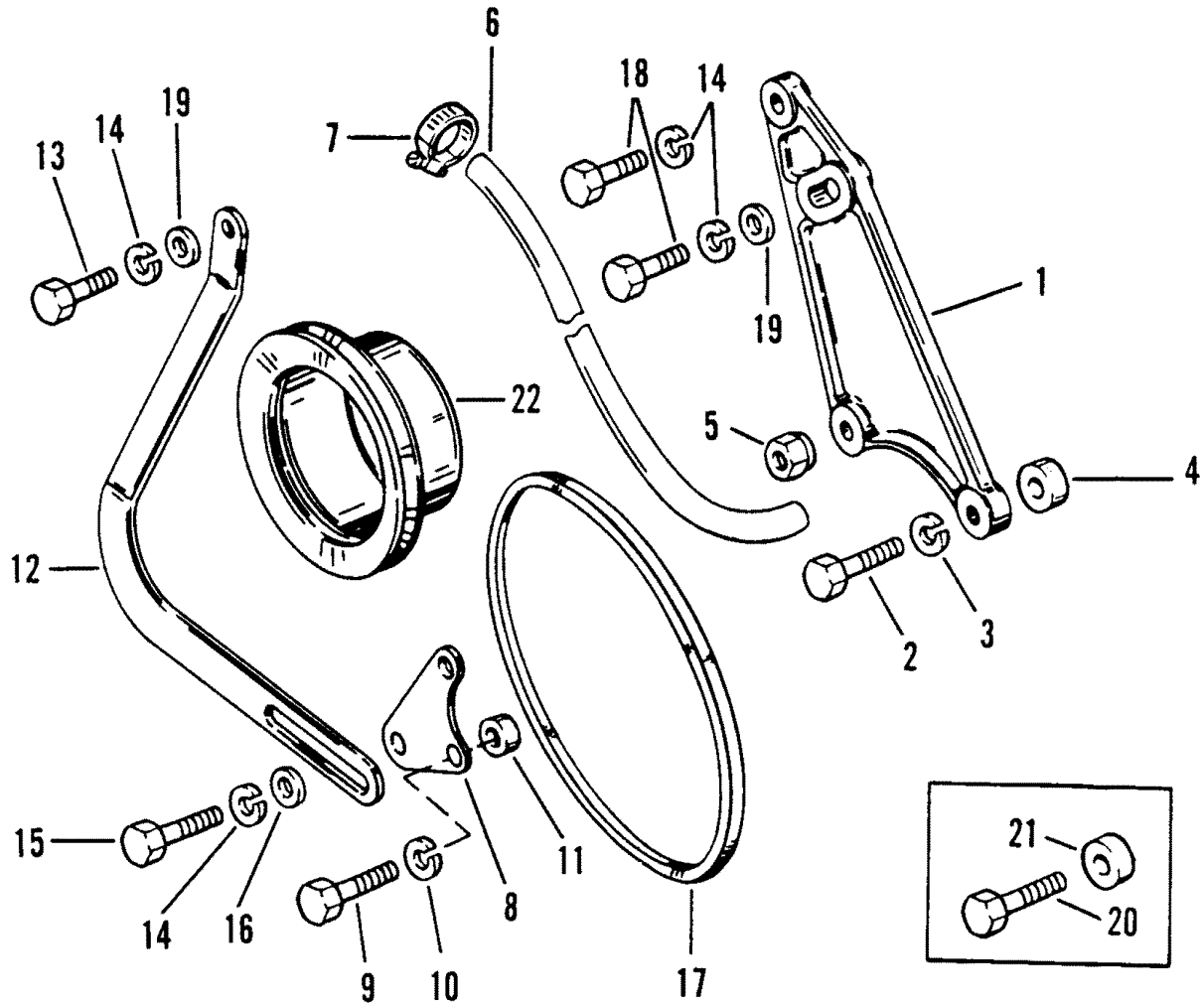
POWER STEERING KIT (76742A4)



POWER STEERING KIT (76742A4)

REF. NO.	PART NO.	SYM.	QTY.	DESCRIPTION
43	77108		1	FILLER CAP
44	73873A1		1	PULLEY
45	16-90511		1	STUD
46	32-98843-39		1	RETURN HOSE
47	54-815504206		1	CLAMP
48	32-90494		1	HOSE (60")
49	25-89879		1	O-RING
50	50-94893		3	EXTENSION PLATE
51	10-26065		6	SCREW (1")
52	12-56825		3	WASHER
53	11-45592		1	NUT
54	90510A1		1	BRACKET
55	11-25269		1	NUT
56	10-40084-20		1	ALLEN SCREW
57	16-54176		2	STUD (1-5/8")
58	12-55149		2	WASHER
59	11-25269		2	NUT
60	57-76269		1	V-BELT
61	NLA		1	OIL COOLER
62	22-37760		2	ELBOW
63	32-76206		1	HOSE
64	32-77475		1	HOSE
65	54-815504412		2	CLAMP
66	32-5219-15		1	HOSE (21")
67	54-815504104		2	CLAMP
68	77054		1	STRAP
69	76210		1	BRACKET
70	54-76209		1	CLAMP
71	10-65746		1	SCREW
72	13-26992		1	LOCKWASHER
73	10-85484		2	SCREW
74	13-35048		2	LOCKWASHER
75	12-25970		2	WASHER
76	32-77457-2		1	HOSE (48")

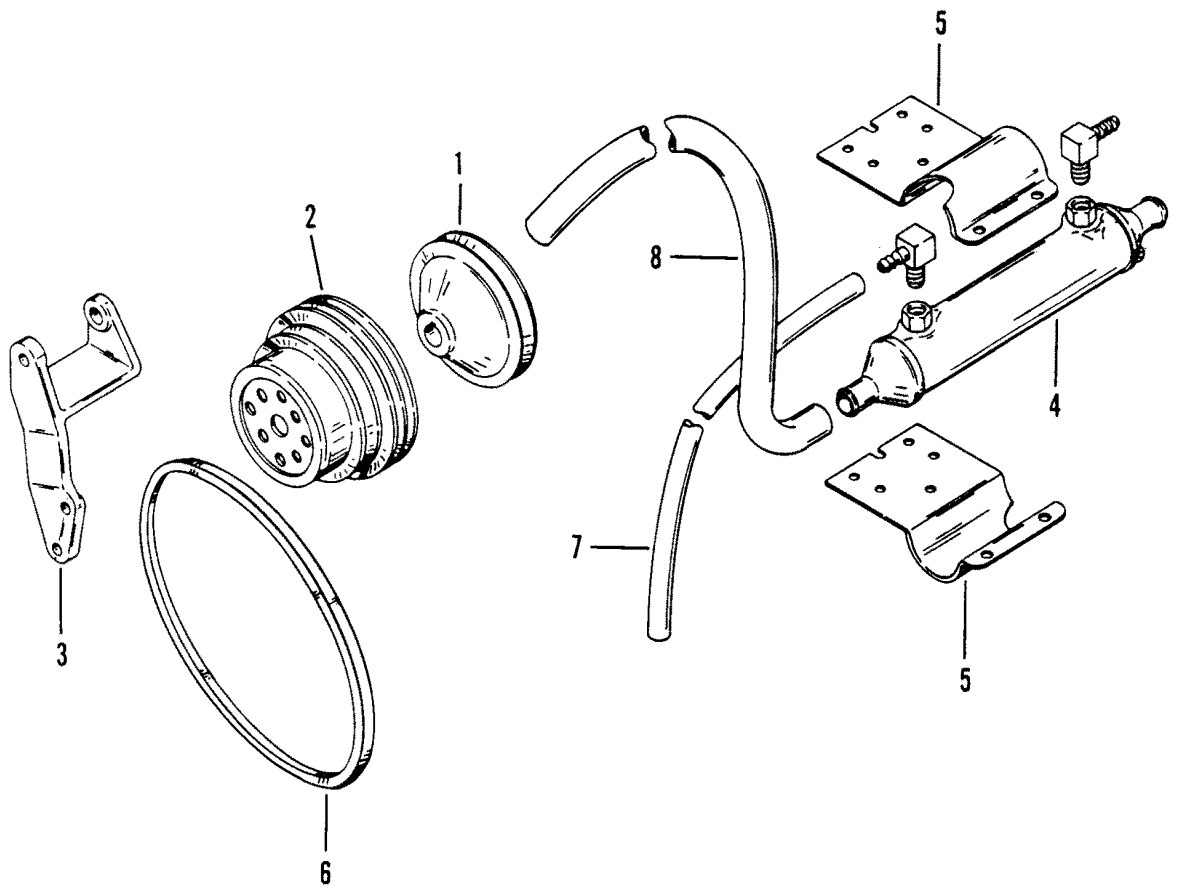
PUMP MOUNTING KIT (57611A2)



PUMP MOUNTING KIT (57611A2)

REF. NO.	PART NO.	SYM.	QTY.	DESCRIPTION
-	57611A2		1	PUMP MOUNTING KIT
1	57611T		1	BRACKET (REAR)
2	10-40001203		1	SCREW
3	13-40024-8		1	LOCKWASHER
4	23-90523		1	SPACER
5	11-90517		1	NUT
6	32-52519-15		1	HOSE (31")
7	54-815504206		2	CLAMP
8	85011A1		1	BRACKET (FRONT)
9	10-40001192		2	SCREW
10	13-40024-8		2	LOCKWASHER
11	23-90520		2	SPACER
12	88777		1	BRACE
13	10-76926		1	SCREW
14	13-35048		4	LOCKWASHER
15	10-34353		1	SCREW
16	12-64714		1	WASHER
17	57-77274A1		1	V-BELT (32.5")
18	10-34354		2	SCREW
19	12-38622		3	WASHER
20	10-73657		1	SCREW
21	23-90523		1	SPACER
22	75040A1		1	PULLEY

PUMP MOUNTING KIT (65515A2)

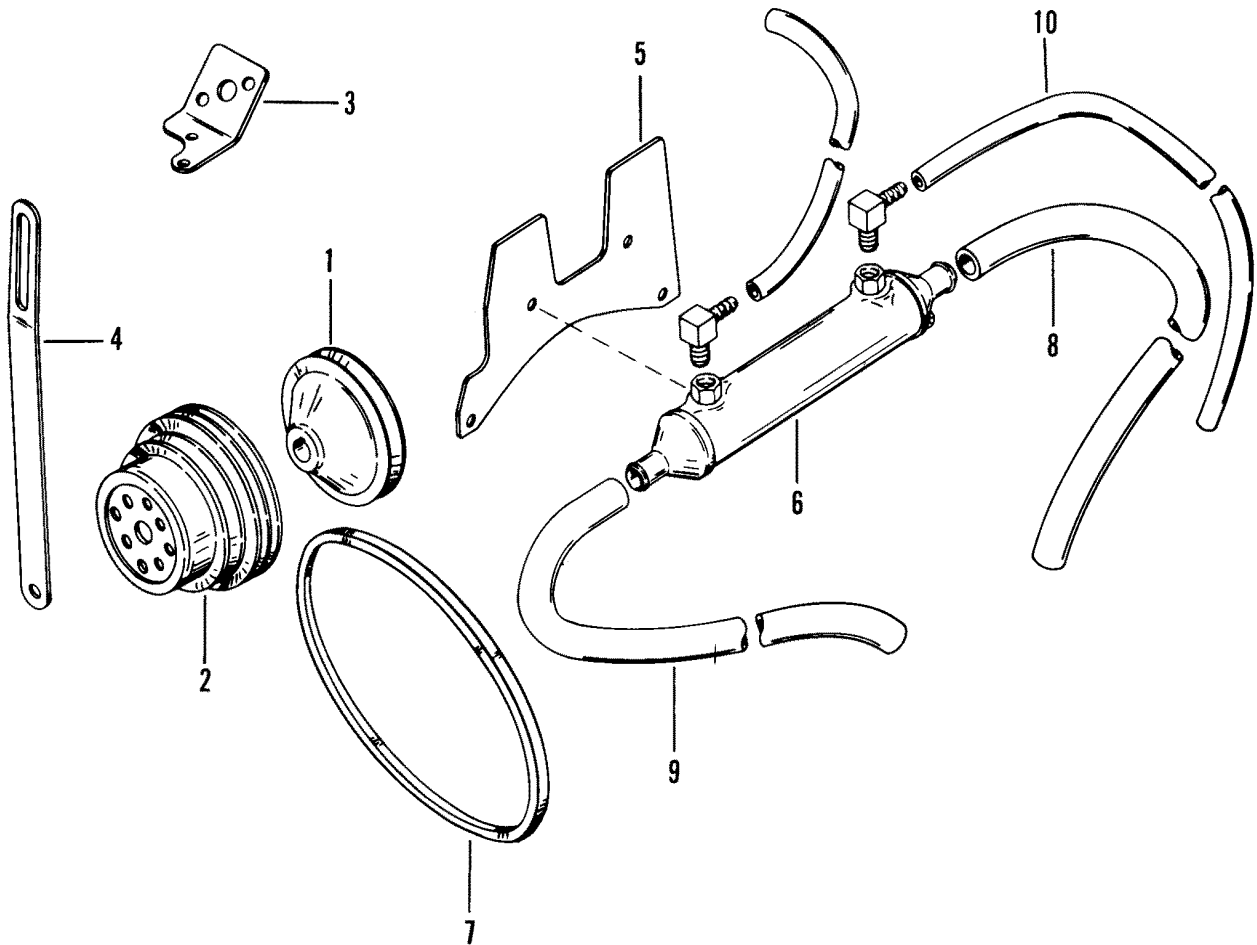


PUMP MOUNTING KIT (65515A2)

REF. NO.	PART NO.	SYM.	QTY.	DESCRIPTION
-	65515A2		1	PUMP MOUNTING KIT WITH OIL COOLER
1	NLA	■	1	PULLEY
2	73483T		1	PULLEY
3	65606T		1	BRACKET
4	NLA	■	1	OIL COOLER
5	NSS		N2	BRACKET
6	57-69143T		1	V-BELT, CIRCULATING PUMP (40")
7	57-65607T		1	V-BELT, POWER STEERING PUMP
8	32-52519-15		1	HOSE, WATER COOLER TO POWER STEERING PUMP
9	32-64909		1	HOSE, WATER-FLARED END

■ = NO LONGER AVAILABLE

PUMP MOUNTING KIT (65897A2)

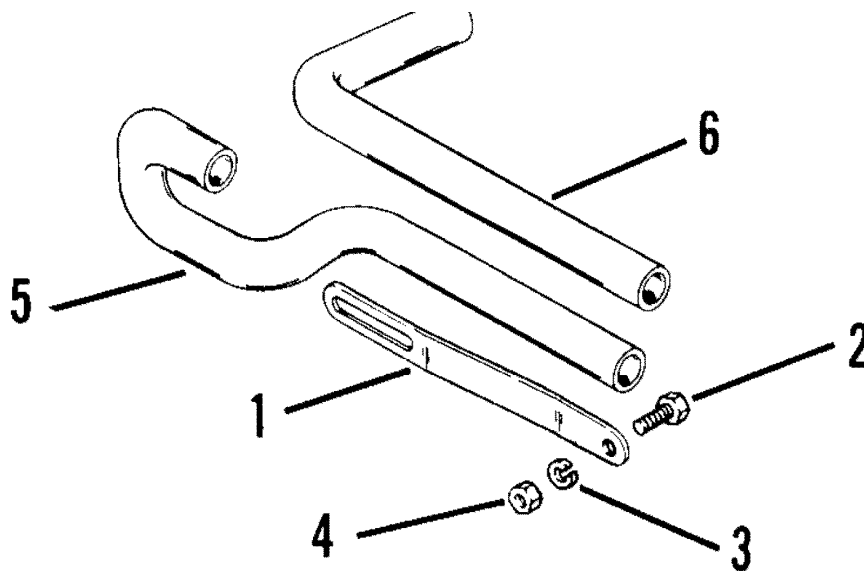


PUMP MOUNTING KIT (65897A2)

REF. NO.	PART NO.	SYM.	QTY.	DESCRIPTION
-	65897A2		1	PUMP MOUNTING KIT WITH OIL COOLER
1	NLA	■	1	PULLEY
2	73483T		1	PULLEY
3	68039		1	BRACKET
4	NLA	■	1	BRACE
5	NSS		1	BRACKET
6	NLA	■	1	OIL COOLER
7	57-69143T		1	V-BELT, ALTERNATOR (40")
	57-68038		1	V-BELT, POWER STEERING PUMP
8	32-64909		1	HOSE
9	NSS		1	HOSE
10	32-52519-15		1	HOSE

■ = NO LONGER AVAILABLE

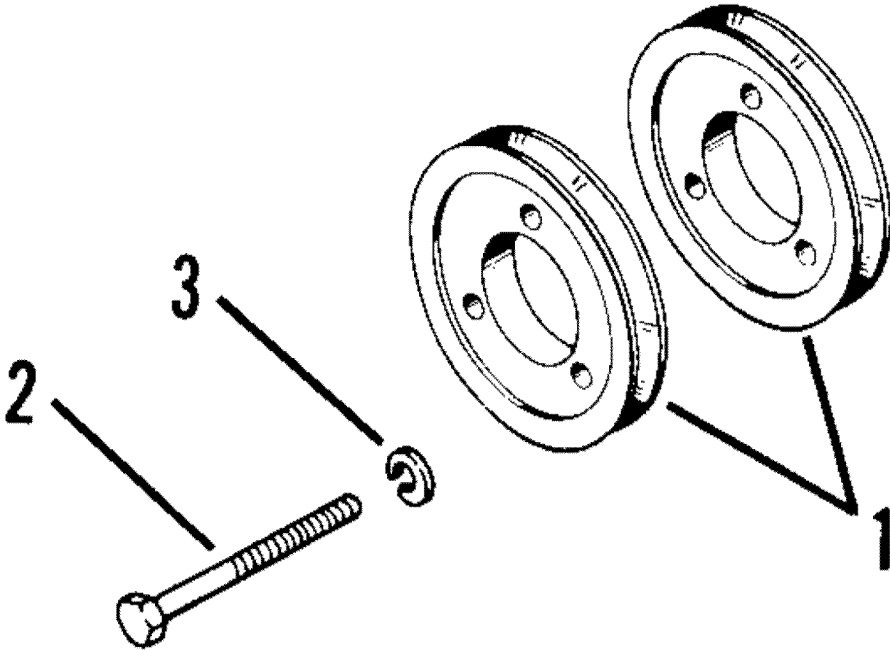
PUMP RELOCATION KIT (77640A1)



PUMP RELOCATION KIT (77640A1)

REF. NO.	PART NO.	SYM.	QTY.	DESCRIPTION
-	77640A1		1	PUMP RELOCATION KIT
1	77640		1	BRACE
2	10-58126		1	SCREW
3	13-35048		1	LOCKWASHER
4	11-46335		1	NUT
5	32-57230		1	HOSE
6	32-71613		1	HOSE

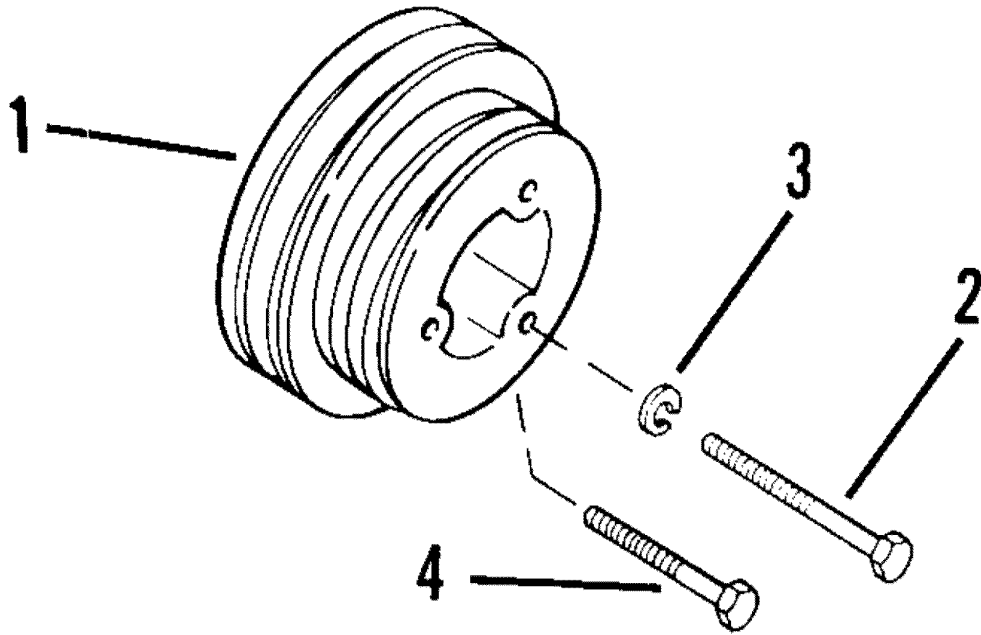
AUXILIARY PULLEY KIT



AUXILIARY PULLEY KIT

REF. NO.	PART NO.	SYM.	QTY.	DESCRIPTION
1	92739A2		1	AUXILIARY PULLEY KIT
2	10-35787		3	SCREW
3	12-28105		3	WASHER

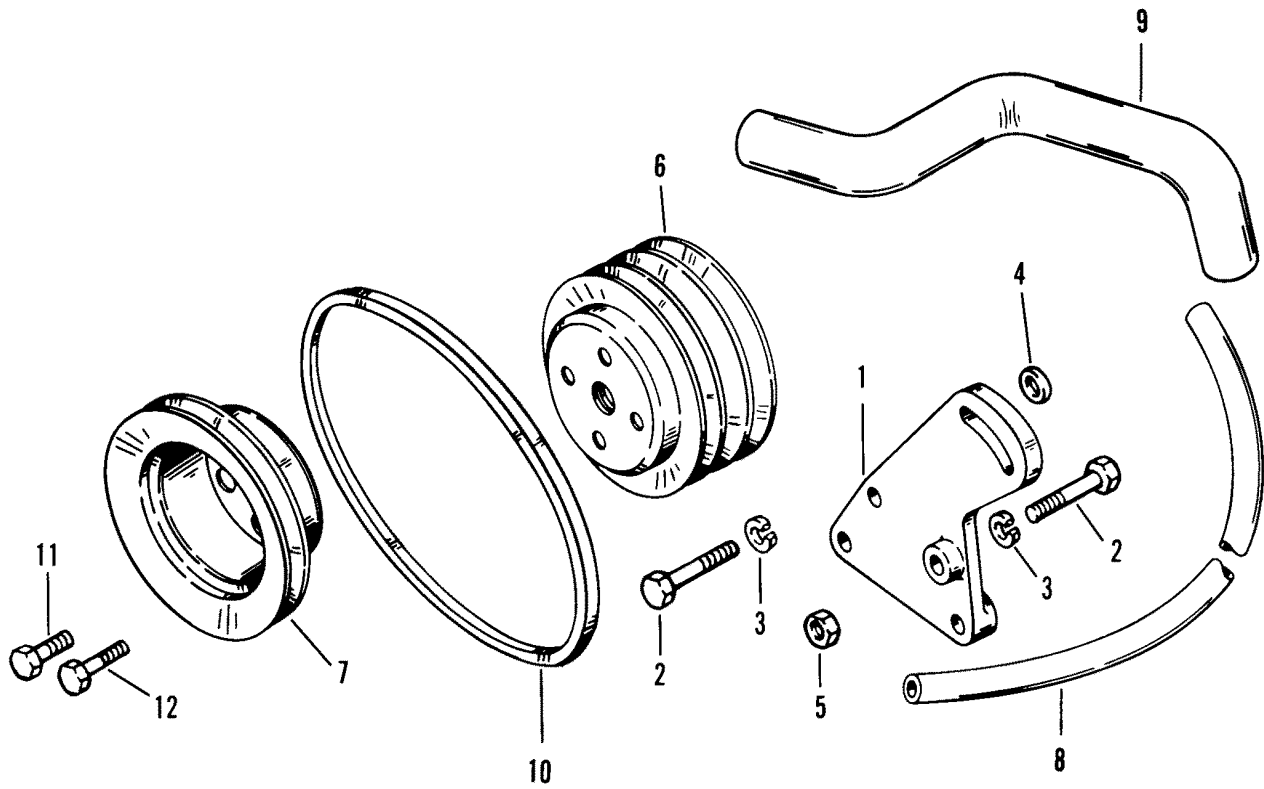
PULLEY ASSEMBLY



PULLEY ASSEMBLY

REF. NO.	PART NO.	SYM.	QTY.	DESCRIPTION
1	48085A1		0	PULLEY ASSEMBLY, AUXILIARY DRIVE QUANTITIES: (48085A1) - 1, (48086A1) - 0
	48086A1		0	PULLEY ASSEMBLY, AUXILIARY DRIVE QUANTITIES: (48085A1) - 0, (48086A1) - 1
2	10-48989		0	SCREW (4") QUANTITIES: (48085A1) - 3, (48086A1) - 0
	10-48308		0	SCREW (3-3/4") QUANTITIES: (48085A1) - 0, (48086A1) - 3
3	13-35048		0	LOCKWASHER QUANTITIES: (48085A1) - 3, (48086A1) - 3
4	10-32515		0	SCREW QUANTITIES: (48085A1) - 0, (48086A1) - 1

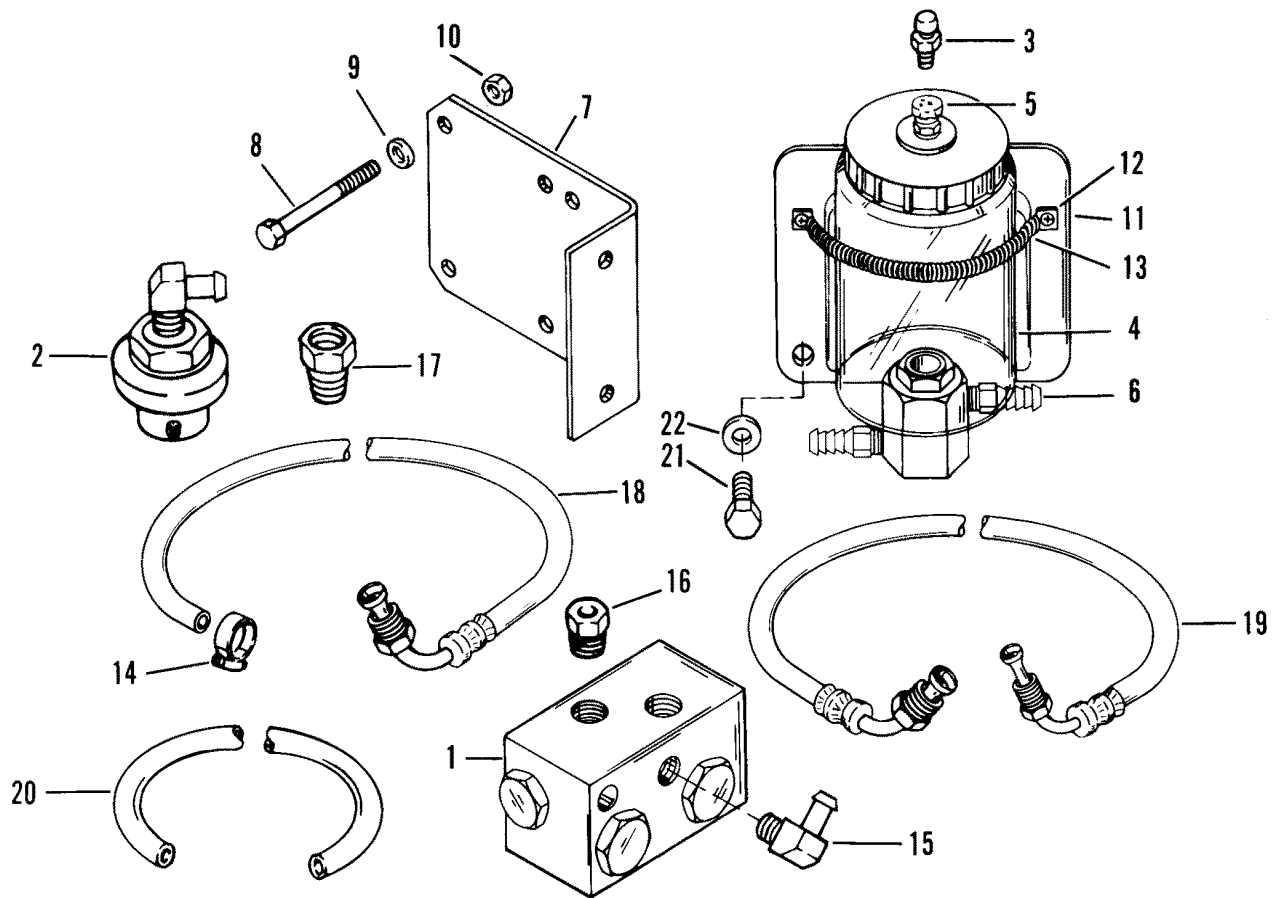
PUMP RELOCATION KIT (90981A1)



PUMP RELOCATION KIT (90981A1)

REF. NO.	PART NO.	SYM.	QTY.	DESCRIPTION
-	90981A1		1	PUMP RELOCATION KIT
1	90981A2		1	BRACKET
2	10-34354		4	SCREW
3	13-35048		4	LOCKWASHER
4	12-34714		1	WASHER
5	11-86317		1	NUT
6	151520T		1	PULLEY (3 GROOVES)
7	90081A1		1	PULLEY (1 GROOVE)
8	32-52519-15		1	HOSE (38")
9	32-93499		1	HOSE
10	57-49213A1		1	V-BELT, ALTERNATOR (44")
11	57-91035A1		1	V-BELT, POWER STEERING PUMP
12	10-98261		1	SCREW
13	10-29198		1	SCREW

POWER STEERING PRIORITY VALVE KIT

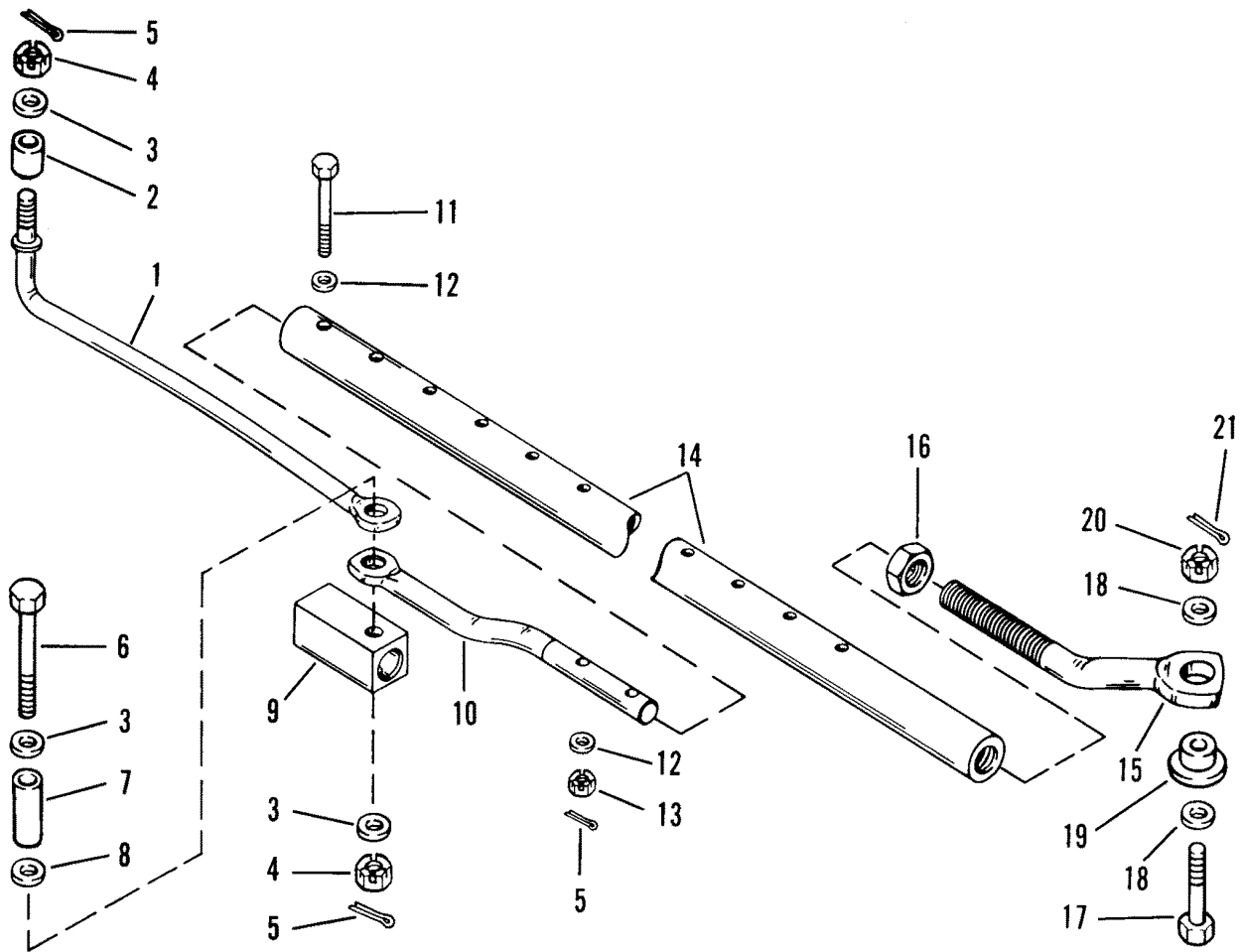


POWER STEERING PRIORITY VALVE KIT

REF. NO.	PART NO.	SYM.	QTY.	DESCRIPTION
-	79691A1		1	POWER STEERING PRIORITY VALVE KIT
1	NSS		1	VALVE, PRIORITY
2	36-812388A1		2	CAP ASSEMBLY
3	21-87017		1	CHECK VALVE
4	86250A2		1	BOTTLE ASSEMBLY
5	22-47902		1	VENT
6	22-34982		2	CONNECTOR
7	79688		1	BRACKET
8	10-89318		1	SCREW
9	12-26825		6	WASHER
10	11-26484		2	NUT
11	86030		1	BRACKET
12	67905		2	RETAINER
13	24-67908		1	SPRING
14	54-815504206		10	CLAMP
15	22-68727		3	FITTING
16	22-89029		2	ADAPTER
17	22-33821		1	CONNECTOR
18	NLA	■	1	HOSE, RETURN
19	32-79686		1	HOSE, PRESSURE
20	32-52519-15		1	HOSE
21	10-22793		3	SCREW
22	12-58198		3	WASHER

■ = NO LONGER AVAILABLE

DUAL ENGINE ATTACHING KIT

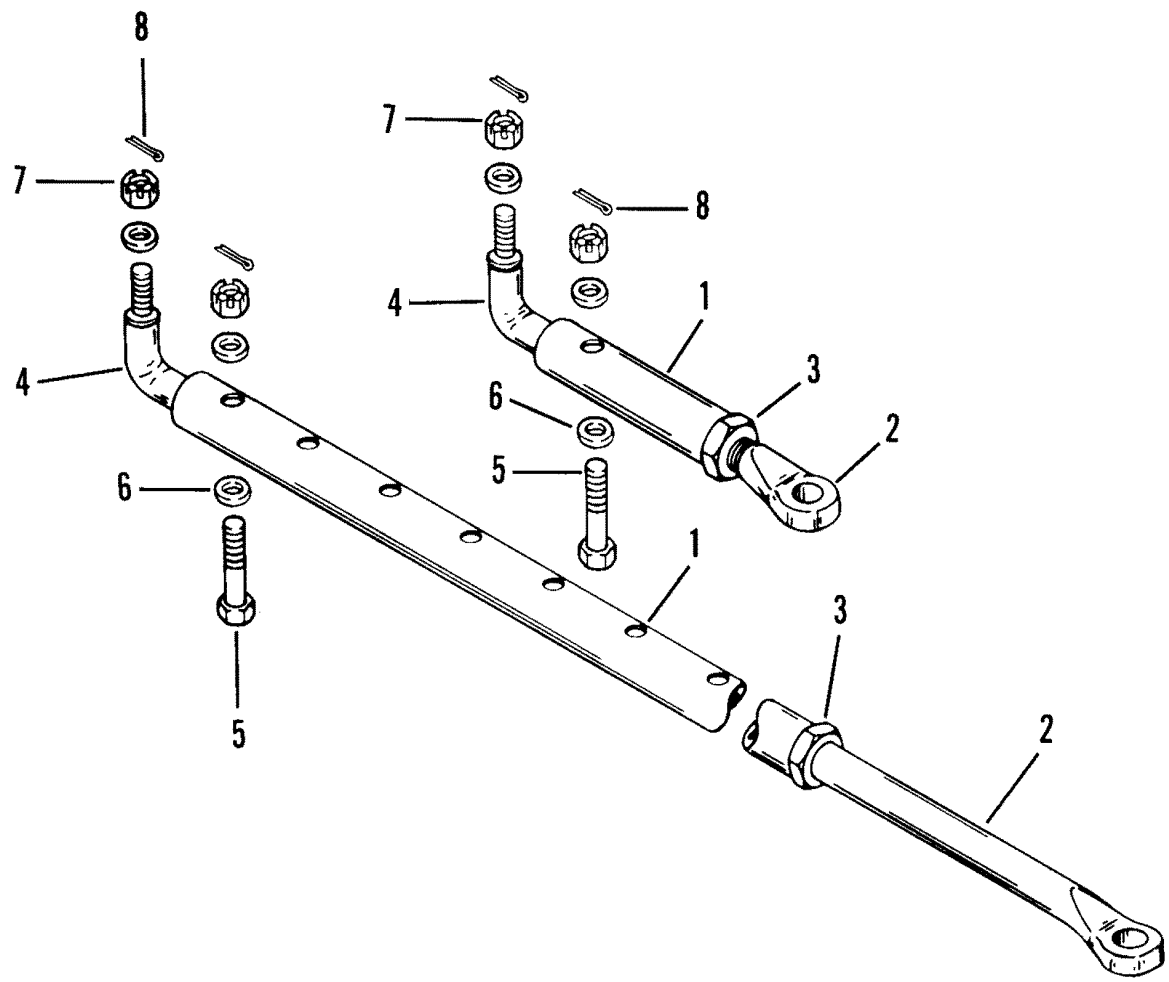


DUAL ENGINE ATTACHING KIT

REF. NO.	PART NO.	SYM.	QTY.	DESCRIPTION
-	73185A1		1	DUAL ENGINE ATTACHING KIT
1	73426		1	LINK ROD
2	23-52698		1	SLEEVE
3	12-25909		3	WASHER
4	11-55438		2	NUT
5	18-32665		4	COTTER PIN
6	10-73472		1	SCREW
7	23-73424		1	BUSHING
8	12-20959		2	WASHER
9	73425		1	ADAPTOR
10	73427		1	STEERING EYE (FIXED)
11	10-66976		2	SCREW
12	12-21249		4	WASHER
13	11-49662		2	NUT
14	NLA	■	1	TUBE, ADJUSTING
15	73428A1		1	STEERING EYE (ADJUSTING)
16	11-24156		1	JAM NUT
17	10-66977		1	SCREW
18	12-25909		2	WASHER
19	23-60503		1	BUSHING
20	11-55438		1	NUT
21	18-32665		1	COTTER PIN

■ = NO LONGER AVAILABLE

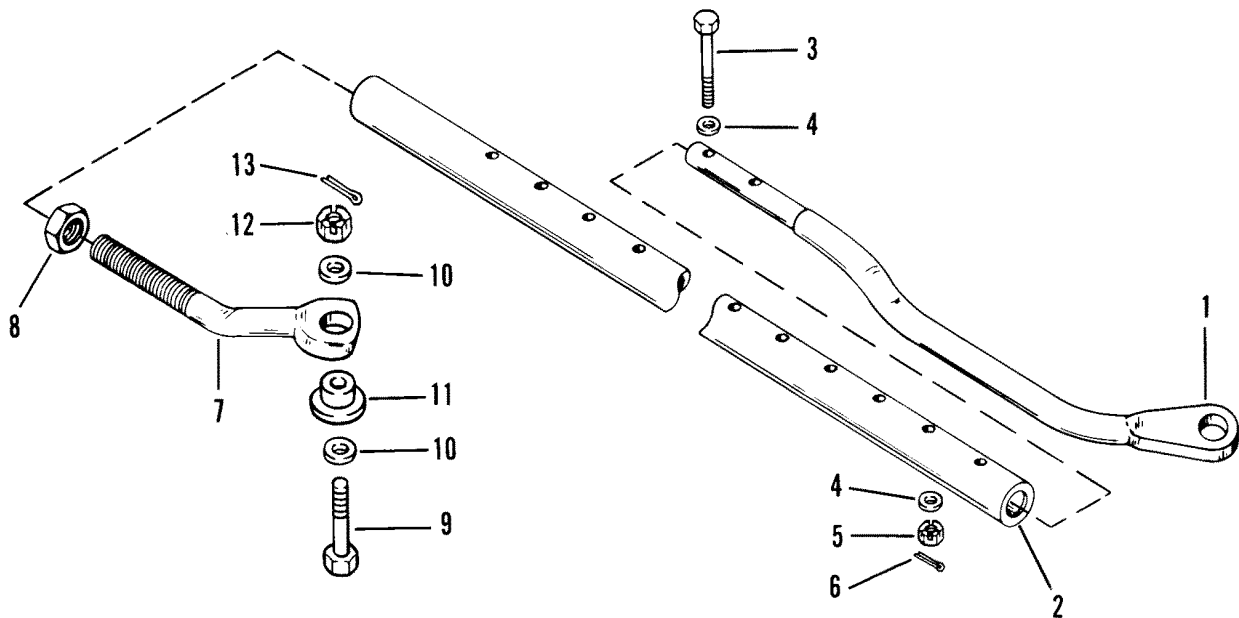
DUAL ENGINE TIE BAR KIT (W/POWER STEERING)



DUAL ENGINE TIE BAR KIT (W/POWER STEERING)

REF. NO.	PART NO.	SYM.	QTY.	DESCRIPTION
-	87424A1		0	DUAL ENGINE TIE BAR KIT QUANTITIES: [87427A1] - 1, [57270A10, A11] - 0
-	57240A10		0	DUAL ENGINE TIE BAR KIT QUANTITIES: [87427A1] - 0, [57270A10, A11] - 1
-	57240A11		0	DUAL ENGINE TIE BAR KIT QUANTITIES: [87427A1] - 0, [57270A10, A11] - 1
1	NSS		0	TUBE, TIE BAR QUANTITIES: [87427A1] - 0, [57270A10, A11] - 1
	NSS		0	TUBE, TIE BAR QUANTITIES: [87427A1] - 1, [57270A10, A11] - 0
2	NSS		0	EYE, STEERING (ADJUSTABLE) QUANTITIES: [87427A1] - 0, [57270A10, A11] - 1
	NSS		0	EYE, STEERING (ADJUSTABLE) QUANTITIES: [87427A1] - 1, [57270A10, A11] - 0
3	11-20739		0	JAM NUT QUANTITIES: [87427A1] - 1, [57270A10, A11] - 1
4	NSS		0	EYE, STEERING (FIXED) QUANTITIES: [87427A1] - 1, [57270A10, A11] - 1
5	10-66977		0	SCREW QUANTITIES: [87427A1] - 1, [57270A10, A11] - 1
6	12-20086		0	WASHER, STEERING EYE SCREW QUANTITIES: [87427A1] - 3, [57270A10, A11] - 3
7	11-55438		0	NUT, CASTLE (3/8-24") QUANTITIES: [87427A1] - 2, [57270A10, A11] - 2
8	18-45882		0	COTTER PIN QUANTITIES: [87427A1] - 2, [57270A10, A11] - 2

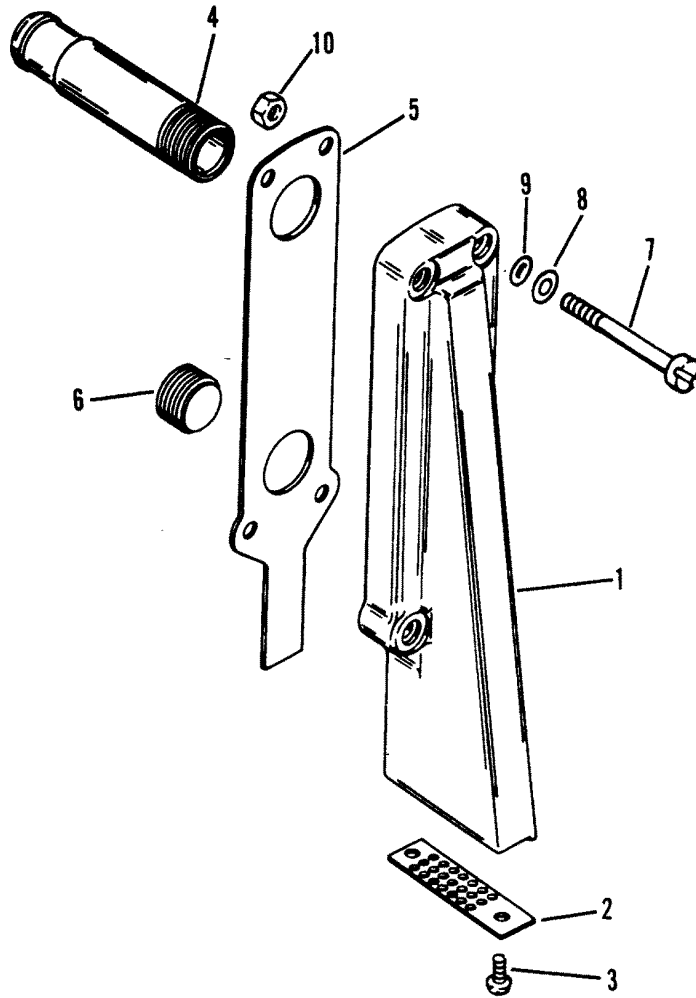
DUAL ENGINE TIE BAR KIT



DUAL ENGINE TIE BAR KIT

REF. NO.	PART NO.	SYM.	QTY.	DESCRIPTION
-	61359A7		1	DUAL ENGINE TIE BAR KIT
1	90219		1	STEERING EYE (FIXED)
2	NLA		1	TUBE ADJUSTING
3	10-66976		2	SCREW
4	12-29245		4	WASHER
5	11-49662		2	NUT
6	18-32665		2	COTTER PIN
7	73428A1		1	STEERING EYE (ADJUSTABLE)
8	11-24156		1	JAM NUT
9	10-66977		1	SCREW
10	12-25909		2	WASHER
11	23-60503		1	BUSHING
12	11-55438		1	NUT
13	18-32665		1	COTTER PIN

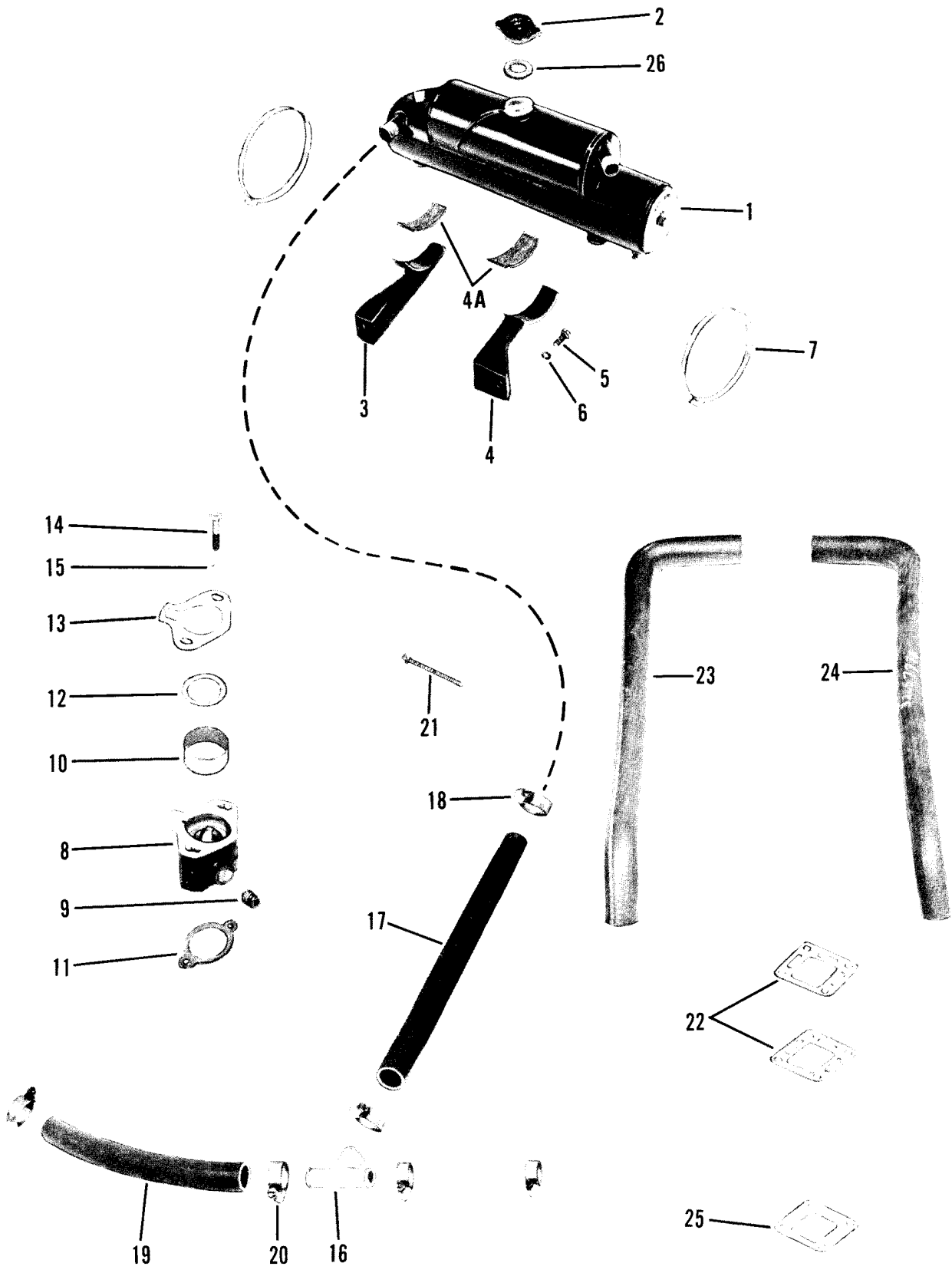
WATER PICK-UP KIT



WATER PICK-UP KIT

REF. NO.	PART NO.	SYM.	QTY.	DESCRIPTION
-	88845A1		1	WATER PICK-UP KIT
1	NSS		1	BRACKET
2	35-86844		1	SCREEN
3	10-86843		2	SCREW
4	86700T		1	TUBE
5	27-88900		1	GASKET
6	22-88847		1	PIPE PLUG
7	10-89032		4	SCREW
8	12-56720		8	WASHER
9	25-30641		4	O-RING
10	11-67980		4	NUT

FRESH WATER COOLING KIT (74643A1)

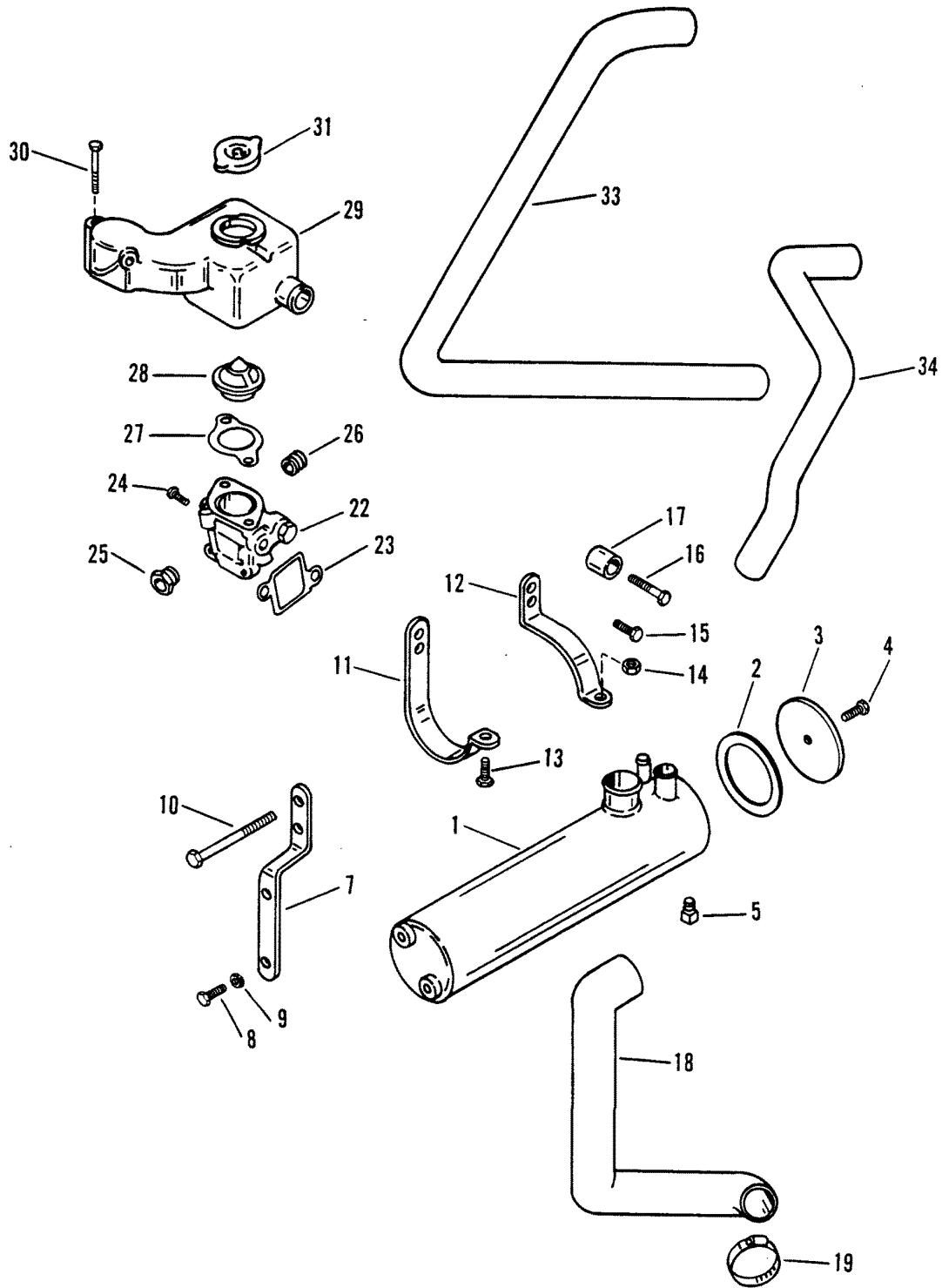


FRESH WATER COOLING KIT (74643A1)

REF. NO.	PART NO.	SYM.	QTY.	DESCRIPTION
-	74643A1		1	FRESH WATER COOLING KIT
1	74643A2		1	TANK ASSEMBLY
2	36-55143		1	CAP
3	NSS		1	BRACKET (PORT)
4	NLA	■	1	BRACKET (STARBOARD)
4A	77223-3		2	PAD
5	10-34353		2	SCREW (1")
6	13-35048		2	LOCKWASHER
7	54-815504372		2	CLAMP
8	55131A5		1	THERMOSTAT HOUSING
9	22-47540		2	PIPE PLUG
10	23-47508		1	SLEEVE
11	27-53045-1		1	GASKET
12	27-47510		1	GASKET
13	27-48818-1		1	GASKET
14	10-48115		2	SCREW
15	13-35018		2	LOCKWASHER
16	22-63067		1	TEE
17	32-53461-70		1	HOSE (48")
18	54-815504220		2	CLAMP
19	32-33220-70		1	HOSE
20	54-815504220		4	CLAMP
21	54-816311		1	STA-STRAP
22	27-48042		4	GASKET
23	32-57777		1	HOSE (PORT)
24	32-57776		1	HOSE (STARBOARD)
25	74829		2	PLATE
26	27-71614		1	GASKET
-	71587A10		1	COOLANT RECOVERY KIT
-	22-32802		1	HEAT EXCHANGE TANK REPLACEMENT PLUG (1/8-27)
-	27-65128		2	HEAT EXCHANGE TANK REPLACEMENT GASKET, END COVER
-	66221		2	HEAT EXCHANGE TANK REPLACEMENT COVER, END
-	10-66223		2	HEAT EXCHANGE TANK REPLACEMENT SCREW, END COVER
-	10-75451		2	HEAT EXCHANGE TANK REPLACEMENT WASHER, FIBER

■ = NO LONGER AVAILABLE

FRESH WATER COOLING KIT (61086A4, A6)



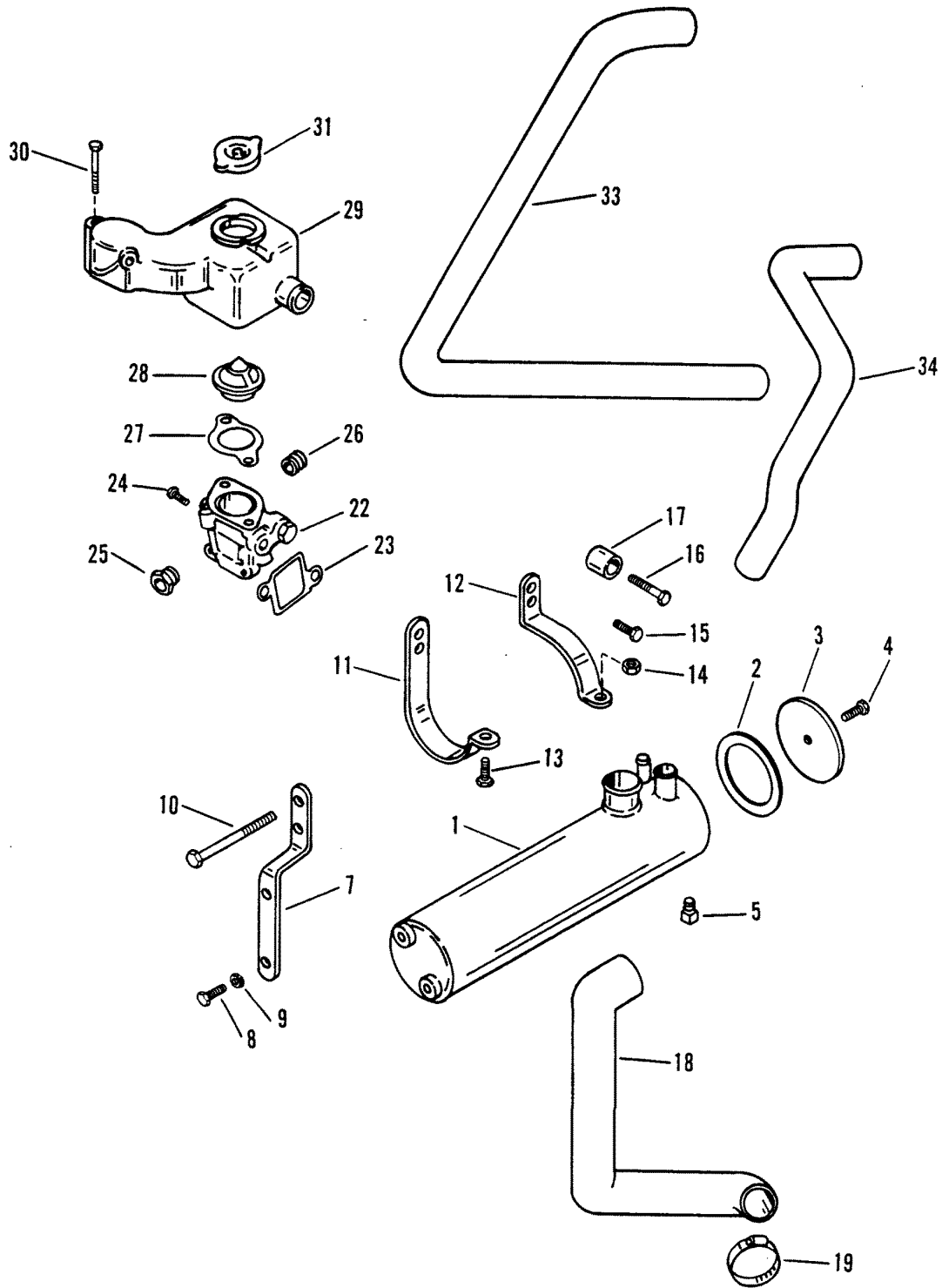
FRESH WATER COOLING KIT (61086A4, A6)

REF. NO.	PART NO.	SYM.	QTY.	DESCRIPTION
-	61086A4		0	FRESH WATER COOLING KIT QUANTITIES: [61086A4] - 1, [61086A6] - 0
-	61086A6		0	FRESH WATER COOLING KIT QUANTITIES: [61086A4] - 0, [61086A6] - 1
1	61086A7		0	TANK ASSEMBLY QUANTITIES: [61086A4] - 1, [61086A6] - 1
2	27-65128		0	GASKET QUANTITIES: [61086A4] - 1, [61086A6] - 1
3	66221		0	CAP QUANTITIES: [61086A4] - 1, [61086A6] - 1
4	10-66223		0	SCREW QUANTITIES: [61086A4] - 1, [61086A6] - 1
5	22-65129		0	ZINC ANODE QUANTITIES: [61086A4] - 1, [61086A6] - 1
7	61895		0	BRACKET (FRONT) QUANTITIES: [61086A4] - 1, [61086A6] - 1
8	10-98261		0	SCREW (3/4") QUANTITIES: [61086A4] - 2, [61086A6] - 2
9	13-35048		0	LOCKWASHER QUANTITIES: [61086A4] - 2, [61086A6] - 2
10	NLA	■	0	SCREW (5") QUANTITIES: [61086A4] - 2, [61086A6] - 2
11	61899		0	BRACKET (REAR LOWER) QUANTITIES: [61086A4] - 1, [61086A6] - 1
12	61897T		0	BRACKET (REAR UPPER) QUANTITIES: [61086A4] - 1, [61086A6] - 1
13	10-60300		0	SCREW (3/4") QUANTITIES: [61086A4] - 1, [61086A6] - 0
	10-65027		0	SCREW (1") QUANTITIES: [61086A4] - 0, [61086A6] - 1
14	11-35045		0	NUT QUANTITIES: [61086A4] - 1, [61086A6] - 1
15	10-76926		0	SCREW (7/8") QUANTITIES: [61086A4] - 1, [61086A6] - 1
16	10-37612		0	SCREW (1-1/4") QUANTITIES: [61086A4] - 1, [61086A6] - 1
17	23-57369		0	SPACER QUANTITIES: [61086A4] - 1, [61086A6] - 1
18	32-62250		0	HOSE QUANTITIES: [61086A4] - 1, [61086A6] - 0
	32-96763		0	HOSE QUANTITIES: [61086A4] - 0, [61086A6] - 1
19	54-815504228		0	CLAMP QUANTITIES: [61086A4] - 2, [61086A6] - 2
20	54-62494		0	CLAMP QUANTITIES: [61086A4] - 1, [61086A6] - 0
21	22-59351		0	ELBOW (900) (EARLY DESIGN) QUANTITIES: [61086A4] - 1, [61086A6] - 0
22	68673A1		0	THERMOSTAT HOUSING ASSEMBLY QUANTITIES: [61086A4] - 1, [61086A6] - 1
23	27-814680		0	GASKET QUANTITIES: [61086A4] - 1, [61086A6] - 1
24	10-34353		0	SCREW (1") QUANTITIES: [61086A4] - 1, [61086A6] - 0
	10-20359		0	SCREW (1") QUANTITIES: [61086A4] - 0, [61086A6] - 1
	10-37612		0	SCREW (1-1/4") QUANTITIES: [61086A4] - 1, [61086A6] - 1
25	22-52382		0	BUSHING, REDUCER QUANTITIES: [61086A4] - 1, [61086A6] - 1
26	22-32804		0	PLUG QUANTITIES: [61086A4] - 2, [61086A6] - 0
27	27-33918		0	GASKET QUANTITIES: [61086A4] - 1, [61086A6] - 1
28	805273-1		0	THERMOSTAT QUANTITIES: [61086A4] - 1, [61086A6] - 1
29	96878A2		0	RESERVOIR ASSEMBLY QUANTITIES: [61086A4] - 1, [61086A6] - 1
30	10-64900		0	SCREW (2") QUANTITIES: [61086A4] - 2, [61086A6] - 0
	10-35787		0	SCREW (2-1/4") QUANTITIES: [61086A4] - 0, [61086A6] - 2

■ = NO LONGER AVAILABLE

CONTINUED ON NEXT PAGE ➡

FRESH WATER COOLING KIT (61086A4, A6)

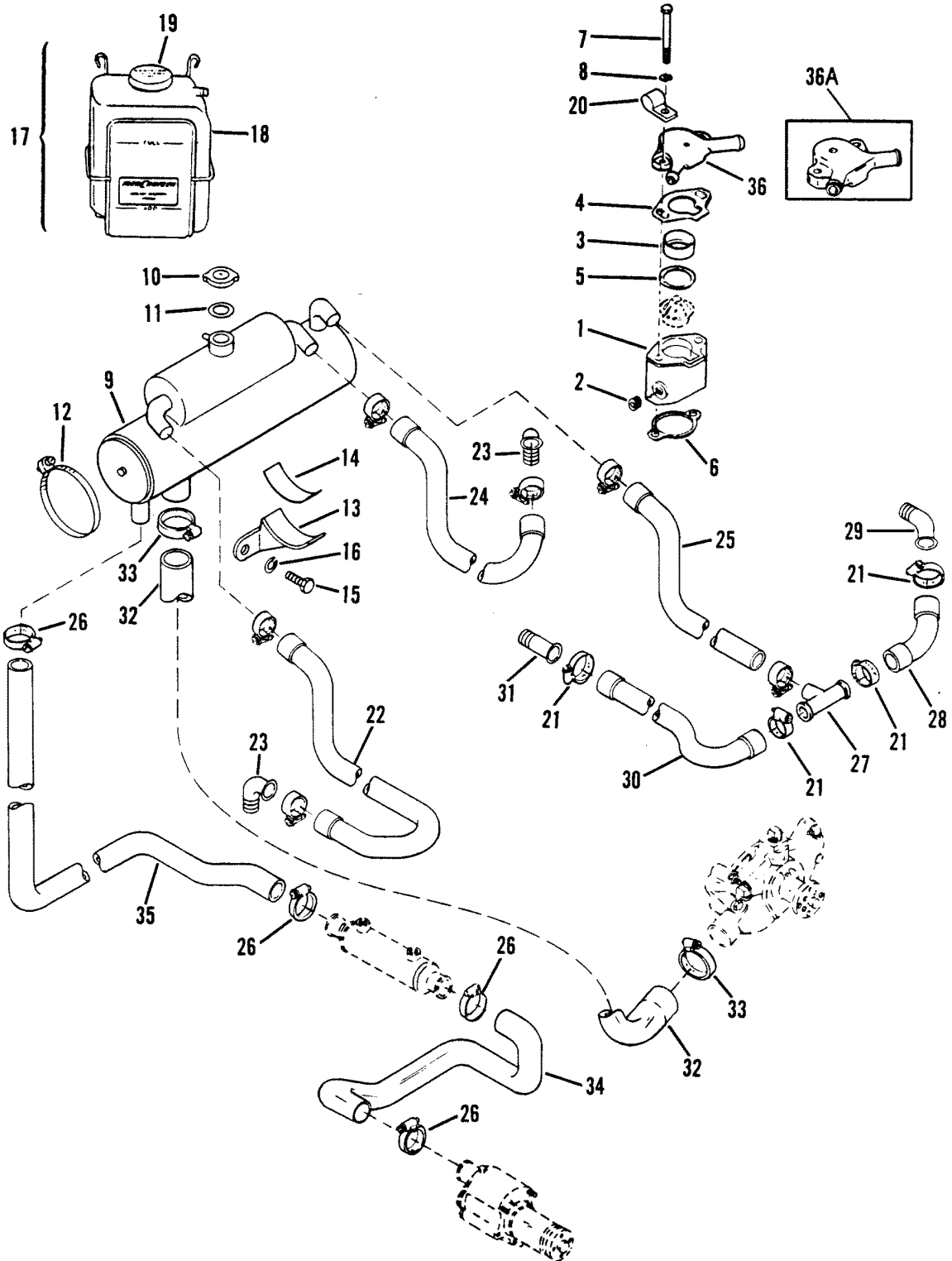


FRESH WATER COOLING KIT (61086A4, A6)

REF. NO.	PART NO.	SYM.	QTY.	DESCRIPTION
31	36-55143		0	CAP, PRESSURE QUANTITIES: [61086A4] - 1, [61086A6] - 0
	36-13130		0	CAP, PRESSURE QUANTITIES: [61086A4] - 0, [61086A6] - 1
32	32-61115		0	HOSE QUANTITIES: [61086A4] - 1, [61086A6] - 0
33	NLA	■	0	HOSE QUANTITIES: [61086A4] - 1, [61086A6] - 0
	32-96766		0	HOSE QUANTITIES: [61086A4] - 0, [61086A6] - 1
34	32-62205		0	HOSE QUANTITIES: [61086A4] - 1, [61086A6] - 0
	32-96765		0	HOSE QUANTITIES: [61086A4] - 0, [61086A6] - 1
-	71587A10		0	COOLANT RECOVERY KIT QUANTITIES: [61086A4] - 1, [61086A6] - 1

■ = NO LONGER AVAILABLE

CLOSED COOLING SYSTEM (PART NO. 78094A2)



CLOSED COOLING SYSTEM (PART NO. 78094A2)

REF. NO.	PART NO.	SYM.	QTY.	DESCRIPTION
-	78094A2		1	CLOSED COOLING SYSTEM
1	55131A5		1	THERMOSTAT HOUSING
2	22-47540		2	PIPE PLUG
3	23-47508		1	SLEEVE
4	27-48818--1		1	GASKET, UPPER
5	27-47510		1	GASKET, MIDDLE
6	27-53045--1		1	GASKET, LOWER
7	10-48115		2	SCREW (3-1/2")
8	13-35048		2	LOCKWASHER
9	78094A3		1	RESERVOIR ASSEMBLY SEE RESERVOIR ASSEMBLY REPLACEMENT PARTS BELOW
10	36-55143		1	CAP, PRESSURE
11	27-71614		1	GASKET
12	54-815504372		2	CLAMP
13	79437A2	○	1	BRACKET (PORT)
	78092A1	♥□	1	BRACKET (PORT)
	79438A3	○	1	BRACKET (STARBOARD)
	78093A3	♥□	1	BRACKET (STARBOARD)
14	77223--3		2	PAD
15	10-37612		3	SCREW (1-1/4")
16	13-35048		2	LOCKWASHER
17	71587A10	▶	1	COOLANT RECOVER SYSTEM
18	71587A11		1	BOTTLE
19	72058		1	CAP
20	54-97862		1	CLAMP
21	54-815504220		8	CLAMP
22	32-19403	○★	1	HOSE (STARBOARD)
22/24	32-33220-70	○★	2	HOSE (STARBOARD & PORT)
22	32-91954--1	♥□	1	HOSE (STARBOARD)
23	22-36305	○★	2	ELBOW (90 DEGREE)
	22-92499	♥□	1	CONNECTOR (45 DEGREE)
24	32-19404	○★	1	HOSE (PORT)
	32-97558	♥	1	HOSE (PORT)
25	32-53461-70	○★	1	HOSE
	32-97557	♥	1	HOSE
	32-816261--3	□	1	HOSE
26	54-815504220		6	CLAMP
27	22-55133T		1	TEE
28	32-33220-70	○	1	HOSE (PORT)
	32-48132	♥	1	HOSE (PORT)

○ = CONTENTS OF INSTALLATION KIT [61937A4]

♥ = CONTENTS OF INSTALLATION KIT [61937A3]

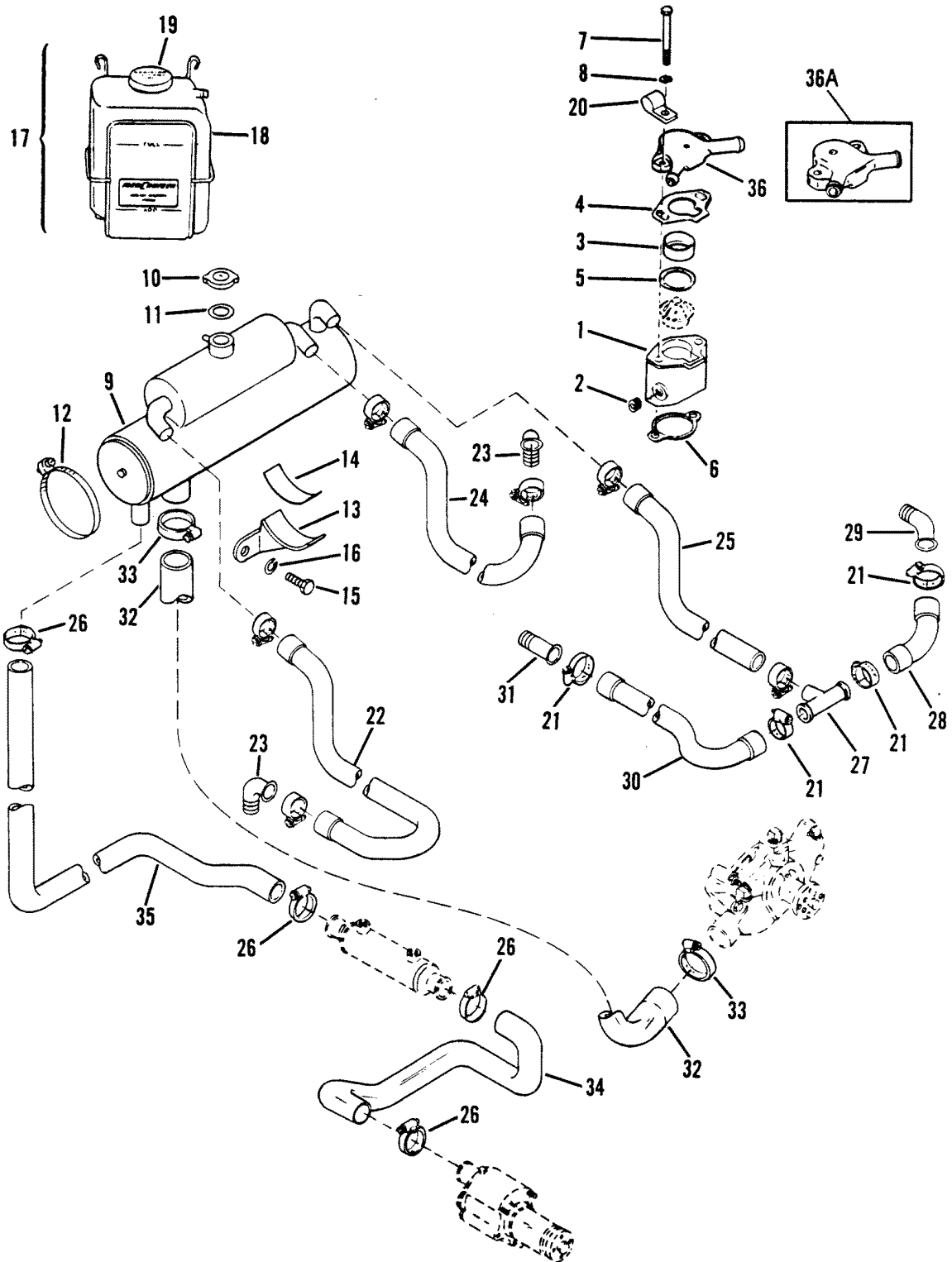
□ = CONTENTS OF INSTALLATION KIT [61937A7]

▶ = COOLANT RECOVERY KIT [71587A10] SOLD AS COMPLETE KIT ONLY. COMPONENT PARTS CAN BE PURCHASED SEPARATELY.

★ = CONTENTS OF INSTALLATION KIT [61937A6]

CONTINUED ON NEXT PAGE ➡

CLOSED COOLING SYSTEM (PART NO. 78094A2)



CLOSED COOLING SYSTEM (PART NO. 78094A2)

REF. NO.	PART NO.	SYM.	QTY.	DESCRIPTION
28	32-817438--1	★□	1	HOSE (PORT)
	32-817438--2	★□	1	HOSE (PORT)
29	22-92499	♥□	1	FITTING (PORT - 45 DEGREE)
30	32-33220-70	○♥	1	HOSE (STARBOARD)
	32-817439--3	★□	1	HOSE (STARBOARD)
	32-817439--4	★□	1	HOSE (STARBOARD)
31	22-45084		1	COUPLING (STBD. - STRAIGHT)
32	32-97525		1	HOSE
33	54-815504228		2	CLAMP
34	32-92833		1	HOSE
35	32-92837		1	HOSE
36	47441A1		1	COVER (DESIGN I)
36A	N.S.S.		1	COVER (DESIGN II)
-	22-32802		1	RESERVOIR ASSEMBLY REPLACEMENT PLUG (1/8-27)
-	27-65128		2	RESERVOIR ASSEMBLY REPLACEMENT GASKET, END COVER
-	66221		2	RESERVOIR ASSEMBLY REPLACEMENT COVER, END
-	10-66223		2	RESERVOIR ASSEMBLY REPLACEMENT SCREW, END COVER
-	12-75451		2	RESERVOIR ASSEMBLY REPLACEMENT WASHER, FIBER

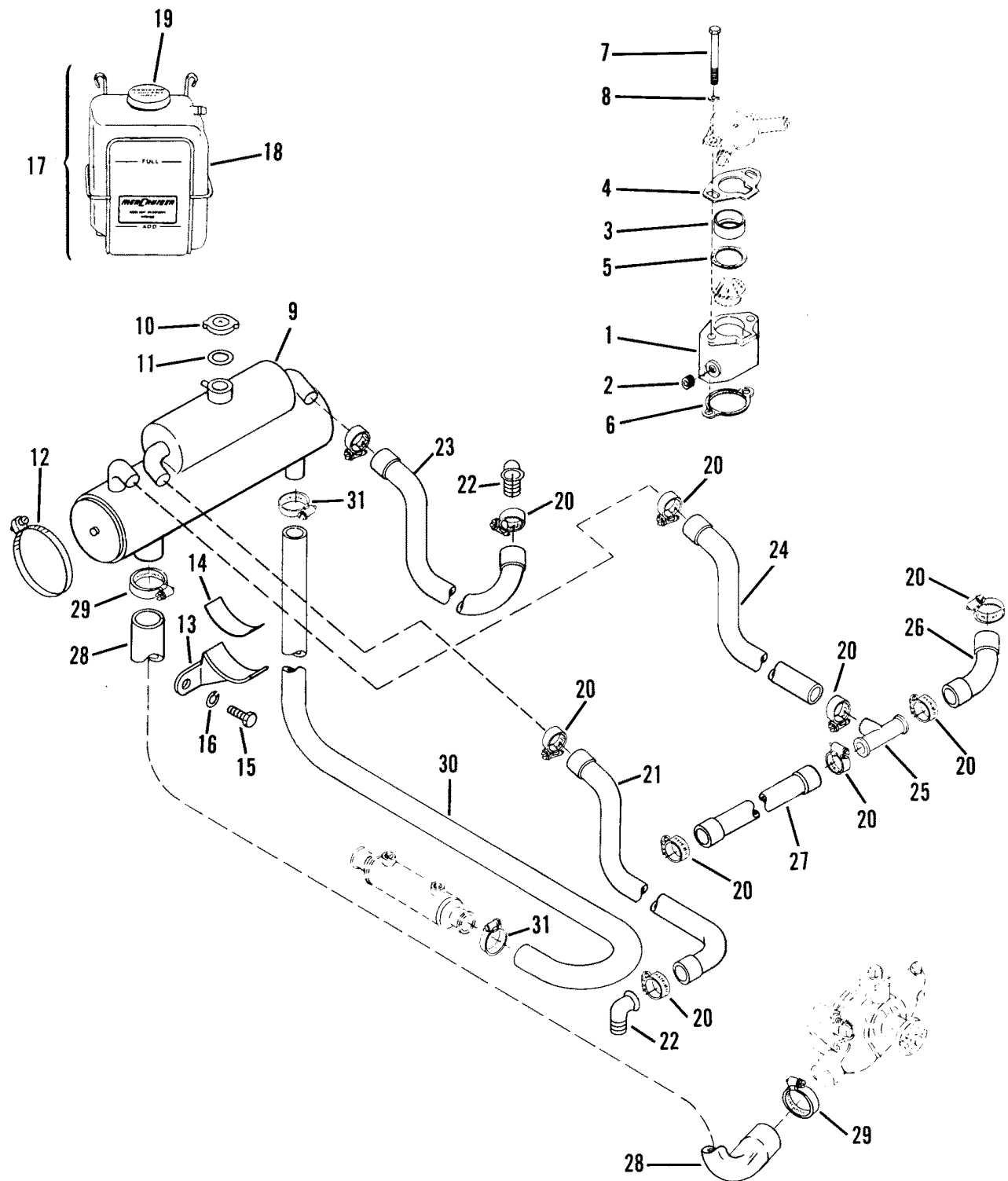
○ = CONTENTS OF INSTALLATION KIT [61937A4]

♥ = CONTENTS OF INSTALLATION KIT [61937A3]

□ = CONTENTS OF INSTALLATION KIT [61937A7]

★ = CONTENTS OF INSTALLATION KIT [61937A6]

CLOSED COOLING SYSTEM (79607A2)



CLOSED COOLING SYSTEM (79607A2)

REF. NO.	PART NO.	SYM.	QTY.	DESCRIPTION
-	79607A2		1	CLOSED COOLING SYSTEM
1	55131A5		1	THERMOSTAT HOUSING
2	22-47540		2	PIPE PLUG
3	23-47508		1	SLEEVE
4	27-48818-1		1	GASKET, UPPER
5	27-47510		1	GASKET, MIDDLE
6	27-53045-1		1	GASKET, LOWER
7	10-48115		2	SCREW (3-1/2")
8	13-35048		2	LOCKWASHER
9	79607A3		1	RESERVOIR ASSEMBLY SEE RESERVOIR ASSEMBLY REPLACEMENT PARTS BELOW
10	36-55143		1	CAP
11	27-71614		1	GASKET
12	54-815504372		2	CLAMP
13	79605A1	+	1	BRACKET (PORT)
	92777A1	❖❖	1	BRACKET (PORT)
	NLA	+	1	BRACKET (STARBOARD)
	92778A1	❖❖	1	BRACKET (STARBOARD)
14	77223-3		2	PAD
15	10-34353		2	SCREW (3/8-16 THREAD)
16	13-35048		2	LOCKWASHER (3/8-16 THREAD)
15	10-47461		2	SCREW (7/16-14 THREAD)
16	13-32993		2	LOCKWASHER (7/16-14 THREAD)
17	71587A10	▶	1	COOLANT RECOVER SYSTEM
18	71587A11		1	BOTTLE
19	72058		1	CAP
20	54-815504220		10	CLAMP
21	32-19403	+❖	1	HOSE (STARBOARD)
	32-77332	❖	1	HOSE (STARBOARD)
22	22-36305	+❖	2	ELBOW (900)
	22-92499	❖	1	ELBOW (450)
23	32-19404	+❖	1	HOSE (PORT)
	32-77332	❖	1	HOSE (PORT)
24	32-53461-70	+❖❖	1	HOSE
25	22-55133T		1	TEE
26	32-92846		1	HOSE (PORT)
	32-33220-70	+❖	1	HOSE (PORT)
27	32-33220-70	❖	1	HOSE (STARBOARD)
28	32-92838		1	HOSE
29	54-815504228		2	CLAMP

+ = CONTENTS OF INSTALLATION KIT [44439A2]

❖ = CONTENTS OF INSTALLATION KIT [44443A1]

❖❖ = CONTENTS OF INSTALLATION KIT [44443A3]

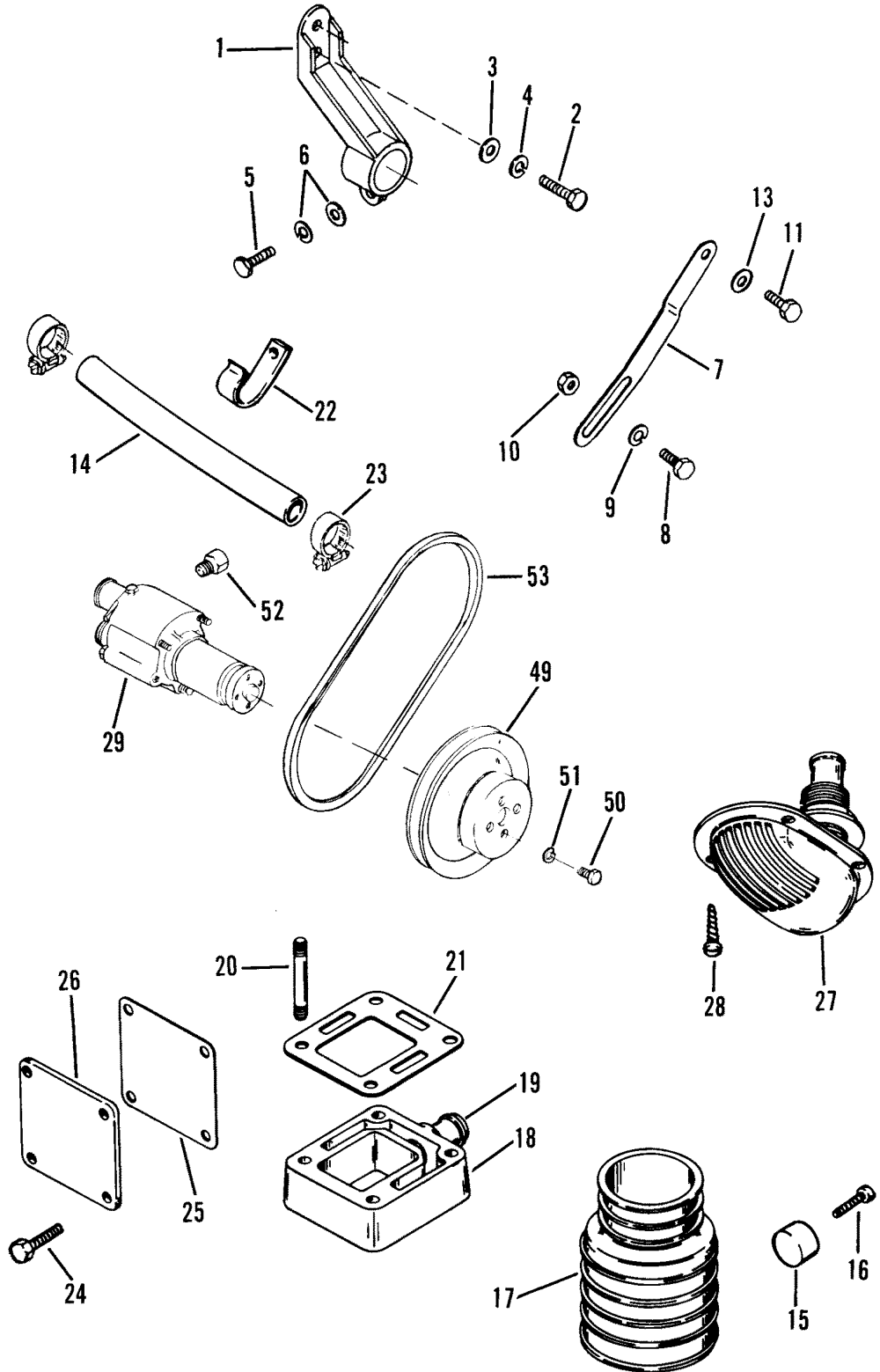
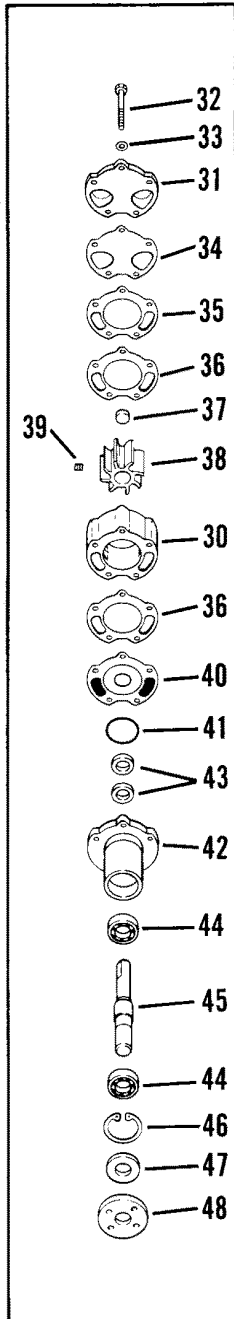
▶ = COOLANT RECOVERY KIT [71587A10] SOLD AS COMPLETE KIT ONLY. COMPONENT PARTS CAN BE PURCHASED SEPARATELY.

CONTINUED ON NEXT PAGE ➡

CLOSED COOLING SYSTEM (79607A2)

REF. NO.	PART NO.	SYM.	QTY.	DESCRIPTION
30	32-79671		1	HOSE
31	54-815504220		2	CLAMP
-	22-32802		1	RESERVOIR ASSEMBLY REPLACEMENT PLUG (1/8-27)
-	27-65128		2	RESERVOIR ASSEMBLY REPLACEMENT GASKET, END COVER
-	66221		2	RESERVOIR ASSEMBLY REPLACEMENT COVER, END
-	10-66223		2	RESERVOIR ASSEMBLY REPLACEMENT SCREW, END COVER
-	12-75451		2	RESERVOIR ASSEMBLY REPLACEMENT WASHER, FIBER

INSTALLATION KIT



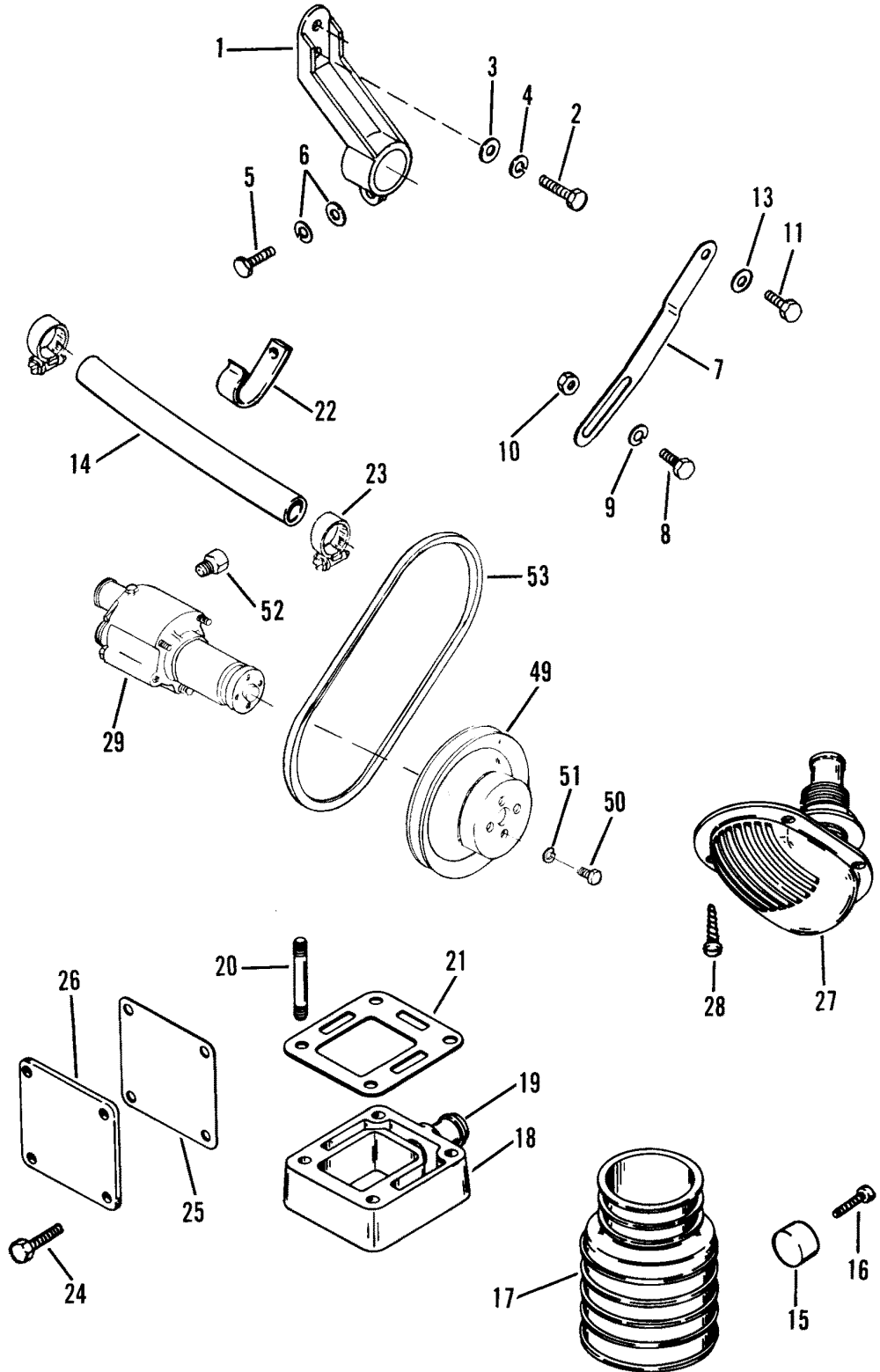
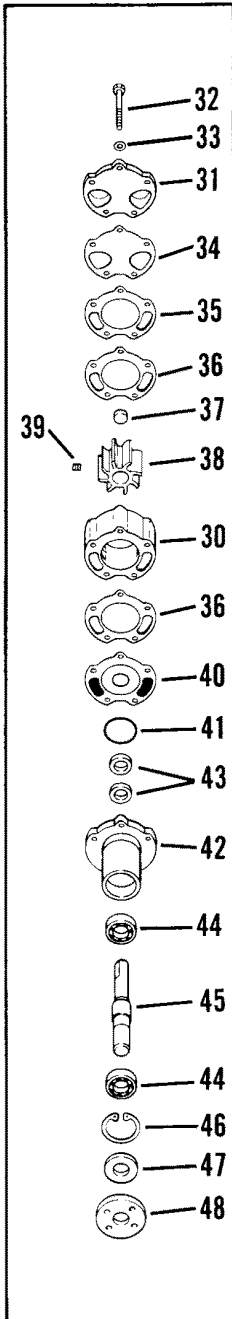
INSTALLATION KIT

REF. NO.	PART NO.	SYM.	QTY.	DESCRIPTION
-	77518A1		1	INSTALLATION KIT
1	47488A1		1	BRACKET
2	10-34353		2	SCREW (1")
3	12-20553		1	WASHER
4	13-35048		2	LOCKWASHER
5	10-34354		1	SCREW (1-1/2")
6	13-35048		1	LOCKWASHER
7	71648		1	BRACE
8	10-35786		1	SCREW (1")
9	13-35048		1	LOCKWASHER
10	11-46335		1	NUT
11	10-37612		1	SCREW (1-1/4")
13	23-72057		1	SPACER
14	32-49044		1	HOSE
15	32877		1	COVER
16	10-69100		2	SCREW (1")
17	72408T		2	BELLOWS
18	61937A1		2	WATER DISTRIBUTION HOUSING ASSEMBLY
19	23-52020		2	SLEEVE
20	16-52988		8	STUD (3-1/2")
21	27-99777-2		4	GASKET
22	54-47715		1	CLIP
23	54-815504220		2	CLAMP
24	10-59645		8	SCREW (3/4")
25	73813A1		2	END CAP
26	27-73814-1		2	GASKET
27	68670A2		1	THRU HULL WATER INTAKE ASSEMBLY
28	NLA	■	4	SCREW
29	46-72774A32		1	WATER PUMP ASSEMBLY
30	46-72774A40		1	BODY
31	87631A4		1	COVER
32	10-73275		5	SCREW
33	12-20084		5	WASHER
34	27-805215		1	GASKET
35	94916		1	WEAR PLATE, OUTER
36	27-94914		2	GASKET
37	19-59504		1	PLUG
38	47-59362-1		1	IMPELLER ASSEMBLY
39	28-56662		1	KEY
40	94576		1	WEAR PLATE, INNER
41	25-94288		1	QUAD RING
42	46-94913A1		1	PUMP HOUSING ASSEMBLY

■ = NO LONGER AVAILABLE

CONTINUED ON NEXT PAGE ➡

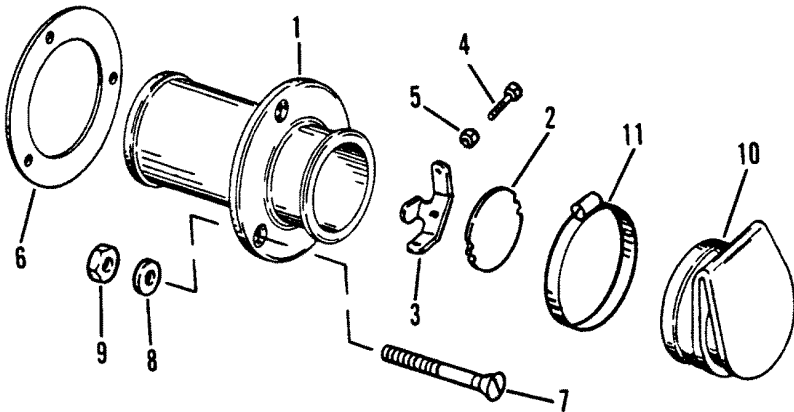
INSTALLATION KIT



INSTALLATION KIT

REF. NO.	PART NO.	SYM.	QTY.	DESCRIPTION
43	26-90562		2	OIL SEAL
44	30-72961		2	BALL BEARING
45	59501A1		1	SHAFT
46	53-23720		1	SNAP RING
47	26-72785		1	OIL SEAL
48	47530		1	HUB
49	73798A1		1	PULLEY
50	10-47277		4	SCREW (3/4")
51	13-39107		4	LOCKWASHER
52	22-32802		1	PIPE PLUG (FOR WATER PUMP BODY)
53	742741T		1	BELT (35")

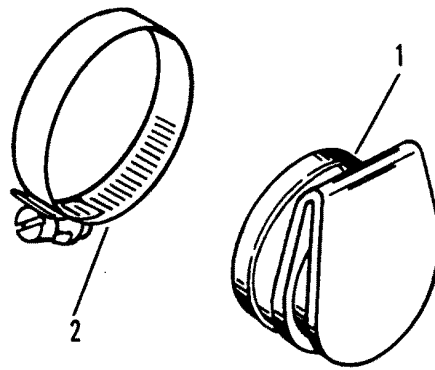
TRANSOM EXHAUST KIT 3"



TRANSOM EXHAUST KIT 3"

REF. NO.	PART NO.	SYM.	QTY.	DESCRIPTION
-	57885A2		1	TRANSOM EXHAUST KIT
1	57885A1		2	FLANGE ASSEMBLY
2	57887		2	SHUTTER
3	57886		4	BRACKET
4	10-37655		8	SCREW
5	11-45812		8	NUT
6	27-33600		2	GASKET
7	10-33684		6	SCREW
8	12-25908		6	WASHER
9	11-20361		6	NUT
10	34765A1		2	COVER KIT
11	54-815504256		2	CLAMP

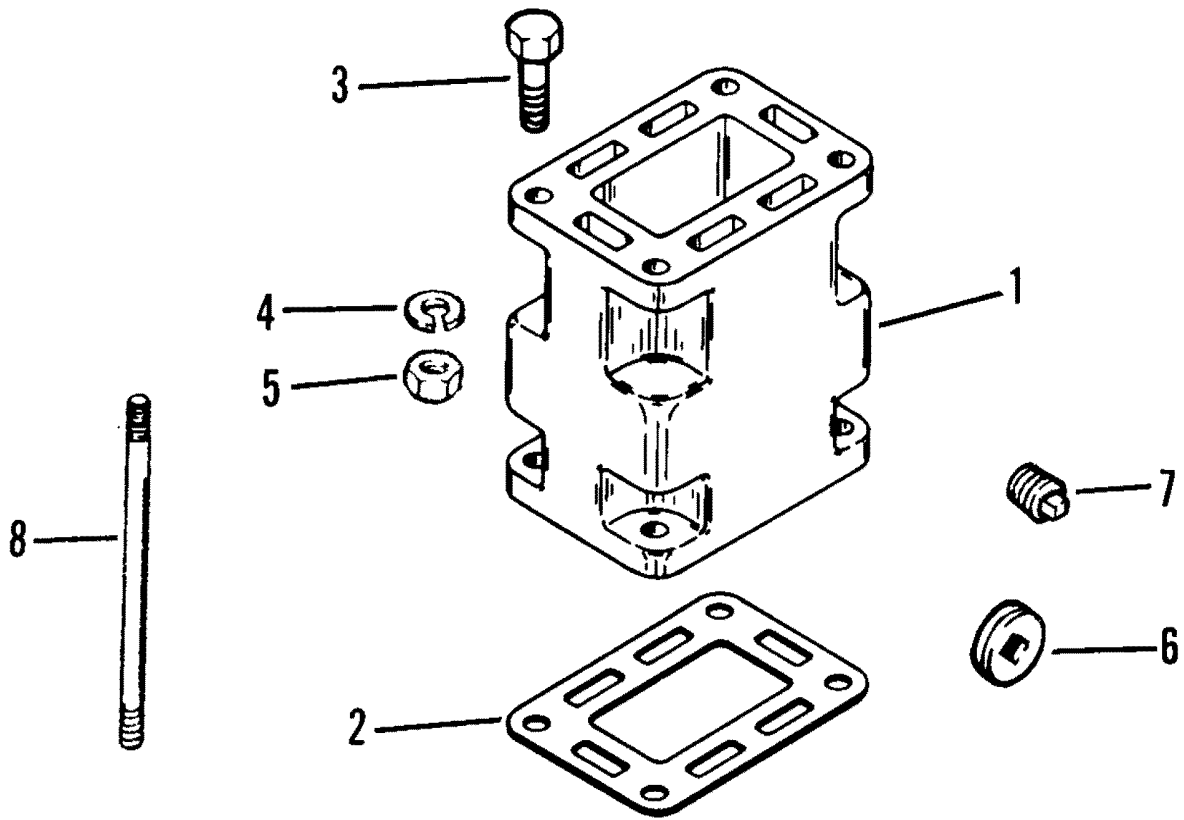
EXHAUST FLANGE COVER KIT 3"



EXHAUST FLANGE COVER KIT 3"

REF. NO.	PART NO.	SYM.	QTY.	DESCRIPTION
1	34765A1		1	COVER KIT
2	54-815504256		2	CLAMP

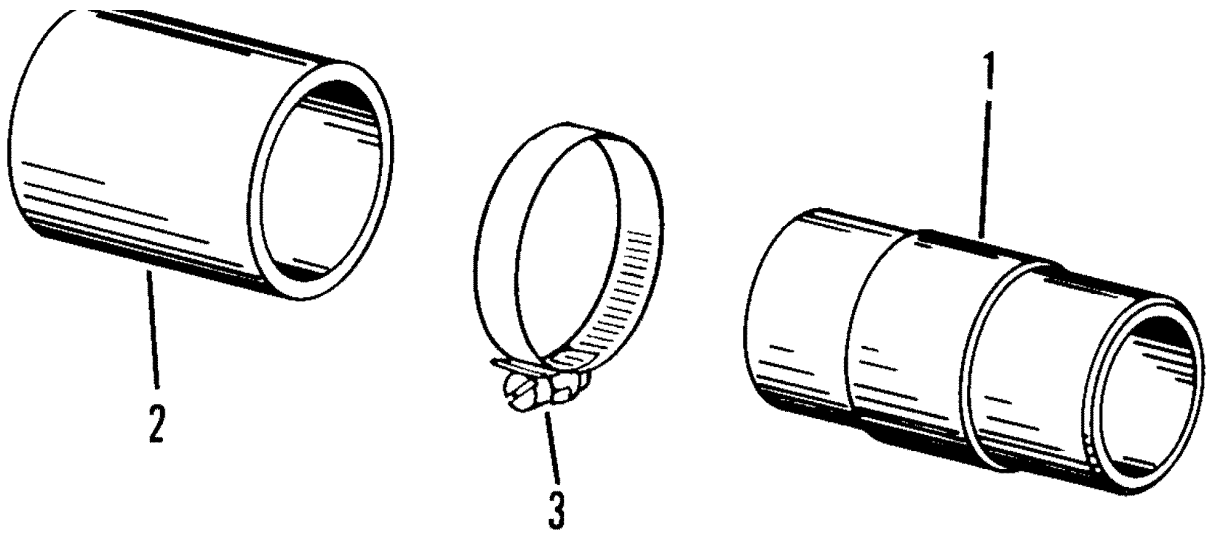
EXHAUST ELBOW RISER KIT (5XXXXAX)



EXHAUST ELBOW RISER KIT (5XXXXAX)

REF. NO.	PART NO.	SYM.	QTY.	DESCRIPTION
1	53452A2		0	RISER KIT (6") QUANTITY: [53452A2] - 1, [57952A2] - 0, [59752A5] - 0
	57952A2		0	RISER KIT (6") QUANTITY: [53452A2] - 0, [57952A2] - 1, [59752A5] - 0
	57952A5		0	RISER KIT (6") QUANTITY: [53452A2] - 0, [57952A2] - 0, [59752A5] - 1
2	27-48042		0	GASKET QUANTITY: [53452A2] - 6, [57952A2] - 0, [59752A5] - 0
	27-99777-2		0	GASKET QUANTITY: [53452A2] - 0, [57952A2] - 6, [59752A5] - 2
3	10-35871		0	SCREW QUANTITY: [53452A2] - 8, [57952A2] - 0, [59752A5] - 0
	10-26487		0	SCREW QUANTITY: [53452A2] - 0, [57952A2] - 8, [59752A5] - 2
4	13-35048		0	LOCKWASHER QUANTITY: [53452A2] - 8, [57952A2] - 8, [59752A5] - 4
5	11-46335		0	NUT QUANTITY: [53452A2] - 8, [57952A2] - 0, [59752A5] - 4
6	22-48118		0	PLUG QUANTITY: [53452A2] - 0, [57952A2] - 1, [59752A5] - 1
7	22-32802		0	PLUG QUANTITY: [53452A2] - 2, [57952A2] - 2, [59752A5] - 1
8	16-49545		0	STUD QUANTITY: [53452A2] - 1, [57952A2] - 0, [59752A5] - 4

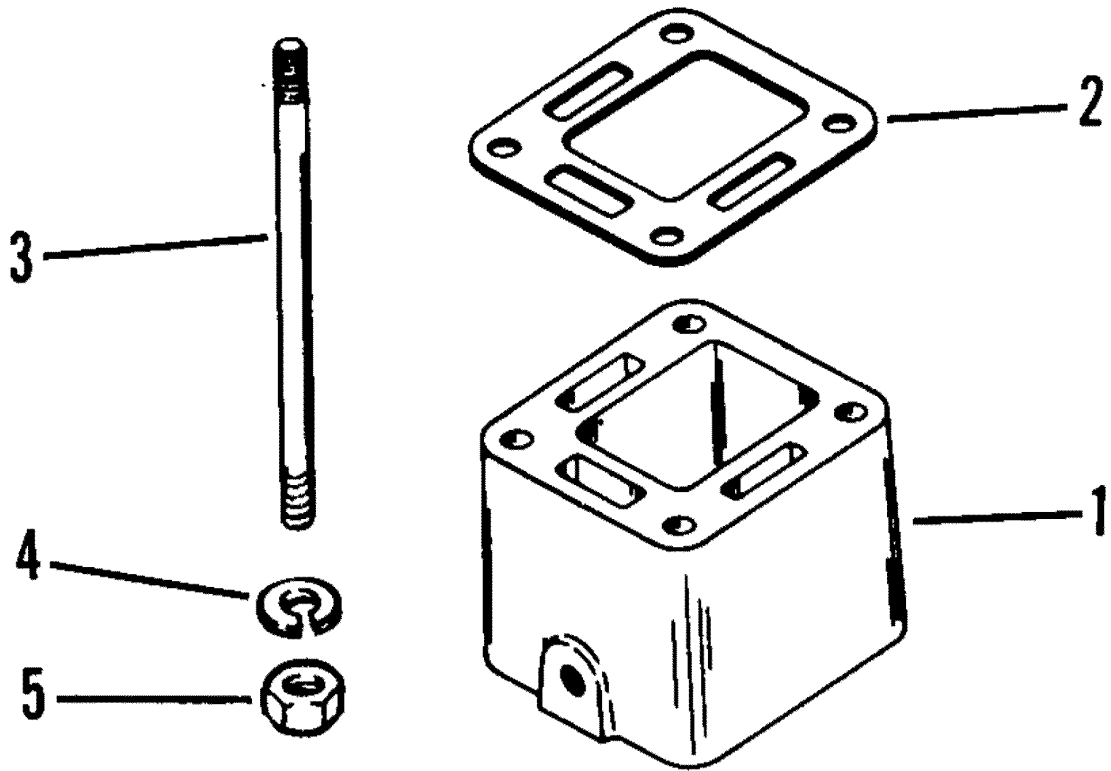
EXHAUST EXTENSION KIT (59077A1)



EXHAUST EXTENSION KIT (59077A1)

REF. NO.	PART NO.	SYM.	QTY.	DESCRIPTION
1	32-59077A1		1	EXHAUST EXTENSION KIT
2	32-48659-4		1	HOSE (4")
3	54-815504256		4	CLAMP

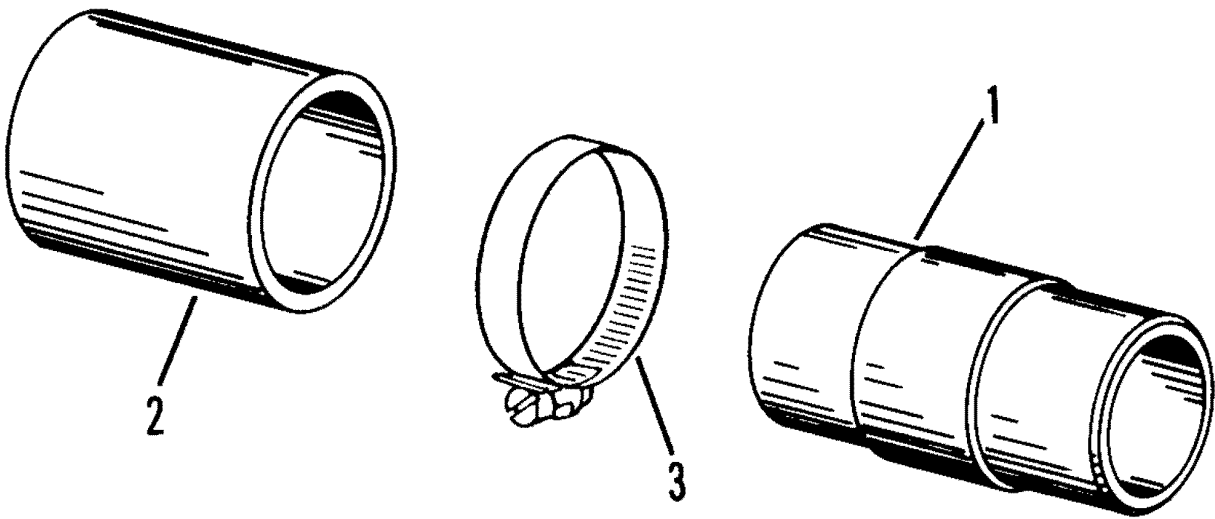
EXHAUST ELBOW RISER KIT (618XXAX)



EXHAUST ELBOW RISER KIT (618XXAX)

REF. NO.	PART NO.	SYM.	QTY.	DESCRIPTION
1	61811A4		0	RISER KIT (3") QUANTITIES: [61811A4] - 1, [61851A2] - 0, [61851A3] - 0
	61851A2		0	RISER KIT (3") QUANTITIES: [61811A4] - 0, [61851A2] - 1, [61851A3] - 0
	61851A3		0	RISER KIT (3") QUANTITIES: [61811A4] - 0, [61851A2] - 0, [61851A3] - 1
2	24-48042		0	GASKET QUANTITIES: [61811A4] - 6, [61851A2] - 0, [61851A3] - 0
	27-99777-2		0	GASKET QUANTITIES: [61811A4] - 0, [61851A2] - 6, [61851A3] - 2
3	16-34713		0	STUD (6-3/4") QUANTITIES: [61811A4] - 8, [61851A2] - 0, [61851A3] - 0
	16-58135		0	STUD (4-3/4") QUANTITIES: [61811A4] - 8, [61851A2] - 8, [61851A3] - 2
4	13-35048		0	LOCKWASHER QUANTITIES: [61811A4] - 8, [61851A2] - 8, [61851A3] - 4
5	11-46335		0	NUT QUANTITIES: [61811A4] - 8, [61851A2] - 8, [61851A3] - 4

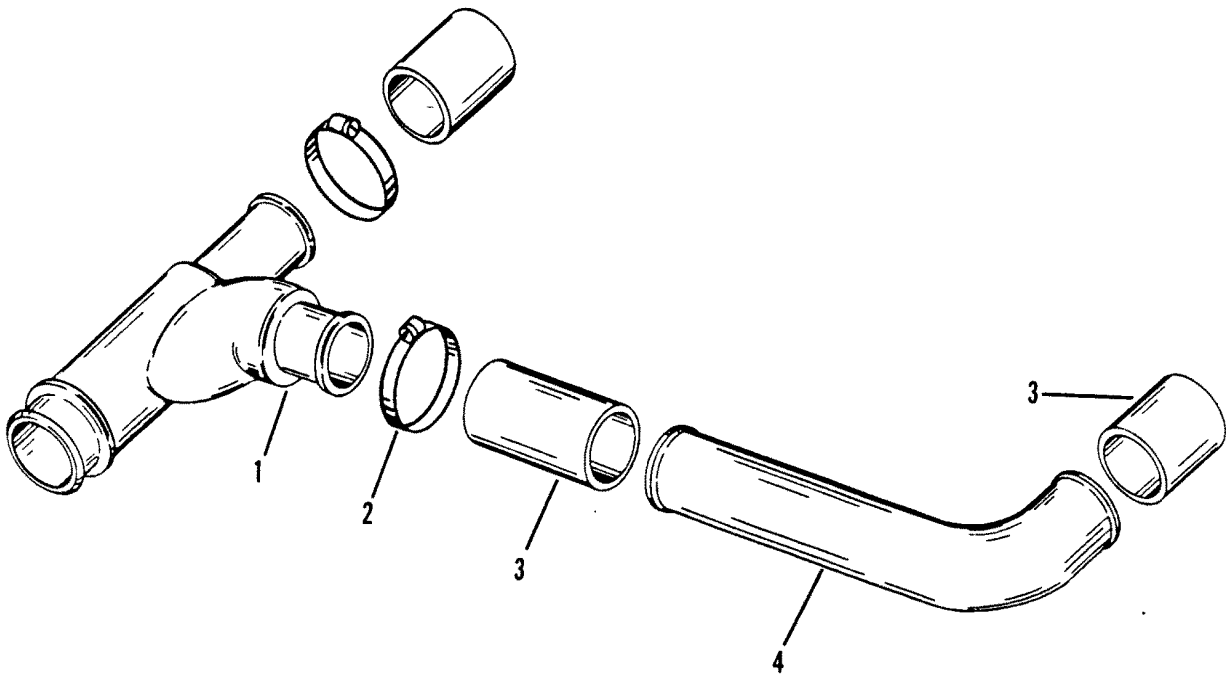
EXHAUST EXTENSION KIT (62364A1)



EXHAUST EXTENSION KIT (62364A1)

REF. NO.	PART NO.	SYM.	QTY.	DESCRIPTION
1	32-62364A1		1	EXHAUST EXTENSION KIT
2	32-48659-4		1	HOSE (3-1/4")
3	54-815504256		4	CLAMP

SINGLE EXHAUST KIT

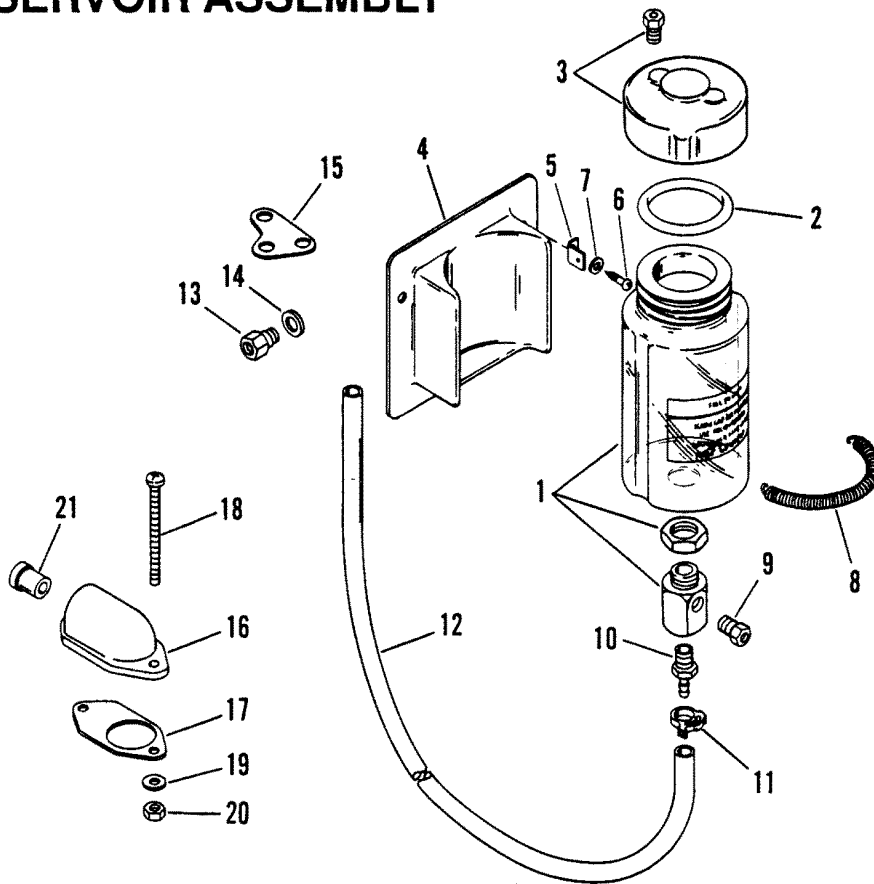


SINGLE EXHAUST KIT

REF. NO.	PART NO.	SYM.	QTY.	DESCRIPTION
-	48640A2		1	SINGLE EXHAUST KIT
1	48640T		1	Y-PIPE
2	54-815504256		12	CLAMP
3	32-48659--4		3	HOSE
4	48641		1	EXHAUST PIPE

OIL RESERVOIR ASSEMBLY

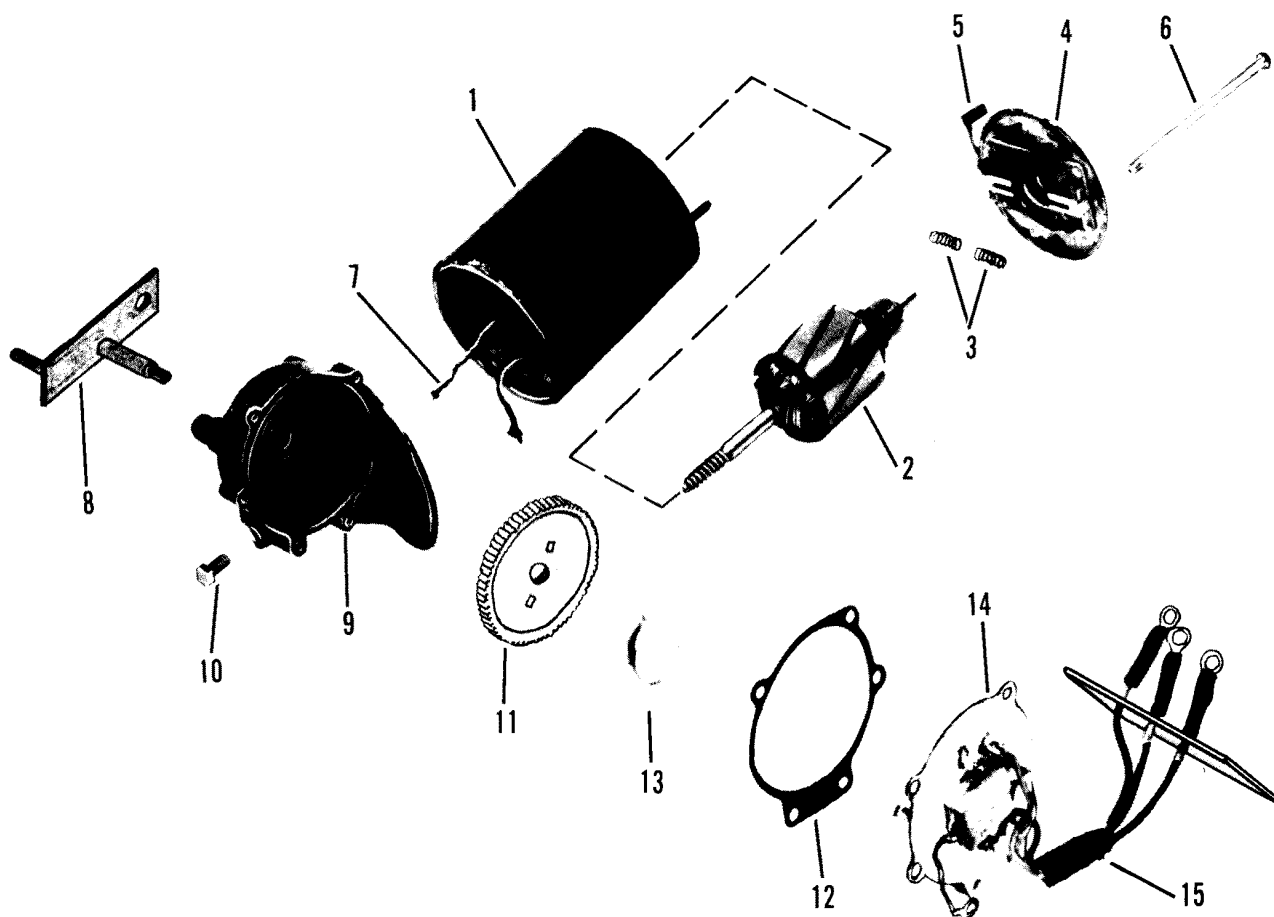
OIL RESERVOIR ASSEMBLY



OIL RESERVOIR ASSEMBLY

REF. NO.	PART NO.	SYM.	QTY.	DESCRIPTION
-	69622A7		1	OIL RESERVOIR ASSEMBLY
1	69622A12		1	BOTTLE ASSEMBLY
2	27-69620		1	GASKET
3	21-67909A2		1	VALVE ASSEMBLY
4	67896		1	BRACKET
5	67905		2	RETAINER
6	10-22793		3	SCREW (7/8")
7	12-58198		3	WASHER
8	24-67908		1	SPRING
9	22-32802		1	PIPE PLUG
10	22-67902		1	FITTING
11	54-815504104		1	CLAMP
12	67898		AR	HOSE (WITHOUT METAL BRAID)
	32-97552		AR	HOSE (WITH METAL BRAID)
13	22-98278		1	ADAPTOR
14	12-19183		1	WASHER
15	67907		AR	BRACKET (FLAT)
	97551		AR	BRACKET (WITH 90 DEGREE BEND)
16	36081		1	COVER
17	27-36079		1	GASKET
18	10-33684		2	SCREW (3")
19	12-30971		2	WASHER
20	11-35045		2	NUT
21	23-35977		1	BUSHING

SHIFT ACTUATOR ASSEMBLY, COMPLETE

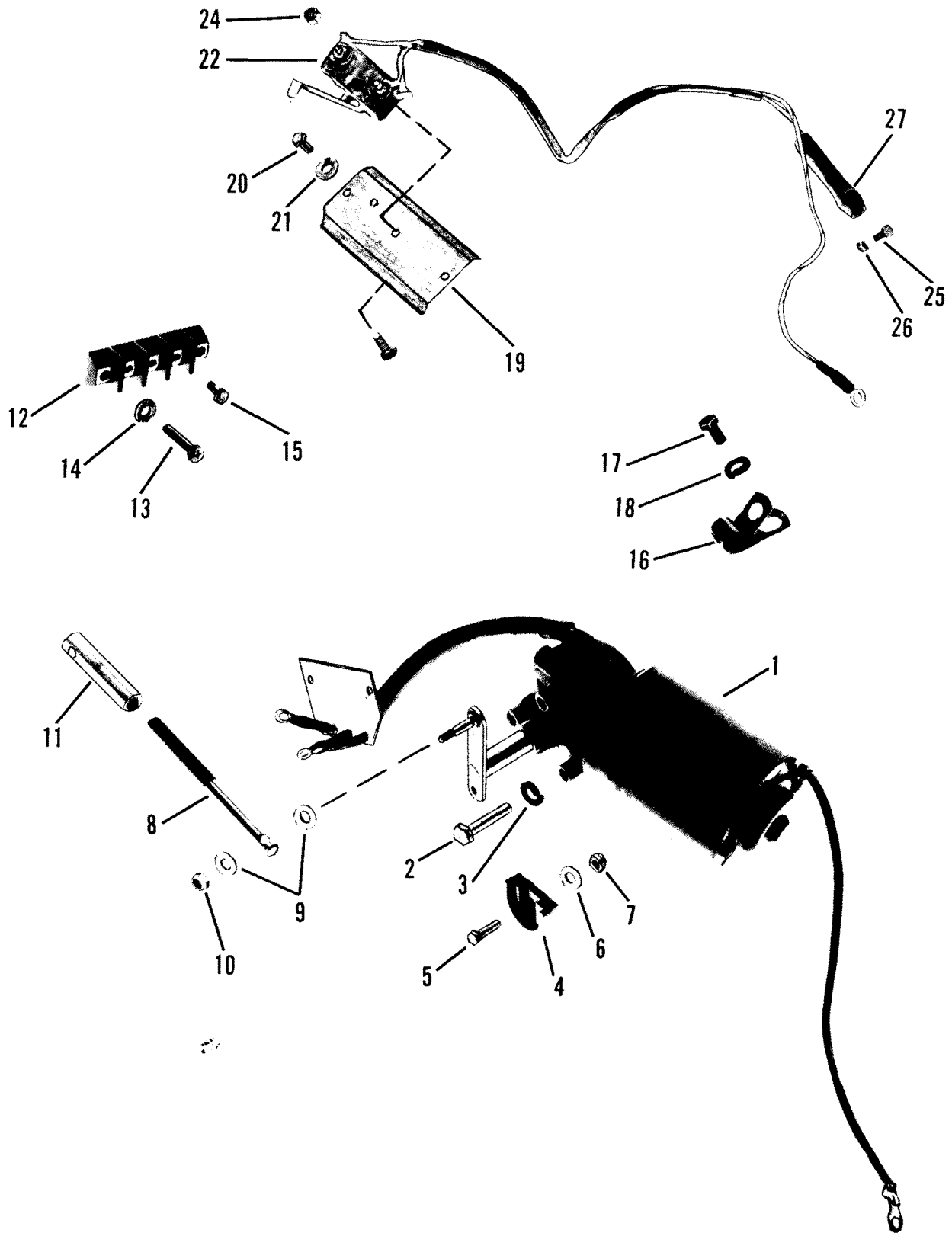


SHIFT ACTUATOR ASSEMBLY, COMPLETE

REF. NO.	PART NO.	SYM.	QTY.	DESCRIPTION
1	42349A2	■	1	SHIFT ACTUATOR ASSEMBLY
2	NLA	■	1	ARMATURE
3	392-4960		1	SPRING SET, BRUSH
4	392-4955		1	HEAD ASSEMBLY, COMMUTATOR END
5	392-4956		1	BRUSH SET
6	392-4962		2	THRU BOLT
7	NSS		1	FIELD COIL ASSEMBLY
8	NSS		1	CRANK ARM ASSEMBLY PRESTOLITE #ETT-1056
9	NLA-	■	1	HEAD ASSEMBLY, DRIVE END
10	NLA-	■	1	SCREW AND DISC PACKAGE
11	392-4952		1	GEAR AND GASKET PACKAGE
12	392-4953		1	GASKET
13	NLA-	■	2	PLATE
14	42528A6		1	SWITCH PLATE AND GASKET PACKAGE
15	392-4953		1	GASKET
16	84-62995A1		1	HARNESS ASSEMBLY (3 WIRE LEAD)

■ = COMPONENT PARTS OF THIS SHIFT ACTUATOR NOT SHOWN ARE NOT SOLD SEPARATELY.
 ■ = NO LONGER AVAILABLE

ELECTRIC SHIFT ASSEMBLY

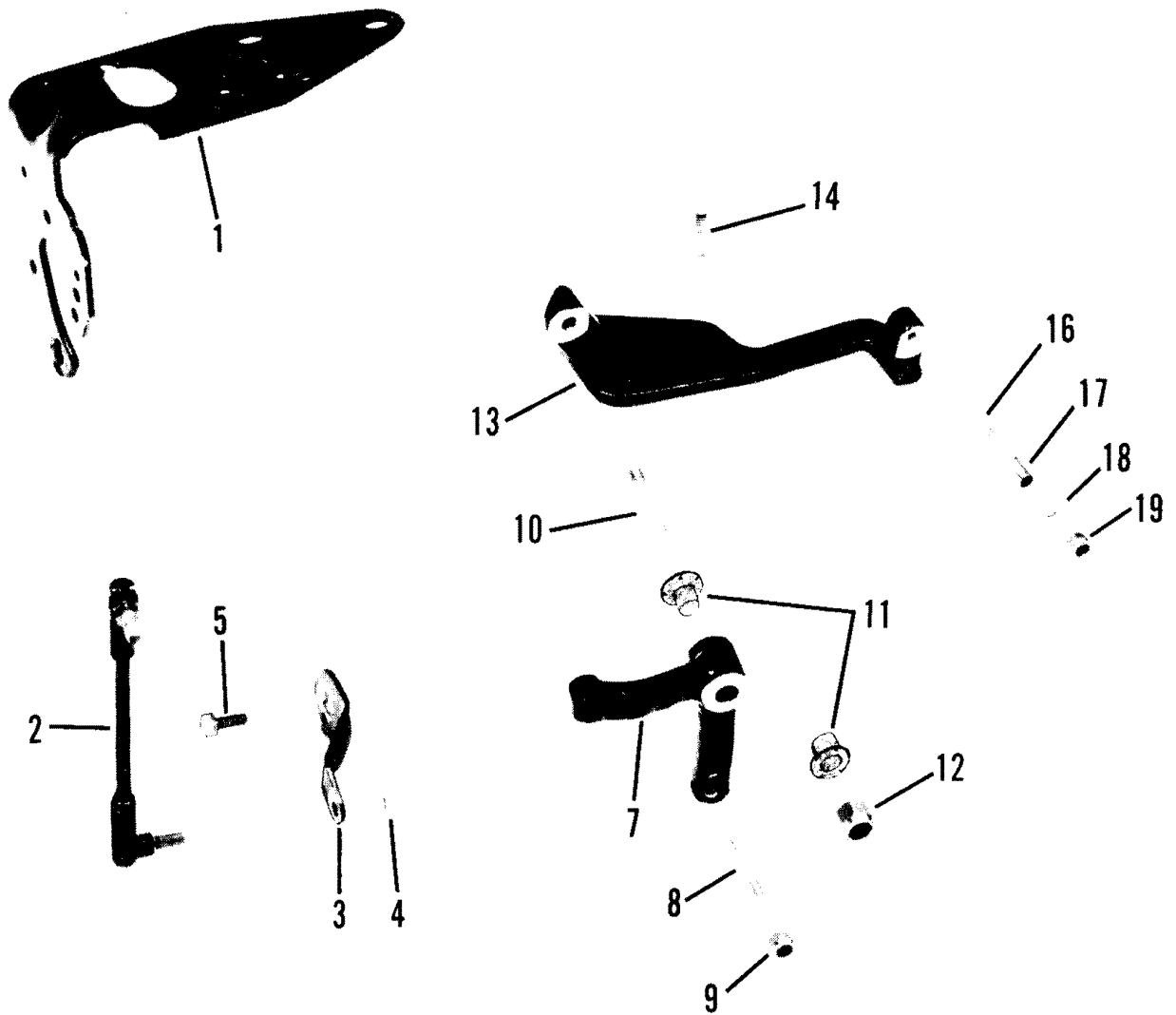


ELECTRIC SHIFT ASSEMBLY

REF. NO.	PART NO.	SYM.	QTY.	DESCRIPTION
-	70260A1		1	ELECTRIC SHIFT ASSEMBLY, COMPLETE
1	44176A3		1	SHIFT SEE "SHIFT ACTUATOR ASSEMBLY, COMPLETE" FOR BREAKDOWN
2	10-21091		3	SCREW (1-1/8")
3	13-26992		3	LOCKWASHER
4	70259		1	CAM
5	10-32228		1	SCREW (5/8")
6	12-20128		1	WASHER
7	11-20110		1	NUT
8	70256		1	SHIFT LINK
9	NLA	■	2	WASHER
10	70256		1	NUT
11	NSS		1	CONNECTOR
12	86-43454		1	TERMINAL BLOCK
13	10-24637		2	SCREW (7/8")
14	13-26996		2	LOCKWASHER
15	10-36046		3	SCREW
16	54-66601		1	CLIP
17	10-69022		1	SCREW (1/2")
18	13-26996		1	LOCKWASHER
19	NLA	■	0	SHIELD
20	10-20055		2	SCREW (3/8")
21	13-26996		2	LOCKWASHER
22	39670A10		1	NEUTRAL SWITCH ASSEMBLY
24	11-20437		2	NUT
25	10-24231		1	SCREW (1/4")
26	11-27164		1	NUT
27	85-62359-4		1	SLEEVE

■ = NO LONGER AVAILABLE

MECHANICAL SHIFT CONVERSION KIT

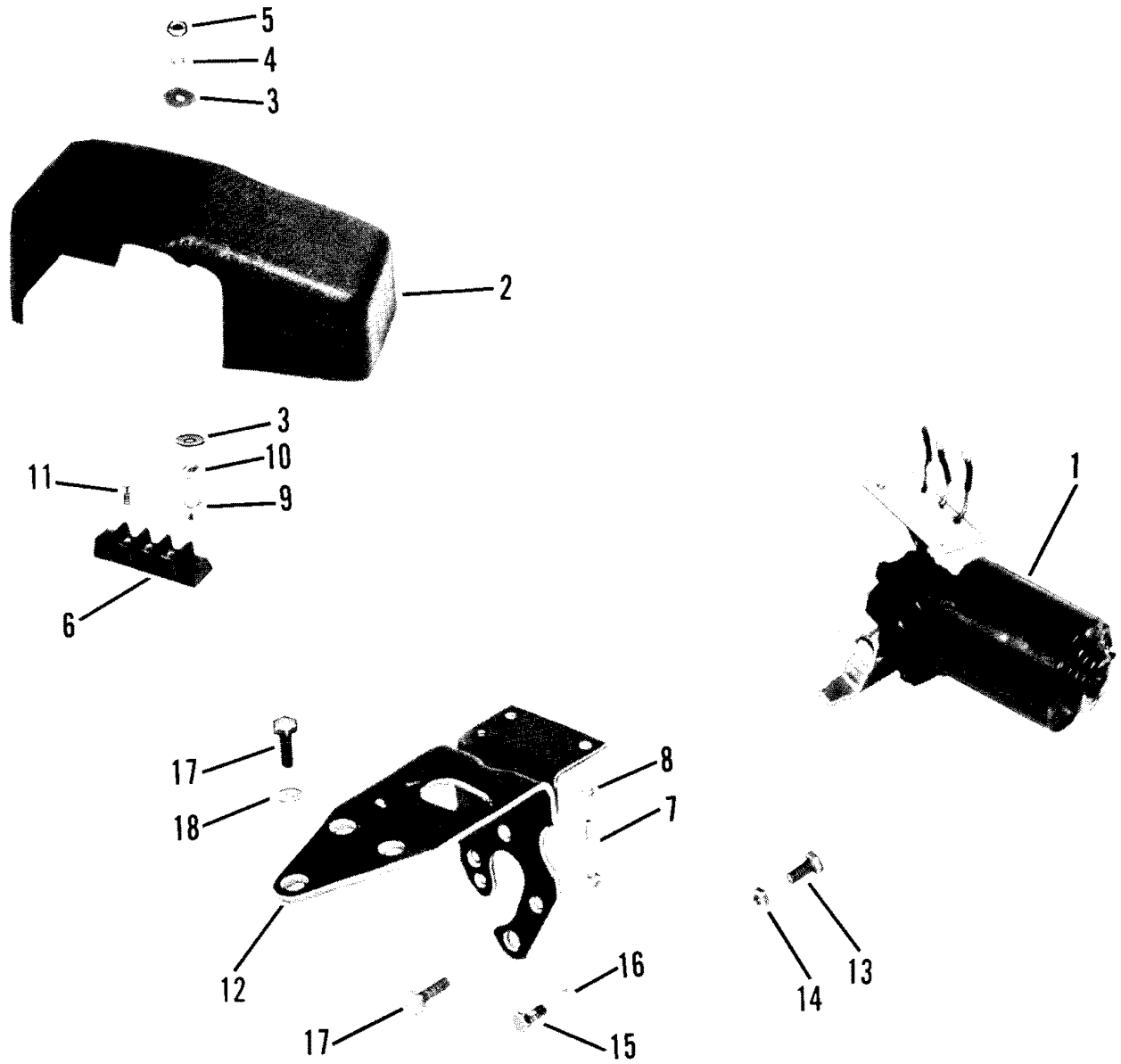


AC

MECHANICAL SHIFT CONVERSION KIT

REF. NO.	PART NO.	SYM.	QTY.	DESCRIPTION
-	85789A2		1	MECHANICAL SHIFT CONVERSION KIT
1	85821A1		1	BRACKET, MOUNTING
2	85820A1		1	SHIFT ROD ASSEMBLY
3	85787		1	SHIFT ARM
4	11-25168		2	NUT
5	10-32417		1	SCREW
7	85788		1	SHIFT CRANK
8	16-35004		1	STUD
9	11-35888		1	NUT
10	16-87163		1	STUD
11	23-26954		2	BUSHING
12	11-34932		1	NUT
13	85789		1	BRACKET
14	10-53576		3	SCREW
16	16-72809		1	STUD
17	23-31866		1	BUSHING
18	12-39143		1	WASHER
19	11-35888		1	NUT

ELECTRIC SHIFT CONVERSION KIT

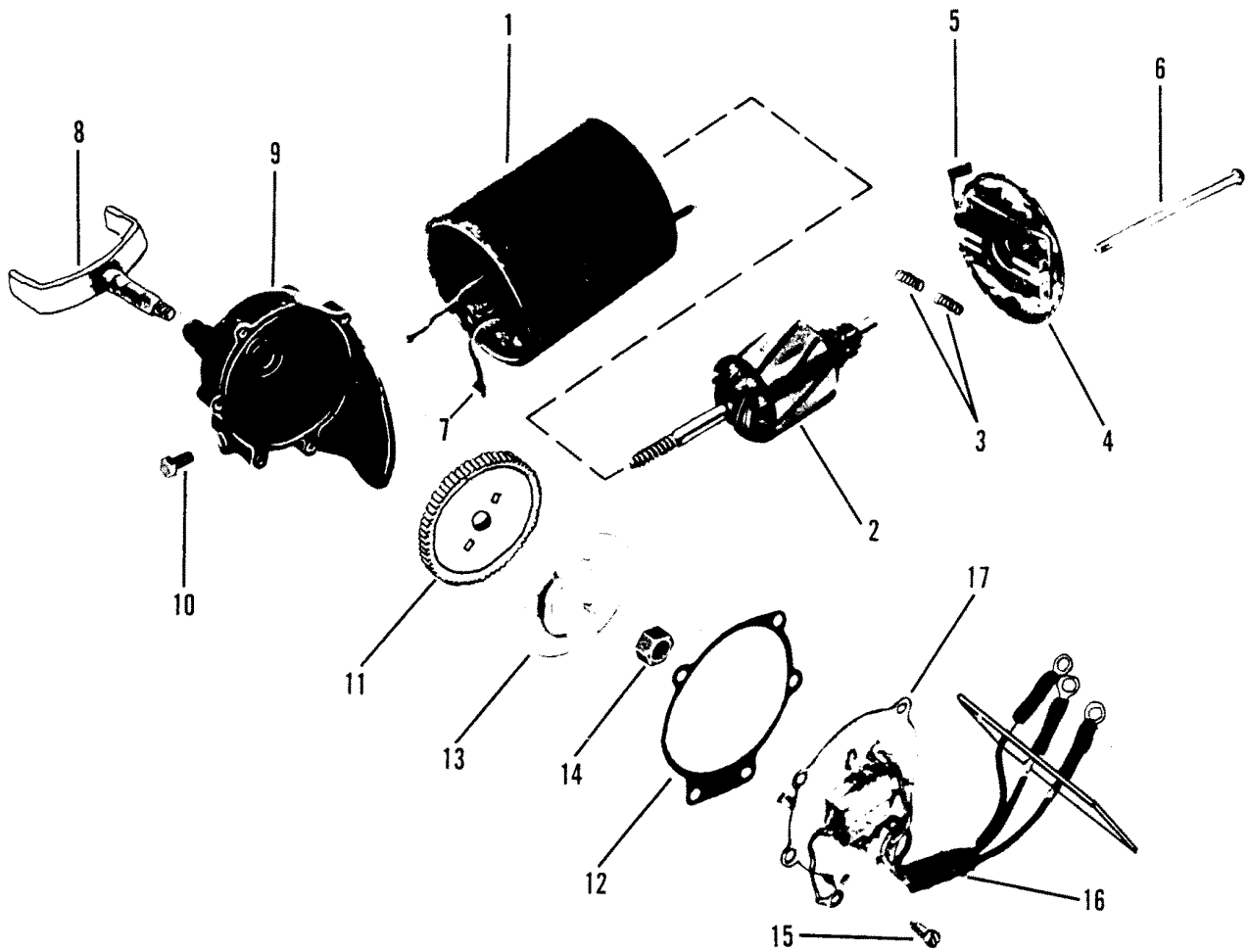


ELECTRIC SHIFT CONVERSION KIT

REF. NO.	PART NO.	SYM.	QTY.	DESCRIPTION
-	69392A1		1	ELECTRIC SHIFT CONVERSION KIT
1	69392A2		1	SHIFT ACTUATOR SEE "SHIFT ACTUATOR ASSEMBLY" FOR BREAKDOWN
2	63038		1	COVER
3	12-22887		4	WASHER
4	13-26996		2	LOCKWASHER
5	11-68219		2	NUT
6	86-43454		1	TERMINAL BLOCK
7	10-73656		2	SCREW
8	13-26996		2	LOCKWASHER
9	NLA	■	2	SPACER
10	11-24656		2	NUT
11	10-36046		3	SCREW (1/4")
12	85821A1		1	BRACKET ASSEMBLY
13	10-69028		1	SCREW (3/4")
14	11-20184		1	NUT
15	10-32417		3	SCREW (5/8")
16	13-26992		3	LOCKWASHER
17	10-25299		4	SCREW (3/4")

■ = NO LONGER AVAILABLE

SHIFT ACTUATOR ASSEMBLY

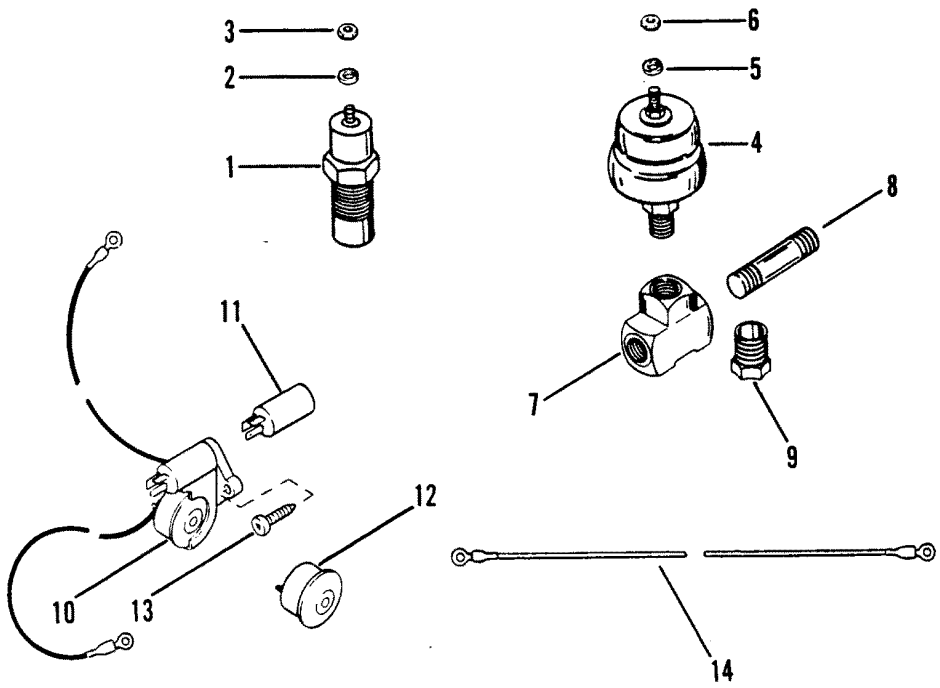


SHIFT ACTUATOR ASSEMBLY

REF. NO.	PART NO.	SYM.	QTY.	DESCRIPTION
1	69392	■	1	SHIFT ACTUATOR, COMPLETE
2	NLA	■	1	ARMATURE
3	392-4960		1	SPRING SET, BRUSH
4	392-4955		1	HEAD ASSEMBLY, COMMUTATOR END
5	392-4956		1	BRUSH SET
6	392-4962		2	THRU BOLT
7	NLA-	■	1	FIELD COIL ASSEMBLY
8	392-4951		1	CRANK ARM ASSEMBLY
9	NLA-	■	1	HEAD ASSEMBLY, DRIVE END
10	NLA-	■	1	SCREW AND DISC PACKAGE
11	392-4652		1	GEAR AND GASKET PACKAGE
12	392-4953		1	GASKET
13	NLA-	■	2	PLATE, CAM
14	11-20890		1	NUT
15	10-47220		4	SCREW (3/8")
16	84-62995A1		1	HARNESS ASSEMBLY (3 WIRE LEAD)
17	42528A6		1	SWITCH PLATE INCLUDES 1 PIECE OF REF. #12

■ = COMPONENT PARTS OF THIS SHIFT ACTUATOR NOT SHOWN ARE NOT SOLD SEPARATELY.
 ■ = NO LONGER AVAILABLE

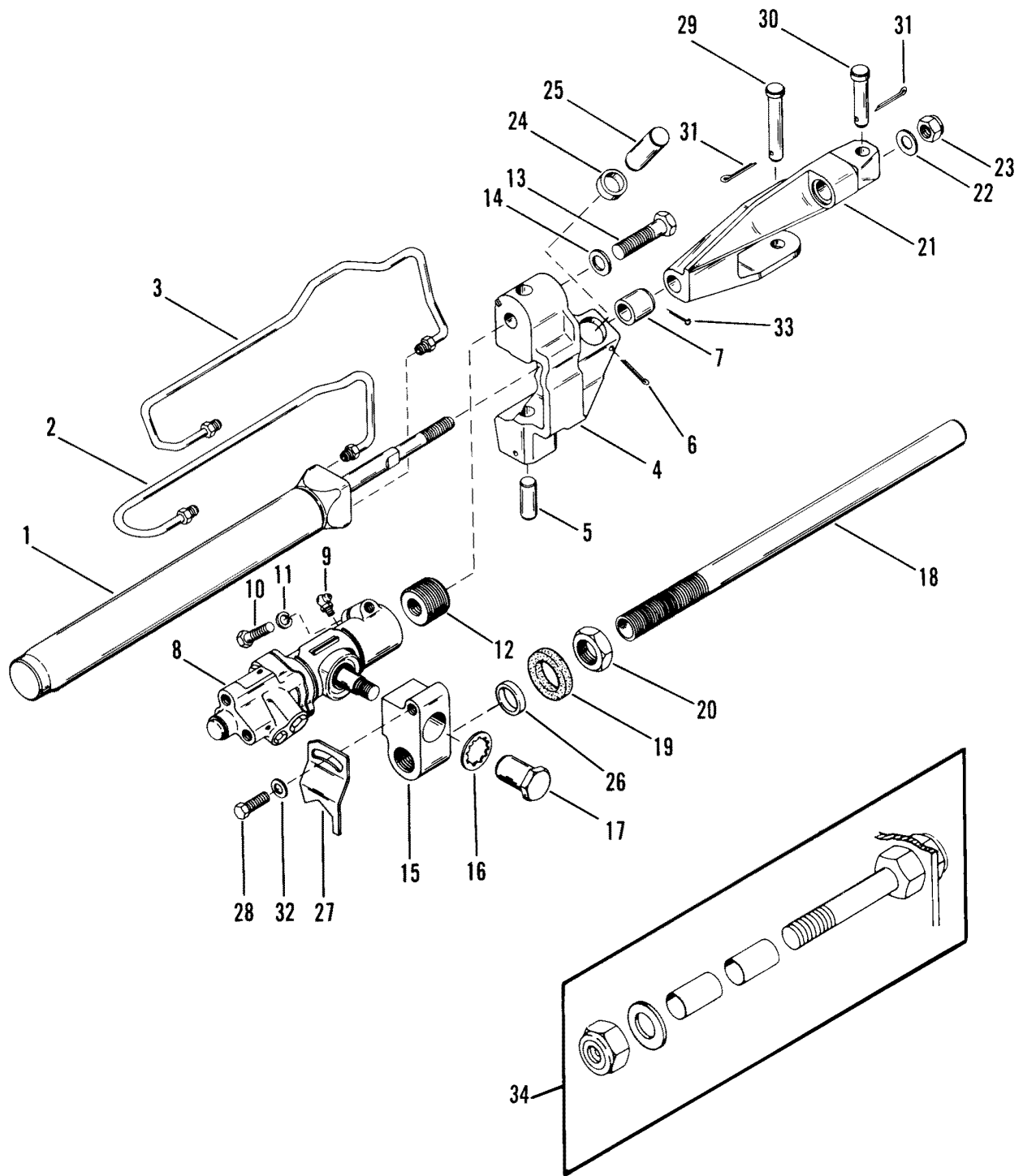
AUDIO WARNING KIT



AUDIO WARNING KIT

REF. NO.	PART NO.	SYM.	QTY.	DESCRIPTION
-	86047A14		-	AUDIO WARNING KIT QUANTITIES: [86047A14] - 1, [86047A15] - 0
-	86047A15		-	AUDIO WARNING KIT QUANTITIES: [86047A14] - 0, [86047A15] - 1
1	48952		-	SWITCH, WATER TEMPERATURE QUANTITIES: [86047A14] - 1, [86047A15] - 0
	87-86080		-	SWITCH, WATER TEMPERATURE QUANTITIES: [86047A14] - 0, [86047A15] - 1
2	13-26996		-	LOCKWASHER QUANTITIES: [86047A14] - 1, [86047A15] - 1
3	11-45076		-	NUT QUANTITIES: [86047A14] - 1, [86047A15] - 1
4	87-805605A1		-	SWITCH PRESSURE QUANTITIES: [86047A14] - 1, [86047A15] - 1
5	13-26996		-	LOCKWASHER QUANTITIES: [86047A14] - 1, [86047A15] - 1
6	11-45076		-	NUT QUANTITIES: [86047A14] - 1, [86047A15] - 1
7	22-52930		-	TEE QUANTITIES: [86047A14] - 1, [86047A15] - 0
8	22-38992		-	NIPPLE QUANTITIES: [86047A14] - 1, [86047A15] - 0
9	22-18021		-	REDUCER BRUSHING QUANTITIES: [86047A14] - 1, [86047A15] - 0
10	86047A11		-	BUZZER HOUSING (W/O BULLET CONNECTOR) QUANTITIES: [86047A14] - 1, [86047A15] - 1
	86047A16		-	BUZZER HOUSING (W/ BULLET CONNECTOR) QUANTITIES: [86047A14] - 1, [86047A15] - 1
11	86045		-	TIMER QUANTITIES: [86047A14] - 1, [86047A15] - 1
12	68878A6		-	HORN QUANTITIES: [86047A14] - 1, [86047A15] - 1
13	10-69013		-	SCREW QUANTITIES: [86047A14] - 2, [86047A15] - 2
14	84-86044A11		-	WIRE ASSEMBLY (20") QUANTITIES: [86047A14] - 1, [86047A15] - 0
	84-86044A4		-	WIRE ASSEMBLY (36") QUANTITIES: [86047A14] - 1, [86047A15] - 1
	84-13760A6		-	WIRE ASSEMBLY (42" - W/INSULATOR) QUANTITIES: [86047A14] - 1, [86047A15] - 1

POWER STEERING CYLINDER ASSEMBLY (89645A15, 28, 33)

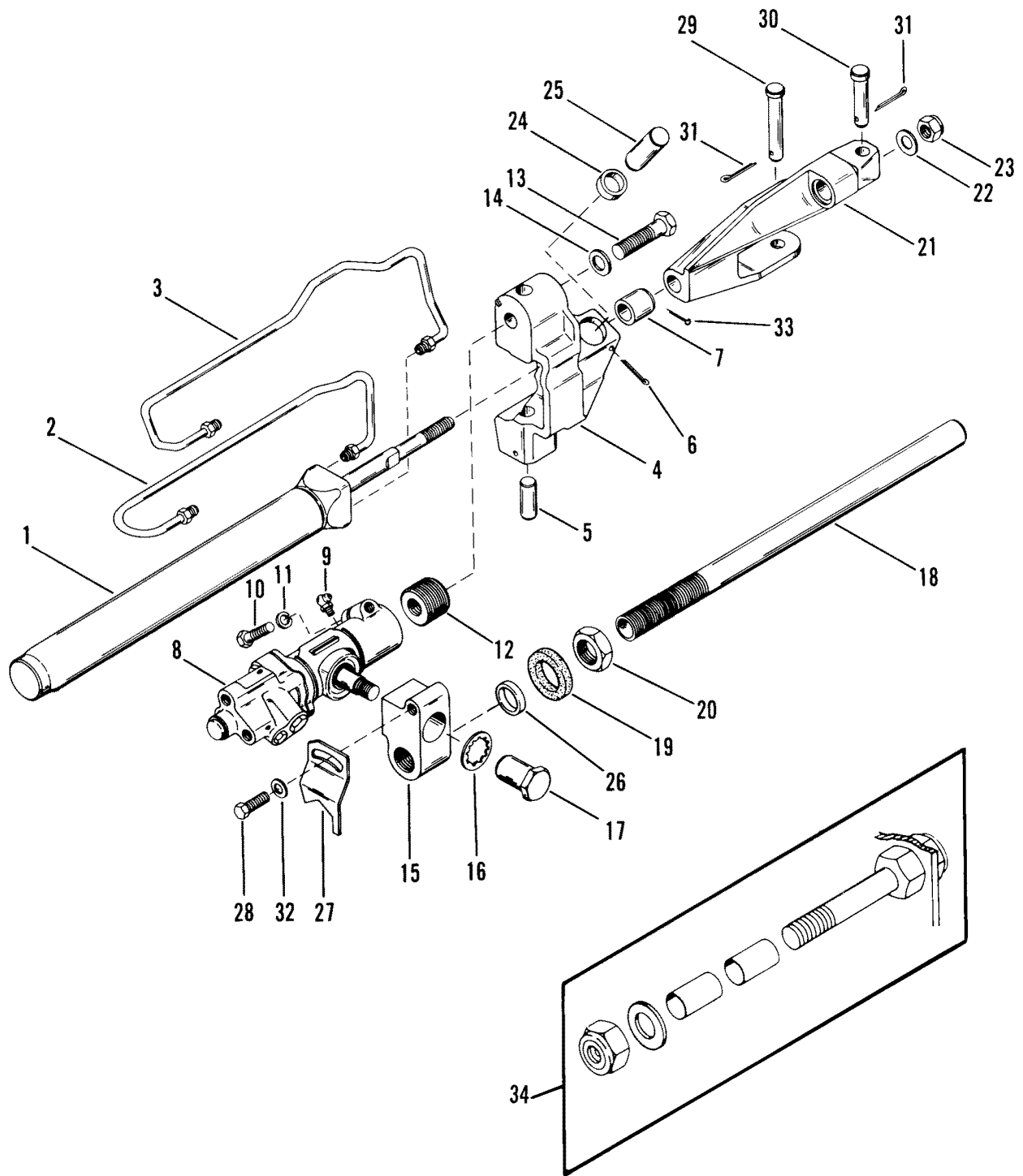


POWER STEERING CYLINDER ASSEMBLY (89645A15, 28, 33)

REF. NO.	PART NO.	SYM.	QTY.	DESCRIPTION
-	89645A15		0	POWER STEERING CYLINDER ASSEMBLY QUANTITIES: [89645A15] - 1, [89645A28] - 0, [89645A33] - 0
-	89645A28		0	POWER STEERING CYLINDER ASSEMBLY QUANTITIES: [89645A15] - 0, [89645A28] - 1, [89645A33] - 0
-	89645A33		0	POWER STEERING KIT (DUAL STATION) QUANTITIES: [89645A15] - 0, [89645A28] - 0, [89645A33] - 1
1	57969A12		0	CYLINDER (25-58224A1 SEAL REPAIR KIT) QUANTITIES: [89645A15] - 1, [89645A28] - 1, [89645A33] - 1
2	32-92054		0	TUBE, EXTENDING QUANTITIES: [89645A15] - 1, [89645A28] - 1, [89645A33] - 1
3	32-92055		0	TUBE, RETRACTING QUANTITIES: [89645A15] - 1, [89645A28] - 1, [89645A33] - 1
4	94953A1		0	BRACKET ASSEMBLY QUANTITIES: [89645A15] - 1, [89645A28] - 1, [89645A33] - 1
5	17-88283		0	RETAINING PIN QUANTITIES: [89645A15] - 2, [89645A28] - 2, [89645A33] - 2
6	18-36377		0	COTTER PIN QUANTITIES: [89645A15] - 1, [89645A28] - 1, [89645A33] - 1
7	23-88282		0	SLEEVE QUANTITIES: [89645A15] - 1, [89645A28] - 1, [89645A33] - 1
8	816458A1		0	VALVE (25-58226A1 SEAL REPAIR KIT) QUANTITIES: [89645A15] - 1, [89645A28] - 1, [89645A33] - 1
9	22-67305		0	GREASE FITTING QUANTITIES: [89645A15] - 1, [89645A28] - 1, [89645A33] - 1
10	10-37612		0	SCREW (1-1/4") QUANTITIES: [89645A15] - 1, [89645A28] - 0, [89645A33] - 0
	10-68101		0	SCREW (1-1/3") QUANTITIES: [89645A15] - 1, [89645A28] - 0, [89645A33] - 0
11	13-35048		0	LOCKWASHER QUANTITIES: [89645A15] - 1, [89645A28] - 0, [89645A33] - 0
12	88280		0	ADAPTOR, BOOSTER VALVE QUANTITIES: [89645A15] - 1, [89645A28] - 0, [89645A33] - 0
13	10-88281		0	SCREW QUANTITIES: [89645A15] - 1, [89645A28] - 1, [89645A33] - 1
14	12-20959		0	WASHER QUANTITIES: [89645A15] - 1, [89645A28] - 1, [89645A33] - 1
15	88285		0	ADAPTOR (SINGLE) QUANTITIES: [89645A15] - 1, [89645A28] - 0, [89645A33] - 0
	815301T		0	ADAPTOR (DUAL) QUANTITIES: [89645A15] - 0, [89645A28] - 1, [89645A33] - 1
16	13-76629		0	LOCKWASHER QUANTITIES: [89645A15] - 1, [89645A28] - 1, [89645A33] - 1
17	11-55111		0	NUT QUANTITIES: [89645A15] - 1, [89645A28] - 1, [89645A33] - 1
18	96511A1		0	TUBE ASSEMBLY QUANTITIES: [89645A15] - 1, [89645A28] - 2, [89645A33] - 2
19	88287		0	GUIDE QUANTITIES: [89645A15] - 1, [89645A28] - 2, [89645A33] - 2
20	11-32882		0	NUT QUANTITIES: [89645A15] - 1, [89645A28] - 2, [89645A33] - 0

CONTINUED ON NEXT PAGE ➡

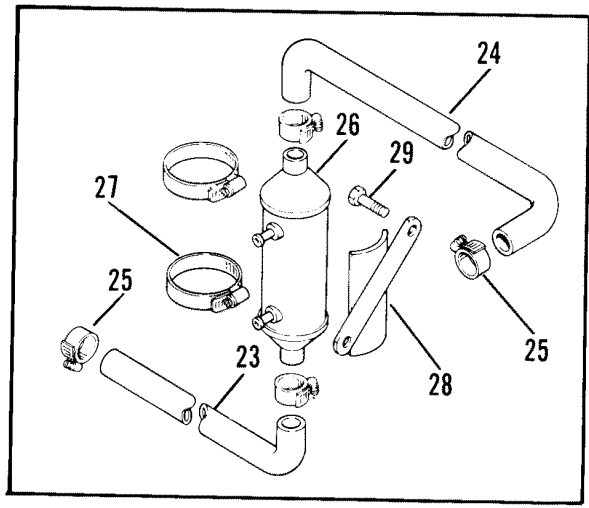
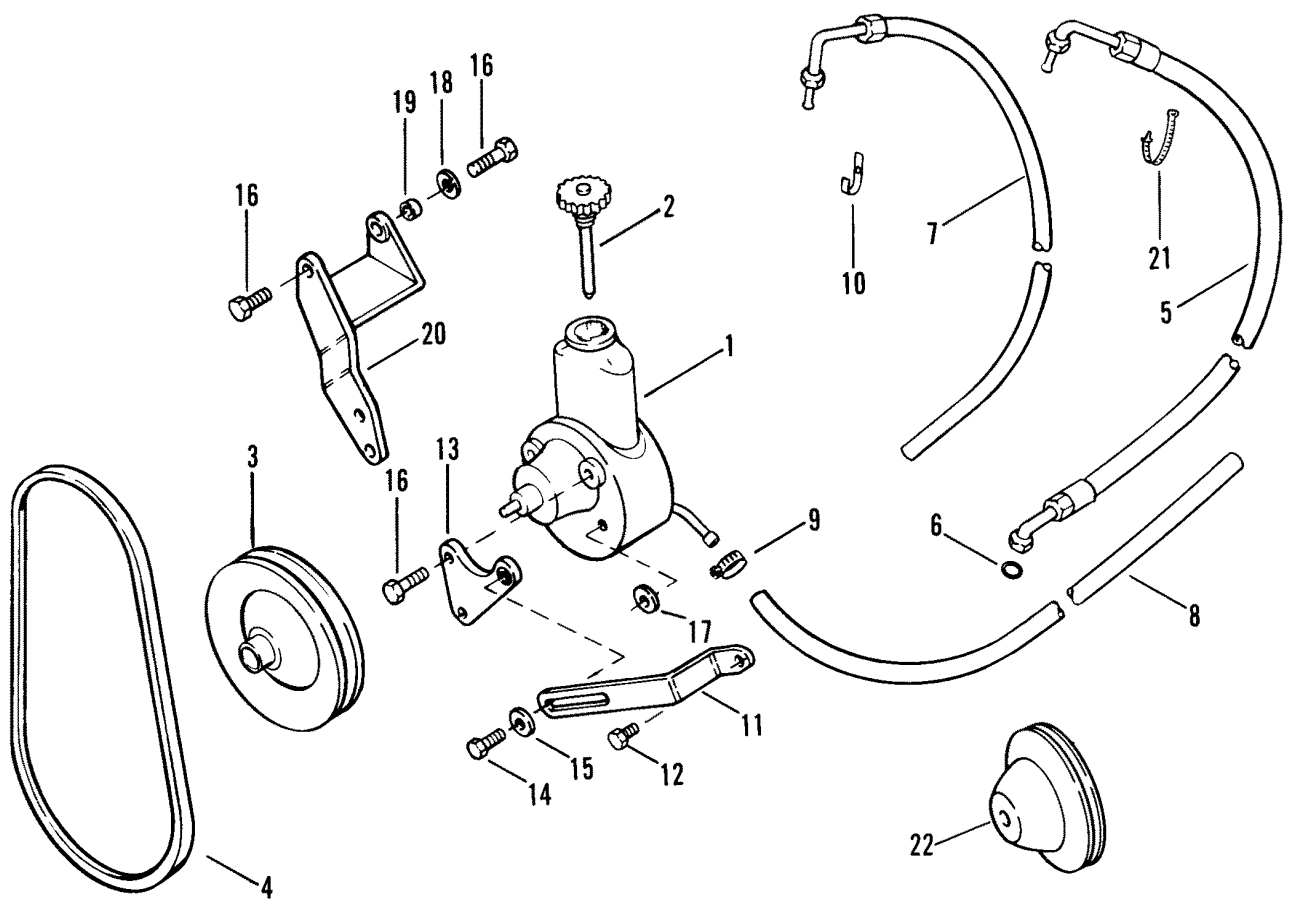
POWER STEERING CYLINDER ASSEMBLY (89645A15, 28, 33)



POWER STEERING CYLINDER ASSEMBLY (89645A15, 28, 33)

REF. NO.	PART NO.	SYM.	QTY.	DESCRIPTION
20	11-47525		0	JAM NUT QUANTITIES: [89645A15] - 0, [89645A28] - 0, [89645A33] - 1
21	95848A1		0	CLEVIS ASSEMBLY QUANTITIES: [89645A15] - 1, [89645A28] - 0, [89645A33] - 0
	815300T		0	CLEVIS QUANTITIES: [89645A15] - 0, [89645A28] - 1, [89645A33] - 1
22	12-25970		0	WASHER QUANTITIES: [89645A15] - 1, [89645A28] - 1, [89645A33] - 1
23	11-53300		0	NUT QUANTITIES: [89645A15] - 1, [89645A28] - 1, [89645A33] - 1
24	23-95803		0	BUSHING QUANTITIES: [89645A15] - 2, [89645A28] - 2, [89645A33] - 2
25	17-99938		0	PIN (OLD DESIGN) QUANTITIES: [89645A15] - 2, [89645A28] - 0, [89645A33] - 0
26	23-88286		0	BUSHING QUANTITIES: [89645A15] - 1, [89645A28] - 2, [89645A33] - 2
27	92766		0	LOCK QUANTITIES: [89645A15] - 1, [89645A28] - 0, [89645A33] - 0
28	10-41209		0	SCREW QUANTITIES: [89645A15] - 1, [89645A28] - 0, [89645A33] - 0
29	17-89229		0	CLEVIS PIN QUANTITIES: [89645A15] - 1, [89645A28] - 1, [89645A33] - 1
30	17-52798		0	CLEVIS PIN QUANTITIES: [89645A15] - 1, [89645A28] - 2, [89645A33] - 2
31	18-46950		0	COTTER PIN QUANTITIES: [89645A15] - 2, [89645A28] - 3, [89645A33] - 3
32	12-35462		0	WASHER QUANTITIES: [89645A15] - 1, [89645A28] - 0, [89645A33] - 0
33	18-34212		0	COTTER PIN QUANTITIES: [89645A15] - 1, [89645A28] - 1, [89645A33] - 1
34	16-97477A3		0	STUD KIT QUANTITIES: [89645A15] - 0, [89645A28] - 1, [89645A33] - 1

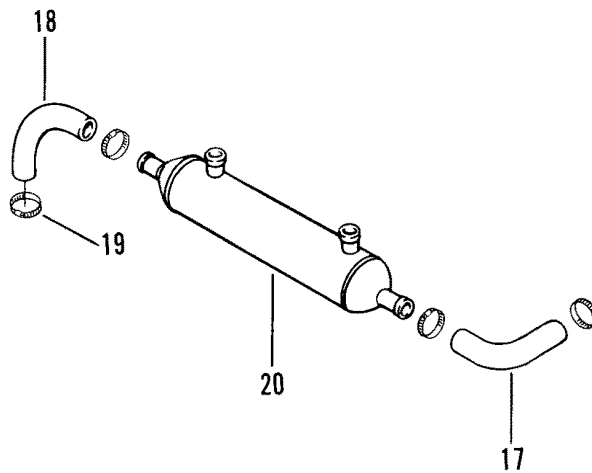
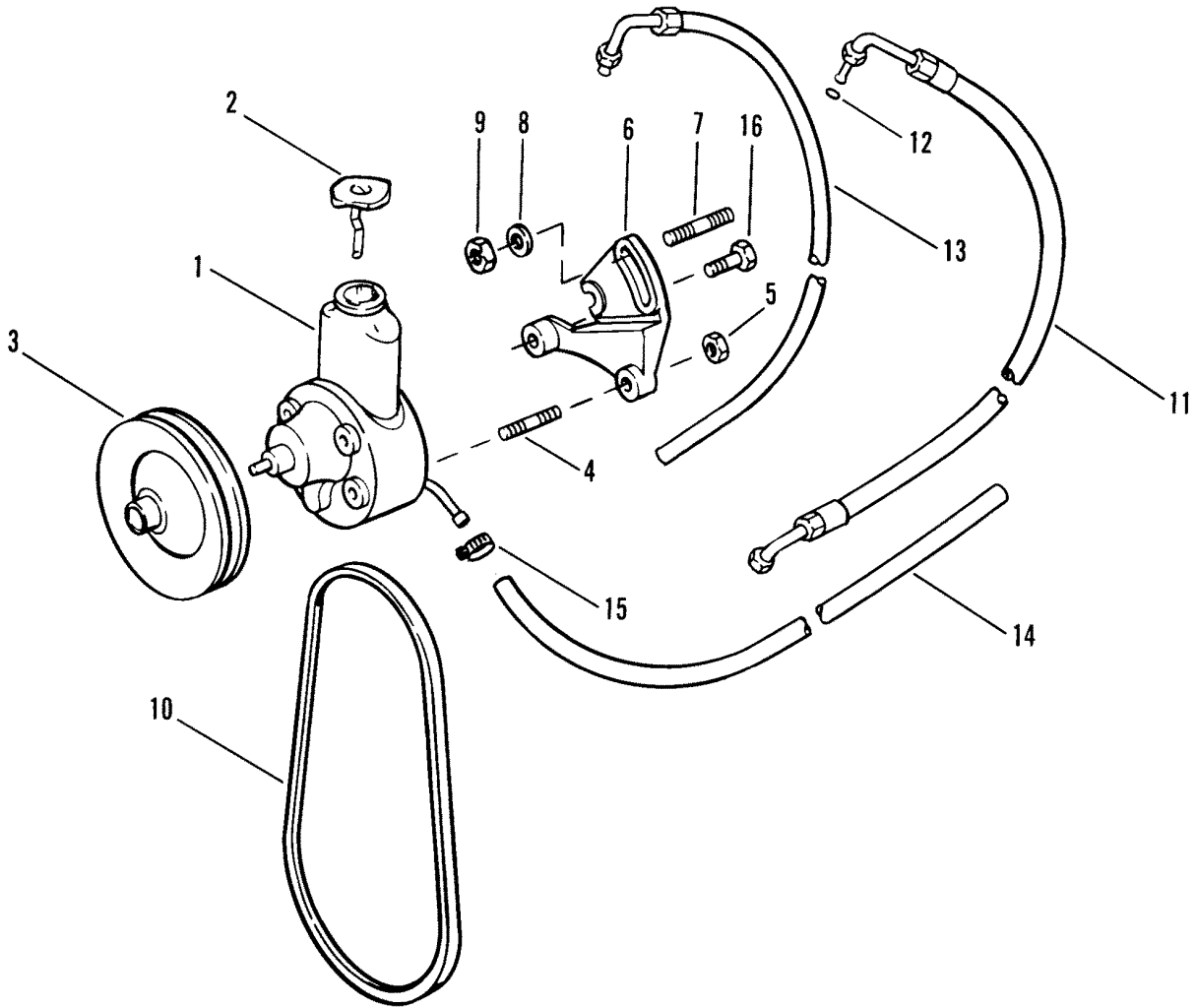
POWER STEERING PUMP ASSEMBLY (71333A5)



POWER STEERING PUMP ASSEMBLY (71333A5)

REF. NO.	PART NO.	SYM.	QTY.	DESCRIPTION
-	71333A5		1	POWER STEERING PUMP ASSEMBLY
1	90507A12		1	PUMP ASSEMBLY
2	36-95805		1	CAP
3	73873A1		1	PULLEY
4	57-65607T		1	V-BELT (37")
	57-69143T		1	V-BELT (40")
5	32-96790		1	HOSE (FITTINGS ON BOTH ENDS)
6	25-89879		1	O-RING
7	32-98843-39		1	HOSE (FITTINGS ON ONE END)
8	32-52519-15		1	HOSE
9	54-815504206		3	CLAMP
10	54-63300		1	CLAMP
11	96772A1		1	BRACE
12	10-37612		1	SCREW
13	96872A2		1	BRACKET
14	10-76926		1	SCREW
15	12-34714		1	WASHER
16	10-40001192		3	SCREW (25MM)
	10-40001195		1	SCREW (30MM)
17	23-90520		2	SPACER
18	12-55149		1	WASHER (OLD DESIGN)
	23-72057		1	SPACER (NEW DESIGN)
19	23-96818		1	BUSHING
20	65606T		1	BRACKET
21	77054		1	STAY STRAP
22	73483T		1	PULLEY
23	32-96911		1	HOSE (5/8" I.D.)
	32-42851		1	HOSE (3/4" I.D.)
24	32-96764		1	HOSE (5/8" I.D.)
	32-44107		1	HOSE (3/4" I.D.)
25	54-815504412		4	CLAMP
26	96783A1		1	OIL COOLER
27	54-815504336		2	CLAMP
28	96762A1		1	BRACKET
29	10-35386		2	SCREW (1")

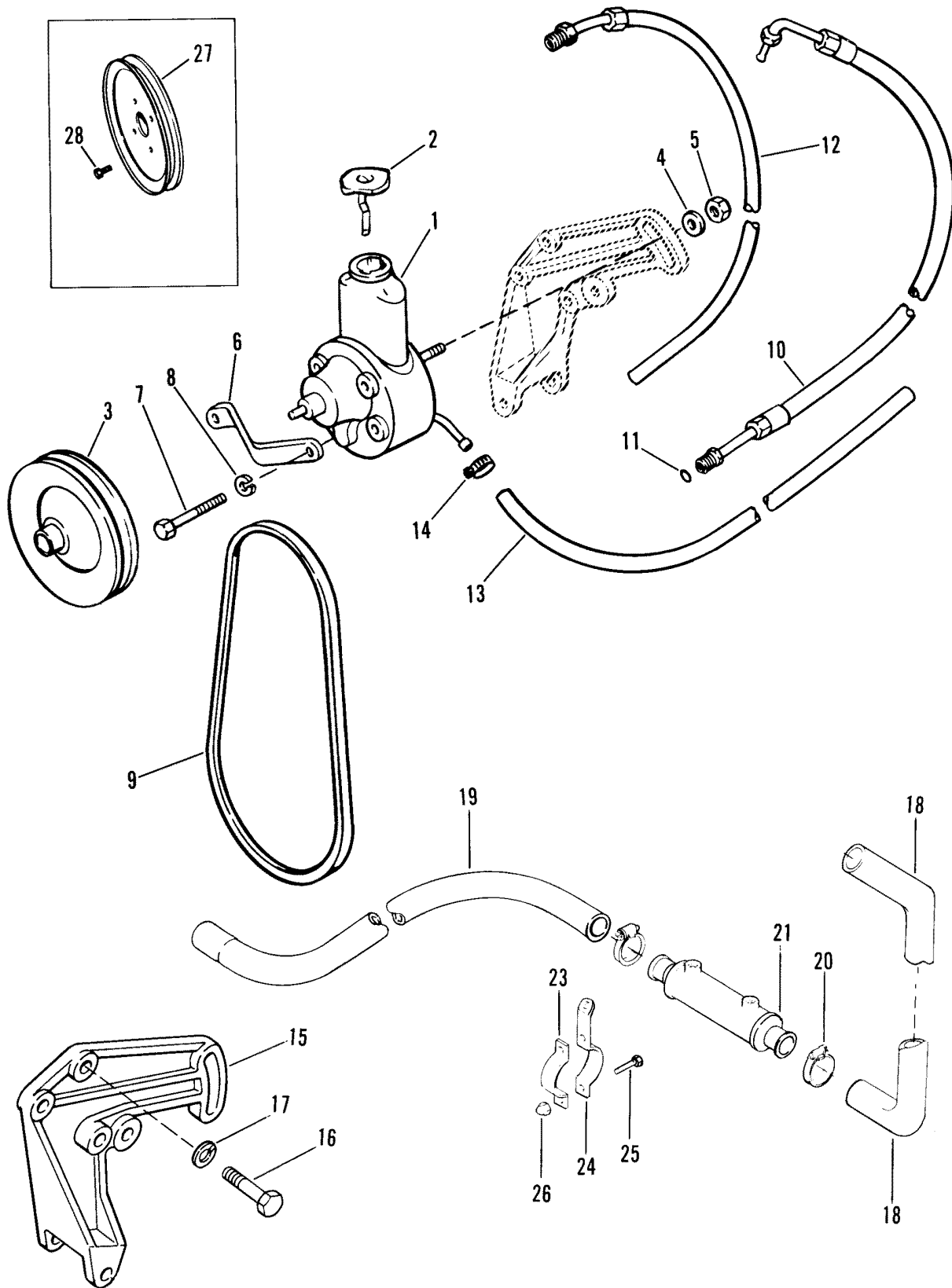
POWER STEERING PUMP ASSEMBLY (71302A31)



POWER STEERING PUMP ASSEMBLY (71302A31)

REF. NO.	PART NO.	SYM.	QTY.	DESCRIPTION
-	71302A31		1	POWER STEERING PUMP ASSEMBLY
1	90495A7		1	PUMP ASSEMBLY
2	77108		1	CAP
3	73873A1		1	PULLEY
4	16-90511		1	STUD
5	11-25269		1	NUT
6	90510A1		1	BRACKET
7	16-54176		2	STUD
8	12-55149		2	WASHER
9	11-25269		2	NUT
10	57-49043A1		1	V-BELT
11	32-90494		1	HOSE (FITTINGS ON BOTH ENDS)
12	25-89879		1	O-RING
13	32-98843-39		1	HOSE (FITTINGS ON ONE END)
14	32-52519-15		1	HOSE
15	54-815504206		3	CLAMP
16	10-40084-20		1	SCREW
17	32-33220-70		1	HOSE
18	32-95850		1	HOSE
19	54-815504220		2	CLAMP
20	99356A1		1	OIL COOLER

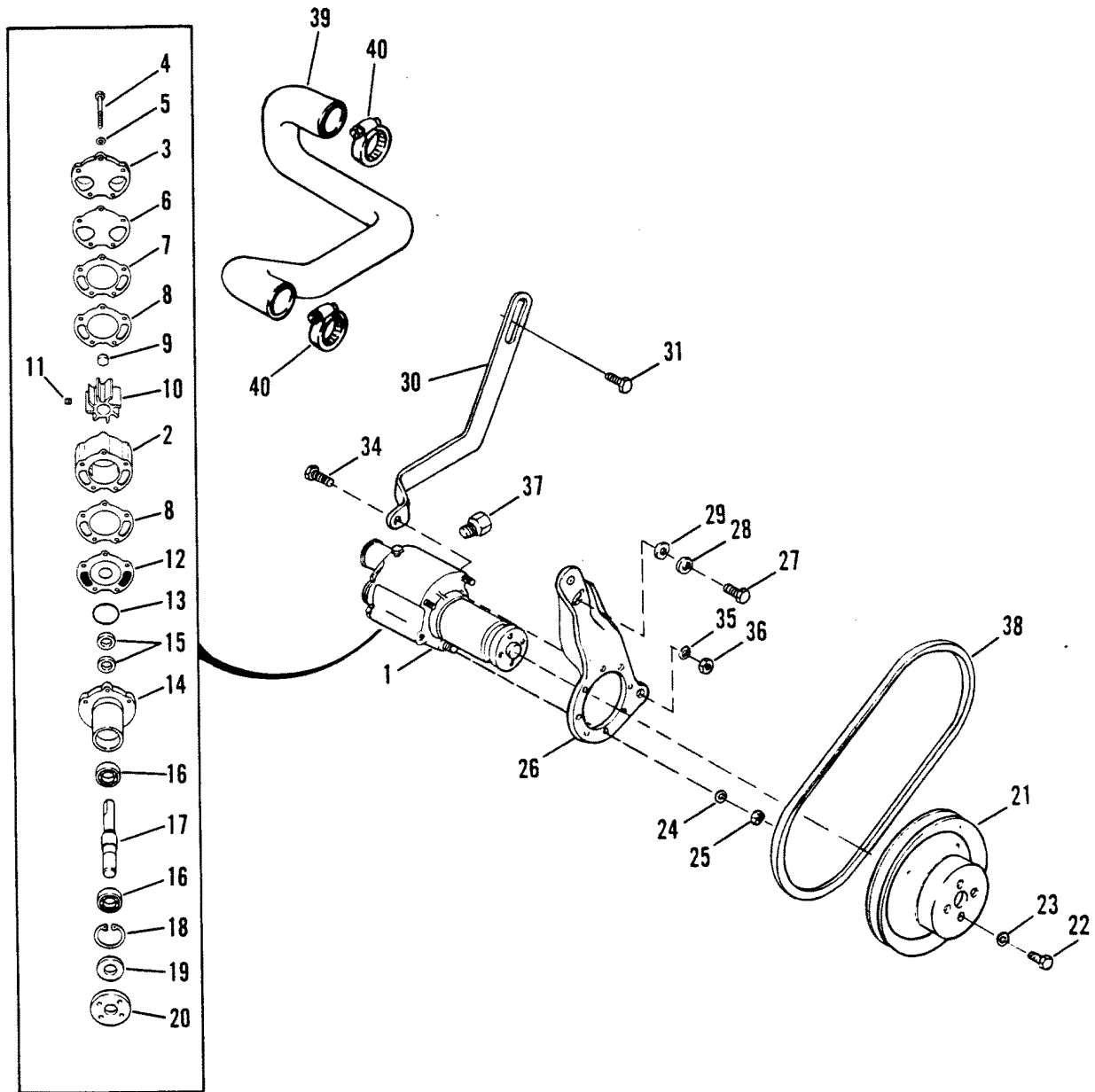
POWER STEERING PUMP ASSEMBLY (71302A32, 37)



POWER STEERING PUMP ASSMEBLY (71302A32, 37)

REF. NO.	PART NO.	SYM.	QTY.	DESCRIPTION
-	71302A32		1	POWER STEERING PUMP (5/8" I.D. HOSE)
-	71302A37		1	POWER STEERING PUMP (3/4" I.D. HOSE)
1	16792A1		1	PUMP ASSEMBLY
2	36-95805		1	CAP
3	73873A1		1	PULLEY
4	12-34567		1	WASHER (BRACE SLOT)
5	11-90517		2	NUT
6	98644A1		1	BRACE
7	10-40001188		1	SCREW
8	13-40024-8		1	LOCKWASHER
9	57-37619T		1	V-BELT (52")
10	32-90494		1	HOSE (FITTINGS ON BOTH ENDS)
11	25-89879		1	O-RING
12	32-98843-39		1	HOSE (FITTINGS ON ONE END)
13	32-52519-15		1	HOSE
14	54-515504206		3	CLAMP
15	87115A1		1	BRACKET
16	10-37612		2	SCREW (1-1/4")
	10-34354		1	SCREW (1-1/2")
17	13-35048		4	LOCKWASHER
18	32-88794		1	HOSE
19	32-96246A4		1	HOSE (5/8" I.D.)
	32-41642A3		1	HOSE (3/4" I.D.)
20	54-815504220		4	CLAMP
21	99356A2		1	COOLER
23	56328A1		1	BRACKET (SHORT)
24	63820-3		1	BRACKET (LONG)
25	10-60300		2	SCREW
26	11-30506		2	NUT
27	90081A1		1	PULLEY (1 GROOVE)
28	10-35786		3	BOLT (1")

SEA WATER PUMP ASSEMBLY



SEA WATER PUMP ASSEMBLY

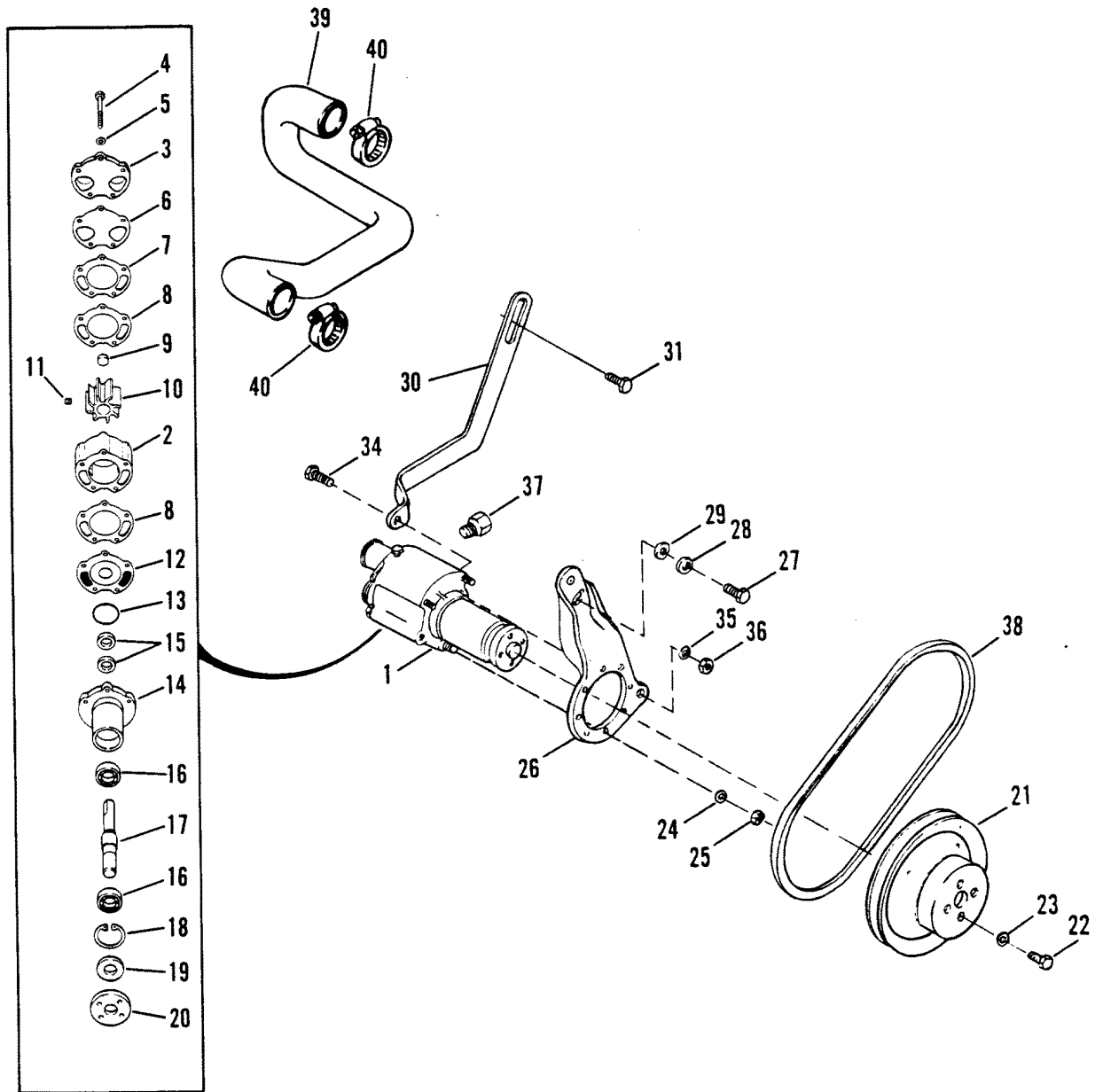
REF. NO.	PART NO.	SYM.	QTY.	DESCRIPTION
-	46-72774A37	●	1	SEA WATER PUMP ASSEMBLY
-	46-72774A56	▲	1	SEA WATER PUMP ASSEMBLY
1	46-72774A50		1	WATER PUMP ASSEMBLY
2	46-72774A40		1	BODY
3	87631A4		1	COVER
4	10-73275		2	SCREW (2-7/8")
	10-99347		3	SCREW (3-3/4")
5	12-20084		5	WASHER
6	27-805215--1		1	GASKET
7	94916		1	WEAR PLATE, OUTER
8	27-94914		2	GASKET
9	19-59504		1	PLUG
10	47-59362--1		1	IMPELLER ASSEMBLY
11	28-56662		1	KEY
12	94576		1	WEAR PLATE, INNER
13	25-94288		1	QUAD RING
14	46-94913A2		1	PUMP HOUSING ASSEMBLY
15	26-90562		2	OIL SEAL
16	30-72961		2	BALL BEARING
17	59501A1		1	SHAFT
18	53-23720		1	SNAP RING
19	26-72785		1	OIL SEAL
20	47530		1	HUB
21	73798A1	●	1	PULLEY
	52822T	▲	1	PULLEY
22	10-47277		4	SCREW (3/4")
23	13-39107		4	LOCKWASHER
24	13-39107		3	LOCKWASHER
25	11-21908		0	NUT
26	89535T	●	1	BRACKET
	89535T1	▲	1	BRACKET
27	10-34353		2	SCREW (1")
28	13-35048		2	LOCKWASHER
29	12-34714		1	WASHER
30	89609	●	1	BRACE
	89609--1	▲	1	BRACE
31	10-26487		1	SCREW (1-1/8")
34	10-35786		1	SCREW (1")
35	13-35048		1	LOCKWASHER
36	11-46335		1	NUT

● = CONTENTS OF PUMP KIT [46-72774A37]

▲ = CONTENTS OF PUMP KIT [46-72774A56]

CONTINUED ON NEXT PAGE ➡

SEA WATER PUMP ASSEMBLY



SEA WATER PUMP ASSEMBLY

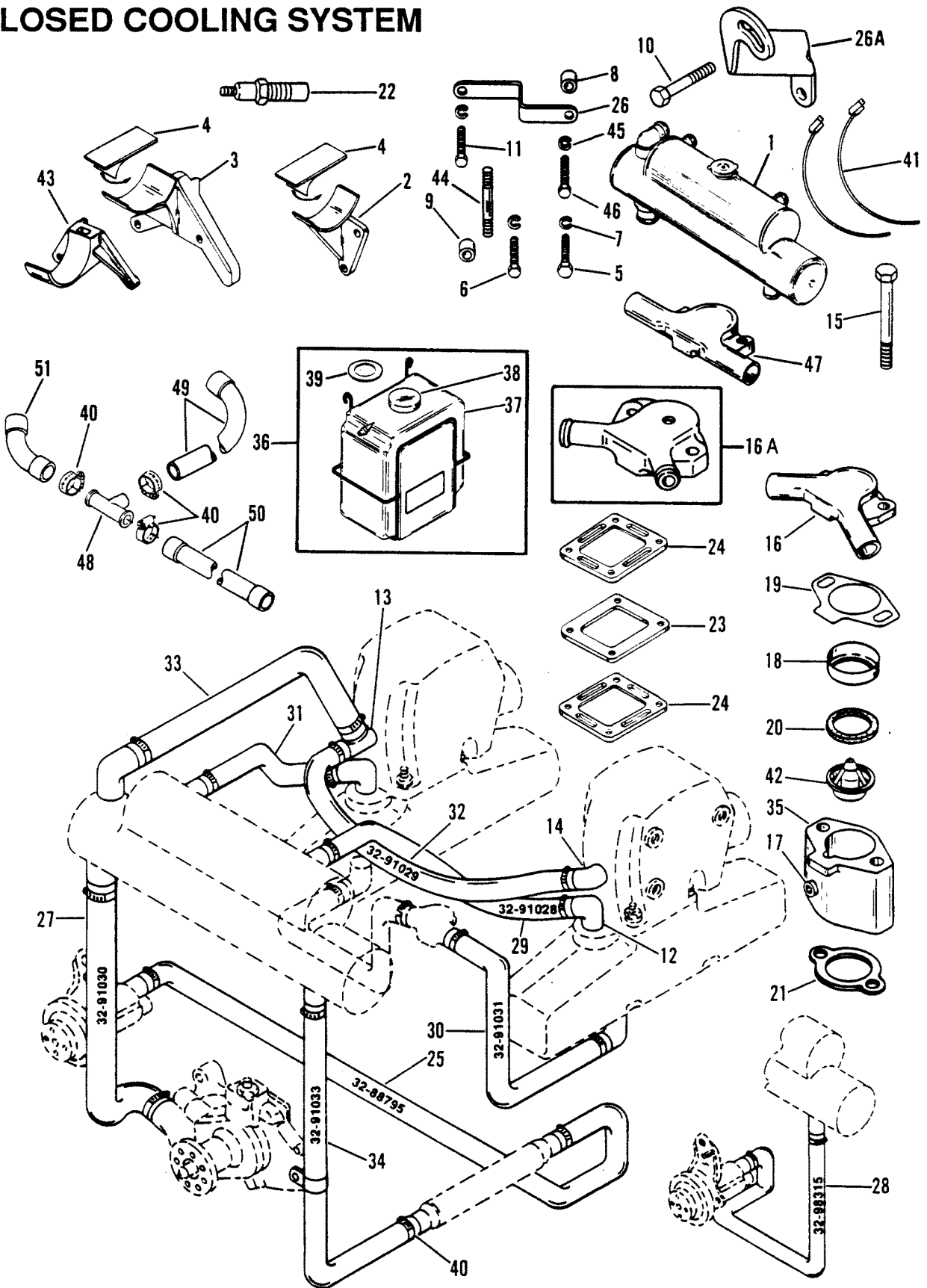
REF. NO.	PART NO.	SYM.	QTY.	DESCRIPTION
37	22-32802		1	PIPE PLUG (FOR WATER PUMP BODY)
38	57-74271T	●	1	BELT
	57-13457T	▲	1	BELT, WATER PUMP
39	32-88795		1	HOSE
40	54-815504220		2	CLAMP

● = CONTENTS OF PUMP KIT [46-72774A37]

▲ = CONTENTS OF PUMP KIT [46-72774A56]

CLOSED COOLING SYSTEM (91036A1, A3, A5, A8)

CLOSED COOLING SYSTEM



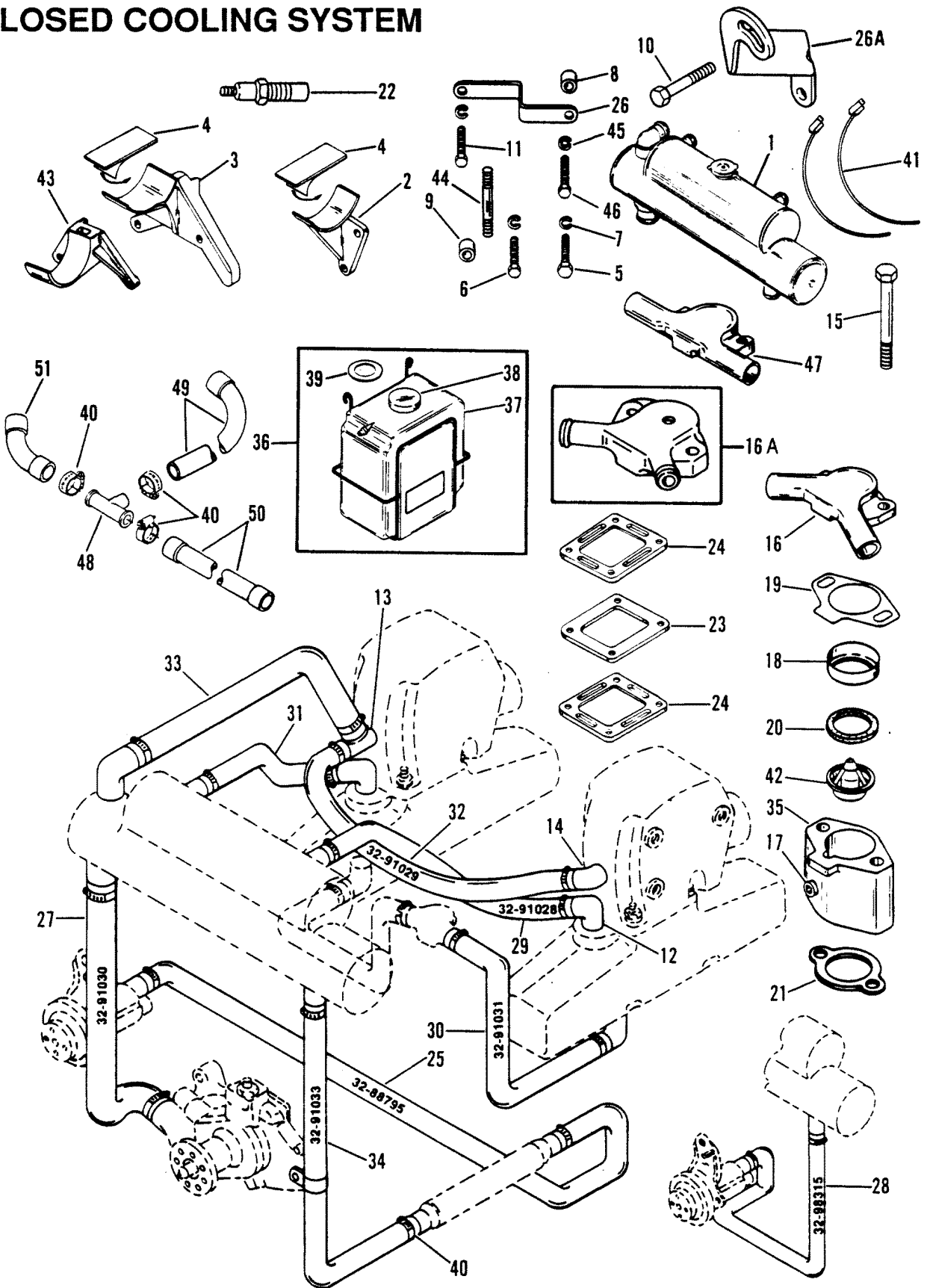
CLOSED COOLING SYSTEM (91036A1, A3, A5, A8)

REF. NO.	PART NO.	SYM.	QTY.	DESCRIPTION
-	91036A1		-	CLOSED COOLING SYSTEM QUANTITIES: [91036A1] - 1, [91036A3] - 0, [91036A5] - 0, [91036A8] - 0
-	91036A3		-	CLOSED COOLING SYSTEM QUANTITIES: [91036A1] - 0, [91036A3] - 1, [91036A5] - 0, [91036A8] - 0
-	91036A5		-	CLOSED COOLING SYSTEM QUANTITIES: [91036A1] - 0, [91036A3] - 0, [91036A5] - 1, [91036A8] - 0
-	91036A8		-	CLOSED COOLING SYSTEM QUANTITIES: [91036A1] - 0, [91036A3] - 0, [91036A5] - 0, [91036A8] - 1
1	91036A4		-	RESERVOIR QUANTITIES: [91036A1] - 1, [91036A3] - 1, [91036A5] - 1, [91036A8] - 1 SEE RESERVOIR REPLACEMENT PARTS BELOW
2	91041A2		-	BRACKET (PORT) QUANTITIES: [91036A1] - 1, [91036A3] - 1, [91036A5] - 1, [91036A8] - 1
3	91042A2		-	BRACKET (STARBOARD) QUANTITIES: [91036A1] - 1, [91036A3] - 0, [91036A5] - 0, [91036A8] - 1
4	77223--3		-	PAD QUANTITIES: [91036A1] - 2, [91036A3] - 2, [91036A5] - 2, [91036A8] - 2
5	10-34354		-	SCREW QUANTITIES: [91036A1] - 3, [91036A3] - 3, [91036A5] - 3, [91036A8] - 3
6	10-34353		-	SCREW QUANTITIES: [91036A1] - 1, [91036A3] - 1, [91036A5] - 1, [91036A8] - 1
7	13-35048		-	LOCKWASHER QUANTITIES: [91036A1] - 5, [91036A3] - 5, [91036A5] - 5, [91036A8] - 5
8	23-91034		-	SPACER QUANTITIES: [91036A1] - 1, [91036A3] - 0, [91036A5] - 0, [91036A8] - 1
9	23-90523		-	SPACER QUANTITIES: [91036A1] - 1, [91036A3] - 0, [91036A5] - 0, [91036A8] - 1
10	10-40001192		-	SCREW (25MM) QUANTITIES: [91036A1] - 1, [91036A3] - 0, [91036A5] - 0, [91036A8] - 1
11	10-64900		-	SCREW (2") QUANTITIES: [91036A1] - 1, [91036A3] - 1, [91036A5] - 1, [91036A8] - 1
12	22-36305		-	ELBOW (90 DEGREE) QUANTITIES: [91036A1] - 2, [91036A3] - 2, [91036A5] - 2, [91036A8] - 2
13	22-63067		-	TEE QUANTITIES: [91036A1] - 1, [91036A3] - 1, [91036A5] - 1, [91036A8] - 1
14	22-92499		-	ELBOW (45 DEGREE)(A5 USES REF. #12) QUANTITIES: [91036A1] - 1, [91036A3] - 1, [91036A5] - 0, [91036A8] - 1
15	10-48115		-	SCREW (3-1/2") QUANTITIES: [91036A1] - 2, [91036A3] - 2, [91036A5] - 2, [91036A8] - 2
16	47441A1		-	COVER (DESIGN I) QUANTITIES: [91036A1] - 1, [91036A3] - 0, [91036A5] - 0, [91036A8] - 1
16A	N.S.S.		-	COVER (DESIGN II) QUANTITIES: [91036A1] - 1, [91036A3] - 0, [91036A5] - 0, [91036A8] - 1
17	22-47540		-	PIPE PLUG QUANTITIES: [91036A1] - 2, [91036A3] - 2, [91036A5] - 2, [91036A8] - 0
18	23-47508		-	SLEEVE QUANTITIES: [91036A1] - 1, [91036A3] - 1, [91036A5] - 1, [91036A8] - 1
19	27-48818--1		-	GASKET (UPPER) QUANTITIES: [91036A1] - 1, [91036A3] - 1, [91036A5] - 1, [91036A8] - 1

CONTINUED ON NEXT PAGE ➡

CLOSED COOLING SYSTEM (91036A1, A3, A5, A8)

CLOSED COOLING SYSTEM



CLOSED COOLING SYSTEM (91036A1, A3, A5, A8)

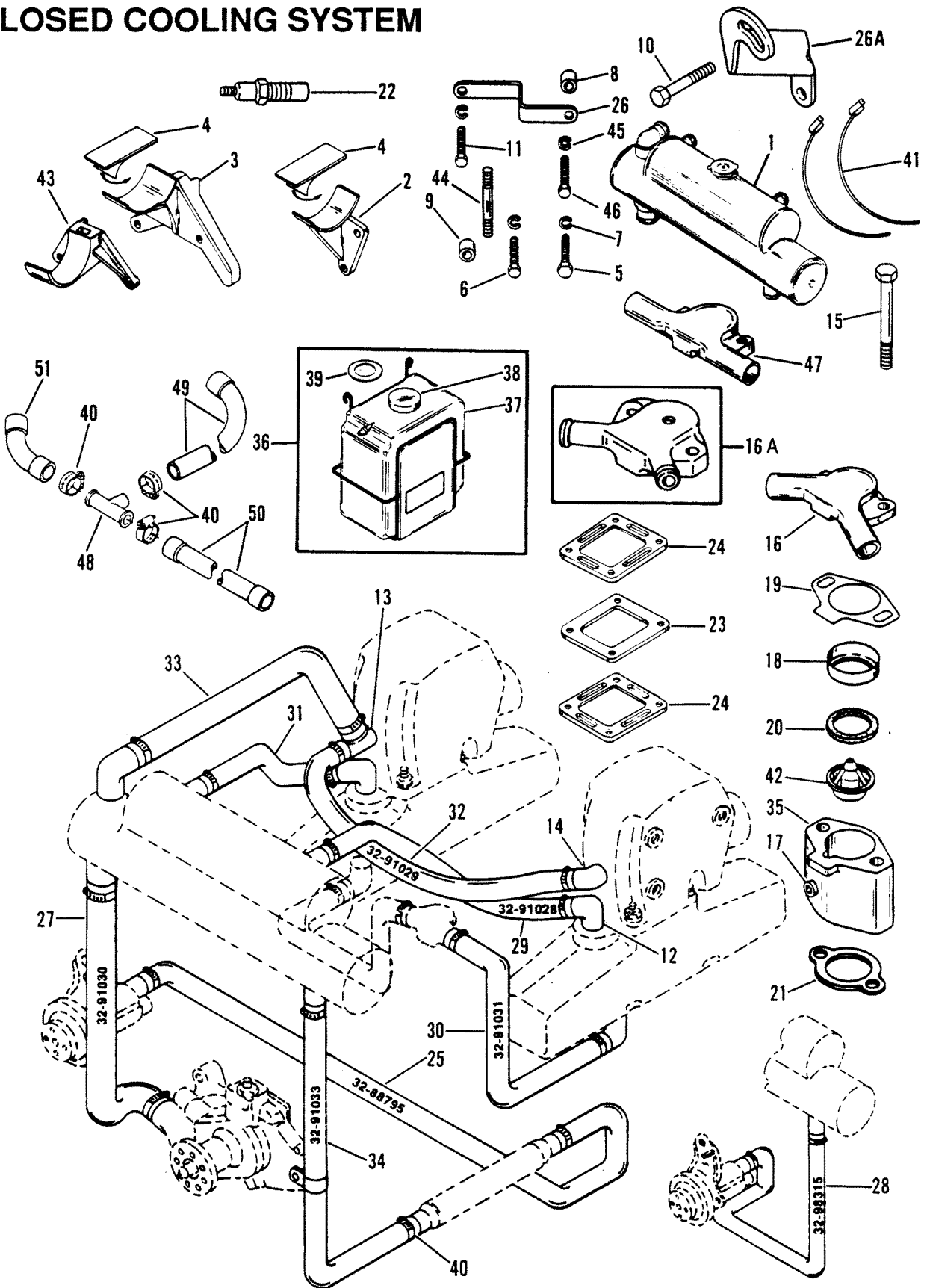
REF. NO.	PART NO.	SYM.	QTY.	DESCRIPTION
20	27-47510		-	GASKET (MIDDLE) QUANTITIES: [91036A1] - 1, [91036A3] - 1, [91036A5] - 1, [91036A8] - 1
21	27-53045--1		-	GASKET (LOWER) QUANTITIES: [91036A1] - 1, [91036A3] - 1, [91036A5] - 1, [91036A8] - 1
22	87-86080		-	TEMPERATURE SWITCH QUANTITIES: [91036A1] - 1, [91036A3] - 0, [91036A5] - 1, [91036A8] - 1
23	27-41811		-	GASKET QUANTITIES: [91036A1] - 2, [91036A3] - 2, [91036A5] - 2, [91036A8] - 2
24	27-818832		-	GASKET QUANTITIES: [91036A1] - 4, [91036A3] - 4, [91036A5] - 4, [91036A8] - 4
25	32-88795		-	HOSE QUANTITIES: [91036A1] - 1, [91036A3] - 1, [91036A5] - 1, [91036A8] - 1
26	41597A1		-	BRACE QUANTITIES: [91036A1] - 1, [91036A3] - 0, [91036A5] - 0, [91036A8] - 1
	42709A1		-	BRACE QUANTITIES: [91036A1] - 0, [91036A3] - 1, [91036A5] - 1, [91036A8] - 0
26A	15082T		-	BRACE QUANTITIES: [91036A1] - 1, [91036A3] - 0, [91036A5] - 0, [91036A8] - 1
27	32-91030		-	HOSE QUANTITIES: [91036A1] - 1, [91036A3] - 1, [91036A5] - 1, [91036A8] - 1
28	32-98315		-	HOSE QUANTITIES: [91036A1] - 1, [91036A3] - 1, [91036A5] - 1, [91036A8] - 1
29	NLA	■	-	HOSE QUANTITIES: [91036A1] - 1, [91036A3] - 1, [91036A5] - 1, [91036A8] - 1
30	32-91031		-	HOSE QUANTITIES: [91036A1] - 1, [91036A3] - 1, [91036A5] - 1, [91036A8] - 1
31	32-91027		-	HOSE QUANTITIES: [91036A1] - 1, [91036A3] - 0, [91036A5] - 0, [91036A8] - 1
	32-42701		-	HOSE QUANTITIES: [91036A1] - 0, [91036A3] - 1, [91036A5] - 1, [91036A8] - 0
32	32-91029		-	HOSE QUANTITIES: [91036A1] - 1, [91036A3] - 1, [91036A5] - 1, [91036A8] - 1
33	32-97557		-	HOSE QUANTITIES: [91036A1] - 1, [91036A3] - 0, [91036A5] - 0, [91036A8] - 1
	32-42702		-	HOSE QUANTITIES: [91036A1] - 0, [91036A3] - 1, [91036A5] - 1, [91036A8] - 0
34	32-91033		-	HOSE QUANTITIES: [91036A1] - 1, [91036A3] - 1, [91036A5] - 1, [91036A8] - 1
35	55131A5		-	THERMOSTAT HSG (INC. DESIGN II REF 16) QUANTITIES: [91036A1] - 1, [91036A3] - 1, [91036A5] - 1, [91036A8] - 1
36	71587A10		-	CLOSED COOLANT RECOVERY SYSTEM QUANTITIES: [91036A1] - 1, [91036A3] - 1, [91036A5] - 1, [91036A8] - 1
37	71587A11		-	BOTTLE QUANTITIES: [91036A1] - 1, [91036A3] - 1, [91036A5] - 1, [91036A8] - 1
38	72058		-	CAP QUANTITIES: [91036A1] - 1, [91036A3] - 1, [91036A5] - 1, [91036A8] - 1
39	27-71614		-	GASKET QUANTITIES: [91036A1] - 1, [91036A3] - 1, [91036A5] - 1, [91036A8] - 1

■ = NO LONGER AVAILABLE

CONTINUED ON NEXT PAGE ➡

CLOSED COOLING SYSTEM (91036A1, A3, A5, A8)

CLOSED COOLING SYSTEM

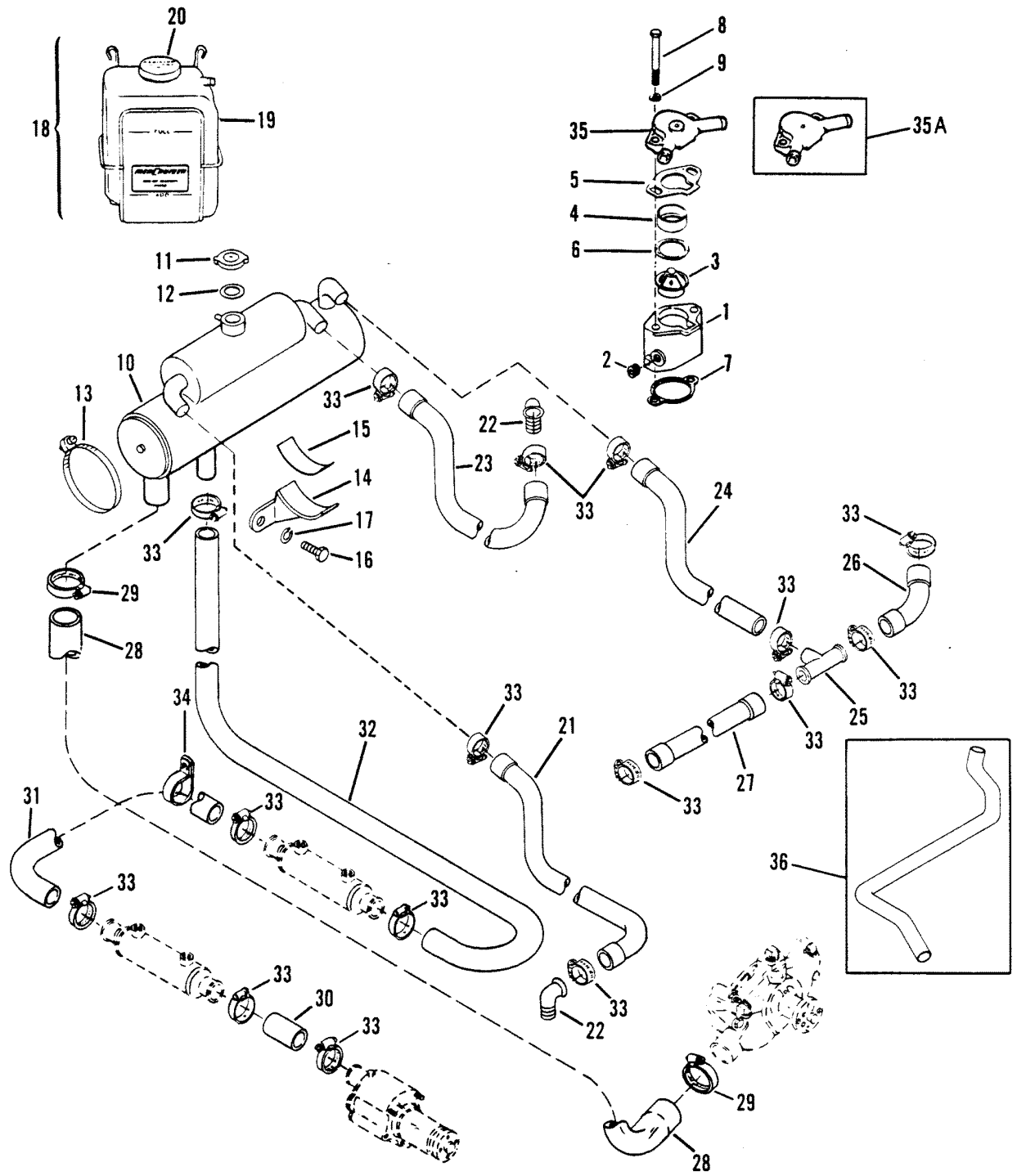


CLOSED COOLING SYSTEM (91036A1, A3, A5, A8)

REF. NO.	PART NO.	SYM.	QTY.	DESCRIPTION
40	54-815504220		-	CLAMP QUANTITIES: [91036A1] - AR, [91036A3] - AR, [91036A5] - AR, [91036A8] - AR
41	54-815504372		-	CLAMP QUANTITIES: [91036A1] - 2, [91036A3] - 2, [91036A5] - 2, [91036A8] - 2
42	805273--1		-	THERMOSTAT QUANTITIES: [91036A1] - 1, [91036A3] - 1, [91036A5] - 1, [91036A8] - 1
43	12753A1		-	BRACKET (STARBOARD) QUANTITIES: [91036A1] - 0, [91036A3] - 1, [91036A5] - 1, [91036A8] - 0
44	16-49545		-	STUD QUANTITIES: [91036A1] - 0, [91036A3] - 1, [91036A5] - 0, [91036A8] - 0
	16-64281		-	STUD QUANTITIES: [91036A1] - 0, [91036A3] - 0, [91036A5] - 1, [91036A8] - 0
45	13-40024--8		-	LOCKWASHER QUANTITIES: [91036A1] - 0, [91036A3] - 2, [91036A5] - 2, [91036A8] - 0
46	NLA	■	-	SCREW (25MM) QUANTITIES: [91036A1] - 0, [91036A3] - 1, [91036A5] - 0, [91036A8] - 0
	10-40001188		-	SCREW (20MM) QUANTITIES: [91036A1] - 0, [91036A3] - 0, [91036A5] - 1, [91036A8] - 0
47	42700A1		-	COVER QUANTITIES: [91036A1] - 0, [91036A3] - 1, [91036A5] - 1, [91036A8] - 0
48	22-55133T		-	TEE QUANTITIES: [91036A1] - 0, [91036A3] - 0, [91036A5] - 0, [91036A8] - 1
49	32-817437		-	HOSE QUANTITIES: [91036A1] - 0, [91036A3] - 0, [91036A5] - 0, [91036A8] - 1
50	32-817440		-	HOSE QUANTITIES: [91036A1] - 0, [91036A3] - 0, [91036A5] - 0, [91036A8] - 1
51	32-817439--1		1	HOSE
-	27-65128		-	RESERVOIR REPLACEMENT GASKET
-	66221		-	RESERVOIR REPLACEMENT END CAP
-	10-66223		-	RESERVOIR REPLACEMENT SCREW

■ = NO LONGER AVAILABLE

CLOSED COOLING SYSTEM (44446A4, A5)



CLOSED COOLING SYSTEM (44446A4, A5)

REF. NO.	PART NO.	SYM.	QTY.	DESCRIPTION
-	44446A4		1	CLOSED COOLING SYSTEM
-	44446A5		1	CLOSED COOLING SYSTEM
1	55131A5		1	THER.HSG. (INC. REF. #35A)
2	22-47540		1	PIPE PLUG
3	805273--1		1	THERMOSTAT (143 DEGREE)
4	23-47508		1	SLEEVE
5	27-48818--1		1	GASKET (UPPER)
6	27-47510		1	GASKET (MIDDLE)
7	27-53045--1		1	GASKET (LOWER)
8	10-48115		2	SCREW (3-1/2")
9	13-35048		2	LOCKWASHER
10	44446A2		1	RESERVOIR (5") SEE 5" RESERVOIR REPLACEMENT PARTS BELOW
11	36-55143		1	CAP
12	27-71614		1	GASKET
13	54-815504388		2	CLAMP
14	44441A2	†	2	BRACKET
	44445A2	❖ > ♣ ♠	2	BRACKET
15	77223--1		2	PAD
16	10-34353		3	SCREW (3/8-16 THREAD)
17	13-35048		3	LOCKWASHER (3/8-16 THREAD)
16	10-47461		1	SCREW (7/16-14 THREAD)
17	13-32993		1	LOCKWASHER (7/16-14 THREAD)
18	71587A10	♣	1	COOLANT RECOVER SYSTEM
19	71587A11		1	BOTTLE
20	72058		1	CAP
21	32-19403	❖ ♣ †	1	HOSE, RESERVOIR TO MANIFOLD (STARBOARD)
	32-77332	> ♣	1	HOSE, RESERVOIR TO MANIFOLD (STARBOARD)
22	22-36305	❖ ♣ †	2	ELBOW (90 DEGREE)
	22-92499	> ♣	1	ELBOW (45 DEGREE)
23	32-19404	❖ ♣ †	1	HOSE, RESERVOIR TO MANIFOLD (PORT)
	32-77332	> ♣	1	HOSE, RESERVOIR TO MANIFOLD (PORT)
24	32-53461-70	❖ ♣ ♣ †	1	HOSE, TEE TO RESERVOIR
	32-816261--1	>	1	HOSE, TEE TO RESERVOIR
25	22-55133T		1	TEE
26	32-92846	♣ †	1	HOSE, TEE TO EXHAUST ELBOW (PORT)
	32-33220-70	♣	1	HOSE, TEE TO EXHAUST ELBOW (PORT)
	32-817438--1	❖	1	HOSE, TEE TO EXHAUST ELBOW (PORT)
	32-91029	>	1	HOSE, TEE TO EXHAUST ELBOW (PORT)

† = CONTENTS OF INSTALLATION KIT [44439A2]

♣ = CONTENTS OF INSTALLATION KIT [44443A1]

❖ = CONTENTS OF INSTALLATION KIT [44443A3]

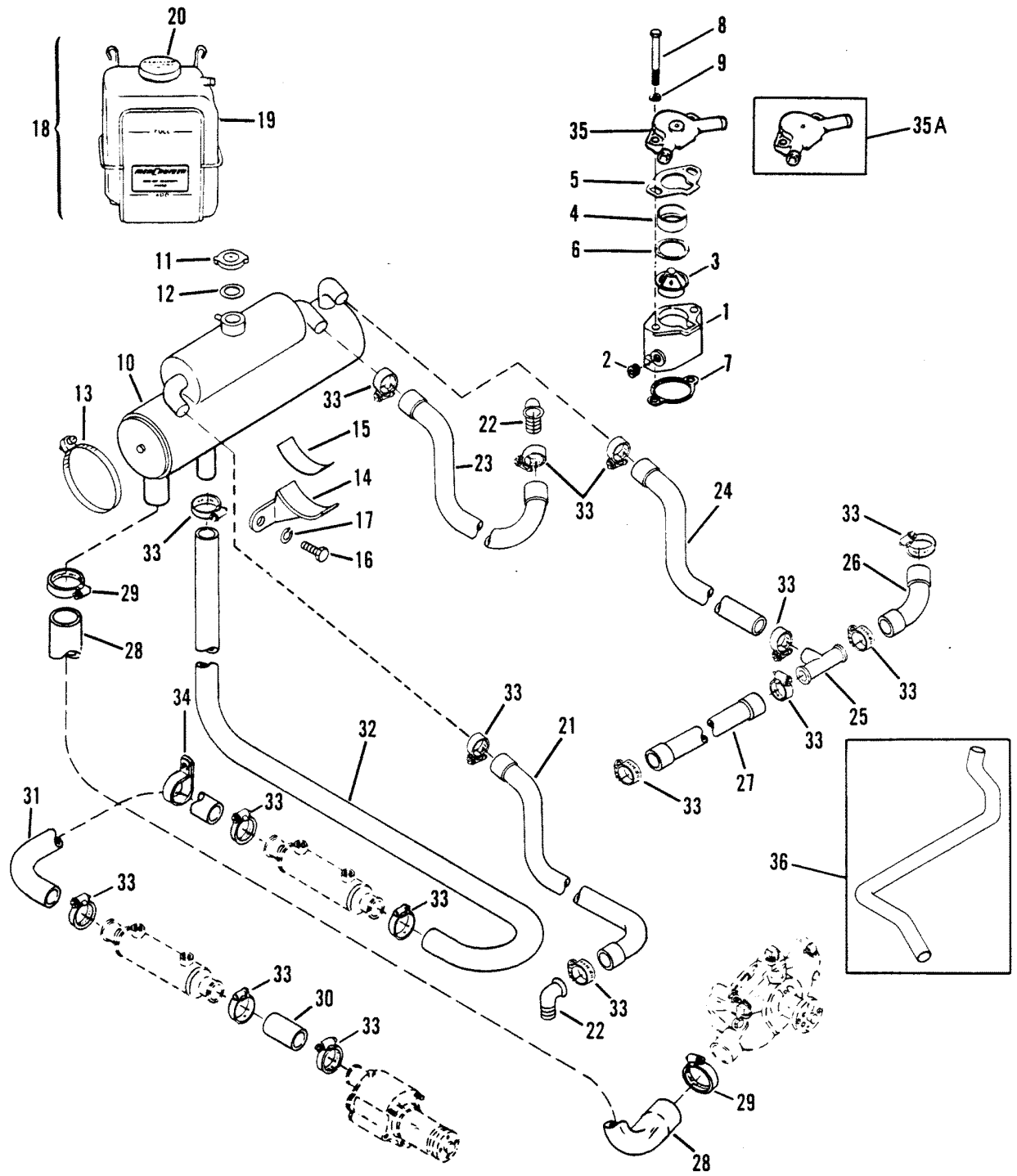
> = CONTENTS OF INSTALLATION KIT [44443A4]

♠ = CONTENTS OF INSTALLATION KIT [44443A2]

♣ = COOLANT RECOVERY KIT [71587A10] SOLD AS COMPLETE KIT ONLY. COMPONENT PARTS CAN BE PURCHASED SEPARATELY.

CONTINUED ON NEXT PAGE ➡

CLOSED COOLING SYSTEM (44446A4, A5)



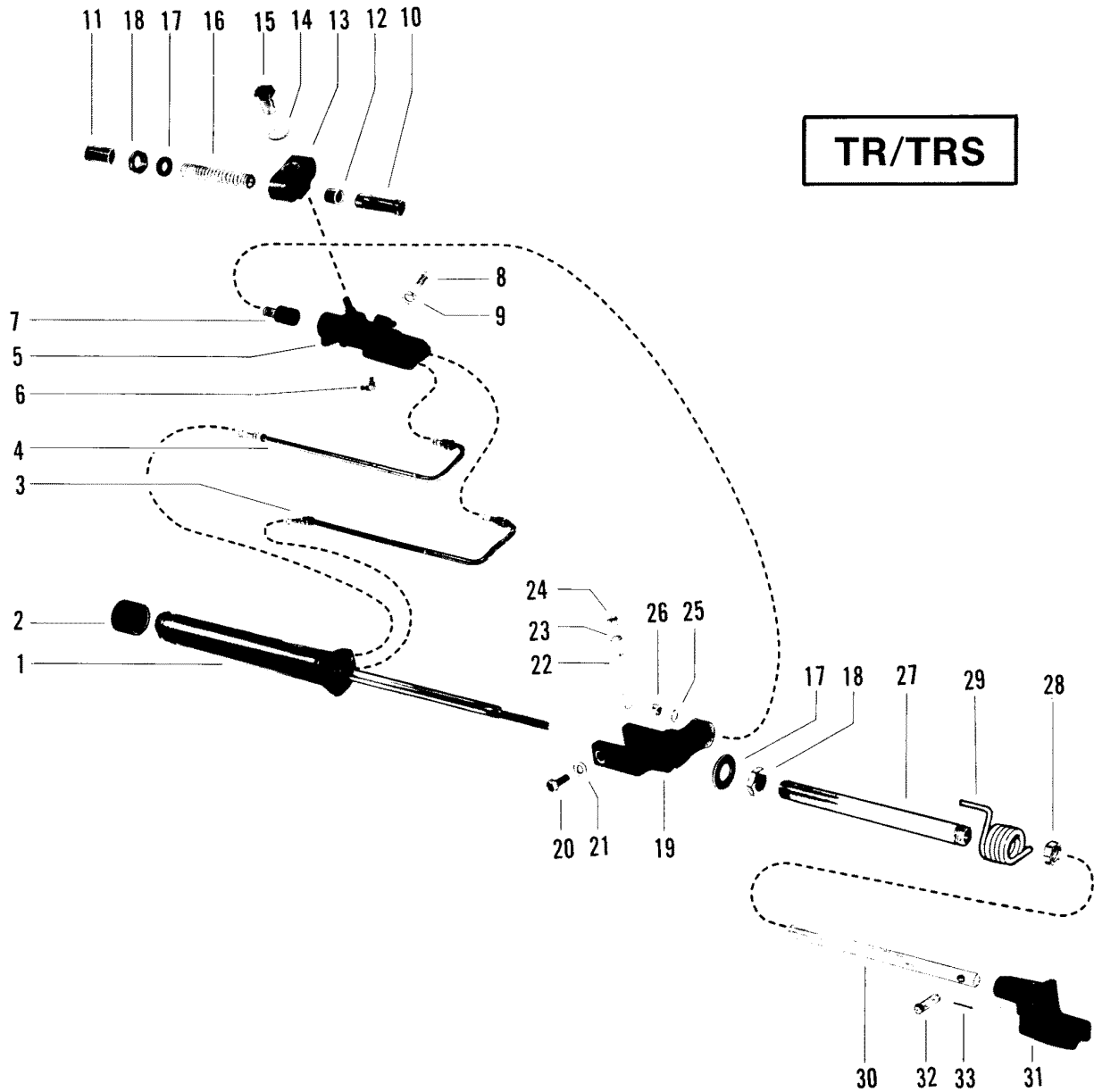
CLOSED COOLING SYSTEM (44446A4, A5)

REF. NO.	PART NO.	SYM.	QTY.	DESCRIPTION
27	32-33220-70	>	1	HOSE, TEE TO EXHAUST ELBOW (STARBOARD)
	32-817439--3	❖	1	HOSE, TEE TO EXHAUST ELBOW (STARBOARD)
28	32-92838		1	HOSE, RESERVOIR TO WATER PUMP
29	54-815504232		2	CLAMP, HOSE ATTACHING
30	32-53461-70		1	HOSE, SEA WATER PUMP TO OIL COOLER
31	32-44590		1	HOSE, OIL COOLER TO OIL COOLER
32	32-92837		1	HOSE, COOLER TO RESERVOIR (USE W/BW TRANS.)
	32-19226		1	HOSE, COOLER TO RESERVOIR (USE W/HURTH TRANS.)
33	54-815504220		AR	CLAMP
34	54-47715		1	CLIP
35	47442A1		1	COVER (DESIGN I)
35A	N.S.S.		1	COVER (DESIGN II)
36	32-821508--1		1	HOSE, HEAT EXCHANGER TO PUMP (GEN. V)
-	22-36382		1	5" RESERVOIR REPLACEMENT PLUG
-	27-95688		2	5" RESERVOIR REPLACEMENT GASKET
-	95687		2	5" RESERVOIR REPLACEMENT COVER
-	10-95689		2	5" RESERVOIR REPLACEMENT SCREW
-	12-95690		2	5" RESERVOIR REPLACEMENT WASHER

❖ = CONTENTS OF INSTALLATION KIT [44443A3]

> = CONTENTS OF INSTALLATION KIT [44443A4]

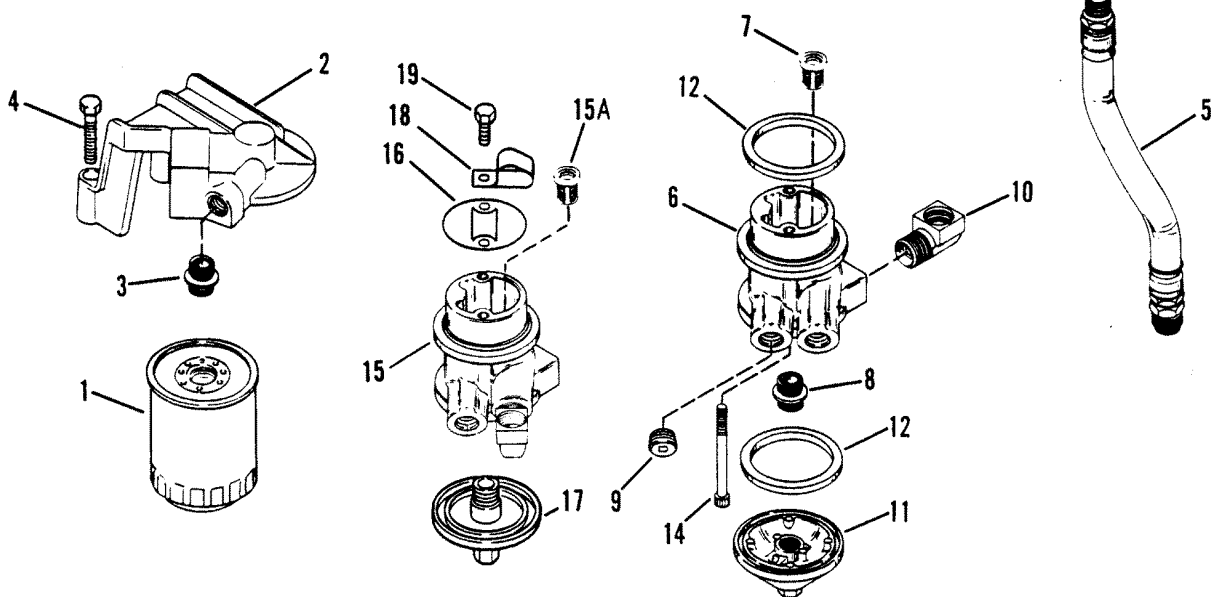
POWER STEERING CYLINDER ASSEMBLY (55110A1)



POWER STEERING CYLINDER ASSEMBLY (55110A1)

REF. NO.	PART NO.	SYM.	QTY.	DESCRIPTION
-	55110A1		1	POWER STEERING CYLINDER ASSEMBLY
1	57969A12		1	CYLINDER
2	26059		1	CAP
3	32-57633		1	TUBE, EXTENDING
4	32-57634		1	TUBE, RETRACTING
5	516458A1		1	VALVE
6	22-67305		2	GREASE FITTING
7	16-55109T		1	STUD
8	10-37612		1	SCREW (1-1/4")
9	13-35048		1	LOCKWASHER
10	23-60652		1	SLEEVE
11	64414		1	GUIDE
12	23-60773		1	SLEEVE
13	55110		1	ADAPTER (DUAL)
14	13-76629		1	LOCKWASHER
15	11-55111		1	NUT
16	32-55112		1	TUBE
17	12-37985		2	WASHER
18	11-37987		2	NUT
19	57286		1	BRACKET
20	10-31832		2	SCREW (1")
21	13-31848		2	LOCKWASHER
22	10-57968		1	SCREW (3")
23	13-35048		1	LOCKWASHER
24	11-46335		1	NUT
25	12-20959		1	WASHER
26	11-28040		1	NUT
27	57971		1	TUBE
28	11-55983		1	JAM NUT
29	24-78498		1	SPRING
30	57970T		1	EXTENSION
31	87854		1	ADAPTER
32	17-52798		2	CLEVIS PIN
33	18-46950		2	COTTER PIN

REMOTE OIL FILTER KIT

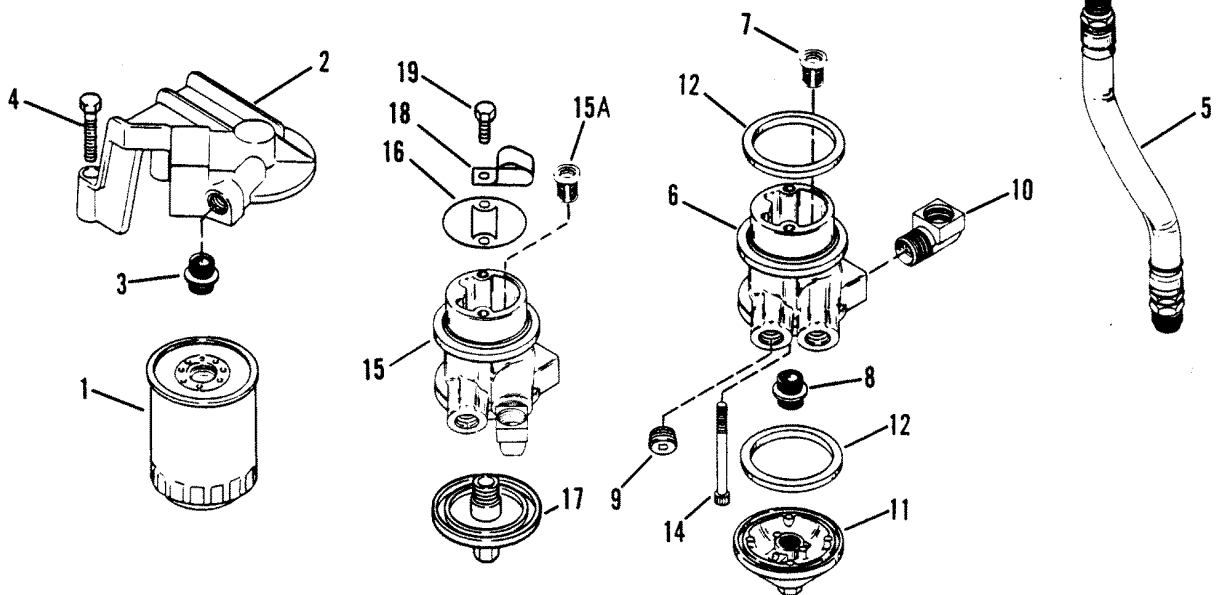


REMOTE OIL FILTER KIT

REF. NO.	PART NO.	SYM.	QTY.	DESCRIPTION
-	92043A2		0	REMOTE OIL FILTER KIT (3" EXHAUST) QUANTITIES: [92043A2] - 1, [92043A5] - 0, [92043A7] - 0
-	92043A5		-	REMOTE OIL FILTER KIT (4" EXHAUST) QUANTITIES: [92043A2] - 0, [92043A5] - 1, [92043A7] - 0
-	92043A7		-	REMOTE OIL FILTER KIT QUANTITIES: [92043A2] - 0, [92043A5] - 0, [92043A7] - 1
1	14957		-	OIL FILTER QUANTITIES: [92043A2] - 1, [92043A5] - 1, [92043A7] - 1
2	92043A3		0	BRACKET ASSEMBLY (3" EXHAUST) QUANTITIES: [92043A2] - 1, [92043A5] - 0, [92043A7] - 0
	44393A2		-	BRACKET ASSEMBLY (4" EXHAUST) QUANTITIES: [92043A2] - 0, [92043A5] - 1, [92043A7] - 1
3	22-805632		-	ADAPTOR QUANTITIES: [92043A2] - 1, [92043A5] - 1, [92043A7] - 1
4	10-66863-1		0	SCREW (3" EXHAUST) QUANTITIES: [92043A2] - 2, [92043A5] - 0, [92043A7] - 0
	10-44387		-	SCREW (4" EXHAUST) QUANTITIES: [92043A2] - 0, [92043A5] - 2, [92043A7] - 2
5	32-92357-59		0	HOSE (3" EXHAUST) QUANTITIES: [92043A2] - 2, [92043A5] - 0, [92043A7] - 0
	32-92357-61		-	HOSE (4" EXHAUST) QUANTITIES: [92043A2] - 0, [92043A5] - 2, [92043A7] - 2
6	90783A22		-	ADAPTER ASSEMBLY QUANTITIES: [92043A2] - 1, [92043A5] - 1, [92043A7] - 0
7	99889		-	BY-PASS VALVE QUANTITIES: [92043A2] - 1, [92043A5] - 1, [92043A7] - 0
8	22-805632		-	ADAPTOR QUANTITIES: [92043A2] - 1, [92043A5] - 1, [92043A7] - 0
9	22-37372		-	PIPE PLUG QUANTITIES: [92043A2] - 1, [92043A5] - 1, [92043A7] - 0
10	22-63825		-	ELBOW (90 DEGREE) QUANTITIES: [92043A2] - 2, [92043A5] - 2, [92043A7] - 0
	22-16781		-	ELBOW (90 DEGREE) QUANTITIES: [92043A2] - 0, [92043A5] - 0, [92043A7] - 2
11	91830		-	COVER QUANTITIES: [92043A2] - 1, [92043A5] - 0, [92043A7] - 0
12	27-91892		-	GASKET QUANTITIES: [92043A2] - 2, [92043A5] - 2, [92043A7] - 0
	27-16779		-	GASKET QUANTITIES: [92043A2] - 0, [92043A5] - 0, [92043A7] - 2
14	10-91966		-	SCREW (4") QUANTITIES: [92043A2] - 1, [92043A5] - 0, [92043A7] - 0
	10-91967		-	SCREW (3-1/2") QUANTITIES: [92043A2] - 1, [92043A5] - 0, [92043A7] - 0
	10-15853		-	SCREW (3") QUANTITIES: [92043A2] - 0, [92043A5] - 0, [92043A7] - 2
15	16521T		-	ADAPTOR QUANTITIES: [92043A2] - 0, [92043A5] - 0, [92043A7] - 1

CONTINUED ON NEXT PAGE ➡

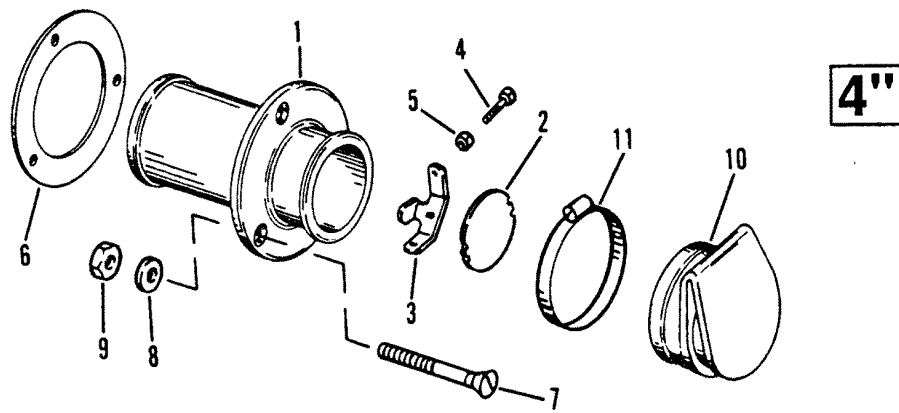
REMOTE OIL FILTER KIT



REMOTE OIL FILTER KIT

REF. NO.	PART NO.	SYM.	QTY.	DESCRIPTION
15A	22-42796		-	BY-PASS VALVE QUANTITIES: [92043A2] - 0, [92043A5] - 0, [92043A7] - 2
16	27-814896		-	GASKET QUANTITIES: [92043A2] - 0, [92043A5] - 0, [92043A7] - 1
17	15820T		-	COVER QUANTITIES: [92043A2] - 0, [92043A5] - 0, [92043A7] - 1
18	54-16962		-	CLAMP QUANTITIES: [92043A2] - 0, [92043A5] - 0, [92043A7] - 1
19	10-98261		-	SCREW QUANTITIES: [92043A2] - 0, [92043A5] - 0, [92043A7] - 1

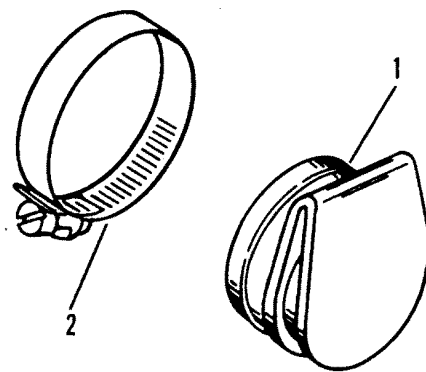
TRANSOM EXHAUST KIT 4"



TRANSOM EXHAUST KIT 4"

REF. NO.	PART NO.	SYM.	QTY.	DESCRIPTION
-	12648A2		1	TRANSOM EXHAUST KIT
1	12648A3		2	FLANGE ASSEMBLY
2	12647		2	SHUTTER
3	12646		2	BRACKET
4	10-37655		4	SCREW
5	11-45812		4	NUT
6	27-12645		2	GASKET
7	10-33684		6	SCREW
8	12-25908		6	WASHER
9	11-20361		6	NUT
10	12644A1		2	COVER KIT
11	54-815504372		2	CLAMP

EXHAUST FLANGE COVER KIT 4"

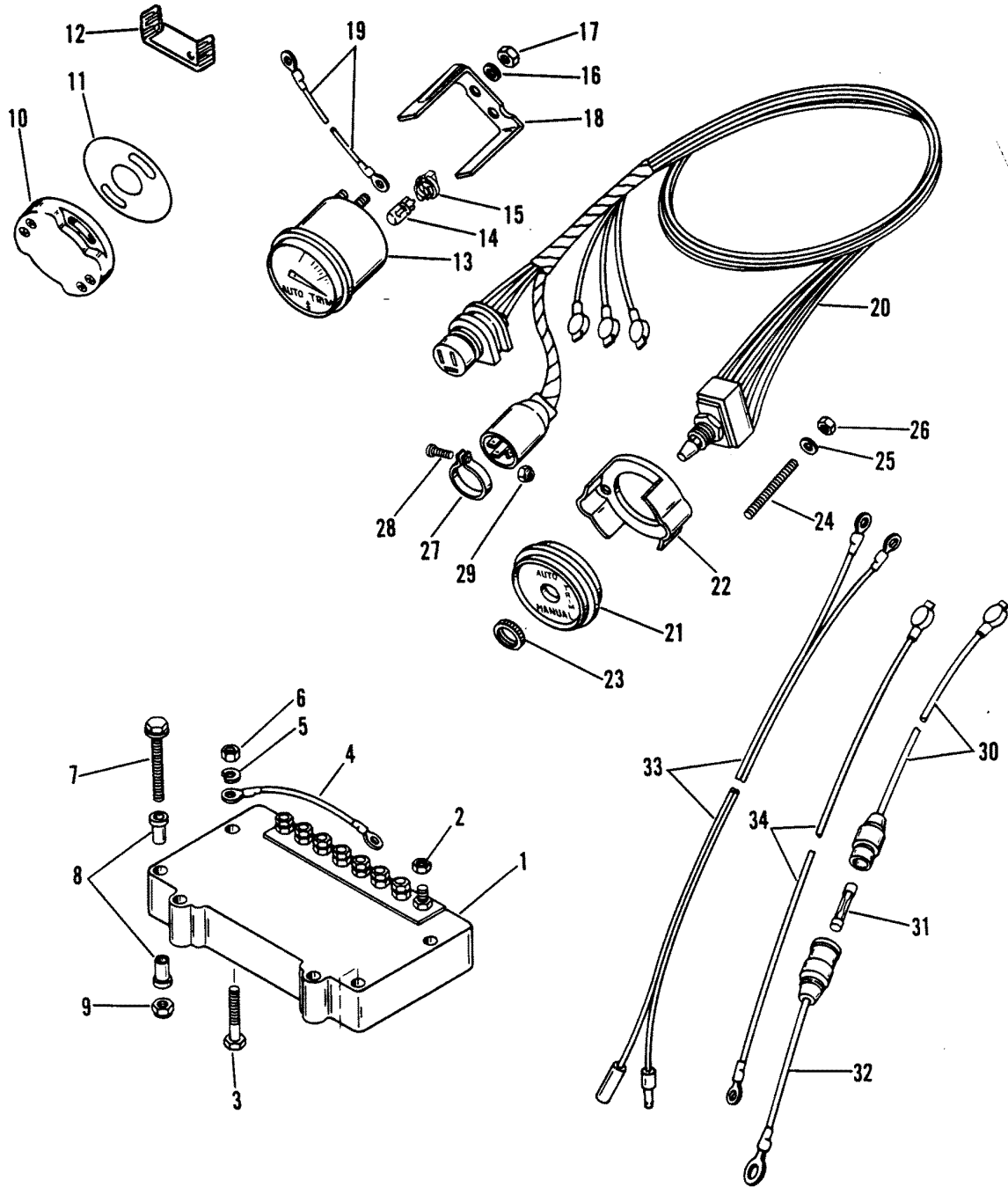


4"

EXHAUST FLANGE COVER KIT 4"

REF. NO.	PART NO.	SYM.	QTY.	DESCRIPTION
1	12644A1		1	COVER KIT
2	54-815504372		1	CLAMP

AUTO TRIM KIT



AUTO TRIM KIT

REF. NO.	PART NO.	SYM.	QTY.	DESCRIPTION
1	93732A6		1	AUTO-TRIM KIT
2	11-45076		8	NUT (OLD DESIGN)
3	10-69067		1	SCREW
4	84-86322A22		1	WIRE ASSEMBLY (BLACK)
5	13-78968		1	LOCKWASHER
6	11-64015		1	NUT
7	10-76502		3	SCREW
8	NLA	■	6	BUSHING
9	11-20190		3	NUT
10	63115A9		1	TRIM SENDER ASSEMBLY
11	85-63990		1	INSULATOR
12	79146		2	RETAINER
13	NLA	■	1	GAUGE ASSEMBLY, AUTO TRIM
14	88-72729		1	BULB
15	88-79888		1	SOCKET
16	12-26427		2	WASHER
17	11-26419		5	NUT
18	79480		2	BRACKET
19	84-86322A3		1	WIRE ASSEMBLY (BLACK)
	84-86323A2		1	WIRE ASSEMBLY (PURPLE)
20	84-88456A3		1	HARNESS ASSEMBLY
21	85218A3		1	PLATE ASSEMBLY
22	76424		1	BRACKET
23	49440		1	LOCKNUT
24	16-55422		2	STUD
25	12-24676		2	WASHER
26	11-68219		2	NUT
27	54-46770		1	CLAMP
28	10-29227		1	SCREW
29	11-34388		1	NUT
30	84-95084A9		1	WIRE ASSEMBLY (LONG-RED) OLD DESIGN
31	88-79091		1	FUSE (20 AMP) OLD DESIGN
32	84-95084A10		1	WIRE ASSEMBLY (SHORT-RED) OLD DESIGN
33	84-88974A1		1	WIRE ASSEMBLY (BLACK) OLD DESIGN
34	NLA	■	1	WIRE ASSEMBLY (GRAY) OLD DESIGN
	84-86322A6		1	WIRE ASSEMBLY (BLACK) OLD DESIGN

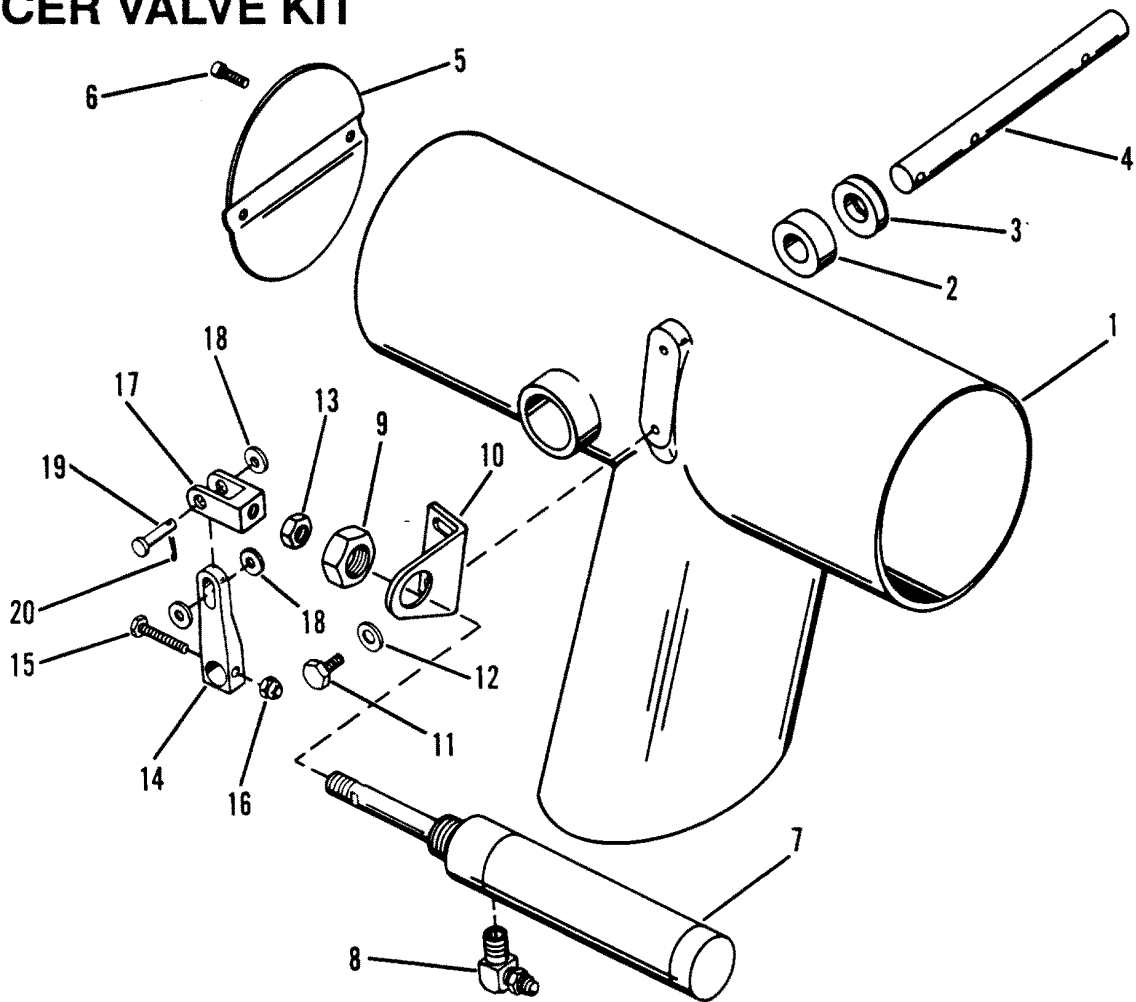
■ = NO LONGER AVAILABLE

PNEUMATIC AIR PUMP ASSEMBLY

REF. NO.	PART NO.	SYM.	QTY.	DESCRIPTION
1	16645A2		1	PNEUMATIC AIR PUMP ASSEMBLY
2	16283		1	SOLENOID VALVE
3	10-16861		2	SCREW, SOLENOID VALVE
4	13-90053		2	LOCKWASHER, SOLENOID VALVE SCREW
5	35-17272		1	FILTER
6	10-16862		3	SCREW
7	12-35280		3	WASHER
8	25-16860		3	GROMMET
9	22-16392		1	CROSS FITTING
10	21-16284		1	CHECK VALVE
11	21-16285		1	RELIEF VALVE
12	22-16390		3	FITTING
13	32-16421-74		1	TUBING
14	86-43454		1	TERMINAL BLOCK
15	10-90074		2	SCREW, TERMINAL BLOCK
16	12-38833		2	WASHER, TERMINAL BLOCK SCREW
17	10-20597		3	SCREW, WIRE
18	13-26995		3	LOCKWASHER, WIRE SCREW
19	22-16389		3	TEE FITTING
20	32-16421-74		1	TUBING
21	54-816311		16	STA-STRAP
22	84-86322A27		1	GROUND WIRE
23	87-78406A1		1	SWITCH ASSEMBLY
24	87-78406		1	SWITCH
25	76424		1	BRACKET
26	16-55422		2	STUD, BRACKET
27	12-24676		2	WASHER, BRACKET STUD
28	11-68219		2	NUT, BRACKET STUD
29	85218A4		1	PLATE ASSEMBLY
30	49440		1	LOCKNUT
31	10-14862		3	SCREW

SILENCER VALVE KIT

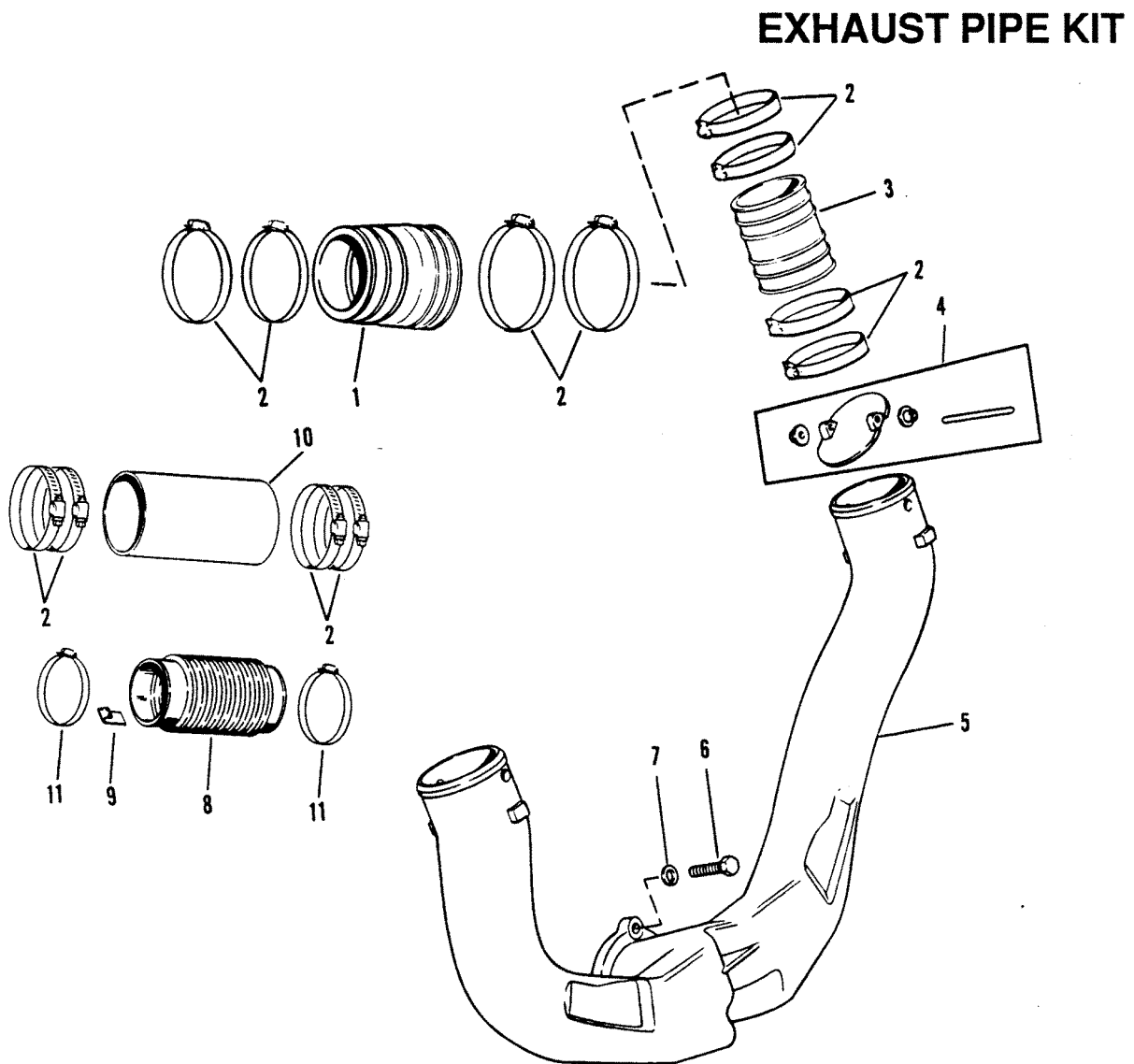
SILENCER VALVE KIT



SILENCER VALVE KIT

REF. NO.	PART NO.	SYM.	QTY.	DESCRIPTION
-	15786A2		1	SILENCER VALVE KIT
1	15786A4		2	EXHAUST PIPE
2	23-16026		4	BUSHING, EXHAUST PIPE
3	26-16025		4	OIL SEAL, EXHAUST PIPE
4	15983		2	SHAFT, EXHAUST SHUTTER
5	15982		2	EXHAUST SHUTTER
6	10-90188		4	SCREW, EXHAUST SHUTTER
7	16027A1		2	AIR CYLINDER ASSEMBLY
8	22-16391		2	FITTING, AIR CYLINDER
9	11-35921		2	NUT, AIR CYLINDER
10	15981		2	BRACKET, AIR CYLINDER
11	10-73286		4	SCREW, BRACKET
12	12-29245		4	WASHER, BRACKET SCREW
13	11-90095		2	NUT, AIR CYLINDER
14	15980		2	ARM, EXHAUST SHUTTER
15	10-34994		2	SCREW, ARM
16	11-34059		2	NUT, ARM SCREW
17	15984		2	CLEVIS
18	12-71055		6	WASHER
19	17-95029		2	CLEVIS PIN
20	18-21071		2	COTTER PIN

EXHAUST PIPE KIT

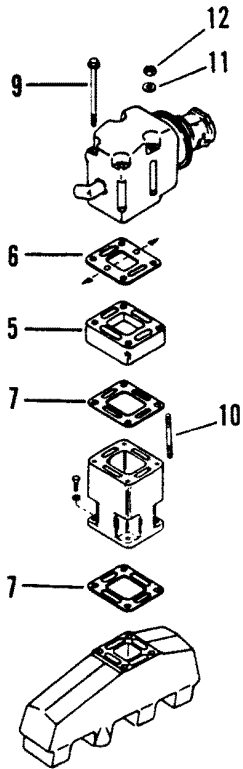


EXHAUST PIPE KIT

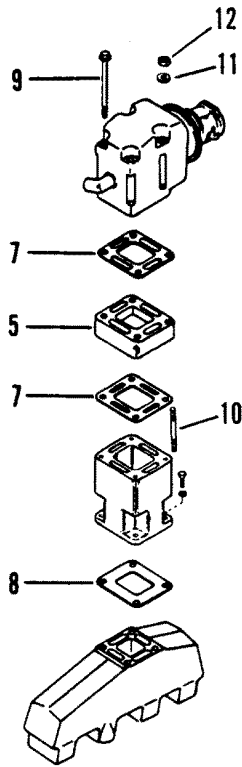
REF. NO.	PART NO.	SYM.	QTY.	DESCRIPTION
-	44266A6		1	EXHAUST PIPE KIT
1	32-44348T		2	EXHAUST TUBE
2	54-815504372		16	CLAMP
3	32-14358T		2	EXHAUST TUBE
4	14348A1		1	WATER SHUTTER
5	44266T1		1	EXHAUST PIPE
6	10-58640		4	SCREW (1-1/4")
7	13-41471		4	LOCKWASHER
8	18654A1		1	EXHAUST BELLOWS
	78458A1		1	EXHAUST TUBE
9	54-86049		2	GROUNDING CLIP
10	32-48659--8		2	EXHAUST HOSE
11	54-815504348		2	CLAMP

MUFFLER KIT

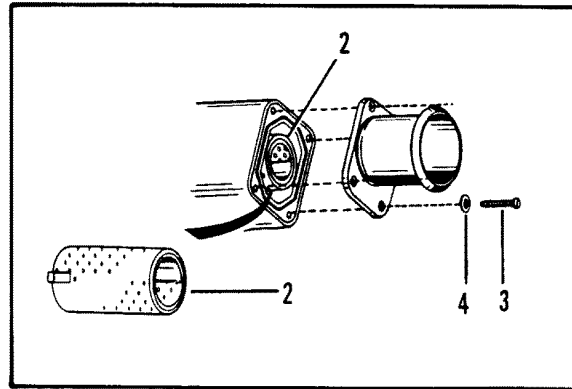
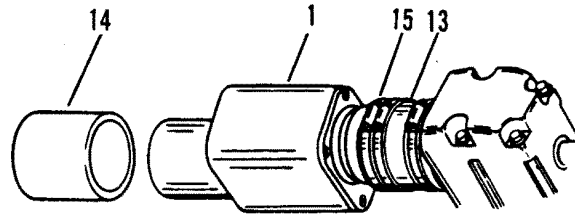
MUFFLER KIT



STANDARD COOLING



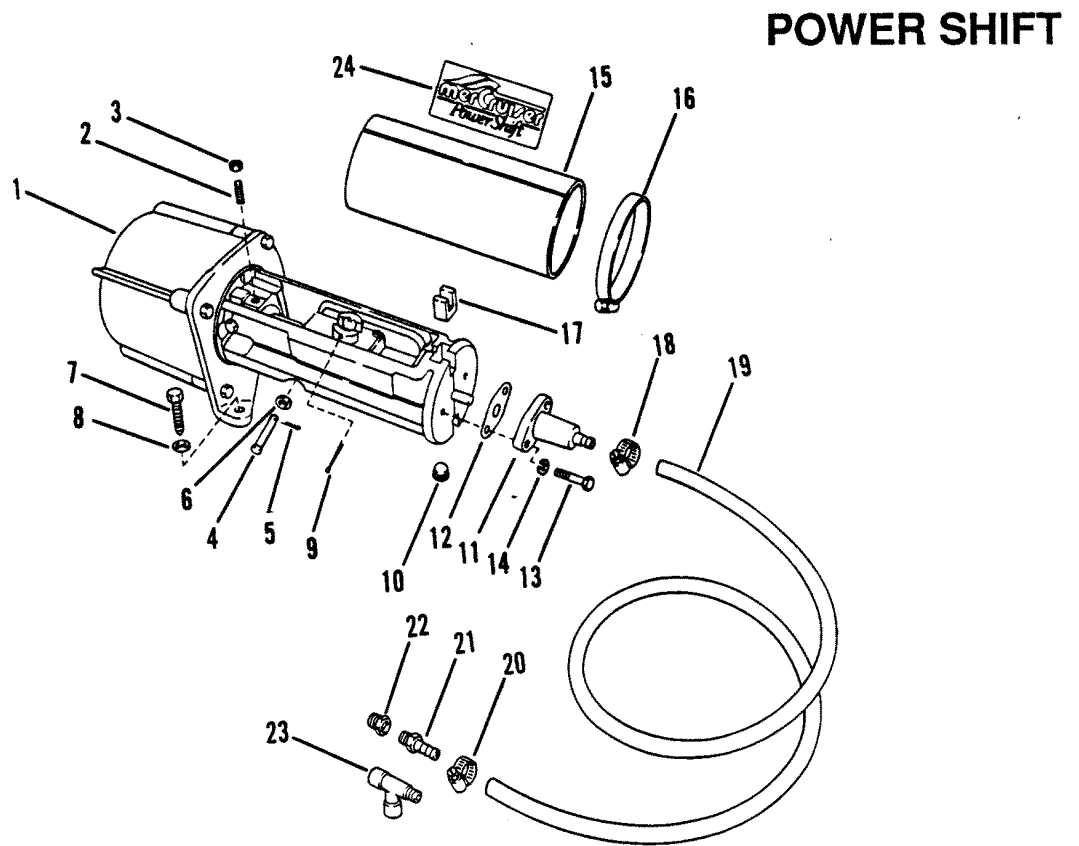
CLOSED COOLING



MUFFLER KIT

REF. NO.	PART NO.	SYM.	QTY.	DESCRIPTION
-	42-17705A3		1	MUFFLER KIT (CAST IRON ELBOWS)
-	42-17705A7		1	MUFFLER KIT (STAINLESS STEEL ELBOWS)
1	42-17705A1		2	MUFFLER
2	42-17820A1		2	ELEMENT (INCLUDES O-RING 25-90061)
3	10-28667		8	SCREW
4	13-26992		8	LOCKWASHER
5	17833A1		2	RISER ASSEMBLY
6	27-41813		2	GASKET
7	27-818832		2	GASKET
8	27-41811		2	GASKET
9	10-813722		8	SCREW (7") (CAST IRON ELBOWS)
	10-813721		2	SCREW (8") (CAST IRON ELBOWS)
10	16-818595		8	STUD (STAINLESS STEEL ELBOWS)
11	12-46132		8	WASHER (STAINLESS STEEL ELBOWS)
12	11-46335		8	NUT (STAINLESS STEEL ELBOWS)
-	42-17705A4		1	INSTALLATION KIT
13	32-44348T		2	EXHAUST TUBE NO LONGER INCLUDED IN KIT
14	32-48659--9		2	EXHAUST HOSE
15	54-815504372		16	CLAMP

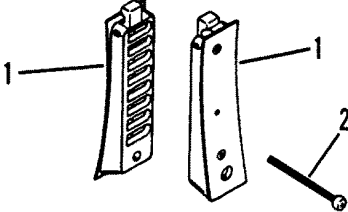
POWER SHIFT



POWER SHIFT

REF. NO.	PART NO.	SYM.	QTY.	DESCRIPTION
1	38638A4		1	POWER SHIFT ASSEMBLY, COMPLETE 25-36125A2 SEAL REPAIR KIT
2	16-36389		1	STUD
3	11-30506		1	NUT
4	17-813578		1	CLEVIS PIN
5	18-21071		1	COTTER PIN
6	12-87188		1	WASHER
7	10-16862		3	SCREW
8	12-35044		3	WASHER
9	18-36002		1	COTTER PIN
10	36149		1	FELT PLUG
11	36092		1	FLANGE
12	27-36151		1	GASKET
13	10-74824		2	SCREW
14	13-26993		2	LOCKWASHER
15	35809		1	DUST SHIELD
16	54-815504256		2	CLAMP
17	36150		1	FELT SPACER
18	54-815504206		1	CLAMP
19	32-36164		1	HOSE
20	54-815504206		1	CLAMP
21	22-32820		1	FITTING
22	23-36159		1	REDUCER BUSHING
23	22-65060		1	TEE FITTING
24	37-37361--1		1	DECAL

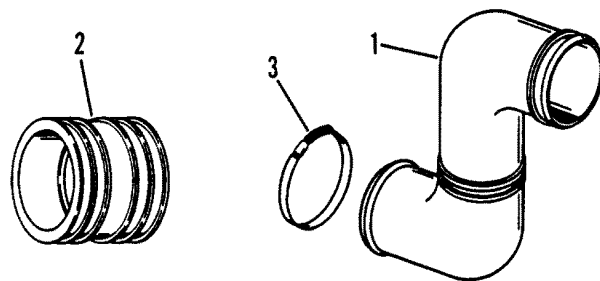
WATER INLET PLATE KIT



WATER INLET PLATE KIT

REF. NO.	PART NO.	SYM.	QTY.	DESCRIPTION
-	93423A2		1	WATER INLET PLATE KIT
1	93423A1		1	WATER PICKUP (STARBOARD)
	93424A1		1	WATER PICKUP (PORT)
2	10-76156		1	SCREW

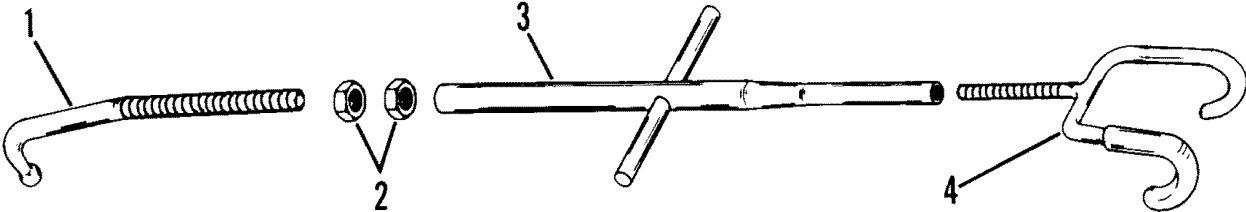
EXHAUST KIT



EXHAUST KIT

REF. NO.	PART NO.	SYM.	QTY.	DESCRIPTION
-	18563A1		1	EXHAUST KIT
1	18563T		2	EXHAUST PIPE
2	32-44348T		2	EXHAUST TUBE
3	54-815504372		8	CLAMP

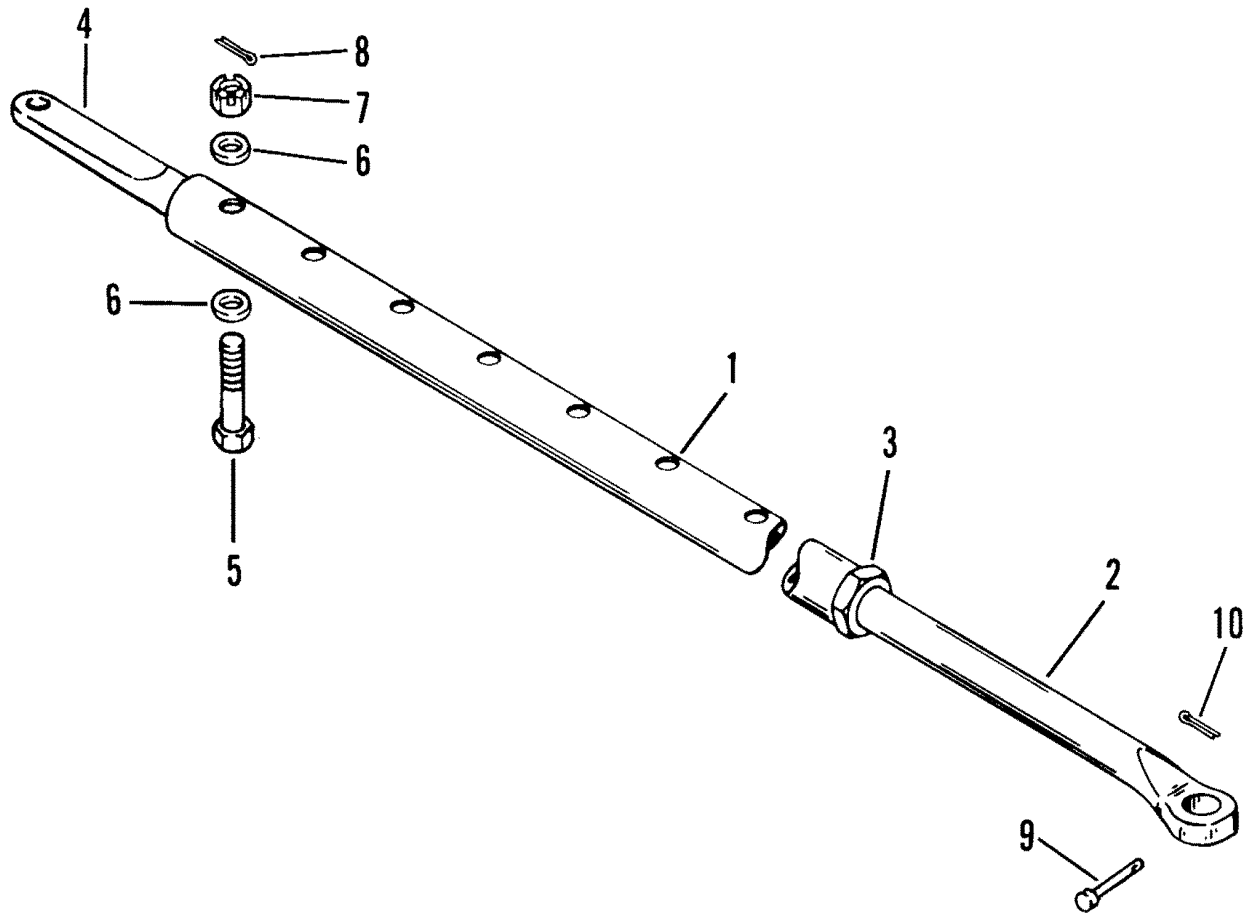
TURNBUCKLE ASSEMBLY



TURNBUCKLE ASSEMBLY

REF. NO.	PART NO.	SYM.	QTY.	DESCRIPTION
-	32657A3		1	TURNBUCKLE ASSEMBLY
1	32656		1	HOOK (UPPER - GIMBAL HOUSING)
2	11-21612		2	NUT, ADJUSTING
3	NSS		1	TURNBUCKLE ASSEMBLY
4	45601A1		1	HOOK (LOWER - DRIVE SHAFT HOUSING)

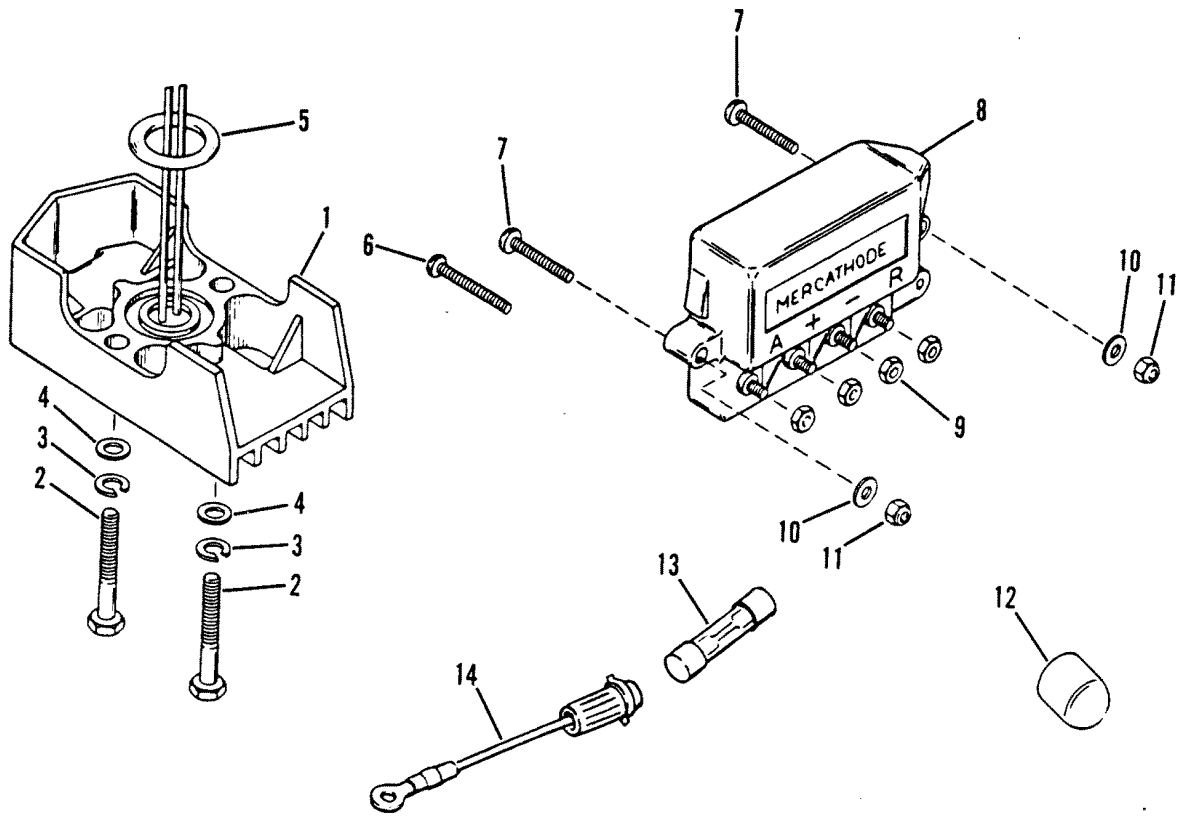
DUAL ENGINE TIE BAR KIT (W/POWER STEERING)



DUAL ENGINE TIE BAR KIT (W/POWER STEERING)

REF. NO.	PART NO.	SYM.	QTY.	DESCRIPTION
-	92020A1		1	DUAL ENGINE TIE BAR KIT
-	92020A2		1	DUAL ENGINE TIE BAR KIT
-	92020A3		1	DUAL ENGINE TIE BAR KIT
1	NSS		1	TUBE
2	NSS		1	STEERING EYE (ADJUSTABLE)
3	11-20739		1	JAM NUT
4	NSS		1	STEERING EYE (FIXED)
5	10-66977		1	SCREW
6	12-20086		2	WASHER
7	11-55438		1	NUT
8	18-45882		1	COTTER PIN
9	NSS		1	CLEVIS PIN
10	18-46950		1	COTTER PIN

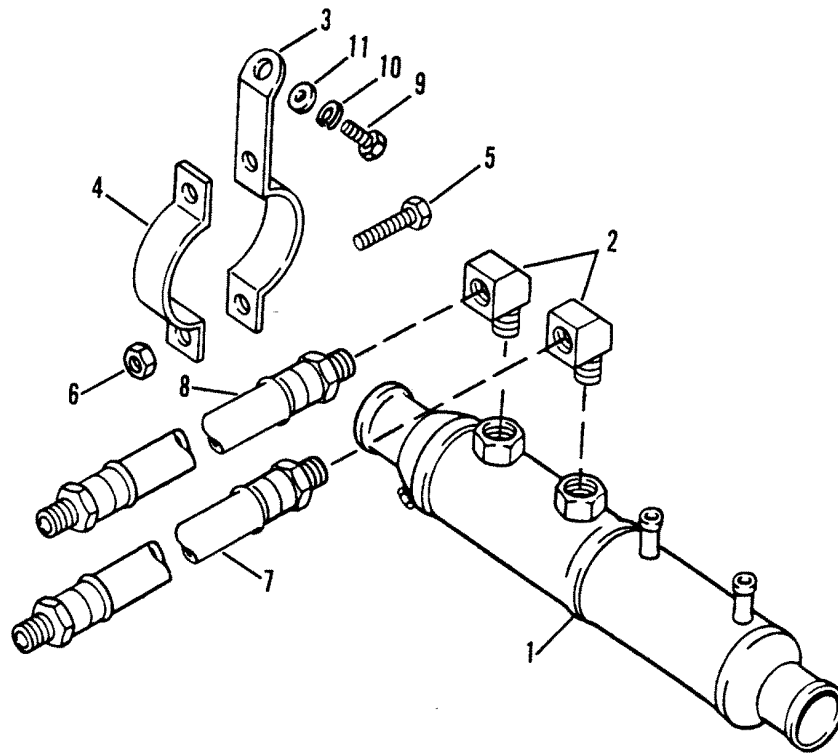
MERCATHODE KIT



MERCATHODE KIT

REF. NO.	PART NO.	SYM.	QTY.	DESCRIPTION
-	98869A8		1	MERCATHODE KIT
1	98869A11		1	ELECTRODE ASSEMBLY
2	10-69067		2	SCREW
3	13-26992		2	LOCKWASHER
4	12-29245		2	WASHER
5	25-88388		1	O-RING
6	10-72202		1	SCREW
7	10-24637		2	SCREW
8	42600A3		1	CONTROLLER ASSEMBLY
9	11-68219		4	NUT
10	12-21273		2	WASHER
11	11-46438		2	NUT
12	44574		2	ANODIC CAP
13	88-79091		1	FUSE
14	84-95084A9		1	CABLE ASSEMBLY (91")
	84-95084A10		1	CABLE ASSEMBLY (5")

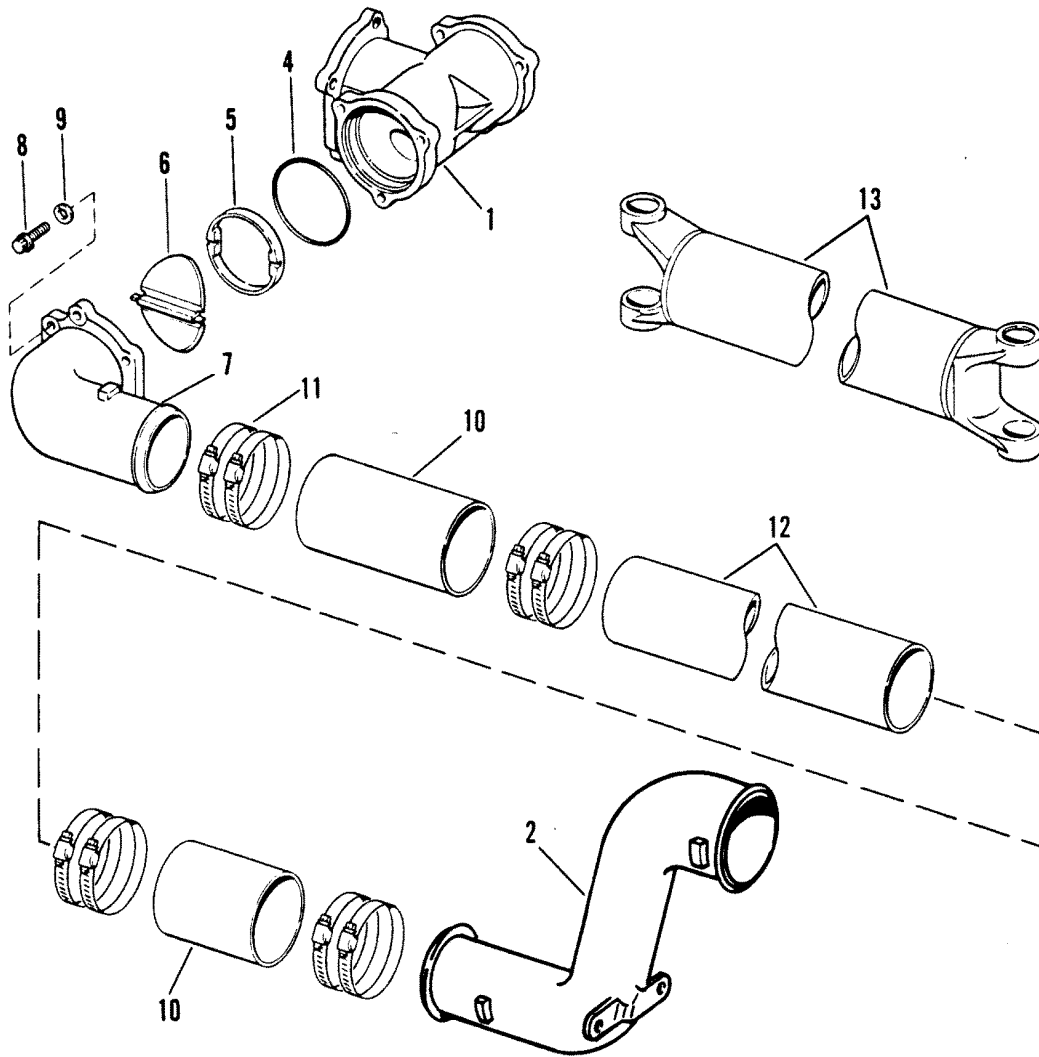
OIL COOLER KIT



OIL COOLER KIT

REF. NO.	PART NO.	SYM.	QTY.	DESCRIPTION
-	85152A2		1	OIL COOLER KIT
1	85152T		1	OIL COOLER
2	22-63825		2	ELBOW (90 DEGREE)
3	18728		2	BRACKET (LONG - NEW DESIGN)
4	56328A1		2	BRACKET (SHORT)
5	10-60300		4	SCREW (3/4")
6	11-30506		4	NUT
7	32-92357-73		1	HOSE (44")
8	32-92357-15		1	HOSE (8-1/2")
9	10-48424		2	SCREW
10	13-35048		2	LOCKWASHER
11	12-46132		2	WASHER

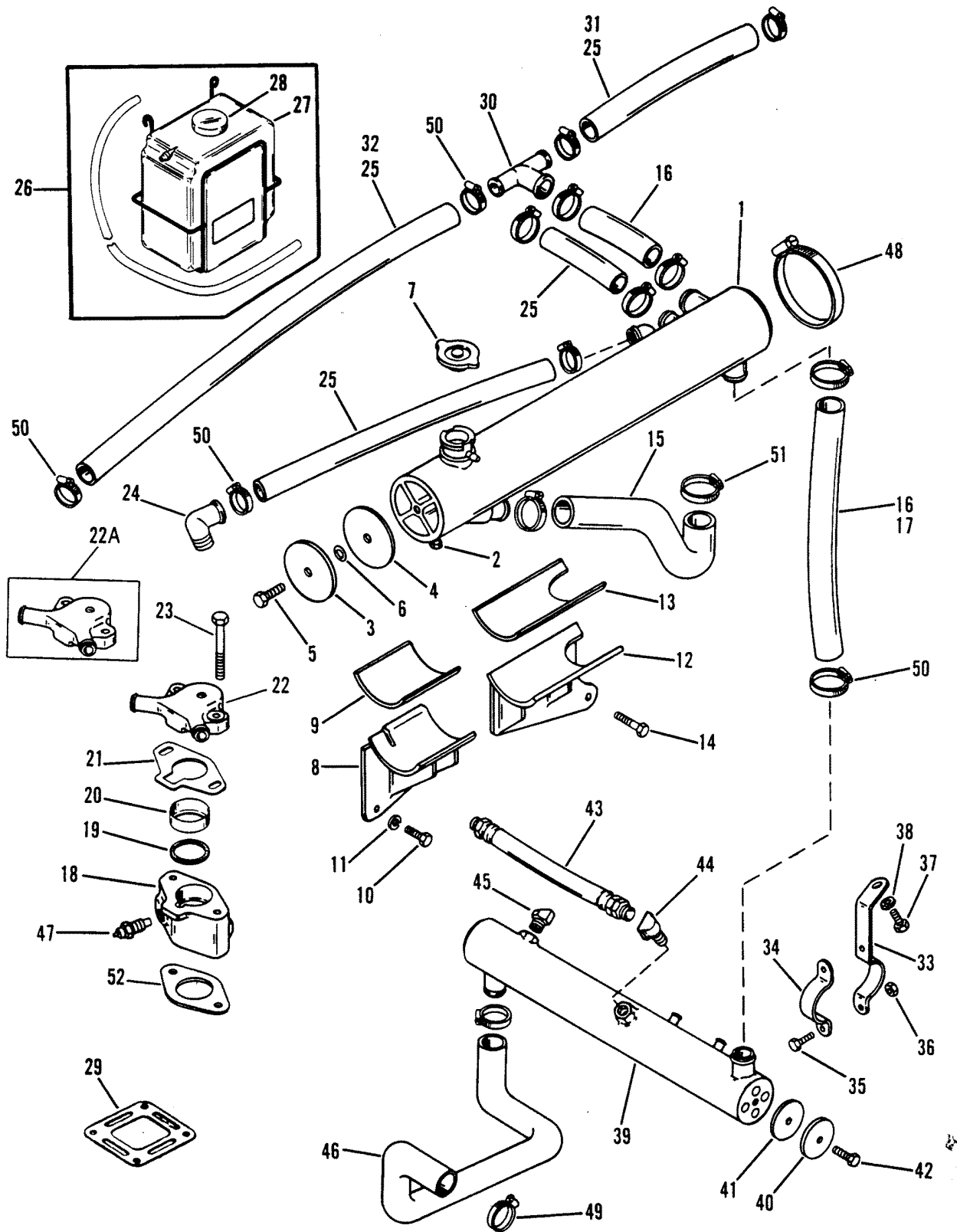
EXTENSION KIT



EXTENSION KIT

REF. NO.	PART NO.	SYM.	QTY.	DESCRIPTION
-	98634A14		1	EXTENSION KIT (58")
1	98626A3		1	EXHAUST SEPARATOR
2	44390T		1	EXHAUST ELBOW
4	25-35029		2	O-RING
5	60931		2	RETAINER
6	60930		2	WATER SHUTTER
7	94018A1		2	EXHAUST ELBOW
8	10-58640		6	SCREW
9	13-58643		6	LOCKWASHER
10	32-48659--4		4	EXHAUST HOSE
11	54-815504256		16	CLAMP
12	94608A1		2	EXHAUST TUBE
13	45-94819A3		1	DRIVE SHAFT

CLOSED COOLING SYSTEM (18390A2, A3, A4, A5)

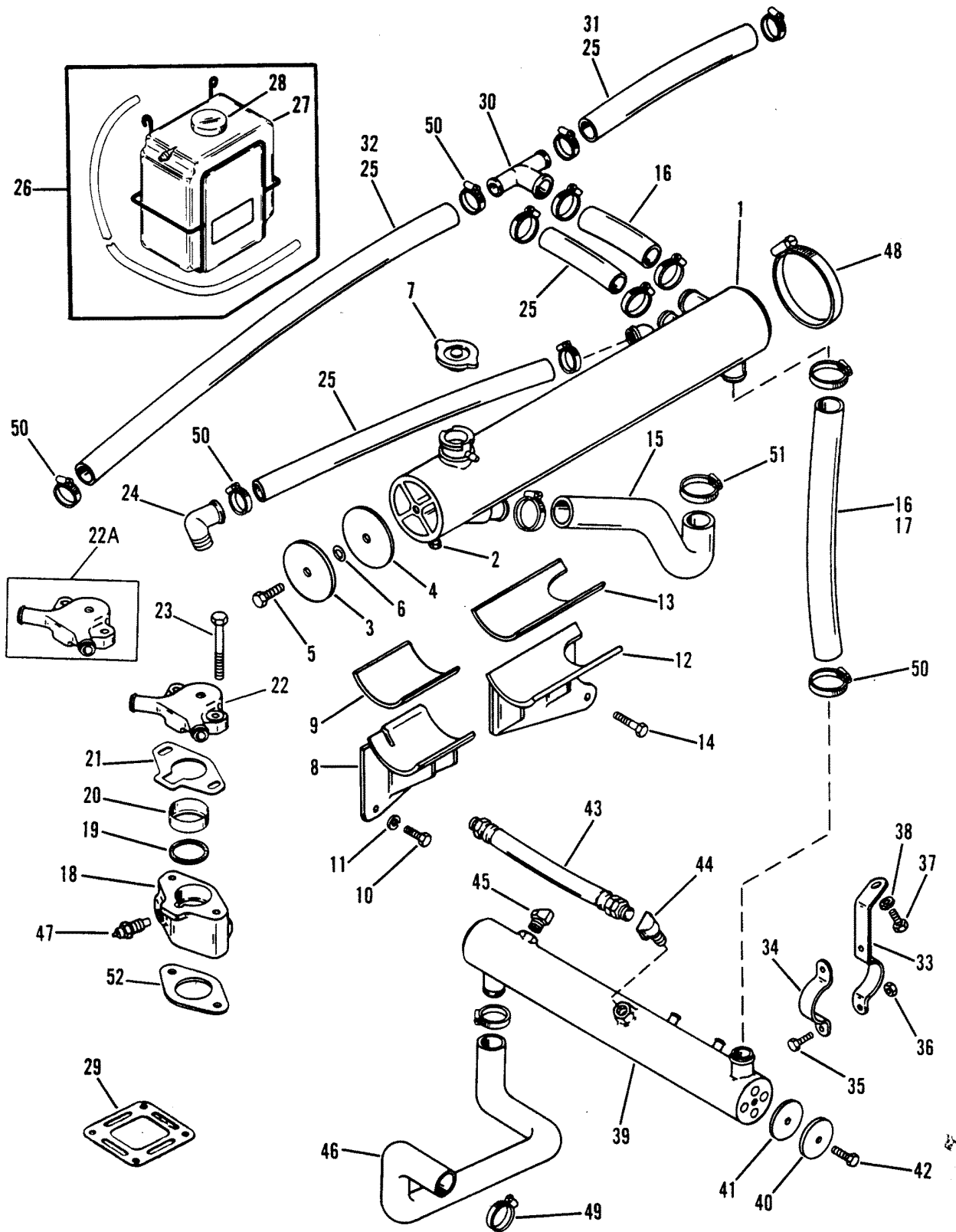


CLOSED COOLING SYSTEM (18390A2, A3, A4, A5)

REF. NO.	PART NO.	SYM.	QTY.	DESCRIPTION
-	18390A2		-	CLOSED COOLING SYSTEM QUANTITIES: [18390A2] - 1, [18390A3] - 0, [18390A4] - 0, [18390A5] - 0
-	18390A3		-	CLOSED COOLING SYSTEM QUANTITIES: [18390A2] - 0, [18390A3] - 1, [18390A4] - 0, [18390A5] - 0
-	18390A4		-	CLOSED COOLING SYSTEM QUANTITIES: [18390A2] - 0, [18390A3] - 0, [18390A4] - 1, [18390A5] - 0
-	18390A5		-	CLOSED COOLING SYSTEM QUANTITIES: [18390A2] - 0, [18390A3] - 0, [18390A4] - 0, [18390A5] - 1
1	18390T		-	RESERVIOR QUANTITIES: [18390A2] - 1, [18390A3] - 1, [18390A4] - 1, [18390A5] - 1
2	22-36382		-	PIPE PLUG QUANTITIES: [18390A2] - 1, [18390A3] - 1, [18390A4] - 1, [18390A5] - 1
3	814875		-	END COVER QUANTITIES: [18390A2] - 2, [18390A3] - 2, [18390A4] - 2, [18390A5] - 2
4	27-814876		-	GASKET QUANTITIES: [18390A2] - 2, [18390A3] - 2, [18390A4] - 2, [18390A5] - 2
5	10-814877		-	BOLT QUANTITIES: [18390A2] - 2, [18390A3] - 2, [18390A4] - 2, [18390A5] - 2
6	25-814878		-	O-RING QUANTITIES: [18390A2] - 2, [18390A3] - 2, [18390A4] - 2, [18390A5] - 2
7	36-814879		-	PRESSURE CAP QUANTITIES: [18390A2] - 1, [18390A3] - 1, [18390A4] - 1, [18390A5] - 1
8	18421A1		-	BRACKET (STARBOARD) QUANTITIES: [18390A2] - 1, [18390A3] - 1, [18390A4] - 1, [18390A5] - 1
9	18431		-	PAD QUANTITIES: [18390A2] - 1, [18390A3] - 1, [18390A4] - 1, [18390A5] - 1
10	10-47462		-	SCREW QUANTITIES: [18390A2] - 1, [18390A3] - 1, [18390A4] - 1, [18390A5] - 1
11	13-32993		-	LOCKWASHER QUANTITIES: [18390A2] - 1, [18390A3] - 1, [18390A4] - 1, [18390A5] - 1
12	18423A1		-	BRACKET (PORT) QUANTITIES: [18390A2] - 1, [18390A3] - 1, [18390A4] - 1, [18390A5] - 1
13	18429		-	PAD QUANTITIES: [18390A2] - 1, [18390A3] - 1, [18390A4] - 1, [18390A5] - 1
14	10-32132		-	SCREW (1-3/4") QUANTITIES: [18390A2] - 2, [18390A3] - 2, [18390A4] - 2, [18390A5] - 2
15	32-18427--2		-	HOSE QUANTITIES: [18390A2] - 1, [18390A3] - 1, [18390A4] - 1, [18390A5] - 1
16	32-53461-70		-	HOSE QUANTITIES: [18390A2] - 2, [18390A3] - 1, [18390A4] - 2, [18390A5] - 1
17	32-816284		-	HOSE QUANTITIES: [18390A2] - 0, [18390A3] - 1, [18390A4] - 0, [18390A5] - 1
18	55131A5		-	THER. HSG. (INCL. REF. #22A) QUANTITIES: [18390A2] - 1, [18390A3] - 1, [18390A4] - 1, [18390A5] - 1
19	27-47510		-	GASKET (MIDDLE) QUANTITIES: [18390A2] - 1, [18390A3] - 0, [18390A4] - 1, [18390A5] - 0
20	23-47508		-	SLEEVE QUANTITIES: [18390A2] - 1, [18390A3] - 0, [18390A4] - 1, [18390A5] - 0
21	27-48818--1		-	GASKET (UPPER) QUANTITIES: [18390A2] - 1, [18390A3] - 1, [18390A4] - 1, [18390A5] - 1

CONTINUED ON NEXT PAGE ➡

CLOSED COOLING SYSTEM (18390A2, A3, A4, A5)

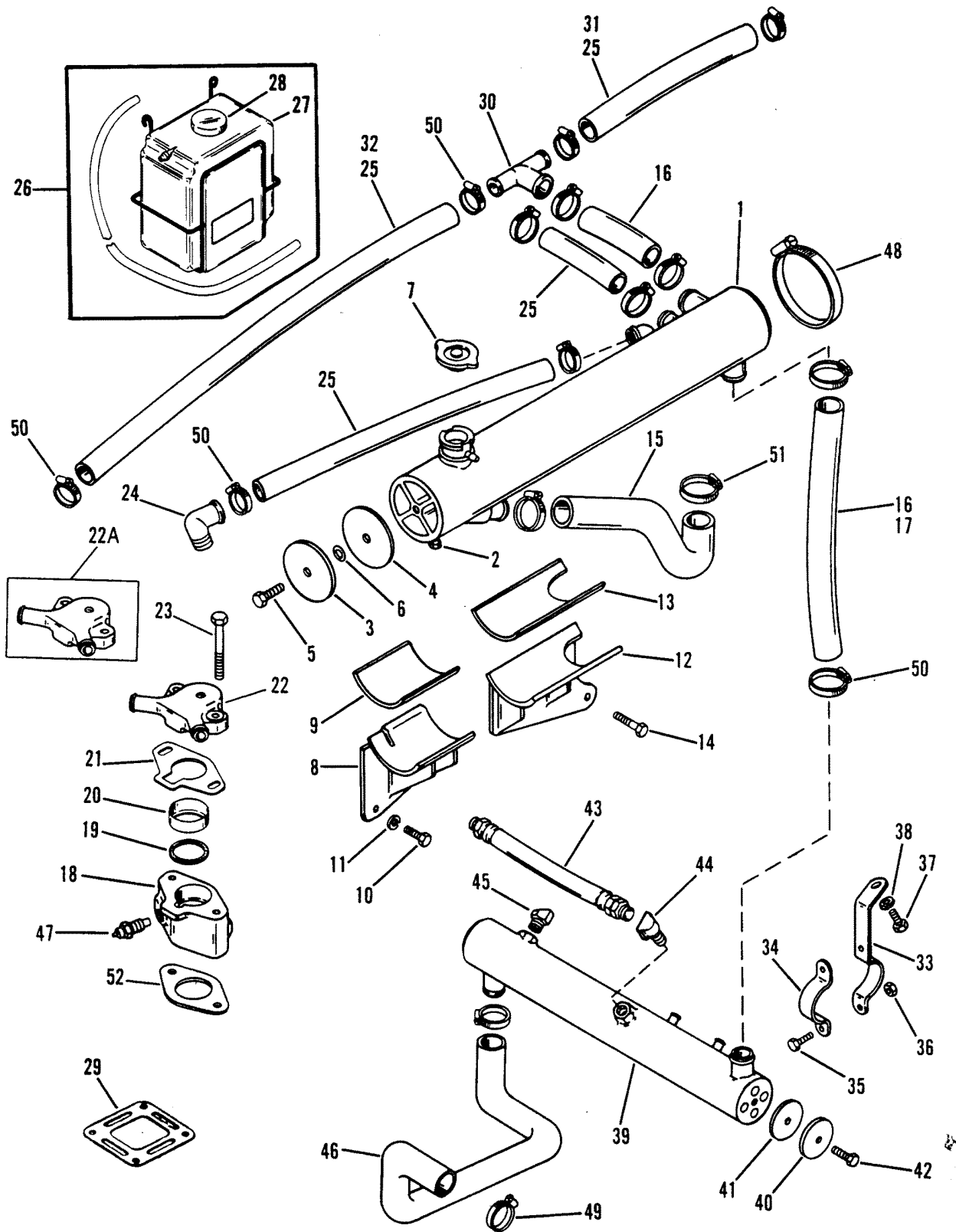


CLOSED COOLING SYSTEM (18390A2, A3, A4, A5)

REF. NO.	PART NO.	SYM.	QTY.	DESCRIPTION
22	97428		-	COVER (DESIGN I) QUANTITIES: [18390A2] - 1, [18390A3] - 1, [18390A4] - 1, [18390A5] - 0
22A	N.S.S.		-	COVER (DESIGN II) QUANTITIES: [18390A2] - 0, [18390A3] - 0, [18390A4] - 0, [18390A5] - 1
23	10-48115		-	SCREW QUANTITIES: [18390A2] - 2, [18390A3] - 2, [18390A4] - 2, [18390A5] - 2
24	22-36305		-	ELBOW (90 DEGREE) QUANTITIES: [18390A2] - 2, [18390A3] - 2, [18390A4] - 2, [18390A5] - 2
25	32-33220-70		-	HOSE QUANTITIES: [18390A2] - 4, [18390A3] - 4, [18390A4] - 2, [18390A5] - 2
26	71587A10		-	COOLING RECOVERY SYSTEM QUANTITIES: [18390A2] - 1, [18390A3] - 1, [18390A4] - 1, [18390A5] - 1
27	71587A11		-	BOTTLE QUANTITIES: [18390A2] - 1, [18390A3] - 1, [18390A4] - 1, [18390A5] - 1
28	72058		-	CAP QUANTITIES: [18390A2] - 1, [18390A3] - 1, [18390A4] - 1, [18390A5] - 1
29	27-41811		-	GASKET QUANTITIES: [18390A2] - 2, [18390A3] - 2, [18390A4] - 2, [18390A5] - 2
30	22-55133T		-	TEE QUANTITIES: [18390A2] - 1, [18390A3] - 1, [18390A4] - 1, [18390A5] - 1
31	32-817438--1		-	HOSE QUANTITIES: [18390A2] - 0, [18390A3] - 0, [18390A4] - 1, [18390A5] - 1
32	32-817439--3		-	HOSE QUANTITIES: [18390A2] - 0, [18390A3] - 0, [18390A4] - 1, [18390A5] - 1
33	18389T		-	BRACKET QUANTITIES: [18390A2] - 2, [18390A3] - 0, [18390A4] - 2, [18390A5] - 0
34	18392T		-	BRACKET CLAMP QUANTITIES: [18390A2] - 2, [18390A3] - 0, [18390A4] - 2, [18390A5] - 0
35	10-60300		-	SCREW QUANTITIES: [18390A2] - 4, [18390A3] - 0, [18390A4] - 4, [18390A5] - 0
36	11-30506		-	NUT QUANTITIES: [18390A2] - 4, [18390A3] - 0, [18390A4] - 4, [18390A5] - 0
37	10-48424		-	SCREW QUANTITIES: [18390A2] - 1, [18390A3] - 0, [18390A4] - 1, [18390A5] - 0
38	12-46132		-	WASHER QUANTITIES: [18390A2] - 1, [18390A3] - 0, [18390A4] - 1, [18390A5] - 0
39	18391T		-	OIL COOLER QUANTITIES: [18390A2] - 1, [18390A3] - 0, [18390A4] - 1, [18390A5] - 0
40	816766		-	END COVER QUANTITIES: [18390A2] - 2, [18390A3] - 0, [18390A4] - 2, [18390A5] - 0
41	27-814881		-	GASKET QUANTITIES: [18390A2] - 2, [18390A3] - 0, [18390A4] - 2, [18390A5] - 0
42	10-814882		-	BOLT QUANTITIES: [18390A2] - 2, [18390A3] - 0, [18390A4] - 2, [18390A5] - 0
43	32-92357-24		-	OIL HOSE QUANTITIES: [18390A2] - 1, [18390A3] - 0, [18390A4] - 1, [18390A5] - 0
44	22-63825		-	ELBOW (90 DEGREE) QUANTITIES: [18390A2] - 1, [18390A3] - 0, [18390A4] - 1, [18390A5] - 0
45	22-48872		-	ELBOW (45 DEGREE) QUANTITIES: [18390A2] - 1, [18390A3] - 0, [18390A4] - 1, [18390A5] - 0

CONTINUED ON NEXT PAGE ➡

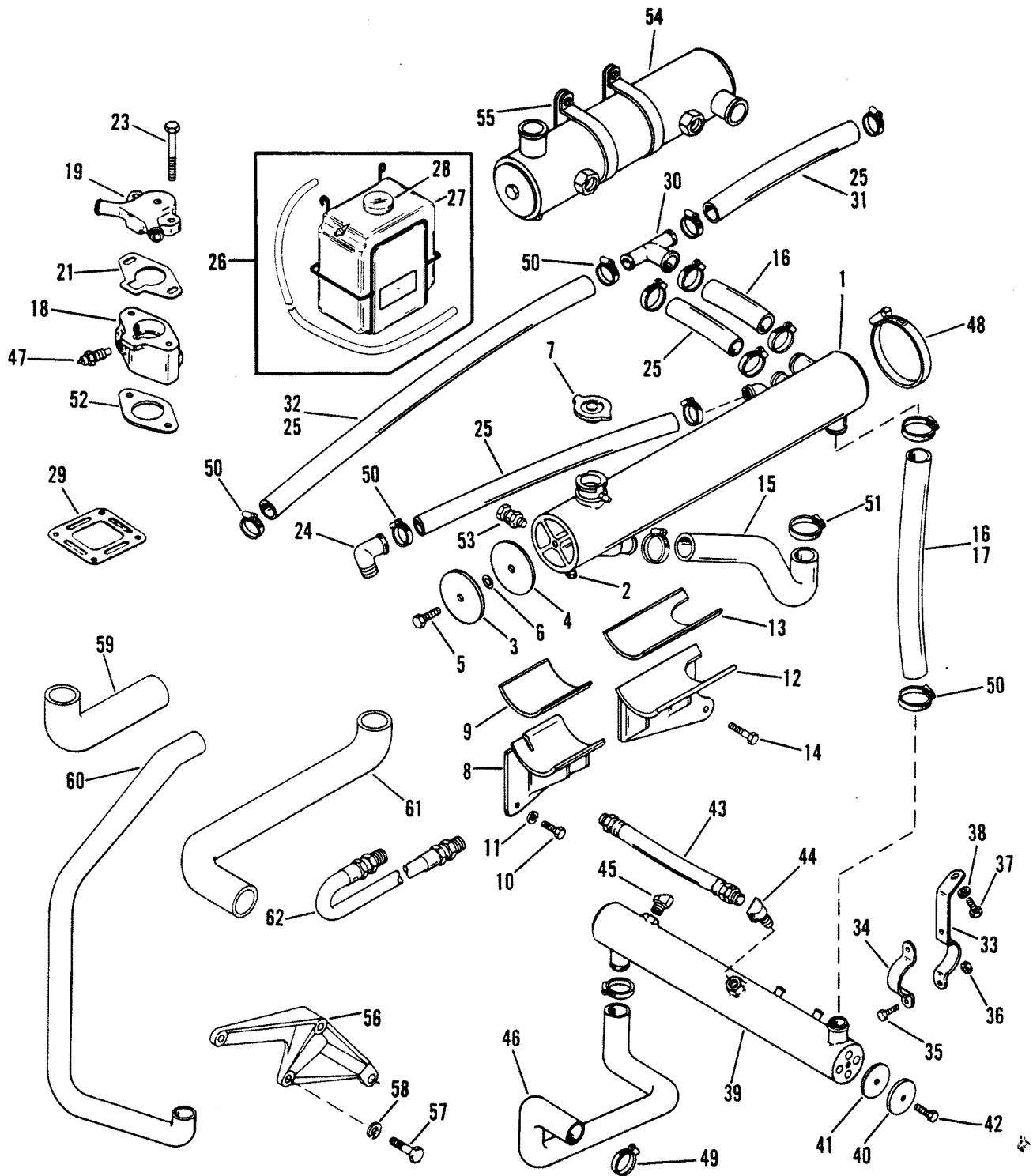
CLOSED COOLING SYSTEM (18390A2, A3, A4, A5)



CLOSED COOLING SYSTEM (18390A2, A3, A4, A5)

REF. NO.	PART NO.	SYM.	QTY.	DESCRIPTION
46	32-18456		-	HOSE QUANTITIES: [18390A2] - 1, [18390A3] - 0, [18390A4] - 1, [18390A5] - 0
47	87-86080		-	TEMPERATURE SWITCH QUANTITIES: [18390A2] - 1, [18390A3] - 1, [18390A4] - 1, [18390A5] - 1
48	54-815504372		AR	CLAMP QUANTITIES: [18390A2] - AR, [18390A3] - AR, [18390A4] - AR, [18390A5] - AR
49	54-815504206		AR	CLAMP QUANTITIES: [18390A2] - AR, [18390A3] - AR, [18390A4] - AR, [18390A5] - AR
50	54-815504220		AR	CLAMP QUANTITIES: [18390A2] - AR, [18390A3] - AR, [18390A4] - AR, [18390A5] - AR
51	54-815504232		AR	CLAMP QUANTITIES: [18390A2] - AR, [18390A3] - AR, [18390A4] - AR, [18390A5] - AR
52	27-53045--1		-	GASKET QUANTITIES: [18390A2] - 1, [18390A3] - 1, [18390A4] - 1, [18390A5] - 1
53	22-818390		-	DRAIN COCK QUANTITIES: [18390A2] - 1, [18390A3] - 1, [18390A4] - 1, [18390A5] - 1

CLOSED COOLING SYSTEM (18390A6, A7, A8)

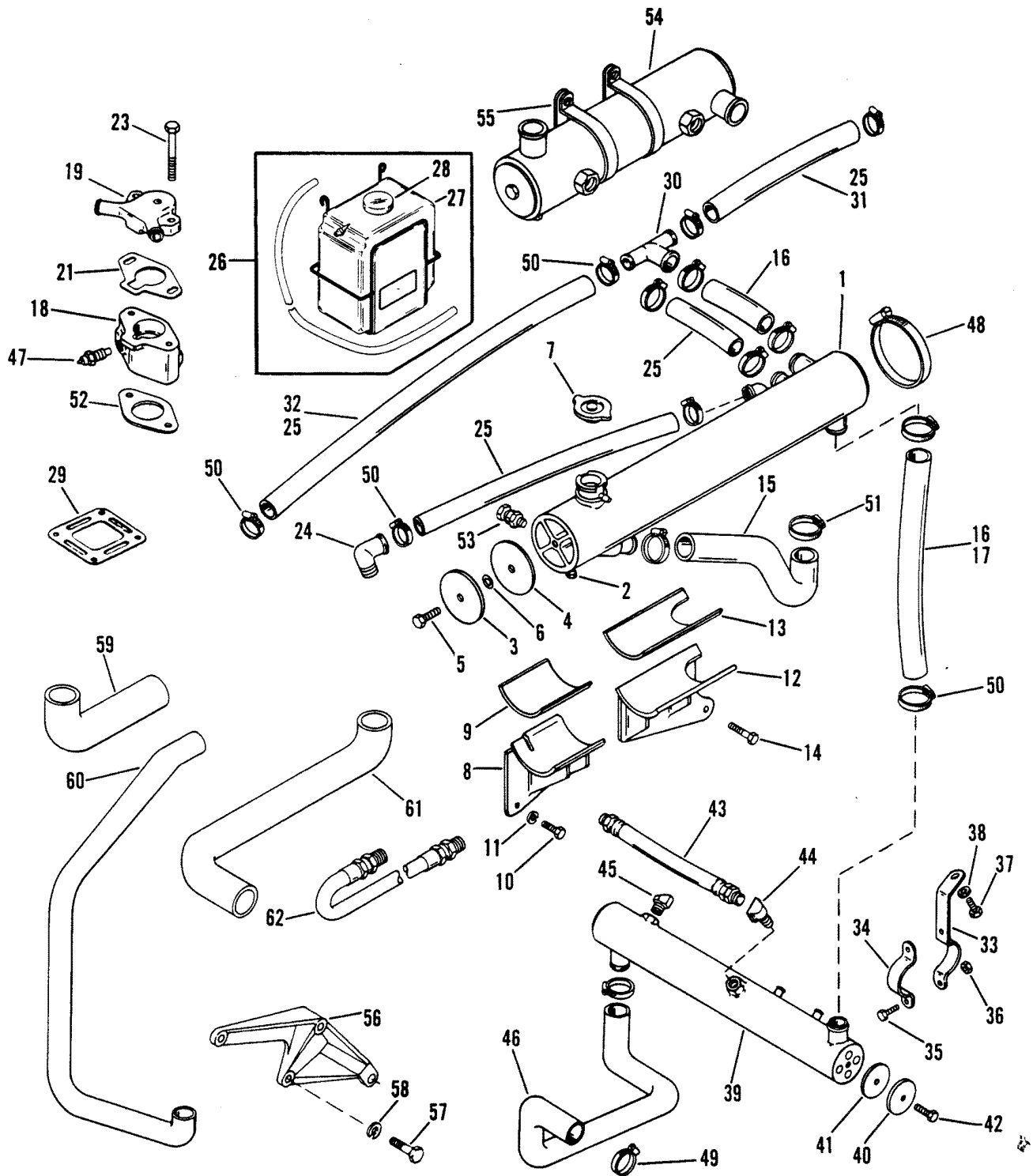


CLOSED COOLING SYSTEM (18390A6, A7, A8)

REF. NO.	PART NO.	SYM.	QTY.	DESCRIPTION
-	18390A6		-	CLOSED COOLING SYSTEM QUANTITIES: [18390A6] - 1, [18390A7] - 0, [18390A8] - 0
-	18390A7		-	CLOSED COOLING SYSTEM QUANTITIES: [18390A6] - 0, [18390A7] - 1, [18390A8] - 0
-	18390A8		-	CLOSED COOLING SYSTEM QUANTITIES: [18390A6] - 0, [18390A7] - 0, [18390A8] - 1
1	18390T		-	RESERVOIR QUANTITIES: [18390A6] - 1, [18390A7] - 1, [18390A8] - 1
2	22-36382		-	PIPE PLUG QUANTITIES: [18390A6] - 1, [18390A7] - 1, [18390A8] - 1
3	814875		-	END COVER QUANTITIES: [18390A6] - 2, [18390A7] - 2, [18390A8] - 2
4	27-814876		-	GASKET QUANTITIES: [18390A6] - 2, [18390A7] - 2, [18390A8] - 2
5	10-814877		-	BOLT QUANTITIES: [18390A6] - 2, [18390A7] - 2, [18390A8] - 2
6	25-814878		-	O-RING QUANTITIES: [18390A6] - 2, [18390A7] - 2, [18390A8] - 2
7	36-814879		-	PRESSURE CAP QUANTITIES: [18390A6] - 1, [18390A7] - 1, [18390A8] - 1
8	18421A1		-	BRACKET (STARBOARD) QUANTITIES: [18390A6] - 1, [18390A7] - 1, [18390A8] - 1
9	18431		-	PAD QUANTITIES: [18390A6] - 1, [18390A7] - 1, [18390A8] - 1
10	10-47462		-	SCREW QUANTITIES: [18390A6] - 1, [18390A7] - 1, [18390A8] - 1
11	13-32993		-	LOCKWASHER QUANTITIES: [18390A6] - 1, [18390A7] - 1, [18390A8] - 1
12	18423A1		-	BRACKET (PORT) QUANTITIES: [18390A6] - 1, [18390A7] - 1, [18390A8] - 1
13	18429		-	PAD QUANTITIES: [18390A6] - 1, [18390A7] - 1, [18390A8] - 1
14	10-32132		-	SCREW (1-3/4") QUANTITIES: [18390A6] - 4, [18390A7] - 2, [18390A8] - 2
15	32-18427--2		-	HOSE QUANTITIES: [18390A6] - 1, [18390A7] - 1, [18390A8] - 1
16	32-53461-70		-	HOSE QUANTITIES: [18390A6] - 0, [18390A7] - 2, [18390A8] - 1
17	32-816284		-	HOSE QUANTITIES: [18390A6] - 1, [18390A7] - 0, [18390A8] - 1
18	55131A5		-	THERMOSTAT HOUSING QUANTITIES: [18390A6] - 1, [18390A7] - 1, [18390A8] - 1
19	N.S.S.		-	COVER QUANTITIES: [18390A6] - 1, [18390A7] - 1, [18390A8] - 1
21	27-48818--1		-	GASKET (UPPER) QUANTITIES: [18390A6] - 1, [18390A7] - 1, [18390A8] - 1
23	10-48115		-	SCREW QUANTITIES: [18390A6] - 2, [18390A7] - 2, [18390A8] - 2
24	22-36305		-	ELBOW (90 DEGREE) QUANTITIES: [18390A6] - 2, [18390A7] - 2, [18390A8] - 2

CONTINUED ON NEXT PAGE ➡

CLOSED COOLING SYSTEM (18390A6, A7, A8)



CLOSED COOLING SYSTEM (18390A6, A7, A8)

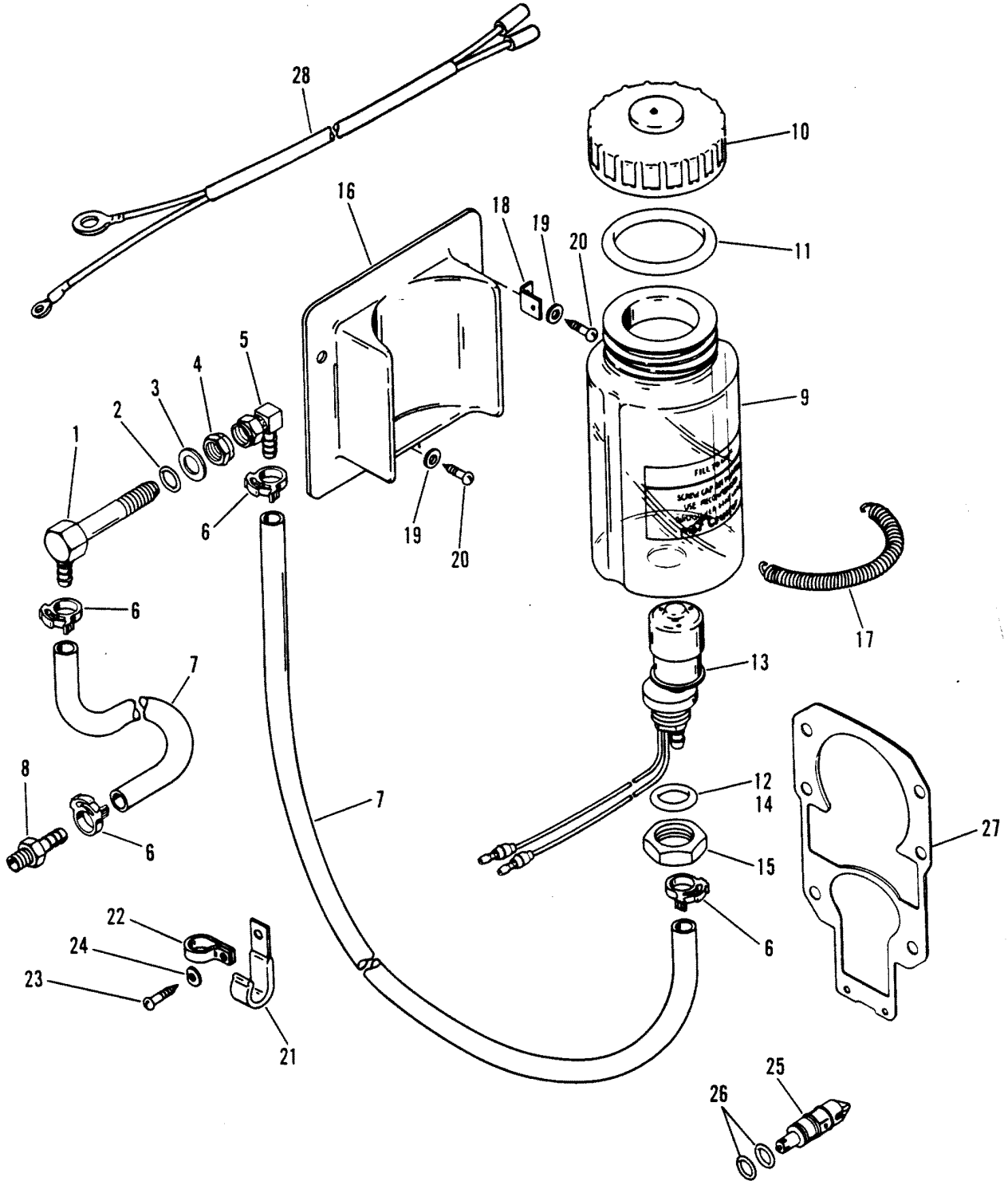
REF. NO.	PART NO.	SYM.	QTY.	DESCRIPTION
25	32-33220-70		-	HOSE QUANTITIES: [18390A6] - 2, [18390A7] - 2, [18390A8] - 2
26	71587A10		-	COOLING RECOVERY SYSTEM QUANTITIES: [18390A6] - 1, [18390A7] - 1, [18390A8] - 1
27	71587A11		-	BOTTLE QUANTITIES: [18390A6] - 1, [18390A7] - 1, [18390A8] - 1
28	72058		-	CAP QUANTITIES: [18390A6] - 1, [18390A7] - 1, [18390A8] - 1
29	27-41811		-	GASKET QUANTITIES: [18390A6] - 2, [18390A7] - 2, [18390A8] - 2
30	22-55133T		-	TEE QUANTITIES: [18390A6] - 1, [18390A7] - 1, [18390A8] - 1
31	32-817438--1		-	HOSE QUANTITIES: [18390A6] - 1, [18390A7] - 1, [18390A8] - 1
32	32-817439--3		-	HOSE QUANTITIES: [18390A6] - 1, [18390A7] - 1, [18390A8] - 1
33	18389T		-	BRACKET QUANTITIES: [18390A6] - 0, [18390A7] - 2, [18390A8] - 0
34	18392T		-	BRACKET CLAMP QUANTITIES: [18390A6] - 0, [18390A7] - 2, [18390A8] - 0
35	10-60300		-	SCREW QUANTITIES: [18390A6] - 0, [18390A7] - 4, [18390A8] - 0
36	11-35045		-	NUT QUANTITIES: [18390A6] - 0, [18390A7] - 4, [18390A8] - 0
37	10-48424		-	SCREW QUANTITIES: [18390A6] - 0, [18390A7] - 2, [18390A8] - 0
38	12-46132		-	WASHER QUANTITIES: [18390A6] - 0, [18390A7] - 2, [18390A8] - 0
39	18391T		-	OIL COOLER QUANTITIES: [18390A6] - 0, [18390A7] - 1, [18390A8] - 0
40	816766		-	END COVER QUANTITIES: [18390A6] - 0, [18390A7] - 2, [18390A8] - 0
41	27-814881		-	GASKET QUANTITIES: [18390A6] - 0, [18390A7] - 2, [18390A8] - 0
42	10-814882		-	BOLT QUANTITIES: [18390A6] - 0, [18390A7] - 2, [18390A8] - 0
43	32-92357-24		-	OIL HOSE QUANTITIES: [18390A6] - 0, [18390A7] - 1, [18390A8] - 0
44	22-63825		-	ELBOW (90 DEGREE) QUANTITIES: [18390A6] - 0, [18390A7] - 1, [18390A8] - 0
45	22-48872		-	ELBOW (45 DEGREE) QUANTITIES: [18390A6] - 0, [18390A7] - 1, [18390A8] - 0
46	32-18456		-	HOSE, SEA PUMP TO OIL COOLER QUANTITIES: [18390A6] - 0, [18390A7] - 1, [18390A8] - 0
	32-805126		-	HOSE, PUMP TO OIL COOLER (STAMPED 32-805126) QUANTITIES: [18390A6] - 0, [18390A7] - 1, [18390A8] - 0
47	87-86080		-	TEMPERATURE SWITCH QUANTITIES: [18390A6] - 1, [18390A7] - 1, [18390A8] - 1
48	54-815504372		-	CLAMP QUANTITIES: [18390A6] - AR, [18390A7] - AR, [18390A8] - AR

CONTINUED ON NEXT PAGE ➡

CLOSED COOLING SYSTEM (18390A6, A7, A8)

REF. NO.	PART NO.	SYM.	QTY.	DESCRIPTION
49	54-815504206		-	CLAMP QUANTITIES: [18390A6] - AR, [18390A7] - AR, [18390A8] - AR
50	54-815504220		-	CLAMP QUANTITIES: [18390A6] - AR, [18390A7] - AR, [18390A8] - AR
51	54-815504232		-	CLAMP QUANTITIES: [18390A6] - AR, [18390A7] - AR, [18390A8] - AR
52	27-53045--1		-	GASKET QUANTITIES: [18390A6] - 1, [18390A7] - 1, [18390A8] - 1
53	22-818390		-	DRAIN COCK QUANTITIES: [18390A6] - 1, [18390A7] - 1, [18390A8] - 1
54	814863T		-	OIL COOLER QUANTITIES: [18390A6] - 1, [18390A7] - 0, [18390A8] - 0
55	54-814858		-	CLIP QUANTITIES: [18390A6] - 2, [18390A7] - 0, [18390A8] - 0
56	96116A1		-	BRACKET QUANTITIES: [18390A6] - 1, [18390A7] - 0, [18390A8] - 0
57	10-37612		-	SCREW (1-1/4") QUANTITIES: [18390A6] - 1, [18390A7] - 0, [18390A8] - 0
58	13-35048		-	LOCKWASHER QUANTITIES: [18390A6] - 3, [18390A7] - 0, [18390A8] - 0
59	32-816261--1		-	HOSE (5-3/4") QUANTITIES: [18390A6] - 1, [18390A7] - 0, [18390A8] - 0
60	32-89749--1		-	HOSE, THER. COVER TO PORT MANIFOLD QUANTITIES: [18390A6] - 1, [18390A7] - 0, [18390A8] - 0
61	32-19081		-	HOSE QUANTITIES: [18390A6] - 1, [18390A7] - 0, [18390A8] - 0
62	32-818743--7		-	HOSE, COOLER TO ADAPTOR (13") QUANTITIES: [18390A6] - 0, [18390A7] - 1, [18390A8] - 0

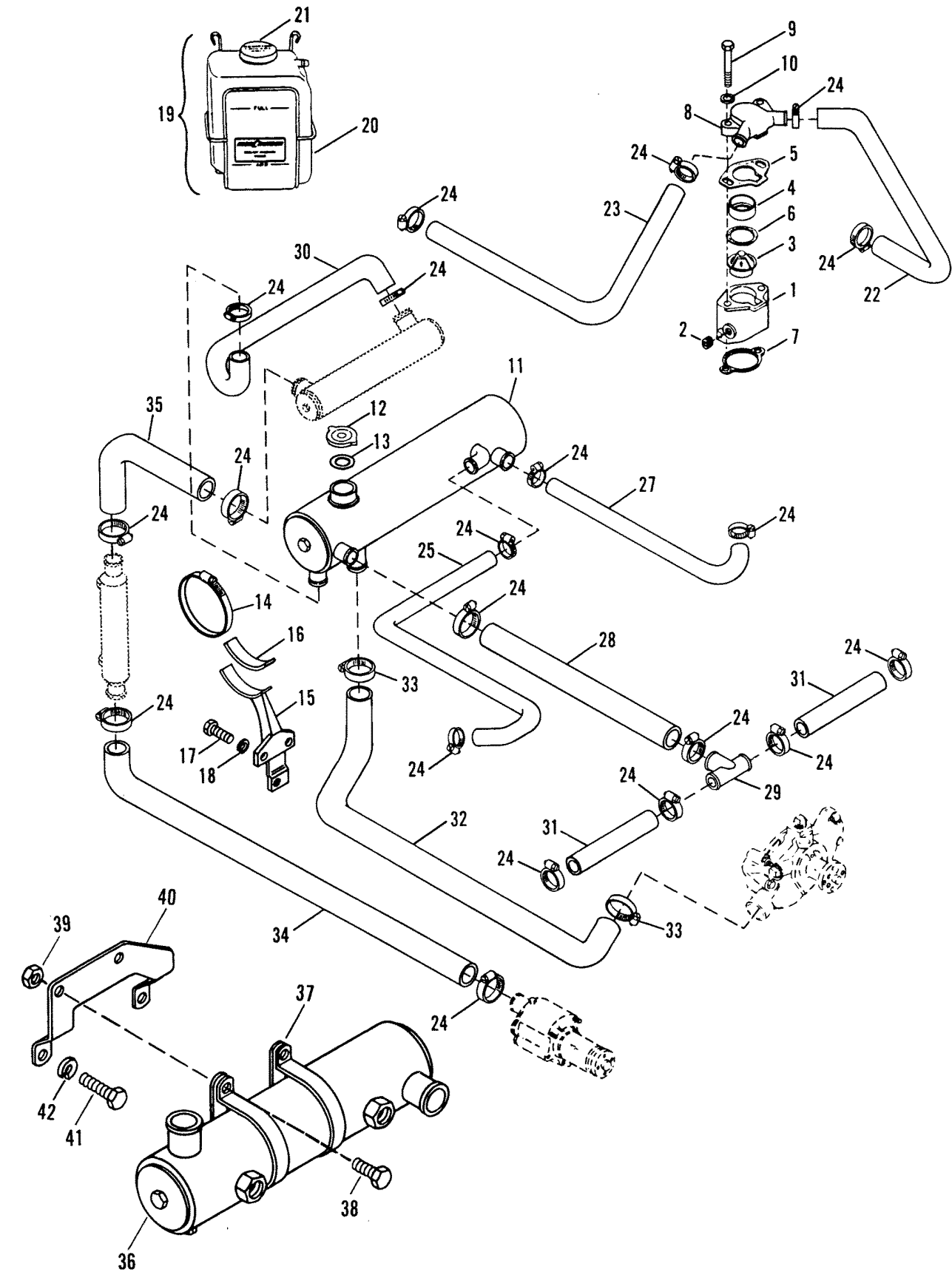
OIL RESERVOIR KIT



OIL RESERVOIR KIT

REF. NO.	PART NO.	SYM.	QTY.	DESCRIPTION
-	19743A5		1	OIL RESERVOIR KIT
1	22-18922		1	CONNECTOR
2	25-20195		1	O-RING
3	12-91964		1	WASHER
4	11-35053		1	NUT
5	22-18923		1	FITTING
6	54-41582--5		3	CLAMP
7	32-19409-71		1	HOSE
8	22-16739		1	CONNECTOR
9	19743A4		1	BOTTLE ASSEMBLY
10	36-19741A1		1	CAP ASSEMBLY
11	25-19737		1	O-RING
12	25-30613		1	O-RING
13	87-19742A1		1	SWITCH ASSEMBLY
14	25-30613		1	O-RING
15	11-19740		1	NUT
16	67896--1		1	BRACKET
17	24-67908		1	SPRING
18	67905		2	RETAINER
19	12-58198		1	WASHER
20	10-60605		3	SCREW
21	54-64235--1		1	J-CLIP
22	54-23567		1	CLIP
23	10-60605		1	SCREW
24	69205		1	C-WASHER
25	18920A1		1	VALVE ASSEMBLY
26	25-48171		2	O-RING
27	27-94996--2		1	GASKET
28	84-812733A1		1	HARNESS ASSEMBLY

CLOSED COOLING SYSTEM (18390A12)



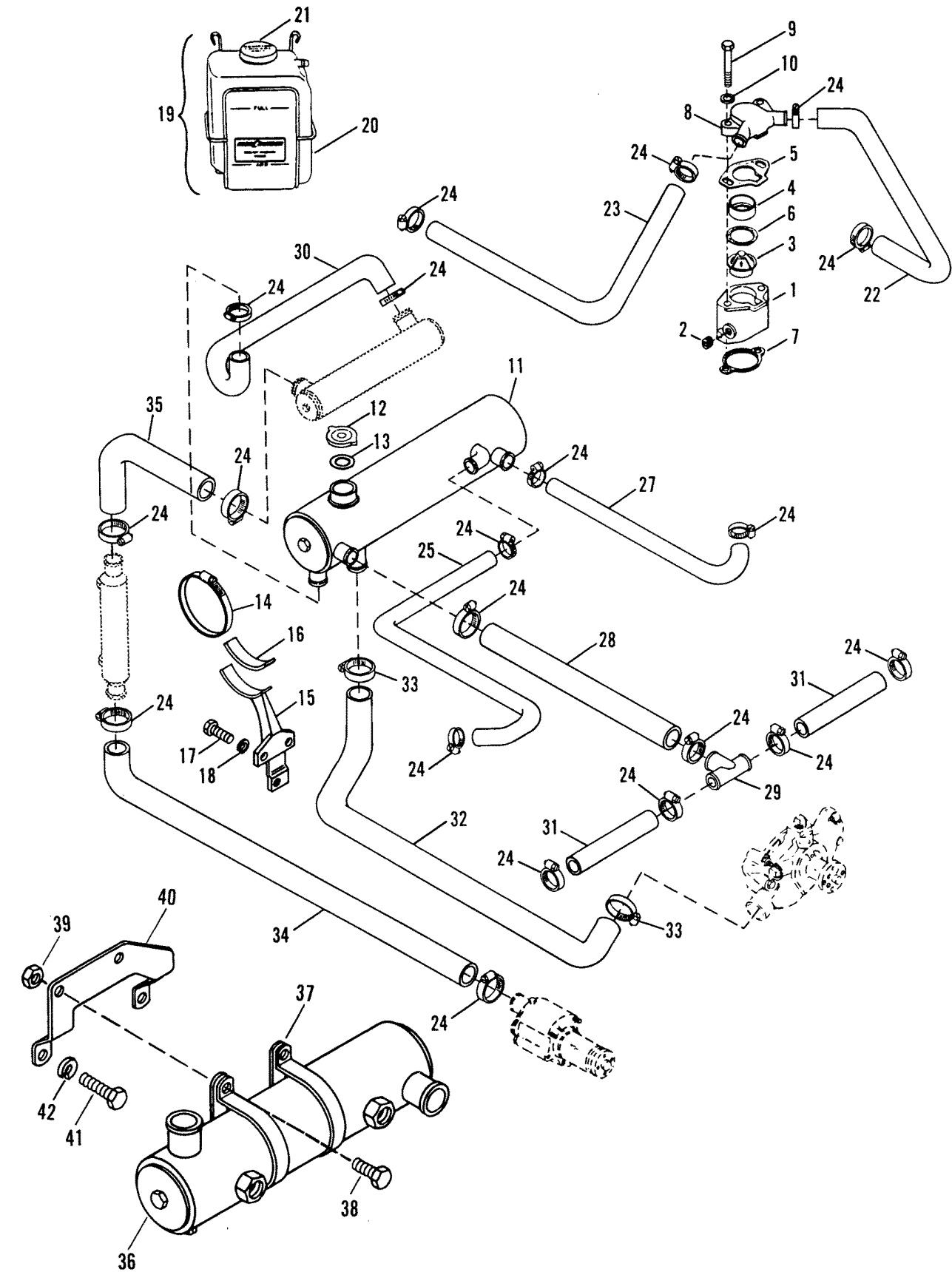
CLOSED COOLING SYSTEM (18390A12)

REF. NO.	PART NO.	SYM.	QTY.	DESCRIPTION
-	814864A1		1	CLOSED COOLING SYSTEM
1	55131A5		1	THERMOSTAT HOUSING
2	22-32803		2	PIPE PLUG
3	805273-1		1	THERMOSTAT (1430)
4	23-47508		1	SLEEVE
5	27-48818-1		1	GASKET (UPPER)
6	27-47510		1	GASKET (MIDDLE)
7	27-53045-1		1	GASKET (LOWER)
8	47442A1		1	COVER
9	10-48115		2	SCREW (3-1/2")
10	13-35048		2	LOCKWASHER
11	814864A2		1	RESERVOIR ASSEMBLY SEE REPAIR PARTS BELOW
12	36-814879		1	CAP
13	27-71614		1	GASKET
14	54-815504388		2	CLAMP
15	44445A2		2	BRACKET
16	77223-1		2	PAD
17	10-34353		3	SCREW (3/8-16 THREAD)
18	13-35048		3	LOCKWASHER (3/8-16 THREAD)
17	10-47461		1	SCREW (7/16-14 THREAD)
18	13-32993		1	LOCKWASHER (7/16-14 THREAD)
19	71587A10	▶	1	COOLANT RECOVERY SYSTEM
20	71587A11		1	BOTTLE
21	72058		1	CAP
22	32-97385-1		1	HOSE, THERMOSTAT COVER (PORT)
23	32-89730-1		1	HOSE, THERMOSTAT COVER (STARBOARD)
24	54-815504220		AR	CLAMP
25	32-805106		1	HOSE, RESERVOIR TO MANIFOLD (STARBOARD)
27	32-805105		1	HOSE, RESERVOIR TO MANIFOLD (PORT)
28	32-53461-70		1	HOSE, TEE TO RESERVOIR
29	22-55133T		1	TEE FITTING
30	32-814934		1	HOSE, OIL COOLER TO RESERVOIR
31	32-33220-70		2	HOSE, TEE TO EXHAUST ELBOW
32	32-92838		1	HOSE, RESERVOIR TO WATER PUMP
33	54-815504232		2	CLAMP
34	32-19080-1		1	HOSE, WATER PUMP TO COOLER
35	32-814860		1	HOSE, OIL COOLER TO OIL COOLER
36	814863T		1	OIL COOLER SEE REPAIR PARTS BELOW
37	54-814858		2	CLIP
38	10-74824		2	SCREW
39	11-26484		2	NUT
40	815785		1	BRACKET

▶ = COOLANT RECOVERY KIT [71587A10] SOLD AS COMPLETE KIT ONLY. COMPONENT PARTS CAN BE PURCHASED SEPARATELY.

CONTINUED ON NEXT PAGE ➡

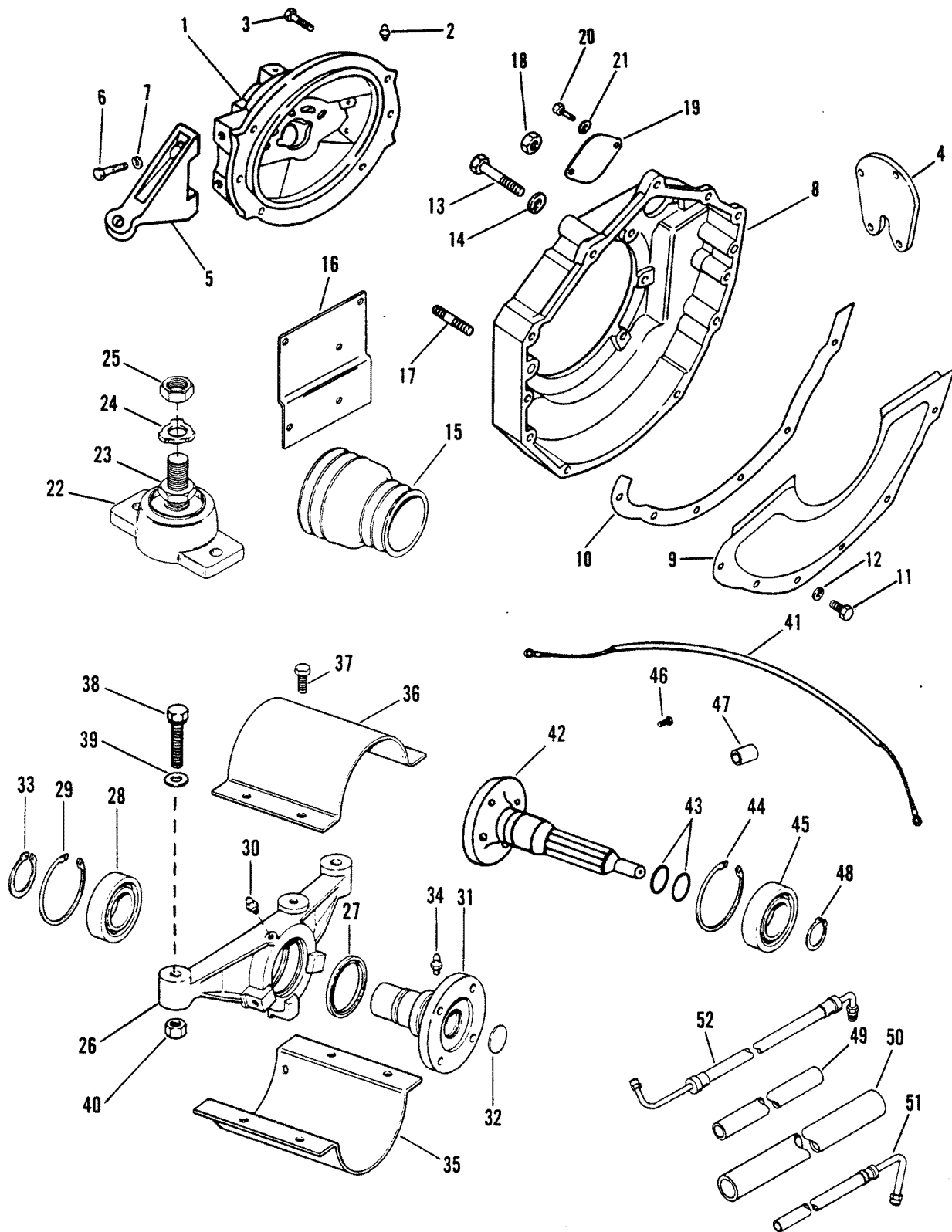
CLOSED COOLING SYSTEM (18390A12)



CLOSED COOLING SYSTEM (18390A12)

REF. NO.	PART NO.	SYM.	QTY.	DESCRIPTION
41	10-76926		2	SCREW
42	13-35048		2	LOCKWASHER
-	22-32802		1	RESERVOIR ASSEMBLY REPAIR DRAIN PLUG
-	27-816636		2	RESERVOIR ASSEMBLY REPAIR GASKET
-	816638		2	RESERVOIR ASSEMBLY REPAIR COVER
-	10-814877		2	RESERVOIR ASSEMBLY REPAIR SCREW
-	816766		2	OIL COOLER REPAIR END COVER
-	27-816768		2	OIL COOLER REPAIR GASKET
-	10-816767		2	OIL COOLER REPAIR BOLT
-	22-32802		1	OIL COOLER REPAIR DRAIN PLUG

DRIVE SHAFT EXTENSION KIT

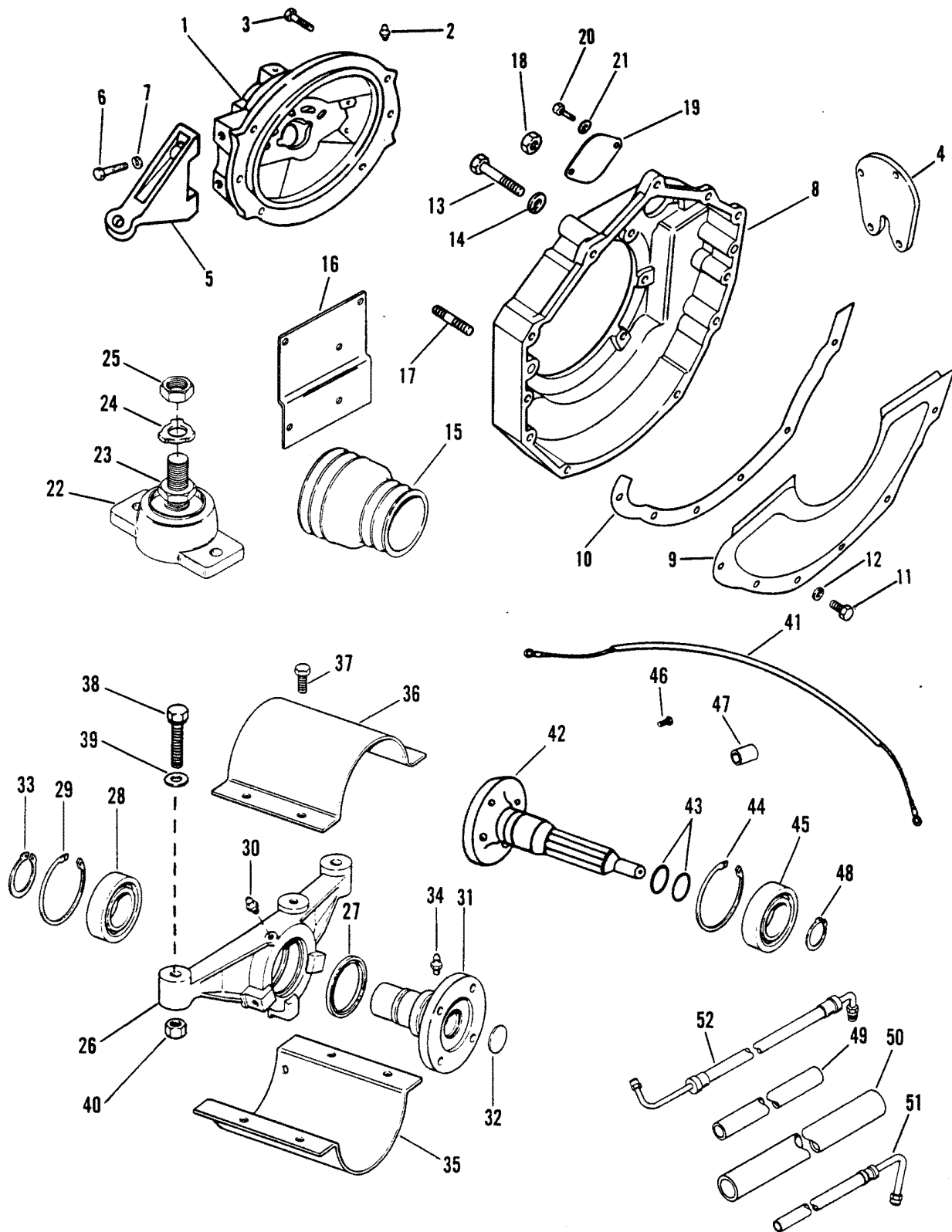


DRIVE SHAFT EXTENSION KIT

REF. NO.	PART NO.	SYM.	QTY.	DESCRIPTION
-	98634A13		1	DRIVE SHAFT EXTENSION KIT
1	93911A4		1	HOUSING ASSEMBLY
2	22-74036		1	GREASE FITTING
3	10-47651		6	SCREW
4	97350T1		1	PLATE
5	93923A1		2	MOUNT ASSEMBLY
6	10-47651		4	SCREW
7	13-32993		4	LOCKWASHER
8	814309A1		1	FLYWHEEL HOUSING
-	19-12304		1	PLUG
9	818718A3		1	COVER ASSEMBLY
10	27-86015		1	GASKET
11	10-98253		7	SCREW (1/2")
12	13-26992		7	LOCKWASHER
13	10-37612		2	SCREW (1-1/4")
	10-47688		2	SCREW (2-3/4")
14	13-35048		8	LOCKWASHER
15	78458A1		2	EXHAUST TUBE
16	41063A1		1	MOUNTING BRACKET
17	16-64066		1	STUD (2-1/4")
18	11-32219		1	NUT
19	93920--1		1	PLATE
20	10-92913		2	SCREW
21	13-32993		8	LOCKWASHER
22	814263A1		2	BASE ASSEMBLY
23	11-816331		2	JAM NUT
24	14-12657		2	TAB WASHER
25	11-49252		2	NUT
26	42304A2		1	BEARING SUPPORT ASSEMBLY
27	26-93924		1	OIL SEAL
28	30-93944A1		1	BALL BEARING
29	53-93914		1	SNAP RING
30	22-74036		1	GREASE FITTING
31	93908A1		1	INPUT SHAFT ASSEMBLY
32	19-93921		1	EXPANSION PLUG
33	53-93915		1	SNAP RING
34	22-74036		1	GREASE FITTING
35	93918A1		2	LOWER SHIELD ASSEMBLY
36	93919A1		2	UPPER SHIELD ASSEMBLY
37	10-96995		3	SCREW (7/8")
38	10-57053		2	BOLT (4-1/2")
39	12-42307		4	WASHER (SPHERICAL)
40	11-28040		2	NUT

CONTINUED ON NEXT PAGE ➡

DRIVE SHAFT EXTENSION KIT



DRIVE SHAFT EXTENSION KIT

REF. NO.	PART NO.	SYM.	QTY.	DESCRIPTION
41	84-41575A3		1	HARNESS ASSEMBLY
42	93906A2		1	OUTPUT SHAFT ASSEMBLY
43	25-25439		2	O-RING
44	53-94104		1	SNAP RING
45	30-62780A1		1	BALL BEARING
46	10-14883		3	SCREW
47	23-49126		1	BUSHING
48	53-94103		1	SNAP RING
49	32-42850-64		1	HOSE (11")
50	32-17435-79		1	HOSE (96")
51	32-98624--1		1	HOSE (133")
52	32-98629--1		1	HOSE (136")

PARTS INDEX

Part Number	Description	Pg.	Ref. No.	Part Number	Description	Pg.	Ref. No.
12644A1	COVER KIT	111	10	32657A3	TURNBUCKLE ASSEMBLY	131	--
12644A1	COVER KIT	113	1	32877	COVER	49	15
12646	BRACKET	111	3	34765A1	COVER KIT	53	10
12647	SHUTTER	111	2	34765A1	COVER KIT	55	1
12648A2	TRANSOM EXHAUST KIT	111	-	35809	DUST SHIELD	125	15
12648A3	FLANGE ASSEMBLY	111	1	36081	COVER	67	16
12753A1	BRACKET (STARBOARD)	99	43	36092	FLANGE	125	11
14348A1	WATER SHUTTER	121	4	36149	FELT PLUG	125	10
14957	OIL FILTER	107	1	36150	FELT SPACER	125	17
15082T	BRACE	97	26A	38638A4	POWER SHIFT ASSEMBLY, COMPLETE	125	1
151520T	PULLEY (3 GROOVES)	23	6	39670A10	NEUTRAL SWITCH ASSEMBLY	71	22
15786A2	SILENCER VALVE KIT	119	-	41063A1	MOUNTING BRACKET	159	16
15786A4	EXHAUST PIPE	119	1	41597A1	BRACE	97	26
15820T	COVER	109	17	42304A2	BEARING SUPPORT ASSEMBLY	159	26
15980	ARM, EXHAUST SHUTTER	119	14	42349A2	SHIFT ACTUATOR ASSEMBLY	69	1
15981	BRACKET, AIR CYLINDER	119	10	42528A6	SWITCH PLATE	77	17
15982	EXHAUST SHUTTER	119	5	42528A6	SWITCH PLATE AND GASKET PACKAGE	69	14
15983	SHAFT, EXHAUST SHUTTER	119	4	42600A3	CONTROLLER ASSEMBLY	135	8
15984	CLEVIS	119	17	42700A1	COVER	99	47
16027A1	AIR CYLINDER ASSEMBLY	119	7	42709A1	BRACE	97	26
16283	SOLENOID VALVE	117	2	44176A3	SHIFT	71	1
16521T	ADAPTOR	107	15	44266A6	EXHAUST PIPE KIT	121	-
16645A2	PNEUMATIC AIR PUMP ASSEMBLY	117	1	44266T1	EXHAUST PIPE	121	5
16792A1	PUMP ASSEMBLY	89	1	44390T	EXHAUST ELBOW	139	2
17833A1	RISER ASSEMBLY	123	5	44393A2	BRACKET ASSEMBLY (4" EXHAUST)	107	2
18389T	BRACKET	143	33	44441A2	BRACKET	101	14
18389T	BRACKET	149	33	44445A2	BRACKET	101	14
18390A2	CLOSED COOLING SYSTEM	141	-	44445A2	BRACKET	155	15
18390A3	CLOSED COOLING SYSTEM	141	-	44446A2	RESERVOIR (5")	101	10
18390A4	CLOSED COOLING SYSTEM	141	-	44446A4	CLOSED COOLING SYSTEM	101	-
18390A5	CLOSED COOLING SYSTEM	141	-	44446A5	CLOSED COOLING SYSTEM	101	-
18390A6	CLOSED COOLING SYSTEM	147	-	44574	ANODIC CAP	135	12
18390A7	CLOSED COOLING SYSTEM	147	-	45601A1	HOOK (LOWER - DRIVE SHAFT HOUSING)	131	4
18390A8	CLOSED COOLING SYSTEM	147	-	47441A1	COVER (DESIGN I)	43	36
18390T	RESERVOIR	141	1	47441A1	COVER (DESIGN I)	95	16
18390T	RESERVOIR	147	1	47442A1	COVER	155	8
18391T	OIL COOLER	143	39	47442A1	COVER (DESIGN I)	103	35
18391T	OIL COOLER	149	39	47488A1	BRACKET	49	1
18392T	BRACKET CLAMP	143	34	47530	HUB	51	48
18392T	BRACKET CLAMP	149	34	47530	HUB	91	20
18421A1	BRACKET (STARBOARD)	141	8	48085A1	PULLEY ASSEMBLY, AUXILIARY DRIVE	21	1
18421A1	BRACKET (STARBOARD)	147	8	48086A1	PULLEY ASSEMBLY, AUXILIARY DRIVE	21	1
18423A1	BRACKET (PORT)	141	12	48640A2	SINGLE EXHAUST KIT	65	-
18423A1	BRACKET (PORT)	147	12	48640T	Y-PIPE	65	1
18429	PAD	141	13	48641	EXHAUST PIPE	65	4
18429	PAD	147	13	48952	SWITCH, WATER TEMPERATURE	79	1
18431	PAD	141	9	49440	LOCKNUT	115	23
18431	PAD	147	9	49440	LOCKNUT	117	30
18563A1	EXHAUST KIT	129	-	516458A1	VALVE	105	5
18563T	EXHAUST PIPE	129	1	52822T	PULLEY	91	21
18654A1	EXHAUST BELLOWS	121	8				
18728	BRACKET (LONG - NEW DESIGN)	137	3				
18920A1	VALVE ASSEMBLY	153	25				
19743A4	BOTTLE ASSEMBLY	153	9				
19743A5	OIL RESERVOIR KIT	153	-				
25059	CAP	7	2				
26059	CAP	105	2				

PARTS INDEX

Part Number	Description	Pg.	Ref. No.	Part Number	Description	Pg.	Ref. No.
53452A2	RISER KIT (6")	57	1	65606T	BRACKET	13	3
55110	ADAPTER (DUAL)	105	13	65606T	BRACKET	85	20
55110	ADAPTOR (DUAL)	3	16	65897A2	PUMP MOUNTING KIT WITH OIL COOLER	15	-
55110	ADAPTOR (DUAL)	7	9	66221	CAP	37	3
55110A1	POWER STEERING CYLINDER ASSEMBLY	105	--	66221	HEAT EXCHANGE TANK REPLACEMENT COVER, END	35	--
55131A5	THER. HSG. (INCL. REF. #22A)	141	18	66221	RESERVOIR ASSEMBLY REPLACEMENT COVER, END	43	--
55131A5	THER.HSG. (INC. REF. #35A)	101	1	66221	RESERVOIR ASSEMBLY REPLACEMENT COVER, END	47	--
55131A5	THERMOSTAT HOUSING	35	8	66221	RESERVOIR REPLACEMENT END CAP	99	--
55131A5	THERMOSTAT HOUSING	41	1	67896	BRACKET	67	4
55131A5	THERMOSTAT HOUSING	45	1	67896--1	BRACKET	153	16
55131A5	THERMOSTAT HOUSING	147	18	67898	HOSE (WITHOUT METAL BRAID)	67	12
55131A5	THERMOSTAT HOUSING	155	1	67905	RETAINER	25	12
55131A5	THERMOSTAT HSG (INC. DESIGN II REF 16)	97	35	67905	RETAINER	67	5
56328A1	BRACKET (SHORT)	89	23	67905	RETAINER	153	18
56328A1	BRACKET (SHORT)	137	4	67907	BRACKET (FLAT)	67	15
57240A10	DUAL ENGINE TIE BAR KIT	29	-	68039	BRACKET	15	3
57240A11	DUAL ENGINE TIE BAR KIT	29	-	68670A2	THRU HULL WATER INTAKE ASSEMBLY	49	27
57286	BRACKET	105	19	68673A1	THERMOSTAT HOUSING ASSEMBLY	37	22
57611A2	PUMP MOUNTING KIT	11	-	68878A6	HORN	79	12
57611T	BRACKET (REAR)	11	1	69205	C-WASHER	153	24
57885A1	FLANGE ASSEMBLY	53	1	69392	SHIFT ACTUATOR, COMPLETE	77	1
57885A2	TRANSOM EXHAUST KIT	53	-	69392A1	ELECTRIC SHIFT CONVERSION KIT	75	--
57886	BRACKET	53	3	69392A2	SHIFT ACTUATOR	75	1
57887	SHUTTER	53	2	69622A12	BOTTLE ASSEMBLY	67	1
57952A2	RISER KIT (6")	57	1	69622A7	OIL RESERVOIR ASSEMBLY	67	-
57952A5	RISER KIT (6")	57	1	70256	NUT	71	10
57969A12	CYLINDER	105	1	70256	SHIFT LINK	71	8
57969A12	CYLINDER (25-58224A1 SEAL REPAIR KIT)	81	1	70259	CAM	71	4
57970T	EXTENSION	105	30	70260A1	ELECTRIC SHIFT ASSEMBLY, COMPLETE	71	--
57971	TUBE	105	27	71302A31	POWER STEERING PUMP ASSEMBLY	87	--
59501A1	SHAFT	51	45	71302A32	POWER STEERING PUMP (5/8" I.D. HOSE)	89	--
59501A1	SHAFT	91	17	71302A37	POWER STEERING PUMP (3/4" I.D. HOSE)	89	--
60502A1	BRACKET	3	44	71333A1	POWER STEERING KIT	3	-
60502A1	BRACKET	7	35	71333A5	POWER STEERING PUMP ASSEMBLY	85	--
60930	WATER SHUTTER	139	6	71587A10	CLOSED COOLANT RECOVERY SYSTEM	97	36
60931	RETAINER	139	5	71587A10	COOLANT RECOVER SYSTEM	41	17
61086A4	FRESH WATER COOLING KIT	37	-	71587A10	COOLANT RECOVER SYSTEM	45	17
61086A6	FRESH WATER COOLING KIT	37	-	71587A10	COOLANT RECOVER SYSTEM	101	18
61086A7	TANK ASSEMBLY	37	1				
61359A7	DUAL ENGINE TIE BAR KIT	31	-				
61811A4	RISER KIT (3")	61	1				
61851A2	RISER KIT (3")	61	1				
61851A3	RISER KIT (3")	61	1				
61895	BRACKET (FRONT)	37	7				
61897T	BRACKET (REAR UPPER)	37	12				
61899	BRACKET (REAR LOWER)	37	11				
61937A1	WATER DISTRIBUTION HOUSING ASSEMBLY	49	18				
63038	COVER	75	2				
63115A9	TRIM SENDER ASSEMBLY	115	10				
63820-3	BRACKET (LONG)	89	24				
64414	GUIDE	105	11				
65515A2	PUMP MOUNTING KIT WITH OIL COOLER	13	-				

PARTS INDEX

Part Number	Description	Pg.	Ref. No.	Part Number	Description	Pg.	Ref. No.
71587A10	COOLANT RECOVERY KIT	35	--	77223--3	PAD	95	4
71587A10	COOLANT RECOVERY KIT	39	--	77223-1	PAD	155	16
71587A10	COOLANT RECOVERY SYSTEM	155	19	77223-3	PAD	35	4A
71587A10	COOLING RECOVERY SYSTEM	143	26	77223-3	PAD	45	14
71587A10	COOLING RECOVERY SYSTEM	149	26	77518A1	INSTALLATION KIT	49	--
71587A11	BOTTLE	41	18	77640	BRACE	17	1
71587A11	BOTTLE	45	18	77640A1	PUMP RELOCATION KIT	17	-
71587A11	BOTTLE	97	37	78092A1	BRACKET (PORT)	41	13
71587A11	BOTTLE	101	19	78093A3	BRACKET (STARBOARD)	41	13
71587A11	BOTTLE	143	27	78094A2	CLOSED COOLING SYSTEM	41	-
71587A11	BOTTLE	149	27	78094A3	RESERVOIR ASSEMBLY	41	9
71587A11	BOTTLE	155	20	78458A1	EXHAUST TUBE	121	8
71648	BRACE	49	7	78458A1	EXHAUST TUBE	159	15
72058	CAP	41	19	79146	RETAINER	115	12
72058	CAP	45	19	79437A2	BRACKET (PORT)	41	13
72058	CAP	97	38	79438A3	BRACKET (STARBOARD)	41	13
72058	CAP	101	20	79480	BRACKET	115	18
72058	CAP	143	28	79605A1	BRACKET (PORT)	45	13
72058	CAP	149	28	79607A2	CLOSED COOLING SYSTEM	45	--
72058	CAP	155	21	79607A3	RESERVOIR ASSEMBLY	45	9
72408T	BELLOWS	49	17	79688	BRACKET	25	7
73185A1	DUAL ENGINE ATTACHING KIT	27	-	79691A1	POWER STEERING PRIORITY VALVE KIT	25	-
73425	ADAPTOR	27	9	79988A1	CLEVIS	3	31
73426	LINK ROD	27	1	79988A1	CLEVIS	7	24
73427	STEERING EYE (FIXED)	27	10	805273--1	THERMOSTAT	99	42
73428A1	STEERING EYE (ADJUSTABLE)	31	7	805273--1	THERMOSTAT (143 DEGREE)	101	3
73428A1	STEERING EYE (ADJUSTING)	27	15	805273-1	THERMOSTAT	37	28
73483T	PULLEY	13	2	805273-1	THERMOSTAT (1430)	155	3
73483T	PULLEY	15	2	814263A1	BASE ASSEMBLY	159	22
73483T	PULLEY	85	22	814309A1	FLYWHEEL HOUSING	159	8
73798A1	PULLEY	51	49	814863T	OIL COOLER	151	54
73798A1	PULLEY	91	21	814863T	OIL COOLER	155	36
73813A1	END CAP	49	25	814864A1	CLOSED COOLING SYSTEM	155	-
73873A1	PULLEY	3	3	814864A2	RESERVOIR ASSEMBLY	155	11
73873A1	PULLEY	9	44	814875	END COVER	141	3
73873A1	PULLEY	85	3	814875	END COVER	147	3
73873A1	PULLEY	87	3	815300T	CLEVIS	83	21
73873A1	PULLEY	89	3	815301T	ADAPTOR (DUAL)	81	15
742741T	BELT (35")	51	53	815785	BRACKET	155	40
74643A1	FRESH WATER COOLING KIT	35	--	816458A1	VALVE (25-58226A1 SEAL REPAIR KIT)	3	9
74643A2	TANK ASSEMBLY	35	1	816458A1	VALVE (25-58226A1 SEAL REPAIR KIT)	7	3
74829	PLATE	35	25	816458A1	VALVE (25-58226A1 SEAL REPAIR KIT)	81	8
75040A1	PULLEY	11	22	816638	RESERVOIR ASSEMBLY REPAIR COVER	157	-
76210	BRACKET	9	69	816766	END COVER	143	40
76424	BRACKET	115	22	816766	END COVER	149	40
76424	BRACKET	117	25	816766	OIL COOLER REPAIR END COVER	157	-
76742A4	POWER STEERING GUIDE	7	-	818718A3	COVER ASSEMBLY	159	9
77054	STAY STRAP	85	21	85011A1	BRACKET (FRONT)	11	8
77054	STRAP	9	68	85152A2	OIL COOLER KIT	137	-
77108	CAP	87	2	85152T	OIL COOLER	137	1
77108	FILLER CAP	9	43	85218A3	PLATE ASSEMBLY	115	21
77223--1	PAD	101	15	85218A4	PLATE ASSEMBLY	117	29
77223--3	PAD	41	14				

PARTS INDEX

Part Number	Description	Pg.	Ref. No.	Part Number	Description	Pg.	Ref. No.
85618T	CYLINDER (25-58224A1 SEAL REPAIR KIT)	7	1	91830	COVER	107	11
85787	SHIFT ARM	73	3	92020A1	DUAL ENGINE TIE BAR KIT	133	--
85788	SHIFT CRANK	73	7	92020A2	DUAL ENGINE TIE BAR KIT	133	--
85789	BRACKET	73	13	92020A3	DUAL ENGINE TIE BAR KIT	133	--
85789A2	MECHANICAL SHIFT CONVERSION KIT	73	--	92043A2	REMOTE OIL FILTER KIT (3" EXHAUST)	107	--
85820A1	SHIFT ROD ASSEMBLY	73	2	92043A3	BRACKET ASSEMBLY (3" EXHAUST)	107	2
85821A1	BRACKET ASSEMBLY	75	12	92043A5	REMOTE OIL FILTER KIT (4" EXHAUST)	107	-
85821A1	BRACKET, MOUNTING	73	1	92043A7	REMOTE OIL FILTER KIT	107	-
86030	BRACKET	25	11	92739A2	AUXILIARY PULLEY KIT	19	1
86045	TIMER	79	11	92766	LOCK	83	27
86047A11	BUZZER HOUSING (W/O BULLET CONNECTOR)	79	10	92777A1	BRACKET (PORT)	45	13
86047A14	AUDIO WARNING KIT	79	-	92778A1	BRACKET (STARBOARD)	45	13
86047A15	AUDIO WARNING KIT	79	-	93423A1	WATER PICKUP (STARBOARD)	127	1
86047A16	BUZZER HOUSING (W/ BULLET CONNECTOR)	79	10	93423A2	WATER INLET PLATE KIT	127	-
86250A2	BOTTLE ASSEMBLY	25	4	93424A1	WATER PICKUP (PORT)	127	1
86700T	TUBE	33	4	93520	COLLAR	3	27
87115A1	BRACKET	89	15	93520	COLLAR	7	20
87424A1	DUAL ENGINE TIE BAR KIT	29	-	93732A6	AUTO-TRIM KIT	115	1
87631A4	COVER	49	31	93906A2	OUTPUT SHAFT ASSEMBLY	161	42
87631A4	COVER	91	3	93908A1	INPUT SHAFT ASSEMBLY	159	31
87854	ADAPTER	105	31	93911A4	HOUSING ASSEMBLY	159	1
88280	ADAPTOR, BOOSTER VALVE	81	12	93918A1	LOWER SHIELD ASSEMBLY	159	35
88285	ADAPTOR (SINGLE)	81	15	93919A1	UPPER SHIELD ASSEMBLY	159	36
88287	GUIDE	81	19	93920--1	PLATE	159	19
88777	BRACE	11	12	93923A1	MOUNT ASSEMBLY	159	5
88845A1	WATER PICK-UP KIT	33	-	94018A1	EXHAUST ELBOW	139	7
89535T	BRACKET	91	26	94576	WEAR PLATE, INNER	49	40
89535T1	BRACKET	91	26	94576	WEAR PLATE, INNER	91	12
89609	BRACE	91	30	94608A1	EXHAUST TUBE	139	12
89609--1	BRACE	91	30	94916	WEAR PLATE, OUTER	49	35
89645A15	POWER STEERING CYLINDER ASSEMBLY	81	--	94916	WEAR PLATE, OUTER	91	7
89645A28	POWER STEERING CYLINDER ASSEMBLY	81	--	94953A1	BRACKET ASSEMBLY	81	4
89645A33	POWER STEERING KIT (DUAL STATION)	81	--	95687	5" RESERVOIR REPLACEMENT COVER	103	--
90081A1	PULLEY (1 GROOVE)	23	7	95848A1	CLEVIS ASSEMBLY	83	21
90081A1	PULLEY (1 GROOVE)	89	27	96116A1	BRACKET	151	56
90219	STEERING EYE (FIXED)	31	1	96511A1	TUBE ASSEMBLY	81	18
90495A7	HYDRAULIC PUMP	7	42	96762A1	BRACKET	85	28
90495A7	PUMP ASSEMBLY	87	1	96772A1	BRACE	85	11
90507A12	PUMP ASSEMBLY	85	1	96783A1	OIL COOLER	85	26
90507A3	HYDRAULIC PUMP ASSEMBLY	3	1	96872A2	BRACKET	85	13
90510A1	BRACKET	9	54	96878A2	RESERVOIR ASSEMBLY	37	29
90510A1	BRACKET	87	6	97350T1	PLATE	159	4
90783A22	ADAPTER ASSEMBLY	107	6	97428	COVER (DESIGN 1)	143	22
90981A1	PUMP RELOCATION KIT	23	-	97551	BRACKET (WITH 90 DEGREE BEND)	67	15
90981A2	BRACKET	23	1	98626A3	EXHAUST SEPARATOR	139	1
91036A1	CLOSED COOLING SYSTEM	95	--	98634A13	DRIVE SHAFT EXTENSION KIT	159	-
91036A3	CLOSED COOLING SYSTEM	95	--	98634A14	EXTENSION KIT (58")	139	-
91036A4	RESERVOIR	95	1	98644A1	BRACE	89	6
91036A5	CLOSED COOLING SYSTEM	95	--	98869A11	ELECTRODE ASSEMBLY	135	1
91036A8	CLOSED COOLING SYSTEM	95	--	98869A8	MERCATHODE KIT	135	-
91041A2	BRACKET (PORT)	95	2	99356A1	OIL COOLER	87	20
91042A2	BRACKET (STARBOARD)	95	3	99356A2	COOLER	89	21
				99889	BY-PASS VALVE	107	7

PARTS INDEX

Part Number	Description	Pg.	Ref. No.	Part Number	Description	Pg.	Ref. No.
N.S.S.	COVER	147	19	10-32515	SCREW	21	4
N.S.S.	COVER (DESIGN II)	43	36A	10-33684	SCREW	53	7
N.S.S.	COVER (DESIGN II)	95	16A	10-33684	SCREW	111	7
N.S.S.	COVER (DESIGN II)	103	35A	10-33684	SCREW (3")	67	18
N.S.S.	COVER (DESIGN II)	143	22A	10-34353	SCREW	11	15
NLA	ARMATURE	69	2	10-34353	SCREW	95	6
NLA	ARMATURE	77	2	10-34353	SCREW (3/8-16 THREAD)	101	16
NLA	BRACE	15	4	10-34353	SCREW (1")	35	5
NLA	BRACKET (STARBOARD)	35	4	10-34353	SCREW (1")	37	24
NLA	BRACKET (STARBOARD)	45	13	10-34353	SCREW (1")	49	2
NLA	BUSHING	115	8	10-34353	SCREW (1")	91	27
NLA	GAUGE ASSEMBLY, AUTO TRIM	115	13	10-34353	SCREW (3/8-16 THREAD)	45	15
NLA	HOSE	39	33	10-34353	SCREW (3/8-16 THREAD)	155	17
NLA	HOSE	97	29	10-34354	SCREW	11	18
NLA	HOSE, RETURN	25	18	10-34354	SCREW	23	2
NLA	OIL COOLER	9	61	10-34354	SCREW	95	5
NLA	OIL COOLER	13	4	10-34354	SCREW (1-1/2")	49	5
NLA	OIL COOLER	15	6	10-34994	SCREW (1-1/2")	89	16
NLA	PULLEY	13	1	10-34994	SCREW, ARM	119	15
NLA	PULLEY	15	1	10-35386	SCREW (1")	85	29
NLA	SCREW	49	28	10-35786	BOLT (1")	89	28
NLA	SCREW (25MM)	99	46	10-35786	SCREW (1")	49	8
NLA	SCREW (5")	37	10	10-35786	SCREW (1")	91	34
NLA	SHIELD	71	19	10-35787	SCREW	19	2
NLA	SPACER	75	9	10-35787	SCREW (2-1/4")	37	30
NLA	TUBE ADJUSTING	31	2	10-35871	SCREW	57	3
NLA	TUBE, ADJUSTING	27	14	10-36046	SCREW	71	15
NLA	WASHER	71	9	10-36046	SCREW (1/4")	75	11
NLA	WIRE ASSEMBLY (GRAY)	115	34	10-37612	SCREW	85	12
10-14862	SCREW	117	31	10-37612	SCREW (1-1/4")	3	12
10-14883	SCREW	161	46	10-37612	SCREW (1-1/4")	7	6
10-15853	SCREW (3")	107	14	10-37612	SCREW (1-1/4")	37	16
10-16861	SCREW, SOLENOID VALVE	117	3	10-37612	SCREW (1-1/4")	37	24
10-16862	SCREW	117	6	10-37612	SCREW (1-1/4")	41	15
10-16862	SCREW	125	7	10-37612	SCREW (1-1/4")	49	11
10-20055	SCREW (3/8")	71	20	10-37612	SCREW (1-1/4")	81	10
10-20359	SCREW (1")	37	24	10-37612	SCREW (1-1/4")	89	16
10-20597	SCREW, WIRE	117	17	10-37612	SCREW (1-1/4")	105	8
10-21091	SCREW (1-1/8")	71	2	10-37612	SCREW (1-1/4")	151	57
10-22793	SCREW	25	21	10-37612	SCREW (1-1/4")	159	13
10-22793	SCREW (7/8")	67	6	10-37655	SCREW	53	4
10-24231	SCREW (1/4")	71	25	10-37655	SCREW	111	4
10-24637	SCREW	135	7	10-40001188	SCREW	89	7
10-24637	SCREW (7/8")	71	13	10-40001188	SCREW (20MM)	99	46
10-25299	SCREW (3/4")	75	17	10-40001192	SCREW	11	9
10-26065	SCREW (1")	9	51	10-40001192	SCREW (25MM)	85	16
10-26487	SCREW	57	3	10-40001192	SCREW (25MM)	95	10
10-26487	SCREW (1-1/8")	91	31	10-40001195	SCREW (30MM)	85	16
10-28667	SCREW	123	3	10-40001203	SCREW	11	2
10-29198	SCREW	23	13	10-40084-20	ALLEN SCREW	9	56
10-29227	SCREW	115	28	10-40084-20	SCREW	87	16
10-31832	SCREW	3	25	10-41209	SCREW	83	28
10-31832	SCREW	7	18	10-44387	SCREW (4" EXHAUST)	107	4
10-31832	SCREW (1")	105	20	10-47220	SCREW (3/8")	77	15
10-32132	SCREW (1-3/4")	141	14	10-47277	SCREW (3/4")	51	50
10-32132	SCREW (1-3/4")	147	14	10-47277	SCREW (3/4")	91	22
10-32228	SCREW (5/8")	71	5	10-47461	SCREW (7/16-14 THREAD)	45	15
10-32417	SCREW	73	5	10-47461	SCREW (7/16-14 THREAD)	101	16
10-32417	SCREW (5/8")	75	15	10-47461	SCREW (7/16-14 THREAD)	155	17
				10-47462	SCREW	141	10

PARTS INDEX

Part Number	Description	Pg.	Ref. No.	Part Number	Description	Pg.	Ref. No.
10-47462	SCREW	147	10	10-69022	SCREW (1/2")	71	17
10-47651	SCREW	159	3	10-69028	SCREW (3/4")	75	13
10-47651	SCREW	159	6	10-69067	SCREW	115	3
10-47688	SCREW (2-3/4")	159	13	10-69067	SCREW	135	2
10-48115	SCREW	35	14	10-69100	SCREW (1")	49	16
10-48115	SCREW	143	23	10-72202	SCREW	135	6
10-48115	SCREW	147	23	10-73275	SCREW	49	32
10-48115	SCREW (3-1/2")	41	7	10-73275	SCREW (2-7/8")	91	4
10-48115	SCREW (3-1/2")	45	7	10-73286	SCREW, BRACKET	119	11
10-48115	SCREW (3-1/2")	95	15	10-73472	SCREW	27	6
10-48115	SCREW (3-1/2")	101	8	10-73656	SCREW	75	7
10-48115	SCREW (3-1/2")	155	9	10-73657	SCREW	11	20
10-48308	SCREW (3-3/4")	21	2	10-74824	SCREW	125	13
10-48424	SCREW	137	9	10-74824	SCREW	155	38
10-48424	SCREW	143	37	10-75451	HEAT EXCHANGE TANK REPLACEMENT WASHER, FIBER	35	--
10-48424	SCREW	149	37	10-76156	SCREW	127	2
10-48989	SCREW (4")	21	2	10-76502	SCREW	115	7
10-53576	SCREW	73	14	10-76926	SCREW	11	13
10-57053	BOLT (4-1/2")	159	38	10-76926	SCREW	85	14
10-57968	SCREW (3")	105	22	10-76926	SCREW	157	41
10-58126	SCREW	17	2	10-76926	SCREW (7/8")	37	15
10-58640	SCREW	139	8	10-813721	SCREW (8") (CAST IRON ELBOWS)	123	9
10-58640	SCREW (1-1/4")	121	6	10-813722	SCREW (7") (CAST IRON ELBOWS)	123	9
10-59645	SCREW (3/4")	49	24	10-814877	BOLT	141	5
10-60300	SCREW	89	25	10-814877	BOLT	147	5
10-60300	SCREW	143	35	10-814877	RESERVOIR ASSEMBLY REPAIR SCREW	157	-
10-60300	SCREW	149	35	10-814882	BOLT	143	42
10-60300	SCREW (3/4")	37	13	10-814882	BOLT	149	42
10-60300	SCREW (3/4")	137	5	10-816767	OIL COOLER REPAIR BOLT	157	-
10-60504	BOLT	5	45	10-85484	SCREW	9	73
10-60504	BOLT	7	36	10-86843	SCREW	33	3
10-60605	SCREW	153	20	10-88281	SCREW	81	13
10-60605	SCREW	153	23	10-89032	SCREW	33	7
10-64900	SCREW (2")	37	30	10-89318	SCREW	25	8
10-64900	SCREW (2")	95	11	10-90074	SCREW, TERMINAL BLOCK	117	15
10-65027	SCREW (1")	37	13	10-90188	SCREW, EXHAUST SHUTTER	119	6
10-65746	SCREW	9	71	10-91966	SCREW (4")	107	14
10-66223	HEAT EXCHANGE TANK REPLACEMENT SCREW, END COVER	35	--	10-91967	SCREW (3-1/2")	107	14
10-66223	RESERVOIR ASSEMBLY REPLACEMENT SCREW, END COVER	43	--	10-92913	SCREW	159	20
10-66223	RESERVOIR ASSEMBLY REPLACEMENT SCREW, END COVER	47	--	10-95689	5" RESERVOIR REPLACEMENT SCREW	103	--
10-66223	RESERVOIR REPLACEMENT SCREW	99	--	10-96995	SCREW (7/8")	159	37
10-66223	SCREW	37	4	10-98253	SCREW (1/2")	159	11
10-66863-1	SCREW (3" EXHAUST)	107	4	10-98261	SCREW	23	12
10-66976	SCREW	27	11	10-98261	SCREW	109	19
10-66976	SCREW	31	3	10-98261	SCREW (3/4")	37	8
10-66977	SCREW	27	17	10-99347	SCREW (3-3/4")	91	4
10-66977	SCREW	29	5	11-19740	NUT	153	15
10-66977	SCREW	31	9	11-20110	NUT	71	7
10-66977	SCREW	133	5	11-20184	NUT	75	14
10-67462	SCREW (2-1/4")	3	32	11-20190	NUT	115	9
10-67462	SCREW (2-1/4")	7	25	11-20361	NUT	53	9
10-68101	SCREW (1-1/3")	81	10	11-20361	NUT	111	9
10-69013	SCREW	79	13	11-20437	NUT	71	24

PARTS INDEX

Part Number	Description	Pg.	Ref. No.	Part Number	Description	Pg.	Ref. No.
11-20739	JAM NUT	29	3	11-47525	JAM NUT	83	20
11-20739	JAM NUT	133	3	11-49252	NUT	159	25
11-20890	NUT	77	14	11-49662	NUT	3	35
11-20958	NUT	5	47	11-49662	NUT	7	28
11-20958	NUT	7	38	11-49662	NUT	27	13
11-21612	NUT, ADJUSTING	131	2	11-49662	NUT	31	5
11-21908	NUT	91	25	11-53300	NUT	7	41
11-23161	NUT	3	30	11-53300	NUT	83	23
11-23161	NUT	3	39	11-55111	NUT	3	18
11-23161	NUT	7	23	11-55111	NUT	7	11
11-24156	JAM NUT	27	16	11-55111	NUT	81	17
11-24156	JAM NUT	31	8	11-55111	NUT	105	15
11-24656	NUT	75	10	11-55438	NUT	27	20
11-25168	NUT	73	4	11-55438	NUT	27	4
11-25269	NUT	9	55	11-55438	NUT	31	12
11-25269	NUT	9	59	11-55438	NUT	133	7
11-25269	NUT	87	5	11-55438	NUT, CASTLE (3/8-24")	29	7
11-25269	NUT	87	9	11-55983	JAM NUT	105	28
11-26419	NUT	115	17	11-64015	NUT	115	6
11-26484	NUT	25	10	11-67980	NUT	33	10
11-26484	NUT	155	39	11-68219	NUT	75	5
11-27164	NUT	71	26	11-68219	NUT	115	26
11-28040	NUT	3	43	11-68219	NUT	135	9
11-28040	NUT	7	34	11-68219	NUT, BRACKET STUD	117	28
11-28040	NUT	105	26	11-816331	JAM NUT	159	23
11-28040	NUT	159	40	11-86317	NUT	23	5
11-30506	NUT	89	26	11-90095	NUT, AIR CYLINDER	119	13
11-30506	NUT	125	3	11-90517	NUT	11	5
11-30506	NUT	137	6	11-90517	NUT	89	5
11-30506	NUT	143	36	12-19183	WASHER	67	14
11-32219	NUT	159	18	12-20084	WASHER	49	33
11-32882	NUT	81	20	12-20084	WASHER	91	5
11-34059	NUT, ARM SCREW	119	16	12-20086	WASHER	3	29
11-34388	NUT	115	29	12-20086	WASHER	3	38
11-34932	NUT	73	12	12-20086	WASHER	7	22
11-35045	NUT	37	14	12-20086	WASHER	7	40
11-35045	NUT	67	20	12-20086	WASHER	133	6
11-35045	NUT	149	36	12-20086	WASHER, STEERING EYE SCREW	29	6
11-35053	NUT	153	4	12-20128	WASHER	71	6
11-35888	NUT	73	19	12-20553	WASHER	49	3
11-35888	NUT	73	9	12-20959	WASHER	5	46
11-35921	NUT, AIR CYLINDER	119	9	12-20959	WASHER	7	33
11-37984	NUT	3	21	12-20959	WASHER	7	37
11-37984	NUT	7	14	12-20959	WASHER	27	8
11-37987	NUT	105	18	12-20959	WASHER	81	14
11-45076	NUT	79	3	12-20959	WASHER	105	25
11-45076	NUT	79	6	12-21249	WASHER	27	12
11-45076	NUT (OLD DESIGN)	115	2	12-21273	WASHER	135	10
11-45592	NUT	9	53	12-22887	WASHER	75	3
11-45812	NUT	53	5	12-24676	WASHER	115	25
11-45812	NUT	111	5	12-24676	WASHER, BRACKET STUD	117	27
11-46335	NUT	17	4	12-25908	WASHER	53	8
11-46335	NUT	49	10	12-25908	WASHER	111	8
11-46335	NUT	57	5	12-25909	WASHER	27	18
11-46335	NUT	61	5	12-25909	WASHER	27	3
11-46335	NUT	91	36	12-25909	WASHER	31	10
11-46335	NUT	105	24	12-25970	WASHER	9	75
11-46335	NUT (STAINLESS STEEL ELBOWS)	123	12	12-25970	WASHER	83	22
11-46438	NUT	135	11	12-26427	WASHER	115	16

PARTS INDEX

Part Number	Description	Pg.	Ref. No.	Part Number	Description	Pg.	Ref. No.
12-26825	WASHER	25	9	13-26996	LOCKWASHER	75	4
12-28105	WASHER	19	3	13-26996	LOCKWASHER	75	8
12-29245	WASHER	31	4	13-26996	LOCKWASHER	79	2
12-29245	WASHER	135	4	13-26996	LOCKWASHER	79	5
12-29245	WASHER, BRACKET SCREW	119	12	13-31848	LOCKWASHER	3	26
12-30971	WASHER	67	19	13-31848	LOCKWASHER	7	19
12-34567	WASHER (BRACE SLOT) ...	89	4	13-31848	LOCKWASHER	105	21
12-34714	WASHER	23	4	13-32993	LOCKWASHER	141	11
12-34714	WASHER	85	15	13-32993	LOCKWASHER	147	11
12-34714	WASHER	91	29	13-32993	LOCKWASHER	159	21
12-35044	WASHER	125	8	13-32993	LOCKWASHER	159	7
12-35280	WASHER	117	7	13-32993	LOCKWASHER (7/16-14		
12-35462	WASHER	83	32		THREAD)	45	16
12-37985	WASHER	3	20	13-32993	LOCKWASHER (7/16-14		
12-37985	WASHER	7	13		THREAD)	101	17
12-37985	WASHER	105	17	13-32993	LOCKWASHER (7/16-14		
12-38622	WASHER	11	19		THREAD)	155	18
12-38833	WASHER, TERMINAL BLOCK			13-35018	LOCKWASHER	35	15
	SCREW	117	16	13-35048	LOCKWASHER	3	13
12-39143	WASHER	73	18	13-35048	LOCKWASHER	7	7
12-42307	WASHER (SPHERICAL)	159	39	13-35048	LOCKWASHER	9	74
12-46132	WASHER	137	11	13-35048	LOCKWASHER	11	14
12-46132	WASHER	143	38	13-35048	LOCKWASHER	17	3
12-46132	WASHER	149	38	13-35048	LOCKWASHER	21	3
12-46132	WASHER (STAINLESS			13-35048	LOCKWASHER	23	3
	STEEL ELBOWS)	123	11	13-35048	LOCKWASHER	35	6
12-47533	WASHER	5	48	13-35048	LOCKWASHER	37	9
12-47533	WASHER	7	39	13-35048	LOCKWASHER	41	16
12-55149	WASHER	9	58	13-35048	LOCKWASHER	41	8
12-55149	WASHER	87	8	13-35048	LOCKWASHER	45	8
12-55149	WASHER (OLD DESIGN) ...	85	18	13-35048	LOCKWASHER	49	4
12-56720	WASHER	33	8	13-35048	LOCKWASHER	49	6
12-56825	WASHER	9	52	13-35048	LOCKWASHER	49	9
12-58198	WASHER	25	22	13-35048	LOCKWASHER	57	4
12-58198	WASHER	67	7	13-35048	LOCKWASHER	61	4
12-58198	WASHER	153	19	13-35048	LOCKWASHER	81	11
12-64714	WASHER	11	16	13-35048	LOCKWASHER	89	17
12-71055	WASHER	119	18	13-35048	LOCKWASHER	91	28
12-75451	RESERVOIR ASSEMBLY			13-35048	LOCKWASHER	91	35
	REPLACEMENT WASHER,			13-35048	LOCKWASHER	95	7
	FIBER	43	--	13-35048	LOCKWASHER	101	9
12-75451	RESERVOIR ASSEMBLY			13-35048	LOCKWASHER	105	23
	REPLACEMENT WASHER,			13-35048	LOCKWASHER	105	9
	FIBER	47	--	13-35048	LOCKWASHER	137	10
12-87188	WASHER	125	6	13-35048	LOCKWASHER	151	58
12-91964	WASHER	153	3	13-35048	LOCKWASHER	155	10
12-95690	5" RESERVOIR			13-35048	LOCKWASHER	157	42
	REPLACEMENT WASHER	103	--	13-35048	LOCKWASHER	159	14
13-26992	LOCKWASHER	9	72	13-35048	LOCKWASHER (3/8-16		
13-26992	LOCKWASHER	71	3		THREAD)	45	16
13-26992	LOCKWASHER	75	16	13-35048	LOCKWASHER (3/8-16		
13-26992	LOCKWASHER	123	4		THREAD)	101	17
13-26992	LOCKWASHER	135	3	13-35048	LOCKWASHER (3/8-16		
13-26992	LOCKWASHER	159	12		THREAD)	155	18
13-26993	LOCKWASHER	125	14	13-39107	LOCKWASHER	51	51
13-26995	LOCKWASHER, WIRE			13-39107	LOCKWASHER	91	23
	SCREW	117	18	13-39107	LOCKWASHER	91	24
13-26996	LOCKWASHER	71	14	13-40024--8	LOCKWASHER	99	45
13-26996	LOCKWASHER	71	18	13-40024-8	LOCKWASHER	11	10
13-26996	LOCKWASHER	71	21	13-40024-8	LOCKWASHER	11	3

PARTS INDEX

Part Number	Description	Pg.	Ref. No.	Part Number	Description	Pg.	Ref. No.
13-40024-8	LOCKWASHER	89	8	18-46950	COTTER PIN	133	10
13-41471	LOCKWASHER	121	7	19-12304	PLUG	159	-
13-58643	LOCKWASHER	139	9	19-59504	PLUG	49	37
13-76629	LOCKWASHER	3	17	19-59504	PLUG	91	9
13-76629	LOCKWASHER	7	10	19-93921	EXPANSION PLUG	159	32
13-76629	LOCKWASHER	81	16	21-16284	CHECK VALVE	117	10
13-76629	LOCKWASHER	105	14	21-16285	RELIEF VALVE	117	11
13-78968	LOCKWASHER	115	5	21-67909A2	VALVE ASSEMBLY	67	3
13-90053	LOCKWASHER, SOLENOID VALVE SCREW	117	4	21-87017	CHECK VALVE	25	3
14-12657	TAB WASHER	159	24	22-16389	TEE FITTING	117	19
16-34713	STUD (6-3/4")	61	3	22-16390	FITTING	117	12
16-35004	STUD	73	8	22-16391	FITTING, AIR CYLINDER	119	8
16-36389	STUD	125	2	22-16392	CROSS FITTING	117	9
16-49545	STUD	57	8	22-16739	CONNECTOR	153	8
16-49545	STUD	99	44	22-16781	ELBOW (90 DEGREE)	107	10
16-52988	STUD (3-1/2")	49	20	22-18021	REDUCER BRUSHING	79	9
16-54176	STUD	87	7	22-18922	CONNECTOR	153	1
16-54176	STUD (1-5/8")	9	57	22-18923	FITTING	153	5
16-55109T	STUD	7	5	22-32802	HEAT EXCHANGE TANK REPLACEMENT PLUG (1/8-27)	35	--
16-55109T	STUD	105	7	22-32802	OIL COOLER REPAIR DRAIN PLUG	157	-
16-55190T	STUD	3	11	22-32802	PIPE PLUG	67	9
16-55422	STUD	115	24	22-32802	PIPE PLUG (FOR WATER PUMP BODY)	93	37
16-55422	STUD, BRACKET	117	26	22-32802	PIPE PLUG (FOR WATER PUMP BODY)	51	52
16-58135	STUD (4-3/4")	61	3	22-32802	PLUG	57	7
16-64066	STUD (2-1/4")	159	17	22-32802	RESERVOIR ASSEMBLY REPAIR DRAIN PLUG	157	-
16-64281	STUD	99	44	22-32802	RESERVOIR ASSEMBLY REPLACEMENT PLUG (1/8-27)	43	--
16-72809	STUD	73	16	22-32802	RESERVOIR ASSEMBLY REPLACEMENT PLUG (1/8-27)	47	--
16-818595	STUD (STAINLESS STEEL ELBOWS)	123	10	22-32802	PIPE PLUG	155	2
16-87163	STUD	73	10	22-32802	PLUG	37	26
16-90511	STUD	9	45	22-32802	FITTING	125	21
16-90511	STUD	87	4	22-32802	CONNECTOR	25	17
16-97477A3	STUD KIT	83	34	22-32802	CONNECTOR	25	6
17-52798	CLEVIS PIN	3	40	22-32802	ELBOW (90 DEGREE)	41	23
17-52798	CLEVIS PIN	83	30	22-36305	ELBOW (90 DEGREE)	95	12
17-52798	CLEVIS PIN	105	32	22-36305	ELBOW (90 DEGREE)	101	22
17-52798	PIN	7	31	22-36305	ELBOW (90 DEGREE)	143	24
17-813578	CLEVIS PIN	125	4	22-36305	ELBOW (90 DEGREE)	147	24
17-88283	RETAINING PIN	81	5	22-36305	ELBOW (900)	45	22
17-89229	CLEVIS PIN	83	29	22-36382	5" RESERVOIR REPLACEMENT PLUG	103	--
17-95029	CLEVIS PIN	119	19	22-36382	PIPE PLUG	141	2
17-99938	PIN (OLD DESIGN)	83	25	22-36382	PIPE PLUG	147	2
18-21071	COTTER PIN	119	20	22-37372	PIPE PLUG	107	9
18-21071	COTTER PIN	125	5	22-37760	ELBOW	9	62
18-32665	COTTER PIN	3	36	22-38992	NIPPLE	79	8
18-32665	COTTER PIN	7	29	22-42796	BY-PASS VALVE	107	15A
18-32665	COTTER PIN	27	21	22-45084	COUPLING (STBD. - STRAIGHT)	43	31
18-32665	COTTER PIN	27	5	22-47540	PIPE PLUG	35	9
18-32665	COTTER PIN	31	13	22-47540	PIPE PLUG	41	2
18-32665	COTTER PIN	31	6				
18-34212	COTTER PIN	83	33				
18-36002	COTTER PIN	125	9				
18-36377	COTTER PIN	81	6				
18-45882	COTTER PIN	29	8				
18-45882	COTTER PIN	133	8				
18-46950	COTTER PIN	3	41				
18-46950	COTTER PIN	7	32				
18-46950	COTTER PIN	83	31				
18-46950	COTTER PIN	105	33				

PARTS INDEX

Part Number	Description	Pg.	Ref. No.	Part Number	Description	Pg.	Ref. No.
22-47540	PIPE PLUG	45	2	23-47508	SLEEVE	155	4
22-47540	PIPE PLUG	95	17	23-49126	BUSHING	161	47
22-47540	PIPE PLUG	101	2	23-52020	SLEEVE	49	19
22-47902	VENT	25	5	23-52698	SLEEVE	27	2
22-48118	PLUG	57	6	23-55118	SPACER	3	33
22-48872	ELBOW (45 DEGREE)	143	45	23-55118	SPACER	7	26
22-48872	ELBOW (45 DEGREE)	149	45	23-57369	SPACER	37	17
22-52382	BUSHING, REDUCER	37	25	23-60503	BUSHING	3	37
22-52930	TEE	79	7	23-60503	BUSHING	7	30
22-55133T	TEE	41	27	23-60503	BUSHING	27	19
22-55133T	TEE	45	25	23-60503	BUSHING	31	11
22-55133T	TEE	99	48	23-60652	SLEEVE	3	15
22-55133T	TEE	101	25	23-60652	SLEEVE	105	10
22-55133T	TEE	143	30	23-60773	SLEEVE	105	12
22-55133T	TEE	149	30	23-60775	SLEEVE	3	14
22-55133T	TEE FITTING	155	29	23-60776	BUSHING	3	34
22-59351	ELBOW (900) (EARLY DESIGN)	37	21	23-60776	BUSHING	7	27
22-63067	TEE	35	16	23-72057	SPACER	49	13
22-63067	TEE	95	13	23-72057	SPACER (NEW DESIGN)	85	18
22-63825	ELBOW (90 DEGREE)	107	10	23-73424	BUSHING	27	7
22-63825	ELBOW (90 DEGREE)	137	2	23-87592A1	SLEEVE KIT	7	8
22-63825	ELBOW (90 DEGREE)	143	44	23-88282	SLEEVE	81	7
22-63825	ELBOW (90 DEGREE)	149	44	23-88286	BUSHING	83	26
22-65060	TEE FITTING	125	23	23-90520	SPACER	11	11
22-65129	ZINC ANODE	37	5	23-90520	SPACER	85	17
22-67305	GREASE FITTING	3	10	23-90523	SPACER	11	21
22-67305	GREASE FITTING	7	4	23-90523	SPACER	11	4
22-67305	GREASE FITTING	81	9	23-90523	SPACER	95	9
22-67305	GREASE FITTING	105	6	23-91034	SPACER	95	8
22-67902	FITTING	67	10	23-95803	BUSHING	83	24
22-68727	FITTING	25	15	23-96818	BUSHING	85	19
22-74036	GREASE FITTING	159	2	24-48042	GASKET	61	2
22-74036	GREASE FITTING	159	30	24-67908	SPRING	25	13
22-74036	GREASE FITTING	159	34	24-67908	SPRING	67	8
22-805632	ADAPTOR	107	3	24-67908	SPRING	153	17
22-805632	ADAPTOR	107	8	24-78498	SPRING	105	29
22-818390	DRAIN COCK	145	53	25-16860	GROMMET	117	8
22-818390	DRAIN COCK	151	53	25-19737	O-RING	153	11
22-88847	PIPE PLUG	33	6	25-20195	O-RING	153	2
22-89029	ADAPTER	25	16	25-25439	O-RING	161	43
22-92499	CONNECTOR (45 DEGREE)	41	23	25-30613	O-RING	153	12
22-92499	ELBOW (45 DEGREE)	101	22	25-30613	O-RING	153	14
22-92499	ELBOW (45 DEGREE)(A5 USES REF. #12)	95	14	25-30641	O-RING	33	9
22-92499	ELBOW (450)	45	22	25-35029	O-RING	139	4
22-92499	FITTING (PORT - 45 DEGREE)	43	29	25-48171	O-RING	153	26
22-98278	ADAPTOR	67	13	25-814878	O-RING	141	6
23-16026	BUSHING, EXHAUST PIPE	119	2	25-814878	O-RING	147	6
23-26954	BUSHING	73	11	25-88388	O-RING	135	5
23-31866	BUSHING	73	17	25-89879	O-RING	9	49
23-35977	BUSHING	67	21	25-89879	O-RING	85	6
23-36159	REDUCER BUSHING	125	22	25-89879	O-RING	87	12
23-47508	SLEEVE	35	10	25-89879	O-RING	89	11
23-47508	SLEEVE	41	3	25-94288	QUAD RING	49	41
23-47508	SLEEVE	45	3	25-94288	QUAD RING	91	13
23-47508	SLEEVE	95	18	26-16025	OIL SEAL, EXHAUST PIPE	119	3
23-47508	SLEEVE	101	4	26-72785	OIL SEAL	51	47
23-47508	SLEEVE	141	20	26-72785	OIL SEAL	91	19
				26-90562	OIL SEAL	51	43
				26-90562	OIL SEAL	91	15
				26-93924	OIL SEAL	159	27

PARTS INDEX

Part Number	Description	Pg.	Ref. No.	Part Number	Description	Pg.	Ref. No.
27-12645	GASKET	111	6	27-814876	GASKET	147	4
27-16779	GASKET	107	12	27-814881	GASKET	143	41
27-33600	GASKET	53	6	27-814881	GASKET	149	41
27-33918	GASKET	37	27	27-814896	GASKET	109	16
27-36079	GASKET	67	17	27-816636	RESERVOIR ASSEMBLY		
27-36151	GASKET	125	12		REPAIR GASKET	157	-
27-41811	GASKET	97	23	27-816768	OIL COOLER REPAIR		
27-41811	GASKET	123	8		GASKET	157	-
27-41811	GASKET	143	29	27-818832	GASKET	97	24
27-41811	GASKET	149	29	27-818832	GASKET	123	7
27-41813	GASKET	123	6	27-86015	GASKET	159	10
27-47510	GASKET	35	12	27-88900	GASKET	33	5
27-47510	GASKET (MIDDLE)	97	20	27-91892	GASKET	107	12
27-47510	GASKET (MIDDLE)	101	6	27-94914	GASKET	49	36
27-47510	GASKET (MIDDLE)	141	19	27-94914	GASKET	91	8
27-47510	GASKET (MIDDLE)	155	6	27-94996--2	GASKET	153	27
27-47510	GASKET, MIDDLE	41	5	27-95688	5" RESERVOIR		
27-47510	GASKET, MIDDLE	45	5		REPLACEMENT GASKET	103	--
27-48042	GASKET	35	22	27-99777-2	GASKET	49	21
27-48042	GASKET	57	2	27-99777-2	GASKET	57	2
27-48818--1	GASKET (UPPER)	95	19	27-99777-2	GASKET	61	2
27-48818--1	GASKET (UPPER)	101	5	28-56662	KEY	49	39
27-48818--1	GASKET (UPPER)	141	21	28-56662	KEY	91	11
27-48818--1	GASKET (UPPER)	147	21	30-62780A1	BALL BEARING	161	45
27-48818--1	GASKET, UPPER	41	4	30-72961	BALL BEARING	51	44
27-48818-1	GASKET	35	13	30-72961	BALL BEARING	91	16
27-48818-1	GASKET (UPPER)	155	5	30-93944A1	BALL BEARING	159	28
27-48818-1	GASKET, UPPER	45	4	32-14358T	EXHAUST TUBE	121	3
27-53045--1	GASKET	145	52	32-16421-74	TUBING	117	13
27-53045--1	GASKET	151	52	32-16421-74	TUBING	117	20
27-53045--1	GASKET (LOWER)	97	21	32-17435-79	HOSE (96")	161	50
27-53045--1	GASKET (LOWER)	101	7	32-18427--2	HOSE	141	15
27-53045--1	GASKET, LOWER	41	6	32-18427--2	HOSE	147	15
27-53045-1	GASKET	35	11	32-18456	HOSE	145	46
27-53045-1	GASKET (LOWER)	155	7	32-18456	HOSE, SEA PUMP TO OIL		
27-53045-1	GASKET, LOWER	45	6		COOLER	149	46
27-65128	GASKET	37	2	32-19080-1	HOSE, WATER PUMP TO		
27-65128	HEAT EXCHANGE TANK				COOLER	155	34
	REPLACEMENT GASKET,			32-19081	HOSE	151	61
	END COVER	35	--	32-19226	HOSE, COOLER TO		
27-65128	RESERVOIR ASSEMBLY				RESERVOIR	103	32
	REPLACEMENT GASKET,			32-19403	HOSE (STARBOARD)	41	22
	END COVER	43	--	32-19403	HOSE (STARBOARD)	45	21
27-65128	RESERVOIR ASSEMBLY			32-19403	HOSE, RESERVOIR TO		
	REPLACEMENT GASKET,				MANIFOLD (STARBOARD)	101	21
	END COVER	47	--	32-19404	HOSE (PORT)	41	24
27-65128	RESERVOIR REPLACEMENT			32-19404	HOSE (PORT)	45	23
	GASKET	99	--	32-19404	HOSE, RESERVOIR TO		
					MANIFOLD (PORT)	101	23
27-69620	GASKET	67	2	32-19409-71	HOSE	153	7
27-71614	GASKET	35	26	32-33220-70	HOSE	35	19
27-71614	GASKET	41	11	32-33220-70	HOSE	87	17
27-71614	GASKET	45	11	32-33220-70	HOSE	143	25
27-71614	GASKET	97	39	32-33220-70	HOSE	149	25
27-71614	GASKET	101	12	32-33220-70	HOSE (PORT)	41	28
27-71614	GASKET	155	13	32-33220-70	HOSE (PORT)	45	26
27-73814-1	GASKET	49	26	32-33220-70	HOSE (STARBOARD &		
27-805215	GASKET	49	34		PORT)	41	22/24
27-805215--1	GASKET	91	6	32-33220-70	HOSE (STARBOARD)	43	30
27-814680	GASKET	37	23	32-33220-70	HOSE (STARBOARD)	45	27
27-814876	GASKET	141	4				

PARTS INDEX

Part Number	Description	Pg.	Ref. No.	Part Number	Description	Pg.	Ref. No.
32-33220-70	HOSE, TEE TO EXHAUST ELBOW	155	31	32-64909	HOSE, WATER-FLARED END	13	9
32-33220-70	HOSE, TEE TO EXHAUST ELBOW (PORT)	101	26	32-71613	HOSE	17	6
32-33220-70	HOSE, TEE TO EXHAUST ELBOW (STARBOARD)	103	27	32-76206	HOSE	9	63
32-36164	HOSE	125	19	32-77332	HOSE (PORT)	45	23
32-41642A3	HOSE (3/4" I.D.)	89	19	32-77332	HOSE (STARBOARD)	45	21
32-42701	HOSE	97	31	32-77332	HOSE, RESERVOIR TO MANIFOLD (PORT)	101	23
32-42702	HOSE	97	33	32-77457-2	HOSE, RESERVOIR TO MANIFOLD (STARBOARD)	101	21
32-42850-64	HOSE (11")	161	49	32-77475	HOSE (48")	9	76
32-42851	HOSE (3/4" I.D.)	85	23	32-77475	HOSE	9	64
32-44107	HOSE (3/4" I.D.)	85	24	32-78895	TUBE, EXTENDING	3	22
32-44348T	EXHAUST TUBE	121	1	32-78895	TUBE, EXTENDING	7	15
32-44348T	EXHAUST TUBE	123	13	32-78896	TUBE, EXTRACTING	3	23
32-44348T	EXHAUST TUBE	129	2	32-78896	TUBE, RETRACTING	7	16
32-44590	HOSE, OIL COOLER TO OIL COOLER	103	31	32-79671	HOSE	47	30
32-48132	HOSE (PORT)	41	28	32-79686	HOSE, PRESSURE	25	19
32-48659--4	EXHAUST HOSE	139	10	32-805105	HOSE, RESERVOIR TO MANIFOLD (PORT)	155	27
32-48659--4	HOSE	65	3	32-805106	HOSE, RESERVOIR TO MANIFOLD (STARBOARD)	155	25
32-48659--8	EXHAUST HOSE	121	10	32-805126	HOSE, PUMP TO OIL COOLER (STAMPED 32-805126)	149	46
32-48659--9	EXHAUST HOSE	123	14	32-814860	HOSE, OIL COOLER TO OIL COOLER	155	35
32-48659-4	HOSE (3-1/4")	63	2	32-814934	HOSE, OIL COOLER TO RESERVOIR	155	30
32-48659-4	HOSE (4")	59	2	32-816261--1	HOSE (5-3/4")	151	59
32-49044	HOSE	49	14	32-816261--1	HOSE, TEE TO RESERVOIR	101	24
32-5219-15	HOSE (21")	9	66	32-816261--3	HOSE	41	25
32-52519-15	HOSE	15	10	32-816284	HOSE	141	17
32-52519-15	HOSE	25	20	32-816284	HOSE	147	17
32-52519-15	HOSE	85	8	32-817437	HOSE	99	49
32-52519-15	HOSE	87	14	32-817438--1	HOSE	143	31
32-52519-15	HOSE	89	13	32-817438--1	HOSE	149	31
32-52519-15	HOSE (31")	11	6	32-817438--1	HOSE (PORT)	43	28
32-52519-15	HOSE (38")	23	8	32-817438--1	HOSE, TEE TO EXHAUST ELBOW (PORT)	101	26
32-52519-15	HOSE, WATER COOLER TO POWER STEERING PUMP	13	8	32-817438--2	HOSE (PORT)	43	28
32-53461-70	HOSE	41	25	32-817439--1	HOSE	99	51
32-53461-70	HOSE	45	24	32-817439--3	HOSE	143	32
32-53461-70	HOSE	141	16	32-817439--3	HOSE	149	32
32-53461-70	HOSE	147	16	32-817439--3	HOSE (STARBOARD)	43	30
32-53461-70	HOSE (48")	35	17	32-817439--3	HOSE, TEE TO EXHAUST ELBOW (STARBOARD)	103	27
32-53461-70	HOSE, SEA WATER PUMP TO OIL COOLER	103	30	32-817439--4	HOSE (STARBOARD)	43	30
32-53461-70	HOSE, TEE TO RESERVOIR	101	24	32-817440	HOSE	99	50
32-53461-70	HOSE, TEE TO RESERVOIR	155	28	32-818743--7	HOSE, COOLER TO ADAPTOR (13")	151	62
32-55112	TUBE	3	19	32-821508--1	HOSE, HEAT EXCHANGER TO PUMP (GEN. V)	103	36
32-55112	TUBE	7	12	32-88794	HOSE	89	18
32-55112	TUBE	105	16	32-88795	HOSE	93	39
32-55116	HOSE, PRESSURE (72")	3	6	32-88795	HOSE	97	25
32-57230	HOSE	17	5	32-89730-1	HOSE, THERMOSTAT COVER (STARBOARD)	155	23
32-57633	TUBE, EXTENDING	105	3	32-89749--1	HOSE, THER. COVER TO PORT MANIFOLD	151	60
32-57634	TUBE, RETRACTING	105	4	32-90494	HOSE (60")	9	48
32-57776	HOSE (STARBOARD)	35	24				
32-57777	HOSE (PORT)	35	23				
32-59077A1	EXHAUST EXTENSION KIT	59	1				
32-61115	HOSE	39	32				
32-62205	HOSE	39	34				
32-62250	HOSE	37	18				
32-62364A1	EXHAUST EXTENSION KIT	63	1				
32-64909	HOSE	15	8				

PARTS INDEX

Part Number	Description	Pg.	Ref. No.	Part Number	Description	Pg.	Ref. No.
32-90494	HOSE (FITTINGS ON BOTH ENDS)	87	11	35-17272	FILTER	117	5
32-90494	HOSE (FITTINGS ON BOTH ENDS)	89	10	35-86844	SCREEN	33	2
32-91027	HOSE	97	31	36-13130	CAP, PRESSURE	39	31
32-91029	HOSE	97	32	36-19741A1	CAP ASSEMBLY	153	10
32-91029	HOSE, TEE TO EXHAUST ELBOW (PORT)	101	26	36-55143	CAP	35	2
32-91030	HOSE	97	27	36-55143	CAP	45	10
32-91031	HOSE	97	30	36-55143	CAP, PRESSURE	101	11
32-91033	HOSE	97	34	36-55143	CAP, PRESSURE	39	31
32-91954--1	HOSE (STARBOARD)	41	22	36-55143	CAP, PRESSURE	41	10
32-92054	TUBE, EXTENDING	81	2	36-812388A1	CAP ASSEMBLY	25	2
32-92055	TUBE, RETRACTING	81	3	36-814879	CAP	155	12
32-92357-15	HOSE (8-1/2")	137	8	36-814879	PRESSURE CAP	141	7
32-92357-24	OIL HOSE	143	43	36-814879	PRESSURE CAP	147	7
32-92357-24	OIL HOSE	149	43	36-95805	CAP	85	2
32-92357-59	HOSE (3" EXHAUST)	107	5	36-95805	CAP	89	2
32-92357-61	HOSE (4" EXHAUST)	107	5	37-37361--1	DECAL	125	24
32-92357-73	HOSE (44")	137	7	42-17705A1	MUFFLER	123	1
32-92833	HOSE	43	34	42-17705A3	MUFFLER KIT (CAST IRON ELBOWS)	123	-
32-92837	HOSE	43	35	42-17705A4	INSTALLATION KIT	123	-
32-92837	HOSE, COOLER TO RESERVOIR	103	32	42-17705A7	MUFFLER KIT (STAINLESS STEEL ELBOWS)	123	-
32-92838	HOSE	45	28	42-17820A1	ELEMENT (INCLUDES O-RING 25-90061)	123	2
32-92838	HOSE, RESERVOIR TO WATER PUMP	103	28	45-94819A3	DRIVE SHAFT	139	13
32-92838	HOSE, RESERVOIR TO WATER PUMP	155	32	46-72774A32	WATER PUMP ASSEMBLY	49	29
32-92846	HOSE (PORT)	45	26	46-72774A37	SEA WATER PUMP ASSEMBLY	91	--
32-92846	HOSE, TEE TO EXHAUST ELBOW (PORT)	101	26	46-72774A40	BODY	49	30
32-93499	HOSE	23	9	46-72774A40	BODY	91	2
32-95850	HOSE	87	18	46-72774A50	WATER PUMP ASSEMBLY	91	1
32-96246A4	HOSE (5/8" I.D.)	89	19	46-72774A56	SEA WATER PUMP ASSEMBLY	91	-
32-96763	HOSE	37	18	46-94913A1	PUMP HOUSING ASSEMBLY	49	42
32-96764	HOSE (5/8" I.D.)	85	24	46-94913A2	PUMP HOUSING ASSEMBLY	91	14
32-96765	HOSE	39	34	47-59362--1	IMPELLER ASSEMBLY	91	10
32-96766	HOSE	39	33	47-59362-1	IMPELLER ASSEMBLY	49	38
32-96790	HOSE (FITTINGS ON BOTH ENDS)	85	5	50-94893	EXTENSION PLATE	9	50
32-96911	HOSE (5/8" I.D.)	85	23	53-23720	SNAP RING	51	46
32-97385-1	HOSE, THERMOSTAT COVER (PORT)	155	22	53-23720	SNAP RING	91	18
32-97525	HOSE	43	32	53-93914	SNAP RING	159	29
32-97552	HOSE (WITH METAL BRAID)	67	12	53-93915	SNAP RING	159	33
32-97557	HOSE	41	25	53-94103	SNAP RING	161	48
32-97557	HOSE	97	33	53-94104	SNAP RING	161	44
32-97558	HOSE (PORT)	41	24	54-16962	CLAMP	109	18
32-98315	HOSE	97	28	54-23567	CLIP	153	22
32-98624--1	HOSE (133")	161	51	54-41582--5	CLAMP	153	6
32-98629--1	HOSE (136")	161	52	54-46770	CLAMP	115	27
32-98843-39	HOSE (FITTINGS ON ONE END)	85	7	54-47715	CLIP	49	22
32-98843-39	HOSE (FITTINGS ON ONE END)	87	13	54-47715	CLIP	103	34
32-98843-39	HOSE (FITTINGS ON ONE END)	89	12	54-515504206	CLAMP	89	14
32-98843-39	HOSE, RETURN (72")	3	4	54-62494	CLAMP	37	20
32-98843-39	RETURN HOSE	9	46	54-63300	CLAMP	85	10
				54-64235--1	J-CLIP	153	21
				54-66601	CLIP	71	16
				54-76209	CLAMP	9	70
				54-814858	CLIP	151	55
				54-814858	CLIP	155	37
				54-815504104	CLAMP	9	67
				54-815504104	CLAMP	67	11

PARTS INDEX

Part Number	Description	Pg.	Ref. No.	Part Number	Description	Pg.	Ref. No.
54-815504206	CLAMP	3	5	57-13457T	BELT, WATER PUMP	93	38
54-815504206	CLAMP	9	47	57-37619T	V-BELT (52")	89	9
54-815504206	CLAMP	11	7	57-49043A1	V-BELT	87	10
54-815504206	CLAMP	25	14	57-49213A1	V-BELT, ALTERNATOR (44")	23	10
54-815504206	CLAMP	85	9	57-65607T	V-BELT (37")	85	4
54-815504206	CLAMP	87	15	57-65607T	V-BELT, POWER STEERING PUMP	13	7
54-815504206	CLAMP	125	18	57-68038	V-BELT, POWER STEERING PUMP	15	7
54-815504206	CLAMP	125	20	57-69143T	V-BELT (40")	85	4
54-815504206	CLAMP	145	49	57-69143T	V-BELT, ALTERNATOR (40")	15	7
54-815504206	CLAMP	151	49	57-69143T	V-BELT, CIRCULATING PUMP (40")	13	6
54-815504220	CLAMP	35	18	57-74271T	BELT	93	38
54-815504220	CLAMP	35	20	57-76269	V-BELT	9	60
54-815504220	CLAMP	41	21	57-77274A1	V-BELT (32.5")	11	17
54-815504220	CLAMP	41	26	57-91035A1	V-BELT, POWER STEERING PUMP	23	11
54-815504220	CLAMP	41	26	84-13760A6	WIRE ASSEMBLY (42" - W/INSULATOR)	79	14
54-815504220	CLAMP	45	20	84-41575A3	HARNESS ASSEMBLY	161	41
54-815504220	CLAMP	47	31	84-62995A1	HARNESS ASSEMBLY (3 WIRE LEAD)	69	16
54-815504220	CLAMP	49	23	84-62995A1	HARNESS ASSEMBLY (3 WIRE LEAD)	77	16
54-815504220	CLAMP	87	19	84-812733A1	HARNESS ASSEMBLY	153	28
54-815504220	CLAMP	89	20	84-86044A11	WIRE ASSEMBLY (20")	79	14
54-815504220	CLAMP	93	40	84-86044A4	WIRE ASSEMBLY (36")	79	14
54-815504220	CLAMP	99	40	84-86322A22	WIRE ASSEMBLY (BLACK)	115	4
54-815504220	CLAMP	103	33	84-86322A27	GROUND WIRE	117	22
54-815504220	CLAMP	145	50	84-86322A3	WIRE ASSEMBLY (BLACK)	115	19
54-815504220	CLAMP	151	50	84-86322A6	WIRE ASSEMBLY (BLACK)	115	34
54-815504220	CLAMP	155	24	84-86323A2	WIRE ASSEMBLY (PURPLE)	115	19
54-815504228	CLAMP	37	19	84-88456A3	HARNESS ASSEMBLY	115	20
54-815504228	CLAMP	37	19	84-88974A1	WIRE ASSEMBLY (BLACK)	115	33
54-815504228	CLAMP	43	33	84-95084A10	CABLE ASSEMBLY (5")	135	14
54-815504228	CLAMP	45	29	84-95084A10	WIRE ASSEMBLY (SHORT-RED)	115	32
54-815504232	CLAMP	145	51	84-95084A9	CABLE ASSEMBLY (91")	135	14
54-815504232	CLAMP	151	51	84-95084A9	WIRE ASSEMBLY (LONG-RED)	115	30
54-815504232	CLAMP, HOSE ATTACHING	155	33	85-62359-4	SLEEVE	71	27
54-815504232	CLAMP	103	29	85-63990	INSULATOR	115	11
54-815504256	CLAMP	53	11	86-43454	TERMINAL BLOCK	71	12
54-815504256	CLAMP	55	2	86-43454	TERMINAL BLOCK	75	6
54-815504256	CLAMP	59	3	86-43454	TERMINAL BLOCK	117	14
54-815504256	CLAMP	63	3	87-19742A1	SWITCH ASSEMBLY	153	13
54-815504256	CLAMP	65	2	87-78406	SWITCH	117	24
54-815504256	CLAMP	125	16	87-78406A1	SWITCH ASSEMBLY	117	23
54-815504256	CLAMP	139	11	87-805605A1	SWITCH PRESSURE	79	4
54-815504336	CLAMP	85	27	87-86080	SWITCH, WATER TEMPERATURE	79	1
54-815504348	CLAMP	121	11	87-86080	TEMPERATURE SWITCH	97	22
54-815504372	CLAMP	35	7	87-86080	TEMPERATURE SWITCH	145	47
54-815504372	CLAMP	41	12	87-86080	TEMPERATURE SWITCH	149	47
54-815504372	CLAMP	45	12	88-72729	BULB	115	14
54-815504372	CLAMP	99	41	88-79091	FUSE	135	13
54-815504372	CLAMP	111	11	88-79091	FUSE (20 AMP)	115	31
54-815504372	CLAMP	113	2	88-79888	SOCKET	115	15
54-815504372	CLAMP	121	2				
54-815504372	CLAMP	123	15				
54-815504372	CLAMP	129	3				
54-815504372	CLAMP	145	48				
54-815504372	CLAMP	149	48				
54-815504388	CLAMP	101	13				
54-815504388	CLAMP	155	14				
54-815504412	CLAMP	9	65				
54-815504412	CLAMP	85	25				
54-816311	STA-STRAP	35	21				
54-816311	STA-STRAP	117	21				
54-86049	GROUNDING CLIP	121	9				
54-97862	CLAMP	41	20				

PARTS INDEX

Part Number	Description	Pg.	Ref. No.	Part Number	Description	Pg.	Ref. No.
392-4951	CRANK ARM ASSEMBLY ...	77	8				
392-4952	GEAR AND GASKET PACKAGE	69	11				
392-4953	GASKET	69	12				
392-4953	GASKET	69	15				
392-4953	GASKET	77	12				
392-4955	HEAD ASSEMBLY, COMMUTATOR END	69	4				
392-4955	HEAD ASSEMBLY, COMMUTATOR END	77	4				
392-4956	BRUSH SET	69	5				
392-4956	BRUSH SET	77	5				
392-4960	SPRING SET, BRUSH	69	3				
392-4960	SPRING SET, BRUSH	77	3				
392-4962	THRU BOLT	69	6				
392-4962	THRU BOLT	77	6				
NLA-	FIELD COIL ASSEMBLY ...	77	7				
NLA-	HEAD ASSEMBLY, DRIVE END	69	9				
NLA-	HEAD ASSEMBLY, DRIVE END	77	9				
NLA-	PLATE	69	13				
NLA-	PLATE, CAM	77	13				
NLA-	SCREW AND DISC PACKAGE	69	10				
NLA-	SCREW AND DISC PACKAGE	77	10				