



# PARTS CATALOG

## 120/140/165 STERN DRIVE

### SERIAL NUMBER

120/140 1970-1977 .....	2791957 THRU 4893634
165 1970-1977 .....	2763442 THRU 4890459

# TABLE OF CONTENTS:

BELL HOUSING ASSEMBLY .....	20
DIRVE SHAFT HOUSING ASSEMBLY AND GEAR ASSEMBLY .....	24
GEAR HOUSING ASSEMBLY .....	32
GEAR HOUSING ASSEMBLY, COMPLETE .....	28
GIMBAL HOUSING ASSEMBLY AND EXHAUST ELBOW .....	10
GIMBAL RING ASSEMBLY AND STEERING LEVER .....	14
HYDRAULIC PUMP AND TRIM INDICATOR CONTROL PANEL .....	36
HYDRAULIC PUMP ASSEMBLY, COMPLETE .....	40
PARTS INDEX .....	50
POWER TRIM CYLINDER REPAIR KITS .....	48
REVERSE LOCK VALVE ASSEMBLY .....	42
TRANSOM PLATE AND SHIFT CABLE .....	2
TRANSOM PLATE AND SHIFT LEVER .....	4
TRANSOM PLATE AND SHIFT LEVER .....	8
TRIM CYLINDERS AND HYDRAULIC HOSES .....	46

**NOTE:** *Indented description indicate that these parts are included in preceeding assembly.*

**AR** = As Required

**NSS** = Not Sold Separate

**OPT** = Optional

**NS** = Not Shown

**THESE PARTS BOOKS/FICHE CARD ARE COPYRIGHTED AND MAY NOT BE DISTRIBUTED OR REPRODUCED IN ANY OTHER FORMAT BY ANYONE OTHER THAN MERCURY MARINE WITHOUT THE PRIOR WRITTEN CONSENT OF MERCURY MARINE.**

# **REPLACEMENT PARTS ! WARNING !**

Electrical, ignition and fuel system components on MerCruiser Engines and Stern Drives are designed and manufactured to comply with U.S. Coast Guard Rules and Regulations to minimize risks of fire or explosion. Use of replacement electrical, ignition or fuel system components, which do not comply to these rules and regulations, could result in a fire or explosion hazard and should be voided.

When servicing the electrical, ignition and fuel systems, it is extremely important that all components are properly installed and tightened. If not, any electrical or ignition component opening would permit sparks to ignite fuel vapors from fuel system leaks, if they existed.

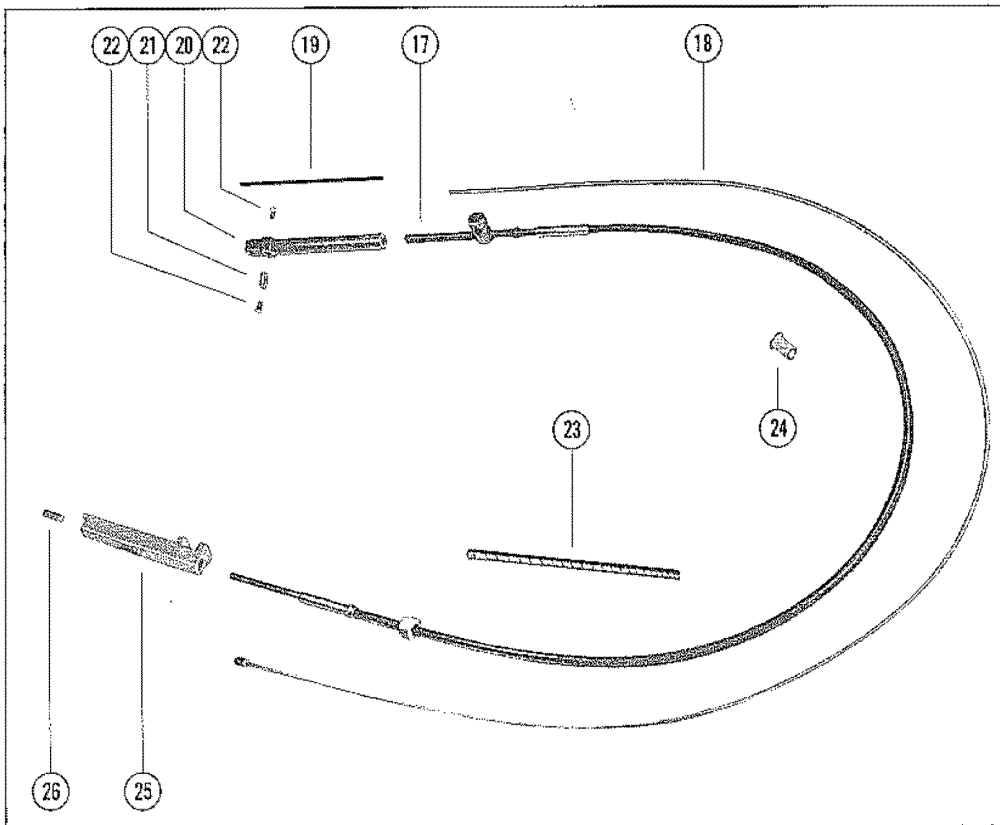
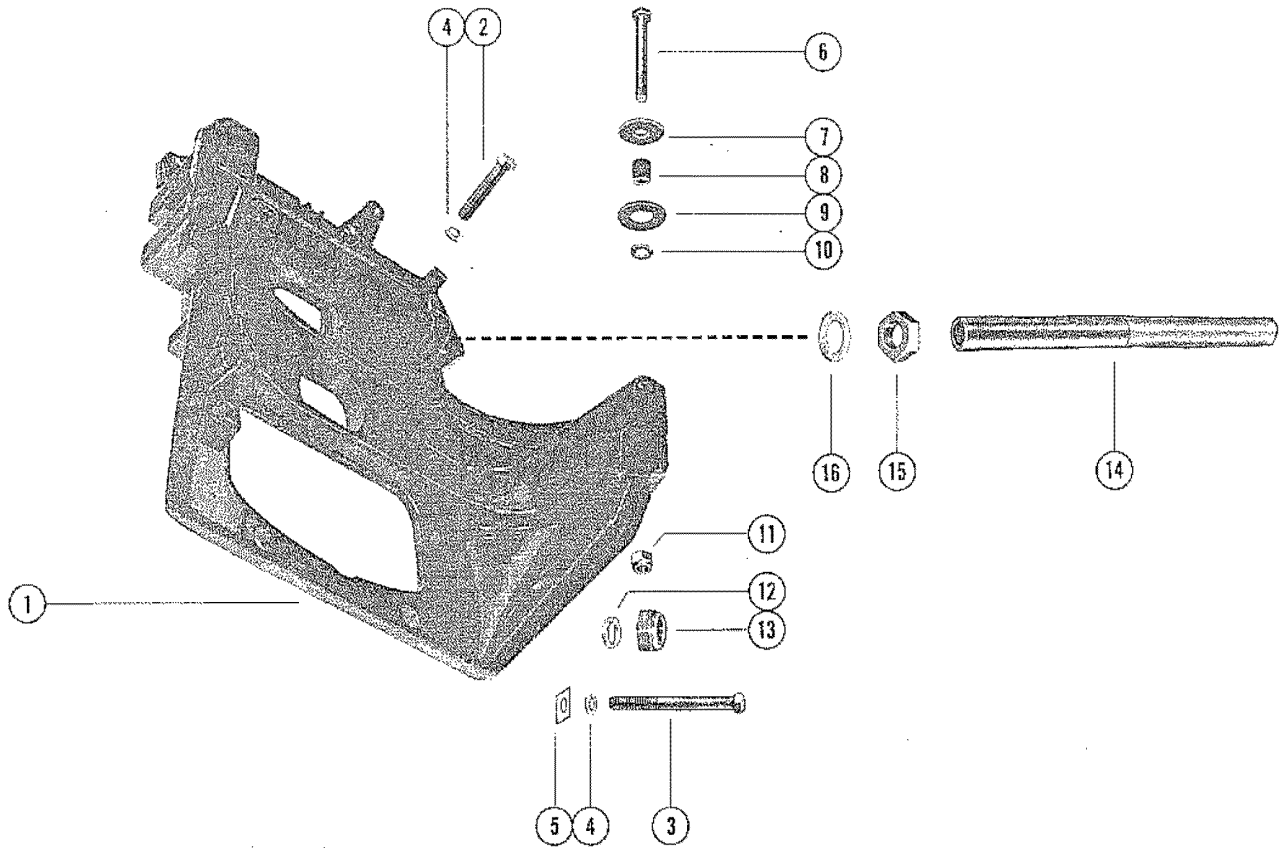
## **ENGINE MECHANICAL COMPONENTS**

Many of the engine mechanical components are designed for marine applications. Unlike automotive engines, marine engines are subjected to extended periods of heavy load and wide- open-throttle operation, therefore, require heavy-duty components. Special marine engine parts have design and manufacturing specifications, which are required to provide long life and dependable performance. Marine engine parts also must be able to resist the corrosive action of salt or brackish water that will rust or corrode standard automotive parts within a short period of time.

Failure to use recommended Mercury Precision Parts OR Quicksilver service replacement parts can result in poor engine performance and/or durability, rapid corrosion of parts subjected to salt water and possibly complete failure of the engine.

Use of parts other than recommended service replacement parts will void the warranty on those parts which are damaged as a result of the use of other than recommended parts.

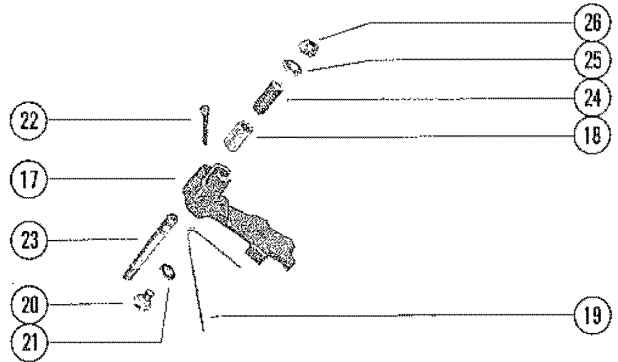
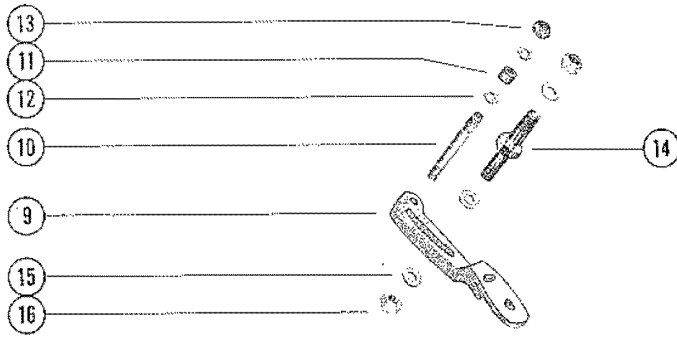
# TRANSOM PLATE AND SHIFT CABLE



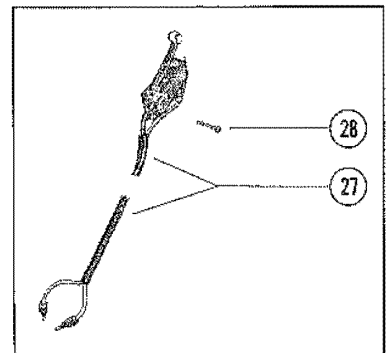
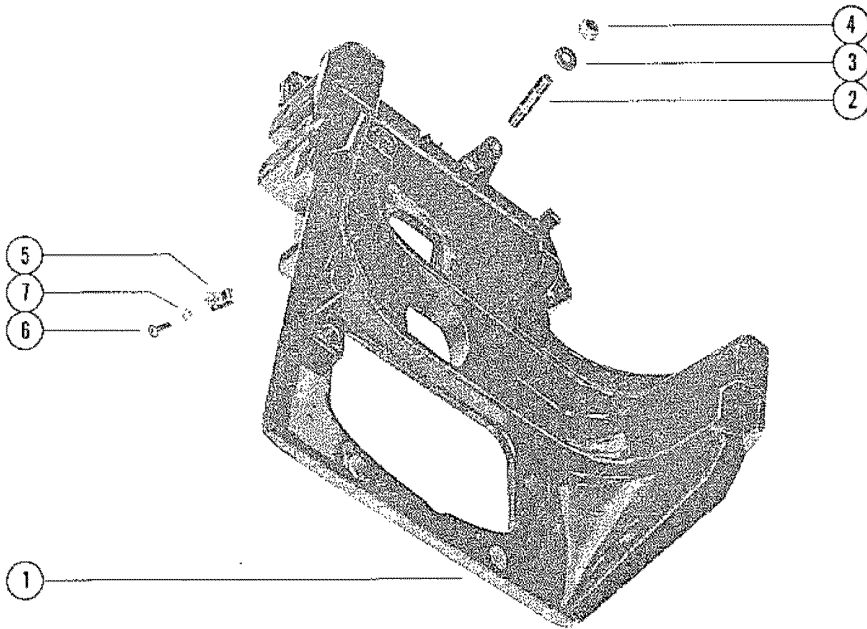
# TRANSOM PLATE AND SHIFT CABLE

REF. NO.	PART NO.	SYM.	QTY.	DESCRIPTION
1	49701A2		1	PLATE ASSEMBLY,TRANSOM (WITHOUT GIMBAL TRIM SENDER)
	65550A2		1	PLATE ASSEMBLY,TRANSOM (WITH GIMBAL TRIM SENDER)
2	10-37269		2	SCREW,TRANSOM PLATE TO GIMBAL HOUSING(2")
3	10-37268		2	SCREW,TRANSOM PLATE TO GIMBAL HOUSING(4 1/4")
4	13-37272		4	LOCKWASHER,TRANSOM PLATE SCREW
5	12-37271		2	WASHER,SQUARE-TRANSOM PLATE SCREW
6	10-36289		2	SCREW,TRANSOM PLATE TO ENGINE FLYWHEEL HOUSING(4 3/4")
7	12-28421		2	WASHER,TRANSOM PLATE SCREW
8	23-36290		2	SPACER,TRANSOM PLATE SCREW
9	12-32834		2	WASHER,TRANSOM PLATE SCREW
10	13-33734A1		2	LOCKWASHER,TRANSOM PLATE SCREW
11	11-20220		2	NUT,TRANSOM PLATE TO ENGINE FLYWHEEL HOUSING SCREW
12	12-21900		2	WASHER,GIMBAL HOUSING TO TRANSOM PLATE BOLT
13	11-34087		2	NUT,GIMBAL HOUSING TO TRANSOM PLATE BOLT
14	32-35015		1	TUBE,STEERING CABLE GUIDE (7/8' O.D)
15	11-37984		2	NUT,JAM-STEERING CABLE GUIDE TUBE
16	12-37985		2	WASHER,STEERING CABLE GUIDE GUIDE TUBE
17	49518A1		1	CABLE ASSEMBLY,SHIFT ACUATING <b>SERIAL 00000000-03780849</b>
18	38399A2		1	CORE WIRE,INNER SHIFT CABLE <b>SERIAL 00000000-03780849</b>
19	32-38377		1	TUBE,SHIFT ACUATING CABLE <b>SERIAL 00000000-03780849</b>
17	66065A1		1	CABLE ASSEMBLY,SHIFT ACUATING <b>SERIAL 03780850-04425519</b>
18	66069A2		1	CORE WIRE,INNER SHIFT CABLE <b>SERIAL 03780850-04425519</b>
19	32-38377		1	TUBE,SHIFT ACUATING CABLE <b>SERIAL 03780850-04425519</b>
17	73679A2		1	CABLE ASSEMBLY,SHIFT ACUATING <b>SERIAL 04425520-09999999</b>
18	66069A2		1	CORE WIRE,INNER SHIFT CABLE <b>SERIAL 04425520-09999999</b>
19	32-38377		1	TUBE,SHIFT ACUATING CABLE <b>SERIAL 04425520-09999999</b>
20	29880		1	GUIDE,SHIFT ACUATING CABLE END
21	20007		1	ANCHOR,SHIFT ACUATING CABLE END GUIDE
22	10-20518		2	SCREW,SET-ANCHOR TO ACTIATING CABLE END GGUIDE (1/4")
23	38473		1	WRAPPING,SHIFT ACTUATING CABLE
24	32-34049		1	TUBE,NYLON-SHIFT ACTUATING CABLE GUIDE
25	33981		1	SLIDE,SHIFT ACTUATING CABLE
26	10-31700		1	SCREW,SET-SHIFT ACTUATING CABLE TO SLIDE (3/4")

# TRANSOM PLATE AND SHIFT LEVER



**SERIAL #3780849 and below**

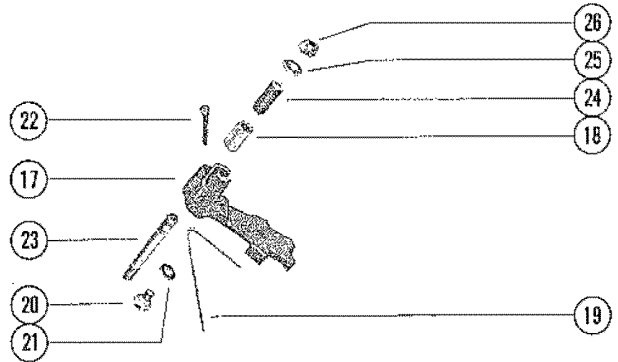
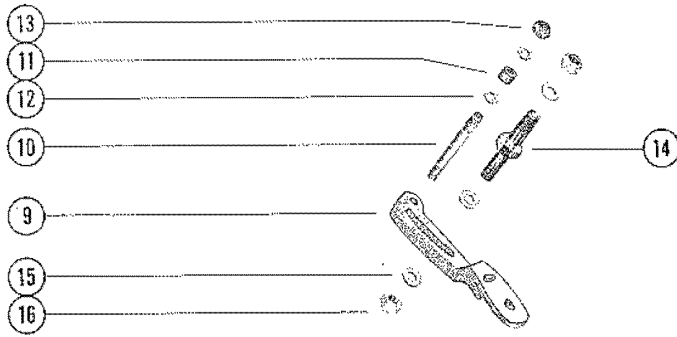


# TRANSOM PLATE AND SHIFT LEVER

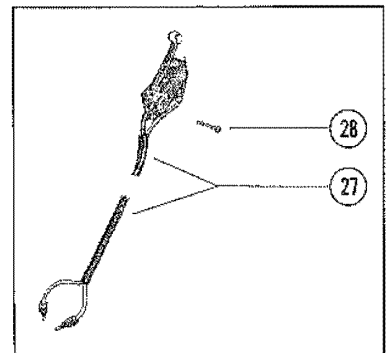
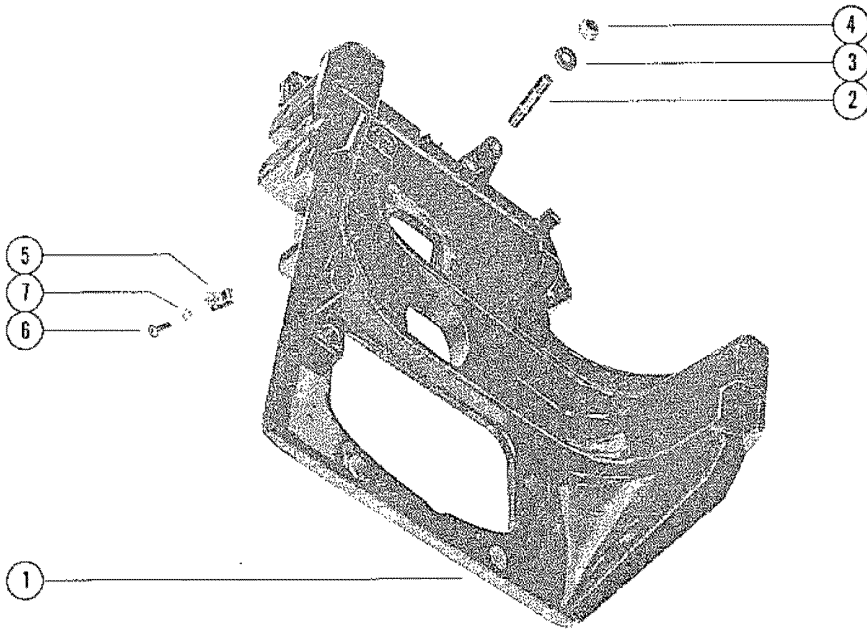
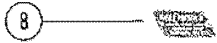
REF. NO.	PART NO.	SYM.	QTY.	DESCRIPTION
1	49701A2		1	PLATE ASSEMBLY,TRANSOM
2	16-63081		1	STUD, SHIFT CABLE TO TRANSOM PLATE (1 3/4")
3	12-39143		1	WASHER,SHIFT CABLE STUD
4	11-20361		1	NUT,SHIFT CABLE STUD
5	54-23568		2	CLIP,SWITCH LEADS TO TRANSOM PLATE
6	10-35519		1	SCREW,SWITCH LEADS CLIP TO TRANSOM PLATE (1/2")
	10-21643		1	SCREW,SWITCH LEADS CLIP TO TRANSOM PLATE (1/2")
7	22789		2	"D" WASHER,SWITCH LEADS CLIP SCREW
8	37-39395		1	DECAL,SERIAL NUMBER
9	49702A2		1	LEVER ASSEMBLY,SHIFT CONTROL-CAM LEVER <b>SERIAL 00000000-03443920</b>
10	16-47360		1	STUD,SHIFT CABLE TOLEVER 91 3/4") <b>SERIAL 00000000-03443920</b>
11	23-31866		1	SPACER,SHIFT CABLE STUD <b>SERIAL 00000000-03443920</b>
12	12-39143		2	WASHER,SHIFT CABLE STUD <b>SERIAL 00000000-03443920</b>
13	11-20361		1	NUT,SHIFT CABLE STUD <b>SERIAL 00000000-03443920</b>
14	16-34069		1	STUD,CABLE TO SHIFT CONTROL LEVER (2 1/4") <b>SERIAL 00000000-03443920</b>
15	12-39143		3	WASHER,CABLE STUD <b>SERIAL 00000000-03443920</b>
16	11-20361		2	NUT,CABLE TO SHIFT CONTROL LEVER <b>SERIAL 00000000-03443920</b>
9	63333A2		1	LEVER ASSEMBLY,SHIFT CONTROL-CAM LEVER <b>SERIAL 03469428-03780849</b>
10	16-47360		1	STUD,SHIFT CABLE TO LEVER (1 3/4") <b>SERIAL 03469428-03780849</b>
11	23-31866		1	SPACER,SHIFT CABLE STUD <b>SERIAL 03469428-03780849</b>
12	12-39143		3	WASHER,SHIFT CABLE STUD <b>SERIAL 03469428-03780849</b>
13	11-20361		2	NUT,SHIFT CABLE STUD <b>SERIAL 03469428-03780849</b>
14	16-63335		1	STUD,CABLE TO SHIFT CONTROL LEVER (2") <b>SERIAL 03469428-03780849</b>
16	11-63341		1	NUT,CABLE TO SHIFT CONTROL LEVER <b>SERIAL 03469428-03780849</b>
17	45517A2		1	ARM ASSEMBLY,SWITCH ACTUATIN
18	23-45600		1	SLEEVE,SWITCH ACTUATING ARM STUD
19	24-45599		1	SPRING,TENSION-SWITCH ACTUATING ARM
20	10-33231		1	SCREW,TENSION SPRING TO ARM (1/2")
21	12-26825		1	WASHER,TENSION SPRING SCREW
22	18-32857		1	COTTER PIN,SHIFT ACTUATING CABLE TO TRANSOM PLATE
23	16-56299		1	STUD,SWITCH ACTUATING ARM TO TRANSOM PLATE (2 5/16")

CONTINUED ON NEXT PAGE ➡

# TRANSOM PLATE AND SHIFT LEVER



**SERIAL #3780849 and below**

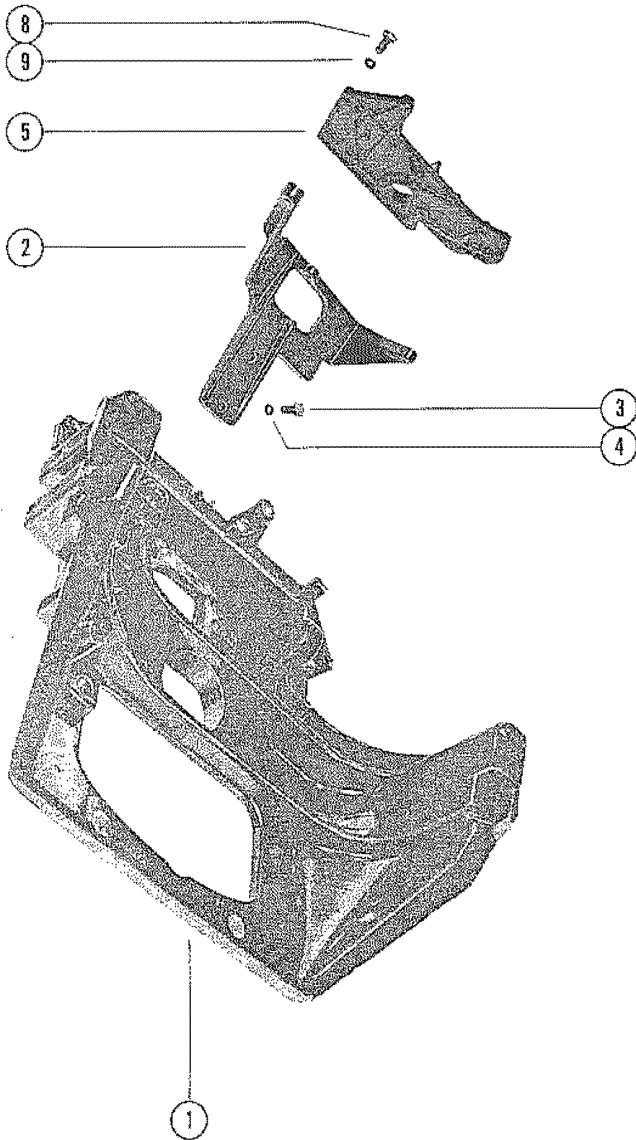
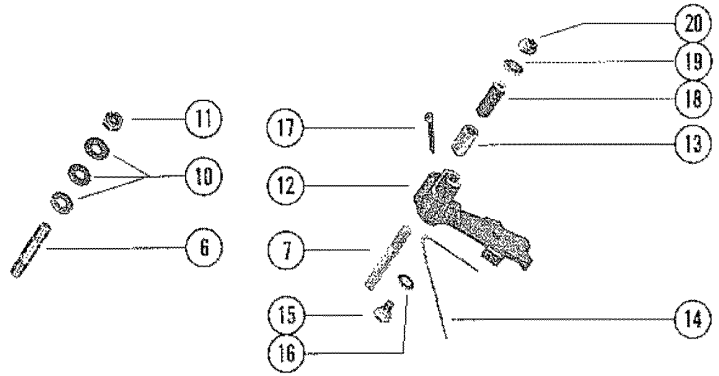
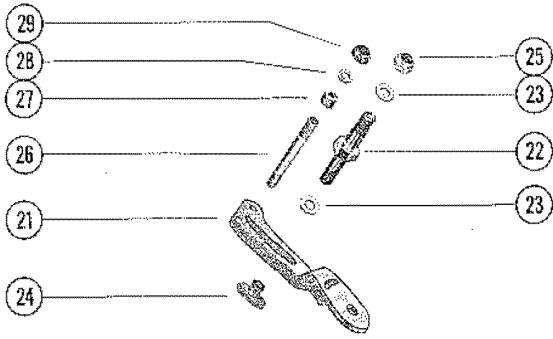




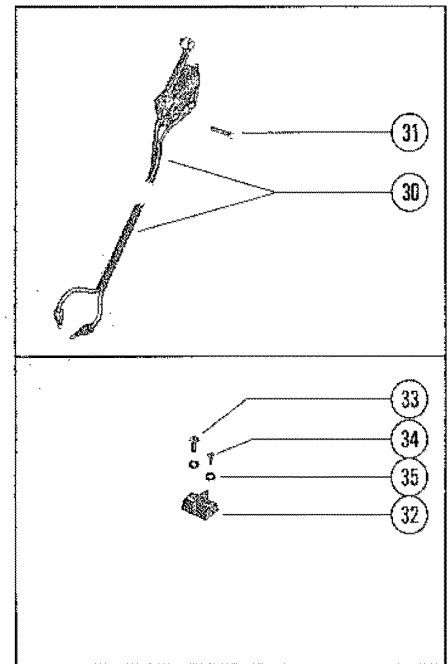
## TRANSOM PLATE AND SHIFT LEVER

REF. NO.	PART NO.	SYM.	QTY.	DESCRIPTION
24	23-37981		1	SPACER, SWITCH ACTUATING ARM TO TRANSOM PLATE
25	12-26825		2	WASHER, SWITCH ACTUATING ARM STUD
26	11-35814		1	NUT, SWITCH ACTUATING ARM STUD
27	49646A1		1	SWITCH ASSEMBLY, CUT-OUT-TRANSOM PLATE
28	10-30902		2	SCREW, SWITCH ASSEMBLY TO TRANSOM PLATE(3/4")

# TRANSOM PLATE AND SHIFT LEVER



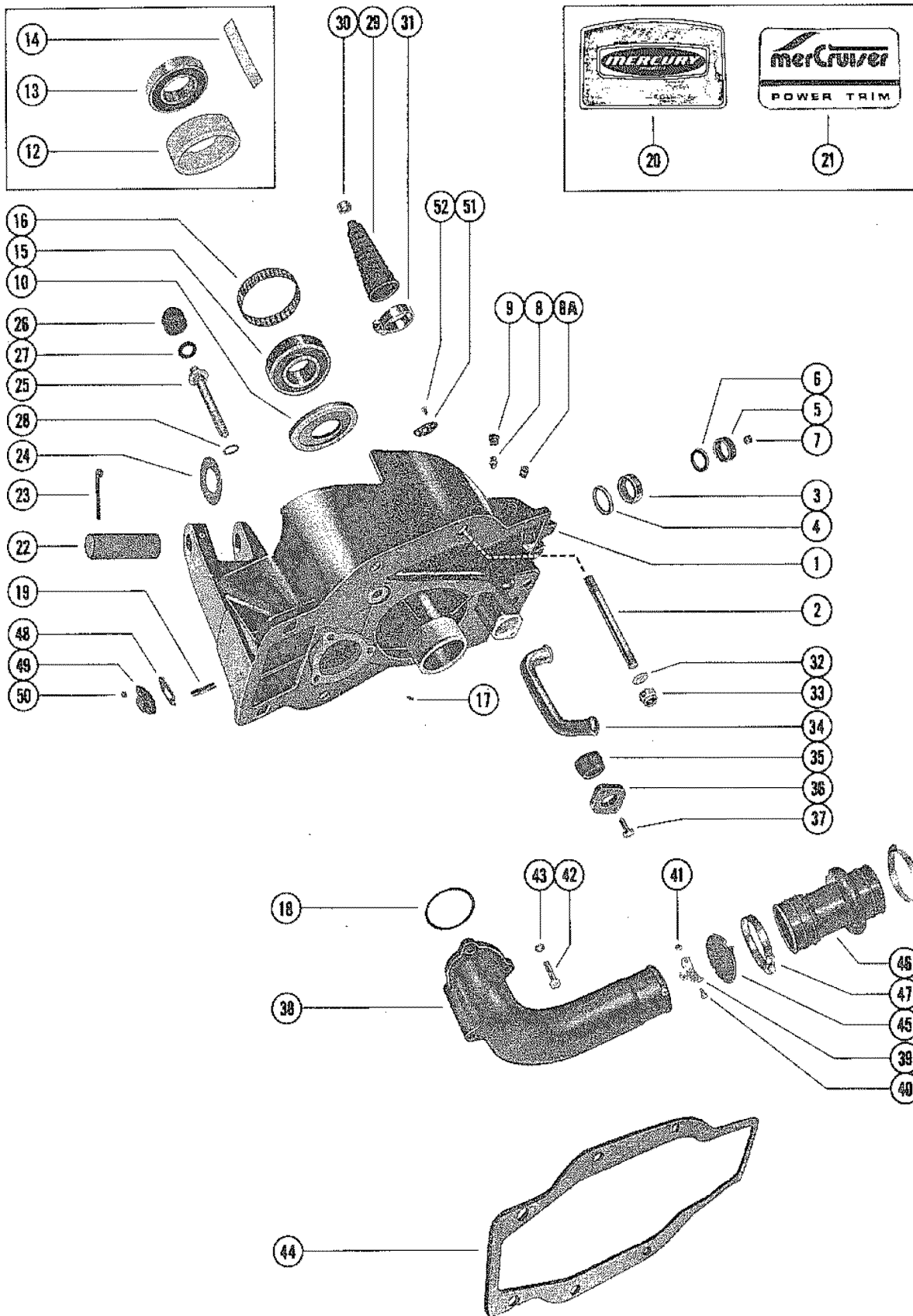
**SERIAL #3780850 and up**



## TRANSOM PLATE AND SHIFT LEVER

REF. NO.	PART NO.	SYM.	QTY.	DESCRIPTION
1	49701A2		1	PLATE ASSEMBLY,TRANSOM(WITHOUT GIMABL TRIM SENDER)
	65550A2		1	PLATE ASSEMBLY,TRANSOM(WITHOUT GIMBAL TRIM SENDER)
2	66058		1	BRACKET,SHIFT MOUNTING
3	10-25038		3	SCREW,SHIFT MOUNTING BRACKET TO TRANSOM PLATE (7/8")
4	13-21804		3	LOCKWASHER,SHIFT MOUNTING BRACKET SCREW
5	66057A3		1	SHIFT BRACKET ASSEMBLY
6	16-47360		1	STUD,SHIFT CABLE TO SHIFT BRACKET(1 3/4")
7	16-73563		1	STUD,SWITCH ACTUATING ARM TO SHIFT BRACKET (2 5/16")
8	10-35386		3	SCREW,SHIFT BRACKET TO SHIFT MOUNTING BRACKET(1")
9	13-21804		3	LOCKWASHER,SHIFT BRACKET SCREW
10	12-39143		3	WASHER,SHIFT CABLE STUD
11	11-20361		1	NUT,SHIFT CABLE STUD
12	45517A2		1	ARM ASSEMBLY,SWITCH ACTUATING
13	23-45600		1	SLEEVE,SWITCH ACTUATING STUD
14	24-45599		1	SPRING,TENSION-SWITCH ACTUATING ARM
15	10-33231		1	SCREW,TENSION SPRING TO ARM (1/2")
16	12-26825		1	WASHER,TENSION SPRING SCREW
17	18-32857		1	COTTER PIN,SHIFT ACTUATING CABLE TO SHIFT BRACKET
18	23-37981		1	SPACER SWITCH ACTUATING ARM TO SHIFT BRACKET
19	12-26825		2	WASHER,SWITCH ACTAUTING ARM STUD
20	11-35814		1	NUT,SWITCH ACTUATING ARM STUD
21	66397A1		1	LEVER ASSEMBLY,SHIFT CONTROL-CAM LEVER
22	16-63335		1	STUD,SHIFT ACTUATING CABLE TO SHIFT CONTROL LEVER (2")
23	12-39143		2	WASHER,SHIFT ACTUATING CABLE STUD
24	11-63341		1	NUT,SHIFT ACTAUTING CABLE TO SHIFT CONTROL LEVER
25	11-20361		1	NUT,SHIFT CABLE STUD
26	16-47360		1	STUD,SHIFT CABLE TO LEVER (1 3/4")
27	23-31866		1	SPACER,SHIFT CABLE STUD
28	12-39143		1	WASHER,SHIFT CABLE STUD
29	11-20361		1	NUT,SHIFT ACTUATING LEVER
30	39670A5		1	SWITCH ASSEMBLY,CUT-OUT-SHIFT BRACKET
31	10-30902		2	SCREW,SWITCH ASSEMBLY TO SHIFT BRACKET (3/4")
32	86-66986		1	TERMINAL BLOCK,CUT-OUT SWITCH LEADS
33	10-24637		1	SCREW,GROUND LEADS-TERMINAL BLOCK TO BRACKET (7/8")
34	10-45218		1	SCREW,CUT-OUT SWITCH LEAD TO TERMINAL BLOCK (3/8")
35	13-26996		2	LOCKWASHER,TERMINAL BLOCK SCREWS

# GIMBAL HOUSING ASSEMBLY AND EXHAUST ELBOW

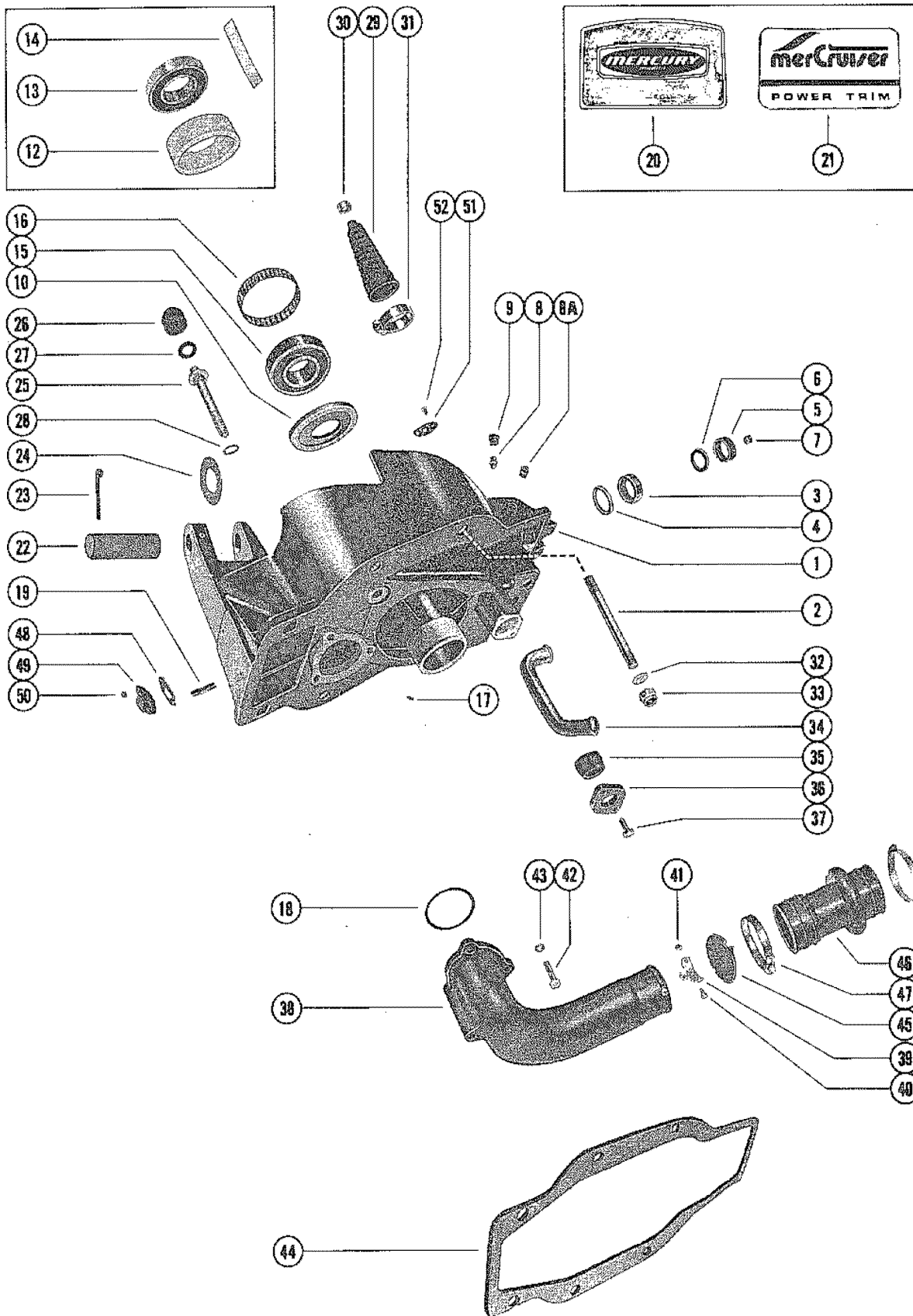


# GIMBAL HOUSING ASSEMBLY AND EXHAUST ELBOW

REF. NO.	PART NO.	SYM.	QTY.	DESCRIPTION
1	63503A1		1	GIMBAL HOUSING ASSEMBLY <b>WITHOUT GIMBAL TRIM SENDER</b>
	70861A1		1	GIMBAL HOUSING ASSEMBLY() <b>WITH GIMBAL TRIM SENDER</b>
2	16-56296		2	STUD,GIMBAL HOUSING TO TRANSOM PLATE (4 3/4")
3	31-32536		1	BEARING,ROLLER-GIMBAL HOUSING (LOWER)
4	26-32911		1	OIL SEAL,UPPER GIMBAL HOUSING ROLLER BEARING
5	23-38634		1	BUSHING,SYNTHANE-GIMBAL HOUSING (UPPER) <b>WITHOUT GIMBAL TRIM WITHOUT GIMBAL TRIM SENDER</b>
6	26-32540		1	OIL SEAL,UPPER GIMBAL HOUSING BUSHING <b>WITHOUT GIMBAL TRIM SENDER</b>
5	31-21145		1	ROLLER BEARING,GIMBAL HOUSING (UPPER) WITH GIMBAL TRIM SEND <b>WITH GIMBAL TRIM SENDER</b>
6	26-54925		1	OIL SEAL,UPPER GIMBAL HOUSING BEARING <b>WITH GIMBAL TRIM SENDER</b>
7	22-52644		1	PLUG,PIPE-GIMBAL HOUSING
8	22-31345		2	FITTING,GREASE-GIMBAL HOUSING
	22-74036		2	FITTING,GREASE-GIMBAL HOUSING(STAINLESS STEEL)
8A	19-58934		2	PLUG,PLASTIC-GIMBAL HOUSING- <b>FOR USE ON B-58880A1,B-59844A5 AND B-63503A1 HSG. ASSEMBLY</b>
9	29359		2	LUBRICAP,GIMBAL HOUSING GREASE FITTING
10	26-36143		1	SEAL,GREASE-GIMBAL HOUSING
12	23-35130		1	ADAPTOR,BEARING CARRIER <b>FOR USE ON B-55698A4 AND B-58880A1 HSG. ASSEMBLY</b>
13	30-36418		1	BEARING,BALL-GIMBAL HOUSING <b>OR USE ON B-55698A4 AND B-58880A1 HSG. ASSEMBLY</b>
14	156-35244A1		AR	SHIM,GIMBAL HOUSING BEARING(.002 THRU .010 <b>OR USE ON B-55698A4 AND B-58880A1 HSG. ASSEMBLY</b>
15	30-60794A2		1	BEARING ASSEMBLY,GIMBAL HOUSING <b>FOR USE ON B-58880A5,B-59844A5, B-63503A1 AND B-70861A1 HSG ASSEMBLY</b>
16	61075		1	TOLERANCE RING,GIMBAL HOUSING BEARING
17	10-25612		13	SCREW,DRIVE-GIMBAL HOUSING EXHAUST FLANGE
18	25-20863		1	"O" RING,GIMBAL HOUSING
19	16-56766		2	STUD,HYDRAULIC CONNECTOR TO GIMBAL HOUSING(1 3/8")
20	63720		1	EMBLEM,GIMBAL HOUSING <b>SEE PHOTO FOR CORRECT REPLACEMENT</b>
21	37-76733		1	DECAL,GIMBAL HOUSING <b>SEE PHOTO FOR CORRECT REPLACEMENT</b>
22	17-45212		1	PIN,SWIVEL-GIMBAL HOUSING TO GIMBAL RING (LOWER)
23	18-34212		1	COTTER PIN,RETAINING-LOWER SWIVEL PIN
24	12-32518		1	WASHER,GIMBAL HOUSING TO LOWER SWIVEL PIN
25	55989A1		2	BOLT ASSEMBLY,ANODIC-GIMBAL HOUSING TO TRANSOM PLATE
26	55989		2	ANODIC HEAD,BOLT ASSEMBLY
27	12-56085		2	WASHERM,ANODIC BOLT ASSEMBLY
28	12-32620		2	WASHER,GIMBAL HOUSING BOLT

CONTINUED ON NEXT PAGE ➡

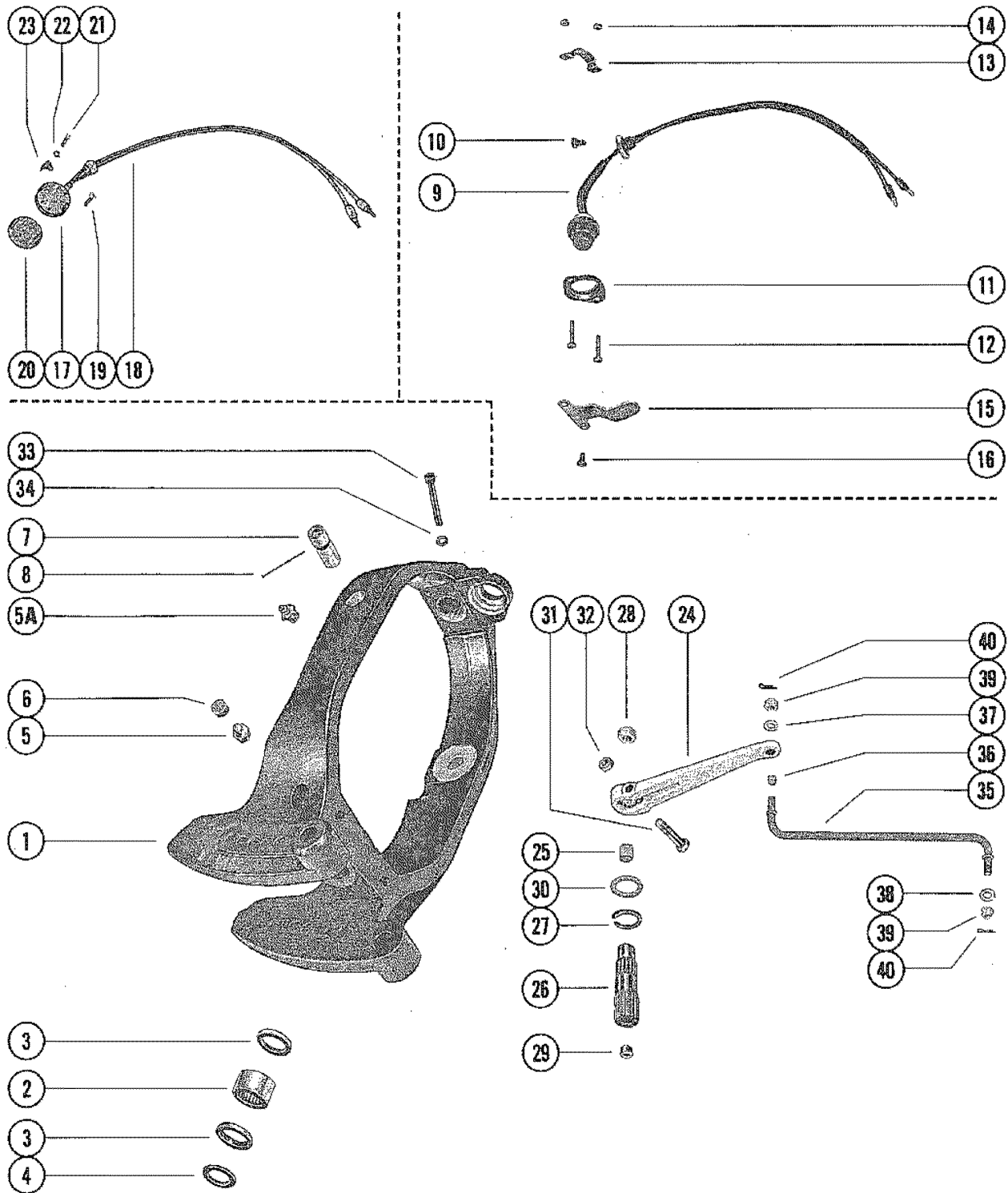
# GIMBAL HOUSING ASSEMBLY AND EXHAUST ELBOW



# GIMBAL HOUSING ASSEMBLY AND EXHAUST ELBOW

REF. NO.	PART NO.	SYM.	QTY.	DESCRIPTION
29	74639		1	BELLOWS,SHIFT ACTUATING CABLE
30	54-38863		1	CLAMP,ACTUATING CABLE BELLOWS TO SHIFT ACTUATING CABLE
31	54-31766		1	CLAMP,SHIFT ACTUATING CABLE BELLOWS TO GIMBAL HOUSING
32	12-22248		2	WASHER,GIMBAL HOUSING STUD
33	11-34933		2	NUT,GIMBAL HOUSING STUD
34	32-32631		1	TUBE,WATER-GIMBAL HOUSING
35	23-28055		1	BUSHING,RUBBER-WATER TUBE SEALING
36	32517		1	COVER,WATER TUBE SEALING BUSHING-GIMBAL HOUSING
37	10-28635		2	SCREW,WATER TUBE SEALING COVER TO GIMBAL HOUSING (5/8")
38	53272A1		1	ELBOW ASSEMBLY,EXHAUST(MERCUISE 120)
	53113A2		1	ELBOW ASSEMBLY,EXHAUST(MERCUISE 140 AND 165)
39	45798		2	BRACKET,SUPPORT-WATER SEALING
40	10-45813		4	SCREW,SUPPORT BRACKET TO EXHAUST ELBOW(1/2")
41	11-45812		4	NUT,SUPPORT BRACKET SCREW
42	10-35787		3	SCREW,EXHAUST ELBOW TO GIMBAL HOUSING(2 1/4")- <b>MERCUISE 120</b>
	10-37612		3	SCREW,EXHAUST ELBOW TO GIMBAL HOUSING(1 1/4")- <b>MERCUISE 140 AND 165</b>
43	13-35048		3	LOCKWASHER,EXHAUST ELBOW SCREW
44	27-55817		1	GASKET,GIMBAL HOUSING TO TRANSOM <b>FOR USE WITH B-55698A4,B-58880A1 AND A5 HSG. ASS'Y</b>
	27-65373		1	GASKET,GIMBAL HOUSING TO TRANSOM <b>FOR USE WITH B-59844A5 AND B-63503A1 HOUSING ASS'Y</b>
	65533		1	SEAL,GIMBAL HOUSING TO TRANSOM <b>FOR USE WITH B-70861A1 HOUSING ASSEMBLY</b>
45	45586		1	SHUTTER,WATER-EXHAUST ELBOW
46	45597		1	BELLOWS,EXHAUST ELBOW TO ENGINE(MERCUISE 120)
	53114		1	BELLOWS,EXHAUST ELBOW TO ENGINE (MERCUISE 140 AND 165)
47	54-32739		4	CLAMP,BELLOWS ATTACHING(MERCUISE 120)
	54-33683		2	CLAMP,BELLOWS ATTACHING (MERCUISE 140 AND 165)
48	27-47644		1	GASKET,HYDRAULIC CONNECTOR
49	47347		1	CONNECTOR,HYDRAULIC-GIMBAL HOUSING
50	11-35888		2	NUT,GIMBAL HOUSING TO HYDRAULIC CONNECTOR STUD
51	57322		1	COVER,RETAINING-GIMBAL HOUSING <b>WITH GIMBAL TRIM SENDER</b>
52	10-28635		2	SCREW,COVER TO GIMBAL HOUSING (5/8") <b>WITH GIMBAL TRIM SENDER</b>
	92-33749-1		1	SEALER,EXHAUST ELBOW ATTACHING

# GIMBAL RING ASSEMBLY AND STEERING LEVER



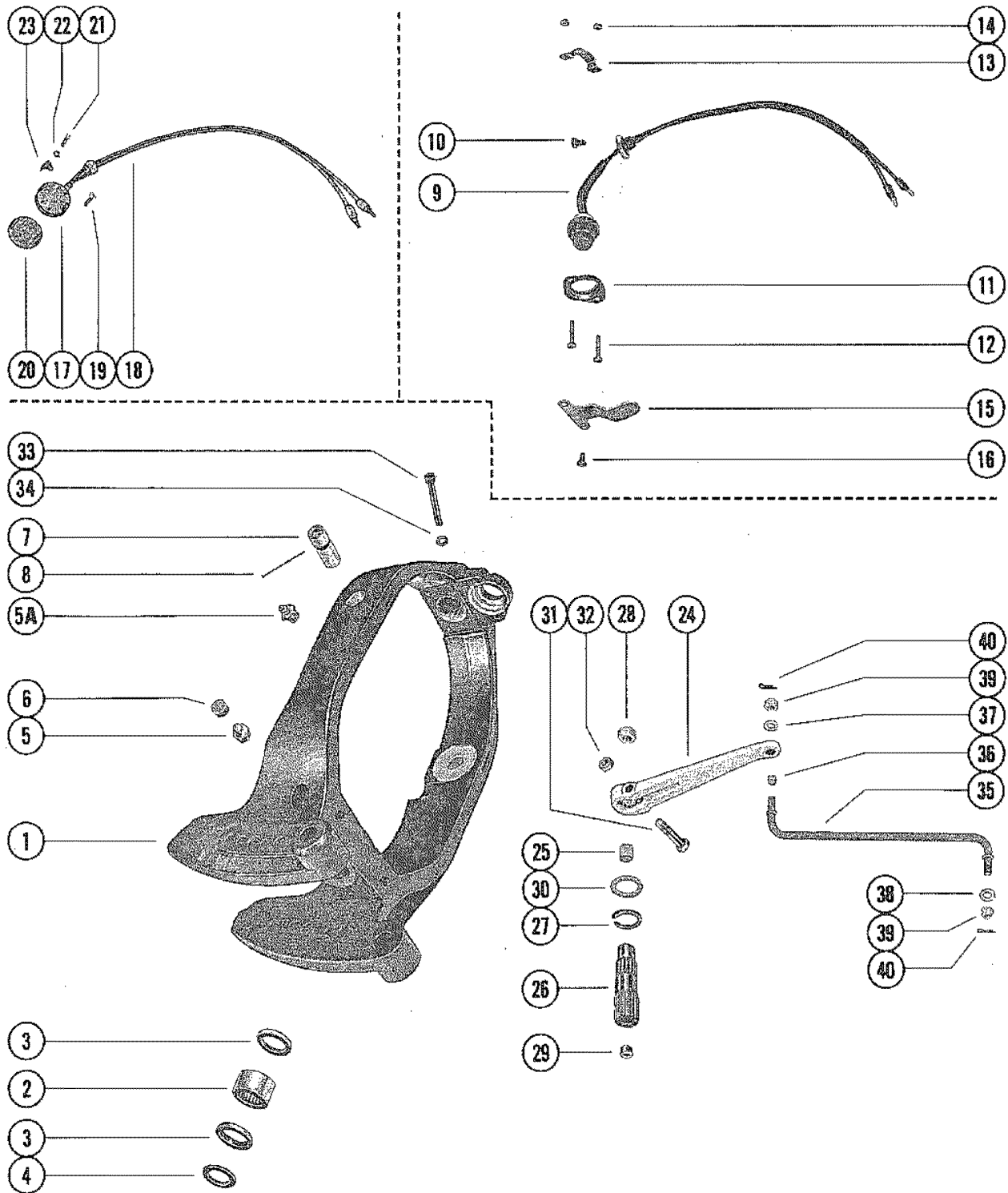


# GIMBAL RING ASSEMBLY AND STEERING LEVER

REF. NO.	PART NO.	SYM.	QTY.	DESCRIPTION
1	45515A2		1	GIMBAL RING ASSEMBLY <b>WITHOUT GIMBAL TRIM SENDER</b>
	65534A2		1	GIMBAL RING ASSEMBLY <b>WITH GIMBAL TRIM SENDER</b>
	77124A2		1	GIMBAL RING ASSEMBLY <b>WITH GIMBAL TRIM SENDER AND GREASE FITTINGS FOR HINGE PINS</b>
2	31-32538		1	BEARING,ROLLER-GIMBAL RING
3	26-32541		2	OIL SEAL,GIMBAL RING
4	23-39273		1	SPACER,GIMBAL RING
5	22-69059		1	FITTING,GREASE-GIMBAL RING91/8-270
5A	22-74036		2	FITTING,GREASE-GIMBAL RING (1/4-28)-USED WITH B-77124A2
6	29359		1	LUBRICAP,GIMBAL RING GREASE FITTING
7	17-38031		2	PIN,HINGE-GIMBAL RING TO BELL HOUSING
8	17-35571		2	PIN,HINGE PIN RETAINING-GIMBAL RING
7	65547		2	PIN,HINGE-THREADED WITHOUT GREASE GROOVE <b>WITH GIMBAL TRIM SENDER</b>
	77123		2	PIN,HINGE-THREADED WITH GREASE GROOVE <b>WITH GIMBAL TRIM SENDER</b>
9	45942A1		1	TILT STOP SWITCH ASSEMBLY,GIMBAL RING <b>WITHOUT GIMBAL TRIM SENDER</b>
10	10-20367		2	SCREW,TILT STOP SWITCH COVER TO GIMBAL RING(7/16") <b>WITHOUT GIMBAL TRIM SENDER</b>
11	31899		1	PLATE,RETAINING-TILT STOP SWITCH TO GIMBAL RING <b>WITHOUT GIMBAL TRIM SENDER</b>
12	10-45862		1	SCREW,RETAINING PLATE AND STRAP TO GIMBAL RING (7/8") <b>WITHOUT GIMBAL TRIM SENDER</b>
13	32637		2	STRAP,TILT STOP SWITCH RETAINING <b>WITHOUT GIMBAL TRIM SENDER</b>
14	11-20110		2	NUT,RETAINING PLATE AND STRAP SCREW <b>WITHOUT GIMBAL TRIM SENDER</b>
15	49343		1	LEVER,ACTUATING-GIMBAL RING <b>WITHOUT GIMBAL TRIM SENDER</b>
16	10-31903		2	SCREW,ACTUATING LEVER TO GIMBAL RING (3/8") <b>WITHOUT GIMBAL TRIM SENDER</b>
17	64947		1	SENDER,DUMMY(STARBOARD SIDE) <b>WITH GIMBAL TRIM SENDER</b>
18	84-70967		1	HARNESS,DUMMY SENDER <b>WITH GIMBAL TRIM SENDER</b>
19	10-46942		2	SCREW,HARNESS ATTCHING (5/16") <b>WITH GIMBAL TRIM SENDER</b>
17	63115A2		1	SWITCH ASSEMBLY,TRIM LIMIT (PORT SIDE) <b>WITH GIMBAL TRIM SENDER</b>
18	84-70968		1	HARNESS,TRIM LIMIT SWITCH <b>WITH GIMBAL TRIM SENDER</b>
19	10-63400		2	SCREW,HARNESS ATTACHING (5/32") <b>WITH GIMBAL TRIM SENDER</b>
20	85-63990		2	INSULATOR,SWITCH AND SENDER <b>WITH GIMBAL TRIM SENDER</b>
21	10-37978		4	SCREW,SWITCH AND SENDER TO GIMBAL RING (3/4") <b>WITH GIMBAL TRIM SENDER</b>

CONTINUED ON NEXT PAGE ➡

# GIMBAL RING ASSEMBLY AND STEERING LEVER

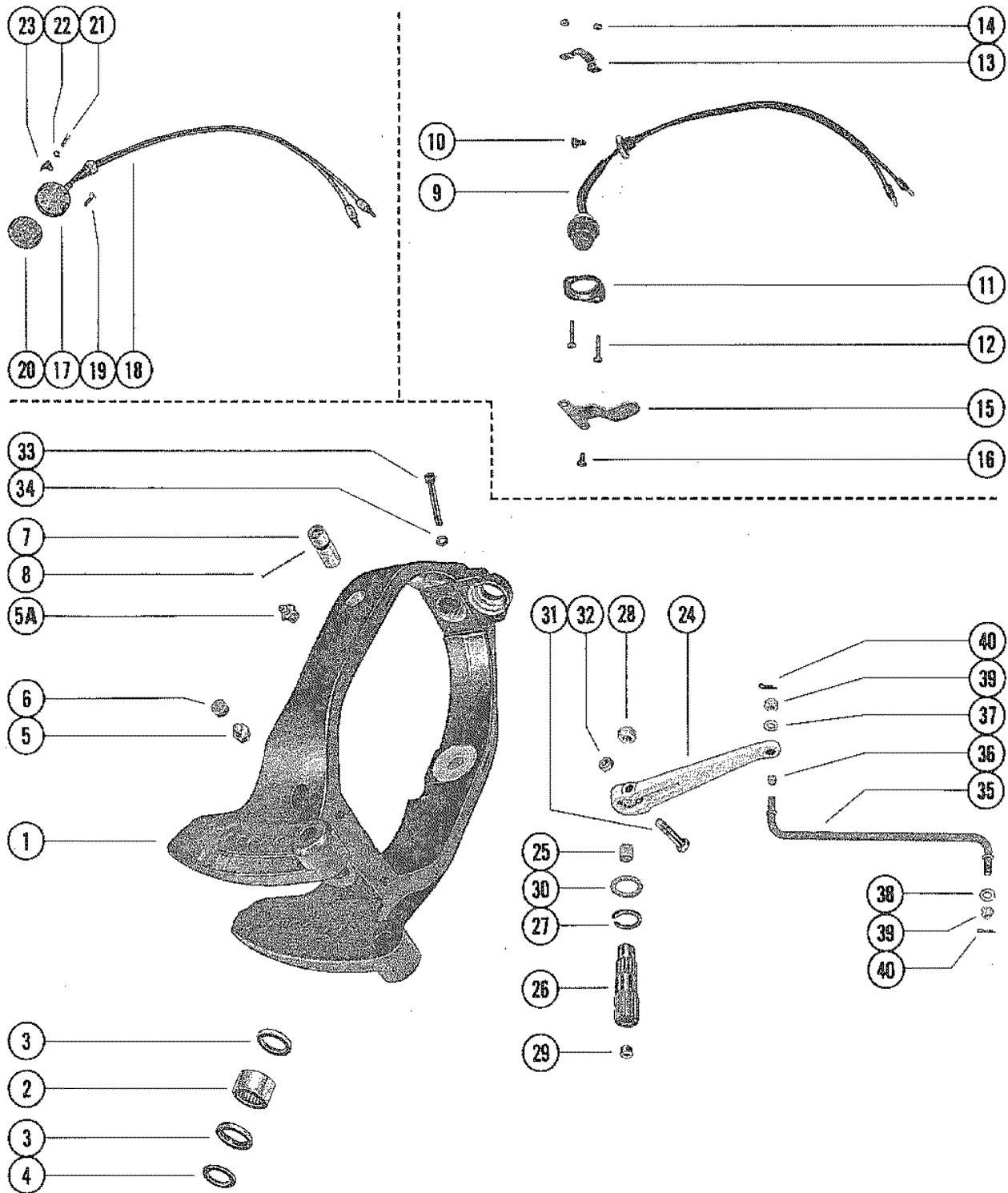


# GIMBAL RING ASSEMBLY AND STEERING LEVER

REF. NO.	PART NO.	SYM.	QTY.	DESCRIPTION
22	13-26996		4	LOCKWASHE, SWITCH AND SENDER SCREW WITH GIMBAL TRIM SENDER
23	57008		4	RETAINER, SWITCH AND SENDER SCREW WITH GIMBAL TRIM SENDER
24	32630A1		1	STEERING LEVER ASSEMBLY USE WITH LINK ROD NOT DRILLED FOR COTTER PIN
	66546A1		1	STEERING LEVER ASSEMBLY USE WITH LINK ROD DRILLED FOR COTTER PIN
25	23-52698		1	SLEEVE, STEERING LEVER
26	32582		1	SHAFT, UPPER SWIVE WITHOUT GIMBAL TRIM SENDER
	65537		1	SHAFT, UPPER SWIVEL WITH GIMBAL TRIM SENDER
28	11-25599		1	NUT, UPPER SWIVEL SHAFT WITH GIMBAL TRIM SENDER
29	22-32561		1	PLUG, -PIPE-UPPER SWIVEL SHAFT WITH GIMBAL TRIM SENDER
30	12-32996		AR	WASHER, UPPER SWIVEL SHAFT (0.15 WITHOUT GIMBAL TRIM SENDER
	12-32997		AR	WASHER, UPPER SWIVEL SHAFT(.063) WITHOUT GIMBAL TRIM SENDER
	12-47683		1	WASHER, UPPER SWIVEL SHAFT(.0310 WITH GIMBAL TRIM SENDER
	12-32997		2	WASHER, UPPER SWIVEL SHAFT (.063) WITH GIMBAL TRIM SENDER
31	10-32995		1	SCREW, STEERING LEVER TO UPPER SWIVEL SHAFT (2")
32	11-20696		1	NUT, STEERING LEVER TO UPPER SWIVEL SHAFT SCREW
33	10-45833		1	SCREW, UPPER SWIVEL SHAFT(2 1/2") WITHOUT GIMBAL TRIM SENDER
34	12-20546		1	WASHER, UPPER SWIVEL SHAFT SCREW WITHOUT GIMBAL TRIM SENDER
35	57441A2		1	STEERING LINK ROD ASSEMBLY LINK ROD NOT DRILLED FOR COTTER PIN
36	23-52698		1	SLEEVE, STEERING LINK ROD LINK ROD NOT DRILLED FOR COTTER PIN
37	12-20086		4	WASHER, STEERING LINK ROD (1/16" THICK) LINK ROD NOT DRILLED FOR COTTER PIN
39	11-20509		2	NUT, STEERING LINK ROD LINK ROD NOT DRILLED FOR COTTER PIN
35	66386A2		1	STEERING LINK ROD ASSEMBLY LINK ROD DRILLED FOR COTTER PIN
	68291A2		1	STEERING LINK ROD ASSEMBLY LINK ROD DRILLED FOR COTTER PIN
36	23-52698		1	SLEEVE, STEERING LINK ROD LINK ROD DRILLED FOR COTTER PIN
37	12-20086		1	WASHER, STEERING LINK ROD (1/16" THICK) LINK ROD DRILLED FOR COTTER PIN
	12-46132		1	WASHER, STEERING LINK ROD (1/8" THICK) 3 LINK ROD DRILLED FOR COTTER PIN
38	11-55438		2	NUT, STEERING LINK ROD LINK ROD DRILLED FOR COTTER PIN

CONTINUED ON NEXT PAGE ➡

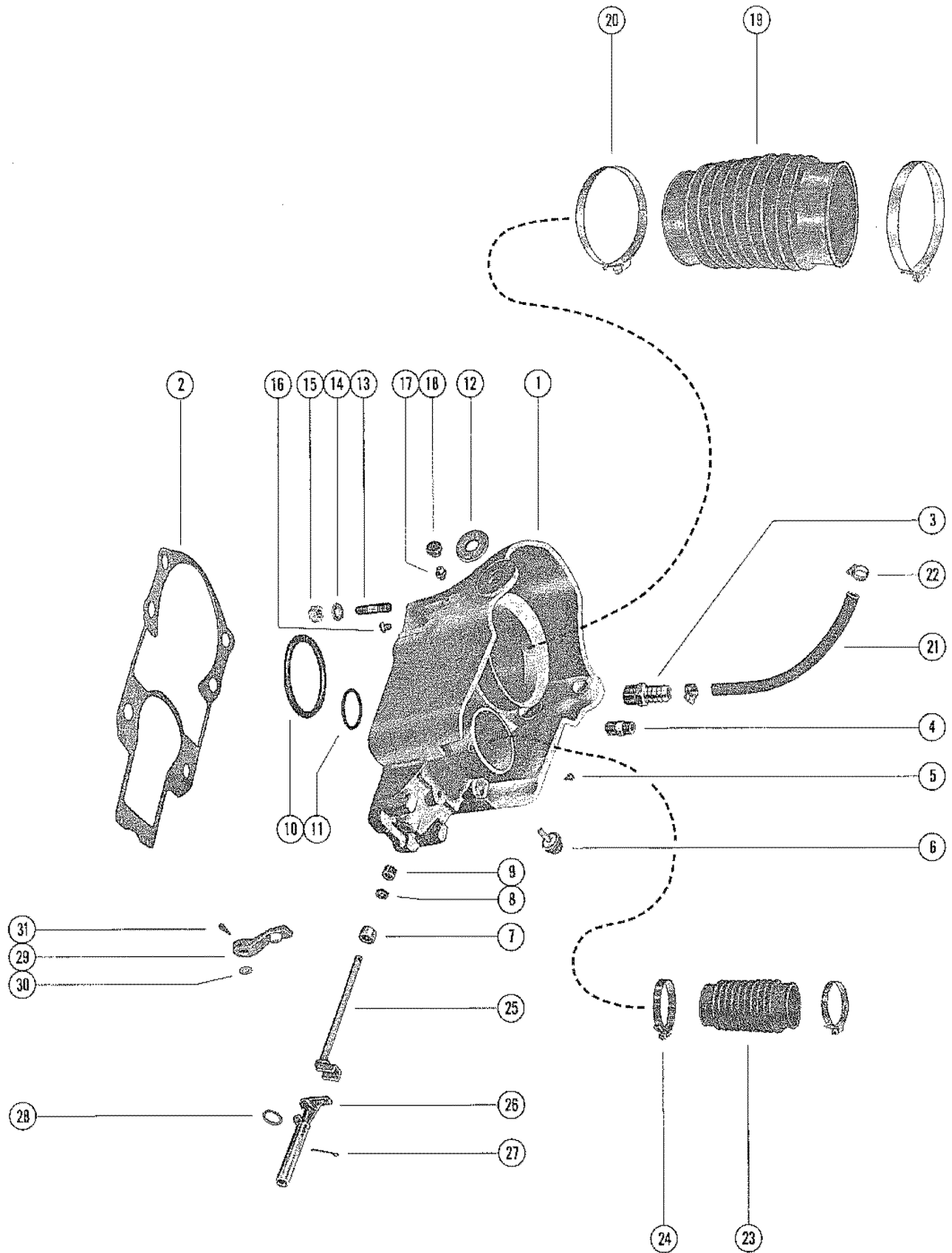
# GIMBAL RING ASSEMBLY AND STEERING LEVER



# GIMBAL RING ASSEMBLY AND STEERING LEVER

REF. NO.	PART NO.	SYM.	QTY.	DESCRIPTION
40	18-45882		2	COTTER PIN, STEERING LINK ROD LINK ROD DRILLED FOR COTTER PIN

# BELL HOUSING ASSEMBLY

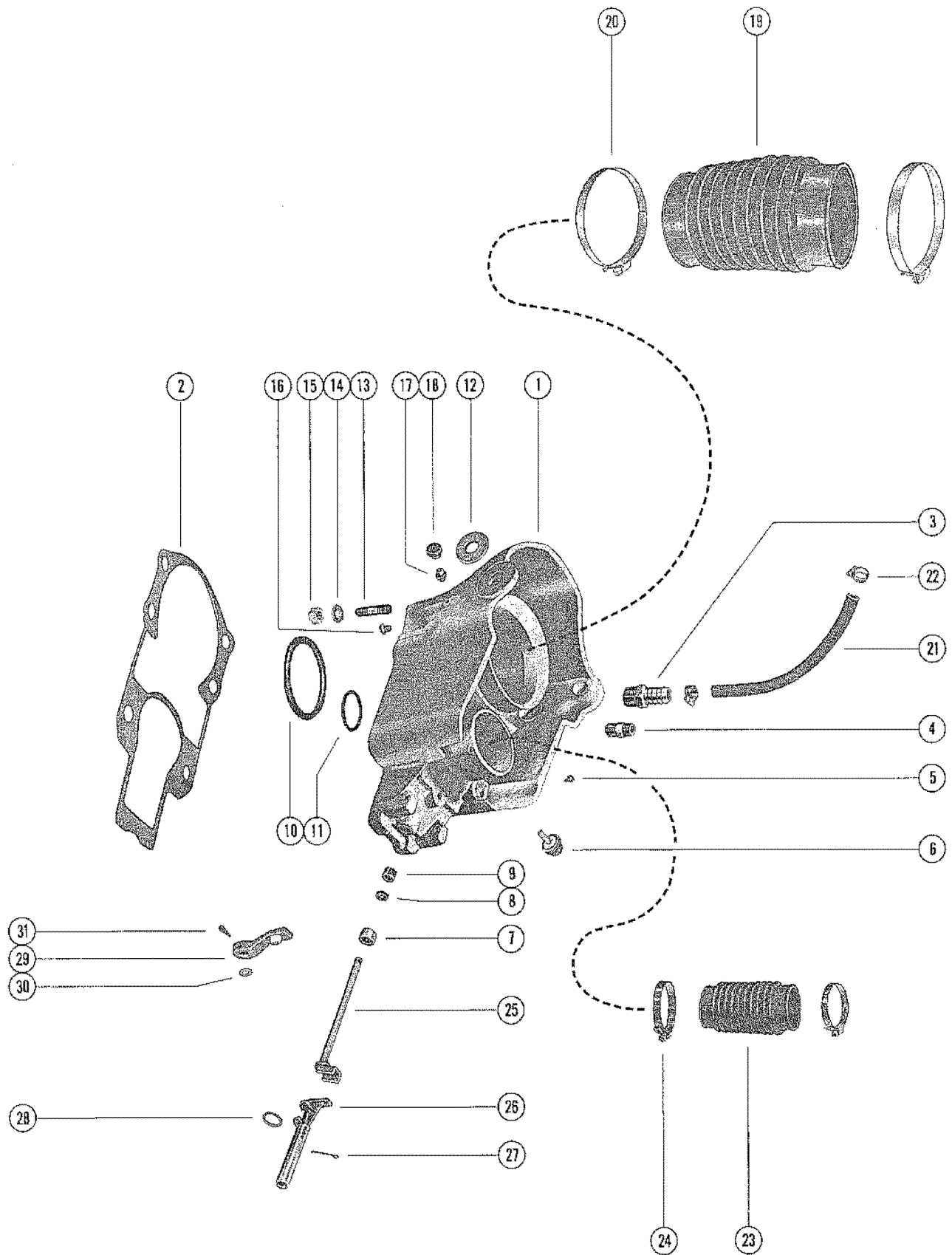


# BELL HOUSING ASSEMBLY

REF. NO.	PART NO.	SYM.	QTY.	DESCRIPTION
1	46734A1		1	BELL HOUSING ASSEMBLY <b>SERIAL 00000000-33443920</b>
	63505A1		1	BELL HOUSING ASSEMBLY <b>SERIAL 03469428-03780849</b>
	66156A6		1	BELL HOUSING ASSEMBLY(WITHOUT GIMBAL TRIM SENDER)
	65535A4		1	BELL HOUSING ASSEMBLY(WITH GIMBAL TRIM SENDER)
2	27-64818		1	GASKET,DRIVE SHAFT HSG.TO BELL HSG.PART OF DRIVE SHAFT HOUS
3	22-33066		1	CONNECTOR,WATER HOSE TO BELL HOUSING
4	22-32125		1	CONNECTOR,SHIFT CABLE-BELL HOUSING(EARLY MODELS)
5	10-25612		8	SCREW,DRIVE-BELL HOUSING FLANGE
6	31014		1	BUMPER,BELL HOUSING <b>SERIAL 00000000-33443920</b>
	63679		1	BUMPER,BELL HOUSING <b>SERIAL 03469428-09999999</b>
7	23-35088		1	BUSHING,BELL HOUSING(5/8")
8	26-45587		1	OIL SEAL,BELL HOUSING
9	23-45588		1	BUSHING,BELL HOUSING(5/16")
10	27-35982		1	GASKET,RUBBER-BELL HOUSING
11	25-33504		1	"O" RING,BELL HOUSING
12	12-38000		2	WASHER,SYNTHANE-BELL HOUSING(WITHOUT GIMBAL TRIM SENDER)
	12-72498		2	WASHER,SYNTHANE-BELL HOUSING(WITH GIMBAL TRIM SENDER)
13	16-59579		6	STUD,BELL HOUSING TO DRIVE SHAFT HOUSING (2 3/4")
14	12-35935		6	WASHER,BELL HOUSING STUD
15	11-34933		6	NUT,BELL HOUSING STUD
16	10-36398		2	SCREW,PLUG-BELL HOUSING(1/4") WITHOUT GIMBAL TRIM SENDER
17	22-31345		2	FITTING,GREASE-BELL HOUSING WITHOUT GIMBAL TRIM SENDER
18	29359		2	LUBRICAP,BELL HOUSING GREASE FITTING WITHOUT GIMBAL TRIM SEN
19	36223A1		1	BELLOWS ASSEMBLY,UNIVERSAL JOINT <b>SERIAL 00000000-33443920</b>
	60932A1		1	BELLOWS ASSEMBLY,UNIVERSAL JOINT <b>SERIAL 03469428-09999999</b>
20	54-31765		2	CLAMP,UNIVERSAL JOINT BELLOWS TO BELL HOUSING AND GIMBAL HOU
21	32-47642		1	HOSE,WATER-BELL HOUSING TO GIMBAL HOUSING (133/4")
22	54-32523		2	CLAMP,WATER HOSE ATTACHING
23	32734		1	BELLOWS,EXHAUST-BELL HOUSING TO GIMBAL HOUSING
24	54-32533		2	CLAMP,EXHAUST BELLOWS TO BELL HOUSING AND GIMBAL HOUSING
25	45589A1		1	SHAFT ASSEMBLY,SHIFT-UPPER
26	32628		1	SHAFT,SHIFT-INTERMEDIATE <b>SERIAL 00000000-04179999</b>
	62104		1	SHAFT,SHIFT-INTERMEDIATE <b>SERIAL 04180000-09999999</b>

CONTINUED ON NEXT PAGE ➡

# BELL HOUSING ASSEMBLY

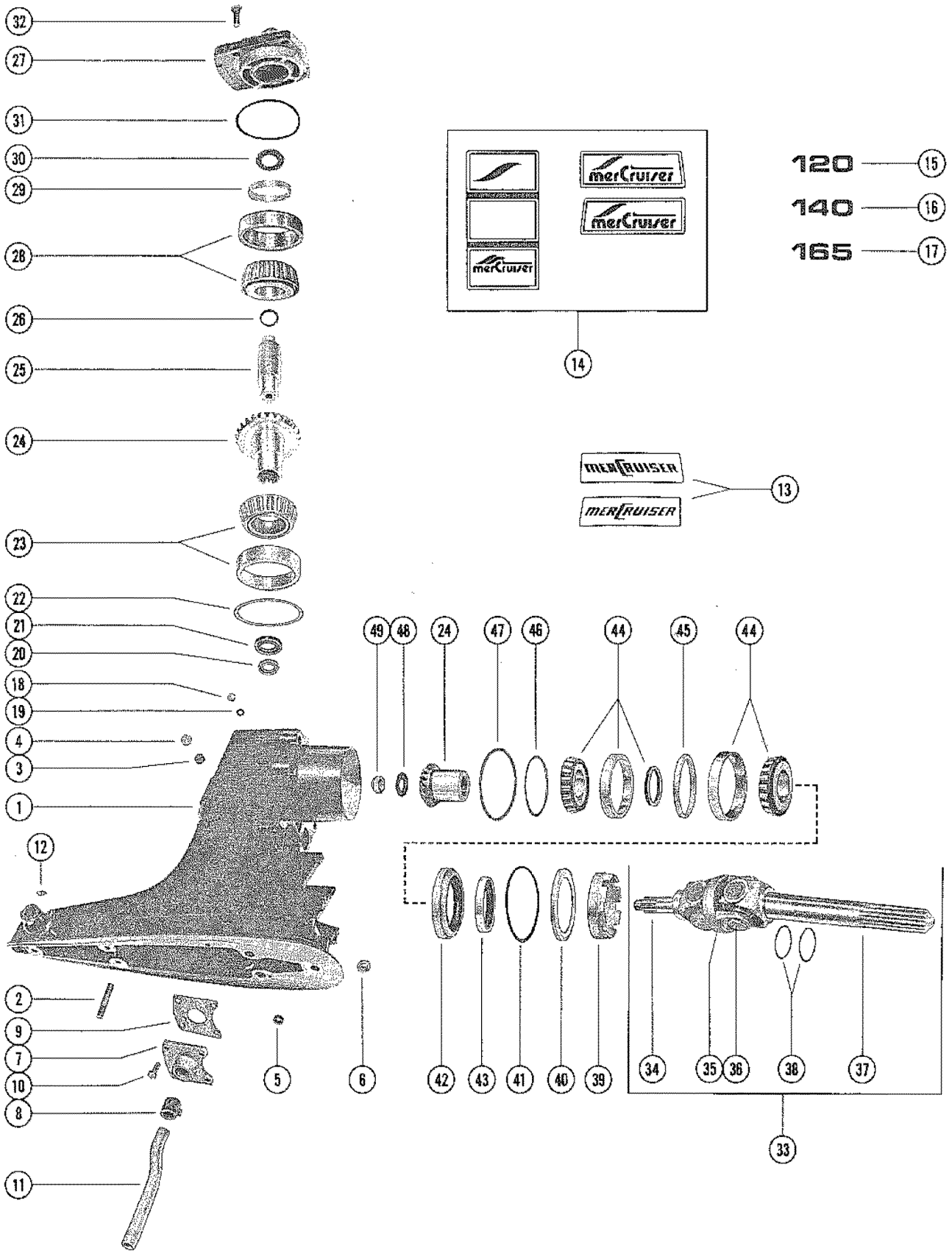




# BELL HOUSING ASSEMBLY

REF. NO.	PART NO.	SYM.	QTY.	DESCRIPTION
27	18-32665		1	COTTER PIN,INTERMEDIATE SHIFT SHAFT RETAINING
28	12-32666		1	WASHER,INTERMEDIATE SHIFT SHAFT
29	45518A1		1	LEVER ASSEMBLY,UPPER SHIFT SHAFT
30	12-39116		1	WASHER,UPPER SHIFT LEVER
31	10-45590		1	SCREW,UPPER SHIFT LEVER TO SHIFT SHAFT (1 1/16")

# DIRVE SHAFT HOUSING ASSEMBLY AND GEAR ASSEMBLY

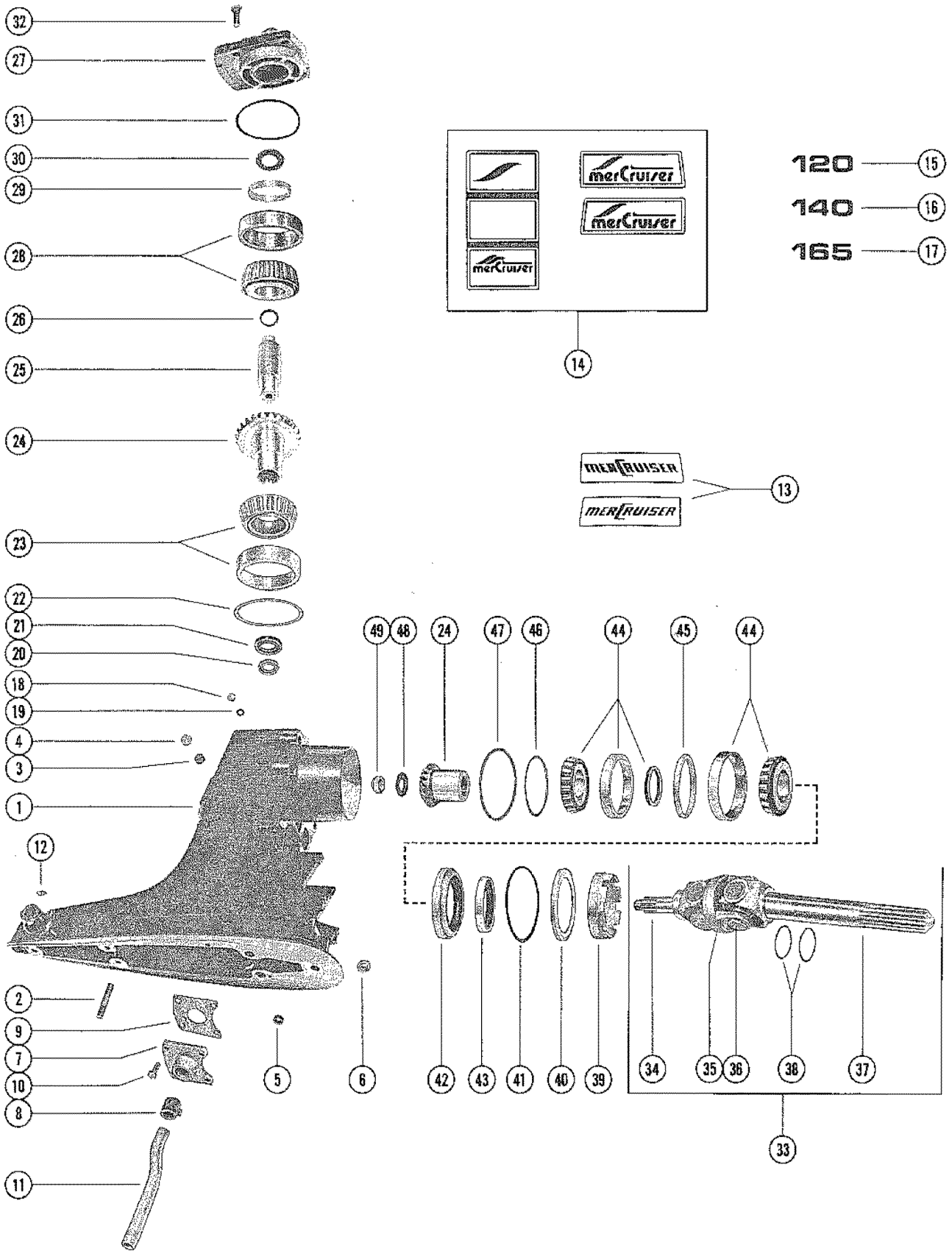


# DIRVE SHAFT HOUSING ASSEMBLY AND GEAR ASSEMBLY

REF. NO.	PART NO.	SYM.	QTY.	DESCRIPTION
1	1547-5523A18		1	DRIVE SHAFT HOUSING ASSEMBLY
2	16-56295		2	STUD,DRIVE SHAFT HOUSING TO GEAR HOSUING(2 11/16")
3	22-31704		1	PLUG,PIPE-DRIVE SHAFT HOUSING(WATER POCKET)
4	19-32652		1	WELCH PLUG,DRIVE SHAFT HOUSING
5	23-32632		1	BUSHING,DRIVE SHAFT HOUSING
6	11-34933		3	NUT,GEAR HOUSING TO DRIVE SHAFT HOUSING STUD
7	54235A2		1	COVER ASSEMBLY,WATER POCKET-DRIVE SHAFT HOUSING
8	26-36557		1	SEAL,RUBBER-WATER POCKET COVER
9	27-55810		1	GASKET,WATER POCKET COVER
10	10-28668		4	SCREW,WATER POCKET COVER TO DRIVE SHAFT HOUSING (7/8")
11	32-54236		1	TUBE,WATER-WATER POCKET COVER
12	19-32298		1	PLUG,TRIM TAB HOLE-DRIVE SHAFT HOUSING
13	37-56480A1		1	DECAL SET,DRIVE SHAFT HOUSING <b>SERIAL 00000000-04530701</b>
14	37-76731A1		1	DECAL SET,DRIVE SHAFT HOUSING <b>SERIAL 04530702-09999999</b>
15	37-76749		1	DECAL,DRIVE SHAFFT HOUSING -120 <b>SERIAL 04530702-09999999</b>
16	37-76750		1	DECAL,DRIVE SHAFT HOUSING-140 <b>SERIAL 04530702-09999999</b>
17	37-76751		2	DECAL,DRIVE SHAFT HOUSING-165 <b>SERIAL 04530702-09999999</b>
18	10-28634		2	SCREW,DRIVE SHAFT HOUSING FILLER AND VENT HOLE
19	12-20260		2	WASHER,DRIVE SHAFT HOUSING GREASE FILLER AND VENT HOLE SCREW
20	26-37259		1	OIL SEAL,DRIVE SHAFT HOUSING-LOWER
21	26-32511		1	OIL SEAL,GEAR CHAMBER-DRIVE SHAFT HOUSING
22	15-36178A1		AR	SHIM,BEARING CUP TO DRIVE SHAFT HOUSING (.002-3-5-10-15)
23	31-35990A1		1	TAPERED ROLLER BEARING ASSEMBLY,PINION GEAR
24	43-55766A2		1	GEAR ASSEMBLY,COMPLETE-MERCURISER 120/140 <b>(20-24 GEAR RATIO)-7.98 RATIO</b>
	43-55765A2		1	GEAR ASSEMBLY,COMPLETE-MERCURISER 165 <b>(24-24 GEAR RATIO)-1.65 RATIO</b>
25	45-55796		1	DRIVE SHAFT,UPPER
26	25-55801		1	"O" RING.UPPER DRIVE SHAFT
27	55758		1	COVER,TOP-DRIVE SHAFT HOUSING <b>SERIAL 00000000-03134193</b>
28	31-32575A1		1	BEARING ASSEMBLY,DRIVE SHAFT <b>SERIAL 00000000-03134193</b>
29	23-55798		1	SPACER,UPPER DRIVE SHAFT <b>SERIAL 00000000-03134193</b>
30	24-55797		1	SPRING,UPPER DRIVE SHAFT(TOP COVER) <b>SERIAL 00000000-03134193</b>
27	61102A1		1	COVER ASSEMBLY,TOP-DRIVE SHAFT HOUSING <b>SERIAL 03213658-03443920</b>

CONTINUED ON NEXT PAGE ➡

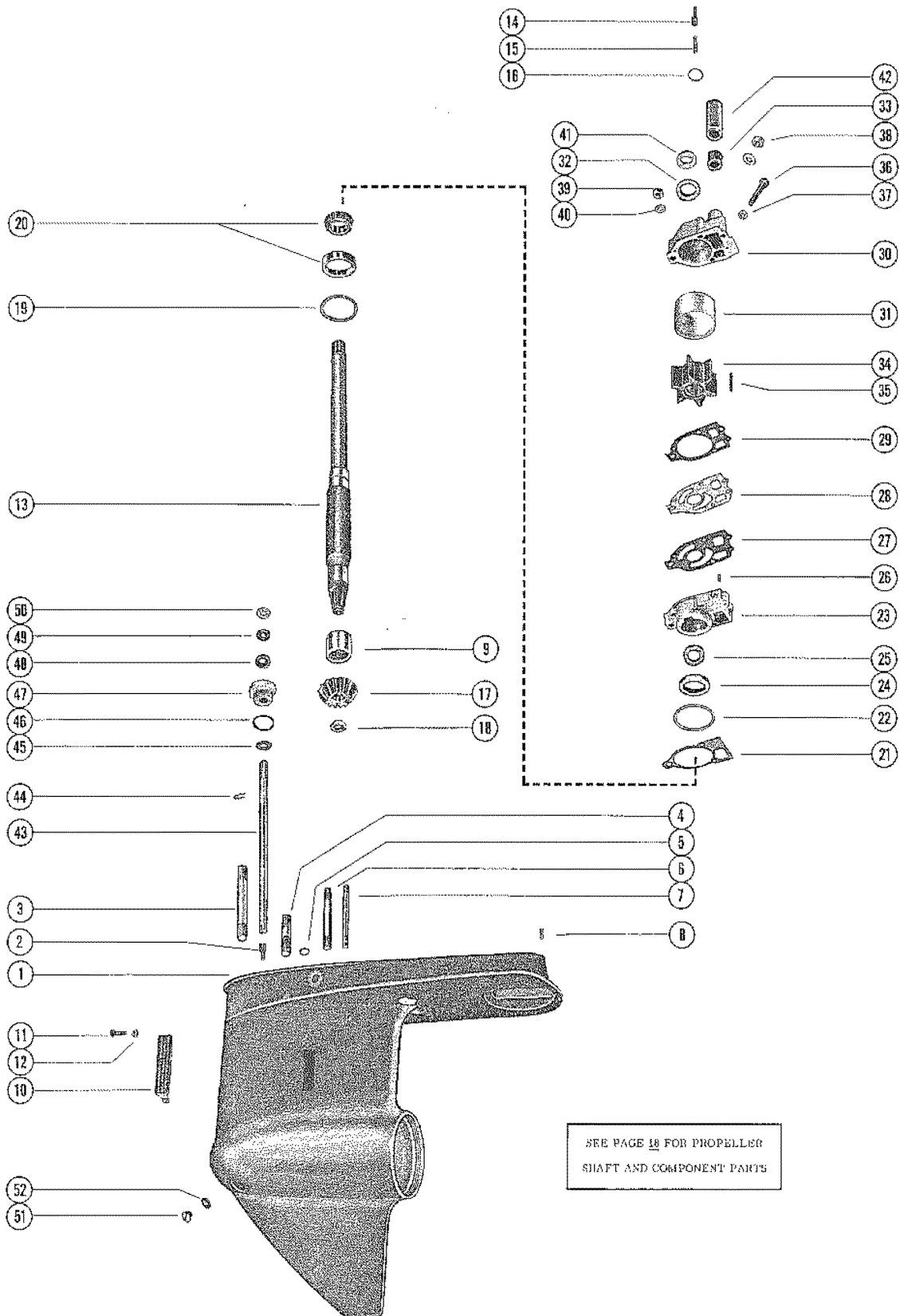
# DIRVE SHAFT HOUSING ASSEMBLY AND GEAR ASSEMBLY



# DIRVE SHAFT HOUSING ASSEMBLY AND GEAR ASSEMBLY

REF. NO.	PART NO.	SYM.	QTY.	DESCRIPTION
28	31-61100A1		1	BEARING ASSEMBLY,DRIVE SHAFT <b>SERIAL 03213658-03443920</b>
30	24-55797		1	SPRING,UPPER DRIVE SHAFT (TOP COVER0 <b>SERIAL 03213658-03443920</b>
27	62266A1		1	COVER ASSEMBLY,TOP-DRIVE SHAFT HOUSING <b>SERIAL 03469428-04530701</b>
28	31-61100A1		1	BEARING ASSEMBLY,DRIVE SHAFT <b>SERIAL 03469428-04530701</b>
30	15-45691A1		AR	SHIM,BEARING CUP TO COVER <b>SERIAL 03469428-04530701</b>
27	76098A1		1	COVER ASSEMBLY,TOP-DRIVE SHAFT HOUSING <b>SERIAL 04530702-09999999</b>
28	31-61100A1		1	BEARING ASSEMBLY,DRIVE SHAFT <b>SERIAL 04530702-09999999</b>
30	15-45691A1		AR	SHIM,BEARING CUP TO TOP COVER <b>SERIAL 04530702-09999999</b>
31	25-32546		1	"O" RING, TOP COVER SEALING
32	10-58640		4	SCREW, TOP COVER TO DRIVE SHAFT HOUSING(1 1/4")
33	58858A1		1	UNIVERSAL JOINT ASSEMBLY,DRIVE GEAR
34	46020		1	YOKE,UNIVERSAL JOINT-GEAR END
35	39383		1	SOCKET,CENTER-UNIVERSAL JOINT
36	58749		2	CROSS AND BEARING ASSEMBLY, UNIVERSAL JOINT
37	39385A1		1	YOKE ASSEMBLY,UNIVERSAL JOINT-COUPLING END
38	25-25439		1	"O" RING,UNIVERSAL JOINT
39	66071		1	RETAINER,TAPERED ROLLER BEARING-UNIVERSAL JOINT
40	35983		1	RING,ROLLER BEARING RETAINER TO OIL SEAL CARRIER
41	25-70937		1	"O" RING,OIL SEAL CARRIER
42	35993A1		1	CARRIER ASSEMBLY,OIL SEAL <b>SERIAL 00000000-03780849</b>
	66081A2		1	CARRIER ASSEMBLY,OIL SEAL <b>SERIAL 03780850-09999999</b>
43	26-68493		1	OIL SEAL,CARRIER
44	31-35988A2		1	TAPERED ROLLER BEARING ASSEMBLY,DRIVE GEAR
45	23-35985		1	SPACER,DRIVE GEAR BEARING CUPS
46	15-35980A1		AR	SHIM,BEARING CUP TO DRIVE SHAFT HOUSING(.002-3-5-10-25
47	15-71013		1	SHIM,BEARING CUP TO DRIVE SHAFT HOUSING
48	12-45810		1	WASHER,DRIVE GEAR TO UNIVERSAL JOINT NUT
49	11-22339		1	NUT,DRIVE GEAR TO UNIVERSAL JOINT

# GEAR HOUSING ASSEMBLY, COMPLETE

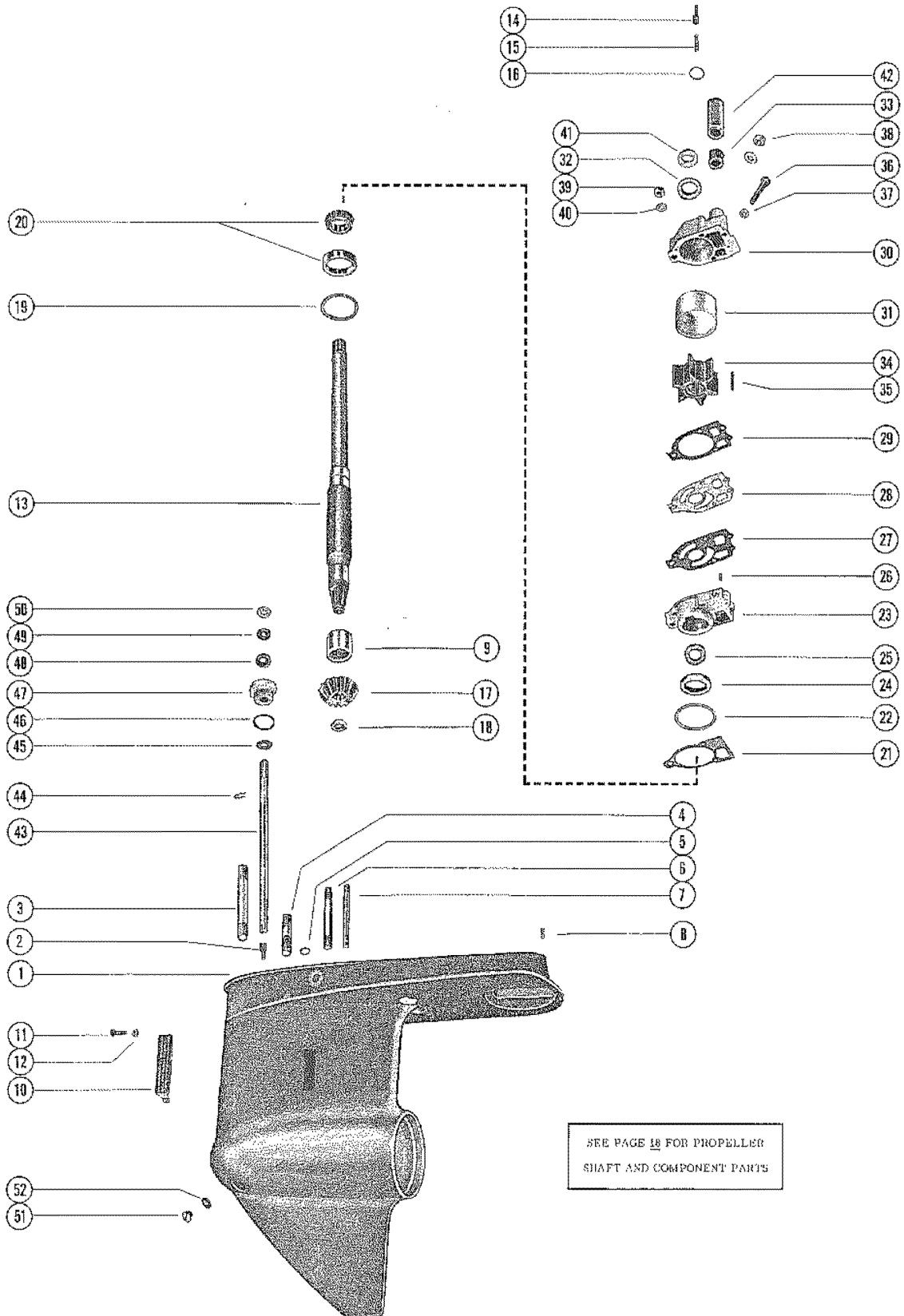


# GEAR HOUSING ASSEMBLY, COMPLETE

REF. NO.	PART NO.	SYM.	QTY.	DESCRIPTION
-	1623-4110A4		1	GEAR HOUSING ASSEMBLY, COMPLETE SERIAL 00000000-03443920
-	1623-4110A6		1	GEAR HOUSING ASSEMBLY, COMPLETE SERIAL 03469428-00378084
-	1623-4110A13		1	GEAR HOUSING ASSEMBLY, COMPLETE SERIAL 03780850-03899469
-	1623-5356A3		1	GEAR HOSING ASSEMBLY, COMPLETE SERIAL 03899470-09999999
1	1623-4110A3		1	GEAR HOSING ASSEMBLY SERIAL 00000000-03899469
	1623-5356A4		1	GEAR HOUSING ASSEMBLY SERIAL 03899470-09999999
2	17-37972		1	PIN, SHIFT CRANK - GEAR HOUSING
3	16-46911		1	STUD, GEAR HOSUING TO DRIVE SHAFT HOUSING (3 3/16")
4	16-56298		2	STUD, GEAR HOUSING TO DRIVE SHAFT HOSING (1 31/32")
5	26-45577		1	SEAL, GEAR HOUSING
6	16-56297		1	STUD, WATER PUMP BASE AND BODY TO GEAR HOUSING (3 3/8")
7	16-69501		2	STUD, WATER PUMP BASE AND BODY TO GAER HOUSING (3 1/4")
8	17-46912		2	PIN, DOWEL - GEAR HOSUING TO DRIVE SHAFT HOUSING
9	31-35934		1	BEARING, ROLLER - DRIVE SHAFT
10	66885		1	INSERT, WATER PICKUP (STARBOARD SIDE) SERIAL 03899470-09999999
	66884		1	INSERT, WATER PICKUP (PORT SIDE) SERIAL 03899470-09999999
11	10-67373		1	SCREW, INSERT TO GEAR HOUSING (1 7/8") SERIAL 03469428-04530701
	10-76156		1	SCREW, INSERT TO GEAR HOUSING (1 7/8") SERIAL 00453072-09999999
12	11-45812		1	NUT, INSERT SCREW SERIAL 03899470-09999999
13	45-55757A1		1	DRIVE SHAFT ASSEMBLY
14	17-30545		1	PIN, DRIVE SHAFT
15	24-34576		1	SPRING, COMPRESSION - DRIVE SHAFT
16	25-30613		1	"O" RING, UPPER - DRIVE SHAFT
17	43-55812		1	GEAR, PINION - DRIVE SHAFT SERIAL 00000000-03443920
	43-61027		1	GEAR, PINION - DRIVE SHAFT SERIAL 03469428-09999999
18	11-35921		1	NUT, PINION GEAR TO SHAFT
19	15-57007A1		AR	SHIM, DRIVE SAHFT BAERING TO GAER HOUSING (.002-3-5-10)
20	31-53079A1		1	TAPERED ROLLER BEARING ASSEMBLY, DRIVE SHAFT
21	27-33146		1	GASKET, WATER PUMP BASE TO GEAR HOUSING
22	25-33145		1	"O" RING, WATER PUMP BASE
23	46-57234A1		1	WATER PUMP BASE ASSEMBLY
24	26-33144		1	OIL SEAL, WATER PUMP BASE
25	26-31507		1	OIL SEAL, WATER PUMP BASE

CONTINUED ON NEXT PAGE ➡

# GEAR HOUSING ASSEMBLY, COMPLETE



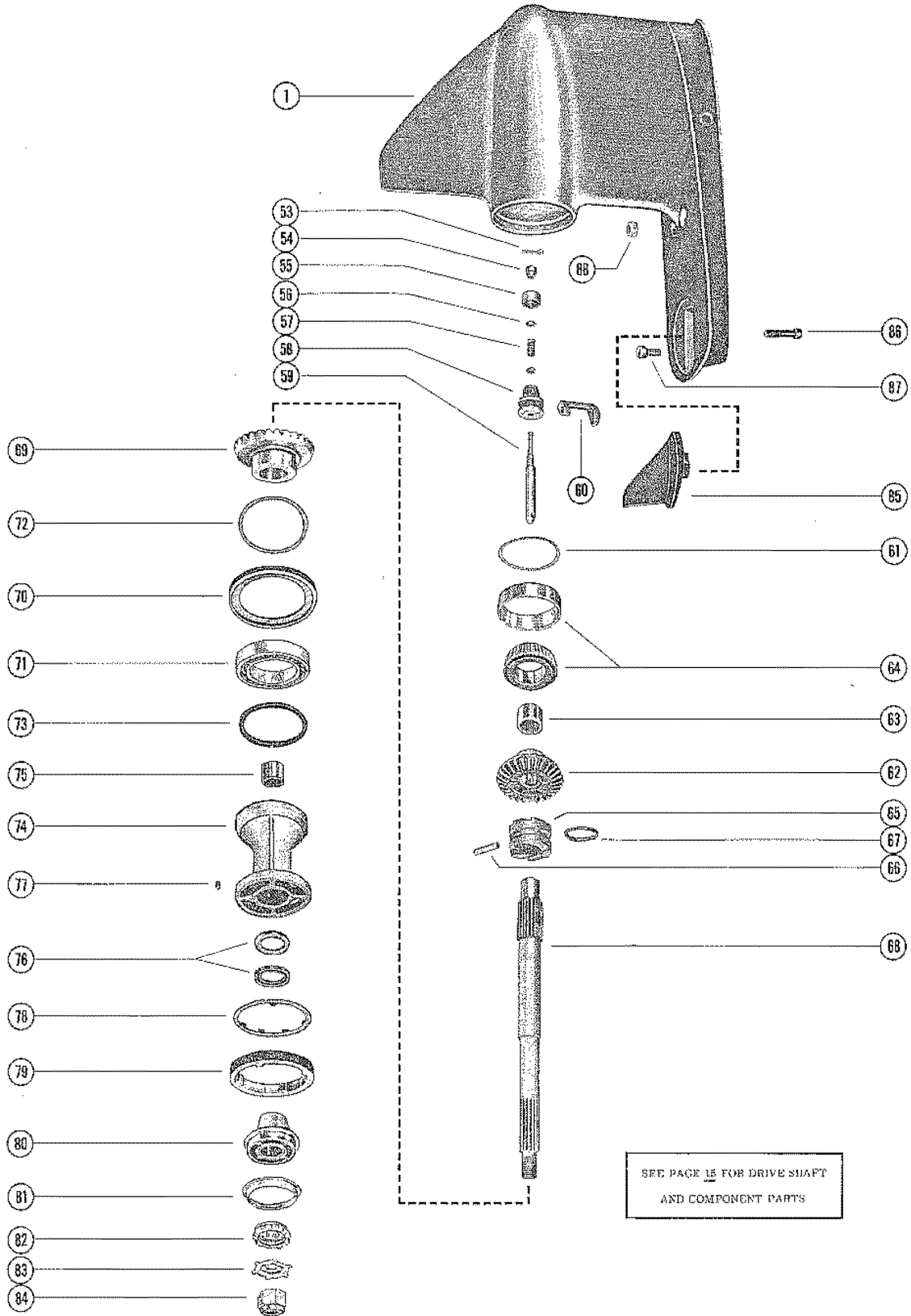
SEE PAGE 18 FOR PROPELLER  
SHAFT AND COMPONENT PARTS



# GEAR HOUSING ASSEMBLY, COMPLETE

REF. NO.	PART NO.	SYM.	QTY.	DESCRIPTION
26	17-35973		2	DOWEL PIN, WATER PUMP BASE TO WATER PUMP BODY
27	27-32433		1	GASKET, LOWER - WATER PUMP BASE TO FACE PLATE
28	32435		1	PLATE, FACE - WATER PUMP BASE TO WATER PUMP BODY
29	27-32434		1	GASKET, UPPER - FACE PLATE TO WATER PUMP BODY
30	46-48743A1		1	WATER PUMP BODY ASSEMBLY <b>SERIAL 00000000-03780849</b>
	46-64141A1		1	WATER PUMP BODY ASSEMBLY <b>SERIAL 03780850-09999999</b>
31	48752		1	INSERT, WATER PUMP BODY
32	26-31507		1	OIL SEAL, WATER PUMP BODY (EARLY MODELS ONLY)
33	26-38970		1	SEAL, RUBBER - WATER INLET TUBE
34	47-65960		1	IMPELLER, WATER PUMP
35	28-56654		1	KEY, IMPELLER DRIVE
36	10-30720		1	SCREW, WATER PUMP BODY TO GEAR HOUSING (2 1/4")
37	12-36001		1	WASHER, WATER PUMP BODY SCREW
38	11-35888		2	NUT, WATER PUMP BODY STUDS (1 1/4-28)
39	11-45592		1	NUT, WATER PUMP BODY STUD (5/16-24)
40	12-29245		3	WASHER, WATER PUMP BODY STUD
41	25-30271		1	RING, RUBBER - CENTRIFUGAL SLINGER (DRIVE SHAFT)
42	23-29804		1	SLEEVE, GUIDE - WATER INLET TUBE
43	65028		1	SHIFT, SHIFT - LOWER <b>SERIAL 00000000-03780849</b>
	66066		1	SHAFT, SHIFT - LOWER <b>SERIAL 03780850-09999999</b>
44	18-20233		1	CLIP, RETAINING - SHIFT SHAFT
45	12-27880		1	WASHER, LOWER SHIFT SHAFT AND CRANK
46	25-25439		1	"O" RING, SHAFT SHAFT BUSHING
47	23-30617A2		1	BUSHING ASSEMBLY, SHIFT SHAFT
48	26-46021		1	OIL SEAL, SHIFT SHAFT BUSHING
49	12-31266		1	WASHER, RUBBER - SHIFT SHAFT BUSHING
50	12-29395		1	WASHER, SHIFT SHAFT
51	10-28634		1	SCREW, GEAR HOUSING GREASE FILLER AND VENT HOLE
52	12-20260		1	WASHER, GEAR HOUSING GREASE FILLER AND VENT HOLE SCREW
-	<b>46-96148A8</b>		<b>1</b>	<b>WATER PUMP KIT</b>

# GEAR HOUSING ASSEMBLY

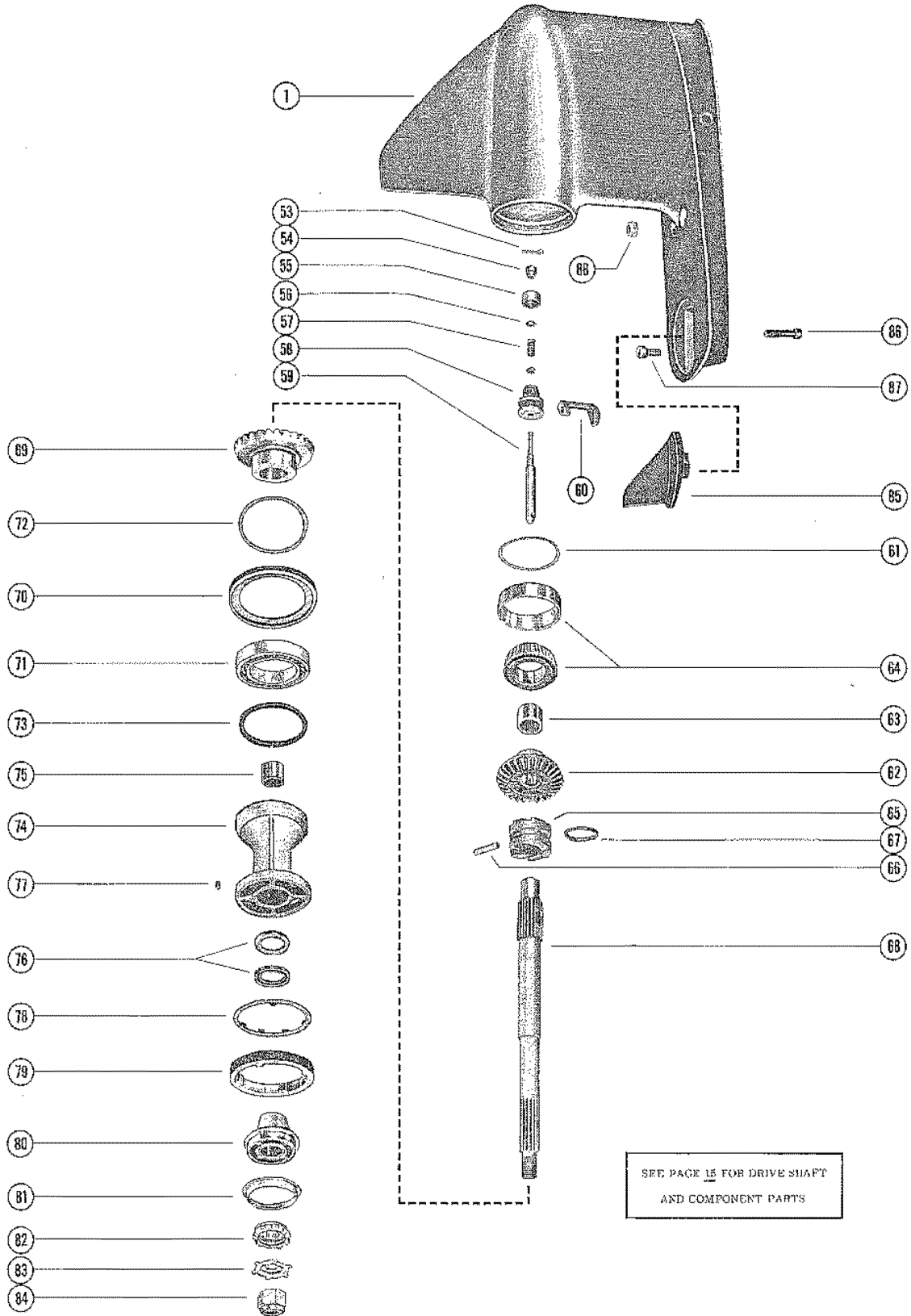


# GEAR HOUSING ASSEMBLY

REF. NO.	PART NO.	SYM.	QTY.	DESCRIPTION
-	1623-4110A6		1	GEAR HOUSING SERIAL 00000000-03780849
-	1623-8951A2		1	GEAR HOUSING SERIAL 03780850-09999999
1	1623-5356A4		1	GEAR HOUSING
53	18-89212		1	COTTER PIN, CLUTCH ACTUATING SHAFT
54	N.S.S.		1	SLEEVE, ADJUSTING REPLACED BY 19755A4 REPLACED BY 19755A2
55	N.S.S.		1	RETAINER, SPRING REPLACED BY 19755A4 REPLACED BY 19755A2
56	N.S.S.		2	WASHER REPLACED BY 19755A4 REPLACED BY 19755A2
57	N.S.S.		1	SPRING REPLACED BY 19755A4 REPLACED BY 19755A2
58	N.S.S.		1	SPOOL REPLACED BY 19755A4 REPLACED BY 19755A2
59	N.S.S.		1	SHAFT REPLACED BY 19755A4 REPLACED BY 19755A2
60	37966		1	SHIFT CRANK SERIAL 00000000-03780849
	76865		1	SHIFT CRANK SERIAL 03780850-09999999
61	15-47397A1		AR	SHIM
62	43-35930A2		1	FORWARD GEAR SERIAL 00000000-03443920
	43-92158A1		1	FORWARD GEAR SERIAL 03469428-09999999
63	31-30895		1	ROLLER BEARING, FORWARD GEAR
64	31-35928A1		1	TAPERED ROLLER BEARING ASSEMBLY
65	52-37963		1	CLUTCH SERIAL 00000000-03780849
	52-66063		1	CLUTCH SERIAL 03780850-09999999
66	17-30632		1	CROSS PIN
67	24-30893		1	SPRING, RETAINER - CROSS PIN
68	44-66060		1	PROPELLER SHAFT
69	43-37964		1	REVERSE GEAR SERIAL 00000000-03443920
	43-61026		1	REVERSE GEAR SERIAL 03469428-09999999
70	35915		1	THRUST RING, BEARING CARRIER
71	30-17927		1	BALL BEARING, REVERSE GEAR
72	15-31535A1		AR	SHIM
73	25-31534		1	O-RING, BEARING CARRIER
74	73020A14		1	BEARING CARRIER ASSEMBLY
75	31-30956		1	ROLLER BEARING
76	26-76868		2	OIL SEAL
77	28-30281		1	KEY
78	14-79447		1	TAB WASHER, GEAR HOUSING COVER
79	79448		1	COVER, GEAR HOUSING
80	56292A2		1	THRUST HUB AND WASHER ASSEMBLY
81	12-35965		1	WASHER, CUPPED
82	12-31211A2		1	WASHER, SPLINED - PROPELLER SHAFT
83	14-31210		1	TAB WASHER, PROPELLER NUT
84	11-52707A1		1	PROPELLER NUT

CONTINUED ON NEXT PAGE ➡

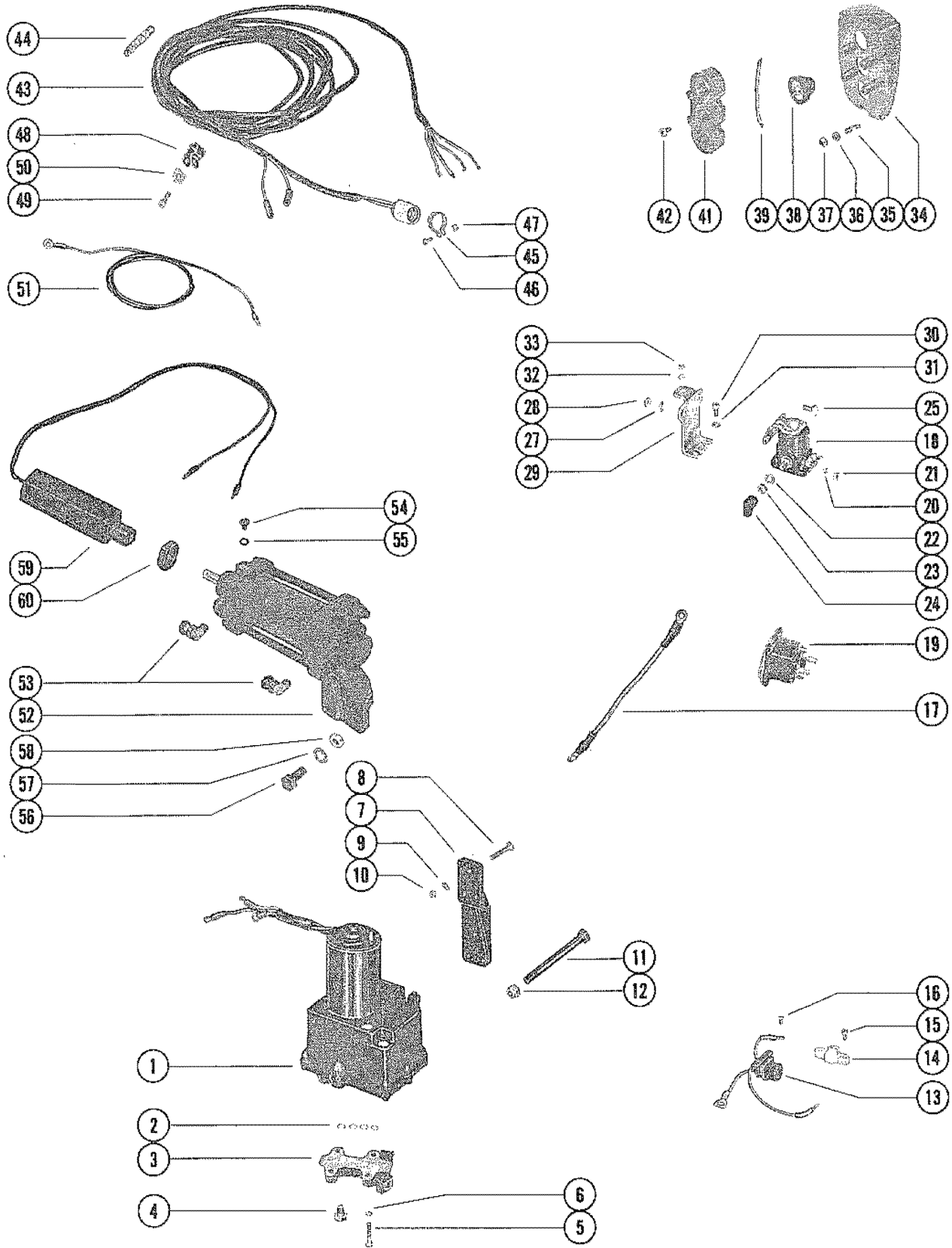
# GEAR HOUSING ASSEMBLY



## GEAR HOUSING ASSEMBLY

REF. NO.	PART NO.	SYM.	QTY.	DESCRIPTION
85	31640A1		1	TRIM TAB ASSEMBLY (120-140)
	34127A1		1	TRIM TAB ASSEMBLY (165)
86	10-32470		1	SCREW, TRIM TAB TO GEAR HOUSING (1-3/4")
87	10-30206		1	SCREW, GEAR HOUSING TO DRIVE SHAFT HOUSING (1")
88	11-34933		2	NUT, DRIVE SHAFT HOUSING TO GEAR HOUSING STUD)

# HYDRAULIC PUMP AND TRIM INDICATOR CONTROL PANEL

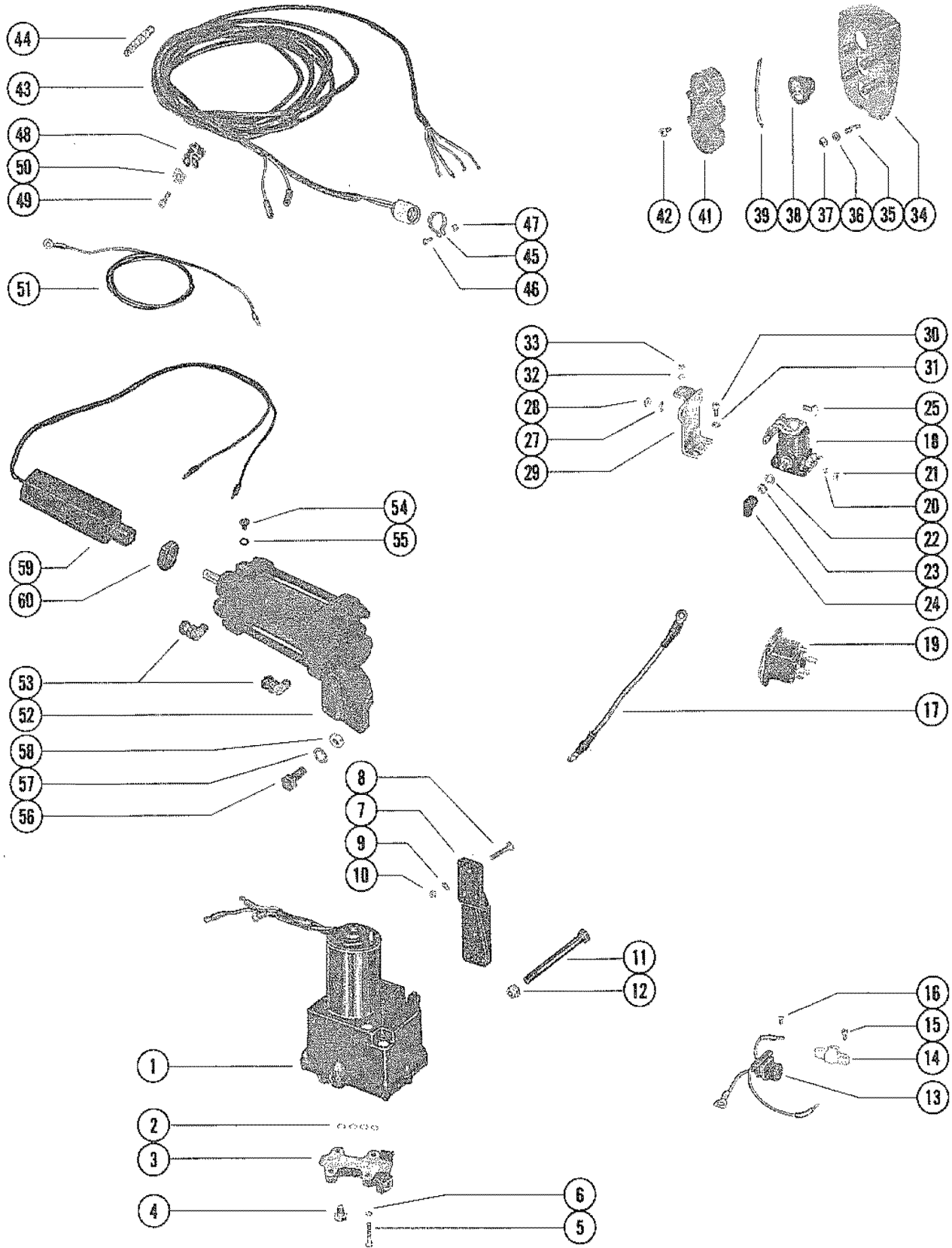


# HYDRAULIC PUMP AND TRIM INDICATOR CONTROL PANEL

REF. NO.	PART NO.	SYM.	QTY.	DESCRIPTION
1	74436A9		1	HYDRAULIC PUMP ASSEMBLY
2	25-26834		4	"O" RING, HYDRAULIC PUMP TO CONTROL VALVE
3	48077A3		1	CONTROL VALVE ASSEMBLY
	25-26834		4	"O" RING, HYDRAULIC PUMP TO CONTROL VALVE <b>SEE REFERENCE #2</b>
4	22-38609		1	PLUG, CONTROL VALVE
5	10-21091		4	SCREW, CONTROL VALVE TO HYDRAULIC PUMP (1 1/8")
6	13-26992		4	LOCKWASHER, CONTROL VALVE SCREW
7	46306A1		1	BRACKET ASSEMBLY, HYDRAULIC PUMP MOUNTING
8	10-26066		3	SCREW, HYDRAULIC PUMP TO BRACKET (1 1/4")
9	12-20546		3	WASHER, HYDRAULIC PUMP SCREW
10	11-35814		3	NUT, HYDRAULIC PUMP SCREW
11	10-29877		1	SCREW, MOUNTING BRACKET TO TRANSOM PLATE (3 1/4")
	10-45765		2	SCREW, MOUNTING BRACKET TO TRANSOM PLATE (4 1/4")
12	11-35814		3	NUT, MOUNTING BRACKET SCREW
13	45325		1	CONNECTOR AND HARNESS (GREEN LEAD 3" LONG)
	84-74023		1	CONNECTOR AND HARNESS (GREEN LEAD 5 1/2" LONG)
14	45559		1	TERMINAL BLOCK, HYDRAULIC PUMP
15	10-35519		2	SCREW, TERMINAL BLOCK TO HYDRAULIC PUMP (1/2")
16	10-62568		2	SCREW, HARNESS LEADS TO TERMINAL BLOCK (3/8")
17	52752		1	JUMPER WIRE, STARTER SOLENOID TO MOUNTING BRACKET
18	25661		1	STARTER SOLENOID <b>SEE PHOTO FOR CORRECT SOLENOID REPLACEMENT</b>
19	89-68258		1	STARTER SOLENOID <b>SEE PHOTO FOR CORRECT SOLENOID REPLACEMENT</b>
20	13-26996		2	LOCKWASHER, STARTER SOLENOID TERMINAL (#10)
21	11-20645		2	NUT, STARTER SOLENOID TERMINAL (#10)
22	13-26993		2	LOCKWASHER, STARTER SOLENOID TERMINAL (5/16")
23	11-20083		2	NUT, STARTER SOLENOID TERMINAL (5/16-24")
	11-68292		2	NUT, STARTER SOLENOID TERMINAL (5/16"-18)
24	46265		2	BOOT, RUBBER - STARTER SOLENOID TERMINAL
25	10-34290		2	SCREW, STARTER SOLENOID TO MOUNTING BRACKET (5/8")
	10-69052		2	SCREW, STARTER SOLENOID TO MOUNTING BRACKET (1/2")
27	13-26992		2	LOCKWASHER, STARTER SOLENOID SCREW
28	11-21825		2	NUT, STARTER SOLENOID SCREW
29	74407		1	BRACKET, MOUNTING - STARTER SOLENOID
30	10-21140		2	SCREW, MOUNTING BRACKET TO HYDRAULIC PUMP (1/2")
31	13-26992		2	LOCKWASHER, MOUNTING BRACKET SCREW
32	13-27660		2	LOCKWASHER, HYDRAULIC PUMP THRU BOLT
33	11-24656		1	NUT, MOUNTING BRACKET TO HYDRAULIC PUMP THRU BOLT
	55642A7		1	CONTROL PANEL ASSEMBLY, COMPLETE
34	55642A1		1	PANEL ASSEMBLY, CONTROL

CONTINUED ON NEXT PAGE ➡

# HYDRAULIC PUMP AND TRIM INDICATOR CONTROL PANEL

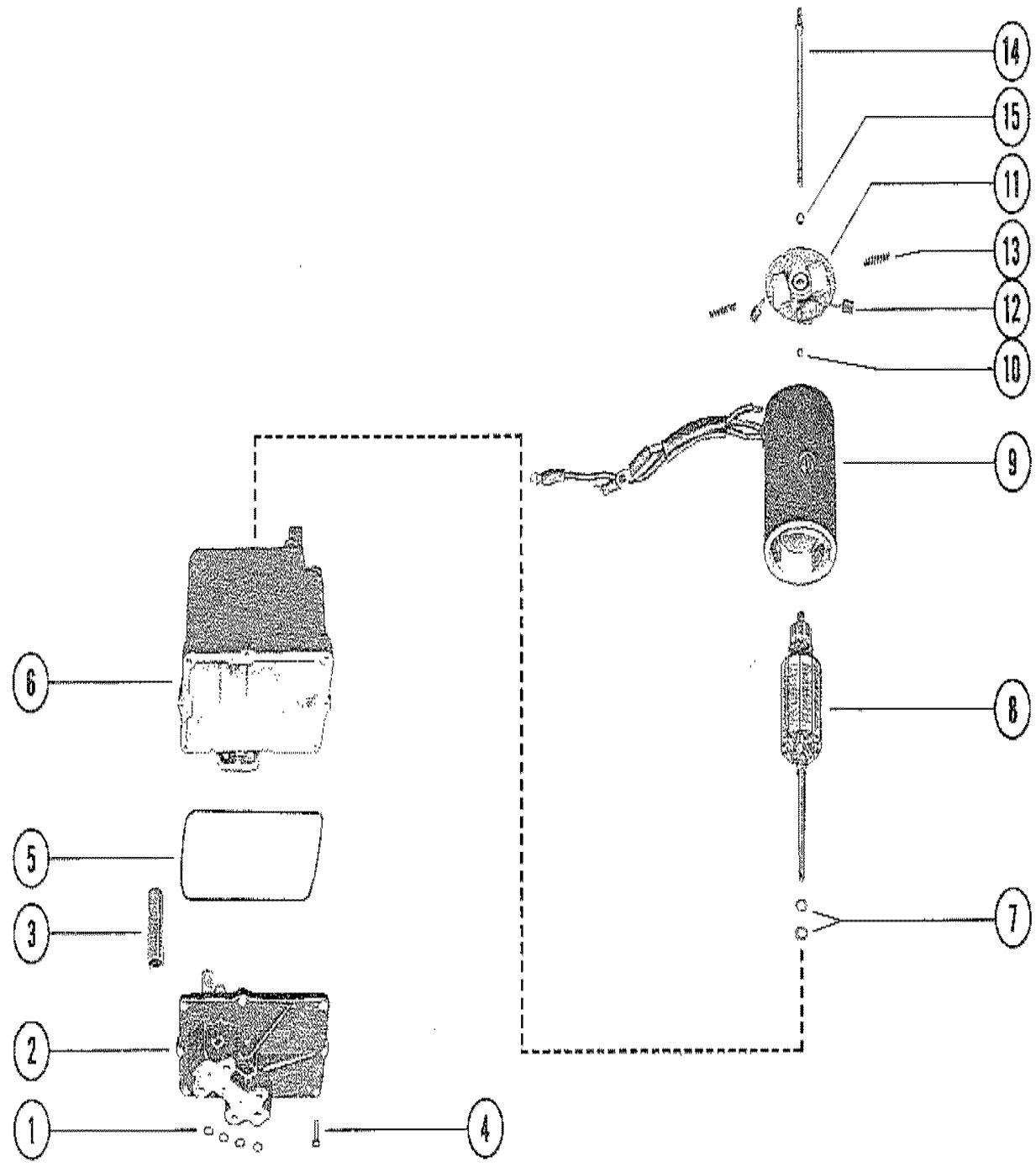




# HYDRAULIC PUMP AND TRIM INDICATOR CONTROL PANEL

REF. NO.	PART NO.	SYM.	QTY.	DESCRIPTION
35	16-55422		4	STUD, CONTROL PANEL TO BOAT (2")
36	12-24676		4	WASHER, CONTROL PANEL STUD
37	11-27164		4	NUT, CONTROL PANEL STUD
38	55738A1		3	SWITCH, PUSH BUTTON - CONTROL PANEL
39	48078		1	JUMPPER WIRE, PUSH BUTTON SWITCH (RED - 3 1/4")
	53107		1	JUMPER WIRE, PUSH BUTTON SWITCH (PURPLE - 3")
41	55641		1	RETAINER, PUSH BUTTON SWITCH
42	10-30663		4	SCREW, SWITCH RETAINER TO CONTROL PANEL (1/2")
43	45341-20		1	HARNESS, CONTROL PANEL
44	33865		1	BINDER, NYLON - CONTROL PANEL HARNESS
45	54-46770		1	CLAMP, HARNESS ATTACHING
46	10-29227		1	SCREW, HARNESS ATTACHING CLAMP (1/2")
47	11-34388		1	NUT, HARNESS ATTACHING CLAMP SCREW
48	54-24836		4	CLAMP, HARNESS TO BOAT (1/4")
49	10-35401		4	SCREW, WOOD - HARNESS CLAMP TO BOAT (1")
50	22789		4	"D" WASHER, HARNESS CLAMP SCREW
51	45551		1	BATTERY LEAD (POSITIVE)
	45552		1	BATTER LEAD (NEGATIVE)
52	48170A4		2	<b>SENDER ASSEMBLY, TRIM INDICATOR B-25-48177A1 SEALING RING KIT WITHOUT GIMBAL TRIM SENDER</b>
53	22-48169		2	<b>ELBOW, HYDRAULIC HOSE TO TRIM INDICATOR SENDER WITHOUT GIMBAL TRIM SENDER</b>
54	10-45265		2	<b>SCREW, BLEED - TRIM INDICATOR SENDER (5/16") WITHOUT GIMBAL TRIM SENDER</b>
55	25-45016		2	<b>"O" RING, BLEED SCREW WITHOUT GIMBAL TRIM SENDER</b>
56	10-25038		2	<b>SCREW, TGRIM INDICATOR SENDER TO TRANSFORM (7/8") WITHOUT GIMBAL TRIM SENDER SERIAL 00000000-03780849</b>
57	13-21804		2	<b>LOCKWASHER, TRIM INDICATOR SENDER SCREW WITHOUT GIMBAL TRIM SENDER SERIAL 00000000-03780849</b>
56	10-66482		2	<b>SCREW, TRIM INDICATOR TO TRANSFORM (2") WITHOUT GIMBAL TRIM SENDER SERIAL 03780850-09999999</b>
57	13-37458		2	<b>LOCKWASHER, TRIM INDICATOR SENDER SCREW WITHOUT GIMBAL TRIM SENDER SERIAL 03780850-09999999</b>
58	23-52095		2	<b>SPACER, TRIM INDICATOR SENDER SCREW WITHOUT GIMBAL TRIM SENDER SERIAL 03780850-09999999</b>
59	56046A1		1	<b>TRIM SENDER ASSEMBLY WITHOUT GIMBAL TRIM SENDER</b>
60	11-37984		1	<b>NUT, TRIM SENDER WITHOUT GIMBAL TRIM SENDER</b>

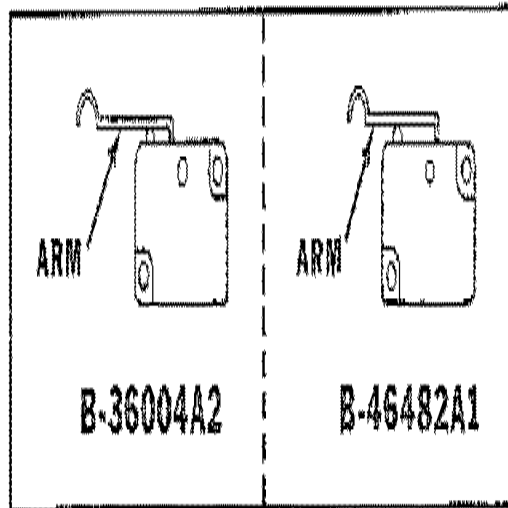
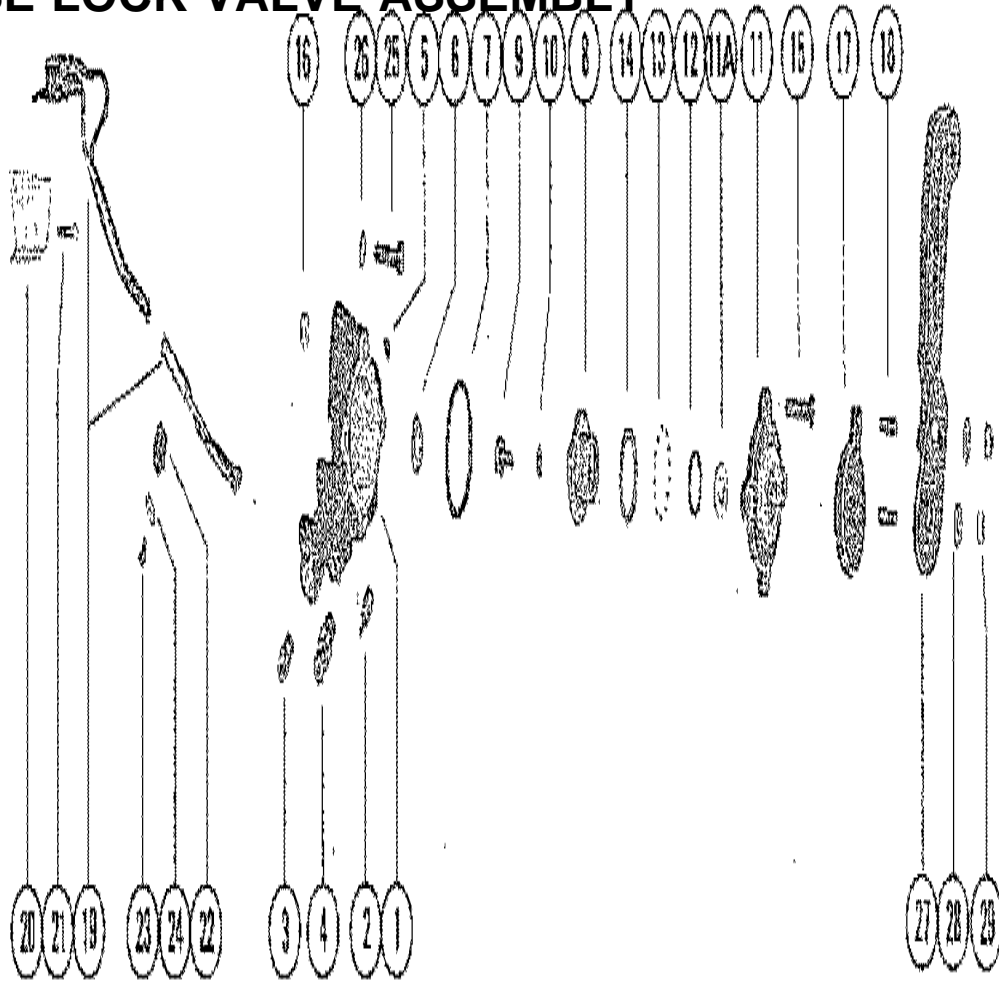
# HYDRAULIC PUMP ASSEMBLY, COMPLETE



## HYDRAULIC PUMP ASSEMBLY, COMPLETE

REF. NO.	PART NO.	SYM.	QTY.	DESCRIPTION
-	74436A9		1	HYDRAULIC PUMP ASSEMBLY, COMPLETE
1	25-26834		4	"O" RING, HYDRAULIC PUMP
2	392-2936		1	VALVE BODY AND GEAR ASSEMBLY
3	392-2618		1	CAM, VALVE BODY
4	10-20411		8	SCREW, VALVE BODY TO RESERVOIR (5/8")
5	392-2937		1	SEAL, RESERVOIR TO VALVE BODY AND GEAR
6	392-2939		1	RESERVOIR ASSEMBLY
7	392-2623		AR	WASHER, THRUST - ARMATURE
8	392-2943		1	ARMATURE, FIELD AND FRAME
9	392-2942		1	FIELD AND FRAME ASSEMBLY
10	392-2944		1	BALL, COMMUTATOR END PLATE
11	392-2940		1	PLATE ASSEMBLY, COMMUTATOR END
12	392-2941		1	BRUSH SET, COMMUTATOR END PLATE
13	392-2529		1	SPRING SET, BRUSH TENSION
14	392-2938		1	BOLT SET, THRU - PLATE AND FRAME TO RESERVOIR
15	13-26996		2	LOCKWASHER, THRU BOLT

# REVERSE LOCK VALVE ASSEMBLY

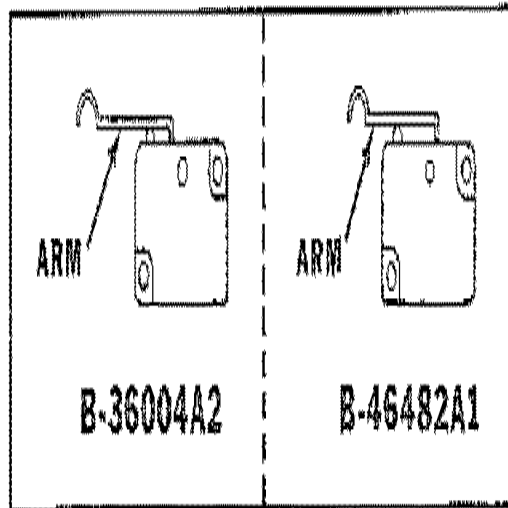
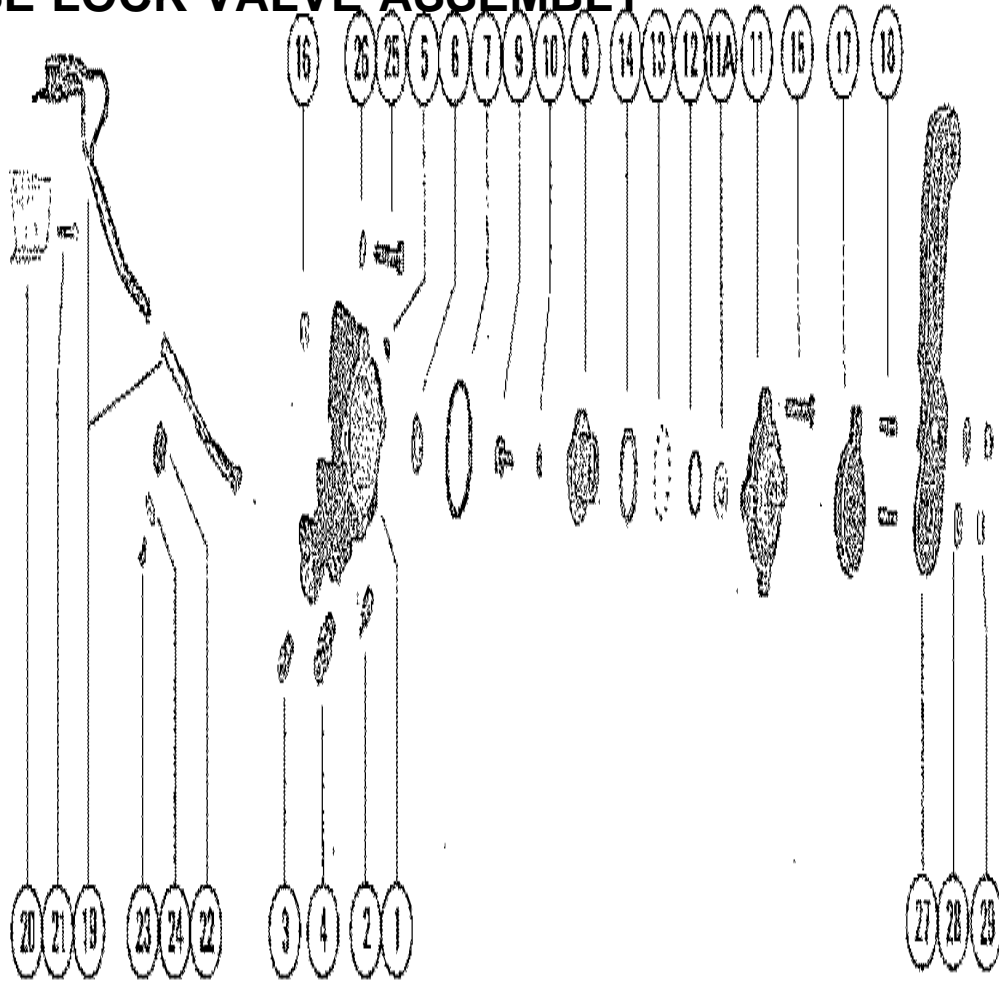


# REVERSE LOCK VALVE ASSEMBLY

REF. NO.	PART NO.	SYM.	QTY.	DESCRIPTION
1	48165A5		1	REVERSE LOCK VALVE ASSEMBLY <b>USED WITH REVERSE INTER-LOCK SWITCH</b>
	76812A4		1	REVERSE LOCK VALVE ASSEMBLY <b>USED WITHOUT REVERSE INTER-LOCK SWITCH</b>
2	45709		1	FOLLOWER, ACM
3	22-48166		1	ELBOW, HYDRAULIC TRIM HOSE TO REVERSE LOCK VALVE <b>SERIAL 00000000-03780849</b>
	22-45794		1	ELBOW, HYDRAULIC TRIM HOSE TO REVERSE LOCK VALVE <b>SERIAL 03780850-09999999</b>
4	22-48167		1	CONNECTOR, ELBOW
5	22-52644		1	PLUG, PIPE - REVERSE LOCK VALVE
6	13-25906		1	WASHER, WAVE - REVERSE LOCK VALVE
7	25-45710		1	"O" RING, REVERSE LOCK VALVE
8	45526		1	CAM, REVERSE LOCK VALVE
9	10-46736		1	SCREW, CAM TO CAM LEVER (1/2")
10	13-26996		1	LOCKWASHER, CAM SCREW
11	45528A2		1	COVER ASSEMBLY, REVERSE LOCK VALVE
11A	12-59570		1	WASHER, REVERSE LOCK VALVE COVER
12	25-45711		1	"O" RING, VALVE COVER
13	30-45712		30	BALL, VALVE COVER
14	12-45713		1	WASHER, RETAINING - BALL TO VALVE COVER
15	10-45716		4	SCREW, COVER TO REVERSE LOCK VALVE (15/16")
16	11-20110		4	NUT, COVER SCREW
17	46732A1		1	LEVER ASSEMBLY, CAM
18	16-45715		2	STUD, SHIFT CONTROL LEVER TO CAM LEVER (23/32")
19	46482A1		1	SWITCH ASSEMBLY, REVERSE INTERLOCK <b>SERIAL 00000000-03780849</b>
	46482A2		1	SWITCH ASSEMBLY, REVERSE INTERLOCK <b>SERIAL 03780850-04530701</b>
20	45717		1	SHIELD, CUT-OUT SWITCH <b>USED WITH B-48165A5 REVERSE LOCK VALVE</b>
21	10-58332		2	SCREW, SHIELD AND SWITCH TO REVERSE LOCK VALVE (3/4") <b>USED WITH B-48165A5 REVERSE LOCK VALVE</b>
22	54-22740		1	CLIP, CUT-OUT SWITCH LEAD <b>USED WITH B-48165A5 REVERSE LOCK VALVE</b>
23	10-35519		1	SCREW, CUT-OUT SWITCH LEAD CLIP ATTACHING (1/2") <b>USED WITH B-48165A5 REVERSE LOCK VALVE</b>
22	54-64855		1	CLIP, CUT-OUT SWITCH LEAD <b>USED WITH B-48165A5 REVERSE LOCK VALVE</b>
23	10-21643		1	SCREW, CUT-OUT SWITCH LEAD CLIP ATTACHING (1/2") <b>USED WITH B-48165A5 REVERSE LOCK VALVE</b>
24	22789		2	"D" WASHER, CLIP ATTACHING SCREW <b>USED WITH B-48165A5 REVERSE LOCK VALVE</b>
25	10-25299		2	SCREW, REVERSE LOCK VALVE (3/4")
26	13-21804		2	LOCKWASHER, REVERSE LOCK VALVE SCREW

CONTINUED ON NEXT PAGE ➡

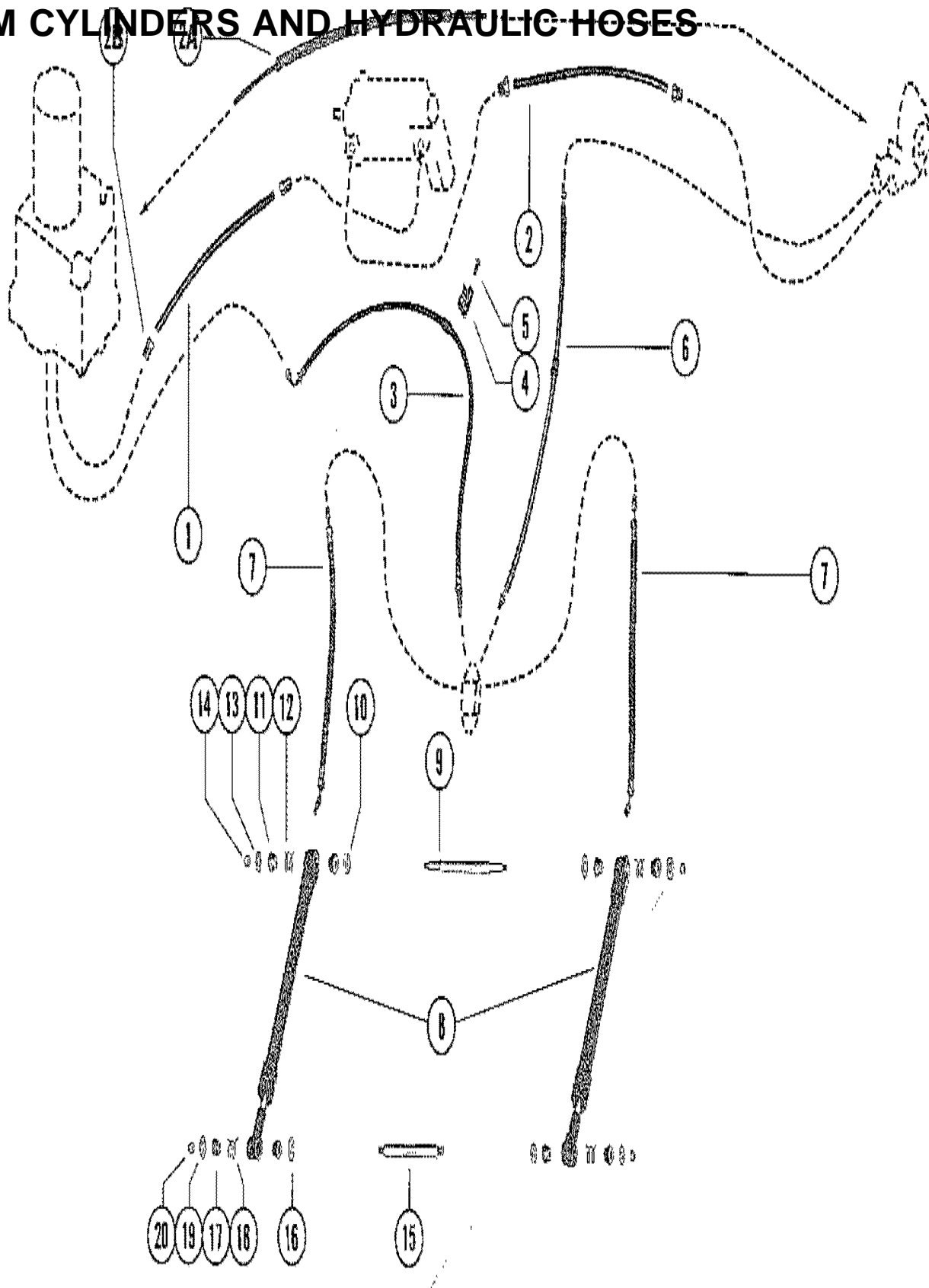
# REVERSE LOCK VALVE ASSEMBLY



# REVERSE LOCK VALVE ASSEMBLY

REF. NO.	PART NO.	SYM.	QTY.	DESCRIPTION
27	49702A2		1	LEVER ASSEMBLY, SHIFT CONTROL - CAM LEVER <b>SERIAL 00000000-03443920</b>
	63333A2		1	LEVER ASSEMBLY, SHIFT CONTROL - CAM LEVER <b>SERIAL 03469428-03780849</b>
	66397A1		1	LEVER ASSEMBLY, SHIFT CONTROL - CAM LEVER <b>SERIAL 03780850-09999999</b>
28	12-21273		2	WASHER, CAM LEVER STUD
29	11-20110		2	NUT, SHIFT CONTROL LEVER TO CAM LEVER STUD

# TRIM CYLINDERS AND HYDRAULIC HOSES

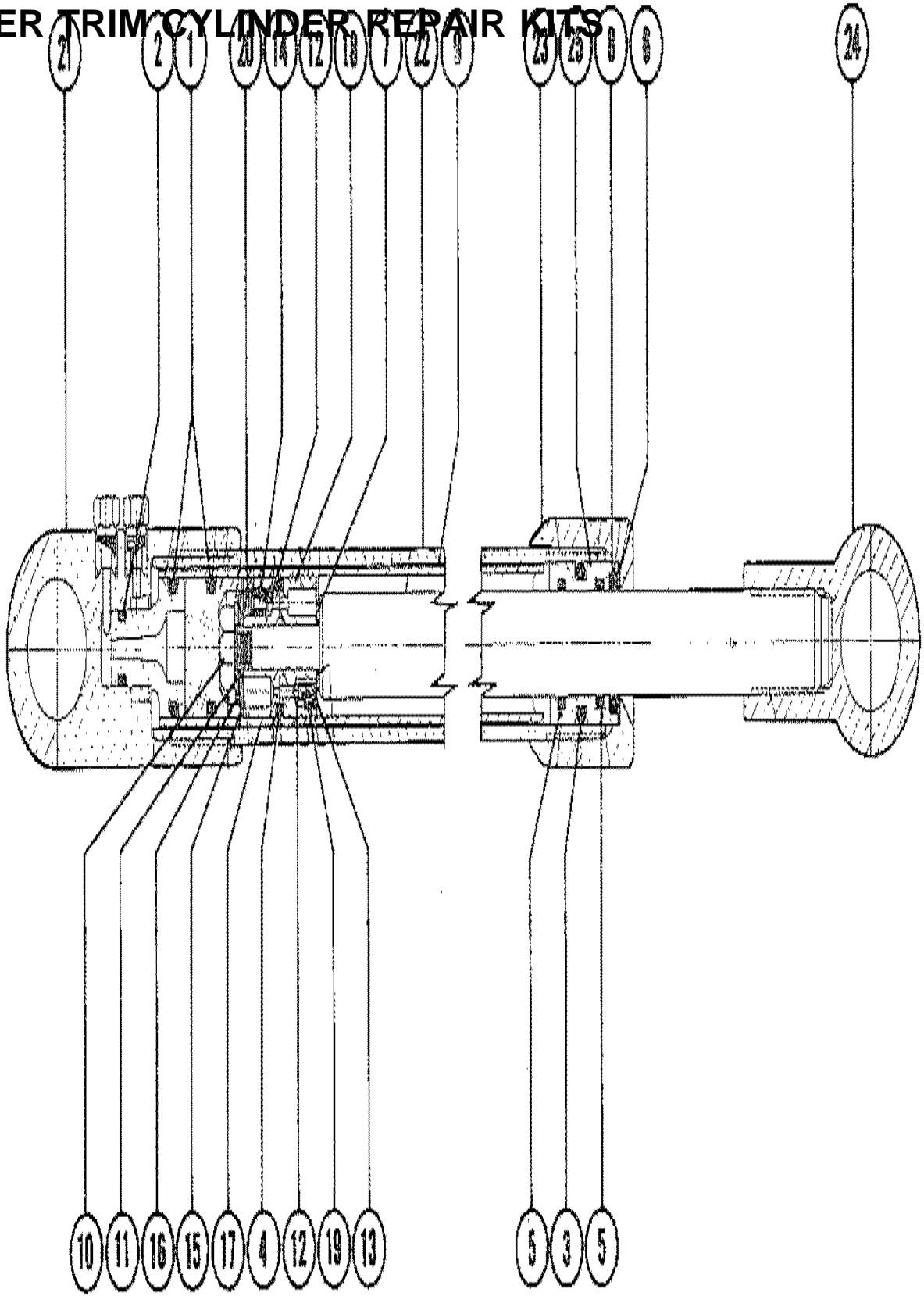




# TRIM CYLINDERS AND HYDRAULIC HOSES

REF. NO.	PART NO.	SYM.	QTY.	DESCRIPTION
1	32-52951A1		1	TUBING, HYDRAULIC PUMP TO TRIM SENDER (19" OR 35") <b>WITHOUT GIMBAL TRIM SENDER</b>
2	32-52951A1		1	TUBING, TRIM SENDER TO RESERVE VALVE (31" OR 21") <b>WITHOUT GIMBAL TRIM SENDER</b>
2A	32-52951A1		1	TUBING, HYDRAULIC PUMP TO REVERSE VALVE <b>WITH GIMBAL TRIM SENDER</b>
2B	22-49718		4	FITTING, NUT - HYDRAULIC TUBE
3	32-55816		1	HOSE, HYDRAULIC - CONNECTOR TO HYDRAULIC PUMP (BLACK) - 18"
4	54-45806		1	CLAMP, HYDRAULIC HOSE TO TRANSOM PLATE
5	10-35519		1	SCREW, HYDRAULIC HOSE CLAMP ATTACHING (1/2")
6	32-55815		1	HOSE, HYDRAULIC - CONNNECTOR TO VALVE (GRAY) - 23 1/2") <b>SERIAL 00000000-03780849</b>
7	32-47373		4	HOSE, HYDRAULIC - CONNNECTOR TO TRIM CYLINDER (12 1/2") <b>SERIAL 00000000-03780849</b>
6	32-59842		1	HOSE, HYDRAULIC - CONNNECTOR TO VALVE (GRAY) - 29 1/2") <b>SERIAL 03780850-09999999</b>
7	32-68676		4	HOSE, HYDRAULIC - CONNNECTOR TO TRIM CYLINDER (12 1/2") <b>SERIAL 03780850-09999999</b>
8	45706A8		2	TRIM CYLINDER ASSEMBLY, COMPLETE <b>SEE PAGE 16 FOR REPAIR KIT BREAKDOWN</b>
	45522A3		2	PIVOT END REPAIR KIT, TRIM CYLINDER <b>SEE PAGE 16 FOR REPAIR KIT BREAKDOWN</b>
	45706A4		2	OUTER TUBE REPAIR KIT, TRIM CYLINDER <b>SEE PAGE 16 FOR REPAIR KIT BREAKDOWN</b>
	25-60342A2		2	"O" RING REPAIR KIT, TRIM CYLINDER <b>SEE PAGE 16 FOR REPAIR KIT BREAKDOWN</b>
9	17-45735		1	PIN, FRONT ANCHOR - TRIM CYLINDER TO GIMBAL RING (10 11/32")
10	12-45737		2	WASHER, FRONT ANCHOR PIN
11	23-61290		4	BUSHING, RUBBER - FRONT ANCHOR PIN
12	24-46312		2	SPRING, FRONT ANCHOR PIN
13	12-46765		2	WASHER, FRONT ANCHOR PIN
14	11-34932		2	NUT, FRONT ANCHOR PIN
15	17-45738		1	PIN, REAR ANCHOR - TRIM CYLINDER TO DRIVE SHAFT HOUSING (7 1)
16	12-45737		2	WASHER, REAR ANCHOR PIN
17	23-61290		4	BUSHING, RUBBER - REAR ANCHOR PIN
18	24-46312		2	SPRING, REAR ANCHOR PIN
19	12-46765		2	WASHER, REAR ANCHOR PIN
20	11-34932		2	NUT, REAR ANCHOR PIN

# POWER TRIM CYLINDER REPAIR KITS



# POWER TRIM CYLINDER REPAIR KITS

REF. NO.	PART NO.	SYM.	QTY.	DESCRIPTION
-	45522A3		1	OVERHAUL KIT
-	25-60342A2		1	"O" RING KIT
1	N.S.S.		2	"O" RING (3/4" X 1 X 5/32")
2	N.S.S.		1	"O" RING (3/8 X 9/16" X 3/32")
3	N.S.S.		1	"O" RING (7/8" X 1 1/8" X 1/8")
4	N.S.S.		1	"O" RING (13/16" X 3/32 SQ.)
5	N.S.S.		2	"O" RING (3/4" X 15/16" X 1/8")
6	N.S.S.		1	WASHER, PLAIN - END CAP
7	N.S.S.		1	WASHER, SEALING
8	N.S.S.		1	ROD SCARPER
9	N.S.S.		1	TUBE, INNER
10	N.S.S.		1	NUT, PISTON ROD
11	N.S.S.		1	WASHER, PISTON ROD NUT
12	N.S.S.		5	BALL, STEEL
13	N.S.S.		1	SPRING, BY-PASS
14	N.S.S.		4	RIVET, TUBULAR
15	N.S.S.		1	WASHER, SHOCK PISTON
16	N.S.S.		AR	WASHER, SHOCK PISTON
17	N.S.S.		1	PISTON, SHOCK - IMPACT
18	N.S.S.		1	PISTON, SHOCK - RETURN
19	N.S.S.		2	EYELET
20	N.S.S.		4	SPRING, COMPRESSION
	45706A4		1	TUBE KIT
21	N.S.S.		1	END CAP - GIMBAL RING
22	N.S.S.		1	TUBE, OUTER
23	45523		1	END CAP
24	45522		1	PIVOT END
25	45726		1	BEARING, PISTON ROD

# PARTS INDEX

Part Number	Description	Pg.	Ref. No.	Part Number	Description	Pg.	Ref. No.
20007	ANCHOR,SHIFT ACUATING			38473	WRAPPING,SHIFT		
	CABLE END GUIDE . . . . .	3	21		ACTUATING CABLE . . . . .	3	23
22789	"D" WASHER, CLIP			39383	SOCKET,CENTER-		
	ATTACHING SCREW . . . . .	43	24		UNIVERSAL JOINT . . . . .	27	35
22789	"D" WASHER, HARNESS			39385A1	YOKE		
	CLAMP SCREW . . . . .	39	50		ASSEMBLY,UNIVERSAL		
22789	"D" WASHER,SWITCH				JOINT-COUPLING END . . . . .	27	37
	LEADS CLIP SCREW . . . . .	5	7	39670A5	SWITCH ASSEMBLY,CUT-		
25661	STARTER SOLENOID . . . . .	37	18		OUT-SHIFT BRACKET . . . . .	9	30
29359	LUBRICAP,BELL HOUSING			45325	CONNECTOR AND		
	GREASE FITTING				HARNESS (GREEN LEAD		
	WITHOUT GIMBAL TRIM				3" LONG) . . . . .	37	13
	SEN . . . . .	21	18	45341-20	HARNESS, CONTROL		
29359	LUBRICAP,GIMBAL				PANEL . . . . .	39	43
	HOUSING GREASE			45515A2	GIMBAL RING ASSEMBLY . . . . .	15	1
	FITTING . . . . .	11	9	45517A2	ARM ASSEMBLY,SWITCH		
29359	LUBRICAP,GIMBAL RING				ACTUATIN . . . . .	5	17
	GREASE FITTING . . . . .	15	6	45517A2	ARM ASSEMBLY,SWITCH		
29880	GUIDE,SHIFT ACUATING				ACTUATING . . . . .	9	12
	CABLE END . . . . .	3	20	45518A1	LEVER ASSEMBLY,UPPER		
31014	BUMPER,BELL HOUSING . . . . .	21	6		SHIFT SHAFT . . . . .	23	29
31640A1	TRIM TAB ASSEMBLY (120-			45522	PIVOT END . . . . .	49	24
	140) . . . . .	35	85	45522A3	OVERHAUL KIT . . . . .	49	-
31899	PLATE,RETAINING-TILT			45522A3	PIVOT END REPAIR KIT,		
	STOP SWITCH TO				TRIM CYLINDER . . . . .	47	8
	GIMBAL RING . . . . .	15	11	45523	END CAP . . . . .	49	23
32435	PLATE, FACE - WATER			45526	CAM, REVERSE LOCK		
	PUMP BASE TO WATER				VALVE . . . . .	43	8
	PUMP BODY . . . . .	31	28	45528A2	COVER ASSEMBLY,		
32517	COVER,WATER TUBE				REVERSE LOCK VALVE . . . . .	43	11
	SEALING BUSHING-			45551	BATTERY LEAD (POSITIVE)	39	51
	GIMBAL HOUSING . . . . .	13	36	45552	BATTER LEAD (NEGATIVE) . . . . .	39	51
32582	SHAFT,UPPER SWIVE . . . . .	17	26	45559	TERMINAL BLOCK,		
32628	SHAFT,SHIFT-				HYDRAULIC PUMP . . . . .	37	14
	INTERMEDIATE . . . . .	21	26	45586	SHUTTER,WATER-EXHAUST		
32630A1	STEERING LEVER				ELBOW . . . . .	13	45
	ASSEMBLY . . . . .	17	24	45589A1	SHAFT ASSEMBLY,SHIFT-		
32637	STRAP,TILT STOP SWITCH				UPPER . . . . .	21	25
	RETAINING . . . . .	15	13	45597	BELLOWS,EXHAUST ELBOW		
32734	BELLOWS,EXHAUST-BELL				TO ENGINE(MERCUISER		
	HOUSING TO GIMBAL				120) . . . . .	13	46
	HOUSING . . . . .	21	23	45706A4	OUTER TUBE REPAIR KIT,		
33865	BINDER, NYLON - CONTROL				TRIM CYLINDER . . . . .	47	8
	PANEL HARNESS . . . . .	39	44	45706A4	TUBE KIT . . . . .	49	20
33981	SLIDE,SHIFT ACTUATING			45706A8	TRIM CYLINDER ASSEMBLY,		
	CABLE . . . . .	3	25		COMPLETE . . . . .	47	8
34127A1	TRIM TAB ASSEMBLY (165)	35	85	45709	FOLLOWER, ACM . . . . .	43	2
35915	THRUST RING, BEARING			45717	SHIELD, CUT-OUT SWITCH	43	20
	CARRIER . . . . .	33	70	45726	BEARING, PISTON ROD . . . . .	49	25
35983	RING,ROLLER BEARING			45798	BRACKET,SUPPORT-WATER		
	RETAINER TO OIL SEAL				SEALING . . . . .	13	39
	CARRIER . . . . .	27	40	45942A1	TILT STOP SWITCH		
35993A1	CARRIER ASSEMBLY,OIL				ASSEMBLY,GIMBAL RING	15	9
	SEAL . . . . .	27	42	46020	YOKE,UNIVERSAL JOINT-		
36223A1	BELLOWS				GEAR END . . . . .	27	34
	ASSEMBLY,UNIVERSAL			46265	BOOT, RUBBER - STARTER		
	JOINT . . . . .	21	19		SOLENOID TERMINAL . . . . .	37	24
37966	SHIFT CRANK . . . . .	33	60	46306A1	BRACKET ASSEMBLY,		
38399A2	CORE WIRE,INNER SHIFT				HYDRAULIC PUMP		
	CABLE . . . . .	3	18		MOUNTING . . . . .	37	7

# PARTS INDEX

Part Number	Description	Pg.	Ref. No.	Part Number	Description	Pg.	Ref. No.
46482A1	SWITCH ASSEMBLY, REVERSE INTERLOCK ..	43	19	55642A1	PANEL ASSEMBLY, CONTROL .....	37	34
46482A2	SWITCH ASSEMBLY, REVERSE INTERLOCK ..	43	19	55642A7	CONTROL PANEL ASSEMBLY, COMPLETE .	37	33
46732A1	LEVER ASSEMBLY, CAM ..	43	17	55738A1	SWITCH, PUSH BUTTON - CONTROL PANEL .....	39	38
46734A1	BELL HOUSING ASSEMBLY	21	1	55758	COVER, TOP-DRIVE SHAFT HOUSING .....	25	27
47347	CONNECTOR, HYDRAULIC- GIMBAL HOUSING .....	13	49	55989	ANODIC HEAD, BOLT ASSEMBLY .....	11	26
48077A3	CONTROL VALVE ASSEMBLY .....	37	3	55989A1	BOLT ASSEMBLY, ANODIC- GIMBAL HOUSING TO TRANSOM PLATE .....	11	25
48078	JUMPPER WIRE, PUSH BUTTON SWITCH (RED - 3 1/4") .....	39	39	56046A1	TRIM SENDER ASSEMBLY .	39	59
48165A5	REVERSE LOCK VALVE ASSEMBLY .....	43	1	56292A2	THRUST HUB AND WASHER ASSEMBLY .....	33	80
48170A4	SENDER ASSEMBLY, TRIM INDICATOR .....	39	52	57008	RETAINER, SWITCH AND SENDER SCREW .....	17	23
48752	INSERT, WATER PUMP BODY .....	31	31	57322	COVER, RETAINING-GIMBAL HOUSING .....	13	51
49343	LEVER, ACTUATING-GIMBAL RING .....	15	15	57441A2	STEERING LINK ROD ASSEMBLY .....	17	35
49518A1	CABLE ASSEMBLY, SHIFT ACUATING .....	3	17	58749	CROSS AND BEARING ASSEMBLY, UNIVERSAL JOINT .....	27	36
49646A1	SWITCH ASSEMBLY, CUT- OUT-TRANSOM PLATE ..	7	27	58858A1	UNIVERSAL JOINT ASSEMBLY, DRIVE GEAR	27	33
49701A2	PLATE ASSEMBLY, TRANSOM ..	5	1	60932A1	BELLOWS ASSEMBLY, UNIVERSAL JOINT .....	21	19
49701A2	PLATE ASSEMBLY, TRANSOM (WITHOUT GIMBAL TRIM SENDER) .....	3	1	61075	TOLERANCE RING, GIMBAL HOUSING BEARING ....	11	16
49701A2	PLATE ASSEMBLY, TRANSOM( WITHOUT GIMABL TRIM SENDER) .....	9	1	61102A1	COVER ASSEMBLY, TOP- DRIVE SHAFT HOUSING .	25	27
49702A2	LEVER ASSEMBLY, SHIFT CONTROL - CAM LEVER .	43	27	62104	SHAFT, SHIFT- INTERMEDIATE .....	21	26
49702A2	LEVER ASSEMBLY, SHIFT CONTROL-CAM LEVER ..	5	9	62266A1	COVER ASSEMBLY, TOP- DRIVE SHAFT HOUSING .	27	27
52752	JUMPER WIRE, STARTER SOLENOID TO MOUNTING BRACKET .....	37	17	63115A2	SWITCH ASSEMBLY, TRIM LIMIT (PORT SIDE) .....	15	17
53107	JUMPER WIRE, PUSH BUTTON SWITCH (PURPLE - 3") .....	39	39	63333A2	LEVER ASSEMBLY, SHIFT CONTROL - CAM LEVER .	45	27
53113A2	ELBOW ASSEMBLY, EXHAUST( MERCUISER 140 AND 165) .....	13	38	63333A2	LEVER ASSEMBLY, SHIFT CONTROL-CAM LEVER ..	5	9
53114	BELLOWS, EXHAUST ELBOW TO ENGINE (MERCUISER 140 AND 165) .....	13	46	63503A1	GIMBAL HOUSING ASSEMBLY .....	11	1
53272A1	ELBOW ASSEMBLY, EXHAUST( MERCUISER 120) .....	13	38	63505A1	BELL HOUSING ASSEMBLY	21	1
54235A2	COVER ASSEMBLY, WATER POCKET-DRIVE SHAFT HOUSING .....	25	7	63679	BUMPER, BELL HOUSING ..	21	6
				63720	EMBLEM, GIMBAL HOUSING	11	20
				64947	SENDER, DUMMY( STARBOARD SIDE) .....	15	17
				65028	SHIFT, SHIFT - LOWER ....	31	43
				65533	SEAL, GIMBAL HOUSING TO TRANSOM .....	13	44
				65534A2	GIMBAL RING ASSEMBLY ..	15	1
				65535A4	BELL HOUSING ASSEMBLY( WITH GIMBAL TRIM SENDER) .....	21	1
				65537	SHAFT, UPPER SWIVEL ....	17	26

# PARTS INDEX

Part Number	Description	Pg.	Ref. No.	Part Number	Description	Pg.	Ref. No.
65550A2	PLATE ASSEMBLY,TRANSOM (WITH GIMBAL TRIM SENDER) . . . . .	3	1	77124A2	GIMBAL RING ASSEMBLY . .	15	1
65550A2	PLATE ASSEMBLY,TRANSOM( WITHOUT GIMBAL TRIM SENDER) . . . . .	9	1	79448	COVER, GEAR HOUSING . .	33	79
66057A3	SHIFT BRACKET ASSEMBLY	9	5	N.S.S.	"O" RING (13/16" X 3/32 SQ.)	49	4
66058	BRACKET,SHIFT MOUNTING	9	2	N.S.S.	"O" RING (3/4" X 1 X 5/32") .	49	1
66065A1	CABLE ASSEMBLY,SHIFT ACUATING . . . . .	3	17	N.S.S.	"O" RING (3/4" X 15/16" X 1/8") . . . . .	49	5
66066	SHAFT, SHIFT - LOWER . . .	31	43	N.S.S.	"O" RING (3/8 X 9/16" X 3/32") . . . . .	49	2
66069A2	CORE WIRE,INNER SHIFT CABLE . . . . .	3	18	N.S.S.	"O" RING (7/8" X 1 1/8" X 1/8") . . . . .	49	3
66069A2	CORE WIRE,INNER SHIFT CABLE . . . . .	3	18	N.S.S.	BALL, STEEL . . . . .	49	12
66071	RETAINER,TAPERED ROLLER BEARING- UNIVERSAL JOINT . . . . .	27	39	N.S.S.	END CAP - GIMBAL RING . .	49	21
66081A2	CARRIER ASSEMBLY,OIL SEAL . . . . .	27	42	N.S.S.	EYELET . . . . .	49	19
66156A6	BELL HOUSING ASSEMBLY( WITHOUT GIMBAL TRIM SENDER) . . . . .	21	1	N.S.S.	NUT, PISTON ROD . . . . .	49	10
66386A2	STEERING LINK ROD ASSEMBLY . . . . .	17	35	N.S.S.	PISTON, SHOCK - IMPACT .	49	17
66397A1	LEVER ASSEMBLY, SHIFT CONTROL - CAM LEVER .	45	27	N.S.S.	PISTON, SHOCK - RETURN	49	18
66397A1	LEVER ASSEMBLY,SHIFT CONTROL-CAM LEVER . .	9	21	N.S.S.	RETAINER, SPRING . . . . .	33	55
66546A1	STEERING LEVER ASSEMBLY . . . . .	17	24	N.S.S.	RIVET, TUBULAR . . . . .	49	14
66884	INSERT, WATER PICKUP (PORT SIDE) . . . . .	29	10	N.S.S.	ROD SCARPER . . . . .	49	8
66885	INSERT, WATER PICKUP (STARBOARD SIDE) . . . . .	29	10	N.S.S.	SHAFT . . . . .	33	59
68291A2	STEERING LINK ROD ASSEMBLY . . . . .	17	35	N.S.S.	SLEEVE, ADJUSTING . . . . .	33	54
70861A1	GIMBAL HOUSING ASSEMBLY() . . . . .	11	1	N.S.S.	SPOOL . . . . .	33	58
73020A14	BEARING CARRIER ASSEMBLY . . . . .	33	74	N.S.S.	SPRING . . . . .	33	57
73679A2	CABLE ASSEMBLY,SHIFT ACUATING . . . . .	3	17	N.S.S.	SPRING, BY-PASS . . . . .	49	13
74407	BRACKET, MOUNTING - STARTER SOLENOID . . .	37	29	N.S.S.	SPRING, COMPRESSION . .	49	20
74436A9	HYDRAULIC PUMP ASSEMBLY . . . . .	37	1	N.S.S.	TUBE, INNER . . . . .	49	9
74436A9	HYDRAULIC PUMP ASSEMBLY, COMPLETE .	41	-	N.S.S.	TUBE, OUTER . . . . .	49	22
74639	BELLOWS,SHIFT ACTUATING CABLE . . . . .	13	29	N.S.S.	WASHER . . . . .	33	56
76098A1	COVER ASSEMBLY,TOP- DRIVE SHAFT HOUSING .	27	27	N.S.S.	WASHER, PISTON ROD NUT	49	11
76812A4	REVERSE LOCK VALVE ASSEMBLY . . . . .	43	1	N.S.S.	WASHER, PLAIN - END CAP	49	6
76865	SHIFT CRANK . . . . .	33	60	N.S.S.	WASHER, SEALING . . . . .	49	7
77123	PIN,HINGE-THREADED WITH GREASE GROOVE . . . . .	15	7	N.S.S.	WASHER, SHOCK PISTON .	49	15
				N.S.S.	WASHER, SHOCK PISTON .	49	16
				10-20367	SCREW,TILT STOP SWITCH COVER TO GIMBAL RING( 7/16") . . . . .	15	10
				10-20411	SCREW, VALVE BODY TO RESERVOIR (5/8") . . . . .	41	4
				10-20518	SCREW,SET-ANCHOR TO ACTIATING CABLE END GUIIDE (1/4") . . . . .	3	22
				10-21091	SCREW, CONTROL VALVE TO HYDRAULIC PUMP (1 1/8") . . . . .	37	5
				10-21140	SCREW, MOUNTING BRACKET TO HYDRAULIC PUMP (1/2") . . . . .	37	30
				10-21643	SCREW, CUT-OUT SWITCH LEAD CLIP ATTACHING (1/2") . . . . .	43	23
				10-21643	SCREW,SWITCH LEADS CLIP TO TRANSOM PLATE (1/2") . . . . .	5	6
				10-24637	SCREW,GROUND LEADS- TERMINAL BLOCK TO BRACKET (7/8") . . . . .	9	33
				10-25038	SCREW, TGRIM INDICATOR SENDER TO TRANSFORM (7/8") . . . . .	39	56

# PARTS INDEX

Part Number	Description	Pg.	Ref. No.	Part Number	Description	Pg.	Ref. No.
10-25299	SCREW, REVERSE LOCK VALVE (3/4")	43	25	10-35401	SCREW, WOOD - HARNESS CLAMP TO BOAT (1")	39	49
10-25612	SCREW,DRIVE-BELL HOUSING FLANGE	21	5	10-35519	SCREW, CUT-OUT SWITCH LEAD CLIP ATTACHING (1/2")	43	23
10-25612	SCREW,DRIVE-GIMBAL HOUSING EXHAUST FLANGE	11	17	10-35519	SCREW, HYDRAULIC HOSE CLAMP ATTACHING (1/2")	47	5
10-26066	SCREW, HYDRAULIC PUMP TO BRACKET (1 1/4")	37	8	10-35519	SCREW, TERMINAL BLOCK TO HYDRAULIC PUMP (1/2")	37	15
10-28634	SCREW, GEAR HOUSING GREASE FILLER AND VENT HOLE	31	51	10-35519	SCREW,SWITCH LEADS CLIP TO TRANSOM PLATE (1/2")	5	6
10-28634	SCREW,DRIVE SHAFT HOUSING FILLER AND VENT HOLE	25	18	10-35787	SCREW,EXHAUST ELBOW TO GIMBAL HOUSING(2 1/4")-	13	42
10-28635	SCREW,COVER TO GIMBAL HOUSING (5/8")	13	52	10-36289	SCREW,TRANSOM PLATE TO ENGINE FLYWHEEL HOUSING(4 3/4")	3	6
10-28635	SCREW,WATER TUBE SEALING COVER TO GIMBAL HOUSING (5/8")	13	37	10-36398	SCREW,PLUG-BELL HOUSING(1/4") WITHOUT GIMBAL TRIM SENDER	21	16
10-28668	SCREW,WATER POCKET COVER TO DRIVE SHAFT HOUSING (7/8")	25	10	10-37268	SCREW,TRANSOM PLATE TO GIMBAL HOUSING(4 1/4")	3	3
10-29227	SCREW, HARNESS ATTACHING CLAMP (1/2")	39	46	10-37269	SCREW,TRANSOM PLATE TO GIMBAL HOUSING(2")	3	2
10-29877	SCREW, MOUNTING BRACKET TO TRANSOM PLATE (3 1/4")	37	11	10-37612	SCREW,EXHAUST ELBOW TO GIMBAL HOUSING(1 1/4")-	13	42
10-30206	SCREW, GEAR HOUSING TO DRIVE SHAFT HOUSING (1")	35	87	10-37978	SCREW,SWITCH AND SENDER TO GIMBAL RING (3/4")	15	21
10-30663	SCREW, SWITCH RETAINER TO CONTROL PANEL (1/2")	39	42	10-45218	SCREW,CUT-OUT SWITCH LEAD TO TERMINAL BLOCK (3/8")	9	34
10-30720	SCREW, WATER PUMP BODY TO GEAR HOUSING (2 1/4")	31	36	10-45265	SCREW, BLEED - TRIM INDICATOR SENDER (5/16")	39	54
10-30902	SCREW,SWITCH ASSEMBLY TO SHIFT BRACKET (3/4")	9	31	10-45590	SCREW,UPPER SHIFT LEVER TO SHIFT SHAFT (1 1/16")	23	31
10-30902	SCREW,SWITCH ASSEMBLY TO TRANSOM PLATE(3/4")	7	28	10-45716	SCREW, COVER TO REVERSE LOCK VALVE (15/16")	43	15
10-31700	SCREW,SET-SHIFT ACTUATING CABLE TO SLIDE (3/4")	3	26	10-45765	SCREW, MOUNTING BRACKET TO TRANSOM PLATE (4 1/4")	37	11
10-31903	SCREW,ACTUATING LEVER TO GIMBAL RING (3/8")	15	16	10-45813	SCREW,SUPPORT BRACKET TO EXHAUST ELBOW( 1/2")	13	40
10-32470	SCREW, TRIM TAB TO GEAR HOUSING (1-3/4")	35	86	10-45833	SCREW,UPPER SWIVEL SHAFT(2 1/2")	17	33
10-32995	SCREW,STEERING LEVER TO UPPER SWIVEL SHAFT (2")	17	31	10-45862	SCREW,RETAINING PLATE AND STRAP TO GIMBAL RING (7/8")	15	12
10-33231	SCREW,TENSION SPRING TO ARM (1/2")	5	20	10-46736	SCREW, CAM TO CAM LEVER (1/2")	43	9
10-33231	SCREW,TENSION SPRING TO ARM (1/2")	9	15	10-46942	SCREW,HARNESS ATTCHING (5/16")	15	19
10-34290	SCREW, STARTER SOLENOID TO MOUNTING BRACKET (5/8")	37	25				

# PARTS INDEX

Part Number	Description	Pg.	Ref. No.	Part Number	Description	Pg.	Ref. No.
10-58332	SCREW, SHIELD AND SWITCH TO REVERSE LOCK VALVE (3/4")	43	21	11-34932	NUT, FRONT ANCHOR PIN	47	14
10-58640	SCREW, TOP COVER TO DRIVE SHAFT HOUSING(1 1/4")	27	32	11-34932	NUT, REAR ANCHOR PIN	47	20
10-62568	SCREW, HARNESS LEADS TO TERMINAL BLOCK (3/8")	37	16	11-34933	NUT, DRIVE SHAFT HOUSING TO GEAR HOUSING STUD)	35	88
10-63400	SCREW, HARNESS ATTACHING (5/32")	15	19	11-34933	NUT, BELL HOUSING STUD	21	15
10-66482	SCREW, TRIM INDICATOR TO TRANSFORM (2")	39	56	11-34933	NUT, GEAR HOUSING TO DRIVE SHAFT HOUSING STUD	25	6
10-67373	SCREW, INSERT TO GEAR HOUSING (1 7/8")	29	11	11-34933	NUT, GIMBAL HOUSING STUD	13	33
10-69052	SCREW, STARTER SOLENOID TO MOUNTING BRACKET (1/2")	37	25	11-35814	NUT, HYDRAULIC PUMP SCREW	37	10
10-76156	SCREW, INSERT TO GEAR HOUSING (1 7/8")	29	11	11-35814	NUT, MOUNTING BRACKET SCREW	37	12
11-20083	NUT, STARTER SOLENOID TERMINAL (5/16-24")	37	23	11-35814	NUT, SWITCH ACTUATING ARM STUD	7	26
11-20110	NUT, COVER SCREW	43	16	11-35814	NUT, SWITCH ACTUATING ARM STUD	9	20
11-20110	NUT, SHIFT CONTROL LEVER TO CAM LEVER STUD	45	29	11-35888	NUT, WATER PUMP BODY STUDS (1 1/4-28)	31	38
11-20110	NUT, RETAINING PLATE AND STRAP SCREW	15	14	11-35888	NUT, GIMBAL HOUSING TO HYDRAULIC CONNECTOR STUD	13	50
11-20220	NUT, TRANSOM PLATE TO ENGINE FLYWHEEL HOUSING SCREW	3	11	11-35921	NUT, PINION GEAR TO SHAFT	29	18
11-20361	NUT, CABLE TO SHIFT CONTROL LEVER	5	16	11-37984	NUT, TRIM SENDER	39	60
11-20361	NUT, SHIFT ACTUATING LEVER	9	29	11-37984	NUT, JAM-STEERING CABLE GUIDE TUBE	3	15
11-20361	NUT, SHIFT CABLE STUD	5	13	11-45592	NUT, WATER PUMP BODY STUD (5/16-24)	31	39
11-20361	NUT, SHIFT CABLE STUD	5	13	11-45812	NUT, INSERT SCREW	29	12
11-20361	NUT, SHIFT CABLE STUD	5	4	11-45812	NUT, SUPPORT BRACKET SCREW	13	41
11-20361	NUT, SHIFT CABLE STUD	9	11	11-52707A1	PROPELLER NUT	33	84
11-20361	NUT, SHIFT CABLE STUD	9	25	11-55438	NUT, STEERING LINK ROD	17	38
11-20509	NUT, STEERING LINK ROD	17	39	11-63341	NUT, CABLE TO SHIFT CONTROL LEVER	5	16
11-20645	NUT, STARTER SOLENOID TERMINAL (#10)	37	21	11-63341	NUT, SHIFT ACTAUTING CABLE TO SHIFT CONTROL LEVER	9	24
11-20696	NUT, STEERING LEVER TO UPPER SWIVEL SHAFT SCREW	17	32	11-68292	NUT, STARTER SOLENOID TERMINAL (5/16"-18)	37	23
11-21825	NUT, STARTER SOLENOID SCREW	37	28	12-20086	WASHER, STEERING LINK ROD (1/16"THICK)	17	37
11-22339	NUT, DRIVE GEAR TO UNIVERSAL JOINT	27	49	12-20086	WASHER, STEERING LINK ROD (1/16"THICK)	17	37
11-24656	NUT, MOUNTING BRACKET TO HYDRAULIC PUMP THRU BOLT	37	33	12-20260	WASHER, GEAR HOUSING GREASE FILLER AND VENT HOLE SCREW	31	52
11-25599	NUT, UPPER SWIVEL SHAFT	17	28	12-20260	WASHER, DRIVE SHAFT HOUSING GREASE FILLER AND VENT HOLE SCREW	25	19
11-27164	NUT, CONTROL PANEL STUD	39	37	12-20546	WASHER, HYDRAULIC PUMP SCREW	37	9
11-34087	NUT, GIMBAL HOUSING TO TRANSOM PLATE BOLT	3	13	12-20546	WASHER, UPPER SWIVEL SHAFT SCREW	17	34
11-34388	NUT, HARNESS ATTACHING CLAMP SCREW	39	47	12-21273	WASHER, CAM LEVER STUD	45	28



# PARTS INDEX

Part Number	Description	Pg.	Ref. No.	Part Number	Description	Pg.	Ref. No.
12-22248	WASHER,GIMBAL HOUSING STUD	13	32	12-39143	WASHER,SHIFT CABLE STUD	9	10
12-24676	WASHER, CONTROL PANEL STUD	39	36	12-39143	WASHER,SHIFT CABLE STUD	9	28
12-26825	WASHER,SWITCH ACTUATING ARM STUD	9	19	12-45713	WASHER, RETAINING - BALL TO VALVE COVER	43	14
12-26825	WASHER,SWITCH ACTUATING ARM STUD	7	25	12-45737	WASHER, FRONT ANCHOR PIN	47	10
12-26825	WASHER,TENSION SPRING SCREW	5	21	12-45737	WASHER, REAR ANCHOR PIN	47	16
12-26825	WASHER,TENSION SPRING SCREW	9	16	12-45810	WASHER,DRIVE GEAR TO UNIVERSAL JOINT NUT	27	48
12-27880	WASHER, LOWER SHIFT SHAFT AND CRANK	31	45	12-46132	WASHER,STEERING LINK ROD (1/8"THICK)3	17	37
12-28421	WASHER,TRANSOM PLATE SCREW	3	7	12-46765	WASHER, FRONT ANCHOR PIN	47	13
12-29245	WASHER, WATER PUMP BODY STUD	31	40	12-46765	WASHER, REAR ANCHOR PIN	47	19
12-29395	WASHER, SHIFT SHAFT	31	50	12-47683	WASHER,UPPER SWIVEL SHAFT(.0310	17	30
12-31211A2	WASHER, SPLINED - PROPELLER SHAFT	33	82	12-56085	WASHER,ANODIC BOLT ASSEMBLY	11	27
12-31266	WASHER, RUBBER - SHIFT SHAFT BUSHING	31	49	12-59570	WASHER, REVERSE LOCK VALVE COVER	43	11A
12-32518	WASHER,GIMBAL HOUSING TO LOWER SWIVEL PIN	11	24	12-72498	WASHER,SYNTHANE-BELL HOUSING(WITH GIMBAL TRIM SENDER)	21	12
12-32620	WASHER,GIMBAL HOUSING BOLT	11	28	13-21804	LOCKWASHER, REVERSE LOCK VALVE SCREW	43	26
12-32666	WASHER,INTERMEDIATE SHIFT SHAFT	23	28	13-21804	LOCKWASHER, TRIM INDICATOR SENDER SCREW	39	57
12-32834	WASHER,TRANSOM PLATE SCREW	3	9	13-21804	LOCKWASHER,SHIFT BRACKET SCREW	9	9
12-32996	WASHER,UPPER SWIVEL SHAFT (0.15	17	30	13-21804	LOCKWASHER,SHIFT MOUNTING BRACKET SCREW	9	4
12-32997	WASHER,UPPER SWIVEL SHAFT (.063)	17	30	13-21804	LOCKWASHER,SHIFT MOUNTING BRACKET SCREW	9	4
12-32997	WASHER,UPPER SWIVEL SHAFT(.063)	17	30	13-25906	WASHER, WAVE - REVERSE LOCK VALVE	43	6
12-35935	WASHER,BELL HOUSING STUD	21	14	13-26992	LOCKWASHER, CONTROL VALVE SCREW	37	6
12-35965	WASHER, CUPPED	33	81	13-26992	LOCKWASHER, MOUNTING BRACKET SCREW	37	31
12-36001	WASHER, WATER PUMP BODY SCREW	31	37	13-26992	LOCKWASHER, STARTER SOLENOID SCREW	37	27
12-37271	WASHER,SQUARE-TRANSOM PLATE SCREW	3	5	13-26993	LOCKWASHER, STARTER SOLENOID TERMINAL (5/16")	37	22
12-37985	WASHER,STEERING CABLE GUIDE GUIDE TUBE	3	16	13-26996	LOCKWASHE, SWITCH AND SENDER SCREW	17	22
12-38000	WASHER,SYNTHANE-BELL HOUSING(WITHOUT GIMBAL TRIM SENDER)	21	12	13-26996	LOCKWASHER, CAM SCREW	43	10
12-39116	WASHER,UPPER SHIFT LEVER	23	30	13-26996	LOCKWASHER, STARTER SOLENOID TERMINAL (#10)	37	20
12-39143	WASHER,CABLE STUD	5	15	13-26996	LOCKWASHER, THRU BOLT	41	15
12-39143	WASHER,SHIFT ACTUATING CABLE STUD	9	23	13-26996	LOCKWASHER,TERMINAL BLOCK SCREWS	9	35
12-39143	WASHER,SHIFT CABLE STUD	5	12	13-27660	LOCKWASHER, HYDRAULIC PUMP THRU BOLT	37	32
12-39143	WASHER,SHIFT CABLE STUD	5	12				
12-39143	WASHER,SHIFT CABLE STUD	5	3				

# PARTS INDEX

Part Number	Description	Pg.	Ref. No.	Part Number	Description	Pg.	Ref. No.
13-33734A1	LOCKWASHER,TRANSOM PLATE SCREW . . . . .	3	10	16-56766	STUD,HYDRAULIC CONNECTOR TO GIMBAL HOUSING(1 3/8") . . . . .	11	19
13-35048	LOCKWASHER,EXHAUST ELBOW SCREW . . . . .	13	43	16-59579	STUD,BELL HOUSING TO DRIVE SHAFT HOUSING (2 3/4") . . . . .	21	13
13-37272	LOCKWASHER,TRANSOM PLATE SCREW . . . . .	3	4	16-63081	STUD, SHIFT CABLE TO TRANSOM PLATE (1 3/4")	5	2
13-37458	LOCKWASHER, TRIM INDICATOR SENDER SCREW . . . . .	39	57	16-63335	STUD,CABLE TO SHIFT CONTROL LEVER (2") . . .	5	14
14-31210	TAB WASHER, PROPELLER NUT . . . . .	33	83	16-63335	STUD,SHIFT ACTUATING CABLE TO SHIFT CONTROL LEVER (2") . . .	9	22
14-79447	TAB WASHER, GEAR HOUSING COVER . . . . .	33	78	16-69501	STUD, WATER PUMP BASE AND BODY TO GAER HOUSING (3 1/4") . . . . .	29	7
15-31535A1	SHIM . . . . .	33	72	16-73563	STUD,SWITCH ACTUATING ARM TO SHIFT BRACKET (2 5/16") . . . . .	9	7
15-35980A1	SHIM,BEARING CUP TO DRIVE SHAFT HOUSING( .002-3-5-10-25 . . . . .	27	46	17-30545	PIN, DRIVE SHAFT . . . . .	29	14
15-36178A1	SHIM,BEARING CUP TO DRIVE SHAFT HOUSING (.002-3-5-10-15) . . . . .	25	22	17-30632	CROSS PIN . . . . .	33	66
15-45691A1	SHIM,BEARING CUP TO COVER . . . . .	27	30	17-35571	PIN,HINGE PIN RETAINING- GIMBAL RING . . . . .	15	8
15-45691A1	SHIM,BEARING CUP TO TOP COVER . . . . .	27	30	17-35973	DOWEL PIN, WATER PUMP BASE TO WATER PUMP BODY . . . . .	31	26
15-47397A1	SHIM . . . . .	33	61	17-37972	PIN, SHIFT CRANK - GEAR HOUSING . . . . .	29	2
15-57007A1	SHIM, DRIVE SAHFT BAERING TO GAER HOUSING (.002-3-5-10) . .	29	19	17-38031	PIN,HINGE-GIMBAL RING TO BELL HOUSING . . . . .	15	7
15-71013	SHIM,BEARING CUP TO DRIVE SHAFT HOUSING .	27	47	17-45212	PIN,SWIVEL-GIMBAL HOUSING TO GIMBAL RING (LOWER) . . . . .	11	22
16-34069	STUD,CABLE TO SHIFT CONTROL LEVER (2 1/4")	5	14	17-45735	PIN, FRONT ANCHOR - TRIM CYLINDER TO GIMBAL RING (10 11/32") . . . . .	47	9
16-45715	STUD, SHIFT CONTROL LEVER TO CAM LEVER (23/32") . . . . .	43	18	17-45738	PIN, REAR ANCHOR - TRIM CYLINDER TO DRIVE SHAFT HOUSING (7 1 . . .	47	15
16-46911	STUD, GEAR HOSUING TO DRIVE SHAFT HOUSING (3 3/16") . . . . .	29	3	17-46912	PIN, DOWEL - GEAR HOSUING TO DRIVE SHAFT HOUSING . . . . .	29	8
16-47360	STUD,SHIFT CABLE TO LEVER (1 3/4") . . . . .	5	10	18-20233	CLIP, RETAINING - SHIFT SHAFT . . . . .	31	44
16-47360	STUD,SHIFT CABLE TO LEVER (1 3/4") . . . . .	9	26	18-32665	COTTER PIN,INTERMEDIATE SHIFT SHAFT RETAINING	23	27
16-47360	STUD,SHIFT CABLE TO SHIFT BRACKET(1 3/4") . .	9	6	18-32857	COTTER PIN,SHIFT ACTUATING CABLE TO SHIFT BRACKET . . . . .	9	17
16-47360	STUD,SHIFT CABLE TOLEVER 91 3/4") . . . . .	5	10	18-32857	COTTER PIN,SHIFT ACTUATING CABLE TO TRANSOM PLATE . . . . .	5	22
16-55422	STUD, CONTROL PANEL TO BOAT (2") . . . . .	39	35	18-34212	COTTER PIN,RETAINING- LOWER SWIVEL PIN . . . .	11	23
16-56295	STUD,DRIVE SHAFT HOUSING TO GEAR HOSUING(2 11/16") . . . . .	25	2	18-45882	COTTER PIN,STEERING LINK ROD . . . . .	19	40
16-56296	STUD,GIMBAL HOUSING TO TRANSOM PLATE (4 3/4")	11	2	18-89212	COTTER PIN, CLUTCH ACTUATING SHAFT . . . . .	33	53
16-56297	STUD, WATER PUMP BASE AND BODY TO GEAR HOUSING (3 3/8") . . . . .	29	6	19-32298	PLUG,TRIM TAB HOLE- DRIVE SHAFT HOUSING .	25	12
16-56298	STUD, GEAR HOUSING TO DRIVE SHAFT HOSING (1 31/32") . . . . .	29	4				

# PARTS INDEX

Part Number	Description	Pg.	Ref. No.	Part Number	Description	Pg.	Ref. No.
19-32652	WELCH PLUG,DRIVE SHAFT HOUSING	25	4	23-35130	ADAPTOR,BEARING CARRIER	11	12
19-58934	PLUG,PLASTIC-GIMBAL HOUSING-	11	8A	23-35985	SPACER,DRIVE GEAR BEARING CUPS	27	45
22-31345	FITTING,GREASE-BELL HOUSING WITHOUT GIMBAL TRIM SENDER	21	17	23-36290	SPACER,TRANSOM PLATE SCREW	3	8
22-31345	FITTING,GREASE-GIMBAL HOUSING	11	8	23-37981	SPACER SWITCH ACTUATING ARM TO SHIFT BRACKET	9	18
22-31704	PLUG,PIPE-DRIVE SHAFT HOUSING(WATER POCKET)	25	3	23-37981	SPACER,SWITCH ACTUATING ARM TO TRANSOM PLATE	7	24
22-32125	CONNECTOR,SHIFT CABLE-BELL HOUSING(EARLY MODELS)	21	4	23-38634	BUSHING,SYNTHANE-GIMBAL HOUSING (UPPER) WITHOUT GIMBAL TRIM	11	5
22-32561	PLUG,-PIPE-UPPER SWIVEL SHAFT	17	29	23-39273	SPACER,GIMBAL RING	15	4
22-33066	CONNECTOR,WATER HOSE TO BELL HOUSING	21	3	23-45588	BUSHING,BELL HOUSIONG( 5/16")	21	9
22-38609	PLUG, CONTROL VALVE	37	4	23-45600	SLEEVE,SWITCH ACTUATING ARM STUD	5	18
22-45794	ELBOW, HYDRAULIC TRIM HOSE TO REVERSE LOCK VALVE	43	3	23-45600	SLEEVE,SWITCH ACTUATING STUD	9	13
22-48166	ELBOW, HYDRAULIC TRIM HOSE TO REVERSE LOCK VALVE	43	3	23-52095	SPACER, TRIM INDICATOR SENDER SCREW	39	58
22-48167	CONNECTOR, ELBOW	43	4	23-52698	SLEEVE,STEERING LEVER	17	25
22-48169	ELBOW, HYDRAULIC HOSE TO TRIM INDICATOR SENDER	39	53	23-52698	SLEEVE,STEERING LINK ROD	17	36
22-49718	FITTING, NUT - HYDRAULIC TUBE	47	2B	23-52698	SLEEVE,STEERING LINK ROD	17	36
22-52644	PLUG, PIPE - REVERSE LOCK VALVE	43	5	23-55798	SPACER,UPPER DRIVE SHAFT	25	29
22-52644	PLUG,PIPE-GIMBAL HOUSING	11	7	23-61290	BUSHING, RUBBER - FRONT ANCHOR PIN	47	11
22-69059	FITTING,GREASE-GIMBAL RING91/8-270	15	5	23-61290	BUSHING, RUBBER - REAR ANCHOR PIN	47	17
22-74036	FITTING,GREASE-GIMBAL HOUSING(STAINLESS STEEL)	11	8	24-30893	SPRING, RETAINER - CROSS PIN	33	67
22-74036	FITTING,GREASE-GIMBAL RING (1/4-28)-USED WITH B-77124A2	15	5A	24-34576	SPRING, COMPRESSION - DRIVE SHAFT	29	15
23-28055	BUSHING,RUBBER-WATER TUBE SEALING	13	35	24-45599	SPRING,TENSION-SWITCH ACTUATING ARM	5	19
23-29804	SLEEVE, GUIDE - WATER INLET TUBE	31	42	24-45599	SPRING,TENSION-SWITCH ACTUATING ARM	9	14
23-30617A2	BUSHING ASSEMBLY, SHIFT SHAFT	31	47	24-46312	SPRING, FRONT ANCHOR PIN	47	12
23-31866	SPACER,SHIFT CABLE STUD	5	11	24-46312	SPRING, REAR ANCHOR PIN	47	18
23-31866	SPACER,SHIFT CABLE STUD	5	11	24-55797	SPRING,UPPER DRIVE SHAFT (TOP COVER)	27	30
23-31866	SPACER,SHIFT CABLE STUD	9	27	24-55797	SPRING,UPPER DRIVE SHAFT(TOP COVER)	25	30
23-32632	BUSHING,DRIVE SHAFT HOUSING	25	5	25-20863	"O" RING,GIMBAL HOUSING	11	18
23-35088	BUSHING,BELL HOUSING( 5/8")	21	7	25-25439	"O" RING, SHAFT SHAFT BUSHING	31	46
				25-25439	"O" RING,UNIVERSAL JOINT	27	38
				25-26834	"O" RING, HYDRAULIC PUMP	41	1
				25-26834	"O" RING, HYDRAULIC PUMP TO CONTROL VALVE	37	2

# PARTS INDEX

Part Number	Description	Pg.	Ref. No.	Part Number	Description	Pg.	Ref. No.
25-26834	"O" RING, HYDRAULIC PUMP TO CONTROL VALVE	37	3	27-33146	GASKET, WATER PUMP BASE TO GEAR HOUSING	29	21
25-30271	RING, RUBBER - CENTRIFUGAL SLINGER (DRIVE SHAFT)	31	41	27-35982	GASKET,RUBBER-BELL HOUSING	21	10
25-30613	"O" RING, UPPER - DRIVE SHAFT	29	16	27-47644	GASKET,HYDRAULIC CONNECTOR	13	48
25-31534	O-RING, BEARING CARRIER	33	73	27-55810	GASKET,WATER POCKET COVER	25	9
25-32546	"O" RING, TOP COVER SEALING	27	31	27-55817	GASKET,GIMBAL HOUSING TO TRANSOM	13	44
25-33145	"O" RING, WATER PUMP BASE	29	22	27-64818	GASKET,DRIVE SHAFT HSG.TO BELL HSG.PART OF DRIVE SHAFT HOUS	21	2
25-33504	"O" RING,BELL HOUSING	21	11	27-65373	GASKET,GIMBAL HOUSING TO TRANSOM	13	44
25-45016	"O" RING, BLEED SCREW	39	55	28-30281	KEY	33	77
25-45710	"O" RING, REVERSE LOCK VALVE	43	7	28-56654	KEY, IMPELLER DRIVE	31	35
25-45711	"O" RING, VALVE COVER	43	12	30-17927	BALL BEARING, REVERSE GEAR	33	71
25-55801	"O" RING, UPPER DRIVE SHAFT	25	26	30-36418	BEARING,BALL-GIMBAL HOUSING	11	13
25-60342A2	"O" RING KIT	49	-	30-45712	BALL, VALVE COVER	43	13
25-60342A2	"O" RING REPAIR KIT, TRIM CYLINDER	47	8	30-60794A2	BEARING ASSEMBLY,GIMBAL HOUSING	11	15
25-70937	"O" RING,OIL SEAL CARRIER	27	41	31-21145	ROLLER BEARING,GIMBAL HOUSING (UPPER) WITH GIMBAL TRIM SEND	11	5
26-31507	OIL SEAL, WATER PUMP BASE	29	25	31-30895	ROLLER BEARING, FORWARD GEAR	33	63
26-31507	OIL SEAL, WATER PUMP BODY (EARLY MODELS ONLY)	31	32	31-30956	ROLLER BEARING	33	75
26-32511	OIL SEAL,GEAR CHAMBER-DRIVE SHAFT HOUSING	25	21	31-32536	BEARING,ROLLER-GIMBAL HOUSING (LOWER)	11	3
26-32540	OIL SEAL,UPPER GIMBAL HOUSING BUSHING	11	6	31-32538	BEARING,ROLLER-GIMBAL RING	15	2
26-32541	OIL SEAL,GIMBAL RING	15	3	31-32575A1	BEARING ASSEMBLY,DRIVE SHAFT	25	28
26-32911	OIL SEAL,UPPER GIMBAL HOUSING ROLLER BEARING	11	4	31-35928A1	TAPERED ROLLER BEARING ASSEMBLY	33	64
26-33144	OIL SEAL, WATER PUMP BASE	29	24	31-35934	BEARING, ROLLER - DRIVE SHAFT	29	9
26-36143	SEAL,GREASE-GIMBAL HOUSING	11	10	31-35988A2	TAPERED ROLLER BEARING ASSEMBLY,DRIVE GEAR	27	44
26-36557	SEAL,RUBBER-WATER POCKET COVER	25	8	31-35990A1	TAPERED ROLLER BEARING ASSEMBLY,PINION GEAR	25	23
26-37259	OIL SEAL,DRIVE SHAFT HOUSING-LOWER	25	20	31-53079A1	TAPERED ROLLER BEARING ASSEMBLY, DRIVE SHAFT	29	20
26-38970	SEAL, RUBBER - WATER INLET TUBE	31	33	31-61100A1	BEARING ASSEMBLY,DRIVE SHAFT	27	28
26-45577	SEAL, GEAR HOUSING	29	5	31-61100A1	BEARING ASSEMBLY,DRIVE SHAFT	27	28
26-45587	OIL SEAL,BELL HOUSING	21	8	31-61100A1	BEARING ASSEMBLY,DRIVE SHAFT	27	28
26-46021	OIL SEAL, SHIFT SHAFT BUSHING	31	48	32-32631	TUBE,WATER-GIMBAL HOUSING	13	34
26-54925	OIL SEAL,UPPER GIMBAL HOUSING BEARING	11	6	32-34049	TUBE,NYLON-SHIFT ACTUATING CABLE GUIDE	3	24
26-68493	OIL SEAL,CARRIER	27	43	32-35015	TUBE,STEERING CABLE GUIDE (7/8" O.D)	3	14
26-76868	OIL SEAL	33	76				
27-32433	GASKET, LOWER - WATER PUMP BASE TO FACE PLATE	31	27				

# PARTS INDEX

Part Number	Description	Pg.	Ref. No.	Part Number	Description	Pg.	Ref. No.
32-38377	TUBE,SHIFT ACUATING			43-92158A1	FORWARD GEAR	33	62
	CABLE	3	19	44-66060	PROPELLER SHAFT	33	68
32-38377	TUBE,SHIFT ACUATING			45-55757A1	DRIVE SHAFT ASSEMBLY	29	13
	CABLE	3	19	45-55796	DRIVE SHAFT,UPPER	25	25
32-38377	TUBE,SHIFT ACUATING			46-48743A1	WATER PUMP BODY		
	CABLE	3	19		ASSEMBLY	31	30
32-47373	HOSE, HYDRAULIC -			46-57234A1	WATER PUMP BASE		
	CONNNECTOR TO TRIM				ASSEMBLY	29	23
	CYLINDER (12 1/2")	47	7	46-64141A1	WATER PUMP BODY		
32-47642	HOSE,WATER-BELL				ASSEMBLY	31	30
	HOUSING TO GIMBAL			46-96148A8	WATER PUMP KIT	31	-
	HOUSING (133/4")	21	21	47-65960	IMPELLER, WATER PUMP	31	34
32-52951A1	TUBING, HYDRAULIC PUMP			52-37963	CLUTCH	33	65
	TO REVERSE VALVE	47	2A	52-66063	CLUTCH	33	65
32-52951A1	TUBING, HYDRAULIC PUMP			54-22740	CLIP, CUT-OUT SWITCH		
	TO TRIM SENDER (19" OR				LEAD	43	22
	35")	47	1	54-23568	CLIP,SWITCH LEADS TO		
32-52951A1	TUBING, TRIM SENDER TO				TRANSOM PLATE	5	5
	RESERVE VALVE (31" OR			54-24836	CLAMP, HARNESS TO BOAT		
	21")	47	2		(1/4")	39	48
32-54236	TUBE,WATER-WATER			54-31765	CLAMP,UNIVERSAL JOINT		
	POCKET COVER	25	11		BELLOWS TO BELL		
32-55815	HOSE, HYDRAULIC -				HOUSING AND GIMBAL		
	CONNNECTOR TO VALVE			54-31766	HOU	21	20
	(GRAY) - 23 1/2")	47	6		CLAMP,SHIFT ACTUATING		
32-55816	HOSE, HYDRAULIC -				CABLE BELLOWS TO		
	CONNECTOR TO			54-32523	GIMBAL HOUSING	13	31
	HYDRAULIC PUMP				CLAMP,WATER HOSE		
	(BLACK) - 18"	47	3	54-32533	ATTACHING	21	22
32-59842	HOSE, HYDRAULIC -				CLAMP,EXHAUST BELLOWS		
	CONNNECTOR TO VALVE				TO BELL HOUSING AND		
	(GRAY) - 29 1/2")	47	6	54-32739	GIMBAL HOUSING	21	24
32-68676	HOSE, HYDRAULIC -				CLAMP,BELLOWS		
	CONNNECTOR TO TRIM				ATTACHING(		
	CYLINDER (12 1/2")	47	7	54-33683	MERCUISE 120)	13	47
37-39395	DECAL,SERIAL NUMBER	5	8		CLAMP,BELLOWS		
37-56480A1	DECAL SET,DRIVE SHAFT				ATTACHING		
	HOUSING	25	13	54-38863	(MERCUISE 140 AND		
37-76731A1	DECAL SET,DRIVE SHAFT				165)	13	47
	HOUSING	25	14		CLAMP,ACTUATING CABLE		
37-76733	DECAL,GIMBAL HOUSING	11	21		BELLOWS TO SHIFT		
37-76749	DECAL,DRIVE SHAFT			54-45806	ACTUATING CABLE	13	30
	HOUSING -120	25	15		CLAMP, HYDRAULIC HOSE		
37-76750	DECAL,DRIVE SHAFT				TO TRANSOM PLATE	47	4
	HOUSING-140	25	16	54-46770	CLAMP, HARNESS		
37-76751	DECAL,DRIVE SHAFT				ATTACHING	39	45
	HOUSING-165	25	17	54-64855	CLIP, CUT-OUT SWITCH		
43-35930A2	FORWARD GEAR	33	62		LEAD	43	22
43-37964	REVERSE GEAR	33	69	84-70967	HARNESS,DUMMY SENDER	15	18
43-55765A2	GEAR			84-70968	HARNESS,TRIM LIMIT		
	ASSEMBLY,COMPLETE-				SWITCH	15	18
	MERCUISE 165	25	24	84-74023	CONNECTOR AND		
43-55766A2	GEAR				HARNESS (GREEN LEAD		
	ASSEMBLY,COMPLETE-				5 1/2" LONG)	37	13
	MERCUISE 120/140	25	24	85-63990	INSULATOR,SWITCH AND		
43-55812	GEAR, PINION - DRIVE				SENDER	15	20
	SHAFT	29	17	86-66986	TERMINAL BLOCK,CUT-OUT		
43-61026	REVERSE GEAR	33	69		SWITCH LEADS	9	32
43-61027	GEAR, PINION - DRIVE			89-68258	STARTER SOLENOID	37	19
	SHAFT	29	17				

# PARTS INDEX

Part Number	Description	Pg.	Ref. No.	Part Number	Description	Pg.	Ref. No.
156-35244A1	SHIM,GIMBAL HOUSING BEARING(.002 THRU .010	11	14				
392-2529	SPRING SET, BRUSH TENSION	41	13				
392-2618	CAM, VALVE BODY	41	3				
392-2623	WASHER, THRUST - ARMATURE	41	7				
392-2936	VALVE BODY AND GEAR ASSEMBLY	41	2				
392-2937	SEAL, RESERVOIR TO VALVE BODY AND GEAR	41	5				
392-2938	BOLT SET, THRU - PLATE AND FRAME TO RESERVOIR	41	14				
392-2939	RESERVOIR ASSEMBLY	41	6				
392-2940	PLATE ASSEMBLY, COMMUTATOR END	41	11				
392-2941	BRUSH SET, COMMUTATOR END PLATE	41	12				
392-2942	FIELD AND FRAME ASSEMBLY	41	9				
392-2943	ARMATURE, FIELD AND FRAME	41	8				
392-2944	BALL, COMMUTATOR END PLATE	41	10				
1547-5523A18	DRIVE SHAFT HOUSING ASSEMBLY	25	1				
1623-4110A13	GEAR HOUSING ASSEMBLY, COMPLETE	29	-				
1623-4110A3	GEAR HOUSING ASSEMBLY	29	1				
1623-4110A4	GEAR HOUSING ASSEMBLY, COMPLETE	29	-				
1623-4110A6	GEAR HOUSING	33	-				
1623-4110A6	GEAR HOUSING ASSEMBLY, COMPLETE	29	-				
1623-5356A3	GEAR HOUSING ASSEMBLY, COMPLETE	29	-				
1623-5356A4	GEAR HOUSING	33	1				
1623-5356A4	GEAR HOUSING ASSEMBLY	29	1				
1623-8951A2	GEAR HOUSING	33	-				