



PARTS CATALOG

MERC 75

SERIAL NUMBER

75	USA 3801458 THRU 4851692
75	CAN 7028598 THRU 7111897
75	8015315 THRU 8051349
75	BEL 9043194 THRU 9181725

TABLE OF CONTENTS:

BOTTOM COWL AND STOP SWITCH ASSEMBLY	42
CARBURETOR AND CHOKE ASSEMBLY	22
CARBURETOR ASSEMBLY, COMPLETE	16
CLAMP BRACKET ASSEMBLY	54
CRANKSHAFT AND MAIN BEARING ASSEMBLY	36
CYLINDER BLOCK AND CRANKCASE ASSEMBLY	30
DRIVE SHAFT HOUSING ASSEMBLY	46
ELECTRIC COMPONENTS	68
FLYWHEEL AND IGNITION COIL	8
GEAR HOUSING ASSEMBLY	64
GEAR HOUSING ASSEMBLY, COMPLETE	58
IGNITION COMPONENTS	10
MISCELLANEOUS PARTS/ACCESSORIES	1
PARTS INDEX	72
PISTON AND CONNECTING ROD ASSEMBLY	38
SHIFT CONTROL LINKAGE	26
STEERING HANDLE ASSEMBLY	40
SWIVEL BRACKET ASSEMBLY	50
THROTTLE CONTROL LINKAGE	28
TOP COWL AND STARTER ASSEMBLY	2

NOTE: Indented description indicate that these parts are included in preceeding assembly.

AR = As Required

NSS = Not Sold Separate

OPT = Optional

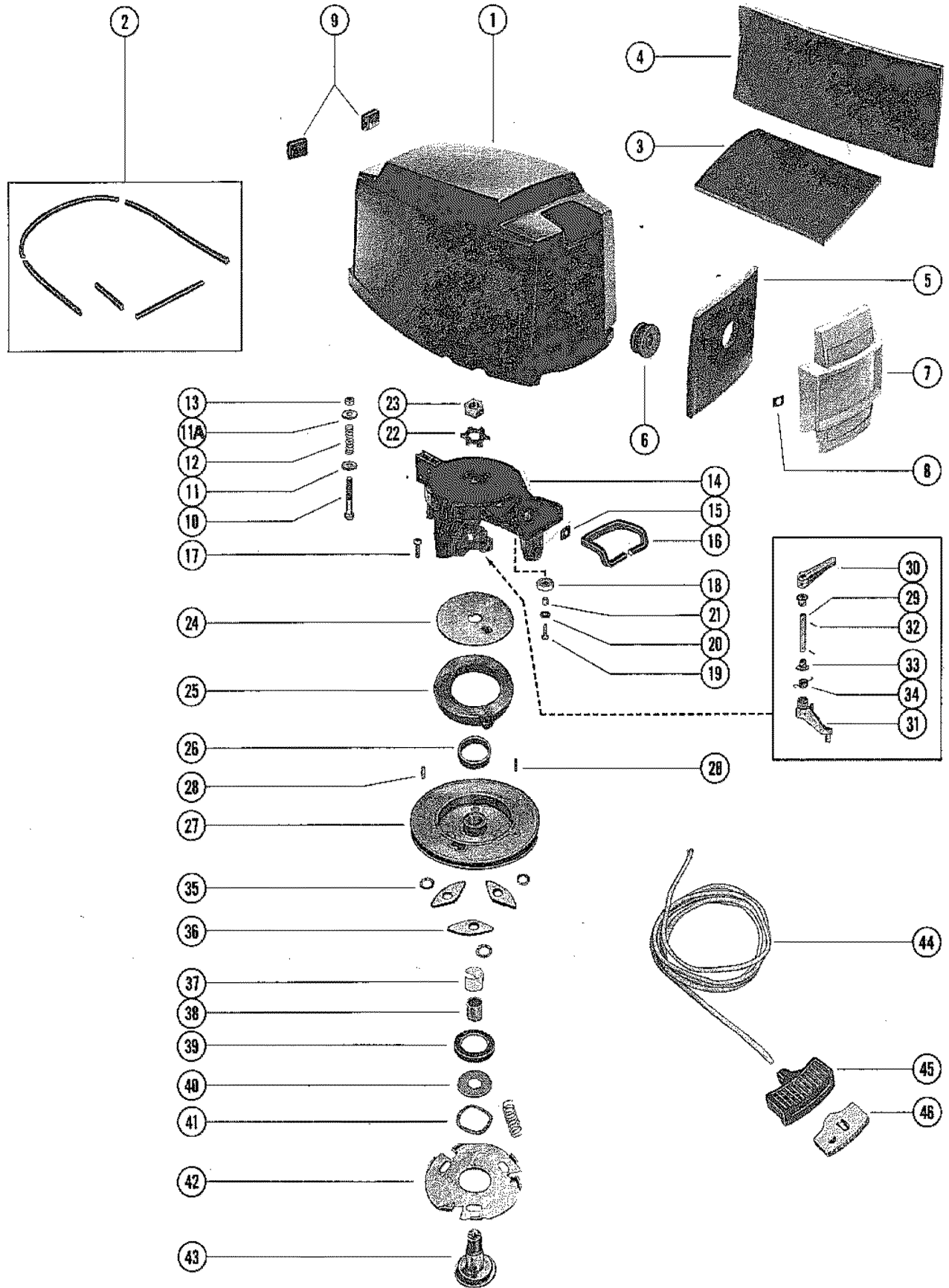
NS = Not Shown

THESE PARTS BOOKS/FICHE CARD ARE COPYRIGHTED AND MAY NOT BE DISTRIBUTED OR REPRODUCED IN ANY OTHER FORMAT BY ANYONE OTHER THAN MERCURY MARINE WITHOUT THE PRIOR WRITTEN CONSENT OF MERCURY MARINE.

MISCELLANEOUS PARTS/ACCESSORIES

REF. NO.	PART NO.	SYM.	QTY.	DESCRIPTION
-	37-67316A74		0	DECAL SET UNITED STATES 3801458 THRU 4085864 AUSTRALIA 8015315 THRU 8024689 BELGIUM 9043194 THRU 9068873 CANADA 7028598 THRU 7043132
-	37-70038A75		0	DECAL SET UNITED STATES 4085865 THRU 4314384 AUSTRALIA 8024690 THRU 8035569 BELGIUM 9068874 THRU 9102613 CANADA 7043133 THRU 7065472
-	37-73908A76		0	DECAL SET UNITED STATES 4314385 THRU 4691221 AUSTRALIA 8035570 THRU 8045674 BELGIUM 9102614 THRU 9150904 CANADA 7065473 THRU 7095422
-	37-73908A77		0	DECAL SET UNITED STATES 4691222 AND UP AUSTRALIA 8045675 AND UP BELGIUM 9150905 AND UP CANADA 7095423 AND UP
-	27-66358A74		0	GASKET SET (MOTOR OVERHAUL)
-	24789A1		0	FLUSHING ASSEMBLY
-	90-67175		0	MERC 75 PARTS LIST (SERIAL #3801458 AND UP)
-	46-46893A2		0	RESISTANT WATER PUMP KIT

TOP COWL AND STARTER ASSEMBLY

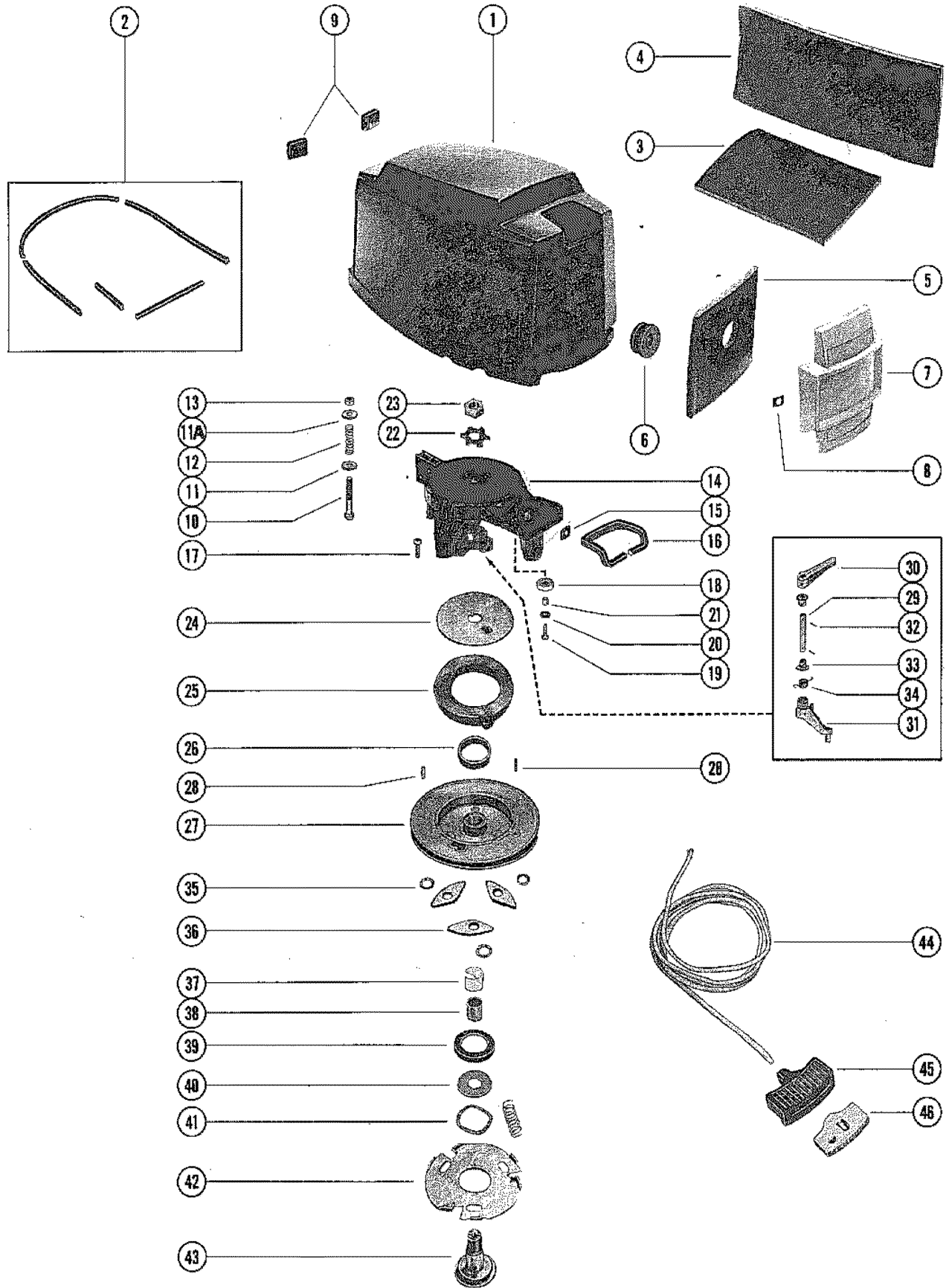


TOP COWL AND STARTER ASSEMBLY

REF. NO.	PART NO.	SYM.	QTY.	DESCRIPTION
1	2147-5178A3		1	TOP COWL ASSEMBLY UNITED STATES 3801458 THRU 4085864 AUSTRALIA 8015315 THRU 8024689 BELGIUM 9043194 THRU 9068873 CANADA 7028598 THRU 7043132
	2147-5652A5		1	TOP COWL ASSEMBLY UNITED STATES 4085865 THRU 4131609 AUSTRALIA 8024690 THRU 8028839 BELGIUM 9068874 THRU 9079488 CANADA 7043133 THRU 7050207
	2147-5565A4		1	TOP COWL ASSEMBLY UNITED STATES 4131610 THRU 4397536 AUSTRALIA 8028840 THRU 8038449 BELGIUM 9079489 THRU 9115164 CANADA 7050208 THRU 7076122
	2160-6108A6		1	TOP COWL ASSEMBLY UNITED STATES 4397537 AND UP AUSTRALIA 8038450 AND UP BELGIUM 9115165 AND UP CANADA 7076123 AND UP
2	65489--3		5	SEAL, TOP COWL (16 1/2")
3	66942		1	BLANKET, TOP COWL - TOP
4	66941		2	BLANKET, TOP COWL - SIDE
5	66943		1	BLANKET, TOP COWL - FRONT UNITED STATES 3801458 THRU 4131609 AUSTRALIA 8015315 THRU 8028839 BELGIUM 9043194 THRU 9079488 CANADA 7028598 THRU 7050207
	69522		1	BLANKET, TOP COWL - FRONT UNITED STATES 4131610 AND UP AUSTRALIA 8028840 AND UP BELGIUM 9079489 AND UP CANADA 7050208 AND UP
6	25-39086		1	GROMMET, COWL LATCH - TOP COWL
7	71502		1	COVER, FRONT
8	11-65517		4	NUT, SPEED - FRONT COVER TO COWL
9	69346		2	BUMPER, COWL - REAR
10	65477		1	CATCH, TOP COWL UNITED STATES 3801458 THRU 4314384 AUSTRALIA 8015315 THRU 8035569 BELGIUM 9043194 THRU 9102613 CANADA 7028598 THRU 7065472
	17-72856		1	PIN, TOP COWL CATCH UNITED STATES 4314385 AND UP AUSTRALIA 8035570 AND UP BELGIUM 9102614 AND UP CANADA 7065473 AND UP
11	12-65567		1	WASHER, TOP COWL CATCH (LOWER)
11A	12-57029		1	WASHER, TOP COWL CATCH (UPPER)
12	24-65553		1	SPRING, COMPRESSION - COWL CATCH
13	11-46887		1	NUT, COWL CATCH TO TOP COWL
14	65660A3		1	STARTER HOUSING ASSEMBLY UNITED STATES 3801458 THRU 4131609 AUSTRALIA 8015315 THRU 8028839 BELGIUM 9043194 THRU 9079488 CANADA 7028598 THRU 7050207
	69372A3		1	STARTER HOUSING ASSEMBLY UNITED STATES 4131610 THRU 4314384 AUSTRALIA 8028840 THRU 8035569 BELGIUM 9079489 THRU 9102613 CANADA 7050208 THRU 7065472
	73342A4		1	STARTER HOUSING ASSEMBLY UNITED STATES 4314385 THRU 4397536 AUSTRALIA 8035570 THRU 8038449 BELGIUM 9102614 THRU 9115164 CANADA 7065473 THRU 7076122
	76179A1		1	STARTER HOUSING ASSEMBLY SEE NOTE 1 IN BLOCK COMMENTS U.S. 4397537 AND UP AUSTRALIA 8038450 AND UP BELGIUM 9115165 AND UP CANADA 7076123 AND UP
15	57821		1	INSERT, ROPE GUIDE - STARTER HOUSING
16	65499--1		1	SEAL, STARTER HOUSING TO TOP COWL

CONTINUED ON NEXT PAGE ➡

TOP COWL AND STARTER ASSEMBLY

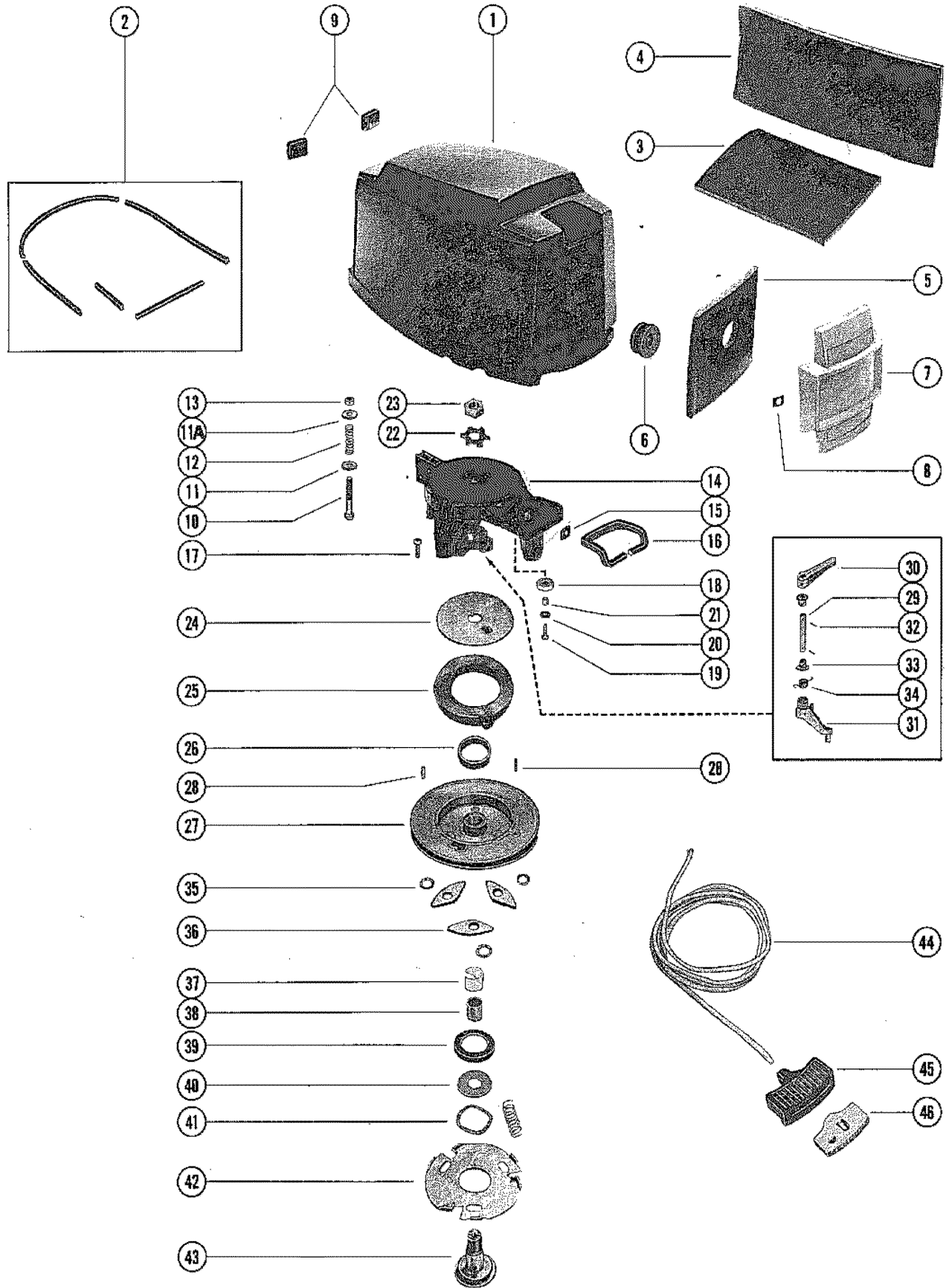


TOP COWL AND STARTER ASSEMBLY

REF. NO.	PART NO.	SYM.	QTY.	DESCRIPTION
17	10-72862		3	SCREW, STARTER HOUSING TO CRANKCASE (1")
18	55860		1	PULLEY, STARTER CABLE
19	10-28789		1	SCREW, CABLE PULLEY TO STARTER HOUSING (3/4")
20	12-22887		1	WASHER, CABLE PULLEY SCREW
21	23-30977		1	SPACER, CABLE PULLEY
22	14-20165		1	TAB WASHER, SHEAVE SHAFT NUT
23	11-20166		1	NUT, SHEAVE SHAFT (LEFT HAND THREAD)
24	20155		1	RETAINER, STARTER SPRING
25	24-29340A1		1	SPRING, STARTER REWIND
26	23-28912		1	BUSHING, STARTER SPRING GUIDE
27	50-61576A1		1	STARTER SHEAVE ASSEMBLY UNITED STATES 3801458 THRU 4397536 AUSTRALIA 8015315 THRU 8038449 BELGIUM 9043194 THRU 9115164 CANADA 7028598 THRU 7076122
28	17-22896		1	PIN, RETAINER - STARTER CABLE UNITED STATES 3801458 THRU 4397536 AUSTRALIA 8015315 THRU 8038449 BELGIUM 9043194 THRU 9115164 CANADA 7028598 THRU 7076122
27	50-74346A1		1	STARTER SHEAVE ASSEMBLY UNITED STATES 4397537 AND UP AUSTRALIA 8038450 AND UP BELGIUM 9115165 AND UP CANADA 7076123 AND UP
28	17-22896		1	PIN, RETAINER - STARTER CABLE UNITED STATES 4397537 AND UP AUSTRALIA 8038450 AND UP BELGIUM 9115165 AND UP CANADA 7076123 AND UP
29	74359		1	SHAFT, INTERLOCK UNITED STATES 4397537 AND UP AUSTRALIA 8038450 AND UP BELGIUM 9115165 AND UP CANADA 7076123 AND UP
30	74353		1	LEVER, LOCK UNITED STATES 4397537 AND UP AUSTRALIA 8038450 AND UP BELGIUM 9115165 AND UP CANADA 7076123 AND UP
31	74351		1	LEVER, FOLLOWER UNITED STATES 4397537 AND UP AUSTRALIA 8038450 AND UP BELGIUM 9115165 AND UP CANADA 7076123 AND UP
32	17-38489		2	ROLL PIN, INTERLOCK SHAFT UNITED STATES 4397537 AND UP AUSTRALIA 8038450 AND UP BELGIUM 9115165 AND UP CANADA 7076123 AND UP
33	23-26856		2	BUSHING, NYLON - INTERLOCK SHAFT UNITED STATES 4397537 AND UP AUSTRALIA 8038450 AND UP BELGIUM 9115165 AND UP CANADA 7076123 AND UP
34	24-74347		1	SPRING, TORSION - INTERLOCK SHAFT UNITED STATES 4397537 AND UP AUSTRALIA 8038450 AND UP BELGIUM 9115165 AND UP CANADA 7076123 AND UP
35	13-36206		3	WASHER, WAVE - STARTER PAWL
36	30596		3	PAWL, STARTER
37	23-28919		1	BUSHING, NYLON - SHEAVE SHAFT SPACER
38	23-61005		1	SPACER, SHEAVE SHAFT
39	26179		1	RETAINER, SHEAVE SHAFT TO STARTER SHEAVE
40	12-35559		1	WASHER, SHEAVE SHAFT RETAINER
41	13-20160		1	WASHER, WAVE - RETAINER TENSION
42	30595		1	PLATE, RETAINER - STARTER PAWL

CONTINUED ON NEXT PAGE ➡

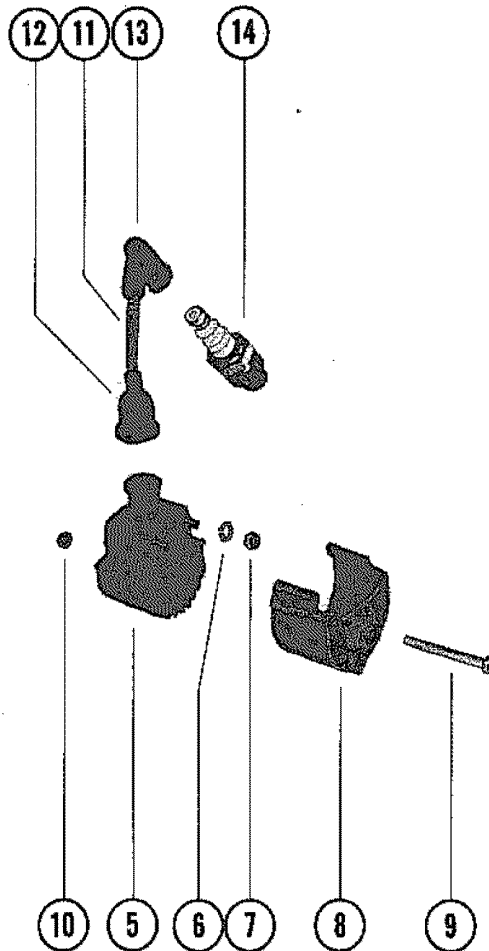
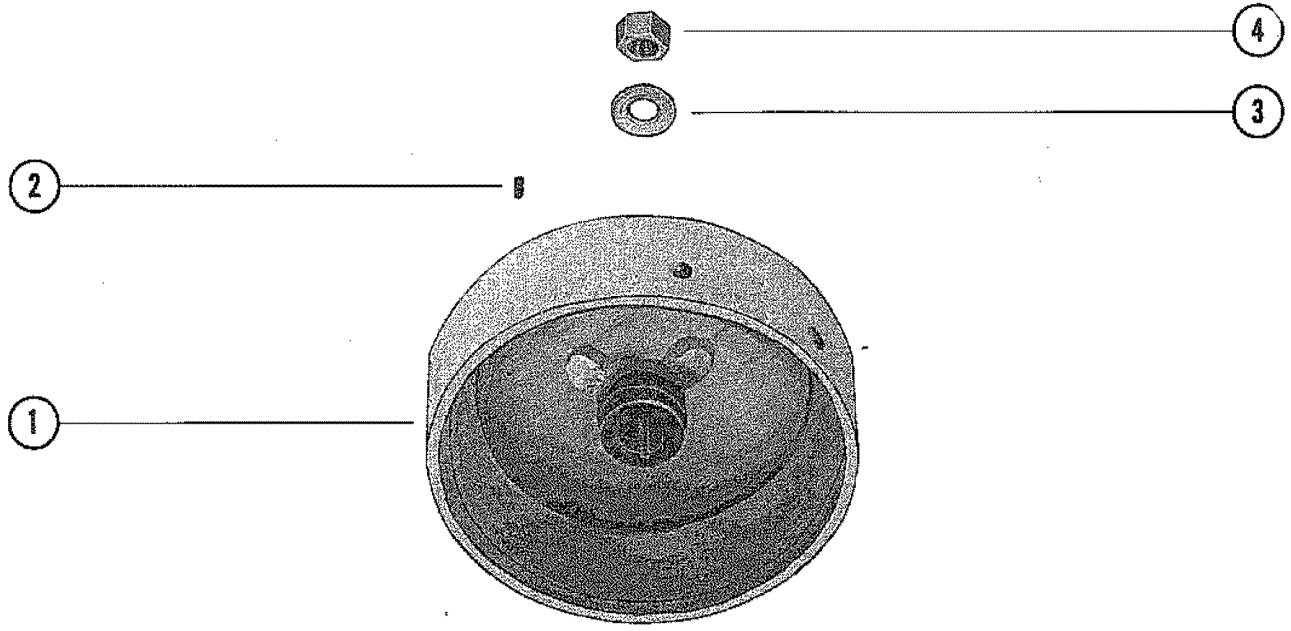
TOP COWL AND STARTER ASSEMBLY



TOP COWL AND STARTER ASSEMBLY

REF. NO.	PART NO.	SYM.	QTY.	DESCRIPTION
43	35558		1	SHAFT, SHEAVE
44	50-61575A1		1	STARTER CABLE ASSEMBLY
45	30782		1	HANDLE, STARTER CABLE
46	28748		1	RETAINER, STARTER CABLE AND HANDLE
47	24-45823		1	SPRING

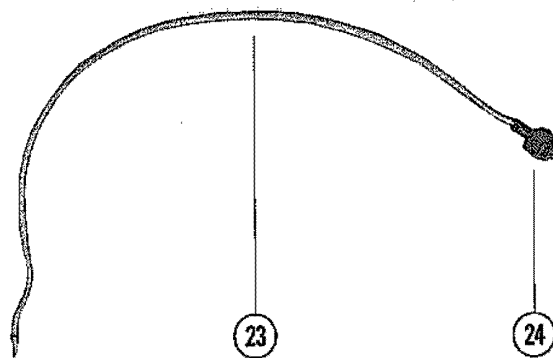
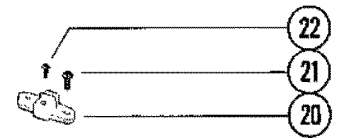
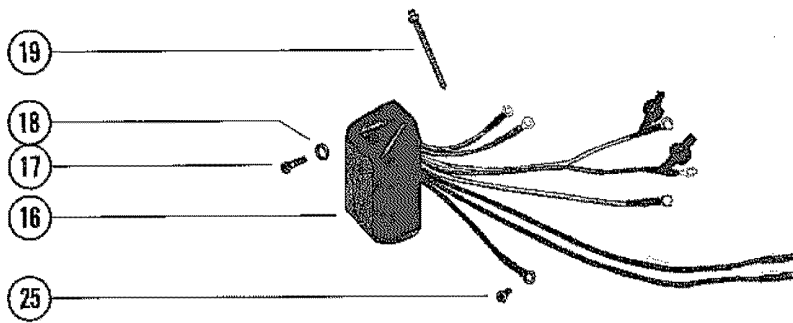
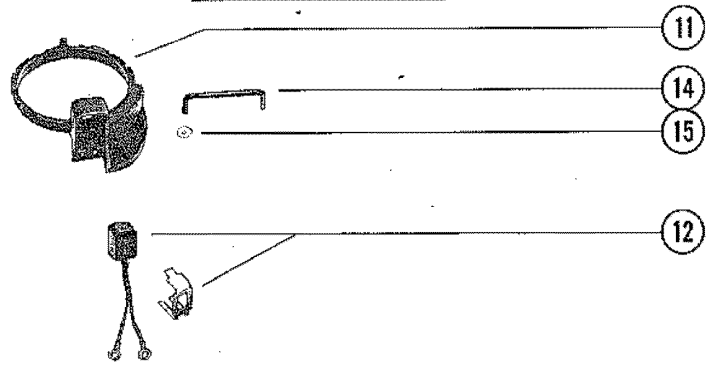
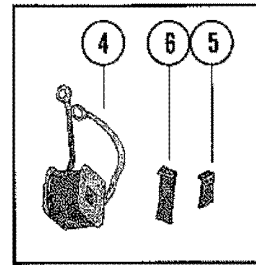
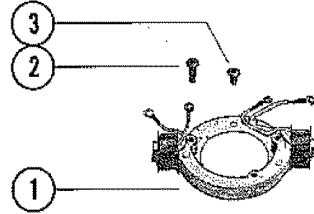
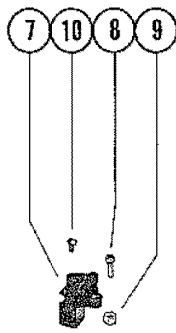
FLYWHEEL AND IGNITION COIL



FLYWHEEL AND IGNITION COIL

REF. NO.	PART NO.	SYM.	QTY.	DESCRIPTION
1	245-5277A1		1	FLYWHEEL ASSEMBLY UNITED STATES 3801458 THRU 3929194 AUSTRALIA 8015315 THRU 8019089 BELGIUM 9043194 THRU 9059653 CANADA 7028598 THRU 7036397
	245-5277A3		1	FLYWHEEL ASSEMBLY UNITED STATES 3929195 THRU 4397536 AUSTRALIA 8019090 THRU 8038449 BELGIUM 9059654 THRU 9115164 CANADA 7036398 THRU 7076122
	251-6194A1		1	FLYWHEEL ASSEMBLY UNITED STATES 4397537 AND UP AUSTRALIA 8038450 AND UP CANADA 7076123 AND UP
	251-6105A1		1	FLYWHEEL ASSEMBLY (ELECTRIC)
	251-6105A3		1	FLYWHEEL ASSEMBLY BELGIUM 9115165 AND UP
2	28-20094		1	KEY, FLYWHEEL DRIVE
3	12-36245		1	WASHER, FLYWHEEL NUT
4	11-20696		1	NUT, FLYWHEEL
5	339-5288A1		2	COIL ASSEMBLY, IGNITION UNITED STATES 3801458 THRU 4131609 AUSTRALIA 8015315 THRU 8028839 BELGIUM 9043194 THRU 9079488 CANADA 7028598 THRU 7050207
	339-5288A2		2	COIL ASSEMBLY, IGNITION UNITED STATES 4131610 THRU 4314384 AUSTRALIA 8028840 THRU 8035569 BELGIUM 9079489 THRU 9102613 CANADA 7050208 THRU 7065472
	339-5748A2		2	COIL ASSEMBLY, IGNITION UNITED STATES 4314385 AND UP AUSTRALIA 8035570 AND UP BELGIUM 9102614 AND UP CANADA 7065473 AND UP
6	13-26996		4	LOCKWASHER, IGNITION COIL TERMINAL
7	11-45076		4	NUT, IGNITION COIL TERMINAL
8	66355		2	COVER, IGNITION COIL
9	10-72074		3	SCREW, COIL COVER TO REAR SUPPORT BRACKET (4 5/8")
10	11-20110		3	NUT, COIL COVER SCREW
11	84-63212A2		2	LEAD ASSEMBLY, HIGH TENSION
12	332-2854		2	NIPPLE, IGNITION COIL
13	85-71006A1		2	PROTECTOR ASSEMBLY, SPARK PLUG
14	33-59599		2	SPARK PLUG (CHAMPION L-77V) UNITED STATES 3801458 THRU 4131609 AUSTRALIA 8015315 THRU 8028839 BELGIUM 9043194 THRU 9079488 CANADA 7028598 THRU 7050207
	33-58194		2	SPARK PLUG (AC V40FFK) UNITED STATES 4131610 AND UP AUSTRALIA 8028840 AND UP BELGIUM 9079489 AND UP CANADA 7050208 AND UP

IGNITION COMPONENTS

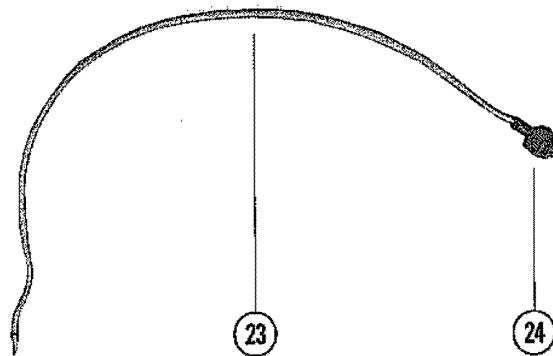
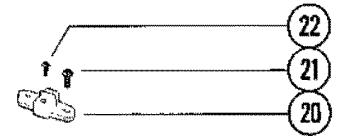
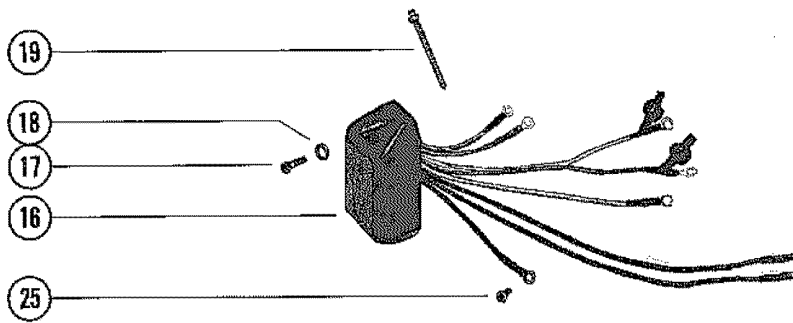
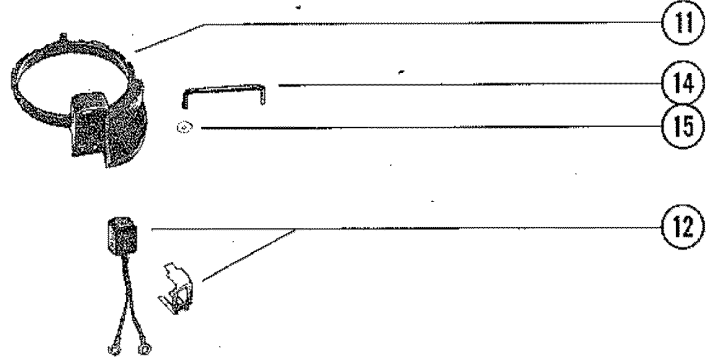
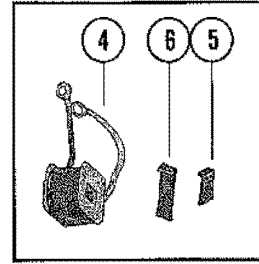
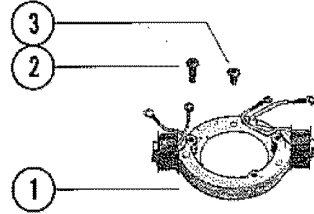
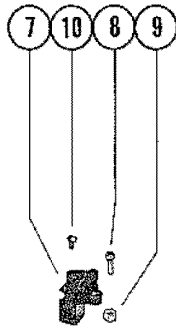


IGNITION COMPONENTS

REF. NO.	PART NO.	SYM.	QTY.	DESCRIPTION
1	339-5209A1		1	STATOR ASSEMBLY UNITED STATES 3801458 THRU 4131609 AUSTRALIA 8015315 THRU 8028839 BELGIUM 9043194 THRU 9079488 CANADA 7028598 THRU 7050207
	339-5566A1		1	STATOR ASSEMBLY UNITED STATES 4131610 THRU 4397536 AUSTRALIA 8028840 THRU 8038449 BELGIUM 9079489 THRU 9115164 CANADA 7050208 THRU 7076122
	339-5209A3		1	STATOR ASSEMBLY UNITED STATES 4397537 AND UP AUSTRALIA 8038450 AND UP BELGIUM 9115165 AND UP CANADA 7076123 AND UP
2	10-66707		3	SCREW, STATOR TO END CAP (7/8")
3	10-35400		1	SCREW, STATOR TO END CAP (3/8") - MANUAL
4	339-5312A1		1	COIL ASSEMBLY (3 1/2" AND 1 1/2" LEADS) UNITED STATES 3801458 THRU 4131609 AUSTRALIA 8015315 THRU 8028839 BELGIUM 9043194 THRU 9079488 CANADA 7028598 THRU 7050207
	339-5313A1		1	COIL ASSEMBLY (4 5/8" AND 3 3/4" LEADS) UNITED STATES 3801458 THRU 4131609 AUSTRALIA 8015315 THRU 8028839 BELGIUM 9043194 THRU 9079488 CANADA 7028598 THRU 7050207
5	54-59538		2	CLIP, COIL RETAINING UNITED STATES 3801458 THRU 4131609 AUSTRALIA 8015315 THRU 8028839 BELGIUM 9043194 THRU 9079488 CANADA 7028598 THRU 7050207
6	54-65927		2	CLIP, COIL RETAINING UNITED STATES 3801458 THRU 4131609 AUSTRALIA 8015315 THRU 8028839 BELGIUM 9043194 THRU 9079488 CANADA 7028598 THRU 7050207
7	86-66560		1	TERMINAL BLOCK, STATOR UNITED STATES 3801458 THRU 4131609 AUSTRALIA 8015315 THRU 8028839 BELGIUM 9043194 THRU 9079488 CANADA 7028598 THRU 7050207
8	10-20646		1	SCREW, TERMINAL BLOCK TO STATOR (5/8") UNITED STATES 3801458 THRU 4131609 AUSTRALIA 8015315 THRU 8028839 BELGIUM 9043194 THRU 9079488 CANADA 7028598 THRU 7050207
9	11-46438		1	NUT, TERMINAL BLOCK SCREW UNITED STATES 3801458 THRU 4131609 AUSTRALIA 8015315 THRU 8028839 BELGIUM 9043194 THRU 9079488 CANADA 7028598 THRU 7050207
10	10-62568		1	SCREW, LEADS TO TERMINAL BLOCK (3/8") UNITED STATES 3801458 THRU 4131609 AUSTRALIA 8015315 THRU 8028839 BELGIUM 9043194 THRU 9079488 CANADA 7028598 THRU 7050207
4	339-5589A1		1	COIL ASSEMBLY (2 1/4" AND 4 1/4" LEADS) UNITED STATES 4131610 THRU 4397536 AUSTRALIA 8028840 THRU 8038449 BELGIUM 9079489 THRU 9115164 CANADA 7050208 THRU 7076122
	339-5590A1		1	COIL ASEMBLY (3 3/8" AND 4 3/8" LEADS) UNITED STATES 4131610 THRU 4397536 AUSTRALIA 8028840 THRU 8038449 BELGIUM 9079489 THRU 9115164 CANADA 7050208 THRU 7076122
5	54-59538		2	CLIP, COIL RETAINING UNITED STATES 4131610 THRU 4397536 AUSTRALIA 8028840 THRU 8038449 BELGIUM 9079489 THRU 9115164 CANADA 7050208 THRU 7076122
6	54-65927		2	CLIP, COIL RETAINING UNITED STATES 4131610 THRU 4397536 AUSTRALIA 8028840 THRU 8038449 BELGIUM 9079489 THRU 9115164 CANADA 7050208 THRU 7076122

CONTINUED ON NEXT PAGE ➡

IGNITION COMPONENTS

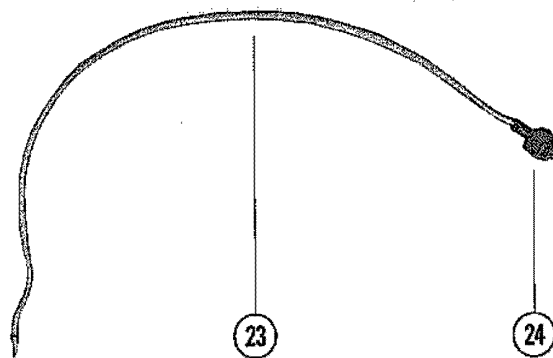
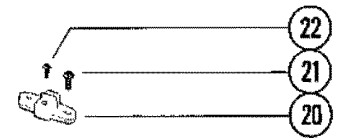
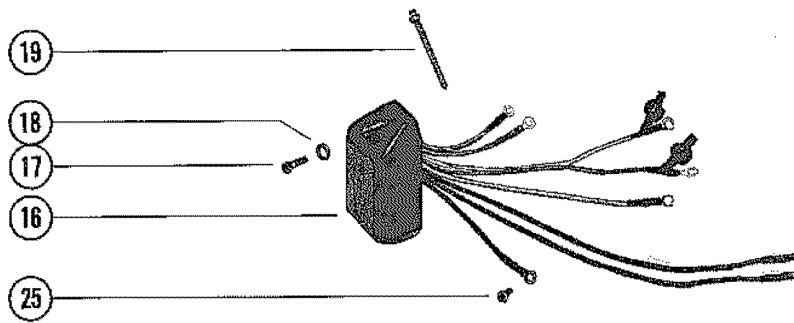
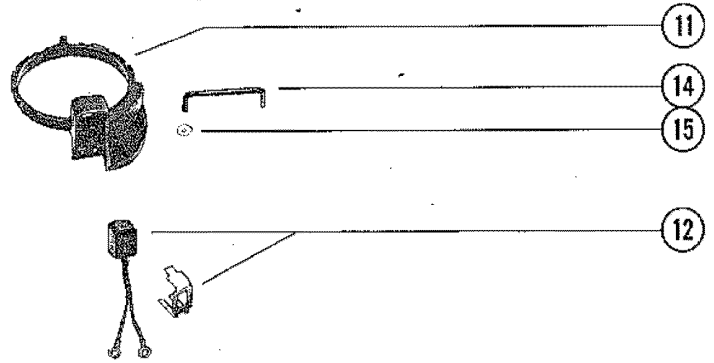
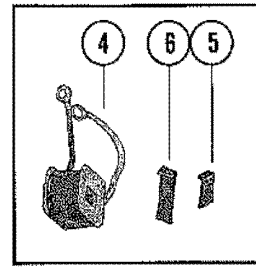
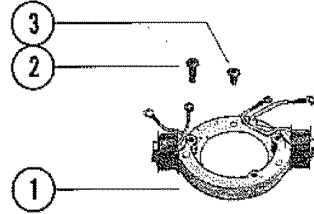
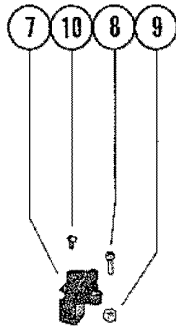


IGNITION COMPONENTS

REF. NO.	PART NO.	SYM.	QTY.	DESCRIPTION
7	86-69348		1	TERMINAL BLOCK, STATOR UNITED STATES 4131610 THRU 4397536 AUSTRALIA 8028840 THRU 8038449 BELGIUM 9079489 THRU 9115164 CANADA 7050208 THRU 7076122
8	10-69347		1	SCREW, TERMINAL BLOCK TO STATOR (5/8") UNITED STATES 4131610 THRU 4397536 AUSTRALIA 8028840 THRU 8038449 BELGIUM 9079489 THRU 9115164 CANADA 7050208 THRU 7076122
9	11-46438		1	NUT, TERMINAL BLOCK SCREW UNITED STATES 4131610 THRU 4397536 AUSTRALIA 8028840 THRU 8038449 BELGIUM 9079489 THRU 9115164 CANADA 7050208 THRU 7076122
10	10-22654		1	SCREW, LEADS TO TERMINAL BLOCK (3/8") UNITED STATES 4131610 THRU 4397536 AUSTRALIA 8028840 THRU 8038449 BELGIUM 9079489 THRU 9115164 CANADA 7050208 THRU 7076122
4	339-6119A1		1	COIL ASSEMBLY (5 1/2" AND 6 3/8" LEADS) UNITED STATES 4397537 AND UP AUSTRALIA 8038450 AND UP BELGIUM 9115165 AND UP CANADA 7076123 AND UP
	339-6120A1		1	COIL ASSEMBLY (1 3/4" AND 3 1/2" LEADS) UNITED STATES 4397537 AND UP AUSTRALIA 8038450 AND UP BELGIUM 9115165 AND UP CANADA 7076123 AND UP
5	54-59538		2	CLIP, COIL RETAINING UNITED STATES 4397537 AND UP AUSTRALIA 8038450 AND UP BELGIUM 9115165 AND UP CANADA 7076123 AND UP
6	54-65927		2	CLIP, COIL RETAINING UNITED STATES 4397537 AND UP AUSTRALIA 8038450 AND UP BELGIUM 9115165 AND UP CANADA 7076123 AND UP
7	86-74474		1	TERMINAL BLOCK, STATOR UNITED STATES 4397537 AND UP AUSTRALIA 8038450 AND UP BELGIUM 9115165 AND UP CANADA 7076123 AND UP
8	10-20646		1	SCREW, TERMINAL BLOCK TO STATOR (5/8") UNITED STATES 4397537 AND UP AUSTRALIA 8038450 AND UP BELGIUM 9115165 AND UP CANADA 7076123 AND UP
9	11-46438		1	NUT, TERMINAL BLOCK SCREW UNITED STATES 4397537 AND UP AUSTRALIA 8038450 AND UP BELGIUM 9115165 AND UP CANADA 7076123 AND UP
10	10-22654		1	SCREW, LEADS TO TERMINAL BLOCK (3/8") UNITED STATES 4397537 AND UP AUSTRALIA 8038450 AND UP BELGIUM 9115165 AND UP CANADA 7076123 AND UP
11	338-5286A1		1	TRIGGER HOUSING ASSEMBLY UNITED STATES 3801458 THRU 4397536 AUSTRALIA 8015315 THRU 8038449 BELGIUM 9043194 THRU 9115164 CANADA 7028598 THRU 7076122
12	66392A1		1	COIL ASSEMBLY, TRIGGER UNITED STATES 3801458 THRU 4397536 AUSTRALIA 8015315 THRU 8038449 BELGIUM 9043194 THRU 9115164 CANADA 7028598 THRU 7076122
11	338-5286A6		1	TRIGGER HOUSING ASSEMBLY UNITED STATES 4397537 AND UP AUSTRALIA 8038450 AND UP BELGIUM 9115165 AND UP CANADA 7076123 AND UP
14	66371		1	LINK, TRIGGER HOUSING TO THROTTLE LEVER
15	11-65110		1	NUT, PUSH - LINK TO TRIGGER HOUSING

CONTINUED ON NEXT PAGE ➡

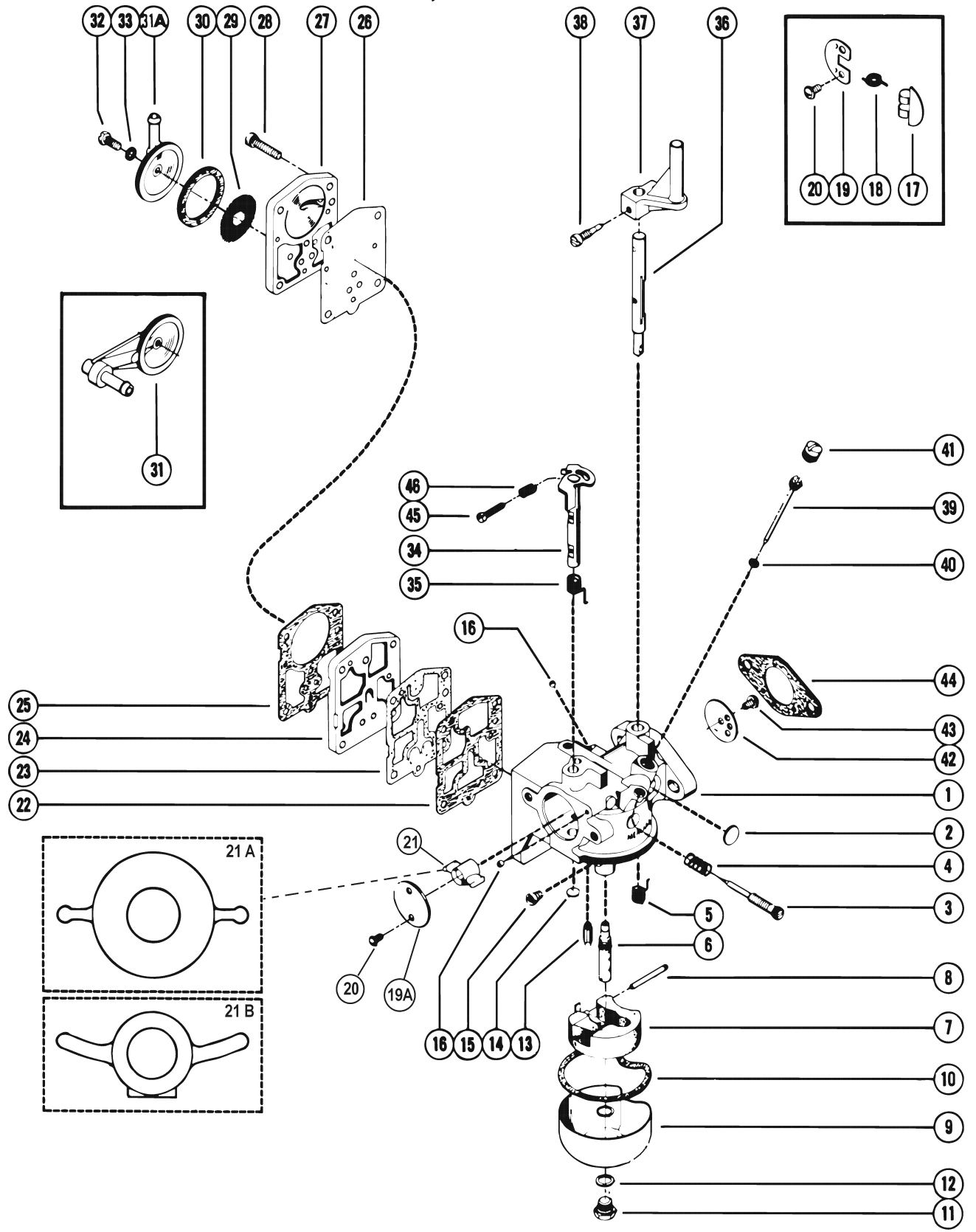
IGNITION COMPONENTS



IGNITION COMPONENTS

REF. NO.	PART NO.	SYM.	QTY.	DESCRIPTION
16	339-5287A1		1	SWITCH BOX UNITED STATES 3801458 THRU 3929194 AUSTRALIA 8015315 THRU 8019089 BELGIUM 9043194 THRU 9059653 CANADA 7028598 THRU 7036397
	339-5287A2		1	SWITCH BOX UNITED STATES 3929195 THRU 4397536 AUSTRALIA 8019090 THRU 8038449 BELGIUM 9059654 THRU 9115164 CANADA 7036398 THRU 7076122
	339-5287A3		1	SWITCH BOX UNITED STATES 4397537 AND UP AUSTRALIA 8038450 AND UP BELGIUM 9115165 AND UP CANADA 7076123 AND UP
17	10-20100		2	SCREW, SWITCH ATTACHING (1/2")
18	12-56681		2	WASHER, SWITCH BOX ATTACHING SCREW
19	61990		5	STA-STRAP
20	86-67460		1	TERMINAL BLOCK UNITED STATES 3801458 THRU 4397536 AUSTRALIA 8015315 THRU 8038449 BELGIUM 9043194 THRU 9115164 CANADA 7028598 THRU 7076122
21	10-48408		2	SCREW, TERMINAL BLOCK ATTACHING (5/8") UNITED STATES 3801458 THRU 4397536 AUSTRALIA 8015315 THRU 8038449 BELGIUM 9043194 THRU 9115164 CANADA 7028598 THRU 7076122
22	10-45218		2	SCREW, LEADS TO TERMINAL BLOCK (3/8") UNITED STATES 3801458 THRU 4397536 AUSTRALIA 8015315 THRU 8038449 BELGIUM 9043194 THRU 9115164 CANADA 7028598 THRU 7076122
23	56319A7		1	LEAD ASSEMBLY, STOP SWITCH (11") UNITED STATES 3801458 THRU 4131609 AUSTRALIA 8015315 THRU 8028839 BELGIUM 9043194 THRU 9079488 CANADA 7028598 THRU 7050207
24	59060		1	BOOT, LEAD ASSEMBLY UNITED STATES 3801458 THRU 4131609 AUSTRALIA 8015315 THRU 8028839 BELGIUM 9043194 THRU 9079488 CANADA 7028598 THRU 7050207
25	10-45218		1	SCREW, GROUND LEAD TO CYLINDER BLOCK

CARBURETOR ASSEMBLY, COMPLETE



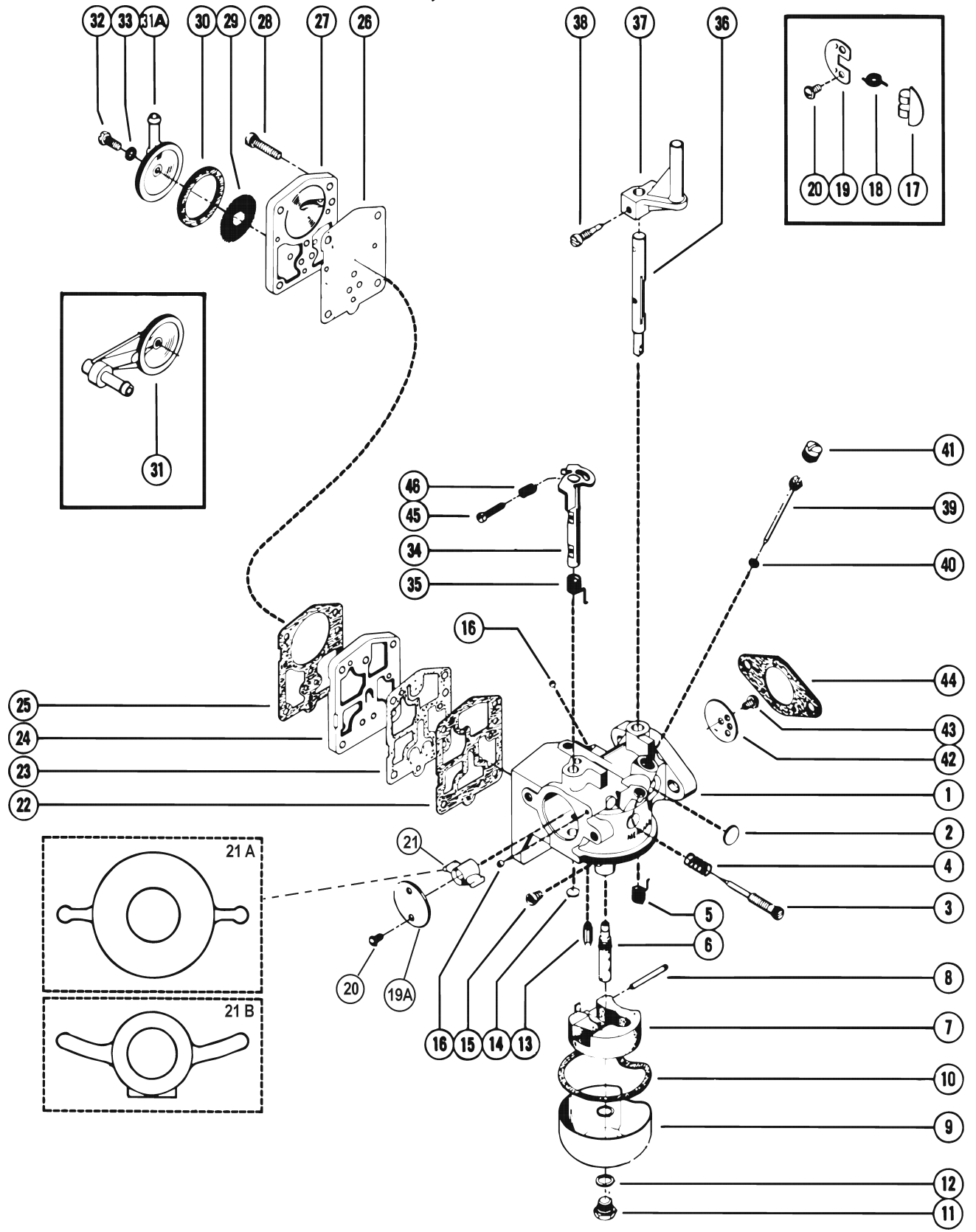
2058

CARBURETOR ASSEMBLY, COMPLETE

REF. NO.	PART NO.	SYM.	QTY.	DESCRIPTION
1	1364-4910A1		1	CARBURETOR ASSEMBLY UNITED STATES 3801458 THRU 4085864 AUSTRALIA 8015315 THRU 8024689 BELGIUM 9043194 THRU 9068873 CANADA 7028598 THRU 7043132
	1364-5645A3		1	CARBURETOR ASSEMBLY UNITED STATES 4085865 THRU 4131609 AUSTRALIA 8024690 THRU 8028839 BELGIUM 9068874 THRU 9079488 CANADA 7043133 THRU 7050207
	1364-5645A8		1	CARBURETOR ASSEMBLY UNITED STATES 4131610 THRU 4248574 AUSTRALIA 8028840 THRU 8031714 BELGIUM 9079489 THRU 9092863 CANADA 7050208 THRU 7056957
	1364-5994		1	CARBURETOR ASSEMBLY UNITED STATES 4248575 THRU 4314384 AUSTRALIA 8031715 THRU 8035569 BELGIUM 9092864 THRU 9102613 CANADA 7056958 THRU 7065472
	1364-6061		1	CARBURETOR ASSEMBLY UNITED STATES 4314385 THRU 4397536 AUSTRALIA 8035570 THRU 8038449 BELGIUM 9102614 THRU 9115164 CANADA 7065473 THRU 7076122
	1364-6289		1	CARBURETOR ASSEMBLY UNITED STATES 4397537 AND UP AUSTRALIA 8038450 AND UP BELGIUM 9115165 AND UP CANADA 7076123 AND UP
2			1	WELCH PLUG, BODY CHANNEL (LARGE)
3			1	SCREW, IDLE MIXTURE
4			1	SPRING, IDLE MIXTURE SCREW
5			1	SPRING, RETURN - THROTTLE SHAFT
6			1	MAIN NOZZLE
7	1399-5126		1	FLOAT
8			1	PIN, FLOAT RETAINING
9	1399-5127		1	FUEL BOWL
10			1	GASKET, FUEL BOWL
11	1399-5128		1	SCREW, FUEL BOWL TO CARBURETOR
12			2	GASKET, FUEL BOWL SCREW
13	1399-5130		2	INLET NEEDLE AND SPRING UNITED STATES 3801458 THRU 4085864 AUSTRALIA 8015315 THRU 8024689 BELGIUM 9043194 THRU 9068873 CANADA 7028598 THRU 7043132
	1399-6141		1	INLET NEEDLE AND SPRING UNITED STATES 4085865 AND UP AUSTRALIA 8024690 AND UP BELGIUM 9068874 AND UP CANADA 7043133 AND UP
14			1	WELCH PLUG, BODY CHANNEL (SMALL)
15	1399-3251		1	JET, MAIN FUEL (.034) UNITED STATES 3801458 THRU 4131609 AUSTRALIA 8015315 THRU 8028839 BELGIUM 9043194 THRU 9079488 CANADA 7028598 THRU 7050207
	1399-3252		1	JET, MAIN FUEL (.032) UNITED STATES 4131610 THRU 4397536 AUSTRALIA 8028840 THRU 8038449 BELGIUM 9079489 THRU 9115164 CANADA 7050208 THRU 7076122
	1399-1765		1	JET, MAIN FUEL (.045) UNITED STATES 4397537 AND UP AUSTRALIA 8038450 AND UP BELGIUM 9115165 AND UP CANADA 7076123 AND UP
16			2	PLUG, BODY CHANNEL
17	1399-5122		1	VALVE, CHOKE RELIEF UNITED STATES 3801458 THRU 4085864 AUSTRALIA 8015315 THRU 8024689 BELGIUM 9043194 THRU 9068873 CANADA 7028598 THRU 7043132

CONTINUED ON NEXT PAGE ➡

CARBURETOR ASSEMBLY, COMPLETE



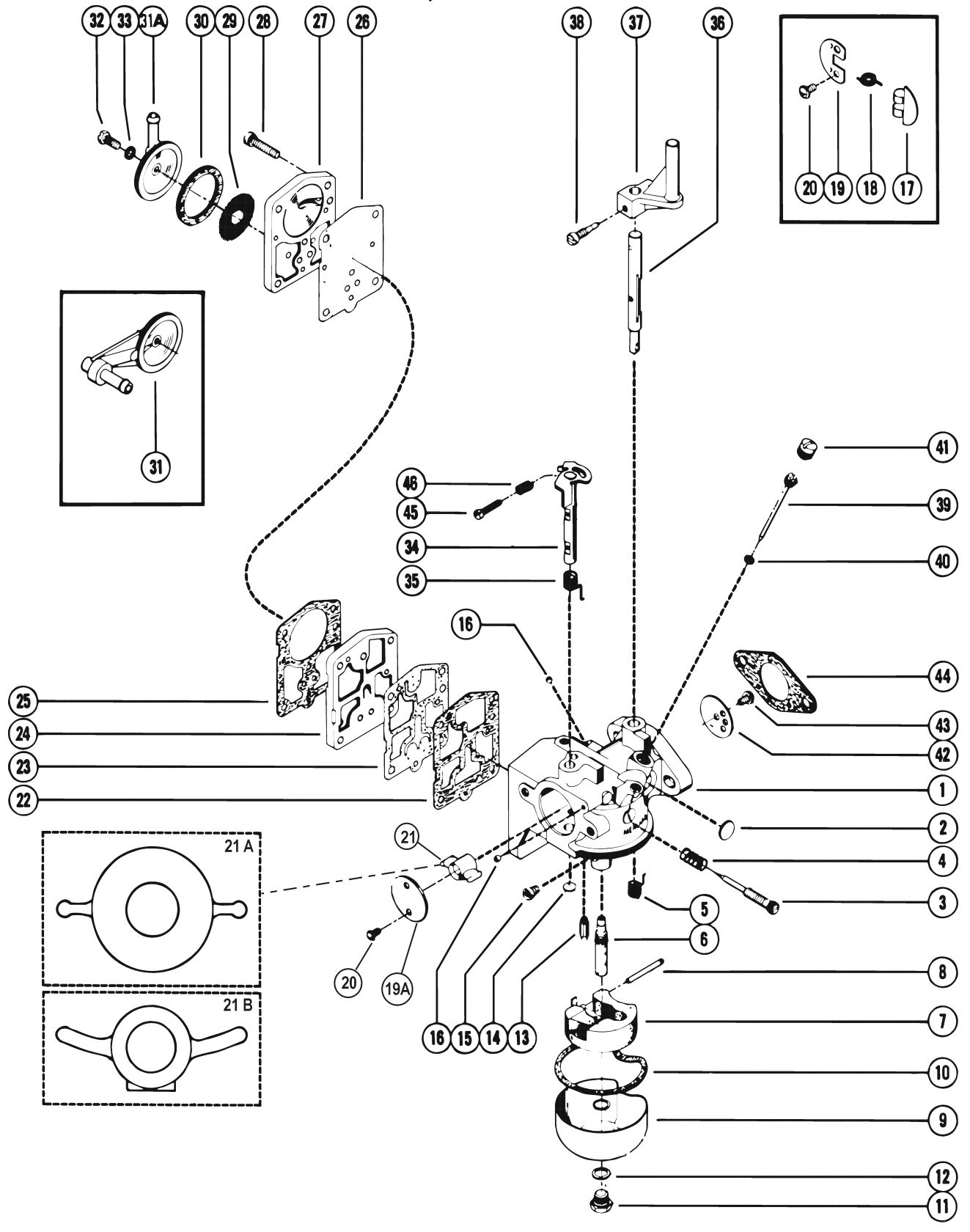
2058

CARBURETOR ASSEMBLY, COMPLETE

REF. NO.	PART NO.	SYM.	QTY.	DESCRIPTION
18	1399-5195		1	SPRING, CHOKE RELIEF VALVE UNITED STATES 3801458 THRU 4085864 AUSTRALIA 8015315 THRU 8024689 BELGIUM 9043194 THRU 9068873 CANADA 7028598 THRU 7043132
19	1399-5125		1	CHOKE SHUTTER UNITED STATES 3801458 THRU 4085864 AUSTRALIA 8015315 THRU 8024689 BELGIUM 9043194 THRU 9068873 CANADA 7028598 THRU 7043132
19A	1399-5756		1	CHOKE SHUTTER UNITED STATES 4085865 AND UP AUSTRALIA 8024690 AND UP BELGIUM 9068874 AND UP CANADA 7043133 AND UP
20	10-23035		2	SCREW, CHOKE SHUTTER TO CHOKE SHAFT
21A	64247		1	VENTURI
21B	69764		1	VENTURI
22			1	GASKET, FUEL PUMP DIAPHRAGM
23			1	DIAPHRAGM, FUEL PUMP
24	1399-5129		1	BODY, FUEL PUMP
25			1	GASKET, FUEL PUMP DIAPHRAGM
26			1	DIAPHRAGM, FUEL PUMP
27	1399-5131		1	BODY, STRAINER
28	1399-5132		4	SCREW, STRAINER BODY TO CARBURETOR
29	1399-4235		1	SCREEN, STRAINER UNITED STATES 3801458 THRU 4085864 AUSTRALIA 8015315 THRU 8024689 BELGIUM 9043194 THRU 9068873 CANADA 7028598 THRU 7043132
	1399-5758		1	SCREEN, STRAINER UNITED STATES 4085865 AND UP AUSTRALIA 8024690 AND UP BELGIUM 9068874 AND UP CANADA 7043133 AND UP
30			1	GASKET, STRAINER COVER
31	64194A1		1	COVER ASSEMBLY, STRAINER (INLET) UNITED STATES 3801458 THRU 4085864 AUSTRALIA 8015315 THRU 8024689 BELGIUM 9043194 THRU 9068873 CANADA 7028598 THRU 7043132
31A	1399-4236		1	COVER ASSEMBLY, STRAINER (INLET) UNITED STATES 4085865 AND UP AUSTRALIA 8024690 AND UP BELGIUM 9068874 AND UP CANADA 7043133 AND UP
32			1	SCREW, STRAINER COVER TO BODY
33			1	GASKET, STRAINER COVER SCREW
34	1399-5124		1	CHOKE SHAFT UNITED STATES 3801458 THRU 4085864 AUSTRALIA 8015315 THRU 8024689 BELGIUM 9043194 THRU 9068873 CANADA 7028598 THRU 7043132
	1399-5755		1	CHOKE SHAFT UNITED STATES 4085865 THRU 4131609 AUSTRALIA 8024690 THRU 8028839 BELGIUM 9068874 THRU 9079488 CANADA 7043133 THRU 7050207
	1399-5827		1	CHOKE SHAFT UNITED STATES 4131610 AND UP AUSTRALIA 8028840 AND UP BELGIUM 9079489 AND UP CANADA 7050208 AND UP
35			1	SPRING, RETURN - CHOKE SHAFT
36	1399-5133		1	THROTTLE SHAFT
37	63646		1	LEVER, THROTTLE
38	10-20847		1	SCREW, THROTTLE LEVER ATTACHING

CONTINUED ON NEXT PAGE ➡

CARBURETOR ASSEMBLY, COMPLETE

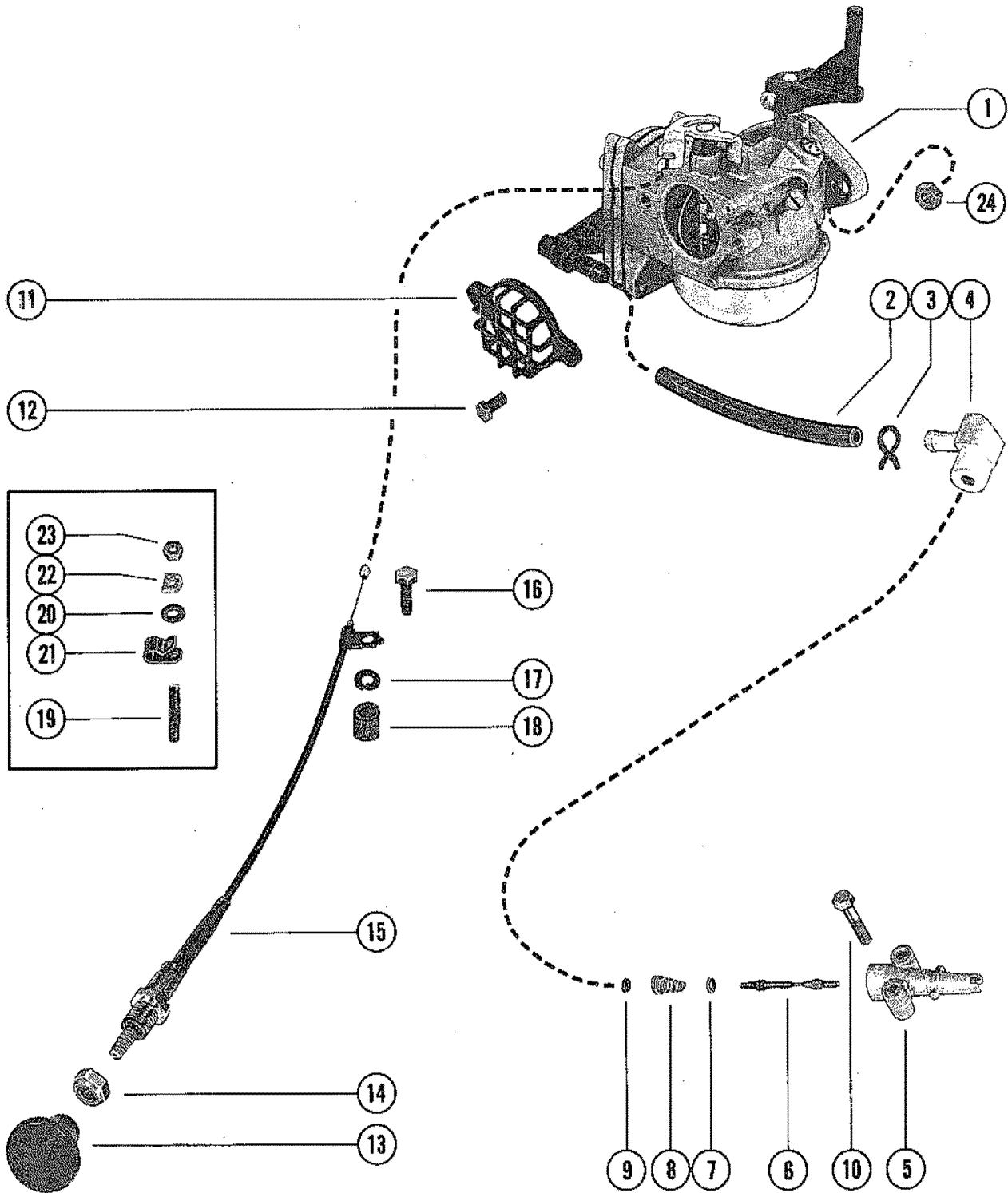


2058

CARBURETOR ASSEMBLY, COMPLETE

REF. NO.	PART NO.	SYM.	QTY.	DESCRIPTION
39			1	IDLE TUBE
40			1	GASKET, IDLE TUBE
41	10-23178		1	SCREW, PLUG - IDLE TUBE
42	1399-5749		1	THROTTLE SHUTTER UNITED STATES 3801458 THRU 4085864 AUSTRALIA 8015315 THRU 8024689 BELGIUM 9043194 THRU 9068873 CANADA 7028598 THRU 7043132
	1399-5759		1	THROTTLE SHUTTER UNITED STATES 4085865 AND UP AUSTRALIA 8024690 AND UP BELGIUM 9068874 AND UP CANADA 7043133 AND UP
43			2	SCREW, THROTTLE SHUTTER TO THROTTLE SHAFT
44	27-63309		1	GASKET, CARBURETOR FLANGE
45			1	SCREW, CHOKE STOP ADJUSTMENT UNITED STATES 4131610 AND UP AUSTRALIA 8028840 AND UP BELGIUM 9079489 AND UP CANADA 7050208 AND UP
46			1	SPRING, CHOKE STOP ADJUSTMENT UNITED STATES 4131610 AND UP AUSTRALIA 8028840 AND UP BELGIUM 9079489 AND UP CANADA 7050208 AND UP
-	1399-5135		1	GASKET SET
-	1399-5139		1	REPAIR PARTS KIT UNITED STATES 3801458 THRU 4085864 AUSTRALIA 8015315 THRU 8024689 BELGIUM 9043194 THRU 9068873 CANADA 7028598 THRU 7043132
-	1399-5804		1	REPAIR PARTS KIT UNITED STATES 4085865 THRU 4131609 AUSTRALIA 8024690 THRU 8028839 BELGIUM 9068874 THRU 9079488 CANADA 7043133 THRU 7050207
-	1399-5963		1	REPAIR PARTS KIT UNITED STATES 4131610 THRU 4314384 AUSTRALIA 8028840 THRU 8035569 BELGIUM 9079489 THRU 9102613 CANADA 7050208 THRU 7065472
-	1399-6142		1	REPAIR PARTS KIT UNITED STATES 4314385 THRU 4397536 AUSTRALIA 8035570 THRU 8038449 BELGIUM 9102614 THRU 9115164 CANADA 7065473 THRU 7076122
-	1399-6348		1	REPAIR PARTS KIT UNITED STATES 4397537 AND UP AUSTRALIA 8038450 AND UP BELGIUM 9115165 AND UP CANADA 7076123 AND UP
-	1399-5137		1	DIAPHRAGM AND GASKET KIT

CARBURETOR AND CHOKE ASSEMBLY

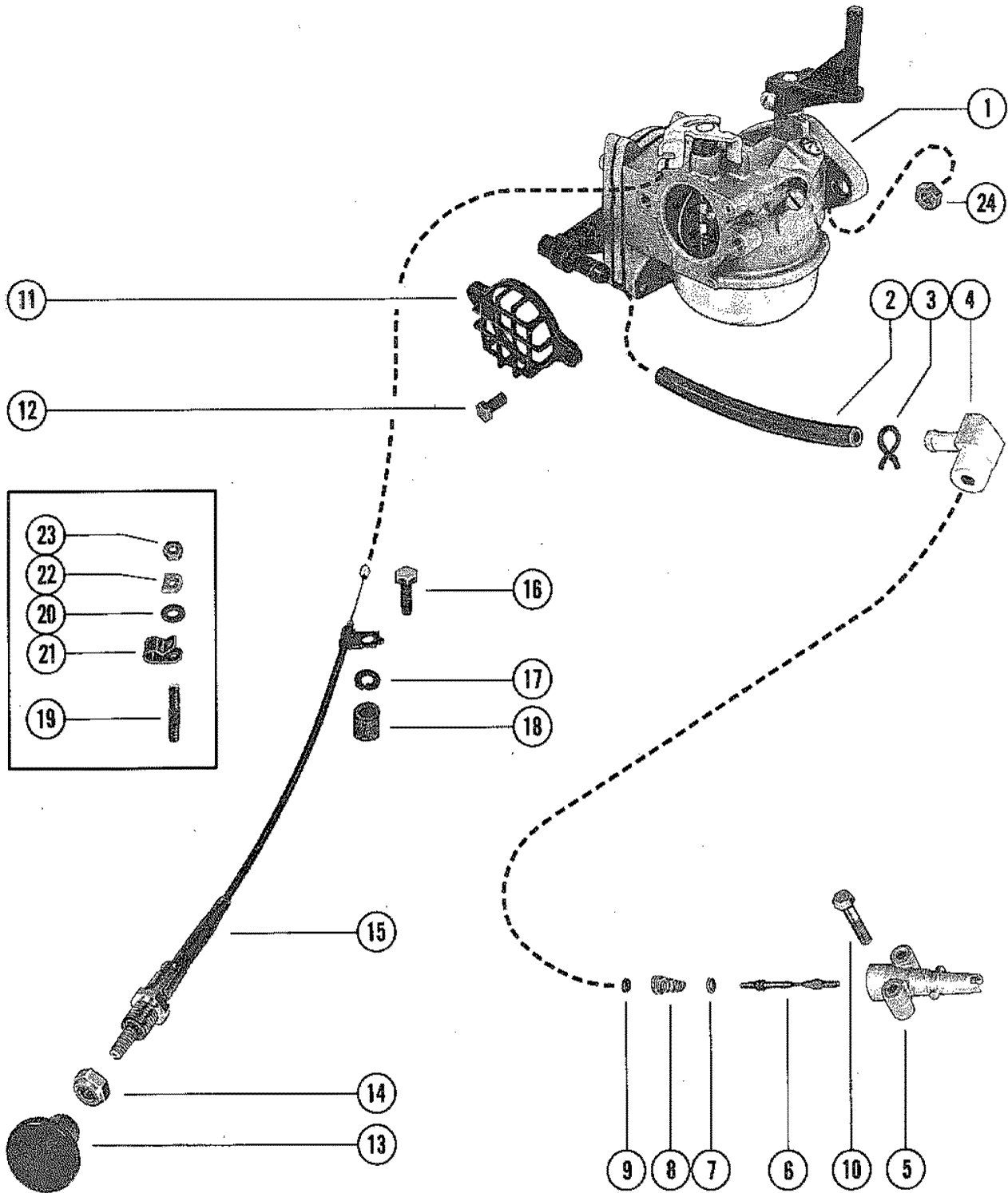


CARBURETOR AND CHOKE ASSEMBLY

REF. NO.	PART NO.	SYM.	QTY.	DESCRIPTION
1	1364-4910A1		1	CARBURETOR ASSEMBLY, COMPLETE UNITED STATES 3801458 THRU 4085864 AUSTRALIA 8015315 THRU 8024689 BELGIUM 9043194 THRU 9068873 CANADA 7028598 THRU 7043132
	1364-5645A3		1	CARBURETOR ASSEMBLY, COMPLETE UNITED STATES 4085865 THRU 4131609 AUSTRALIA 8024690 THRU 8028839 BELGIUM 9068874 THRU 9079488 CANADA 7043133 THRU 7050207
	1364-5645A8		1	CARBURETOR ASSEMBLY, COMPLETE UNITED STATES 4131610 THRU 4248574 AUSTRALIA 8028840 THRU 8031714 BELGIUM 9079489 THRU 9092863 CANADA 7050208 THRU 7056957
	1364-5994		1	CARBURETOR ASSEMBLY, COMPLETE UNITED STATES 4248575 THRU 4314384 AUSTRALIA 8031715 THRU 8035569 BELGIUM 9092864 THRU 9102613 CANADA 7056958 THRU 7065472
	1364-6061		1	CARBURETOR ASSEMBLY, COMPLETE UNITED STATES 4314385 THRU 4397536 AUSTRALIA 8035570 THRU 8038449 BELGIUM 9102614 THRU 9115164 CANADA 7065473 THRU 7076122
	1364-6289		1	CARBURETOR ASSEMBLY, COMPLETE UNITED STATES 4397537 AND UP AUSTRALIA 8038450 AND UP BELGIUM 9115165 AND UP CANADA 7076123 AND UP
2	32-63146		1	FUEL LINE, ADAPTOR TO CARBURETOR
3	54-68424		2	CLAMP, FUEL HOSE ATTACHING
4	22-63981		1	FITTING, FUEL LINE TO ADAPTOR UNITED STATES 3801458 THRU 4314384 AUSTRALIA 8015315 THRU 8035569 BELGIUM 9043194 THRU 9102613 CANADA 7028598 THRU 7065472
	22-73705		1	FITTING, FUEL LINE TO ADAPTOR UNITED STATES 4314385 AND UP AUSTRALIA 8035570 AND UP BELGIUM 9102614 AND UP CANADA 7065473 AND UP
5	22833		1	ADAPTOR, CHECK UNIT (FUEL LINE)
6	23069		1	STEM, CHECK UNIT ADAPTOR
7	25-20415		1	"O" RING, ADAPTOR STEM
8	24-23067		1	SPRING, ADAPTOR STEM
9	30188		1	CUP WASHER, ADAPTOR
10	10-37923		1	SCREW, ADAPTOR TO BOTTOM COWL (1 1/4")
11	65552		1	SCREEN, CARBURETOR
12	10-20100		2	SCREW, SCREEN TO CARBURETOR
13	63980		1	KNOB, CHOKE
14	11-73710		1	NUT, CHOKE CABLE TO BOTTOM COWL
15	63906		1	CABLE, CHOKE - SERIAL GROUP 5
	72465		1	CABLE, CHOKE UNITED STATES 4131610 AND UP AUSTRALIA 8028840 AND UP BELGIUM 9079489 AND UP CANADA 7050208 AND UP
16	10-45862		1	SCREW, CHOKE CABLE TO CARBURETOR UNITED STATES 3801458 THRU 4397536 AUSTRALIA 8015315 THRU 8038449 BELGIUM 9043194 THRU 9115164 CANADA 7028598 THRU 7076122

CONTINUED ON NEXT PAGE ➡

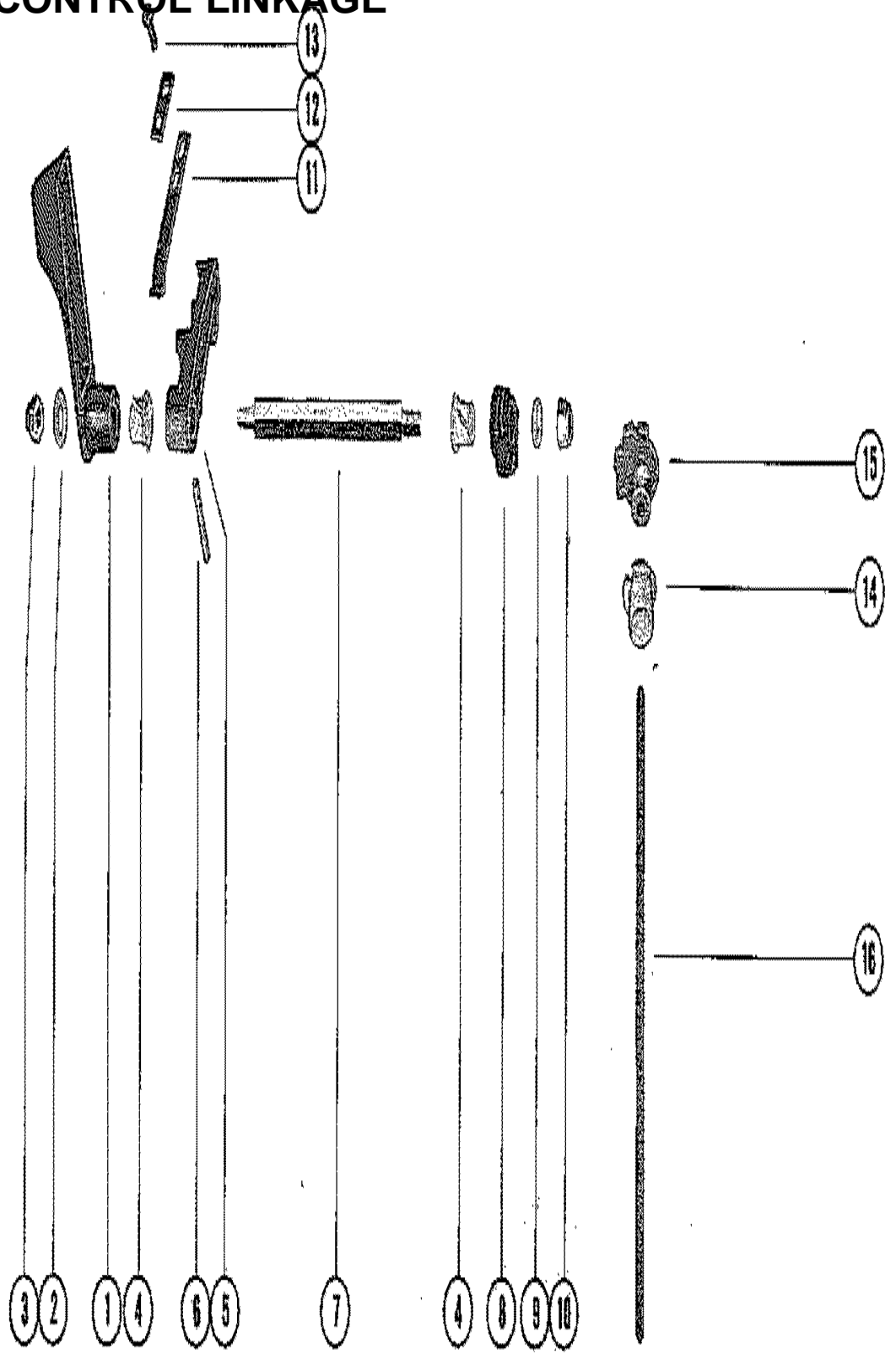
CARBURETOR AND CHOKE ASSEMBLY



CARBURETOR AND CHOKE ASSEMBLY

REF. NO.	PART NO.	SYM.	QTY.	DESCRIPTION
17	13-26996		1	LOCKWASHER, CHOKE CABLE SCREW UNITED STATES 3801458 THRU 4397536 AUSTRALIA 8015315 THRU 8038449 BELGIUM 9043194 THRU 9115164 CANADA 7028598 THRU 7076122
	12-56681		1	WASHER, CHOKE CABLE SCREW UNITED STATES 3801458 THRU 4397536 AUSTRALIA 8015315 THRU 8038449 BELGIUM 9043194 THRU 9115164 CANADA 7028598 THRU 7076122
18	23-63932		1	SPACER, CHOKE CABLE SCREW UNITED STATES 3801458 THRU 4314384 AUSTRALIA 8015315 THRU 8035569 BELGIUM 9043194 THRU 9102613 CANADA 7028598 THRU 7065472
19	16-69036		1	STUD, CHOKE CABLE TO CARBURETOR UNITED STATES 4397537 AND UP AUSTRALIA 8038450 AND UP BELGIUM 9115165 AND UP CANADA 7076123 AND UP
20	12-56681		1	WASHER, CHOKE CABLE STUD UNITED STATES 4397537 AND UP AUSTRALIA 8038450 AND UP BELGIUM 9115165 AND UP CANADA 7076123 AND UP
21	54-25231		1	CLIP, TRIGGER LEADS UNITED STATES 4397537 AND UP AUSTRALIA 8038450 AND UP BELGIUM 9115165 AND UP CANADA 7076123 AND UP
22	22789		1	"D" WASHER, TRIGGER LEAD CLIP UNITED STATES 4397537 AND UP AUSTRALIA 8038450 AND UP BELGIUM 9115165 AND UP CANADA 7076123 AND UP
23	11-45076		1	NUT, CHOKE CABLE STUD UNITED STATES 4397537 AND UP AUSTRALIA 8038450 AND UP BELGIUM 9115165 AND UP CANADA 7076123 AND UP
24	11-46887		2	NUT, CARBURETOR ATTACHING

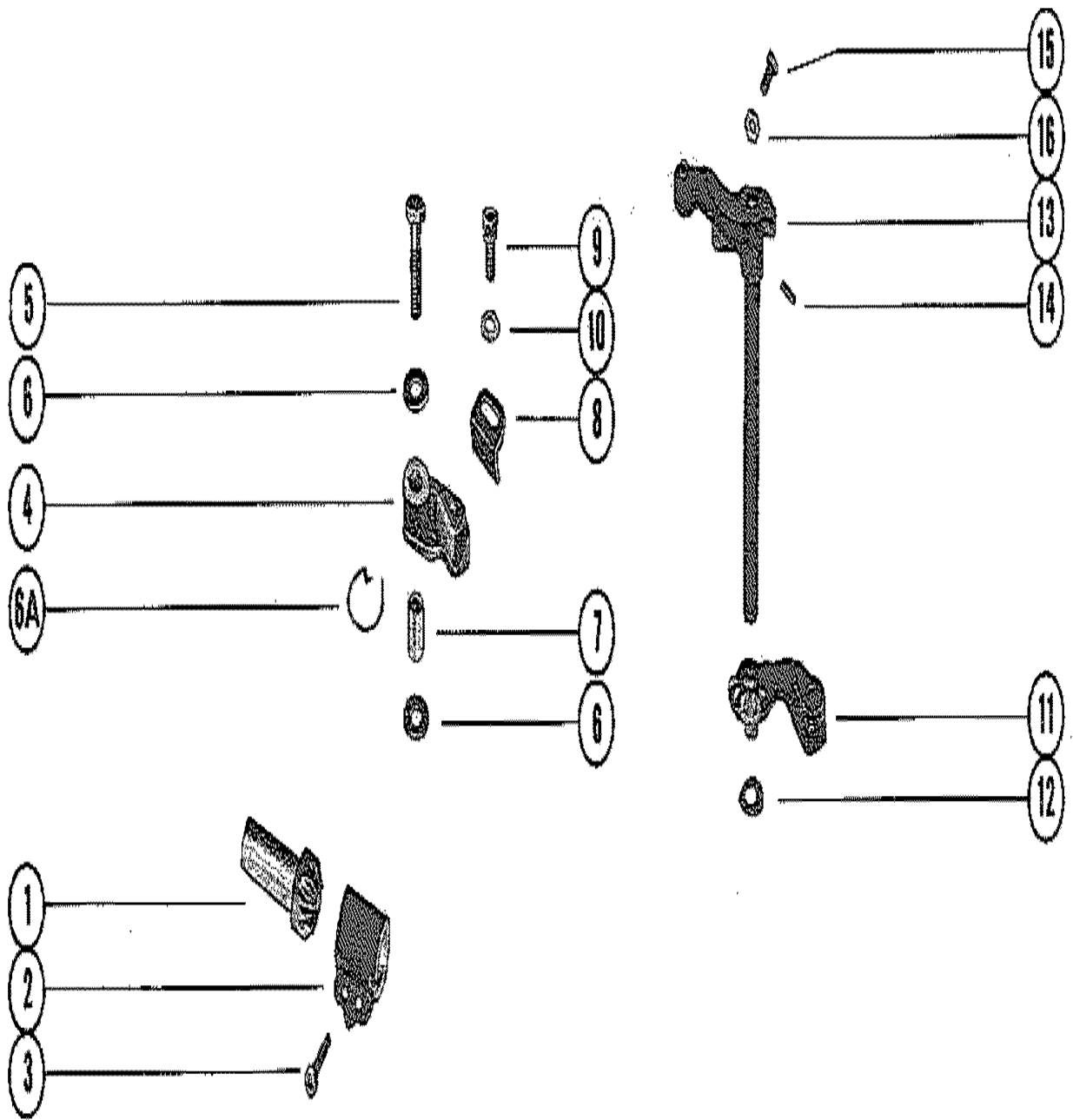
SHIFT CONTROL LINKAGE



SHIFT CONTROL LINKAGE

REF. NO.	PART NO.	SYM.	QTY.	DESCRIPTION
1	66376		1	HANDLE, SHIFT CONTROL (MANUAL)
	74352		1	HANDLE, SHIFT CONTROL (ELECTRIC)
2	12-29245		1	WASHER, SHIFT CONTROL SHAFT
3	11-39305		1	NUT, SHIFT HANDLE TO SHIFT CONTROL SHAFT
4	23-66375		2	BUSHING, NYLON - SHIFT CONTROL SHAFT
5	66361		1	LEVER, SHIFT CONTROL (REMOTE) UNITED STATES 3801458 THRU 4397536 AUSTRALIA 8015315 THRU 8038449 BELGIUM 9043194 THRU 9115164 CANADA 7028598 THRU 7076122
	74350		1	LEVER, SHIFT CONTROL (REMOTE) UNITED STATES 3801458 THRU 4397536 AUSTRALIA 8015315 THRU 8038449 BELGIUM 9043194 THRU 9115164 CANADA 7028598 THRU 7076122
6	17-25905		1	PIN, SHIFT LEVER TO SHIFT CONTROL SHAFT
7	66379		1	SHAFT, SHIFT CONTROL
8	43-66377		1	GEAR, SECTOR - SHIFT CONTROL SHAFT (HORIZONTAL)
9	12-29245		1	WASHER, SHIFT CONTROL SHAFT
10	11-20361		1	NUT, SECTOR GEAR TO SHIFT CONTROL SHAFT
11	24-39627		1	SPRING, DETENT - SHIFT CONTROL LEVER
12	39601		1	PLATE, DETENT SPRING
13	10-25764		2	SCREW, PLATE AND SPRING TO ADAPTOR PLATE (1/2")
14	23-27132		1	BUSHING, NYLON - UPPER SHIFT SHAFT
15	43-55447		1	GEAR, SECTOR - SHIFT SHAFT
16	63555		1	SHIFT SHAFT UNITED STATES 3801458 THRU 4131609 AUSTRALIA 8015315 THRU 8028839 BELGIUM 9043194 THRU 9079488 CANADA 7028598 THRU 7050207
	71660		1	SHIFT SHAFT UNITED STATES 4131610 AND UP AUSTRALIA 8028840 AND UP BELGIUM 9079489 AND UP CANADA 7050208 AND UP

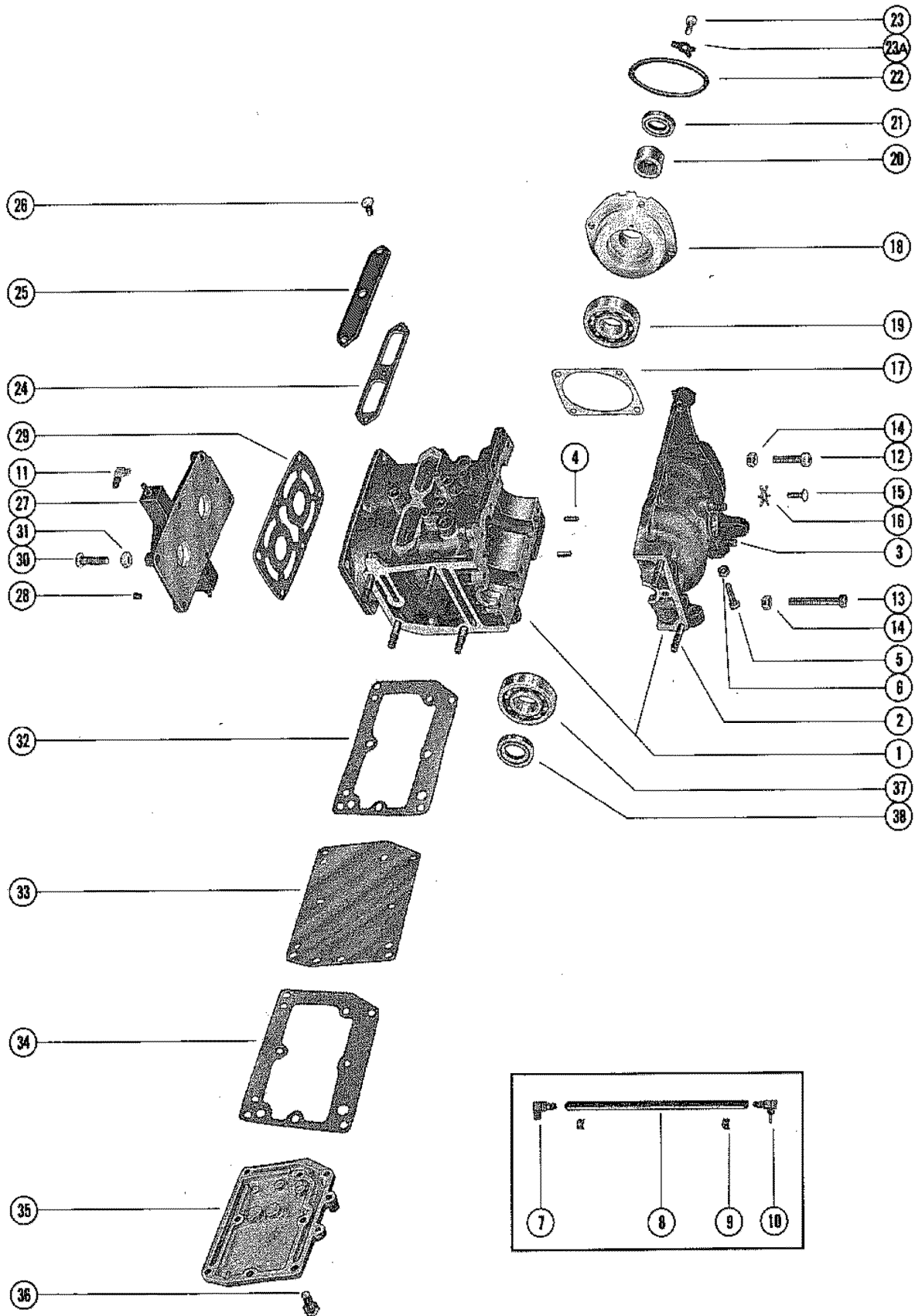
THROTTLE CONTROL LINKAGE



THROTTLE CONTROL LINKAGE

REF. NO.	PART NO.	SYM.	QTY.	DESCRIPTION
1	43-60856		1	GEAR, HORIZONTAL - THROTTLE CONTROL SOCKET
2	60885		1	HOUSING, THROTTLE CONTROL
3	10-73643		2	SCREW, THROTTLE CONTROL HOUSING TO BOTTOM COWL (3/4")
4	63308A1		1	FOLLOWER ASSEMBLY, NEUTRAL SPEED LIMITER
5	10-20653		1	SCREW, LIMITER FOLLOWER TO BOTTOM COWL (1 1/8")
6	12-38753		2	WASHER, SPEED LIMITER FOLLOWER SCREW
6A	24-39042		1	SPRING, NEUTRAL SPEED LIMITER FOLLOWER
7	23-63320		1	BUSHING, SPEED LIMITER FOLLOWER SCREW
8	36017		1	STOP, NEUTRAL SPEED LIMITER
9	10-28710		1	SCREW, NEUTRAL SPEED LIMITER STOP TO FOLLOWER (5/8")
10	12-24676		1	WASHER, NEUTRAL SPEED LIMITER STOP SCREW
11	43-60858		1	GEAR, THROTTLE CONTROL
12	15-64653A1		AR	SHIM ASSEMBLY, GEAR AND SHAFT (LOWER)
13	66374A2		1	LEVER ASSEMBLY, THROTTLE CONTROL
14	17-76207		1	PIN, ROLL - THROTTLE CONTROL LEVER TO CONTROL SHAFT

CYLINDER BLOCK AND CRANKCASE ASSEMBLY

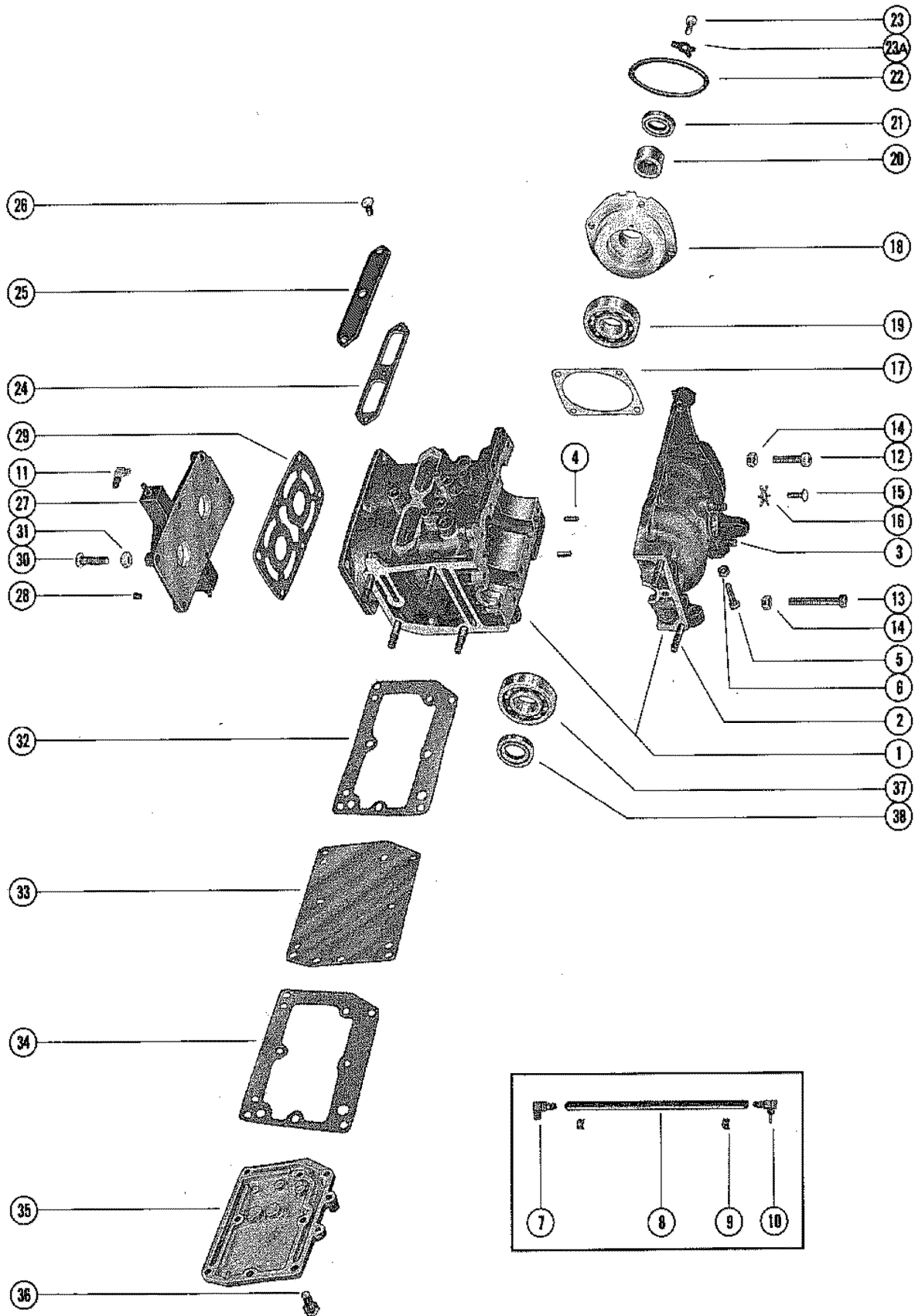


CYLINDER BLOCK AND CRANKCASE ASSEMBLY

REF. NO.	PART NO.	SYM.	QTY.	DESCRIPTION
1	837-5284A4		1	CYLINDER BLOCK AND CRANKCASE ASS'Y UNITED STATES 3801458 THRU 4131609 AUSTRALIA 8015315 THRU 8028839 BELGIUM 9043194 THRU 9079488 CANADA 7028598 THRU 7050207
	837-5675A3		1	CYLINDER BLOCK AND CRANKCASE ASS'Y UNITED STATES 4131610 THRU 4248574 AUSTRALIA 8028840 THRU 8031714 BELGIUM 9079489 THRU 9092863 CANADA 7050208 THRU 7056957
	837-5991A3		1	CYLINDER BLOCK AND CRANKCASE ASS'Y UNITED STATES 4248575 THRU 4314384 AUSTRALIA 8031715 THRU 8035569 BELGIUM 9092864 THRU 9102613 CANADA 7056958 THRU 7065472
	837-5955A3		1	CYLINDER BLOCK AND CRANKCASE ASS'Y UNITED STATES 4314385 THRU 4397536 AUSTRALIA 8035570 THRU 8038449 BELGIUM 9102614 THRU 9115164 CANADA 7065473 THRU 7076122
	837-6112A4		1	CYLINDER BLOCK AND CRANKCASE ASS'Y UNITED STATES 4397537 THRU 4691221 AUSTRALIA 8038450 THRU 8045674 BELGIUM 9115165 THRU 9150904 CANADA 7076123 THRU 7095422
	837-6414A4		1	CYLINDER BLOCK AND CRANKCASE ASS'Y UNITED STATES 4691222 AND UP AUSTRALIA 8045675 AND UP BELGIUM 9150905 AND UP CANADA 7095423 AND UP
2	16-72809		6	STUD, BLOCK AND CRANKCASE TO DRIVE SHAFT HOUSING
3	16-66357		2	STUD, CARBURETOR MOUNTING
4	17-46912		2	PIN, DOWEL - CRANKCASE TO CYLINDER BLOCK
5	10-23015		2	SCREW, ADJ. - THROTTLE CONTROL - (1") UNITED STATES 3801458 THRU 4397536 AUSTRALIA 8015315 THRU 8038449 BELGIUM 9043194 THRU 9115164 CANADA 7028598 THRU 7076122
	10-54467		2	SCREW, ADJ. - THROTTLE CONTROL (1 1/4') UNITED STATES 4397537 AND UP AUSTRALIA 8038450 AND UP BELGIUM 9115165 AND UP CANADA 7076123 AND UP
6	11-68219		2	NUT, THROTTLE CONTROL ADJUSTING SCREW
7	21-64871A1		1	VALVE ASSEMBLY, BLEED DRAIN
8	32-60584		1	HOSE, BLEED DRAIN (6 1/2')
9	54-56223		2	CLAMP, BLEED HOSE ATTACHING
10	22-61294		1	ELBOW, BLEED(MANUAL)
	22-56759		1	ELBOW, BLEED(ELECTRIC)
11	22-25885		1	ELBOW, TELL TALE - CYLINDER BLOCK
12	10-31294		8	SCREW, CRANKCASE TO CYLINDER BLOCK (1") UNITED STATES 3801458 THRU 4691221 AUSTRALIA 8015315 THRU 8045674 BELGIUM 9043194 THRU 9150904 CANADA 7028598 THRU 7095422
13	10-24264		2	SCREW, CRANKCASE TO CYLINDER BLOCK (1 3/4") UNITED STATES 3801458 THRU 4691221 AUSTRALIA 8015315 THRU 8045674 BELGIUM 9043194 THRU 9150904 CANADA 7028598 THRU 7095422

CONTINUED ON NEXT PAGE ➡

CYLINDER BLOCK AND CRANKCASE ASSEMBLY

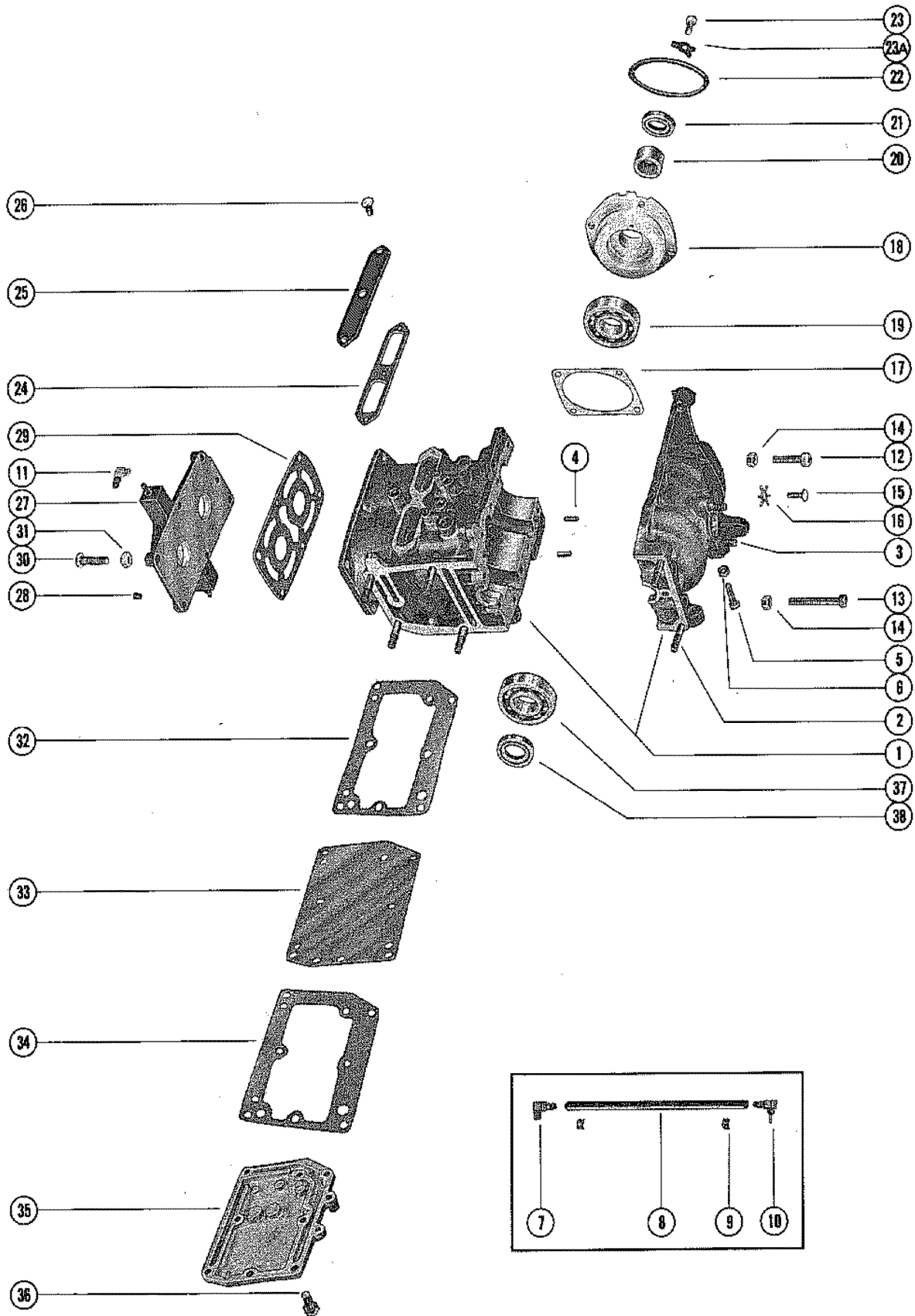


CYLINDER BLOCK AND CRANKCASE ASSEMBLY

REF. NO.	PART NO.	SYM.	QTY.	DESCRIPTION
14	11-24652		10	NUT, CRANKCASE FASTENING SCREW UNITED STATES 3801458 THRU 4691221 AUSTRALIA 8015315 THRU 8045674 BELGIUM 9043194 THRU 9150904 CANADA 7028598 THRU 7095422
12	10-76621		8	SCREW, CRANKCASE TO CYLINDER BLOCK UNITED STATES 4691222 AND UP AUSTRALIA 8045675 AND UP BELGIUM 9150905 AND UP CANADA 7095423 AND UP
13	10-73280		2	SCREW, CRANKCASE TO CYLINDER BLOCK (1 1/2") UNITED STATES 4691222 AND UP AUSTRALIA 8045675 AND UP BELGIUM 9150905 AND UP CANADA 7095423 AND UP
15	10-26801		1	SCREW, MAIN BEARING LOCKING (5/8") UNITED STATES 4691222 AND UP AUSTRALIA 8045675 AND UP BELGIUM 9150905 AND UP CANADA 7095423 AND UP
16	14-20091		1	TAB WASHER, MAIN BEARING LOCKING SCREW
17	15-31412A1		AR	SHIM, UPPER HOUSING TO CYLINDER BLOCK (.002-3-5-10)
18	1157-5279A1		1	BEARING HOUSING ASSEMBLY, UPPER UNITED STATES 3801458 THRU 4397536 AUSTRALIA 8015315 THRU 8038449 BELGIUM 9043194 THRU 9115164 CANADA 7028598 THRU 7076122
	1164-6110A1		1	BEARING HOUSING ASSEMBLY, UPPER UNITED STATES 4397537 THRU 4691221 AUSTRALIA 8038450 THRU 8045674 BELGIUM 9115165 THRU 9150904 CANADA 7076123 THRU 7095422
	1164-6413A1		1	BEARING HOUSING ASSEMBLY, UPPER UNITED STATES 4691222 AND UP AUSTRALIA 8045675 AND UP BELGIUM 9150905 AND UP CANADA 7095423 AND UP
19	30-20861		1	BEARING, BALL - UPPER BEARING HOUSING
20	31-31410		1	BEARING, ROLLER - UPPER BEARING HOUSING
21	26-66301		1	OIL SEAL, UPPER BEARING HOUSING
22	25-20863		1	"O" RING, UPPER BEARING HOUSING
23	10-39002		4	SCREW, UPPER BEARING HOUSING (1/2") UNITED STATES 3801458 THRU 4691221 AUSTRALIA 8015315 THRU 8045674 BELGIUM 9043194 THRU 9150904 CANADA 7028598 THRU 7095422
	10-76611		4	SCREW, UPPER BEARING HOUSING (1/2") UNITED STATES 4691222 AND UP AUSTRALIA 8045675 AND UP BELGIUM 9150905 AND UP CANADA 7095423 AND UP
23A	14-76610		4	TAB WASHER, UPPER BEARING HOUSING SCREW UNITED STATES 4691222 AND UP AUSTRALIA 8045675 AND UP BELGIUM 9150905 AND UP CANADA 7095423 AND UP
24	27-31434		1	GASKET, TRANSFER PORT COVER
25	61155		1	COVER, TRANSFER PORT - MANUAL
26	10-26537		3	SCREW, PORT COVER TO CYLINDER BLOCK (1/2") - MANUAL
25	74344		1	COVER, TRANSFER PORT - ELECTRIC
26	10-26537		3	SCREW, PORT COVER TO CYLINDER BLOCK - ELECTRIC
27	1019-5314A1		1	COVER ASSEMBLY, CYLINDER BLOCK
28	22-52644		1	PLUG, CYLINDER BLOCK COVER
29	27-66358		1	GASKET, CYLINDER BLOCK COVER

CONTINUED ON NEXT PAGE ➡

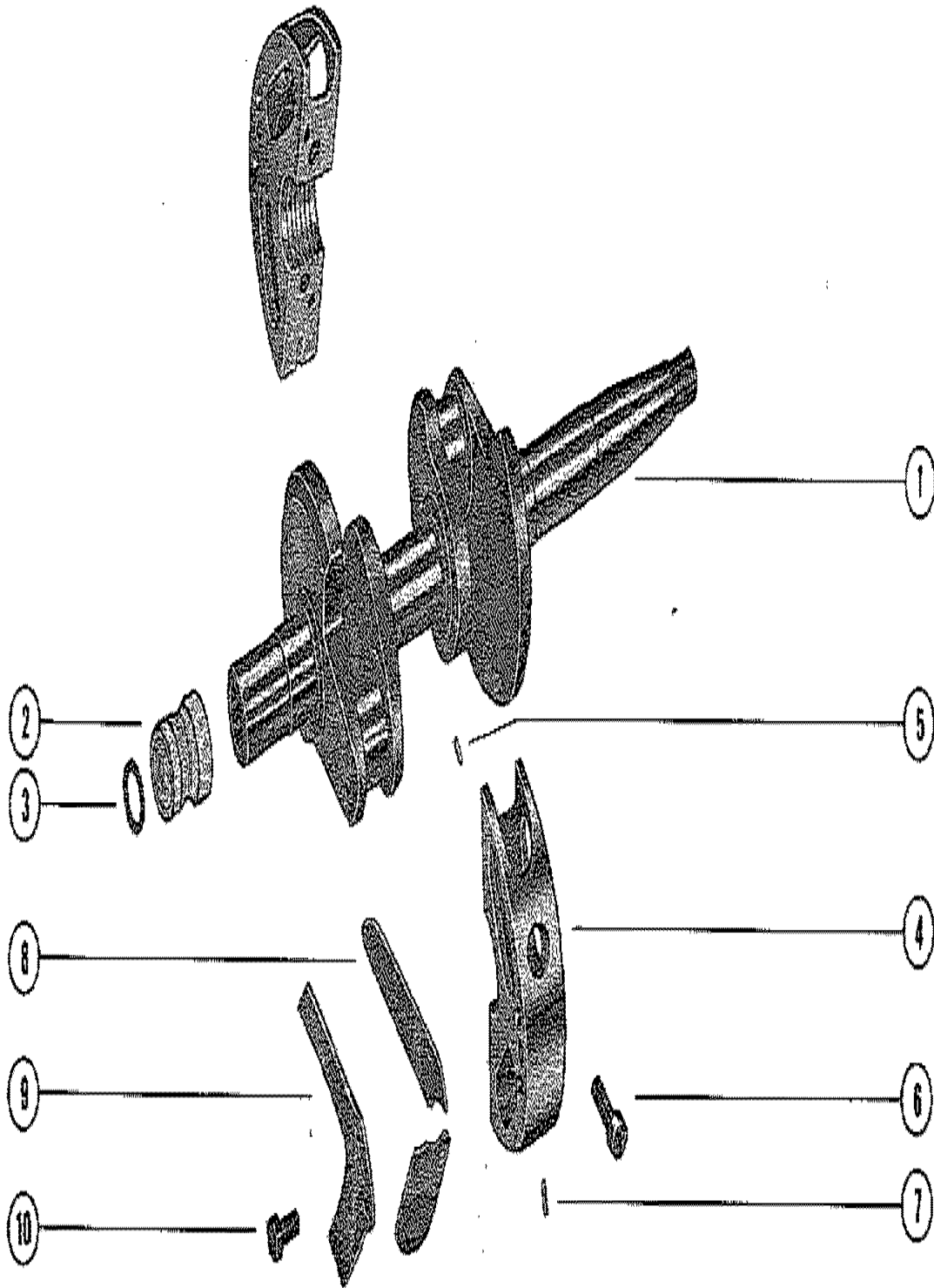
CYLINDER BLOCK AND CRANKCASE ASSEMBLY



CYLINDER BLOCK AND CRANKCASE ASSEMBLY

REF. NO.	PART NO.	SYM.	QTY.	DESCRIPTION
30	10-69086		6	SCREW, CYL. BLOCK COVER TO CYL. BLOCK (1 1/8") UNITED STATES 3801458 THRU 4691221 AUSTRALIA 8015315 THRU 8045674 BELGIUM 9043194 THRU 9150904 CANADA 7028598 THRU 7095422
31	11-24652		6	NUT, CYLINDER BLOCK COVER MOUNTING SCREW UNITED STATES 3801458 THRU 4691221 AUSTRALIA 8015315 THRU 8045674 BELGIUM 9043194 THRU 9150904 CANADA 7028598 THRU 7095422
30	10-76630		6	SCREW, CYL. BLOCK COVER TO CYL. BLOCK UNITED STATES 4691222 AND UP AUSTRALIA 8045675 AND UP BELGIUM 9150905 AND UP CANADA 7095423 AND UP
32	27-46233		1	GASKET, BAFFLE PLATE
33	46235		1	PLATE, BAFFLE - EXHAUST MANIFOLD
34	27-46233		1	GASKET, BAFFLE PLATE
35	46172		1	COVER, EXHAUST MANIFOLD UNITED STATES 3801458 THRU 4397536 AUSTRALIA 8015315 THRU 8038449 BELGIUM 9043194 THRU 9115164 CANADA 7028598 THRU 7076122
	74919		1	COVER, EXHAUST MANIFOLD UNITED STATES 4397537 AND UP AUSTRALIA 8038450 AND UP BELGIUM 9115165 AND UP CANADA 7076123 AND UP
36	10-28668		8	SCREW, BAFFLE PLATE AND MANIFOLD COVER MOUNTING (3/4")
37	30-20861		1	BEARING, BALL - CRANKCASE (LOWER)
38	26-66301		1	OIL SEAL, CRANKCASE (LOWER)

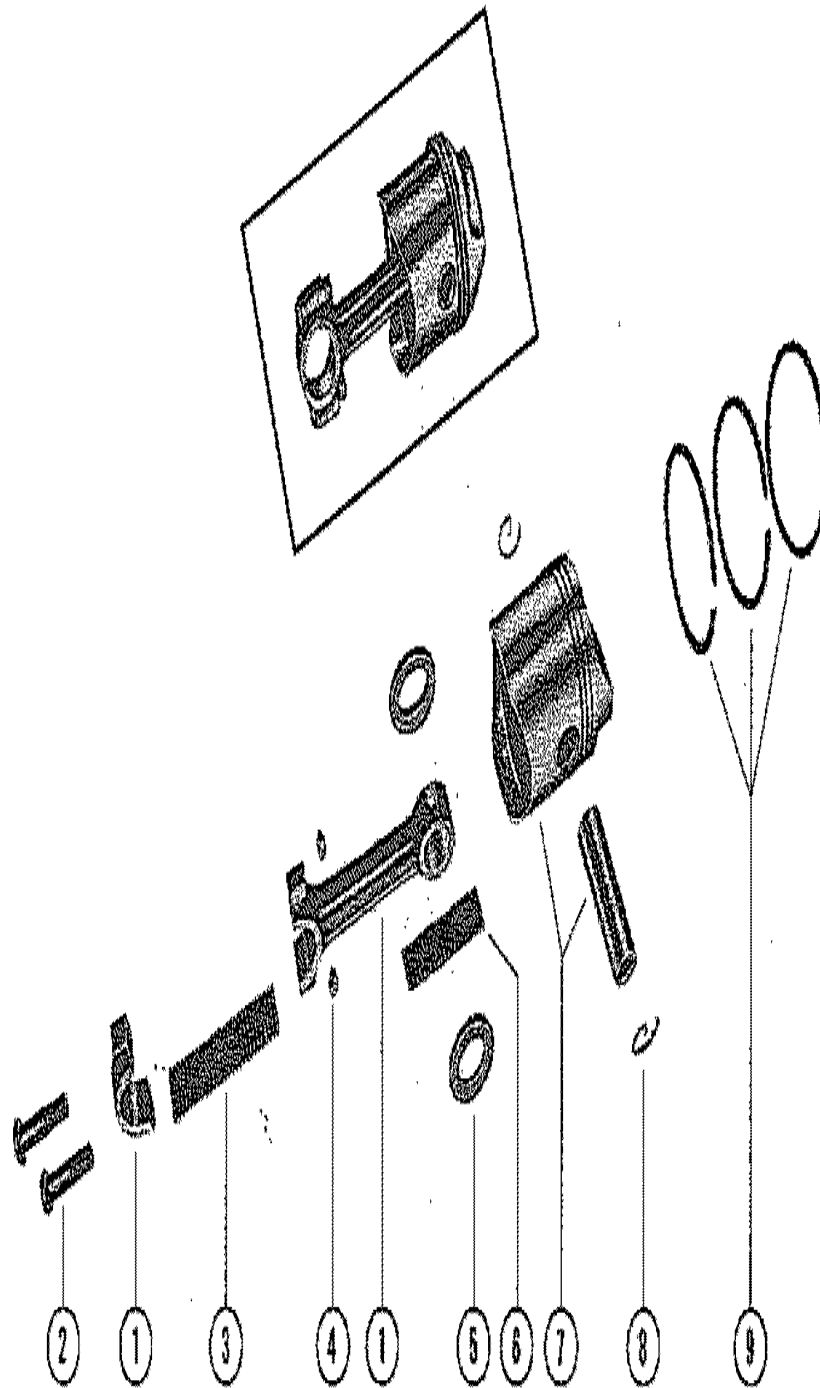
CRANKSHAFT AND MAIN BEARING ASSEMBLY



CRANKSHAFT AND MAIN BEARING ASSEMBLY

REF. NO.	PART NO.	SYM.	QTY.	DESCRIPTION
1	421-5275		1	CRANKSHAFT
2	63991A1		1	CARRIER ASSEMBLY, SEAL CRANKSFAHT UNITED STATES 3801458 THRU 4314384 AUSTRALIA 8015315 THRU 8035569 BELGIUM 9043194 THRU 9102613 CANADA 7028598 THRU 7065472
3	64988		1	SEAL, CRANKSHAFT CARRIER UNITED STATES 3801458 THRU 4314384 AUSTRALIA 8015315 THRU 8035569 BELGIUM 9043194 THRU 9102613 CANADA 7028598 THRU 7065472
	26-72793		1	SEAL, CRANKSHAFT CARRIER UNITED STATES 4314385 AND UP AUSTRALIA 8035570 AND UP BELGIUM 9102614 AND UP CANADA 7065473 AND UP
4	532-1938A6		1	MAIN BEARING ASSEMBLY (VALVE TYPE)
5	17-20032		2	PIN, DOWEL - MAIN BEARING
	17-65855		8	PIN, DOWEL - REED LOCATING
6	10-56781		2	SCREW, MAIN BEARING CLAMPING
7	17-20032		1	PIN, DOWEL - MAIN BEARING TO BLOCK
8	34-31942A1		1	REED SET, MATCHED - MAIN BEARING
9	34-52925		4	REED STOP, MAIN BEARING REED VALVES UNITED STATES 3801458 THRU 4131609 AUSTRALIA 8015315 THRU 8028839 BELGIUM 9043194 THRU 9079488 CANADA 7028598 THRU 7050207
	34-20053		4	REED STOP, MAIN BEARING REED VALVES UNITED STATES 4131610 AND UP AUSTRALIA 8028840 AND UP BELGIUM 9079489 AND UP CANADA 7050208 AND UP
10	10-27304		4	SCREW, REED STOP MOUNTING

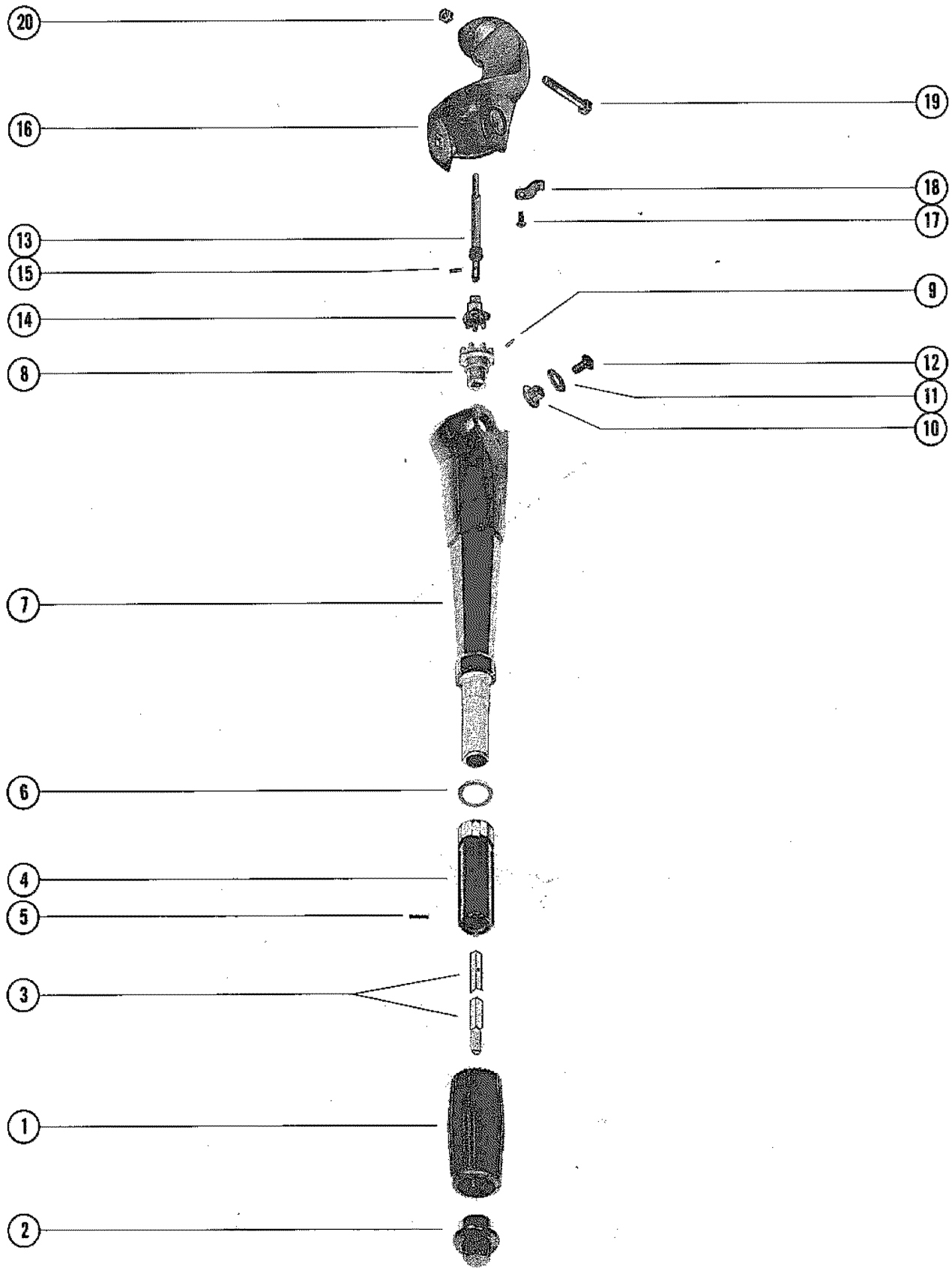
PISTON AND CONNECTING ROD ASSEMBLY



PISTON AND CONNECTING ROD ASSEMBLY

REF. NO.	PART NO.	SYM.	QTY.	DESCRIPTION
1	608-4246A1		2	CONNECTING ROD ASSEMBLY
2	10-39154		4	SCREW, CONNECTING ROD
3	29-26815		58	BEARING, NEEDLE - CRANKPIN
4	11-20061		4	NUT, CONNECTING ROD SCREW
5	12-65967		4	WASHER, NEEDLE BEARING RETAINING
6	29-31505		40	BEARING, NEEDLE - PISTON PIN
7	719-3374A2		2	PISTON AND PISTON PIN ASSEMBLY
8	40-21666		4	LOCK RING, PISTON PIN
9	39-21665A12		1	RING, PISTON

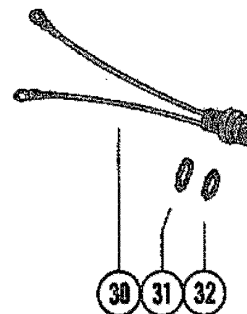
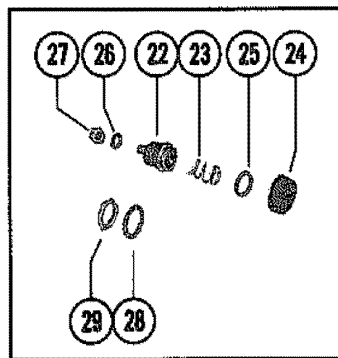
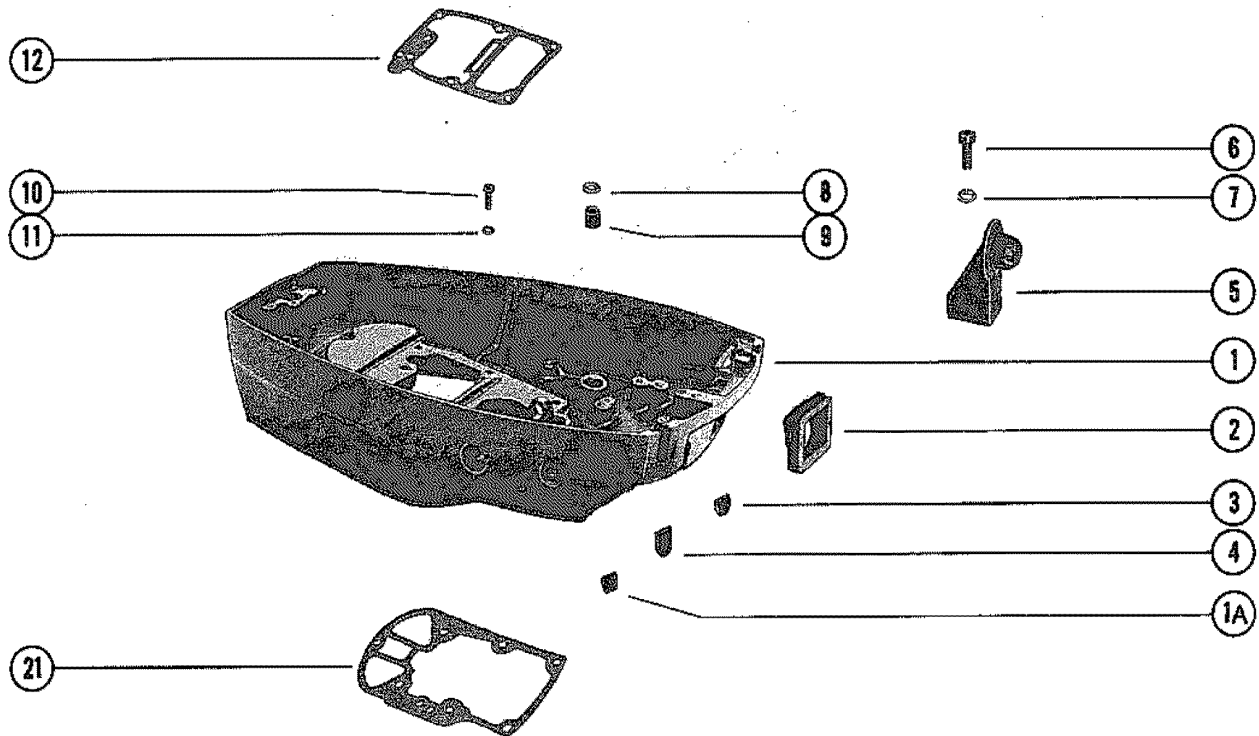
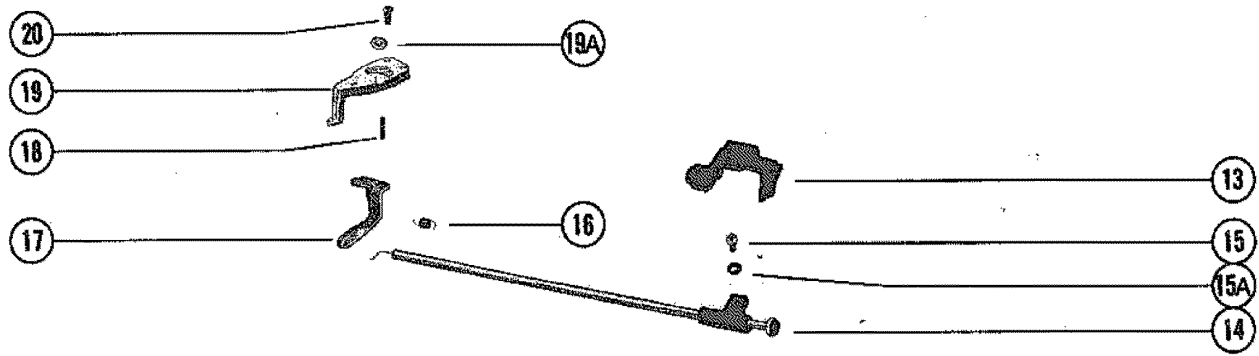
STEERING HANDLE ASSEMBLY



STEERING HANDLE ASSEMBLY

REF. NO.	PART NO.	SYM.	QTY.	DESCRIPTION
-	60850A6		1	STEERING HANDLE ASSEMBLY, COMPLETE
1	60854		1	GRIP, HANDLE - THROTTLE
2	62254		1	CAP, HANDLE - THROTTLE
3	66393		1	SHAFT, THROTTLE
4	66394A1		1	HANDLE, THROTTLE SHAFT
5	17-46152		1	PIN, STEERING HANDLE
6	12-62252		1	WASHER, THROTTLE HANDLE TO STEERING ARM
7	60850		1	ARM, STEERING HANDLE
8	43-60852		1	GEAR, BALL - THROTTLE SHAFT
9	17-27088		1	PIN, BALL GEAR TO THROTTLE SHAFT
10	48003		2	PIVOT, STEERING HANDLE TO BRACKET
11	15-48002015		AR	SHIM, STEERING HANDLE PIVOT TO BRACKET (.015)
12	10-64074		2	SCREW, STEERING HANDLE TO ARM BRACKET (5/8")
13	60857A2		1	UNIVERSAL JOINT ASSEMBLY
14	43-60852		1	GEAR, BALL - UNIVERSAL JOINT
15	17-68436		1	PIN, BALL GEAR TO UNIVERSAL JOINT
16	68768A2		1	BRACKET ASSEMBLY, STEERING ARM
17	10-62233		2	SCREW, DETENT SPRING TO STEERING ARM BRACKET (5/8")
18	24-47744		2	SPRING, DETENT - STEERING HANDLE UNITED STATES 3801458 THRU 4314384 AUSTRALIA 8015315 THRU 8035569 BELGIUM 9043194 THRU 9102613 CANADA 7028598 THRU 7065472
	24-72847		2	SPRING, DETENT - STEERING HANDLE UNITED STATES 4314385 AND UP AUSTRALIA 8035570 AND UP BELGIUM 9102614 AND UP CANADA 7065473 AND UP
19	10-30679		3	SCREW, STEERING ARM BRACKET TO SADDLE (2 1/4")
20	11-24652		3	NUT, STEERING ARM BRACKET FASTENING SCREW

BOTTOM COWL AND STOP SWITCH ASSEMBLY

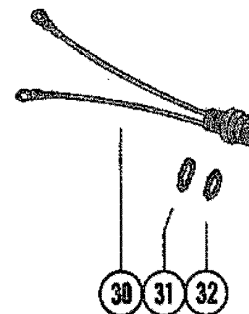
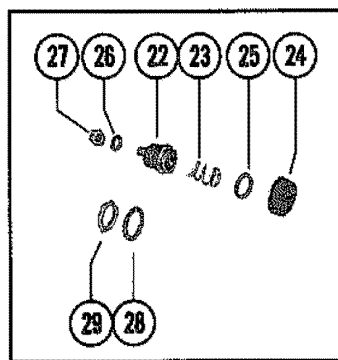
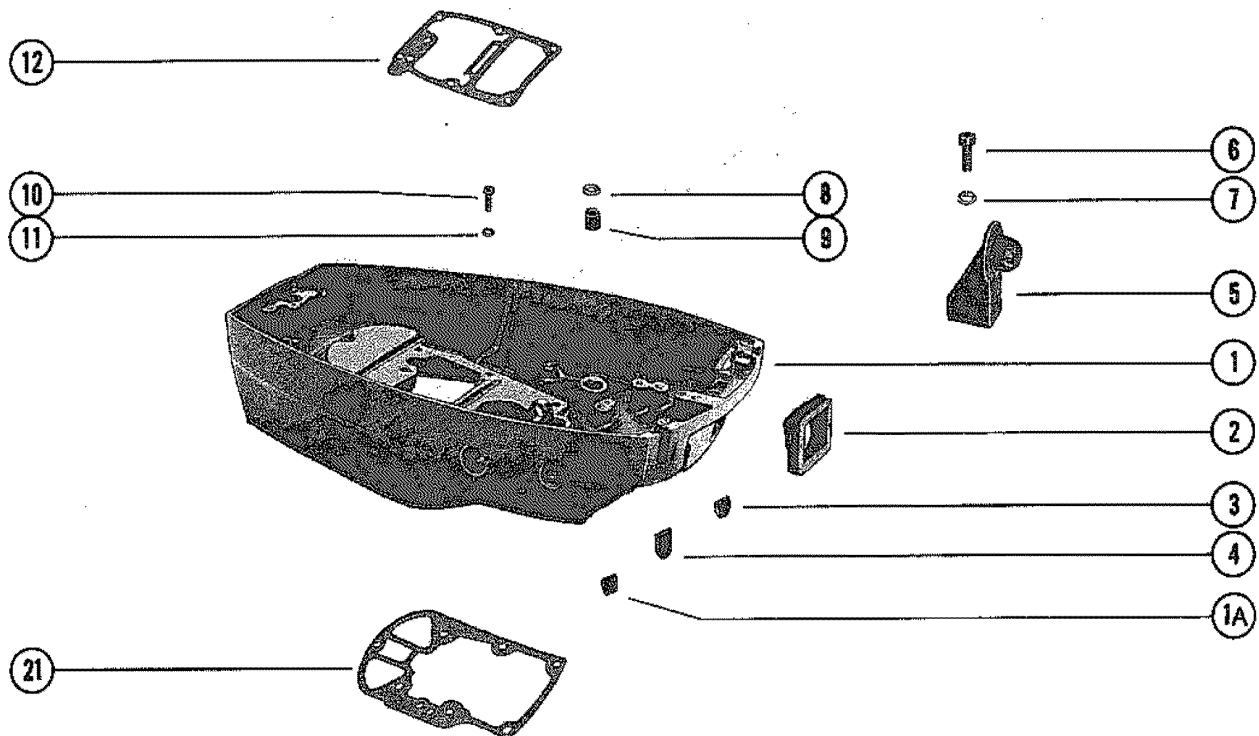
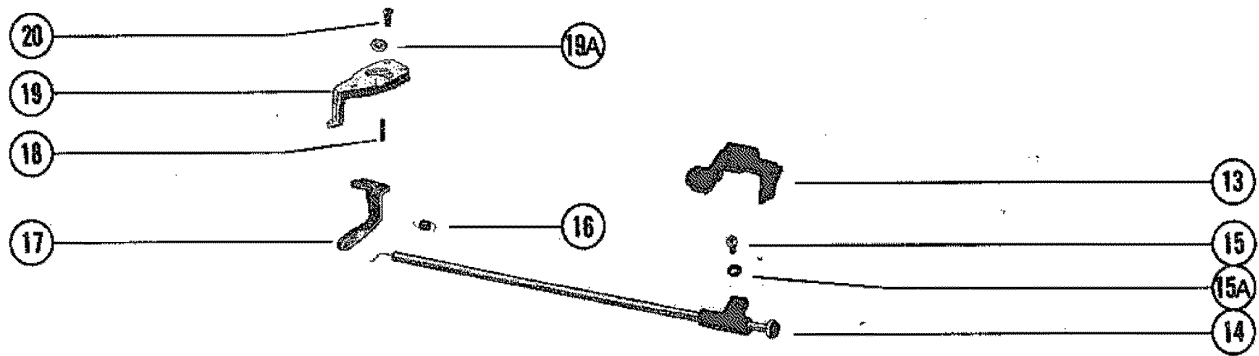


BOTTOM COWL AND STOP SWITCH ASSEMBLY

REF. NO.	PART NO.	SYM.	QTY.	DESCRIPTION
1	2148-5180		1	COWL, BOTTOM UNITED STATES 3801458 THRU 4085864 AUSTRALIA 8015315 THRU 8024689 BELGIUM 9043194 THRU 9068873 CANADA 7028598 THRU 7043132
	2148-5569		1	COWL, BOTTOM UNITED STATES 4085865 THRU 4397536 AUSTRALIA 8024690 THRU 8038449 BELGIUM 9068874 THRU 9115164 CANADA 7043133 THRU 7076122
	2159-6107A4		1	COWL, BOTTOM UNITED STATES 4397537 AND UP AUSTRALIA 8038450 AND UP BELGIUM 9115165 AND UP CANADA 7076123 AND UP
1A	74360		1	PLUG, BOTTOM COWL(MANUAL)
2	39778		1	GROMMET, CHOKE SHAFT _ BOTTOM COWL
3	66353		1	COVER, ACCESS HOLE
4	65479		1	COVER, ACCESS HOLE
5	39474		1	ANCHOR, LATCH - BOTTOM COWL
6	10-22483		2	SCREW, LATCH ANCHOR TO BOTTOM COWL (1 1/8")
7	13-26992		2	LOCKWASHER, LATCH ANCHOR SCREW
8	12-36554		1	WASHER, NYLON - WATER OUTLET TUBE
9	26-36556		1	SEAL, RUBBER - WATER OUTLET TUBE
10	10-38111		1	SCREW, BOTTOM COWL TO DRIVE SHAFT HOUSING (3/4")
11	13-26992		1	LOCKWASHER, BOTTOM COWL SCREW
12	27-45748		1	GASKET, POWERHEAD TO ADAPTOR PLATE
13	65478		1	LEVER, COWL LATCH UNITED STATES 3801458 THRU 4397536 AUSTRALIA 8015315 THRU 8038449 BELGIUM 9043194 THRU 9115164 CANADA 7028598 THRU 7076122
	74349		1	LEVER, COWL LATCH UNITED STATES 4397537 AND UP AUSTRALIA 8038450 AND UP BELGIUM 9115165 AND UP CANADA 7076123 AND UP
14	65613		1	CABLE, COWL LATCH
15	10-65554		1	SCREW, COWL LATCH CABLE
15A	12-56681		2	WASHER, COWL LATCH CABLE SCREW
16	24-65520		1	SPRING, CABLE TO ARM LATCH
17	69153		1	LATCH, ARM - BOTTOM COWL UNITED STATES 3801458 THRU 4314384 AUSTRALIA 8015315 THRU 8035569 BELGIUM 9043194 THRU 9102613 CANADA 7028598 THRU 7065472
	72791		1	LATCH, ARM - BOTTOM COWL UNITED STATES 4314385 AND UP AUSTRALIA 8035570 AND UP BELGIUM 9102614 AND UP CANADA 7065473 AND UP
18	29-52168		1	PIN, ARM LOCATING
19	69154		1	LATCH, BODY - BOTTOM COWL
19A	12-34680		1	WASHER, BODY LATCH
20	10-32228		3	SCREW, LATCH TO BOTTOM COWL
21	27-39050		1	GASKET, BOTTOM COWL TO DRIVE SHAFT HOUSING
22	59065A4		1	STOP SWITCH ASSEMBLY UNITED STATES 3801458 THRU 4131609 AUSTRALIA 8015315 THRU 8028839 BELGIUM 9043194 THRU 9079488 CANADA 7028598 THRU 7050207
23	24-60239		1	SPRING, STOP SWITCH UNITED STATES 3801458 THRU 4131609 AUSTRALIA 8015315 THRU 8028839 BELGIUM 9043194 THRU 9079488 CANADA 7028598 THRU 7050207

CONTINUED ON NEXT PAGE ➡

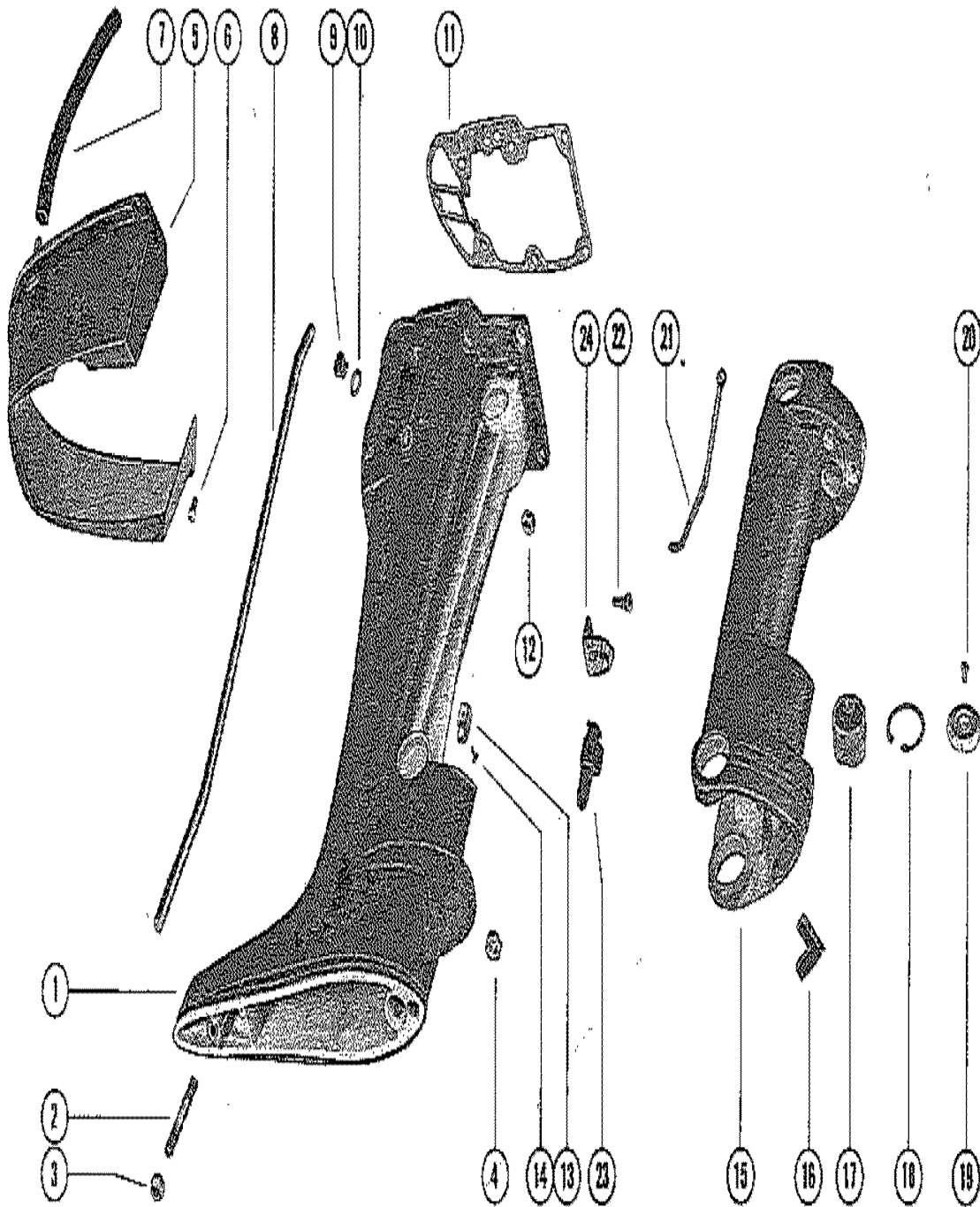
BOTTOM COWL AND STOP SWITCH ASSEMBLY



BOTTOM COWL AND STOP SWITCH ASSEMBLY

REF. NO.	PART NO.	SYM.	QTY.	DESCRIPTION
24	38950A1		1	COVER ASSEMBLY, STOP SWITCH UNITED STATES 3801458 THRU 4131609 AUSTRALIA 8015315 THRU 8028839 BELGIUM 9043194 THRU 9079488 CANADA 7028598 THRU 7050207
25	12-59061		1	WASHER, STATOR LEAD TO STOP SWITCH UNITED STATES 3801458 THRU 4131609 AUSTRALIA 8015315 THRU 8028839 BELGIUM 9043194 THRU 9079488 CANADA 7028598 THRU 7050207
26	13-21972		1	LOCKWASHER, STOP SWITCH CONNECTER UNITED STATES 3801458 THRU 4131609 AUSTRALIA 8015315 THRU 8028839 BELGIUM 9043194 THRU 9079488 CANADA 7028598 THRU 7050207
27	11-21971		1	NUT, STOP SWITCH TO BOTTOM COWL UNITED STATES 3801458 THRU 4131609 AUSTRALIA 8015315 THRU 8028839 BELGIUM 9043194 THRU 9079488 CANADA 7028598 THRU 7050207
29	13-68219		1	NUT, CONNECTOR BASE TO BOTTOM COWL UNITED STATES 3801458 THRU 4131609 AUSTRALIA 8015315 THRU 8028839 BELGIUM 9043194 THRU 9079488 CANADA 7028598 THRU 7050207
30	87-69508A1		1	STOP SWITCH ASSEMBLY UNITED STATES 4131610 AND UP AUSTRALIA 8028840 AND UP BELGIUM 9079489 AND UP CANADA 7050208 AND UP
31	13-69845		1	LOCKWASHER, STOP SWITCH UNITED STATES 4131610 AND UP AUSTRALIA 8028840 AND UP BELGIUM 9079489 AND UP CANADA 7050208 AND UP
32	11-69844		1	NUT, STOP SWITCH UNITED STATES 4131610 AND UP AUSTRALIA 8028840 AND UP BELGIUM 9079489 AND UP CANADA 7050208 AND UP

DRIVE SHAFT HOUSING ASSEMBLY

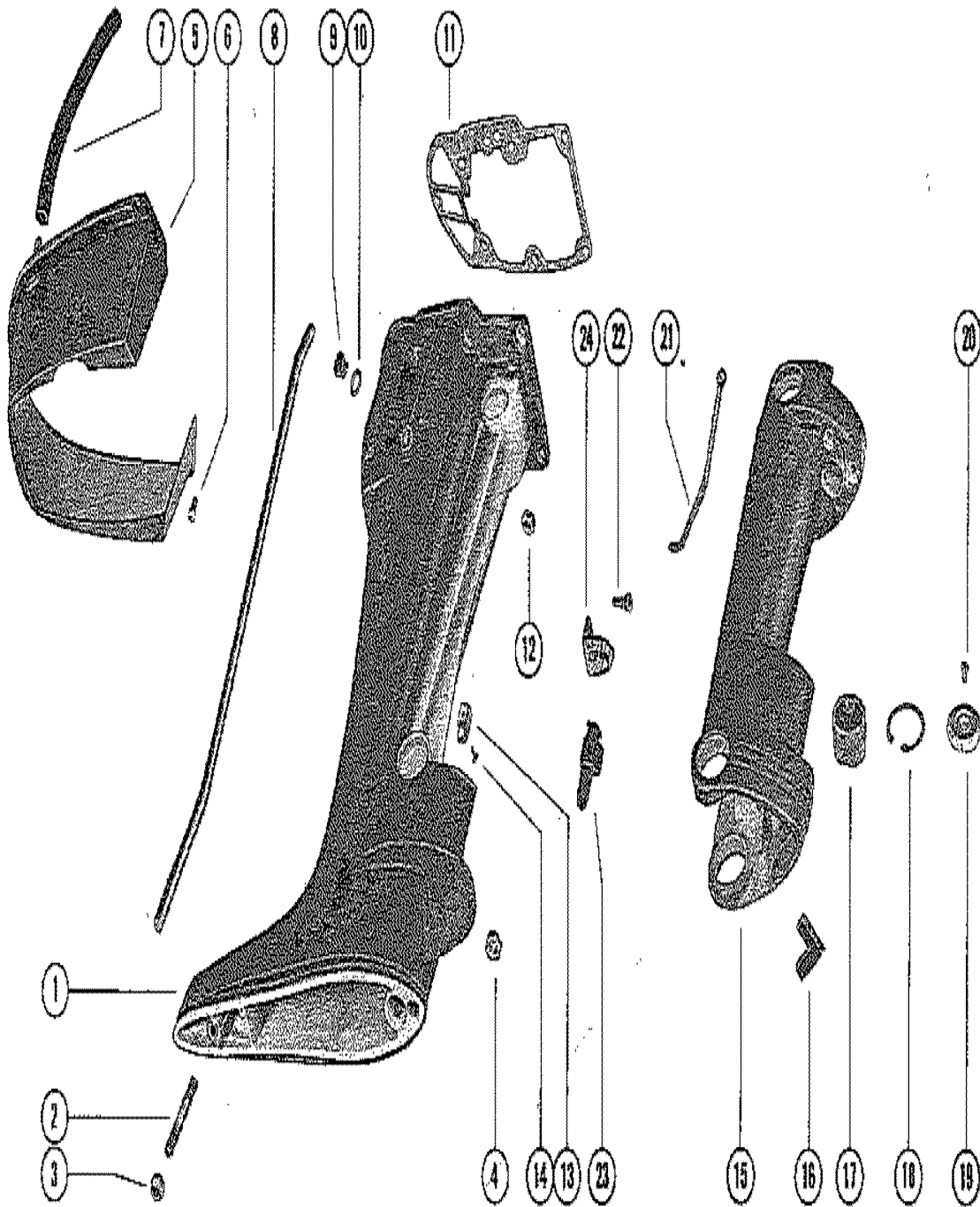


DRIVE SHAFT HOUSING ASSEMBLY

REF. NO.	PART NO.	SYM.	QTY.	DESCRIPTION
1	1556-4901A2		1	DRIVE SHAFT HOUSING ASSEMBLY(SHORT SHAFT) UNITED STATES 3801458 THRU 4314384 AUSTRALIA 8015315 THRU 8035569 BELGIUM 9043194 THRU 9102613 CANADA 7028598 THRU 7065472
	1558-4902A2		1	DRIVE SHAFT HOUSING ASSEMBLY(LONG SHAFT) UNITED STATES 3801458 THRU 4314384 AUSTRALIA 8015315 THRU 8035569 BELGIUM 9043194 THRU 9102613 CANADA 7028598 THRU 7065472
2	16-66373		1	STUD, DRIVE SHAFT HOUSING TO GEAR HOUSING (2 5/16") UNITED STATES 3801458 THRU 4314384 AUSTRALIA 8015315 THRU 8035569 BELGIUM 9043194 THRU 9102613 CANADA 7028598 THRU 7065472
1	1556-5945A2		1	DRIVE SHAFT HOUSING ASSEMBLY(SHORT SHAFT) UNITED STATES 4314385 AND UP AUSTRALIA 8035570 AND UP BELGIUM 9102614 AND UP CANADA 7065473 AND UP
	1558-5946A3		1	DRIVE SHAFT HOUSING ASSEMBLY(LONG SHAFT) UNITED STATES 4314385 AND UP AUSTRALIA 8035570 AND UP BELGIUM 9102614 AND UP CANADA 7065473 AND UP
2	16-66373		1	STUD, DRIVE SHAFT HOUSING TO GEAR HOUSING (2 5/16") UNITED STATES 4314385 AND UP AUSTRALIA 8035570 AND UP BELGIUM 9102614 AND UP CANADA 7065473 AND UP
3	11-34863		1	NUT, DRIVE SHAFT HOUSING STUD (3/8 - 24)
4	11-35814		1	NUT, GEAR HOUSING TO DRIVE SHAFT HOUSING STUD (5/16 - 14)
5	65518		1	COVER, TRIM - DRIVE SHAFT HOUSING UNITED STATES 3801458 THRU 4131609 AUSTRALIA 8015315 THRU 8028839 BELGIUM 9043194 THRU 9079488 CANADA 7028598 THRU 7050207
	72471		1	COVER, TRIM - DRIVE SHAFT HOUSING UNITED STATES 4131610 AND UP AUSTRALIA 8028840 AND UP BELGIUM 9079489 AND UP CANADA 7050208 AND UP
6	10-64652		4	SCREW, TRIM COVER TO BOTTOM COWL (1/2")
7	32-34395A1		1	HOSE, TELL TALE (9 1/2")
8	32-39061		1	TUBE, WATER OUTLET(SHORT SHAFT)
	32-39062		1	TUBE, WATER OUTLET(LONG SHAFT)
9	10-28634		1	SCREW, FLUSH - DRIVE SHAFT HOUSING
10	12-20260		1	WASHER, SEALING - FLUSH SCREW
11	27-39050		1	GASKET, ADAPTOR PLATE TO DRIVE SHAFT HOUSING
12	11-24652		4	NUT, DRIVE SHAFT HOUSING TO POWERHEAD STUDS
	11-24652		2	NUT, DRIVE SHAFT HOUSING TO POWERHEAD STUDS
13	47259A1		1	BLOCK ASSEMBLY, DRIVE SHAFT LONG SHAFT
14	10-47225		2	SCREW, BLOCK TO DRIVE SHAFT HSG. (1 1/4") LONG SHAFT
15	1559-4917		1	SADDLE UNITED STATES 3801458 THRU 4314384 AUSTRALIA 8015315 THRU 8035569 BELGIUM 9043194 THRU 9102613 CANADA 7028598 THRU 7065472
	1559-5968A1		1	SADDLE ASSEMBLY UNITED STATES 4314385 AND UP AUSTRALIA 8035570 AND UP BELGIUM 9102614 AND UP CANADA 7065473 AND UP

CONTINUED ON NEXT PAGE ➡

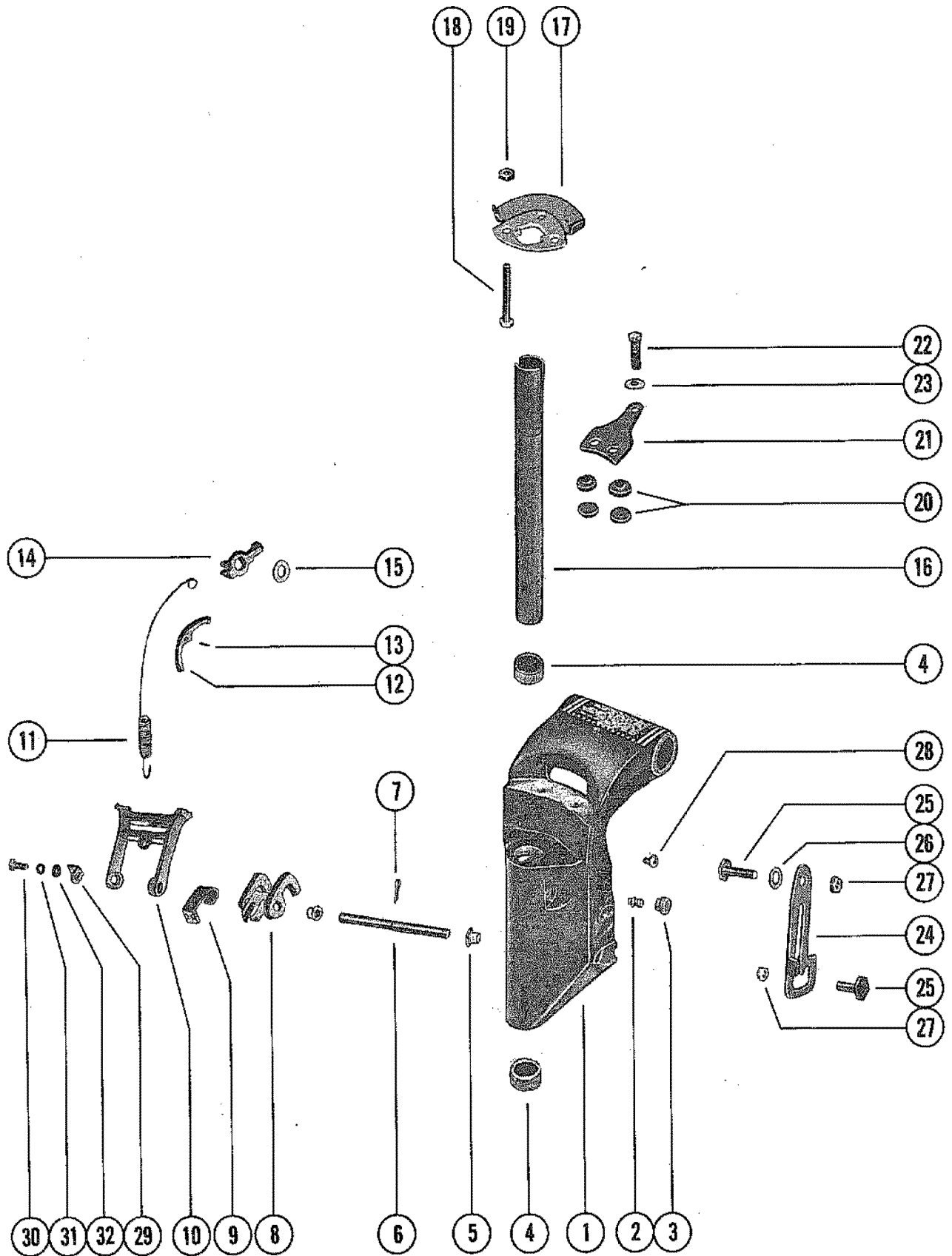
DRIVE SHAFT HOUSING ASSEMBLY



DRIVE SHAFT HOUSING ASSEMBLY

REF. NO.	PART NO.	SYM.	QTY.	DESCRIPTION
16	64076		1	BUMPER, THRUST - SADDLE
17	30646A2		4	MOUNT ASSEMBLY (LOWER AND UPPER) FOR MERC 110L LONG SHAFT ENGINES, REPLACE 2 LOWER MOUNT ASSEMBLIES (A-30646A2) WITH 2 A-30646A3
18	53-26406		4	RING, RETAINING - UPPER AND LOWER MOUNT
19	53041		2	COVER, LOWER MOUNT UNITED STATES 3801458 THRU 4131609 AUSTRALIA 8015315 THRU 8028839 BELGIUM 9043194 THRU 9079488 CANADA 7028598 THRU 7050207
	71490		2	COVER, LOWER MOUNT UNITED STATES 4131610 AND UP AUSTRALIA 8028840 AND UP BELGIUM 9079489 AND UP CANADA 7050208 AND UP
20	10-45817		2	SCREW, LOWER MOUNT COVER TO MOUNT (7/16")
21	71057		1	LINK ROD, REVERSE LOCK UNITED STATES 3801458 THRU 4131609 AUSTRALIA 8015315 THRU 8028839 BELGIUM 9043194 THRU 9079488 CANADA 7028598 THRU 7050207
	71057		1	LINK ROD, REVERSE LOCK UNITED STATES 4131610 AND UP AUSTRALIA 8028840 AND UP BELGIUM 9079489 AND UP CANADA 7050208 AND UP
22	10-65414		2	SCREW, CAM RETAINER TO DRIVE SHAFT HOUSING (3/4")
23	65216		1	CAM, REVERSE LOCK
24	61008		1	RETAINER, REVERSE LOCK CAM UNITED STATES 3801458 THRU 4131609 AUSTRALIA 8015315 THRU 8028839 BELGIUM 9043194 THRU 9079488 CANADA 7028598 THRU 7050207
	72007		1	RETAINER, REVERSE LOCK CAM UNITED STATES 4131610 AND UP AUSTRALIA 8028840 AND UP BELGIUM 9079489 AND UP CANADA 7050208 AND UP

SWIVEL BRACKET ASSEMBLY

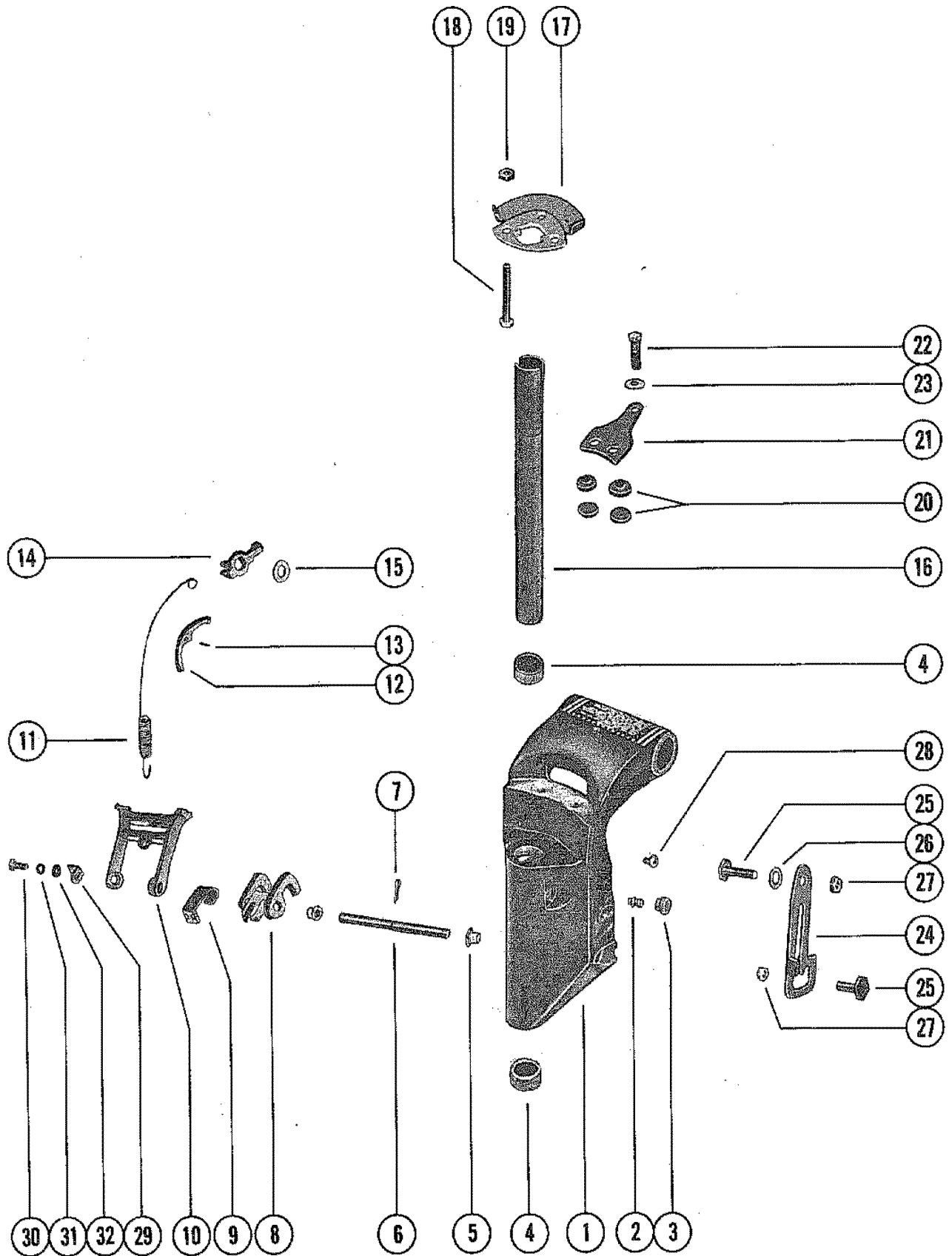


SWIVEL BRACKET ASSEMBLY

REF. NO.	PART NO.	SYM.	QTY.	DESCRIPTION
1	1471-5295A2		1	SWIVEL BRACKET ASSEMBLY UNITED STATES 3801458 THRU 4131609 AUSTRALIA 8015315 THRU 8028839 BELGIUM 9043194 THRU 9079488 CANADA 7028598 THRU 7050207
	1471-5822A1		1	SWIVEL BRACKET ASSEMBLY UNITED STATES 4131610 THRU 4314384 AUSTRALIA 8028840 THRU 8035569 BELGIUM 9079489 THRU 9102613 CANADA 7050208 THRU 7065472
	1471-5910A1		1	SWIVEL BRACKET ASSEMBLY UNITED STATES 4314385 AND UP AUSTRALIA 8035570 AND UP BELGIUM 9102614 AND UP CANADA 7065473 AND UP
2	22-31345		1	FITTING, GREASE - SWIVEL BRACKET UNITED STATES 3801458 THRU 4314384 AUSTRALIA 8015315 THRU 8035569 BELGIUM 9043194 THRU 9102613 CANADA 7028598 THRU 7065472
	22-74036		3	FITTING, GREASE - SWIVEL BRACKET UNITED STATES 4314385 AND UP AUSTRALIA 8035570 AND UP BELGIUM 9102614 AND UP CANADA 7065473 AND UP
3	29359		1	LUBRICAP, GREASE FITTING - SWIVEL BRACKET
4	23-64028		2	BUSHING, SWIVEL BRACKET
5	23-26841		2	BUSHING, NYLON - REVERSE LOCK LEVER ROD
6	63551		1	ROD, REVERSE LOCK TO SWIVEL BRACKET UNITED STATES 3801458 THRU 4314384 AUSTRALIA 8015315 THRU 8035569 BELGIUM 9043194 THRU 9102613 CANADA 7028598 THRU 7065472
	71419		1	ROD, REVERSE LOCK TO SWIVEL BRACKET UNITED STATES 4314385 AND UP AUSTRALIA 8035570 AND UP BELGIUM 9102614 AND UP CANADA 7065473 AND UP
7	18-45882		1	COTTER PIN, REVERSE LOCK LEVER TO ROD
8	63628		1	LEVER, REVERSE LOCK
9	61007		1	RETAINER, ROD - REVERSE LOCK
10	63559		1	BRACKET, TROLL
11	24-63630		1	SPRING, EXTENSION - TROLL BRACKET
12	63554		1	GUIDE, SPRING
13	17-25319		1	ROLL PIN, SPRING GUIDE
14	63553		1	LEVER, CONTROL - TROLL BRACKET
15	13-63631		1	WASHER, WAVE - TROLL BRACKET LEVER
16	66559		1	TUBE, SWIVEL BRACKET TO SADDLE
17	64004		1	CO-PILOT DISC UNITED STATES 3801458 THRU 4691221 AUSTRALIA 8015315 THRU 8045674 BELGIUM 9043194 THRU 9150904 CANADA 7028598 THRU 7095422
	77334		1	CO-PILOT DISC UNITED STATES 4691222 AND UP AUSTRALIA 8045675 AND UP BELGIUM 9150905 AND UP CANADA 7095423 AND UP
18	10-30679		3	SCREW, CO-PILOT DISC TO SADDLE (2 1/4")
19	11-24652		3	NUT, CO-PILOT DISC FASTENING SCREW
20	20203		4	DISC, FRICTION - CLAMP PLATE AND SWIVEL BRACKET
21	63647		1	PLATE, CLAMP - CO PILOT UNITED STATES 3801458 THRU 4397536 AUSTRALIA 8015315 THRU 8038449 BELGIUM 9043194 THRU 9115164 CANADA 7028598 THRU 7076122

CONTINUED ON NEXT PAGE ➡

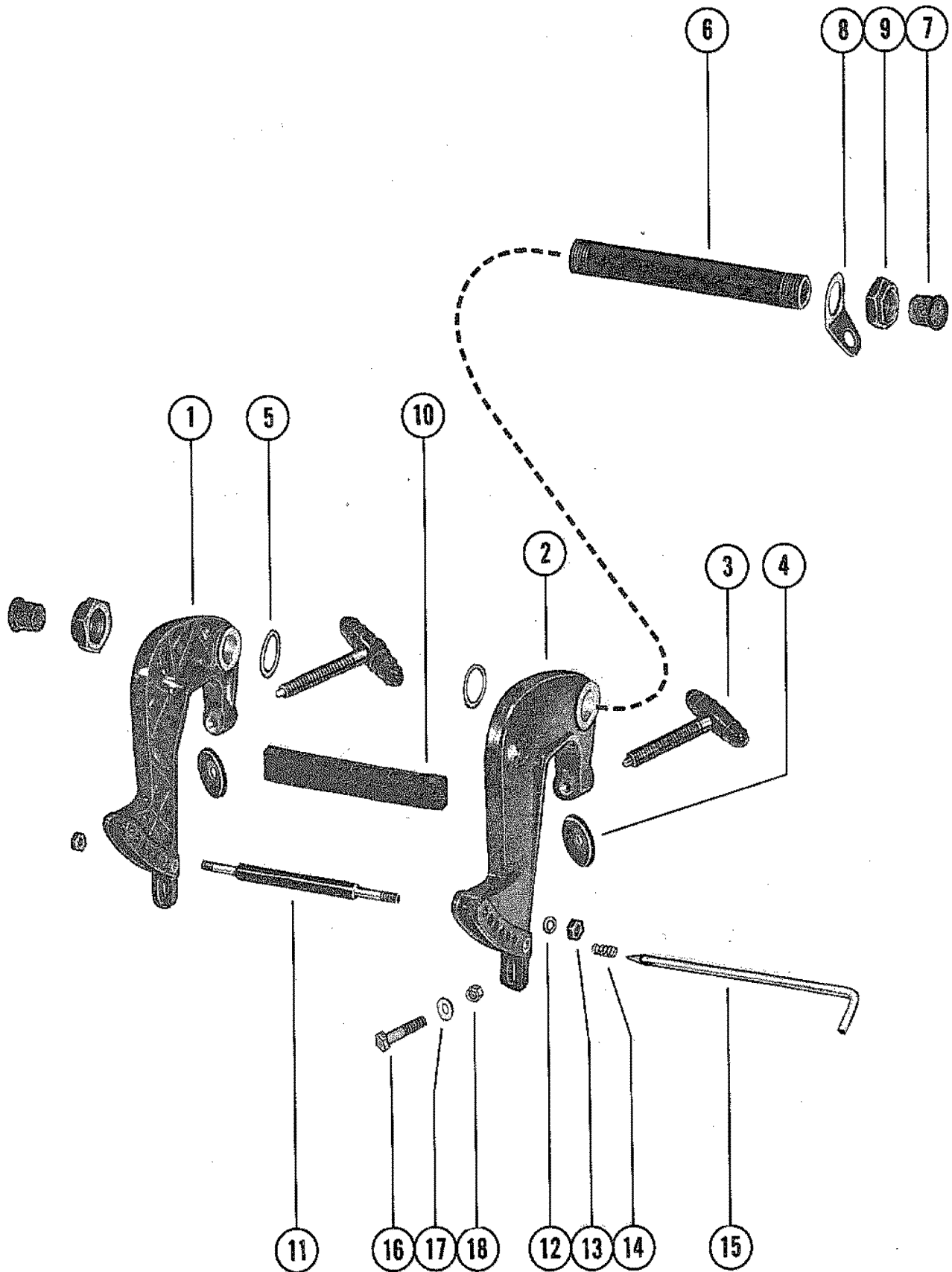
SWIVEL BRACKET ASSEMBLY



SWIVEL BRACKET ASSEMBLY

REF. NO.	PART NO.	SYM.	QTY.	DESCRIPTION
22	10-62506		1	SCREW, CLAMP PLATE ADJUSTING (1 5/8") UNITED STATES 3801458 THRU 4397536 AUSTRALIA 8015315 THRU 8038449 BELGIUM 9043194 THRU 9115164 CANADA 7028598 THRU 7076122
21	72845A1		1	PLATE ASSEMBLY, CLAMP - CO-PILOT UNITED STATES 4397537 AND UP AUSTRALIA 8038450 AND UP BELGIUM 9115165 AND UP CANADA 7076123 AND UP
22	10-76081		1	SCREW, CLAMP PLATE ADJUSTING UNITED STATES 4397537 AND UP AUSTRALIA 8038450 AND UP BELGIUM 9115165 AND UP CANADA 7076123 AND UP
23	12-35462		1	WASHER, CLAMP PLATE ADJUSTING SCREW
24	63310A1		1	LEVER ASSEMBLY, TILT STOP
25	10-63311		2	SCREW, TILT STOP LEVER
26	13-31030		1	WASHER, WAVE - LEVER ANCHOR SCREW
27	11-35888		2	NUT, TILT STOP LEVER SCREW
28	10-36398		1	SCREW, SWIVEL BRACKET
29	72794		1	STOP, REVERSE LOCK UNITED STATES 4131610 AND UP AUSTRALIA 8028840 AND UP BELGIUM 9079489 AND UP CANADA 7050208 AND UP
30	10-71056		1	SCREW, REVERSE STOP TO SWIVEL BRACKET UNITED STATES 4131610 AND UP AUSTRALIA 8028840 AND UP BELGIUM 9079489 AND UP CANADA 7050208 AND UP
31	13-26992		1	LOCKWASHER, REVERSE STOP SCREW UNITED STATES 4131610 AND UP AUSTRALIA 8028840 AND UP BELGIUM 9079489 AND UP CANADA 7050208 AND UP
32	12-71055		1	WASHER, REVERSE STOP SCREW UNITED STATES 4131610 AND UP AUSTRALIA 8028840 AND UP BELGIUM 9079489 AND UP CANADA 7050208 AND UP

CLAMP BRACKET ASSEMBLY

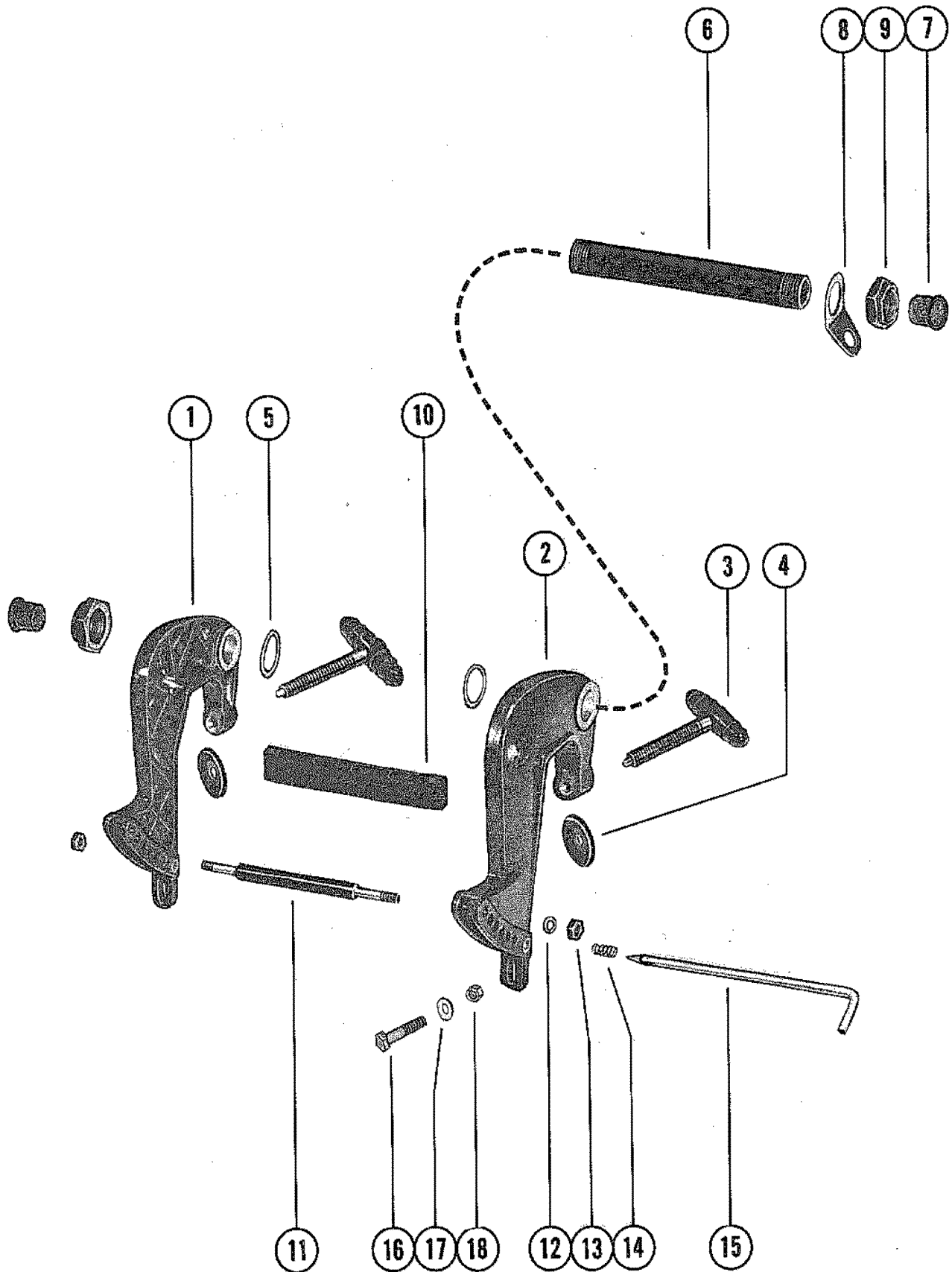


CLAMP BRACKET ASSEMBLY

REF. NO.	PART NO.	SYM.	QTY.	DESCRIPTION
1	1468-5407A1		1	CLAMP BRACKET ASSEMBLY (PORT) UNITED STATES 3801458 THRU 4131609 AUSTRALIA 8015315 THRU 8028839 BELGIUM 9043194 THRU 9079488 CANADA 7028598 THRU 7050207
2	1467-5406A1		1	CLAMP BRACKET ASSEMBLY (STARBOARD) UNITED STATES 3801458 THRU 4131609 AUSTRALIA 8015315 THRU 8028839 BELGIUM 9043194 THRU 9079488 CANADA 7028598 THRU 7050207
3	59170A3		2	THUMB SCREW ASSEMBLY UNITED STATES 3801458 THRU 4131609 AUSTRALIA 8015315 THRU 8028839 BELGIUM 9043194 THRU 9079488 CANADA 7028598 THRU 7050207
4	12-20214		2	WASHER, THUMB SCREW UNITED STATES 3801458 THRU 4131609 AUSTRALIA 8015315 THRU 8028839 BELGIUM 9043194 THRU 9079488 CANADA 7028598 THRU 7050207
1	1468-5570A1		1	CLAMP BRACKET ASSEMBLY (PORT) UNITED STATES 4131610 THRU 4314384 AUSTRALIA 8028840 THRU 8035569 BELGIUM 9079489 THRU 9102613 CANADA 7050208 THRU 7065472
2	1467-5571A1		1	CLAMP BRACKET ASSEMBLY (STARBOARD) UNITED STATES 4131610 THRU 4314384 AUSTRALIA 8028840 THRU 8035569 BELGIUM 9079489 THRU 9102613 CANADA 7050208 THRU 7065472
3	69157A3		2	THUMB SCREW ASSEMBLY UNITED STATES 4131610 THRU 4314384 AUSTRALIA 8028840 THRU 8035569 BELGIUM 9079489 THRU 9102613 CANADA 7050208 THRU 7065472
4	12-20214		2	WASHER, THUMB SCREW UNITED STATES 4131610 THRU 4314384 AUSTRALIA 8028840 THRU 8035569 BELGIUM 9079489 THRU 9102613 CANADA 7050208 THRU 7065472
1	1468-5570A2		1	CLAMP BRACKET ASSEMBLY (PORT)
2	1467-5571A2		1	CLAMP BRACKET ASSEMBLY (STARBOARD) UNITED STATES 4314385 AND UP AUSTRALIA 8035570 AND UP BELGIUM 9102614 AND UP CANADA 7065473 AND UP
3	74159A3		2	THUMB SCREW ASSEMBLY
5	12-52864		2	WASHER, TILT TUBE - CLAMP TO SWIVEL BRACKET UNITED STATES 3801458 THRU 4314384 AUSTRALIA 8015315 THRU 8035569 BELGIUM 9043194 THRU 9102613 CANADA 7028598 THRU 7065472
6	45757		1	TILT TUBE, CLAMP TO SWIVEL BRACKET UNITED STATES 3801458 THRU 4314384 AUSTRALIA 8015315 THRU 8035569 BELGIUM 9043194 THRU 9102613 CANADA 7028598 THRU 7065472
5	12-71421		2	WASHER, TILT TUBE - CLAMP TO SWIVEL BRACKET UNITED STATES 4314385 AND UP AUSTRALIA 8035570 AND UP BELGIUM 9102614 AND UP CANADA 7065473 AND UP
6	74250		1	TILT TUBE, CLAMP TO SWIVEL BRACKET UNITED STATES 4314385 AND UP AUSTRALIA 8035570 AND UP BELGIUM 9102614 AND UP CANADA 7065473 AND UP

CONTINUED ON NEXT PAGE ➡

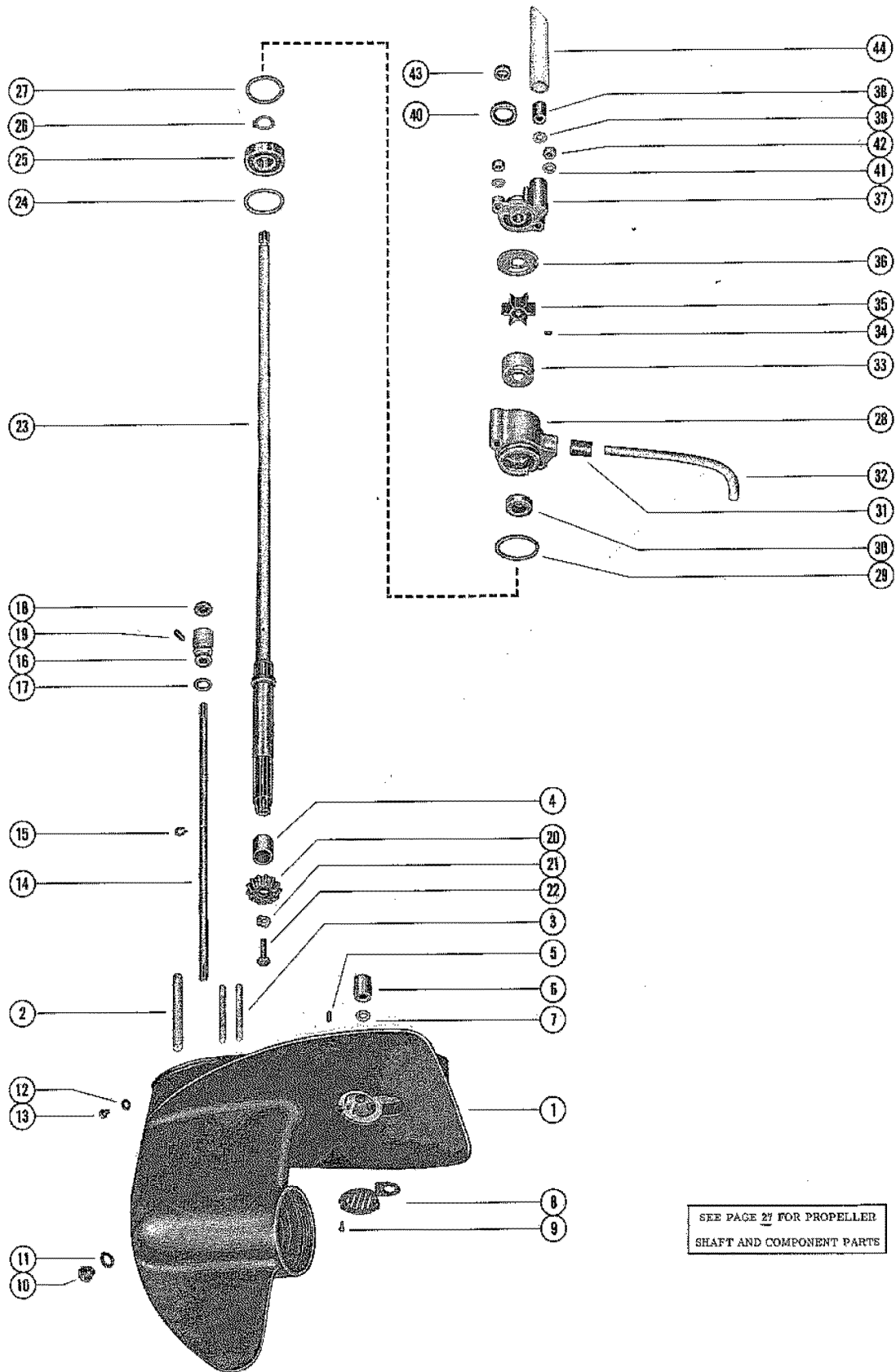
CLAMP BRACKET ASSEMBLY



CLAMP BRACKET ASSEMBLY

REF. NO.	PART NO.	SYM.	QTY.	DESCRIPTION
7	19-39333		2	PLUG, TILT TUBE UNITED STATES 4314385 AND UP AUSTRALIA 8035570 AND UP BELGIUM 9102614 AND UP CANADA 7065473 AND UP
8	54-30954		1	CLIP, SAFETY CHAIN - TILT TUBE
9	11-56041		2	NUT, TILT TUBE FASTENING
10	65475		1	HANDLE, CARRYING UNITED STATES 3801458 THRU 4314384 AUSTRALIA 8015315 THRU 8035569 BELGIUM 9043194 THRU 9102613 CANADA 7028598 THRU 7065472
11	16-59622		1	STUD, CLAMP BRACKET UNITED STATES 3801458 THRU 4314384 AUSTRALIA 8015315 THRU 8035569 BELGIUM 9043194 THRU 9102613 CANADA 7028598 THRU 7065472
10	71420		1	HANDLE, CARRYING UNITED STATES 4314385 AND UP AUSTRALIA 8035570 AND UP BELGIUM 9102614 AND UP CANADA 7065473 AND UP
11	16-71417		1	STUD, CLAMP BRACKET UNITED STATES 4314385 AND UP AUSTRALIA 8035570 AND UP BELGIUM 9102614 AND UP CANADA 7065473 AND UP
12	13-26992		2	LOCKWASHER, CLAMP BRACKET STUD
13	11-29598		2	NUT, CLAMP BRACKET STUD
14	24-62143		1	SPRING, TILT LOCK PIN
15	17-55952A1		1	TILT LOCK PIN ASSEMBLY UNITED STATES 3801458 THRU 4314384 AUSTRALIA 8015315 THRU 8035569 BELGIUM 9043194 THRU 9102613 CANADA 7028598 THRU 7065472
	17-71418A2		1	TILT LOCK PIN ASSEMBLY UNITED STATES 4314385 AND UP AUSTRALIA 8035570 AND UP BELGIUM 9102614 AND UP CANADA 7065473 AND UP
16	10-67982		2	BOLT, CLAMP BRACKET TO BOAT
17	12-67983		2	WASHER, CLAMP BRACKET SCREW
18	11-56374		2	NUT, CLAMP BRACKET SCREW

GEAR HOUSING ASSEMBLY, COMPLETE



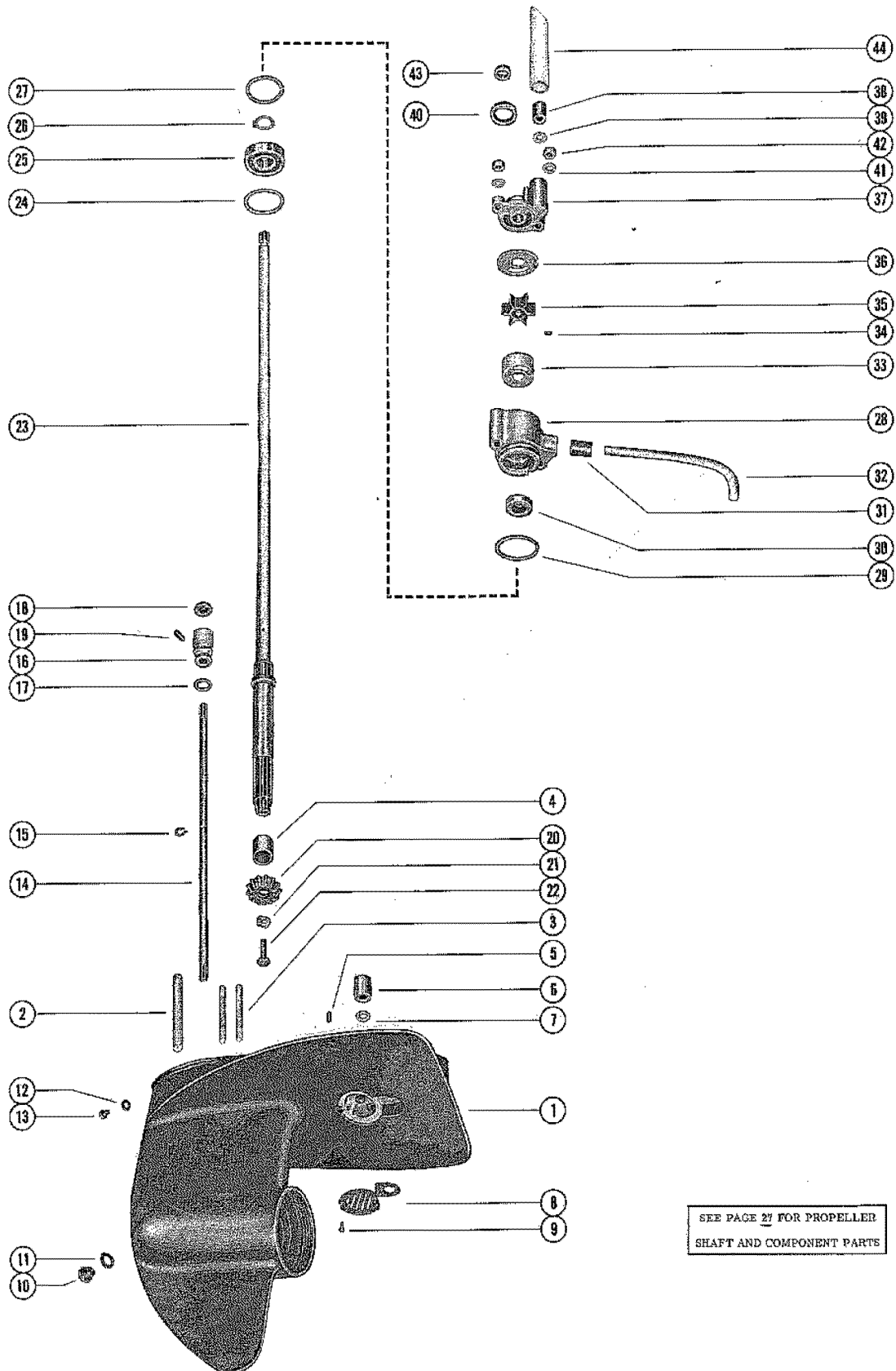
SEE PAGE 27 FOR PROPELLER
SHAFT AND COMPONENT PARTS

GEAR HOUSING ASSEMBLY, COMPLETE

REF. NO.	PART NO.	SYM.	QTY.	DESCRIPTION
-	1630-4921A3		1	GEAR HOUSING ASSEMBLY, COMPLETE(SHORT SHAFT) SEE NOTE 1 IN BLOCK COMMENTS U.S. 3801458-4131609 AUSTRALIA 8015315-8028839 BELGIUM 9043194-9079488 CANADA 7028598-7050207
-	1630-4921A2		1	GEAR HOUSING ASSEMBLY, COMPLETE(LONG SHAFT) SEE NOTE 1 IN BLOCK COMMENTS U.S. 3801458-4131609 AUSTRALIA 8015315-8028839 BELGIUM 9043194-9079488 CANADA 7028598-7050207
-	1630-4921A24		1	GEAR HOUSING ASSEMBLY, COMPLETE(SHORT SHAFT) SEE NOTE 1 IN BLOCK COMMENTS U.S. 4131610-4314384 AUSTR 8028840-8035569 BELGM 9079489-9102613 CAN 7050208-7065472 U.S. 3801458-3929194 AUSTR 8015315-8019089 BELGM 9043194-9059653 CAN 7028598-7036397
-	1630-4921A25		1	GEAR HOUSING ASSEMBLY, COMPLETE(LONG SHAFT) SEE NOTE 1 IN BLOCK COMMENTS U.S. 4131610-4314384 AUSTR 8028840-8035569 BELGM 9079489-9102613 CAN 7050208-7065472 U.S. 3801458-3929194 AUSTR 8015315-8019089 BELGM 9043194-9059653 CAN 7028598-7036397
-	1630-5908A6		1	GEAR HOUSING ASSEMBLY, COMPLETE(SHORT SHAFT) SEE NOTE 1 IN BLOCK COMMENTS U.S. 4314385 AND UP AUSTRALIA 8035570 AND UP BELGIUM 9102614 AND UP CANADA 7065473 AND UP
-	1630-5908A7		1	GEAR HOUSING ASSEMBLY, COMPLETE(LONG SHAFT) SEE NOTE 1 IN BLOCK COMMENTS UNITED STATES 4314385 AND UP AUSTRALIA 8035570 AND UP BELGIUM 9102614 AND UP CANADA 7065473 AND UP
1	1630-4921A1		1	GEAR HOUSING ASSEMBLY UNITED STATES 3801458 THRU 4314384 AUSTRALIA 8015315 THRU 8035569 BELGIUM 9043194 THRU 9102613 CANADA 7028598 THRU 7065472
	1630-5908A5		1	GEAR HOUSING ASSEMBLY UNITED STATES 4314385 AND UP AUSTRALIA 8035570 AND UP BELGIUM 9102614 AND UP CANADA 7065473 AND UP
2	16-58138		1	STUD, GEAR HOUSING RO DRIVE SHAFT HOUSING (3 7/16")
3	16-58136		2	STUD, WATER PUMP HOUSING TO GEAR HOUSING (2 3/4")
4	31-22756		1	BEARING, ROLLER - DRIVE SHAFT
5	17-20032		1	PIN, DOWEL - LOCATING
6	26-33613		1	SEAL, RUBBER - WATER INTAKE TUBE
7	12-36555		1	WASHER, NYLON - INTAKE TUBE SEAL
8	35-33425		1	SCREEN, WATER INTAKE
9	10-28642		1	SCREW, WATER INTAKE SCREEN TO GEAR HOUSING
10	10-28634		1	SCREW, GREASE FILLER HOLE
11	12-20260		1	WASHER, GREASE FILLER HOLE SCREW
12	12-20262		1	WASHER, GREASE VENT HOLE SCREW
13	10-28653		1	SCREW, GREASE VENT HOLE
14	63556A1		1	SHAFT ASSEMBLY, SHIFT(SHORT SHAFT) UNITED STATES 3801458 THRU 4131609 AUSTRALIA 8015315 THRU 8028839 BELGIUM 9043194 THRU 9079488 CANADA 7028598 THRU 7050207

CONTINUED ON NEXT PAGE ➡

GEAR HOUSING ASSEMBLY, COMPLETE



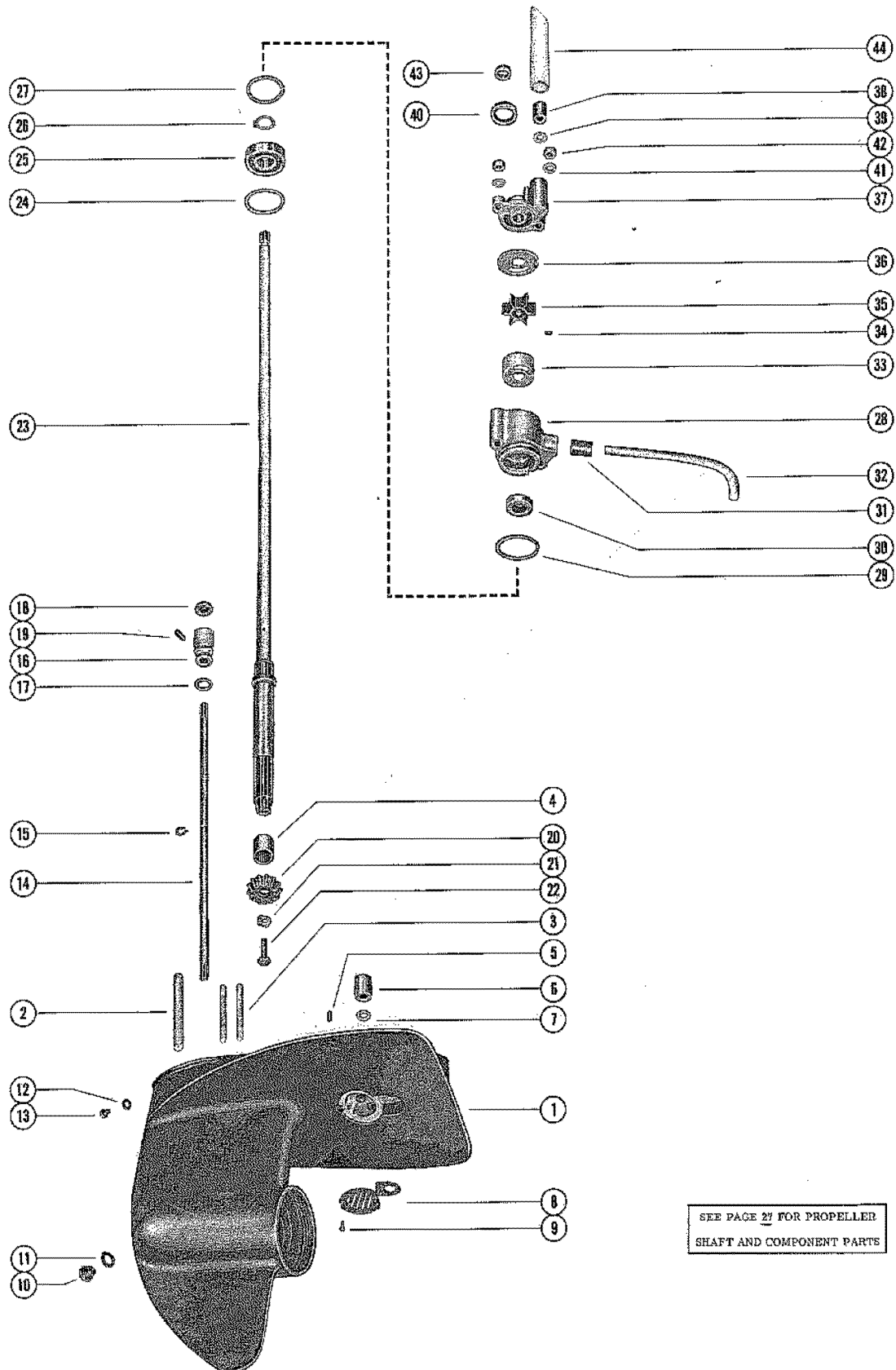
SEE PAGE 27 FOR PROPELLER
SHAFT AND COMPONENT PARTS

GEAR HOUSING ASSEMBLY, COMPLETE

REF. NO.	PART NO.	SYM.	QTY.	DESCRIPTION
14	63557A1		1	SHAFT ASSEMBLY, SHIFT(LONG SHAFT) UNITED STATES 3801458 THRU 4131609 AUSTRALIA 8015315 THRU 8028839 BELGIUM 9043194 THRU 9079488 CANADA 7028598 THRU 7050207
	71659A1		1	SHAFT ASSEMBLY, SHIFT(SHORT SHAFT) UNITED STATES 4131610 AND UP AUSTRALIA 8028840 AND UP BELGIUM 9079489 AND UP CANADA 7050208 AND UP
	71658A1		1	SHAFT ASSEMBLY, SHIFT(LONG SHAFT) UNITED STATES 4131610 AND UP AUSTRALIA 8028840 AND UP BELGIUM 9079489 AND UP CANADA 7050208 AND UP
15	53-22899		1	RING, RETAINING - SHIFT SHAFT
16	23-30676A1		1	BUSHING ASSEMBLY, SHIFT SHAFT
17	25-26802		1	"O" RING, SHIFT SHAFT BUSHING
18	26-30696		1	OIL SEAL, SHIFT SHAFT BUSHING
19	10-39149		1	SCREW, SHIFT SHAFT BUSHING RETAINER (1/2")
20	43-48579		1	GEAR, PINION
21	14-30377		1	TAB WASHER, PINION GEAR TO DRIVE SHAFT SCREW
22	10-30376		1	SCREW, PINION GEAR TO DRIVE SHAFT (3/4")
23	45-64257		1	DRIVE SHAFT(SHORT SHAFT) UNITED STATES 3801458 THRU 4131609 AUSTRALIA 8015315 THRU 8028839 BELGIUM 9043194 THRU 9079488 CANADA 7028598 THRU 7050207
	45-64258		1	DRIVE SHAFT(LONG SHAFT) UNITED STATES 3801458 THRU 4131609 AUSTRALIA 8015315 THRU 8028839 BELGIUM 9043194 THRU 9079488 CANADA 7028598 THRU 7050207
	45-74851		1	DRIVE SHAFT(SHORT SHAFT) UNITED STATES 4131610 AND UP AUSTRALIA 8028840 AND UP BELGIUM 9079489 AND UP CANADA 7050208 AND UP
	45-74850		1	DRIVE SHAFT(LONG SHAFT) UNITED STATES 4131610 AND UP AUSTRALIA 8028840 AND UP BELGIUM 9079489 AND UP CANADA 7050208 AND UP
24	15-30527A1		AR	SHIM ASSEMBLY, BALL BEARING TO GEAR HOUSING (.002-3-5-10)
25	30-33076		1	BEARING, BALL - DRIVE SHAFT UNITED STATES 3801458 THRU 4131609 AUSTRALIA 8015315 THRU 8028839 BELGIUM 9043194 THRU 9079488 CANADA 7028598 THRU 7050207
	30-70944		1	BEARING, BALL - DRIVE SHAFT UNITED STATES 4131610 AND UP AUSTRALIA 8028840 AND UP BELGIUM 9079489 AND UP CANADA 7050208 AND UP
26	53-30523		1	RING, RETAINING - BALL BEARING TO DRIVE SHAFT
27	15-30527A1		AR	SHIM ASSEMBLY, BALL BEARING TO GEAR HOUSING (.002-3-5-10)
28	46-46893A3		1	WATER PUMP HOUSING ASSEMBLY UNITED STATES 3801458 THRU 4131609 AUSTRALIA 8015315 THRU 8028839 BELGIUM 9043194 THRU 9079488 CANADA 7028598 THRU 7050207
	46-70941A1		1	WATER PUMP HOUSING ASSEMBLY UNITED STATES 4131610 AND UP AUSTRALIA 8028840 AND UP BELGIUM 9079489 AND UP CANADA 7050208 AND UP

CONTINUED ON NEXT PAGE ➡

GEAR HOUSING ASSEMBLY, COMPLETE

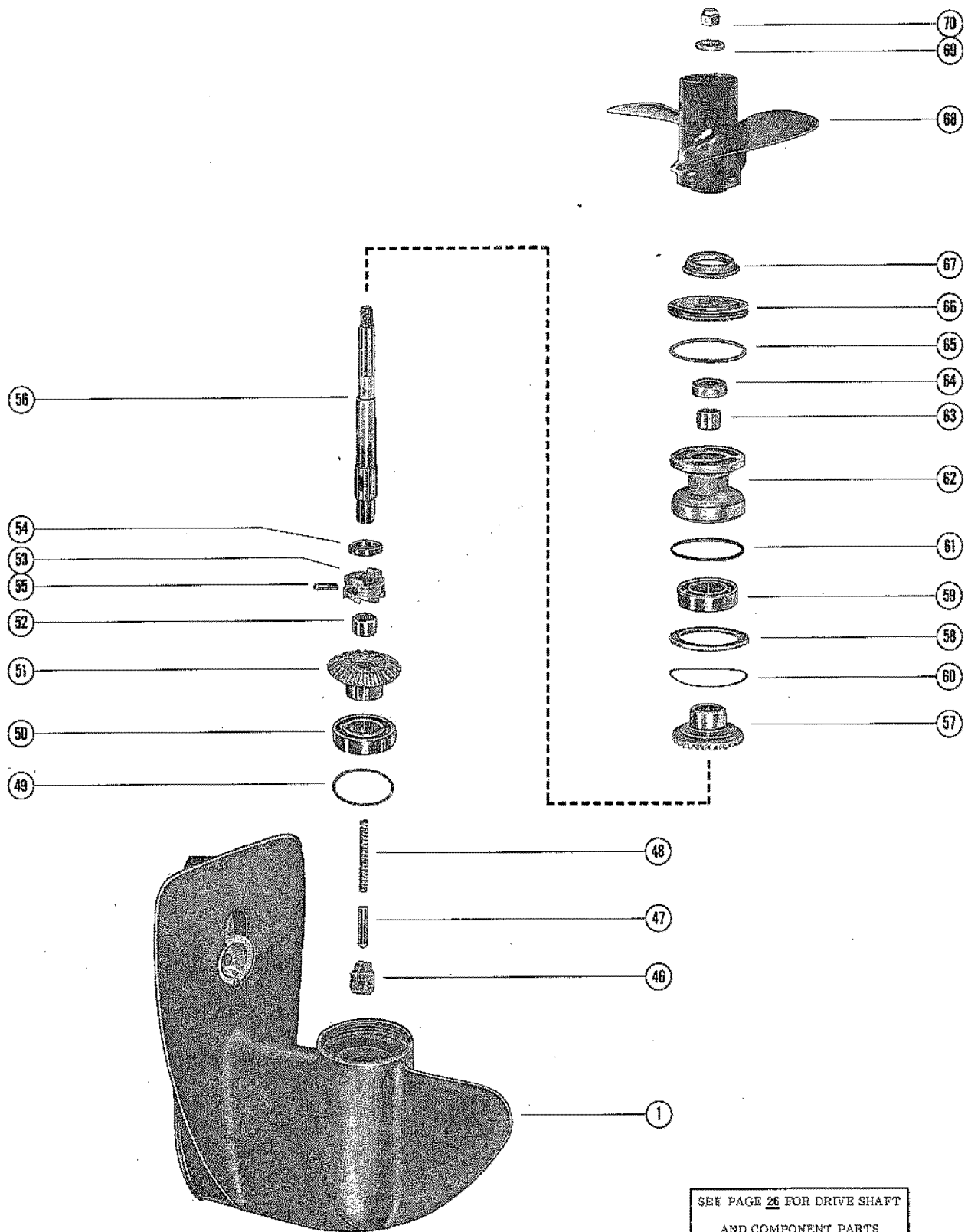


SEE PAGE 27 FOR PROPELLER
SHAFT AND COMPONENT PARTS

GEAR HOUSING ASSEMBLY, COMPLETE

REF. NO.	PART NO.	SYM.	QTY.	DESCRIPTION
29	25-29439		1	"O" RING, WATER PUMP HOUSING
30	26-30900		1	OIL SEAL, WATER PUMP HOUSING
31	26-33613		1	SEAL, WATER INTAKE TUBE
32	32-34293		1	TUBE, WATER INTAKE
33	70977		1	INSERT, WATER PUMP HOUSING
34	28-56655		1	KEY, IMPELLER DRIVE
35	47-65957		1	IMPELLER, WATER PUMP
36	46895		1	PLATE, FACE - WATER PUMP HOUSING TO WATER PUMP COVER
37	46896A1		1	WATER PUMP COVER ASSEMBLY
38	26-36558		1	SEAL, WATER PUMP COVER
39	12-36554		1	WASHER, NYLON- WATER PUMP COVER
40	26-30913		1	OIL SEAL, WATER PUMP COVER
41	12-20533		2	WASHER, WATER PUMP HOUSING AND COVER STUDS
42	11-35888		2	NUT, WATER PUMP HOUSING AND COVER STUDS
43	25-30526		1	RING, RUBBER - CENTRIFUGAL SLINGER (DRIVE SHAFT)
44	23-31792		1	SLEEVE, GUIDE - WATER INLET TUBE

GEAR HOUSING ASSEMBLY

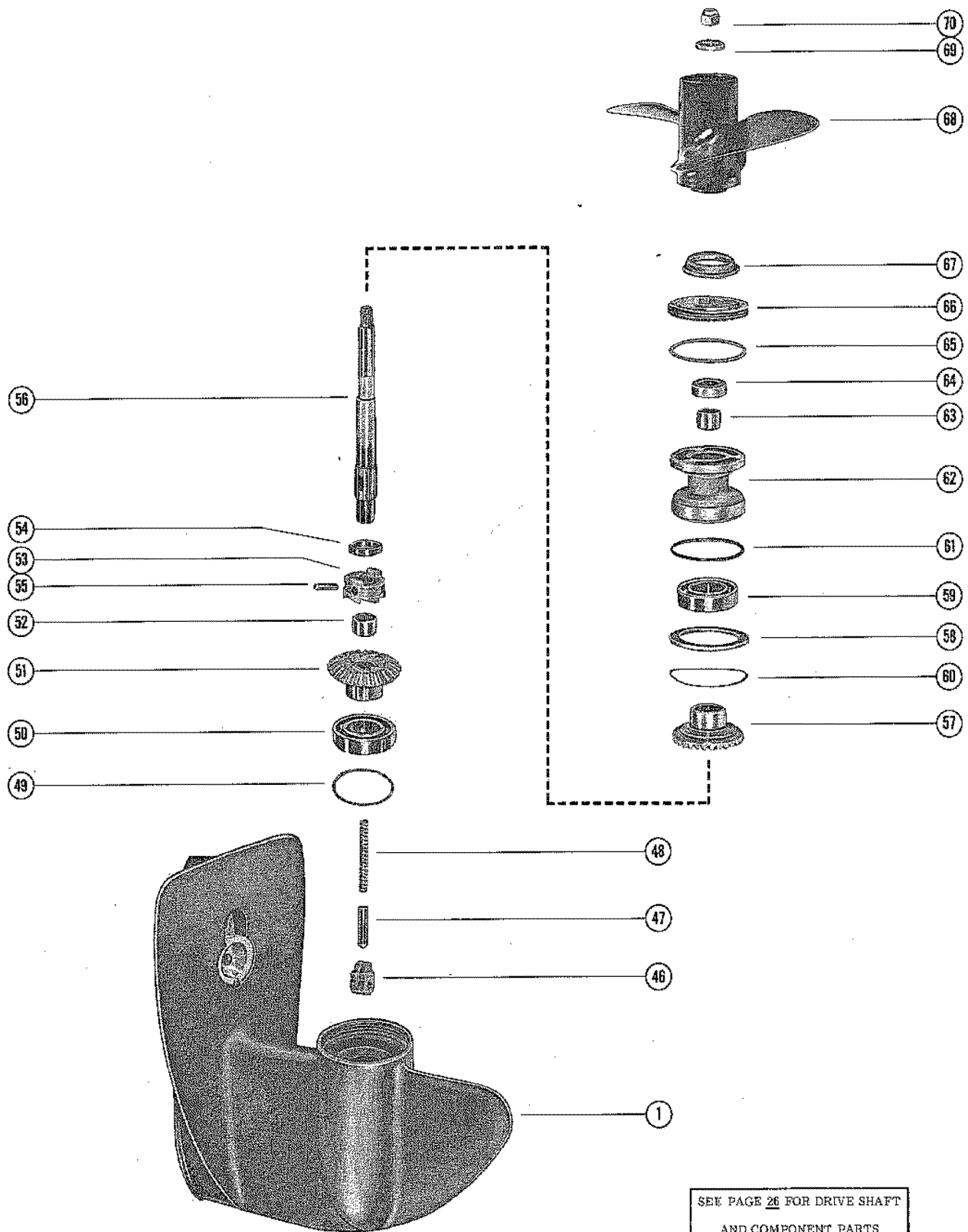


GEAR HOUSING ASSEMBLY

REF. NO.	PART NO.	SYM.	QTY.	DESCRIPTION
-	1630-4921A3		1	GEAR HOUSING ASSEMBLY, COMPLETE(SHORT SHAFT) SEE NOTE 1 IN BLOCK COMMENTS U.S. 3801458-4131609 AUSTR 8015315-8028839 BELGM 9043194-9079488 CAN 7028598-7050207
-	1630-4921A2		1	GEAR HOUSING ASSEMBLY, COMPLETE(LONG SHAFT) SEE NOTE 1 IN BLOCK COMMENTS U.S. 3801458-4131609 AUSTRALIA 8015315-8028839 BELGIUM 9043194-9079488 CANADA 7028598-7050207
-	1630-4921A24		1	GEAR HOUSING ASSEMBLY, COMPLETE(SHORT SHAFT) THE ENCLOSED GEAR HOUSINGS INCLUDE ALL PARTS FROM REFERENCE #1 THRU #66 AS LISTED ON PAGES 26 AND 27
-	1630-4921A25		1	GEAR HOUSING ASSEMBLY, COMPLETE(LONG SHAFT) THE ENCLOSED GEAR HOUSINGS INCLUDE ALL PARTS FROM REFERENCE #1 THRU #66 AS LISTED ON PAGES 26 AND 27
-	1630-5908A6		1	GEAR HOUSING ASSEMBLY, COMPLETE(SHORT SHAFT) SEE NOTE 1 IN BLOCK COMMENTS U.S. 4131610-4314384 AUSTR 8028840-8035569 BELGM 9079489-9102613 CAN 7050208-7065472 U.S. 3801458-3929194 AUSTR 8015315-8019089 BELGM 9043194-9059653 CAN 7028598-7036397
-	1630-5908A7		1	GEAR HOUSING ASSEMBLY, COMPLETE(LONG SHAFT) SEE NOTE 1 IN BLOCK COMMENTS U.S. 4131610-4314384 AUSTR 8028840-8035569 BELGM 9079489-9102613 CAN 7050208-7065472 U.S. 3801458-3929194 AUSTR 8015315-8019089 BELGM 9043194-9059653 CAN 7028598-7036397
1	1630-4921A1		1	GEAR HOUSING ASSEMBLY UNITED STATES 3801458 THRU 4314384 AUSTRALIA 8015315 THRU 8035569 BELGIUM 9043194 THRU 9102613 CANADA 7028598 THRU 7065472
	1630-5908A5		1	GEAR HOUSING ASSEMBLY UNITED STATES 4314385 AND UP AUSTRALIA 8035570 AND UP BELGIUM 9102614 AND UP CANADA 7065473 AND UP
46	58981		1	CAM, SHIFT
47	31334		1	FOLLOWER, SHIFTER CAM
48	24-31333		1	SPRING, COMPRESSION - CAM FOLLOWER UNITED STATES 3801458 THRU 4691221 AUSTRALIA 8015315 THRU 8045674 BELGIUM 9043194 THRU 9150904 CANADA 7028598 THRU 7095422
	24-76298		1	SPRING, COMPRESSION - CAM FOLLOWER UNITED STATES 4691222 AND UP AUSTRALIA 8045675 AND UP BELGIUM 9150905 AND UP CANADA 7095423 AND UP
49	15-30522A1		AR	SHIM ASSEMBLY, BALL BEARING TO HOUSING (.002-3-5-10)
50	30-21889		1	BEARING, BALL - FORWARD GEAR
51	43-48577		1	FORWARD GEAR ASSEMBLY
52	31-22458		1	BEARING, ROLLER - FORWARD GEAR
53	52-63314		1	RATCHET, SLIDING CLUTCH
54	53-32449		1	RING, RETAINING - CROSS PIN
55	17-30535		1	PIN, CROSS - RATCHET TO PROPELLER SHAFT
56	44-65440A2		1	SHAFT ASSEMBLY, PROPELLER UNITED STATES 3801458 THRU 4691221 AUSTRALIA 8015315 THRU 8045674 BELGIUM 9043194 THRU 9150904 CANADA 7028598 THRU 7095422

CONTINUED ON NEXT PAGE ➡

GEAR HOUSING ASSEMBLY

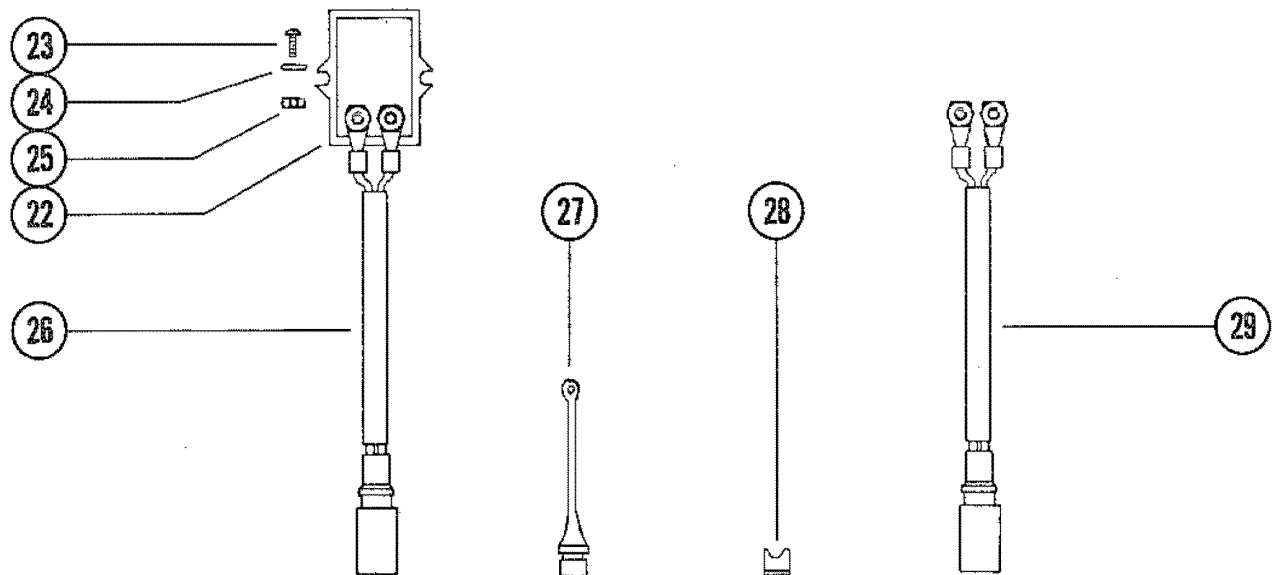
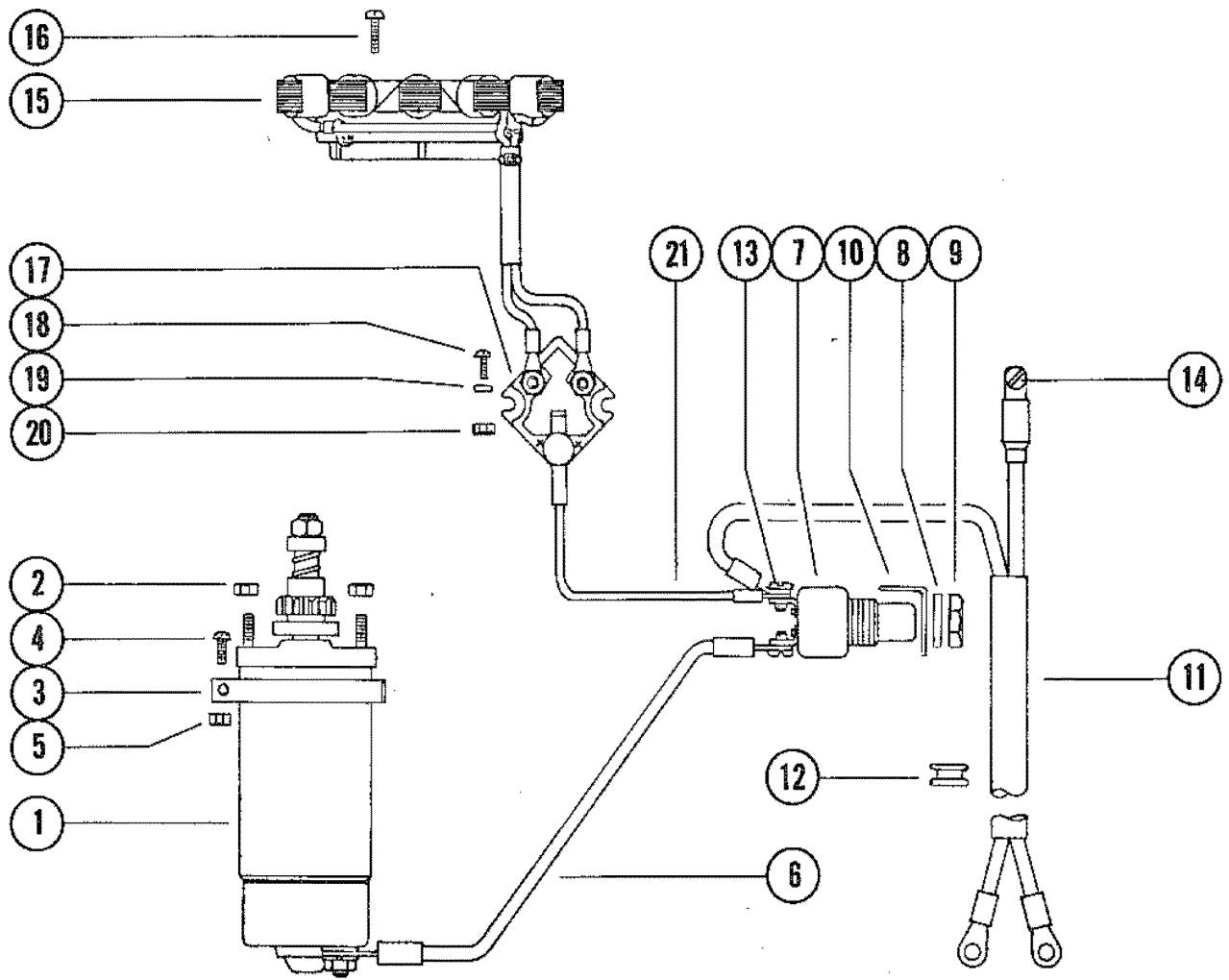


SEE PAGE 26 FOR DRIVE SHAFT
AND COMPONENT PARTS

GEAR HOUSING ASSEMBLY

REF. NO.	PART NO.	SYM.	QTY.	DESCRIPTION
56	44-75667A2		1	SHAFT ASSEMBLY, PROPELLER UNITED STATES 4691222 AND UP AUSTRALIA 8045675 AND UP BELGIUM 9150905 AND UP CANADA 7095423 AND UP
57	43-63316		1	REVERSE GEAR ASSEMBLY
58	12-30531		1	WASHER, THRUST - REVERSE GEAR UNITED STATES 3801458 THRU 4314384 AUSTRALIA 8015315 THRU 8035569 BELGIUM 9043194 THRU 9102613 CANADA 7028598 THRU 7065472
	71479		1	SLEEVE, THRUST - REVERSE GEAR UNITED STATES 4314385 AND UP AUSTRALIA 8035570 AND UP BELGIUM 9102614 AND UP CANADA 7065473 AND UP
59	30-21889		1	BEARING, BALL - REVERSE GEAR
60	15-30532A1		AR	SHIM ASSEMBLY, THRUST WASHER TO HOUSING (.002-3-5-10)
61	25-30529		1	"O" RING, BEARING CARRIER
62	63317A3		1	BEARING CARRIER ASSEMBLY UNITED STATES 3801458 THRU 4314384 AUSTRALIA 8015315 THRU 8035569 BELGIUM 9043194 THRU 9102613 CANADA 7028598 THRU 7065472
	72673A1		1	BEARING CARRIER ASSEMBLY UNITED STATES 4314385 AND UP AUSTRALIA 8035570 AND UP BELGIUM 9102614 AND UP CANADA 7065473 AND UP
63	31-22458		1	BEARING, ROLLER - BEARING CARRIER
64	26-66022		1	OIL SEAL, BEARING CARRIER
65	12-30528		1	WASHER, GEAR HOUSING COVER UNITED STATES 3801458 THRU 4314384 AUSTRALIA 8015315 THRU 8035569 BELGIUM 9043194 THRU 9102613 CANADA 7028598 THRU 7065472
66	30537		1	COVER, GEAR HOUSING UNITED STATES 3801458 THRU 4314384 AUSTRALIA 8015315 THRU 8035569 BELGIUM 9043194 THRU 9102613 CANADA 7028598 THRU 7065472
	72671		1	COVER, GEAR HOUSING UNITED STATES 4314385 AND UP AUSTRALIA 8035570 AND UP BELGIUM 9102614 AND UP CANADA 7065473 AND UP
67	75023		1	COLLAR, PROPELLER GUIDE
68	48-47922A1		1	PROPELLER ASSEMBLY(SHIPPED WITH ENGINE FROM FACTORY)
	48-47926A1		OPT.	PROPELLER ASS'Y, 9" DIA., 10" PITCH, 2 BLADES (ALUMINUM)
	48-47670A1		OPT	PROPELLER ASS'Y, 8 3/4" DIA., 7" PITCH, 3 BLADES (ALUMINUM)
	48-65012A1		OPT.	PROPELLER ASS'Y, 8 3/4" DIA., 7' PITCH, 3 BLADES (NYLON)
-	66606		1	THRUST HUB (USE WITH NYLON PROP ONLY)
69	23-65439		1	SPACER, PROPELLER SHAFT (PART OF PROPELLER SHAFT ASSEMBLY)
70	11-64075		1	NUT, PROPELLER

ELECTRIC COMPONENTS

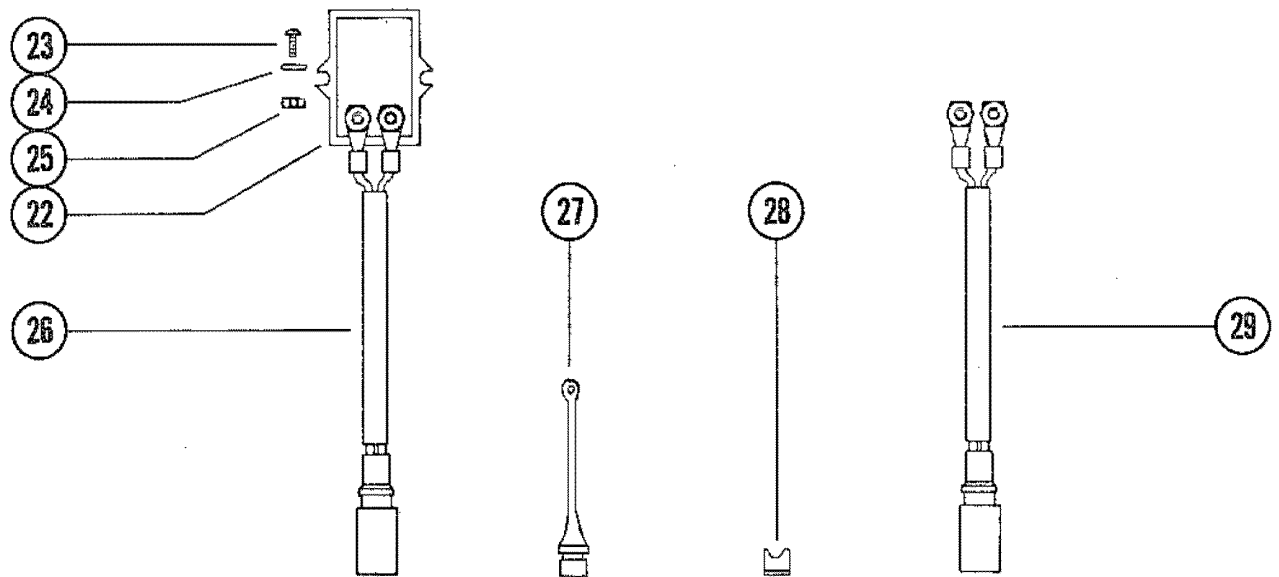
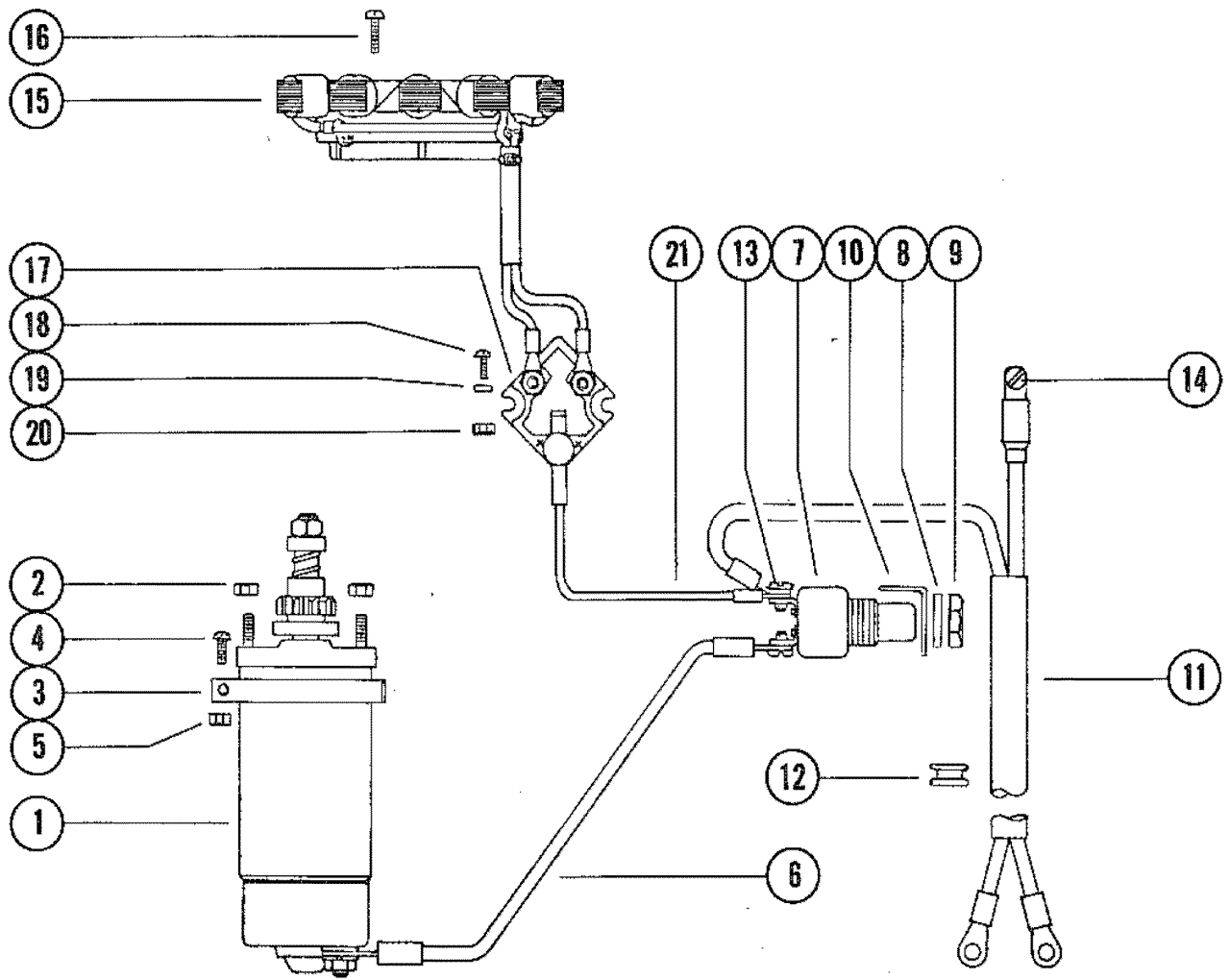


ELECTRIC COMPONENTS

REF. NO.	PART NO.	SYM.	QTY.	DESCRIPTION
1	50-73531		1	STARTER MOTOR
2	11-20361		2	NUT, STARTER MOTOR STUD
3	54-47993		1	CLAMP, STARTER MOTOR ATTACHING
4	10-34615		1	SCREW, STARTER MOTOR CLAMP (1")
5	11-20088		1	NUT, CLAMP SCREW
6	84-73539A1		1	WIRE ASSEMBLY, STARTING SWITCH (YELLOW) UNITED STATES 3801458 THRU 4691221 AUSTRALIA 8015315 THRU 8045674 BELGIUM 9043194 THRU 9150904 CANADA 7028598 THRU 7095422
	84-76741A1		1	WIRE ASSEMBLY, STARTING SWITCH (YELLOW) UNITED STATES 4691222 AND UP AUSTRALIA 8045675 AND UP BELGIUM 9150905 AND UP CANADA 7095423 AND UP
7	87-73883		1	SWITCH, STARTING
8	12-30516		1	WASHER, STARTING SWITCH
9	11-74394		1	NUT, STARTING SWITCH
10	74515		1	PROTECTOR, STARTING SWITCH
11	84-73573		1	CABLE, BATTERY
12	25-74444		1	GROMMET, BATTERY CABLE
13	10-45742		1	SCREW, BATTERY CABLE ATTACHING (5/16")
14	10-20031		1	SCREW, BATTERY CABLE ATTACHING (7/8")
15	74367A2		1	LIGHTING STATOR ASSEMBLY UNITED STATES 3801458 THRU 4691221 AUSTRALIA 8015315 THRU 8045674 BELGIUM 9043194 THRU 9150904 CANADA 7028598 THRU 7095422
	74367A8		1	LIGHTING STATOR ASSEMBLY UNITED STATES 4691222 AND UP AUSTRALIA 8045675 AND UP BELGIUM 9150905 AND UP CANADA 7095423 AND UP
16	10-73696		2	SCREW, LIGHTING STATOR ATTACHING (1 5/8")
17	62351A2		1	RECTIFIER ASSEMBLY
18	10-48408		2	SCREW, RECTIFIER TO MANIFOLD COVER (1/2")
19	23-62769		2	SPACER, RECTIFIER SCREW
20	11-45076		3	NUT, RECTIFIER TERMINAL
21	84-61393A6		1	WIRE ASSEMBLY, RECTIFIER TO STARTING SWITCH (RED)
22	75076		1	VOLTAGE REGULATOR BELGIUM 9115165 AND UP
23	10-74841		2	SCREW, VOLTAGE REGULATOR TO MANIFOLD COVER (1") BELGIUM 9115165 AND UP
24	23-62769		2	SPACER, VOLTAGE REGULATOR SCREW BELGIUM 9115165 AND UP
25	11-45076		3	NUT, VOLTAGE REGULATOR TERMINAL BELGIUM 9115165 AND UP

CONTINUED ON NEXT PAGE ➡

ELECTRIC COMPONENTS



ELECTRIC COMPONENTS

REF. NO.	PART NO.	SYM.	QTY.	DESCRIPTION
26	84-74725A1		1	HARNESS ASSEMBLY, VOLTAGE REGULATOR (BLACK/RED) BELGIUM 9115165 AND UP
27	71663		1	PLUG, HARNESS BELGIUM 9115165 AND UP
28	74361		1	PLUG, HARNESS TO BOTTOM COWL BELGIUM 9115165 AND UP
29	84-65017A2		1	HARNESS ASSEMBLY, LIGHTING (EXTERNAL) BELGIUM 9115165 AND UP
15	74367A8		1	LIGHTING STATOR ASSEMBLY

PARTS INDEX

Part Number	Description	Pg.	Ref. No.	Part Number	Description	Pg.	Ref. No.
20155	RETAINER, STARTER SPRING	5	24	59060	BOOT, LEAD ASSEMBLY	15	24
20203	DISC, FRICTION - CLAMP PLATE AND SWIVEL BRACKET	51	20	59065A4	STOP SWITCH ASSEMBLY	43	22
22789	"D" WASHER, TRIGGER LEAD CLIP	25	22	59170A3	THUMB SCREW ASSEMBLY	55	3
22833	ADAPTOR, CHECK UNIT (FUEL LINE)	23	5	60850	ARM, STEERING HANDLE	41	7
23069	STEM, CHECK UNIT ADAPTOR	23	6	60850A6	STEERING HANDLE ASSEMBLY, COMPLETE	41	-
24789A1	FLUSHING ASSEMBLY	1	-	60854	GRIP, HANDLE - THROTTLE	41	1
26179	RETAINER, SHEAVE SHAFT TO STARTER SHEAVE	5	39	60857A2	UNIVERSAL JOINT ASSEMBLY	41	13
28748	RETAINER, STARTER CABLE AND HANDLE	7	46	60885	HOUSING, THROTTLE CONTROL	29	2
29359	LUBRICAP, GREASE FITTING - SWIVEL BRACKET	51	3	61007	RETAINER, ROD - REVERSE LOCK	51	9
30188	CUP WASHER, ADAPTOR	23	9	61008	RETAINER, REVERSE LOCK CAM	49	24
30537	COVER, GEAR HOUSING	67	66	61155	COVER, TRANSFER PORT - MANUAL	33	25
30595	PLATE, RETAINER - STARTER PAWL	5	42	61990	STA-STRAP	15	19
30596	PAWL, STARTER	5	36	62254	CAP, HANDLE - THROTTLE	41	2
30646A2	MOUNT ASSEMBLY (LOWER AND UPPER)	49	17	62351A2	RECTIFIER ASSEMBLY	69	17
30782	HANDLE, STARTER CABLE	7	45	63308A1	FOLLOWER ASSEMBLY, NEUTRAL SPEED LIMITER	29	4
31334	FOLLOWER, SHIFTER CAM	65	47	63310A1	LEVER ASSEMBLY, TILT STOP	53	24
35558	SHAFT, SHEAVE	7	43	63317A3	BEARING CARRIER ASSEMBLY	67	62
36017	STOP, NEUTRAL SPEED LIMITER	29	8	63551	ROD, REVERSE LOCK TO SWIVEL BRACKET	51	6
38950A1	COVER ASSEMBLY, STOP SWITCH	45	24	63553	LEVER, CONTROL - TROLL BRACKET	51	14
39474	ANCHOR, LATCH - BOTTOM COWL	43	5	63554	GUIDE, SPRING	51	12
39601	PLATE, DETENT SPRING	27	12	63555	SHIFT SHAFT	27	16
39778	GROMMET, CHOKE SHAFT - BOTTOM COWL	43	2	63556A1	SHAFT ASSEMBLY, SHIFT (SHORT SHAFT)	59	14
45757	TILT TUBE, CLAMP TO SWIVEL BRACKET	55	6	63557A1	SHAFT ASSEMBLY, SHIFT (LONG SHAFT)	61	14
46172	COVER, EXHAUST MANIFOLD	35	35	63559	BRACKET, TROLL	51	10
46235	PLATE, BAFFLE - EXHAUST MANIFOLD	35	33	63628	LEVER, REVERSE LOCK	51	8
46895	PLATE, FACE - WATER PUMP HOUSING TO WATER PUMP COVER	63	36	63646	LEVER, THROTTLE	19	37
46896A1	WATER PUMP COVER ASSEMBLY	63	37	63647	PLATE, CLAMP - CO PILOT	51	21
47259A1	BLOCK ASSEMBLY, DRIVE SHAFT LONG SHAFT	47	13	63906	CABLE, CHOKE - SERIAL GROUP 5	23	15
48003	PIVOT, STEERING HANDLE TO BRACKET	41	10	63980	KNOB, CHOKE	23	13
53041	COVER, LOWER MOUNT	49	19	63991A1	CARRIER ASSEMBLY, SEAL CRANKSHAFT	37	2
55860	PULLEY, STARTER CABLE	5	18	64004	CO-PILOT DISC	51	17
56319A7	LEAD ASSEMBLY, STOP SWITCH (11")	15	23	64076	BUMPER, THRUST - SADDLE	49	16
57821	INSERT, ROPE GUIDE - STARTER HOUSING	3	15	64194A1	COVER ASSEMBLY, STRAINER (INLET)	19	31
58981	CAM, SHIFT	65	46	64247	VENTURI	19	21A
				64988	SEAL, CRANKSHAFT CARRIER	37	3
				65216	CAM, REVERSE LOCK	49	23
				65475	HANDLE, CARRYING	57	10
				65477	CATCH, TOP COWL	3	10
				65478	LEVER, COWL LATCH	43	13
				65479	COVER, ACCESS HOLE	43	4
				65489--3	SEAL, TOP COWL (16 1/2")	3	2

PARTS INDEX

Part Number	Description	Pg.	Ref. No.	Part Number	Description	Pg.	Ref. No.
65518	COVER, TRIM - DRIVE SHAFT HOUSING	47	5	72465	CABLE, CHOKE	23	15
65552	SCREEN, CARBURETOR . .	23	11	72471	COVER, TRIM - DRIVE SHAFT HOUSING	47	5
65613	CABLE, COWL LATCH	43	14	72671	COVER, GEAR HOUSING . .	67	66
65660A3	STARTER HOUSING ASSEMBLY	3	14	72673A1	BEARING CARRIER ASSEMBLY	67	62
66353	COVER, ACCESS HOLE . . .	43	3	72791	LATCH, ARM - BOTTOM COWL	43	17
66355	COVER, IGNITION COIL . . .	9	8	72794	STOP, REVERSE LOCK	53	29
66361	LEVER, SHIFT CONTROL (REMOTE)	27	5	72845A1	PLATE ASSEMBLY, CLAMP - CO-PILOT	53	21
66371	LINK, TRIGGER HOUSING TO THROTTLE LEVER . . .	13	14	73342A4	STARTER HOUSING ASSEMBLY	3	14
66374A2	LEVER ASSEMBLY, THROTTLE CONTROL . . .	29	13	74159A3	THUMB SCREW ASSEMBLY	55	3
66376	HANDLE, SHIFT CONTROL (MANUAL)	27	1	74250	TILT TUBE, CLAMP TO SWIVEL BRACKET	55	6
66379	SHAFT, SHIFT CONTROL . .	27	7	74344	COVER, TRANSFER PORT - ELECTRIC	33	25
66392A1	COIL ASSEMBLY, TRIGGER	13	12	74349	LEVER, COWL LATCH	43	13
66393	SHAFT, THROTTLE	41	3	74350	LEVER, SHIFT CONTROL (REMOTE)	27	5
66394A1	HANDLE, THROTTLE SHAFT	41	4	74351	LEVER, FOLLOWER	5	31
66559	TUBE, SWIVEL BRACKET TO SADDLE	51	16	74352	HANDLE, SHIFT CONTROL (ELECTRIC)	27	1
66606	THRUST HUB (USE WITH NYLON PROP ONLY)	67	--	74353	LEVER, LOCK	5	30
66941	BLANKET, TOP COWL - SIDE	3	4	74359	SHAFT, INTERLOCK	5	29
66942	BLANKET, TOP COWL - TOP	3	3	74360	PLUG, BOTTOM COWL(MANUAL)	43	1A
66943	BLANKET, TOP COWL - FRONT	3	5	74361	PLUG, HARNESS TO BOTTOM COWL	71	28
68768A2	BRACKET ASSEMBLY, STEERING ARM	41	16	74367A2	LIGHTING STATOR ASSEMBLY	69	15
69153	LATCH, ARM - BOTTOM COWL	43	17	74367A8	LIGHTING STATOR ASSEMBLY	69	15
69154	LATCH, BODY - BOTTOM COWL	43	19	74367A8	LIGHTING STATOR ASSEMBLY	71	15
69157A3	THUMB SCREW ASSEMBLY	55	3	74515	PROTECTOR, STARTING SWITCH	69	10
69346	BUMPER, COWL - REAR . . .	3	9	74919	COVER, EXHAUST MANIFOLD	35	35
69372A3	STARTER HOUSING ASSEMBLY	3	14	75023	COLLAR, PROPELLER GUIDE	67	67
69522	BLANKET, TOP COWL - FRONT	3	5	75076	VOLTAGE REGULATOR . . .	69	22
69764	VENTURI	19	21B	76179A1	STARTER HOUSING ASSEMBLY	3	14
70977	INSERT, WATER PUMP HOUSING	63	33	77334	CO-PILOT DISC	51	17
71057	LINK ROD, REVERSE LOCK	49	21	10-20031	SCREW, BATTERY CABLE ATTACHING (7/8")	69	14
71057	LINK ROD, REVERSE LOCK	49	21	10-20100	SCREW, SCREEN TO CARBURETOR	23	12
71419	ROD, REVERSE LOCK TO SWIVEL BRACKET	51	6	10-20100	SCREW, SWITCH ATTACHING (1/2")	15	17
71420	HANDLE, CARRYING	57	10	10-20646	SCREW, TERMINAL BLOCK TO STATOR (5/8")	11	8
71479	SLEEVE, THRUST - REVERSE GEAR	67	58	10-20646	SCREW, TERMINAL BLOCK TO STATOR (5/8")	13	8
71490	COVER, LOWER MOUNT . .	49	19	10-20653	SCREW, LIMITER FOLLOWER TO BOTTOM COWL (1 1/8")	29	5
71502	COVER, FRONT	3	7				
71658A1	SHAFT ASSEMBLY, SHIFT(LONG SHAFT)	61	14				
71659A1	SHAFT ASSEMBLY, SHIFT(SHORT SHAFT)	61	14				
71660	SHIFT SHAFT	27	16				
71663	PLUG, HARNESS	71	27				
72007	RETAINER, REVERSE LOCK CAM	49	24				

PARTS INDEX

Part Number	Description	Pg.	Ref. No.	Part Number	Description	Pg.	Ref. No.
10-22483	SCREW, LATCH ANCHOR TO BOTTOM COWL (1 1/8")	43	6	10-37923	SCREW, ADAPTOR TO BOTTOM COWL (1 1/4")	23	10
10-22654	SCREW, LEADS TO TERMINAL BLOCK (3/8")	13	10	10-38111	SCREW, BOTTOM COWL TO DRIVE SHAFT HOUSING (3/4")	43	10
10-22654	SCREW, LEADS TO TERMINAL BLOCK (3/8")	13	10	10-39002	SCREW, UPPER BEARING HOUSING (1/2")	33	23
10-23015	SCREW, ADJ. - THROTTLE CONTROL - (1")	31	5	10-39149	SCREW, SHIFT SHAFT BUSHING RETAINER (1/2")	61	19
10-23035	SCREW, CHOKE SHUTTER TO CHOKE SHAFT	19	20	10-39154	SCREW, CONNECTING ROD	39	2
10-23178	SCREW, PLUG - IDLE TUBE	21	41	10-45218	SCREW, GROUND LEAD TO CYLINDER BLOCK	15	25
10-24264	SCREW, CRANKCASE TO CYLINDER BLOCK (1 3/4")	31	13	10-45218	SCREW, LEADS TO TERMINAL BLOCK (3/8")	15	22
10-25764	SCREW, PLATE AND SPRING TO ADAPTOR PLATE (1/2")	27	13	10-45742	SCREW, BATTERY CABLE ATTACHING (5/16")	69	13
10-26537	SCREW, PORT COVER TO CYLINDER BLOCK (1/2") - MANUAL	33	26	10-45817	SCREW, LOWER MOUNT COVER TO MOUNT (7/16")	49	20
10-26537	SCREW, PORT COVER TO CYLINDER BLOCK - ELECTRIC	33	26	10-45862	SCREW, CHOKE CABLE TO CARBURETOR	23	16
10-26801	SCREW, MAIN BEARING LOCKING (5/8")	33	15	10-47225	SCREW, BLOCK TO DRIVE SHAFT HSG. (1 1/4") LONG SHAFT	47	14
10-27304	SCREW, REED STOP MOUNTING	37	10	10-48408	SCREW, RECTIFIER TO MANIFOLD COVER (1/2")	69	18
10-28634	SCREW, FLUSH - DRIVE SHAFT HOUSING	47	9	10-48408	SCREW, TERMINAL BLOCK ATTACHING (5/8")	15	21
10-28634	SCREW, GREASE FILLER HOLE	59	10	10-54467	SCREW, ADJ. - THROTTLE CONTROL (1 1/4")	31	5
10-28642	SCREW, WATER INTAKE SCREEN TO GEAR HOUSING	59	9	10-56781	SCREW, MAIN BEARING CLAMPING	37	6
10-28653	SCREW, GREASE VENT HOLE	59	13	10-62233	SCREW, DETENT SPRING TO STEERING ARM BRACKET (5/8")	41	17
10-28668	SCREW, BAFFLE PLATE AND MANIFOLD COVER MOUNTING (3/4")	35	36	10-62506	SCREW, CLAMP PLATE ADJUSTING (1 5/8")	53	22
10-28710	SCREW, NEUTRAL SPEED LIMITER STOP TO FOLLOWER (5/8")	29	9	10-62568	SCREW, LEADS TO TERMINAL BLOCK (3/8")	11	10
10-28789	SCREW, CABLE PULLEY TO STARTER HOUSING (3/4")	5	19	10-63311	SCREW, TILT STOP LEVER	53	25
10-30376	SCREW, PINION GEAR TO DRIVE SHAFT (3/4")	61	22	10-64074	SCREW, STEERING HANDLE TO ARM BRACKET (5/8")	41	12
10-30679	SCREW, CO-PILOT DISC TO SADDLE (2 1/4")	51	18	10-64652	SCREW, TRIM COVER TO BOTTOM COWL (1/2")	47	6
10-30679	SCREW, STEERING ARM BRACKET TO SADDLE (2 1/4")	41	19	10-65414	SCREW, CAM RETAINER TO DRIVE SHAFT HOUSING (3/4")	49	22
10-31294	SCREW, CRANKCASE TO CYLINDER BLOCK (1")	31	12	10-65554	SCREW, COWL LATCH CABLE	43	15
10-32228	SCREW, LATCH TO BOTTOM COWL	43	20	10-66707	SCREW, STATOR TO END CAP (7/8")	11	2
10-34615	SCREW, STARTER MOTOR CLAMP (1")	69	4	10-67982	BOLT, CLAMP BRACKET TO BOAT	57	16
10-35400	SCREW, STATOR TO END CAP (3/8") - MANUAL	11	3	10-69086	SCREW, CYL. BLOCK COVER TO CYL. BLOCK (1 1/8")	35	30
10-36398	SCREW, SWIVEL BRACKET	53	28	10-69347	SCREW, TERMINAL BLOCK TO STATOR (5/8")	13	8
				10-71056	SCREW, REVERSE STOP TO SWIVEL BRACKET	53	30

PARTS INDEX

Part Number	Description	Pg.	Ref. No.	Part Number	Description	Pg.	Ref. No.
10-72862	SCREW, STARTER HOUSING TO			11-39305	NUT, SHIFT HANDLE TO SHIFT CONTROL SHAFT	27	3
	CRANKCASE (1")	5	17	11-45076	NUT, CHOKE CABLE STUD	25	23
10-73280	SCREW, CRANKCASE TO CYLINDER BLOCK (1 1/2")	33	13	11-45076	NUT, IGNITION COIL TERMINAL	9	7
10-73643	SCREW, THROTTLE CONTROL HOUSING TO			11-45076	NUT, RECTIFIER TERMINAL	69	20
	BOTTOM COWL (3/4")	29	3	11-45076	NUT, VOLTAGE REGULATOR TERMINAL	69	25
10-73696	SCREW, LIGHTING STATOR ATTACHING (1 5/8")	69	16	11-46438	NUT, TERMINAL BLOCK SCREW	11	9
10-74841	SCREW, VOLTAGE REGULATOR TO			11-46438	NUT, TERMINAL BLOCK SCREW	13	9
	MANIFOLD COVER (1")	69	23	11-46438	NUT, TERMINAL BLOCK SCREW	13	9
10-76081	SCREW, CLAMP PLATE ADJUSTING	53	22	11-46887	NUT, CARBURETOR ATTACHING	25	24
10-76611	SCREW, UPPER BEARING HOUSING (1/2")	33	23	11-46887	NUT, COWL CATCH TO TOP COWL	3	13
10-76621	SCREW, CRANKCASE TO CYLINDER BLOCK	33	12	11-56041	NUT, TILT TUBE FASTENING	57	9
10-76630	SCREW, CYL. BLOCK COVER TO CYL. BLOCK	35	30	11-56374	NUT, CLAMP BRACKET SCREW	57	18
11-20061	NUT, CONNECTING ROD SCREW	39	4	11-64075	NUT, PROPELLER	67	70
11-20088	NUT, CLAMP SCREW	69	5	11-65110	NUT, PUSH - LINK TO TRIGGER HOUSING	13	15
11-20110	NUT, COIL COVER SCREW	9	10	11-65517	NUT, SPEED - FRONT COVER TO COWL	3	8
11-20166	NUT, SHEAVE SHAFT (LEFT HAND THREAD)	5	23	11-68219	NUT, THROTTLE CONTROL ADJUSTING SCREW	31	6
11-20361	NUT, SECTOR GEAR TO SHIFT CONTROL SHAFT	27	10	11-69844	NUT, STOP SWITCH	45	32
11-20361	NUT, STARTER MOTOR STUD	69	2	11-73710	NUT, CHOKE CABLE TO BOTTOM COWL	23	14
11-20696	NUT, FLYWHEEL	9	4	11-74394	NUT, STARTING SWITCH	69	9
11-21971	NUT, STOP SWITCH TO BOTTOM COWL	45	27	12-20214	WASHER, THUMB SCREW	55	4
11-24652	NUT, CO-PILOT DISC FASTENING SCREW	51	19	12-20214	WASHER, THUMB SCREW	55	4
11-24652	NUT, CRANKCASE FASTENING SCREW	33	14	12-20260	WASHER, GREASE FILLER HOLE SCREW	59	11
11-24652	NUT, CYLINDER BLOCK COVER MOUNTING SCREW	35	31	12-20260	WASHER, SEALING - FLUSH SCREW	47	10
11-24652	NUT, DRIVE SHAFT HOUSING TO			12-20262	WASHER, GREASE VENT HOLE SCREW	59	12
	POWERHEAD STUDS	47	12	12-20533	WASHER, WATER PUMP HOUSING AND COVER STUDS	63	41
11-24652	NUT, DRIVE SHAFT HOUSING TO			12-22887	WASHER, CABLE PULLEY SCREW	5	20
	POWERHEAD STUDS	47	12	12-24676	WASHER, NEUTRAL SPEED LIMITER STOP SCREW	29	10
11-24652	NUT, STEERING ARM BRACKET FASTENING SCREW	41	20	12-29245	WASHER, SHIFT CONTROL SHAFT	27	2
11-29598	NUT, CLAMP BRACKET STUD	57	13	12-29245	WASHER, SHIFT CONTROL SHAFT	27	9
11-34863	NUT, DRIVE SHAFT HOUSING STUD (3/8 - 24)	47	3	12-30516	WASHER, STARTING SWITCH	69	8
11-35814	NUT, GEAR HOUSING TO DRIVE SHAFT HOUSING STUD (5/16 - 14)	47	4	12-30528	WASHER, GEAR HOUSING COVER	67	65
11-35888	NUT, TILT STOP LEVER SCREW	53	27	12-30531	WASHER, THRUST - REVERSE GEAR	67	58
				12-34680	WASHER, BODY LATCH	43	19A
				12-35462	WASHER, CLAMP PLATE ADJUSTING SCREW	53	23

PARTS INDEX

Part Number	Description	Pg.	Ref. No.	Part Number	Description	Pg.	Ref. No.
12-35559	WASHER, SHEAVE SHAFT RETAINER	5	40	13-63631	WASHER, WAVE - TROLL BRACKET LEVER	51	15
12-36245	WASHER, FLYWHEEL NUT	9	3	13-68219	NUT, CONNECTOR BASE TO BOTTOM COWL	45	29
12-36554	WASHER, NYLON - WATER OUTLET TUBE	43	8	13-69845	LOCKWASHER, STOP SWITCH	45	31
12-36554	WASHER, NYLON- WATER PUMP COVER	63	39	14-20091	TAB WASHER, MAIN BEARING LOCKING SCREW	33	16
12-36555	WASHER, NYLON - INTAKE TUBE SEAL	59	7	14-20165	TAB WASHER, SHEAVE SHAFT NUT	5	22
12-38753	WASHER, SPEED LIMITER FOLLOWER SCREW	29	6	14-30377	TAB WASHER, PINION GEAR TO DRIVE SHAFT SCREW	61	21
12-52864	WASHER, TILT TUBE - CLAMP TO SWIVEL BRACKET	55	5	14-76610	TAB WASHER, UPPER BEARING HOUSING SCREW	33	23A
12-56681	WASHER, CHOKE CABLE SCREW	25	17	15-30522A1	SHIM ASSEMBLY, BALL BEARING TO HOUSING (.002-3-5-10)	65	49
12-56681	WASHER, CHOKE CABLE STUD	25	20	15-30527A1	SHIM ASSEMBLY, BALL BEARING TO GEAR HOUSING (.002-3-5-10)	61	24
12-56681	WASHER, COWL LATCH CABLE SCREW	43	15A	15-30527A1	SHIM ASSEMBLY, BALL BEARING TO GEAR HOUSING (.002-3-5-10)	61	27
12-56681	WASHER, SWITCH BOX ATTACHING SCREW	15	18	15-30532A1	SHIM ASSEMBLY, THRUST WASHER TO HOUSING (.002-3-5-10)	67	60
12-57029	WASHER, TOP COWL CATCH (UPPER)	3	11A	15-31412A1	SHIM, UPPER HOUSING TO CYLINDER BLOCK (.002-3- 5-10)	33	17
12-59061	WASHER, STATOR LEAD TO STOP SWITCH	45	25	15-48002015	SHIM, STEERING HANDLE PIVOT TO BRACKET (.015)	41	11
12-62252	WASHER, THROTTLE HANDLE TO STEERING ARM	41	6	15-64653A1	SHIM ASSEMBLY, GEAR AND SHAFT (LOWER)	29	12
12-65567	WASHER, TOP COWL CATCH (LOWER)	3	11	16-58136	STUD, WATER PUMP HOUSING TO GEAR HOUSING (2 3/4")	59	3
12-65967	WASHER, NEEDLE BEARING RETAINING	39	5	16-58138	STUD, GEAR HOUSING RO DRIVE SHAFT HOUSING (3 7/16")	59	2
12-67983	WASHER, CLAMP BRACKET SCREW	57	17	16-59622	STUD, CLAMP BRACKET	57	11
12-71055	WASHER, REVERSE STOP SCREW	53	32	16-66357	STUD, CARBURETOR MOUNTING	31	3
12-71421	WASHER, TILT TUBE - CLAMP TO SWIVEL BRACKET	55	5	16-66373	STUD, DRIVE SHAFT HOUSING TO GEAR HOUSING (2 5/16")	47	2
13-20160	WASHER, WAVE - RETAINER TENSION	5	41	16-66373	STUD, DRIVE SHAFT HOUSING TO GEAR HOUSING (2 5/16")	47	2
13-21972	LOCKWASHER, STOP SWITCH CONNECTER	45	26	16-69036	STUD, CHOKE CABLE TO CARBURETOR	25	19
13-26992	LOCKWASHER, BOTTOM COWL SCREW	43	11	16-71417	STUD, CLAMP BRACKET	57	11
13-26992	LOCKWASHER, CLAMP BRACKET STUD	57	12	16-72809	STUD, BLOCK AND CRANKCASE TO DRIVE SHAFT HOUSING	31	2
13-26992	LOCKWASHER, LATCH ANCHOR SCREW	43	7	17-20032	PIN, DOWEL - LOCATING	59	5
13-26992	LOCKWASHER, REVERSE STOP SCREW	53	31	17-20032	PIN, DOWEL - MAIN BEARING	37	5
13-26996	LOCKWASHER, CHOKE CABLE SCREW	25	17				
13-26996	LOCKWASHER, IGNITION COIL TERMINAL	9	6				
13-31030	WASHER, WAVE - LEVER ANCHOR SCREW	53	26				
13-36206	WASHER, WAVE - STARTER PAWL	5	35				

PARTS INDEX

Part Number	Description	Pg.	Ref. No.	Part Number	Description	Pg.	Ref. No.
17-22896	PIN, RETAINER - STARTER			23-61005	SPACER, SHEAVE SHAFT	5	38
	CABLE	5	28	23-62769	SPACER, RECTIFIER		
17-22896	PIN, RETAINER - STARTER				SCREW	69	19
	CABLE	5	28	23-62769	SPACER, VOLTAGE		
17-25319	ROLL PIN, SPRING GUIDE	51	13		REGULATOR SCREW	69	24
17-25905	PIN, SHIFT LEVER TO SHIFT			23-63320	BUSHING, SPEED LIMITER		
	CONTROL SHAFT	27	6		FOLLOWER SCREW	29	7
17-27088	PIN, BALL GEAR TO			23-63932	SPACER, CHOKE CABLE		
	THROTTLE SHAFT	41	9		SCREW	25	18
17-30535	PIN, CROSS - RATCHET TO			23-64028	BUSHING, SWIVEL		
	PROPELLER SHAFT	65	55		BRACKET	51	4
17-38489	ROLL PIN, INTERLOCK			23-65439	SPACER, PROPELLER		
	SHAFT	5	32		SHAFT (PART OF		
17-46152	PIN, STEERING HANDLE	41	5		PROPELLER SHAFT		
17-46912	PIN, DOWEL - CRANKCASE				ASSEMBLY)	67	69
	TO CYLINDER BLOCK	31	4	23-66375	BUSHING, NYLON - SHIFT		
17-55952A1	TILT LOCK PIN ASSEMBLY	57	15		CONTROL SHAFT	27	4
17-65855	PIN, DOWEL - REED			24-23067	SPRING, ADAPTOR STEM	23	8
	LOCATING	37	5	24-29340A1	SPRING, STARTER REWIND	5	25
17-68436	PIN, BALL GEAR TO			24-31333	SPRING, COMPRESSION -		
	UNIVERSAL JOINT	41	15		CAM FOLLOWER	65	48
17-71418A2	TILT LOCK PIN ASSEMBLY	57	15	24-39042	SPRING, NEUTRAL SPEED		
17-72856	PIN, TOP COWL CATCH	3	10		LIMITER FOLLOWER	29	6A
17-76207	PIN, ROLL - THROTTLE			24-39627	SPRING, DETENT - SHIFT		
	CONTROL LEVER TO				CONTROL LEVER	27	11
	CONTROL SHAFT	29	14	24-45823	SPRING	7	47
18-45882	COTTER PIN, REVERSE			24-47744	SPRING, DETENT -		
	LOCK LEVER TO ROD	51	7		STEERING HANDLE	41	18
19-39333	PLUG, TILT TUBE	57	7	24-60239	SPRING, STOP SWITCH	43	23
21-64871A1	VALVE ASSEMBLY, BLEED			24-62143	SPRING, TILT LOCK PIN	57	14
	DRAIN	31	7	24-63630	SPRING, EXTENSION -		
22-25885	ELBOW, TELL TALE -				TROLL BRACKET	51	11
	CYLINDER BLOCK	31	11	24-65520	SPRING, CABLE TO ARM		
22-31345	FITTING, GREASE - SWIVEL				LATCH	43	16
	BRACKET	51	2	24-65553	SPRING, COMPRESSION -		
22-52644	PLUG, CYLINDER BLOCK				COWL CATCH	3	12
	COVER	33	28	24-72847	SPRING, DETENT -		
22-56759	ELBOW, BLEED(ELECTRIC)	31	10		STEERING HANDLE	41	18
22-61294	ELBOW, BLEED(MANUAL)	31	10	24-74347	SPRING, TORSION -		
22-63981	FITTING, FUEL LINE TO				INTERLOCK SHAFT	5	34
	ADAPTOR	23	4	24-76298	SPRING, COMPRESSION -		
22-73705	FITTING, FUEL LINE TO				CAM FOLLOWER	65	48
	ADAPTOR	23	4	25-20415	"O" RING, ADAPTOR STEM	23	7
22-74036	FITTING, GREASE - SWIVEL			25-20863	"O" RING, UPPER BEARING		
	BRACKET	51	2		HOUSING	33	22
23-26841	BUSHING, NYLON -			25-26802	"O" RING, SHIFT SHAFT		
	REVERSE LOCK LEVER				BUSHING	61	17
	ROD	51	5	25-29439	"O" RING, WATER PUMP		
23-26856	BUSHING, NYLON -				HOUSING	63	29
	INTERLOCK SHAFT	5	33	25-30526	RING, RUBBER -		
23-27132	BUSHING, NYLON - UPPER				CENTRIFUGAL SLINGER		
	SHIFT SHAFT	27	14	25-30529	(DRIVE SHAFT)	63	43
23-28912	BUSHING, STARTER				"O" RING, BEARING		
	SPRING GUIDE	5	26	25-39086	CARRIER	67	61
23-28919	BUSHING, NYLON - SHEAVE				GROMMET, COWL LATCH -		
	SHAFT SPACER	5	37	25-74444	TOP COWL	3	6
23-30676A1	BUSHING ASSEMBLY, SHIFT				GROMMET, BATTERY		
	SHAFT	61	16	26-30696	CABLE	69	12
23-30977	SPACER, CABLE PULLEY	5	21		OIL SEAL, SHIFT SHAFT		
					BUSHING	61	18

PARTS INDEX

Part Number	Description	Pg.	Ref. No.	Part Number	Description	Pg.	Ref. No.
26-30900	OIL SEAL, WATER PUMP HOUSING	63	30	31-31410	BEARING, ROLLER - UPPER BEARING HOUSING	33	20
26-30913	OIL SEAL, WATER PUMP COVER	63	40	32-34293	TUBE, WATER INTAKE	63	32
26-33613	SEAL, RUBBER - WATER INTAKE TUBE	59	6	32-34395A1	HOSE, TELL TALE (9 1/2")	47	7
26-33613	SEAL, WATER INTAKE TUBE	63	31	32-39061	TUBE, WATER OUTLET(SHORT SHAFT)	47	8
26-36556	SEAL, RUBBER - WATER OUTLET TUBE	43	9	32-39062	TUBE, WATER OUTLET(LONG SHAFT)	47	8
26-36558	SEAL, WATER PUMP COVER	63	38	32-60584	HOSE, BLEED DRAIN (6 1/2')	31	8
26-66022	OIL SEAL, BEARING CARRIER	67	64	32-63146	FUEL LINE, ADAPTOR TO CARBURETOR	23	2
26-66301	OIL SEAL, CRANKCASE (LOWER)	35	38	33-58194	SPARK PLUG (AC V40FFK)	9	14
26-66301	OIL SEAL, UPPER BEARING HOUSING	33	21	33-59599	SPARK PLUG (CHAMPION L-77V)	9	14
26-72793	SEAL, CRANKSHAFT CARRIER	37	3	34-20053	REED STOP, MAIN BEARING REED VALVES	37	9
27-31434	GASKET, TRANSFER PORT COVER	33	24	34-31942A1	REED SET, MATCHED - MAIN BEARING	37	8
27-39050	GASKET, ADAPTOR PLATE TO DRIVE SHAFT HOUSING	47	11	34-52925	REED STOP, MAIN BEARING REED VALVES	37	9
27-39050	GASKET, BOTTOM COWL TO DRIVE SHAFT HOUSING	43	21	35-33425	SCREEN, WATER INTAKE	59	8
27-45748	GASKET, POWERHEAD TO ADAPTOR PLATE	43	12	37-67316A74	DECAL SET	1	-
27-46233	GASKET, BAFFLE PLATE	35	32	37-70038A75	DECAL SET	1	-
27-46233	GASKET, BAFFLE PLATE	35	34	37-73908A76	DECAL SET	1	-
27-63309	GASKET, CARBURETOR FLANGE	21	44	37-73908A77	DECAL SET	1	-
27-66358	GASKET, CYLINDER BLOCK COVER	33	29	39-21665A12	RING, PISTON	39	9
27-66358A74	GASKET SET (MOTOR OVERHAUL)	1	-	40-21666	LOCK RING, PISTON PIN	39	8
28-20094	KEY, FLYWHEEL DRIVE	9	2	43-48577	FORWARD GEAR ASSEMBLY	65	51
28-56655	KEY, IMPELLER DRIVE	63	34	43-48579	GEAR, PINION	61	20
29-26815	BEARING, NEEDLE - CRANKPIN	39	3	43-55447	GEAR, SECTOR - SHIFT SHAFT	27	15
29-31505	BEARING, NEEDLE - PISTON PIN	39	6	43-60852	GEAR, BALL - THROTTLE SHAFT	41	8
29-52168	PIN, ARM LOCATING	43	18	43-60852	GEAR, BALL - UNIVERSAL JOINT	41	14
30-20861	BEARING, BALL - CRANKCASE (LOWER)	35	37	43-60856	GEAR, HORIZONTAL - THROTTLE CONTROL SOCKET	29	1
30-20861	BEARING, BALL - UPPER BEARING HOUSING	33	19	43-60858	GEAR, THROTTLE CONTROL	29	11
30-21889	BEARING, BALL - FORWARD GEAR	65	50	43-63316	REVERSE GEAR ASSEMBLY	67	57
30-21889	BEARING, BALL - REVERSE GEAR	67	59	43-66377	GEAR, SECTOR - SHIFT CONTROL SHAFT (HORIZONTAL)	27	8
30-33076	BEARING, BALL - DRIVE SHAFT	61	25	44-65440A2	SHAFT ASSEMBLY, PROPELLER	65	56
30-70944	BEARING, BALL - DRIVE SHAFT	61	25	44-75667A2	SHAFT ASSEMBLY, PROPELLER	67	56
31-22458	BEARING, ROLLER - BEARING CARRIER	67	63	45-64257	DRIVE SHAFT(SHORT SHAFT)	61	23
31-22458	BEARING, ROLLER - FORWARD GEAR	65	52	45-64258	DRIVE SHAFT(LONG SHAFT)	61	23
				45-74850	DRIVE SHAFT(LONG SHAFT)	61	23
				45-74851	DRIVE SHAFT(SHORT SHAFT)	61	23
				46-46893A2	RESISTANT WATER PUMP KIT	1	-
				46-46893A3	WATER PUMP HOUSING ASSEMBLY	61	28

PARTS INDEX

Part Number	Description	Pg.	Ref. No.	Part Number	Description	Pg.	Ref. No.
47-65957	IMPELLER, WATER PUMP	63	35	85-71006A1	PROTECTOR ASSEMBLY, SPARK PLUG	9	13
48-47670A1	PROPELLER ASS'Y, 8 3/4" DIA., 7" PITCH, 3 BLADES (ALUMINUM)	67	68	86-66560	TERMINAL BLOCK, STATOR	11	7
48-47922A1	PROPELLER ASSEMBLY (SHIPPED WITH ENGINE FROM FACTORY)	67	68	86-67460	TERMINAL BLOCK	15	20
48-47926A1	PROPELLER ASS'Y, 9" DIA., 10" PITCH, 2 BLADES (ALUMINUM)	67	68	86-69348	TERMINAL BLOCK, STATOR	13	7
48-65012A1	PROPELLER ASS'Y, 8 3/4" DIA., 7' PITCH, 3 BLADES (NYLON)	67	68	86-74474	TERMINAL BLOCK, STATOR	13	7
50-61575A1	STARTER CABLE ASSEMBLY	7	44	87-69508A1	STOP SWITCH ASSEMBLY	45	30
50-61576A1	STARTER SHEAVE ASSEMBLY	5	27	87-73883	SWITCH, STARTING	69	7
50-73531	STARTER MOTOR	69	1	90-67175	MERC 75 PARTS LIST (SERIAL #3801458 AND UP)	1	-
50-74346A1	STARTER SHEAVE ASSEMBLY	5	27	245-5277A1	FLYWHEEL ASSEMBLY	9	1
52-63314	RATCHET, SLIDING CLUTCH	65	53	245-5277A3	FLYWHEEL ASSEMBLY	9	1
53-22899	RING, RETAINING - SHIFT SHAFT	61	15	251-6105A1	FLYWHEEL ASSEMBLY (ELECTRIC)	9	1
53-26406	RING, RETAINING - UPPER AND LOWER MOUNT	49	18	251-6105A3	FLYWHEEL ASSEMBLY	9	1
53-30523	RING, RETAINING - BALL BEARING TO DRIVE SHAFT	61	26	251-6194A1	FLYWHEEL ASSEMBLY	9	1
53-32449	RING, RETAINING - CROSS PIN	65	54	332-2854	NIPPLE, IGNITION COIL	9	12
54-25231	CLIP, TRIGGER LEADS	25	21	338-5286A1	TRIGGER HOUSING ASSEMBLY	13	11
54-30954	CLIP, SAFETY CHAIN - TILT TUBE	57	8	338-5286A6	TRIGGER HOUSING ASSEMBLY	13	11
54-47993	CLAMP, STARTER MOTOR ATTACHING	69	3	339-5209A1	STATOR ASSEMBLY	11	1
54-56223	CLAMP, BLEED HOSE ATTACHING	31	9	339-5209A3	STATOR ASSEMBLY	11	1
54-59538	CLIP, COIL RETAINING	11	5	339-5287A1	SWITCH BOX	15	16
54-59538	CLIP, COIL RETAINING	13	5	339-5287A2	SWITCH BOX	15	16
54-59538	CLIP, COIL RETAINING	11	5	339-5287A3	SWITCH BOX	15	16
54-65927	CLIP, COIL RETAINING	11	6	339-5288A1	COIL ASSEMBLY, IGNITION	9	5
54-65927	CLIP, COIL RETAINING	11	6	339-5288A2	COIL ASSEMBLY, IGNITION	9	5
54-65927	CLIP, COIL RETAINING	13	6	339-5312A1	COIL ASSEMBLY (3 1/2" AND 1 1/2" LEADS)	11	4
54-68424	CLAMP, FUEL HOSE ATTACHING	23	3	339-5313A1	COIL ASSEMBLY (4 5/8" AND 3 3/4" LEADS)	11	4
84-61393A6	WIRE ASSEMBLY, RECTIFIER TO STARTING SWITCH (RED)	69	21	339-5566A1	STATOR ASSEMBLY	11	1
84-63212A2	LEAD ASSEMBLY, HIGH TENSION	9	11	339-5589A1	COIL ASSEMBLY (2 1/4" AND 4 1/4" LEADS)	11	4
84-65017A2	HARNESS ASSEMBLY, LIGHTING (EXTERNAL)	71	29	339-5590A1	COIL ASSEMBLY (3 3/8" AND 4 3/8" LEADS)	11	4
84-73539A1	WIRE ASSEMBLY, STARTING SWITCH (YELLOW)	69	6	339-5748A2	COIL ASSEMBLY, IGNITION	9	5
84-73573	CABLE, BATTERY	69	11	339-6119A1	COIL ASSEMBLY (5 1/2" AND 6 3/8" LEADS)	13	4
84-74725A1	HARNESS ASSEMBLY, VOLTAGE REGULATOR (BLACK/RED)	71	26	339-6120A1	COIL ASSEMBLY (1 3/4" AND 3 1/2" LEADS)	13	4
				421-5275	CRANKSHAFT	37	1
				532-1938A6	MAIN BEARING ASSEMBLY (VALVE TYPE)	37	4
				608-4246A1	CONNECTING ROD ASSEMBLY	39	1
				719-3374A2	PISTON AND PISTON PIN ASSEMBLY	39	7
				837-5284A4	CYLINDER BLOCK AND CRANKCASE ASS'Y	31	1
				837-5675A3	CYLINDER BLOCK AND CRANKCASE ASS'Y	31	1
				837-5955A3	CYLINDER BLOCK AND CRANKCASE ASS'Y	31	1
				837-5991A3	CYLINDER BLOCK AND CRANKCASE ASS'Y	31	1
				837-6112A4	CYLINDER BLOCK AND CRANKCASE ASS'Y	31	1

PARTS INDEX

Part Number	Description	Pg.	Ref. No.	Part Number	Description	Pg.	Ref. No.
837-6414A4	CYLINDER BLOCK AND CRANKCASE ASS'Y	31	1	1399-5963	REPAIR PARTS KIT	21	--
1019-5314A1	COVER ASSEMBLY, CYLINDER BLOCK	33	27	1399-6141	INLET NEEDLE AND SPRING	17	13
1157-5279A1	BEARING HOUSING ASSEMBLY, UPPER	33	18	1399-6142	REPAIR PARTS KIT	21	--
1164-6110A1	BEARING HOUSING ASSEMBLY, UPPER	33	18	1399-6348	REPAIR PARTS KIT	21	--
1164-6413A1	BEARING HOUSING ASSEMBLY, UPPER	33	18	1467-5406A1	CLAMP BRACKET ASSEMBLY (STARBOARD)	55	2
1364-4910A1	CARBURETOR ASSEMBLY	17	1	1467-5571A1	CLAMP BRACKET ASSEMBLY (STARBOARD)	55	2
1364-4910A1	CARBURETOR ASSEMBLY, COMPLETE	23	1	1467-5571A2	CLAMP BRACKET ASSEMBLY (STARBOARD)	55	2
1364-5645A3	CARBURETOR ASSEMBLY	17	1	1468-5407A1	CLAMP BRACKET ASSEMBLY (PORT)	55	1
1364-5645A3	CARBURETOR ASSEMBLY, COMPLETE	23	1	1468-5570A1	CLAMP BRACKET ASSEMBLY (PORT)	55	1
1364-5645A8	CARBURETOR ASSEMBLY	17	1	1468-5570A2	CLAMP BRACKET ASSEMBLY (PORT)	55	1
1364-5645A8	CARBURETOR ASSEMBLY, COMPLETE	23	1	1471-5295A2	SWIVEL BRACKET ASSEMBLY	51	1
1364-5994	CARBURETOR ASSEMBLY	17	1	1471-5822A1	SWIVEL BRACKET ASSEMBLY	51	1
1364-5994	CARBURETOR ASSEMBLY, COMPLETE	23	1	1471-5910A1	SWIVEL BRACKET ASSEMBLY	51	1
1364-6061	CARBURETOR ASSEMBLY	17	1	1556-4901A2	DRIVE SHAFT HOUSING ASSEMBLY(SHORT SHAFT)	47	1
1364-6061	CARBURETOR ASSEMBLY, COMPLETE	23	1	1556-5945A2	DRIVE SHAFT HOUSING ASSEMBLY(SHORT SHAFT)	47	1
1364-6289	CARBURETOR ASSEMBLY	17	1	1558-4902A2	DRIVE SHAFT HOUSING ASSEMBLY(LONG SHAFT)	47	1
1364-6289	CARBURETOR ASSEMBLY, COMPLETE	23	1	1558-5946A3	DRIVE SHAFT HOUSING ASSEMBLY(LONG SHAFT)	47	1
1399-1765	JET, MAIN FUEL (.045)	17	15	1559-4917	SADDLE	47	15
1399-3251	JET, MAIN FUEL (.034)	17	15	1559-5968A1	SADDLE ASSEMBLY	47	15
1399-3252	JET, MAIN FUEL (.032)	17	15	1630-4921A1	GEAR HOUSING ASSEMBLY	59	1
1399-4235	SCREEN, STRAINER	19	29	1630-4921A1	GEAR HOUSING ASSEMBLY	65	1
1399-4236	COVER ASSEMBLY, STRAINER (INLET)	19	31A	1630-4921A2	GEAR HOUSING ASSEMBLY, COMPLETE(LONG SHAFT)	59	-
1399-5122	VALVE, CHOKE RELIEF	17	17	1630-4921A2	GEAR HOUSING ASSEMBLY, COMPLETE(LONG SHAFT)	65	-
1399-5124	CHOKE SHAFT	19	34	1630-4921A24	GEAR HOUSING ASSEMBLY, COMPLETE(SHORT SHAFT)	59	-
1399-5125	CHOKE SHUTTER	19	19	1630-4921A24	GEAR HOUSING ASSEMBLY, COMPLETE(SHORT SHAFT)	65	-
1399-5126	FLOAT	17	7	1630-4921A25	GEAR HOUSING ASSEMBLY, COMPLETE(LONG SHAFT)	59	-
1399-5127	FUEL BOWL	17	9	1630-4921A25	GEAR HOUSING ASSEMBLY, COMPLETE(LONG SHAFT)	65	-
1399-5128	SCREW, FUEL BOWL TO CARBURETOR	17	11	1630-4921A3	GEAR HOUSING ASSEMBLY, COMPLETE(SHORT SHAFT)	59	-
1399-5129	BODY, FUEL PUMP	19	24	1630-4921A3	GEAR HOUSING ASSEMBLY, COMPLETE(SHORT SHAFT)	59	-
1399-5130	INLET NEEDLE AND SPRING	17	13	1630-4921A3	GEAR HOUSING ASSEMBLY, COMPLETE(SHORT SHAFT)	65	-
1399-5131	BODY, STRAINER	19	27	1630-5908A5	GEAR HOUSING ASSEMBLY	59	1
1399-5132	SCREW, STRAINER BODY TO CARBURETOR	19	28	1630-5908A5	GEAR HOUSING ASSEMBLY	65	1
1399-5133	THROTTLE SHAFT	19	36				
1399-5135	GASKET SET	21	--				
1399-5137	DIAPHRAGM AND GASKET KIT	21	--				
1399-5139	REPAIR PARTS KIT	21	--				
1399-5195	SPRING, CHOKE RELIEF VALVE	19	18				
1399-5749	THROTTLE SHUTTER	21	42				
1399-5755	CHOKE SHAFT	19	34				
1399-5756	CHOKE SHUTTER	19	19A				
1399-5758	SCREEN, STRAINER	19	29				
1399-5759	THROTTLE SHUTTER	21	42				
1399-5804	REPAIR PARTS KIT	21	--				
1399-5827	CHOKE SHAFT	19	34				

PARTS INDEX

Part Number	Description	Pg.	Ref. No.	Part Number	Description	Pg.	Ref. No.
1630-5908A6	GEAR HOUSING ASSEMBLY, COMPLETE(SHORT SHAFT)	65	-				
1630-5908A7	GEAR HOUSING ASSEMBLY, COMPLETE(LONG SHAFT)	59	-				
1630-5908A7	GEAR HOUSING ASSEMBLY, COMPLETE(LONG SHAFT)	65	-				
2147-5178A3	TOP COWL ASSEMBLY	3	1				
2147-5565A4	TOP COWL ASSEMBLY	3	1				
2147-5652A5	TOP COWL ASSEMBLY	3	1				
2148-5180	COWL, BOTTOM	43	1				
2148-5569	COWL, BOTTOM	43	1				
2159-6107A4	COWL, BOTTOM	43	1				
2160-6108A6	TOP COWL ASSEMBLY	3	1				