



PARTS CATALOG

MERC 75

SERIAL NUMBER

75 3274633 THRU 3801457

TABLE OF CONTENTS:

BOTTOM COWL AND ADAPTOR PLATE	38
CARBURETOR AND CHOKE ASSEMBLY	22
CARBURETOR ASSEMBLY	12
CARBURETOR ASSEMBLY, COMPLETE	18
CARBURETOR CHOKE LINKAGE	14
CLAMP AND SWIVEL BRACKET ASSEMBLY	44
CLAMP AND SWIVEL BRACKET ASSEMBLY	48
CRANKSHAFT AND MAIN BEARING ASSEMBLY	32
CYLINDER BLOCK AND CRANKCASE ASSEMBLY	28
DRIVE SHAFT HOUSING ASSEMBLY	42
FLYWHEEL AND IGNITION COIL	6
FUEL PUMP ASSEMBLY	16
GEAR HOUSING ASSEMBLY, COMPLETE (PAGE 1)	50
GEAR HOUSING ASSEMBLY, COMPLETE (PAGE 2)	54
MISCELLANEOUS PARTS/ACCESSORIES	1
PARTS INDEX	58
PISTON AND CONNECTING ROD ASSEMBLY	34
SHIFT CONTROL LINKAGE	24
STATOR AND IGNITION COMPONENTS	8
STEERING HANDLE ASSEMBLY	36
THROTTLE CONTROL LINKAGE	26
TOP COWL AND STARTER ASSEMBLY	2

NOTE: Indented description indicate that these parts are included in preceding assembly.

AR = As Required
OPT = Optional

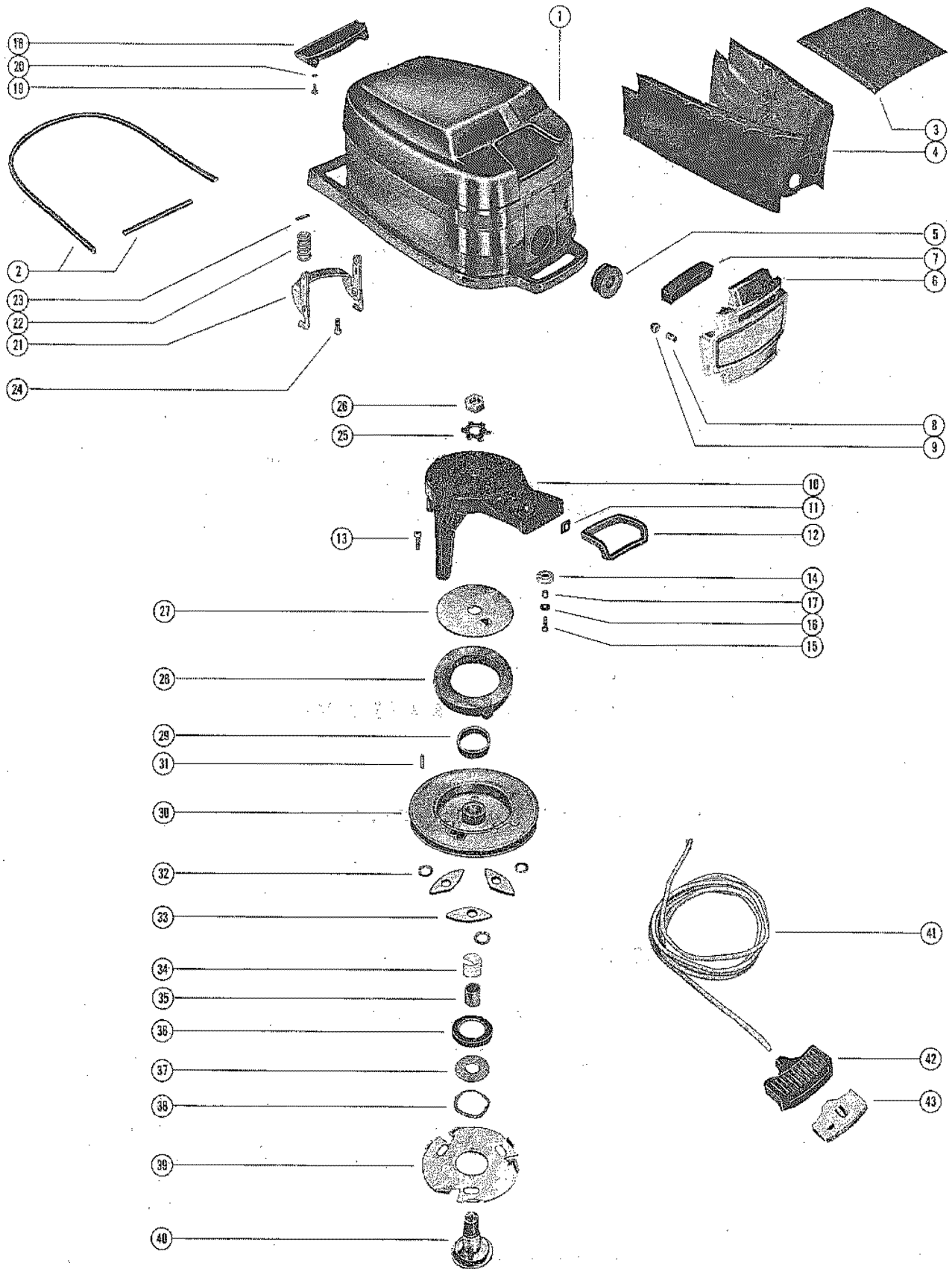
NSS = Not Sold Separate
NS = Not Shown

THESE PARTS BOOKS/FICHE CARD ARE COPYRIGHTED AND MAY NOT BE DISTRIBUTED OR REPRODUCED IN ANY OTHER FORMAT BY ANYONE OTHER THAN MERCURY MARINE WITHOUT THE PRIOR WRITTEN CONSENT OF MERCURY MARINE.

MISCELLANEOUS PARTS/ACCESSORIES

REF. NO.	PART NO.	SYM.	QTY.	DESCRIPTION
-	37-60980A72		0	DECAL SET SERIAL 00000000-03488152
-	37-60980A73		0	DECAL SET SERIAL 03488153-09999999
-	27-45748A72		0	GASKET SET (MOTOR OVERHAUL) SERIAL 00000000-03488152
-	27-46233A73		0	GASKET SET (MOTOR OVERHAUL) SERIAL 03488153-09999999
-	24789A1		0	FLUSHING ASSEMBLY
-	90-62423		0	MERC 75 PARTS LIST
-	46-46893A2		0	RESISTANT WATER PUMP KIT

TOP COWL AND STARTER ASSEMBLY

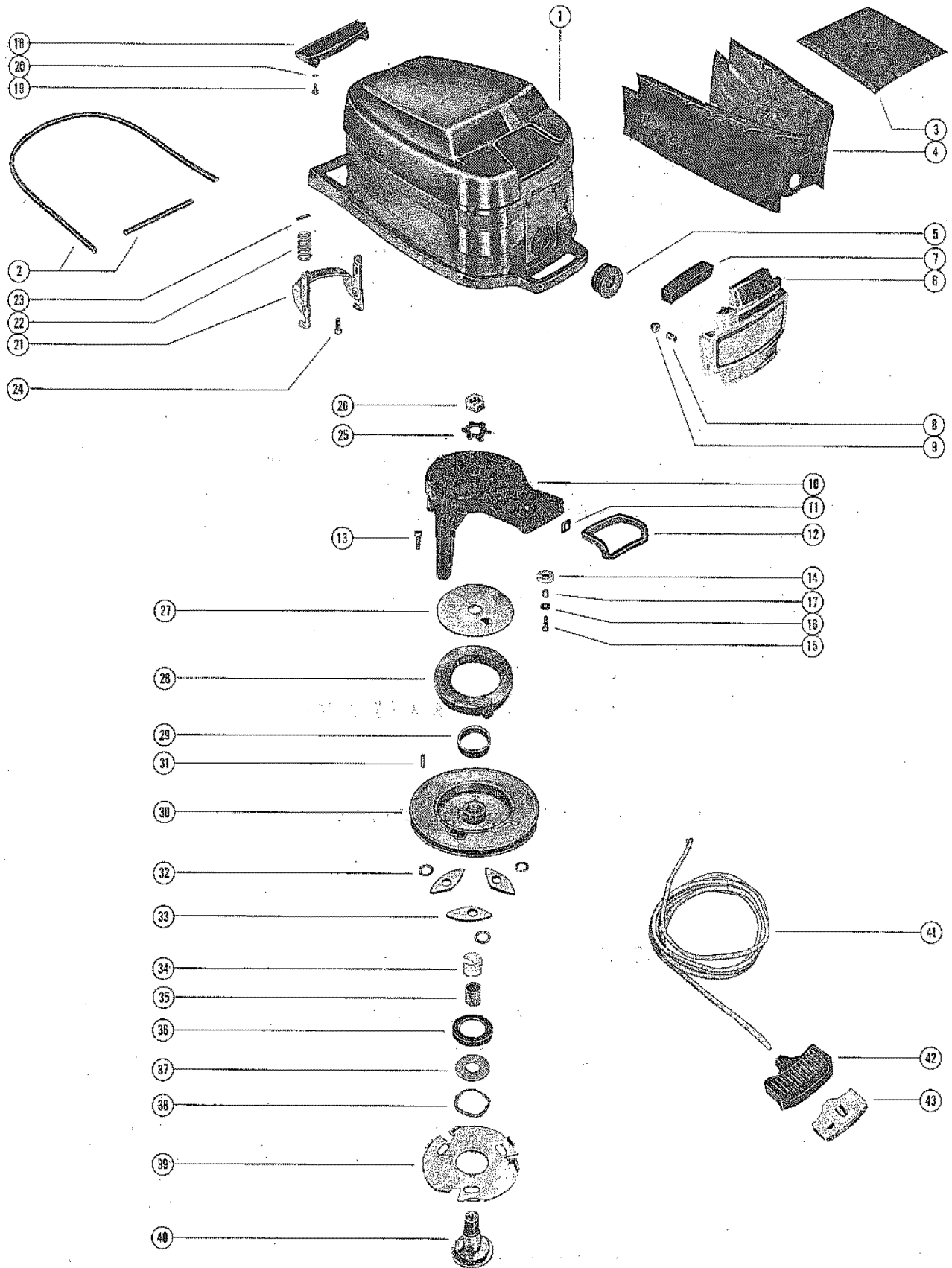


TOP COWL AND STARTER ASSEMBLY

REF. NO.	PART NO.	SYM.	QTY.	DESCRIPTION
1	2123-3953A2		1	TOP COWL ASSEMBLY
2	56377		1	SEAL, TOP COWL (42 1/8")
3	39080		1	BLANKET, SOUND ABSORBING - TOP COWL SERIAL 00000000-#3488152
4	39071		1	BLANKET, SOUND ABSORBING - TOP COWL
5	25-39086		1	GROMMET, COWL LATCH - TOP COWL
6	2128-2667A8		1	COVER ASSEMBLY, FRONT
7	39039		1	STRIP, RUBBER - FRONT COVER
8	23-39578		2	SPACER, FRONT COVER STUD
9	11-20361		2	NUT, FRONT COVER STUD
10	58114A2		1	STARTER HOUSING ASSEMBLY SERIAL 00000000-#3488152
	63307A2		1	STARTER HOUSING ASSEMBLY SERIAL #3488153-09999999
11	57821		1	INSERT, ROPE GUIDE - STARTER HOUSING
12	39043		1	SEAL, STARTER HOUSING TO TOP COWL
13	10-46962		2	SCREW, STARTER HOUSING TO CRANKCASE (1")
	10-56354		1	SCREW, STARTER HOUSING TO CYLINDER BLOCK (1 1/4")
14	55860		1	PULLEY, STARTER CABLE
15	10-28789		1	SCREW, CABLE PULLEY TO STARTER HOUSING (3/4")
16	12-22887		1	WASHER, CABLE PULLEY SCREW
17	23-30977		1	SPACER, CABLE PULLEY
18	39027		1	SHIELD, TOP COWL - REAR
19	10-20646		2	SCREW, REAR SHIELD TO TOP COWL (5/8")
20	13-26996		2	LOCKWASHER, REAR SHIELD SCREW
21	39088A1		1	COWL LATCH ASSEMBLY, TOP COWL
22	24-59174		2	SPRING, COMPRESSION - COWL LATCH
23	17-39095		2	PIN, ROLL - SPRING TO COWL LATCH
24	10-34439		3	SCREW, COWL LATCH TO TOP COWL (3/4")
25	14-20165		1	TAB WASHER, SHEAVE SHAFT NUT
26	11-20166		1	NUT, SHEAVE SHAFT (LEFT HAND THREAD)
27	20155		1	RETAINER, STARTER SPRING
28	24-29340A1		1	SPRING, STARTER REWIND
29	23-28912		1	BUSHING, STARTER SPRING GUIDE
30	50-61576A1		1	STARTER SHEAVE ASSEMBLY
31	17-22896		1	PIN, RETAINER - STARTER CABLE
32	13-36206		3	WASHER, WAVE - STARTER PAWL
33	30596		3	PAWL, STARTER
34	23-28919		1	BUSHING, NYLON - SHEAVE SHAFT SPACER
35	23-61005		1	SPACER, SHEAVE SHAFT
36	26179		1	RETAINER, SHEAVE SHAFT TO STARTER SHEAVE
37	12-35559		1	WASHER, SHEAVE SHAFT RETAINER
38	13-20160		1	WASHER, WAVE - RETAINER TENSION

CONTINUED ON NEXT PAGE ➡

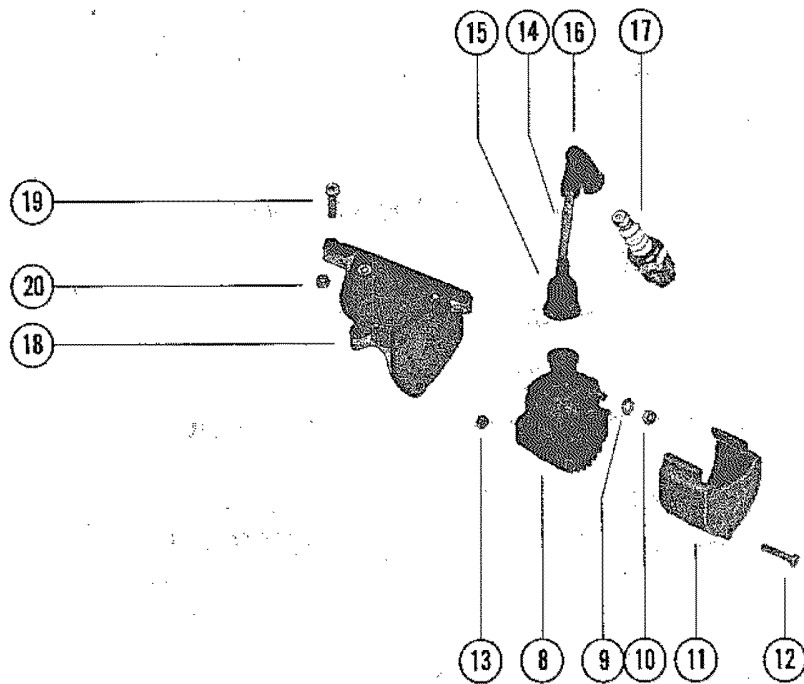
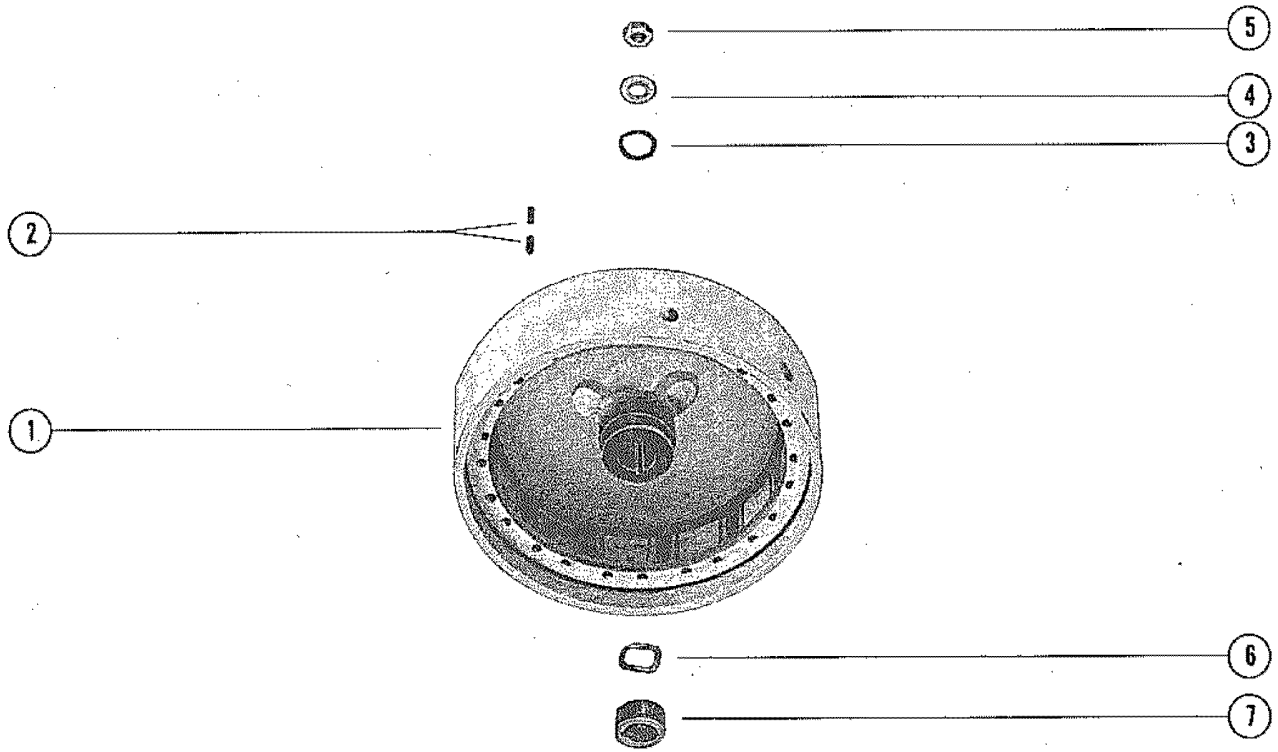
TOP COWL AND STARTER ASSEMBLY



TOP COWL AND STARTER ASSEMBLY

REF. NO.	PART NO.	SYM.	QTY.	DESCRIPTION
39	30595		1	PLATE, RETAINER - STARTER PAWL
40	35558		1	SHAFT, SHEAVE
41	50-61575A1		1	STARTER CABLE ASSEMBLY
42	30782		1	HANDLE, STARTER CABLE
43	28748		1	RETAINER, STARTER CABLE AND HANDLE

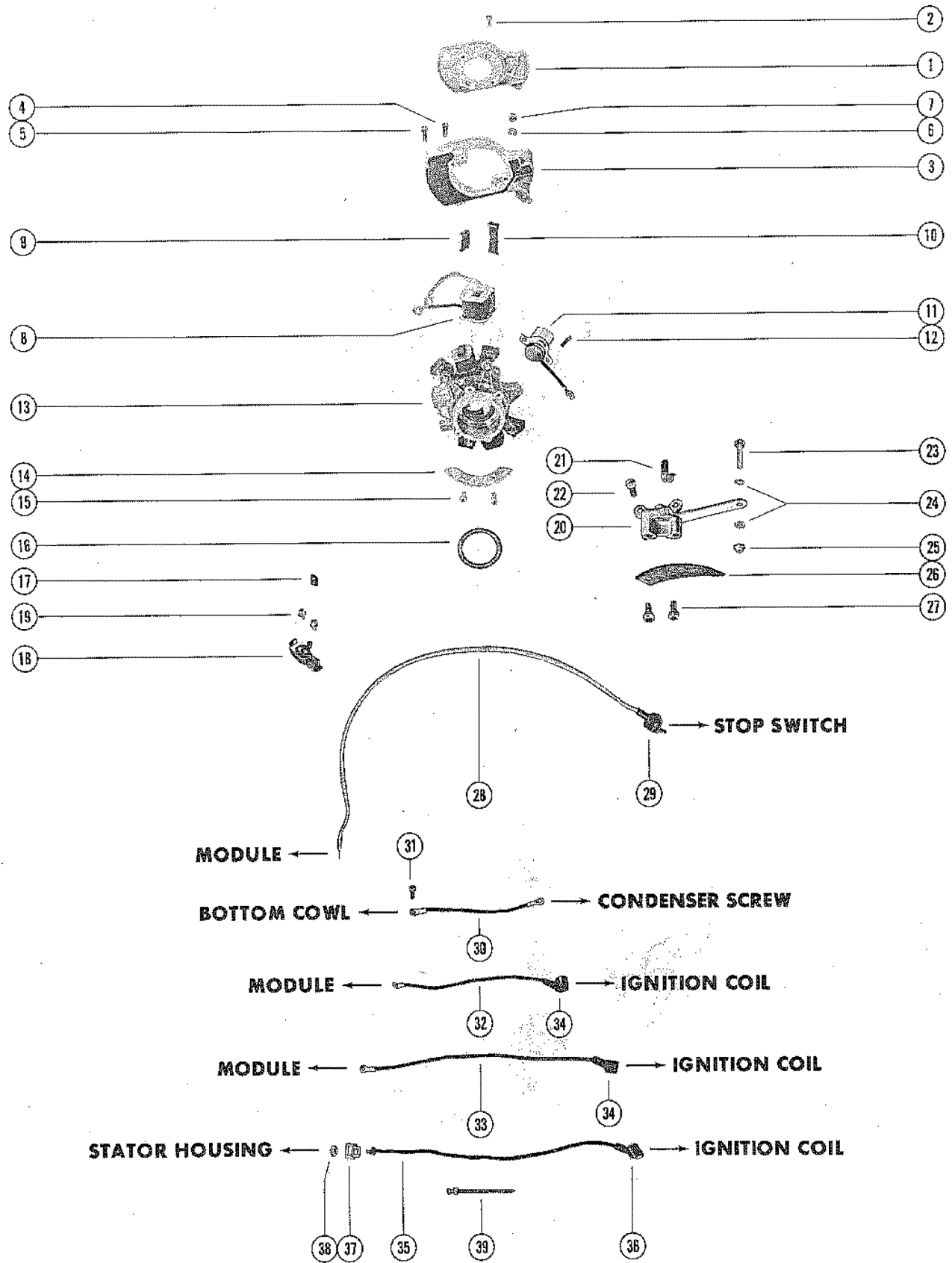
FLYWHEEL AND IGNITION COIL



FLYWHEEL AND IGNITION COIL

REF. NO.	PART NO.	SYM.	QTY.	DESCRIPTION
1	239-4473A1		1	FLYWHEEL ASSEMBLY
2	28-20094		2	KEY, FLYWHEEL DRIVE
3	25-36284		1	"O" RING, FLYWHEEL NUT
4	12-36282		1	WASHER, FLYWHEEL NUT
5	11-20696		1	NUT, FLYWHEEL
6	13-35629		1	WASHER, WAVE - BREAKER CAM TENSION
7	336-4466		1	CAM, BREAKER
8	336-4528A1		2	COIL ASSEMBLY, IGNITION
9	13-26996		4	LOCKWASHER, IGNITION COIL TERMINAL
10	11-45076		4	NUT, IGNITION COIL TERMINAL
11	61532		2	COVER, IGNITION COIL
12	10-61530		6	SCREW, COIL COVER TO REAR SUPPORT BRACKET (2 1/8")
13	11-27164		6	NUT, COIL COVER SCREW
14	47899A9		2	LEAD ASSEMBLY, HIGH TENSION
15	332-2854		2	NIPPLE, IGNITION COIL
16	47604A1		2	PROTECTOR ASSEMBLY, SPARK PLUG
17	33-58194		2	SPARK PLUG (AC V40FFK)
18	56352		1	BRACKET, COIL SUPPORT
19	10-31294		2	SCREW, BRACKET TO CYLINDER BLOCK (1")
	10-56354		1	SCREW, BRACKET TO CYLINDER BLOCK (1 1/4")
20	11-46887		2	NUT, BRACKET SCREW

STATOR AND IGNITION COMPONENTS

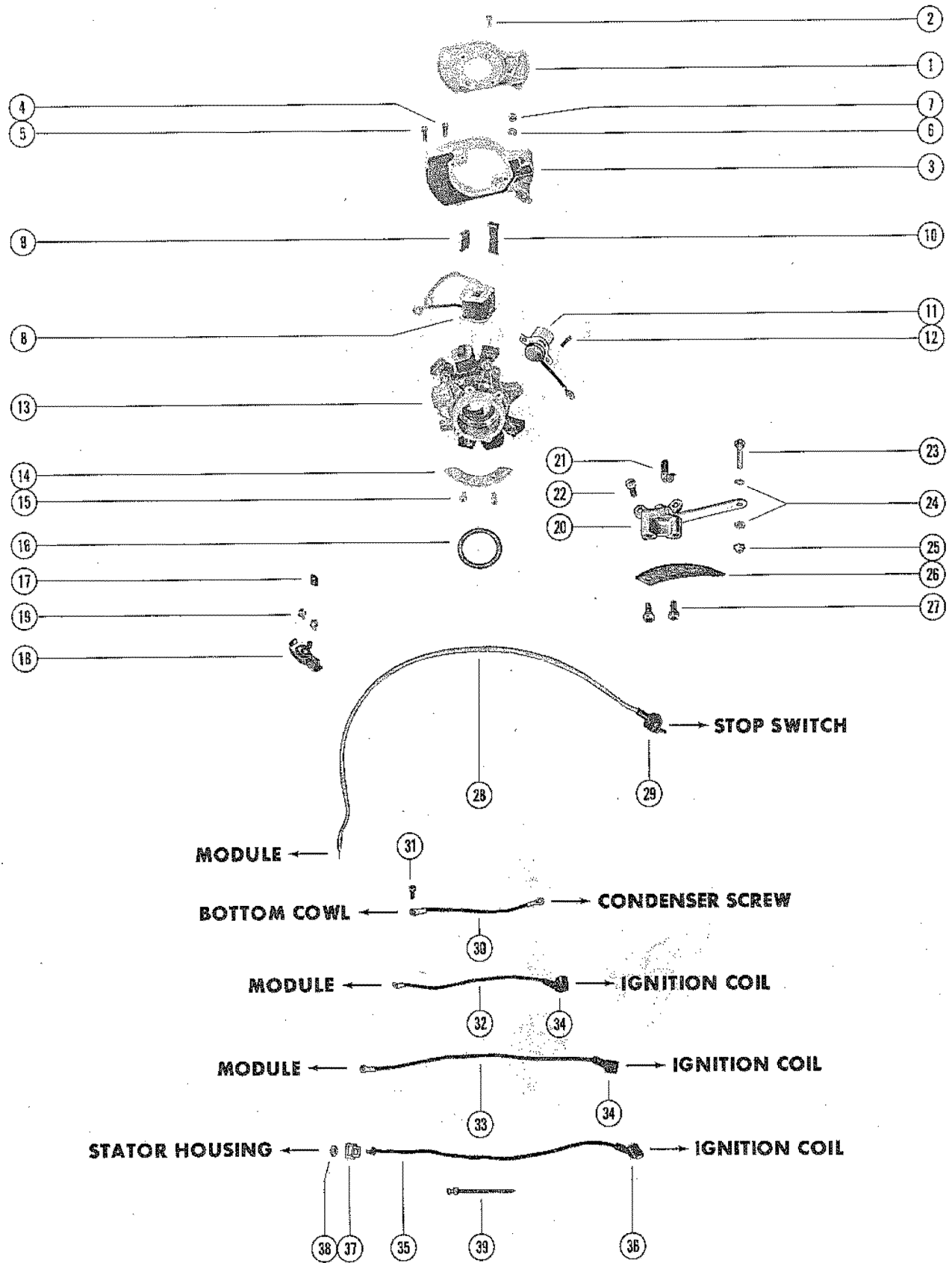


STATOR AND IGNITION COMPONENTS

REF. NO.	PART NO.	SYM.	QTY.	DESCRIPTION
1	336-4524A1		1	COVER ASSEMBLY
2	10-60491		2	SCREW, COVER TO MODULE (5/8")
3	336-4516A2		1	IGNITION MODULE ASSEMBLY
4	10-59800		2	SCREW, MODULE TO STATOR (9/16")
5	10-36046		3	SCREW, MODULE - COIL LEADS (1/4")
6	13-26996		2	LOCKWASHER, MODULE - IGNITION COIL LEAD TERMINALS
7	11-45076		2	NUT, MODULE - IGNITION COIL LEAD TERMINALS
8	336-4468A1		1	COIL, HIGH SPEED
	336-4467A1		1	COIL, LOW SPEED
9	54-59538		2	CLIP, COIL RETAINING
10	54-59539		2	CLIP, COIL RETAINING
11	336-4463		1	CONDENSER
12	10-62269		2	SCREW, CONDENSER ATTACHING (7/16")
13	336-4477A1		1	STATOR ASSEMBLY
14	336-4458		2	PLATE, STATOR HOLD DOWN
15	10-35400		4	SCREW, HOLD DOWN PLATE TO STATOR (7/16")
16	15-33910015		1	SHIM, STATOR PLATE TO UPPER END CAP
17	336-3989		1	WICK, CAM WIPER - STATOR ASSEMBLY
18	336-4318A3		2	MAKER ASSEMBLY, STATOR HOUSING
19	10-56266		4	SCREW, MAKER TO STATOR HOUSING (3/8")
20	34363A4		1	THROTTLE CAM BRACKET ASSEMBLY
21	54-34449		1	CLAMP, THROTTLE CAM BRACKET
22	10-53296		2	SCREW, CAM BRACKET TO STATOR PLATE (1/2")
23	10-34696		1	SCREW, THROTTLE CONTROL LEVER TO CAM BRACKET (3/4")
24	12-34392		2	WASHER, CONTROL LEVER SCREW
25	11-28656		1	NUT, CONTROL LEVER SCREW
26	61641		1	CAM, THROTTLE SERIAL 00000000-#3488152
	63839		1	CAM, THROTTLE SERIAL #3488153-09999999
27	10-28707		2	SCREW, THROTTLE CAM TO CAM BRACKET (1/2")
28	56319A6		1	LEAD ASSEMBLY, STOP SWITCH (SALMON - 15 3/4")
29	59060		1	BOOT, LEAD ASSEMBLY
30	56757A3		1	LEAD ASS'Y CONDENSER TO BOTTOM COWL (BLACK - 14 1/2")
31	10-30663		1	SCREW, STATOR GROUND WIRE TO BOTTOM COWL
32	56318A6		1	LEAD ASSEMBLY, MODULE TO IGNITION COIL (GREEN - 10 3/4")
33	56318A5		1	LEAD ASSEMBLY, MODULE TO IGNITION COIL (GREEN 13 7/8")
34	38938		2	BOOT, LEAD ASSEMBLY
35	56316A3		1	CABLE ASSEMBLY, STATOR HOUSING (WHITE - 12 3/4")

CONTINUED ON NEXT PAGE ➡

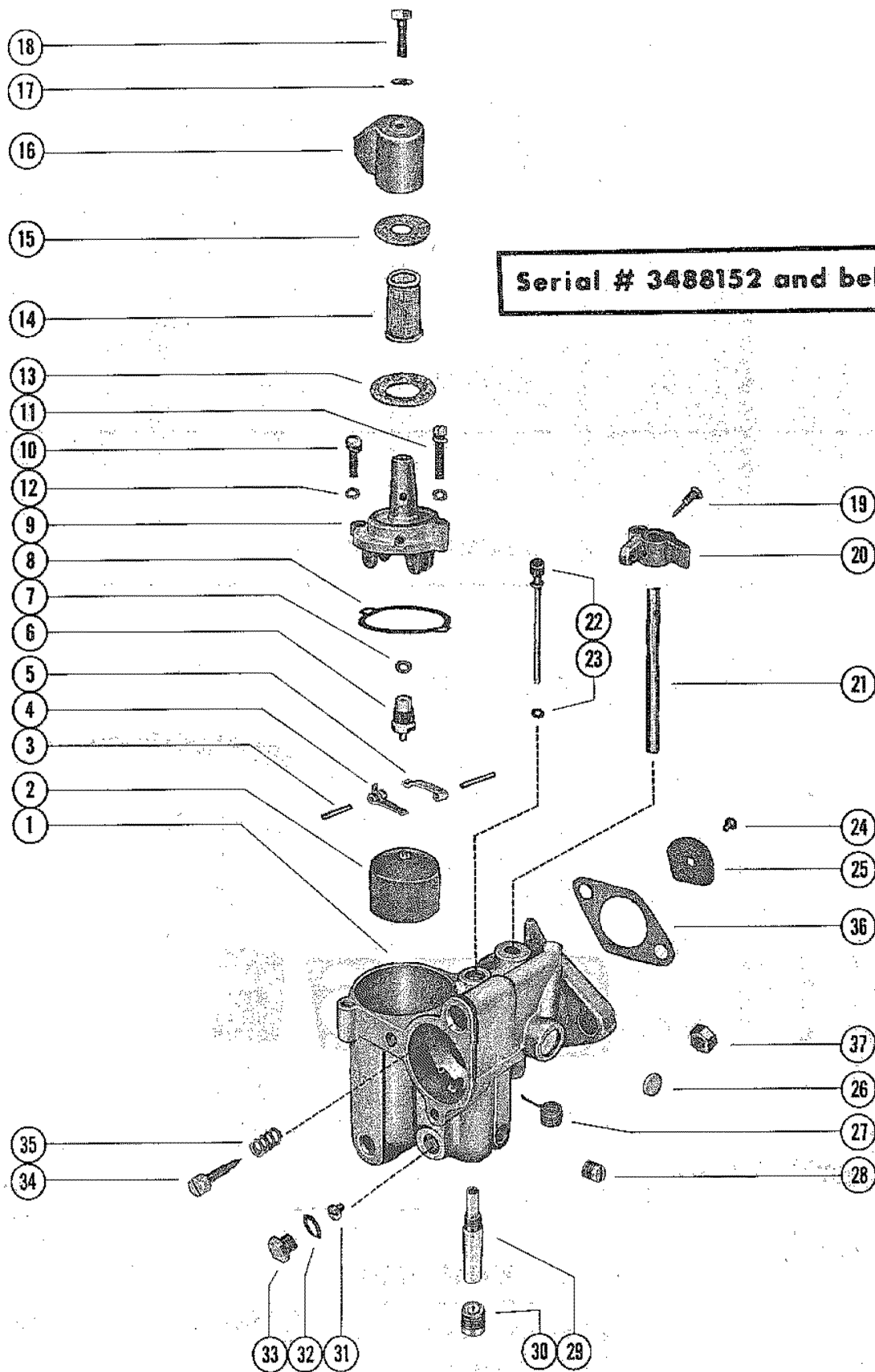
STATOR AND IGNITION COMPONENTS



STATOR AND IGNITION COMPONENTS

REF. NO.	PART NO.	SYM.	QTY.	DESCRIPTION
35	56317A3		1	CABLE ASSEMBLY, STATOR HOUSING (BROWN - 15 1/4")
36	38938		2	BOOT, CABLE
37	336-4460		2	INSULATOR, CABLE TO CONTACT HOUSING
38	11-56325		2	NUT, CABLE INSULTOR
39	56762		2	STA-STRAP

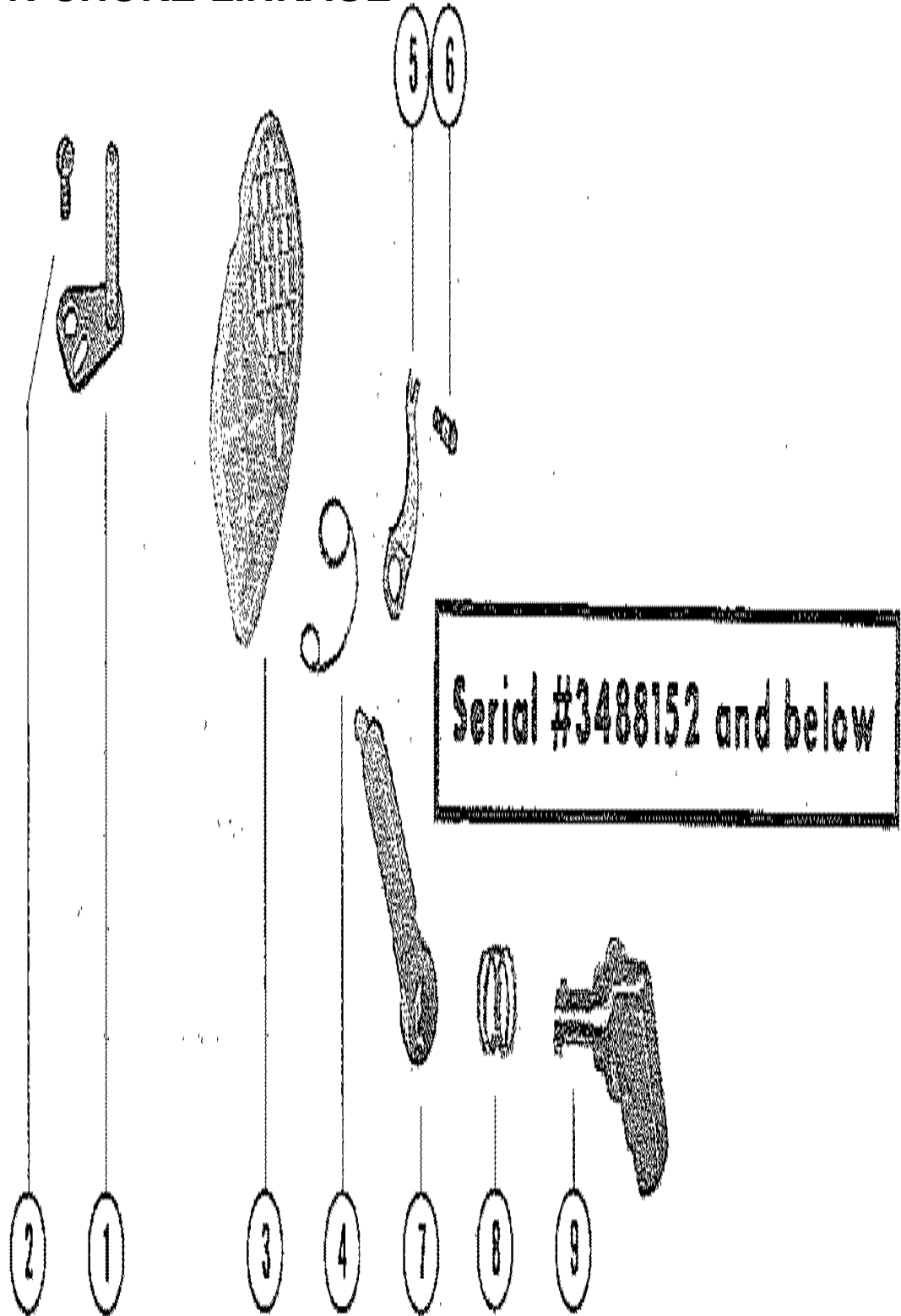
CARBURETOR ASSEMBLY



CARBURETOR ASSEMBLY

REF. NO.	PART NO.	SYM.	QTY.	DESCRIPTION
1	1334-4115		1	CARBURETOR ASSEMBLY, COMPLETE (KB-12A)
2	1399-110A1		1	FLOAT ASSEMBLY
3			2	PIN, FLOAT LEVER PINION
4			1	LEVER, FLOAT (LOWER)
5			1	LEVER, FLOAT (UPPER)
6	1399-1138		1	INLET NEEDLE, SEAT AND GASKET
7			1	GASKET, INLET SEAT
8			1	GASKET, FLOAT BOWL COVER
9	1399-1133		1	COVER, FLOAT BOWL
10	10-52195		1	SCREW, FLOAT BOWL COVER (SHORT)
11	10-52196		1	SCREW, FLOAT BOWL COVER (LONG)
12	13-26995		2	LOCKWASHER, FLOAT BOWL COVER SCREW
13			1	GASKET, STRAINER COVER (LARGE)
14	1399-3938		1	SCREEN, FILTER
15			1	GASKET, STRAINER COVER (SMALL)
16	1399-3690		1	COVER, STRAINER
17			1	GASKET, STRAINER COVER SCREW
18	10-25822		1	SCREW, STRAINER COVER
19	10-20847		1	SCREW, THROTTLE STOP LEVER
20	1399-97		1	LEVER, THROTTLE STOP
21	1399-1716		1	SHAFT, THROTTLE
22			1	TUBE, IDLE
23			1	GASKET, IDLE TUBE
24			1	SCREW AND LOCKWASHER, THROTTLE SHUTTER
25	1399-3743		1	SHUTTER, THROTTLE
26			1	WELCH PLUG, BODY CHANNEL
27			1	SPRING, THROTTLE SHAFT RETURN
28	10-28845		1	SCREW, PLUG - BODY CHANNEL
29			1	MAIN NOZZLE
30	10-23178		1	SCREW, PLUG - MAIN NOZZLE
31	1399-4188		1	JET, MAIN FUEL (.035) - STANDARD
	1399-4207		OPT	JET, MAIN FUEL (.033)
	1399-4208		OPT	JET, MAIN FUEL (.031)
32			1	GASKET, JET CHANNEL PLUG SCREW
33	10-28405		1	SCREW, PLUG - MAIN FUEL JET CHANNEL
34	1399-3742		1	SCREW, IDLE ADJUSTMENT
35			1	SPRING, IDLE ADJUSTMENT SCREW
-	1399-1717		1	GASKET AND PACKING SET
-	1399-4189		1	REPAIR PARTS KIT
36	27-22023		1	GASKET, CARBURETOR
37	11-46887		2	NUT, CARBURETOR MOUNTING STUD

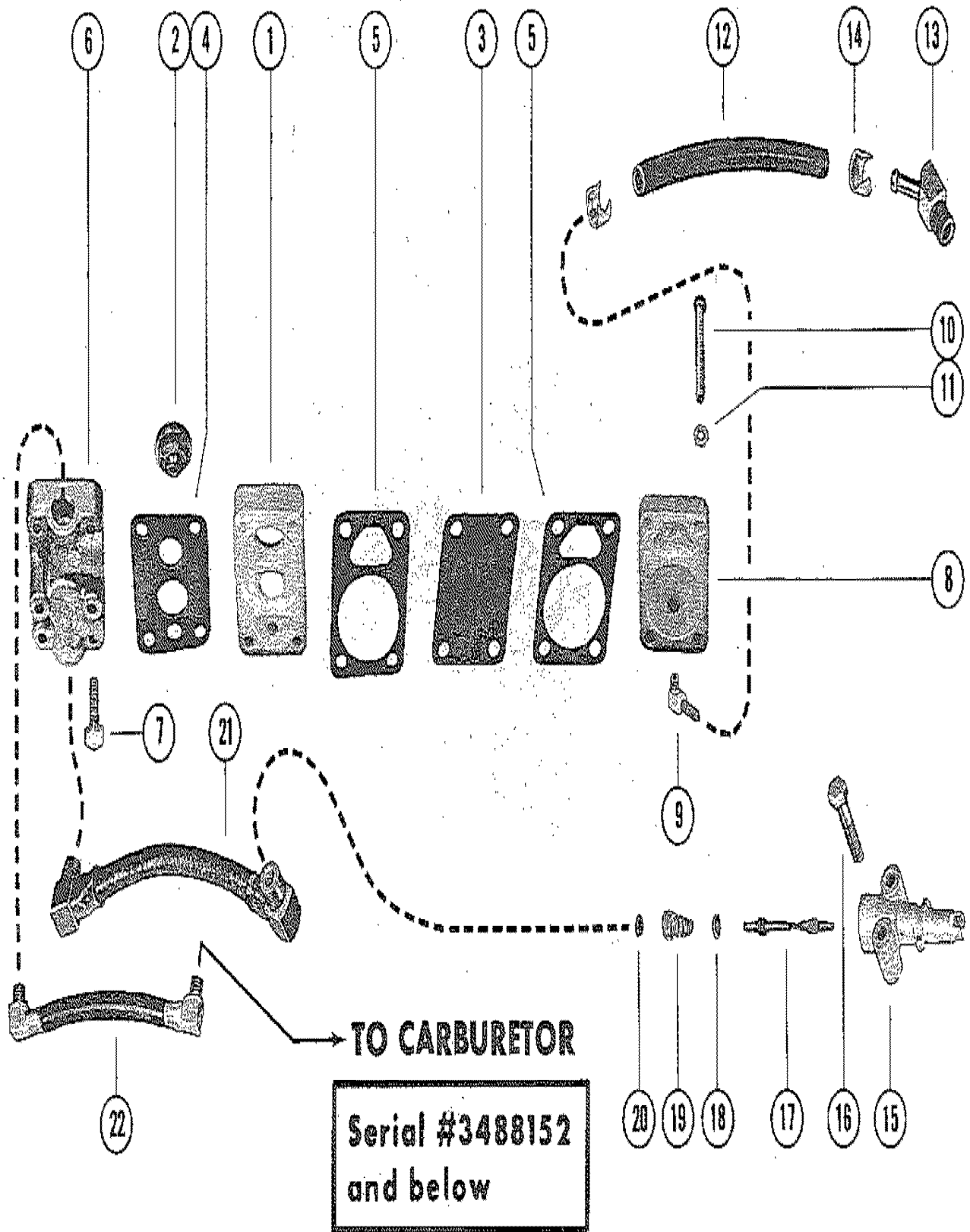
CARBURETOR CHOKE LINKAGE



CARBURETOR CHOKE LINKAGE

REF. NO.	PART NO.	SYM.	QTY.	DESCRIPTION
1	59000		1	THROTTLE LEVER
2	10-20597		1	SCREW, THROTTLE LEVER TO CARBURETOR
3	53191		1	SHUTTER AND SCREEN, CHOKE - CARBURETOR
4	24-53310		1	SPRING, CHOKE SHUTTER TO LEVER
5	24-55299A1		1	SPRING ASSEMBLY, CARBURETOR
6	10-55298		1	SCREW, SPRING TO CARBURETOR
7	53188		1	LEVER, CHOKE
8	24-53190		1	SPRING, TENSION - CHOKE KNOB
9	53200		1	KNOB, CHOKE

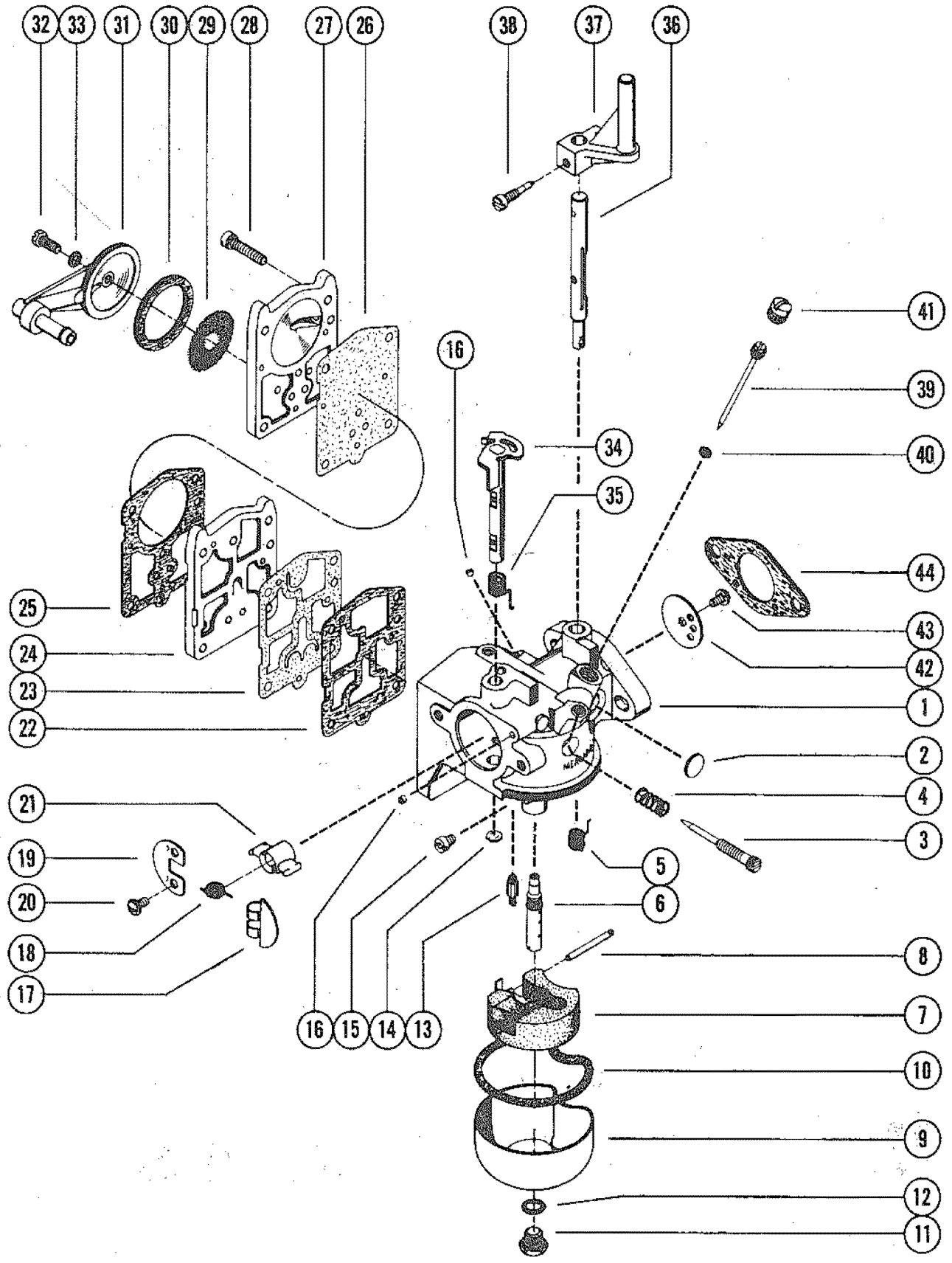
FUEL PUMP ASSEMBLY



FUEL PUMP ASSEMBLY

REF. NO.	PART NO.	SYM.	QTY.	DESCRIPTION
1	53238A3		1	FUEL PUMP ASSEMBLY
2	21-30430A2		1	CHECK VALVE ASSEMBLY
3	53245A1		1	DIAPHRAGM KIT, FUEL PUMP
4			1	GASKET, FUEL PUMP TO BASE
5			2	GASKET, FUEL PUMP
6	53241		1	BASE, FUEL PUMP
7	10-29200		2	SCREW, FUEL PUMP TO ANCHOR (5/8")
8	61541		1	COVER, FUEL PUMP
9	22-61544		1	ELBOW, PUMP OUTLET
10	10-32627		4	SCREW, FUEL PUMP TO BASE (1 1/2")
11	12-20128		4	WASHER, FUEL PUMP SCREW
12	32-52742A1		1	HOSE, PRESSURE - CYLINDER BLOCK TO FUEL PUMP (7 1/2")
13	22-53553		1	ELBOW, PRESSURE HOSE TO CYL. BLOCK (45)
14	54-20387		2	CLAMP, PRESSURE HOSE TO ELBOWS
15	22833		1	ADAPTOR, CHECK UNIT (FUEL LINE)
16	10-56354		2	SCREW, ADAPTOR TO BOTTOM COWL (1 1/4")
17	23069		1	STEM, CHECK UNIT ADAPTOR
18	25-20415		1	"O" RING, ADAPTOR STEM
19	24-23067		1	SPRING, ADAPTOR STEM
20	30188		1	CUP WASHER, ADAPTOR
21	32-61618		1	FUEL LINE, ADAPTOR FUEL PUMP
22	32-64055		1	FUEL LINE, FUEL PUMP TO CARBURETOR (5 3/4")

CARBURETOR ASSEMBLY, COMPLETE

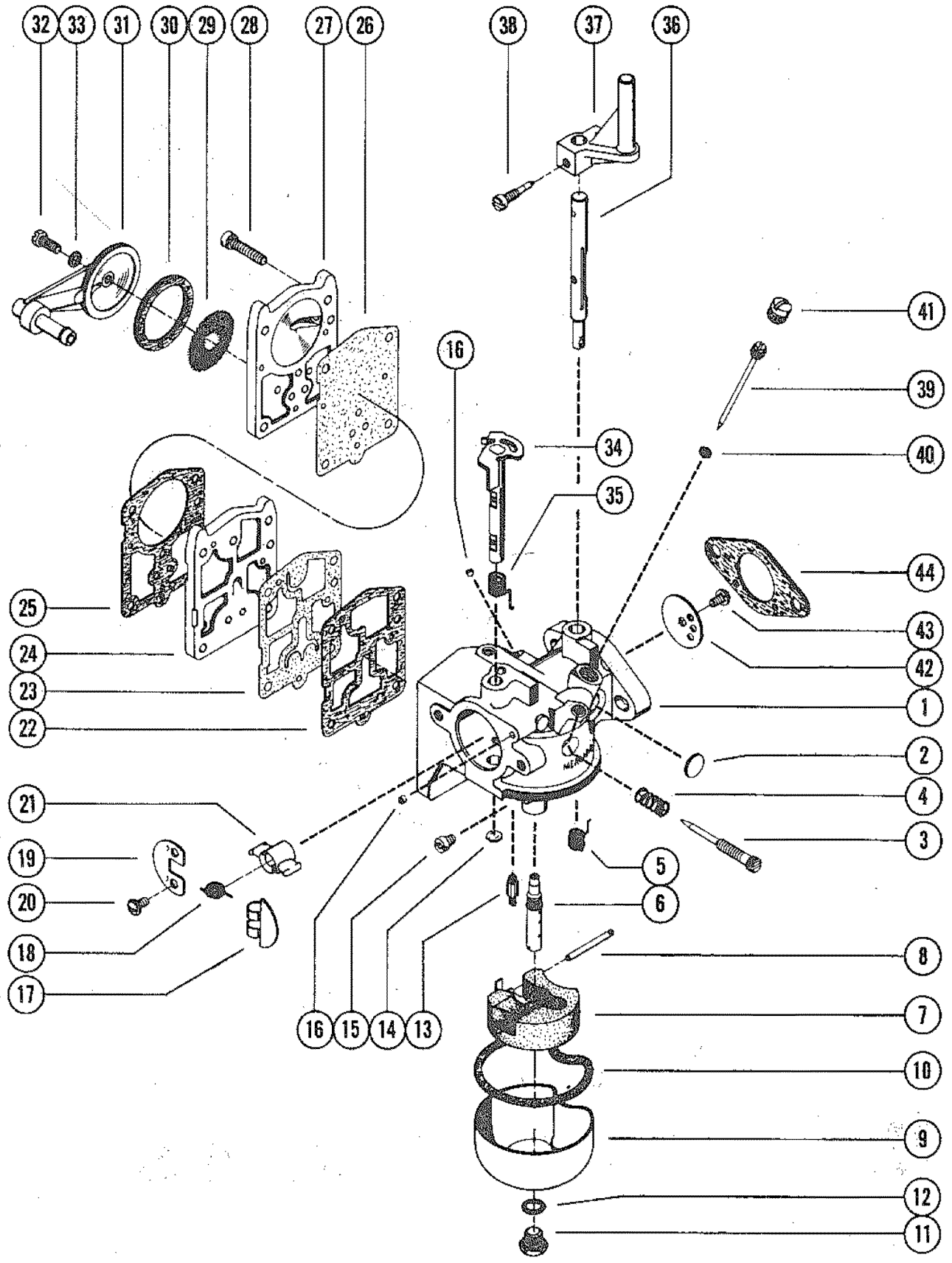


CARBURETOR ASSEMBLY, COMPLETE

REF. NO.	PART NO.	SYM.	QTY.	DESCRIPTION
1	1364-4910A1		1	CARBURETOR ASSEMBLY, COMPLETE
2			1	WELCH PLUG, BODY CHANNEL (LARGE)
3			1	SCREW, IDLE MIXTURE
4	24-27160		1	SPRING, IDLE MIXTURE SCREW
5			1	SPRING, RETURN - THROTTLE SHAFT
6			1	MAIN NOZZLE
7	1399-5126		1	FLOAT
8			1	PIN, FLOAT RETAINING
9	1399-5127		1	FUEL BOWL
10			1	GASKET, FUEL BOWL
11	1399-5128		1	SCREW, FUEL BOWL TO CARBURETOR
12			2	GASKET, FUEL BOWL SCREW
13	1399-5130		1	INLET NEEDLE AND SPRING
14			1	WELCH PLUG, BODY CHANNEL (SMALL)
15	1399-3251		1	JET, MAIN FUEL (.034)
16			2	PLUG, BODY CHANNEL
17	1399-5122		1	VALVE, CHOKE RELIEF
18	1399-5123		1	SPRING, CHOKE RELIEF VALVE
19	1399-5125		1	CHOKE SHUTTER
20	10-23035		2	SCREW, CHOKE SHUTTER TO CHOKE SHAFT
21	64247		1	VENTURI
22			1	GASKET, FUEL PUMP DIAPHRAGM
23			1	DIAPHRAGM, FUEL PUMP
24	1399-5129		1	BODY, FUEL PUMP
25			1	GASKET, FUEL PUMP DIAPHRAGM
26			1	DIAPHRAGM, FUEL PUMP
27	1399-5131		1	BODY, STRAINER
28	1399-5132		4	SCREW, STRAINER BODY TO CARBURETOR
29	1399-4235		1	SCREEN, STRAINER
30			1	GASKET, STRAINER COVER
31	64194A1		1	COVER ASSEMBLY, STRAINER (INLET)
32			1	SCREW, STRAINER COVER TO BODY
33			1	GASKET, STRAINER COVER SCREW
34	1399-5124		1	CHOKE SHAFT
35			1	SPRING, RETURN - CHOKE SHAFT
36	1399-5133		1	THROTTLE SHAFT
37	63646		1	LEVER, THROTTLE
38	10-20847		1	SCREW, THROTTLE LEVER ATTACHING
39			1	IDLE TUBE
40			1	GASKET, IDLE TUBE
41	10-23178		1	SCREW, PLUG - IDLE TUBE
42	1399-5138		1	THROTTLE SHUTTER

CONTINUED ON NEXT PAGE ➡

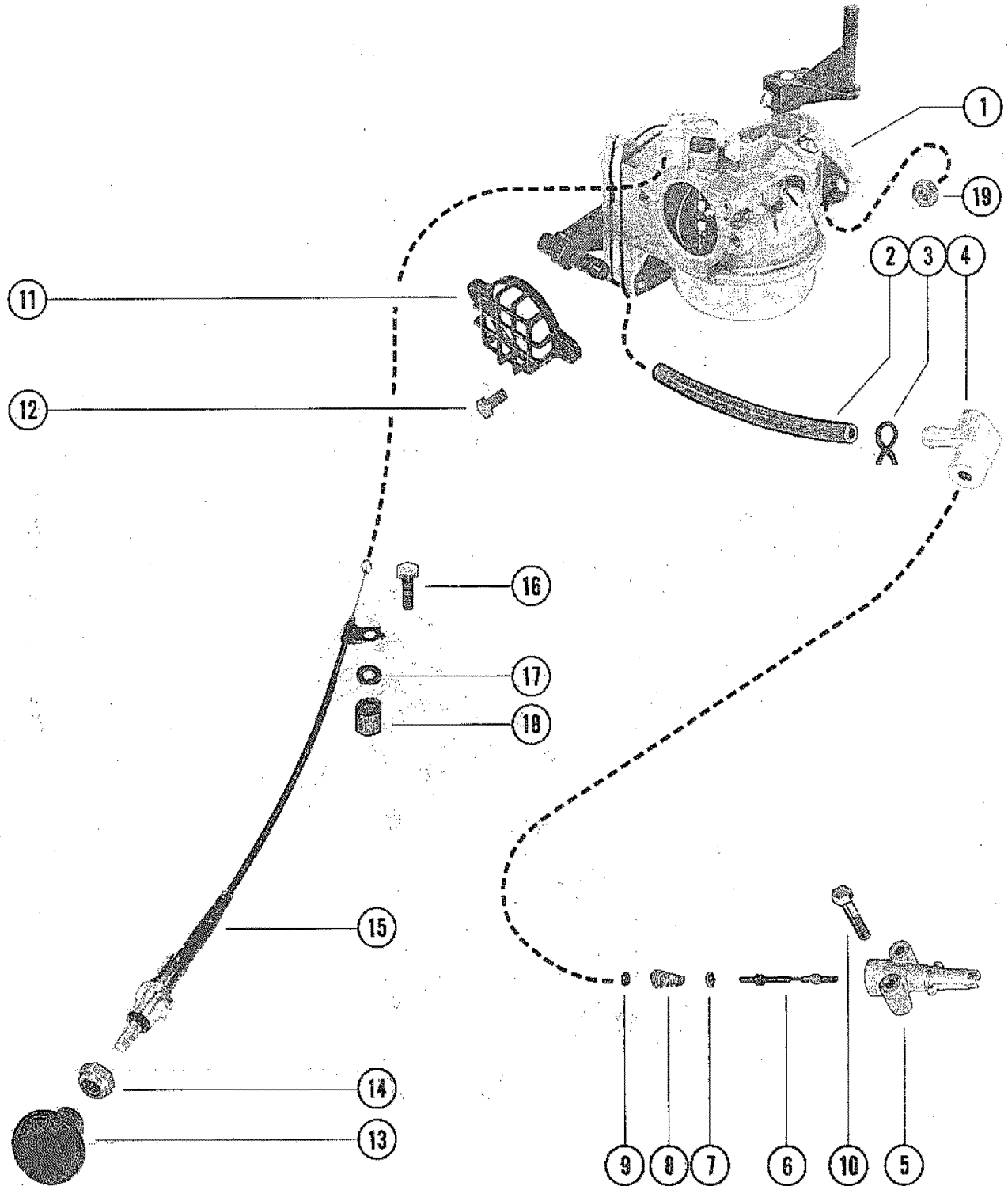
CARBURETOR ASSEMBLY, COMPLETE



CARBURETOR ASSEMBLY, COMPLETE

REF. NO.	PART NO.	SYM.	QTY.	DESCRIPTION
43	1399-5013		2	SCREW, THROTTLE SHUTTER TO THROTTLE SHAFT
44	27-63309		1	GASKET, CARBURETOR FLANGE
-	1399-5135		1	GASKET SET
-	1399-5139		1	REPAIR PARTS KIT
-	1399-5137		1	DIAPHRAGM AND GASKET KIT

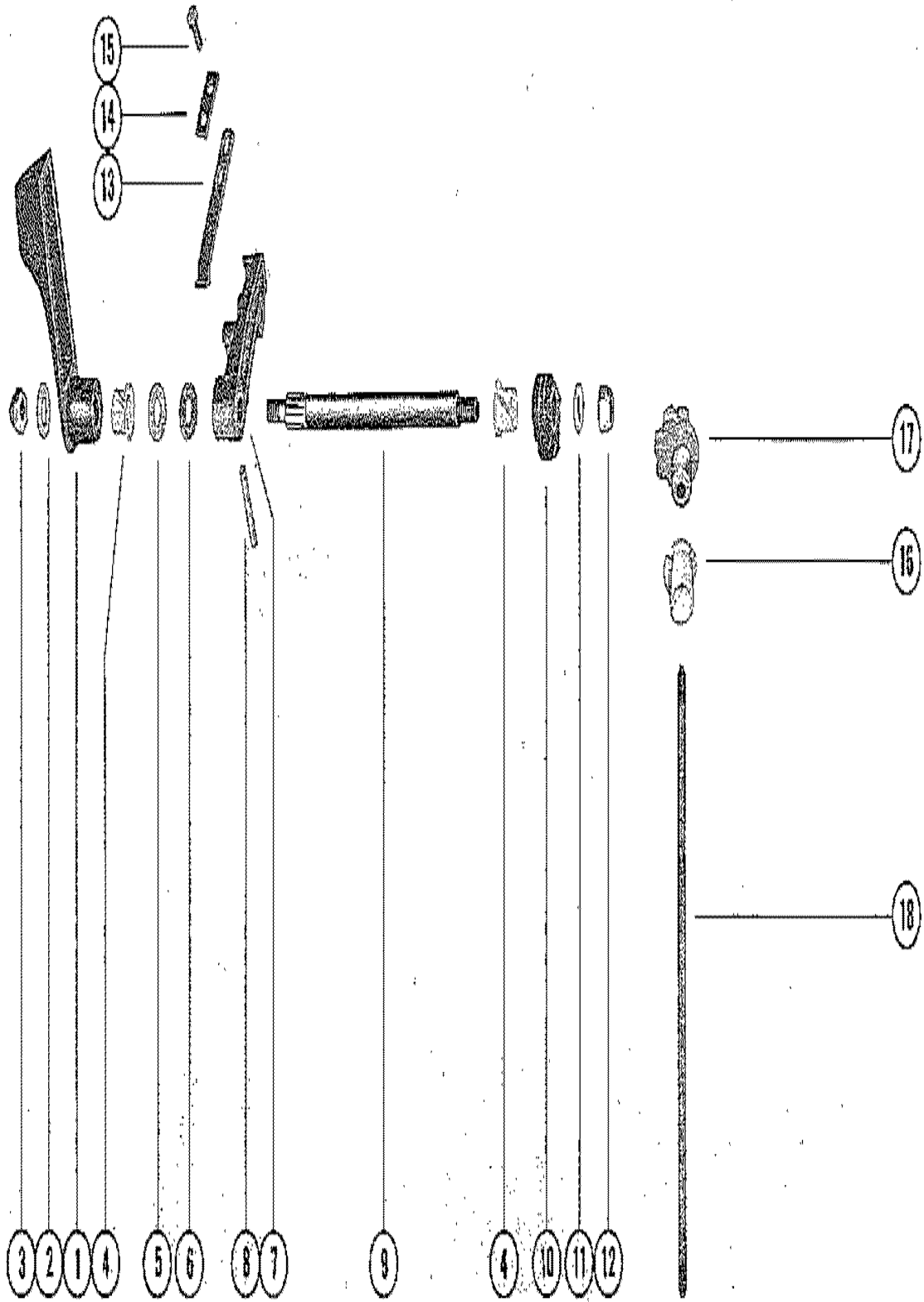
CARBURETOR AND CHOKE ASSEMBLY



CARBURETOR AND CHOKE ASSEMBLY

REF. NO.	PART NO.	SYM.	QTY.	DESCRIPTION
1	1364-4910A1		1	CARBURETOR ASSEMBLY, COMPLETE
2	32-63146		1	FUEL LINE, ADAPTOR TO CARBURETOR (3 1/4")
3	54-63933		2	CLAMP, FUEL HOSE ATTACHING
4	22-63981		1	FITTING, FUEL LINE TO ADAPTOR
5	22833		1	ADAPTOR, CHECK UNIT (FUEL LINE)
6	23069		1	STEM, CHECK UNIT ADAPTOR
7	25-20415		1	"O" RING, ADAPTOR STEM
8	24-23067		1	SPRING, ADAPTRO STEM
9	30188		1	CUP WASHER, ADAPTOR
10	10-37923		1	SCREW, ADAPTOR TO BOTTOM COWL (1 1/4")
11	63645		1	SCREEN, CARBURETOR
12	10-20100		2	SCREW, SCREEN TO CARBURETOR
13	63980		1	KNOB, CHOKE
14	11-63912		1	NUT, CHOKE CABLE TO BOTTOM COWL
15	63906		1	CABLE, CHOKE
16	10-45862		1	SCREW, CHOKE CABLE TO CARBURETOR
17	13-26996		1	LOCKWASHER, CHOKE CABLE SCREW
18	23-63932		1	SPACER, CHOKE CABLE SCREW
19	11-46887		2	NUT, CARBURETOR ATTACHING

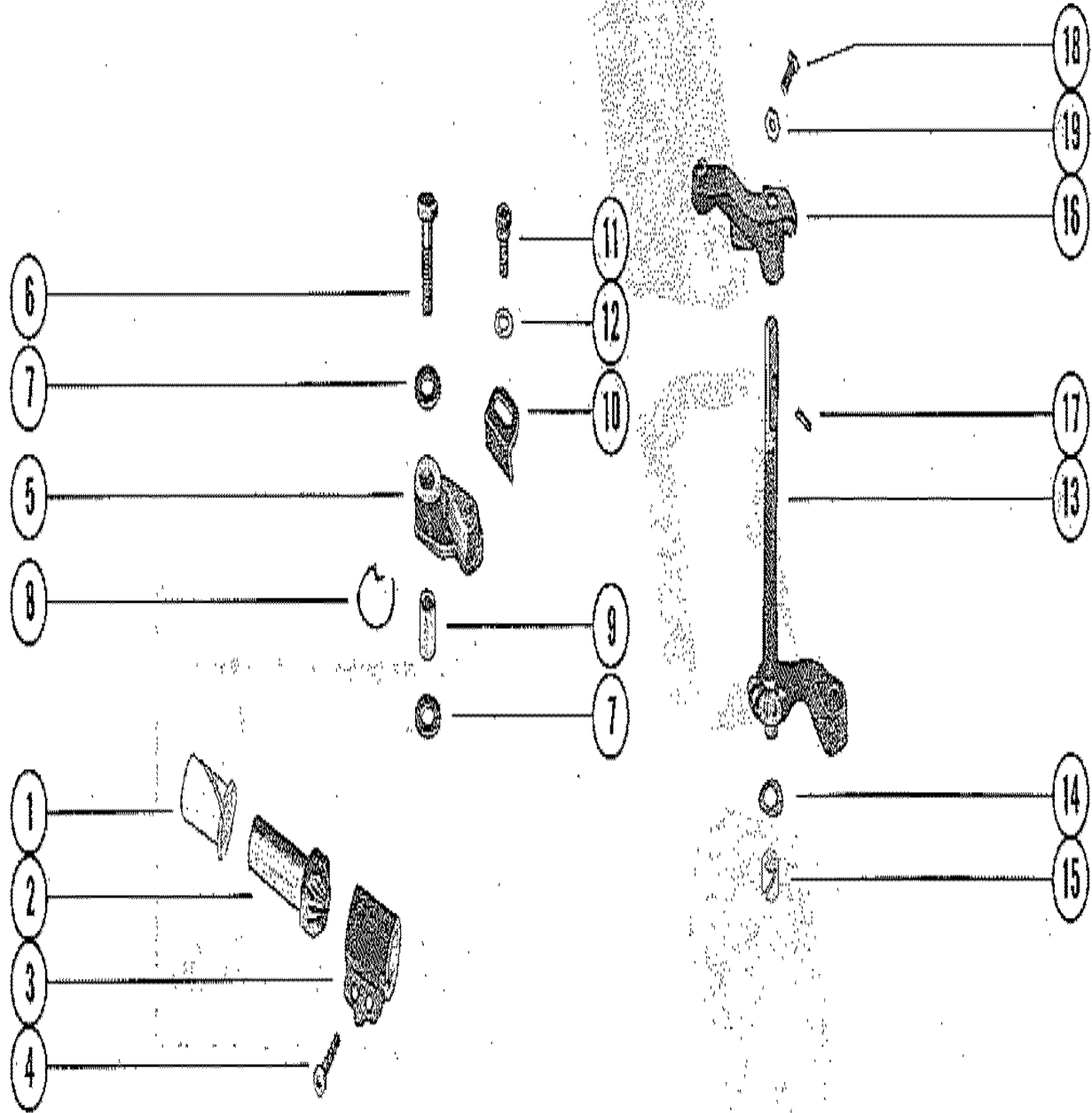
SHIFT CONTROL LINKAGE



SHIFT CONTROL LINKAGE

REF. NO.	PART NO.	SYM.	QTY.	DESCRIPTION
1	59107		1	HANDLE, SHIFT CONTROL
2	12-29245		1	WASHER, SHIFT CONTROL SHAFT
3	11-39305		1	NUT, SHIFT HANDLE TO SHIFT CONTROL SHAFT
4	23-30678		2	BUSHING, NYLON - SHIFT CONTROL SHAFT
5	12-37828		1	WASHER, SHIFT CONTROL SHAFT
6	13-36206		1	WASHER, WAVE - SHIFT CONTROL SHAFT
7	63673		1	LEVER, SHIFT CONTROL (REMOTE)
8	17-39049		1	PIN, SHIFT LEVER TO SHIFT CONTROL SHAFT
9	39047		1	SHAFT, SHIFT CONTROL
10	43-30802		1	GEAR, SECTOR - SHIFT CONTROL SHAFT (HORIZONTAL)
11	12-29245		1	WASHER, SHIFT CONTROL SHAFT
12	11-20361		1	NUT, SECTOR GEAR TO SHIFT CONTROL SHAFT
13	24-39627		1	SPRING, DETENT - SHIFT CONTROL LEVER
14	39601		1	PLATE, DETENT SPRING
15	10-25764		2	SCREW, PLATE AND SPRING TO ADAPTOR PLATE (1/2")
16	23-30677		1	BUSHING, NYLON - UPPER SHIFT SHAFT
17	43-55447		1	GEAR, SECTOR - SHIFT SHAFT (SEE NOTE BELOW)
18	63555		1	SHIFT SHAFT (SERIAL #3488153 AND UP)

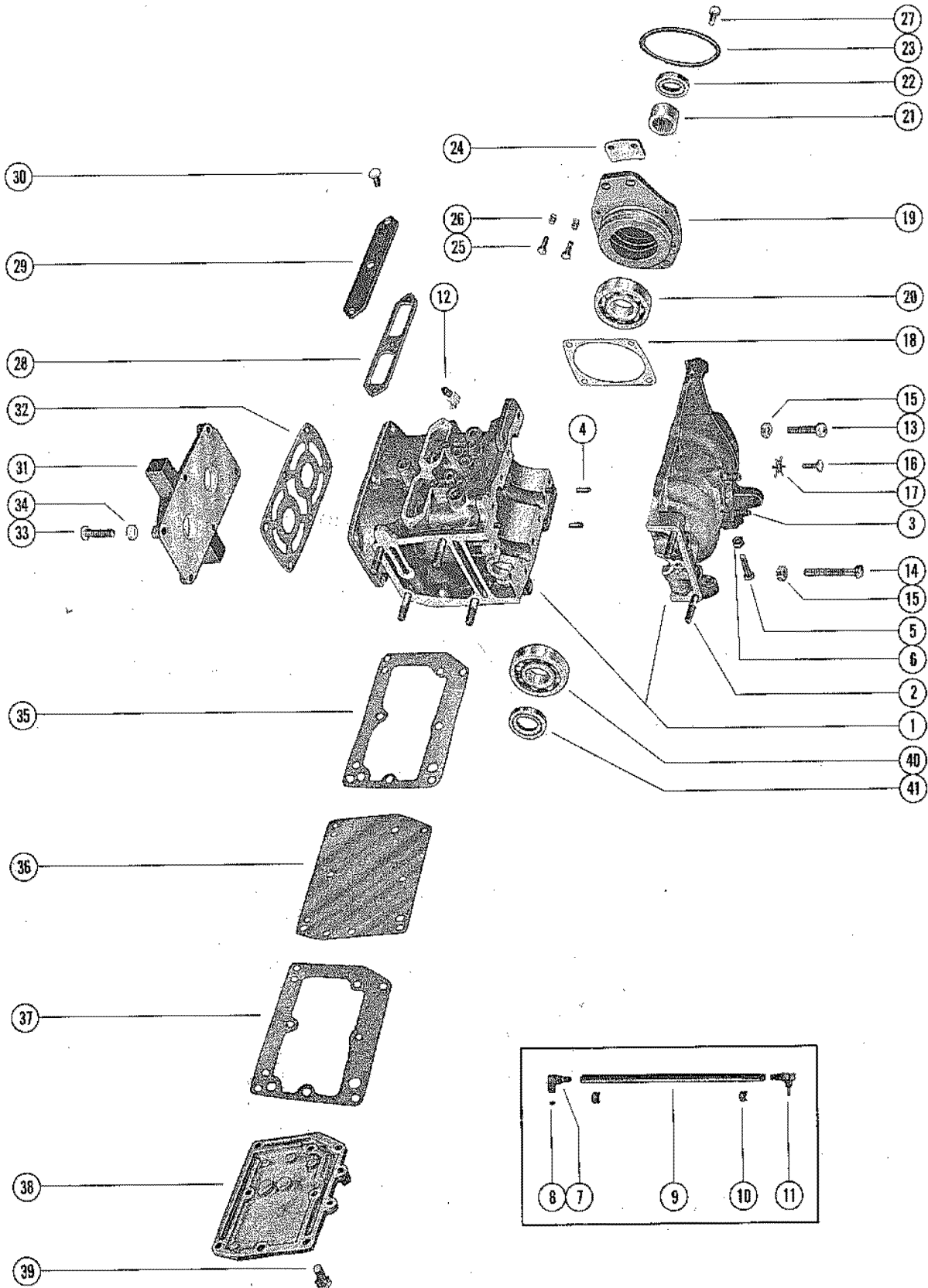
THROTTLE CONTROL LINKAGE



THROTTLE CONTROL LINKAGE

REF. NO.	PART NO.	SYM.	QTY.	DESCRIPTION
1	23-31011		1	BUSHING, NYLON - THROTTLE CONTROL SOCKET SERIAL 00000000-#3488152
2	43-60856		1	GEAR, HORIZONTAL - THROTTLE CONTROL SOCKET
3	60885		1	HOUSING, THROTTLE CONTROL
4	10-47910		2	SCREW, THROTTLE CONTROL HOUSING TO BOTTOM COWL (5/8")
5	63308A1		1	FOLLOWER ASSEMBLY, NEUTRAL SPEED LIMITER
6	10-21091		1	SCREW, LIMITER FOLLOWER TO BOTTOM COWL (1 1/8") SERIAL 00000000-#3488152
	10-20653		1	SCREW, LIMITER FOLLOWER TO BOTTOM COWL (1 1/8") SERIAL #3488153-09999999
7	12-30971		2	WASHER, SPEED LIMITER FOLLOWER SCREW
8	24-39042		1	SPRING, NEUTRAL SPEED LIMITER FOLLOWER
9	23-30972		1	BUSHING, SPEED LIMITER FOLLOWER SCREW SERIAL 00000000-#3488152
	23-63320		1	BUSHING, SPEED LIMITER FOLLOWER SCREW SERIAL #3488153-09999999
10	36017		1	STOP, NEUTRAL SPEED LIMITER
11	10-28710		1	SCREW, NEUTRAL SPEED LIMITER STOP TO FOLLOWER (5/8")
12	12-24676		1	WASHER, NEUTRAL SPEED LIMITER SPEED LIMITER STOP SCREW
13	62639A1		1	GEAR AND SHAFT, THROTTLE CONTROL SERIAL 00000000-#3488152
13 & 1	63697A1		1	GEAR AND SHAFT, THROTTLE CONTROL SERIAL 0#388153-0Z999999
14	15-64653A1		1	SHIM ASSEMBLY, GEAR AND SHAFT (LOWER)
15	23-61615		1	BUSHING, NYLON - GEAR AND SHAFT TO BOTTOM COWL SERIAL 00000000-#3488152
16	60860		1	LEVER, THROTTLE CONTROL SERIAL 00000000-#3488152
17	17-27088		1	PIN, ROLL - THROTTLE CONTROL LEVER TO THROTTLE CONTROL SHAFT
18	10-23015		2	SCREW, ADJUSTING - THROTTLE ADVANCE (1")
19	11-20645		2	NUT, LOCK - THROTTLE ADVANCE ADJUSTING SCREW

CYLINDER BLOCK AND CRANKCASE ASSEMBLY

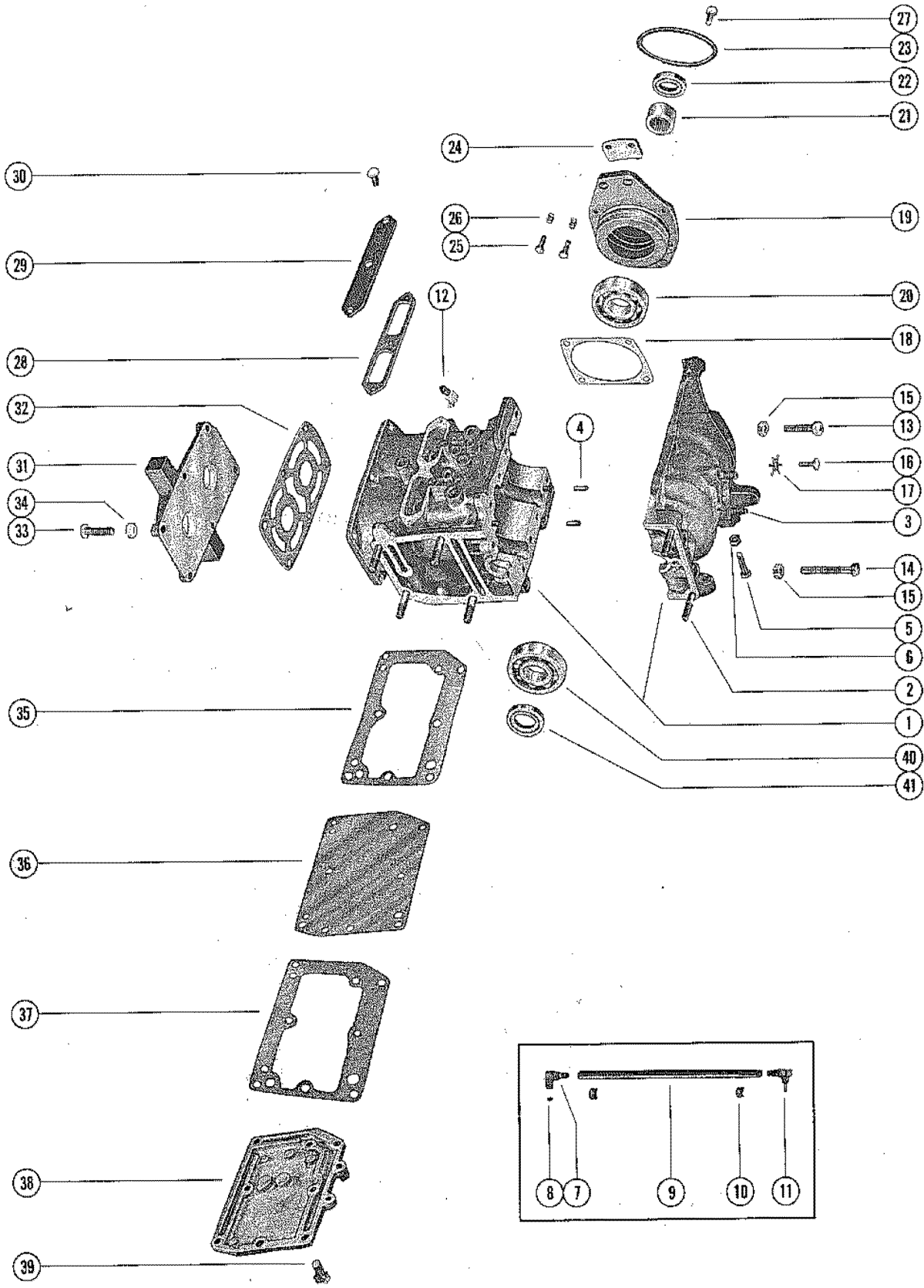


CYLINDER BLOCK AND CRANKCASE ASSEMBLY

REF. NO.	PART NO.	SYM.	QTY.	DESCRIPTION
1	837-2756A10		1	CYLINDER BLOCK AND CRANKCASE ASS'Y SERIAL 0000000-#3488152
	837-2756A17		1	CYLINDER BLOCK AND CRANKCASE ASS'Y (SERIAL AND UP) SERIAL #3488153-09999999
2	16-33526		6	STUD, BLOCK AND CRANKCASE TO DRIVE SHAFT HOUSING
3	16-21723		2	STUD, CARBURETOR MOUNTING
4	17-21438		2	PIN, DOWEL - CRANKCASE TO CYLINDER BLOCK
5	10-23015		1	SCREW, ADJUSTING - THROTTLE CONTROL (1")
6	11-20645		1	NUT, THROTTLE CONTROL ADJUSTING SCREW
7	22-61295A5		1	ELBOW ASSEMBLY, BLEED DRAIN
8	21-56011A2		1	CHECK VALVE ASSEMBLY
9	32-60584		1	HOSE, BLEED DRAIN (6 1/2")
10	54-56223		2	CLAMP, BLEED HOSE ATTACHING
11	22-61294		1	ELBOW, INJECTION
12	22-25885		1	ELBOW, TELL TALE - CYLINDER BLCOK
13	10-31294		8	SCREW, CRANKCASE TO CYLINDER BLOCK (1")
14	10-24624		2	SCREW, CRANKCASE TO CYLINDER BLOCK (1 3/4")
15	11-46887		10	NUT, CRANKCASE FASTENING SCREW
16	10-26801		1	SCREW, MAIN BEARING LOCKING (5/8")
17	14-20091		1	TAB WASHER, MAIN BEARING LOCKING SCREW
18	15-31412A1		AR	SHIM, UPPER HOUSING TO CYLINDER BLOCK (.002-3-5-10)
19	1132-2400A1		1	BEARING HOUSING ASSEMBLY, UPPER
20	30-20861		1	BEARING, BALL - UPPER BEARING HOUSING
21	31-31410		1	BEARING, ROLLER - UPPER BEARING HOUSING
22	26-56741		1	OIL SEAL, UPPER BEARING HOUSING
23	25-20863		1	"O" RING, UPPER BEARING HOUSING
24	54-34598		2	CLAMP, HOLD DOWN RING
25	10-36205		4	SCREW, RING CLAMP TO BEARING HOUSING (9/16")
26	24-34731		4	SPRING, RING CLAMP SCREW
27	10-39002		4	SCREW, UPPER BEARING HOUSING (1/2")
28	27-31434		1	GASKET, TRANSFER PORT COVER
29	61155		1	COVER, TRANSFER PORT
30	10-20665		3	SCREW, PORT COVER TO CYLINDER BLOCK (1/2")
31	1019-3944		1	COVER, CYLINDER BLOCK
32	27-31436		1	GASKET, CYLINDER BLOCK COVER
33	10-21091		6	SCREW, CYL. BLOCK COVER TO CYL. BLOCK (1 1/8")
34	11-46887		6	NUT, CYLINDER BLOCK COVER MOUNTING SCREW
35	27-46233		1	GASKET, CYLINDER BLOCK TO BAFFLE PLATE
36	46235		1	PLATE, BAFFLE - EXHAUST MANIFOLD

CONTINUED ON NEXT PAGE ➡

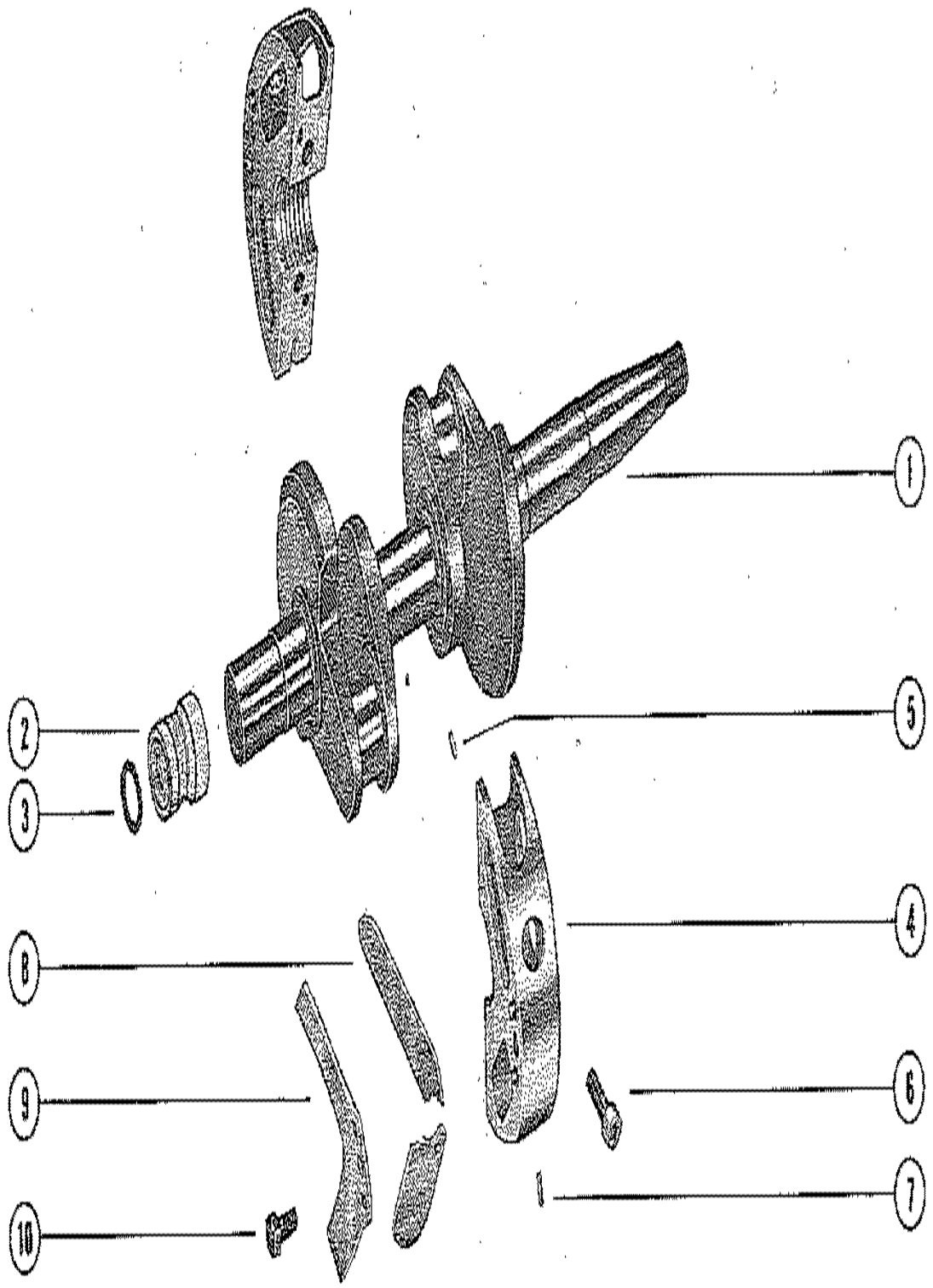
CYLINDER BLOCK AND CRANKCASE ASSEMBLY



CYLINDER BLOCK AND CRANKCASE ASSEMBLY

REF. NO.	PART NO.	SYM.	QTY.	DESCRIPTION
37	27-46233		1	GASKET, BAFFLE PLATE TO EXHAUST MANIFOLD COVER
38	46172		1	COVER, EXHAUST MANIFOLD
39	10-28668		8	SCREW, BAFFLE PLATE AND MANIFOLD COVER MOUNTING (3/4")
40	30-20861		1	BEARING, BALL - CRANKCASE (LOWER)
41	26-56397		1	OIL SEAL, CRANKCASE (LOWER)

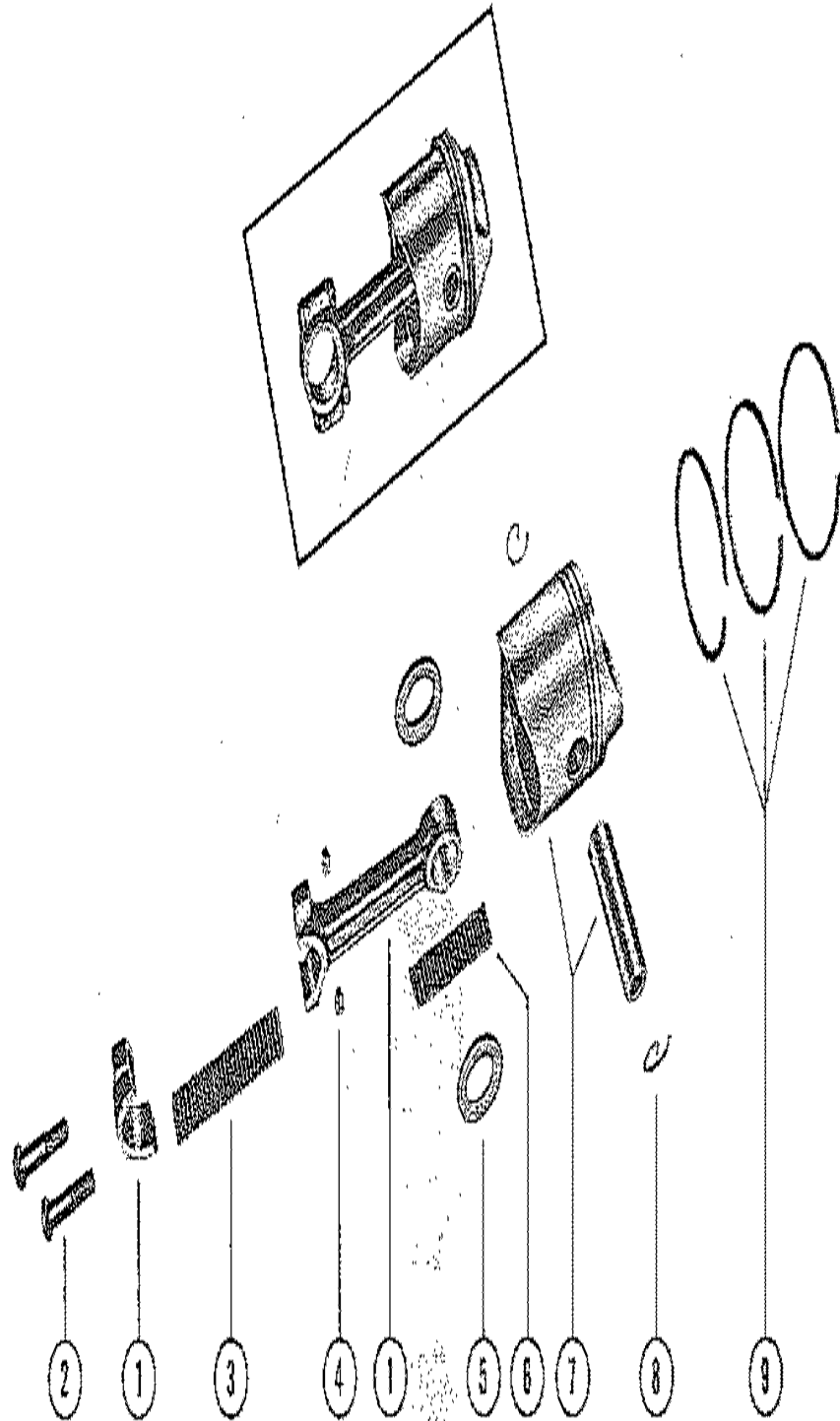
CRANKSHAFT AND MAIN BEARING ASSEMBLY



CRANKSHAFT AND MAIN BEARING ASSEMBLY

REF. NO.	PART NO.	SYM.	QTY.	DESCRIPTION
1	421-2224		1	CRANKSHAFT
2	63991A1		1	CARRIER ASSEMBLY, SEAL CRANKSHAFT SERIAL AND UP SERIAL #3488153-09999999
3	64988		1	SEAL, CRANKSHAFT CARRIER SERIAL #3488153-09999999
4	532-1938A6		1	MAIN BEARING ASSEMBLY (VALVE TYPE)
5	17-20032		2	PIN, DOWEL - MAIN BEARING
	17-55453		8	PIN, DOWEL - REED LOCATING
6	10-56781		2	SCREW, MAIN BEARING CLAMPING
7	17-20032		1	PIN, DOWEL - MAIN BEARING TO BLOCK
8	34-31942A1		1	REED SET, MATCHED - MAIN BEARING
9	34-52925		4	REED STOP, MAIN BEARING REED VALVES
10	10-27304		4	SCREW, REED STOP MOUNTING

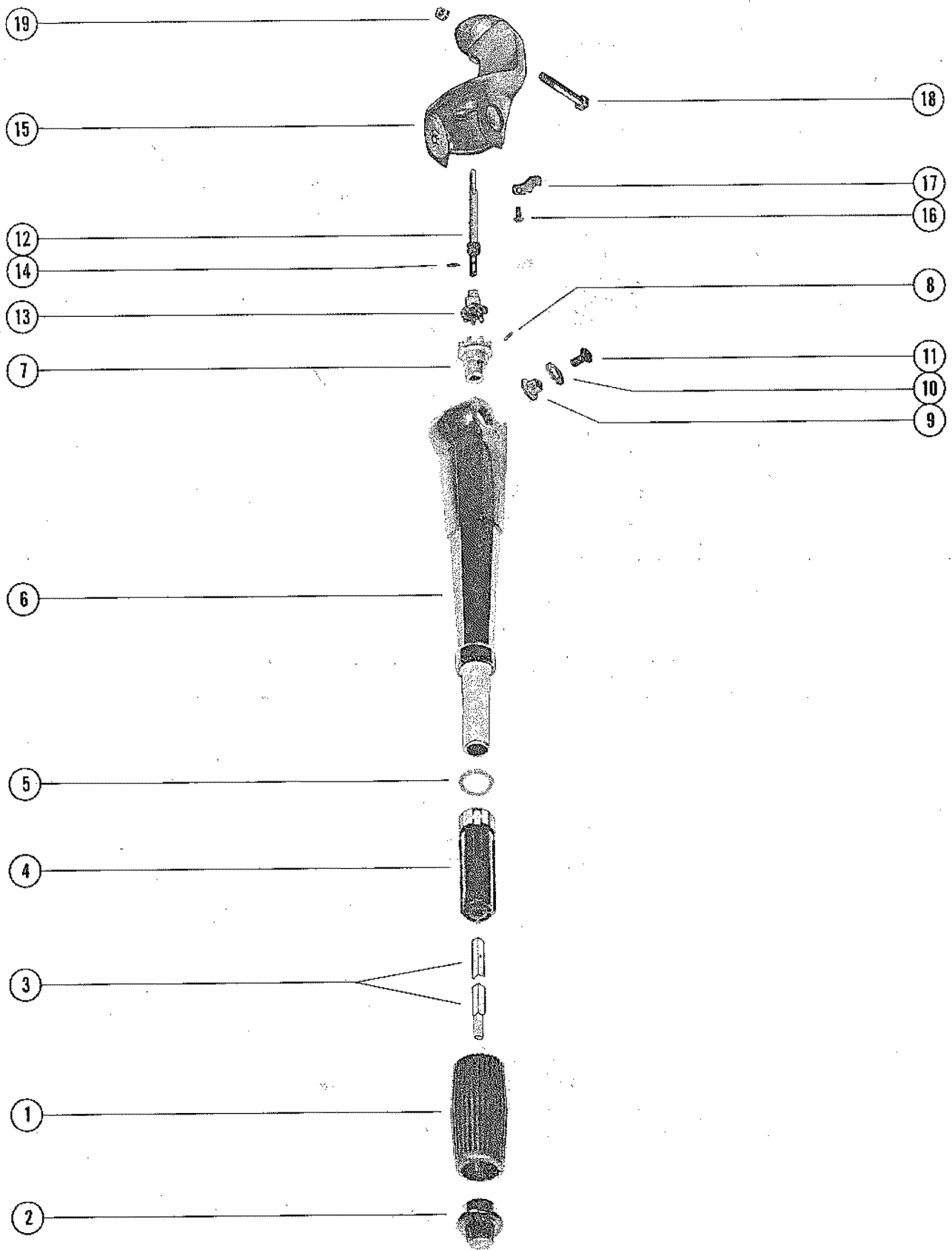
PISTON AND CONNECTING ROD ASSEMBLY



PISTON AND CONNECTING ROD ASSEMBLY

REF. NO.	PART NO.	SYM.	QTY.	DESCRIPTION
1	608-4246A1		2	CONNECTING ROD ASSEMBLY
2	10-39154		4	SCREW, CONNECTING ROD
3	29-26815		58	BEARING, NEEDLE - CRANKPIN
4	11-20061		4	NUT, CONNECTING ROD SCREW
5	12-31433		4	WASHER, NEEDLE BEARING RETAINING
6	29-31505		40	BEARING, NEEDLE - PISTON PIN
7	719-3374A2		2	PISTON AND PISTON PIN ASSEMBLY
8	40-21666		4	LOCK RING, PISTON PIN
9	39-21665A12		1	RING, PISTON

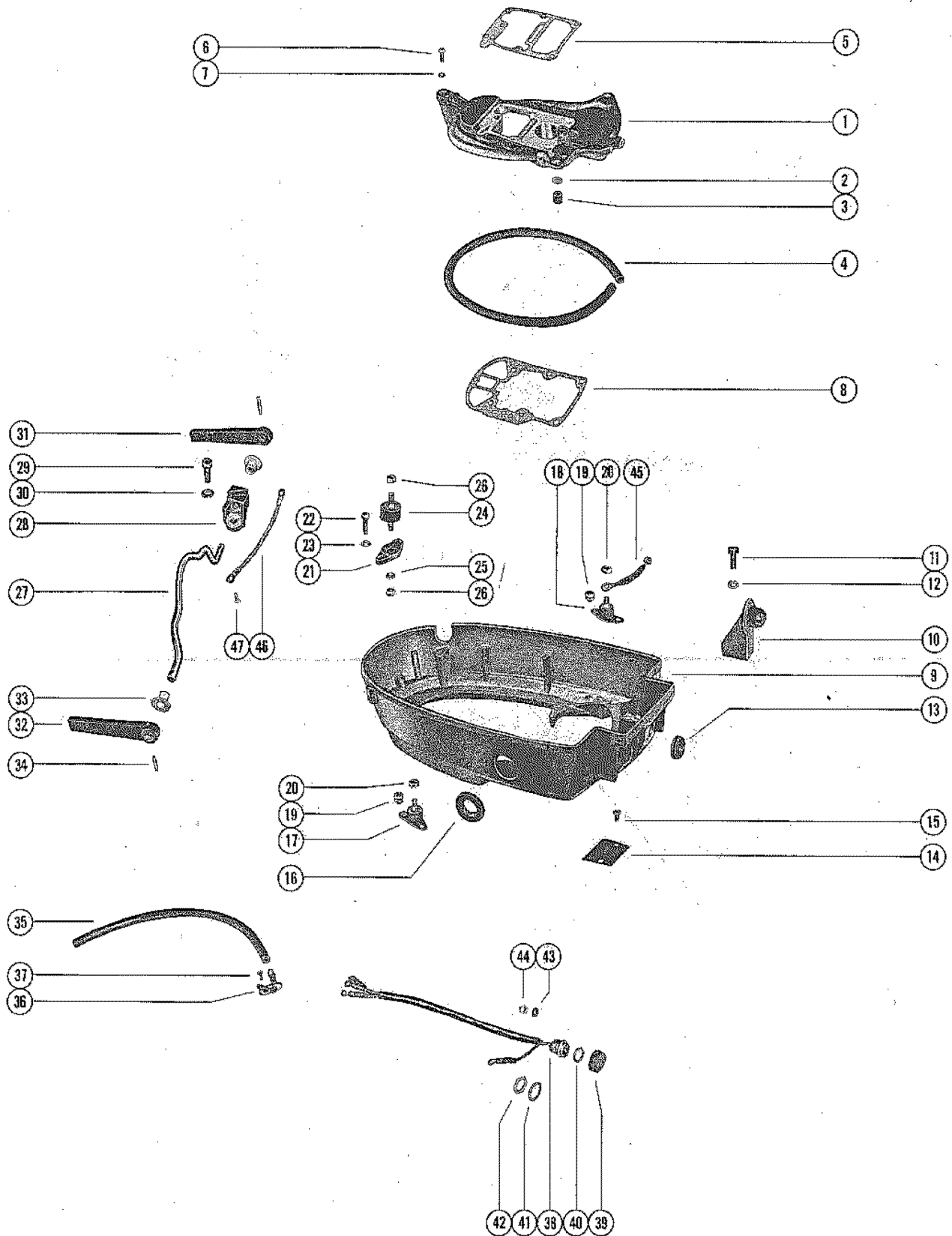
STEERING HANDLE ASSEMBLY



STEERING HANDLE ASSEMBLY

REF. NO.	PART NO.	SYM.	QTY.	DESCRIPTION
-	60850A4		1	STEERING HANDLE ASSEMBLY, COMPLETE
1	60854		1	GRIP, HANDLE - THROTTLE
2	62251		1	CAP, HANDLE THROTTLE
3	60851		1	SHAFT, THROTTLE
4	65418A1		1	HANDLE, THROTTLE SHAFT
5	12-62252		1	WASHER, THROTTLE HANDLE TO STEERING ARM
6	60850		1	ARM, STEERING HANDLE
7	43-60852		1	GEAR, BALL - THROTTLE SHAFT
8	17-27088		1	PIN, BALL GEAR TO THROTTLE SHAFT
9	48003		2	PIVOT, STEERING HANDLE TO BRACKET
10	15-48002015		AR	SHIM, STEERING HANDLE PIVOT TO BRACKET (.015)
11	10-64074		2	SCREW, STEERING HANDLE TO ARM BRACKET (5/8")
12	60857A2		1	UNIVERSAL JOINT ASSEMBLY
13	43-60852		1	GEAR, BALL - UNIVERSAL JOINT
14	17-27088		1	PIN, BALL GEAR TO UNIVERSAL JOINT
15	61629A1		1	BRACKET ASSEMBLY, STEERING ARM
16	10-62233		2	SCREW, DETENT SPRING TO STEERING ARM BRACKET (5/8")
17	24-47744		2	SPRING, DETENT - STEERING HANDLE
18	10-30679		3	SCREW, STEERING ARM BRACKET TO SADDLE (2 1/4")
19	11-46887		3	NUT, STEERING ARM BRACKET FASTENING SCREW

BOTTOM COWL AND ADAPTOR PLATE

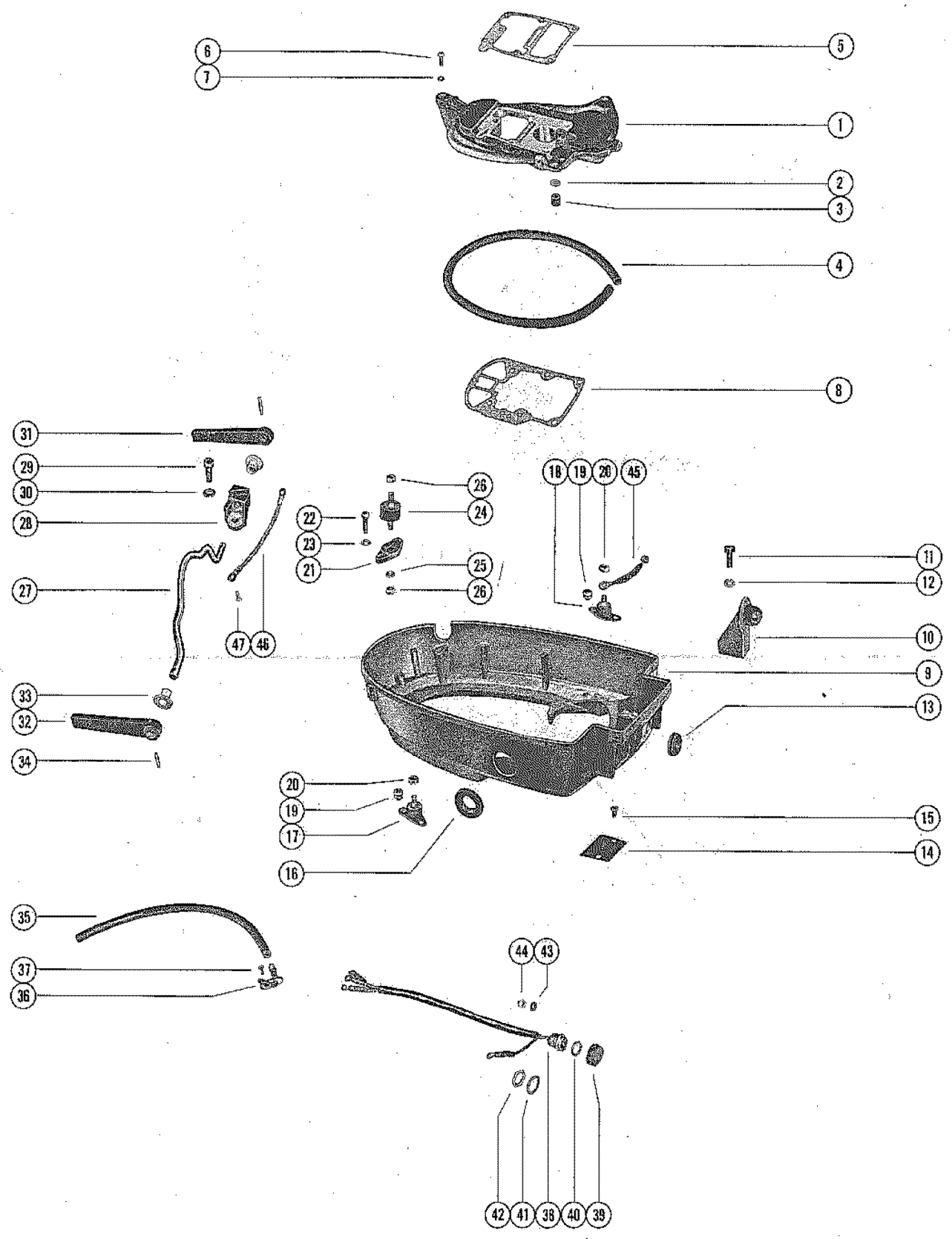


BOTTOM COWL AND ADAPTOR PLATE

REF. NO.	PART NO.	SYM.	QTY.	DESCRIPTION
1	60933A2		1	ADAPTOR PLATE ASSEMBLY SERIAL 00000000-#3488152
	63586A2		1	ADAPTOR PLATE ASSEMBLY SERIAL #3488153-09999999
2	12-36554		1	WASHER, NYLON - WATER OUTLET TUBE (ADAPTOR PLATE)
3	26-36556		1	SEAL, RUBBER - WATER OUTLET TUBE (ADAPTOR PLATE)
4	39044		1	SEAL, RUBER - ADAPTOR PLATE
5	27-45748		1	GASKET, POWERHEAD TO ADAPTOR PLATE
6	10-22486		1	SCREW, ADAPTOR PLATE TO DRIVE SHAFT HOUSING (7/8")
7	13-26992		1	LOCKWASHER, ADAPTOR PLATE SCREW
8	27-39050		1	GASKET, ADAPTOR PLATE TO DRIVE SHAFT HOUSING
9	2124-4637		1	COWL, BOTTOM (SERIAL AND BELOW) SERIAL 00000000-#3488152
	2124-4900		1	COWL, BOTTOM SERIAL #3488153-09999999
10	56069		1	ANCHOR, LATCH - BOTTOM COWL SERIAL 00000000-#3488152
	39474		1	ANCHOR, LATCH - BOTTOM COWL SERIAL #3488153-09999999
11	10-22483		2	SCREW, LATCH ANCHOR TO BOTTOM COWL (1 1/8")
12	13-26992		2	LOCKWASHER, LATCH ANCHOR SCREW
13	25-39054		1	GROMMET, CHOKE SHAFT - BOTTOM COWL SERIAL 00000000-#3488152
14	59100		1	COVER, AIR INTAKE - BOTTOM COWL SERIAL 00000000-#3488152
15	10-30009		2	SCREW, AIR INTAKE COVER TO BOTTOM COWL (3/8") SERIAL 00000000-#3488152
16	39058		1	SEAL, SHIFT HANDLE - BOTTOM COWL
17	39145		1	MOUNT, RUBBER - BOTTOM COWL TO ADAPTOR PLATE (STARBOARD)
18	39144		1	MOUNT, RUBBER - BOTTOM COWL TO ADAPTOR PLATE (PORT)
19	10-59795		4	SCREW, RUBBER MOUNT TO BOTTOM COWL (1/2")
20	11-46887		2	NUT, ADAPTOR PLATE TO RUBBER MOUNT
21	39147		1	ADAPTOR, REAR MOUNT TO BOTTOM COWL
22	10-22486		2	SCREW, REAR MOUNT ADAPTOR TO BOTTOM COWL (7/8")
23	13-26992		2	LOCKWASHER, REAR MOUNT ADAPTOR SCREW
24	39146		1	MOUNT, RUBBER - BOTTOM COWL TO ADAPTOR PLATE (REAR)
25	13-26992		2	LOCKWASHER, REAR MOUNT
26	11-46887		2	NUT, ADAPTOR PLATE TO REAR RUBBER MOUNT
27	63648		1	ROD, COWL LATCH - BOTTOM COWL
28	39099		1	BRACKET, COWL LATCH ROD
29	10-22486		1	SCREW, COWL LATCH BRACKET TO BOTTOM COWL (7/8")
30	13-26992		1	LOCKWASHER, COWL LATCH BRACKET SCREW
31	39083		1	HANDLE, COWL LATCH ROD (PORT)
32	39098		1	HANDLE, COWL LATCH ROD (STARBOARD)
33	23-60762		2	BUSHING, NYLON - COWL LATCH ROD TO BOTTOM COWL

CONTINUED ON NEXT PAGE ➡

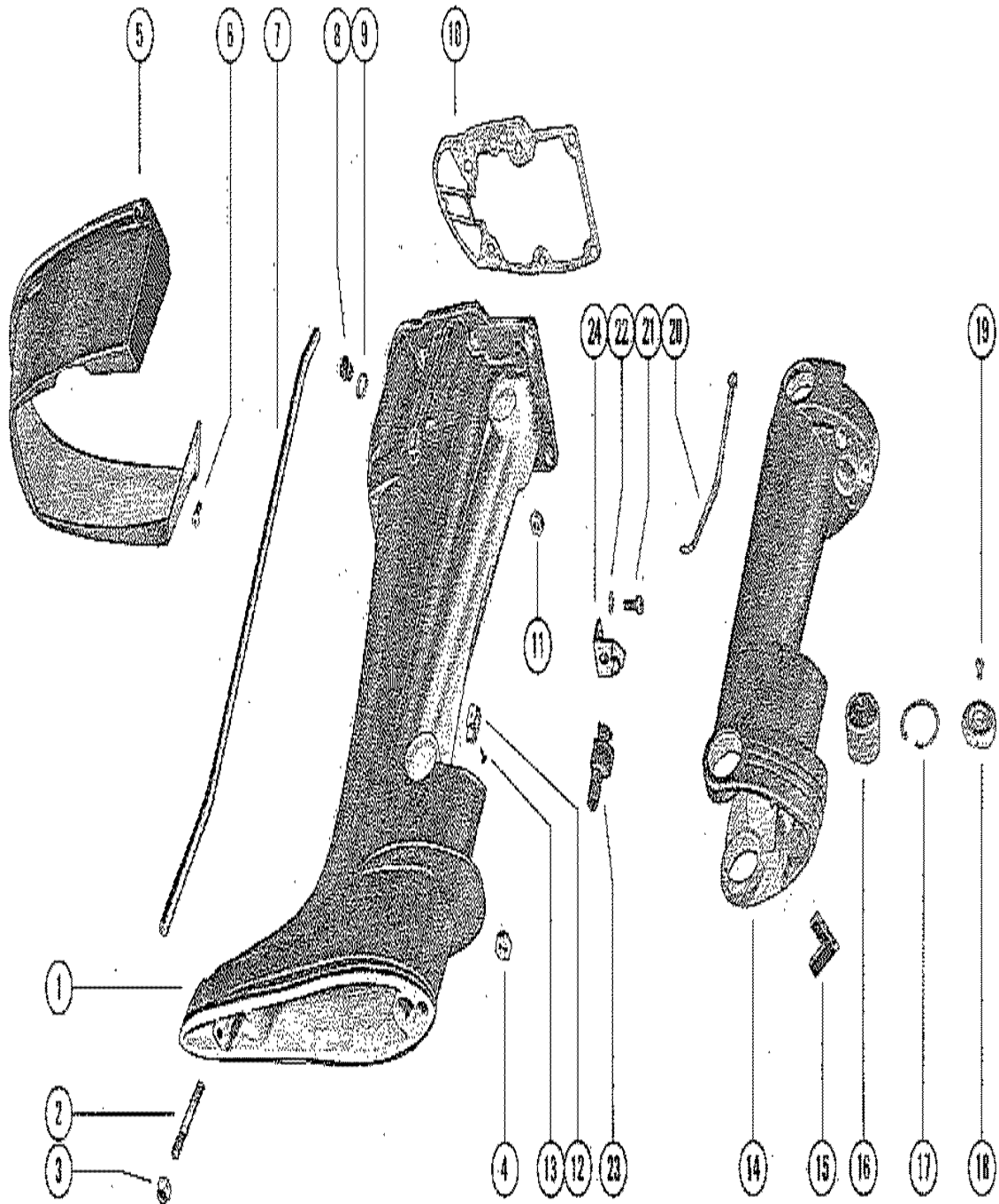
BOTTOM COWL AND ADAPTOR PLATE



BOTTOM COWL AND ADAPTOR PLATE

REF. NO.	PART NO.	SYM.	QTY.	DESCRIPTION
34	17-25319		2	PIN, ROLL - HANDLE TO COWL LATCH ROD
35	32-34395A1		1	TUBE, TELL TALE (11")
36	56712		1	NOZZLE, TELL TALE
37	10-34222		1	SCREW, TELL TALE NOZZLE TO BOTTOM COWL
38	59065A1		1	STOP SWITCH ASSEMBLY
39	38950A1		1	COVER ASSEMBLY, STOP SWITCH
40	12-59061		1	WASHER, STATOR LEAD TO STOP SWITCH
41	13-21972		1	LOCKWASHER, STOP SWITCH CONNECTOR
42	11-21971		1	NUT, STOP SWITCH TO BOTTOM COWL
43	13-26996		1	LOCKWASHER, STATOR LEAD TO STOP SWITCH
44	11-20645		1	NUT, STATOR LEAD TO STOP SWITCH
45	59796A1		2	GROUND WIRE, RUBBER MOUNT SCREW AND NUT
46	84-60871A6		1	CABLE ASSEMBLY, GROUND SERIAL AND UP SERIAL #3488153-09999999
47	10-30009		1	SCREW, GROUND CABLE TO GROUND LATCH ROD SERIAL #3488153-09999999

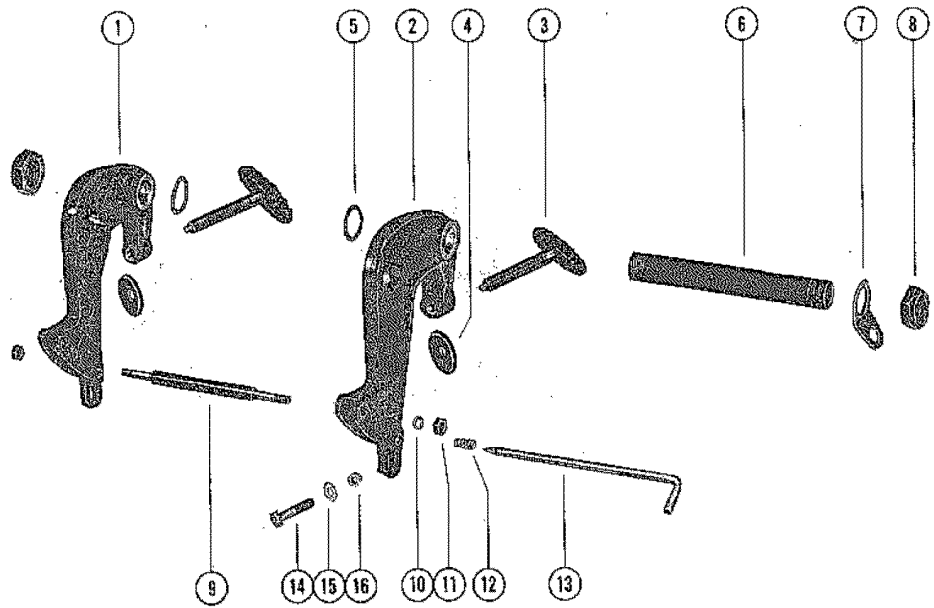
DRIVE SHAFT HOUSING ASSEMBLY



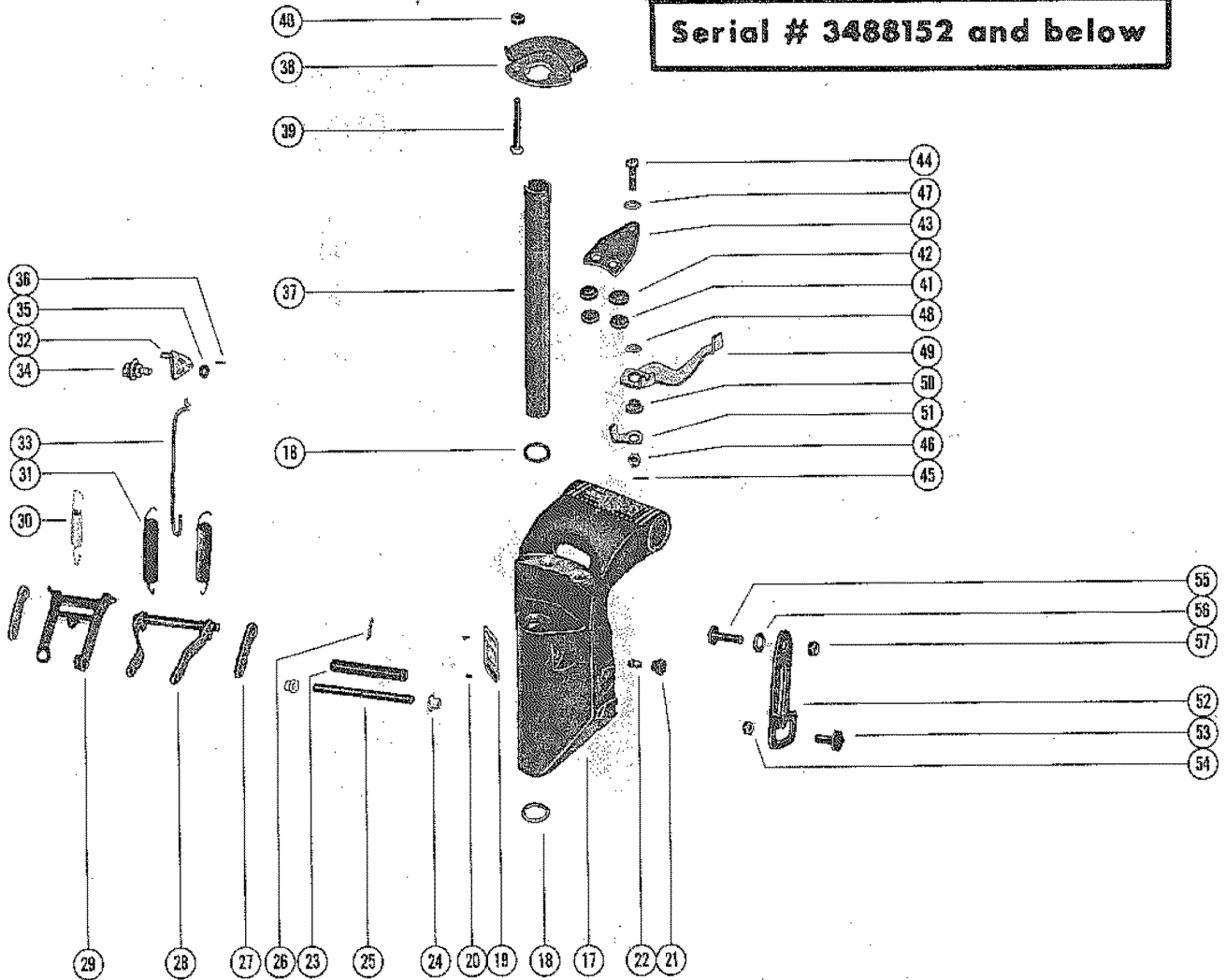
DRIVE SHAFT HOUSING ASSEMBLY

REF. NO.	PART NO.	SYM.	QTY.	DESCRIPTION
1	1556-4030A1		1	DRIVE SHAFT HOUSING ASSEMBLY (SHORT SHAFT) SERIAL 00000000-#3488152
	1558-4031A1		1	DRIVE SHAFT HOUSING ASSEMBLY (LONG SHAFT) SERIAL 00000000-#3488152
	1556-4901A2		1	DRIVE SHAFT HOUSING ASSEMBLY (SHORT SAFT) SERIAL #3488153-09999999
	1558-4902A2		1	DRIVE SHAFT HOUSING ASSEMBLY (LONG SHAFT) SERIAL #3488153-09999999
2	16-56299		1	STUD, DRIVE SHAFT HOUSING TO GEAR HOUSING (2 5/16")
3	11-34863		1	NUT, DRIVE SHAFT HOUSING STUD (3/8 - 24)
4	11-35814		1	NUT, GEAR HOUSING TO DRIVE SHAFT HOUSING STUD (5/16 - 24)
5	39025		1	COVER, TRIM - DRIVE SHAFT HOUSING
6	10-20512		3	SCREW, TRIM COVER TO BOTTOM COWL (7/16")
7	32-39061		1	TUBE, WATER OUTLET (SHORT SHAFT)
	32-39062		1	TUBE, WATER OUTLET (LONG SHAFT)
8	10-28634		1	SCREW, FLUSH - DRIVE SHAFT HOUSING
9	12-20260		1	WASHER, SEALING - FLUSH SCREW
10	27-39050		1	GASKET, ADAPTOR PLATE TO DRIVE SHAFT HOUSING
11	11-46887		4	NUT, DRIVE SHAFT HOUSING TO POWERHEAD STUDS
	11-24652		2	NUT, DRIVE SHAFT HOUSING TO POWERHEAD STUDS
12	47259A1		1	BLOCK ASSEMBLY, DRIVE SHAFT LONG SHAFT
13	10-47225		2	SCREW, BLOCK TO DRIVE SHAFT HSG. (1 1/4") LONG SHAFT
14	1559-2644		1	SADDLE SERIAL 00000000-#3488152
15	32021		1	BUMPER, THRUST - SADDLE SERIAL 00000000-#3488152
14	1559-4917		1	SADDLE SERIAL #3488153-09999999
15	64076		1	BUMPER, THRUST - SADDLE SERIAL #3488153-09999999
16	30646A2		4	MOUNT ASSEMBLY (LOWER AND UPPER) - SEE NOTE BELOW
17	53-26406		4	RING, RETAINING - UPPER AND LOWER MOUNT
18	53041		2	COVER, LOWER MOUNT
19	10-45817		2	SCREW, LOWER MOUNT COVER TO MOUNT (7/16")
20	63629		1	LINK ROD, REVERSE LOCK SERIAL #3488153-09999999
21	10-61010		2	SCREW, CAM RETAINER TO DRIVE SHAFT HOUSING (3/4") SERIAL #3488153-09999999
22	13-26992		2	LOCKWASHER, CAM RETAINER SCREW SERIAL #3488153-09999999
23	65216		1	CAM, REVERSE LOCK SERIAL #3488153-09999999
24	61008		1	RETAINER, REVERSE LOCK CAM SERIAL #3488153-09999999

CLAMP AND SWIVEL BRACKET ASSEMBLY



Serial # 3488152 and below

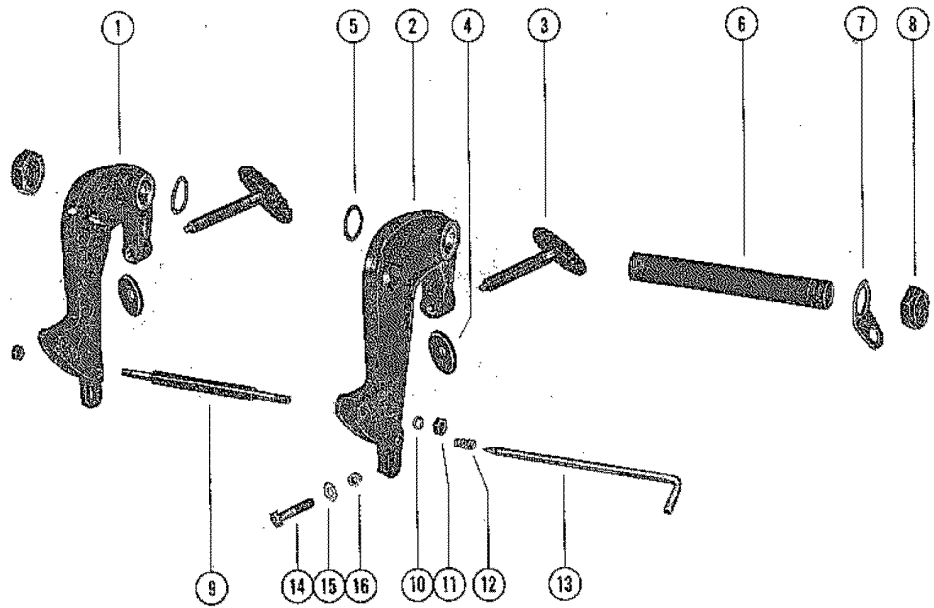


CLAMP AND SWIVEL BRACKET ASSEMBLY

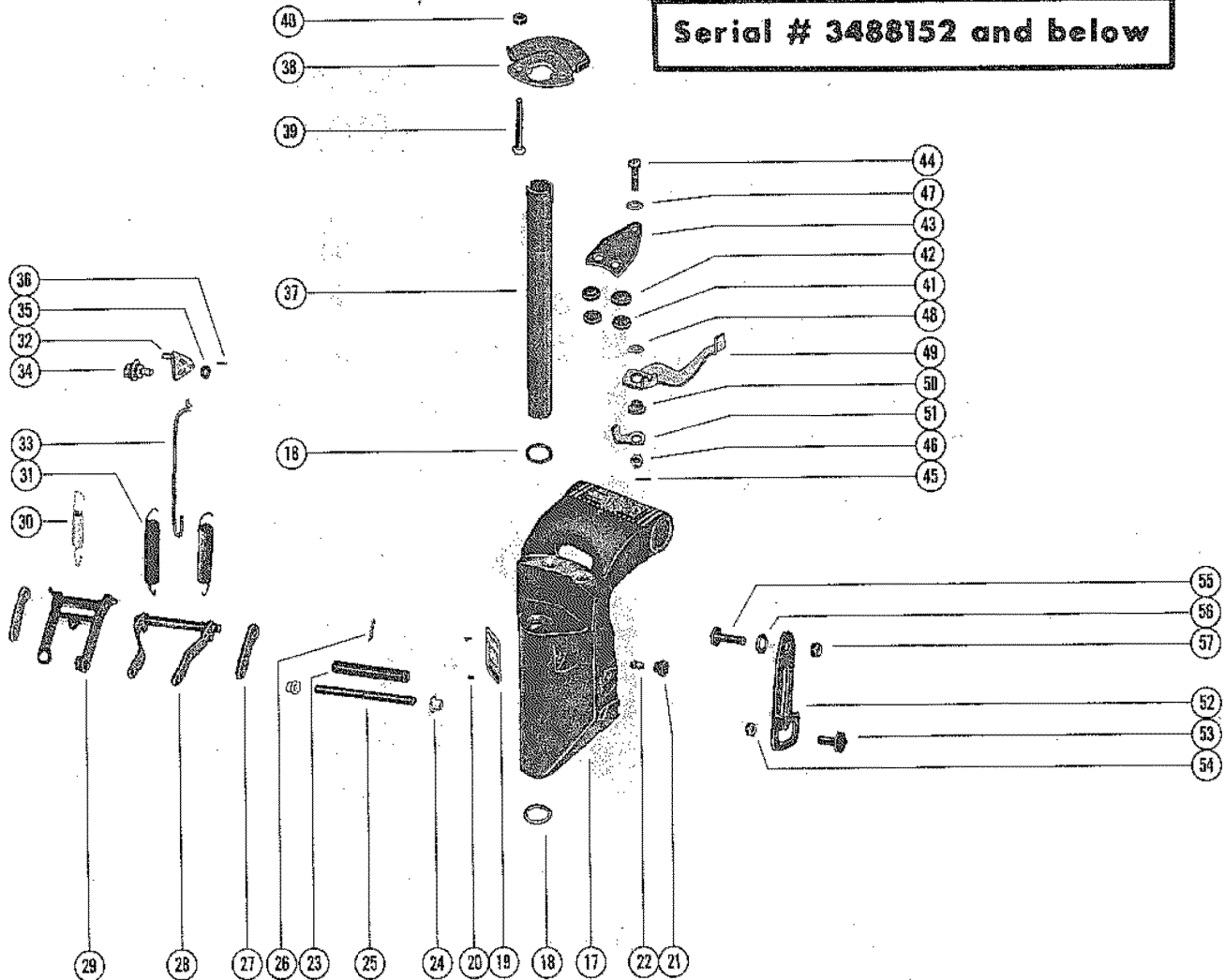
REF. NO.	PART NO.	SYM.	QTY.	DESCRIPTION
1	1468-4427A1		1	CLAMP BRACKET ASSEMBLY (PORT)
2	1467-4426A1		1	CLAMP BRACKET ASSEMBLY (STARBOARD)
3	59170A3		2	THUMB SCREW ASSEMBLY
4	12-20214		2	WASHER, THUMB SCREW
5	12-52864		2	WASHER, TILT TUBE - CLAMP TO SWIVEL BRACKET
6	45757		1	TILT TUBE, CLAMP TO SWIVEL BRACKET
7	54-30954		1	CLIP, SAFETY CHAIN - TILT TUBE
8	11-30499		2	NUT, TILT TUBE FASTENING
9	16-59622		1	STUD, CLAMP BRACKET
10	13-26992		2	LOCKWASHER, CLAMP BRACKET STUD
11	11-29598		2	NUT, CLAMP BRACKET STUD
12	24-62143		1	SPRING, TILT LOCK PIN
13	17-55952A1		1	TILT LOCK PIN ASSEMBLY
14	10-29326		2	BOLT, CLAMP BRACKET TO BOAT
15	12-31782		2	WASHER, CLAMP BRACKET SCREW
16	11-56374		2	NUT, CLAMP BRACKET SCREW
17	1451-4675		1	SWIVEL BRACKET
18	25-25439		2	"O" RING, SWIVEL BRACKET
19	38-31042		1	SERIAL PLATE
20	10-28642		2	SCREW, DRIVE - SERIAL PLATE TO SWIVEL BRACKET
21	29359		1	LUBRICAP, GREASE FITTING - SWIVEL BRACKET
22	22-31345		1	FITTING, GREASE - SWIVEL BRACKET
23	23-30813		1	SPACER, TUBE - REVERSE LOCK LEVER ROD
24	23-26856		2	BUSHING, NYLON - REVERSE LOCK LEVER ROD
25	56663		1	ROD, REVERSE LOCK TO SWIVEL BRACKET
26	18-56206		1	COTTER PIN, REVERSE LOCK LEVER TO ROD
27	30815		2	LINK, REVERSE LOCK LEVER
28	53267A1		1	REVERSE LOCK LEVER ASSEMBLY
29	53435		1	BRACKET, STOP
30	24-53456		1	SPRING, EXTENSION - STOP BRACKET
31	24-31918		2	SPRING, TENSION - REVERSE LOCK LEVER
32	62257A2		1	LINK ASSEMBLY, REVERSE LEVER
33	62256		1	ROD, LINK - REVERSE LOCK LEVER
34	10-60355		1	SCREW, LINK TO SWIVEL BRACKET
35	13-34632		1	WASHER, WAVE - LINK SCREW
36	17-27006		1	ROLL PIN, RELEASE LINK
37	17-30688		1	SWIVEL PIN, SWIVEL BRACKET TO SADDLE
38	35860		1	CO-PILOT DISC
39	10-30679		3	SCREW, CO-PILOT DISC TO SADDLE
40	11-46887		3	NUT, CO-PILOT DISC FASTENING SCREW
41	62342		2	DISC, FRICTION - CLAMP PLATE AND SWIVEL BRACKET (THIN)
42	20203		2	DISC, FRICTION - CLAMP PLATE AND SWIVEL BRACKET (THICK)

CONTINUED ON NEXT PAGE ➡

CLAMP AND SWIVEL BRACKET ASSEMBLY



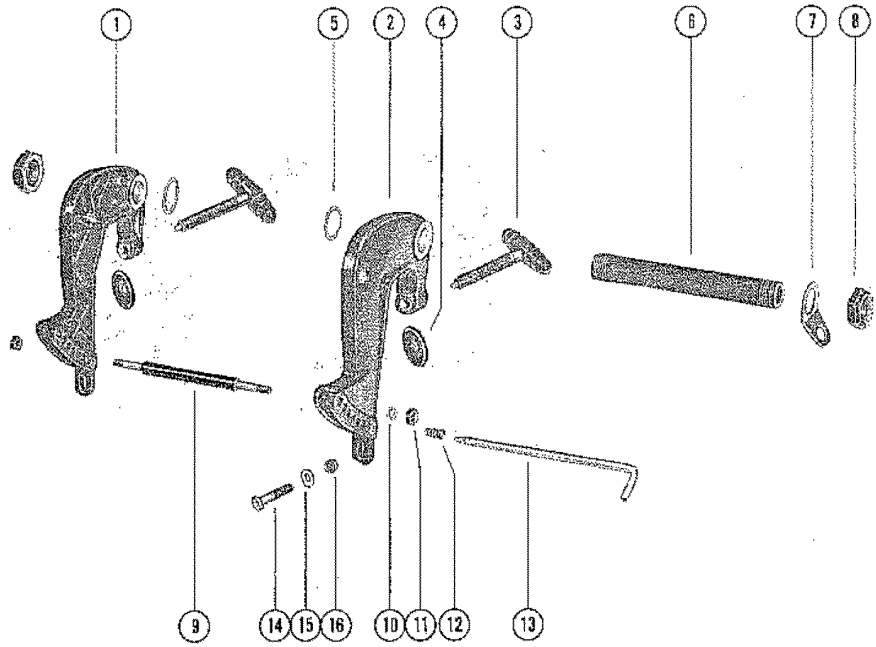
Serial # 3488152 and below



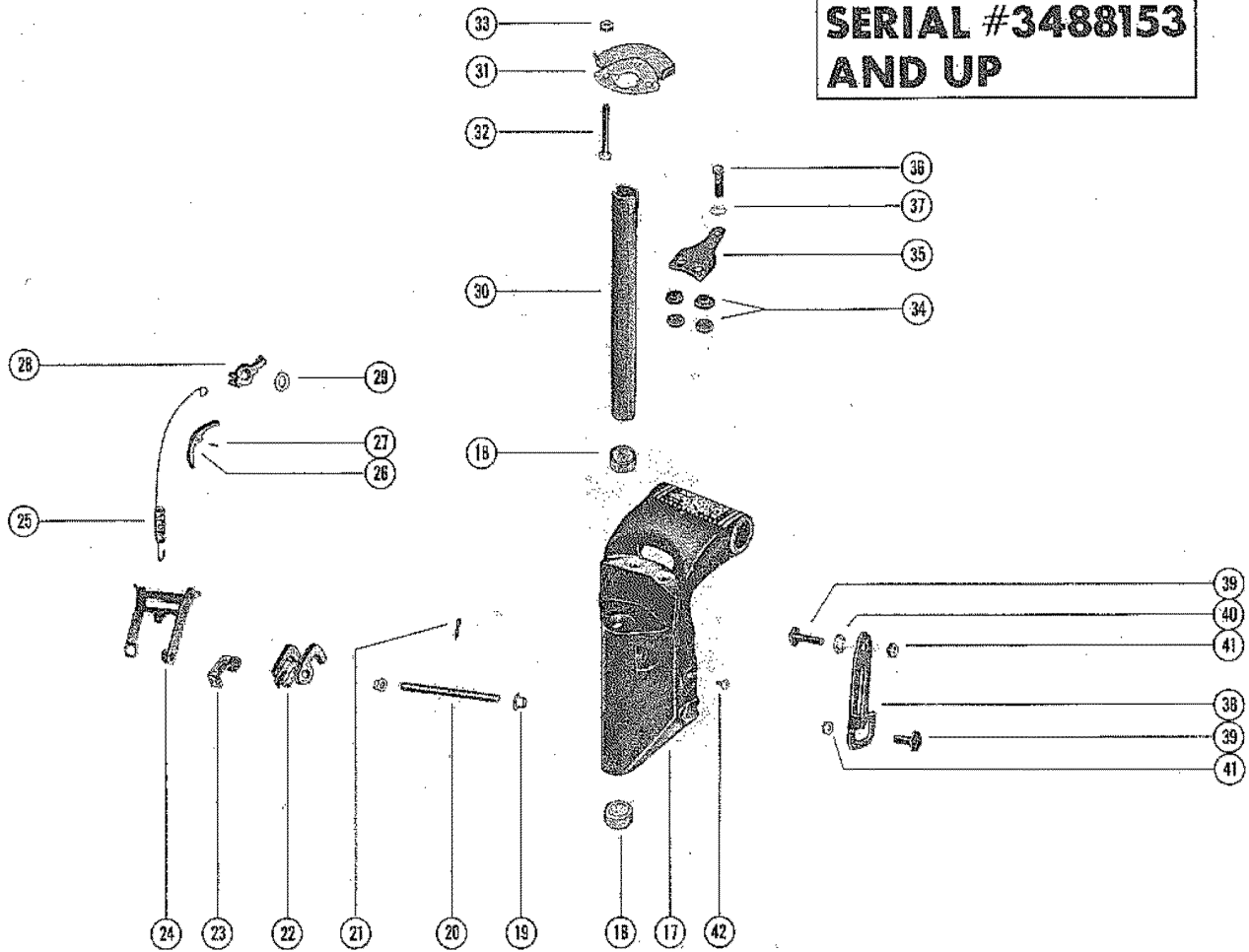
CLAMP AND SWIVEL BRACKET ASSEMBLY

REF. NO.	PART NO.	SYM.	QTY.	DESCRIPTION
43	61296		1	PLATE, CLAMP - CO-PILOT
44	10-62506		1	SCREW, CLAMP PLATE ADJUSTING FOR REPLACEMENT OF SCREW AND COTTER PIN USED ON EARLY MODELS IN THIS APPLICATION, ORDER C-10-62506 SCREW AND C-11-62505 NUT.
46	11-62505		1	NUT, CLAMP PLATE ADJUSTING SCREW FOR REPLACEMENT OF SCREW AND COTTER PIN USED ON EARLY MODELS IN THIS APPLICATION, ORDER C-10-62506 SCREW AND C-11-62505 NUT.
47	12-35462		1	WASHER, CLAMP PLATE ADJUSTING SCREW
48	13-48239		1	WASHER, WAVE - CLAMP PLATE ADJUSTING SCREW
49	62024		1	LEVER, CONTROL - REVERSE LOCK
50	23-59573		1	SPACER, CLAMP PLATE ADJUSTING SCREW
51	61602		1	PLATE, LOCKING - CLAMP PLATE ADJUSTING SCREW
52	55851		1	LEVER, TILT STOP
53	10-29237		1	SCREW, RETAINING - TILT STOP LEVER
54	11-46887		1	NUT, TILT STOP LEVER RETAINING SCREW
55	10-27791		1	SCREW, ANCHOR - TILT STOP LEVER
56	13-20846		1	WASHER, WAVE - LEVER ANCHOR SCREW
57	11-46887		1	NUT, TILT STOP LEVER ANCHOR SCREW

CLAMP AND SWIVEL BRACKET ASSEMBLY



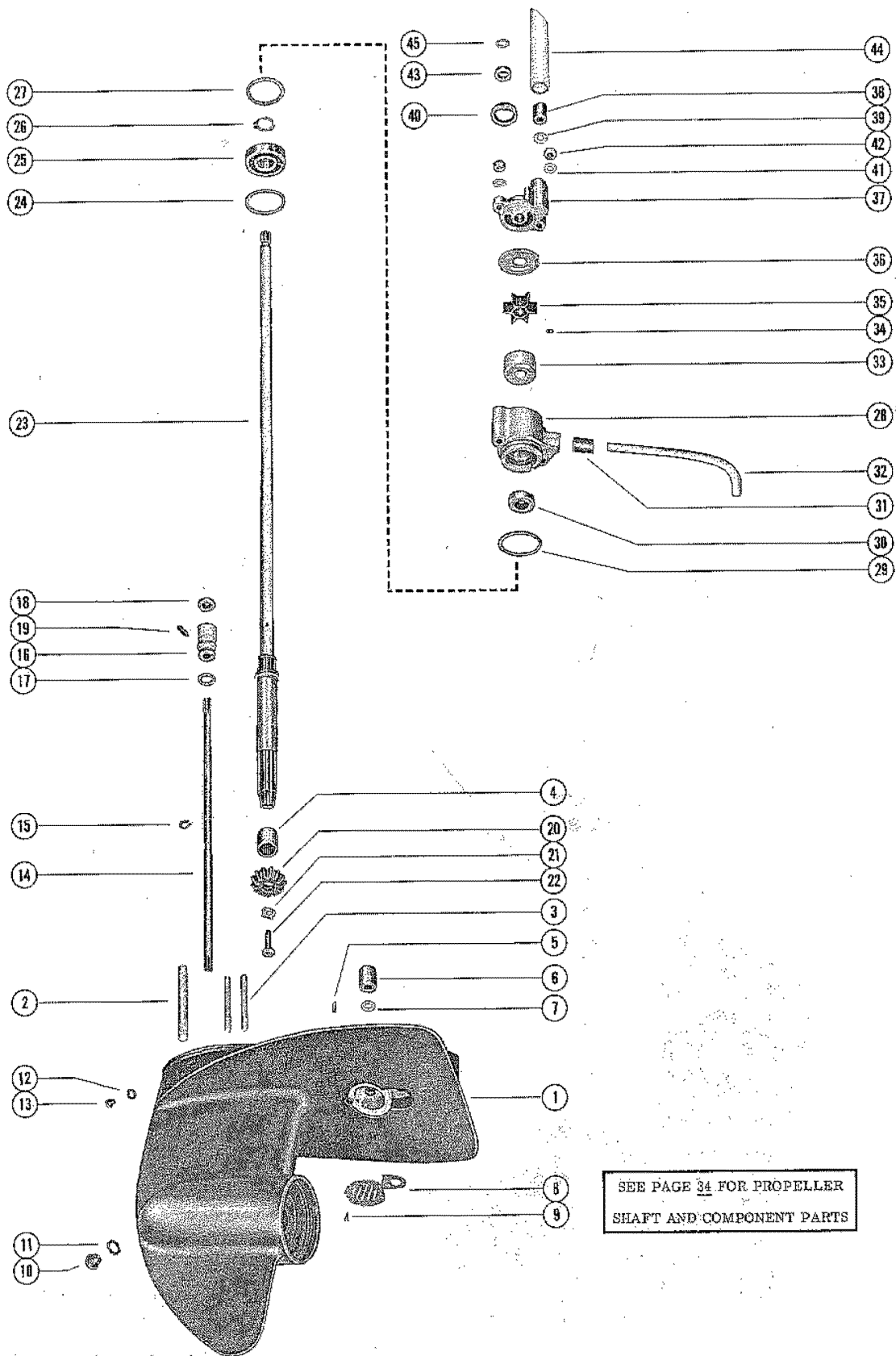
**SERIAL #3488153
AND UP**



CLAMP AND SWIVEL BRACKET ASSEMBLY

REF. NO.	PART NO.	SYM.	QTY.	DESCRIPTION
1	1468-4427A1		1	CLAMP BRACKET ASSEMBLY (PORT)
2	1467-4426A1		1	CLAMP BRACKET ASSEMBLY (STARBOARD)
3	59170A3		2	THUMB SCREW ASSEMBLY
4	12-20214		2	WASHER, THUMB SCREW
5	12-52864		2	WASHER, TILT TUBE - CLAMP TO SWIVEL BRACKET
6	45757		1	TILT TUBE, CLAMP TO SWIVEL BRACKET
7	54-30954		1	CLIP, SAFETY CHAIN - TILT TUBE
8	11-56041		2	NUT, TILT TUBE FASTENING
9	16-59622		1	STUD, CLAMP BRACKET
10	13-26992		2	LOCKWASHER, CLAMP BRACKET STUD
11	11-29598		2	NUT, CLAMP BRACKET STUD
12	24-62143		1	SPRING, TILT LOCK PIN
13	17-55952A1		1	TILT LOCK PIN ASSEMBLY
14	10-29326		2	BOLT, CLAMP BRACKET TO BOAT
15	12-31782		2	WASHER, CLAMP BRACKET SCREW
16	11-56374		2	NUT, CLAMP BRACKET SCREW
17	1471-4920		1	SWIVEL BRACKET
18	23-64028		2	BUSHING, SWIVEL BRACKET
19	23-26841		2	BUSHING, NYLON - REVERSE LOCK LEVER ROD
20	63551		1	ROD, REVERSE LOCK TO SWIVEL BRACKET
21	18-45882		1	COTTER PIN, REVERSE LOCK LEVER TO ROD
22	63628		1	LEVER, REVERSE LOCK
23	61007		1	RETAINER, ROD - REVERSE LOCK
24	63559		1	BRACKET, TROLL
25	24-63630		1	SPRING, EXTENSION - TROLL BRACKET
26	63554		1	GUIDE, SPRING
27	17-25319		1	ROLL PIN, SPRING GUIDE
28	63553		1	LEVER, CONTOL - TROLL BRACKET
29	13-63631		1	WASHER, WAVE - TROLL BRACKET LEVER
30	17-63905		1	SWIVEL PIN, SWIVEL BRACKET TO SADDLE
31	64004		1	CO-PILOT DISC
32	10-30679		3	SCREW, CO-PILOT DISC TO SADDLE (2 1/4")
33	11-46887		3	NUT, CO-PILOT DISC FASTENING SCREW
34	20203		4	DISC, FRICTION - CLAMP PLATE AND SWIVEL BRACKET
35	63647		1	PLATE, CLAMP - CO-PILOT
36	10-62506		1	SCREW, CLAMP PLATE ADJUSTING (1 5/8")
37	12-35462		1	WASHER, CLAMP PLATE ADJUSTING SCREW
38	63310A1		1	LEVER ASSEMBLY, TILT STOP
39	10-63311		2	SCREW, TILT STOP LEVER
40	13-31030		1	WASHER, WAVE - LEVER ANCHOR SCREW
41	11-35045		2	NUT, TILT STOP LEVER SCREW
42	10-36398		1	SCREW, SWIVEL BRACKET

GEAR HOUSING ASSEMBLY, COMPLETE (PAGE 1)



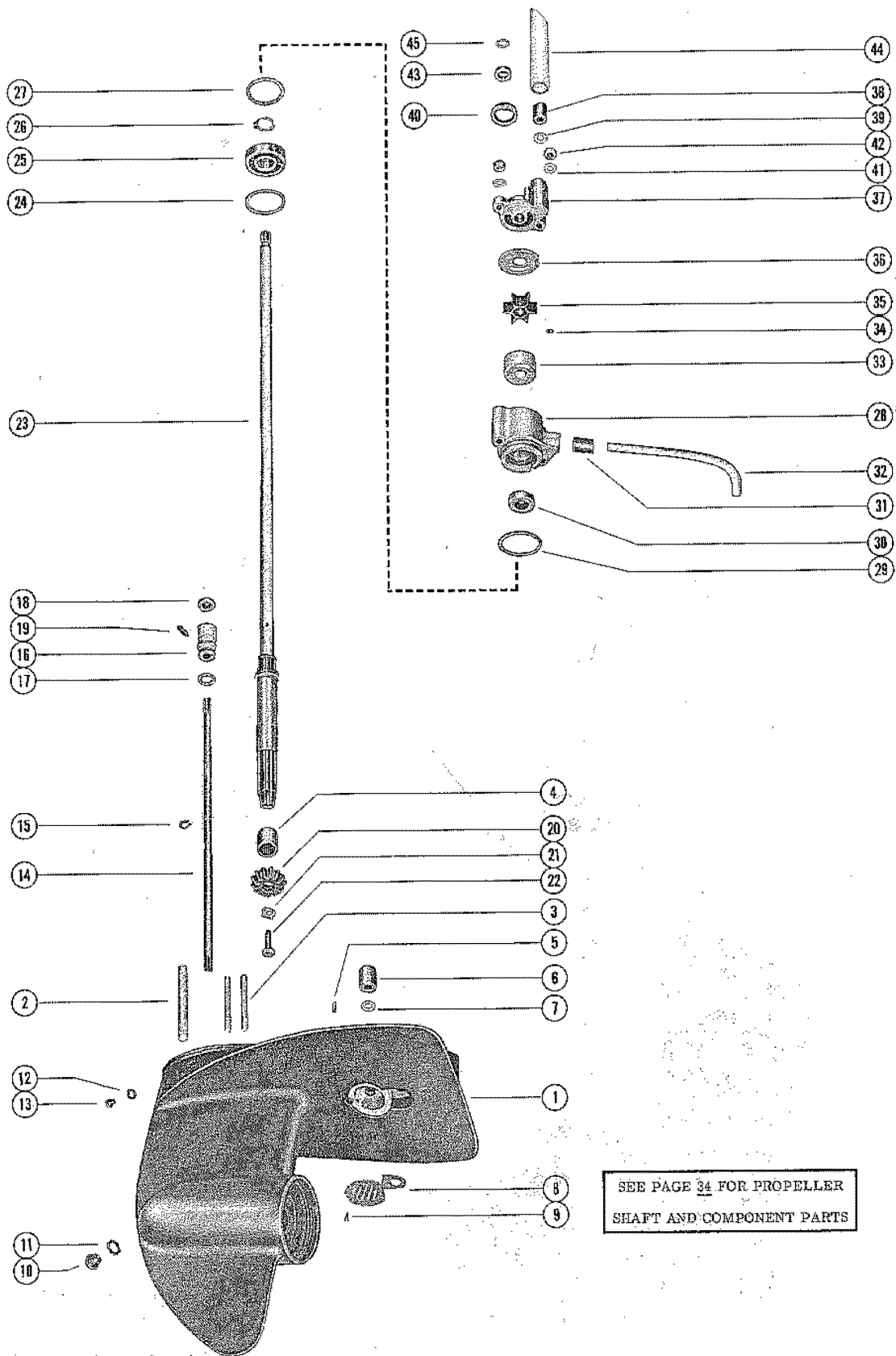
SEE PAGE 34 FOR PROPELLER
SHAFT AND COMPONENT PARTS

GEAR HOUSING ASSEMBLY, COMPLETE (PAGE 1)

REF. NO.	PART NO.	SYM.	QTY.	DESCRIPTION
-	1630-4407A4		1	GEAR HOUSING ASSEMBLY, COMPLETE (SHORT SHAFT) SEE NOTE BELOW SERIAL 00000000-#3488152
-	1630-4407A5		1	GEAR HOUSING ASSEMBLY, COMPLETE (LONG SHAFT) SEE NOTE BELOW SERIAL 00000000-#3488152
-	1630-4921A3		1	GEAR HOUSING ASSEMBLY, COMPLETE (SHORT SHAFT) SEE NOTE BELOW SERIAL #3488153-09999999
-	1630-4921A2		1	GEAR HOUSING ASSEMBLY, COMPLETE (LONG SHAFT) SEE NOTE BELOW SERIAL #3488153-09999999
1	1630-4407A1		1	GEAR HOUSING ASSEMBLY SERIAL 00000000-#3488152
	1630-4921A1		1	GEAR HOUSING ASSEMBLY SERIAL #3488153-09999999
2	16-58138		1	STUD GEAR HOUSING TO DRIVE SHAFT HOUSING (3 7/16")
3	16-58136		2	STUD, WATER PUMP HOUSING TO GEAR HOUSING (2 3/4")
4	31-22756		1	BEARING, ROLLER - DRIVE SHAFT
5	17-20032		1	PIN, DOWEL - LOCATING
6	26-33613		1	SEAL, RUBBER - WATER INTAKE TUBE
7	12-36555		1	WASHER, NYLON - INTAKE TUBE SEAL
8	35-33425		1	SCREEN, WATER INTAKE
9	10-28642		1	SCREW, WATER INTAKE SCREEN TO GEAR HOUSING
10	10-28634		1	SCREW, GREASE FILLER HOLE
11	12-20260		1	WASHER, GREASE FILLER HOLE SCREW
12	12-20262		1	WASHER, GREASE VENT HOLE SCREW
13	10-28653		1	SCREW, GREASE VENT HOLE
14	54641A1		1	SHAFT ASSEMBLY, SHIFT (SHORT SHAFT) SERIAL 00000000-#3488152
	54641A1		1	SHAFT ASSEMBLY, SHIFT (LONG SHAFT) SERIAL 00000000-#3488152
	63556A1		1	SHAFT ASSEMBLY, SHIFT (SHORT SHAFT) SERIAL #3488153-09999999
	63557A1		1	SHAFT ASSEMBLY, SHIFT (LONG SHAFT) SERIAL #3488153-09999999
15	53-22899		1	RING, RETAINING - SHIFT SHAFT
16	23-30676A1		1	BUSHING ASSEMBLY, SHIFT SHAFT
17	25-26802		1	"O" RING, SHIFT SHAFT BUSHING SERIAL 00000002-0000004,
18	26-30696		1	OIL SEAL, SHIFT SHAFT BUSHING
19	10-39149		1	SCREW, SHIFT SHAFT BUSHING RETAINER
20	43-48579		1	GEAR, PINION
21	14-30377		1	TAB WASHER, PINION GEAR TO DRIVE SHAFT SCREW
22	10-30376		1	SCREW, PINION GEAR TO DRIVE SHAFT
23	45-39078		1	DRIVE SHAFT (SHORT SHAFT) SERIAL 00000000-#3488152
	45-39077		1	DRIVE SHAFT (LONG SHAFT) SERIAL 00000000-#3488152
	45-64257		1	DRIVE SHAFT (SHORT SHAFT) SERIAL #3488153-09999999
	45-64258		1	DRIVE SHAFT (LONG SHAFT) SERIAL #3488153-09999999

CONTINUED ON NEXT PAGE ➡

GEAR HOUSING ASSEMBLY, COMPLETE (PAGE 1)

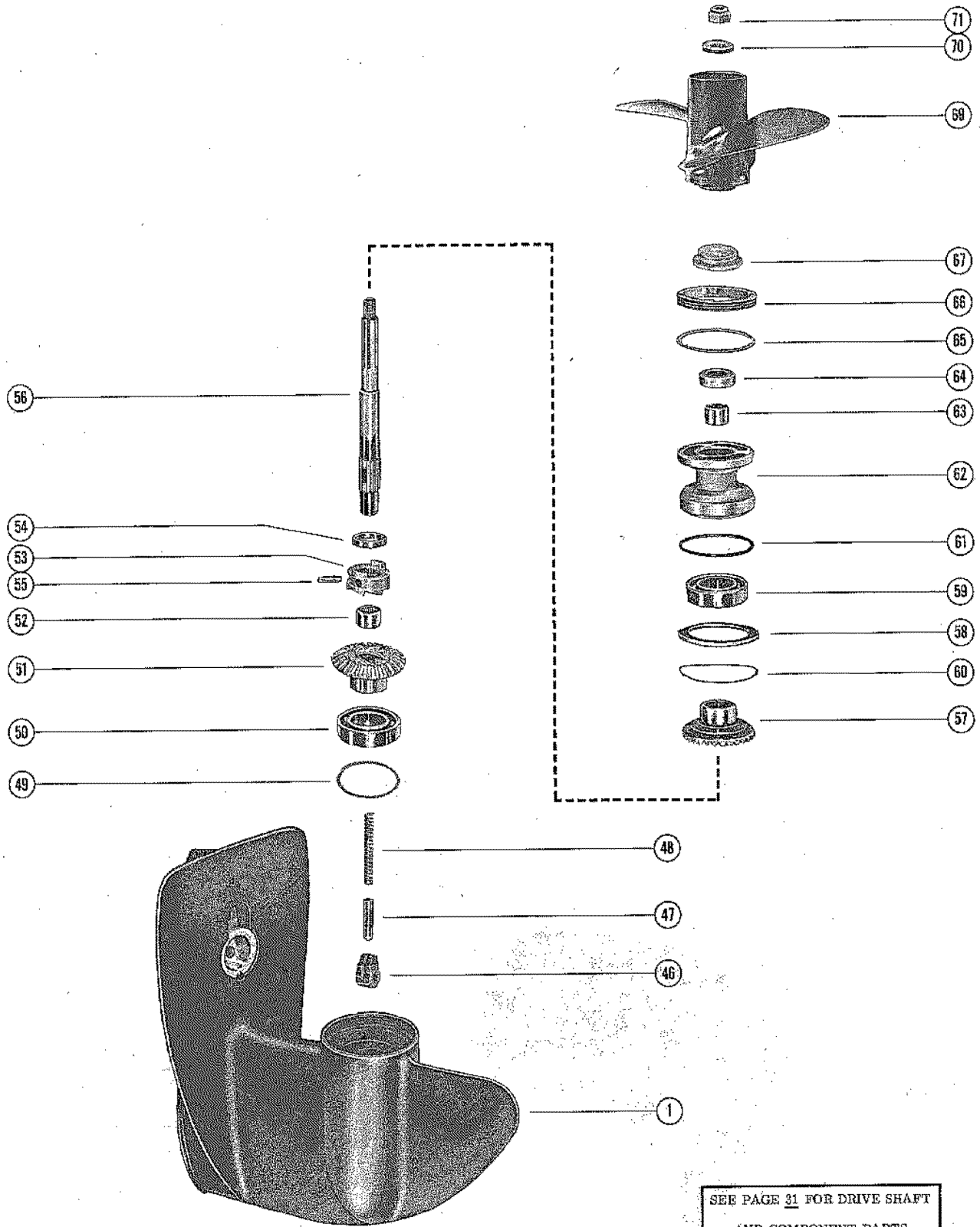


SEE PAGE 34 FOR PROPELLER
SHAFT AND COMPONENT PARTS

GEAR HOUSING ASSEMBLY, COMPLETE (PAGE 1)

REF. NO.	PART NO.	SYM.	QTY.	DESCRIPTION
24	15-30527A1		AR	SHIM ASSEMBLY, BALL BEARING TO GEAR HOUSING (.002-3-5-10)
25	30-33076		1	BEARING, BALL - DRIVE SHAFT
26	53-30523		1	RING, RETAINING - BALL BEARING TO DRIVE SHAFT
27	15-30527A1		AR	SHIM ASSEMBLY, BALL BEARING TO GEAR HOUSING (.002-3-5-10)
28	46-46893A3		1	WATER PUMP HOUSING ASSEMBLY
29	25-29439		1	"O" RING, WATER PUMP HOUSING
30	26-30900		1	OIL SEAL, WATER PUMP HOUSING
31	26-33613		1	SEAL, WATER INTAKE TUBE
32	32-34293		1	TUBE, WATER INTAKE
33	46894		1	INSERT, WATER PUMP HOUSING
34	28-56655		1	KEY, IMPELLER DRIVE
35	47-39074		1	IMPELLER, WATER PUMP
36	46895		1	PLATE, FACE - WATER PUMP HOUSING TO WATER PUMP COVER
37	46896A2		1	WATER PUMP COVER ASSEMBLY
38	26-36558		1	SEAL, WATER PUMP COVER
39	12-36554		1	WASHER, NYLON - WATER PUMP COVER
40	26-30913		1	OIL SEAL, WATER PUMP COVER
41	12-20533		2	WASHER, WATER PUMP HOUSING AND COVER STUDS
42	11-35045		2	NUT, WATER PUMP HOUSING AND COVER STUDS
43	25-30526		1	RING, RUBBER - CENTRIFUGAL SLINGER (DRIVE SHAFT)
44	23-31792		1	SLEEVE, GUIDE - WATER INLET TUBE
45	25-21720		1	"O" RING, UPPER - DRIVE SHAFT SERIAL 00000000-#3488152

GEAR HOUSING ASSEMBLY, COMPLETE (PAGE 2)

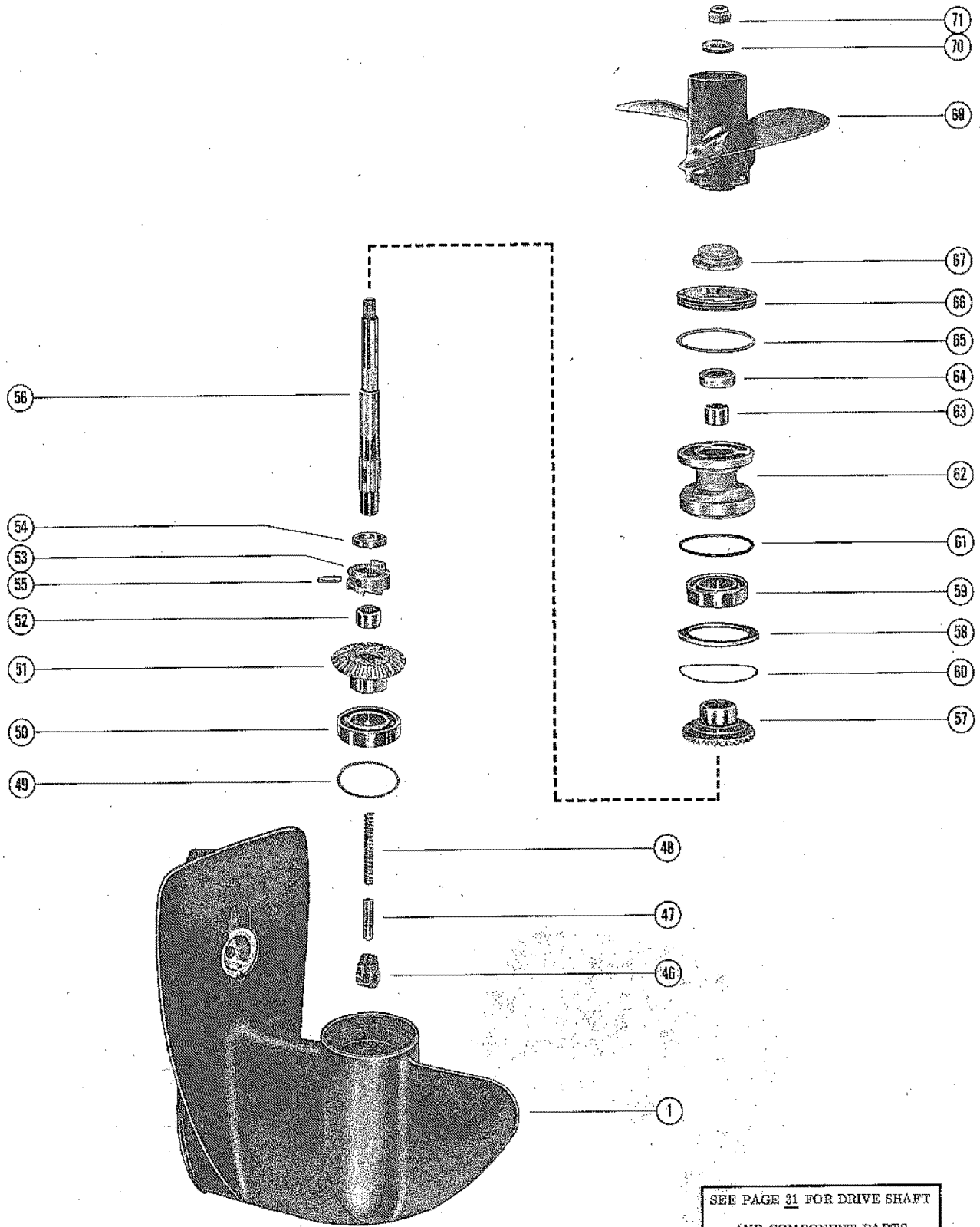


GEAR HOUSING ASSEMBLY, COMPLETE (PAGE 2)

REF. NO.	PART NO.	SYM.	QTY.	DESCRIPTION
-	1630-4407A4		1	GEAR HOUSING ASSEMBLY, COMPLETE (SHORT SHAFT) SEE NOTE BEOW SERIAL 00000000-#3488152
-	1630-4407A5		1	GEAR HOUSING ASSEMBLY, COMPLETE (LONG SHAFT) SEE NOTE BEOW SERIAL 00000000-#3488152
-	1630-4921A3		1	GEAR HOUSING ASSEMBLY, COMPLTE (SHORT SHAFT) SEE NOTE BEOW SERIAL #3488153-09999999
-	1630-4921A2		1	GEAR HOUSING ASSEMBLY, COMPLETE (LONG SHAFT) SEE NOTE BEOW SERIAL #3488153-09999999
1	1630-4407A1		1	GEAR HOUSING ASSEMBLY SEE PAGE 31 FOR BREAKDOWN SERIAL 00000000-#3488152
	1630-4921A1		1	GEAR HOUSING ASSEMBLY SEE PAGE 31 FOR BREAKDOWN SERIAL #3488153-09999999
46	58981		1	CAM, SHIFT
47	31334		1	FOLLOWER, SHIFT CAM
48	24-31333		1	SPRING, COMPRESSION - CAM FOLLOWER
49	15-30522A1		AR	SHIM ASSEMBLY, BALL BEARING TO HOUSING (.002-3-5-10)
50	30-21889		1	BEARING, BALL - FORWARD GEAR
51	43-48577		1	FORWARD GEAR ASSEMBLY
52	31-22458		1	BEARING, ROLLER - FORWARD GEAR
53	52-47581		1	RATCHET, SLIDING CLUTCH (SERIAL #3488152 AND BELOW)
	52-63314		1	RATCHET, SLIDING CLUTCH (SERIAL #3488153 AND UP)
54	53-32449		1	RING, RETAINING - CROSS PIN
55	17-30535		1	PIN, CROSS - RATCHET TO PROPELLER SHAFT
56	44-47851		1	SHAFT, PROPELLER (SERIAL #3488152 AND BELOW)
	44-63312		1	SHAFT, PROPELLER (SERIAL #3488153 AND UP)
57	43-48578		1	REVERSE GEAR ASSEMBLY (SERIAL #3488152 AND BELOW)
	43-63316		1	REVERSE GEAR ASSEMBLY (SERIAL #3488153 AND UP)
58	12-30531		1	WASHER, THRUST - REVERSE GEAR
59	30-21889		1	BEARING, BALL - REVERSE GEAR
60	15-30532A1		AR	SHIM ASSEMBLY, THRUST WASHER TO HOUSING (.002-3-5-10)
61	25-30529		1	"O" RING, BEARING CARRIER
62	30541A1		1	BEARING CARRIER ASSEMBLY SERIAL 00000000-#3488152
	63317A1		1	BEARING CARRIER ASSEMBLY SERIAL #3488153-09999999
63	31-22458		1	BEARING, ROLLER - BEARING CARRIER
64	26-30530		1	OIL SEAL, BEARING CARRIER
65	12-30528		1	WASHER, GEAR HOUSING COVER
66	30537		1	COVER, GEAR HOUSING
67	23-63466		1	COLLAR, PROPELLER GUIDE

CONTINUED ON NEXT PAGE ➡

GEAR HOUSING ASSEMBLY, COMPLETE (PAGE 2)



GEAR HOUSING ASSEMBLY, COMPLETE (PAGE 2)

REF. NO.	PART NO.	SYM.	QTY.	DESCRIPTION
69	48-47670A1		1	PROPELLER ASSEMBLY (SHIPPED WITH ENGINE FROM FACTORY)
	48-47922A1		OPT	PROPELLER ASSEMBLY
70	23-27024		1	SPACER, SPLINED - PROPELLER SHAFT
71	11-34933		1	NUT, PROPELLER SERIAL 00000000-#3488152
	11-64075		1	NUT, PROPELLER SERIAL #3488153-09999999

PARTS INDEX

Part Number	Description	Pg.	Ref. No.	Part Number	Description	Pg.	Ref. No.
20155	RETAINER, STARTER SPRING	3	27	39047	SHAFT, SHIFT CONTROL	25	9
20203	DISC, FRICTION - CLAMP PLATE AND SWIVEL BRACKET	49	34	39058	SEAL, SHIFT HANDLE - BOTTOM COWL	39	16
20203	DISC, FRICTION - CLAMP PLATE AND SWIVEL BRACKET (THICK)	45	42	39071	BLANKET, SOUND ABSORBING - TOP COWL	3	4
22833	ADAPTOR, CHECK UNIT (FUEL LINE)	17	15	39080	BLANKET, SOUND ABSORBING - TOP COWL	3	3
22833	ADAPTOR, CHECK UNIT (FUEL LINE)	23	5	39083	HANDLE, COWL LATCH ROD (PORT)	39	31
23069	STEM, CHECK UNIT ADAPTOR	17	17	39088A1	COWL LATCH ASSEMBLY, TOP COWL	3	21
23069	STEM, CHECK UNIT ADAPTOR	23	6	39098	HANDLE, COWL LATCH ROD (STARBOARD)	39	32
24789A1	FLUSHING ASSEMBLY	1	-	39099	BRACKET, COWL LATCH ROD	39	28
26179	RETAINER, SHEAVE SHAFT TO STARTER SHEAVE	3	36	39144	MOUNT, RUBBER - BOTTOM COWL TO ADAPTOR PLATE (PORT)	39	18
28748	RETAINER, STARTER CABLE AND HANDLE	5	43	39145	MOUNT, RUBBER - BOTTOM COWL TO ADAPTOR PLATE (STARBOARD)	39	17
29359	LUBRICAP, GREASE FITTING - SWIVEL BRACKET	45	21	39146	MOUNT, RUBBER - BOTTOM COWL TO ADAPTOR PLATE (REAR)	39	24
30188	CUP WASHER, ADAPTOR	17	20	39147	ADAPTOR, REAR MOUNT TO BOTTOM COWL	39	21
30188	CUP WASHER, ADAPTOR	23	9	39474	ANCHOR, LATCH - BOTTOM COWL	39	10
30537	COVER, GEAR HOUSING	55	66	39601	PLATE, DETENT SPRING	25	14
30541A1	BEARING CARRIER ASSEMBLY	55	62	45757	TILT TUBE, CLAMP TO SWIVEL BRACKET	45	6
30595	PLATE, RETAINER - STARTER PAWL	5	39	45757	TILT TUBE, CLAMP TO SWIVEL BRACKET	49	6
30596	PAWL, STARTER	3	33	46172	COVER, EXHAUST MANIFOLD	31	38
30646A2	MOUNT ASSEMBLY (LOWER AND UPPER) - SEE NOTE BELOW	43	16	46235	PLATE, BAFFLE - EXHAUST MANIFOLD	29	36
30782	HANDLE, STARTER CABLE	5	42	46894	INSERT, WATER PUMP HOUSING	53	33
30815	LINK, REVERSE LOCK LEVER	45	27	46895	PLATE, FACE - WATER PUMP HOUSING TO WATER PUMP COVER	53	36
31334	FOLLOWER, SHIFT CAM	55	47	46896A2	WATER PUMP COVER ASSEMBLY	53	37
32021	BUMPER, THRUST - SADDLE	43	15	47259A1	BLOCK ASSEMBLY, DRIVE SHAFT LONG SHAFT	43	12
34363A4	THROTTLE CAM BRACKET ASSEMBLY	9	20	47604A1	PROTECTOR ASSEMBLY, SPARK PLUG	7	16
35558	SHAFT, SHEAVE	5	40	47899A9	LEAD ASSEMBLY, HIGH TENSION	7	14
35860	CO-PILOT DISC	45	38	48003	PIVOT, STEERING HANDLE TO BRACKET	37	9
36017	STOP, NEUTRAL SPEED LIMITER	27	10	53041	COVER, LOWER MOUNT	43	18
38938	BOOT, CABLE	11	36	53188	LEVER, CHOKE	15	7
38938	BOOT, LEAD ASSEMBLY	9	34	53191	SHUTTER AND SCREEN, CHOKE - CARBURETOR	15	3
38950A1	COVER ASSEMBLY, STOP SWITCH	41	39	53200	KNOB, CHOKE	15	9
39025	COVER, TRIM - DRIVE SHAFT HOUSING	43	5	53238A3	FUEL PUMP ASSEMBLY	17	1
39027	SHIELD, TOP COWL - REAR	3	18	53241	BASE, FUEL PUMP	17	6
39039	STRIP, RUBBER - FRONT COVER	3	7				
39043	SEAL, STARTER HOUSING TO TOP COWL	3	12				
39044	SEAL, RUBER - ADAPTOR PLATE	39	4				

PARTS INDEX

Part Number	Description	Pg.	Ref. No.	Part Number	Description	Pg.	Ref. No.
53267A1	REVERSE LOCK LEVER ASSEMBLY	45	28	60933A2	ADAPTOR PLATE ASSEMBLY	39	1
53435	BRACKET, STOP	45	29	61007	RETAINER, ROD - REVERSE LOCK	49	23
54641A1	SHAFT ASSEMBLY, SHIFT (LONG SHAFT)	51	14	61008	RETAINER, REVERSE LOCK CAM	43	24
54641A1	SHAFT ASSEMBLY, SHIFT (SHORT SHAFT)	51	14	61155	COVER, TRANSFER PORT	29	29
55851	LEVER, TILT STOP	47	52	61296	PLATE, CLAMP - CO-PILOT	47	43
55860	PULLEY, STARTER CABLE	3	14	61532	COVER, IGNITION COIL	7	11
56069	ANCHOR, LATCH - BOTTOM COWL	39	10	61541	COVER, FUEL PUMP	17	8
56316A3	CABLE ASSEMBLY, STATOR HOUSING (WHITE - 12 3/4")	9	35	61602	PLATE, LOCKING - CLAMP PLATE ADJUSTING SCREW	47	51
56317A3	CABLE ASSEMBLY, STATOR HOUSING (BROWN - 15 1/4")	11	35	61629A1	BRACKET ASSEMBLY, STEERING ARM	37	15
56318A5	LEAD ASSEMBLY, MODULE TO IGNITION COIL (GREEN 13 7/8")	9	33	61641	CAM, THROTTLE	9	26
56318A6	LEAD ASSEMBLY, MODULE TO IGNITION COIL (GREEN - 10 3/4")	9	32	62024	LEVER, CONTROL - REVERSE LOCK	47	49
56319A6	LEAD ASSEMBLY, STOP SWITCH (SALMON - 15 3/4")	9	28	62251	CAP, HANDLE THROTTLE	37	2
56352	BRACKET, COIL SUPPORT	7	18	62256	ROD, LINK - REVERSE LOCK LEVER	45	33
56377	SEAL, TOP COWL (42 1/8")	3	2	62257A2	LINK ASSEMBLY, REVERSE LEVER	45	32
56663	ROD, REVERSE LOCK TO SWIVEL BRACKET	45	25	62342	DISC, FRICTION - CLAMP PLATE AND SWIVEL BRACKET (THIN)	45	41
56712	NOZZLE, TELL TALE	41	36	62639A1	GEAR AND SHAFT, THROTTLE CONTROL	27	13
56757A3	LEAD ASS'Y CONDENSER TO BOTTOM COWL (BLACK - 14 1/2")	9	30	63307A2	STARTER HOUSING ASSEMBLY	3	10
56762	STA-STRAP	11	39	63308A1	FOLLOWER ASSEMBLY, NEUTRAL SPEED LIMITER	27	5
57821	INSERT, ROPE GUIDE - STARTER HOUSING	3	11	63310A1	LEVER ASSEMBLY, TILT STOP	49	38
58114A2	STARTER HOUSING ASSEMBLY	3	10	63317A1	BEARING CARRIER ASSEMBLY	55	62
58981	CAM, SHIFT	55	46	63551	ROD, REVERSE LOCK TO SWIVEL BRACKET	49	20
59000	THROTTLE LEVER	15	1	63553	LEVER, CONTROL - TROLL BRACKET	49	28
59060	BOOT, LEAD ASSEMBLY	9	29	63554	GUIDE, SPRING	49	26
59065A1	STOP SWITCH ASSEMBLY	41	38	63555	SHIFT SHAFT (SERIAL #3488153 AND UP)	25	18
59100	COVER, AIR INTAKE - BOTTOM COWL	39	14	63556A1	SHAFT ASSEMBLY, SHIFT (SHORT SHAFT)	51	14
59107	HANDLE, SHIFT CONTROL	25	1	63557A1	SHAFT ASSEMBLY, SHIFT (LONG SHAFT)	51	14
59170A3	THUMB SCREW ASSEMBLY	45	3	63559	BRACKET, TROLL	49	24
59170A3	THUMB SCREW ASSEMBLY	49	3	63586A2	ADAPTOR PLATE ASSEMBLY	39	1
59796A1	GROUND WIRE, RUBBER MOUNT SCREW AND NUT	41	45	63628	LEVER, REVERSE LOCK	49	22
60850	ARM, STEERING HANDLE	37	6	63629	LINK ROD, REVERSE LOCK	43	20
60850A4	STEERING HANDLE ASSEMBLY, COMPLETE	37	-	63645	SCREEN, CARBURETOR	23	11
60851	SHAFT, THROTTLE	37	3	63646	LEVER, THROTTLE	19	37
60854	GRIP, HANDLE - THROTTLE	37	1	63647	PLATE, CLAMP - CO-PILOT	49	35
60857A2	UNIVERSAL JOINT ASSEMBLY	37	12	63648	ROD, COWL LATCH - BOTTOM COWL	39	27
60860	LEVER, THROTTLE CONTROL	27	16	63673	LEVER, SHIFT CONTROL (REMOTE)	25	7

PARTS INDEX

Part Number	Description	Pg.	Ref. No.	Part Number	Description	Pg.	Ref. No.
63839	CAM, THROTTLE	9	26	10-24624	SCREW, CRANKCASE TO CYLINDER BLOCK (1 3/4")	29	14
63906	CABLE, CHOKE	23	15				
63980	KNOB, CHOKE	23	13	10-25764	SCREW, PLATE AND SPRING TO ADAPTOR PLATE (1/2")	25	15
63991A1	CARRIER ASSEMBLY, SEAL CRANKSHAFT SERIAL AND UP	33	2	10-25822	SCREW, STRAINER COVER	13	18
64004	CO-PILOT DISC	49	31	10-26801	SCREW, MAIN BEARING LOCKING (5/8")	29	16
64076	BUMPER, THRUST - SADDLE	43	15	10-27304	SCREW, REED STOP MOUNTING	33	10
64194A1	COVER ASSEMBLY, STRAINER (INLET)	19	31	10-27791	SCREW, ANCHOR - TILT STOP LEVER	47	55
64247	VENTURI	19	21	10-28405	SCREW, PLUG - MAIN FUEL JET CHANNEL	13	33
64988	SEAL, CRANKSHAFT CARRIER	33	3	10-28634	SCREW, FLUSH - DRIVE SHAFT HOUSING	43	8
65216	CAM, REVERSE LOCK	43	23	10-28634	SCREW, GREASE FILLER HOLE	51	10
65418A1	HANDLE, THROTTLE SHAFT	37	4	10-28642	SCREW, DRIVE - SERIAL PLATE TO SWIVEL BRACKET	45	20
10-20100	SCREW, SCREEN TO CARBURETOR	23	12	10-28642	SCREW, WATER INTAKE SCREEN TO GEAR HOUSING	51	9
10-20512	SCREW, TRIM COVER TO BOTTOM COWL (7/16")	43	6	10-28653	SCREW, GREASE VENT HOLE	51	13
10-20597	SCREW, THROTTLE LEVER TO CARBURETOR	15	2	10-28668	SCREW, BAFFLE PLATE AND MANIFOLD COVER MOUNTING (3/4")	31	39
10-20646	SCREW, REAR SHIELD TO TOP COWL (5/8")	3	19	10-28707	SCREW, THROTTLE CAM TO CAM BRACKET (1/2")	9	27
10-20653	SCREW, LIMITER FOLLOWER TO BOTTOM COWL (1 1/8")	27	6	10-28710	SCREW, NEUTRAL SPEED LIMITER STOP TO FOLLOWER (5/8")	27	11
10-20665	SCREW, PORT COVER TO CYLINDER BLOCK (1/2")	29	30	10-28789	SCREW, CABLE PULLEY TO STARTER HOUSING (3/4")	3	15
10-20847	SCREW, THROTTLE LEVER ATTACHING	19	38	10-28845	SCREW, PLUG - BODY CHANNEL	13	28
10-20847	SCREW, THROTTLE STOP LEVER	13	19	10-29200	SCREW, FUEL PUMP TO ANCHOR (5/8")	17	7
10-21091	SCREW, CYL. BLOCK COVER TO CYL. BLOCK (1 1/8")	29	33	10-29237	SCREW, RETAINING - TILT STOP LEVER	47	53
10-21091	SCREW, LIMITER FOLLOWER TO BOTTOM COWL (1 1/8")	27	6	10-29326	BOLT, CLAMP BRACKET TO BOAT	45	14
10-22483	SCREW, LATCH ANCHOR TO BOTTOM COWL (1 1/8")	39	11	10-29326	BOLT, CLAMP BRACKET TO BOAT	49	14
10-22486	SCREW, ADAPTOR PLATE TO DRIVE SHAFT HOUSING (7/8")	39	6	10-30009	SCREW, AIR INTAKE COVER TO BOTTOM COWL (3/8")	39	15
10-22486	SCREW, COWL LATCH BRACKET TO BOTTOM COWL (7/8")	39	29	10-30009	SCREW, GROUND CABLE TO GROUND LATCH ROD	41	47
10-22486	SCREW, REAR MOUNT ADAPTOR TO BOTTOM COWL (7/8")	39	22	10-30376	SCREW, PINION GEAR TO DRIVE SHAFT	51	22
10-23015	SCREW, ADJUSTING - THROTTLE ADVANCE (1")	27	18	10-30663	SCREW, STATOR GROUND WIRE TO BOTTOM COWL	9	31
10-23015	SCREW, ADJUSTING - THROTTLE CONTROL (1")	29	5	10-30679	SCREW, CO-PILOT DISC TO SADDLE	45	39
10-23035	SCREW, CHOKE SHUTTER TO CHOKE SHAFT	19	20	10-30679	SCREW, CO-PILOT DISC TO SADDLE (2 1/4")	49	32
10-23178	SCREW, PLUG - IDLE TUBE	19	41				
10-23178	SCREW, PLUG - MAIN NOZZLE	13	30				

PARTS INDEX

Part Number	Description	Pg.	Ref. No.	Part Number	Description	Pg.	Ref. No.
10-31294	SCREW, BRACKET TO CYLINDER BLOCK (1")	7	19	10-59795	SCREW, RUBBER MOUNT TO BOTTOM COWL (1/2")	39	19
10-31294	SCREW, CRANKCASE TO CYLINDER BLOCK (1")	29	13	10-59800	SCREW, MODULE TO STATOR (9/16")	9	4
10-32627	SCREW, FUEL PUMP TO BASE (1 1/2")	17	10	10-60355	SCREW, LINK TO SWIVEL BRACKET	45	34
10-34222	SCREW, TELL TALE NOZZLE TO BOTTOM COWL	41	37	10-60491	SCREW, COVER TO MODULE (5/8")	9	2
10-34439	SCREW, COWL LATCH TO TOP COWL (3/4")	3	24	10-61010	SCREW, CAM RETAINER TO DRIVE SHAFT HOUSING (3/4")	43	21
10-34696	SCREW, THROTTLE CONTROL LEVER TO CAM BRACKET (3/4")	9	23	10-61530	SCREW, COIL COVER TO REAR SUPPORT BRACKET (2 1/8")	7	12
10-35400	SCREW, HOLD DOWN PLATE TO STATOR (7/16")	9	15	10-62233	SCREW, DETENT SPRING TO STEERING ARM BRACKET (5/8")	37	16
10-36046	SCREW, MODULE - COIL LEADS (1/4")	9	5	10-62269	SCREW, CONDENSER ATTACHING (7/16")	9	12
10-36205	SCREW, RING CLAMP TO BEARING HOUSING (9/16")	29	25	10-62506	SCREW, CLAMP PLATE ADJUSTING	47	44
10-36398	SCREW, SWIVEL BRACKET	49	42	10-62506	SCREW, CLAMP PLATE ADJUSTING (1 5/8")	49	36
10-37923	SCREW, ADAPTOR TO BOTTOM COWL (1 1/4")	23	10	10-63311	SCREW, TILT STOP LEVER	49	39
10-39002	SCREW, UPPER BEARING HOUSING (1/2")	29	27	10-64074	SCREW, STEERING HANDLE TO ARM BRACKET (5/8")	37	11
10-39149	SCREW, SHIFT SHAFT BUSHING RETAINER	51	19	11-20061	NUT, CONNECTING ROD SCREW	35	4
10-39154	SCREW, CONNECTING ROD	35	2	11-20166	NUT, SHEAVE SHAFT (LEFT HAND THREAD)	3	26
10-45817	SCREW, LOWER MOUNT COVER TO MOUNT (7/16")	43	19	11-20361	NUT, FRONT COVER STUD	3	9
10-45862	SCREW, CHOKE CABLE TO CARBURETOR	23	16	11-20361	NUT, SECTOR GEAR TO SHIFT CONTROL SHAFT	25	12
10-46962	SCREW, STARTER HOUSING TO CRANKCASE (1")	3	13	11-20645	NUT, LOCK - THROTTLE ADVANCE ADJUSTING SCREW	27	19
10-47225	SCREW, BLOCK TO DRIVE SHAFT HSG. (1 1/4") LONG SHAFT	43	13	11-20645	NUT, STATOR LEAD TO STOP SWITCH	41	44
10-47910	SCREW, THROTTLE CONTROL HOUSING TO BOTTOM COWL (5/8")	27	4	11-20645	NUT, THROTTLE CONTROL ADJUSTING SCREW	29	6
10-52195	SCREW, FLOAT BOWL COVER (SHORT)	13	10	11-20696	NUT, FLYWHEEL	7	5
10-52196	SCREW, FLOAT BOWL COVER (LONG)	13	11	11-21971	NUT, STOP SWITCH TO BOTTOM COWL	41	42
10-53296	SCREW, CAM BRACKET TO STATOR PLATE (1/2")	9	22	11-24652	NUT, DRIVE SHAFT HOUSING TO POWERHEAD STUDS	43	11
10-55298	SCREW, SPRING TO CARBURETOR	15	6	11-27164	NUT, COIL COVER SCREW	7	13
10-56266	SCREW, MAKER TO STATOR HOUSING (3/8")	9	19	11-28656	NUT, CONTROL LEVER SCREW	9	25
10-56354	SCREW, ADAPTOR TO BOTTOM COWL (1 1/4")	17	16	11-29598	NUT, CLAMP BRACKET STUD	45	11
10-56354	SCREW, BRACKET TO CYLINDER BLOCK (1 1/4")	7	19	11-29598	NUT, CLAMP BRACKET STUD	49	11
10-56354	SCREW, STARTER HOUSING TO CYLINDER BLOCK (1 1/4")	3	13	11-30499	NUT, TILT TUBE FASTENING	45	8
10-56781	SCREW, MAIN BEARING CLAMPING	33	6	11-34863	NUT, DRIVE SHAFT HOUSING STUD (3/8 - 24)	43	3
				11-34933	NUT, PROPELLER	57	71
				11-35045	NUT, TILT STOP LEVER SCREW	49	41

PARTS INDEX

Part Number	Description	Pg.	Ref. No.	Part Number	Description	Pg.	Ref. No.
11-35814	NUT, GEAR HOUSING TO DRIVE SHAFT HOUSING STUD (5/16 - 24)	43	4	12-22887	WASHER, CABLE PULLEY SCREW	3	16
11-39305	NUT, SHIFT HANDLE TO SHIFT CONTROL SHAFT	25	3	12-24676	WASHER, NEUTRAL SPEED LIMITER SPEED LIMITER STOP SCREW	27	12
11-45076	NUT, IGNITION COIL TERMINAL	7	10	12-29245	WASHER, SHIFT CONTROL SHAFT	25	11
11-45076	NUT, MODULE - IGNITION COIL LEAD TERMINALS	9	7	12-29245	WASHER, SHIFT CONTROL SHAFT	25	2
11-46887	NUT, ADAPTOR PLATE TO REAR RUBBER MOUNT	39	26	12-30528	WASHER, GEAR HOUSING COVER	55	65
11-46887	NUT, ADAPTOR PLATE TO RUBBER MOUNT	39	20	12-30531	WASHER, THRUST - REVERSE GEAR	55	58
11-46887	NUT, BRACKET SCREW	7	20	12-30971	WASHER, SPEED LIMITER FOLLOWER SCREW	27	7
11-46887	NUT, CARBURETOR ATTACHING	23	19	12-31433	WASHER, NEEDLE BEARING RETAINING	35	5
11-46887	NUT, CARBURETOR MOUNTING STUD	13	37	12-31782	WASHER, CLAMP BRACKET SCREW	45	15
11-46887	NUT, CO-PILOT DISC FASTENING SCREW	45	40	12-31782	WASHER, CLAMP BRACKET SCREW	49	15
11-46887	NUT, CO-PILOT DISC FASTENING SCREW	49	33	12-34392	WASHER, CONTROL LEVER SCREW	9	24
11-46887	NUT, CRANKCASE FASTENING SCREW	29	15	12-35462	WASHER, CLAMP PLATE ADJUSTING SCREW	47	47
11-46887	NUT, CYLINDER BLOCK COVER MOUNTING SCREW	29	34	12-35462	WASHER, CLAMP PLATE ADJUSTING SCREW	49	37
11-46887	NUT, DRIVE SHAFT HOUSING TO POWERHEAD STUDS	43	11	12-35559	WASHER, SHEAVE SHAFT RETAINER	3	37
11-46887	NUT, STEERING ARM BRACKET FASTENING SCREW	37	19	12-36282	WASHER, FLYWHEEL NUT	7	4
11-46887	NUT, TILT STOP LEVER ANCHOR SCREW	47	57	12-36554	WASHER, NYLON - WATER OUTLET TUBE (ADAPTOR PLATE)	39	2
11-46887	NUT, TILT STOP LEVER RETAINING SCREW	47	54	12-36554	WASHER, NYLON - WATER PUMP COVER	53	39
11-56041	NUT, TILT TUBE FASTENING	49	8	12-36555	WASHER, NYLON - INTAKE TUBE SEAL	51	7
11-56325	NUT, CABLE INSULTOR	11	38	12-37828	WASHER, SHIFT CONTROL SHAFT	25	5
11-56374	NUT, CLAMP BRACKET SCREW	45	16	12-52864	WASHER, TILT TUBE - CLAMP TO SWIVEL BRACKET	45	5
11-56374	NUT, CLAMP BRACKET SCREW	49	16	12-52864	WASHER, TILT TUBE - CLAMP TO SWIVEL BRACKET	49	5
11-62505	NUT, CLAMP PLATE ADJUSTING SCREW	47	46	12-59061	WASHER, STATOR LEAD TO STOP SWITCH	41	40
11-63912	NUT, CHOKE CABLE TO BOTTOM COWL	23	14	12-62252	WASHER, THROTTLE HANDLE TO STEERING ARM	37	5
11-64075	NUT, PROPELLER	57	71	13-20160	WASHER, WAVE - RETAINER TENSION	3	38
12-20128	WASHER, FUEL PUMP SCREW	17	11	13-20846	WASHER, WAVE - LEVER ANCHOR SCREW	47	56
12-20214	WASHER, THUMB SCREW	45	4	13-21972	LOCKWASHER, STOP SWITCH CONNECTOR	41	41
12-20214	WASHER, THUMB SCREW	49	4	13-26992	LOCKWASHER, ADAPTOR PLATE SCREW	39	7
12-20260	WASHER, GREASE FILLER HOLE SCREW	51	11	13-26992	LOCKWASHER, CAM RETAINER SCREW	43	22
12-20260	WASHER, SEALING - FLUSH SCREW	43	9				
12-20262	WASHER, GREASE VENT HOLE SCREW	51	12				

PARTS INDEX

Part Number	Description	Pg.	Ref. No.	Part Number	Description	Pg.	Ref. No.
13-26992	LOCKWASHER, CLAMP BRACKET STUD	45	10	15-31412A1	SHIM, UPPER HOUSING TO CYLINDER BLOCK (.002-3-5-10)	29	18
13-26992	LOCKWASHER, CLAMP BRACKET STUD	49	10	15-33910015	SHIM, STATOR PLATE TO UPPER END CAP	9	16
13-26992	LOCKWASHER, COWL LATCH BRACKET SCREW	39	30	15-48002015	SHIM, STEERING HANDLE PIVOT TO BRACKET (.015)	37	10
13-26992	LOCKWASHER, LATCH ANCHOR SCREW	39	12	15-64653A1	SHIM ASSEMBLY, GEAR AND SHAFT (LOWER)	27	14
13-26992	LOCKWASHER, REAR MOUNT	39	25	16-21723	STUD, CARBURETOR MOUNTING	29	3
13-26992	LOCKWASHER, REAR MOUNT ADAPTOR SCREW	39	23	16-33526	STUD, BLOCK AND CRANKCASE TO DRIVE SHAFT HOUSING	29	2
13-26995	LOCKWASHER, FLOAT BOWL COVER SCREW	13	12	16-56299	STUD, DRIVE SHAFT HOUSING TO GEAR HOUSING (2 5/16")	43	2
13-26996	LOCKWASHER, CHOKE CABLE SCREW	23	17	16-58136	STUD, WATER PUMP HOUSING TO GEAR HOUSING (2 3/4")	51	3
13-26996	LOCKWASHER, IGNITION COIL TERMINAL	7	9	16-58138	STUD GEAR HOUSING TO DRIVE SHAFT HOUSING (3 7/16")	51	2
13-26996	LOCKWASHER, MODULE - IGNITION COIL LEAD TERMINALS	9	6	16-59622	STUD, CLAMP BRACKET	45	9
13-26996	LOCKWASHER, REAR SHIELD SCREW	3	20	16-59622	STUD, CLAMP BRACKET	49	9
13-26996	LOCKWASHER, STATOR LEAD TO STOP SWITCH	41	43	17-20032	PIN, DOWEL - LOCATING	51	5
13-31030	WASHER, WAVE - LEVER ANCHOR SCREW	49	40	17-20032	PIN, DOWEL - MAIN BEARING	33	5
13-34632	WASHER, WAVE - LINK SCREW	45	35	17-20032	PIN, DOWEL - MAIN BEARING TO BLOCK	33	7
13-35629	WASHER, WAVE - BREAKER CAM TENSION	7	6	17-21438	PIN, DOWEL - CRANKCASE TO CYLINDER BLOCK	29	4
13-36206	WASHER, WAVE - SHIFT CONTROL SHAFT	25	6	17-22896	PIN, RETAINER - STARTER CABLE	3	31
13-36206	WASHER, WAVE - STARTER PAWL	3	32	17-25319	PIN, ROLL - HANDLE TO COWL LATCH ROD	41	34
13-48239	WASHER, WAVE - CLAMP PLATE ADJUSTING SCREW	47	48	17-25319	ROLL PIN, SPRING GUIDE	49	27
13-63631	WASHER, WAVE - TROLL BRACKET LEVER	49	29	17-27006	ROLL PIN, RELEASE LINK	45	36
14-20091	TAB WASHER, MAIN BEARING LOCKING SCREW	29	17	17-27088	PIN, BALL GEAR TO THROTTLE SHAFT	37	8
14-20165	TAB WASHER, SHEAVE SHAFT NUT	3	25	17-27088	PIN, BALL GEAR TO UNIVERSAL JOINT	37	14
14-30377	TAB WASHER, PINION GEAR TO DRIVE SHAFT SCREW	51	21	17-27088	PIN, ROLL - THROTTLE CONTROL LEVER TO THROTTLE CONTROL SHAFT	27	17
15-30522A1	SHIM ASSEMBLY, BALL BEARING TO HOUSING (.002-3-5-10)	55	49	17-30535	PIN, CROSS - RATCHET TO PROPELLER SHAFT	55	55
15-30527A1	SHIM ASSEMBLY, BALL BEARING TO GEAR HOUSING (.002-3-5-10)	53	24	17-30688	SWIVEL PIN, SWIVEL BRACKET TO SADDLE	45	37
15-30527A1	SHIM ASSEMBLY, BALL BEARING TO GEAR HOUSING (.002-3-5-10)	53	27	17-39049	PIN, SHIFT LEVER TO SHIFT CONTROL SHAFT	25	8
15-30532A1	SHIM ASSEMBLY, THRUST WASHER TO HOUSING (.002-3-5-10)	55	60	17-39095	PIN, ROLL - SPRING TO COWL LATCH	3	23
				17-55453	PIN, DOWEL - REED LOCATING	33	5
				17-55952A1	TILT LOCK PIN ASSEMBLY	45	13
				17-55952A1	TILT LOCK PIN ASSEMBLY	49	13
				17-63905	SWIVEL PIN, SWIVEL BRACKET TO SADDLE	49	30

PARTS INDEX

Part Number	Description	Pg.	Ref. No.	Part Number	Description	Pg.	Ref. No.
18-45882	COTTER PIN, REVERSE LOCK LEVER TO ROD . . .	49	21	23-63932	SPACER, CHOKE CABLE SCREW	23	18
18-56206	COTTER PIN, REVERSE LOCK LEVER TO ROD . . .	45	26	23-64028	BUSHING, SWIVEL BRACKET	49	18
21-30430A2	CHECK VALVE ASSEMBLY .	17	2	24-23067	SPRING, ADAPTOR STEM .	17	19
21-56011A2	CHECK VALVE ASSEMBLY .	29	8	24-23067	SPRING, ADAPTOR STEM .	23	8
22-25885	ELBOW, TELL TALE - CYLINDER BLCOK	29	12	24-27160	SPRING, IDLE MIXTURE SCREW	19	4
22-31345	FITTING, GREASE - SWIVEL BRACKET	45	22	24-29340A1	SPRING, STARTER REWIND	3	28
22-53553	ELBOW, PRESSURE HOSE TO CYL. BLOCK (45)	17	13	24-31333	SPRING, COMPRESSION - CAM FOLLOWER	55	48
22-61294	ELBOW, INJECTION	29	11	24-31918	SPRING, TENSION - REVERSE LOCK LEVER .	45	31
22-61295A5	ELBOW ASSEMBLY, BLEED DRAIN	29	7	24-34731	SPRING, RING CLAMP SCREW	29	26
22-61544	ELBOW, PUMP OUTLET . . .	17	9	24-39042	SPRING, NEUTRAL SPEED LIMITER FOLLOWER	27	8
22-63981	FITTING, FUEL LINE TO ADAPTOR	23	4	24-39627	SPRING, DETENT - SHIFT CONTROL LEVER	25	13
23-26841	BUSHING, NYLON - REVERSE LOCK LEVER ROD	49	19	24-47744	SPRING, DETENT - STEERING HANDLE	37	17
23-26856	BUSHING, NYLON - REVERSE LOCK LEVER ROD	45	24	24-53190	SPRING, TENSION - CHOKE KNOB	15	8
23-27024	SPACER, SPLINED - PROPELLER SHAFT	57	70	24-53310	SPRING, CHOKE SHUTTER TO LEVER	15	4
23-28912	BUSHING, STARTER SPRING GUIDE	3	29	24-53456	SPRING, EXTENSION - STOP BRACKET	45	30
23-28919	BUSHING, NYLON - SHEAVE SHAFT SPACER	3	34	24-55299A1	SPRING ASSEMBLY, CARBURETOR	15	5
23-30676A1	BUSHING ASSEMBLY, SHIFT SHAFT	51	16	24-59174	SPRING, COMPRESSION - COWL LATCH	3	22
23-30677	BUSHING, NYLON - UPPER SHIFT SHAFT	25	16	24-62143	SPRING, TILT LOCK PIN . .	45	12
23-30678	BUSHING, NYLON - SHIFT CONTROL SHAFT	25	4	24-62143	SPRING, TILT LOCK PIN . .	49	12
23-30813	SPACER, TUBE - REVERSE LOCK LEVER ROD	45	23	24-63630	SPRING, EXTENSION - TROLL BRACKET	49	25
23-30972	BUSHING, SPEED LIMITER FOLLOWER SCREW	27	9	25-20415	"O" RING, ADAPTOR STEM .	17	18
23-30977	SPACER, CABLE PULLEY . .	3	17	25-20415	"O" RING, ADAPTOR STEM .	23	7
23-31011	BUSHING, NYLON - THROTTLE CONTROL SOCKET	27	1	25-20863	"O" RING, UPPER BEARING HOUSING	29	23
23-31792	SLEEVE, GUIDE - WATER INLET TUBE	53	44	25-21720	"O" RING, UPPER - DRIVE SHAFT	53	45
23-39578	SPACER, FRONT COVER STUD	3	8	25-25439	"O" RING, SWIVEL BRACKET	45	18
23-59573	SPACER, CLAMP PLATE ADJUSTING SCREW	47	50	25-26802	"O" RING, SHIFT SHAFT BUSHING	51	17
23-60762	BUSHING, NYLON - COWL LATCH ROD TO BOTTOM COWL	39	33	25-29439	"O" RING, WATER PUMP HOUSING	53	29
23-61005	SPACER, SHEAVE SHAFT .	3	35	25-30526	RING, RUBBER - CENTRIFUGAL SLINGER (DRIVE SHAFT)	53	43
23-61615	BUSHING, NYLON - GEAR AND SHAFT TO BOTTOM COWL	27	15	25-30529	"O" RING, BEARING CARRIER	55	61
23-63320	BUSHING, SPEED LIMITER FOLLOWER SCREW	27	9	25-36284	"O" RING, FLYWHEEL NUT .	7	3
				25-39054	GROMMET, CHOKE SHAFT - BOTTOM COWL	39	13
				25-39086	GROMMET, COWL LATCH - TOP COWL	3	5
				26-30530	OIL SEAL, BEARING CARRIER	55	64
				26-30696	OIL SEAL, SHIFT SHAFT BUSHING	51	18

PARTS INDEX

Part Number	Description	Pg.	Ref. No.	Part Number	Description	Pg.	Ref. No.
26-30900	OIL SEAL, WATER PUMP HOUSING	53	30	31-31410	BEARING, ROLLER - UPPER BEARING HOUSING	29	21
26-30913	OIL SEAL, WATER PUMP COVER	53	40	32-34293	TUBE, WATER INTAKE	53	32
26-33613	SEAL, RUBBER - WATER INTAKE TUBE	51	6	32-34395A1	TUBE, TELL TALE (11")	41	35
26-33613	SEAL, WATER INTAKE TUBE	53	31	32-39061	TUBE, WATER OUTLET (SHORT SHAFT)	43	7
26-36556	SEAL, RUBBER - WATER OUTLET TUBE (ADAPTOR PLATE)	39	3	32-39062	TUBE, WATER OUTLET (LONG SHAFT)	43	7
26-36558	SEAL, WATER PUMP COVER	53	38	32-52742A1	HOSE, PRESSURE - CYLINDER BLOCK TO FUEL PUMP (7 1/2")	17	12
26-56397	OIL SEAL, CRANKCASE (LOWER)	31	41	32-60584	HOSE, BLEED DRAIN (6 1/2")	29	9
26-56741	OIL SEAL, UPPER BEARING HOUSING	29	22	32-61618	FUEL LINE, ADAPTOR FUEL PUMP	17	21
27-22023	GASKET, CARBURETOR	13	36	32-63146	FUEL LINE, ADAPTOR TO CARBURETOR (3 1/4")	23	2
27-31434	GASKET, TRANSFER PORT COVER	29	28	32-64055	FUEL LINE, FUEL PUMP TO CARBURETOR (5 3/4")	17	22
27-31436	GASKET, CYLINDER BLOCK COVER	29	32	33-58194	SPARK PLUG (AC V40FFK)	7	17
27-39050	GASKET, ADAPTOR PLATE TO DRIVE SHAFT HOUSING	39	8	34-31942A1	REED SET, MATCHED - MAIN BEARING	33	8
27-39050	GASKET, ADAPTOR PLATE TO DRIVE SHAFT HOUSING	43	10	34-52925	REED STOP, MAIN BEARING REED VALVES	33	9
27-45748	GASKET, POWERHEAD TO ADAPTOR PLATE	39	5	35-33425	SCREEN, WATER INTAKE	51	8
27-45748A72	GASKET SET (MOTOR OVERHAUL)	1	-	37-60980A72	DECAL SET	1	-
27-46233	GASKET, BAFFLE PLATE TO EXHAUST MANIFOLD COVER	31	37	37-60980A73	DECAL SET	1	-
27-46233	GASKET, CYLINDER BLOCK TO BAFFLE PLATE	29	35	38-31042	SERIAL PLATE	45	19
27-46233A73	GASKET SET (MOTOR OVERHAUL)	1	-	39-21665A12	RING, PISTON	35	9
27-63309	GASKET, CARBURETOR FLANGE	21	44	40-21666	LOCK RING, PISTON PIN	35	8
28-20094	KEY, FLYWHEEL DRIVE	7	2	43-30802	GEAR, SECTOR - SHIFT CONTROL SHAFT (HORIZONTAL)	25	10
28-56655	KEY, IMPELLER DRIVE	53	34	43-48577	FORWARD GEAR ASSEMBLY	55	51
29-26815	BEARING, NEEDLE - CRANKPIN	35	3	43-48578	REVERSE GEAR ASSEMBLY (SERIAL #3488152 AND BELOW)	55	57
29-31505	BEARING, NEEDLE - PISTON PIN	35	6	43-48579	GEAR, PINION	51	20
30-20861	BEARING, BALL - CRANKCASE (LOWER)	31	40	43-55447	GEAR, SECTOR - SHIFT SHAFT (SEE NOTE BELOW)	25	17
30-20861	BEARING, BALL - UPPER BEARING HOUSING	29	20	43-60852	GEAR, BALL - THROTTLE SHAFT	37	7
30-21889	BEARING, BALL - FORWARD GEAR	55	50	43-60852	GEAR, BALL - UNIVERSAL JOINT	37	13
30-21889	BEARING, BALL - REVERSE GEAR	55	59	43-60856	GEAR, HORIZONTAL - THROTTLE CONTROL SOCKET	27	2
30-33076	BEARING, BALL - DRIVE SHAFT	53	25	43-63316	REVERSE GEAR ASSEMBLY (SERIAL #3488153 AND UP)	55	57
31-22458	BEARING, ROLLER - BEARING CARRIER	55	63	44-47851	SHAFT, PROPELLER (SERIAL #3488152 AND BELOW)	55	56
31-22458	BEARING, ROLLER - FORWARD GEAR	55	52	44-63312	SHAFT, PROPELLER (SERIAL #3488153 AND UP)	55	56
				45-39077	DRIVE SHAFT (LONG SHAFT)	51	23

PARTS INDEX

Part Number	Description	Pg.	Ref. No.	Part Number	Description	Pg.	Ref. No.
45-64257	DRIVE SHAFT (SHORT SHAFT)	51	23	336-4463	CONDENSER	9	11
45-64258	DRIVE SHAFT (LONG SHAFT)	51	23	336-4466	CAM, BREAKER	7	7
46-46893A2	RESISTANT WATER PUMP KIT	1	-	336-4467A1	COIL, LOW SPEED	9	8
46-46893A3	WATER PUMP HOUSING ASSEMBLY	53	28	336-4468A1	COIL, HIGH SPEED	9	8
47-39074	IMPELLER, WATER PUMP	53	35	336-4477A1	STATOR ASSEMBLY	9	13
48-47670A1	PROPELLER ASSEMBLY (SHIPPED WITH ENGINE FROM FACTORY)	57	69	336-4516A2	IGNITION MODULE ASSEMBLY	9	3
48-47922A1	PROPELLER ASSEMBLY	57	69	336-4524A1	COVER ASSEMBLY	9	1
50-61575A1	STARTER CABLE ASSEMBLY	5	41	336-4528A1	COIL ASSEMBLY, IGNITION	7	8
50-61576A1	STARTER SHEAVE ASSEMBLY	3	30	421-2224	CRANKSHAFT	33	1
52-47581	RATCHET, SLIDING CLUTCH (SERIAL #3488152 AND BELOW)	55	53	532-1938A6	MAIN BEARING ASSEMBLY (VALVE TYPE)	33	4
52-63314	RATCHET, SLIDING CLUTCH (SERIAL #3488153 AND UP)	55	53	608-4246A1	CONNECTING ROD ASSEMBLY	35	1
53-22899	RING, RETAINING - SHIFT SHAFT	51	15	719-3374A2	PISTON AND PISTON PIN ASSEMBLY	35	7
53-26406	RING, RETAINING - UPPER AND LOWER MOUNT	43	17	837-2756A10	CYLINDER BLOCK AND CRANKCASE ASS'Y	29	1
53-30523	RING, RETAINING - BALL BEARING TO DRIVE SHAFT	53	26	837-2756A17	CYLINDER BLOCK AND CRANKCASE ASS'Y (SERIAL AND UP)	29	1
53-32449	RING, RETAINING - CROSS PIN	55	54	1019-3944	COVER, CYLINDER BLOCK	29	31
54-20387	CLAMP, PRESSURE HOSE TO ELBOWS	17	14	1132-2400A1	BEARING HOUSING ASSEMBLY, UPPER	29	19
54-30954	CLIP, SAFETY CHAIN - TILT TUBE	45	7	1334-4115	CARBURETOR ASSEMBLY, COMPLETE (KB-12A)	13	1
54-30954	CLIP, SAFETY CHAIN - TILT TUBE	49	7	1364-4910A1	CARBURETOR ASSEMBLY, COMPLETE	19	1
54-34449	CLAMP, THROTTLE CAM BRACKET	9	21	1364-4910A1	CARBURETOR ASSEMBLY, COMPLETE	23	1
54-34598	CLAMP, HOLD DOWN RING	29	24	1399-110A1	FLOAT ASSEMBLY	13	2
54-56223	CLAMP, BLEED HOSE ATTACHING	29	10	1399-1133	COVER, FLOAT BOWL	13	9
54-59538	CLIP, COIL RETAINING	9	9	1399-1138	INLET NEEDLE, SEAT AND GASKET	13	6
54-59539	CLIP, COIL RETAINING	9	10	1399-1716	SHAFT, THROTTLE	13	21
54-63933	CLAMP, FUEL HOSE ATTACHING	23	3	1399-1717	GASKET AND PACKING SET	13	--
84-60871A6	CABLE ASSEMBLY, GROUND SERIAL AND UP	41	46	1399-3251	JET, MAIN FUEL (.034)	19	15
90-62423	MERC 75 PARTS LIST	1	-	1399-3690	COVER, STRAINER	13	16
239-4473A1	FLYWHEEL ASSEMBLY	7	1	1399-3742	SCREW, IDLE ADJUSTMENT	13	34
332-2854	NIPPLE, IGNITION COIL	7	15	1399-3743	SHUTTER, THROTTLE	13	25
336-3989	WICK, CAM WIPER - STATOR ASSEMBLY	9	17	1399-3938	SCREEN, FILTER	13	14
336-4318A3	MAKER ASSEMBLY, STATOR HOUSING	9	18	1399-4188	JET, MAIN FUEL (.035) - STANDARD	13	31
336-4458	PLATE, STATOR HOLD DOWN	9	14	1399-4189	REPAIR PARTS KIT	13	--
336-4460	INSULATOR, CABLE TO CONTACT HOUSING	11	37	1399-4207	JET, MAIN FUEL (.033)	13	31
				1399-4208	JET, MAIN FUEL (.031)	13	31
				1399-4235	SCREEN, STRAINER	19	29
				1399-5013	SCREW, THROTTLE SHUTTER TO THROTTLE SHAFT	19	43
					VALVE, CHOKE RELIEF	19	17
					SPRING, CHOKE RELIEF VALVE	19	18
					CHOKE SHAFT	19	34
					CHOKE SHUTTER	19	19
					FLOAT	19	7
					FUEL BOWL	19	9
					SCREW, FUEL BOWL TO CARBURETOR	19	11
					BODY, FUEL PUMP	19	24

PARTS INDEX

Part Number	Description	Pg.	Ref. No.	Part Number	Description	Pg.	Ref. No.
1399-5130	INLET NEEDLE AND SPRING	19	13	2123-3953A2	TOP COWL ASSEMBLY	3	1
1399-5131	BODY, STRAINER	19	27	2124-4637	COWL, BOTTOM (SERIAL		
1399-5132	SCREW, STRAINER BODY				AND BELOW)	39	9
	TO CARBURETOR	19	28	2124-4900	COWL, BOTTOM	39	9
1399-5133	THROTTLE SHAFT	19	36	2128-2667A8	COVER ASSEMBLY, FRONT	3	6
1399-5135	GASKET SET	21	--				
1399-5137	DIAPHRAGM AND GASKET						
	KIT	21	--				
1399-5138	THROTTLE SHUTTER	19	42				
1399-5139	REPAIR PARTS KIT	21	--				
1399-97	LEVER, THROTTLE STOP ..	13	20				
1451-4675	SWIVEL BRACKET	45	17				
1467-4426A1	CLAMP BRACKET						
	ASSEMBLY (STARBOARD)	45	2				
1467-4426A1	CLAMP BRACKET						
	ASSEMBLY (STARBOARD)	49	2				
1468-4427A1	CLAMP BRACKET						
	ASSEMBLY (PORT)	45	1				
1468-4427A1	CLAMP BRACKET						
	ASSEMBLY (PORT)	49	1				
1471-4920	SWIVEL BRACKET	49	17				
1556-4030A1	DRIVE SHAFT HOUSING						
	ASSEMBLY (SHORT						
	SHAFT)	43	1				
1556-4901A2	DRIVE SHAFT HOUSING						
	ASSEMBLY (SHORT SAFT)	43	1				
1558-4031A1	DRIVE SHAFT HOUSING						
	ASSEMBLY (LONG						
	SHAFT)	43	1				
1558-4902A2	DRIVE SHAFT HOUSING						
	ASSEMBLY (LONG						
	SHAFT)	43	1				
1559-2644	SADDLE	43	14				
1559-4917	SADDLE	43	14				
1630-4407A1	GEAR HOUSING ASSEMBLY	51	1				
1630-4407A1	GEAR HOUSING ASSEMBLY	55	1				
1630-4407A4	GEAR HOUSING ASSEMBLY,						
	COMPLETE (SHORT						
	SHAFT)	51	-				
1630-4407A4	GEAR HOUSING ASSEMBLY,						
	COMPLETE (SHORT						
	SHAFT)	55	-				
1630-4407A5	GEAR HOUSING ASSEMBLY,						
	COMPLETE (LONG						
	SHAFT)	51	-				
1630-4407A5	GEAR HOUSING ASSEMBLY,						
	COMPLETE (LONG						
	SHAFT)	55	-				
1630-4921A1	GEAR HOUSING ASSEMBLY	51	1				
1630-4921A1	GEAR HOUSING ASSEMBLY	55	1				
1630-4921A2	GEAR HOUSING ASSEMBLY,						
	COMPLETE (LONG						
	SHAFT)	51	-				
1630-4921A2	GEAR HOUSING ASSEMBLY,						
	COMPLETE (LONG						
	SHAFT)	55	-				
1630-4921A3	GEAR HOUSING ASSEMBLY,						
	COMPLETE (SHORT						
	SHAFT)	51	-				