



PARTS CATALOG

MERC 402

SERIAL NUMBER

402	USA 3336258 THRU 4117709
402	BEL 3339688 THRU 9076838
402	CAN 3340783 THRU 7047607
402	8002335 THRU 8027439

TABLE OF CONTENTS:

BOTTOM COWL AND EXHAUST PLATE ASSEMBLY	44
CARBURETOR ASSEMBLY	14
CARBURETOR CHOKE LINKAGE	12
CLAMP AND SWIVEL BRACKET ASSEMBLY	52
COWLING AND FRONT COVER	8
CRANKSHAFT, PISTON AND CONNECTING ROD ASSEMBLY	40
CYLINDER BLOCK AND COIL MOUNTING BRACKET (SERIAL GROUP #3)	38
CYLINDER BLOCK AND COIL MOUNTING BRACKET (SERIAL GROUP #5)	36
CYLINDER BLOCK AND CRANKCASE ASSEMBLY	32
DRIVE SHAFT HOUSING ASSEMBLY	48
FLYWHEEL, IGNITION COIL AND SWITCH BOX	16
FUEL PUMP ASSEMBLY AND FUEL LINES	28
GEAR HOUSING ASSEMBLY, COMPLETE (PAGE 1)	56
GEAR HOUSING ASSEMBLY, COMPLETE (PAGE 2)	62
MISCELLANEOUS PARTS/ACCESSORIES	1
PARTS INDEX	66
SHIFT CONTROL LINKAGE	30
STARTER HOUSING	4
STARTER MOTOR, RECTIFIER AND WIRING HARNESS	22
THROTTLE CONTROL LINKAGE AND SPARK ADVANCE	26
TOP COWL ASSEMBLY	2

NOTE: *Indented description indicate that these parts are included in preceding assembly.*

AR = As Required

NSS = Not Sold Separate

OPT = Optional

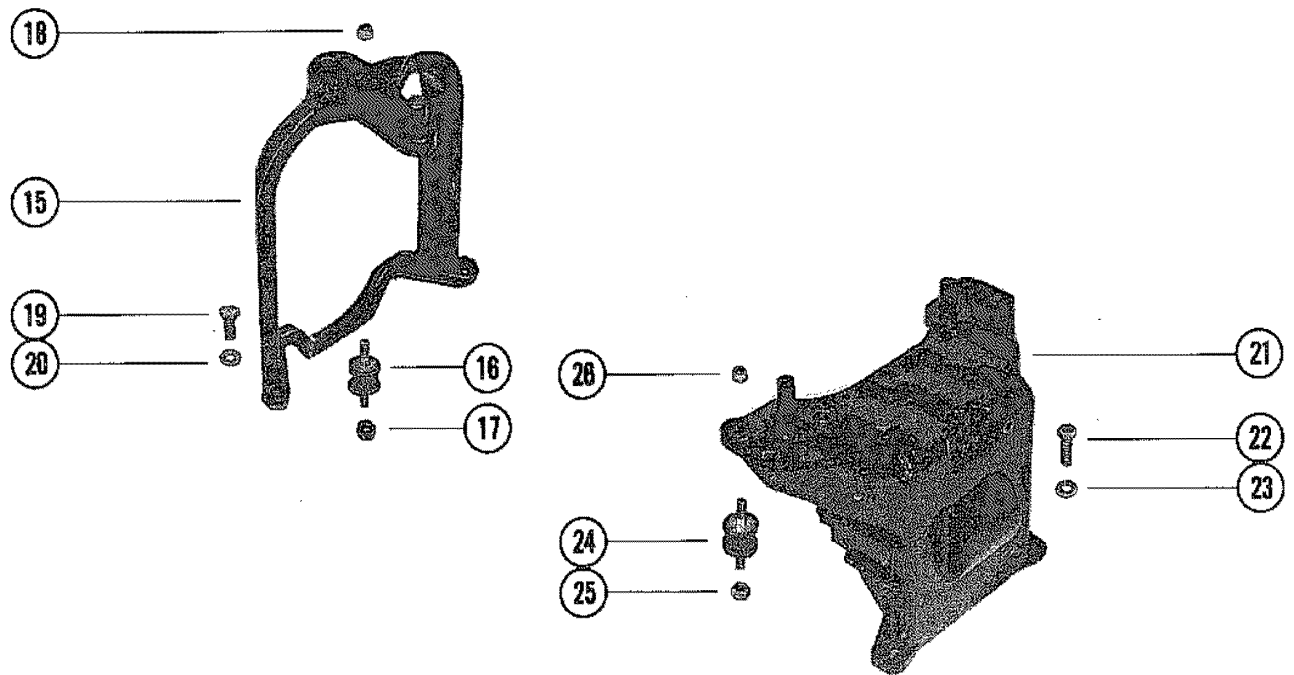
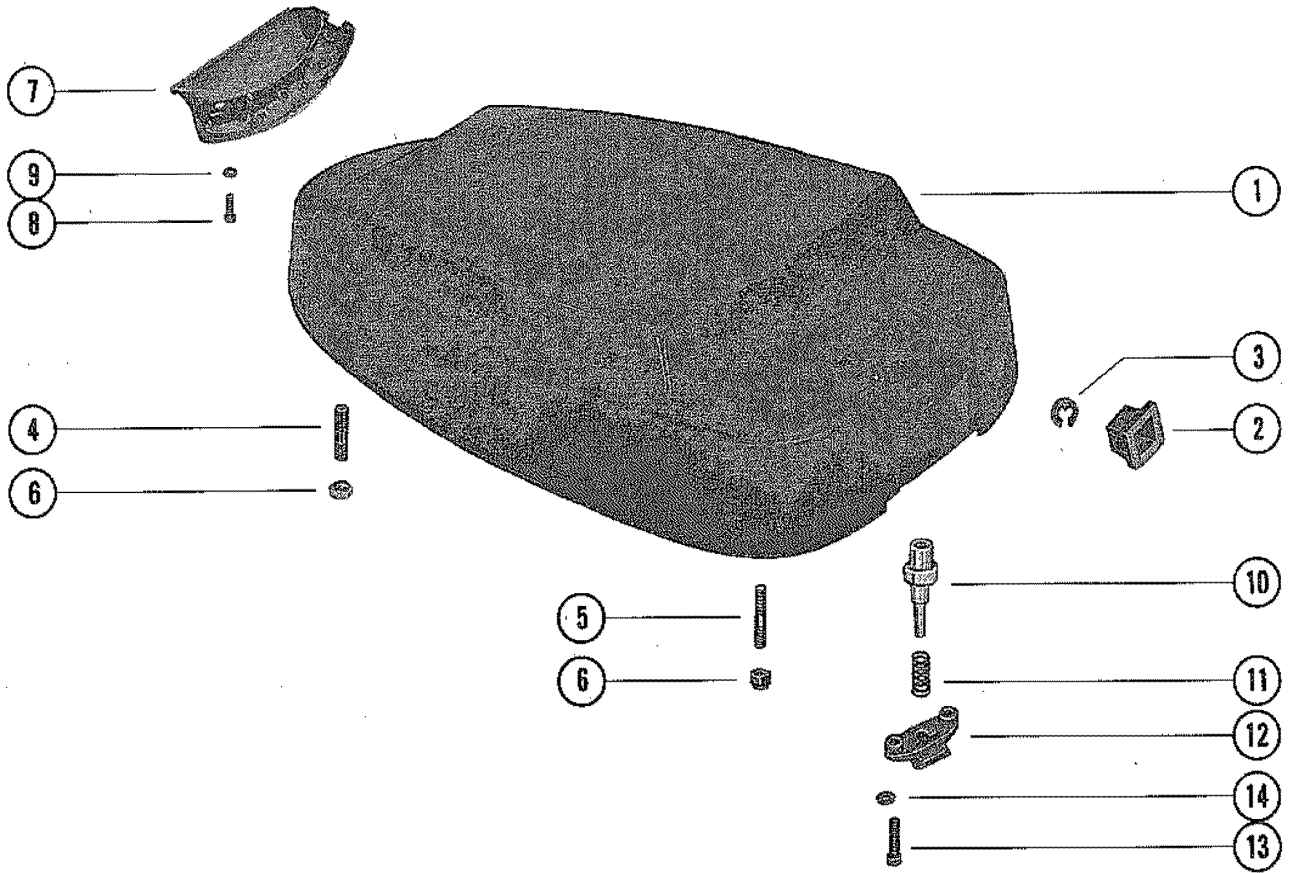
NS = Not Shown

THESE PARTS BOOKS/FICHE CARD ARE COPYRIGHTED AND MAY NOT BE DISTRIBUTED OR REPRODUCED IN ANY OTHER FORMAT BY ANYONE OTHER THAN MERCURY MARINE WITHOUT THE PRIOR WRITTEN CONSENT OF MERCURY MARINE.

MISCELLANEOUS PARTS/ACCESSORIES

REF. NO.	PART NO.	SYM.	QTY.	DESCRIPTION
-	27-55306A72		0	GASKET SET (MERC 402) UNITED STATES 3474577 AND BELOW AUSTRALIA 8004329 AND BELOW BELGIUM 9005203 AND BELOW CANADA 7006600 AND BELOW
-	27-55306A73		0	GASKET SET (MERC 402) UNITED STATES 3474578 THRU 3859434 AUSTRALIA 8004630 THRU 9016689 BELGIUM 9005204 THRU 9051458 CANADA 7006601 THRU 7032137
-	27-55306A74		0	GASKET SET (MERC 402) UNITED STATES 3859435 AND UP AUSTRALIA 8016690 AND UP BELGIUM 9051459 AND UP CANADA 7032138 AND UP
-	90-63240		0	MERC 402 PARTS LIST
-	37-61285A72		0	DECAL SET (MERC 402) UNITED STATES 3474577 AND BELOW AUSTRALIA 8004329 AND BELOW BELGIUM 9005203 AND BELOW CANADA 7006600 AND BELOW
-	37-61285A73		0	DECAL SET (MERC 402) UNITED STATES 3474578 THRU 3859434 AUSTRALIA 8004630 THRU 8016689 BELGIUM 9005204 THRU 9033788 CANADA 7006601 THRU 7032137
-	37-61285A74		0	DECAL SET (MERC 402) UNITED STATES 3859435 AND UP AUSTRALIA 8016690 AND UP BELGIUM 9033789 AND UP CANADA 7032138 AND UP
-	46-48746A2		0	HEAVY DUTY WATER PUMP KIT
-	50-55601A1		0	ELECTRIC STARTER KIT
-	48168A6		0	TACHOMETER ASSEMBLY
-	332-4811A2		0	MODULE ASSEMBLY

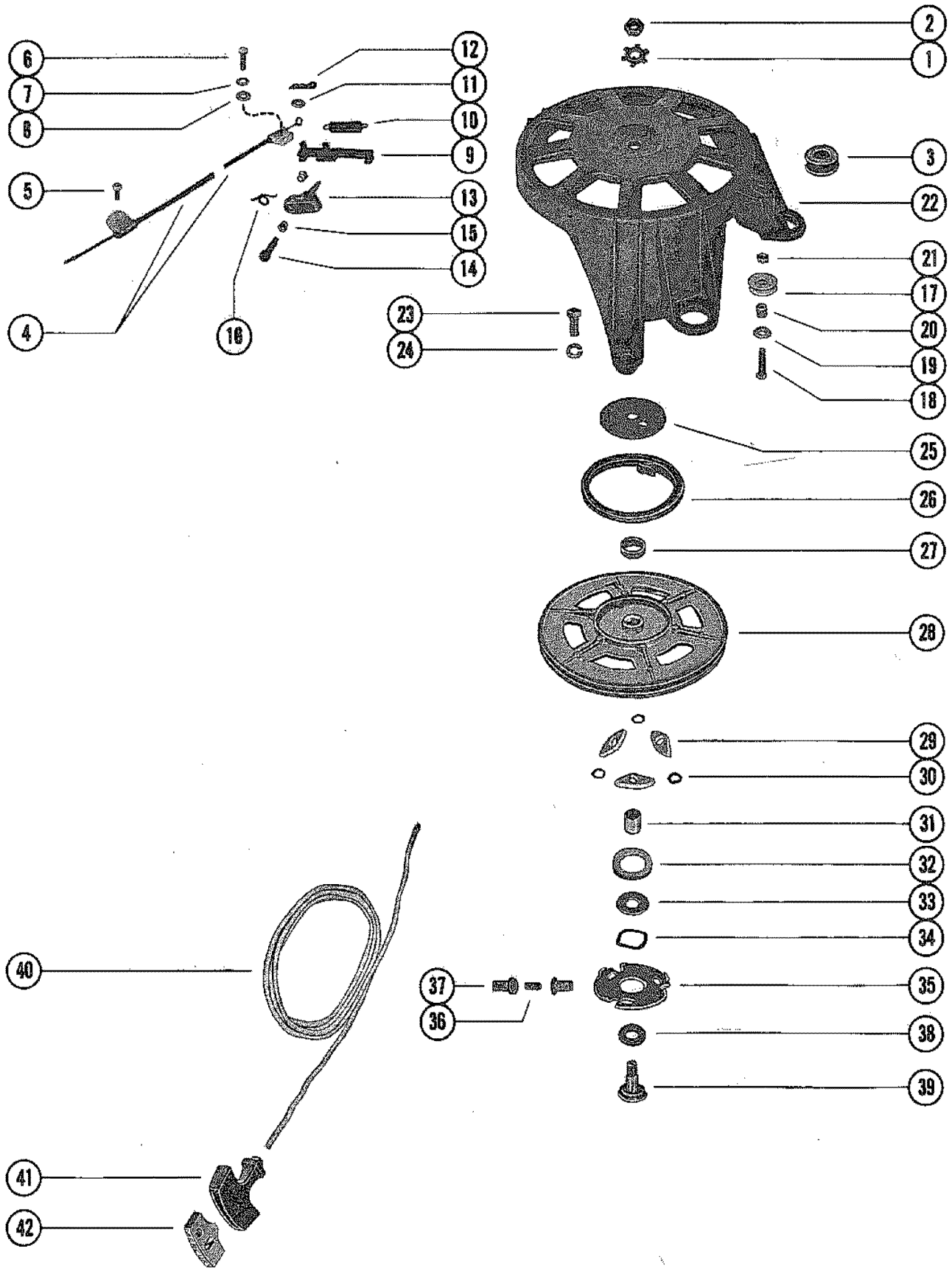
TOP COWL ASSEMBLY



TOP COWL ASSEMBLY

REF. NO.	PART NO.	SYM.	QTY.	DESCRIPTION
1	2138-4413A2		1	TOP COWL ASSEMBLY
2	58657		1	INSERT, ROPE GUIDE - TOP COWL
3	53-58656		1	RING, RETAINING - ROPE GUIDE INSERT
4	16-21391		1	STUD, TOP COWL TO SUPPORT BRACKET - REAR (1 1/2")
5	16-21553		2	STUD, TOP COWL TO SUPPORT BRACKET - FRONT (1 1/2")
6	11-35814		3	NUT, TOP COWL STUD
7	62236		1	SHIELD, REAR - TOP COWL
8	10-20646		3	SCREW, REAR SHIELD TO TOP COWL (5/8")
9	12-26014		3	WASHER, REAR SHIELD SCREW
10	39619		1	BUTTON, FRONT COVER RELEASE - TOP COWL
11	24-37911		1	SPRING, COMPRESSION - FRONT COVER RELEASE BUTTON
12	39493		1	CATCH, FRONT COVER - TOP COWL
13	10-25876		2	SCREW, FRONT COVER CATCH TO TOP COWL (7/8")
14	13-26996		2	LOCK WASHER, FRONT COVER CATCH SCREW
15	61867		1	BRACKET, SUPPORT - TOP COWL UNITED STATES 3859434 AND BELOW AUSTRALIA 8016689 AND BELOW BELGIUM 9051458 AND BELOW CANADA 7006601 AND BELOW
	67878		1	BRACKET, SUPPORT - TOP COWL UNITED STATES 3859435 AND UP AUSTRALIA 8016690 AND UP BELGIUM 9051459 AND UP CANADA 7032138 AND UP
16	39501		1	MOUNT, RUBBER - REAR SUPPORT BRACKET
17	11-20361		1	NUT, RUBBER MOUNT TO CYLINDER BLOCK COVER (LOWER)
18	11-20586		1	NUT, RUBBER MOUNT TO REAR SUPPORT BRACKET (UPPER)
19	10-37562		4	SCREW, REAR SUPPORT BRACKET TO BOTTOM COWL (1")
20	13-26993		4	LOCKWASHER, REAR SUPPORT BRACKET SCREW
21	62370		1	BRACKET, SUPPORT - TOP COWL (FRONT) UNITED STATES 3859434 AND BELOW AUSTRALIA 8016689 AND BELOW BELGIUM 9051458 AND BELOW CANADA 7006601 AND BELOW
	67323		1	BRACKET, SUPPORT - TOP COWL (FRONT) UNITED STATES 3859435 AND UP AUSTRALIA 8016690 AND UP BELGIUM 9051459 AND UP CANADA 7032138 AND UP
22	10-37562		2	SCREW, FRONT SUPPORT BRACKET TO BOTTOM COWL (1")
23	13-26993		2	LOCKWASHER, FRONT SUPPORT BRACKET SCREW
24	39501		2	MOUNT, RUBBER - FRONT SUPPORT BRACKET
25	11-20361		2	NUT, RUBBER MOUNT TO CRANKCASE (LOWER)
26	11-20586		2	NUT, RUBBER MOUNT TO FRONT SUPPORT BRACKET (UPPER)

STARTER HOUSING

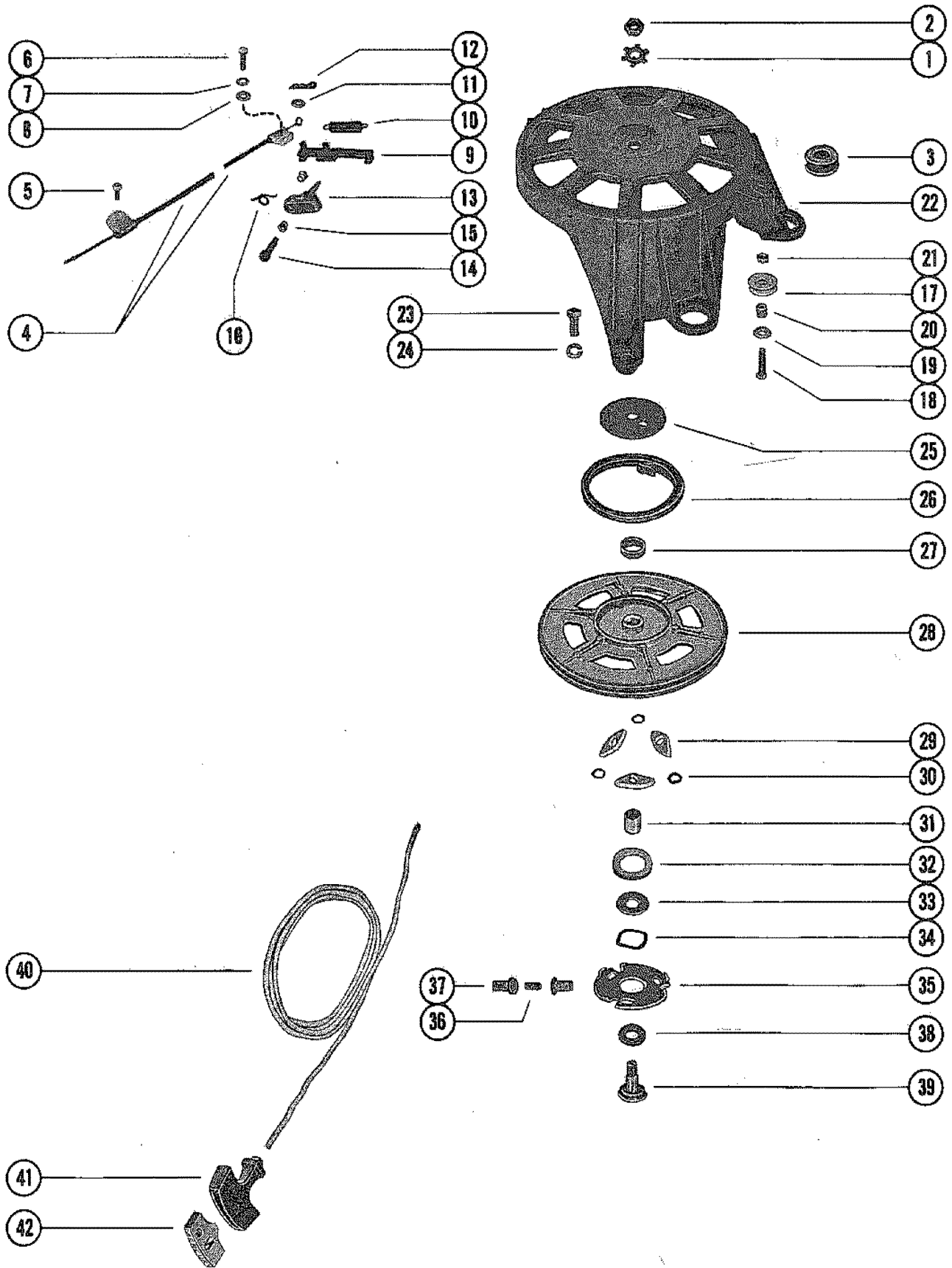


STARTER HOUSING

REF. NO.	PART NO.	SYM.	QTY.	DESCRIPTION
1	14-61004		1	TAB WASHER, SHEAVE SHAFT NUT
2	11-20166		1	NUT, SHEAVE SHAFT (LEFT HAND THREAD)
3	25-39597		2	GROMMET, STARTER HOUSING
4	59139A1		1	CABLE ASSEMBLY, INTERLOCK MANUAL
5	10-32228		1	SCREW, INTERLOCK CABLE TO EXHAUST PLATE (5/8") MANUAL
6	10-20100		1	SCREW, INTERLOCK CABLE TO STARTER HOUSING (1/2") MANUAL
7	13-27660		1	LOCKWASHER, INTERLOCK CABLE SCREW MANUAL
8	12-26013		2	WASHER, INTERLOCK CABLE SCREW MANUAL
9	57236		1	CAM, SLIDING - STARTER HOUSING MANUAL
10	24-57248		1	SPRING, SLIDING CAM MANUAL
11	12-37998		1	WASHER, INTERLOCK CABLE MANUAL
12	18-26953		1	COTTER PIN, INTERLOCK CABLE TO SLIDING CAM MANUAL
13	57243		1	TOGGLE, STARTER INTERLOCK MANUAL UNITED STATES 3859434 AND BELOW AUSTRALIA 8016689 AND BELOW BELGIUM 9051458 AND BELOW CANADA 7006601 AND BELOW
	65757A1		1	TOGGLE ASSEMBLY, STARTER INTERLOCK MANUAL UNITED STATES 3859435 AND UP AUSTRALIA 8016690 AND UP BELGIUM 9051459 AND UP CANADA 7032138 AND UP
14	10-57249		1	SCREW, TOGGLE TO STARTER HOUSING MANUAL
15	23-26856		2	BUSHING, TOGGLE SCREW MANUAL
16	24-57279		1	SPRING, TOGGLE SCREW MANUAL
17	55860		1	PULLEY, STARTER SCREW
18	10-45210		1	SCREW, PULLEY TO STARTER HOUSING (1 1/4")
19	12-22887		2	WASHER, PULLEY SCREW
20	23-30977		1	SPACER, PULLEY SCREW
21	11-24656		1	NUT, PULLEY SCREW
22	2140-4415		1	HOUSING, STARTER
23	10-37562		2	SCREW, STARTER HOUSING TO CRANKCASE (1")
24	13-26993		2	LOCKWASHER, STARTER HOUSING SCREW
25	61002		1	RETAINER, STARTER REWIND
26	24-39502A1		1	SPRING, STARTER REWIND
27	23-63100		1	BUSHING, SPRING GUIDE
28	50-62237A1		1	STARTER SHEAVE ASSEMBLY UNITED STATES 3859434 AND BELOW AUSTRALIA 8016689 AND BELOW BELGIUM 9051458 AND BELOW CANADA 7006601 AND BELOW
	50-66855A1		1	STARTER SHEAVE ASSEMBLY UNITED STATES 3859435 AND UP AUSTRALIA 8016690 AND UP BELGIUM 9051459 AND UP CANADA 7032138 AND UP
29	30596		3	PAWL, STARTER
30	13-36206		3	WASHER, WAVE - STARTER PAWL
31	23-63061		1	SPACER, SHEAVE SHAFT
32	39840		1	RETAINER, WAVE WASHER
33	12-57837		1	WASHER, WAVE WASHER RETAINER

CONTINUED ON NEXT PAGE ➡

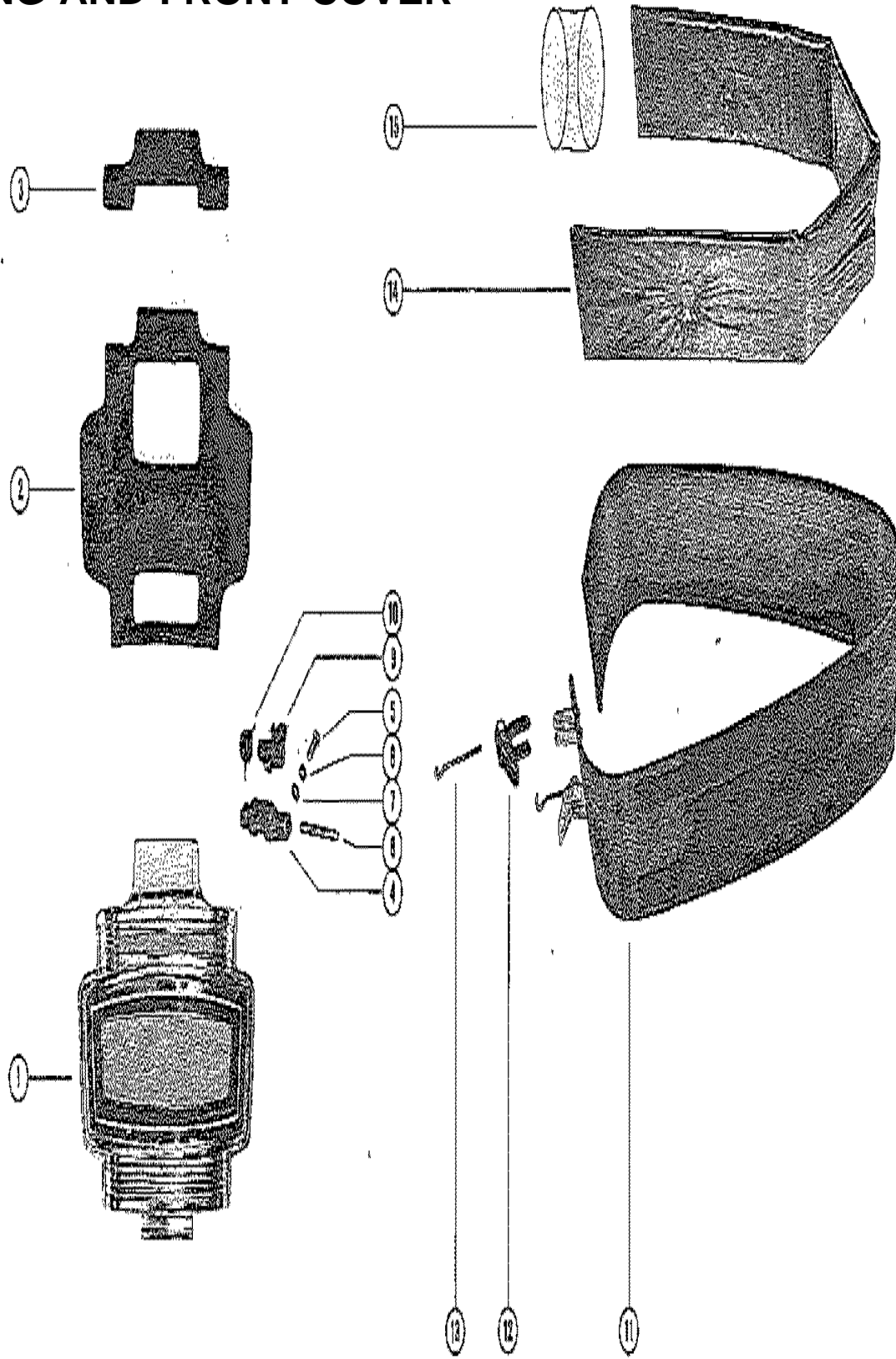
STARTER HOUSING



STARTER HOUSING

REF. NO.	PART NO.	SYM.	QTY.	DESCRIPTION
34	13-20160		1	WASHER, WAVE - RETAINER TENSION
35	63101		1	PLATE, RETAINER - STARTER PAWL UNITED STATES 3859434 AND BELOW AUSTRALIA 8016689 AND BELOW BELGIUM 9051458 AND BELOW CANADA 7006601 AND BELOW
36	24-26068		1	SPRING, RETAINER PLATE TO STARTER SHEAVE UNITED STATES 3859434 AND BELOW AUSTRALIA 8016689 AND BELOW BELGIUM 9051458 AND BELOW CANADA 7006601 AND BELOW
35	66845		1	PLATE, RETAINER - STARTER PAWL UNITED STATES 3859435 AND UP AUSTRALIA 8016690 AND UP BELGIUM 9051459 AND UP CANADA 7032138 AND UP
36	24-66853		1	SPRING, RETAINER PLATE TO STARTER SHEAVE UNITED STATES 3859435 AND UP AUSTRALIA 8016690 AND UP BELGIUM 9051459 AND UP CANADA 7032138 AND UP
37	66848		2	RETAINER, SPRING
38	12-57860		1	WASHER, SHEAVE SHAFT
39	61003		1	SHAFT, SHEAVE
40	50-28985A1		1	STARTER CABLE ASSEMBLY
41	30782		1	HANDLE, STARTER CABLE
42	28748		1	RETAINER, STARTER CABLE AND HANDLE

COWLING AND FRONT COVER

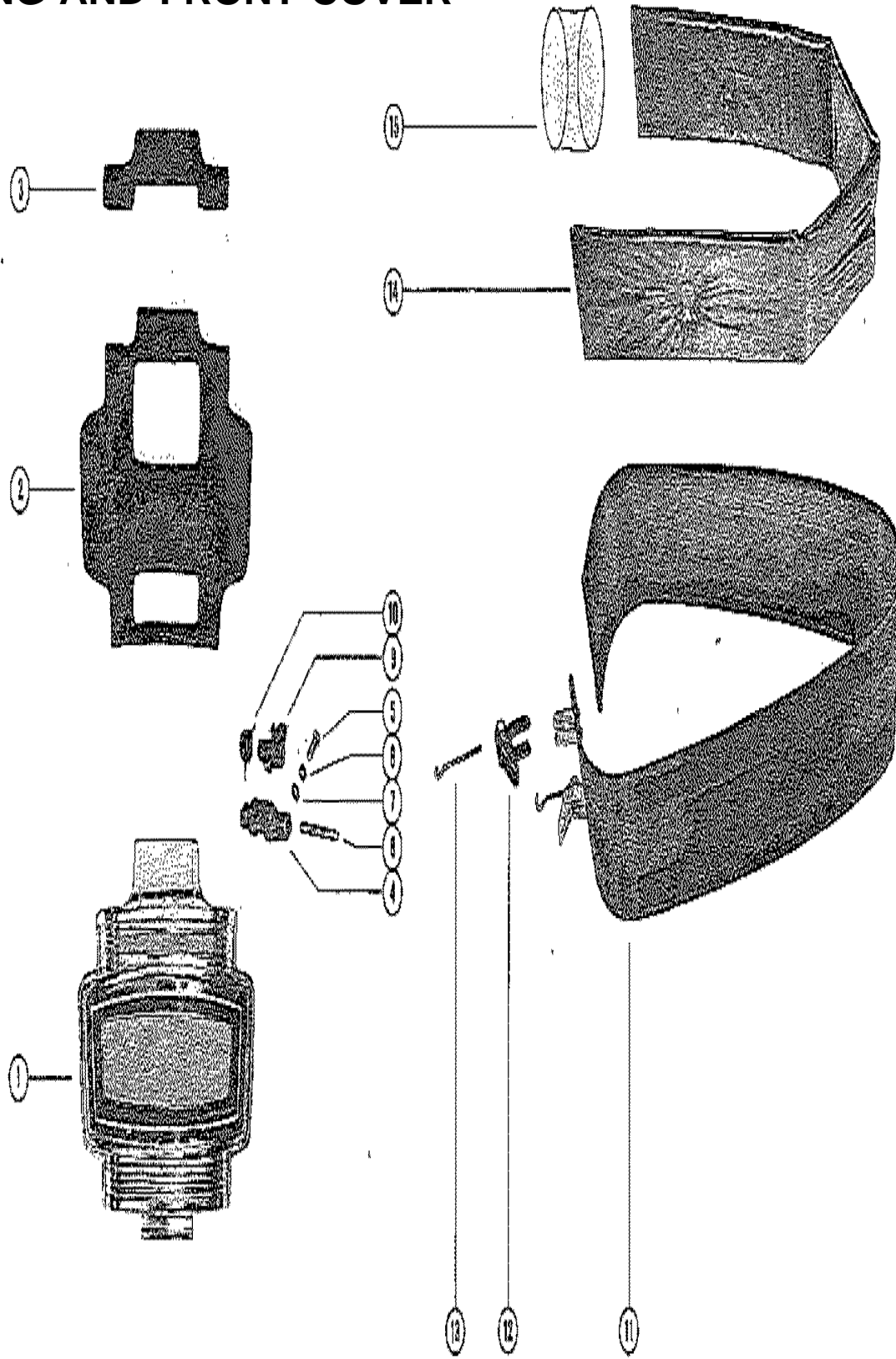


COWLING AND FRONT COVER

REF. NO.	PART NO.	SYM.	QTY.	DESCRIPTION
1	2135-2682A8		1	COWL FRONT COVER ASSEMBLY UNITED STATES 3474577 AND BELOW AUSTRALIA 8004329 AND BELOW BELGIUM 9005203 AND BELOW CANADA 7006600 AND BELOW
	2135-2682A11		1	COWL FRONT COVER ASSEMBLY UNITED STATES 3474578 AND UP AUSTRALIA 8004360 AND UP BELGIUM 9005204 AND UP CANADA 7006601 AND UP
2	57592		1	BLANKET, SOUND ABSORBING - COWL FRONT COVER UNITED STATES 3474577 AND BELOW AUSTRALIA 8004329 AND BELOW BELGIUM 9005203 AND BELOW CANADA 7006600 AND BELOW
3	57591		1	SPACER, SOUND ABSORBING - COWL FRONT COVER UNITED STATES 3474577 AND BELOW AUSTRALIA 8004329 AND BELOW BELGIUM 9005203 AND BELOW CANADA 7006600 AND BELOW
2	63324		1	BLANKET, SOUND ABSORBING - COWL FRONT COVER UNITED STATES 3474578 AND UP AUSTRALIA 8004360 AND UP BELGIUM 9005204 AND UP CANADA 7006601 AND UP
3	63323		1	SPACER, SOUND ABSORBING - COWL FRONT COVER UNITED STATES 3474578 AND UP AUSTRALIA 8004360 AND UP BELGIUM 9005204 AND UP CANADA 7006601 AND UP
4	39505		1	BASE, COWL FRONT COVER LATCH
5	10-22523		2	SCREW, LATCH BASE TO COWL FRONT COVER (3/4")
6	13-26996		2	LOCKWASHER, LATCH BASE SCREW
7	12-26014		2	WASHER, LATCH BASE SCREW
8	17-39599		1	PIN, PIVOT - COWL FRONT COVER LATCH HOOK
9	39482		1	HOOK, COWL FRONT COVER LATCH
10	24-39598		1	SPRING, TORSION - COWL FRONT COVER LATCH HOOK
11	2137-3878A3		1	WRAP AROUND COWL ASSEMBLY UNITED STATES 3474577 AND BELOW AUSTRALIA 8004329 AND BELOW BELGIUM 9005203 AND BELOW CANADA 7006600 AND BELOW
	2137-3878A6		1	WRAP AROUND COWL ASSEMBLY UNITED STATES 3474578 AND UP AUSTRALIA 8004360 AND UP BELGIUM 9005204 AND UP CANADA 7006601 AND UP
12	46785A1		2	COWL LATCH ASSEMBLY

CONTINUED ON NEXT PAGE ➡

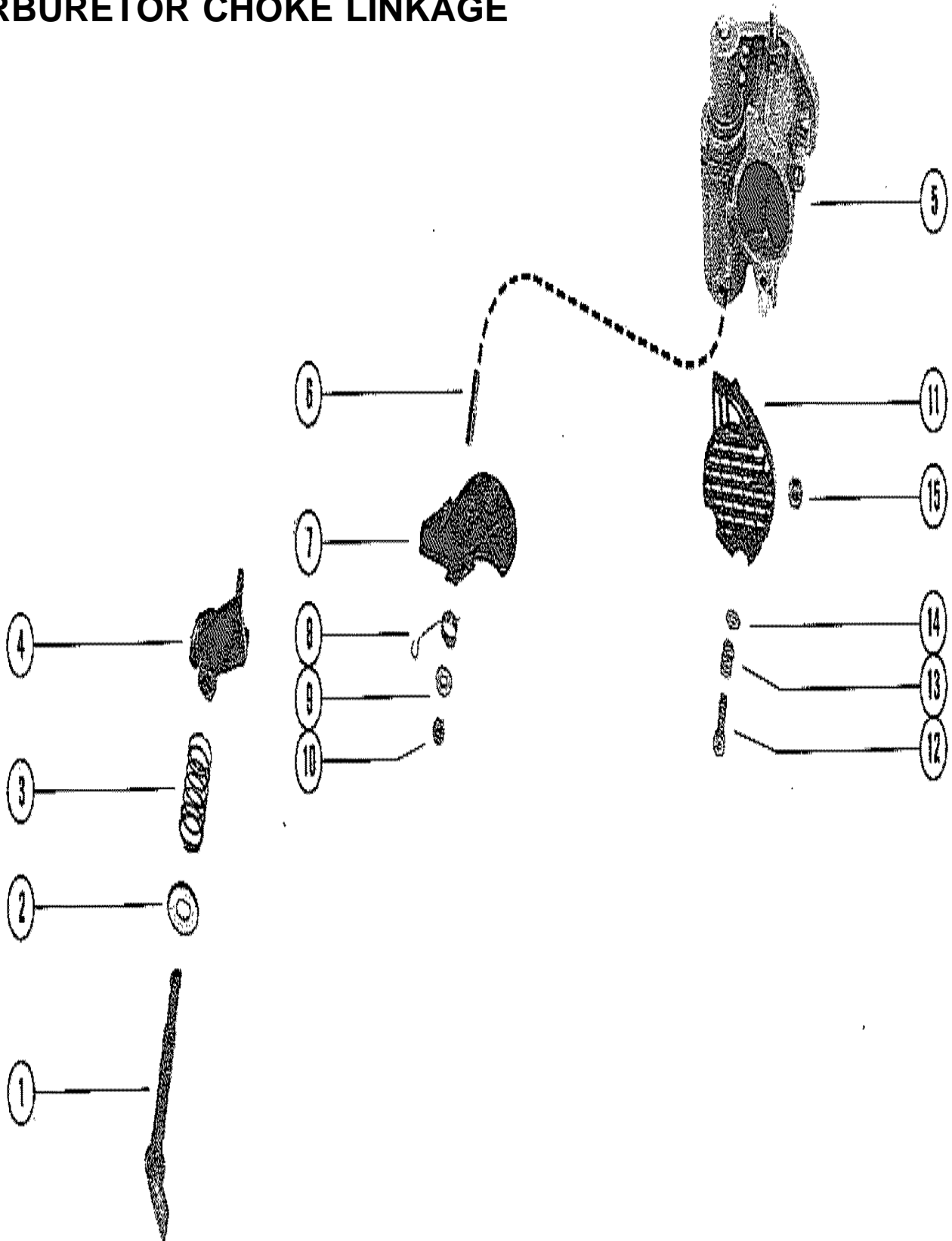
COWLING AND FRONT COVER



COWLING AND FRONT COVER

REF. NO.	PART NO.	SYM.	QTY.	DESCRIPTION
13	30413		2	HOOK, COWL LATCH FASTENING
14	57593		1	BLANKET, SOUND ABSORBING - WRAP AROUND COWL UNITED STATES 3474577 AND BELOW AUSTRALIA 8004329 AND BELOW BELGIUM 9005203 AND BELOW CANADA 7006600 AND BELOW
15	63148		1	SLEEVE, SOUND ABSORBING BLANKET UNITED STATES 3474577 AND BELOW AUSTRALIA 8004329 AND BELOW BELGIUM 9005203 AND BELOW CANADA 7006600 AND BELOW
14	64070A1		1	BLANKET, SOUND ABSORBING - WRAP AROUND COWL UNITED STATES 3474578 AND UP AUSTRALIA 8004360 AND UP BELGIUM 9005204 AND UP CANADA 7006601 AND UP
-	92-25234--1		1	GLUE, ADHESIVE - BLANKET FASTENING UNITED STATES 3474578 AND UP AUSTRALIA 8004360 AND UP BELGIUM 9005204 AND UP CANADA 7006601 AND UP

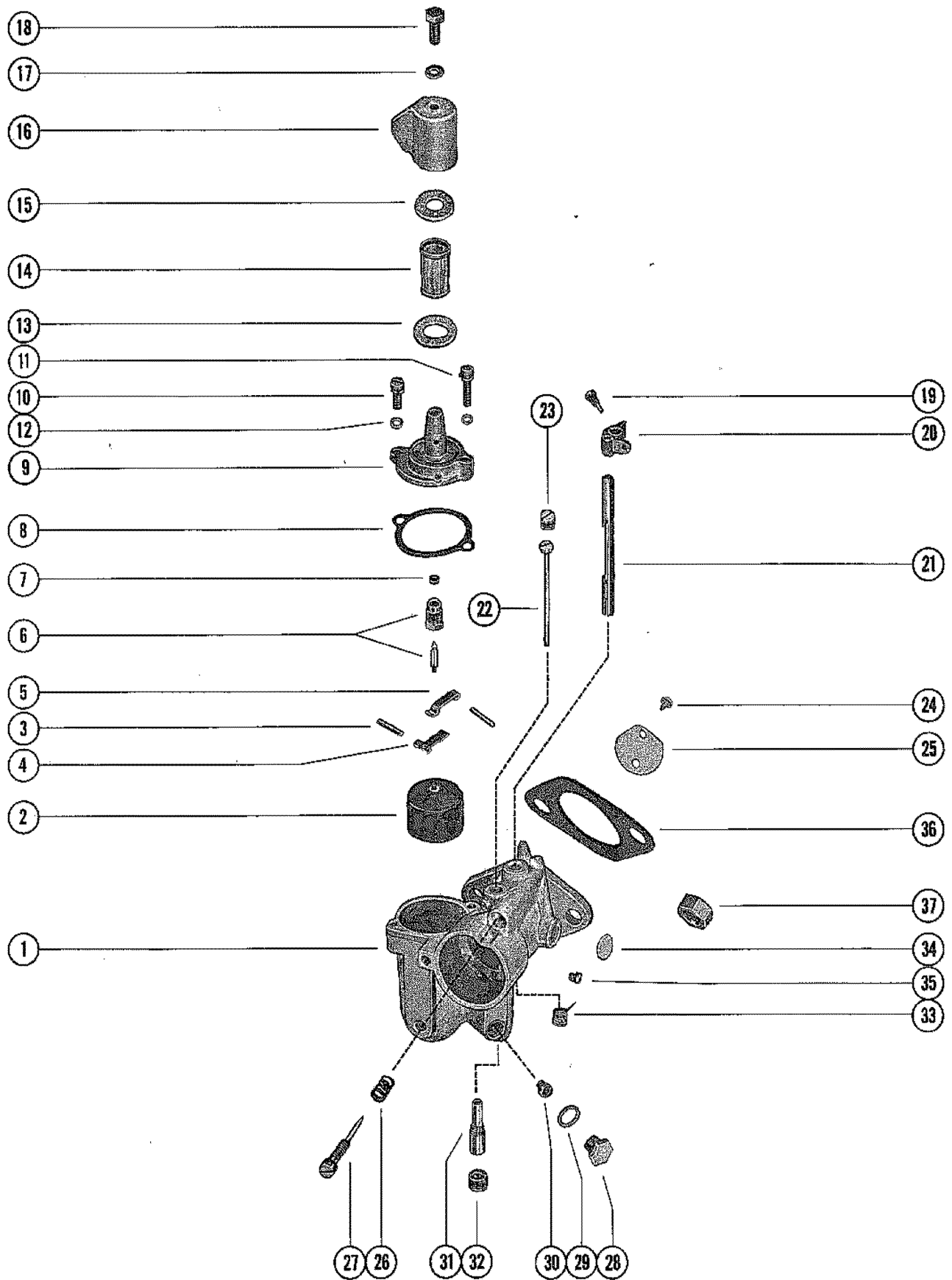
CARBURETOR CHOKE LINKAGE



CARBURETOR CHOKE LINKAGE

REF. NO.	PART NO.	SYM.	QTY.	DESCRIPTION
1	47969		1	KNOB AND SHAFT, CHOKE
2	12-30314		1	WASHER, CHOKE SHAFT
3	24-47968		1	SPRING, COMPRESSION - CHOKE SHAFT
4	55180		1	LEVER, CHOKE
5	1352-4853A1		1	CARBURETOR ASSEMBLY (SEE PAGE 7 FOR BREAKDOWN)
6	16-29977		1	STUD, CHOKE SHUTTER PIVOT (CARBURETOR)
7	55179		1	SHUTTER, CHOKE - CARBURETOR
8	24-55163		1	SPRING, TENSION - CHOKE SHUTTER
9	12-47960		1	WASHER, CHOKE SHUTTER CARBURETOR STUD
10	11-20110		1	NUT, CHOKE SHUTTER TO CARBURETOR STUD
11	35-57819		1	SCREEN, CARBURETOR
12	10-58185		1	SCREW, SCREEN TO CARBURETOR (1")
13	24-57818		1	SPRING, TENSION - SCREEN SCREW
14	12-46101		1	WASHER, SCREEN SCREW
15	11-20110		1	NUT, SCREEN SCREW

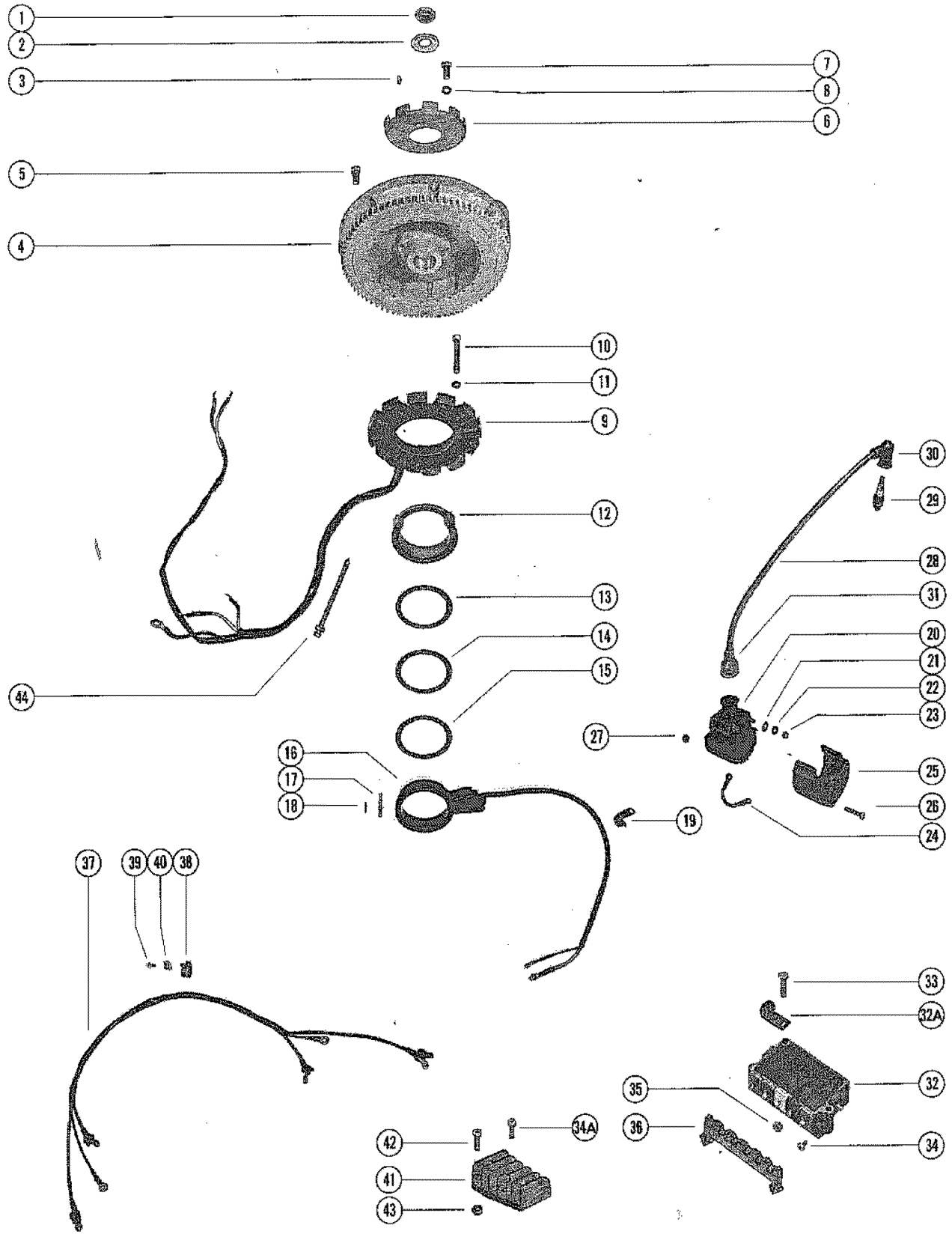
CARBURETOR ASSEMBLY



CARBURETOR ASSEMBLY

REF. NO.	PART NO.	SYM.	QTY.	DESCRIPTION
1	1352-4853A1		1	CARBURETOR ASSEMBLY, COMPLETS (WMK-8)
2	1399-110A1		1	FLOAT ASSEMBLY
3			2	PIN, FLOAT LEVER PINION
4			1	LEVEL, FLOAT (LOWER)
5			1	LEVER, FLOAT (UPPER)
6	1395-4555		1	INLET NEEDLE, SEAT AND GASKET
7			1	GASKET, INLET SEAT
8			1	GASKET, FLOAT BOWL COVER
9	1399-4559		1	COVER, FLOAT BOWL
10	10-52195		1	SCREW, FLOAT BOWL COVER (SHORT)
11	10-52196		1	SCREW, FLOAT, FOWL COVER (LONG)
12	13-26995		2	LOCKWASHER, FLOAT BOWL COVER SCREW
13			1	GASKET, STRAINER COVER (LARGE)
14	1399-3938		1	SCREEN, FILTER
15			1	GASKET, STRAINER COVER (SMALL)
16	1399-2371		1	COVER, STRAINER
17			1	GASKET, STRAINER COVER SCREW
18	10-25822		1	SCREW, STRAINER COVER FASTENING
19	10-20847		1	SCREW, THROTTLE STOP LEVER
20	56498		1	CLUSTER, THROTTLE STOP
21	1399-3527		1	SHAFT, THROTTLE
22			1	TUBE, IDLE
23	1395-4540		1	SCREW, BODY (IDLE TUBE)
24			2	SCREW AND LOCKWASHER, THROTTLE SHUTTER
25	1399-3528		1	SHUTTER, THROTTLE
26			1	SPRING, IDLE ADJUSTMENT SCREW
27	1399-3515		1	SCREW, IDLE ADJUSTMENT
28	1395-4541		1	SCREW, PLUG - MAIN FUEL JET CHANNEL
29			1	GASKET, JET CHANNEL PLUG SCREW
30	1399-3519		OPT	JET, MAIN FUEL (.080)
	1399-3520		1	JET, MAIN FUEL (.0785) - STANDARD
	1399-3796		OPT	JET, MAIN FUEL (.076)
	1399-3794		OPT	JET, MAIN FUEL (.074)
31			1	NOZZLE, MAIN
32	1395-4542		1	SCREW, PLUG - MAIN NOZZLE
33			1	SPRING, THROTTLE SHAFT RETURN
34			1	WELCH PLUG, BODY CHANNEL
35	1395-4543		1	SCREW, BODY CHANNEL
-	1399-3523		1	GASKET AND PACKING SET (1 PER CARBURETOR)
-	1399-4556		1	REPAIR PARTS KIT (1 PER CARBURETOR)
36	27-48164		1	GASKET, CARBURETOR FLANGE
37	11-29250		2	NUT, CARBURETOR MOUNTING STUD

FLYWHEEL, IGNITION COIL AND SWITCH BOX

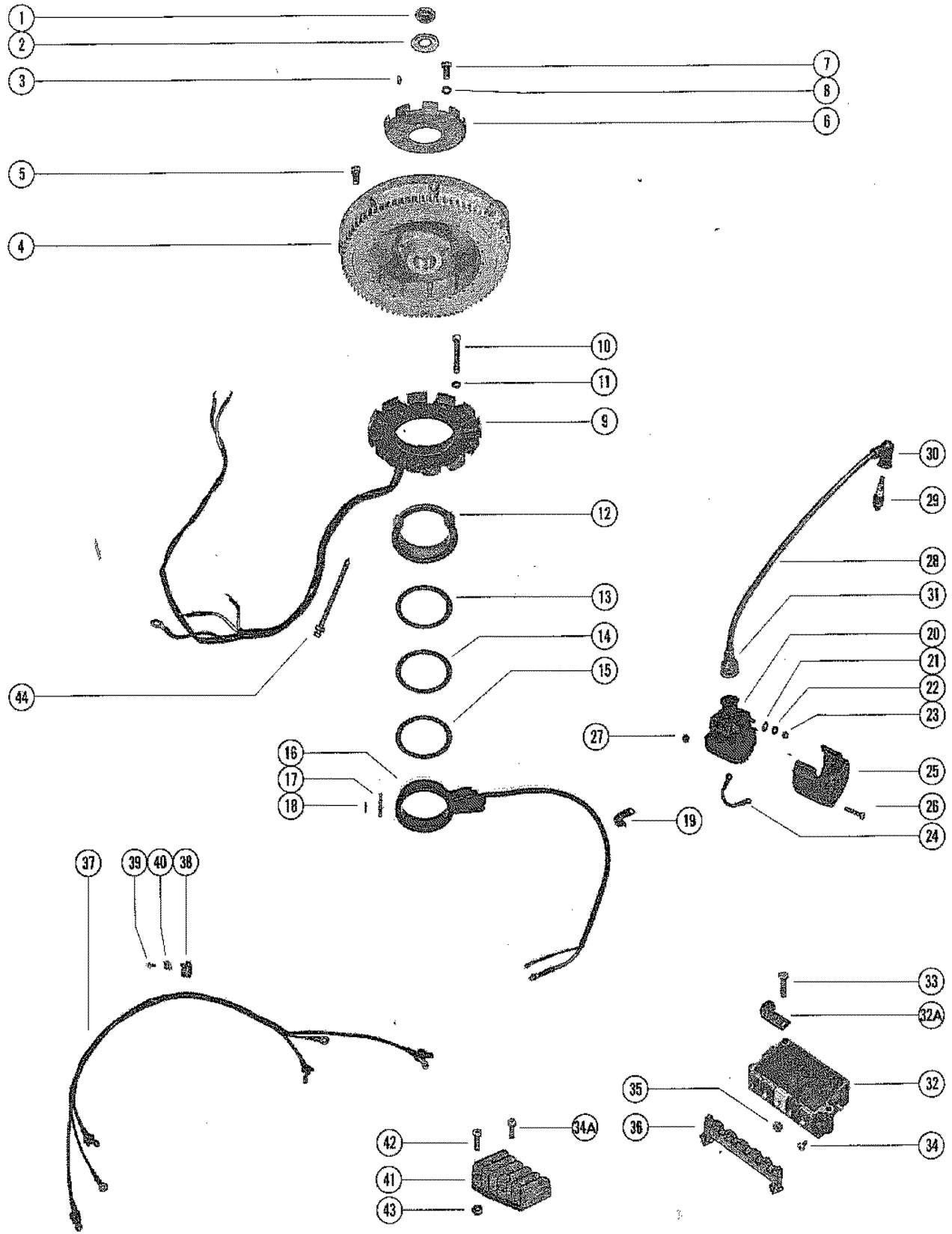


FLYWHEEL, IGNITION COIL AND SWITCH BOX

REF. NO.	PART NO.	SYM.	QTY.	DESCRIPTION
1	11-22339		1	NUT, FLYWHEEL
2	12-36258		1	WASHER, FLYWHEEL NUT
3	28-45554		1	KEY, FLYWHEEL DRIVE
4	242-4764A2		1	FLYWHEEL ASSEMBLY UNITED STATES 3474577 AND BELOW AUSTRALIA 8004329 AND BELOW BELGIUM 9005203 AND BELOW CANADA 7006600 AND BELOW
5	10-35563		8	SCREW, FLEXIBLE PLATE TO FLYWHEEL (9/16") UNITED STATES 3474577 AND BELOW AUSTRALIA 8004329 AND BELOW BELGIUM 9005203 AND BELOW CANADA 7006600 AND BELOW
6	50-39838		1	RATCHET, FLYWHEEL UNITED STATES 3474577 AND BELOW AUSTRALIA 8004329 AND BELOW BELGIUM 9005203 AND BELOW CANADA 7006600 AND BELOW
7	10-62210		8	SCREW, RATCHET TO FLYWHEEL (7/8") UNITED STATES 3474577 AND BELOW AUSTRALIA 8004329 AND BELOW BELGIUM 9005203 AND BELOW CANADA 7006600 AND BELOW
8	13-26992		2	LOCKWASHER, RATCHET SCREW UNITED STATES 3474577 AND BELOW AUSTRALIA 8004329 AND BELOW BELGIUM 9005203 AND BELOW CANADA 7006600 AND BELOW
4	242-4764A7		1	FLY WHEEL ASSEMBLY UNITED STATES 3474578 AND UP AUSTRALIA 8004360 AND UP BELGIUM 9005204 AND UP CANADA 7006601 AND UP
5	10-32417		8	SCREW, FLEXIBLE PLATE TO FLYWHEEL (9/16") UNITED STATES 3474578 AND UP AUSTRALIA 8004360 AND UP BELGIUM 9005204 AND UP CANADA 7006601 AND UP
6	50-65213		1	RATCHET, FLYWHEEL UNITED STATES 3474578 AND UP AUSTRALIA 8004360 AND UP BELGIUM 9005204 AND UP CANADA 7006601 AND UP
7	10-38398		8	SCREW, RATCHET TO FLYWHEEL (7/8") UNITED STATES 3474578 AND UP AUSTRALIA 8004360 AND UP BELGIUM 9005204 AND UP CANADA 7006601 AND UP
8	13-20202		2	LOCKWASHER, RATCHET SCREW UNITED STATES 3474578 AND UP AUSTRALIA 8004360 AND UP BELGIUM 9005204 AND UP CANADA 7006601 AND UP
9	398-4799		1	STATOR, IGNITION (MANUAL) UNITED STATES 3859434 AND BELOW AUSTRALIA 8016689 AND BELOW BELGIUM 9051458 AND BELOW CANADA 7006601 AND BELOW
	398-4770		1	STATOR, ALTERNATOR (ELECTRIC) UNITED STATES 3859434 AND BELOW AUSTRALIA 8016689 AND BELOW BELGIUM 9051458 AND BELOW CANADA 7006601 AND BELOW
	398-5256		1	STATOR, IGNITION(MANUAL) UNITED STATES 3859435 AND UP AUSTRALIA 8016690 AND UP BELGIUM 9051459 AND UP CANADA 7032138 AND UP
	398-5255		1	STATOR, IGNITION(ELECTRIC) UNITED STATES 3859435 AND UP AUSTRALIA 8016690 AND UP BELGIUM 9051459 AND UP CANADA 7032138 AND UP
10	10-56787		4	SCREW, STATOR TO UPPER END CAP (2")
11	13-26996		4	LOCKWASHER, STATOR SCREW
12	61830		1	STATOR SUPPORT

CONTINUED ON NEXT PAGE ➡

FLYWHEEL, IGNITION COIL AND SWITCH BOX

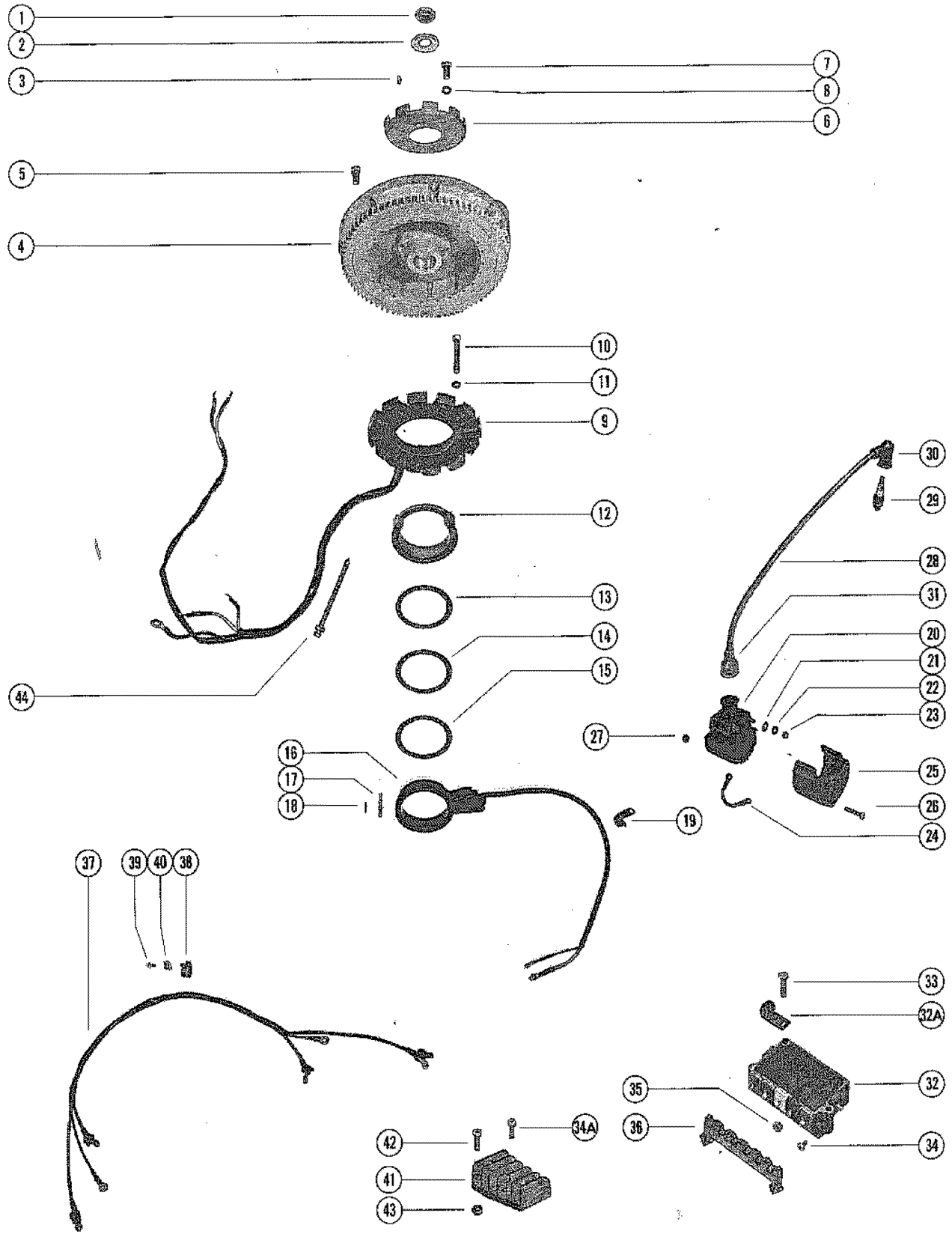


FLYWHEEL, IGNITION COIL AND SWITCH BOX

REF. NO.	PART NO.	SYM.	QTY.	DESCRIPTION
13	12-62133		1	WASHER, TRIGGER TO STATOR SUPPORT (UPPER)
14	13-61983		1	WASHER, WAVE - TRIGGER TO STATOR SUPPORT (CENTER)
15	12-61982		1	WASHER, TRIGGER TO STATOR SUPPORT (LOWER)
16	338-4731A1		1	TRIGGER PLATE ASSEMBLY UNITED STATES 3859434 AND BELOW AUSTRALIA 8016689 AND BELOW BELGIUM 9051458 AND BELOW CANADA 7006601 AND BELOW
	338-4731A6		1	TRIGGER PLATE ASSEMBLY UNITED STATES 3859435 AND UP AUSTRALIA 8016690 AND UP BELGIUM 9051459 AND UP CANADA 7032138 AND UP
17	24-62095		1	SPRING, COMPRESSION
18	17-62768		1	PIN, SPRING RETENTION
19	54-54457		1	"J" CLIP, TRIGGER LEADS TO RUBBER SUPPORT MOUNT
20	338-4995A1		2	IGNITION COIL ASSEMBLY, COMPLETE UNITED STATES 3859434 AND BELOW AUSTRALIA 8016689 AND BELOW BELGIUM 9051458 AND BELOW CANADA 7006601 AND BELOW
	339-5288A1		2	IGNITION COIL ASSEMBLY, COMPLETE UNITED STATES 3859435 AND UP AUSTRALIA 8016690 AND UP BELGIUM 9051459 AND UP CANADA 7032138 AND UP
21	23-62769		2	SPACER, COIL SWITHC BOX LEAD TERMINAL
22	13-26996		4	LOCKWASHER, COIL TERMINALS
23	11-45076		4	NUT, COIL TERMINALS
24	84-60466A1		2	GROUND WIRE, COIL GROUND TO COIL COVER SCREW
25	56188		2	COVER, IGNITION COIL
26	10-62842		6	SCREW, COIL COVER TO COIL BRACKET UNITED STATES 3859434 AND BELOW AUSTRALIA 8016689 AND BELOW BELGIUM 9051458 AND BELOW CANADA 7006601 AND BELOW
27	11-62843		6	NUT, COIL COVER SCREW UNITED STATES 3859434 AND BELOW AUSTRALIA 8016689 AND BELOW BELGIUM 9051458 AND BELOW CANADA 7006601 AND BELOW
26	10-25327		2	SCREW, COIL COVER TO COIL BRACKET (1 3/4") UNITED STATES 3859435 AND UP AUSTRALIA 8016690 AND UP BELGIUM 9051459 AND UP CANADA 7032138 AND UP
	10-64099		4	SCREW, COIL COVER TO COIL BRACKET (2 1/8") UNITED STATES 3859435 AND UP AUSTRALIA 8016690 AND UP BELGIUM 9051459 AND UP CANADA 7032138 AND UP
28	47899A9		2	LEAD ASSEMBLY, SPARK PLUG (HIGH TENSION)
29	33-59599		2	SPARK PLUG (CHAMPION #L-77V)
30	47604A1		2	PROTECTOR ASSEMBLY, SPARK PLUG
31	332-2854		2	BOOT, LEAD TO IGNITION COIL
32	228-4733A2		1	SWITCH BOX ASSEMBLY, COMPLETE UNITED STATES 3859434 AND BELOW AUSTRALIA 8016689 AND BELOW BELGIUM 9051458 AND BELOW CANADA 7006601 AND BELOW
33	10-22524		2	SCREW. SWITCH BOX TO BRCKET (1 3/4") UNITED STATES 3859434 AND BELOW AUSTRALIA 8016689 AND BELOW BELGIUM 9051458 AND BELOW CANADA 7006601 AND BELOW

CONTINUED ON NEXT PAGE ➡

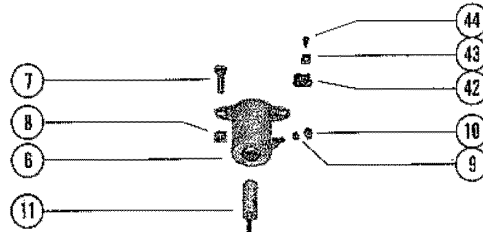
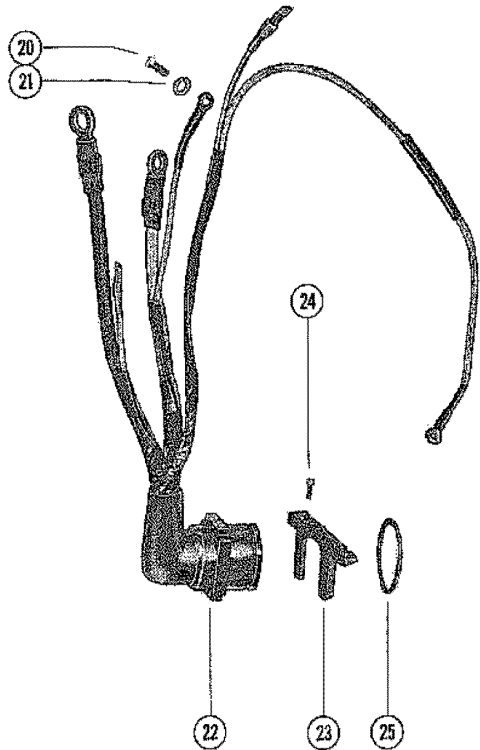
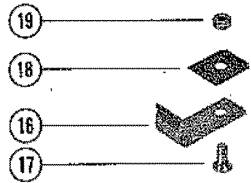
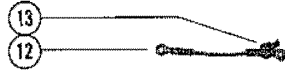
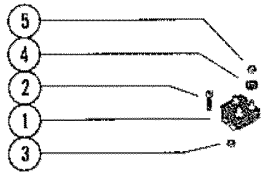
FLYWHEEL, IGNITION COIL AND SWITCH BOX



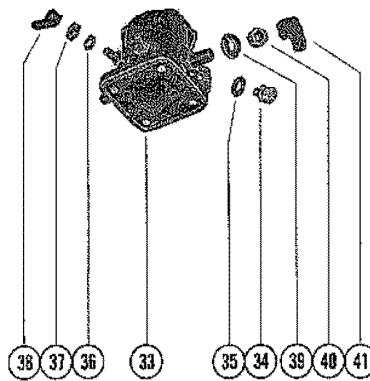
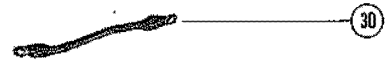
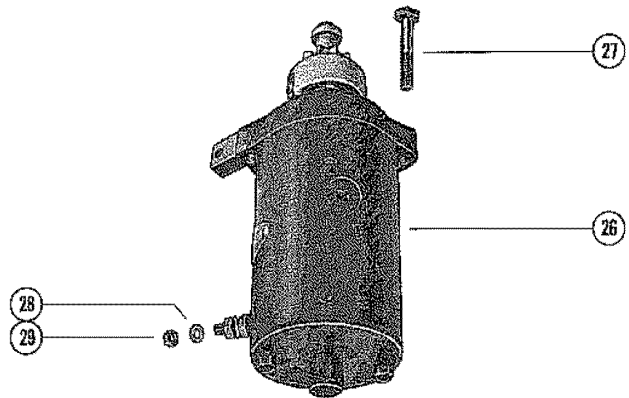
FLYWHEEL, IGNITION COIL AND SWITCH BOX

REF. NO.	PART NO.	SYM.	QTY.	DESCRIPTION
34	10-45218		1	SCREW, GROUND LEAD TO SWITCH BOX UNITED STATES 3859434 AND BELOW AUSTRALIA 8016689 AND BELOW BELGIUM 9051458 AND BELOW CANADA 7006601 AND BELOW
35	11-45076		7	NUT, SWITCH BOX TERMINAL UNITED STATES 3859434 AND BELOW AUSTRALIA 8016689 AND BELOW BELGIUM 9051458 AND BELOW CANADA 7006601 AND BELOW
36	63190		1	RETAINER, LEAD WIRE UNITED STATES 3859434 AND BELOW AUSTRALIA 8016689 AND BELOW BELGIUM 9051458 AND BELOW CANADA 7006601 AND BELOW
37	84-62203		1	LEAD, SWITCH BOX TO COILS UNITED STATES 3859434 AND BELOW AUSTRALIA 8016689 AND BELOW BELGIUM 9051458 AND BELOW CANADA 7006601 AND BELOW
38	54-24871		1	CLAMP, LEAD WIRES UNITED STATES 3859434 AND BELOW AUSTRALIA 8016689 AND BELOW BELGIUM 9051458 AND BELOW CANADA 7006601 AND BELOW
39	10-62568		1	SCREW, CLAMP TO BRACKET (3/8") UNITED STATES 3859434 AND BELOW AUSTRALIA 8016689 AND BELOW BELGIUM 9051458 AND BELOW CANADA 7006601 AND BELOW
40	22789		1	"C" WASHER, LEAD WIRE CLAMP UNITED STATES 3859434 AND BELOW AUSTRALIA 8016689 AND BELOW BELGIUM 9051458 AND BELOW CANADA 7006601 AND BELOW
32	332-4911A5		1	SWITCH BOX ASSEMBLY, COMPLETE UNITED STATES 3859435 AND UP AUSTRALIA 8016690 AND UP BELGIUM 9051459 AND UP CANADA 7032138 AND UP
32A	54-54457		2	"J" CLIP, SWITCH BOX LEADS UNITED STATES 3859435 AND UP AUSTRALIA 8016690 AND UP BELGIUM 9051459 AND UP CANADA 7032138 AND UP
33	10-27281		2	SCREW, SWITCH BOX AND "J" CLIP TO BRACKET UNITED STATES 3859435 AND UP AUSTRALIA 8016690 AND UP BELGIUM 9051459 AND UP CANADA 7032138 AND UP
34A	10-45218		6	SCREW, TERMINAL BLOCK AND SWITCH BOX (3/8") UNITED STATES 3859435 AND UP AUSTRALIA 8016690 AND UP BELGIUM 9051459 AND UP CANADA 7032138 AND UP
41	86-66754		1	TERMINAL BLOCK, SWITCH BOX LEAD UNITED STATES 3859435 AND UP AUSTRALIA 8016690 AND UP BELGIUM 9051459 AND UP CANADA 7032138 AND UP
42	10-20646		2	SCREW, TERMINAL BLOCK ATTACHING UNITED STATES 3859435 AND UP AUSTRALIA 8016690 AND UP BELGIUM 9051459 AND UP CANADA 7032138 AND UP
43	11-20190		2	NUT, TERMINAL BLOCK ATTACHING SCREWS UNITED STATES 3859435 AND UP AUSTRALIA 8016690 AND UP BELGIUM 9051459 AND UP CANADA 7032138 AND UP
44	47764		1	STA-STRAP, STATOR LEADS

STARTER MOTOR, RECTIFIER AND WIRING HARNESS



ELECTRIC ONLY

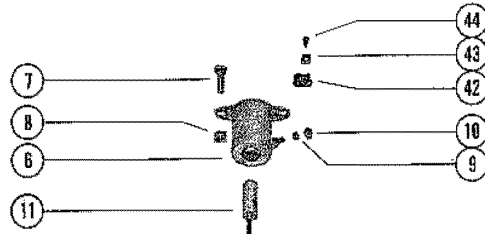
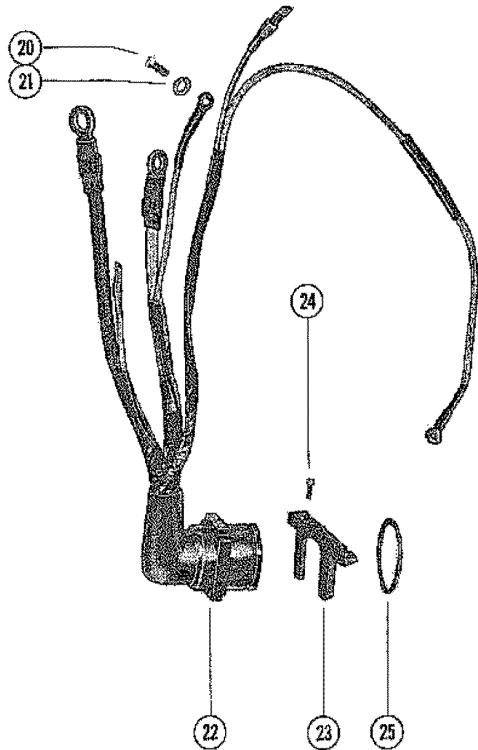
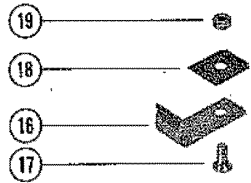
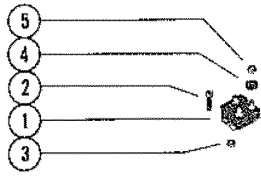


STARTER MOTOR, RECTIFIER AND WIRING HARNESS

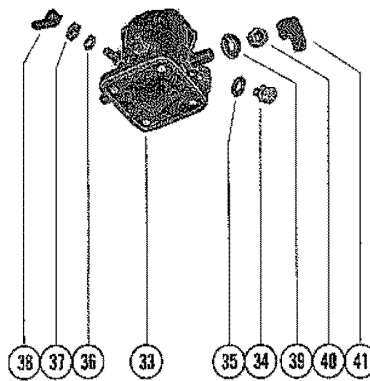
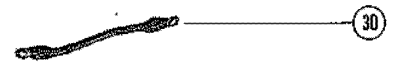
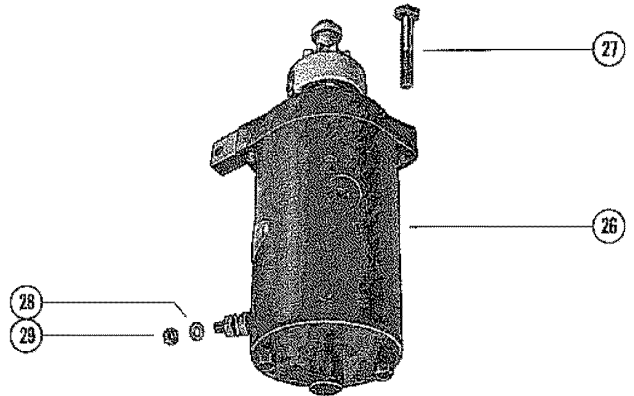
REF. NO.	PART NO.	SYM.	QTY.	DESCRIPTION
1	62351A1		1	RECTIFIER ASSEMBLY UNITED STATES 3474577 AND BELOW AUSTRALIA 8004329 AND BELOW BELGIUM 9005203 AND BELOW CANADA 7006600 AND BELOW
	62351A2		1	RECTIFIER ASSEMBLY UNITED STATES 3474578 AND UP AUSTRALIA 8004360 AND UP BELGIUM 9005204 AND UP CANADA 7006601 AND UP
2	10-25764		2	SCREW, RECTIFIER TO FRONT SUPPORT BRACKET (1/2")
3	11-27164		2	NUT, RECTIFIER FASTENING SCREW
4	23-62769		1	SPACER, RECTIFIER TERMINAL - BATTERY LEAD
5	11-45076		3	NUT, RECTIFIER TERMINAL (10-32)
6	54293A5		1	CHOKE SOLENIOD ASSEMBLY
7	10-26065		2	SCREW, CHOKE SOLENOID TO FRONT SUPPORT BRACKET (1")
8	11-46793		2	NUT, SOLENOID SCREW
9	13-26993		1	LOCKWASHER, CHOKE SOLENOID TERMINAL
10	11-45076		1	NUT, CHOKE SOLENOID TERMINAL
11	56074A2		1	PLUNGER ASSEMBLY, CHOKE SOLENOID
12	84-61393A1		1	LEAD ASSEMBLY, RECTIFIER TO STARTER SOLENOID (4 7/8")
13	85-62453		1	BOOT, LEAD WIRE
14	19-35827		1	PLUG, BOTTOM COWL PART OF BOTTOM COWL ASSEMBLY
15	53-30428		1	FASTENER, PLUG TO BOTTOM COWL PART OF BOTTOM COWL ASSEMBLY
16	34228		1	SUPPORT, EXTERNAL WIRING HARNESS
17	10-67197		1	SCREW, SUPPORT TO BOTTOM COWL (5/8")
18	52907		1	INSULATOR, SUPPORT TO BOTTOM COWL
19	11-46887		1	NUT, SUPPORT FASTENING SCREW
20	10-20776		1	SCREW, WIRING HARNESS GROUND TO BOTTOM COWL (1/2")
21	13-24669		1	LOCKWASHER, WIRING HARNESS GROUND SCREW
22	84-62534		1	WIRING HARNESS (INTERNAL) UNITED STATES 3859434 AND BELOW AUSTRALIA 8016689 AND BELOW BELGIUM 9051458 AND BELOW CANADA 7006601 AND BELOW
	84-66297		1	WIRING HARNESS (INTERNAL) UNITED STATES 3859435 AND UP AUSTRALIA 8016690 AND UP BELGIUM 9051459 AND UP CANADA 7032138 AND UP
23	54-52876		1	CLAMP, WIRING HARNESS ATTACHING
24	10-61802		2	SCREW, WIRING HARNESS CLAMP TO BOTTOM COWL (7/8")
25	24-28975		1	SPRING, GARTER - INTERNAL WIRING HARNESS
26	50-55601		1	STARTER MOTOR ASSEMBLY
27	10-35213		2	SCREW, STARTER MOTOR TO CRANKCASE (1 5/8")
28	13-26992		1	LOCKWASHER, CABLE TO STARTER MOTOR NUT
29	11-20890		1	NUT, CABLE TO STARTER MOTOR
30	56466		1	CABLE, STARTER MOTOR TO STARTER SOLENOID
31	32107		1	GROUND WIRE, STARTER MOTOR TO FRONT SUPPORT BRACKET
32	10-29197		1	SCREW, GROUND WIRE TO STARTER MOTOR (5/8")

CONTINUED ON NEXT PAGE ➡

STARTER MOTOR, RECTIFIER AND WIRING HARNESS



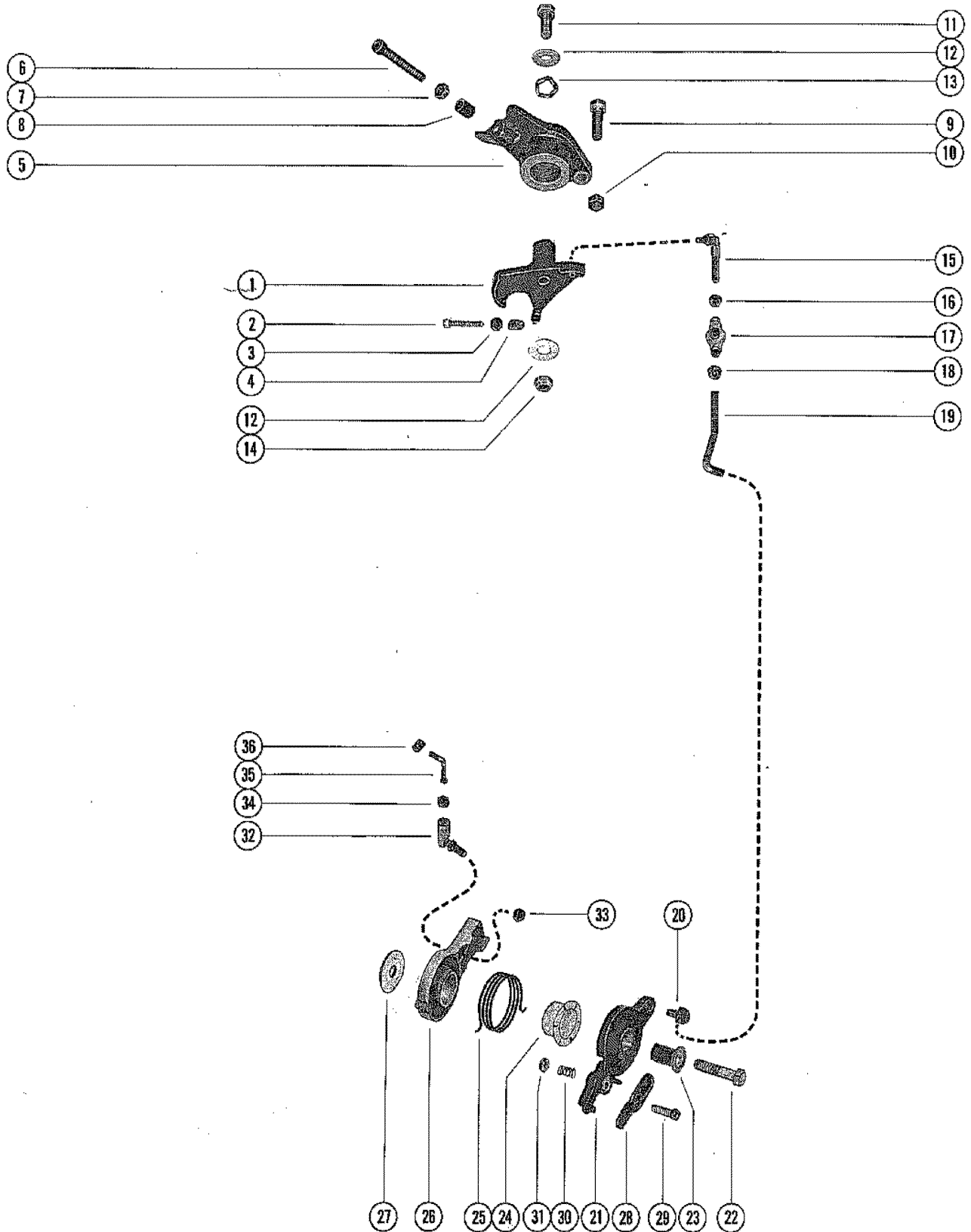
ELECTRIC ONLY



STARTER MOTOR, RECTIFIER AND WIRING HARNESS

REF. NO.	PART NO.	SYM.	QTY.	DESCRIPTION
33	25661		1	SOLENOID, STARTER
34	10-21625		2	SCREW, STARTER SOLENOID TO FRONT SUPPORT BRACKET (3/8")
35	13-26992		2	WASHER, STARTER SOLENOID SCREW
36	13-26996		2	LOCKWASHER, STARTER SOLENOID TERMINAL (#10)
37	11-20645		2	NUT, STARTER SOLENOID TERMINAL (#10)
38	38938		2	BOOT, RUBBER - STARTER SOLENOID TERMINAL (SMALL)
39	13-26993		2	LOCKWASHER, STARTER SOLENOID TERMINAL (5/16)
40	11-20083		2	NUT, STARTER SOLENOID TERMINAL (5/16)
41	46265		1	BOOT, RUBBER- STARTER SOLENOID TERMINAL (LARGE)
42	54-24871		1	CLAMP, CHOKE SOLENOID LEAD WIRE
43	22789		1	"C" WASHER, LEAD WIRE CLAMP
44	10-62568		1	SCREW, CLAMP ATTCHING (3/8")

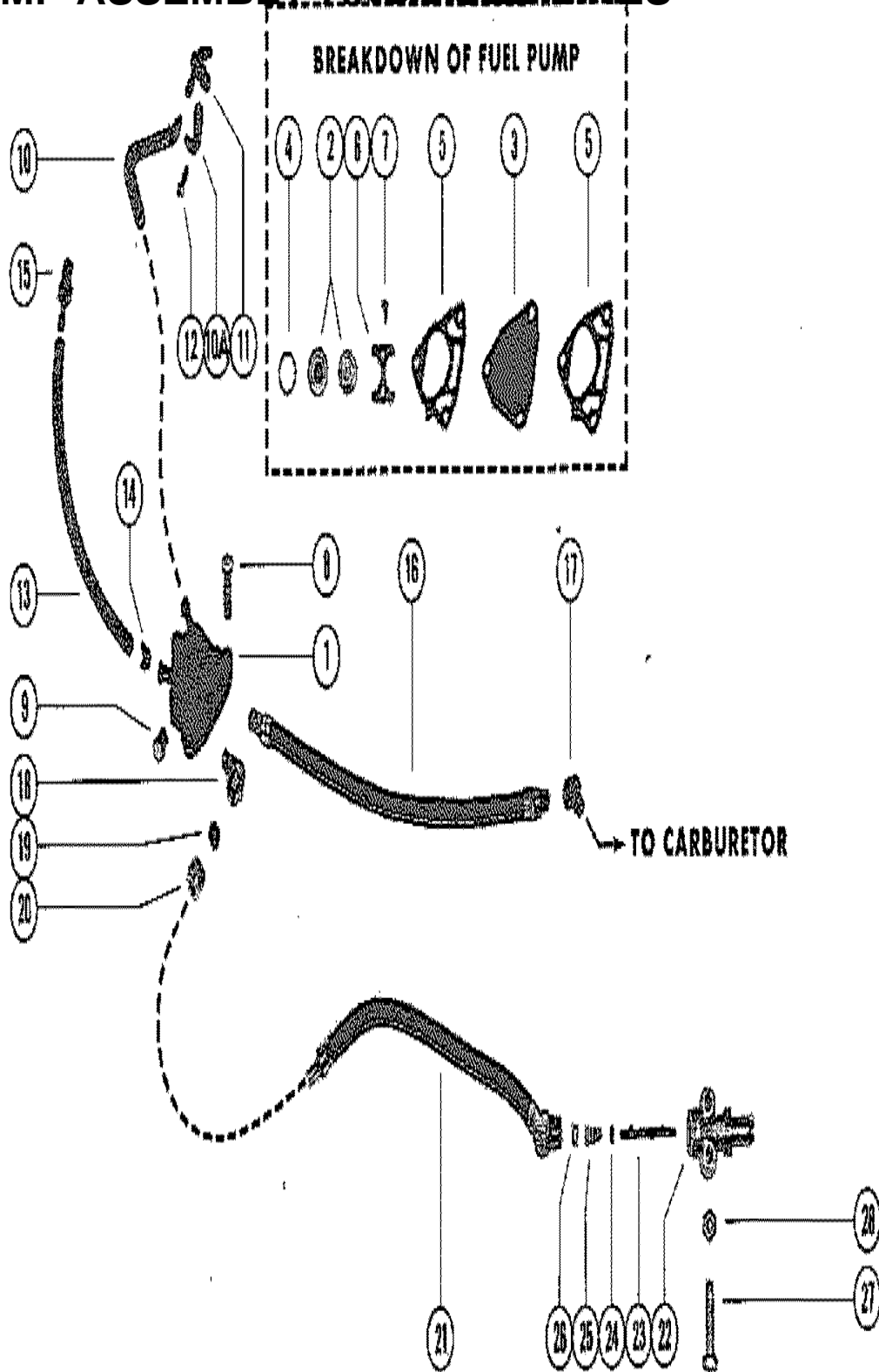
THROTTLE CONTROL LINKAGE AND SPARK ADVANCE



THROTTLE CONTROL LINKAGE AND SPARK ADVANCE

REF. NO.	PART NO.	SYM.	QTY.	DESCRIPTION
1	63123		1	THROTTLE CAM ACTUATOR
2	10-63102		1	SCREW, ADJUSTING - THROTTLE CAM
3	11-33122		1	NUR, JAM - ADJUSTING SCREW
4	26852		1	CAP, NYLON - ADJUSTING SCREW
5	39522		1	BRACKET, THROTTLE CONTROL SHAFT (NOT AS SHOWN)
6	10-24228		1	SCREW, ADJUSTING - THROTTLE CONTROL BRACKET (1 7/8")
7	11-20890		1	NUT, JAM - ADJUSTING SCREW
8	26852		1	CAP, NYLON - ADJUSTING SCREW
9	10-20639		2	SCREW, THROTTLE CONTROL BRACKET (11/8")
10	11-46793		2	NUT, THROTTLE CONTROL BRACKET SCREW
11	10-34438		1	SCREW, THROTTLE CONTROL BRACKET TO THROTTLE CAM (2 3/8")
12	12-25893		2	WASHER, THROTTLE CONTROL BRACKET TO THROTTLE CAM SCREW
13	13-62172		1	WAVE WASHER, THROTTLE CONTROL BRACKET/THROTTLE CAM SCREW
14	11-46793		1	NUT, THROTTLE CONTROL BRACKET TO THROTTLE CAM SCREW
15	62171		1	BALL JOINT, THROTTLE CAM
16	11-20013		1	NUT, JAM - BALL JOINT TO TURNBUCKLE
17	62174		1	TURNBUCKLE, SPARK ADVANCE LINKAGE
18	11-20754		1	NUT, JAM -UPPER LINK ROD TO TURNBUCKLE
19	62173		1	ROD, LINK - UPPER
20	57440		1	SWIVEL, UPPER LINK ROD TO THROTTLE CONTROL LEVER
21	55187		1	LEVER, THROTTLE CONTROL
22	10-55337		1	SCREW, THROTTLE COSNTROL LEVEL TO CYLINDER BLOCK (1 3/4")
23	23-55164		1	BUSHING, THROTTLE CONTROL LEVER SCREW
24	23-55171		1	BUSHING, THROTTLE CONTROL LEVER SCREW
25	24-55162		1	SPRING, RETURN - SPARK ADVANCE LEVER
26	61831		1	LEVER, SPARK ADVANCE
27	12-28008		1	WASHER, THROTTLE CONTROL LEVEL SCREW
28	39483		1	LATCH, THROTTLE CONTROL LEVER (THROTTLE CABLE)
29	10-22486		1	SCREW, LATCH TO THROTTLE CONTROL LEVER (7/8")
30	24-20099		1	SPRING, COMPRESSION - LATCH SCREW
31	11-20586		1	NUT, LATCH SCREW
32	62459		1	BALL JOINT, SPARK ADVANCE LEVER
33	11-46438		1	NUT, BALL JOINT TO SPARK ADVANCE LEVER
34	11-45076		1	NUT, JAM - LINK ROD ADJUSTING
35	61940		1	LINK ROD
36	61939		1	PIVOT, THREADED, - TRIGGER PLATE TO LINK ROD

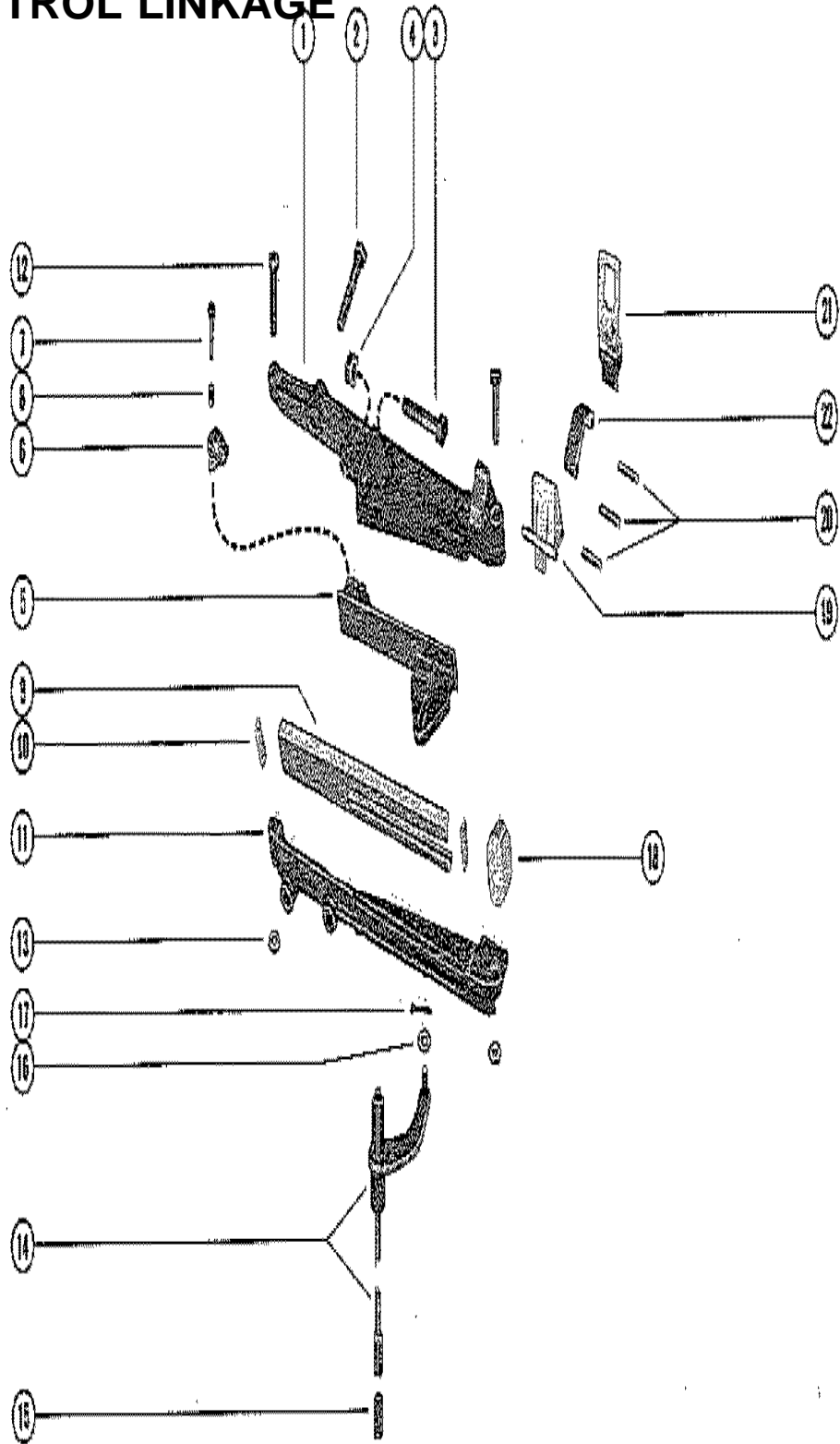
FUEL PUMP ASSEMBLY AND FUEL LINES



FUEL PUMP ASSEMBLY AND FUEL LINES

REF. NO.	PART NO.	SYM.	QTY.	DESCRIPTION
1	62973A4		1	FUEL PUMP ASSEMBLY
2	21-30430A3		1	CHECK VALVE ASSEMBLY
3	55278A1		1	DIAPHRAGM KIT
4			2	GASKET, CHECK VALVE TO HOUSING
5			2	GASKET, FUEL PUMP
6	23004		1	RETAINER, CHECK VALVE
7	10-20037		2	SCREW, RETAINER TO HOUSING
8	10-34633		3	SCREW, FUEL PUMP MOUNTING (1 1/2")
9	22-32802		1	PLUG, PIPE - FUEL PUMP
10	32-65521		1	HOSE ASSEMBLY, FUEL PUMP TO TELL TALE NOZZLE UNITED STATES 3859434 AND BELOW AUSTRALIA 8016689 AND BELOW BELGIUM 9051458 AND BELOW CANADA 7006601 AND BELOW
11	64703		1	NOZZLE, TELL TALE HOSE TO BOTTOM COWL UNITED STATES 3859434 AND BELOW AUSTRALIA 8016689 AND BELOW BELGIUM 9051458 AND BELOW CANADA 7006601 AND BELOW
10	66846		1	HOSE AND NOZZLE, TELL TALE -- PART OF A-2139-5351A2 BOTTOM OF COWL ASS'Y UNITED STATES 3859435 AND UP AUSTRALIA 8016690 AND UP BELGIUM 9051459 AND UP CANADA 7032138 AND UP
10A	66849		1	CLAMP, TELL TALE HOSE AND NOZZLE -- PART OF A-2139- 5351A2 BOTTOM OF COWL ASS'Y UNITED STATES 3859435 AND UP AUSTRALIA 8016690 AND UP BELGIUM 9051459 AND UP CANADA 7032138 AND UP
12	10-35519		1	SCREW, NOZZLE TO BOTTOM COWL (1 1/2") PART OF A- 2139-5351A2 BOTTOM OF COWL ASS'Y
13	32-34395A1		1	HOSE ASSEMBLY, CYLINDER BLOCK TO FUEL PUMP (11")
14	54-20386		3	CLAMP, HOSE
15	22-29111		1	FITTING, TELL TALE - BLOCK TO FUEL PUMP
16	32-55828A1		1	FUEL LINE, FUEL PUMP TO CARBURETOR (13 3/4")
17	22-29085		1	FITTING, FUEL LINE TO CARBURETOR (45)
18	22-30174		1	ELBOW, PUMP INLET TO FUEL LINE (90)
19	22-30175		1	SLEEVE, RUBBER - ELBOW
20	22-30177		1	NUT, ELBOW TO FUEL LINE
21	32-56367		1	FUEL LINE, FUEL PUMP TO ADAPTOR
22	22833		1	ADAPTOR, CHECK UNIT (FUEL PUMP)
23	23069		1	STEM, CHECK UNIT ADAPTOR
24	25-20415		1	"O" RING, ADAPTOR STEM
25	24-23067		1	SPRING, ADAPTOR STEM
26	30188		1	CUP WASHER, ADAPTOR
27	10-56500		2	SCREW, ADAPTOR TO BOTTOM COWL (1 1/4")
28	11-46887		2	NUT, ADAPTOR SCREW

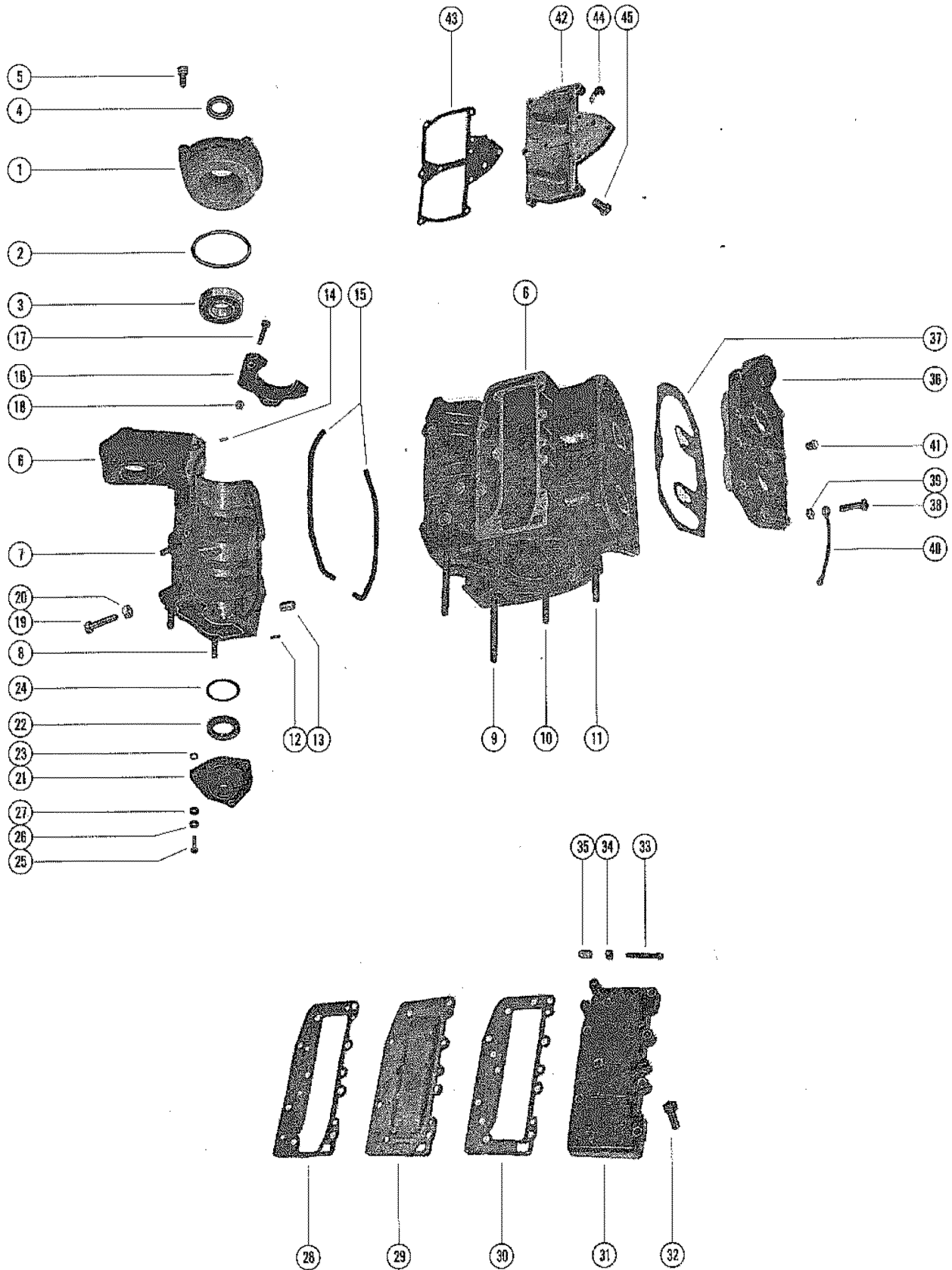
SHIFT CONTROL LINKAGE



SHIFT CONTROL LINKAGE

REF. NO.	PART NO.	SYM.	QTY.	DESCRIPTION
1	55334		1	BRACKET, SHIFT ANCHOR - UPPER
2	10-37558		2	SCREW, ANCHOR BRACKET TO CYLINDER BLOCK (1 1/4")
	10-25503		1	SCREW, ANCHOR BRACKET TO CYLINDER BLOCK (2")
3	10-21489		1	SCREW, UPPER ANCHOR BRACKET TO CRANKCASE (1 3/4")
4	11-46793		1	NUT, UPPER ANCHOR BRACKET SCREW
5	39472		1	SLIDE, SHIFT ACTUATING
6	56193		1	LATCH, SHIFT ACTUATING SLIDE (SHIFT CABLE)
7	10-39620		1	SCREW, LATCH TO SHIFT ACTUATING SLIDE
8	24-27087		1	SPRING, COMPRESSION - LATCH SCREW
9	39516		1	SLIDE, NYLON - ANCHOR BRACKET (SHIFT ACUTATING SLIDE)
10	39515		2	END CAP, NYLON - ANCHOR BRACKET SLIDE
11	39448		1	BRACKET, SHIFT ANCHOR - LOWER
12	10-20012		2	SCREW, UPPER ANCHOR BRACKET TO LOWER ANCHOR BRACKET (1 5/8")
13	11-20586		2	NUT, UPPER ANCHOR BRACKET SCREW
14	59110A2		1	SHIFT SHAFT ASSEMBLY, UPPER (SHORT SHAFT)
	59110A1		1	SHIFT SHAFT ASSEMBLY, UPPER (LONG SHAFT)
15	55692		1	COUPLING, UPPER SHIFT SHAFT
16	12-37998		1	WASHER, UPPER SHIFT SHAFT- MANUAL ONLY
17	18-26953		1	COTTER PIN, UPPER SHIFT SHAFT- MANUAL ONLY
18	39519		1	CUP, RETAINER - ANCHOR BRACKET (SHIFT CABLE BARREL)
19	39618		1	LEVER, NYLON - SHIFT CABLE LOCKING (UPPER ANCHOR BRACKET)
20	17-47175		3	PIN, LOCKING LEVER AND COVER FASTENING
21	39667		1	COVER, NYLON - SHIFT CABLE
22	65799		1	LINK, LOCKING LEVER TO COVER

CYLINDER BLOCK AND CRANKCASE ASSEMBLY

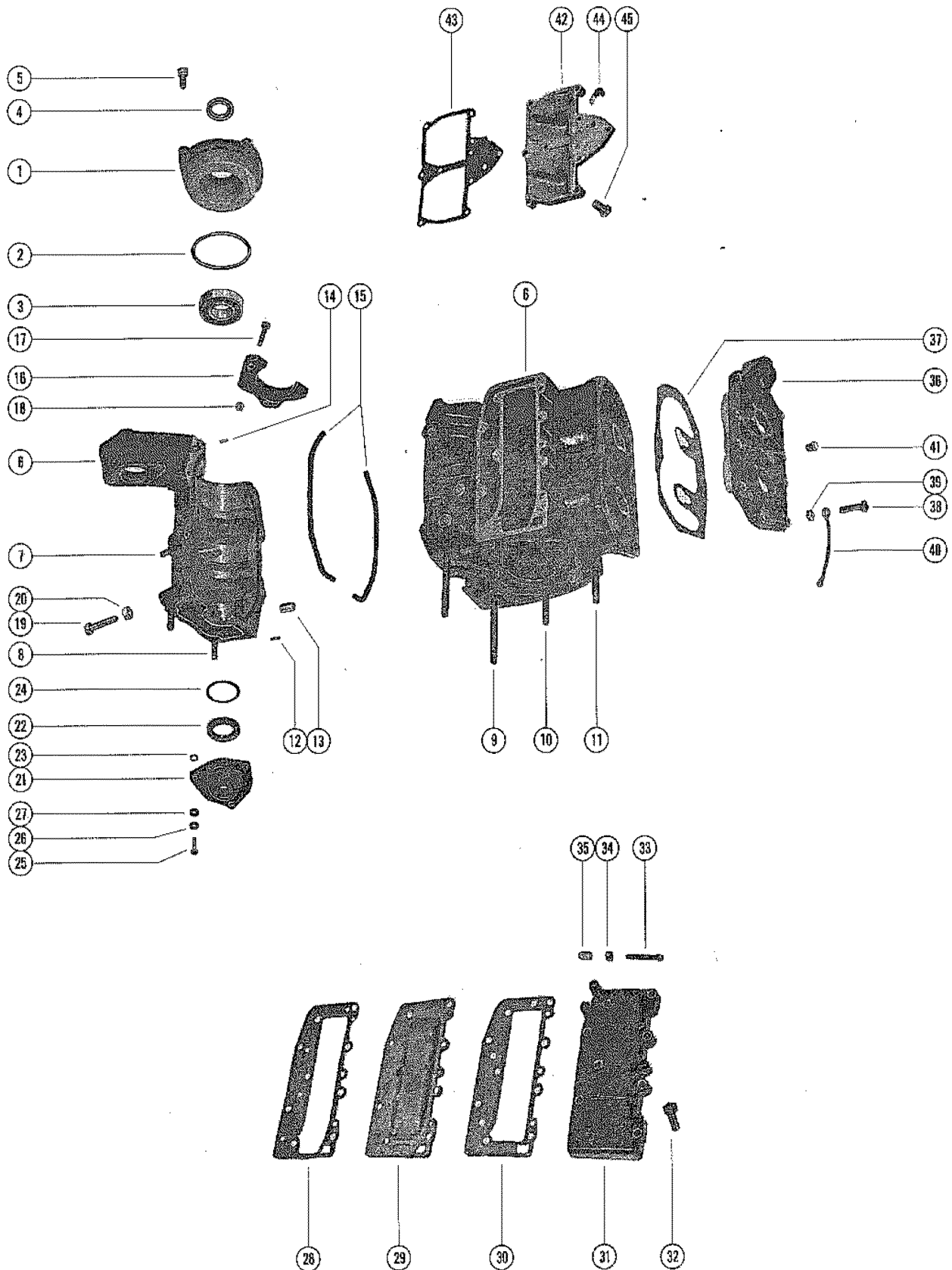


CYLINDER BLOCK AND CRANKCASE ASSEMBLY

REF. NO.	PART NO.	SYM.	QTY.	DESCRIPTION
1	1151-4732A1		1	END CAP ASSEMBLY, UPPER
2	25-47254		1	"O" RING, UPPER END CAP
3	31-62066		1	BALL BEARING, UPPER END CAP
4	26-29476		1	OIL SEAL, UPPER END CAP
5	10-30225		4	SCREW, UPPER END CAP MOUNTING (1")
6	851-4816A3		1	CYLINDER BLOCK AND CRANKCASE ASS'Y UNITED STATES 3476510 AND BELOW
	851-4963A3		1	CYLINDER BLOCK AND CRANKCASE ASS'Y UNITED STATES 3476511 THRU 3477009
	851-5350A3		1	CYLINDER BLOCK AND CRANKCASE ASS'Y UNITED STATES 3859435 AND UP AUSTRALIA 8016690 AND UP BELGIUM 9051459 AND UP CANADA 7032138 AND UP
7	16-35099		2	STUD, CARBURETOR MOUNTING (1 3/16")
8	16-29988		2	STUD, CRANKCASE TO DRIVE SHAFT HOUSING (9/16")
9	16-29990		2	STUD, CYLINDER BLOCK TO DRIVE SHAFT HOUSING (3 7/16") UNITED STATES 3859434 AND BELOW AUSTRALIA 8016689 AND BELOW BELGIUM 9051458 AND BELOW CANADA 7006601 AND BELOW
	16-65762		2	STUD, CYLINDER BLOCK TO DRIVE SHAFT HOUSING (3 11/16") UNITED STATES 3859435 AND UP AUSTRALIA 8016690 AND UP BELGIUM 9051459 AND UP CANADA 7032138 AND UP
10	16-29989		2	STUD, CYLINDER BLOCK TO DRIVE SHAFT HOUSING (1 15/16") STARBOARD
11	16-37986		2	STUD, CYLINDER BLOCK TO DRIVE SHAFT HOUSING (2 5/16") PORT
12	17-57211		1	DOWEL PIN, RETAINER TO CYLINDER BLOCK
13	17-23784		2	DOWEL PIN, CRANKCASE TO CYLINDER BLOCK
14	17-20323		1	DOWEL PIN, CYLINDER BLOCK TO MAIN BEARING
15	27-55158		2	GASKET, SEALING - CYLINDER BLOCK
16	62064		1	BRACKET, STARTER MOTOR
17	10-35213		2	SCREW, BLOCK BRACKET TO STARTER MOTOR (1 5/8")-ELECTRIC
	10-21339		2	SCREW, STARTER MOTOR BRACKET TO BLOCK (1 3/8") MANUAL
18	11-46793		2	NUT, STARTER MOTOR BRACKET SCREW - MANUAL
19	10-22040		6	SCREW, CRANKCASE TO CYLINDER BLOCK (1 1/2")
	10-33008		2	SCREW, CRANKCASE TO CYLINDER BLOCK (3 1/2")
	10-29942		1	SCREW, CRANKCASE TO CYLINDER BLOCK (2 1/4")
20	11-46793		9	NUT, CRANKCASE FASTENING SCREW
21	1152-4810A1		1	END CAP ASSEMBLY, LOWER UNITED STATES 3476510 AND BELOW
22	26-29476		2	OIL SEAL, LOWR END CAP UNITED STATES 3476510 AND BELOW
23	25-22175		3	"O" RING, LOWER END CAP SCREWS UNITED STATES 3476510 AND BELOW
24	25-62457		1	"O" RING, LOWER END CAP UNITED STATES 3476510 AND BELOW

CONTINUED ON NEXT PAGE ➡

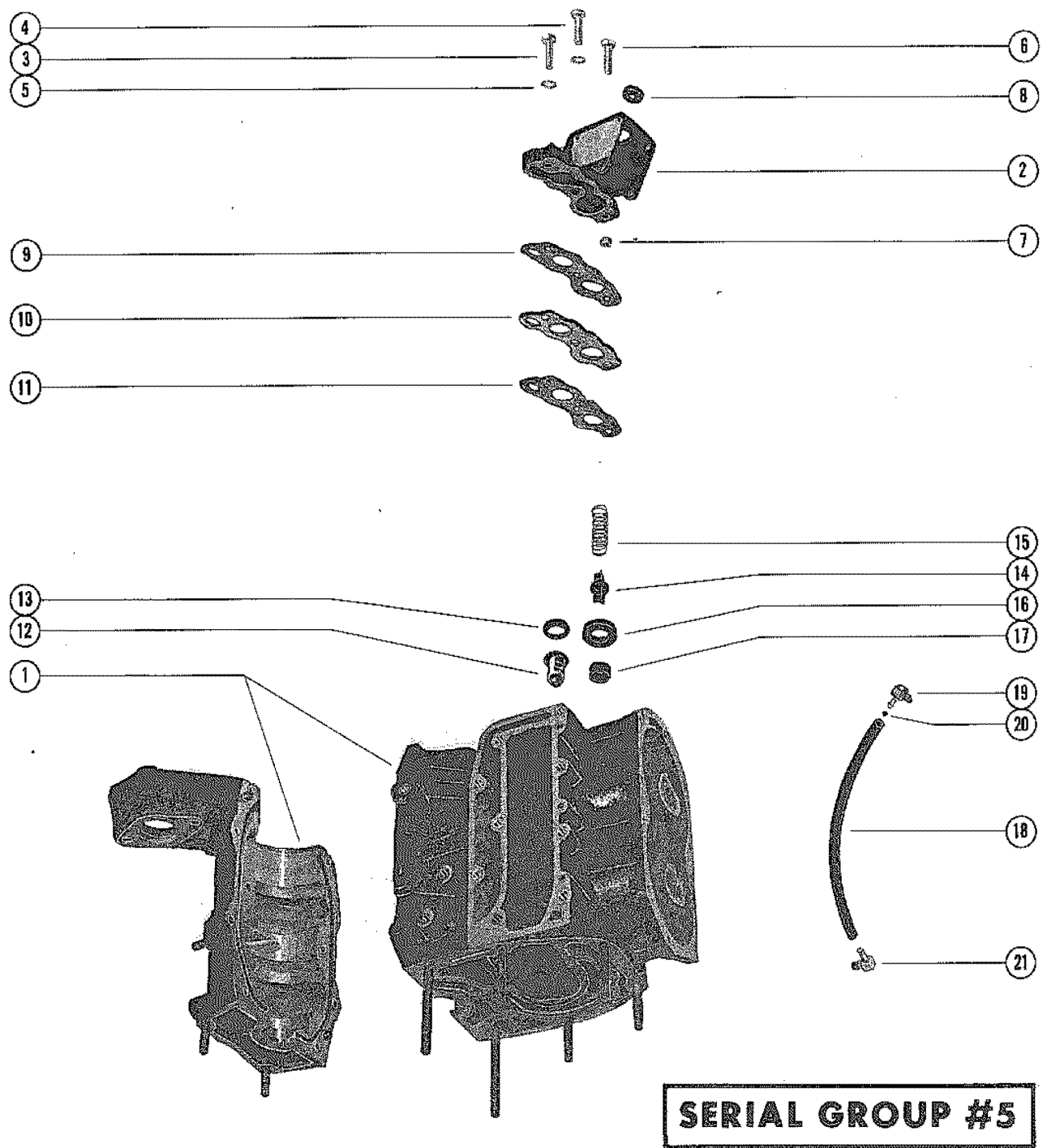
CYLINDER BLOCK AND CRANKCASE ASSEMBLY



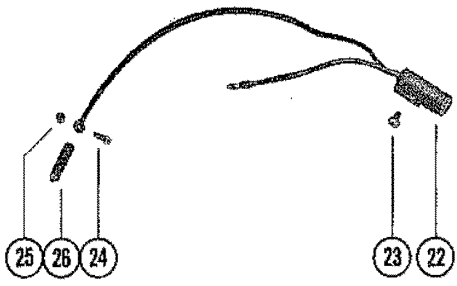
CYLINDER BLOCK AND CRANKCASE ASSEMBLY

REF. NO.	PART NO.	SYM.	QTY.	DESCRIPTION
25	10-63070		3	SCREW, LOWER END CAP TO CYLINDER BLOCK AND CRANKCASE (1 1/4" UNITED STATES 3476510 AND BELOW)
26	12-58166		3	WASHER, RETAINER SCREW UNITED STATES 3476510 AND BELOW
27	26-57847		3	STAT-O-SEAL, RETAINER SCREW UNITED STATES 3476510 AND BELOW
21	1152-4966A1		1	END CAP ASSEMBLY, LOWER UNITED STATES 3476511 THRU 3477009
22	26-29476		2	OIL SEAL, LOWER END CAP UNITED STATES 3476511 THRU 3477009
23	25-64068		3	"O" RING, LOWER END CAP SCREW UNITED STATES 3476511 THRU 3477009
24	25-64067		1	"O" RING, LOWER END CAP UNITED STATES 3476511 THRU 3477009
25	10-63365		3	SCREW, LOWER END CAP TO CYLINDER BLOCK AND CRANKCASE (1 1/2" UNITED STATES 3476511 THRU 3477009)
28	27-55306		1	GASKET, CYLINDER BLOCK TO BAFFLE PLATE
29	55190		1	PLATE, DIVIDER - EXHAUST MANIFOLD
30	27-55308		1	GASKET, BAFFLE PLATE TO EXHAUST COVER
31	55157		1	COVER, EXHAUST MANIFOLD
32	10-53016		1	SCREW, MANIFOLD COVER TO CYLINDER BLOCK (1 1/4")
	10-31984		7	SCREW, MANIFOLD COVER TO CYLINDER BLOCK (1 3/8")
33	10-24228		2	SCREW, ADJUSTIN - EXHAUST COVER (1 7/8")
34	11-20890		2	NUT, ADJUSTING SCREW
35	26852		2	CAP, NYLON - ADJUSTING SCREW
36	1024-3869		1	COVER, CYLINDER BLOCK
37	27-55307		1	GASKET, CYLINDER BLOCK COVER
38	10-56500		10	SCREW, CYLINDER BLOCK COVER MOUNTING (1 1/4")
39	11-46887		10	NUT, COVER MOUNTING SCREW
40	46933A3		2	GROUND STRAP, POWRHEAD TO BOTTOM COWL
41	22-32802		1	PLUG, PIPE - CYLINDER BLOCK COVER
42	62303		1	COVER, TRANSFER PORT UNITED STATES 3474577 AND BELOW AUSTRALIA 8004329 AND BELOW BELGIUM 9005203 AND BELOW CANADA 7006600 AND BELOW
	63970		1	COVER, TRANSFER PORT UNITED STATES 3474578 AND UP AUSTRALIA 8004360 AND UP BELGIUM 9005204 AND UP CANADA 7006601 AND UP
43	27-55279		1	GASKET, TRANSFER PORT COVER
44	54-54457		1	"J" CLIP, COIL HARNESS
45	10-53556		6	SCREWS, TANSFER PORT COVER MOUNTING (1")

CYLINDER BLOCK AND COIL MOUNTING BRACKET (SERIAL GROUP #5)



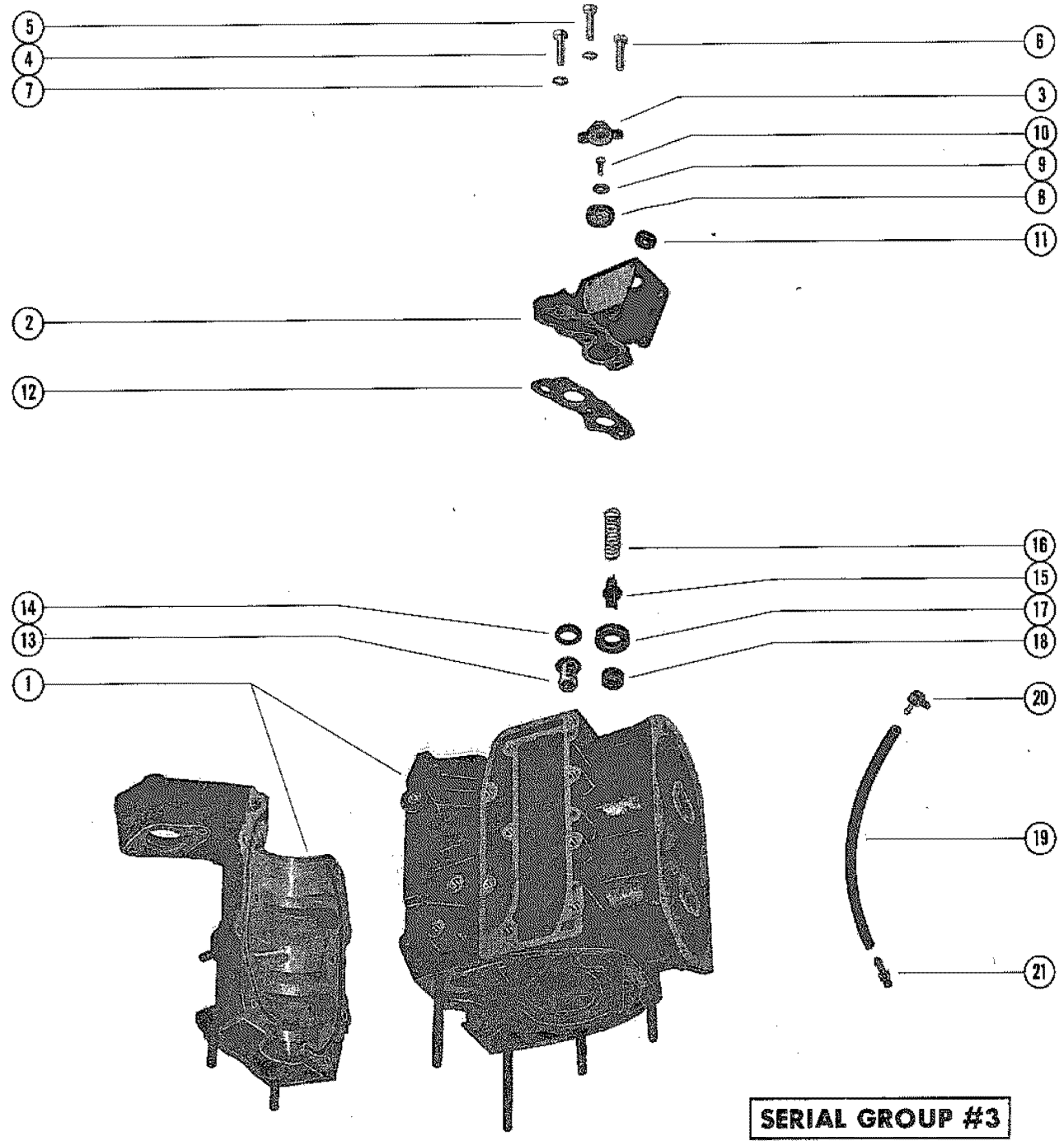
SERIAL GROUP #5



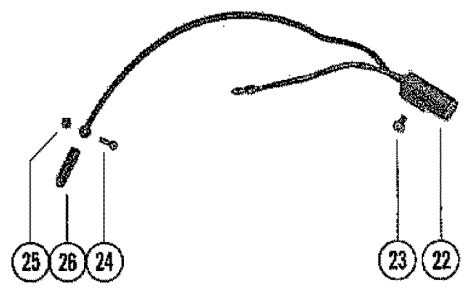
CYLINDER BLOCK AND COIL MOUNTING BRACKET (SERIAL GROUP #5)

REF. NO.	PART NO.	SYM.	QTY.	DESCRIPTION
1	851-4816A3		1	BLOCK & C'CASE ASS'Y UNITED STATES 3476510 AND BELOW
	851-4963A3		1	BLOCK & C'CASE ASS'Y UNITED STATES 3476511 THRU 3477009
2	61829		1	BRACKET, COIL MOUNTING
3	10-63327		1	SCREW, COIL MOUNTING BRACKET TO BLOCK (1 3/8")
4	10-63328		1	SCREW, COIL MOUNTING BRACKET TO BLOCK (3")
5	13-26993		2	LOCKWASHER, COIL MOUNTING BRACKET SCREW
6	10-63329		1	SCREW, COIL MOUNTING BRACKET TO BLOCK (1 3/4')
7	11-35814		1	NUT, COIL MOUNTING BRACKET SCREW
8	25-39597		1	GROMMET, COIL MOUNTING BRACKET
9	27-62396		1	GASKET, COIL MOUNTING BRACKET TO BLOCK
10	62715		1	PLATE, THERMOSTAT
11	27-62716		1	GASKET, THERMOSTAT PLATE TO BLOCK
12	62981		1	THERMOSTAT
13	27-62386		1	GASKET, THERMOSTAT
14	62395		1	POPPET, RELIEF VALVE
15	24-62394		1	SPRING, COMPRESSION - POPPET RELIEF VALVE
16	12-62402		1	WASHER, POPPET VALVE
17	25-63016		1	GROMMET, POPPET VALVE
18	32-60584		1	HOSE, CYLINDER BLEED (7 1/2")
19	22-61295A5		1	ELBOW ASSEMBLY, BLEED DRAIN
20	21-56011A2		1	CHECK VALVE ASSEMBLY
21	22-63000		1	ELBOW, RESTRICTOR
22	58124A14		1	SWITCH ASSEMBLY, MERCURY
23	10-48409		1	SCREW, MERCURY SWITCH TO EXHAUST COVER (5/8")
24	10-21983		1	SCREW, MERCURY SWITCH LEAD ATTACHING
25	11-62590		1	NUT, MERCURY SWITCH LEAD SCREW
26	85-64080--1		1	SLEEVE, MERCURY SWITCH LEAD SCREW (2")

CYLINDER BLOCK AND COIL MOUNTING BRACKET (SERIAL GROUP #3)



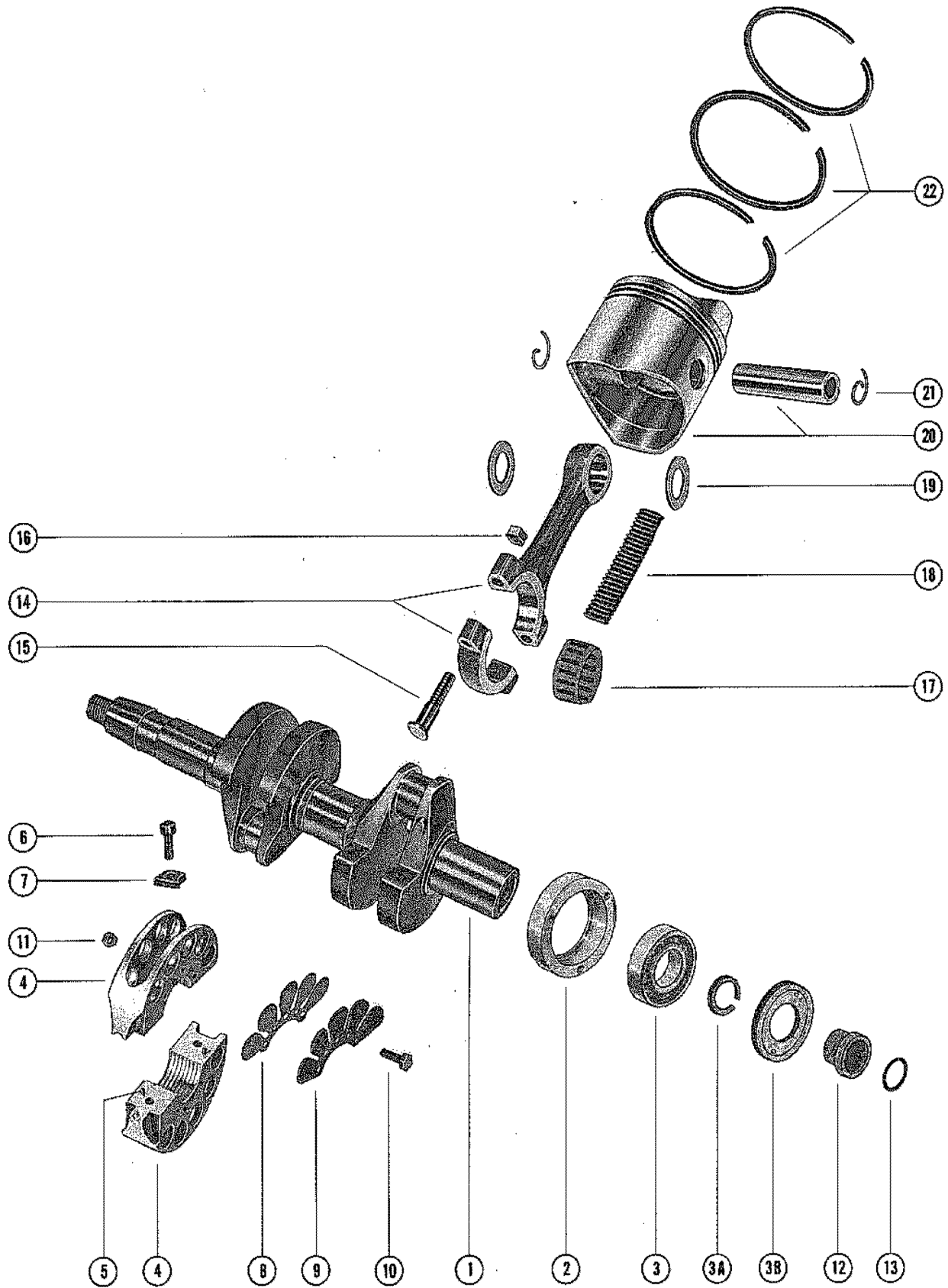
SERIAL GROUP #3



CYLINDER BLOCK AND COIL MOUNTING BRACKET (SERIAL GROUP #3)

REF. NO.	PART NO.	SYM.	QTY.	DESCRIPTION
1	851-5350A3		1	CYLINDER BLOCK AND CRANKCASE ASS'Y
2	66843		1	BRACKET, COIL MOUNTING
3	66844		1	COVER, DIAPHRAGM
4	10-31984		1	SCREW, COIL MOUNTING BRACKET TO BLOCK (1 3/8")
5	10-37562		1	SCREW, STARTER BRACKET AND COVER TO COIL BRACKET (1")
6	10-58414		1	SCREW, COVER AND COIL BRACKET TO BLOCK (2 1/2")
7	13-26993		3	LOCKWASHER, COIL MOUNTING BRACKET SCREW
8	64877		1	DIAPHRAGM, POPPET VALVE
9	12-64879		1	WASHER, DIAPHRAGM
10	10-45817		1	SCREW, WASHER AND DIAPHRAGM TO POPPET VALVE
11	25-39597		1	GROMMET, COIL MOUNTING BRACKET
12	27-66847		1	GASKET, COIL MOUNTING BRACKET TO BLOCK
13	66850		1	THERMOSTAT
14	27-62386		1	GASKET, THERMOSTAT
15	64874		1	POPPET, RELIEF VALVE
16	24-66852		1	SPRING, COMPRESSION - POPPET RELIEF VALVE
17	65848		1	WASHER, POPPET VALVE
18	25-64872		1	GROMMET, POPPET VALVE
19	32-54936		1	HOSE, CYLINDER BLEED (8")
20	21-64871A3		1	ELBOW ASSEMBLY, CYLINDER BLEED
21	22-65857		1	FITTING, CYLINDER BLEED
22	58124A17		1	SWITCH ASSEMBLY, MERCURY
23	10-48409		1	SCREW, MERCURY SWITCH TO EXHAUST COVER (5/8")
24	10-21983		1	SCREW, MERCURY SWITCH LEAD ATTACHING
25	11-62590		1	NUT, MERCURY SWITCH LEAD SCREW
26	85-64080--1		1	SLEEVE, MERCURY SWITCH LEAD SCREW (2")

CRANKSHAFT, PISTON AND CONNECTING ROD ASSEMBLY

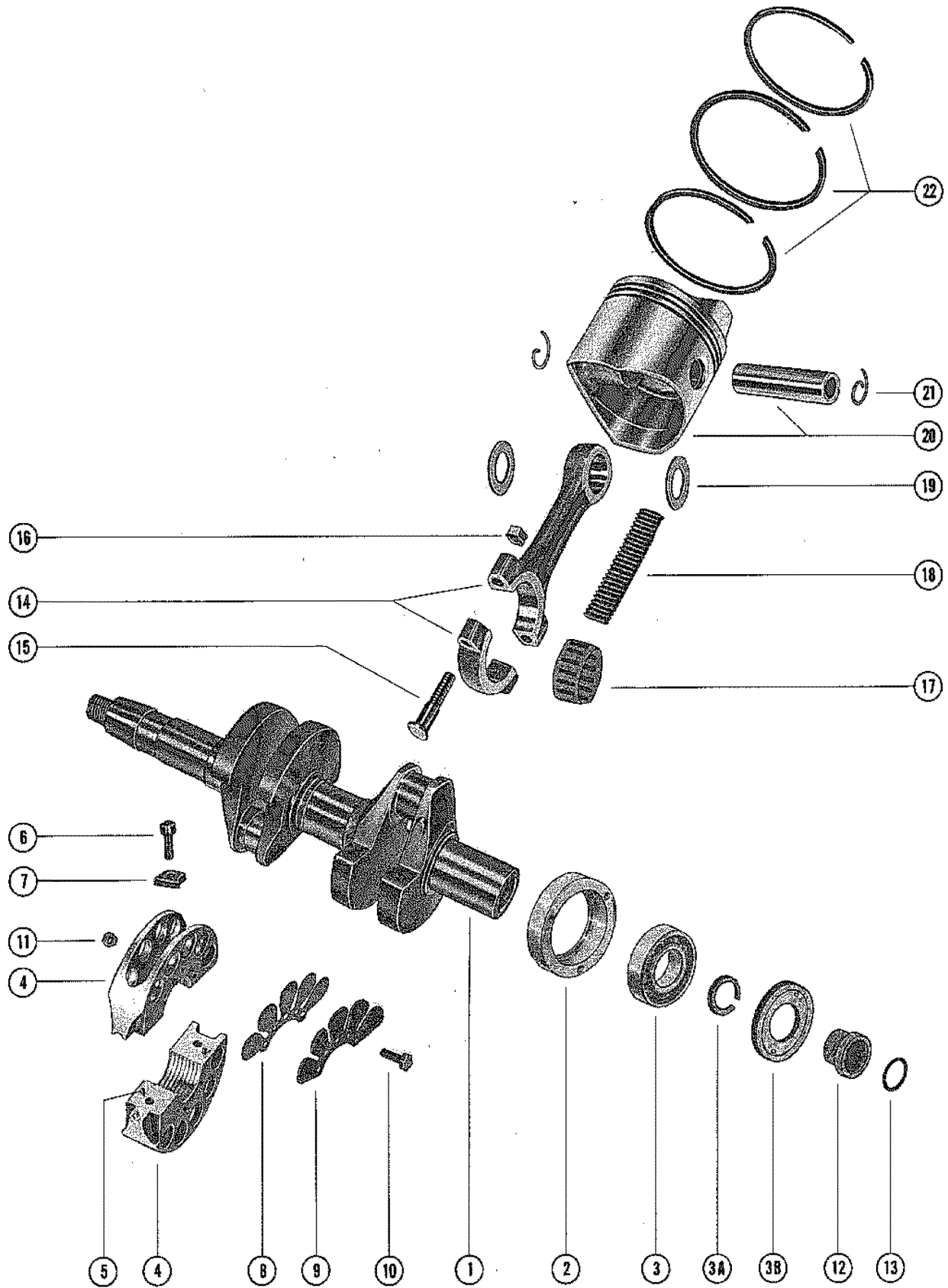


CRANKSHAFT, PISTON AND CONNECTING ROD ASSEMBLY

REF. NO.	PART NO.	SYM.	QTY.	DESCRIPTION
1	454-4795A2		1	CRANKSHAFT ASSEMBLY UNITED STATES 3346479 AND BELOW
2	62381A1		1	RETAINER ASSEMBLY, BALL BEARING UNITED STATES 3346479 AND BELOW
3	30-62157		1	BALL BEARING, RETAINER (CRANKSHAFT) UNITED STATES 3346479 AND BELOW
1	454-4919A3		1	CRANKSHAFT ASSEMBLY- UNITED STATES 3346480 THRU 3476510
2	62381A2		1	RETAINER ASSEMBLY, BALL BEARING UNITED STATES 3346480 THRU 3476510
3	30-53853		1	BALL BEARING, RETAINER (CRANKSHAFT) UNITED STATES 3346480 THRU 3476510
3A	53-63634		1	RETAINING RING, BALL BEARING UNITED STATES 3346480 THRU 3476510
3B	23-63604		1	SPACER, BALL BEARING RETAINER UNITED STATES 3346480 THRU 3476510
1	454-4919A6		1	CRANKSHAFT ASSEMBLY UNITED STATES 3476511 THRU 3477009
2	64069A1		1	RETAINER ASSEMBLY, BALL BEARING- UNITED STATES 3476511 THRU 3477009
3	30-63742		1	BALL BEARING, RETAINER (CRANKSHAFT) UNITED STATES 3476511 THRU 3477009
3A	53-63634		1	RETAINING RING, BALL BEARING UNITED STATES 3476511 THRU 3477009
4	540-4857A5		1	MAIN BEARING ASSEMBLY, VALVE TYPE UNITED STATES 3474577 AND BELOW AUSTRALIA 8004329 AND BELOW BELGIUM 9005203 AND BELOW CANADA 7006600 AND BELOW
	540-5055A6		1	MAIN BEARING ASSEMBLY, VALVE TYPE UNITED STATES 3474578 AND UP AUSTRALIA 8004360 AND UP BELGIUM 9005204 AND UP CANADA 7006601 AND UP
5	17-20032		2	DOWEL PIN, MAIN BEARING
6	10-45775		2	SCREW, MAIN BEARING CLAMPING (9/16")
7	11-45774		2	NUT, MAIN BEARING CLAMPING SCREW
8	34-56007A1		1	REED SET, MAIN BEARING (MATCHED)
9	34-56008		4	REED STOP, MAIN BEARING REED VALVES
10	10-20055		12	SCREW, REED STOP MOUNTING (3/8") UNITED STATES 3859435 AND UP AUSTRALIA 8016690 AND UP BELGIUM 9051459 AND UP CANADA 7032138 AND UP
	10-62204		10	SCREW, REED STOP MOUNTING (1 3/8") UNITED STATES 3859434 AND BELOW AUSTRALIA 8016689 AND BELOW BELGIUM 9051458 AND BELOW CANADA 7006601 AND BELOW
11	11-53153		10	NUT, REED STOP MOUNTING SCREW UNITED STATES 3859434 AND BELOW AUSTRALIA 8016689 AND BELOW BELGIUM 9051458 AND BELOW CANADA 7006601 AND BELOW
12	60834A1		1	CARRIER ASSEMBLY, "O" RING UNITED STATES 3474577 AND BELOW AUSTRALIA 8004329 AND BELOW BELGIUM 9005203 AND BELOW CANADA 7006600 AND BELOW

CONTINUED ON NEXT PAGE ➡

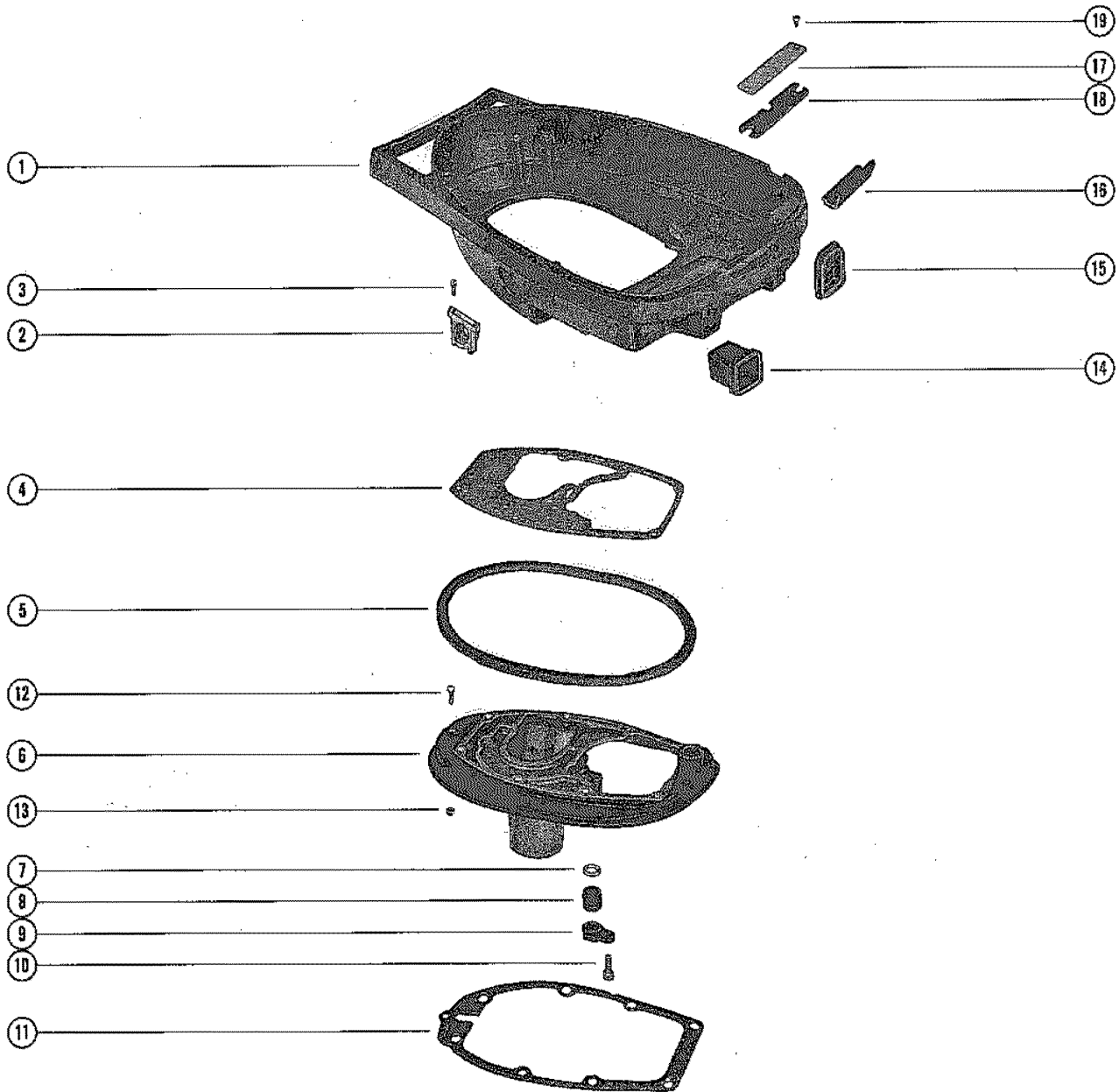
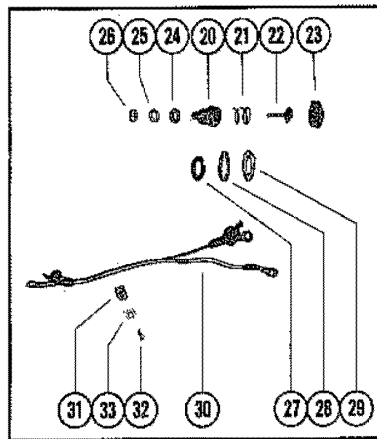
CRANKSHAFT, PISTON AND CONNECTING ROD ASSEMBLY



CRANKSHAFT, PISTON AND CONNECTING ROD ASSEMBLY

REF. NO.	PART NO.	SYM.	QTY.	DESCRIPTION
13	25-35276		1	"O" RING, CARRIER UNITED STATES 3474577 AND BELOW AUSTRALIA 8004329 AND BELOW BELGIUM 9005203 AND BELOW CANADA 7006600 AND BELOW
12	60834A3		1	CARRIER ASSEMBLY, SEAL UNITED STATES 3474578 AND UP AUSTRALIA 8004360 AND UP BELGIUM 9005204 AND UP CANADA 7006601 AND UP
13	64254		1	SEAL, CARRIER UNITED STATES 3474578 AND UP AUSTRALIA 8004360 AND UP BELGIUM 9005204 AND UP CANADA 7006601 AND UP
14	622-4850A4		2	CONNECTING ROD ASSEMBLY UNITED STATES 3859434 AND BELOW AUSTRALIA 8016689 AND BELOW BELGIUM 9051458 AND BELOW CANADA 7006601 AND BELOW
	622-4850A3		2	CONNECTING ROD ASSEMBLY UNITED STATES 3859435 AND UP AUSTRALIA 8016690 AND UP BELGIUM 9051459 AND UP CANADA 7032138 AND UP
15	10-54803		4	SCREW, CONNECTING ROD
16	11-49091		4	NUT, CONNECTING ROD SCREW
17	31-63075A1		2	BEARING ASSEMBLY, CRANKPIN UNITED STATES 3859434 AND BELOW AUSTRALIA 8016689 AND BELOW BELGIUM 9051458 AND BELOW CANADA 7006601 AND BELOW
	31-62596A1		2	BEARING ASSEMBLY, CRANKPIN UNITED STATES 3859435 AND UP AUSTRALIA 8016690 AND UP BELGIUM 9051459 AND UP CANADA 7032138 AND UP
18	29-47270		58	BEARING, NEELDE - PISTON PIN
19	12-47247		4	WASHER, NEEDLE BEARING RETAINING
20	745-4890A2		2	PISTON AND PISTON PIN ASSEMBLY UNITED STATES 3474577 AND BELOW AUSTRALIA 8004329 AND BELOW BELGIUM 9005203 AND BELOW CANADA 7006600 AND BELOW
	745-4972A2		2	PISTON AND PISTON PIN ASSEMBLY UNITED STATES 3474578 THRU 3859434 AUSTRALIA 8004630 THRU 9016689 BELGIUM 9005204 THRU 9051458 CANADA 7006601 THRU 7032137
	745-5220A2		2	PISTON AND PISTON PIN ASSEMBLY UNITED STATES 3859435 AND UP AUSTRALIA 8016690 AND UP BELGIUM 9051459 AND UP CANADA 7032138 AND UP
21	40-52034		4	LOCK RING, PISTON PIN
22	39-45155A12		1	RING, PISTON
-	745-4872A1		2	PISTON AND PISTON PIN ASSEMBLY (.015 OVERSIZE) UNITED STATES 3474577 AND BELOW AUSTRALIA 8004329 AND BELOW BELGIUM 9005203 AND BELOW CANADA 7006600 AND BELOW
-	745-4982A1		2	PISTON AND PISTON PIN ASSEMBLY (.015 OVERSIZE) UNITED STATES 3474578 THRU 3859434 AUSTRALIA 8004630 THRU 9016689 BELGIUM 9005204 THRU 9051458 CANADA 7006601 THRU 7032137
-	745-5306A2		2	PISTON AND PISTON PIN ASSEMBLY (.015 OVERSIZE) UNITED STATES 3859435 AND UP AUSTRALIA 8016690 AND UP BELGIUM 9051459 AND UP CANADA 7032138 AND UP
-	39-45204A12		1	RING, PISTON (.015 OVERSIZE)

BOTTOM COWL AND EXHAUST PLATE ASSEMBLY

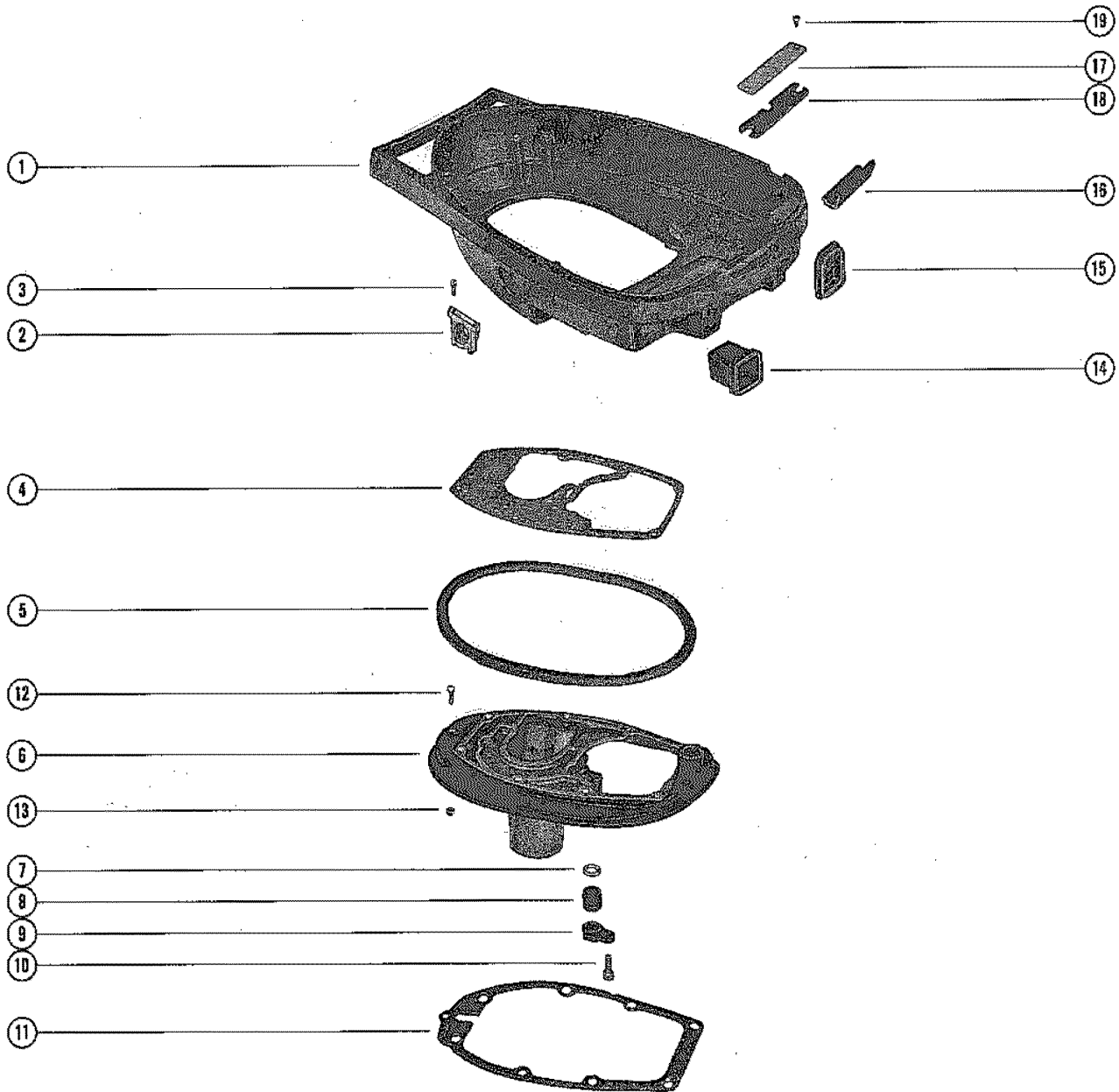
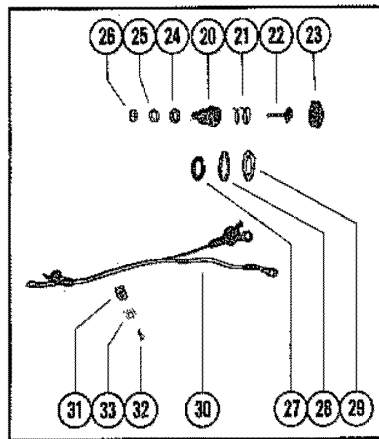


BOTTOM COWL AND EXHAUST PLATE ASSEMBLY

REF. NO.	PART NO.	SYM.	QTY.	DESCRIPTION
1	2139-3882		1	BOTTOM COWL UNITED STATES 3344829 AND BELOW
	2139-4618A3		1	BOTOTM COWL UNITED STATES 3344830 THRU 3859434 AUSTRALIA 8002335 THRU 8016689 BELGIUM 3339688 THRU 9051458 CANADA 3340783 THRU 7032137
	2139-5351A2		1	BOTTOM COWL UNITED STATES 3859435 AND UP AUSTRALIA 8016690 AND UP BELGIUM 9051459 AND UP CANADA 7032138 AND UP
2	48472		1	COVER, PLUG - BOTTOM COWL HARNESS HOLE - MANUAL
3	10-61802		2	SCREW, PLUG COVER TO BOTTOM COWL (7/8") - MANUAL
4	27-62860		1	GASKET, POWERHEAD TO EXHAUST EXTENSION PLATE
5	39622		1	SEAL, RUBBER - EXHAUST PLATE TO BOTTOM COWL
6	62861A1		1	PLATE ASSEMBLY, EXHAUST EXTENSION
7	12-38453		1	WASHER, NYLON - WATER OUTLET TUBE
8	26-38452		1	SEAL, RUBBER - WATER OUTLET TUBE
9	38500		1	RETAINER, WATER OUTLET TUBE SEAL
10	10-34439		1	SCREW, RETAINER TO EXHAUST PLATE (3/4")
11	27-38501		1	GASKET, EXHAUST PLATE TO DRIVE SHAFT HOUSING
12	10-22421		1	SCREW, EXHAUST PLATE TO BOTTOM COWL (1 1/4") UNITED STATES 3859434 AND BELOW AUSTRALIA 8016689 AND BELOW BELGIUM 9051458 AND BELOW CANADA 7006601 AND BELOW
13	11-46887		1	NUT, EXHAUST PLATE SCREW UNITED STATES 3859434 AND BELOW AUSTRALIA 8016689 AND BELOW BELGIUM 9051458 AND BELOW CANADA 7006601 AND BELOW
14	37637		1	BOOT, FUEL CONNECTOR - BOTTOM COWL
15	39616		1	BOOT, CONTROL CABLE - BOTTOM COWL
16	39630		1	CUSHION, RUBBER - BOTTOM COWL
17	39555A1		1	COVER PLATE ASSEMBLY
18	39556		1	PAD, SOUND - COVER PLATE
19	10-30009		3	SCREW, COVER PLATE TO BOTTOM COWL
20	59065A4		1	STOP SWITCH ASSEMBLY MANUAL ONLY
21	24-60239		1	SPRING, STOP SWITCH MANUAL ONLY
22	87-61577A1		1	CONTACT ASSEMBLY, STOP SWITCH MANUAL ONLY
23	38950A1		1	COVER ASSEMBLY, STOP SWITCH MANUAL ONLY
24	12-59061		1	WASHER, STOP SWITCH MANUAL ONLY
25	13-26996		1	LOCKWASHER, STOP SWITCH MANUAL ONLY
26	11-20645		1	NUT, GROUND LEAD TO STOP SWITCH MANUAL ONLY
27	12-61542		1	WASHER, CONNERCTOR BASE MANUAL ONLY UNITED STATES 3474577 AND BELOW AUSTRALIA 8004329 AND BELOW BELGIUM 9005203 AND BELOW CANADA 7006600 AND BELOW
	12-64275		1	WASHER, CONNECTOR BASE MANUAL ONLY UNITED STATES 3474578 AND UP AUSTRALIA 8004360 AND UP BELGIUM 9005204 AND UP CANADA 7006601 AND UP
28	13-21972		1	LOCKWASHER, CONNECTOR BASE MANUAL ONLY
29	11-21971		1	NUT, CONNECTOR BASE TO BOTTOM COWL MANUAL ONLY

CONTINUED ON NEXT PAGE ➡

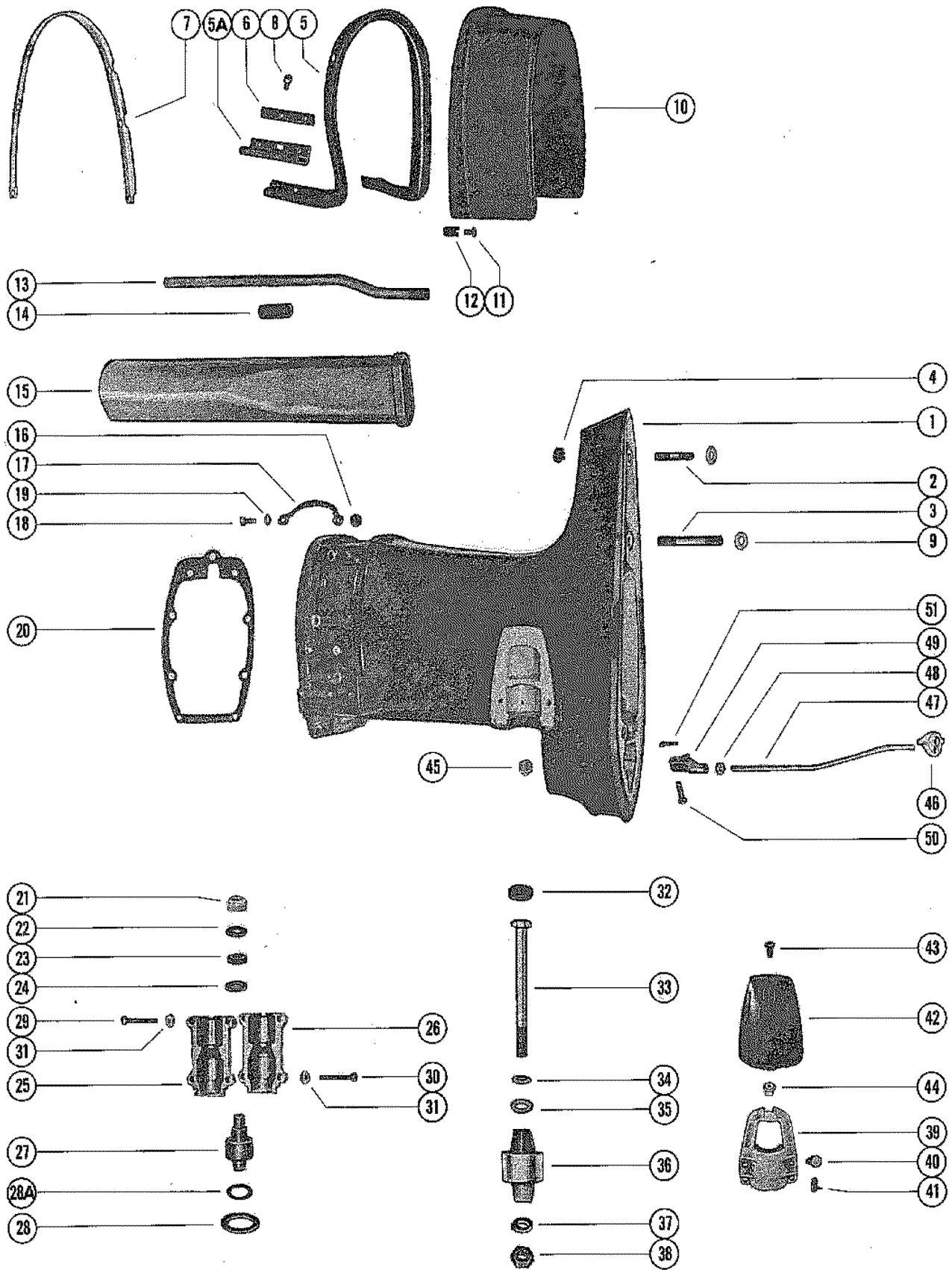
BOTTOM COWL AND EXHAUST PLATE ASSEMBLY



BOTTOM COWL AND EXHAUST PLATE ASSEMBLY

REF. NO.	PART NO.	SYM.	QTY.	DESCRIPTION
30	84-63086A1		1	WIRE ASSEMBLY, STOP SWITCH MANUAL ONLY UNITED STATES 3859434 AND BELOW AUSTRALIA 8016689 AND BELOW BELGIUM 9051458 AND BELOW CANADA 7006601 AND BELOW
	84-63086A2		1	WIRE ASSEMBLY, STOP SWITCH MANUAL ONLY UNITED STATES 3859435 AND UP AUSTRALIA 8016690 AND UP BELGIUM 9051459 AND UP CANADA 7032138 AND UP
31	54-26550		1	CLAMP, STOP SWITCH LEAD MANUAL ONLY
32	10-30663		1	SCREW, STOP SWITCH LEAD CLAMP MANUAL ONLY
33	22789		1	"C" WASHER, STOP SWITCH LEAD SCREW MANUAL ONLY

DRIVE SHAFT HOUSING ASSEMBLY

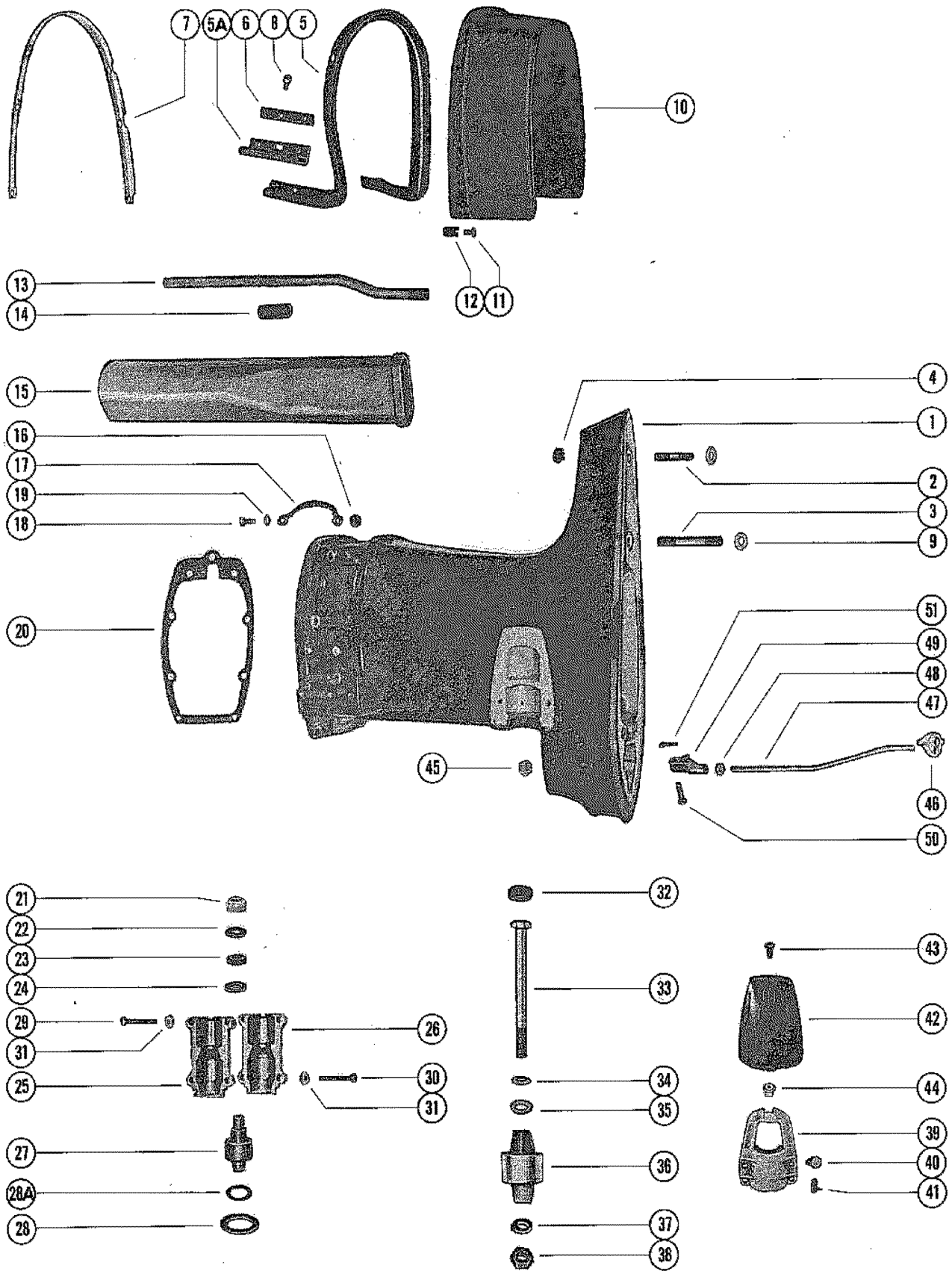


DRIVE SHAFT HOUSING ASSEMBLY

REF. NO.	PART NO.	SYM.	QTY.	DESCRIPTION
1	1554-4947A1		1	DRIVE SHAFT HOUSING ASSEMBLY (SHORT SHAFT) UNITED STATES 3346834 AND BELOW
	1564-4948A1		1	DRIVE SHAFT HOUSING ASSEMBLY (LONG SHAFT) UNITED STATES 3346834 AND BELOW
	1554-4892A3		1	DRIVE SHAFT HOUSING ASSEMBLY (SHORT SHAFT) UNITED STATES 3346835 AND UP AUSTRALIA 8002335 AND UP BELGIUM 3339688 AND UP CANADA 3340783 AND UP
	1564-4893A3		1	DRIVE SHAFT HOUSING ASSEMBLY (LONG SHAFT) UNITED STATES 3346835 AND UP AUSTRALIA 8002335 AND UP BELGIUM 3339688 AND UP CANADA 3340783 AND UP
2	16-57932		1	STUD, DRIVE SHAFT HOUSING TO GEAR HOUSING (1 3/4")
3	16-57935		1	STUD, DRIVE SHAFT HOUSING TO GEAR HOUSING (3")
4	19-64649		1	PLUG, PLASTIC - WATER PICK-UP HOLE
5	63139		1	SEAL, TRIM COVER TO DRIVE SHAFT HOUSING UNITED STATES 3344830 AND UP AUSTRALIA 8002335 AND UP BELGIUM 3339688 AND UP CANADA 3340783 AND UP
6	63177		2	STRIP, RETAINING - TRIM COVER SEAL (SIDE) UNITED STATES 3344830 AND UP AUSTRALIA 8002335 AND UP BELGIUM 3339688 AND UP CANADA 3340783 AND UP
7	38158		1	STRIP, RETAINING - TRIM COVER SEAL (REAR) UNITED STATES 3344830 AND UP AUSTRALIA 8002335 AND UP BELGIUM 3339688 AND UP CANADA 3340783 AND UP
8	10-48408		8	SCREW, STRIP AND SEAL TO DRIVE SHAFT HOUSING (1/2")
9	12-65791		2	WASHER, DRIVE SHAFT HOUSING TO GEAR HOUSING STUDS
10	39608		1	COVER, TRIM - DRIVE SHAFT HOUSING UNITED STATES 3344829 AND BELOW
11	10-37571		4	SCREW, TRIM COVER TO DRIVE SHAFT HOUSING UNITED STATES 3344829 AND BELOW
5A	39558		1	SEAL, TRIM COVER TO DRIVE SHAFT HOUSING UNITED STATES 3344829 AND BELOW
6	39557		2	STRIP, RETAINING - TRIM COVER SEAL (SIDE) UNITED STATES 3344829 AND BELOW
10	60769		1	COVER, TRIM - DRIVE SHAFT HOUSING UNITED STATES 3344830 AND UP AUSTRALIA 8002335 AND UP BELGIUM 3339688 AND UP CANADA 3340783 AND UP
11	10-57807		4	SCREW, TRIM COVER TO DRIVE SHAFT HOUSING UNITED STATES 3344830 AND UP AUSTRALIA 8002335 AND UP BELGIUM 3339688 AND UP CANADA 3340783 AND UP
12	25-57806		4	GROMMET, TRIM COVER SCREW UNITED STATES 3344830 AND UP AUSTRALIA 8002335 AND UP BELGIUM 3339688 AND UP CANADA 3340783 AND UP
13	32-37727		1	TUBE, WATER OUTLET (SHORT SHAFT)
	32-45679		1	TUBE, WATER OUTLET (LONG SHAFT)
14	23-23651		1	SLEEVE, RUBBER - WATER OUTLET TUBE UNITED STATES 3474577 AND BELOW AUSTRALIA 8004329 AND BELOW BELGIUM 9005203 AND BELOW CANADA 7006600 AND BELOW
15	37720		1	TUBE, EXHAUST (SHORT SHAFT)

CONTINUED ON NEXT PAGE ➡

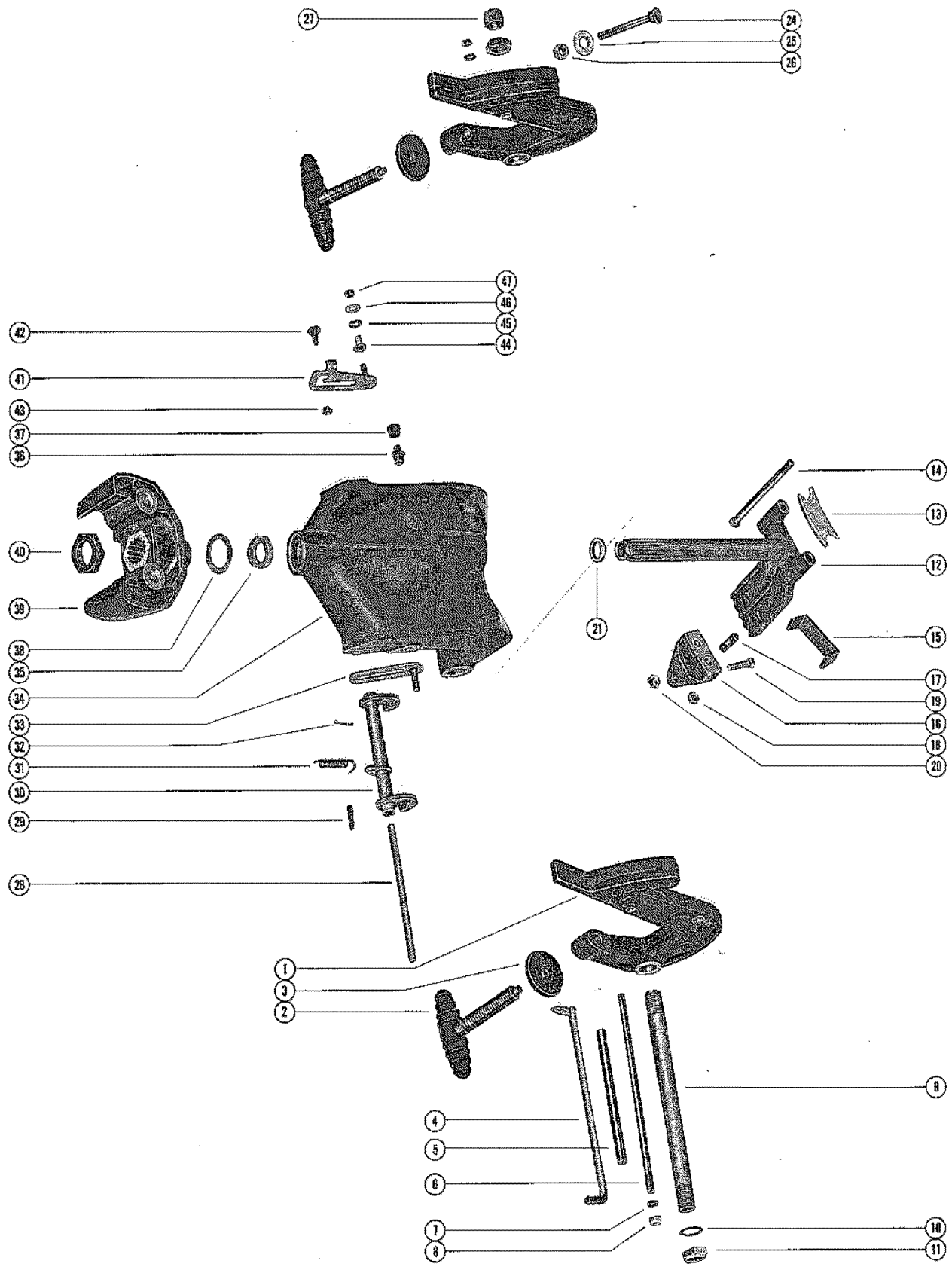
DRIVE SHAFT HOUSING ASSEMBLY



DRIVE SHAFT HOUSING ASSEMBLY

REF. NO.	PART NO.	SYM.	QTY.	DESCRIPTION
15	45681		1	TUBE, EXHAUST (LONG SHAFT)
16	11-64809		8	NUT, POWERHEAD STUDS
17	46933A2		2	GROUND STRAP, BOTTOM COWL TO DRIVE SHAFT HOUSING
18	10-62568		2	SCREW, GROUND STRAP ATTACHING (3/8")
19	13-22238		2	LOCK WASHER, GROUND STRAP SCREW
20	27-38501		1	GASKET, EXHAUST PLATE TO DRIVE SHAFT HOUSING
21	11-23161		2	NUT, UPPER MOUNT BOLT
22	12-30519		2	WASHER, UPPER MOUNT BOLT (3/8 ID)
23	12-30521		2	WASHER, RUBBER - UPPER MOUNT BOLT
24	12-30520		2	WASHER, UPPER MOUNT BOLT (37/64 ID)
25	24935		2	COVER, UPPER MOUNT - OUTSIDE HALF
26	31120		2	COVER, UPPER MOUNT - INSIDE HALF
27	37392		2	MOUNT, RUBBER - UPPER
28	24929		2	PACKING, "U" CUP- UPPER MOUNT COVERS
28A	25-65936		2	"O" RING, UPPER MOUNT BOLT UNITED STATES 3859435 AND UP AUSTRALIA 8016690 AND UP BELGIUM 9051459 AND UP CANADA 7032138 AND UP
29	10-49988		4	SCREW, UPPER MOUNT COVER - REAR (1 3/4")
30	10-49987		4	SCREW, UPPER MOUNT COVER - FRONT (1 1/2")
31	11-46886		8	NUT, UPPER MOUNT COVER FASTENING SCREW
32	25067		2	BUMPER, RUBBER - LOWER MOUNT SCREW
33	10-49318		2	SCREW, LOWR MOUNT (5 1/2")
34	12-28051		2	WASHER, LOWER MOUNT SCREW
35	12-28053		2	WASHER, RUBBER - LOWER MOUNT SCREW
36	37393		2	MOUNT, RUBBER - LOWER
37	12-30119		2	WASHER, LOWER MOUNT SCREW
38	11-25096		2	NUT, LOWER MOUNT SCREW
39	35473		2	CLAMP, LOWER MOUNT TO DRIVE SHAFT HOUSING
40	10-29256		4	SCREW, LOWER MOUNT CLAMP TO DRIVE SHAFT HOUSING (7/8")
41	24-35522		4	SPRING, TENSION - LOWER MOUNT CLAMP
42	35474		2	COVER, LOWER MOUNT CLAMP
43	10-29722		2	SCREW, COVER TO LOWR CLAMP (5/8")
44	11-35521		2	NUT, LOWER MOUNT CLAMP COVER
45	11-34933		2	NUT, GEAR HOUSING TO DRIVE SHAFT HOUSING STUDS
46	52917		1	GUIDE, PUSH ROD
47	59721		1	ROD, PUSH - REVERSE LOCK (SHORT SHAFT)
	59720		1	ROD, PUSH - REVERSE LOCK (LONG SHAFT)
48	11-28770		1	NUT, JAM - PUSH ROD
49	59722		1	ROD END, PUSH ROD
50	17-59719		1	PIN, REVERSE LOCK LEVER
51	18-25191		1	COTTER PIN, PUSH ROD TO REVERSE LOCK

CLAMP AND SWIVEL BRACKET ASSEMBLY

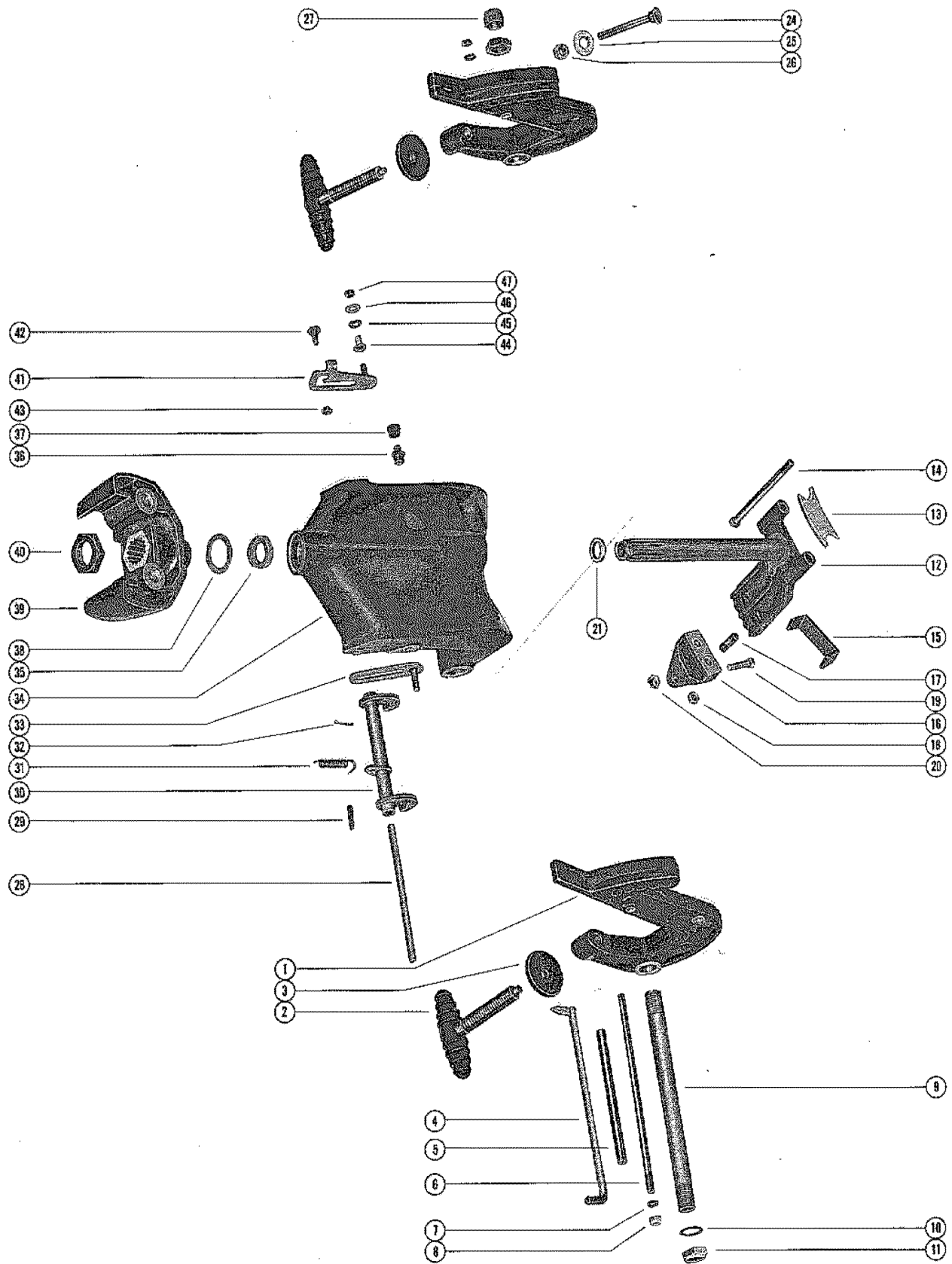


CLAMP AND SWIVEL BRACKET ASSEMBLY

REF. NO.	PART NO.	SYM.	QTY.	DESCRIPTION
1	1427-3263A1		2	CLAMP BRACKET ASSEMBLY
2	22477A1		2	THUMB SCREW ASSEMBLY
3	12-26227		2	WASHER, THUMB SCREW
4	17-49930A1		1	TILT LOCK PIN ASSEMBLY
5	23-59623		1	SPACER, CLAMP BRACKET STUD
6	16-59625		1	STUD, CLAMP BRACKET
7	13-26993		2	LOCKWASHER, CLAMP BRACKET STUD
8	11-28770		2	NUT, CLAMP BRACKET STUD
9	30664		1	TUBE, TILT - CLAMP BRACKET TO SWIVEL BRACKET
10	12-52864		6	WASHER, CLAMP BRACKET TO SWIVEL BRACKET
11	11-30499		2	NUT, TILT TUBE
12	52882A1		1	STEERING ARM AND SWIVEL PIN ASEMBLY (SHORT SHAFT)
	52882A2		1	STEERING ARM AN SWIVEL PIN ASSEMBLY (LONG SHAFT)
13	30711		1	BUMPER, STEERING ARM
14	10-33986		2	SCREW, UPPER MOUNT TO STEERING ARM
15	62297		1	BUMPER, STEERING ARM
16	39503		1	BRACKET, REMOTE STEERING
17	16-39781		2	STUD, REMOTE STEERING BRACKET TO STEERING
18	11-20509		2	NUT, REMOTE STEERING BRACKET STUD
19	10-31830		1	SCREW, RIDE-GUIDE KIT TO STEERING ARM (1 3/4")
20	11-20509		1	NUT, RIDE-GUIDE KIT SCREW
21	12-52865		1	WASHER, SWIVEL PIN
24	10-26483		2	BOLT, CLAMP BRACKET TO BOAT TRANSOM
25	12-26485		2	WASHER, CLAMP BRACKET BOLT
26	11-26484		2	NUT, CLAMP BRACKET BOLT
27	53078		2	CAP, PLASTIC - TILT TUBE
28	56349		1	SHAFT, REVERSE LOCK TO SWIVEL BRACKET
29	17-25598		1	ROLL PIN, REVERSE LOCK SPRING ATTACHING
30	39015A5		1	REVERSE LOCK ASSEMBLY
31	24-29821		1	SPRING, REVERSE LOCK TENSION
32	18-45882		1	COTTER PIN, REVERSE LOCK TO SHAFT
33	47912A2		1	LEVER ASSEMBLY, TILT STOP - STARBOARD SIDE
34	1455-4514A1		1	SWIVEL BRACKET ASSEMBLY (SHORT SHAFT)
	1462-4515A1		1	SWIVEL BRACKET ASSEMBLY (LONG SHAFT)
35	26-32911		2	OIL SEAL, SWIVEL BRACKET
36	22-23612		1	FITTING, GREASE - SWIVEL BRACKET
37	29359		1	LUBRICAP, SWIVEL BRACKET GREASE FITTING
38	12-25176		1	WASHER, SWIVEL PIN TO BOTTOM YOKE (.060)
	12-26837		AR	WASHER, SWIVEL PIN TO BOTTOM YOKE (.065)
39	57452		1	YOKE, BOTTOM
40	11-28202		1	NUT, RETAINING - SWIVEL PIN
41	47913A2		1	LEVER ASSEMBLY, TILT LOCK - PORT SIDE
42	10-47981		2	SCREW, TILT LOCK AND STOP LEVER TO SWIVEL BRACKET

CONTINUED ON NEXT PAGE ➡

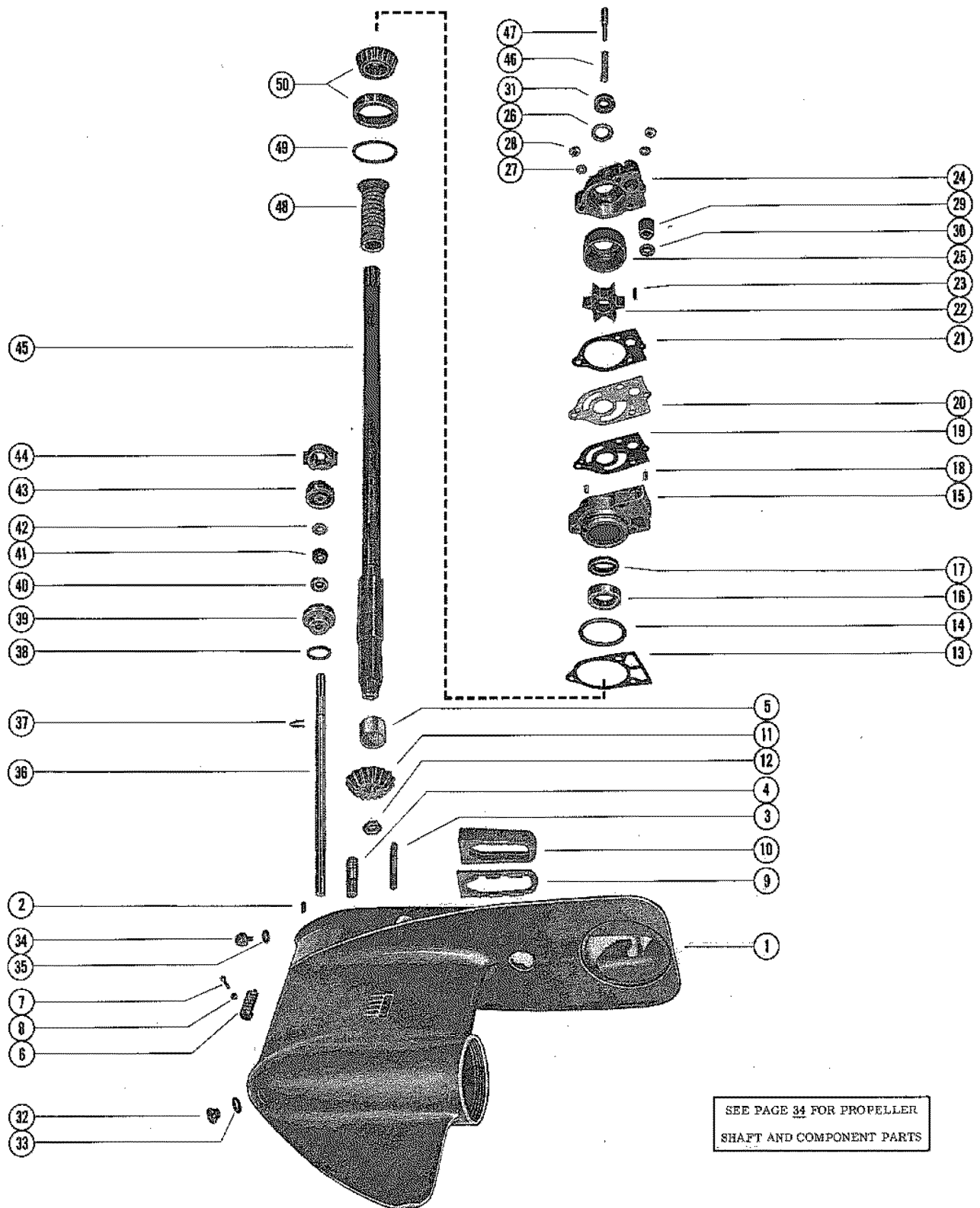
CLAMP AND SWIVEL BRACKET ASSEMBLY



CLAMP AND SWIVEL BRACKET ASSEMBLY

REF. NO.	PART NO.	SYM.	QTY.	DESCRIPTION
43	11-46793		2	NUT, TILT LOCK AND STOP LEVER SCREW
44	23-47911		2	BUSHING, TILT LOCK AND STOP LEVER
45	13-34632		2	WASHER, WAVE - TILT LOCK AND STOP LEVER
	13-34632		2	WASHER, WAVE - TILT LOCK AND STOP LEVER
46	12-56720		2	WASHER, TILT LOCK AND STOP LEVER
47	11-46793		2	NUT, TILT LOCK AND STOP LEVER TO CLAMP BRACKET

GEAR HOUSING ASSEMBLY, COMPLETE (PAGE 1)



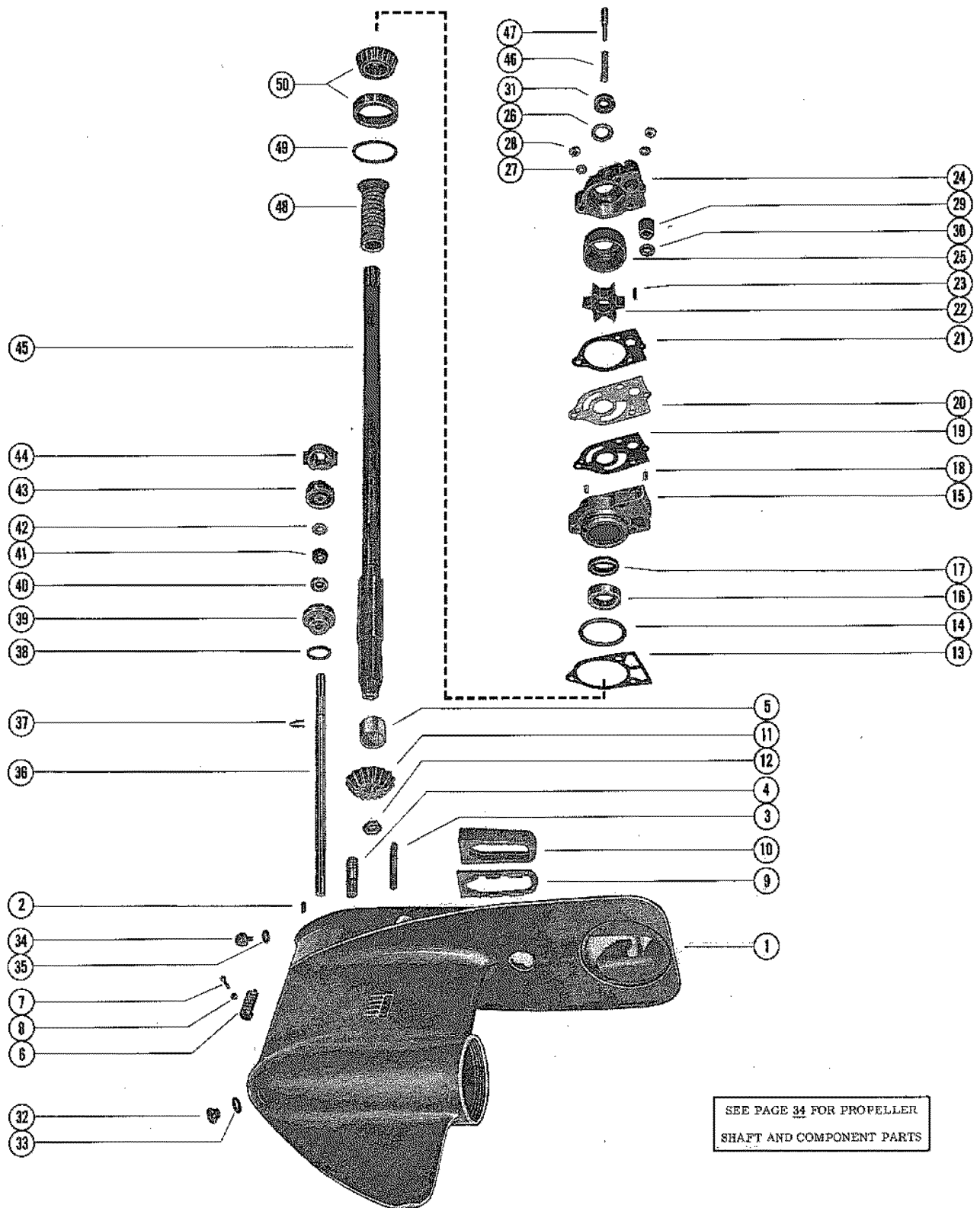
SEE PAGE 34 FOR PROPELLER
SHAFT AND COMPONENT PARTS

GEAR HOUSING ASSEMBLY, COMPLETE (PAGE 1)

REF. NO.	PART NO.	SYM.	QTY.	DESCRIPTION
-	1626-3927A4		1	GEAR HOUSING ASSEMBLY, COMPLETE (SHORT SHAFT) UNITED STATES 3344829 AND BELOW
-	1626-3927A5		1	GEAR HOUSING ASSEMBLY, COMPLETE (LONG SHAFT) UNITED STATES 3344829 AND BELOW
-	1643-4518A7		1	GEAR HOUSING ASSEMBLY, COMPLETE (SHORT SHAFT) UNITED STATES 3344830 THRU 3346834
-	1643-4518A8		1	GEAR HOUSING ASSEMBLY, COMPLETE (LONG SHAFT) UNITED STATES 3344830 THRU 3346834
-	1643-4814A10		1	GEAR HOUSING ASSEMBLY, COMPLETE (SHORT SHAFT) UNITED STATES 3346835 THRU 3474577 AUSTRALIA 8002335 THRU 8004329 BELGIUM 3339688 THRU 9005203 CANADA 3340783 THRU 7006600
-	1643-4814A11		1	GEAR HOUSING ASSEMBLY, COMPLETE (LONG SHAFT) UNITED STATES 3346835 THRU 3474577 AUSTRALIA 8002335 THRU 8004329 BELGIUM 3339688 THRU 9005203 CANADA 3340783 THRU 7006600
-	1643-4931A9		1	GEAR HOUSING ASSEMBLY, COMPLETE (SHORT SHAFT) UNITED STATES 3474578 AND UP AUSTRALIA 8004360 AND UP BELGIUM 9005204 AND UP CANADA 7006601 AND UP
-	1643-4931A10		1	GEAR HOUSING ASSEMBLY, COMPLETE (LONG SHAFT) UNITED STATES 3474578 AND UP AUSTRALIA 8004360 AND UP BELGIUM 9005204 AND UP CANADA 7006601 AND UP
1	1626-3927A6		1	GEAR HOUSING ASSEMBLY UNITED STATES 3344829 AND BELOW
	1643-4518A6		1	GEAR HOUSING ASSEMBLY UNITED STATES 3344830 THRU 3346834
	1643-4814A9		1	GEAR HOUSING ASSEMBLY UNITED STATES 3346835 THRU 3474577 AUSTRALIA 8002335 THRU 8004329 BELGIUM 3339688 THRU 9005203 CANADA 3340783 THRU 7006600
	1643-4931A6		1	GEAR HOUSING ASSEMBLY UNITED STATES 3474578 AND UP AUSTRALIA 8004360 AND UP BELGIUM 9005204 AND UP CANADA 7006601 AND UP
2	17-21438		2	PIN, DOWEL - GEAR HOUSING
3	16-57934		3	STUD, WATER PUMP BODY AND BASE TO GEAR HOUSING (2 5/8") UNITED STATES 3344829 AND BELOW
	16-33778		3	STUD, WATER PUMP BODY AND BASE TO GEAR HOUSING(2 5/8") UNITED STATES 3344830 AND UP AUSTRALIA 8002335 AND UP BELGIUM 3339688 AND UP CANADA 3340783 AND UP
4	16-57933		2	STUD, GEAR HOUSING TO DRIVE SHAFT HOUSING
5	31-20231		1	BEARING, ROLLER - DRIVE SHAFT UNITED STATES 3344829 AND BELOW
	31-62091		1	BEARING, ROLLER - DRIVE SHAFT UNITED STATES 3344830 AND UP AUSTRALIA 8002335 AND UP BELGIUM 3339688 AND UP CANADA 3340783 AND UP
6	63850		1	SCREEN, WATER INTAKE - STARBOARD UNITED STATES 3474578 AND UP AUSTRALIA 8004360 AND UP BELGIUM 9005204 AND UP CANADA 7006601 AND UP

CONTINUED ON NEXT PAGE ➡

GEAR HOUSING ASSEMBLY, COMPLETE (PAGE 1)



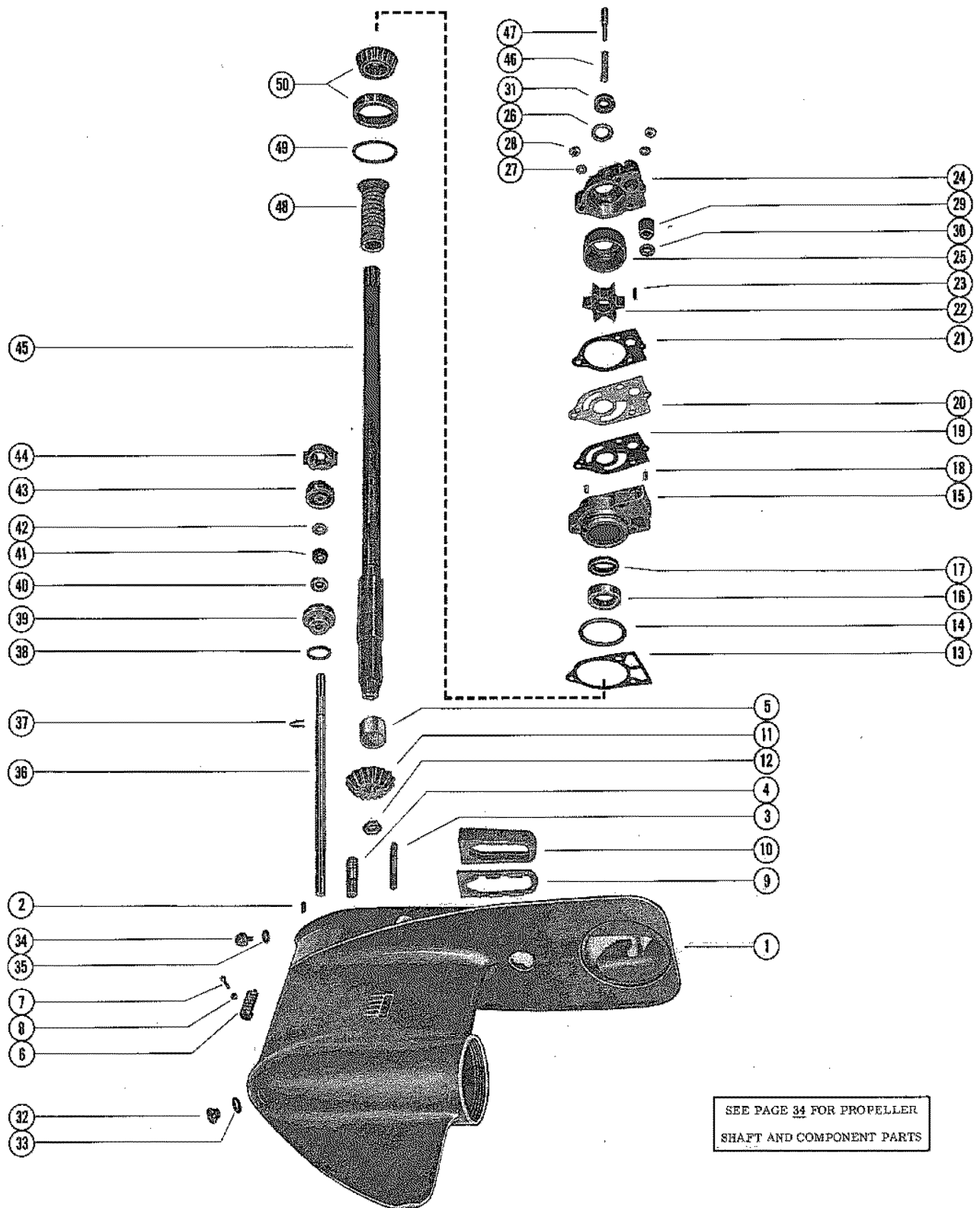
SEE PAGE 34 FOR PROPELLER
SHAFT AND COMPONENT PARTS

GEAR HOUSING ASSEMBLY, COMPLETE (PAGE 1)

REF. NO.	PART NO.	SYM.	QTY.	DESCRIPTION
6	63851		1	SCREEN, WATER INTAKE - PORT UNITED STATES 3474578 AND UP AUSTRALIA 8004360 AND UP BELGIUM 9005204 AND UP CANADA 7006601 AND UP
7	10-36070		1	SCREW, WATER INTAKE SCREEN TO GEAR HOUSING UNITED STATES 3474578 AND UP AUSTRALIA 8004360 AND UP BELGIUM 9005204 AND UP CANADA 7006601 AND UP
8	11-45812		1	NUT, WATER INTAKE SCREEN SCREW UNITED STATES 3474578 AND UP AUSTRALIA 8004360 AND UP BELGIUM 9005204 AND UP CANADA 7006601 AND UP
9	38071		1	PLATE, SUPPORT - EXHAUST TUBE
10	37721		1	SEAL, EXHAUST TUBE
11	43-55607		1	GEAR, PINION - DRIVE SHAFT
12	11-55910		1	NUT, PINION GEAR TO DRIVE SHAFT
13	27-32771		1	GASKET, WATER PUMP BASE TO GEAR HOUSING
14	25-26855		1	"O"RING, WATER PUMP BASE
15	46-65498A1		1	WATER PUMP BASE ASSEMBLY
16	26-23300		1	OIL SEAL, WATER PUMP BASE
17	26-26782		1	OIL SEAL, WATER PUMP BASE
18	17-35973		2	DOWEL PIN, WATER PUMP BASE TO WATER PUMP BODY
19	27-32769		1	GASKET, LOWER - WATER PUMP TO BASE FACE PLATE
20	54705		1	PLATE, FACE - WATER PUMP BASE TO WATER PUMP BODY
21	27-32770		1	GASKET, UPPER - FACE PLATE TO WATER PUMP BODY
22	47-65959		1	IMPELLER, WATER PUMP
23	28-56662		1	KEY, IMPELLER DRIVE
24	46-48746A1		1	WATER PUMP BODY ASSEMBLY
25	48753		1	INSERT, WATER PUMP BODY
26	26-32121		1	OIL SEAL, WATER PUMP BODY
27	12-29245		3	WASHER, WATER PUMP BODY AND BASE STUDS
28	11-35045		3	NUT, WATER PUMP BODY AND BASE STUDS
29	26-38452		1	SEAL, RUBBER - WATER INLET TUBE (WATER PUMP BODY)
30	12-38453		1	WASHER, NYLON - WATER PUMP BODY
31	25-20273		1	RING, RUBBER - CENTRIFUGAL SLINGER (DRIVE SHAFT)
32	10-28634		2	SCREW, GREASE FILLER AND VENT HOLE
33	12-20260		2	WASHER, GREASE FILLER AND VENT HOLE SCREW
34	19-48750		1	PLUG, GEAR HOUSING FLUSHING HOLE
35	12-49221		1	WASHER, GEAR HOUSING FLUSHING HOLE
36	55420A1		1	SHAFT ASSEMBLY, SHIFT - LOWER UNITED STATES 3344829 AND BELOW
	60241A1		1	SHAFT ASSEMBLY, SHIFT - LOWER UNITED STATES 3344830 AND UP AUSTRALIA 8002335 AND UP BELGIUM 3339688 AND UP CANADA 3340783 AND UP
37	53-29641		1	CLIP, RETAINING - SHIFT SHAFT
38	25-25439		1	"O" RING, SHIFT SHAFT BUSHING

CONTINUED ON NEXT PAGE ➡

GEAR HOUSING ASSEMBLY, COMPLETE (PAGE 1)

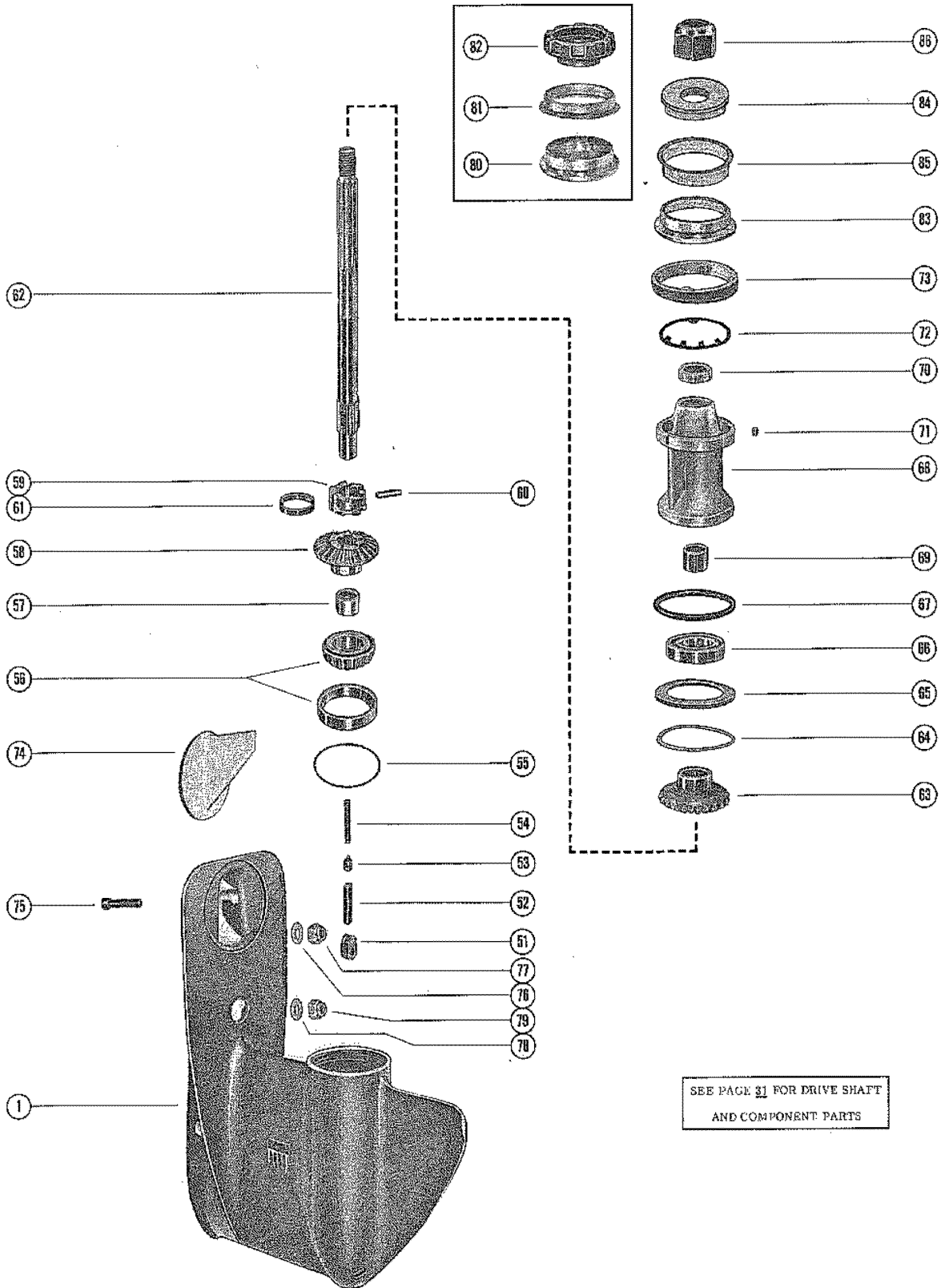


SEE PAGE 34 FOR PROPELLER
SHAFT AND COMPONENT PARTS

GEAR HOUSING ASSEMBLY, COMPLETE (PAGE 1)

REF. NO.	PART NO.	SYM.	QTY.	DESCRIPTION
39	23-55419A1		1	BUSHING ASSEMBLY, SHIFT SHAFT
40	26-24590		1	OIL SEAL, SHIFT SHAFT BUSHING (UPPER)
41	26-31249		1	OIL SEAL, SHIFT SHAFT BUSHING (LOWER)
42	12-31266		1	WASHER, RUBBER - SHIFT SHAFT BUSHING
43	39021		1	CAM, REVERSE LOCKING
44	39019		1	BASE, REVERSE LOCKING
45	45-57360A1		1	DRIVE SHAFT ASSEMBLY (SHORT SHAFT) UNITED STATES 3344829 AND BELOW
	45-57359A1		1	DRIVE SHAFT ASSEMBLY (LONG SHAFT) UNITED STATES 3344829 AND BELOW
	45-60950A1		1	DRIVE SHAFT ASSEMBLY (SHORT SHAFT) UNITED STATES 3344830 AND UP AUSTRALIA 8002335 AND UP BELGIUM 3339688 AND UP CANADA 3340783 AND UP
	45-60949A1		1	DRIVE SHAFT ASSEMBLY (LONG SHAFT) UNITED STATES 3344830 AND UP AUSTRALIA 8002335 AND UP BELGIUM 3339688 AND UP CANADA 3340783 AND UP
46	24-20254		1	SPRING, COMPRESSION - DRIVE SHAFT
47	17-30545		1	PIN, DRIVE SHAFT
48	23-52709		1	SLEEVE, LUBRICATION - DRIVE SHAFT UNITED STATES 3344829 AND BELOW
	23-60242		1	SLEEVE LUBRICATION - DRIVE SHAFT UNITED STATES 3344830 AND UP AUSTRALIA 8002335 AND UP BELGIUM 3339688 AND UP CANADA 3340783 AND UP
49	15-20929A1		AR	SHIM, BEARING TO GEAR HOUSING (.002-3-5-10)
50	31-38146A1		1	ROLLER BEARING ASSEMBLY, TAPERED - DRIVE SHAFT

GEAR HOUSING ASSEMBLY, COMPLETE (PAGE 2)



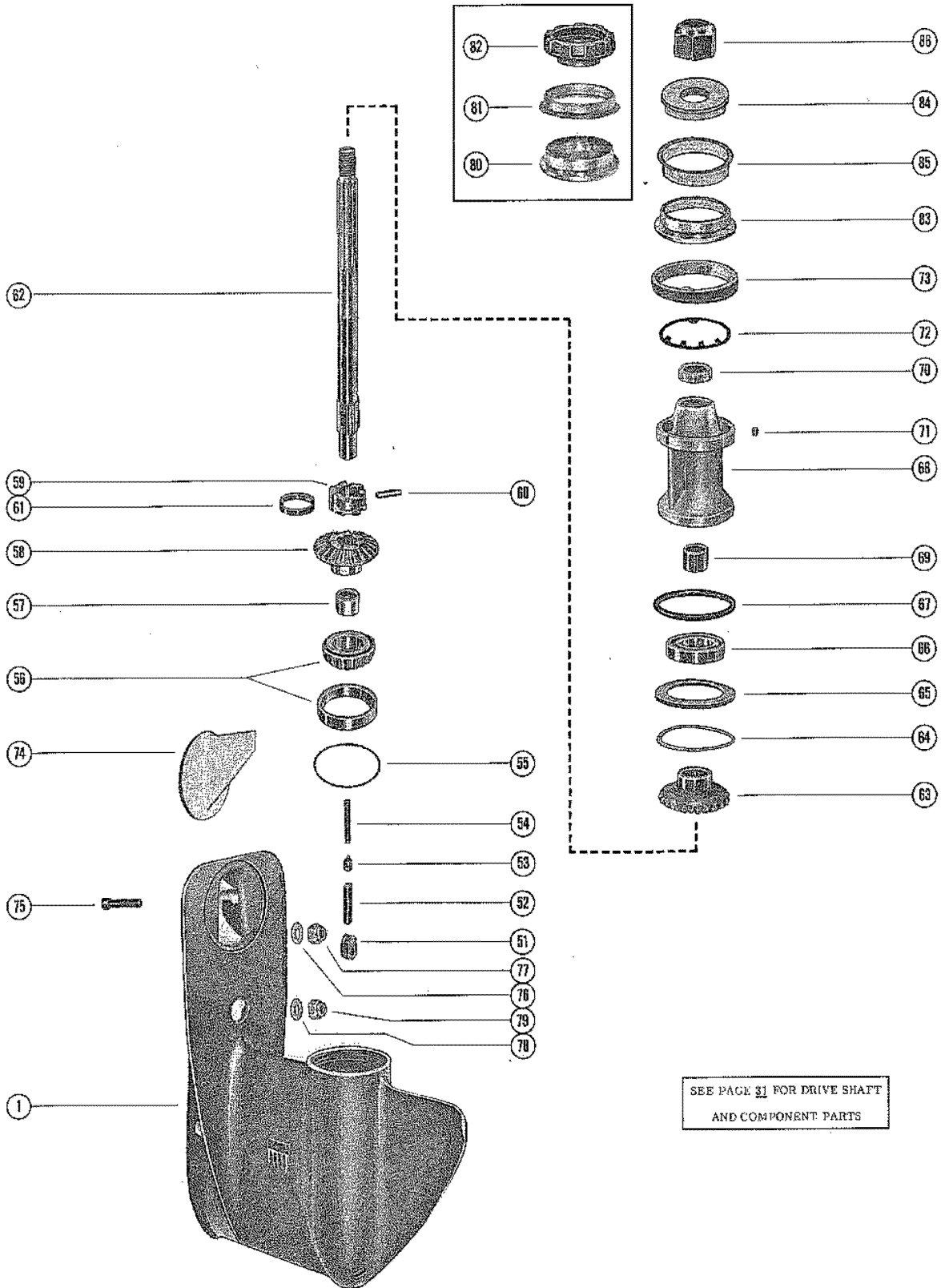
SEE PAGE 31 FOR DRIVE SHAFT
AND COMPONENT PARTS

GEAR HOUSING ASSEMBLY, COMPLETE (PAGE 2)

REF. NO.	PART NO.	SYM.	QTY.	DESCRIPTION
-	1626-3927A4		1	GEAR HOUSING ASSEMBLY, COMPLETE(SHORT SHAFT) UNITED STATES 3344829 AND BELOW
-	1626-3927A5		1	GEAR HOUSING ASSEMBLY, COMPLETE (LONG SHAFT) UNITED STATES 3344829 AND BELOW
-	1643-4518A7		1	GEAR HOUSING ASSEMBLY, COMPLETE(SHORT SHAFT) UNITED STATES 3344830 THRU 3346834
-	1643-4518A8		1	GEAR HOUSING ASSEMBLY, COMPLETE (LONG SHAFT) UNITED STATES 3344830 THRU 3346834
-	1643-4814A10		1	GEAR HOUSING ASSEMBLY, COMPLETE(SHORT SHAFT) UNITED STATES 3346835 THRU 3474577 AUSTRALIA 8002335 THRU 8004329 BELGIUM 3339688 THRU 9005203 CANADA 3340783 THRU 7006600
-	1643-4814A11		1	GEAR HOUSING ASSEMBLY, COMPLETE (LONG SHAFT) UNITED STATES 3346835 THRU 3474577 AUSTRALIA 8002335 THRU 8004329 BELGIUM 3339688 THRU 9005203 CANADA 3340783 THRU 7006600
-	1643-4931A9		1	GEAR HOUSING ASSEMBLY, COMPLETE (SHORT SHAFT) UNITED STATES 3474578 AND UP AUSTRALIA 8004360 AND UP BELGIUM 9005204 AND UP CANADA 7006601 AND UP
-	1643-4931A10		1	GEAR HOUSING ASSEMBLY, COMPLETE (LONG SHAFT) UNITED STATES 3474578 AND UP AUSTRALIA 8004360 AND UP BELGIUM 9005204 AND UP CANADA 7006601 AND UP
1	1626-3927A6		1	GEAR HOUSING ASSEMBLY SEE PAGE 31 FOR BREAKDOWN UNITED STATES 3344829 AND BELOW
	1643-4518A6		1	GEAR HOUSING ASSEMBLY SEE PAGE 31 FOR BREAKDOWN UNITED STATES 3344830 THRU 3346834
	1643-4814A9		1	GEAR HOUSING ASSEMBLY SEE PAGE 31 FOR BREAKDOWN UNITED STATES 3346835 THRU 3474577 AUSTRALIA 8002335 THRU 8004329 BELGIUM 3339688 THRU 9005203 CANADA 3340783 THRU 7006600
	1643-4931A6		1	GEAR HOUSING ASSEMBLY SEE PAGE 31 FOR BREAKDOWN UNITED STATES 3474578 AND UP AUSTRALIA 8004360 AND UP BELGIUM 9005204 AND UP CANADA 7006601 AND UP
51	36288		1	CAM, SHIFT UNITED STATES 3859434 AND BELOW AUSTRALIA 8016689 AND BELOW BELGIUM 9051458 AND BELOW CANADA 7006601 AND BELOW
	54346		1	CAM, SHIFT UNITED STATES 3859435 AND UP AUSTRALIA 8016690 AND UP BELGIUM 9051459 AND UP CANADA 7032138 AND UP
52	38441		1	FOLLOWER, CAM
53	20843		1	SLIDE, CROSS PIN
54	24-39845		1	SPRING, COMPRESSION - CAM FOLLOWER
55	15-38374A1		AR	SHIM, BEARING CUP TO GEAR HOUSING (.002-3-5-10)
56	31-38356A1		1	TAPERED ROLLER BEARING ASSEMBLY
57	31-21739		1	BEARING, ROLLER - FORWARD GEAR
58	43-55608		1	FORWARD GEAR ASSEMBLY
59	52-47586		1	RATCHET, SLIDING CLUTCH
60	17-38113		1	PIN, CROSS - RATCHET TO PROPELLER SHAFT
61	24-38114		1	SPRING, RETAINING - CROSS PIN

CONTINUED ON NEXT PAGE ➡

GEAR HOUSING ASSEMBLY, COMPLETE (PAGE 2)



GEAR HOUSING ASSEMBLY, COMPLETE (PAGE 2)

REF. NO.	PART NO.	SYM.	QTY.	DESCRIPTION
62	44-55911		1	SHAFT, PROPELLER
63	43-55609		1	REVERSE GEAR ASSEMBLY UNITED STATES 3859434 AND BELOW AUSTRALIA 8016689 AND BELOW BELGIUM 9051458 AND BELOW CANADA 7006601 AND BELOW
	43-66554		1	REVERSE GEAR ASSEMBLY UNITED STATES 3859435 AND UP AUSTRALIA 8016690 AND UP BELGIUM 9051459 AND UP CANADA 7032138 AND UP
64	15-20927A1		AR	SHIM, THRUST WASHER TO GEAR HOUSING (.002-3-5-10)
65	12-32004		1	WASHER, THRUST - REVERSE GEAR
66	30-20839		1	BEARING, BALL - REVERSE GEAR
67	25-31986		1	"O" RING, BEARING CARRIER
68	55904A1		1	BEARING CARRIER ASSEMBLY
69	31-21700		1	BEARING, ROLLER - BEARING CARRIER
70	26-56788		1	OIL SEAL, BEARING CARRIER
71	28-30281		1	KEY, LOCATING - BEARING CARRIER
72	14-53012		1	TAB WASHER, GEAR HOUSING COVER
73	53013		1	COVER, GEAR HOUSING
74	31640A1		1	TRIM TAB ASSEMBLY, GEAR HOUSING
75	10-55726		1	SCREW, TRIM TAB TO GEAR HOUSING
76	12-45175		1	WASHER, DRIVE SHAFT HOUSING STUD (3/8")
77	11-34863		1	NUT, DRIVE SHAFT HOUSING STUD (3/8")
78	12-65791		1	WASHER, DRIVE SHAFT HOUSING TO GEAR HOUSING STUD (7/16")
79	11-34933		1	NUT, DRIVE SHAFT HOUSING TO GEAR HOUSING STUD (7/16")
80	55908A1		1	THRUST HUB AND WASHER ASSEMBLY UNITED STATES 3859434 AND BELOW AUSTRALIA 8016689 AND BELOW BELGIUM 9051458 AND BELOW CANADA 7006601 AND BELOW
81	12-31992		1	WASHER, CUPPED - THRUST HUB UNITED STATES 3859434 AND BELOW AUSTRALIA 8016689 AND BELOW BELGIUM 9051458 AND BELOW CANADA 7006601 AND BELOW
82	12-55907		1	WASHER, SPLINED - PROPELLER SHAFT UNITED STATES 3859434 AND BELOW AUSTRALIA 8016689 AND BELOW BELGIUM 9051458 AND BELOW CANADA 7006601 AND BELOW
83	65758		1	THRUST HUB, FRONT UNITED STATES 3859435 AND UP AUSTRALIA 8016690 AND UP BELGIUM 9051459 AND UP CANADA 7032138 AND UP
84	62124A1		1	THRUST HUB ASSEMBLY, REAR UNITED STATES 3859435 AND UP AUSTRALIA 8016690 AND UP BELGIUM 9051459 AND UP CANADA 7032138 AND UP
85	12-31992		1	WASHER, CUPPED - THRUST HUB UNITED STATES 3859435 AND UP AUSTRALIA 8016690 AND UP BELGIUM 9051459 AND UP CANADA 7032138 AND UP
86	11-31990		1	NUT, PROPELLER

PARTS INDEX

Part Number	Description	Pg.	Ref. No.	Part Number	Description	Pg.	Ref. No.
20843	SLIDE, CROSS PIN	63	53	37721	SEAL, EXHAUST TUBE	59	10
22477A1	THUMB SCREW ASSEMBLY	53	2	38071	PLATE, SUPPORT - EXHAUST TUBE	59	9
22789	"C" WASHER, LEAD WIRE CLAMP	21	40	38158	STRIP, RETAINING - TRIM COVER SEAL (REAR) . . .	49	7
22789	"C" WASHER, LEAD WIRE CLAMP	25	43	38441	FOLLOWER, CAM	63	52
22789	"C" WASHER, STOP SWITCH LEAD SCREW	47	33	38500	RETAINER, WATER OUTLET TUBE SEAL	45	9
22833	ADAPTOR, CHECK UNIT (FUEL PUMP)	29	22	38938	BOOT, RUBBER - STARTER SOLENOID TERMINAL (SMALL)	25	38
23004	RETAINER, CHECK VALVE .	29	6	38950A1	COVER ASSEMBLY, STOP SWITCH	45	23
23069	STEM, CHECK UNIT ADAPTOR	29	23	39015A5	REVERSE LOCK ASSEMBLY	53	30
24929	PACKING, "U" CUP- UPPER MOUNT COVERS	51	28	39019	BASE, REVERSE LOCKING .	61	44
24935	COVER, UPPER MOUNT - OUTSIDE HALF	51	25	39021	CAM, REVERSE LOCKING .	61	43
25067	BUMPER, RUBBER - LOWER MOUNT SCREW	51	32	39448	BRACKET, SHIFT ANCHOR - LOWER	31	11
25661	SOLENOID, STARTER	25	33	39472	SLIDE, SHIFT ACTUATING .	31	5
26852	CAP, NYLON - ADJUSTING SCREW	27	4	39482	HOOK, COWL FRONT COVER LATCH	9	9
26852	CAP, NYLON - ADJUSTING SCREW	27	8	39483	LATCH, THROTTLE CONTROL LEVER (THROTTLE CABLE)	27	28
26852	CAP, NYLON - ADJUSTING SCREW	35	35	39493	CATCH, FRONT COVER - TOP COWL	3	12
28748	RETAINER, STARTER CABLE AND HANDLE . . .	7	42	39501	MOUNT, RUBBER - FRONT SUPPORT BRACKET	3	24
29359	LUBRICAP, SWIVEL BRACKET GREASE FITTING	53	37	39501	MOUNT, RUBBER - REAR SUPPORT BRACKET	3	16
30188	CUP WASHER, ADAPTOR . .	29	26	39503	BRACKET, REMOTE STEERING	53	16
30413	HOOK, COWL LATCH FASTENING	11	13	39505	BASE, COWL FRONT COVER LATCH	9	4
30596	PAWL, STARTER	5	29	39515	END CAP, NYLON - ANCHOR BRACKET SLIDE	31	10
30664	TUBE, TILT - CLAMP BRACKET TO SWIVEL BRACKET	53	9	39516	SLIDE, NYLON - ANCHOR BRACKET (SHIFT ACUTATING SLIDE)	31	9
30711	BUMPER, STEERING ARM .	53	13	39519	CUP, RETAINER - ANCHOR BRACKET (SHIFT CABLE BARREL)	31	18
30782	HANDLE, STARTER CABLE .	7	41	39522	BRACKET, THROTTLE CONTROL SHAFT (NOT AS SHOWN)	27	5
31120	COVER, UPPER MOUNT - INSIDE HALF	51	26	39555A1	COVER PLATE ASSEMBLY .	45	17
31640A1	TRIM TAB ASSEMBLY, GEAR HOUSING	65	74	39556	PAD, SOUND - COVER PLATE	45	18
32107	GROUND WIRE, STARTER MOTOR TO FRONT SUPPORT BRACKET	23	31	39557	STRIP, RETAINING - TRIM COVER SEAL (SIDE)	49	6
34228	SUPPORT, EXTERNAL WIRING HARNESS	23	16	39558	SEAL, TRIM COVER TO DRIVE SHAFT HOUSING .	49	5A
35473	CLAMP, LOWER MOUNT TO DRIVE SHAFT HOUSING .	51	39	39608	COVER, TRIM - DRIVE SHAFT HOUSING	49	10
35474	COVER, LOWER MOUNT CLAMP	51	42	39616	BOOT, CONTROL CABLE - BOTTOM COWL	45	15
36288	CAM, SHIFT	63	51	39618	LEVER, NYLON - SHIFT CABLE LOCKING (UPPER ANCHOR BRACKET)	31	19
37392	MOUNT, RUBBER - UPPER .	51	27				
37393	MOUNT, RUBBER - LOWER	51	36				
37637	BOOT, FUEL CONNECTOR - BOTTOM COWL	45	14				
37720	TUBE, EXHAUST (SHORT SHAFT)	49	15				

PARTS INDEX

Part Number	Description	Pg.	Ref. No.	Part Number	Description	Pg.	Ref. No.
39622	SEAL, RUBBER - EXHAUST PLATE TO BOTTOM COWL	45	5	55190	PLATE, DIVIDER - EXHAUST MANIFOLD	35	29
39630	CUSHION, RUBBER - BOTTOM COWL	45	16	55278A1	DIAPHRAGM KIT	29	3
39667	COVER, NYLON - SHIFT CABLE	31	21	55334	BRACKET, SHIFT ANCHOR - UPPER	31	1
39840	RETAINER, WAVE WASHER	5	32	55420A1	SHAFT ASSEMBLY, SHIFT - LOWER	59	36
45681	TUBE, EXHAUST (LONG SHAFT)	51	15	55692	COUPLING, UPPER SHIFT SHAFT	31	15
46265	BOOT, RUBBER- STARTER SOLENOID TERMINAL (LARGE)	25	41	55860	PULLEY, STARTER SCREW	5	17
46785A1	COWL LATCH ASSEMBLY ..	9	12	55904A1	BEARING CARRIER ASSEMBLY	65	68
46933A2	GROUND STRAP, BOTTOM COWL TO DRIVE SHAFT HOUSING	51	17	55908A1	THRUST HUB AND WASHER ASSEMBLY	65	80
46933A3	GROUND STRAP, POWRHEAD TO BOTTOM COWL	35	40	56074A2	PLUNGER ASSEMBLY, CHOKE SOLENOID	23	11
47604A1	PROTECTOR ASSEMBLY, SPARK PLUG	19	30	56188	COVER, IGNITION COIL ...	19	25
47764	STA-STRAP, STATOR LEADS	21	44	56193	LATCH, SHIFT ACTUATING SLIDE (SHIFT CABLE) ...	31	6
47899A9	LEAD ASSEMBLY, SPARK PLUG (HIGH TENSION) ..	19	28	56349	SHAFT, REVERSE LOCK TO SWIVEL BRACKET	53	28
47912A2	LEVER ASSEMBLY, TILT STOP - STARBOARD SIDE	53	33	56466	CABLE, STARTER MOTOR TO STARTER SOLENOID	23	30
47913A2	LEVER ASSEMBLY, TILT LOCK - PORT SIDE	53	41	56498	CLUSTER, THROTTLE STOP	15	20
47969	KNOB AND SHAFT, CHOKE	13	1	57236	CAM, SLIDING - STARTER HOUSING	5	9
48168A6	TACHOMETER ASSEMBLY ..	1	-	57243	TOGGLE, STARTER INTERLOCK	5	13
48472	COVER, PLUG - BOTTOM COWL HARNESS HOLE - MANUAL	45	2	57440	SWIVEL, UPPER LINK ROD TO THROTTLE CONTROL LEVER	27	20
48753	INSERT, WATER PUMP BODY	59	25	57452	YOKE, BOTTOM	53	39
52882A1	STEERING ARM AND SWIVEL PIN ASEMBLY (SHORT SHAFT)	53	12	57591	SPACER, SOUND ABSORBING - COWL FRONT COVER	9	3
52882A2	STEERING ARM AN SWIVEL PIN ASSEMBLY (LONG SHAFT)	53	12	57592	BLANKET, SOUND ABSORBING - COWL FRONT COVER	9	2
52907	INSULATOR, SUPPORT TO BOTTOM COWL	23	18	57593	BLANKET, SOUND ABSORBING - WRAP AROUND COWL	11	14
52917	GUIDE, PUSH ROD	51	46	58124A14	SWITCH ASSEMBLY, MERCURY	37	22
53013	COVER, GEAR HOUSING ..	65	73	58124A17	SWITCH ASSEMBLY, MERCURY	39	22
53078	CAP, PLASTIC - TILT TUBE .	53	27	58657	INSERT, ROPE GUIDE - TOP COWL	3	2
54293A5	CHOKE SOLENIOD ASSEMBLY	23	6	59065A4	STOP SWITCH ASSEMBLY ..	45	20
54346	CAM, SHIFT	63	51	59110A1	SHIFT SHAFT ASSEMBLY, UPPER (LONG SHAFT) ..	31	14
54705	PLATE, FACE - WATER PUMP BASE TO WATER PUMP BODY	59	20	59110A2	SHIFT SHAFT ASSEMBLY, UPPER (SHORT SHAFT) .	31	14
55157	COVER, EXHAUST MANIFOLD	35	31	59139A1	CABLE ASSEMBLY, INTERLOCK	5	4
55179	SHUTTER, CHOKE - CARBURETOR	13	7	59720	ROD, PUSH - REVERSE LOCK (LONG SHAFT) ...	51	47
55180	LEVER, CHOKE	13	4	59721	ROD, PUSH - REVERSE LOCK (SHORT SHAFT) ..	51	47
55187	LEVER, THROTTLE CONTROL	27	21	59722	ROD END, PUSH ROD	51	49

PARTS INDEX

Part Number	Description	Pg.	Ref. No.	Part Number	Description	Pg.	Ref. No.
60769	COVER, TRIM - DRIVE SHAFT HOUSING	49	10	63850	SCREEN, WATER INTAKE - STARBOARD	57	6
60834A1	CARRIER ASSEMBLY, "O" RING	41	12	63851	SCREEN, WATER INTAKE - PORT	59	6
60834A3	CARRIER ASSEMBLY, SEAL	43	12	63970	COVER, TRANSFER PORT .	35	42
61002	RETAINER, STARTER REWIND	5	25	64069A1	RETAINER ASSEMBLY, BALL BEARING-	41	2
61003	SHAFT, SHEAVE	7	39	64070A1	BLANKET, SOUND ABSORBING - WRAP AROUND COWL	11	14
61829	BRACKET, COIL MOUNTING	37	2	64254	SEAL, CARRIER	43	13
61830	STATOR SUPPORT	17	12	64703	NOZZLE, TELL TALE HOSE TO BOTTOM COWL	29	11
61831	LEVER, SPARK ADVANCE .	27	26	64874	POPPET, RELIEF VALVE . . .	39	15
61867	BRACKET, SUPPORT - TOP COWL	3	15	64877	DIAPHRAGM, POPPET VALVE	39	8
61939	PIVOT, THREADED, - TRIGGER PLATE TO LINK ROD	27	36	65757A1	TOGGLE ASSEMBLY, STARTER INTERLOCK . .	5	13
61940	LINK ROD	27	35	65758	THRUST HUB, FRONT	65	83
62064	BRACKET, STARTER MOTOR	33	16	65799	LINK, LOCKING LEVER TO COVER	31	22
62124A1	THRUST HUB ASSEMBLY, REAR	65	84	65848	WASHER, POPPET VALVE .	39	17
62171	BALL JOINT, THROTTLE CAM	27	15	66843	BRACKET, COIL MOUNTING	39	2
62173	ROD, LINK - UPPER	27	19	66844	COVER, DIAPHRAGM	39	3
62174	TURNBUCKLE, SPARK ADVANCE LINKAGE	27	17	66845	PLATE, RETAINER - STARTER PAWL	7	35
62236	SHIELD, REAR - TOP COWL	3	7	66846	HOSE AND NOZZLE, TELL TALE	29	10
62297	BUMPER, STEERING ARM .	53	15	66848	RETAINER, SPRING	7	37
62303	COVER, TRANSFER PORT .	35	42	66849	CLAMP, TELL TALE HOSE AND NOZZLE	29	10A
62351A1	RECTIFIER ASSEMBLY	23	1	66850	THERMOSTAT	39	13
62351A2	RECTIFIER ASSEMBLY	23	1	67323	BRACKET, SUPPORT - TOP COWL (FRONT)	3	21
62370	BRACKET, SUPPORT - TOP COWL (FRONT)	3	21	67878	BRACKET, SUPPORT - TOP COWL	3	15
62381A1	RETAINER ASSEMBLY, BALL BEARING	41	2	10-20012	SCREW, UPPER ANCHOR BRACKET TO LOWER ANCHOR BRACKET (1 5/8")	31	12
62381A2	RETAINER ASSEMBLY, BALL BEARING	41	2	10-20037	SCREW, RETAINER TO HOUSING	29	7
62395	POPPET, RELIEF VALVE . . .	37	14	10-20055	SCREW, REED STOP MOUNTING (3/8")	41	10
62459	BALL JOINT, SPARK ADVANCE LEVER	27	32	10-20100	SCREW, INTERLOCK CABLE TO STARTER HOUSING (1/2")	5	6
62715	PLATE, THERMOSTAT	37	10	10-20639	SCREW, THROTTLE CONTROL BRACKET (11/8")	27	9
62861A1	PLATE ASSEMBLY, EXHAUST EXTENSION . .	45	6	10-20646	SCREW, REAR SHIELD TO TOP COWL (5/8")	3	8
62973A4	FUEL PUMP ASSEMBLY . . .	29	1	10-20646	SCREW, TERMINAL BLOCK ATTACHING	21	42
62981	THERMOSTAT	37	12	10-20776	SCREW, WIRING HARNESS GROUND TO BOTTOM COWL (1/2")	23	20
63101	PLATE, RETAINER - STARTER PAWL	7	35	10-20847	SCREW, THROTTLE STOP LEVER	15	19
63123	THROTTLE CAM ACTUATOR	27	1				
63139	SEAL, TRIM COVER TO DRIVE SHAFT HOUSING .	49	5				
63148	SLEEVE, SOUND ABSORBING BLANKET . .	11	15				
63177	STRIP, RETAINING - TRIM COVER SEAL (SIDE)	49	6				
63190	RETAINER, LEAD WIRE . . .	21	36				
63323	SPACER, SOUND ABSORBING - COWL FRONT COVER	9	3				

PARTS INDEX

Part Number	Description	Pg.	Ref. No.	Part Number	Description	Pg.	Ref. No.
10-21489	SCREW, UPPER ANCHOR BRACKET TO CRANKCASE (1 3/4")	31	3	10-30225	SCREW, UPPER END CAP MOUNTING (1")	33	5
10-21625	SCREW, STARTER SOLENOID TO FRONT SUPPORT BRACKET (3/8")	25	34	10-30663	SCREW, STOP SWITCH LEAD CLAMP	47	32
10-21983	SCREW, MERCURY SWITCH LEAD ATTACHING	37	24	10-31830	SCREW, RIDE-GUIDE KIT TO STEERING ARM (1 3/4")	53	19
10-21983	SCREW, MERCURY SWITCH LEAD ATTACHING	39	24	10-31984	SCREW, COIL MOUNTING BRACKET TO BLOCK (1 3/8")	39	4
10-22040	SCREW, CRANKCASE TO CYLINDER BLOCK (1 1/2")	33	19	10-31984	SCREW, MANIFOLD COVER TO CYLINDER BLOCK (1 3/8")	35	32
10-22421	SCREW, EXHAUST PLATE TO BOTTOM COWL (1 1/4")	45	12	10-32228	SCREW, INTERLOCK CABLE TO EXHAUST PLATE (5/8")	5	5
10-22486	SCREW, LATCH TO THROTTLE CONTROL LEVER (7/8")	27	29	10-32417	SCREW, FLEXIBLE PLATE TO FLYWHEEL (9/16")	17	5
10-22523	SCREW, LATCH BASE TO COWL FRONT COVER (3/4")	9	5	10-33008	SCREW, CRANKCASE TO CYLINDER BLOCK (3 1/2")	33	19
10-22524	SCREW, SWITCH BOX TO BRACKET (1 3/4")	19	33	10-33986	SCREW, UPPER MOUNT TO STEERING ARM	53	14
10-24228	SCREW, ADJUSTIN - EXHAUST COVER (1 7/8")	35	33	10-34438	SCREW, THROTTLE CONTROL BRACKET TO THROTTLE CAM (2 3/8")	27	11
10-24228	SCREW, ADJUSTING - THROTTLE CONTROL BRACKET (1 7/8")	27	6	10-34439	SCREW, RETAINER TO EXHAUST PLATE (3/4")	45	10
10-25327	SCREW, COIL COVER TO COIL BRACKET (1 3/4")	19	26	10-34633	SCREW, FUEL PUMP MOUNTING (1 1/2")	29	8
10-25503	SCREW, ANCHOR BRACKET TO CYLINDER BLOCK (2")	31	2	10-35213	SCREW, BLOCK BRACKET TO STARTER MOTOR (1 5/8")-ELECTRIC	33	17
10-25764	SCREW, RECTIFIER TO FRONT SUPPORT BRACKET (1/2")	23	2	10-35213	SCREW, STARTER MOTOR TO CRANKCASE (1 5/8")	23	27
10-25822	SCREW, STRAINER COVER FASTENING	15	18	10-35519	SCREW, NOZZLE TO BOTTOM COWL (1 1/2")	29	12
10-25876	SCREW, FRONT COVER CATCH TO TOP COWL (7/8")	3	13	10-35563	SCREW, FLEXIBLE PLATE TO FLYWHEEL (9/16")	17	5
10-26065	SCREW, CHOKE SOLENOID TO FRONT SUPPORT BRACKET (1")	23	7	10-36070	SCREW, WATER INTAKE SCREEN TO GEAR HOUSING	59	7
10-26483	BOLT, CLAMP BRACKET TO BOAT TRANSOM	53	24	10-37558	SCREW, ANCHOR BRACKET TO CYLINDER BLOCK (1 1/4")	31	2
10-27281	SCREW, SWITCH BOX AND "J" CLIP TO BRACKET	21	33	10-37562	SCREW, FRONT SUPPORT BRACKET TO BOTTOM COWL (1")	3	22
10-28634	SCREW, GREASE FILLER AND VENT HOLE	59	32	10-37562	SCREW, REAR SUPPORT BRACKET TO BOTTOM COWL (1")	3	19
10-29197	SCREW, GROUND WIRE TO STARTER MOTOR (5/8")	23	32	10-37562	SCREW, STARTER BRACKET AND COVER TO COIL BRACKET (1")	39	5
10-29256	SCREW, LOWER MOUNT CLAMP TO DRIVE SHAFT HOUSING (7/8")	51	40	10-37562	SCREW, STARTER HOUSING TO CRANKCASE (1")	5	23
10-29722	SCREW, COVER TO LOWR CLAMP (5/8")	51	43	10-37571	SCREW, TRIM COVER TO DRIVE SHAFT HOUSING	49	11
10-29942	SCREW, CRANKCASE TO CYLINDER BLOCK (2 1/4")	33	19	10-38398	SCREW, RATCHET TO FLYWHEEL (7/8")	17	7
10-30009	SCREW, COVER PLATE TO BOTTOM COWL	45	19	10-39620	SCREW, LATCH TO SHIFT ACTUATING SLIDE	31	7

PARTS INDEX

Part Number	Description	Pg.	Ref. No.	Part Number	Description	Pg.	Ref. No.
10-45210	SCREW, PULLEY TO STARTER HOUSING (1 1/4")	5	18	10-61802	SCREW, PLUG COVER TO BOTTOM COWL (7/8") - MANUAL	45	3
10-45218	SCREW, GROUND LEAD TO SWITCH BOX	21	34	10-61802	SCREW, WIRING HARNESS CLAMP TO BOTTOM COWL (7/8")	23	24
10-45218	SCREW, TERMINAL BLOCK AND SWITCH BOX (3/8")	21	34A	10-62204	SCREW, REED STOP MOUNTING (1 3/8")	41	10
10-45775	SCREW, MAIN BEARING CLAMPING (9/16")	41	6	10-62210	SCREW, RATCHET TO FLYWHEEL (7/8")	17	7
10-45817	SCREW, WASHER AND DIAPHRAGM TO POPPET VALVE	39	10	10-62568	SCREW, CLAMP ATTCHING (3/8")	25	44
10-47981	SCREW, TILT LOCK AND STOP LEVER TO SWIVEL BRACKET	53	42	10-62568	SCREW, CLAMP TO BRACKET (3/8")	21	39
10-48408	SCREW, STRIP AND SEAL TO DRIVE SHAFT HOUSING (1/2")	49	8	10-62568	SCREW, GROUND STRAP ATTACHING (3/8")	51	18
10-48409	SCREW, MERCURY SWITCH TO EXHAUST COVER (5/8")	37	23	10-62842	SCREW, COIL COVER TO COIL BRACKET	19	26
10-48409	SCREW, MERCURY SWITCH TO EXHAUST COVER (5/8")	39	23	10-63070	SCREW, LOWER END CAP TO CYLINDER BLOCK ANC CRANKCASE (1 1/4")	35	25
10-49318	SCREW, LOWR MOUNT (5 1/2")	51	33	10-63102	SCREW, ADJUSTING - THROTTLE CAM	27	2
10-49987	SCREW, UPPER MOUNT COVER - FRONT (1 1/2")	51	30	10-63327	SCREW, COIL MOUNTING BRACKET TO BLOCK (1 3/8")	37	3
10-49988	SCREW, UPPER MOUNT COVER - REAR (1 3/4")	51	29	10-63328	SCREW, COIL MOUNTING BRACKET TO BLOCK (3")	37	4
10-52195	SCREW, FLOAT BOWL COVER (SHORT)	15	10	10-63329	SCREW, COIL MOUNTING BRACKET TO BLOCK (1 3/4")	37	6
10-52196	SCREW, FLOAT, FOWL COVER (LONG)	15	11	10-63365	SCREW, LOWER END CAP TO CYLINDER BLOCK AND CRANKCASE (1 1/2")	35	25
10-53016	SCREW, MANIFOLD COVER TO CYLINDER BLOCK (1 1/4")	35	32	10-64099	SCREW, COIL COVER TO COIL BRACKET (2 1/8")	19	26
10-53556	SCREWS, TANSFER PORT COVER MOUNTING (1")	35	45	10-67197	SCREW, SUPPORT TO BOTTOM COWL (5/8")	23	17
10-54803	SCREW, CONNECTING ROD	43	15	11-20013	NUT, JAM - BALL JOINT TO TURNBUCKLE	27	16
10-55337	SCREW, THROTTLE COSNTROL LEVEL TO CYLINDER BLOCK (1 3/4")	27	22	11-20083	NUT, STARTER SOLENOID TERMINAL (5/16)	25	40
10-55726	SCREW, TRIM TAB TO GEAR HOUSING	65	75	11-20110	NUT, CHOKE SHUTTER TO CARBURETOR STUD	13	10
10-56500	SCREW, ADAPTOR TO BOTTOM COWL (1 1/4")	29	27	11-20110	NUT, SCREEN SCREW	13	15
10-56500	SCREW, CYLINDER BLOCK COVER MOUNTING (1 1/4")	35	38	11-20166	NUT, SHEAVE SHAFT (LEFT HAND THREAD)	5	2
10-56787	SCREW, STATOR TO UPPER END CAP (2")	17	10	11-20190	NUT, TERMINAL BLOCK ATTACHING SCREWS	21	43
10-57249	SCREW, TOGGLE TO STARTER HOUSING	5	14	11-20361	NUT, RUBBER MOUNT TO CRANKCASE (LOWER)	3	25
10-57807	SCREW, TRIM COVER TO DRIVE SHAFT HOUSING	49	11	11-20361	NUT, RUBBER MOUNT TO CYLINDER BLOCK COVER (LOWER)	3	17
10-58185	SCREW, SCREEN TO CARBURETOR (1")	13	12	11-20509	NUT, REMOTE STEERING BRACKET STUD	53	18
				11-20509	NUT, RIDE-GUIDE KIT SCREW	53	20
				11-20586	NUT, LATCH SCREW	27	31

PARTS INDEX

Part Number	Description	Pg.	Ref. No.	Part Number	Description	Pg.	Ref. No.
11-20586	NUT, RUBBER MOUNT TO REAR SUPPORT BRACKET (UPPER)	3	18	11-45076	NUT, SWITCH BOX TERMINAL	21	35
11-20586	NUT, UPPER ANCHOR BRACKET SCREW	31	13	11-45774	NUT, MAIN BEARING CLAMPING SCREW	41	7
11-20645	NUT, GROUND LEAD TO STOP SWITCH	45	26	11-45812	NUT, WATER INTAKE SCREEN SCREW	59	8
11-20645	NUT, STARTER SOLENOID TERMINAL (#10)	25	37	11-46438	NUT, BALL JOINT TO SPARK ADVANCE LEVER	27	33
11-20754	NUT, JAM -UPPER LINK ROD TO TURNBUCKLE	27	18	11-46793	NUT, CRANKCASE FASTENING SCREW	33	20
11-20890	NUT, ADJUSTING SCREW	35	34	11-46793	NUT, SOLENOID SCREW	23	8
11-20890	NUT, CABLE TO STARTER MOTOR	23	29	11-46793	NUT, STARTER MOTOR BRACKET SCREW - MANUAL	33	18
11-20890	NUT, JAM - ADJUSTING SCREW	27	7	11-46793	NUT, THROTTLE CONTROL BRACKET SCREW	27	10
11-21971	NUT, CONNECTOR BASE TO BOTTOM COWL	45	29	11-46793	NUT, THROTTLE CONTROL BRACKET TO THROTTLE CAM SCREW	27	14
11-22339	NUT, FLYWHEEL	17	1	11-46793	NUT, TILT LOCK AND STOP LEVER SCREW	55	43
11-23161	NUT, UPPER MOUNT BOLT	51	21	11-46793	NUT, TILT LOCK AND STOP LEVER TO CLAMP BRACKET	55	47
11-24656	NUT, PULLEY SCREW	5	21	11-46793	NUT, UPPER ANCHOR BRACKET SCREW	31	4
11-25096	NUT, LOWER MOUNT SCREW	51	38	11-46886	NUT, UPPER MOUNT COVER FASTENING SCREW	51	31
11-26484	NUT, CLAMP BRACKET BOLT	53	26	11-46887	NUT, ADAPTOR SCREW	29	28
11-27164	NUT, RECTIFIER FASTENING SCREW	23	3	11-46887	NUT, COVER MOUNTING SCREW	35	39
11-28202	NUT, RETAINING - SWIVEL PIN	53	40	11-46887	NUT, EXHAUST PLATE SCREW	45	13
11-28770	NUT, CLAMP BRACKET STUD	53	8	11-46887	NUT, SUPPORT FASTENING SCREW	23	19
11-28770	NUT, JAM - PUSH ROD	51	48	11-49091	NUT, CONNECTING ROD SCREW	43	16
11-29250	NUT, CARBURETOR MOUNTING STUD	15	37	11-53153	NUT, REED STOP MOUNTING SCREW	41	11
11-30499	NUT, TILT TUBE	53	11	11-55910	NUT, PINION GEAR TO DRIVE SHAFT	59	12
11-31990	NUT, PROPELLER	65	86	11-62590	NUT, MERCURY SWITCH LEAD SCREW	37	25
11-33122	NUT, JAM - ADJUSTING SCREW	27	3	11-62590	NUT, MERCURY SWITCH LEAD SCREW	39	25
11-34863	NUT, DRIVE SHAFT HOUSING STUD (3/8")	65	77	11-62843	NUT, COIL COVER SCREW	19	27
11-34933	NUT, DRIVE SHAFT HOUSING TO GEAR HOUSING STUD (7/16")	65	79	11-64809	NUT, POWERHEAD STUDS	51	16
11-34933	NUT, GEAR HOUSING TO DRIVE SHAFT HOUSING STUDS	51	45	12-20260	WASHER, GREASE FILLER AND VENT HOLE SCREW	59	33
11-35045	NUT, WATER PUMP BODY AND BASE STUDS	59	28	12-22887	WASHER, PULLEY SCREW	5	19
11-35521	NUT, LOWER MOUNT CLAMP COVER	51	44	12-25176	WASHER, SWIVEL PIN TO BOTTOM YOKE (.060)	53	38
11-35814	NUT, COIL MOUNTING BRACKET SCREW	37	7	12-25893	WASHER, THROTTLE CONTROL BRACKET TO THROTTLE CAM SCREW	27	12
11-35814	NUT, TOP COWL STUD	3	6	12-26013	WASHER, INTERLOCK CABLE SCREW	5	8
11-45076	NUT, CHOKE SOLENOID TERMINAL	23	10	12-26014	WASHER, LATCH BASE SCREW	9	7
11-45076	NUT, COIL TERMINALS	19	23				
11-45076	NUT, JAM - LINK ROD ADJUSTING	27	34				
11-45076	NUT, RECTIFIER TERMINAL (10-32)	23	5				

PARTS INDEX

Part Number	Description	Pg.	Ref. No.	Part Number	Description	Pg.	Ref. No.
12-26014	WASHER, REAR SHIELD			12-58166	WASHER, RETAINER		
	SCREW	3	9		SCREW	35	26
12-26227	WASHER, THUMB SCREW	53	3	12-59061	WASHER, STOP SWITCH	45	24
12-26485	WASHER, CLAMP BRACKET			12-61542	WASHER, CONNERCTOR		
	BOLT	53	25		BASE	45	27
12-26837	WASHER, SWIVEL PIN TO			12-61982	WASHER, TRIGGER TO		
	BOTTOM YOKE (.065)	53	38		STATOR SUPPORT		
12-28008	WASHER, THROTTLE				(LOWER)	19	15
	CONTROL LEVEL SCREW	27	27	12-62133	WASHER, TRIGGER TO		
12-28051	WASHER, LOWER MOUNT				STATOR SUPPORT		
	SCREW	51	34		(UPPER)	19	13
12-28053	WASHER, RUBBER - LOWER			12-62402	WASHER, POPPET VALVE	37	16
	MOUNT SCREW	51	35	12-64275	WASHER, CONNECTOR		
12-29245	WASHER, WATER PUMP				BASE	45	27
	BODY AND BASE STUDS	59	27	12-64879	WASHER, DIAPHRAGM	39	9
12-30119	WASHER, LOWER MOUNT			12-65791	WASHER, DRIVE SHAFT		
	SCREW	51	37		HOUSING TO GEAR		
12-30314	WASHER, CHOKE SHAFT	13	2		HOUSING STUD (7/16")	65	78
12-30519	WASHER, UPPER MOUNT			12-65791	WASHER, DRIVE SHAFT		
	BOLT (3/8 ID)	51	22		HOUSING TO GEAR		
12-30520	WASHER, UPPER MOUNT				HOUSING STUDS	49	9
	BOLT (37/64 ID)	51	24	13-20160	WASHER, WAVE -		
12-30521	WASHER, RUBBER - UPPER				RETAINER TENSION	7	34
	MOUNT BOLT	51	23	13-20202	LOCKWASHER, RATCHET		
12-31266	WASHER, RUBBER - SHIFT				SCREW	17	8
	SHAFT BUSHING	61	42	13-21972	LOCKWASHER,		
12-31992	WASHER, CUPPED -				CONNECTOR BASE	45	28
	THRUST HUB	65	81	13-22238	LOCK WASHER, GROUND		
12-31992	WASHER, CUPPED -				STRAP SCREW	51	19
	THRUST HUB	65	85	13-24669	LOCKWASHER, WIRING		
12-32004	WASHER, THRUST -				HARNESS GROUND		
	REVERSE GEAR	65	65		SCREW	23	21
12-36258	WASHER, FLYWHEEL NUT	17	2	13-26992	LOCKWASHER, CABLE TO		
12-37998	WASHER, INTERLOCK				STARTER MOTOR NUT	23	28
	CABLE	5	11	13-26992	LOCKWASHER, RATCHET		
12-37998	WASHER, UPPER SHIFT				SCREW	17	8
	SHAFT- MANUAL ONLY	31	16	13-26992	WASHER, STARTER		
12-38453	WASHER, NYLON - WATER				SOLENOID SCREW	25	35
	OUTLET TUBE	45	7	13-26993	LOCKWASHER, CHOKE		
12-38453	WASHER, NYLON - WATER				SOLENOID TERMINAL	23	9
	PUMP BODY	59	30	13-26993	LOCKWASHER, CLAMP		
12-45175	WASHER, DRIVE SHAFT				BRACKET STUD	53	7
	HOUSING STUD (3/8")	65	76	13-26993	LOCKWASHER, COIL		
12-46101	WASHER, SCREEN SCREW	13	14		MOUNTING BRACKET		
12-47247	WASHER, NEEDLE BEARING				SCREW	37	5
	RETAINING	43	19	13-26993	LOCKWASHER, COIL		
12-47960	WASHER, CHOKE SHUTTER				MOUNTING BRACKET		
	CARBURETOR STUD	13	9		SCREW	39	7
12-49221	WASHER, GEAR HOUSING			13-26993	LOCKWASHER, FRONT		
	FLUSHING HOLE	59	35		SUPPORT BRACKET		
12-52864	WASHER, CLAMP BRACKET				SCREW	3	23
	TO SWIVEL BRACKET	53	10	13-26993	LOCKWASHER, REAR		
12-52865	WASHER, SWIVEL PIN	53	21		SUPPORT BRACKET		
12-55907	WASHER, SPLINED -				SCREW	3	20
	PROPELLER SHAFT	65	82	13-26993	LOCKWASHER, STARTER		
12-56720	WASHER, TILT LOCK AND				HOUSING SCREW	5	24
	STOP LEVER	55	46	13-26993	LOCKWASHER, STARTER		
12-57837	WASHER, WAVE WASHER				SOLENOID TERMINAL		
	RETAINER	5	33		(5/16)	25	39
12-57860	WASHER, SHEAVE SHAFT	7	38				

PARTS INDEX

Part Number	Description	Pg.	Ref. No.	Part Number	Description	Pg.	Ref. No.
13-26996	LOCK WASHER, FRONT COVER CATCH SCREW	3	14	16-35099	STUD, CARBURETOR MOUNTING (1 3/16")	33	7
13-26996	LOCKWASHER, COIL TERMINALS	19	22	16-37986	STUD, CYLINDER BLOCK TO DRIVE SHAFT HOUSING (2 5/16")	33	11
13-26996	LOCKWASHER, LATCH BASE SCREW	9	6	16-39781	STUD, REMOTE STEERING BRACKET TO STEERING	53	17
13-26996	LOCKWASHER, STARTER SOLENOID TERMINAL (#10)	25	36	16-57932	STUD, DRIVE SHAFT HOUSING TO GEAR HOUSING (1 3/4")	49	2
13-26996	LOCKWASHER, STATOR SCREW	17	11	16-57933	STUD, GEAR HOUSING TO DRIVE SHAFT HOUSING	57	4
13-26996	LOCKWASHER, STOP SWITCH	45	25	16-57934	STUD, WATER PUMP BODY AND BASE TO GEAR HOUSING (2 5/8")	57	3
13-27660	LOCKWASHER, INTERLOCK CABLE SCREW	5	7	16-57935	STUD, DRIVE SHAFT HOUSING TO GEAR HOUSING (3")	49	3
13-34632	WASHER, WAVE - TILT LOCK AND STOP LEVER	55	45	16-59625	STUD, CLAMP BRACKET	53	6
13-34632	WASHER, WAVE - TILT LOCK AND STOP LEVER	55	45	16-65762	STUD, CYLINDER BLOCK TO DRIVE SHAFT HOUSING (3 11/16")	33	9
13-36206	WASHER, WAVE - STARTER PAWL	5	30	17-20032	DOWEL PIN, MAIN BEARING	41	5
13-61983	WASHER, WAVE - TRIGGER TO STATOR SUPPORT (CENTER)	19	14	17-20323	DOWEL PIN, CYLINDER BLOCK TO MAIN BEARING	33	14
13-62172	WAVE WASHER, THROTTLE CONTROL BRACKET/THROTTLE CAM SCREW	27	13	17-21438	PIN, DOWEL - GEAR HOUSING	57	2
14-53012	TAB WASHER, GEAR HOUSING COVER	65	72	17-23784	DOWEL PIN, CRANKCASE TO CYLINDER BLOCK	33	13
14-61004	TAB WASHER, SHEAVE SHAFT NUT	5	1	17-25598	ROLL PIN, REVERSE LOCK SPRING ATTACHING	53	29
15-20927A1	SHIM, THRUST WASHER TO GEAR HOUSING (.002-3-5-10)	65	64	17-30545	PIN, DRIVE SHAFT	61	47
15-20929A1	SHIM, BEARING TO GEAR HOUSING (.002-3-5-10)	61	49	17-35973	DOWEL PIN, WATER PUMP BASE TO WATER PUMP BODY	59	18
15-38374A1	SHIM, BEARING CUP TO GEAR HOUSING (.002-3-5-10)	63	55	17-38113	PIN, CROSS - RATCHET TO PROPELLER SHAFT	63	60
16-21391	STUD, TOP COWL TO SUPPORT BRACKET - REAR (1 1/2")	3	4	17-39599	PIN, PIVOT - COWL FRONT COVER LATCH HOOK	9	8
16-21553	STUD, TOP COWL TO SUPPORT BRACKET - FRONT (1 1/2")	3	5	17-47175	PIN, LOCKING LEVER AND COVER FASTENING	31	20
16-29977	STUD, CHOKE SHUTTER PIVOT (CARBURETOR)	13	6	17-49930A1	TILT LOCK PIN ASSEMBLY	53	4
16-29988	STUD, CRANKCASE TO DRIVE SHAFT HOUSING (9/16")	33	8	17-57211	DOWEL PIN, RETAINER TO CYLINDER BLOCK	33	12
16-29989	STUD, CYLINDER BLOCK TO DRIVE SHAFT HOUSING (1 15/16")	33	10	17-59719	PIN, REVERSE LOCK LEVER	51	50
16-29990	STUD, CYLINDER BLOCK TO DRIVE SHAFT HOUSING (3 7/16")	33	9	17-62768	PIN, SPRING RETENTION	19	18
16-33778	STUD, WATER PUMP BODY AND BASE TO GEAR HOUSING (2 5/8")	57	3	18-25191	COTTER PIN, PUSH ROD TO REVERSE LOCK	51	51
				18-26953	COTTER PIN, INTERLOCK CABLE TO SLIDING CAM	5	12
				18-26953	COTTER PIN, UPPER SHIFT SHAFT- MANUAL ONLY	31	17
				18-45882	COTTER PIN, REVERSE LOCK TO SHAFT	53	32
				19-35827	PLUG, BOTTOM COWL	23	14
				19-48750	PLUG, GEAR HOUSING FLUSHING HOLE	59	34
				19-64649	PLUG, PLASTIC - WATER PICK-UP HOLE	49	4
				21-30430A3	CHECK VALVE ASSEMBLY	29	2

PARTS INDEX

Part Number	Description	Pg.	Ref. No.	Part Number	Description	Pg.	Ref. No.
21-56011A2	CHECK VALVE ASSEMBLY .	37	20	24-35522	SPRING, TENSION - LOWER MOUNT CLAMP	51	41
21-64871A3	ELBOW ASSEMBLY, CYLINDER BLEED	39	20	24-37911	SPRING, COMPRESSION - FRONT COVER RELEASE BUTTON	3	11
22-23612	FITTING, GREASE - SWIVEL BRACKET	53	36	24-38114	SPRING, RETAINING - CROSS PIN	63	61
22-29085	FITTING, FUEL LINE TO CARBURETOR (45)	29	17	24-39502A1	SPRING, STARTER REWIND	5	26
22-29111	FITTING, TELL TALE - BLOCK TO FUEL PUMP . .	29	15	24-39598	SPRING, TORSION - COWL FRONT COVER LATCH HOOK	9	10
22-30174	ELBOW, PUMP INLET TO FUEL LINE (90)	29	18	24-39845	SPRING, COMPRESSION - CAM FOLLOWER	63	54
22-30175	SLEEVE, RUBBER - ELBOW	29	19	24-47968	SPRING, COMPRESSION - CHOKE SHAFT	13	3
22-30177	NUT, ELBOW TO FUEL LINE	29	20	24-55162	SPRING, RETURN - SPARK ADVANCE LEVER	27	25
22-32802	PLUG, PIPE - CYLINDER BLOCK COVER	35	41	24-55163	SPRING, TENSION - CHOKE SHUTTER	13	8
22-32802	PLUG, PIPE - FUEL PUMP . .	29	9	24-57248	SPRING, SLIDING CAM	5	10
22-61295A5	ELBOW ASSEMBLY, BLEED DRAIN	37	19	24-57279	SPRING, TOGGLE SCREW . .	5	16
22-63000	ELBOW, RESTRICTOR	37	21	24-57818	SPRING, TENSION - SCREEN SCREW	13	13
22-65857	FITTING, CYLINDER BLEED	39	21	24-60239	SPRING, STOP SWITCH . . .	45	21
23-23651	SLEEVE, RUBBER - WATER OUTLET TUBE	49	14	24-62095	SPRING, COMPRESSION . .	19	17
23-26856	BUSHING, TOGGLE SCREW	5	15	24-62394	SPRING, COMPRESSION - POPPET RELIEF VALVE . .	37	15
23-30977	SPACER, PULLEY SCREW . .	5	20	24-66852	SPRING, COMPRESSION - POPPET RELIEF VALVE . .	39	16
23-47911	BUSHING, TILT LOCK AND STOP LEVER	55	44	24-66853	SPRING, RETAINER PLATE TO STARTER SHEAVE . .	7	36
23-52709	SLEEVE, LUBRICATION - DRIVE SHAFT	61	48	25-20273	RING, RUBBER - CENTRIFUGAL SLINGER (DRIVE SHAFT)	59	31
23-55164	BUSHING, THROTTLE CONTROL LEVER SCREW	27	23	25-20415	"O" RING, ADAPTOR STEM . .	29	24
23-55171	BUSHING, THROTTLE CONTROL LEVER SCREW	27	24	25-22175	"O" RING, LOWER END CAP SCREWS	33	23
23-55419A1	BUSHING ASSEMBLY, SHIFT SHAFT	61	39	25-25439	"O" RING, SHIFT SHAFT BUSHING	59	38
23-59623	SPACER, CLAMP BRACKET STUD	53	5	25-26855	"O"RING, WATER PUMP BASE	59	14
23-60242	SLEEVE LUBRICATION - DRIVE SHAFT	61	48	25-31986	"O" RING, BEARING CARRIER	65	67
23-62769	SPACER, COIL SWITHC BOX LEAD TERMINAL	19	21	25-35276	"O" RING, CARRIER	43	13
23-62769	SPACER, RECTIFIER TERMINAL - BATTERY LEAD	23	4	25-39597	GROMMET, COIL MOUNTING BRACKET . . .	37	8
23-63061	SPACER, SHEAVE SHAFT . .	5	31	25-39597	GROMMET, COIL MOUNTING BRACKET . . .	39	11
23-63100	BUSHING, SPRING GUIDE . .	5	27	25-39597	GROMMET, STARTER HOUSING	5	3
23-63604	SPACER, BALL BEARING RETAINER	41	3B	25-47254	"O" RING, UPPER END CAP	33	2
24-20099	SPRING, COMPRESSION - LATCH SCREW	27	30	25-57806	GROMMET, TRIM COVER SCREW	49	12
24-20254	SPRING, COMPRESSION - DRIVE SHAFT	61	46	25-62457	"O" RING, LOWER END CAP	33	24
24-23067	SPRING, ADAPTOR STEM . .	29	25	25-63016	GROMMET, POPPET VALVE	37	17
24-26068	SPRING, RETAINER PLATE TO STARTER SHEAVE . .	7	36	25-64067	"O" RING, LOWER END CAP	35	24
24-27087	SPRING, COMPRESSION - LATCH SCREW	31	8	25-64068	"O" RING, LOWER END CAP SCREW	35	23
24-28975	SPRING, GARTER - INTERNAL WIRING HARNESS	23	25	25-64872	GROMMET, POPPET VALVE	39	18

PARTS INDEX

Part Number	Description	Pg.	Ref. No.	Part Number	Description	Pg.	Ref. No.
26-23300	OIL SEAL, WATER PUMP BASE	59	16	27-66847	GASKET, COIL MOUNTING BRACKET TO BLOCK ...	39	12
26-24590	OIL SEAL, SHIFT SHAFT BUSHING (UPPER)	61	40	28-30281	KEY, LOCATING - BEARING CARRIER	65	71
26-26782	OIL SEAL, WATER PUMP BASE	59	17	28-45554	KEY, FLYWHEEL DRIVE ...	17	3
26-29476	OIL SEAL, LOWER END CAP	35	22	28-56662	KEY, IMPELLER DRIVE	59	23
26-29476	OIL SEAL, LOWR END CAP .	33	22	29-47270	BEARING, NEELDE - PISTON PIN	43	18
26-29476	OIL SEAL, UPPER END CAP	33	4	30-20839	BEARING, BALL - REVERSE GEAR	65	66
26-31249	OIL SEAL, SHIFT SHAFT BUSHING (LOWER)	61	41	30-53853	BALL BEARING, RETAINER (CRANKSHAFT)	41	3
26-32121	OIL SEAL, WATER PUMP BODY	59	26	30-62157	BALL BEARING, RETAINER (CRANKSHAFT)	41	3
26-32911	OIL SEAL, SWIVEL BRACKET	53	35	30-63742	BALL BEARING, RETAINER (CRANKSHAFT)	41	3
26-38452	SEAL, RUBBER - WATER INLET TUBE (WATER PUMP BODY)	59	29	31-20231	BEARING, ROLLER - DRIVE SHAFT	57	5
26-38452	SEAL, RUBBER - WATER OUTLET TUBE	45	8	31-21700	BEARING, ROLLER - BEARING CARRIER	65	69
26-56788	OIL SEAL, BEARING CARRIER	65	70	31-21739	BEARING, ROLLER - FORWARD GEAR	63	57
26-57847	STAT-O-SEAL, RETAINER SCREW	35	27	31-38146A1	ROLLER BEARING ASSEMBLY, TAPERED - DRIVE SHAFT	61	50
27-32769	GASKET, LOWER - WATER PUMP TO BASE FACE PLATE	59	19	31-38356A1	TAPERED ROLLER BEARING ASSEMBLY	63	56
27-32770	GASKET, UPPER - FACE PLATE TO WATER PUMP BODY	59	21	31-62066	BALL BEARING, UPPER END CAP	33	3
27-32771	GASKET, WATER PUMP BASE TO GEAR HOUSING	59	13	31-62091	BEARING, ROLLER - DRIVE SHAFT	57	5
27-38501	GASKET, EXHAUST PLATE TO DRIVE SHAFT HOUSING	45	11	31-62596A1	BEARING ASSEMBLY, CRANKPIN	43	17
27-38501	GASKET, EXHAUST PLATE TO DRIVE SHAFT HOUSING	51	20	31-63075A1	BEARING ASSEMBLY, CRANKPIN	43	17
27-48164	GASKET, CARBURETOR FLANGE	15	36	32-34395A1	HOSE ASSEMBLY, CYLINDER BLOCK TO FUEL PUMP (11")	29	13
27-55158	GASKET, SEALING - CYLINDER BLOCK	33	15	32-37727	TUBE, WATER OUTLET (SHORT SHAFT)	49	13
27-55279	GASKET, TRANSFER PORT COVER	35	43	32-45679	TUBE, WATER OUTLET (LONG SHAFT)	49	13
27-55306	GASKET, CYLINDER BLOCK TO BAFFLE PLATE	35	28	32-54936	HOSE, CYLINDER BLEED (8")	39	19
27-55306A72	GASKET SET (MERC 402) ..	1	-	32-55828A1	FUEL LINE, FUEL PUMP TO CARBURETOR (13 3/4") ..	29	16
27-55306A73	GASKET SET (MERC 402) ..	1	-	32-56367	FUEL LINE, FUEL PUMP TO ADAPTOR	29	21
27-55306A74	GASKET SET (MERC 402) ..	1	-	32-60584	HOSE, CYLINDER BLEED (7 1/2")	37	18
27-55307	GASKET, CYLINDER BLOCK COVER	35	37	32-65521	HOSE ASSEMBLY, FUEL PUMP TO TELL TALE NOZZLE	29	10
27-55308	GASKET, BAFFLE PLATE TO EXHAUST COVER	35	30	33-59599	SPARK PLUG (CHAMPION #L-77V)	19	29
27-62386	GASKET, THERMOSTAT ...	37	13	34-56007A1	REED SET, MAIN BEARING (MATCHED)	41	8
27-62386	GASKET, THERMOSTAT ...	39	14	34-56008	REED STOP, MAIN BEARING REED VALVES	41	9
27-62396	GASKET, COIL MOUNTING BRACKET TO BLOCK ...	37	9	35-57819	SCREEN, CARBURETOR ..	13	11
27-62716	GASKET, THERMOSTAT PLATE TO BLOCK	37	11				

PARTS INDEX

Part Number	Description	Pg.	Ref. No.	Part Number	Description	Pg.	Ref. No.
37-61285A72	DECAL SET (MERC 402) . . .	1	-	54-54457	"J" CLIP, TRIGGER LEADS TO RUBBER SUPPORT MOUNT	19	19
37-61285A73	DECAL SET (MERC 402) . . .	1	-				
37-61285A74	DECAL SET (MERC 402) . . .	1	-				
39-45155A12	RING, PISTON	43	22	84-60466A1	GROUND WIRE, COIL GROUND TO COIL COVER SCREW	19	24
39-45204A12	RING, PISTON	43	-				
40-52034	LOCK RING, PISTON PIN . .	43	21				
43-55607	GEAR, PINION - DRIVE SHAFT	59	11	84-61393A1	LEAD ASSEMBLY, RECTIFIER TO STARTER SOLENOID (4 7/8")	23	12
43-55608	FORWARD GEAR ASSEMBLY	63	58	84-62203	LEAD, SWITCH BOX TO COILS	21	37
43-55609	REVERSE GEAR ASSEMBLY	65	63	84-62534	WIRING HARNESS (INTERNAL)	23	22
43-66554	REVERSE GEAR ASSEMBLY	65	63	84-63086A1	WIRE ASSEMBLY, STOP SWITCH	47	30
44-55911	SHAFT, PROPELLER	65	62	84-63086A2	WIRE ASSEMBLY, STOP SWITCH	47	30
45-57359A1	DRIVE SHAFT ASSEMBLY (LONG SHAFT)	61	45	84-66297	WIRING HARNESS (INTERNAL)	23	22
45-57360A1	DRIVE SHAFT ASSEMBLY (SHORT SHAFT)	61	45	85-62453	BOOT, LEAD WIRE	23	13
45-60949A1	DRIVE SHAFT ASSEMBLY (LONG SHAFT)	61	45	85-64080--1	SLEEVE, MERCURY SWITCH LEAD SCREW (2")	37	26
45-60950A1	DRIVE SHAFT ASSEMBLY (SHORT SHAFT)	61	45	85-64080--1	SLEEVE, MERCURY SWITCH LEAD SCREW (2")	39	26
46-48746A1	WATER PUMP BODY ASSEMBLY	59	24	86-66754	TERMINAL BLOCK, SWITCH BOX LEAD	21	41
46-48746A2	HEAVY DUTY WATER PUMP KIT	1	-	87-61577A1	CONTACT ASSEMBLY, STOP SWITCH	45	22
46-65498A1	WATER PUMP BASE ASSEMBLY	59	15	90-63240	MERC 402 PARTS LIST	1	-
47-65959	IMPELLER, WATER PUMP . .	59	22	92-25234--1	GLUE, ADHESIVE - BLANKET FASTENING	11	--
50-28985A1	STARTER CABLE ASSEMBLY	7	40	228-4733A2	SWITCH BOX ASSEMBLY, COMPLETE	19	32
50-39838	RATCHET, FLYWHEEL	17	6	242-4764A2	FLYWHEEL ASSEMBLY	17	4
50-55601	STARTER MOTOR ASSEMBLY	23	26	242-4764A7	FLY WHEEL ASSEMBLY	17	4
50-55601A1	ELECTRIC STARTER KIT . . .	1	-	332-2854	BOOT, LEAD TO IGNITION COIL	19	31
50-62237A1	STARTER SHEAVE ASSEMBLY	5	28	332-4811A2	MODULE ASSEMBLY	1	-
50-65213	RATCHET, FLYWHEEL	17	6	332-4911A5	SWITCH BOX ASSEMBLY, COMPLETE	21	32
50-66855A1	STARTER SHEAVE ASSEMBLY	5	28	338-4731A1	TRIGGER PLATE ASSEMBLY	19	16
52-47586	RATCHET, SLIDING CLUTCH	63	59	338-4731A6	TRIGGER PLATE ASSEMBLY	19	16
53-29641	CLIP, RETAINING - SHIFT SHAFT	59	37	338-4995A1	IGNITION COIL ASSEMBLY, COMPLETE	19	20
53-30428	FASTENER, PLUG TO BOTTOM COWL	23	15	339-5288A1	IGNITION COIL ASSEMBLY, COMPLETE	19	20
53-58656	RING, RETAINING - ROPE GUIDE INSERT	3	3	398-4770	STATOR, ALTERNATOR (ELECTRIC)	17	9
53-63634	RETAINING RING, BALL BEARING	41	3A	398-4799	STATOR, IGNITION (MANUAL)	17	9
53-63634	RETAINING RING, BALL BEARING	41	3A	398-5255	STATOR, IGNITION(ELECTRIC)	17	9
54-20386	CLAMP, HOSE	29	14	398-5256	STATOR, IGNITION(MANUAL)	17	9
54-24871	CLAMP, CHOKE SOLENOID LEAD WIRE	25	42	454-4795A2	CRANKSHAFT ASSEMBLY . . .	41	1
54-24871	CLAMP, LEAD WIRES	21	38	454-4919A3	CRANKSHAFT ASSEMBLY- . .	41	1
54-26550	CLAMP, STOP SWITCH LEAD	47	31	454-4919A6	CRANKSHAFT ASSEMBLY . .	41	1
54-52876	CLAMP, WIRING HARNESS ATTACHING	23	23	540-4857A5	MAIN BEARING ASSEMBLY, VALVE TYPE	41	4
54-54457	"J" CLIP, COIL HARNESS . .	35	44				

PARTS INDEX

Part Number	Description	Pg.	Ref. No.	Part Number	Description	Pg.	Ref. No.
622-4850A3	CONNECTING ROD ASSEMBLY	43	14	1399-4559	COVER, FLOAT BOWL	15	9
622-4850A4	CONNECTING ROD ASSEMBLY	43	14	1427-3263A1	CLAMP BRACKET ASSEMBLY	53	1
745-4872A1	PISTON AND PISTON PIN ASSEMBLY	43	-	1455-4514A1	SWIVEL BRACKET ASSEMBLY (SHORT SHAFT)	53	34
745-4890A2	PISTON AND PISTON PIN ASSEMBLY	43	20	1462-4515A1	SWIVEL BRACKET ASSEMBLY (LONG SHAFT)	53	34
745-4972A2	PISTON AND PISTON PIN ASSEMBLY	43	20	1554-4892A3	DRIVE SHAFT HOUSING ASSEMBLY (SHORT SHAFT)	49	1
745-4982A1	PISTON AND PISTON PIN ASSEMBLY	43	-	1554-4947A1	DRIVE SHAFT HOUSING ASSEMBLY (SHORT SHAFT)	49	1
745-5220A2	PISTON AND PISTON PIN ASSEMBLY	43	20	1564-4893A3	DRIVE SHAFT HOUSING ASSEMBLY (LONG SHAFT)	49	1
745-5306A2	PISTON AND PISTON PIN ASSEMBLY	43	-	1564-4948A1	DRIVE SHAFT HOUSING ASSEMBLY (LONG SHAFT)	49	1
851-4816A3	BLOCK & C'CASE ASS'Y ...	37	1	1626-3927A4	GEAR HOUSING ASSEMBLY, COMPLETE (SHORT SHAFT)	57	-
851-4816A3	CYLINDER BLOCK AND CRANKCASE ASS'Y	33	6	1626-3927A4	GEAR HOUSING ASSEMBLY, COMPLETE (SHORT SHAFT)	63	-
851-4963A3	BLOCK & C'CASE ASS'Y ...	37	1	1626-3927A5	GEAR HOUSING ASSEMBLY, COMPLETE (LONG SHAFT)	57	-
851-4963A3	CYLINDER BLOCK AND CRANKCASE ASS'Y	33	6	1626-3927A5	GEAR HOUSING ASSEMBLY, COMPLETE (LONG SHAFT)	63	-
851-5350A3	CYLINDER BLOCK AND CRANKCASE ASS'Y	33	6	1626-3927A6	GEAR HOUSING ASSEMBLY	57	1
851-5350A3	CYLINDER BLOCK AND CRANKCASE ASS'Y	39	1	1626-3927A6	GEAR HOUSING ASSEMBLY	63	1
1024-3869	COVER, CYLINDER BLOCK .	35	36	1643-4518A6	GEAR HOUSING ASSEMBLY	57	1
1151-4732A1	END CAP ASSEMBLY, UPPER	33	1	1643-4518A6	GEAR HOUSING ASSEMBLY	63	1
1152-4810A1	END CAP ASSEMBLY, LOWER	33	21	1643-4518A7	GEAR HOUSING ASSEMBLY, COMPLETE (SHORT SHAFT)	57	-
1152-4966A1	END CAP ASSEMBLY, LOWER	35	21	1643-4518A7	GEAR HOUSING ASSEMBLY, COMPLETE (SHORT SHAFT)	63	-
1352-4853A1	CARBURETOR ASSEMBLY (SEE PAGE 7 FOR BREAKDOWN)	13	5	1643-4518A8	GEAR HOUSING ASSEMBLY, COMPLETE (LONG SHAFT)	57	-
1352-4853A1	CARBURETOR ASSEMBLY, COMPLETS (WMK-8)	15	1	1643-4518A8	GEAR HOUSING ASSEMBLY, COMPLETE (LONG SHAFT)	63	-
1395-4540	SCREW, BODY (IDLE TUBE)	15	23	1643-4814A10	GEAR HOUSING ASSEMBLY, COMPLETE (SHORT SHAFT)	57	-
1395-4541	SCREW, PLUG - MAIN FUEL JET CHANNEL	15	28	1643-4814A10	GEAR HOUSING ASSEMBLY, COMPLETE (SHORT SHAFT)	63	-
1395-4542	SCREW, PLUG - MAIN NOZZLE	15	32	1643-4814A11	GEAR HOUSING ASSEMBLY, COMPLETE (LONG SHAFT)	57	-
1395-4543	SCREW, BODY CHANNEL ..	15	35				
1395-4555	INLET NEEDLE, SEAT AND GASKET	15	6				
1399-110A1	FLOAT ASSEMBLY	15	2				
1399-2371	COVER, STRAINER	15	16				
1399-3515	SCREW, IDLE ADJUSTMENT	15	27				
1399-3519	JET, MAIN FUEL (.080)	15	30				
1399-3520	JET, MAIN FUEL (.0785) - STANDARD	15	30				
1399-3523	GASKET AND PACKING SET (1 PER CARBURETOR) ..	15	--				
1399-3527	SHAFT, THROTTLE	15	21				
1399-3528	SHUTTER, THROTTLE	15	25				
1399-3794	JET, MAIN FUEL (.074)	15	30				
1399-3796	JET, MAIN FUEL (.076)	15	30				
1399-3938	SCREEN, FILTER	15	14				

PARTS INDEX

Part Number	Description	Pg.	Ref. No.	Part Number	Description	Pg.	Ref. No.
1643-4814A9	GEAR HOUSING ASSEMBLY	57	1				
1643-4814A9	GEAR HOUSING ASSEMBLY	63	1				
1643-4931A10	GEAR HOUSING ASSEMBLY, COMPLETE (LONG SHAFT)	57	-				
1643-4931A10	GEAR HOUSING ASSEMBLY, COMPLETE (LONG SHAFT)	63	-				
1643-4931A6	GEAR HOUSING ASSEMBLY	57	1				
1643-4931A6	GEAR HOUSING ASSEMBLY	63	1				
1643-4931A9	GEAR HOUSING ASSEMBLY, COMPLETE (SHORT SHAFT)	57	-				
1643-4931A9	GEAR HOUSING ASSEMBLY, COMPLETE (SHORT SHAFT)	63	-				
2135-2682A11	COWL FRONT COVER ASSEMBLY	9	1				
2135-2682A8-1	COWL FRONT COVER ASSEMBLY ASTENING ..	9	1				
2137-3878A3	WRAP AROUND COWL ASSEMBLY	9	11				
2137-3878A6	WRAP AROUND COWL ASSEMBLY	9	11				
2138-4413A2	TOP COWL ASSEMBLY	3	1				
2139-3882	BOTTOM COWL	45	1				
2139-4618A3	BOTOTM COWL	45	1				
2139-5351A2	BOTTOM COWL	45	1				
2140-4415	HOUSING, STARTER	5	22				