



PARTS CATALOG

.48 HORSEPOWER

SERIAL NUMBER

48 670-02641 THRU 002160
48 670-34581 THRU 311995

TABLE OF CONTENTS:

BOTTOM COWLING	42
CARBURETOR	8
CLAMP AND SWIVEL BRACKET	18
CRANKCASE AND CYLINDER HEAD	2
CRANKSHAFT AND PISTON	4
DRIVESHAFT HOUSING	10
FUEL LINE AND FILTER	46
FUEL PUMP	44
FUEL TANK ASSEMBLY-REPLACEMENT OR ADDITIONAL	52
FUEL TANK-INTERNATIONAL AND USA (ORIGINAL EQUIPMENT)	50
FUEL TANK-INTERNATIONAL ONLY (ORIGINAL EQUIPMENT)	48
GEAR SHIFT LINKAGE	20
GEARHOUSING ASS'Y	12
IGNITION SYSTEM	32
INTAKE MANIFOLD	6
MOUNTING SYSTEM	24
OPTIONAL PARTS	54
PARTS INDEX	56
RECOIL STARTER	36
REVERSE LOCK	22
STEERING HANDLE	26
THROTTLE CONTROL	30
TOP COWLING	40

NOTE: *Indented description indicate that these parts are included in preceeding assembly.*

AR = As Required

NSS = Not Sold Separate

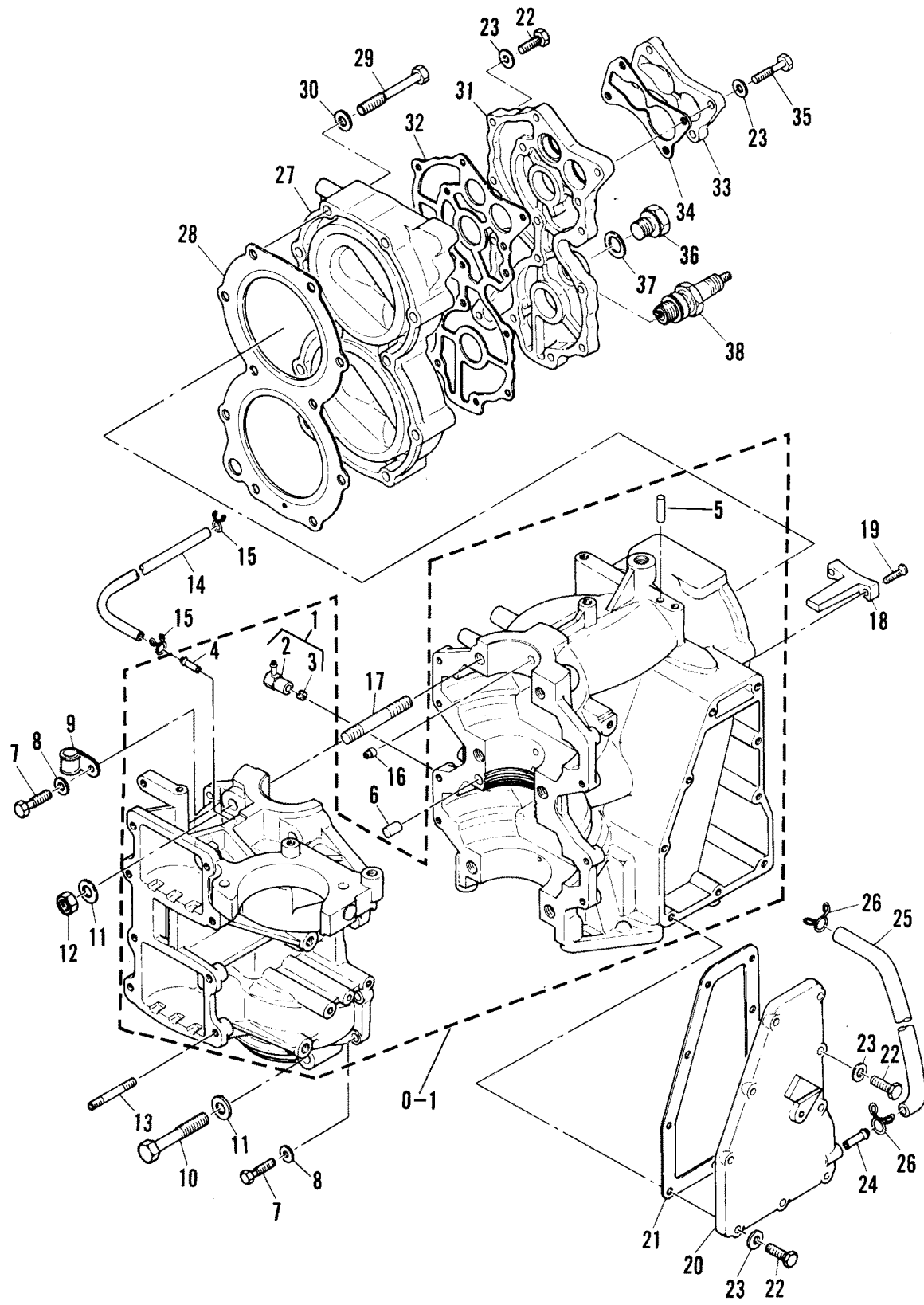
OPT = Optional

NS = Not Shown

THESE PARTS BOOKS/FICHE CARD ARE COPYRIGHTED AND MAY NOT BE DISTRIBUTED OR REPRODUCED IN ANY OTHER FORMAT BY ANYONE OTHER THAN MERCURY MARINE WITHOUT THE PRIOR WRITTEN CONSENT OF MERCURY MARINE.

THIS PAGE INTENTIONALLY LEFT BLANK

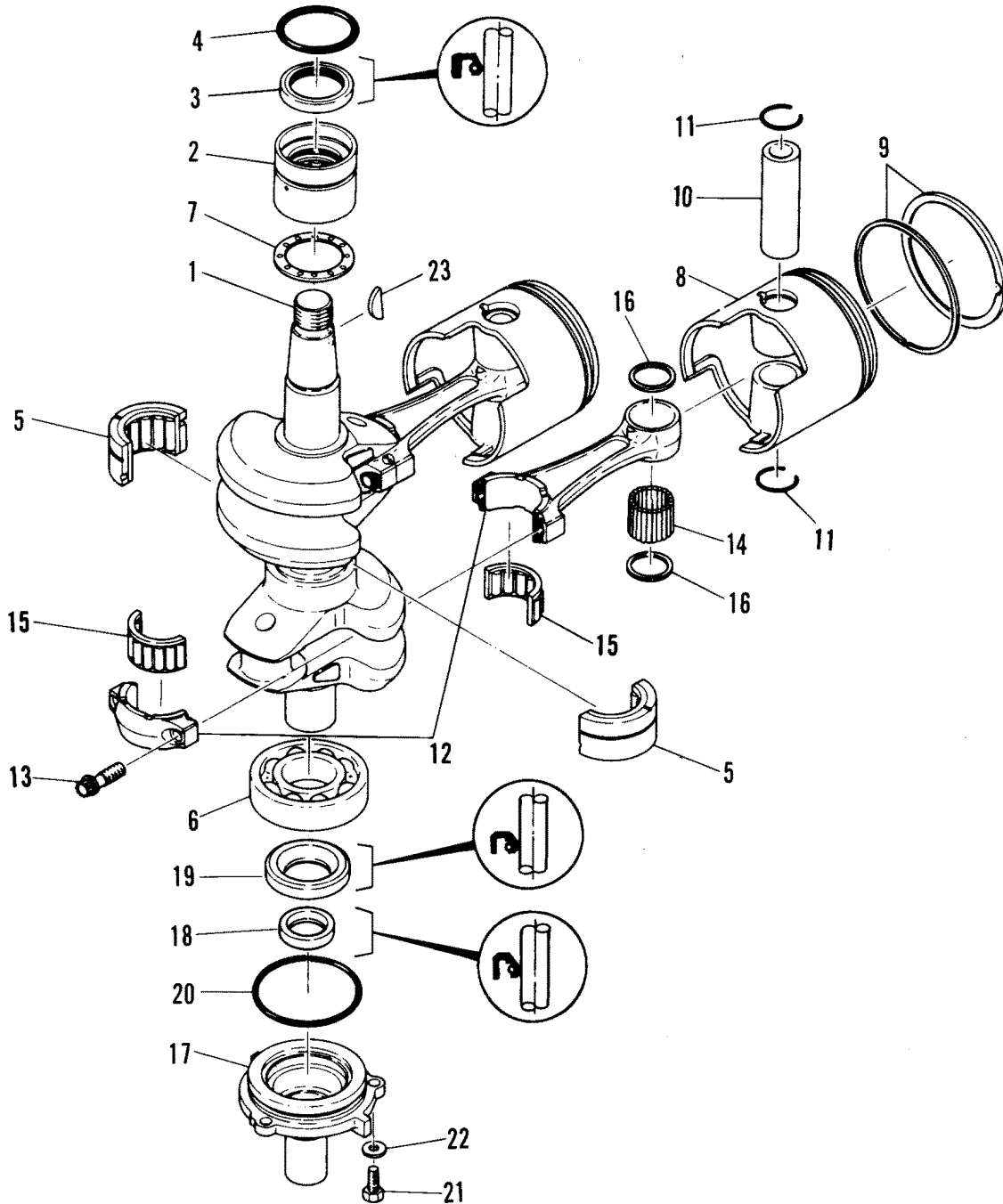
CRANKCASE AND CYLINDER HEAD



CRANKCASE AND CYLINDER HEAD

REF. NO.	PART NO.	SYM.	QTY.	DESCRIPTION
0-1	870-6858M		1	CRANKCASE AND CYLINDER ASS'Y
1	21-80727M		1	CHECK VALVE ASS'Y
2	22-82975M		1	NIPPLE, HOSE
3	21-80107M		1	VALVE, CHECK
4	22-80122M		1	FITTING, CRANKCASE DRAIN
5	17-82354M		1	PIN, DOWEL
6	17-82368M		1	PIN, DOWEL
7	10-82405M		8	BOLT
8	12-81792M		8	WASHER
9	54-82033M		1	CLAMP, WIRE
10	10-82410M		4	BOLT
11	12-81807M		6	WASHER
12	11-82387M		2	NUT
13	16-81735M		8	STUD
14	32-81995M		1	HOSE, DRAIN
15	54-82046M		2	CLAMP, HOSE
16	17-81258M		2	LOCK, BEARING
17	16-81743M		2	STUD
18	81255M		1	ANODE
19	10-82527M		2	SCREW
20	81330M		1	COVER, EXHAUST - OUTER
21	27-81331M		1	GASKET, EXHAUST COVER
22	10-83539M		21	BOLT
23	13-82199M		25	WASHER, LOCK
24	22-80756M		1	FITTING, EXHAUST COVER
25	32-81324M		1	HOSE, EXHAUSE COVER
26	54-82047M		2	CLAMP, HOSE
27	968-6824M		1	HEAD, CYLINDER
28	27-81252M		1	GASKET, CYLINDER HEAD
29	10-82409M		10	BOLT
30	12-80564M		10	WASHER
31	81253M		1	COVER, CYLINDER HEAD
32	27-81254M		1	GASKET, CYLINDER HEAD COVER
33	81265M		1	COVER, THERMOSTAT
34	27-81266M		1	GASKET, THERMOSTAT COVER
35	10-84237M		4	BOLT
36	22-81926M		1	PLUG, COVER
37	217-81990M		1	GASKET, COVER PLUG
38	33-82371M		2	SPARK PLUG B-7HS - (NGK)
-	83789M		1	POWRHEAD ASS'Y, COMPLETE (SEE NOTE)
-	24-84168M		1	GASGET SET, POWERHEAD

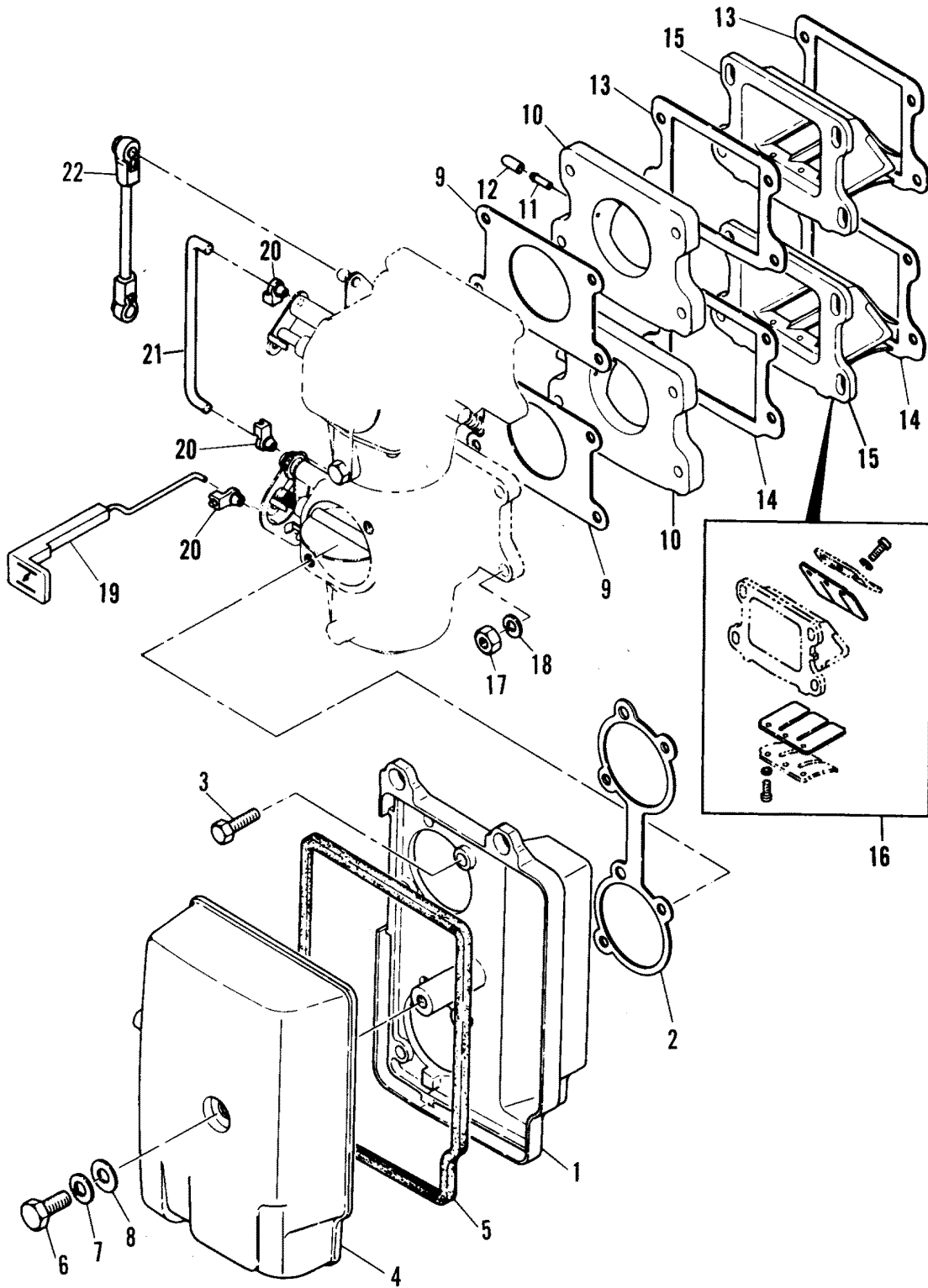
CRANKSHAFT AND PISTON



CRANKSHAFT AND PISTON

REF. NO.	PART NO.	SYM.	QTY.	DESCRIPTION
1	463-6825M		1	CRANKSHAFT ASS'Y
2	31-82312M		1	BEARING, NEEDLE
3	26-82249M		1	OIL SEAL, CRANKSHAFT - UPPER
4	25-82276M		1	O-RING, CRANKSHAFT - UPPER
5	31-82313M		1	BEARING, CENTER MAIN
6	30-82304M		1	BEARING, CRANKSHAFT - LOWER
7	15-81259M		1	SHIM, CRANKSHAFT
8	761-6928M		2	PISTON (STD) (81.95 MM)
	761-6920M		2	PISTON (STD) (81.96 MM)
	761-6929M		2	PISTON (STD) (81.97 MM)
	761-6930M		2	PISTON (1ST O.S. - 82.25 MM)
	761-6924M		2	PISTON (2ND O.S. - 82.50 MM)
9	39-83195M		2	PISTON RING SET (STD)
	39-83196M		2	PISTON RING SET (1ST O.S. - 82.25 MM)
	39-83197M		2	PISTON RING SET (2ND O.S. - 82.25 MM)
10	41-81263M		2	PIN, PISTON
11	53-81264M		4	CLIP, PISTON PIN
12	629-6860M		2	CONNECTING ROD ASS'Y
13	10-81715M		4	BOLT, ROD CAP
14	29-82353M		56	BEARING, NEEDLE - CONNECTING ROD
15	31-82311M		2	BEARING, CONNECTING ROD
16	12-81831M		4	RETAINER
17	82986M		1	HOUSING, OIL SEAL
18	26-82255M		1	OIL SEAL, CRANKSHAFT - LOWER
19	26-82248M		1	OIL SEAL, CRANKSHAFT - LOWER
20	25-82286M		1	O-RING, OIL SEAL HOUSING
21	10-83395M		3	BOLT
22	12-82214M		3	WASHER
23	28-81915M		1	KEY, CRANKSHAFT TO FLYWHEEL

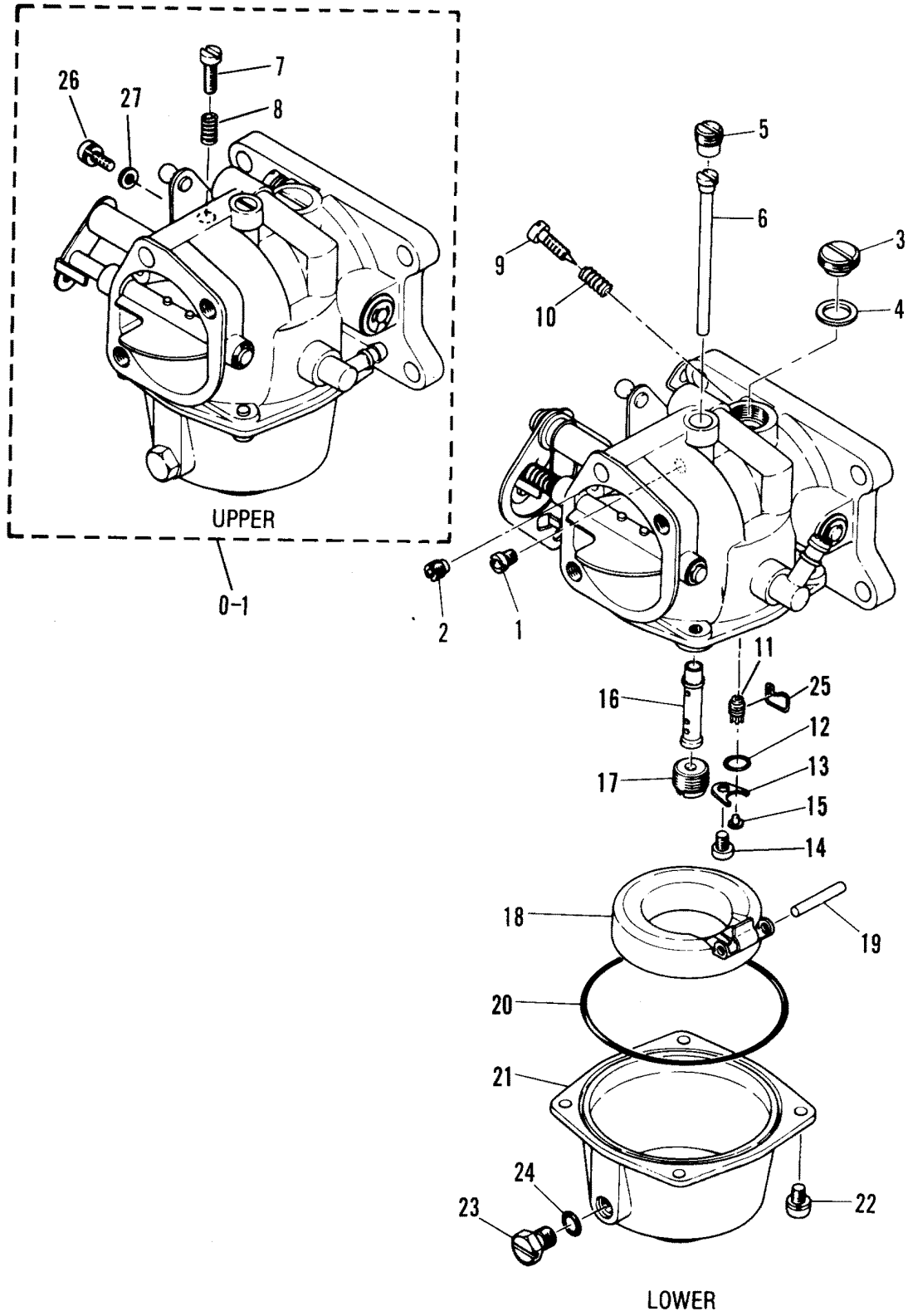
INTAKE MANIFOLD



INTAKE MANIFOLD

REF. NO.	PART NO.	SYM.	QTY.	DESCRIPTION
1	81274M		1	BASE, AIR INTAKE
2	27-81276M		1	GASKET, AIR INTAKE TO CARBURETOR
3	10-83539M		4	BOLT
4	81275M		1	COVER, AIR INTAKE
5	27-81273M		1	GASKET, AIR INTAKE
6	10-82438M		1	BOLT
7	13-82200M		1	WASHER, LOCK
8	12-82202M		1	WASHER
9	27-81272M		2	GASKET, CARBURETOR TO MANIFOLD
10	84439M		1	MANIFOLD, INTAKE
	81271M		2	MAINFOLD, INTAKE
11	22-80122M		2	PIPE, OVERFLOW
12	80454M		2	CAP, OVERFLOW PIPE
13	27-81269M		2	GASKET, REED VALVE - UPPER
14	27-81270M		2	GASKET, REED VALVE - LOWER
15	81668M		2	REED VALVE
16	34-84440M		1	REED SET (REED STOPS NOT INCLUDED)
17	11-82380M		8	NUT
18	13-82197M		8	WASHER, LOCK
19	81338M		1	ROD, CHOKE
20	81191M		3	CONNECTOR, CHOKE LEVER
21	82988M		1	ROD, CHOKE LINK
22	82911M		1	ROD, THROTTLE LEVER

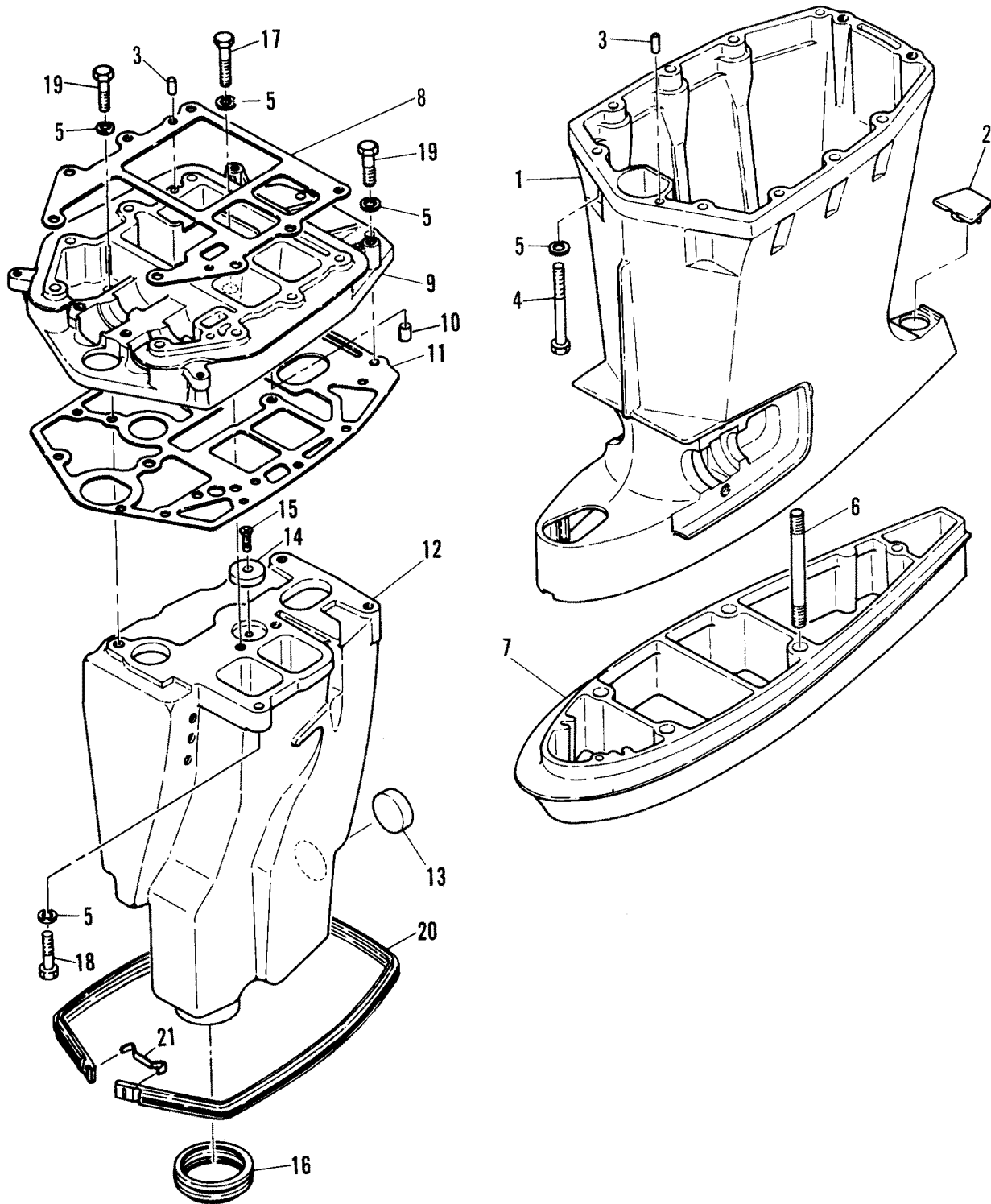
CARBURETOR



CARBURETOR

REF. NO.	PART NO.	SYM.	QTY.	DESCRIPTION
0-1	1383-6952M		1	CARBURETOR ASS'Y (UPPER)
0-2	1383-6938M		1	CARBURETOR ASS'Y (LOWER)
1	81289M		2	JET, PILOT AIR (#105)
2	81286M		2	JET, MAIN AIR (#160)
3	10-81292M		2	SCREW, PLUG
4	12-81701M		2	WASHER
5	10-81279M		2	SCREW, PLUG
6	84441M		2	JET, PILOT (#80)
	81282M		2	JET, PILOT (#92)
7	10-81277M		1	SCREW, THROTTLE (UPPER)
8	24-82080M		1	SPRING, COMPRESSION (UPPER)
9	10-81281M		2	SCREW, IDLE SPEED
10	24-82073M		2	SPRING, COMPRESSION
11	82780M		2	VALVE SEAT ASS'Y
12	25-82261M		2	O-RING, VALVE
13	80026M		2	RETAINER, VALVE SEAT
14	10-82499M		2	SCREW
15	17-81698M		2	PIN, VALVE
16	81287M		2	NOZZLE, MAIN
17	81284M		2	JET, MAIN (#185)
18	81291M		2	FLOAT
19	17-81278M		2	PIN, FLOAT
20	25-82288M		2	O-RING
21	81290M		2	BOWL, FLOAT
22	10-81758M		8	SCREW W/WASHER
23	10-81293M		2	SCREW, DRAIN
24	25-81695M		2	O-RING
25	54-82781M		2	CLIP
26	10-83371M		1	SCREW W/WASHER (UPPER)
27	12-83372M		1	WASHER (UPPER)
	84419M		1	REPAIR KIT, CARBURETOR

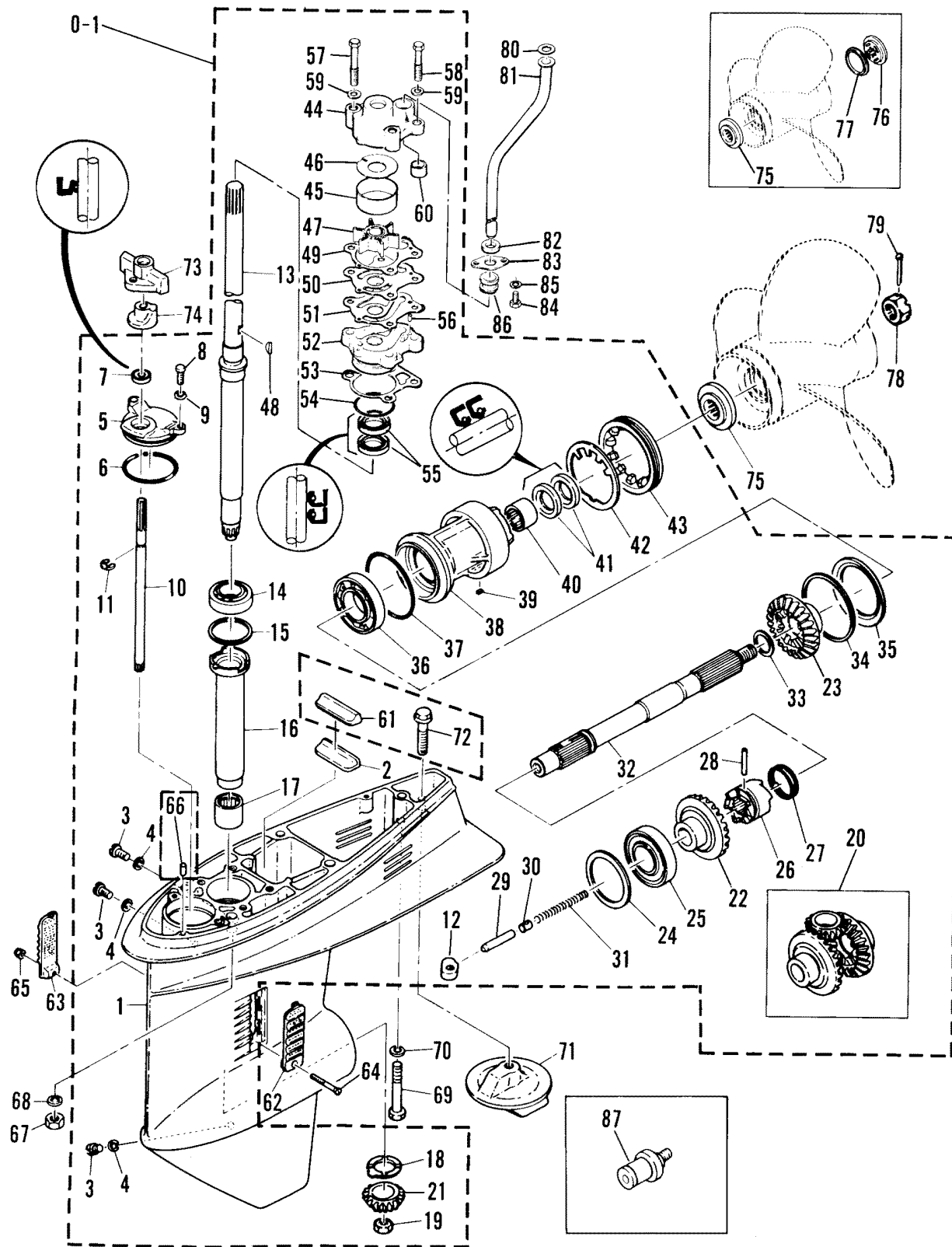
DRIVESHAFT HOUSING



DRIVESHAFT HOUSING

REF. NO.	PART NO.	SYM.	QTY.	DESCRIPTION
1	1587-6842M		1	DRIVESHAFT HOUSING (SHORT SHAFT)
	1587-6843M		1	DRIVESHAFT HOUSING (LONG SHAFT)
2	81441M		1	CAP, DRIVESHAFT HOUSING (SHORT SHAFT)
	81442M		1	CAP, DRIVESHAFT HOUSING (LONG SHAFT)
3	17-82364M		6	PIN, DOWEL
4	10-84427M		8	BOLT
5	13-82215M		16	WASHER, LOCK
6	16-81744M		4	STUD
7	82559M		1	EXTENSION
8	27-81437M		1	GASKET, EXHAUST GUIDE - UPPER
9	81332M		1	GUIDE, EXHAUSE
10	23-84426M		1	BUSHING
11	27-82794M		1	GASKET, EXHAUST GUIDE
12	1587-7165M		1	DRIVESHAFT HOUSING, INNER (SHORT SHAFT)
	1587-6833M		1	DRIVESHAFT HOUSING, INNER (SHORT SHAFT)
	1587-7166M		1	DRIVESHAFT HOUSING, INNER (LONG SHAFT)
	1587-6834M		1	DRIVESHAFT HOUSING, INNER (LONG SHAFT)
13	19-81922M		1	PLUG
14	84422M		1	ANODE
	80051M		1	ANODE
15	10-84423M		1	SCREW
	10-82164M		1	SCREW
16	27-81440M		1	SEAL, INNER TO OUTER HOUSING
17	10-82467M		1	BOLT
18	10-82466M		1	BOLT
19	10-82465M		6	BOLT
20	27-83033M		1	SEAL, RUBBER
21	83034M		1	HOOK, RUBBER SEAL

GEARHOUSING ASS'Y

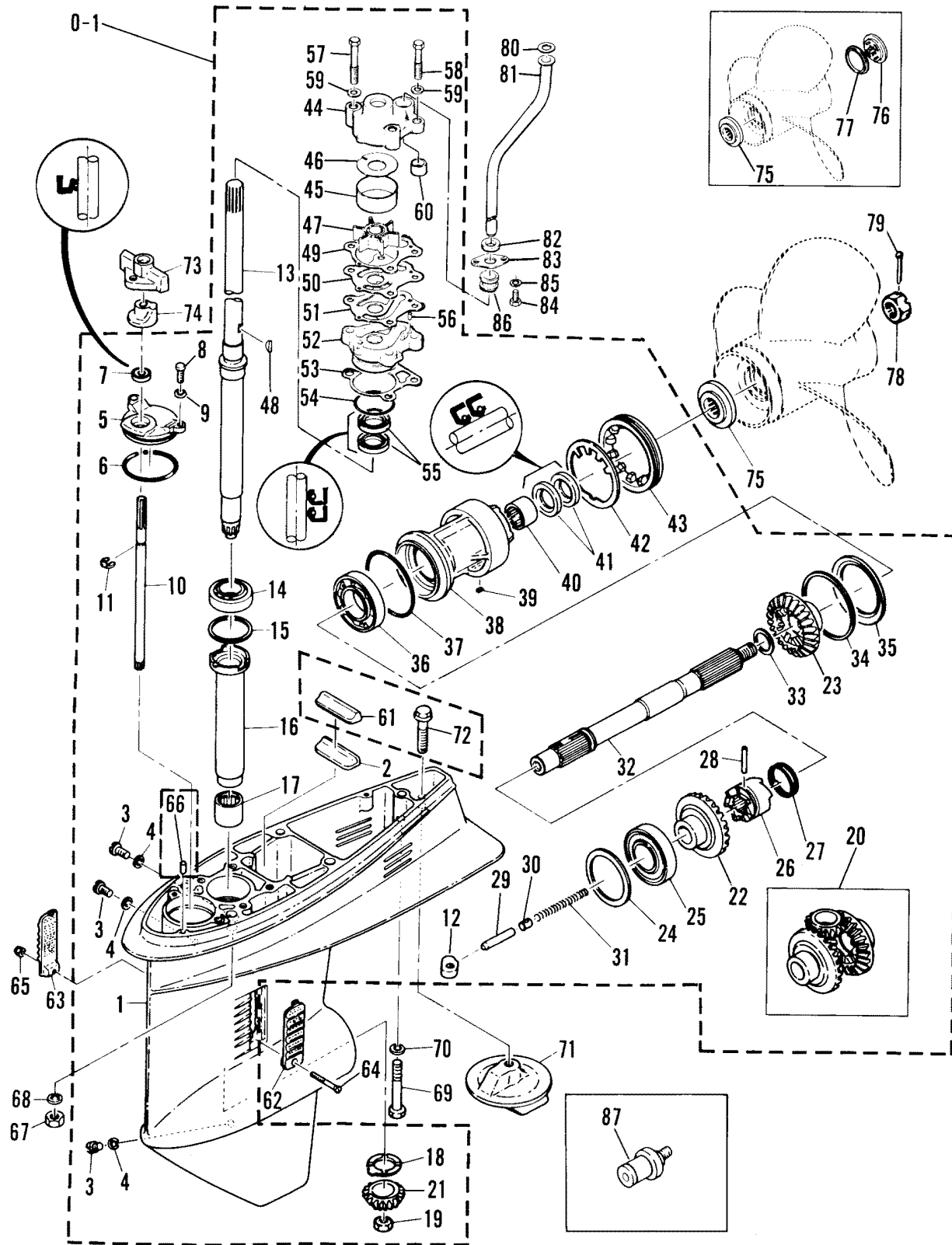


GEARHOUSING ASS'Y

REF. NO.	PART NO.	SYM.	QTY.	DESCRIPTION
0-1	1651-6896M		1	GEAR HOUSING ASS'Y (SHORT SHAFT)
	1651-6897M		1	GEAR HOUSING ASS'Y (LONG SHAFT)
1	1651-6844M		1	GEAR HOUSING
2	81449M		1	GUIDE, SEAL
3	22-81924M		3	SCREW
4	27-81987M		3	GASKET
5	81445M		1	COVER, GEAR HOUSING
6	25-82281M		1	O-RING
7	26-82257M		1	OIL SEAL, GEAR HOUSING COVER
8	10-82449M		2	BOLT
9	12-82214M		2	WASHER
10	81408M		1	ROD, SHIFT - LOWER
11	53-82334M		1	SNAP RING
12	81409M		1	CAM, SHIFT
13	45-81678M		1	DRIVESHAFT (SHORT SHAFT)
	45-81679M		1	DRIVESHAFT (LONG SHAFT)
14	31-82319M		1	BEARING, TAPERED ROLLER
15	15-81467M		AR	SHIM, DRIVESHAFT BEARING (.05 MM)
	15-81468M		AR	SHIM, DRIVESHAFT BEARING (.08 MM)
	15-81469M		AR	SHIM, DRIVESHAFT BEARING (.12 MM)
	15-81470M		AR	SHIM, DRIVESHAFT BEARING (.30 MM)
	15-81471M		AR	SHIM, DRIVESHAFT BEARING (.50 MM)
16	23-81453M		1	SLEEVE, DRIVESHAFT
17	31-82316M		1	BEARING, NEEDLE
18	12-81455M		1	THRUST WASHER
19	11-81772M		1	NUT, DRIVESHAFT
20	43-81454M		1	GEAR SET
21	43-84442M		1	GEAR, PINION
22	43-84443M		1	GEAR, FORWARD
23	43-84444M		1	GEAR, REVERSE
24	15-81456M		AR	SHIM, FORWARD GEAR ADJUST (.05 MM)
	15-81457M		AR	SHIM, FORWARD GEAR ADJUST (.08 MM)
	15-81458M		AR	SHIM, FORWARD GEAR ADJUST (.12 MM)
	15-81459M		AR	SHIM, FORWARD GEAR ADJUST (.30 MM)
	15-81460M		AR	SHIM, FORWARD GEAR ADJUST (.50 MM)
25	31-82320M		1	BEARING, TAPERED ROLLER
26	52-81473M		1	CLUTCH
27	81474M		1	RING, CROSS PIN
28	17-81903M		1	CROSS PIN, CLUTCH
29	81476M		1	PLUNGER, SHIFT
30	81475M		1	SLIDE, SHIFT
31	24-82091M		1	SPRING, SHIFT
32	44-81472M		1	SHAFT, PROPELLER

CONTINUED ON NEXT PAGE ➡

GEARHOUSING ASS'Y

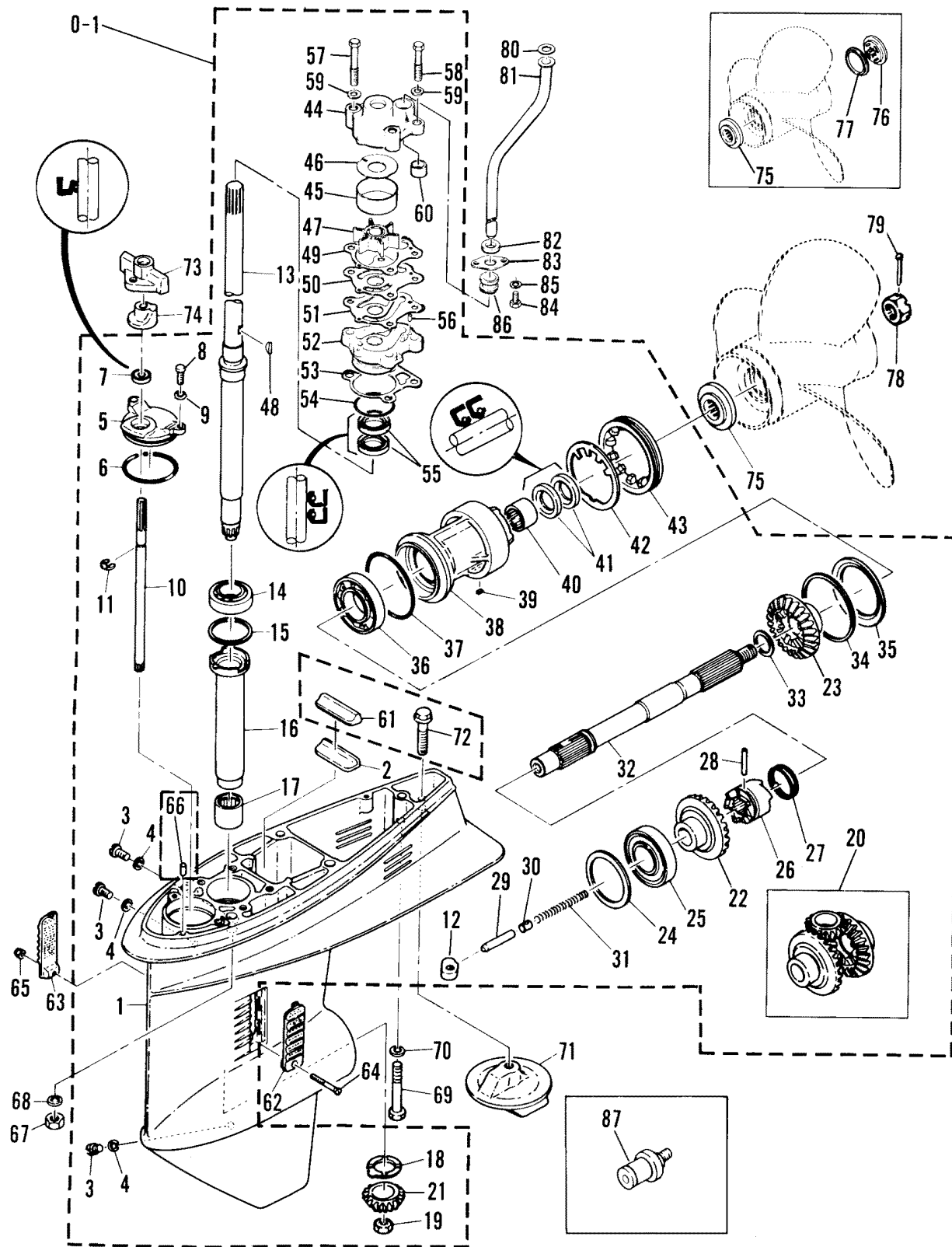


GEARHOUSING ASS'Y

REF. NO.	PART NO.	SYM.	QTY.	DESCRIPTION
33	12-81837M		1	WASHER, REVERSE GEAR
34	15-81462M		AR	SHIM, REVERSE GEAR ADJUST (.05 MM)
	15-81463M		AR	SHIM, REVERSE GEAR ADJUST (.08 MM)
	15-81464M		AR	SHIM, REVERSE GEAR ADJUST (.12 MM)
	15-81465M		AR	SHIM, REVERSE GEAR ADJUST (.30 MM)
	15-81466M		AR	SHIM, REVERSE GEAR ADJUST (.50 MM)
35	12-81461M		1	THRUST WASHER, REVERSE GEAR
36	30-82296M		1	BEARING, BALL
37	25-82289M		1	O-RING
38	81446M		1	BEARING, CARRIER
39	28-81916M		1	KEY
40	31-82317M		1	BEARING, NEEDLE
41	26-82233M		2	OIL SEAL, PROPELLER SHAFT
42	14-81877M		1	WASHER, CLAW
43	11-81450M		1	NUT
44	46-81416M		1	BODY, WATER PUMP
45	81672M		1	INSERT, CARTRIDGE
46	83131M		1	INNER PLATE, CARTRIDGE
47	47-82824M		1	IMPELLER, WATER PUMP
48	28-81912M		1	KEY
49	27-81417M		1	GASKET, WATER PUMP
50	81673M		1	OUTER PLATE, CARTRIDGE
51	27-81421M		1	GASKET, CARTRIDGE OUTER PLATE
52	46-81422M		1	BASE, WATER PUMP
53	27-81418M		1	GASKET, WATER PUMP BASE
54	25-82275M		1	O-RING
55	26-82234M		2	OIL SEAL, WATER PUMP
56	17-82354M		2	PIN, DOWEL
57	10-84057M		2	BOLT
58	10-82468M		2	BOLT
59	12-82217M		4	WASHER
60	26-81426M		1	SEAL
61	81448M		1	SEAL, RUBBER
62	81443M		1	COVER, WATER INLET - PORT
63	81444M		1	COVER, WATER INLET - STARBOARD
64	10-82484M		1	SCREW
65	11-81781M		1	NUT
66	17-82364M		2	PIN, DOWEL
67	11-82394M		4	NUT
68	13-82218M		4	WASHER, LOCK
69	10-81706M		1	BOLT
70	13-82215M		1	WASHER, LOCK
71	83859M		1	TRIM TAB

CONTINUED ON NEXT PAGE ➡

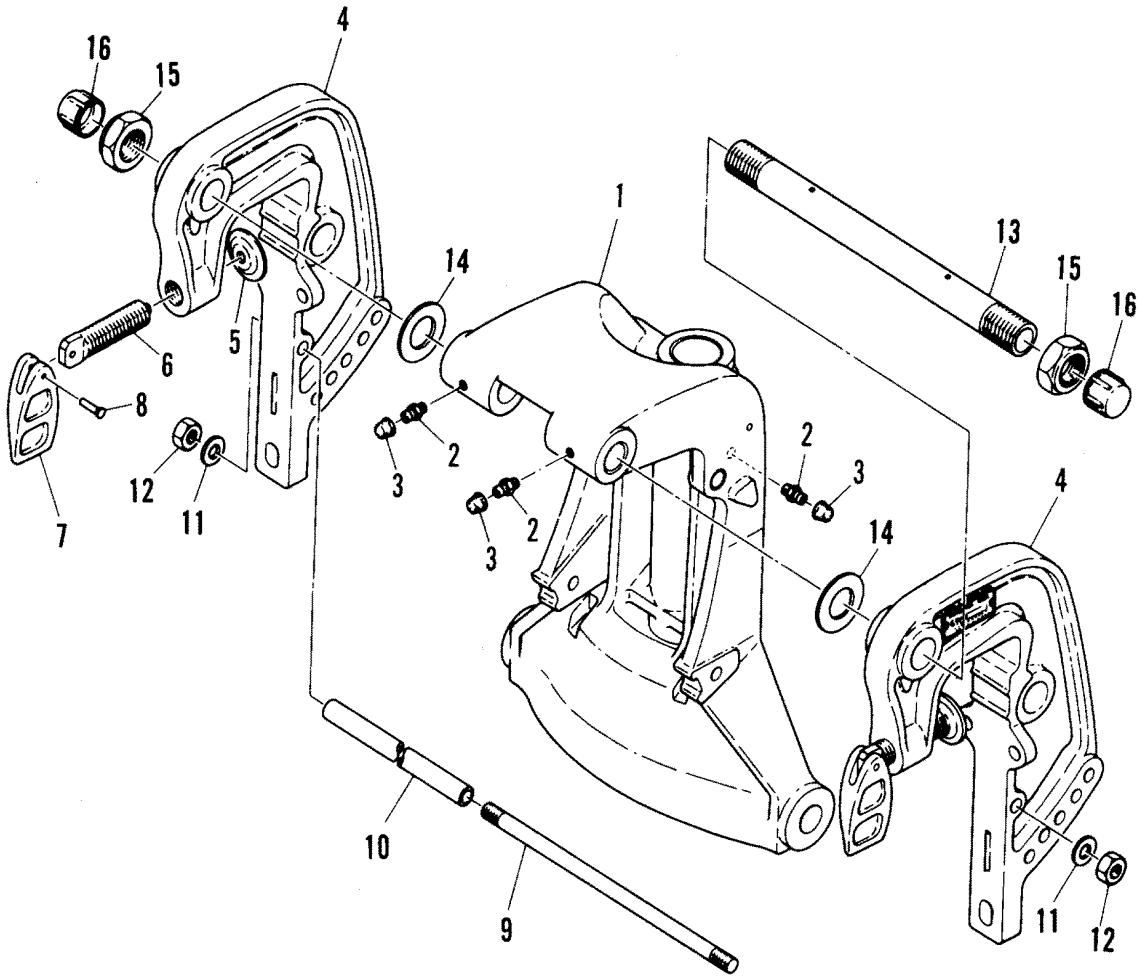
GEARHOUSING ASS'Y



GEARHOUSING ASS'Y

REF. NO.	PART NO.	SYM.	QTY.	DESCRIPTION
72	10-82801M		1	BOLT, TRIM TAB ATTACHING
73	81401M		1	GUIDE, REVERSE TAB
74	81410M		1	CAM, REVERSE ROD
75	73345		1	THRUST WASHER, FORWARD
	12-81477M		1	THRUST WASHER, FORWARD (SEE NOTE)
76	23-83193M		1	SPACER, PROPELLER NUT (SEE NOTE)
77	83064M		1	CAP, THRUST PLATE (SEE NOTE)
78	11-81775M		1	NUT, PROPELLER
79	18-84428M		1	PIN, COTTER
80	12-81852M		1	WASHER, WATER TUBE
81	32-81674M		1	TUBE, WATER (SHORT SHAFT)
	32-81675M		1	TUBE, WATER (LONG SHAFT)
82	25-81989M		1	GASKET, WATER TUBE
83	81428M		1	SET PLATE, WATER TUBE
84	10-82448M		2	BOLT
85	13-82212M		2	WASHER, LOCK
86	26-81427M		1	SEAL, WATER TUBE - LOWER
87	22-80218M		1	PLUG, WATER FLUSH (OPT)
	27-84179M		1	GASKET SET, LOWER UNIT
	84187M		1	REPAIR KIT, WATER PUMP

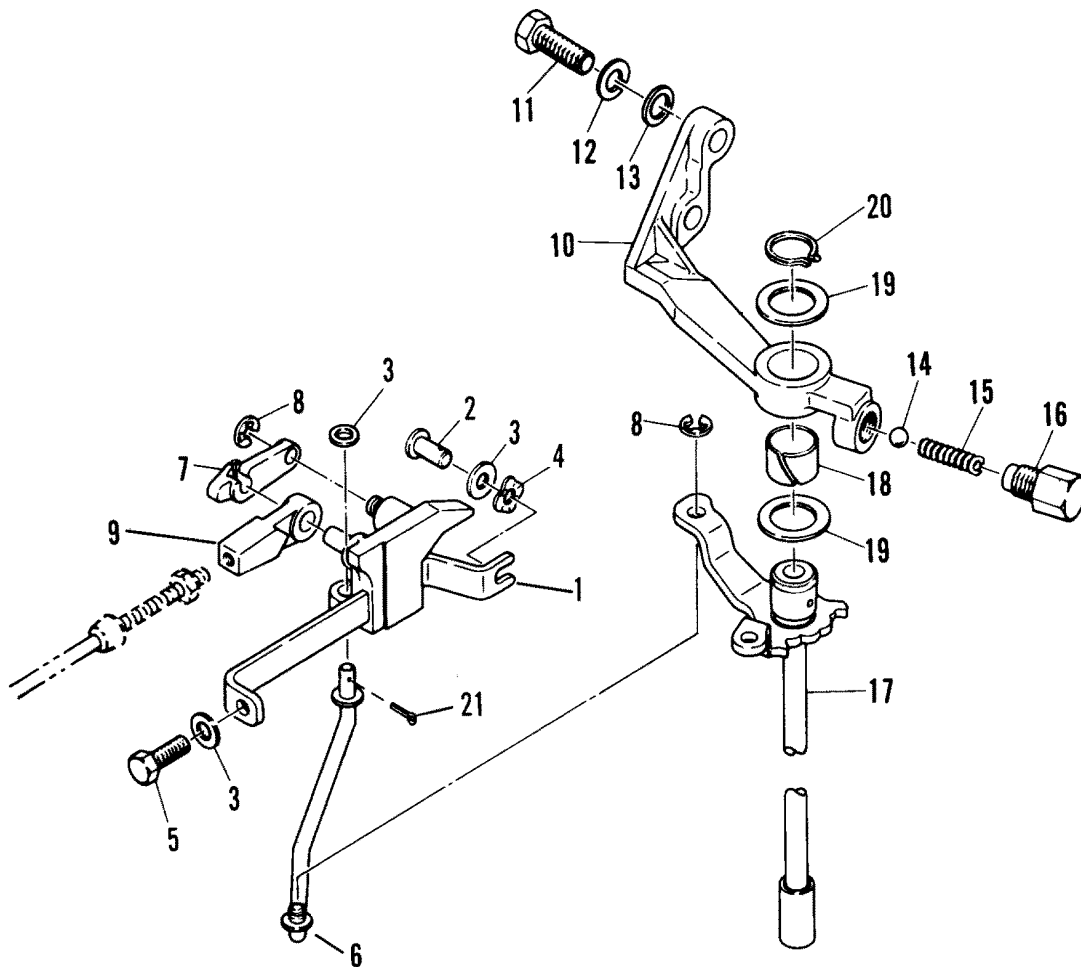
CLAMP AND SWIVEL BRACKET



CLAMP AND SWIVEL BRACKET

REF. NO.	PART NO.	SYM.	QTY.	DESCRIPTION
1	1485-6840M		1	SWIVEL BRACKET (SHORT SHAFT)
	1484-6841M		1	SWIVEL BRACKET (LONG SHAFT)
2	22-82369M		3	FITTING, GREASE
3	81439M		3	CAP, GREASE FILLING
4	1484-6839M		2	CLAMP BRACKET
5	12-80638M		2	PAD, TRANSOM CLAMP SCREW
6	10-81381M		2	SCREW, TRANSOM CLAMP
7	81382M		2	HANDLE, TRANSOM CLAMP SCREW
8	17-81889M		2	PIN
9	16-81383M		1	STUD, CLAMP BRACKET
10	23-81981M		1	SPACER, CLAMP BRACKET STUD
11	12-82220M		2	WASHER
12	11-82395M		2	NUT
13	81387M		1	STUD, CLAMP BRACKET
14	12-81836M		2	WASHER
15	M-81787M		2	NUT
16	81388M		2	CAP, CLAMP BRACKET STUD

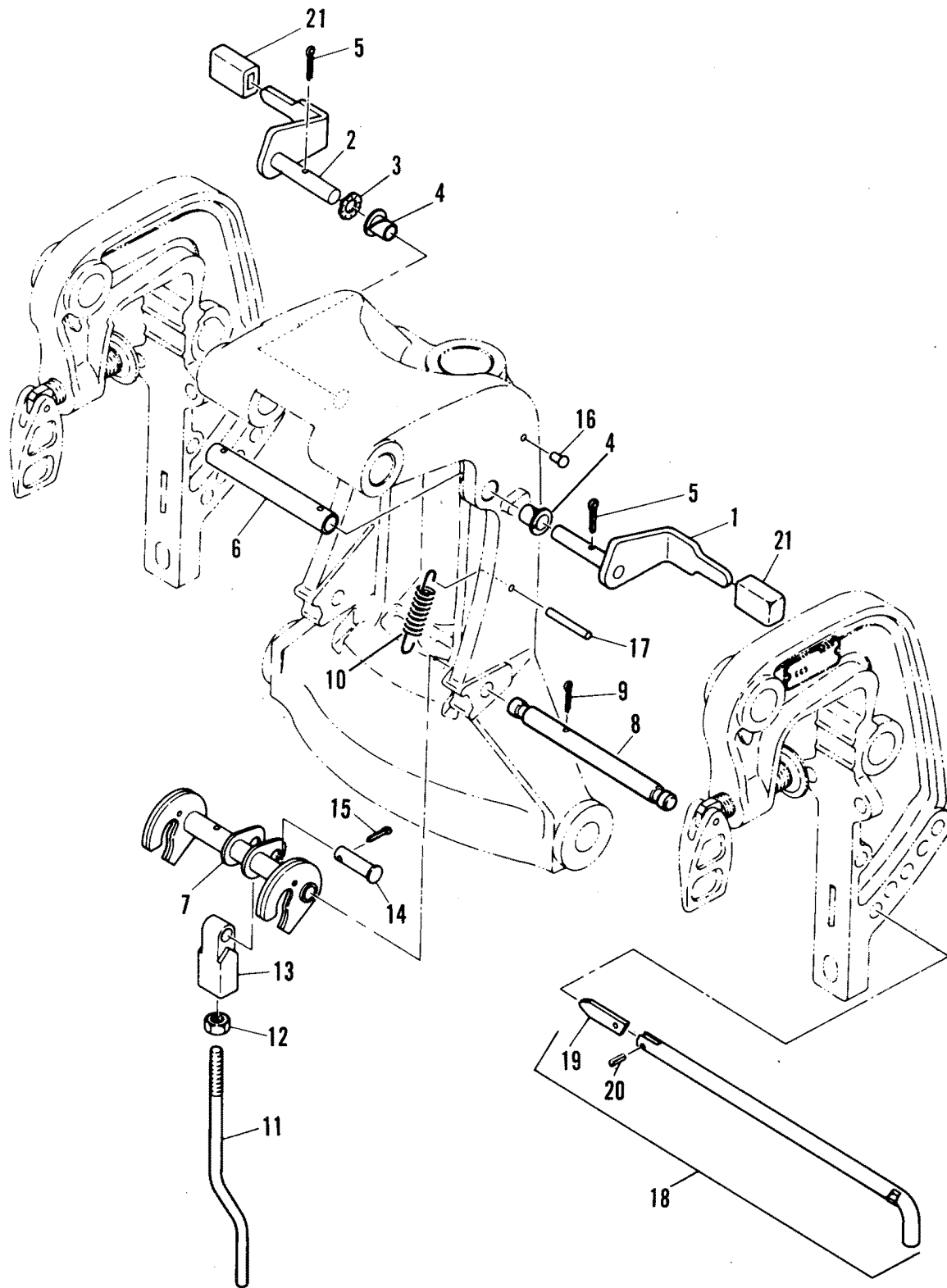
GEAR SHIFT LINKAGE



GEAR SHIFT LINKAGE

REF. NO.	PART NO.	SYM.	QTY.	DESCRIPTION
1	81404M		1	BRACKET, SHIFT
2	17-82137M		1	PIN, CLEVIS
3	13-82199M		3	WASHER, LOCK
4	13-81866M		1	WASHER, WAVE
5	10-82423M		1	BOLT
6	84209M		1	LEVER, SHIFT ROD
7	81412M		1	RETAINER, CLEVIS
8	53-82330M		2	SNAP RING
9	81480M		1	CLEVIS, SHIFT CONTROL CABLE
10	82556M		1	BRACKET, SHIFT ROD
11	10-82441M		2	BOLT
12	13-82200M		2	WASHER, LOCK
13	12-82202M		2	WASHER
14	82346M		1	BALL, DETENT
15	24-82081M		1	SPRING, DETENT
16	23-80635M		1	RETAINER, COMPRESSION SPRING
17	81670M		1	SHIFT ROD ASS'Y, UPPER (SHORT SHAFT)
	81671M		1	SHIFT ROD ASS'Y, UPPER (LONG SHAFT)
18	23-81953M		1	BUSHING
19	12-81858M		2	SPACER, SHIFT ROD
20	53-82324M		1	SNAP RING
21	18-82736M		1	PIN, COTTER

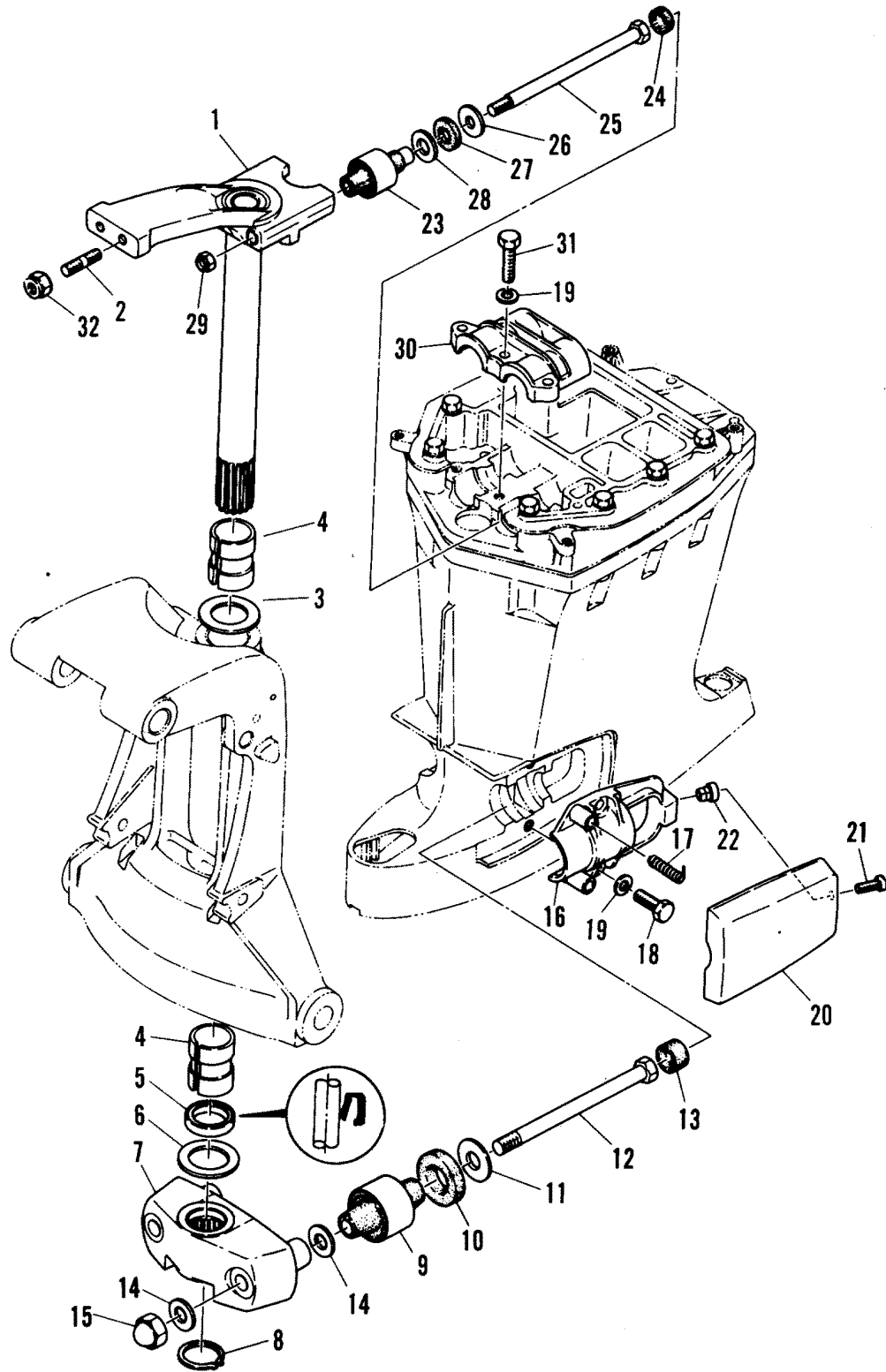
REVERSE LOCK



REVERSE LOCK

REF. NO.	PART NO.	SYM.	QTY.	DESCRIPTION
1	81393M		1	LEVER, TILT STOP SUPPORT (PORT)
2	81394M		1	LEVER, TILT STOP SUPPORT (STARBOARD)
3	13-81868M		1	WASHER, WAVE
4	23-81947M		2	BUSHING,
5	18-82131M		2	PIN, COTTER
6	23-81980M		1	COLLAR, TILT STOP SUPPORT
7	81396M		1	REVERSE LOCK
8	17-81397M		1	ROD, REVERSE LOCK
9	18-82130M		1	PIN, COTTER
10	24-82103M		1	SPRING, TENSION
11	83132M		1	ROD, REVERSE LOCK (SHORT SHAFT)
	83065M		1	ROD, REVERSE LOCK (LONG SHAFT)
12	11-82400M		1	NUT
13	81400M		1	CLEVIS, REVERSE LOCK
14	17-82138M		1	PIN, CLEVIS
15	18-82752M		1	PIN, COTTER
16	17-81909M		1	RIVET
17	17-82159M		1	PIN, ROLL
18	17-83904M		1	TILT LOCK PIN ASS'Y
	17-81389M		1	TILT LOCK PIN ASS'Y
19	84044M		1	STOPPER PLATE
	81391M		1	STOPPER PLATE
20	17-82145M		1	PIN, ROLL
21	81395M		2	COVER

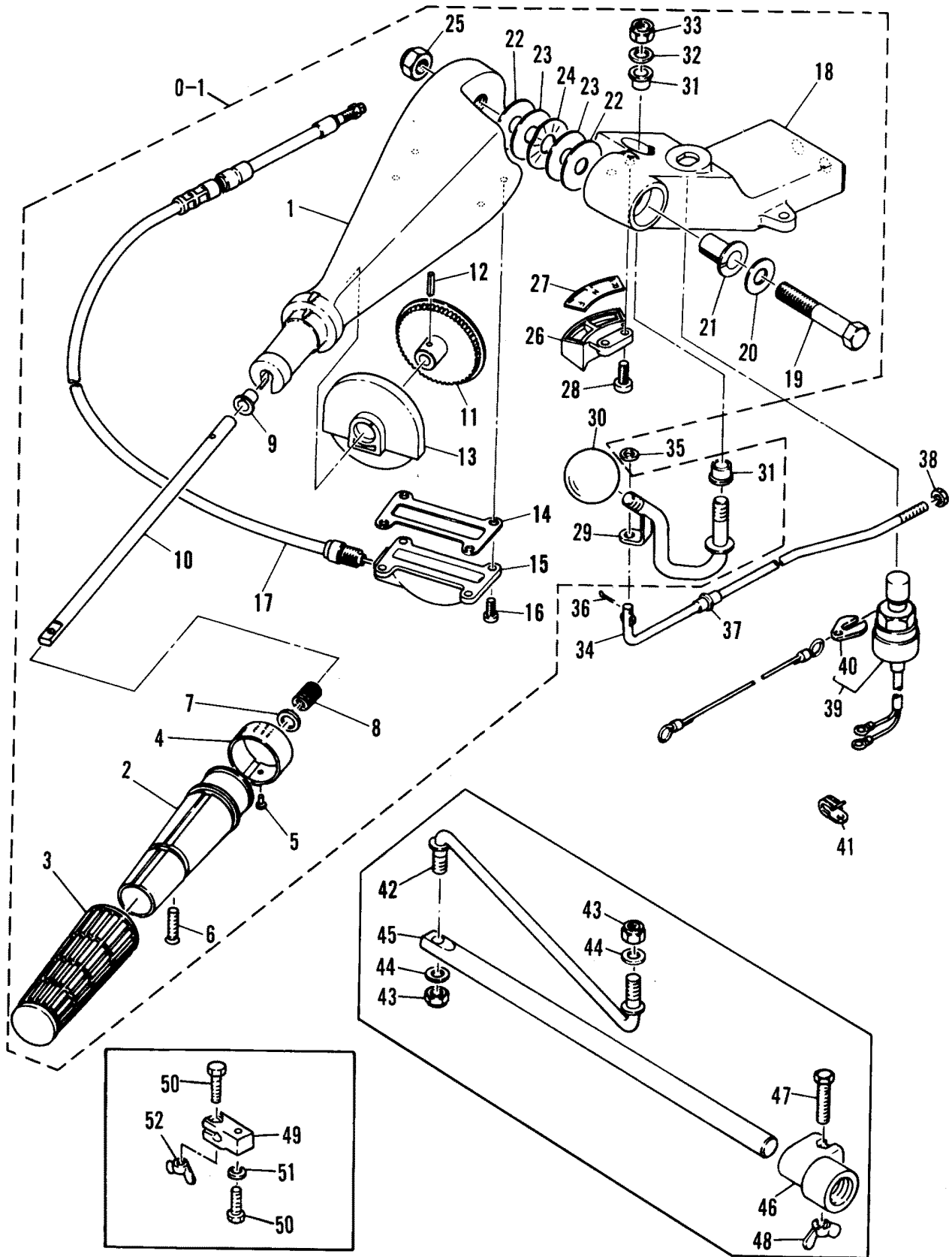
MOUNTING SYSTEM



MOUNTING SYSTEM

REF. NO.	PART NO.	SYM.	QTY.	DESCRIPTION
1	81359M		1	ARM & SHAFT ASS'Y (SHORT SHAFT)
	81360M		1	ARM & SHAFT ASS'Y (LONG SHAFT)
2	16-81742M		2	STUD, STEERING PLATE
3	12-81838M		1	WASHER
4	23-81955M		2	BUSHING
5	26-82256M		1	OIL SEAL, STEERING SHAFT
6	12-81839M		1	WASHER
7	81432M		1	HOUSING, LOWER MOUNT
8	53-82325M		1	SNAP RING
9	81435M		2	HOUSING MOUNT, LOWER
10	12-81860M		2	WASHER
11	12-81819M		2	WASHER
12	10-81717M		2	BOLT
13	83130M		2	BUMPER
14	12-84429M		4	WASHER
15	11-82397M		2	NUT
16	81433M		2	RETAINER, LOWER MOUNT
17	24-82087M		4	SPRING, COMPRESSION
18	10-82464M		4	BOLT
19	13-82215M		7	WASHER, LOCK
20	81434M		2	COVER, LOWER MOUNT
21	10-82172M		2	SCREW
22	11-81779M		2	NUT
23	81676M		2	HOUSING MOUNT, UPPER
24	81431M		2	BUMPER
25	10-81714M		2	BOLT
26	12-81825M		2	WASHER
27	12-83702M		2	WASHER
28	12-81803M		2	WASHER
29	11-81783M		2	NUT
30	81429M		1	RETAINER, UPPER MOUNT
31	10-82466M		3	BOLT
32	11-81785M		2	NUT

STEERING HANDLE

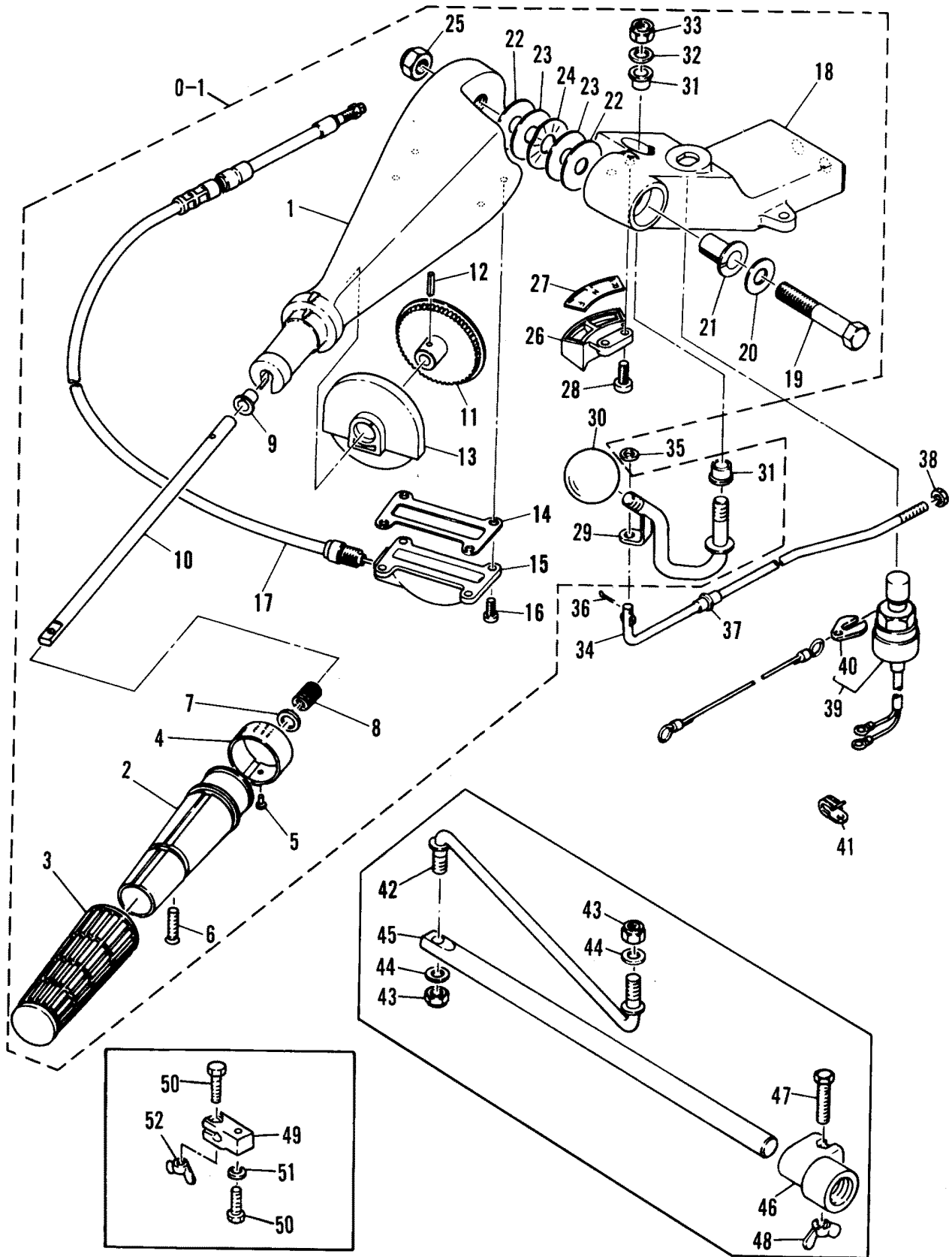


STEERING HANDLE

REF. NO.	PART NO.	SYM.	QTY.	DESCRIPTION
0-1	83703M		1	STEERING HANDLE ASS'Y
1	82553M		1	ARM, STEERING
2	81585M		1	HANDLE, THROTTLE
3	80509M		1	GRIP, THROTTLE HANDLE
4	81356M		1	INDICATOR, THROTTLE
5	17-81907M		1	RIVET
6	10-82483M		1	SCREW
7	12-82204M		1	WASHER
8	24-82095M		1	SPRING, THROTTLE SHAFT
9	23-81945M		1	BUSHING
10	81351M		1	SHAFT, THROTTLE
11	81357M		1	CAM, THROTTLE
12	17-82152M		1	PIN, ROLL
13	81355M		1	HOUSING, THROTTLE CAM
14	27-81353M		1	GASKET, THROTTLE CAM COVER
15	81354M		1	COVER, THROTTLE CAM
16	10-82495M		4	SCREW
17	81329M		1	THROTTLE CABLE
18	83148M		1	BRACKET, STEERING
19	10-81710M		1	BOLT
20	12-82221M		1	WASHER
21	23-81950M		1	BUSHING
22	12-81853M		2	WASHER
23	12-81815M		2	WASHER
24	13-81870M		1	WASHER, WAVE
25	11-81786M		1	NUT, ARM BOLT
26	81402M		1	BRACKET, INDICATOR
27	81414M		1	INDICATOR, F-N-R
28	10-82172M		2	SCREW
29	81411M		1	HANDLE, GEAR SHIFT
30	81413M		1	KNOB, SHIFT CONTROL
31	23-81946M		2	BUSHING
32	12-81804M		1	WASHER
33	11-81785M		1	NUT
34	81358M		1	ROD, MANUAL SHIFT
35	12-82214M		1	WASHER
36	18-82129M		1	PIN, COTTER
37	23-81943M		1	BUSHING
38	11-82920M		1	NUT, CABLE END
39	87-81535M		1	KILL SWITCH ASS'Y
40	81531M		1	STOPPER
41	54-82041M		1	CLAMP, WIRE
42	83704M		1	ROD, STEERING LINK (OPTIONAL PARTS)

CONTINUED ON NEXT PAGE ➡

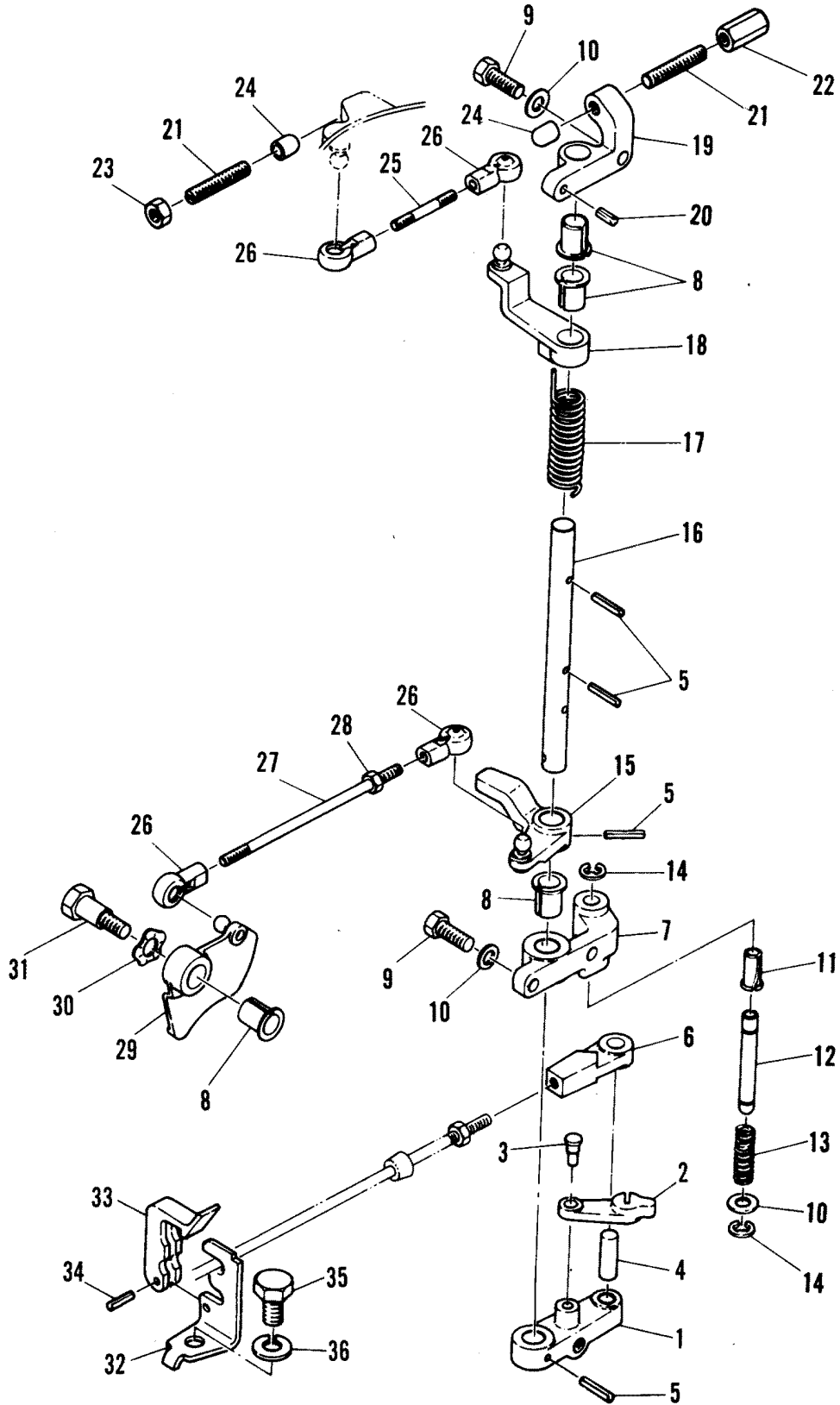
STEERING HANDLE



STEERING HANDLE

REF. NO.	PART NO.	SYM.	QTY.	DESCRIPTION
43	11-83502M		2	NUT (OPTIONAL PARTS)
44	12-82217M		2	WASHER (OPTIONAL PARTS)
45	83705M		1	SHAFT, FRICTION (OPTIONAL PARTS)
46	83706M		1	PIECE, FRICTION (OPTIONAL PARTS)
47	10-82456M		1	BOLT (OPTIONAL PARTS)
48	11-82703M		1	NUT, WING (OPTIONAL PARTS)
49	84472M		1	PIECE, FRICTION (THROTTLE) (OPTIONAL PARTS)
50	10-82453M		2	BOLT (OPTIONAL PARTS)
51	12-82214M		1	WASHER (OPTIONAL PARTS)
52	11-82703M		1	NUT, WING (OPTIONAL PARTS)

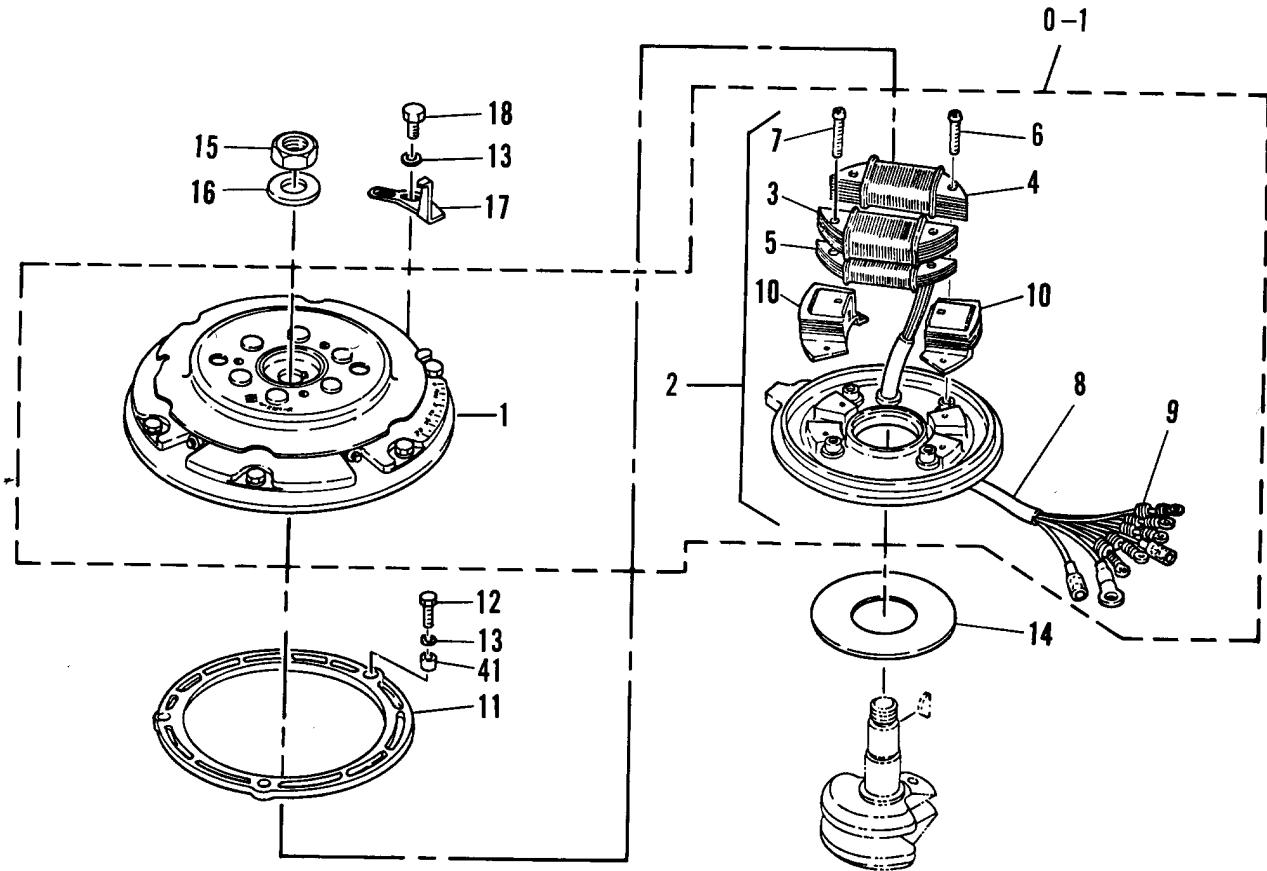
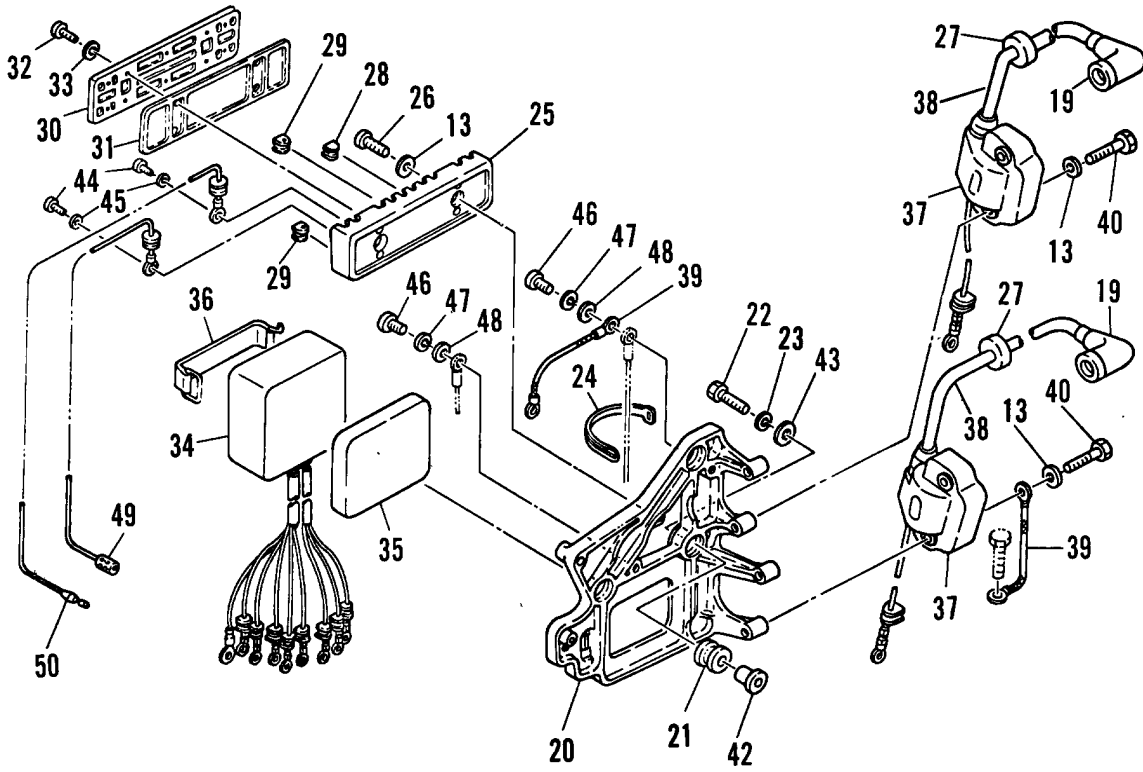
THROTTLE CONTROL



THROTTLE CONTROL

REF. NO.	PART NO.	SYM.	QTY.	DESCRIPTION
1	81345M		1	LEVER, C.D.I. CONTROL
2	81341M		1	STOPPER, FREE ACCEL - LINK
3	17-82976M		1	PIN
4	17-82367M		1	PIN, DOWEL
5	17-82149M		4	PIN, ROLL
6	81480M		1	CLEVIS, THROTTLE CABLE
7	81350M		1	BRACKET, SHAFT
8	23-81946M		4	BUSHING
9	10-82423M		3	BOLT
10	13-82199M		4	WASHER, LOCK
11	23-81942M		1	BUSHING
12	81403M		1	STOP, SHAFT BRACKET
13	24-82074M		1	SPRING, COMPRESSION
14	53-82330M		2	SNAP RING
15	81346M		1	LEVER, C.D.I. CONTROL
16	81347M		1	SHAFT, LINK CONNECTING
17	24-82113M		1	SPRING, TORSION
18	81344M		1	LEVER, C.D.I. CONTROL
19	81349M		1	BRACKET, SHAFT - UPPER
20	17-82154M		1	PIN, ROLL
21	10-83050M		2	SCREW
22	11-81764M		1	NUT
23	11-82381M		1	NUT
24	81415M		2	CAP
25	81348M		1	ROD, CONTROL
26	81225M		4	CLEVIS
27	81333M		1	ROD, LINK
28	11-82378M		1	NUT
29	81334M		1	CAM
30	13-81868M		1	WASHER, WAVE
31	10-81713M		1	BOLT
32	81483M		1	BRACKET, REMOTE CONTROL
33	81484M		1	CLAMP, CABLE
34	17-82146M		1	PIN, ROLL
35	10-82437M		1	BOLT
36	13-82200M		1	WASHER, LOCK

IGNITION SYSTEM

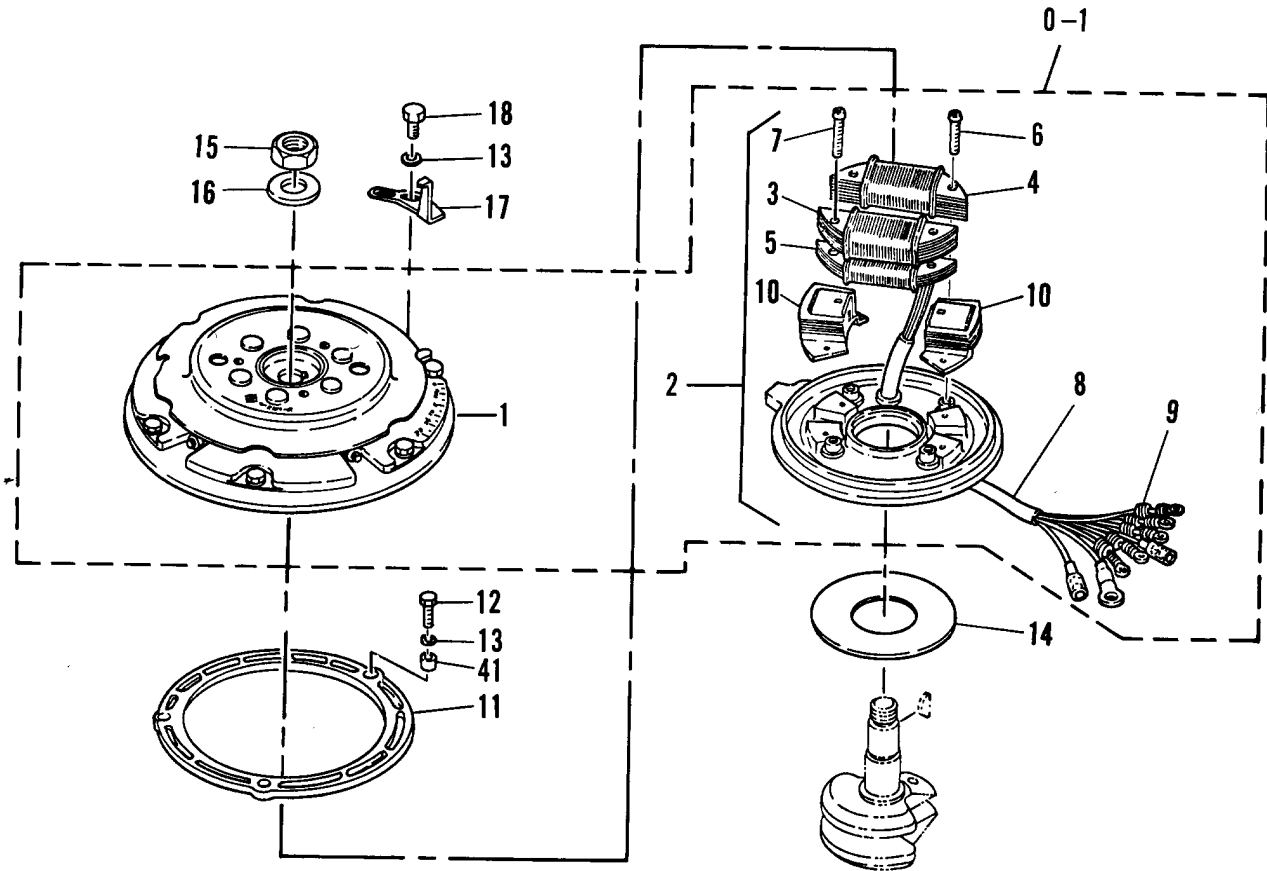
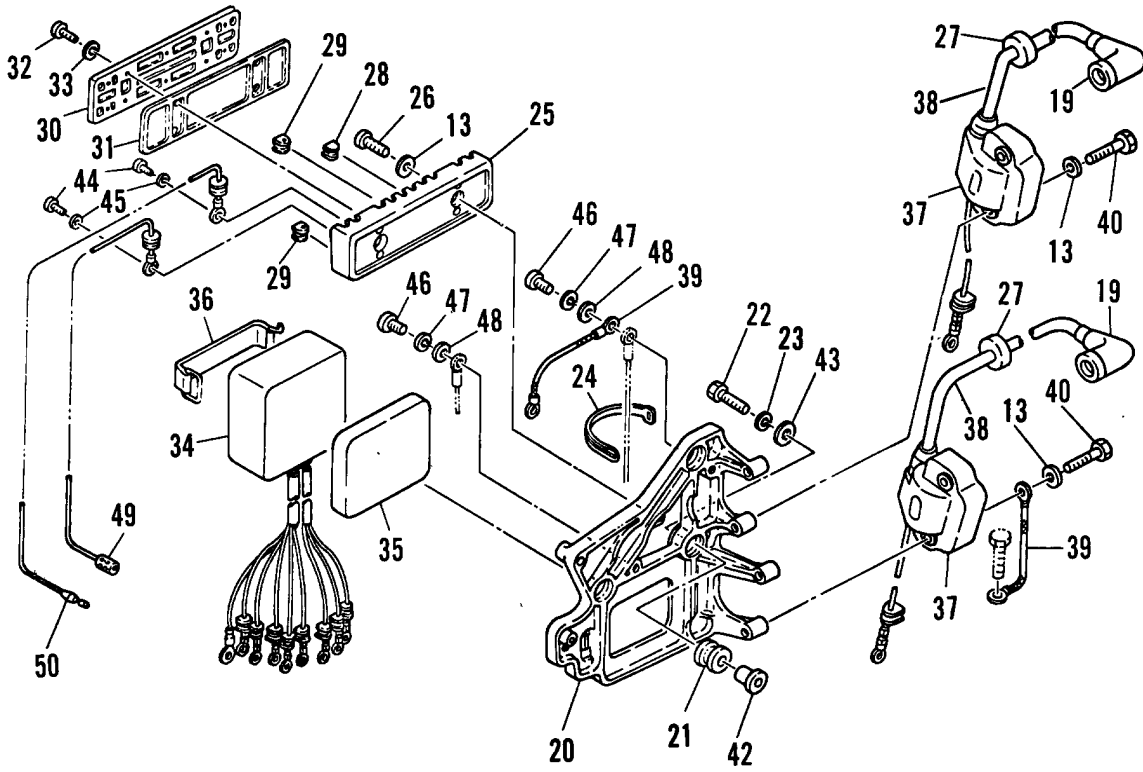


IGNITION SYSTEM

REF. NO.	PART NO.	SYM.	QTY.	DESCRIPTION
0-1	253-7167M		1	FLYWHEEL /STATOR ASS'Y
	253-6943M		1	FLYWHEEL /STATOR ASS'Y
1	253-7168M		1	FLYWHEEL
	253-6950M		1	FLYWHEEL
2	83035M		1	BASE ASS'Y
	83129M		1	BASE ASS'Y
3	83036M		1	COIL, IGNITION (CHARGE)
4	83038M		1	COIL, LIGHTING (BATTERY CHARGING)
	81486M		1	COIL, LIGHTING (BATTERY CHARGING)
5	83037M		1	COIL, BLANKING (MASKING)
6	10-82508M		2	SCREW, COIL ATTACHING
7	10-82509M		2	SCREW, COIL ATTACHING
8	84-84647M		1	WIRE, LEAD
	84-83708M		1	WIRE, LEAD
9	25-82059M		5	GROMMET, LEAD WIRE
10	84212M		2	COIL, TRIGGER (PULSER)
11	81342M		1	RETAINER, BASE ASS'Y
12	10-83539M		3	BOLT
13	13-82199M		10	WASHER, LOCK
14	12-81343M		1	WASHER
15	11-81773M		1	NUT, FLYWHEEL
16	12-84436M		1	WASHER, FLYWHEEL
17	83031M		1	POINTER, TIMING
18	10-84247M		1	BOLT
19	82788M		2	CAP, SPARK PLUG
	80935M		2	CAP, SPARK PLUG (NOISE SUPPRESSOR OPT)
20	81543M		1	BRACKET, ELECTRICAL COMPONENT
21	81523M		3	RUBBER MOUNT, MOUNTING BRACKET
22	10-82405M		3	BOLT
23	13-82197M		3	WASHER, LOCK
24	81541M		1	STA-STRAP
25	81518M		1	TERMINAL STRIP
26	10-82980M		2	SCREW
27	25-82069M		2	GROMMET, PLUG WIRE
28	25-82058M		4	GROMMET, TERMINAL STRIP COVER - UPPER
29	25-81517M		2	GROMMET, TERMINAL STRIP COVER - LOWER
30	81515M		1	COVER, TERMINAL STRIP
31	27-81516M		1	GASKET, TERMINAL STRIP
32	10-83048M		4	SCREW
33	13-82184M		4	WASHER, LOCK
34	83030M		1	SWITCH BOX ASS'Y
35	81544M		1	DAMPER, SWITCH BOX
36	81520M		1	RETAINER, SWITCH BOX

CONTINUED ON NEXT PAGE ➡

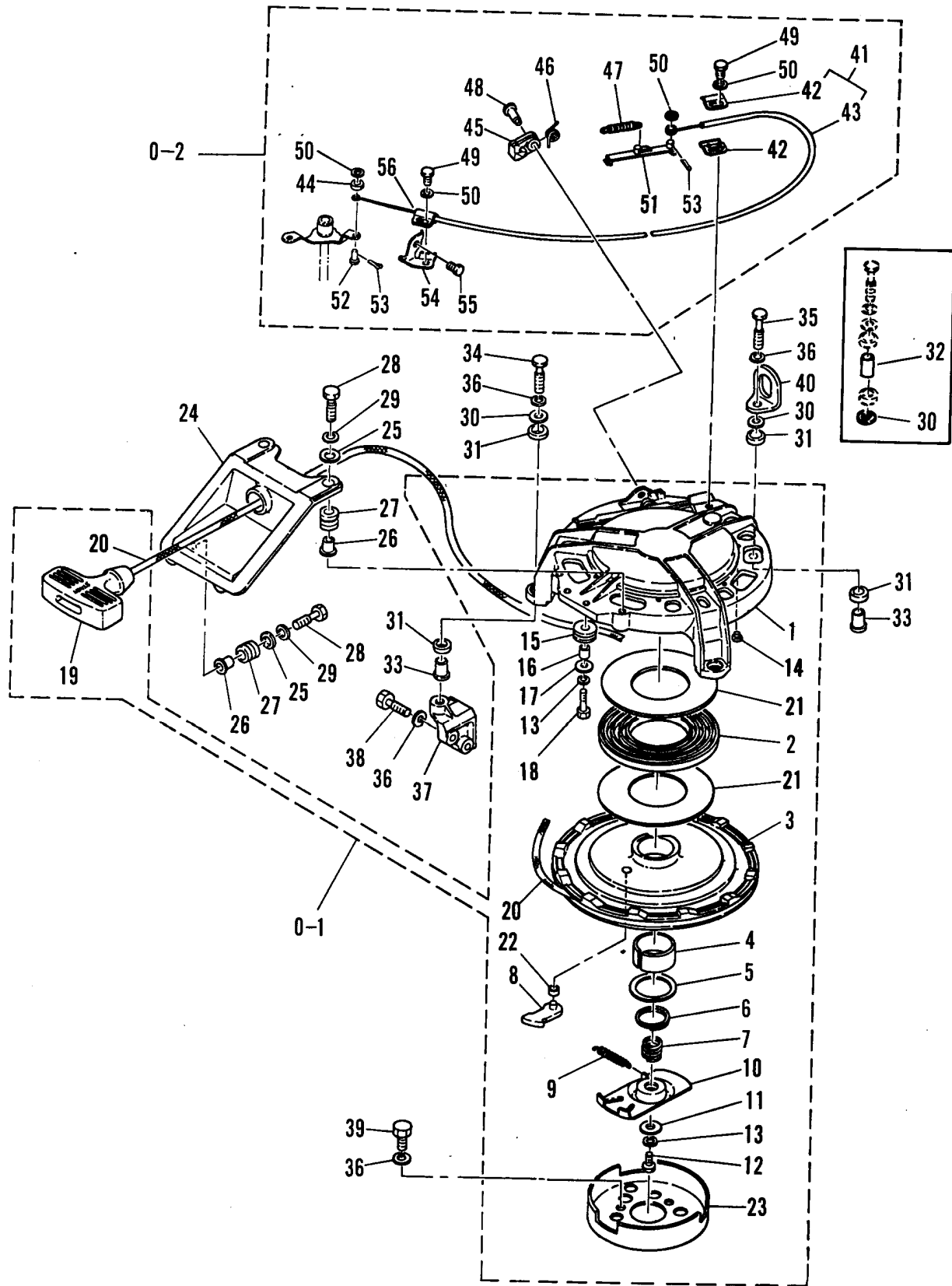
IGNITION SYSTEM



IGNITION SYSTEM

REF. NO.	PART NO.	SYM.	QTY.	DESCRIPTION
37	81549M		2	IGNITION COIL ASS'Y
38	84-82831M		2	CORD, HIGH TENSION
39	84-81250M		2	GROUND WIRE LEAD
	84-81250M		3	GROUND WIRE LEAD
40	10-84237M		4	BOLT
41	23-81971M		3	COLLAR
42	23-82851M		3	BUSHING
43	12-82979M		3	WASHER
44	10-82798M		10	SCREW
45	12-82799M		10	WASHER
46	10-84435M		2	SCREW
47	13-82212M		2	WASHER, LOCK
48	12-82214M		2	WASHER
49	84-82997M		1	WIRE, LEAD 1
50	84-82998M		1	WIRE, LEAD 2

RECOIL STARTER

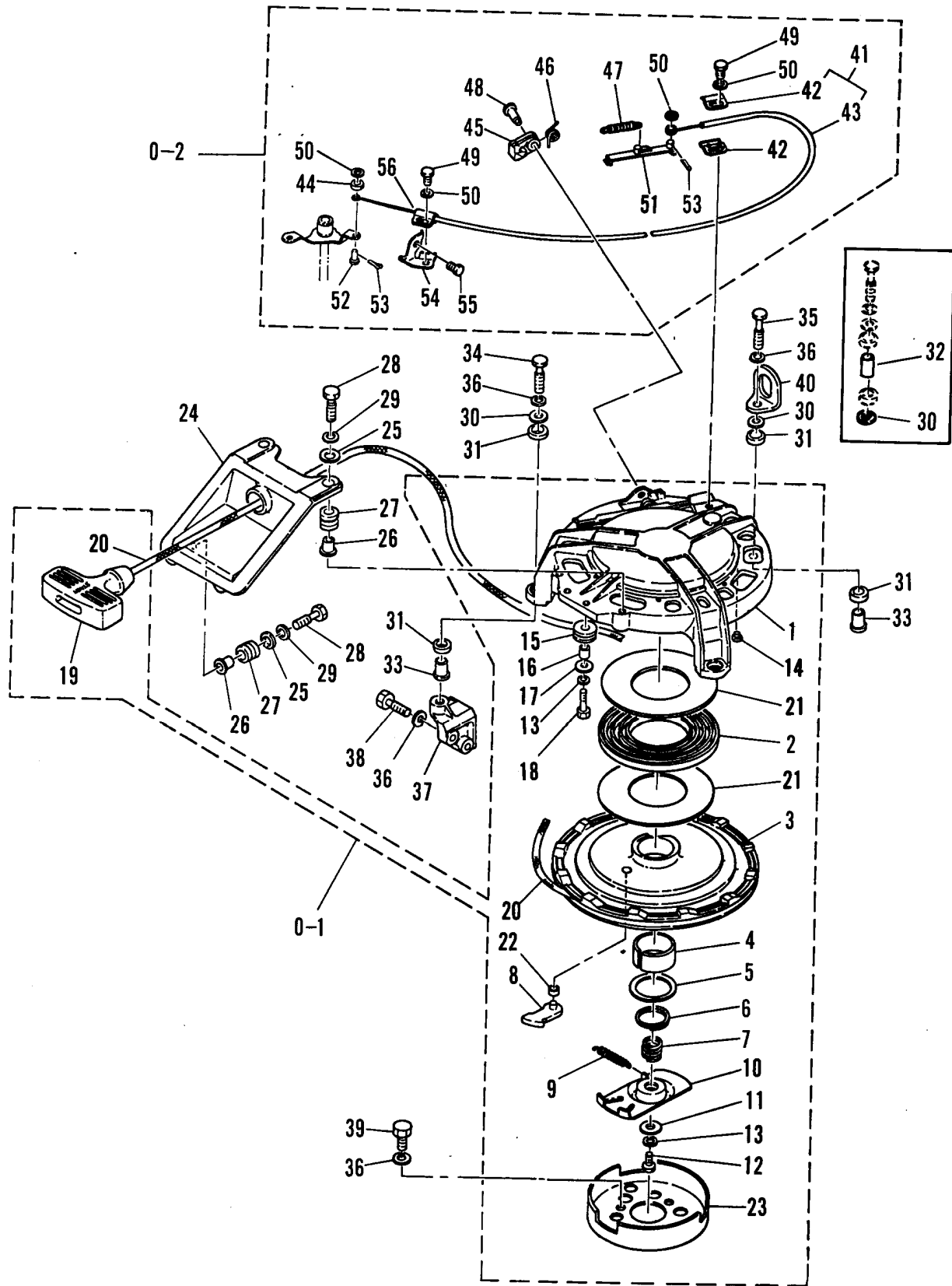


RECOIL STARTER

REF. NO.	PART NO.	SYM.	QTY.	DESCRIPTION
0-1	84448M		1	STARTER ASS'Y
	83162M		1	STARTER ASS'Y
1	84449M		1	HOUSING, STARTER
	82552M		1	HOUSING, STARTER
2	24-81295M		1	SPRING, STARTER
3	50-81296M		1	STARTER PULLEY
4	23-81309M		1	COLLAR, ENGAGEMENT CAM
5	12-81301M		1	WASHER
6	53-81305M		1	SNAP RING
7	24-81302M		1	SPRING, ENGAGEMENT CAM
8	81304M		1	PAWL, STARTER
9	24-81297M		1	SPRING, ENGAGEMENT CAM
10	81298M		1	CAM, PAWL ENGAGEMENT
11	12-81299M		1	WASHER
12	10-84446M		1	BOLT
13	13-82197M		2	WASHER, LOCK
14	19-80604M		6	PLUG, STARTER HOUSING
15	81307M		1	ROLLER, STARTER ROPE
16	23-81308M		1	BUSHING
17	12-83149M		1	WASHER
18	10-83141M		1	BOLT
19	80063M		1	HANDLE, STARTER
20	79629A1		1	STARTER ROPE
21	12-83151M		2	WASHER
22	23-83150M		1	BUSHING
23	84447M		1	DRIVE CUP, PAWL
24	81310M		1	GUIDE, STARTER ROPE
25	12-82198M		4	WASHER
26	23-82851M		4	BUSHING
27	81523M		4	MOUNT, GUIDE
28	10-84237M		4	BOLT
29	13-82197M		4	WASHER, LOCK
30	13-81799M		3	WASHER, LOCK
	13-81799M		6	WASHER, LOCK
31	25-81937M		6	GROMMET
32	23-81978M		3	COLLAR
33	23-84489M		3	COLLAR
34	10-82442M		2	BOLT
35	10-84236M		1	BOLT
36	13-82200M		8	WASHER, LOCK
37	81313M		1	BRACKET, STARTER HOUSING
38	10-82441M		2	BOLT
39	10-82439M		3	BOLT

CONTINUED ON NEXT PAGE ➡

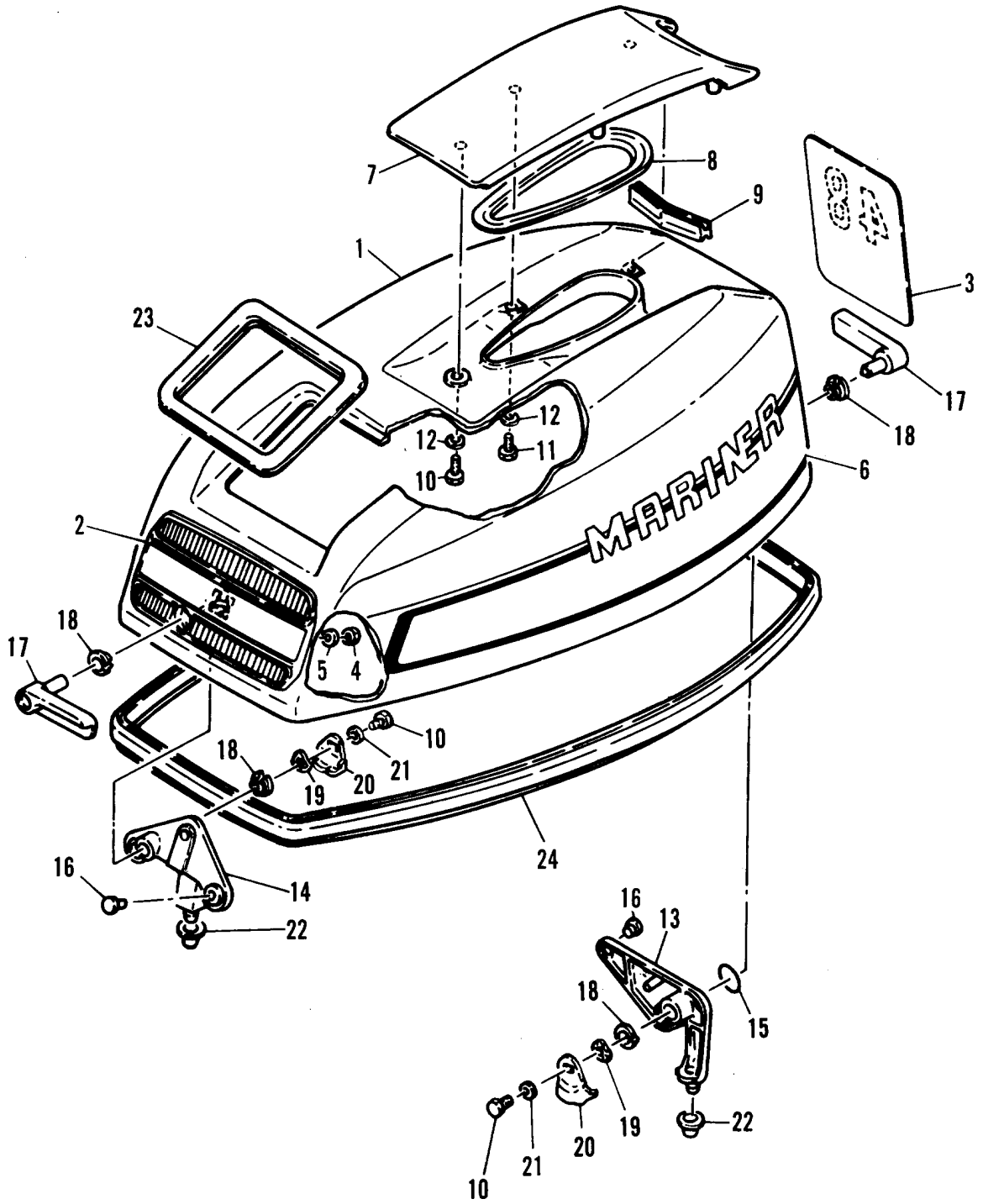
RECOIL STARTER



RECOIL STARTER

REF. NO.	PART NO.	SYM.	QTY.	DESCRIPTION
40	81251M		1	HANGER, ENGINE
0-2	83709M		1	SAFETY STARTER KIT ASS'Y
41	81312M		1	LOCKOUT CABLE COMP
42	81315M		4	CLAMP, LOCKOUT CABLE
43	81316M		1	CABLE, LOCKOUT
44	83152M		1	RING, RETAINING
45	81317M		1	CAM, LOCKOUT
46	24-82106M		1	SPRING, LOCKOUT LEVER
47	24-82102M		1	SPRING, LOCKOUT CAM RETURN
48	10-81751M		1	PIVOT, LOCKOUT CAM
49	10-84303M		2	BOLT
50	12-82198M		4	WASHER
51	81303M		1	LEVER, LOCKOUT
52	17-82136M		1	PIN, CLEVIS
53	18-82736M		2	PIN, COTTER
54	81314M		1	BRACKET, LOCKOUT CABLE
55	10-82436M		1	BOLT
56	54-82041M		1	CLAMP

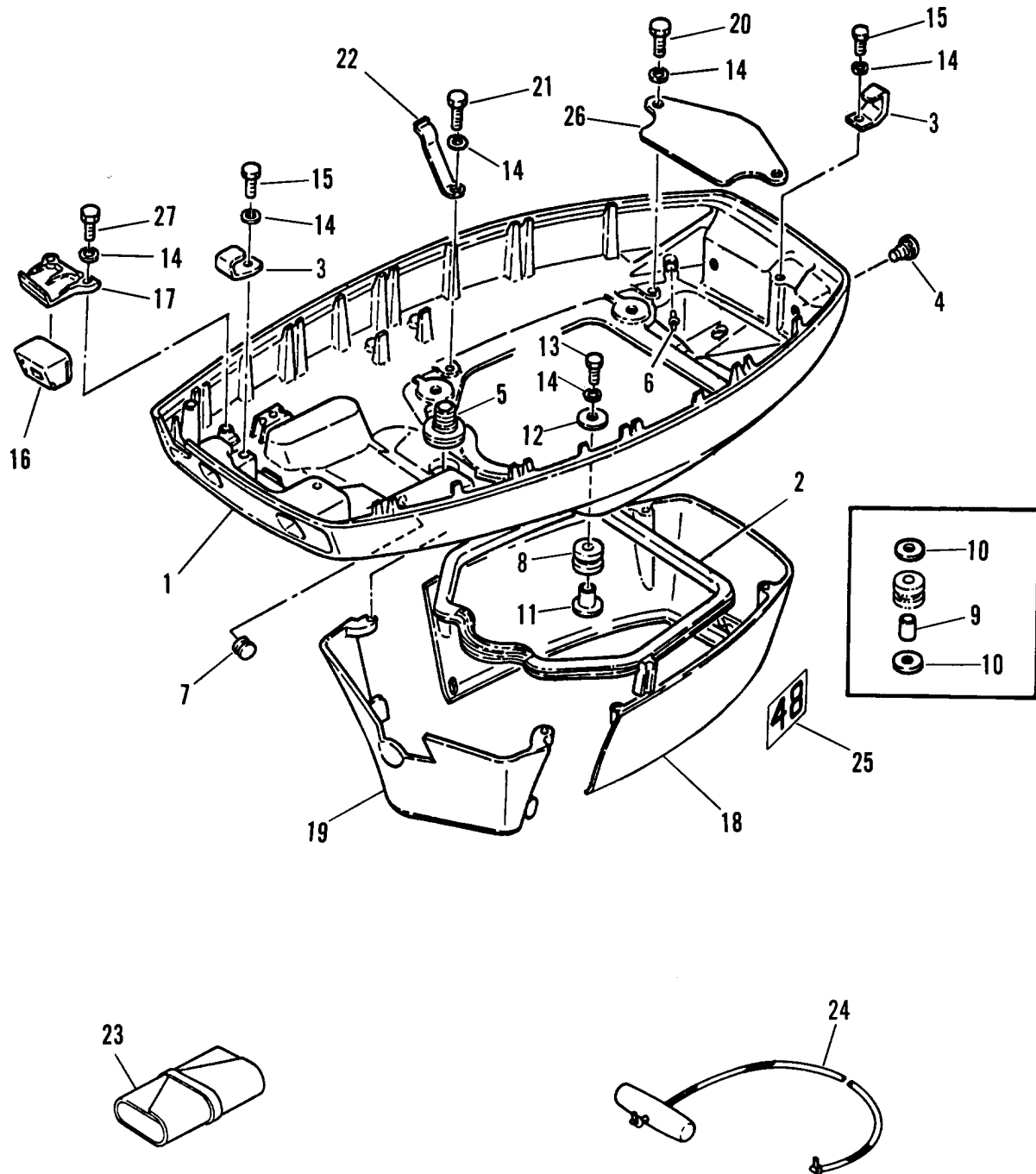
TOP COWLING



TOP COWLING

REF. NO.	PART NO.	SYM.	QTY.	DESCRIPTION
1	2168-7111M		1	TOP COWLING ASS'Y
2	82912M		1	APPLIQUE, FRONT
3	83170M		1	DECAL, REAR
4	11-82388M		2	NUT
5	12-82211M		2	WASHER
6	37-82865M		1	DECAL, SIDE SET
7	83024M		1	COVER, AIR DUCT
8	83025M		1	SEAL
9	83039M		1	SEAL, RUBBER
10	10-84303M		3	BOLT
11	10-84247M		4	BOLT
12	13-82199M		5	WASHER, LOCK
13	M-83040M		1	HOLDER, CLAMP BAND
14	83041M		1	HOLDER, CLAMP BAND
15	25-82269M		1	O-RING
16	17-82982M		6	RIVET
17	83026M		2	LEVER, CLAMP
18	23-81952M		4	BUSHING
19	13-81871M		2	WASHER, WAVE
20	83027M		2	LEVER
21	12-81794M		2	WASHER
22	83042M		2	DAMPER
23	81311M		1	SEAL
24	83043M		1	SEAL

BOTTOM COWLING

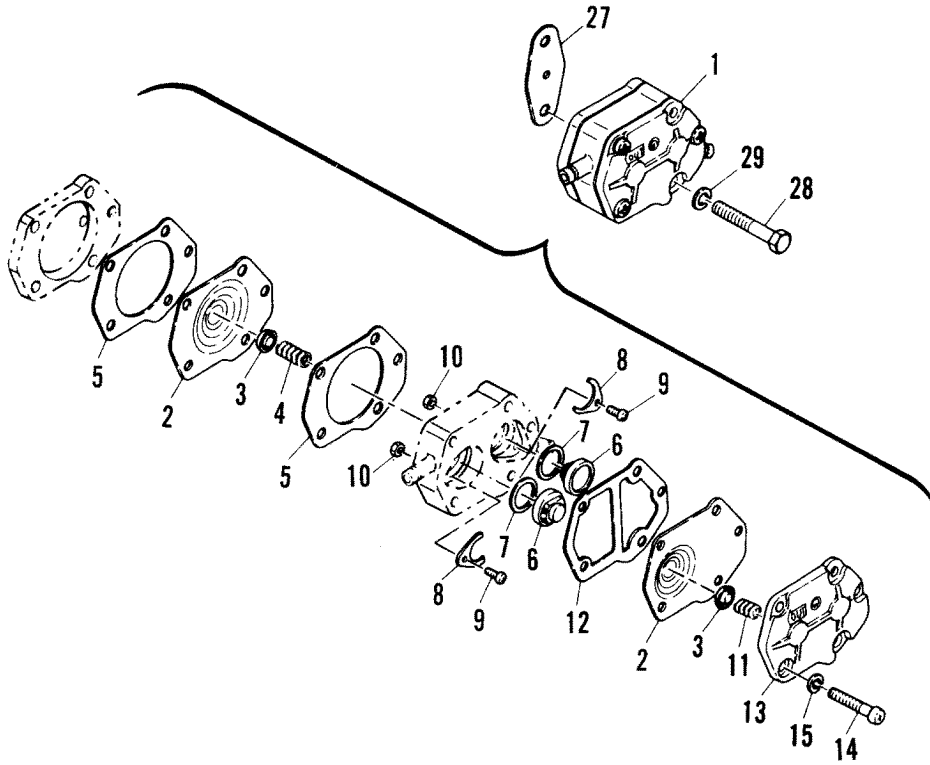


BOTTOM COWLING

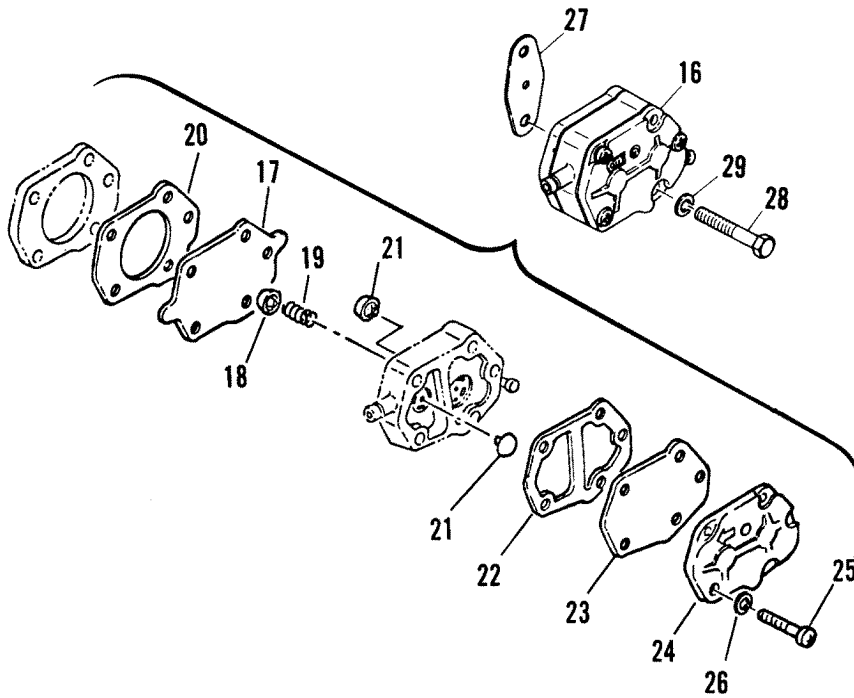
REF. NO.	PART NO.	SYM.	QTY.	DESCRIPTION
1	2168-6951M		1	COWLING, BOTTOM
2	27-83044M		1	SEAL, BOTTOM COWL TO APRON
3	83045M		2	STAY
4	25-83142M		2	GROMMET
5	25-81369M		1	GROMMET
6	22-81326M		1	FITTING
7	25-82061M		1	GROMMET
8	25-82065M		4	GROMMET
9	23-81968M		4	COLLAR
10	12-81796M		8	WASHER
11	23-83610M		4	COLLAR
12	12-81796M		4	WASHER
13	10-84237M		4	BOLT
14	13-82197M		12	WASHER, LOCK
15	10-84211M		2	BOLT
16	81371M		1	BUMPER, COWL
17	83153M		1	RETAINER, COWL BUMPER
18	81374M		1	APRON, COWL - REAR
19	81378M		1	APRON, COWL - FRONT
20	10-82452M		2	BOLT
21	10-82453M		2	BOLT
22	54-82983M		1	CLAMP
23	91-81669M		1	TOOL KIT
24	47341A1		1	STARTER ROPE
25	37-83053M		2	DECAL, HP
26	83047M		1	COVER, BOTTOM
27	10-84247M		2	BOLT

FUEL PUMP

S-000565 L-302510 AND BELOW



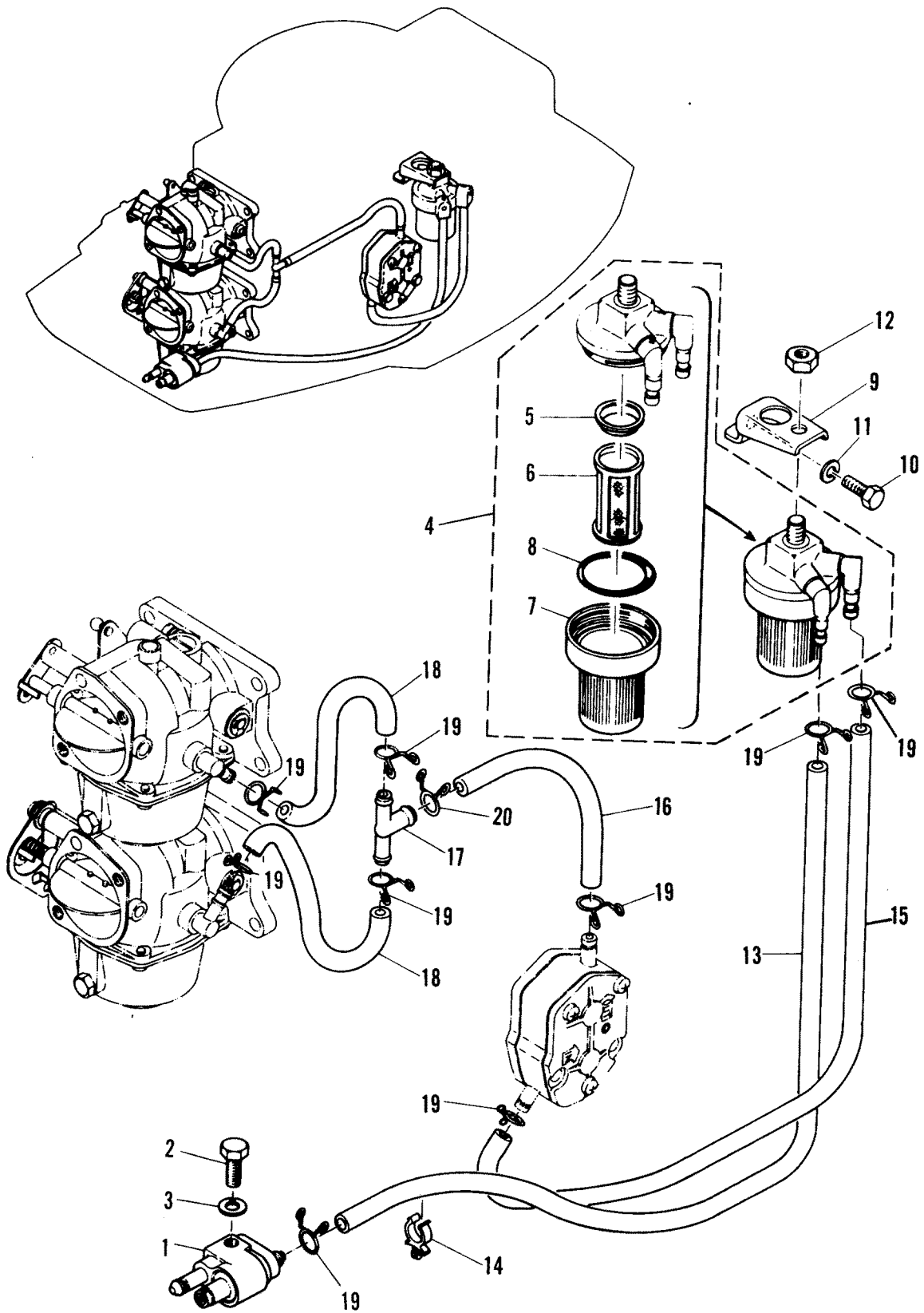
S-000566 L-302511 AND ABOVE



FUEL PUMP

REF. NO.	PART NO.	SYM.	QTY.	DESCRIPTION
1	81328M		1	FUEL PUMP ASS'Y
2	80606M		2	DIAPHRAGM
3	80611M		2	PLATE, SPRING GUIDE
4	24-80610M		1	SPRING
5	27-80613M		2	GASKET, BODY TO BASE
6	21-80608M		2	CHECK VALVE
7	27-80612M		2	GASKET, CHECK VALVE
8	80609M		2	RETAINER, CHECK VALVE
9	10-82511M		2	SCREW
10	11-82373M		2	NUT
11	24-80615M		1	SPRING
12	27-80614M		1	GASKET, BODY TO COVER
13	80607M		1	COVER
14	10-82522M		3	SCREW
15	13-82208M		3	WASHER, LOCK
16	84139M		1	FUEL PUMP ASS'Y
17	80606M		1	DIAPHRAGM
18	80611M		1	PLATE, SPRING GUIDE
19	24-80610M		1	SPRING
20	27-80613M		1	GASKET, BODY TO BASE
21	21-84140M		2	CHECK VALVE
22	27-80614M		1	GASKET, BODY TO COVER
23	84141M		1	DIAPHRAGM
24	80607M		1	COVER
25	10-82522M		3	SCREW
26	13-82208M		3	WASHER, LOCK
27	27-80757M		1	GASKET, FUEL PUMP TO CRANKCASE
28	10-82428M		2	BOLT
29	12-82198M		2	WASHER

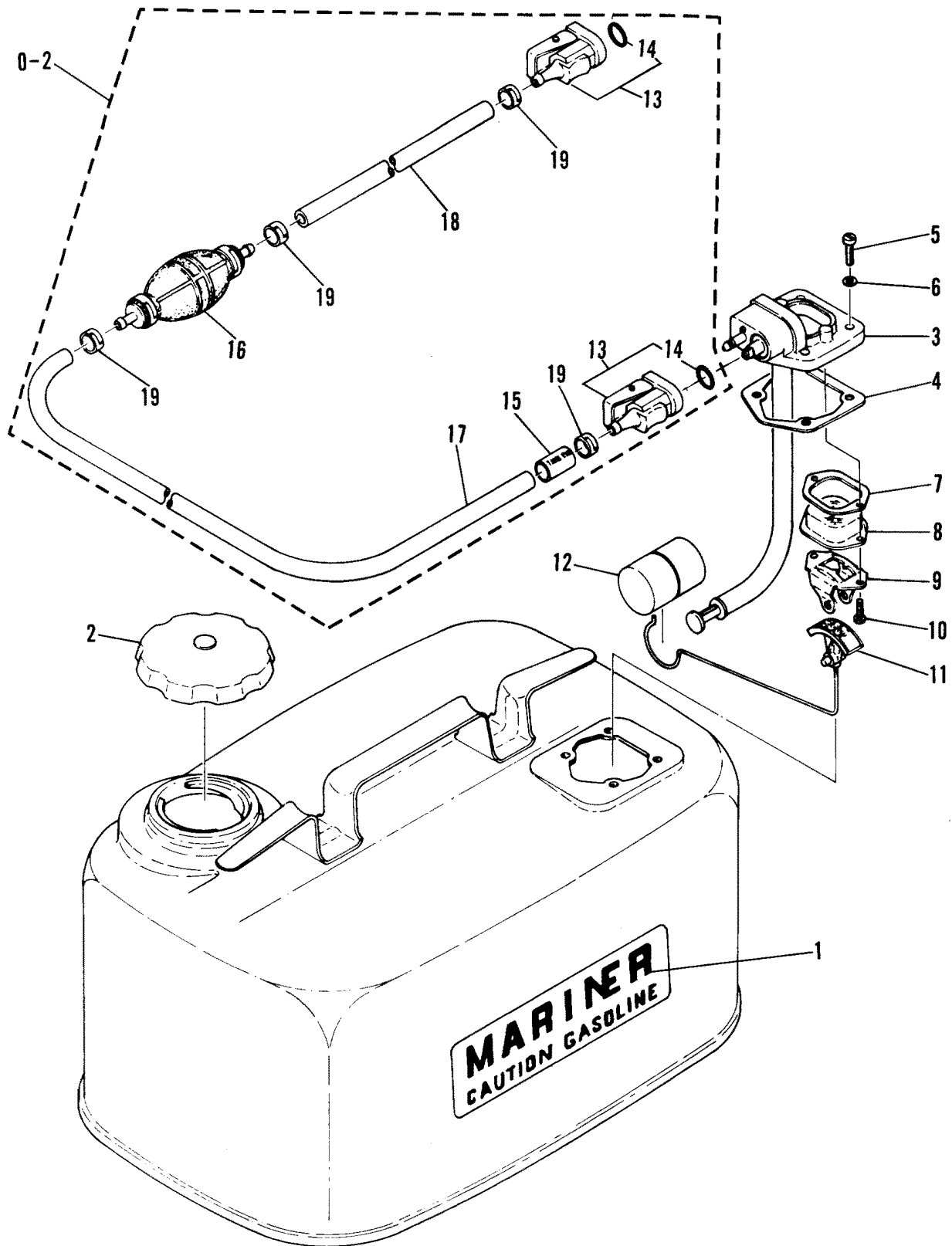
FUEL LINE AND FILTER



FUEL LINE AND FILTER

REF. NO.	PART NO.	SYM.	QTY.	DESCRIPTION
1	81041M		1	FUEL LINE CONNECTOR ASS'Y
2	10-83539M		1	BOLT
3	13-82212M		1	WASHER, LOCK
4	35-80617M		1	FUEL FILTER ASS'Y
5	27-82790M		1	GASKET, FILTER
6	35-82783M		1	ELEMENT, FILTER
7	82784M		1	FUEL BOWL
8	25-82792M		1	O-RING
9	80620M		1	BRACKET, FUEL FILTER
10	10-84211M		1	BOLT
11	13-82197M		1	WASHER, LOCK
12	11-82382M		1	NUT
13	32-82017M		1	FUEL LINE, CONNECTOR TO PUMP
14	54-82037M		1	CLAMP
15	32-82010M		1	FUEL LINE, FILTER TO PUMP
16	32-82020M		1	FUEL LINE, PUMP TO TEE
17	22-81697M		1	TEE FITTING, FUEL LINE
18	32-82004M		2	FUEL LINE, TEE TO CARBURETOR
19	54-82047M		9	CLAMP
20	54-82048M		1	CLAMP

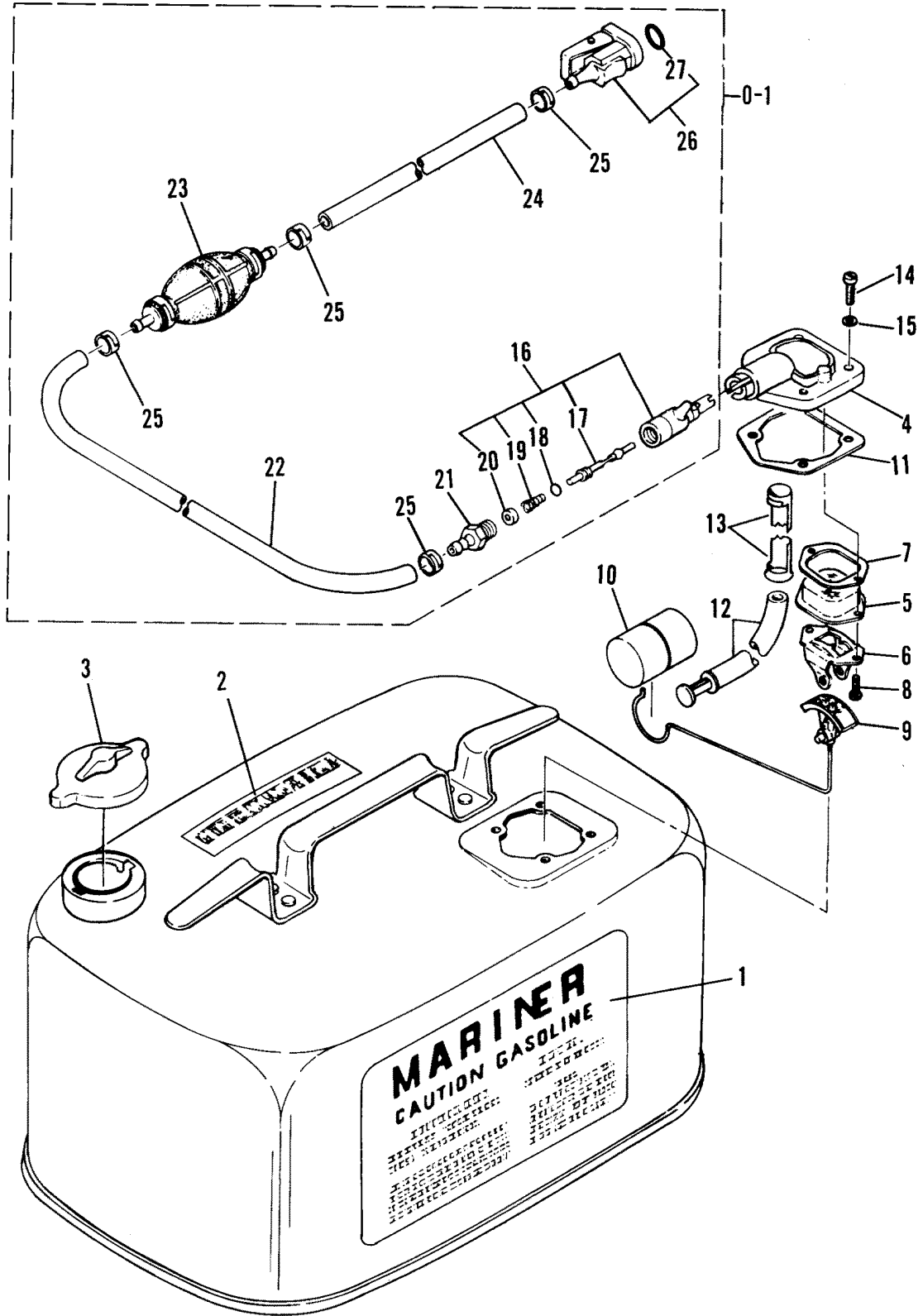
FUEL TANK-INTERNATIONAL ONLY (ORIGINAL EQUIPMENT)



FUEL TANK-INTERNATIONAL ONLY (ORIGINAL EQUIPMENT)

REF. NO.	PART NO.	SYM.	QTY.	DESCRIPTION
0-1	1252-6836M		1	FUEL TANK ASS'Y
1	37-82984M		1	DECAL
2	81694M		1	FUEL TANK CAP
3	81321M		1	HOUSING, FUEL CONNECTOR
4	27-81320M		1	GASKET, HOUSING TO TANK
5	10-82526M		4	SCREW, HOUSING ATTACHING
6	12-80271M		4	WASHER, HOUSING SCREW
7	27-80270M		1	GASKET, HOUSING TO LENS INDICATOR
8	80269M		1	LENS, INDICATOR
9	80268M		1	SUPPORT, INDICATOR
10	10-82518M		2	SCREW, SUPPORT ATTACHING
11	81318M		1	INDICATOR
12	81319M		1	FLOAT, INDICATOR
0-2	32-83192M		1	FUEL HOSE ASS'Y
13	22-81042M		2	CONNECTOR HOUSING
14	25-82789M		2	O-RING
15	23-81327M		1	SLEEVE, HOSE
16	81325M		1	BULB, PRIMER
17	32-82025M		1	HOSE, CONNECTOR HOUSING TO BULB
18	32-82023M		1	HOSE, BULB TO CONNECTOR
19	54-80752M		4	CLAMP, HOSE

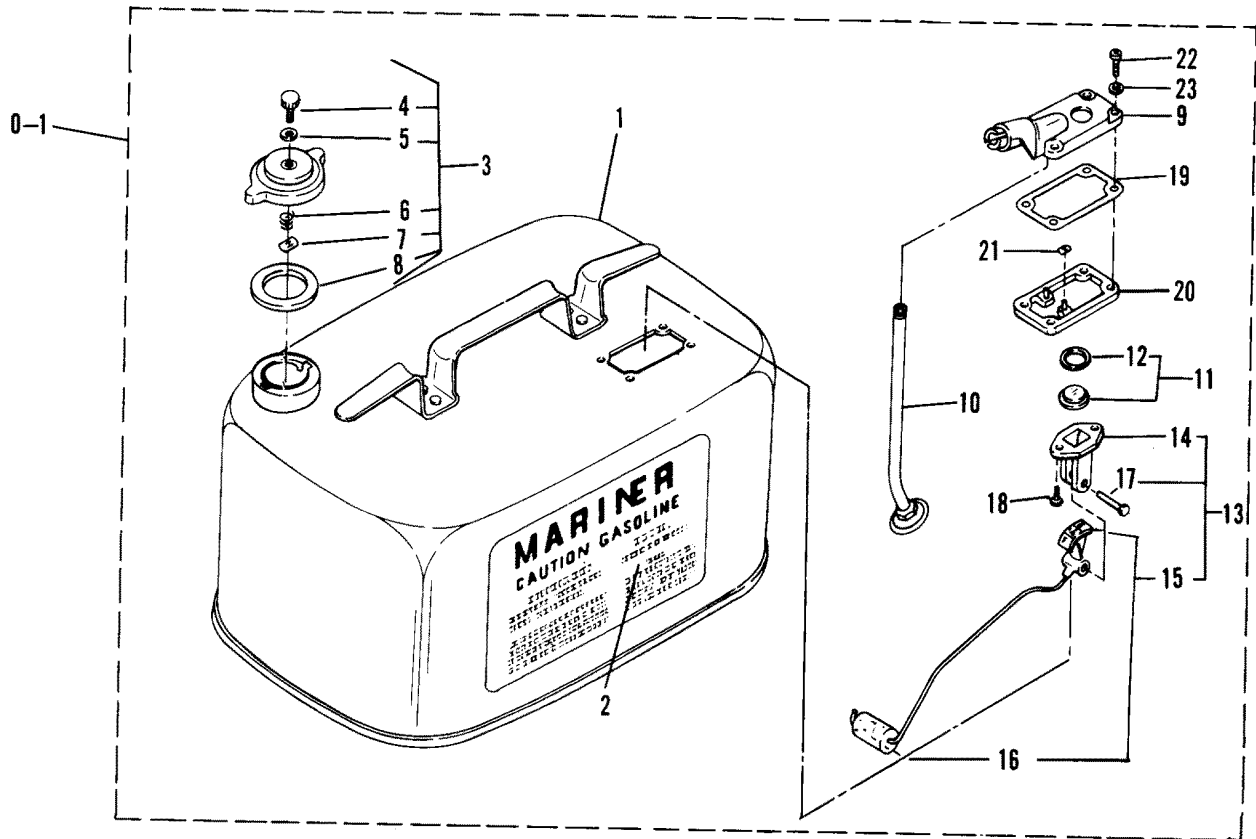
FUEL TANK-INTERNATIONAL AND USA (ORIGINAL EQUIPMENT)



FUEL TANK-INTERNATIONAL AND USA (ORIGINAL EQUIPMENT)

REF. NO.	PART NO.	SYM.	QTY.	DESCRIPTION
1	37-82984M		1	DECAL, SIDE
2	37-82962M		1	DECAL, TOP
3	36-83617M		1	FUEL TANK CAP
4	83618M		1	FUEL METER
5	80269M		1	LENS, INDICATOR
6	80268M		1	BRACKET, INDICATOR
7	27-80270M		1	GASKET, HOUSING TO LEN INDICATOR
8	10-82518M		2	SCREW
9	81318M		1	INDICATOR, FUEL LEVEL
10	81319M		1	FLOAT, INDICATOR
11	27-81320M		1	GASKET, HOUSING TO TANK
12	32-83626M		1	HOSE, PICKUP
13	54-83764M		1	CLAMP, PICKUP HOSE
14	10-82526M		4	SCREW, HOUSING ATTACHING
15	12-80271M		4	WASHER, HOUSING SCREW
0-1	32-83628M		1	FUEL LINE ASS'Y
16	30185A1		1	BAYONET BODY ASS'Y
17	30187		1	STEM, BAYONET BODY
18	25-20415		1	O-RING, BAYONET BODY STEM
19	24-30189		1	SPRING, BAYONET BODY STEM
20	30188		1	WASHER, CAP
21	22-63187		1	FITTING, FUEL LINE
22	32-82025M		1	HOSE, CONNECTOR HOUSING TO BULB
23	81325M		1	BULB, PRIMER
24	32-82023M		1	HOSE, BULB TO CONNECTOR
25	54-80752M		4	CLAMP, HOSE
26	22-81042M		1	FUEL CONNECTOR, ENGINE END
27	25-82789M		1	O-RING

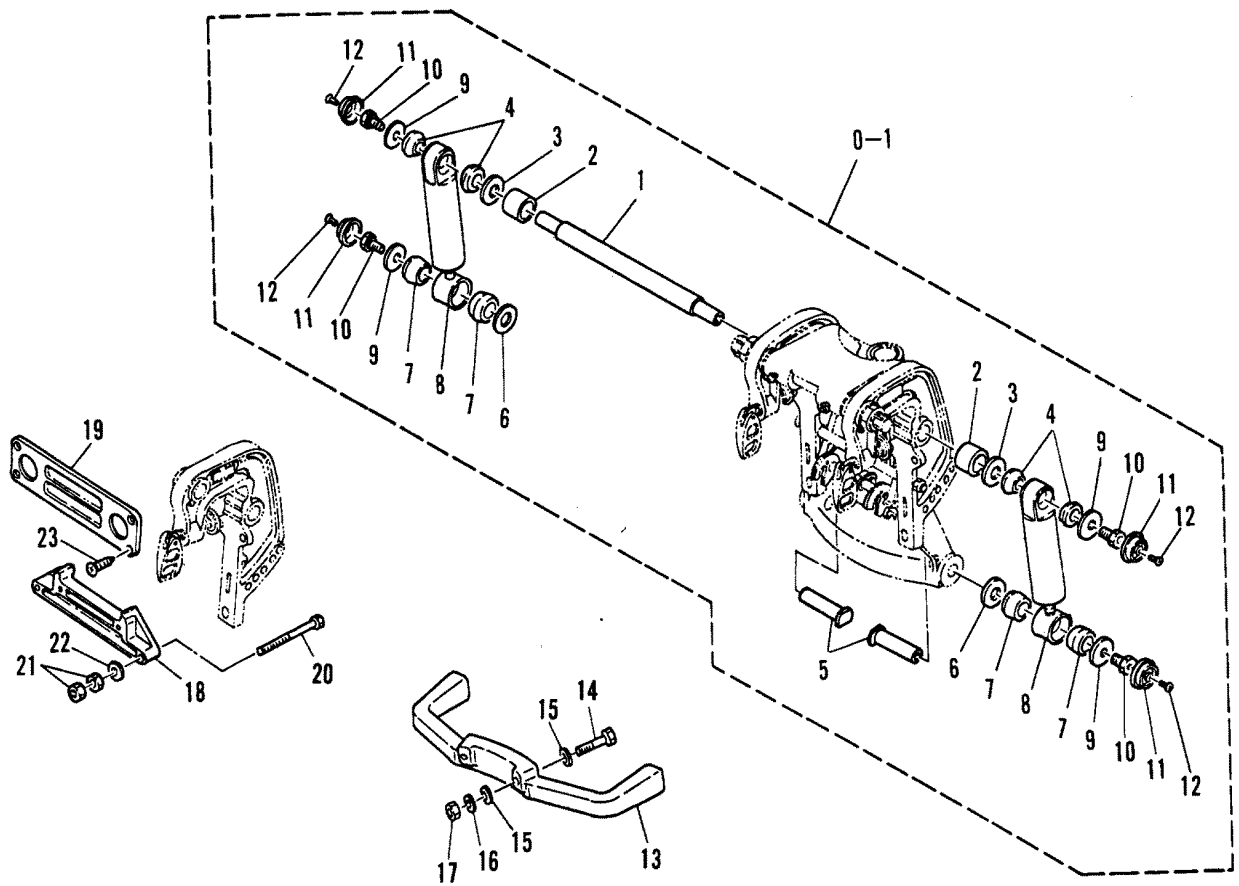
FUEL TANK ASSEMBLY-REPLACEMENT OR ADDITIONAL



FUEL TANK ASSEMBLY-REPLACEMENT OR ADDITIONAL

REF. NO.	PART NO.	SYM.	QTY.	DESCRIPTION
0-1	1225-1529A16		1	FUEL TANK ASSEMBLY (SEE NOTE)
1	1225-1529		1	FUEL TANK (6 GALLON)
2	37-75881		1	DECAL, FUEL TANK
3	36-25392A2		1	FILLER CAP ASSEMBLY
4	10-25575		1	SCREW, VENT-FILLER CAP
5	12-49221		1	WASHER, VENT SCREW
6	24-22227		1	SPRING, TENSION-VENT SCREW
7	11-28587		1	NUT, SPEED-SPRING RETAINER
8	27-25568		1	GASKET, FILLER CAP TO FUEL TANK
0-2	64841A1		1	COVER ASSEMBLY, COMPLETE
9	64841A3		1	COVER ASSEMBLY, FUEL TANK
10	32-33909A3		1	TUBE ASSEMBLY
11	54920A1		1	LENS ASSEMBLY, FUEL GAUGE
12	27-54921		1	GASKET, FUEL GAUGE LENS
13	28897A2		1	FUEL GAUGE ASSEMBLY, COMPLETE
14	20430		1	RETAINER, FUEL GAUGE
15	28897A1		1	INDICATOR AND FLOAT ASSEMBLY
16	20427		1	FLOAT, FUEL GAUGE
17	17-20426		1	RIVET, INDICATOR TO RETAINER
18	10-62568		2	SCREW, RETAINER TO FUEL TANK COVER
19	27-28862		1	GASKET, COVER ASSEMBLY TO FRAME
20	28860		1	FRAME, RETAINING-FUEL TANK COVER
21	53-28903		2	FASTENER, RETAINING FRAME TO FUEL TANK
22	10-20411		4	SCREW, FUEL TANK COVER TO FUEL TANK
23	12-74711		4	WASHER, FUEL TANK COVER FASTENING SCREW

OPTIONAL PARTS



OPTIONAL PARTS

REF. NO.	PART NO.	SYM.	QTY.	DESCRIPTION
0-1	55-84477M		1	SHOCK ABSORBER KIT
1	17-81386M		1	PIN, UPPER SHOCK MOUNT
2	23-82120M		2	SPACER
3	12-81830M		2	WASHER
4	23-81939M		4	BUSHING
5	17-81384M		2	PIN, LOWER SHOCK MOUNT
6	12-81859M		2	WASHER
7	23-81938M		4	BUSHING
8	55-81392M		2	SHOCK ABSORBER
9	12-81812M		4	WASHER
10	10-81718M		4	BOLT
11	81385M		4	COVER, SHOCK MOUNT
12	10-82533M		4	SCREW
13	84478M		1	CARRYING HANDLE
14	10-82406M		2	BOLT
15	13-81799M		4	WASHER
16	13-82200M		2	WASHER, LOCK
17	11-82382M		2	NUT
18	84479M		1	TRANSOM PLATE
19	84480M		1	PLATE, TRANSOM
20	10-84481M		4	BOLT
21	11-82392M		8	NUT
22	12-82217M		4	WASHER
23	10-84482M		4	SCREW

PARTS INDEX

Part Number	Description	Pg.	Ref. No.	Part Number	Description	Pg.	Ref. No.
20427	FLOAT, FUEL GAUGE	53	16	81303M	LEVER, LOCKOUT	39	51
20430	RETAINER, FUEL GAUGE	53	14	81304M	PAWL, STARTER	37	8
28860	FRAME, RETAINING-FUEL TANK COVER	53	20	81307M	ROLLER, STARTER ROPE	37	15
28897A1	INDICATOR AND FLOAT ASSEMBLY	53	15	81310M	GUIDE, STARTER ROPE	37	24
28897A2	FUEL GAUGE ASSEMBLY, COMPLETE	53	13	81311M	SEAL	41	23
30185A1	BAYONET BODY ASS'Y	51	16	81312M	LOCKOUT CABLE COMP	39	41
30187	STEM, BAYONET BODY	51	17	81313M	BRACKET, STARTER HOUSING	37	37
30188	WASHER, CAP	51	20	81314M	BRACKET, LOCKOUT CABLE	39	54
47341A1	STARTER ROPE	43	24	81315M	CLAMP, LOCKOUT CABLE	39	42
54920A1	LENS ASSEMBLY, FUEL GAUGE	53	11	81316M	CABLE, LOCKOUT	39	43
64841A1	COVER ASSEMBLY, COMPLETE	53	0-2	81317M	CAM, LOCKOUT	39	45
64841A3	COVER ASSEMBLY, FUEL TANK	53	9	81318M	INDICATOR	49	11
73345	THRUST WASHER, FORWARD	17	75	81318M	INDICATOR, FUEL LEVEL	51	9
79629A1	STARTER ROPE	37	20	81319M	FLOAT, INDICATOR	49	12
80026M	RETAINER, VALVE SEAT	9	13	81319M	FLOAT, INDICATOR	51	10
80051M	ANODE	11	14	81321M	HOUSING, FUEL CONNECTOR	49	3
80063M	HANDLE, STARTER	37	19	81325M	BULB, PRIMER	49	16
80268M	BRACKET, INDICATOR	51	6	81325M	BULB, PRIMER	51	23
80268M	SUPPORT, INDICATOR	49	9	81328M	FUEL PUMP ASS'Y	45	1
80269M	LENS, INDICATOR	49	8	81329M	THROTTLE CABLE	27	17
80269M	LENS, INDICATOR	51	5	81330M	COVER, EXHAUST - OUTER	3	20
80454M	CAP, OVERFLOW PIPE	7	12	81332M	GUIDE, EXHAUST	11	9
80509M	GRIP, THROTTLE HANDLE	27	3	81333M	ROD, LINK	31	27
80606M	DIAPHRAGM	45	17	81334M	CAM	31	29
80606M	DIAPHRAGM	45	2	81338M	ROD, CHOKE	7	19
80607M	COVER	45	13	81341M	STOPPER, FREE ACCEL - LINK	31	2
80607M	COVER	45	24	81342M	RETAINER, BASE ASS'Y	33	11
80609M	RETAINER, CHECK VALVE	45	8	81344M	LEVER, C.D.I. CONTROL	31	18
80611M	PLATE, SPRING GUIDE	45	18	81345M	LEVER, C.D.I. CONTROL	31	1
80611M	PLATE, SPRING GUIDE	45	3	81346M	LEVER, C.D.I. CONTROL	31	15
80620M	BRACKET, FUEL FILTER	47	9	81347M	SHAFT, LINK CONNECTING	31	16
80935M	CAP, SPARK PLUG (NOISE SUPPRESSOR OPT)	33	19	81348M	ROD, CONTROL	31	25
81041M	FUEL LINE CONNECTOR ASS'Y	47	1	81349M	BRACKET, SHAFT - UPPER	31	19
81191M	CONNECTOR, CHOKE LEVER	7	20	81350M	BRACKET, SHAFT	31	7
81225M	CLEVIS	31	26	81351M	SHAFT, THROTTLE	27	10
81251M	HANGER, ENGINE	39	40	81354M	COVER, THROTTLE CAM	27	15
81253M	COVER, CYLINDER HEAD	3	31	81355M	HOUSING, THROTTLE CAM	27	13
81255M	ANODE	3	18	81356M	INDICATOR, THROTTLE	27	4
81265M	COVER, THERMOSTAT	3	33	81357M	CAM, THROTTLE	27	11
81271M	MAINFOLD, INTAKE	7	10	81358M	ROD, MANUAL SHIFT	27	34
81274M	BASE, AIR INTAKE	7	1	81359M	ARM & SHAFT ASS'Y (SHORT SHAFT)	25	1
81275M	COVER, AIR INTAKE	7	4	81360M	ARM & SHAFT ASS'Y (LONG SHAFT)	25	1
81282M	JET, PILOT (#92)	9	6	81371M	BUMPER, COWL	43	16
81284M	JET, MAIN (#185)	9	17	81374M	APRON, COWL - REAR	43	18
81286M	JET, MAIN AIR (#160)	9	2	81378M	APRON, COWL - FRONT	43	19
81287M	NOZZLE, MAIN	9	16	81382M	HANDLE, TRANSOM CLAMP SCREW	19	7
81289M	JET, PILOT AIR (#105)	9	1	81385M	COVER, SHOCK MOUNT	55	11
81290M	BOWL, FLOAT	9	21	81387M	STUD, CLAMP BRACKET	19	13
81291M	FLOAT	9	18	81388M	CAP, CLAMP BRACKET STUD	19	16
81298M	CAM, PAWL ENGAGEMENT	37	10	81391M	STOPPER PLATE	23	19
				81393M	LEVER, TILT STOP SUPPORT (PORT)	23	1

PARTS INDEX

Part Number	Description	Pg.	Ref. No.	Part Number	Description	Pg.	Ref. No.
81395M	COVER	23	21	81670M	SHIFT ROD ASS'Y, UPPER (SHORT SHAFT)	21	17
81396M	REVERSE LOCK	23	7	81671M	SHIFT ROD ASS'Y, UPPER (LONG SHAFT)	21	17
81400M	CLEVIS, REVERSE LOCK	23	13	81672M	INSERT, CARTRIDGE	15	45
81401M	GUIDE, REVERSE TAB	17	73	81673M	OUTER PLATE, CARTRIDGE	15	50
81402M	BRACKET, INDICATOR	27	26	81676M	HOUSING MOUNT, UPPER	25	23
81403M	STOP, SHAFT BRACKET	31	12	81694M	FUEL TANK CAP	49	2
81404M	BRACKET, SHIFT	21	1	82346M	BALL, DETENT	21	14
81408M	ROD, SHIFT - LOWER	13	10	82552M	HOUSING, STARTER	37	1
81409M	CAM, SHIFT	13	12	82553M	ARM, STEERING	27	1
81410M	CAM, REVERSE ROD	17	74	82556M	BRACKET, SHIFT ROD	21	10
81411M	HANDLE, GEAR SHIFT	27	29	82559M	EXTENSION	11	7
81412M	RETAINER, CLEVIS	21	7	82780M	VALVE SEAT ASS'Y	9	11
81413M	KNOB, SHIFT CONTROL	27	30	82784M	FUEL BOWL	47	7
81414M	INDICATOR, F-N-R	27	27	82788M	CAP, SPARK PLUG	33	19
81415M	CAP	31	24	82911M	ROD, THROTTLE LEVER	7	22
81428M	SET PLATE, WATER TUBE	17	83	82912M	APPLIQUE, FRONT	41	2
81429M	RETAINER, UPPER MOUNT	25	30	82986M	HOUSING, OIL SEAL	5	17
81431M	BUMPER	25	24	82988M	ROD, CHOKE LINK	7	21
81432M	HOUSING, LOWER MOUNT	25	7	83024M	COVER, AIR DUCT	41	7
81433M	RETAINER, LOWER MOUNT	25	16	83025M	SEAL	41	8
81434M	COVER, LOWER MOUNT	25	20	83026M	LEVER, CLAMP	41	17
81435M	HOUSING MOUNT, LOWER	25	9	83027M	LEVER	41	20
81439M	CAP, GREASE FILLING	19	3	83030M	SWITCH BOX ASS'Y	33	34
81441M	CAP, DRIVESHAFT HOUSING (SHORT SHAFT)	11	2	83031M	POINTER, TIMING	33	17
81442M	CAP, DRIVESHAFT HOUSING (LONG SHAFT)	11	2	83034M	HOOK, RUBBER SEAL	11	21
81443M	COVER, WATER INLET - PORT	15	62	83035M	BASE ASS'Y	33	2
81444M	COVER, WATER INLET - STARBOARD	15	63	83036M	COIL, IGNITION (CHARGE)	33	3
81445M	COVER, GEAR HOUSING	13	5	83037M	COIL, BLANKING (MASKING)	33	5
81446M	BEARING, CARRIER	15	38	83038M	COIL, LIGHTING (BATTERY CHARGING)	33	4
81448M	SEAL, RUBBER	15	61	83039M	SEAL, RUBBER	41	9
81449M	GUIDE, SEAL	13	2	83041M	HOLDER, CLAMP BAND	41	14
81474M	RING, CROSS PIN	13	27	83042M	DAMPER	41	22
81475M	SLIDE, SHIFT	13	30	83043M	SEAL	41	24
81476M	PLUNGER, SHIFT	13	29	83045M	STAY	43	3
81480M	CLEVIS, SHIFT CONTROL CABLE	21	9	83047M	COVER, BOTTOM	43	26
81480M	CLEVIS, THROTTLE CABLE	31	6	83064M	CAP, THRUST PLATE (SEE NOTE)	17	77
81483M	BRACKET, REMOTE CONTROL	31	32	83065M	ROD, REVERSE LOCK (LONG SHAFT)	23	11
81484M	CLAMP, CABLE	31	33	83129M	BASE ASS'Y	33	2
81486M	COIL, LIGHTING (BATTERY CHARGING)	33	4	83130M	BUMPER	25	13
81515M	COVER, TERMINAL STRIP	33	30	83131M	INNER PLATE, CARTRIDGE	15	46
81518M	TERMINAL STRIP	33	25	83132M	ROD, REVERSE LOCK (SHORT SHAFT)	23	11
81520M	RETAINER, SWITCH BOX	33	36	83148M	BRACKET, STEERING	27	18
81523M	MOUNT, GUIDE	37	27	83152M	RING, RETAINING	39	44
81523M	RUBBER MOUNT, MOUNTING BRACKET	33	21	83153M	RETAINER, COWL BUMPER	43	17
81531M	STOPPER	27	40	83162M	STARTER ASS'Y	37	0-1
81541M	STA-STRAP	33	24	83170M	DECAL, REAR	41	3
81543M	BRACKET, ELECTRICAL COMPONENT	33	20	83618M	FUEL METER	51	4
81544M	DAMPER, SWITCH BOX	33	35	83703M	STEERING HANDLE ASS'Y	27	0-1
81549M	IGNITION COIL ASS'Y	35	37	83704M	ROD, STEERING LINK (OPTIONAL PARTS)	27	42
81585M	HANDLE, THROTTLE	27	2	83705M	SHAFT, FRICTION (OPTIONAL PARTS)	29	45
81668M	REED VALVE	7	15	83706M	PIECE, FRICTION (OPTIONAL PARTS)	29	46

PARTS INDEX

Part Number	Description	Pg.	Ref. No.	Part Number	Description	Pg.	Ref. No.
83709M	SAFETY STARTER KIT ASS'Y	39	0-2	10-82438M	BOLT	7	6
83789M	POWRHEAD ASS'Y, COMPLETE (SEE NOTE)	3	-	10-82439M	BOLT	37	39
83859M	TRIM TAB	15	71	10-82441M	BOLT	21	11
84044M	STOPPER PLATE	23	19	10-82441M	BOLT	37	38
84139M	FUEL PUMP ASS'Y	45	16	10-82442M	BOLT	37	34
84141M	DIAPHRAGM	45	23	10-82448M	BOLT	17	84
84187M	REPAIR KIT, WATER PUMP	17	87	10-82449M	BOLT	13	8
84209M	LEVER, SHIFT ROD	21	6	10-82452M	BOLT	43	20
84212M	COIL, TRIGGER (PULSER)	33	10	10-82453M	BOLT	43	21
84419M	REPAIR KIT, CARBURETOR	9	27	10-82453M	BOLT (OPTIONAL PARTS)	29	50
84422M	ANODE	11	14	10-82456M	BOLT (OPTIONAL PARTS)	29	47
84439M	MANIFOLD, INTAKE	7	10	10-82464M	BOLT	25	18
84441M	JET, PILOT (#80)	9	6	10-82465M	BOLT	11	19
84447M	DRIVE CUP, PAWL	37	23	10-82466M	BOLT	11	18
84448M	STARTER ASS'Y	37	0-1	10-82466M	BOLT	25	31
84449M	HOUSING, STARTER	37	1	10-82467M	BOLT	11	17
84472M	PIECE, FRICTION (THROTTLE) (OPTIONAL PARTS)	29	49	10-82468M	BOLT	15	58
84478M	CARRYING HANDLE	55	13	10-82483M	SCREW	27	6
84479M	TRANSOM PLATE	55	18	10-82484M	SCREW	15	64
84480M	PLATE, TRANSOM	55	19	10-82495M	SCREW	27	16
M-81787M	NUT	19	15	10-82499M	SCREW	9	14
M-83040M	HOLDER, CLAMP BAND	41	13	10-82508M	SCREW, COIL ATTACHING	33	6
10-20411	SCREW, FUEL TANK COVER TO FUEL TANK	53	22	10-82509M	SCREW, COIL ATTACHING	33	7
10-25575	SCREW, VENT-FILLER CAP	53	4	10-82511M	SCREW	45	9
10-62568	SCREW, RETAINER TO FUEL TANK COVER	53	18	10-82518M	SCREW	51	8
10-81277M	SCREW, THROTTLE (UPPER)	9	7	10-82518M	SCREW, SUPPORT ATTACHING	49	10
10-81279M	SCREW, PLUG	9	5	10-82522M	SCREW	45	14
10-81281M	SCREW, IDLE SPEED	9	9	10-82522M	SCREW	45	25
10-81292M	SCREW, PLUG	9	3	10-82526M	SCREW, HOUSING ATTACHING	49	5
10-81293M	SCREW, DRAIN	9	23	10-82526M	SCREW, HOUSING ATTACHING	51	14
10-81381M	SCREW, TRANSOM CLAMP	19	6	10-82527M	SCREW	3	19
10-81706M	BOLT	15	69	10-82533M	SCREW	55	12
10-81710M	BOLT	27	19	10-82798M	SCREW	35	44
10-81713M	BOLT	31	31	10-82801M	BOLT, TRIM TAB ATTACHING	17	72
10-81714M	BOLT	25	25	10-82980M	SCREW	33	26
10-81715M	BOLT, ROD CAP	5	13	10-83048M	SCREW	33	32
10-81717M	BOLT	25	12	10-83050M	SCREW	31	21
10-81718M	BOLT	55	10	10-83141M	BOLT	37	18
10-81751M	PIVOT, LOCKOUT CAM	39	48	10-83371M	SCREW W/WASHER (UPPER)	9	26
10-81758M	SCREW W/WASHER	9	22	10-83395M	BOLT	5	21
10-82164M	SCREW	11	15	10-83539M	BOLT	3	22
10-82172M	SCREW	25	21	10-83539M	BOLT	7	3
10-82172M	SCREW	27	28	10-83539M	BOLT	33	12
10-82405M	BOLT	3	7	10-83539M	BOLT	47	2
10-82405M	BOLT	33	22	10-84057M	BOLT	15	57
10-82406M	BOLT	55	14	10-84211M	BOLT	43	15
10-82409M	BOLT	3	29	10-84211M	BOLT	47	10
10-82410M	BOLT	3	10	10-84236M	BOLT	37	35
10-82423M	BOLT	21	5	10-84237M	BOLT	3	35
10-82423M	BOLT	31	9	10-84237M	BOLT	35	40
10-82428M	BOLT	45	28	10-84237M	BOLT	37	28
10-82436M	BOLT	39	55	10-84237M	BOLT	43	13
10-82437M	BOLT	31	35	10-84247M	BOLT	33	18
				10-84247M	BOLT	41	11
				10-84247M	BOLT	43	27

PARTS INDEX

Part Number	Description	Pg.	Ref. No.	Part Number	Description	Pg.	Ref. No.
10-84303M	BOLT	39	49	12-81796M	WASHER	43	10
10-84303M	BOLT	41	10	12-81796M	WASHER	43	12
10-84423M	SCREW	11	15	12-81803M	WASHER	25	28
10-84427M	BOLT	11	4	12-81804M	WASHER	27	32
10-84435M	SCREW	35	46	12-81807M	WASHER	3	11
10-84446M	BOLT	37	12	12-81812M	WASHER	55	9
10-84481M	BOLT	55	20	12-81815M	WASHER	27	23
10-84482M	SCREW	55	23	12-81819M	WASHER	25	11
11-28587	NUT, SPEED-SPRING RETAINER	53	7	12-81825M	WASHER	25	26
11-81450M	NUT	15	43	12-81830M	WASHER	55	3
11-81764M	NUT	31	22	12-81831M	RETAINER	5	16
11-81772M	NUT, DRIVESHAFT	13	19	12-81836M	WASHER	19	14
11-81773M	NUT, FLYWHEEL	33	15	12-81837M	WASHER, REVERSE GEAR	15	33
11-81775M	NUT, PROPELLER	17	78	12-81838M	WASHER	25	3
11-81779M	NUT	25	22	12-81839M	WASHER	25	6
11-81781M	NUT	15	65	12-81852M	WASHER, WATER TUBE	17	80
11-81783M	NUT	25	29	12-81853M	WASHER	27	22
11-81785M	NUT	25	32	12-81858M	SPACER, SHIFT ROD	21	19
11-81785M	NUT	27	33	12-81859M	WASHER	55	6
11-81786M	NUT, ARM BOLT	27	25	12-81860M	WASHER	25	10
11-82373M	NUT	45	10	12-82198M	WASHER	37	25
11-82378M	NUT	31	28	12-82198M	WASHER	39	50
11-82380M	NUT	7	17	12-82198M	WASHER	45	29
11-82381M	NUT	31	23	12-82202M	WASHER	7	8
11-82382M	NUT	47	12	12-82202M	WASHER	21	13
11-82382M	NUT	55	17	12-82204M	WASHER	27	7
11-82387M	NUT	3	12	12-82211M	WASHER	41	5
11-82388M	NUT	41	4	12-82214M	WASHER	5	22
11-82392M	NUT	55	21	12-82214M	WASHER	13	9
11-82394M	NUT	15	67	12-82214M	WASHER	27	35
11-82395M	NUT	19	12	12-82214M	WASHER	35	48
11-82397M	NUT	25	15	12-82214M	WASHER (OPTIONAL PARTS)	29	51
11-82400M	NUT	23	12	12-82217M	WASHER	15	59
11-82703M	NUT, WING (OPTIONAL PARTS)	29	48	12-82217M	WASHER	55	22
11-82703M	NUT, WING (OPTIONAL PARTS)	29	52	12-82217M	WASHER (OPTIONAL PARTS)	29	44
11-82920M	NUT, CABLE END	27	38	12-82220M	WASHER	19	11
11-83502M	NUT (OPTIONAL PARTS)	29	43	12-82221M	WASHER	27	20
12-49221	WASHER, VENT SCREW	53	5	12-82799M	WASHER	35	45
12-74711	WASHER, FUEL TANK COVER FASTENING SCREW	53	23	12-82979M	WASHER	35	43
12-80271M	WASHER, HOUSING SCREW	49	6	12-83149M	WASHER	37	17
12-80271M	WASHER, HOUSING SCREW	51	15	12-83151M	WASHER	37	21
12-80564M	WASHER	3	30	12-83372M	WASHER (UPPER)	9	27
12-80638M	PAD, TRANSOM CLAMP SCREW	19	5	12-83702M	WASHER	25	27
12-81299M	WASHER	37	11	12-84429M	WASHER	25	14
12-81301M	WASHER	37	5	12-84436M	WASHER, FLYWHEEL	33	16
12-81343M	WASHER	33	14	13-81799M	WASHER	55	15
12-81455M	THRUST WASHER	13	18	13-81799M	WASHER, LOCK	37	30
12-81461M	THRUST WASHER, REVERSE GEAR	15	35	13-81799M	WASHER, LOCK	37	30
12-81477M	THRUST WASHER, FORWARD (SEE NOTE)	17	75	13-81866M	WASHER, WAVE	21	4
12-81701M	WASHER	9	4	13-81868M	WASHER, WAVE	23	3
12-81792M	WASHER	3	8	13-81868M	WASHER, WAVE	31	30
12-81794M	WASHER	41	21	13-81870M	WASHER, WAVE	27	24
				13-81871M	WASHER, WAVE	41	19
				13-82184M	WASHER, LOCK	33	33
				13-82197M	WASHER, LOCK	7	18
				13-82197M	WASHER, LOCK	33	23
				13-82197M	WASHER, LOCK	37	13
				13-82197M	WASHER, LOCK	37	29

PARTS INDEX

Part Number	Description	Pg.	Ref. No.	Part Number	Description	Pg.	Ref. No.
13-82197M	WASHER, LOCK	43	14	17-81258M	LOCK, BEARING	3	16
13-82197M	WASHER, LOCK	47	11	17-81278M	PIN, FLOAT	9	19
13-82199M	WASHER, LOCK	3	23	17-81384M	PIN, LOWER SHOCK MOUNT	55	5
13-82199M	WASHER, LOCK	21	3	17-81386M	PIN, UPPER SHOCK MOUNT	55	1
13-82199M	WASHER, LOCK	31	10	17-81389M	TILT LOCK PIN ASS'Y	23	18
13-82199M	WASHER, LOCK	33	13	17-81397M	ROD, REVERSE LOCK	23	8
13-82199M	WASHER, LOCK	41	12	17-81698M	PIN, VALVE	9	15
13-82200M	WASHER, LOCK	7	7	17-81889M	PIN	19	8
13-82200M	WASHER, LOCK	21	12	17-81903M	CROSS PIN, CLUTCH	13	28
13-82200M	WASHER, LOCK	31	36	17-81907M	RIVET	27	5
13-82200M	WASHER, LOCK	37	36	17-81909M	RIVET	23	16
13-82200M	WASHER, LOCK	55	16	17-82136M	PIN, CLEVIS	39	52
13-82208M	WASHER, LOCK	45	15	17-82137M	PIN, CLEVIS	21	2
13-82208M	WASHER, LOCK	45	26	17-82138M	PIN, CLEVIS	23	14
13-82212M	WASHER, LOCK	17	85	17-82145M	PIN, ROLL	23	20
13-82212M	WASHER, LOCK	35	47	17-82146M	PIN, ROLL	31	34
13-82212M	WASHER, LOCK	47	3	17-82149M	PIN, ROLL	31	5
13-82215M	WASHER, LOCK	11	5	17-82152M	PIN, ROLL	27	12
13-82215M	WASHER, LOCK	15	70	17-82154M	PIN, ROLL	31	20
13-82215M	WASHER, LOCK	25	19	17-82159M	PIN, ROLL	23	17
13-82218M	WASHER, LOCK	15	68	17-82354M	PIN, DOWEL	3	5
14-81877M	WASHER, CLAW	15	42	17-82354M	PIN, DOWEL	15	56
15-81259M	SHIM, CRANKSHAFT	5	7	17-82364M	PIN, DOWEL	11	3
15-81456M	SHIM, FORWARD GEAR ADJUST (.05 MM)	13	24	17-82364M	PIN, DOWEL	15	66
15-81457M	SHIM, FORWARD GEAR ADJUST (.08 MM)	13	24	17-82367M	PIN, DOWEL	31	4
15-81458M	SHIM, FORWARD GEAR ADJUST (.12 MM)	13	24	17-82368M	PIN, DOWEL	3	6
15-81459M	SHIM, FORWARD GEAR ADJUST (.30 MM)	13	24	17-82976M	PIN	31	3
15-81460M	SHIM, FORWARD GEAR ADJUST (.50 MM)	13	24	17-82982M	RIVET	41	16
15-81462M	SHIM, REVERSE GEAR ADJUST (.05 MM)	15	34	17-83904M	TILT LOCK PIN ASS'Y	23	18
15-81463M	SHIM, REVERSE GEAR ADJUST (.08 MM)	15	34	18-82129M	PIN, COTTER	27	36
15-81464M	SHIM, REVERSE GEAR ADJUST (.12 MM)	15	34	18-82130M	PIN, COTTER	23	9
15-81465M	SHIM, REVERSE GEAR ADJUST (.30 MM)	15	34	18-82131M	PIN, COTTER	23	5
15-81466M	SHIM, REVERSE GEAR ADJUST (.50 MM)	15	34	18-82736M	PIN, COTTER	21	21
15-81467M	SHIM, DRIVESHAFT BEARING (.05 MM)	13	15	18-82736M	PIN, COTTER	39	53
15-81468M	SHIM, DRIVESHAFT BEARING (.08 MM)	13	15	18-82752M	PIN, COTTER	23	15
15-81469M	SHIM, DRIVESHAFT BEARING (.12 MM)	13	15	18-84428M	PIN, COTTER	17	79
15-81470M	SHIM, DRIVESHAFT BEARING (.30 MM)	13	15	19-80604M	PLUG, STARTER HOUSING	37	14
15-81471M	SHIM, DRIVESHAFT BEARING (.50 MM)	13	15	19-81922M	PLUG	11	13
16-81383M	STUD, CLAMP BRACKET	19	9	21-80107M	VALVE, CHECK	3	3
16-81735M	STUD	3	13	21-80608M	CHECK VALVE	45	6
16-81742M	STUD, STEERING PLATE	25	2	21-80727M	CHECK VALVE ASS'Y	3	1
16-81743M	STUD	3	17	21-84140M	CHECK VALVE	45	21
16-81744M	STUD	11	6	22-63187	FITTING, FUEL LINE	51	21
17-20426	RIVET, INDICATOR TO RETAINER	53	17	22-80122M	FITTING, CRANKCASE DRAIN	3	4
				22-80122M	PIPE, OVERFLOW	7	11
				22-80218M	PLUG, WATER FLUSH (OPT)	17	87
				22-80756M	FITTING, EXHAUST COVER	3	24
				22-81042M	CONNECTOR HOUSING	49	13
				22-81042M	FUEL CONNECTOR, ENGINE END	51	26
				22-81326M	FITTING	43	6
				22-81697M	TEE FITTING, FUEL LINE	47	17
				22-81924M	SCREW	13	3
				22-81926M	PLUG, COVER	3	36
				22-82369M	FITTING, GREASE	19	2
				22-82975M	NIPPLE, HOSE	3	2
				23-80635M	RETAINER, COMPRESSION SPRING	21	16
				23-81308M	BUSHING	37	16

PARTS INDEX

Part Number	Description	Pg.	Ref. No.	Part Number	Description	Pg.	Ref. No.
23-81309M	COLLAR, ENGAGEMENT			25-81369M	GROMMET	43	5
	CAM	37	4	25-81517M	GROMMET, TERMINAL		
23-81327M	SLEEVE, HOSE	49	15		STRIP COVER - LOWER	33	29
23-81453M	SLEEVE, DRIVESHAFT	13	16	25-81695M	O-RING	9	24
23-81938M	BUSHING	55	7	25-81937M	GROMMET	37	31
23-81939M	BUSHING	55	4	25-81989M	GASKET, WATER TUBE	17	82
23-81942M	BUSHING	31	11	25-82058M	GROMMET, TERMINAL		
23-81943M	BUSHING	27	37		STRIP COVER - UPPER	33	28
23-81945M	BUSHING	27	9	25-82059M	GROMMET, LEAD WIRE	33	9
23-81946M	BUSHING	27	31	25-82061M	GROMMET	43	7
23-81946M	BUSHING	31	8	25-82065M	GROMMET	43	8
23-81947M	BUSHING,	23	4	25-82069M	GROMMET, PLUG WIRE	33	27
23-81950M	BUSHING	27	21	25-82261M	O-RING, VALVE	9	12
23-81952M	BUSHING	41	18	25-82269M	O-RING	41	15
23-81953M	BUSHING	21	18	25-82275M	O-RING	15	54
23-81955M	BUSHING	25	4	25-82276M	O-RING, CRANKSHAFT -		
23-81968M	COLLAR	43	9		UPPER	5	4
23-81971M	COLLAR	35	41	25-82281M	O-RING	13	6
23-81978M	COLLAR	37	32	25-82286M	O-RING, OIL SEAL HOUSING	5	20
23-81980M	COLLAR, TILT STOP			25-82288M	O-RING	9	20
	SUPPORT	23	6	25-82289M	O-RING	15	37
23-81981M	SPACER, CLAMP BRACKET			25-82789M	O-RING	49	14
	STUD	19	10	25-82789M	O-RING	51	27
23-82120M	SPACER	55	2	25-82792M	O-RING	47	8
23-82851M	BUSHING	35	42	25-83142M	GROMMET	43	4
23-82851M	BUSHING	37	26	26-81426M	SEAL	15	60
23-83150M	BUSHING	37	22	26-81427M	SEAL, WATER TUBE -		
23-83193M	SPACER, PROPELLER NUT				LOWER	17	86
	(SEE NOTE)	17	76	26-82233M	OIL SEAL, PROPELLER		
23-83610M	COLLAR	43	11		SHAFT	15	41
23-84426M	BUSHING	11	10	26-82234M	OIL SEAL, WATER PUMP	15	55
23-84489M	COLLAR	37	33	26-82248M	OIL SEAL, CRANKSHAFT -		
24-22227	SPRING, TENSION-VENT				LOWER	5	19
	SCREW	53	6	26-82249M	OIL SEAL, CRANKSHAFT -		
24-30189	SPRING, BAYONET BODY				UPPER	5	3
	STEM	51	19	26-82255M	OIL SEAL, CRANKSHAFT -		
24-80610M	SPRING	45	19		LOWER	5	18
24-80610M	SPRING	45	4	26-82256M	OIL SEAL, STEERING SHAFT	25	5
24-80615M	SPRING	45	11	26-82257M	OIL SEAL, GEAR HOUSING		
24-81295M	SPRING, STARTER	37	2		COVER	13	7
24-81297M	SPRING, ENGAGEMENT			27-25568	GASKET, FILLER CAP TO		
	CAM	37	9		FUEL TANK	53	8
24-81302M	SPRING, ENGAGEMENT			27-28862	GASKET, COVER		
	CAM	37	7		ASSEMBLY TO FRAME	53	19
24-82073M	SPRING, COMPRESSION	9	10	27-54921	GASKET, FUEL GAUGE		
24-82074M	SPRING, COMPRESSION	31	13		LENS	53	12
24-82080M	SPRING, COMPRESSION			27-80270M	GASKET, HOUSING TO LEN		
	(UPPER)	9	8		INDICATOR	51	7
24-82081M	SPRING, DETENT	21	15	27-80270M	GASKET, HOUSING TO		
24-82087M	SPRING, COMPRESSION	25	17		LENS INDICATOR	49	7
24-82091M	SPRING, SHIFT	13	31	27-80612M	GASKET, CHECK VALVE	45	7
24-82095M	SPRING, THROTTLE SHAFT	27	8	27-80613M	GASKET, BODY TO BASE	45	20
24-82102M	SPRING, LOCKOUT CAM			27-80613M	GASKET, BODY TO BASE	45	5
	RETURN	39	47	27-80614M	GASKET, BODY TO COVER	45	12
24-82103M	SPRING, TENSION	23	10	27-80614M	GASKET, BODY TO COVER	45	22
24-82106M	SPRING, LOCKOUT LEVER	39	46	27-80757M	GASKET, FUEL PUMP TO		
24-82113M	SPRING, TORSION	31	17		CRANKCASE	45	27
24-84168M	GASGET SET, POWERHEAD	3	-	27-81252M	GASKET, CYLINDER HEAD	3	28
25-20415	O-RING, BAYONET BODY			27-81254M	GASKET, CYLINDER HEAD		
	STEM	51	18		COVER	3	32

PARTS INDEX

Part Number	Description	Pg.	Ref. No.	Part Number	Description	Pg.	Ref. No.
27-81266M	GASKET, THERMOSTAT COVER	3	34	32-81995M	HOSE, DRAIN	3	14
27-81269M	GASKET, REED VALVE - UPPER	7	13	32-82004M	FUEL LINE, TEE TO CARBURETOR	47	18
27-81270M	GASKET, REED VALVE - LOWER	7	14	32-82010M	FUEL LINE, FILTER TO PUMP	47	15
27-81272M	GASKET, CARBURETOR TO MANIFOLD	7	9	32-82017M	FUEL LINE, CONNECTOR TO PUMP	47	13
27-81273M	GASKET, AIR INTAKE	7	5	32-82020M	FUEL LINE, PUMP TO TEE	47	16
27-81276M	GASKET, AIR INTAKE TO CARBURETOR	7	2	32-82023M	HOSE, BULB TO CONNECTOR	49	18
27-81320M	GASKET, HOUSING TO TANK	49	4	32-82023M	HOSE, BULB TO CONNECTOR	51	24
27-81320M	GASKET, HOUSING TO TANK	51	11	32-82025M	HOSE, CONNECTOR HOUSING TO BULB	49	17
27-81331M	GASKET, EXHAUST COVER	3	21	32-82025M	HOSE, CONNECTOR HOUSING TO BULB	51	22
27-81353M	GASKET, THROTTLE CAM COVER	27	14	32-83192M	FUEL HOSE ASS'Y	49	0-2
27-81417M	GASKET, WATER PUMP	15	49	32-83626M	HOSE, PICKUP	51	12
27-81418M	GASKET, WATER PUMP BASE	15	53	32-83628M	FUEL LINE ASS'Y	51	0-1
27-81421M	GASKET, CARTRIDGE OUTER PLATE	15	51	33-82371M	SPARK PLUG B-7HS - (NGK)	3	38
27-81437M	GASKET, EXHAUST GUIDE - UPPER	11	8	34-84440M	REED SET (REED STOPS NOT INCLUDED)	7	16
27-81440M	SEAL, INNER TO OUTER HOUSING	11	16	35-80617M	FUEL FILTER ASS'Y	47	4
27-81516M	GASKET, TERMINAL STRIP	33	31	35-82783M	ELEMENT, FILTER	47	6
27-81987M	GASKET	13	4	36-25392A2	FILLER CAP ASSEMBLY	53	3
27-82790M	GASKET, FILTER	47	5	36-83617M	FUEL TANK CAP	51	3
27-82794M	GASKET, EXHAUST GUIDE	11	11	37-75881	DECAL, FUEL TANK	53	2
27-83033M	SEAL, RUBBER	11	20	37-82865M	DECAL, SIDE SET	41	6
27-83044M	SEAL, BOTTOM COWL TO APRON	43	2	37-82962M	DECAL, TOP	51	2
27-84179M	GASKET SET, LOWER UNIT	17	87	37-82984M	DECAL	49	1
28-81912M	KEY	15	48	37-82984M	DECAL, SIDE	51	1
28-81915M	KEY, CRANKSHAFT TO FLYWHEEL	5	23	37-83053M	DECAL, HP	43	25
28-81916M	KEY	15	39	39-83195M	PISTON RING SET (STD)	5	9
29-82353M	BEARING, NEEDLE - CONNECTING ROD	5	14	39-83196M	PISTON RING SET (1ST O.S. - 82.25 MM)	5	9
30-82296M	BEARING, BALL	15	36	39-83197M	PISTON RING SET (2ND O.S. - 82.25 MM)	5	9
30-82304M	BEARING, CRANKSHAFT - LOWER	5	6	41-81263M	PIN, PISTON	5	10
31-82311M	BEARING, CONNECTING ROD	5	15	43-81454M	GEAR SET	13	20
31-82312M	BEARING, NEEDLE	5	2	43-84442M	GEAR, PINION	13	21
31-82313M	BEARING, CENTER MAIN	5	5	43-84443M	GEAR, FORWARD	13	22
31-82316M	BEARING, NEEDLE	13	17	43-84444M	GEAR, REVERSE	13	23
31-82317M	BEARING, NEEDLE	15	40	44-81472M	SHAFT, PROPELLER	13	32
31-82319M	BEARING, TAPERED ROLLER	13	14	45-81678M	DRIVESHAFT (SHORT SHAFT)	13	13
31-82320M	BEARING, TAPERED ROLLER	13	25	45-81679M	DRIVESHAFT (LONG SHAFT)	13	13
32-33909A3	TUBE ASSEMBLY	53	10	46-81416M	BODY, WATER PUMP	15	44
32-81324M	HOSE, EXHAUSE COVER	3	25	46-81422M	BASE, WATER PUMP	15	52
32-81674M	TUBE, WATER (SHORT SHAFT)	17	81	47-82824M	IMPELLER, WATER PUMP	15	47
32-81675M	TUBE, WATER (LONG SHAFT)	17	81	50-81296M	STARTER PULLEY	37	3
				52-81473M	CLUTCH	13	26
				53-28903	FASTENER, RETAINING FRAME TO FUEL TANK	53	21
				53-81264M	CLIP, PISTON PIN	5	11
				53-81305M	SNAP RING	37	6
				53-82324M	SNAP RING	21	20
				53-82325M	SNAP RING	25	8
				53-82330M	SNAP RING	21	8
				53-82330M	SNAP RING	31	14
				53-82334M	SNAP RING	13	11

PARTS INDEX

Part Number	Description	Pg.	Ref. No.	Part Number	Description	Pg.	Ref. No.
54-80752M	CLAMP, HOSE	49	19	1587-6843M	DRIVESHAFT HOUSING (LONG SHAFT)	11	1
54-80752M	CLAMP, HOSE	51	25	1587-7165M	DRIVESHAFT HOUSING, INNER (SHORT SHAFT)	11	12
54-82033M	CLAMP, WIRE	3	9	1587-7166M	DRIVESHAFT HOUSING, INNER (LONG SHAFT)	11	12
54-82037M	CLAMP	47	14	1651-6844M	GEAR HOUSING	13	1
54-82041M	CLAMP	39	56	1651-6896M	GEAR HOUSING ASS'Y (SHORT SHAFT)	13	0-1
54-82041M	CLAMP, WIRE	27	41	1651-6897M	GEAR HOUSING ASS'Y (LONG SHAFT)	13	0-1
54-82046M	CLAMP, HOSE	3	15	2168-6951M	COWLING, BOTTOM	43	1
54-82047M	CLAMP	47	19	2168-7111M	TOP COWLING ASS'Y	41	1
54-82047M	CLAMP, HOSE	3	26				
54-82048M	CLAMP	47	20				
54-82781M	CLIP	9	25				
54-82983M	CLAMP	43	22				
54-83764M	CLAMP, PICKUP HOSE	51	13				
55-81392M	SHOCK ABSORBER	55	8				
55-84477M	SHOCK ABSORBER KIT	55	0-1				
84-81250M	GROUND WIRE LEAD	35	39				
84-81250M	GROUND WIRE LEAD	35	39				
84-82831M	CORD, HIGH TENSION	35	38				
84-82997M	WIRE, LEAD 1	35	49				
84-82998M	WIRE, LEAD 2	35	50				
84-83708M	WIRE, LEAD	33	8				
84-84647M	WIRE, LEAD	33	8				
87-81535M	KILL SWITCH ASS'Y	27	39				
91-81669M	TOOL KIT	43	23				
217-81990M	GASKET, COVER PLUG	3	37				
253-6943M	FLYWHEEL /STATOR ASS'Y	33	0-1				
253-6950M	FLYWHEEL	33	1				
253-7167M	FLYWHEEL /STATOR ASS'Y	33	0-1				
253-7168M	FLYWHEEL	33	1				
463-6825M	CRANKSHAFT ASS'Y	5	1				
629-6860M	CONNECTING ROD ASS'Y	5	12				
761-6920M	PISTON (STD) (81.96 MM)	5	8				
761-6924M	PISTON (2ND O.S. - 82.50 MM)	5	8				
761-6928M	PISTON (STD) (81.95 MM)	5	8				
761-6929M	PISTON (STD) (81.97 MM)	5	8				
761-6930M	PISTON (1ST O.S. - 82.25 MM)	5	8				
870-6858M	CRANKCASE AND CYLINDER ASS'Y	3	0-1				
968-6824M	HEAD, CYLINDER	3	27				
1225-1529	FUEL TANK (6 GALLON)	53	1				
1225-1529A16	FUEL TANK ASSEMBLY (SEE NOTE)	53	0-1				
1252-6836M	FUEL TANK ASS'Y	49	0-1				
1383-6938M	CARBURETOR ASS'Y (LOWER)	9	0-2				
1383-6952M	CARBURETOR ASS'Y (UPPER)	9	0-1				
1484-6839M	CLAMP BRACKET	19	4				
1484-6841M	SWIVEL BRACKET (LONG SHAFT)	19	1				
1485-6840M	SWIVEL BRACKET (SHORT SHAFT)	19	1				
1587-6833M	DRIVESHAFT HOUSING, INNER (SHORT SHAFT)	11	12				
1587-6834M	DRIVESHAFT HOUSING, INNER (LONG SHAFT)	11	12				
1587-6842M	DRIVESHAFT HOUSING (SHORT SHAFT)	11	1				