



PARTS CATALOG

W15 HORSEPOWER

SERIAL NUMBER

W15 662-02241 THRU 662-001845 (M)
W15 662-33771 THRU 662-304410 (ML)

TABLE OF CONTENTS:

CARBURETOR	16
CLAMP AND SWIVEL BRACKET	28
COWLING	2
CRANKCASE AND CYLINDER HEAD	10
CRANKSHAFT AND PISTON	12
DRIVESHAFT HOUSING	34
FLYWHEEL MAGNETO	8
FUEL LINES AND FILTER	20
FUEL PUMP	18
FUEL TANK - REPLACEMENT OR ADDITIONAL	44
FUEL TANK-INTERNATIONAL AND USA	42
FUEL TANK-INTERNATIONAL ONLY	40
GEAR SHIFT LINKAGE	24
GEARHOUSING ASS'Y	36
INTAKE MANIFOLD AND CHOKE	14
MOUNTING SYSTEM	32
PARTS INDEX	46
RECOIL STARTER	4
REVERSE TILT LOCK	26
STEERING HANDLE	30
THROTTLE LINKAGE	22

NOTE: Indented description indicate that these parts are included in preceeding assembly.

AR = As Required

NSS = Not Sold Separate

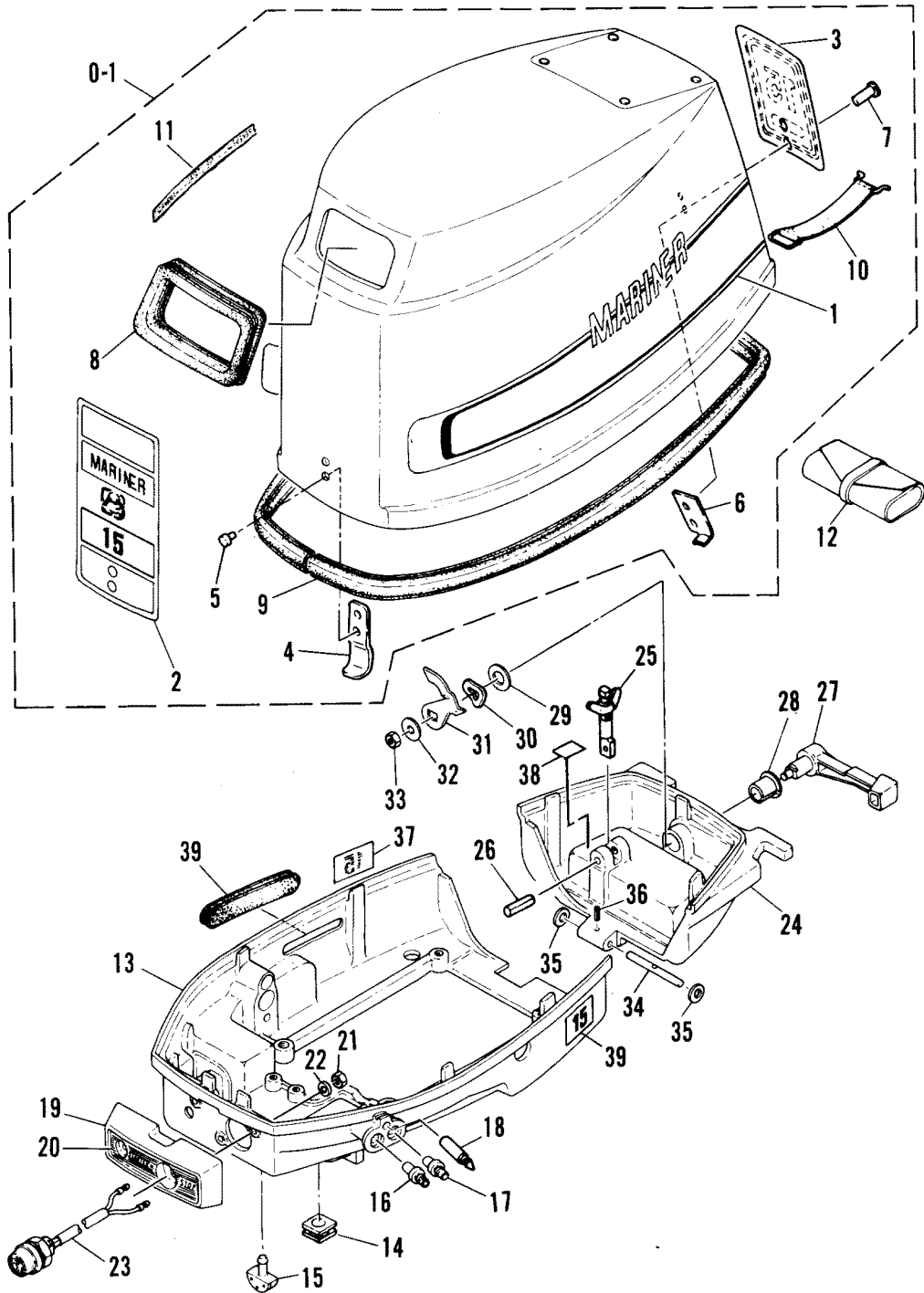
OPT = Optional

NS = Not Shown

THESE PARTS BOOKS/FICHE CARD ARE COPYRIGHTED AND MAY NOT BE DISTRIBUTED OR REPRODUCED IN ANY OTHER FORMAT BY ANYONE OTHER THAN MERCURY MARINE WITHOUT THE PRIOR WRITTEN CONSENT OF MERCURY MARINE.

THIS PAGE INTENTIONALLY LEFT BLANK

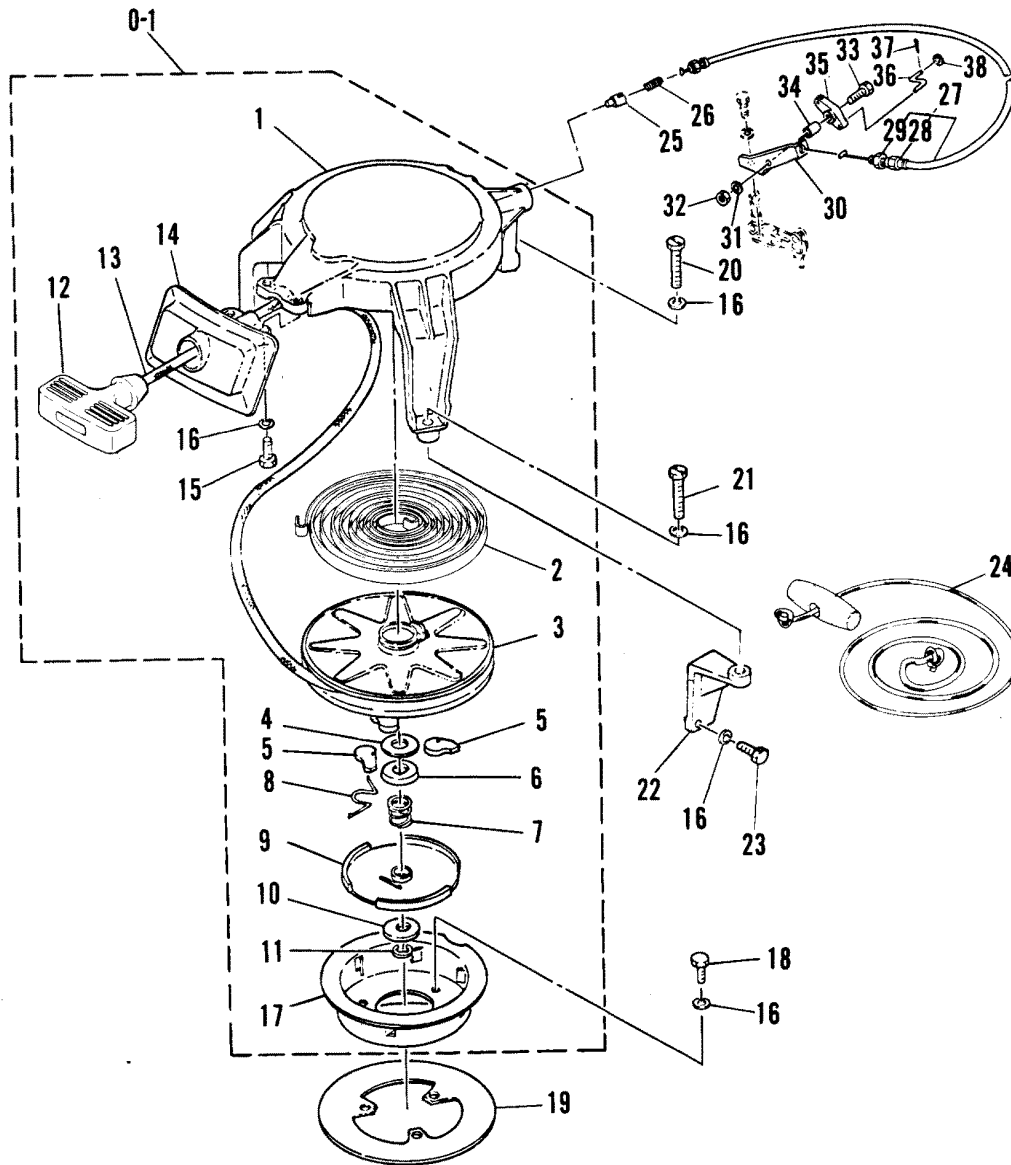
COWLING



COWLING

REF. NO.	PART NO.	SYM.	QTY.	DESCRIPTION
1	2168-6821M		1	TOP COWLING ASS'Y
	37-82546M		1	DECAL, SIDE SET
2	37-82909M		1	DECAL, FRONT APPLIQUE
3	37-82910M		1	APPLIQUE, REAR
4	83714M		1	HOOK
5	17-81905M		2	RIVET
6	80882M		1	HOLDER
7	17-83140M		2	RIVET
8	80749M		1	SEAL, RUBBER-STARTER
9	80881M		1	SEAL, TOP COWL
10	81241M		2	STRAP, COWL
11	37-81202M		1	DECAL, F-N-R
12	91-80277M		1	TOOL KIT
13	2168-6949M		1	BOTTOM COWL, FRONT
14	83062M		1	GROMMET
15	80033M		1	HOLDER, DRIVE PIN
16	22-80754M		1	CONNECTOR, FUEL LINE
17	22-80755M		1	CONNECTOR, FUEL LINE
18	17-81044M		1	GUIDE, FUEL LINE CONNECTOR
19	80885M		1	PANEL, CONTROL
20	37-83121M		1	DECAL, STOP-CHOKE
21	11-82379M		2	NUT
22	13-82193M		2	WASHER, LOCK
23	87-80718M		1	STOP SWITCH ASS'Y
24	2168-6753M		1	BOTTOM COWL, REAR
25	10-80887M		1	BOLT
26	17-82563M		1	PIN
27	80889M		1	LEVER, COWL CLAMP
28	23-81951M		1	BUSHING
29	12-81817M		1	WASHER
30	13-81871M		1	WASHER, WAVE
31	80890M		1	CLAMP, COWL
32	12-81794M		1	WASHER
33	11-82381M		1	NUT
34	80229M		1	SHAFT, COWL ATTACHING
35	12-81844M		2	WASHER
36	17-83126M		1	PIN, ROLL
37	37-83055M		2	DECAL, HP
38	M-94774M		1	DECAL, SPARKPLUG
39	82055M		1	GROMMET, COWL SERIAL 00000000-00003740

RECOIL STARTER

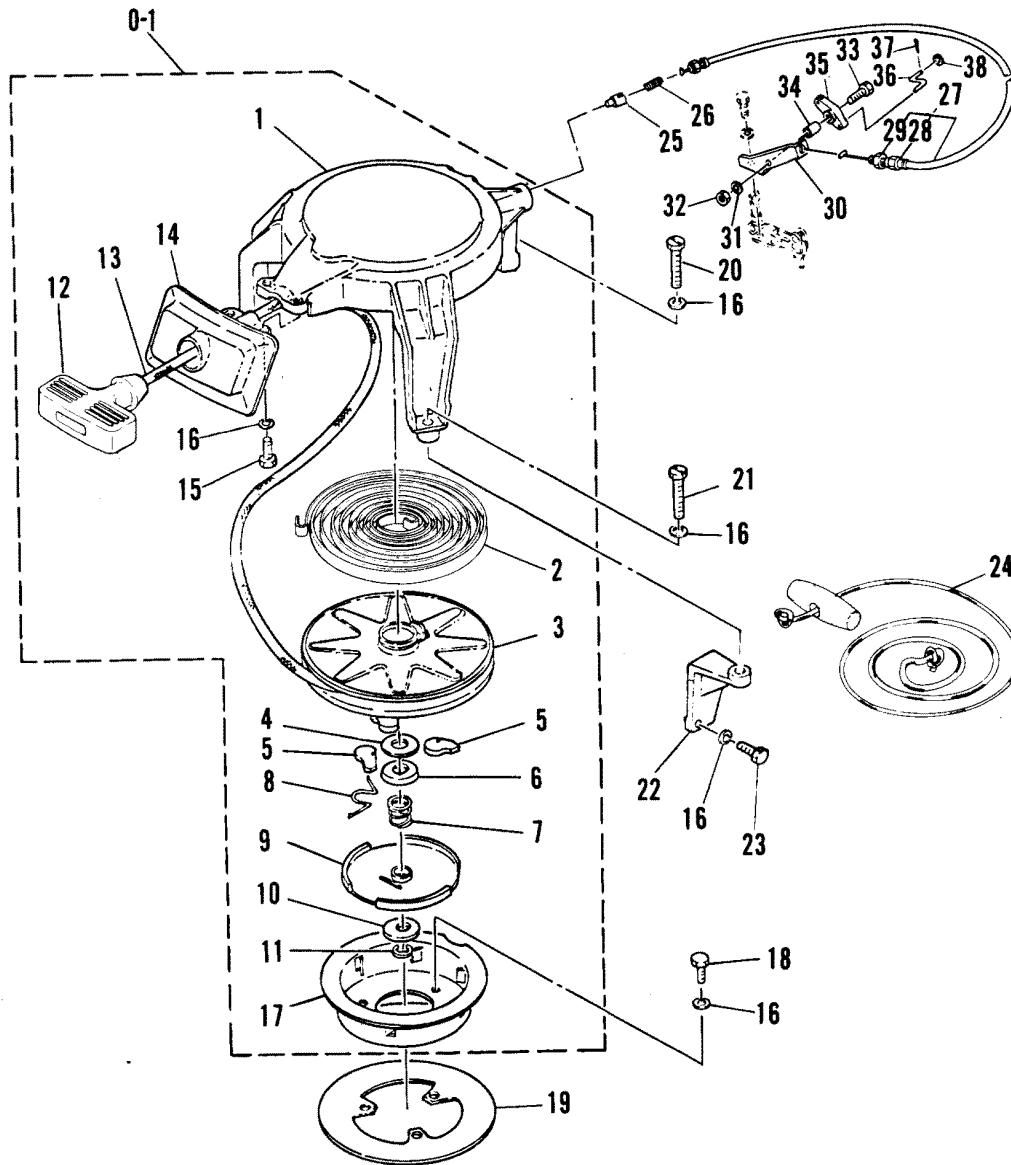


RECOIL STARTER

REF. NO.	PART NO.	SYM.	QTY.	DESCRIPTION
0-1	50-84499M		1	STARTER ASS'Y SERIAL 00000101-09999999
	M-81217M		1	STARTER ASS'Y SERIAL 00000100-09999999
1	2169-7174M		1	HOUSING, STARTER SERIAL 00000101-09999999
	2169-7175M		1	HOUSING, STARTER SERIAL 00000000-00000100
2	24-80207M		1	SPRING, STARTER
3	50-84500M		1	SHEAVE, STARTER SERIAL 00000101-09999999
	50-80208M		1	SHEAVE, STARTER SERIAL 00000000-00000100
4	12-80213M		1	WASHER, THRUST-SHEAVE STARTER
5	80214M		3	PAWL, STARTER
6	12-80211M		1	WASHER, THRUST PLATE SPRING
7	24-80209M		1	SPRING, DRIVE PLATE
8	24-81696M		3	SPRING, STARTER PAWL
9	80210M		1	DRIVE, PLATE
10	12-80212M		1	WASHER
11	53-81693M		1	SNAP RING
12	80063M		1	HANDLE, STARTER
13	79629A1		1	STARTER ROPE
14	80748M		1	GUIDE, ROPE SERIAL 00000101-09999999
	81218M		1	GUIDE, ROPE SERIAL 00000000-00001000
15	10-84247M		2	BOLT
16	13-82197M		12	WASHER, LOCK
17	84501M		1	PULLEY, STARTER SERIAL 00000101-09999999
	80747M		1	PULLEY, STARTER SERIAL 00000000-00000100
18	10-84211M		3	BOLT
19	81247M		1	BASE, STARTER PULLEY
20	10-81750M		1	BOLT
21	10-81749M		2	BOLT
22	81219M		2	BRACKET, STARTER HOUSING
23	10-83539M		4	BOLT
24	47341A1		1	EMERGENCY STARTER ROPE
25	81106M		1	PLUNGER
26	24-82079M		1	SPRING
27	84-84502M		1	STARTER LOCKOUT WIRE ASS'Y
28	10-81746M		1	ADJUSTING COLLAR
29	11-82380M		1	NUT
30	84503M		1	BRACKET
31	13-82197M		1	WASHER, LOCK
32	11-82380M		1	NUT
33	10-82425M		1	BOLT

CONTINUED ON NEXT PAGE ➡

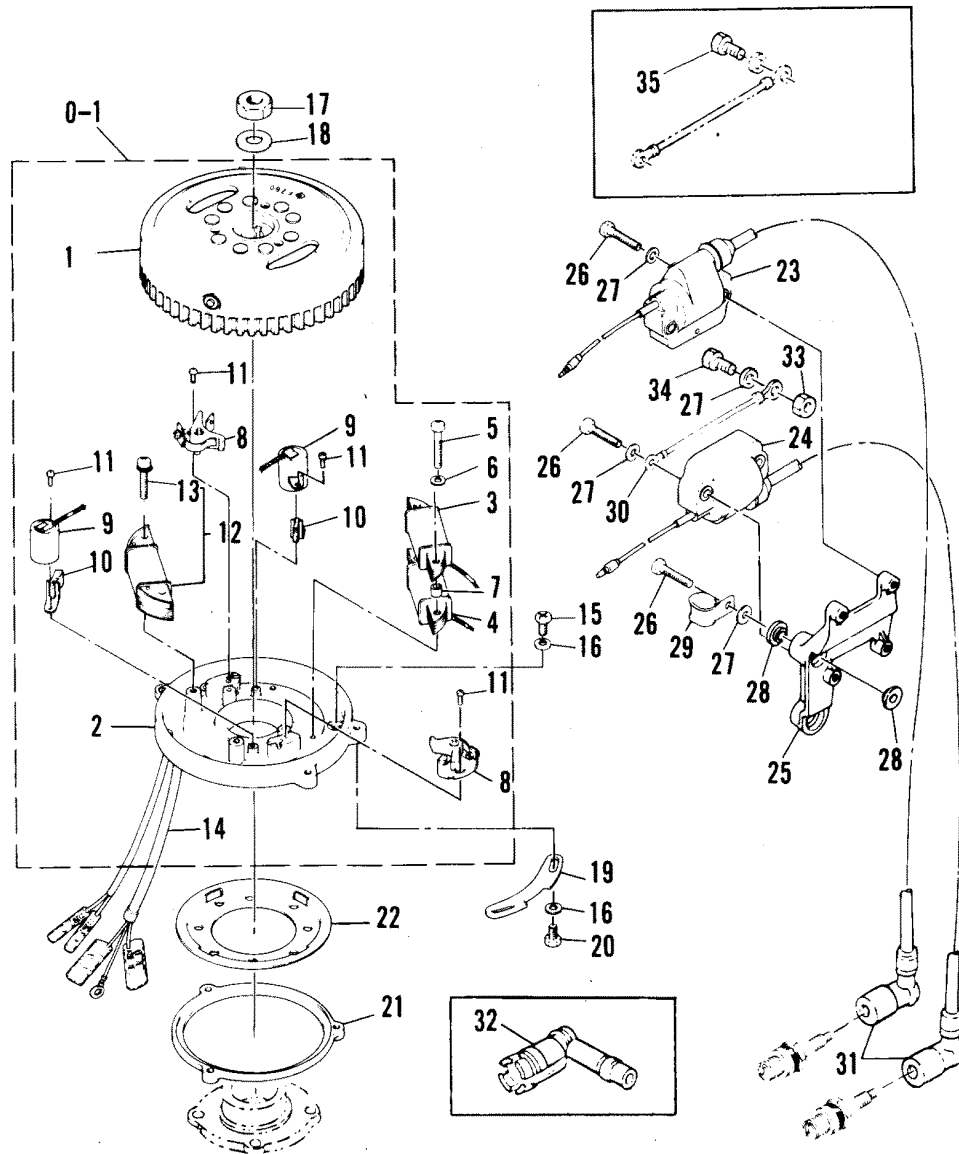
RECOIL STARTER



RECOIL STARTER

REF. NO.	PART NO.	SYM.	QTY.	DESCRIPTION
34	23-84055M		1	BUSHING
35	84504M		1	ARM, LINK
36	84505M		1	LINK
37	18-82736M		1	PIN, COTTER
38	12-82209M		1	WASHER

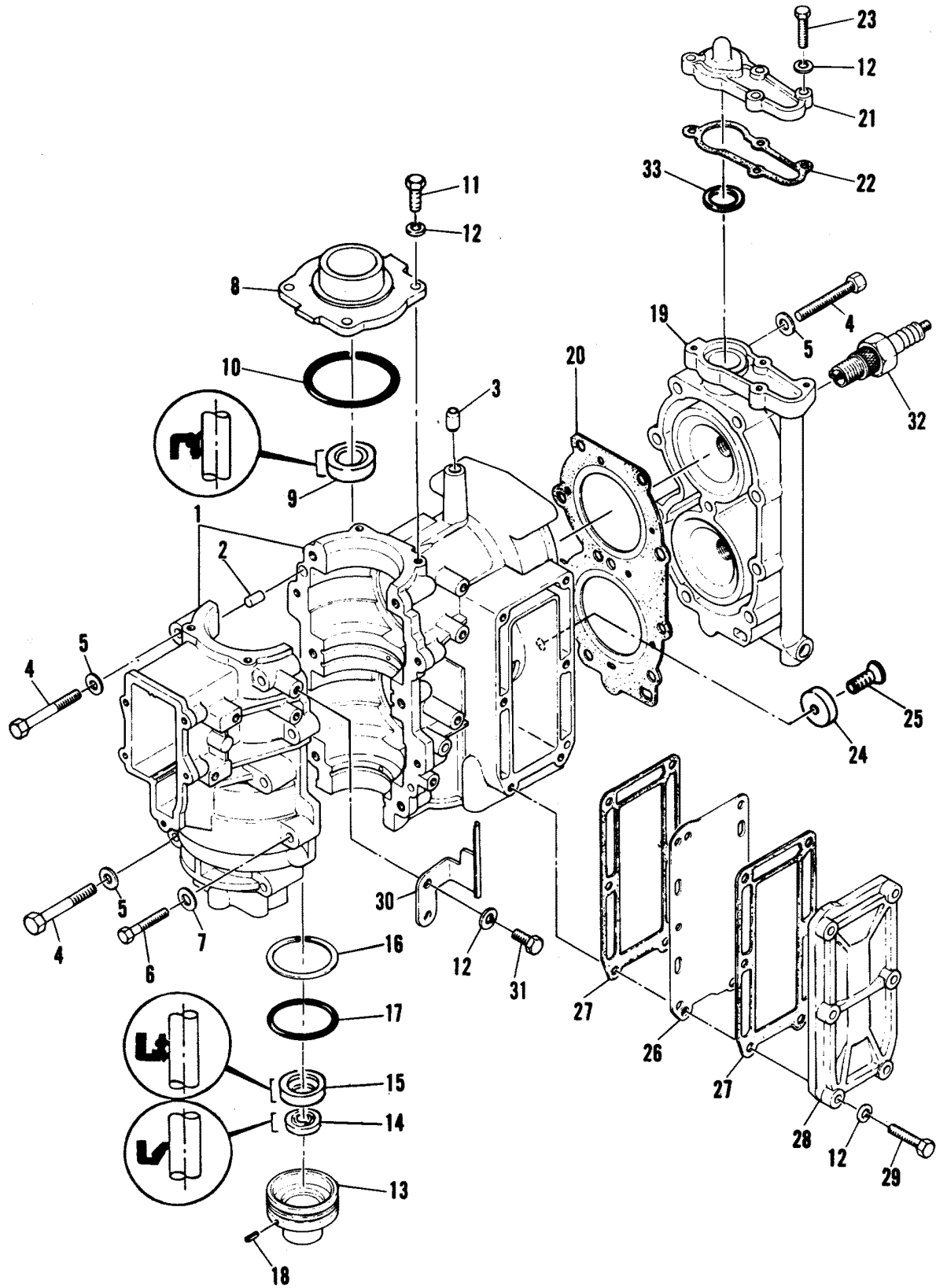
FLYWHEEL MAGNETO



FLYWHEEL MAGNETO

REF. NO.	PART NO.	SYM.	QTY.	DESCRIPTION
0-1	253-7173M		1	FLYWHEEL MAGNETO ASS'Y WITHOUT LIGHTING COIL
	253-6822M		1	FLYWHEEL MAGNETO ASS'Y WITH LIGHTING COIL
1	253-6823M		1	FLYWHEEL
2	81245M		1	BASE, MAGNETO
3	80551M		1	IGNITION COIL, #1 CYLINDER
4	80552M		1	IGNITION COIL, #2 CYLINDER
5	10-82504M		2	SCREW
6	13-82193M		2	WASHER, LOCK SERIAL 00000921-09999999
	13-82193M		4	WASHER, LOCK SERIAL 00000000-00000920
7	23-80555M		2	SPACER, COIL
8	80930M		2	BREAKER POINT ASS'Y
9	80558M		2	CONDENSER
10	80025M		2	LUBRICATOR
11	10-80023M		4	SCREW W/WASHER
12	80553M		1	LIGHTING COIL ASS'Y (80E) LIGHTING COIL IS OPTIONAL ON U.S.A. ENGINES.
13	10-80557M		2	SCREW
14	84-81246M		1	LEAD WIRE
15	10-82176M		3	SCREW
16	13-82197M		5	WASHER, LOCK
17	11-81771M		1	NUT, FLYWHEEL
18	12-81814M		1	WASHER
19	81233M		1	STOP, MAGNETO BASE
20	10-84315M		2	BOLT
21	81231M		1	RETAINER, MAGNETO BASE-INNER
22	81232M		1	RETAINER, MAGNETO BASE-OUTER
23	84498M		1	SECONDARY IGNITION COIL ASS'Y
24	84498M		1	SECONDARY IGNITION COIL ASS'Y
25	81248M		1	BRACKET, INGITION COIL
26	10-84237M		6	BOLT
27	13-82199M		7	WASHER, LOCK
28	23-81970M		4	COLLAR, COIL BRACKET BOLT
29	54-82040M		1	CLAMP, COIL CLAMP
30	84-81250M		1	WIRE, GROUND
31	84319M		2	PLUG CAP
32	80935M		2	PLUG CAP, NOISE SUPPRESSOR (OPT)
33	11-82380M		1	NUT SERIAL 00000101-09999999
34	10-84303M		1	BOLT SERIAL 00000101-09999999
35	10-82422M		1	BOLT SERIAL 00000000-00000100

CRANKCASE AND CYLINDER HEAD



2

W-15 HP

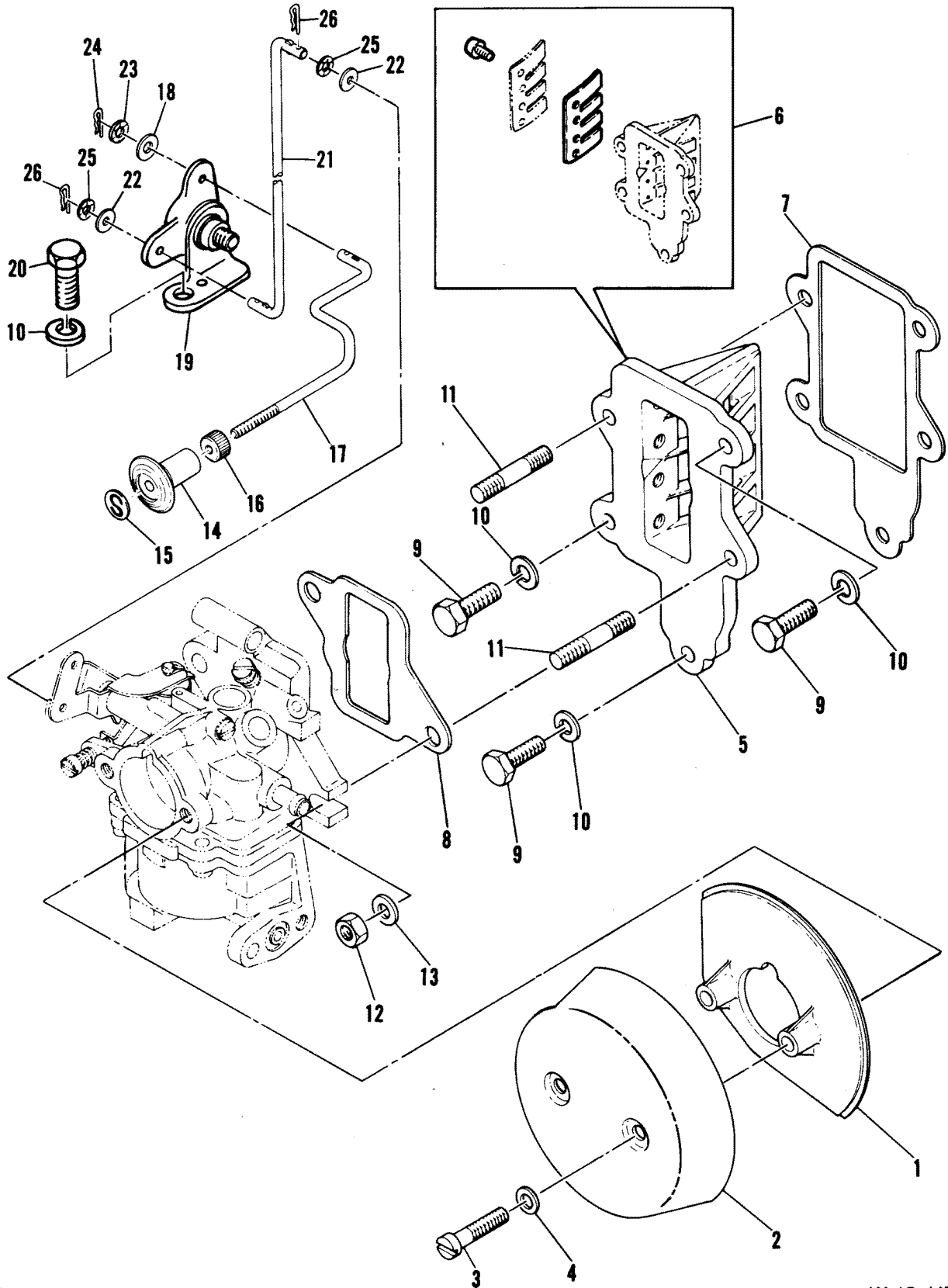
CRANKCASE AND CYLINDER HEAD

REF. NO.	PART NO.	SYM.	QTY.	DESCRIPTION
1	870-6820M		1	CRANKCASE AND CYLINDER ASS'Y
2	17-82364M		2	PIN, COWEL
3	17-82161M		1	PIN, COWEL
4	10-82407M		15	BOLT
5	12-81798M		15	WASHER
6	10-83285M		4	BOLT
7	12-81792M		4	WAHSER
8	81215M		1	HOUSING, OIL SEAL-UPPER
9	26-82247M		1	OIL SEAL
10	25-82285M		1	O-RING, UPPER OIL SEAL HOUSING
11	10-83539M		4	BOLT
12	13-82197M		16	WASHER, LOCK
13	81216M		1	HOUSING, OIL SEAL-LOWER
14	26-82225M		1	OIL SEAL
15	26-82232M		1	OIL SEAL
16	53-82340M		1	SNAP RING, OIL SEAL HOUSING
17	25-82276M		1	O-RING, LOWER OIL SEAL HOUSING
18	17-82139M		1	PIN, ROLL
19	968-7172M		1	HEAD, CYLINDER
20	27-81206M		1	GASKET, CYLINDER HEAD
21	81207M		1	COVER, THERMOSTAT
22	27-81208M		1	GASKET, THERMOSTAT COVER
23	10-82405M		4	BOLT
24	80051M		1	ANODE
25	10-82791M		1	SCREW
26	81222M		1	COVER, EXHAUST-INNER
27	27-81223M		2	GASKET, EXHAUST COVER
28	81224M		1	COVER, EXHAUST-OUTER
29	10-84237M		6	BOLT
30	81234M		1	STOP, MAGNETO BASE
31	10-84211M		2	BOLT
32	33-82371M		2	SPARK PLUG, B-7HS (NGK)
33	12-81835M		1	WASHER SERIAL 00001426-00000920
	83785M		1	POWERHEAD ASS'Y, COMPLETE FOR REPLACEMENT OF POWERHEAD ASSEMBLY, COMPLETE; WHICH INCLUDES CRANKCASE ASSEMBLY, CYLINDER HEAD, PISTONS, CONNECTING RODS, CRANKSHAFT, BEARINGS, ETC. - ORDER POWERHEAD ASSEMBLY (M-83785M)
	27-84163M		1	GASKET SET, POWERHEAD

CRANKSHAFT AND PISTON

REF. NO.	PART NO.	SYM.	QTY.	DESCRIPTION
1	463-8614M		1	CRANKSHAFT ASS'Y
2	30-82308M		2	BEARING, CRANKSHAFT
3	761-8220M		2	PISTON ASS'Y (STD)
	761-8221M		AR	PISTON ASS'Y (1ST O.S. 56.25 MM)
	761-8222M		AR	PISTON ASS'Y (2ND O.S. 56.50 MM)
4	39-83216M		2	PISTON RING SET (STD)
	39-83711M		AR	PISTON RING SET (1ST O.S. 56.25 MM)
	39-83712M		AR	PISTON RING SET (2ND O.S. 56.50 MM)
5	29-82351M		56	BEARINGS, PISTON PIN
6	12-81826M		4	WASHER, PISTON PIN
7	41-80021M		2	PIN, PISTON
8	53-82344M		4	CLIP, PISTON PIN
9	28-81914M		1	KEY, CRANKSHAFT TO FLYWHEEL

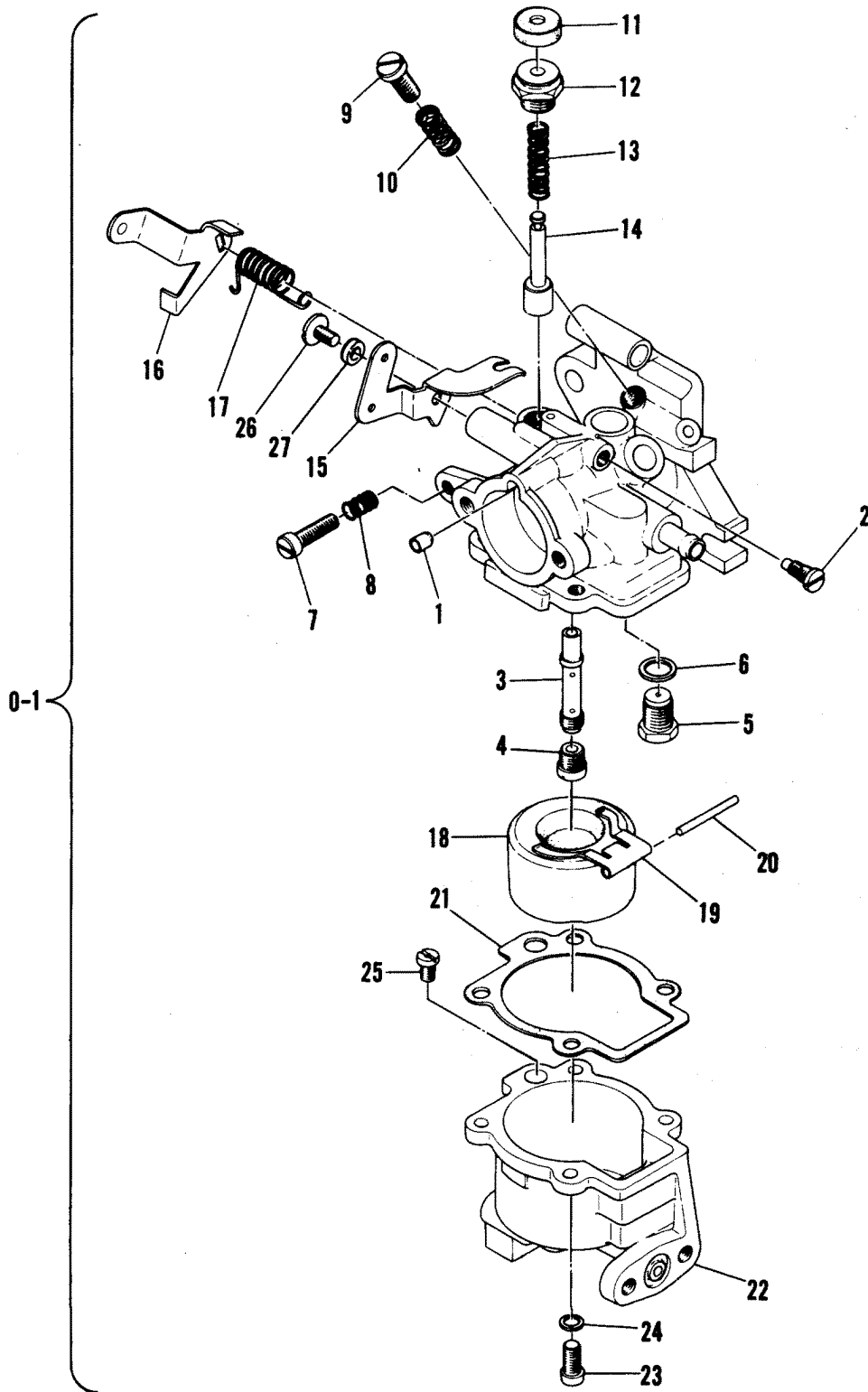
INTAKE MANIFOLD AND CHOKE



INTAKE MANIFOLD AND CHOKE

REF. NO.	PART NO.	SYM.	QTY.	DESCRIPTION
1	81212M		1	BASE, AIR INTAKE COVER
2	81213M		1	COVER, AIR INTAKE
3	10-82492M		2	SCREW
4	12-82196M		2	WASHER
5	34-81209M		1	REED VALVE ASS'Y
6	34-84491M		1	REED SET (REED STOPS NOT INCLUDED)
7	27-81210M		1	GASKET, REED VALVE
8	27-81211M		1	GASKET, CARBURETOR TO REED VALVE
9	10-82423M		3	BOLT
10	13-82197M		4	WASHER, LOCK
11	16-81729M		2	STUD
12	11-82381M		2	NUT
13	13-82199M		2	WASHER, LOCK
14	80149M		1	KNOB, CHOKE
15	80128M		1	INDICATOR, CHOKE
16	23-80053M		1	BUSHING, CHOKE KNOB
17	80766M		1	LONK ROD, CHOKE
18	12-82799M		1	WASHER
19	83110M		1	CHOKE LINK ASS'Y
20	10-83111M		1	BOLT
21	81228M		1	LONK ROD, CHOKE LEVER
22	12-82192M		2	WASHER
23	13-81864M		1	WASHER, LOCK
24	18-82051M		1	PIN
25	13-81863M		2	WASHER, LOCK
26	18-82050M		2	PIN

CARBURETOR



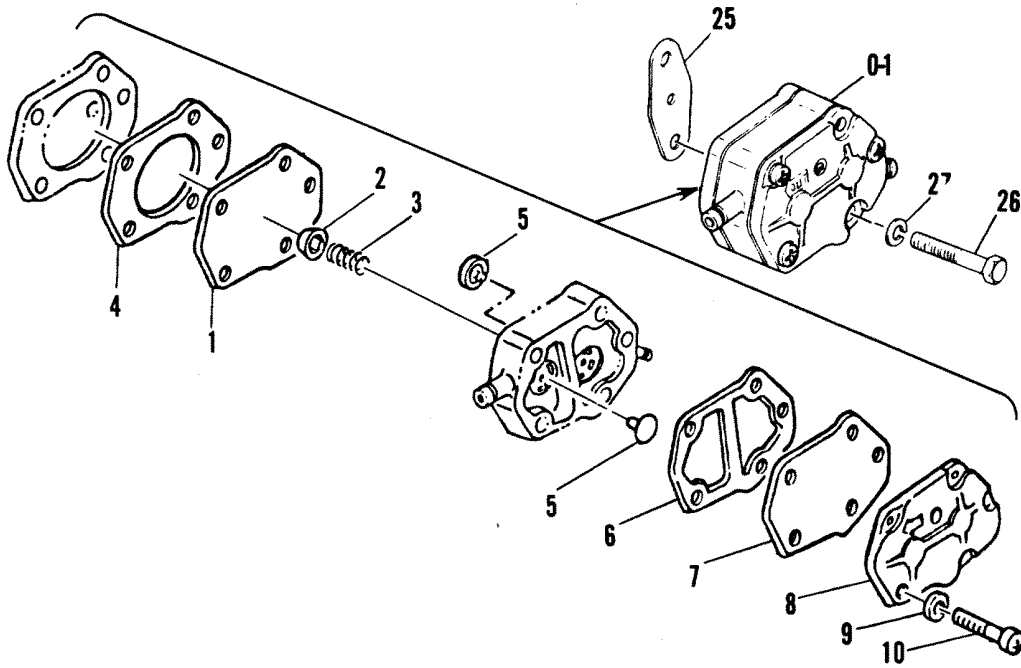
W-15 HP

CARBURETOR

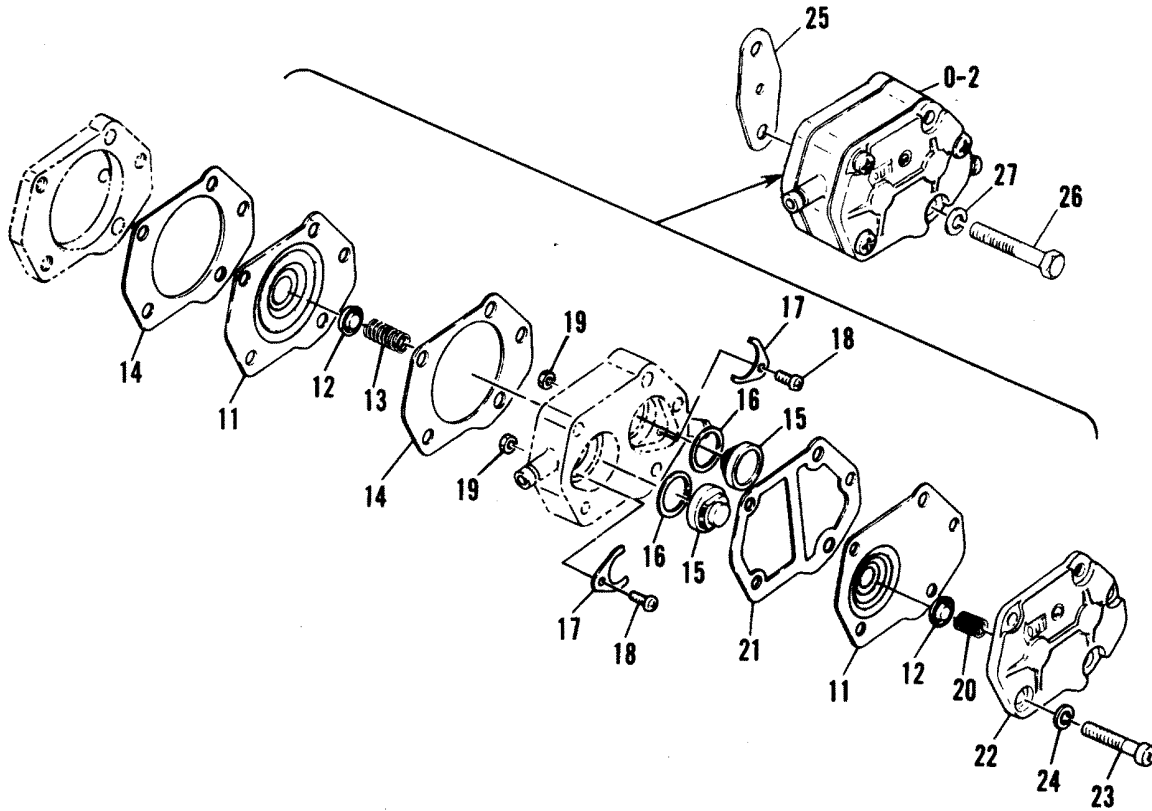
REF. NO.	PART NO.	SYM.	QTY.	DESCRIPTION
0-1	1383-7118M		1	CARBURETOR ASS'Y
1	80585M		1	AIR JET, LOW SPEED
2	80578M		1	JET, LOW SPEED (#60)
3	80941M		1	NOZZLE, MAIN
4	80581M		1	JET, MAIN (#135)
5	80447M		1	INLET VALVE SEAT ASS'Y
6	27-80205M		1	GASKET, VALVE SEAT
7	10-80738M		1	SCREW, IDLE SPEED
8	24-80193M		1	SPRING, IDLE SPEED SCREW
9	10-80573M		1	SCREW, IDLE MIXTURE
10	24-80575M		1	SPRING, IDLE MIXTURE SCREW
11	80196M		1	COVER, CHOKE PLUNGER CAP
12	80197M		1	CAP, CHOKE PLUNGER
13	24-80194M		1	SPRING, CHOKE PLUNGER
14	80195M		1	PLUNGER, CHOKE
15	80198M		1	LEVER, CHOKE
16	83217M		1	LEVER, THROTTLE
17	24-80574M		1	RETURN SPRING, THROTTLE LEVER
18	80450M		1	FLOAT
19	80203M		1	ARM, FLOAT
20	17-80201M		1	PIN, FLOAT
21	27-80740M		1	GASKET, FLOAT BOWL
22	83114M		1	BOWL, FLOAT
23	10-82514M		4	SCREW
24	13-82184M		4	WASHER, LOCK
25	80584M		1	JET, STARTER
26	10-83112M		1	SET SCREW
27	83115M		1	COLLAR
	84474M		1	REPAIR KIT, CARBURETOR REPLACEMENT PARTS

FUEL PUMP

S-000551, L-301141 AND ABOVE



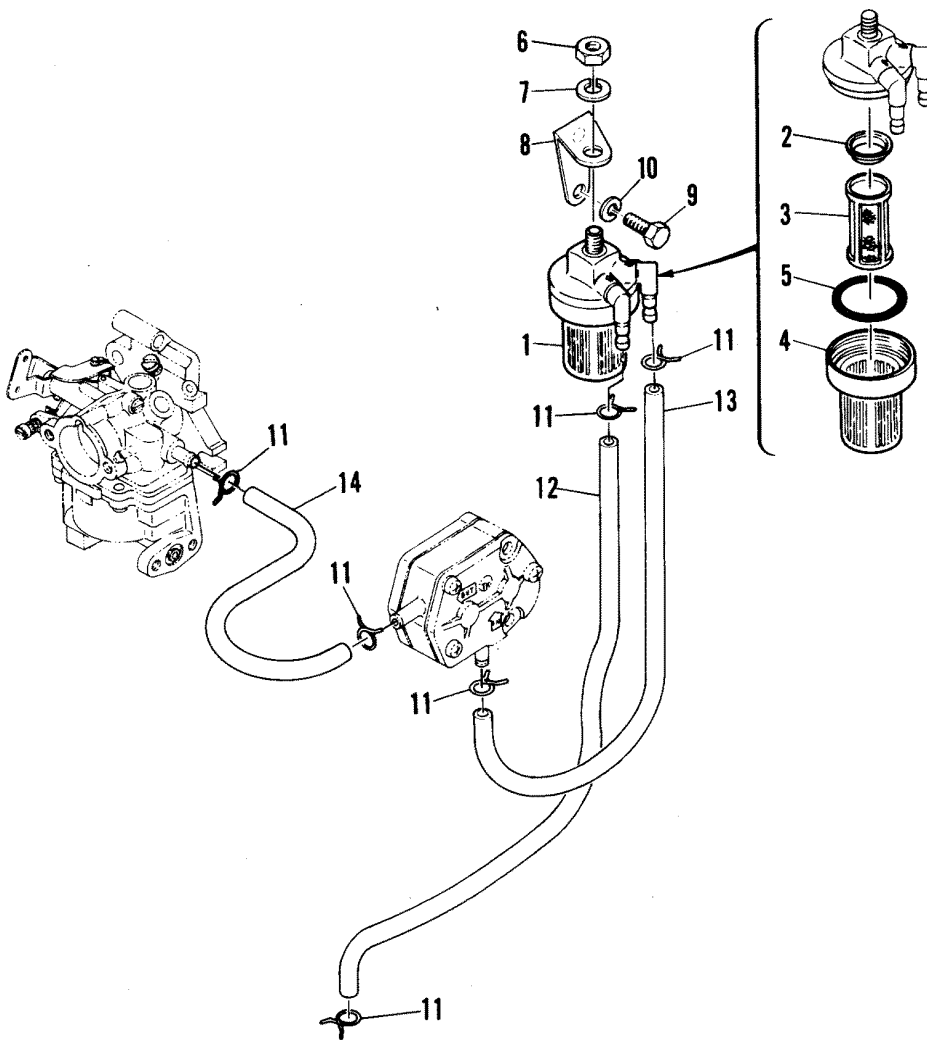
S-000550, L-301140 AND BELOW



FUEL PUMP

REF. NO.	PART NO.	SYM.	QTY.	DESCRIPTION
0-1	84651M		1	FUEL PUMP ASS'Y SERIAL 0000551-0999999
1	80606M		1	DIAPHRAGM
2	80611M		1	PLATE, SPRING GUIDE
3	24-80610M		1	SPRING
4	27-80613M		1	GASKET, BODY TO BASE
5	21-84650M		2	CHECK VALVE
6	27-80614M		1	GASKET, BODY TO COVER
7	84141M		1	DIAPHRAGM
8	80607M		1	COVER
9	10-82522M		3	SCREW
10	13-82208M		3	WASHER, LOCK
0-2	93045M		1	FUEL PUMP ASS'Y SERIAL 0000000-00000550
11	80606M		2	DIAPHRAGM
12	80611M		2	PLATE, SPRING GUIDE
13	24-80610M		1	SPRING
14	27-80613M		2	GASKET, BODY TO BASE
15	21-80608M		2	CHECK VALVE
16	27-80612M		2	GASKET, CHECK VALVE
17	80609M		2	RETAINER, CHECK VALVE
18	10-82511M		2	SCREW
19	11-82373M		2	NUT
20	24-80615M		1	SPRING
21	27-80614M		1	GASKET, BODY TO COVER
22	80607M		1	COVER
23	10-82523M		3	SCREW
24	13-82208M		3	WASHER, LOCK
25	27-80757M		1	GASKET, FUEL PUMP TO CRANKCASE COMMON PARTS
26	10-82428M		2	BOLT COMMON PARTS
27	13-82197M		2	WASHER, LOCK COMMON PARTS

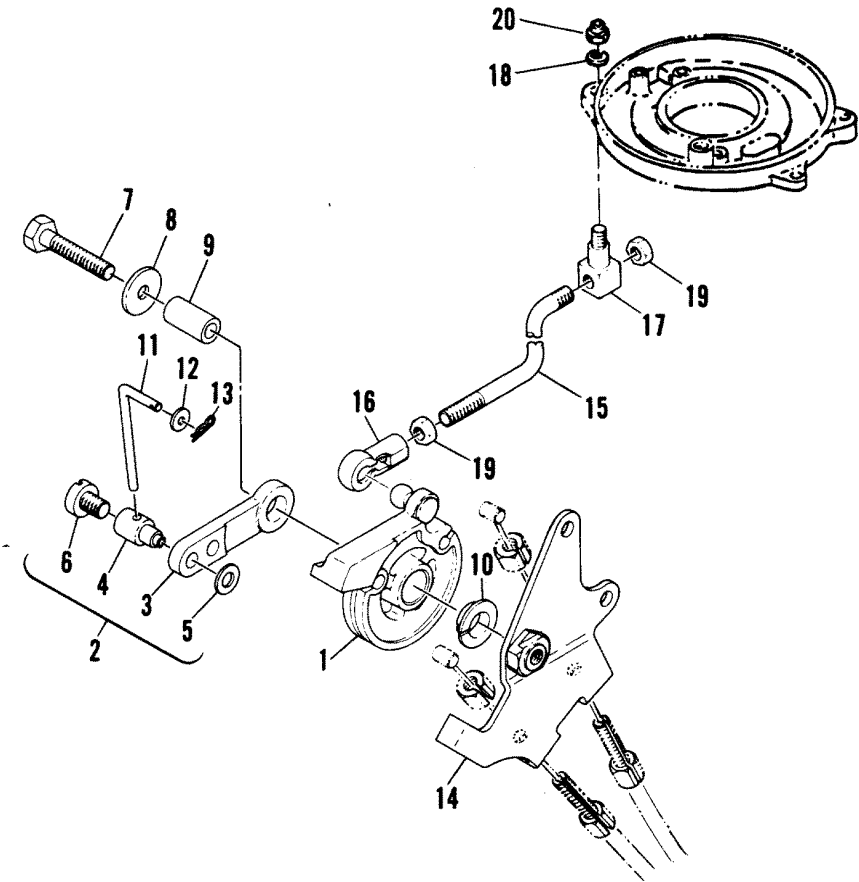
FUEL LINES AND FILTER



FUEL LINES AND FILTER

REF. NO.	PART NO.	SYM.	QTY.	DESCRIPTION
1	35-80617M		1	FILTER ASS'Y
2	27-82790M		1	GASKET, FUEL BOWL
3	35-82783M		1	ELEMENT, FUEL FILTER
4	82784M		1	CUP, FILTER
5	25-84957M		1	O-RING
6	11-82382M		1	NUT
7	13-82200M		1	WASHER, LOCK
8	81220M		1	BRACKET, FUEL FILTER
9	10-84247M		2	BOLT
10	13-82197M		2	WASHER, LOCK
11	54-82047M		6	CLAMP, HOSE
12	M-82012M		1	HOSE
13	32-83219M		1	HOSE
14	32-82007M		1	HOSE

THROTTLE LINKAGE



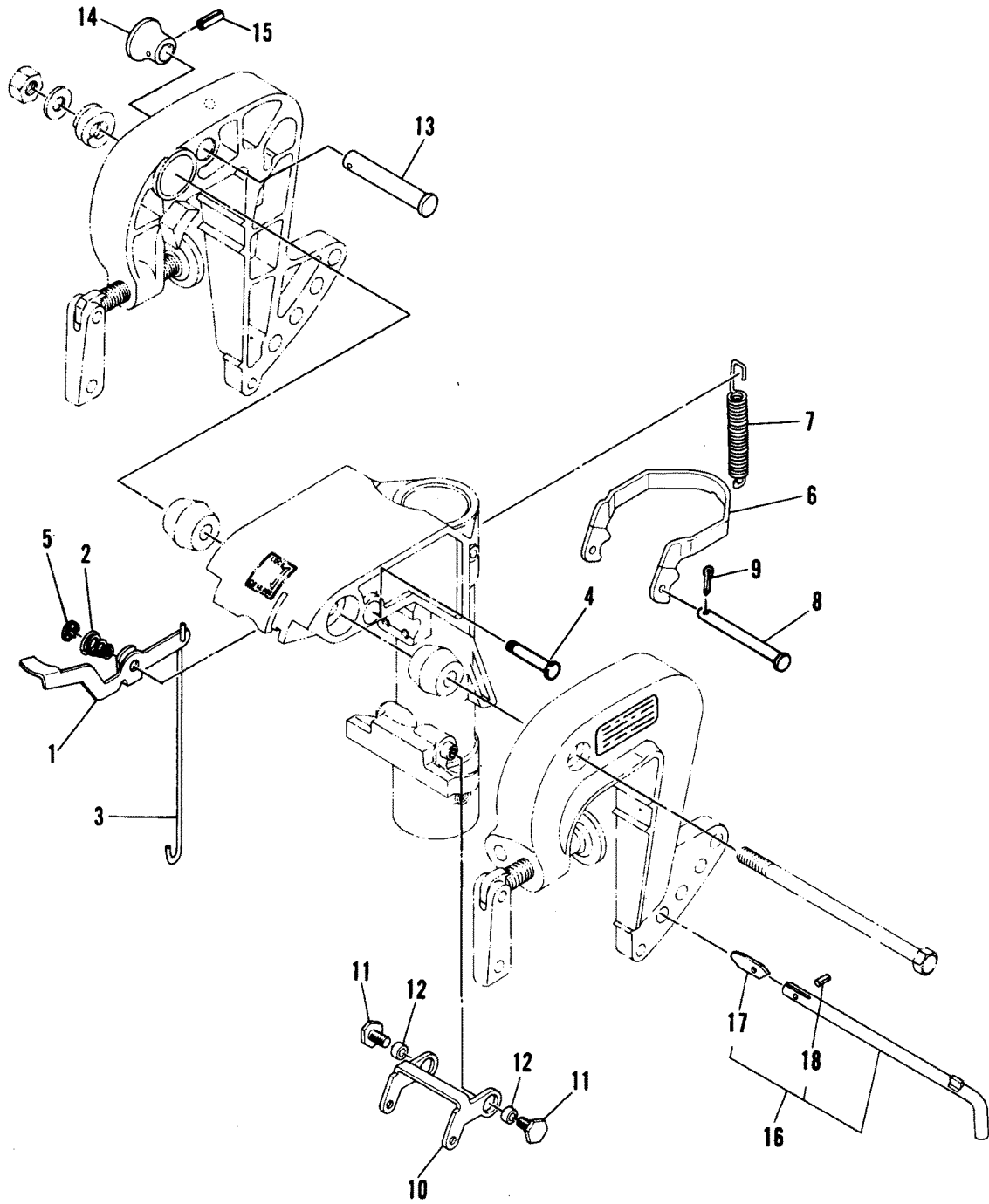
THROTTLE LINKAGE

REF. NO.	PART NO.	SYM.	QTY.	DESCRIPTION
1	81236M		1	CAM, MAGNETO CONTROL
2	81229M		1	THROTTLE LEVER ASS'Y
3	81230M		1	LEVER, THROTTLE
4	81226M		1	BUSHING, THROTTLE LINK ROD
5	12-82207M		1	WASHER
6	10-82973M		1	SCREW
7	10-84237M		1	BOLT
8	12-81969M		1	WASHER
9	23-81928M		1	COLLAR
10	23-81946M		1	BUSHING, CAM
11	81227M		1	LINK ROD, THROTTLE
12	12-82192M		1	WASHER
13	18-82050M		1	PIN
14	81214M		1	BRACKET, THROTTLE CABLE
15	81235M		1	ROD, MAGNETO CONTROL
16	81225M		1	LINK, CONTROL ROD
17	80629M		1	SWIVEL, MAGNETO CONTROL LEVER
18	12-82196M		1	WASHER
19	11-82378M		2	NUT
20	11-81782M		1	NUT

GEAR SHIFT LINKAGE

REF. NO.	PART NO.	SYM.	QTY.	DESCRIPTION
1	M-80893M		1	HANDLE, GEAR SHIFT
2	17-82158M		1	PIN
3	12-81856M		1	WASHER
4	17-82366M		1	PIN, DOWEL SERIAL 00000000-00003740
5	23-81934M		2	BUSHING, SHIFT CAM
6	25-82264M		1	O-RING, SHIFT CAM
7	84495M		1	CAM, SHIFT SERIAL 00000101-09999999
	M-80894M		1	CAM, SHIFT SERIAL 00000000-00000100
8	82347M		1	BALL, SHIFT DETENT
9	24-82082M		1	SPRING, SHIFT DETENT
10	23-80228M		1	RETAINER, SHIFT DETENT
11	18-82736M		1	PIN, COTTER SERIAL 00000101-09999999
	18-82752M		1	PIN, COTTER SERIAL 00000000-00000100
12	13-81865M		1	WASHER, WAVE
13	12-82196M		1	WASHER
14	M-82452M		2	BOLT SERIAL 00000101-09999999
	10-84247M		2	BOLT SERIAL 00000000-00000100
15	13-82197M		2	WASHER, LOCK
16	11-82390M		1	NUT
17	11-81763M		1	CONNECTOR, ADJUSTING NUT
0-1	84496M		1	SHIFT ROD ASS'Y SERIAL 00000101-09999999
	80892M		1	SHIFT ROD ASS'Y SERIAL 00000000-00000100
18	80896M		1	BRACKET (SHIFT SHAFT)
19	13-81867M		1	WASHER, LOCK
20	12-82217M		1	WASHER
21	18-82129M		1	PIN, COTTER
22	17-81886M		1	PIN
23	84497M		1	LINKAGE, SHIFT SERIAL 00000101-09999999
24	10-80485M		1	SET SCREW SERIAL 00000101-09999999

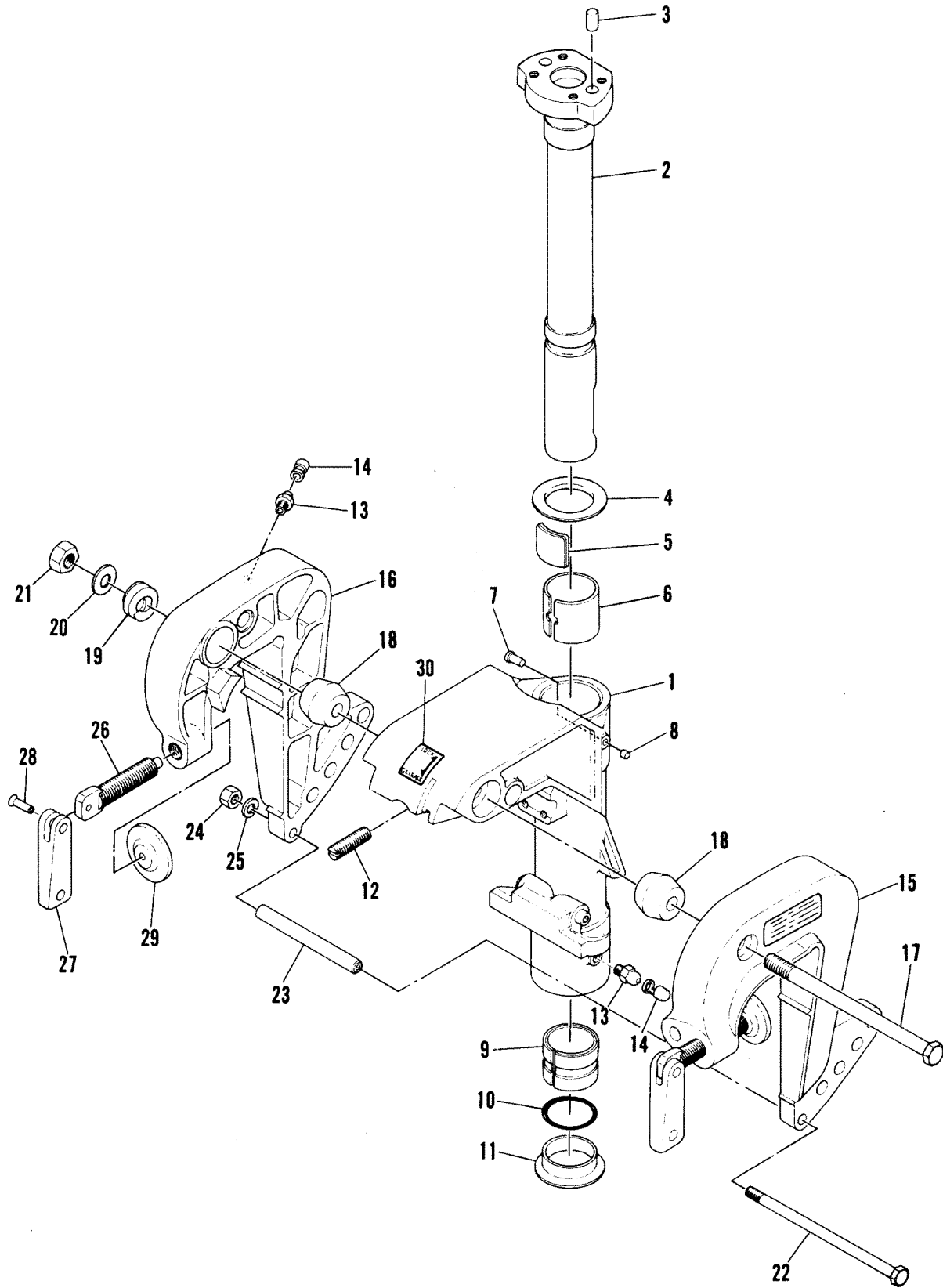
REVERSE TILT LOCK



REVERSE TILT LOCK

REF. NO.	PART NO.	SYM.	QTY.	DESCRIPTION
1	82880M		1	LEVER, LOCK/RELEASE
2	24-82098M		1	SPRING, LEVER RETURN
3	84494M		1	ROD, REVERSE LOCK LEVER SERIAL 00000821-09999999
	80235M		1	ROD, REVERSE LOCK LEVER SERIAL 00000000-00000820
4	17-81894M		1	PIN
5	53-82330M		1	SNAP RING
6	80233M		1	HOOK, REVERSE LOCK-REAR
7	24-82104M		1	SPRING, REVERSE LOCK
8	17-81881M		1	PIN
9	18-82125M		1	PIN, COTTER
10	80234M		1	HOOK, REVERSE LOCK-FRONT
11	10-81702M		2	SCREW
12	23-81966M		2	COLLAR, REVERSE LOCK SCREW
13	17-81550M		1	SHAFT, TILT STOP
14	80641M		1	KNOB, TILT STOP
15	17-82148M		1	PIN, ROLL
16	17-80266M		1	TILT LOCK PIN ASS'Y
17	82857M		1	STOPPER PLATE
18	17-82144M		1	PIN, ROLL

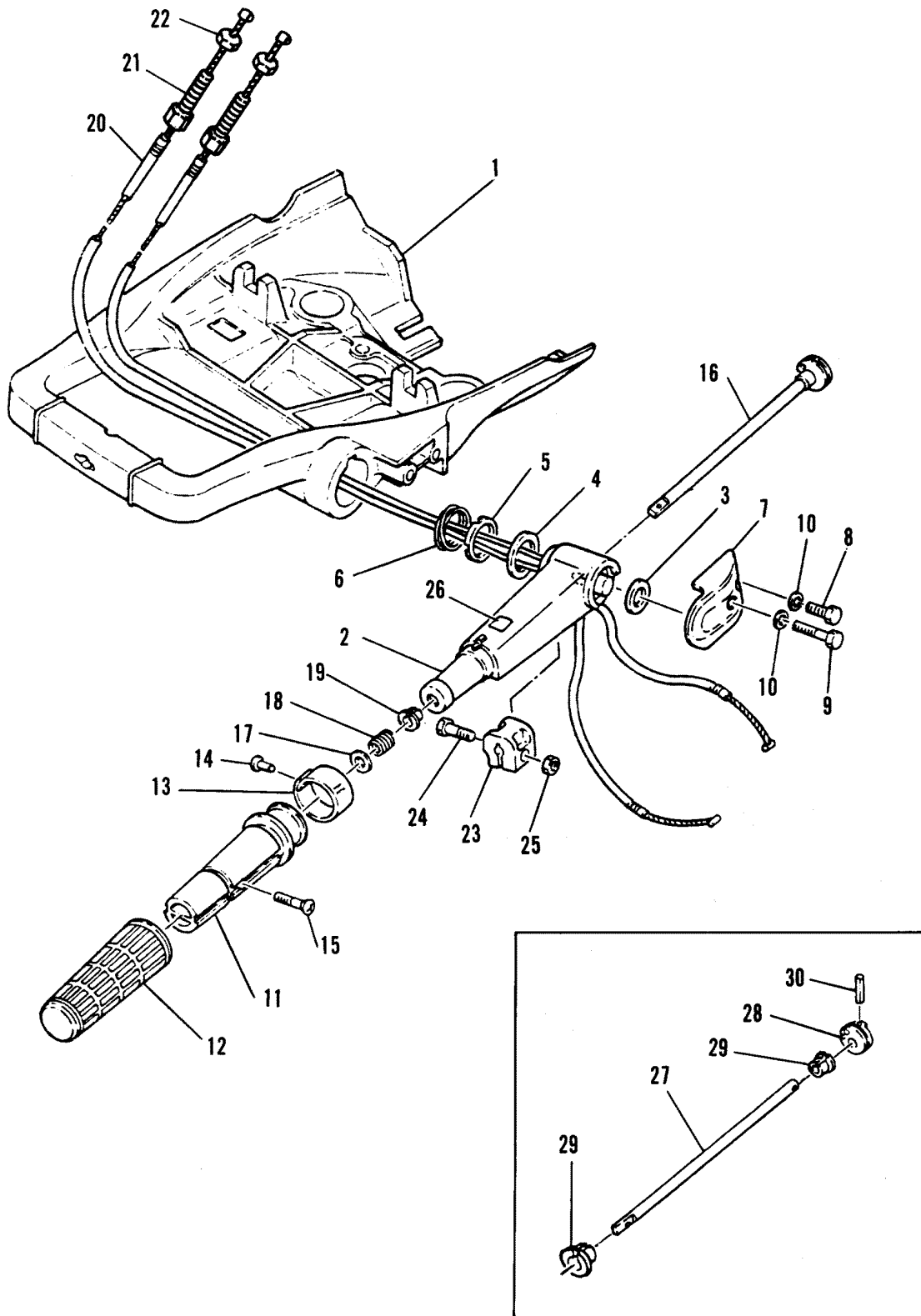
CLAMP AND SWIVEL BRACKET



CLAMP AND SWIVEL BRACKET

REF. NO.	PART NO.	SYM.	QTY.	DESCRIPTION
1	1485-6756M		1	SWIVEL BRACKET
2	80880M		1	SHAFT, STEERING PIVOT
3	17-82368M		2	PIN, DOWEL
4	12-81872M		1	COLLAR, THRUST-PIVOT SHAFT
5	80225M		1	PLATE, FRICTION
6	23-81960M		1	BUSHING, PIVOT SHAFT-UPPER
7	17-81887M		1	PIN
8	22-81917M		1	PLUG
9	23-81956M		1	BUSHING, PIVOT SHAFT-LOWER
10	25-82273M		1	O-RING, PIVOT SHAFT BUSHING
11	23-81958M		1	COLLAR, THRUST-PIVOT SHAFT
12	10-81721M		1	SCREW
13	22-82369M		2	FITTING, GREASE
14	81439M		2	CAP, GREASE FITTING
15	1484-6754M		1	CLAMP BRACKET, (PORT)
16	1484-6755M		1	CLAMP BRACKET, (STARBOARD)
17	10-81708M		1	BOLT
18	80230M		2	MOUNT, RUBBER CLAMP BRACKET
19	24-82101M		1	SPRING
20	12-81806M		1	WASHER
21	11-82395M		1	NUT
22	10-82921M		1	BOLT, CLAMP BRACKET
23	23-82116M		1	SPACER, CLAMP BRACKET BOLT
24	11-82389M		1	NUT
25	13-82212M		1	WASHER, LOCK
26	10-81756M		2	SCREW, TRANSOM CLAMP
27	80048M		2	HANDLE, TRANSOM CLAMP SCREW
28	17-81888M		2	PIN
29	12-80638M		2	PAD, TRANSOM CLAMP SCREW
30	83713M		1	INDICATOR

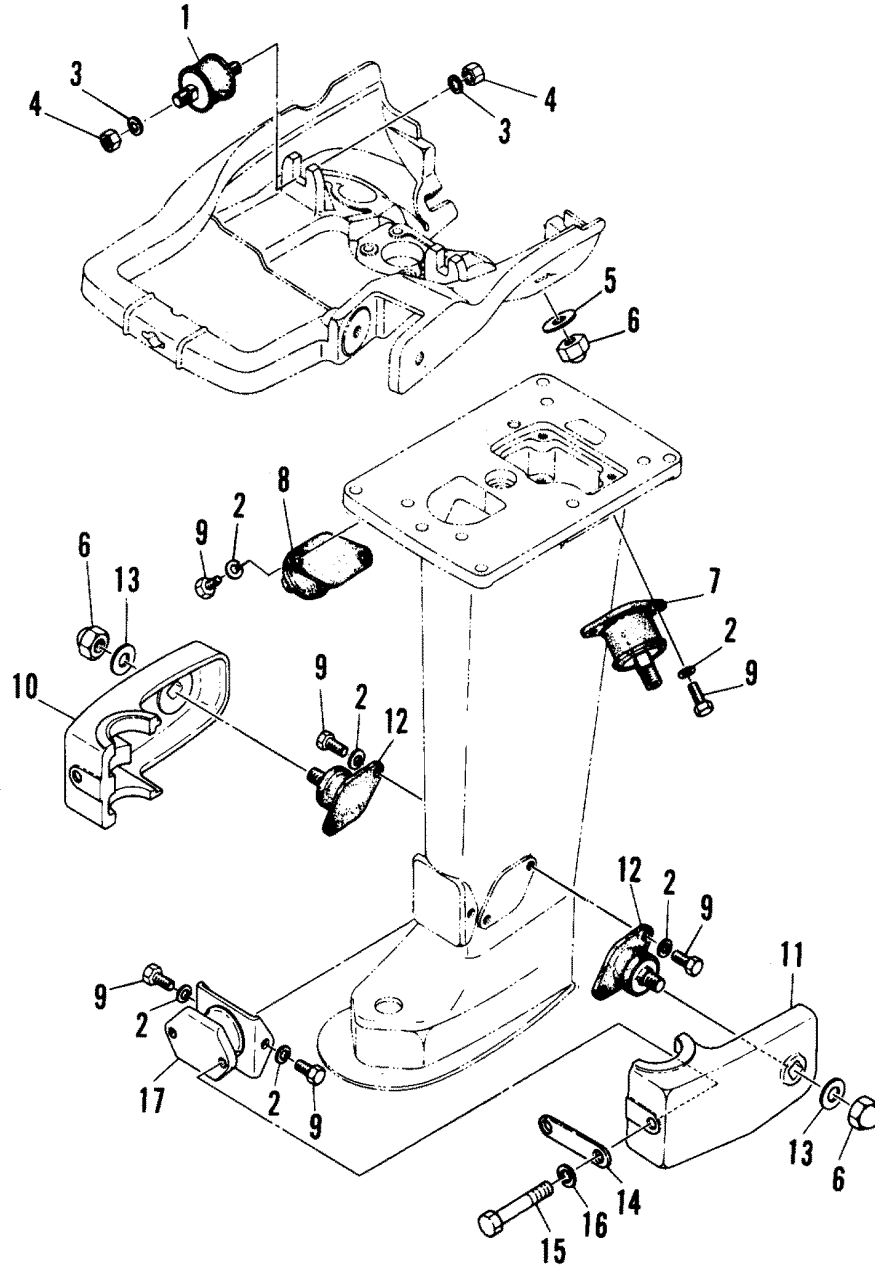
STEERING HANDLE



STEERING HANDLE

REF. NO.	PART NO.	SYM.	QTY.	DESCRIPTION
1	82874M		1	BRACKET, STEERING
2	81583M		1	HANDLE, STEERING
3	23-82119M		1	SPACER
4	23-81861M		1	WASHER
5	23-81136M		1	SPACER, HANDLE
6	24-82093M		1	SPRING, COMPRESSION
7	81129M		1	RETAINER, STEERING HANDLE
8	10-83539M		1	BOLT
9	10-83285M		1	BOLT
10	13-82212M		2	WASHER, LOCK
11	81585M		1	GRIP, STEERING HANDLE
12	80509M		1	RUBBER, HANDLE
13	82873M		1	INDICATOR, THROTTLE
14	17-81907M		1	RIVET
15	10-82483M		1	SCREW
16	M-84457M		1	SHAFT, STEERING HANDLE SERIAL 00003741-09999999
17	12-82204M		1	WASHER, PLATE
18	24-82095M		1	SPRING, COMPRESSION
19	23-81945M		1	BUSHING SERIAL 00003741-09999999
20	82908M		2	THROTTLE WIRE COMP
21	82793M		2	ADJUSTER, CABLE
22	11-81777M		2	NUT, CABLE GUIDE
23	82895M		1	PIECE, FRICTION
24	10-82452M		1	BOLT
25	11-83056M		1	NUT
26	83220M		1	DECAL, THROTTLE
27	81584M		1	SHAFT, STEERING HANDLE SERIAL 00000000-00003740
28	80631M		1	LEVER, THROTTLE SERIAL 00000000-00003740
29	23-81945M		1	BUSHING SERIAL 00000000-00003740
30	17-82151M		1	PIN, ROLL SERIAL 00000000-00003740

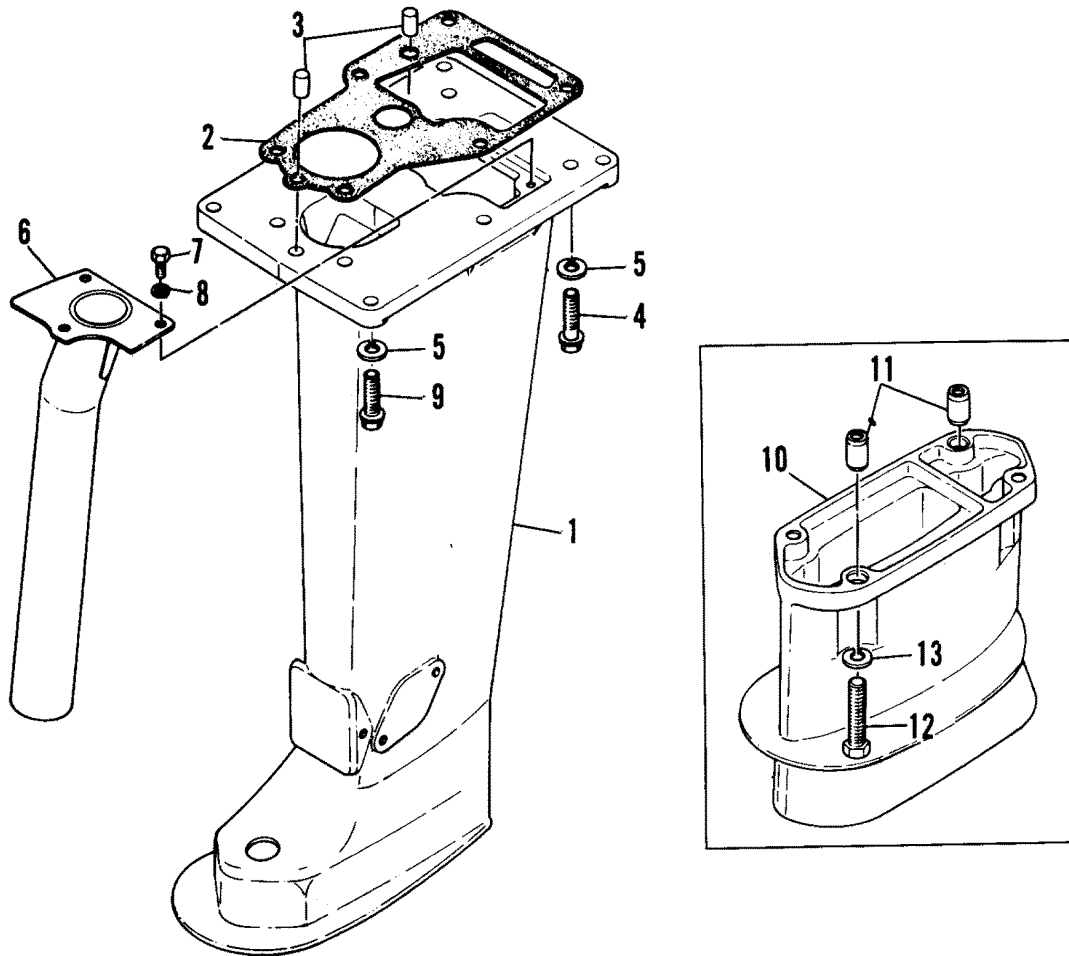
MOUNTING SYSTEM



MOUNTING SYSTEM

REF. NO.	PART NO.	SYM.	QTY.	DESCRIPTION
1	80242M		2	MOUNT, RUBBER-UPPER FRONT
2	13-82212M		10	WASHER, LOCK
3	12-82216M		4	WASHER, LOCK
4	11-82391M		4	NUT
5	12-81806M		2	WASHER
6	11-82396M		4	NUT
7	80240M		1	MOUNT, RUBBER-UPPER SIDE (PORT)
8	80241M		1	MOUNT, RUBBER-UPPER SUDE (STARBOARD)
9	10-83395M		10	BOLT
10	80906M		1	HOUSING, LOWER MOUTNT (STARBOARD)
11	80907M		1	HOUSING, LOWER MOUNT (PORT)
12	80243M		2	MOUNT, LOWER SIDE
13	12-81806M		2	WASHER
14	80908M		1	PLATE
15	10-82470M		2	BOLT
16	13-82215M		2	WASHER, LOCK
17	80909M		1	MOUNT, RUBBER-LOWER FRONT

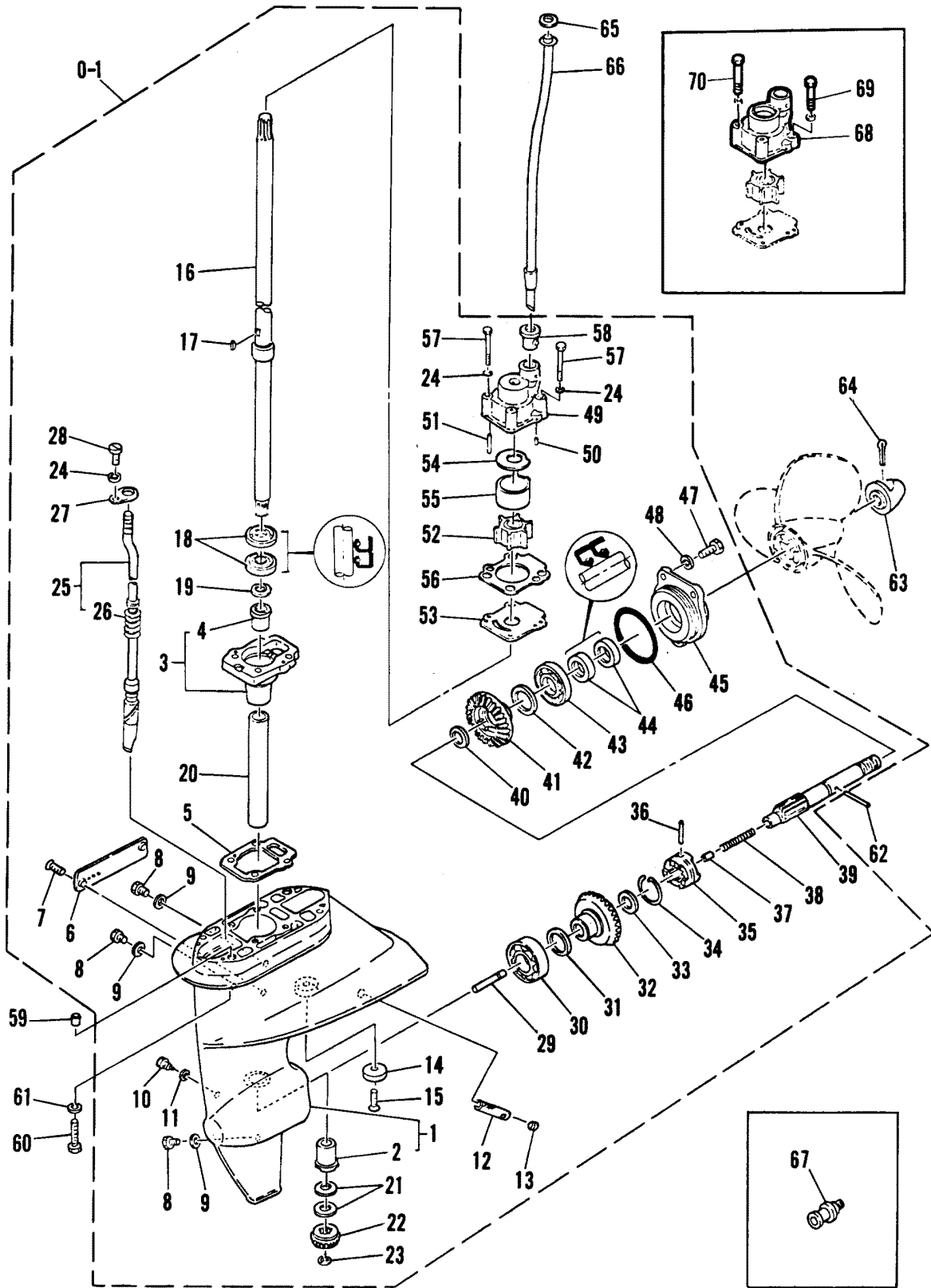
DRIVESHAFT HOUSING



DRIVESHAFT HOUSING

REF. NO.	PART NO.	SYM.	QTY.	DESCRIPTION
1	1587-6757M		1	DRIVESHAFT HOUSING
2	27-80244M		1	GASKET, DRIVESHAFT HOUSING-UPPER
3	17-82368M		2	PIN, DOWEL
4	10-82465M		6	BOLT
5	13-82215M		10	WASHER, LOCK
6	80943M		1	MANIFOLD, EXHAUST
7	10-82444M		3	BOLT
8	13-82208M		3	WASHER, LOCK
9	10-82464M		4	BOLT
10	M-80910M		1	EXTENSION, LONG SHAFT (141.7 MM)
11	17-82163M		2	PIN, DOWEL
12	10-82466M		4	BOLT
13	13-82215M		4	WASHER, LOCK
	83811M		1	LONG SHAFT EXTENSION KIT OPTIONAL PART

GEARHOUSING ASS'Y

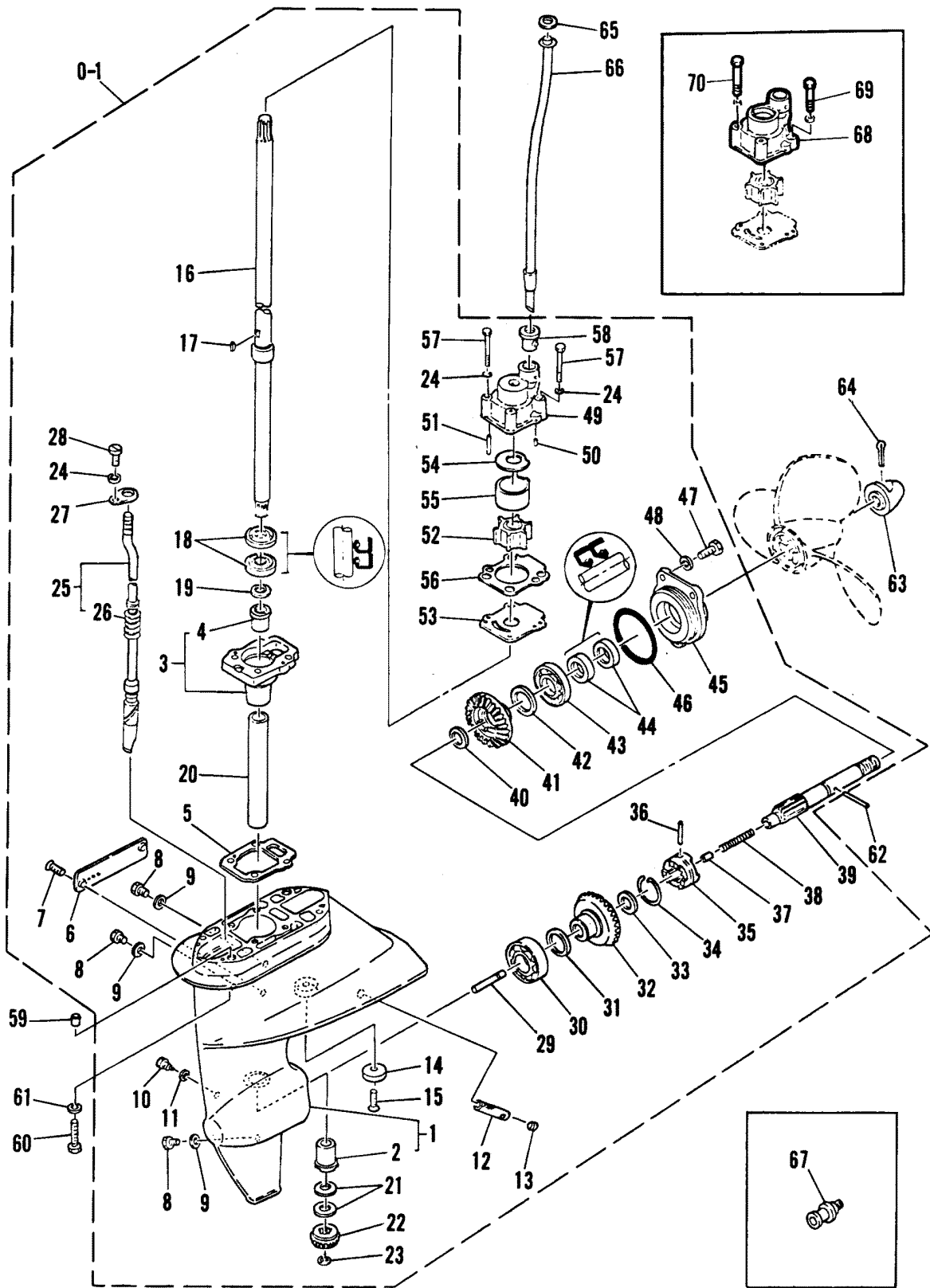


GEARHOUSING ASS'Y

REF. NO.	PART NO.	SYM.	QTY.	DESCRIPTION
0-1	1651-6890M		1	GEAR HOUSING ASS'Y (SHORT SHAFT)
	1651-6891M		1	GEAR HOUSING ASS'Y (LONG SHAFT)
1	1651-6758M		1	GEAR HOUSING
2	23-84270M		1	BUSHING, DRIVESHAFT-LOWER
3	80913M		1	HOUSING, DRIVESHAFT BEARING
4	23-81931M		1	BUSHING, DRIVE SHAFT-UPPER
5	27-80912M		1	GASKET, GEAR HOUSING
6	80911M		1	COVER, WATER INLET
7	10-82482M		2	SCREW
8	22-81924M		3	PLUG
9	27-81987M		3	GASKET
10	10-81752M		1	SCREW, DETENT
11	27-81986M		1	GASKET
12	35-80246M		1	COVER, WATER INLET
13	22-81920M		1	PLUG
14	80051M		1	ANODE
15	10-82791M		1	SCREW
16	45-81243M		1	DRIVE SHAFT ASS'Y (SHORT SHAFT)
	45-81244M		1	DRIVE SHAFT ASS'Y (LONG SHAFT)
17	28-81912M		1	KEY, DRIVESHAFT
18	26-82229M		2	OIL SEAL, DRIVESHAFT
19	12-80255M		AR	THRUST WASHER
20	23-81984M		1	COLLAR, DRIVESHAFT
21	12-80251M		AR	THRUST WASHER, DRIVESHAFT (1.1 MM)
	12-80252M		AR	THRUST WASHER, DRIVESHAFT (1.2 MM)
	12-80253M		AR	THRUST WASHER, DRIVESHAFT (1.3MM)
	12-80254M		AR	THRUST WASHER, DRIVESHAFT (1.4MM)
22	43-80256M		1	GEAR, PINION
23	53-82332M		1	SNAP RING, PINION RETAINING
24	13-82212M		5	WASHER
25	83066M		1	SHIFT CAM ASS'Y (SHORT SHAFT)
	83068M		1	SHIFT CAM (LONG SHAFT)
26	82881M		1	BOOT, SHIFT ROD
27	82882M		1	PLATE
28	10-83117M		1	SCREW
29	80923M		1	PLUNGER, SHIFT
30	30-82301M		1	BEARING, FORWARD GEAR
31	15-80258M		AR	SHIM, FORWARD GEAR ADJUST (0.1 MM)
	15-80259M		AR	SHIM, FORWARD GEAR ADJUST (0.3MM)
	15-80260M		AR	SHIM, FORWARD GEAR ADJUST (0.55MM)
32	43-80257M		1	GEAR, FORWARD
33	12-81821M		1	WASHER, THRUST-FORWARD GEAR
34	53-80034M		1	RING, CROSS PIN

CONTINUED ON NEXT PAGE ➡

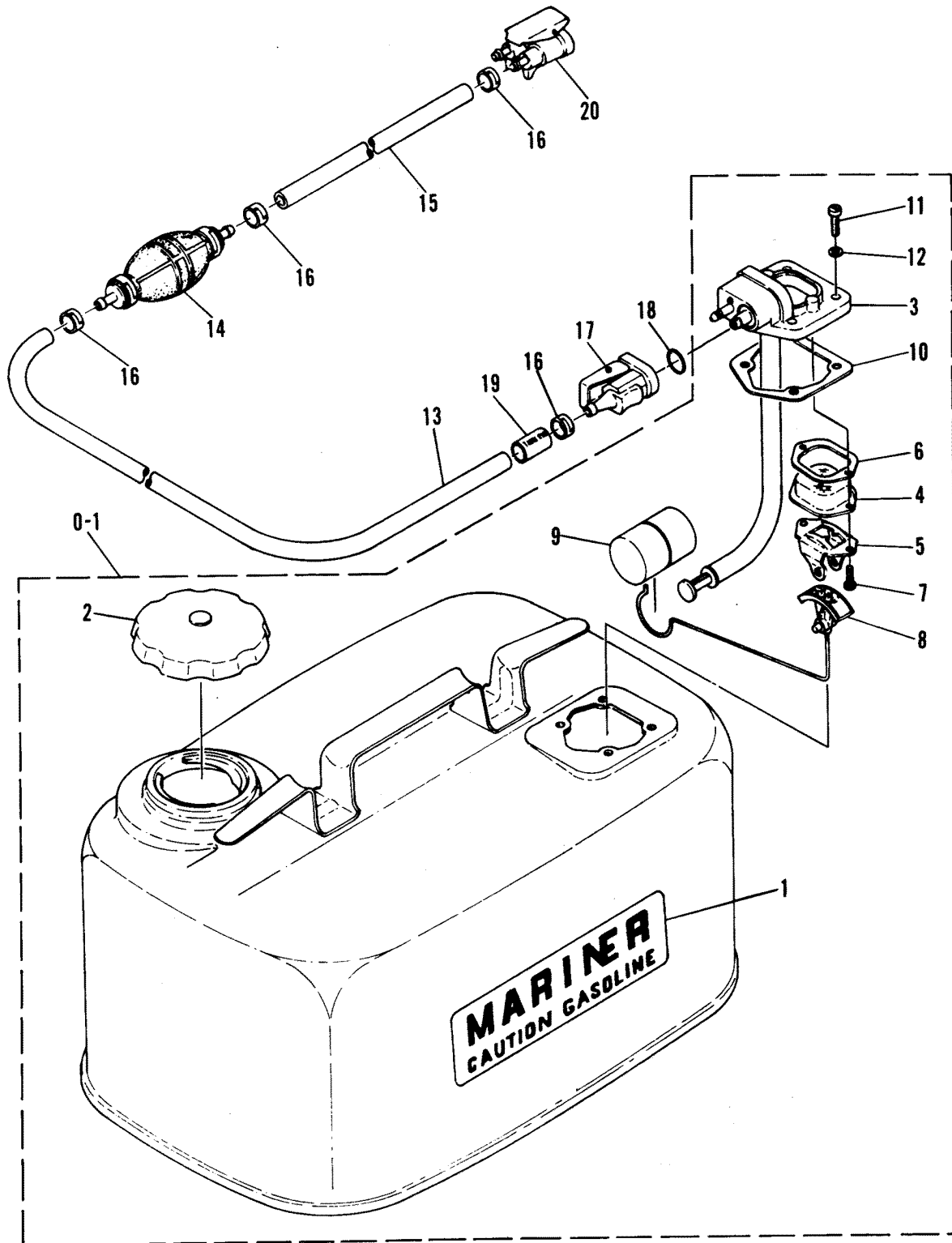
GEARHOUSING ASS'Y



GEARHOUSING ASS'Y

REF. NO.	PART NO.	SYM.	QTY.	DESCRIPTION
35	52-80922M		1	CLUTCH
36	17-81899M		1	CROSS PIN, CLUTCH
37	80679M		1	SLIDE, SHIFT
38	24-82077M		1	SPRING, SHIFT
39	44-80921M		1	SHAFT, PROPELLER
40	12-81827M		1	WASHER, THRUST REVERSE GEAR
41	43-80920M		1	GEAR, REVERSE
42	15-80917M		AR	SHIM, REVERSE GEAR ADJUST (1.0MM)
	15-80918M		AR	SHIM, REVERSE GEAR ADJUST (1.2MM)
	15-80919M		AR	SHIM, REVERSE GEAR ADJUST (1.4MM)
43	30-82298M		1	BEARING, REVERSE GEAR
44	26-82227M		2	OIL SEAL, PROPELLER SHAFT
45	80914M		1	CAP, GEAR HOUSING
46	25-82283M		1	O-RING, GEAR HOUSING CAP
47	10-82452M		3	BOLT
48	13-82212M		4	WASHER, LOCK
49	46-80900M		1	WATER PUMP HOUSING SERIAL 00000921-09999999
50	M-82354M		1	PIN, DOWEL (SHORTER)
51	17-82358M		1	PIN, DOWEL (LONGER)
52	47-81242M		1	IMPELLER
53	80238M		1	BASE, WATER PUMP
54	84492M		1	INNER PLATE SERIAL 00000921-09999999
55	84493M		1	INSERT SERIAL 00000921-09999999
56	27-80901M		1	GASKET SERIAL 00000921-09999999
57	10-82458M		4	BOLT
58	26-80239M		1	SEAL, WATER PUMP BODY
59	17-82163M		2	PIN, DOWEL
60	10-82467M		4	BOLT
61	13-82215M		4	WASHER, LOCK
62	17-81900M		1	PIN, DRIVE
63	11-82787M		1	NUT, PROPELLER
64	18-82132M		1	PIN, COTTER
65	26-80653M		1	SEAL, WATER TUBE
66	32-80904M		1	TUBE, WATER (SHORT SHAFT)
	32-80905M		1	TUBE, WATER (LONG SHAFT)
67	22-80218M		1	FLUSH PLUG (OPT)
68	46-80237M		1	WATER PUMP HOUSING COMPLETE SERIAL 00000000-00000920
69	10-82456M		2	BOLT SERIAL 00000000-00000920
70	10-82458M		2	BOLT SERIAL 00000000-00000920
	27-84174M		1	GASKET SET, LOWER UNIT REPLACEMENT PARTS
	84183M		1	REPAIR KIT, WATER PUMP REPLACEMENT PARTS

FUEL TANK-INTERNATIONAL ONLY



FUEL TANK-INTERNATIONAL ONLY

REF. NO.	PART NO.	SYM.	QTY.	DESCRIPTION
0-1	1252-6836M		1	FUEL TANK ASS'Y
1	37-82984M		2	GRAPHIC, SIDE
2	81694M		1	FUEL TANK CAP
3	81321M		1	HOUSING, FUEL CONNECTOR
4	80269M		1	LENS, INDICATOR
5	80268M		1	SUPPORT, INDICATOR
6	27-80270M		1	GASKET, HOUSING TO LENS INDICATOR
7	10-82518M		2	SCREW, SUPPORT ATTACHING
8	81318M		1	INDICATOR
9	81319M		1	FLOAT, INDICATOR
10	27-81320M		1	GASKET, HOUSING TO TANK
11	10-82526M		4	SCREW, HOUSING ATTACHING
12	12-80271M		4	WASHER, HOUSING SCREW
13	32-82025M		1	HOSE(CONNECTOR HOUSING TO BULB)
14	81325M		1	BULB, PRIMER
15	32-82023M		1	HOSE, BULB TO CONNECTOR
16	54-80752M		4	CLAMP, HOSE
17	22-81042M		1	CONNECTOR HOUSING
18	25-82789M		1	O-RING
19	23-81327M		1	SLEEVE, HOSE
20	80751M		1	CONNECTOR HOUSING

FUEL TANK-INTERNATIONAL AND USA

REF. NO.	PART NO.	SYM.	QTY.	DESCRIPTION
1	37-82984M		1	DECAL, SIDE
2	37-82962M		1	DECAL, TOP
3	36-83617M		1	FUEL TANK CAP
4	83618M		1	FUEL METER
5	80269M		1	LENS, INDICATOR
6	80268M		1	BRACKET, INDICATOR
7	27-80270M		1	GASKET, HOUSING TO LENS INDICATOR
8	10-82518M		2	SCREW
9	81318M		1	INDICATOR, FUEL LEVEL
10	81319M		1	FLOAT, INDICATOR
11	27-81320M		1	GASKET, HOUSING TO TANK
12	32-83626M		1	HOSE, PICKUP
13	54-83764M		1	CLAMP, PICKUP HOSE
14	10-82526M		4	SCREW, HOUSING ATTACHING
15	12-80271M		4	WASHER, HOUSING SCREW
0-1	32-83766M		1	FUEL LINE ASS'Y
16	30185A1		1	BAYONET BODY ASS'Y
17	30187		1	STEM, BAYONET BODY
18	25-20415		1	O-RING, BAYONET BODY STEM
19	24-30189		1	SPRING, BAYONET BODY STEM
20	30188		1	WASHER, CAP
21	22-63187		1	FITTING, FUEL LINE
22	32-82025M		1	HOSE, CONNECTOR HOUSING TO BULB
23	81325M		1	BULB, PRIMER
24	32-82023M		1	HOSE, BULB TO CONNECTOR
25	54-80752M		4	CLAMP, HOSE
26	80751M		1	FUEL CONNECTOR, ENGINE END

FUEL TANK - REPLACEMENT OR ADDITIONAL

REF. NO.	PART NO.	SYM.	QTY.	DESCRIPTION
0-1	1225-1529A16		1	FUEL TANK, COMPLETE FUEL TANK (M-1225-1529A16) WAS SHIPPED AS ORIGINAL EQUIPMENT WITH U.S.A. W-15 ENGINES
1	1225-1529		1	FUEL TANK
2	37-75881		1	DECAL, FUEL TANK
3	36-25392A2		1	FILLER CAP ASSEMBLY
4	10-25575		1	SCREW, VENT-FILLER CAP
5	12-49221		1	WASHER, VENT SCREW
6	24-22227		1	SPRING, TENSION-VENT SCREW
7	11-28587		1	NUT, SPEED-SPRING RETAINER
8	27-25568		1	GASKET, FILLER CAP TO FUEL TANK
0-2	64841A1		1	CONNECTOR/GAUGE ASS'Y, COMPLETE
9	64841A3		1	COVER, FUEL TANK
10	32-33909A3		1	TUBE
11	54920A1		1	LENS ASSEMBLY, FUEL GAUGE
12	27-54921		1	GASKET, FUEL GAUGE LENS
13	28897A2		1	FUEL GAUGE ASSEMBLY, COMPLETE
14	20430		1	RETAINER, FUEL GAUGE
15	28897A1		1	INDICATOR AND FLOAT ASSEMBLY
16	20427		1	FLOAT, FUEL GAUGE
17	17-20426		1	RIVET, INDICATOR TO RETAINER
18	10-62568		2	SCREW, RETAINER TO FUEL TANK COVER
19	27-28862		1	GASKET, COVER ASSEMBLY TO FRAME
20	28860		1	FRAME, RETAINING-FUEL TANK COVER
21	11-28903		2	FASTENER, RETAINING FRAME TO FUEL TANK
22	10-20411		4	SCREW, FUEL TANK COVER TO FUEL TANK
23	12-74711		4	WASHER, FUEL TANK COVER FASTENING SCREW

PARTS INDEX

Part Number	Description	Pg.	Ref. No.	Part Number	Description	Pg.	Ref. No.
20427	FLOAT, FUEL GAUGE	45	16	80509M	RUBBER, HANDLE	31	12
20430	RETAINER, FUEL GAUGE	45	14	80551M	IGNITION COIL, #1 CYLINDER	9	3
28860	FRAME, RETAINING-FUEL TANK COVER	45	20	80552M	IGNITION COIL, #2 CYLINDER	9	4
28897A1	INDICATOR AND FLOAT ASSEMBLY	45	15	80553M	LIGHTING COIL ASS'Y (80E)	9	12
28897A2	FUEL GAUGE ASSEMBLY, COMPLETE	45	13	80558M	CONDENSER	9	9
30185A1	BAYONET BODY ASS'Y	43	16	80578M	JET, LOW SPEED (#60)	17	2
30187	STEM, BAYONET BODY	43	17	80581M	JET, MAIN (#135)	17	4
30188	WASHER, CAP	43	20	80584M	JET, STARTER	17	25
47341A1	EMERGENCY STARTER ROPE	5	24	80585M	AIR JET, LOW SPEED	17	1
54920A1	LENS ASSEMBLY, FUEL GAUGE	45	11	80606M	DIAPHRAGM	19	1
64841A1	CONNECTOR/GAUGE ASS'Y, COMPLETE	45	0-2	80606M	DIAPHRAGM	19	11
64841A3	COVER, FUEL TANK	45	9	80607M	COVER	19	22
79629A1	STARTER ROPE	5	13	80607M	COVER	19	8
80025M	LUBRICATOR	9	10	80609M	RETAINER, CHECK VALVE	19	17
80033M	HOLDER, DRIVE PIN	3	15	80611M	PLATE, SPRING GUIDE	19	12
80048M	HANDLE, TRANSOM CLAMP SCREW	29	27	80611M	PLATE, SPRING GUIDE	19	2
80051M	ANODE	11	24	80629M	SWIVEL, MAGNETO CONTROL LEVER	23	17
80051M	ANODE	37	14	80631M	LEVER, THROTTLE	31	28
80063M	HANDLE, STARTER	5	12	80641M	KNOB, TILT STOP	27	14
80128M	INDICATOR, CHOKE	15	15	80679M	SLIDE, SHIFT	39	37
80149M	KNOB, CHOKE	15	14	80747M	PULLEY, STARTER	5	17
80195M	PLUNGER, CHOKE	17	14	80748M	GUIDE, ROPE	5	14
80196M	COVER, CHOKE PLUNGER CAP	17	11	80749M	SEAL, RUBBER-STARTER	3	8
80197M	CAP, CHOKE PLUNGER	17	12	80751M	CONNECTOR HOUSING	41	20
80198M	LEVER, CHOKE	17	15	80751M	FUEL CONNECTOR, ENGINE END	43	26
80203M	ARM, FLOAT	17	19	80766M	LONK ROD, CHOKE	15	17
80210M	DRIVE, PLATE	5	9	80880M	SHAFT, STEERING PIVOT	29	2
80214M	PAWL, STARTER	5	5	80881M	SEAL, TOP COWL	3	9
80225M	PLATE, FRICTION	29	5	80882M	HOLDER	3	6
80229M	SHAFT, COWL ATTACHING	3	34	80885M	PANEL, CONTROL	3	19
80230M	MOUNT, RUBBER CLAMP BRACKET	29	18	80889M	LEVER, COWL CLAMP	3	27
80233M	HOOK, REVERSE LOCK- REAR	27	6	80890M	CLAMP, COWL	3	31
80234M	HOOK, REVERSE LOCK- FRONT	27	10	80892M	SHIFT ROD ASS'Y	25	0-1
80235M	ROD, REVERSE LOCK LEVER	27	3	80896M	BRACKET (SHIFT SHAFT)	25	18
80238M	BASE, WATER PUMP	39	53	80906M	HOUSING, LOWER MOUNT (STARBOARD)	33	10
80240M	MOUNT, RUBBER-UPPER SIDE (PORT)	33	7	80907M	HOUSING, LOWER MOUNT (PORT)	33	11
80241M	MOUNT, RUBBER-UPPER SUDE (STARBOARD)	33	8	80908M	PLATE	33	14
80242M	MOUNT, RUBBER-UPPER FRONT	33	1	80909M	MOUNT, RUBBER-LOWER FRONT	33	17
80243M	MOUNT, LOWER SIDE	33	12	80911M	COVER, WATER INLET	37	6
80268M	BRACKET, INDICATOR	43	6	80913M	HOUSING, DRIVESHAFT BEARING	37	3
80268M	SUPPORT, INDICATOR	41	5	80914M	CAP, GEAR HOUSING	39	45
80269M	LENS, INDICATOR	41	4	80923M	PLUNGER, SHIFT	37	29
80269M	LENS, INDICATOR	43	5	80930M	BREAKER POINT ASS'Y	9	8
80447M	INLET VALVE SEAT ASS'Y	17	5	80935M	PLUG CAP, NOISE SUPPRESSOR (OPT)	9	32
80450M	FLOAT	17	18	80941M	NOZZLE, MAIN	17	3
				80943M	MANIFOLD, EXHAUST	35	6
				81106M	PLUNGER	5	25
				81129M	RETAINER, STEERING HANDLE	31	7
				81207M	COVER, THERMOSTAT	11	21
				81212M	BASE, AIR INTAKE COVER	15	1

PARTS INDEX

Part Number	Description	Pg.	Ref. No.	Part Number	Description	Pg.	Ref. No.
81213M	COVER, AIR INTAKE	15	2	83114M	BOWL, FLOAT	17	22
81214M	BRACKET, THROTTLE			83115M	COLLAR	17	27
	CABLE	23	14	83217M	LEVER, THROTTLE	17	16
81215M	HOUSING, OIL SEAL-UPPER	11	8	83220M	DECAL, THROTTLE	31	26
81216M	HOUSING, OIL SEAL-LOWER	11	13	83618M	FUEL METER	43	4
81218M	GUIDE, ROPE	5	14	83713M	INDICATOR	29	30
81219M	BRACKET, STARTER			83714M	HOOK	3	4
	HOUSING	5	22	83785M	POWERHEAD ASS'Y,		
81220M	BRACKET, FUEL FILTER	21	8		COMPLETE	11	33
81222M	COVER, EXHAUST-INNER	11	26	83811M	LONG SHAFT EXTENSION		
81224M	COVER, EXHAUST-OUTER	11	28		KIT	35	13
81225M	LINK, CONTROL ROD	23	16	84141M	DIAPHRAGM	19	7
81226M	BUSHING, THROTTLE LINK			84183M	REPAIR KIT, WATER PUMP	39	70
	ROD	23	4	84319M	PLUG CAP	9	31
81227M	LINK ROD, THROTTLE	23	11	84474M	REPAIR KIT, CARBURETOR	17	27
81228M	LONG ROD, CHOKE LEVER	15	21	84492M	INNER PLATE	39	54
81229M	THROTTLE LEVER ASS'Y	23	2	84493M	INSERT	39	55
81230M	LEVER, THROTTLE	23	3	84494M	ROD, REVERSE LOCK		
81231M	RETAINER, MAGNETO				LEVER	27	3
	BASE-INNER	9	21	84495M	CAM, SHIFT	25	7
81232M	RETAINER, MAGNETO			84496M	SHIFT ROD ASS'Y	25	0-1
	BASE-OUTER	9	22	84497M	LINKAGE, SHIFT	25	23
81233M	STOP, MAGNETO BASE	9	19	84498M	SECONDARY IGNITION COIL		
81234M	STOP, MAGNETO BASE	11	30		ASS'Y	9	23
81235M	ROD, MAGNETO CONTROL	23	15	84498M	SECONDARY IGNITION COIL		
81236M	CAM, MAGNETO CONTROL	23	1		ASS'Y	9	24
81241M	STRAP, COWL	3	10	84501M	PULLEY, STARTER	5	17
81245M	BASE, MAGNETO	9	2	84503M	BRACKET	5	30
81247M	BASE, STARTER PULLEY	5	19	84504M	ARM, LINK	7	35
81248M	BRACKET, IGNITION COIL	9	25	84505M	LINK	7	36
81318M	INDICATOR	41	8	84651M	FUEL PUMP ASS'Y	19	0-1
81318M	INDICATOR, FUEL LEVEL	43	9	93045M	FUEL PUMP ASS'Y	19	0-2
81319M	FLOAT, INDICATOR	41	9	M-80893M	HANDLE, GEAR SHIFT	25	1
81319M	FLOAT, INDICATOR	43	10	M-80894M	CAM, SHIFT	25	7
81321M	HOUSING, FUEL			M-80910M	EXTENSION, LONG SHAFT		
	CONNECTOR	41	3		(141.7 MM)	35	10
81325M	BULB, PRIMER	41	14	M-81217M	STARTER ASS'Y	5	0-1
81325M	BULB, PRIMER	43	23	M-82012M	HOSE	21	12
81439M	CAP, GREASE FITTING	29	14	M-82354M	PIN, DOWEL (SHORTER)	39	50
81583M	HANDLE, STEERING	31	2	M-82452M	BOLT	25	14
81584M	SHAFT, STEERING HANDLE	31	27	M-84457M	SHAFT, STEERING HANDLE	31	16
81585M	GRIP, STEERING HANDLE	31	11	M-94774M	DECAL, SPARKPLUG	3	38
81694M	FUEL TANK CAP	41	2	10-20411	SCREW, FUEL TANK COVER		
82055M	GROMMET, COWL	3	39		TO FUEL TANK	45	22
82347M	BALL, SHIFT DETENT	25	8	10-25575	SCREW, VENT-FILLER CAP	45	4
82784M	CUP, FILTER	21	4	10-62568	SCREW, RETAINER TO		
82793M	ADJUSTER, CABLE	31	21		FUEL TANK COVER	45	18
82857M	STOPPER PLATE	27	17	10-80023M	SCREW W/WASHER	9	11
82873M	INDICATOR, THROTTLE	31	13	10-80485M	SET SCREW	25	24
82874M	BRACKET, STEERING	31	1	10-80557M	SCREW	9	13
82880M	LEVER, LOCK/RELEASE	27	1	10-80573M	SCREW, IDLE MIXTURE	17	9
82881M	BOOT, SHIFT ROD	37	26	10-80738M	SCREW, IDLE SPEED	17	7
82882M	PLATE	37	27	10-80887M	BOLT	3	25
82895M	PIECE, FRICTION	31	23	10-81702M	SCREW	27	11
82908M	THROTTLE WIRE COMP	31	20	10-81708M	BOLT	29	17
83062M	GROMMET	3	14	10-81721M	SCREW	29	12
83066M	SHIFT CAM ASS'Y (SHORT			10-81746M	ADJUSTING COLLAR	5	28
	SHAFT)	37	25	10-81749M	BOLT	5	21
83068M	SHIFT CAM (LONG SHAFT)	37	25	10-81750M	BOLT	5	20
83110M	CHOKE LINK ASS'Y	15	19	10-81752M	SCREW, DETENT	37	10

PARTS INDEX

Part Number	Description	Pg.	Ref. No.	Part Number	Description	Pg.	Ref. No.
10-81756M	SCREW, TRANSOM CLAMP	29	26	11-81763M	CONNECTOR, ADJUSTING		
10-82176M	SCREW	9	15		NUT	25	17
10-82405M	BOLT	11	23	11-81771M	NUT, FLYWHEEL	9	17
10-82407M	BOLT	11	4	11-81777M	NUT, CABLE GUIDE	31	22
10-82422M	BOLT	9	35	11-81782M	NUT	23	20
10-82423M	BOLT	15	9	11-82373M	NUT	19	19
10-82425M	BOLT	5	33	11-82378M	NUT	23	19
10-82428M	BOLT	19	26	11-82379M	NUT	3	21
10-82444M	BOLT	35	7	11-82380M	NUT	5	29
10-82452M	BOLT	31	24	11-82380M	NUT	5	32
10-82452M	BOLT	39	47	11-82380M	NUT	9	33
10-82456M	BOLT	39	69	11-82381M	NUT	3	33
10-82458M	BOLT	39	57	11-82381M	NUT	15	12
10-82458M	BOLT	39	70	11-82382M	NUT	21	6
10-82464M	BOLT	35	9	11-82389M	NUT	29	24
10-82465M	BOLT	35	4	11-82390M	NUT	25	16
10-82466M	BOLT	35	12	11-82391M	NUT	33	4
10-82467M	BOLT	39	60	11-82395M	NUT	29	21
10-82470M	BOLT	33	15	11-82396M	NUT	33	6
10-82482M	SCREW	37	7	11-82787M	NUT, PROPELLER	39	63
10-82483M	SCREW	31	15	11-83056M	NUT	31	25
10-82492M	SCREW	15	3	12-49221	WASHER, VENT SCREW	45	5
10-82504M	SCREW	9	5	12-74711	WASHER, FUEL TANK		
10-82511M	SCREW	19	18		COVER FASTENING		
10-82514M	SCREW	17	23		SCREW	45	23
10-82518M	SCREW	43	8	12-80211M	WASHER, THRUST PLATE		
10-82518M	SCREW, SUPPORT				SPRING	5	6
	ATTACHING	41	7	12-80212M	WASHER	5	10
10-82522M	SCREW	19	9	12-80213M	WASHER, THRUST-SHEAVE		
10-82523M	SCREW	19	23		STARTER	5	4
10-82526M	SCREW, HOUSING			12-80251M	THRUST WASHER,		
	ATTACHING	41	11		DRIVESHAFT (1.1 MM)	37	21
10-82526M	SCREW, HOUSING			12-80252M	THRUST WASHER,		
	ATTACHING	43	14		DRIVESHAFT (1.2 MM)	37	21
10-82791M	SCREW	11	25	12-80253M	THRUST WASHER,		
10-82791M	SCREW	37	15		DRIVESHAFT (1.3MM)	37	21
10-82921M	BOLT, CLAMP BRACKET	29	22	12-80254M	THRUST WASHER,		
10-82973M	SCREW	23	6		DRIVESHAFT (1.4MM)	37	21
10-83111M	BOLT	15	20	12-80255M	THRUST WASHER	37	19
10-83112M	SET SCREW	17	26	12-80271M	WASHER, HOUSING SCREW	41	12
10-83117M	SCREW	37	28	12-80271M	WASHER, HOUSING SCREW	43	15
10-83285M	BOLT	11	6	12-80638M	PAD, TRANSOM CLAMP		
10-83285M	BOLT	31	9		SCREW	29	29
10-83395M	BOLT	33	9	12-81792M	WASHER	11	7
10-83539M	BOLT	5	23	12-81794M	WASHER	3	32
10-83539M	BOLT	11	11	12-81798M	WASHER	11	5
10-83539M	BOLT	31	8	12-81806M	WASHER	29	20
10-84211M	BOLT	5	18	12-81806M	WASHER	33	13
10-84211M	BOLT	11	31	12-81806M	WASHER	33	5
10-84237M	BOLT	9	26	12-81814M	WASHER	9	18
10-84237M	BOLT	11	29	12-81817M	WASHER	3	29
10-84237M	BOLT	23	7	12-81821M	WASHER, THRUST-		
10-84247M	BOLT	5	15		FORWARD GEAR	37	33
10-84247M	BOLT	21	9	12-81826M	WASHER, PISTON PIN	13	6
10-84247M	BOLT	25	14	12-81827M	WASHER, THRUST		
10-84303M	BOLT	9	34		REVERSE GEAR	39	40
10-84315M	BOLT	9	20	12-81835M	WASHER	11	33
11-28587	NUT, SPEED-SPRING			12-81844M	WASHER	3	35
	RETAINER	45	7	12-81856M	WASHER	25	3

PARTS INDEX

Part Number	Description	Pg.	Ref. No.	Part Number	Description	Pg.	Ref. No.
12-81969M	WASHER	23	8	17-80266M	TILT LOCK PIN ASS'Y	27	16
12-82192M	WASHER	15	22	17-81044M	GUIDE, FUEL LINE CONNECTOR	3	18
12-82192M	WASHER	23	12				
12-82196M	WASHER	15	4	17-81550M	SHAFT, TILT STOP	27	13
12-82196M	WASHER	23	18	17-81881M	PIN	27	8
12-82196M	WASHER	25	13	17-81886M	PIN	25	22
12-82204M	WASHER, PLATE	31	17	17-81887M	PIN	29	7
12-82207M	WASHER	23	5	17-81888M	PIN	29	28
12-82209M	WASHER	7	38	17-81894M	PIN	27	4
12-82216M	WASHER, LOCK	33	3	17-81899M	CROSS PIN, CLUTCH	39	36
12-82217M	WASHER	25	20	17-81900M	PIN, DRIVE	39	62
12-82799M	WASHER	15	18	17-81905M	RIVET	3	5
13-81863M	WASHER, LOCK	15	25	17-81907M	RIVET	31	14
13-81864M	WASHER, LOCK	15	23	17-82139M	PIN, ROLL	11	18
13-81865M	WASHER, WAVE	25	12	17-82144M	PIN, ROLL	27	18
13-81867M	WASHER, LOCK	25	19	17-82148M	PIN, ROLL	27	15
13-81871M	WASHER, WAVE	3	30	17-82151M	PIN, ROLL	31	30
13-82184M	WASHER, LOCK	17	24	17-82158M	PIN	25	2
13-82193M	WASHER, LOCK	3	22	17-82161M	PIN, COWEL	11	3
13-82193M	WASHER, LOCK	9	6	17-82163M	PIN, DOWEL	35	11
13-82193M	WASHER, LOCK	9	6	17-82163M	PIN, DOWEL	39	59
13-82197M	WASHER, LOCK	5	16	17-82358M	PIN, DOWEL (LONGER)	39	51
13-82197M	WASHER, LOCK	5	31	17-82364M	PIN, COWEL	11	2
13-82197M	WASHER, LOCK	9	16	17-82366M	PIN, DOWEL	25	4
13-82197M	WASHER, LOCK	11	12	17-82368M	PIN, DOWEL	29	3
13-82197M	WASHER, LOCK	15	10	17-82368M	PIN, DOWEL	35	3
13-82197M	WASHER, LOCK	19	27	17-82563M	PIN	3	26
13-82197M	WASHER, LOCK	21	10	17-83126M	PIN, ROLL	3	36
13-82197M	WASHER, LOCK	25	15	17-83140M	RIVET	3	7
13-82199M	WASHER, LOCK	9	27	18-82050M	PIN	15	26
13-82199M	WASHER, LOCK	15	13	18-82050M	PIN	23	13
13-82200M	WASHER, LOCK	21	7	18-82051M	PIN	15	24
13-82208M	WASHER, LOCK	19	10	18-82125M	PIN, COTTER	27	9
13-82208M	WASHER, LOCK	19	24	18-82129M	PIN, COTTER	25	21
13-82208M	WASHER, LOCK	35	8	18-82132M	PIN, COTTER	39	64
13-82212M	WASHER	37	24	18-82736M	PIN, COTTER	7	37
13-82212M	WASHER, LOCK	29	25	18-82736M	PIN, COTTER	25	11
13-82212M	WASHER, LOCK	31	10	18-82752M	PIN, COTTER	25	11
13-82212M	WASHER, LOCK	33	2	21-80608M	CHECK VALVE	19	15
13-82212M	WASHER, LOCK	39	48	21-84650M	CHECK VALVE	19	5
13-82215M	WASHER, LOCK	33	16	22-63187	FITTING, FUEL LINE	43	21
13-82215M	WASHER, LOCK	35	13	22-80218M	FLUSH PLUG (OPT)	39	67
13-82215M	WASHER, LOCK	35	5	22-80754M	CONNECTOR, FUEL LINE	3	16
13-82215M	WASHER, LOCK	39	61	22-80755M	CONNECTOR, FUEL LINE	3	17
15-80258M	SHIM, FORWARD GEAR			22-81042M	CONNECTOR HOUSING	41	17
	ADJUST (0.1 MM)	37	31	22-81917M	PLUG	29	8
15-80259M	SHIM, FORWARD GEAR			22-81920M	PLUG	37	13
	ADJUST (0.3MM)	37	31	22-81924M	PLUG	37	8
15-80260M	SHIM, FORWARD GEAR			22-82369M	FITTING, GREASE	29	13
	ADJUST (0.55MM)	37	31	23-80053M	BUSHING, CHOKE KNOB	15	16
15-80917M	SHIM, REVERSE GEAR			23-80228M	RETAINER, SHIFT DETENT	25	10
	ADJUST (1.0MM)	39	42	23-80555M	SPACER, COIL	9	7
15-80918M	SHIM, REVERSE GEAR			23-81136M	SPACER, HANDLE	31	5
	ADJUST (1.2MM)	39	42	23-81327M	SLEEVE, HOSE	41	19
15-80919M	SHIM, REVERSE GEAR			23-81861M	WASHER	31	4
	ADJUST (1.4MM)	39	42	23-81928M	COLLAR	23	9
16-81729M	STUD	15	11	23-81931M	BUSHING, DRIVE SHAFT-		
17-20426	RIVET, INDICATOR TO				UPPER	37	4
	RETAINER	45	17	23-81934M	BUSHING, SHIFT CAM	25	5
17-80201M	PIN, FLOAT	17	20	23-81945M	BUSHING	31	19

PARTS INDEX

Part Number	Description	Pg.	Ref. No.	Part Number	Description	Pg.	Ref. No.
23-81945M	BUSHING	31	29	26-82225M	OIL SEAL	11	14
23-81946M	BUSHING, CAM	23	10	26-82227M	OIL SEAL, PROPELLER SHAFT	39	44
23-81951M	BUSHING	3	28	26-82229M	OIL SEAL, DRIVESHAFT	37	18
23-81956M	BUSHING, PIVOT SHAFT- LOWER	29	9	26-82232M	OIL SEAL	11	15
23-81958M	COLLAR, THRUST-PIVOT SHAFT	29	11	26-82247M	OIL SEAL	11	9
23-81960M	BUSHING, PIVOT SHAFT- UPPER	29	6	27-25568	GASKET, FILLER CAP TO FUEL TANK	45	8
23-81966M	COLLAR, REVERSE LOCK SCREW	27	12	27-28862	GASKET, COVER ASSEMBLY TO FRAME	45	19
23-81970M	COLLAR, COIL BRACKET BOLT	9	28	27-54921	GASKET, FUEL GAUGE LENS	45	12
23-81984M	COLLAR, DRIVESHAFT	37	20	27-80205M	GASKET, VALVE SEAT	17	6
23-82116M	SPACER, CLAMP BRACKET BOLT	29	23	27-80244M	GASKET, DRIVESHAFT HOUSING-UPPER	35	2
23-82119M	SPACER	31	3	27-80270M	GASKET, HOUSING TO LENS INDICATOR	41	6
23-84055M	BUSHING	7	34	27-80270M	GASKET, HOUSING TO LENS INDICATOR	43	7
23-84270M	BUSHING, DRIVESHAFT- LOWER	37	2	27-80612M	GASKET, CHECK VALVE	19	16
24-22227	SPRING, TENSION-VENT SCREW	45	6	27-80613M	GASKET, BODY TO BASE	19	14
24-30189	SPRING, BAYONET BODY STEM	43	19	27-80613M	GASKET, BODY TO BASE	19	4
24-80193M	SPRING, IDLE SPEED SCREW	17	8	27-80614M	GASKET, BODY TO COVER	19	21
24-80194M	SPRING, CHOKE PLUNGER	17	13	27-80614M	GASKET, BODY TO COVER	19	6
24-80207M	SPRING, STARTER	5	2	27-80740M	GASKET, FLOAT BOWL	17	21
24-80209M	SPRING, DRIVE PLATE	5	7	27-80757M	GASKET, FUEL PUMP TO CRANKCASE	19	25
24-80574M	RETURN SPRING, THROTTLE LEVER	17	17	27-80901M	GASKET	39	56
24-80575M	SPRING, IDLE MIXTURE SCREW	17	10	27-80912M	GASKET, GEAR HOUSING	37	5
24-80610M	SPRING	19	13	27-81206M	GASKET, CYLINDER HEAD	11	20
24-80610M	SPRING	19	3	27-81208M	GASKET, THERMOSTAT COVER	11	22
24-80615M	SPRING	19	20	27-81210M	GASKET, REED VALVE	15	7
24-81696M	SPRING, STARTER PAWL	5	8	27-81211M	GASKET, CARBURETOR TO REED VALVE	15	8
24-82077M	SPRING, SHIFT	39	38	27-81223M	GASKET, EXHAUST COVER	11	27
24-82079M	SPRING	5	26	27-81320M	GASKET, HOUSING TO TANK	41	10
24-82082M	SPRING, SHIFT DETENT	25	9	27-81320M	GASKET, HOUSING TO TANK	43	11
24-82093M	SPRING, COMPRESSION	31	6	27-81986M	GASKET	37	11
24-82095M	SPRING, COMPRESSION	31	18	27-81987M	GASKET	37	9
24-82098M	SPRING, LEVER RETURN	27	2	27-82790M	GASKET, FUEL BOWL	21	2
24-82101M	SPRING	29	19	27-84163M	GASKET SET, POWERHEAD	11	33
24-82104M	SPRING, REVERSE LOCK	27	7	27-84174M	GASKET SET, LOWER UNIT	39	70
25-20415	O-RING, BAYONET BODY STEM	43	18	28-81912M	KEY, DRIVESHAFT	37	17
25-82264M	O-RING, SHIFT CAM	25	6	28-81914M	KEY, CRANKSHAFT TO FLYWHEEL	13	9
25-82273M	O-RING, PIVOT SHAFT BUSHING	29	10	29-82351M	BEARINGS, PISTON PIN	13	5
25-82276M	O-RING, LOWER OIL SEAL HOUSING	11	17	30-82298M	BEARING, REVERSE GEAR	39	43
25-82283M	O-RING, GEAR HOUSING CAP	39	46	30-82301M	BEARING, FORWARD GEAR	37	30
25-82285M	O-RING, UPPER OIL SEAL HOUSING	11	10	30-82308M	BEARING, CRANKSHAFT	13	2
25-82789M	O-RING	41	18	32-33909A3	TUBE	45	10
25-84957M	O-RING	21	5	32-80904M	TUBE, WATER (SHORT SHAFT)	39	66
26-80239M	SEAL, WATER PUMP BODY	39	58	32-80905M	TUBE, WATER (LONG SHAFT)	39	66
26-80653M	SEAL, WATER TUBE	39	65	32-82007M	HOSE	21	14
				32-82023M	HOSE, BULB TO CONNECTOR	41	15

PARTS INDEX

Part Number	Description	Pg.	Ref. No.	Part Number	Description	Pg.	Ref. No.
32-82023M	HOSE, BULB TO CONNECTOR	43	24	54-82040M	CLAMP, COIL CLAMP	9	29
32-82025M	HOSE(CONNECTOR HOUSING TO BULB)	41	13	54-82047M	CLAMP, HOSE	21	11
32-82025M	HOSE, CONNECTOR HOUSING TO BULB	43	22	54-83764M	CLAMP, PICKUP HOSE	43	13
32-83219M	HOSE	21	13	84-81246M	LEAD WIRE	9	14
32-83626M	HOSE, PICKUP	43	12	84-81250M	WIRE, GROUND	9	30
32-83766M	FUEL LINE ASS'Y	43	0-1	84-84502M	STARTER LOCKOUT WIRE ASS'Y	5	27
33-82371M	SPARK PLUG, B-7HS (NGK)	11	32	87-80718M	STOP SWITCH ASS'Y	3	23
34-81209M	REED VALVE ASS'Y	15	5	91-80277M	TOOL KIT	3	12
34-84491M	REED SET (REED STOPS NOT INCLUDED)	15	6	253-6822M	FLYWHEEL MAGNETO ASS'Y WITH LIGHTING COIL	9	0-1
35-80246M	COVER, WATER INLET	37	12	253-6823M	FLYWHEEL	9	1
35-80617M	FILTER ASS'Y	21	1	253-7173M	FLYWHEEL MAGNETO ASS'Y WITHOUT LIGHTING COIL	9	0-1
35-82783M	ELEMENT, FUEL FILTER	21	3	463-8614M	CRANKSHAFT ASS'Y	13	1
36-25392A2	FILLER CAP ASSEMBLY	45	3	761-8220M	PISTON ASS'Y (STD)	13	3
36-83617M	FUEL TANK CAP	43	3	761-8221M	PISTON ASS'Y (1ST O.S. 56.25 MM)	13	3
37-75881	DECAL, FUEL TANK	45	2	761-8222M	PISTON ASS'Y (2ND O.S. 56.50 MM)	13	3
37-81202M	DECAL, F-N-R	3	11	870-6820M	CRANKCASE AND CYLINDER ASS'Y	11	1
37-82546M	DECAL, SIDE SET	3	1	968-7172M	HEAD, CYLINDER	11	19
37-82909M	DECAL, FRONT APPLIQUE	3	2	1225-1529	FUEL TANK	45	1
37-82910M	APPLIQUE, REAR	3	3	1225-1529A16	FUEL TANK, COMPLETE	45	0-1
37-82962M	DECAL, TOP	43	2	1252-6836M	FUEL TANK ASS'Y	41	0-1
37-82984M	DECAL, SIDE	43	1	1383-7118M	CARBURETOR ASS'Y	17	0-1
37-82984M	GRAPHIC, SIDE	41	1	1484-6754M	CLAMP BRACKET, (PORT)	29	15
37-83055M	DECAL, HP	3	37	1484-6755M	CLAMP BRACKET, (STARBOARD)	29	16
37-83121M	DECAL, STOP-CHOKE	3	20	1485-6756M	SWIVEL BRACKET	29	1
39-83216M	PISTON RING SET (STD)	13	4	1587-6757M	DRIVESHAFT HOUSING	35	1
39-83711M	PISTON RING SET (1ST O.S. 56.25 MM)	13	4	1651-6758M	GEAR HOUSING	37	1
39-83712M	PISTON RING SET (2ND O.S. 56.50 MM)	13	4	1651-6890M	GEAR HOUSING ASS'Y (SHORT SHAFT)	37	0-1
41-80021M	PIN, PISTON	13	7	1651-6891M	GEAR HOUSING ASS'Y (LONG SHAFT)	37	0-1
43-80256M	GEAR, PINION	37	22	2168-6753M	BOTTOM COWL, REAR	3	24
43-80257M	GEAR, FORWARD	37	32	2168-6821M	TOP COWLING ASS'Y	3	1
43-80920M	GEAR, REVERSE	39	41	2168-6949M	BOTTOM COWL, FRONT	3	13
44-80921M	SHAFT, PROPELLER	39	39	2169-7174M	HOUSING, STARTER	5	1
45-81243M	DRIVE SHAFT ASS'Y (SHORT SHAFT)	37	16	2169-7175M	HOUSING, STARTER	5	1
45-81244M	DRIVE SHAFT ASS'Y (LONG SHAFT)	37	16				
46-80237M	WATER PUMP HOUSING COMPLETE	39	68				
46-80900M	WATER PUMP HOUSING	39	49				
47-81242M	IMPELLER	39	52				
50-80208M	SHEAVE, STARTER	5	3				
50-84499M	STARTER ASS'Y	5	0-1				
50-84500M	SHEAVE, STARTER	5	3				
52-80922M	CLUTCH	39	35				
53-80034M	RING, CROSS PIN	37	34				
53-81693M	SNAP RING	5	11				
53-82330M	SNAP RING	27	5				
53-82332M	SNAP RING, PINION RETAINING	37	23				
53-82340M	SNAP RING, OIL SEAL HOUSING	11	16				
53-82344M	CLIP, PISTON PIN	13	8				
54-80752M	CLAMP, HOSE	41	16				
54-80752M	CLAMP, HOSE	43	25				