



PARTS CATALOG

165 ENGINE

SERIAL NUMBER

165 GM 250 I/L6 1979-1981 5178959 AND UP

TABLE OF CONTENTS:

CAMSHAFT, CRANKSHAFT AND WATER PUMP	30
CARBURETOR ASSEMBLY	16
CYLINDER BLOCK, PISTON AND BEARINGS	28
CYLINDER HEAD AND ROCKER COVER	32
DISTRIBUTOR ASSEMBLY AND COIL	8
EXHAUST ELBOW ASSEMBLY	36
EXHAUST MANIFOLD AND EXHAUST ELBOW	20
FLYWHEEL HOUSING AND ENGINE SUPPORT	24
FUEL PUMP AND CARBURETOR	12
OIL PAN AND PUSH ROD COVER	34
PARTS INDEX	38
STARTER MOTOR AND ALTERNATOR	4
THROTTLE CONTROL LINKAGE	14
WIRING HARNESS AND STARTER SOLENOID	2

NOTE: *Indented description indicate that these parts are included in preceeding assembly.*

AR = As Required

NSS = Not Sold Separate

OPT = Optional

NS = Not Shown

THESE PARTS BOOKS/FICHE CARD ARE COPYRIGHTED AND MAY NOT BE DISTRIBUTED OR REPRODUCED IN ANY OTHER FORMAT BY ANYONE OTHER THAN MERCURY MARINE WITHOUT THE PRIOR WRITTEN CONSENT OF MERCURY MARINE.

REPLACEMENT PARTS ! WARNING !

Electrical, ignition and fuel system components on MerCruiser Engines and Stern Drives are designed and manufactured to comply with U.S. Coast Guard Rules and Regulations to minimize risks of fire or explosion. Use of replacement electrical, ignition or fuel system components, which do not comply to these rules and regulations, could result in a fire or explosion hazard and should be voided.

When servicing the electrical, ignition and fuel systems, it is extremely important that all components are properly installed and tightened. If not, any electrical or ignition component opening would permit sparks to ignite fuel vapors from fuel system leaks, if they existed.

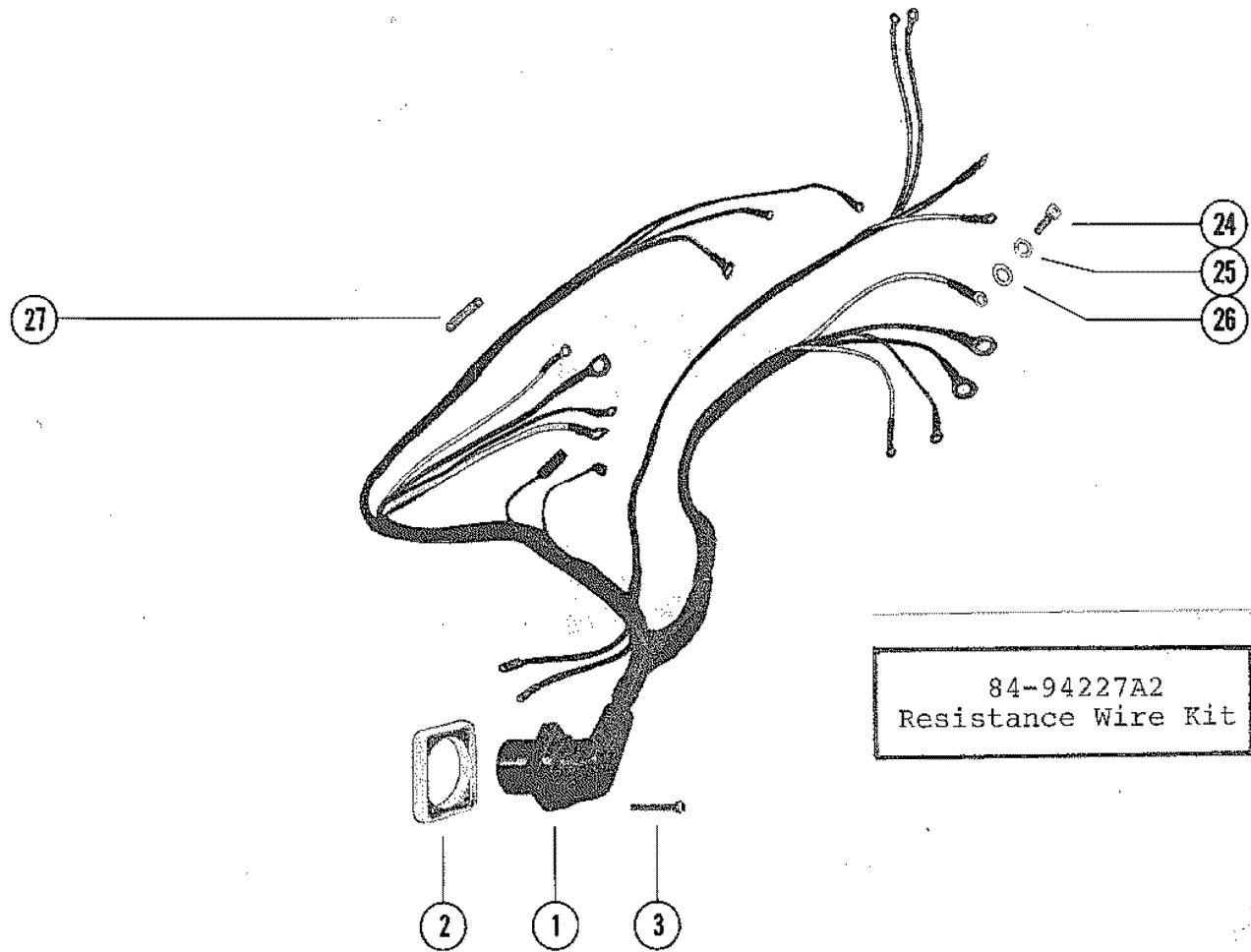
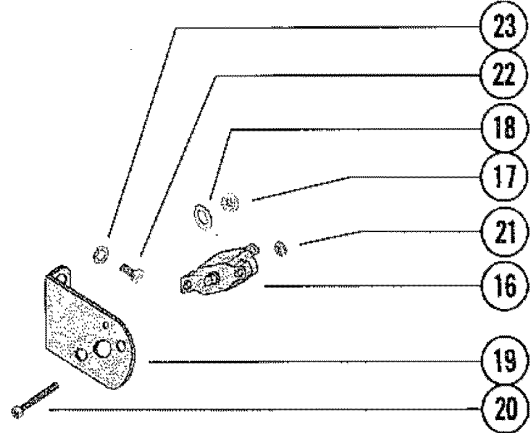
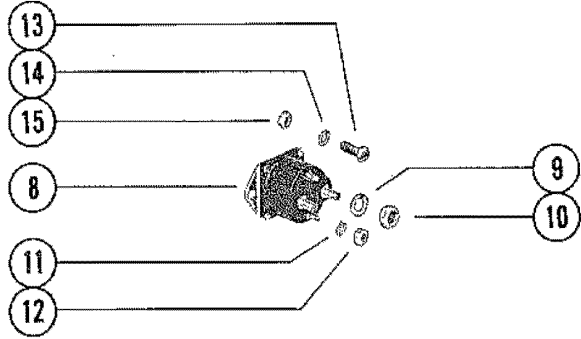
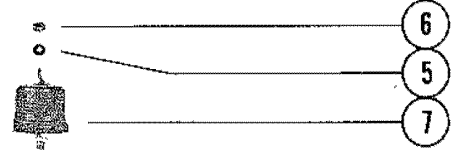
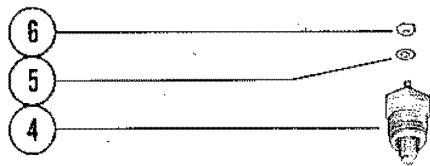
ENGINE MECHANICAL COMPONENTS

Many of the engine mechanical components are designed for marine applications. Unlike automotive engines, marine engines are subjected to extended periods of heavy load and wide- open-throttle operation, therefore, require heavy-duty components. Special marine engine parts have design and manufacturing specifications, which are required to provide long life and dependable performance. Marine engine parts also must be able to resist the corrosive action of salt or brackish water that will rust or corrode standard automotive parts within a short period of time.

Failure to use recommended Mercury Precision Parts OR Quicksilver service replacement parts can result in poor engine performance and/or durability, rapid corrosion of parts subjected to salt water and possibly complete failure of the engine.

Use of parts other than recommended service replacement parts will void the warranty on those parts which are damaged as a result of the use of other than recommended parts.

WIRING HARNESS AND STARTER SOLENOID

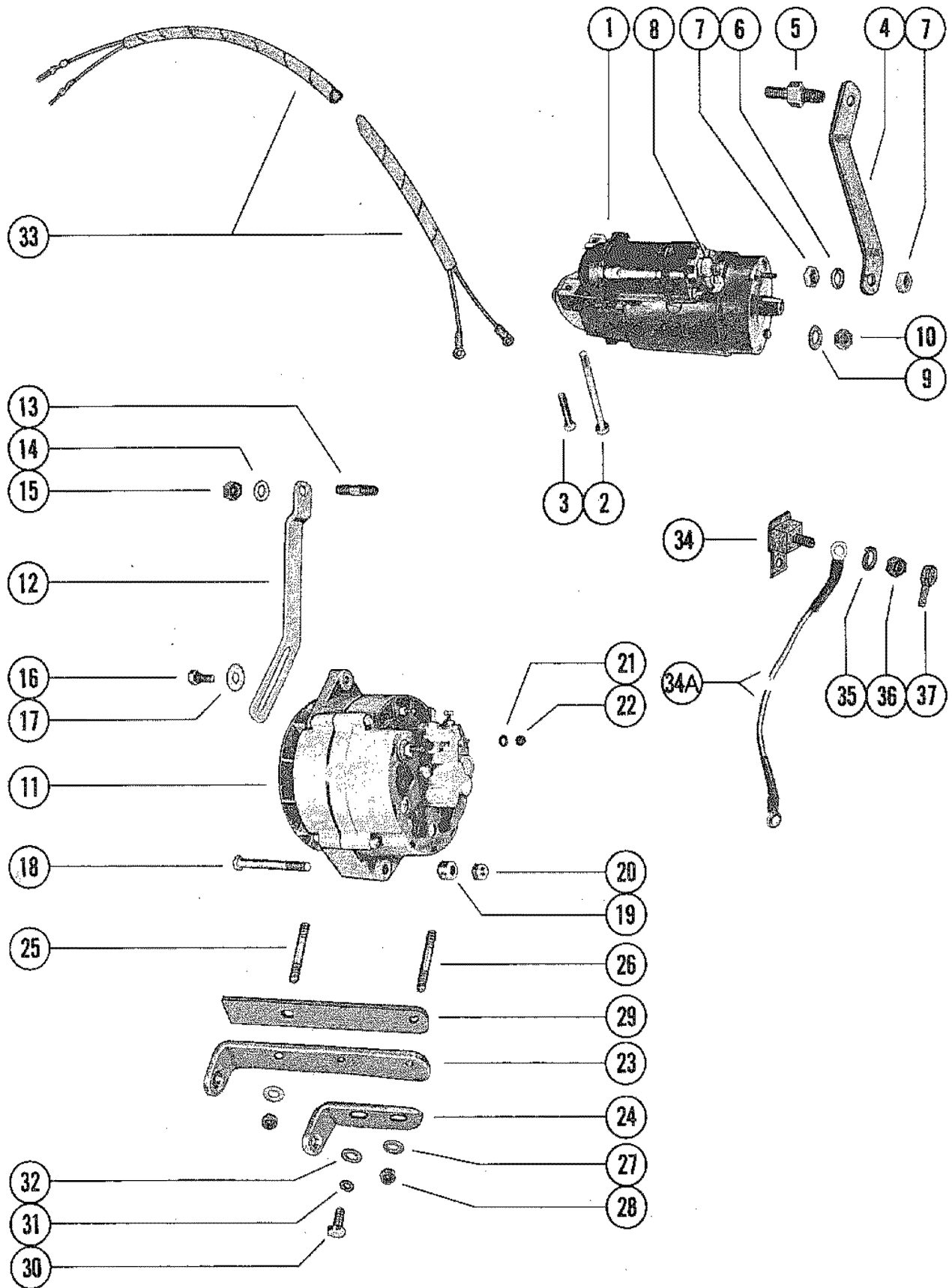


84-94227A2
Resistance Wire Kit

WIRING HARNESS AND STARTER SOLENOID

REF. NO.	PART NO.	SYM.	QTY.	DESCRIPTION
1	84-66963A1		1	WIRING HARNESS, EXTERNAL (USED WITH FUSE)
	84-86674A2		1	WIRING HARNESS, EXTERNAL (USED WITHOUT FUSE)
2	26079		1	PALTE, WIRING HARNESS TO MOUNTING BRACKET
3	10-46718		4	SCREW, WIRING HARNESS PLATE TO MOUNTING BRACKET (3/4")
4	36525		1	WATER TENOERATYRE SBEDER ASSEMBLY
5	13-26996		3	LOCKWASHER, SENDER TERMINALS (#10)
6	11-68219		3	NUT, SENDER TERMINALS (10-32)
7	34623		1	OIL PRESSURE SNERDER ASSEMBLY
8	89-68258		1	STARTER SOLENOID
9	13-26993		2	LOCKWASHER, STARTER SOLENOID TERMINALS (5/16")
10	11-68292		2	NUT, STARTER SOLENOID TERMINAL (5/16")
11	13-26996		2	LOCKWASHER, STARTER SOLENOID TERMINAL (10#)
12	11-68219		2	NUT, STARTER SOLENOID TERMINAL (10-32)
13	10-69028		2	SCREW, STARTER SOLENOID MOUTNING (3/4")
14	13-26992		2	LOCKWASHER, STARTER SOLENOID SCREW
15	11-20664		2	NUT, STARTER SOLENOID SCREW
16	88-78813		1	CIRCUIT BREAKER
17	11-68219		2	NUT, CIRCUIT BREAKER STUDS
18	11-24656		2	NUT, JCIRCUIT BREAKER STUDS
19	86924		1	BRACKET, CIRCUIT BREAKER SERIAL 00000000-05568539
	90923		1	BRACKET, CIRCIUT BREAKER SERIAL 05568540-09999999
20	10-24637		2	SCREW, CIRCUIT BREAKER TO BRACKET (1")
21	11-46438		2	NUT, CIRCUIT BREAKER ATTACHING SCREW
22	10-34353		2	SCREW, CIRCUIT BREAKER BRACKET TO CYLINDER HEAD (1")
23	13-37459		2	LOCKWASHER, CIRCUIT BREAKER BRACKET TO CYL. HEAD SCREW
24	10-20055		1	SCREW, HARNESS LEAD TO ALTERNATOR - NOT USED WITH MOTOROLA ALTERNATOR
25	13-26996		1	LOCKWASHER, HARNESS LEAD SCREW - NOT USED WITH MOTOROLA ALTERNATOR
26	12-30164		1	WASHER, HARNESS LEAD SCREW - NOT USED WITH MOTOROLA ALTERNATOR
27	57908--2		2	SLEEVE, WIRING HARNESS

STARTER MOTOR AND ALTERNATOR

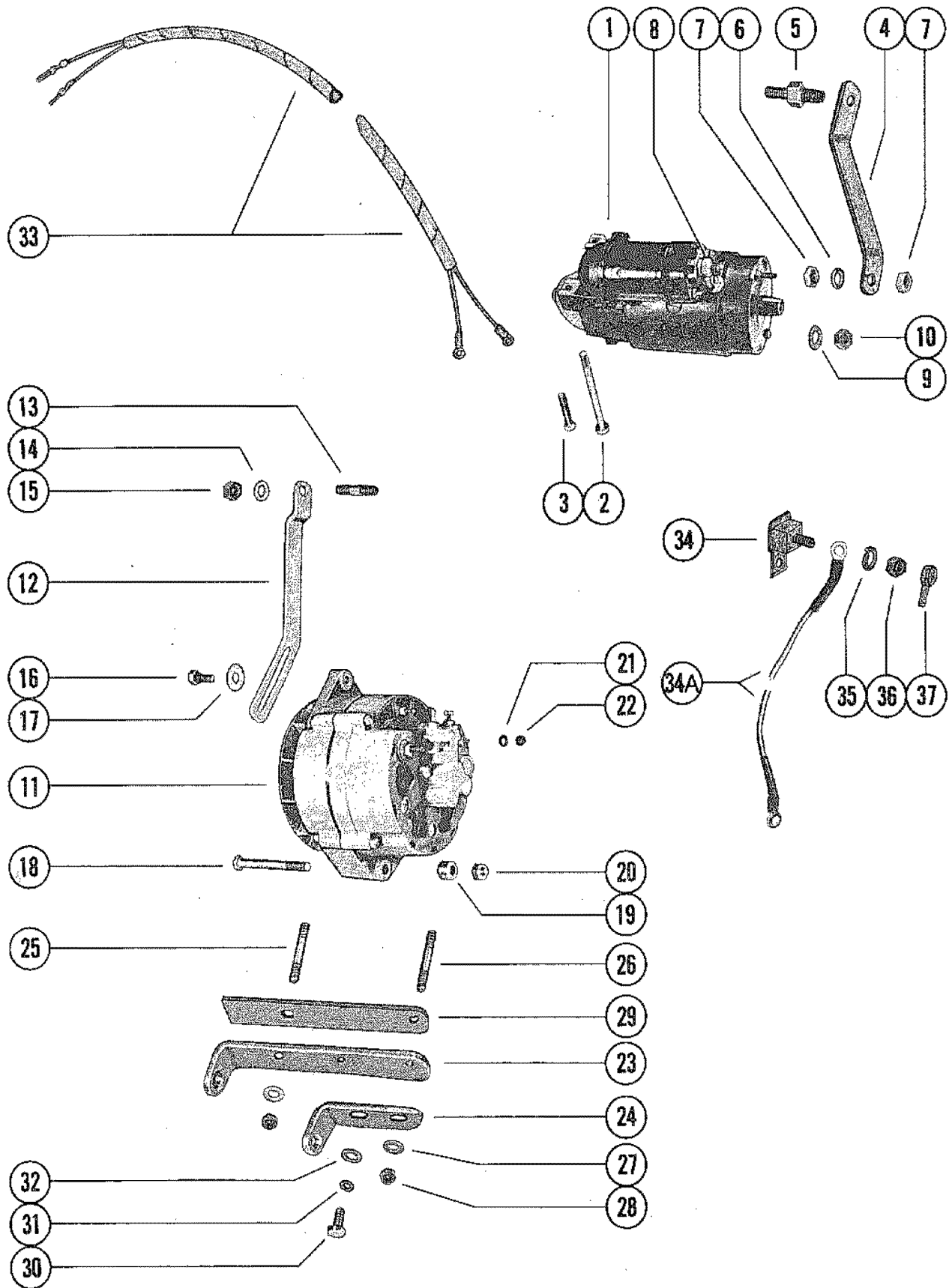


STARTER MOTOR AND ALTERNATOR

REF. NO.	PART NO.	SYM.	QTY.	DESCRIPTION
1	50-79822A2		1	STARTER MOTOR ASSEMBLY(DELCO REMY #1109489)
2	10-34545		1	BOLT, STARTER MOUNTING (421/32")
3	10-34544		1	BOLT, STARTER MOTOR MOUNTING (1 15/16')
4	88292		1	BRACE, STARTER MOTOR
5	16-88294		1	STUD, STARTER MOTOR BRACE TO PUSHROD COVER
6	12-29245		1	WASHER, STARTER MOTOR THRU BOLT NUT
7	11-29031		1	NUT, STARTER MOTOR THRU BOLT (1/4X20)
	11-88293		1	NUT, STARTER MOTOR BRACE ATTACHING
8	11-32219		1	NUT, SOLENOID SWITCH TERMINAL (3/-16)
9	13-26995		2	LOCKWASHER, STARTER MOTOR TERMINAL (#8)
10	11-26419		2	NUT, STARTER MOTOR TERMINAL (#8-32)
9	13-26996		2	LOCKWASHER, STARTER MOTOR TERMINAL (#10)
10	11-68219		2	NUT, STARTER MOTOR TERMINAL (#10-32)
	11-32219		1	NUT, STARTER MOTOR TERMINAL (3/8-16)
11	78403A2		1	ALTERNATOR (MOTOROLA #8MR203F)
12	56224		1	BRACE, ALTERNATOR TO CYLINDER BLOCK (FRONT)
13	16-54177		1	STUD, ALTERNATOR BRACE TO EXHAUST MANIFOLD (1 3/8")
14	12-20553		1	WASHER, ALTERNATOR BRACE STUD
15	11-23161		1	NUT, ALTERNATOR BRACE STUD
16	10-29198		1	SCREW, ALTERNATOR (7/8")
17	12-26168		1	WASHER, ALTERNATOR BRACE SCREW
18	10-56057		1	SCREW, ALTERNATOR TO BRACKET (3 3/4")
19	23-45353		1	SPACER , ALTERNATOR SCREW
20	11-23161		1	NUT, ALTERNATOR SCREW
21	13-26991		1	LOCKWASHER, ALTERNATOR TERMINAL (12#)
22	11-68531		1	NUT, ALTERNATOR TERMINAL (#12-24)
23	52817		1	BRACKET, ALTERNATOR MOUNTING (SMALL)
24	52818		1	BRACKET, ALTERNATOR MOUNTING (LARGE)
25	16-54177		1	STUD, MOUNTING BRACKET TO CYLINDER BLOCK (1 3/8")
26	16-54176		1	STUD, MOUNTING BRACKET TO CYLINDER BLOCK (1 5/8')
27	12-20553		2	WASHER, MOUNTING BRACKET STUD
28	11-23161		2	NUT, MOUNTING BRACKET STUD
29	27-53502		1	GASKET, ALTERNATOR MOUNTING BRACKET (LARGE BRACKET)
30	10-33524		1	SCREW, ALTERNATOR MOUNTING BRACKET TO CYL. BLOCK(5/8')
31	13-26993		1	LOCKWASHER, ALTERNATOR MOUNTING BRACKET SCREW
32	12-26825		1	WASHER, ALTERNATOR MOUNTING BRACKET SCREW
33	84-78581A1		1	ALTERNATOR HARNESS ASSEMBLY USED WITH B-84-66963A1 HARNESS WIRING

CONTINUED ON NEXT PAGE ➡

STARTER MOTOR AND ALTERNATOR



STARTER MOTOR AND ALTERNATOR

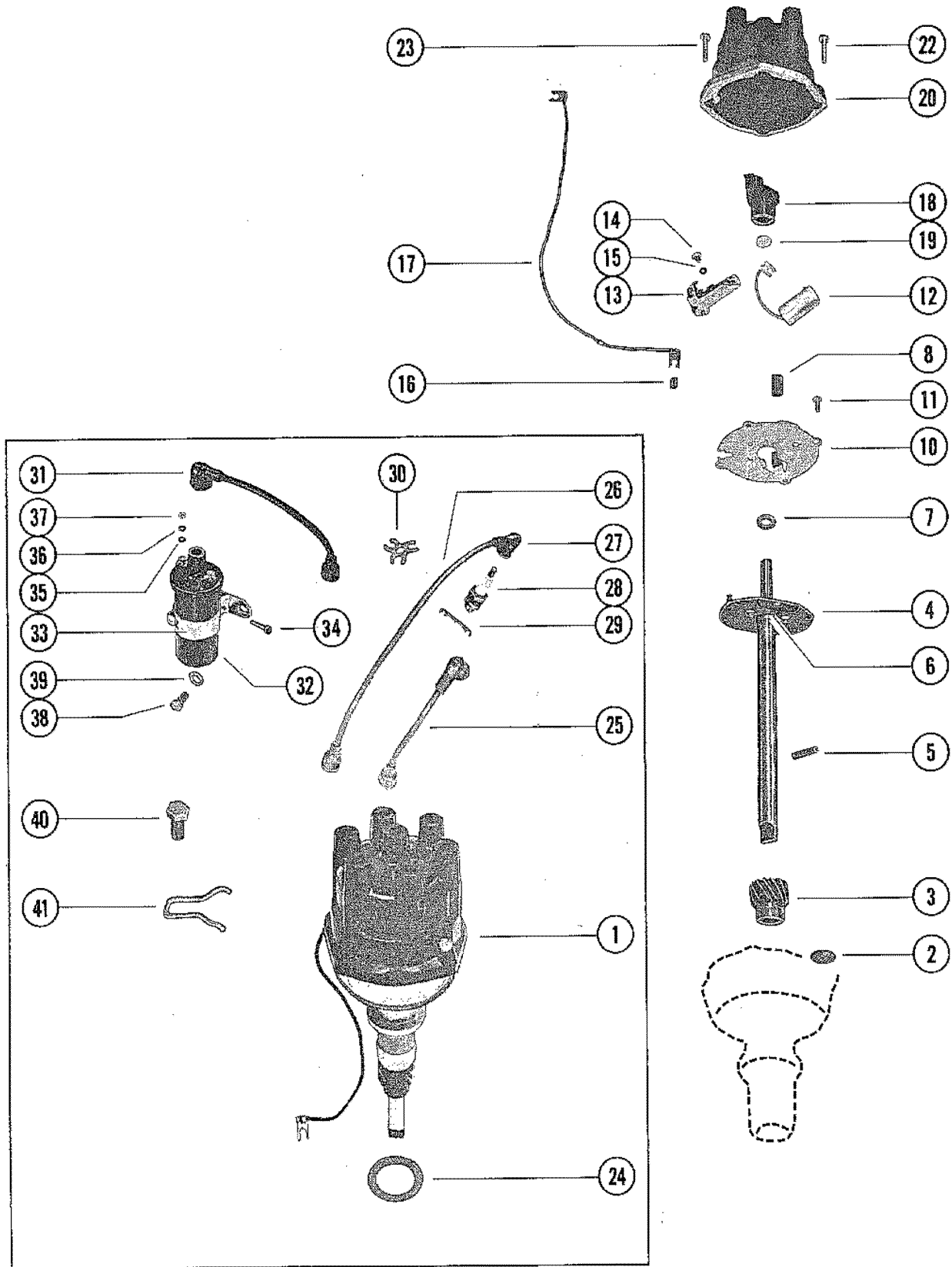
REF. NO.	PART NO.	SYM.	QTY.	DESCRIPTION
34	88-79023A90		1	FUSE ASSEMBLY, 90 AMP USED WITH B-84-66963A1 HARNESS WIRING
34A	84-79139A6		1	JUMPER WIRE, 90 AMP FUSE TO CIRCUIT BREAKER USED WITH B-84-66963A1 HARNESS WIRING
35	12-24669		1	LOCKWASHER , FUSE STUD USED WITH B-84-66963A1 HARNESS WIRING
36	11-21825		1	NUT, FUSE STUD USED WITH B-84-66963A1 HARNESS WIRING
37	85-79695		1	BOOT, INSULATOR-FUSE STUD USED WITH B-84-66963A1 HARNESS WIRING

DISTRIBUTOR ASSEMBLY AND COIL

REF. NO.	PART NO.	SYM.	QTY.	DESCRIPTION
1	72623		1	DISTRIBUTOR ASSEMBLY, COMPLETE
2	62426		2	SCREEN, DISTRIBUTOR HOUSING
3	43-33664		1	GEAR, DRIVE-MAIN SHAFT
4	72652		1	MAIN SHAFT AND WEIGHT PLATE
5	17-33649		1	PIN, DRIVE GEAR TO MAIN SHAFT
6	12-58220		1	WASHER, CAM AND MAIN SHAFT
7	26-72653		1	SEAL, HOUSING
8	33653		1	FELT, BREAKER CAM LUBRICATOR
-	72654		1	RETAINER,WICK
10	33665		1	PLATE, MOUNTING-BREAKER ASSEMBLY AND CONDENSER
11	10-23977		2	SCREW, MOUNTING PLATE TO PRIMARY HOUSING (3/8")
12	33662		1	CONDENSER
-	48024		1	BRACKET ,CONDENSER MOUNTING
-	10-48021		1	SCREW, CONDENSER BRACKET ATTACHING
13	34235		1	BREAKER ASSEMBLY,DISTRIBUTOR
14	10-33650		1	SCREW,BREAKER ASSEMBLY TO MOUNTING PLATE (5/32")
15	12-62425		1	WASHER,BREAKER ASSEMBLY TO MOUNTING PLATE SCREW
16	25-33666		1	GROMMET,MOUNTING PLATE-PRIMARY WIRE
17	33658		1	LEAD PRIMARY
18	58217		1	ROTOR,DISTRIBUTOR
19	12-36275		1	WASHER, ROTOR
20	33765		1	CAP, DISTRIBUTOR
22	10-33660		1	SCREW,DISTRIBUTOR CAP TO PRIMARY HOUSING (8-32)
23	10-33663		1	SCREW, DISTRIBUTOR CAP TO PRIMARY HOUSING (10-32)
24	27-34486		1	GASKET, DISTRIBUTOR
25	84-69713--1		2	LEAD ASS'Y, HIGH TENSION-DIST.(6 1/4")-CYL.#1 AND #2
26	84-69713--2		1	LEAD ASS'Y,HIGH TENSION-DIST.(14 1/4")-CYL.#3
	84-69713--3		1	LEAD ASS'Y, HIGH TENSION-DIST.(20 3/4")-CYL.#4
	84-69713--4		2	LEAD ASS'Y, HIGH TENSION-DIST.(22")-CYL.#5ADN #6
27	85-71006A1		6	PROTECTOR, HIGH TENSION LEAD
28	33-59571		6	SPARK PLUG(AC#R43T)
29	32784		1	RETAINER,HIGH TENSION LEADS
30	32783		1	RETAINER,HIGH TENSION LEAD
31	84-67203		1	WIRE ASSEMBLY,DISTRIBUTOR TO COIL (1/4")
32	32193		1	COIL ASSEMBLY, IGNITION
33	65970		1	BRACKET, IGNITION COIL MOUNTING
34	10-66652		1	SCREW,MOUNTING BRACKET TO IGNITION COIL
35	112-30164		2	WASHER, IGNITION COIL TERMINAL
36	13-26996		2	LOCKWASHER,IGNITION COIL TERMINAL

CONTINUED ON NEXT PAGE ➡

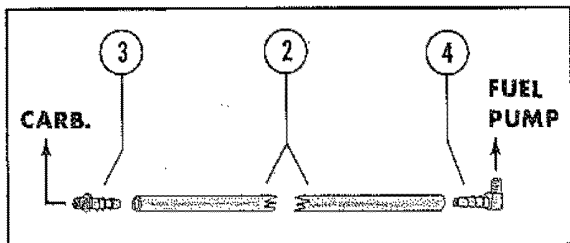
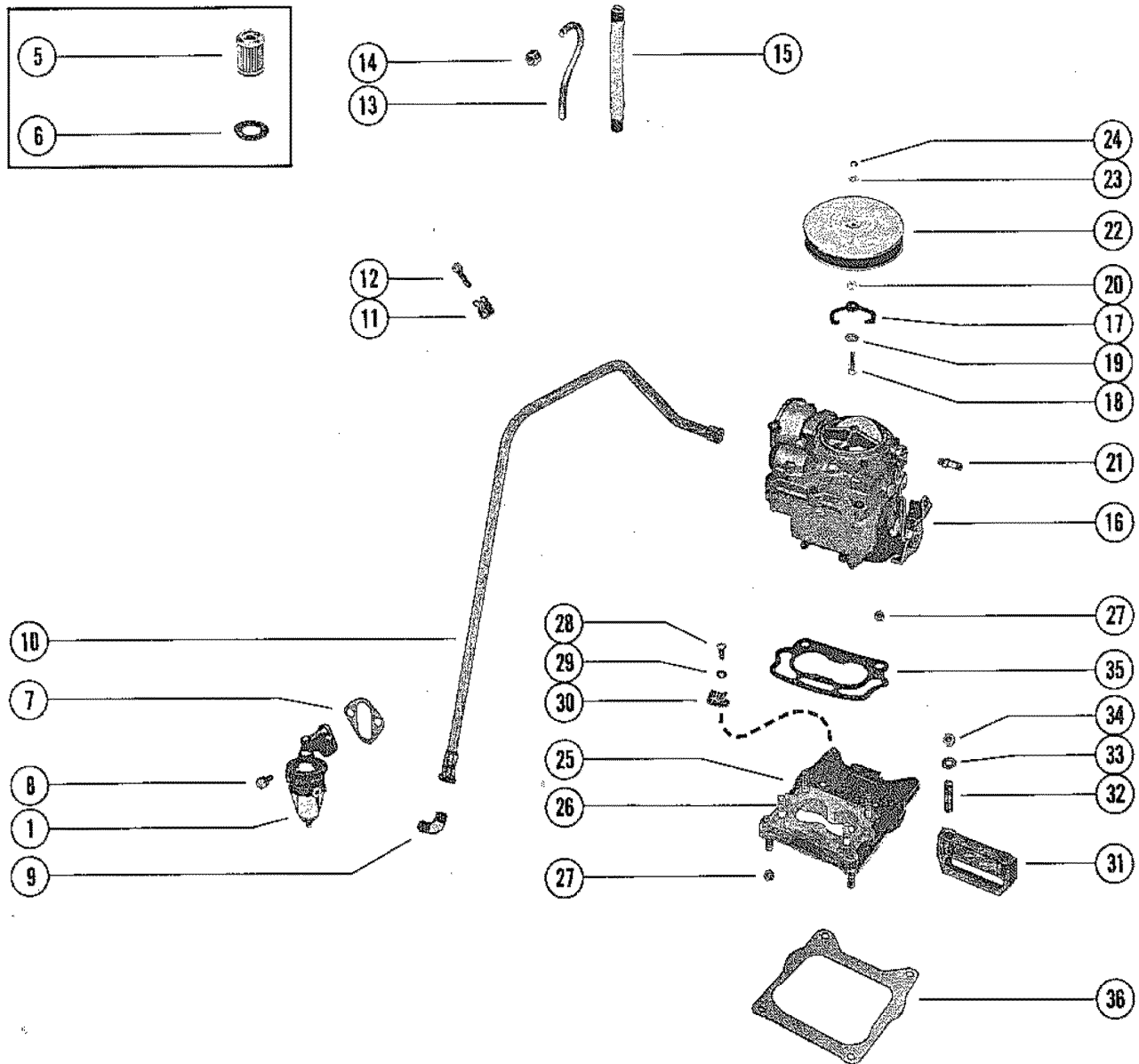
DISTRIBUTOR ASSEMBLY AND COIL



DISTRIBUTOR ASSEMBLY AND COIL

REF. NO.	PART NO.	SYM.	QTY.	DESCRIPTION
37	11-68219		2	NUT, IGNITION COIL TERMINAL
38	10-27165		1	SCREW, IGNITION COIL TO CYLINDER BLOCK (3/4")
39	12-20553		1	WASHER, IGNITION COIL SCREW
40	10-35169		1	SCREW, DISTRIBUTION TO CYLINDER BLOCK(1")
41	72624		1	CLAMP, DISTRIBUTOR

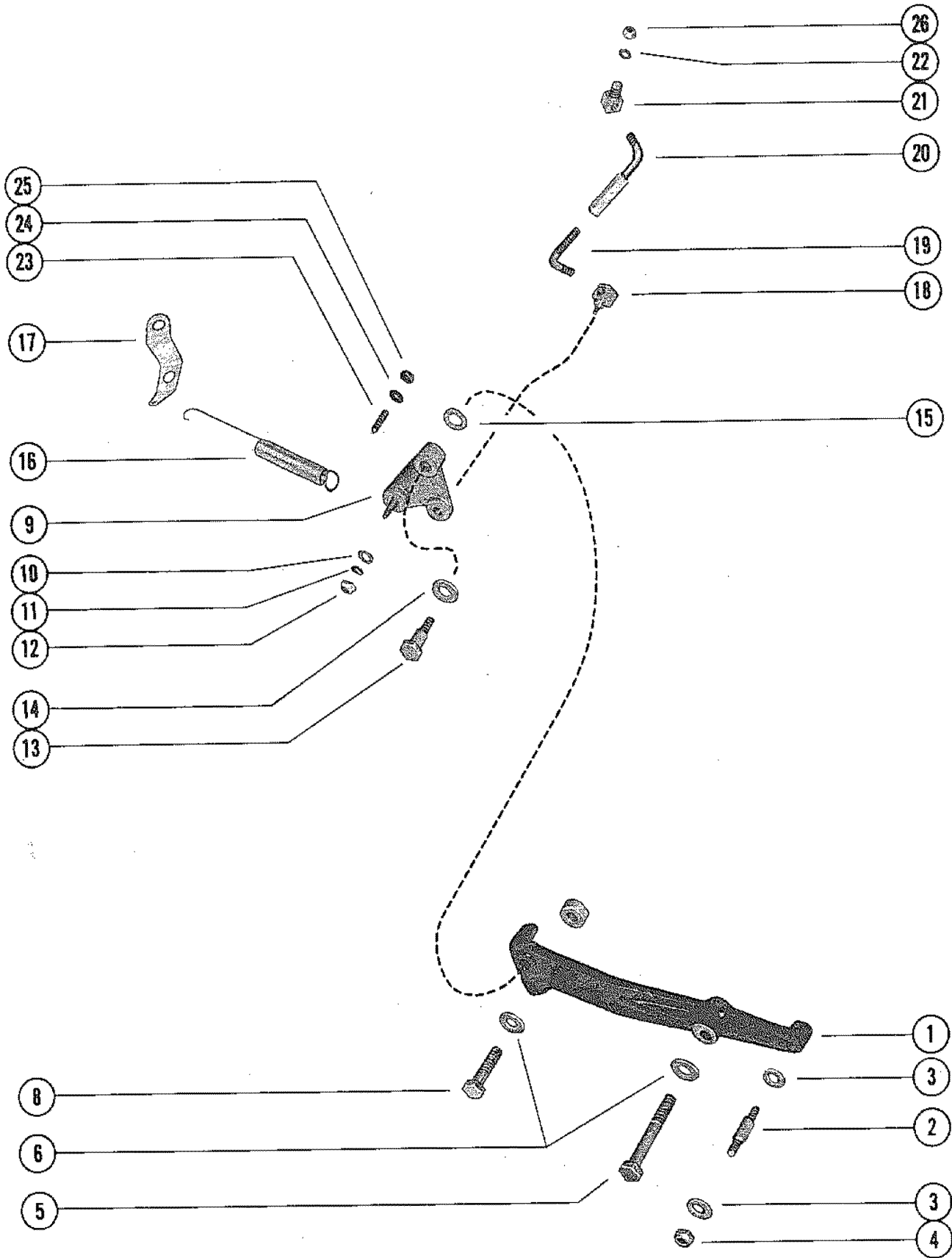
FUEL PUMP AND CARBURETOR



FUEL PUMP AND CARBURETOR

REF. NO.	PART NO.	SYM.	QTY.	DESCRIPTION
1	86234		1	FUEL PUMP ASSEMBLY
2	32-73815--2		1	TUBE, VENT
3	22-73816		1	CONNECTOR, VENT TUBE TO CARBURETOR
4	22-73817		1	CONNECTOR, VENT TUBE TO FUEL PUMP
5	35-49088		1	FILTER, FUEL-FUEL PUMP
6	49089		1	DIAPHARGM KIT,FUEL PUMP
7	27-34213		1	GASKET, FUEL PUMP
8	10-45488		1	SCREW, FUEL PUMP TO CYLINDER BLOCK (3/4")
9	22-70584		1	FITTING, FUEL LINE
10	32-65652		1	FUEL LINE,FUEL PUMP TO CARBURETOR
11	54-65653		1	CLAMP, FUEL LINE TO ROCKER COVER
12	10-32049		1	SCREW, FUEL LINE CLAMP TO ROCKER COVER (1/2")
14	22-70583		1	NUT, COMPRESSIONOCKE-CARBURETOR
	22-70583		1	NUT, COMPRESSION-CHOKE PIPE
15	32-57831		1	COVERING,CHOCKE PIPE
16	1351-7356A1		1	CARBURETOR ASSEMBLY
17	52734		1	BAIL,FLAME ARRESTOR TO CARBURETOR
18	10-65027		1	SCREW, FLAME ARRESTOR TO BARVURETOR(1")
19	12-32733		1	WASHER. FLAME ARRESTOR SCREW
20	11-28941		1	NUT, FLAME ARRESTOR SCREW
21	22-32802		1	NIPPLE,VENT HOSE TO CARBURETOR
22	85786		1	FALME ARRESTOR
23	12-86400		1	WASHER, FLAME ARRESTOR MOUNTING SCREW
24	11-20586		1	NUT, FLAME ARRESTOR MOUNTING SCREW (TOP)
25	63502A2		1	ADAPTOR ASSEMBLY,CARBURETOR
26	16-66288		6	STUD,ADAPTOR TO CARBURETOR AND EXHAUST MANIFOLD
27	11-29250		6	NUT, CARBURETOR MOUNTING STUD
28	10-53576		2	SCREW, ADAPTOR TO EXHAUDT MANIFOLD (11/8")
	10-24234		2	SCREW, ADAPTOR TO EXHAUST MANIFOLD (1")
29	13-39107		4	LOCKWAHER, ADAPTOR SCREW
30	54-52923		1	CLAMP, ADAPTOR SCREW (INLET HOSE)
31	55885		1	CARBURETOR ADAPTOR
32	16-52387		2	STUD, BAFFGLE TO CARDURETOR ADAPTOR (1 1/16")
33	12-26825		2	WASHER, BAFFLE STUD
34	11-46793		2	NUT, BAFFLE STUD
35	27-64692		1	GASKET, CARBURETOR
36	27-58764		1	GASKET, ADAPTOR TO EXHAUST MANIFOLD

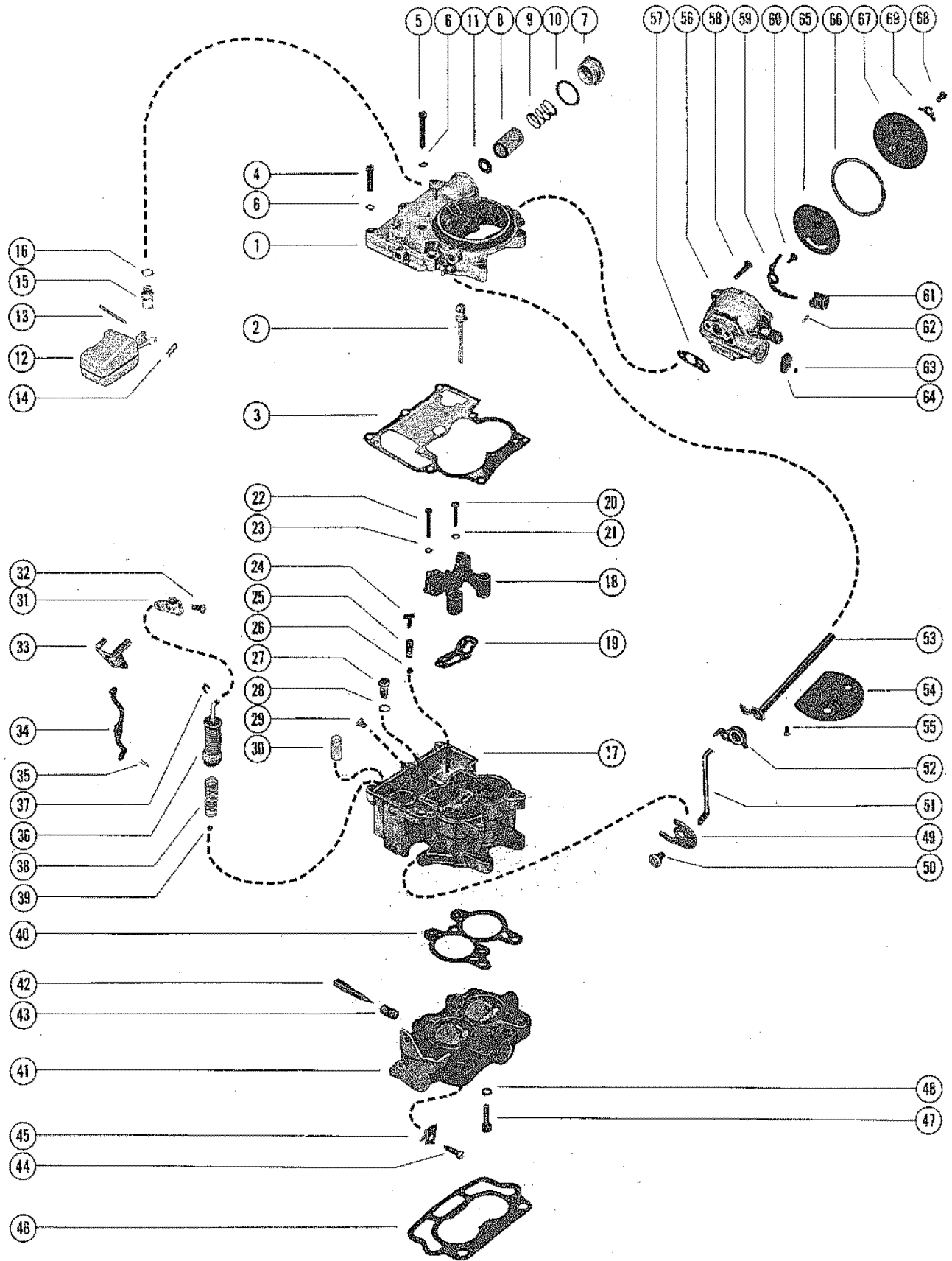
THROTTLE CONTROL LINKAGE



THROTTLE CONTROL LINKAGE

REF. NO.	PART NO.	SYM.	QTY.	DESCRIPTION
1	62951		1	BRACKET, MOUNTING - THROTTLE LINKAGE
2	16-38525		1	STUD, ANCHOR - THROTTLE CABLE TO MOUNTING BRACKET
3	12-24664		2	WASHER, THROTTLE CABLE ANCHOR STUD
4	11-20586		1	NUT, THROTTLE CABLE ANCHOR STUD
5	10-25038		1	BOLT, BRACKET TO EXHAUST MANIFOLD (7/8")
6	13-39107		2	LOCKWASHER, MOUNTING BRACKET BOLT
8	10-31984		1	BOLT, BRACKET TO EXHAUST MANIFOLD (1 3/8")
9	78890		1	LEVER, THROTTLE - MOUNTING BRACKET
10	12-35950		1	WASHER, THROTTLE LEVER STUD (7/16" O.D.)
11	12-30164		1	WASHER, THROTTLE LEVER STUD (3/8" O.D.)
12	11-20110		1	NUT, THROTTLE LEVER STUD
13	10-38507		1	SCREW, STEP - LEVER TO MOUNTING BRACKET (1 5/16")
14	12-57792		1	WASHER, THROTTLE LEVER STEP SCREW (1/8" THICK)
15	12-20553		1	WASHER, THROTTLE LEVER STEP SCREW (1/16" THICK)
16	24-54217		1	SPRING, THROTTLE RETURN
17	26551		1	TAB, RETAINER - THROTTLE RETURN SPRING
18	27947		1	SWIVEL, LINK ROD TO THROTTLE LEVER
19	64804		1	LINK ROD, THROTTLE
20	63145A1		1	LINK ROD ASSEMBLY, CARBURETOR
21	38983		1	SWIVEL, LINK ROD TO CARBURETOR
22	12-30164		1	WASHER, LINK ROD TO CARBURETOR SWIVEL
23	10-64969		1	SCREW, THROTTLE STOP (1")
24	12-35950		1	WASHER, THROTTLE STOP SCREW
25	11-33122		1	NUT, JAM - THROTTLE STOP
26	11-20110		1	NUT, LINK ROD TO CARBURETOR SWIVEL

CARBURETOR ASSEMBLY

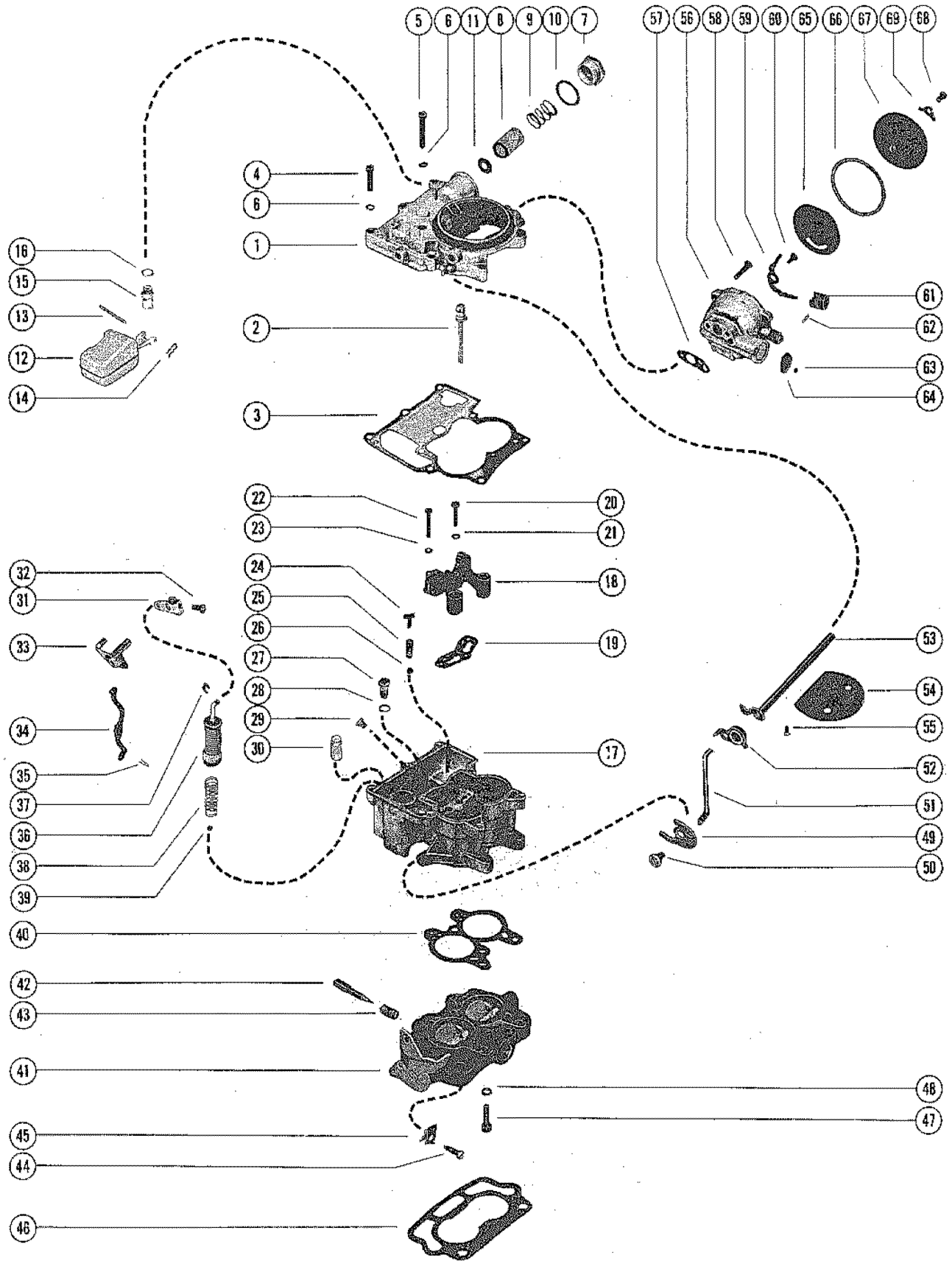


CARBURETOR ASSEMBLY

REF. NO.	PART NO.	SYM.	QTY.	DESCRIPTION
-	1351-7356A1		1	CARBURETOR ASSEMBLY, COMPLETE
1	N.S.S.		1	AIR HORN (ROCHESTER #7041370)
2	N.S.S.		1	POWER PISTON ASSEMBLY (ROCHESTER #7009054)
3			1	GASKET, AIR HORN
4	10-33043		7	SCREW, AIR HORN TO FLOAT BOWL (SHORT)
5	10-33048		1	SCREW, AIR HORN TO FLOAT BOWL (LONG)
6	13-26996		8	LOCKWASHER, AIR HORN SCREW
7	1397-3330		1	NUT, FUEL INLET - AIR HORN
8	35-53336		1	FILTER, FUEL INLET - AIR HORN
9	24-48143		1	SPRING, FUEL INLET - AIR HORN
10			1	GASKET, FUEL INLET NUT (LARGE)
11			1	GASKET, FUEL INLET FILTER (SMALL)
12	1397-2060		1	FLOAT ASSEMBLY
13	N.S.S.		1	PIN, HINGE - FLOAT TO AIR HORN (ROCHESTER #7002081)
14			1	CLIP, HINGE PIN
15			1	INLET NEEDLE AND SEAT ASSEMBLY
16			1	GASKET, INLET NEEDLE AND SEAT
17	N.S.S.		1	FLOAT BOWL ASSEMBLY (ROCHESTER#7041335)
18	N.S.S.		1	VENTURI CLUSTER ASSEMBLY, FLOAT BOWL (ROCHESTER #7025567)
19			1	GASKET, VENTURI CLUSTER
20	N.S.S.		1	SCREW, VENTURI CLUSTER TO FLOAT BOWL (CENTER)-ROCHESTER #70
21			1	GASKET, VENTURI CLUSTER SCREW (CENTER)
22	N.S.S.		2	SCREW, VENTURI CLUSTER TO FLOAT BOWL (OUTER)-ROCHESTER #700
23	13-26995		2	LOCKWASHER, VENTURI CLUSTER SCREW (OUTER)
24			1	GUIDE, PUMP DISCHARGE - FLOAT BOWL
25			1	SPRING, PUMP DISCHARGE - FLOAT BOWL
26			1	BALL, PUMP DISCHARGE - FLOAT BOWL
27			1	POWER VALVE ASSEMBLY, FLOAT BOWL
28			1	GASKET, POWER VALVE
29	1397-3827		2	JET, FLOAT BOWL (STANDARD)
30			1	STRAINER, PUMP INLET
31	N.S.S.		1	LEVER, PUMP - AIR HORN (ROCHESTER #7032377)
32	10-33047		1	SCREW, AIR HORN PUMP LEVER
33	N.S.S.		1	PUMP SHAFT AND LEVER ASSEMBLY, AIR HORN(ROCHESTER #7036764)
34	N.S.S.		1	ROD, PUMP(ROCHESTER #7036759)
35			1	CLIP, RETAINER - PUMP ROD
36			1	PUMP ASSEMBLY, FLOAT BOWL
37			1	CLIP, RETAINER - FLOAT BOWL PUMP
38			1	SPRING, PUMP RETURN - FLOAT BOWL
39			1	BALL, CHECK - PUMP INLET - FLOAT BOWL

CONTINUED ON NEXT PAGE ➡

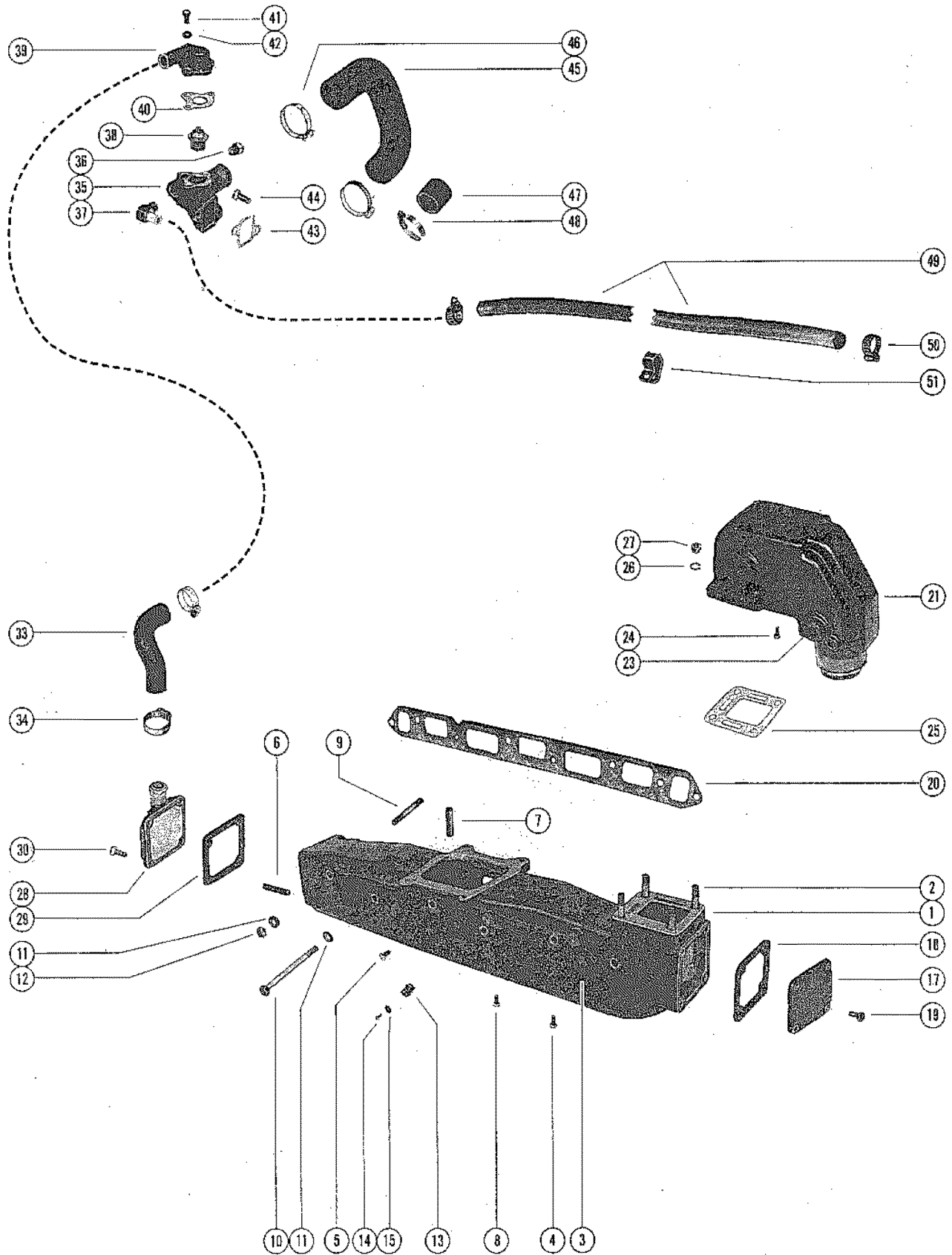
CARBURETOR ASSEMBLY



CARBURETOR ASSEMBLY

REF. NO.	PART NO.	SYM.	QTY.	DESCRIPTION
40			1	GASKET, THROTTLE BODY
41	1397-2639		1	THROTTLE BODY ASSEMBLY
42	1397-2120		1	IDLE ADJUSTING NEEDLE, THROTTLE BODY
43	24-33050		2	SPRING, IDLE ADJUSTING NEEDLE
44	1397-2638		2	IDLE STOP SCREW, THROTTLE BODY
45	54-39108		1	CLIP, IDLE STOP SCREW
46			1	GASKET, CARBURETOR FLANGE
47	10-33052		3	SCREW, THROTTLE BODY TO FLOAT BOWL
49	1397-2071		3	CAM, FAST IDLE - FLOAT BOWL
50	10-33042		1	SCREW, FAST IDLE CAM TO FLOAT BOWL
51	N.S.S.		1	ROD, CHOKE(ROCHESTER #7025667)
52	1397-4257		1	CHOKE LEVER AND COLLAR ASSEMBLY, CHOKE SHAFT
54	1397-4358		1	VALVE, CHOKE - CHOKE SHAFT
55	10-33045		1	SCREW, CHOKE VALVE TO CHOKE SHAFT
56	1397-2630		1	CHOKE HOUSING ASSEMBLY
57			1	GASKET, CHOKE HOUSING
58	10-33053		2	SCREW, CHOKE HOUSING TO AIR HORN
59	N.S.S.		1	LEVER ASSEMBLY, CHOKE PISTON(ROCHESTER #7010051)
60	10-33056		1	SCREW, CHOKE PISTON LEVER TO CHOKE HOUSING
61	1397-2059		1	CHOKE PISTON, CHOKE HOUSING
62	17-33049		1	PIN, CHOKE PISTON TO CHOKE PISTON LEVER
63	1397-2050		1	PLUG, BALL - CHOKE HOUSING
64	19-33041		1	WELCH PLUG, CHOKE HOUSING
65	1397-2057		1	PLATE, BAFFLE - CHOKE HOUSING
66			1	GASKET, STAT COVER AND COIL
67	1397-2648		1	STAT COVER AND COIL ASSEMBLY
68	10-33047		3	SCREW, STAT COVER AND COIL TO CHOKE HOUSING
69	54-33036		3	RETAINER, STAT COVER AND COIL TO CHOKE HOUSING SCREW
-	1397-7542		1	OVERHAUL KIT
-	1397-7547		1	GASKET KIT
-	1397-2992		1	ALTITUDE KIT (5,000 FT.)
-	N.S.S.		1	ALTITUDE KIT (10,000 FT.)-ROCHESTER #7025962

EXHAUST MANIFOLD AND EXHAUST ELBOW

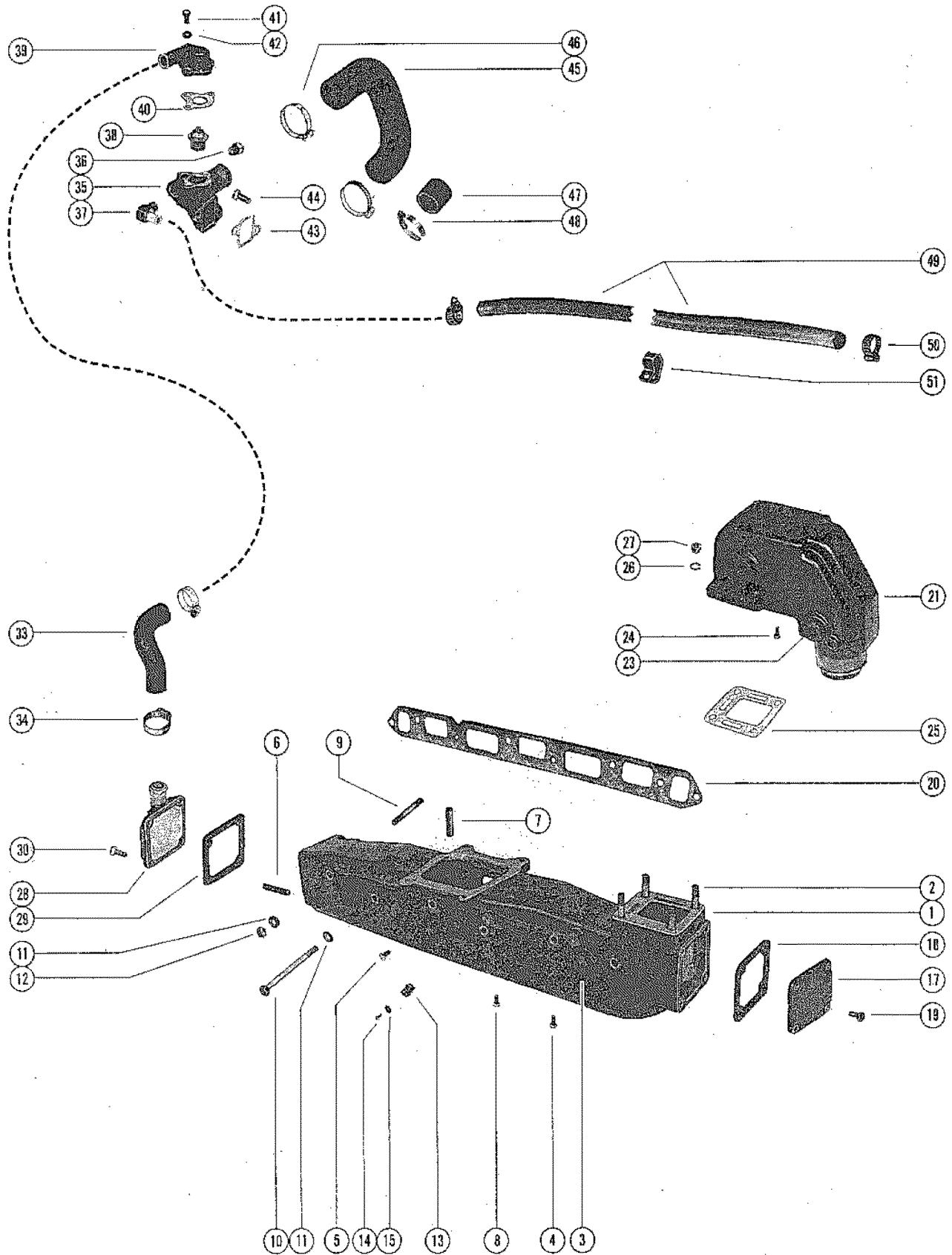


EXHAUST MANIFOLD AND EXHAUST ELBOW

REF. NO.	PART NO.	SYM.	QTY.	DESCRIPTION
1	58759A1		1	EXHAUST MANIFOLD ASSEMBLY
2	16-49545		4	STUD, EXHAUST MANIFOLD TO EXHAUST ELBOW (1 3/4")
3	22-48118		4	PLUG, EXHAUST MANIFOLD
4	22-32802		1	PLUG, PIPE - EXHAUST MANIFOLD (1/8-27)
5	22-32561		1	PLUG, PIPE - EXHAUST MANIFOLD (1/4-18)
6	16-54177		1	STUD, ALTERNATOR BRACE ATTACHING
7	32-55644		1	TUBE, HEAT - EXHAUST MANIFOLD
8	10-69052		2	SCREW, EXHAUST MANIFOLD (1/2")
9	16-52093		2	STUD, EXHAUST MANIFOLD TO CYLINDER BLOCK (5 1/4")
10	10-52143		4	SCREW, EXHAUST MANIFOLD TO CYLINDER HEAD (4 3/4")
11	12-20553		6	WASHER, EXHAUST MANIFOLD SCREW AND STUD
12	11-49838		2	NUT, EXHAUST MANIFOLD STUD
13	54-60517		1	CLAMP, WIRING HARNESS TO EXHAUST MANIFOLD (3/8")
	54-60516		1	CLAMP, WIRING HARNESS TO EXHAUST MANIFOLD (9/16")
14	10-29240		3	SCREW, WIRING HARNESS CLAMP FASTENING (5/8")
15	12-24676		3	WASHER, WIRING HARNESS CLAMP FASTENING SCREW
17	73813A1		1	END CAP, EXHAUST MANIFOLD (REAR)
18	27-73814		1	GASKET, END CAP TO EXHAUST MANIFOLD
19	10-25299		4	SCREW, END CAP TO EXHAUST MANIFOLD (3/4")
20	27-46401		1	GASKET, EXHAUST MANIFOLD TO CYLINDER HEAD
21	76351A1		1	EXHAUST ELBOW ASSEMBLY
23	22-33198		4	PLUG, EXHAUST ELBOW (3/4-14)
24	22-32802		1	PLUG, PIPE - EXHAUST ELBOW (1/8-27)
25	27-52076		1	GASKET, EXHAUST ELBOW TO EXHAUST MANIFOLD
26	13-37489		4	LOCKWASHER, EXHAUST ELBOW TO EXHAUST MANIFOLD STUD
27	11-49838		4	NUT, EXHAUST ELBOW TO EXHAUST MANIFOLD STUD
28	60252		1	END CAP/CONNECTOR, EXHAUST MANIFOLD (FRONT)
29	27-48043		1	GASKET, END CAP/CONNECTOR TO EXHAUST MANIFOLD
30	10-37562		4	SCREW, END CAP/CONNECTOR TO EXHAUST MANIFOLD (1")
33	32-52481		1	HOSE, WATER DISTRIBUTION BLOCK TO END CAP/CONNECTOR
34	54-32780		2	CLAMP, HOSE TO WATER DISTRIBUTION BLOCK AND END CAP CONNECTO
35	47587A2		1	BLOCK ASSEMBLY, WATER DISTRIBUTION - CYLINDER BLOCK
36	22-32803		1	PLUG, PIPE - WATER DISTRIBUTION BLOCK
	22-32802		1	PLUG, PIPE - WATER DISTRIBUTION BLOCK
37	22-53509		1	ELBOW, WATER DISTRIBUTION BLOCK
38	59078		1	THERMOSTAT
39	60372A1		1	COVER ASSEMBLY, THERMOSTAT - WATER DISTRIBUTION BLOCK
40	27-47590		1	GASKET, THERMOSTAT COVER

CONTINUED ON NEXT PAGE ➡

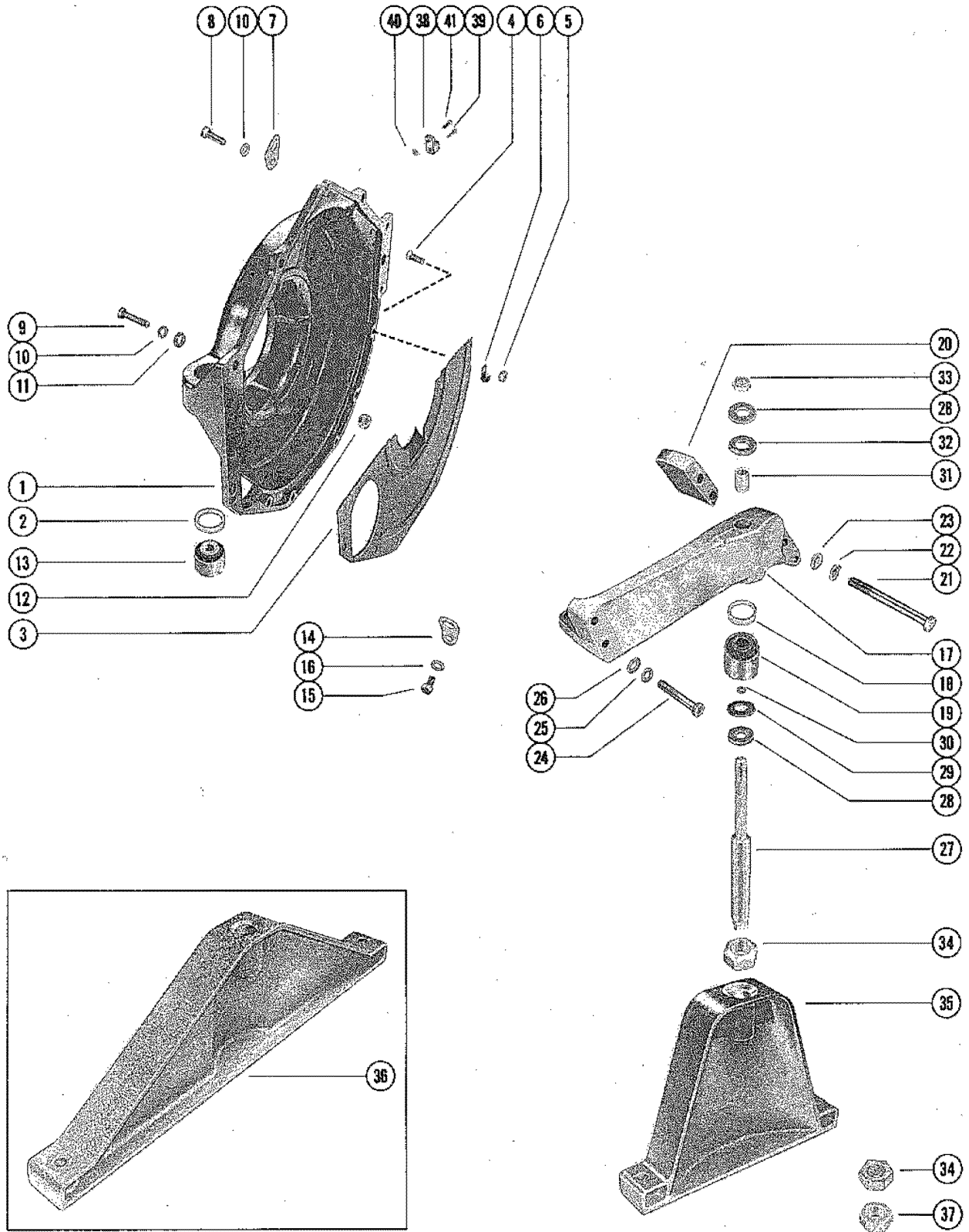
EXHAUST MANIFOLD AND EXHAUST ELBOW



EXHAUST MANIFOLD AND EXHAUST ELBOW

REF. NO.	PART NO.	SYM.	QTY.	DESCRIPTION
41	10-53512		2	SCREW, COVER TO DISTRIBUTION BLOCK (3/4") WHEN ORDERING REPLACEMENT SCREW, CHECK LENGTH TO INSURE RECEIVING CORRECT PART.
	10-60374		2	SCREW, COVER TO DISTRIBUTION BLOCK (1 3/4") WHEN ORDERING REPLACEMENT SCREW, CHECK LENGTH TO INSURE RECEIVING CORRECT PART.
	10-52447		1	SCREW, COVER TO DISTRIBUTION BLOCK (2 1/4") WHEN ORDERING REPLACEMENT SCREW, CHECK LENGTH TO INSURE RECEIVING CORRECT PART.
42	12-36533		1	WASHER, COVER TO DISTRIBUTION BLOCK SCREW
43	27-33680		1	GASKET, WATER DISTRIBUTION BLOCK
44	10-21077		2	SCREW, WATER DISTRIBUTION BLOCK TO CYLINDER HEAD (7/8")
45	32-47640		1	HOSE, WATER DISTRIBUTION BLOCK TO WATER PUMP
46	54-32781		2	CLAMP, HOSE TO WATER DISTRIBUTION BLOCK AND WATER PUMP
47	32877		1	COVER, WATER PUMP (1 1/16"LONG)
48	54-38426		1	CLAMP, WATER PUMP COVER TO WATER PUMP
49	32-47642		1	HOSE, INLET - WATER DISTRIBUTION TO BLOCK TO DRIVE UNIT
50	54-32523		2	CLAMP, INLET HOSE TO WATER DISTRIBUTION BLOCK AND DRIVE UNIT
51	54-58003		1	CLAMP, INLET HOSE TO MANIFOLD

FLYWHEEL HOUSING AND ENGINE SUPPORT

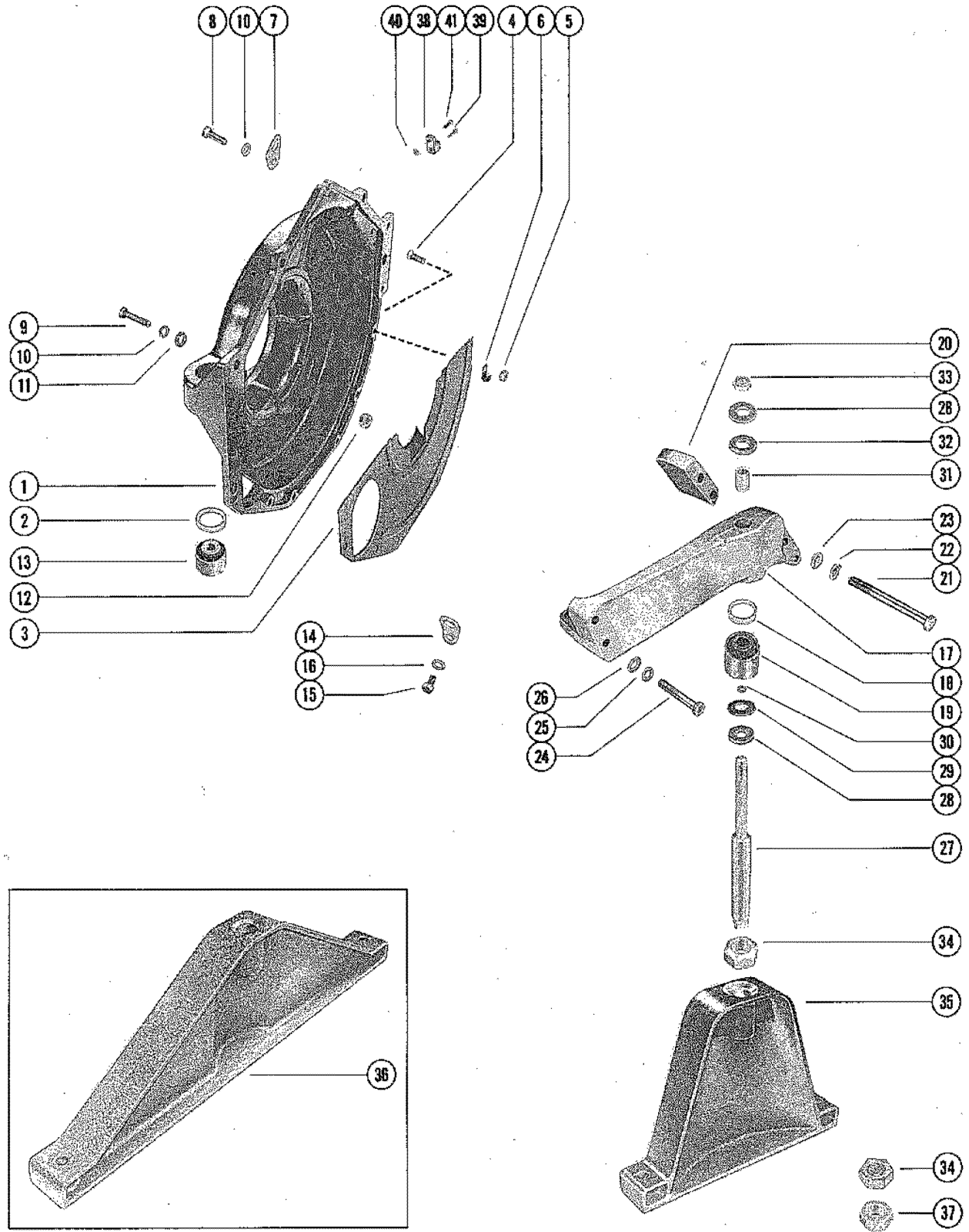


FLYWHEEL HOUSING AND ENGINE SUPPORT

REF. NO.	PART NO.	SYM.	QTY.	DESCRIPTION
1	65059A1		1	FLYWHEEL HOUSING ASSEMBLY, REAR MOUNTING
2	23-46742		2	SPACER, FLYWHEEL HOUSING MOUNT
3	35864		1	COVER PLATE, FLYWHEEL HOUSING
4	10-47277		6	SCREW, COVER PLATE TO FLYWHEEL HOUSING (3/4")
	10-26065		1	SCREW, SHIFT CLIP AND PLATE TO FLYWHEEL HSG. (3/4")
5	11-29250		6	NUT, COVER PLATE SCREW
6	54-61001		1	"J"CLIP, STERN DRIVE SHIFT CABLES
7	54-72531		1	EYE, LIFTING - FLYWHEEL HOUSING SCREW
8	10-26632		5	SCREW, FLYWHEEL HOUSING TO CYLINDER BLOCK (1 1/4")
9	10-45754		1	SCREW, BRACKET AND FLYWHEEL HSG. TO CYLINDER BLOCK (2")
10	13-37459		6	LOCKWASHER, BRACKET AND FLYWHEEL HOUSING SCREW
11	12-20553		1	WASHER, BRACKET AND FLYWHEEL HOUSING SCREW
12	11-32219		1	NUT, BRACKET AND FLYWHEEL HOUSING SCREW
13	33149		2	MOUNT, FLYWHEEL HOUSING
14	67850		1	EYE, LIFTING - CYLINDER BLOCK
15	10-34353		1	SCREW, LIFTING EYE TO CYLINDER HEAD (1")
16	13-37459		1	LOCKWASHER, LIFTING EYE TO CYLINDER HEAD SCREW
17	73571A2		1	BRACKET ASSEMBLY, FRONT MOUNTING
18	23-35903		1	SPACER, FRONT MOUNTING BRACKET
19	32833		1	MOUNT, FRONT MOUNTING BRACKET
20	35862		1	BLOCK, SPACER - FRONT MOUNTING BRACKET
21	10-32557		2	SCREW, BRACKET AND SPACER BLOCK TO CYL. BLOCK (4 1/2")
22	13-32993		2	LOCKWASHER, BRACKET AND SPACER BLOCK SCREW
23	12-22248		2	WASHER, BRACKET AND SPACER BLOCK SCREW
24	10-26486		2	SCREW, FRONT MOUNTING BRACKET TO CYL. BLOCK (2 3/8")
25	13-37459		2	LOCKWASHER, FRONT MOUNTING BRACKET SCREW
26	12-34931		2	WASHER, FRONT MOUNTING BRACKET SCREW
27	16-36100		1	STUD, ADJUSTING-FRONT MOUNTING BRACKET (9 1/4")
28	12-36103		2	WASHER, FRONT MOUNTING BRACKET ADJUSTING STUD
29	12-32638		1	WASHER, FRONT MOUNTING BRACKET ADJUSTING STUD
30	12-20959		1	WASHER, FRONT MOUNTING BRACKET ADJUSTING STUD
31	23-36101		1	SPACER, FRONT MOUNTING BRACKET ADJUSTING STUD
32	12-36104		1	WASHER, RUBBER - FRONT MOUNTING BRACKET ADJ STUD
33	11-20220		1	NUT, FRONT MOUNTING BRACKET ADJUSTING STUD (TOP)
34	11-32882		2	NUT, FRONT MOUNTING BRACKET ADJUSTING STUD
35	32778		1	SUPPORT, FRONT - ENGINE MOUNT
36	32849		OPT.	SUPPORT, FRONT - ENGINE MOUNT

CONTINUED ON NEXT PAGE ➡

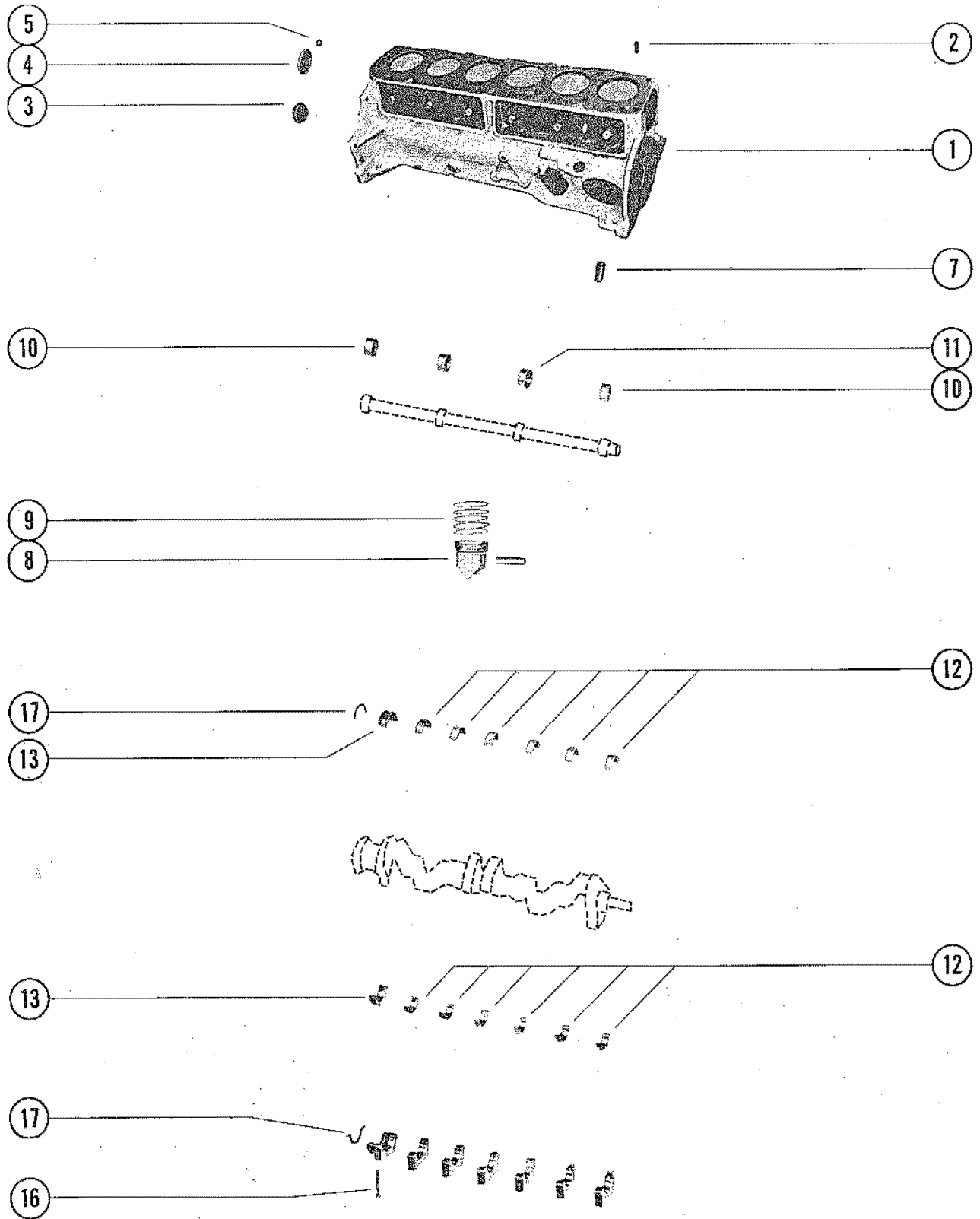
FLYWHEEL HOUSING AND ENGINE SUPPORT



FLYWHEEL HOUSING AND ENGINE SUPPORT

REF. NO.	PART NO.	SYM.	QTY.	DESCRIPTION
37	11-47525		1	NUT, JAM - FRONT MOUNTING BRACKET ADJ. STUD (BOTTOM)
38	45915		1	TERMINAL BLOCK
39	10-20189		1	SCREW, TERMINAL BLOCK TO FLYWHEEL HOUSING
40	11-27164		1	NUT, TERMINAL BLOCK SCREW
41	10-62568		1	SCREW, ROTARY TRIM SENDER LEADS

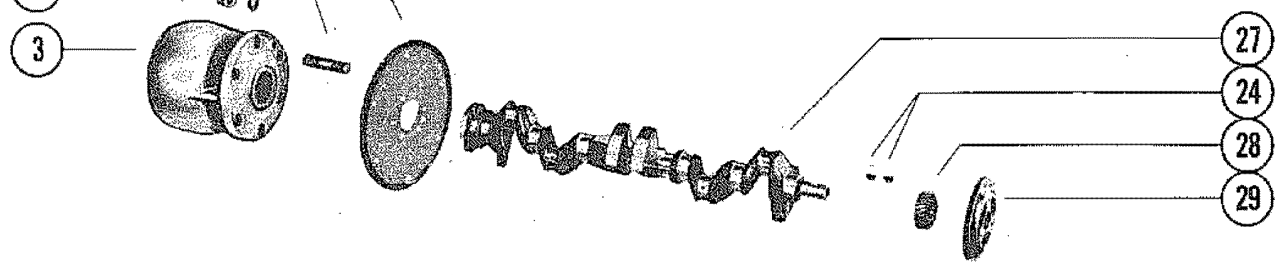
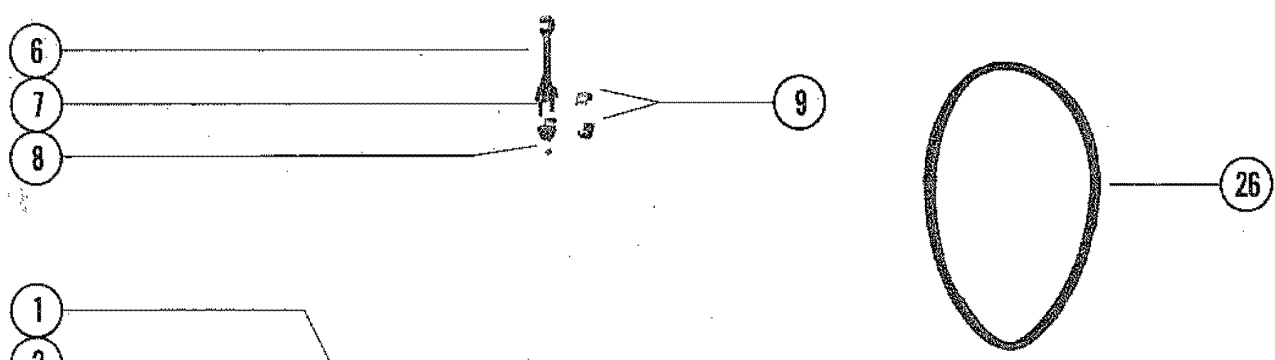
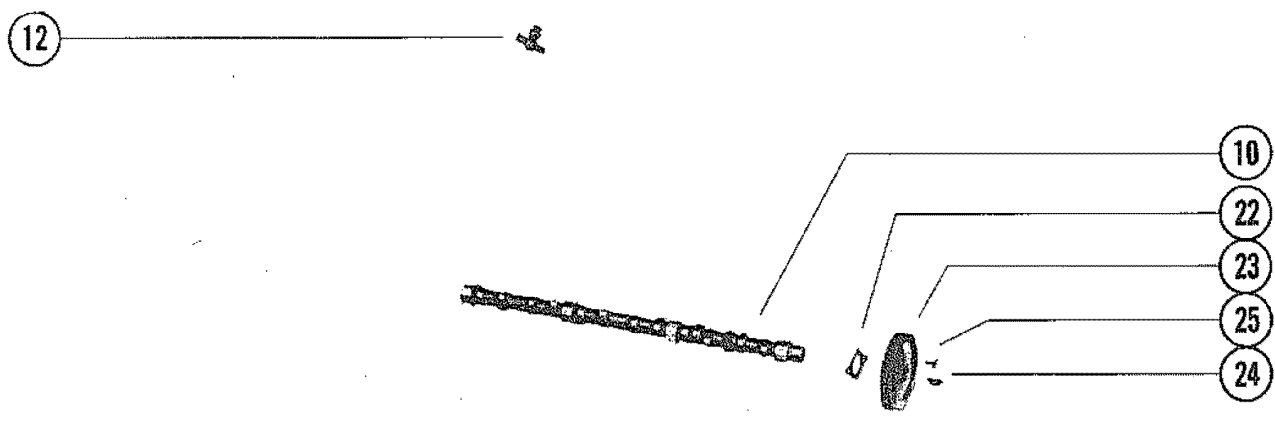
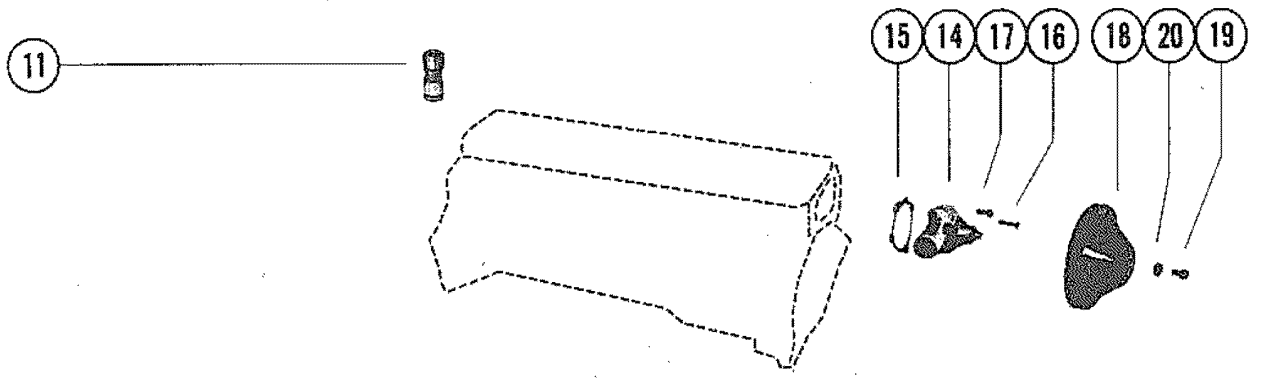
CYLINDER BLOCK, PISTON AND BEARINGS



CYLINDER BLOCK, PISTON AND BEARINGS

REF. NO.	PART NO.	SYM.	QTY.	DESCRIPTION
1	840-6515		1	CYLINDER BLOCK ASSEMBLY
2	17-35465		2	PIN, DOWEL - CYLINDER BLOCK TO CYLINDER HEAD
3	19-34270		3	PLUG, EXPANSION - CYLINDER BLOCK (1 5/8" DIA.)
	19-34271		1	PLUG, EXPANSION - CYLINDER BLOCK (2" DIA.)
-	19-37531		1	PLUG, OIL CHANNEL - CYLINDER BLOCK
4	19-61747		1	PLUG, EXPANSION - CAMSHAFT BEARING HOLE
5	19-34487		1	PLUG, PIPE - CYLINDER BLOCK (3/8")
7	23-35168		1	BEARING, DISTRIBUTOR PILOT SHAFT
8	734-4858		AR	PISTON & PISTON PIN ASS'Y(.001 O.S.) - USE STANDARD PISTON
	734-4860		AR	PISTON & PISTON PIN ASS'Y(.030 O.S.)
9	39-67132		6	RING, PISTON (STANDARD)
	39-67134		AR	RING, PISTON (.030 O.S.)
10&11	23-43293		1	BEARING UNIT, CAMSHAFT
12	23-85675		6	BEARING UNIT, CRANKSHAFT MAIN (STANDARD)
	23-85676		AR	BEARING UNIT, CRANKSHAFT MAIN (.001 U.S.)
	23-85713		AR	BEARING UNIT, CRANKSHAFT MAIN (.010 U.S.)
	23-85714		AR	BEARING UNIT, CRANKSHAFT MAIN (.020 U.S.)
13	23-85715		1	BEARING UNIT, CRANKSHAFT MAIN - REAR (STANDARD)
	23-85670		AR	BEARING UNIT, CRANKSHAFT MAIN - REAR (.011 U.S.)
	23-85671		AR	BEARING UNIT, CRANKSHAFT MAIN - REAR (.002 U.S.)
	23-85718		AR	BEARING UNIT, CRANKSHAFT MAIN - REAR (.010 U.S.)
	23-85719		AR	BEARING UNIT, CRANKSHAFT MAIN - REAR (.020 U.S.)
-	15-34533		AR	SHIM UNIT, BEARING CAP - FRONT AND INTERMEDIATE
-	15-34534		AR	SHIM UNIT, BEARING CAP - REAR
16	10-46717		13	BOLT, CRANKSHAFT BEARING CAP TO CYLINDER BLOCK
17	26-58203		1	OIL SEAL UNIT, CRANKSHAFT REAR BEARING
-	34543		1	VALVE, BY-PASS - OIL FILTER

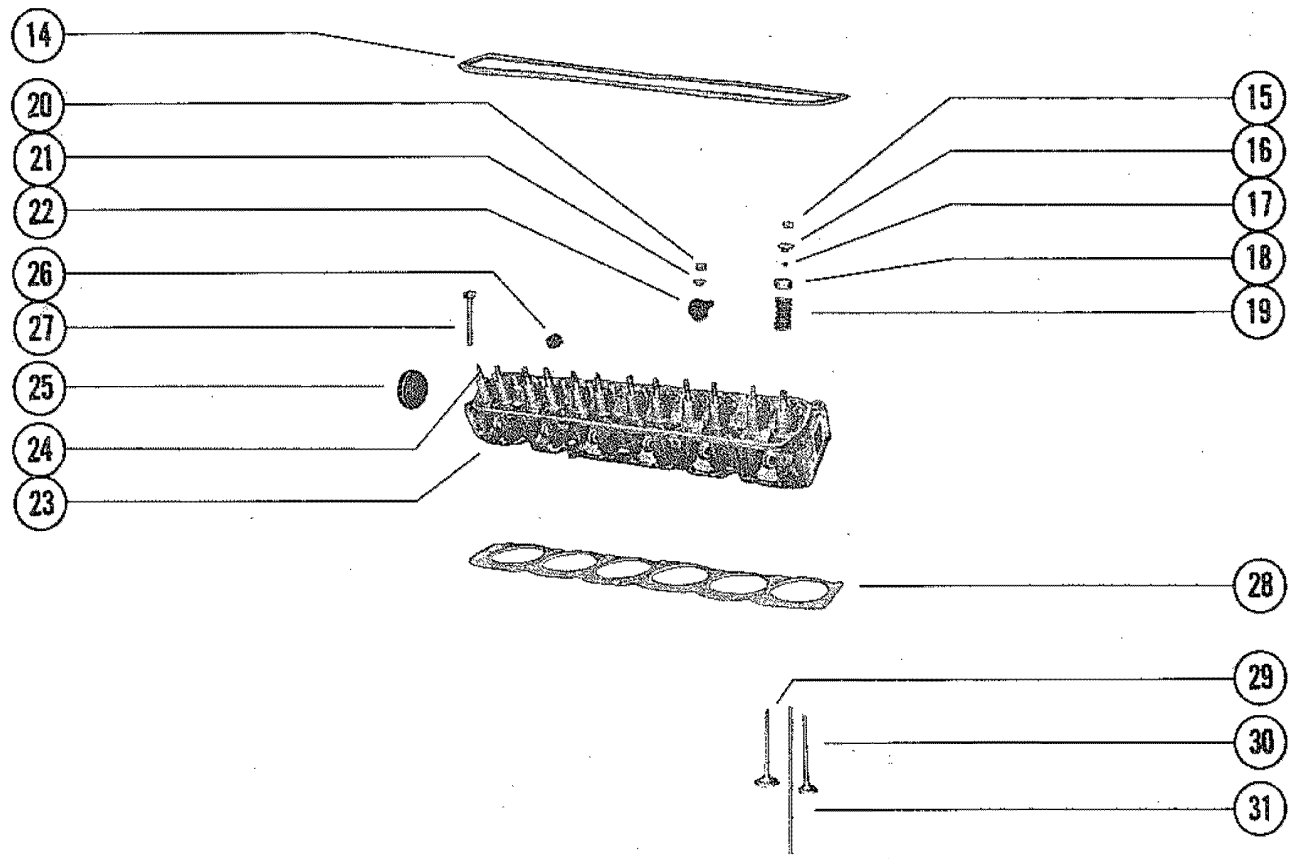
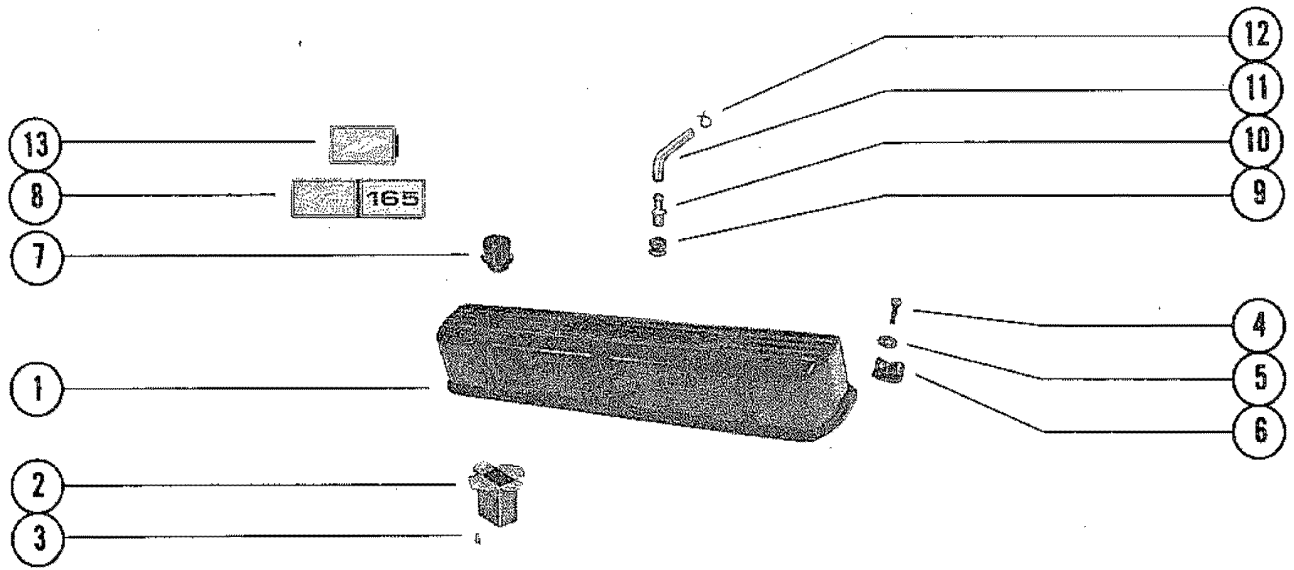
CAMSHAFT, CRANKSHAFT AND WATER PUMP



CAMSHAFT, CRANKSHAFT AND WATER PUMP

REF. NO.	PART NO.	SYM.	QTY.	DESCRIPTION
1	222-6355		1	FLYWHEEL, CRANKSHAFT
2	16-32808		6	STUD, FLYWHEEL TO ENGINE COUPLING (2 1/16")
3	32492A5		1	ENGINE COUPLING ASSEMBLY
4	12-35935		6	WASHER, FLYWHEEL STUD
5	11-34933		6	NUT, FLYWHEEL STUD
6	613-2277		6	CONNECTING ROD ASSEMBLY
7	10-75539		12	BOLT, CONNECTING ROD BEARING CAP
8	11-58099		12	NUT, CONNECTING ROD CAP BOLT
9	23-85677		6	BEARING (PAIR), CONNECTING ROD (STANDARD)
	23-85707		AR	BEARING (PAIR), CONNECTING ROD (.001 U.S.)
	23-85679		AR	BEARING (PAIR), CONNECTING ROD (.002 U.S.)
	23-85680		AR	BEARING (PAIR), CONNECTING ROD (.010 U.S.)
	23-85681		AR	BEARING (PAIR), CONNECTING ROD (.020 U.S.)
10	430-3161		1	CAMSHAFT
11	46744		12	LIFTER, VALVE - TAPPET
12	22-87238		1	DRAIN COCK
14	65142		1	WATER PUMP ASSEMBLY (SPECIAL MARINE)
15	27-33956		1	GASKET, WATER PUMP
16	10-34471		2	SCREW, WATER PUMP TO CYLINDER BLOCK (1 1/2")
17	10-35339		1	SCREW, WATER PUMP TO CYLINDER BLOCK (3/4")
	10-34505		2	SCREW, WATER PUMP TO CYLINDER BLOCK (7/8")
18	52349		1	PULLEY, WATER PUMP
19	10-47277		4	SCREW, PULLEY AND HUB TO WATER PUMP (3/4")
20	13-39107		4	LOCKWASHER, PULLEY AND HUB SCREW
22	23-34469		1	BEARING, CAMSHAFT THRUST
23	43-46745		1	GEAR, TIMING - CAMSHAFT (ALUMINUM)
24	28-34466		3	KEY, PULLEY AND GEAR LOCATING
25	10-21417A1		2	SCREW, TIMING GEAR TO CAMSHAFT (1/4")
26	57-64032		1	BELT, ALTERNATOR, WATER PUMP AND CRANKSHAFT PULLEY
27	425-6516		1	CRANKSHAFT
28	43-46743		1	GEAR, CRANKSHAFT
29	75574		1	BALANCER, HARMONIC - CRANKSHAFT

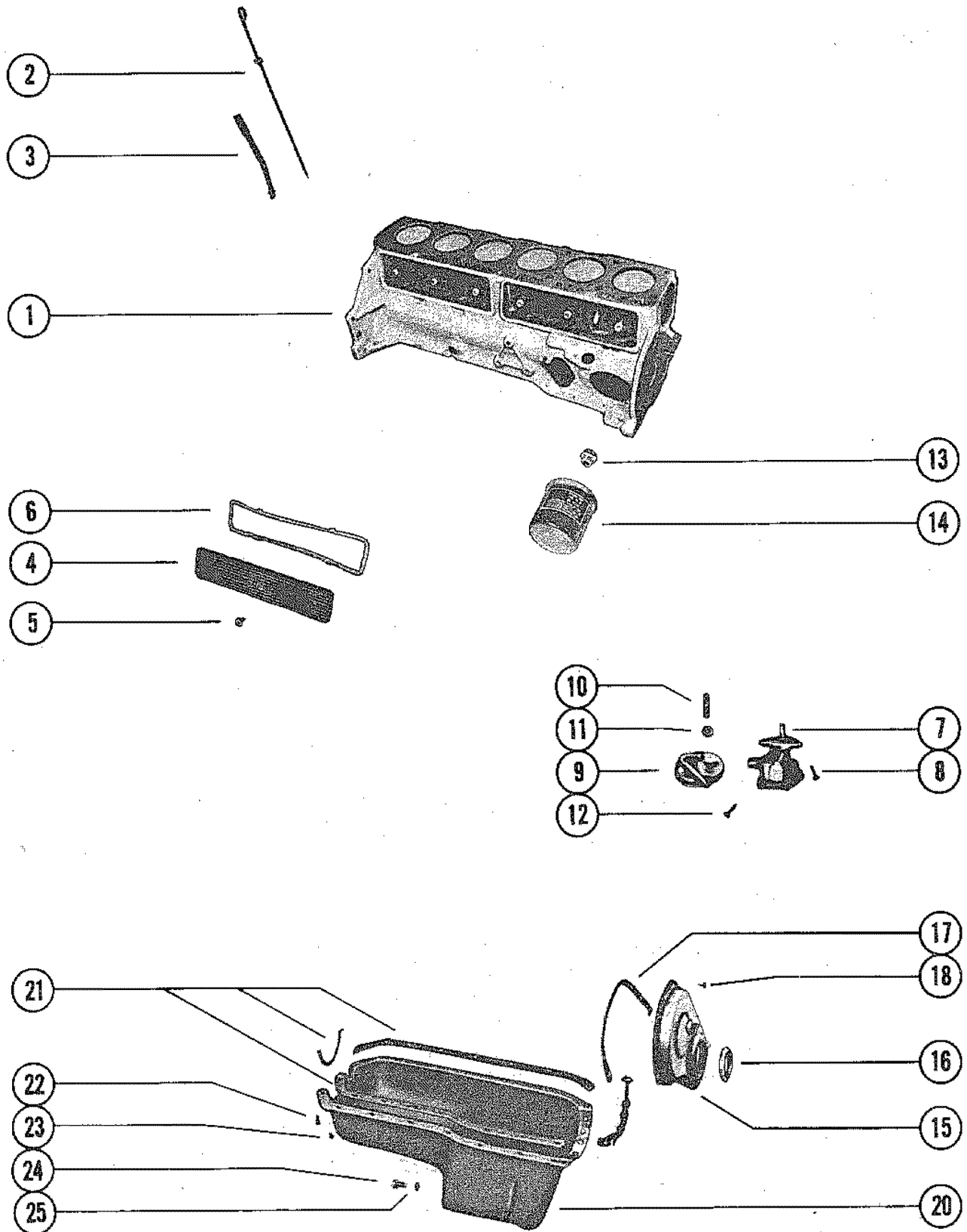
CYLINDER HEAD AND ROCKER COVER



CYLINDER HEAD AND ROCKER COVER

REF. NO.	PART NO.	SYM.	QTY.	DESCRIPTION
1	65636		1	COVER, ROCKER
2	57638		1	BAFFLE, ROCKER COVER
3	10-62568		4	SCREW, BAFFLE TO ROCKER COVER (3/8")
4	10-38627		7	SCREW, ROCKER COVER TO CYLINDER HEAD (5/8")
5	12-20583		3	WASHER, WIRING HARNESS CLIP SCREW
6	63770		3	CLIP, WIRING HARNESS - ROCKER COVER SCREW
7	49288		1	OIL FILLER CAP ASSEMBLY, ROCKER COVER
8	37-77248		1	DECAL, MERCURISER
9	25-52188		1	GROMMET, HOSE VENT CONNECTOR
10	47957		1	CONNECTOR, VENT HOSE
11	32-62060		1	HOSE, VENT - MOLDED
12	54-64648		1	CLAMP, VENT HOSE
13	37-77254		1	DECAL, WAVES
14	27-49936		1	GASKET, ROCKER COVER
15	28-34514		24	KEY, VALVE STEM (2 PER VALVE)
16	34515		12	CAP, VALVE STEM
17	26-34217		12	SEAL, VALVE SPRING CAP
18	34518		12	SHIELD, VALVE SPRING CAP
19	24-35214		12	SPRING, VALVE
20	11-34516		12	NUT, VALVE ROCKER ARM STUD
21	59340		12	BALL UNIT, VALVE ROCKER ARM STUD
22	34519		12	ARM, ROCKER
23	937-4287		1	CYLINDER HEAD ASSEMBLY
24	16-34521		AR	STUD, VALVE ROCKER ARM (.013 O.S.)
	16-34522		AR	STUD, VALVE ROCKER ARM(.003 O.S.)
25	19-34272		3	PLUG, EXPANSION - CYLINDER HEAD (2" DIA.)
26	22-48336		2	PLUG, CYLINDER HEAD
27	10-34510		14	BOLT, CYLINDER HEAD TO CYLINDER BLOCK (3 37/64")
28	27-47453		1	GASKET, CYLINDER HEAD
29	34528		6	VALVE, EXHAUST (STANDARD STEM)
	49076		AR	VALVE, EXHAUST (.015 O.S. STEM)
30	62421		6	VALVE, INLET (STANDARD STEM)
	62422		AR	VALVE, INLET (.015 O.S. STEM)
31	34532		12	ROD, PUSH - VALVE

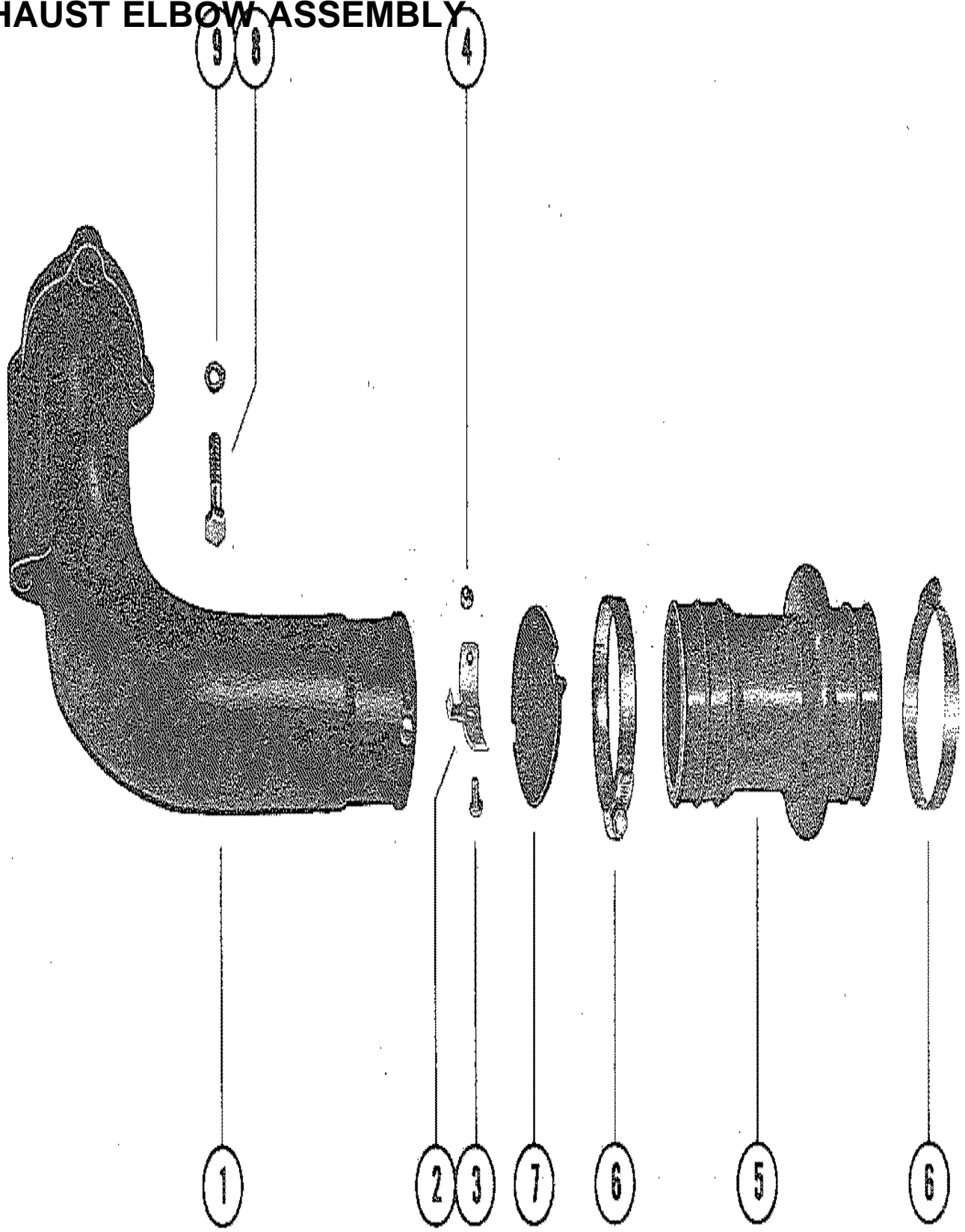
OIL PAN AND PUSH ROD COVER



OIL PAN AND PUSH ROD COVER

REF. NO.	PART NO.	SYM.	QTY.	DESCRIPTION
1	840-6515		1	CYLINDER BLOCK ASSEMBLY
2	45490		1	GAUGE, OIL LEVEL (DIP STICK)
3	87718A1		1	TUBE, OIL LEVEL GAUGE
4	39331A1		2	COVER ASSEMBLY, CRANKCASE AND PUSH ROD
5	10-39783		6	SCREW, COVER ATTACHING (5/8") SEE NOTE BELOW
	10-34470		6	SCREW, COVER ATTACHING (13/32") SEE NOTE BELOW
6	27-34209		2	GASKET, CRANKCASE AND PUSH ROD COVER
7	36405		1	OIL PUMP ASSEMBLY
8	10-35339		2	SCREW, OIL PUMP TO CYLINDER BLOCK (3/4")
9	39163		1	SCREEN ASSEMBLY, OIL PUMP
10	16-39729		1	STUD, SCREEN SUPPORT TO BRG. CAP (3 3/4") -PART OF CYL. BLOCK ASS'Y
11	11-37500		1	NUT, BEARING CAP STUD - OIL PUMP SCREEN BRACKET
12	10-35366		1	BOLT, OIL PUMP SCREEN TO MOUNTING BRACKET (1/2")
13	32720		1	CONNECTOR, OIL FILTER TO CYLINDER BLOCK
14	54111		1	OIL FILTER ASSEMBLY
15	75521		1	COVER ASSEMBLY, CRANKCASE
16	26-79223		1	OIL SEAL, CRANKCASE COVER
17	27-49953		1	GASKET, CRANKCASE COVER
18	10-34277		8	SCREW, CRANKCASE COVER TO CYLINDER BLOCK (7/16")
20	94238		1	OIL PAN ASSEMBLY
21	27-49949		1	GASKET SET, OIL PAN
22	10-34500		4	SCREW, OIL PAN TO CYLINDER BLOCK (5/16")
23	10-34277		18	SCREW, OIL PAN TO CYLINDER BLOCK (1/4")
	10-49950		2	SCREW, OIL PAN TO FRONT COVER
24	10-49956		1	SCREW, DRAIN - OIL PAN
25	27-49955		1	GASKET, OIL PAN DRAIN SCREW

EXHAUST ELBOW ASSEMBLY



EXHAUST ELBOW ASSEMBLY

REF. NO.	PART NO.	SYM.	QTY.	DESCRIPTION
1	53113A2		1	EXHAUST ELBOW ASSEMBLY
2	45798		2	BRACKET, SUPPORT - WATER SEALING
3	10-45813		4	SCREW, SUPPORT BRACKET TO EXHAUST ELBOW (1/2")
4	11-45812		4	NUT, SUPPORT BRACKET SCREW
5	53114		1	EXHAUST BELLOWS, UPPER
6	54-32739		2	CLAMP, BELLOWS ATTACHING
	54-33683		2	CLAMP, BELLOWS ATTACHING
7	45586		1	WATER SHUTTER
8	10-60992		3	SCREW, EXHAUST ELBOW ATTACHING (1 1/4")
9	13-35048		3	LOCKWASHER, EXHAUST ELBOW SCREW

PARTS INDEX

Part Number	Description	Pg.	Ref. No.	Part Number	Description	Pg.	Ref. No.
26079	PALTE, WIRING HARNESS TO MOUNTING BRACKET	3	2	45490	GAUGE, OIL LEVEL (DIP STICK)	35	2
26551	TAB, RETAINER - THROTTLE RETURN SPRING	15	17	45586	WATER SHUTTER	37	7
27947	SWIVEL, LINK ROD TO THROTTLE LEVER	15	18	45798	BRACKET, SUPPORT - WATER SEALING	37	2
32193	COIL ASSEMBLY, IGNITION	9	32	45915	TERMINAL BLOCK	27	38
32492A5	ENGINE COUPLING ASSEMBLY	31	3	46744	LIFTER, VALVE - TAPPET	31	11
32720	CONNECTOR, OIL FILTER TO CYLINDER BLOCK	35	13	47587A2	BLOCK ASSEMBLY, WATER DISTRIBUTION - CYLINDER BLOCK	21	35
32778	SUPPORT, FRONT - ENGINE MOUNT	25	35	47957	CONNECTOR, VENT HOSE	33	10
32783	RETAINER, HOGH TESNION LEAD	9	30	48024	BRACKET, CONDENSER MOUNRTING	9	-
32784	RETIANER, HIGH TENSION LEADS	9	29	49076	VALVE, EXHAUST (.015 O.S. STEM)	33	29
32833	MOUNT, FRONT MOUNTING BRACKET	25	19	49089	DIAPHARGM KIT, FUEL PUMP	13	6
32849	SUPPORT, FRONT - ENGINE MOUNT	25	36	49288	OIL FILLER CAP ASSEMBLY, ROCKER COVER	33	7
32877	COVER, WATER PUMP (1 1/16" LONG)	23	47	52349	PULLEY, WATER PUMP	31	18
33149	MOUNT, FLYWHEEL HOUSING	25	13	52734	BAIL, FLAME ARRESTOR TO CARBURETOR	13	17
33653	FELT, BREAKER CAM LUBRICATOR	9	8	52817	BRACKET, ALTERNATOR MOUNTING (SMALL)	5	23
33658	LEAD PRIMARY	9	17	52818	BRACKET, ALTERANTOR MOUNTING (LARGE)	5	24
33662	CONDENSER	9	12	53113A2	EXHAUST ELBOW ASSEMBLY	37	1
33665	PLATE, MOUNTING- BREAKER ASSEMBLY AND CONDENSER	9	10	53114	EXHAUST BELLOWS, UPPER	37	5
33765	CAP, DISTRIBUTOR	9	20	54111	OIL FILTER ASSEMBLY	35	14
34235	BREAKER ASSEMBLY, DISTRIBUTOR	9	13	55885	CARBURETOR ADAPTOR	13	31
34515	CAP, VALVE STEM	33	16	56224	BRACE, ALTERNATOR TO CYLINDER BLOCK (FRONT)	5	12
34518	SHIELD, VALVE SPRING CAP	33	18	57638	BAFFLE, ROCKER COVER	33	2
34519	ARM, ROCKER	33	22	57908--2	SLEEVE, WIRING HARNESS	3	27
34528	VALVE, EXHAUST (STANDARD STEM)	33	29	58217	ROTOR, DISTRIBUTOR	9	18
34532	ROD, PUSH - VALVE	33	31	58759A1	EXHAUST MANIFOLD ASSEMBLY	21	1
34543	VALVE, BY-PASS - OIL FILTER	29	--	59078	THERMOSTAT	21	38
34623	OIL PRESSURE SNERDER ASSEMBLY	3	7	59340	BALL UNIT, VALVE ROCKER ARM STUD	33	21
35862	BLOCK, SPACER - FRONT MOUNTING BRACKET	25	20	60252	END CAP/CONNECTOR, EXHAUST MANIFOLD (FRONT)	21	28
35864	COVER PLATE, FLYWHEEL HOUSING	25	3	60372A1	COVER ASSEMBLY, THERMOSTAT - WATER DISTRIBUTION BLOCK	21	39
36405	OIL PUMP ASSEMBLY	35	7	62421	VALVE, INLET (STANDARD STEM)	33	30
36525	WATER TENOERATYRE SBEDER ASSEMBLY	3	4	62422	VALVE, INLET (.015 O.S. STEM)	33	30
38983	SWIVEL, LINK ROD TO CARBURETOR	15	21	62426	SCREEN, DISTRIBUTOR HOUSING	9	2
39163	SCREEN ASSEMBLY, OIL PUMP	35	9	62951	BRACKET, MOUNTING - THROTTLE LINKAGE	15	1
39331A1	COVER ASSEMBLY, CRANKCASE AND PUSH ROD	35	4	63145A1	LINK ROD ASSEMBLY, CARBURETOR	15	20

PARTS INDEX

Part Number	Description	Pg.	Ref. No.	Part Number	Description	Pg.	Ref. No.
63770	CLIP, WIRING HARNESS -			N.S.S.	ROD, CHOKE(ROCHESTER		
	ROCKER COVER SCREW	33	6		#7025667)	19	51
64804	LINK ROD, THROTTLE	15	19	N.S.S.	ROD, PUMP(ROCHESTER		
65059A1	FLYWHEEL HOUSING				#7036759)	17	34
	ASSEMBLY, REAR			N.S.S.	SCREW, VENTURI CLUSTER		
	MOUNTING	25	1		TO FLOAT BOWL		
65142	WATER PUMP ASSEMBLY				(CENTER)-ROCHESTER		
	(SPECIAL MARINE)	31	14		#70	17	20
65636	COVER, ROCKER	33	1	N.S.S.	SCREW, VENTURI CLUSTER		
65970	BRACKET, IGNITION COIL				TO FLOAT BOWL		
	MUNTING	9	33		(OUTER)-ROCHESTER		
67850	EYE, LIFTING - CYLINDER				#700	17	22
	BLOCK	25	14	N.S.S.	VENTURI CLUSTER		
72623	DISTRIBUTOR ASSEMBLY,				ASSEMBLY, FLOAT BOWL		
	COMPLETE	9	1		(ROCHESTER #7025567)	17	18
72624	CLAMP, DISTRIBUTOR	11	41	10-20055	SCREW, HARNESS LEAD TO		
72652	MAIN SAHFT AND WIEGHT				ALTERNATOR	3	24
	PLATE	9	4	10-20189	SCREW, TERMINAL BLOCK		
72654	RETAINER,WICK	9	-		TO FLYWHEEL HOUSING	27	39
73571A2	BRACKET ASSEMBLY,			10-21077	SCREW, WATER		
	FRONT MOUNTING	25	17		DISTRIBUTION BLOCK TO		
73813A1	END CAP, EXHAUST				CYLINDER HEAD (7/8")	23	44
	MANIFOLD (REAR)	21	17	10-21417A1	SCREW, TIMING GEAR TO		
75521	COVER ASSEMBLY,				CAMSHAFT (1/4")	31	25
	CRANKCASE	35	15	10-23977	SCREW, MOUNTING PLATE		
75574	BALANCER, HARMONIC -				TO PRIMARY HOUSINTG		
	CRANKSHAFT	31	29		(3/8")	9	11
76351A1	EXHAUST ELBOW			10-24234	SCREW, ADAPTOR TO		
	ASSEMBLY	21	21		EXHAUST MANIFOLD (1")	13	28
78403A2	ALTERNATOR (MORTOROLA			10-24637	SCREW, CIRCUIT BREAKER		
	#8MR203F)	5	11		TO BRACKET (1")	3	20
78890	LEVER, THROTTLE -			10-25038	BOLT, BRACKET TO		
	MOUNTING BRACKET	15	9		EXHAUST MANIFOLD		
85786	FALME ARRESTOR	13	22	10-25299	(7/8")	15	5
86234	FUEL PUMP ASSEMBLY	13	1		SCREW, END CAP TO		
86924	BRACKET, CIRCUIT				EXHAUST MANIFOLD		
	BREAKER	3	19	10-26065	(3/4")	21	19
87718A1	TUBE, OIL LEVEL GAUGE	35	3		SCREW, SHIFT CLIP AND		
88292	BRACE, STARTER MOTOR	5	4		PLATE TO FLYWHEEL		
90923	BRACKET, CIRCIUT			10-26486	HSG. (3/4")	25	4
	BREAKER	3	19		SCREW, FRONT MOUNTING		
94238	OIL PAN ASSEMBLY	35	20		BRACKET TO CYL. BLOCK		
N.S.S.	AIR HORN (ROCHESTER			10-26632	(2 3/8")	25	24
	#7041370)	17	1		SCREW, FLYWHEEL		
N.S.S.	ALTITUDE KIT (10,000 FT.)-				HOUSING TO CYLINDER		
	ROCHESTER #7025962	19	--	10-27165	BLOCK (1 1/4")	25	8
N.S.S.	FLOAT BOWL ASSEMBLY				SCREW, IGNITION COIL TO		
	(ROCHESTER#7041335)	17	17	10-29198	CYLINDER BLOCK (3/4")	11	38
N.S.S.	LEVER ASSEMBLY, CHOKE			10-29240	SCREW, ALTERNATOR (7/8")	5	16
	PISTON(ROCHESTER				SCREW, WIRING HARNESS		
	#7010051)	19	59	10-31984	CLAMP FASTENING (5/8")	21	14
N.S.S.	LEVER, PUMP - AIR HORN				BOLT, BRACKET TO		
	(ROCHESTER #7032377)	17	31		EXHAUST MANIFOLD (1		
N.S.S.	PIN, HINGE - FLOAT TO AIR			10-32049	3/8")	15	8
	HORN (ROCHESTER				SCREW, FUEL LINE CLAMP		
	#7002081)	17	13	10-32557	TO ROCKER COVER (1/2")	13	12
N.S.S.	POWER PISTON ASSEMBLY				SCREW, BRACKET AND		
	(ROCHESTER #7009054)	17	2		SPACER BLOCK TO CYL.		
					BLOCK (4 1/2")	25	21

PARTS INDEX

Part Number	Description	Pg.	Ref. No.	Part Number	Description	Pg.	Ref. No.
10-33043	SCREW, AIR HORN TO FLOAT BOWL (SHORT) . . .	17	4	10-35339	SCREW, WATER PUMP TO CYLINDER BLOCK (3/4") .	31	17
10-33045	SCREW, CHOKE VALVE TO CHOKE SHAFT	19	55	10-35366	BOLT, OIL PUMP SCREEN TO MOUNTING BRACKET (1/2")	35	12
10-33047	SCREW, AIR HORN PUMP LEVER	17	32	10-37562	SCREW, END CAP/CONNECTOR TO EXHAUST MANIFOLD (1")	21	30
10-33047	SCREW, STAT COVER AND COIL TO CHOKE HOUSING	19	68	10-38507	SCREW, STEP - LEVER TO MOUNTING BRACKET (1 5/16")	15	13
10-33048	SCREW, AIR HORN TO FLOAT BOWL (LONG) . . .	17	5	10-38627	SCREW, ROCKER COVER TO CYLINDER HEAD (5/8")	33	4
10-33052	SCREW, THROTTLE BODY TO FLOAT BOWL	19	47	10-39783	SCREW, COVER ATTACHING (5/8") SEE NOTE BELOW	35	5
10-33053	SCREW, CHOKE HOUSING TO AIR HORN	19	58	10-45488	SCREW, FUEL PUMP TO CYLINDER BLOCK (3/4") .	13	8
10-33056	SCREW, CHOKE PISTON LEVER TO CHOKE HOUSING	19	60	10-45754	SCREW, BRACKET AND FLYWHEEL HSG. TO CYLINDER BLOCK (2") . .	25	9
10-33524	SCREW, ALTERNATOR MOUNTING BRACKET TO CYL. BLOCK(5/8')	5	30	10-45813	SCREW, SUPPORT BRACKET TO EXHAUST ELBOW (1/2")	37	3
10-33650	SCREW,BREAKER ASSEMBLY TOMOUNTING PLATE (5/32")	9	14	10-46717	BOLT, CRANKSHAFT BEARING CAP TO CYLINDER BLOCK	29	16
10-33660	SCREW,DISTRIBUTOR CAP TO PRIMARY HOUSING (8-32)	9	22	10-46718	SCREW, WIRING HARNESS PLATE TO MOUNTING BRACKET (3/4")	3	3
10-33663	SCREW, DISTRIBUTOR CAP TO PRIMARY HOUSING (10-32)	9	23	10-47277	SCREW, COVER PLATE TO FLYWHEEL HOUSING (3/4")	25	4
10-34277	SCREW, CRANKCASE COVER TO CYLINDER BLOCK (7/16")	35	18	10-47277	SCREW, PULLEY AND HUB TO WATER PUMP (3/4") .	31	19
10-34277	SCREW, OIL PAN TO CYLINDER BLOCK (1/4") .	35	23	10-48021	SCREW, CONDENSER BRACKET ATTACHING . .	9	-
10-34353	SCREW, CIRCUIT BREAKER BRACKET TO CYLINDER HEAD (1")	3	22	10-49950	SCREW, OIL PAN TO FRONT COVER	35	23
10-34353	SCREW, LIFTING EYE TO CYLINDER HEAD (1") . . .	25	15	10-49956	SCREW, DRAIN - OIL PAN .	35	24
10-34470	SCREW, COVER ATTACHING (13/32") SEE NOTE BELOW	35	5	10-52143	SCREW, EXHAUST MANIFOLD TO CYLINDER HEAD (4 3/4")	21	10
10-34471	SCREW, WATER PUMP TO CYLINDER BLOCK (1 1/2")	31	16	10-52447	SCREW, COVER TO DISTRIBUTION BLOCK (2 1/4")	23	41
10-34500	SCREW, OIL PAN TO CYLINDER BLOCK (5/16")	35	22	10-53512	SCREW, COVER TO DISTRIBUTION BLOCK (3/4")	23	41
10-34505	SCREW, WATER PUMP TO CYLINDER BLOCK (7/8") .	31	17	10-53576	SCREW, ADAPTOR TO EXHAUDT MANIFOLD (11/8")	13	28
10-34510	BOLT, CYLINDER HEAD TO CYLINDER BLOCK (3 37/64")	33	27	10-56057	SCREW, ALTERNATOR TO BRACKET (3 3/4")	5	18
10-34544	BOLT, STARTER MOTOR MOUNTING (1 15/16') . . .	5	3	10-60374	SCREW, COVER TO DISTRIBUTION BLOCK (1 3/4")	23	41
10-34545	BOLT, STARTER MOUNTING (421/32")	5	2	10-60992	SCREW, EXHAUST ELBOW ATTACHING (1 1/4")	37	8
10-35169	SCREW, DISTRIBUTION TO CYLINDER BLOCK(1") . . .	11	40				
10-35339	SCREW, OIL PUMP TO CYLINDER BLOCK (3/4") .	35	8				

PARTS INDEX

Part Number	Description	Pg.	Ref. No.	Part Number	Description	Pg.	Ref. No.
10-62568	SCREW, ROTARY TRIM SENDER LEADS	27	41	11-34516	NUT, VALVE ROCKER ARM STUD	33	20
10-64969	SCREW, THROTTLE STOP (1")	15	23	11-34933	NUT, FLYWHEEL STUD	31	5
10-65027	SCREW, FLAME ARRESTOR TO BARVURETOR(1")	13	18	11-37500	NUT, BEARING CAP STUD - OIL PUMP SCREEN BRACKET	35	11
10-66652	SCREW, MOUNTING BRACKET TO IGNITION COIL	9	34	11-45812	NUT, SUPPORT BRACKET SCREW	37	4
10-69028	SCREW, STARTER SOLENOID MOUNTING (3/4")	3	13	11-46438	NUT, CIRCUIT BREAKER ATTACHING SCREW	3	21
10-69052	SCREW, EXHAUST MANIFOLD (1/2")	21	8	11-46793	NUT, BAFFLE STUD	13	34
10-75539	BOLT, CONNECTING ROD BEARING CAP	31	7	11-47525	NUT, JAM - FRONT MOUNTING BRACKET ADJ. STUD (BOTTOM)	27	37
11-20110	NUT, LINK ROD TO CARBURETOR SWIVEL	15	26	11-49838	NUT, EXHAUST ELBOW TO EXHAUST MANIFOLD STUD	21	27
11-20110	NUT, THROTTLE LEVER STUD	15	12	11-49838	NUT, EXHAUST MANIFOLD STUD	21	12
11-20220	NUT, FRONT MOUNTING BRACKET ADJUSTING STUD (TOP)	25	33	11-58099	NUT, CONNECTING ROD CAP BOLT	31	8
11-20586	NUT, FLAME ARRESTOR MOUNTING SCREW (TOP) . . .	13	24	11-68219	NUT, CIRCUIT BREAKER STUDS	3	17
11-20586	NUT, THROTTLE CABLE ANCHOR STUD	15	4	11-68219	NUT, IGNITION COIL TERMINAL	11	37
11-20664	NUT, STARTER SOLENOID SCREW	3	15	11-68219	NUT, SENDER TERMINALS (10-32)	3	6
11-21825	NUT, FUSE STUD	7	36	11-68219	NUT, STARTER MOTOR TERMINAL (#10-32)	5	10
11-23161	NUT, ALTERNATOR BRACE STUD	5	15	11-68219	NUT, STARTER SOLENOID TERMINAL (10-32)	3	12
11-23161	NUT, ALTERNATOR SCREW . . .	5	20	11-68292	NUT, STARTER SOLENOID TERMINAL (5/16")	3	10
11-23161	NUT, MOUNTING BRACKET STUD	5	28	11-68531	NUT, ALTERNATOR TERMINAL (#12-24)	5	22
11-24656	NUT, JCIRCUIT BREAKER STUDS	3	18	11-88293	NUT, STARTER MOTOR BRACE ATTACHING	5	7
11-26419	NUT, STARTER MOTOR TERMINAL (#8-32)	5	10	12-20553	WASHER, ALTERNATOR BRACE STUD	5	14
11-27164	NUT, TERMINAL BLOCK SCREW	27	40	12-20553	WASHER, BRACKET AND FLYWHEEL HOUSING SCREW	25	11
11-28941	NUT, FLAME ARRESTOR SCREW	13	20	12-20553	WASHER, EXHAUST MANIFOLD SCREW AND STUD	21	11
11-29031	NUT, STARTER MOTOR THRU BOLT (1/4X20)	5	7	12-20553	WASHER, IGNITION COIL SCREW	11	39
11-29250	NUT, CARBURETOR MOUNTING STUD	13	27	12-20553	WASHER, MOUNTING BRACKET STUD	5	27
11-29250	NUT, COVER PLATE SCREW . . .	25	5	12-20553	WASHER, THROTTLE LEVER STEP SCREW (1/16" THICK)	15	15
11-32219	NUT, BRACKET AND FLYWHEEL HOUSING SCREW	25	12	12-20583	WASHER, WIRING HARNESS CLIP SCREW	33	5
11-32219	NUT, SOLENOID SWITCH TERMINAL (3/16)	5	8	12-20959	WASHER, FRONT MOUNTING BRACKET ADJUSTING STUD	25	30
11-32219	NUT, STARTER MOTOR TERMINAL (3/8-16)	5	10	12-22248	WASHER, BRACKET AND SPACER BLOCK SCREW	25	23
11-32882	NUT, FRONT MOUNTING BRACKET ADJUSTING STUD	25	34				
11-33122	NUT, JAM - THROTTLE STOP	15	25				

PARTS INDEX

Part Number	Description	Pg.	Ref. No.	Part Number	Description	Pg.	Ref. No.
12-24669	LOCKWASHER , FUSE STUD	7	35	13-26993	LOCKWASHER, STARTER SOLENOID TERMINALS (5/16")	3	9
12-24676	WASHER, WIRING HARNESS CLAMP FASTENING SCREW	21	15	13-26995	LOCKWASHER, STARTER MOTOR TERMINAL (#8)	5	9
12-26168	WASHER, ALTERNATOR BRACE SCREW	5	17	13-26995	LOCKWASHER, VENTURI CLUSTER SCREW (OUTER)	17	23
12-26825	WASHER, ALTERNATOR MOUNTING BRACKET SCREW	5	32	13-26996	LOCKWASHER, AIR HORN SCREW	17	6
12-26825	WASHER, BAFFLE STUD	13	33	13-26996	LOCKWASHER, HARNESS LEAD SCREW	3	25
12-29245	WASHER, STARTER MOTOR THRU BOLT NUT	5	6	13-26996	LOCKWASHER, SENDER TERMINALS (#10)	3	5
12-30164	WASHER, HARNESS LEAD SCREW	3	26	13-26996	LOCKWASHER, STARTER MOTOR TERMINAL (#10)	5	9
12-30164	WASHER, LINK ROD TO CARBURETOR SWIVEL	15	22	13-26996	LOCKWASHER, STARTER SOLENOID TERMINAL (10#)	3	11
12-30164	WASHER, THROTTLE LEVER STUD (3/8" O.D.)	15	11	13-26996	LOCKWASHER,IGNITION COIL TERMINAL	9	36
12-32638	WASHER, FRONT MOUNTING BRACKET ADJUSTING STUD	25	29	13-32993	LOCKWASHER, BRACKET AND SPACER BLOCK SCREW	25	22
12-32733	WASHER. FLAME ARRESTOR SCREW	13	19	13-35048	LOCKWASHER, EXHAUST ELBOW SCREW	37	9
12-34931	WASHER, FRONT MOUNTING BRACKET SCREW	25	26	13-37459	LOCKWASHER, BRACKET AND FLYWHEEL HOUSING SCREW	25	10
12-35935	WASHER, FLYWHEEL STUD	31	4	13-37459	LOCKWASHER, CIRCUIT BREAKER BRACKET TO CYL. HEAD SCREW	3	23
12-35950	WASHER, THROTTLE LEVER STUD (7/16" O.D.)	15	10	13-37459	LOCKWASHER, FRONT MOUNTING BRACKET SCREW	25	25
12-35950	WASHER, THROTTLE STOP SCREW	15	24	13-37459	LOCKWASHER, LIFTING EYE TO CYLINDER HEAD SCREW	25	16
12-36103	WASHER, FRONT MOUNTING BRACKET ADJUSTING STUD	25	28	13-37489	LOCKWASHER, EXHAUST ELBOW TO EXHAUST MANIFOLD STUD	21	26
12-36104	WASHER, RUBBER - FRONT MOUNTING BRACKET ADJ STUD	25	32	13-39107	LOCKWAHER, ADAPTOR SCREW	13	29
12-36275	WASHER, ROTOR	9	19	13-39107	LOCKWASHER, MOUNTING BRACKET BOLT	15	6
12-36533	WASHER, COVER TO DISTRIBUTION BLOCK SCREW	23	42	13-39107	LOCKWASHER, PULLEY AND HUB SCREW	31	20
12-57792	WASHER, THROTTLE LEVER STEP SCREW (1/8" THICK)	15	14	15-34533	SHIM UNIT, BEARING CAP - FRONT AND INTERMEDIATE	29	--
12-58220	WASHER, CAM AND MAIN SHAFT	9	6	15-34534	SHIM UNIT, BEARING CAP - REAR	29	--
12-62425	WASHER,BREAKER ASSEMBLY TO MOUNTING PLATE SCREW	9	15	16-32808	STUD, FLYWHEEL TO ENGINE COUPLING (2 1/16")	31	2
12-86400	WASHER, FLAME ARRESTOR MOUNTING SCREW	13	23	16-34521	STUD, VALVE ROCKER ARM (.013 O.S.)	33	24
13-26991	LOCKWASHER, ALTERNATOR TERMINAL (12#)	5	21	16-34522	STUD, VALVE ROCKER ARM(.003 O.S.)	33	24
13-26992	LOCKWASHER, STARTER SOLENOID SCREW	3	14				
13-26993	LOCKWASHER, ALTERNATOR MOUNTING BRACKET SCREW	5	31				

PARTS INDEX

Part Number	Description	Pg.	Ref. No.	Part Number	Description	Pg.	Ref. No.
16-38525	STUD, ANCHOR - THROTTLE CABLE TO MOUNTING BRACKET ...	15	2	22-32802	PLUG, PIPE - EXHAUST MANIFOLD (1/8-27)	21	4
16-39729	STUD, SCREEN SUPPORT TO BRG. CAP (3 3/4") ...	35	10	22-32802	PLUG, PIPE - WATER DISTRIBUTION BLOCK ..	21	36
16-49545	STUD, EXHAUST MANIFOLD TO EXHAUST ELBOW (1 3/4")	21	2	22-32803	PLUG, PIPE - WATER DISTRIBUTION BLOCK ..	21	36
16-52093	STUD, EXHAUST MANIFOLD TO CYLINDER BLOCK (5 1/4")	21	9	22-33198	PLUG, EXHAUST ELBOW (3/4-14)	21	23
16-52387	STUD, BAFFGLE TO CARBURETOR ADAPTOR (1 1/16")	13	32	22-48118	PLUG, EXHAUST MANIFOLD	21	3
16-54176	STUD, MOUNTING BRACKET TO CYLINDER BLOCK (1 5/8')	5	26	22-48336	PLUG, CYLINDER HEAD ...	33	26
16-54177	STUD, ALTERNATOR BRACE ATTACHING	21	6	22-53509	ELBOW, WATER DISTRIBUTION BLOCK ..	21	37
16-54177	STUD, ALTERNATOR BRAVE TO EXHAUST MANIFOLD (1 3/8')	5	13	22-70583	NUT, COMPRESSION-CHOKE PIPE	13	14
16-54177	STUD, MOUNTING BRACKET TO CYLINDER BLOCK (1 3/8")	5	25	22-70583	NUT, COMPRESSION-CHOKE CARBURETOR	13	14
16-66288	STUD,ADAPTOR TO CARBURETOR AND EXHAUST MANIFOLD ...	13	26	22-70584	FITTING, FUEL LINE	13	9
16-88294	STUD, STARTER MOTOR BRACE TO PUSHROD COVER	5	5	22-73816	CONNECTOR, VENT TUBE TO CARBURETOR	13	3
17-33049	PIN, CHOKE PISTON TO CHOKE PISTON LEVER ..	19	62	22-73817	CONNECTOR, VENT TUBE TO FUEL PUMP	13	4
17-33649	PIN, DRIVE GEAR TO MAIN SHAFT	9	5	22-87238	DRAIN COCK	31	12
17-35465	PIN, DOWEL - CYLINDER BLOCK TO CYLINDER HEAD	29	2	23-34469	BEARING, CAMSHAFT THRUST	31	22
19-33041	WELCH PLUG, CHOKE HOUSING	19	64	23-35168	BEARING, DISTRIBUTOR PILOT SHAFT	29	7
19-34270	PLUG, EXPANSION - CYLINDER BLOCK (1 5/8" DIA.)	29	3	23-35903	SPACER, FRONT MOUNTING BRACKET ...	25	18
19-34271	PLUG, EXPANSION - CYLINDER BLOCK (2" DIA.)	29	3	23-36101	SPACER, FRONT MOUNTING BRACKET ADJUSTING STUD	25	31
19-34272	PLUG, EXPANSION - CYLINDER HEAD (2" DIA.)	33	25	23-43293	BEARING UNIT, CAMSHAFT	29	10&11
19-34487	PLUG, PIPE - CYLINDER BLOCK (3/8")	29	5	23-45353	SPACER , ALTERNATOR SCREW	5	19
19-37531	PLUG, OIL CHANNEL - CYLINDER BLOCK	29	-	23-46742	SPACER, FLYWHEEL HOUSING MOUNT	25	2
19-61747	PLUG, EXPANSION - CAMSHAFT BEARING HOLE	29	4	23-85670	BEARING UNIT, CRANKSHAFT MAIN - REAR (.011 U.S.)	29	13
22-32561	PLUG, PIPE - EXHAUST MANIFOLD (1/4-18)	21	5	23-85671	BEARING UNIT, CRANKSHAFT MAIN - REAR (.002 U.S.)	29	13
22-32802	NIPPLE,VENT HOSE TO CARBURETOR	13	21	23-85675	BEARING UNIT, CRANKSHAFT MAIN (STANDARD)	29	12
				23-85676	BEARING UNIT, CRANKSHAFT MAIN (.001 U.S.)	29	12
				23-85677	BEARING (PAIR), CONNECTING ROD (STANDARD)	31	9
				23-85679	BEARING (PAIR), CONNECTING ROD (.002 U.S.)	31	9
				23-85680	BEARING (PAIR), CONNECTING ROD (.010 U.S.)	31	9
				23-85681	BEARING (PAIR), CONNECTING ROD (.020 U.S.)	31	9

PARTS INDEX

Part Number	Description	Pg.	Ref. No.	Part Number	Description	Pg.	Ref. No.
23-85707	BEARING (PAIR), CONNECTING ROD (.001 U.S.)	31	9	27-53502	GASKET, ALTERNATOR MOUNTING BRACKET (LARGE BRACKET)	5	29
23-85713	BEARING UNIT, CRANKSHAFT MAIN (.010 U.S.)	29	12	27-58764	GASKET, ADAPTOR TO EXHAUST MANIFOLD . . .	13	36
23-85714	BEARING UNIT, CRANKSHAFT MAIN (.020 U.S.)	29	12	27-64692	GASKET, CARBURETOR . . .	13	35
23-85715	BEARING UNIT, CRANKSHAFT MAIN - REAR (STANDARD)	29	13	27-73814	GASKET, END CAP TO EXHAUST MANIFOLD . . .	21	18
23-85718	BEARING UNIT, CRANKSHAFT MAIN - REAR (.010 U.S.)	29	13	28-34466	KEY, PULLEY AND GEAR LOCATING	31	24
23-85719	BEARING UNIT, CRANKSHAFT MAIN - REAR (.020 U.S.)	29	13	28-34514	KEY, VALVE STEM (2 PER VALVE)	33	15
24-33050	SPRING, IDLE ADJUSTING NEEDLE	19	43	32-47640	HOSE, WATER DISTRIBUTION BLOCK TO WATER PUMP	23	45
24-35214	SPRING, VALVE	33	19	32-47642	HOSE, INLET - WATER DISTRIBUTION TO BLOCK TO DRIVE UNIT	23	49
24-48143	SPRING, FUEL INLET - AIR HORN	17	9	32-52481	HOSE, WATER DISTRIBUTION BLOCK TO END CAP/CONNECTOR . .	21	33
24-54217	SPRING, THROTTLE RETURN	15	16	32-55644	TUBE, HEAT - EXHAUST MANIFOLD	21	7
25-33666	GROMMET, MOUNTING PLATE-PRIMARY WIRE . .	9	16	32-57831	COVERING, CHOCKE PIPE .	13	15
25-52188	GROMMET, HOSE VENT CONNECTOR	33	9	32-62060	HOSE, VENT - MOLDED . . .	33	11
26-34217	SEAL, VALVE SPRING CAP .	33	17	32-65652	FUEL LINE, FUEL PUMP TO CARBURETOR	13	10
26-58203	OIL SEAL UNIT, CRANKSHAFT REAR BEARING	29	17	32-73815--2	TUBE, VENT	13	2
26-72653	SEAL, HOUSING	9	7	33-59571	SPARK PLUG (AC#R43T) . . .	9	28
26-79223	OIL SEAL, CRANKCASE COVER	35	16	35-49088	FILTER, FUEL-FUEL PUMP .	13	5
27-33680	GASKET, WATER DISTRIBUTION BLOCK . .	23	43	35-53336	FILTER, FUEL INLET - AIR HORN	17	8
27-33956	GASKET, WATER PUMP . . .	31	15	37-77248	DECAL, MERCURISER	33	8
27-34209	GASKET, CRANKCASE AND PUSH ROD COVER	35	6	37-77254	DECAL, WAVES	33	13
27-34213	GASKET, FUEL PUMP	13	7	39-67132	RING, PISTON (STANDARD)	29	9
27-34486	GASKET, DISTRIBUTOR . . .	9	24	39-67134	RING, PISTON (.030 O.S.) .	29	9
27-46401	GASKET, EXHAUST MANIFOLD TO CYLINDER HEAD	21	20	43-33664	GEAR, DRIVE-MAIN SHAFT .	9	3
27-47453	GASKET, CYLINDER HEAD .	33	28	43-46743	GEAR, CRANKSHAFT	31	28
27-47590	GASKET, THERMOSTAT COVER	21	40	43-46745	GEAR, TIMING - CAMSHAFT (ALUMINUM)	31	23
27-48043	GASKET, END CAP/CONNECTOR TO EXHAUST MANIFOLD . . .	21	29	50-79822A2	STARTER MOTOR ASSEMBLY (DELCO REMY #1109489)	5	1
27-49936	GASKET, ROCKER COVER .	33	14	54-32523	CLAMP, INLET HOSE TO WATER DISTRIBUTION BLOCK AND DRIVE UNIT	23	50
27-49949	GASKET SET, OIL PAN	35	21	54-32739	CLAMP, BELLOWS ATTACHING	37	6
27-49953	GASKET, CRANKCASE COVER	35	17	54-32780	CLAMP, HOSE TO WATER DISTRIBUTION BLOCK AND END CAP CONNECTO	21	34
27-49955	GASKET, OIL PAN DRAIN SCREW	35	25	54-32781	CLAMP, HOSE TO WATER DISTRIBUTION BLOCK AND WATER PUMP	23	46
27-52076	GASKET, EXHAUST ELBOW TO EXHAUST MANIFOLD	21	25	54-33036	RETAINER, STAT COVER AND COIL TO CHOKE HOUSING SCREW	19	69
				54-33683	CLAMP, BELLOWS ATTACHING	37	6

PARTS INDEX

Part Number	Description	Pg.	Ref. No.	Part Number	Description	Pg.	Ref. No.
54-38426	CLAMP, WATER PUMP COVER TO WATER PUMP	23	48	613-2277	CONNECTING ROD ASSEMBLY	31	6
54-39108	CLIP, IDLE STOP SCREW	19	45	734-4858	PISTON & PISTON PIN ASS'Y(.001 O.S.) - USE STANDARD PISTON	29	8
54-52923	CLAMP, ADAPTOR SCREW (INLET HOSE)	13	30	734-4860	PISTON & PISTON PIN ASS'Y(.030 O.S.)	29	8
54-58003	CLAMP, INLET HOSE TO MANIFOLD	23	51	840-6515	CYLINDER BLOCK ASSEMBLY	29	1
54-60516	CLAMP, WIRING HARNESS TO EXHAUST MANIFOLD (9/16")	21	13	840-6515	CYLINDER BLOCK ASSEMBLY	35	1
54-60517	CLAMP, WIRING HARNESS TO EXHAUST MANIFOLD (3/8")	21	13	937-4287	CYLINDER HEAD ASSEMBLY	33	23
54-61001	"J"CLIP, STERN DRIVE SHIFT CABLES	25	6	1351-7356A1	CARBURETOR ASSEMBLY	13	16
54-64648	CLAMP, VENT HOSE	33	12	1351-7356A1	CARBURETOR ASSEMBLY, COMPLETE	17	-
54-65653	CLAMP, FUEL LINE TO ROCKER COVER	13	11	1397-2050	PLUG, BALL - CHOKE HOUSING	19	63
54-72531	EYE, LIFTING - FLYWHEEL HOUSING SCREW	25	7	1397-2057	PLATE, BAFFLE - CHOKE HOUSING	19	65
57-64032	BELT, ALTERNATOR, WATER PUMP AND CRANKSHAFT PULLEY	31	26	1397-2059	CHOKE PISTON, CHOKE HOUSING	19	61
84-66963A1	WIRING HARNESS, EXTERNAL (USED WITH FUSE)	3	1	1397-2060	FLOAT ASSEMBLY	17	12
84-67203	WIRE ASSEMBLY, DISTRIBUTOR TO COIL (1/4")	9	31	1397-2071	CAM, FAST IDLE - FLOAT BOWL	19	49
84-69713--1	LEAD ASS'Y, HIGH TENSION-DIST.(6 1/4")-CYL.#1 AND #2	9	25	1397-2120	IDLE ADJUSTING NEEDLE, THROTTLE BODY	19	42
84-69713--2	LEAD ASS'Y, HIGH TENSION-DIST>(14 1/4")-CYL>#3	9	26	1397-2630	CHOKE HOUSING ASSEMBLY	19	56
84-69713--3	LEAD ASS'Y, HIGH TENSION-DIST.(20 3/4")-CYL.#4	9	26	1397-2638	IDLE STOP SCREW, THROTTLE BODY	19	44
84-69713--4	LEAD ASS'Y, HIGH TENSION-DIST.(22")-CYL.#5ADN #6	9	26	1397-2639	THROTTLE BODY ASSEMBLY	19	41
84-78581A1	ALTERNATOR HARNESS ASSEMBLY	5	33	1397-2648	STAT COVER AND COIL ASSEMBLY	19	67
84-79139A6	JUMPER WIRE, 90 AMP FUSE TO CIRCUIT BREAKER	7	34A	1397-2992	ALTITUDE KIT (5,000 FT.)	19	--
84-86674A2	WIRING HARNESS, EXTERNAL (USED WITHOUT FUSE)	3	1	1397-3330	NUT, FUEL INLET - AIR HORN	17	7
85-71006A1	PROTECTOR, HIGH TENSION LEAN	9	27	1397-3827	JET, FLOAT BOWL (STANDARD)	17	29
85-79695	BOOT, INSULATOR-FUSE STUD	7	37	1397-4257	CHOKE LEVER AND COLLAR ASSEMBLY, CHOKE SHAFT	19	52
88-78813	CIRCUIT BREAKER	3	16	1397-4358	VALVE, CHOKE - CHOKE SHAFT	19	54
88-79023A90	FUSE ASSEMBLY, 90 AMP	7	34	1397-7542	OVERHAUL KIT	19	--
89-68258	STARTER SOLENOID	3	8	1397-7547	GASKET KIT	19	--
112-30164	WASHER, IGNITION CILI TERMINAL	9	35				
222-6355	FLYWHEEL, CRANKSHAFT	31	1				
425-6516	CRANKSHAFT	31	27				
430-3161	CAMSHAFT	31	10				