



PARTS CATALOG

2.5 L (CARB)

SERIAL NUMBER

MERC/MAR 2.5L (CARB)0D030200 THRU 0D935270

TABLE OF CONTENTS:

CARBURETOR ASSEMBLY	18
CHOKE PLATE AND THROTTLE LEVERS	16
COWLS	2
CRANKSHAFT, PISTONS AND CONNECTING RODS	28
CYLINDER BLOCK AND END CAPS	22
DRIVE SHAFT HOUSING	30
EXHAUST PLATE	42
FLYWHEEL, STARTER MOTOR AND IGNITION COILS	6
FUEL LINES	14
GEAR HOUSING (DRIVE SHAFT)LHR 2-HOLE WATER PICKUP	52
GEAR HOUSING (DRIVE SHAFT)LHR 4-HOLE WATER PICKUP	70
GEAR HOUSING (DRIVE SHAFT)RHR 2-HOLE WATER PICKUP	46
GEAR HOUSING (DRIVE SHAFT)RHR 4-HOLE WATER PICKUP	62
GEAR HOUSING (PROPELLER SHAFT)LHR 2-HOLE WATER PICKUP	56
GEAR HOUSING (PROPELLER SHAFT)LHR 4-HOLE WATER PICKUP	74
GEAR HOUSING (PROPELLER SHAFT)RHR 2-HOLE WATER PICKUP	50
GEAR HOUSING (PROPELLER SHAFT)RHR 4-HOLE WATER PICKUP	66
HYDRAULIC PUMP AND MOUNTING BRACKETS	78
HYDRAULIC PUMP ASSEMBLY	80
INSTUMENTATION	82
KEY SWITCH ASSEMBLY	44
MISCELLANEOUS PARTS/ACCESSORIES	1
PARTS INDEX	84
REED BLOCK AND CYLINDER HEAD	26
STARTER MOTOR ASSEMBLY	60
SWIVEL BRACKET AND STEERING ARM	34
THROTTLE LEVER AND SHIFT SHAFT	10
TRANSOM BRACKETS	38
WIRING HARNESS, STARTER SOLENOID & RECTIFIER	8

NOTE: Indented description indicate that these parts are included in preceeding assembly.

AR = As Required

NSS = Not Sold Seperate

OPT = Optional

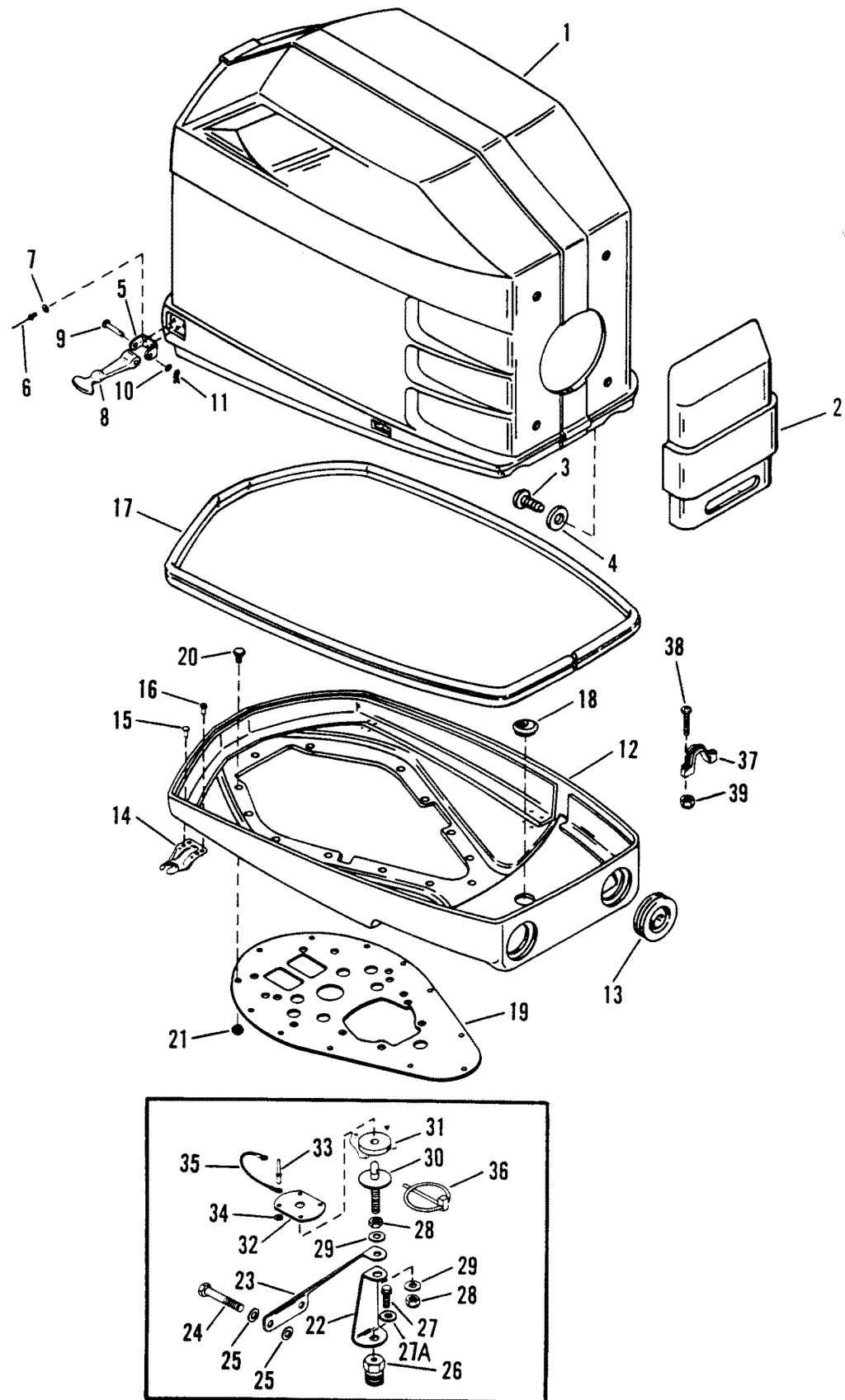
NS = Not Shown

THESE PARTS BOOKS/FICHE CARD ARE COPYRIGHTED AND MAY NOT BE DISTRIBUTED OR REPRODUCED IN ANY OTHER FORMAT BY ANYONE OTHER THAN MERCURY MARINE WITHOUT THE PRIOR WRITTEN CONSENT OF MERCURY MARINE.

MISCELLANEOUS PARTS/ACCESSORIES

REF. NO.	PART NO.	SYM.	QTY.	DESCRIPTION
-	90-811499-91		0	PARTS MANUAL
-	27-814658A2		0	GASKET SET (2 BOLT MAIN BLOCK)
-	27-814658A4		0	GASKET SET (4 BOLT MAIN BLOCK)
-	90-818334930		0	OWNER'S GUIDE BLACK
-	90-818335930		0	OWNER'S GUIDE GRAY

COWLS

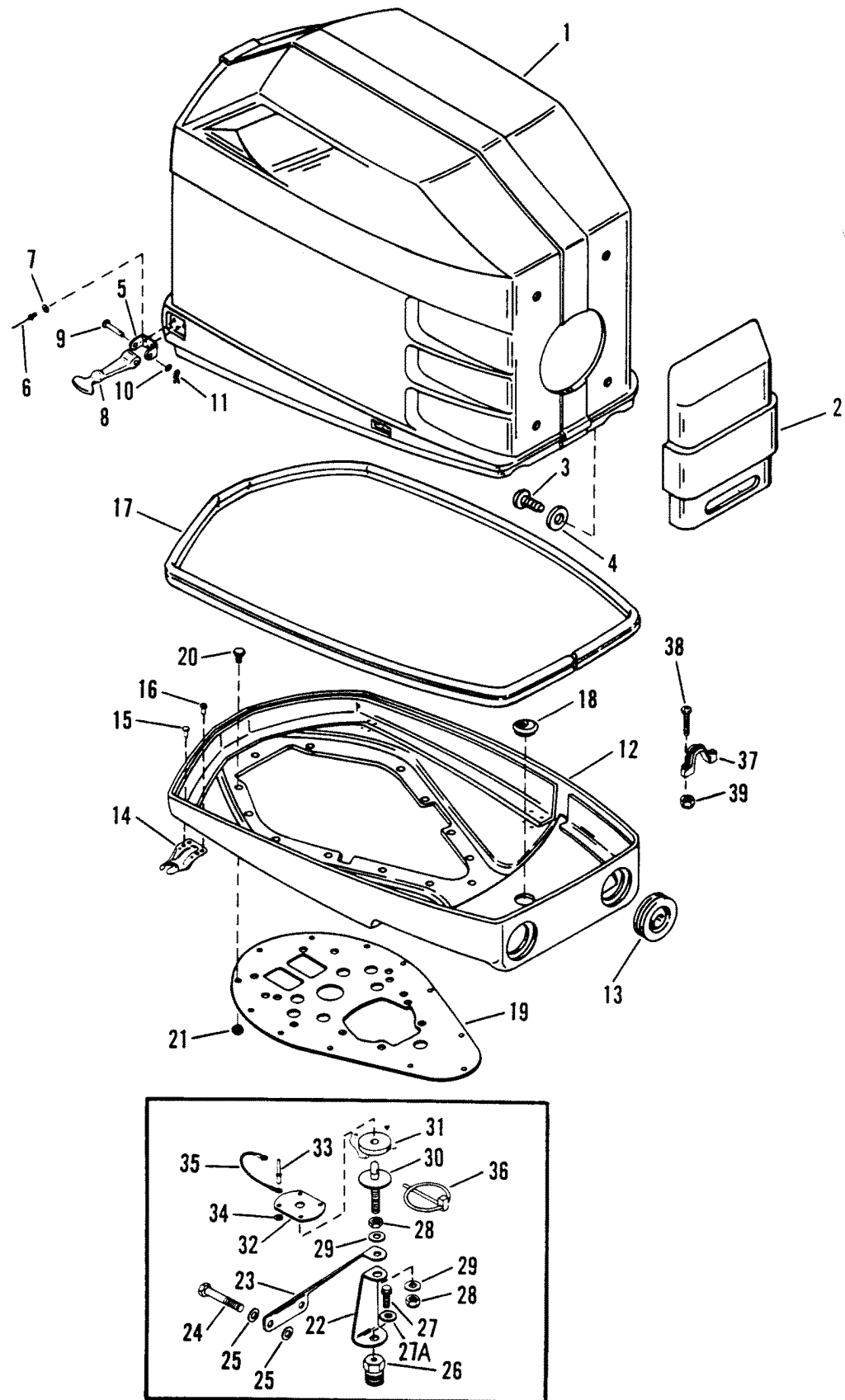


COWLS

REF. NO.	PART NO.	SYM.	QTY.	DESCRIPTION
1	4006-817704A5		1	TOP COWL (BLACK)
	4006-817704A6		1	TOP COWL (GRAY)
2	817706A3		1	FRONT COVER (BLACK)
	817706A4		1	FRONT COVER (GRAY)
3	10-69570		4	SCREW
4	12-22887		4	WASHER
5	71602		4	YOKE (BLACK)
	71602--1		4	YOKE (GRAY)
6	17-816771		12	RIVET
7	12-20128		12	WASHER
8	817708		4	HOLD DOWN
9	17-58712		4	CLEVIS PIN
10	12-20128		4	WASHER
11	18-21071		4	COTTER PIN
-	37-817660A91		1	DECAL SET (BLACK)
-	37-818263A91		1	DECAL SET (GRAY)
12	4007-817709A5		1	BOTTOM COWL (BLACK)
	4007-817709A6		1	BOTTOM COWL (GRAY)
13	25-817713--1		2	GROMMET
14	13734		4	RETAINER (BLACK)
	13734--1		4	RETAINER (GRAY)
15	17-12148		8	RIVET
16	17-14908		8	RIVET
17	817712--1		1	SEAL
18	22-14685		2	PLUG
19	822188--1		1	PLATE
20	10-38601		13	SCREW
21	11-35045		13	NUT
-	821878A2		1	COWL SUPPORT KIT
22	821877		1	BRACKET
23	821878		1	BRACKET
24	10-821933		2	SCREW
25	12-847539		4	WASHER
26	22-821881		1	PIPE PLUG
27	10-818146		1	SCREW
27A	12-847541		1	WASHER
28	11-35053		2	NUT
29	12-74758		2	WASHER
30	821879		1	PIN
31	23-99509--1		1	RUBBER PAD
32	821880A1		1	COWL SUPPORT
33	17-12148		4	POP RIVET
34	12-20128		4	WASHER

CONTINUED ON NEXT PAGE ➡

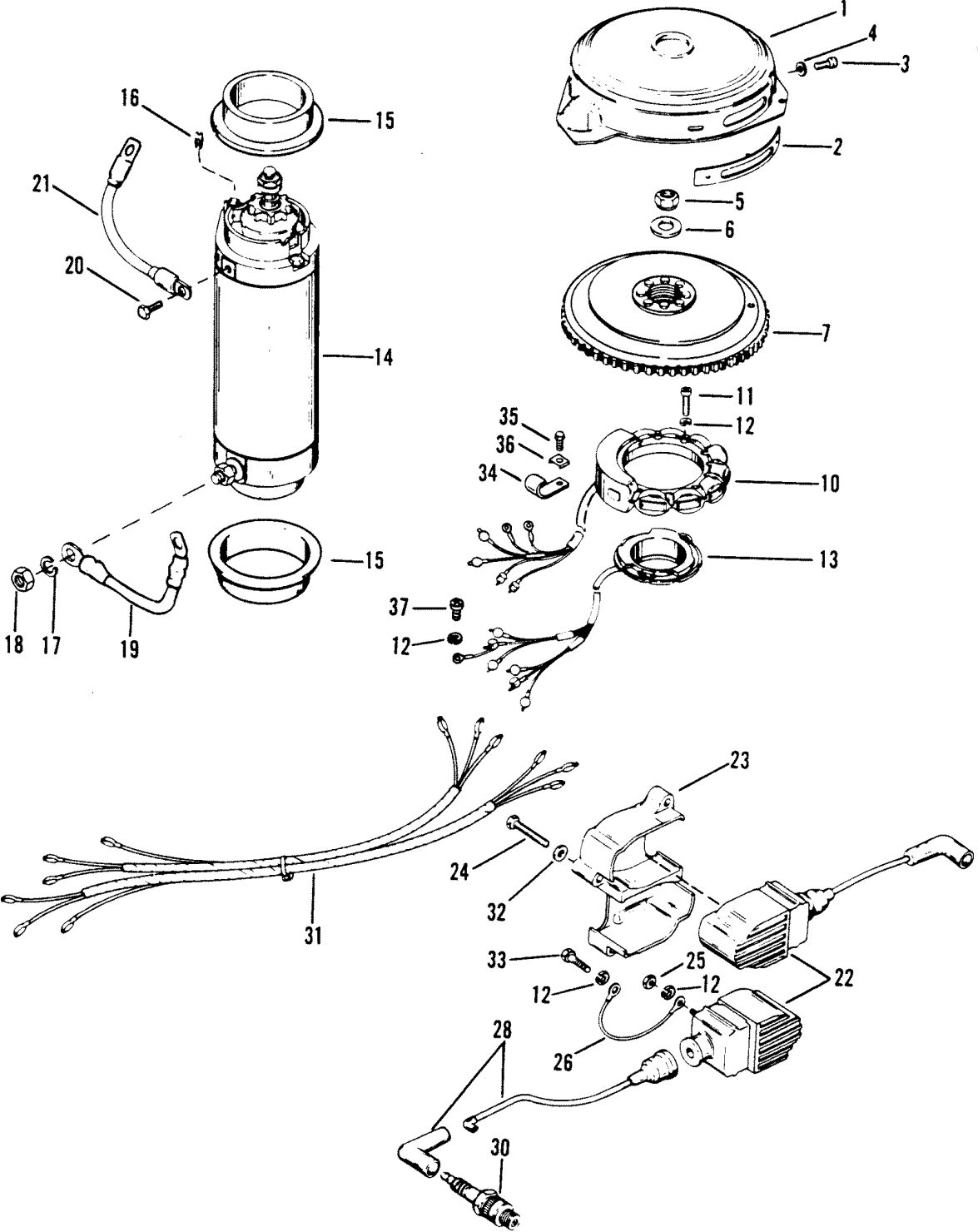
COWLS



COWLS

REF. NO.	PART NO.	SYM.	QTY.	DESCRIPTION
35	88238A4		1	CABLE
36	99779		1	TORSION CLIP
37	88621		1	RETAINER
38	10-69020		2	SCREW
39	11-29488		2	NUT

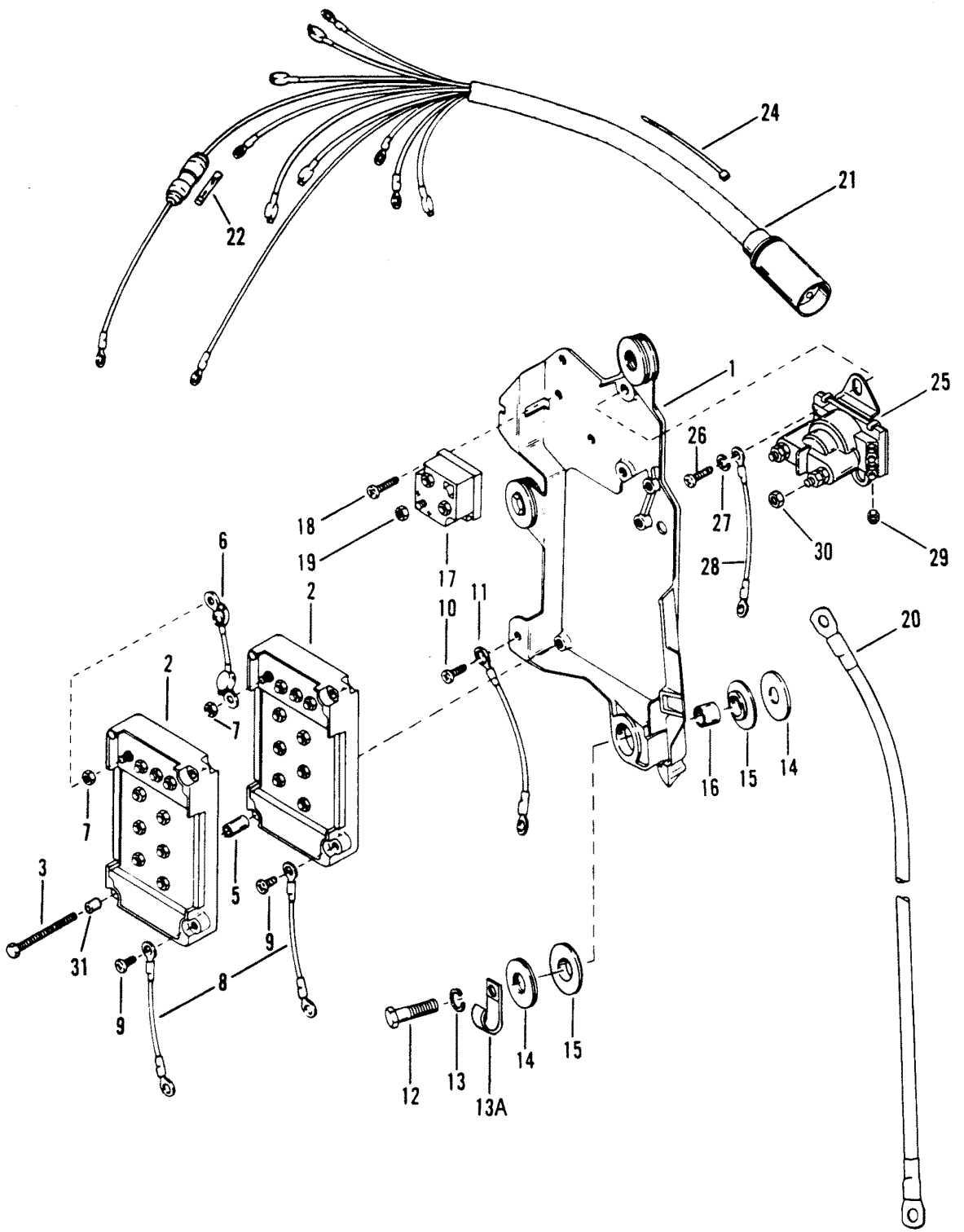
FLYWHEEL, STARTER MOTOR AND IGNITION COILS



FLYWHEEL, STARTER MOTOR AND IGNITION COILS

REF. NO.	PART NO.	SYM.	QTY.	DESCRIPTION
1	79918A1		1	FLY WHEEL COVER
2	79022		1	TIMING MARKER
3	10-37572		2	SCREW
4	12-72761		2	WASHER
5	11-52901		1	NUT
6	12-68229		1	WASHER
7	249-6080A5		1	FLYWHEEL
10	398-5454A36		1	STATOR
11	10-90028		4	SCREW
12	13-26996		23	LOCKWASHER
13	96455A11		1	TRIGGER PLATE
14	50-79472		1	STARTER MOTOR
15	56703		2	COLLAR
16	68042		2	RUBBER STOP
17	13-36992		1	LOCKWASHER
18	11-20890		1	NUT
19	84-93389A5		1	WIRE (YELLOW)
20	10-69035		1	SCREW
21	84-93388A1		1	WIRE (BLACK)
22	339-7370A13		6	IGNITION COIL
23	79743		3	COVER
24	10-88447		12	SCREW(1-5/8")
25	11-45076		12	NUT
26	84-88807A6		6	GROUND STRAP (BLACK)
28	84-815358A1		1	HIGH TENSION CABLE
30	33-97180		6	SPARK PLUG (NGK#BUHW)
31	84-69738A7		1	HARNESS ASSEMBLY (#2,4&6)
	84-69739A2		1	HARNESS ASSEMBLY (#1,3,&5)
32	12-89302		12	WASHER
33	10-68513		6	SCREW
34	54-23567		2	J-CLAMP
35	10-69079		1	SCREW
36	69205		1	C-WASHER
37	10-87926		1	SCREW (1/2")

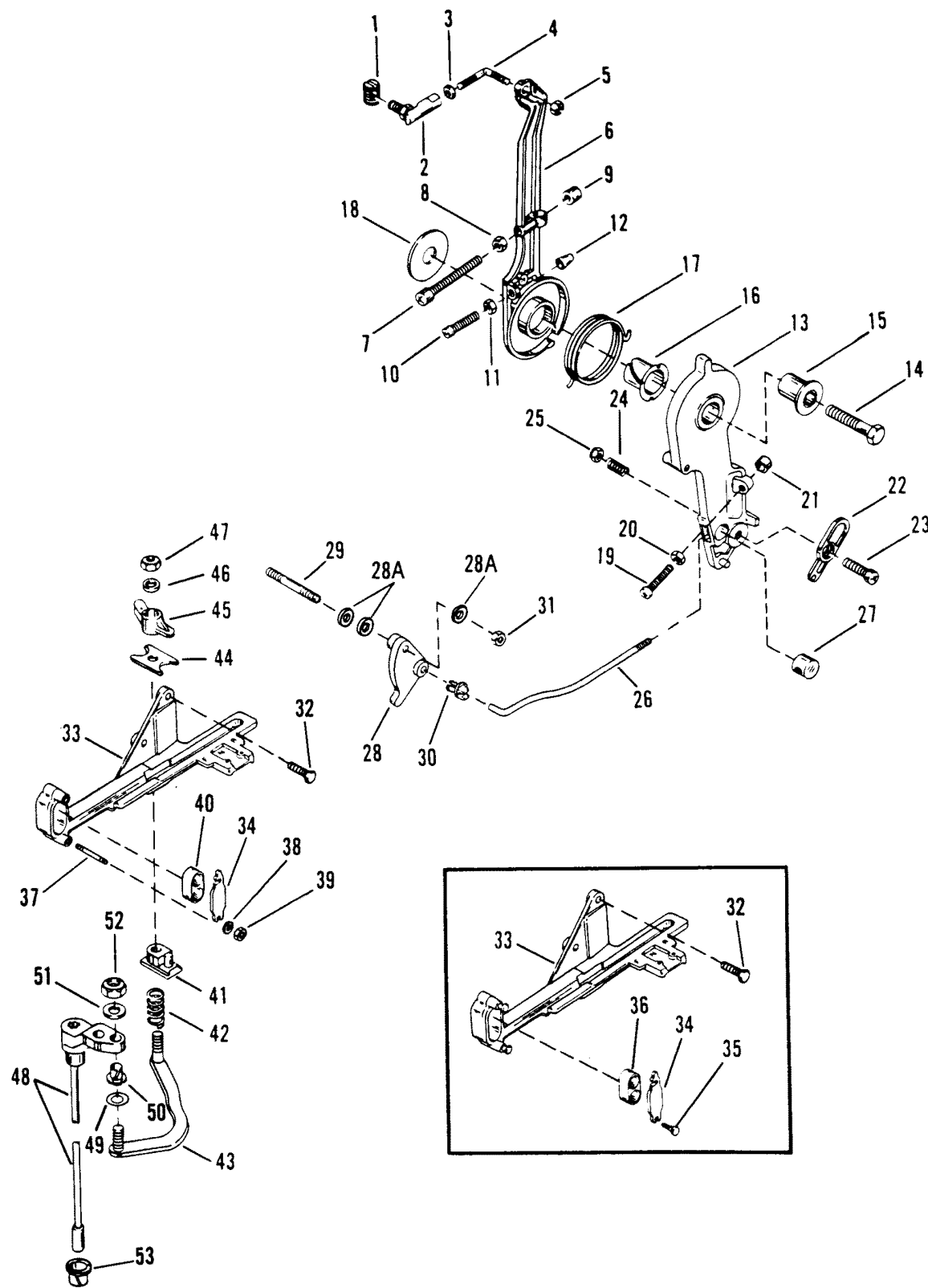
WIRING HARNESS, STARTER SOLENOID & RECTIFIER



WIRING HARNESS, STARTER SOLENOID & RECTIFIER

REF. NO.	PART NO.	SYM.	QTY.	DESCRIPTION
1	43429--1		1	IGNITION PLATE
2	332-7778A14		2	SWITCH BOX
3	10-90815		2	SCREW
5	23-94453		2	BUSHING
6	84-62310A2		1	CABLE
7	11-45076		20	NUT
8	84-60871A10		2	WIRE
9	10-62568		2	SCREW
10	10-38055		1	SCREW(5/8')
11	84-65999A3		1	CABLE (BLACK)
12	10-60411		3	SCREW (1-1/4")
13	13-26993		0	LOCKWASHER 3
13A	54-814634		1	J-CLAMP
14	12-36042		6	WASHER
15	12-67264		6	WASHER(RUBBER)
16	23-67268		3	BUSHING
17	816770		1	RECTIFIER
18	10-38055		2	SCREW(5/8")
19	11-45076		3	NUT
20	84-88439A14		1	BATTERY CABLE (POSITIVE)
	84-88439A2		1	BATTERY CABLE (NEGATIVE)
21	84-96220A4		1	ENGINE HARNESS
22	88-79091		1	FUSE
24	54-816311		AR	STA-STRAP
25	89-68258A4		1	STARTER SLOENOID
26	10-31716		2	SCREW (5/8")
27	13-26992		2	LOCKWASHER
28	84-65999A2		1	CABLE (BLACK)
29	11-45076		2	NUT
30	11-67980		2	NUT
31	23-94304		2	BUSHING

THROTTLE LEVER AND SHIFT SHAFT

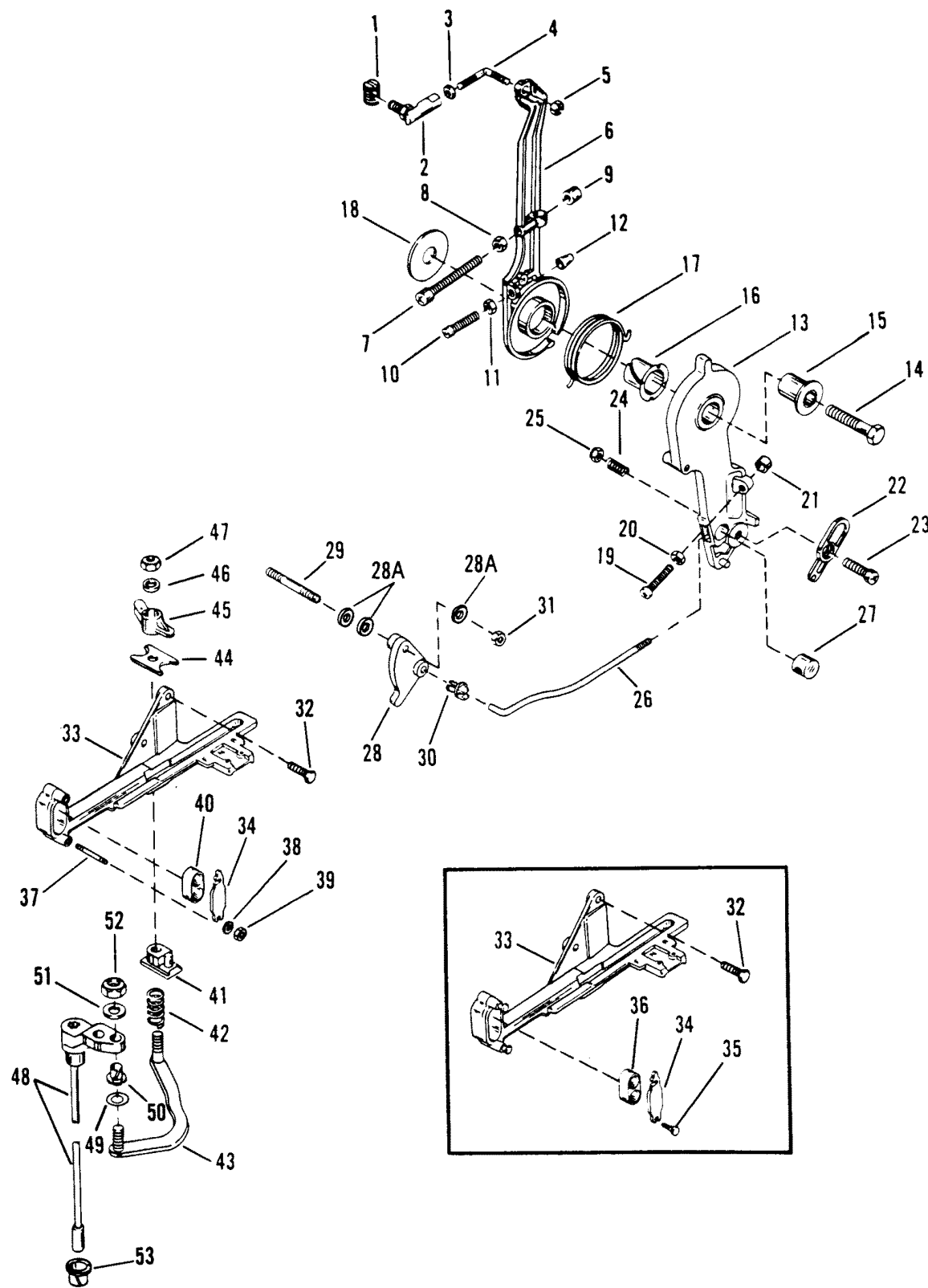


THROTTLE LEVER AND SHIFT SHAFT

REF. NO.	PART NO.	SYM.	QTY.	DESCRIPTION
1	74897		1	PIVOT
2	62459		1	BALL JOINT
3	11-68219		1	NUT
4	76035		1	LINK ROD
5	11-45812		1	NUT
6	41094A3		1	SPARK ADVANCE LEVER
7	10-64022		1	SCREW
8	11-64015		1	NUT
9	26852		1	CAP
10	10-69560		1	SCREW (1-1/4")
11	11-68219		1	NUT
12	48039		1	CAP
13	41095		1	THROTTLE CONTROL LEVER
14	10-818165		1	SCREW (1-3/4")
15	23-55164		1	BUSHING
16	23-55171		1	BUSHING
17	24-68784		1	SPRING
18	12-68410		1	WASHER
19	10-64022		1	SCREW (2-1/8")
20	11-64015		1	NUT
21	26852		1	CAP
22	39483		1	LATCH
23	10-22486		1	SCREW
24	24-20099		1	SPRING
25	11-35045		1	NUT
26	814929		1	THROTTLE CONTROL ROD
27	14638		1	BARREL
28	815539T		1	THROTTLE CAM
28A	12-29245		3	WASHER
29	16-20353		1	STUD
30	23-93248--1		1	SWIVEL BUSHING
31	11-35045		1	NUT
32	10-28782		3	SCREW
33	814283A1		1	ANCHOR BRACKET SCREW ATTACHING
34	98889		1	LATCH SCREW ATTACHING
35	10-42975		2	SCREW SCREW ATTACHING
36	39519		1	CAP SCREW ATTACHING
33	814283A2		1	ANCHOR BRACKET STUD ATTACHING
34	98889		1	LATCH STUD ATTACHING
37	16-18101		2	STUD STUD ATTACHING
38	12-33786		2	WASHER STUD ATTACHING
39	11-18102		2	NUT STUD ATTACHING
40	39519		1	CAP

CONTINUED ON NEXT PAGE ➡

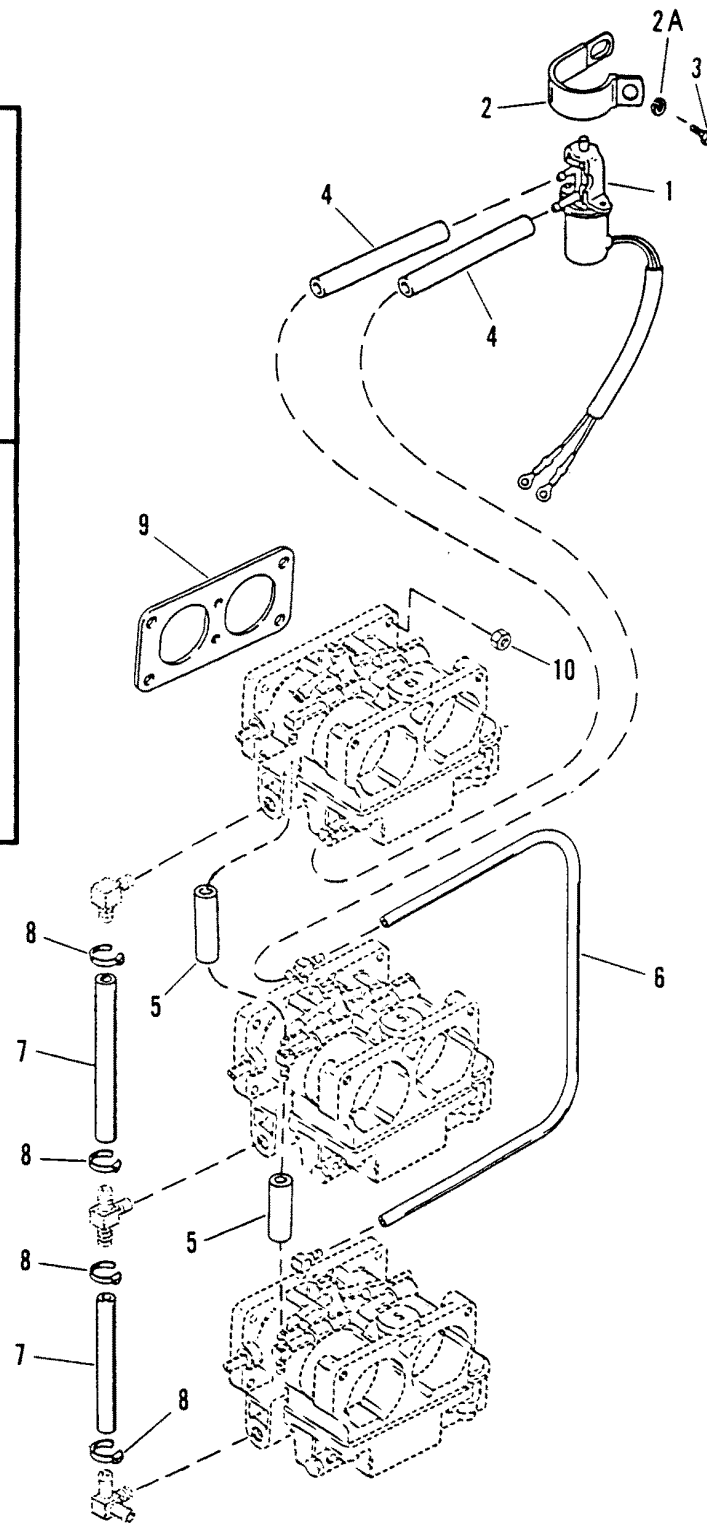
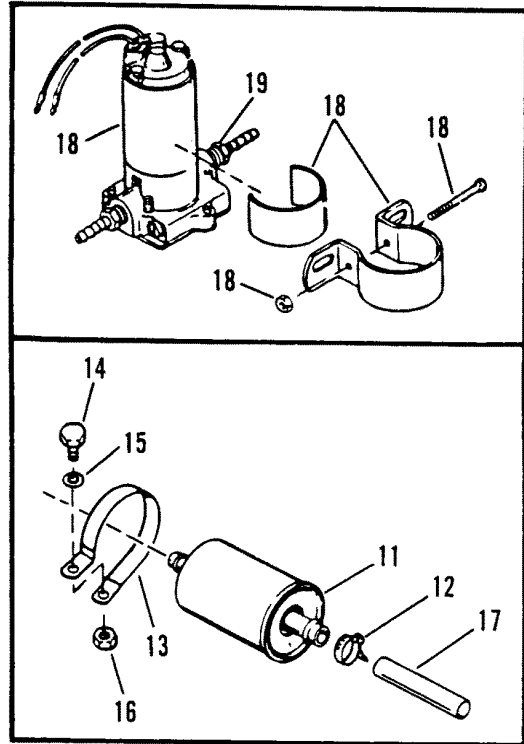
THROTTLE LEVER AND SHIFT SHAFT



THROTTLE LEVER AND SHIFT SHAFT

REF. NO.	PART NO.	SYM.	QTY.	DESCRIPTION
41	37896		1	GUIDE BLOCK
42	24-20099		1	SPRING
43	67073A1		1	LINK ROD
44	52100		1	WEAR PLATE
45	38279		1	LATCH
46	12-69056		1	WASHER
47	11-35045		1	NUT
48	79932A11		1	SHIFT SHAFT
49	13-29720		1	WAVE WASHER
50	23-26600		1	BUSHING
51	12-35462		1	WASHER
52	11-35045		1	NUT
53	23-27132		1	BUSHING

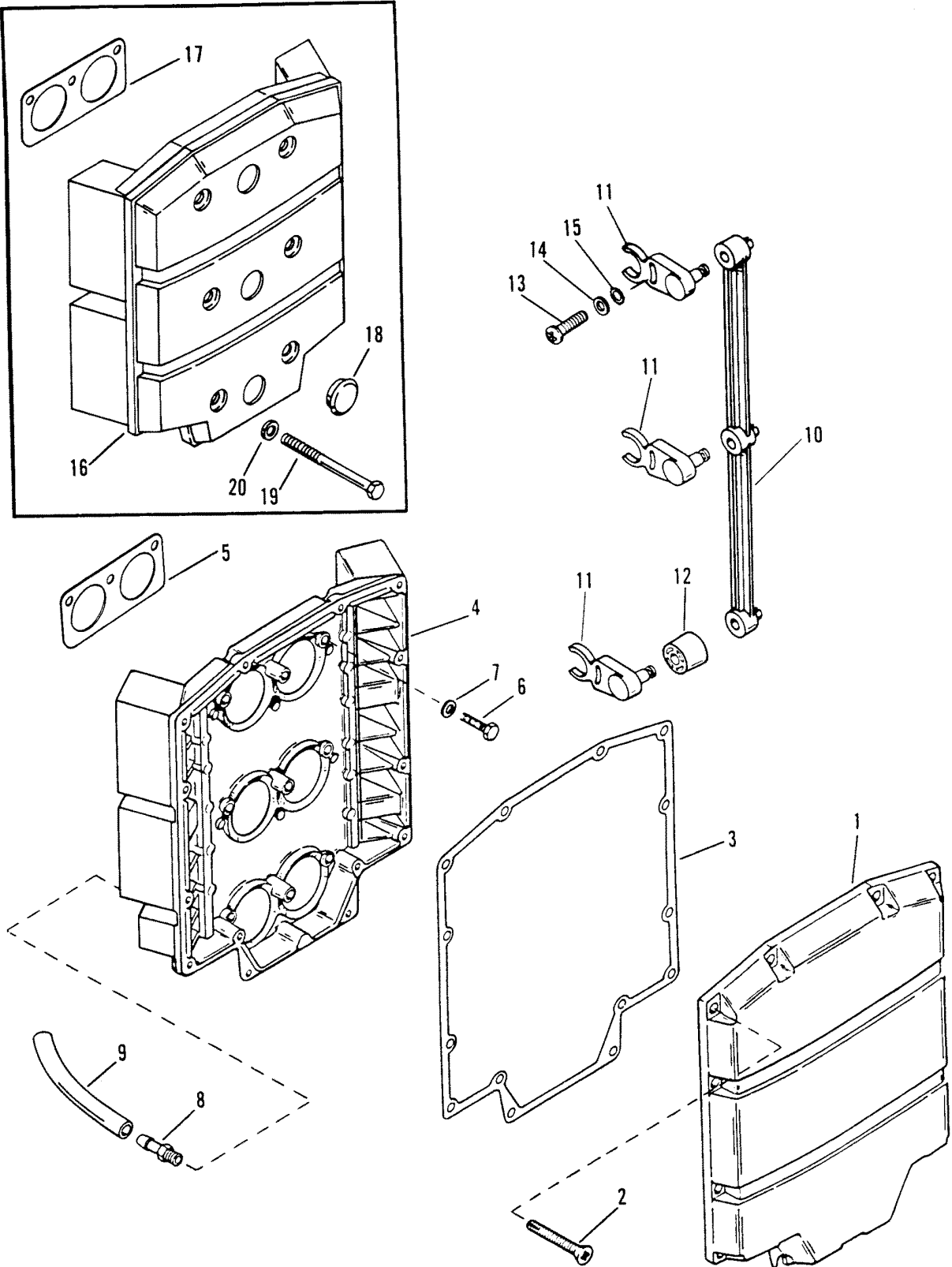
FUEL LINES



FUEL LINES

REF. NO.	PART NO.	SYM.	QTY.	DESCRIPTION
1	42859A2		1	ENRICHNER VALVE
2	54-63300--1		1	CLAMP
2A	13-26992		1	LOCKWASHER
3	10-73286		1	SCREW
4	32-99126-88		2	FUEL LINE
5	32-99128-78		2	FUEL LINE
6	32-99130122		1	FUEL LINE
7	32-77457--2		2	FUEL LINE
8	54-816311		AR	STA-STRAP
9	27-67751		3	GASKET
10	11-20184		12	NUT
11	35-818700		1	FUEL FILTER
12	54-815504104		2	CLAMP
13	54-847747		1	CLIP
14	10-69028		1	SCREW
15	12-29245		2	WASHER
16	11-35888		1	NUT
17	32-77457--2		1	HOSE
18	18018A1		1	FUEL PUMP KIT
19	22-70834		2	BAYONET

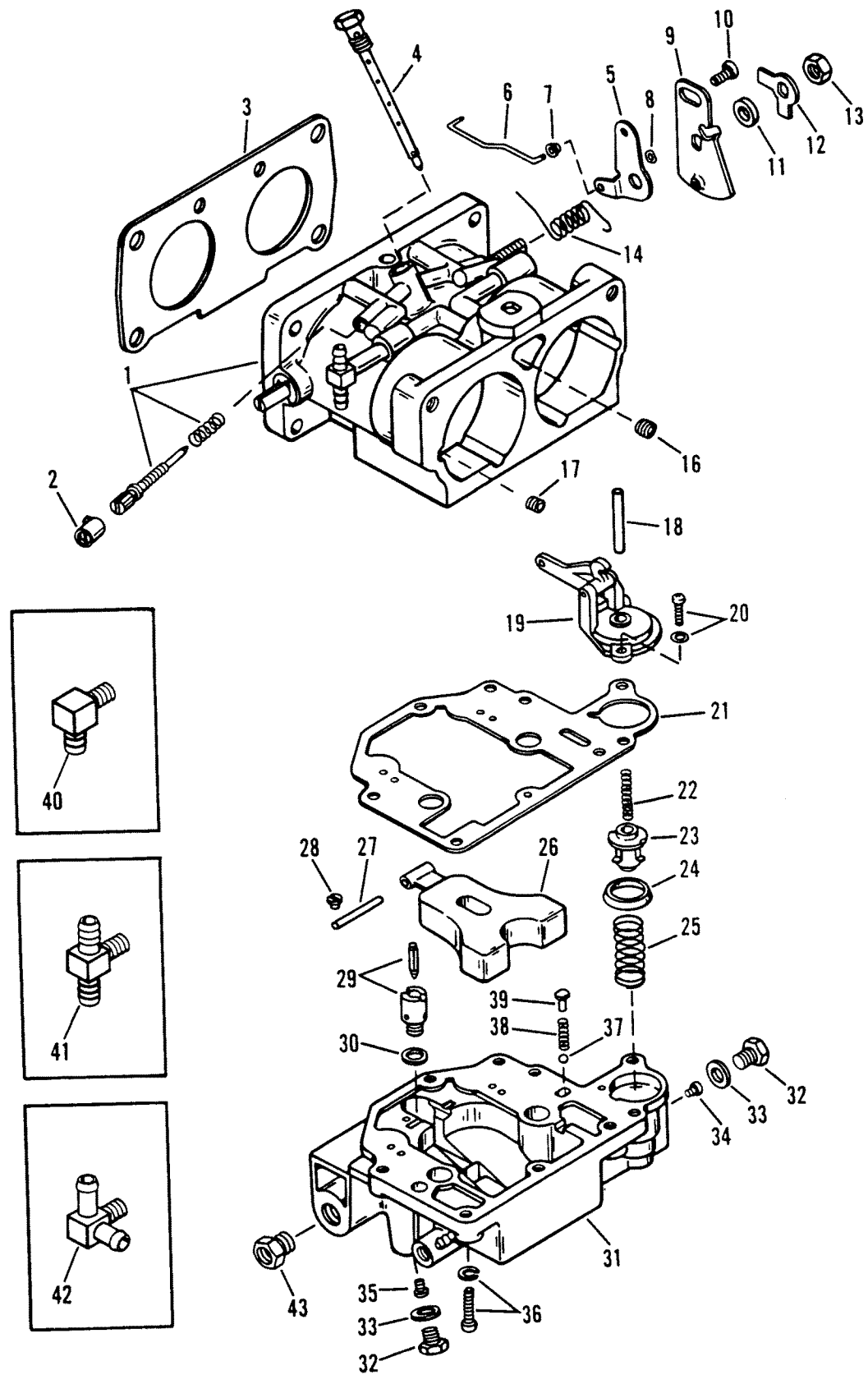
CHOKE PLATE AND THROTTLE LEVERS



CHOKE PLATE AND THROTTLE LEVERS

REF. NO.	PART NO.	SYM.	QTY.	DESCRIPTION
1	18866T		1	COVER DESIGN I
2	10-48409		14	SCREW DESIGN I
3	27-18889--1		1	GASKET DESIGN I
4	817495A1		1	SOUND ATTENUATOR PLATE DESIGN I
5	27-89221--1		3	GASKET DESIGN I
6	10-36137		6	SCREW DESIGN I
7	12-29245		6	WASHER DESIGN I
8	21-64871A2		1	CHECK VALVE
9	32-66285-70		1	HOSE
10	18180		1	THROTTLE LINK
11	18181		3	LINK
12	18178		1	ROLLER
13	10-87926		3	SCREW
14	12-89302		3	WASHER
15	13-69432		3	LOCKWASHER
16	817495A1		1	SOUND ATTENUATOR DESIGN II
17	27-89221--1		3	GASKET DESIGN II
18	19-815784		3	CAP PLUG DESIGN II
19	10-88489		6	SCREW DESIGN II
20	12-69057		6	WASHER DESIGN II

CARBURETOR ASSEMBLY

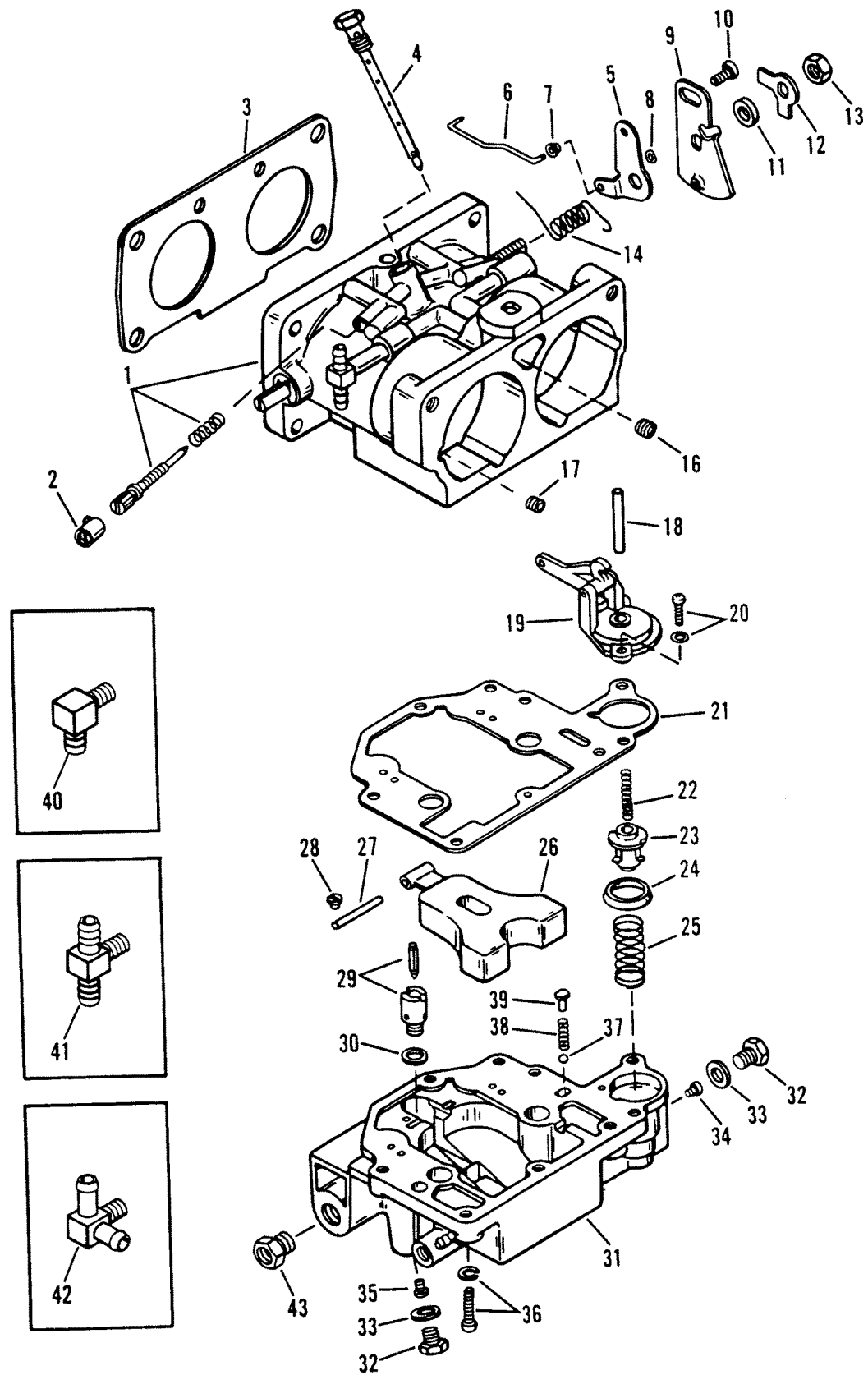


CARBURETOR ASSEMBLY

REF. NO.	PART NO.	SYM.	QTY.	DESCRIPTION
1	3308-9672A22		1	CARBURETOR (TOP)
	3308-9672A23		1	CARBURETOR (CENTER)
	3308-9672A24		1	CARBURETOR (BOTTOM)
2	810779		6	LIMITER CAP
3	27-67751		3	GASKET
4	810743		3	EMULSION TUBE
5	810748		3	ACCELERATOR LEVER ASSEMBLY
6	810723		3	ACCELERATOR LINK
7			3	BUSHING
8			6	RING
9	810721		2	THROTTLE LEVER (TOP/CENTER)
	810722		1	THROTTLE LEVER (BOTTOM)
10			3	SCREW
11	1395-811284		3	SPACER
12	12-810745		3	WASHER
13	11-810744		3	NUT
14			3	SPRING
16	1395-6359		3	JET, IDLE AIR BLEED (.052)
17	1399-3251		3	JET, PROGRESSION (.034)
18	17-810747		3	STEM
19	810737		3	COVER ASSEMBLY
20			6	SCREW
21			3	GASKET
22			3	SPRING
23	810762		3	PUMP CUP ASSEMBLY
24			3	CUP
25			3	SPRING
26	810738		3	FLOAT
27			3	FLOAT SHAFT
28			3	SCREW
29	810739		3	VALVE SEAT KIT
30			3	GASKET
31	810729		1	FUEL BOWL (W/FITTING)(TOP)
	810734		2	FUEL BOWL (CENTER/BOTTOM)
32	1395-9596		12	PLUG
33			12	GASKET
34	1399-3796		6	JET, MAIN FUEL (.076)(BREAK-IN)
	1395-6207		6	JET, MAIN FUEL (.072)(RUN)
35	1395-811283		6	POWER JET
36			15	SCREW
37			3	METERINGBALL
38			3	METERING SPRING

CONTINUED ON NEXT PAGE ➡

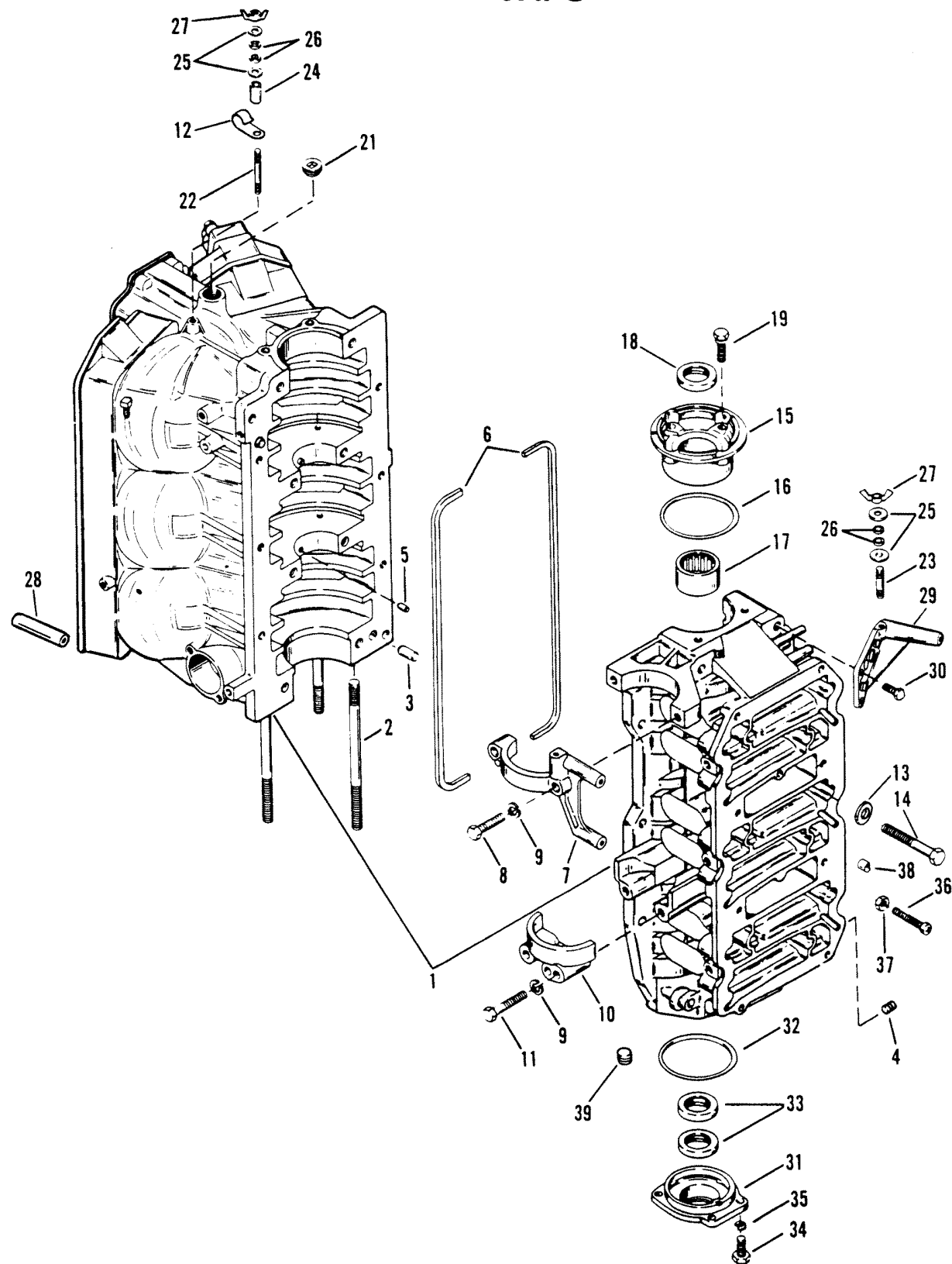
CARBURETOR ASSEMBLY



CARBURETOR ASSEMBLY

REF. NO.	PART NO.	SYM.	QTY.	DESCRIPTION
39			3	RETAINER
40	22-816875		1	ELBOW (TOP)
41	22-816876		1	TEE (CENTER)
42	22-94282		1	ELBOW (SPECIAL)(BOTTOM)
43	22-28586		3	ADAPTOR

CYLINDER BLOCK AND END CAPS

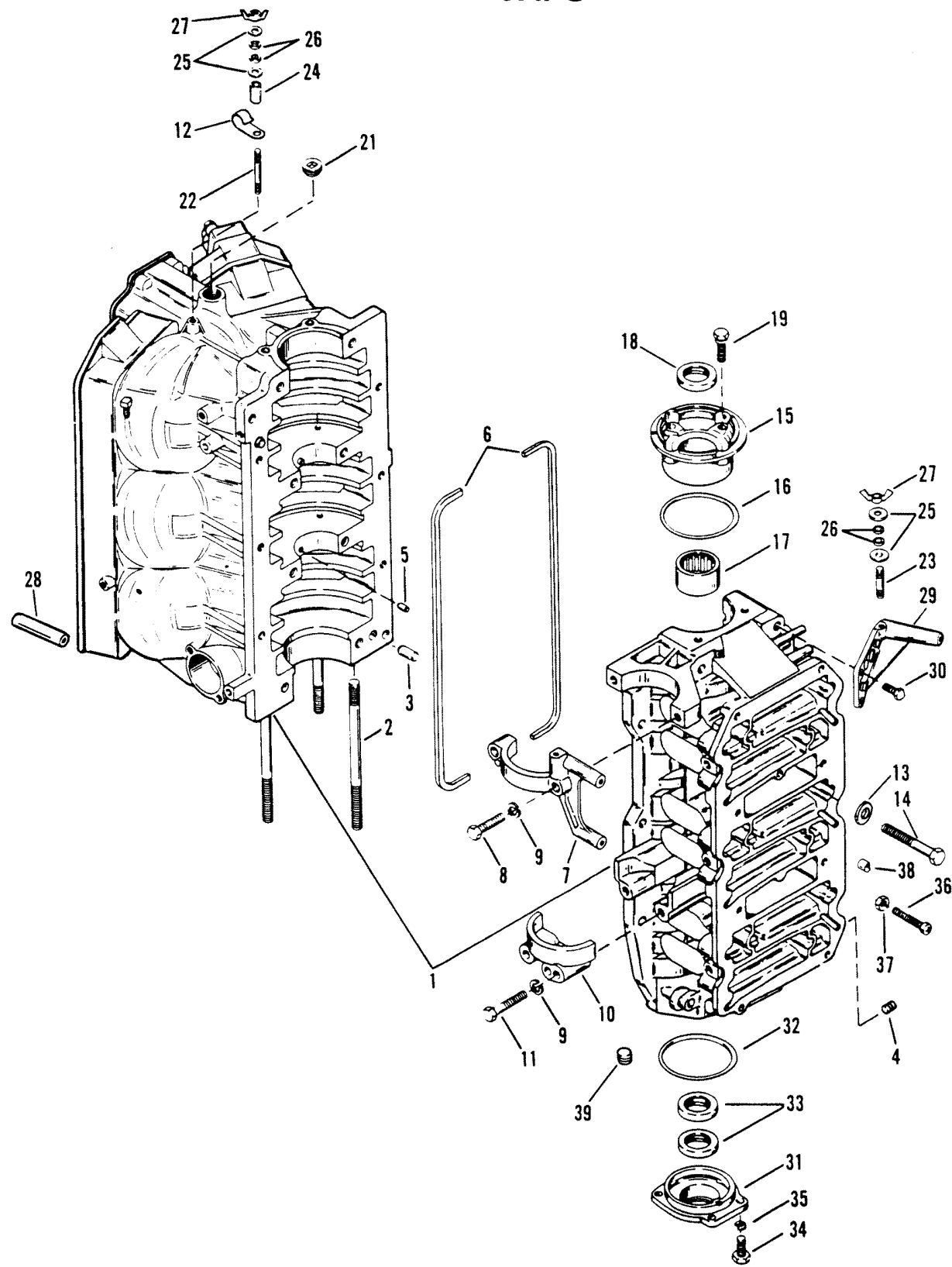


CYLINDER BLOCK AND END CAPS

REF. NO.	PART NO.	SYM.	QTY.	DESCRIPTION
1	884-822230A5		1	CYLINDER BLOCK
2	16-847530		AR	STUD (2")
	16-847529		AR	STUD (2-1/2")
	16-822358		AR	STUD (2-3/4")
	16-847532		AR	STUD (5-3/4")
	16-847533		AR	STUD (7")
3	17-43044		2	DOWEL PIN
4	22-56800		1	PLUG
5	17-67296		2	DOWEL PIN (BEARING RACE)
6	27-11338		2	GASKET
7	42249		1	COVER (UPPER)
8	10-90086		2	SCREW (1-1/2")
9	13-26993		4	LOCKWASHER
10	76867		1	COVER (LOWER)
11	10-815549		2	SCREW (2")
12	54-63153		1	J-CLAMP
13	12-822838		20	WASHER
14	10-66717		6 OR 8	SCREW (3/8-16 X 3-1/4")
	10-823188		2	SCREW (3/8-16 X 3-1/2")
	10-823199--1		10	SCREW (3/8-16 X 1-1/4")
	10-74824		6	SCREW (5/16-18 X 1-1/4")
15	1159-847523A1		1	UPPER END CAP
16	25-54029		1	O-RING
17	31-74248		1	BEARING
18	26-41953		1	OIL SEAL
19	10-69034		4	SCREW (1")
21	22-38407		1	PLUG (WATER JACKET)
22	13-15094		1	STUD (1-7/8")
23	16-15093		2	STUD (1")
24	23-67269		1	SPACER
25	12-49221--1		6	WASHER
26	12-72761		3	WASHER
27	11-816874		3	NUT
28	32-99127109		2	WATER TUBE
29	42248		1	BRACKET
30	10-28636		2	SCREW (3/4")
31	1156-7809A1		1	LOWER END CAP
32	25-62700		1	O-RING (3-1/4" I.D.)
33	26-41953		2	OIL SEAL
34	10-28636		4	SCREW (3/4")

CONTINUED ON NEXT PAGE ➡

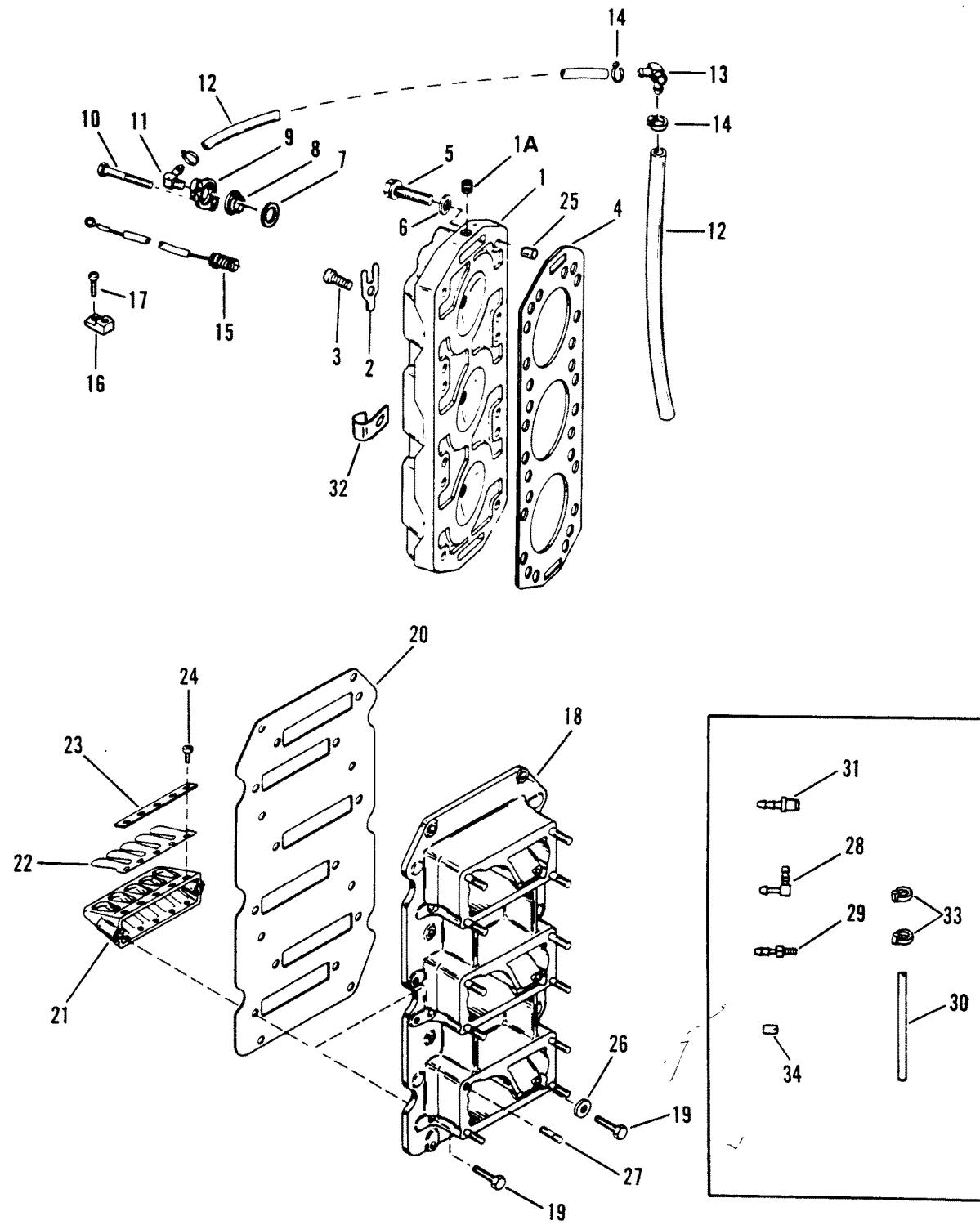
CYLINDER BLOCK AND END CAPS



CYLINDER BLOCK AND END CAPS

REF. NO.	PART NO.	SYM.	QTY.	DESCRIPTION
35	13-26992		4	LOCKWASHER
36	10-64022		1	ADJUSTING SCREW
37	11-64015		1	JAM NUT
38	26852		1	CAP
39	22-32561		1	PIPE PLUG

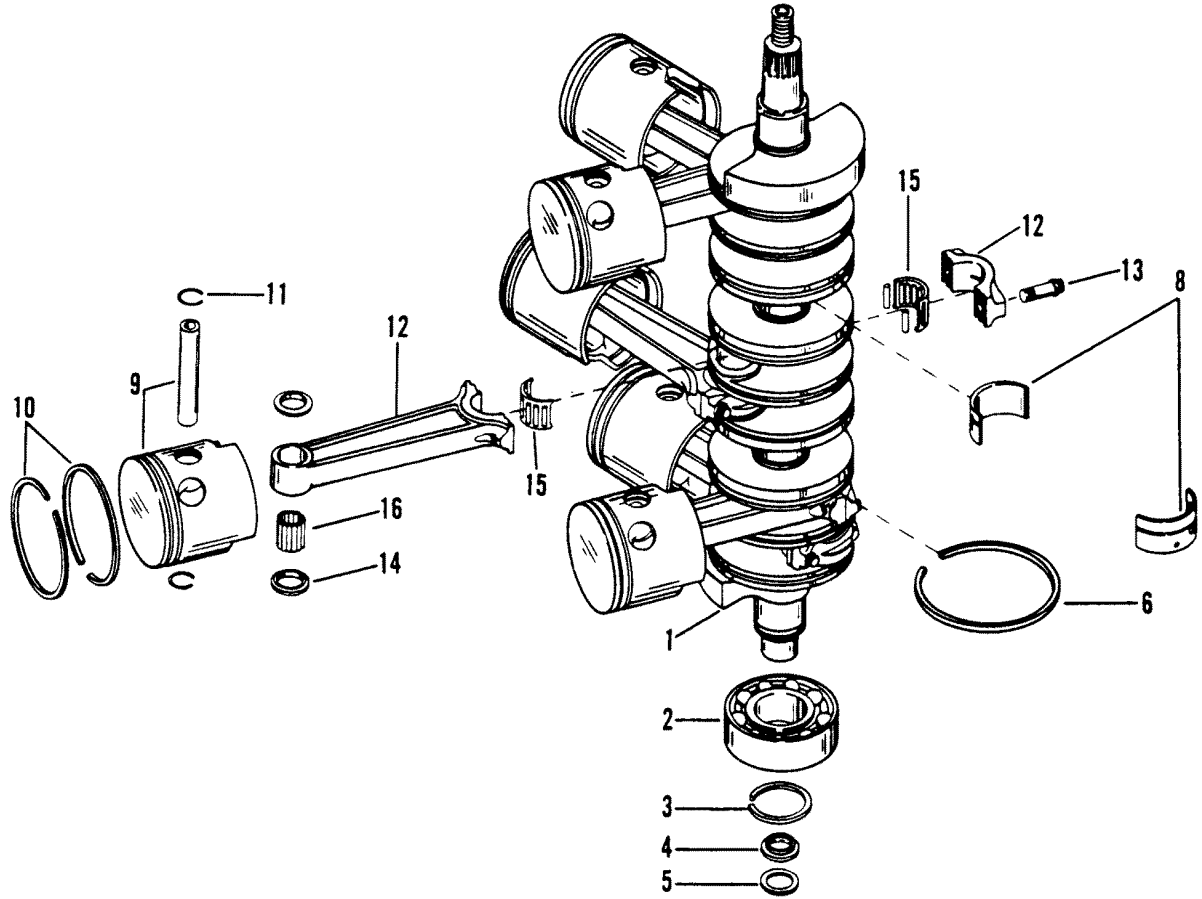
REED BLOCK AND CYLINDER HEAD



REED BLOCK AND CYLINDER HEAD

REF. NO.	PART NO.	SYM.	QTY.	DESCRIPTION
1	18488--9		2	CYLINDER HEAD (2 BOLT MAIN BLOCK)
	18789A3		2	CYLINDER HEAD (4 BOLT MAIN BLOCK)
	22-32802		2	PIPE PLUG
2	13715--1		1	RETAINER
3	10-88743		1	SCREW
4	27-822844--1		2	GASKET (2 BOLT MAIN BLOCK)
	27-814658		2	GASKET (4 BOLT MAIN BLOCK)
5	10-98534		24	SCREW (2-1/3")
6	12-822838		24	WASHER
7	12-47533--1		2	WASHER, SUBSTITUTE FOR THERMOSTAT
8	27-62386		2	GASKET
9	90390A1		2	COVER
10	10-37562		4	SCREW (1")
11	22-68727		1	ELBOW (STARBOARD)
12	32-77457--2		2	HOSE
13	22-68728		1	FITTING (PORT)
14	54-816311		AR	STA-STRAP
15	97465		1	TEMPERATURE SENDER
16	45915		2	TERMINAL BLOCK
17	10-69079		2	SCREW (7/16")
	10-62568		2	SCREW (3/8")
18	817084		1	REED BLOCK HOUSING
19	10-28668		20	SCREW (7/8")
	10-76630		20	SCREW (1")
20	27-813859		1	GASKET
21	87692--2		6	REED BLOCK
22	34-815242A2		6	REED ASSEMBLY
23	90391--1		12	REED CLAMP
24	10-18308		84	SCREW
25	17-63779		4	DOWEL PIN
26	12-39143		20	WASHER
27	16-27037		12	STUD
28	22-822715		6	ELBOW (PRESS IN)
29	22-56759		5	FITTING (PRESS IN)
30	32-66285-70		1	HOSE, BLEED
	32-99130122		1	HOSE, PRIMER
31	21-42623		1	CHECK VALVE (PRESS-IN-11/16" LONG)
	21-42698		7	CHECK VALVE (PRESS IN-13/16" LONG)
32	54-78945--1		1	J-CLAMP
33	56762		AR	STA-STRAP
34	22-15026		1	CAP

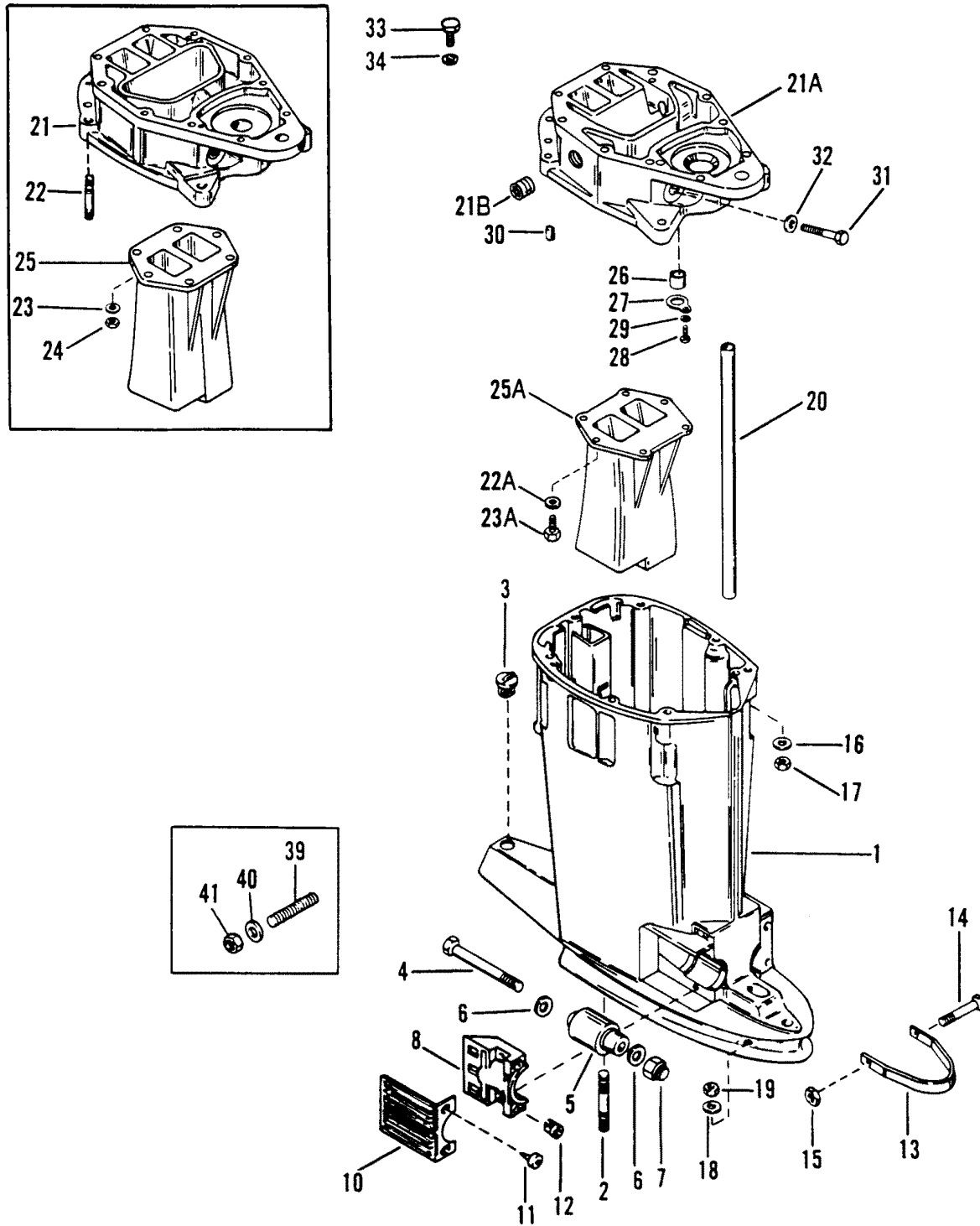
CRANKSHAFT, PISTONS AND CONNECTING RODS



CRANKSHAFT, PISTONS AND CONNECTING RODS

REF. NO.	PART NO.	SYM.	QTY.	DESCRIPTION
1	455-7251A7		1	CRANKSHAFT ASSEMBLY
2	30-41421		1	BALL BEARING (LOWER)
3	53-67446		1	RETAINING RING
4	54196A6		1	CARRIER ASSEMBLY
5	65800		1	SEAL
6	39-67377--1		7	RING (.124 THICK)
8	31-16756A5		2	ROLLER BEARING
9	766-817037A3		3	PISTON ASSEMBLY (STARBOARD) -2 BOLT MAIN
	766-817036A3		3	PISTON ASSEMBLY (PORT) -2 BOLT MAIN
10	39-817038A1		1	PISTON RING ASSEMBLY -2 BOLT MAIN
11	40-17977		12	LOCK RING -2 BOLT MAIN
9	766-847608A3		3	PISTON ASSEMBLY (STARBOARD) -4 BOLT MAIN
	766-847607A3		3	PISTON ASSEMBLY (PORT) -4 BOLT MAIN
10	39-817038A1		1	PISTON RING ASSEMBLY -4 BOLT MAIN
12	625-813865A2		6	CONNECTING ROD ASSEMBLY (2 BOLT MAIN)
	625-847522A2		6	CONNECTING ROD ASSEMBLY (4 BOLT MAIN)
13	10-91995		12	SCREW
14	12-847524		12	WASHER (4-BOLT MAIN)
	12-47247		12	WASHER (2-BOLT MAIN)
15	31-821146A1		6	ROLLER BEARING
16	29-67483		174	NEEDLE BEARING

DRIVE SHAFT HOUSING

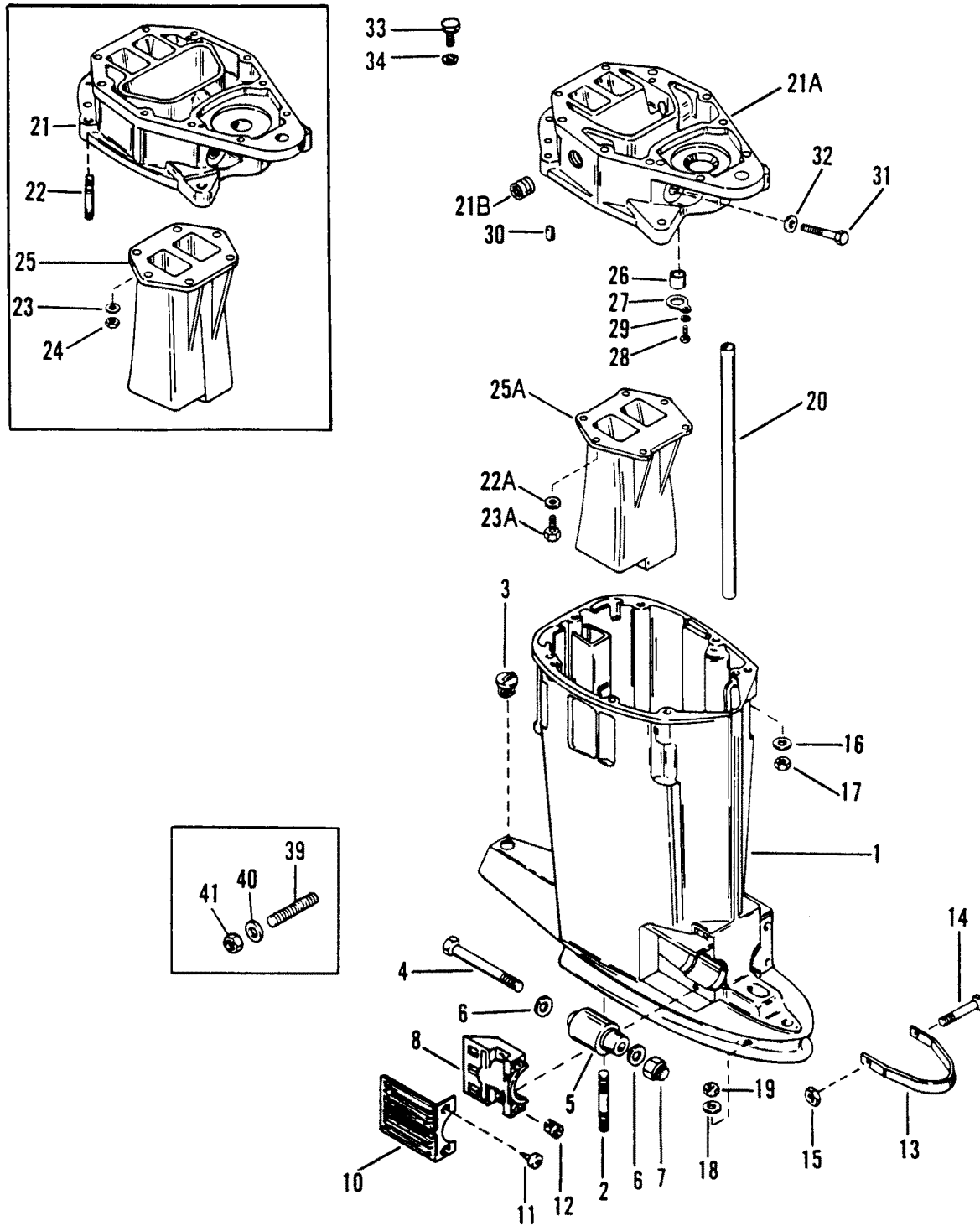


DRIVE SHAFT HOUSING

REF. NO.	PART NO.	SYM.	QTY.	DESCRIPTION
1	1590-8837A5		1	DRIVE SHAFT HOUSING ASSEMBLY (BLACK)
	1590-8837A10		1	DRIVE SHAFT HOUSING ASSEMBLY (GRAY)
2	16-56295		2	STUD
3	19-64649		1	PLUG
4	10-63474		2	SCREW
5	816054		2	MOUNT
6	12-816056		4	WASHER
7	11-28040		2	NUT
8	54-847737		2	CLAMP
10	67077T		2	COVER (BLACK)
	67077T6		2	COVER (GRAY)
11	10-88417		4	SCREW (5/8")
12	11-35521		4	NUT
13	67703		1	STRAP (BLACK)
	67703--1		1	STRAP (GRAY)
14	10-67769		1	SCREW
15	11-25269		1	NUT
16	12-822838		10	WASHER
17	11-34932		8	NUT (FULL)
	11-34863		2	NUT (THIN)
18	12-822836		3	WASHER
19	11-34933		3	NUT
20	32-67295		1	WATER TUBE (2 HOLE WATER PICK-UP)
	32-847650--2		1	WATER TUBE (4 HOLE WATER PICK-UP)
21	817716A3		1	EXHAUST EXT. PLATE (BLACK) -DESIGN I SEE REF. #21
	817716A4		1	EXHAUST EXT. PLATE (GRAY) -DESIGN I SEE REF. #21
22	16-58893		6	STUD -STUD ATTACHING -DESIGN I SEE REF. #21
23	12-20533		6	WASHER -STUD ATTACHING -DESIGN I SEE REF. #21
24	11-30506		6	NUT -STUD ATTACHING -DESIGN I SEE REF. #21
22	12-822714		6	WASHER -SCREW ATTACHING -DESIGN I SEE REF. #21
23	10-822322		6	SCREW (1") -SCREW ATTACHING -DESIGN I SEE REF. #21
25	818227--1		1	DIFFUSER -DESIGN I SEE REF. #21
26	26-38970		1	SEAL -DESIGN I SEE REF. #21
27	44260		1	RETAINER -DESIGN I SEE REF. #21
28	10-28636		1	SCREW -DESIGN I SEE REF. #21
29	13-26992		1	LOCKWASHER -DESIGN I SEE REF. #21
30	17-43044		2	DOWEL PIN (.625) -DESIGN I SEE REF. #21
	17-823106--1		2	DOWEL PIN (.800) -DESIGN I SEE REF. #21
21	821754A1		1	EXHAUST EXT. PLATE (BLACK) -DESIGN II SEE REF. #21A
	821754A2		1	EXHAUST EXT. PLATE (GRAY) -DESIGN II SEE REF. #21A
	22-821937		2	PIPE PLUG -DESIGN II SEE REF. #21A
22	12-822714		6	WASHER -DESIGN II SEE REF. #21A
23	10-823258		6	SCREW (1-1/4") -DESIGN II SEE REF. #21A

CONTINUED ON NEXT PAGE ➡

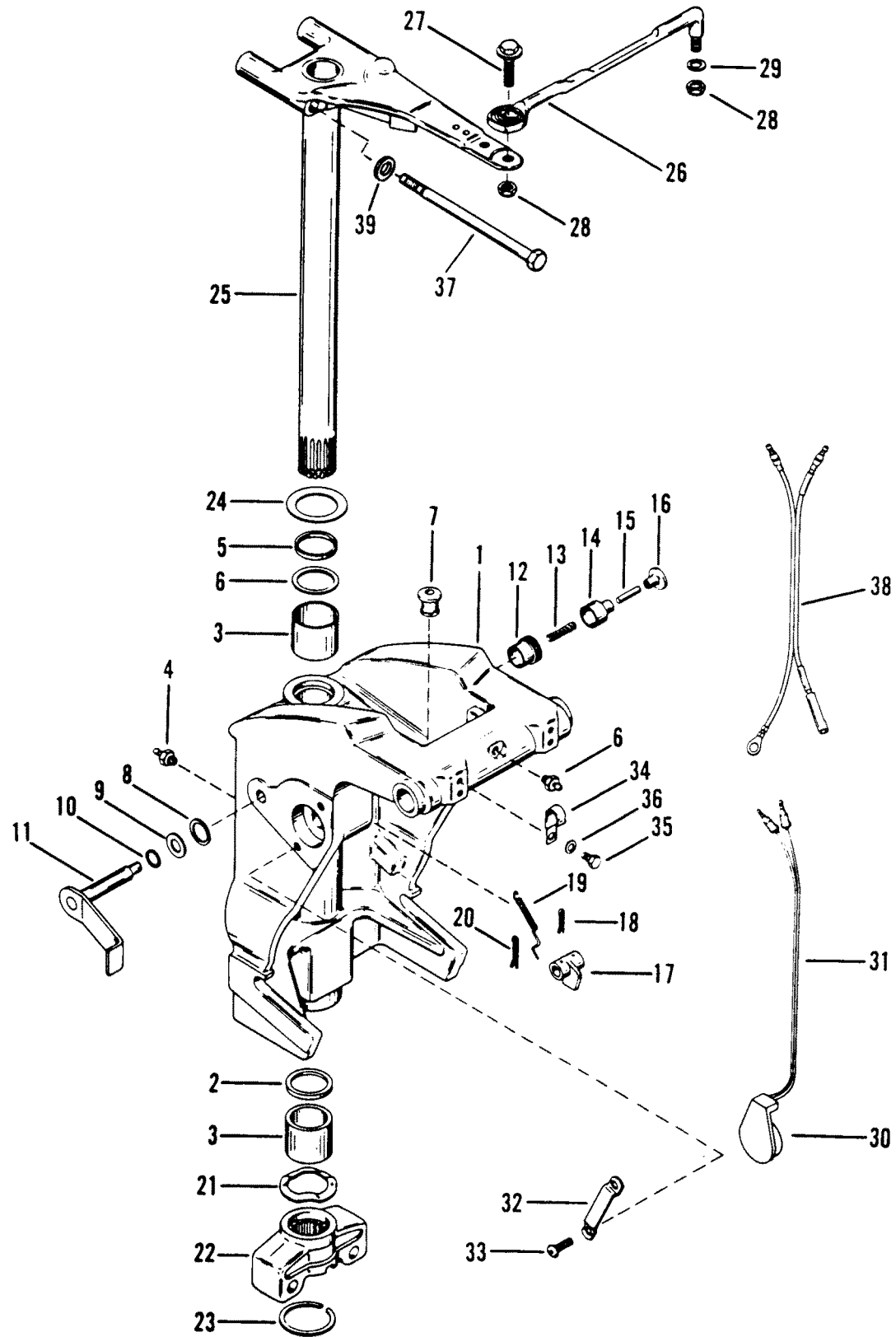
DRIVE SHAFT HOUSING



DRIVE SHAFT HOUSING

REF. NO.	PART NO.	SYM.	QTY.	DESCRIPTION
25	821377--1		1	DIFFUSER -DESIGN II SEE REF. #21A
26	26-88397		1	SEAL -DESIGN II SEE REF. #21A
27	847658		1	RETAINER -DESIGN II SEE REF. #21A
28	10-28636		1	SCREW -DESIGN II SEE REF. #21A
29	13-26992		1	LOCKWASHER -DESIGN II SEE REF. #21A
30	17-43044		2	DOWEL PIN (.625) -DESIGN II SEE REF. #21A
	17-823106		2	DOWEL PIN (.875) -DESIGN II SEE REF. #21A
31	10-13212--1		2	SCREW
32	12-816056		2	WASHER
33	10-91903		3	SCREW (1-3/4")
	10-92913		2	SCREW (3/4")
34	12-822836		5	WASHER
39	16-69058		4	STUD
40	12-22753		4	WASHER
41	11-35814		4	NUT

SWIVEL BRACKET AND STEERING ARM

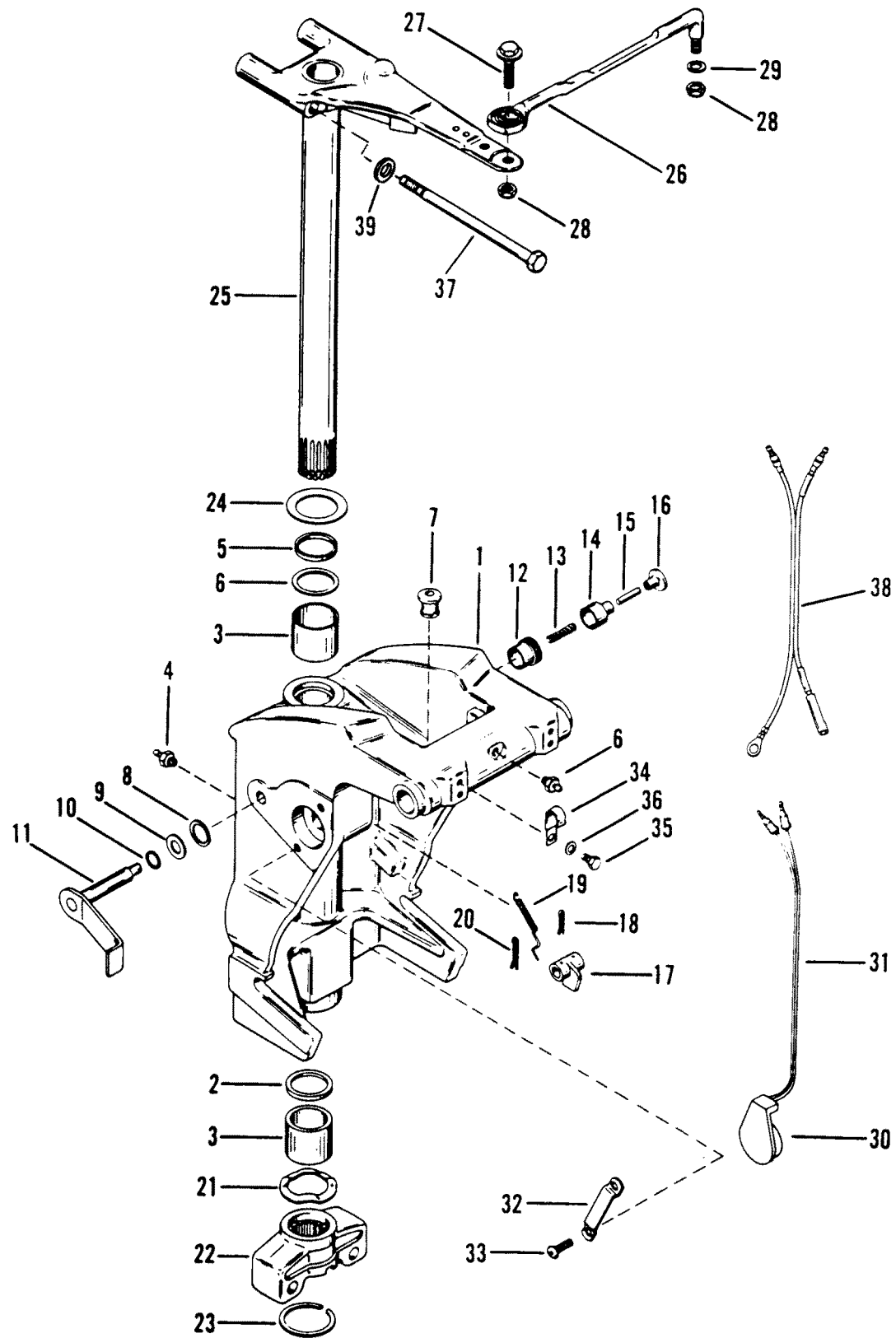


SWIVEL BRACKET AND STEERING ARM

REF. NO.	PART NO.	SYM.	QTY.	DESCRIPTION
1	1491-9225A3		1	SWIVEL BRACKET ASSEMBLY (BLACK)
	1491-9225A4		1	SWIVEL BRACKET ASSEMBLY (GRAY)
2	26-87735		1	OIL SEAL (LOWER)
3	23-818764		2	BUSHING
4	22-74036		4	GREASE FITTING
5	23-67668		1	SPACER
6	25-33466		1	O-RING
7	25-88341		2	GROMMET
8	26-85023		2	OIL SEAL
9	12-87161		2	WASHER
10	25-48171		2	O-RING
11	85030A2		1	TILT LOCK LEVER (PORT)
	85028A2		1	TILT LOCK LEVER (STARBOARD)
12	23-86600		1	BUSHING
13	24-85367		1	SPRING
14	41052		1	PLUNGER
15	16-88876		1	STUD
16	86603		1	KNOB
17	86475--1		1	COUPLING
18	17-69745		2	PIN
19	24-88049		1	SPRING
20	18-93861		1	COTTER PIN
21	13-78854		1	WAVE WASHER
22	86580A1		1	BOTTOM YOKE (BLACK)
	86580A2		1	BOTTOM YOKE (GRAY)
23	53-67684		1	RETAINING RING
24	12-67670		1	THRUST WASHER
25	17-67706A46		1	SWIVEL PIN AND STEERING ARM (BLACK)
	17-67706A47		1	SWIVEL PIN AND STEERING ARM (GRAY)
26	92876A1		1	STEERING LINK ASSEMBLY
27	10-14000		1	SCREW (1-1/4")
28	11-34863		2	NUT
29	12-37828		2	WASHER
30	86485A5		1	TRIM SENDER ASSEMBLY
	86485A6		1	TILT SWITCH ASSEMBLY
31	84-65017A14		1	HARNESS (2 REMALE/2 MALES)
32	88342		2	STRAP
33	10-87926		4	SCREW
34	54-54457		1	CLAMP

CONTINUED ON NEXT PAGE ➡

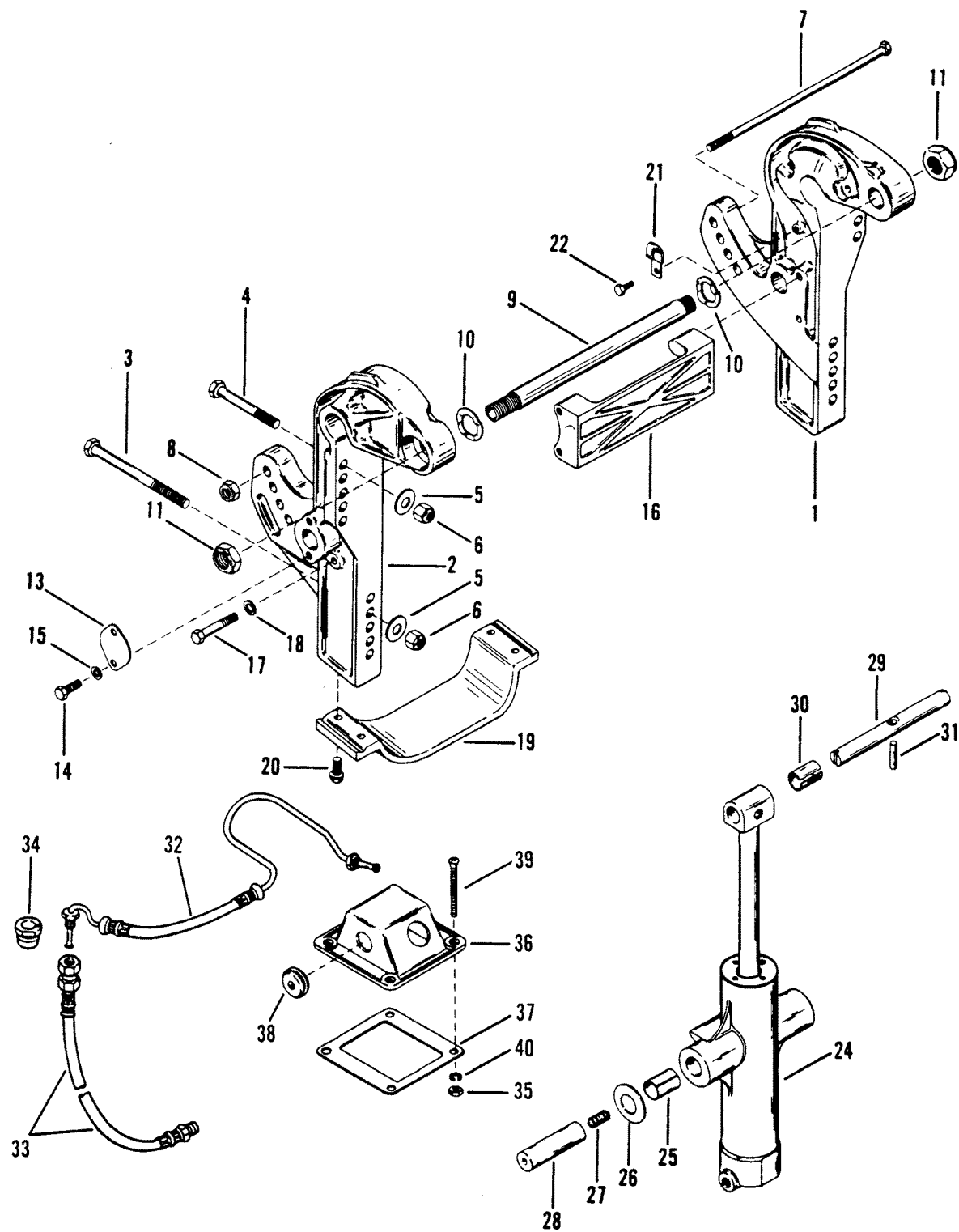
SWIVEL BRACKET AND STEERING ARM



SWIVEL BRACKET AND STEERING ARM

REF. NO.	PART NO.	SYM.	QTY.	DESCRIPTION
35	10-98256		1	SCREW
36	12-29245		1	WASHER
37	10-13212--1		2	SCREW
38	84-65017A25		1	TRIM HARNESS
39	12-816056		2	WASHER

TRANSOM BRACKETS

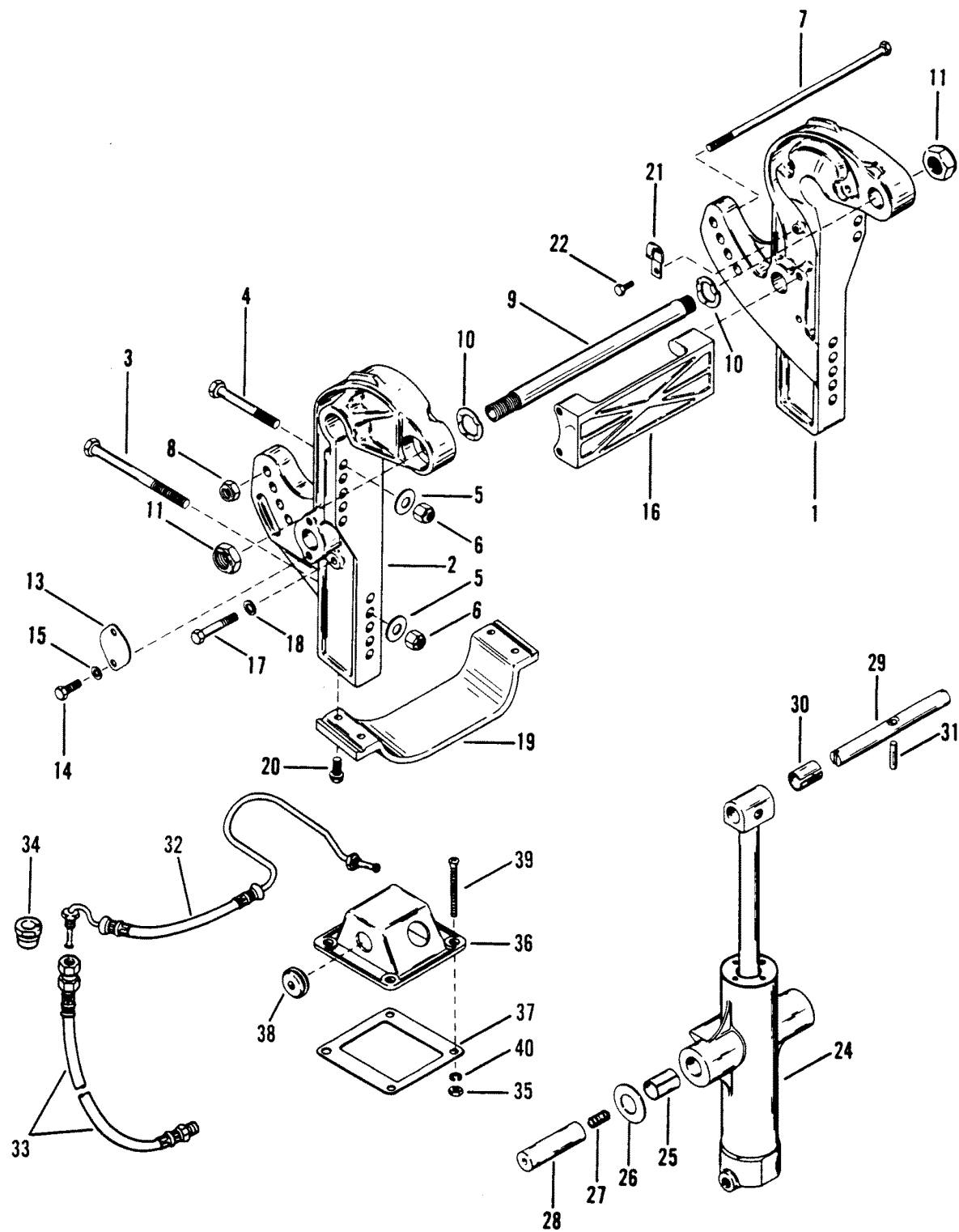


TRANSOM BRACKETS

REF. NO.	PART NO.	SYM.	QTY.	DESCRIPTION
1	1494-7476T1		1	TRANSOM BRACKET (PORT) -BLACK
2	1495-7478T1		1	TRANSOM BRACKET (STARBOARD) -BLACK
1	1494-7476T6		1	TRANSOM BRACKET (PORT) -GRAY
2	1495-7478T6		1	TRANSOM BRACKET (STARBOARD) -GRAY
3	10-67755--2		2	SCRW (6-1/2")
4	10-67755--1		2	SCREW (4-1/2")
5	12-28421		4	WASHER
6	11-816670		4	NUT
7	10-87180		1	BOLT
8	11-20220		1	NUT
9	99170A1		1	TILT TUBE
10	13-88750		2	WAVE WASHER
11	11-56041		1	NUT (7/8-14)
	11-90068T		1	NUT (1"-14)(BLACK)
	11-90068T6		1	NUT (1"-14)(GRAY)
13	85026T		2	PLATE
14	10-28636		4	SCREW
15	12-29245		4	WASHER
16	85035T		1	SPACER (BLACK)
	85035T6		1	SPACER (GRAY)
17	10-70732		4	SCREW
18	12-29245		4	WASHER
19	89949A1		1	PLATE ASSEMBLY
20	10-89996		4	SCREW
21	54-88512		4	J-CLAMP
	54-75275		2	CLAMP
22	10-88829		6	SCREW
24	79610A6		1	TRIM CYLINDER (79879A1 REPAIR KIT)
25	23-86489		2	BUSHING
26	12-85022		2	WASHER
27	24-30316		2	SPRING
28	17-85020		2	PIVOT PIN
29	85024		1	SHAFT
30	23-86637		2	BEARING
31	17-91862		1	PIN
32	32-96993		1	HOSE, HYDRAULIC (PORT)
	32-96994		1	HOSE, HYDRAULIC (STARBOARD)
33	32-89024		1	HOSE, HYDRAULIC (PORT)
	32-89023		1	HOSE, HYDRAULIC (STARBOARD)
34	25-12602		2	GROMMET
35	11-29488		4	NUT

CONTINUED ON NEXT PAGE ➡

TRANSOM BRACKETS

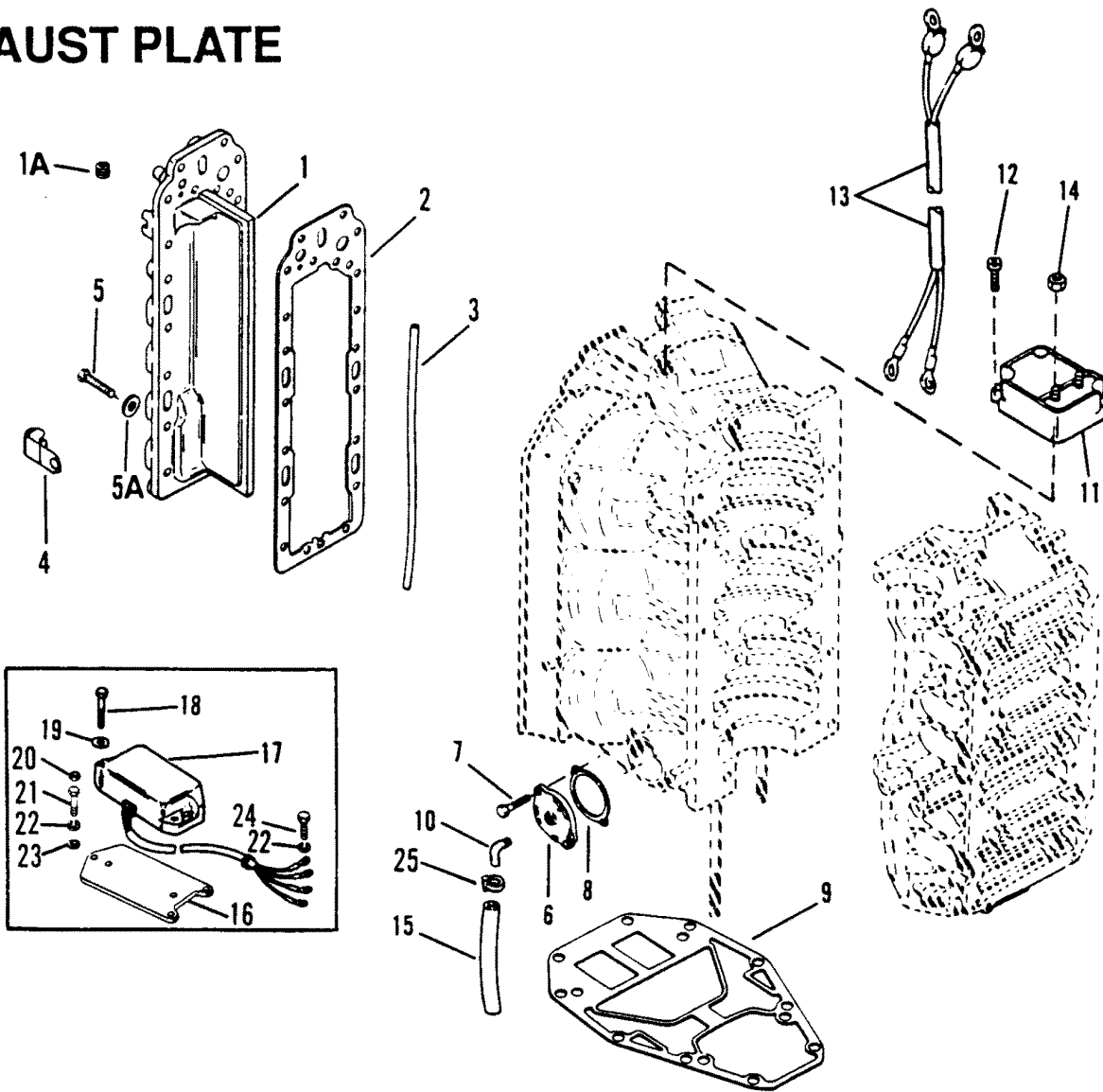


TRANSOM BRACKETS

REF. NO.	PART NO.	SYM.	QTY.	DESCRIPTION
36	87871		1	COVER
37	27-87775		1	GASKET
38	25-45507		1	GROMMET
39	10-32866		4	SCREW
40	142-20878		4	WASHER

EXHAUST PLATE

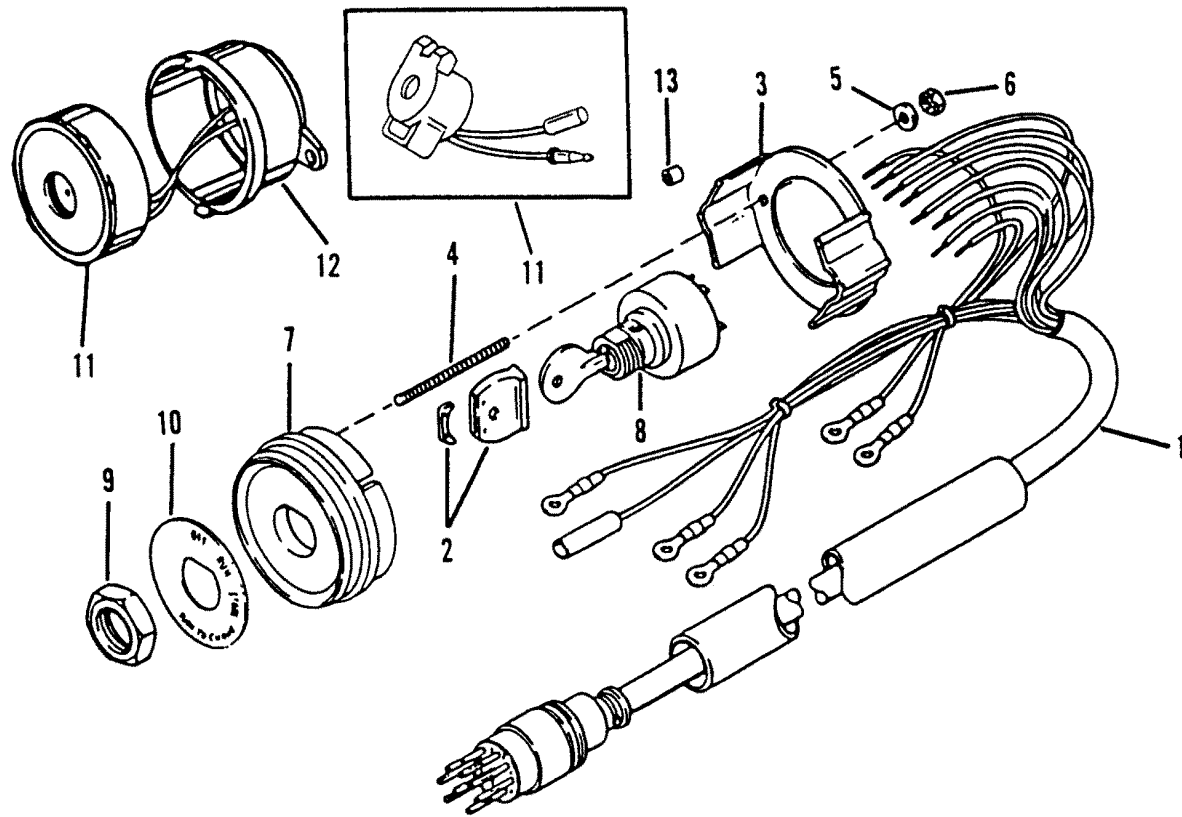
XHAUST PLATE



EXHAUST PLATE

REF. NO.	PART NO.	SYM.	QTY.	DESCRIPTION
1	81552A1		1	DIVIDER PLATE
	22-32802		1	PIPE PLUG
2	27-847525		1	GASKET
3	26-814754		0	SEAL1
4	54-814634		2	J-CLAMP (LARGE)
	54-64235--2		1	J-CLAMP (SMALL)
5	10-818158		18	SCREW (1-3/8")
	10-818146		2	SCREW (7/8")
	12-847526		20	WASHER
6	99193		1	COVER
7	10-28782		2	SCREW
8	27-88907--2		2	GASKET
9	27-823142		2	GASKET
10	22-68727		1	FITTING
11	88825A7		1	VOLTAGE REGULATOR
12	10-48409		2	SCREW
13	84-13397A1		1	HARNESS ASSEMBLY
14	11-45076		2	NUT
15	32-77457--2		1	HOSE
16	815541		1	PLATE
17	86926A4		1	SPEED LIMITER
18	10-69020		2	SCREW
19	12-72761		2	WASHER
20	11-45812		2	NUT
21	10-32228		3	SCREW
22	13-26996		4	LOCKWASER
23	12-72761		3	WASHER
24	10-87926		1	SCREW
25	54-816311		1	STA-STRAP

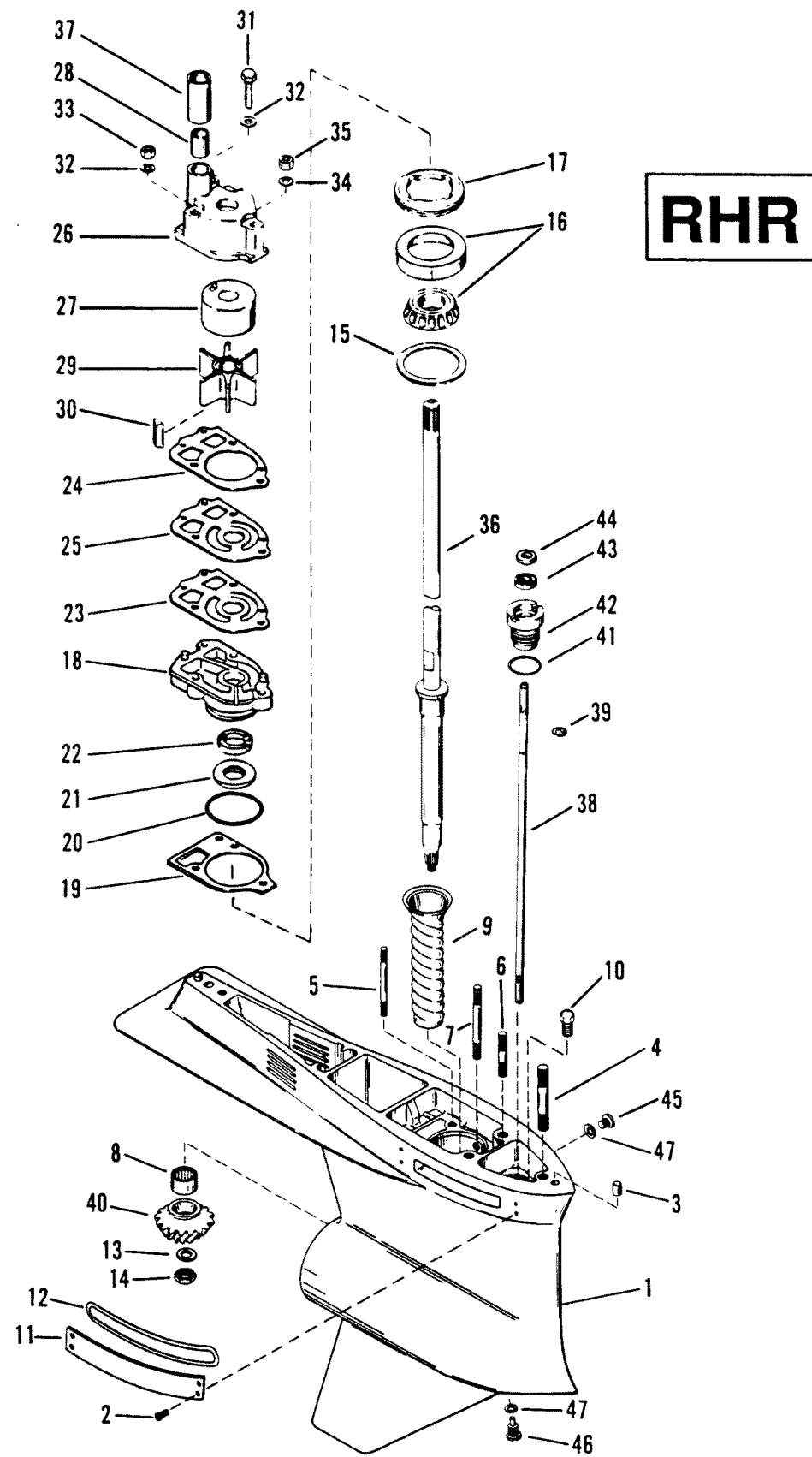
KEY SWITCH ASSEMBLY



KEY SWITCH ASSEMBLY

REF. NO.	PART NO.	SYM.	QTY.	DESCRIPTION
1	84-816626A15		1	KEY SWITCH ASSEMBLY
2	90468A1		2	COVER
3	76424		1	BRACKET
4	16-55422		2	STUD
5	12-24676		2	WASHER
6	11-68219		2	NUT
7	816479		1	PLATE
8	87-88107		1	SWITCH (SEE CHART FOR KEY)
9	11-93543		1	NUT
10	38-90311		1	INSERT
11	68878A6		1	ALARM HORN DESIGN I
12	68879		1	COVER DESIGN I
11	816492A1		1	ALARM (DESIGN II)
13	23-812711--1		2	SPACER (3/8")
	23-812711		2	SPACER (1/4")
-	89491--1		AR	KEY 1A
-	89491--2		AR	KEY 1B
-	89491--3		AR	KEY 1C
-	89491--4		AR	KEY 1D
-	89491--5		AR	KEY 1E
-	89491--6		AR	KEY 1F
-	89491--7		AR	KEY 2A
-	89491--8		AR	KEY 2B
-	89491--9		AR	KEY 2C
-	89491-10		AR	KEY 2D
-	89491-11		AR	KEY 2E
-	89491-12		AR	KEY 2F

GEAR HOUSING (DRIVE SHAFT)RHR 2-HOLE WATER PICKUP

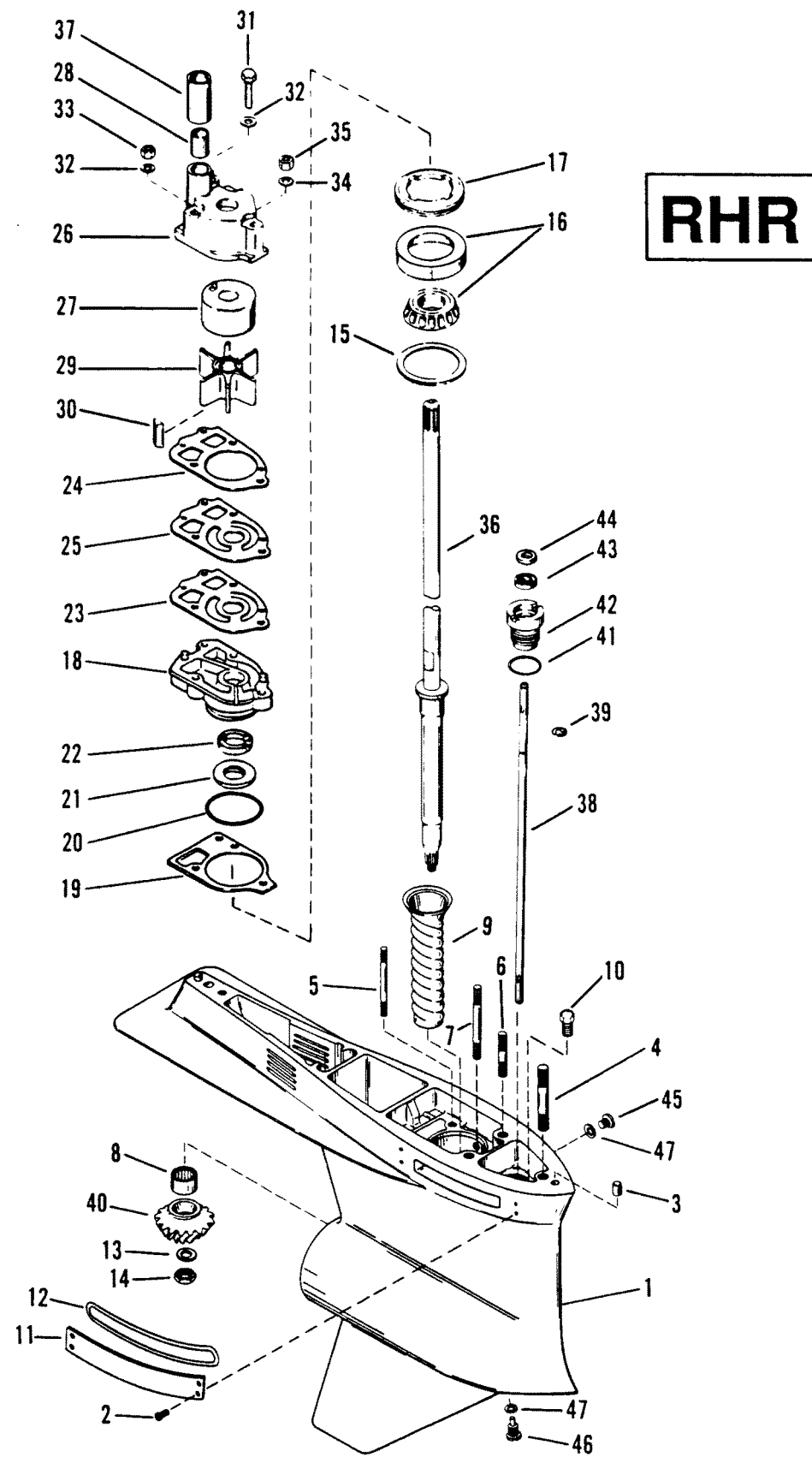


GEAR HOUSING (DRIVE SHAFT)RHR 2-HOLE WATER PICKUP

REF. NO.	PART NO.	SYM.	QTY.	DESCRIPTION
-	1647-9561A59		1	GEAR HOUSING (BLACK)
-	1647-9561A39		1	GEAR HOUSING (GRAY)
1	1647-9561A21		1	GEAR HOUSING (BASIC-BLACK)
	1647-9561A37		1	GEAR HOUSING (BASIC-GRAY)
2	10-815904		8	SCREW
3	17-43044		2	DOWEL PIN
4	16-78638		1	STUD (3-1/8")
5	16-57920		2	STUD (2-1/16")
6	16-56297		1	STUD (3-3/8")
7	16-69501		2	STUD (3-1/4")
8	31-42647A1		1	ROLLER BEARING
9	26-43998		1	SLEEVE, LUBRICATION
10	22-13820		1	PIPE PLUG
11	12144		2	COVER (BLACK)
	12144--1		2	COVER (GRAY)
12	25-39695		2	O-RING
13	12-92721		1	WASHER
14	11-35921		1	NUT
15	15-42637A1		AR	SHIM ASSEMBLY
16	31-36387A1		1	ROLLER BEARING
17	11-42633		1	NUT
18	46-44292A3		1	WATER PUMP BASE ASSEMBLY
19	27-42631--1		1	GASKET
20	25-90011		1	O-RING
21	26-89238		1	OIL SEAL
22	26-16977		1	OIL SEAL
23	27-18051		1	GASKET
24	27-85609--1		1	GASKET
25	32435		1	FACE PLATE
26	46-96148A1		1	WATER PUMP BODY
27	48752		1	INSERT
28	26-38970		1	SEAL, RUBBER
29	47-89984		1	IMPELLER
30	28-56654		1	KEY
31	10-96411		1	SCREW (2-1/4")
32	12-29245		2	WASHER
33	11-13438		2	NUT
34	12-36001		1	WASHER
35	11-13436		1	NUT
36	45-44000--1		1	DRIVE SHAFT
37	23-29804		1	SLEEVE, GUIDE
38	78902		1	LOWER SHIFT SHAFT
39	53-29641		1	E-RING

CONTINUED ON NEXT PAGE ➡

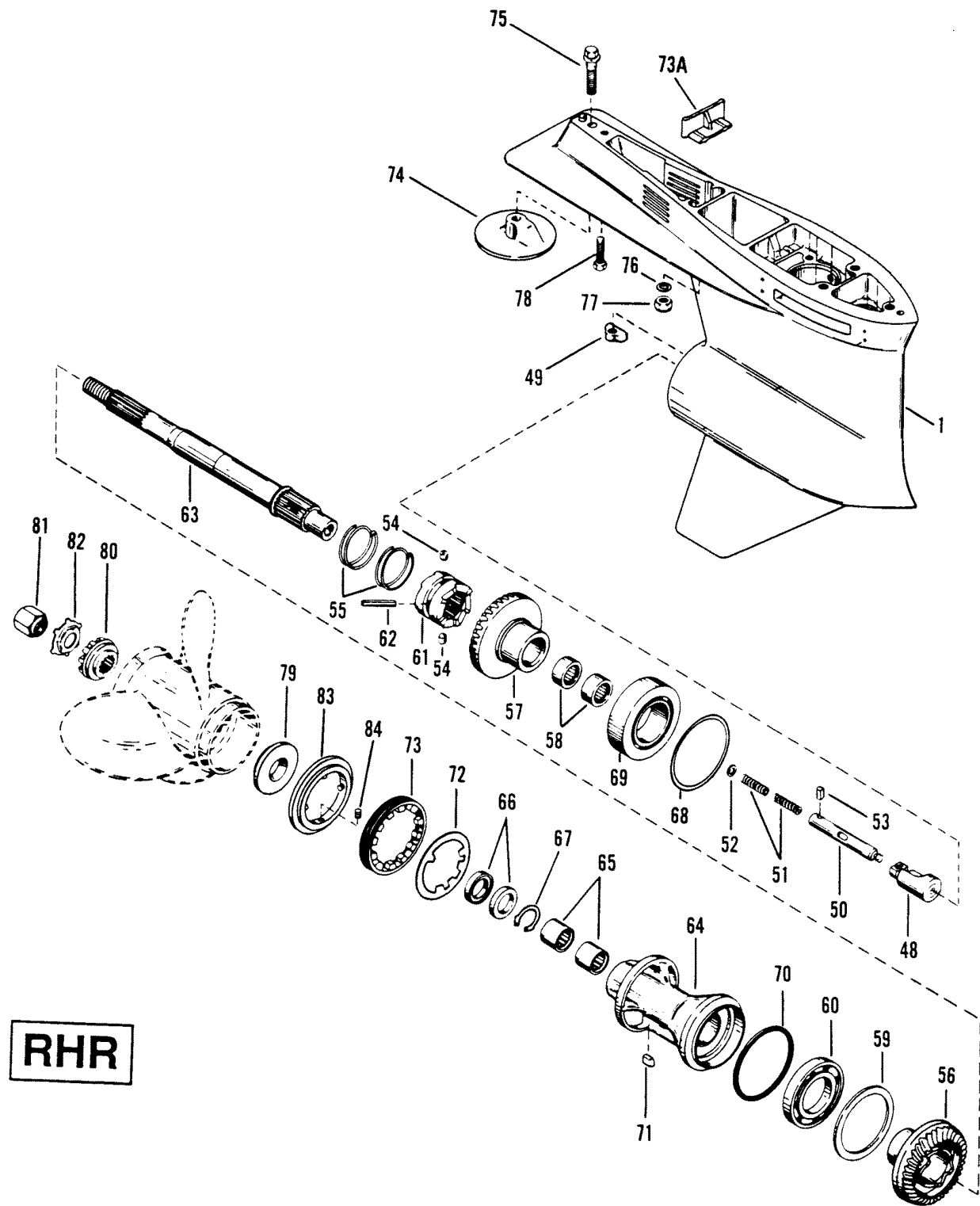
GEAR HOUSING (DRIVE SHAFT)RHR 2-HOLE WATER PICKUP



GEAR HOUSING (DRIVE SHAFT)RHR 2-HOLE WATER PICKUP

REF. NO.	PART NO.	SYM.	QTY.	DESCRIPTION
40	N.S.S.		1	PINION GEAR (PART OF 43-44104A6)
41	25-25439		1	O-RING
42	23-77631A2		1	BUSHING ASSEMBLY
43	26-816464--1		1	OIL SEAL
44	12-77674		1	WASHER, RUBBER
45	10-79953		1	SCREW, GREASE FILLER
46	10-14834		1	DRAIN SCREW (MAGNETIC)
47	12-19183		2	WASHER

GEAR HOUSING (PROPELLER SHAFT)RHR 2-HOLE WATER PICKUP

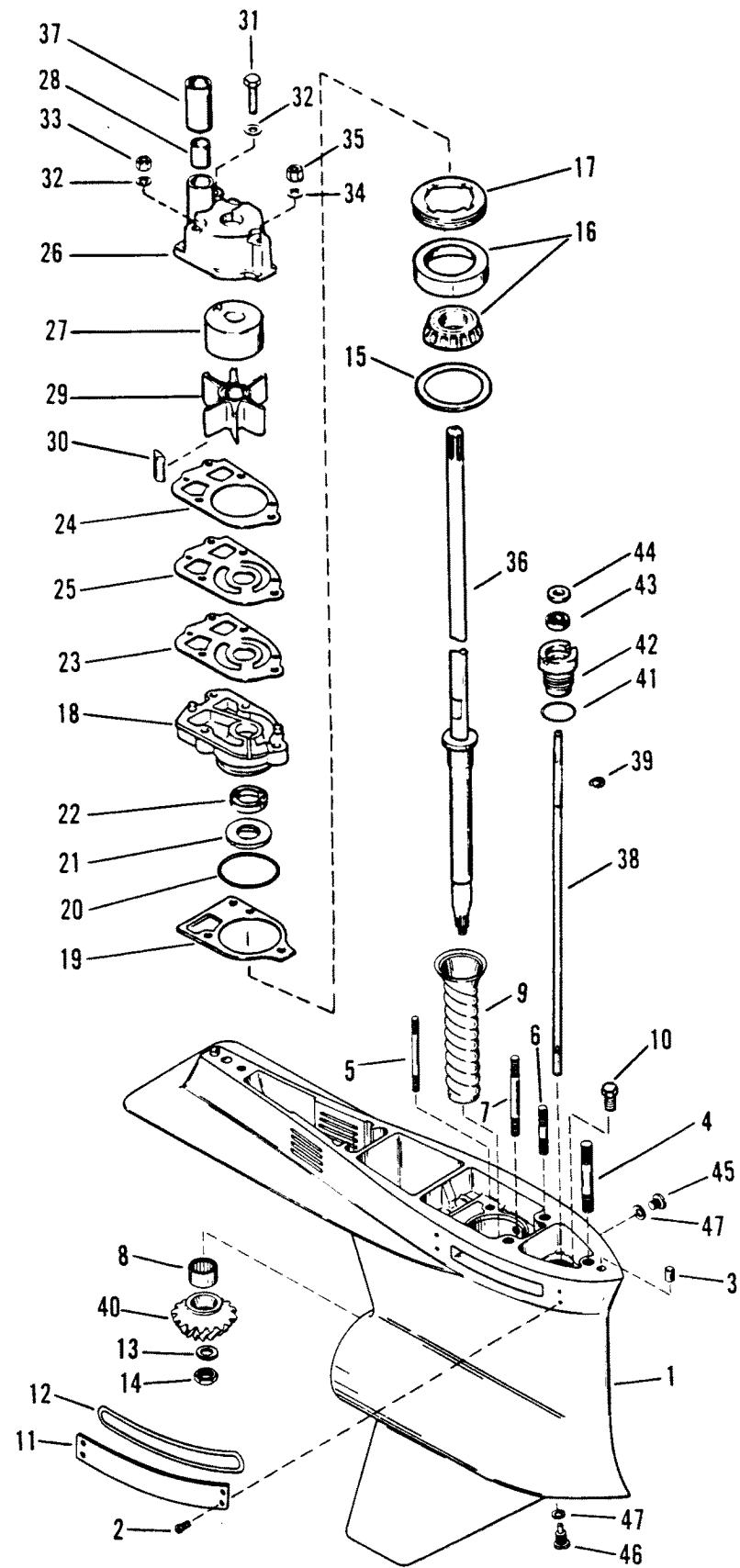


RHR

GEAR HOUSING (PROPELLER SHAFT)RHR 2-HOLE WATER PICKUP

REF. NO.	PART NO.	SYM.	QTY.	DESCRIPTION
-	1647-9561A59		1	GEAR HOUSING (BLACK)
-	1647-9561A39		1	GEAR HOUSING (GRAY)
1	1647-9561A21		1	GEAR HOUSING (BASIC-BLACK)
	164-9561A37		1	GEAR HOUSING (BASIC-GRAY)
48	89594A1		1	CAM FOLLOWER
49	78956		1	SHIFT CAM
50	79911		1	ROD
51	24-79910		2	SPRING
52	12-78910		AR	WASHER
53	17-78906		1	PIN
54	17-78909		2	DETENT PIN
55	24-78962		2	SPRING
56	43-816419A1		1	REVERSE GEAR
57	43-44104A6		1	FORWARD GEAR SET (INCLUDES REVERSE GEAR)
58	31-54928--1		2	ROLLER BEARING
59	68100--1		1	THRUST RING
60	30-88957A1		1	BALL BEARING
61	52-42672		1	CLUTCH
62	17-42671		1	CROSS PIN
63	44-816418T		1	PROPELLER SHAFT
64	815563A2		1	BEARING CARRIER
65	31-817072		1	ROLLER BEARING
66	26-815565		2	OIL SEAL
67	53-817071		1	SNAP RING
68	15-47397A1		AR	SHIM
69	31-78172A1		1	TAPERED ROLLER BEARING
70	25-31534		1	O-RING
71	28-30281		1	KEY
72	14-79447		1	TAB WASHER
73	15840--1		1	COVER
73A	67891		1	FILLER BLOCK
74	76214		1	ANODIC PLATE
75	10-66024		1	SCREW (1-3/4")
76	12-822836		2	WASHER
77	11-34933		2	NUT
78	10-30206		1	SCREW
79	13171		1	THRUST HUB
80	12-31211A2		1	THRUST WASHER
81	11-52707A1		1	PROPELLER NUT
82	14-816629		1	TAB WASHER
83	821978A1		1	EXHAUST EXTENSION RING
84	10-35057		4	SCREW

GEAR HOUSING (DRIVE SHAFT)LHR 2-HOLE WATER PICKUP



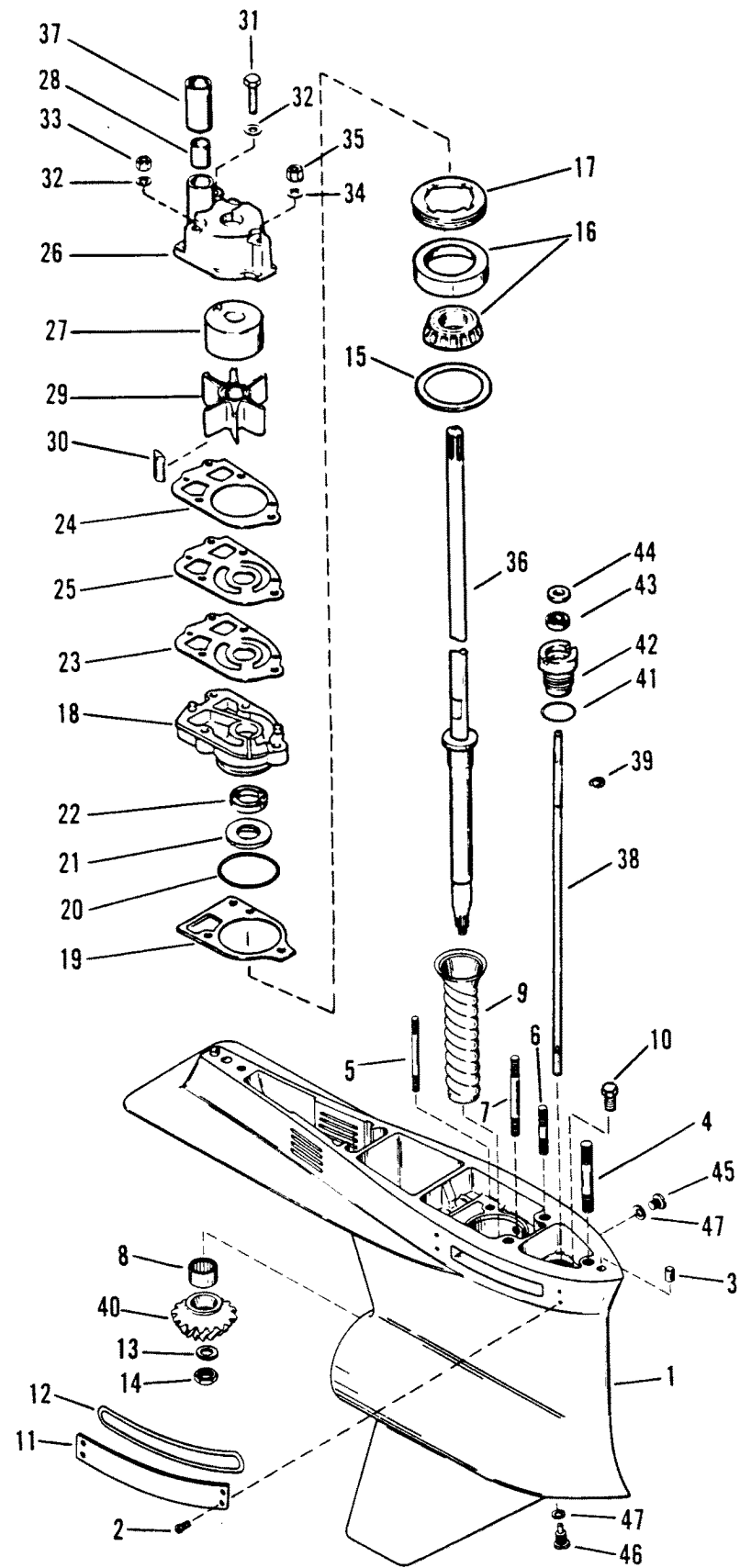
LHR

GEAR HOUSING (DRIVE SHAFT)LHR 2-HOLE WATER PICKUP

REF. NO.	PART NO.	SYM.	QTY.	DESCRIPTION
-	1647-9561A51		1	GEAR HOUSING (BLACK)
-	1647-9561A41		1	GEAR HOUSING (GRAY)
1	1647-9561A70		1	GEAR HOUSING (BASIC-BLACK)
	1647-9561A48		1	GEAR HOUSING (BASIC-GRAY)
2	10-815904		8	SCREW
3	17-43044		2	DOWEL PIN
4	16-78638		1	STUD (3-1/8")
5	16-57920		2	STUD (2-1/16")
6	16-56297		1	STUD (3-3/8")
7	16-69501		2	STUD (3-1/4")
8	31-42647A1		1	ROLLER BEARING
9	23-43998		1	SLEEVE LUBRICATION
10	22-13820		1	PIPE PLUG
11	12144		2	COVER (BLACK)
	12144--1		2	COVER (GRAY)
12	25-39695		2	O-RING
13	12-92721		1	WASHER
14	11-35921		1	NUT
15	15-42637A1		AR	SHIM ASSEMBLY
16	31-36387A1		1	ROLLER BEARING
17	11-42633		1	NUT
18	46-44292A3		1	WATER PUMP BASE ASSEMBLY
19	27-42631--1		1	GASKET
20	25-90011		1	O-RING
21	26-89238		1	OIL SEAL
22	26-16977		1	OIL SEAL
23	27-18051		1	GASKET
24	27-85609--1		1	GASKET
25	32435		1	FACE PLATE
26	46-96148A1		1	WATER PUMP BODY
27	48752		1	INSERT
28	26-38970		1	SEAL, RUBBER
29	47-89984		1	IMPELLER
30	28-56654		1	KEY
31	10-96411		1	SCREW (2-1/4")
32	12-29245		2	WASHER
33	11-13438		2	NUT
34	12-36001		1	WASHER
35	11-13436		1	NUT
36	45-44000--1		1	DRIVE SHAFT
37	23-29804		1	SLEEVE
38	78902		1	LOWER SHIFT SHAFT
39	53-29641		1	E-RING

CONTINUED ON NEXT PAGE ➡

GEAR HOUSING (DRIVE SHAFT)LHR 2-HOLE WATER PICKUP

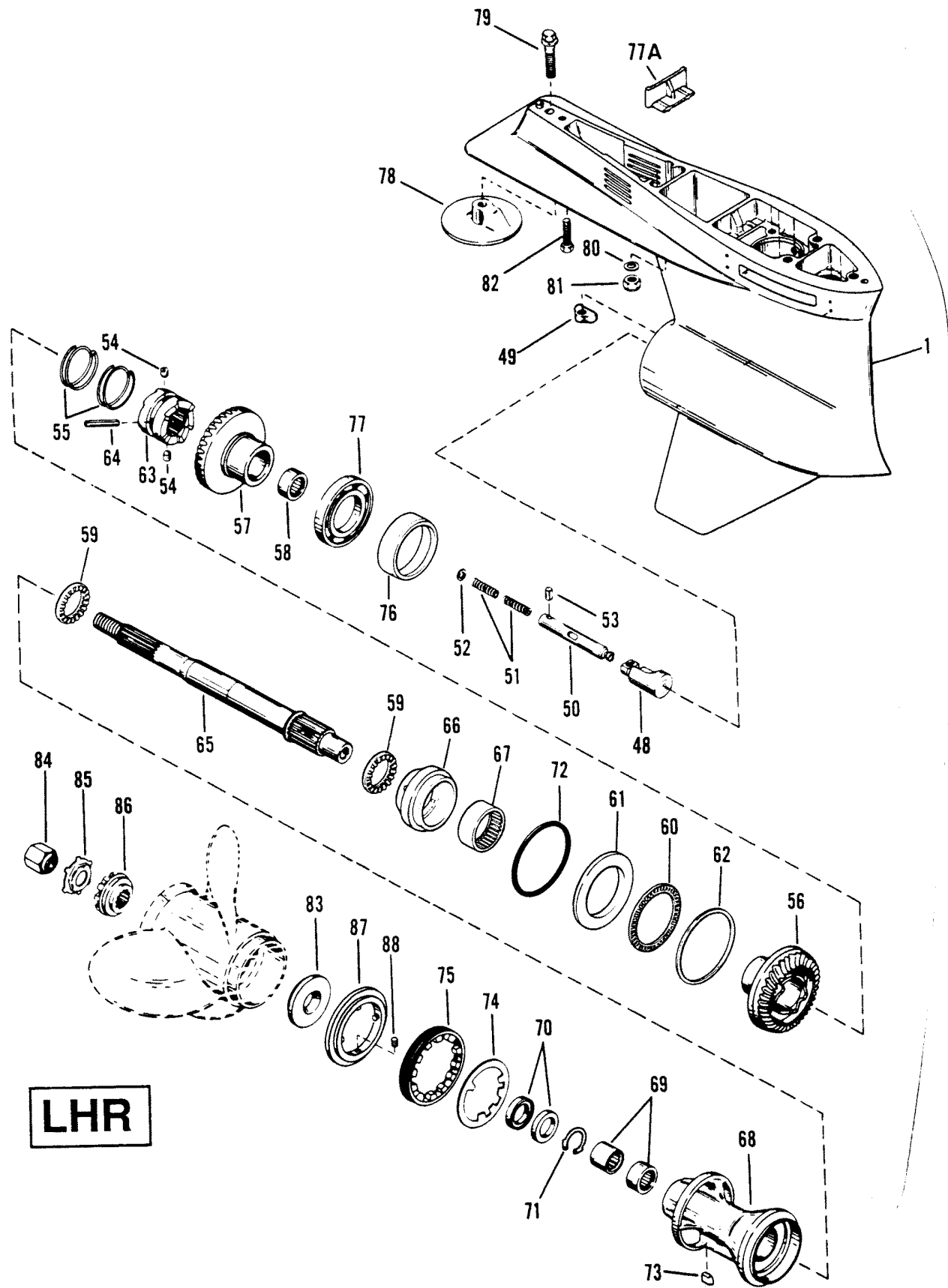


LHR

GEAR HOUSING (DRIVE SHAFT)LHR 2-HOLE WATER PICKUP

REF. NO.	PART NO.	SYM.	QTY.	DESCRIPTION
40	N.S.S.		1	PINION GEAR (PART OF 43-15845A2)
41	25-25439		1	O-RING
42	23-77631A2		1	BUSHING ASSEMBLY
43	26-816464--1		1	OIL SEAL
44	12-77674		1	WASHER, RUBBER
45	10-79953		1	SCREW,GREASE FILLER
46	10-14834		1	DRAIN SCREW (MAGNETIC)
47	12-19183		2	WASHER

GEAR HOUSING (PROPELLER SHAFT)LHR 2-HOLE WATER PICKUP

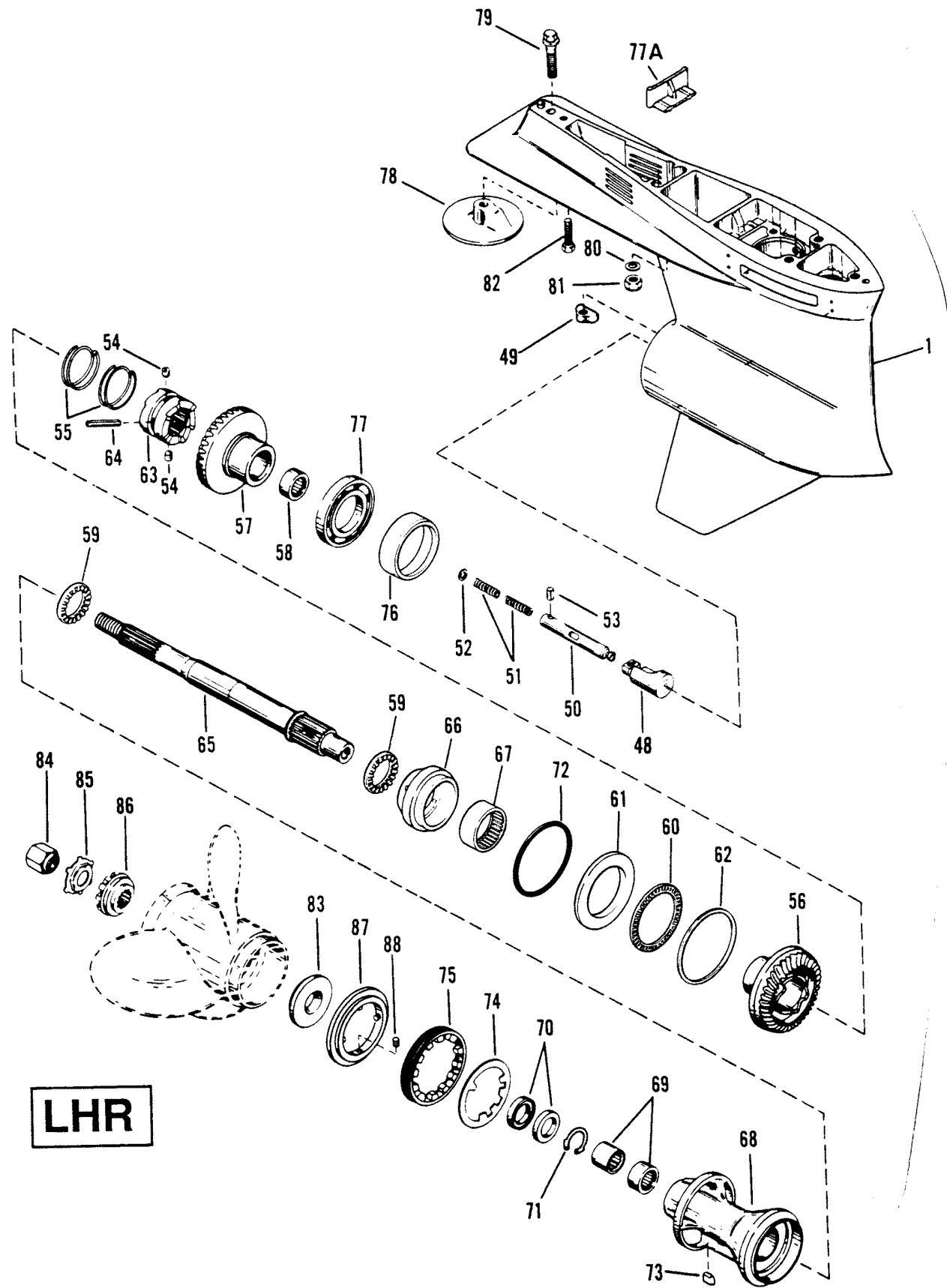


GEAR HOUSING (PROPELLER SHAFT)LHR 2-HOLE WATER PICKUP

REF. NO.	PART NO.	SYM.	QTY.	DESCRIPTION
-	1647-9561A51		1	GEAR HOUSING (BLACK)
-	1647-9561A41		1	GEAR HOUSING (GRAY)
1	1647-9561A70		1	GEAR HOUSING (BASIC-BLACK)
	1647-9561A48		1	GEAR HOUSING (BASIC-GRAY)
48	89594A1		1	CAM FOLLOWER
49	78956		1	SHIFT CAM
50	79911		1	ROD
51	24-79910		2	SPRING
52	12-78910		AR	WASHER
53	17-78906		1	PIN
54	17-78909		2	DETENT PIN
55	24-78962		2	SPRING
56	N.S.S.		1	FORWARD GEAR (PART OF 43-15845A2)
57	43-15845A2		1	REVERSE GEAR ASSEMBLY
58	31-15844		1	ROLLER BEARING
59	31-15834		2	THRUST BEARING
60	31-15841		1	ROLLER BEARING
61	12-17616		1	THRUST WASHER
62	23-17615--1		AR	SPACER SHIM.125"
	23-17615--2		AR	SPACER SHIM.127"
	23-17615--3		AR	SPACER SHIM.129"
	23-17615--4		AR	SPACER SHIM.131"
	23-17615--5		AR	SPACER SHIM.133"
	23-17615--6		AR	SPACER SHIM.135"
	23-17615--7		AR	SPACER SHIM.137"
	23-17615--8		AR	SPACER SHIM.139"
	23-17615--9		AR	SPACER SHIM.141"
	23-17615-10		AR	SPACER SHIM.143"
	23-17615-11		AR	SPACER SHIM.145"
	23-17615-12		AR	SPACER SHIM.147"
	23-17615-13		AR	SPACER SHIM.149"
63	52-42672		1	RATCHET
64	17-42671		1	CROSS PIN
65	44-815495T		1	PROPELLER SHAFT
66	15838A2		1	BEARING ADAPTOR
67	31-15843		1	ROLLER BEARING
68	814431A2		1	BEARING CARRIER
69	31-817072		2	ROLLER BEARING
70	26-815565		2	OIL SEAL
71	53-817071		1	SNAP RING
72	25-31534		1	O-RING
73	28-30281		1	KEY
74	14-79447		1	TAB WASHER

CONTINUED ON NEXT PAGE ➡

GEAR HOUSING (PROPELLER SHAFT)LHR 2-HOLE WATER PICKUP

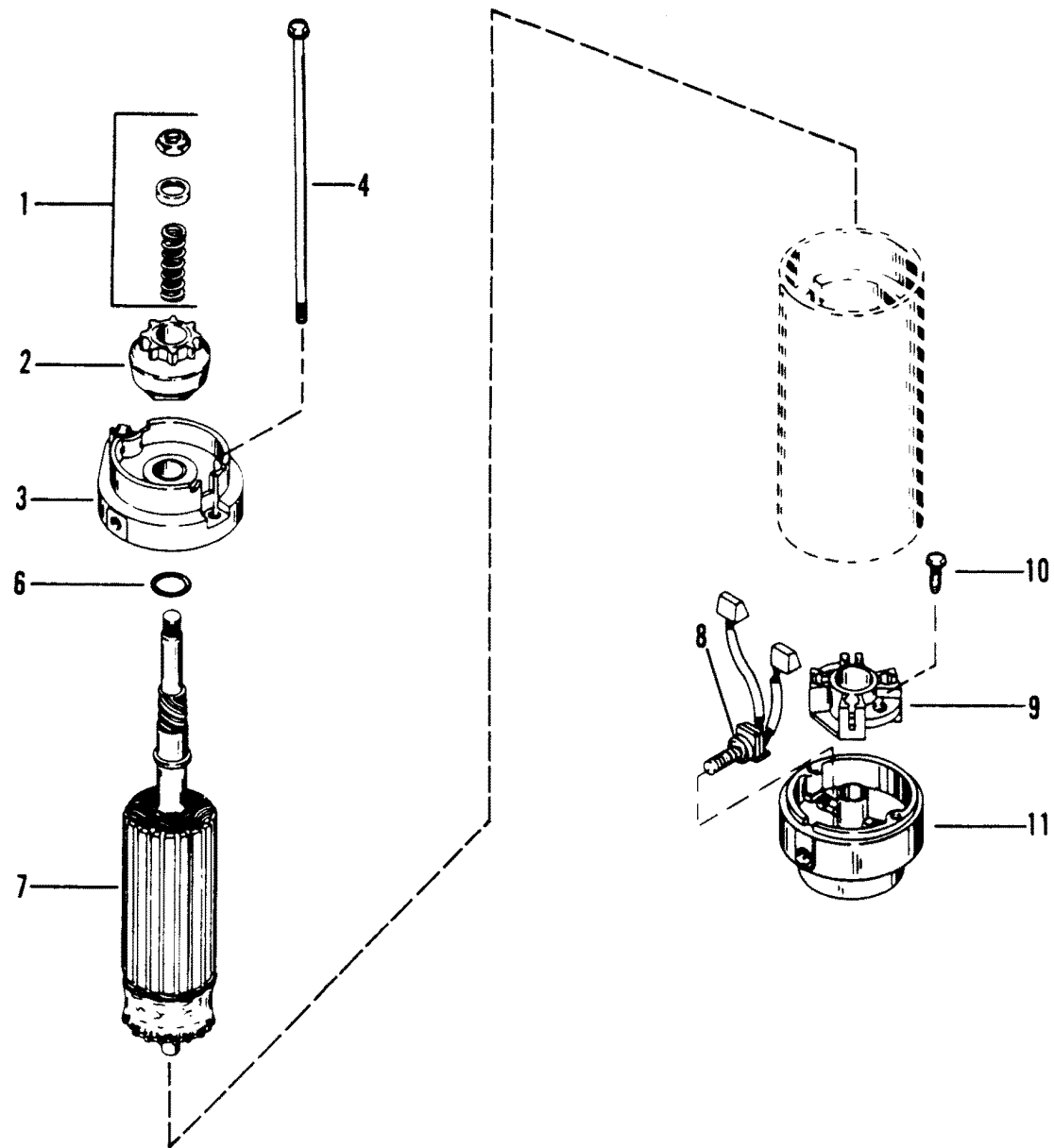


LHR

GEAR HOUSING (PROPELLER SHAFT)LHR 2-HOLE WATER PICKUP

REF. NO.	PART NO.	SYM.	QTY.	DESCRIPTION
75	15840--1		1	COVER
76	14469		1	BEARING CUP
77	30-88957A1		1	BALL BEARING
77A	67891		1	FILLER BLOCK
78	76214		1	ANODIC PLATE
79	10-66024		1	SCREW (1-3/4")
80	12-822836		2	WASHER
81	11-34933		2	NUT
82	10-30206		1	SCREW
83	13171		1	THRUST HUB
84	11-52707A1		1	PROPELLER NUT
85	14-816629		1	TAB WASHER
86	12-31211A2		1	THRUST WASHER
87	821978A1		1	EXHAUST EXTENSION RING
88	10-35057		4	SCREW

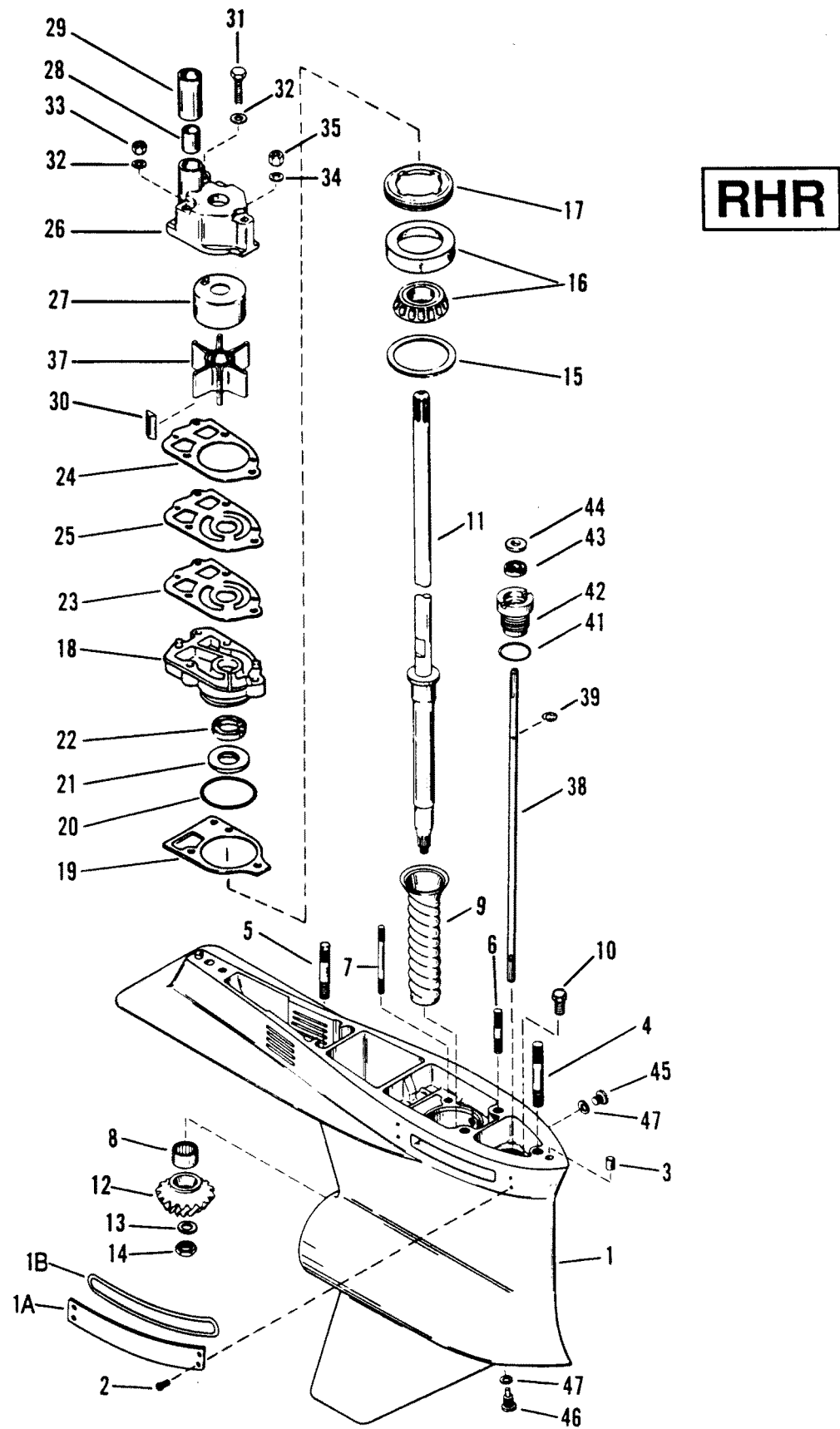
STARTER MOTOR ASSEMBLY



STARTER MOTOR ASSEMBLY

REF. NO.	PART NO.	SYM.	QTY.	DESCRIPTION
-	50-79472		1	STARTER MOTOR ASSEMBLY
1	90645		1	DRIVE KIT
2	75661		1	DRIVE
3	75660		1	DRIVE END PLATE
4	10-74968		2	THRU BOLT
6	N.S.S.		1	WASHER (AMERICAN BOSCH#WA3122)
7	79216		1	ARMATURE
8	75384		1	BRUSH SET
9	61787		2	BRUSH HOLDER
10	N.S.S.		2	SCREW(AMER.BOSCH#02441-22SC-30SM)
11	15386		1	END CAP

GEAR HOUSING (DRIVE SHAFT)RHR 4-HOLE WATER PICKUP

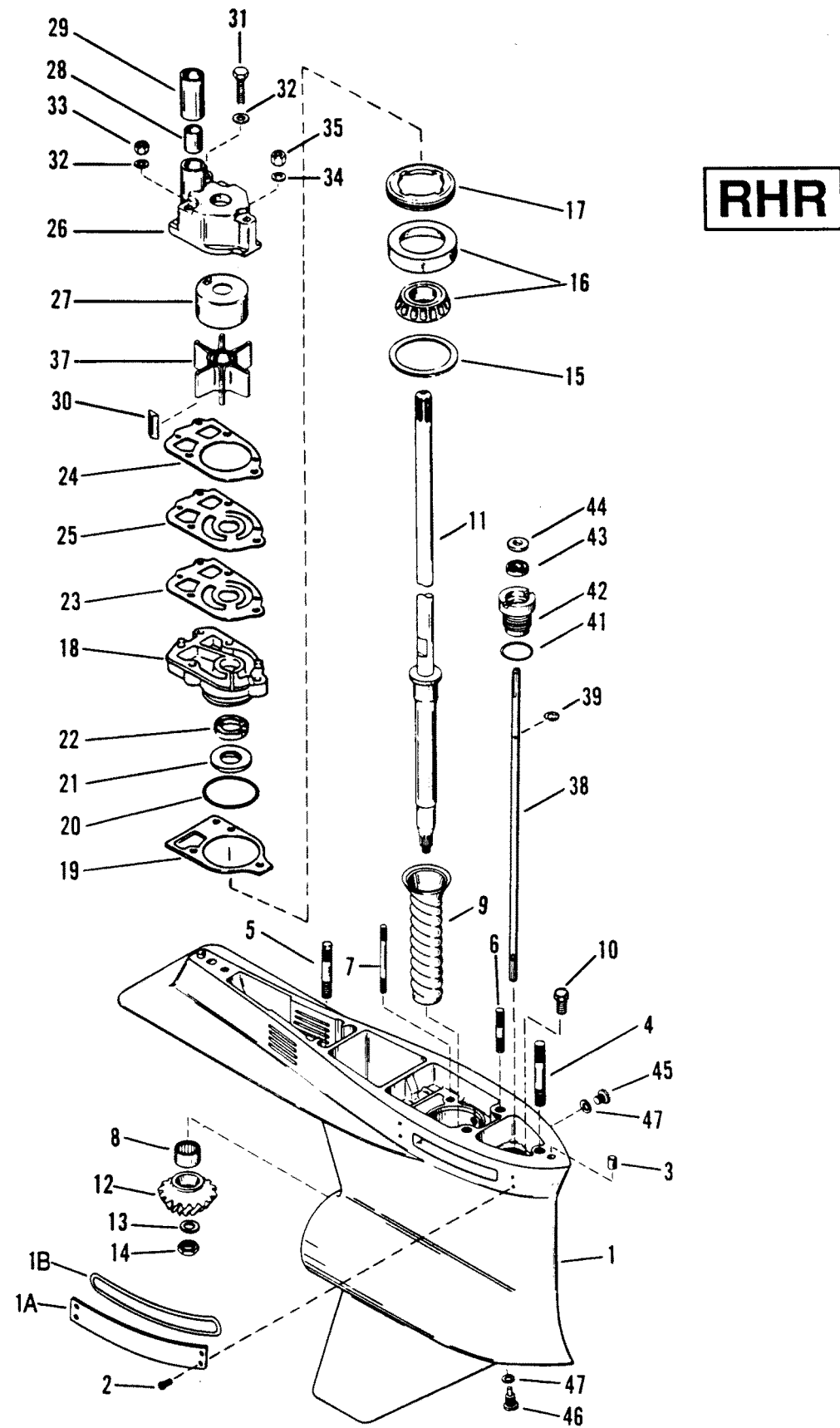


GEAR HOUSING (DRIVE SHAFT)RHR 4-HOLE WATER PICKUP

REF. NO.	PART NO.	SYM.	QTY.	DESCRIPTION
1	1647-847625A15		1	GEAR HOUSING (BASIC-BLACK-STD. HOUSING)
	1647-847625A16		1	GEAR HOUSING (BASIC-GRAY-STD. HOUSING)
	1647-847626A27		1	GEAR HOUSING (BASIC-BLACK-CUT SKEG)
	1647-847626A28		1	GEAR HOUSING (BASIC-GRAY-CUT SKEG)
1A	12144		2	COVER (BLACK)
	12144--1		2	COVER (GRAY)
1B	25-39695		2	O-RING
2	10-815904		8	SCREW
3	17-43044		2	DOWEL PIN
4	16-78638		1	STUD (3-1/8") LONG
5	16-57920		2	STUD (2-1/16") LONG
4	16-78639		1	STUD (8-1/8") X-LONG
5	16-74730		2	STUD (7") X-LONG
6	16-56297		1	STUD (3-3/8")
7	16-69501		2	STUD (3-1/4")
8	31-42647A1		1	ROLLER BEARING
9	23-43998		1	SLEEVE
10	22-847627		1	PIPE PLUG
11	45-44000--6		1	DRIVE SHAFT (LONG)
	45-44000--7		1	DRIVE SHAFT (X-LONG)
12	N.S.S.		1	GEAR (PART OF 43-44104A7)
13	12-92721		1	WASHER
14	11-35921		1	NUT
15	15-42637A1		AR	SHIM ASSEMBLY
16	31-36387A1		1	ROLLER BEARING
17	11-42633		1	NUT
18	46-44292A3		1	WATER PUMP BASE ASSEMBLY
19	27-42631--1		1	GASKET
20	25-90011		1	O-RING
21	26-89238		1	OIL SEAL
22	26-16977		1	OIL SEAL
23	27-18051		1	GASKET (LOWER)
24	27-85609--1		1	GASKET (UPPER)
25	32435		1	FACE PLATE
26	46-847710A1		1	WATER PUMP BODY ASSEMBLY
27	48752		1	INSERT
28	26-88397		1	SEAL
29	23-847685		1	SLEEVE
30	28-56654		1	KEY
31	10-96411		1	SCREW (2-1/4")
32	12-29245		2	WASHER
33	11-13438		2	NUT
34	12-36001		1	WASHER

CONTINUED ON NEXT PAGE ➡

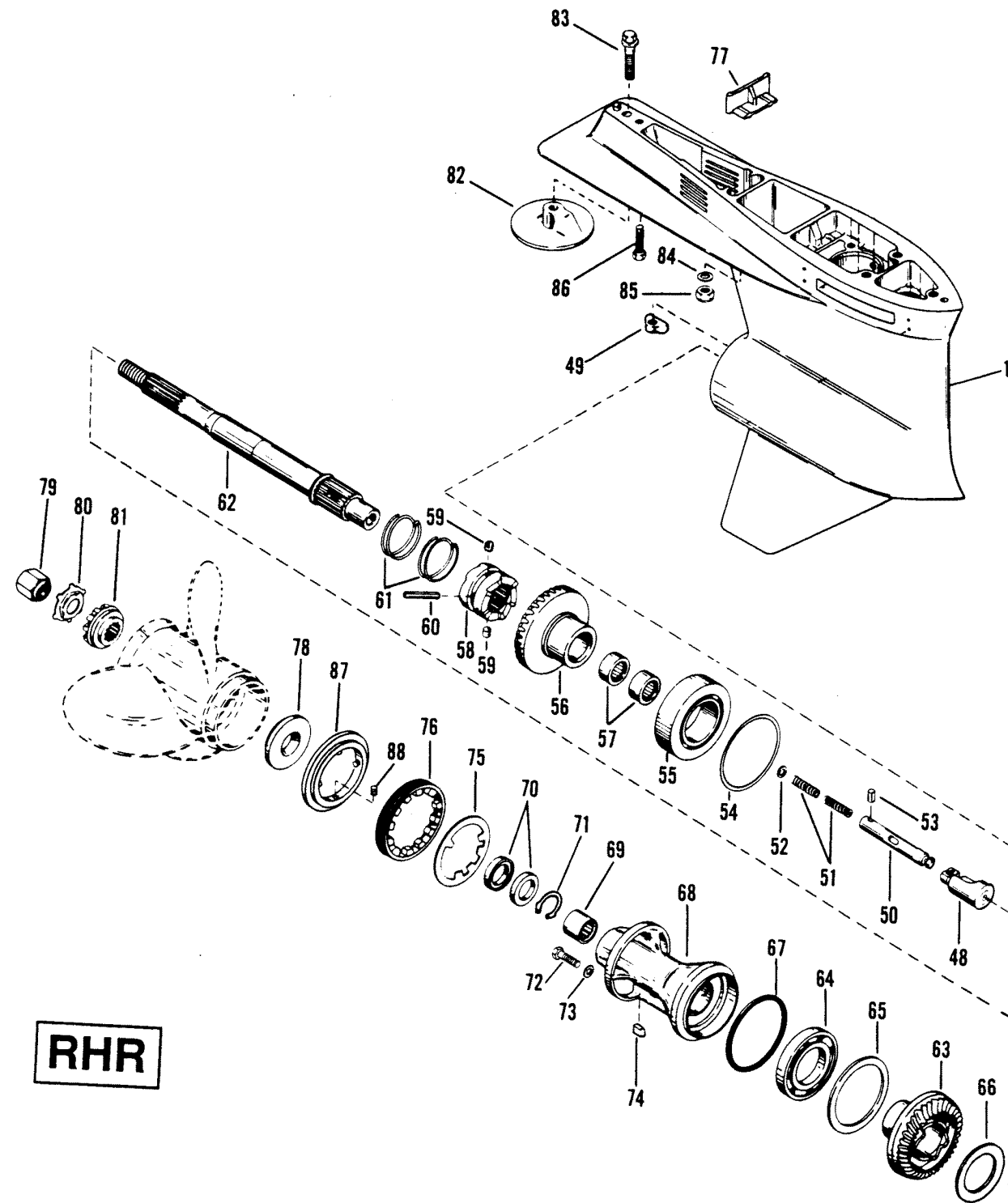
GEAR HOUSING (DRIVE SHAFT)RHR 4-HOLE WATER PICKUP



GEAR HOUSING (DRIVE SHAFT)RHR 4-HOLE WATER PICKUP

REF. NO.	PART NO.	SYM.	QTY.	DESCRIPTION
35	11-13436		1	NUT
37	47-89984		1	IMPELLER
38	78902		1	SHIFT SHAFT (LOWER)
39	53-29641		1	E-RING
41	25-25439		1	O-RING
42	23-77631A2		1	BUSHING ASSEMBLY
43	26-816464--1		1	OIL SEAL
44	12-77674		1	RUBBER WASHER
45	10-79953		1	SCREW
46	10-14834		1	DRAIN SCREW (MAGNETIC)
47	12-19183		2	WASHER

GEAR HOUSING (PROPELLER SHAFT)RHR 4-HOLE WATER PICKUP



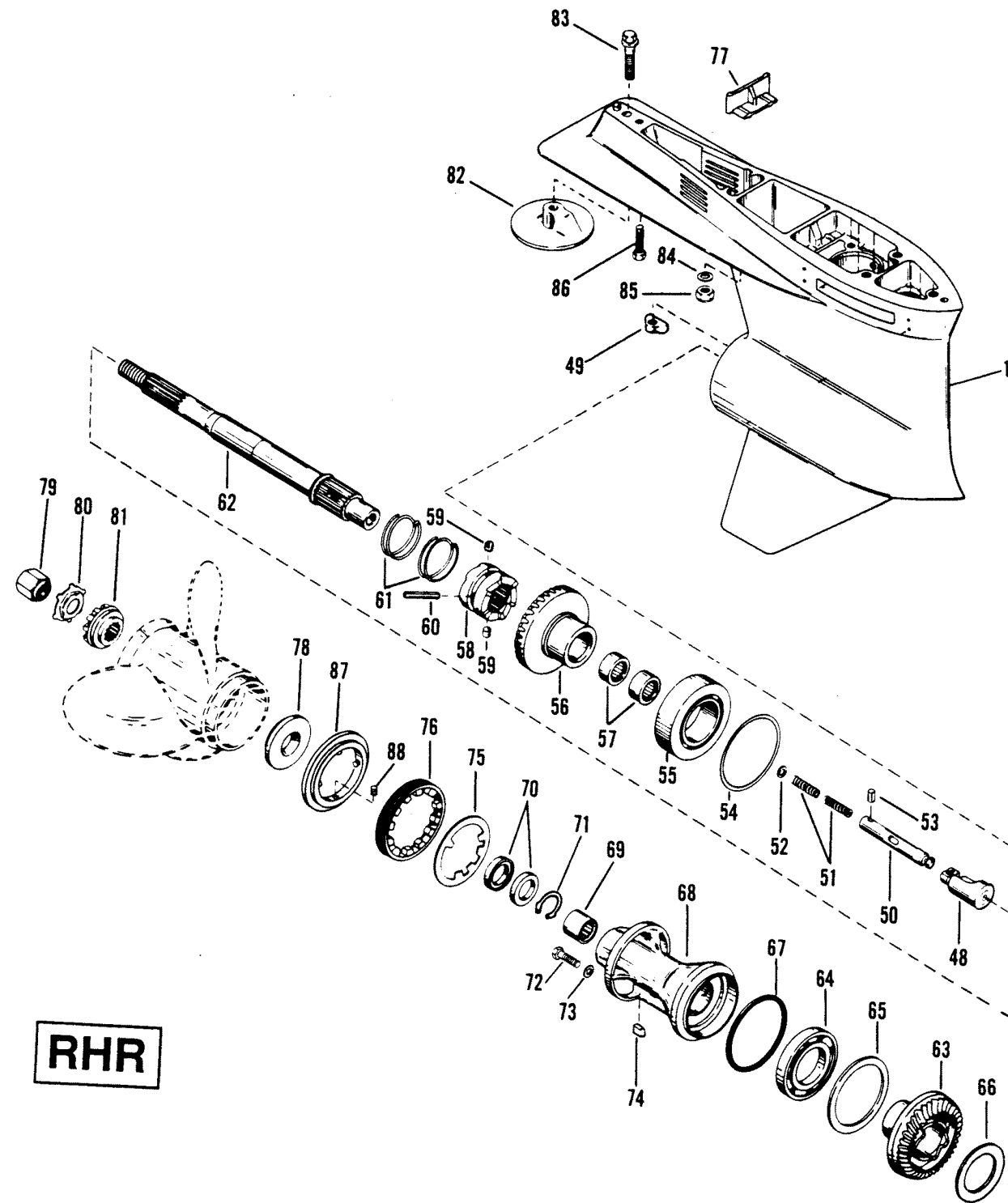
RHR

GEAR HOUSING (PROPELLER SHAFT)RHR 4-HOLE WATER PICKUP

REF. NO.	PART NO.	SYM.	QTY.	DESCRIPTION
1	1647-847625A15		1	GEAR HOUSING (BASIC-BLACK-STD. HOUSING)
	1647-847625A16		1	GEAR HOUSING (BASIC-GRAY-STD. HOUSING)
	1647-847626A27		1	GEAR HOUSING (BASIC-BLACK-CUT SKEG)
	1647-847626A28		1	GEAR HOUSING (BASIC-GRAY-CUT SKEG)
48	89594A1		1	CAM FOLLOWER
49	78956		1	SHIFT CAM
50	79911		1	ROD
51	24-79910		2	SPRING
52	12-78910		AR	WASHER
53	17-78906		1	PIN
54	15-47397A1		AR	SHIM
55	31-78172A1		1	TAPERED ROLLER BEARING
56	43-44104A7		1	FORWARD GEAR SET (INCLUDES REVERSE GEAR)
57	31-54928--1		2	ROLLER BEARING
58	52-42672		1	RATCHET
59	17-78909		2	DETENT PIN
60	17-42671		1	CROSS PIN
61	24-78962		2	SPRING
62	44-822820		1	PROPELLER SHAFT
63	43-822824A1		1	REVERSE GEAR
64	30-88957A1		1	BALL BEARING
65	68100--1		1	THRUST RING
66	23-822823		1	THRUST RING
67	25-31534		1	O-RING
68	847610A1		1	BEARING CARRIER
69	31-817072		1	ROLLER BEARING
70	26-815565		2	OIL SEAL
71	53-817071		1	SNAP RING
72	10-14834		1	SCREW
73	12-19183		1	WASHER
74	28-30281		1	KEY
75	14-79447		1	TAB WASHER
76	15840--1		1	COVER
77	67891		1	FILLER BLOCK
78	13171		1	THRUST HUB
79	11-52707A1		1	PROPELLER NUT
80	14-816629		1	TAB WASHER
81	12-31211A2		1	WASHER
82	76214		1	ANODIC PLATE

CONTINUED ON NEXT PAGE ➡

GEAR HOUSING (PROPELLER SHAFT)RHR 4-HOLE WATER PICKUP

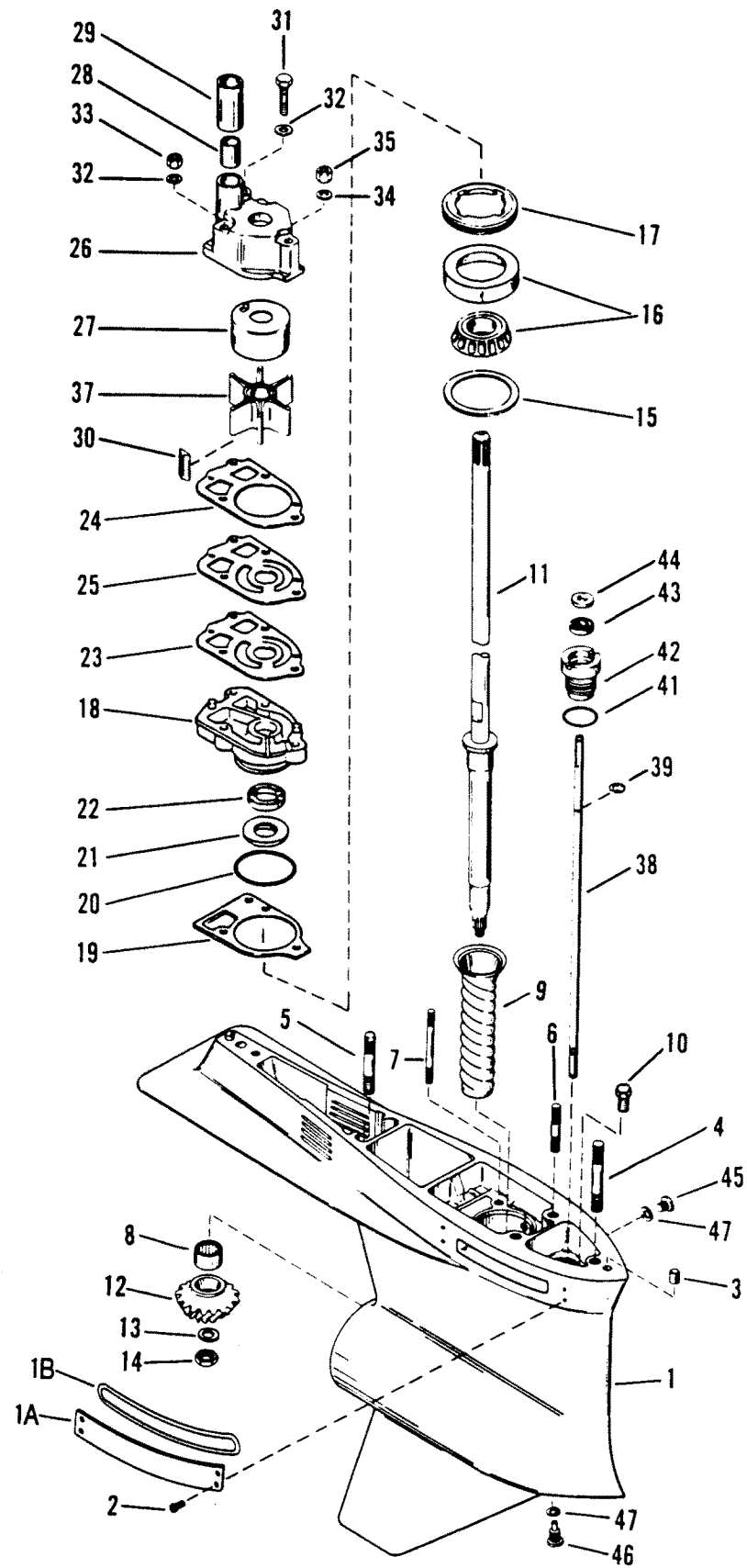


RHR

GEAR HOUSING (PROPELLER SHAFT)RHR 4-HOLE WATER PICKUP

REF. NO.	PART NO.	SYM.	QTY.	DESCRIPTION
83	10-66024		1	SCREW
84	12-822836		2	WASHER
86	10-30206		1	SCREW
87	821978A1		1	EXHAUST EXTENSION RING
88	10-35057		4	SCREW

GEAR HOUSING (DRIVE SHAFT)LHR 4-HOLE WATER PICKUP



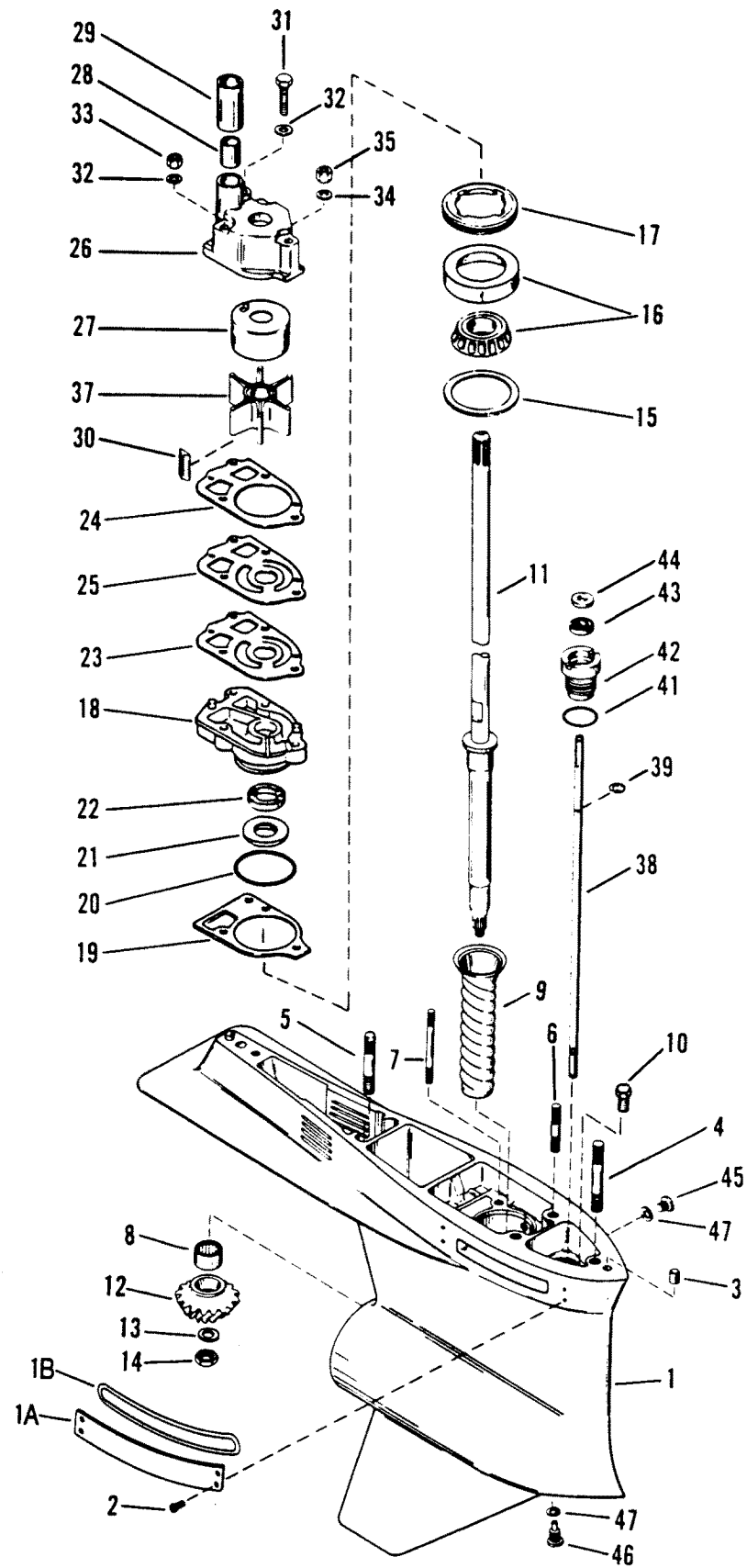
LHR

GEAR HOUSING (DRIVE SHAFT)LHR 4-HOLE WATER PICKUP

REF. NO.	PART NO.	SYM.	QTY.	DESCRIPTION
1	1647-847625A15		1	GEAR HOUSING (BASIC-BLACK -STD. HOUSING)
	1647-847625A16		1	GEAR HOUSING (BASIC-GRAY -STD. HOUSING)
	1647-847626A27		1	GEAR HOUSING (BASIC-BLACK -CUT SKEG)
	1647-847626A28		1	GEAR HOUSING (BASIC-GRAY-CUT SKEG)
1A	12144		2	COVER (BLACK)
	12144--1		2	COVER (GRAY)
1B	25-39695		2	O-RING
2	10-815904		8	SCREW
3	17-43044		2	DOWEL PIN
4	16-78638		1	STUD (3-1/8") LONG
5	16-57920		2	STUD (2-1/16") LONG
4	16-78639		1	STUD (8-1/8") X-LONG
5	16-74730		2	STUD (7") X-LONG
6	16-56297		1	STUD (3-3/8")
7	16-69501		2	STUD (3-1/4")
8	31-42647A1		1	ROLLER BEARING
9	23-43998		1	SLEEVE
10	22-847627		1	PIPE PLUG
11	45-44000--6		1	DRIVE SHAFT (LONG)
	45-44000--7		1	DRIVE SHAFT (X-LONG)
12	N.S.S.		1	GEAR (PART OF 43-15845A2)
13	12-92721		1	WASHER
14	11-35921		1	NUT
15	15-42637A1		AR	SHIM ASSEMBLY
16	31-36387A1		1	ROLLER BEARING
17	11-42633		1	NUT
18	46-44292A3		1	WATER PUMP BASE ASSEMBLY
19	27-42631--1		1	GASKET
20	25-90011		1	O-RING
21	26-89238		1	OIL SEAL
22	26-16977		1	OIL SEAL
23	27-18051		1	GASKET (LOWER)
24	27-85609--1		1	GASKET (UPPER)
25	32435		1	FACE PLATE
26	46-847710A1		1	WATER PUMP BODY ASSEMBLY
27	48752		1	INSERT
28	26-88397		1	SEAL
29	23-847685		1	SLEEVE
30	28-56654		1	KEY
31	10-96411		1	SCREW (2-1/4")
32	12-29245		2	WASHER
33	11-13438		2	NUT
34	12-36001		1	WASHER

CONTINUED ON NEXT PAGE ➡

GEAR HOUSING (DRIVE SHAFT)LHR 4-HOLE WATER PICKUP

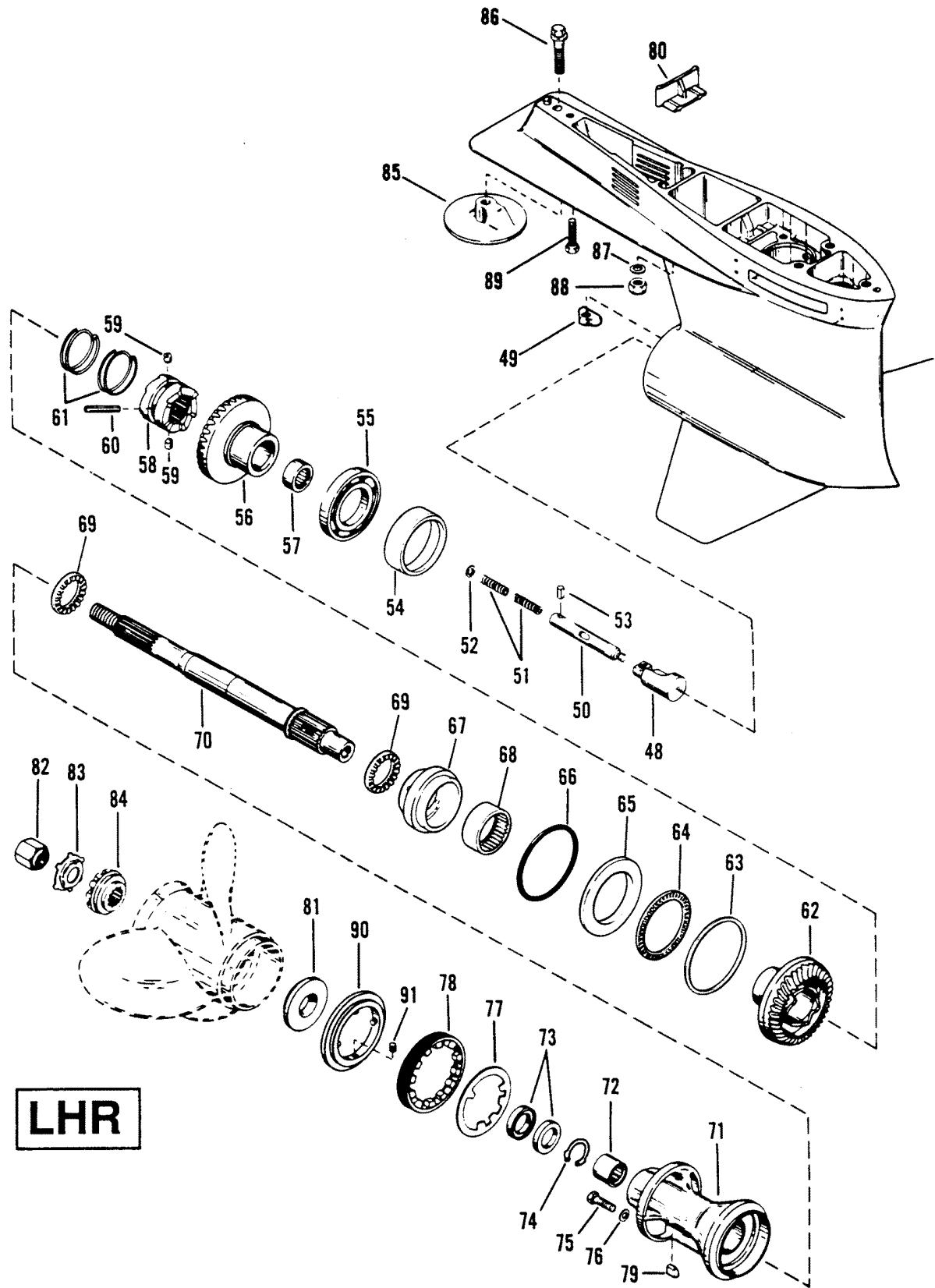


LHR

GEAR HOUSING (DRIVE SHAFT)LHR 4-HOLE WATER PICKUP

REF. NO.	PART NO.	SYM.	QTY.	DESCRIPTION
35	11-13436		1	NUT
37	47-89984		1	IMPELLER
38	78902		1	SHIFT SHAFT (LOWER)
39	53-29641		1	E-RING
41	25-25439		1	O-RING
42	23-77631A2		1	BUSHING ASSEMBLY
43	26-816464--1		1	OIL SEAL
44	12-77674		1	RUBBER WASHER
45	10-79953		1	SCREW
46	10-14834		1	DRAIN SCREW (MAGNETIC)
47	12-19183		2	WASHER

GEAR HOUSING (PROPELLER SHAFT)LHR 4-HOLE WATER PICKUP

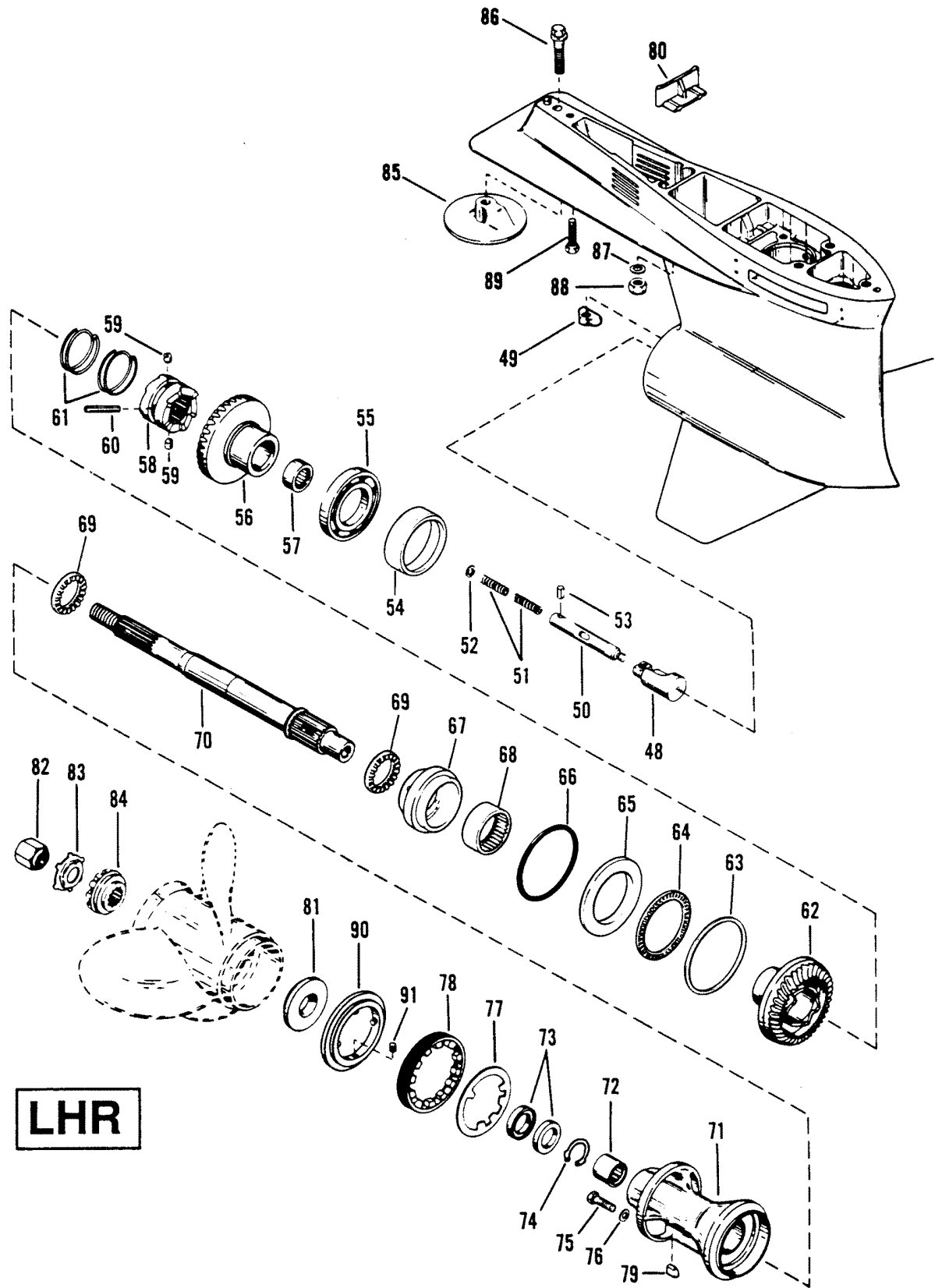


GEAR HOUSING (PROPELLER SHAFT)LHR 4-HOLE WATER PICKUP

REF. NO.	PART NO.	SYM.	QTY.	DESCRIPTION
1	1647-847625A15		1	GEAR HOUSING (BASIC-BLACK -STD. HOUSING)
	1647-847625A16		1	GEAR HOUSING (BASIC-GRAY -STD. HOUSING)
	1647-847626A27		1	GEAR HOUSING (BASIC-BLACK -CUT SKEG)
	1647-847626A28		1	GEAR HOUSING (BASIC GRAY-CUT SKEG)
48	89594A1		1	CAM FOLLOWER
49	78956		1	SHIFT CAM
50	79911		1	ROD
51	24-79910		2	SPRING
52	12-78910		AR	WASHER
53	17-78906		1	PIN
54	14469		1	BEARING CUP
55	30-88957A1		1	BALL BEARING
56	N.S.S.		1	REVERSE GEAR (PART OF 43-15845A2)
57	31-15844		1	ROLLER BEARING
58	52-42672		1	RATCHET
59	17-78909		2	DETENT PIN
60	17-42671		1	CROSS PIN
61	24-78962		2	SPRING
62	43-15845A2		1	FORWARD GEAR
63	23-17615--1		AR	SPACER SHIM (.125")
	23-17615--2		AR	SPACER SHIM (.127")
	23-17615--3		AR	SPACER SHIM (.129")
	23-17615--4		AR	SPACER SHIM (.131")
	23-17615--5		AR	SPACER SHIM (.133")
	23-17615--6		AR	SPACER SHIM (.135")
	23-17615--7		AR	SPACER SHIM (.137")
	23-17615--8		AR	SPACER SHIM (.139")
	23-17615--9		AR	SPACER SHIM (.141")
	23-17615-10		AR	SPACER SHIM (.143")
	23-17615-11		AR	SPACER SHIM (.145")
	23-17615-12		AR	SPACER SHIM (.147")
	23-17615-13		AR	SPACER SHIM (.149")
64	31-15841		1	ROLLER BEARING
65	12-17616		1	THRUST RING
66	25-31534		1	O-RING
67	15838A2		1	BEARING ADAPTOR
68	31-15843		1	ROLLER BEARING
69	31-15834		2	THRUST BEARING
70	44-815495T		1	PROPELLER SHAFT
71	847616A1		1	BEARING CARRIER
72	31-817072		1	ROLLER BEARING
73	26-815565		2	OIL SEAL
74	53-817071		1	SNAP RING

CONTINUED ON NEXT PAGE ➡

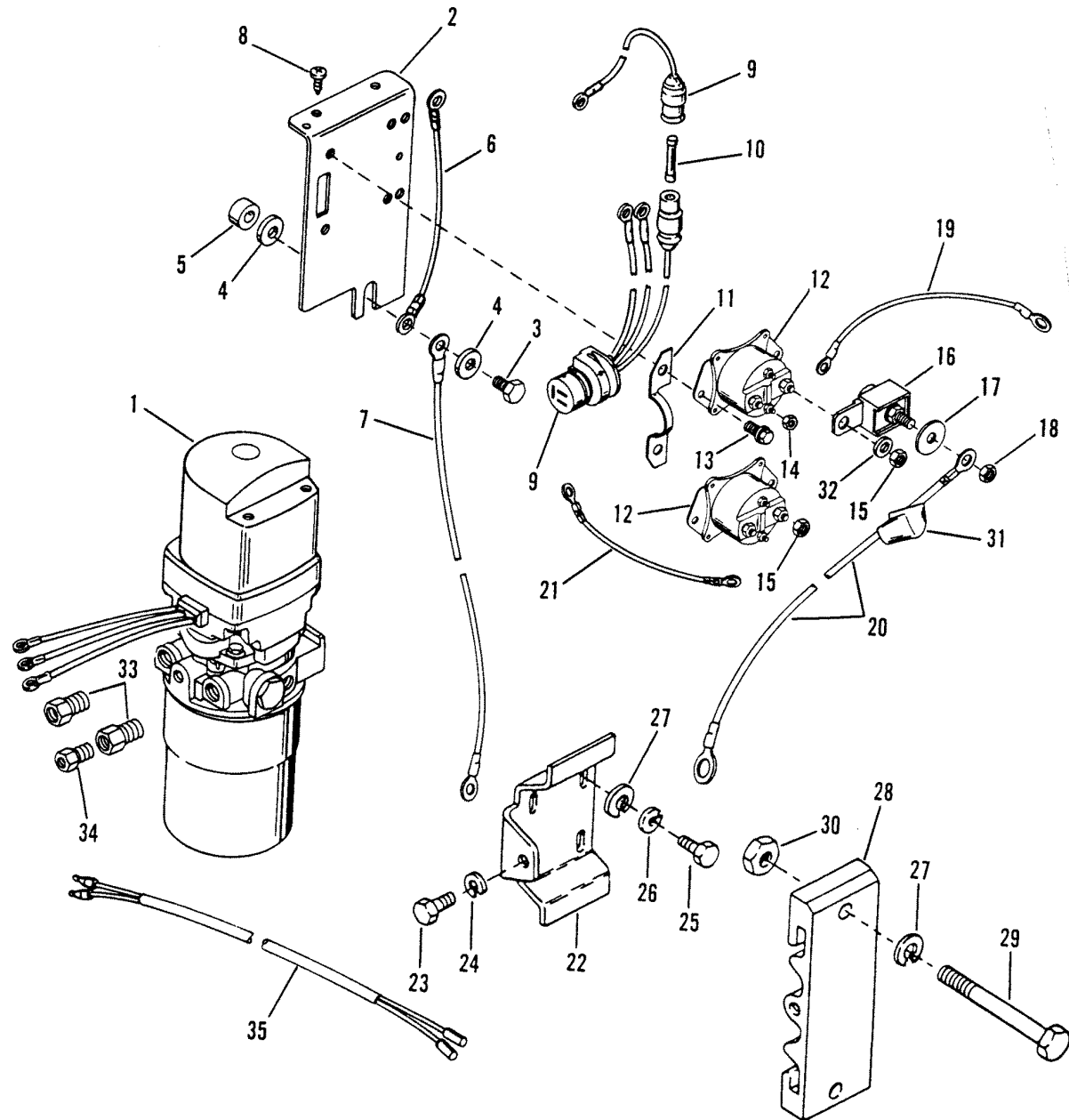
GEAR HOUSING (PROPELLER SHAFT)LHR 4-HOLE WATER PICKUP



GEAR HOUSING (PROPELLER SHAFT)LHR 4-HOLE WATER PICKUP

REF. NO.	PART NO.	SYM.	QTY.	DESCRIPTION
75	10-14834		1	SCREW
76	12-19183		1	WASHER
77	14-79447		1	TAB WASHER
78	15840--1		1	COVER
79	28-30281		1	KEY
80	67891		1	FILLER BLOCK
81	13171		1	THRUST HUB
82	11-52707A1		1	PROPELLER NUT
83	14-816629		1	TAB WASHER
84	12-31211A2		1	WASHER
85	76214		1	ANODIC PLATE
86	10-66024		1	SCREW
87	12-822836		2	WASHER
88	11-34933		2	NUT
89	10-30206		1	SCREW
90	821978A1		1	EXHAUST EXTENSION RING
91	10-35057		4	SCREW

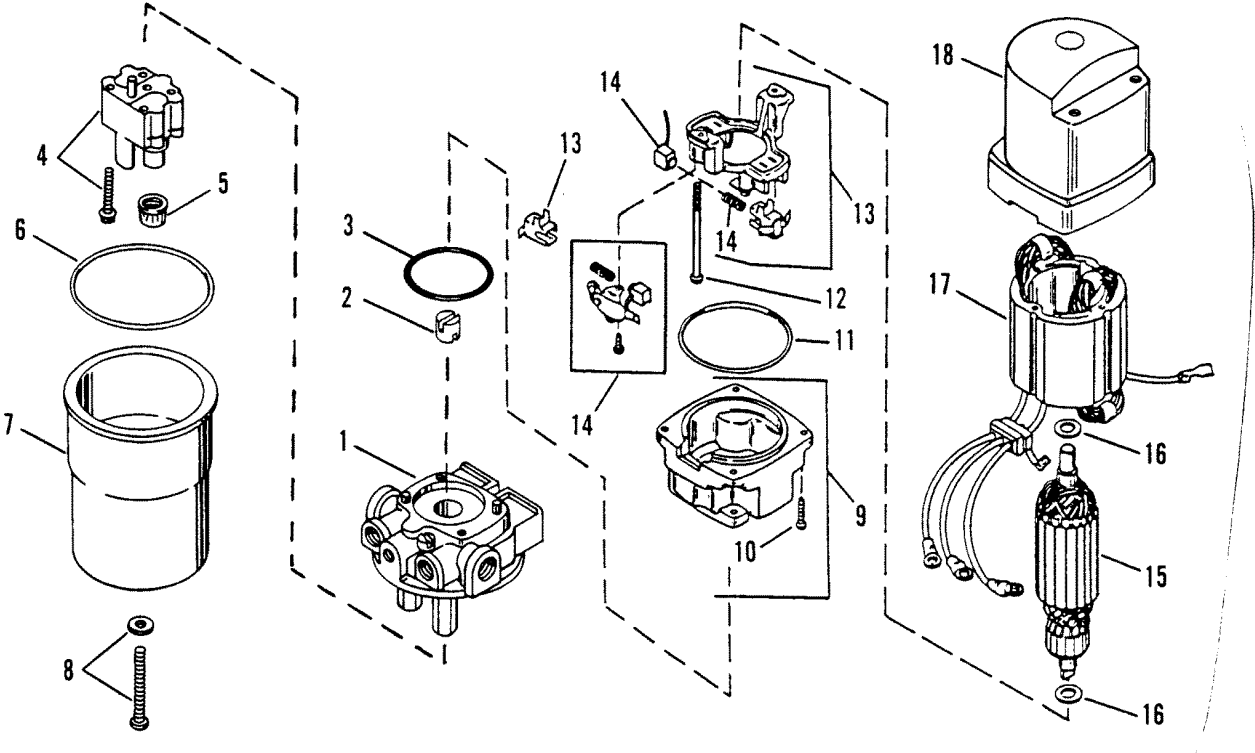
HYDRAULIC PUMP AND MOUNTING BRACKETS



HYDRAULIC PUMP AND MOUNTING BRACKETS

REF. NO.	PART NO.	SYM.	QTY.	DESCRIPTION
1	818161A4		1	HYDRAULIC PUMP ASSEMBLY
2	818567		1	BRACKET
3	10-38837		1	SCREW (1")
4	12-57792		2	WASHER
5	23-34948		1	SPACER
6	84-65999A12		1	CABLE
7	84-79138A9		1	BATTERY CABLE (NEGATIVE)
8	10-92051		2	SCREW
9	84-79147A5		1	HARNESS ASSEMBLY
10	88-79091		1	FUSE (20 AMP)
11	88075		1	RETAINER
12	89-68258A4		2	SOLENOID
13	10-41508		4	SCREW (3/8")
14	11-20110		4	NUT (#10-32)
15	11-26484		4	NUT (5/16-18)
16	88-79023A10		1	FUSE (110 AMP)
17	12-96457		1	WASHER
18	11-21825		1	NUT
19	84-65999A11		1	CABLE
20	84-79139A12		1	BATTERY CABLE (RED-POSITIVE)
21	84-79139A26		1	WIRE (RED)
22	87760		1	MOUNTING PLATE
23	10-39349		1	SCREW (3/4")
24	13-26993		1	LOCKWASHER
25	10-90271		2	SCREW (5/8")
26	13-58643		2	LOCKWASHER
27	12-45175		4	LOCKWASHER
28	87762		1	BRACKET
29	10-63826		2	BOLT (2-1/2")
30	11-68411		2	NUT
31	46265		5	BOOT
32	12-22753		4	WASHER
33	22-77366		2	CONNECTOR
34	22-818200		1	FITTING
35	84-65017A14		1	TILT HARNESS

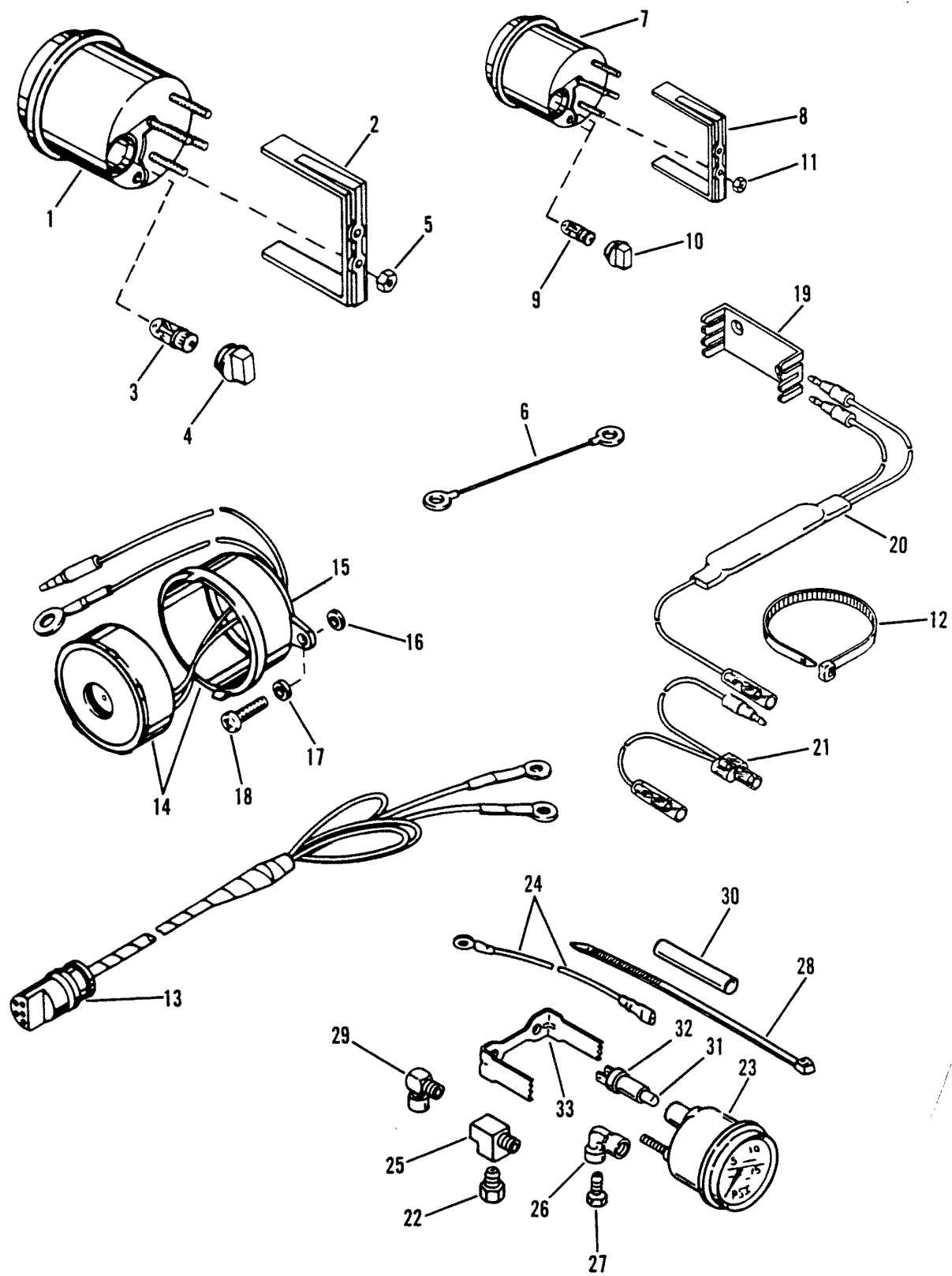
HYDRAULIC PUMP ASSEMBLY



HYDRAULIC PUMP ASSEMBLY

REF. NO.	PART NO.	SYM.	QTY.	DESCRIPTION
-	818161A4		1	HYDRAULIC PUMP ASSEMBLY
1	811491		1	ADAPTOR
2	89493		1	COUPLING
3	25-89498		1	O-RING, MOTORE END
4	811492		1	PUMP (INCLUDES SCREWS)
5	35-89496		2	FILTER
6	25-89497		1	O-RING, RESERVOIR END
7	41219		1	RESERVOIR
8	10-811493		1	SCREW KIT
-	17649		1	MOTOR
9	17632		1	END FRAME W/ BEARING
10	10-17626		4	SCREW
11	25-17625		1	O-RING
12	10-17621		2	SCREW
13	17633		1	BRUSH HOLDER KIT
14	17631A1		1	BRUSH SET
15	17623		1	ARMATURE
16	12-17653		2	THRUST WASHER
17	17624		1	FIELD AND FRAME
18	17622		1	HOUSING W/BEARING

INSTRUMENTATION



INSTUMENTATION

REF. NO.	PART NO.	SYM.	QTY.	DESCRIPTION
1	79-93953A1		1	TACHOMETER
2	79101T		1	BRACKET
3	88-72729		1	LIGHT BULB
4	88-79888		1	SOCKET
5	11-26419		5	NUT
6	84-86322A7		1	WIRE (BLACK-1-1/2")
	84-86323A5		1	WIRE (PURPLE-1-1/2")
7	79-15113A4		1	TRIM GAUGE
8	79480		1	BRACKET
9	88-72729		1	LIGHT BULB
10	88-79888		1	SOCKET
11	11-26419		5	NUT
12	54-816311		AR	STA-STRAP
13	84-86396A8		1	HARNESS
14	68878A6		1	ALARM HORN AND WIRE ASSEMBLY
15	68879		1	COVER
16	23-79697		2	SPACER
17	12-26427		2	WASHER
18	10-35401		2	SCREW
19	79146		2	RETAINER
20	812497A2		1	DIODE KIT
21	84-11149A2		1	CABLE ASSEMBLY
22	22-36492		1	BUSHING
23	79-15128A3		1	30 PSI GAUGE KIT
24	84-88532A1		1	CABLE (DARK BLUE)
	84-86322A16		1	CABLE (BLACK)
25	22-64706		1	TEE FITTING
26	22-63651		2	ELBOW (90)
27	22-63670		2	FITTING
28	54-816311		5	CABLE TIE
29	22-77863		1	FITTING
30	32-64088--6		1	TUBING
31	88-95691		1	BULB
32	13631		1	SOCKET
33	17654		1	BRACKET

PARTS INDEX

Part Number	Description	Pg.	Ref. No.	Part Number	Description	Pg.	Ref. No.
12144	COVER (BLACK)	47	11	42248	BRACKET	23	29
12144	COVER (BLACK)	53	11	42249	COVER (UPPER)	23	7
12144	COVER (BLACK)	63	1A	42859A2	ENRICHNER VALVE	15	1
12144	COVER (BLACK)	71	1A	43429--1	IGNITION PLATE	9	1
12144--1	COVER (GRAY)	47	11	44260	RETAINER	31	27
12144--1	COVER (GRAY)	53	11	45915	TERMINAL BLOCK	27	16
12144--1	COVER (GRAY)	63	1A	46265	BOOT	79	31
12144--1	COVER (GRAY)	71	1A	48039	CAP	11	12
13171	THRUST HUB	51	79	48752	INSERT	47	27
13171	THRUST HUB	59	83	48752	INSERT	53	27
13171	THRUST HUB	67	78	48752	INSERT	63	27
13171	THRUST HUB	77	81	48752	INSERT	71	27
13631	SOCKET	83	32	52100	WEAR PLATE	13	44
13715--1	RETAINER	27	2	54196A6	CARRIER ASSEMBLY	29	4
13734	RETAINER (BLACK)	3	14	56703	COLLAR	7	15
13734--1	RETAINER (GRAY)	3	14	56762	STA-STRAP	27	33
14469	BEARING CUP	59	76	61787	BRUSH HOLDER	61	9
14469	BEARING CUP	75	54	62459	BALL JOINT	11	2
14638	BARREL	11	27	65800	SEAL	29	5
15386	END CAP	61	11	67073A1	LINK ROD	13	43
15838A2	BEARING ADAPTOR	57	66	67077T	COVER (BLACK)	31	10
15838A2	BEARING ADAPTOR	75	67	67077T6	COVER (GRAY)	31	10
15840--1	COVER	51	73	67703	STRAP (BLACK)	31	13
15840--1	COVER	59	75	67703--1	STRAP (GRAY)	31	13
15840--1	COVER	67	76	67891	FILLER BLOCK	51	73A
15840--1	COVER	77	78	67891	FILLER BLOCK	59	77A
17622	HOUSING W/BEARING	81	18	67891	FILLER BLOCK	67	77
17623	ARMATURE	81	15	67891	FILLER BLOCK	77	80
17624	FIELD AND FRAME	81	17	68042	RUBBER STOP	7	16
17631A1	BRUSH SET	81	14	68100--1	THRUST RING	51	59
17632	END FRAME W/ BEARING	81	9	68100--1	THRUST RING	67	65
17633	BRUSH HOLDER KIT	81	13	68878A6	ALARM HORN AND WIRE ASSEMBLY	83	14
17649	MOTOR	81	-	68878A6	ALARM HORN DESIGN I	45	11
17654	BRACKET	83	33	68879	COVER	83	15
18018A1	FUEL PUMP KIT	15	18	68879	COVER DESIGN I	45	12
18178	ROLLER	17	12	69205	C-WASHER	7	36
18180	THROTTLE LINK	17	10	71602	YOKE (BLACK)	3	5
18181	LINK	17	11	71602--1	YOKE (GRAY)	3	5
18488--9	CYLINDER HEAD (2 BOLT MAIN BLOCK)	27	1	74897	PIVOT	11	1
18789A3	CYLINDER HEAD (4 BOLT MAIN BLOCK)	27	1	75384	BRUSH SET	61	8
18866T	COVER	17	1	75660	DRIVE END PLATE	61	3
26852	CAP	11	21	75661	DRIVE	61	2
26852	CAP	11	9	76035	LINK ROD	11	4
26852	CAP	25	38	76214	ANODIC PLATE	51	74
32435	FACE PLATE	47	25	76214	ANODIC PLATE	59	78
32435	FACE PLATE	53	25	76214	ANODIC PLATE	67	82
32435	FACE PLATE	63	25	76214	ANODIC PLATE	77	85
32435	FACE PLATE	71	25	76424	BRACKET	45	3
37896	GUIDE BLOCK	13	41	76867	COVER (LOWER)	23	10
38279	LATCH	13	45	78902	LOWER SHIFT SHAFT	47	38
39483	LATCH	11	22	78902	LOWER SHIFT SHAFT	53	38
39519	CAP	11	40	78902	SHIFT SHAFT (LOWER)	65	38
39519	CAP SCREW ATTACHING	11	36	78902	SHIFT SHAFT (LOWER)	73	38
41052	PLUNGER	35	14	78956	SHIFT CAM	51	49
41094A3	SPARK ADVANCE LEVER	11	6	78956	SHIFT CAM	57	49
41095	THROTTLE CONTROL LEVER	11	13	78956	SHIFT CAM	67	49
41219	RESERVOIR	81	7	78956	SHIFT CAM	75	49
				79022	TIMING MARKER	7	2
				79101T	BRACKET	83	2

PARTS INDEX

Part Number	Description	Pg.	Ref. No.	Part Number	Description	Pg.	Ref. No.
79146	RETAINER	83	19	818161A4	HYDRAULIC PUMP ASSEMBLY	81	-
79216	ARMATURE	61	7	818227--1	DIFFUSER	31	25
79480	BRACKET	83	8	818567	BRACKET	79	2
79610A6	TRIM CYLINDER (79879A1 REPAIR KIT)	39	24	821377--1	DIFFUSER	33	25
79743	COVER	7	23	821754A1	EXHAUST EXT. PLATE (BLACK)	31	21
79911	ROD	51	50	821754A2	EXHAUST EXT. PLATE (GRAY)	31	21
79911	ROD	57	50	821877	BRACKET	3	22
79911	ROD	67	50	821878	BRACKET	3	23
79911	ROD	75	50	821878A2	COWL SUPPORT KIT	3	-
79918A1	FLY WHEEL COVER	7	1	821879	PIN	3	30
79932A11	SHIFT SHAFT	13	48	821880A1	COWL SUPPORT	3	32
810721	THROTTLE LEVER (TOP/CENTER)	19	9	821978A1	EXHAUST EXTENSION RING	51	83
810722	THROTTLE LEVER (BOTTOM)	19	9	821978A1	EXHAUST EXTENSION RING	59	87
810723	ACCELERATOR LINK	19	6	821978A1	EXHAUST EXTENSION RING	69	87
810729	FUEL BOWL (W/FITTING)(TOP)	19	31	821978A1	EXHAUST EXTENSION RING	77	90
810734	FUEL BOWL (CENTER/BOTTOM)	19	31	822188--1	PLATE	3	19
810737	COVER ASSEMBLY	19	19	847610A1	BEARING CARRIER	67	68
810738	FLOAT	19	26	847616A1	BEARING CARRIER	75	71
810739	VALVE SEAT KIT	19	29	847658	RETAINER	33	27
810743	EMULSION TUBE	19	4	85024	SHAFT	39	29
810748	ACCELERATOR LEVER ASSEMBLY	19	5	85026T	PLATE	39	13
810762	PUMP CUP ASSEMBLY	19	23	85028A2	TILT LOCK LEVER (STARBOARD)	35	11
810779	LIMITER CAP	19	2	85030A2	TILT LOCK LEVER (PORT)	35	11
811491	ADAPTOR	81	1	85035T	SPACER (BLACK)	39	16
811492	PUMP (INCLUDES SCREWS)	81	4	85035T6	SPACER (GRAY)	39	16
812497A2	DIODE KIT	83	20	86475--1	COUPLING	35	17
814283A1	ANCHOR BRACKET SCREW ATTACHING	11	33	86485A5	TRIM SENDER ASSEMBLY	35	30
814283A2	ANCHOR BRACKET STUD ATTACHING	11	33	86485A6	TILT SWITCH ASSEMBLY	35	30
814431A2	BEARING CARRIER	57	68	86580A1	BOTTOM YOKE (BLACK)	35	22
814929	THROTTLE CONTROL ROD	11	26	86580A2	BOTTOM YOKE (GRAY)	35	22
815539T	THROTTLE CAM	11	28	86603	KNOB	35	16
815541	PLATE	43	16	86926A4	SPEED LIMITER	43	17
815552A1	DIVIDER PLATE	43	1	87692--2	REED BLOCK	27	21
815563A2	BEARING CARRIER	51	64	87760	MOUNTING PLATE	79	22
816054	MOUNT	31	5	87762	BRACKET	79	28
816479	PLATE	45	7	87871	COVER	41	36
816492A1	ALARM (DESIGN II)	45	11	88075	RETAINER	79	11
816770	RECTIFIER	9	17	88238A4	CABLE	5	35
817084	REED BLOCK HOUSING	27	18	88342	STRAP	35	32
817495A1	SOUND ATTENUATOR	17	16	88621	RETAINER	5	37
817495A1	SOUND ATTENUATOR PLATE	17	4	88825A7	VOLTAGE REGULATOR	43	11
817706A3	FRONT COVER (BLACK)	3	2	89491--1	KEY 1A	45	-
817706A4	FRONT COVER (GRAY)	3	2	89491--2	KEY 1B	45	-
817708	HOLD DOWN	3	8	89491--3	KEY 1C	45	-
817712--1	SEAL	3	17	89491--4	KEY 1D	45	-
817716A3	EXHAUST EXT. PLATE (BLACK)	31	21	89491--5	KEY 1E	45	-
817716A4	EXHAUST EXT. PLATE (GRAY)	31	21	89491--6	KEY 1F	45	-
818161A4	HYDRAULIC PUMP ASSEMBLY	79	1	89491--7	KEY 2A	45	-
				89491--8	KEY 2B	45	-
				89491--9	KEY 2C	45	-
				89491-10	KEY 2D	45	-
				89491-11	KEY 2E	45	-
				89491-12	KEY 2F	45	-
				89493	COUPLING	81	2
				89594A1	CAM FOLLOWER	51	48
				89594A1	CAM FOLLOWER	57	48

PARTS INDEX

Part Number	Description	Pg.	Ref. No.	Part Number	Description	Pg.	Ref. No.
89594A1	CAM FOLLOWER	67	48	10-35057	SCREW	51	84
89594A1	CAM FOLLOWER	75	48	10-35057	SCREW	59	88
89949A1	PLATE ASSEMBLY	39	19	10-35057	SCREW	69	88
90390A1	COVER	27	9	10-35057	SCREW	77	91
90391--1	REED CLAMP	27	23	10-35401	SCREW	83	18
90468A1	COVER	45	2	10-36137	SCREW	17	6
90645	DRIVE KIT	61	1	10-37562	SCREW (1")	27	10
92876A1	STEERING LINK ASSEMBLY	35	26	10-37572	SCREW	7	3
96455A11	TRIGGER PLATE	7	13	10-38055	SCREW(5/8")	9	18
97465	TEMPERATURE SENDER	27	15	10-38055	SCREW(5/8')	9	10
98889	LATCH SCREW ATTACHING	11	34	10-38601	SCREW	3	20
98889	LATCH STUD ATTACHING	11	34	10-38837	SCREW (1")	79	3
99170A1	TILT TUBE	39	9	10-39349	SCREW (3/4")	79	23
99193	COVER	43	6	10-41508	SCREW (3/8")	79	13
99779	TORSION CLIP	5	36	10-42975	SCREW SCREW ATTACHING	11	35
N.S.S.	FORWARD GEAR (PART OF 43-15845A2)	57	56	10-48409	SCREW	17	2
N.S.S.	GEAR (PART OF 43-15845A2)	71	12	10-48409	SCREW	43	12
N.S.S.	GEAR (PART OF 43-44104A7)	63	12	10-60411	SCREW (1-1/4")	9	12
N.S.S.	PINION GEAR (PART OF 43-15845A2)	55	40	10-62568	SCREW	9	9
N.S.S.	PINION GEAR (PART OF 43-44104A6)	49	40	10-62568	SCREW (3/8")	27	17
N.S.S.	REVERSE GEAR (PART OF 43-15845A2)	75	56	10-63474	SCREW	31	4
N.S.S.	SCREW(AMER.BOSCH#02441-22SC-30SM)	61	10	10-63826	BOLT (2-1/2")	79	29
N.S.S.	WASHER (AMERICAN BOSCH#WA3122)	61	6	10-64022	ADJUSTING SCREW	25	36
10-13212--1	SCREW	33	31	10-64022	SCREW	11	7
10-13212--1	SCREW	37	37	10-64022	SCREW (2-1/8")	11	19
10-14000	SCREW (1-1/4")	35	27	10-66024	SCREW	69	83
10-14834	DRAIN SCREW (MAGNETIC)	49	46	10-66024	SCREW	77	86
10-14834	DRAIN SCREW (MAGNETIC)	55	46	10-66024	SCREW (1-3/4")	51	75
10-14834	DRAIN SCREW (MAGNETIC)	65	46	10-66024	SCREW (1-3/4")	59	79
10-14834	DRAIN SCREW (MAGNETIC)	73	46	10-66717	SCREW (3/8-16 X 3-1/4")	23	14
10-14834	SCREW	67	72	10-67755--1	SCREW (4-1/2")	39	4
10-14834	SCREW	77	75	10-67755--2	SCRW (6-1/2")	39	3
10-17621	SCREW	81	12	10-67769	SCREW	31	14
10-17626	SCREW	81	10	10-68513	SCREW	7	33
10-18308	SCREW	27	24	10-69020	SCREW	5	38
10-22486	SCREW	11	23	10-69020	SCREW	43	18
10-28636	SCREW	31	28	10-69028	SCREW	15	14
10-28636	SCREW	33	28	10-69034	SCREW (1")	23	19
10-28636	SCREW	39	14	10-69035	SCREW	7	20
10-28636	SCREW (3/4")	23	30	10-69079	SCREW	7	35
10-28636	SCREW (3/4")	23	34	10-69079	SCREW (7/16")	27	17
10-28668	SCREW (7/8")	27	19	10-69560	SCREW (1-1/4")	11	10
10-28782	SCREW	11	32	10-69570	SCREW	3	3
10-28782	SCREW	43	7	10-70732	SCREW	39	17
10-30206	SCREW	51	78	10-73286	SCREW	15	3
10-30206	SCREW	59	82	10-74824	SCREW (5/16-18 X 1-1/4")	23	14
10-30206	SCREW	69	86	10-74968	THRU BOLT	61	4
10-30206	SCREW	77	89	10-76630	SCREW (1")	27	19
10-31716	SCREW (5/8")	9	26	10-79953	SCREW	65	45
10-32228	SCREW	43	21	10-79953	SCREW	73	45
10-32866	SCREW	41	39	10-79953	SCREW, GREASE FILLER	49	45
				10-79953	SCREW, GREASE FILLER	55	45
				10-811493	SCREW KIT	81	8
				10-815549	SCREW (2")	23	11
				10-815904	SCREW	47	2
				10-815904	SCREW	53	2
				10-815904	SCREW	63	2
				10-815904	SCREW	71	2
				10-818146	SCREW	3	27
				10-818146	SCREW (7/8")	43	5

PARTS INDEX

Part Number	Description	Pg.	Ref. No.	Part Number	Description	Pg.	Ref. No.
10-818158	SCREW (1-3/8")	43	5	11-34933	NUT	59	81
10-818165	SCREW (1-3/4")	11	14	11-34933	NUT	77	88
10-821933	SCREW	3	24	11-35045	NUT	3	21
10-822322	SCREW (1") -SCREW ATTACHING	31	23	11-35045	NUT	11	25
10-823188	SCREW (3/8-16 X 3-1/2")	23	14	11-35045	NUT	11	31
10-823199--1	SCREW (3/8-16 X 1-1/4")	23	14	11-35045	NUT	13	47
10-823258	SCREW (1-1/4")	31	23	11-35045	NUT	13	52
10-87180	BOLT	39	7	11-35053	NUT	3	28
10-87926	SCREW	17	13	11-35521	NUT	31	12
10-87926	SCREW	35	33	11-35814	NUT	33	41
10-87926	SCREW	43	24	11-35888	NUT	15	16
10-87926	SCREW (1/2")	7	37	11-35921	NUT	47	14
10-88417	SCREW (5/8")	31	11	11-35921	NUT	53	14
10-88447	SCREW(1-5/8")	7	24	11-35921	NUT	63	14
10-88489	SCREW	17	19	11-35921	NUT	71	14
10-88743	SCREW	27	3	11-42633	NUT	47	17
10-88829	SCREW	39	22	11-42633	NUT	53	17
10-89996	SCREW	39	20	11-42633	NUT	63	17
10-90028	SCREW	7	11	11-42633	NUT	71	17
10-90086	SCREW (1-1/2")	23	8	11-45076	NUT	7	25
10-90271	SCREW (5/8")	79	25	11-45076	NUT	9	19
10-90815	SCREW	9	3	11-45076	NUT	9	29
10-91903	SCREW (1-3/4")	33	33	11-45076	NUT	9	7
10-91995	SCREW	29	13	11-45076	NUT	43	14
10-92051	SCREW	79	8	11-45812	NUT	11	5
10-92913	SCREW (3/4")	33	33	11-45812	NUT	43	20
10-96411	SCREW (2-1/4")	47	31	11-52707A1	PROPELLER NUT	51	81
10-96411	SCREW (2-1/4")	53	31	11-52707A1	PROPELLER NUT	59	84
10-96411	SCREW (2-1/4")	63	31	11-52707A1	PROPELLER NUT	67	79
10-96411	SCREW (2-1/4")	71	31	11-52707A1	PROPELLER NUT	77	82
10-98256	SCREW	37	35	11-52901	NUT	7	5
10-98534	SCREW (2-1/3")	27	5	11-56041	NUT (7/8-14)	39	11
11-13436	NUT	47	35	11-64015	JAM NUT	25	37
11-13436	NUT	53	35	11-64015	NUT	11	20
11-13436	NUT	65	35	11-64015	NUT	11	8
11-13436	NUT	73	35	11-67980	NUT	9	30
11-13438	NUT	47	33	11-68219	NUT	11	11
11-13438	NUT	53	33	11-68219	NUT	11	3
11-13438	NUT	63	33	11-68219	NUT	45	6
11-13438	NUT	71	33	11-68411	NUT	79	30
11-18102	NUT STUD ATTACHING	11	39	11-810744	NUT	19	13
11-20110	NUT (#10-32)	79	14	11-816670	NUT	39	6
11-20184	NUT	15	10	11-816874	NUT	23	27
11-20220	NUT	39	8	11-90068T	NUT (1"-14)(BLACK)	39	11
11-20890	NUT	7	18	11-90068T6	NUT (1"-14)(GRAY)	39	11
11-21825	NUT	79	18	11-93543	NUT	45	9
11-25269	NUT	31	15	12-17616	THRUST RING	75	65
11-26419	NUT	83	11	12-17616	THRUST WASHER	57	61
11-26419	NUT	83	5	12-17653	THRUST WASHER	81	16
11-26484	NUT (5/16-18)	79	15	12-19183	WASHER	49	47
11-28040	NUT	31	7	12-19183	WASHER	55	47
11-29488	NUT	5	39	12-19183	WASHER	65	47
11-29488	NUT	39	35	12-19183	WASHER	67	73
11-30506	NUT -STUD ATTACHING	31	24	12-19183	WASHER	73	47
11-34863	NUT	35	28	12-19183	WASHER	77	76
11-34863	NUT (THIN)	31	17	12-20128	WASHER	3	10
11-34932	NUT (FULL)	31	17	12-20128	WASHER	3	34
11-34933	NUT	31	19	12-20128	WASHER	3	7
11-34933	NUT	51	77	12-20533	WASHER -STUD ATTACHING	31	23
				12-22753	WASHER	33	40

PARTS INDEX

Part Number	Description	Pg.	Ref. No.	Part Number	Description	Pg.	Ref. No.
12-22753	WASHER	79	32	12-822836	WASHER	31	18
12-22887	WASHER	3	4	12-822836	WASHER	33	34
12-24676	WASHER	45	5	12-822836	WASHER	51	76
12-26427	WASHER	83	17	12-822836	WASHER	59	80
12-28421	WASHER	39	5	12-822836	WASHER	69	84
12-29245	WASHER	11	28A	12-822836	WASHER	77	87
12-29245	WASHER	15	15	12-822838	WASHER	23	13
12-29245	WASHER	17	7	12-822838	WASHER	27	6
12-29245	WASHER	37	36	12-822838	WASHER	31	16
12-29245	WASHER	39	15	12-847524	WASHER (4-BOLT MAIN)	29	14
12-29245	WASHER	39	18	12-847526	WASHER	43	5
12-29245	WASHER	47	32	12-847539	WASHER	3	25
12-29245	WASHER	53	32	12-847541	WASHER	3	27A
12-29245	WASHER	63	32	12-85022	WASHER	39	26
12-29245	WASHER	71	32	12-87161	WASHER	35	9
12-31211A2	THRUST WASHER	51	80	12-89302	WASHER	7	32
12-31211A2	THRUST WASHER	59	86	12-89302	WASHER	17	14
12-31211A2	WASHER	67	81	12-92721	WASHER	47	13
12-31211A2	WASHER	77	84	12-92721	WASHER	53	13
12-33786	WASHER STUD ATTACHING	11	38	12-92721	WASHER	63	13
12-35462	WASHER	13	51	12-92721	WASHER	71	13
12-36001	WASHER	47	34	12-96457	WASHER	79	17
12-36001	WASHER	53	34	13-15094	STUD (1-7/8")	23	22
12-36001	WASHER	63	34	13-26992	LOCKWASHER	9	27
12-36001	WASHER	71	34	13-26992	LOCKWASHER	15	2A
12-36042	WASHER	9	14	13-26992	LOCKWASHER	25	35
12-37828	WASHER	35	29	13-26992	LOCKWASHER	31	29
12-39143	WASHER	27	26	13-26992	LOCKWASHER	33	29
12-45175	LOCKWASHER	79	27	13-26993	LOCKWASHER	23	9
12-47247	WASHER (2-BOLT MAIN)	29	14	13-26993	LOCKWASHER	79	24
12-47533--1	WASHER, SUBSTITUTE FOR THERMOSTAT	27	7	13-26993	LOCKWASHER 3	9	13
12-49221--1	WASHER	23	25	13-26996	LOCKWASER	43	22
12-57792	WASHER	79	4	13-26996	LOCKWASHER	7	12
12-67264	WASHER(RUBBER)	9	15	13-29720	WAVE WASHER	13	49
12-67670	THRUST WASHER	35	24	13-36992	LOCKWASHER	7	17
12-68229	WASHER	7	6	13-58643	LOCKWASHER	79	26
12-68410	WASHER	11	18	13-69432	LOCKWASHER	17	15
12-69056	WASHER	13	46	13-78854	WAVE WASHER	35	21
12-69057	WASHER	17	20	13-88750	WAVE WASHER	39	10
12-72761	WASHER	7	4	14-79447	TAB WASHER	51	72
12-72761	WASHER	23	26	14-79447	TAB WASHER	57	74
12-72761	WASHER	43	19	14-79447	TAB WASHER	67	75
12-72761	WASHER	43	23	14-79447	TAB WASHER	77	77
12-74758	WASHER	3	29	14-816629	TAB WASHER	51	82
12-77674	RUBBER WASHER	65	44	14-816629	TAB WASHER	59	85
12-77674	RUBBER WASHER	73	44	14-816629	TAB WASHER	67	80
12-77674	WASHER, RUBBER	49	44	14-816629	TAB WASHER	77	83
12-77674	WASHER, RUBBER	55	44	15-42637A1	SHIM ASSEMBLY	47	15
12-78910	WASHER	51	52	15-42637A1	SHIM ASSEMBLY	53	15
12-78910	WASHER	57	52	15-42637A1	SHIM ASSEMBLY	63	15
12-78910	WASHER	67	52	15-42637A1	SHIM ASSEMBLY	71	15
12-78910	WASHER	75	52	15-47397A1	SHIM	51	68
12-810745	WASHER	19	12	15-47397A1	SHIM	67	54
12-816056	WASHER	31	6	16-15093	STUD (1")	23	23
12-816056	WASHER	33	32	16-18101	STUD STUD ATTACHING	11	37
12-816056	WASHER	37	39	16-20353	STUD	11	29
12-822714	WASHER	31	22	16-27037	STUD	27	27
12-822714	WASHER -SCREW ATTACHING	31	22	16-55422	STUD	45	4
				16-56295	STUD	31	2
				16-56297	STUD (3-3/8")	47	6

PARTS INDEX

Part Number	Description	Pg.	Ref. No.	Part Number	Description	Pg.	Ref. No.
16-56297	STUD (3-3/8")	53	6	17-823106	DOWEL PIN (.875)	33	30
16-56297	STUD (3-3/8")	63	6	17-823106--1	DOWEL PIN (.800)	31	30
16-56297	STUD (3-3/8")	71	6	17-85020	PIVOT PIN	39	28
16-57920	STUD (2-1/16")	47	5	17-91862	PIN	39	31
16-57920	STUD (2-1/16")	53	5	18-21071	COTTER PIN	3	11
16-57920	STUD (2-1/16") LONG	63	5	18-93861	COTTER PIN	35	20
16-57920	STUD (2-1/16") LONG	71	5	19-64649	PLUG	31	3
16-58893	STUD -STUD ATTACHING	31	22	19-815784	CAP PLUG	17	18
16-69058	STUD	33	39	21-42623	CHECK VALVE (PRESS-IN- 11/16" LONG)	27	31
16-69501	STUD (3-1/4")	47	7	21-42698	CHECK VALVE (PRESS IN- 13/16" LONG)	27	31
16-69501	STUD (3-1/4")	53	7	21-64871A2	CHECK VALVE	17	8
16-69501	STUD (3-1/4")	63	7	22-13820	PIPE PLUG	47	10
16-69501	STUD (3-1/4")	71	7	22-13820	PIPE PLUG	53	10
16-74730	STUD (7") X-LONG	63	5	22-14685	PLUG	3	18
16-74730	STUD (7") X-LONG	71	5	22-15026	CAP	27	34
16-78638	STUD (3-1/8")	47	4	22-28586	ADAPTOR	21	43
16-78638	STUD (3-1/8")	53	4	22-32561	PIPE PLUG	25	39
16-78638	STUD (3-1/8") LONG	63	4	22-32802	PIPE PLUG	27	1
16-78638	STUD (3-1/8") LONG	71	4	22-32802	PIPE PLUG	43	1
16-78639	STUD (8-1/8") X-LONG	63	4	22-36492	BUSHING	83	22
16-78639	STUD (8-1/8") X-LONG	71	4	22-38407	PLUG (WATER JACKET)	23	21
16-822358	STUD (2-3/4")	23	2	22-56759	FITTING (PRESS IN)	27	29
16-847529	STUD (2-1/2")	23	2	22-56800	PLUG	23	4
16-847530	STUD (2")	23	2	22-63651	ELBOW (90)	83	26
16-847532	STUD (5-3/4")	23	2	22-63670	FITTING	83	27
16-847533	STUD (7")	23	2	22-64706	TEE FITTING	83	25
16-88876	STUD	35	15	22-68727	ELBOW (STARBOARD)	27	11
17-12148	POP RIVET	3	33	22-68727	FITTING	43	10
17-12148	RIVET	3	15	22-68728	FITTING (PORT)	27	13
17-14908	RIVET	3	16	22-70834	BAYONET	15	19
17-42671	CROSS PIN	51	62	22-74036	GREASE FITTING	35	4
17-42671	CROSS PIN	57	64	22-77366	CONNECTOR	79	33
17-42671	CROSS PIN	67	60	22-77863	FITTING	83	29
17-42671	CROSS PIN	75	60	22-816875	ELBOW (TOP)	21	40
17-43044	DOWEL PIN	23	3	22-816876	TEE (CENTER)	21	41
17-43044	DOWEL PIN	47	3	22-818200	FITTING	79	34
17-43044	DOWEL PIN	53	3	22-821881	PIPE PLUG	3	26
17-43044	DOWEL PIN	63	3	22-821937	PIPE PLUG	31	21
17-43044	DOWEL PIN	71	3	22-822715	ELBOW (PRESS IN)	27	28
17-43044	DOWEL PIN (.625)	31	30	22-847627	PIPE PLUG	63	10
17-43044	DOWEL PIN (.625)	33	30	22-847627	PIPE PLUG	71	10
17-58712	CLEVIS PIN	3	9	22-94282	ELBOW (SPECIAL)(BOTTOM)	21	42
17-63779	DOWEL PIN	27	25	23-17615--1	SPACER SHIM (.125")	75	63
17-67296	DOWEL PIN (BEARING RACE)	23	5	23-17615--1	SPACER SHIM.125"	57	62
17-67706A46	SWIVEL PIN AND STEERING ARM (BLACK)	35	25	23-17615--2	SPACER SHIM (.127")	75	63
17-67706A47	SWIVEL PIN AND STEERING ARM (GRAY)	35	25	23-17615--2	SPACER SHIM.127"	57	62
17-69745	PIN	35	18	23-17615--3	SPACER SHIM (.129")	75	63
17-78906	PIN	51	53	23-17615--3	SPACER SHIM.129"	57	62
17-78906	PIN	57	53	23-17615--4	SPACER SHIM (.131")	75	63
17-78906	PIN	57	53	23-17615--4	SPACER SHIM.131"	57	62
17-78906	PIN	67	53	23-17615--5	SPACER SHIM (.133")	75	63
17-78906	PIN	75	53	23-17615--5	SPACER SHIM.133"	57	62
17-78909	DETENT PIN	51	54	23-17615--6	SPACER SHIM (.135")	75	63
17-78909	DETENT PIN	57	54	23-17615--6	SPACER SHIM.135"	57	62
17-78909	DETENT PIN	67	59	23-17615--7	SPACER SHIM (137")	75	63
17-78909	DETENT PIN	75	59	23-17615--7	SPACER SHIM.137"	57	62
17-810747	STEM	19	18	23-17615--8	SPACER SHIM (139")	75	63
17-816771	RIVET	3	6	23-17615--8	SPACER SHIM.139"	57	62

PARTS INDEX

Part Number	Description	Pg.	Ref. No.	Part Number	Description	Pg.	Ref. No.
23-17615--9	SPACER SHIM (.141")	75	63	25-25439	O-RING	73	41
23-17615--9	SPACER SHIM.141"	57	62	25-31534	O-RING	51	70
23-17615-10	SPACER SHIM (.143")	75	63	25-31534	O-RING	57	72
23-17615-10	SPACER SHIM.143"	57	62	25-31534	O-RING	67	67
23-17615-11	SPACER SHIM (.145")	75	63	25-31534	O-RING	75	66
23-17615-11	SPACER SHIM.145"	57	62	25-33466	O-RING	35	6
23-17615-12	SPACER SHIM (.147")	75	63	25-39695	O-RING	47	12
23-17615-12	SPACER SHIM.147"	57	62	25-39695	O-RING	53	12
23-17615-13	SPACER SHIM (.149")	75	63	25-39695	O-RING	63	1B
23-17615-13	SPACER SHIM.149"	57	62	25-39695	O-RING	71	1B
23-26600	BUSHING	13	50	25-45507	GROMMET	41	38
23-27132	BUSHING	13	53	25-48171	O-RING	35	10
23-29804	SLEEVE	53	37	25-54029	O-RING	23	16
23-29804	SLEEVE, GUIDE	47	37	25-62700	O-RING (3-1/4" I.D.)	23	32
23-34948	SPACER	79	5	25-817713--1	GROMMET	3	13
23-43998	SLEEVE	63	9	25-88341	GROMMET	35	7
23-43998	SLEEVE	71	9	25-89497	O-RING, RESERVOIR END	81	6
23-43998	SLEEVE LUBRICATION	53	9	25-89498	O-RING, MOTORE END	81	3
23-55164	BUSHING	11	15	25-90011	O-RING	47	20
23-55171	BUSHING	11	16	25-90011	O-RING	53	20
23-67268	BUSHING	9	16	25-90011	O-RING	63	20
23-67269	SPACER	23	24	25-90011	O-RING	71	20
23-67668	SPACER	35	5	26-16977	OIL SEAL	47	22
23-77631A2	BUSHING ASSEMBLY	49	42	26-16977	OIL SEAL	53	22
23-77631A2	BUSHING ASSEMBLY	55	42	26-16977	OIL SEAL	63	22
23-77631A2	BUSHING ASSEMBLY	65	42	26-16977	OIL SEAL	71	22
23-77631A2	BUSHING ASSEMBLY	73	42	26-38970	SEAL	31	26
23-79697	SPACER	83	16	26-38970	SEAL, RUBBER	47	28
23-812711	SPACER (1/4")	45	13	26-38970	SEAL, RUBBER	53	28
23-812711--1	SPACER (3/8")	45	13	26-41953	OIL SEAL	23	18
23-818764	BUSHING	35	3	26-41953	OIL SEAL	23	33
23-822823	THRUST RING	67	66	26-43998	SLEEVE, LUBRICATION	47	9
23-847685	SLEEVE	63	29	26-814754	SEAL1	43	3
23-847685	SLEEVE	71	29	26-815565	OIL SEAL	51	66
23-86489	BUSHING	39	25	26-815565	OIL SEAL	57	70
23-86600	BUSHING	35	12	26-815565	OIL SEAL	67	70
23-86637	BEARING	39	30	26-815565	OIL SEAL	75	73
23-93248--1	SWIVEL BUSHING	11	30	26-816464--1	OIL SEAL	49	43
23-94304	BUSHING	9	31	26-816464--1	OIL SEAL	55	43
23-94453	BUSHING	9	5	26-816464--1	OIL SEAL	65	43
23-99509--1	RUBBER PAD	3	31	26-816464--1	OIL SEAL	73	43
24-20099	SPRING	11	24	26-85023	OIL SEAL	35	8
24-20099	SPRING	13	42	26-87735	OIL SEAL (LOWER)	35	2
24-30316	SPRING	39	27	26-88397	SEAL	33	26
24-68784	SPRING	11	17	26-88397	SEAL	63	28
24-78962	SPRING	51	55	26-88397	SEAL	71	28
24-78962	SPRING	57	55	26-89238	OIL SEAL	47	21
24-78962	SPRING	67	61	26-89238	OIL SEAL	53	21
24-78962	SPRING	75	61	26-89238	OIL SEAL	63	21
24-79910	SPRING	51	51	26-89238	OIL SEAL	71	21
24-79910	SPRING	57	51	27-11338	GASKET	23	6
24-79910	SPRING	67	51	27-18051	GASKET	47	23
24-79910	SPRING	75	51	27-18051	GASKET	53	23
24-85367	SPRING	35	13	27-18051	GASKET (LOWER)	63	23
24-88049	SPRING	35	19	27-18051	GASKET (LOWER)	71	23
25-12602	GROMMET	39	34	27-18889--1	GASKET	17	3
25-17625	O-RING	81	11	27-42631--1	GASKET	47	19
25-25439	O-RING	49	41	27-42631--1	GASKET	53	19
25-25439	O-RING	55	41	27-42631--1	GASKET	63	19
25-25439	O-RING	65	41	27-42631--1	GASKET	71	19

PARTS INDEX

Part Number	Description	Pg.	Ref. No.	Part Number	Description	Pg.	Ref. No.
27-62386	GASKET	27	8	31-817072	ROLLER BEARING	67	69
27-67751	GASKET	15	9	31-817072	ROLLER BEARING	75	72
27-67751	GASKET	19	3	31-821146A1	ROLLER BEARING	29	15
27-813859	GASKET	27	20	32-64088--6	TUBING	83	30
27-814658	GASKET (4 BOLT MAIN BLOCK)	27	4	32-66285-70	HOSE	17	9
27-814658A2	GASKET SET (2 BOLT MAIN BLOCK)	1	-	32-66285-70	HOSE, BLEED	27	30
27-814658A4	GASKET SET (4 BOLT MAIN BLOCK)	1	-	32-67295	WATER TUBE (2 HOLE WATER PICK-UP)	31	20
27-822844--1	GASKET (2 BOLT MAIN BLOCK)	27	4	32-77457--2	FUEL LINE	15	7
27-823142	GASKET	43	9	32-77457--2	HOSE	15	17
27-847525	GASKET	43	2	32-77457--2	HOSE	27	12
27-85609--1	GASKET	47	24	32-77457--2	HOSE	43	15
27-85609--1	GASKET	53	24	32-847650--2	WATER TUBE (4 HOLE WATER PICK-UP)	31	20
27-85609--1	GASKET (UPPER)	63	24	32-89023	HOSE, HYDRAULIC (STARBOARD)	39	33
27-85609--1	GASKET (UPPER)	71	24	32-89024	HOSE, HYDRAULIC (PORT)	39	33
27-87775	GASKET	41	37	32-96993	HOSE, HYDRAULIC (PORT)	39	32
27-88907--2	GASKET	43	8	32-96994	HOSE, HYDRAULIC (STARBOARD)	39	32
27-89221--1	GASKET	17	17	32-99126-88	FUEL LINE	15	4
27-89221--1	GASKET	17	5	32-99127109	WATER TUBE	23	28
28-30281	KEY	51	71	32-99128-78	FUEL LINE	15	5
28-30281	KEY	57	73	32-99130122	FUEL LINE	15	6
28-30281	KEY	67	74	32-99130122	HOSE, PRIMER	27	30
28-30281	KEY	77	79	33-97180	SPARK PLUG (NGK#BUHW)	7	30
28-56654	KEY	47	30	34-815242A2	REED ASSEMBLY	27	22
28-56654	KEY	53	30	35-818700	FUEL FILTER	15	11
28-56654	KEY	63	30	35-89496	FILTER	81	5
28-56654	KEY	71	30	37-817660A91	DECAL SET (BLACK)	3	-
29-67483	NEEDLE BEARING	29	16	37-818263A91	DECAL SET (GRAY)	3	-
30-41421	BALL BEARING (LOWER) ..	29	2	38-90311	INSERT	45	10
30-88957A1	BALL BEARING	51	60	39-67377--1	RING (.124 THICK)	29	6
30-88957A1	BALL BEARING	59	77	39-817038A1	PISTON RING ASSEMBLY -2 BOLT MAIN	29	10
30-88957A1	BALL BEARING	67	64	39-817038A1	PISTON RING ASSEMBLY -4 BOLT MAIN	29	10
30-88957A1	BALL BEARING	75	55	40-17977	LOCK RING -2 BOLT MAIN ..	29	11
31-15834	THRUST BEARING	57	59	43-15845A2	FORWARD GEAR	75	62
31-15834	THRUST BEARING	75	69	43-15845A2	REVERSE GEAR ASSEMBLY ..	57	57
31-15841	ROLLER BEARING	57	60	43-44104A6	FORWARD GEAR SET (INCLUDES REVERSE GEAR)	51	57
31-15841	ROLLER BEARING	75	64	43-44104A7	FORWARD GEAR SET (INCLUDES REVERSE GEAR)	67	56
31-15843	ROLLER BEARING	57	67	43-816419A1	REVERSE GEAR	51	56
31-15843	ROLLER BEARING	75	68	43-822824A1	REVERSE GEAR	67	63
31-15844	ROLLER BEARING	57	58	44-815495T	PROPELLER SHAFT	57	65
31-15844	ROLLER BEARING	75	57	44-815495T	PROPELLER SHAFT	75	70
31-16756A5	ROLLER BEARING	29	8	44-816418T	PROPELLER SHAFT	51	63
31-36387A1	ROLLER BEARING	47	16	44-822820	PROPELLER SHAFT	67	62
31-36387A1	ROLLER BEARING	53	16	45-44000--1	DRIVE SHAFT	47	36
31-36387A1	ROLLER BEARING	63	16	45-44000--1	DRIVE SHAFT	53	36
31-36387A1	ROLLER BEARING	71	16	45-44000--6	DRIVE SHAFT (LONG)	63	11
31-42647A1	ROLLER BEARING	47	8	45-44000--6	DRIVE SHAFT (LONG)	71	11
31-42647A1	ROLLER BEARING	47	8	45-44000--7	DRIVE SHAFT (X-LONG) ...	63	11
31-42647A1	ROLLER BEARING	53	8	45-44000--7	DRIVE SHAFT (X-LONG) ...	71	11
31-42647A1	ROLLER BEARING	63	8	46-44292A3	WATER PUMP BASE ASSEMBLY	47	18
31-42647A1	ROLLER BEARING	71	8				
31-42647A1	ROLLER BEARING	71	8				
31-54928--1	ROLLER BEARING	51	58				
31-54928--1	ROLLER BEARING	67	57				
31-74248	BEARING	23	17				
31-78172A1	TAPERED ROLLER BEARING	51	69				
31-78172A1	TAPERED ROLLER BEARING	67	55				
31-817072	ROLLER BEARING	51	65				
31-817072	ROLLER BEARING	57	69				

PARTS INDEX

Part Number	Description	Pg.	Ref. No.	Part Number	Description	Pg.	Ref. No.
46-44292A3	WATER PUMP BASE ASSEMBLY	53	18	84-65017A14	TILT HARNESS	79	35
46-44292A3	WATER PUMP BASE ASSEMBLY	63	18	84-65017A25	TRIM HARNESS	37	38
46-44292A3	WATER PUMP BASE ASSEMBLY	71	18	84-65999A11	CABLE	79	19
46-847710A1	WATER PUMP BODY ASSEMBLY	63	26	84-65999A12	CABLE	79	6
46-847710A1	WATER PUMP BODY ASSEMBLY	71	26	84-65999A2	CABLE (BLACK)	9	28
46-96148A1	WATER PUMP BODY	47	26	84-65999A3	CABLE (BLACK)	9	11
46-96148A1	WATER PUMP BODY	53	26	84-69738A7	HARNESS ASSEMBLY (#2,4&6)	7	31
47-89984	IMPELLER	47	29	84-69739A2	HARNESS ASSEMBLY (#1,3,&5)	7	31
47-89984	IMPELLER	53	29	84-79138A9	BATTERY CABLE (NEGATIVE)	79	7
47-89984	IMPELLER	65	37	84-79139A12	BATTERY CABLE (RED-POSITIVE)	79	20
47-89984	IMPELLER	73	37	84-79139A26	WIRE (RED)	79	21
50-79472	STARTER MOTOR ASSEMBLY	7	14	84-79147A5	HARNESS ASSEMBLY	79	9
50-79472	STARTER MOTOR ASSEMBLY	61	-	84-815358A1	HIGH TENSION CABLE	7	28
52-42672	CLUTCH	51	61	84-816626A15	KEY SWITCH ASSEMBLY	45	1
52-42672	RATCHET	57	63	84-86322A16	CABLE (BLACK)	83	24
52-42672	RATCHET	67	58	84-86322A7	WIRE (BLACK-1-1/2")	83	6
52-42672	RATCHET	75	58	84-86323A5	WIRE (PURPLE-1-1/2")	83	6
53-29641	E-RING	47	39	84-86396A8	HARNESS	83	13
53-29641	E-RING	53	39	84-88439A14	BATTERY CABLE (POSITIVE)	9	20
53-29641	E-RING	65	39	84-88439A2	BATTERY CABLE (NEGATIVE)	9	20
53-29641	E-RING	73	39	84-88532A1	CABLE (DARK BLUE)	83	24
53-67446	RETAINING RING	29	3	84-88807A6	GROUND STRAP (BLACK)	7	26
53-67684	RETAINING RING	35	23	84-93388A1	WIRE (BLACK)	7	21
53-817071	SNAP RING	51	67	84-93389A5	WIRE (YELLOW)	7	19
53-817071	SNAP RING	57	71	84-96220A4	ENGINE HARNESS	9	21
53-817071	SNAP RING	67	71	87-88107	SWITCH (SEE CHART FOR KEY)	45	8
53-817071	SNAP RING	75	74	88-72729	LIGHT BULB	83	3
54-23567	J-CLAMP	7	34	88-72729	LIGHT BULB	83	9
54-54457	CLAMP	35	34	88-79023A10	FUSE (110 AMP)	79	16
54-63153	J-CLAMP	23	12	88-79091	FUSE	9	22
54-63300--1	CLAMP	15	2	88-79091	FUSE (20 AMP)	79	10
54-64235--2	J-CLAMP (SMALL)	43	4	88-79888	SOCKET	83	10
54-75275	CLAMP	39	21	88-79888	SOCKET	83	4
54-78945--1	J-CLAMP	27	32	88-95691	BULB	83	31
54-814634	J-CLAMP	9	13A	89-68258A4	SOLENOID	79	12
54-814634	J-CLAMP (LARGE)	43	4	89-68258A4	STARTER SLOENOID	9	25
54-815504104	CLAMP	15	12	90-811499-91	PARTS MANUAL	1	-
54-816311	CABLE TIE	83	28	90-818334930	OWNER'S GUIDE BLACK	1	-
54-816311	STA-STRAP	9	24	90-818335930	OWNER'S GUIDE GRAY	1	-
54-816311	STA-STRAP	15	8	142-20878	WASHER	41	40
54-816311	STA-STRAP	27	14	164-9561A37	GEAR HOUSING (BASIC-GRAY)	51	1
54-816311	STA-STRAP	43	25	249-6080A5	FLYWHEEL	7	7
54-816311	STA-STRAP	83	12	332-7778A14	SWITCH BOX	9	2
54-847737	CLAMP	31	8	339-7370A13	IGNITION COIL	7	22
54-847747	CLIP	15	13	398-5454A36	STATOR	7	10
54-88512	J-CLAMP	39	21	455-7251A7	CRANKSHAFT ASSEMBLY	29	1
79-15113A4	TRIM GAUGE	83	7	625-813865A2	CONNECTING ROD ASSEMBLY (2 BOLT MAIN)	29	12
79-15128A3	30 PSI GAUGE KIT	83	23	625-847522A2	CONNECTING ROD ASSEMBLY (4 BOLT MAIN)	29	12
79-93953A1	TACHOMETER	83	1	766-817036A3	PISTON ASSEMBLY (PORT)	29	9
84-11149A2	CABLE ASSEMBLY	83	21		-2 BOLT MAIN	29	9
84-13397A1	HARNESS ASSEMBLY	43	13				
84-60871A10	WIRE	9	8				
84-62310A2	CABLE	9	6				

PARTS INDEX

Part Number	Description	Pg.	Ref. No.	Part Number	Description	Pg.	Ref. No.
766-847607A3	PISTON ASSEMBLY (PORT) -4 BOLT MAIN	29	9	1647-847626A28	GEAR HOUSING (BASIC- GRAY-CUT SKEG)	67	1
766-847608A3	PISTON ASSEMBLY (STARBOARD) -4 BOLT MAIN	29	9	1647-847626A28	GEAR HOUSING (BASIC- GRAY-CUT SKEG)	71	1
884-822230A5	CYLINDER BLOCK	23	1	1647-9561A21	GEAR HOUSING (BASIC- BLACK)	47	1
1156-7809A1	LOWER END CAP	23	31	1647-9561A21	GEAR HOUSING (BASIC- BLACK)	51	1
1159-847523A1	UPPER END CAP	23	15	1647-9561A37	GEAR HOUSING (BASIC- GRAY)	47	1
1395-6207	JET, MAIN FUEL (.072)(RUN)	19	34	1647-9561A39	GEAR HOUSING (GRAY)	47	-
1395-6359	JET, IDLE AIR BLEED (.052)	19	16	1647-9561A39	GEAR HOUSING (GRAY)	51	-
1395-811283	POWER JET	19	35	1647-9561A41	GEAR HOUSING (GRAY)	53	-
1395-811284	SPACER	19	11	1647-9561A41	GEAR HOUSING (GRAY)	57	-
1395-9596	PLUG	19	32	1647-9561A48	GEAR HOUSING (BASIC- GRAY)	53	1
1399-3251	JET, PROGRESSION (.034)	19	17	1647-9561A48	GEAR HOUSING (BASIC- GRAY)	57	1
1399-3796	JET, MAIN FUEL (.076)(BREAK-IN)	19	34	1647-9561A51	GEAR HOUSING (BLACK)	53	-
1491-9225A3	SWIVEL BRACKET ASSEMBLY (BLACK)	35	1	1647-9561A51	GEAR HOUSING (BLACK)	57	-
1491-9225A4	SWIVEL BRACKET ASSEMBLY (GRAY)	35	1	1647-9561A59	GEAR HOUSING (BLACK)	47	-
1494-7476T1	TRANSOM BRACKET (PORT) -BLACK	39	1	1647-9561A59	GEAR HOUSING (BLACK)	51	-
1494-7476T6	TRANSOM BRACKET (PORT) -GRAY	39	1	1647-9561A70	GEAR HOUSING (BASIC- BLACK)	53	1
1495-7478T1	TRANSOM BRACKET (STARBOARD) -BLACK	39	2	1647-9561A70	GEAR HOUSING (BASIC- BLACK)	57	1
1495-7478T6	TRANSOM BRACKET (STARBOARD) -GRAY	39	2	3308-9672A22	CARBURETOR (TOP)	19	1
1590-8837A10	DRIVE SHAFT HOUSING ASSEMBLY (GRAY)	31	1	3308-9672A23	CARBURETOR (CENTER)	19	1
1590-8837A5	DRIVE SHAFT HOUSING ASSEMBLY (BLACK)	31	1	3308-9672A24	CARBURETOR (BOTTOM)	19	1
1647-847625A15	GEAR HOUSING (BASIC- BLACK -STD. HOUSING)	71	1	4006-817704A5	TOP COWL (BLACK)	3	1
1647-847625A15	GEAR HOUSING (BASIC- BLACK -STD. HOUSING)	75	1	4006-817704A6	TOP COWL (GRAY)	3	1
1647-847625A15	GEAR HOUSING (BASIC- BLACK-STD. HOUSING)	63	1	4007-817709A5	BOTTOM COWL (BLACK)	3	12
1647-847625A15	GEAR HOUSING (BASIC- BLACK-STD. HOUSING)	67	1	4007-817709A6	BOTTOM COWL (GRAY)	3	12
1647-847625A16	GEAR HOUSING (BASIC- GRAY -STD. HOUSING)	71	1				
1647-847625A16	GEAR HOUSING (BASIC- GRAY -STD. HOUSING)	75	1				
1647-847625A16	GEAR HOUSING (BASIC- GRAY-STD. HOUSING)	63	1				
1647-847625A16	GEAR HOUSING (BASIC- GRAY-STD. HOUSING)	67	1				
1647-847626A27	GEAR HOUSING (BASIC- BLACK -CUT SKEG)	71	1				
1647-847626A27	GEAR HOUSING (BASIC- BLACK -CUT SKEG)	75	1				
1647-847626A27	GEAR HOUSING (BASIC- BLACK-CUT SKEG)	63	1				
1647-847626A27	GEAR HOUSING (BASIC- BLACK-CUT SKEG)	67	1				
1647-847626A28	GEAR HOUSING (BASIC GRAY-CUT SKEG)	75	1				
1647-847626A28	GEAR HOUSING (BASIC- GRAY-CUT SKEG)	63	1				