



# PARTS CATALOG

## 2.5L EFI 2.5L EFI OFFSHORE

### SERIAL NUMBER

MERC/MAR 2.5L (EFI) .....0D030200 THRU 0D935270

# TABLE OF CONTENTS:

AIR INLET/THROTTLE LINKAGE (DESIGN I) .....	26
AIR INLET/THROTTLE LINKAGE (DESIGN II) .....	28
COMPLETE GEAR HOUSING REPLACEMENT WITH 4-HOLE WATER PICK UP .....	66
COWLS .....	2
CRANKSHAFT, PISTONS AND CONNECTING RODS .....	24
CYLINDER BLOCK AND END CAPS .....	18
DRIVE SHAFT HOUSING (OFFSHORE) .....	36
DRIVE SHAFT HOUSING (STANDARD) .....	32
E.F.I. CONTROL BOX .....	30
EXHAUST PLATE .....	16
FLYWHEEL, STARTER MOTOR AND IGNITION COILS .....	6
FUEL INJECTORS .....	92
FUEL PUMP .....	88
FUEL PUMP .....	90
GEAR HOUSING (DRIVE SHAFT)LHR 2-HOLE WATER PICK-UP .....	56
GEAR HOUSING (DRIVE SHAFT)LHR 4-HOLE WATER PICK-UP .....	76
GEAR HOUSING (DRIVE SHAFT)RHR 2-HOLE WATER PICK-UP .....	48
GEAR HOUSING (DRIVE SHAFT)RHR 4-HOLE WATER PICK-UP .....	68
GEAR HOUSING (PROPELLER SHAFT)LHR 2-HOLE WATER PICK-UP .....	60
GEAR HOUSING (PROPELLER SHAFT)RHR 2-HOLE WATER PICK-UP .....	52
GEAR HOUSING (PROPELLER SHAFT)RHR 4-HOLE WATER PICK-UP .....	72
GEAR HOUSING(PROPELLER SHAFT)LHR 4-HOLE WATER PICK-UP .....	80
HYDRAULIC PUMP AND MOUNTING BRACKETS .....	84
HYDRAULIC PUMP ASSEMBLY .....	86
INSTRUMENTATION .....	94
KEY SWITCH ASSEMBLY .....	64
MISCELLANEOUS PARTS/ACCESSORIES .....	1
PARTS INDEX .....	96
REED BLOCK AND CYLINDER HEAD .....	22
STARTER MOTOR ASSEMBLY .....	14
SWIVEL BRACKET AND STEERING ARM .....	40
THROTTLE LEVER AND SHIFT SHAFT .....	10
TRANSOM BRACKETS AND TRIM CYLINDER .....	44
WIRING HARNESS, STARTER SOLENOID & REFTIFIER .....	8

**NOTE:** Indented description indicate that these parts are included in preceding assembly.

**AR** = As Required

**NSS** = Not Sold Separate

**OPT** = Optional

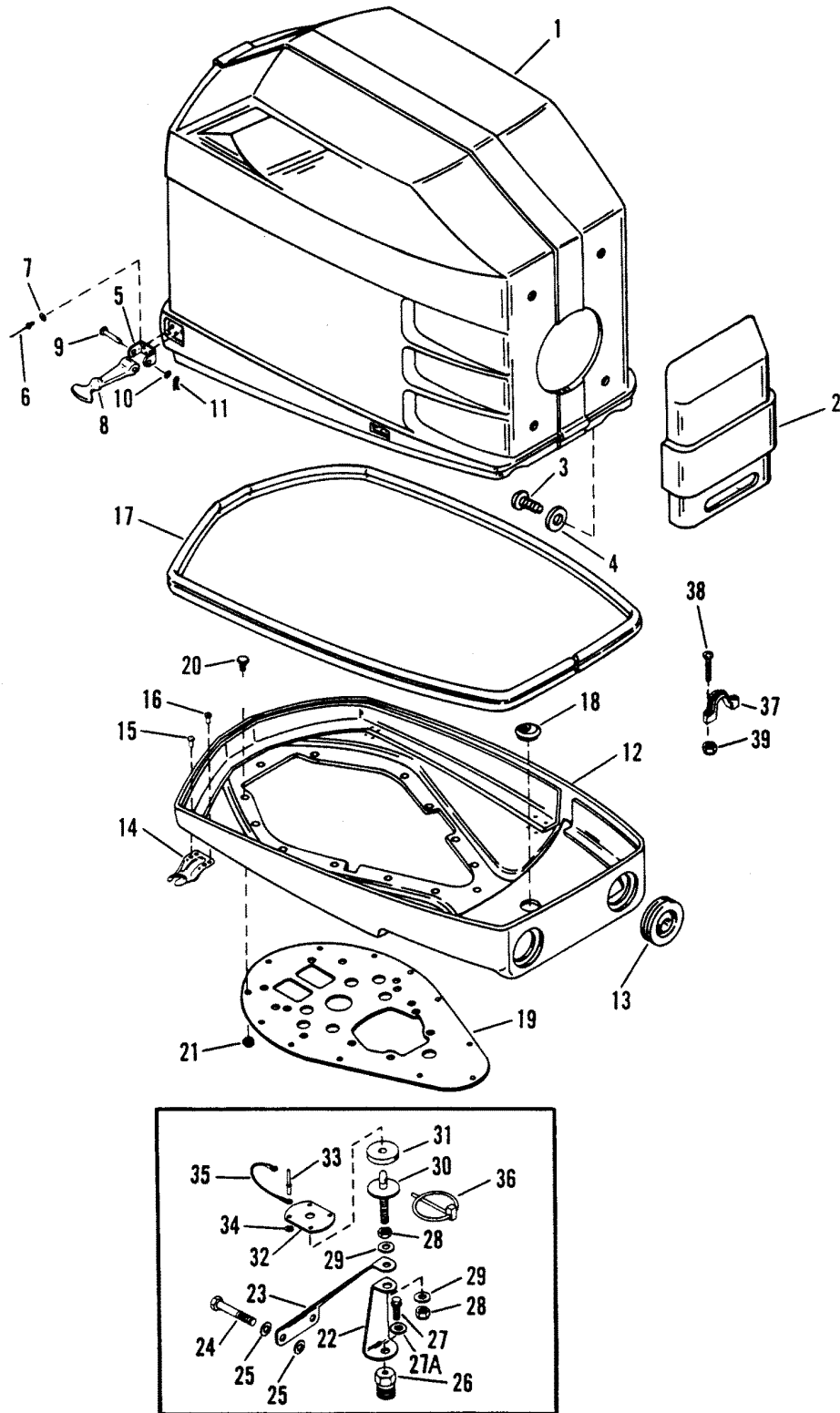
**NS** = Not Shown

**THESE PARTS BOOKS/FICHE CARD ARE COPYRIGHTED AND MAY NOT BE DISTRIBUTED OR REPRODUCED IN ANY OTHER FORMAT BY ANYONE OTHER THAN MERCURY MARINE WITHOUT THE PRIOR WRITTEN CONSENT OF MERCURY MARINE.**

# MISCELLANEOUS PARTS/ACCESSORIES

REF. NO.	PART NO.	SYM.	QTY.	DESCRIPTION
-	90-811505-91		1	PARTS CATALOG-Service
-	90-849240		1	SERVICE MANUAL
-	27-814658A1		1	GASKET SET (2 BOLT MAIN BLOCK)
-	27-814658A3		1	GASKET SET (4 BOLT MAIN BLOCK)
-	90-818334930		1	OWNER'S GUIDE BLACK
-	90-818335930		1	OWNER'S GUIDE GRAY

# COWLS

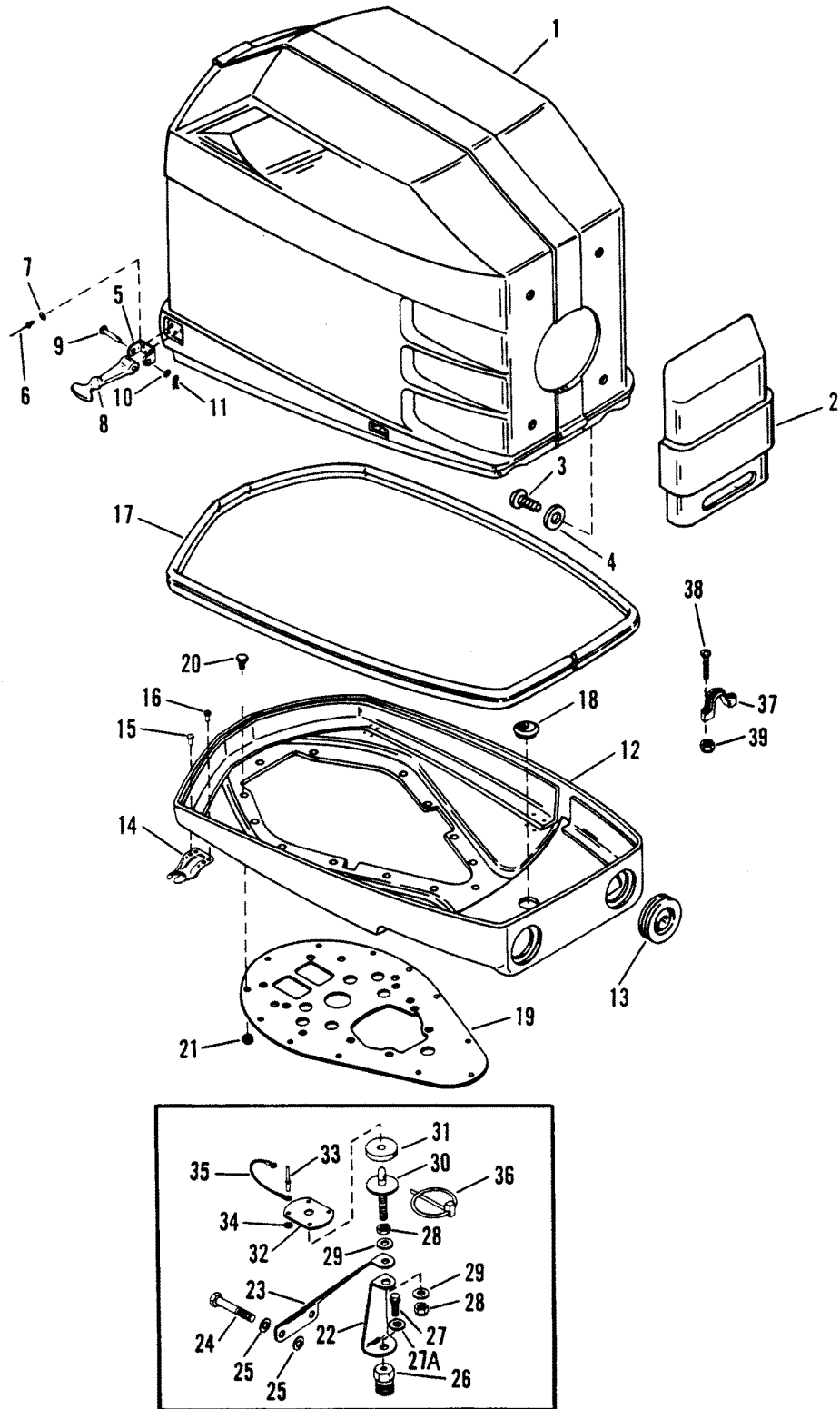


# COWLS

REF. NO.	PART NO.	SYM.	QTY.	DESCRIPTION
1	4006-817704A5		1	TOP COWL BLACK
	4006-817704A6		1	TOP COWL GRAY
2	817706A3		1	FRONT COVER BLACK
	817706A4		1	FRONT COVER GRAY
3	10-69570		4	SCREW
4	12-22887		4	WASHER
5	71602		4	YOKE BLACK
	71602--1		4	YOKE GRAY
6	17-816771		12	RIVET
7	12-20128		12	WASHER
8	817708		4	HOLD DOWN
9	17-58712		4	CLEVIS PIN
10	12-20128		4	WASHER
11	18-21071		4	COTTER PIN
-	<b>37-817660A91</b>		<b>1</b>	<b>DECAL SET BLACK</b>
-	<b>37-818263A91</b>		<b>1</b>	<b>DECAL SET GRAY</b>
12	4007-817709A5		1	BOTTOM COWL BLACK
	4007-817709A6		1	BOTTOM COWL GRAY
13	25-817713--1		2	GROMMET
14	13734		4	RETAINER BLBLACK
	13734--1		4	RETAINER GRAY
15	17-12148		8	RIVET
16	17-14908		8	RIVET
17	817712--1		1	SEAL
18	22-14685		2	PLUG
19	822188--1		1	PLATE
20	10-38601		13	SCREW
21	11-35045		13	NUT
-	<b>821878A2</b>		<b>1</b>	<b>COWL SUPPORT KIT</b>
22	821877		1	BRACKET
23	821878		1	BRACKET
24	10-821933		2	SCREW
25	12-847539		4	WASHER
26	22-821881		1	PIPE PLUG
27	10-818146		1	SCREW
27A	12-847541		1	WASHER
28	11-35053		2	NUT
29	12-74758		2	WASHER
30	821879		1	PIN
31	23-99509--1		1	RUBBER PAD
32	821880A1		1	COWL SUPPORT
33	17-12148		4	POP RIVET
34	12-20128		4	WASHER

CONTINUED ON NEXT PAGE ➡

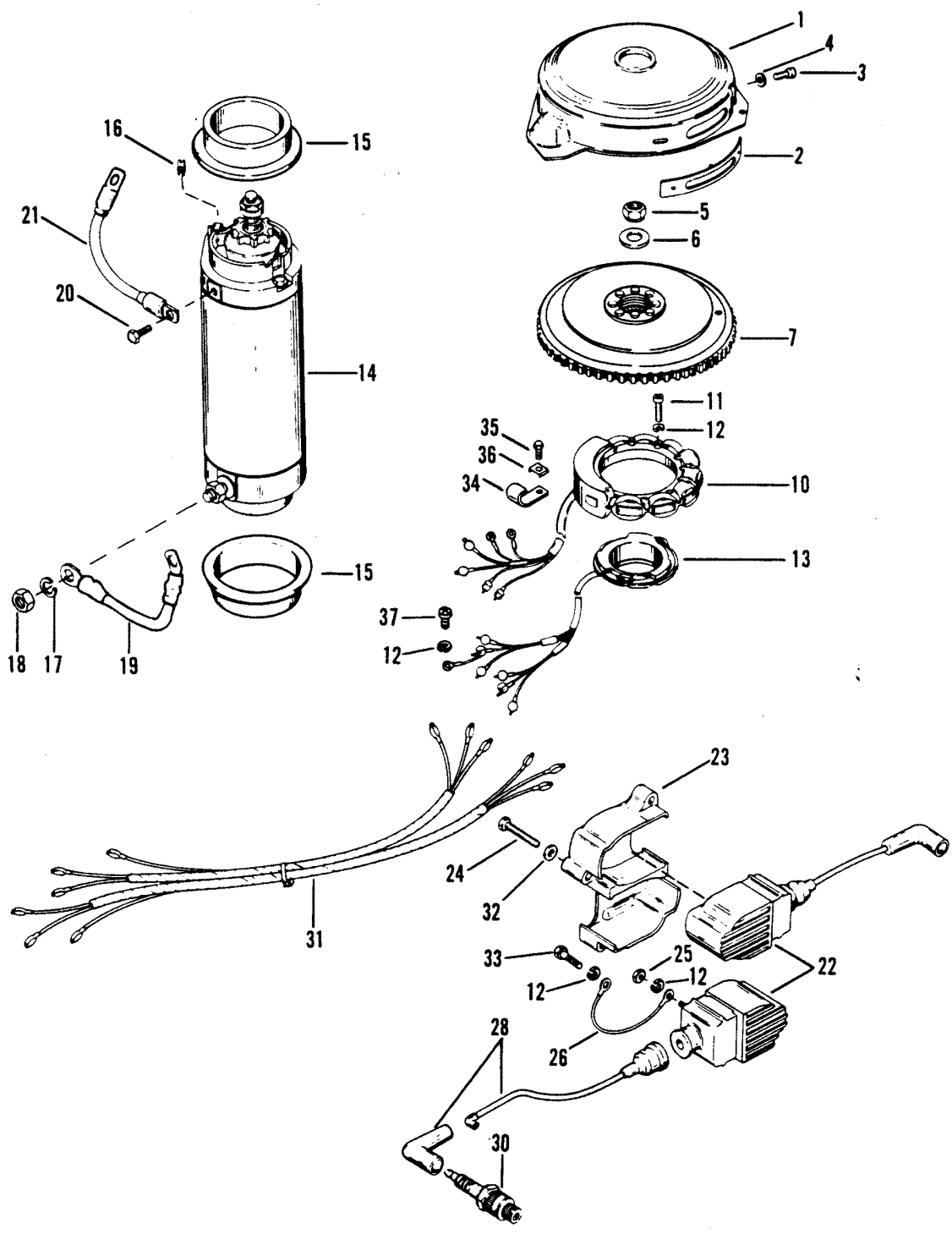
# COWLS



# COWLS

REF. NO.	PART NO.	SYM.	QTY.	DESCRIPTION
35	88238A4		1	CABLE
36	99779		1	TORSION CLIP
37	88621		1	RETAINER
38	10-69020		2	SCREW
39	11-29488		2	NUT

# FLYWHEEL, STARTER MOTOR AND IGNITION COILS

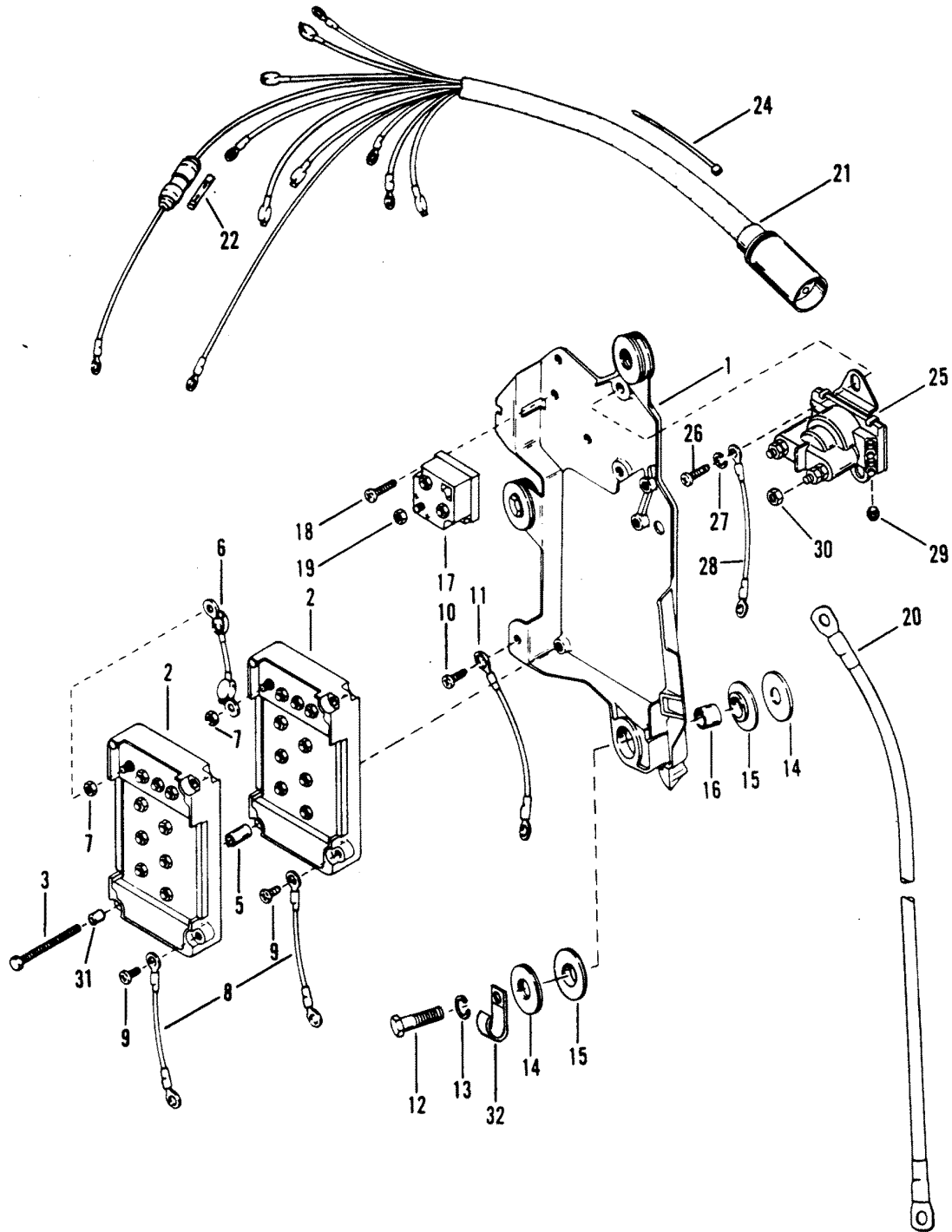




# FLYWHEEL, STARTER MOTOR AND IGNITION COILS

REF. NO.	PART NO.	SYM.	QTY.	DESCRIPTION
1	79918A1		1	FLYWHEEL COVER
2	79022		1	TIMING MARKER
3	10-37572		2	SCREW
4	12-72761		2	WASHER
5	11-52901		1	NUT
6	12-68229		1	WASHER
7	249-6080A5		1	FLYWHEEL
10	398-5454A36		1	STATOR
11	10-90028		4	SCREW
12	13-26996		4	LOCKWASHER
13	96455A11		1	TRIGGER PLATE
14	50-79472		1	STARTER MOTOR
15	56703		2	COLLAR
16	68042		2	RUBBER STOP
17	13-26992		1	LOCKWASHER
18	11-20890		1	NUT
19	84-93389A5		1	WIRE (YELLOW)
20	10-69035		1	SCREW
21	84-93388A1		1	WIRE (BLACK)
22	339-7370A13		6	IGNITION COIL
23	79743		3	COVER
24	10-88447		12	SCREW (1-5/8")
25	11-45076		12	NUT
26	84-88807A6		6	GROUND STRAP (BLACK)
28	84-815358A1		1	HIGH TENSION CABLE
30	33-97180		6	SPARK PLUG (NGK #BUHW)
31	84-69738A7		1	HARNESS ASSEMBLY (#2.4 & 6)
	84-69739A2		1	HARNESS ASSEMBLY (#1,3 & 5)
32	12-89302		12	WASHER
33	10-68513		6	SCREW
34	54-23567		2	CLAMP
35	10-69079		1	SCREW
36	69205		1	C-WASHER
37	10-87926		1	SCREW

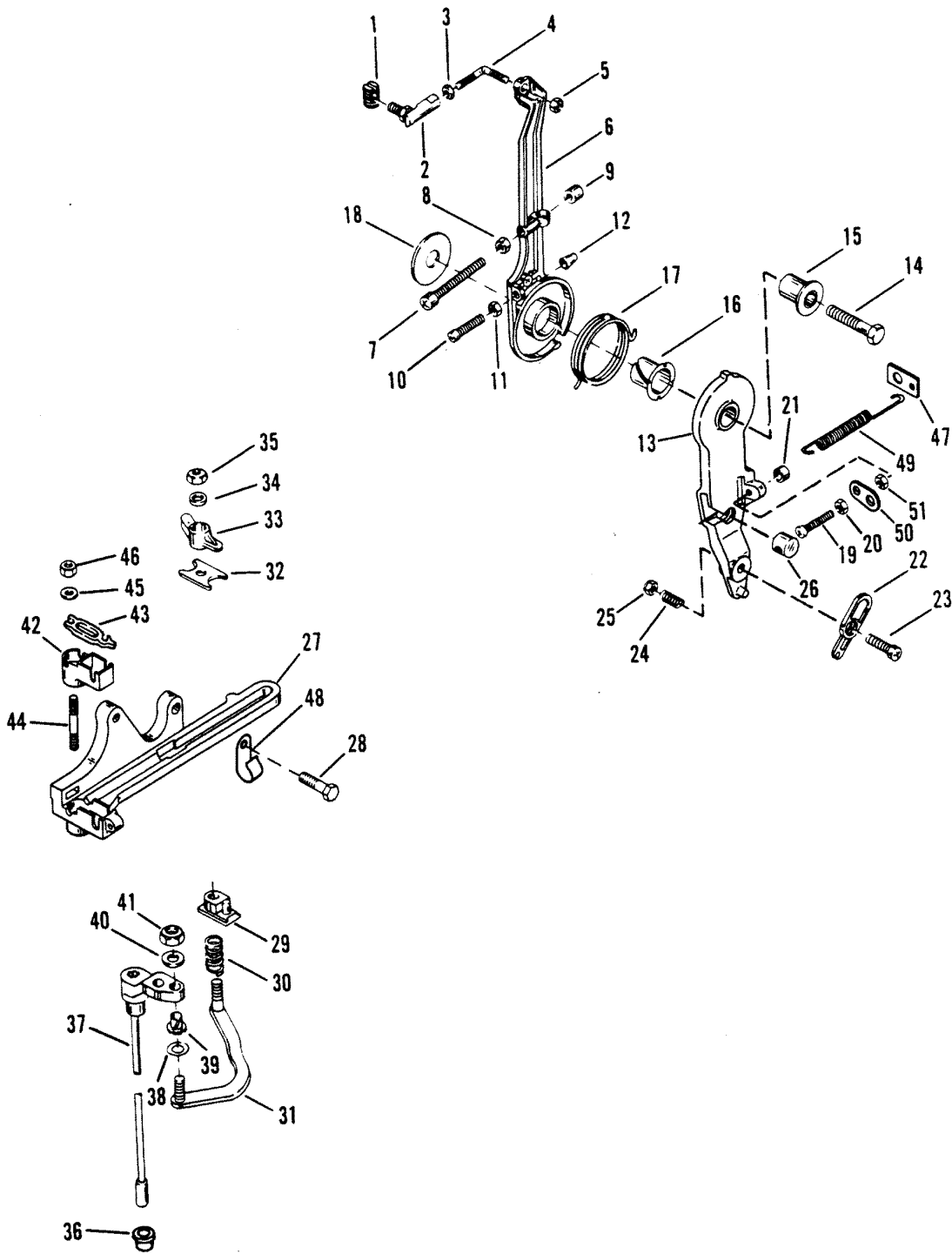
# WIRING HARNESS, STARTER SOLENOID & RECTIFIER



# WIRING HARNESS, STARTER SOLENOID & REFTIFIER

REF. NO.	PART NO.	SYM.	QTY.	DESCRIPTION
1	43429--1		1	IGNITION PLATE
2	332-7778A14		2	SWITCH BOX
3	10-90815		2	SCREW
5	23-94453		2	BUSHING
6	84-62310A2		1	CABLE
7	11-45076		20	NUT
8	84-60871A10		2	WIRE
9	10-62568		2	SCREW
10	10-38055		1	SCREW (5/8")
11	84-65999A3		1	CABLE (BLACK)
12	10-60411		3	SCREW (1-1/4")
13	13-26993		3	LOCKWASHER
14	12-36042		6	WASHER
15	12-67264		6	WASHER (RUBBER)
16	23-67268		3	BUSHING
17	816770		1	RECTIFIER
18	10-38055		2	SCREW (5/8")
19	11-45076		3	NUT
20	84-88439A14		1	BATTERY CABLE (POSITIVE)
	84-88439A2		1	BATTERY CABLE (NEGATIVE)
21	84-96220A4		1	ENGINE HARNESS
22	88-79091		1	FUSE
24	54-816311		AR	STA-STRAP
25	89-68258A4		1	STARTER SOLENOID
26	10-31716		2	SCREW (5/8")
27	13-26992		2	LOCKWASHER
28	84-65999A2		1	CABLE (BLACK)
29	11-45076		2	NUT
30	11-67980		2	NUT
31	23-94304		2	BUSHING
32	54-814634		1	CLAMP

# THROTTLE LEVER AND SHIFT SHAFT

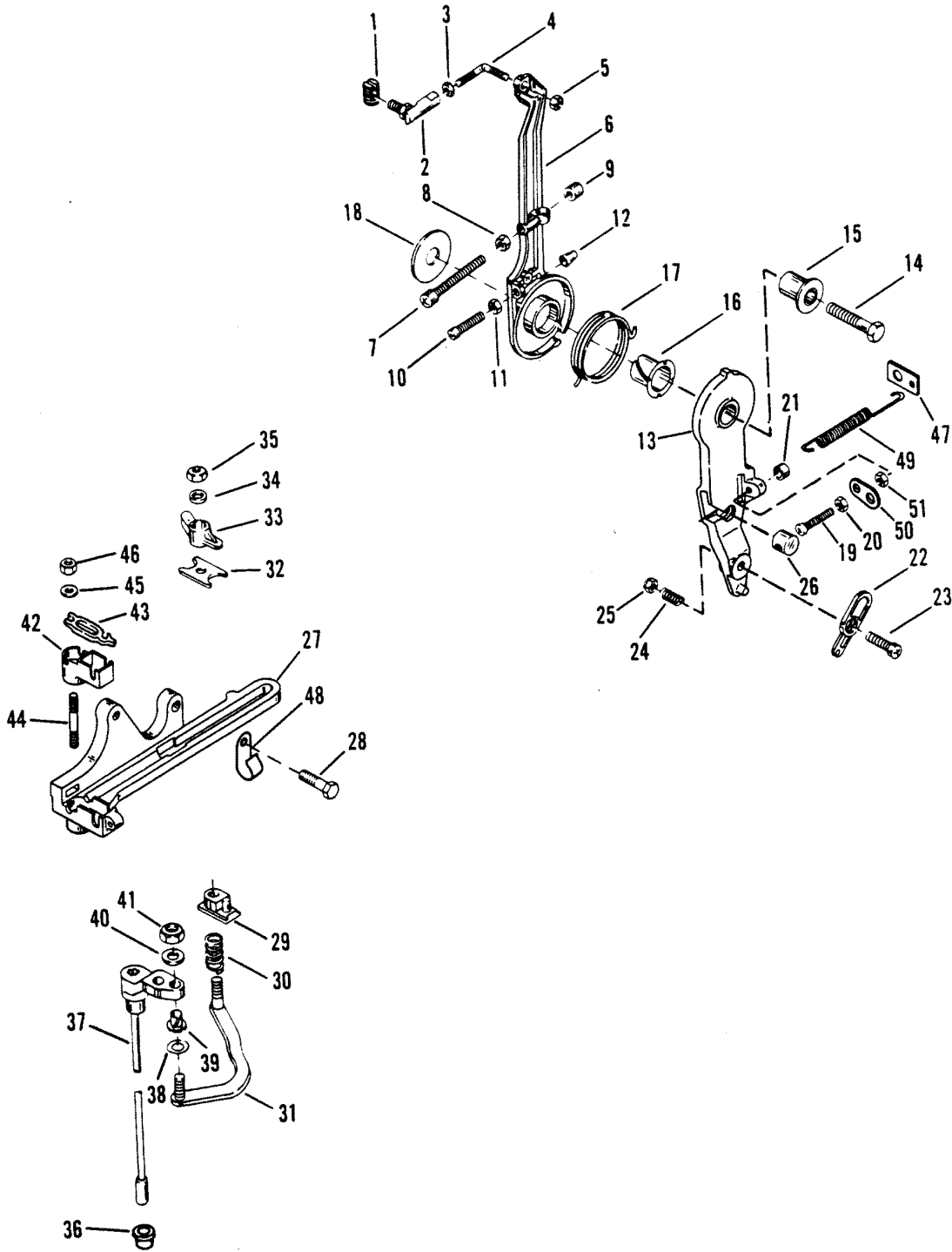


# THROTTLE LEVER AND SHIFT SHAFT

REF. NO.	PART NO.	SYM.	QTY.	DESCRIPTION
1	74897		1	PIVOT
2	62459		1	BALL JOINT
3	11-68219		1	NUT
4	76035		1	LINK ROD
5	11-45812		1	NUT
6	41094A3		1	SPARK ADVANCE LEVER
7	10-64022		1	SCREW
8	11-64015		1	NUT
9	26852		1	CAP
10	10-69560		1	SCREW (1-1/4")
11	11-68219		1	NUT
12	48039		1	CAP
13	77837		1	THROTTLE CONTROL LEVER
14	10-818165		1	SCREW (1-3/4")
15	23-55164		1	BUSHING
16	23-55171		1	BUSHING
17	24-68784		1	SPRING
18	12-68410		1	WASHER
19	10-64022		1	SCREW (2-1/8")
20	11-64015		1	NUT
21	26852		1	CAP
22	39483		1	LATCH
23	10-22486		1	SCREW
24	24-20099		1	SPRING
25	11-35045		1	NUT
26	60572		1	BARREL
27	14669--1		1	ANCHOR BRACKET
28	10-62958		2	SCREW (1-1/8")
	10-28667		1	SCREW (1")
29	37896		1	GUIDE BLOCK
30	24-20099		1	SPRING
31	67073A1		1	LINK ROD
32	52100		1	WEAR PLATE
33	38279		1	LATCH
34	12-69056		1	WASHER
35	11-35045		1	NUT
36	23-27132		1	BUSHING
37	79932A11		1	SHIFT SHAFT (LONG)
	79932A12		1	SHIFT SHAFT (EXTRA-LONG)
38	13-29720		1	WAVE WASHER
39	23-26600		1	BUSHING
40	12-35462		1	WASHER
41	11-35045		1	NUT

CONTINUED ON NEXT PAGE ➡

# THROTTLE LEVER AND SHIFT SHAFT

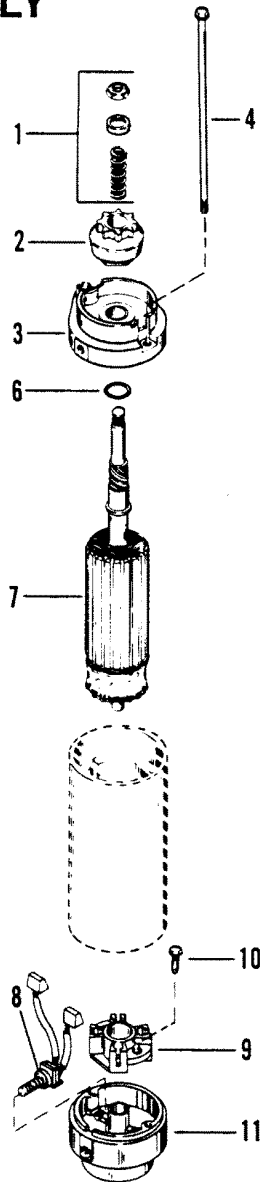


## THROTTLE LEVER AND SHIFT SHAFT

REF. NO.	PART NO.	SYM.	QTY.	DESCRIPTION
42	16813		1	CUP
43	16814		1	LATCH
44	16-18101		2	STUD
45	12-33786		2	WASHER
46	11-18102		2	NUT
47	54-75275		1	CLAMP
48	54-54457		1	J-CLAMP
49	24-91821		1	SPRING (LIGHT DUTY)
	24-66306		1	SPRING (HEAVY DUTY)
50	26551		1	BRACKET
51	11-64015		1	NUT

# STARTER MOTOR ASSEMBLY

## STARTER MOTOR ASSEMBLY

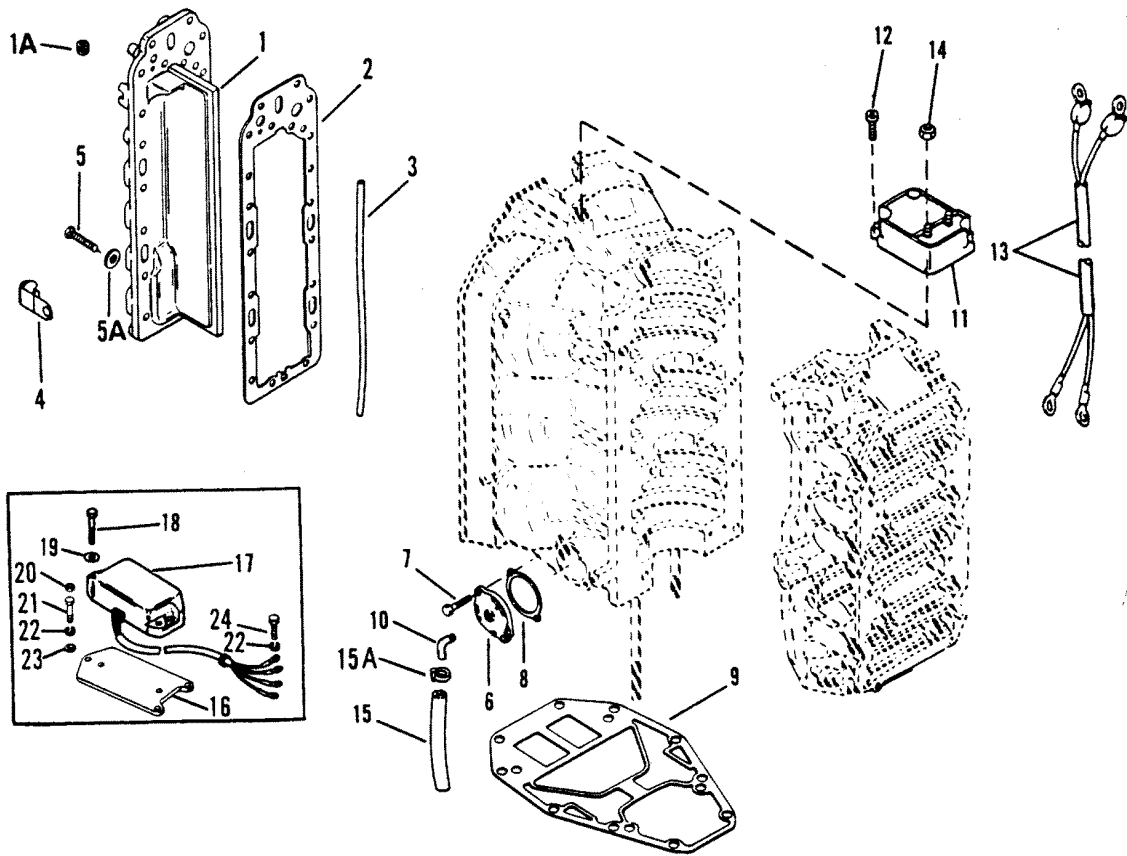




# STARTER MOTOR ASSEMBLY

REF. NO.	PART NO.	SYM.	QTY.	DESCRIPTION
-	50-79472		1	STARTER MOTOR ASSEMBLY
1	90645		1	DRIVE KIT
2	75661		1	DRIVE
3	75660		1	DRIVE END PLATE
4	10-74968		2	THRU BOLT
6	N.S.S.		1	WASHER (AMERICAN BOSCH #WA3122)
7	79216		1	ARMATURE
8	75384		1	BRUSH SET
9	61787		2	BRUSH HOLDER
10	N.S.S.		2	SCREW (AMER. BOSCH #02441-22-SC-30SM)
11	15386		1	END CAP

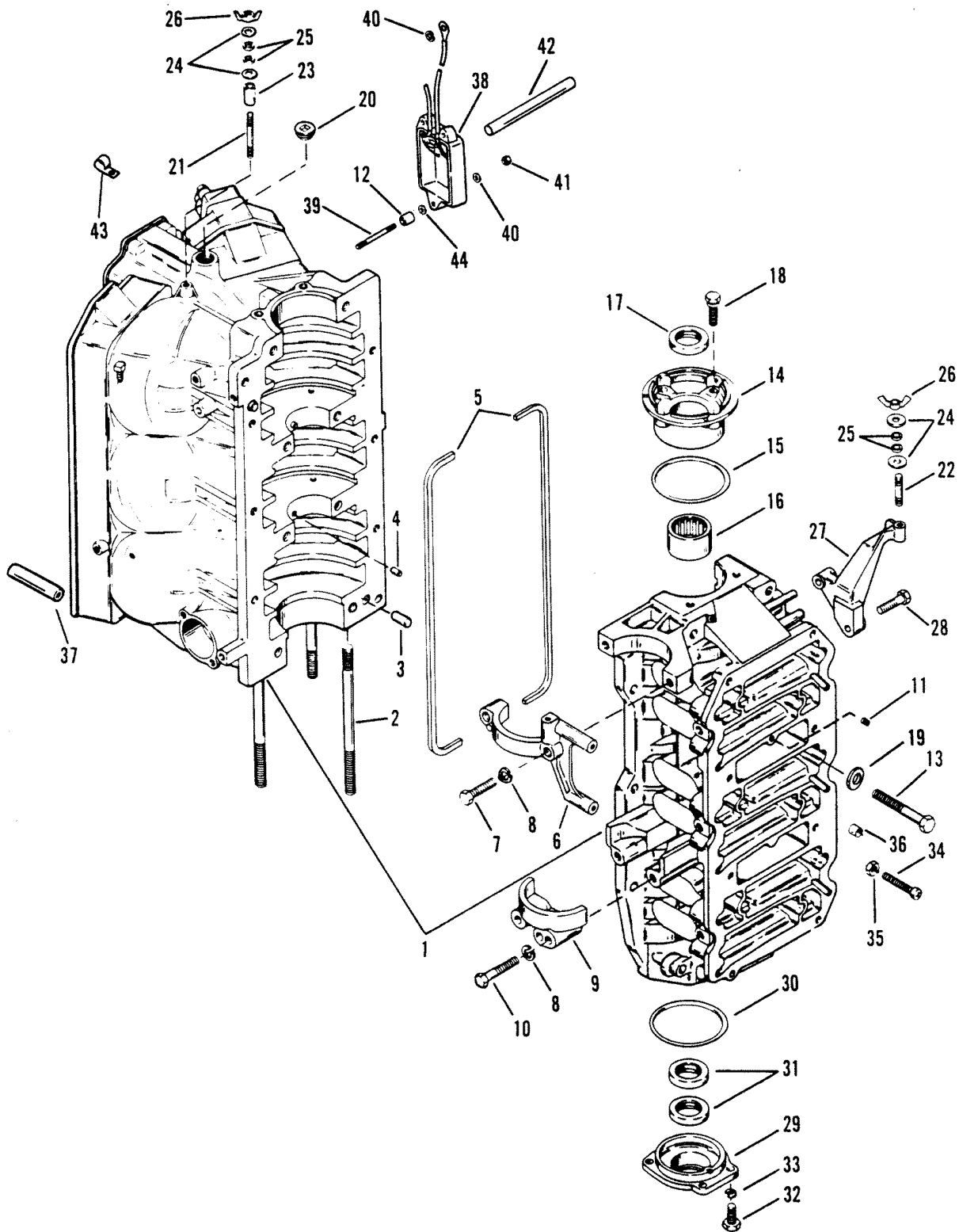
# EXHAUST PLATE



# EXHAUST PLATE

REF. NO.	PART NO.	SYM.	QTY.	DESCRIPTION
1	815552A1		1	DIVIDER PLATE
1A	22-32802		1	PIPE PLUG
2	27-847525		1	GASKET
3	26-814754		0	SEAL1
4	54-814634		2	J-CLAMP (LARGE)
	54-64235--2		1	J-CLAMP (SMALL)
5	10-847538		18	SCREW (1-1/2")
	10-847568		2	SCREW (1")
5A	12-847526		20	WASHER
6	99193		1	COVER
7	10-28782		2	SCREW
8	27-88907--2		2	GASKET
9	27-823142		2	GASKET
10	22-68727		1	FITTING
11	88825A7		1	VOLTAGE REGULATOR
12	10-48409		2	SCREW
13	84-13397A1		1	HARNES ASSEMBLY
14	11-45076		2	NUT
15	32-77457--2		1	HOSE
15A	54-816311		1	STA-STRAP
16	815541		1	PLATE
17	86926A4		1	SPEED LIMITER
18	10-69020		2	SCREW
19	12-72761		2	WASHER
20	11-45812		2	NUT
21	10-32228		3	SCREW
22	13-26996		4	LOCKWASHER
23	12-72761		3	WASHER
24	10-87926		1	SCREW
-	<b>27-814658A1</b>		<b>1</b>	<b>GASKET SET (2 BOLT MAIN BLOCK)</b>
-	<b>27-814658A3</b>		<b>1</b>	<b>GASKET SET (4 BOLT MAIN BLOCK)</b>

# CYLINDER BLOCK AND END CAPS

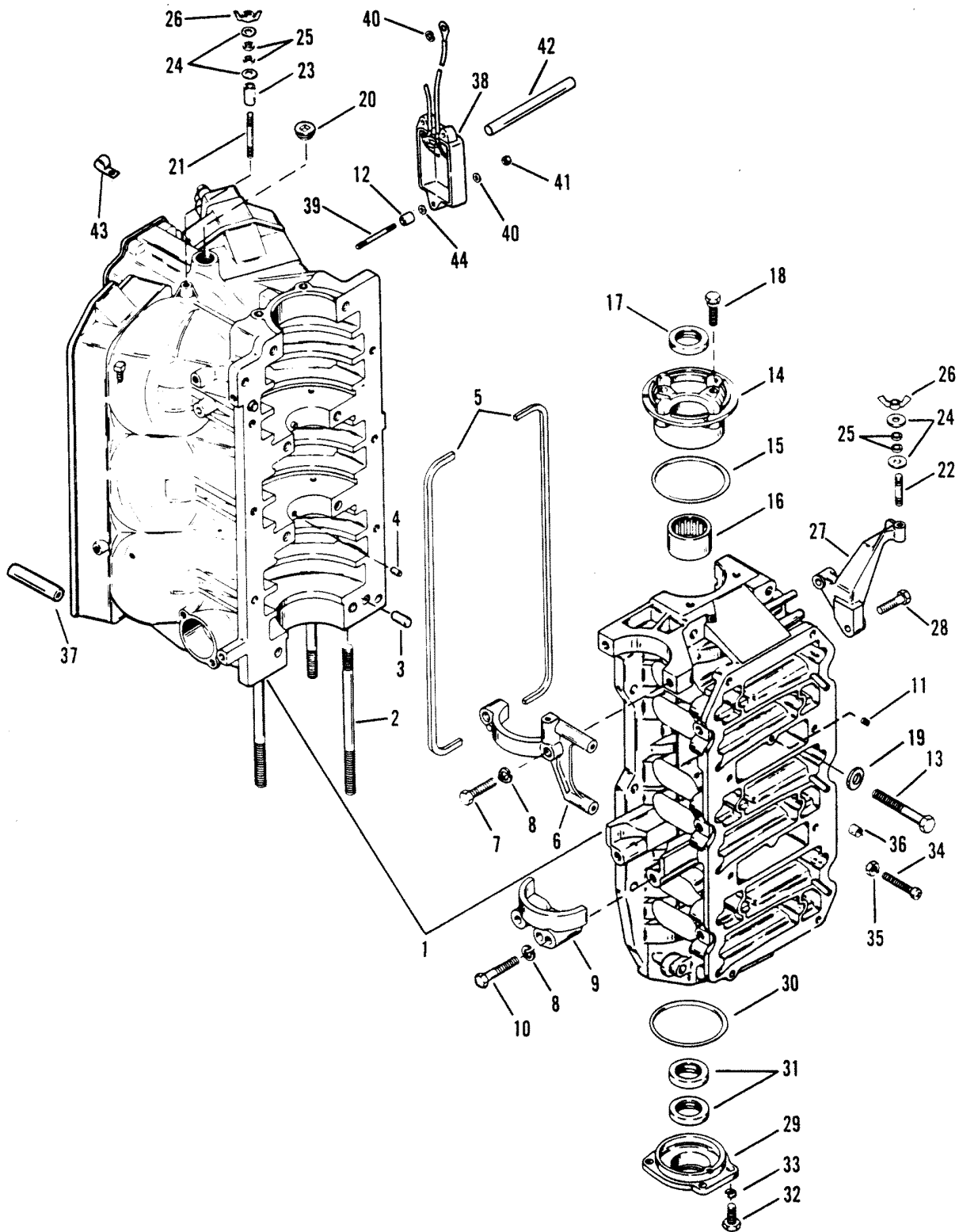


# CYLINDER BLOCK AND END CAPS

REF. NO.	PART NO.	SYM.	QTY.	DESCRIPTION
1	884-822230A6		1	CYLINDER BLOCK
2	16-847530		AR	STUD (2")
	16-847529		AR	STUD (2-1/2")
	16-822358		AR	STUD (2-3/4")
	16-847532		AR	STUD (5-3/4")
	16-847533		AR	STUD (7")
3	17-43044		2	DOWEL PIN
4	17-67296		2	DOWEL PIN (BEARING RACE)
5	27-11338		2	GASKET
6	42249		1	COVER (UPPER)
7	10-90086		2	SCREW
8	13-26993		4	LOCKWASHER
9	76867		1	COVER (LOWER)
10	10-815549		2	SCREW (2")
11	21-42657A1		3	CHECK VAVLE
12	23-94304		3	BUSHING
13	10-66717		6 OR 8	SCREW (3/8-16 X 3-1/4")
	10-823188		2	SCREW (3/8-16 X 3-1/2")
	10-823199--1		10	SCREW (3/8-16 X 1-1/4")
	10-74824		6	SCREW (5/16-18 X 1-1/4")
14	1159-847523A1		1	UPPER EDN CAP
15	25-54029		1	O-RING
16	31-74248		1	BEARING
17	26-41953		1	OIL SEAL
18	10-69034		4	SCREW (1")
19	12-822838		16	WASHER
20	22-38407		1	PLUG (WATER JACKET)
21	16-15094		1	STUD (1-7/8")
22	16-15093		2	STUD (1")
23	23-67269		1	SPACER
24	12-49221--1		6	WASHER
25	12-72761		3	WASHER
26	11-816874		3	NUT
27	99294		1	BRACKET
28	10-28667		2	SCREW (1")
29	1156-7809A1		1	LOWER END CAP
30	25-62700		1	O-RING (3-1/4" I.D.)
31	26-41953		2	OIL SEAL
32	10-28636		4	SCREW (3/4")
33	13-26992		4	LOCKWASHER
34	10-64022		1	ADJUSTING SCREW
35	11-64015		1	JAM NUT
36	26852		1	CAP

CONTINUED ON NEXT PAGE ➡

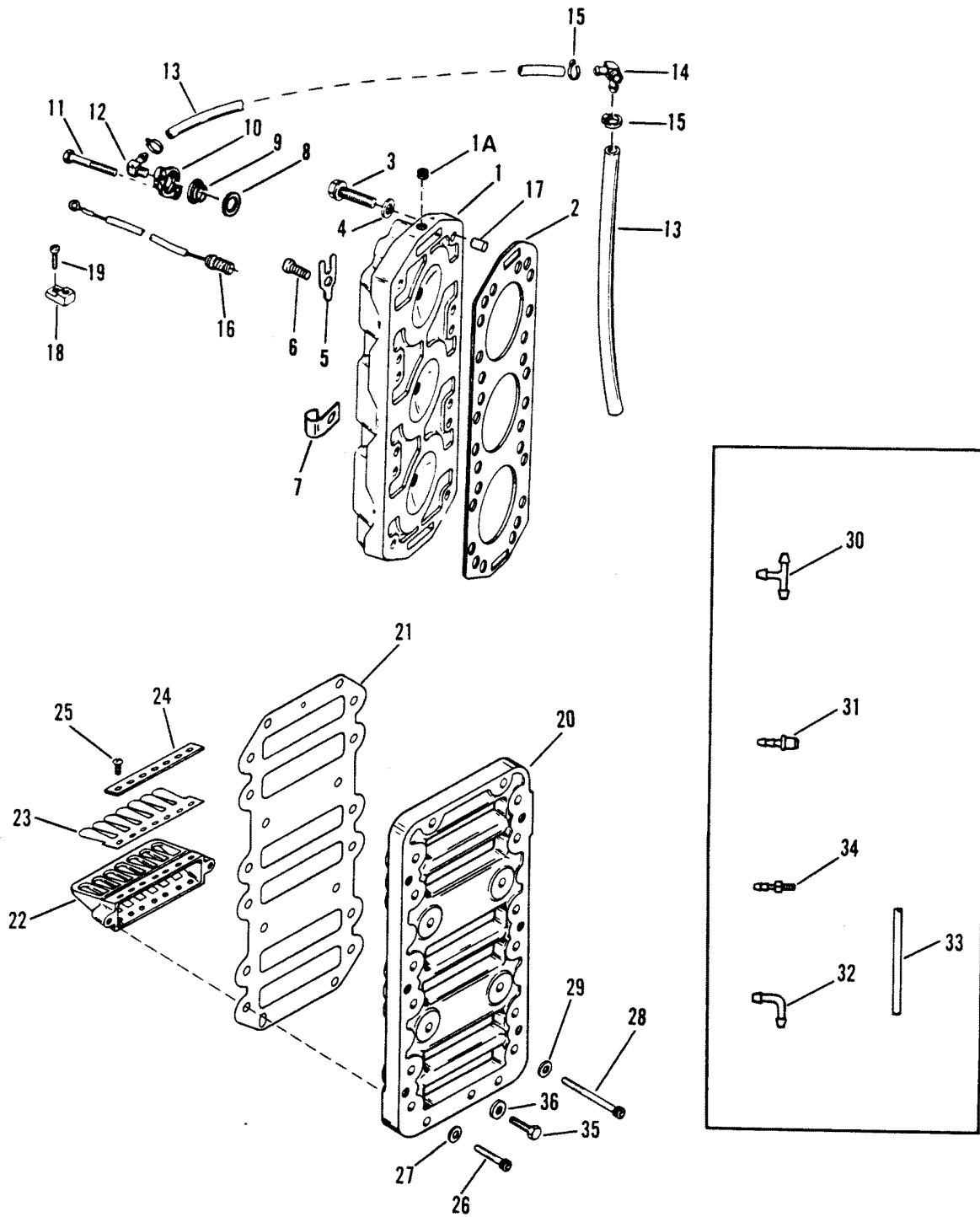
# CYLINDER BLOCK AND END CAPS



## CYLINDER BLOCK AND END CAPS

REF. NO.	PART NO.	SYM.	QTY.	DESCRIPTION
37	32-99127109		2	WATER TUBE
38	17814A11		1	THROTTLE POSITION INDICATOR
39	16-69016		3	STUD
40	12-89302		3	WASHER
41	11-45812		3	NUT
42	32-99130122		1	TUBING
43	54-63153		1	CLAMP
44	12-72761		3	WASHER
-	<b>61-847713A2</b>		1	<b>POWERHEAD ASSY COMPLETE INCLUDES CYLINDER BLOCK AND CRANKCASE, PISTONS, CONNECTING RODS AND BEARINGS, ERC.</b>
-	<b>27-814658A1</b>		1	<b>GASKET SET(2 BOLT MAIN BLOCK)</b>
-	<b>27-814658A3</b>		1	<b>GASKET SET(4 BOLT MAIN BLOCK)</b>

# REED BLOCK AND CYLINDER HEAD

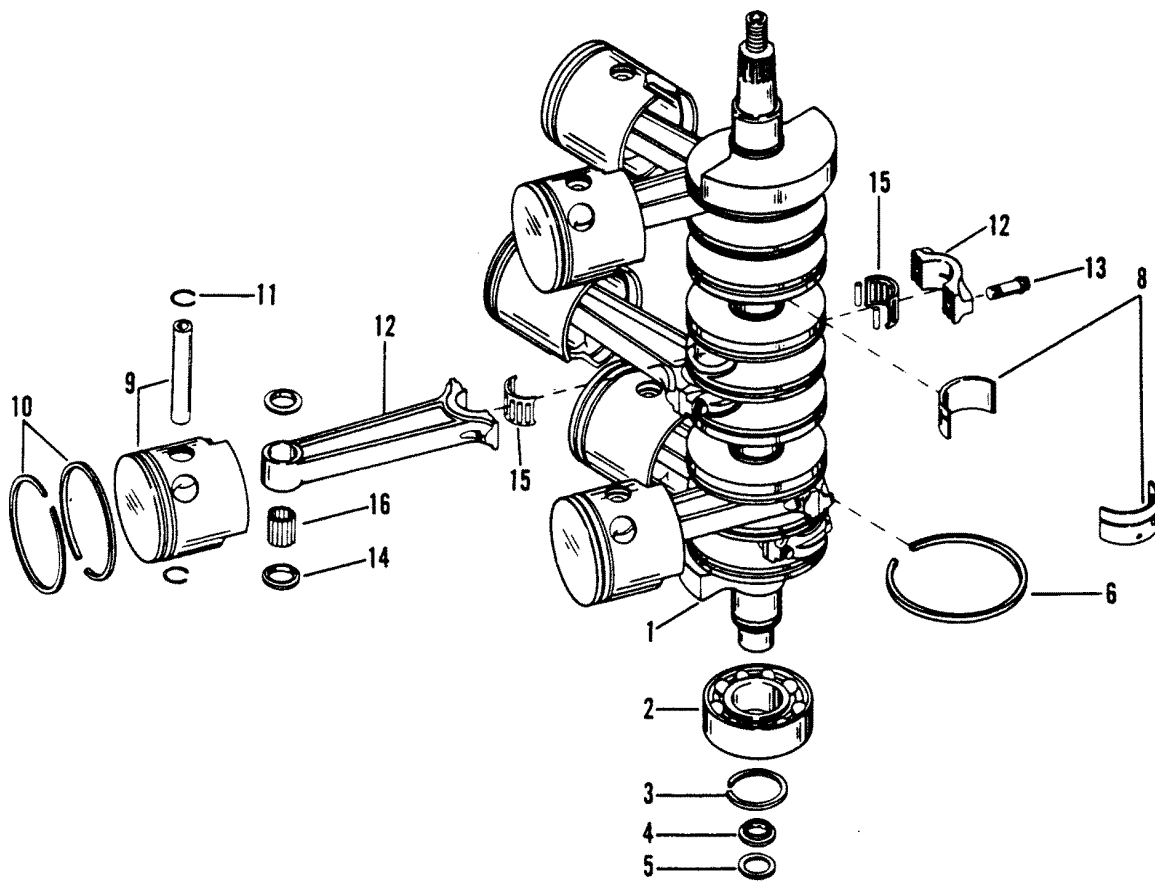




## REED BLOCK AND CYLINDER HEAD

REF. NO.	PART NO.	SYM.	QTY.	DESCRIPTION
1	18488--9		2	CYLINDER HEAD 2 BOLT MAIN BLOCK
2	27-822844--1		2	GASKET 2 BOLT MAIN BLOCK
1	18789A3		2	CYLINDER HEAD 4 BOLT MAIN BLOCK
	22-32802		2	PIPE PLUG 4 BOLT MAIN BLOCK
2	27-814658		2	GASKET 4 BOLT MAIN BLOCK
3	10-98534		24	SCREW (2-1/3")
4	12-822838		24	WASHER
5	13715--1		1	RETAINER
6	10-88743		1	SCREW
7	54-78945--1		1	J-CLAMP
8	12-47533--1		2	WASHER, SUBSTITUTE FOR THERMOSTAT
9	27-62386		2	GASKET
10	90390A1		2	COVER
11	10-37562		4	SCREW (1")
12	22-68727		1	ELBOW (STARBOARD)
13	32-77457--2		2	HOSE
14	22-68728		1	FITTING (PORT)
15	54-816311		AR	STA-STRAP
16	97465		1	TEMPERATURE SENDER
17	17-63779		4	DOWEL PIN
18	45915		2	TERMINAL BLCOK
19	10-69079		2	SCREW 9/16")
20	98709--3		1	PLATE
21	27-12775--2		1	GASKET
22	87692--2		6	REED BLOCK
23	34-815242A2		6	REED ASSEMBLY
24	90391--1		12	REED CLAMP
25	10-823588		84	SCREW
26	10-60147		12	SCREW
27	12-822837		12	WASHER
28	10-60147		4	SCREW
29	12-39143		4	WASHER
30	22-59169		2	TEE FITTING
31	22-56759		2	FITTING (PRESS IN)
32	22-94090		1	ELBO3W
33	32-66285-70		AR	HOSE
34	21-42623		1	CHECK VALVE (PRESS-IN-11/16" LONG)
	21-818189A1		1	CHECK VALVE (45 DEGREES)
35	10-55715		2	SCREW
36	12-822837		2	WASHER
-	<b>27-814658A1</b>		<b>1</b>	<b>GASKET SET (2 BOLT MAIN BLOCK)</b>
-	<b>27-814658A3</b>		<b>1</b>	<b>GASKET SET (4 BOLT MAIN BLOCK)</b>

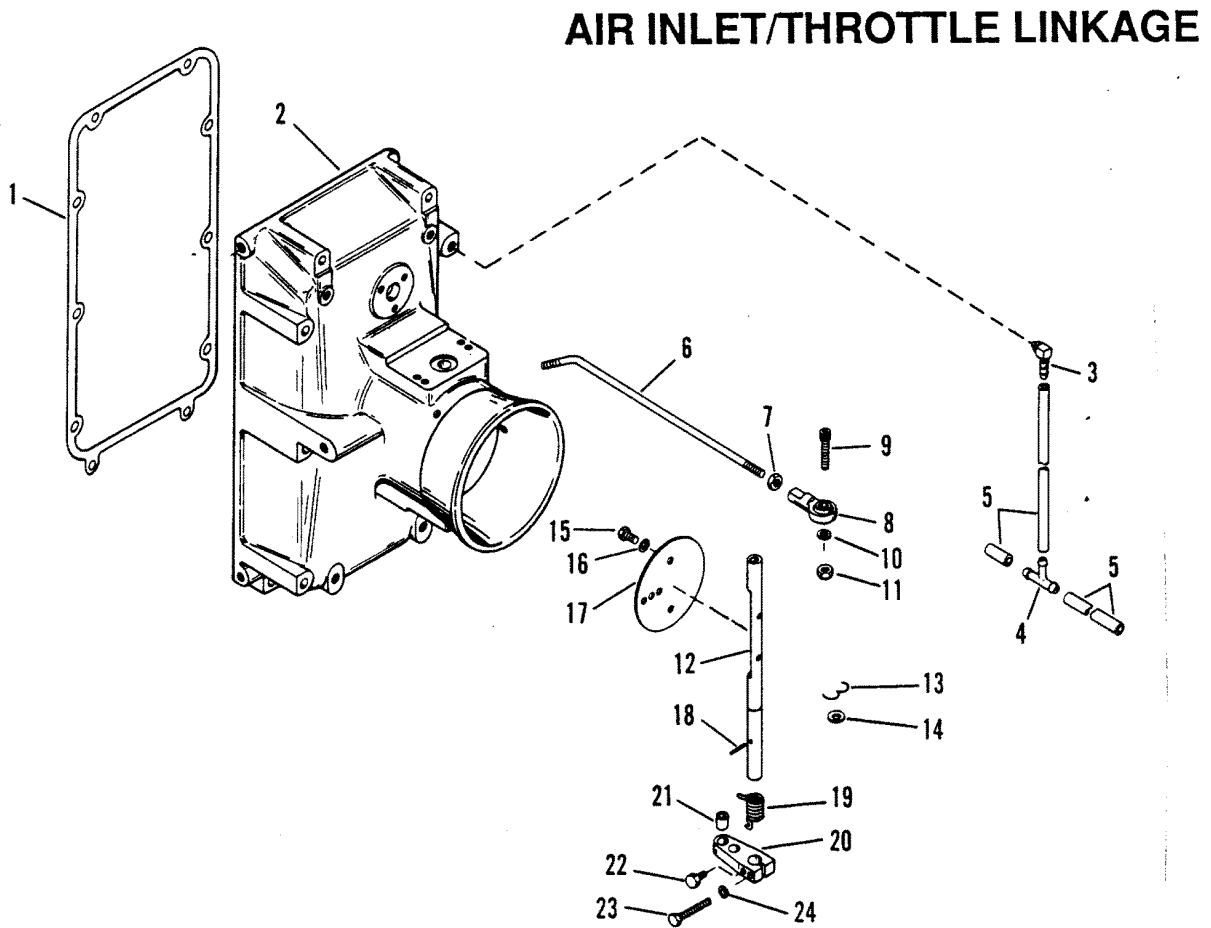
# CRANKSHAFT, PISTONS AND CONNECTING RODS



## CRANKSHAFT, PISTONS AND CONNECTING RODS

REF. NO.	PART NO.	SYM.	QTY.	DESCRIPTION
1	455-7251A7		1	CRANKSHAFT ASSEMBLY
2	30-41421		1	BALL BEARING (LOWER)
3	53-67446		1	RETAINING RING
4	54196A6		1	CARRIER ASSEMBLY
5	65800		1	SEAL
6	39-67377--2		7	RING
8	31-16756A5		2	ROLLER BEARING
9	766-817037A3		3	PISTON ASSEMBLY (STARBOARD) <b>2 BOLT MAIN</b>
	766-817036A3		3	PISTON ASSEMBLY (PORT) <b>2 BOLT MAIN</b>
10	39-817038A1		1	PISTON RING ASSEMBLY <b>2 BOLT MAIN</b>
11	40-17977		12	LOCK RING <b>2 BOLT MAIN</b>
9	766-847608A3		3	PISTON ASSEMBLY (STARBOARD) <b>4 BOLT MAIN</b>
	766-847607A3		3	PISTON ASSEMBLY (PORT) <b>4 BOLT MAIN</b>
10	39-817038A1		1	PISTON RING ASSMBLY <b>4 BOLT MAIN</b>
12	625-813865A2		6	CONNECTING ROD ASSEMBLY (2 BOLT MAIN)
	625-847522A2		6	CONNECTING ROD ASSEMBLY (4 BOLT MAIN)
13	10-91995		12	SCREW
14	12-847524		12	WASHER (4 BOLT MAIN)
	12-47247		12	WASHER (2 BOLT MAIN)
15	31-821146A1		6	ROLLER BEARING
16	29-67483		174	NEEDLE BEARING
-	<b>27-814658A1</b>		<b>1</b>	<b>GASKET SET (2 BOLT MAIN BLOCK)</b>
-	<b>27-814658A3</b>		<b>1</b>	<b>GASKET SET (4 BOLT MAIN BLOCK)</b>

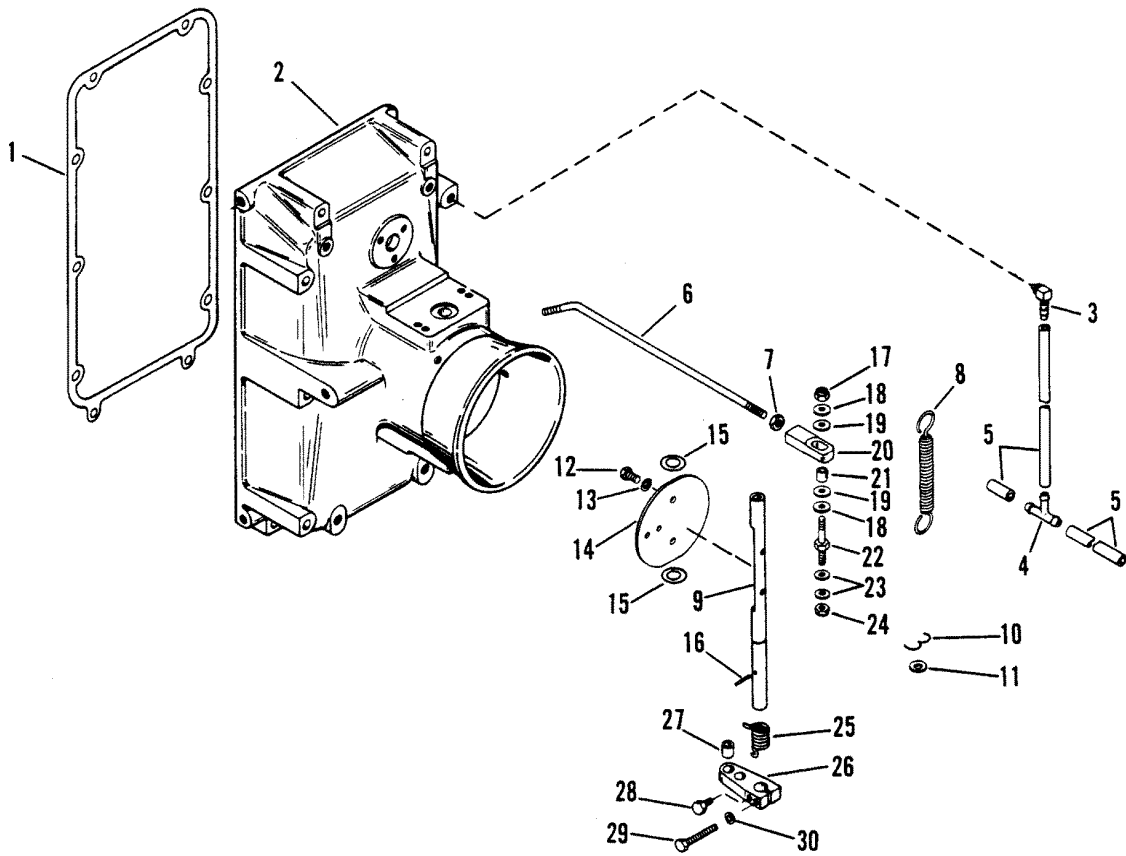
# AIR INLET/THROTTLE LINKAGE (DESIGN I)



## AIR INLET/THROTTLE LINKAGE (DESIGN I)

REF. NO.	PART NO.	SYM.	QTY.	DESCRIPTION
1	27-99316--1		1	GASKET
2	816058--2		1	AIR INLET
3	22-822715		3	ELBOW
4	22-59169		1	TEE FITTING
5	32-66285-70		1	HOSE
6	816250		1	THROTTLE LINK
7	11-20013		1	JAM NUT
8	13923		1	ROD END
9	10-816742		1	SCREW
10	12-29245		1	WASHER
11	11-56374		1	NUT
12	815490A2		1	THROTTLE SHAFT
13	53-816705		2	E-RING
14	12-49339		4	WASHER
15	10-821041		2	SCREW
16	12-30164		2	WASHER
17	98715--7		1	THROTTLE SHUTTER
18	17-24800		2	ROLL PIN
19	24-98894		1	SPRING
20	13726		1	THROTTLE LEVER
21	23-12245		1	BUSHING
22	10-41355		1	SET SCREW
23	10-41089		1	SCREW
24	13-26995		1	LOCKWASHER

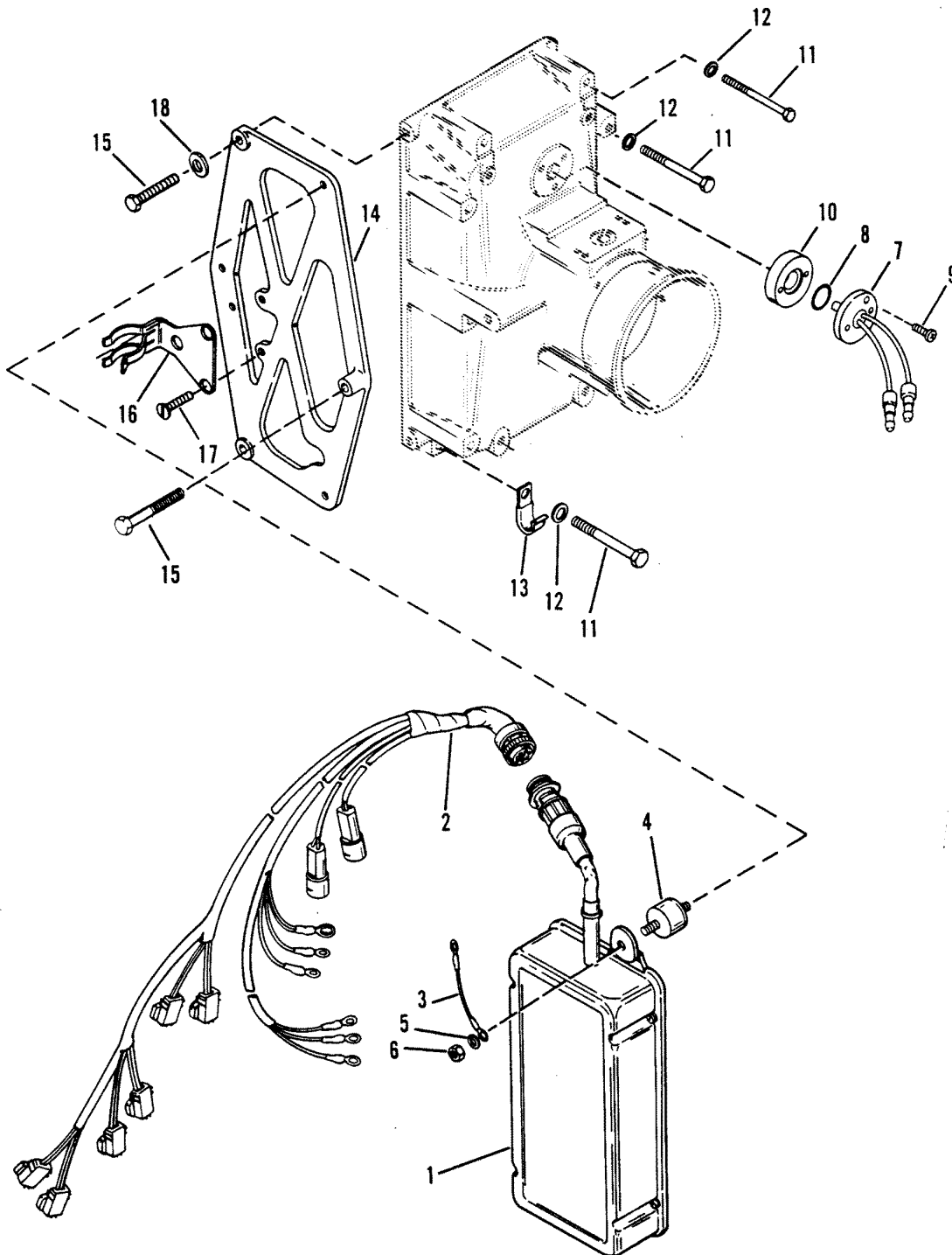
# AIR INLET/THROTTLE LINKAGE (DESIGN II)



## AIR INLET/THROTTLE LINKAGE (DESIGN II)

REF. NO.	PART NO.	SYM.	QTY.	DESCRIPTION
1	27-99316--2		1	GASKET
2	816058--2		1	AIR INLET
3	22-822715		3	ELBOW
4	22-59169		1	TEE FITTING
5	32-66285-70		1	HOSE
6	816250		1	THROTTLE LINK
7	11-20013		1	JAM NUT
8	24-66306		1	SPRING
9	815490A2		1	THROTTLE SHAFT
10	53-816705		2	E-RING
11	12-49339		4	WASHER
12	10-823200		2	SCREW
13	12-847540		2	WASHER
14	98715--7		1	THROTTLE SHUTTER
15	15-823765A1		1	SHIM SET
16	17-24800		2	ROLL PIN
17	11-20361		1	NUT
18	12-35462		2	WASHER
19	12-35459		2	WASHER
20	847602		1	SLIDER
21	23-12245		1	BUSHING
22	16-96112		1	STUD
23	12-29245		2	WASHER
24	11-35045		1	NUT
25	24-98894		1	SPRING
26	13726		1	THROTTLE LEVER
27	23-12245		1	BUSHING
28	10-41355		1	SET SCREW
29	10-41089		1	SCREW
30	13-26995		1	LOCKWASHER
-	<b>27-814658A1</b>		<b>1</b>	<b>GASKET SET (2 BOLT MAIN BLOCK)</b>
-	<b>27-814658A3</b>		<b>1</b>	<b>GASKET SET (4 BOLT MAIN BLOCK)</b>

# E.F.I. CONTROL BOX

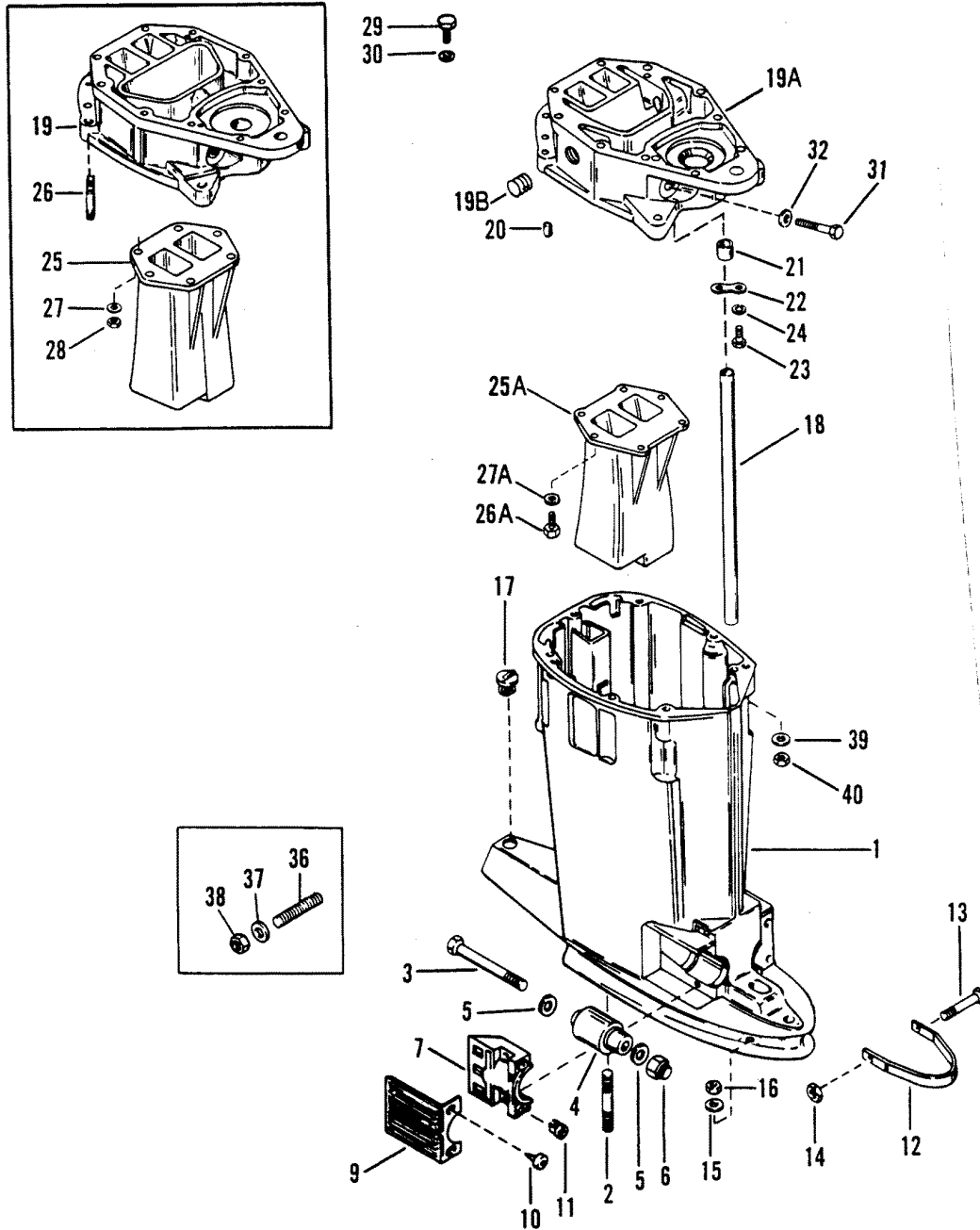




## E.F.I. CONTROL BOX

REF. NO.	PART NO.	SYM.	QTY.	DESCRIPTION
1	11350A19		1	I. CONTROL BOX (STAMPED A15)
	11350A17		1	I. CONTROL BOX (STAMPED A17)
2	84-98866A19		1	I. HARNESS
3	84-65999A10		1	CABLE (BLACK)
4	12234--2		3	MOUNT
5	12-69056		2	WASHER
	13-93702		3	LOCKWASHER
6	11-64015		3	NUT
7	13221A1		1	TEMPERATURE SENSOR
8	25-45711		2	O-RING
9	10-34696		2	SCREW (3/4")
10	816885		1	ADAPTOR
11	10-53155		4	SCREW (1/4-20 X 2-1/2")
	10-63328		6	SCREW (5/16-18 X 3")
12	12-39143		4	WASHER (1/4" I.D.)
	12-34437		6	WASHER (5/16" I.D.)
13	54-54457		2	J-CLIP
14	816958--1		1	ADAPTOR
15	10-76630		2	SCREW (1")
	10-821035		1	SCREW (1-1/4")
16	54-821603		1	CLIP
17	10-821036		3	SCREW
18	13-26992		2	LOCKWASHER (.250)
	12-39143		2	WASHER (5/8 X .253)

# DRIVE SHAFT HOUSING (STANDARD)

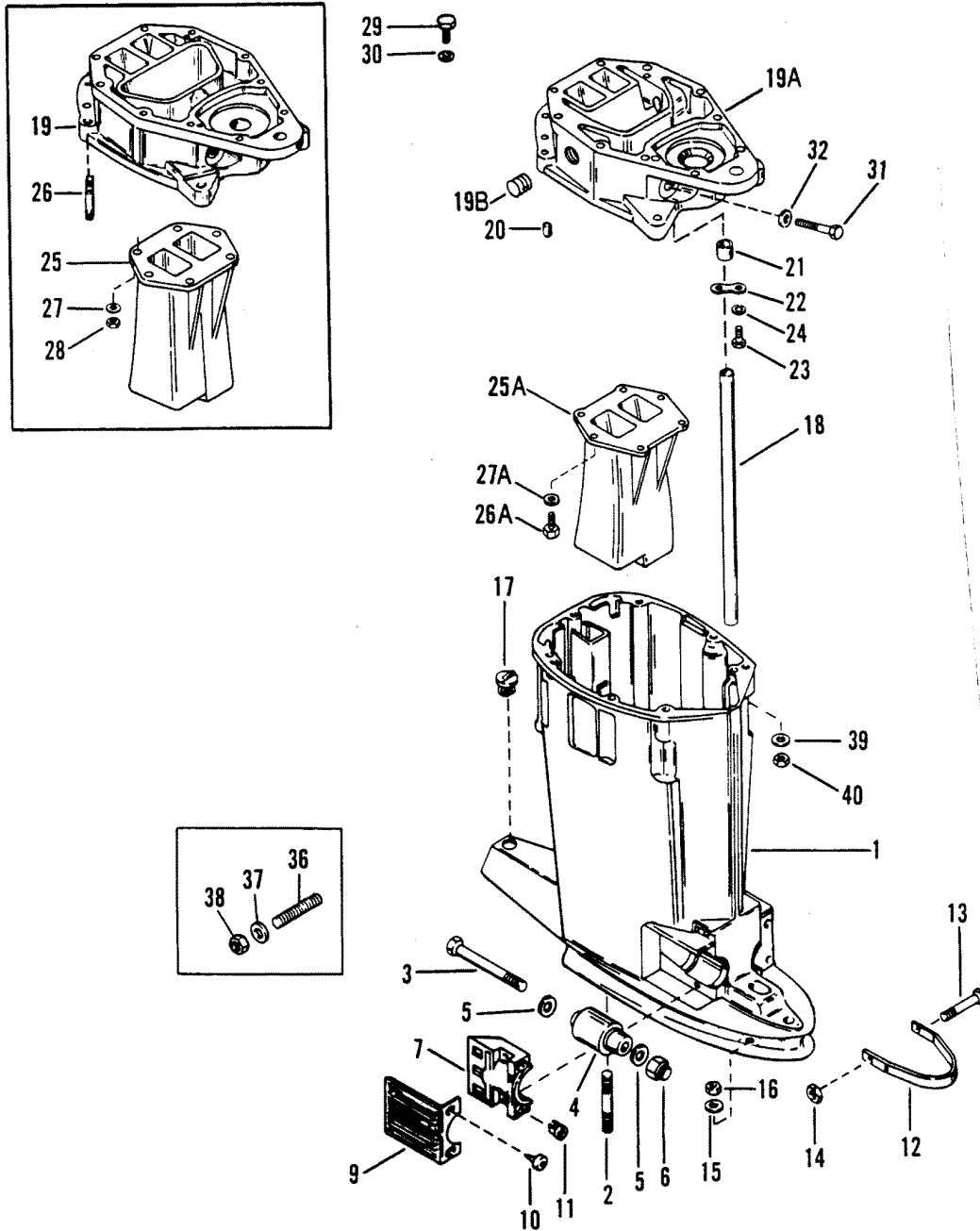


## DRIVE SHAFT HOUSING (STANDARD)

REF. NO.	PART NO.	SYM.	QTY.	DESCRIPTION
1	1590-8837A5		1	DRIVE SHAFT HOUSING ASSEMBLY BLACK
	1590-8837A10		1	DRIVE SHAFT HOUSING ASSEMBLY GRAY
2	16-56295		2	STUD (LONG)
	16-74732		2	STUD (X-LONG)
3	10-63474		2	SCREW
4	816054		2	MOUNT
5	12-816056		2	WASHER
6	11-28040		2	NUT
7	54-847737		2	CLAMP
9	67077T		2	COVER BLACK
	67077T6		2	COVER GRAY
10	10-88417		4	SCREW (5/8")
11	11-35521		4	NUT
12	67703		1	STRAP BLACK
	67703--1		1	STRAP GRAY
13	10-67769		1	SCREW
14	11-25269		1	NUT
15	12-822836		3	WASHER
16	11-34933		3	NUT
17	19-64649		1	PLUG
18	32-67295		1	WATER TUBE (LONG) 2 HOLE WATER PICK-UP
	32-74729		1	WATER TUBE (X-LONG) 2 HOLE WATER PICK-UP
	32-847650--2		1	WATERTUBE (LONG) 4 HOLE WATER PICK-UP
	32-847650--1		1	WATER TUBE (X-LONG) 4 HOLE WATER PICK-UP
19	817716A3		1	EXHAUST EXT. PLATGE (BLACK) DESIGN I SEE REF. #25
	817716A4		1	EXAHUST EX. PLATGE (GRAY) DESIGN I SEE REF. #25
20	17-43044		2OR4	DOWEL PIN (.625) DESIGN I SEE REF. #25
	17-823106--1		2	DOWEL PINE (.800) DESIGN I SEE REF. #25
21	26-38970		1	SEAL DESIGN I SEE REF. #25
22	44260		1	RETAINER DESIGN I SEE REF. #25
23	10-28636		1	SCREW DESIGN I SEE REF. #25
24	13-26992		1	LOCKWASHER DESIGN I SEE REF. #25
25	818227--1		1	DIFFUSER DESIGN I SEE REF. #25
26	16-58893		6	STUD -STUD ATTACHING DESIGN I SEE REF. #25
27	12-20533		6	WASHER -STUD ATTACHING DESIGN I SEE REF. #25
28	11-30506		6	NUT -STUD ATTACHING DESIGN I SEE REF. #25
26A	10-822322		6	SCREW -SCREW ATTACHING DESIGN I SEE REF. #25
27A	12-822714		6	WASHER -SCREW ATTACHING DESIGN I SEE REF. #25
19A	821754A1		1	EXHAUST EXT. PLATE (BLACK) DESIGN II SEE REF. #25A
	821754A2		1	EXAHUST EXT. PLATE (GRAY) DESIGN II SEE REF. #25A
19B	22-821937		2	PIPE PLUG DESIGN II SEE REF. #25A
20	17-43044		2	DOWEL PIN (.625) DESIGN II SEE REF. #25A
	17-823106		2	DOWEL PIN (.875) DESIGN II SEE REF. #25A

CONTINUED ON NEXT PAGE ➡

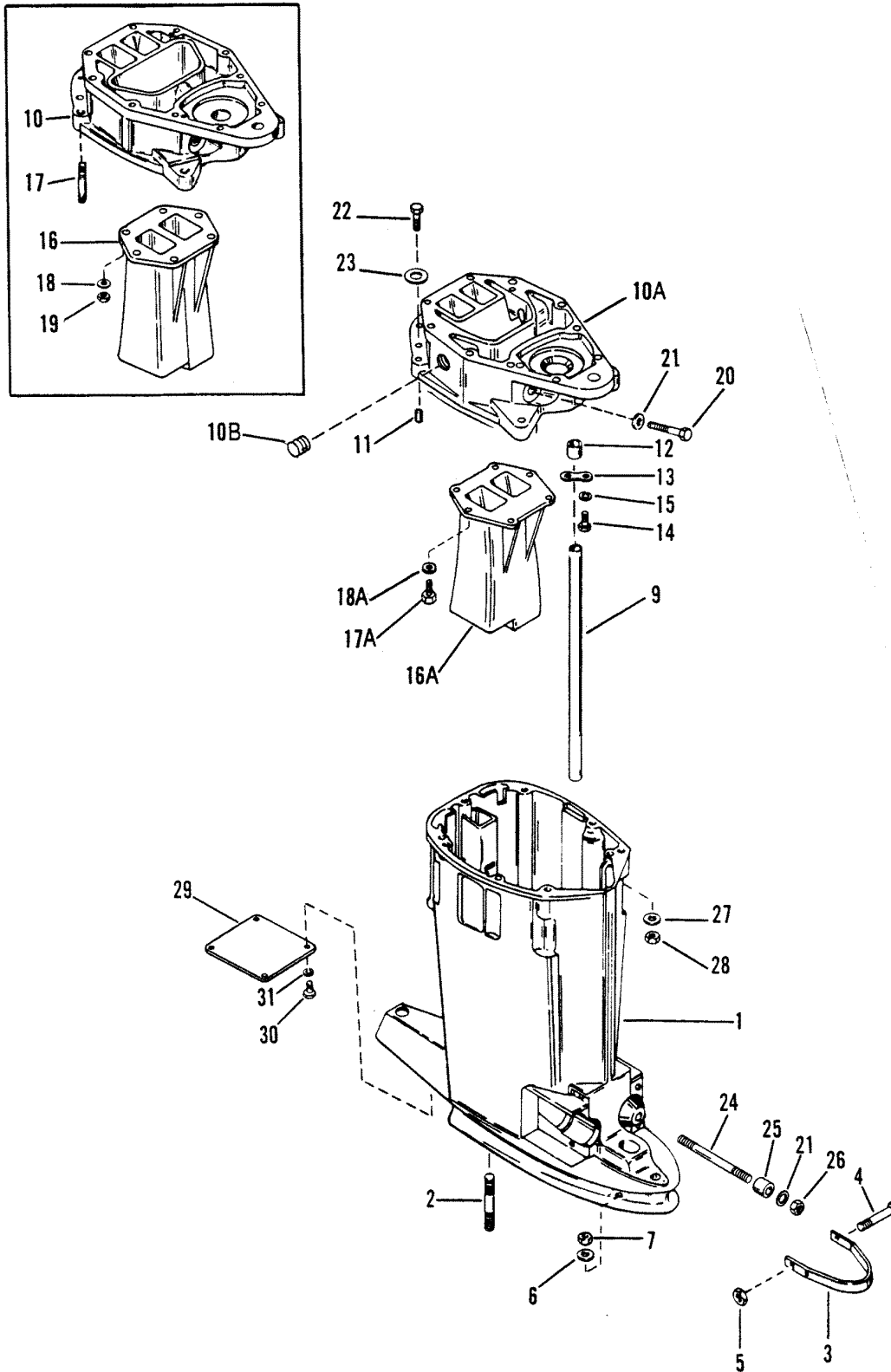
# DRIVE SHAFT HOUSING (STANDARD)



## DRIVE SHAFT HOUSING (STANDARD)

REF. NO.	PART NO.	SYM.	QTY.	DESCRIPTION
21	26-88397		1	SEAL DESIGN II SEE REF. #25A
22	847658		1	RETAINER DESIGN II SEE REF. #25A
23	10-28636		1	SCREW DESIGN II SEE REF. #25A
24	13-26992		1	LOCKWASHER DESIGN II SEE REF. #25A
25A	821377--1		1	DIFFUSER DESIGN II SEE REF. #25A
26A	10-823258		6	SCREW DESIGN II SEE REF. #25A
27A	12-822714		6	WASHER DESIGN II SEE REF. #25A
29	10-91903		3	SCREW (1-3/4")
	10-92913		2	SCREW (3/4")
30	12-822836		5	WASHER
31	10-13212--1		2	SCREW
32	12-816056		2	WASHER
36	16-69058		4	STUD
37	12-22753		4	WASHER
38	11-35814		4	NUT
39	12-822838		10	WASHER
40	11-34932		8	NUT (FULL)
	11-34863		2	NUT (THIN)
-	<b>78148A1</b>		<b>1</b>	<b>SAPCER ASSEMBLY - X-LONG</b>
-	<b>17-43044</b>		<b>2</b>	<b>PIN X-LONG</b>
-	<b>10-66024</b>		<b>1</b>	<b>SCREW X-LONG</b>

# DRIVE SHAFT HOUSING (OFFSHORE)

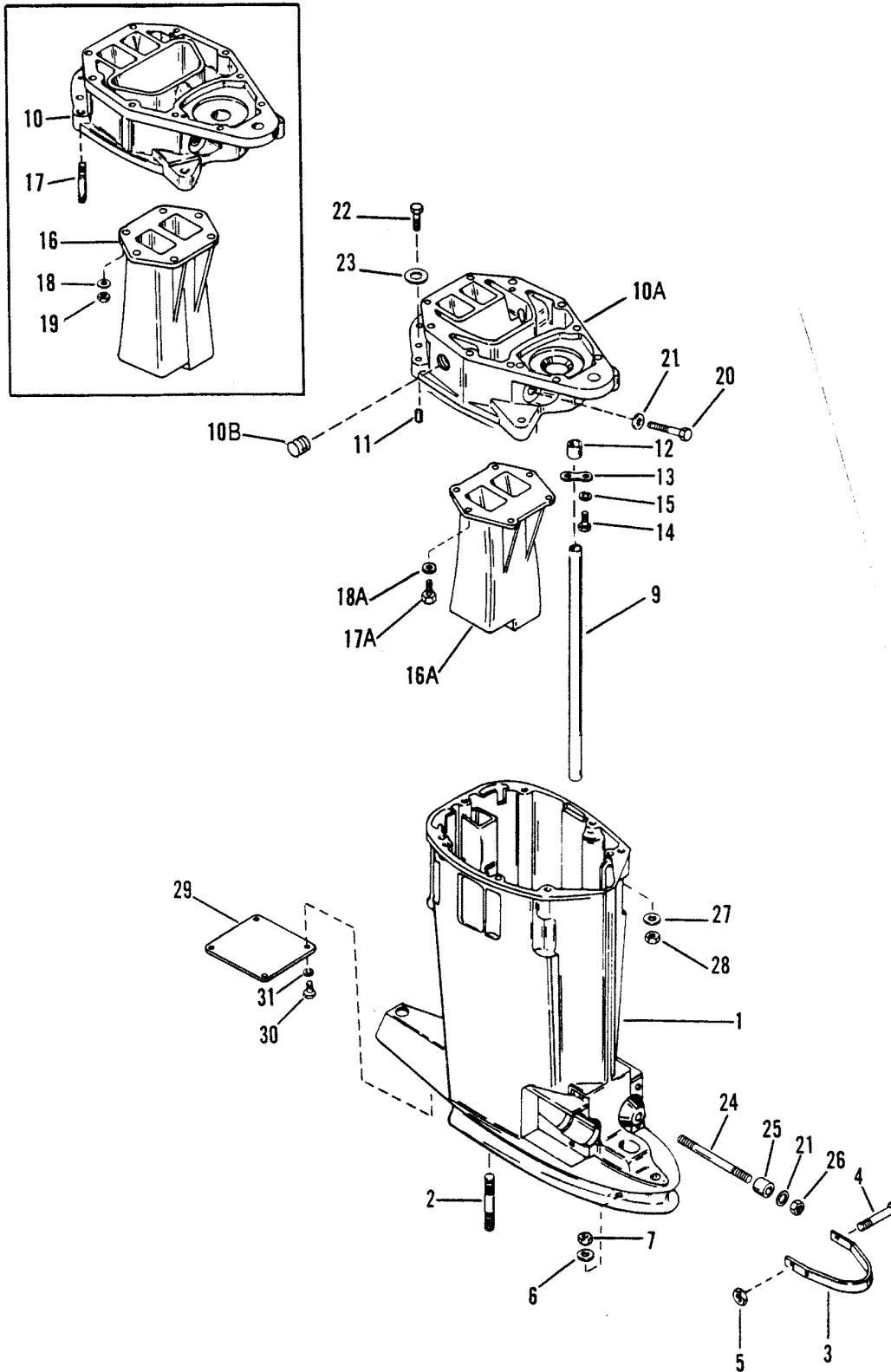


## DRIVE SHAFT HOUSING (OFFSHORE)

REF. NO.	PART NO.	SYM.	QTY.	DESCRIPTION
1	1581-8683A21		1	DRIVE SHAFT HOUSING ASSEMBLY BLACK
	1581-8683A24		1	DRIVE SHAFT HOUSING ASSEMBLY GRAY
2	16-56295		2	STUD (LONG)
	16-74732		2	STUD (X-LONG)
3	67703		1	STRAP BLACK
	67703--1		1	STRAP GRAY
4	10-67769		1	SCREW
5	11-25269		1	NUT
6	12-822836		3	WASHER
7	11-34933		3	NUT
9	32-67295		1	WATER TUBE (LONG) 2-HOLE WATER PICK-UP
	32-74729		1	WATER TUBE (X-LONG) 2-HOLE WATER PICK-UP
	32-847650--2		1	WATER TUBE (LONG) 4-HOLE WATER PICK-UP
	32-847650--1		1	WATER TUBE (X-LONG) 4-HOLE WATER PICK-UP
10	817716A3		1	PLATE ASSEMBLY BLACK DESIGN 1 SEE REF. #16
	817716A4		1	PLATE ASSEMBLY GRAY DESIGN 1 SEE REF. #16
11	17-43044		2OR4	DOWEL PIN (.625) DESIGN 1 SEE REF. #16
	17-823106		2	DOWEL PIN (.800) DESIGN 1 SEE REF. #16
12	26-38970		1	SEAL DESIGN 1 SEE REF. #16
13	44260		1	RETAINER DESIGN 1 SEE REF. #16
14	10-28636		1	SCREW DESIGN 1 SEE REF. #16
15	13-26992		1	LOCKWASHER DESIGN 1 SEE REF. #16
16	818227--1		1	DIFFUSER DESIGN 1 SEE REF. #16
17	16-58893		6	STUD STUD ATTACHING DESIGN 1 SEE REF. #16
18	12-20533		6	WASHER STUD ATTACHING DESIGN 1 SEE REF. #16
19	11-30506		6	NUT STUD ATTACHING DESIGN 1 SEE REF. #16
17A	10-822322		6	SCREW SCREW ATTACHING DESIGN 1 SEE REF. #16
18A	12-822714		6	WASHER SCREW ATTACHING DESIGN 1 SEE REF. #16
10A	821754A1		1	EXHAUST EXT. PLATE BLACK DESIGN II SEE REF. #16A
	821754A2		1	EXHAUST EXT. PLATE GRAY DESIGN II SEE REF. #16A
10B	22-821937		2	PIPE PLUG DESIGN II SEE REF. #16A
11	17-43044		2	DOWEL PIN (.625) DESIGN II SEE REF. #16A
	17-823106		2	DOWEL PIN (.875) DESIGN II SEE REF. #16A
12	26-88397		1	SEAL DESIGN II SEE REF. #16A
13	847658		1	RETAINER DESIGN II SEE REF. #16A
14	10-28636		1	SCREW DESIGN II SEE REF. #16A
15	13-26992		1	LOCKWASHER DESIGN II SEE REF. #16A
16A	821377--1		1	DIFFUSER DESIGN II SEE REF. #16A
17A	10-823258		6	SCREW DESIGN II SEE REF. #16A
18A	12-822714		6	WASHER DESIGN II SEE REF. #16A
20	10-13212--1		2	SCREW
21	12-816056		4	WASHER
22	10-91903		3	SCREW (1-3/4")

CONTINUED ON NEXT PAGE ➡

# DRIVE SHAFT HOUSING (OFFSHORE)

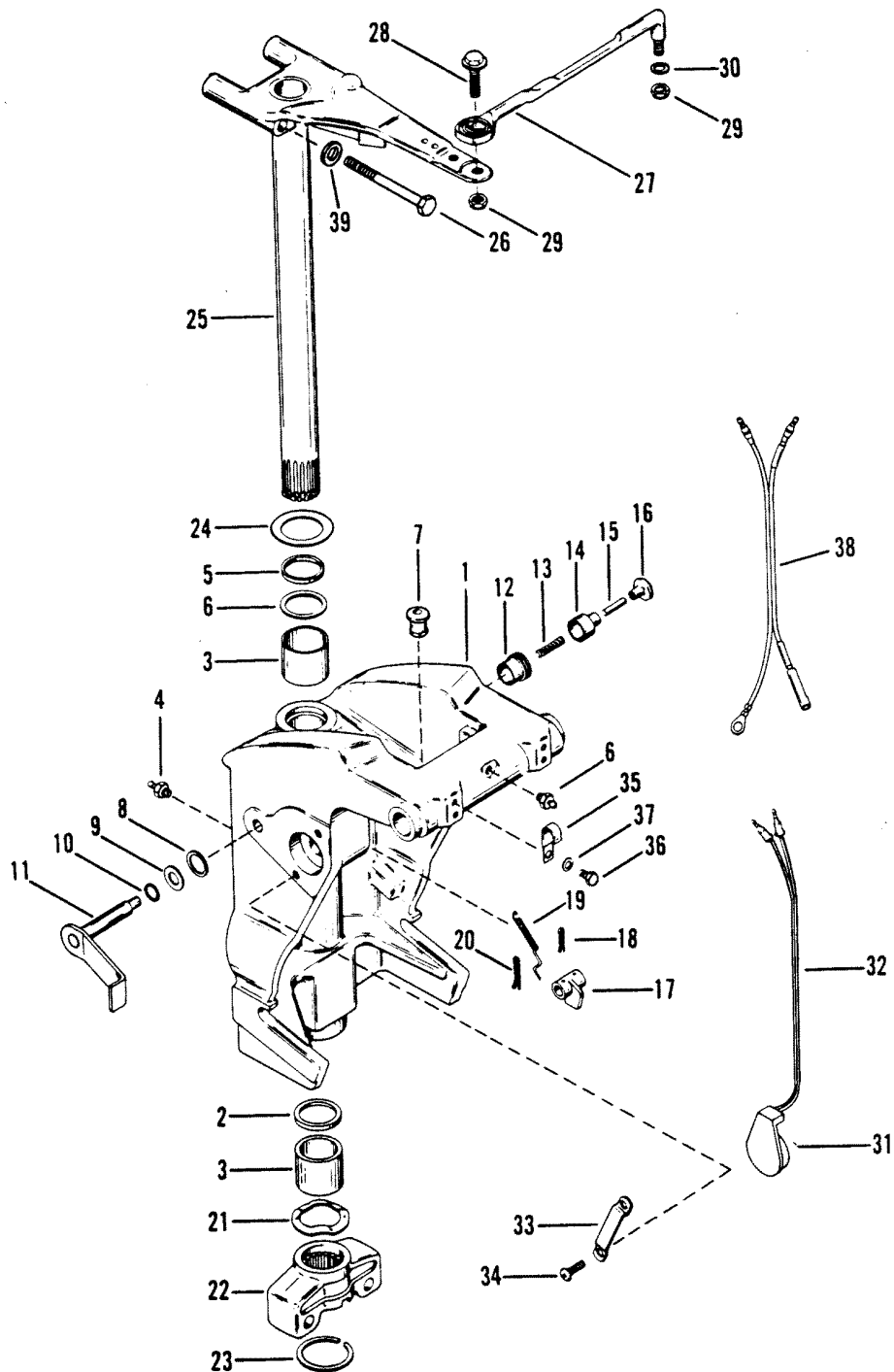




## DRIVE SHAFT HOUSING (OFFSHORE)

REF. NO.	PART NO.	SYM.	QTY.	DESCRIPTION
22	10-92913		2	SCREW (3/4")
23	12-822836		5	WASHER
24	16-816055		2	STUD
25	23-816057		2	SPACER BLACK
	23-816057--1		2	SPACER GRAY
26	11-28040		2	NUT
27	12-822838		10	WASHER
28	11-34932		8	NUT (FULL)
	11-34863		2	NUT (THIN)
29	818261		1	EXHAUST BLOCK-OFF PLATE
30	10-28635		4	SCREW
31	13-26992		4	LOCKWASHER
-	<b>78148A1</b>		<b>1</b>	<b>SPACER ASSEMBLY X-LONG</b>
-	<b>17-43044</b>		<b>2</b>	<b>PIN X-LONG</b>
-	<b>10-66024</b>		<b>1</b>	<b>SCREW X-LONG</b>

# SWIVEL BRACKET AND STEERING ARM



# SWIVEL BRACKET AND STEERING ARM

REF. NO.	PART NO.	SYM.	QTY.	DESCRIPTION
1	1491-9225A3		1	SWIVEL BRACKET ASSEMBLY BLACK
	1491-9225A4		1	SWIVEL BRACKET ASSEMBLY GRAY
2	26-87735		1	OIL SEAL (LOWER)
3	23-99813A1		2	BUSHING
4	22-74036		4	GREASE FITTING
5	23-67668		1	SPACER
6	25-33466		1	O-RING
7	25-88341		2	GROMMET (STANDARD)
8	26-85023		2	OIL SEAL
9	12-87161		2	WASHER
10	25-48171		2	O-RING
11	85030A2		1	TILT LOCK LEVER (PORT)
	85028A2		1	1ILT LOCK LEVER (STARBOARD)
12	23-86600		1	BUSHING
13	24-85367		1	SPRING
14	41052		1	PLUNGER
15	16-88876		1	STUD
16	86603		1	KNOB
17	86475--1		1	COUPLING
18	17-69745		2	PIN
19	24-88049		1	SPRING
20	18-93861		1	COTTER PIN
21	13-78854		1	WAVE WASHER
22	86580A1		1	BOTTOM YOKE BLACK
	86580A2		1	BOTTOM YOKE GRAY
23	53-67684		1	RETAINING RING
24	12-67670		1	THRUST WASHER
25	17-67706A46		1	SWIVEL PIN AND STEERING ARM BLACK
	17-67706A47		1	SWIVEL PIN AND STEERING ARM GRAY
26	10-13212--1		2	SCREW
27	92876A1		1	STEERING LINK ASSEMBLY
28	10-14000		1	SCREW (1-1/4")
29	11-34863		2	NUT
30	12-37828		2	WASHER
31	86485A5		1	TRIM SENDER ASSEMBLY <b>STANDARD</b>
	86485A6		1	TILT SWITCH ASSEMBLY <b>STANDARD</b>
32	84-65017A14		1	HARNESS (2 FEMALE/2 MALES) <b>STANDARD</b>
33	88342		2	STRAP <b>STANDARD</b>
34	10-87926		4	SCREW <b>STANDARD</b>

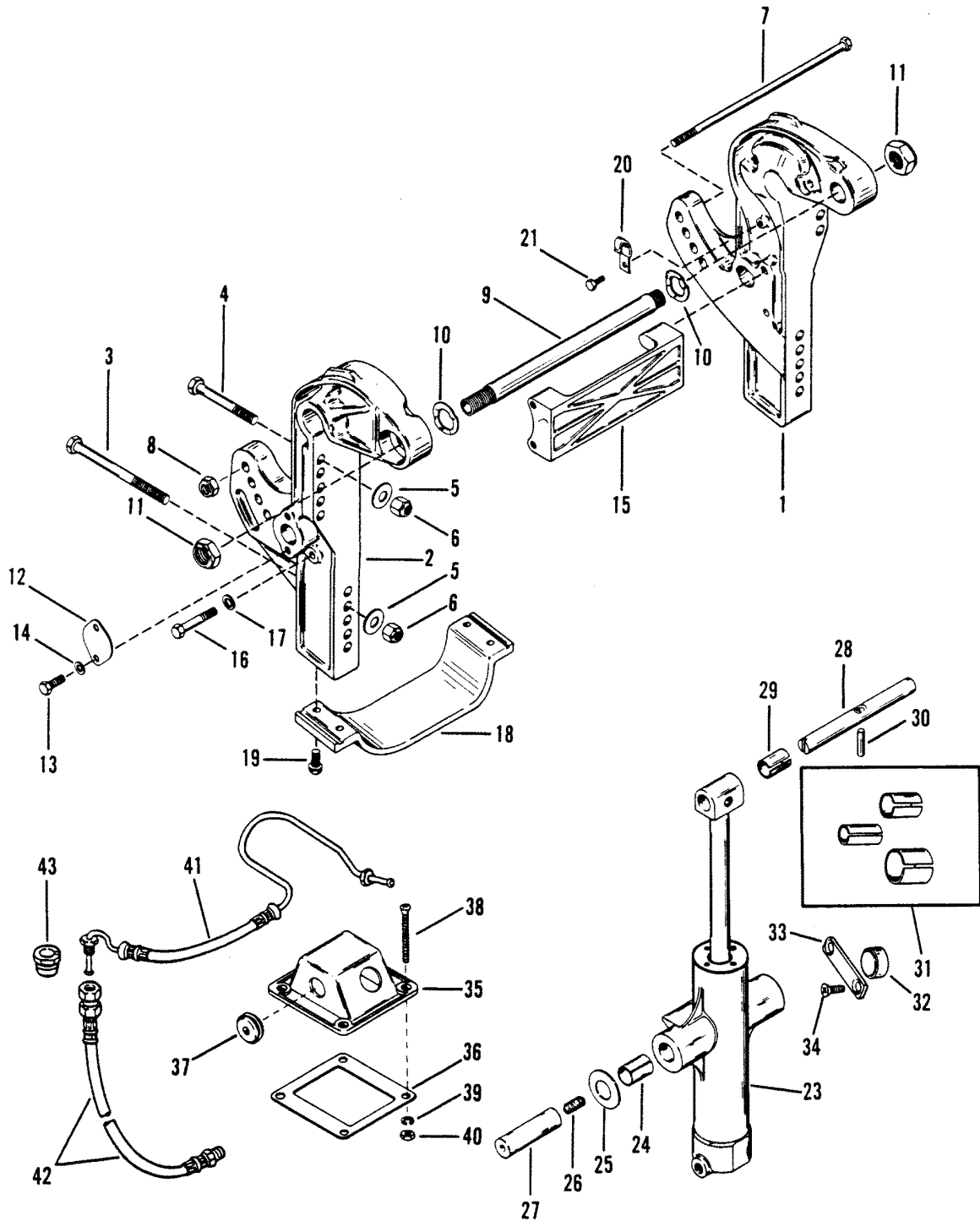
CONTINUED ON NEXT PAGE ➡



## SWIVEL BRACKET AND STEERING ARM

REF. NO.	PART NO.	SYM.	QTY.	DESCRIPTION
35	54-54457		1	CLAMP <b>STANDARD</b>
36	10-98256		1	SCREW <b>STANDARD</b>
37	12-29245		1	WASHER <b>STANDARD</b>
38	84-65017A25		1	TRIM HARNESS <b>STANDARD</b>
39	12-816056		2	WASHER

# TRANSOM BRACKETS AND TRIM CYLINDER

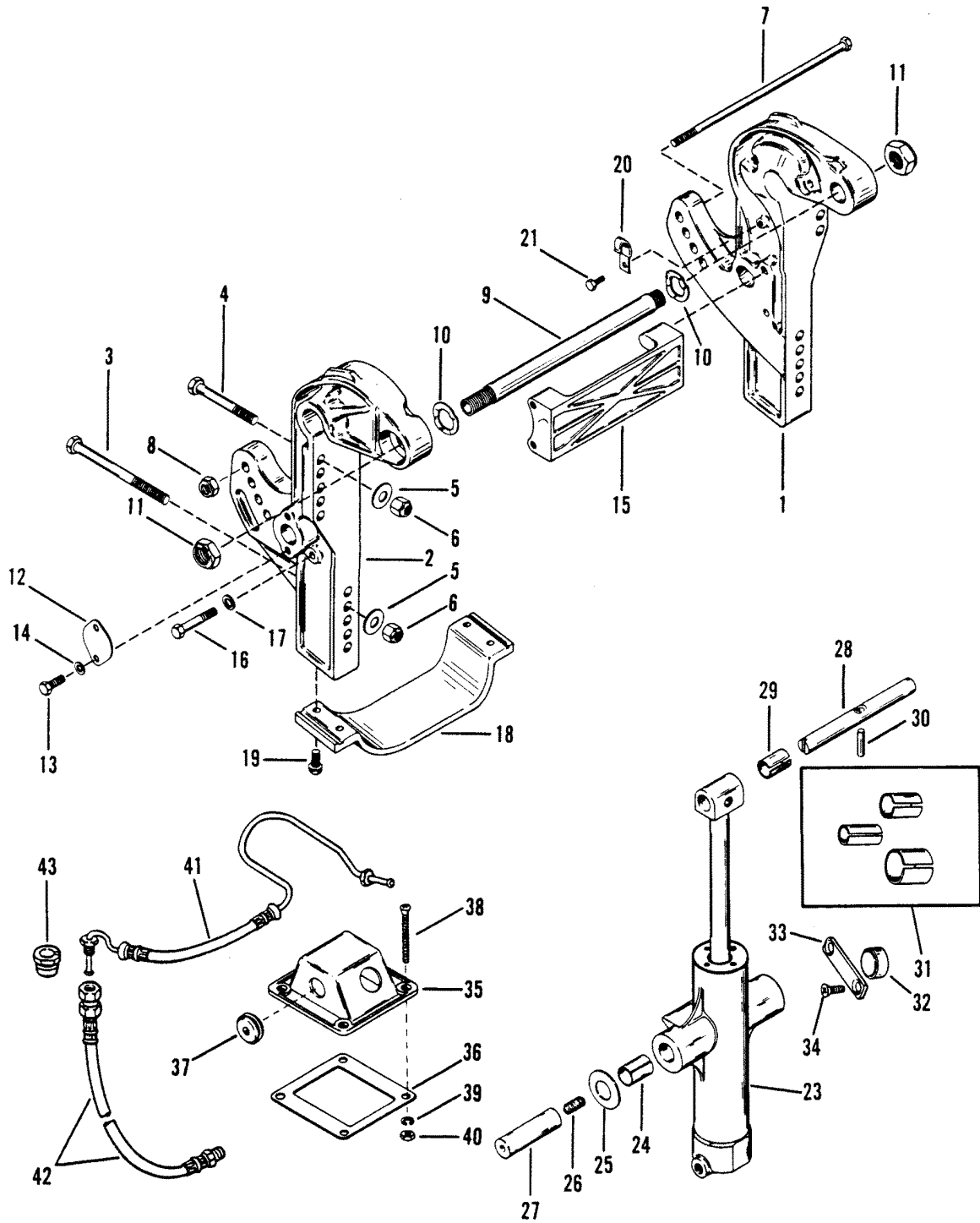


# TRANSOM BRACKETS AND TRIM CYLINDER

REF. NO.	PART NO.	SYM.	QTY.	DESCRIPTION
1	1494-7476T1		1	TRANSOM BRACKET (PORT) BLACK
2	1495-7478T1		1	TRANSOMBRACKET (STARBOARD) BLACK
1	1494-7476T6		1	TRANSOM BRACKET (PORT) GRAY
2	1495-7478T6		1	TRANSOMBRACKET (STARBOARD) GRAY
3	10-67755--2		2	SCREW (6-1/2")
4	10-67755		2	SCREW (4-1/2")
5	12-28421		4	WASHER
6	11-816670		4	NUT
7	10-87180		1	BOLT
8	11-20220		1	NUT
9	99170A1		1	TILT TUBE
10	13-88750		2	WAVE WASHER
11	11-56041		1	NUT (7/8-14)
	11-90068T		1	NUT (1"-14)(BLACK)
	11-90068T6		1	NUT (1"-14)(GRAY)
12	85026T		2	PLATE
13	10-28636		4	SCREW
14	12-29245		4	WASHER
15	85035T		1	SPACER (BLACK)
	85035T6		1	SPACER (GRAY)
16	10-70732		4	SCREW
17	12-29245		4	WASHER
18	89949A1		1	PLATE ASSEMBLY
19	10-89996		4	SCREW
20	54-88512		4	J-CLAMP
	54-75275		2	CLAMP
21	10-88829		6	SCREW
23	79610A6		1	TRIM CYLINDER (79879A1 REPAIR KIT) <b>STANDARD</b>
24	23-86489		2	BUSHING <b>STANDARD</b>
25	12-85022		2	WASHER <b>STANDARD</b>
26	24-30316		2	SPRING <b>STANDARD</b>
27	17-85020		2	PIVOT PIN <b>STANDARD</b>
28	85024		1	SHAFT <b>STANDARD</b>
29	23-86637		2	BEARING <b>STANDARD</b>
30	17-91862		1	PIN <b>STANDARD</b>
23	79610A10		1	TRIM CYLINDER (79879A1 REPAIR KIT) <b>OFF SHORE</b>
28	17-98683		1	PIN <b>OFF SHORE</b>
31	23-99813A2		1	BUSHING KIT <b>OFF SHORE</b>
32	98684		2	SPACER <b>OFF SHORE</b>
33	15933		2	STRAP <b>OFF SHORE</b>
34	10-15934		4	SCREW <b>OFF SHORE</b>
35	87871		1	COVER
36	27-87775		1	GASKET

CONTINUED ON NEXT PAGE ➡

# TRANSOM BRACKETS AND TRIM CYLINDER

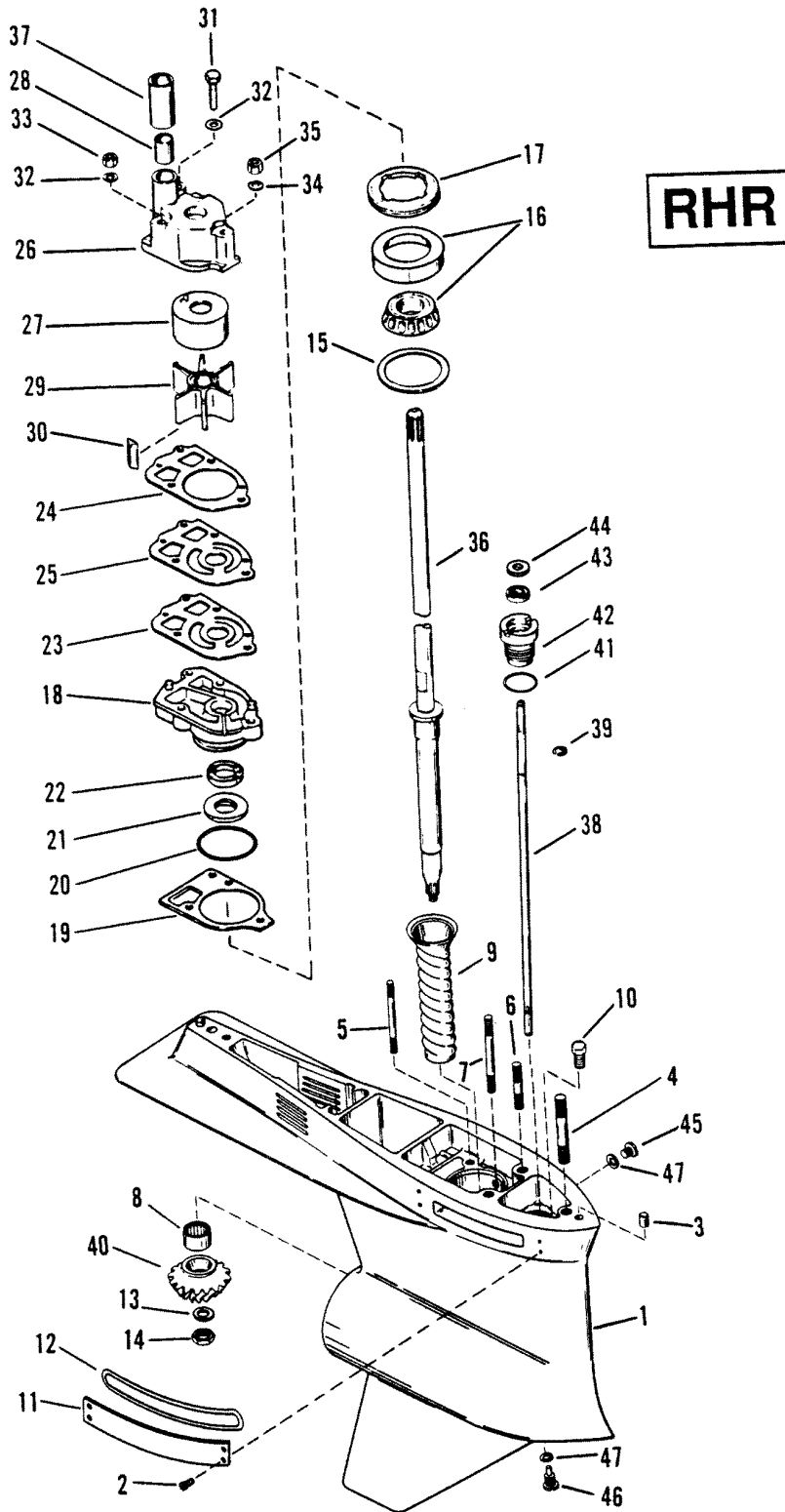




## TRANSOM BRACKETS AND TRIM CYLINDER

REF. NO.	PART NO.	SYM.	QTY.	DESCRIPTION
37	25-45507		1	GROMMET
39	12-20878		4	WASHER
40	11-29488		4	NUT
41	32-96993		1	HOSE, HYDRAULIC (PORT)
	32-96994		1	HOSE, HYDRAULIC (STARBOARD)
42	32-89024		1	HOSE, HYDRAULIC (PORT)
	32-89023		1	HOSE, HYDRAULIC (STARBOARD)
43	25-12602		2	GROMMET

# GEAR HOUSING (DRIVE SHAFT)RHR 2-HOLE WATER PICK-UP

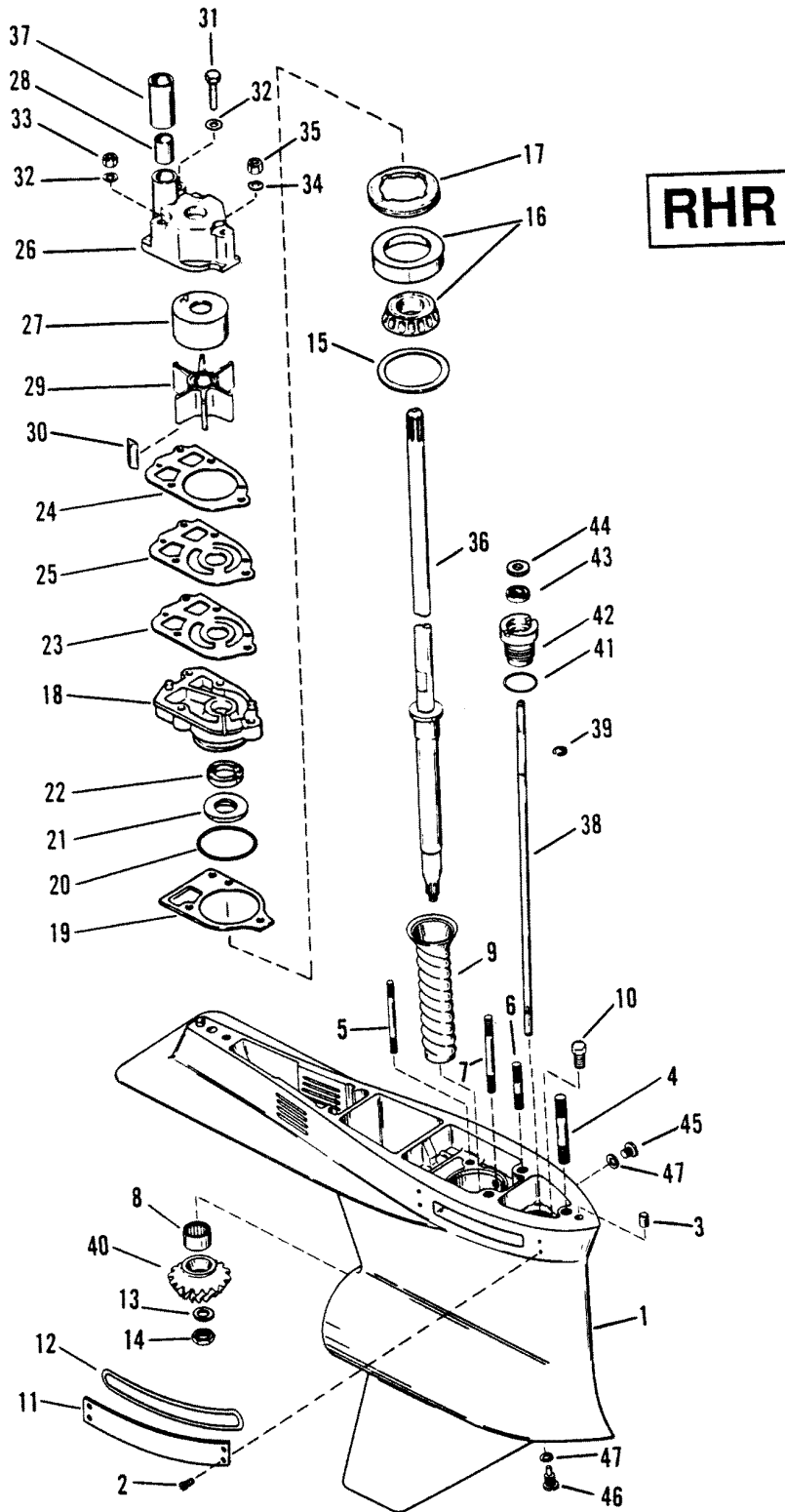


# GEAR HOUSING (DRIVE SHAFT)RHR 2-HOLE WATER PICK-UP

REF. NO.	PART NO.	SYM.	QTY.	DESCRIPTION
-	1647-9561A59		1	GEAR HOUSING (COMPLETE) BLACK LONG
-	1647-9561A39		1	GEAR HOUSING (COMPLETE) GRAY LONG
-	1647-9561A60		1	GEAR HOUSING (COMPLETE) BLACK X-LONG
-	1647-9561A38		1	GEAR HOUSING (COMPLETE) GRAY X-LONG
1	1647-9561A21		1	GEAR HOUSING (BASIC) BLACK
	1647-9561A37		1	GEAR HOUSING (BASIC) GRAY
2	10-815904		8	SCREW
3	17-43044		2	DOWEL PIN
4	16-78638		1	STUD (3-1/8") <b>LONG</b>
5	16-57920		2	STUD (2-1/16") <b>LONG</b>
4	16-78639		1	STUD (8-1/10") <b>X-LONG</b>
5	16-74730		2	STUD (7-1/16") <b>X-LONG</b>
6	16-56297		1	STUD (3-3/8")
7	16-69501		2	STUD (3-1/4")
8	31-42647A1		1	ROLLER BEARING
9	23-43998		1	SLEEVE
10	22-13820		1	PIPE PLUG
11	12144		2	COVER BLACK
	12144--1		2	COVER GRAY
12	25-39695		2	O-RING
13	12-92721		1	WASHER
14	11-35921		1	NUT
15	15-42637A1		AR	SHIM ASSEMBLY
16	31-36387A1		1	ROLLER BEARING
17	11-42633		1	NUT
18	46-44292A3		1	WATER PUMP BASE ASSEMBLY
19	27-42631--1		1	GASKET
20	25-90011		1	O-RING
21	26-89238		1	OIL SEAL
22	26-16977		1	OIL SEAL
23	27-18051		1	GASKET (LOWER)
24	27-85609--1		1	GASKET (UPPER)
25	32435		1	FACE PLATE
26	46-96148A1		1	WATER PUMP BODY ASSEMBLY
27	48752		1	INSERT
28	26-38970		1	RUBBER SEAL
29	47-89984		1	IMPELLER
30	28-56654		1	KEY
31	10-96411		1	SCREW (2-1/4")
32	12-29245		2	WASHER
33	11-13438		2	NUT
34	12-36001		1	WASHER
35	11-13436		1	NUT

CONTINUED ON NEXT PAGE ➡

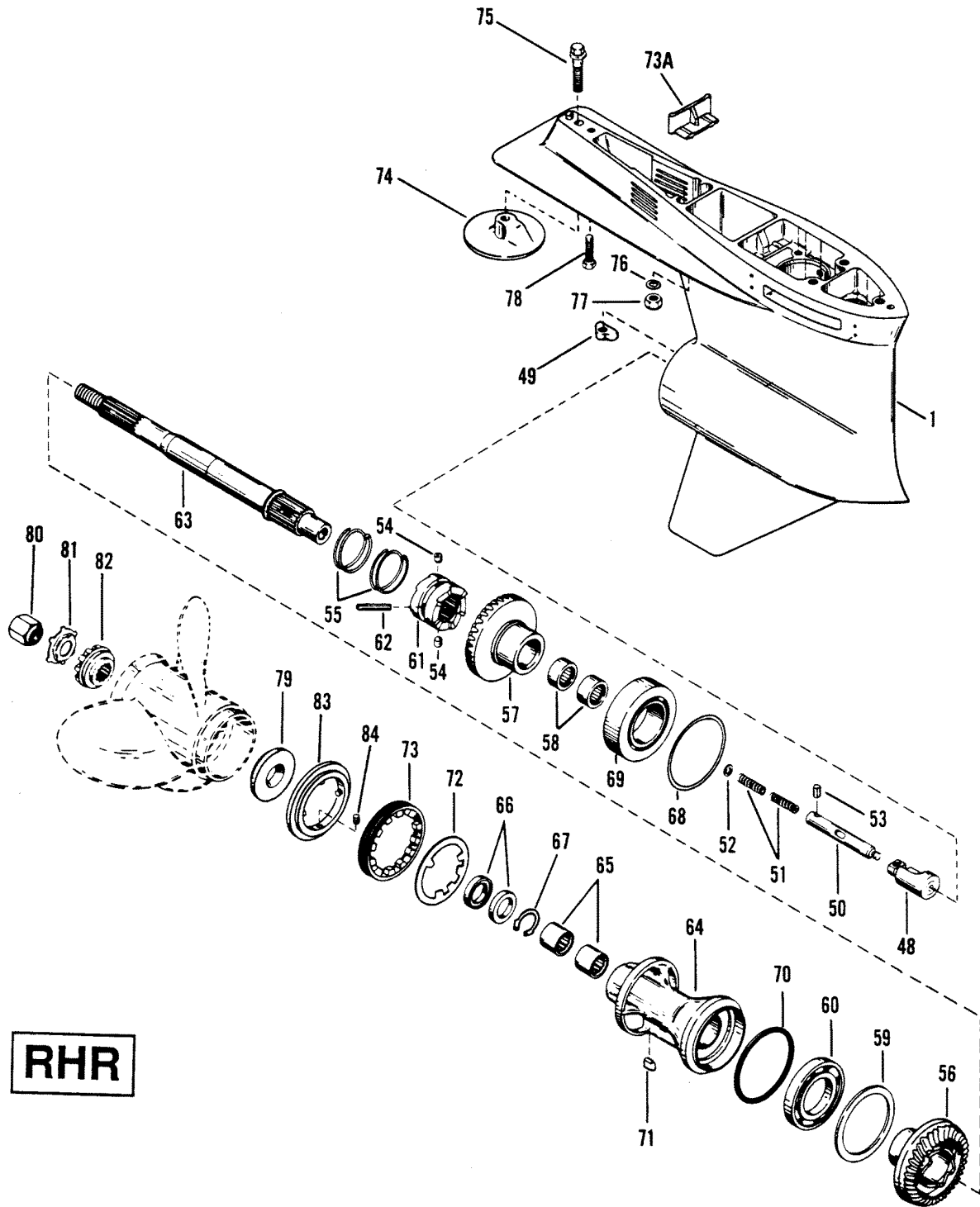
# GEAR HOUSING (DRIVE SHAFT)RHR 2-HOLE WATER PICK-UP



## GEAR HOUSING (DRIVE SHAFT)RHR 2-HOLE WATER PICK-UP

REF. NO.	PART NO.	SYM.	QTY.	DESCRIPTION
36	45-44000--1		1	DRIVE SHAFT (LONG)
	45-44209--1		1	DRIVE SHAFT (X-LONG)
37	23-29804		1	SLEEVE
38	78902		1	SHIFT SHAFT (LOWER)
39	53-29641		1	E-RING
40	N.S.S.		1	GEAR (PART OF 43-44104A6)
41	25-25439		1	O-RING
42	23-77631A2		1	BUSHING ASSEMBLY
43	26-816464--1		1	OIL SEAL
44	12-77674		1	RUBBER WASHER
45	10-79953		1	SCREW
46	10-14834		1	DRAIN SCREW (MAGNETIC)
47	12-19183		2	WASHER
-	<b>46-96148A5</b>		<b>1</b>	<b>WATER PUMP REBUILD KIT</b>
-	<b>26-89238A2</b>		<b>1</b>	<b>SEAL KIT</b>

# GEAR HOUSING (PROPELLER SHAFT)RHR 2-HOLE WATER PICK-UP

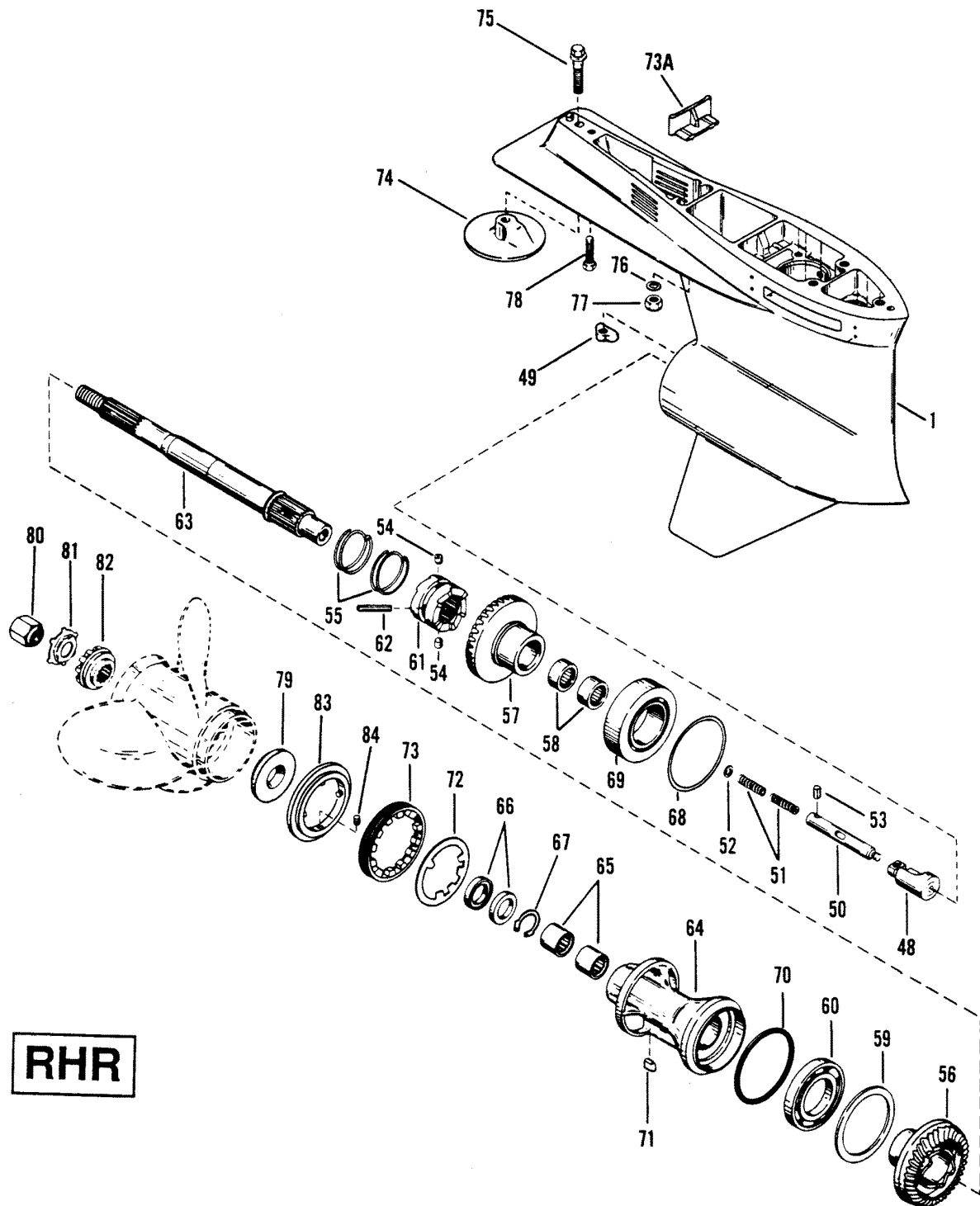


# GEAR HOUSING (PROPELLER SHAFT)RHR 2-HOLE WATER PICK-UP

REF. NO.	PART NO.	SYM.	QTY.	DESCRIPTION
-	1647-9561A59		1	GEAR HOUSING (COMPLETE) BLACK LONG
-	1647-9561A39		1	GEAR HOUSING (COMPLETE) GRAY LONG
-	1647-9561A60		1	GEAR HOUSING (COMPLETE) BLACK X-LONG
-	1647-9561A38		1	GEAR HOUSING (COMPLETE) GRAY X-LONG
1	1647-9561A21		1	GEAR HOUSING (BASIC) BLACK
	1647-9561A37		1	GEAR HOUSING (BASIC) GRAY
48	89594A1		1	CAM FOLLOWER
49	78956		1	SHIFT CAM
50	79911		1	ROD
51	24-79910		2	SPRING
52	12-78910		AR	WASHER
53	17-78906		1	PIN
54	17-78909		2	DETENT PIN
55	24-78962		2	SPRING
56	43-816419A1		1	REVERSE GEAR
57	43-44104A6		1	FORWARD GEAR SET (INCLUDES REVERSE GEAR)
58	31-54928--1		2	ROLLER BEARING
59	68100--1		1	THRUST RING
60	30-88957A1		1	BALL BEARING
61	52-42672		1	RATCHET
62	17-42671		1	CROSS PIN
63	44-816418T		1	PROPELLER SHAFT
64	815563A2		1	BEARING CARRIER
65	31-817072		1	ROLLER BEARING
66	26-815565		2	OIL SEAL
67	53-817071		1	SNAP RING
68	15-47397A1		AR	SHIM
69	31-78172A1		1	TAPERED ROLLER BEARING
70	25-31534		1	O-RING
71	28-30281		1	KEY
72	14-79447		1	TAB WASHER
73	15840--1		1	COVER
73A	67891		1	FILLER BLOCK
74	76214		1	ANODIC PLATE (LONG)
	76214--1		1	ANODIC PLATE (X-LONG)
75	10-66024		1	SCREW
76	12-822836		2	WASHER
77	11-34933		2	NUT
78	10-30206		1	SCREW (LONG)
	10-15929		1	SCREW (X-LONG)
79	13171		1	THRUST HUB
80	11-52707A1		1	PROPELLER NUT

CONTINUED ON NEXT PAGE ➡

# GEAR HOUSING (PROPELLER SHAFT)RHR 2-HOLE WATER PICK-UP

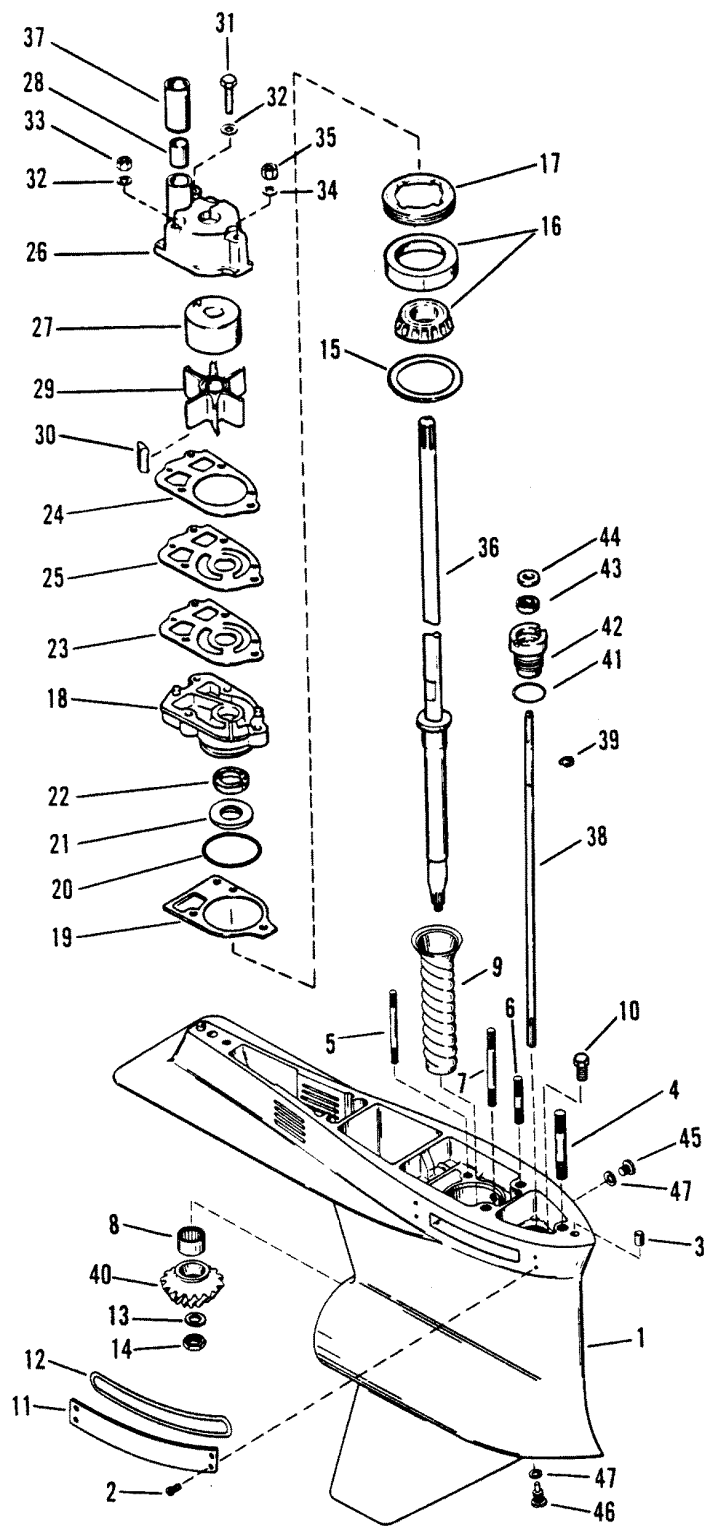




# GEAR HOUSING (PROPELLER SHAFT)RHR 2-HOLE WATER PICK-UP

REF. NO.	PART NO.	SYM.	QTY.	DESCRIPTION
81	14-816629		1	TAB WASHER
82	12-31211A2		1	WASHER
83	821978A1		1	EXHAUST EXTENSION RING
84	10-35057		4	SCREW
-	<b>26-89238A2</b>		<b>1</b>	<b>SEAL KIT</b>

# GEAR HOUSING (DRIVE SHAFT)LHR 2-HOLE WATER PICK-UP



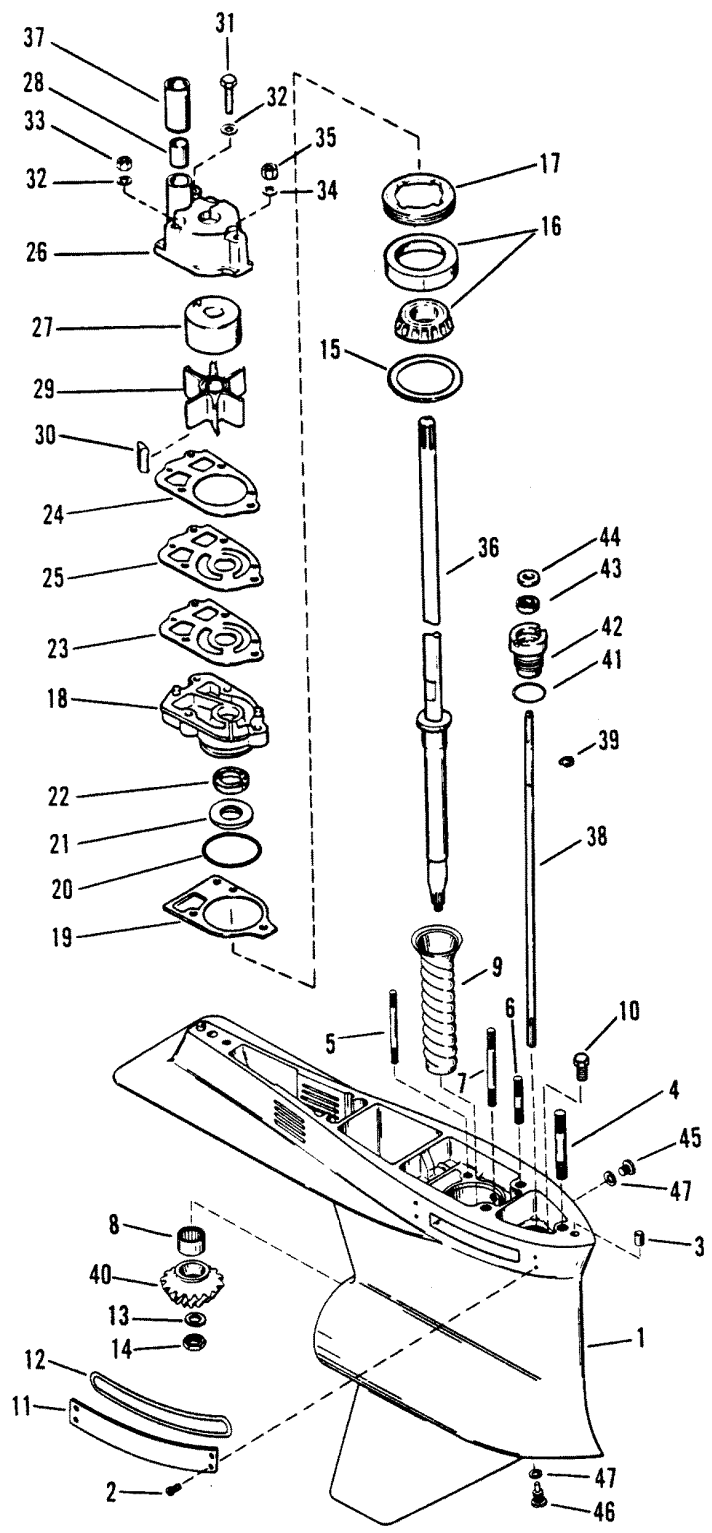
**LHR**

# GEAR HOUSING (DRIVE SHAFT)LHR 2-HOLE WATER PICK-UP

REF. NO.	PART NO.	SYM.	QTY.	DESCRIPTION
-	1647-9561A51		1	GEAR HOUSING (COMPLETE) BLACK LONG
-	1647-9561A41		1	GEAR HOUSING (COMPLETE) GRAY LONG
-	1647-9561A53		1	GEAR HOUSING (COMPLETE) BLACK X-LONG
-	1647-9561A43		1	GEAR HOUSING (COMPLETE) GRAY X-LONG
1	1647-9561A70		1	GEAR HOUSING (BASIC) BLACK
	1647-9561A48		1	GEAR HOUSING (BASIC) GRAY
2	10-815904		8	SCREW
3	17-43044		2	DOWEL PIN
4	16-78638		1	STUD (3-1/8") LONG
5	16-57920		2	STUD (2-1/16") LONG
4	16-78639		1	STUD (8/1/10") X-LONG
5	16-74730		2	STUD (7-1/16") X-LONG
6	56297		1	STUD (3-3/8")
7	16-69501		2	STUD (3-1/4")
8	31-42647A1		1	ROLLER BEARING
9	23-43998		1	SLEEVE
10	22-13820		1	PIPE PLUG
11	12144		2	COVER (BLACK)
	12144--1		2	COVER (GRAY)
12	25-39695		2	O-RING
13	12-92721		1	WASHER
14	11-35921		1	NUT
15	15-42637A1		AR	SHIM ASSEMBLY
16	31-36387A1		1	ROLLER BEARING
17	11-42633		1	NUT
18	46-44292A3		1	WATER PUMP BASE ASSEMBLY
19	27-42631--1		1	GASKET
20	25-90011		1	O-RING
21	26-89238		1	OIL SEAL
22	26-16977		1	OIL SEAL
23	27-18051		1	GASKET (LOWER)
24	27-85609--1		1	GASKET (UPPER)
25	32435		1	FACE PLATE
26	46-96148A1		1	WATER PUMP BODY ASSEMBLY
27	48752		1	INSERT
28	26-38970		1	RUBBER SEAL
29	47-89984		1	IMPELLER
30	28-56654		1	KEY
31	10-96411		1	SCREW (2-1/4")
32	12-29245		2	WASHER
33	11-13438		2	NUT
34	12-36001		1	WASHER
35	11-13436		1	NUT

CONTINUED ON NEXT PAGE ➡

# GEAR HOUSING (DRIVE SHAFT)LHR 2-HOLE WATER PICK-UP

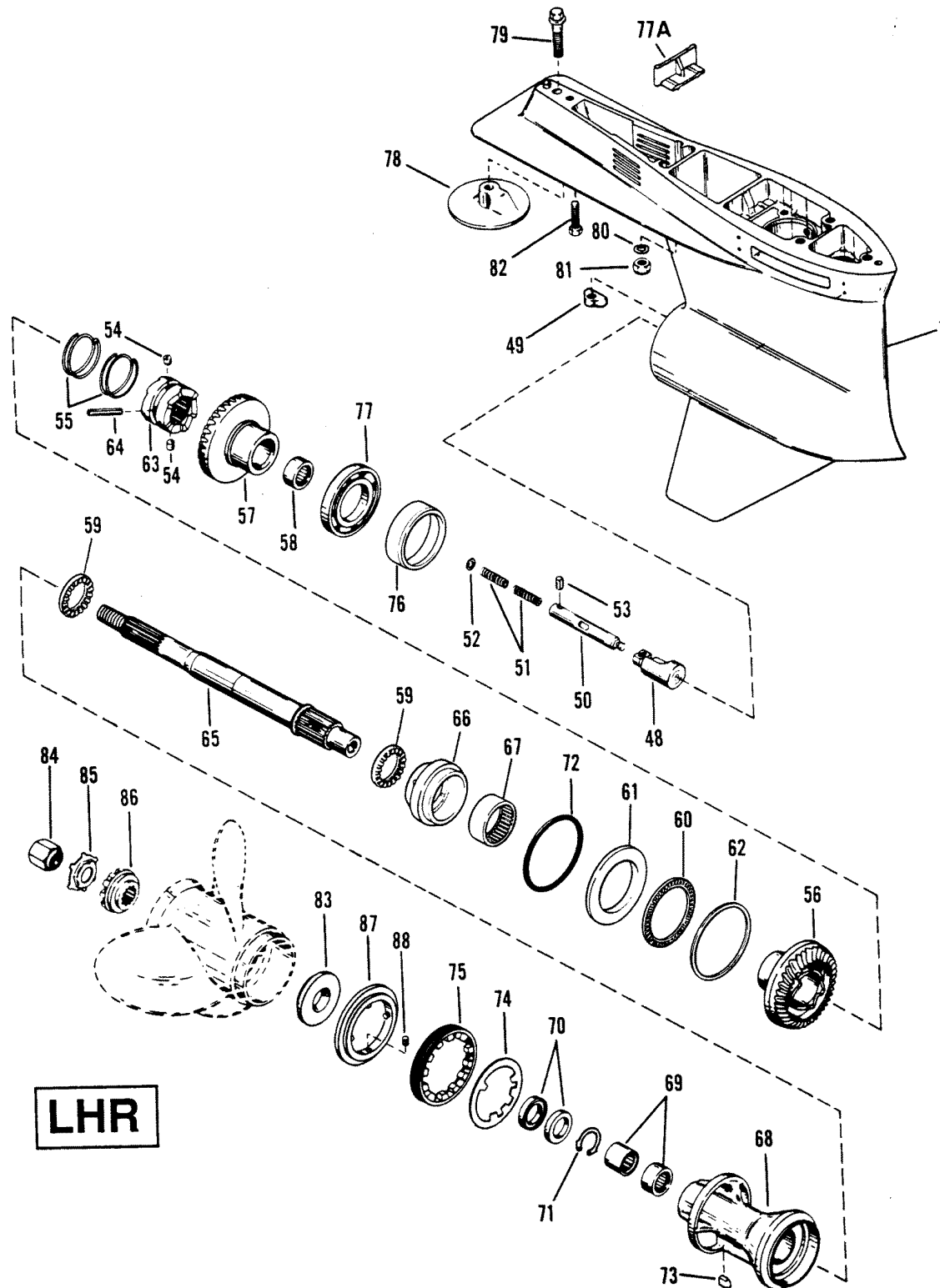


**LHR**

## GEAR HOUSING (DRIVE SHAFT)LHR 2-HOLE WATER PICK-UP

REF. NO.	PART NO.	SYM.	QTY.	DESCRIPTION
36	45-44000--1		1	DRIVE SHAFT (LONG)
	45-44209--1		1	DRIVE SHAFT (X-LONG)
37	23-29804		1	SLEEVE
38	78902		1	SHIFT SHAFT (LOWER)
39	53-29641		1	E-RING
40	N.S.S.		1	GEAR (PART OF 43-15845A2)
41	25-25439		1	O-RING
42	23-77631A2		1	BUSHING ASSEMBLY
43	26-816464--1		1	OIL SEAL
44	12-77674		1	RUBBER WASHER
45	10-79953		1	SCREW
46	10-14834		1	DRAIN SCREW (MAGNETIC)
47	12-19183		2	WASHER
-	<b>46-96148A5</b>		<b>1</b>	<b>WATER PUMP REBUILD KIT</b>
-	<b>26-89238A2</b>		<b>1</b>	<b>SEAL KIT</b>

# GEAR HOUSING (PROPELLER SHAFT)LHR 2-HOLE WATER PICK-UP

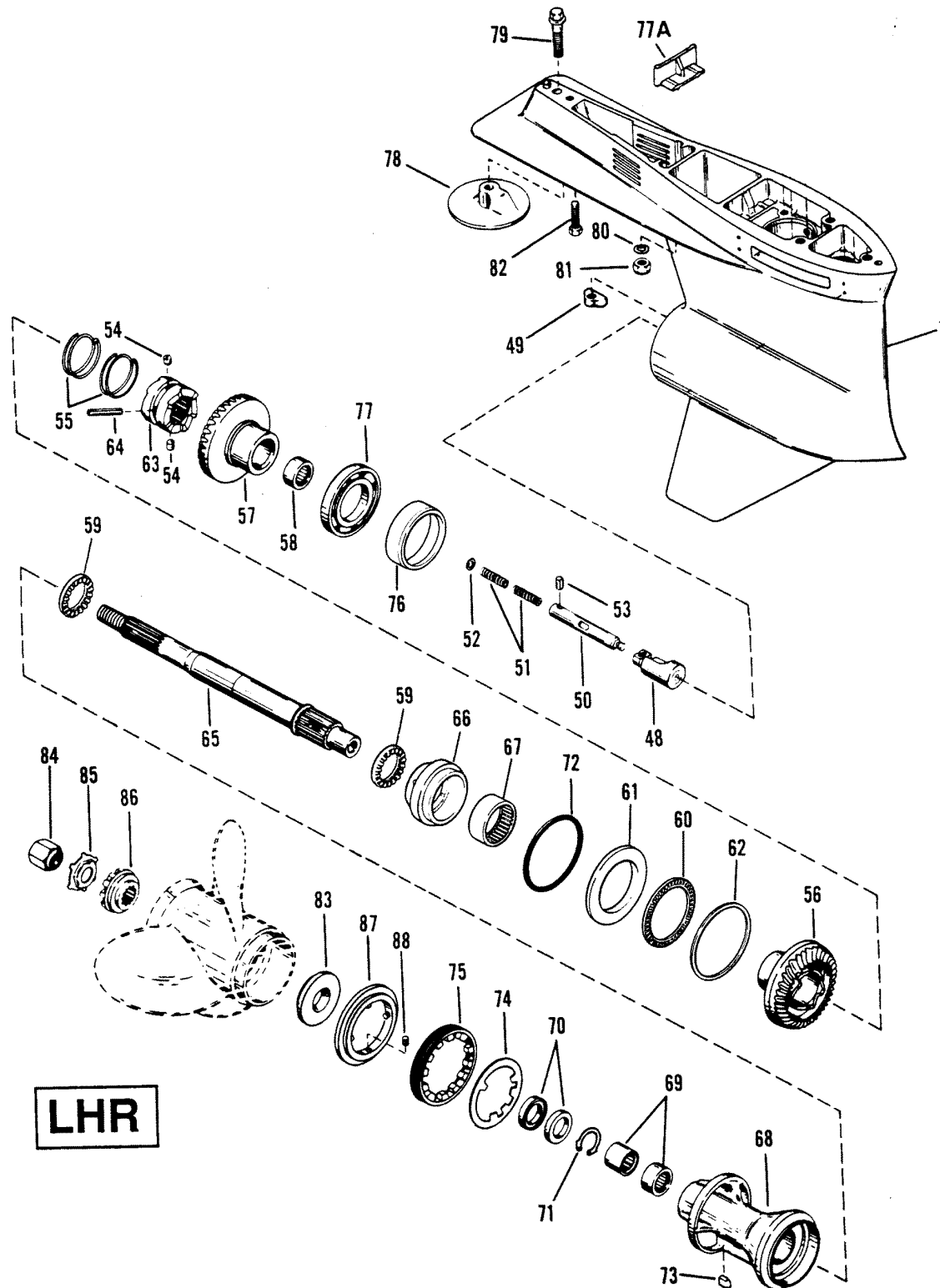


# GEAR HOUSING (PROPELLER SHAFT)LHR 2-HOLE WATER PICK-UP

REF. NO.	PART NO.	SYM.	QTY.	DESCRIPTION
-	1647-9561A51		1	GEAR HOUSING (COMPLETE) BLACK LONG
-	1647-9561A41		1	GEAR HOUSING (COMPLETE) GRAY LONG
-	1647-9561A53		1	GEAR HOUSING (COMPLETE) BLACK X-LONG
-	1647-9561A43		1	GEAR HOUSING (COMPLETE) GRAY X-LONG
1	1647-9561A70		1	GEAR HOUSING (BASIC) BLACK
	1647-9561A48		1	GEAR HOUSING (BASIC) GRAY
48	89594A1		1	CAM FOLLOWER
49	78956		1	SHIFT CAM
50	79911		1	ROD
51	24-79910		2	SPRING
52	12-78910		AR	WASHER
53	17-78906		1	PIN
54	17-78909		2	DETENT PIN
55	24-78962		2	SPRING
56	N.S.S.		1	FORWARD GEAR (PART OF 43-15845A2)
57	43-15845A2		1	REVERSE GEAR ASSEMBLY
58	31-15844		1	ROLLER BEARING
59	31-15834		2	THRUST BEARING
60	31-15841		1	ROLLER BEARING
61	12-17616		1	THRUST RING
62	23-17615--1		AR	SPACER SHIM (.125")
	23-17615--2		AR	SPACER SHIM (.127")
	23-17615--3		AR	SPACER SHIM (.129")
	23-17615--4		AR	SPACER SHIM (.131")
	23-17615--5		AR	SPACER SHIM (.133")
	23-17615--6		AR	SPACER SHIM (.135")
	23-17615--7		AR	SPACER SHIM (.137")
	23-17615--8		AR	SPACER SHIM (.139")
	23-17615--9		AR	SPACER SHIM (.141")
	23-17615-10		AR	SPACER SHIM (.143")
	23-17615-11		AR	SPACER SHIM (.145")
	23-17615-12		AR	SPACER SHIM (.147")
	23-17615-13		AR	SPACER SHIM (.149")
63	52-42672		1	RATCHET
64	17-42671		1	CROSS PIN
65	44-815495T		1	PROPELLER SHAFT
66	15838A2		1	BEARING ADAPTOR
67	31-15843		1	ROLLER BEARING
68	814431A2		1	BEARING CARRIER
69	31-817072		1	ROLLER BEARING
70	26-815565		2	OIL SEAL
71	53-817071		1	SNAP RING
72	25-31534		1	O-RING

CONTINUED ON NEXT PAGE ➡

# GEAR HOUSING (PROPELLER SHAFT)LHR 2-HOLE WATER PICK-UP

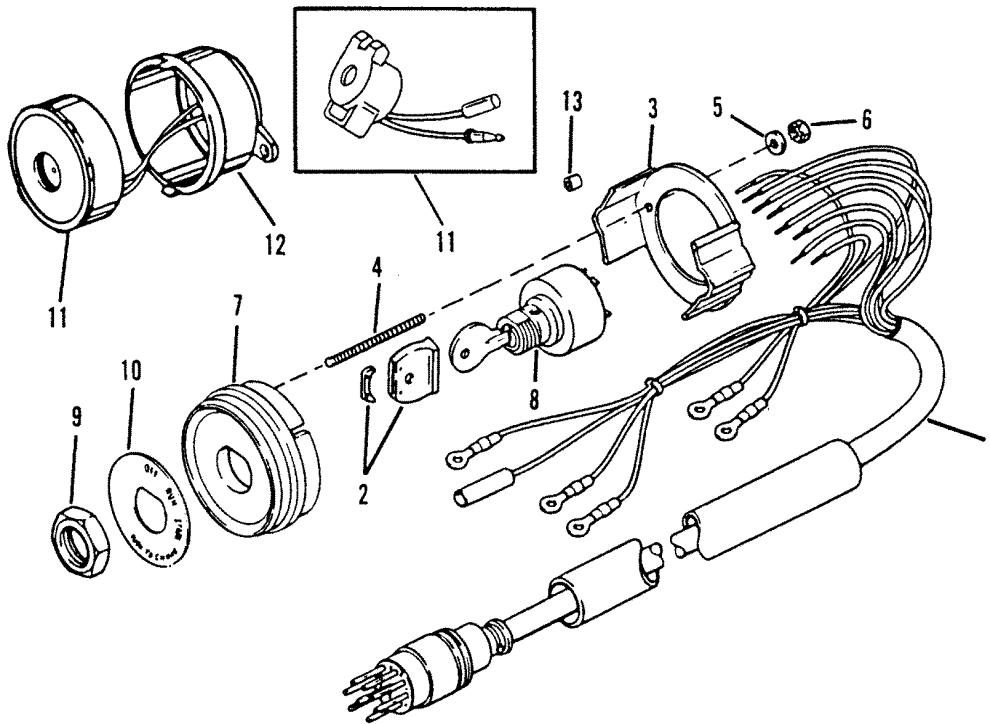




## GEAR HOUSING (PROPELLER SHAFT)LHR 2-HOLE WATER PICK-UP

REF. NO.	PART NO.	SYM.	QTY.	DESCRIPTION
73	28-30281		1	KEY
74	14-79447		1	TAB WASHER
75	15840--1		1	COVER
76	14469		1	BEARING CUP
77	30-88957A1		1	BALL BEARING
77A	67891		1	FILLER BLOCK
78	76214		1	ANODIC PLATE (LONG)
	76214--1		1	ANODIC PLATE (X-LONG)
79	10-66024		1	SCREW
80	12-822836		2	WASHER
81	11-34933		2	NUT
82	10-30206		1	SCREW (LONG)
	10-15929		1	SCREW (X-LONG)
83	13171		1	THRUST HUB
84	11-52707A1		1	PROPELLER NUT
85	14-816629		1	TAB WASHER
86	12-31211A2		1	WASHER
87	821978A1		1	EXHAUST EXTENSION RING
88	10-35057		4	SCREW
-	<b>26-89238A2</b>		<b>1</b>	<b>SEAL KIT</b>

# KEY SWITCH ASSEMBLY



# KEY SWITCH ASSEMBLY

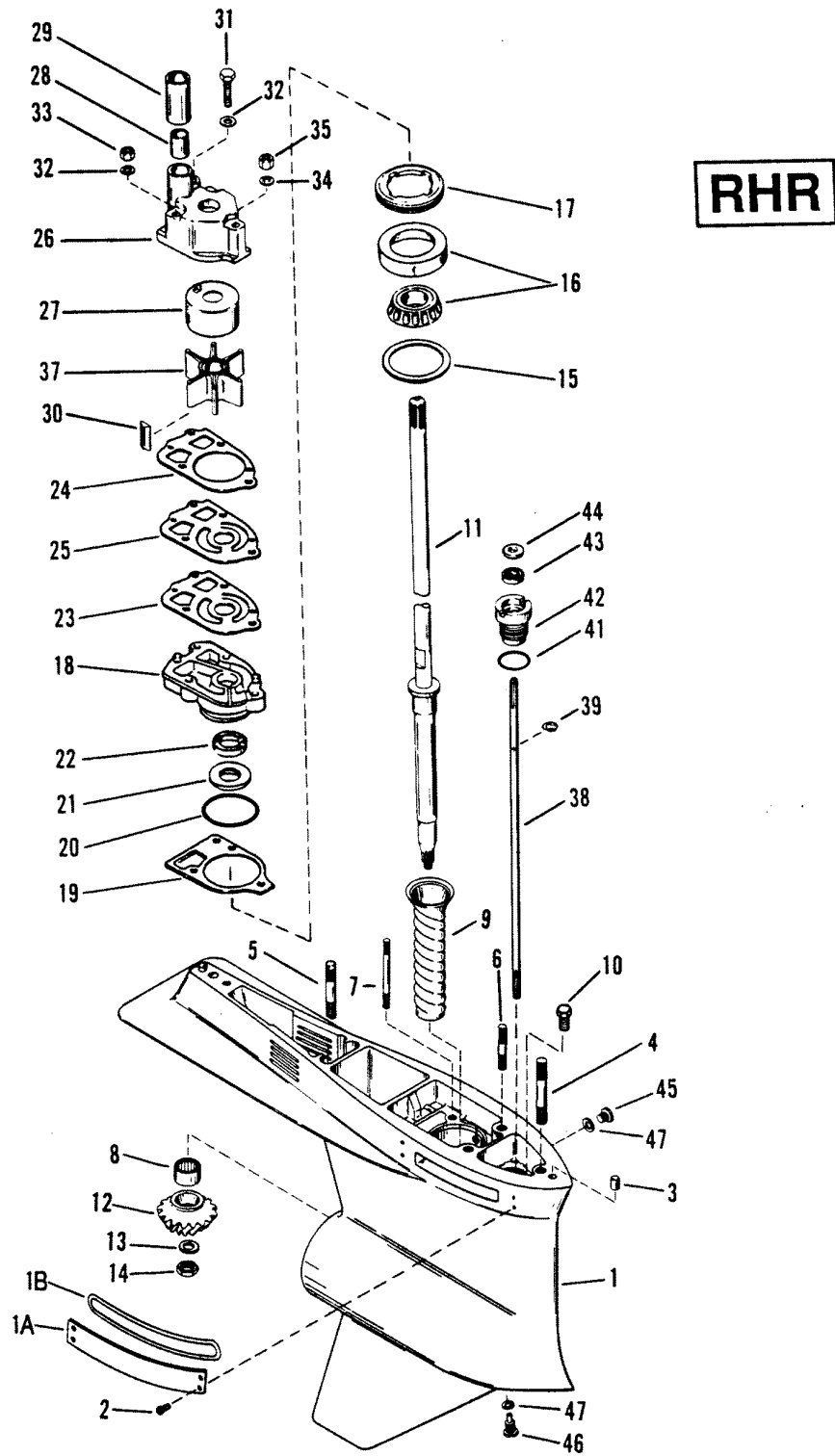
REF. NO.	PART NO.	SYM.	QTY.	DESCRIPTION
1	84-816626A15		1	KEY SWITCH ASSEMBLY (15')
	84-816626A20		1	KEY SWITCH ASSEMBLY (20')
2	90468A1		2	COVER
3	76424		1	BRACKET
4	16-55422		2	STUD
5	12-24676		2	WASHER
6	11-68219		2	NUT
7	816479		1	PLATE
8	87-88107		1	IGNITION SWITCH (SEE PARTS BELOW FOR KEY)
9	11-93543		1	NUT
10	38-90311		1	INSERT
11	68878A6		1	ALARM HORN (DESIGN I)
12	68879		1	COVER (DESIGN I)
11	816492A1		1	ALARM (DESIGN II)
13	23-812711--1		2	SPACER (3/8")
	23-812711		2	SPACER (1/4")
-	89491--1		AR	IGNITION SWITCH KEY 1A
-	89491--2		AR	IGNITION SWITCH KEY 1B
-	89491--3		AR	IGNITION SWITCH KEY 1C
-	89491--4		AR	IGNITION SWITCH KEY 1D
-	89491--5		AR	IGNITION SWITCH KEY 1E
-	89491--6		AR	IGNITION SWITCH KEY 1F
-	89491--7		AR	IGNITION SWITCH KEY 2A
-	89491--8		AR	IGNITION SWITCH KEY 2B
-	89491--9		AR	IGNITION SWITCH KEY 2C
-	89491-10		AR	IGNITION SWITCH KEY 2D
-	89491-11		AR	IGNITION SWITCH KEY 2E
-	89491-12		AR	IGNITION SWITCH KEY 2F

# COMPLETE GEAR HOUSING REPLACEMENT WITH 4-HOLE WATER PICK UP

REF. NO.	PART NO.	SYM.	QTY.	DESCRIPTION
-	1647-847625A5		0	87 STD. HOUSING (LONG) BLACK
-	1647-847626A5		0	87 CUT SCEG (LONG) BLACK
-	1647-847626A17		0	87 LH ROTATION (LONG) BLACK
-	1647-847625A7		0	87 STD. HOUSING (X-LONG) BLACK
-	1647-847626A7		0	87 CUT SCEG (X-LONG) BLACK
-	1647-847626A19		0	87 LH ROTATION (X-LONG) BLACK
-	1647-847625A11		0	87 STD. HOUSING (LONG) GRAY
-	1647-847626A11		0	87 CUT SCEG (LONG) GRAY
-	1647-847626A23		0	87 LH ROTATION (LONG) GRAY
-	1647-847625A13		0	87 STD. HOUSING (X-LONG) GRAY
-	1647-847626A13		0	87 CUT SCEG (X-LONG) GRAY
-	1647-847626A25		0	87 LH ROTATION (X-LONG) GRAY

THIS PAGE INTENTIONALLY LEFT BLANK

# GEAR HOUSING (DRIVE SHAFT)RHR 4-HOLE WATER PICK-UP



PAGE 10

2.5L EFI

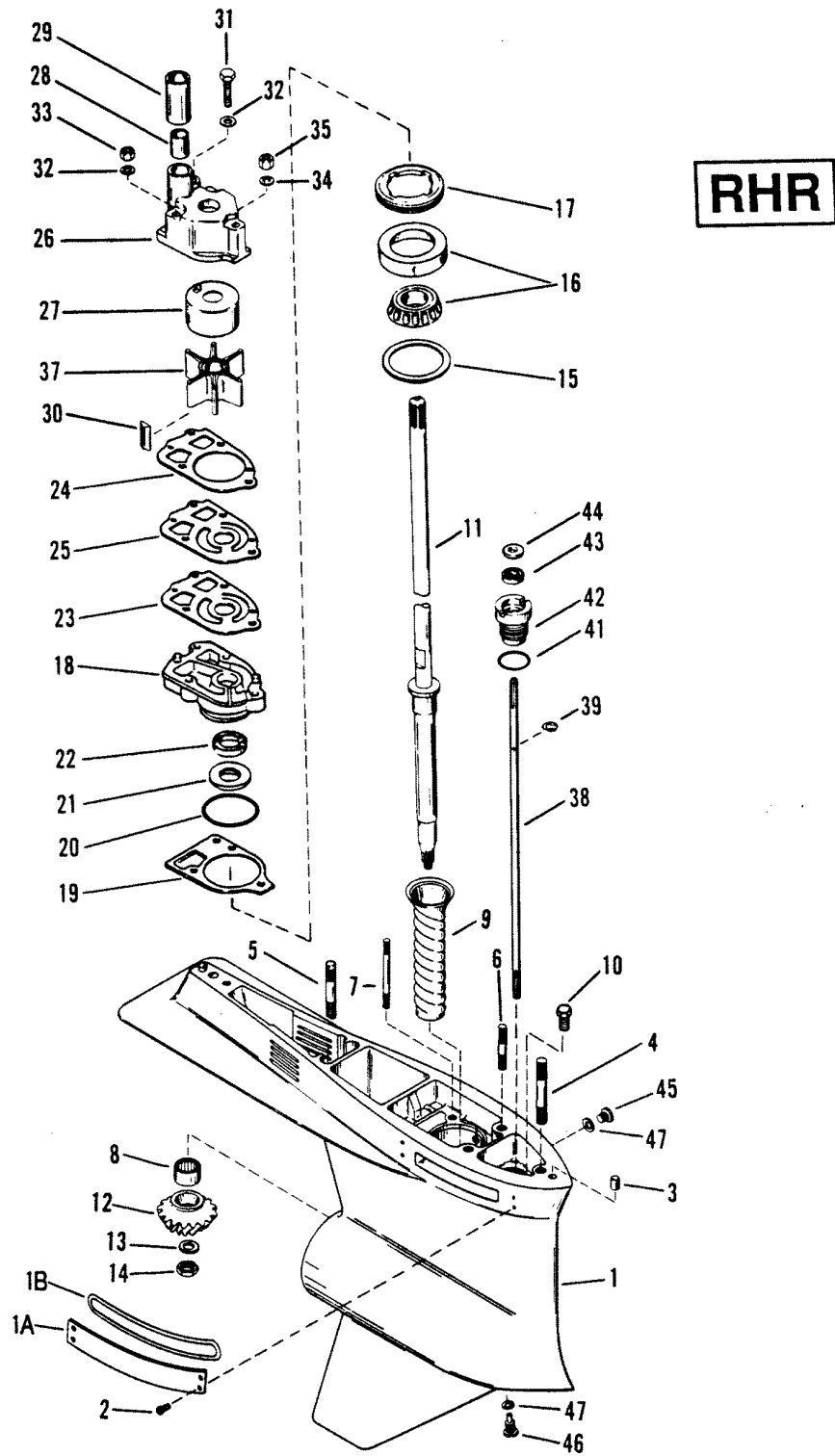
2.5L EFI OFFSHORE

# GEAR HOUSING (DRIVE SHAFT)RHR 4-HOLE WATER PICK-UP

REF. NO.	PART NO.	SYM.	QTY.	DESCRIPTION
1	1647-847625A15		1	GEAR HOUSING (BASIC-STD.HOUSING) BLACK
	1647-847625A16		1	GEAR HOUSING (BASIC-STD.HOUSING) GRAY
	1647-847626A27		1	GEAR HOUSING (BASIC-CUT SKEG) BLACK
	1647-847626A28		1	GEAR HOUSING (BASIC-CUT SKEG) GRAY
	12144		2	COVER BLACK
	12144--1		2	COVER GRAY
	25-39695		2	O-RING
2	10-815904		8	SCREW
3	17-43044		2	DOWEL PIN
4	16-78638		1	STUD (3-1/8") <b>LONG</b>
5	16-57920		2	STUD (2-1/16") <b>LONG</b>
4	16-78639		1	STUD (8-1/8") <b>X-LONG</b>
5	16-74730		2	STUD(7") <b>X-LONG</b>
6	16-56297		1	STUD (3-3/8")
7	16-69501		2	STUD (3-1/4")
8	31-42647A1		1	ROLLER BEARING
9	23-43998		1	SLEEVE
10	22-847627		1	PIPE PLUG
11	45-44000--6		1	DRIVE SHAFT (LONG)
	45-44000--7		1	DRIVE SHAFT (X-LONG)
12	N.S.S.		1	PIN GEAR (PART OF 43-44104A7)
13	12-92721		1	WASHER
14	11-35921		1	NUT
15	15-42637A1		AR	SHIM ASSEMBLY
16	31-36387A1		1	ROLLER BEARING
17	11-42633		1	NUT
18	46-44292A3		1	WATER PUMP BASE ASSEMBLY
19	27-42631--1		1	GASKET
20	25-90011		1	O-RING
21	26-89238		1	OIL SEAL
22	26-16977		1	OIL SEAL
23	27-18051		1	GASKET (LOWER)
24	27-85609--1		1	GASKET (UPPER)
25	32435		1	FACE PLATE
26	46-847710A1		1	WATER PUMP BODY ASSEMBLY
27	48752		1	INSERT
28	26-88397		1	SEAL
29	23-847685		1	SLEEVE
30	28-56654		1	KEY
31	10-96411		1	SCREW (2-1/4")
32	12-29245		2	WASHER
33	11-13438		2	NUT
34	12-36001		1	WASHER

CONTINUED ON NEXT PAGE ➡

# GEAR HOUSING (DRIVE SHAFT)RHR 4-HOLE WATER PICK-UP



PAGE 10

2.5L EFI

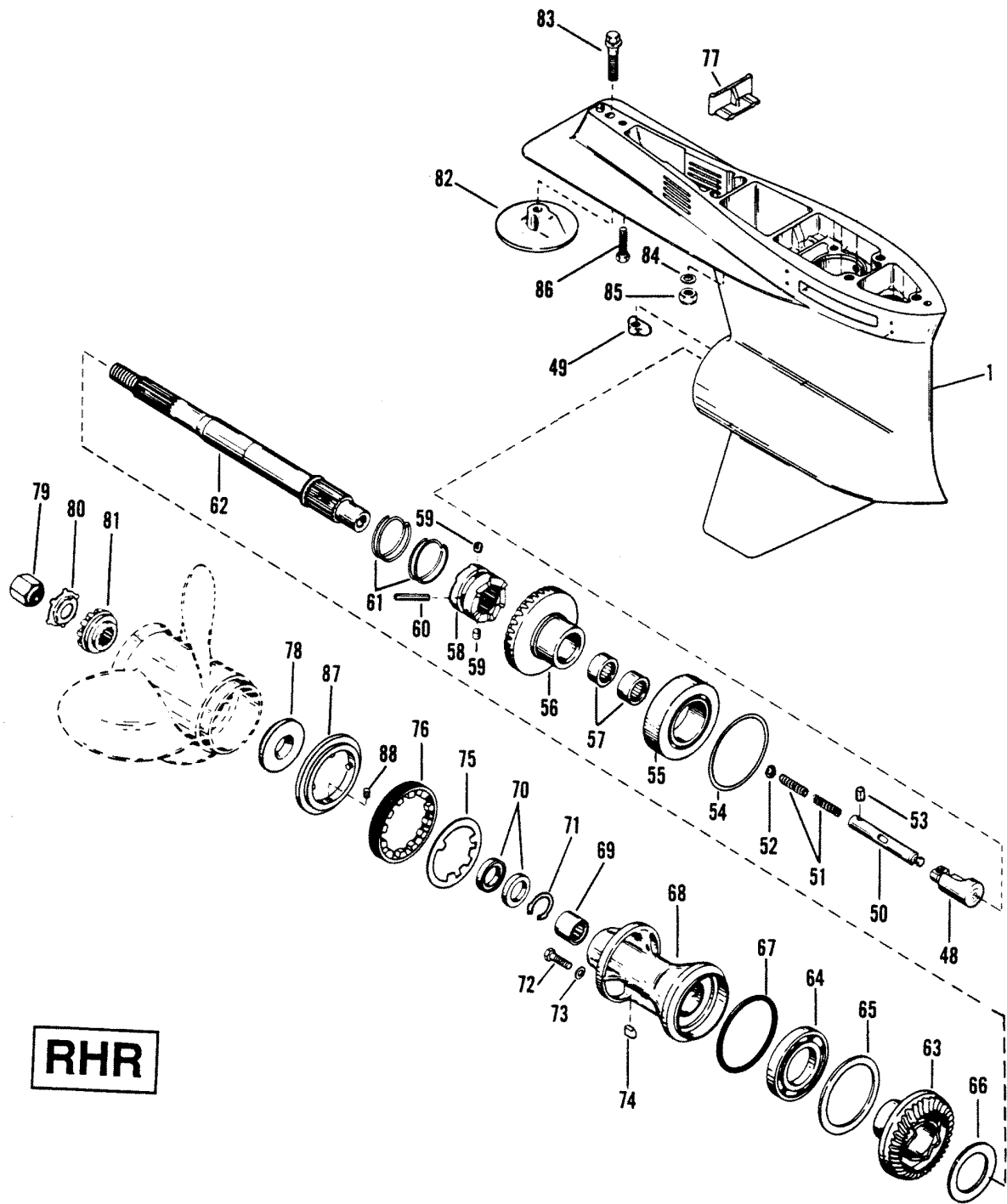
2.5L EFI OFFSHORE



## GEAR HOUSING (DRIVE SHAFT)RHR 4-HOLE WATER PICK-UP

REF. NO.	PART NO.	SYM.	QTY.	DESCRIPTION
35	11-13436		1	NUT
37	47-89984		1	IMPELLER
38	78902		1	SHIFT SHAFT (LOWER)
39	53-29641		1	E-RING
41	25-25439		1	O-RING
42	23-77631A2		1	BUSHING ASSEMBLY
43	26-816464--1		1	OIL SEAL
44	12-77674		1	RUBBER WASHER
45	10-79953		1	SCREW
46	10-14834		1	DRAIN SCREW (MAGNETIC)
47	12-19183		2	WASHER
-	<b>27-814658A1</b>		<b>1</b>	<b>GASKET SET (2 BOLT MAIN BLOCK)</b>
-	<b>27-814658A3</b>		<b>1</b>	<b>GASKET SET (4 BOLT MAIN BLOCK)</b>

# GEAR HOUSING (PROPELLER SHAFT)RHR 4-HOLE WATER PICK-UP



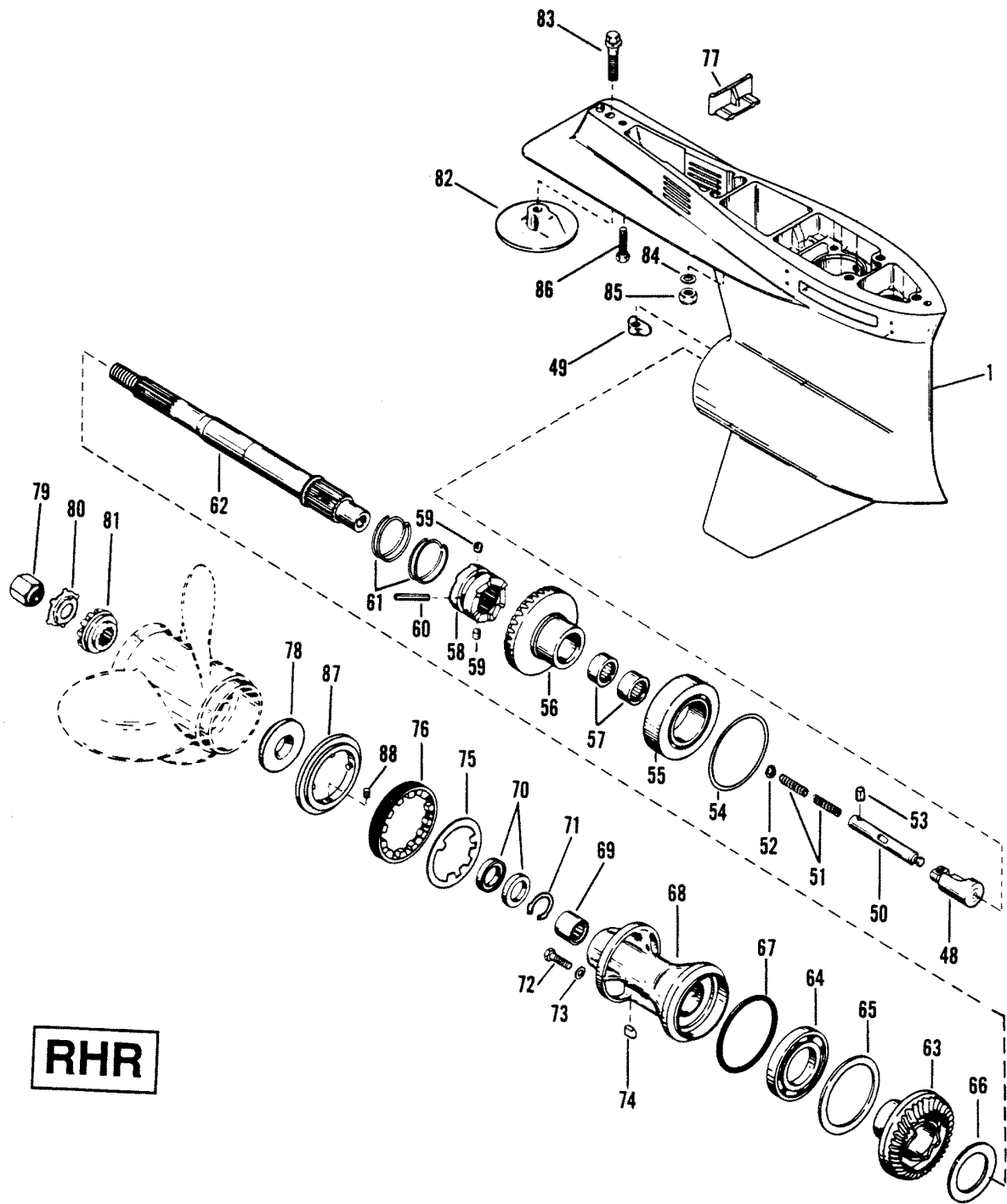
**RHR**

# GEAR HOUSING (PROPELLER SHAFT)RHR 4-HOLE WATER PICK-UP

REF. NO.	PART NO.	SYM.	QTY.	DESCRIPTION
1	1647-847625A15		1	GEAR HOUSING (BASIC-STD.HOUSING) BLACK
	1647-847625A16		1	GEAR HOUSING (BASIC-STD.HOUSING) GRAY
	1647-847626A27		1	GEAR HOUSING (BASIC-CUT SKEG) BLACK
	1647-847626A28		1	GEAR HOUSING (BASIC-CUT SKEG) GRAY
48	89594A1		1	CAM FOLLOWER
49	78956		1	SHIFT CAM
50	79911		1	ROD
51	24-79910		2	SPRING
52	12-78910		AR	WASHER
53	17-78906		1	PIN
54	15-47397A1		AR	SHIM
55	31-78172A1		1	TAPERED ROLLER BEARING
56	43-44104A7		1	FORWARD GEAR SET (INCLUDES REVERSE GEAR)
57	31-54928--1		2	ROLLER BEARING
58	52-42672		1	RATCHET
59	17-78909		2	DETENT PIN
60	17-42671		1	CROSS PIN
61	24-78962		2	SPRING
62	44-822820		1	PROPELLER SHAFT
63	43-822824A1		1	REVERSE GEAR
64	30-88957A1		1	BALL BEARING
65	68100--1		1	THRUST RING
66	23-822823		1	THRUST RING
67	25-31534		1	O-RING
68	847610A1		1	BEARING CARRIER
69	31-817072		1	ROLLER BEARING
70	26-815565		2	OIL SEAL
71	53-817071		1	SNAP RING
72	10-14834		1	SCREW
73	12-19183		1	WASHER
74	28-30281		1	KEY
75	14-79447		1	TAB WASHER
76	15840--1		1	COVER
77	67891		1	FILLER BLOCK
78	13171		1	THRUST HUB
79	11-52707A1		1	PROPELLER NUT
80	14-816629		1	TAB WASHER
81	12-31211A2		1	WASHER
82	76214		1	ANODIC PLATE
83	10-66024		1	SCREW

CONTINUED ON NEXT PAGE ➡

# GEAR HOUSING (PROPELLER SHAFT)RHR 4-HOLE WATER PICK-UP

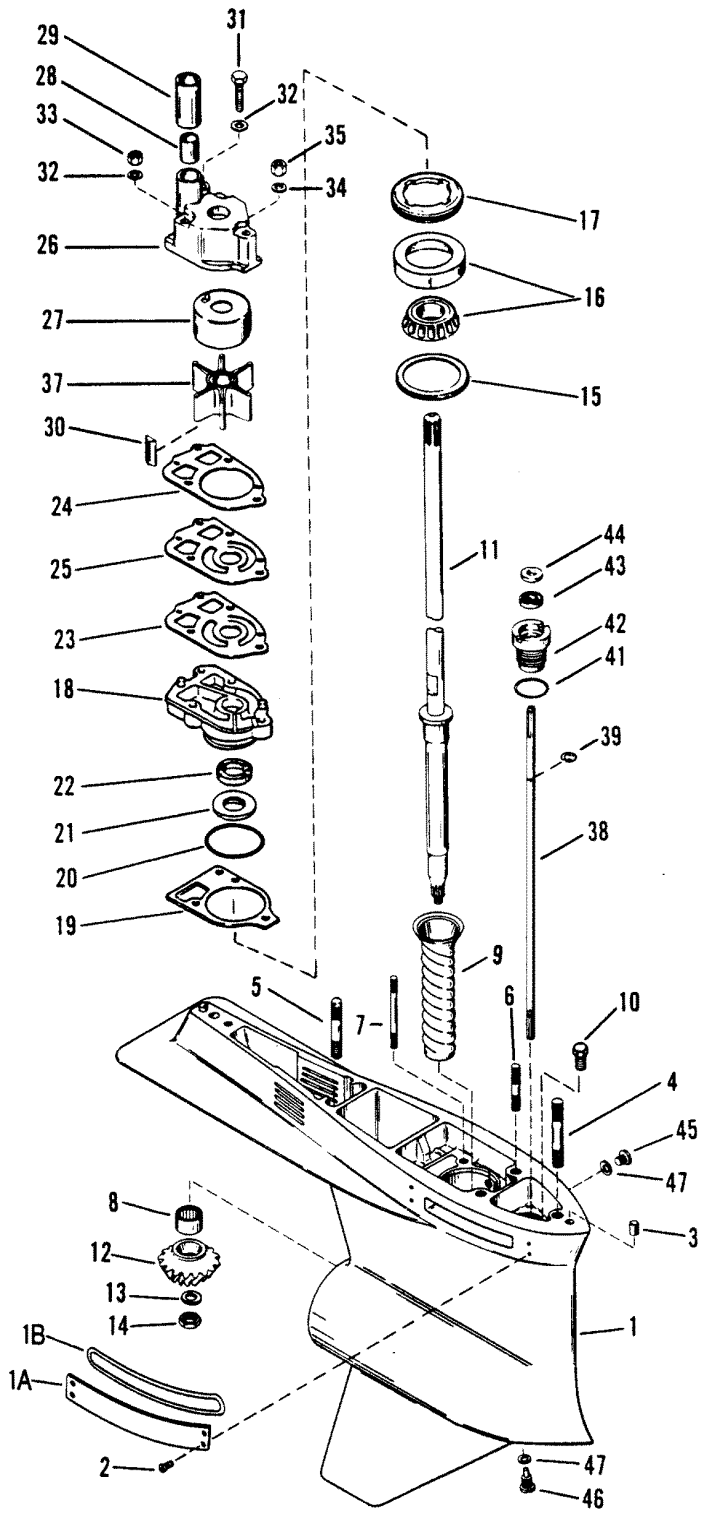


**RHR**

# GEAR HOUSING (PROPELLER SHAFT)RHR 4-HOLE WATER PICK-UP

REF. NO.	PART NO.	SYM.	QTY.	DESCRIPTION
84	12-822836		2	WASHER
85	11-34933		2	NUT
86	10-30206		1	SCREW
87	821978A1		1	EXHAUST EXTENSION RING
88	10-35057		4	SCREW

# GEAR HOUSING (DRIVE SHAFT)LHR 4-HOLE WATER PICK-UP



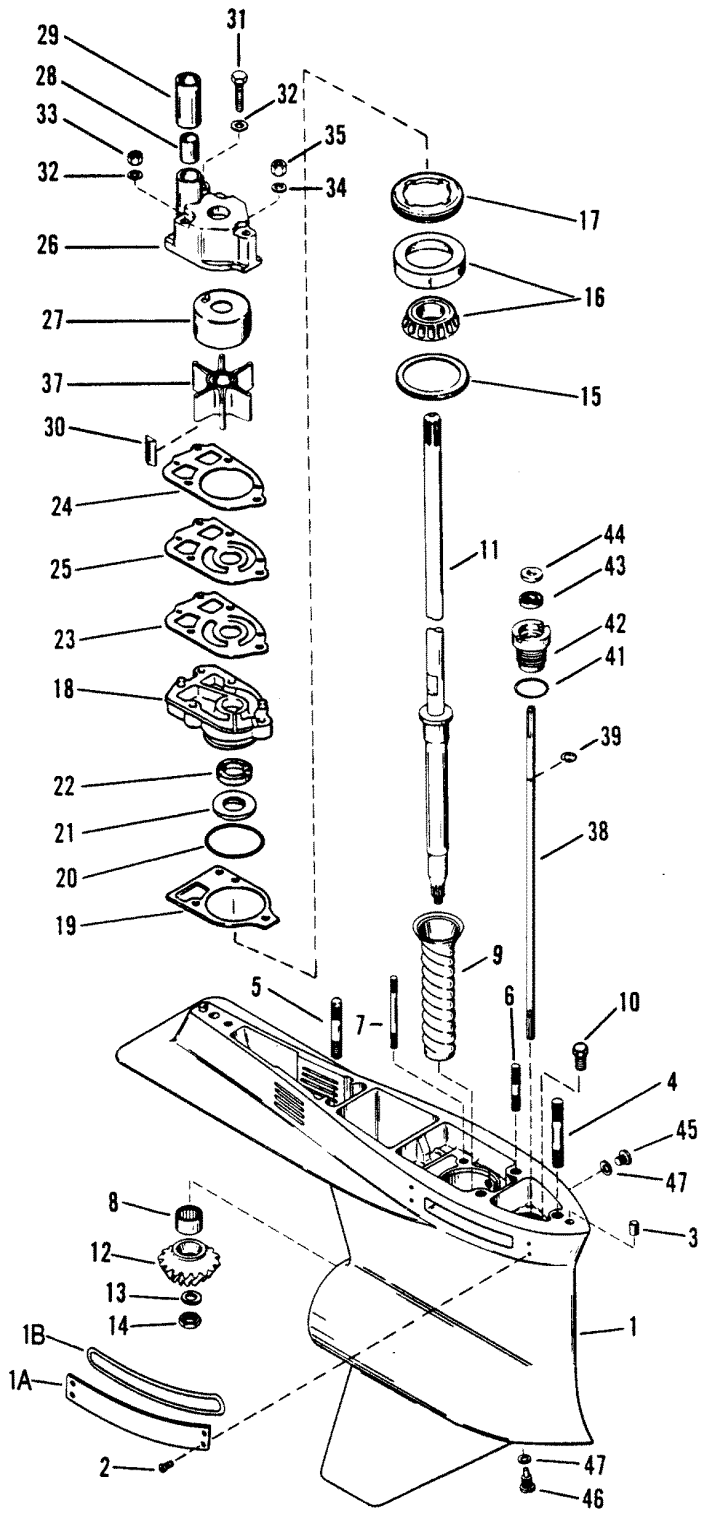
**LHR**

# GEAR HOUSING (DRIVE SHAFT)LHR 4-HOLE WATER PICK-UP

REF. NO.	PART NO.	SYM.	QTY.	DESCRIPTION
1	1647-847625A15		1	GEAR HOUSING(BASIC - STD.HOUSING) BLACK
	1647-847625A16		1	GEAR HOUSING(BASIC - STD. HOUSING) GRAY
	1647-847626A27		1	GEAR HOUSING(BASIC - CUT SKEG) BLACK
	1647-847626A28		1	GEAR HOUSING(BASIC - CUT SKEG) GRAY
1A	12144		2	COVER BLACK
	12144--1		2	COVER GRAY
1B	25-39695		2	O-RING
2	10-815904		8	SCREW
3	17-43044		2	DOWEL PIN
4	16-78638		1	STUD(3-1/8") LONG
5	16-57920		2	STUD(2-1/16')
4	16-78639		1	,STUD(8-1/8") X-LONG
5	16-74730		2	STUD(7")
6	16-56297		1	STUD(3-3/8")
7	16-69501		2	STUD(3-1/4")
8	31-42647A1		1	ROLLER BEARING
9	23-43998		1	SLEEVE
10	22-847627		1	PIPE PLUG
11	45-44000--6		1	DRIVE SHAFT(LONG)
	45-44000--7		1	DRIVE SHAFT(X-LONG)
12	N.S.S.		1	PIN GEAR(PART OF 43-15845A2)
13	12-92721		1	WASHER
14	11-35921		1	NUT
15	15-42637A1		AR	SHIM ASSEMBLY
16	31-36387A1		1	ROLLER BEARING
17	11-42633		1	NUT
18	46-44292A3		1	WATER PUMP BASE ASSEMBLY
19	27-42631--1		1	GASKET
20	25-90011		1	O-RING
21	26-89238		1	OIL SEAL
22	26-16977		1	OIL SEAL
23	27-18051		1	GASKET(LOWER)
24	27-85609--1		1	GASKET(UPPER)
25	32435		1	FACE PLATE
26	46-847710A1		1	WATER PUMP BODY ASSEMBLY
27	48752		1	INSERT
28	26-88397		1	SEAL
29	23-847685		1	SLEEVE
30	28-56654		1	KEY
31	10-96411		1	SCREW(2-1/4")
32	12-29245		2	WASHER
33	11-13438		2	NUT
34	12-36001		1	WASHER

CONTINUED ON NEXT PAGE ➡

# GEAR HOUSING (DRIVE SHAFT)LHR 4-HOLE WATER PICK-UP



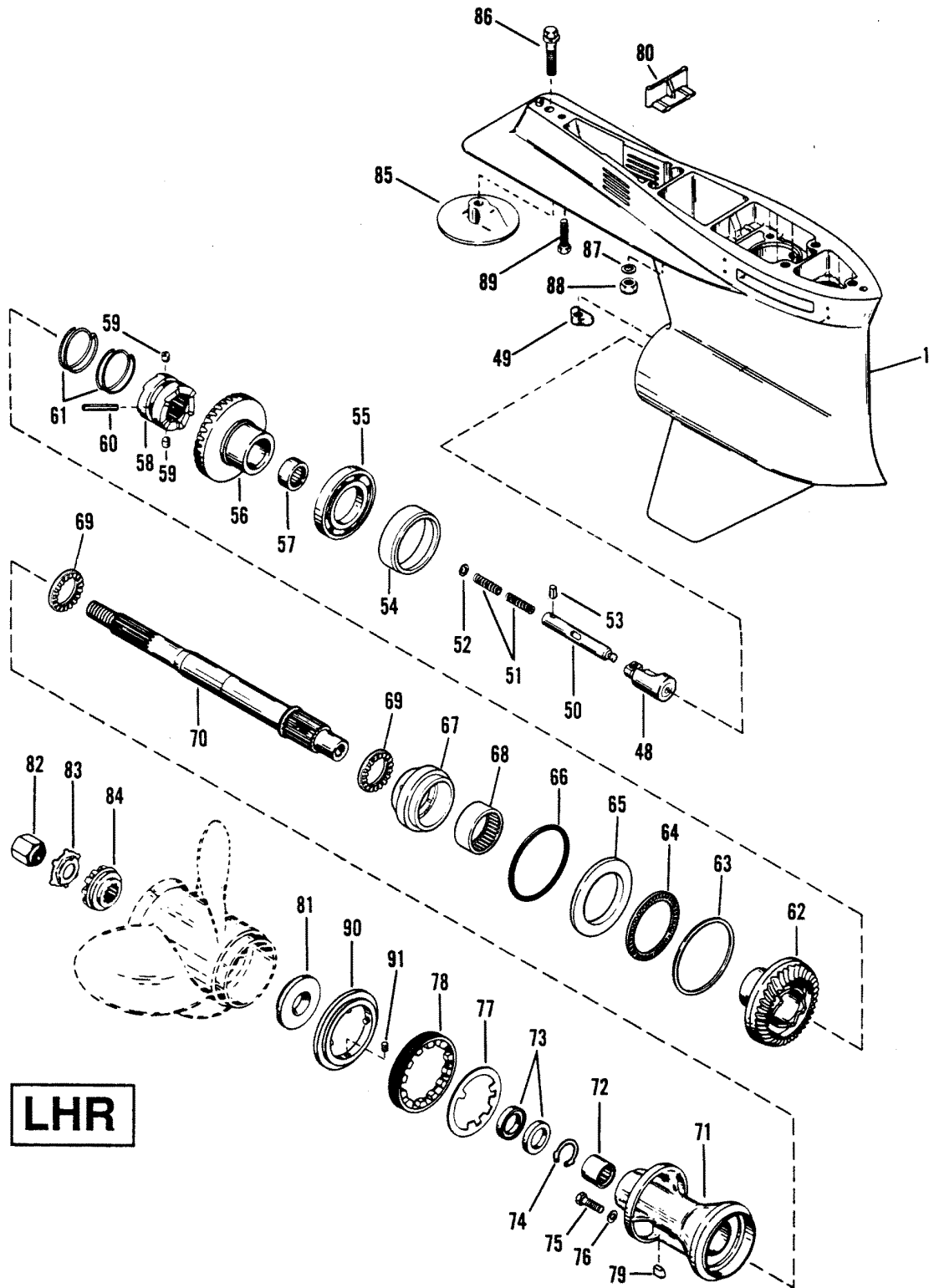
**LHR**



# GEAR HOUSING (DRIVE SHAFT)LHR 4-HOLE WATER PICK-UP

REF. NO.	PART NO.	SYM.	QTY.	DESCRIPTION
35	11-13436		1	NUT
37	47-89984		1	IMPELLER
38	78902		1	SHIFT SHAFT(LOWER)
39	53-29641		1	E-RING
41	25-25439		1	O-RING
42	23-77631A2		1	BUSHING ASSEMBLY
43	26-816464--1		1	OIL SEAL
44	12-77674		1	RUBBER WASHER
45	10-79953		1	SCREW
46	10-14834		1	DRAIN SCREEW(MAGNETIC)
47	12-19183		2	WASHER
-	<b>27-814658A1</b>		<b>1</b>	<b>GASKET SET (2 BOLT MAIN BLOCK)</b>
-	<b>27-814658A3</b>		<b>1</b>	<b>GASKET SET (4 BOLT MAIN BLOCK)</b>

# GEAR HOUSING(PROPELLER SHAFT)LHR 4-HOLE WATER PICK-UP

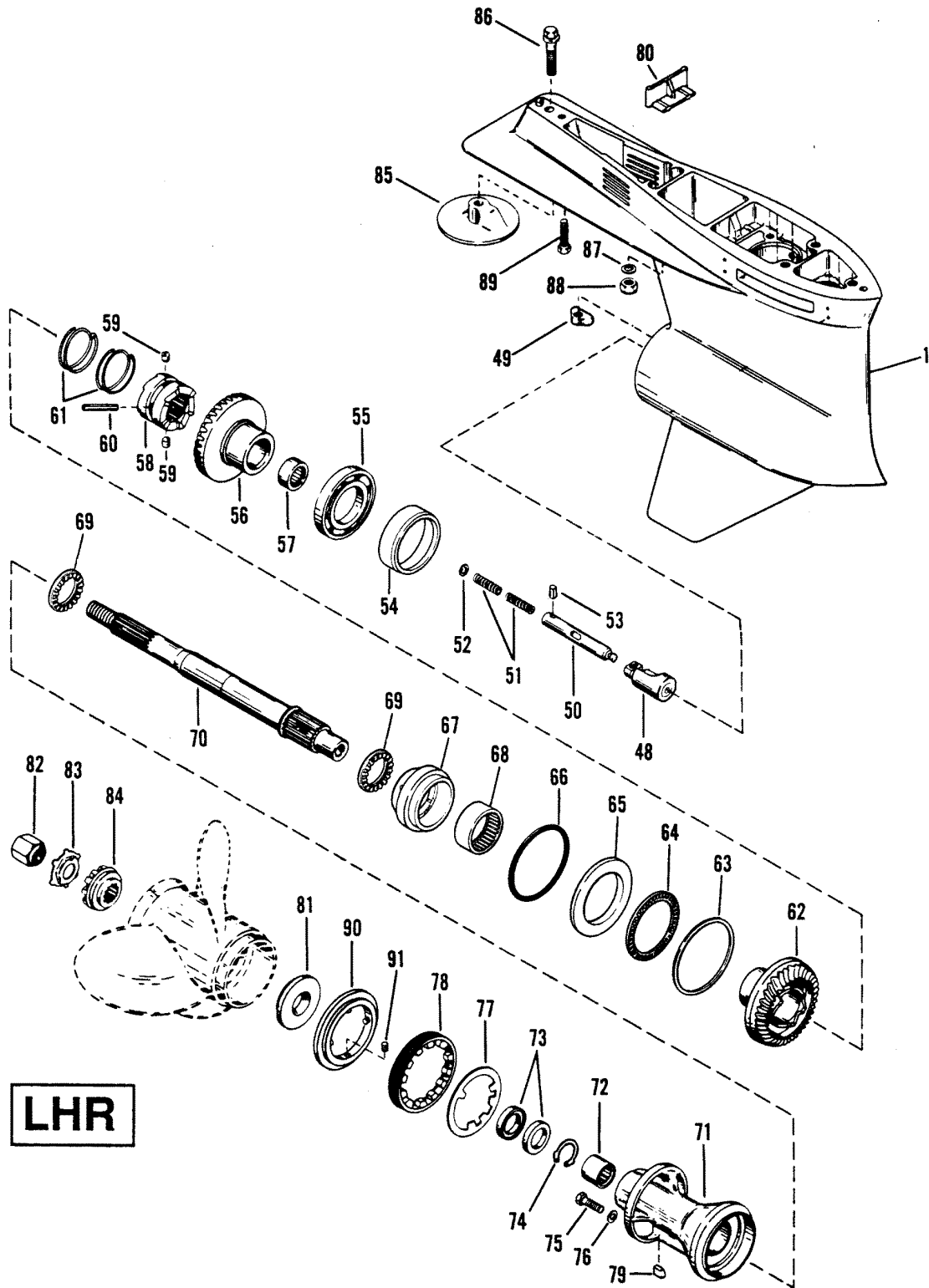


# GEAR HOUSING(PROPELLER SHAFT)LHR 4-HOLE WATER PICK-UP

REF. NO.	PART NO.	SYM.	QTY.	DESCRIPTION
1	1647-847625A15		1	GEAR HOUSING(BASIC-STD. HOUSING) BLACK
	1647-847625A16		1	GEAR HOUSING(BASIC-STD. HOUSING) GRAY
	1647-847626A27		1	GEAR HOUSING(BASIC-CUT SKEG) BLACK
	847626A28		1	GEAR HOUSING(BASIC-CUT SKEG) GRAY
48	89594A1		1	CAM FOLLOWER
49	78956		1	SHIFT CAM
50	79911		1	ROD
51	24-79910		2	SPRING
52	12-78910		AR	WASHER
53	17-78906		1	PIN
54	14469		1	BEARING CUP
55	30-88957A1		1	BALL BEARING
56	N.S.S.		1	REVERSE GEAR(PART OF 43-15845A2)
57	31-15844		1	ROLLER BEARING
58	52-42672		1	RATCHET
59	17-78909		2	DETENT PIN
60	17-42671		1	CROSS PIN
61	24-78962		2	SPRING
62	43-15845A2		1	FORWARD GEAR SET
63	23-17615--1		AR	SPACER SHIM(.125")
	23-17615--2		AR	SPACER SHIM(.127")
	23-17615--3		AR	SPACER SHIM(.129")
	23-17615--4		AR	SPACER SHIM(.131")
	23-17615--5		AR	SPACER SHIM(.133")
	23-17615--6		AR	SPACER SHIM(.135")
	23-17615--7		AR	SPACER SHIM(.137")
	23-17615--8		AR	SPACER SHIM(.139")
	23-17615--9		AR	SPACER SHIM(.141")
	23-17615-10		AR	SPACER SHIM(.143")
	23-17615-11		AR	SPACER SHIM(.145")
	23-17615-12		AR	SPACER SHIM(.147")
	23-17615-13		AR	SPACER SHIM(.149")
64	31-15841		1	ROLLER BEARING
65	12-17616		1	THRUST RING
66	25-31534		1	O-RING
67	15838A2		1	BEARING ADAPTOR
68	31-15843		1	ROLLER BEARING
69	31-15834		2	THRUST BEARING
70	44-815495T		1	PROPELLER SHAFT
71	847616A1		1	BEARING CARRIER
72	31-817072		1	ROLLER BEARING
73	26-815565		2	OIL SEAL
74	53-817071		1	SNAP RING

CONTINUED ON NEXT PAGE ➡

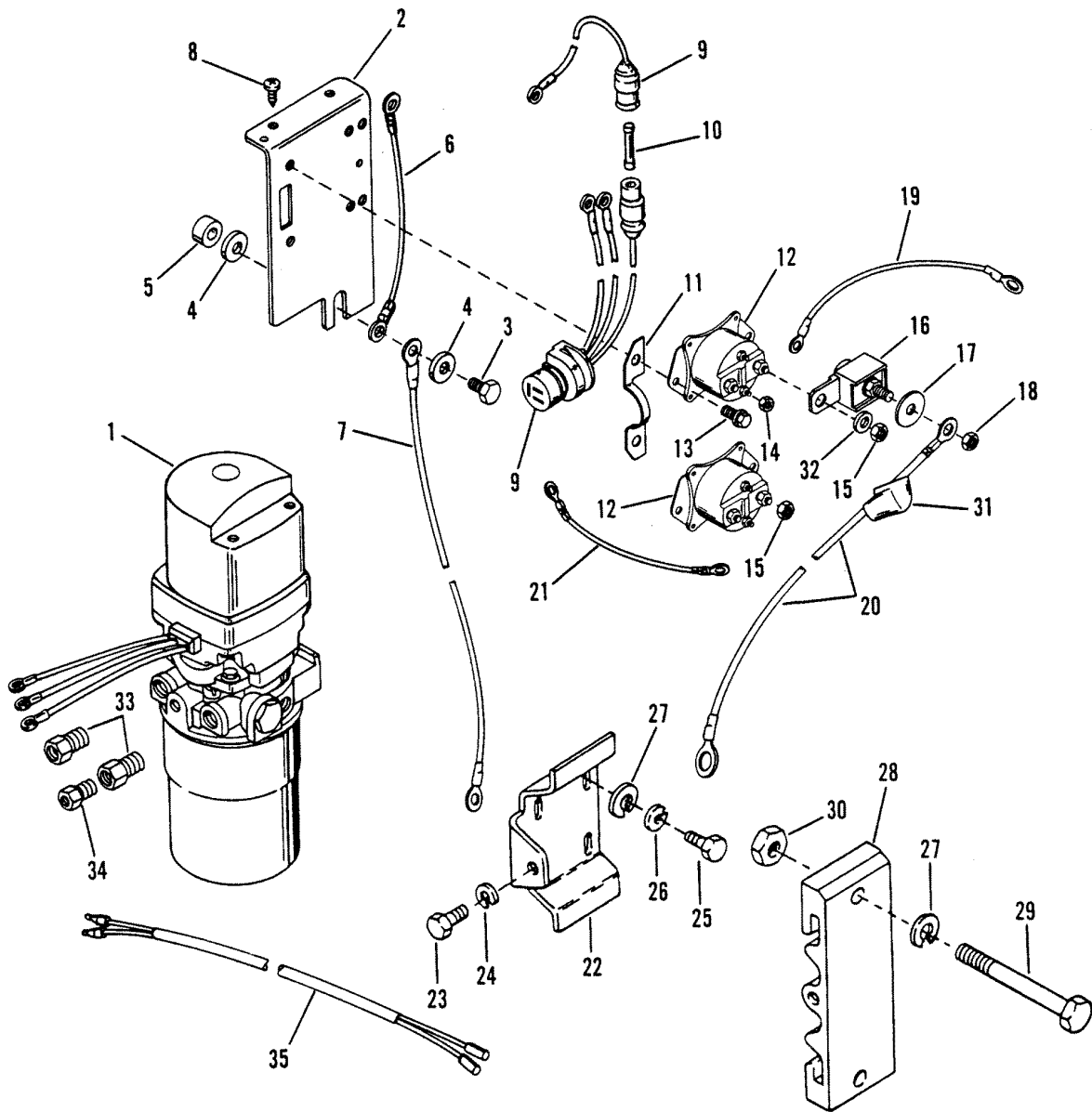
# GEAR HOUSING(PROPELLER SHAFT)LHR 4-HOLE WATER PICK-UP



# GEAR HOUSING(PROPELLER SHAFT)LHR 4-HOLE WATER PICK-UP

REF. NO.	PART NO.	SYM.	QTY.	DESCRIPTION
75	10-14834		1	SCREW
76	12-19183		1	WASHER
77	14-79447		1	TAB WASHER
78	15840--1		1	COVER
79	28-30281		1	KEY
80	67891		1	FILLER BLOCK
81	13171		1	THRUST HUB
82	11-52707A1		1	PROPELLER NUT
83	14-816629		1	TAB WASHER
84	12-31211A2		1	WASHER
85	76214		1	ANODIC PLATE
86	10-66024		1	SCREW
87	12-822836		2	WASHER
88	11-34933		2	NUT
89	10-30206		1	SCREW
90	821978A1		1	EXHAUST EXTENSION RING
91	10-35057		4	SCREW
-	<b>27-814658A1</b>		<b>1</b>	<b>GASKET SET (2 BOLT MAIN BLOCK)</b>
-	<b>27-814658A3</b>		<b>1</b>	<b>GASKET SET (4 BOLT MAIN BLOCK)</b>

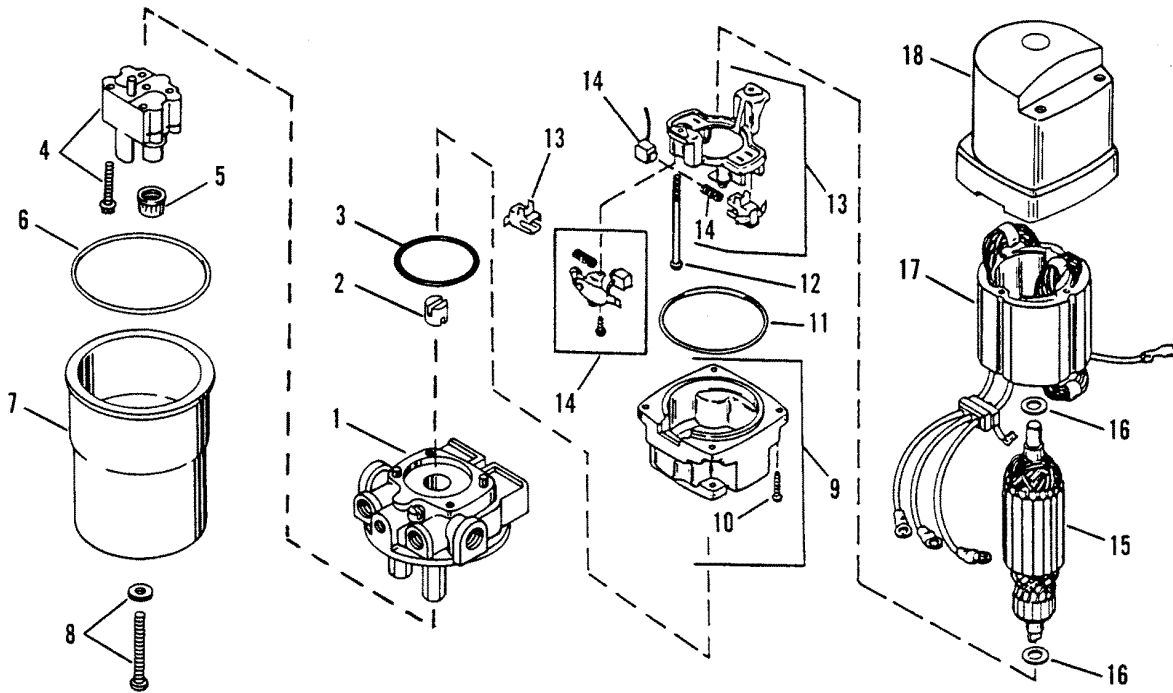
# HYDRAULIC PUMP AND MOUNTING BRACKETS



## HYDRAULIC PUMP AND MOUNTING BRACKETS

REF. NO.	PART NO.	SYM.	QTY.	DESCRIPTION
1	818161A4		1	HYDRAULIC PUMP ASSEMBLY
2	818567		1	BRACKET
3	10-38837		1	SCREW (1")
4	12-57792		2	WASHER
5	23-34948		1	SPACER
6	84-65999A12		1	CABLE
7	84-79138A9		1	BATTERY CABLE (NEGATIVE)
8	10-92051		2	SCREW
9	84-79147A5		1	HARNESS ASSEMBLY
10	88-79091		1	FUSE (20 AMP)
11	88075		1	RETAINER
12	89-68258A4		2	SOLENOID
13	10-41508		4	SCREW (3/8")
14	11-20110		4	NUT (10-32)
15	11-26484		4	NUT (5/16-18)
16	88-79023A10		1	FUSE (110 AMP)
17	12-96457		1	WASHER
18	11-21825		1	NUT
19	84-65999A11		1	CABLE
20	84-79139A12		1	BATTERY CABLE (RED-POSITIVE)
21	84-79139A26		1	WIRE (RED)
22	87760		1	MOUNTING PLATE
23	10-39349		1	SCREW (3/4")
24	13-26993		1	LOCKWASHER
25	10-90271		2	SCREW (5/8")
26	13-58643		2	LOCKWASHER
27	12-45175		4	LOCKWASHER
28	87762		1	BRACKET
29	10-63826		2	BOLT (2-1/2")
30	11-68411		2	NUT
31	46265		5	BOOT
32	12-22753		4	WASHER
33	22-77366		2	CONNECTOR
34	22-818200		1	FITTING
35	84-65017A14		1	TILT HARNESS
-	<b>818161A2</b>		<b>1</b>	<b>HYDRAULIC PUMP, COMPLETE INCLUDES ALL PARTS ON THIS PAGE</b>

# HYDRAULIC PUMP ASSEMBLY

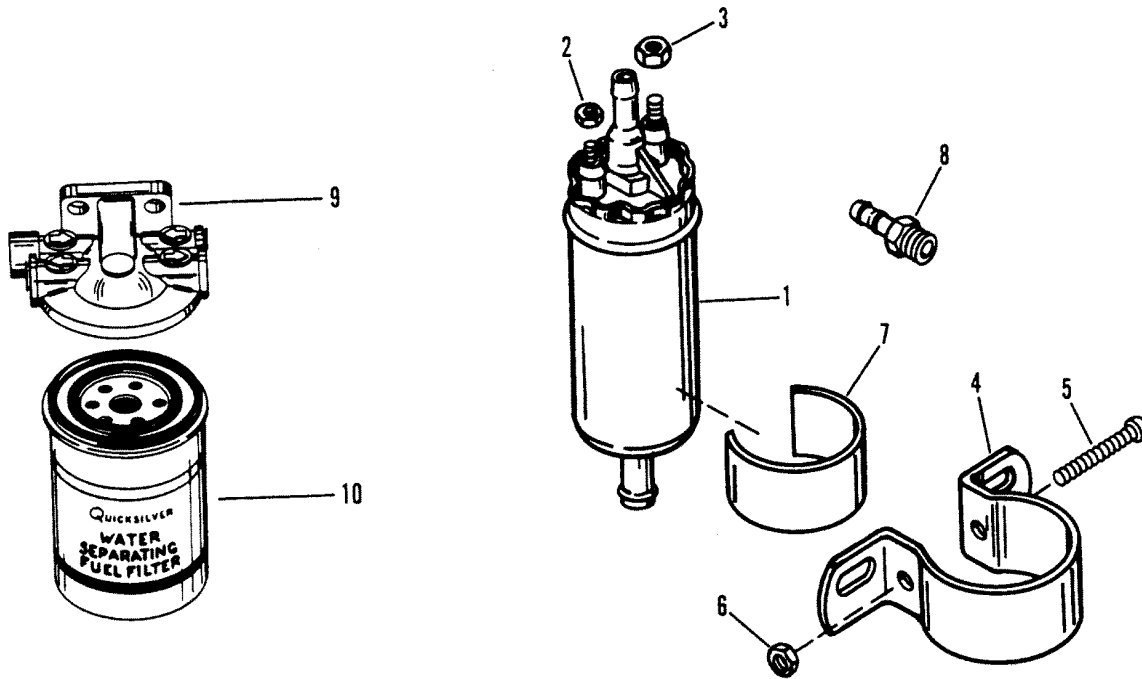




# HYDRAULIC PUMP ASSEMBLY

REF. NO.	PART NO.	SYM.	QTY.	DESCRIPTION
-	<b>818161A4</b>		<b>1</b>	<b>HYDRAULIC PUMP ASSEMBLY</b>
1	811491		1	ADAPTOR
2	89493		1	COUPLING
3	25-89498		1	O-RING, MOTOR END
4	811492		1	PUMP (INCLUDES SCREWS)
5	35-89496		2	FILTER
6	25-89497		1	O-RING, RESERVOIR END
7	41219		1	RESERVOIR
8	10-811493		1	SCREW KIT
-	<b>17649</b>		<b>1</b>	<b>MOTOR</b>
9	17632		1	END FRAME W/BEARING
10	10-17626		4	SCREW
11	25-17625		1	O-RING
12	10-17621		2	SCREW
13	17633		1	BRUSH HOLDER KIT
14	17631A1		1	BRUSH SET
15	17623		1	ARMATURE
16	12-17653		2	THRUST WASHER
17	17624		1	FIELD AND FRAME
18	17622		1	HOUSING W/BEARING
-	<b>812498A1</b>		<b>1</b>	<b>REPAIR KIT, PRESSURE RELIEF VALVE KIT</b>

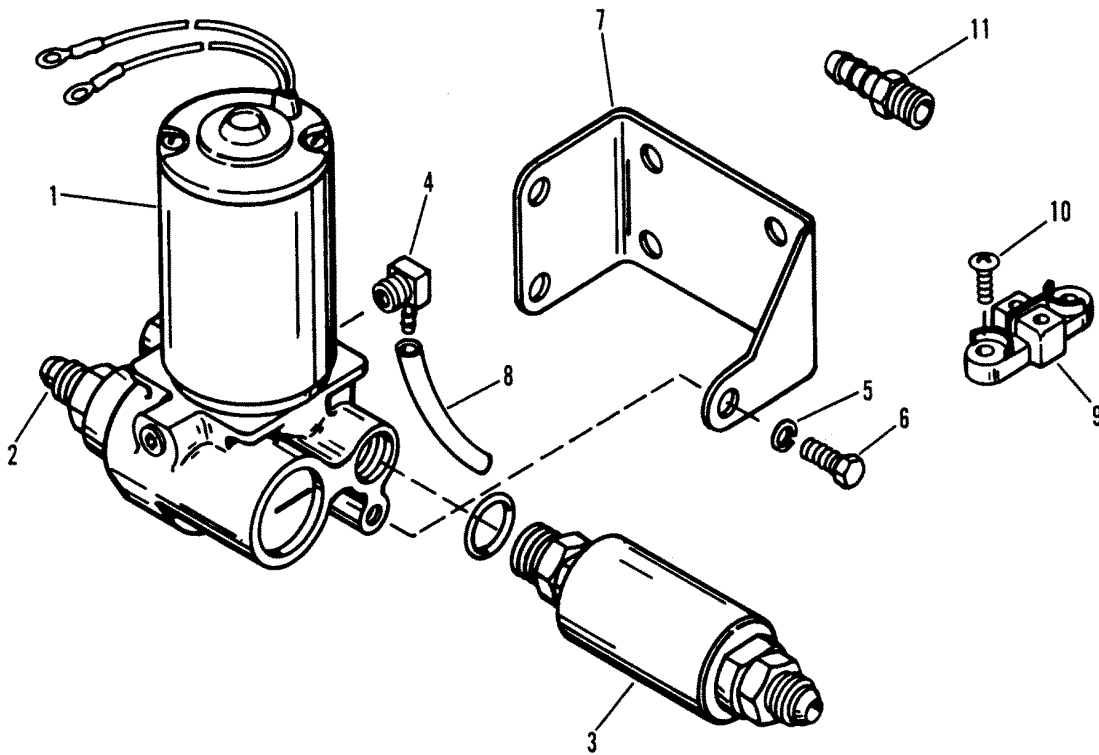
# FUEL PUMP



# FUEL PUMP

REF. NO.	PART NO.	SYM.	QTY.	DESCRIPTION
1	99528A1		1	FUEL PUMP ASSEMBLY
2	11-40063--2		1	NUT
3	11-40063--3		1	NUT
4	94451		1	BRACKET
5	10-32627		1	SCREW
6	11-20110		1	NUT
7	41038		1	SLEEVE
8	22-63187		1	CONNECTOR
9	35-805269A4		1	FUEL FILTER KIT
10	35-805269--1		1	FUEL FILTER

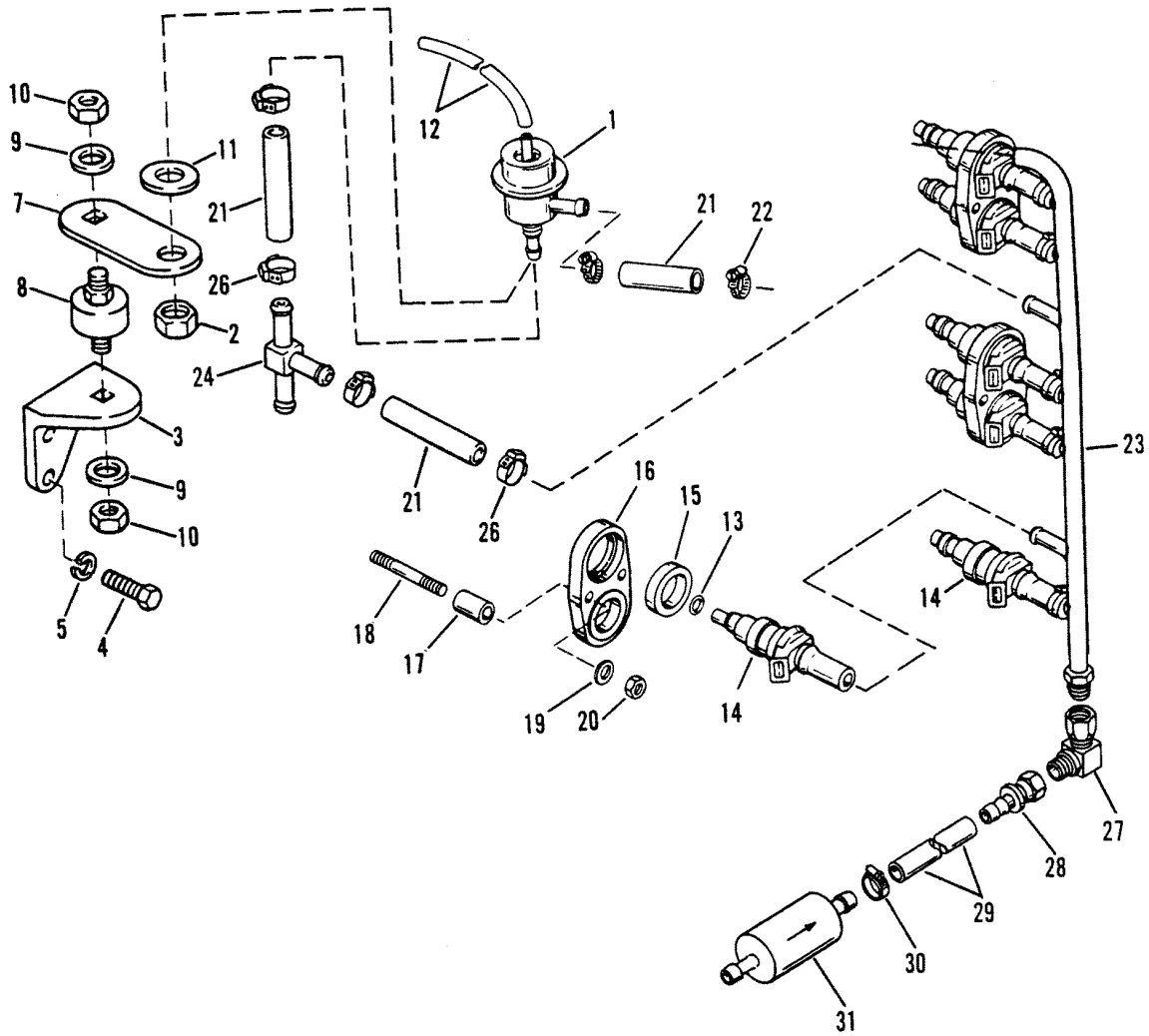
# FUEL PUMP



# FUEL PUMP

REF. NO.	PART NO.	SYM.	QTY.	DESCRIPTION
1	93860A6		1	FUEL PUMP
2	22-94273		1	FITTING
3	35-94865		1	FUEL FILTER
4	22-62006		1	ELBOW
5	13-26992		3	LOCKWASHER
6	10-28635		3	SCREW
7	96030		1	BRACKET
8	32-99387-79		1	HOSE
9	45559		1	TERMIANL BLOCK
10	10-62568		2	SCREW
11	22-32820		1	CONNECTOR

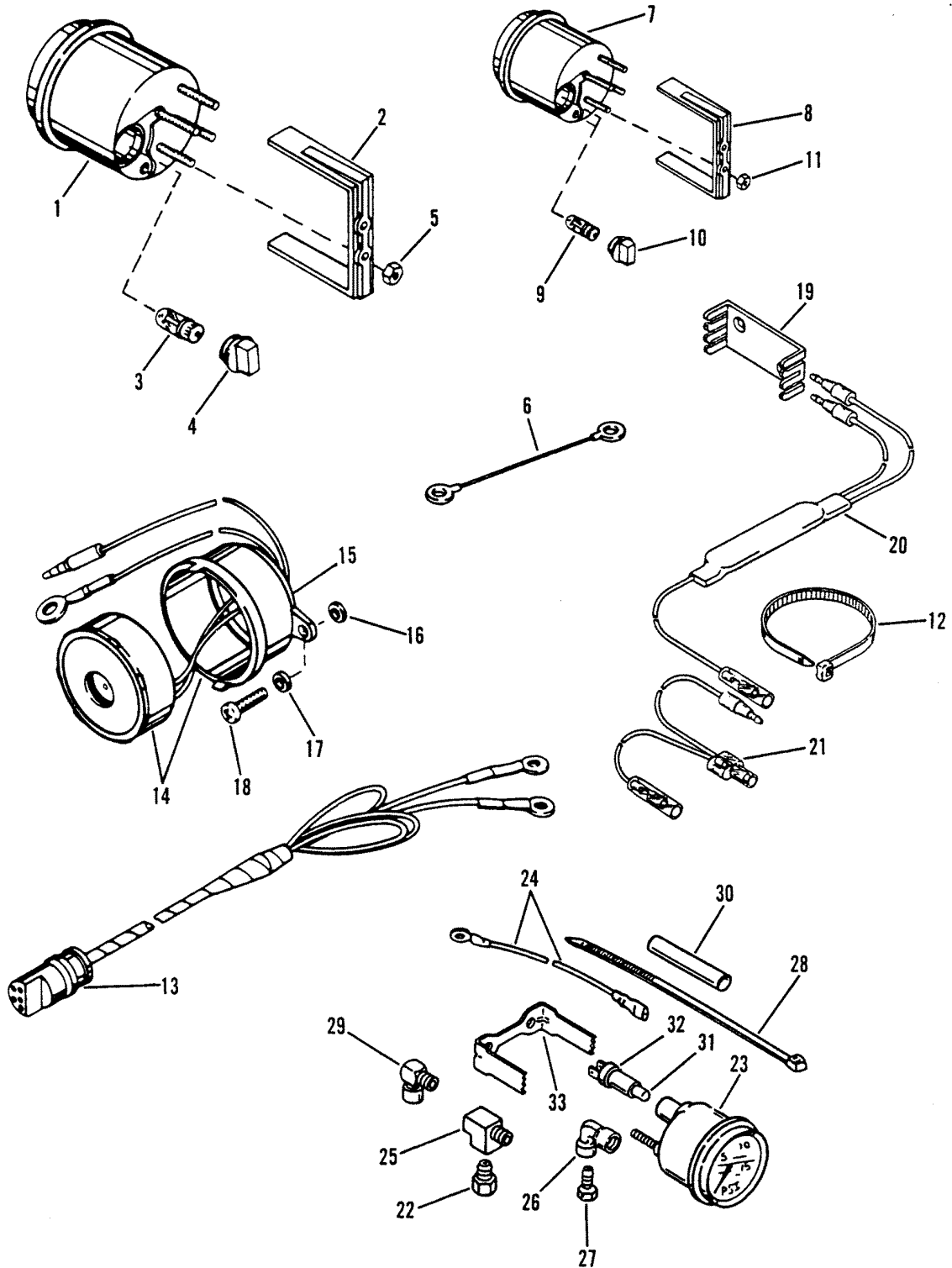
# FUEL INJECTORS



# FUEL INJECTORS

REF. NO.	PART NO.	SYM.	QTY.	DESCRIPTION
1	94820		1	FUEL REGULATOR
2	11-15018		1	NUT
3	99945		1	BRACKET
4	10-28636		2	SCREW
5	13-26992		2	LOCKWASHER
7	99944		1	SUPPORT
8	90435		1	RUBBER MOUNT
9	12-35462		2	WASHER
10	11-35888		2	NUT
11	12-26168		1	WASHER
12	32-66285-70		1	HOSE
13	26-94219		6	SEAL
14	98818		6	FUEL INJECTOR
15	25-99123		6	GROMMET
16	98716		3	HOLD DOWN
17	98717		6	SPACER
18	16-21184		6	STUD
19	12-29245		6	WASHER
20	11-35045		6	NUT
21	32-77457--2		1	HOSE
22	54-815504104		2	CLAMP
23	17206--3		1	FUEL RAIL
24	22-17207		1	FITTING
26	54-12999		4	CLAMP
27	22-818699		1	FITTING
28	22-69406		1	FITTING
29	32-817389-64		1	HOSE
30	54-13791		1	CLAMP
31	35-818700		1	FILTER
-	<b>27-814658A1</b>		<b>1</b>	<b>GASKET SET (2 BOLT MAIN BLOCK)</b>
-	<b>27-814658A3</b>		<b>1</b>	<b>GASKET SET (4 BOLT MAIN BLOCK)</b>

# INSTRUMENTATION





# INSTRUMENTATION

REF. NO.	PART NO.	SYM.	QTY.	DESCRIPTION
1	79-93953A1		1	TACHOMETER
2	79101T		1	BRACKET
3	88-72729		1	LIGHT BULB
4	88-79888		1	SOCKET
5	11-26419		5	NUT
6	84-86322A7		1	WIRE (BLACK - 1-1/2")
	84-86323A5		1	WIRE (PURPLE - 1-1/2")
7	79-15113A4		1	TRIM GAUGE
8	79480		1	BRACKET
9	88-72729		1	LIGHT BULB
10	88-79888		1	SOCKET
11	11-26419		5	NUT
12	54-816311		AR	STA-STRAP
13	84-86396A8		1	HARNESS
14	68878A6		1	ALARM HORN AND WIRE ASSEMBLY
15	68879		1	COVER
16	23-79697		2	SPACER
17	12-26427		2	WASHER
18	10-35401		2	SCREW
19	79146		AR	RETAINER
20	812497A2		1	DIODE KIT
21	84-11149A2		1	CABLE ASSEMBLY
22	22-36492		1	BUSHING
23	79-15128A3		1	30 PSI GAUGE KIT
24	84-88532A1		1	CABLE ASSEMBLY (DARK BLUE)
	84-86322A16		1	CABLE ASSEMBLY (BLACK)
25	22-64706		1	TEE FITTING
26	22-63651		2	ELBOW (90 DEGREES)
27	22-63670		2	FITTING
28	54-816311		5	STA-STRAP
29	22-77863		1	FITTING
30	32-64088--6		1	TUBING
31	88-95691		1	BULB
32	13631		1	SOCKET
33	17654		1	BRACKET

# PARTS INDEX

Part Number	Description	Pg.	Ref. No.	Part Number	Description	Pg.	Ref. No.
11350A17	I. CONTROL BOX (STAMPED A17)	31	1	38279	LATCH	11	33
11350A19	I. CONTROL BOX (STAMPED A15)	31	1	39483	LATCH	11	22
12144	COVER (BLACK)	57	11	41038	SLEEVE	89	7
12144	COVER BLACK	49	11	41052	PLUNGER	41	14
12144	COVER BLACK	69	1	41094A3	SPARK ADVANCE LEVER	11	6
12144	COVER BLACK	77	1A	41219	RESERVOIR	87	7
12144--1	COVER (GRAY)	57	11	42249	COVER (UPPER)	19	6
12144--1	COVER GRAY	49	11	43429--1	IGNITION PLATE	9	1
12144--1	COVER GRAY	69	1	44260	RETAINER	33	22
12144--1	COVER GRAY	77	1A	44260	RETAINER	37	13
12234--2	MOUNT	31	4	45559	TERMIANL BLOCK	91	9
13171	THRUST HUB	53	79	45915	TERMINAL BLCOK	23	18
13171	THRUST HUB	63	83	46265	BOOT	85	31
13171	THRUST HUB	73	78	48039	CAP	11	12
13171	THRUST HUB	83	81	48752	INSERT	49	27
13221A1	TEMPERATURE SENSOR	31	7	48752	INSERT	57	27
13631	SOCKET	95	32	48752	INSERT	69	27
13715--1	RETAINER	23	5	48752	INSERT	77	27
13726	THROTTLE LEVER	27	20	52100	WEAR PLATE	11	32
13726	THROTTLE LEVER	29	26	54196A6	CARRIER ASSEMBLY	25	4
13734	RETAINER BLBLACK	3	14	56297	STUD (3-3/8")	57	6
13734--1	RETAINER GRAY	3	14	56703	COLLAR	7	15
13923	ROD END	27	8	60572	BARREL	11	26
14469	BEARING CUP	63	76	61787	BRUSH HOLDER	15	9
14469	BEARING CUP	81	54	62459	BALL JOINT	11	2
14669--1	ANCHOR BRACKET	11	27	65800	SEAL	25	5
15386	END CAP	15	11	67073A1	LINK ROD	11	31
15838A2	BEARING ADAPTOR	61	66	67077T	COVER BLACK	33	9
15838A2	BEARING ADAPTOR	81	67	67077T6	COVER GRAY	33	9
15840--1	COVER	53	73	67703	STRAP BLACK	33	12
15840--1	COVER	63	75	67703	STRAP BLACK	37	3
15840--1	COVER	73	76	67703--1	STRAP GRAY	33	12
15840--1	COVER	83	78	67703--1	STRAP GRAY	37	3
15933	STRAP	45	33	67891	FILLER BLOCK	53	73A
16813	CUP	13	42	67891	FILLER BLOCK	63	77A
16814	LATCH	13	43	67891	FILLER BLOCK	73	77
17206--3	FUEL RAIL	93	23	67891	FILLER BLOCK	83	80
17622	HOUSING W/BEARING	87	18	68042	RUBBER STOP	7	16
17623	ARMATURE	87	15	68100--1	THRUST RING	53	59
17624	FIELD AND FRAME	87	17	68100--1	THRUST RING	73	65
17631A1	BRUSH SET	87	14	68878A6	ALARM HORN (DESIGN I)	65	11
17632	END FRAME W/BEARING	87	9	68878A6	ALARM HORN AND WIRE ASSEMBLY	95	14
17633	BRUSH HOLDER KIT	87	13	68879	COVER	95	15
17649	MOTOR	87	-	68879	COVER (DESIGN I)	65	12
17654	BRACKET	95	33	69205	C-WASHER	7	36
17814A11	THROTTLE POSITION INDICATOR	21	38	71602	YOKE BLACK	3	5
18488--9	CYLINDER HEAD	23	1	71602--1	YOKE GRAY	3	5
18789A3	CYLINDER HEAD	23	1	74897	PIVOT	11	1
26551	BRACKET	13	50	75384	BRUSH SET	15	8
26852	CAP	11	21	75660	DRIVE END PLATE	15	3
26852	CAP	11	9	75661	DRIVE	15	2
26852	CAP	19	36	76035	LINK ROD	11	4
32435	FACE PLATE	49	25	76214	ANODIC PLATE	73	82
32435	FACE PLATE	57	25	76214	ANODIC PLATE	83	85
32435	FACE PLATE	69	25	76214	ANODIC PLATE (LONG)	53	74
32435	FACE PLATE	77	25	76214	ANODIC PLATE (LONG)	63	78
37896	GUIDE BLOCK	11	29	76214--1	ANODIC PLATE (X-LONG)	53	74
				76214--1	ANODIC PLATE (X-LONG)	63	78
				76424	BRACKET	65	3

# PARTS INDEX

Part Number	Description	Pg.	Ref. No.	Part Number	Description	Pg.	Ref. No.
76867	COVER (LOWER)	19	9	817716A4	PLATE ASSEMBLY GRAY	37	10
77837	THROTTLE CONTROL LEVER	11	13	818161A2	HYDRAULIC PUMP, COMPLETE	85	-
78148A1	SAPCER ASSEMBLY	35	--	818161A4	HYDRAULIC PUMP ASSEMBLY	85	1
78148A1	SPACER ASSEMBLY	39	--	818161A4	HYDRAULIC PUMP ASSEMBLY	87	-
78902	SHIFT SHAFT (LOWER)	51	38	818227--1	DIFFUSER	33	25
78902	SHIFT SHAFT (LOWER)	59	38	818227--1	DIFFUSER	37	16
78902	SHIFT SHAFT (LOWER)	71	38	818261	EXHAUST BLOCK-OFF PLATE	39	29
78902	SHIFT SHAFT (LOWER)	79	38	818567	BRACKET	85	2
78956	SHIFT CAM	53	49	821377--1	DIFFUSER	35	25A
78956	SHIFT CAM	61	49	821377--1	DIFFUSER	37	16A
78956	SHIFT CAM	73	49	821754A1	EXHAUST EXT. PLATE (BLACK)	33	19A
78956	SHIFT CAM	81	49	821754A1	EXHAUST EXT. PLATE BLACK	37	10A
79022	TIMING MARKER	7	2	821754A2	EXHAUST EXT. PLATE (GRAY)	33	19A
79101T	BRACKET	95	2	821754A2	EXHAUST EXT. PLATE GRAY	37	10A
79146	RETAINER	95	19	821877	BRACKET	3	22
79216	ARMATURE	15	7	821878	BRACKET	3	23
79480	BRACKET	95	8	821878A2	COWL SUPPORT KIT	3	-
79610A10	TRIM CYLINDER (79879A1 REPAIR KIT)	45	23	821879	PIN	3	30
79610A6	TRIM CYLINDER (79879A1 REPAIR KIT)	45	23	821880A1	COWL SUPPORT	3	32
79743	COVER	7	23	821978A1	EXHAUST EXTENSION RING	55	83
79911	ROD	53	50	821978A1	EXHAUST EXTENSION RING	63	87
79911	ROD	61	50	821978A1	EXHAUST EXTENSION RING	75	87
79911	ROD	73	50	821978A1	EXHAUST EXTENSION RING	83	90
79911	ROD	81	50	822188--1	PLATE	3	19
79918A1	FLYWHEEL COVER	7	1	847602	SLIDER	29	20
79932A11	SHIFT SHAFT (LONG)	11	37	847610A1	BEARING CARRIER	73	68
79932A12	SHIFT SHAFT (EXTRA-LONG)	11	37	847616A1	BEARING CARRIER	81	71
811491	ADAPTOR	87	1	847626A28	GEAR HOUSING(BASIC-CUT SKEG) GRAY	81	1
811492	PUMP (INCLUDES SCREWS)	87	4	847658	RETAINER	35	22
812497A2	DIODE KIT	95	20	847658	RETAINER	37	13
812498A1	REPAIR KIT, PRESSURE RELIEF VALVE KIT	87	-	85024	SHAFT	45	28
814431A2	BEARING CARRIER	61	68	85026T	PLATE	45	12
815490A2	THROTTLE SHAFT	27	12	85028A2	1ILT LOCK LEVER (STARBOARD)	41	11
815490A2	THROTTLE SHAFT	29	9	85030A2	TILT LOCK LEVER (PORT)	41	11
815541	PLATE	17	16	85035T	SPACER (BLACK)	45	15
815552A1	DIVIDER PLATE	17	1	85035T6	SPACER (GRAY)	45	15
815563A2	BEARING CARRIER	53	64	86475--1	COUPLING	41	17
816054	MOUNT	33	4	86485A5	TRIM SENDER ASSEMBLY	41	31
816058--2	AIR INLET	27	2	86485A6	TILT SWITCH ASSEMBLY	41	31
816058--2	AIR INLET	29	2	86580A1	BOTTOM YOKE BLACK	41	22
816250	THROTTLE LINK	27	6	86580A2	BOTTOM YOKE GRAY	41	22
816250	THROTTLE LINK	29	6	86603	KNOB	41	16
816479	PLATE	65	7	86926A4	SPEED LIMITER	17	17
816492A1	ALARM (DESIGN II)	65	11	87692--2	REED BLOCK	23	22
816770	RECTIFIER	9	17	87760	MOUNTING PLATE	85	22
816885	ADAPTOR	31	10	87762	BRACKET	85	28
816958--1	ADAPTOR	31	14	87871	COVER	45	35
817706A3	FRONT COVER BLACK	3	2	88075	RETAINER	85	11
817706A4	FRONT COVER GRAY	3	2	88238A4	CABLE	5	35
817708	HOLD DOWN	3	8	88342	STRAP	41	33
817712--1	SEAL	3	17				
817716A3	EXHAUST EXT. PLATGE (BLACK)	33	19				
817716A3	PLATE ASSEMBLY BLACK	37	10				

# PARTS INDEX

Part Number	Description	Pg.	Ref. No.	Part Number	Description	Pg.	Ref. No.
88621	RETAINER	5	37	N.S.S.	WASHER (AMERICAN		
88825A7	VOLTAGE REGULATOR	17	11		BOSCH #WA3122)	15	6
89491--1	IGNITION SWITCH KEY 1A	65	-	10-13212--1	SCREW	35	31
89491--2	IGNITION SWITCH KEY 1B	65	-	10-13212--1	SCREW	37	20
89491--3	IGNITION SWITCH KEY 1C	65	-	10-13212--1	SCREW	41	26
89491--4	IGNITION SWITCH KEY 1D	65	-	10-14000	SCREW (1-1/4")	41	28
89491--5	IGNITION SWITCH KEY 1E	65	-	10-14834	DRAIN SCREW(MAGNETIC)	79	46
89491--6	IGNITION SWITCH KEY 1F	65	-	10-14834	DRAIN SCREW (MAGNETIC)	51	46
89491--7	IGNITION SWITCH KEY 2A	65	-	10-14834	DRAIN SCREW (MAGNETIC)	59	46
89491--8	IGNITION SWITCH KEY 2B	65	-	10-14834	DRAIN SCREW (MAGNETIC)	71	46
89491--9	IGNITION SWITCH KEY 2C	65	-	10-14834	SCREW	73	72
89491-10	IGNITION SWITCH KEY 2D	65	-	10-14834	SCREW	83	75
89491-11	IGNITION SWITCH KEY 2E	65	-	10-15929	SCREW (X-LONG)	53	78
89491-12	IGNITION SWITCH KEY 2F	65	-	10-15929	SCREW (X-LONG)	63	82
89493	COUPLING	87	2	10-15934	SCREW	45	34
89594A1	CAM FOLLOWER	53	48	10-17621	SCREW	87	12
89594A1	CAM FOLLOWER	61	48	10-17626	SCREW	87	10
89594A1	CAM FOLLOWER	73	48	10-22486	SCREW	11	23
89594A1	CAM FOLLOWER	81	48	10-28635	SCREW	39	30
89949A1	PLATE ASSEMBLY	45	18	10-28635	SCREW	91	6
90390A1	COVER	23	10	10-28636	SCREW	33	23
90391--1	REED CLAMP	23	24	10-28636	SCREW	35	23
90435	RUBBER MOUNT	93	8	10-28636	SCREW	37	14
90468A1	COVER	65	2	10-28636	SCREW	37	14
90645	DRIVE KIT	15	1	10-28636	SCREW	45	13
92876A1	STEERING LINK ASSEMBLY	41	27	10-28636	SCREW	93	4
93860A6	FUEL PUMP	91	1	10-28636	SCREW (3/4")	19	32
94451	BRACKET	89	4	10-28667	SCREW (1")	11	28
94820	FUEL REGULATOR	93	1	10-28667	SCREW (1")	19	28
96030	BRACKET	91	7	10-28782	SCREW	17	7
96455A11	TRIGGER PLATE	7	13	10-30206	SCREW	75	86
97465	TEMPERATURE SENDER	23	16	10-30206	SCREW	83	89
98684	SPACER	45	32	10-30206	SCREW (LONG)	53	78
98709--3	PLATE	23	20	10-30206	SCREW (LONG)	63	82
98715--7	THROTTLE SHUTTER	27	17	10-31716	SCREW (5/8")	9	26
98715--7	THROTTLE SHUTTER	29	14	10-32228	SCREW	17	21
98716	HOLD DOWN	93	16	10-32627	SCREW	89	5
98717	SPACER	93	17	10-34696	SCREW (3/4")	31	9
98818	FUEL INJECTOR	93	14	10-35057	SCREW	55	84
99170A1	TILT TUBE	45	9	10-35057	SCREW	63	88
99193	COVER	17	6	10-35057	SCREW	75	88
99294	BRACKET	19	27	10-35057	SCREW	83	91
99528A1	FUEL PUMP ASSEMBLY	89	1	10-35401	SCREW	95	18
99779	TORSION CLIP	5	36	10-37562	SCREW (1")	23	11
99944	SUPPORT	93	7	10-37572	SCREW	7	3
99945	BRACKET	93	3	10-38055	SCREW (5/8")	9	10
N.S.S.	GEAR (PART OF 43-			10-38055	SCREW (5/8")	9	18
	15845A2)	59	40	10-38601	SCREW	3	20
N.S.S.	GEAR (PART OF 43-			10-38837	SCREW (1")	85	3
	44104A6)	51	40	10-39349	SCREW (3/4")	85	23
N.S.S.	FORWARD GEAR (PART OF			10-41089	SCREW	27	23
	43-15845A2)	61	56	10-41089	SCREW	29	29
N.S.S.	PIN GEAR (PART OF 43-			10-41355	SET SCREW	27	22
	44104A7)	69	12	10-41355	SET SCREW	29	28
N.S.S.	PIN GEAR(PART OF 43-			10-41508	SCREW (3/8")	85	13
	15845A2)	77	12	10-48409	SCREW	17	12
N.S.S.	REVERSE GEAR(PART OF			10-53155	SCREW (1/4-20 X 2-1/2")	31	11
	43-15845A2)	81	56	10-55715	SCREW	23	35
N.S.S.	SCREW (AMER. BOSCH			10-60147	SCREW	23	26
	#02441-22-SC-30SM)	15	10	10-60147	SCREW	23	28

# PARTS INDEX

Part Number	Description	Pg.	Ref. No.	Part Number	Description	Pg.	Ref. No.
10-60411	SCREW (1-1/4")	9	12	10-847538	SCREW (1-1/2")	17	5
10-62568	SCREW	9	9	10-847568	SCREW (1")	17	5
10-62568	SCREW	91	10	10-87180	BOLT	45	7
10-62958	SCREW (1-1/8")	11	28	10-87926	SCREW	7	37
10-63328	SCREW (5/16-18 X 3")	31	11	10-87926	SCREW	17	24
10-63474	SCREW	33	3	10-87926	SCREW	41	34
10-63826	BOLT (2-1/2")	85	29	10-88417	SCREW (5/8")	33	10
10-64022	ADJUSTING SCREW	19	34	10-88447	SCREW (1-5/8")	7	24
10-64022	SCREW	11	7	10-88743	SCREW	23	6
10-64022	SCREW (2-1/8")	11	19	10-88829	SCREW	45	21
10-66024	SCREW	35	--	10-89996	SCREW	45	19
10-66024	SCREW	39	--	10-90028	SCREW	7	11
10-66024	SCREW	53	75	10-90086	SCREW	19	7
10-66024	SCREW	63	79	10-90271	SCREW (5/8")	85	25
10-66024	SCREW	73	83	10-90815	SCREW	9	3
10-66024	SCREW	83	86	10-91903	SCREW (1-3/4")	35	29
10-66717	SCREW (3/8-16 X 3-1/4")	19	13	10-91903	SCREW (1-3/4")	37	22
10-67755	SCREW (4-1/2")	45	4	10-91995	SCREW	25	13
10-67755--2	SCREW (6-1/2")	45	3	10-92051	SCREW	85	8
10-67769	SCREW	33	13	10-92913	SCREW (3/4")	35	29
10-67769	SCREW	37	4	10-92913	SCREW (3/4")	39	22
10-68513	SCREW	7	33	10-96411	SCREW (2-1/4")	49	31
10-69020	SCREW	5	38	10-96411	SCREW (2-1/4")	57	31
10-69020	SCREW	17	18	10-96411	SCREW (2-1/4")	69	31
10-69034	SCREW (1")	19	18	10-96411	SCREW(2-1/4")	77	31
10-69035	SCREW	7	20	10-98256	SCREW	43	36
10-69079	SCREW	7	35	10-98534	SCREW (2-1/3")	23	3
10-69079	SCREW 97/16")	23	19	11-13436	NUT	49	35
10-69560	SCREW (1-1/4")	11	10	11-13436	NUT	57	35
10-69570	SCREW	3	3	11-13436	NUT	71	35
10-70732	SCREW	45	16	11-13436	NUT	79	35
10-74824	SCREW (5/16-18 X 1-1/4")	19	13	11-13438	NUT	49	33
10-74968	THRU BOLT	15	4	11-13438	NUT	57	33
10-76630	SCREW (1")	31	15	11-13438	NUT	69	33
10-79953	SCREW	51	45	11-13438	NUT	77	33
10-79953	SCREW	59	45	11-15018	NUT	93	2
10-79953	SCREW	71	45	11-18102	NUT	13	46
10-79953	SCREW	79	45	11-20013	JAM NUT	27	7
10-811493	SCREW KIT	87	8	11-20013	JAM NUT	29	7
10-815549	SCREW (2")	19	10	11-20110	NUT	89	6
10-815904	SCREW	49	2	11-20110	NUT (10-32)	85	14
10-815904	SCREW	57	2	11-20220	NUT	45	8
10-815904	SCREW	69	2	11-20361	NUT	29	17
10-815904	SCREW	77	2	11-20890	NUT	7	18
10-816742	SCREW	27	9	11-21825	NUT	85	18
10-818146	SCREW	3	27	11-25269	NUT	33	14
10-818165	SCREW (1-3/4")	11	14	11-25269	NUT	37	5
10-821035	SCREW (1-1/4")	31	15	11-26419	NUT	95	11
10-821036	SCREW	31	17	11-26419	NUT	95	5
10-821041	SCREW	27	15	11-26484	NUT (5/16-18)	85	15
10-821933	SCREW	3	24	11-28040	NUT	33	6
10-822322	SCREW -SCREW ATTACHING	33	26A	11-28040	NUT	39	26
10-822322	SCREW SCREW ATTACHING	37	17A	11-29488	NUT	5	39
10-823188	SCREW (3/8-16 X 3-1/2")	19	13	11-29488	NUT	47	40
10-823199--1	SCREW (3/8-16 X 1-1/4")	19	13	11-30506	NUT -STUD ATTACHING	33	28
10-823200	SCREW	29	12	11-30506	NUT STUD ATTACHING	37	19
10-823258	SCREW	35	26A	11-34863	NUT	41	29
10-823258	SCREW	37	17A	11-34863	NUT (THIN)	35	40
10-823588	SCREW	23	25	11-34863	NUT (THIN)	39	28
				11-34932	NUT (FULL)	35	40

# PARTS INDEX

Part Number	Description	Pg.	Ref. No.	Part Number	Description	Pg.	Ref. No.
11-34932	NUT (FULL)	39	28	12-19183	WASHER	51	47
11-34933	NUT	33	16	12-19183	WASHER	59	47
11-34933	NUT	37	7	12-19183	WASHER	71	47
11-34933	NUT	53	77	12-19183	WASHER	73	73
11-34933	NUT	63	81	12-19183	WASHER	79	47
11-34933	NUT	75	85	12-19183	WASHER	83	76
11-34933	NUT	83	88	12-20128	WASHER	3	10
11-35045	NUT	3	21	12-20128	WASHER	3	34
11-35045	NUT	11	25	12-20128	WASHER	3	7
11-35045	NUT	11	35	12-20533	WASHER -STUD ATTACHING	33	27
11-35045	NUT	11	41	12-20533	WASHER STUD ATTACHING	37	18
11-35045	NUT	29	24	12-20878	WASHER	47	39
11-35045	NUT	93	20	12-22753	WASHER	35	37
11-35053	NUT	3	28	12-22753	WASHER	85	32
11-35521	NUT	33	11	12-22887	WASHER	3	4
11-35814	NUT	35	38	12-24676	WASHER	65	5
11-35888	NUT	93	10	12-26168	WASHER	93	11
11-35921	NUT	49	14	12-26427	WASHER	95	17
11-35921	NUT	57	14	12-28421	WASHER	45	5
11-35921	NUT	69	14	12-29245	WASHER	27	10
11-35921	NUT	77	14	12-29245	WASHER	29	23
11-40063--2	NUT	89	2	12-29245	WASHER	43	37
11-40063--3	NUT	89	3	12-29245	WASHER	45	14
11-42633	NUT	49	17	12-29245	WASHER	45	17
11-42633	NUT	57	17	12-29245	WASHER	49	32
11-42633	NUT	69	17	12-29245	WASHER	57	32
11-42633	NUT	77	17	12-29245	WASHER	69	32
11-45076	NUT	7	25	12-29245	WASHER	77	32
11-45076	NUT	9	19	12-29245	WASHER	93	19
11-45076	NUT	9	29	12-30164	WASHER	27	16
11-45076	NUT	9	7	12-31211A2	WASHER	55	82
11-45076	NUT	17	14	12-31211A2	WASHER	63	86
11-45812	NUT	11	5	12-31211A2	WASHER	73	81
11-45812	NUT	17	20	12-31211A2	WASHER	83	84
11-45812	NUT	21	41	12-33786	WASHER	13	45
11-52707A1	PROPELLER NUT	53	80	12-34437	WASHER (5/16" I.D.)	31	12
11-52707A1	PROPELLER NUT	63	84	12-35459	WASHER	29	19
11-52707A1	PROPELLER NUT	73	79	12-35462	WASHER	11	40
11-52707A1	PROPELLER NUT	83	82	12-35462	WASHER	29	18
11-52901	NUT	7	5	12-35462	WASHER	93	9
11-56041	NUT (7/8-14)	45	11	12-36001	WASHER	49	34
11-56374	NUT	27	11	12-36001	WASHER	57	34
11-64015	JAM NUT	19	35	12-36001	WASHER	69	34
11-64015	NUT	11	20	12-36001	WASHER	77	34
11-64015	NUT	11	8	12-36042	WASHER	9	14
11-64015	NUT	13	51	12-37828	WASHER	41	30
11-64015	NUT	31	6	12-39143	WASHER	23	29
11-67980	NUT	9	30	12-39143	WASHER (1/4" I.D.)	31	12
11-68219	NUT	11	11	12-39143	WASHER (5/8 X .253)	31	18
11-68219	NUT	11	3	12-45175	LOCKWASHER	85	27
11-68219	NUT	65	6	12-47247	WASHER (2 BOLT MAIN)	25	14
11-68411	NUT	85	30	12-47533--1	WASHER, SUBSTITUTE FOR THERMOSTAT	23	8
11-816670	NUT	45	6	12-49221--1	WASHER	19	24
11-816874	NUT	19	26	12-49339	WASHER	27	14
11-90068T	NUT (1"-14)(BLACK)	45	11	12-49339	WASHER	29	11
11-90068T6	NUT (1"-14)(GRAY)	45	11	12-57792	WASHER	85	4
11-93543	NUT	65	9	12-67264	WASHER (RUBBER)	9	15
12-17616	THRUST RING	61	61	12-67670	THRUST WASHER	41	24
12-17616	THRUST RING	81	65	12-68229	WASHER	7	6
12-17653	THRUST WASHER	87	16				

# PARTS INDEX

Part Number	Description	Pg.	Ref. No.	Part Number	Description	Pg.	Ref. No.
12-68410	WASHER	11	18	13-26992	LOCKWASHER	37	15
12-69056	WASHER	11	34	13-26992	LOCKWASHER	37	15
12-69056	WASHER	31	5	13-26992	LOCKWASHER	39	31
12-72761	WASHER	7	4	13-26992	LOCKWASHER	91	5
12-72761	WASHER	17	19	13-26992	LOCKWASHER	93	5
12-72761	WASHER	17	23	13-26992	LOCKWASHER (.250)	31	18
12-72761	WASHER	19	25	13-26993	LOCKWASHER	9	13
12-72761	WASHER	21	44	13-26993	LOCKWASHER	19	8
12-74758	WASHER	3	29	13-26993	LOCKWASHER	85	24
12-77674	RUBBER WASHER	51	44	13-26995	LOCKWASHER	27	24
12-77674	RUBBER WASHER	59	44	13-26995	LOCKWASHER	29	30
12-77674	RUBBER WASHER	71	44	13-26996	LOCKWASHER	7	12
12-77674	RUBBER WASHER	79	44	13-26996	LOCKWASHER	17	22
12-78910	WASHER	53	52	13-29720	WAVE WASHER	11	38
12-78910	WASHER	61	52	13-58643	LOCKWASHER	85	26
12-78910	WASHER	73	52	13-78854	WAVE WASHER	41	21
12-78910	WASHER	81	52	13-88750	WAVE WASHER	45	10
12-816056	WASHER	33	5	13-93702	LOCKWASHER	31	5
12-816056	WASHER	35	32	14-79447	TAB WASHER	53	72
12-816056	WASHER	37	21	14-79447	TAB WASHER	63	74
12-816056	WASHER	43	39	14-79447	TAB WASHER	73	75
12-822714	WASHER	35	27A	14-79447	TAB WASHER	83	77
12-822714	WASHER	37	18A	14-816629	TAB WASHER	53	81
12-822714	WASHER -SCREW			14-816629	TAB WASHER	63	85
	ATTACHING	33	27A	14-816629	TAB WASHER	73	80
12-822714	WASHER SCREW			14-816629	TAB WASHER	83	83
	ATTACHING	37	18A	15-42637A1	SHIM ASSEMBLY	49	15
12-822836	WASHER	33	15	15-42637A1	SHIM ASSEMBLY	57	15
12-822836	WASHER	35	30	15-42637A1	SHIM ASSEMBLY	69	15
12-822836	WASHER	37	6	15-42637A1	SHIM ASSEMBLY	77	15
12-822836	WASHER	39	23	15-47397A1	SHIM	53	68
12-822836	WASHER	53	76	15-47397A1	SHIM	73	54
12-822836	WASHER	63	80	15-823765A1	SHIM SET	29	15
12-822836	WASHER	75	84	16-15093	STUD (1")	19	22
12-822836	WASHER	83	87	16-15094	STUD (1-7/8")	19	21
12-822837	WASHER	23	27	16-18101	STUD	13	44
12-822837	WASHER	23	36	16-21184	STUD	93	18
12-822838	WASHER	19	19	16-55422	STUD	65	4
12-822838	WASHER	23	4	16-56295	STUD (LONG)	33	2
12-822838	WASHER	35	39	16-56295	STUD (LONG)	37	2
12-822838	WASHER	39	27	16-56297	STUD (3-3/8")	49	6
12-847524	WASHER (4 BOLT MAIN)	25	14	16-56297	STUD (3-3/8")	69	6
12-847526	WASHER	17	5A	16-56297	STUD(3-3/8")	77	6
12-847539	WASHER	3	25	16-57920	STUD (2-1/16")	49	5
12-847540	WASHER	29	13	16-57920	STUD (2-1/16")	57	5
12-847541	WASHER	3	27A	16-57920	STUD (2-1/16")	69	5
12-85022	WASHER	45	25	16-57920	STUD(2-1/16')	77	5
12-87161	WASHER	41	9	16-58893	STUD -STUD ATTACHING	33	26
12-89302	WASHER	7	32	16-58893	STUD STUD ATTACHING	37	17
12-89302	WASHER	21	40	16-69016	STUD	21	39
12-92721	WASHER	49	13	16-69058	STUD	35	36
12-92721	WASHER	57	13	16-69501	STUD (3-1/4")	49	7
12-92721	WASHER	69	13	16-69501	STUD (3-1/4")	57	7
12-92721	WASHER	77	13	16-69501	STUD (3-1/4")	69	7
12-96457	WASHER	85	17	16-69501	STUD(3-1/4")	77	7
13-26992	LOCKWASHER	7	17	16-74730	STUD (7-1/16")	49	5
13-26992	LOCKWASHER	9	27	16-74730	STUD (7-1/16")	57	5
13-26992	LOCKWASHER	19	33	16-74730	STUD(7")	69	5
13-26992	LOCKWASHER	33	24	16-74730	STUD(7")	77	5
13-26992	LOCKWASHER	35	24	16-74732	STUD (X-LONG)	33	2

# PARTS INDEX

Part Number	Description	Pg.	Ref. No.	Part Number	Description	Pg.	Ref. No.
16-74732	STUD (X-LONG) . . . . .	37	2	17-91862	PIN . . . . .	45	30
16-78638	STUD (3-1/8") . . . . .	49	4	17-98683	PIN . . . . .	45	28
16-78638	STUD (3-1/8") . . . . .	57	4	18-21071	COTTER PIN . . . . .	3	11
16-78638	STUD (3-1/8") . . . . .	69	4	18-93861	COTTER PIN . . . . .	41	20
16-78638	STUD(3-1/8") LONG . . . . .	77	4	19-64649	PLUG . . . . .	33	17
16-78639	,STUD(8-1/8") X-LONG . . . . .	77	4	21-42623	CHECK VALVE (PRESS-IN- 11/16" LONG) . . . . .	23	34
16-78639	STUD (8-1/10") . . . . .	49	4	21-42657A1	CHECK VAVLE . . . . .	19	11
16-78639	STUD (8-1/8") . . . . .	69	4	21-818189A1	CHECK VALVE (45 DEGREES) . . . . .	23	34
16-78639	STUD (8/1/10") . . . . .	57	4				
16-816055	STUD . . . . .	39	24	22-13820	PIPE PLUG . . . . .	49	10
16-822358	STUD (2-3/4") . . . . .	19	2	22-13820	PIPE PLUG . . . . .	57	10
16-847529	STUD (2-1/2") . . . . .	19	2	22-14685	PLUG . . . . .	3	18
16-847530	STUD (2") . . . . .	19	2	22-17207	FITTING . . . . .	93	24
16-847532	STUD (5-3/4") . . . . .	19	2	22-32802	PIPE PLUG . . . . .	17	1A
16-847533	STUD (7") . . . . .	19	2	22-32802	PIPE PLUG . . . . .	23	1
16-88876	STUD . . . . .	41	15	22-32820	CONNECTOR . . . . .	91	11
16-96112	STUD . . . . .	29	22	22-36492	BUSHING . . . . .	95	22
17-12148	POP RIVET . . . . .	3	33	22-38407	PLUG (WATER JACKET) . . . . .	19	20
17-12148	RIVET . . . . .	3	15	22-56759	FITTING (PRESS IN) . . . . .	23	31
17-14908	RIVET . . . . .	3	16	22-59169	TEE FITTING . . . . .	23	30
17-24800	ROLL PIN . . . . .	27	18	22-59169	TEE FITTING . . . . .	27	4
17-24800	ROLL PIN . . . . .	29	16	22-59169	TEE FITTING . . . . .	29	4
17-42671	CROSS PIN . . . . .	53	62	22-62006	ELBOW . . . . .	91	4
17-42671	CROSS PIN . . . . .	61	64	22-63187	CONNECTOR . . . . .	89	8
17-42671	CROSS PIN . . . . .	73	60	22-63651	ELBOW (90 DEGREES) . . . . .	95	26
17-42671	CROSS PIN . . . . .	81	60	22-63670	FITTING . . . . .	95	27
17-43044	DOWEL PIN . . . . .	19	3	22-64706	TEE FITTING . . . . .	95	25
17-43044	DOWEL PIN . . . . .	49	3	22-68727	ELBOW (STARBOARD) . . . . .	23	12
17-43044	DOWEL PIN . . . . .	57	3	22-68727	FITTING . . . . .	17	10
17-43044	DOWEL PIN . . . . .	69	3	22-68728	FITTING (PORT) . . . . .	23	14
17-43044	DOWEL PIN . . . . .	77	3	22-69406	FITTING . . . . .	93	28
17-43044	DOWEL PIN (.625) . . . . .	33	20	22-74036	GREASE FITTING . . . . .	41	4
17-43044	DOWEL PIN (.625) . . . . .	33	20	22-77366	CONNECTOR . . . . .	85	33
17-43044	DOWEL PIN (.625) . . . . .	37	11	22-77863	FITTING . . . . .	95	29
17-43044	DOWEL PIN (.625) . . . . .	37	11	22-818200	FITTING . . . . .	85	34
17-43044	PIN . . . . .	35	--	22-818699	FITTING . . . . .	93	27
17-43044	PIN . . . . .	39	--	22-821881	PIPE PLUG . . . . .	3	26
17-58712	CLEVIS PIN . . . . .	3	9	22-821937	PIPE PLUG . . . . .	33	19B
17-63779	DOWEL PIN . . . . .	23	17	22-821937	PIPE PLUG . . . . .	37	10B
17-67296	DOWEL PIN (BEARING RACE) . . . . .	19	4	22-822715	ELBOW . . . . .	27	3
17-67706A46	SWIVEL PIN AND STEERING ARM BLACK . . . . .	41	25	22-822715	ELBOW . . . . .	29	3
17-67706A47	SWIVEL PIN AND STEERING ARM GRAY . . . . .	41	25	22-847627	PIPE PLUG . . . . .	69	10
17-69745	PIN . . . . .	41	18	22-847627	PIPE PLUG . . . . .	77	10
17-78906	PIN . . . . .	53	53	22-94090	ELBO3W . . . . .	23	32
17-78906	PIN . . . . .	61	53	22-94273	FITTING . . . . .	91	2
17-78906	PIN . . . . .	73	53	23-12245	BUSHING . . . . .	27	21
17-78906	PIN . . . . .	81	53	23-12245	BUSHING . . . . .	29	21
17-78906	PIN . . . . .	81	53	23-12245	BUSHING . . . . .	29	27
17-78909	DETENT PIN . . . . .	53	54	23-17615--1	SPACER SHIM (.125") . . . . .	61	62
17-78909	DETENT PIN . . . . .	61	54	23-17615--2	SPACER SHIM(.125") . . . . .	81	63
17-78909	DETENT PIN . . . . .	73	59	23-17615--2	SPACER SHIM (.127") . . . . .	61	62
17-78909	DETENT PIN . . . . .	81	59	23-17615--2	SPACER SHIM(.127") . . . . .	81	63
17-816771	RIVET . . . . .	3	6	23-17615--3	SPACER SHIM (.129") . . . . .	61	62
17-823106	DOWEL PIN (.800) . . . . .	37	11	23-17615--3	SPACER SHIM(.129") . . . . .	81	63
17-823106	DOWEL PIN (.875) . . . . .	33	20	23-17615--4	SPACER SHIM(.131) . . . . .	61	62
17-823106	DOWEL PIN (.875) . . . . .	37	11	23-17615--4	SPACER SHIM(.131") . . . . .	81	63
17-823106--1	DOWEL PINE (.800) . . . . .	33	20	23-17615--5	SPACER SHIM (.133") . . . . .	61	62
17-85020	PIVOT PIN . . . . .	45	27	23-17615--5	SPACER SHIM(.133") . . . . .	81	63
				23-17615--6	SPACER SHIM (.135") . . . . .	61	62



# PARTS INDEX

Part Number	Description	Pg.	Ref. No.	Part Number	Description	Pg.	Ref. No.
23-17615--6	SPACER SHIM(.135")	81	63	24-79910	SPRING	53	51
23-17615--7	SPACER SHIM (.137")	61	62	24-79910	SPRING	61	51
23-17615--7	SPACER SHIM(.137")	81	63	24-79910	SPRING	73	51
23-17615--8	SPACER SHIM (.139")	61	62	24-79910	SPRING	81	51
23-17615--8	SPACER SHIM(.139")	81	63	24-85367	SPRING	41	13
23-17615--9	SPACER SHIM (.141")	61	62	24-88049	SPRING	41	19
23-17615--9	SPACER SHIM(.141")	81	63	24-91821	SPRING (LIGHT DUTY)	13	49
23-17615-10	SPACER SHIM (.143")	61	62	24-98894	SPRING	27	19
23-17615-10	SPACER SHIM(.143")	81	63	24-98894	SPRING	29	25
23-17615-11	SPACER SHIM (.145")	61	62	25-12602	GROMMET	47	43
23-17615-11	SPACER SHIM(.145")	81	63	25-17625	O-RING	87	11
23-17615-12	SPACER SHIM (.147")	61	62	25-25439	O-RING	51	41
23-17615-12	SPACER SHIM(.147")	81	63	25-25439	O-RING	59	41
23-17615-13	SPACER SHIM (.149")	61	62	25-25439	O-RING	71	41
23-17615-13	SPACER SHIM(.149")	81	63	25-25439	O-RING	79	41
23-26600	BUSHING	11	39	25-31534	O-RING	53	70
23-27132	BUSHING	11	36	25-31534	O-RING	61	72
23-29804	SLEEVE	51	37	25-31534	O-RING	73	67
23-29804	SLEEVE	59	37	25-31534	O-RING	81	66
23-34948	SPACER	85	5	25-33466	O-RING	41	6
23-43998	SLEEVE	49	9	25-39695	O-RING	49	12
23-43998	SLEEVE	57	9	25-39695	O-RING	57	12
23-43998	SLEEVE	69	9	25-39695	O-RING	69	1
23-43998	SLEEVE	77	9	25-39695	O-RING	77	1B
23-55164	BUSHING	11	15	25-45507	GROMMET	47	37
23-55171	BUSHING	11	16	25-45711	O-RING	31	8
23-67268	BUSHING	9	16	25-48171	O-RING	41	10
23-67269	SPACER	19	23	25-54029	O-RING	19	15
23-67668	SPACER	41	5	25-62700	O-RING (3-1/4" I.D.)	19	30
23-77631A2	BUSHING ASSEMBLY	51	42	25-817713--1	GROMMET	3	13
23-77631A2	BUSHING ASSEMBLY	59	42	25-88341	GROMMET (STANDARD)	41	7
23-77631A2	BUSHING ASSEMBLY	71	42	25-89497	O-RING, RESERVOIR END	87	6
23-77631A2	BUSHING ASSEMBLY	79	42	25-89498	O-RING, MOTOR END	87	3
23-79697	SPACER	95	16	25-90011	O-RING	49	20
23-812711	SPACER (1/4")	65	13	25-90011	O-RING	57	20
23-812711--1	SPACER (3/8")	65	13	25-90011	O-RING	69	20
23-816057	SPACER BLACK	39	25	25-90011	O-RING	77	20
23-816057--1	SPACER GRAY	39	25	25-99123	GROMMET	93	15
23-822823	THRUST RING	73	66	26-16977	OIL SEAL	49	22
23-847685	SLEEVE	69	29	26-16977	OIL SEAL	57	22
23-847685	SLEEVE	77	29	26-16977	OIL SEAL	69	22
23-86489	BUSHING	45	24	26-16977	OIL SEAL	77	22
23-86600	BUSHING	41	12	26-38970	RUBBER SEAL	49	28
23-86637	BEARING	45	29	26-38970	RUBBER SEAL	57	28
23-94304	BUSHING	9	31	26-38970	SEAL	33	21
23-94304	BUSHING	19	12	26-38970	SEAL	37	12
23-94453	BUSHING	9	5	26-41953	OIL SEAL	19	17
23-99509--1	RUBBER PAD	3	31	26-41953	OIL SEAL	19	31
23-99813A1	BUSHING	41	3	26-814754	SEAL1	17	3
23-99813A2	BUSHING KIT	45	31	26-815565	OIL SEAL	53	66
24-20099	SPRING	11	24	26-815565	OIL SEAL	61	70
24-20099	SPRING	11	30	26-815565	OIL SEAL	73	70
24-30316	SPRING	45	26	26-815565	OIL SEAL	81	73
24-66306	SPRING	29	8	26-816464--1	OIL SEAL	51	43
24-66306	SPRING (HEAVY DUTY)	13	49	26-816464--1	OIL SEAL	59	43
24-68784	SPRING	11	17	26-816464--1	OIL SEAL	71	43
24-78962	SPRING	53	55	26-816464--1	OIL SEAL	79	43
24-78962	SPRING	61	55	26-85023	OIL SEAL	41	8
24-78962	SPRING	73	61	26-87735	OIL SEAL (LOWER)	41	2
24-78962	SPRING	81	61	26-88397	SEAL	35	21

# PARTS INDEX

Part Number	Description	Pg.	Ref. No.	Part Number	Description	Pg.	Ref. No.
26-88397	SEAL .....	37	12	27-814658A3	GASKET SET (4 BOLT MAIN BLOCK) .....	93	-
26-88397	SEAL .....	69	28				
26-88397	SEAL .....	77	28	27-814658A3	GASKET SET(4 BOLT MAIN BLOCK) .....	21	-
26-89238	OIL SEAL .....	49	21				
26-89238	OIL SEAL .....	57	21	27-822844--1	GASKET .....	23	2
26-89238	OIL SEAL .....	69	21	27-823142	GASKET .....	17	9
26-89238	OIL SEAL .....	77	21	27-847525	GASKET .....	17	2
26-89238A2	SEAL KIT .....	51	-	27-85609--1	GASKET (UPPER) .....	49	24
26-89238A2	SEAL KIT .....	55	-	27-85609--1	GASKET (UPPER) .....	57	24
26-89238A2	SEAL KIT .....	59	-	27-85609--1	GASKET (UPPER) .....	69	24
26-89238A2	SEAL KIT .....	63	-	27-85609--1	GASKET(UPPER) .....	77	24
26-94219	SEAL .....	93	13	27-87775	GASKET .....	45	36
27-11338	GASKET .....	19	5	27-88907--2	GASKET .....	17	8
27-12775--2	GASKET .....	23	21	27-99316--1	GASKET .....	27	1
27-18051	GASKET (LOWER) .....	49	23	27-99316--2	GASKET .....	29	1
27-18051	GASKET (LOWER) .....	57	23	28-30281	KEY .....	53	71
27-18051	GASKET (LOWER) .....	69	23	28-30281	KEY .....	63	73
27-18051	GASKET(LOWER) .....	77	23	28-30281	KEY .....	73	74
27-42631--1	GASKET .....	49	19	28-30281	KEY .....	83	79
27-42631--1	GASKET .....	57	19	28-56654	KEY .....	49	30
27-42631--1	GASKET .....	69	19	28-56654	KEY .....	57	30
27-42631--1	GASKET .....	77	19	28-56654	KEY .....	69	30
27-62386	GASKET .....	23	9	28-56654	KEY .....	77	30
27-814658	GASKET .....	23	2	29-67483	NEEDLE BEARING .....	25	16
27-814658A1	GASKET SET (2 BOLT MAIN BLOCK) .....	1	-	30-41421	BALL BEARING (LOWER) ..	25	2
27-814658A1	GASKET SET (2 BOLT MAIN BLOCK) .....	17	-	30-88957A1	BALL BEARING .....	53	60
27-814658A1	GASKET SET (2 BOLT MAIN BLOCK) .....	23	-	30-88957A1	BALL BEARING .....	63	77
27-814658A1	GASKET SET (2 BOLT MAIN BLOCK) .....	25	-	30-88957A1	BALL BEARING .....	73	64
27-814658A1	GASKET SET (2 BOLT MAIN BLOCK) .....	29	-	30-88957A1	BALL BEARING .....	81	55
27-814658A1	GASKET SET (2 BOLT MAIN BLOCK) .....	71	-	31-15834	THRUST BEARING .....	61	59
27-814658A1	GASKET SET (2 BOLT MAIN BLOCK) .....	79	-	31-15834	THRUST BEARING .....	81	69
27-814658A1	GASKET SET (2 BOLT MAIN BLOCK) .....	83	-	31-15841	ROLLER BEARING .....	61	60
27-814658A1	GASKET SET (2 BOLT MAIN BLOCK) .....	93	-	31-15841	ROLLER BEARING .....	81	64
27-814658A1	GASKET SET(2 BOLT MAIN BLOCK) .....	21	-	31-15843	ROLLER BEARING .....	61	67
27-814658A3	GASKET SET (4 BOLT MAIN BLOCK) .....	1	-	31-15843	ROLLER BEARING .....	81	68
27-814658A3	GASKET SET (4 BOLT MAIN BLOCK) .....	17	-	31-15844	ROLLER BEARING .....	61	58
27-814658A3	GASKET SET (4 BOLT MAIN BLOCK) .....	23	-	31-15844	ROLLER BEARING .....	81	57
27-814658A3	GASKET SET (4 BOLT MAIN BLOCK) .....	25	-	31-16756A5	ROLLER BEARING .....	25	8
27-814658A3	GASKET SET (4 BOLT MAIN BLOCK) .....	29	-	31-36387A1	ROLLER BEARING .....	49	16
27-814658A3	GASKET SET (4 BOLT MAIN BLOCK) .....	71	-	31-36387A1	ROLLER BEARING .....	57	16
27-814658A3	GASKET SET (4 BOLT MAIN BLOCK) .....	79	-	31-36387A1	ROLLER BEARING .....	69	16
27-814658A3	GASKET SET (4 BOLT MAIN BLOCK) .....	83	-	31-36387A1	ROLLER BEARING .....	77	16
				31-42647A1	ROLLER BEARING .....	49	8
				31-42647A1	ROLLER BEARING .....	57	8
				31-42647A1	ROLLER BEARING .....	69	8
				31-42647A1	ROLLER BEARING .....	77	8
				31-54928--1	ROLLER BEARING .....	53	58
				31-54928--1	ROLLER BEARING .....	73	57
				31-74248	BEARING .....	19	16
				31-78172A1	TAPERED ROLLER BEARING	53	69
				31-78172A1	TAPERED ROLLER BEARING	73	55
				31-817072	ROLLER BEARING .....	53	65
				31-817072	ROLLER BEARING .....	61	69
				31-817072	ROLLER BEARING .....	73	69
				31-817072	ROLLER BEARING .....	81	72
				31-821146A1	ROLLER BEARING .....	25	15
				32-64088--6	TUBING .....	95	30
				32-66285-70	HOSE .....	23	33
				32-66285-70	HOSE .....	27	5
				32-66285-70	HOSE .....	29	5

# PARTS INDEX

Part Number	Description	Pg.	Ref. No.	Part Number	Description	Pg.	Ref. No.
32-66285-70	HOSE	93	12	46-44292A3	WATER PUMP BASE ASSEMBLY	57	18
32-67295	WATER TUBE (LONG)	33	18	46-44292A3	WATER PUMP BASE ASSEMBLY	69	18
32-67295	WATER TUBE (LONG)	37	9	46-44292A3	WATER PUMP BASE ASSEMBLY	77	18
32-74729	WATER TUBE (X-LONG)	33	18	46-847710A1	WATER PUMP BODY ASSEMBLY	69	26
32-74729	WATER TUBE (X-LONG)	37	9	46-847710A1	WATER PUMP BODY ASSEMBLY	77	26
32-77457--2	HOSE	17	15	46-96148A1	WATER PUMP BODY ASSEMBLY	49	26
32-77457--2	HOSE	23	13	46-96148A1	WATER PUMP BODY ASSEMBLY	57	26
32-77457--2	HOSE	93	21	46-96148A5	WATER PUMP REBUILD KIT	51	-
32-817389-64	HOSE	93	29	46-96148A5	WATER PUMP REBUILD KIT	59	-
32-847650--1	WATER TUBE (X-LONG)	33	18	47-89984	IMPELLER	49	29
32-847650--1	WATER TUBE (X-LONG)	37	9	47-89984	IMPELLER	57	29
32-847650--2	WATER TUBE (LONG)	37	9	47-89984	IMPELLER	71	37
32-847650--2	WATERTUBE (LONG)	37	9	47-89984	IMPELLER	79	37
32-847650--2	WATERTUBE (LONG)	33	18	50-79472	STARTER MOTOR	7	14
32-89023	HOSE, HYDRAULIC (STARBOARD)	47	42	50-79472	STARTER MOTOR ASSEMBLY	15	-
32-89024	HOSE, HYDRAULIC (PORT)	47	42	52-42672	RATCHET	53	61
32-96993	HOSE, HYDRAULIC (PORT)	47	41	52-42672	RATCHET	61	63
32-96994	HOSE, HYDRAULIC (STARBOARD)	47	41	52-42672	RATCHET	73	58
32-99127109	WATER TUBE	21	37	52-42672	RATCHET	81	58
32-99130122	TUBING	21	42	53-29641	E-RING	51	39
32-99387-79	HOSE	91	8	53-29641	E-RING	59	39
33-97180	SPARK PLUG (NGK #BUHW)	7	30	53-29641	E-RING	71	39
34-815242A2	REED ASSEMBLY	23	23	53-29641	E-RING	79	39
35-805269--1	FUEL FILTER	89	10	53-67446	RETAINING RING	25	3
35-805269A4	FUEL FILTER KIT	89	9	53-67684	RETAINING RING	41	23
35-818700	FILTER	93	31	53-816705	E-RING	27	13
35-89496	FILTER	87	5	53-816705	E-RING	29	10
35-94865	FUEL FILTER	91	3	53-817071	SNAP RING	53	67
37-817660A91	DECAL SET BLACK	3	-	53-817071	SNAP RING	61	71
37-818263A91	DECAL SET GRAY	3	-	53-817071	SNAP RING	73	71
38-90311	INSERT	65	10	53-817071	SNAP RING	81	74
39-67377--2	RING	25	6	54-12999	CLAMP	93	26
39-817038A1	PISTON RING ASSEMBLY	25	10	54-13791	CLAMP	93	30
39-817038A1	PISTON RING ASSMBLY	25	10	54-23567	CLAMP	7	34
40-17977	LOCK RING	25	11	54-54457	CLAMP	43	35
43-15845A2	FORWARD GEAR SET	81	62	54-54457	J-CLAMP	13	48
43-15845A2	REVERSE GEAR ASSEMBLY	61	57	54-54457	J-CLIP	31	13
43-44104A6	FORWARD GEAR SET (INCLUDES REVERSE GEAR)	53	57	54-63153	CLAMP	21	43
43-44104A7	FORWARD GEAR SET (INCLUDES REVERSE GEAR)	73	56	54-64235--2	J-CLAMP (SMALL)	17	4
43-816419A1	REVERSE GEAR	53	56	54-75275	CLAMP	13	47
43-822824A1	REVERSE GEAR	73	63	54-75275	CLAMP	45	20
44-815495T	PROPELLER SHAFT	61	65	54-78945--1	J-CLAMP	23	7
44-815495T	PROPELLER SHAFT	81	70	54-814634	CLAMP	9	32
44-816418T	PROPELLER SHAFT	53	63	54-814634	J-CLAMP (LARGE)	17	4
44-822820	PROPELLER SHAFT	73	62	54-815504104	CLAMP	93	22
45-44000--1	DRIVE SHAFT (LONG)	51	36	54-816311	STA-STRAP	9	24
45-44000--1	DRIVE SHAFT (LONG)	59	36	54-816311	STA-STRAP	17	15A
45-44000--6	DRIVE SHAFT (LONG)	69	11	54-816311	STA-STRAP	23	15
45-44000--6	DRIVE SHAFT (LONG)	77	11	54-816311	STA-STRAP	95	12
45-44000--7	DRIVE SHAFT (X-LONG)	69	11	54-816311	STA-STRAP	95	28
45-44000--7	DRIVE SHAFT (X-LONG)	77	11	54-821603	CLIP	31	16
45-44209--1	DRIVE SHAFT (X-LONG)	51	36	54-847737	CLAMP	33	7
45-44209--1	DRIVE SHAFT (X-LONG)	59	36				
46-44292A3	WATER PUMP BASE ASSEMBLY	49	18				

# PARTS INDEX

Part Number	Description	Pg.	Ref. No.	Part Number	Description	Pg.	Ref. No.
54-88512	J-CLAMP	45	20	90-811505-91	PARTS CATALOG-Service	1	-
61-847713A2	POWERHEAD ASSY COMPLETE	21	-	90-818334930	OWNER'S GUIDE BLACK	1	-
79-15113A4	TRIM GAUGE	95	7	90-818335930	OWNER'S GUIDE GRAY	1	-
79-15128A3	30 PSI GAUGE KIT	95	23	90-849240	SERVICE MANUAL	1	-
79-93953A1	TACHOMETER	95	1	249-6080A5	FLYWHEEL	7	7
84-11149A2	CABLE ASSEMBLY	95	21	332-7778A14	SWITCH BOX	9	2
84-13397A1	HARNESS ASSEMBLY	17	13	339-7370A13	IGNITION COIL	7	22
84-60871A10	WIRE	9	8	398-5454A36	STATOR	7	10
84-62310A2	CABLE	9	6	455-7251A7	CRANKSHAFT ASSEMBLY	25	1
84-65017A14	HARNESS (2 FEMALE/2 MALES)	41	32	625-813865A2	CONNECTING ROD ASSEMBLY (2 BOLT MAIN)	25	12
84-65017A14	TILT HARNESS	85	35	625-847522A2	CONNECTING ROD ASSEMBLY (4 BOLT MAIN)	25	12
84-65017A25	TRIM HARNESS	43	38	766-817036A3	PISTON ASSEMBLY (PORT)	25	9
84-65999A10	CABLE (BLACK)	31	3	766-817037A3	PISTON ASSEMBLY (STARBOARD)	25	9
84-65999A11	CABLE	85	19	766-847607A3	PISTON ASSEMBLY (PORT)	25	9
84-65999A12	CABLE	85	6	766-847608A3	PISTON ASSEMBLY (STARBOARD)	25	9
84-65999A2	CABLE (BLACK)	9	28	884-822230A6	CYLINDER BLOCK	19	1
84-65999A3	CABLE (BLACK)	9	11	1156-7809A1	LOWER END CAP	19	29
84-69738A7	HARNESS ASSEMBLY (#2.4 & 6)	7	31	1159-847523A1	UPPER EDN CAP	19	14
84-69739A2	HARNESS ASSEMBLY (#1,3 & 5)	7	31	1491-9225A3	SWIVEL BRACKET ASSEMBLY BLACK	41	1
84-79138A9	BATTERY CABLE (NEGATIVE)	85	7	1491-9225A4	SWIVEL BRACKET ASSEMBLY GRAY	41	1
84-79139A12	BATTERY CABLE (RED-POSITIVE)	85	20	1494-7476T1	TRANSOM BRACKET (PORT) BLACK	45	1
84-79139A26	WIRE (RED)	85	21	1494-7476T6	TRANSOM BRACKET (PORT) GRAY	45	1
84-79147A5	HARNESS ASSEMBLY	85	9	1495-7478T1	TRANSOMBRACKET (STARBOARD) BLACK	45	2
84-815358A1	HIGH TENSION CABLE	7	28	1495-7478T6	TRANSOMBRACKET (STARBOARD) GRAY	45	2
84-816626A15	KEY SWITCH ASSEMBLY (15')	65	1	1581-8683A21	DRIVE SHAFT HOUSING ASSEMBLY BLACK	37	1
84-816626A20	KEY SWITCH ASSEMBLY (20')	65	1	1581-8683A24	DRIVE SHAFT HOUSING ASSEMBLY GRAY	37	1
84-86322A16	CABLE ASSEMBLY (BLACK)	95	24	1590-8837A10	DRIVE SHAFT HOUSING ASSEMBLY GRAY	33	1
84-86322A7	WIRE (BLACK - 1-1/2")	95	6	1590-8837A5	DRIVE SHAFT HOUSING ASSEMBLY BLACK	33	1
84-86323A5	WIRE (PURPLE - 1-1/2")	95	6	1647-847625A11	87 STD. HOUSING (LONG) GRAY	66	-
84-86396A8	HARNESS	95	13	1647-847625A13	87 STD. HOUSING (X-LONG) GRAY	66	-
84-88439A14	BATTERY CABLE (POSITIVE)	9	20	1647-847625A15	GEAR HOUSING (BASIC-STD.HOUSING) BLACK	69	1
84-88439A2	BATTERY CABLE (NEGATIVE)	9	20	1647-847625A15	GEAR HOUSING (BASIC-STD.HOUSING) BLACK	73	1
84-88532A1	CABLE ASSEMBLY (DARK BLUE)	95	24	1647-847625A15	GEAR HOUSING(BASIC -STD.HOUSING) BLACK	77	1
84-88807A6	GROUND STRAP (BLACK)	7	26	1647-847625A15	GEAR HOUSING(BASIC-STD. HOUSING) BLACK	81	1
84-93388A1	WIRE (BLACK)	7	21	1647-847625A16	GEAR HOUSING (BASIC-STD.HOUSING) GRAY	69	1
84-93389A5	WIRE (YELLOW)	7	19	1647-847625A16	GEAR HOUSING (BASIC-STD.HOUSING) GRAY	73	1
84-96220A4	ENGINE HARNESS	9	21	1647-847625A16	GEAR HOUSING(BASIC -STD. HOUSING) GRAY	77	1
84-98866A19	I. HARNESS	31	2				
87-88107	IGNITION SWITCH (SEE PARTS BELOW FOR KEY)	65	8				
88-72729	LIGHT BULB	95	3				
88-72729	LIGHT BULB	95	9				
88-79023A10	FUSE (110 AMP)	85	16				
88-79091	FUSE	9	22				
88-79091	FUSE (20 AMP)	85	10				
88-79888	SOCKET	95	10				
88-79888	SOCKET	95	4				
88-95691	BULB	95	31				
89-68258A4	SOLENOID	85	12				
89-68258A4	STARTER SOLENOID	9	25				

# PARTS INDEX

Part Number	Description	Pg.	Ref. No.	Part Number	Description	Pg.	Ref. No.
1647-847625A16	GEAR HOUSING(BASIC-STD. HOUSING) GRAY . . . . .	81	1	1647-9561A48	GEAR HOUSING (BASIC) GRAY . . . . .	61	1
1647-847625A5	87 STD. HOUSING (LONG) BLACK . . . . .	66	-	1647-9561A51	GEAR HOUSING (COMPLETE) BLACK . . . .	57	-
1647-847625A7	87 STD. HOUSING (X-LONG) BLACK . . . . .	66	-	1647-9561A51	GEAR HOUSING (COMPLETE) BLACK . . . .	61	-
1647-847626A11	87 CUT SCEG (LONG) GRAY	66	-	1647-9561A53	GEAR HOUSING (COMPLETE) BLACK . . . .	57	-
1647-847626A13	87 CUT SCEG (X-LONG) GRAY . . . . .	66	-	1647-9561A53	GEAR HOUSING (COMPLETE) BLACK . . . .	61	-
1647-847626A17	87 LH ROTATION (LONG) BLACK . . . . .	66	-	1647-9561A59	GEAR HOUSING (COMPLETE) BLACK . . . .	49	-
1647-847626A19	87 LH ROTATION (X-LONG) BLACK . . . . .	66	-	1647-9561A59	GEAR HOUSING (COMPLETE) BLACK . . . .	53	-
1647-847626A23	87 LH ROTATION (LONG) GRAY . . . . .	66	-	1647-9561A60	GEAR HOUSING (COMPLETE) BLACK . . . .	49	-
1647-847626A25	87 LH ROTATION (X-LONG) GRAY . . . . .	66	-	1647-9561A60	GEAR HOUSING (COMPLETE) BLACK . . . .	53	-
1647-847626A27	GEAR HOUSING (BASIC-CUT SKEG) BLACK . . . . .	69	1	1647-9561A70	GEAR HOUSING (BASIC) BLACK . . . . .	57	1
1647-847626A27	GEAR HOUSING (BASIC-CUT SKEG) BLACK . . . . .	73	1	1647-9561A70	GEAR HOUSING (BASIC) BLACK . . . . .	61	1
1647-847626A27	GEAR HOUSING(BASIC - CUT SKEG) BLACK . . . . .	77	1	4006-817704A5	TOP COWL BLACK . . . . .	3	1
1647-847626A27	GEAR HOUSING(BASIC-CUT SKEG) BLACK . . . . .	81	1	4006-817704A6	TOP COWL GRAY . . . . .	3	1
1647-847626A28	GEAR HOUSING (BASIC-CUT SKEG) GRAY . . . . .	69	1	4007-817709A5	BOTTOM COWL BLACK . . . .	3	12
1647-847626A28	GEAR HOUSING (BASIC-CUT SKEG) GRAY . . . . .	73	1	4007-817709A6	BOTTOM COWL GRAY . . . .	3	12
1647-847626A28	GEAR HOUSING(BASIC - CUT SKEG) GRAY . . . . .	77	1				
1647-847626A5	87 CUT SCEG (LONG) BLACK . . . . .	66	-				
1647-847626A7	87 CUT SCEG (X-LONG) BLACK . . . . .	66	-				
1647-9561A21	GEAR HOUSING (BASIC) BLACK . . . . .	49	1				
1647-9561A21	GEAR HOUSING (BASIC) BLACK . . . . .	53	1				
1647-9561A37	GEAR HOUSING (BASIC) GRAY . . . . .	49	1				
1647-9561A37	GEAR HOUSING (BASIC) GRAY . . . . .	53	1				
1647-9561A38	GEAR HOUSING (COMPLETE) GRAY . . . . .	49	-				
1647-9561A38	GEAR HOUSING (COMPLETE) GRAY . . . . .	53	-				
1647-9561A39	GEAR HOUSING (COMPLETE) GRAY . . . . .	49	-				
1647-9561A39	GEAR HOUSING (COMPLETE) GRAY . . . . .	53	-				
1647-9561A41	GEAR HOUSING (COMPLETE) GRAY . . . . .	57	-				
1647-9561A41	GEAR HOUSING (COMPLETE) GRAY . . . . .	61	-				
1647-9561A43	GEAR HOUSING (COMPLETE) GRAY . . . . .	57	-				
1647-9561A43	GEAR HOUSING (COMPLETE) GRAY . . . . .	61	-				