



PARTS CATALOG

MOD-VP

SERIAL NUMBER

MERC MOD-VP 0B290000 AND UP

TABLE OF CONTENTS:

CARBURETOR ASSEMBLY	18
COWLS	2
CRANKSHAFT, PISTONS AND CONNECTING RODS	28
CYLINDER BLOCK AND END CAPS	20
DRIVE SHAFT HOUSING	30
EXHAUST MANIFOLD AND EXHAUST PLATE	26
FLYWHEEL, STARTER MOTOR AND IGNITION COILS	4
FUEL PUMP AND CARBURETOR	16
GEAR HOUSING (DRIVE SHAFT)	38
GEAR HOUSING (PROPELLER SHAFT)	42
HYDRAULIC PUMP AND MOUNTING BRACKETS	44
HYDRAULIC PUMP ASSEMBLY	46
MISCELLANEOUS PARTS/ACCESSORIES	1
PARTS INDEX	52
PRIMER SOLENOID	8
REED BLOCK AND CYLINDER HEAD	24
STARTER MOTOR ASSEMBLY	6
SWIVEL BRACKET AND STEERING ARM	32
TACHOMETER, TRIM GAUGE AND ALARM HORN	48
THROTTLE LEVER AND SHIFT SHAFT	12
TRANSOM BRACKETS	34
TRIM HARNESS ASSEMBLY	50
WIRING HARNESS, STARTER SOLENOID AND RETIFIER	10

NOTE: *Indented description indicate that these parts are included in preceeding assembly.*

AR = As Required

NSS = Not Sold Separate

OPT = Optional

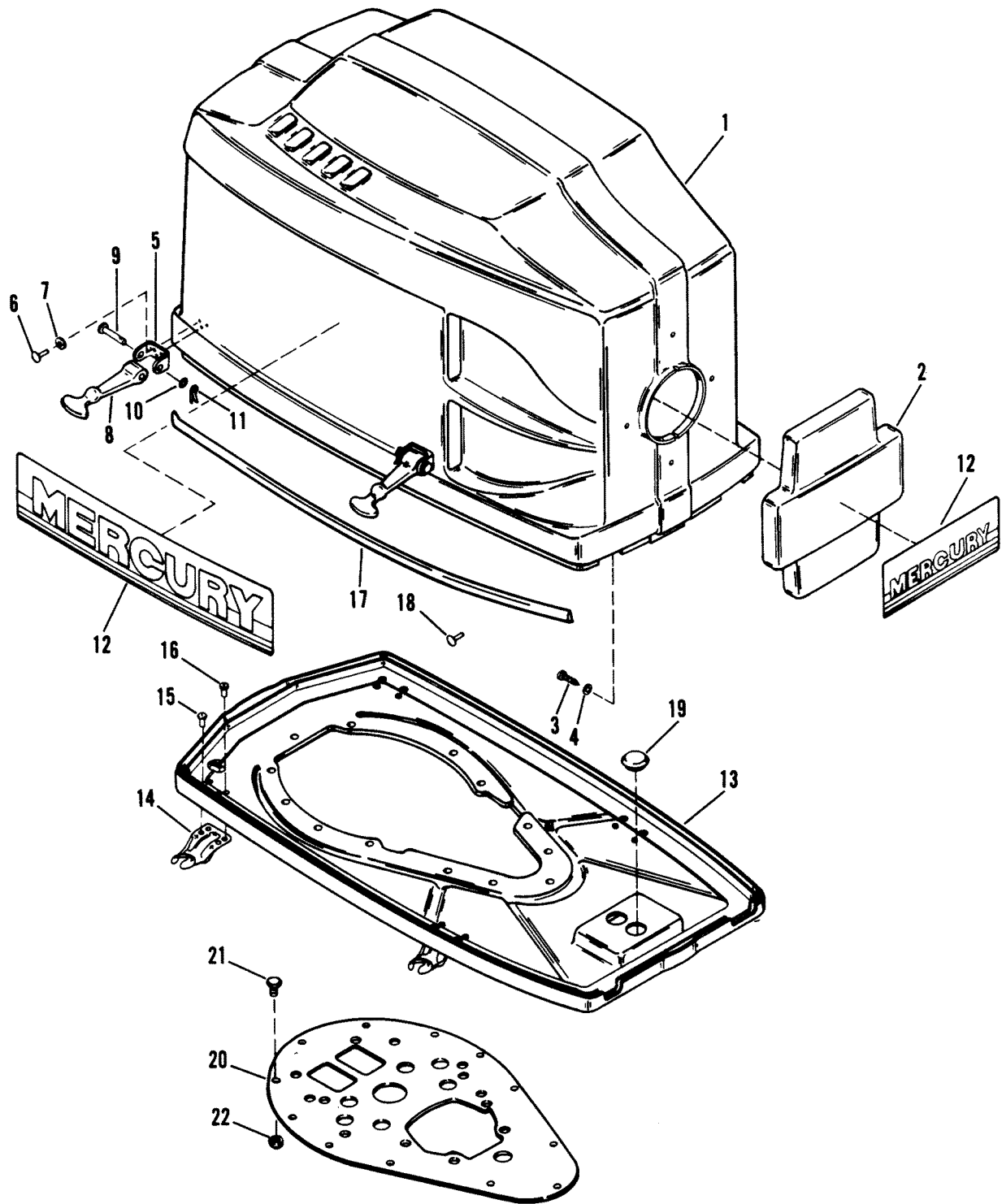
NS = Not Shown

THESE PARTS BOOKS/FICHE CARD ARE COPYRIGHTED AND MAY NOT BE DISTRIBUTED OR REPRODUCED IN ANY OTHER FORMAT BY ANYONE OTHER THAN MERCURY MARINE WITHOUT THE PRIOR WRITTEN CONSENT OF MERCURY MARINE.

MISCELLANEOUS PARTS/ACCESSORIES

REF. NO.	PART NO.	SYM.	QTY.	DESCRIPTION
-	90-813062		0	PARTS MANUEL
-	27-14830A88		0	GASKET SET
-	90-11113880		0	OWNER'S GUIDE

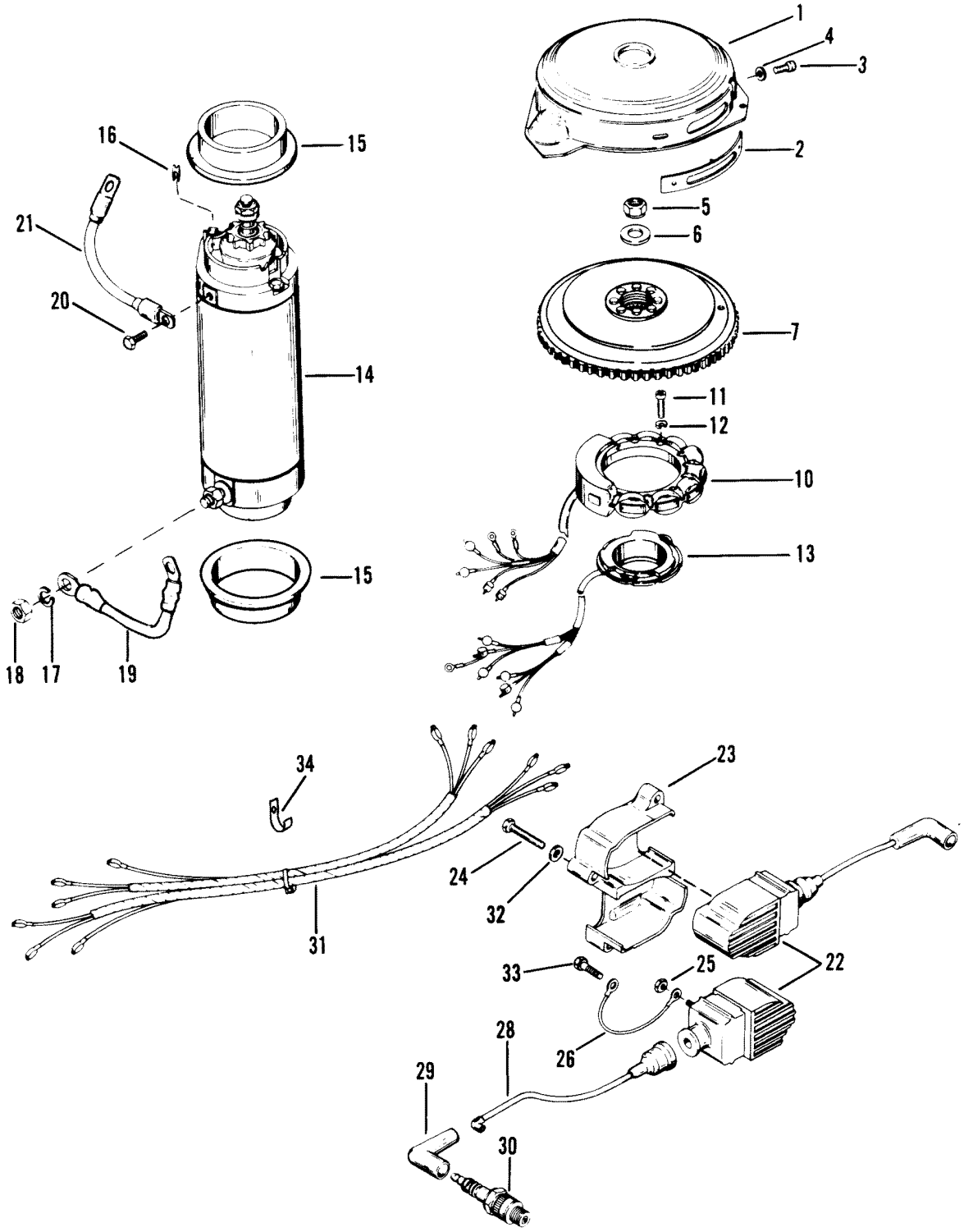
COWLS



COWLS

REF. NO.	PART NO.	SYM.	QTY.	DESCRIPTION
1	2167-9442A5		1	TOP COWL ASSEMBLY
2	14410A1		1	FRONT COVER
3	10-69570		4	SCREW, FRONT COVER
4	12-22887		4	WASHER, FRONT COVER SCREW
5	71602		4	YOKE, COWL HOLD DOWN
6	17-12146		12	RIVET, YOKE TO COWL
7	12-20128		12	WASHER, YOKE RIVET
8	58707		4	HOLD DOWN (BUNGY CORD)
9	17-58712		4	CLEVIS PIN
10	12-20128		4	WASHER
11	18-21071		4	COTTER PIN
12	37-13813A4		1	DECAL SET
13	12955A3		1	BOTTOM COWL ASSEMBLY
14	13734		4	RETAINER, HOLD DOWN
15	17-12148		8	RIVET, RETAINER
16	17-14908		8	RIVET, RETAINER
17	19368--2		1	TRIM MOLDING
18	17-12147		10	RIVET, TRIM MOLDING
19	22-14685		2	PLUG, BOTTOM COWL
20	99264--1		1	PLATE, COWL BASE
21	10-38601		13	SCREW, PLATE TO BOTTOM COWL
22	11-36069		13	NUT, PLATE SCREW

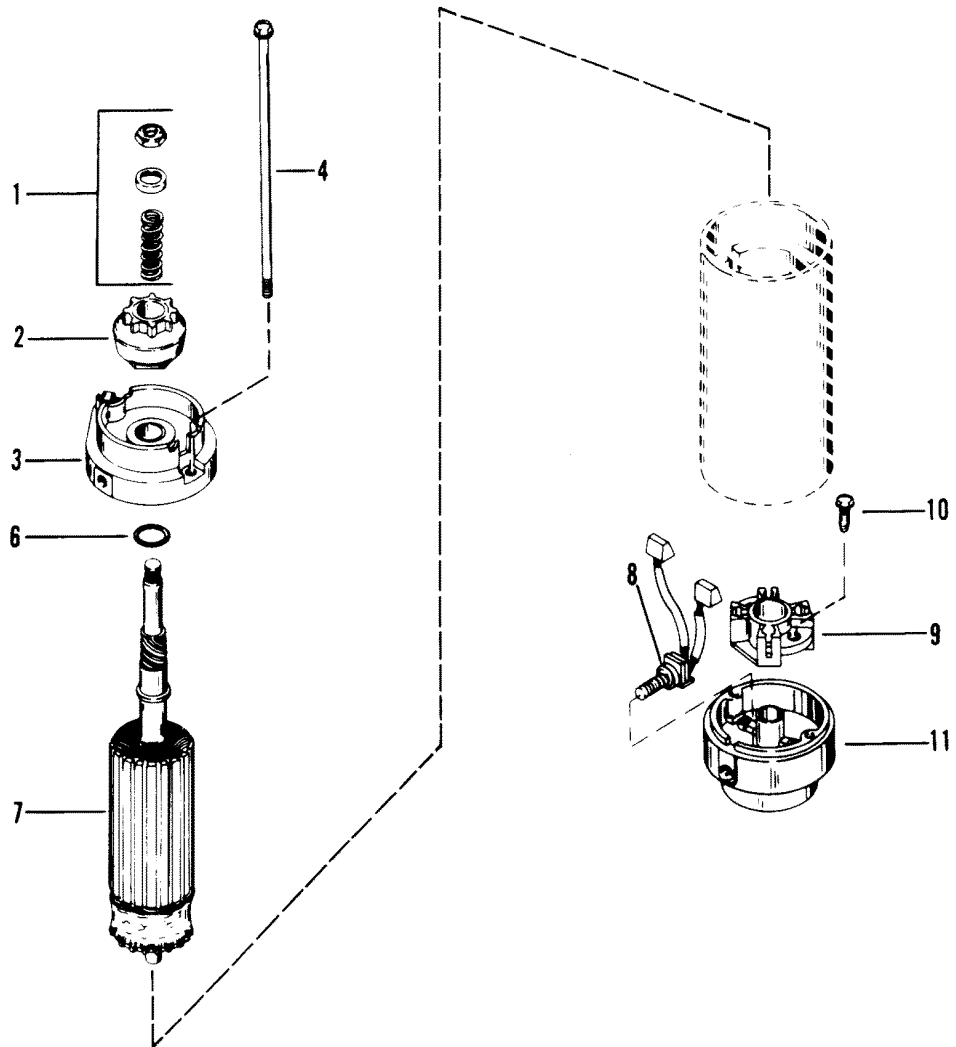
FLYWHEEL, STARTER MOTOR AND IGNITION COILS



FLYWHEEL, STARTER MOTOR AND IGNITION COILS

REF. NO.	PART NO.	SYM.	QTY.	DESCRIPTION
1	79918A1		1	COVER ASSEMBLY, FLYWHEEL
2	79022		1	MARKER, TIMING
3	10-37572		2	SCREW, TIMING MARKER
4	12-72761		2	WASHER, TIMING MARKER SCREW
5	11-52901		1	NUT, FLYWHEEL
6	12-68229		1	WASHER, FLYWHEEL
7	249-6080A5		1	FLYWHEEL ASSEMBLY
10	398-5454A55		1	STATOR ASSEMBLY
11	10-76566		4	SCREW, STATOR
12	13-26996		4	LOCKWASHER, STATOR SCREW
13	96455A11		1	TRIGGER PLATE ASSEMBLY
14	50-79472		1	STARTER MOTOR
15	56703		2	COLLAR, STARTER MOTOR
16	68042		2	STOP, RUBBER - STARTER MOTOR
17	13-26992		1	LOCKWASHER, STARTER MOTOR TERMINAL
18	11-20890		1	NUT, STARTER MOTOR TERMINAL
19	84-93389A5		1	WIRE, SOLENOID TO STARTER MOTOR (YELLOW)
20	10-69035		1	SCREW, CABLE TO STARTER MOTOR
21	84-93388A1		1	WIRE, PLATE TO STARTER MOTOR (BLACK)
22	339-7370A13		6	COIL ASSEMBLY, IGNITION
23	67614		3	COVER, IGNITION COIL
24	10-88447		12	SCREW, IGNITION COIL COVER (1-5/8")
25	11-45076		12	NUT, IGNITION COIL TERMINAL
26	84-88807A6		6	GROUND STRAP, IGNITION COIL (BLACK)
28	84-813715A9		1	CABLE, HIGH TENSION
29	17976		6	PROTECTOR, HIGH TENSION CABLE
30	33-97180		6	SPARK PLUG
31	84-69738A7		1	HARNESS ASSEMBLY, COIL TO SWITCH BOX (#2, 4 AND 6)
	84-69739A2		1	HARNESS ASSEMBLY, COIL TO SWITCH BOX (#1, 3 AND 5)
32	12-30164		12	WASHER, COVER SCREW
33	10-68513		6	SCREW, GROUND STRAP
34	54-47483		1	'J' CLAMP (STARBOARD)
	54-64235--2		1	'J' CLAMP (PORT)

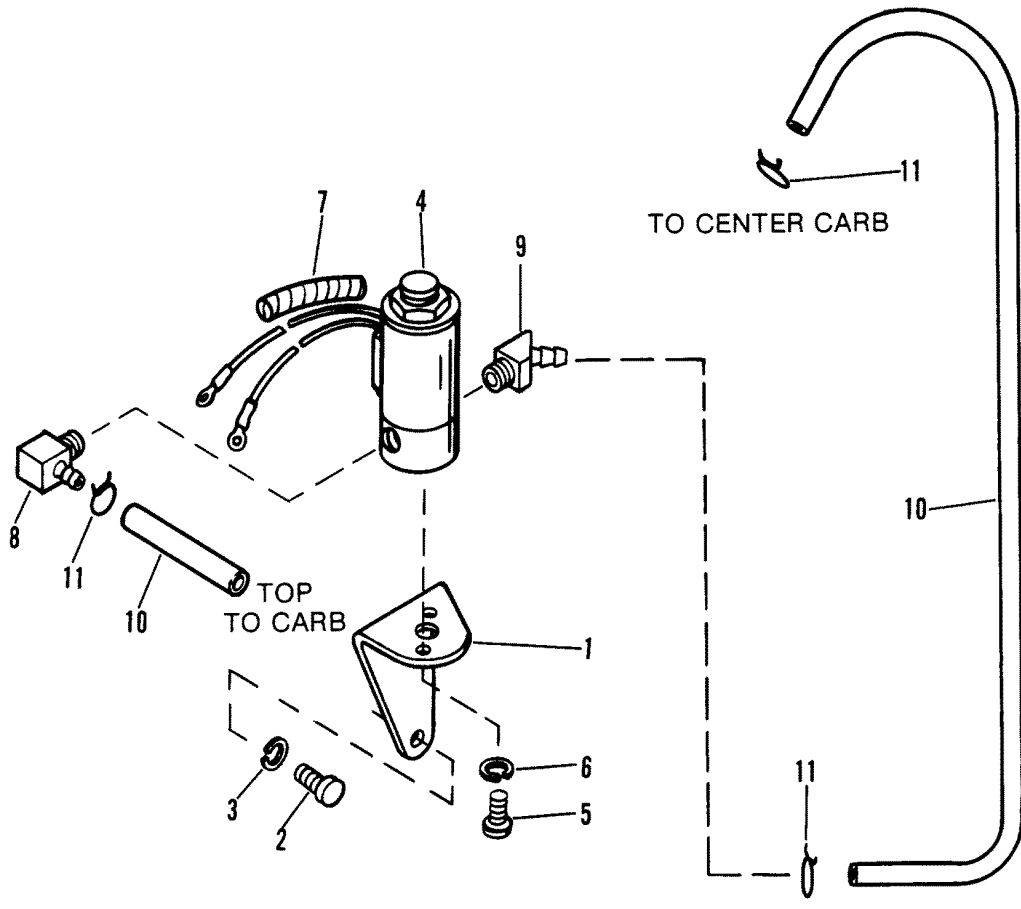
STARTER MOTOR ASSEMBLY



STARTER MOTOR ASSEMBLY

REF. NO.	PART NO.	SYM.	QTY.	DESCRIPTION
-	50-79472		1	STARTER MOTOR ASSEMBLY
1	90645		1	DRIVE KIT
2	75661		1	DRIVE
3	75660		1	PLATE, DRIVE END
4	10-74968		2	BOLT, THRU
6	N.S.S.		1	WASHER, THRU BOLT (AMERICAN BOSCH #WA3122)
7	79216		1	ARMATURE
8	75384		1	BRUSH SET
9	61787		2	HOLDER, BURSH
10	10-68586		2	SCREW, BRUSH AND HOLDER
11	15386		1	END CAP, COMMUTATOR

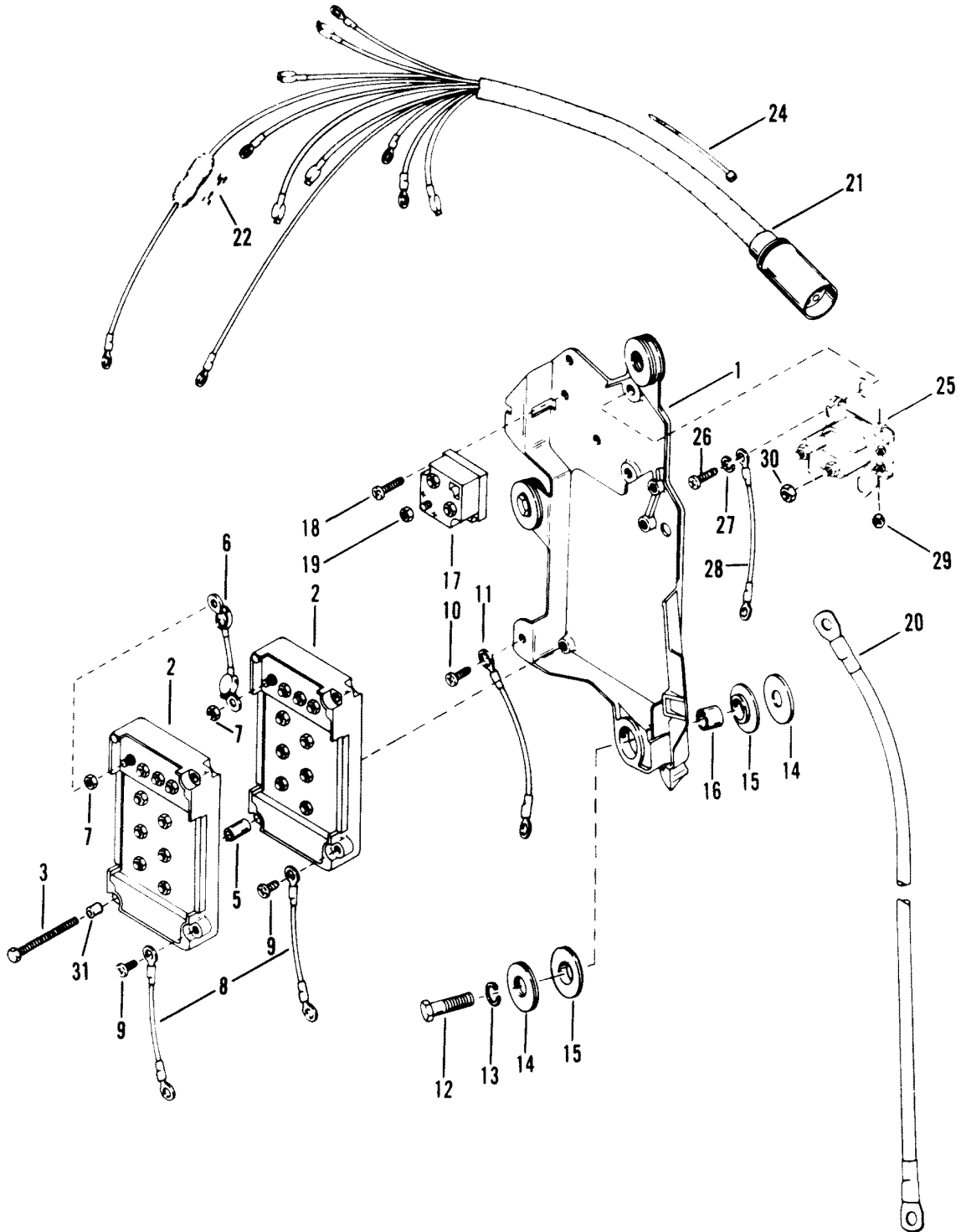
PRIMER SOLENOID



PRIMER SOLENOID

REF. NO.	PART NO.	SYM.	QTY.	DESCRIPTION
1	90345		1	BRACKET, PRIMER SOLENOID
2	10-98253		2	SCREW, SOLENOID BRACKET
3	13-26992		2	LOCKWASHER, BRACKET SCREW
4	89-76886A2		1	PRIMER SOLENOID ASSEMBLY
5	10-86509		2	SCREW, SOLENOID TO BRACKET
6	13-26995		2	LOCKWASHER, SOLENOID SCREW
7	32-77690		1	WRAPPING (1/4")
8	22-62006		1	ELBOW, SOLENOID (90 DEGREES)
9	22-77059		1	FITTING, SOLENOID (45 DEGREES)
10	32-66285--4		1	HOSE, SOLENOID
11	54-60564		3	CLAMP, HOSE

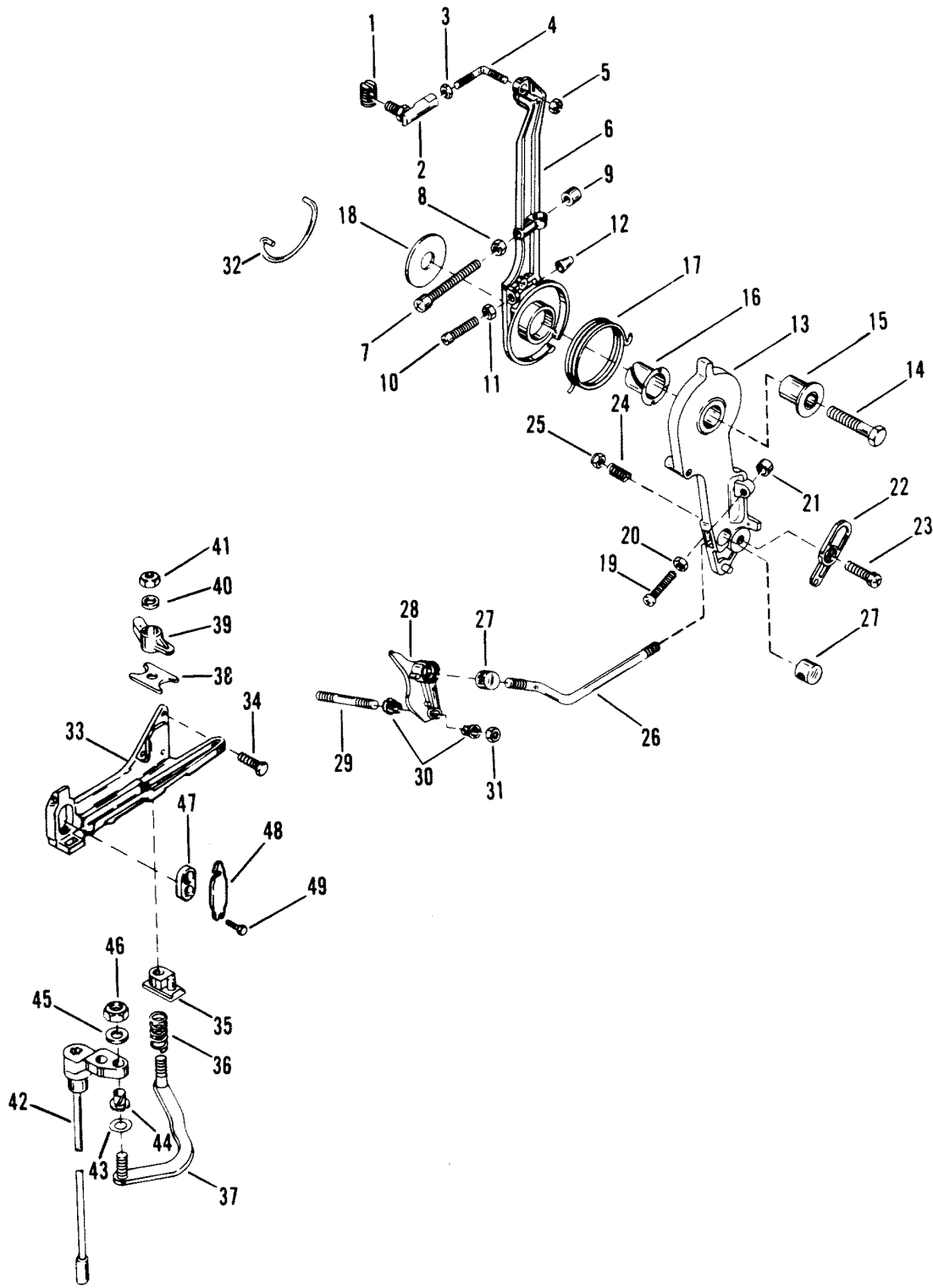
WIRING HARNESS, STARTER SOLENOID AND RECTIFIER



WIRING HARNESS, STARTER SOLENOID AND RETIFIER

REF. NO.	PART NO.	SYM.	QTY.	DESCRIPTION
1	43429		1	PLATE, IGNITION
2	332-7778A4		2	SWITCH BOX
3	10-90815		2	SCREW, SWITCH BOX TO IGNITION PLATE
5	23-94453		2	BUSHING, SWITCH BOX SCREW
6	84-62310A2		1	CABLE ASSEMBLY, SWITCH BOX TO SWITCH BOX
7	11-45076		20	NUT, SWITCH BOX TERMINAL
8	84-60871A10		2	WIRE, SWITCH BOX
9	10-62568		2	SCREW, WIRE ATTACHING
10	10-38055		1	SCREW, CABLE TO IGNITION PLATE (5/8")
11	84-65999A3		1	CABLE ASSEMBLY, BLACK
12	10-69092		3	SCREW, IGNITION PLATE (1-1/4")
13	13-26993		3	LOCKWASHER, IGNITION PLATE SCREW
14	12-36042		6	WASHER, IGNITION PLATE SCREW
15	12-67264		6	WASHER, IGNITION PLATE SCREW (RUBBER)
16	23-67268		3	BUSHING, IGNITION PLATE SCREW
17	62351A1		1	RECTIFIER
18	10-38055		2	SCREW, RECTIFIER TO IGNITION PLATE (5/8")
19	11-45076		3	NUT, RECTIFIER TERMINALS
20	84-88439A14		1	BATTERY CABLE, POSITIVE
	84-88439A2		1	BATTERY CABLE, NEGATIVE
21	84-96220A4		1	HARNESS, ENGINE
22	88-79091		1	FUSE
24	54-90077		AR	STA-STRAP, HARNESS AND CABLES
25	89-68258A4		1	STARTER SOLENIOD
26	10-31716		2	SCREW, SOLENOID TO IGNITION PLATE (5/8")
27	13-26992		2	LOCKWASHER, SOLENOID TO IGNITION PLATE SCREW
28	84-65999A2		1	CABLE ASSEMBLY, UPPER MOUNT (BLACK)
29	11-45076		2	NUT, SOLENOID TERMINALS
30	11-67980		2	NUT, SOLENOID TERMINALS
31	23-94304		2	BUSHING, SWITCH BOX SCREW

THROTTLE LEVER AND SHIFT SHAFT

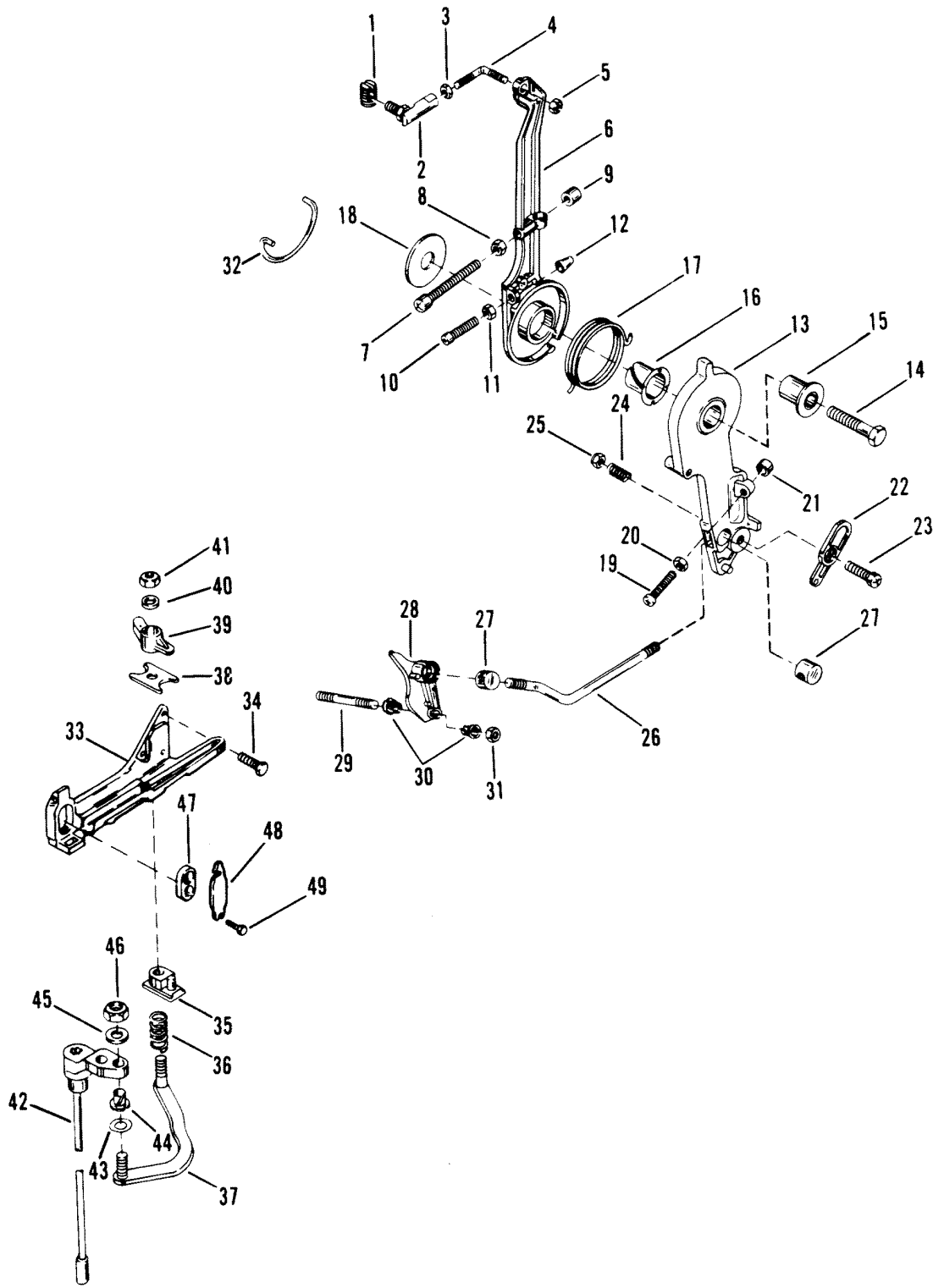


THROTTLE LEVER AND SHIFT SHAFT

REF. NO.	PART NO.	SYM.	QTY.	DESCRIPTION
1	74897		1	PIVOT, TRIGGER PLATE
2	62459		1	BALL JOINT, TRIGGER PLATE
3	11-68219		1	NUT, LINK ROD
4	76035		1	LINK ROD, TRIGGER PLATE
5	11-46438		1	NUT, BALL JOINT
6	41094A3		1	LEVER, SPARK ADVANCE
7	10-64022		1	SCREW, SPARK ADVANCE LEVER - STOP
8	11-64015		1	NUT, SPARK ADVANCE STOP SCREW
9	26852		1	CAP, SPARK ADVANCE LEVER STOP SCREW
10	10-69560		1	SCREW, SPARK ADVANCE LEVER - STOP (-1/4")
11	11-68219		1	NUT, SPARK ADVANCE LEVER STOP SCREW
12	48039		1	CAP, SPARK ADVANCE LEVER STOP SCREW
13	41095T		1	LEVER, THROTTLE CONTROL
14	10-55337		1	SCREW, THROTTLE LEVER/ADVANCE LEVER (1-3/4")
15	23-55164		1	BUSHING, THROTTLE LEVER
16	23-55171		1	BUSHING, SPARK ADVANCE LEVER
17	24-68784		1	SPRING, THROTTLE AND SPARK ADVANCE LEVER
18	12-68410		1	WASHER, SPARK ADVANCE LEVER
19	10-64022		1	SCREW, THROTTLE LEVER - STOP (2-1/8")
20	11-64015		1	NUT, THROTTLE LEVER STOP SCREW
21	26852		1	CAP, THROTTLE LEVER STOP SCREW
22	39483		1	LATCH, CABLE
23	10-22486		1	SCREW, CABLE LATCH TO THROTTLE LEVER
24	24-20099		1	SPRING, CABLE LATCH TO THROTTLE LEVER
25	11-20586		1	NUT, CABLE LATCH SCREW
26	95829		1	ROD, THROTTLE CONTROL
27	60572		2	BARREL, THROTTLE CONTROL ROD
28	95791		1	THROTTLE CAM
29	16-20353		1	STUD, THROTTLE CAM ATTACHING
30	23-26856		2	BUSHING, THROTTLE CAM
31	11-36069		1	NUT, THROTTLE CAM STUD
32	24-41050		1	SPRING, THROTTLE RETURN
33	92032A2		1	BRACKET, ANCHOR - CONTROL CABLES
34	10-53167		3	SCREW, ANCHOR BRACKET ATTACHING
35	37896		1	GUIDE BLOCK, LINK ROD
36	24-20099		1	SPRING, LINK ROD TO GUIDE BLOCK
37	67073A1		1	LINK ROD ASSEMBLY
38	52100		1	WEAR PLATE, LINK ROD
39	38279		1	LATCH, CONTROL CABLE FASTENING
40	12-69056		1	WASHER, LATCH
41	11-36069		1	NUT, LINK ROD
42	79932A11		1	SHIFT SHAFT ASSEMBLY
43	13-29720		1	WAVE WASHER, LINK ROD

CONTINUED ON NEXT PAGE ➡

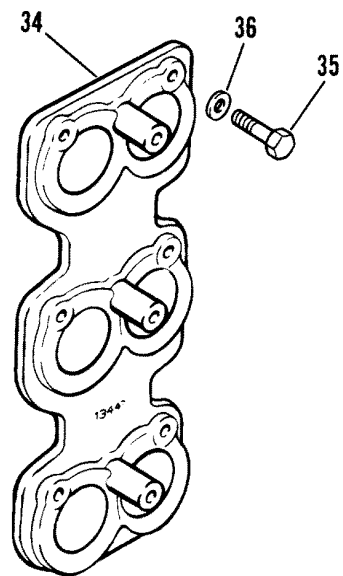
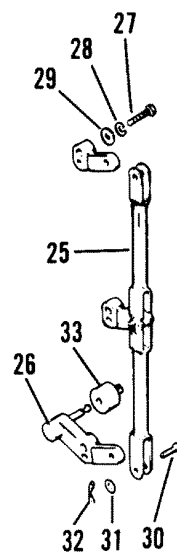
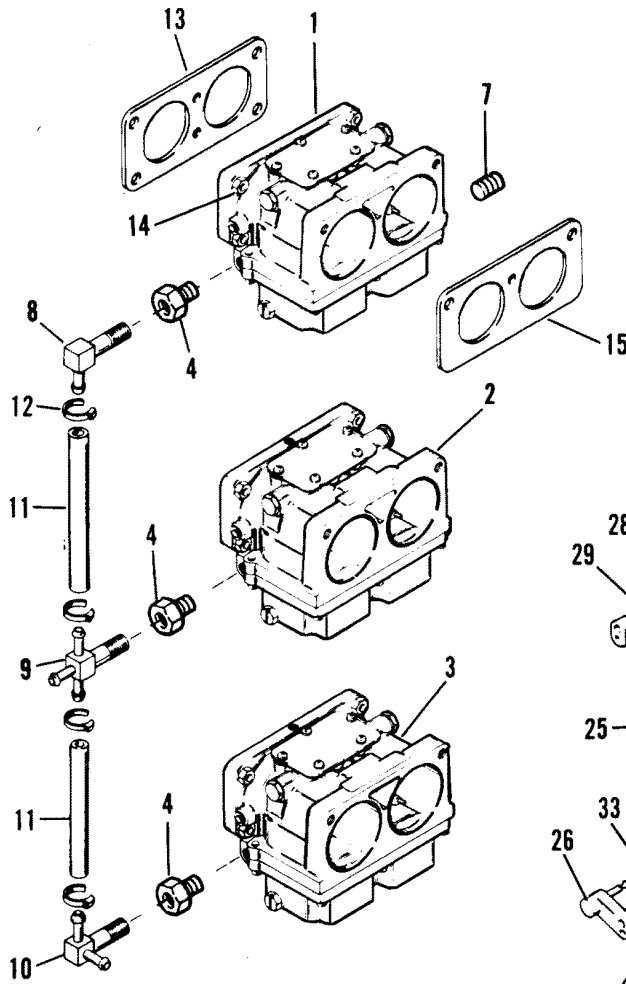
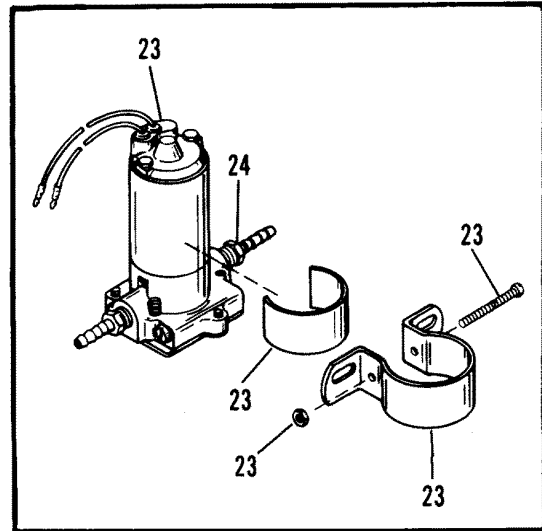
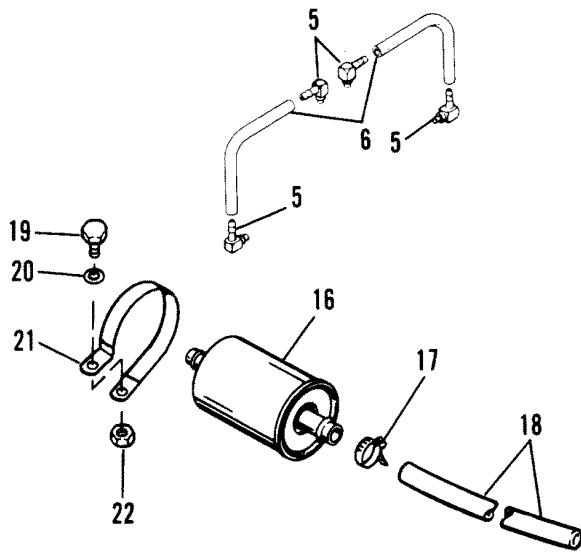
THROTTLE LEVER AND SHIFT SHAFT



THROTTLE LEVER AND SHIFT SHAFT

REF. NO.	PART NO.	SYM.	QTY.	DESCRIPTION
44	23-26600		1	BUSHING, NYLON - LINK ROD
45	12-35462		1	WASHER, LINK ROD
46	11-36069		1	NUT, LINK ROD TO SHIFT SHAFT
47	39519		1	CAP, BARREL RETAINER - ANCHOR BAR
48	98889		1	LATCH, CONTROL CABLE
49	10-42975		2	SCREW, LATCH

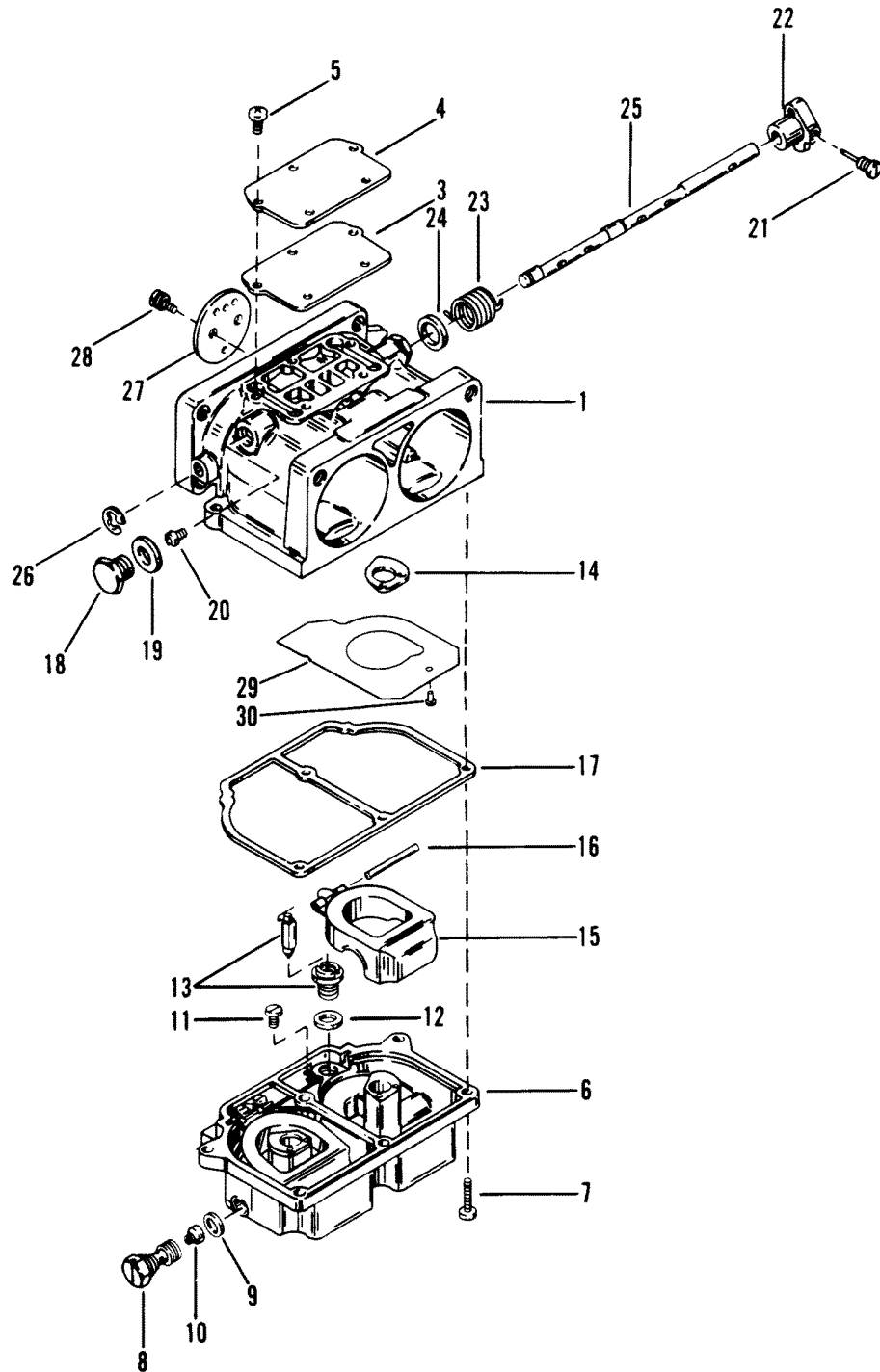
FUEL PUMP AND CARBURETOR



FUEL PUMP AND CARBURETOR

REF. NO.	PART NO.	SYM.	QTY.	DESCRIPTION
1	1374-9663A14		1	CARBURETOR ASSEMBLY (TOP)
2	1374-9663A16		1	CARBURETOR ASSEMBLY (CENTER)
3	1374-9663A18		1	CARBURETOR ASSEMBLY (BOTTOM)
4	22-28586		3	FITTING, STRAIGHT
5	22-94090		12	ELBOW (90 DEGREE)
6	32-66285--4		1	HOSE, OVERFLOW
7	22-47945		1	PIPE PLUG (TOP)
8	22-15814		1	FITTING, CARBURETOR (TOP)
9	22-53492		1	TEE, CARBURETOR (CENTER)
10	22-94282		1	ELBOW, CARBURETOR (BOTTOM)
11	32-49471		1	FUEL LINE, CARBURETOR TO CARBURETOR
12	54-90077		AR	CLAMP, FUEL LINE
13	27-90430--1		3	GASKET, CARBURETOR
14	11-20184		12	NUT, CARBURETOR STUD
15	27-89221--1		3	GASKET, CARBURETOR PLATE
16	35-93011		1	FUEL FILTER
17	54-54428		2	CLAMP, FUEL LINE
18	32-77457--2		1	FUEL LINE
19	10-69028		1	SCREW, CLIP TO BOTTOM COWL
20	12-29245		2	WASHER, CLIP SCREW
21	54-53020		1	CLIP, FUEL FILTER
22	11-35888		1	NUT, CLIP SCREW
23	18018A1		1	FUEL PUMP KIT
24	22-70834		2	BAYONET
25	87604		1	THROTTLE LINK
26	93332A1		1	THROTTLE LEVER
27	10-15124		3	SCREW, THROTTLE LEVERS TO THROTTLE LINK (3/4")
28	13-26996		3	LOCKWASHER, THROTTLE LEVERS SCREW
29	12-56681		3	WASHER, THROTTLE LEVERS SCREW
30	17-67297		3	CLEVIS PIN, THROTTLE LEVERS TO THROTTLE LINK
31	12-89302		3	WASHER, CLEVIS PIN
32	18-26953		3	COTTER PIN, CLEVIS PIN
33	67748		1	ROLLER, LOWER THROTTLE LEVER
34	13443A1		1	PLATE ASSEMBLY, CARBURETOR
35	10-36137		6	SCREW
36	12-29245		6	WASHER

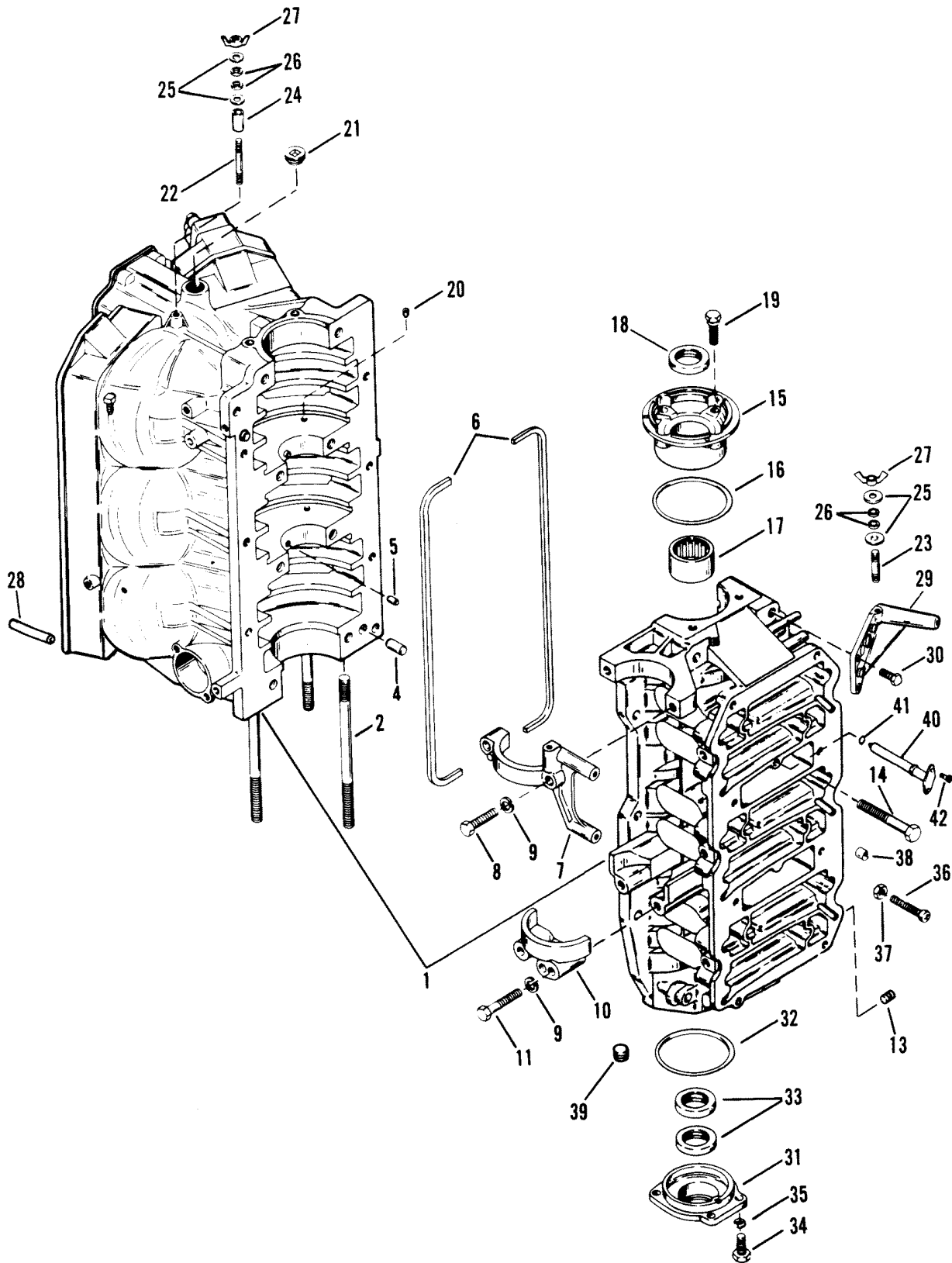
CARBURETOR ASSEMBLY



CARBURETOR ASSEMBLY

REF. NO.	PART NO.	SYM.	QTY.	DESCRIPTION
1	1374-9663A14		1	CARBURETOR ASSEMBLY (TOP)
	1374-9663A16		1	CARBURETOR ASSEMBLY (CENTER)
	1374-9663A18		1	CARBURETOR ASSEMBLY (BOTTOM)
3			3	GASKET,COVER PLATE
4	N.S.S.		3	PLATE,COVER
5			15	SCREW, COVER PLATE
6	1395-7822		3	FUEL BOWL
7			18	SCREW,FUEL BOWL
8	1395-6025		6	PLUG,MAIN JET
9			6	GASKET,MAIN JET
10	1395-8423		6	JET,MAIN FUEL(.094)
11			6	SCREW,FLOAT PIN
12			6	GASKET,INLET NEEDLE AND SEAT
13	1395-7824		6	INLET NEEDLE AND SEAT ASSEMBLY
14			6	GASKET,NOZZLE BOSS
15	1395-9267		6	FLOAT
16			6	PIN,FLOAT LEVER
17			3	GASKET,FUEL BOWL
18	1395-4541		6	PLUG, IDLE AIR BLEED JET
19			6	GASKET,BLEED JET PLUG
20	1399-5317		6	JET,IDLE AIR BLEED(.046)
21	1395-6027		3	SCREW,THROTTLE LEVER
22	87607		3	LEVER,THROTTLE
23			3	SPRING,THROTTLE RETURN
24	1395-6031		3	SPACER,THROTTLE LEVER
25	1395-6022		3	SHAFT,THROTTLE
26			3	RING,RETAINER-THROTTLE SHAFT
27	1395-9416		6	THROTTLE VALVE
28			12	SCREW,THROTTLE VALVE
29	88369		6	BAFFLE
30	17-88457		6	RIVET,BAFFLE

CYLINDER BLOCK AND END CAPS

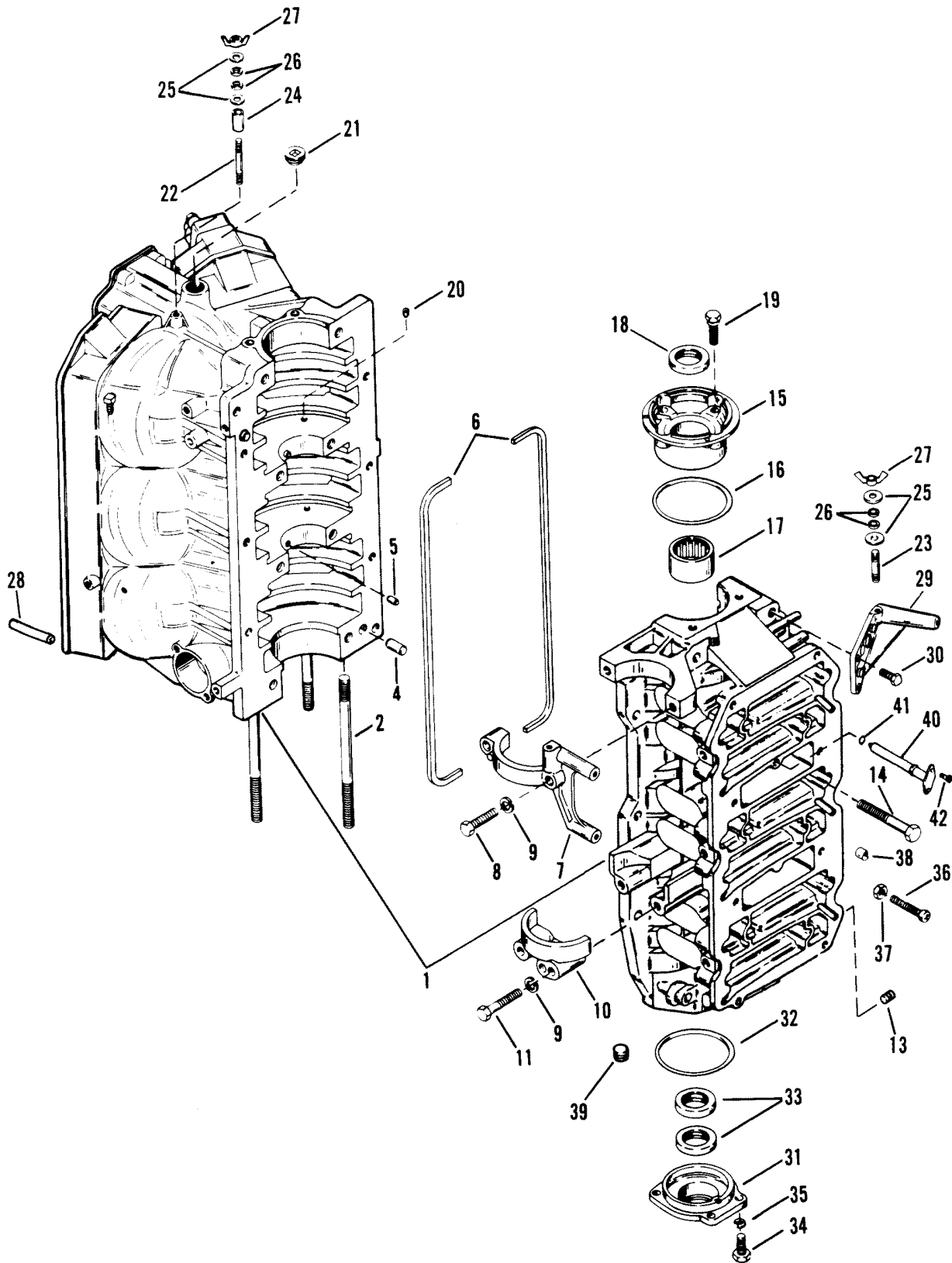


CYLINDER BLOCK AND END CAPS

REF. NO.	PART NO.	SYM.	QTY.	DESCRIPTION
1	858-9424A14		1	CYLINDER BLOCK (SERIAL #B290066 THRU C174999)
	858-812357A6		1	CYLINDER BLOCK (SERIAL#C175000 AND UP)
2	16-96908		4	STUD,POWERHEAD (2-3/16")
	16-96909		2	STUD, POWERHEAD(7")
	16-96910		2	STUD,POWERHEAD(5-3/4")
	16-97008		2	STUD.POWERHEAD (2")
4	17-20033		2	DOWEL PIN,LOCATING
5	17-67296		2	DOWEL PIN,CYLINDER BLOCK (BEARING RACE)
6	27-11338		2	GASKET,SEALING
7	42249		1	COVER,STARTER MOTOR(UPPER)
8	10-73657		2	SCREW, COVER TO CRANKCASE(1-1/2")
9	13-26993		4	LOCKWASHER,STARTER MOTOR COVER SCREW
10	76867		1	COVER,STARTER MOTOR (LOWER)
11	10-77065		2	SCREW,COVER TO CRANKCASE(2")
13	22-56800		1	PLUG,CRANKCASE
14	10-66717		8	SCREW,CRANKCASE TO CYLINDER BLOCK(3-1/4")
	10-74824		6	SCREW,CRANKCASE TO CYLINDER BLOCK(1-1/4")
15	1159-8454A2		1	END CAP ASSEMBLY, UPPER
16	25-54029		1	"O" RING,END CAP
17	31-93496		1	ROLLER BEARING,END CAP
18	26-41953		1	OIL SEAL,, END CAP
19	10-69034		4	SCREW,UPPER END CAP TO CYLINDER BLOCK(1")
20	10-24220		2	SCREW, SET- CYLINDER BLOCK(3/16")
21	22-38407		1	PLUG,CYLINDER BLOCK (WATER JACKET)
22	16-15094		1	STUD,FLYWHEEL COVER TO CYLINDER BLOCK(1-7/8")
23	16-15093		2	STUD, FLYWHEEL COVER TO BRACKET(1")
24	23-67269		1	SPACER,FLYWHEEL COVER STUD
25	12-49221--1		6	WASHER,FLYWHEEL COVER STUD
26	12-72761		3	WASHER,FLYWHEEL COVER STUD
27	11-73651		3	NUT,FLYWHEEL COVER STUD
28	32-11635		2	TUBE,WATER
29	42248		1	BRACKET,FLYWHEEL COVER
30	10-49668		2	SCREW,BRACKET TO CRANKCASE(3/4")
31	1156-7809A1		1	END CAP ASSEMBLY,LOWER
32	25-62700		1	"O" RING,END CAP(3-1/4" I.D.)
33	26-41953		2	OIL SEAL,END CAP
34	10-28636		4	SCREW.LOWER END CAP TO CYLINDER BLOCK(3/4")
35	13-26992		4	LOCKWASHER,LOWER END CAP SCREW
36	10-64022		1	SCREW,ADJUSTING-CYLINDER BLOCK
37	11-64015		1	NUT, JAM-ADJUSTING SCREW

CONTINUED ON NEXT PAGE ➡

CYLINDER BLOCK AND END CAPS



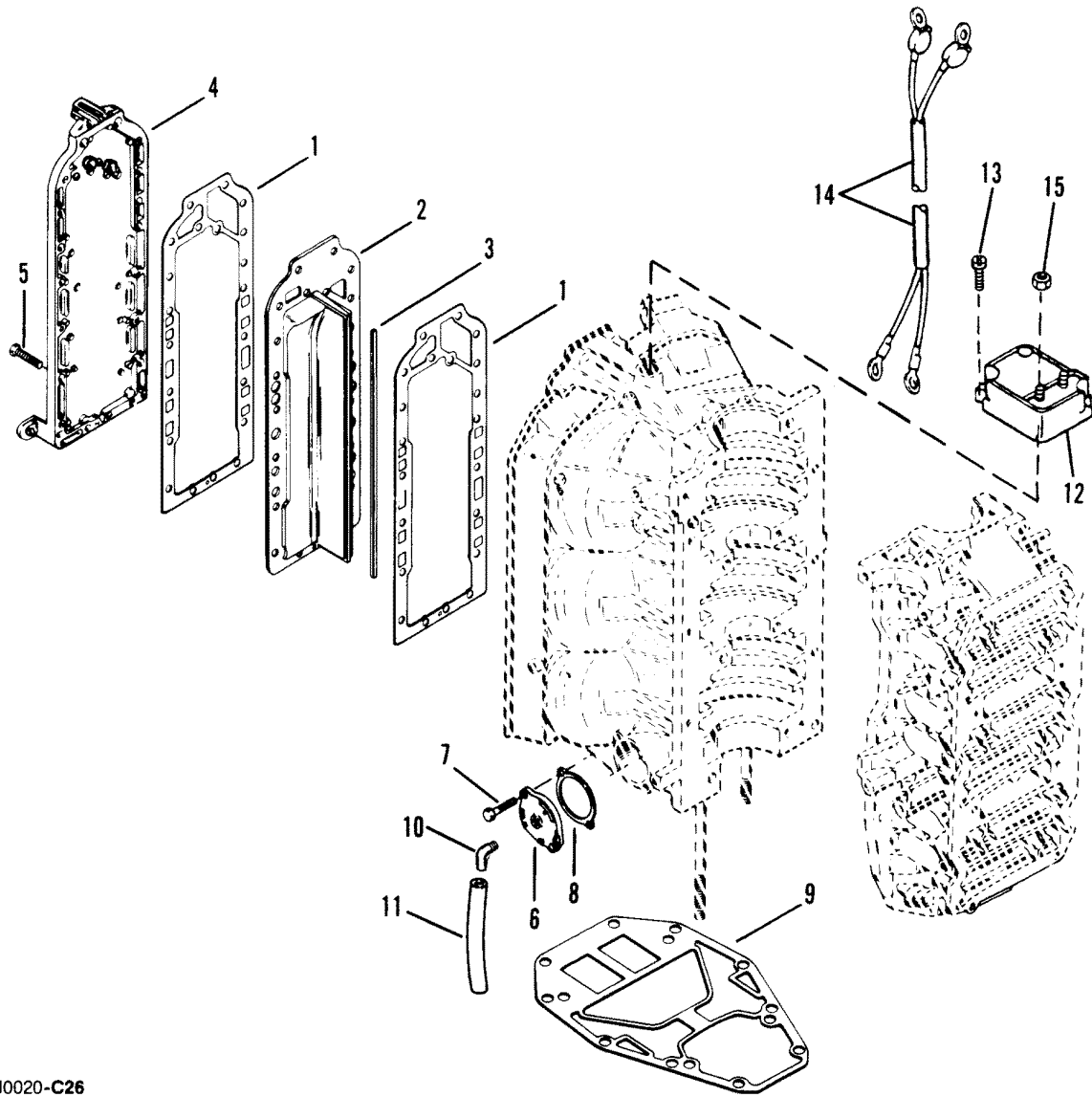
CYLINDER BLOCK AND END CAPS

REF. NO.	PART NO.	SYM.	QTY.	DESCRIPTION
38	26852		1	CAP,NYLON-ADJUSTING SCREW
39	22-32561		1	PIPE PLUG,CRANKCASE
40	43453		1	PLUG, CRANKCASE
41	25-32509		1	"O" RING,CRANKCASE PLUG
42	10-41506		2	SCREW,PLUG TO CRANKCASE

REED BLOCK AND CYLINDER HEAD

REF. NO.	PART NO.	SYM.	QTY.	DESCRIPTION
1	42013--3		2	CYLINDER HEAD 2 PIECE DESIGN
2	27-96278		2	GASKET,CYLINDER COVER 2 PIECE DESIGN
3	96283T		2	COVER,CYLINDER 2 PIECE DESIGN
4	10-74824		40	SCREW,CYLINDER COVER 2 PIECE DESIGN
5	18419--3		1	CYLINDER HEAD(1PIECE DESIGN)
6	27-18350		2	GASKET,CYLINDER HEAD
7	10-94929		24	SCREW,CYLINDER HEAD
8	12-25909		24	WASHER, CYLIDER HEAD SCREW
9	27-62386		2	GASKET,THERMOSTAT
10	90390A1		2	COVER,THERMOSTAT
11	10-77065		2	SCREW, THERMOSTAT COVER (2") (NOT USED WITH REF#5)
	10-35386		2	SCREW,THERMOSTAT COVER (1") (QTY. OF 4 WITH REF #5)
12	22-68727		1	FITTING,ELBOW - WATER HORSES (STARBOARD)
13	32-77457--2		2	HOSE, WATER DISTRIBUTION
14	22-68728		1	FITTING,THERMOSTAT COVER TO WATER HOSES (PORT)
15	54-90077		4	STA-STRAP,WATER HOSES
16	97465		1	TEMPERATURE SENDER
17	96282		1	COVER,TEMPERATURE SENDER(NOT USED WITH REF#5)
18	12-47533		2	WASHER,SUBSTITUTE FOR THERMOSTAT
19	54-47483		1	J-CLAMP
20	45915		2	TERMINAL BLOCK
21	10-69079		2	SCREW,TERMINAL BLOCK TO CYLINDER BLOCK
22	43657		1	HOUSING,REED BLOCK
23	10-28668		8	SCREW,REED BLOCK HOUSING(7/8")
24	27-96761--1		1	GASKET,REED BLOCK HOUSING
25	75953		6	REED BLOCK
26	34-14594A1		6	REED ASSEMBLY(2 STAGE)
27	96183		12	REED CLAMP
28	10-18308		60	SCREW,REEDS TO REED BLOCK
29	10-21558		6	SCREW, REED BLOCK ATTACHING(3/4")
30	10-96529		6	SCREW,REED BLOCK ATTACHING(2")
31	16-27037		12	STUD,CARBURETOR MOUNTING
32	22-15133		6	ELBOW, PRIMER HOSE (PRESS IN)
33	22-56759		2	FITTING,BLEED HOSE(PRESS IN)
34	32-66285--4		1	HOSE,PULSE
35	21-42623		1	CHECK VALVE,BLEED HOSE(PRESS-IN - 11/16" LONG)
	21-42698		1	CHECK VALVE,BLEED HOSE (PRESS-IN - 13/16" LONG)
36	13715		7	RETAINER,SENSOR AND SENDER USED WITH REF#5
37	10-98257		2	SCREW,RETAINER USED WITH REF#5

EXHAUST MANIFOLD AND EXHAUST PLATE

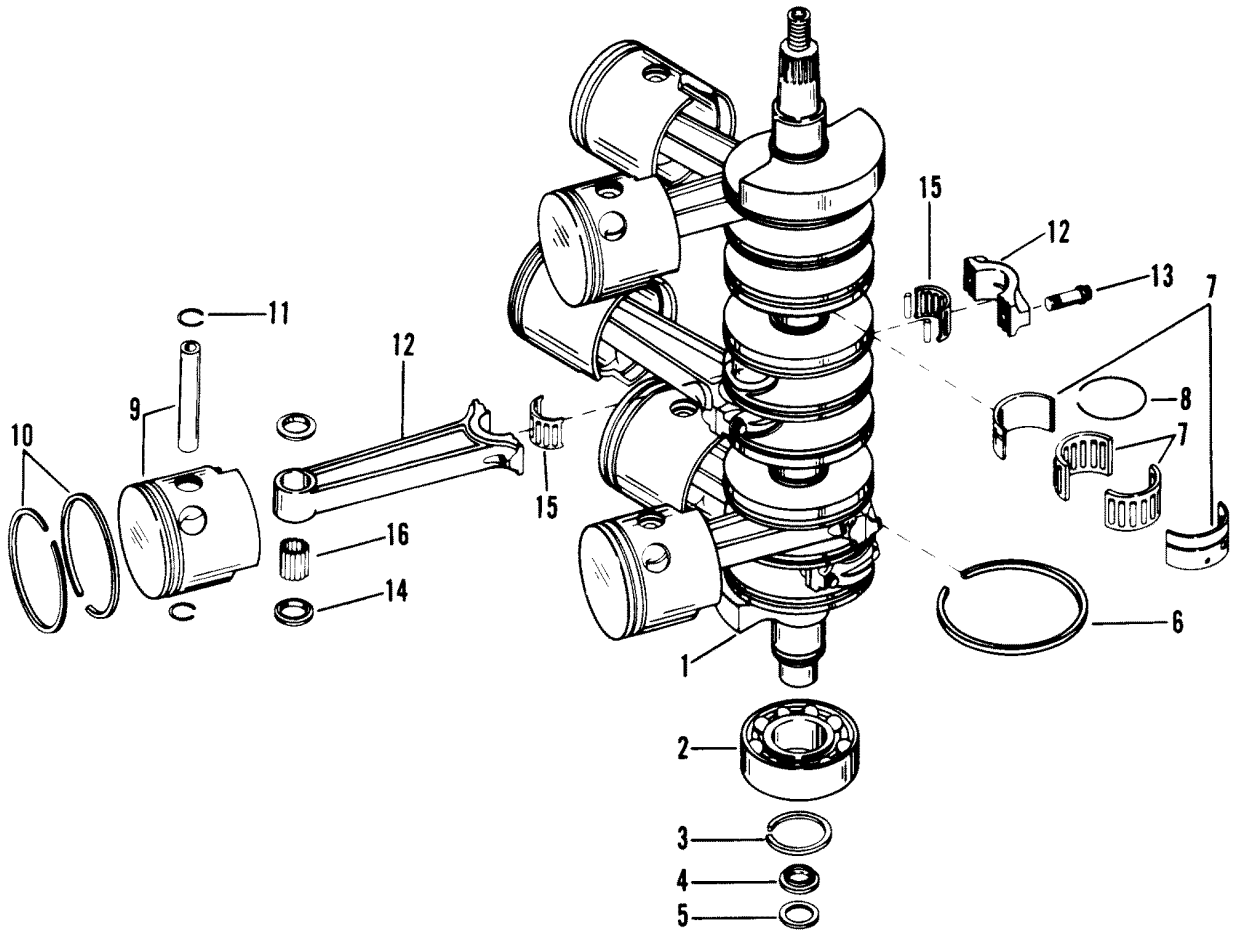


M0020-C26

EXHAUST MANIFOLD AND EXHAUST PLATE

REF. NO.	PART NO.	SYM.	QTY.	DESCRIPTION
1	27-90484		2	GASKET, DIVIDER PLATE
2	99169A1		1	PLATE, DIVIDER
3	69668		1	SEAL, DIVIDER PLATE
4	95067		1	COVER, EXHAUST MANIFOLD
5	10-74824		21	SCREW, COVER AND PLATE TO CYLINDER BLOCK (1-1/4")
6	99193		1	COVER, RELIEF VALVE
7	10-53167		2	SCREW, COVER TO CYLINDER BLOCK
8	27-88907		1	GASKET, RELIEF VALVE PLATE
9	27-78069		2	GASKET, EXHAUST PLATE
10	22-68727		1	FITTING
11	32-77457--2		1	HOSE
12	88825A7		1	VOLTAGE REGULATOR
13	10-48409		2	SCREWW, VOLTAGE REGULATOR
14	84-13397A1		1	HARNESS ASSEMBLY
15	11-45076		2	NUT, VOLTAGE REGULATOR

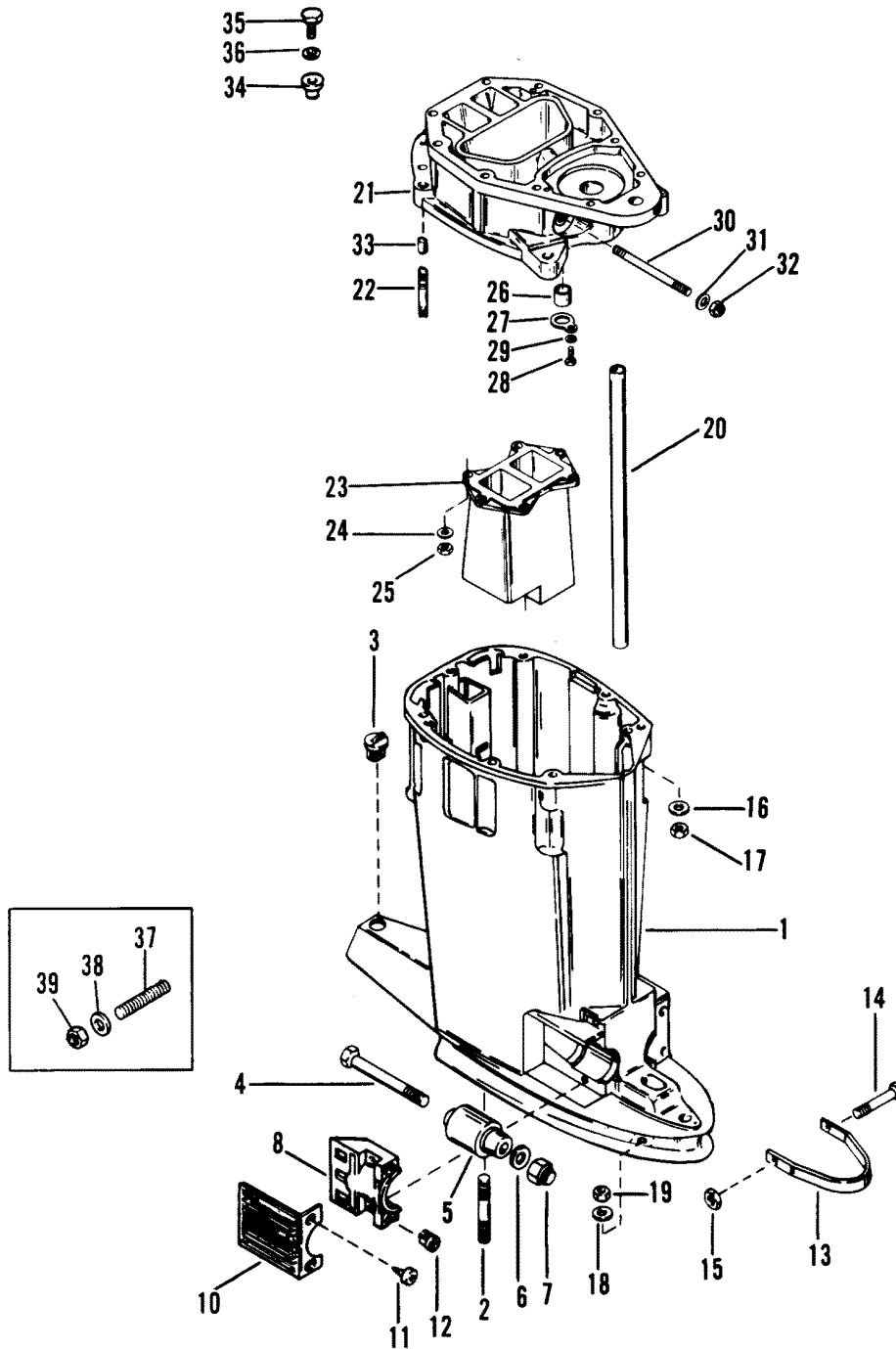
CRANKSHAFT, PISTONS AND CONNECTING RODS



CRANKSHAFT, PISTONS AND CONNECTING RODS

REF. NO.	PART NO.	SYM.	QTY.	DESCRIPTION
1	455-7666A4		1	CRANKSHAFT ASSEMBLY
2	30-41421		1	BALL BEARING, CRANKSHAFT (LOWER)
3	53-67446		1	RETAING RING, BALL BEARING
4	54196A6		1	CARRIER ASSEMBLY, SEAL
5	65800		1	SEAL, CARRIER
6	39-67377		8	RING, SEALING - CRANKSHAFT (.124 THICK)
7	31-93495		2	ROLLER BEARING, CRANKSHAFT
8	53-67444		2	RETAINING RING, ROLLER BEARING
9	766-812534A2		3	PISTON ASSEMBLY (STARBOARD) SERIAL 0B290066-0C174999
	766-812535A2		3	PISTON ASSEMBLY (PORT) SERIAL 0B290066-0C174999
10	39-44395A12		1	PISTON RING ASSEMBLY SERIAL 0B290066-0C174999
11	40-52035		12	LOCK RING, PISTON SERIAL 0B290066-0C174999
9	766-813066A6		3	PISTON ASSEMBLY (STARBOARD) SERIAL 0C175000-0Z999999
	766-813065A6		3	PISTON ASSEMBLY (PORT) SERIAL 0C175000-0Z999999
10	39-813011A12		1	PISTON RING ASSEMBLY SERIAL 0C175000-0Z999999
11	40-17977		12	LOCK RING, PISTON SERIAL 0C175000-0Z999999
12	636-8119A5		6	CONNECTING ROD ASSEMBLY
13	10-93886		12	SCREW, CONNECTING ROD
14	12-47247		12	WASHER, NEEDLE LOCATING
15	31-17514A1		6	ROLLER BEARING ASSEMBLY, CRANKSHAFT END
16	29-67483		174	NEEDLE BEARING, PISTON END

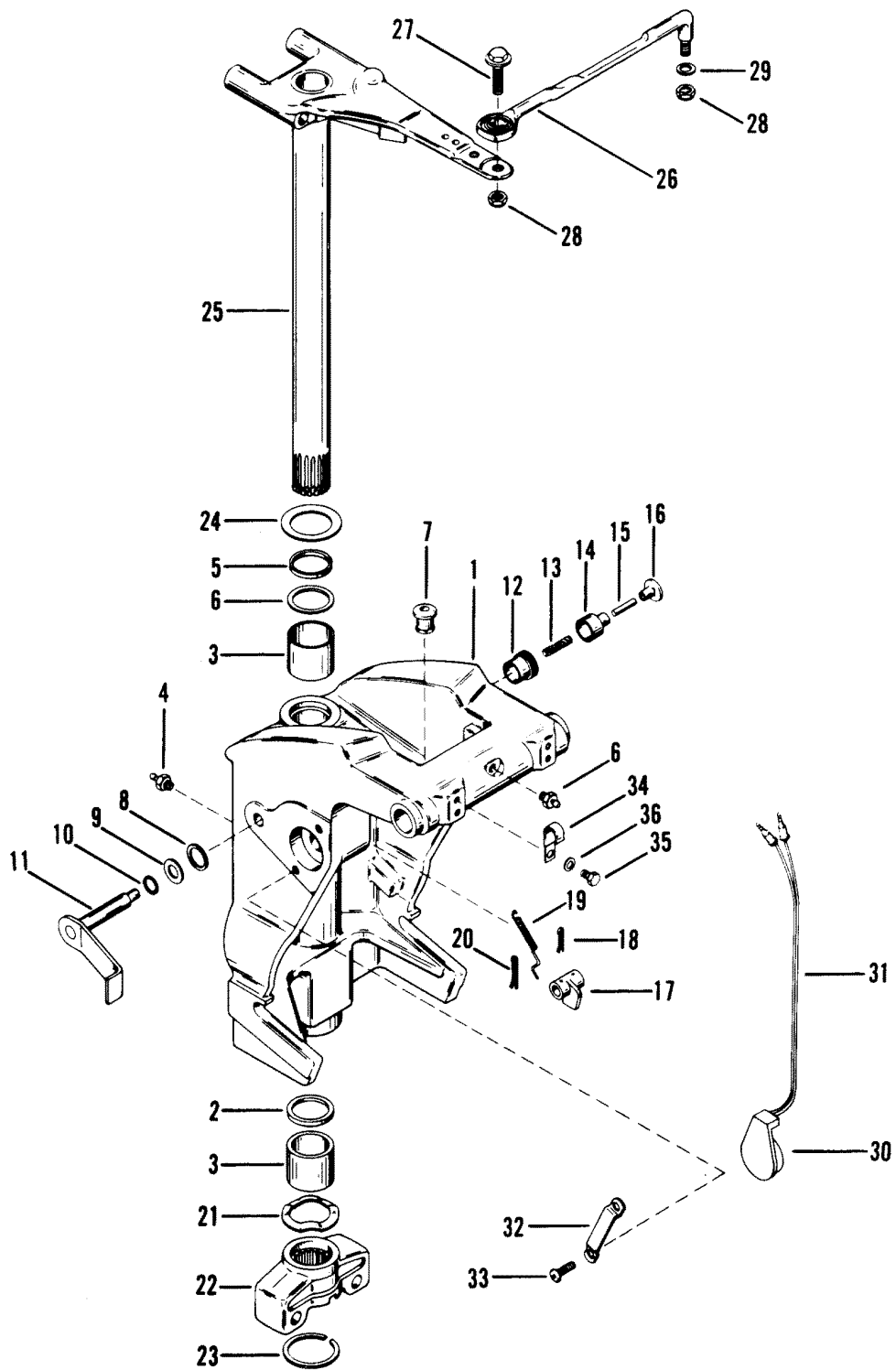
DRIVE SHAFT HOUSING



DRIVE SHAFT HOUSING

REF. NO.	PART NO.	SYM.	QTY.	DESCRIPTION
1	1590-8837A5		1	DRIVE SHAFT HOUSING ASSEMBLY
2	16-56295		2	STUD, DRIVE SHAFT HOUSING/GEAR HOUSING
3	19-64649		1	PLUG, DRIVE SHAFT HOUSING
4	10-63474		2	SCREW, LOWER MOUNT
5	77697		2	MOUNT, LOWER
6	12-49339		2	WASHER, LOWER MOUNT SCREW
7	11-25096		2	NUT, LOWER MOUNT SCREW
8	54-67076		2	CLAMP, LOWER MOUNT
10	67077		2	COVER, LOWER MOUNT CLAMP
11	10-88417		4	SCREW, COVER ATTACHING (5/8")
12	11-35521		4	NUT, NYLON - COVER TO CLAMP SCREW
13	67703		1	STRAP, SWIVEL BRACKET RETAINING
14	10-67769		1	SCREW, STRAP TO DRIVE SHAFT HOUSING
15	11-25269		1	NUT, STRAP TO DRIVE SHAFT HOUSING SCREW
16	12-45175		10	WASHER, POWERHEAD STUD
17	11-34932		8	NUT, POWERHEAD STUD(FULL)
	11-34863		2	NUT, POWERHEAD STUD(THIN)
18	12-45176		3	WASHER, GEAR HOUSING STUD
19	11-34933		3	NUT, GEAR HOUSING STUD
20	32-67295		1	TUBE, WATER
21	42732A2		1	PLATE ASSEMBLY, DRIVE SHAFT HOUSING
22	16-66021		6	STUD, EXTENSION TO PLATE
23	41941		1	DIFFUSER, EXHAUST
24	12-20533		6	WASHER, EXTENSION STUD
25	11-30506		6	NUT, EXTENSION STUD
26	26-38970		1	SEAL, WATER TUBE SERIAL 00000000-00000004
27	44260		1	RETAINER, WATER TUBE SEAL
28	10-28636		1	SCREW, REATINER
29	13-26992		1	LOCKWASHER, RETAINER SCREW
30	16-17805		2	STUD, TOP MOUNT
31	12-45176		4	WASHER, TOP MOUNT STUD
32	11-34933		2	NUT, TOP MOUNT STUD
33	17-20033		4	DOWEL PIN, LOCATING
34	23-27132		1	BUSHING, SHIFT SHAFT
35	10-91903		3	SCREW, ADAPTOR TO DRIVE SHAFT HOUSING (1-3/4")
	10-92913		2	SCREW, ADAPTOR (3/4")
36	12-45176		5	WASHER, ADAPTOR SCREW
37	16-69058		4	STUD, LOWER MOUNT CLAMP
38	12-22753		4	WASHER, CLAMP STUD
39	11-35814		4	NUT, CLAMP STUD

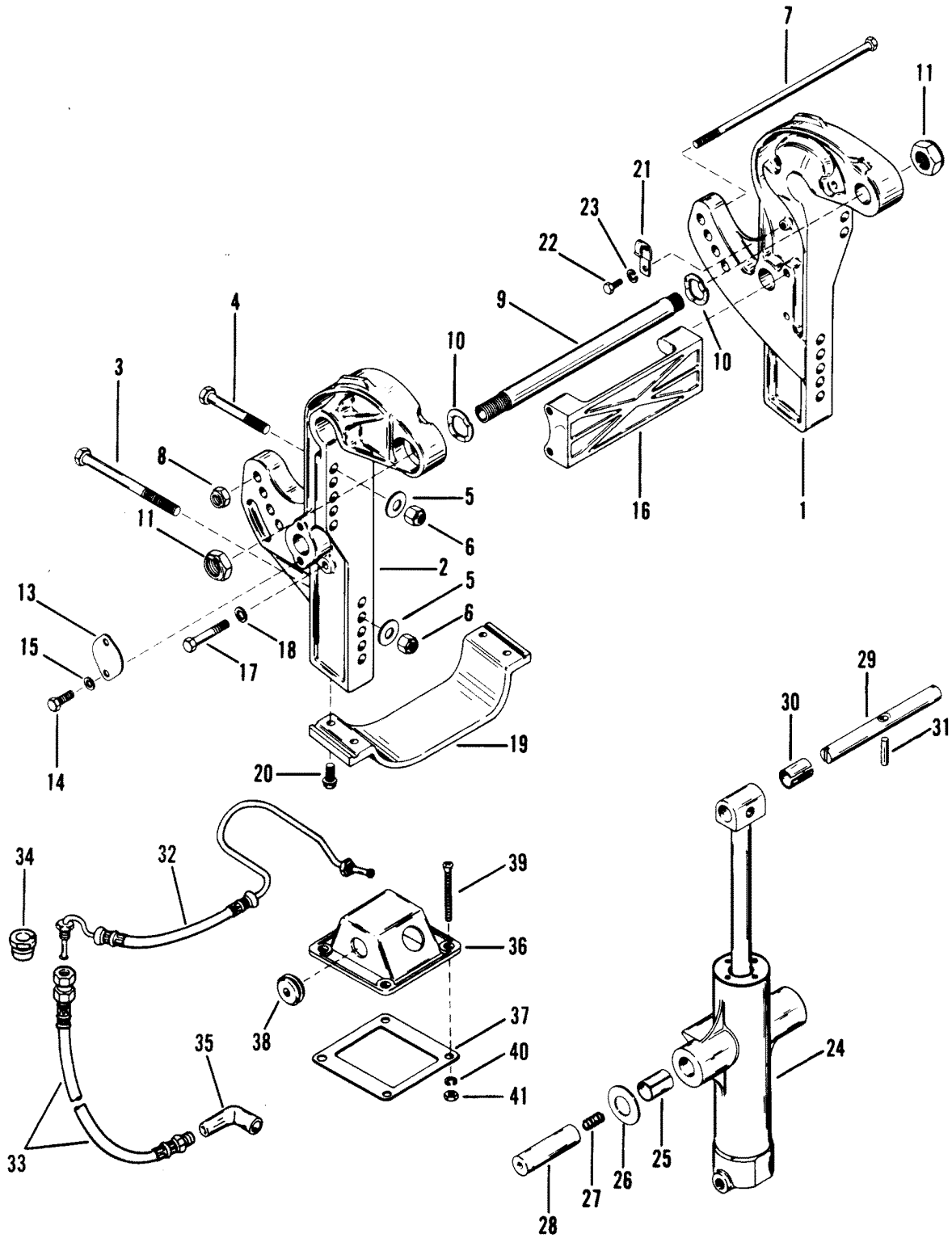
SWIVEL BRACKET AND STEERING ARM



SWIVEL BRACKET AND STEERING ARM

REF. NO.	PART NO.	SYM.	QTY.	DESCRIPTION
1	1491-9225A3		1	SWIVEL BRACKET ASSEMBLY
2	26-87735		1	OIL SEAL, SEIVEL BRACKET (LOWER)
3	23-67669		2	BUSHING, SEIVEL BRACKET-LOWER AND UPPER
4	22-74036		4	FITTING, GREASE
5	23-67668		1	SPACER, SWIVEL BRACKET-UPPER
6	25-33466		1	"O" RING, SEIVEL BRACKET-UPPER
7	25-88341		2	GROMMET, SWIVEL BRACKET
8	26-85023		2	OIL SEAL, SWIVEL BRACKET
9	12-87161		2	WASHER, TILT LOCK LEVER
10	25-48171		2	"O" RING, TILT LOCL LEVEL
11	85030A1		1	LEVER ASSEMBLY, TILT LOCK (PORT)
	85028A1		1	LEVER ASSEMBLY, TILT LOCK (STARBOARD)
12	23-86600		1	BUSHING, TILT LEVER RELEASE
13	24-85367		1	SPRING, TILT LEVER RELEASE
14	41052		1	PLUNGER, TILT LEVER RELEASE
15	16-88876		1	STUD, PLUNGER
16	86603		1	KNOB, PLUNGER
17	86475--1		1	COUPLING, TILT LOCK LEVER
18	17-69745		2	PIN, LEVER TO COUPLING
19	24-88049		1	SPRING, TENSION-COUPLING
20	18-93861		1	COTTER PIN, COUPLING SPRING
21	13-78854		1	WAVE WASHER, BOTTOM YOKE
22	86580A1		1	BOTTOM YOKE
23	53-67684		1	RETAINING RING, BOTTOM YOKE
24	12-67670		1	WASHER, THRUST-SWIVEL BRACKET
25	17-67706A13		1	SWIVEL PIN AND STEERING ARM ASSEMBLY
26	92876A1		1	STEERING LINK ASSEMBLY
27	10-14000		1	SCREW, STEERING LINK TO STEERING ARM (1-1/2")
28	11-34863		2	NUT, STEERING LINK SCREW
29	12-34931		2	WASHER, STEERING LINK TO STEERING ARM
30	86485A5		1	TRIM SENDER ASSEMBLY
31	84-65017A15		1	HARNESS TRIM SENDER
30	86485A6		1	TILT SWITCH ASSEMBLY
31	84-65017A14		1	HARNESS, TILT SWITCH
32	88342		2	STRAP, SWITCH AND SENDER
33	10-87926		4	SCREW, STRAP TO SWIVEL BRACKET
34	54-54457		1	CLAMP, SWITCH AND SENDER LEADS
35	10-98256		1	SCREW, CLAMP TO SWIVEL BRACKET
36	12-29245		1	WASHER, CLAMP SCREW

TRANSOM BRACKETS

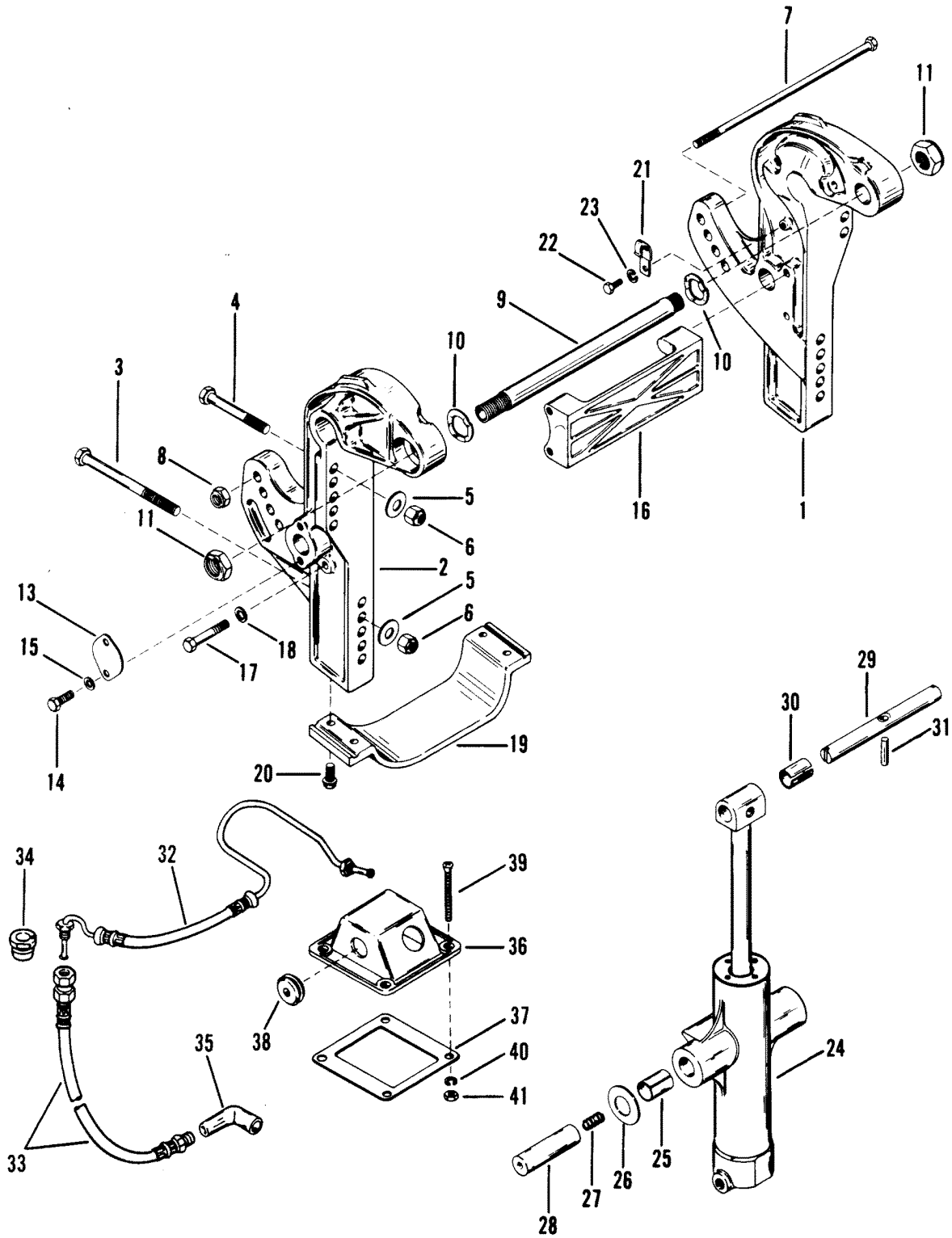


TRANSOM BRACKETS

REF. NO.	PART NO.	SYM.	QTY.	DESCRIPTION
1	1494-7476T1		1	BRACKET, TRANSOM (PORT)
2	1495-7478T1		1	BRACKET, TRANSOM (STARBOARD)
3	10-67755--2		2	SCREW, BRACKET TO TRANSOM (6-1/2")
4	10-67755--1		2	SCREW, BRACKET TO TRANSOM (4-1/2")
5	12-28421		4	WASHER, BRACKET SCREW
6	11-35000		4	NUT, BRACKET SCREW
7	10-87180		1	BOLT, TILT
8	11-20220		1	NUT, TILT BOLT
9	99170A1		1	TILT TUBE
10	13-88750		2	WAVE WASHER, TILT TUBE
11	11-56041		1	NUT, TILT TUBE (7/8-14)
	11-90068T		1	NUT, TILT TUBE (1"-14)
13	85026		2	PLATE, PIVOT PIN
14	10-28636		4	SCREW, PLATE TO TRANSOM BRACKET
15	12-29245		4	WASHER, PLAGE SCREW
16	85035T		1	SPACER, TRANSOM BRACKET
17	10-70732		4	SCREW, SPACER TO TRANSOM BREACKET
18	12-29245		4	WASHER, SPACER SCREW
19	89949A1		1	PLATE ASSEMBLY, TRANSOM BRACKET
20	10-89996		4	SCREW, PLATE TO TRANSOM BRACKET
21	54-88512		4	CLAMP, HYDRAULIC HOSE
	54-75275		2	CLMAP, HYDRAULIC HOSE
22	10-88829		6	SCREW, CLAMP TO TRANSOM BRACKET
23	13-26996		4	LOCKWASHER, CLAMP SCREW
24	79610A6		1	TRIM CYLINDER ASSEMBLY (79879A1 REPAIR KIT)
25	23-86489		2	BUSHING, TRIM CYLINDER
26	12-85022		2	WASHER, TRANSOM BRACKET
27	24-30316		2	SPRING, TRIM CYLINDER
28	17-85020		2	PIVOT PIN, TRIM CYLINDER
29	85024		1	SHAFT, TRIM CYLINDER
30	23-86637		2	BEARING, TRIM SHAFT
31	17-91862		1	PIN, TRIM CYLINDER
32	32-96993		1	HOSE, HYDRAULIC-PORT
	32-96994		1	HOSE, HYDRAULIC-STARBOARD
33	32-89024		1	HOSE, HYDRAULIC (PORT)
	32-89023		1	HOSE, HYDRAULIC (STARBOARD)
34	25-12602		2	GROMMET, HYDRAULIC HOSES
35	22-87207		1	CONNECTOR, HYDRAULIC HOSE
36	87871		1	COVER, INLET-HYDRAULIC HOSE

CONTINUED ON NEXT PAGE ➡

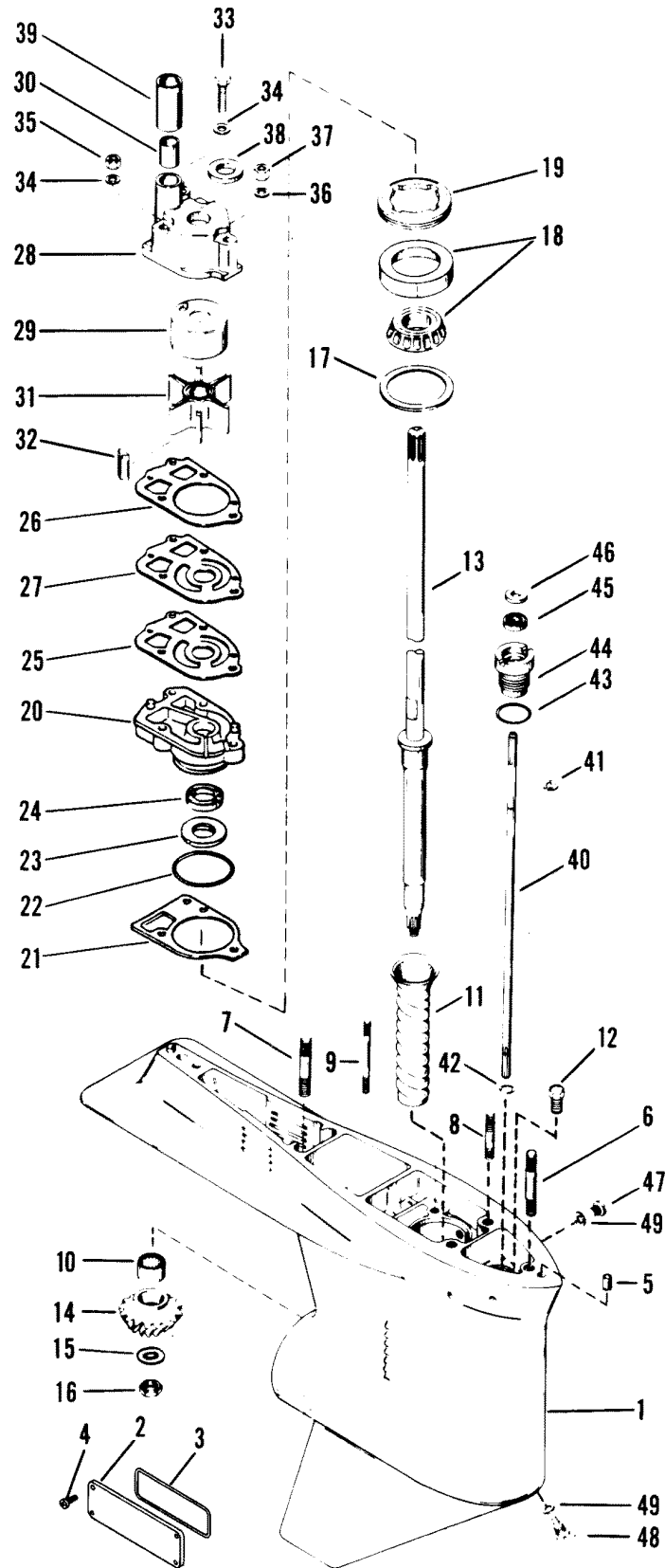
TRANSOM BRACKETS



TRANSOM BRACKETS

REF. NO.	PART NO.	SYM.	QTY.	DESCRIPTION
37	27-87775		1	GASKET, INLET COVER
38	25-45507		1	GROMMET, INLET COVER
39	10-36070		4	SCREW, INLET COVER
40	13-26996		4	LOCKWASHER, INLET COVER SCREW
41	11-68219		4	NUT, INLET COVER SCREW

GEAR HOUSING (DRIVE SHAFT)

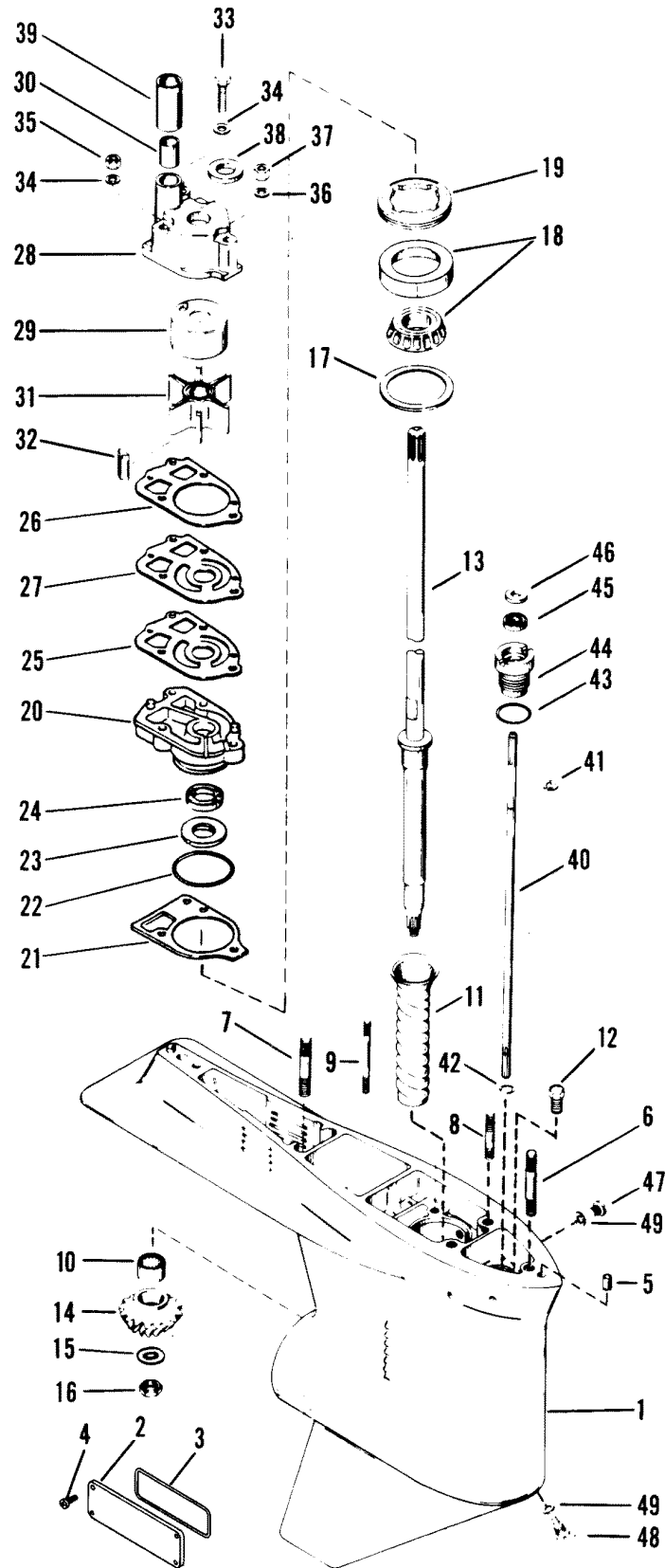


GEAR HOUSING (DRIVE SHAFT)

REF. NO.	PART NO.	SYM.	QTY.	DESCRIPTION
-	1647-9560A14		1	GEAR HOUSING ASSEMBLY, COMPLETE
1	1647-9560A8		1	GEAR HOUSING ASSEMBLY (BASIC)
2	12144		2	COVER, WATER PASSAGE
3	25-39695		2	"O" RING, COVER
4	10-87926		8	SCREW, COVER
5	17-20033		2	DOWELL PIN, GEARE HOUSING LOCATING
6	16-78638		1	STUD, GEAR HOUSING (3-1/8")
7	16-57920		2	STUD, GEAR HOUSING (2-1/16")
8	16-56297		1	STUD, WATER PUMP (3-3/8")
9	16-30667		2	STUD, WATER PUMP (3-1/4")
10	31-42647A1		1	ROLLER BEEARING, DRIVE SHAFT
11	23-43998		1	SLEEVE, LUBRICATION
12	22-13820		1	PIPE PLUG
13	45-44000		1	DRIVE SHAFT
14	N.S.S.		1	PINION GEAR (PART OF 43-44104A2)
15	12-92721		1	WASHER, PINION GEAR
16	11-35921		1	NUT, PINION GEAER TO DRIVE SHAFT
17	15-42637A1		AR	SHIM ASSEMBLY, ROLLER BEARING TO GEAER HOUSING
18	31-36387A1		1	ROLLER BEARING, DRIVE SHAFT
19	11-42633		1	NUT, DRIVE SHAFT BEARING
20	46-44292A3		1	WATER PUMP BASE ASSEMBLY
21	27-42631--1		1	GASKET, WATER PUMP TO GEAR HSG
22	25-90011		1	"O" RING, WATER PUMP
23	26-89238		1	OIL SEAL, WATER PUMP
24	26-16977		1	OIL SEAL, WATER PUMP
25	27-18051		1	GASKET, LOWER-WATER PUMP
26	27-85609--1		1	GASKET, UPPER-WATER PUMP
27	32435		1	PLATE, FACE-WATER PUMP
28	46-96148A1		1	WATER PUMP BODY ASSEMBLY
29	48752		1	INSERT, WATER PUMP BODY
30	26-38970		1	SEAL, RUBBER-WATER INLET TUBE
31	47-89984		1	IMPELLER, WATER PUMP
32	28-56654		1	KEY, IMPELLER DRIVE
33	10-96411		1	SCREW, WATER PUMP (2-1/4")
34	12-29245		2	WASHER, WATER PUMP SCREW AND STUD
35	11-13438		2	NUT, WATER PUMP STUD
36	12-36001		1	WASHER, WATER PUMP STUD
37	11-13436		1	NUT, WATER PUMP STUD
38	25-30271		1	RING, RUBBER (DRIVE SHAFT)
39	23-29804		1	SLEEVE, GUIDE-WATER INLET TUBE
40	78902		1	SHAFT, SHIFT-LOWER
41	53-29641		1	"E" RING, RETAINING-SHIFT SHAFT
42	53-78907		1	RETAINING RING

CONTINUED ON NEXT PAGE ➡

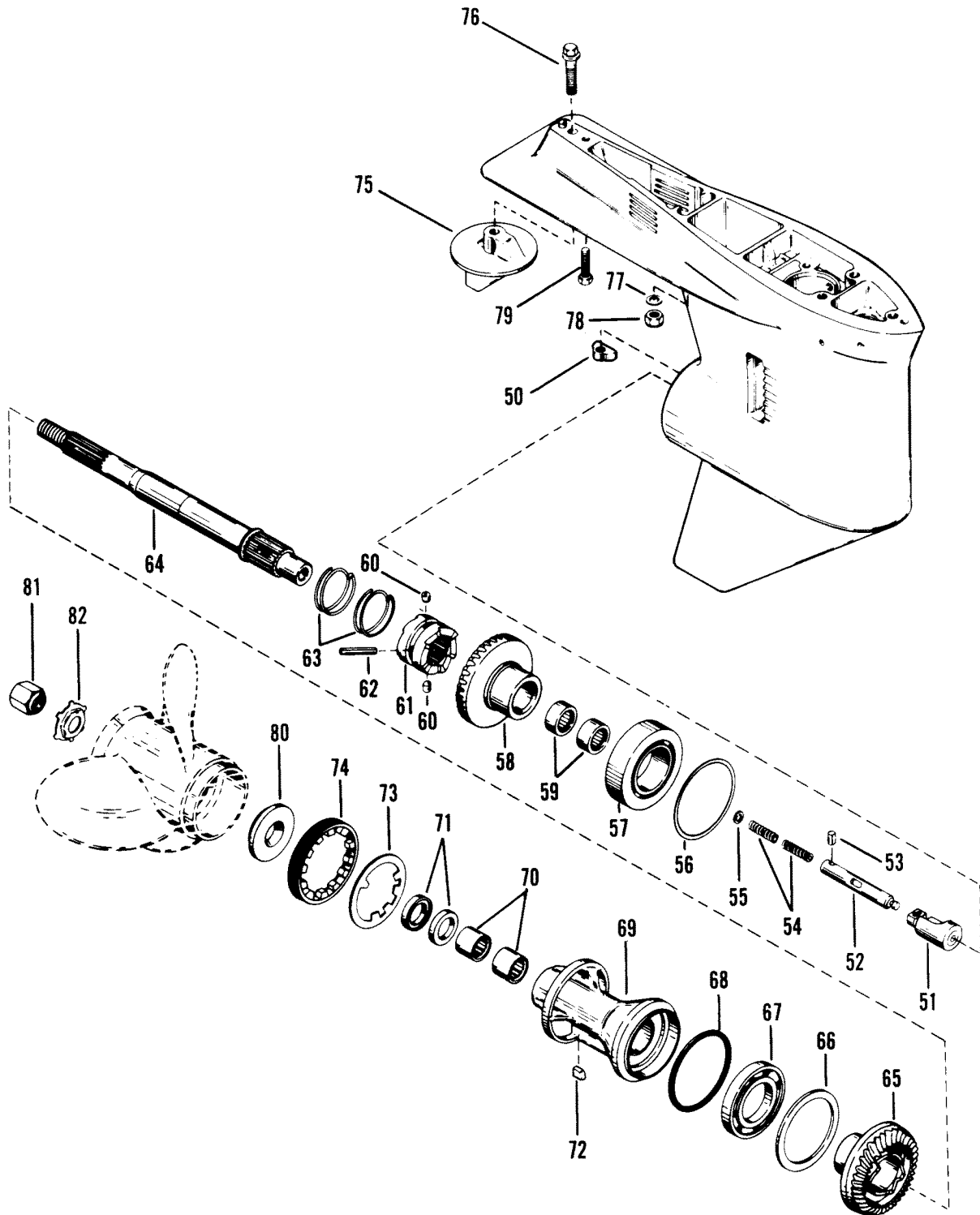
GEAR HOUSING (DRIVE SHAFT)



GEAR HOUSING (DRIVE SHAFT)

REF. NO.	PART NO.	SYM.	QTY.	DESCRIPTION
43	25-25439		1	"O" RING, SHIFT SHAFT BUSHING
44	23-77631A2		1	BUSHING ASSEMBLY, SHIFT SHAFT
45	26-76384		1	OIL SEAL, SHIFT SHAFT BUSHING
46	12-77674		1	WASHER, RUBBER-SHIFT SHAFT BUSHING
47	10-79953		1	SCREW, GREASE FILLER
48	10-14834		1	SCREW, DRAIN (MAGNETIC)
49	12-19183		2	WASHER, GREASE FILLER AND DRAIN SCREW

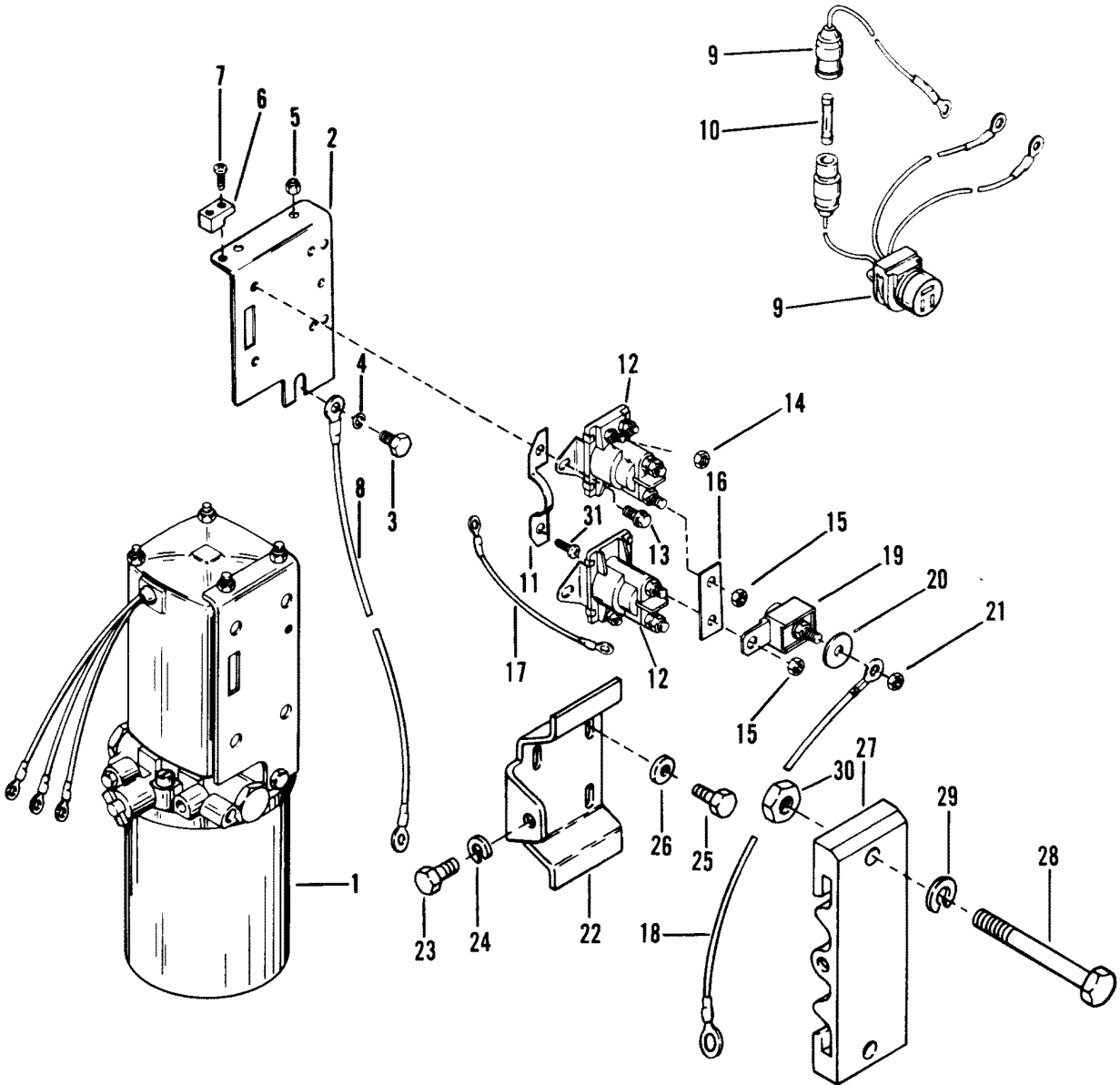
GEAR HOUSING (PROPELLER SHAFT)



GEAR HOUSING (PROPELLER SHAFT)

REF. NO.	PART NO.	SYM.	QTY.	DESCRIPTION
-	1647-9560A14		1	GEAR HOUSING ASSEMBLY, COMPLETE
50	78956		1	SHIFT CAM
51	89594A1		1	FOLLOWER, CAM
52	79911		1	ROD, CLUTCH ACTUATOR
53	17-78906		1	PIN, SPRING LOCATOR
54	24-79910		2	SPRING, COMPRESSION
55	12-78910		AR	WASHER, SPRING
56	15-47397A1		AR	SHIM, OUTER RACE (.002-3-5-10)
57	31-78172A1		1	TAPERED ROLLER BEARING
58	43-44104A2		1	FORWARD GEAR ASSEMBLY
59	31-73363		2	ROLLER BEARING (TORRINGTON #BH-1610)
60	17-78909		2	DETENT PIN, RATCHET
61	52-42672		1	RATCHET, SLIDING CLUTCH
62	17-42671		1	CROSS PIN, RATCHET
63	24-78962		2	SPRING, RETAINING - CROSS PIN
64	44-17915		1	PROPELLER SHAFT
65	N.S.S.		1	REVERSE GEAR (PART OF 43-44104A2)
66	68100		1	THRUST RING
67	30-17927		1	BALL BEARING, - REVERSE GEAR
68	25-31534		1+	"O" RING, BEARING CARRIER
69	43567A1		1	BEARING CARRIER
70	31-30956		1	ROLLER BEARING, BEARING CARRIER
71	26-76868		2+	OIL SEAL, BEARING CARRIER
72	28-30281		1	KEY, LOCATING - BEARING CARRIER
73	14-79447		1	TAB WASHER, GEAR HOUSING COVER
74	79448		1	COVER, GEAR HOUSING
75	76214		1	ANODIC PLATE
76	10-66024		1	SCREW, TRIM TAB TO GEAR HOUSING (1-3/4")
77	12-45176		2	WASHER, DRIVE SHAFT HOUSING STUDS
78	11-34933		2	NUT, DRIVE SHAFT HOUSING STUDS
79	10-30206		1	SCREW, GEAR HOUSING
80	13191A1		1	THRUST HUB
81	11-52707A1		1	PROPELLER NUT
82	14-31210		1	TAB WASHER, PROPELLER NUT

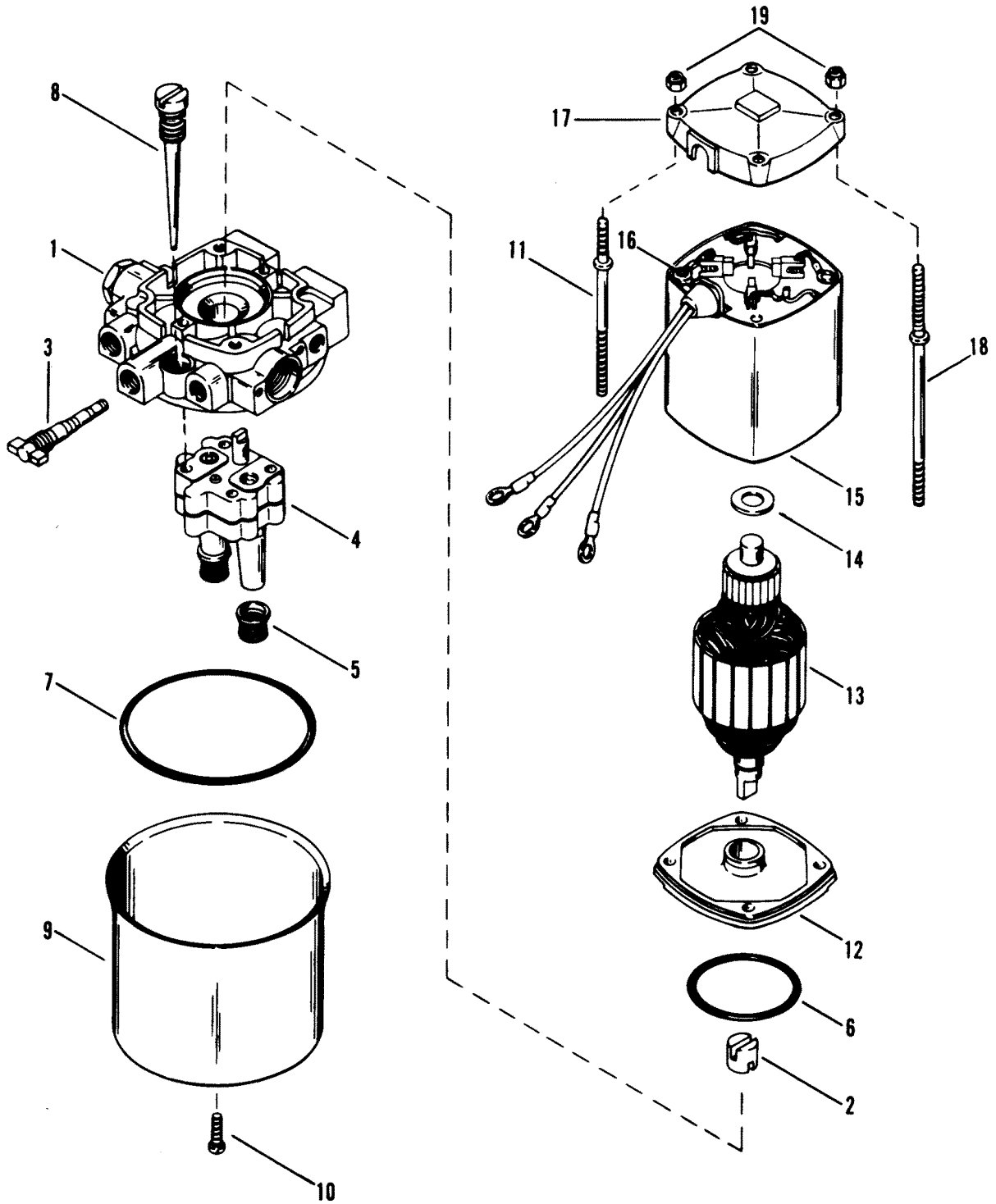
HYDRAULIC PUMP AND MOUNTING BRACKETS



HYDRAULIC PUMP AND MOUNTING BRACKETS

REF. NO.	PART NO.	SYM.	QTY.	DESCRIPTION
1	92459A4		1	HYDRAULIC PUMP ASSEMBLY
2	90318		1	BRACKET, MOUNTING - STARTER SOLENOID
3	10-90285		1	SCREW, MOUNTING BRACKET (5/8")
4	12-56720		1	WASHER, MOUNTING BRACKET SCREW
5	11-34059		2	NUT, MOUNTING BRACKET TO HYDRAULIC PUMP
6	45915		1	TERMINAL BLOCK
7	10-69079		2	SCREW, WIRE TO TERMINAL BLOCK
8	84-79138A9		1	BATTERY CABLE, BLACK (NEGATIVE)
9	84-79147A3		1	HARNESS ASSEMBLY, HYDRAULIC PUMP
10	88-79091		1	FUSE (20 AMP)
11	88075		1	RETAINER, HARNESS TO MOUNTING BRACKET
12	89-96158		2	SOLENOID
13	10-41508		4	SCREW, STARTER SOLENOID TO BRACKET (3/8")
14	11-26419		4	NUT, STARTER SOLENOID TERMINAL (#8-32)
15	11-94330		4	NUT, STARTER SOLENOID TERMINAL (1/4-20)
16	94275		1	CONNECTOR, SOLENOID TO SOLENOID
17	84-86322A15		1	WIRE, SOLENOID TO SOLENOID (BLACK)
18	84-79139A12		1	BATTERY CABLE, RED (POSITIVE)
19	88-79023A10		1	FUSE (110 AMP)
20	12-96457		1	WASHER, FUSE TERMINAL
21	11-21825		1	NUT, FUSE TERMINAL
22	87760		1	PLATE, MOUNTING
23	10-39349		1	SCREW, MOUNTING PLATE TO BRACKET (3/4")
24	13-26993		1	LOCKWASHER, MOUNTING PLATE SCREW
25	10-90271		2	SCREW, HYDRAULIC PUMP (5/8")
26	13-58643		2	LOCKWASHER, HYDRAULIC PUMP SCREW
27	87762		1	BRACKET, HYDRAULIC PUMP
28	10-31830		2	BOLT, BRACKET TO TRANSOM (3-1/2")
29	13-58643		2	LOCKWASHER, BRACKET SCREW
30	11-24883		2	NUT, BRACKET SCREW
31	10-48409		1	SCREW, RETAINER

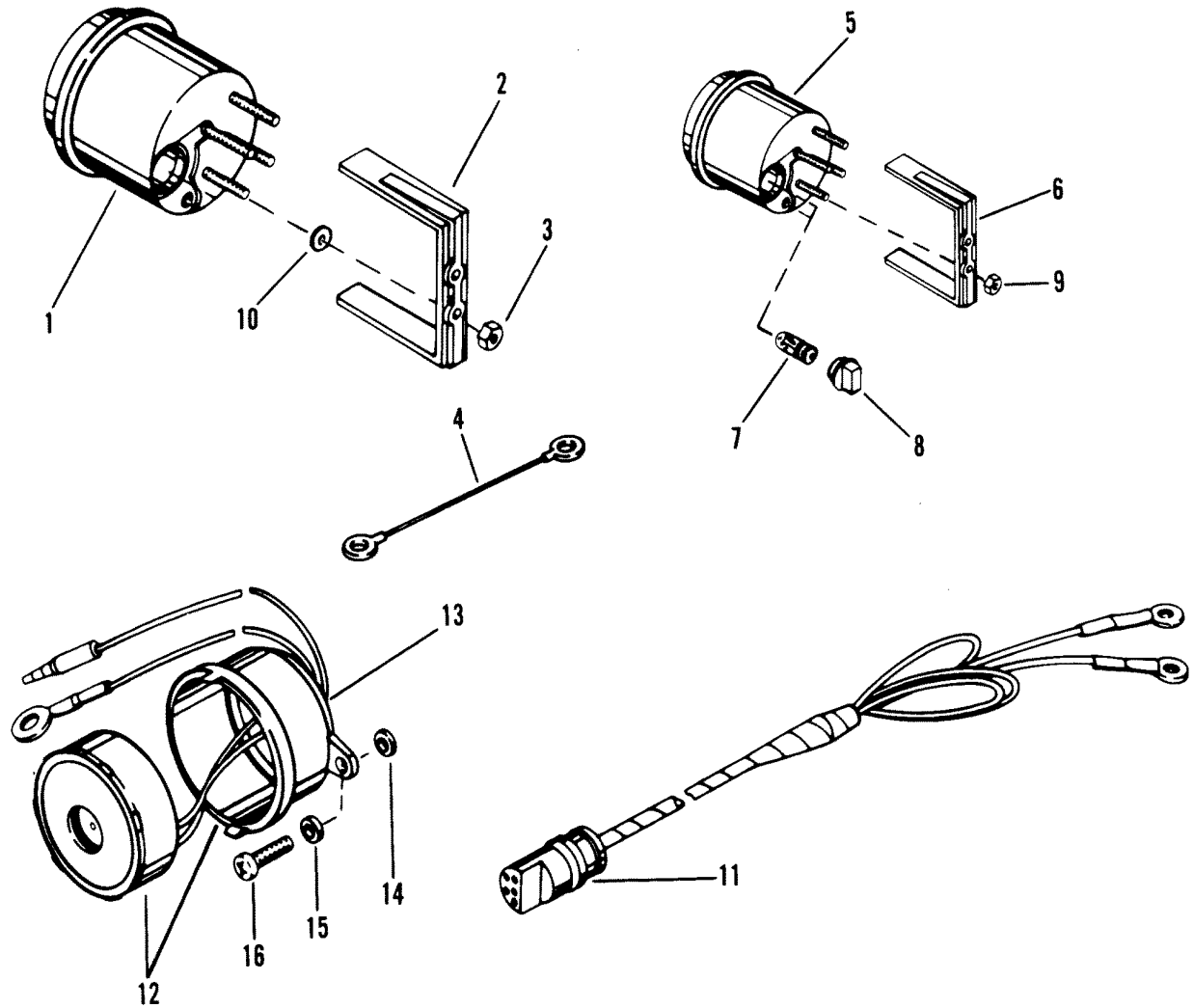
HYDRAULIC PUMP ASSEMBLY



HYDRAULIC PUMP ASSEMBLY

REF. NO.	PART NO.	SYM.	QTY.	DESCRIPTION
-	92459A4		1	HYDRAULIC PUMP ASSEMBLY
1	89492		1	ADAPTOR
2	89493		1	COUPLING
3	89494		AR	MANUAL RELEASE (INCLUDES 2 "O" RINGS)
	96598		AR	MANUAL RELEASE (INCLUDES 3 "O" RINGS)
4	89495		1	PUMP (INCLUDES SCREWS)
5	35-89496		2	FILTER
6	25-89498		1	"O" RING, MOTOR END
7	25-89497		1	"O" RING, RESERVOIR END
8	89499		1	DIPSTICK
9	90587		1	RESERVOIR
10	10-90588		1	SCREW, RESERVOIR (INCLUDES "O" RING)
11	16-90589		1	THRU STUD (SHORT)
	16-90590		1	THRU STUD (LONG)
	87828		1	MOTOR, POWER TRIM
12	89484		1	END FRAME, DRIVE END
13	89485		1	ARMATURE
14	12-89482		1	WASHER, THRUST-ARMATURE
15	89486		1	FIELD AND FRAME
16	89487		1	BRUSH CARD
17	89488		1	END FRAME, COMMUTATOR END
18	10-89483		1	THRU BOLT, MOTOR (4-1/4")
	10-89489		1	THRU BOLT, MOTOR (4-9/16")
19	11-89481		6	NUT, THRU BOLT AND STUD

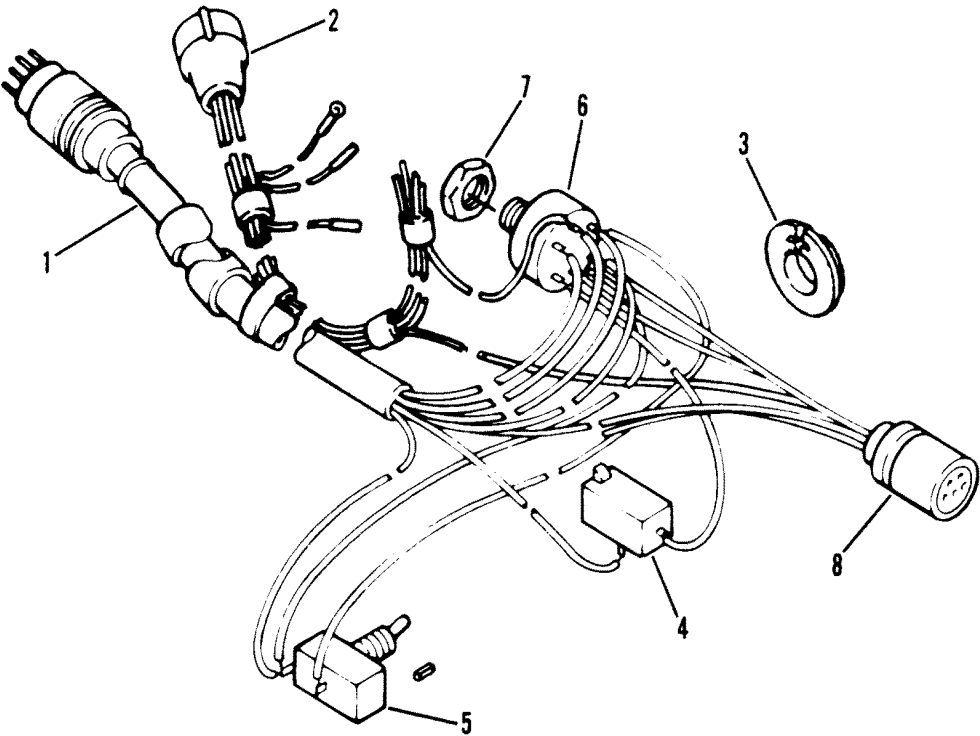
TACHOMETER, TRIM GAUGE AND ALARM HORN



TACHOMETER, TRIM GAUGE AND ALARM HORN

REF. NO.	PART NO.	SYM.	QTY.	DESCRIPTION
1	79-93953A1		1	TACHOMETER
2	79101T		1	BRACKET, MOUNTING - TACHOMETER
3	11-26419		5	NUT, TACHOMETER TERMINAL (#8-32)
4	84-86322A7		1	WIRE, TRIM GAUGE (BLACK - 1-1/2")
	84-86323A5		1	WIRE, TRIM GAUGE (PURPLE - 1-1/2")
5	79-15113A4		1	TRIM GAUGE
6	79480		1	BRACKET, MOUNTING - TRIM GAUGE
7	88-72729		1	LIGHT BULB, TRIM GAUGE
8	88-79888		1	SOCKET, TRIM GAUGE
9	11-26419		5	NUT, TRIM GAUGE TERMINAL (8-32)
10	13-26995		5	LOCKWASHER, TRIM GAUGE TERMINAL (#8)
11	84-86396A8		1	HARNESS
12	68878A6		1	ALARM HORN AND WIRE ASSEMBLY
13	68879		1	COVER, ALARM HORN
14	23-79697		2	SPACER, ALARM HORN
15	12-26427		4	WASHER, ALARM HORN
16	10-35401		2	SCREW, ALARM HORN

TRIM HARNESS ASSEMBLY



TRIM HARNESS ASSEMBLY

REF. NO.	PART NO.	SYM.	QTY.	DESCRIPTION
1	84-86353A1		1	WIRING HARNESS ASSEMBLY
2	84-86228A15		1	HARNESS ASSEMBLY, TRIM
3	23-85872		1	BUSHING, TRIM HARNESS
4	87-86320		1	MICRO SWITCH
5	87-91941		1	TOGGLE SWITCH
6	87-88107		1	IGNITION SWITCH (See Below for Replacement Keys)
-	89491--1		AR	KEY-Ignition Switch (1A)
-	89491--2		AE	KEY-Ignition Switch (1B)
-	89491--3		AR	KEY-Ignition Switch (1C)
-	89491--4		AR	KEY-Ignition Switch (1D)
-	89491--5		AR	KEY-Ignition Switch (1E)
-	89491--6		AR	KEY-Ignition Switch (1F)
-	89491--7		AR	KEY-Ignition Switch (2A)
-	89491--8		AR	KEY-Ignition Switch (2B)
-	89491--9		AR	KEY-Ignition Switch (2C)
-	89491-10		AR	KEY-Ignition Switch (2D)
-	89491-11		AR	KEY-Ignition Switch (2E)
-	89491-12		AR	KEY-Ignition Switch (2F)
7	11-93543		1	NUT, IGNITION SWITCH
8	85-86319		1	INSULATOR, WIRING HARNESS

PARTS INDEX

Part Number	Description	Pg.	Ref. No.	Part Number	Description	Pg.	Ref. No.
12144	COVER, WATER PASSAGE	39	2	60572	BARREL, THROTTLE		
12955A3	BOTTOM COWL ASSEMBLY	3	13		CONTROL ROD	13	27
13191A1	THRUST HUB	43	80	61787	HOLDER, BURSH	7	9
13443A1	PLATE ASSEMBLY, CARBURETOR	17	34	62351A1	RECTIFIER	11	17
13715	RETAINER,SENSOR AND SENDER USED WITH REF#5	25	36	62459	BALL JOINT, TRIGGER PLATE	13	2
13734	RETAINER, HOLD DOWN	3	14	65800	SEAL, CARRIER	29	5
14410A1	FRONT COVER	3	2	67073A1	LINK ROD ASSEMBLY	13	37
15386	END CAP, COMMUTATOR	7	11	67077	COVER, LOWER MOUNT CLAMP	31	10
17976	PROTECTOR, HIGH TENSION CABLE	5	29	67614	COVER, IGNITION COIL	5	23
18018A1	FUEL PUMP KIT	17	23	67703	STRAP, SWIVEL BRACKET RETAINING	31	13
18419--3	CYLINDER HEAD(1PIECE DESIGN)	25	5	67748	ROLLER, LOWER THROTTLE LEVER	17	33
19368--2	TRIM MOLDING	3	17	68042	STOP, RUBBER - STARTER MOTOR	5	16
26852	CAP, SPARK ADVANCE LEVER STOP SCREW	13	9	68100	THRUST RING	43	66
26852	CAP, THROTTLE LEVER STOP SCREW	13	21	68878A6	ALARM HORN AND WIRE ASSEMBLY	49	12
26852	CAP,NYLON-ADJUSTING SCREW	23	38	68879	COVER, ALARM HORN	49	13
32435	PLATE, FACE-WATER PUMP	39	27	69668	SEAL, DIVIDER PLATE	27	3
37896	GUIDE BLOCK, LINK ROD	13	35	71602	YOKE, COWL HOLD DOWN	3	5
38279	LATCH, CONTROL CABLE FASTENING	13	39	74897	PIVOT, TRIGGER PLATE	13	1
39483	LATCH, CABLE	13	22	75384	BRUSH SET	7	8
39519	CAP, BARREL RETAINER - ANCHOR BAR	15	47	75660	PLATE, DRIVE END	7	3
41052	PLUNGER, TILT LEVER RELEASE	33	14	75661	DRIVE	7	2
41094A3	LEVER, SPARK ADVANCE	13	6	75953	REED BLOCK	25	25
41095T	LEVER, THROTTLE CONTROL	13	13	76035	LINK ROD, TRIGGER PLATE	13	4
41941	DIFFUSER, EXHAUST	31	23	76214	ANODIC PLATE	43	75
42013--3	CYLINDER HEAD 2 PIECE DESIGN	25	1	76867	COVER,STARTER MOTOR (LOWER)	21	10
42248	BRACKET,FLYWHEEL COVER	21	29	77697	MOUNT, LOWER	31	5
42249	COVER,STARTER MOTOR(UPPER)	21	7	78902	SHAFT, SHIFT-LOWER	39	40
42732A2	PLATE ASSEMBLY, DRIVE SHAFT HOUSING	31	21	78956	SHIFT CAM	43	50
43429	PLATE, IGNITION	11	1	79022	MARKER, TIMING	5	2
43453	PLUG, CRANKCASE	23	40	79101T	BRACKET, MOUNTING - TACHOMETER	49	2
43567A1	BEARING CARRIER	43	69	79216	ARMATURE	7	7
43657	HOUSING,REED BLOCK	25	22	79448	COVER, GEAR HOUSING	43	74
44260	RETAINER, WATER TUBE SEAL	31	27	79480	BRACKET, MOUNTING - TRIM GAUGE	49	6
45915	TERMINAL BLOCK	25	20	79610A6	TRIM CYLINDER ASSEMBLY (79879A1 REPAIR KIT)	35	24
45915	TERMINAL BLOCK	45	6	79911	ROD, CLUTCH ACTUATOR	43	52
48039	CAP, SPARK ADVANCE LEVER STOP SCREW	13	12	79918A1	COVER ASSEMBLY, FLYWHEEL	5	1
48752	INSERT, WATER PUMP BODY	39	29	79932A11	SHIFT SHAFT ASSEMBLY	13	42
52100	WEAR PLATE, LINK ROD	13	38	85024	SHAFT, TRIM CYLINDER	35	29
54196A6	CARRIER ASSEMBLY, SEAL	29	4	85026	PLATE, PIVOT PIN	35	13
56703	COLLAR, STARTER MOTOR	5	15	85028A1	LEVER ASSEMBLY, TILT LOCK (STARBOARD)	33	11
				85030A1	LEVER ASSEMBLY, TILT LOCK (PORT)	33	11
				85035T	SPACER, TRANSOM BRACKET	35	16
				86475--1	COUPLING, TILT LOCK LEVER	33	17
				86485A5	TRIM SENDER ASSEMBLY	33	30
				86485A6	TILT SWITCH ASSEMBLY	33	30

PARTS INDEX

Part Number	Description	Pg.	Ref. No.	Part Number	Description	Pg.	Ref. No.
86580A1	BOTTOM YOKE	33	22	95067	COVER, EXHAUST		
86603	KNOB, PLUNGER	33	16		MANIFOLD	27	4
87604	THROTTLE LINK	17	25	95791	THROTTLE CAM	13	28
87607	LEVER, THROTTLE	19	22	95829	ROD, THROTTLE CONTROL	13	26
87760	PLATE, MOUNTING	45	22	96183	REED CLAMP	25	27
87762	BRACKET, HYDRAULIC			96282	COVER, TEMPERATURE		
	PUMP	45	27		SENDER (NOT USED WITH		
87828	MOTOR, POWER TRIM	47	11		REF#5)	25	17
87871	COVER, INLET-HYDRAULIC			96283T	COVER, CYLINDER 2 PIECE		
	HOSE	35	36		DESIGN	25	3
88075	RETAINER, HARNESS TO			96455A11	TRIGGER PLATE ASSEMBLY	5	13
	MOUNTING BRACKET	45	11	96598	MANUAL RELEASE		
88342	STRAP, SWITCH AND				(INCLUDES 3 "O" RINGS)	47	3
	SENDER	33	32	97465	TEMPERATURE SENDER	25	16
88369	BAFFLE	19	29	98889	LATCH, CONTROL CABLE	15	48
88825A7	VOLTAGE REGULATOR	27	12	99169A1	PLATE, DIVIDER	27	2
89484	END FRAME, DRIVE END	47	12	99170A1	TILT TUBE	35	9
89485	ARMATURE	47	13	99193	COVER, RELIEF VALVE	27	6
89486	FIELD AND FRAME	47	15	99264--1	PLATE, COWL BASE	3	20
89487	BRUSH CARD	47	16	N.S.S.	PINION GEAR (PART OF 43-		
89488	END FRAME, COMMUTATOR				44104A2)	39	14
	END	47	17	N.S.S.	PLATE, COVER	19	4
89491--1	KEY-Ignition Switch (1A)	51	-	N.S.S.	REVERSE GEAR (PART OF		
89491--2	KEY-Ignition Switch (1B)	51	-		43-44104A2)	43	65
89491--3	KEY-Ignition Switch (1C)	51	-	N.S.S.	WASHER, THRU BOLT		
89491--4	KEY-Ignition Switch (1D)	51	-		(AMERICAN BOSCH		
89491--5	KEY-Ignition Switch (1E)	51	-		#WA3122)	7	6
89491--6	KEY-Ignition Switch (1F)	51	-	10-14000	SCREW, STEERING LINK TO		
89491--7	KEY-Ignition Switch (2A)	51	-		STEERING ARM (1-1/2")	33	27
89491--8	KEY-Ignition Switch (2B)	51	-	10-14834	SCREW, DRAIN (MAGNETIC)	41	48
89491--9	KEY-Ignition Switch (2C)	51	-	10-15124	SCREW, THROTTLE LEVERS		
89491-10	KEY-Ignition Switch (2D)	51	-		TO THROTTLE LINK (3/4")	17	27
89491-11	KEY-Ignition Switch (2E)	51	-	10-18308	SCREW, REEDS TO REED		
89491-12	KEY-Ignition Switch (2F)	51	-		BLOCK	25	28
89492	ADAPTOR	47	1	10-21558	SCREW, REED BLOCK		
89493	COUPLING	47	2		ATTACHING (3/4")	25	29
89494	MANUAL RELEASE			10-22486	SCREW, CABLE LATCH TO		
	(INCLUDES 2 "O" RINGS)	47	3		THROTTLE LEVER	13	23
89495	PUMP (INCLUDES SCREWS)	47	4	10-24220	SCREW, SET- CYLINDER		
89499	DIPSTICK	47	8		BLOCK (3/16")	21	20
89594A1	FOLLOWER, CAM	43	51	10-28636	SCREW, PLATE TO		
89949A1	PLATE ASSEMBLY,				TRANSOM BRACKET	35	14
	TRANSOM BRACKET	35	19	10-28636	SCREW, REATINER	31	28
90318	BRACKET, MOUNTING -			10-28636	SCREW, LOWER END CAP		
	STARTER SOLENOID	45	2		TO CYLINDER BLOCK(
90345	BRACKET, PRIMER				3/4")	21	34
	SOLENOID	9	1	10-28668	SCREW, REED BLOCK		
90390A1	COVER, THERMOSTAT	25	10		HOUSING (7/8")	25	23
90587	RESERVOIR	47	9	10-30206	SCREW, GEAR HOUSING	43	79
90645	DRIVE KIT	7	1	10-31716	SCREW, SOLENOID TO		
92032A2	BRACKET, ANCHOR -				IGNITION PLATE (5/8")	11	26
	CONTROL CABLES	13	33	10-31830	BOLT, BRACKET TO		
92459A4	HYDRAULIC PUMP				TRANSOM (3-1/2")	45	28
	ASSEMBLY	45	1	10-35386	SCREW, THERMOSTAT		
92459A4	HYDRAULIC PUMP				COVER (1") (QTY. OF 4		
	ASSEMBLY	47	-		WITH REF #5)	25	11
92876A1	STEERING LINK ASSEMBLY	33	26	10-35401	SCREW, ALARM HORN	49	16
93332A1	THROTTLE LEVER	17	26	10-36070	SCREW, INLET COVER	37	39
94275	CONNECTOR, SOLENOID			10-36137	SCREW	17	35
	TO SOLENOID	45	16	10-37572	SCREW, TIMING MARKER	5	3

PARTS INDEX

Part Number	Description	Pg.	Ref. No.	Part Number	Description	Pg.	Ref. No.
10-38055	SCREW, CABLE TO IGNITION PLATE (5/8")	11	10	10-69570	SCREW, FRONT COVER	3	3
10-38055	SCREW, RECTIFIER TO IGNITION PLATE (5/8")	11	18	10-70732	SCREW, SPACER TO TRANSOM BREACKET	35	17
10-38601	SCREW, PLATE TO BOTTOM COWL	3	21	10-73657	SCREW, COVER TO CRANKCASE(1-1/2")	21	8
10-39349	SCREW, MOUNTING PLATE TO BRACKET (3/4")	45	23	10-74824	SCREW, COVER AND PLATE TO CYLINDER BLOCK (1-1/4")	27	5
10-41506	SCREW, PLUG TO CRANKCASE	23	42	10-74824	SCREW, CRANKCASE TO CYLINDER BLOCK(1-1/4")	21	14
10-41508	SCREW, STARTER SOLENOID TO BRACKET (3/8")	45	13	10-74824	SCREW, CYLINDER COVER 2 PIECE DESIGN	25	4
10-42975	SCREW, LATCH	15	49	10-74968	BOLT, THRU	7	4
10-48409	SCREW, VOLTAGE REGULATOR	27	13	10-76566	SCREW, STATOR	5	11
10-48409	SCREW, RETAINER	45	31	10-77065	SCREW, THERMOSTAT COVER (2") (NOT USED WITH REF#5)	25	11
10-49668	SCREW, BRACKET TO CRANKCASE(3/4")	21	30	10-77065	SCREW, COVER TO CRANKCASE(2")	21	11
10-53167	SCREW, ANCHOR BRACKET ATTACHING	13	34	10-79953	SCREW, GREASE FILLER	41	47
10-53167	SCREW, COVER TO CYLINDER BLOCK	27	7	10-86509	SCREW, SOLENOID TO BRACKET	9	5
10-55337	SCREW, THROTTLE LEVER/ADVANCE LEVER (1-3/4")	13	14	10-87180	BOLT, TILT	35	7
10-62568	SCREW, WIRE ATTACHING	11	9	10-87926	SCREW, COVER	39	4
10-63474	SCREW, LOWER MOUNT	31	4	10-87926	SCREW, STRAP TO SWIVEL BRACKET	33	33
10-64022	SCREW, SPARK ADVANCE LEVER - STOP	13	7	10-88417	SCREW, COVER ATTACHING (5/8")	31	11
10-64022	SCREW, THROTTLE LEVER - STOP (2-1/8")	13	19	10-88447	SCREW, IGNITION COIL COVER (1-5/8")	5	24
10-64022	SCREW, ADJUSTING-CYLINDER BLOCK	21	36	10-88829	SCREW, CLAMP TO TRANSOM BRACKET	35	22
10-66024	SCREW, TRIM TAB TO GEAR HOUSING (1-3/4")	43	76	10-89483	THRU BOLT, MOTOR (4-1/4")	47	18
10-66717	SCREW, CRANKCASE TO CYLINDER BLOCK(3-1/4")	21	14	10-89489	THRU BOLT, MOTOR (4-9/16")	47	18
10-67755--1	SCREW, BRACKET TO TRANSOM (4-1/2")	35	4	10-89996	SCREW, PLATE TO TRANSOM BRACKET	35	20
10-67755--2	SCREW, BRACKET TO TRANSOM (6-1/2")	35	3	10-90271	SCREW, HYDRAULIC PUMP (5/8")	45	25
10-67769	SCREW, STRAP TO DRIVE SHAFT HOUSING	31	14	10-90285	SCREW, MOUNTING BRACKET (5/8")	45	3
10-68513	SCREW, GROUND STRAP	5	33	10-90588	SCREW, RESERVOIR (INCLUDES "O" RING)	47	10
10-68586	SCREW, BRUSH AND HOLDER	7	10	10-90815	SCREW, SWITCH BOX TO IGNITION PLATE	11	3
10-69028	SCREW, CLIP TO BOTTOM COWL	17	19	10-91903	SCREW, ADAPTOR TO DRIVE SHAFT HOUSING (1-3/4")	31	35
10-69034	SCREW, UPPER END CAP TO CYLINDER BLOCK(1")	21	19	10-92913	SCREW, ADAPTOR (3/4")	31	35
10-69035	SCREW, CABLE TO STARTER MOTOR	5	20	10-93886	SCREW, CONNECTING ROD	29	13
10-69079	SCREW, WIRE TO TERMINAL BLOCK	45	7	10-94929	SCREW, CYLINDER HEAD	25	7
10-69079	SCREW, TERMINAL BLOCK TO CYLINDER BLOCK	25	21	10-96411	SCREW, WATER PUMP (2-1/4")	39	33
10-69092	SCREW, IGNITION PLATE (1-1/4")	11	12	10-96529	SCREW, REED BLOCK ATTACHING(2")	25	30
				10-98253	SCREW, SOLENOID BRACKET	9	2
				10-98256	SCREW, CLAMP TO SWIVEL BRACKET	33	35

PARTS INDEX

Part Number	Description	Pg.	Ref. No.	Part Number	Description	Pg.	Ref. No.
11-13436	NUT, WATER PUMP STUD	39	37	11-64015	NUT, SPARK ADVANCE		
11-13438	NUT, WATER PUMP STUD	39	35		STOP SCREW	13	8
11-20184	NUT, CARBURETOR STUD	17	14	11-64015	NUT, THROTTLE LEVER		
11-20220	NUT, TILT BOLT	35	8		STOP SCREW	13	20
11-20586	NUT, CABLE LATCH SCREW	13	25	11-67980	NUT, SOLENOID TERMINALS	11	30
11-20890	NUT, STARTER MOTOR			11-68219	NUT, INLET COVER SCREW	37	41
	TERMINAL	5	18	11-68219	NUT, LINK ROD	13	3
11-21825	NUT, FUSE TERMINAL	45	21	11-68219	NUT, SPARK ADVANCE		
11-24883	NUT, BRACKET SCREW	45	30		LEVER STOP SCREW	13	11
11-25096	NUT, LOWER MOUNT			11-73651	NUT, FLYWHEEL COVER		
	SCREW	31	7		STUD	21	27
11-25269	NUT, STRAP TO DRIVE			11-89481	NUT, THRU BOLT AND STUD	47	19
	SHAFT HOUSING SCREW	31	15	11-90068T	NUT, TILT TUBE (1"-14)	35	11
11-26419	NUT, STARTER SOLENOID			11-93543	NUT, IGNITION SWITCH	51	7
	TERMINAL (#8-32)	45	14	11-94330	NUT, STARTER SOLENOID		
11-26419	NUT, TACHOMETER				TERMINAL (1/4-20)	45	15
	TERMINAL (#8-32)	49	3	12-19183	WASHER, GREASE FILLER		
11-26419	NUT, TRIM GAUGE				AND DRAIN SCREW	41	49
	TERMINAL (8-32)	49	9	12-20128	WASHER	3	10
11-30506	NUT, EXTENSION STUD	31	25	12-20128	WASHER, YOKE RIVET	3	7
11-34059	NUT, MOUNTING BRACKET			12-20533	WASHER, EXTENSION STUD	31	24
	TO HYDRAULIC PUMP	45	5	12-22753	WASHER, CLAMP STUD	31	38
11-34863	NUT, POWERHEAD STUD(12-22887	WASHER, FRONT COVER		
	THIN)	31	17		SCREW	3	4
11-34863	NUT, STEERING LINK			12-25909	WASHER, CYLINDER HEAD		
	SCREW	33	28		SCREW	25	8
11-34932	NUT, POWERHEAD STUD(12-26427	WASHER, ALARM HORN	49	15
	FULL)	31	17	12-28421	WASHER, BRACKET SCREW	35	5
11-34933	NUT, DRIVE SHAFT			12-29245	WASHER	17	36
	HOUSING STUDS	43	78	12-29245	WASHER, CLAMP SCREW	33	36
11-34933	NUT, GEAR HOUSING STUD	31	19	12-29245	WASHER, CLIP SCREW	17	20
11-34933	NUT, TOP MOUNT STUD	31	32	12-29245	WASHER, PLAGE SCREW	35	15
11-35000	NUT, BRACKET SCREW	35	6	12-29245	WASHER, SPACER SCREW	35	18
11-35521	NUT, NYLON - COVER TO			12-29245	WASHER, WATER PUMP		
	CLAMP SCREW	31	12		SCREW AND STUD	39	34
11-35814	NUT, CLAMP STUD	31	39	12-30164	WASHER, COVER SCREW	5	32
11-35888	NUT, CLIP SCREW	17	22	12-34931	WASHER, STEERING LINK		
11-35921	NUT, PINION GEAER TO				TO STEERING ARM	33	29
	DRIVE SHAFT	39	16	12-35462	WASHER, LINK ROD	15	45
11-36069	NUT, LINK ROD	13	41	12-36001	WASHER, WATER PUMP		
11-36069	NUT, LINK ROD TO SHIFT				STUD	39	36
	SHAFT	15	46	12-36042	WASHER, IGNITION PLATE		
11-36069	NUT, PLATE SCREW	3	22		SCREW	11	14
11-36069	NUT, THROTTLE CAM STUD	13	31	12-45175	WASHER, POWERHEAD		
11-42633	NUT, DRIVE SHAFT				STUD	31	16
	BEARING	39	19	12-45176	WASHER, ADAPTOR SCREW	31	36
11-45076	NUT, IGNITION COIL			12-45176	WASHER, DRIVE SHAFT		
	TERMINAL	5	25		HOUSING STUDS	43	77
11-45076	NUT, RECTIFIER			12-45176	WASHER, GEAR HOUSING		
	TERMINALS	11	19		STUD	31	18
11-45076	NUT, SOLENOID TERMINALS	11	29	12-45176	WASHER, TOP MOUNT		
11-45076	NUT, SWITCH BOX				STUD	31	31
	TERMINAL	11	7	12-47247	WASHER, NEEDLE		
11-45076	NUT, VOLTAGE				LOCATING	29	14
	REGULATOR	27	15	12-47533	WASHER, SUBSTITUTE FOR		
11-46438	NUT, BALL JOINT	13	5		THERMOSTAT	25	18
11-52707A1	PROPELLER NUT	43	81	12-49221--1	WASHER, FLYWHEEL		
11-52901	NUT, FLYWHEEL	5	5		COVER STUD	21	25
11-56041	NUT, TILT TUBE (7/8-14)	35	11	12-49339	WASHER, LOWER MOUNT		
					SCREW	31	6

PARTS INDEX

Part Number	Description	Pg.	Ref. No.	Part Number	Description	Pg.	Ref. No.
12-56681	WASHER, THROTTLE LEVERS SCREW	17	29	13-78854	WAVE WASHER, BOTTOM YOKE	33	21
12-56720	WASHER, MOUNTING BRACKET SCREW	45	4	13-88750	WAVE WASHER, TILT TUBE	35	10
12-67264	WASHER, IGNITION PLATE SCREW (RUBBER)	11	15	14-31210	TAB WASHER, PROPELLER NUT	43	82
12-67670	WASHER, THRUST-SWIVEL BRACKET	33	24	14-79447	TAB WASHER, GEAR HOUSING COVER	43	73
12-68229	WASHER, FLYWHEEL	5	6	15-42637A1	SHIM ASSEMBLY, ROLLER BEARING TO GEAR	39	17
12-68410	WASHER, SPARK ADVANCE LEVER	13	18	15-47397A1	SHIM, OUTER RACE (.002-3-5-10)	43	56
12-69056	WASHER, LATCH	13	40	16-15093	STUD, FLYWHEEL COVER TO BRACKET(1")	21	23
12-72761	WASHER, TIMING MARKER SCREW	5	4	16-15094	STUD, FLYWHEEL COVER TO CYLINDER BLOCK(1-7/8")	21	22
12-72761	WASHER, FLYWHEEL COVER STUD	21	26	16-17805	STUD, TOP MOUNT	31	30
12-77674	WASHER, RUBBER-SHIFT SHAFT BUSHING	41	46	16-20353	STUD, THROTTLE CAM ATTACHING	13	29
12-78910	WASHER, SPRING	43	55	16-27037	STUD, CARBURETOR MOUNTING	25	31
12-85022	WASHER, TRANSOM BRACKET	35	26	16-30667	STUD, WATER PUMP (3-1/4")	39	9
12-87161	WASHER, TILT LOCK LEVER	33	9	16-56295	STUD, DRIVE SHAFT HOUSING/GEAR HOUSING	31	2
12-89302	WASHER, CLEVIS PIN	17	31	16-56297	STUD, WATER PUMP (3-3/8")	39	8
12-89482	WASHER, THRUST-ARMATURE	47	14	16-57920	STUD, GEAR HOUSING (2-1/16")	39	7
12-92721	WASHER, PINION GEAR	39	15	16-66021	STUD, EXTENSION TO PLATE	31	22
12-96457	WASHER, FUSE TERMINAL	45	20	16-69058	STUD, LOWER MOUNT CLAMP	31	37
13-26992	LOCKWASHER, BRACKET SCREW	9	3	16-78638	STUD, GEAR HOUSING (3-1/8")	39	6
13-26992	LOCKWASHER, RETAINER SCREW	31	29	16-88876	STUD, PLUNGER	33	15
13-26992	LOCKWASHER, SOLENOID TO IGNITION PLATE SCREW	11	27	16-90589	THRU STUD (SHORT)	47	11
13-26992	LOCKWASHER, STARTER MOTOR TERMINAL	5	17	16-90590	THRU STUD (LONG)	47	11
13-26992	LOCKWASHER, LOWER END CAP SCREW	21	35	16-96908	STUD, POWERHEAD (2-3/16")	21	2
13-26993	LOCKWASHER, IGNITION PLATE SCREW	11	13	16-96909	STUD, POWERHEAD(7")	21	2
13-26993	LOCKWASHER, MOUNTING PLATE SCREW	45	24	16-96910	STUD, POWERHEAD(5-3/4")	21	2
13-26993	LOCKWASHER, STARTER MOTOR COVER SCREW	21	9	16-97008	STUD, POWERHEAD (2")	21	2
13-26995	LOCKWASHER, SOLENOID SCREW	9	6	17-12146	RIVET, YOKE TO COWL	3	6
13-26995	LOCKWASHER, TRIM GAUGE TERMINAL (#8)	49	10	17-12147	RIVET, TRIM MOLDING	3	18
13-26996	LOCKWASHER, CLAMP SCREW	35	23	17-12148	RIVET, RETAINER	3	15
13-26996	LOCKWASHER, INLET COVER SCREW	37	40	17-14908	RIVET, RETAINER	3	16
13-26996	LOCKWASHER, STATOR SCREW	5	12	17-20033	DOWEL PIN, LOCATING	31	33
13-26996	LOCKWASHER, THROTTLE LEVERS SCREW	17	28	17-20033	DOWEL PIN, LOCATING	21	4
13-29720	WAVE WASHER, LINK ROD	13	43	17-20033	DOWEL PIN, GEARE HOUSING LOCATING	39	5
13-58643	LOCKWASHER, BRACKET SCREW	45	29	17-42671	CROSS PIN, RATCHET	43	62
				17-58712	CLEVIS PIN	3	9
				17-67296	DOWEL PIN, CYLINDER BLOCK (BEARING RACE)	21	5
				17-67297	CLEVIS PIN, THROTTLE LEVERS TO THROTTLE LINK	17	30
				17-67706A13	SWIVEL PIN AND STEERING ARM ASSEMBLY	33	25
				17-69745	PIN, LEVER TO COUPLING	33	18
				17-78906	PIN, SPRING LOCATOR	43	53

PARTS INDEX

Part Number	Description	Pg.	Ref. No.	Part Number	Description	Pg.	Ref. No.
17-78909	DETENT PIN, RATCHET . . .	43	60	23-67269	SPACER, FLYWHEEL COVER		
17-85020	PIVOT PIN, TRIM CYLINDER	35	28		STUD	21	24
17-88457	RIVET, BAFFLE	19	30	23-67668	SPACER, SWIVEL BRACKET-		
17-91862	PIN, TRIM CYLINDER	35	31		UPPER	33	5
18-21071	COTTER PIN	3	11	23-67669	BUSHING, SEIVEL		
18-26953	COTTER PIN, CLEVIS PIN . .	17	32		BRACKET-LOWER AND		
18-93861	COTTER PIN, COUPLING				UPPER	33	3
	SPRING	33	20	23-77631A2	BUSHING ASSEMBLY, SHIFT		
19-64649	PLUG, DRIVE SHAFT				SHAFT	41	44
	HOUSING	31	3	23-79697	SPACER, ALARM HORN . . .	49	14
21-42623	CHECK VALVE, BLEED			23-85872	BUSHING, TRIM HARNESS .	51	3
	HOSE (PRESS-IN - 11/16"			23-86489	BUSHING, TRIM CYLINDER	35	25
	LONG)	25	35	23-86600	BUSHING, TILT LEVER		
21-42698	CHECK VALVE, BLEED HOSE				RELEASE	33	12
	(PRESS-IN - 13/16" LONG)	25	35	23-86637	BEARING, TRIM SHAFT . . .	35	30
22-13820	PIPE PLUG	39	12	23-94304	BUSHING, SWITCH BOX		
22-14685	PLUG, BOTTOM COWL	3	19		SCREW	11	31
22-15133	ELBOW, PRIMER HOSE			23-94453	BUSHING, SWITCH BOX		
	(PRESS IN)	25	32		SCREW	11	5
22-15814	FITTING, CARBURETOR			24-20099	SPRING, CABLE LATCH TO		
	(TOP)	17	8		THROTTLE LEVER	13	24
22-28586	FITTING, STRAIGHT	17	4	24-20099	SPRING, LINK ROD TO		
22-32561	PIPE PLUG, CRANKCASE . .	23	39		GUIDE BLOCK	13	36
22-38407	PLUG, CYLINDER BLOCK			24-30316	SPRING, TRIM CYLINDER . .	35	27
	(WATER JACKET)	21	21	24-41050	SPRING, THROTTLE		
22-47945	PIPE PLUG (TOP)	17	7		RETURN	13	32
22-53492	TEE, CARBURETOR			24-68784	SPRING, THROTTLE AND		
	(CENTER)	17	9		SPARK ADVANCE LEVER	13	17
22-56759	FITTING, BLEED HOSE(24-78962	SPRING, RETAINING -		
	PRESS IN)	25	33		CROSS PIN	43	63
22-56800	PLUG, CRANKCASE	21	13	24-79910	SPRING, COMPRESSION . .	43	54
22-62006	ELBOW, SOLENOID (90			24-85367	SPRING, TILT LEVER		
	DEGREES)	9	8		RELEASE	33	13
22-68727	FITTING	27	10	24-88049	SPRING, TENSION-		
22-68727	FITTING, ELBOW - WATER				COUPLING	33	19
	HORSES (STARBOARD) .	25	12	25-12602	GROMMET, HYDRAULIC		
22-68728	FITTING, THERMOSTAT				HOSES	35	34
	COVER TO WATER			25-25439	"O" RING, SHIFT SHAFT		
	HOSES (PORT)	25	14		BUSHING	41	43
22-70834	BAYONET	17	24	25-30271	RING, RUBBER (DRIVE		
22-74036	FITTING, GREASE	33	4		SHAFT)	39	38
22-77059	FITTING, SOLENOID (45			25-31534	"O" RING, BEARING		
	DEGREES)	9	9		CARRIER	43	68
22-87207	CONNECTOR, HYDRAULIC			25-32509	"O" RING, CRANKCASE PLUG	23	41
	HOSE	35	35	25-33466	"O" RING, SEIVEL BRACKET-		
22-94090	ELBOW (90 DEGREE)	17	5		UPPER	33	6
22-94282	ELBOW, CARBURETOR			25-39695	"O" RING, COVER	39	3
	(BOTTOM)	17	10	25-45507	GROMMET, INLET COVER . .	37	38
23-26600	BUSHING, NYLON - LINK			25-48171	"O" RING, TILT LOCL LEVEL	33	10
	ROD	15	44	25-54029	"O" RING, END CAP	21	16
23-26856	BUSHING, THROTTLE CAM	13	30	25-62700	"O" RING, END CAP(3-1/4"		
23-27132	BUSHING, SHIFT SHAFT . . .	31	34		I.D.)	21	32
23-29804	SLEEVE, GUIDE-WATER			25-88341	GROMMET, SWIVEL		
	INLET TUBE	39	39		BRACKET	33	7
23-43998	SLEEVE, LUBRICATION . . .	39	11	25-89497	"O" RING, RESERVOIR END	47	7
23-55164	BUSHING, THROTTLE			25-89498	"O" RING, MOTOR END . . .	47	6
	LEVER	13	15	25-90011	"O" RING, WATER PUMP . . .	39	22
23-55171	BUSHING, SPARK ADVANCE			26-16977	OIL SEAL, WATER PUMP . .	39	24
	LEVER	13	16	26-38970	SEAL, RUBBER-WATER		
					INLET TUBE	39	30

PARTS INDEX

Part Number	Description	Pg.	Ref. No.	Part Number	Description	Pg.	Ref. No.
26-38970	SEAL, WATER TUBE	31	26	32-66285--4	HOSE, OVERFLOW	17	6
26-41953	OIL SEAL,, END CAP	21	18	32-66285--4	HOSE, SOLENOID	9	10
26-41953	OIL SEAL,END CAP	21	33	32-66285--4	HOSE,PULSE	25	34
26-76384	OIL SEAL, SHIFT SHAFT BUSHING	41	45	32-67295	TUBE, WATER	31	20
26-76868	OIL SEAL, BEARING CARRIER	43	71	32-77457--2	FUEL LINE	17	18
26-85023	OIL SEAL, SWIVEL BRACKET	33	8	32-77457--2	HOSE	27	11
26-87735	OIL SEAL, SEIVEL BRACKET (LOWER)	33	2	32-77690	HOSE, WATER DISTRIBUTION	25	13
26-89238	OIL SEAL, WATER PUMP	39	23	32-89023	WRAPPING (1/4")	9	7
27-11338	GASKET,SEALING	21	6	32-89024	HOSE, HYDRAULIC (STARBOARD)	35	33
27-14830A88	GASKET SET	1	-	32-96993	HOSE, HYDRAULIC (PORT)	35	33
27-18051	GASKET, LOWER-WATER PUMP	39	25	32-96994	HOSE, HYDRAULIC- STARBOARD	35	32
27-18350	GASKET,CYLINDER HEAD	25	6	33-97180	SPARK PLUG	5	30
27-42631--1	GASKET, WATER PUMP TO GEAR HSG	39	21	34-14594A1	REED ASSEMBLY(2 STAGE)	25	26
27-62386	GASKET,THERMOSTAT	25	9	35-89496	FILTER	47	5
27-78069	GASKET, EXHAUST PLATE	27	9	35-93011	FUEL FILTER	17	16
27-85609--1	GASKET, UPPER-WATER PUMP	39	26	37-13813A4	DECAL SET	3	12
27-87775	GASKET, INLET COVER	37	37	39-44395A12	PISTON RING ASSEMBLY	29	10
27-88907	GASKET, RELIEF VALVE PLATE	27	8	39-67377	RING, SEALING - CRANKSHAFT (.124 THICK)	29	6
27-89221--1	GASKET, CARBURETOR PLATE	17	15	39-813011A12	PISTON RING ASSEMBLY	29	10
27-90430--1	GASKET, CARBURETOR	17	13	40-17977	LOCK RING, PISTON	29	11
27-90484	GASKET, DIVIDER PLATE	27	1	40-52035	LOCK RING, PISTON	29	11
27-96278	GASKET,CYLINDER COVER 2 PIECE DESIGN	25	2	43-44104A2	FORWARD GEAR ASSEMBLY	43	58
27-96761--1	GASKET,REED BLOCK HOUSING	25	24	44-17915	PROPELLER SHAFT	43	64
28-30281	KEY, LOCATING - BEARING CARRIER	43	72	45-44000	DRIVE SHAFT	39	13
28-56654	KEY, IMPELLER DRIVE	39	32	46-44292A3	WATER PUMP BASE ASSEMBLY	39	20
29-67483	NEEDLE BEARING, PISTON END	29	16	46-96148A1	WATER PUMP BODY ASSEMBLY	39	28
30-17927	BALL BEARING, - REVERSE GEAR	43	67	47-89984	IMPELLER, WATER PUMP	39	31
30-41421	BALL BEARING, CRANKSHAFT (LOWER)	29	2	50-79472	STARTER MOTOR	5	14
31-17514A1	ROLLER BEARING ASSEMBLY, CRANKSHAFT END	29	15	50-79472	STARTER MOTOR ASSEMBLY	7	-
31-30956	ROLLER BEARING, BEARING CARRIER	43	70	52-42672	RATCHET, SLIDING CLUTCH	43	61
31-36387A1	ROLLER BEARING, DRIVE SHAFT	39	18	53-29641	"E" RING, RETAINING-SHIFT SHAFT	39	41
31-42647A1	ROLLER BEEARING, DRIVE SHAFT	39	10	53-67444	RETAINING RING, ROLLER BEARING	29	8
31-73363	ROLLER BEARING (TORRINGTON #BH-1610)	43	59	53-67446	RETAING RING, BALL BEARING	29	3
31-78172A1	TAPERED ROLLER BEARING	43	57	53-67684	RETAINING RING, BOTTOM YOKE	33	23
31-93495	ROLLER BEARING, CRANKSHAFT	29	7	53-78907	RETAINING RING	39	42
31-93496	ROLLER BEARING,END CAP	21	17	54-47483	'J' CLAMP (STARBOARD)	5	34
32-11635	TUBE,WATER	21	28	54-47483	J-CLAMP	25	19
				54-53020	CLIP, FUEL FILTER	17	21
				54-54428	CLAMP, FUEL LINE	17	17
				54-54457	CLAMP, SWITCH AND SENDER LEADS	33	34
				54-60564	CLAMP, HOSE	9	11
				54-64235--2	'J' CLAMP (PORT)	5	34
				54-67076	CLAMP, LOWER MOUNT	31	8
				54-75275	CLMAP, HYDRAULIC HOSE	35	21
				54-88512	CLAMP, HYDRAULIC HOSE	35	21

PARTS INDEX

Part Number	Description	Pg.	Ref. No.	Part Number	Description	Pg.	Ref. No.
54-90077	CLAMP, FUEL LINE	17	12	89-68258A4	STARTER SOLENIOD	11	25
54-90077	STA-STRAP, HARNESS AND CABLES	11	24	89-76886A2	PRIMER SOLENOID ASSEMBLY	9	4
54-90077	STA-STRAP, WATER HOSES	25	15	89-96158	SOLENOID	45	12
79-15113A4	TRIM GAUGE	49	5	90-11113880	OWNER'S GUIDE	1	-
79-93953A1	TACHOMETER	49	1	90-813062	PARTS MANUAL	1	-
84-13397A1	HARNESS ASSEMBLY	27	14	249-6080A5	FLYWHEEL ASSEMBLY	5	7
84-60871A10	WIRE, SWITCH BOX	11	8	332-7778A4	SWITCH BOX	11	2
84-62310A2	CABLE ASSEMBLY, SWITCH BOX TO SWITCH BOX	11	6	339-7370A13	COIL ASSEMBLY, IGNITION	5	22
84-65017A14	HARNESS, TILT SWITCH	33	31	398-5454A55	STATOR ASSEMBLY	5	10
84-65017A15	HARNESS TRIM SENDER	33	31	455-7666A4	CRANKSHAFT ASSEMBLY	29	1
84-65999A2	CABLE ASSEMBLY, UPPER MOUNT (BLACK)	11	28	636-8119A5	CONNECTING ROD ASSEMBLY	29	12
84-65999A3	CABLE ASSEMBLY, BLACK	11	11	766-812534A2	PISTON ASSEMBLY (STARBOARD)	29	9
84-69738A7	HARNESS ASSEMBLY, COIL TO SWITCH BOX (#2, 4 AND 6)	5	31	766-812535A2	PISTON ASSEMBLY (PORT)	29	9
84-69739A2	HARNESS ASSEMBLY, COIL TO SWITCH BOX (#1, 3 AND 5)	5	31	766-813065A6	PISTON ASSEMBLY (PORT)	29	9
84-79138A9	BATTERY CABLE, BLACK (NEGATIVE)	45	8	766-813066A6	PISTON ASSEMBLY (STARBOARD)	29	9
84-79139A12	BATTERY CABLE, RED (POSITIVE)	45	18	858-812357A6	CYLINDER BLOCK (SERIAL#C175000 AND UP)	21	1
84-79147A3	HARNESS ASSEMBLY, HYDRAULIC PUMP	45	9	858-9424A14	CYLINDER BLOCK (SERIAL #B290066 THRU C174999)	21	1
84-813715A9	CABLE, HIGH TENSION	5	28	1156-7809A1	END CAP ASSEMBLY, LOWER	21	31
84-86228A15	HARNESS ASSEMBLY, TRIM WIRE, SOLENOID TO SOLENOID (BLACK)	45	17	1159-8454A2	END CAP ASSEMBLY, UPPER	21	15
84-86322A7	WIRE, TRIM GAUGE (BLACK - 1-1/2")	49	4	1374-9663A14	CARBURETOR ASSEMBLY (TOP)	17	1
84-86323A5	WIRE, TRIM GAUGE (PURPLE - 1-1/2")	49	4	1374-9663A14	CARBURETOR ASSEMBLY (TOP)	19	1
84-86353A1	WIRING HARNESS ASSEMBLY	51	1	1374-9663A16	CARBURETOR ASSEMBLY (CENTER)	19	1
84-86396A8	HARNESS	49	11	1374-9663A16	CARBURETOR ASSEMBLY (CENTER)	17	2
84-88439A14	BATTERY CABLE, POSITIVE	11	20	1374-9663A18	CARBURETOR ASSEMBLY (BOTTOM)	17	3
84-88439A2	BATTERY CABLE, NEGATIVE	11	20	1395-4541	CARBURETOR ASSEMBLY (BOTTOM)	19	1
84-88807A6	GROUND STRAP, IGNITION COIL (BLACK)	5	26	1395-6022	PLUG, IDLE AIR BLEED JET	19	18
84-93388A1	WIRE, PLATE TO STARTER MOTOR (BLACK)	5	21	1395-6025	SHAFT, THROTTLE	19	25
84-93389A5	WIRE, SOLENOID TO STARTER MOTOR (YELLOW)	5	19	1395-6027	PLUG, MAIN JET	19	8
84-96220A4	HARNESS, ENGINE	11	21	1395-6027	SCREW, THROTTLE LEVER	19	21
85-86319	INSULATOR, WIRING HARNESS	51	8	1395-6031	SPACER, THROTTLE LEVER	19	24
87-86320	MICRO SWITCH	51	4	1395-7822	FUEL BOWL	19	6
87-88107	IGNITION SWITCH (See Below for Replacement Keys)	51	6	1395-7824	INLET NEEDLE AND SEAT ASSEMBLY	19	13
87-91941	TOGGLE SWITCH	51	5	1395-8423	JET, MAIN FUEL(.094)	19	10
88-72729	LIGHT BULB, TRIM GAUGE	49	7	1395-9267	FLOAT	19	15
88-79023A10	FUSE (110 AMP)	45	19	1395-9416	THROTTLE VALVE	19	27
88-79091	FUSE	11	22	1399-5317	JET, IDLE AIR BLEED(.046)	19	20
88-79091	FUSE (20 AMP)	45	10	1491-9225A3	SWIVEL BRACKET ASSEMBLY	33	1
88-79888	SOCKET, TRIM GAUGE	49	8	1494-7476T1	BRACKET, TRANSOM (PORT)	35	1
				1495-7478T1	BRACKET, TRANSOM (STARBOARD)	35	2
				1590-8837A5	DRIVE SHAFT HOUSING ASSEMBLY	31	1

PARTS INDEX

Part Number	Description	Pg.	Ref. No.	Part Number	Description	Pg.	Ref. No.
1647-9560A14	GEAR HOUSING ASSEMBLY, COMPLETE	39	-				
1647-9560A14	GEAR HOUSING ASSEMBLY, COMPLETE	43	-				
1647-9560A8	GEAR HOUSING ASSEMBLY (BASIC)	39	1				
2167-9442A5	TOP COWL ASSEMBLY	3	1				