



PARTS CATALOG

15 H.P. K

SERIAL NUMBER

15K M 6M7-100101 AND UP
15K ML 6M7-400101 AND UP

TABLE OF CONTENTS:

C.D.I. MAGNETO	6
CARBURETOR	16
CLAMP AND SWIVEL BRACKET	28
CLAMP AND SWIVEL BRACKET	30
COWLING	2
CRANKCASE AND CYLINDER HEAD	8
CRANKSHAFT AND PISTON	10
DRIVESHAFT HOUSING	36
FUEL PUMP/FUEL LINES	20
FUEL TANK AND FUEL LINE ASSEMBLY	50
GEAR HOUSING ASSEMBLY	38
GEAR HOUSING ASSEMBLY	42
GEAR SHIFT LINKAGE	24
INTAKE MANIFOLD AND CHOKE	14
LOWER GEAR HOUSING	46
MOUNTING SYSTEM	32
OPTIONAL PARTS	48
PARTS INDEX	52
RECOIL STARTER	4
STEERING HANDLE	26
THROTTLE LINKAGE	34

NOTE: Indented description indicate that these parts are included in preceding assembly.

AR = As Required

NSS = Not Sold Separate

OPT = Optional

NS = Not Shown

NOTE: Following symbols are located in **SYM** column.

● = COMPONENT OF POWERHEAD

⊕ = COMPONENT OF CARB REPAIR KIT

■ = COMPONENT OF LOWER UNIT GASKET SET

† = SUPERSEDES TO ANOTHER PART NUMBER

◇ = COMPONENT OF POWERHEAD GASKET SET

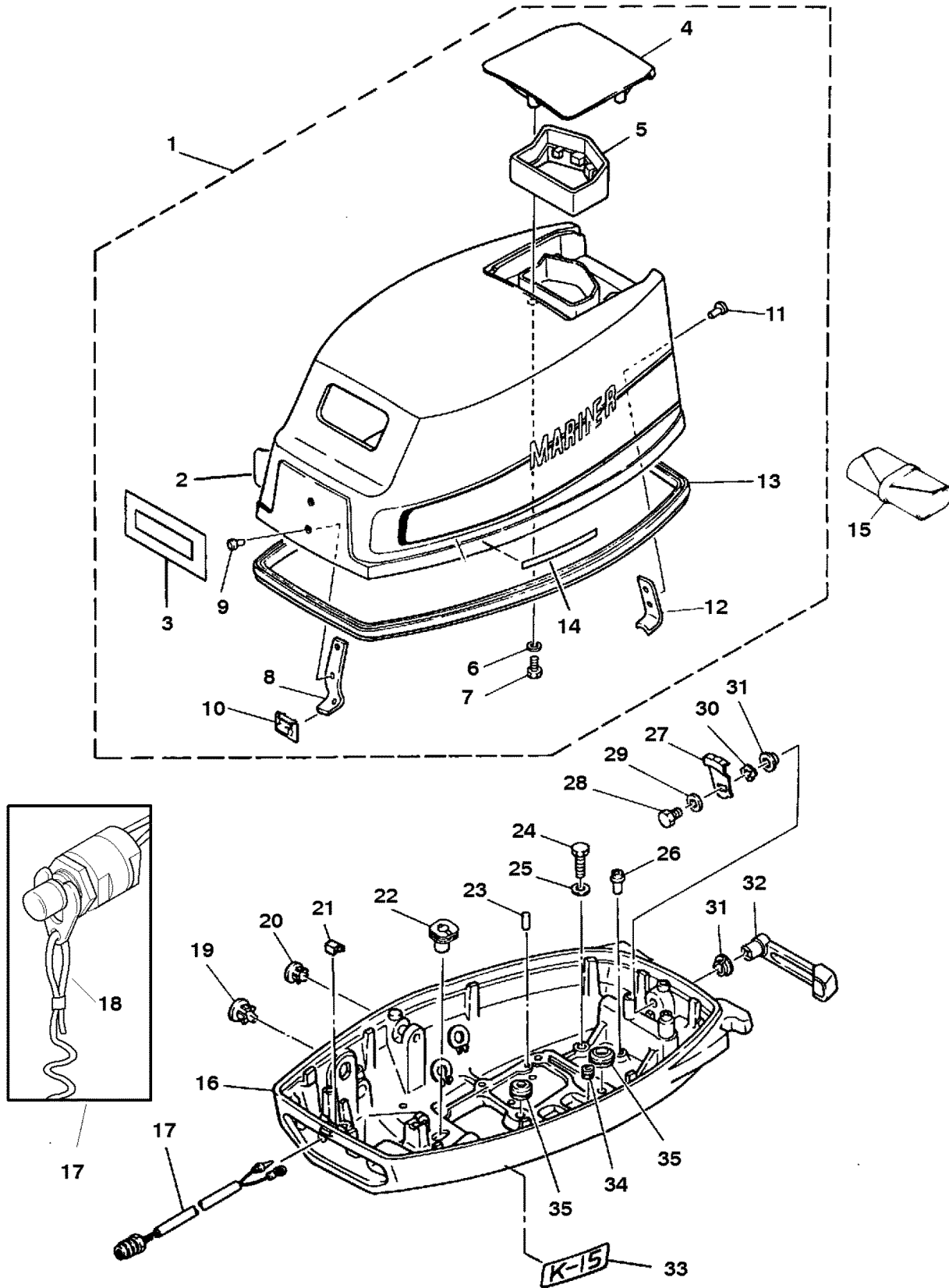
○ = COMPONENT OF WATER PUMP REPAIR KIT

▲ = PART IS NEW AND LISTED FOR THE FIRST TIME

THESE PARTS BOOKS/FICHE CARD ARE COPYRIGHTED AND MAY NOT BE DISTRIBUTED OR REPRODUCED IN ANY OTHER FORMAT BY ANYONE OTHER THAN MERCURY MARINE WITHOUT THE PRIOR WRITTEN CONSENT OF MERCURY MARINE.

THIS PAGE INTENTIONALLY LEFT BLANK

COWLING

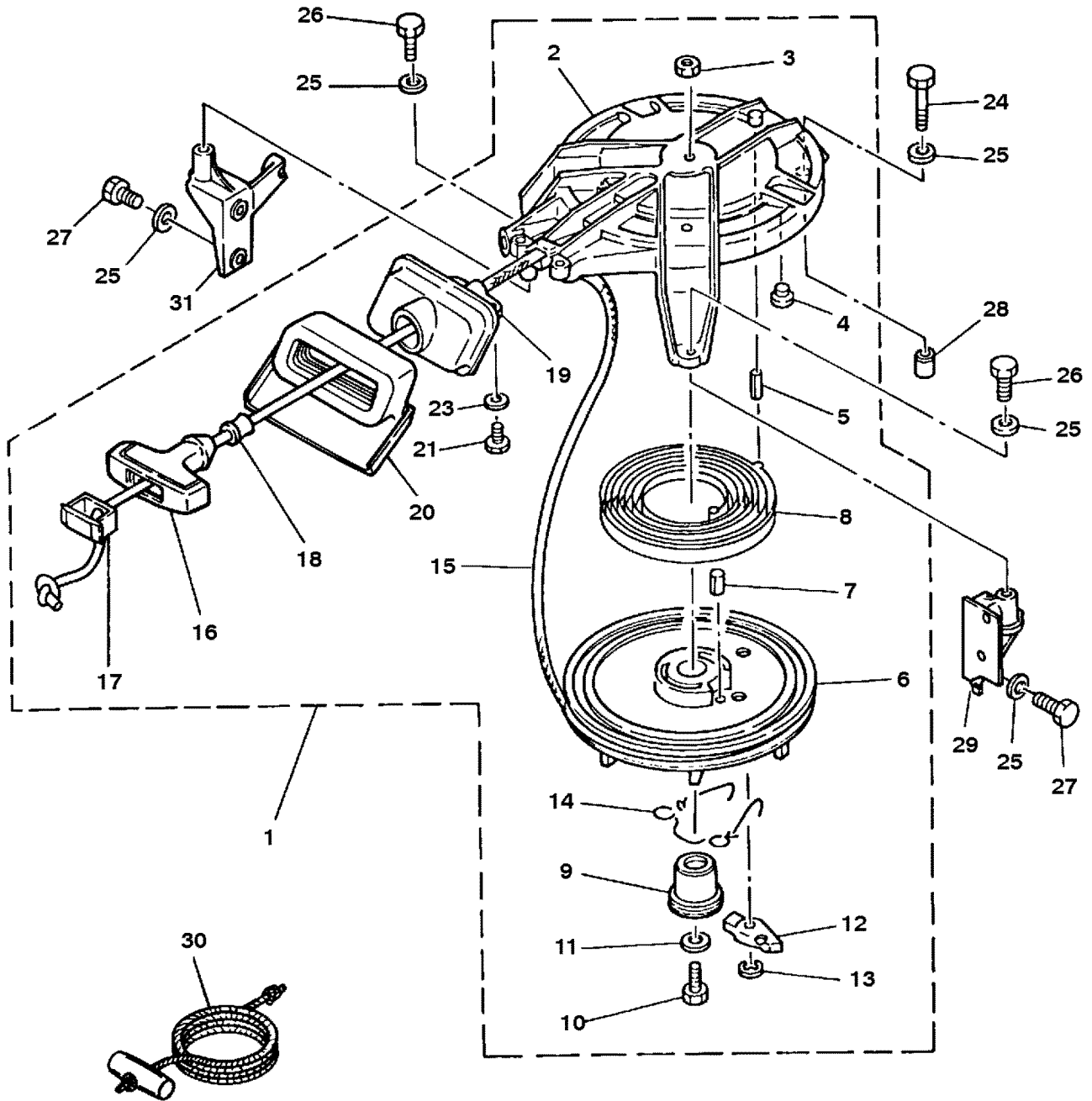


COWLING

REF. NO.	PART NO.	SYM.	QTY.	DESCRIPTION
1	2168-811265M		1	TOP COWLING ASSEMBLY
2	37-15305M		1	DECAL SET (SIDE)
3	37-16345M		1	DECAL-FRONT
4	811267M		1	MOLDING
5	811268M		1	AIR DUCT
6	12-82214M		3	WASHER
7	10-826957M		3	BOLT
8	811266M		1	HOOK
9	17-83140M		2	RIVET
10	25-15309M		1	GROMMET
11	17-814489M		2	RIVET
12	15308M		1	HOOK
13	83983M		1	SEAL
14	37-81202M		1	SHIFT INDICATOR
15	91-81669M		1	TOOL KIT
16	2168-811269M		1	BOTTOM COWL
17	87-93102M		1	STOP SWITCH (WITHOUT LANYARD)
	87-97757M		1	STOP SWITCH (WITH LANYARD)
18	97756M		1	LANYARD
19	25-18927M		1	GROMMET
20	25-83990M		1	GROMMET
21	26-17659M		1	SEAL
22	25-96596M		1	GROMMET
23	17-82364M		2	DOWEL PIN
24	10-84058M		2	BOLT
25	12-82214M		2	WASHER
26	22-94716M		1	PIPE
27	95463M		1	LEVER
28	10-84315M		1	BOLT
29	12-81794M		1	WASHER
30	13-81869M		1	WAVE WASHER
31	23-81949M		2	BUSHING
32	83991M		1	LEVER
33	37-94673M		2	DECAL-SIDE
34	25-94542M	◇	1	DAMPER
35	25-96595M	◇	2	DAMPER
-	27-811233M		1	POWERHEAD GASKET SET

◇ = COMPONENT OF POWERHEAD GASKET SET

RECOIL STARTER

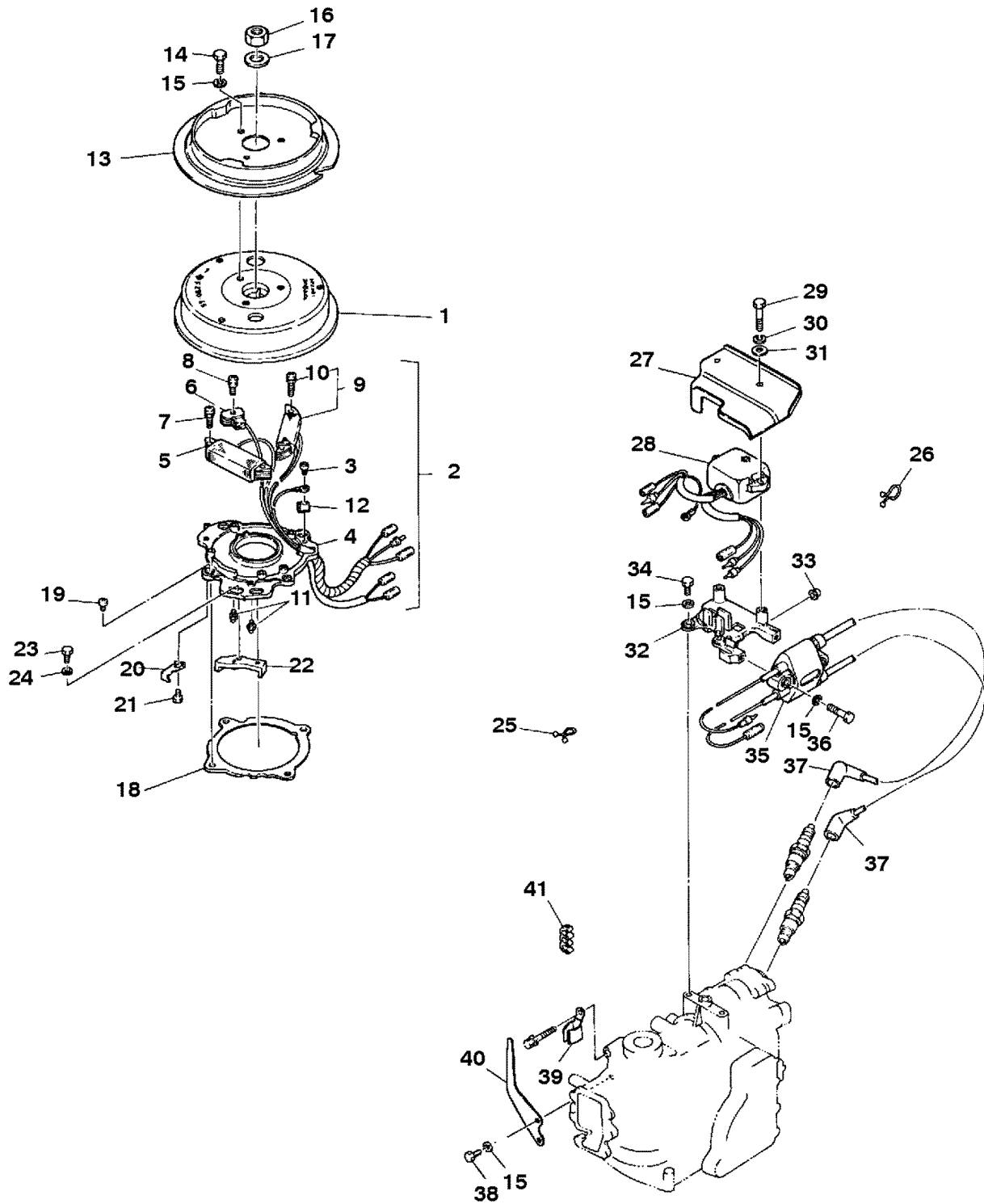


RECOIL STARTER

REF. NO.	PART NO.	SYM.	QTY.	DESCRIPTION
1	50-827172M		1	STARTER ASSY. (M-100131 ML-402041 AND UP)
	50-811253M		1	STARTER ASSY. (M-100130 ML-402040 AND BELOW)
2	2169-8398--1	▲	1	STARTER HOUSING (ML-402859 & UP)
	2169-8398M		1	STARTER HOUSING (ML-402858 & BELOW)
3	11-82389M		1	NUT
4	19-80604M		1	PLUG
5	17-82155M		1	PIN
6	50-83250M		1	STARTER SHEAVE
7	17-82157M		1	PIN
8	24-95588M		1	SPRING
9	95590M		1	SHAFT
10	10-852776-13	▲	1	BOLT (ML-402859 & UP)
	10-83285M		1	BOLT (ML-402858 & BELOW)
11	12-81557M		1	WASHER
12	83252M		1	PAWL
13	53-84895M		1	SNAP RING
14	24-95589M		1	SPRING
15	50-12066A9		1	STARTER ROPE
16	814491A1		1	HANDLE
17	814492M		1	COVER
18	25-15434M		1	GROMMET
19	827173M		1	GUIDE M-100131 ML-402041 AND UP
20	827174M		1	SEAL M-100131 ML-402041 AND UP
19	15435M		1	GUIDE M-100130 ML-402040 AND BELOW
20	811254M		1	SEAL M-100130 ML-402040 AND BELOW
21	10-852776--8		2	BOLT (ML-402859 & UP)
22	10-826957M		2	BOLT ML-402858 & BELOW
23	12-82214M		2	WASHER ML-402858 & BELOW
24	10-826958M		1	BOLT
25	12-82214M		7	WASHER
26	10-84058M		2	BOLT
27	10-82423M		4	SCREW
28	17-14214M		1	DOWEL PIN
29	41266M		2	BRACKET
30	47341A1		1	EMERGENCY STARTER ROPE
31	811255M		1	BRACKET

▲ = PART IS NEW AND LISTED FOR THE FIRST TIME

C.D.I. MAGNETO

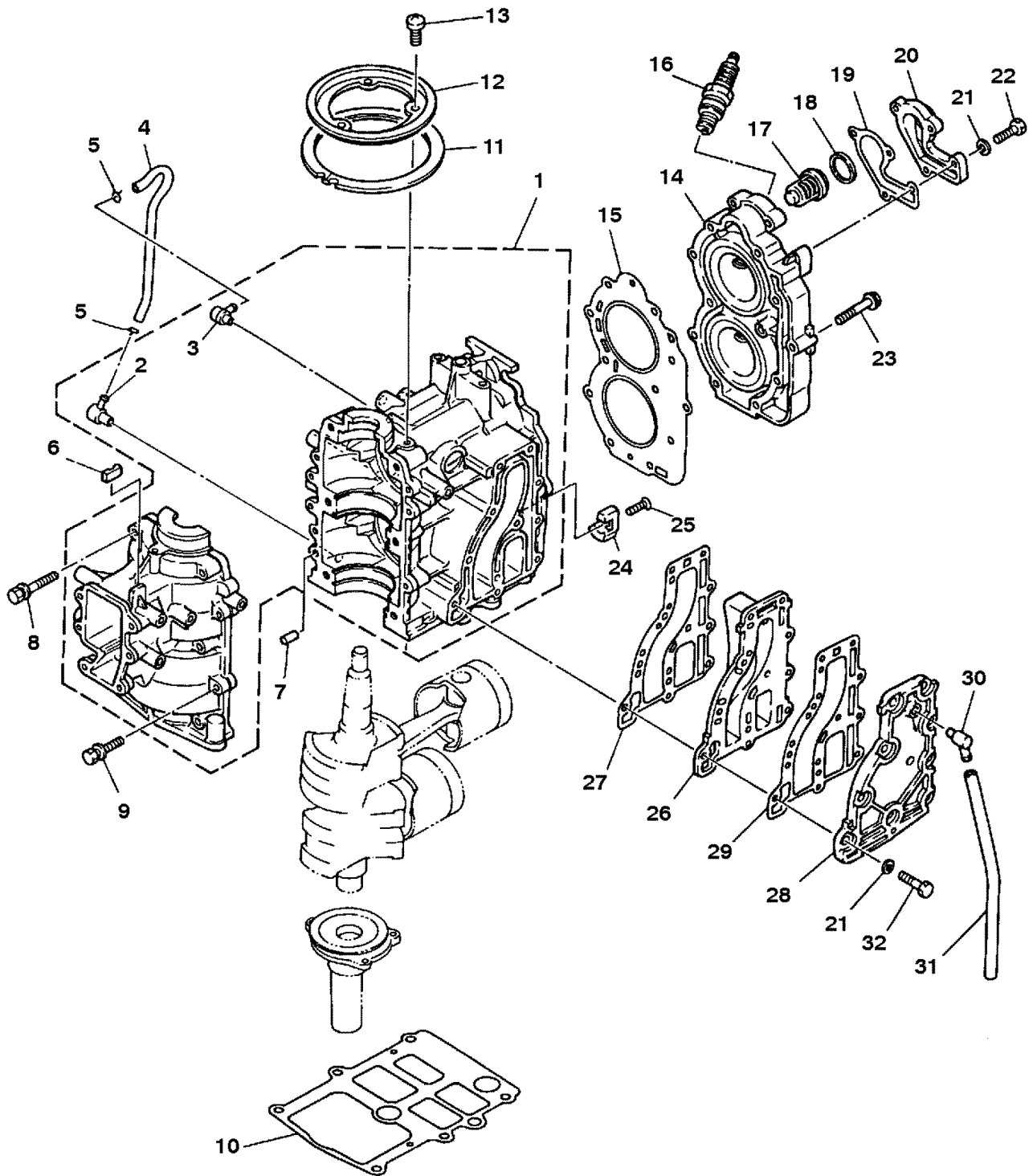


C.D.I. MAGNETO

REF. NO.	PART NO.	SYM.	QTY.	DESCRIPTION
1	253-8921M		1	FLYWHEEL ASSEMBLY
2	15312M		1	BASE ASSEMBLY
3	10-82499M		1	SCREW
4	41863M		1	MAGNETO BASE
5	41829M		1	IGNITION COIL
6	41830M		1	PULSER COIL
7	10-96346M		2	SCREW
8	10-91691M		1	SCREW
9	15313M		1	LIGHTING COIL ASSEMBLY
10	10-96346M		2	SCREW
11	84305M		2	JOINT
12	54-41867M		1	CLAMP
13	41316M		1	PULLEY
14	10-813477M		3	BOLT
15	12-82214M		9	WASHER
16	11-81770M		1	NUT
17	12-81814M		1	WASHER
18	41869M		1	FRICTION PLATE
19	10-17661M		5	SCREW
20	15314M		1	RETAINER
21	10-84313M		1	BOLT
22	811281M		1	CAM
23	10-84313M		2	BOLT
24	12-82211M		2	WASHER
25	54-15398M		1	CLAMP
26	54-15397M		1	CLAMP
27	15394M		1	COVER
28	43077M		1	C.D.I UNIT
29	10-83285M		2	BOLT
30	13-82212M		2	LOCKWASHER
31	12-81794M		2	WASHER
32	15316M		1	BRACKET
33	41260M		2	DAMPER
34	10-84058M		2	BOLT
35	95188--3	▲	1	SECONDARY IGNITION COIL (ML-402859 & UP)
	95188M		1	SECONDARY IGNITION COIL (ML-402858 & BELOW)
36	10-83285M		2	BOLT
37	85-63709A1		2	SPARK PLUG CAP
38	10-826957M		2	BOLT
39	54-96653M		1	CLAMP
40	811282M		1	TIMING PLATE
41	54-15396M		1	CLAMP

▲ = PART IS NEW AND LISTED FOR THE FIRST TIME

CRANKCASE AND CYLINDER HEAD



CRANKCASE AND CYLINDER HEAD

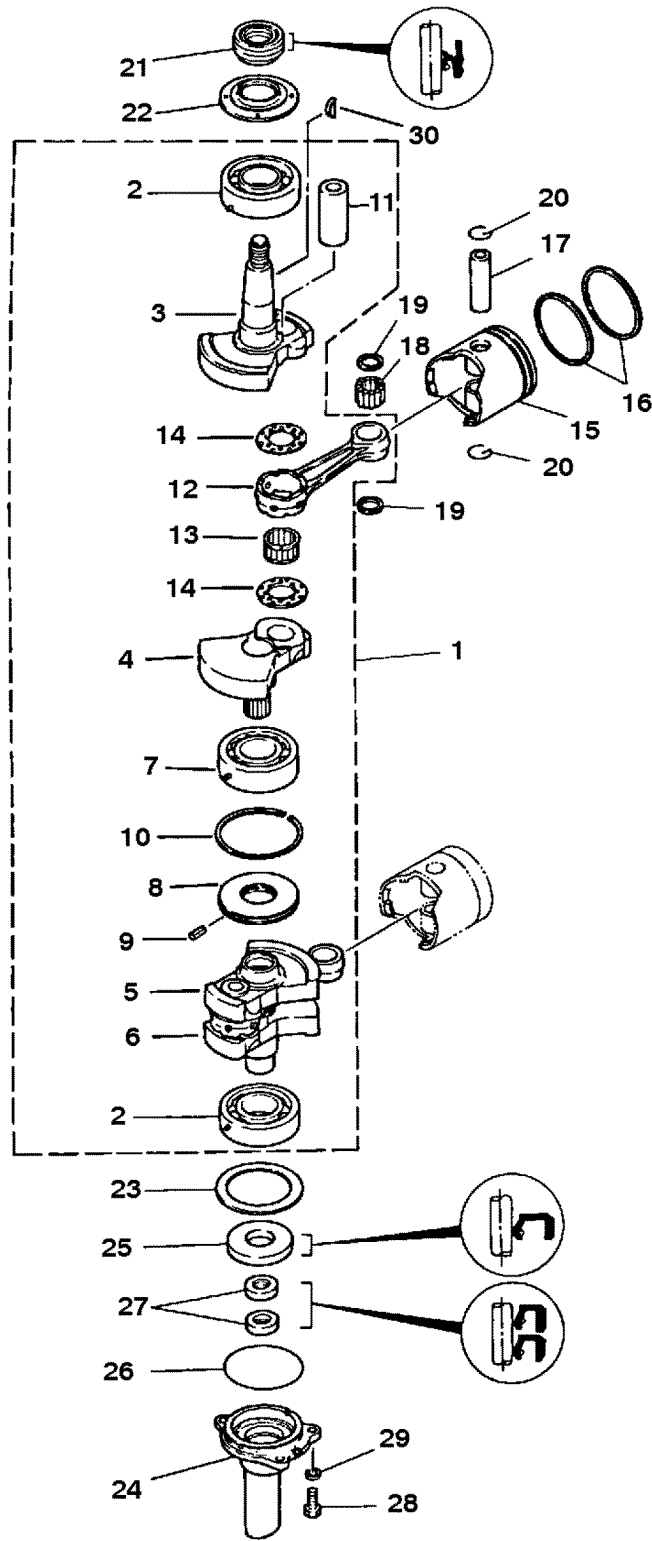
REF. NO.	PART NO.	SYM.	QTY.	DESCRIPTION
1	870-811231M	●	1	CYLINDER BLOCK
2	21-80727M	●	1	CHECK VALVE
3	22-80743M	●	1	FITTING
4	32-811045M	●	1	HOSE
5	54-82046M	●	2	CLIP
6	83965M	●	1	STOPPER
7	17-82364M	●	2	DOWEL PIN
8	10-95487M	●	6	BOLT
9	10-95453M	●	4	BOLT
10	27-96602M	◇	1	GASKET
11	98981M	●	1	RETAINER
12	83962M	●	1	RETAINER
13	10-96671M	●	3	SCREW
14	968-811232M	●	1	CYLINDER HEAD
15	27-18937M	◇	1	GASKET
16	33-41263M		2	SPARK PLUG
17	814554M	●	1	THERMOSTAT
18	12-81835M	●	1	WASHER
19	27-83940M	◇	1	GASKET
20	17662M	●	1	COVER
21	12-82214M	●	14	WASHER
22	10-84058M	●	4	BOLT
23	10-84065M	●	11	BOLT
24	83900M	●	1	ANODE
25	10-95467M	●	1	SCREW
26	83950M	●	1	EXHAUST COVER (INNER)
27	27-83951M	◇	1	GASKET
28	83952M	●	1	EXHAUST COVER (OUTER)
29	27-83951M	◇●	1	GASKET
30	22-83326M	●	1	FITTING
31	32-82012M	●	1	HOSE
32	10-82405M	●	10	BOLT
-	811230M		1	POWERHEAD
-	27-811233M		1	POWERHEAD GASKET SET

NOTE: FOR REPLACEMENT OF POWERHEAD ASSEMBLY, COMPLETE, WHICH INCLUDES CYLINDER BLOCK, CYLINDER HEAD, PISTONS, CONNECTING RODS, CRANKSHAFT, BEARING, ETC. ORDER PART NUMBER LISTED ABOVE.

● = COMPONENT OF POWERHEAD

◇ = COMPONENT OF POWERHEAD GASKET SET

CRANKSHAFT AND PISTON



CRANKSHAFT AND PISTON

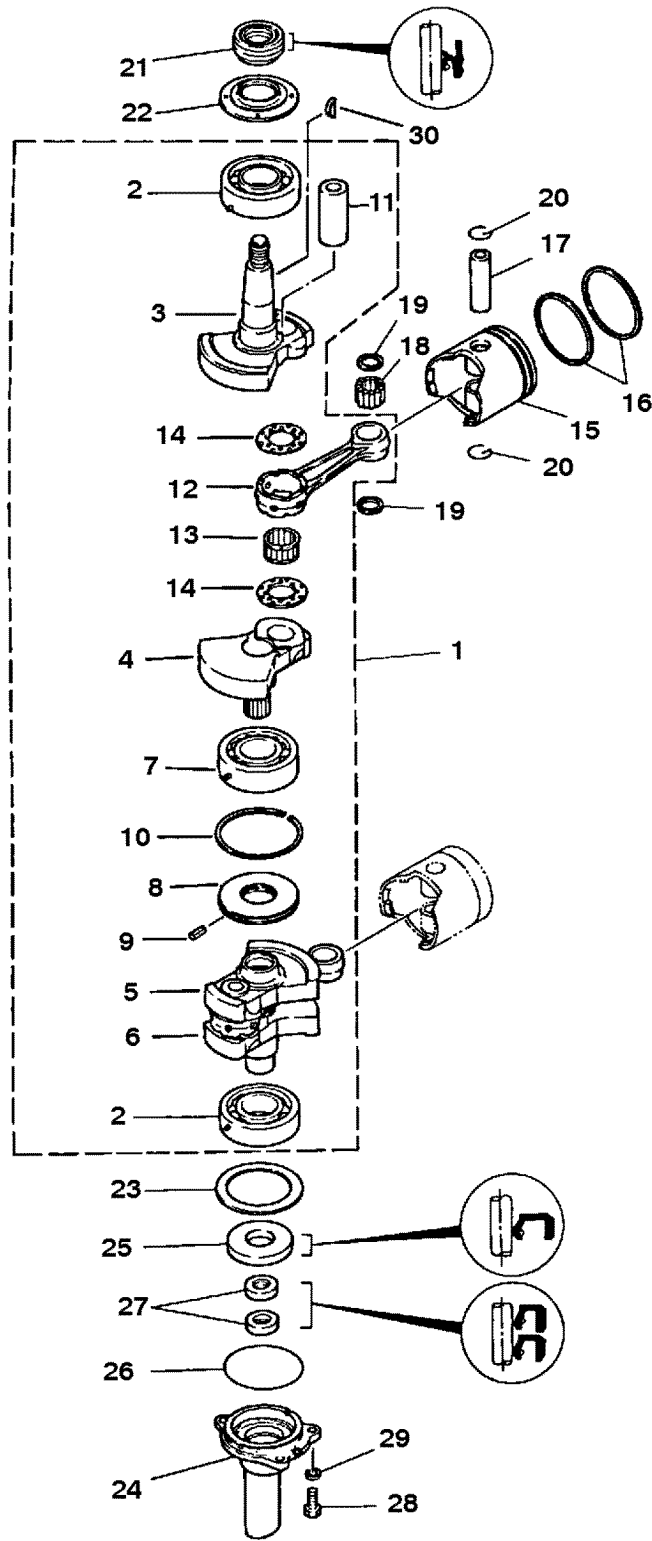
REF. NO.	PART NO.	SYM.	QTY.	DESCRIPTION
1	463-9579M	●	1	CRANKSHAFT (CYLINDRICAL UNION CRANK)
2	30-82303M	●	2	BEARING
3	812491M		1	CRANK SPLINED UNION CRANK
4	19262M		1	CRANK SPLINED UNION CRANK
5	19263M		1	CRANK SPLINED UNION CRANK
6	812492M		1	CRANK SPLINED UNION CRANK
7	30-84626M		1	BEARING SPLINED UNION CRANK
8	94556M		1	SEAL SPLINED UNION CRANK
3	827192M	●	1	CRANK CYLINDRICAL UNION CRANK
4	827197M	●	1	CRANK CYLINDRICAL UNION CRANK
5	827198M	●	1	CRANK CYLINDRICAL UNION CRANK
6	827199M	●	1	CRANK CYLINDRICAL UNION CRANK
7	30-84626M	●	1	BEARING CYLINDRICAL UNION CRANK
8	827435M	●	1	SEAL CYLINDRICAL UNION CRANK
9	17-812493M	●	1	PIN
10	53-94555M	●	1	CIRCLLP
11	17-84625M	●	2	PIN
12	629-812494M	●	2	CONNECTING ROD
13	31-812495M	●	2	BEARING
14	12-84636M	●	4	WASHER
15	761-9580M	●	2	PISTON (STANDARD)
	761-9581M		AR	PISTON (1ST. O.S. 0.25MM)
	761-9582M		AR	PISTON (2ND. O.S. 0.50MM)
16	39-15320M	●	2	PISTON RING SET (STANDARD)
	39-18939M		AR	PISTON RING SET (1ST. O.S. 0.25MM)
	39-15322M		AR	PISTON RING SET (2ND. O.S. 0.50MM)
17	41-80272M	●	2	PISTON PIN
18	29-82349M	●	50	BEARING
19	12-81823M	●	4	WASHER
20	53-82343M	●	4	SNAP RING
21	26-83936M	◇●	1	OIL SEAL
22	23-84243M	●	1	SPACER
23	12-15323M	◇●	1	WASHER
24	18940M	●	1	HOUSING
25	26-18843M	◇●	1	OIL SEAL
26	25-83930M	◇●	1	O-RING
27	26-96606M	◇●	2	OIL SEAL

● = COMPONENT OF POWERHEAD

◇ = COMPONENT OF POWERHEAD GASKET SET

CONTINUED ON NEXT PAGE ➡

CRANKSHAFT AND PISTON

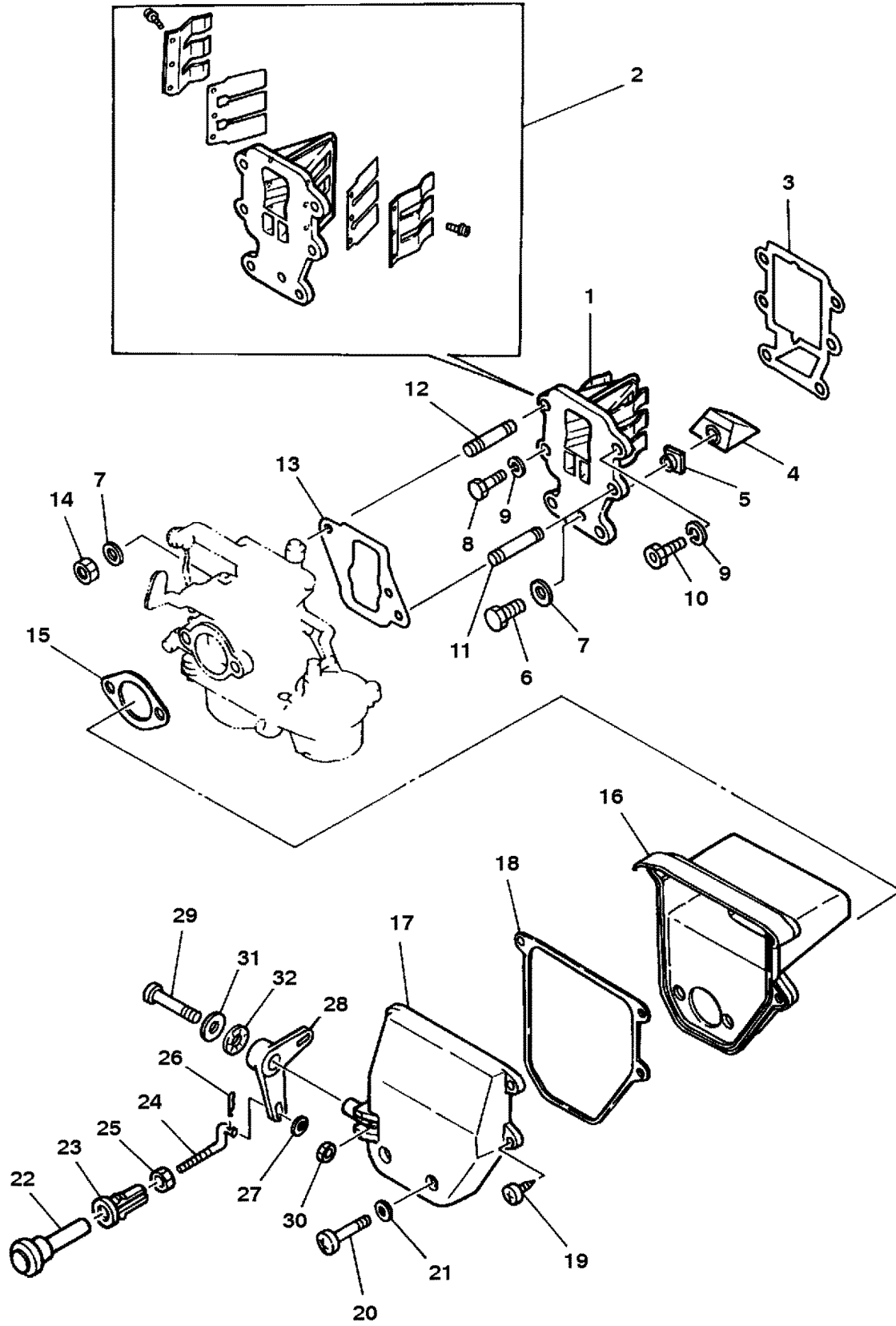


CRANKSHAFT AND PISTON

REF. NO.	PART NO.	SYM.	QTY.	DESCRIPTION
28	10-826957M	●	3	BOLT
29	12-82214M	●	3	WASHER
30	28-81914M		1	WOODRUFF KEY
-	811230M		1	POWERHEAD
-	27-811233M		1	POWERHEAD GASKET SET

● = COMPONENT OF POWERHEAD

INTAKE MANIFOLD AND CHOKE



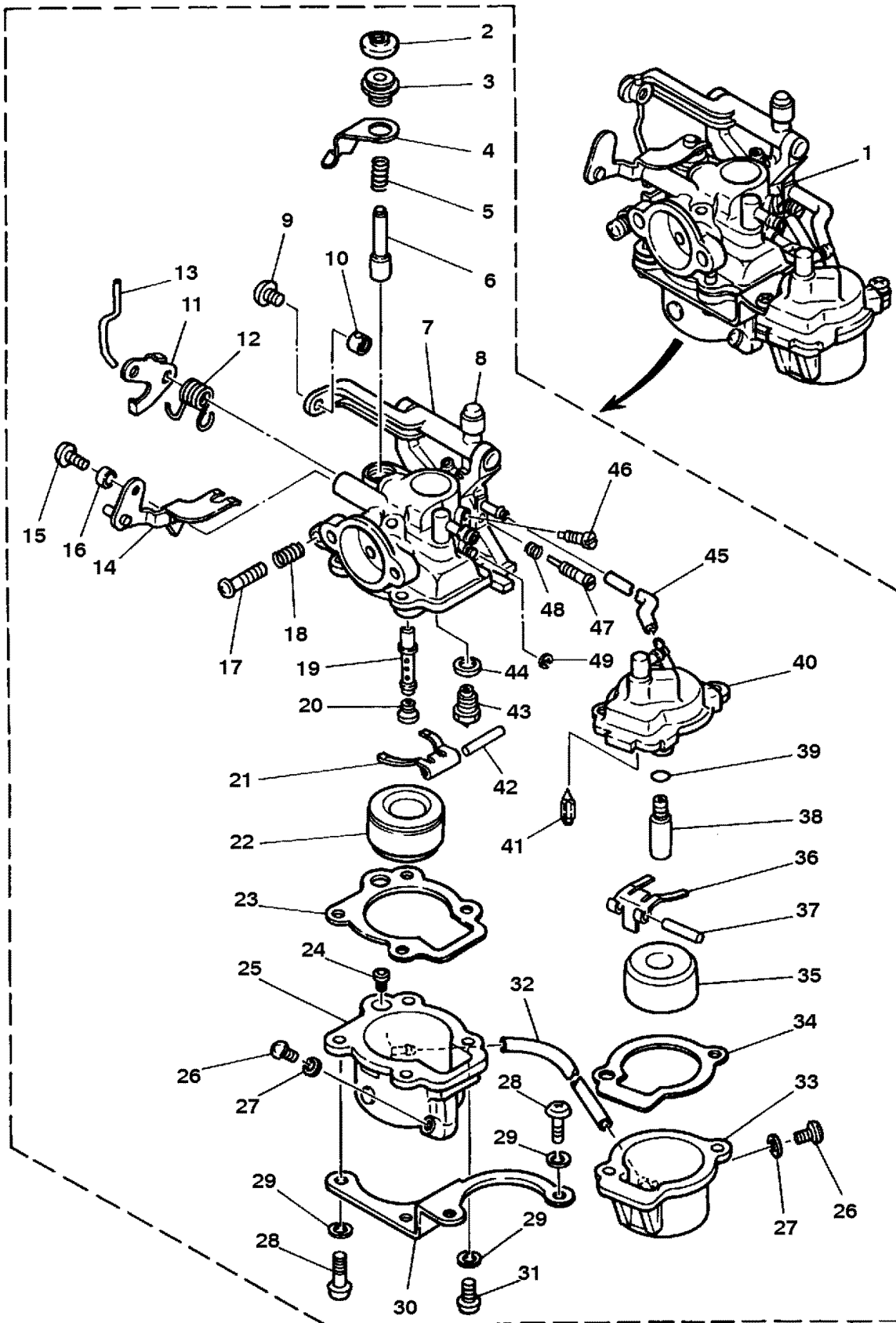
INTAKE MANIFOLD AND CHOKE

REF. NO.	PART NO.	SYM.	QTY.	DESCRIPTION
1	34-811234M		1	REED VALVE ASSEMBLY
2	34-811235M		1	REED SET
3	27-83941M	◇	1	GASKET
4	41256M		1	SPACER
5	11-15327M		1	NUT
6	10-813477M		1	BOLT
7	12-82214M		3	WASHER
8	10-826957M		3	BOLT
9	13-82212M		4	LOCKWASHER
10	10-94766M		1	BOLT
11	16-80232M		1	STUD
12	16-81731M		1	STUD
13	27-83245M	◇	1	GASKET
14	11-82390M		2	NUT
15	27-811239M	+	1	GASKET
16	811236M		1	COVER (INNER)
17	811237M		1	COVER (OUTER)
18	27-811238M		1	GASKET
19	10-96610M		3	SCREW
20	10-82522M		2	SCREW
21	12-82211M		2	WASHER
22	83287M		1	CHOKE KNOB
23	25-80231M		1	GROMMET
24	811240M		1	CHOKE ROD
25	11-80245M		1	NUT
26	18-82050M		1	COTTER PIN
27	12-82847M		1	WASHER
28	811241M		1	CHOKE LEVER
29	10-82179M		0	SCREW
30	11-82389M		1	NUT
31	12-94524M		1	WASHER
32	13-81868M		1	WAVE WASHER
-	811252M		1	CARB REPAIR KIT
-	27-811233M		1	POWERHEAD GASKET SET

◇ = COMPONENT OF POWERHEAD GASKET SET

⊕ = COMPONENT OF CARB REPAIR KIT

CARBURETOR



CARBURETOR

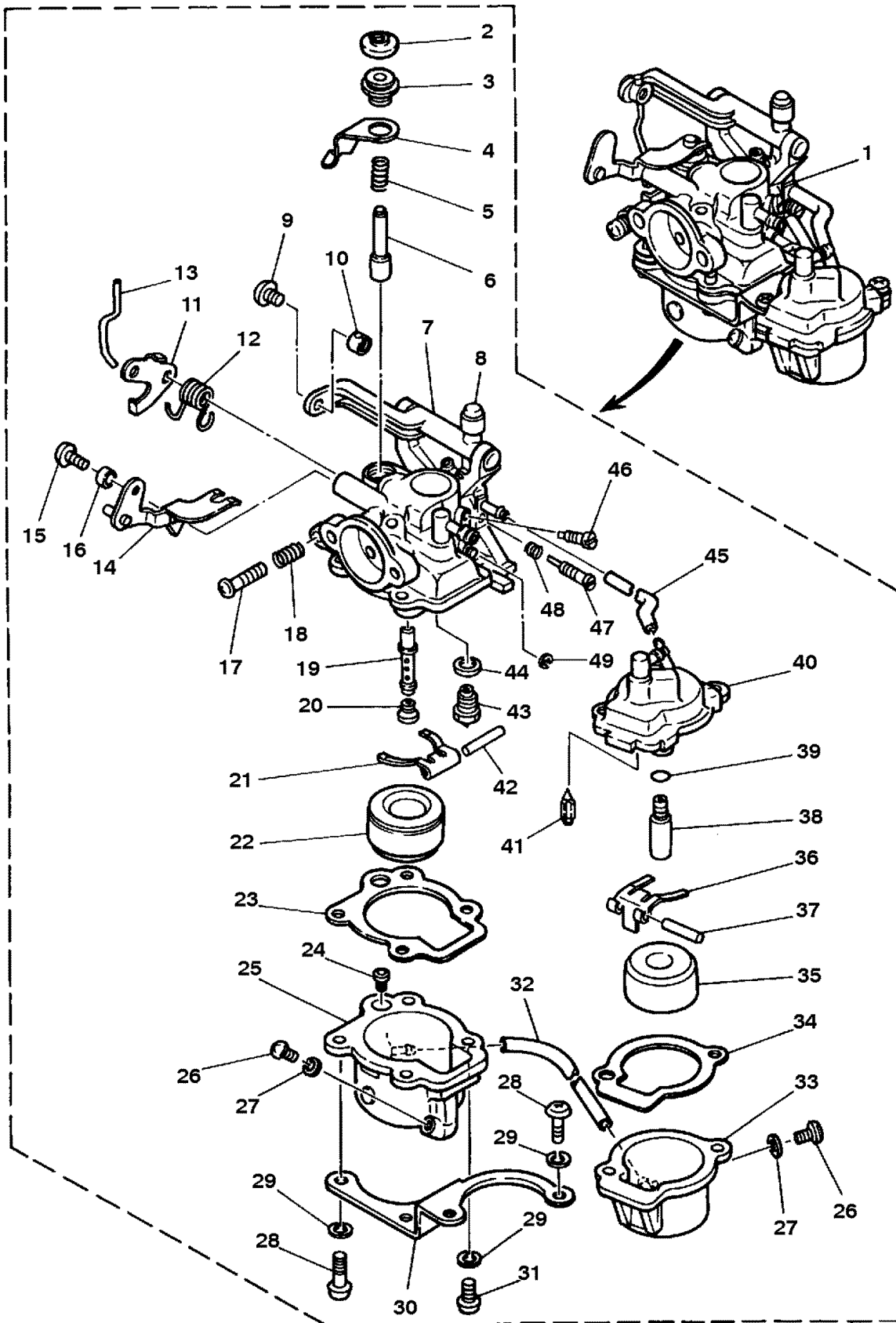
REF. NO.	PART NO.	SYM.	QTY.	DESCRIPTION
1	1383-811242M		1	CARBURETOR ASSEMBLY
2	80196M		1	COVER
3	80197M		1	CAP
4	80199M		1	PLATE
5	24-80194M		1	SPRING
6	80195M	+	1	PLUNGER
7	94740M		1	SHAFT
8	23-80227M		1	BUSHING
9	10-80091M		1	SCREW
10	83300M		1	END
11	94741M		1	THROTTLE LEVER
12	24-80574M		1	SPRING
13	94742M		1	LINK ROD
14	811245M		1	LEVER
15	10-83112M		1	SCREW
16	83115M		1	COLLAR
17	10-827147M		1	SCREW
18	24-80193M		1	SPRING
19	811243M		1	MAIN NOZZLE
20	811244M		1	MAIN JET (#98)
21	80203M		1	ARM
22	80450M	+	1	FLOAT
23	27-80740M	◇+	1	GASKET
24	811246M		1	STARTER JET (#50)
25	94735M		1	BODY
26	10-811248M		2	SCREW
27	27-80737M	+	2	GASKET
28	10-91738M	+	4	SCREW
29	13-82206M	+	6	LOCKWASHER
30	94747M		1	PLATE
31	10-82515M	+	2	SCREW
32	32-94746M		1	HOSE
33	94744M		1	BODY
34	27-80344M	◇+	1	GASKET
35	94696M	+	1	FLOAT
36	94697M		1	ARM
37	17-811249M	+	1	FLOAT PIN
38	811251M		1	PILOT JET (#66)
39	25-94695M	+	1	O-RING
40	94745M		1	COVER
41	95430M	+	1	VALVE SEAT
42	17-80451M	+	1	FLOAT PIN

◇ = COMPONENT OF POWERHEAD GASKET SET

⊕ = COMPONENT OF CARB REPAIR KIT

CONTINUED ON NEXT PAGE ➡

CARBURETOR

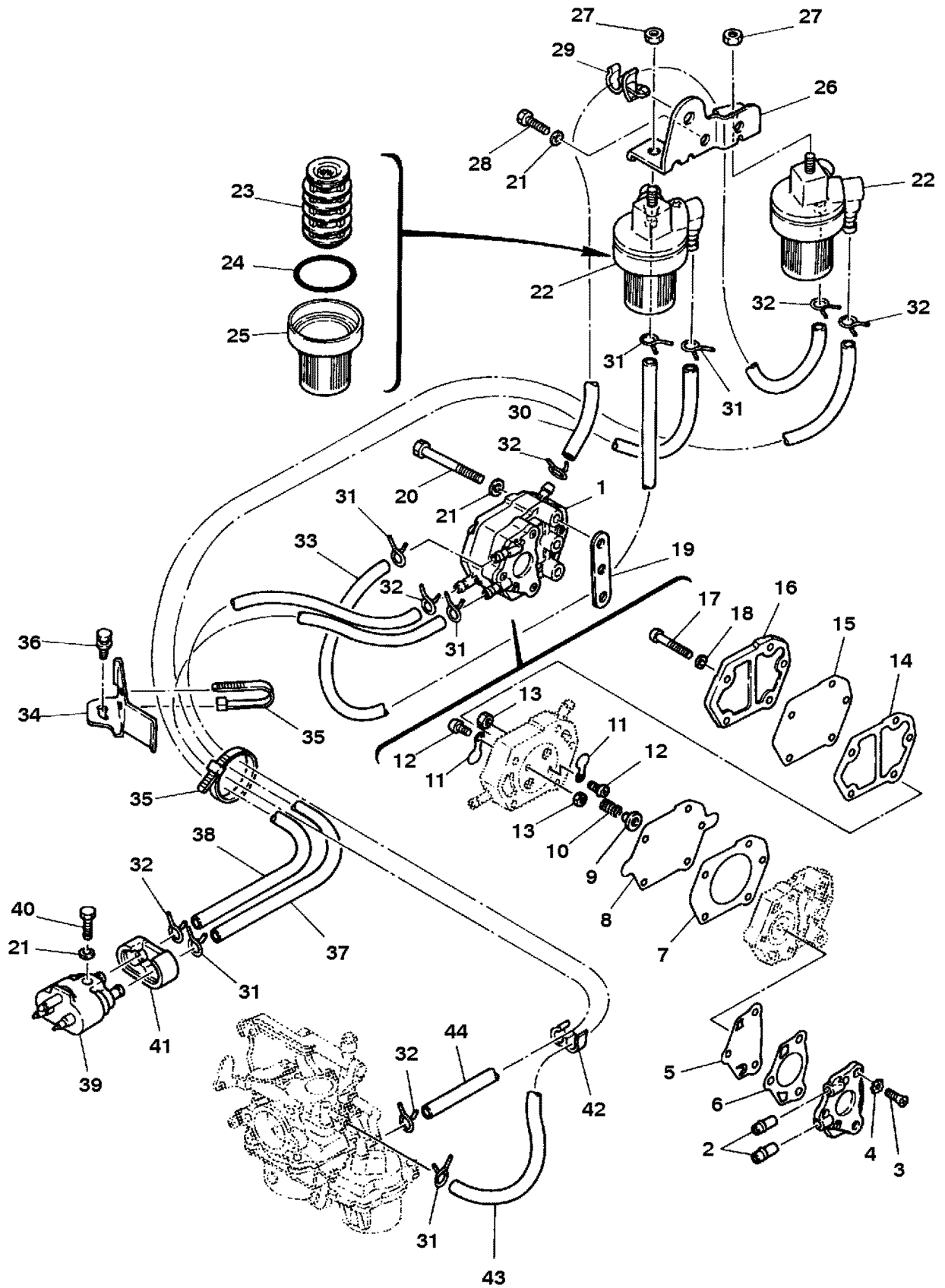


CARBURETOR

REF. NO.	PART NO.	SYM.	QTY.	DESCRIPTION
43	11930M	+	1	VALVE SEAT
44	27-80205M	+	1	GASKET
45	32-97591M		1	HOSE
46	95580M		1	PILOT JET
47	10-80573M	+	1	SCREW
48	24-809579--1		1	SPRING
49	53-94722M		1	RETAINING RING
-	811252M		1	CARB REPAIR KIT
-	27-811233M		1	POWERHEAD GASKET SET

+ = COMPONENT OF CARB REPAIR KIT

FUEL PUMP/FUEL LINES



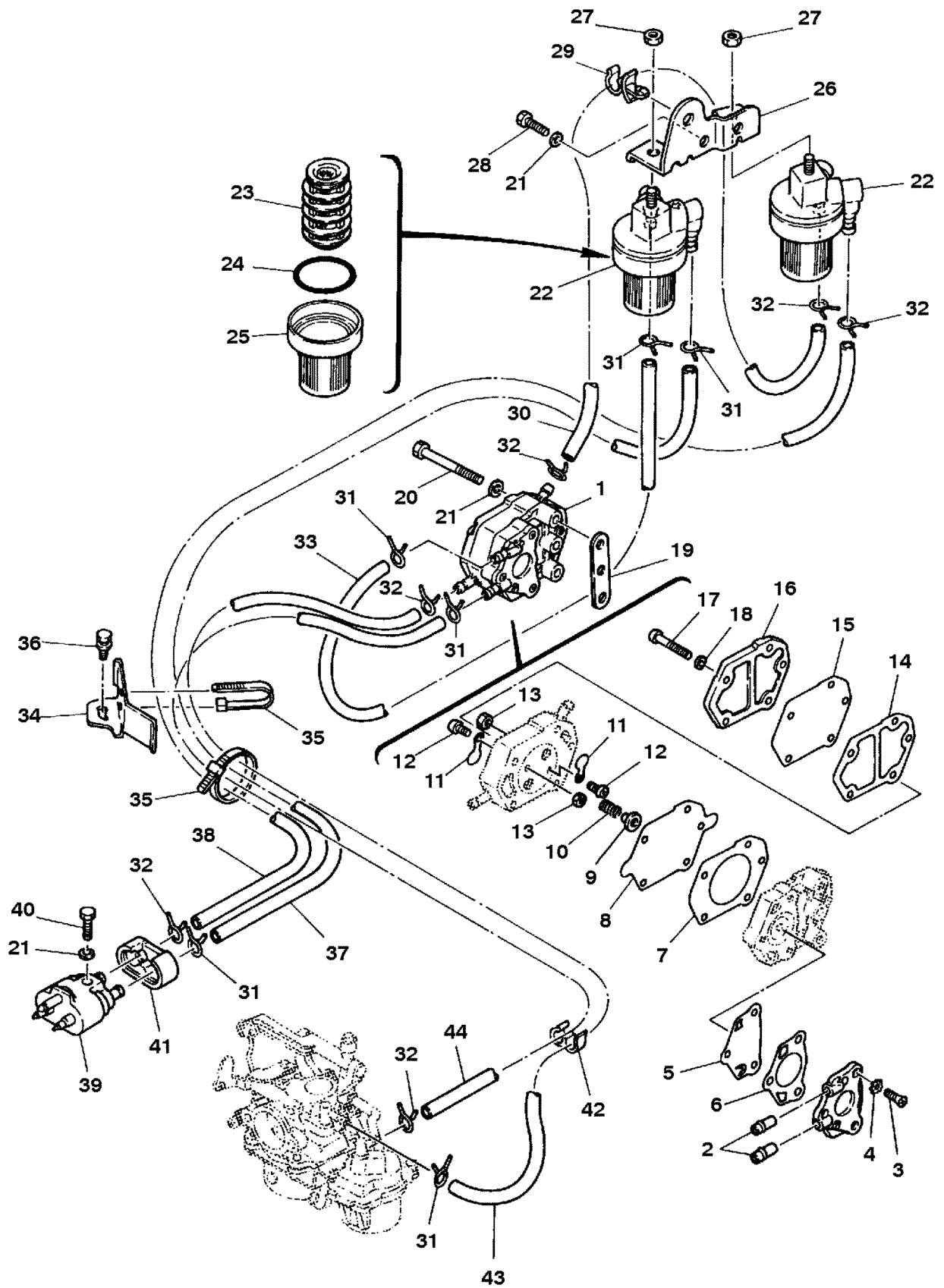
FUEL PUMP/FUEL LINES

REF. NO.	PART NO.	SYM.	QTY.	DESCRIPTION
1	811262M		1	FUEL PUMP ASSEMBLY
2	22-94716M		2	CONNECTOR
3	10-94724M		3	SCREW
4	13-94725M		3	LOCKWASHER
5	94717M		1	DIAPHRAGM
6	27-94718M		1	GASKET
7	27-80613M		1	GASKET
8	80606M		1	DIAPHRAGM
9	80611M		1	PLATE
10	24-80610M		1	SPRING
11	21-41888M		2	CHECK VALVE
12	10-41889M		2	SCREW
13	11-82537M		2	NUT
14	84141M		1	DIAPHRAGM
15	27-80614M		1	GASKET
16	80607M		1	COVER
17	10-82522M		3	SCREW
18	13-82186M		3	LOCKWASHER
19	27-811263M		1	GASKET
20	10-84931M		2	BOLT
21	12-82214M		5	WASHER
22	35-826964M		1	FUEL FILTER M-100131 ML-402041 AND UP REF. #22 HAS EXTERNAL THREAD REF. #25 HAS INTERNAL THREAD
23	35-826965M		1	FILTER M-100131 ML-402041 AND UP REF. #22 HAS EXTERNAL THREAD REF. #25 HAS INTERNAL THREAD
24	25-826966M	◇	1	O-RING M-100131 ML-402041 AND UP REF. #22 HAS EXTERNAL THREAD REF. #25 HAS INTERNAL THREAD
25	826967M		1	CUP M-100131 ML-402041 AND UP REF. #22 HAS EXTERNAL THREAD REF. #25 HAS INTERNAL THREAD
22	35-11931M		2	FUEL FILTER M-100130 ML-402040 AND BELOW REF. #22 HAS INTERNAL THREAD REF. #25 HAS EXTERNAL THREAD
23	35-11934M		1	FILTER M-100130 ML-402040 AND BELOW REF. #22 HAS INTERNAL THREAD REF. #25 HAS EXTERNAL THREAD
24	25-84957M	◇	1	O-RING M-100130 ML-402040 AND BELOW REF. #22 HAS INTERNAL THREAD REF. #25 HAS EXTERNAL THREAD
25	11935M		1	CUP M-100130 ML-402040 AND BELOW REF. #22 HAS INTERNAL THREAD REF. #25 HAS EXTERNAL THREAD
26	811260M		1	BRACKET
27	11-82382M		2	NUT
28	10-826957M		2	BOLT
29	54-811261M		1	CLAMP
30	32-98976M		1	HOSE
31	54-82047M		6	CLIP
32	54-98974M		6	CLIP

◇ = COMPONENT OF POWERHEAD GASKET SET

CONTINUED ON NEXT PAGE ➡

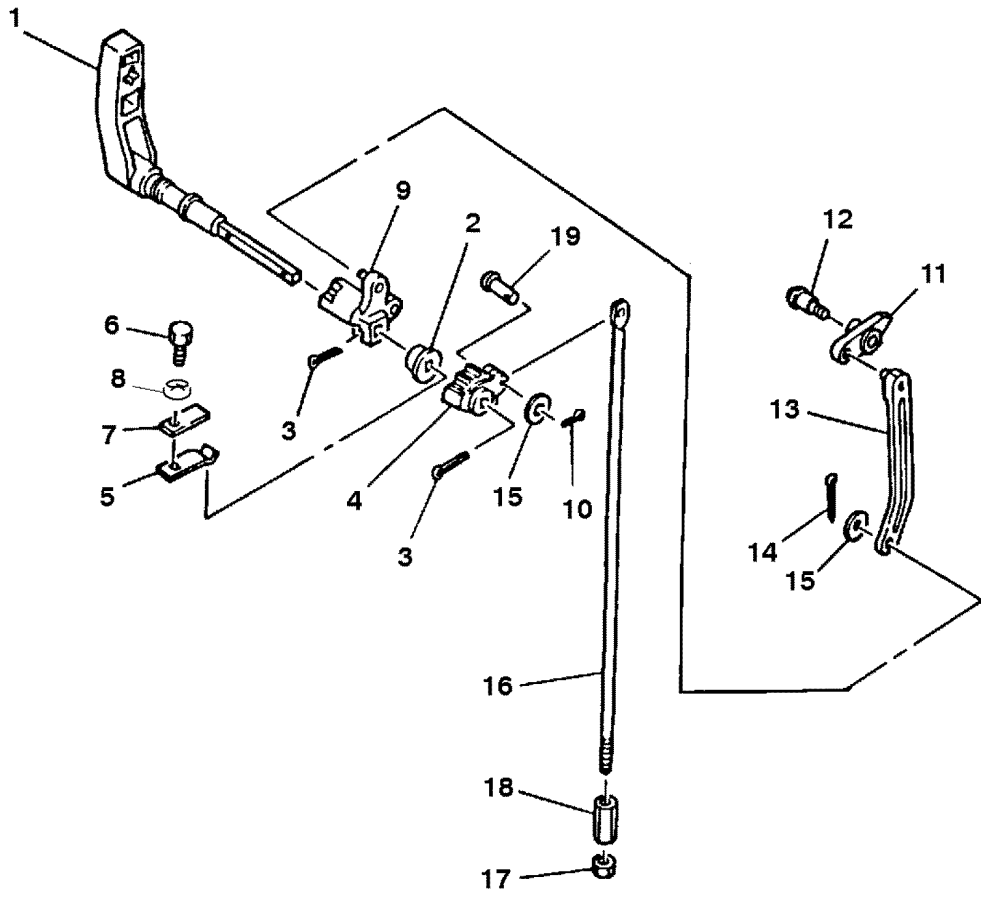
FUEL PUMP/FUEL LINES



FUEL PUMP/FUEL LINES

REF. NO.	PART NO.	SYM.	QTY.	DESCRIPTION
33	32-82012M		1	HOSE
34	811258M		1	BRACKET
35	56762		2	STA-STRAP
36	10-811259M		1	BOLT
37	32-811256M		1	HOSE
38	32-82012M		1	HOSE
39	95604M		1	CONNECTOR
40	10-84058M		1	BOLT
41	25-97607M		1	SEAL
42	54-811264M		1	CLAMP
43	32-82012M		1	HOSE
44	32-82012M		1	HOSE
-	27-811233M		1	POWERHEAD GASKET SET

GEAR SHIFT LINKAGE

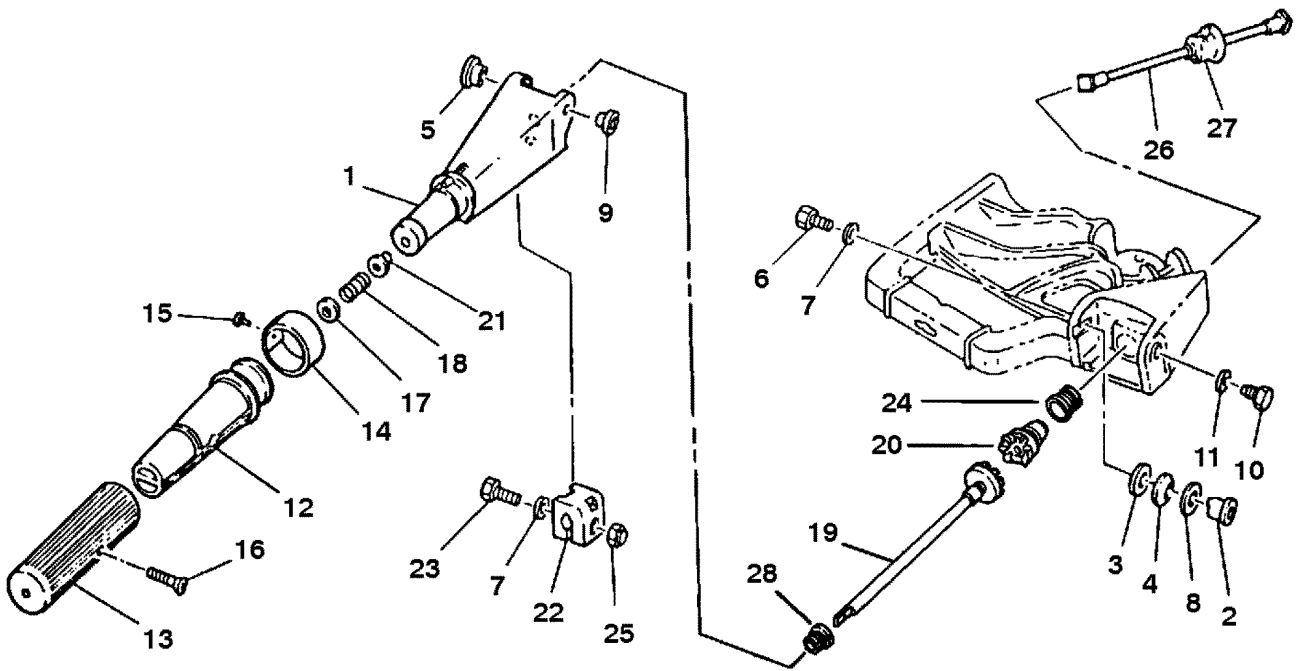


GEAR SHIFT LINKAGE

REF. NO.	PART NO.	SYM.	QTY.	DESCRIPTION
1	84005M		1	GEAR SHIFT HANDLE
2	23-84013M		1	BUSHING
3	18-84301M		2	COTTER PIN
4	84009M		1	SHIFT ROD LEVER S/N-M-6M7-100155/ML-6M7-402510 & BELOW
5	84302M		1	SPRING PLATE S/N-M-6M7-100155/ML-6M7-402510 & BELOW
6	10-813477M		1	BOLT S/N-M-6M7-100155/ML-6M7-402510 & BELOW
7	84007M		1	BRACKET S/N-M-6M7-100155/ML-6M7-402510 & BELOW
4	852065M	▲	1	SHIFT ROD LEVER S/N-M-6M7-100156/ML-6M7-402511 & UP
5	852064M	▲	1	SPRING PLATE S/N-M-6M7-100156/ML-6M7-402511 & UP
6	10-84368M		1	BOLT S/N-M-6M7-100156/ML-6M7-402511 & UP
8	12-82214M		1	WASHER S/N-M-6M7-100156/ML-6M7-402511 & UP
9	94565M		1	SHIFT ROD LEVER
10	18-82125M		1	COTTER PIN
11	83968M		1	STOPPER
12	10-94544M		1	BOLT
13	84011M		1	SHIFT ROD LINK
14	18-82127M		1	COTTER PIN
15	12-82211M		2	WASHER
16	84015M		1	SHIFT ROD
17	11-82390M		1	NUT
18	11-81763M		1	NUT
19	17-84304M		1	CLEVIS PIN

▲ = PART IS NEW AND LISTED FOR THE FIRST TIME

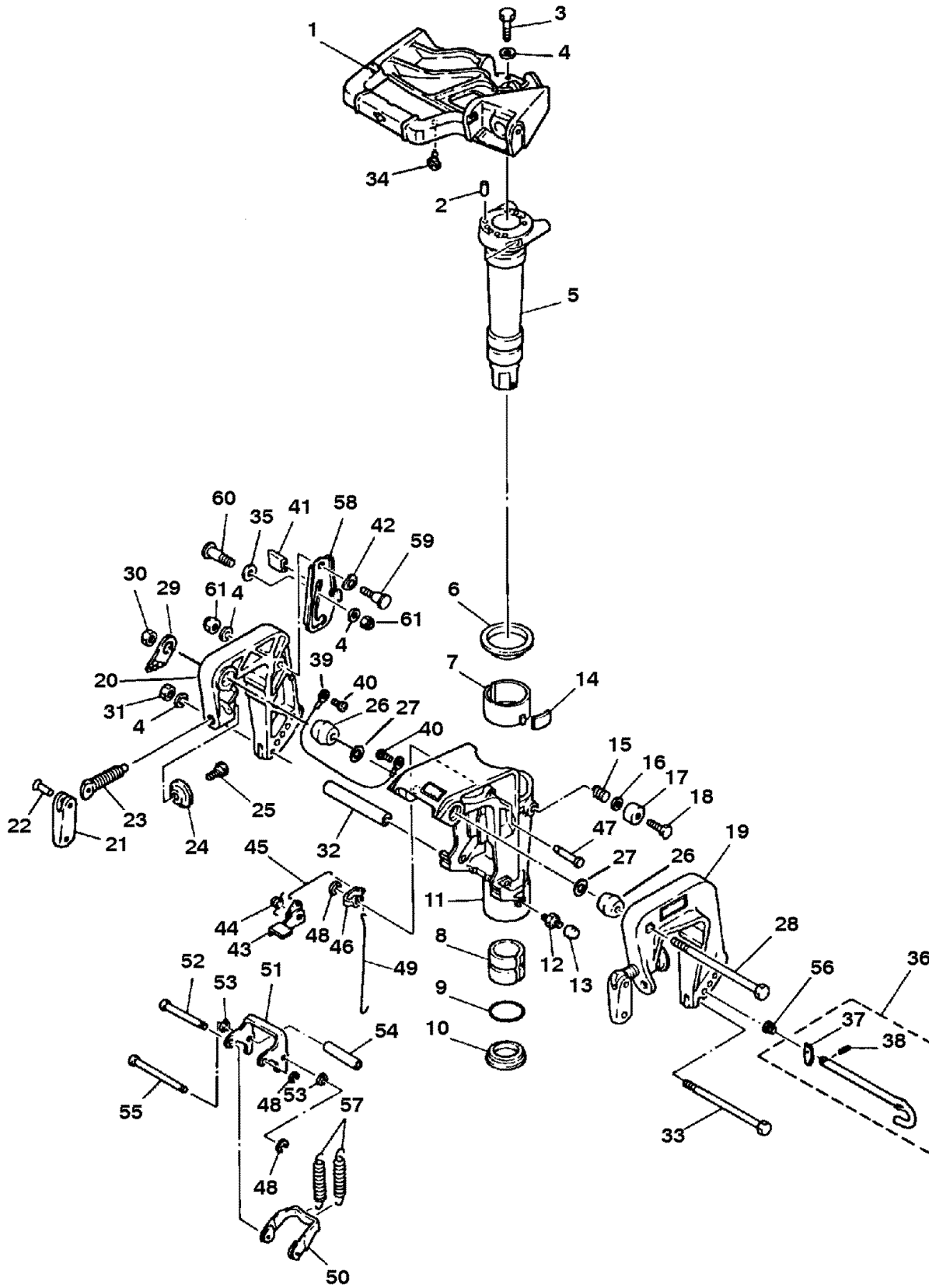
STEERING HANDLE



STEERING HANDLE

REF. NO.	PART NO.	SYM.	QTY.	DESCRIPTION
1	810449M		1	STEERING HANDLE
2	10-94616M		1	BOLT
3	12-81851M		1	WASHER
4	13-84299M		1	WAVE WASHER
5	23-84059M		1	BUSHING
6	10-82405M		1	BOLT
7	12-82214M		2	WASHER
8	12-81810M		1	WASHER
9	23-84060M		1	BUSHING
10	10-84067M		1	BOLT
11	12-82217M		1	WASHER
12	81585M		1	GRIP
13	95497M		1	HANDLE RUBBER
14	11873M		1	THROTTLE INDICATOR
15	17-81907M		1	RIVET
16	10-811916M		1	SCREW
17	12-82220M		1	WASHER
18	24-82095M		1	SPRING
19	43-810450M		1	GEAR
20	43-810451M		1	GEAR
21	23-81945M		1	BUSHING
22	82895M		1	FRICTION PIECE
23	10-84058M		1	BOLT
24	23-811012M		1	BUSHING
25	11-83056M		1	NUT
26	811273M		1	SHAFT
27	83987M		1	SEAL
28	23-811274M		1	BUSHING

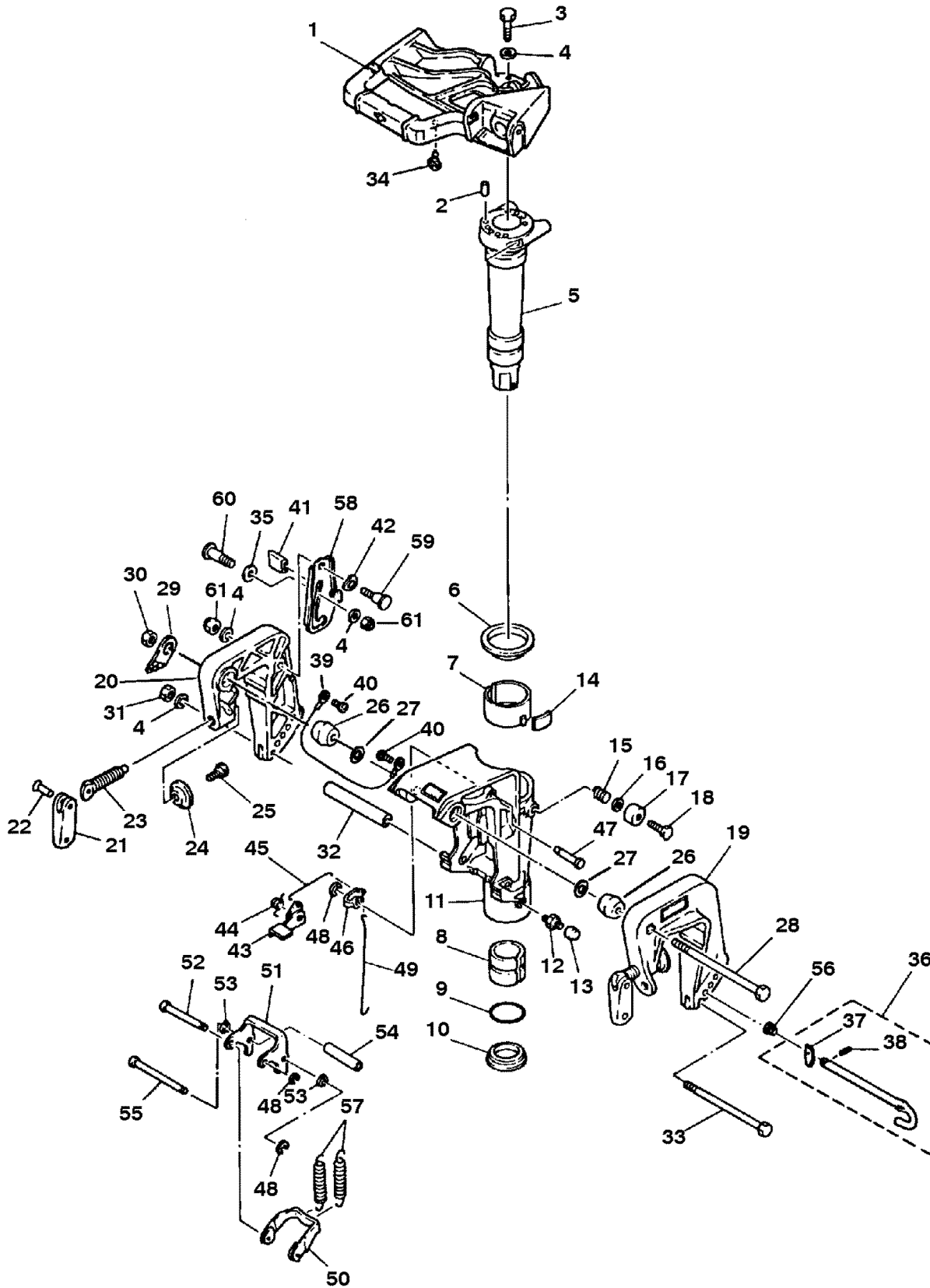
CLAMP AND SWIVEL BRACKET



CLAMP AND SWIVEL BRACKET

REF. NO.	PART NO.	SYM.	QTY.	DESCRIPTION
1	827175M		1	STEERING BRACKET (M-100131 ML-402041 AND UP)
	810452M		1	STEERING BRACKET (M-100130 ML-402040 AND BELOW)
2	17-82364M		2	DOWEL PIN
3	10-82405M		3	BOLT
4	12-82214M		6	WASHER
5	83980M		1	SHAFT
6	12-84278M		1	WASHER
7	23-83981M		1	BUSHING
8	23-84279M		1	BUSHING
9	25-84054M		1	O-RING
10	23-84280M		1	BUSHING
11	1485-827436M		1	SWIVEL BRACKET (M-100131 ML-402041 AND UP)
	1485-811019M		1	SWIVEL BRACKET (M-100130 ML-402040 AND BELOW)
12	22-82369M		1	GREASE FITTING
13	81439M		1	CAP (USE WHERE APPLICABLE)
14	80633M		1	FRICTION PLATE
15	24-83488M		1	SPRING
16	12-82217M		1	WASHER
17	26-83490M		1	SEAL
18	10-43106M		1	BOLT
19	1484-827120M		1	PORT BRACKET (M-100131 ML-402041 AND UP)
	1484-9793M		1	PORT BRACKET (M-100130 ML-402040 AND BELOW)
20	1484-827437M		1	STBD. BRACKET (M-100131 ML-402041 AND UP)
	1484-811020M		1	STBD. BRACKET (M-100130 ML-402040 AND BELOW)
21	11868M		2	HANDLE
22	17-81889M		2	PIN
23	10-43098M		2	SCREW
24	12-43099M		2	PAD
25	10-43097M		2	BOLT
26	80230M		2	FRICTION PIECE (M-100130 ML-402040 AND BELOW)
	23-827122M		2	BUSHING M-100131 ML-402041 AND UP
27	12-827123M		2	WASHER M-100131 ML-402041 AND UP
28	10-18943M		1	BOLT
29	811270M		1	PLATE
30	11-81785M		1	NUT
31	11-82390M		1	NUT
32	23-94568M		1	COLLAR
33	10-84062M		1	BOLT
34	80033M		1	HOLDER
35	12-98997M		1	WASHER

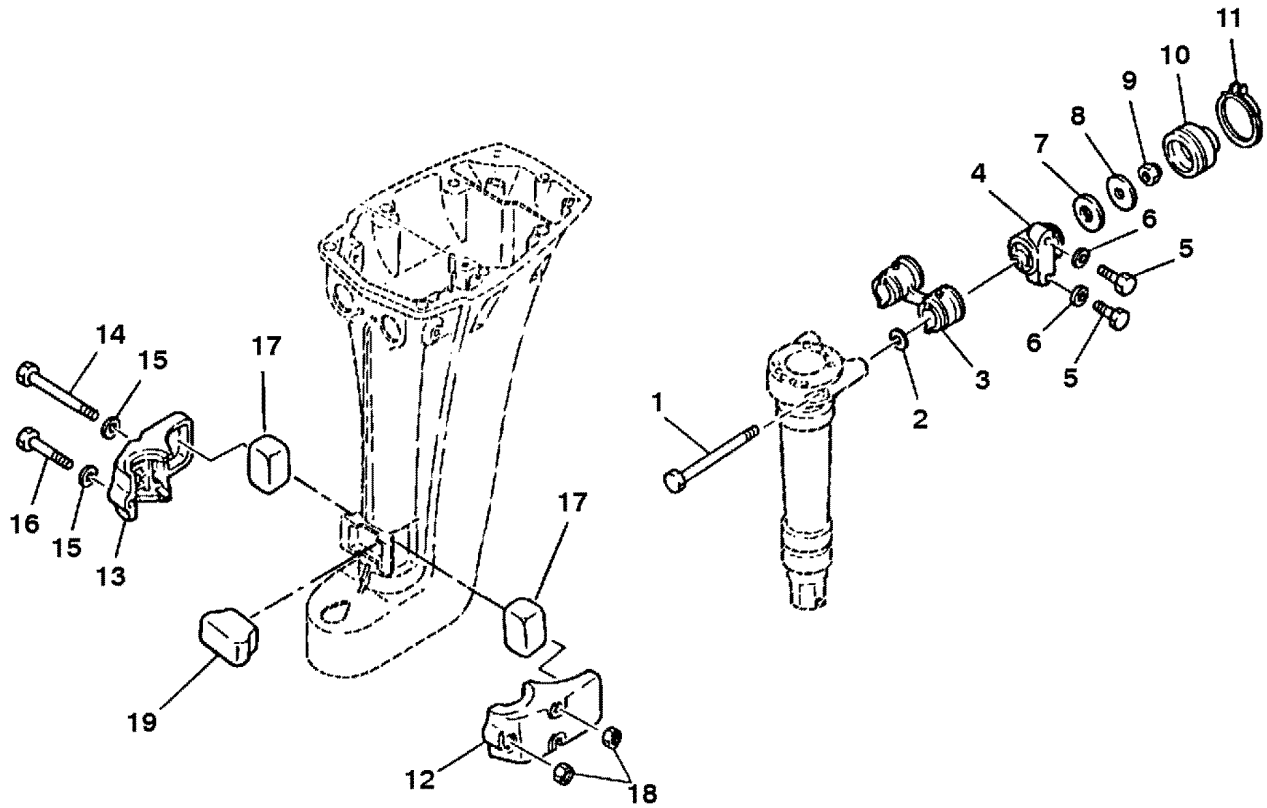
CLAMP AND SWIVEL BRACKET



CLAMP AND SWIVEL BRACKET

REF. NO.	PART NO.	SYM.	QTY.	DESCRIPTION
36	17-94569M		1	TILT ROD ASSEMBLY
37	82857M		1	PLATE
38	17-82144M		1	PIN
39	84-16716M		1	LEAD WIRE
40	10-19172M		2	SCREW
41	11932M		1	COVER
42	13-14220M		1	WAVE WASHER
43	84001M		1	TILT LEVER
44	24-84285M		1	SPRING
45	83999M		1	TILT LOCK ROD
46	84002M		1	TILT LEVER
47	17-18945M		1	PIN
48	53-82330M		3	SNAP RING
49	84000M		1	TILT LOCK ROD
50	83997M		1	TILT LOCK PLATE
51	98994M		1	TILT LOCK PLATE
52	17-84003M		1	TILT LOCK SHAFT
53	12-15372M		2	WASHER
54	811272M		1	COLLAR
55	17-811271M		1	SHAFT
56	24-815007M		1	SPRING
57	24-84288M		2	SPRING
58	14219M		1	TILT STOP LEVER
59	10-94572M		1	BOLT
60	10-94573M		1	BOLT
61	11-15373M		2	NUT

MOUNTING SYSTEM



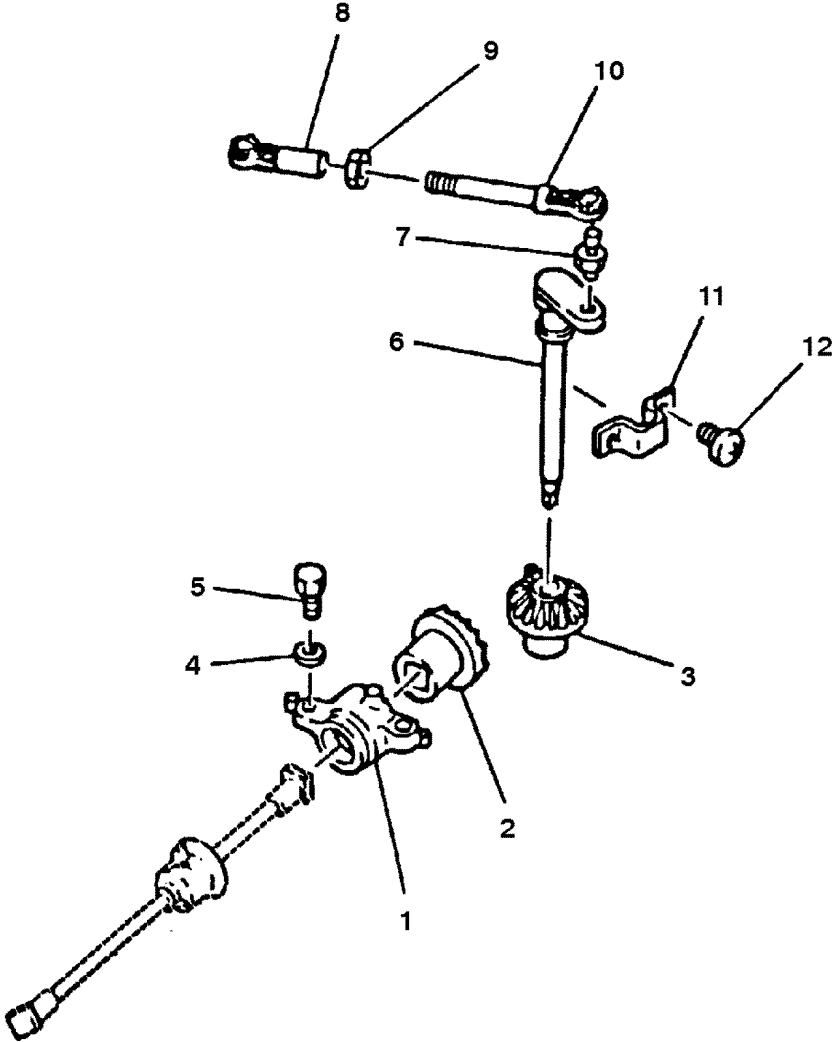
MOUNTING SYSTEM

REF. NO.	PART NO.	SYM.	QTY.	DESCRIPTION
1	10-84061M		2	BOLT
2	12-84292M		2	WASHER
3	26-94574M		1	SEAL
4	84032M		2	MOUNT DAMPER
5	10-82405M		4	BOLT
6	12-82214M		4	WASHER
7	12-84294M		2	WASHER
8	12-84293M		2	WASHER
9	11-84295M		2	NUT
10	26-84034M		2	SEAL
11	54-827148M		2	CLAMP (M-100131 ML-402041 AND UP)
	54-84296M		2	CLAMP (M-100130 ML-402040 AND BELOW)
12	94575M		1	HOUSING (PORT)
13	94614M		1	HOUSING (STARBOARD)
14	10-94615M		2	BOLT
15	12-82217M		3	WASHER
16	10-84057M		1	BOLT
17	84037M		2	MOUNT DAMPER
18	11-82383M	†	3	NUT
19	84038M		1	MOUNT DAMPER

SUPERSESION INFORMATION FOUND ON PAGE 35

† = SUPERSEDES TO ANOTHER PART NUMBER

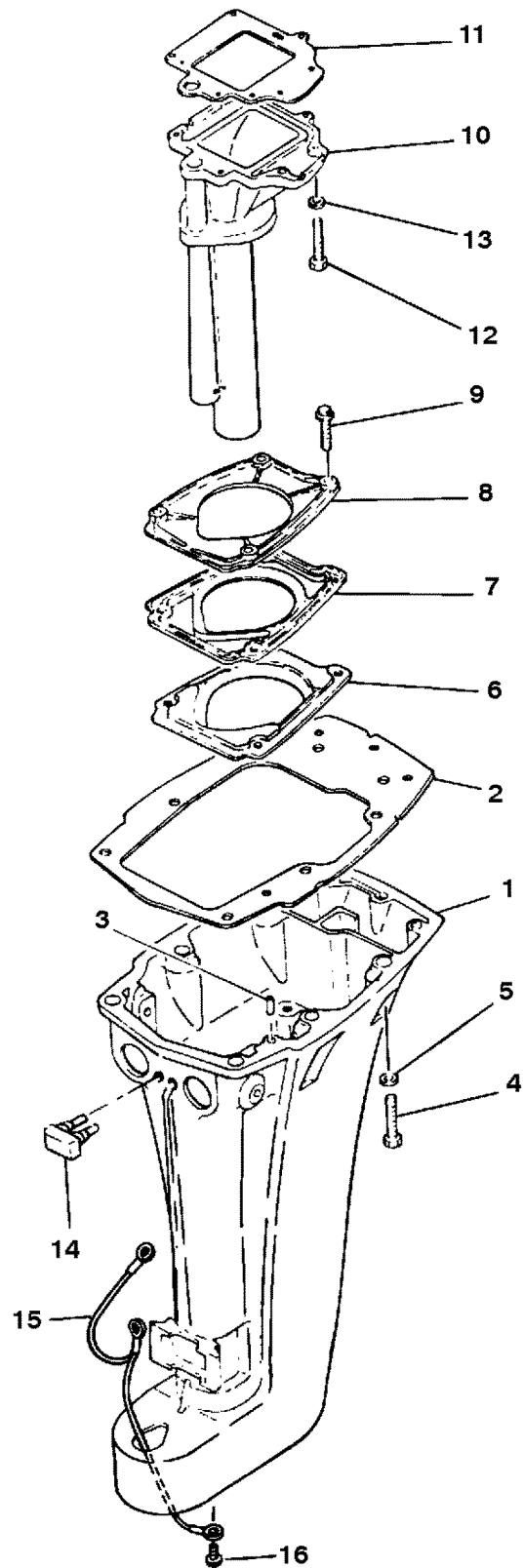
THROTTLE LINKAGE



THROTTLE LINKAGE

REF. NO.	PART NO.	SYM.	QTY.	DESCRIPTION
1	23-94563M		1	BUSHING
2	43-94562M		1	PINION
3	43-94564M		1	GEAR
4	12-82213M		2	WASHER
5	10-826957M		2	BOLT
6	83966M		1	MAGNETO CONTROL LEVER
7	84305M		1	JOINT
8	84100M		1	ROD END
9	11-83763M		1	NUT
10	811275M		1	MAGNETO CONTROL ROD
11	83967M		1	BRACKET
12	10-96671M		2	SCREW

DRIVESHAFT HOUSING



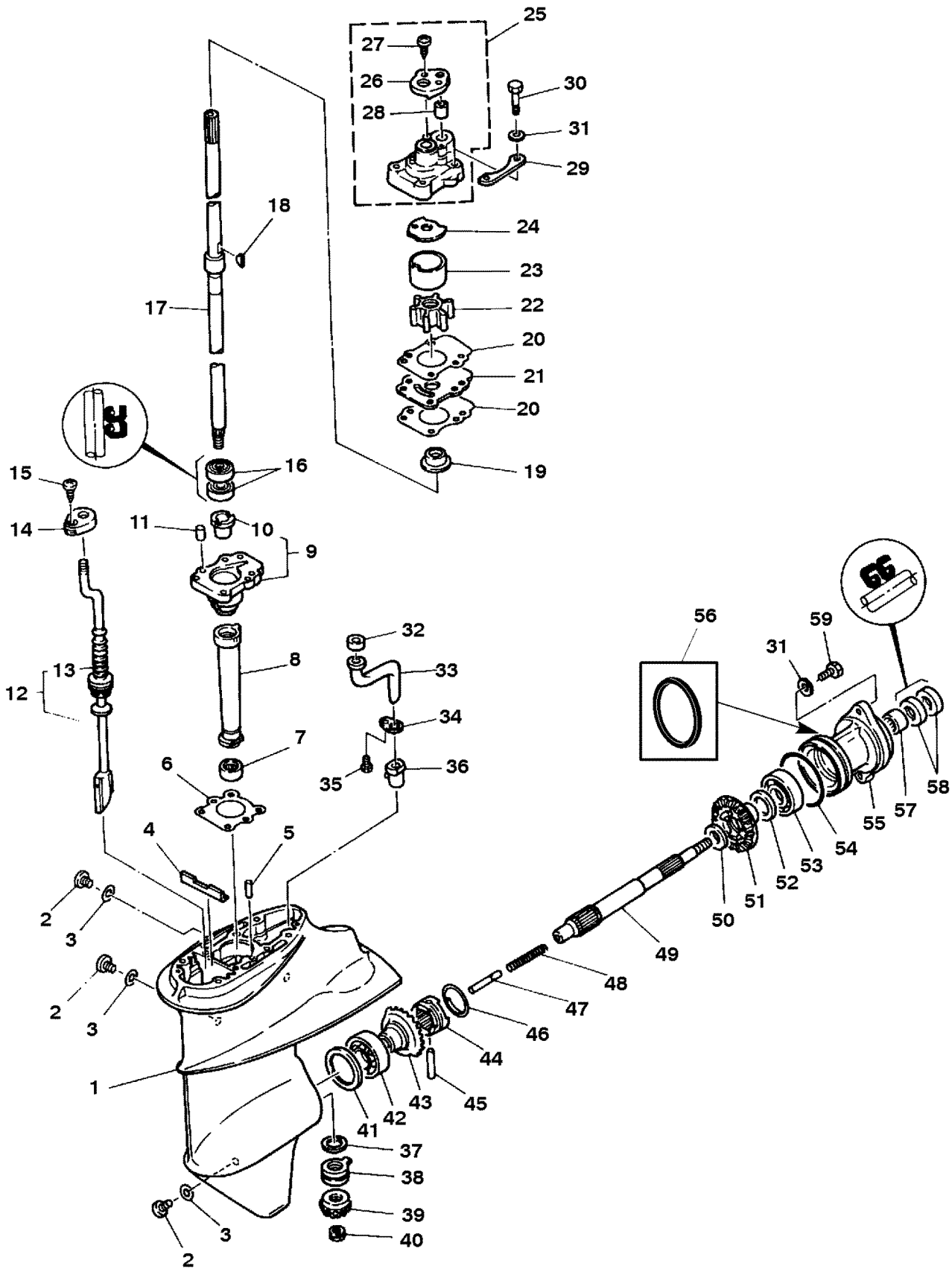
DRIVESHAFT HOUSING

REF. NO.	PART NO.	SYM.	QTY.	DESCRIPTION
1	1587-811276M		1	DRIVESHAFT HOUSING (SHORT)
	1587-811277M		1	DRIVESHAFT HOUSING (LONG)
2	27-96618M	◇ ■	1	GASKET
3	17-82364M		2	DOWEL PIN
4	10-97749M		6	BOLT
5	12-82217M		6	WASHER
6	810453M		1	PLATE
7	84041M		1	SEAL
8	83953M		1	PROTECTOR
9	10-82476M		4	BOLT
10	810454M		1	EXHAUST MANIFOLD
11	27-83955M	■	1	GASKET
12	10-84058M		6	BOLT
13	12-82214M		6	WASHER
14	94621M		1	STOPPER
15	84-811994M		1	LEAD WIRE
16	10-811995M		1	SCREW
-	27-811233M		1	POWERHEAD GASKET SET
-	27-99049M		1	LOWER UNIT GASKET SET

■ = COMPONENT OF LOWER UNIT GASKET SET

◇ = COMPONENT OF POWERHEAD GASKET SET

GEAR HOUSING ASSEMBLY



GEAR HOUSING ASSEMBLY

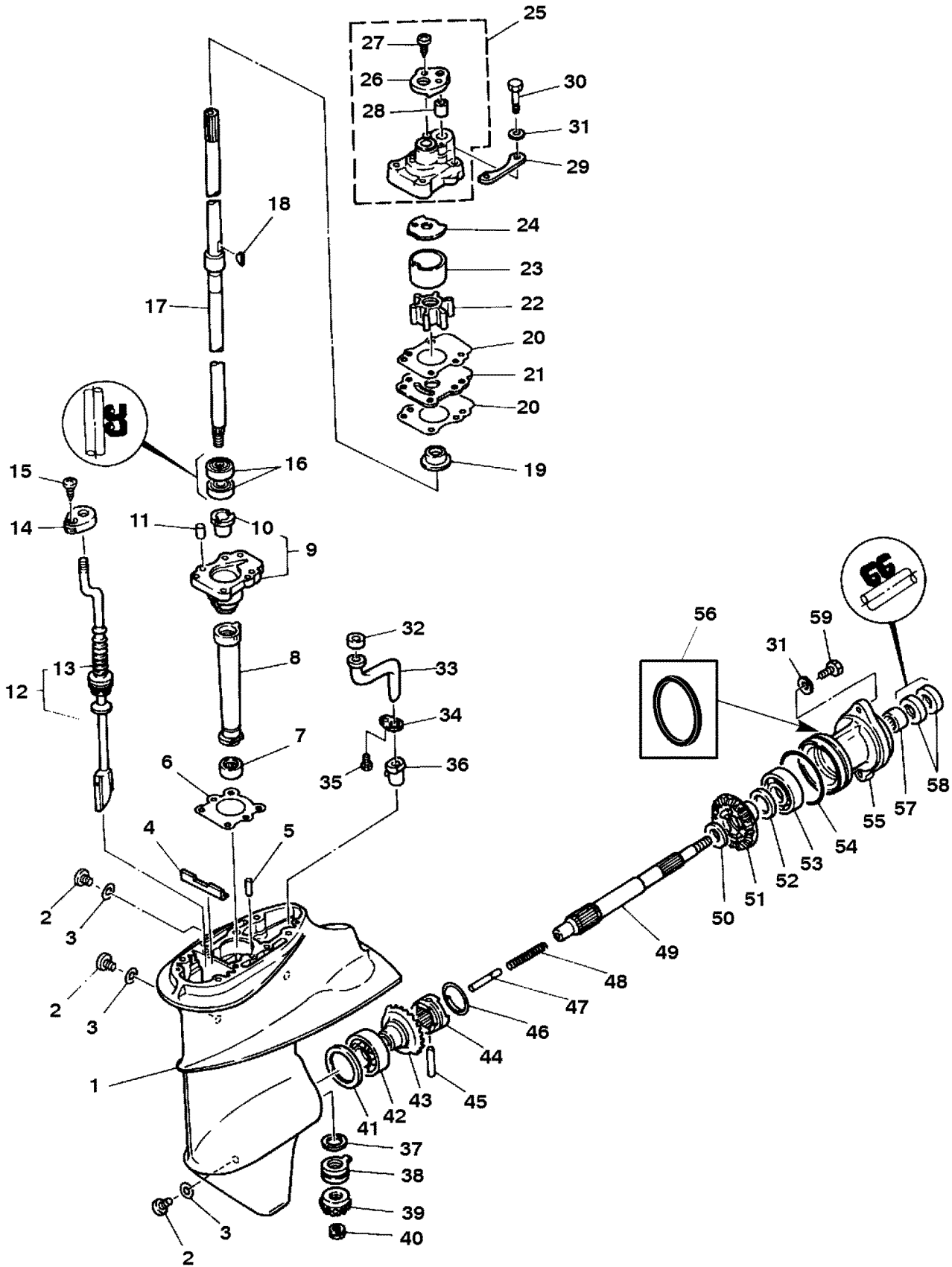
REF. NO.	PART NO.	SYM.	QTY.	DESCRIPTION
-	1651-811278M		1	GEAR HOUSING (SHORT)
-	1651-811279M		1	GEAR HOUSING (LONG)
1	1651-811991M		1	GEAR HOUSING
2	22-81924M		3	PLUG
3	27-81987M	■	3	GASKET
4	94622M		1	GUIDE
5	17-82354M		1	DOWEL PIN
6	27-84075M	■	1	GASKET
7	31-17673M		1	BEARING
8	23-99035M		1	SLEEVE
9	99054M		1	HOUSING
10	23-82590M		1	BUSHING (UPPER)
11	17-82364M		2	DOWEL PIN
12	84016M		1	SHIFT CAM (SHORT)
	84017M		1	SHIFT CAM (LONG)
13	84019M		1	BOOT
14	84020M		1	PLATE
15	10-84788M		1	SCREW
16	26-82229M	■	2	OIL SEAL
17	45-99032M		1	DRIVE SHAFT (SHORT)
	45-99033M		1	DRIVE SHAFT (LONG)
18	28-81912M	○	1	KEY
19	96620M	○	1	COVER
20	27-84024M	■○	2	GASKET
21	84121M	○	1	OUTER PLATE (CHROME)
22	47-84027M	○	1	IMPELLER
23	84120M	○	1	INSERT (CHROME)
24	84119M	○	1	INNER PLATE
25	46-94623M		1	WATER PUMP HOUSING ASSEMBLY
26	84023M		1	COVER
27	10-84272M		2	SCREW
28	26-84022M	○	1	SEAL
29	94624M		2	PLATE
30	10-82428M	○	4	BOLT
31	12-82214M		6	WASHER
32	26-94626M		1	SEAL
33	32-94625M		1	WATER TUBE

■ = COMPONENT OF LOWER UNIT GASKET SET

○ = COMPONENT OF WATER PUMP REPAIR KIT

CONTINUED ON NEXT PAGE ➡

GEAR HOUSING ASSEMBLY

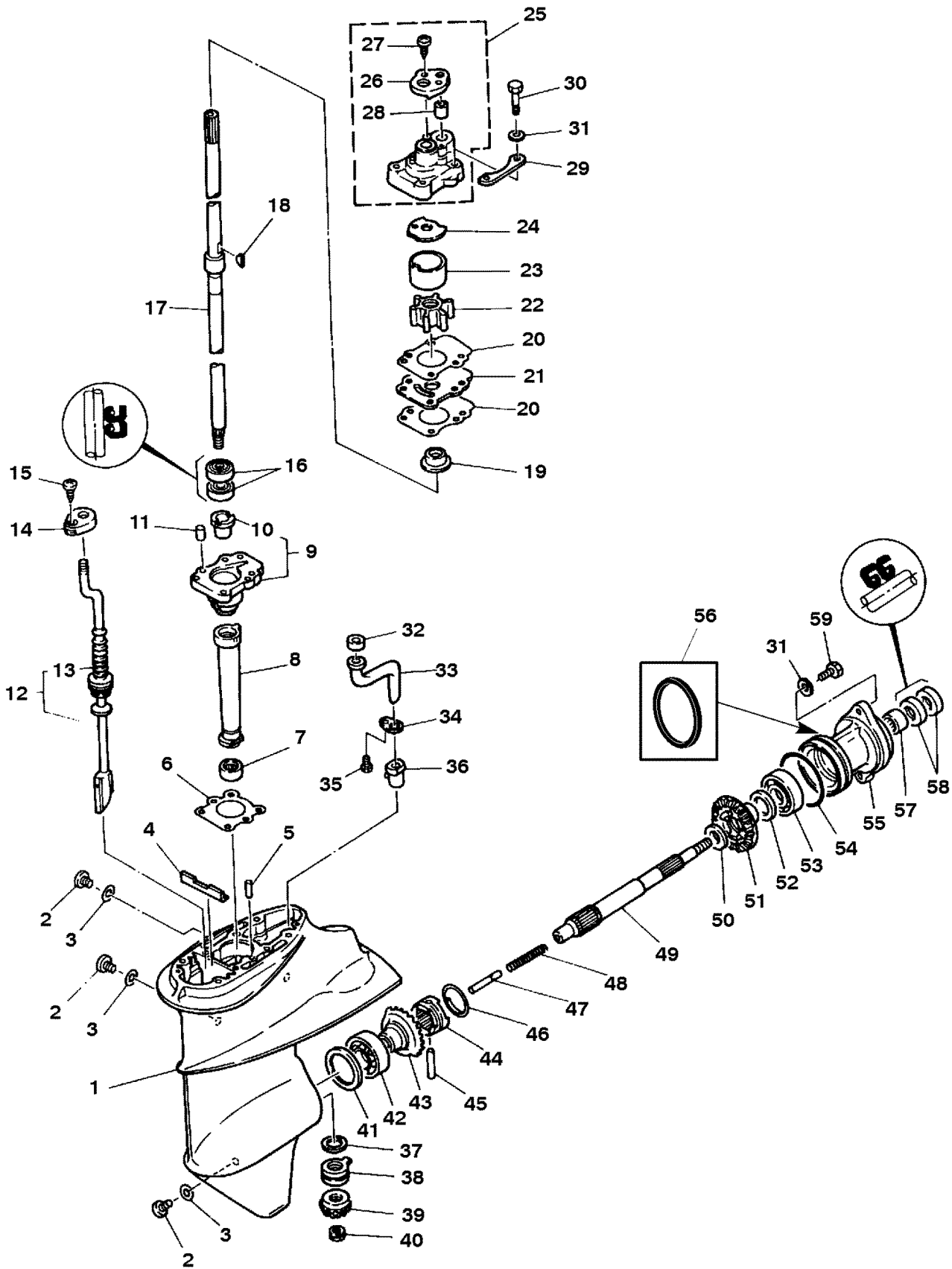


GEAR HOUSING ASSEMBLY

REF. NO.	PART NO.	SYM.	QTY.	DESCRIPTION
34	84072M		1	PLATE
35	10-84088M		1	BOLT
36	26-99031M	■	1	SEAL
-	46-811280M		1	WATER PUMP REPAIR KIT
-	27-99049M		1	LOWER UNIT GASKET SET

■ = COMPONENT OF LOWER UNIT GASKET SET

GEAR HOUSING ASSEMBLY



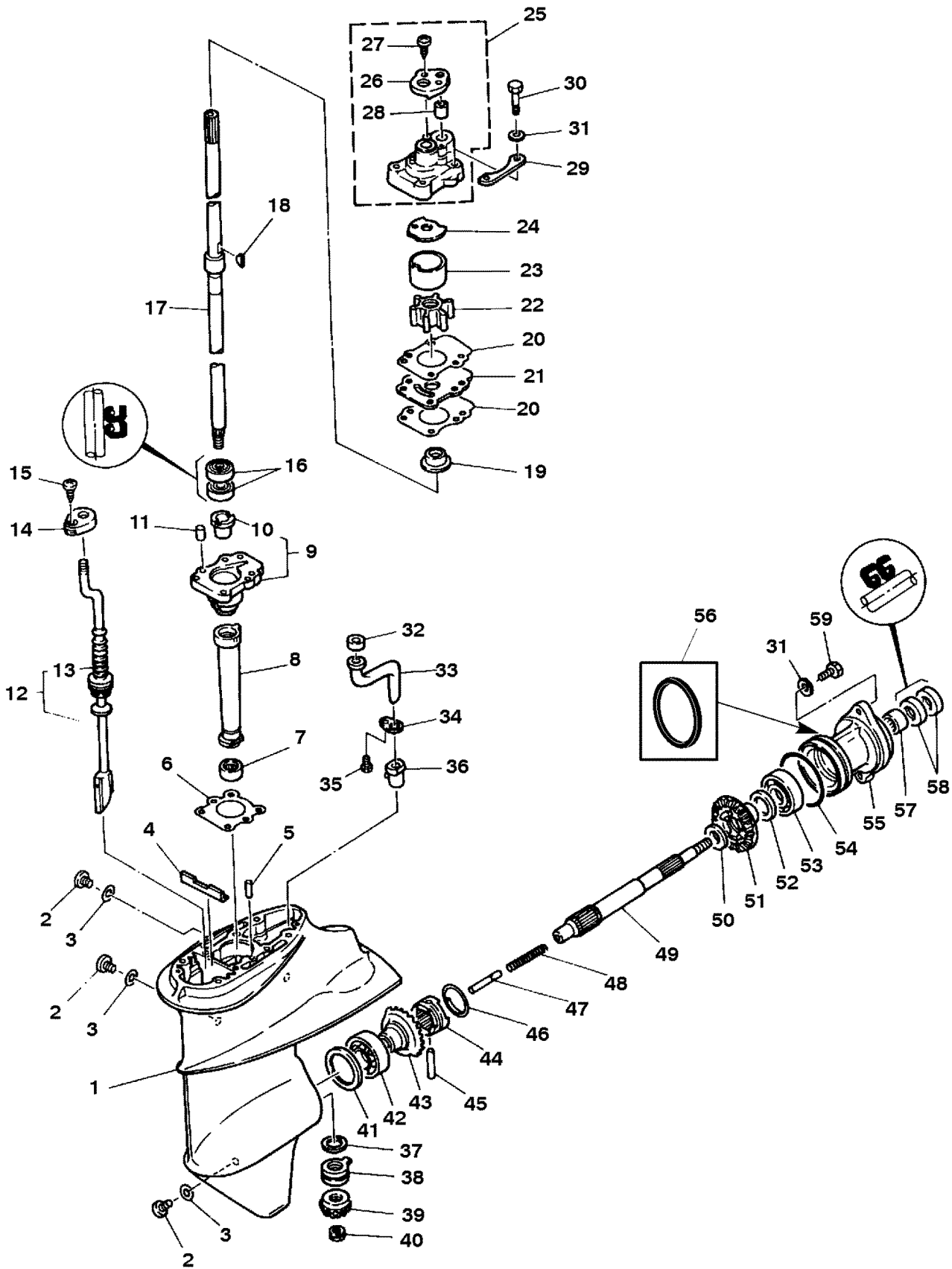
GEAR HOUSING ASSEMBLY

REF. NO.	PART NO.	SYM.	QTY.	DESCRIPTION
-	1651-811278M		1	GEAR HOUSING (SHORT)
-	1651-811279M		1	GEAR HOUSING (LONG)
37	15-827126M		AR	SHIM (1.13) M-100131 ML-402041 AND UP
	15-827127M		AR	SHIM (1.20) M-100131 ML-402041 AND UP
	12-18947M		AR	WASHER (.10MM) M-100130 ML-402040 AND BELOW
	12-18948M		AR	WASHER (.12MM) M-100130 ML-402040 AND BELOW
	12-18949M		AR	WASHER (.15MM) M-100130 ML-402040 AND BELOW
	12-18950M		AR	WASHER (.18MM) M-100130 ML-402040 AND BELOW
	12-18951M		AR	WASHER (.30MM) M-100130 ML-402040 AND BELOW
	12-18952M		AR	WASHER (.40MM) M-100130 ML-402040 AND BELOW
	12-18953M		AR	WASHER (.50MM) M-100130 ML-402040 AND BELOW
38	31-99030M		1	BEARING
39	43-99041M		1	PINION GEAR
40	11-99042M		1	NUT
41	15-18954M		AR	SHIM (.10MM)
	15-18955M		AR	SHIM (.12MM)
	15-18956M		AR	SHIM (.15MM)
	15-18957M		AR	SHIM (.18MM)
	15-18958M		AR	SHIM (.30MM)
	15-18959M		AR	SHIM (.40MM)
	15-18960M		AR	SHIM (.50MM)
42	31-82321M		1	BEARING
43	43-99043M		1	FORWARD GEAR
44	52-84274M		1	CLUTCH
45	17-81899M		1	CROSS PIN
46	53-80678M		1	RING
47	80923M		1	PLUNGER
48	24-84064M		1	SPRING
49	44-84078M		1	PROPELLER SHAFT
50	12-94627M		1	THRUST WASHER
51	43-99044M		1	REVERSE GEAR
52	15-80258M		AR	SHIM (0.1MM)
	15-80259M		AR	SHIM (0.3MM)
	15-80260M		AR	SHIM (0.5MM)
53	30-852800--1	▲	1	BEARING (ML-402859 & UP)
	30-82294M		1	BEARING (ML-402858 & BELOW)
54	25-84089M	■	1	O RING
55	84076M		1	CAP

■ = COMPONENT OF LOWER UNIT GASKET SET
▲ = PART IS NEW AND LISTED FOR THE FIRST TIME

CONTINUED ON NEXT PAGE ➡

GEAR HOUSING ASSEMBLY

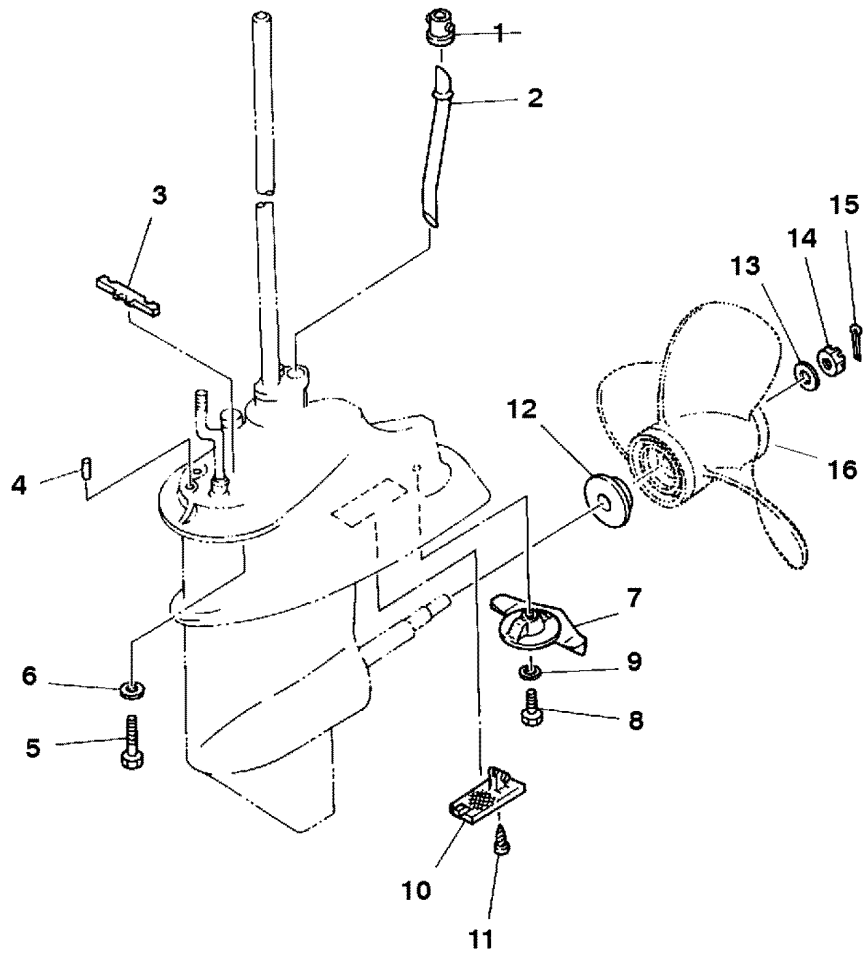


GEAR HOUSING ASSEMBLY

REF. NO.	PART NO.	SYM.	QTY.	DESCRIPTION
56	25-827156M		1	O RING
57	30-84086M		1	BEARING
58	26-82227M	■	2	OIL SEAL
59	10-84058M		2	BOLT
-	27-99049M		1	LOWER UNIT GASKET SET

■ = COMPONENT OF LOWER UNIT GASKET SET

LOWER GEAR HOUSING

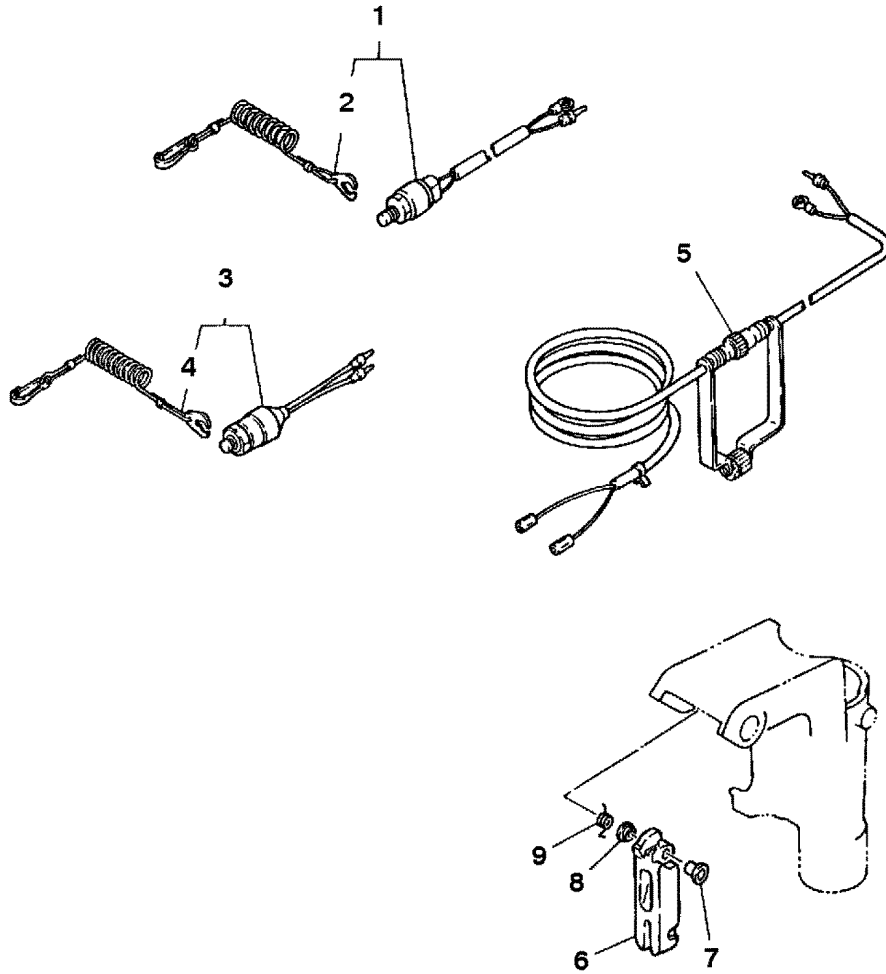


LOWER GEAR HOUSING

REF. NO.	PART NO.	SYM.	QTY.	DESCRIPTION
1	26-80239M	■	1	SEAL
2	32-84028M		1	WATER TUBE (SHORT)
	32-84029M		1	WATER TUBE (LONG)
3	26-94628M		1	DAMPER
4	17-82364M		2	DOWEL PIN
5	10-82442M		4	BOLT
6	12-82217M		4	WASHER
7	811990M		1	ANODE
8	10-91674M		1	BOLT
9	12-827055M		1	WASHER
10	18961M		1	COVER
11	10-14232M		1	SCREW
12	12-815025M		1	THRUST HUB
13	12-84275M		1	WASHER
14	11-84087M		1	PROPELLER NUT
15	18-815026		1	COTTER PIN
16	48-84082M		1	PROPELLER (3 X 9-1/4 X 8)
	48-84083M		1	PROPELLER (3 X 9-1/2 X 6-1/2)
	48-84081M		1	PROPELLER (3 X 9-1/4 X 9)
	48-84407M		1	PROPELLER (3 X 9-1/4 X 9-3/4)
	48-84080M		1	PROPELLER (3 X 9-1/4 X 10-1/2)
	48-84079M		1	PROPELLER (3 X 9-1/4 X 12)
-	27-99049M		1	LOWER UNIT GASKET SET

■ = COMPONENT OF LOWER UNIT GASKET SET

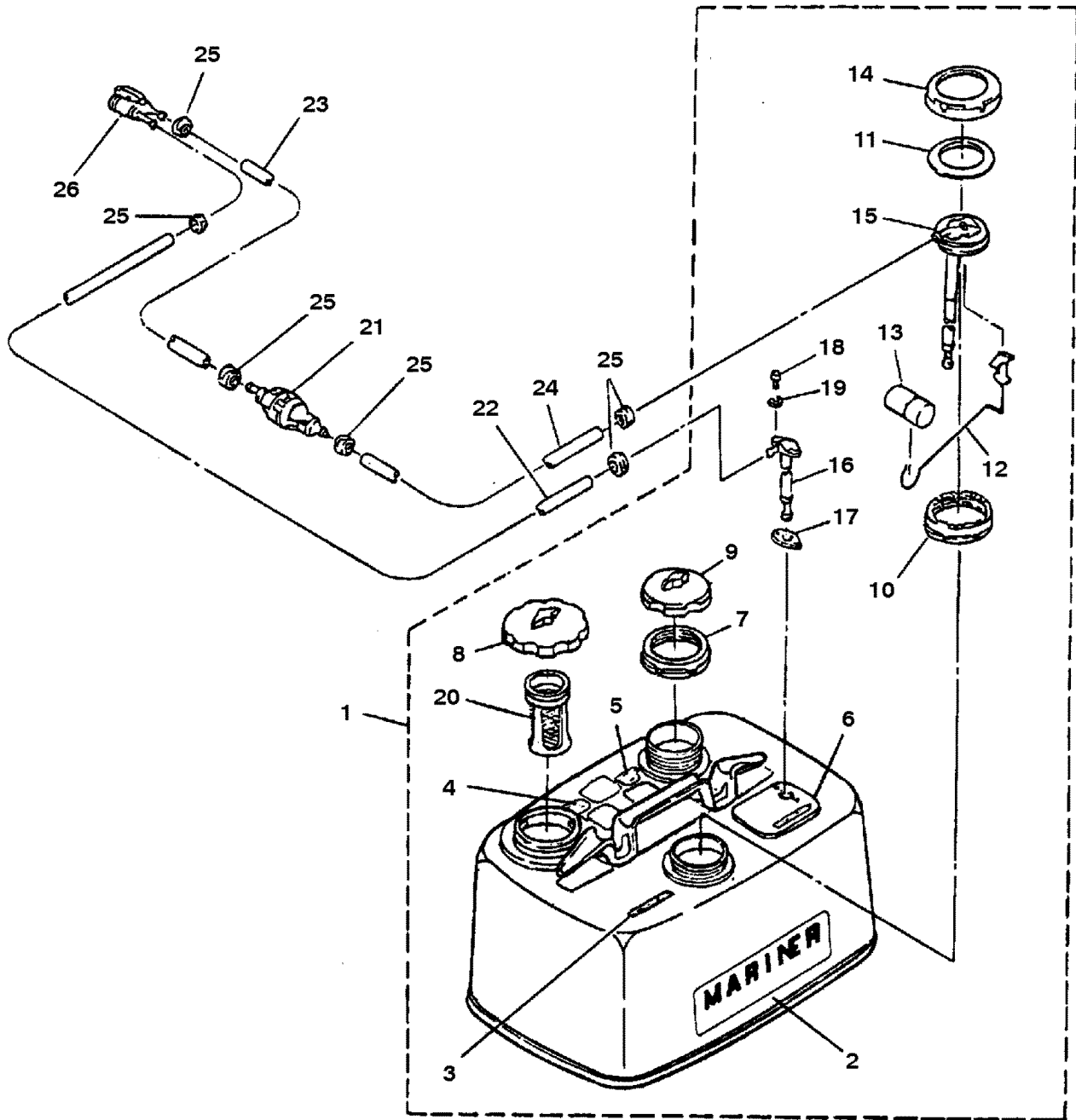
OPTIONAL PARTS



OPTIONAL PARTS

REF. NO.	PART NO.	SYM.	QTY.	DESCRIPTION
1	87-97757M		1	KILL SWITCH ASSEMBLY
2	97756M		1	STOPPER
3	87-97755M		1	KILL SWITCH ASSEMBLY
4	97756M		1	STOPPER
5	84964M		1	EXTENSION
6	94632M		1	HANDLE
7	23-84355M		1	BUSHING
8	23-81947M		1	BUSHING
9	24-84356M		1	SPRING

FUEL TANK AND FUEL LINE ASSEMBLY



FUEL TANK AND FUEL LINE ASSEMBLY

REF. NO.	PART NO.	SYM.	QTY.	DESCRIPTION
1	1252-9522M		1	FUEL TANK ASSEMBLY
2	NLA2-		2	DECAL-SIDE
3	37-14266M		1	DECAL-TOP
4	37-14267M		1	DECAL-TOP
5	37-94703M		1	DECAL-TOP
6	37-94704M		1	DECAL-TOP
7	97620M		1	NUT
8	36-814497M		1	CAP
9	36-814498M		1	CAP
10	97622M		1	NUT
11	27-97623M		1	GASKET
12	14274M		1	INDICATOR
13	81319M		1	FLOAT
14	97624M		1	SUPPORT
15	95616M		1	FUEL METER
16	99954M		1	HOUSING CONNECTOR
17	27-16720M		1	GASKET
18	10-95502M		2	SCREW
19	12-95501M		2	SEAL
20	35-95568M		1	STRAINER
21	89396A38		1	PRIMER BULB
22	32-16571M		1	HOSE
23	32-94727M		1	HOSE
24	32-94727M		1	HOSE
25	54-16725M		6	CLAMP
26	95569M		1	FUEL CONNECTOR

PARTS INDEX

Part Number	Description	Pg.	Ref. No.	Part Number	Description	Pg.	Ref. No.
11868M	HANDLE	29	21	811252M	CARB REPAIR KIT	19	-
11873M	THROTTLE INDICATOR	27	14	811254M	SEAL	5	20
11930M	VALVE SEAT	19	43	811255M	BRACKET	5	31
11932M	COVER	31	41	811258M	BRACKET	23	34
11935M	CUP	21	25	811260M	BRACKET	21	26
14219M	TILT STOP LEVER	31	58	811262M	FUEL PUMP ASSEMBLY	21	1
14274M	INDICATOR	51	12	811266M	HOOK	3	8
15308M	HOOK	3	12	811267M	MOLDING	3	4
15312M	BASE ASSEMBLY	7	2	811268M	AIR DUCT	3	5
15313M	LIGHTING COIL ASSEMBLY	7	9	811270M	PLATE	29	29
15314M	RETAINER	7	20	811272M	COLLAR	31	54
15316M	BRACKET	7	32	811273M	SHAFT	27	26
15394M	COVER	7	27	811275M	MAGNETO CONTROL ROD	35	10
15435M	GUIDE	5	19	811281M	CAM	7	22
17662M	COVER	9	20	811282M	TIMING PLATE	7	40
18940M	HOUSING	11	24	811990M	ANODE	47	7
18961M	COVER	47	10	812491M	CRANK	11	3
19262M	CRANK	11	4	812492M	CRANK	11	6
19263M	CRANK	11	5	81319M	FLOAT	51	13
41256M	SPACER	15	4	81439M	CAP (USE WHERE APPLICABLE)	29	13
41260M	DAMPER	7	33	814491A1	HANDLE	5	16
41266M	BRACKET	5	29	814492M	COVER	5	17
41316M	PULLEY	7	13	814554M	THERMOSTAT	9	17
41829M	IGNITION COIL	7	5	81585M	GRIP	27	12
41830M	PULSER COIL	7	6	826967M	CUP	21	25
41863M	MAGNETO BASE	7	4	827173M	GUIDE	5	19
41869M	FRICTION PLATE	7	18	827174M	SEAL	5	20
43077M	C.D.I UNIT	7	28	827175M	STEERING BRACKET	29	1
47341A1	EMERGENCY STARTER ROPE	5	30	827192M	CRANK	11	3
56762	STA-STRAP	23	35	827197M	CRANK	11	4
80033M	HOLDER	29	34	827198M	CRANK	11	5
80195M	PLUNGER	17	6	827199M	CRANK	11	6
80196M	COVER	17	2	827435M	SEAL	11	8
80197M	CAP	17	3	82857M	PLATE	31	37
80199M	PLATE	17	4	82895M	FRICTION PIECE	27	22
80203M	ARM	17	21	83115M	COLLAR	17	16
80230M	FRICTION PIECE	29	26	83252M	PAWL	5	12
80450M	FLOAT	17	22	83287M	CHOKE KNOB	15	22
80606M	DIAPHRAGM	21	8	83300M	END	17	10
80607M	COVER	21	16	83900M	ANODE	9	24
80611M	PLATE	21	9	83950M	EXHAUST COVER (INNER)	9	26
80633M	FRICTION PLATE	29	14	83952M	EXHAUST COVER (OUTER)	9	28
80923M	PLUNGER	43	47	83953M	PROTECTOR	37	8
810449M	STEERING HANDLE	27	1	83962M	RETAINER	9	12
810452M	STEERING BRACKET	29	1	83965M	STOPPER	9	6
810453M	PLATE	37	6	83966M	MAGNETO CONTROL LEVER	35	6
810454M	EXHAUST MANIFOLD	37	10	83967M	BRACKET	35	11
811230M	POWERHEAD	9	-	83968M	STOPPER	25	11
811230M	POWERHEAD	13	-	83980M	SHAFT	29	5
811236M	COVER (INNER)	15	16	83983M	SEAL	3	13
811237M	COVER (OUTER)	15	17	83987M	SEAL	27	27
811240M	CHOKE ROD	15	24	83991M	LEVER	3	32
811241M	CHOKE LEVER	15	28	83997M	TILT LOCK PLATE	31	50
811243M	MAIN NOZZLE	17	19	83999M	TILT LOCK ROD	31	45
811244M	MAIN JET (#98)	17	20	84000M	TILT LOCK ROD	31	49
811245M	LEVER	17	14	84001M	TILT LEVER	31	43
811246M	STARTER JET (#50)	17	24	84002M	TILT LEVER	31	46
811251M	PILOT JET (#66)	17	38	84005M	GEAR SHIFT HANDLE	25	1
811252M	CARB REPAIR KIT	15	-	84007M	BRACKET	25	7

PARTS INDEX

Part Number	Description	Pg.	Ref. No.	Part Number	Description	Pg.	Ref. No.
84009M	SHIFT ROD LEVER	25	4	97756M	STOPPER	49	4
84011M	SHIFT ROD LINK	25	13	98981M	RETAINER	9	11
84015M	SHIFT ROD	25	16	98994M	TILT LOCK PLATE	31	51
84016M	SHIFT CAM (SHORT)	39	12	99054M	HOUSING	39	9
84017M	SHIFT CAM (LONG)	39	12	99954M	HOUSING CONNECTOR	51	16
84019M	BOOT	39	13	10-14232M	SCREW	47	11
84020M	PLATE	39	14	10-17661M	SCREW	7	19
84023M	COVER	39	26	10-18943M	BOLT	29	28
84032M	MOUNT DAMPER	33	4	10-19172M	SCREW	31	40
84037M	MOUNT DAMPER	33	17	10-41889M	SCREW	21	12
84038M	MOUNT DAMPER	33	19	10-43097M	BOLT	29	25
84041M	SEAL	37	7	10-43098M	SCREW	29	23
84072M	PLATE	41	34	10-43106M	BOLT	29	18
84076M	CAP	43	55	10-80091M	SCREW	17	9
84100M	ROD END	35	8	10-80573M	SCREW	19	47
84119M	INNER PLATE	39	24	10-811248M	SCREW	17	26
84120M	INSERT (CHROME)	39	23	10-811259M	BOLT	23	36
84121M	OUTER PLATE (CHROME)	39	21	10-811916M	SCREW	27	16
84141M	DIAPHRAGM	21	14	10-811995M	SCREW	37	16
84302M	SPRING PLATE	25	5	10-813477M	BOLT	7	14
84305M	JOINT	7	11	10-813477M	BOLT	15	6
84305M	JOINT	35	7	10-813477M	BOLT	25	6
84964M	EXTENSION	49	5	10-82179M	SCREW	15	29
852064M	SPRING PLATE	25	5	10-82405M	BOLT	9	32
852065M	SHIFT ROD LEVER	25	4	10-82405M	BOLT	27	6
89396A38	PRIMER BULB	51	21	10-82405M	BOLT	29	3
94556M	SEAL	11	8	10-82405M	BOLT	33	5
94565M	SHIFT ROD LEVER	25	9	10-82423M	SCREW	5	27
94575M	HOUSING (PORT)	33	12	10-82428M	BOLT	39	30
94614M	HOUSING (STARBOARD)	33	13	10-82442M	BOLT	47	5
94621M	STOPPER	37	14	10-82476M	BOLT	37	9
94622M	GUIDE	39	4	10-82499M	SCREW	7	3
94624M	PLATE	39	29	10-82515M	SCREW	17	31
94632M	HANDLE	49	6	10-82522M	SCREW	15	20
94696M	FLOAT	17	35	10-82522M	SCREW	21	17
94697M	ARM	17	36	10-826957M	BOLT	3	7
94717M	DIAPHRAGM	21	5	10-826957M	BOLT	5	22
94735M	BODY	17	25	10-826957M	BOLT	7	38
94740M	SHAFT	17	7	10-826957M	BOLT	13	28
94741M	THROTTLE LEVER	17	11	10-826957M	BOLT	15	8
94742M	LINK ROD	17	13	10-826957M	BOLT	21	28
94744M	BODY	17	33	10-826957M	BOLT	35	5
94745M	COVER	17	40	10-826958M	BOLT	5	24
94747M	PLATE	17	30	10-827147M	SCREW	17	17
95188--3	SECONDARY IGNITION COIL	7	35	10-83112M	SCREW	17	15
95188M	SECONDARY IGNITION COIL	7	35	10-83285M	BOLT	5	10
95430M	VALVE SEAT	17	41	10-83285M	BOLT	7	29
95463M	LEVER	3	27	10-83285M	BOLT	7	36
95497M	HANDLE RUBBER	27	13	10-84057M	BOLT	33	16
95569M	FUEL CONNECTOR	51	26	10-84058M	BOLT	3	24
95580M	PILOT JET	19	46	10-84058M	BOLT	5	26
95590M	SHAFT	5	9	10-84058M	BOLT	7	34
95604M	CONNECTOR	23	39	10-84058M	BOLT	9	22
95616M	FUEL METER	51	15	10-84058M	BOLT	23	40
96620M	COVER	39	19	10-84058M	BOLT	27	23
97620M	NUT	51	7	10-84058M	BOLT	37	12
97622M	NUT	51	10	10-84058M	BOLT	45	59
97624M	SUPPORT	51	14	10-84061M	BOLT	33	1
97756M	LANYARD	3	18	10-84062M	BOLT	29	33
97756M	STOPPER	49	2	10-84065M	BOLT	9	23

PARTS INDEX

Part Number	Description	Pg.	Ref. No.	Part Number	Description	Pg.	Ref. No.
10-84067M	BOLT	27	10	12-815025M	THRUST HUB	47	12
10-84088M	BOLT	41	35	12-81557M	WASHER	5	11
10-84272M	SCREW	39	27	12-81794M	WASHER	3	29
10-84313M	BOLT	7	21	12-81794M	WASHER	7	31
10-84313M	BOLT	7	23	12-81810M	WASHER	27	8
10-84315M	BOLT	3	28	12-81814M	WASHER	7	17
10-84368M	BOLT	25	6	12-81823M	WASHER	11	19
10-84788M	SCREW	39	15	12-81835M	WASHER	9	18
10-84931M	BOLT	21	20	12-81851M	WASHER	27	3
10-852776--8	BOLT	5	21	12-82211M	WASHER	7	24
10-852776-13	BOLT	5	10	12-82211M	WASHER	15	21
10-91674M	BOLT	47	8	12-82211M	WASHER	25	15
10-91691M	SCREW	7	8	12-82213M	WASHER	35	4
10-91738M	SCREW	17	28	12-82214M	WASHER	3	25
10-94544M	BOLT	25	12	12-82214M	WASHER	3	6
10-94572M	BOLT	31	59	12-82214M	WASHER	5	23
10-94573M	BOLT	31	60	12-82214M	WASHER	5	25
10-94615M	BOLT	33	14	12-82214M	WASHER	7	15
10-94616M	BOLT	27	2	12-82214M	WASHER	9	21
10-94724M	SCREW	21	3	12-82214M	WASHER	13	29
10-94766M	BOLT	15	10	12-82214M	WASHER	15	7
10-95453M	BOLT	9	9	12-82214M	WASHER	21	21
10-95467M	SCREW	9	25	12-82214M	WASHER	25	8
10-95487M	BOLT	9	8	12-82214M	WASHER	27	7
10-95502M	SCREW	51	18	12-82214M	WASHER	29	4
10-96346M	SCREW	7	10	12-82214M	WASHER	33	6
10-96346M	SCREW	7	7	12-82214M	WASHER	37	13
10-96610M	SCREW	15	19	12-82214M	WASHER	39	31
10-96671M	SCREW	9	13	12-82217M	WASHER	27	11
10-96671M	SCREW	35	12	12-82217M	WASHER	29	16
10-97749M	BOLT	37	4	12-82217M	WASHER	33	15
11-15327M	NUT	15	5	12-82217M	WASHER	37	5
11-15373M	NUT	31	61	12-82217M	WASHER	47	6
11-80245M	NUT	15	25	12-82220M	WASHER	27	17
11-81763M	NUT	25	18	12-827055M	WASHER	47	9
11-81770M	NUT	7	16	12-827123M	WASHER	29	27
11-81785M	NUT	29	30	12-82847M	WASHER	15	27
11-82382M	NUT	21	27	12-84275M	WASHER	47	13
11-82383M	NUT	33	18	12-84278M	WASHER	29	6
11-82389M	NUT	5	3	12-84292M	WASHER	33	2
11-82389M	NUT	15	30	12-84293M	WASHER	33	8
11-82390M	NUT	15	14	12-84294M	WASHER	33	7
11-82390M	NUT	25	17	12-84636M	WASHER	11	14
11-82390M	NUT	29	31	12-94524M	WASHER	15	31
11-82537M	NUT	21	13	12-94627M	THRUST WASHER	43	50
11-83056M	NUT	27	25	12-95501M	SEAL	51	19
11-83763M	NUT	35	9	12-98997M	WASHER	29	35
11-84087M	PROPELLER NUT	47	14	13-14220M	WAVE WASHER	31	42
11-84295M	NUT	33	9	13-81868M	WAVE WASHER	15	32
11-99042M	NUT	43	40	13-81869M	WAVE WASHER	3	30
12-15323M	WASHER	11	23	13-82186M	LOCKWASHER	21	18
12-15372M	WASHER	31	53	13-82206M	LOCKWASHER	17	29
12-18947M	WASHER (.10MM)	43	37	13-82212M	LOCKWASHER	7	30
12-18948M	WASHER (.12MM)	43	37	13-82212M	LOCKWASHER	15	9
12-18949M	WASHER (.15MM)	43	37	13-84299M	WAVE WASHER	27	4
12-18950M	WASHER (.18MM)	43	37	13-94725M	LOCKWASHER	21	4
12-18951M	WASHER (.30MM)	43	37	15-18954M	SHIM (.10MM)	43	41
12-18952M	WASHER (.40MM)	43	37	15-18955M	SHIM (.12MM)	43	41
12-18953M	WASHER (.50MM)	43	37	15-18956M	SHIM (.15MM)	43	41
12-43099M	PAD	29	24	15-18957M	SHIM (.18MM)	43	41

PARTS INDEX

Part Number	Description	Pg.	Ref. No.	Part Number	Description	Pg.	Ref. No.
15-18958M	SHIM (.30MM)	43	41	23-84060M	BUSHING	27	9
15-18959M	SHIM (.40MM)	43	41	23-84243M	SPACER	11	22
15-18960M	SHIM (.50MM)	43	41	23-84279M	BUSHING	29	8
15-80258M	SHIM (0.1MM)	43	52	23-84280M	BUSHING	29	10
15-80259M	SHIM (0.3MM)	43	52	23-84355M	BUSHING	49	7
15-80260M	SHIM (0.5MM)	43	52	23-94563M	BUSHING	35	1
15-827126M	SHIM (1.13)	43	37	23-94568M	COLLAR	29	32
15-827127M	SHIM (1.20)	43	37	23-99035M	SLEEVE	39	8
16-80232M	STUD	15	11	24-80193M	SPRING	17	18
16-81731M	STUD	15	12	24-80194M	SPRING	17	5
17-14214M	DOWEL PIN	5	28	24-80574M	SPRING	17	12
17-18945M	PIN	31	47	24-80610M	SPRING	21	10
17-80451M	FLOAT PIN	17	42	24-809579--1	SPRING	19	48
17-811249M	FLOAT PIN	17	37	24-815007M	SPRING	31	56
17-811271M	SHAFT	31	55	24-82095M	SPRING	27	18
17-812493M	PIN	11	9	24-83488M	SPRING	29	15
17-814489M	RIVET	3	11	24-84064M	SPRING	43	48
17-81889M	PIN	29	22	24-84285M	SPRING	31	44
17-81899M	CROSS PIN	43	45	24-84288M	SPRING	31	57
17-81907M	RIVET	27	15	24-84356M	SPRING	49	9
17-82144M	PIN	31	38	24-95588M	SPRING	5	8
17-82155M	PIN	5	5	24-95589M	SPRING	5	14
17-82157M	PIN	5	7	25-15309M	GROMMET	3	10
17-82354M	DOWEL PIN	39	5	25-15434M	GROMMET	5	18
17-82364M	DOWEL PIN	3	23	25-18927M	GROMMET	3	19
17-82364M	DOWEL PIN	9	7	25-80231M	GROMMET	15	23
17-82364M	DOWEL PIN	29	2	25-826966M	O-RING	21	24
17-82364M	DOWEL PIN	37	3	25-827156M	O RING	45	56
17-82364M	DOWEL PIN	39	11	25-83930M	O-RING	11	26
17-82364M	DOWEL PIN	47	4	25-83990M	GROMMET	3	20
17-83140M	RIVET	3	9	25-84054M	O-RING	29	9
17-84003M	TILT LOCK SHAFT	31	52	25-84089M	O RING	43	54
17-84304M	CLEVIS PIN	25	19	25-84957M	O-RING	21	24
17-84625M	PIN	11	11	25-94542M	DAMPER	3	34
17-94569M	TILT ROD ASSEMBLY	31	36	25-94695M	O-RING	17	39
18-815026	COTTER PIN	47	15	25-96595M	DAMPER	3	35
18-82050M	COTTER PIN	15	26	25-96596M	GROMMET	3	22
18-82125M	COTTER PIN	25	10	25-97607M	SEAL	23	41
18-82127M	COTTER PIN	25	14	26-17659M	SEAL	3	21
18-84301M	COTTER PIN	25	3	26-18843M	OIL SEAL	11	25
19-80604M	PLUG	5	4	26-80239M	SEAL	47	1
21-41888M	CHECK VALVE	21	11	26-82227M	OIL SEAL	45	58
21-80727M	CHECK VALVE	9	2	26-82229M	OIL SEAL	39	16
22-80743M	FITTING	9	3	26-83490M	SEAL	29	17
22-81924M	PLUG	39	2	26-83936M	OIL SEAL	11	21
22-82369M	GREASE FITTING	29	12	26-84022M	SEAL	39	28
22-83326M	FITTING	9	30	26-84034M	SEAL	33	10
22-94716M	CONNECTOR	21	2	26-94574M	SEAL	33	3
22-94716M	PIPE	3	26	26-94626M	SEAL	39	32
23-80227M	BUSHING	17	8	26-94628M	DAMPER	47	3
23-811012M	BUSHING	27	24	26-96606M	OIL SEAL	11	27
23-811274M	BUSHING	27	28	26-99031M	SEAL	41	36
23-81945M	BUSHING	27	21	27-16720M	GASKET	51	17
23-81947M	BUSHING	49	8	27-18937M	GASKET	9	15
23-81949M	BUSHING	3	31	27-80205M	GASKET	19	44
23-82590M	BUSHING (UPPER)	39	10	27-80344M	GASKET	17	34
23-827122M	BUSHING	29	26	27-80613M	GASKET	21	7
23-83981M	BUSHING	29	7	27-80614M	GASKET	21	15
23-84013M	BUSHING	25	2	27-80737M	GASKET	17	27
23-84059M	BUSHING	27	5	27-80740M	GASKET	17	23

PARTS INDEX

Part Number	Description	Pg.	Ref. No.	Part Number	Description	Pg.	Ref. No.
27-811233M	POWERHEAD GASKET SET	3	-	35-11934M	FILTER	21	23
27-811233M	POWERHEAD GASKET SET	9	-	35-826964M	FUEL FILTER	21	22
27-811233M	POWERHEAD GASKET SET	13	-	35-826965M	FILTER	21	23
27-811233M	POWERHEAD GASKET SET	15	-	35-95568M	STRAINER	51	20
27-811233M	POWERHEAD GASKET SET	19	-	36-814497M	CAP	51	8
27-811233M	POWERHEAD GASKET SET	23	-	36-814498M	CAP	51	9
27-811233M	POWERHEAD GASKET SET	37	-	37-14266M	DECAL-TOP	51	3
27-811238M	GASKET	15	18	37-14267M	DECAL-TOP	51	4
27-811239M	GASKET	15	15	37-15305M	DECAL SET (SIDE)	3	2
27-811263M	GASKET	21	19	37-16345M	DECAL-FRONT	3	3
27-81987M	GASKET	39	3	37-81202M	SHIFT INDICATOR	3	14
27-83245M	GASKET	15	13	37-94673M	DECAL-SIDE	3	33
27-83940M	GASKET	9	19	37-94703M	DECAL-TOP	51	5
27-83941M	GASKET	15	3	37-94704M	DECAL-TOP	51	6
27-83951M	GASKET	9	27	39-15320M	PISTON RING SET		
27-83951M	GASKET	9	29		(STANDARD)	11	16
27-83955M	GASKET	37	11	39-15322M	PISTON RING SET (2ND.		
27-84024M	GASKET	39	20		O.S. 0.50MM)	11	16
27-84075M	GASKET	39	6	39-18939M	PISTON RING SET (1ST.		
27-94718M	GASKET	21	6		O.S. 0.25MM)	11	16
27-96602M	GASKET	9	10	41-80272M	PISTON PIN	11	17
27-96618M	GASKET	37	2	43-810450M	GEAR	27	19
27-97623M	GASKET	51	11	43-810451M	GEAR	27	20
27-99049M	LOWER UNIT GASKET SET	37	-	43-94562M	PINION	35	2
27-99049M	LOWER UNIT GASKET SET	41	-	43-94564M	GEAR	35	3
27-99049M	LOWER UNIT GASKET SET	45	-	43-99041M	PINION GEAR	43	39
27-99049M	LOWER UNIT GASKET SET	47	-	43-99043M	FORWARD GEAR	43	43
28-81912M	KEY	39	18	43-99044M	REVERSE GEAR	43	51
28-81914M	WOODRUFF KEY	13	30	44-84078M	PROPELLER SHAFT	43	49
29-82349M	BEARING	11	18	45-99032M	DRIVE SHAFT (SHORT)	39	17
30-82294M	BEARING	43	53	45-99033M	DRIVE SHAFT (LONG)	39	17
30-82303M	BEARING	11	2	46-811280M	WATER PUMP REPAIR KIT	41	-
30-84086M	BEARING	45	57	46-94623M	WATER PUMP HOUSING		
30-84626M	BEARING	11	7		ASSEMBLY	39	25
30-84626M	BEARING	11	7	47-84027M	IMPELLER	39	22
30-852800--1	BEARING	43	53	48-84079M	PROPELLER (3 X 9-1/4 X 12)	47	16
31-17673M	BEARING	39	7	48-84080M	PROPELLER (3 X 9-1/4 X 10-		
31-812495M	BEARING	11	13		1/2)	47	16
31-82321M	BEARING	43	42	48-84081M	PROPELLER (3 X 9-1/4 X 9)	47	16
31-99030M	BEARING	43	38	48-84082M	PROPELLER (3 X 9-1/4 X 8)	47	16
32-16571M	HOSE	51	22	48-84083M	PROPELLER (3 X 9-1/2 X 6-		
32-811045M	HOSE	9	4		1/2)	47	16
32-811256M	HOSE	23	37	48-84407M	PROPELLER (3 X 9-1/4 X 9-		
32-82012M	HOSE	9	31		3/4)	47	16
32-82012M	HOSE	23	33	50-12066A9	STARTER ROPE	5	15
32-82012M	HOSE	23	38	50-811253M	STARTER ASSY.	5	1
32-82012M	HOSE	23	43	50-827172M	STARTER ASSY.	5	1
32-82012M	HOSE	23	44	50-83250M	STARTER SHEAVE	5	6
32-84028M	WATER TUBE (SHORT)	47	2	52-84274M	CLUTCH	43	44
32-84029M	WATER TUBE (LONG)	47	2	53-80678M	RING	43	46
32-94625M	WATER TUBE	39	33	53-82330M	SNAP RING	31	48
32-94727M	HOSE	51	23	53-82343M	SNAP RING	11	20
32-94727M	HOSE	51	24	53-84895M	SNAP RING	5	13
32-94746M	HOSE	17	32	53-94555M	CIRCLLP	11	10
32-97591M	HOSE	19	45	53-94722M	RETAINING RING	19	49
32-98976M	HOSE	21	30	54-15396M	CLAMP	7	41
33-41263M	SPARK PLUG	9	16	54-15397M	CLAMP	7	26
34-811234M	REED VALVE ASSEMBLY	15	1	54-15398M	CLAMP	7	25
34-811235M	REED SET	15	2	54-16725M	CLAMP	51	25
35-11931M	FUEL FILTER	21	22	54-41867M	CLAMP	7	12

PARTS INDEX

Part Number	Description	Pg.	Ref. No.	Part Number	Description	Pg.	Ref. No.
54-811261M	CLAMP	21	29				
54-811264M	CLAMP	23	42				
54-82046M	CLIP	9	5				
54-82047M	CLIP	21	31				
54-827148M	CLAMP	33	11				
54-84296M	CLAMP	33	11				
54-96653M	CLAMP	7	39				
54-98974M	CLIP	21	32				
84-16716M	LEAD WIRE	31	39				
84-811994M	LEAD WIRE	37	15				
85-63709A1	SPARK PLUG CAP	7	37				
87-93102M	STOP SWITCH (WITHOUT LANYARD)	3	17				
87-97755M	KILL SWITCH ASSEMBLY ..	49	3				
87-97757M	KILL SWITCH ASSEMBLY ..	49	1				
87-97757M	STOP SWITCH (WITH LANYARD)	3	17				
91-81669M	TOOL KIT	3	15				
253-8921M	FLYWHEEL ASSEMBLY	7	1				
463-9579M	CRANKSHAFT	11	1				
629-812494M	CONNECTING ROD	11	12				
761-9580M	PISTON (STANDARD)	11	15				
761-9581M	PISTON (1ST. O.S. 0.25MM)	11	15				
761-9582M	PISTON (2ND. O.S. 0.50MM)	11	15				
870-811231M	CYLINDER BLOCK	9	1				
968-811232M	CYLINDER HEAD	9	14				
1252-9522M	FUEL TANK ASSEMBLY ...	51	1				
1383-811242M	CARBURETOR ASSEMBLY ..	17	1				
1484-811020M	STBD. BRACKET	29	20				
1484-827120M	PORT BRACKET	29	19				
1484-827437M	STBD. BRACKET	29	20				
1484-9793M	PORT BRACKET	29	19				
1485-811019M	SWIVEL BRACKET	29	11				
1485-827436M	SWIVEL BRACKET	29	11				
1587-811276M	DRIVESHAFT HOUSING (SHORT)	37	1				
1587-811277M	DRIVESHAFT HOUSING (LONG)	37	1				
1651-811278M	GEAR HOUSING (SHORT) ..	39	-				
1651-811278M	GEAR HOUSING (SHORT) ..	43	-				
1651-811279M	GEAR HOUSING (LONG) ...	39	-				
1651-811279M	GEAR HOUSING (LONG) ...	43	-				
1651-811991M	GEAR HOUSING	39	1				
2168-811265M	TOP COWLING ASSEMBLY ..	3	1				
2168-811269M	BOTTOM COWL	3	16				
2169-8398--1	STARTER HOUSING	5	2				
2169-8398M	STARTER HOUSING	5	2				
NLA2-	DECAL-SIDE	51	2				