



# PARTS CATALOG

## 525 H.P. ENGINE

### SERIAL NUMBER

525 SC GM 454 V-8 1991-1992 .....	0D456000 THRU 0F348963
525 SC (GEN. V) GM 454 V-8 1992-1995 .....	0D456000 THRU 0F348963

# TABLE OF CONTENTS:

ALTERNATOR ASSEMBLY (MANDO # AR-150)	12
ALTERNATOR ASSEMBLY (MANDO #AC-155603)	14
ALTERNATOR ASSEMBLY (PRESTOLITE # 8EM2003KA)	10
AUDIO WARNING SYSTEM	82
CRANKSHAFT & PISTONS & CONN. RODS	42
CYLINDER BLOCK & CAMSHAFT	40
CYLINDER HEAD & ROCKER COVER	38
DISTRIBUTOR & IGNITION COMPONENTS	22
DRIVEHAFT & TAILSTOCK (DRIVELINE)	70
DRIVESHAFT EXTENSION COMPONENTS (BRAVO)	72
EXHAUST MANIFOLD/ELBOW	30
FLYWHEEL HOUSING (BRAVO DRIVESHAFT MODELS)	74
FLYWHEEL HOUSING (BRAVO PLUG-IN MODEL)	60
FLYWHEEL HOUSING (TRANSMISSION MODELS)	62
FUEL PUMP & CARBURETOR & LINKAGE	24
FUEL PUMP & FUEL FILTER	28
INTAKE MANIFOLD & SUPERCHARGER	46
MOUNT PLATES	84
MOUNT PLATES	86
OIL COOLER & OIL FILTER & ADAPTOR	54
OIL COOLER (TRANSMISSION)	80
OIL PAN & OIL PUMP ASSY (S/N: 0D456000 - 0D725808)	50
OIL PAN & OIL PUMP ASSY (S/N: 0D763746 - 0F348963)	52
PARTS INDEX	88
POWER STEERING COMPONENTS	76
RESERVOIR BOTTLE	78
SEA WATER PUMP ASSEMBLY (S/N: 0D456000 - 0D763745)	34
SEA WATER PUMP ASSEMBLY (S/N: 0D763746 - 0F348963)	36
SHIFT BRACKET	58
STARTER & ALTERNATOR	2
STARTER ASSEMBLY (50-17251A3)	6
STARTER ASSEMBLY (50-99418A2)	8
THERMOSTAT HOUSING ASSEMBLY	32
TRANSMISSION (DRIVELINE)	68
TRANSMISSION (PLUG-IN)	64
WIRING & ELECTRICAL COMPONENTS (S/N: 0D456000 - 0D763831)	16
WIRING & ELECTRICAL COMPONENTS (S/N: 0D763871 - 0F348963)	18

**NOTE:** Indented description indicate that these parts are included in preceeding assembly.

**AR** = As Required

**NSS** = Not Sold Separate

**OPT** = Optional

**NS** = Not Shown

**NOTE:** Following symbols are located in **SYM** column.

● = SUPERSEDES TO ANOTHER PART  
NUMBER

◇ = SERIAL NUMBER AND ABOVE

■ = SERIAL NUMBER AND BELOW

▲ = COMPONENT OF ENGINE GASKET SET  
[27-817118A90] AND [27-827014A92]

**THESE PARTS BOOKS/FICHE CARD ARE COPYRIGHTED AND MAY NOT BE DISTRIBUTED OR REPRODUCED IN ANY OTHER FORMAT BY ANYONE OTHER THAN MERCURY MARINE WITHOUT THE PRIOR WRITTEN CONSENT OF MERCURY MARINE.**

# **REPLACEMENT PARTS ! WARNING !**

Electrical, ignition and fuel system components on MerCruiser Engines and Stern Drives are designed and manufactured to comply with U.S. Coast Guard Rules and Regulations to minimize risks of fire or explosion. Use of replacement electrical, ignition or fuel system components, which do not comply to these rules and regulations, could result in a fire or explosion hazard and should be voided.

When servicing the electrical, ignition and fuel systems, it is extremely important that all components are properly installed and tightened. If not, any electrical or ignition component opening would permit sparks to ignite fuel vapors from fuel system leaks, if they existed.

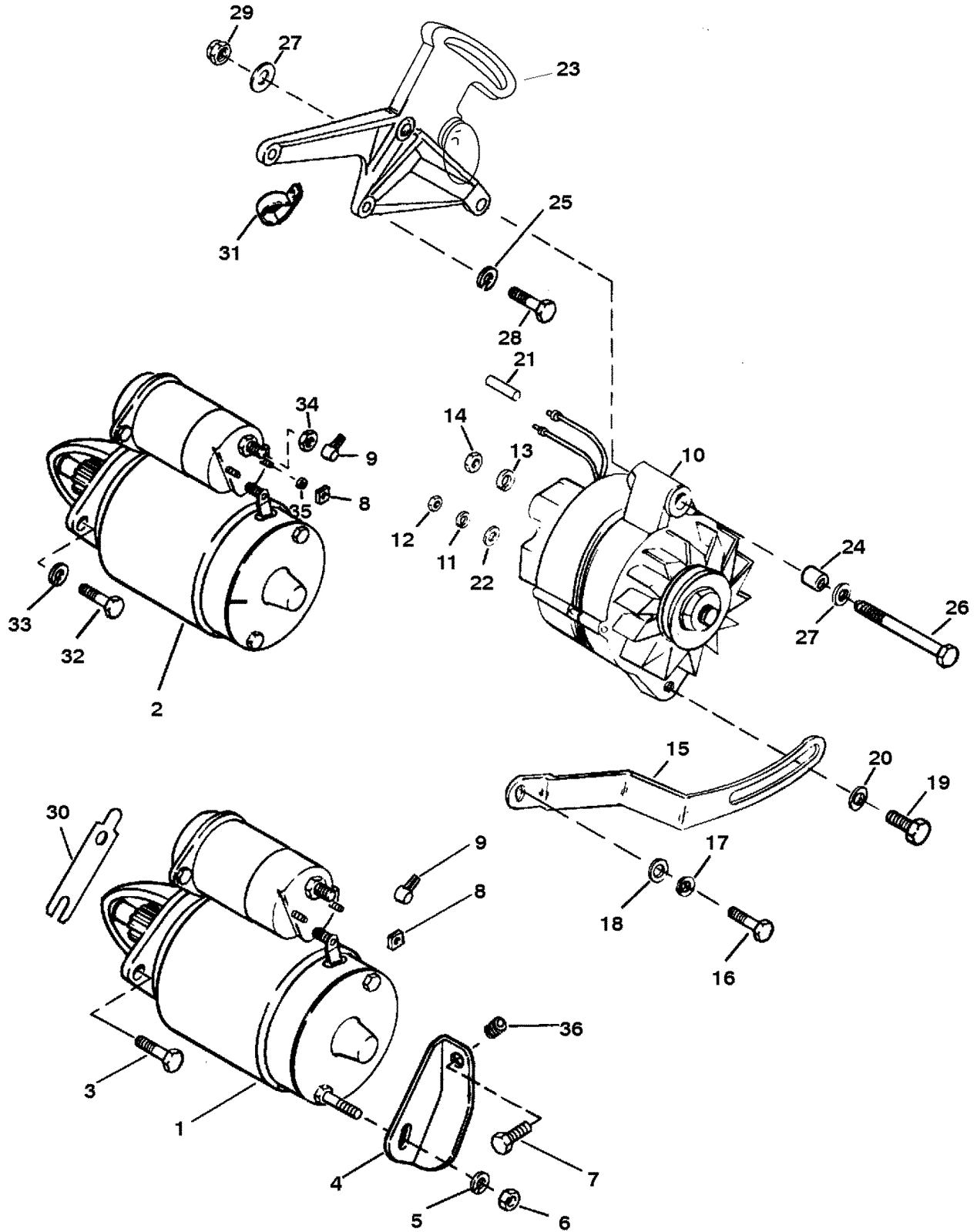
## **ENGINE MECHANICAL COMPONENTS**

Many of the engine mechanical components are designed for marine applications. Unlike automotive engines, marine engines are subjected to extended periods of heavy load and wide- open-throttle operation, therefore, require heavy-duty components. Special marine engine parts have design and manufacturing specifications, which are required to provide long life and dependable performance. Marine engine parts also must be able to resist the corrosive action of salt or brackish water that will rust or corrode standard automotive parts within a short period of time.

Failure to use recommended Mercury Precision Parts OR Quicksilver service replacement parts can result in poor engine performance and/or durability, rapid corrosion of parts subjected to salt water and possibly complete failure of the engine.

Use of parts other than recommended service replacement parts will void the warranty on those parts which are damaged as a result of the use of other than recommended parts.

# STARTER & ALTERNATOR



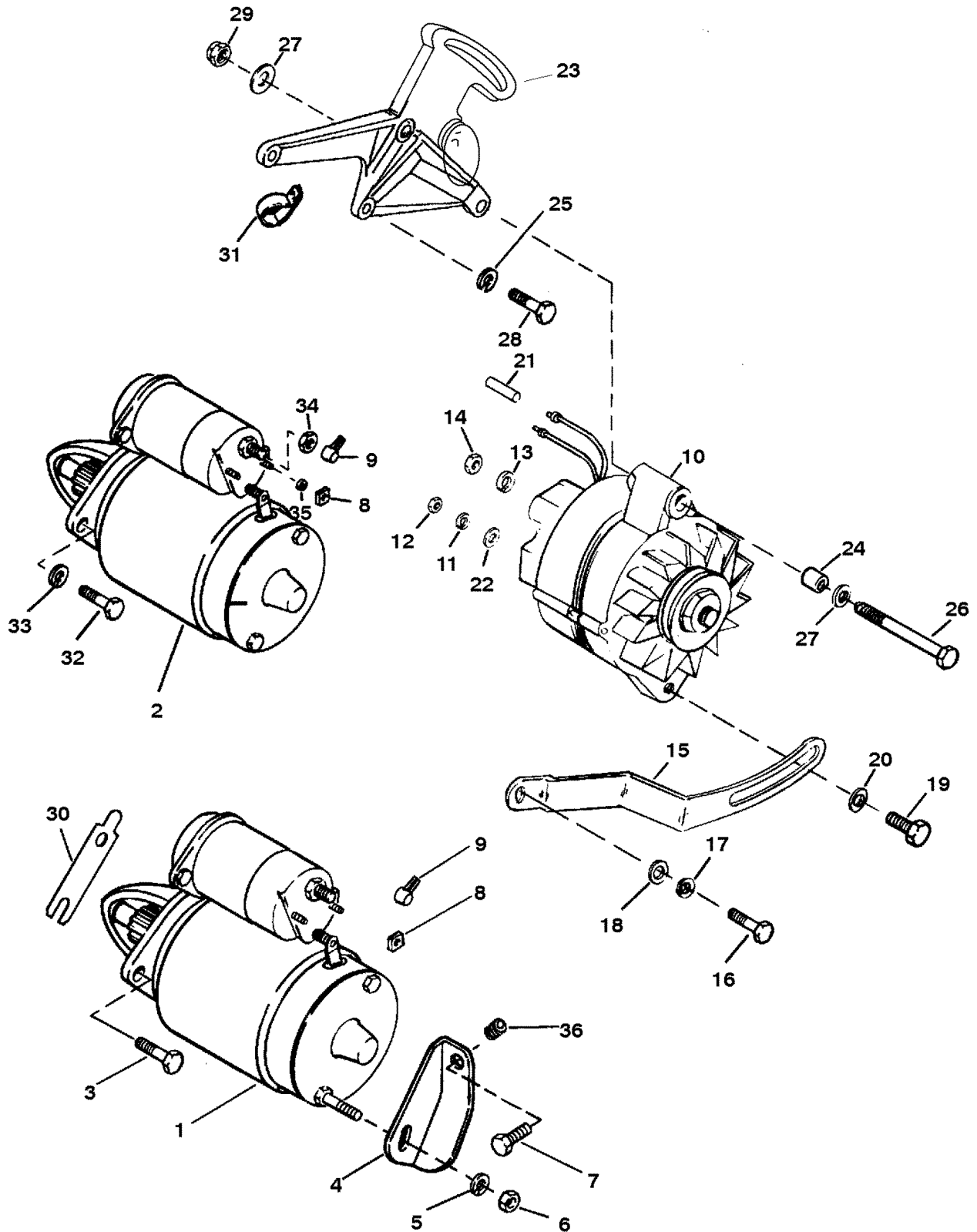
# STARTER & ALTERNATOR

REF. NO.	PART NO.	SYM.	QTY.	DESCRIPTION
1	50-99418A2	●	1	STARTER ASSEMBLY <b>SEE STARTER ASSEMBLY (50-99418A2)</b>
2	50-17251A3	●	1	STARTER ASSY (TRANSMISSION & DRIVELINE MODELS) <b>SEE STARTER ASSEMBLY (50-17251A3)</b>
3	10-94435		2	SCREW (.375-16 X 4.656)-STARTER MOTOR
4	89057		1	BRACE-STARTER MOTOR
5	13-26996		1	LOCKWASHER (#10)-STARTER MOTOR STUD
6	11-15874		1	NUT (10MM)-BATTERY TERMINAL
7	10-35765A1		1	SCREW & WASHER (.312-18 X .625)-BRACE TO ENGINE
8	11-40021--1		1	NUT (5MM)-STARTER SWITCH TERMINAL
9	85-79695		1	BOOT-INSULATOR-STARTER TERMINAL
10	817119A4		1	ALTERNATOR ASSEMBLY (BLACK) <b>SEE ALTERNATOR ASSEMBLY (MANDO #AC-155603)</b>
	817119--1		1	ALTERNATOR ASSEMBLY (BLUE) <b>SEE ALTERNATOR ASSEMBLY (MANDO #AC-155603)</b>
11	13-26996		1	LOCKWASHER (#10)-ALTERNATOR TERMINAL
12	11-79989		1	NUT (#10-24)-ALTERNATOR TERMINAL
13	13-26992		1	LOCKWASHER (.250)-ALTERNATOR TERMINAL
14	11-56374		1	NUT (.250-20)-ALTERNATOR TERMINAL
15	85013T		1	BRACE-ALTERNATOR ADJUSTING
16	10-47462		1	SCREW (.437-14 X 1.250)-ALTERNATOR BRACE
17	13-32993		1	LOCKWASHER (.437)-ALTERNATOR BRACE SCREW
18	12-31263		1	WASHER-ALTERNATOR BRACE SCREW
19	10-29198		1	SCREW & LOCKWASHER (.312-18 X .875)-ALT BRACE
20	12-26168		1	WASHER-ALTERNATOR BRACE SCREW
21	57908-11		1	SLEEVE-ALTERNATOR LEAD
22	12-96457		1	WASHER-ALTERNATOR TERMINAL
23	848146		1	BRACKET-ALTERNATOR MOUNT (.437 HOLES)
	815251A1		1	BRACKET KIT-ALTERNATOR MOUNT (.375 HOLES)
24	23-33186		1	BUSHING-ALTERNATOR BRACKET SCREW
25	13-35048		3	LOCKWASHER (.375)-ALTERNATOR BRACKET SCREW
	13-32993		3	LOCKWASHER (.437)-ALTERNATOR BRACKET SCREW
26	10-48308		1	SCREW (.375-24 X 3.750)-ALTERNATOR
27	12-20553		3	WASHER-ALTERNATOR BRACKET SCREW
28	10-37612		1	SCREW (.375-16 X 1.250)-ALTERNATOR BRACKET
	10-34353		2	SCREW (.375-16 X 1.00)-ALTERNATOR BRACKET
	10-47462		1	SCREW (.437-14 X 1.250)-ALTERNATOR BRACKET
	10-47461		2	SCREW (.437-14 X 1.00)-ALTERNATOR BRACKET
29	11-23161		1	NUT (.375-24)-ALTERNATOR BRACKET SCREW
30	15-817272		AR	SHIM
31	54-848130		1	CLIP-HOSE-CIRCULATING PUMP

● = SUPERSEDES TO ANOTHER PART NUMBER

CONTINUED ON NEXT PAGE ➡

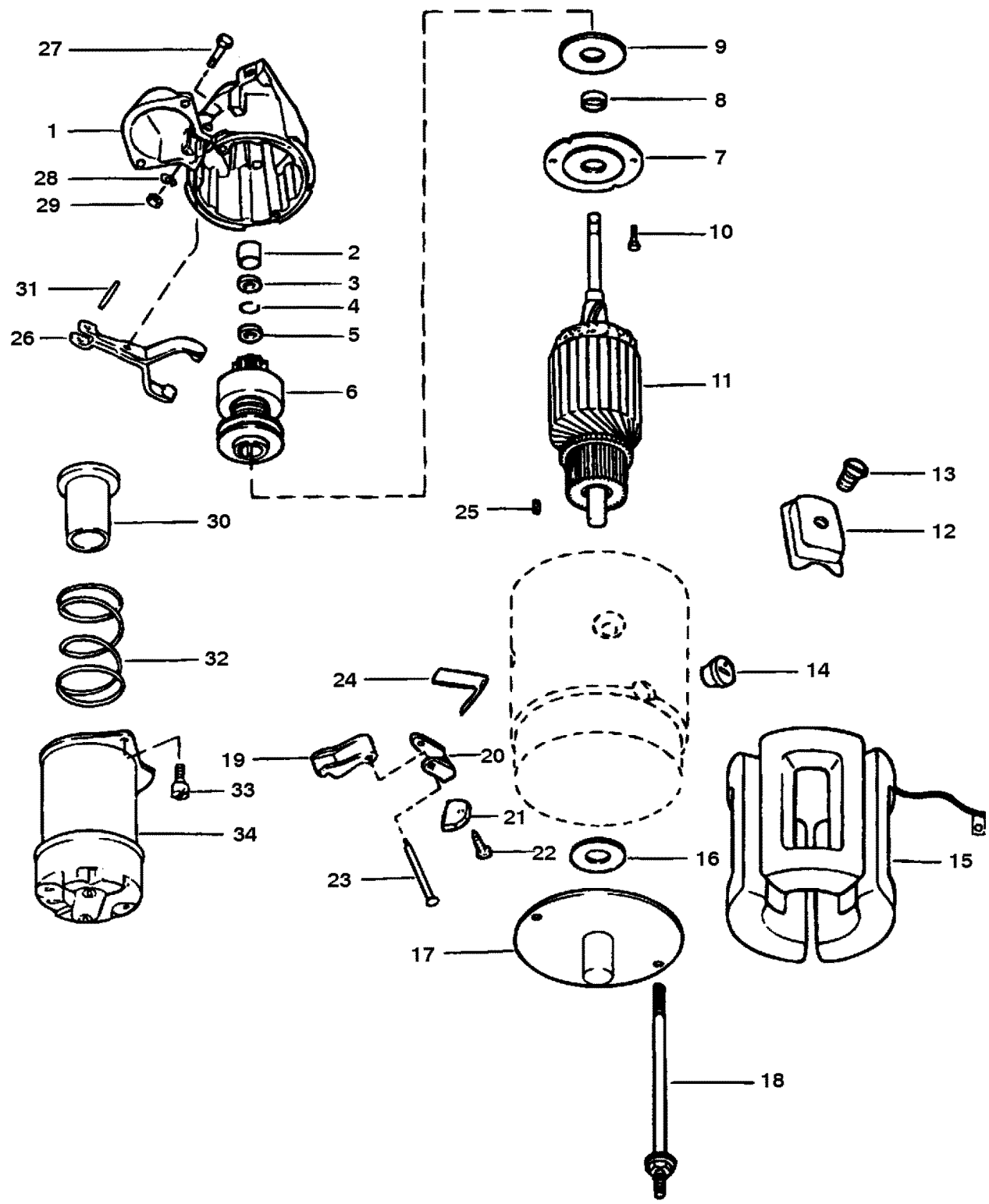
# STARTER & ALTERNATOR



## STARTER & ALTERNATOR

REF. NO.	PART NO.	SYM.	QTY.	DESCRIPTION
32	10-47461		2	SCREW (.437-14 X 1.00)
33	13-32993		2	LOCKWASHER (.437)
34	11-40026--6		1	NUT (M10)
35	13-26996		1	LOCKWASHER (#10)
36	22-32561--1		1	PLUG (SPECIAL)-MOUNTING BOLT TO BLOCK

# STARTER ASSEMBLY (50-17251A3)





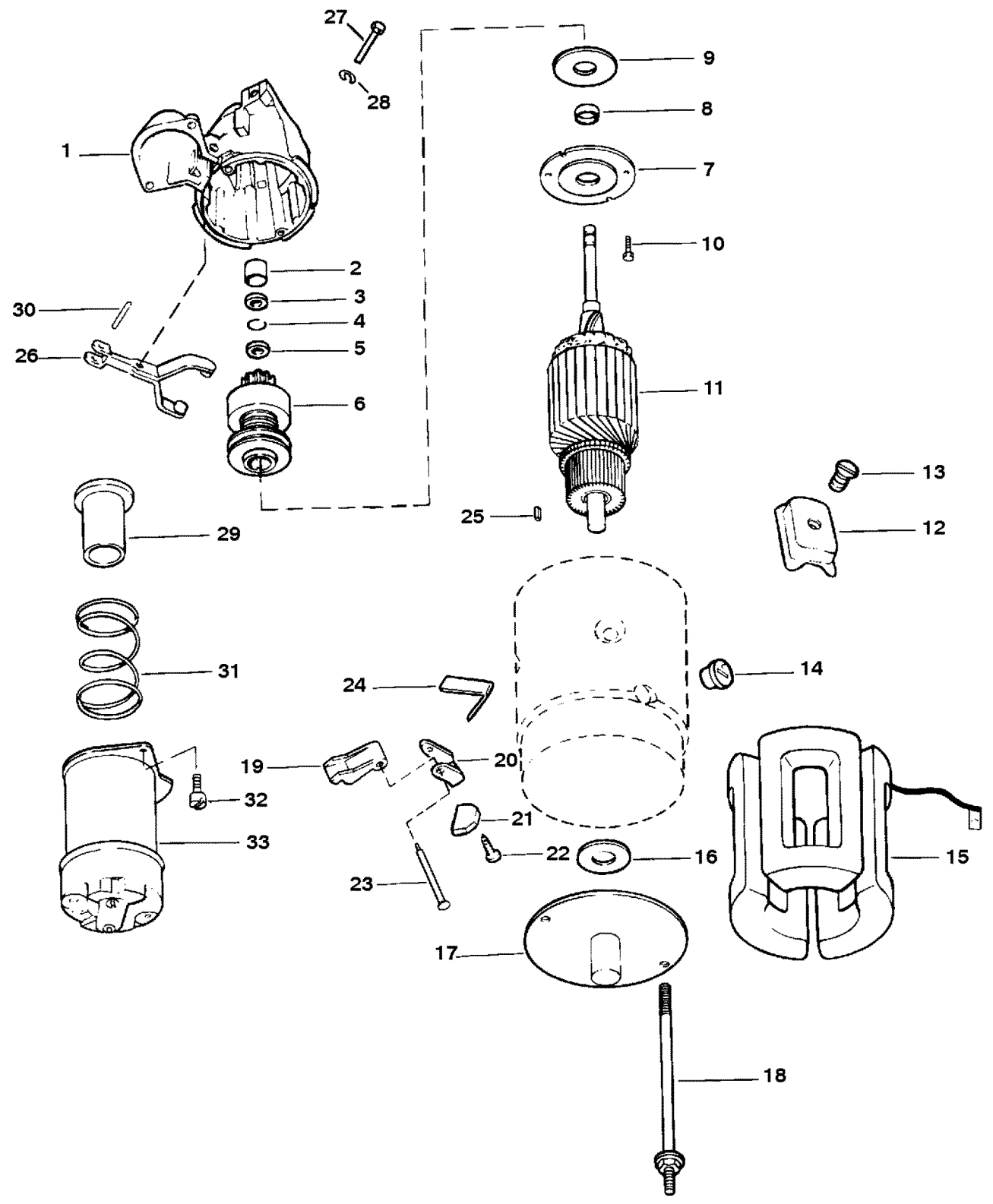
# STARTER ASSEMBLY (50-17251A3)

REF. NO.	PART NO.	SYM.	QTY.	DESCRIPTION
-	50-17251A3	●	1	STARTER ASSEMBLY (TRANSMISSION & DRIVELINE MODELS)
1	79206		1	HOUSING ASSEMBLY
2	23-33369		1	BUSHING-DRIVE END HOUSING
3	814474		1	COLLAR-- ST
4	53-33290		1	RING-RETAINING-PINION STOP COLLAR
5	33291		1	COLLAR-PINION STOP
6	68608		1	DRIVE ASSEMBLY-CLUTCH
7	79396		1	PLATE-BEARING
8	23-71694		1	BUSHING-BEARING PLATE
9	12-68614		1	WASHER-BEARING PLATE
10	10-79209		2	SCREW-BEARING
11	68606		1	ARMATURE
12	NSS		4	SHOE-POLE-FIELD COIL (DELCO REMY #810601)
13	NSS		4	SCREW (DELCO REMY #1968396)
14	NSS		1	GROMMET-FIELD COIL (DELCO REMY #1846097)
15	NSS		1	FIELD COIL ASSY (DELCO REMY #1970467)
16	NSS		1	WASHER-LEATHER (DELCO REMY #1985617)
17	79211		1	FRAME-COMMUTATOR END
18	NSS		1	BOLT-- (DELCO REMY #1939970)
19	33284		2	HOLDER-INSULATED-FIELD FRAME BRUSH
20	33283		2	HOLDER-FIELD FRAME BRUSH GROUND
21	33270		4	BRUSH-FIELD FRAME
22	NSS		2	SCREW-BRUSH LEAD (DELCO REMY #1967747)
	NSS		2	SCREW-BRUSH LEAD (DELCO REMY #443527)
23	33294		2	SUPPORT
24	24-33285		4	SPRING-FIELD FRAME BRUSH
25	NSS		1	PIN-DOWEL (DELCO REMY #1985696)
26	33297		1	LEVER-SHIFT
27	NSS		1	STUD-SHIFT LEVER (DELCO REMY #1814529)
28	12-68615		1	WASHER-SHIFT LEVER STUD
29	11-26484		1	NUT (.312-18)-SHIFT LEVER STUD
30	33317		1	PLUNGER
31	17-79207		1	PIN-PLUNGER TO SHIFT LEVER
32	24-46889		1	SPRING-PLUNGER RETURN
33	NSS		2	SCREW-SOLENOID (DELCO REMY #132255)
34	89-18080		1	SOLENOID

NOTE: PARTS LISTED NSS (NOT SOLD SEPARATELY) SHOULD BE ORDERED FROM A LOCAL SUPPLIER USING THE APPROPRIATE MANUFACTURER'S PART NUMBER.

● = SUPERSEDES TO ANOTHER PART NUMBER

# STARTER ASSEMBLY (50-99418A2)



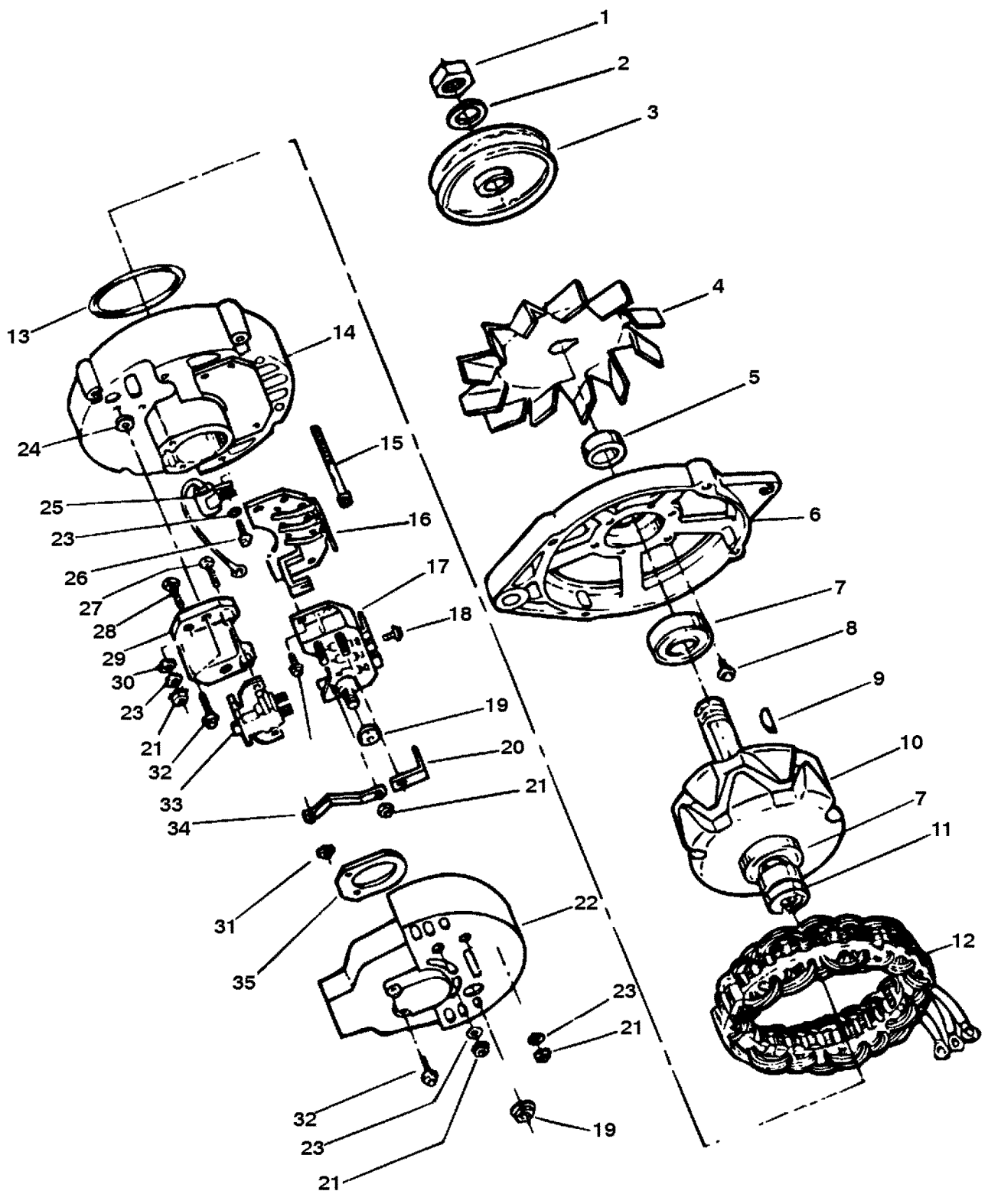
## STARTER ASSEMBLY (50-99418A2)

REF. NO.	PART NO.	SYM.	QTY.	DESCRIPTION
-	50-99418A2	●	1	STARTER ASSEMBLY
1	75666		1	HOUSING ASSEMBLY
2	23-33369		1	BUSHING-DRIVE END HOUSING
3	814474		1	COLLAR-- ST
4	53-33290		1	RING-RETAINING-PINION STOP COLLAR
5	33291		1	COLLAR-PINION STOP
6	79205		1	DRIVE ASSEMBLY-CLUTCH
7	79396		1	PLATE-BEARING
8	23-71694		1	BUSHING-BEARING PLATE
9	12-68614		1	WASHER-BEARING PLATE
10	10-79209		2	SCREW-BEARING
11	75665		1	ARMATURE
12	NSS		4	SHOE-POLE-FIELD COIL (DELCO REMY #810601)
13	NSS		4	SCREW (DELCO REMY #1968396)
14	NSS		1	GROMMET-FIELD COIL (DELCO REMY #1846097)
15	75664		1	FIELD COIL ASSEMBLY
16	12-33258		1	WASHER-LEATHER-COMMUTATOR END FRAME
17	79211		1	FRAME-COMMUTATOR END
18	NSS		1	BOLT-- (DELCO REMY #1941111)
	NSS		1	BOLT-- (DELCO REMY #1939970)
19	33284		2	HOLDER-INSULATED-FIELD FRAME BRUSH
20	33283		2	HOLDER-FIELD FRAME BRUSH GROUND
21	33270		4	BRUSH-FIELD FRAME
22	NSS		2	SCREW-BRUSH LEAD (DELCO REMY #1967747)
	NSS		2	SCREW-BRUSH LEAD (DELCO REMY #443527)
23	33294		2	SUPPORT
24	24-33285		4	SPRING-FIELD FRAME BRUSH
25	NSS		1	PIN-DOWEL (DELCO REMY #1985696)
26	71698		1	LEVER-SHIFT
27	NSS		1	STUD-SHIFT LEVER (DELCO REMY #1945804)
28	53-33354		1	RING-RETAINING-STUD
29	33317		1	PLUNGER-SHIFT LEVER
30	17-79207		1	PIN-PLUNGER TO SHIFT LEVER
31	24-46889		1	SPRING-PLUNGER RETURN
32	NSS		2	SCREW (DELCO REMY #9413260)
33	89-18080		1	SOLENOID

NOTE: PARTS LISTED NSS (NOT SOLD SEPARATELY) SHOULD BE ORDERED FROM A LOCAL SUPPLIER USING THE APPROPRIATE MANUFACTURER'S PART NUMBER.

● = SUPERSEDES TO ANOTHER PART NUMBER

# ALTERNATOR ASSEMBLY (PRESTOLITE # 8EM2003KA)

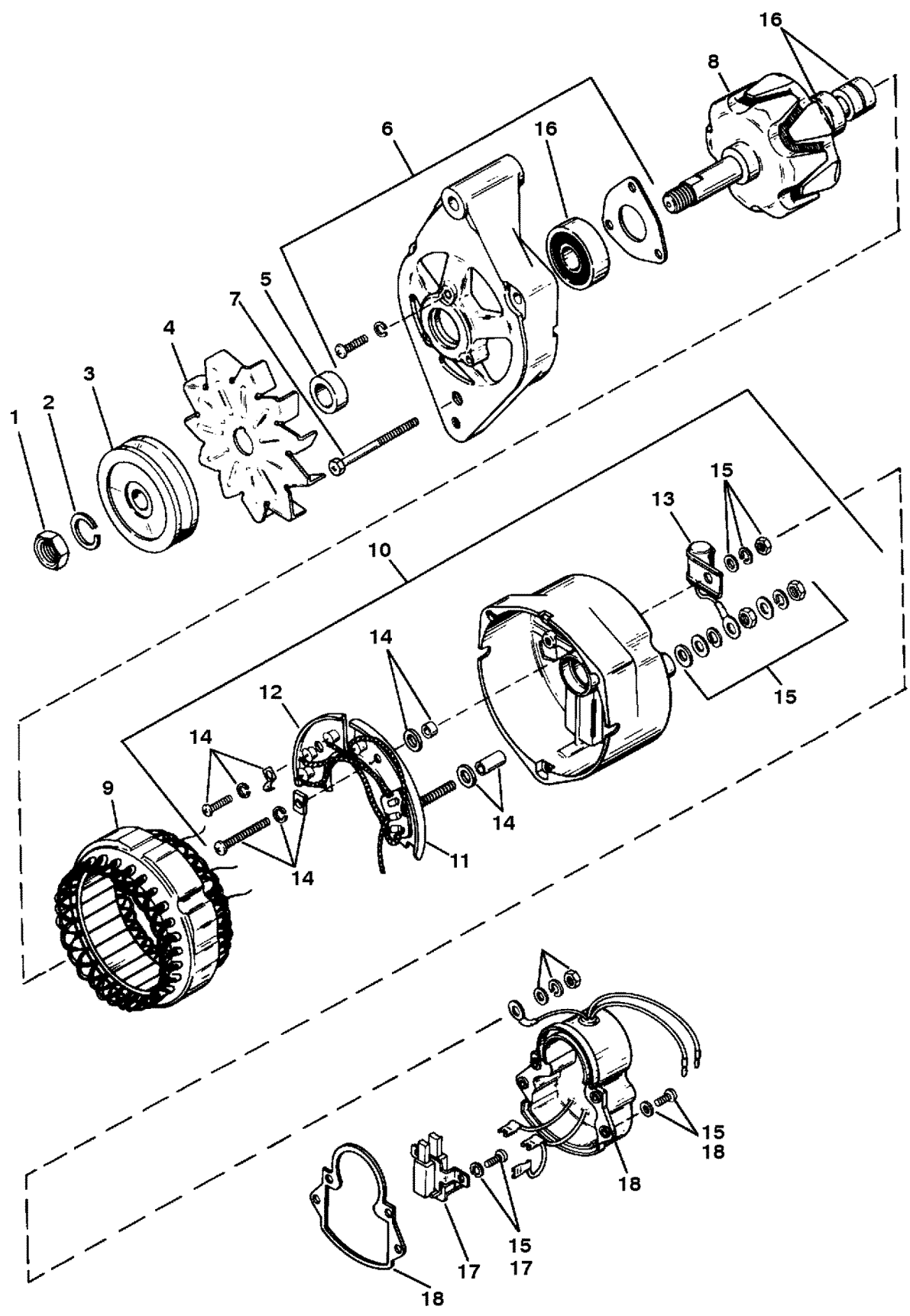


# ALTERNATOR ASSEMBLY (PRESTOLITE # 8EM2003KA)

REF. NO.	PART NO.	SYM.	QTY.	DESCRIPTION
-	92497A3	●	1	ALTERNATOR ASSEMBLY (55 AMP)
1	390-7027		1	NUT
2	390-7033		1	WASHER
3	390-8637		1	PULLEY
4	390-7004		1	FAN
5	813969		1	SPACER
6	813961		1	HOUSING-FRONT
7	390-7005		2	BEARING-BALL
8	10-813978A1		4	SCREW KIT
9	390-7034		1	KEY
10	813962		1	ROTOR ASSEMBLY
11	390-7014		1	RING-SLIP
12	813963		1	STATOR ASSEMBLY
13	390-7007		1	RETAINER
14	813964		1	HOUSING-REAR
15	10-813975		4	BOLT
16	813966		1	DIODE BRIDGE
17	813965		1	DIODE FIELD
18	10-813981		3	SCREW
19	11-813976		2	NUT
20	813973		1	STRAP
21	390-7021		5	NUT
22	813971		1	COVER ASSEMBLY
23	12-813984		5	WASHER
24	390-7022		2	WASHER
25	813972		1	CAPACITOR
26	10-813982		1	SCREW
27	10-813979		2	SCREW
28	10-813983		2	SCREW
29	813974		1	REGULATOR-VOLTAGE
30	12-813985		2	WASHER
31	11-813977		2	NUT
32	10-813980		8	SCREW
33	813968		1	BRUSH ASSEMBLY
34	813967		1	STRAP (D+)
35	27-813970		1	GASKET-FELT

● = SUPERSEDES TO ANOTHER PART NUMBER

# ALTERNATOR ASSEMBLY (MANDO # AR-150)

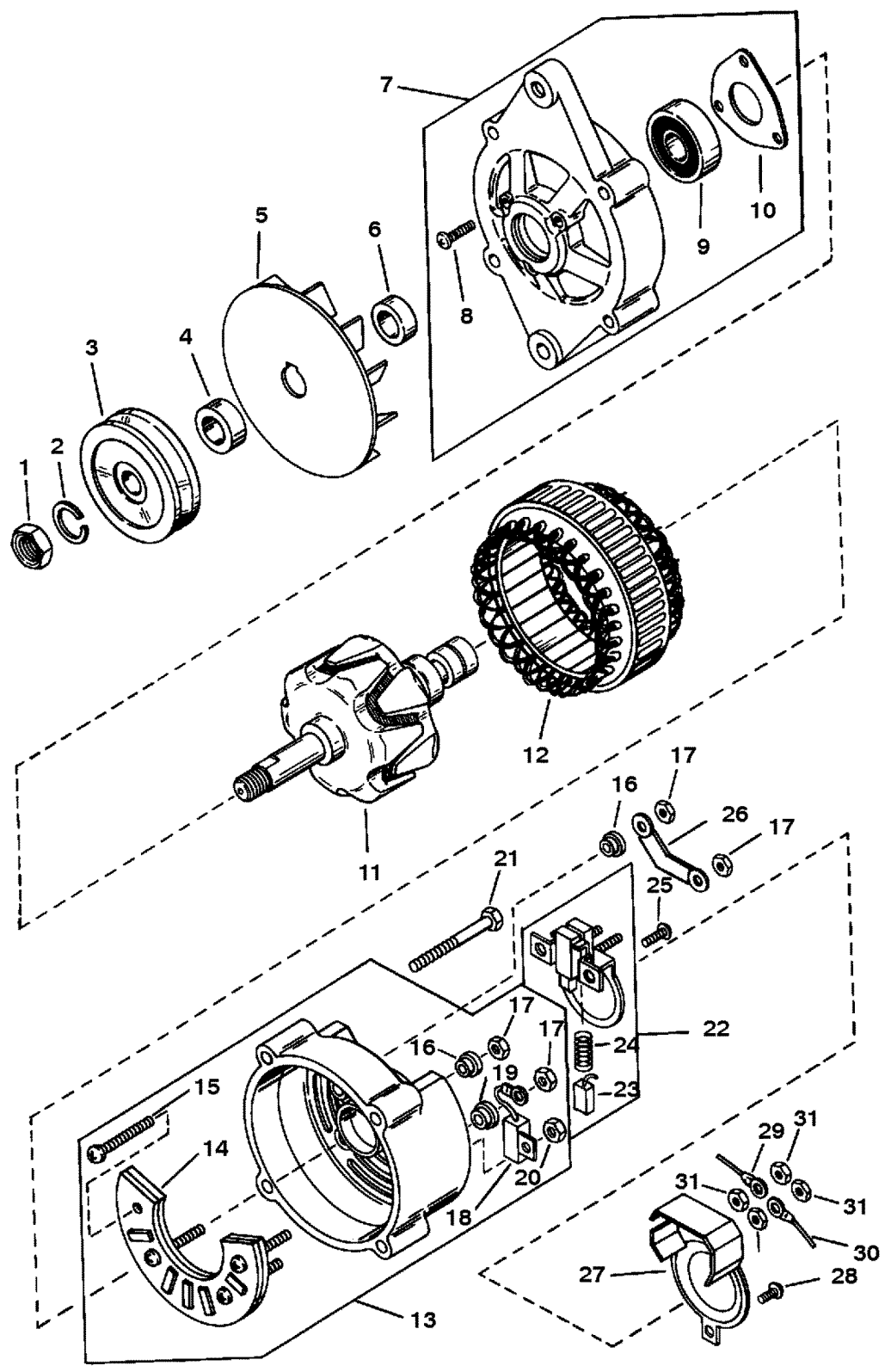


## ALTERNATOR ASSEMBLY (MANDO # AR-150)

REF. NO.	PART NO.	SYM.	QTY.	DESCRIPTION
-	92497A3	●	1	ALTERNATOR ASSEMBLY
1	11-42768		1	NUT
2	13-42769		1	LOCKWASHER
3	42770		1	PULLEY
4	42771		1	FAN
5	23-42772		1	SPACER
6	42774		1	BRACKET-FRONT
7	10-42773		3	BOLT
8	42775		1	ROTOR (INCLUDES BEARINGS)
9	42776		1	STATOR
10	42777		1	BRACKET-REAR
11	42778		1	HEAT SINK
12	42779		1	HEAT SINK
13	42780		1	CONDENSER ASSEMBLY
14	42783		1	HARDWARE KIT-INTERNAL
15	42782		1	HARDWARE KIT-EXTERNAL
16	42781		1	BEARING KIT
17	42784		1	BRUSH KIT (INCLUDES SPRINGS & BRUSHES)
18	42785		1	REGULATOR KIT

● = SUPERSEDES TO ANOTHER PART NUMBER

# ALTERNATOR ASSEMBLY (MANDO #AC-155603)

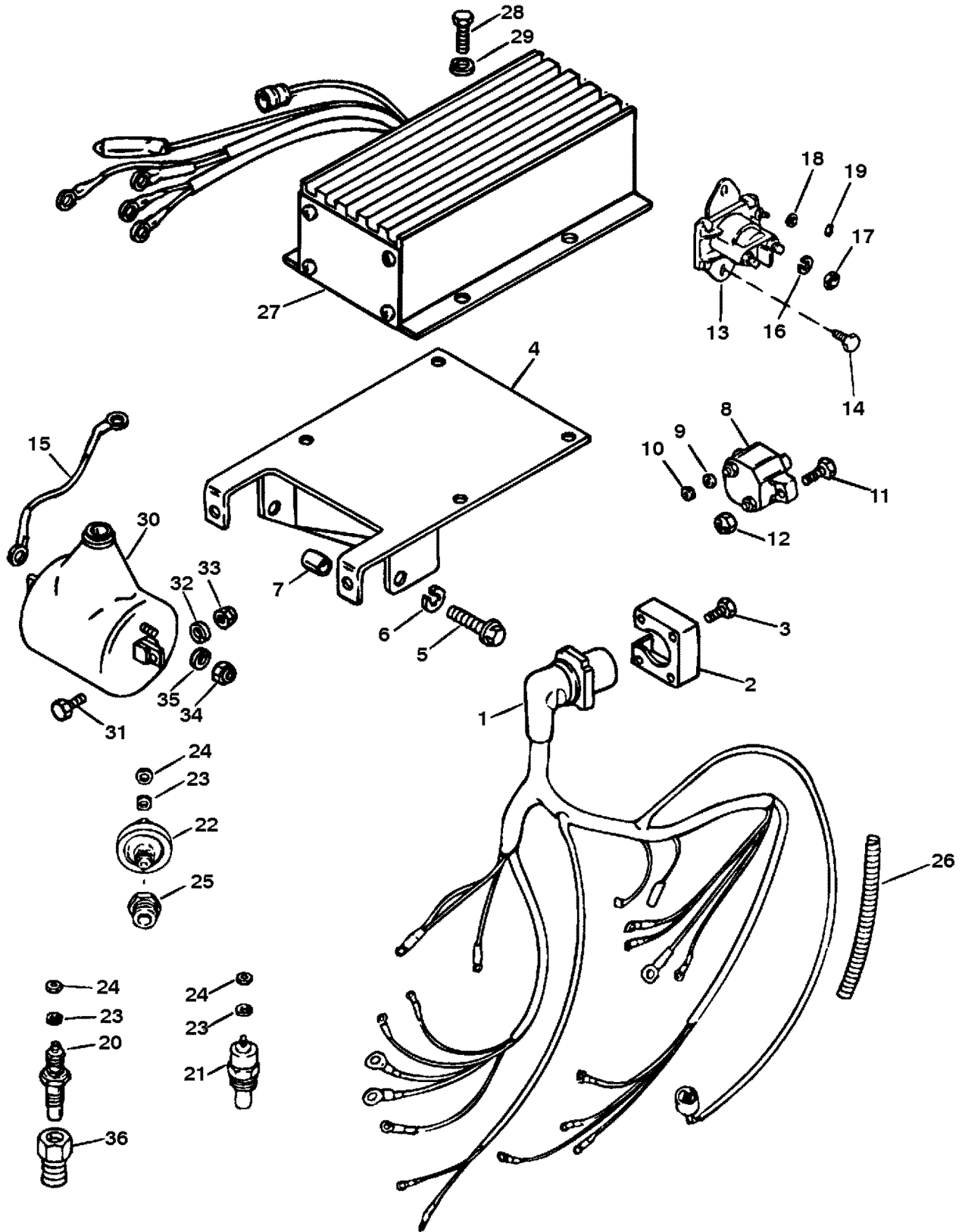




## ALTERNATOR ASSEMBLY (MANDO #AC-155603)

REF. NO.	PART NO.	SYM.	QTY.	DESCRIPTION
-	817119--1		1	ALTERNATOR ASSEMBLY (BLUE)
-	817119A4		1	ALTERNATOR ASSEMBLY (BLACK)
1	11-42768		1	NUT
2	13-42769		1	LOCKWASHER
3	42770		1	PULLEY
4	23-811865		1	SPACER
5	811866		1	FAN
6	23-811867		1	SPACER
7	811868		1	BRACKET ASSEMBLY-FRONT
8	10-811869		3	SCREW
9	30-811870		1	BEARING-BALL
10	811871		1	RETAINER
11	811872		1	ROTOR ASSEMBLY
12	811873		1	STATOR ASSEMBLY
13	811874		1	BRACKET ASSEMBLY-REAR
14	811875		1	RECTIFIER ASSEMBLY
15	10-811876		1	SCREW
16	811877		2	HOLD
17	11-811878		4	NUT
18	811879		1	CONDENSER ASSEMBLY
19	811880		1	HOLD
20	11-811881		1	NUT
21	10-42773		4	- BOLT
22	811883		1	REGULATOR ASSEMBLY
23	811884		2	BRUSH
24	24-811885		2	SPRING-BRUSH
25	10-811886		2	SCREW-SET
26	811887		1	TERMINAL
27	811888		1	COVER
28	10-811889		1	SCREW-SET
29	84-811890		1	WIRE-LEAD
30	84-811891		1	WIRE-LEAD
31	11-811878		4	NUT

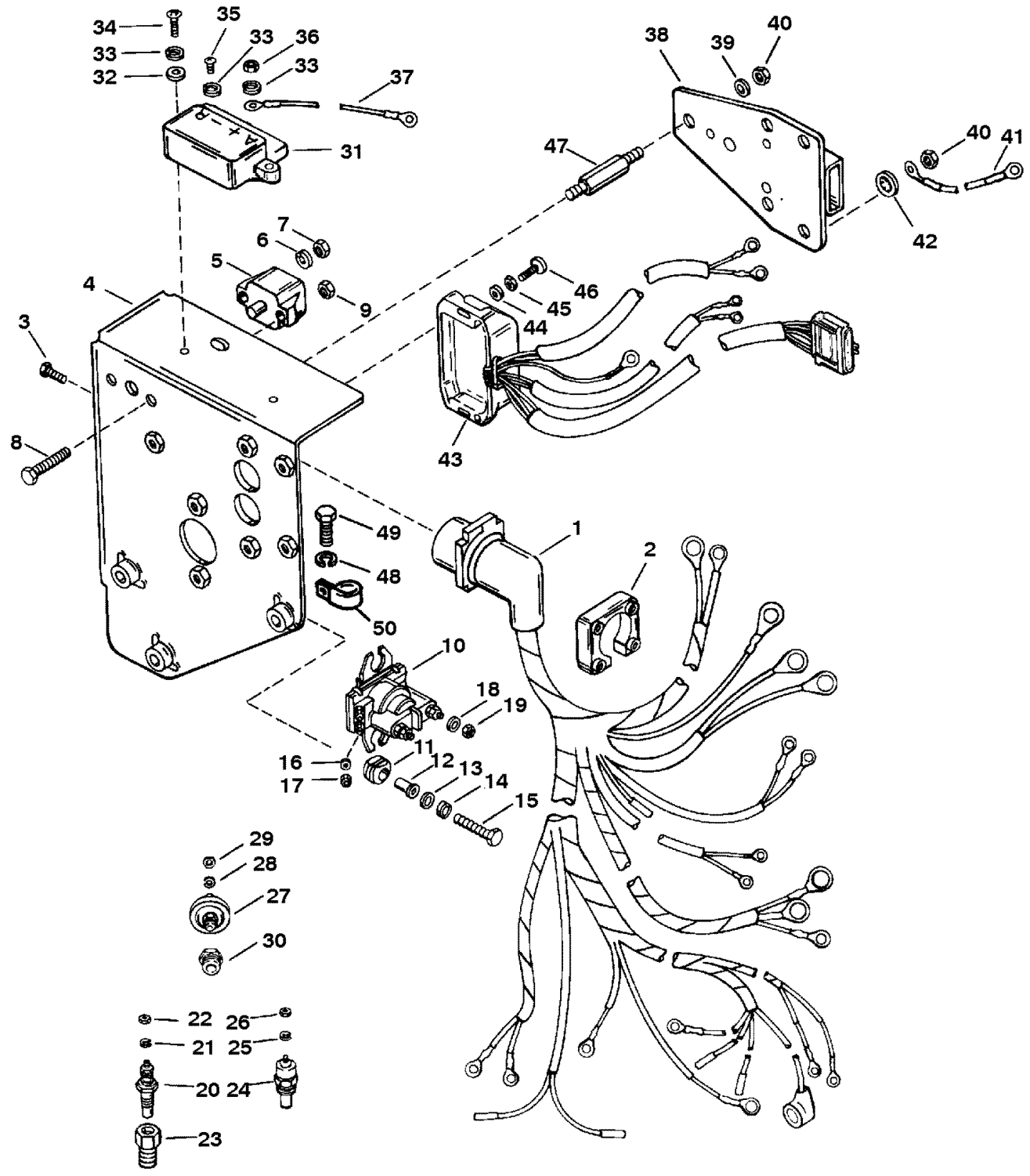
# WIRING & ELECTRICAL COMPONENTS (S/N: 0D456000 - 0D763831)



# WIRING & ELECTRICAL COMPONENTS (S/N: 0D456000 - 0D763831)

REF. NO.	PART NO.	SYM.	QTY.	DESCRIPTION
1	84-14338A5		1	HARNESS ASSEMBLY-WIRING
2	26079A2		1	PLATE KIT
3	10-15001		4	SCREW (#8-16 X .875)
4	816470--3		1	BRACKET-ELECTRIAL MOUNT
5	10-37612		3	SCREW (.375-16 X 1.250)
6	13-35048		3	LOCKWASHER (.375)
7	23-90523		3	SPACER
8	88-11178		1	BREAKER-CIRCUIT (50 AMP)
9	13-26996		2	LOCKWASHER (#10)
10	11-68219		2	NUT (#10-32)
11	10-45862		2	SCREW (#10-32 X .875)
12	11-61356		2	NUT (#10-32)
13	89-96054		1	SOLENOID-STARTER
14	10-98253		2	SCREW (.250-20 X .500)
15	84-79139A16		1	CABLE ASSEMBLY (RED) (35.500 IN.)
16	13-26992		2	LOCKWASHER (.250)
17	11-94330		2	NUT (.250-20)
18	13-26995		2	LOCKWASHER (#8)
19	11-26419		2	NUT (#8-32)
20	13611		1	SENDER-OIL TEMPERATURE
21	97257A1		1	SENDER-WATER TEMPERATURE
	49734A1		OPT	SENDER-WATER TEMPERATURE (DUAL)
22	815425		1	SENDER-OIL PRESSURE
	37293		OPT	SENDER-OIL PRESSURE (DUAL)
23	13-26996		3	LOCKWASHER (#10)
24	11-45076		3	NUT (#10-32)
25	22-64013		1	REDUCER
26	32-77690		1	WRAPPING
27	814295A2		1	IGNITION CONVERSION KIT
28	10-49668		4	SCREW (.250-20 X .750)
29	13-21272		4	LOCKWASHER (.250 INTERNAL)
30	816469		1	COIL
31	10-49668		2	SCREW (.250-20 X .750)
32	12-29245		2	WASHER
33	11-56374		2	NUT (.250-20)
34	11-68219		2	NUT (#10-32)
35	13-26996		2	LOCKWASHER (#10)
36	22-36492		1	BUSHING-REDUCER

# WIRING & ELECTRICAL COMPONENTS (S/N: 0D763871 - 0F348963)



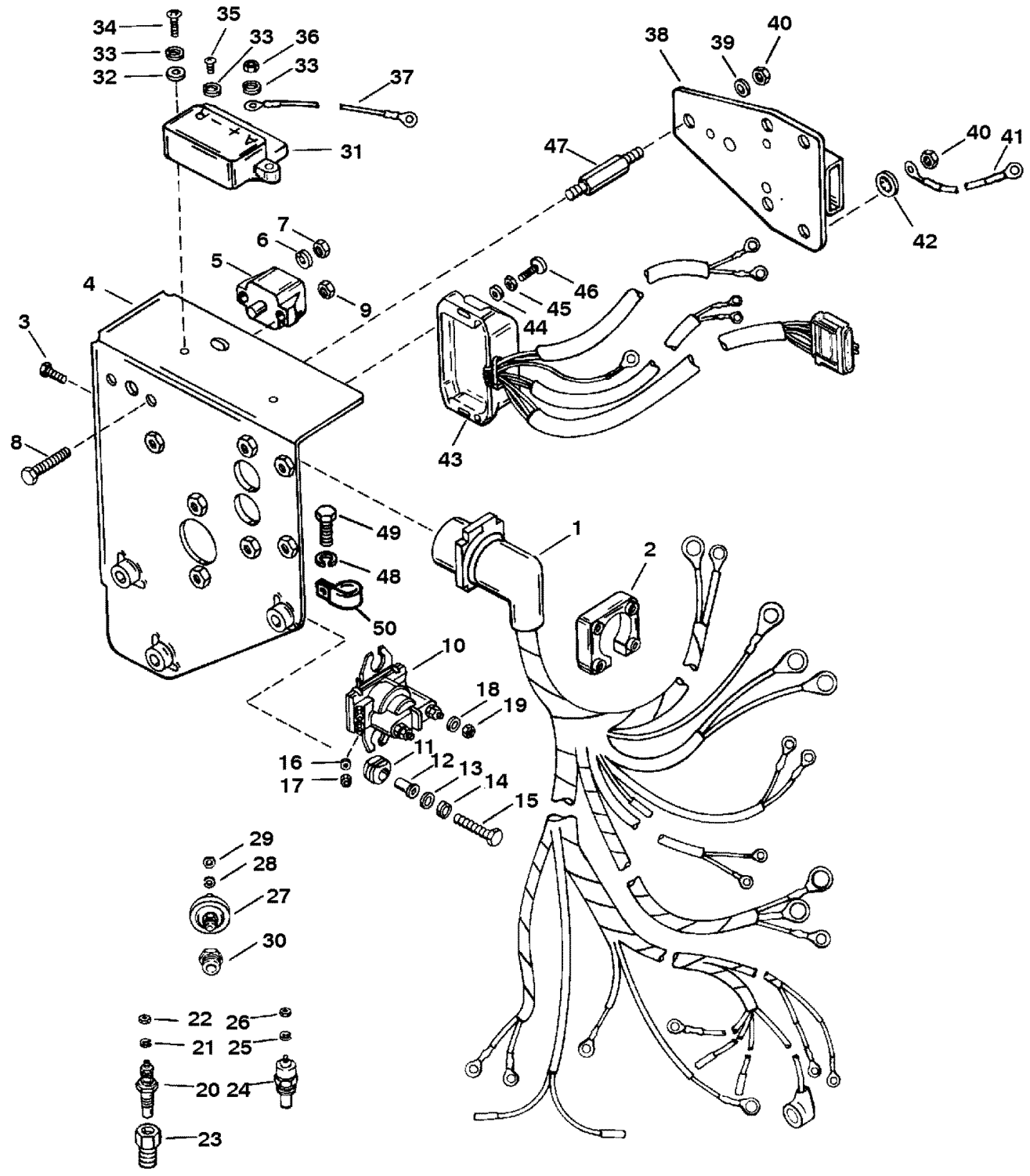
# WIRING & ELECTRICAL COMPONENTS (S/N: 0D763871 - 0F348963)

REF. NO.	PART NO.	SYM.	QTY.	DESCRIPTION
1	84-847722A1	●	1	HARNESS ASSEMBLY-WIRING
2	26079A2		1	PLATE KIT
3	10-15001		4	SCREW (#8-16 X .875)
4	847676--1	■	1	BRACKET- MOUNT (.375 HOLES) (S/N: 0D763891 - 0F213142)
	848131--1	◇	1	BRACKET- MOUNT (.437 HOLES) (S/N: 0F213143 - 0F348963)
5	88-11178		1	BREAKER-CIRCUIT (50 AMP)
6	13-26996		2	LOCKWASHER (#10)
7	11-68219		2	NUT (#10-32)
8	10-45862		2	SCREW (#10-32 X .875)
9	11-61356		2	NUT (#10-32)
10	89-818999A2		1	SOLENOID ASSEMBLY-STARTER
11	25-818967		2	GROMMET
12	23-818968		2	BUSHING
13	12-29245		2	WASHER
14	13-26992		2	LOCKWASHER (.250)
15	10-76630		2	SCREW (.250-20 X 1.00)
16	13-26995		2	LOCKWASHER (#8)
17	11-26419		2	NUT (#8-32)
18	13-26992		2	LOCKWASHER (.250)
19	11-94330		2	NUT (.250-20)
20	13611		1	SENDER UNIT-OIL TEMPERATURE
21	13-26996		1	LOCKWASHER (#10)
22	11-45076		1	NUT (#10-32)
23	22-36492		1	REDUCER
24	97257A1		1	SENDER ASSEMBLY-WATER TEMPERATURE
	49734A1		OPT	SENDER ASSEMBLY-WATER TEMPERATURE (DUAL)
25	13-26996		1	LOCKWASHER (#10)
26	11-45076		1	NUT (#10-32)
27	815425		1	SENDER ASSEMBLY-OIL PRESSURE
	37293		OPT	SENDER ASSEMBLY-OIL PRESSURE (DUAL)
28	13-26996		1	LOCKWASHER (#10)
29	11-45076		1	NUT (#10-32)
30	22-64013		1	REDUCER
31	42600A3		1	CONTROLLER ASSEMBLY
32	12-30164		2	WASHER
33	13-26996		7	LOCKWASHER (#10)
34	10-41771		2	SCREW (#10-24 X .875)
35	10-62568		1	SCREW (#10-16 X .375)
36	11-68219		4	NUT (#10-32)
37	84-86322A17		1	CABLE ASSEMBLY (BLACK)
38	814295A1		1	IGNITION MODULE ASSEMBLY

- = SUPERSEDES TO ANOTHER PART NUMBER
- = SERIAL NUMBER AND BELOW
- ◇ = SERIAL NUMBER AND ABOVE

CONTINUED ON NEXT PAGE ➡

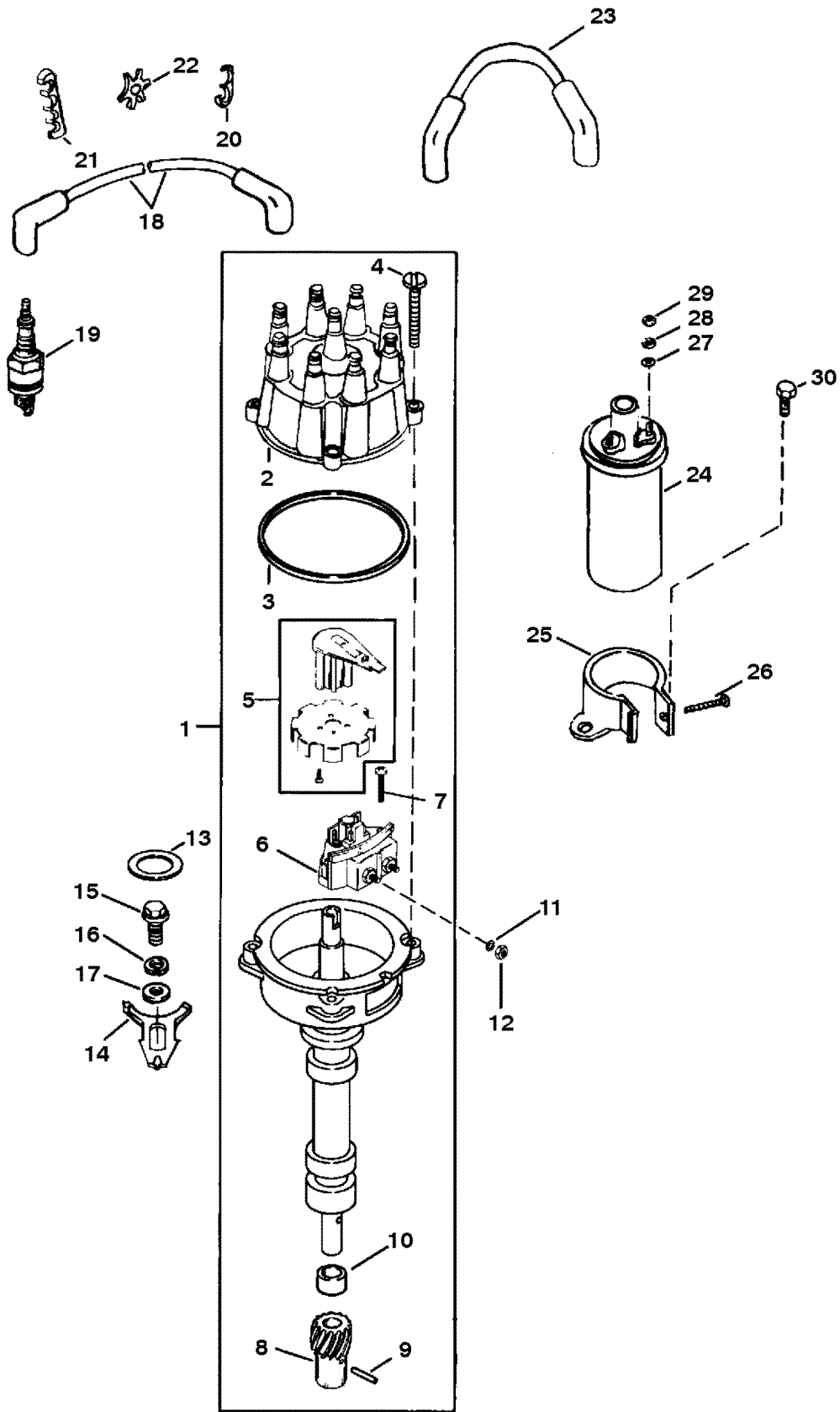
# WIRING & ELECTRICAL COMPONENTS (S/N: 0D763871 - 0F348963)



# WIRING & ELECTRICAL COMPONENTS (S/N: 0D763871 - 0F348963)

REF. NO.	PART NO.	SYM.	QTY.	DESCRIPTION
39	12-29245		2	WASHER
40	11-56374		3	NUT (.250-20)
41	84-62826A6		1	CABLE ASSEMBLY (BLACK)
42	13-21272		1	LOCKWASHER (.250 INTERNAL)
43	823755A1		1	OVERSPEED ASSEMBLY
44	12-30164		2	WASHER
45	13-26996		2	LOCKWASHER (#10)
46	10-41069		2	SCREW (#10-24 X .750)
47	16-847738		3	STUD-ELECTRICAL BRACKET MOUNT
48	13-35048		3	LOCKWASHER (.375)
	13-32993		3	LOCKWASHER (.437)
49	10-37612		3	SCREW (.375-16 X 1.250)-BRACKET MOUNT
	10-47462		3	SCREW (.437-14 X 1.250)-BRACKET MOUNT
50	54-848183		1	J CLIP-ELECTRICAL HARNESS

# DISTRIBUTOR & IGNITION COMPONENTS





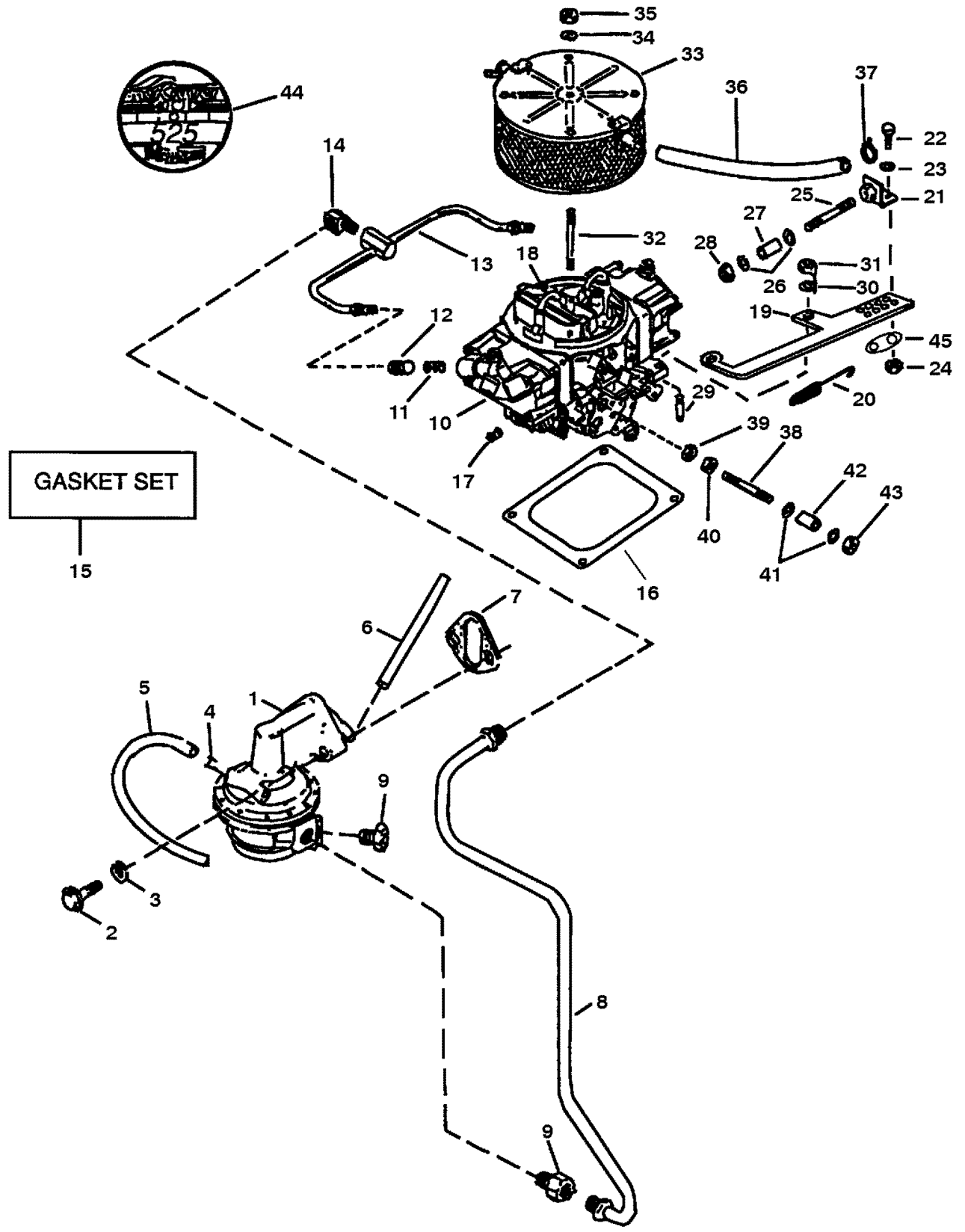
# DISTRIBUTOR & IGNITION COMPONENTS

REF. NO.	PART NO.	SYM.	QTY.	DESCRIPTION
1	90747A27		1	DISTRIBUTOR ASSEMBLY
2	805759A2		1	CAP ASSEMBLY
3	27-805760	▲	1	GASKET-DISTRIBUTOR CAP
4	10-90926		4	SCREW (#10-32 X .812)
5	13524A5	●	1	WHEEL ASSEMBLY-ROTOR SENSOR
6	87-91019A3		1	SENSOR ASSEMBLY
7	10-66686		1	SCREW (#10-32 X 1.00)
	10-72202		1	SCREW (#10-32 X 1.250)
8	43-818807		1	GEAR-DRIVE
9	17-47617		1	PIN
10	23-90915		2	BUSHING
11	13-26996		2	LOCKWASHER (#10)
12	11-68219		2	NUT (#10-32)
13	27-34486--3	▲	1	GASKET
14	52185		1	CLAMP
15	10-34353		1	SCREW (.375-16 X 1.00)
16	13-35048		1	LOCKWASHER (.375)
17	12-20553		1	WASHER
18	84-816608A61		1	CABLE KIT-IGNITION-SPARK PLUGS (RED)
	84-847701A7		1	CABLE KIT-IGNITION-SPARK PLUGS & COIL (BLUE)
19	33-813421		8	SPARK PLUG
20	54676		2	RETAINER (2 WIRE)
21	32783		2	RETAINER (3 WIRE)
22	32784		4	RETAINER (4 WIRE)
23	816674		1	WIRE ASSEMBLY-COIL (BLACK)
24	392-805570A2		1	COIL KIT-IGNITION
25	65970T	●	1	BRACKET-COIL MOUNT (ON ELECTRICAL BRACKET)
	77294T		1	BRACKET-COIL MOUNT (ON INTAKE MANIFOLD)
26	10-41408		1	SCREW (#10-32 X 1.500)
27	12-30164		2	WASHER
28	13-26996		2	LOCKWASHER (#10)
29	11-68219		2	NUT (#10-32)
30	10-98261		2	SCREW (.375-16 X .750)
-	<b>27-817118A90</b>		-	<b>GASKET SET</b>
-	<b>27-827014A92</b>		-	<b>GASKET SET</b>

● = SUPERSEDES TO ANOTHER PART NUMBER

▲ = COMPONENT OF ENGINE GASKET SET [27-817118A90] AND [27-827014A92]

# FUEL PUMP & CARBURETOR & LINKAGE



# FUEL PUMP & CARBURETOR & LINKAGE

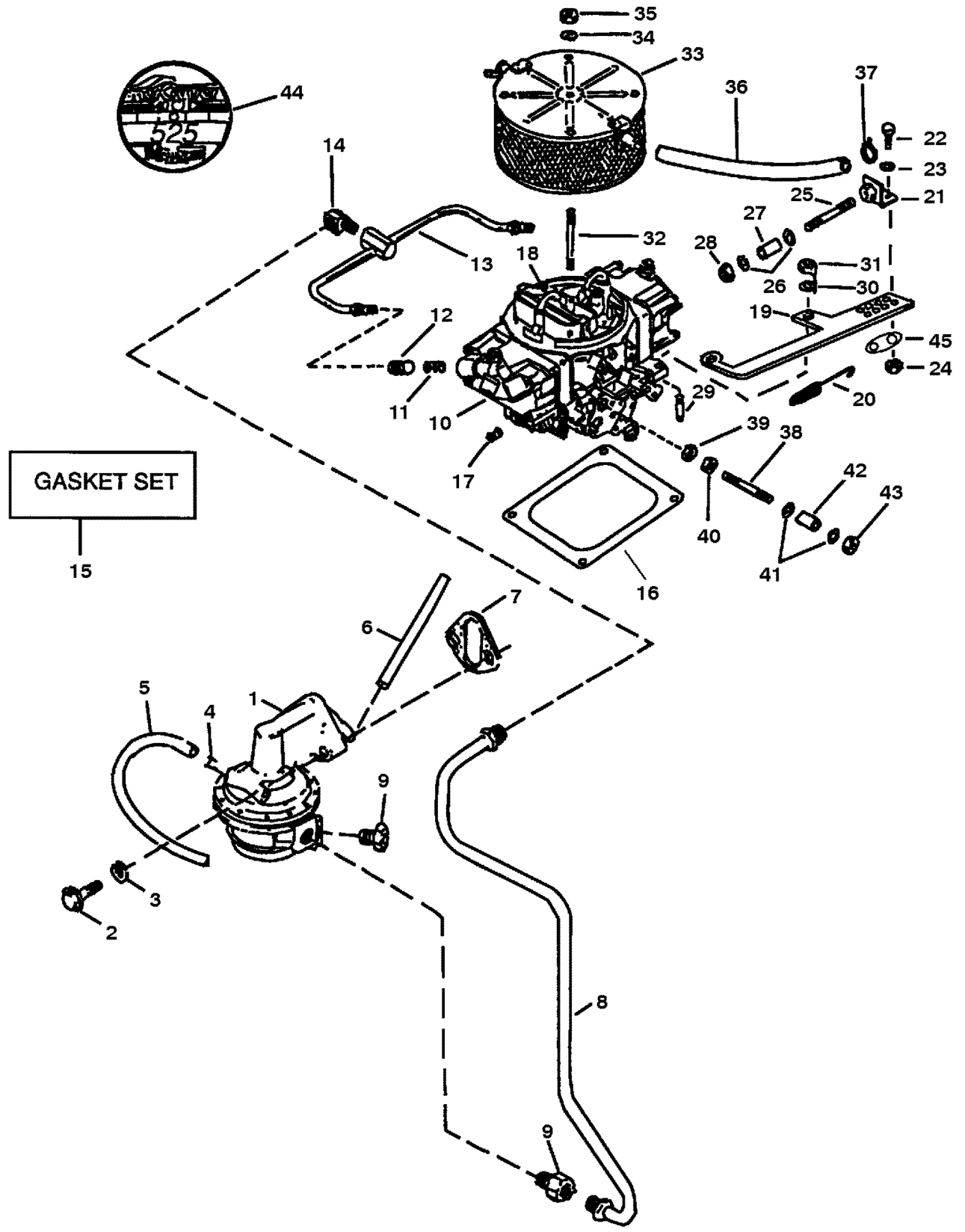
REF. NO.	PART NO.	SYM.	QTY.	DESCRIPTION
1	92864	■	1	PUMP ASSEMBLY-FUEL (S/N: 0D456000 - 0D725808)
2	10-37612	■	2	SCREW (.375-16 X 1.250) (S/N: 0D456000 - 0D725808)
3	13-35048	■	2	LOCKWASHER (.375) (S/N: 0D456000 - 0D725808)
4	22-85822	■	1	CONNECTOR-FUEL PUMP (S/N: 0D456000 - 0D725808)
5	32-93370-70	■	1	SIGHT TUBE (S/N: 0D456000 - 0D725808)
6	35377	■	1	ROD-FUEL PUMP (S/N: 0D456000 - 0D725808)
7	27-34213	▲■	1	GASKET-FUEL PUMP (S/N: 0D456000 - 0D725808)
8	32-817130	■	1	FUEL LINE-PUMP TO CARB (S/N: 0D456000 - 0D725808)
9	22-33821	■	2	FITTING (S/N: 0D456000 - 0D725808)
10	12377A5		1	CARBURETOR ASSEMBLY (BLACK)
	12377A6		1	CARBURETOR ASSEMBLY (BLUE)
11	24-48143		2	SPRING-FILTER
12	35-93568		2	FILTER
13	32-12837		1	LINE-FUEL INLET
14	22-93385		1	FITTING-FUEL INLET TUBE
15	27-42270A1		1	GASKET SET
16	27-12732	▲	1	GASKET-FLANGE
17	1399-6508-98		1	JET-MAIN (.125) (PRIMARY-PORT)
	1399-6508-98		1	JET-MAIN (.125) (PRIMARY-STARBOARD)
	1399-6508-98		1	JET-MAIN (.125) (SECONDARY-PORT)
	1399-6508-98		1	JET-MAIN (.125) (SECONDARY-STARBOARD)
18	32-42265		2	TUBE-VENT
-	<b>1396-9859</b>		1	<b>GASKET-FUEL INTAKE</b>
-	<b>1396-9860</b>		1	<b>POWER VALVE</b>
-	<b>1396-9861</b>		1	<b>NEEDLE/SEAT KIT</b>
-	<b>1396-9862</b>		1	<b>FLOAT-CENTER INLET</b>
19	12849--2		1	BRACKET-THROTTLE
20	24-32817		1	SPRING-THROTTLE RETURN
21	15017		1	BRACKET-THROTTLE
22	10-78291		2	SCREW (.375-24 X .500)
23	13-26996		2	LOCKWASHER (#10)
24	11-79989		2	NUT (#10-24)
25	16-98851		1	STUD-CABLE
26	12-21631		2	WASHER-CABLE STUD
27	23-31866		1	SPACER-CABLE STUD
28	11-35045		1	NUT (.250-28)
29	16-96108		4	STUD-CARBURETOR
30	12-20084		2	WASHER (.562)-CARBURETOR STUD
	12-39167		2	WASHER (.687)-CARBURETOR STUD
31	11-35814		4	NUT (.312-24)-CARBURETOR STUD
32	16-30668		1	STUD-FLAME ARRESTOR
33	12375--1		1	ARRESTOR-FLAME

■ = SERIAL NUMBER AND BELOW

▲ = COMPONENT OF ENGINE GASKET SET [27-817118A90] AND [27-827014A92]

CONTINUED ON NEXT PAGE ➡

# FUEL PUMP & CARBURETOR & LINKAGE

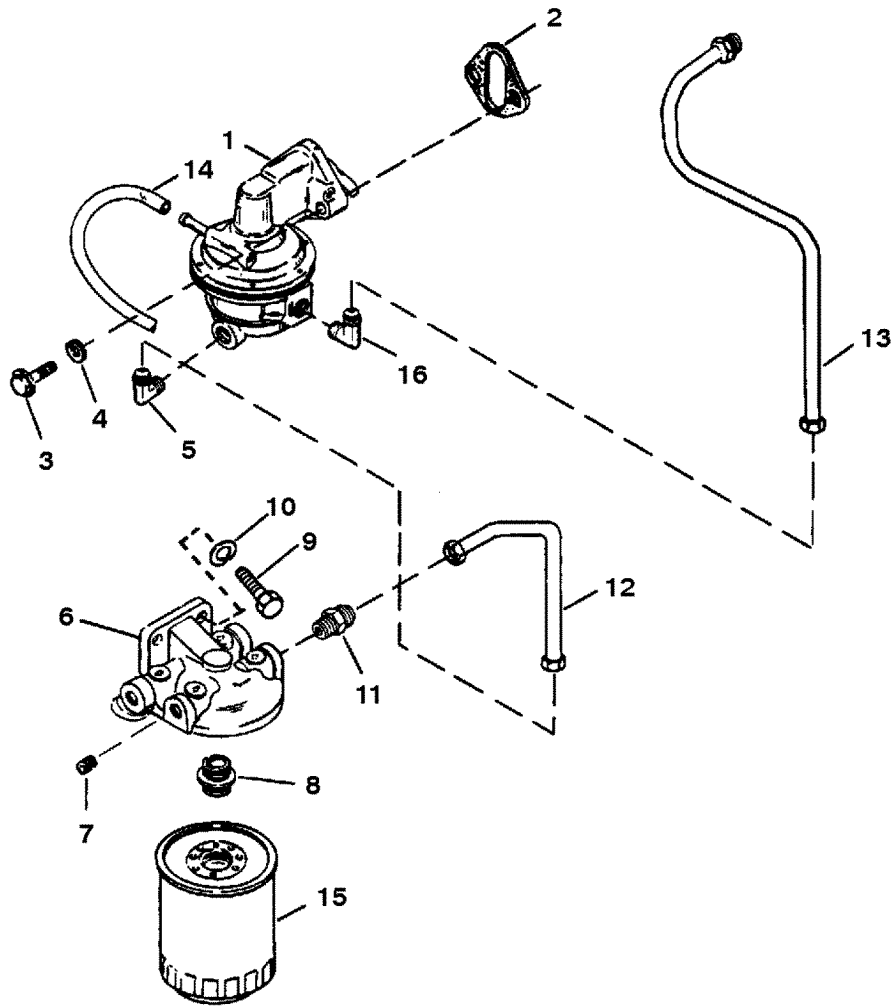


## FUEL PUMP & CARBURETOR & LINKAGE

REF. NO.	PART NO.	SYM.	QTY.	DESCRIPTION
34	12-22753		1	WASHER-FLAME ARRESTOR STUD
35	11-35814		1	NUT (.312-24)-FLAME ARRESTOR STUD
36	32-93315-12	■	2	HOSE-VENT (20.500 IN. BULK) (CUT 11.00 IN.)
	32-821284-33	◇	2	HOSE-VENT (14.00 IN.) (S/N: 0D763746 - 0F348963)
37	69355	■	4	STA STRAP-VENT HOSE
	54-847630-12	◇	4	CLAMP-HOSE (S/N: 0D763746 - 0F348963)
38	16-72809		1	STUD-THROTTLE CABLE TO CARBURETOR
39	11-35045		1	NUT (.250-28)-THROTTLE CABLE STUD
40	11-21825		1	NUT (.250-28)-THROTTLE CABLE STUD
41	12-29245		2	WASHER-THROTTLE CABLE STUD
42	23-53811		1	SPACER-THROTTLE CABLE STUD
43	11-56374		1	NUT (.250-20)-THROTTLE CABLE STUD
44	37-13723-63		1	DECAL-CARBURETOR COVER
45	53-78201--2		1	CLIP
-	<b>27-817118A90</b>		-	<b>GASKET SET</b>
-	<b>27-827014A92</b>		-	<b>GASKET SET</b>

■ = SERIAL NUMBER AND BELOW  
 ◇ = SERIAL NUMBER AND ABOVE

# FUEL PUMP & FUEL FILTER



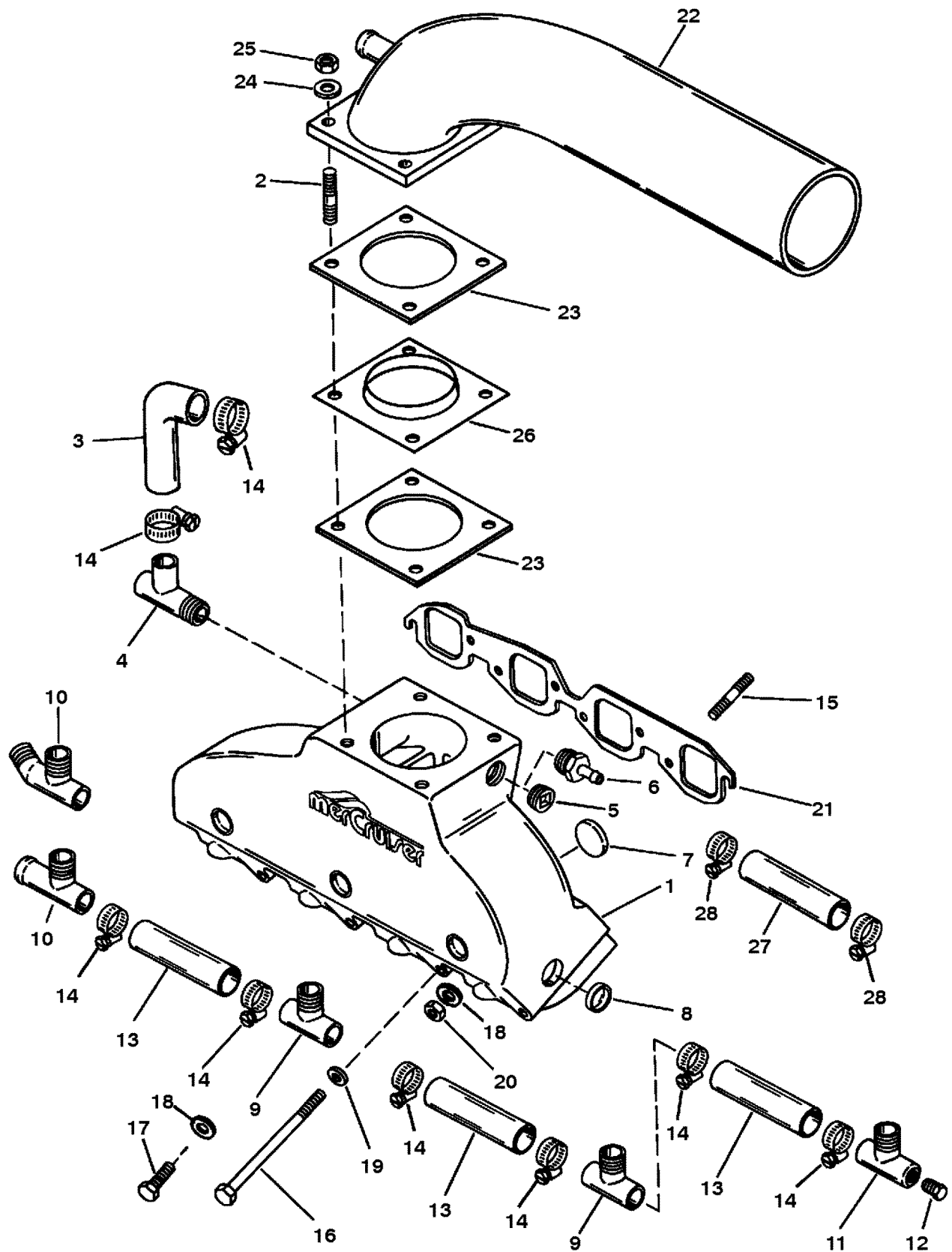
## FUEL PUMP & FUEL FILTER

REF. NO.	PART NO.	SYM.	QTY.	DESCRIPTION
1	818383T		1	PUMP ASSEMBLY-FUEL
2	27-34213	▲	1	GASKET-FUEL PUMP
3	10-34354		2	SCREW (.375-16 X 1.500)
4	13-35048		2	LOCKWASHER (.375)
5	22-93385		1	FITTING (90 DEG.)
6	89876A3		1	BASE ASSEMBLY-FUEL FILTER
7	22-32561		3	PLUG-PIPE
8	22-816133--1		1	FITTING
9	10-28782		2	SCREW (.312-18 X .875)
10	13-26993		1	LOCKWASHER (.312 IN.)
11	22-33821		2	CONNECTOR
12	32-847598		1	LINE-FUEL-FILTER TO PUMP
13	32-822105		1	LINE-FUEL-FUEL PUMP TO CARBURETOR
14	32-93370-70		1	TUBING (48.00 IN. BULK) (CUT 36.00 IN.)-FUEL PUMP TO CARBURETOR
15	35-805269--1	●	1	FILTER-FUEL
16	22-817395		1	FITTING (45 DEGREES)
-	<b>27-827014A92</b>		-	<b>GASKET SET</b>

● = SUPERSEDES TO ANOTHER PART NUMBER

▲ = COMPONENT OF ENGINE GASKET SET [27-817118A90] AND [27-827014A92]

# EXHAUST MANIFOLD/ELBOW





# EXHAUST MANIFOLD/ELBOW

REF. NO.	PART NO.	SYM.	QTY.	DESCRIPTION
1	814901A5		1	MANIFOLD ASSEMBLY-EXHAUST (PORT)
	814901A6		1	MANIFOLD ASSEMBLY-EXHAUST (STARBOARD)
2	16-815214		8	STUD
3	32-815212--1		2	HOSE-MANIFOLD TO EXHAUST PIPE
4	22-816035		2	FITTING
5	19-815203		2	PLUG-PIPE
6	22-818768		2	FITTING (STRAIGHT)
7	19-815205		10	FREEZE PLUG (LARGE) (1.00)
8	19-815204		4	FREEZE PLUG (SMALL) (.750)
9	22-815208		4	FITTING-TEE
10	22-815210		2	FITTING-TEE
11	22-815209		2	FITTING-TEE
12	19-815211		2	PLUG-PIPE-DRAIN
13	32-815215		6	HOSE (3.500 IN.)
14	54-815207		16	CLAMP
15	16-821279		4	STUD (2.187 IN.)
16	10-821107		8	SCREW (.375-16 X 3.00)
17	10-812567		4	SCREW (.375-16 X 1.625)
18	12-20572		8	WASHER
19	12-37828		8	WASHER
20	11-25269		4	NUT (.375-24)
21	27-46820	▲	2	GASKET-EXHAUST MANIFOLD TO HEAD
22	818495A1		2	ELBOW KIT-EXHAUST (STANDARD) ( <b>TRANSMISSION MODELS</b> )
	818496A1		OPT	ELBOW KIT-EXHAUST (3.00 IN.) ( <b>TRANSMISSION MODELS</b> )
	818497A1		OPT	ELBOW KIT-EXHAUST (6.00 IN.) ( <b>TRANSMISSION MODELS</b> )
	818498A1		2	ELBOW KIT-EXHAUST (STANDARD) ( <b>BRAVO MODELS</b> )
	818499A1		OPT	ELBOW KIT-EXHAUST (3.00 IN.) ( <b>BRAVO MODELS</b> )
	818500A1		OPT	ELBOW KIT-EXHAUST (6.00 IN.) ( <b>BRAVO MODELS</b> )
23	27-848147		2	GASKET-EXHAUST ELBOW
24	12-49112		8	WASHER
25	11-68411		8	NUT (.375-16)
26	816037		2	PLATE-DIFFUSER
27	32-68894--1		1	HOSE (48.00 IN. BULK) (CUT 6.00 IN.)
28	54-815504105		2	CLAMP
-	<b>27-817118A90</b>		-	<b>GASKET SET</b>
-	<b>27-827014A92</b>		-	<b>GASKET SET</b>

▲ = COMPONENT OF ENGINE GASKET SET [27-817118A90] AND [27-827014A92]



# THERMOSTAT HOUSING ASSEMBLY

REF. NO.	PART NO.	SYM.	QTY.	DESCRIPTION
1	817131A1		1	HOUSING ASSEMBLY-THERMOSTAT
2	23-47511		1	SLEEVE
3	27-53045--1	▲	1	GASKET-THERMOSTAT HOUSING
4	805273--1	●	1	THERMOSTAT (140_)
5	27-47510	▲	1	GASKET-THERMOSTAT
6	23-47508		1	SLEEVE-THERMOSTAT
7	27-41812--2	▲	1	GASKET-THERMOSTAT COVER
8	47441A1		1	COVER-THERMOSTAT
9	10-60410		2	SCREW (.375-16 X 4.250)
10	12-20553		2	WASHER
11	22-98477A2		1	VALVE ASSEMBLY
12	32-53461-70		1	HOSE-WATER PUMP TO OIL COOLER
13	54-18076--6		AR	CLAMP
14	32-816504		1	HOSE-OIL COOLER TO TRANSMISSION COOLER
15	32-12818		1	HOSE-OIL COOLER TO POWER STEERING COOLER
16	22-13177		1	TUBE-WATER HOSE (NON POWER STEERING)
17	32-816344		1	HOSE-THERMOSTAT HOUSING TO POWER STEERING COOLER
18	32-816345--1		1	HOSE-THERMOSTAT HOUSING TO WATER PUMP
19	54-18076--9		2	CLAMP
20	32-816347		1	HOSE-THERMOSTAT COVER (PORT)
21	32-816346		1	HOSE-THERMOSTAT COVER (STARBOARD)
22	54-18076--4	■	8	CLAMP-HOSE (S/N: 0D456000 - 0D763745)
	54-847752-18	◇	4	CLAMP-HOSE (S/N: 0D763746 - 0F348963)
23	32-33220-70	■	2	HOSE (48.00 IN. BULK) (CUT 17.00 IN.) (S/N: 0D456000 - 0D763745)
	32-847764A1	◇	1	HOSE ASSEMBLY (22.00 IN.) (S/N: 0D763746 - 0F348963)
	32-847764A2	◇	1	HOSE ASSEMBLY (17.00 IN.) (S/N: 0D763746 - 0F348963)
24	22-847768		1	FITTING-ADAPTOR
-	<b>27-817118A90</b>		-	<b>GASKET SET</b>
-	<b>27-827014A92</b>		-	<b>GASKET SET</b>

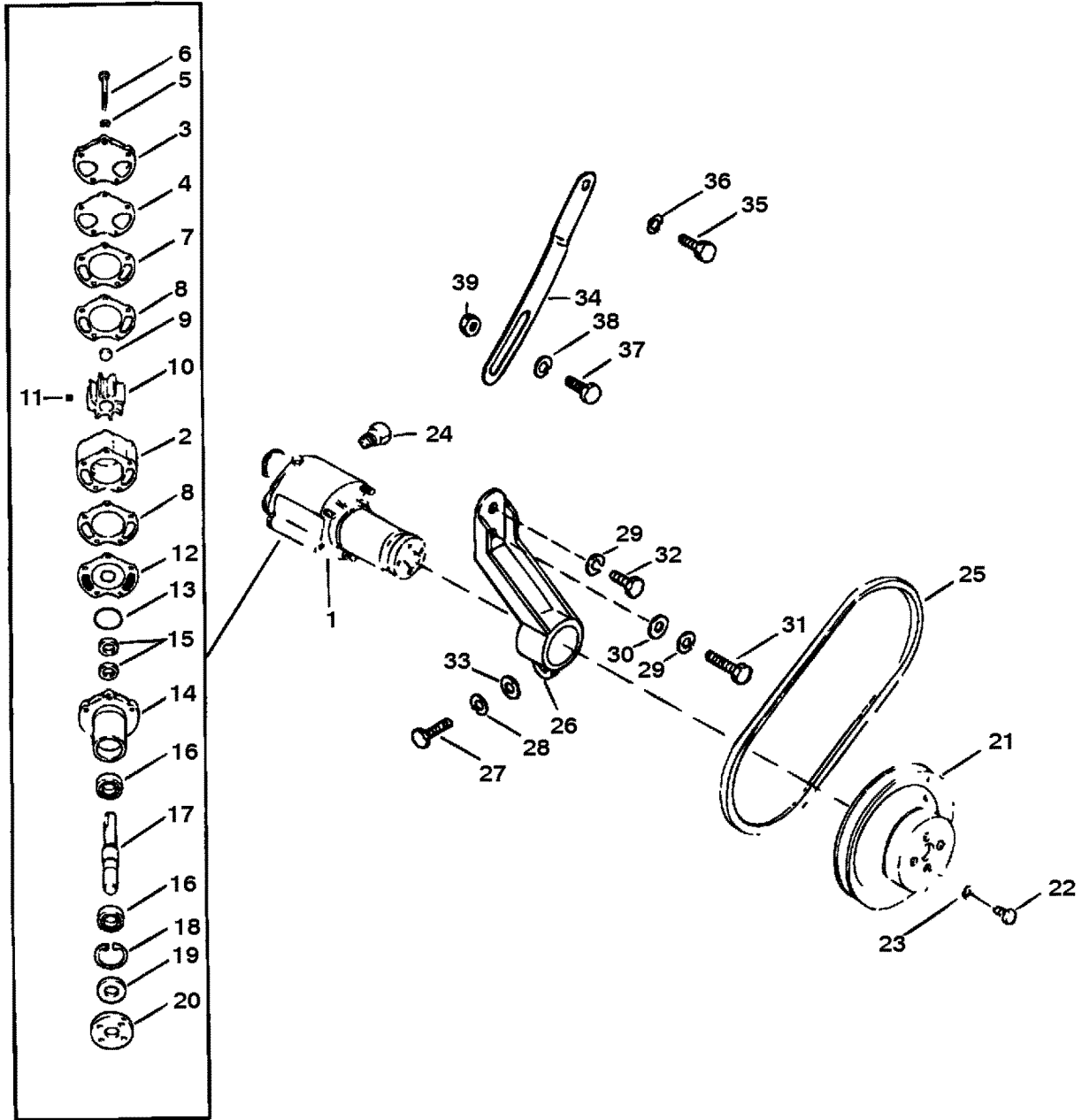
● = SUPERSEDES TO ANOTHER PART NUMBER

■ = SERIAL NUMBER AND BELOW

◇ = SERIAL NUMBER AND ABOVE

▲ = COMPONENT OF ENGINE GASKET SET [27-817118A90] AND [27-827014A92]

# SEA WATER PUMP ASSEMBLY (S/N: 0D456000 - 0D763745)

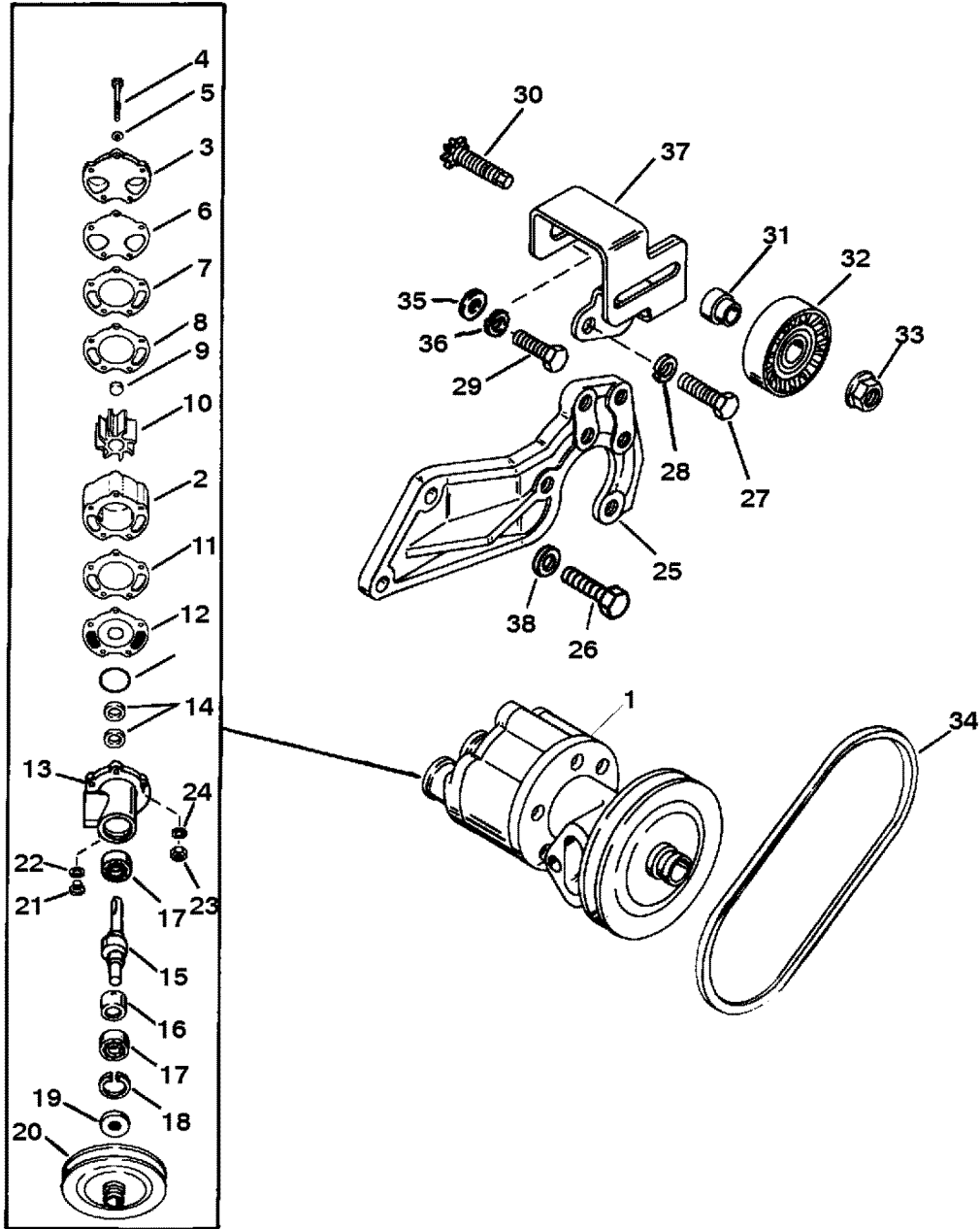


# SEA WATER PUMP ASSEMBLY (S/N: 0D456000 - 0D763745)

REF. NO.	PART NO.	SYM.	QTY.	DESCRIPTION
1	46-72774A32		1	PUMP ASSEMBLY-WATER
2	46-72774A40		1	BODY ASSEMBLY-WATER PUMP
3	87631A4		1	COVER ASSEMBLY-WATER PUMP
4	27-805215--1		1	GASKET-COVER TO OUTER WEAR PLATE
5	12-20084		5	WASHER-COVER SCREW
6	10-73275		5	SCREW (.312-18 X 2.875)
7	94916		1	WEAR PLATE-OUTER
8	27-94914		2	GASKET-BODY TO WEAR PLATE
9	19-59504		1	PLUG-IMPELLER
10	47-59362--1		1	IMPELLER (USE WITHOUT KEY)
11	28-56662		1	KEY-IMPELLER DRIVE (USE WHERE APPLICABLE)
12	94576		1	WEAR PLATE-INNER
13	25-94288		1	QUAD RING-PUMP HOUSING
14	46-94913A1		1	HOUSING ASSEMBLY-WATER PUMP
15	26-90562		2	SEAL-OIL-WATER PUMP SHAFT
16	30-72961		2	BEARING-BALL-WATER PUMP SHAFT
17	59501A1		1	SHAFT-WATER PUMP
18	53-23720		1	RING-SNAP-BALL BEARING RETAINING
19	26-72785		1	SEAL-OIL-WATER PUMP SHAFT
20	47530		1	HUB-WATER PUMP PULLEY
21	73798A1		1	PULLEY-WATER PUMP
22	10-47277		4	SCREW (.312-24 X .750)-PULLEY
23	13-39107		4	LOCKWASHER (.312)-PULLEY SCREW
24	22-32802	●	1	PLUG-PIPE (FOR WATER PUMP BODY)
25	57-74271T		1	V BELT-WATER PUMP
26	47489A2		1	BRACKET KIT-WATER PUMP
27	10-34354		1	SCREW (.375-16 X 1.500)-WATER PUMP BRACKET
28	13-35048		1	LOCKWASHER (.375)
29	13-32993		1	LOCKWASHER (.437)-BRACKET SCREW
30	12-27025		1	WASHER-BRACKET SCREW
31	10-47462		1	SCREW (.437-14 X 1.00)-WATER PUMP BRACKET
32	10-48948		1	SCREW (.437-14 X .875)-WATER PUMP BRACKET
33	12-29330		1	WASHER (FOR SLOT)
34	64177		1	BRACE-WATER PUMP
35	10-47462		1	SCREW (.437-14 X 1.250)-BRACE TO ENGINE
36	13-32993		1	LOCKWASHER (.437)-BRACE SCREW
37	10-35786		1	SCREW (.375-24 X 1.00)-WATER PUMP BRACE
38	13-35048		1	LOCKWASHER (.375)-BRACE SCREW
39	11-46335		1	NUT (.375-24)-BRACE SCREW

● = SUPERSEDES TO ANOTHER PART NUMBER

# SEA WATER PUMP ASSEMBLY (S/N: 0D763746 - 0F348963)

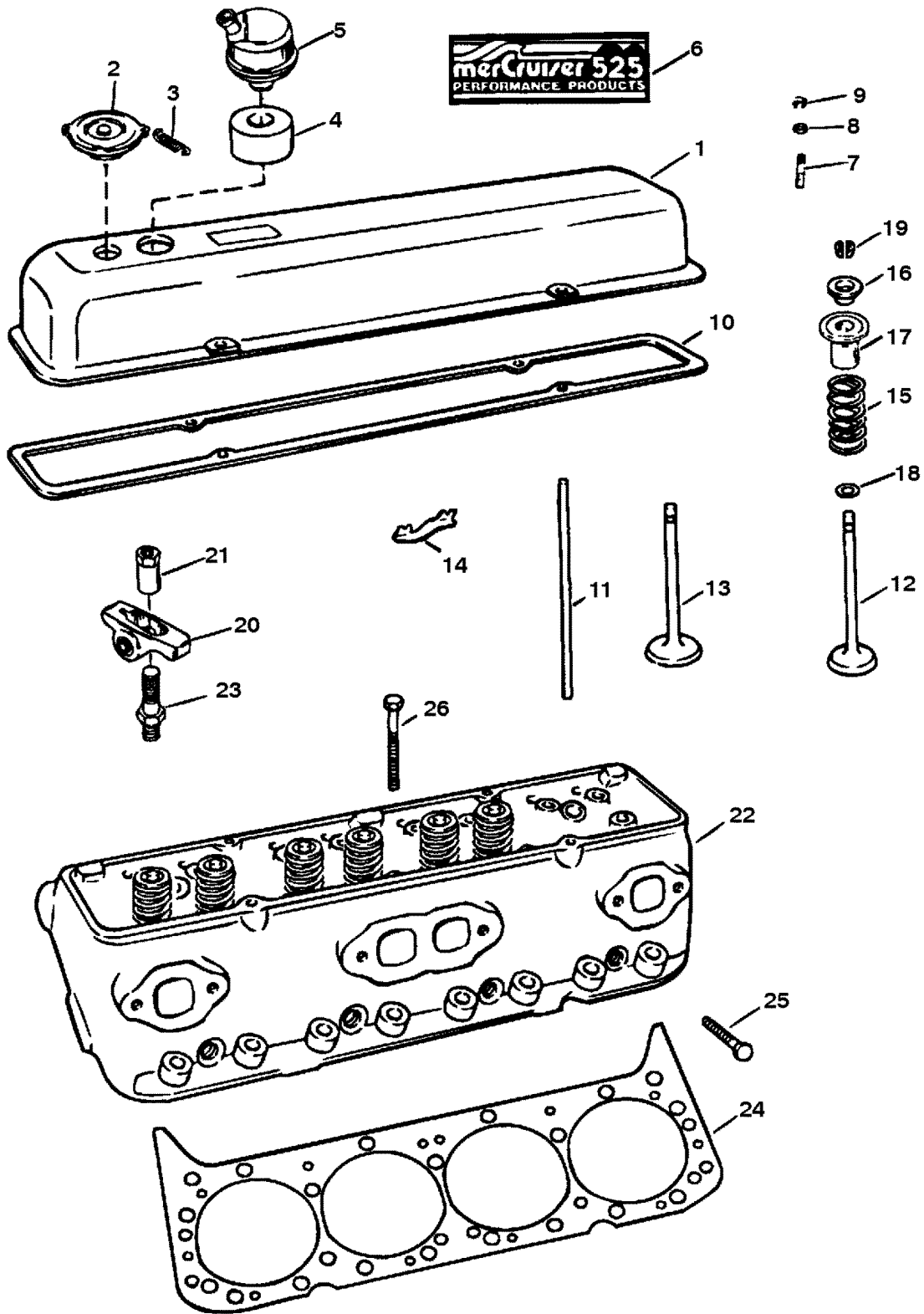


# SEA WATER PUMP ASSEMBLY (S/N: 0D763746 - 0F348963)

REF. NO.	PART NO.	SYM.	QTY.	DESCRIPTION
1	46-72774A82		1	PUMP ASSEMBLY-WATER (COMPLETE)
2	46-72774A40		1	BODY ASSEMBLY-WATER PUMP
3	821707--1		1	COVER-WATER PUMP
4	10-39001		5	SCREW (.312-18 X 4.500)
5	12-20084		10	WASHER
6	27-805215--1		1	GASKET-COVER TO OUTER WEAR PLATE
7	94916		1	WEAR PLATE-OUTER
8	27-94914		2	GASKET-BODY TO WEAR PLATE
9	19-59504		1	PLUG-IMPELLER
10	47-59362--1		1	IMPELLER
11	94576		1	WEAR PLATE-INNER
12	25-94288		1	QUAD RING-PUMP HOUSING
13	818367A1		1	HOUSING ASSEMBLY-WATER PUMP
14	26-90562		2	SEAL-OIL-WATER PUMP SHAFT
15	818366A1		1	SHAFT ASSEMBLY
16	818745A1		1	RING KIT-SLIP
17	30-72961		2	BEARING-BALL-WATER PUMP SHAFT
18	53-23720		1	RING-RETAINING-BALL BEARING
19	26-821104	●	1	SEAL-OIL-WATER PUMP SHAFT
20	818365T		1	PULLEY (BLACK)
	818365--2		1	PULLEY (BLUE)
21	13-39107		1	LOCKWASHER (.312)
22	11-21908		1	NUT (.312-18)
23	10-28634A1	●	1	SCREW PLUG ASSEMBLY
24	25-805726		1	O RING
25	823185A2		1	BRACKET KIT-WATER PUMP MOUNT
26	10-91903		3	SCREW (.437-14 X 1.750)
27	10-98261		2	SCREW (.375-16 X .750)
28	13-35048		2	LOCKWASHER (.375)
29	10-47461		1	SCREW (.437-14 X 1.00)
30	43-818381--1		1	PINION STUD
31	818380		1	BUSHING
32	818382		1	PULLEY
33	11-817618		1	NUT
34	57-69143T		1	V BELT
35	12-27025		1	WASHER
36	13-32993		1	LOCKWASHER (.437)
37	818379T		1	BRACKET-IDLER
38	13-32993		3	LOCKWASHER (.437)

● = SUPERSEDES TO ANOTHER PART NUMBER

# CYLINDER HEAD & ROCKER COVER





# CYLINDER HEAD & ROCKER COVER

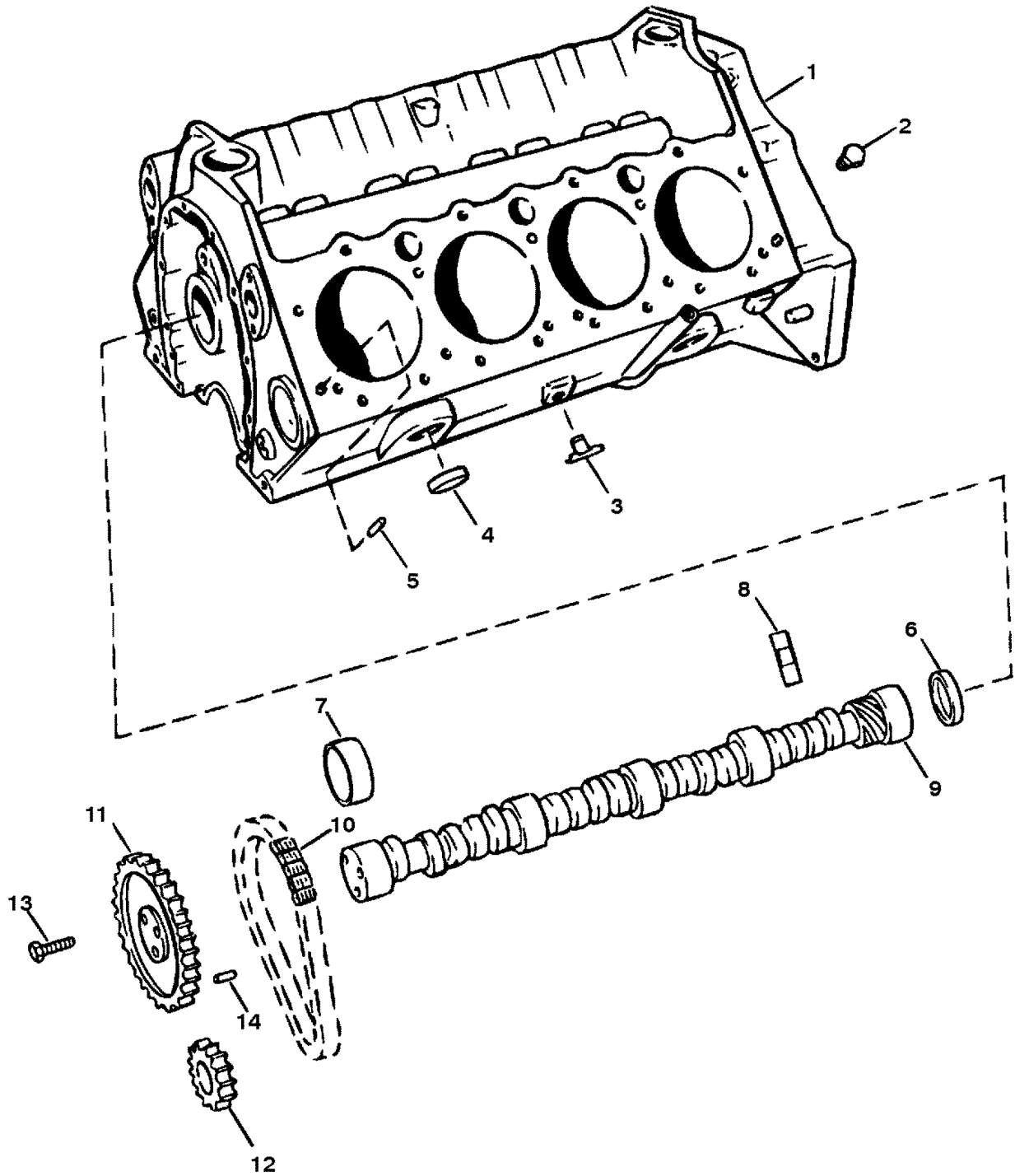
REF. NO.	PART NO.	SYM.	QTY.	DESCRIPTION
1	821948A1	■	2	COVER ASSEMBLY-VALVE (S/N: 0D456000 - 0D725808)
	821948A4	◇	2	COVER ASSEMBLY-VALVE (S/N: 0D763746 - 0F348963)
2	42336	■	2	CAP-OIL FILLER (S/N: 0D456000 - 0D456699)
	36-811569	◇	2	CAP-OIL FILLER (S/N: 0D725506 - 0F348963)
3	24-70086		2	SPRING-FILLER CAP
4	25-49767		2	GROMMET-ROCKER COVER
5	14902		2	BREATHER-ROCKER COVER
6	37-818991		2	DECAL
7	16-56766		14	STUD-ROCKER COVER
8	12-39143		14	WASHER-ROCKER COVER STUD
9	11-20361		14	NUT-ROCKER COVER STUD
10	27-14765	▲	2	GASKET-ROCKER COVER
11	848263		8	ROD-VALVE PUSH (INLET)
	848266		8	ROD-VALVE PUSH (EXHAUST)
12	13024		8	VALVE-EXHAUST (STANDARD)
13	98678--1		8	VALVE-INLET (STANDARD)
14	49132	■	8	GUIDE-PUSH ROD (S/N: 0D456000 - 0D725808)
	811586	◇	8	GUIDE-PUSH ROD (S/N: 0D763746 - 0F348963)
15	24-13455		16	SPRING-VALVE
16	98598		16	RETAINER-VALVE SPRING
17	15832	▲	16	SEAL-VALVE STEM
18	15-54531		AR	SHIM (.015)-VALVE SPRING
	15-77624		AR	SHIM (.030)-VALVE SPRING
19	96028		1	KEY-VALVE STEM (INCLUDES 32 KEYS)
20	69304		16	ARM-VALVE ROCKER
21	11-44481		16	NUT-VALVE ROCKER ARM
22	938-817129--1	■	2	HEAD-CYLINDER (S/N: 0D456000 - 0D725808)
	938-811529--3	■◇	2	HEAD-CYLINDER (.375) (S/N: 0D763746 - 0F213142)
	938-826363A1	◇	2	HEAD ASSY-CYLINDER (.437) (S/N: 0F213143 - 0F348963)
23	95820		16	STUD-VALVE ROCKER ARM
	16-821836		16	STUD-VALVE ROCKER ARM
24	27-13687	▲■	2	GASKET-CYLINDER HEAD (S/N: 0D456000 - 0D725808)
	27-811546	▲◇	2	GASKET-CYLINDER HEAD (S/N: 0D763746 - 0F348963)
25	10-49106--1		8	BOLT (2.00 IN.)-CYLINDER HEAD
26	10-49105		24	BOLT (4.125 IN.)-CYLINDER HEAD
-	<b>27-817118A90</b>		-	<b>GASKET SET</b>
-	<b>27-827014A92</b>		-	<b>GASKET SET</b>

■ = SERIAL NUMBER AND BELOW

◇ = SERIAL NUMBER AND ABOVE

▲ = COMPONENT OF ENGINE GASKET SET [27-817118A90] AND [27-827014A92]

# CYLINDER BLOCK & CAMSHAFT



# CYLINDER BLOCK & CAMSHAFT

REF. NO.	PART NO.	SYM.	QTY.	DESCRIPTION
-	817358A7	■	1	LONG BLOCK (S/N: 0D456000 - 0D725808) (NOTE #2)
-	805541A1	◇	1	LONG BLOCK (S/N: 0D763746 - 0F348963) (NOTE #2)
1	842-9638	■	1	CYLINDER ASSY (S/N: 0D456000 - 0D725808) (NOTE #1)
	842-801999	◇	1	CYLINDER ASSY (S/N: 0D763746 - 0F348963) (NOTE #1)
2	22-48340		4	PLUG-PIPE (.250)
	22-48358		2	PLUG-PIPE (.375)
3	22-36382		2	PLUG
4	22-69300		8	PLUG-EXPANSION (1.750 DIA.)
5	17-52190		4	PIN-DOWEL
6	19-94140		1	PLUG-EXPANSION
7	23-85684		1	BEARING UNIT (SET)
8	93722		16	LIFTER
9	451-7892		1	CAMSHAFT
10	61728	■	1	CHAIN-TIMING (S/N: 0D456000 - 0D725808)
	811580	◇	1	CHAIN-TIMING (S/N: 0D763746 - 0F348963)
11	43-61726	■	1	SPROCKET-CAMSHAFT (S/N: 0D456000 - 0D725808)
	43-811578	◇	1	SPROCKET-CAMSHAFT (S/N: 0D763746 - 0F348963)
12	43-61727	■	1	SPROCKET-CRANKSHAFT (S/N: 0D456000 - 0D725808)
	43-811579	◇	1	SPROCKET-CRANKSHAFT (S/N: 0D763746 - 0F348963)
13	10-35339		3	SCREW (.312-18 X .750)
14	17-35312		1	PIN-DOWEL (.250 DIA.)
NS	27-817118A90	■	1	GASKET SET-COMPLETE (S/N: 0D456000 - 0D725808)
	27-827014A92	◇	1	GASKET SET-COMPLETE (S/N: 0D763746 - 0F348963)
	847818A2		1	UPDATE KIT (REFERENCE NOTE # 2)

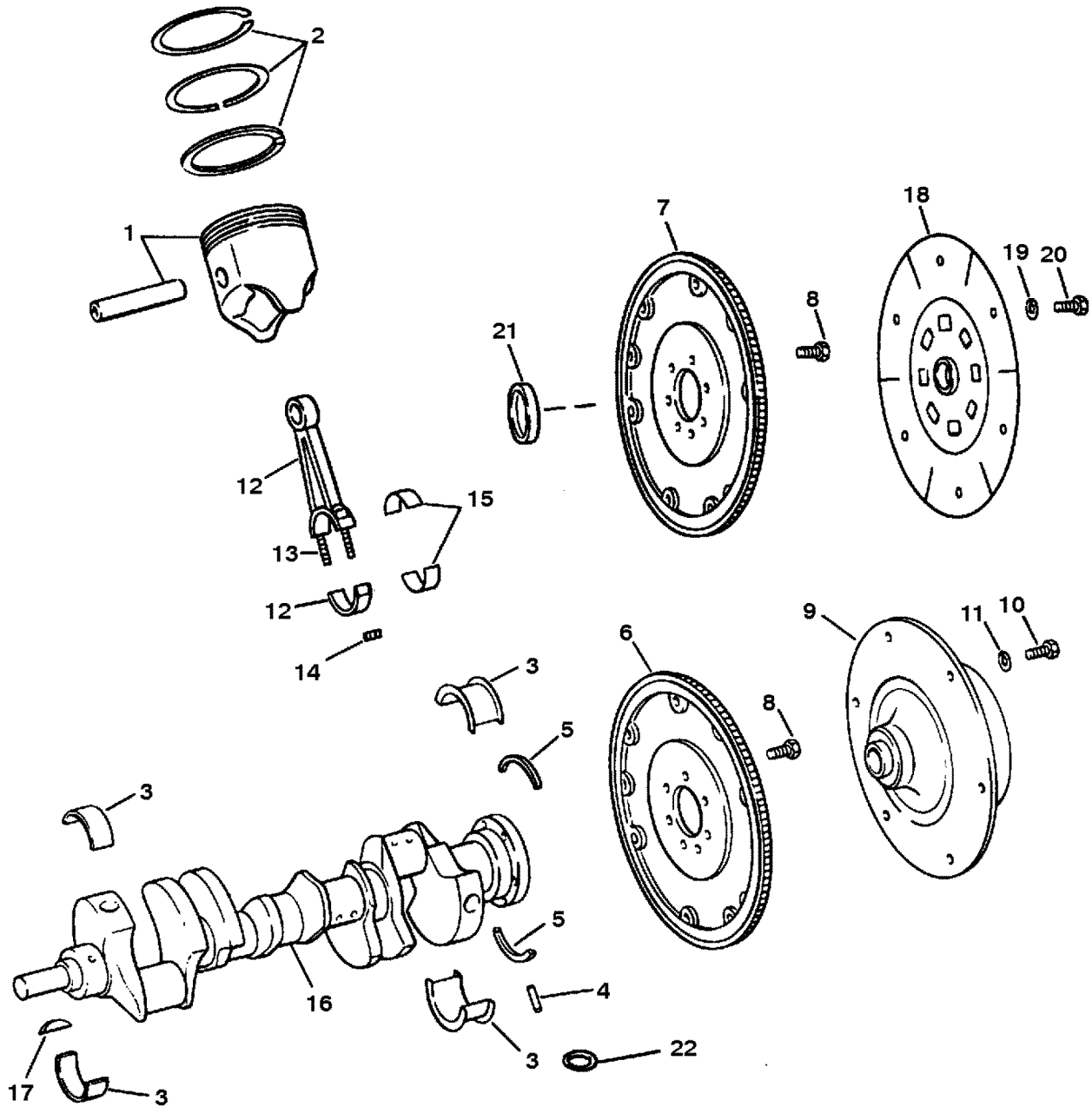
NOTE # 1: CYLINDER BLOCK ASSEMBLY INCLUDES STANDARD PISTONS, PISTON RINGS, CRANKSHAFT BEARING AND CAMSHAFT BEARINGS. CAUTION: THESE PISTONS CANNOT BE USED IN 525SC ENGINE. ORDER CORRECT PISTONS FROM PAGE 37, ITEM # 1.

NOTE # 2: IF CHANGING FROM MARK IV STYLE ENGINE TO GERNERATION V STYLE, AN UPDATE KIT PART NUMBER 847818A2 WILL BE REQUIRED.

■ = SERIAL NUMBER AND BELOW

◇ = SERIAL NUMBER AND ABOVE

# CRANKSHAFT & PISTONS & CONN. RODS



# CRANKSHAFT & PISTONS & CONN. RODS

REF. NO.	PART NO.	SYM.	QTY.	DESCRIPTION
1	798-817114		8	PISTON ASSEMBLY (STANDARD)
2	39-67127		8	RING KIT-PISTON (STANDARD)
1	798-817114A1		8	PISTON ASSEMBLY (.030 O.S.)
2	39-848350030		1	RING KIT-PISTON (.030 O.S.)
3	23-818473		1	BEARING SET (STANDARD)
	23-818474		AR	BEARING SET (.001 U.S.)
	23-818475		AR	BEARING SET (.002 U.S.)
	23-818476		AR	BEARING SET (.010 U.S.)
	23-818477		AR	BEARING SET (.020 U.S.)
4	17-35312		1	PIN-DOWEL (.250 DIA.)
5	26-14756	▲■	1	SEAL-OIL (S/N: 0D456000 - 0D725808)
	26-811554	▲◇	1	SEAL-OIL (S/N: 0D763746 - 0F348963)
6	230-6540	■	1	FLYWHEEL (S/N: 0D456000 - 0D725808)
	230-811561	◇	1	FLYWHEEL (S/N: 0D763746 - 0F348963)
7	230-811563		1	FLYWHEEL (GEN V DRIVELINE OR TRANSMISSION MODELS)
	230-5534		1	FLYWHEEL (MARK IV DRIVELINE OR TRANSMISSION MODELS)
8	10-49845		6	SCREW (.437-20 X 1.00)
9	18311A17		1	COUPLING ASSEMBLY-ENGINE (BRAVO MODELS ONLY)
10	10-14883		6	SCREW (.375-16 X 1.125)
11	12-20572		6	WASHER
NS	22-49099		2	FITTING-GREASE
12	614-9641		8	CONNECTING ROD ASSEMBLY
13	10-19234		16	BOLT-CONN ROD CAP
14	11-37493		16	NUT-CONN ROD CAP BOLT
15	23-85726		8	BEARING SET (STANDARD)
	23-85727		AR	BEARING SET (.001 U.S.)
	23-85728		AR	BEARING SET (.002 U.S.)
	23-85691		AR	BEARING SET (.010 U.S.)
	23-85729		AR	BEARING SET (.020 U.S.)
16	429-5880	■	1	CRANKSHAFT (S/N: 0D456000 - 0D725808)
	429-811552	◇	1	CRANKSHAFT (S/N: 0D763746 - 0F348963)
17	28-811558	■	2	KEY-CRANKSHAFT (S/N: 0D456000 - 0D725808)
	28-34466	◇	2	KEY-CRANKSHAFT (S/N: 0D763746 - 0F348963)
18	816618		1	DRIVE PLATE (TRANSMISSION MODELS)
19	10-35091		6	SCREW (.375-16 X 1.00) (TRANSMISSION MODELS)

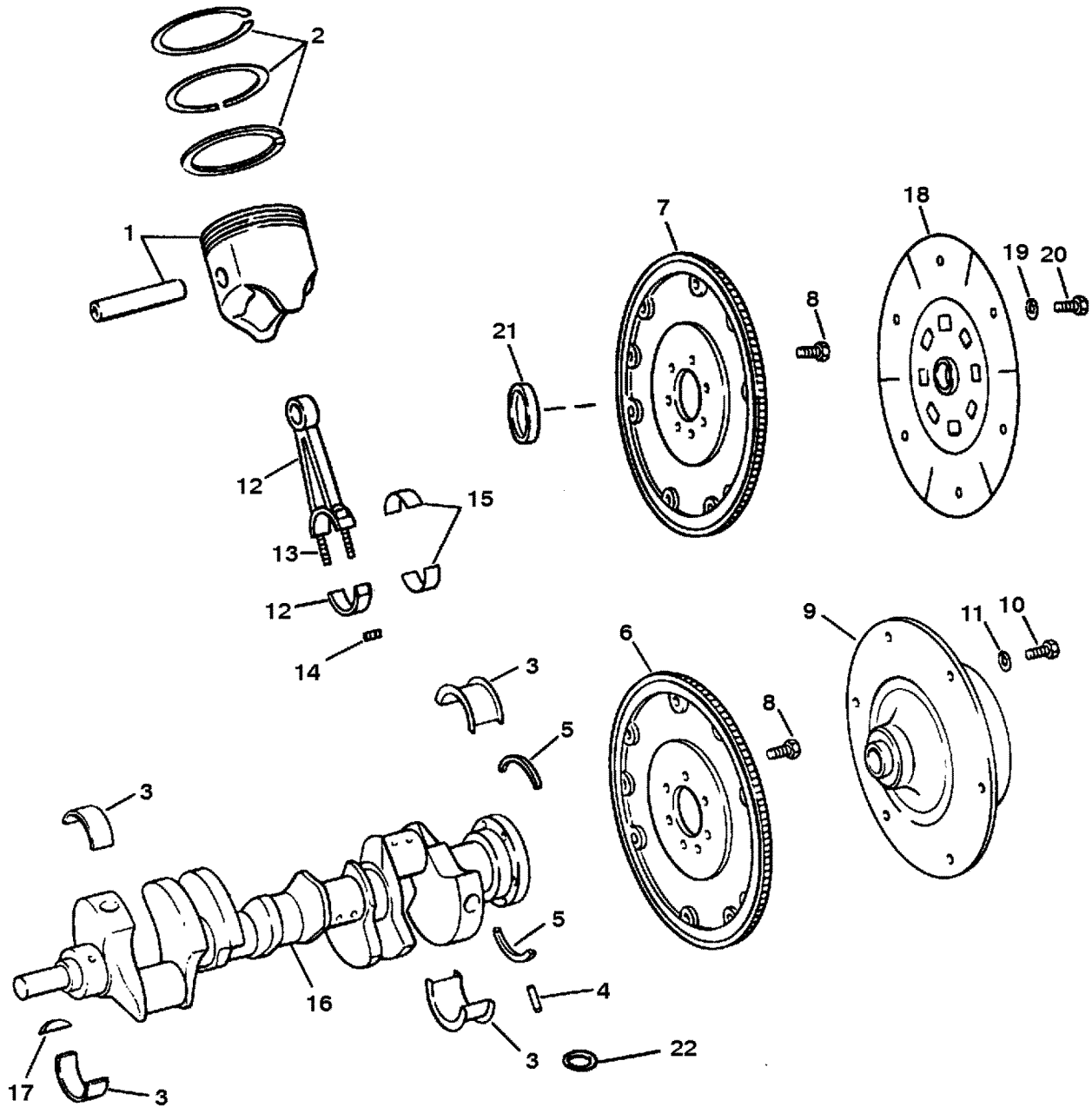
■ = SERIAL NUMBER AND BELOW

◇ = SERIAL NUMBER AND ABOVE

▲ = COMPONENT OF ENGINE GASKET SET [27-817118A90] AND [27-827014A92]

CONTINUED ON NEXT PAGE ➡

# CRANKSHAFT & PISTONS & CONN. RODS

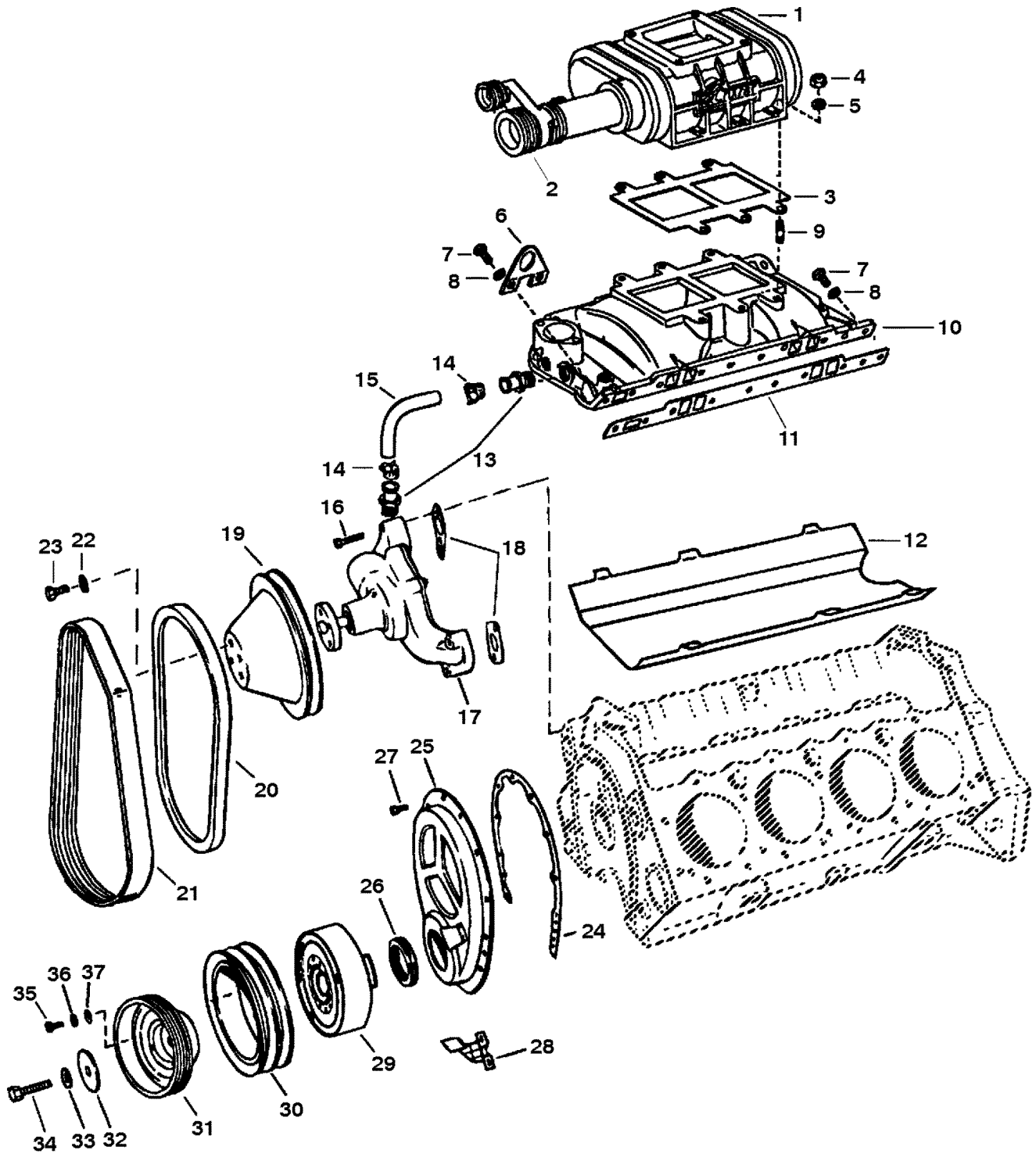


## CRANKSHAFT & PISTONS & CONN. RODS

REF. NO.	PART NO.	SYM.	QTY.	DESCRIPTION
20	13-35048		6	LOCKWASHER (.375) (TRANSMISSION MODELS)
21	23-49126		1	BUSHING-PILOT-CRANKSHAFT (DRIVELINE MODELS ONLY)
22	25-811528	◇	1	O RING (#5 BEARING CAP OIL HOLE) (S/N: 0D763746 - 0F348963)
-	<b>27-817118A90</b>		-	<b>GASKET SET</b>
-	<b>27-827014A92</b>		-	<b>GASKET SET</b>

◇ = SERIAL NUMBER AND ABOVE

# INTAKE MANIFOLD & SUPERCHARGER





# INTAKE MANIFOLD & SUPERCHARGER

REF. NO.	PART NO.	SYM.	QTY.	DESCRIPTION
1	817116A1		1	SUPERCHARGER KIT
2	847711--1		1	PULLEY-UPPER DRIVEN
3	27-817118--1	▲	1	GASKET-INTAKE TO SUPERCHARGER
4	11-28770		6	NUT (.312-24)
5	12-70132		6	WASHER
6	54-64628--1		2	LIFTING EYE
7	10-812567		8	BOLT (.375-16 X 1.625)
	10-815687		7	BOLT (.375-16 X 1.250)
	10-47432		1	SCREW (.375-16 X 2.00)
8	12-34931		16	WASHER
9	16-33111		6	STUD
10	817115		1	MANIFOLD-INTAKE
11	27-818188	▲	2	GASKET-INTAKE MANIFOLD
12	816073		1	SHIELD-OIL INTAKE
13	22-806242		2	CONNECTOR-INTAKE PUMP/INTAKE MANIFOLD
14	54-815504412		2	CLAMP-BY PASS HOSE
15	32-805987		1	HOSE-BY PASS-WATER PUMP/INTAKE MANIFOLD
16	10-811574		4	SCREW (.375-16 X 1.750)-WATER PUMP TO CYLINDER BLOCK
17	811573		1	PUMP ASSEMBLY-WATER
18	27-49110	▲	2	GASKET-WATER PUMP MOUNTING
19	52349		1	PULLEY-WATER PUMP (BLACK)
	52349--1		1	PULLEY-WATER PUMP (BLUE)
20	57-816034		1	V BELT-ALTERNATOR DRIVE
21	57-817113		1	BELT-SERPENTINE
22	13-39107		4	LOCKWASHER (.312)-WATER PUMP PULLEY SCREW
23	10-47277		4	SCREW (.312-24 X .750)-PULLEY TO WATER PUMP
24	27-54529	▲■	1	GASKET-CRANKCASE COVER (S/N: 0D456000 - 0D725808)
	27-811572	▲◇	1	GASKET-CRANKCASE COVER (S/N: 0D763746 - 0F348963)
25	66215	■	1	COVER ASSEMBLY-CRANKCASE (S/N: 0D456000 - 0D725808)
	811570	◇	1	COVER ASSEMBLY-CRANKCASE (S/N: 0D763746 - 0F348963)
26	26-821947--1	▲	1	SEAL-OIL-CRANKCASE COVER
27	10-35366		10	SCREW (.250-20 X .562)-CRANKCASE COVER TO BLOCK
28	59966		1	POINTER-TIMING
29	72605--1	■	1	DAMPER (S/N: 0D456000 - 0D725808)
	811556	◇	1	DAMPER (S/N: 0D763746 - 0F348963)
30	52181	■	1	PULLEY-HARMONIC BALANCER (S/N: 0D456000 - 0D725808)
31	817112	■	1	PULLEY-CRANKSHFT (BLACK) (S/N: 0D456000 TO 0D725808)
	821981--1	◇	1	PULLEY-CRANKSHAFT (BLUE) (S/N: 0D763746 - 0F348963)
32	12-49103		1	WASHER-PULLEY AND BALANCER SCREW
33	13-14759		1	LOCKWASHER-PULLEY AND HARMONIC BALANCER SCREW
34	10-817125	■	1	SCREW (.500-20 X 4.00) (S/N: 0D456000 - 0D725808)

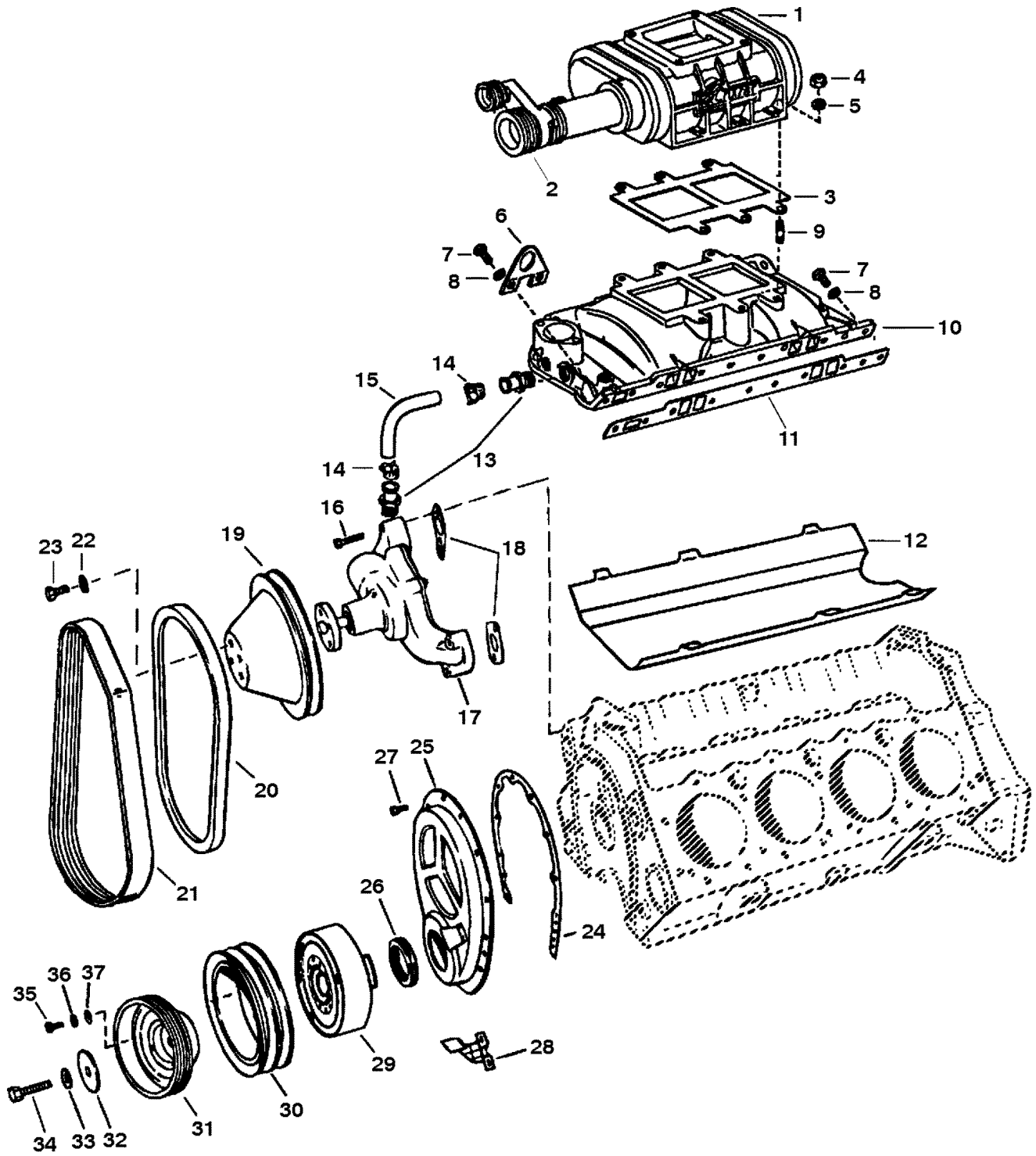
■ = SERIAL NUMBER AND BELOW

◇ = SERIAL NUMBER AND ABOVE

▲ = COMPONENT OF ENGINE GASKET SET [27-817118A90] AND [27-827014A92]

CONTINUED ON NEXT PAGE ➡

# INTAKE MANIFOLD & SUPERCHARGER

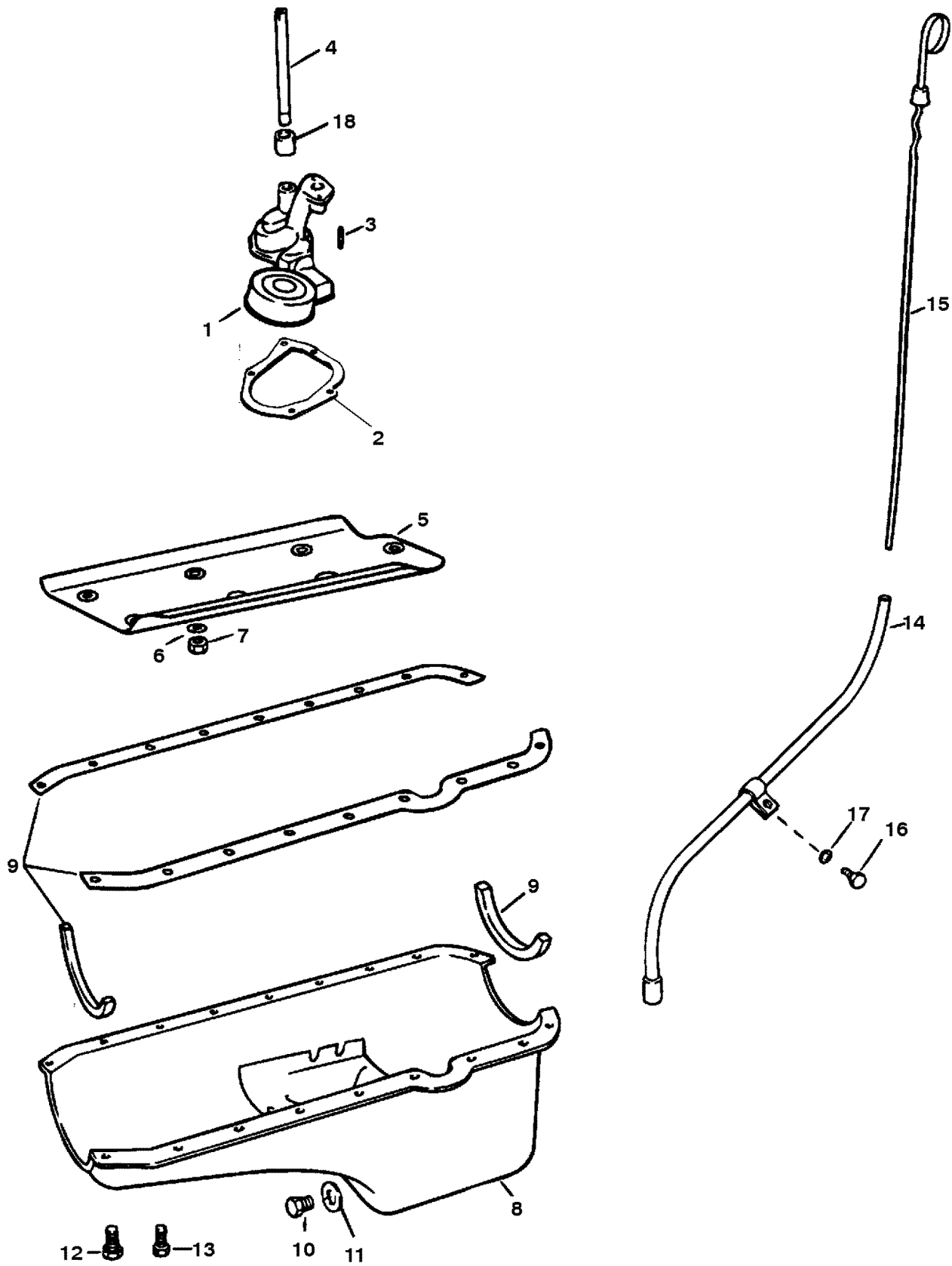


## INTAKE MANIFOLD & SUPERCHARGER

REF. NO.	PART NO.	SYM.	QTY.	DESCRIPTION
34	10-811559	◇	1	SCREW (.500-20 X 1.375) (S/N: 0D763746 - 0F348963)
35	10-72094		3	SCREW (.375-16 X 3.750)-PULLEY
36	13-35048		3	LOCKWASHER (.375)-PULLEY SCREW
37	12-20553		3	WASHER-PULLEY SCREW
-	<b>27-817118A90</b>		-	<b>GASKET SET</b>
-	<b>27-827014A92</b>		-	<b>GASKET SET</b>

◇ = SERIAL NUMBER AND ABOVE

# OIL PAN & OIL PUMP ASSY (S/N: 0D456000 - 0D725808)

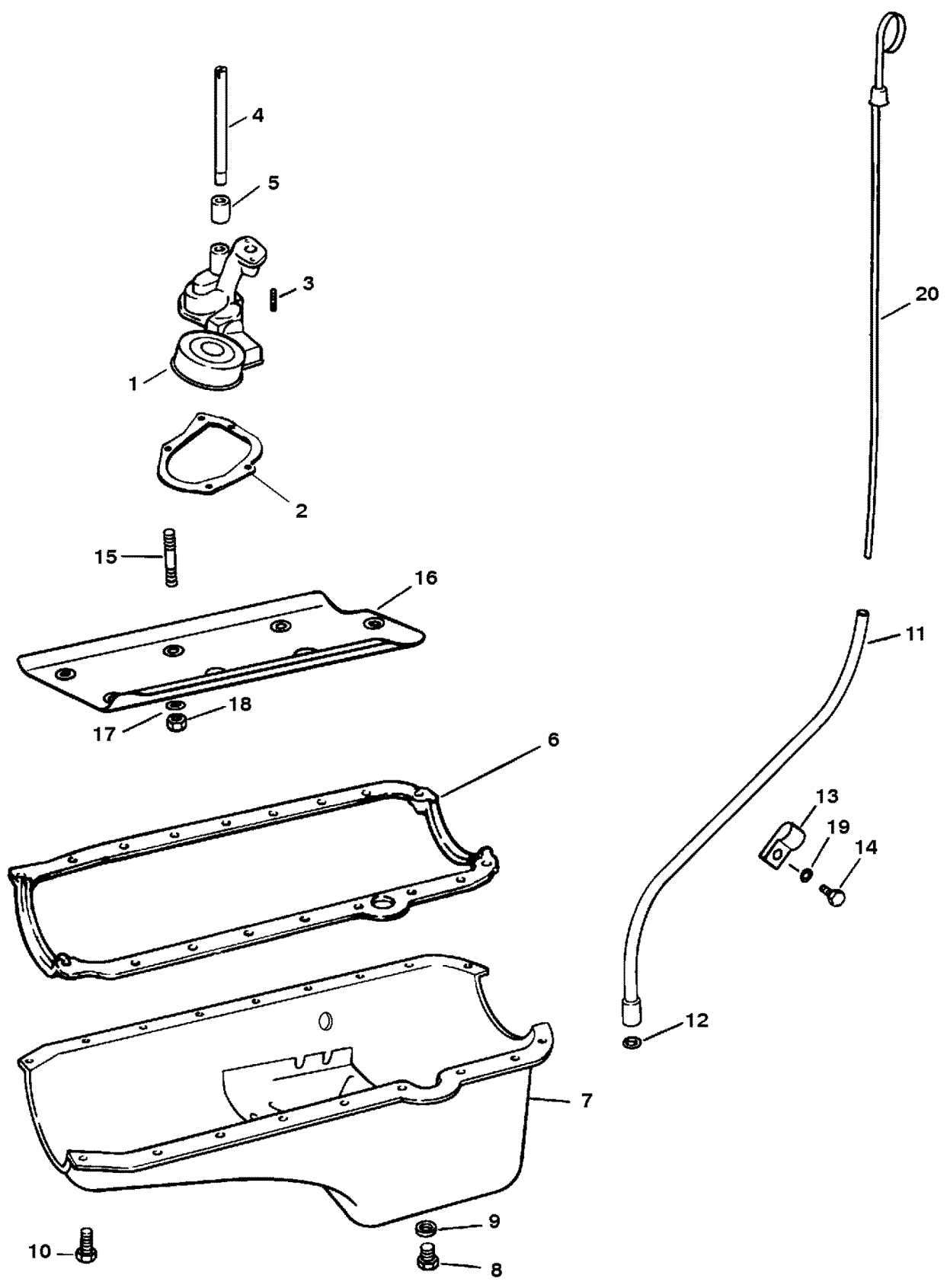


## OIL PAN & OIL PUMP ASSY (S/N: 0D456000 - 0D725808)

REF. NO.	PART NO.	SYM.	QTY.	DESCRIPTION
1	827589A1		1	PUMP ASSEMBLY-OIL
2	FI5000254		1	GASKET-OIL PUMP
3	16-49108		1	STUD
4	49149		1	SHAFT
5	49198		1	BAFFLE
6	12-20553		5	WASHER
7	11-37500		5	NUT (.375-16)
8	19221		1	PAN ASSEMBLY-OIL
9	27-52550	▲	1	GASKET SET
10	10-49956		1	SCREW
11	27-49955		1	GASKET
12	10-34500		20	SCREW (.312-18 X .625)
13	10-72607		2	SCREW
14	32-816200A2		1	TUBE ASSEMBLY-DIPSTICK
15	14607T		1	DIPSTICK-OIL LEVEL
16	10-76926		1	SCREW (.375-16 X .875)
17	13-35048		1	LOCKWASHER (.375)
18	23-52193		1	SLEEVE-OIL PUMP SHAFT
-	<b>27-817118A90</b>		-	<b>GASKET SET</b>

▲ = COMPONENT OF ENGINE GASKET SET [27-817118A90] AND [27-827014A92]

# OIL PAN & OIL PUMP ASSY (S/N: 0D763746 - 0F348963)

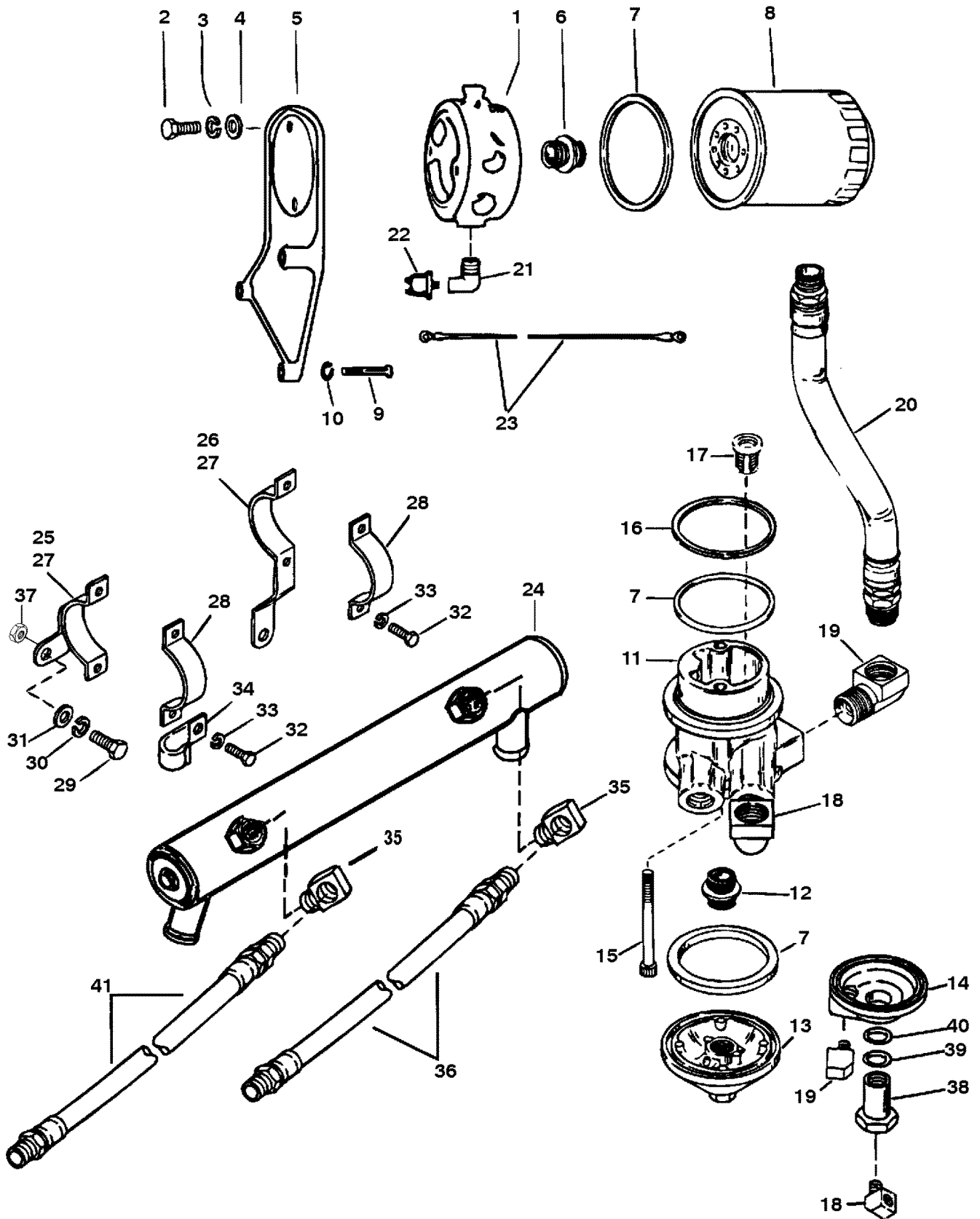


## OIL PAN & OIL PUMP ASSY (S/N: 0D763746 - 0F348963)

REF. NO.	PART NO.	SYM.	QTY.	DESCRIPTION
1	827589A1		1	PUMP ASSEMBLY-OIL
2	FI5000254	▲	1	GASKET-OIL PUMP COVER
3	16-49108		1	STUD
4	14761		1	SHAFT
5	23-36183		1	RETAINER
6	27-811566	▲	1	GASKET
7	811549		1	PAN ASSEMBLY-OIL
8	22-808708		1	PLUG-OIL DRAIN
9	27-49955		1	GASKET-OIL DRAIN PLUG
10	10-808707		20	SCREW (.312-18 X .625)
11	818631A6		1	TUBE ASSEMBLY-DIPSTICK
12	25-62704	▲	1	O RING
13	54-822279		1	CLIP
14	10-66293		1	SCREW (.250-20 X .500)
15	16-811683		5	STUD
16	811682		1	BAFFLE
17	12-20553		5	WASHER
18	11-37500		5	NUT (.375-16)
19	13-26992		1	LOCKWASHER (.250)
20	805567T		1	DIPSTICK-OIL LEVEL
-	<b>27-827014A92</b>		-	<b>GASKET SET</b>

▲ = COMPONENT OF ENGINE GASKET SET [27-817118A90] AND [27-827014A92]

# OIL COOLER & OIL FILTER & ADAPTOR





# OIL COOLER & OIL FILTER & ADAPTOR

REF. NO.	PART NO.	SYM.	QTY.	DESCRIPTION
1	48504A2		1	ADAPTOR-OIL FILTER
2	10-34353		2	SCREW (.375-16 X 1.00)-ADAPTOR TO BRACKET
3	13-35048		2	LOCKWASHER (.375)-ADAPTOR SCREW
4	12-20553		2	WASHER-OIL FILTER ADAPTOR SCREW
5	63880T		1	BRACKET-OIL FILTER
6	22-805632		1	CONNECTOR
7	27-91892	▲	3	GASKET-ADAPTOR COVER AND OIL FILTER
8	35-16595		1	FILTER-OIL
9	10-47462		2	SCREW (.437-14 X 1.250)-BRACKET TO ENGINE
	10-37612		1	SCREW (.375-16 X 1.250)-BRACKET TO ENGINE
10	13-35048		1	LOCKWASHER (.375)-BRACKET SCREW
	13-32993		2	LOCKWASHER (.437)-BRACKET SCREW
11	90783A22	■	1	ADAPTOR ASSY-OIL FILTER (S/N: 0D456000 - 0D763745)
12	22-805632		1	CONNECTOR
13	91830	■	1	COVER-ADAPTOR (S/N: 0D456000 - 0D763745)
14	35-818400T	●◇	1	ADAPTOR (S/N: 0D763746 - 0F348963)
15	10-91966		1	SCREW (.312-18 X 4.00)-OIL FILTER ADAPTOR
	10-91967		1	SCREW (.312-18 X 3.500)-OIL FILTER ADAPTOR
16	27-99893	▲	1	GASKET-OIL FILTER ADAPTOR
17	99889		1	VALVE-BY PASS
18	22-63825		1	ELBOW-OIL HOSE
19	22-48246		1	ELBOW-OIL HOSE
20	32-92357-38	■	2	HOSE-OIL-ADAPTOR (18.500 IN.) (S/N: 0D456000 - 0D456103)
	32-92357-51	◇	1	HOSE ASSY-OIL (26.00 IN.) (S/N: 0D456104 - 0F348963)
21	22-54035		1	ELBOW (90_)
22	87-94009		1	SWITCH-CHOKE PRESSURE
23	84-79139A16		1	CABLE ASSEMBLY (RED) (35.500 IN.)
24	816074		1	OIL COOLER (BRAVO PLUG-IN MODELS)
	816482		1	OIL COOLER (TRANSMISSION & DRIVELINE MODELS)
NS	817043		2	COVER-END
	27-817042		2	GASKET
	25-814878		2	O RING
	10-816767		2	SCREW
25	816195--1		1	BRACKET-OIL COOLER (BRAVO MODELS)
26	816196--1		1	BRACKET-OIL COOLER (BRAVO MODELS)
27	12820		2	BRACKET-OIL COOLER
28	56328A1		2	BRACKET-OIL COOLER
29	10-34353		1	SCREW (.375-16 X 1.00)
30	13-35048		1	LOCKWASHER (.375)
31	12-20553		1	WASHER

● = SUPERSEDES TO ANOTHER PART NUMBER

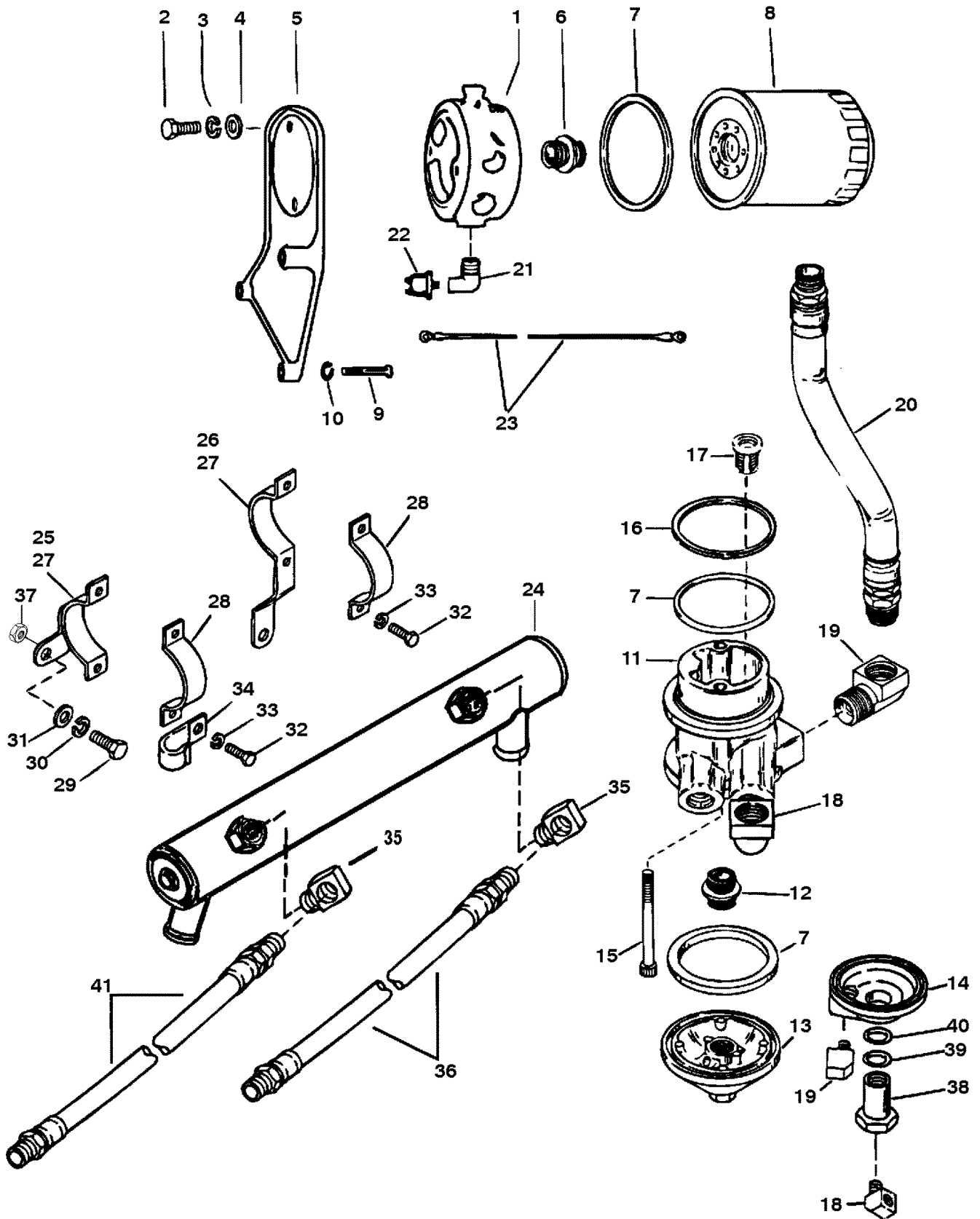
■ = SERIAL NUMBER AND BELOW

◇ = SERIAL NUMBER AND ABOVE

▲ = COMPONENT OF ENGINE GASKET SET [27-817118A90] AND [27-827014A92]

CONTINUED ON NEXT PAGE ➡

# OIL COOLER & OIL FILTER & ADAPTOR

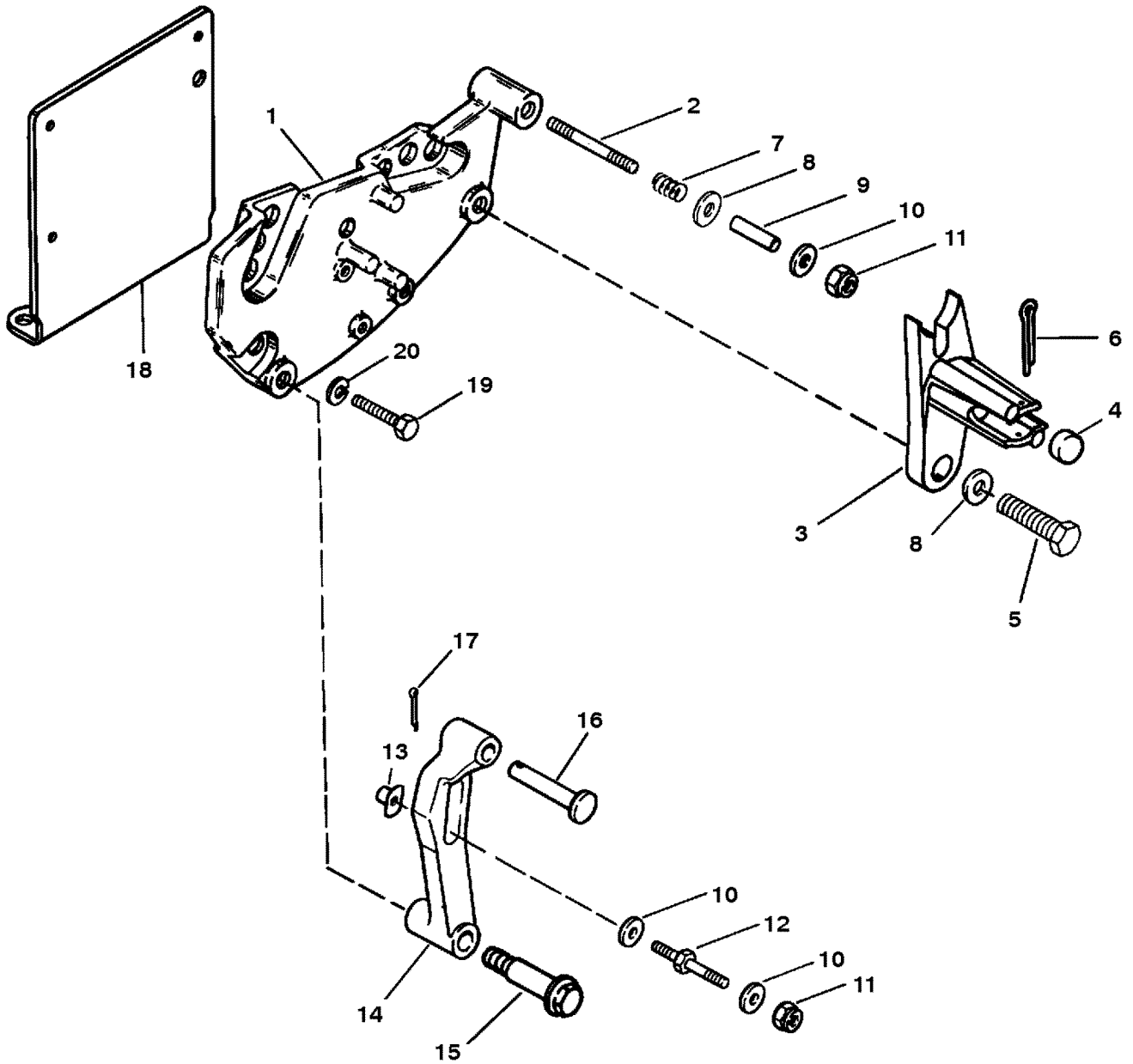


## OIL COOLER & OIL FILTER & ADAPTOR

REF. NO.	PART NO.	SYM.	QTY.	DESCRIPTION
32	10-49668		6	SCREW (.250-20 X .750) (BRAVO MODELS)
	10-60300		4	SCREW (.250-28 X .750)
33	13-26992		6	LOCKWASHER (.250) (BRAVO MODELS)
34	54-15095		1	J CLAMP
35	22-63825		2	ELBOW (90_)
36	32-92357-53		1	HOSE ASSEMBLY-OIL (28.00 IN.)
37	11-30506		4	NUT (.250-28)
38	22-821914	◇	1	FITTING-FILTER ADAPTOR (S/N: 0D763746 - 0F348963)
39	12-55822	◇	1	WASHER (S/N: 0D763746 - 0F348963)
40	25-90196	◇	1	O RING-FILTER (S/N: 0D763746 - 0F348963)
41	32-92357-49	◇	1	HOSE ASSY-OIL (24.00 IN.) (S/N: 0D456104 - 0F348963)
-	<b>27-817118A90</b>		-	<b>GASKET SET</b>
-	<b>27-827014A92</b>		-	<b>GASKET SET</b>

◇ = SERIAL NUMBER AND ABOVE

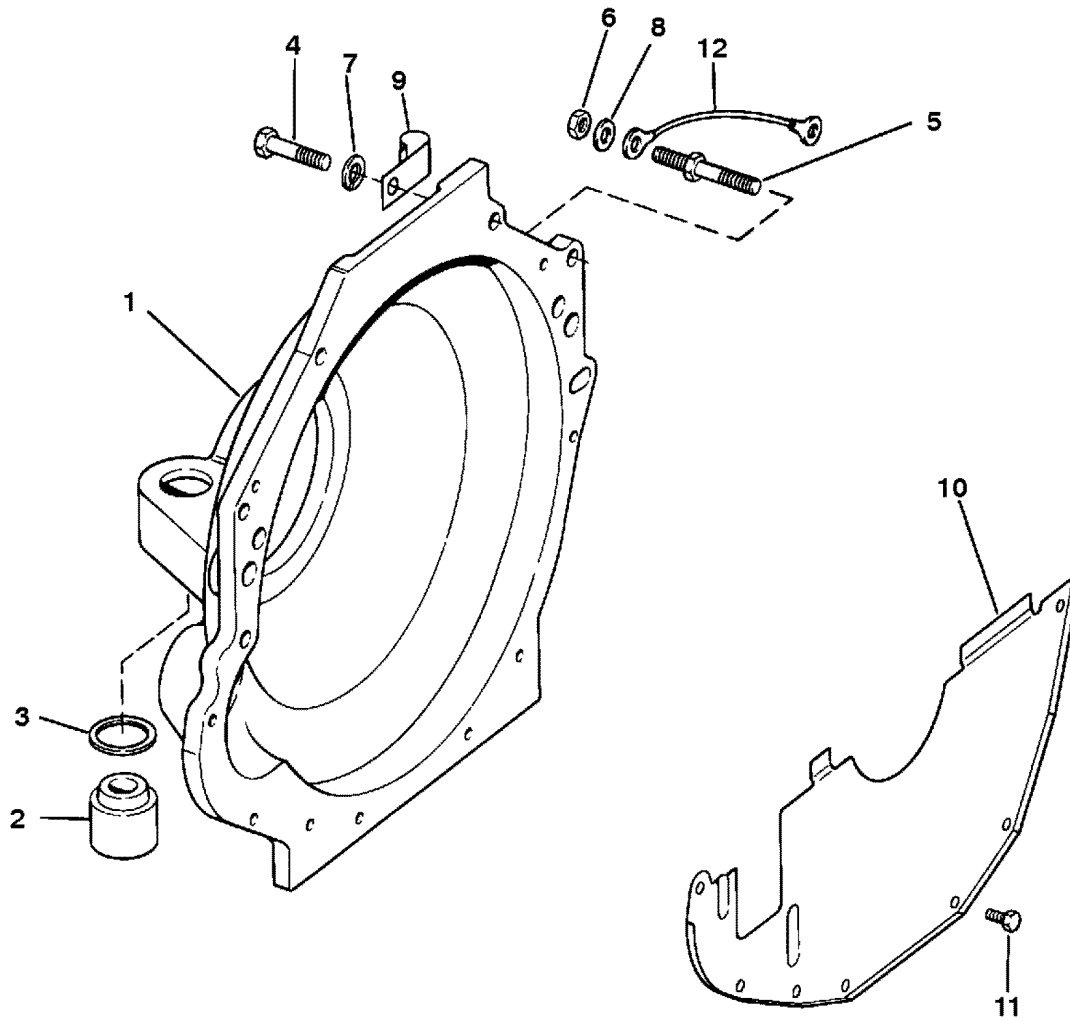
# SHIFT BRACKET



# SHIFT BRACKET

REF. NO.	PART NO.	SYM.	QTY.	DESCRIPTION
1	99237A10		1	BRACKET ASSEMBLY-SHIFT
2	16-98798--1		1	STUD-SHIFT CABLE
3	12381--1		1	RETAINER-SHIFT CABLE
4	23-98828		1	SPACER
5	10-53167		1	SCREW (.312-18 X .875)
6	18-32857		1	PIN-COTTER-SHIFT CABLE RETAINING
7	24-98880		1	SPRING-SHIFT CABLE STUD
8	12-56720		2	WASHER-SHIFT BRACKET STUD
9	23-90523		1	SPACER-SHIFT CABLE STUD
10	12-35462		4	WASHER-SHIFT CABLE STUD
11	11-13438		2	NUT (.250-28)-SHIFT CABLE STUD
12	16-96112		1	STUD-SHIFT CABLE
13	11-63341		1	NUT-TEE-SHIFT CABLE STUD
14	13898--1		1	LEVER-SHIFT
15	10-13743		1	SCREW (.312-18 X 1.843)-SHOULDER-SHIFT LEVER
16	17-68402		1	PIN-SHOULDER-SHIFT LEVER
17	18-21071		1	PIN-COTTER-SHIFT LEVER
18	816283		1	ADAPTER
19	10-98256		3	SCREW (.250-28 X .500)
20	13-26992		3	LOCKWASHER (.250)

# FLYWHEEL HOUSING (BRAVO PLUG-IN MODEL)



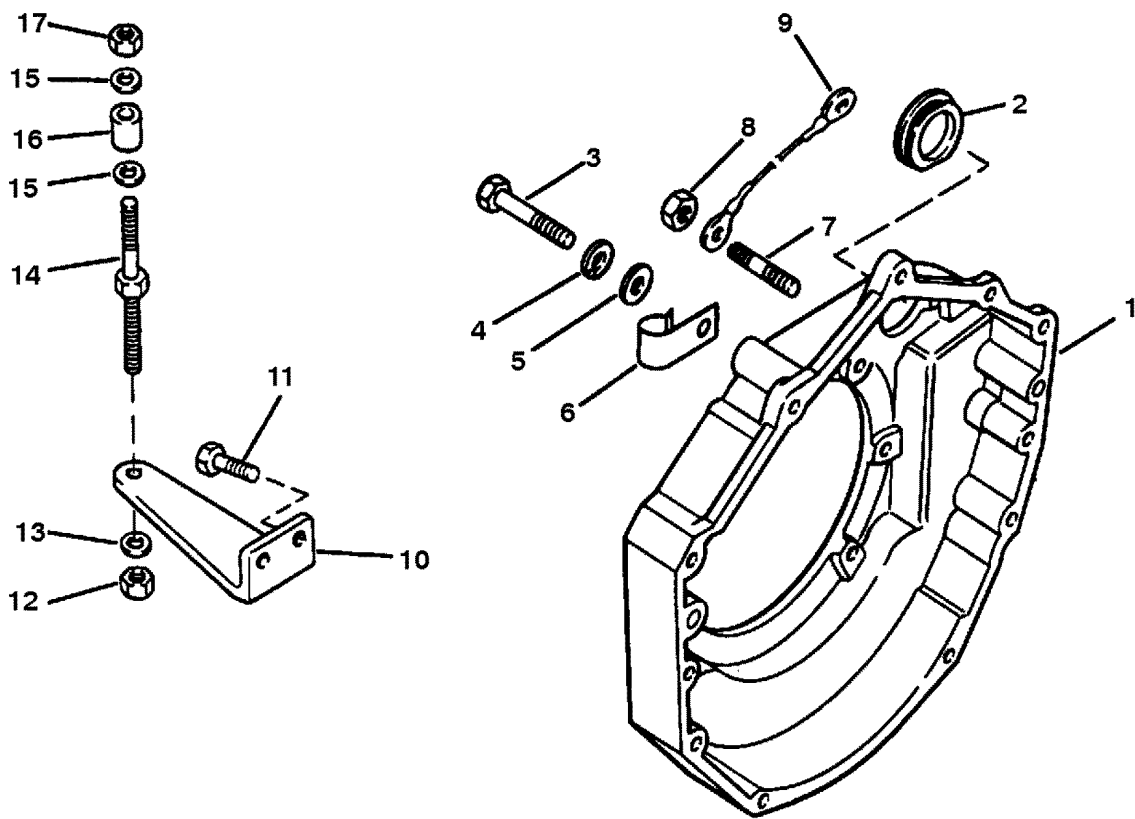
## FLYWHEEL HOUSING (BRAVO PLUG-IN MODEL)

REF. NO.	PART NO.	SYM.	QTY.	DESCRIPTION
1	12675A7		1	HOUSING ASSEMBLY-FLYWHEEL
2	88791		2	MOUNT-RUBBER-FLYWHEEL HOUSING
3	23-99322		2	SPACER-RUBBER MOUNT-FLYWHEEL HOUSING
4	10-37612		4	SCREW (.375-16 X 1.250)-FLYWHEEL HOUSING ATTACHING
	10-32132		1	SCREW (.375-16 X 1.750)-FLYWHEEL HOUSING ATTACHING
5	16-64066		2	STUD (2.750 IN.)-FLYWHEEL HOUSING ATTACHING
6	11-32219		2	NUT (.375-16)-FLYWHEEL HOUSING ATTACHING STUD
7	13-35048		8	LOCKWASHER (.375)-FLYWHEEL HOUSING SCREW
8	12-20572		1	WASHER-SPECIAL (.375)-HOUSING SCREW
9	54-78945		2	J CLAMP-FLYWHEEL HOUSING STUD
10	13930A3	■	1	COVER KIT (S/N: 0D456000 - 0D725505)
	818719A3	◇	1	COVER KIT-WITH GASKET (S/N: 0D725506 - 0F348963)
11	10-32773		7	SCREW (.250-20 X .875)-COVER TO FLYWHEEL HOUSING
12	84-62826A6		2	CABLE ASSEMBLY (BLACK)

■ = SERIAL NUMBER AND BELOW

◇ = SERIAL NUMBER AND ABOVE

# FLYWHEEL HOUSING (TRANSMISSION MODELS)

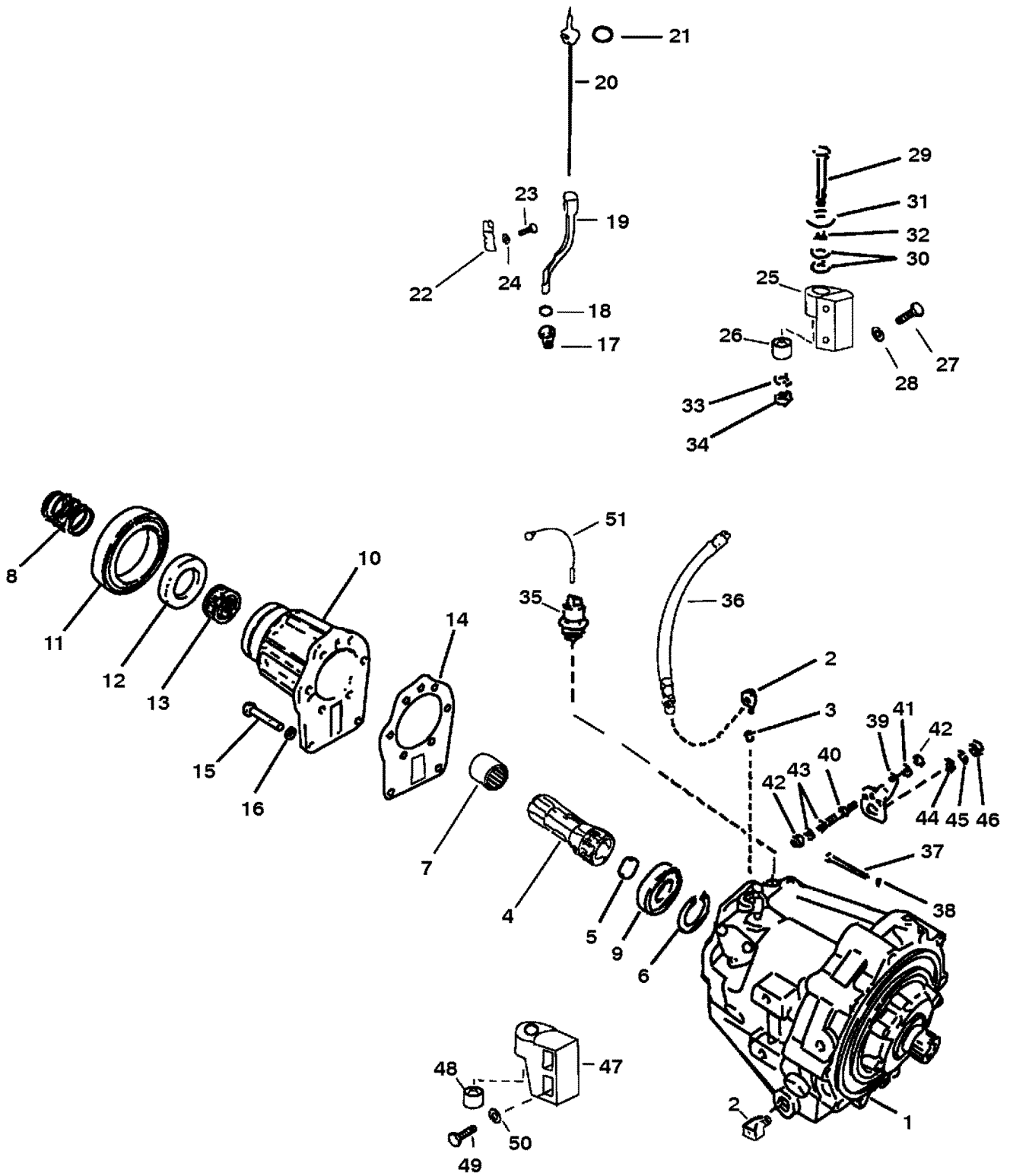




## FLYWHEEL HOUSING (TRANSMISSION MODELS)

REF. NO.	PART NO.	SYM.	QTY.	DESCRIPTION
1	44187T		1	HOUSING-FLYWHEEL
2	19-12304		1	PLUG-TIMING WINDOW
3	10-34353		1	SCREW (.375-16 X 1.00)
	10-37612		1	SCREW (.375-16 X 1.250)
	10-47688		2	SCREW (.375-16 X 2.750)
4	13-35048		7	LOCKWASHER (.375)
5	12-20553		5	WASHER
	12-20572		1	WASHER (FOR SLOT)
6	54-47483		1	J CLIP
7	16-96112		2	STUD (2.250)
8	11-32219		2	NUT (.375-16)
9	84-62826A7		1	CABLE ASSEMBLY (21.00 IN.)-GROUND
	84-62826A6		1	CABLE ASSEMBLY (13.00 IN.)-GROUND
10	17917		1	BRACKET-SHIFT
11	10-28668		2	SCREW (.250-20 X .875)
12	11-35045		1	NUT (.250-28)
13	12-39143		1	WASHER
14	16-63335		1	STUD
15	12-21631		2	WASHER
16	23-31866		1	SPACER
17	11-20361		1	NUT (.250-28)

# TRANSMISSION (PLUG-IN)



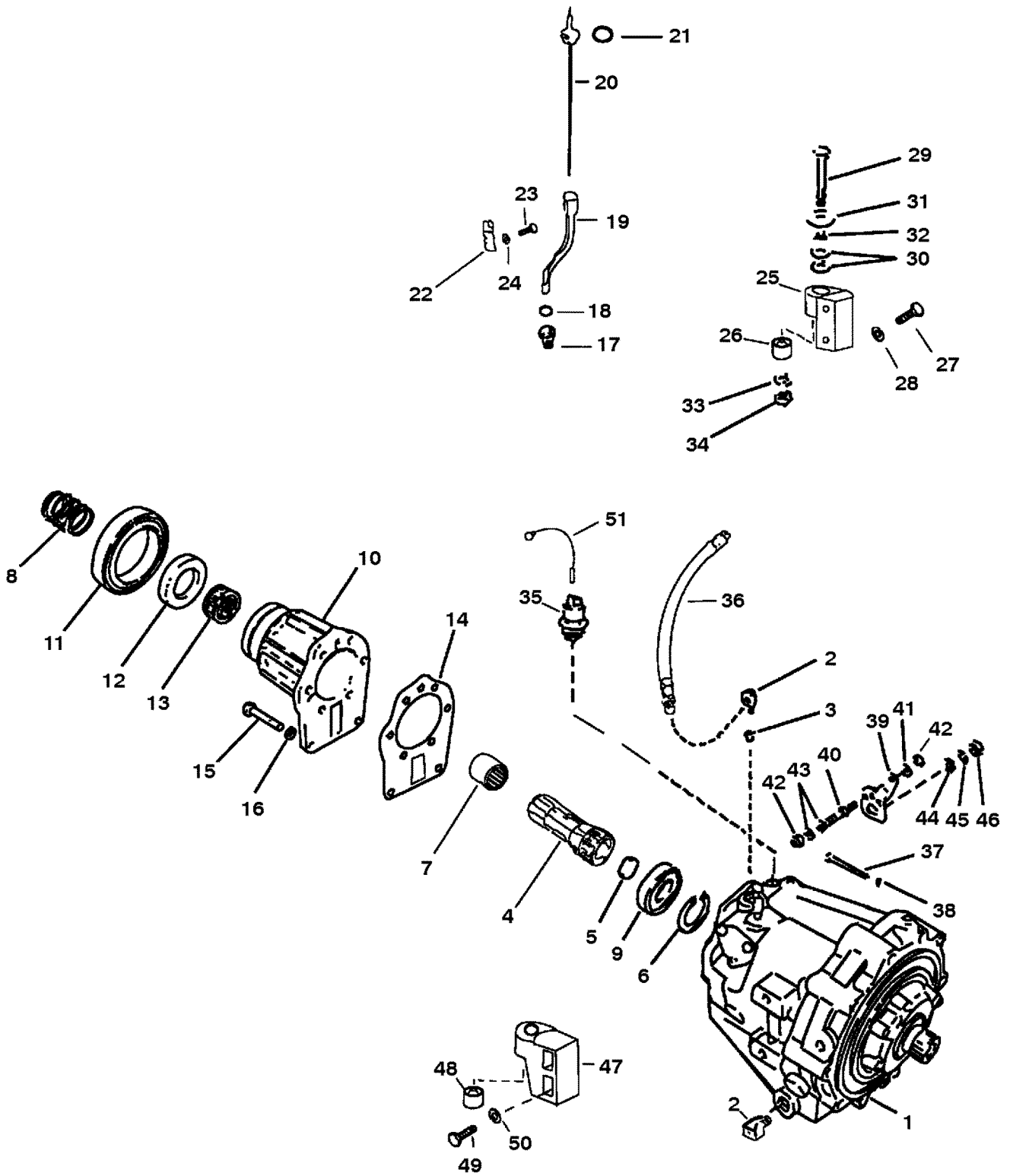
# TRANSMISSION (PLUG-IN)

REF. NO.	PART NO.	SYM.	QTY.	DESCRIPTION
1	14746A1		1	TRANSMISSION ASSEMBLY
2	22-47629		2	ELBOW-TRANSMISSION TO OIL HOSE
3	22-88517		1	ADAPTOR-REDUCING-TRANSMISSION ELBOW
4	47339A4		1	COUPLING ASSEMBLY-ENGINE
5	19-47463		1	PLUG-EXPANSION-ENGINE COUPLING
6	53-47469		1	RING-SNAP-BALL BEARING TO ENGINE COUPLING
7	23-47471		1	BEARING-ENGINE COUPLING
8	24-47755		1	SPRING-GUIDE-ENGINE COUPLING
9	30-47470		1	BEARING-BALL
10	47333A1		1	HOUSING ASSEMBLY-BEARING SUPPORT
11	25-47756		1	O RING-BEARING SUPPORT HOUSING
12	26-47465		1	SEAL-OIL-BEARING SUPPORT HOUSING
13	31-47468		1	BEARING-NEEDLE-BEARING SUPPORT HOUSING
14	27-47903	▲	1	GASKET-BEARING SUPPORT HOUSING
15	10-47462		8	SCREW (.437-14 X 1.250)
16	13-32993		8	LOCKWASHER (.437)-SUPPORT HOUSING SCREW
17	48461		1	ADAPTOR-OIL LEVEL GAUGE-TUBE TO TRANSMISSION
18	25-48462		1	O RING-OIL LEVEL TUBE ADAPTOR
19	48463		1	TUBE-OIL LEVEL GAUGE
20	48464		1	DIPSTICK-OIL LEVEL
21	25-35276		1	O RING-OIL LEVEL GAUGE
22	48466		1	BRACKET-MOUNTING-OIL LEVEL GAUGE TUBE
23	10-32417		2	SCREW (.250-28 X .625)
24	13-26992		2	LOCKWASHER (.250)-MOUNTING BRACKET SCREW
25	47340A1		1	BRACKET ASSEMBLY-TRANSMISSION MOUNT (PORT)
26	35852		1	MOUNT-TRANSMISSION MOUNT BRACKET
27	10-47462		2	SCREW (.437-14 X 1.250)-BRACKET TO TRANSMISSION
28	13-32993		2	LOCKWASHER (.437)-MOUNT BRACKET SCREW
29	10-47467		2	SCREW (.625-18 X 5.500)-TAILSTOCK TO TRANSOM PLATE
30	12-47466		4	WASHER-TAILSTOCK SCREWS (NEOPRENE)
31	12-47475		2	WASHER-TAILSTOCK SCREWS
32	13-34846		2	LOCKWASHER-TAILSTOCK SCREWS
33	12-33171		2	WASHER-TAILSTOCK SCREWS
34	11-22339		2	NUT (.625-18)-TAILSTOCK SCREWS
35	87-88031		1	SWITCH-TEMPERATURE
36	32-47516--6		2	HOSE ASSEMBLY (30.00 IN.)-TRANSMISSION TO OIL COOLER
37	10-60179		6	SCREW (.437-14 X 3.500)-TRANSMISSION TO ENGINE
38	13-32993		6	LOCKWASHER (.437)-TRANSMISSION SCREW
39	12128		1	LEVER-SHIFT-TRANSMISSION
40	16-63335		1	STUD-SHIFT LEVER
41	12-39143		1	WASHER-SHIFT LEVER STUD
42	11-20361		2	NUT (.250-28)-SHIFT LEVER STUD

▲ = COMPONENT OF ENGINE GASKET SET [27-817118A90] AND [27-827014A92]

CONTINUED ON NEXT PAGE ➡

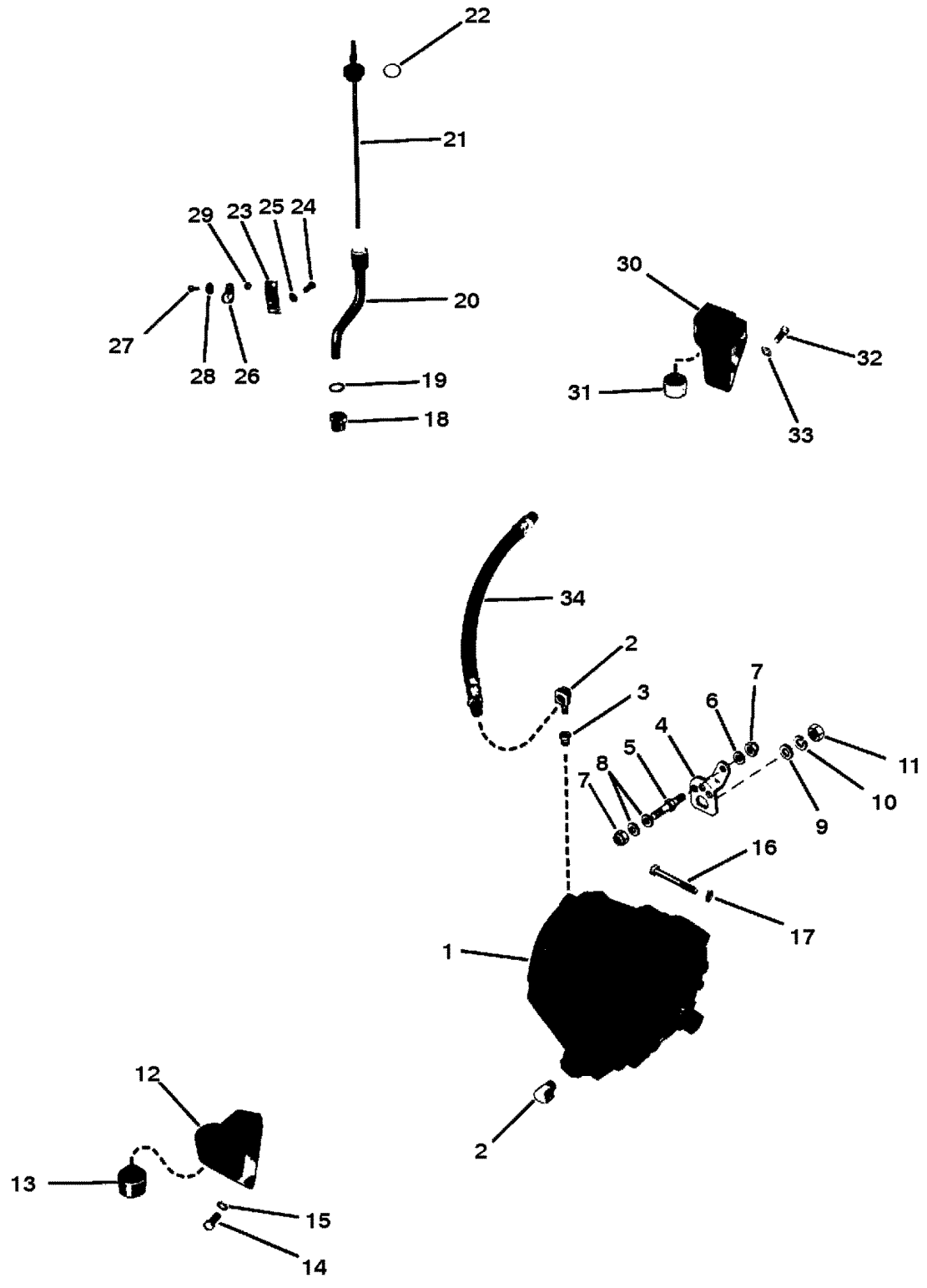
# TRANSMISSION (PLUG-IN)



## TRANSMISSION (PLUG-IN)

REF. NO.	PART NO.	SYM.	QTY.	DESCRIPTION
43	12-29245		2	WASHER-SHIFT LEVER STUD
44	12-20722		1	WASHER-TRANSMISSION LEVER STUD
45	13-26993		1	LOCKWASHER (.312)-TRANSMISSION LEVER STUD
46	11-22053		1	NUT (.312-24)-TRANSMISSION LEVER STUD
47	47334A2		1	BRACKET ASSEMBLY-MOUNT (STARBOARD)
48	35852		1	MOUNT-TRANSMISSION MOUNT BRACKET
49	10-47462		2	SCREW (.437-14 X 1.250)-BRACKET TO TRANSMISSION
50	13-32993		2	LOCKWASHER (.437)-MOUNT BRACKET SCREW
51	84-88032A5		1	CABLE ASSEMBLY (TAN/BLUE)
	84-86322A22		1	CABLE ASSEMBLY (BLACK)
-	<b>27-817118A90</b>		-	<b>GASKET SET</b>
-	<b>27-827014A92</b>		-	<b>GASKET SET</b>

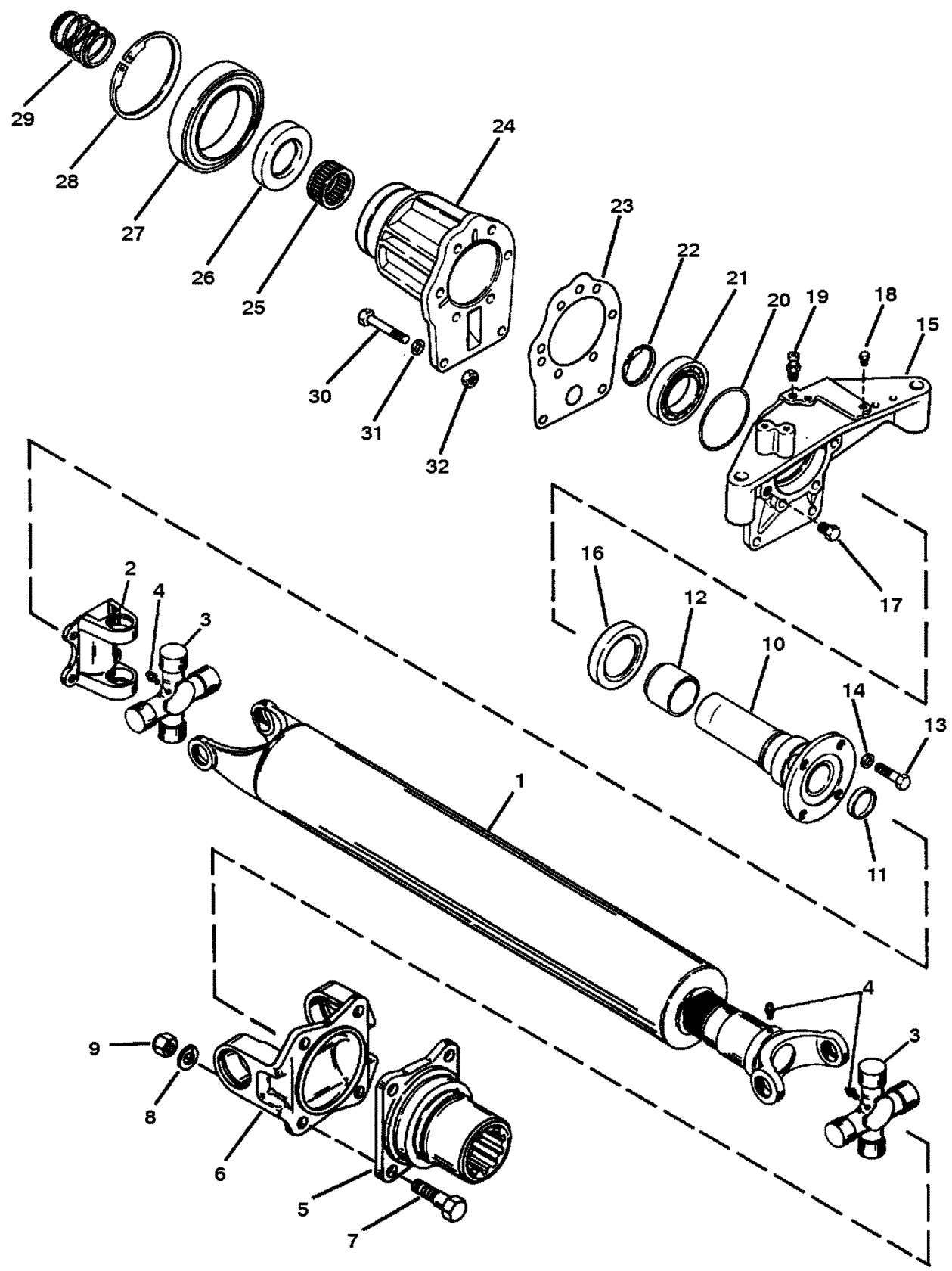
# TRANSMISSION (DRIVELINE)



## TRANSMISSION (DRIVELINE)

REF. NO.	PART NO.	SYM.	QTY.	DESCRIPTION
1	14750A1		1	TRANSMISSION ASSEMBLY
2	22-47629		2	ELBOW
3	22-88517		1	ADAPTOR
4	12128		1	LEVER-SHIFT
5	16-63335		1	STUD
6	12-39143		1	WASHER
7	11-20361		2	NUT (.250-28)
8	12-29245		2	WASHER
9	12-20722		1	WASHER
10	13-39107		1	LOCKWASHER (.312)
11	11-22053		1	NUT (.312-24)
12	47334A2		1	BRACKET ASSEMBLY-MOUNTING (STARBOARD)
13	35852		1	MOUNT
14	10-47462		2	SCREW (.437-14 X 1.250)
15	13-32993		2	LOCKWASHER (.437)
16	10-60179		6	SCREW (.437-14 X 3.500)
17	13-32993		6	LOCKWASHER (.437)
18	48461		1	ADAPTOR-DIPSTICK TUBE TO TRANSMISSION
19	25-48462		1	O RING
20	48463		1	TUBE-DIPSTICK
21	48464		1	DIPSTICK
22	25-35276		1	O RING
23	48466		1	BRACKET-DIPSTICK TUBE
24	10-32417		2	SCREW (.250-28 X .625)
25	13-26992		2	LOCKWASHER (.250)
26	54-67015		1	CLAMP
27	10-60300		1	SCREW (.250-28 X .750)
28	12-29245		2	WASHER
29	11-20361		1	NUT (.250-28)
30	47340A1		1	BRACKET ASSEMBLY-MOUNTING (PORT)
31	35852		1	MOUNT
32	10-47462		2	SCREW (.437-14 X 1.250)
33	13-32993		2	LOCKWASHER (.437)
34	32-47516--6		2	HOSE ASSEMBLY (30.00 IN.)

# DRIVEHAFT & TAILSTOCK (DRIVELINE)



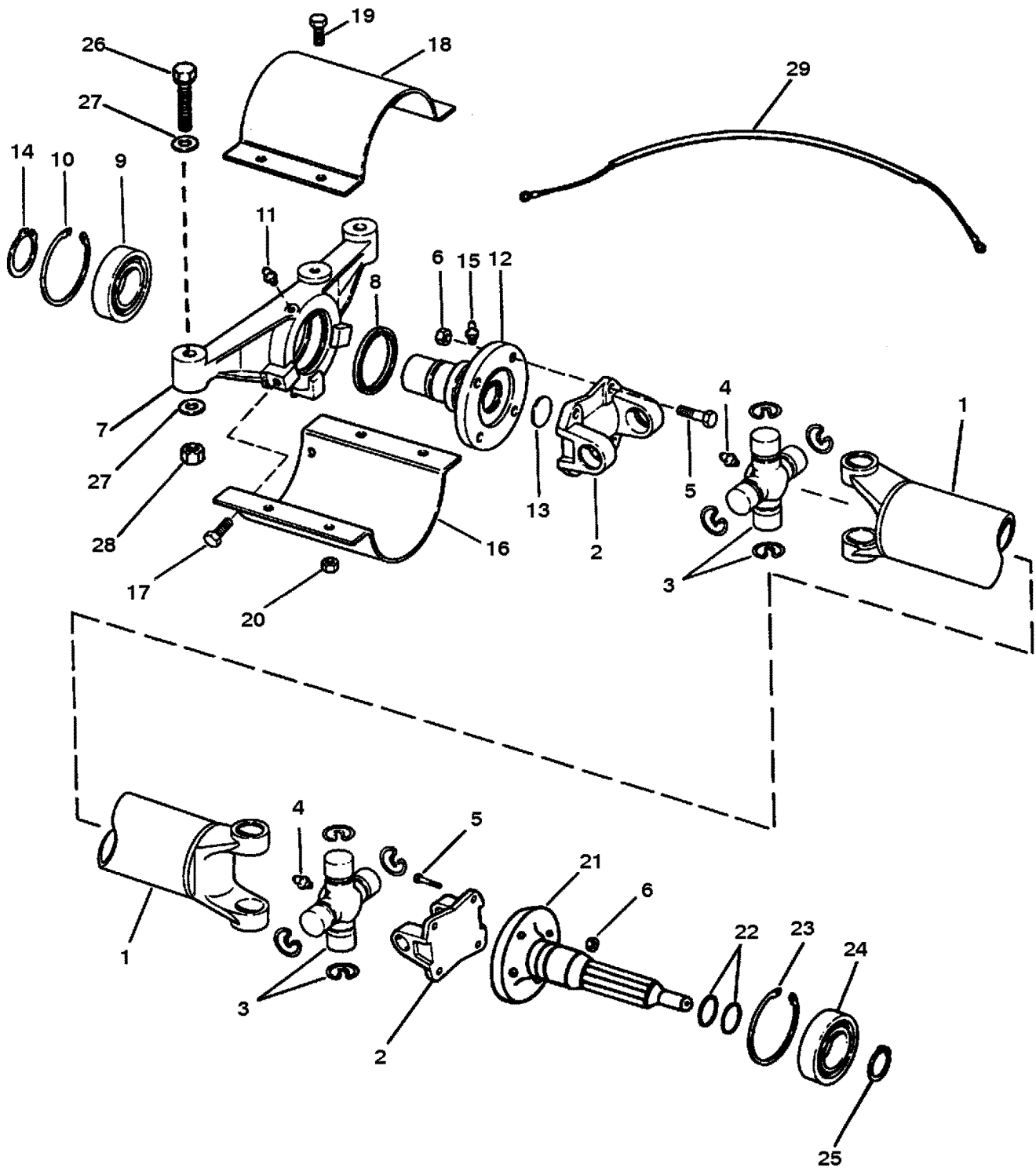


## DRIVESHAFT & TAILSTOCK (DRIVELINE)

REF. NO.	PART NO.	SYM.	QTY.	DESCRIPTION
1	45-86978A1		1	DRIVESHAFT ASSEMBLY (37.00 IN.)
	45-53967A1		1	DRIVESHAFT ASSEMBLY (43.00 IN.)
2	61218		1	FLANGE-DRIVESHAFT
3	61221		2	UNIVERSAL JOINT
4	22-74036		2	FITTING-GREASE
5	96276A2		1	YOKE ASSEMBLY
6	61218		1	FLANGE-YOKE
7	10-68743		4	SCREW (.437-20 X 1.250)
8	13-47659		4	LOCKWASHER (.437)
9	11-34933		4	NUT (.437-20)
10	52505A1		1	SHAFT ASSEMBLY-DRIVE EXTENSION
11	19-47463		1	PLUG
12	23-47471		1	BEARING
13	10-60106		4	SCREW (.437-20 X 1.250)
14	12-45176		4	WASHER
15	55434A2		1	HOUSING ASSEMBLY-DRIVESHAFT EXTENSION
16	26-52499		1	SEAL-OIL
17	22-36382		1	PLUG-PIPE (.250)
18	22-32802	●	1	PLUG-PIPE (.125)
19	22-47902		1	FITTING
20	15-49264A1		1	SHIM SET
21	30-47470		1	BEARING-BALL
22	53-52502		1	RING-SNAP
23	27-52501		1	GASKET-BEARING SUPPORT HOUSING
24	52506A1		1	HOUSING ASSEMBLY-BEARING SUPPORT
25	31-47468		1	BEARING-NEEDLE
26	26-47465		1	SEAL-OIL
27	53-52507		1	RING-SUPPORT
28	53-52503		1	RING-SNAP
29	24-47755		1	SPRING
30	10-32695		4	SCREW (.437-20 X 2.250)
	10-56393		2	SCREW (.437-20 X 1.750)
	10-32515		2	SCREW (.437-20 X 2.500)
31	12-22248		8	WASHER
32	11-35053		8	NUT (.437-20)

● = SUPERSEDES TO ANOTHER PART NUMBER

# DRIVESHAFT EXTENSION COMPONENTS (BRAVO)

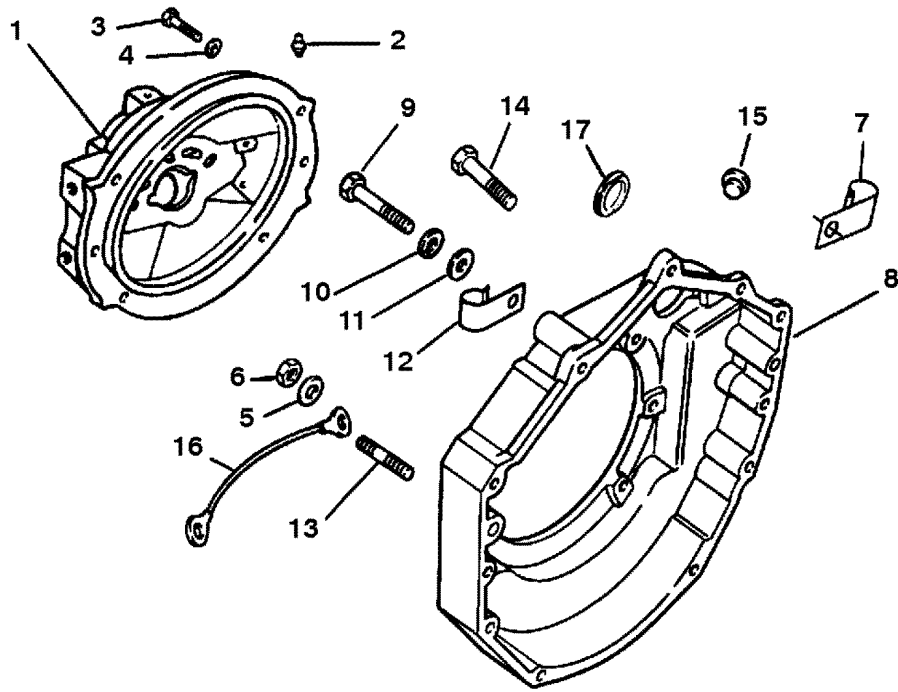


## DRIVESHAFT EXTENSION COMPONENTS (BRAVO)

REF. NO.	PART NO.	SYM.	QTY.	DESCRIPTION
1	45-94819A3		1	DRIVESHAFT ASSEMBLY
2	52504T		2	FLANGE-YOKE
3	61221		2	UNIVERSAL JOINT
4	22-74036		2	FITTING-GREASE
5	10-52498	●	8	SCREW (.437-20 X 1.500)
6	11-34933		8	NUT (.437-20)
7	42304A2		1	SUPPORT ASSEMBLY-BEARING
8	26-93924		1	SEAL-OIL
9	30-93944A1		1	BEARING-BALL
10	53-93914		1	RING-RETAINING
11	22-74036		1	FITTING-GREASE
12	93908A1		1	SHAFT ASSEMBLY-INPUT
13	19-93921		1	PLUG-EXPANSION
14	53-93915		1	RING-RETAINING
15	22-74036		1	FITTING-GREASE
16	93918A1		2	SHIELD ASSEMBLY-LOWER
17	10-76926		6	SCREW (.375-16 X .875)
18	93919A1		2	SHIELD ASSEMBLY-UPPER
19	10-96995		8	SCREW (.375-16 X .875)
20	11-68411		8	NUT (.375-16)
21	93906A2		1	SHAFT ASSEMBLY-OUTPUT
22	25-25439		2	O RING
23	53-94104		1	RING-RETAINING
24	30-62780A1		1	BEARING-BALL
25	53-94103		1	RING-RETAINING
26	10-57053		2	SCREW (.500-20 X 4.500)
27	12-42307		4	WASHER (SPHERICAL)
28	11-28040		2	NUT (.500-20)
29	84-816943	●	1	HARNESS ASSEMBLY

● = SUPERSEDES TO ANOTHER PART NUMBER

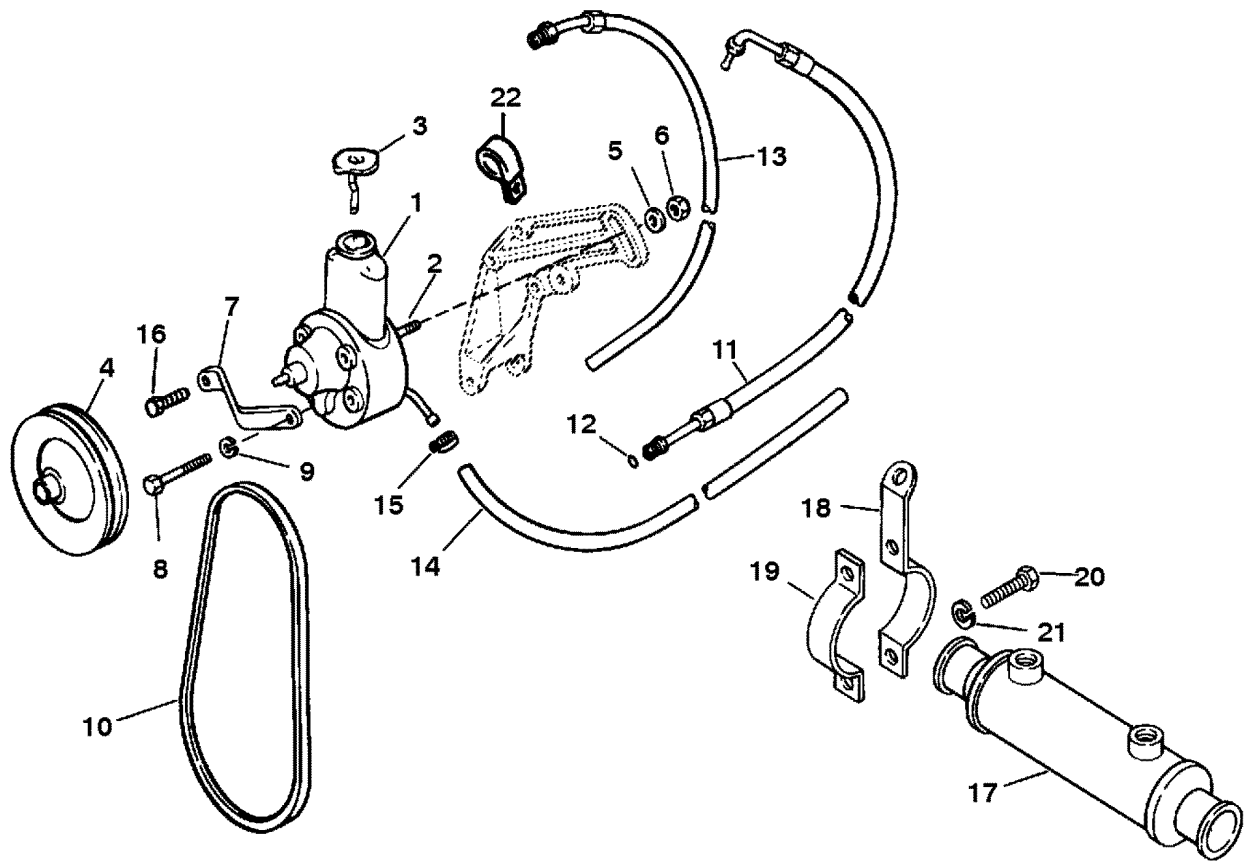
# FLYWHEEL HOUSING (BRAVO DRIVESHAFT MODELS)



## FLYWHEEL HOUSING (BRAVO DRIVESHAFT MODELS)

REF. NO.	PART NO.	SYM.	QTY.	DESCRIPTION
1	93911A4		1	HOUSING ASSEMBLY
2	22-74036		2	FITTING-GREASE
3	10-47651		6	SCREW (.437-14 X 1.500)
4	13-32993		6	LOCKWASHER (.437)
5	12-20553		5	WASHER
6	11-32219		2	NUT (.375-16)
7	54-62494		1	CLIP
8	44187T		1	HOUSING-FLYWHEEL
9	10-37612		1	SCREW (.375-16 X 1.250)
	10-47688		2	SCREW (.375-16 X 2.750)
10	13-35048		7	LOCKWASHER (.375)
11	12-20572		1	WASHER (FOR SLOT)
12	54-78945		2	J CLIP
13	16-64066		2	STUD (2.750)
14	10-34353		1	SCREW (.375-16 X 1.00)
15	19-38606		1	PLUG
16	84-62826A6		2	CABLE ASSEMBLY (BLACK)
17	19-12304		2	PLUG-TIMING WINDOW

# POWER STEERING COMPONENTS

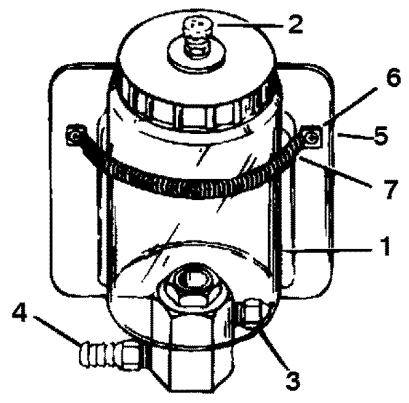
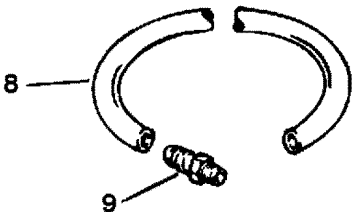


# POWER STEERING COMPONENTS

REF. NO.	PART NO.	SYM.	QTY.	DESCRIPTION
1	16792A1		1	PUMP ASSEMBLY-POWER STEERING (BLACK)
	16792A25		1	PUMP ASSEMBLY-POWER STEERING (BLUE)
2	16-41877		1	STUD
3	36-95805		1	CAP
4	73873A1		1	PULLEY (BLACK)
	73873--3		1	PULLEY (BLUE)
5	12-34567		3	WASHER (BRACE SLOT)
6	11-90517		2	NUT
7	98813A1	■	1	BRACE-PUMP MOUNTING (S/N: 0D456000 - 0D763745)
	847765	◇	1	BRACE-PUMP MOUNTING (S/N: 0D763746 - 0F348963)
8	10-40001188		1	SCREW (M10 X 20)
9	13-40024--8		1	LOCKWASHER
10	57-96834T		1	V BELT (50.00 IN.)
11	32-98494		1	HOSE (FITTINGS ON BOTH ENDS)
12	25-89879		1	O RING
13	32-98843-39		1	HOSE (FITTINGS ON ONE END)
14	32-52519-14		1	HOSE (53.00 IN. BULK) (CUT AS REQ'D)
15	54-18076--1		3	CLAMP
16	10-37612	■	1	SCREW (.375-16 X 1.250) (S/N: 0D456000 - 0D763745)
	10-47462	◇	1	SCREW (.437-14 X 1.250) (S/N: 0D763746 - 0F348963)
17	99356A2		1	COOLER ASSEMBLY-OIL-POWER STEERING
18	63820--3		1	BRACKET (LONG)
19	56328--1		1	BRACKET (SHORT)
20	10-49668		2	SCREW (.250-20 X .750)
21	13-26992		2	LOCKWASHER (.250)
22	54-848183		1	J CLIP-POWER STEERING HOSE

■ = SERIAL NUMBER AND BELOW  
 ◇ = SERIAL NUMBER AND ABOVE

# RESERVOIR BOTTLE

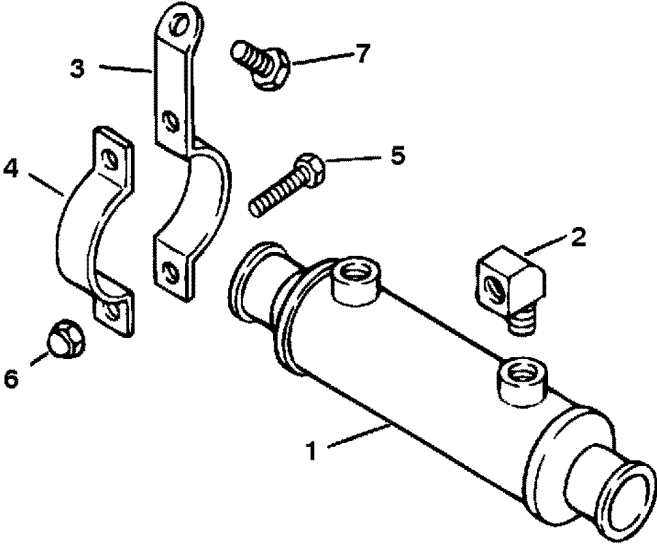




# RESERVOIR BOTTLE

REF. NO.	PART NO.	SYM.	QTY.	DESCRIPTION
1	86250A2		1	BOTTLE ASSEMBLY-RESERVOIR
2	22-47902		1	FITTING-BREATHER
3	22-36382		1	PLUG-PIPE
4	22-63187		1	FITTING-HOSE
5	86030		1	BRACKET-RESERVOIR
6	67905		2	RETAINER-RESERVOIR BOTTLE
7	24-67908		1	SPRING-RESERVOIR BRACKET
8	32-77457--2		1	HOSE
9	22-63186		1	FITTING-HOSE

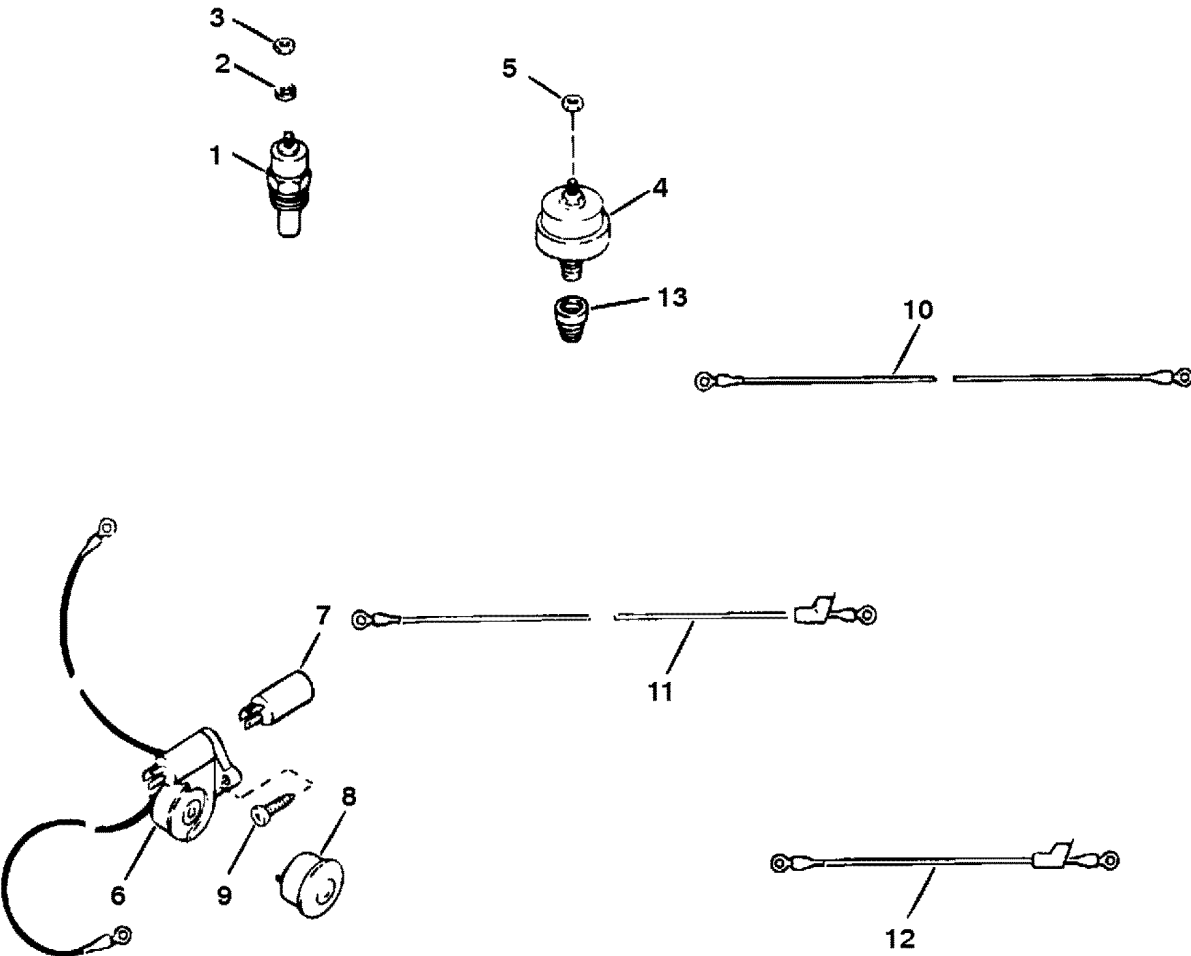
# OIL COOLER (TRANSMISSION)



## OIL COOLER (TRANSMISSION)

REF. NO.	PART NO.	SYM.	QTY.	DESCRIPTION
1	63832A1		1	COOLER ASSEMBLY-OIL
2	22-63835		1	ELBOW (45 DEGREES)
	22-47629		1	ELBOW (90 DEGREES)
3	63820T		1	BRACKET (LONG)
4	56328A1		1	BRACKET (SHORT)
5	10-60300		2	SCREW (.250-28 X .750)
6	11-30506		2	NUT (.250-28)
7	10-35765A1		1	SCREW KIT (SCREW & WASHER) (.312-18 X .625)

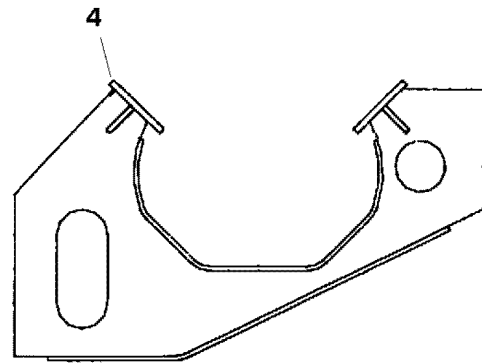
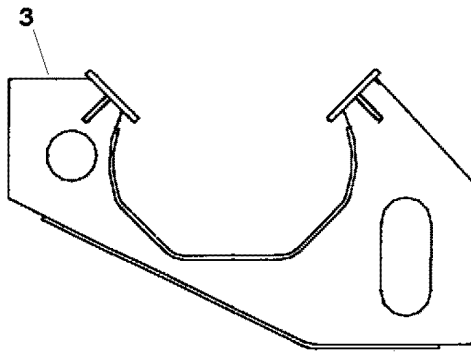
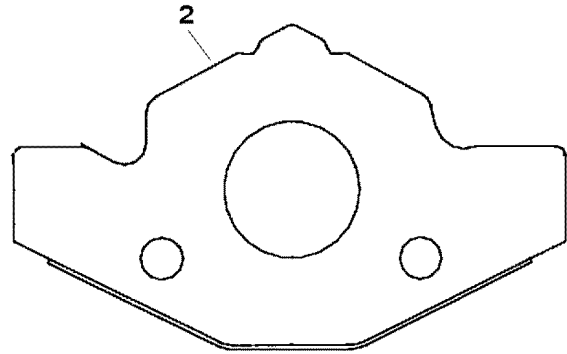
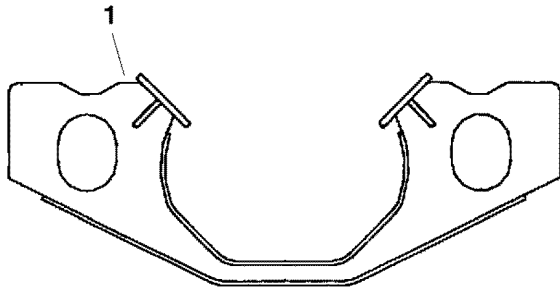
# AUDIO WARNING SYSTEM



## AUDIO WARNING SYSTEM

REF. NO.	PART NO.	SYM.	QTY.	DESCRIPTION
1	48952		1	SENDER ASSEMBLY-WATER TEMPERATURE
2	13-26996		1	LOCKWASHER (#10)-TEMPERATURE SWITCH
3	11-45076		1	NUT (#10-32)-TEMPERATURE SWITCH
4	87-805605A1		1	SWITCH ASSEMBLY-PRESSURE
5	11-68219		1	NUT (#10-32)-PRESSURE SWITCH TERMINAL
6	86047A11		1	HOUSING KIT-BUZZER
7	86045		1	TIMER-TEMPERATURE BUZZER
8	68878A6		1	HORN ASSEMBLY
9	10-69013		2	SCREW (#10-16 X .875)-HORN ATTACHING
10	84-86044A4		1	CABLE ASSEMBLY-TAN/BLUE (36.00 IN.)
11	84-88032A6		1	CABLE ASSEMBLY-TAN/BLUE (20.00 IN.)
12	84-86322A8		1	CABLE ASSEMBLY-BLACK (8.00 IN.)
13	22-48556		1	REDUCER

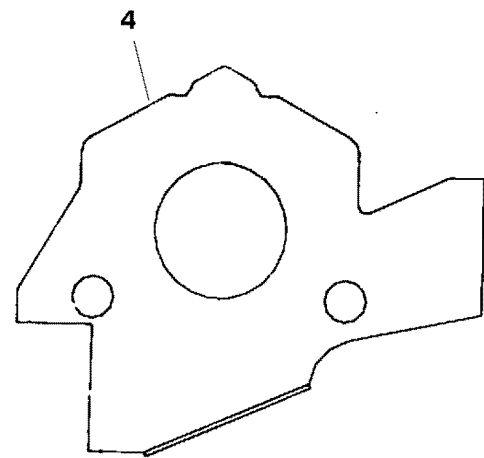
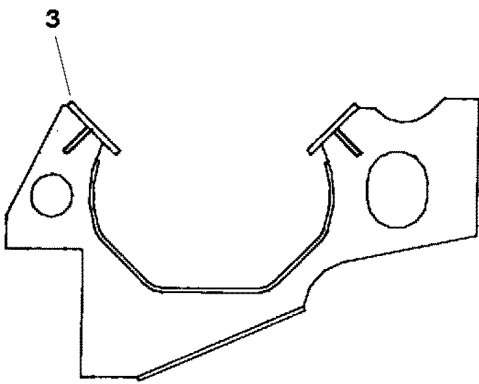
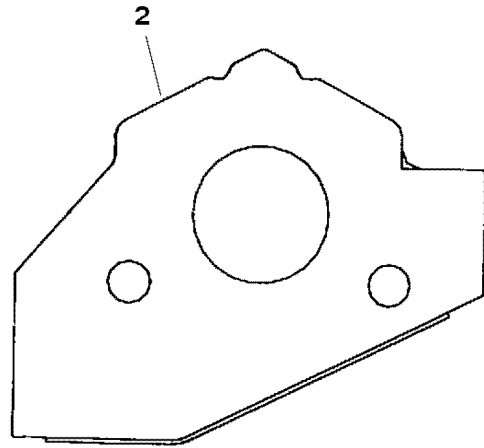
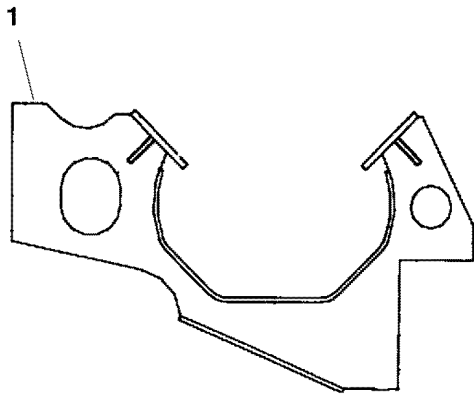
# MOUNT PLATES



# MOUNT PLATES

REF. NO.	PART NO.	SYM.	QTY.	DESCRIPTION
1	817370		AR	MOUNT-ENGINE-FRONT SINGLE
2	847806		AR	MOUNT-ENGINE-REAR SINGLE
3	817368		AR	MOUNT-ENGINE-FRONT STARBOARD SIDE BY SIDE
4	817367		AR	MOUNT-ENGINE-FRONT PORT SIDE BY SIDE
NS	10-86518		6	SCREW (.375-16 X 1.00)
	12-20553		6	WASHER

# MOUNT PLATES





# MOUNT PLATES

REF. NO.	PART NO.	SYM.	QTY.	DESCRIPTION
1	816308		AR	MOUNT-ENGINE-FRONT STARBOARD - STAGGERED
2	847807		AR	MOUNT-ENGINE-REAR SIDE BY SIDE
3	816307		AR	MOUNT-ENGINE-FRONT PORT - STAGGERED
4	847808		AR	MOUNT-ENGINE-REAR - STAGGERED
NS	10-86518		6	SCREW (.375-16 X 1.00)
	12-20553		6	WASHER

# PARTS INDEX

Part Number	Description	Pg.	Ref. No.	Part Number	Description	Pg.	Ref. No.
12128	LEVER-SHIFT	69	4	35377	ROD-FUEL PUMP	25	6
12128	LEVER-SHIFT- TRANSMISSION	65	39	35852	MOUNT	69	13
12375--1	ARRESTOR-FLAME	25	33	35852	MOUNT	69	31
12377A5	CARBURETOR ASSEMBLY (BLACK)	25	10	35852	MOUNT-TRANSMISSION MOUNT BRACKET	65	26
12377A6	CARBURETOR ASSEMBLY (BLUE)	25	10	37293	MOUNT-TRANSMISSION MOUNT BRACKET	67	48
12381--1	RETAINER-SHIFT CABLE	59	3	37293	SENDER ASSEMBLY-OIL PRESSURE (DUAL)	19	27
12675A7	HOUSING ASSEMBLY- FLYWHEEL	61	1	37293	SENDER-OIL PRESSURE (DUAL)	17	22
12820	BRACKET-OIL COOLER	55	27	42304A2	SUPPORT ASSEMBLY- BEARING	73	7
12849--2	BRACKET-THROTTLE	25	19	42336	CAP-OIL FILLER	39	2
13024	VALVE-EXHAUST (STANDARD)	39	12	42600A3	CONTROLLER ASSEMBLY	19	31
13524A5	WHEEL ASSEMBLY-ROTOR SENSOR	23	5	42770	PULLEY	13	3
13611	SENDER UNIT-OIL TEMPERATURE	19	20	42770	PULLEY	15	3
13611	SENDER-OIL TEMPERATURE	17	20	42771	FAN	13	4
13898--1	LEVER-SHIFT	59	14	42774	BRACKET-FRONT	13	6
13930A3	COVER KIT	61	10	42775	ROTOR (INCLUDES BEARINGS)	13	8
14607T	DIPSTICK-OIL LEVEL	51	15	42776	STATOR	13	9
14746A1	TRANSMISSION ASSEMBLY	65	1	42777	BRACKET-REAR	13	10
14750A1	TRANSMISSION ASSEMBLY	69	1	42778	HEAT SINK	13	11
14761	SHAFT	53	4	42779	HEAT SINK	13	12
14902	BREATHER-ROCKER COVER	39	5	42780	CONDENSER ASSEMBLY	13	13
15017	BRACKET-THROTTLE	25	21	42781	BEARING KIT	13	16
15832	SEAL-VALVE STEM	39	17	42782	HARDWARE KIT-EXTERNAL	13	15
16792A1	PUMP ASSEMBLY-POWER STEERING (BLACK)	77	1	42783	HARDWARE KIT-INTERNAL	13	14
16792A25	PUMP ASSEMBLY-POWER STEERING (BLUE)	77	1	42784	BRUSH KIT (INCLUDES SPRINGS & BRUSHES)	13	17
17917	BRACKET-SHIFT	63	10	42785	REGULATOR KIT	13	18
18311A17	COUPLING ASSEMBLY- ENGINE	43	9	44187T	HOUSING-FLYWHEEL	63	1
19221	PAN ASSEMBLY-OIL	51	8	44187T	HOUSING-FLYWHEEL	75	8
26079A2	PLATE KIT	17	2	47333A1	HOUSING ASSEMBLY- BEARING SUPPORT	65	10
26079A2	PLATE KIT	19	2	47334A2	BRACKET ASSEMBLY- MOUNT (STARBOARD)	67	47
32783	RETAINER (3 WIRE)	23	21	47334A2	BRACKET ASSEMBLY- MOUNTING (STARBOARD)	69	12
32784	RETAINER (4 WIRE)	23	22	47339A4	COUPLING ASSEMBLY- ENGINE	65	4
33270	BRUSH-FIELD FRAME	7	21	47340A1	BRACKET ASSEMBLY- MOUNTING (PORT)	69	30
33270	BRUSH-FIELD FRAME	9	21	47340A1	BRACKET ASSEMBLY- TRANSMISSION MOUNT (PORT)	65	25
33283	HOLDER-FIELD FRAME BRUSH GROUND	7	20	47441A1	COVER-THERMOSTAT	33	8
33283	HOLDER-FIELD FRAME BRUSH GROUND	9	20	47489A2	BRACKET KIT-WATER PUMP	35	26
33284	HOLDER-INSULATED-FIELD FRAME BRUSH	7	19	47530	HUB-WATER PUMP PULLEY	35	20
33284	HOLDER-INSULATED-FIELD FRAME BRUSH	9	19	48461	ADAPTOR-DIPSTICK TUBE TO TRANSMISSION	69	18
33291	COLLAR-PINION STOP	7	5	48461	ADAPTOR-OIL LEVEL GAUGE-TUBE TO TRANSMISSION	65	17
33291	COLLAR-PINION STOP	9	5	48463	TUBE-DIPSTICK	69	20
33294	SUPPORT	7	23	48463	TUBE-OIL LEVEL GAUGE	65	19
33294	SUPPORT	9	23	48464	DIPSTICK	69	21
33297	LEVER-SHIFT	7	26	48464	DIPSTICK-OIL LEVEL	65	20
33317	PLUNGER	7	30	48466	BRACKET-DIPSTICK TUBE	69	23
33317	PLUNGER-SHIFT LEVER	9	29				

# PARTS INDEX

Part Number	Description	Pg.	Ref. No.	Part Number	Description	Pg.	Ref. No.
48466	BRACKET-MOUNTING-OIL LEVEL GAUGE TUBE . . . .	65	22	75665	ARMATURE . . . . .	9	11
48504A2	ADAPTOR-OIL FILTER . . . .	55	1	75666	HOUSING ASSEMBLY . . . .	9	1
48952	SENDER ASSEMBLY-WATER TEMPERATURE . . . . .	83	1	77294T	BRACKET-COIL MOUNT (ON INTAKE MANIFOLD) . . . .	23	25
49132	GUIDE-PUSH ROD . . . . .	39	14	79205	DRIVE ASSEMBLY-CLUTCH	9	6
49149	SHAFT . . . . .	51	4	79206	HOUSING ASSEMBLY . . . .	7	1
49198	BAFFLE . . . . .	51	5	79211	FRAME-COMMUTATOR END	7	17
49734A1	SENDER ASSEMBLY-WATER TEMPERATURE (DUAL) . .	19	24	79211	FRAME-COMMUTATOR END	9	17
49734A1	SENDER-WATER TEMPERATURE (DUAL) . .	17	21	79396	PLATE-BEARING . . . . .	7	7
52181	PULLEY-HARMONIC BALANCER . . . . .	47	30	79396	PLATE-BEARING . . . . .	9	7
52185	CLAMP . . . . .	23	14	805273--1	THERMOSTAT (140_) . . . .	33	4
52349	PULLEY-WATER PUMP (BLACK) . . . . .	47	19	805541A1	LONG BLOCK . . . . .	41	-
52349--1	PULLEY-WATER PUMP (BLUE) . . . . .	47	19	805567T	DIPSTICK-OIL LEVEL . . . .	53	20
52504T	FLANGE-YOKE . . . . .	73	2	805759A2	CAP ASSEMBLY . . . . .	23	2
52505A1	SHAFT ASSEMBLY-DRIVE EXTENSION . . . . .	71	10	811549	PAN ASSEMBLY-OIL . . . .	53	7
52506A1	HOUSING ASSEMBLY- BEARING SUPPORT . . . .	71	24	811556	DAMPER . . . . .	47	29
54676	RETAINER (2 WIRE) . . . .	23	20	811570	COVER ASSEMBLY- CRANKCASE . . . . .	47	25
55434A2	HOUSING ASSEMBLY- DRIVESHAFT EXTENSION	71	15	811573	PUMP ASSEMBLY-WATER .	47	17
56328--1	BRACKET (SHORT) . . . . .	77	19	811580	CHAIN-TIMING . . . . .	41	10
56328A1	BRACKET (SHORT) . . . . .	81	4	811586	GUIDE-PUSH ROD . . . . .	39	14
56328A1	BRACKET-OIL COOLER . . .	55	28	811586	GUIDE-PUSH ROD . . . . .	39	14
57908-11	SLEEVE-ALTERNATOR LEAD	3	21	811682	BAFFLE . . . . .	53	16
59501A1	SHAFT-WATER PUMP . . . .	35	17	811866	FAN . . . . .	15	5
59966	POINTER-TIMING . . . . .	47	28	811868	BRACKET ASSEMBLY- FRONT . . . . .	15	7
61218	FLANGE-DRIVESHAFT . . . .	71	2	811871	RETAINER . . . . .	15	10
61218	FLANGE-YOKE . . . . .	71	6	811872	ROTOR ASSEMBLY . . . . .	15	11
61221	UNIVERSAL JOINT . . . . .	71	3	811873	STATOR ASSEMBLY . . . . .	15	12
61221	UNIVERSAL JOINT . . . . .	73	3	811874	BRACKET ASSEMBLY-REAR	15	13
61728	CHAIN-TIMING . . . . .	41	10	811875	RECTIFIER ASSEMBLY . . . .	15	14
63820--3	BRACKET (LONG) . . . . .	77	18	811877	HOLD . . . . .	15	16
63820T	BRACKET (LONG) . . . . .	81	3	811879	CONDENSER ASSEMBLY . .	15	18
63832A1	COOLER ASSEMBLY-OIL . .	81	1	811880	HOLD . . . . .	15	19
63880T	BRACKET-OIL FILTER . . . .	55	5	811883	REGULATOR ASSEMBLY . .	15	22
64177	BRACE-WATER PUMP . . . .	35	34	811884	BRUSH . . . . .	15	23
65970T	BRACKET-COIL MOUNT (ON ELECTRICAL BRACKET) .	23	25	811887	TERMINAL . . . . .	15	26
66215	COVER ASSEMBLY- CRANKCASE . . . . .	47	25	811888	COVER . . . . .	15	27
67905	RETAINER-RESERVOIR BOTTLE . . . . .	79	6	813961	HOUSING-FRONT . . . . .	11	6
68606	ARMATURE . . . . .	7	11	813962	ROTOR ASSEMBLY . . . . .	11	10
68608	DRIVE ASSEMBLY-CLUTCH	7	6	813963	STATOR ASSEMBLY . . . . .	11	12
68878A6	HORN ASSEMBLY . . . . .	83	8	813964	HOUSING-REAR . . . . .	11	14
69304	ARM-VALVE ROCKER . . . .	39	20	813965	DIODE FIELD . . . . .	11	17
69355	STA STRAP-VENT HOSE . . .	27	37	813966	DIODE BRIDGE . . . . .	11	16
71698	LEVER-SHIFT . . . . .	9	26	813967	STRAP (D+) . . . . .	11	34
72605--1	DAMPER . . . . .	47	29	813968	BRUSH ASSEMBLY . . . . .	11	33
73798A1	PULLEY-WATER PUMP . . . .	35	21	813969	SPACER . . . . .	11	5
73873--3	PULLEY (BLUE) . . . . .	77	4	813971	COVER ASSEMBLY . . . . .	11	22
73873A1	PULLEY (BLACK) . . . . .	77	4	813972	CAPACITOR . . . . .	11	25
75664	FIELD COIL ASSEMBLY . . .	9	15	813973	STRAP . . . . .	11	20
				813974	REGULATOR-VOLTAGE . . .	11	29
				814295A1	IGNITION MODULE ASSEMBLY . . . . .	19	38
				814295A2	IGNITION CONVERSION KIT	17	27
				814474	COLLAR-- ST . . . . .	7	3
				814474	COLLAR-- ST . . . . .	9	3
				814901A5	MANIFOLD ASSEMBLY- EXHAUST (PORT) . . . . .	31	1
				814901A6	MANIFOLD ASSEMBLY- EXHAUST (STARBOARD)	31	1

# PARTS INDEX

Part Number	Description	Pg.	Ref. No.	Part Number	Description	Pg.	Ref. No.
815425	SENDER ASSEMBLY-OIL PRESSURE	19	27	818499A1	ELBOW KIT-EXHAUST (3.00 IN.)	31	22
815425	SENDER-OIL PRESSURE	17	22	818500A1	ELBOW KIT-EXHAUST (6.00 IN.)	31	22
816037	PLATE-DIFFUSER	31	26	818631A6	TUBE ASSEMBLY-DIPSTICK	53	11
816073	SHIELD-OIL INTAKE	47	12	818719A3	COVER KIT-WITH GASKET	61	10
816074	OIL COOLER	55	24	818745A1	RING KIT-SLIP	37	16
816195--1	BRACKET-OIL COOLER	55	25	821707--1	COVER-WATER PUMP	37	3
816196--1	BRACKET-OIL COOLER	55	26	821948A1	COVER ASSEMBLY-VALVE	39	1
816283	ADAPTER	59	18	821948A4	COVER ASSEMBLY-VALVE	39	1
816307	MOUNT-ENGINE-FRONT PORT - STAGGERED	87	3	821981--1	PULLEY-CRANKSHAFT (BLUE)	47	31
816308	MOUNT-ENGINE-FRONT STARBOARD - STAGGERED	87	1	823185A2	BRACKET KIT-WATER PUMP MOUNT	37	25
816469	COIL	17	30	823755A1	OVERSPEED ASSEMBLY	21	43
816470--3	BRACKET-ELECTRIAL MOUNT	17	4	827589A1	PUMP ASSEMBLY-OIL	51	1
816482	OIL COOLER	55	24	827589A1	PUMP ASSEMBLY-OIL	53	1
816618	DRIVE PLATE	43	18	847676--1	BRACKET- MOUNT (.375 HOLES)	19	4
816674	WIRE ASSEMBLY-COIL (BLACK)	23	23	847711--1	PULLEY-UPPER DRIVEN	47	2
817043	COVER-END	55	NS	847765	BRACE-PUMP MOUNTING	77	7
817112	PULLEY-CRANKSHFT (BLACK)	47	31	847806	MOUNT-ENGINE-REAR SINGLE	85	2
817115	MANIFOLD-INTAKE	47	10	847807	MOUNT-ENGINE-REAR SIDE BY SIDE	87	2
817116A1	SUPERCHARGER KIT	47	1	847808	MOUNT-ENGINE-REAR - STAGGERED	87	4
817119--1	ALTERNATOR ASSEMBLY (BLUE)	3	10	847818A2	UPDATE KIT	41	NS
817119--1	ALTERNATOR ASSEMBLY (BLUE)	15	-	848131--1	BRACKET- MOUNT (.437 HOLES)	19	4
817119A4	ALTERNATOR ASSEMBLY (BLACK)	3	10	848146	BRACKET-ALTERNATOR MOUNT (.437 HOLES)	3	23
817119A4	ALTERNATOR ASSEMBLY (BLACK)	15	-	848263	ROD-VALVE PUSH (INLET)	39	11
817131A1	HOUSING ASSEMBLY-THERMOSTAT	33	1	848266	ROD-VALVE PUSH (EXHAUST)	39	11
817358A7	LONG BLOCK	41	-	85013T	BRACE-ALTERNATOR ADJUSTING	3	15
817367	MOUNT-ENGINE-FRONT PORT SIDE BY SIDE	85	4	86030	BRACKET-RESERVOIR	79	5
817368	MOUNT-ENGINE-FRONT STARBOARD SIDE BY SIDE	85	3	86045	TIMER-TEMPERATURE BUZZER	83	7
817370	MOUNT-ENGINE-FRONT SINGLE	85	1	86047A11	HOUSING KIT-BUZZER	83	6
818365--2	PULLEY (BLUE)	37	20	86250A2	BOTTLE ASSEMBLY-RESERVOIR	79	1
818365T	PULLEY (BLACK)	37	20	87631A4	COVER ASSEMBLY-WATER PUMP	35	3
818366A1	SHAFT ASSEMBLY	37	15	88791	MOUNT-RUBBER-FLYWHEEL HOUSING	61	2
818367A1	HOUSING ASSEMBLY-WATER PUMP	37	13	89057	BRACE-STARTER MOTOR	3	4
818379T	BRACKET-IDLER	37	37	89876A3	BASE ASSEMBLY-FUEL FILTER	29	6
818380	BUSHING	37	31	90747A27	DISTRIBUTOR ASSEMBLY	23	1
818382	PULLEY	37	32	90783A22	ADAPTOR ASSY-OIL FILTER	55	11
818383T	PUMP ASSEMBLY-FUEL	29	1	91830	COVER-ADAPTOR	55	13
818495A1	ELBOW KIT-EXHAUST (STANDARD)	31	22	92497A3	ALTERNATOR ASSEMBLY	13	-
818496A1	ELBOW KIT-EXHAUST (3.00 IN.)	31	22	92497A3	ALTERNATOR ASSEMBLY (55 AMP)	11	-
818497A1	ELBOW KIT-EXHAUST (6.00 IN.)	31	22	92864	PUMP ASSEMBLY-FUEL	25	1
				93722	LIFTER	41	8
				93906A2	SHAFT ASSEMBLY-OUTPUT	73	21
				93908A1	SHAFT ASSEMBLY-INPUT	73	12

# PARTS INDEX

Part Number	Description	Pg.	Ref. No.	Part Number	Description	Pg.	Ref. No.
93911A4	HOUSING ASSEMBLY . . . . .	75	1	10-35366	SCREW (.250-20 X .562)- CRANKCASE COVER TO BLOCK . . . . .	47	27
93918A1	SHIELD ASSEMBLY-LOWER	73	16				
93919A1	SHIELD ASSEMBLY-UPPER	73	18				
94576	WEAR PLATE-INNER . . . . .	35	12	10-35765A1	SCREW & WASHER (.312-18 X .625)-BRACE TO ENGINE . . . . .	3	7
94576	WEAR PLATE-INNER . . . . .	37	11				
94916	WEAR PLATE-OUTER . . . . .	35	7				
94916	WEAR PLATE-OUTER . . . . .	37	7	10-35765A1	SCREW KIT (SCREW & WASHER) (.312-18 X .625)	81	7
95820	STUD-VALVE ROCKER ARM	39	23				
96028	KEY-VALVE STEM (INCLUDES 32 KEYS) . . . . .	39	19	10-35786	SCREW (.375-24 X 1.00)- WATER PUMP BRACE . . . . .	35	37
96276A2	YOKE ASSEMBLY . . . . .	71	5	10-37612	SCREW (.375-16 X 1.250) . . . . .	17	5
97257A1	SENDER ASSEMBLY-WATER TEMPERATURE . . . . .	19	24	10-37612	SCREW (.375-16 X 1.250) . . . . .	25	2
97257A1	SENDER-WATER TEMPERATURE . . . . .	17	21	10-37612	SCREW (.375-16 X 1.250) . . . . .	63	3
98598	RETAINER-VALVE SPRING . . . . .	39	16	10-37612	SCREW (.375-16 X 1.250) . . . . .	75	9
98678--1	VALVE-INLET (STANDARD) . . . . .	39	13	10-37612	SCREW (.375-16 X 1.250) . . . . .	77	16
98813A1	BRACE-PUMP MOUNTING . . . . .	77	7	10-37612	SCREW (.375-16 X 1.250)- ALTERNATOR BRACKET . . . . .	3	28
99237A10	BRACKET ASSEMBLY-SHIFT	59	1	10-37612	SCREW (.375-16 X 1.250)- BRACKET MOUNT . . . . .	21	49
99356A2	COOLER ASSEMBLY-OIL- POWER STEERING . . . . .	77	17	10-37612	SCREW (.375-16 X 1.250)- BRACKET TO ENGINE . . . . .	55	9
99889	VALVE-BY PASS . . . . .	55	17				
FI5000254	GASKET-OIL PUMP . . . . .	51	2	10-37612	SCREW (.375-16 X 1.250)- FLYWHEEL HOUSING ATTACHING . . . . .	61	4
FI5000254	GASKET-OIL PUMP COVER	53	2				
10-13743	SCREW (.312-18 X 1.843)- SHOULDER-SHIFT LEVER	59	15	10-39001	SCREW (.312-18 X 4.500) . . . . .	37	4
10-14883	SCREW (.375-16 X 1.125) . . . . .	43	10	10-40001188	SCREW (M10 X 20) . . . . .	77	8
10-15001	SCREW (#8-16 X .875) . . . . .	17	3	10-41069	SCREW (#10-24 X .750) . . . . .	21	46
10-15001	SCREW (#8-16 X .875) . . . . .	19	3	10-41408	SCREW (#10-32 X 1.500) . . . . .	23	26
10-19234	BOLT-CONN ROD CAP . . . . .	43	13	10-41771	SCREW (#10-24 X .875) . . . . .	19	34
10-28634A1	SCREW PLUG ASSEMBLY . . . . .	37	23	10-42773	- BOLT . . . . .	15	21
10-28668	SCREW (.250-20 X .875) . . . . .	63	11	10-42773	BOLT . . . . .	13	7
10-28782	SCREW (.312-18 X .875) . . . . .	29	9	10-45862	SCREW (#10-32 X .875) . . . . .	17	11
10-29198	SCREW & LOCKWASHER (.312-18 X .875)-ALT BRACE . . . . .	3	19	10-45862	SCREW (#10-32 X .875) . . . . .	19	8
10-32132	SCREW (.375-16 X 1.750)- FLYWHEEL HOUSING ATTACHING . . . . .	61	4	10-47277	SCREW (.312-24 X .750)- PULLEY . . . . .	35	22
10-32417	SCREW (.250-28 X .625) . . . . .	65	23	10-47277	SCREW (.312-24 X .750)- PULLEY TO WATER PUMP	47	23
10-32417	SCREW (.250-28 X .625) . . . . .	69	24	10-47432	SCREW (.375-16 X 2.00) . . . . .	47	7
10-32515	SCREW (.437-20 X 2.500) . . . . .	71	30	10-47461	SCREW (.437-14 X 1.00) . . . . .	5	32
10-32695	SCREW (.437-20 X 2.250) . . . . .	71	30	10-47461	SCREW (.437-14 X 1.00) . . . . .	37	29
10-32773	SCREW (.250-20 X .875)- COVER TO FLYWHEEL HOUSING . . . . .	61	11	10-47461	SCREW (.437-14 X 1.00)- ALTERNATOR BRACKET . . . . .	3	28
10-34353	SCREW (.375-16 X 1.00) . . . . .	23	15	10-47462	SCREW (.437-14 X 1.00)- WATER PUMP BRACKET	35	31
10-34353	SCREW (.375-16 X 1.00) . . . . .	55	29	10-47462	SCREW (.437-14 X 1.250) . . . . .	65	15
10-34353	SCREW (.375-16 X 1.00) . . . . .	63	3	10-47462	SCREW (.437-14 X 1.250) . . . . .	69	14
10-34353	SCREW (.375-16 X 1.00) . . . . .	75	14	10-47462	SCREW (.437-14 X 1.250) . . . . .	69	32
10-34353	SCREW (.375-16 X 1.00)- ADAPTOR TO BRACKET . . . . .	55	2	10-47462	SCREW (.437-14 X 1.250)- ALTERNATOR BRACE . . . . .	3	16
10-34353	SCREW (.375-16 X 1.00)- ALTERNATOR BRACKET . . . . .	3	28	10-47462	SCREW (.437-14 X 1.250)- ALTERNATOR BRACKET . . . . .	3	28
10-34354	SCREW (.375-16 X 1.500) . . . . .	29	3	10-47462	SCREW (.437-14 X 1.250)- BRACE TO ENGINE . . . . .	35	35
10-34354	SCREW (.375-16 X 1.500)- WATER PUMP BRACKET	35	27	10-47462	SCREW (.437-14 X 1.250)- BRACKET MOUNT . . . . .	21	49
10-34500	SCREW (.312-18 X .625) . . . . .	51	12	10-47462	SCREW (.437-14 X 1.250)- BRACKET TO ENGINE . . . . .	55	9
10-35091	SCREW (.375-16 X 1.00) . . . . .	43	19				
10-35339	SCREW (.312-18 X .750) . . . . .	41	13				

# PARTS INDEX

Part Number	Description	Pg.	Ref. No.	Part Number	Description	Pg.	Ref. No.
10-47462	SCREW (.437-14 X 1.250)- BRACKET TO TRANSMISSION .....	67	49	10-811886	SCREW-SET .....	15	25
10-47467	SCREW (.625-18 X 5.500)- TAILSTOCK TO TRANSOM PLATE .....	65	29	10-811889	SCREW-SET .....	15	28
10-47651	SCREW (.437-14 X 1.500) ..	75	3	10-812567	BOLT (.375-16 X 1.625) ....	47	7
10-47688	SCREW (.375-16 X 2.750) ..	63	3	10-812567	SCREW (.375-16 X 1.625) ..	31	17
10-47688	SCREW (.375-16 X 2.750) ..	75	9	10-813975	BOLT .....	11	15
10-48308	SCREW (.375-24 X 3.750)- ALTERNATOR .....	3	26	10-813978A1	SCREW KIT .....	11	8
10-48948	SCREW (.437-14 X .875)- WATER PUMP BRACKET	35	32	10-813979	SCREW .....	11	27
10-49105	BOLT (4.125 IN.)-CYLINDER HEAD .....	39	26	10-813980	SCREW .....	11	32
10-49106--1	BOLT (2.00 IN.)-CYLINDER HEAD .....	39	25	10-813981	SCREW .....	11	18
10-49668	SCREW (.250-20 X .750) ...	17	28	10-813982	SCREW .....	11	26
10-49668	SCREW (.250-20 X .750) ...	17	31	10-813983	SCREW .....	11	28
10-49668	SCREW (.250-20 X .750) ...	57	32	10-815687	BOLT (.375-16 X 1.250) ....	47	7
10-49668	SCREW (.250-20 X .750) ...	77	20	10-816767	SCREW .....	55	NS
10-49845	SCREW (.437-20 X 1.00) ...	43	8	10-817125	SCREW (.500-20 X 4.00) ...	47	34
10-49956	SCREW .....	51	10	10-821107	SCREW (.375-16 X 3.00) ...	31	16
10-52498	SCREW (.437-20 X 1.500) ..	73	5	10-86518	SCREW (.375-16 X 1.00) ...	85	NS
10-53167	SCREW (.312-18 X .875) ...	59	5	10-86518	SCREW (.375-16 X 1.00) ...	87	NS
10-56393	SCREW (.437-20 X 1.750) ..	71	30	10-90926	SCREW (#10-32 X .812) ....	23	4
10-57053	SCREW (.500-20 X 4.500) ..	73	26	10-91903	SCREW (.437-14 X 1.750) ..	37	26
10-60106	SCREW (.437-20 X 1.250) ..	71	13	10-91966	SCREW (.312-18 X 4.00)-OIL FILTER ADAPTOR .....	55	15
10-60179	SCREW (.437-14 X 3.500) ..	69	16	10-91967	SCREW (.312-18 X 3.500)-OIL FILTER ADAPTOR .....	55	15
10-60179	SCREW (.437-14 X 3.500)- TRANSMISSION TO ENGINE .....	65	37	10-94435	SCREW (.375-16 X 4.656)- STARTER MOTOR .....	3	3
10-60300	SCREW (.250-28 X .750) ...	57	32	10-96995	SCREW (.375-16 X .875) ...	73	19
10-60300	SCREW (.250-28 X .750) ...	69	27	10-98253	SCREW (.250-20 X .500) ...	17	14
10-60300	SCREW (.250-28 X .750) ...	81	5	10-98256	SCREW (.250-28 X .500) ...	59	19
10-60410	SCREW (.375-16 X 4.250) ..	33	9	10-98261	SCREW (.375-16 X .750) ...	23	30
10-62568	SCREW (#10-16 X .375) ....	19	35	10-98261	SCREW (.375-16 X .750) ...	37	27
10-66293	SCREW (.250-20 X .500) ...	53	14	11-13438	NUT (.250-28)-SHIFT CABLE STUD .....	59	11
10-66686	SCREW (#10-32 X 1.00) ....	23	7	11-15874	NUT (10MM)-BATTERY TERMINAL .....	3	6
10-68743	SCREW (.437-20 X 1.250) ..	71	7	11-20361	NUT (.250-28) .....	63	17
10-69013	SCREW (#10-16 X .875)- HORN ATTACHING .....	83	9	11-20361	NUT (.250-28) .....	69	29
10-72094	SCREW (.375-16 X 3.750)- PULLEY .....	49	35	11-20361	NUT (.250-28) .....	69	7
10-72202	SCREW (#10-32 X 1.250) ...	23	7	11-20361	NUT (.250-28)-SHIFT LEVER STUD .....	65	42
10-72607	SCREW .....	51	13	11-20361	NUT-ROCKER COVER STUD	39	9
10-73275	SCREW (.312-18 X 2.875) ..	35	6	11-21825	NUT (.250-28)-THROTTLE CABLE STUD .....	27	40
10-76630	SCREW (.250-20 X 1.00) ...	19	15	11-21908	NUT (.312-18) .....	37	22
10-76926	SCREW (.375-16 X .875) ...	51	16	11-22053	NUT (.312-24) .....	69	11
10-76926	SCREW (.375-16 X .875) ...	73	17	11-22053	NUT (.312-24)- TRANSMISSION LEVER STUD .....	67	46
10-78291	SCREW (.375-24 X .500) ...	25	22	11-22339	NUT (.625-18)-TAILSTOCK SCREWS .....	65	34
10-79209	SCREW-BEARING .....	7	10	11-23161	NUT (.375-24)-ALTERNATOR BRACKET SCREW .....	3	29
10-79209	SCREW-BEARING .....	9	10	11-25269	NUT (.375-24) .....	31	20
10-808707	SCREW (.312-18 X .625) ...	53	10	11-26419	NUT (#8-32) .....	17	19
10-811559	SCREW (.500-20 X 1.375) ..	49	34	11-26419	NUT (#8-32) .....	19	17
10-811574	SCREW (.375-16 X 1.750)- WATER PUMP TO CYLINDER BLOCK .....	47	16	11-26484	NUT (.312-18)-SHIFT LEVER STUD .....	7	29
10-811869	SCREW .....	15	8	11-28040	NUT (.500-20) .....	73	28
10-811876	SCREW .....	15	15	11-28770	NUT (.312-24) .....	47	4
				11-30506	NUT (.250-28) .....	57	37
				11-30506	NUT (.250-28) .....	81	6

# PARTS INDEX

Part Number	Description	Pg.	Ref. No.	Part Number	Description	Pg.	Ref. No.
11-32219	NUT (.375-16)	63	8	11-813977	NUT	11	31
11-32219	NUT (.375-16)	75	6	11-817618	NUT	37	33
11-32219	NUT (.375-16)-FLYWHEEL HOUSING ATTACHING STUD	61	6	11-90517	NUT	77	6
11-34933	NUT (.437-20)	71	9	11-94330	NUT (.250-20)	17	17
11-34933	NUT (.437-20)	73	6	11-94330	NUT (.250-20)	19	19
11-35045	NUT (.250-28)	25	28	12-20084	WASHER	37	5
11-35045	NUT (.250-28)	63	12	12-20084	WASHER (.562)- CARBURETOR STUD	25	30
11-35045	NUT (.250-28)-THROTTLE CABLE STUD	27	39	12-20084	WASHER-COVER SCREW	35	5
11-35053	NUT (.437-20)	71	32	12-20553	WASHER	23	17
11-35814	NUT (.312-24)-CARBURETOR STUD	25	31	12-20553	WASHER	33	10
11-35814	NUT (.312-24)-FLAME ARRESTOR STUD	27	35	12-20553	WASHER	51	6
11-37493	NUT-CONN ROD CAP BOLT	43	14	12-20553	WASHER	53	17
11-37500	NUT (.375-16)	51	7	12-20553	WASHER	55	31
11-37500	NUT (.375-16)	53	18	12-20553	WASHER	63	5
11-40021--1	NUT (5MM)-STARTER SWITCH TERMINAL	3	8	12-20553	WASHER	75	5
11-40026--6	NUT (M10)	5	34	12-20553	WASHER	85	NS
11-42768	NUT	13	1	12-20553	WASHER	87	NS
11-42768	NUT	15	1	12-20553	WASHER-ALTERNATOR BRACKET SCREW	3	27
11-44481	NUT-VALVE ROCKER ARM	39	21	12-20553	WASHER-OIL FILTER ADAPTOR SCREW	55	4
11-45076	NUT (#10-32)	17	24	12-20553	WASHER-PULLEY SCREW	49	37
11-45076	NUT (#10-32)	19	22	12-20572	WASHER	31	18
11-45076	NUT (#10-32)	19	26	12-20572	WASHER	43	11
11-45076	NUT (#10-32)	19	29	12-20572	WASHER (FOR SLOT)	63	5
11-45076	NUT (#10-32)- TEMPERATURE SWITCH	83	3	12-20572	WASHER (FOR SLOT)	75	11
11-46335	NUT (.375-24)-BRACE SCREW	35	39	12-20572	WASHER-SPECIAL (.375)- HOUSING SCREW	61	8
11-56374	NUT (.250-20)	17	33	12-20722	WASHER	69	9
11-56374	NUT (.250-20)	21	40	12-20722	WASHER-TRANSMISSION LEVER STUD	67	44
11-56374	NUT (.250-20)-ALTERNATOR TERMINAL	3	14	12-21631	WASHER	63	15
11-56374	NUT (.250-20)-THROTTLE CABLE STUD	27	43	12-21631	WASHER-CABLE STUD	25	26
11-61356	NUT (#10-32)	17	12	12-22248	WASHER	71	31
11-61356	NUT (#10-32)	19	9	12-22753	WASHER-FLAME ARRESTOR STUD	27	34
11-63341	NUT-TEE-SHIFT CABLE STUD	59	13	12-26168	WASHER-ALTERNATOR BRACE SCREW	3	20
11-68219	NUT (#10-32)	17	10	12-27025	WASHER	37	35
11-68219	NUT (#10-32)	17	34	12-27025	WASHER-BRACKET SCREW	35	30
11-68219	NUT (#10-32)	19	36	12-29245	WASHER	17	32
11-68219	NUT (#10-32)	19	7	12-29245	WASHER	19	13
11-68219	NUT (#10-32)	23	12	12-29245	WASHER	21	39
11-68219	NUT (#10-32)	23	29	12-29245	WASHER	69	28
11-68219	NUT (#10-32)-PRESSURE SWITCH TERMINAL	83	5	12-29245	WASHER	69	8
11-68411	NUT (.375-16)	31	25	12-29245	WASHER-SHIFT LEVER STUD	67	43
11-68411	NUT (.375-16)	73	20	12-29330	WASHER-THROTTLE CABLE STUD	27	41
11-79989	NUT (#10-24)	25	24	12-29330	WASHER (FOR SLOT)	35	33
11-79989	NUT (#10-24)-ALTERNATOR TERMINAL	3	12	12-30164	WASHER	19	32
11-811878	NUT	15	17	12-30164	WASHER	21	44
11-811878	NUT	15	31	12-30164	WASHER	23	27
11-811881	NUT	15	20	12-31263	WASHER-ALTERNATOR BRACE SCREW	3	18
11-813976	NUT	11	19	12-33171	WASHER-TAILSTOCK SCREWS	65	33

# PARTS INDEX

Part Number	Description	Pg.	Ref. No.	Part Number	Description	Pg.	Ref. No.
12-34567	WASHER (BRACE SLOT) . . .	77	5	13-26996	LOCKWASHER (#10) . . . . .	5	35
12-34931	WASHER . . . . .	47	8	13-26996	LOCKWASHER (#10) . . . . .	17	23
12-35462	WASHER-SHIFT CABLE STUD . . . . .	59	10	13-26996	LOCKWASHER (#10) . . . . .	17	35
12-37828	WASHER . . . . .	31	19	13-26996	LOCKWASHER (#10) . . . . .	17	9
12-39143	WASHER . . . . .	63	13	13-26996	LOCKWASHER (#10) . . . . .	19	21
12-39143	WASHER . . . . .	69	6	13-26996	LOCKWASHER (#10) . . . . .	19	25
12-39143	WASHER-ROCKER COVER STUD . . . . .	39	8	13-26996	LOCKWASHER (#10) . . . . .	19	28
12-39143	WASHER-SHIFT LEVER STUD . . . . .	65	41	13-26996	LOCKWASHER (#10) . . . . .	19	33
12-39167	WASHER (.687)- CARBURETOR STUD . . . . .	25	30	13-26996	LOCKWASHER (#10) . . . . .	19	6
12-42307	WASHER (SPHERICAL) . . . . .	73	27	13-26996	LOCKWASHER (#10) . . . . .	21	45
12-45176	WASHER . . . . .	71	14	13-26996	LOCKWASHER (#10) . . . . .	23	11
12-47466	WASHER-TAILSTOCK SCREWS (NEOPRENE) . . . . .	65	30	13-26996	LOCKWASHER (#10) . . . . .	23	28
12-47475	WASHER-TAILSTOCK SCREWS . . . . .	65	31	13-26996	LOCKWASHER (#10) . . . . .	25	23
12-49103	WASHER-PULLEY AND BALANCER SCREW . . . . .	47	32	13-26996	LOCKWASHER (#10)- ALTERNATOR TERMINAL	3	11
12-49112	WASHER . . . . .	31	24	13-26996	LOCKWASHER (#10)- STARTER MOTOR STUD . . . . .	3	5
12-55822	WASHER . . . . .	57	39	13-26996	LOCKWASHER (#10)- TEMPERATURE SWITCH . . . . .	83	2
12-56720	WASHER-SHIFT BRACKET STUD . . . . .	59	8	13-32993	LOCKWASHER (.437) . . . . .	5	33
12-68614	WASHER-BEARING PLATE . . . . .	7	9	13-32993	LOCKWASHER (.437) . . . . .	21	48
12-68614	WASHER-BEARING PLATE . . . . .	9	9	13-32993	LOCKWASHER (.437) . . . . .	37	36
12-68615	WASHER-SHIFT LEVER STUD . . . . .	7	28	13-32993	LOCKWASHER (.437) . . . . .	37	38
12-70132	WASHER . . . . .	47	5	13-32993	LOCKWASHER (.437) . . . . .	69	15
12-813984	WASHER . . . . .	11	23	13-32993	LOCKWASHER (.437) . . . . .	69	17
12-813985	WASHER . . . . .	11	30	13-32993	LOCKWASHER (.437) . . . . .	69	33
12-96457	WASHER-ALTERNATOR TERMINAL . . . . .	3	22	13-32993	LOCKWASHER (.437) . . . . .	75	4
13-14759	LOCKWASHER-PULLEY AND HARMONIC BALANCER SCREW . . . . .	47	33	13-32993	LOCKWASHER (.437)- ALTERNATOR BRACE SCREW . . . . .	3	17
13-21272	LOCKWASHER (.250 INTERNAL) . . . . .	17	29	13-32993	LOCKWASHER (.437)- ALTERNATOR BRACKET SCREW . . . . .	3	25
13-21272	LOCKWASHER (.250 INTERNAL) . . . . .	21	42	13-32993	LOCKWASHER (.437)-BRACE SCREW . . . . .	35	36
13-26992	LOCKWASHER (.250) . . . . .	17	16	13-32993	LOCKWASHER (.437)- BRACKET SCREW . . . . .	35	29
13-26992	LOCKWASHER (.250) . . . . .	19	14	13-32993	LOCKWASHER (.437)- BRACKET SCREW . . . . .	55	10
13-26992	LOCKWASHER (.250) . . . . .	19	18	13-32993	LOCKWASHER (.437)- MOUNT BRACKET SCREW . . . . .	65	28
13-26992	LOCKWASHER (.250) . . . . .	53	19	13-32993	LOCKWASHER (.437)- MOUNT BRACKET SCREW . . . . .	67	50
13-26992	LOCKWASHER (.250) . . . . .	57	33	13-32993	LOCKWASHER (.437)- SUPPORT HOUSING SCREW . . . . .	65	16
13-26992	LOCKWASHER (.250) . . . . .	59	20	13-32993	LOCKWASHER (.437)- TRANSMISSION SCREW . . . . .	65	38
13-26992	LOCKWASHER (.250) . . . . .	69	25	13-34846	LOCKWASHER-TAILSTOCK SCREWS . . . . .	65	32
13-26992	LOCKWASHER (.250)- ALTERNATOR TERMINAL	3	13	13-35048	LOCKWASHER (.375) . . . . .	17	6
13-26992	LOCKWASHER (.250)- MOUNTING BRACKET SCREW . . . . .	65	24	13-35048	LOCKWASHER (.375) . . . . .	21	48
13-26993	LOCKWASHER (.312 IN.) . . . . .	29	10	13-35048	LOCKWASHER (.375) . . . . .	23	16
13-26993	LOCKWASHER (.312)- TRANSMISSION LEVER STUD . . . . .	67	45	13-35048	LOCKWASHER (.375) . . . . .	25	3
13-26995	LOCKWASHER (#8) . . . . .	17	18	13-35048	LOCKWASHER (.375) . . . . .	29	4
13-26995	LOCKWASHER (#8) . . . . .	19	16	13-35048	LOCKWASHER (.375) . . . . .	35	28
				13-35048	LOCKWASHER (.375) . . . . .	37	28
				13-35048	LOCKWASHER (.375) . . . . .	45	20
				13-35048	LOCKWASHER (.375) . . . . .	51	17
				13-35048	LOCKWASHER (.375) . . . . .	55	30



# PARTS INDEX

Part Number	Description	Pg.	Ref. No.	Part Number	Description	Pg.	Ref. No.
13-35048	LOCKWASHER (.375) .....	63	4	17-68402	PIN-SHOULDER-SHIFT		
13-35048	LOCKWASHER (.375) .....	75	10		LEVER .....	59	16
13-35048	LOCKWASHER (.375)- ADAPTOR SCREW .....	55	3	17-79207	PIN-PLUNGER TO SHIFT		
13-35048	LOCKWASHER (.375)- ALTERNATOR BRACKET SCREW .....	3	25	17-79207	PIN-PLUNGER TO SHIFT		
13-35048	LOCKWASHER (.375)-BRACE SCREW .....	35	38	18-21071	LEVER .....	9	30
13-35048	LOCKWASHER (.375)- BRACKET SCREW .....	55	10	18-32857	PIN-COTTER-SHIFT LEVER .	59	17
13-35048	LOCKWASHER (.375)- FLYWHEEL HOUSING SCREW .....	61	7	19-12304	PIN-COTTER-SHIFT CABLE		
13-35048	LOCKWASHER (.375)- PULLEY SCREW .....	49	36	19-12304	RETAINING .....	59	6
13-39107	LOCKWASHER (.312) .....	37	21	19-38606	PLUG-TIMING WINDOW ...	63	2
13-39107	LOCKWASHER (.312) .....	69	10	19-47463	PLUG-TIMING WINDOW ...	75	17
13-39107	LOCKWASHER (.312)- PULLEY SCREW .....	35	23	19-47463	PLUG .....	75	15
13-39107	LOCKWASHER (.312)- WATER PUMP PULLEY SCREW .....	47	22	19-47463	PLUG .....	71	11
13-40024--8	LOCKWASHER .....	77	9	19-59504	PLUG-EXPANSION-ENGINE COUPLING .....	65	5
13-42769	LOCKWASHER .....	13	2	19-59504	PLUG-IMPELLER .....	35	9
13-42769	LOCKWASHER .....	15	2	19-59504	PLUG-IMPELLER .....	37	9
13-47659	LOCKWASHER (.437) .....	71	8	19-815203	PLUG-PIPE .....	31	5
15-49264A1	SHIM SET .....	71	20	19-815204	FREEZE PLUG (SMALL) (.750) .....	31	8
15-54531	SHIM (.015)-VALVE SPRING	39	18	19-815205	FREEZE PLUG (LARGE) (1.00) .....	31	7
15-77624	SHIM (.030)-VALVE SPRING	39	18	19-815211	PLUG-PIPE-DRAIN .....	31	12
15-817272	SHIM .....	3	30	19-93921	PLUG-EXPANSION .....	73	13
16-30668	STUD-FLAME ARRESTOR ..	25	32	19-94140	PLUG-EXPANSION .....	41	6
16-33111	STUD .....	47	9	22-13177	TUBE-WATER HOSE (NON POWER STEERING) ....	33	16
16-41877	STUD .....	77	2	22-32561	PLUG-PIPE .....	29	7
16-49108	STUD .....	51	3	22-32561--1	PLUG (SPECIAL)-MOUNTING BOLT TO BLOCK .....	5	36
16-49108	STUD .....	53	3	22-32802	PLUG-PIPE (.125) .....	71	18
16-56766	STUD-ROCKER COVER ...	39	7	22-32802	PLUG-PIPE (FOR WATER PUMP BODY) .....	35	24
16-63335	STUD .....	63	14	22-33821	CONNECTOR .....	29	11
16-63335	STUD .....	69	5	22-33821	FITTING .....	25	9
16-63335	STUD-SHIFT LEVER .....	65	40	22-36382	PLUG .....	41	3
16-64066	STUD (2.750 IN.)-FLYWHEEL HOUSING ATTACHING ...	61	5	22-36382	PLUG-PIPE .....	79	3
16-64066	STUD (2.750) .....	75	13	22-36382	PLUG-PIPE (.250) .....	71	17
16-72809	STUD-THROTTLE CABLE TO CARBURETOR .....	27	38	22-36492	BUSHING-REDUCER .....	17	36
16-811683	STUD .....	53	15	22-36492	REDUCER .....	19	23
16-815214	STUD .....	31	2	22-47629	ELBOW .....	69	2
16-821279	STUD (2.187 IN.) .....	31	15	22-47629	ELBOW (90 DEGREES) ....	81	2
16-821836	STUD-VALVE ROCKER ARM	39	23	22-47629	ELBOW-TRANSMISSION TO OIL HOSE .....	65	2
16-847738	STUD-ELECTRICAL BRACKET MOUNT .....	21	47	22-47902	FITTING .....	71	19
16-96108	STUD-CARBURETOR .....	25	29	22-47902	FITTING-BREATHER .....	79	2
16-96112	STUD (2.250) .....	63	7	22-48246	ELBOW-OIL HOSE .....	55	19
16-96112	STUD-SHIFT CABLE .....	59	12	22-48340	PLUG-PIPE (.250) .....	41	2
16-98798--1	STUD-SHIFT CABLE .....	59	2	22-48358	PLUG-PIPE (.375) .....	41	2
16-98851	STUD-CABLE .....	25	25	22-48556	REDUCER .....	83	13
17-35312	PIN-DOWEL (.250 DIA.) ....	41	14	22-49099	FITTING-GREASE .....	43	NS
17-35312	PIN-DOWEL (.250 DIA.) ....	43	4	22-54035	ELBOW (90_) .....	55	21
17-47617	PIN .....	23	9	22-63186	FITTING-HOSE .....	79	9
17-52190	PIN-DOWEL .....	41	5	22-63187	FITTING-HOSE .....	79	4
				22-63825	ELBOW (90_) .....	57	35
				22-63825	ELBOW-OIL HOSE .....	55	18
				22-63835	ELBOW (45 DEGREES) ....	81	2
				22-64013	REDUCER .....	17	25
				22-64013	REDUCER .....	19	30

# PARTS INDEX

Part Number	Description	Pg.	Ref. No.	Part Number	Description	Pg.	Ref. No.
22-74036	FITTING-GREASE .....	71	4	23-85728	BEARING SET (.002 U.S.) ..	43	15
22-74036	FITTING-GREASE .....	73	11	23-85729	BEARING SET (.020 U.S.) ..	43	15
22-74036	FITTING-GREASE .....	73	15	23-90523	SPACER .....	17	7
22-74036	FITTING-GREASE .....	73	4	23-90523	SPACER-SHIFT CABLE		
22-74036	FITTING-GREASE .....	75	2		STUD .....	59	9
22-805632	CONNECTOR .....	55	12	23-90915	BUSHING .....	23	10
22-805632	CONNECTOR .....	55	6	23-98828	SPACER .....	59	4
22-806242	CONNECTOR-INTAKE			23-99322	SPACER-RUBBER MOUNT-		
	PUMP/INTAKE MANIFOLD	47	13		FLYWHEEL HOUSING ...	61	3
22-808708	PLUG-OIL DRAIN .....	53	8	24-13455	SPRING-VALVE .....	39	15
22-815208	FITTING-TEE .....	31	9	24-32817	SPRING-THROTTLE		
22-815209	FITTING-TEE .....	31	11		RETURN .....	25	20
22-815210	FITTING-TEE .....	31	10	24-33285	SPRING-FIELD FRAME		
22-816035	FITTING .....	31	4		BRUSH .....	7	24
22-816133--1	FITTING .....	29	8	24-33285	SPRING-FIELD FRAME		
	FITTING (45 DEGREES) ...	29	16		BRUSH .....	9	24
22-818768	FITTING (STRAIGHT) .....	31	6	24-46889	SPRING-PLUNGER RETURN	7	32
22-821914	FITTING-FILTER ADAPTOR .	57	38	24-46889	SPRING-PLUNGER RETURN	9	31
22-847768	FITTING-ADAPTOR .....	33	24	24-47755	SPRING .....	71	29
22-85822	CONNECTOR-FUEL PUMP .	25	4	24-47755	SPRING-GUIDE-ENGINE		
22-88517	ADAPTOR .....	69	3		COUPLING .....	65	8
22-88517	ADAPTOR-REDUCING-			24-48143	SPRING-FILTER .....	25	11
	TRANSMISSION ELBOW .	65	3	24-67908	SPRING-RESERVOIR		
	FITTING (90 DEG.) .....	29	5		BRACKET .....	79	7
22-93385	FITTING-FUEL INLET TUBE .	25	14	24-70086	SPRING-FILLER CAP .....	39	3
22-98477A2	VALVE ASSEMBLY .....	33	11	24-811885	SPRING-BRUSH .....	15	24
23-31866	SPACER .....	63	16	24-98880	SPRING-SHIFT CABLE STUD	59	7
23-31866	SPACER-CABLE STUD ....	25	27	25-25439	O RING .....	73	22
23-33186	BUSHING-ALTERNATOR			25-35276	O RING .....	69	22
	BRACKET SCREW .....	3	24	25-35276	O RING-OIL LEVEL GAUGE .	65	21
23-33369	BUSHING-DRIVE END			25-47756	O RING-BEARING SUPPORT		
	HOUSING .....	7	2		HOUSING .....	65	11
23-33369	BUSHING-DRIVE END			25-48462	O RING .....	69	19
	HOUSING .....	9	2	25-48462	O RING-OIL LEVEL TUBE		
23-36183	RETAINER .....	53	5		ADAPTOR .....	65	18
23-42772	SPACER .....	13	5	25-49767	GROMMET-ROCKER COVER	39	4
23-47471	BEARING .....	71	12	25-62704	O RING .....	53	12
23-47471	BEARING-ENGINE			25-805726	O RING .....	37	24
	COUPLING .....	65	7	25-811528	O RING (#5 BEARING CAP		
23-47508	SLEEVE-THERMOSTAT ....	33	6		OIL HOLE) .....	45	22
23-47511	SLEEVE .....	33	2	25-814878	O RING .....	55	NS
23-49126	BUSHING-PILOT-			25-818967	GROMMET .....	19	11
	CRANKSHAFT .....	45	21	25-89879	O RING .....	77	12
23-52193	SLEEVE-OIL PUMP SHAFT .	51	18	25-90196	O RING-FILTER .....	57	40
23-53811	SPACER-THROTTLE CABLE			25-94288	QUAD RING-PUMP		
	STUD .....	27	42		HOUSING .....	35	13
23-71694	BUSHING-BEARING PLATE .	7	8	25-94288	QUAD RING-PUMP		
23-71694	BUSHING-BEARING PLATE .	9	8		HOUSING .....	37	12
23-811865	SPACER .....	15	4	26-14756	SEAL-OIL .....	43	5
23-811867	SPACER .....	15	6	26-47465	SEAL-OIL .....	71	26
23-818473	BEARING SET (STANDARD)	43	3	26-47465	SEAL-OIL-BEARING		
23-818474	BEARING SET (.001 U.S.) ..	43	3		SUPPORT HOUSING ....	65	12
23-818475	BEARING SET (.002 U.S.) ..	43	3	26-52499	SEAL-OIL .....	71	16
23-818476	BEARING SET (.010 U.S.) ..	43	3	26-72785	SEAL-OIL-WATER PUMP		
23-818477	BEARING SET (.020 U.S.) ..	43	3		SHAFT .....	35	19
23-818968	BUSHING .....	19	12	26-811554	SEAL-OIL .....	43	5
23-85684	BEARING UNIT (SET) .....	41	7	26-821104	SEAL-OIL-WATER PUMP		
23-85691	BEARING SET (.010 U.S.) ..	43	15		SHAFT .....	37	19
23-85726	BEARING SET (STANDARD)	43	15	26-821947--1	SEAL-OIL-CRANKCASE		
23-85727	BEARING SET (.001 U.S.) ..	43	15		COVER .....	47	26

# PARTS INDEX

Part Number	Description	Pg.	Ref. No.	Part Number	Description	Pg.	Ref. No.
26-90562	SEAL-OIL-WATER PUMP			27-827014A92	GASKET SET .....	39	-
	SHAFT .....	35	15	27-827014A92	GASKET SET .....	45	-
26-90562	SEAL-OIL-WATER PUMP			27-827014A92	GASKET SET .....	49	-
	SHAFT .....	37	14	27-827014A92	GASKET SET .....	53	-
26-93924	SEAL-OIL .....	73	8	27-827014A92	GASKET SET .....	57	-
27-12732	GASKET-FLANGE .....	25	16	27-827014A92	GASKET SET .....	67	-
27-13687	GASKET-CYLINDER HEAD .	39	24	27-827014A92	GASKET SET-COMPLETE ..	41	NS
27-14765	GASKET-ROCKER COVER .	39	10	27-848147	GASKET-EXHAUST ELBOW	31	23
27-34213	GASKET-FUEL PUMP .....	25	7	27-91892	GASKET-ADAPTOR COVER		
27-34213	GASKET-FUEL PUMP .....	29	2		AND OIL FILTER .....	55	7
27-34486--3	GASKET .....	23	13	27-94914	GASKET-BODY TO WEAR		
27-41812--2	GASKET-THERMOSTAT				PLATE .....	35	8
	COVER .....	33	7	27-94914	GASKET-BODY TO WEAR		
27-42270A1	GASKET SET .....	25	15		PLATE .....	37	8
27-46820	GASKET-EXHAUST			27-99893	GASKET-OIL FILTER		
	MANIFOLD TO HEAD ....	31	21		ADAPTOR .....	55	16
27-47510	GASKET-THERMOSTAT ...	33	5	28-34466	KEY-CRANKSHAFT .....	43	17
27-47903	GASKET-BEARING			28-56662	KEY-IMPELLER DRIVE (USE		
	SUPPORT HOUSING ....	65	14		WHERE APPLICABLE) ...	35	11
27-49110	GASKET-WATER PUMP			28-811558	KEY-CRANKSHAFT .....	43	17
	MOUNTING .....	47	18	30-47470	BEARING-BALL .....	65	9
27-49955	GASKET .....	51	11	30-47470	BEARING-BALL .....	71	21
27-49955	GASKET-OIL DRAIN PLUG .	53	9	30-62780A1	BEARING-BALL .....	73	24
27-52501	GASKET-BEARING			30-72961	BEARING-BALL-WATER		
	SUPPORT HOUSING ....	71	23		PUMP SHAFT .....	35	16
27-52550	GASKET SET .....	51	9	30-72961	BEARING-BALL-WATER		
27-53045--1	GASKET-THERMOSTAT				PUMP SHAFT .....	37	17
	HOUSING .....	33	3	30-811870	BEARING-BALL .....	15	9
27-54529	GASKET-CRANKCASE			30-93944A1	BEARING-BALL .....	73	9
	COVER .....	47	24	31-47468	BEARING-NEEDLE .....	71	25
27-805215--1	GASKET-COVER TO OUTER			31-47468	BEARING-NEEDLE-BEARING		
	WEAR PLATE .....	35	4		SUPPORT HOUSING ....	65	13
27-805215--1	GASKET-COVER TO OUTER			32-12818	HOSE-OIL COOLER TO		
	WEAR PLATE .....	37	6		POWER STEERING		
27-805760	GASKET-DISTRIBUTOR CAP	23	3		COOLER .....	33	15
27-811546	GASKET-CYLINDER HEAD .	39	24	32-12837	LINE-FUEL INLET .....	25	13
27-811566	GASKET .....	53	6	32-33220-70	HOSE (48.00 IN. BULK) (CUT		
27-811572	GASKET-CRANKCASE				17.00 IN.) .....	33	23
	COVER .....	47	24	32-42265	TUBE-VENT .....	25	18
27-813970	GASKET-FELT .....	11	35	32-47516--6	HOSE ASSEMBLY (30.00 IN.)	69	34
27-817042	GASKET .....	55	NS	32-47516--6	HOSE ASSEMBLY (30.00		
27-817118--1	GASKET-INTAKE TO				IN.)-TRANSMISSION TO		
	SUPERCHARGER .....	47	3		OIL COOLER .....	65	36
27-817118A90	GASKET SET .....	23	-	32-52519-14	HOSE (53.00 IN. BULK) (CUT		
27-817118A90	GASKET SET .....	27	-		AS REQ'D) .....	77	14
27-817118A90	GASKET SET .....	31	-	32-53461-70	HOSE-WATER PUMP TO OIL		
27-817118A90	GASKET SET .....	33	-		COOLER .....	33	12
27-817118A90	GASKET SET .....	39	-	32-68894--1	HOSE (48.00 IN. BULK) (CUT		
27-817118A90	GASKET SET .....	45	-		6.00 IN.) .....	31	27
27-817118A90	GASKET SET .....	49	-	32-77457--2	HOSE .....	79	8
27-817118A90	GASKET SET .....	51	-	32-77690	WRAPPING .....	17	26
27-817118A90	GASKET SET .....	57	-	32-805987	HOSE-BY PASS-WATER		
27-817118A90	GASKET SET .....	67	-		PUMP/INTAKE MANIFOLD	47	15
27-817118A90	GASKET SET-COMPLETE ..	41	NS	32-815212--1	HOSE-MANIFOLD TO		
27-818188	GASKET-INTAKE MANIFOLD	47	11		EXHAUST PIPE .....	31	3
27-827014A92	GASKET SET .....	23	-	32-815215	HOSE (3.500 IN.) .....	31	13
27-827014A92	GASKET SET .....	27	-	32-816200A2	TUBE ASSEMBLY-DIPSTICK	51	14
27-827014A92	GASKET SET .....	29	-	32-816344	HOSE-THERMOSTAT		
27-827014A92	GASKET SET .....	31	-		HOUSING TO POWER		
27-827014A92	GASKET SET .....	33	-		STEERING COOLER ....	33	17

# PARTS INDEX

Part Number	Description	Pg.	Ref. No.	Part Number	Description	Pg.	Ref. No.
32-816345--1	HOSE-THERMOSTAT HOUSING TO WATER PUMP	33	18	46-72774A82	PUMP ASSEMBLY-WATER (COMPLETE)	37	1
32-816346	HOSE-THERMOSTAT COVER (STARBOARD)	33	21	46-94913A1	HOUSING ASSEMBLY-WATER PUMP	35	14
32-816347	HOSE-THERMOSTAT COVER (PORT)	33	20	47-59362--1	IMPELLER	37	10
32-816504	HOSE-OIL COOLER TO TRANSMISSION COOLER	33	14	47-59362--1	IMPELLER (USE WITHOUT KEY)	35	10
32-817130	FUEL LINE-PUMP TO CARB	25	8	50-17251A3	STARTER ASSEMBLY	7	-
32-821284-33	HOSE-VENT (14.00 IN.)	27	36	50-17251A3	STARTER ASSY	3	2
32-822105	LINE-FUEL-FUEL PUMP TO CARBURETOR	29	13	50-99418A2	STARTER ASSEMBLY	3	1
32-847598	LINE-FUEL-FILTER TO PUMP	29	12	50-99418A2	STARTER ASSEMBLY	9	-
32-847764A1	HOSE ASSEMBLY (22.00 IN.)	33	23	53-23720	RING-RETAINING-BALL BEARING	37	18
32-847764A2	HOSE ASSEMBLY (17.00 IN.)	33	23	53-23720	RING-SNAP-BALL BEARING RETAINING	35	18
32-92357-38	HOSE-OIL-ADAPTOR (18.500 IN.)	55	20	53-33290	RING-RETAINING-PINION STOP COLLAR	7	4
32-92357-49	HOSE ASSY-OIL (24.00 IN.)	57	41	53-33290	RING-RETAINING-PINION STOP COLLAR	9	4
32-92357-51	HOSE ASSY-OIL (26.00 IN.)	55	20	53-33354	RING-RETAINING-STUD	9	28
32-92357-53	HOSE ASSEMBLY-OIL (28.00 IN.)	57	36	53-47469	RING-SNAP-BALL BEARING TO ENGINE COUPLING	65	6
32-93315-12	HOSE-VENT (20.500 IN. BULK) (CUT 11.00 IN.)	27	36	53-52502	RING-SNAP	71	22
32-93370-70	SIGHT TUBE	25	5	53-52503	RING-SNAP	71	28
32-93370-70	TUBING (48.00 IN. BULK) (CUT 36.00 IN.)-FUEL PUMP TO CARBURETOR	29	14	53-52507	RING-SUPPORT	71	27
32-98494	HOSE (FITTINGS ON BOTH ENDS)	77	11	53-78201--2	CLIP	27	45
32-98843-39	HOSE (FITTINGS ON ONE END)	77	13	53-93914	RING-RETAINING	73	10
33-813421	SPARK PLUG	23	19	53-93915	RING-RETAINING	73	14
35-16595	FILTER-OIL	55	8	53-94103	RING-RETAINING	73	25
35-805269--1	FILTER-FUEL	29	15	53-94104	RING-RETAINING	73	23
35-818400T	ADAPTOR	55	14	54-15095	J CLAMP	57	34
35-93568	FILTER	25	12	54-18076--1	CLAMP	77	15
36-811569	CAP-OIL FILLER	39	2	54-18076--4	CLAMP-HOSE	33	22
36-95805	CAP	77	3	54-18076--6	CLAMP	33	13
37-13723-63	DECAL-CARBURETOR COVER	27	44	54-18076--9	CLAMP	33	19
37-818991	DECAL	39	6	54-47483	J CLIP	63	6
39-67127	RING KIT-PISTON (STANDARD)	43	2	54-62494	CLIP	75	7
39-848350030	RING KIT-PISTON (.030 O.S.)	43	2	54-64628--1	LIFTING EYE	47	6
43-61726	SPROCKET-CAMSHAFT	41	11	54-67015	CLAMP	69	26
43-61727	SPROCKET-CRANKSHAFT	41	12	54-78945	J CLAMP-FLYWHEEL HOUSING STUD	61	9
43-811578	SPROCKET-CAMSHAFT	41	11	54-78945	J CLIP	75	12
43-811579	SPROCKET-CRANKSHAFT	41	12	54-815207	CLAMP	31	14
43-818381--1	PINION STUD	37	30	54-815504105	CLAMP	31	28
43-818807	GEAR-DRIVE	23	8	54-815504412	CLAMP-BY PASS HOSE	47	14
45-53967A1	DRIVESHAFT ASSEMBLY (43.00 IN.)	71	1	54-822279	CLIP	53	13
45-86978A1	DRIVESHAFT ASSEMBLY (37.00 IN.)	71	1	54-847630-12	CLAMP-HOSE	27	37
45-94819A3	DRIVESHAFT ASSEMBLY	73	1	54-847752-18	CLAMP-HOSE	33	22
46-72774A32	PUMP ASSEMBLY-WATER	35	1	54-848130	CLIP-HOSE-CIRCULATING PUMP	3	31
46-72774A40	BODY ASSEMBLY-WATER PUMP	35	2	54-848183	J CLIP-ELECTRICAL HARNESS	21	50
				54-848183	J CLIP-POWER STEERING HOSE	77	22
				57-69143T	V BELT	37	34
				57-74271T	V BELT-WATER PUMP	35	25
				57-816034	V BELT-ALTERNATOR DRIVE	47	20
				57-817113	BELT-SERPENTINE	47	21
				57-96834T	V BELT (50.00 IN.)	77	10

# PARTS INDEX

Part Number	Description	Pg.	Ref. No.	Part Number	Description	Pg.	Ref. No.
84-14338A5	HARNESS ASSEMBLY- WIRING .....	17	1	392-805570A2	COIL KIT-IGNITION .....	23	24
84-62826A6	CABLE ASSEMBLY (13.00 IN.)-GROUND .....	63	9	429-5880	CRANKSHAFT .....	43	16
84-62826A6	CABLE ASSEMBLY (BLACK)	21	41	429-811552	CRANKSHAFT .....	43	16
84-62826A6	CABLE ASSEMBLY (BLACK)	61	12	451-7892	CAMSHAFT .....	41	9
84-62826A6	CABLE ASSEMBLY (BLACK)	75	16	614-9641	CONNECTING ROD ASSEMBLY .....	43	12
84-62826A7	CABLE ASSEMBLY (21.00 IN.)-GROUND .....	63	9	798-817114	PISTON ASSEMBLY (STANDARD) .....	43	1
84-79139A16	CABLE ASSEMBLY (RED) (35.500 IN.) .....	17	15	798-817114A1	PISTON ASSEMBLY (.030 O.S.) .....	43	1
84-79139A16	CABLE ASSEMBLY (RED) (35.500 IN.) .....	55	23	842-801999	CYLINDER ASSY .....	41	1
84-811890	WIRE-LEAD .....	15	29	842-9638	CYLINDER ASSY .....	41	1
84-811891	WIRE-LEAD .....	15	30	938-811529--3	HEAD-CYLINDER (.375) ....	39	22
84-816608A61	CABLE KIT-IGNITION-SPARK PLUGS (RED) .....	23	18	938-817129--1	HEAD-CYLINDER .....	39	22
84-816943	HARNESS ASSEMBLY .....	73	29	938-826363A1	HEAD ASSY-CYLINDER (.437) .....	39	22
84-847701A7	CABLE KIT-IGNITION-SPARK PLUGS & COIL (BLUE) ...	23	18	1396-9859	GASKET-FUEL INTAKE ....	25	-
84-847722A1	HARNESS ASSEMBLY- WIRING .....	19	1	1396-9860	POWER VALVE .....	25	-
84-86044A4	CABLE ASSEMBLY- TAN/BLUE (36.00 IN.) ....	83	10	1396-9861	NEEDLE/SEAT KIT .....	25	-
84-86322A17	CABLE ASSEMBLY (BLACK)	19	37	1396-9862	FLOAT-CENTER INLET ....	25	-
84-86322A22	CABLE ASSEMBLY (BLACK)	67	51	1399-6508-98	JET-MAIN (.125) (PRIMARY- PORT) .....	25	17
84-86322A8	CABLE ASSEMBLY-BLACK (8.00 IN.) .....	83	12	1399-6508-98	JET-MAIN (.125) (PRIMARY- STARBOARD) .....	25	17
84-88032A5	CABLE ASSEMBLY (TAN/BLUE) .....	67	51	1399-6508-98	JET-MAIN (.125) (SECONDARY-PORT) ...	25	17
84-88032A6	CABLE ASSEMBLY- TAN/BLUE (20.00 IN.) ....	83	11	1399-6508-98	JET-MAIN (.125) (SECONDARY- STARBOARD) .....	25	17
85-79695	BOOT-INSULATOR- STARTER TERMINAL ....	3	9				
87-805605A1	SWITCH ASSEMBLY- PRESSURE .....	83	4				
87-88031	SWITCH-TEMPERATURE ..	65	35				
87-91019A3	SENSOR ASSEMBLY .....	23	6				
87-94009	SWITCH-CHOKE PRESSURE	55	22				
88-11178	BREAKER-CIRCUIT (50 AMP)	17	8				
88-11178	BREAKER-CIRCUIT (50 AMP)	19	5				
89-18080	SOLENOID .....	7	34				
89-18080	SOLENOID .....	9	33				
89-818999A2	SOLENOID ASSEMBLY- STARTER .....	19	10				
89-96054	SOLENOID-STARTER .....	17	13				
230-5534	FLYWHEEL .....	43	7				
230-6540	FLYWHEEL .....	43	6				
230-811561	FLYWHEEL .....	43	6				
230-811563	FLYWHEEL .....	43	7				
390-7004	FAN .....	11	4				
390-7005	BEARING-BALL .....	11	7				
390-7007	RETAINER .....	11	13				
390-7014	RING-SLIP .....	11	11				
390-7021	NUT .....	11	21				
390-7022	WASHER .....	11	24				
390-7027	NUT .....	11	1				
390-7033	WASHER .....	11	2				
390-7034	KEY .....	11	9				
390-8637	PULLEY .....	11	3				