



PARTS CATALOG

502 MAGNUM BRAVO ENGINE

SERIAL NUMBER

502 MAG BRAVO GM 502 V-8 1990-19920C878221 THRU 0D824588

TABLE OF CONTENTS:

ALTERNATOR (MANDO)	10
ALTERNATOR (PRESTOLITE) PRESTOLITE #8EM2003KA	8
AUDIO WARNING SYSTEM	40
CARBURETOR	20
CARBURETOR AND LINKAGE	18
CRANKSHAFT, PISTONS AND CONN. RODS	32
CYLINDER BLOCK AND CAMSHAFT	30
CYLINDER HEAD AND ROCKER COVER	28
DISTRIBUTOR AND IGNITION COMPONENTS	14
ENGINE MOUNTING	46
EXHAUST MANIFOLD AND EXHAUST ELBOW(CAST IRON)	22
EXHAUST MANIFOLD AND EXHAUST ELBOW(STAINLESS STEEL)	52
EXHAUST PLATE	44
FLYWHEEL HOUSING	38
FUEL PUMP AND FUEL FILTER	16
INTAKE MANIFOLD AND FRONT COVER	34
MISCELLANEOUS PARTS/ACCESSORIES	2
OIL FILTER AND ADAPTOR	50
OIL PAN AND OIL PUMP	36
PARTS INDEX	54
POWER STEERING COMPONENTS	48
SEA WATER PUMP ASSEMBLY	26
SHIFT BRACKET	42
STARTER MOTOR	6
STARTER MOTOR AND ALTERNATOR	4
THERMOSTAT HOUSING (STANDARD COOLING)	24
WIRING HARNESS, ELECTRICAL AND IGNITION	12

NOTE: Indented description indicate that these parts are included in preceeding assembly.

AR = As Required
OPT = Optional

NSS = Not Sold Separate
NS = Not Shown

THESE PARTS BOOKS/FICHE CARD ARE COPYRIGHTED AND MAY NOT BE DISTRIBUTED OR REPRODUCED IN ANY OTHER FORMAT BY ANYONE OTHER THAN MERCURY MARINE WITHOUT THE PRIOR WRITTEN CONSENT OF MERCURY MARINE.

REPLACEMENT PARTS ! WARNING !

Electrical, ignition and fuel system components on MerCruiser Engines and Stern Drives are designed and manufactured to comply with U.S. Coast Guard Rules and Regulations to minimize risks of fire or explosion. Use of replacement electrical, ignition or fuel system components, which do not comply to these rules and regulations, could result in a fire or explosion hazard and should be voided.

When servicing the electrical, ignition and fuel systems, it is extremely important that all components are properly installed and tightened. If not, any electrical or ignition component opening would permit sparks to ignite fuel vapors from fuel system leaks, if they existed.

ENGINE MECHANICAL COMPONENTS

Many of the engine mechanical components are designed for marine applications. Unlike automotive engines, marine engines are subjected to extended periods of heavy load and wide- open-throttle operation, therefore, require heavy-duty components. Special marine engine parts have design and manufacturing specifications, which are required to provide long life and dependable performance. Marine engine parts also must be able to resist the corrosive action of salt or brackish water that will rust or corrode standard automotive parts within a short period of time.

Failure to use recommended Mercury Precision Parts OR Quicksilver service replacement parts can result in poor engine performance and/or durability, rapid corrosion of parts subjected to salt water and possibly complete failure of the engine.

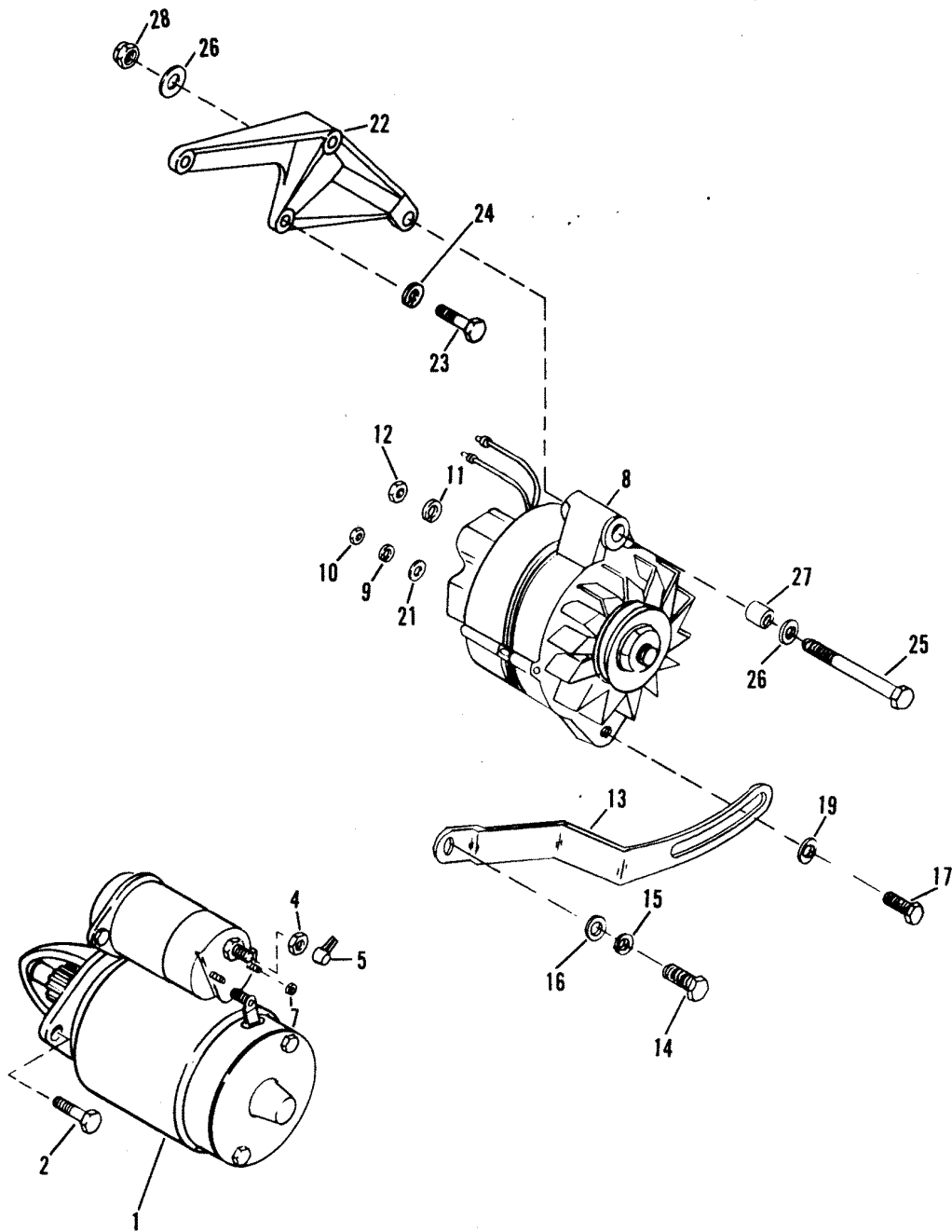
Use of parts other than recommended service replacement parts will void the warranty on those parts which are damaged as a result of the use of other than recommended parts.

MISCELLANEOUS PARTS/ACCESSORIES

REF. NO.	PART NO.	SYM.	QTY.	DESCRIPTION
-	90-816935-90		1	PARTS CATALOG - Service
-	90-816463		1	SERVICE MANUAL
-	90-13230902		1	OWNER'S GUIDE

THIS PAGE INTENTIONALLY LEFT BLANK

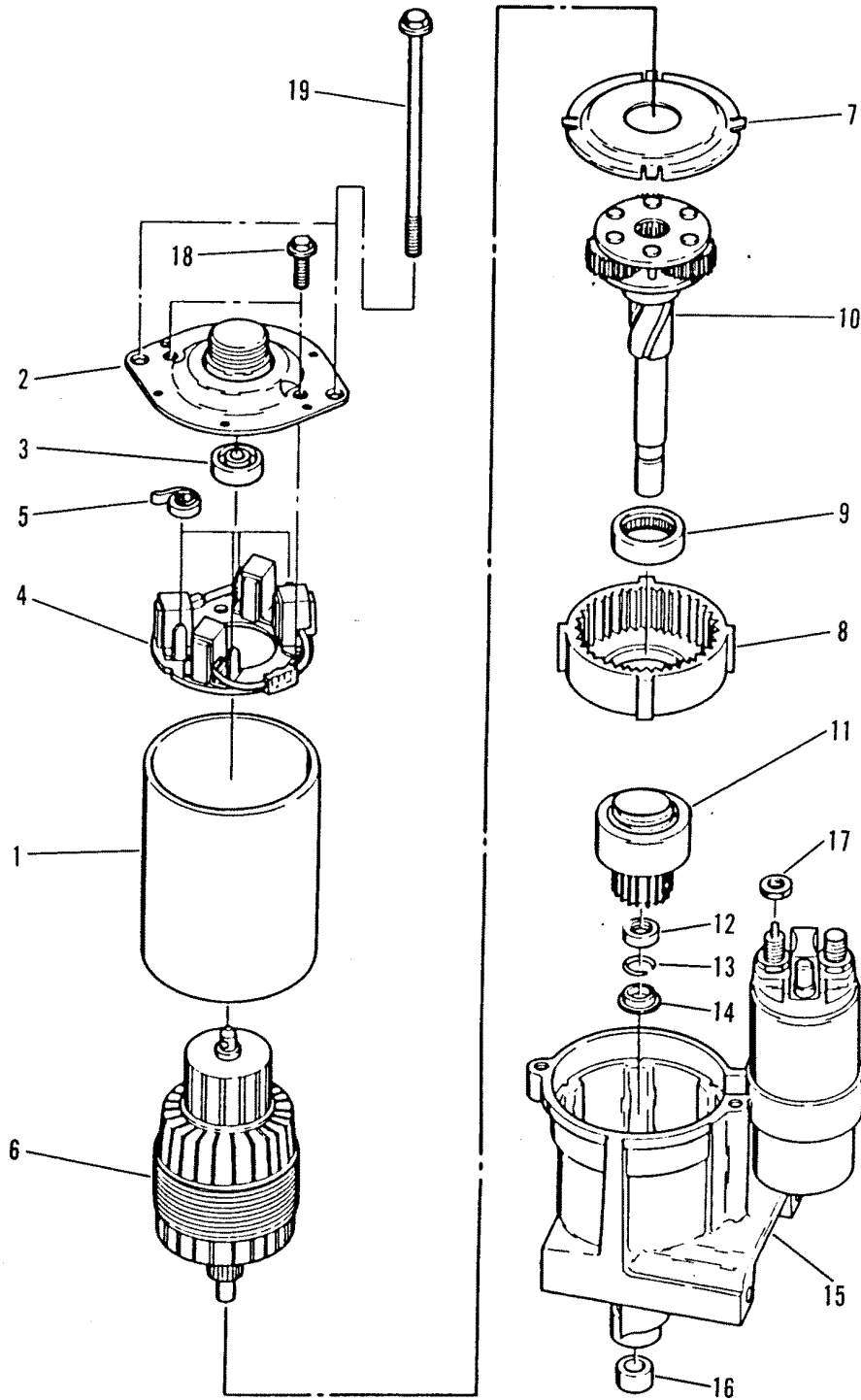
STARTER MOTOR AND ALTERNATOR



STARTER MOTOR AND ALTERNATOR

REF. NO.	PART NO.	SYM.	QTY.	DESCRIPTION
1	50-812428A3		1	STARTER MOTOR
2	10-813642		2	SCREW
4	11-15874		1	NUT (10MM)
5	85-79695		1	BOOT
7	11-40021--1		1	NUT (5MM)
8	92497A3		1	ALTERNATOR
9	13-26996		1	LOCKWASHER
10	11-79989		1	NUT
11	13-26992		1	LOCKWASHER
12	11-64015		1	NUT
13	85013T		1	BRACE
14	10-47462		1	SCREW (1-1/4")
15	13-32993		1	LOCKWASHER
16	12-31263		1	WASHER
17	10-29198		1	SCREW (7/8")
19	12-26168		1	WASHER
21	12-96457		1	WASHER
22	96116A1		1	BRACKET
23	10-34354		2	SCREW (1-1/2")
	10-37612		1	SCREW (1-1/4")
24	13-35048		3	LOCKWASHER
25	10-48308		1	SCREW (3-3/4")
26	12-20553		2	WASHER
27	23-33186		1	BUSHING
28	11-23161		1	NUT

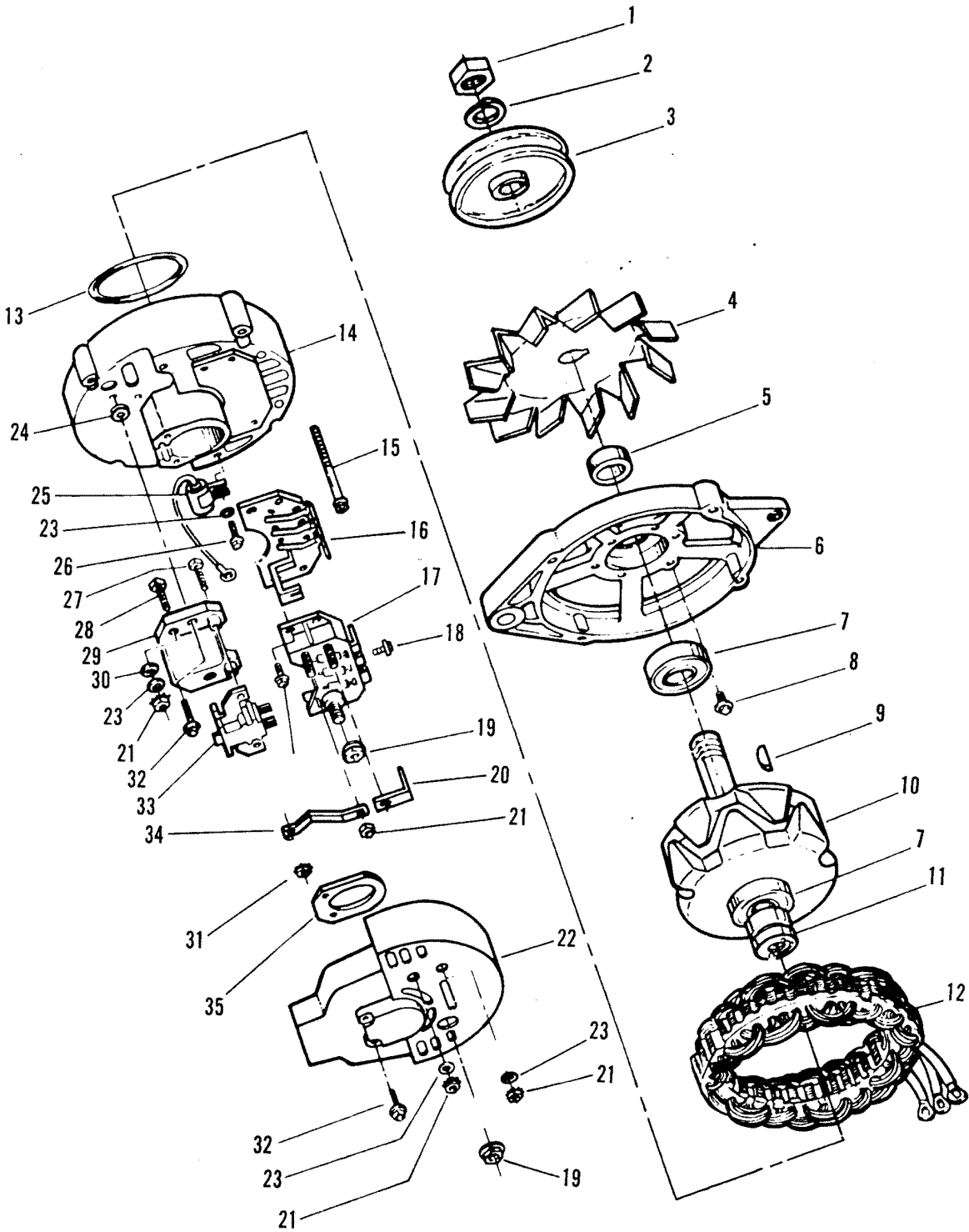
STARTER MOTOR



STARTER MOTOR

REF. NO.	PART NO.	SYM.	QTY.	DESCRIPTION
1	50-812428A3		1	STARTER MOTOR
2	814464		1	FRAME
3	30-814465		1	BALL BEARING
4	814466		1	BRUSH HOLDER
5	24-814467		4	SPRING
6	814469		1	ARMATURE
7	814470		1	SHIELD
8	814471		1	GEAR AND BEARING
9	814479		1	BEARING ROLLER
10	814472		1	SHAFT AND GEAR
11	814473		1	DRIVE
12	33291		1	COLLAR
13	53-33290		1	RETAINING RING
14	814474		1	THRUST COLLAR
15	814475		1*	DRIVE HOUSING
16	23-814476		1	BUSHING
17	N.S.S.		1	NUT
18	10-814468		2	SCREW
19	10-814477		2	THRU BOLT

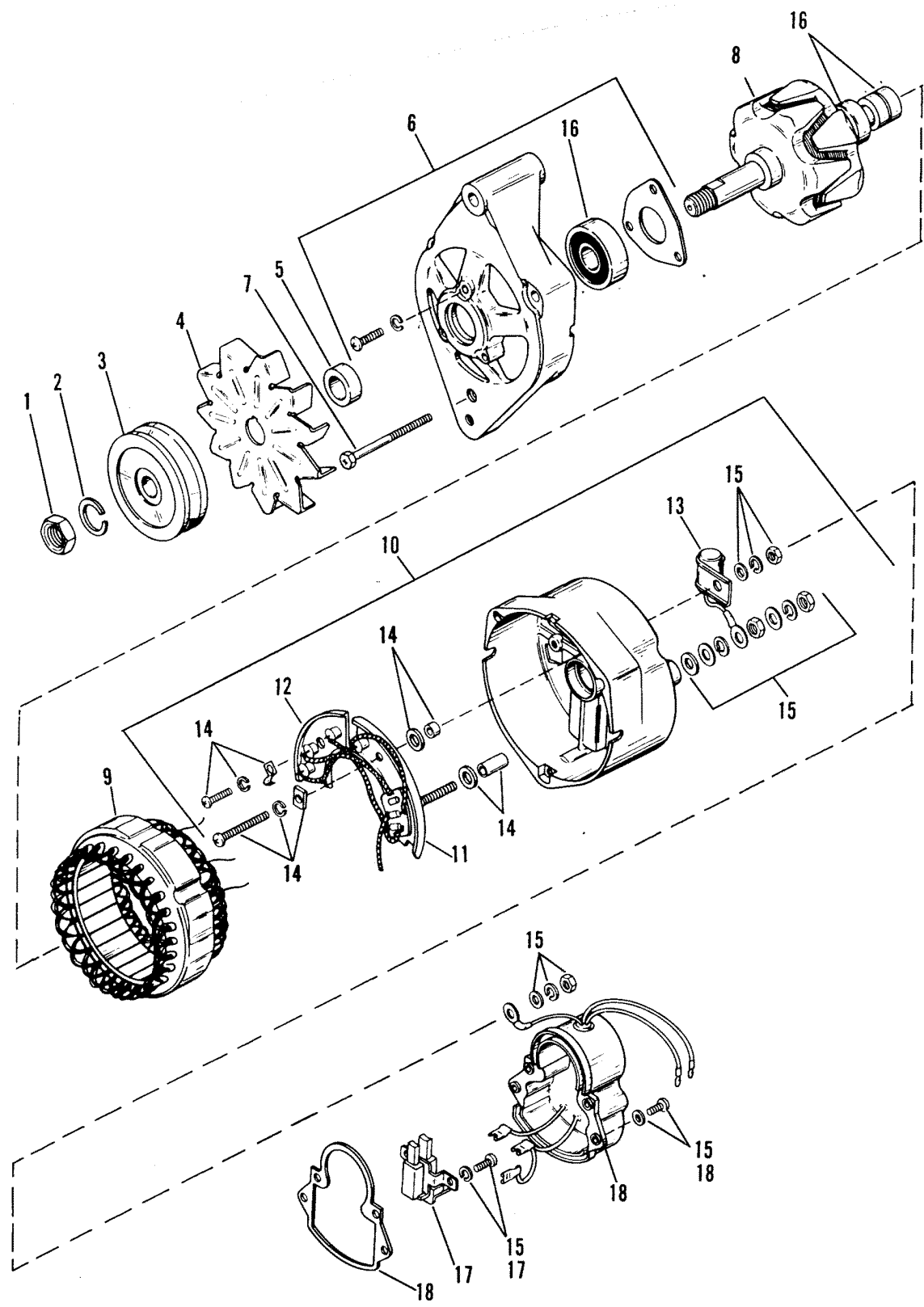
ALTERNATOR (PRESTOLITE) PRESTOLITE #8EM2003KA



ALTERNATOR (PRESTOLITE) PRESTOLITE #8EM2003KA

REF. NO.	PART NO.	SYM.	QTY.	DESCRIPTION
-	92497A3		1	ALTERNATOR ASSEMBLY (55 AMP)
1	390-7027		1	NUT
2	390-7033		1	LOCKWASHER
3	390-8637		1	PULLEY
4	390-7004		1	FAN
5	813969		1	SPACER
6	813961		1	FRONT HOUSING
7	390-7005		2	BALL BEARING
8	10-813978A1		4	SCREW
9	390-7034		1	KEY
10	813962		1	ROTOR
11	390-7014		1	SLIP RING
12	813963		1	STATOR
13	390-7007		1	RETAINER
14	813964		1	REAR HOUSING
15	10-813975		4	THRU BOLT
16	813966		1	DIODE BRIDGE
17	813965		1	DIODE FIELD
18	10-813981		3	SCREW
19	11-813976		2	NUT
20	813973		1	STRAP
21	390-7021		5	NUT
22	813971		1	COVER
23	12-813984		5	WASHER
24	390-7022		2	WASHER
25	813972		1	CAPACITOR
26	10-813982		1	SCREW
27	10-813979		2	SCREW
28	10-813983		2	SCREW
29	813974		1	VOLTAGE REGULATOR
30	12-813985		2	WASHER
31	11-813977		2	NUT
32	10-813980		8	SCREW
33	813968		1	BRUSH ASSEMBLY
34	813967		1	STRAP (D+)
35	27-813970		1	GASKET

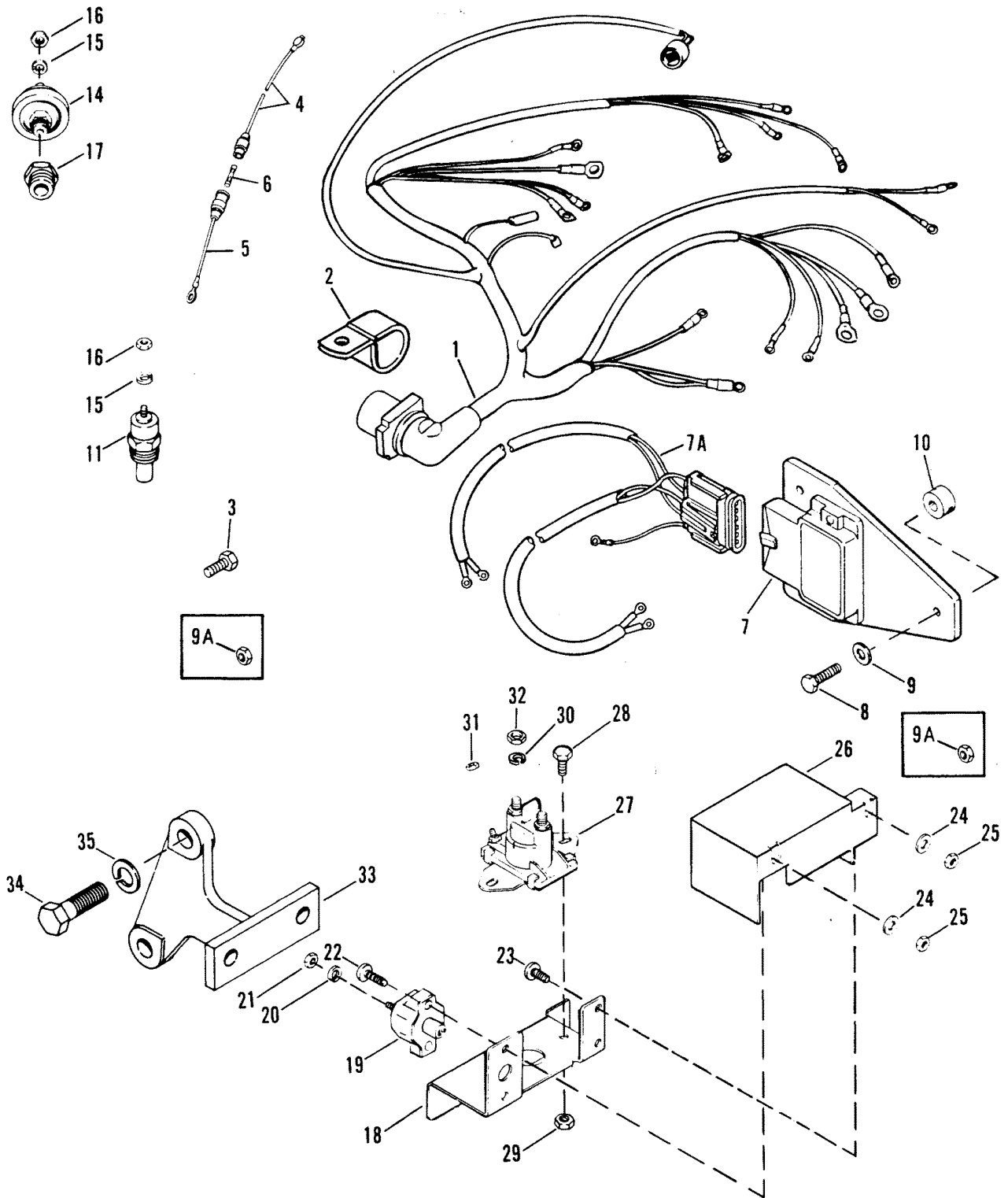
ALTERNATOR (MANDO)



ALTERNATOR (MANDO)

REF. NO.	PART NO.	SYM.	QTY.	DESCRIPTION
1	11-42768		1	NUT
2	13-42769		1	LOCKWASHER
3	42770		1	PULLEY
4	42771		1	FAN
5	23-42772		1	SPACER
6	42774		1	FRONT BRACKET
7	10-42773		3	BOLT
8	42775		1	ROTOR (INCLUDES BEARINGS)
9	42776		1	STATOR
10	42777		1	REAR BRACKET
11	42778		1	HEAT SINK (+)
12	42779		1	HEAT SINK (-)
13	42780		1	CONDESER
14	42783		1	HARDWARE KIT (INTERNAL)
15	42782		1	HARDWARE KIT (EXTERNAL)
16	42781		1	BEARING KIT
17	42784		1	BRUSH HOLDER KIT (INCL. SPRINGS & BRUSHES)
18	42785		1	REGULATOR KIT

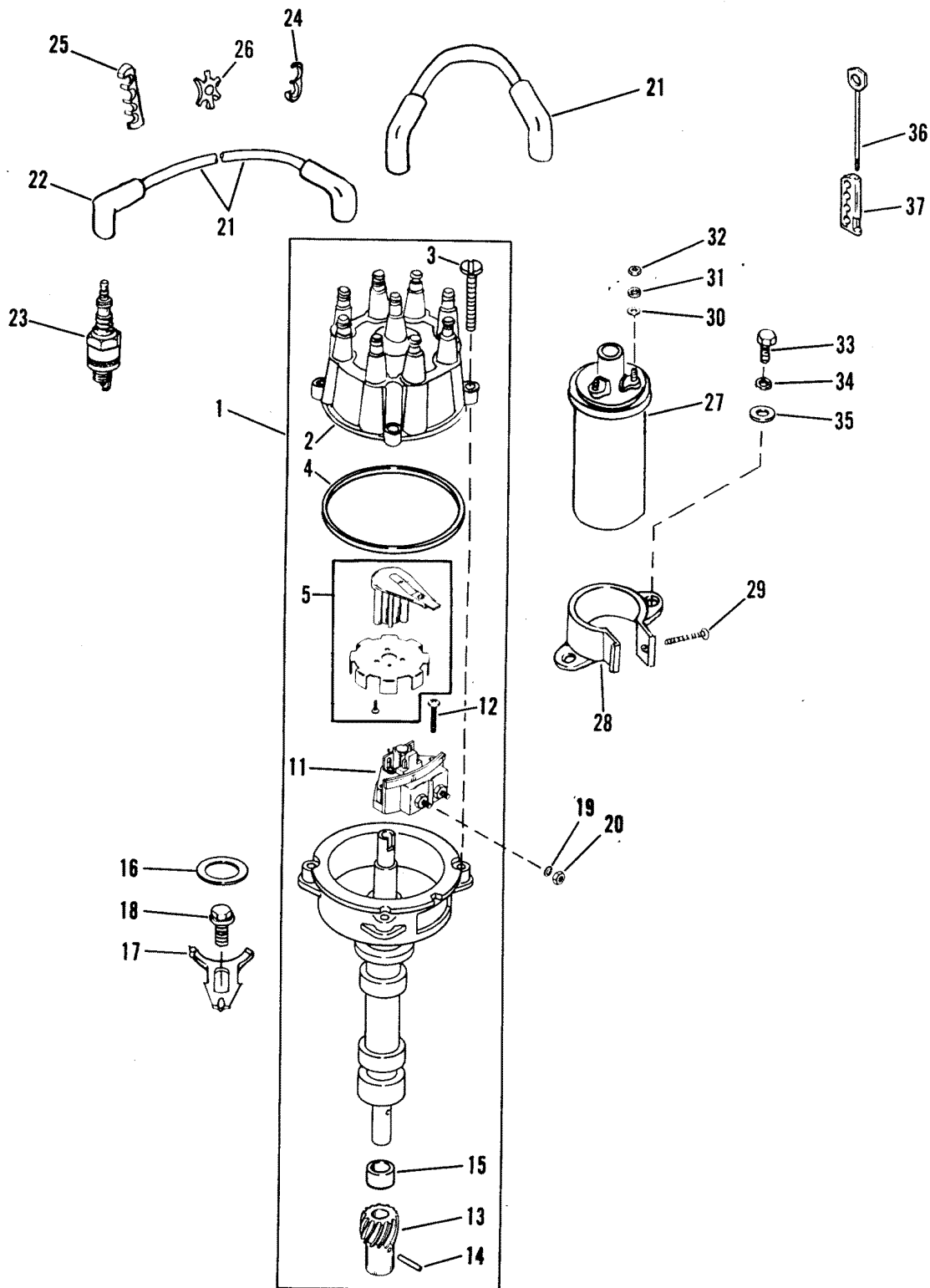
WIRING HARNESS, ELECTRICAL AND IGNITION



WIRING HARNESS, ELECTRICAL AND IGNITION

REF. NO.	PART NO.	SYM.	QTY.	DESCRIPTION
1	84-96020A6		1	WIRING HARNESS
2	54-816398		1	CLAMP
3	10-65746		3	SCREW (CAST IRON EXHAUST MANIFOLD)
4	84-95084A9		1	WIRE (LONG - RED)
5	84-95084A10		1	WIRE (SHORT - RED)
6	88-79091		1	FUSE (20 AMP)
7	817509T		1	IGNITION AMPLIFIER
7A	84-15275A1		1	HARNESS ASSEMBLY
8	10-76630		3	SCREW - CAST IRON EXHAUST ELBOW
9	13-26992		3	LOCKWASHER - CAST IRON EXHAUST ELBOW
9A	11-64015		6	NUT (STAINLESS STEEL EXHAUST ELBOW)
10	23-92152		3	SPACER
11	97257A1		1	WATER TEMPERATURE SENDER
	49734A1		OPT.	WATER TEMPERATURE SENDER (DUAL)
14	90806		1	OIL PRESSURE SENDER
	37293		OPT.	OIL PRESSURE SENDER (DUAL)
15	13-26996		2	LOCKWASHER
16	11-68219		2	NUT
17	22-64013		1	REDUCER
18	97163		1	BRACKET
19	88-11178		1	CIRCUIT BREAKER (50 AMP)
20	13-26996		2	LOCKWASHER
21	11-68219		2	NUT
22	10-45862		2	SCREW (7/8")
23	10-22028		1	SCREW
24	12-56681		3	WASHER
25	11-46438		3	NUT
26	85-96819T		1	INSULATOR
27	89-96054		1	STARTER SOLENOID
28	10-47910		2	SCREW (5/8")
29	11-20088		2	NUT
30	13-26992		2	LOCKWASHER
31	11-26419		2	NUT (8-32)
32	11-94330		2	NUT (1/4-20)
33	96940T		1	BRACKET
34	10-37612		1	SCREW (1-1/4") - 3/8-16 THREAD
35	13-35048		1	LOCKWASHER - 3/8-16 THREAD
34	10-47462		1	SCREW (1-1/4") - 7/16-14 THREAD
35	13-32993		1	LOCKWASHER - 7/16-14 THREAD

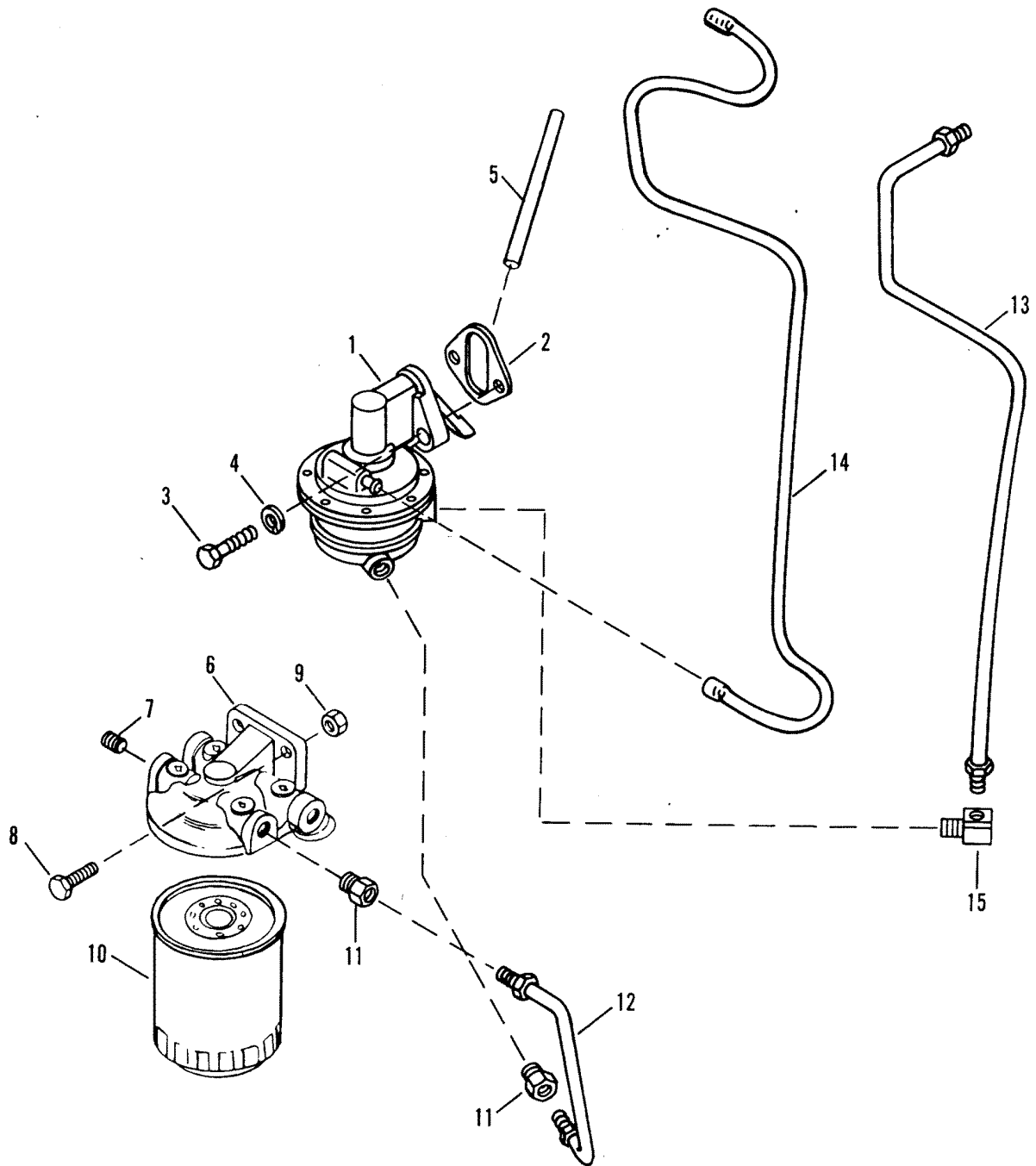
DISTRIBUTOR AND IGNITION COMPONENTS



DISTRIBUTOR AND IGNITION COMPONENTS

REF. NO.	PART NO.	SYM.	QTY.	DESCRIPTION
1	90747A3		1	DISTRIBUTOR ASSEMBLY
2	16457A4		1	CAP
3	10-90926		4	SCREW
4	27-98242--1		1	GASKET
5	13524A5		1	ROTOR/SENSOR WHEEL
11	87-91019A3		1	SENSOR ASSEMBLY
12	10-66686		1	SCREW (1")
	10-72202		1	SCREW (1-1/4")
13	43-813776--1		1	DRIVE GEAR
14	17-47617		1	PIN
15	23-90915		2	BUSHING
16	27-34486--3		1	GASKET
17	52185		1	CLAMP
18	10-35169		1	SCREW
19	13-26996		2	LOCKWASHER
20	11-68219		2	NUT
21	84-816608A61		1	SPARK PLUG WIRE KIT
23	33-59571		8	SPARK PLUG
24	54676		2	RETAINER (2 WIRE)
25	32783		2	RETAINER (3 WIRE)
26	32784		2	RETAINER (4 WIRE)
27	392-7803A4		1	IGNITION COIL
28	77294T		1	BRACKET
29	10-41408		1	SCREW (1-1/2")
30	12-30164		2	WASHER
31	13-26992		2	LOCKWASHER
32	11-45076		2	NUT
33	10-59645		2	SCREW (3/4")
34	13-39107		2	LOCKWASHER
35	12-20084		2	WASHER
36	16-90096A1		2	STUD ASSEMBLY
37	54-72821		2	RETAINER

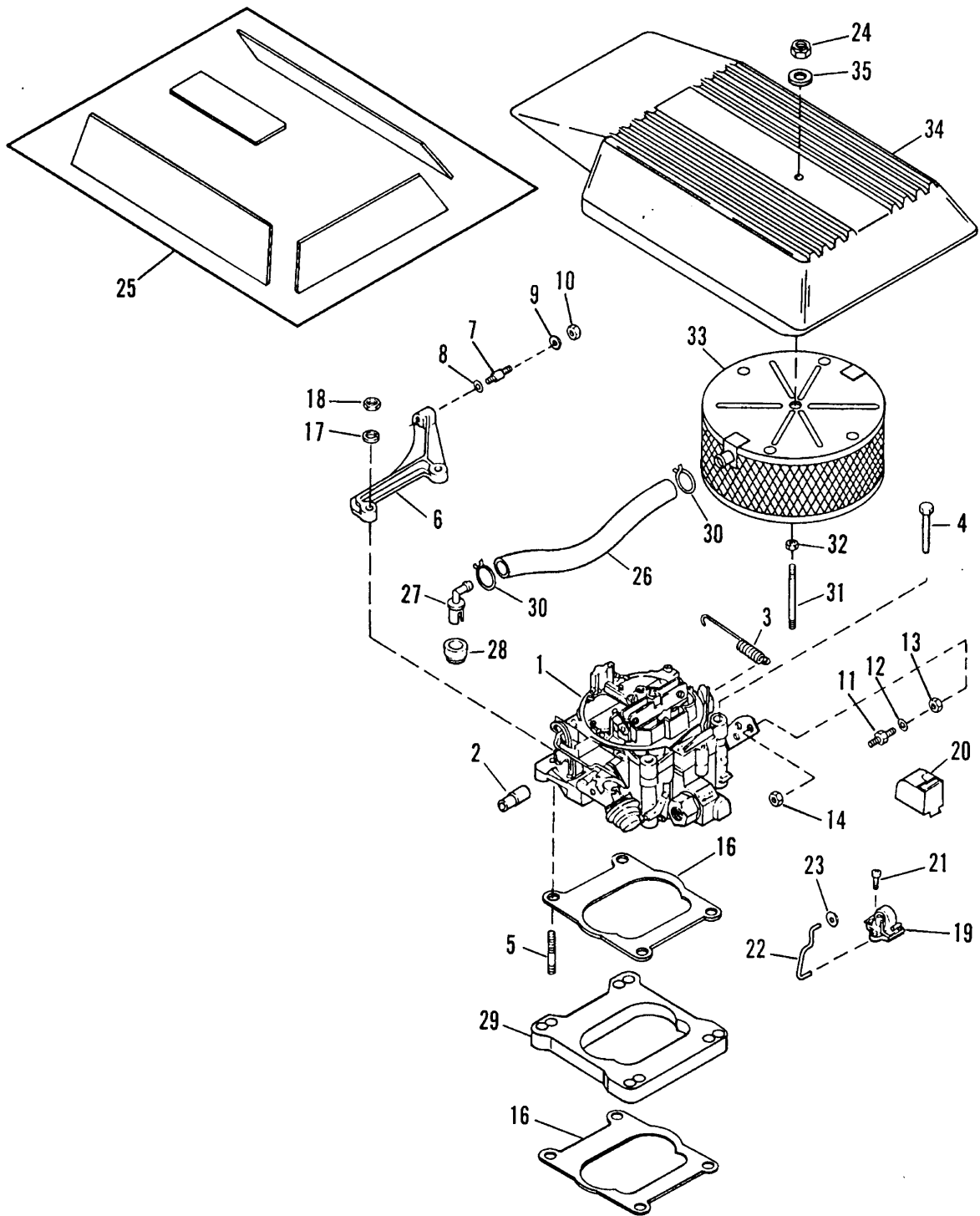
FUEL PUMP AND FUEL FILTER



FUEL PUMP AND FUEL FILTER

REF. NO.	PART NO.	SYM.	QTY.	DESCRIPTION
1	814624A2		1	FUEL PUMP
2	27-34213		1	GASKET
3	10-34354		2	SCREW (1-1/2")
4	13-35048		2	LOCKWASHER
5	35377		1	PUSH ROD
6	89876A3		1	BASE
7	22-36382		3	PIPE PLUG
8	10-26066		2	SCREW
9	11-35814		2	NUT
10	35-60494--1		1	FUEL FILTER
11	22-33821		2	CONNECTOR
12	32-814884T		1	FUEL LINE, FILTER TO PUMP
13	32-814885T		1	FUEL LINE, FUEL PUMP TO CARBURETOR
14	32-73815-63		1	HOSE, FUEL PUMP TO CARBURETOR
15	22-93385		1	ELBOW

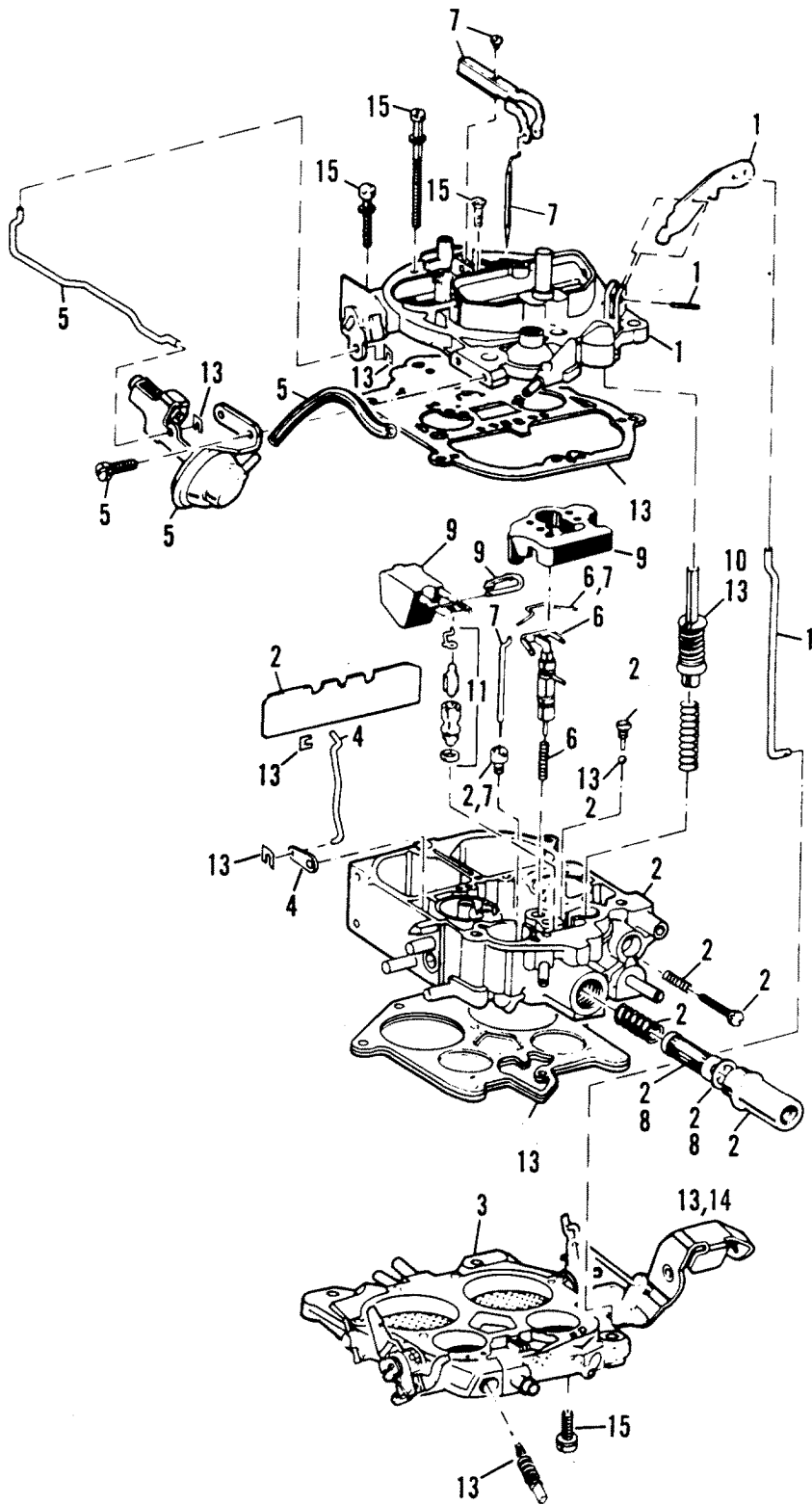
CARBURETOR AND LINKAGE



CARBURETOR AND LINKAGE

REF. NO.	PART NO.	SYM.	QTY.	DESCRIPTION
1	1347-814623A2		1	CARBURETOR ASSEMBLY
2	22-97282		1	CONNECTOR
3	24-32817		1	SPRING
4	10-61161		2	SCREW (4-1/4")
5	16-814954		2	STUD (2-1/2")
6	41329A3		1	BRACKET
7	16-38525		1	STUD
8	12-24664		2	WASHER
9	13-39107		2	LOCKWASHER
10	11-35045		1	NUT
11	16-96112		1	STUD
12	12-29245		2	WASHER
13	11-20361		1	NUT
14	11-35045		1	NUT
16	27-52457--2		2	GASKET
17	12-20084		2	WASHER
18	11-29250		2	NUT
19	66205		1	CHOKE
20	66198		1	COVER
21	10-69235		1	SCREW
22	815292		1	CHOKE LEVER
23	54-49290		1	CLIP
24	11-20586		1	NUT
25	37-812776A17		1	DECAL SET
26	32-93315-12		2	HOSE
27	97850		2	CONNECTOR
28	25-59987		2	GROMMET
29	815610		1	SPACER
30	54-53101		4	CLAMP
31	16-57835--1		1	STUD
32	11-28941		1	JAM NUT
33	814955T		1	FLAME ARRESTOR
34	18484A3		1	COVER
35	12-86400		1	WASHER

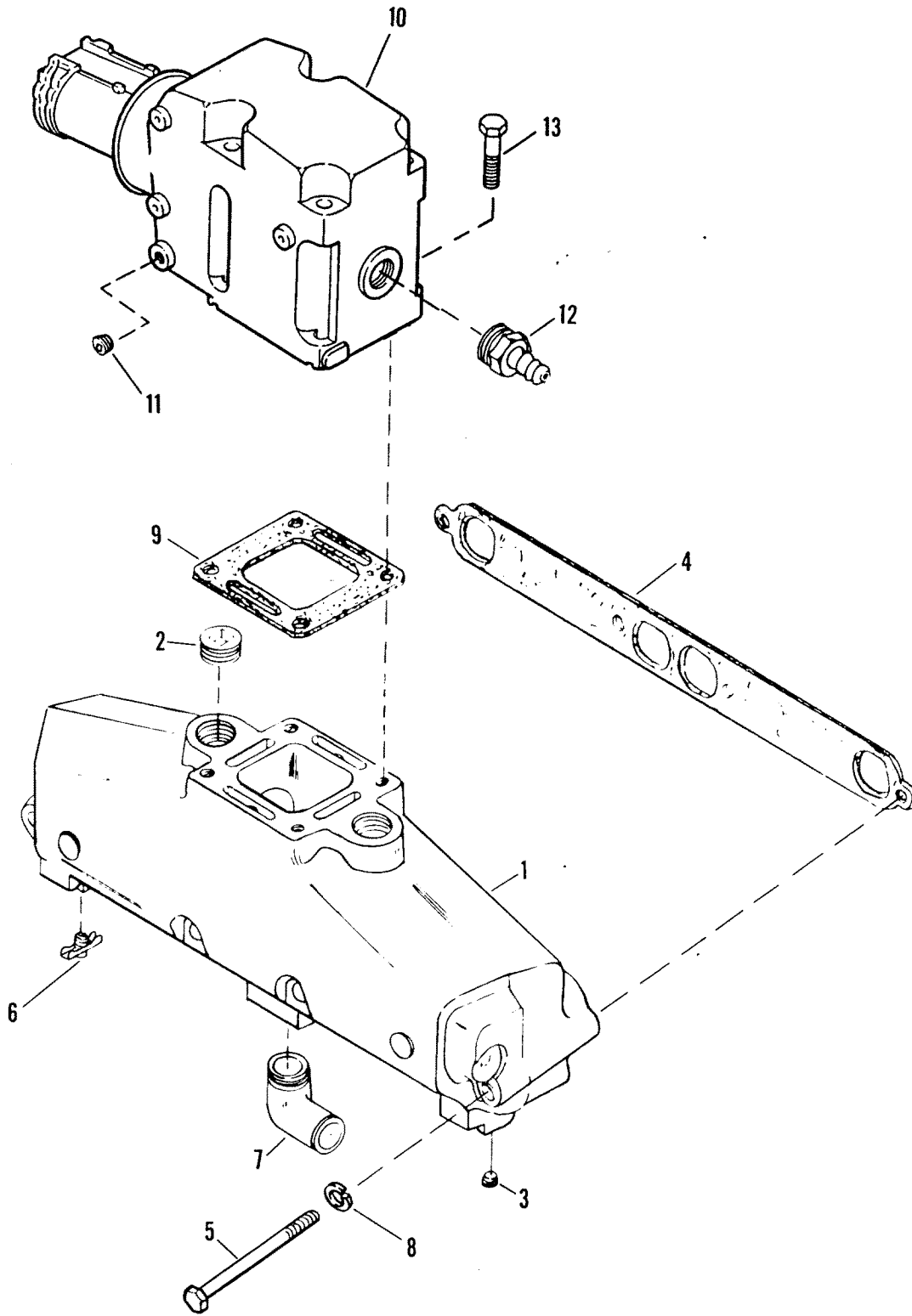
CARBURETOR



CARBURETOR

REF. NO.	PART NO.	SYM.	QTY.	DESCRIPTION
-	1347-814623A2		1	CARBURETOR ASSEMBLY
1	1397-817477		1	AIR HORN KIT
2	1397-817478		1	FLOAT BOWL KIT
3	1397-817479		1	THROTTLE BODY KIT
4	1397-8541		1	CHOKE LINK AND LEVER KIT
5	1397-8582		1	PRIMARY VACUUM KIT
6	1397-8543		1	POWER PISTON KIT
7	1397-817480		1	METERING JET AND ROD KIT
8	1397-8767		1	FUEL FILTER KIT
9	7931-2546		1	FLOAT KIT
10	1397-9669		1	PUMP KIT
11	1347-9871		1	NEEDLE AND SEAT KIT
13	1397-9723		1	CARBURETOR AND GASKET KIT - SEE NOTE
14	1397-8327		1	GASKET - SEE NOTE
15	1397-8557		1	SCREW KIT, AIR HORN/THROTTLE BODY

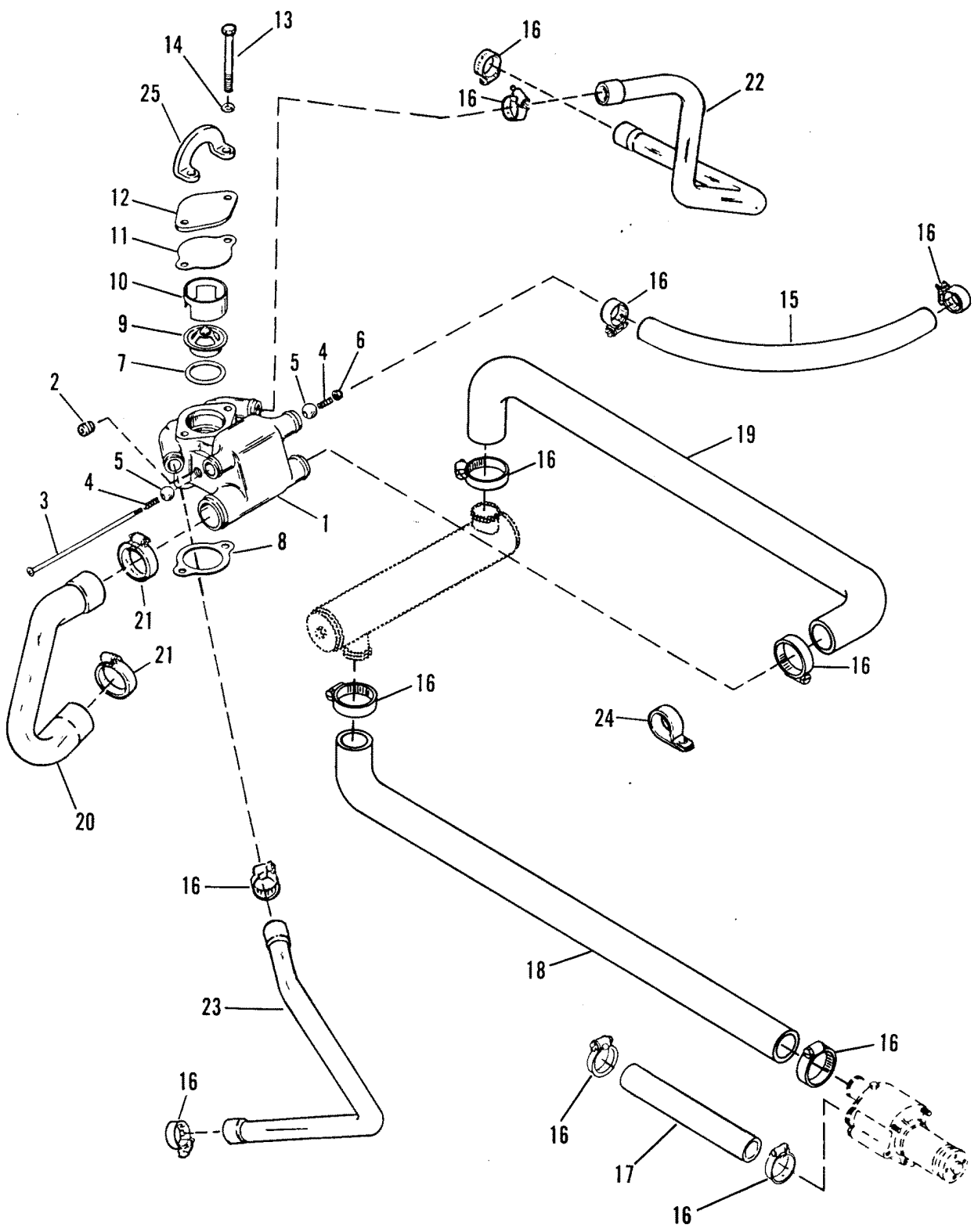
EXHAUST MANIFOLD AND EXHAUST ELBOW(CAST IRON)



EXHAUST MANIFOLD AND EXHAUST ELBOW(CAST IRON)

REF. NO.	PART NO.	SYM.	QTY.	DESCRIPTION
1	89011A8		2	EXHAUST MANIFOLD ASSEMBLY
2	22-33198A1		AR	PLUG
3	22-73379		4	PIPE PLUG
4	27-46820		2	GASKET
5	10-37612		8	SCREW (1-1/4")
	10-48424		8	SCREW (1-5/8")
6	22-16951A1		2	DRAIN COCK
7	22-36305		2	ELBOW
8	13-35048		16	LOCKWASHER
9	27-41813		2	GASKET (STANDARD COOLING)
10	44354A3		2	EXHAUST ELBOW ASSEMBLY (7)
11	22-36382		2	PIPE PLUG
12	22-92499		1	FITTING (45)
	22-45084		1	FITTING (STRAIGHT)
13	10-43749		6	SCREW
	10-44387		2	SCREW

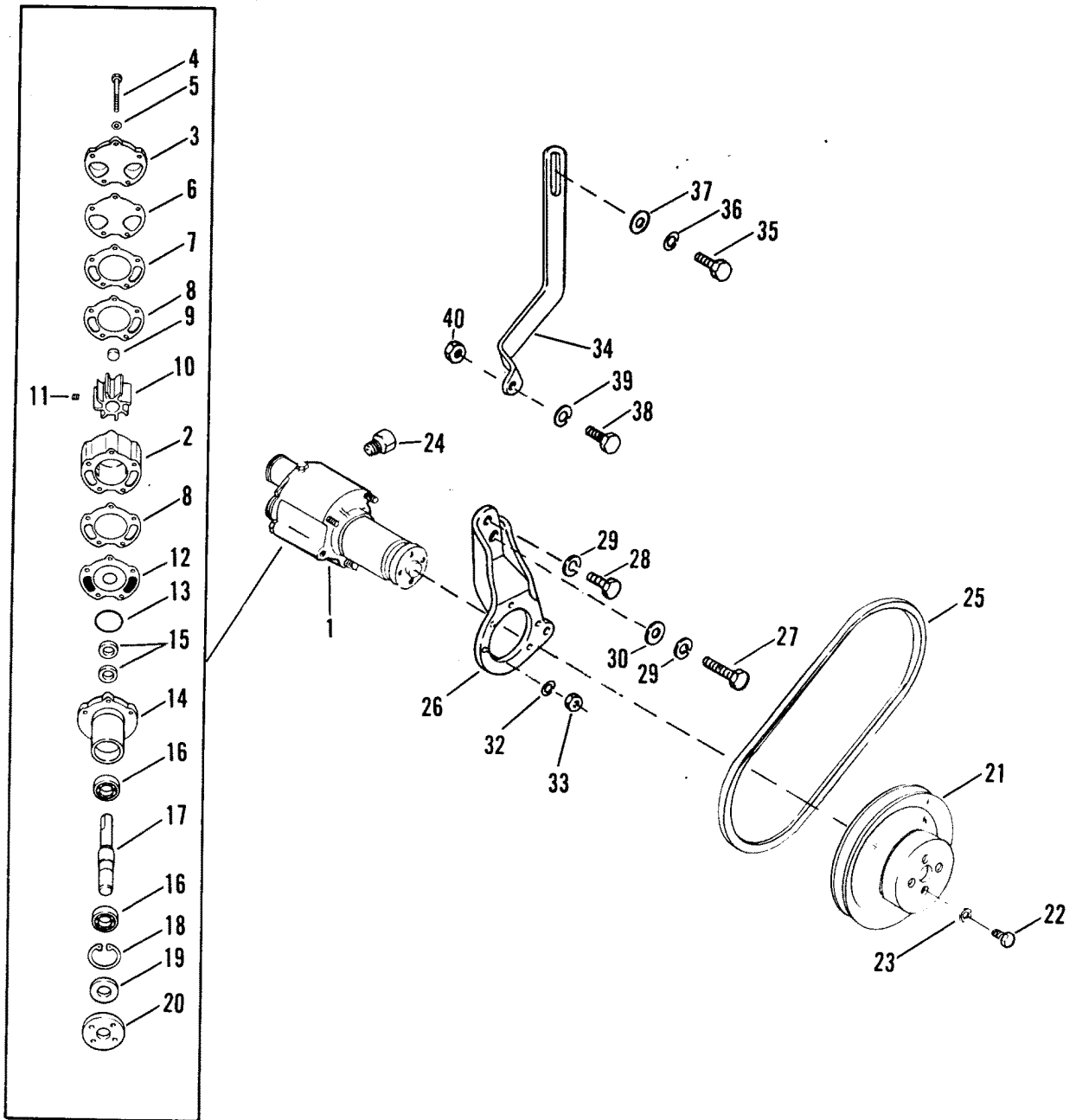
THERMOSTAT HOUSING (STANDARD COOLING)



THERMOSTAT HOUSING (STANDARD COOLING)

REF. NO.	PART NO.	SYM.	QTY.	DESCRIPTION
1	16413A3		1	THERMOSTAT HOUSING ASSEMBLY
2	22-32803		1	PIPE PLUG
3	10-17989		1	SCREW
4	24-75533		2	SPRING
5	30-98475		2	NYLON BALL
6	11-29488		1	NUT
7	25-30224		1	O-RING
8	27-53045--1		1	GASKET
9	59137		1	THERMOSTAT (143)
10	23-17495		1	SLEEVE
11	27-33179--2		1	GASKET
12	17494A1		1	COVER
13	10-60410		2	SCREW (4-1/4")
14	13-35048		2	LOCKWASHER
15	32-33220-70		*2	HOSE (STARBOARD/PORT)
	32-33220-70		1	HOSE (STARBOARD)
	32-817433		1	HOSE (MOLDED - PORT)
16	54-815504220		AR	CLAMP
17	32-17435-70		1	HOSE, SEA PUMP TO DRIVE UNIT
18	32-816285		1	HOSE, OIL COOLER TO SEA PUMP - OLD DESIGN
19	32-816286		1	HOSE, OIL COOLER TO THERMOSTAT HOUSING - OLD DESIGN
18	32-817579		1	HOSE, OIL COOLER TO SEA PUMP - NEW DESIGN
19	32-816286--1		1	HOSE, OIL COOLER TO THERMOSTAT HOUSING - NEW DESIGN
20	32-89718		1	HOSE, THERMOSTAT HOUSING TO WATER PUMP
21	54-815504232		2	CLAMP
22	32-89749--1		1	HOSE, THERMOSTAT COVER (PORT)
23	32-89730--1		1	HOSE, THERMOSTAT COVER (STARBOARD)
24	54-47715		1	CLIP
25	12552		1	LIFTING EYE

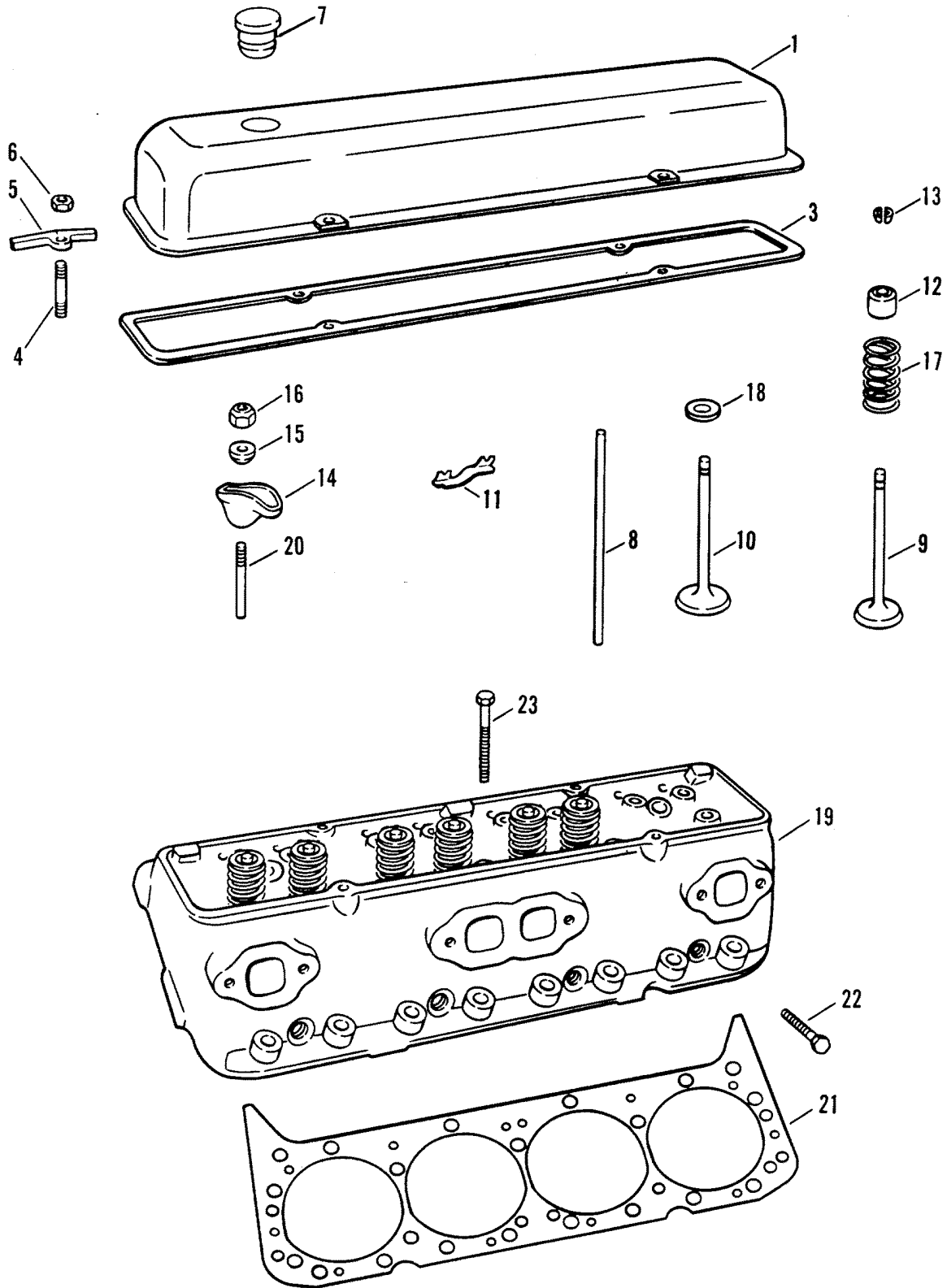
SEA WATER PUMP ASSEMBLY



SEA WATER PUMP ASSEMBLY

REF. NO.	PART NO.	SYM.	QTY.	DESCRIPTION
1	46-72774A50		1	WATER PUMP ASSEMBLY
2	46-72774A40		1	BODY
3	87631A1		1	COVER
4	10-73275		2	SCREW (3")
	10-99347		3	SCREW (3-3/4")
5	12-20084		5	WASHER
6	27-94915		1	GASKET
7	94916		1	WEAR PLATE (OUTER)
8	27-94914		2	GASKET
9	19-59504		1	PLUG
10	47-59362--1		1	IMPELLER
12	94576		1	WEAR PLATE (INNER)
13	25-94288		1	QUAD RING
14	46-94913A2		1	PUMP HOUSING ASSEMBLY
15	26-90562		2	OIL SEAL
16	30-72961		2	BALL BEARING
17	59501A1		1	SHAFT
18	53-23720		1	SNAP RING
19	26-72785		1	OIL SEAL
20	47530		1	NUB
21	52822T		1	PULLEY (CAST)
22	10-47277		4	SCREW (3/4")
23	13-39107		4	LOCKWASHER
24	22-32802		1	PIPE PLUG (FOR WATER PUMP BODY)
25	57-13457T		1	BELT (30")
26	15295T		1	BRACKET (STAMPED)
27	10-47461		1	SCREW (1")
28	10-17965		1	SCREW
29	13-32993		2	LOCKWASHER
30	12-27025		1	WASHER
32	13-39107		3	LOCKWASHER
33	11-21908		3	NUT
34	15751T		1	BRACE
35	10-47461		1	SCREW (1")
36	13-32993		1	LOCKWASHER
37	12-30315		1	WASHER
38	10-35786		1	SCREW (1")
39	13-35048		1	LOCKWASHER
40	11-24883		1	NUT

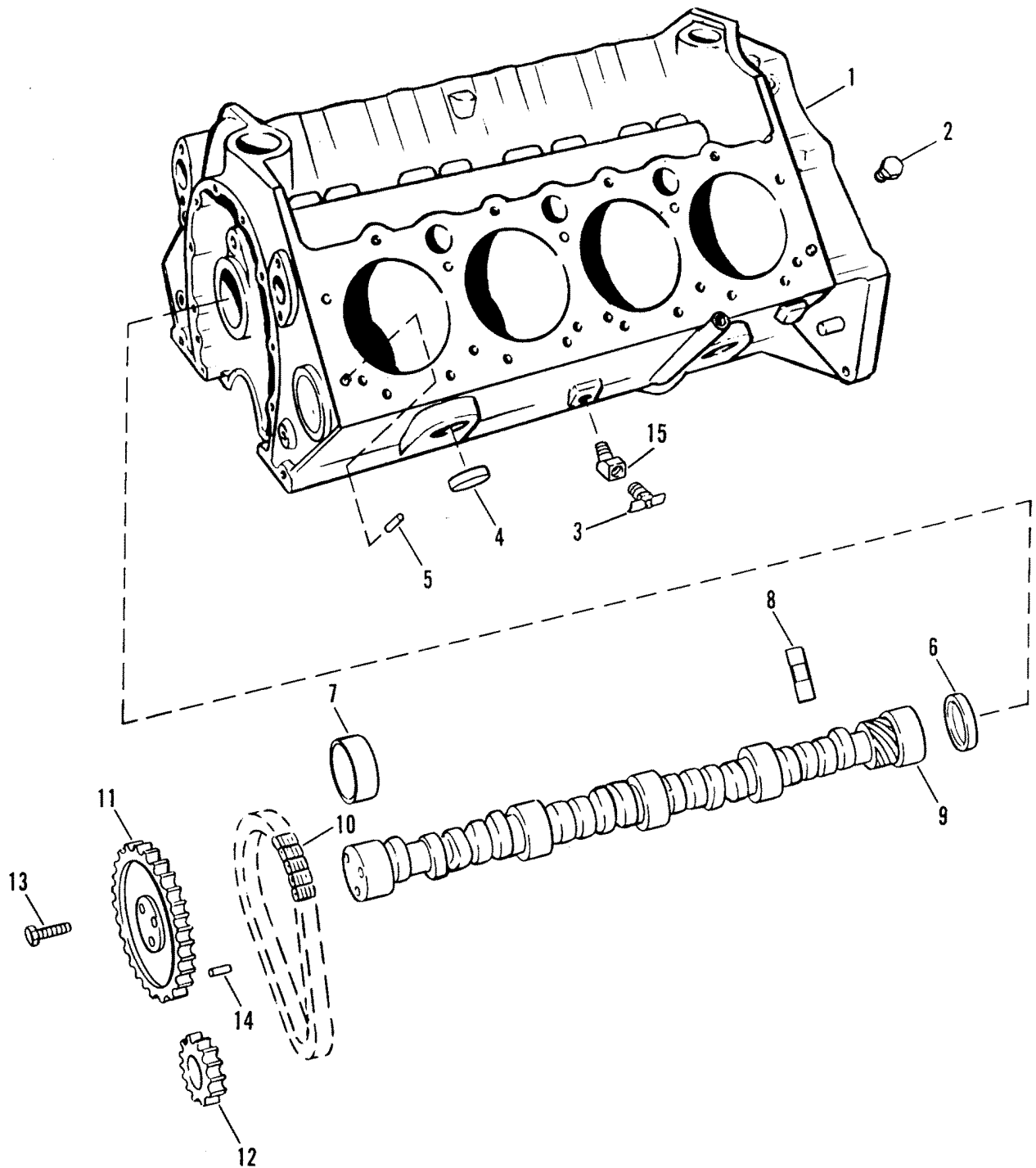
CYLINDER HEAD AND ROCKER COVER



CYLINDER HEAD AND ROCKER COVER

REF. NO.	PART NO.	SYM.	QTY.	DESCRIPTION
1	17671		2	ROCKER COVER
3	27-49121		2	GASKET
4	16-11995		14	STUD
5	14763		8	REINFORCEMENT
	14764		6	REINFORCEMENT
6	11-816730		14	NUT
7	36-75336		1	CAP
8	49115		8	PUSH ROD (INLET)
	49116		8	PUSH ROD (EXHAUST)
9	816962		8	EXHAUST VALVE (STANDARD)
	816963		AR	EXHAUST VALVE (.015 O.S.)
10	17056		8	INLET VALVE (STANDARD)
	17056-15		AR	INLET VALVE (.015 O.S.)
11	49132		8	GUIDE
12	19325		16	SEAL/CAP
13	28-54530		32	KEY
14	19241		16	ROCKER ARM
15	58041		16	BALL UNIT
16	11-49119		16	NUT
17	24-17057A1		16	SPRING (INLET AND EXHAUST)
18	15-54531		16	SHIM
19	938-814512		2	CYLINDER HEAD
20	16-49133		AR	STUD
21	27-811207		2	GASKET
22	10-49106		8	BOLT (92")
23	10-49105		24	BOLT (4-1/8")

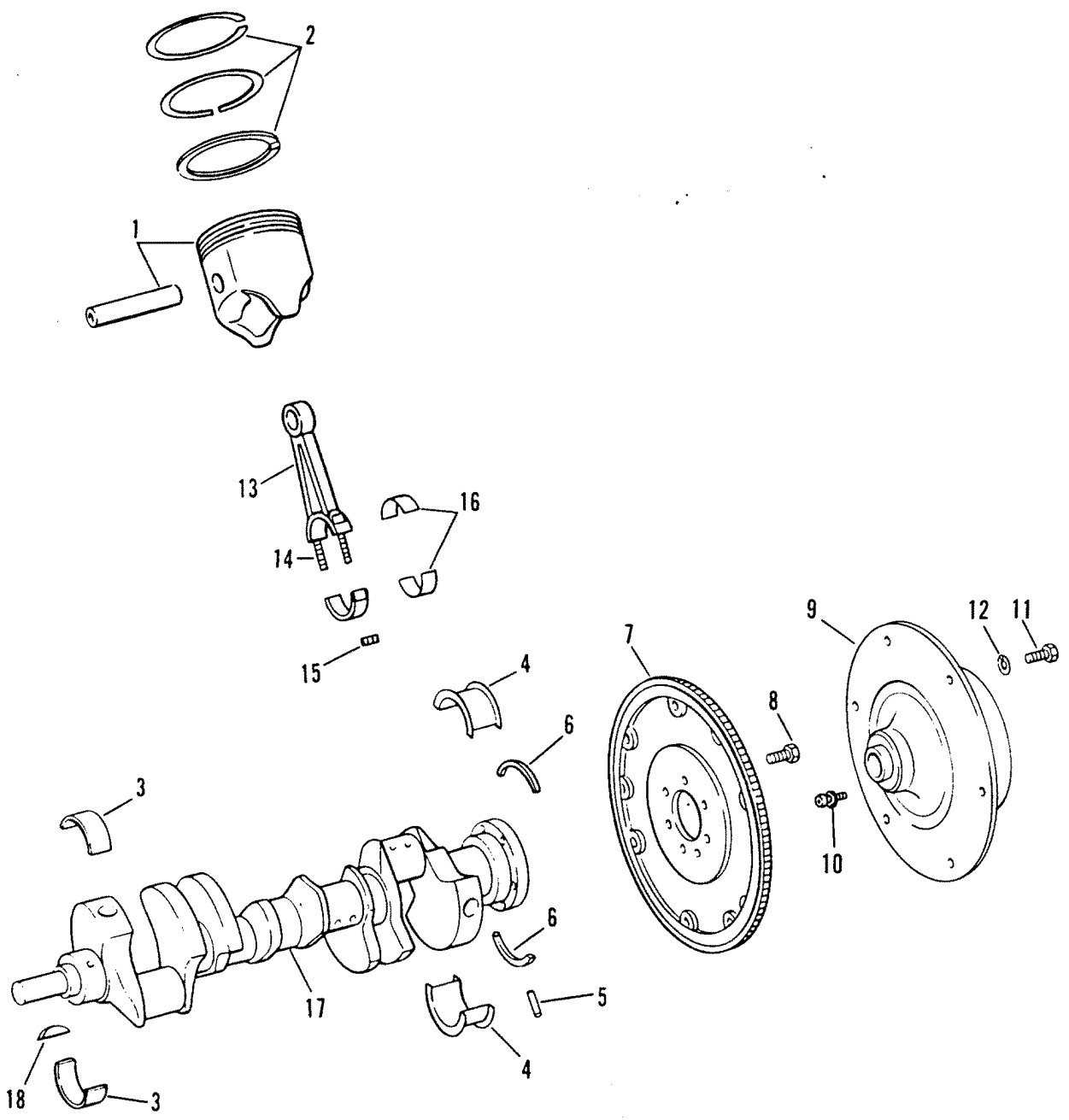
CYLINDER BLOCK AND CAMSHAFT



CYLINDER BLOCK AND CAMSHAFT

REF. NO.	PART NO.	SYM.	QTY.	DESCRIPTION
1	842-811206		1	CYLINDER BLOCK ASSEMBLY
2	22-48340		4	PIPE PLUG (1/4")
	22-48358		2	PIPE PLUG (3/8")
3	22-16951A1		4	DRAIN COCK
4	19-37478		8	EXPANSION PLUG (1-3/4" DIA.)
5	17-52190		4	DOWEL PIN
6	19-94140		1	EXPANSION PLUG
7	23-85684		1	BEARING UNIT (SET)
8	19240		16	LIFTER
9	431-9830		1	CAMSHAFT
10	61728		1	TIMING CHAIN (Double Roller Chain)
	811580		1	CHAIN, TIMING (Single Roller Chain)
11	43-61726		1	CAMSHAFT SPROCKET (Double Roller Chain)
	43-811578		1	CAMSHAFT, SPROCKET (Single Roller Chain)
12	43-61727		1	CRANKSHAFT TIMING SPROCKET (Double Roller Chain)
	43-811579		1	CRANKSHAFT, SPROCKET (Single Roller Chain)
13	10-35339		3	BOLT
14	17-35312		1	DOWEL PIN (1/4" DIA.)
15	22-37682		1	ELBOW

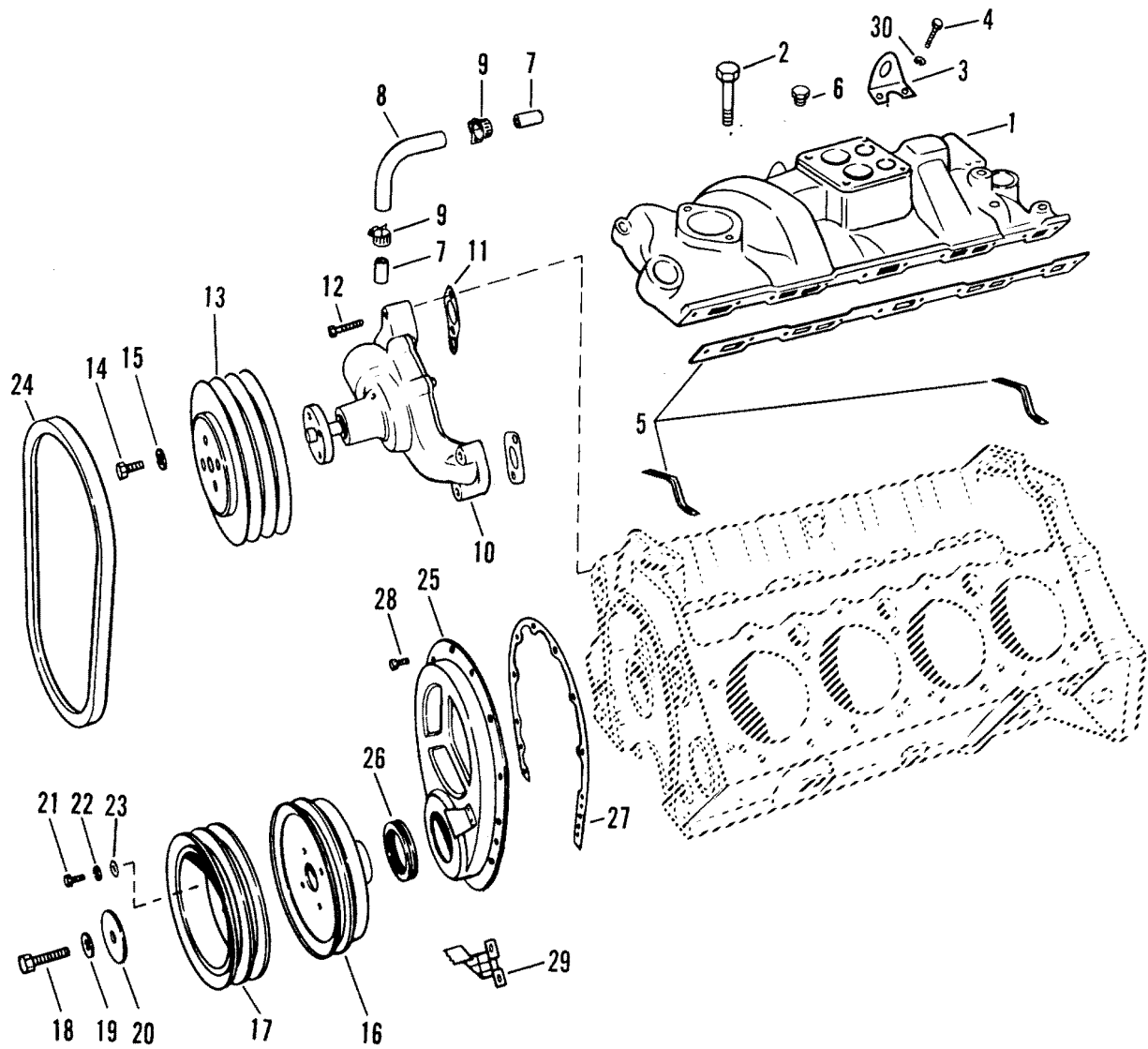
CRANKSHAFT, PISTONS AND CONN. RODS



CRANKSHAFT, PISTONS AND CONN. RODS

REF. NO.	PART NO.	SYM.	QTY.	DESCRIPTION
1	737-821090		8	PISTON & PISTON PIN (STANDARD)
	737-817412		AR	PISTON & PISTON PIN (.032 O.S.)
2	39-821091		8	PISTON RING (STANDARD)
	39-817413		AR	PISTON RING (.032 O.S.)
3/4	23-818473		1	BEARING SET (STANDARD)
	23-818474		AR	BEARING SET (.001 U.S.)
	23-818475		AR	BEARING SET (.002 U.S.)
	23-818476		AR	BEARING SET (.010 U.S.)
	23-818477		AR	BEARING SET (.020 U.S.)
5	17-35312		1	DOWEL PIN (1.4" DIA.)
6	26-14756		1	OIL SEAL
7	230-6540		1	FLYWHEEL
8	10-49845		6	SCREW
9	18311A2		1	ENGINE COUPLING ASSEMBLY
10	22-49099		2	GREASE FITTING
11	10-14883		6	SCREW
12	12-20572		6	WASHER
13	614-9641		8	CONNECTING ROD
14	10-19234		16	BOLT
15	11-58056		16	NUT
16	23-85726		8	BEARING UNIT (STANDARD)
	23-85727		AR	BEARING UNIT (.001 U.S.)
	23-85728		AR	BEARING UNIT (.002 U.S.)
	23-85691		AR	BEARING UNIT (.010 U.S.)
	23-85729		AR	BEARING UNIT (.020 U.S.)
17	429-5880		1	CRANKSHAFT
18	28-34466		2	KEY

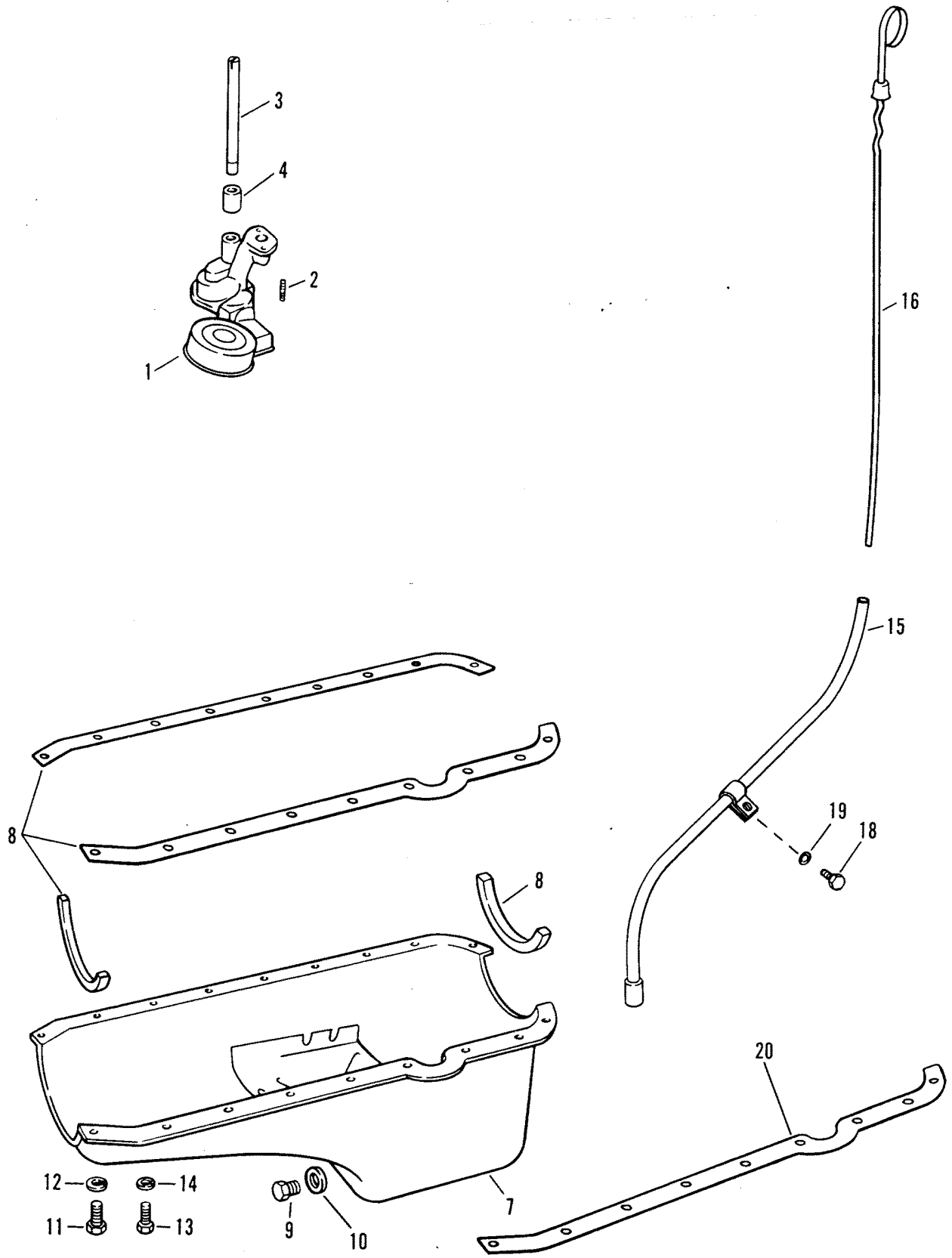
INTAKE MANIFOLD AND FRONT COVER



INTAKE MANIFOLD AND FRONT COVER

REF. NO.	PART NO.	SYM.	QTY.	DESCRIPTION
1	72608		1	INTAKE MANIFOLD
2	10-37510		12	BOLT
	N.S.S.		4	BOLT (GM#9439637)
3	54-64628		1	LIFTING EYE
4	10-34354		2	SCREW
5	27-812712		1	GASKET SET
6	10-49011		4	SET SCREW
7	22-66201		2	CONNECTOR
8	32-66206		1	HOSE
9	54-815504412		2	CLAMP
10	17670		1	WATER PUMP ASSEMBLY
11	27-49110		2	GASKET
12	10-32132		4	SCREW (1-3/4")
13	19692T		1	PULLEY
14	10-47277		4	SCREW (3/4")
15	13-39107		4	LOCKWASHER
16	67858		1	TORSIONAL DAMPER
17	90081T		1	PULLEY
18	10-14758		3	BOLT
19	13-49102		1	LOCKWASHER
20	12-49103		1	WASHER
21	10-64900		3	BOLT
22	13-35048		3	LOCKWASHER
23	12-34714		3	WASHER
24	57-48122		1	BELT
25	66215		1	COVER
26	26-49154		1	OIL SEAL
27	27-54529		1	GASKET
28	10-35366		10	SCREW (7/16")
29	59966		1	TIMING POINTER
30	13-35048		2	LOCKWASHER

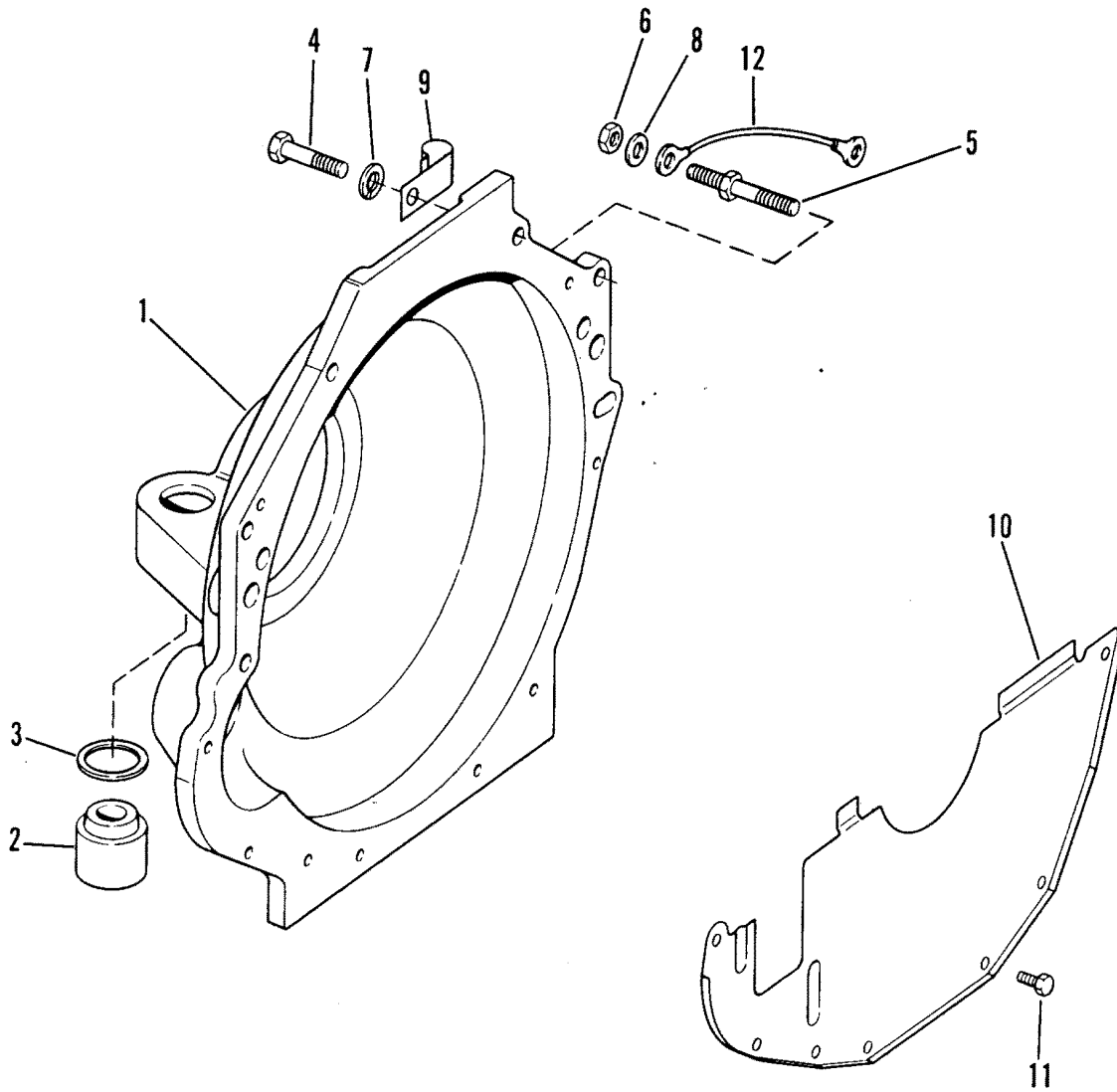
OIL PAN AND OIL PUMP



OIL PAN AND OIL PUMP

REF. NO.	PART NO.	SYM.	QTY.	DESCRIPTION
1	816496		1	OIL PUMP
2	16-49108		1	STUD
3	49149		1	SHAFT
4	23-52193		1	RETAINER
7	19221		1	OIL PAN
8	27-52550		1	GASKET SET
9	10-49956		1	SCREW
10	27-49955		1	GASKET
11	10-34500		20	SCREW (5/16-18)
13	10-14070		2	SCREW
15	32-816200A2		1	DIPSTICK TUBE
16	14607		1	DIPSTICK
18	10-76926		1	SCREW
19	13-35048		1	LOCKWASHER
20	814510		1	REINFORCEMENT (PORT)
	814511		1	REINFORCEMENT (STARBOARD)

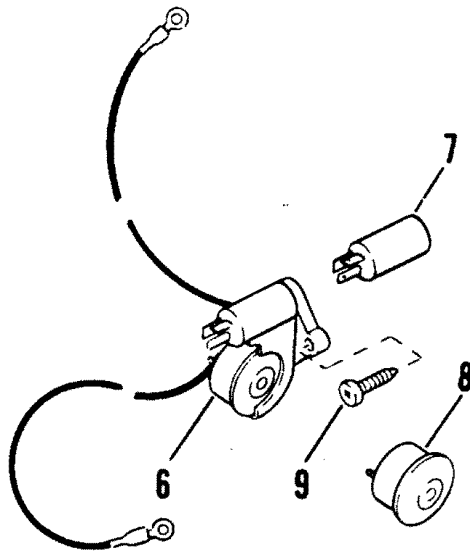
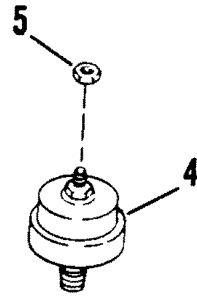
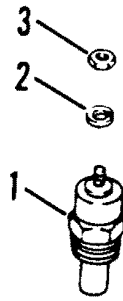
FLYWHEEL HOUSING



FLYWHEEL HOUSING

REF. NO.	PART NO.	SYM.	QTY.	DESCRIPTION
1	12675A7		1	FLYWHEEL HOUSING
2	88791		2	MOUNT
3	23-99322		2	SPACER
4	10-37612		4	SCREW (1-1/4")
	10-64900		1	SCREW (2")
5	16-64066		1	STUD (2-1/4")
6	11-32219		1	NUT
7	13-35048		7	LOCKWASHER
8	12-20572		1	WASHER
9	54-78945		1	"J" CLAMP
	54-92850		2	CLAMP
10	812600A2		1	COVER ASSEMBLY
11	10-32773		7	SCREW
12	84-62826A6		1	WIRE

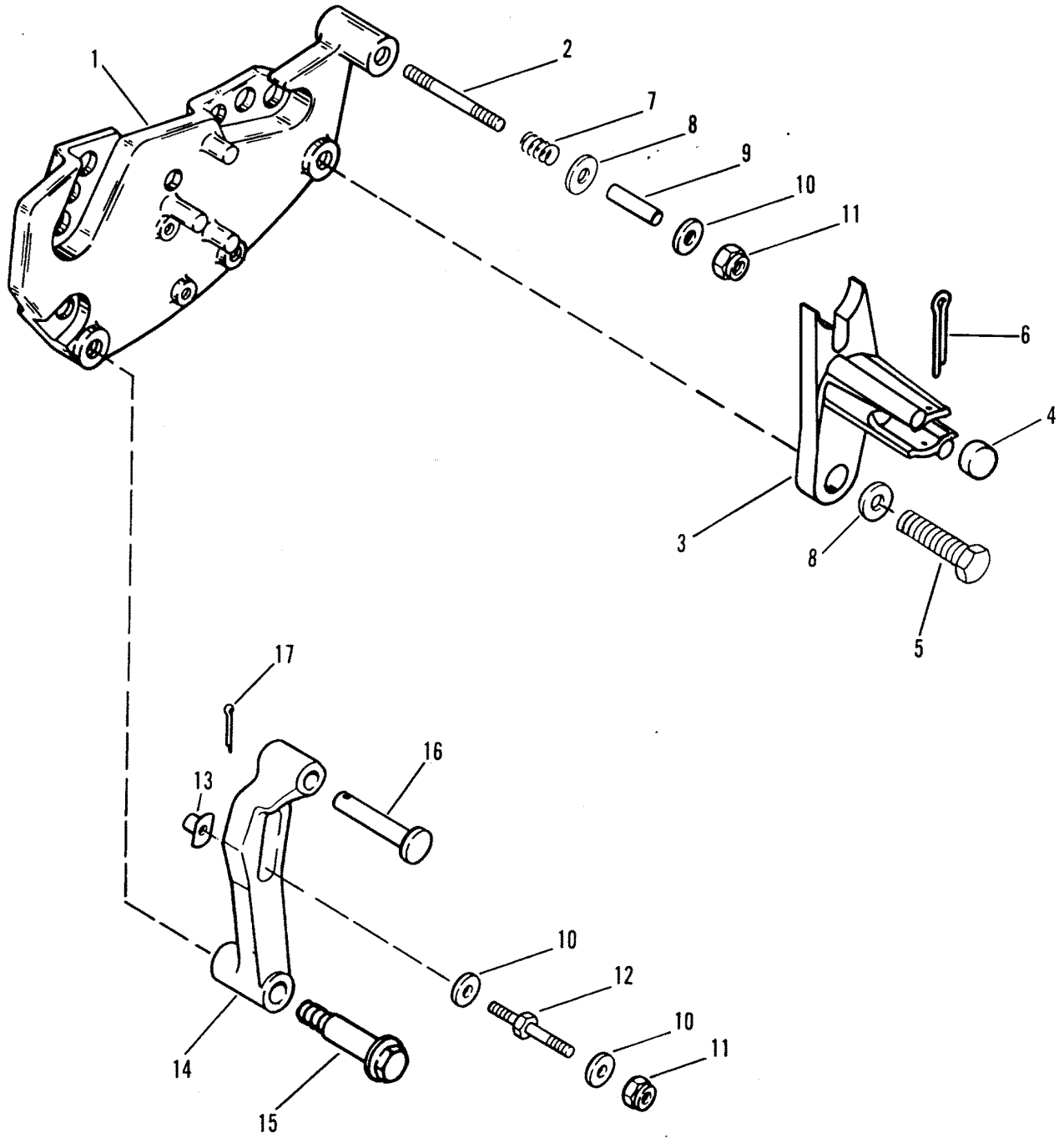
AUDIO WARNING SYSTEM



AUDIO WARNING SYSTEM

REF. NO.	PART NO.	SYM.	QTY.	DESCRIPTION
1	48952		1	WATER TEMPERATURE SWITCH
2	13-26996		1	LOCKWASHER
3	11-45076		1	NUT
4	38559		1	PRESSURE SWITCH
5	11-45076		1	NUT
6	86047A16		1	BUSSER HOUSING ASSEMBLY
7	86045		1	TIMER
8	68878A6		1	HORN
9	10-69013		2	SCREW

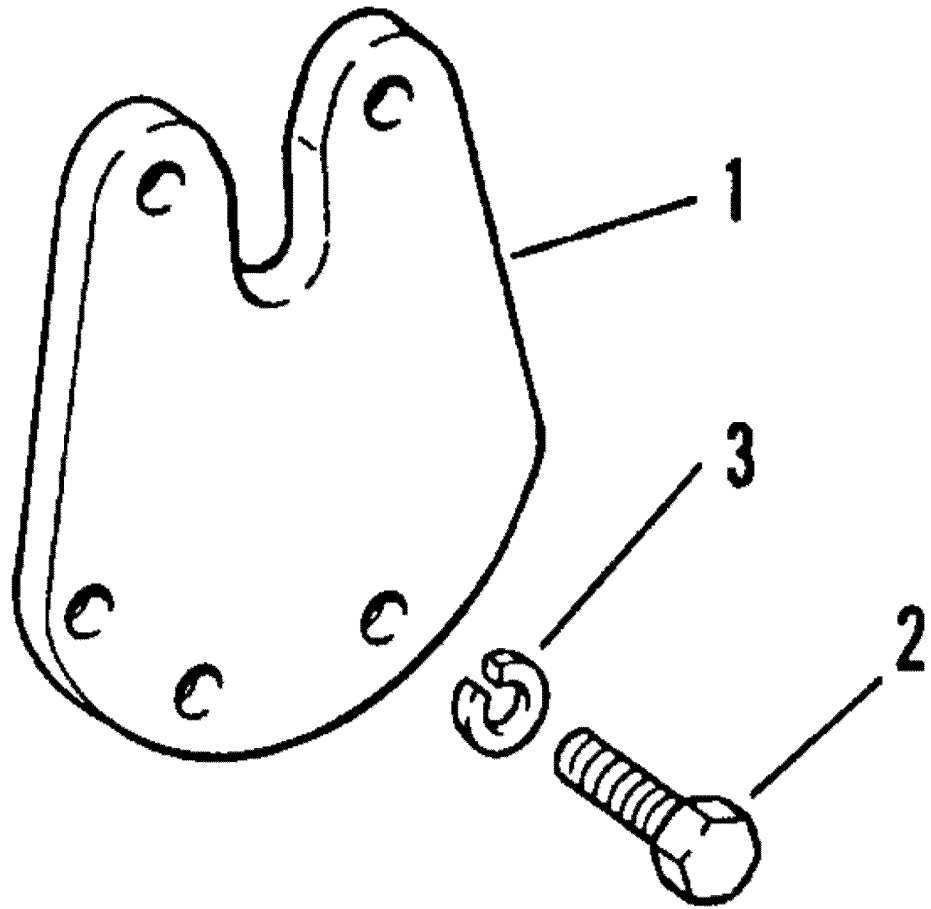
SHIFT BRACKET



SHIFT BRACKET

REF. NO.	PART NO.	SYM.	QTY.	DESCRIPTION
1	99237A10		1	SHIFT BRACKET
2	16-98798		1	STUD
3	12381--1		1	RETAINER
4	23-98828		1	SPACER
5	10-53167		1	SCREW
6	18-32857		1	COTTER PIN
7	24-98880		1	SPRING
8	12-56720		2	WSHER
9	23-98820		1	SPACER
10	12-35462		4	WASHER
11	11-13438		2	NUT
12	16-96112		1	STUD
13	11-63341		1	TEE NUT
14	13898--1		1	SHIFT LEVER
15	10-13743		1	SHOULDER SCREW
16	17-68402		1	SHOULDER PIN
17	18-21071		1	COTTER PIN

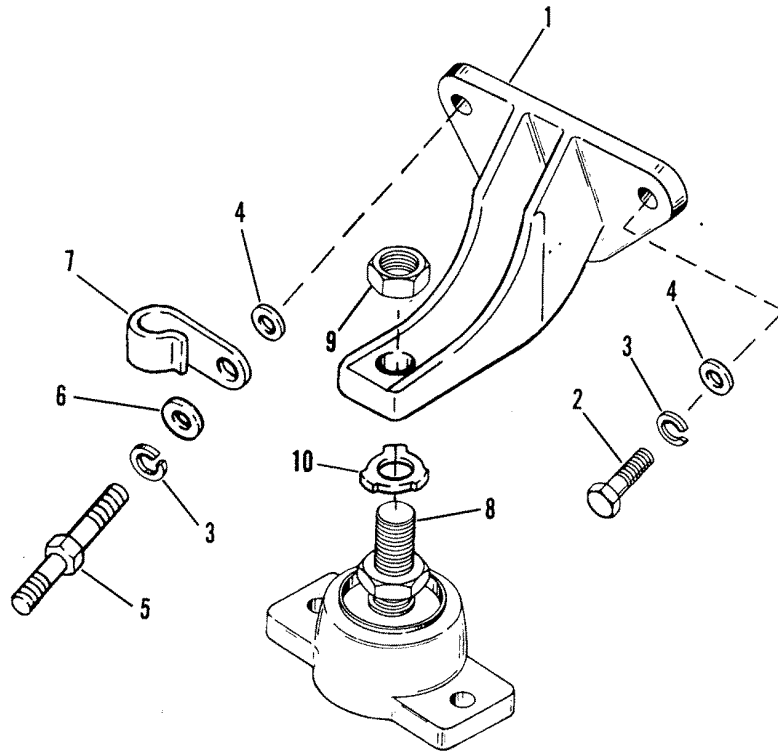
EXHAUST PLATE



EXHAUST PLATE

REF. NO.	PART NO.	SYM.	QTY.	DESCRIPTION
1	97350T1		1	EXHAUST PLATE
2	10-98794		4	SCREW
3	13-41471		4	LOCKWASHER

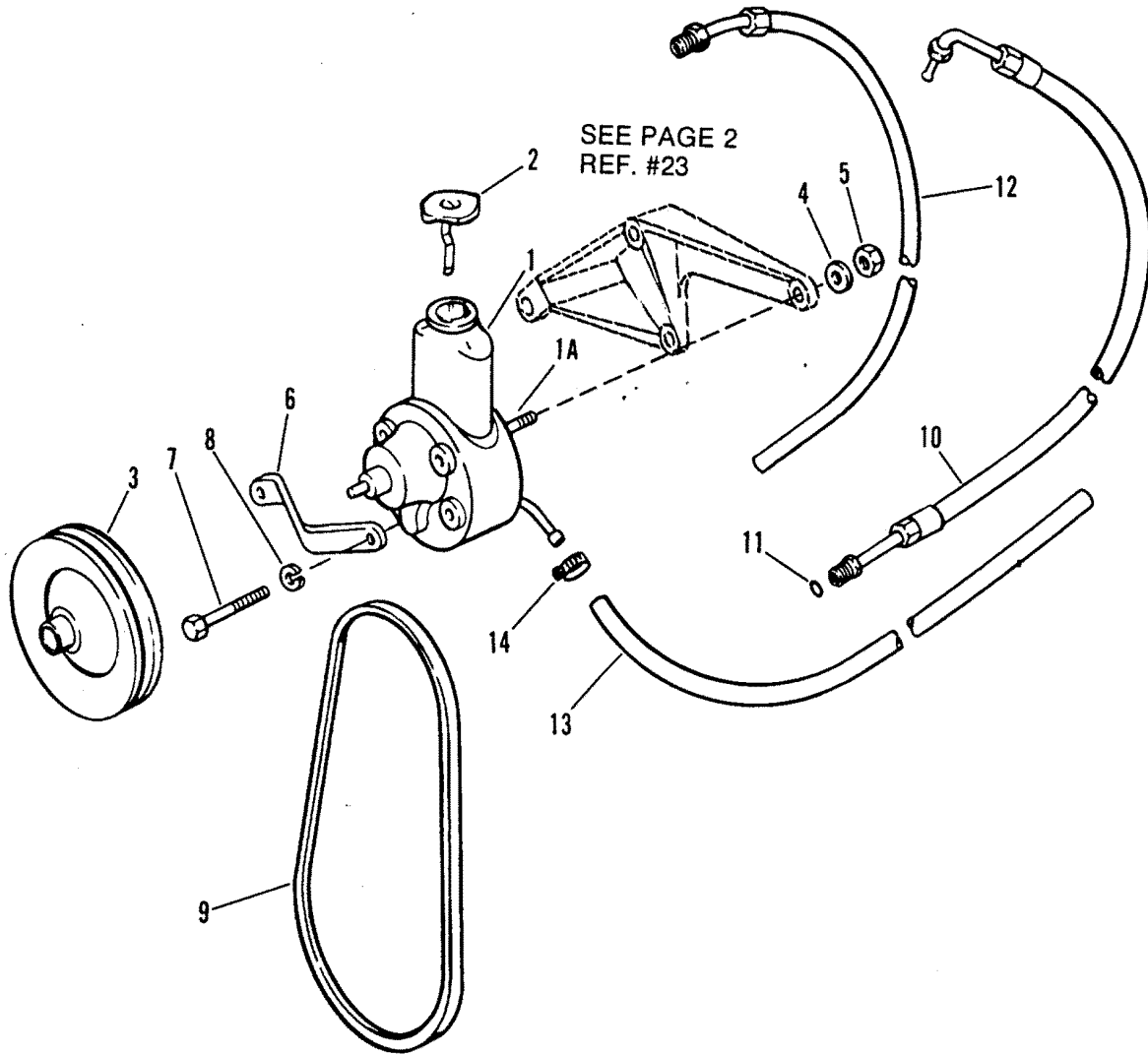
ENGINE MOUNTING



ENGINE MOUNTING

REF. NO.	PART NO.	SYM.	QTY.	DESCRIPTION
1	79550A1		2	MOUNTING BRACKET (FRONT)
2	10-68101		1	SCREW (1-3/8") - PORT
	10-64900		2	SCREW (2") - PORT
3	13-35048		3	LOCKWASHER - PORT
4	12-46132		2	WASHER - PORT
2	10-68101		2	SCREW (1-3/8") - STARBOARD
3	13-35048		2	LOCKWASHER - STARBOARD
5	16-64066		1	STUD - STARBOARD
6	12-46132		1	WASHER - STARBOARD
7	54-78945		1	CLAMP - STARBOARD
8	814263A1		2	BASE
9	11-49252		4	JAM NUT
10	14-12657		2	TAB WASHER

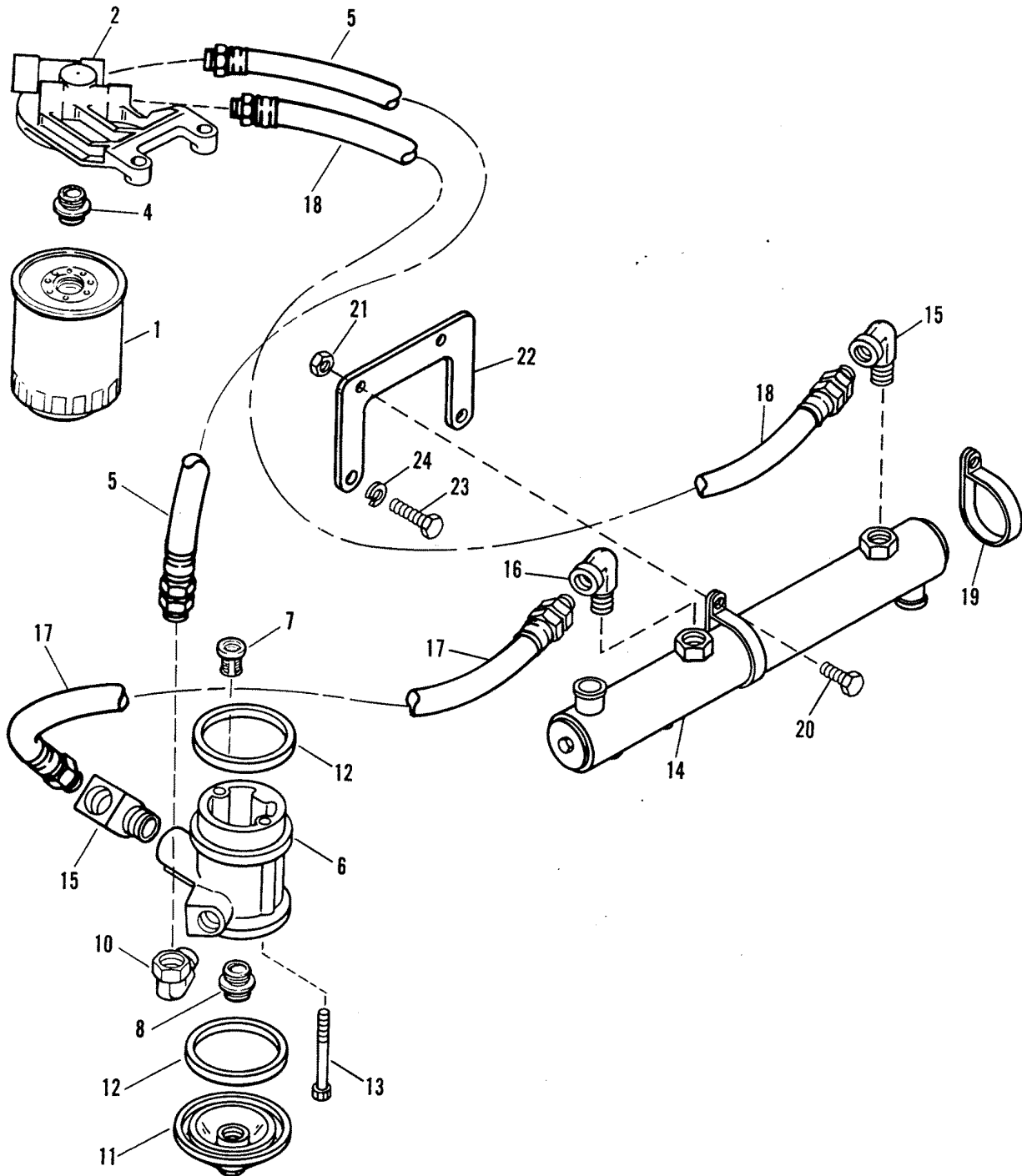
POWER STEERING COMPONENTS



POWER STEERING COMPONENTS

REF. NO.	PART NO.	SYM.	QTY.	DESCRIPTION
1	16792A1		1	POWER STEERING PUMP ASSEMBLY
1A	16-41877		1	STUD
2	36-95805		1	CAP
3	73873A1		1	PULLEY
4	23-72057		2	SPACER
5	11-90517		2	NUT
6	98813A1		1	BRACE
7	10-40001188		1	SCREW
8	13-40024--8		1	LOCKWASHER
9	57-812427T		1	V-BELT
10	32-90494		1	HOSE (FITTINGS ON BOTH ENDS)
11	25-89879		1	O-RING
12	32-98843-39		1	HOSE (FITTINGS ONE ONE END)
13	32-52519-15		1	HOSE
14	54-815504206		3	CLAMP

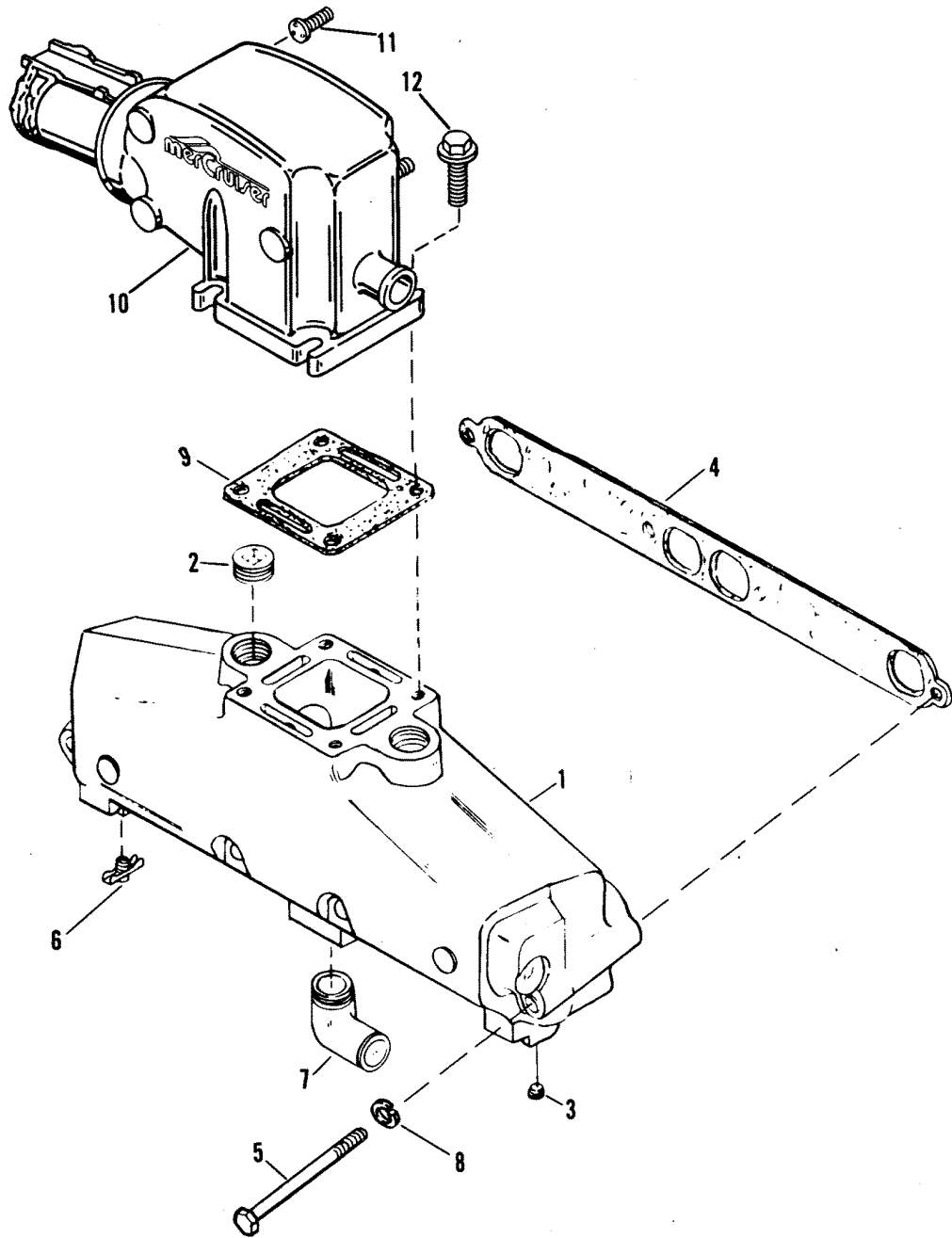
OIL FILTER AND ADAPTOR



OIL FILTER AND ADAPTOR

REF. NO.	PART NO.	SYM.	QTY.	DESCRIPTION
1	14957		1	OIL FILTER
2	814420A5		*1	BRACKET ASSEMBLY
4	22-814822		*1	FITTING
2	817403A2		1	BRACKET ASSEMBLY
4	22-814822		1	ADAPTOR
5	32-92357-61		1	HOSE (36")
6	90783A22		1	ADAPTOR ASSEMBLY
7	99889		1	BY-PASS VALVE
8	32720		1	ADAPTOR
10	22-97368		1	ELBOW (90)
11	91830		1	COVER
12	27-91892		2	GASKET
13	10-91966		1	SCREW (4")
	10-91967		1	SCREW (3-1/4")
14	816082T		1	OIL COOLER (OLD DESIGN) SEE NOTE
	817577T		1	OIL COOLER (NEW DESIGN) SEE NOTE
15	22-63825		2	ELBOW
16	22-48246		1	ELBOW
17	32-92357-51		1	HOSE (26")
18	32-92357-61		1	HOSE (36")
19	54-814859		2	CLIP
20	10-74824		2	SCREW
21	11-26484		2	NUT
22	814857		1	BRACKET (OLD DESIGN)
	817578		1	BRACKET (NEW DESIGN)
23	10-816585		2	SCREW

EXHAUST MANIFOLD AND EXHAUST ELBOW(STAINLESS STEEL)



EXHAUST MANIFOLD AND EXHAUST ELBOW(STAINLESS STEEL)

REF. NO.	PART NO.	SYM.	QTY.	DESCRIPTION
1	89011A8		2	EXHAUST MANIFOLD ASSEMBLY
2	22-33198A1		AR	PLUG
3	22-73379		4	PIPE PLUG
4	27-46820		2	GASKET
5	10-37612		8	SCREW (1-1/4")
	10-48424		8	SCREW (1-5/8")
6	22-16951A1		2	DRAIN COCK
7	22-36305		AR	ELBOW (90)
	22-45084		AR	FITTING (STRAIGHT)
8	13-35048		16	LOCKWASHER
9	27-41813		2	GASKET (STANDARD COOLING)
10	816900A5		1	EXHAUST ELBOW ASSEMBLY (PORT)
	816900A9		1	EXHAUST ELBOW ASSEMBLY (STARBOARD)
11	16-818168A1		2	STUD KIT (INCLUDES 3 STUDS)
12	10-12244		6	SCREW (1")
	10-66863		2	SCREW (2-1/2)

PARTS INDEX

Part Number	Description	Pg.	Ref. No.	Part Number	Description	Pg.	Ref. No.
12381--1	RETAINER	43	3	49115	PUSH ROD (INLET)	29	8
12552	LIFTING EYE	25	25	49116	PUSH ROD (EXHAUST)	29	8
12675A7	FLYWHEEL HOUSING	39	1	49132	GUIDE	29	11
13524A5	ROTOR/SENSOR WHEEL	15	5	49149	SHAFT	37	3
13898--1	SHIFT LEVER	43	14	49734A1	WATER TEMPERATURE SENDER (DUAL)	13	11
14607	DIPSTICK	37	16	52185	CLAMP	15	17
14763	REINFORCEMENT	29	5	52822T	PULLEY (CAST)	27	21
14764	REINFORCEMENT	29	5	54676	RETAINER (2 WIRE)	15	24
14957	OIL FILTER	51	1	58041	BALL UNIT	29	15
15295T	BRACKET (STAMPED)	27	26	59137	THERMOSTAT (143)	25	9
15751T	BRACE	27	34	59501A1	SHAFT	27	17
16413A3	THERMOSTAT HOUSING ASSEMBLY	25	1	59966	TIMING POINTER	35	29
16457A4	CAP	15	2	61728	TIMING CHAIN	31	10
16792A1	POWER STEERING PUMP ASSEMBLY	49	1	66198	COVER	19	20
17056	INLET VALVE (STANDARD)	29	10	66205	CHOKE	19	19
17056-15	INLET VALVE (.015 O.S.)	29	10	66215	COVER	35	25
17494A1	COVER	25	12	67858	TORSIONAL DAMPER	35	16
17670	WATER PUMP ASSEMBLY	35	10	68878A6	HORN	41	8
17671	ROCKER COVER	29	1	72608	INTAKE MANIFOLD	35	1
18311A2	ENGINE COUPLING ASSEMBLY	33	9	73873A1	PULLEY	49	3
18484A3	COVER	19	34	77294T	BRACKET	15	28
19221	OIL PAN	37	7	79550A1	MOUNTING BRACKET (FRONT)	47	1
19240	LIFTER	31	8	811580	CHAIN, TIMING	31	10
19241	ROCKER ARM	29	14	812600A2	COVER ASSEMBLY	39	10
19325	SEAL/CAP	29	12	813961	FRONT HOUSING	9	6
19692T	PULLEY	35	13	813962	ROTOR	9	10
32720	ADAPTOR	51	8	813963	STATOR	9	12
32783	RETAINER (3 WIRE)	15	25	813964	REAR HOUSING	9	14
32784	RETAINER (4 WIRE)	15	26	813965	DIODE FIELD	9	17
33291	COLLAR	7	12	813966	DIODE BRIDGE	9	16
35377	PUSH ROD	17	5	813967	STRAP (D+)	9	34
37293	OIL PRESSURE SENDER (DUAL)	13	14	813968	BRUSH ASSEMBLY	9	33
38559	PRESSURE SWITCH	41	4	813969	SPACER	9	5
41329A3	BRACKET	19	6	813971	COVER	9	22
42770	PULLEY	11	3	813972	CAPACITOR	9	25
42771	FAN	11	4	813973	STRAP	9	20
42774	FRONT BRACKET	11	6	813974	VOLTAGE REGULATOR	9	29
42775	ROTOR (INCLUDES BEARINGS)	11	8	814263A1	BASE	47	8
42776	STATOR	11	9	814420A5	BRACKET ASSEMBLY	51	2
42777	REAR BRACKET	11	10	814464	FRAME	7	2
42778	HEAT SINK (+)	11	11	814466	BRUSH HOLDER	7	4
42779	HEAT SINK (-)	11	12	814469	ARMATURE	7	6
42780	CONDENSER	11	13	814470	SHIELD	7	7
42781	BEARING KIT	11	16	814471	GEAR AND BEARING	7	8
42782	HARDWARE KIT (EXTERNAL)	11	15	814472	SHAFT AND GEAR	7	10
42783	HARDWARE KIT (INTERNAL)	11	14	814473	DRIVE	7	11
42784	BRUSH HOLDER KIT (INCL. SPRINGS & BRUSHES)	11	17	814474	THRUST COLLAR	7	14
42785	REGULATOR KIT	11	18	814475	DRIVE HOUSING	7	15
44354A3	EXHAUST ELBOW ASSEMBLY (7)	23	10	814479	BEARING ROLLER	7	9
47530	NUB	27	20	814510	REINFORCEMENT (PORT)	37	20
48952	WATER TEMPERATURE SWITCH	41	1	814511	REINFORCEMENT (STARBOARD)	37	20
				814624A2	FUEL PUMP	17	1
				814857	BRACKET (OLD DESIGN)	51	22
				814955T	FLAME ARRESTOR	19	33
				815292	CHOKE LEVER	19	22
				815610	SPACER	19	29
				816082T	OIL COOLER (OLD DESIGN)	51	14

PARTS INDEX

Part Number	Description	Pg.	Ref. No.	Part Number	Description	Pg.	Ref. No.
816496	OIL PUMP	37	1	10-34354	SCREW (1-1/2")	17	3
816900A5	EXHAUST ELBOW ASSEMBLY (PORT)	53	10	10-34500	SCREW (5/16-18)	37	11
816900A9	EXHAUST ELBOW ASSEMBLY (STARBOARD)	53	10	10-35169	SCREW	15	18
816962	EXHAUST VALVE (STANDARD)	29	9	10-35339	BOLT	31	13
816963	EXHAUST VALVE (.015 O.S.)	29	9	10-35366	SCREW (7/16")	35	28
817403A2	BRACKET ASSEMBLY	51	2	10-35786	SCREW (1")	27	38
817509T	IGNITION AMPLIFIER	13	7	10-37510	BOLT	35	2
817577T	OIL COOLER (NEW DESIGN)	51	14	10-37612	SCREW (1-1/4")	5	23
817578	BRACKET (NEW DESIGN)	51	22	10-37612	SCREW (1-1/4")	23	5
85013T	BRACE	5	13	10-37612	SCREW (1-1/4")	39	4
86045	TIMER	41	7	10-37612	SCREW (1-1/4")	53	5
86047A16	BUSSER HOUSING ASSEMBLY	41	6	10-37612	SCREW (1-1/4") - 3/8-16		
87631A1	COVER	27	3		THREAD	13	34
88791	MOUNT	39	2	10-40001188	SCREW	49	7
89011A8	EXHAUST MANIFOLD ASSEMBLY	23	1	10-41408	SCREW (1-1/2")	15	29
89011A8	EXHAUST MANIFOLD ASSEMBLY	53	1	10-42773	BOLT	11	7
89876A3	BASE	17	6	10-43749	SCREW	23	13
90081T	PULLEY	35	17	10-44387	SCREW	23	13
90747A3	DISTRIBUTOR ASSEMBLY	15	1	10-45862	SCREW (7/8")	13	22
90783A22	ADAPTOR ASSEMBLY	51	6	10-47277	SCREW (3/4")	27	22
90806	OIL PRESSURE SENDER	13	14	10-47277	SCREW (3/4")	35	14
91830	COVER	51	11	10-47461	SCREW (1")	27	27
92497A3	ALTERNATOR	5	8	10-47461	SCREW (1")	27	35
92497A3	ALTERNATOR ASSEMBLY (55 AMP)	9	-	10-47462	SCREW (1-1/4")	5	14
94576	WEAR PLATE (INNER)	27	12	10-47462	SCREW (1-1/4") - 7/16-14		
94916	WEAR PLATE (OUTER)	27	7		THREAD	13	34
96116A1	BRACKET	5	22	10-47910	SCREW (5/8")	13	28
96940T	BRACKET	13	33	10-48308	SCREW (3-3/4")	5	25
97163	BRACKET	13	18	10-48424	SCREW (1-5/8")	23	5
97257A1	WATER TEMPERATURE SENDER	13	11	10-48424	SCREW (1-5/8")	53	5
97350T1	EXHAUST PLATE	45	1	10-49011	SET SCREW	35	6
97850	CONNECTOR	19	27	10-49105	BOLT (4-1/8")	29	23
98813A1	BRACE	49	6	10-49106	BOLT (92")	29	22
99237A10	SHIFT BRACKET	43	1	10-49845	SCREW	33	8
99889	BY-PASS VALVE	51	7	10-49956	SCREW	37	9
N.S.S.	BOLT (GM#9439637)	35	2	10-53167	SCREW	43	5
N.S.S.	NUT	7	17	10-59645	SCREW (3/4")	15	33
10-12244	SCREW (1")	53	12	10-60410	SCREW (4-1/4")	25	13
10-13743	SHOULDER SCREW	43	15	10-61161	SCREW (4-1/4")	19	4
10-14070	SCREW	37	13	10-64900	BOLT	35	21
10-14758	BOLT	35	18	10-64900	SCREW (2")	39	4
10-14883	SCREW	33	11	10-64900	SCREW (2") - PORT	47	2
10-17965	SCREW	27	28	10-65746	SCREW (CAST IRON EXHAUST MANIFOLD)	13	3
10-17989	SCREW	25	3		SCREW (1")	15	12
10-19234	BOLT	33	14	10-66686	SCREW (2-1/2)	53	12
10-19234	SCREW	13	23	10-66863	SCREW (1-3/8") - PORT	47	2
10-22028	SCREW	17	8	10-68101	SCREW (1-3/8") - STARBOARD	47	2
10-26066	SCREW	17	8	10-68101	SCREW	41	9
10-29198	SCREW (7/8")	5	17	10-69013	SCREW	19	21
10-32132	SCREW (1-3/4")	35	12	10-69235	SCREW (1-1/4")	15	12
10-32773	SCREW	39	11	10-72202	SCREW (3")	27	4
10-34354	SCREW	35	4	10-73275	SCREW	51	20
10-34354	SCREW (1-1/2")	5	23	10-74824	SCREW - CAST IRON EXHAUST ELBOW	13	8
				10-76630	SCREW	37	18
				10-76926	SCREW	5	2
				10-813642	SCREW	9	15
				10-813975	THRU BOLT	9	15
				10-813978A1	SCREW	9	8

PARTS INDEX

Part Number	Description	Pg.	Ref. No.	Part Number	Description	Pg.	Ref. No.
10-813979	SCREW	9	27	12-27025	WASHER	27	30
10-813980	SCREW	9	32	12-29245	WASHER	19	12
10-813981	SCREW	9	18	12-30164	WASHER	15	30
10-813982	SCREW	9	26	12-30315	WASHER	27	37
10-813983	SCREW	9	28	12-31263	WASHER	5	16
10-814468	SCREW	7	18	12-34714	WASHER	35	23
10-814477	THRU BOLT	7	19	12-35462	WASHER	43	10
10-816585	SCREW	51	23	12-46132	WASHER - PORT	47	4
10-90926	SCREW	15	3	12-46132	WASHER - STARBOARD	47	6
10-91966	SCREW (4")	51	13	12-49103	WASHER	35	20
10-91967	SCREW (3-1/4")	51	13	12-56681	WASHER	13	24
10-98794	SCREW	45	2	12-56720	WSHER	43	8
10-99347	SCREW (3-3/4")	27	4	12-813984	WASHER	9	23
11-13438	NUT	43	11	12-813985	WASHER	9	30
11-15874	NUT (10MM)	5	4	12-86400	WASHER	19	35
11-20088	NUT	13	29	12-96457	WASHER	5	21
11-20361	NUT	19	13	13-26992	LOCKWASHER	5	11
11-20586	NUT	19	24	13-26992	LOCKWASHER	13	30
11-21908	NUT	27	33	13-26992	LOCKWASHER	15	31
11-23161	NUT	5	28	13-26992	LOCKWASHER - CAST IRON EXHAUST ELBOW	13	9
11-24883	NUT	27	40	13-26996	LOCKWASHER	5	9
11-26419	NUT (8-32)	13	31	13-26996	LOCKWASHER	13	15
11-26484	NUT	51	21	13-26996	LOCKWASHER	13	20
11-28941	JAM NUT	19	32	13-26996	LOCKWASHER	15	19
11-29250	NUT	19	18	13-26996	LOCKWASHER	41	2
11-29488	NUT	25	6	13-26996	LOCKWASHER	5	15
11-32219	NUT	39	6	13-32993	LOCKWASHER	27	29
11-35045	NUT	19	10	13-32993	LOCKWASHER	27	36
11-35045	NUT	19	14	13-32993	LOCKWASHER - 7/16-14 THREAD	13	35
11-35814	NUT	17	9	13-32993	LOCKWASHER	5	24
11-40021--1	NUT (5MM)	5	7	13-35048	LOCKWASHER	17	4
11-42768	NUT	11	1	13-35048	LOCKWASHER	23	8
11-45076	NUT	15	32	13-35048	LOCKWASHER	25	14
11-45076	NUT	41	3	13-35048	LOCKWASHER	27	39
11-45076	NUT	41	5	13-35048	LOCKWASHER	35	22
11-46438	NUT	13	25	13-35048	LOCKWASHER	35	30
11-49119	NUT	29	16	13-35048	LOCKWASHER	37	19
11-49252	JAM NUT	47	9	13-35048	LOCKWASHER	39	7
11-58056	NUT	33	15	13-35048	LOCKWASHER	53	8
11-63341	TEE NUT	43	13	13-35048	LOCKWASHER - 3/8-16 THREAD	13	35
11-64015	NUT	5	12	13-35048	LOCKWASHER - PORT	47	3
11-64015	NUT (STAINLESS STEEL EXHAUST ELBOW)	13	9A	13-35048	LOCKWASHER - STARBOARD	47	3
11-68219	NUT	13	16	13-39107	LOCKWASHER	15	34
11-68219	NUT	13	21	13-39107	LOCKWASHER	19	9
11-68219	NUT	15	20	13-39107	LOCKWASHER	27	23
11-79989	NUT	5	10	13-39107	LOCKWASHER	27	32
11-813976	NUT	9	19	13-39107	LOCKWASHER	35	15
11-813977	NUT	9	31	13-40024--8	LOCKWASHER	49	8
11-816730	NUT	29	6	13-41471	LOCKWASHER	45	3
11-90517	NUT	49	5	13-42769	LOCKWASHER	11	2
11-94330	NUT (1/4-20)	13	32	13-49102	LOCKWASHER	35	19
12-20084	WASHER	15	35	14-12657	TAB WASHER	47	10
12-20084	WASHER	19	17	15-54531	SHIM	29	18
12-20084	WASHER	27	5	16-11995	STUD	29	4
12-20553	WASHER	5	26	16-38525	STUD	19	7
12-20572	WASHER	33	12	16-41877	STUD	49	1A
12-20572	WASHER	39	8				
12-24664	WASHER	19	8				
12-26168	WASHER	5	19				

PARTS INDEX

Part Number	Description	Pg.	Ref. No.	Part Number	Description	Pg.	Ref. No.
16-49108	STUD	37	2	23-818473	BEARING SET (STANDARD)	33	3/4
16-49133	STUD	29	20	23-818474	BEARING SET (.001 U.S.)	33	3/4
16-57835--1	STUD	19	31	23-818475	BEARING SET (.002 U.S.)	33	3/4
16-64066	STUD (2-1/4")	39	5	23-818476	BEARING SET (.010 U.S.)	33	3/4
16-64066	STUD - STARBOARD	47	5	23-818477	BEARING SET (.020 U.S.)	33	3/4
16-814954	STUD (2-1/2")	19	5	23-85684	BEARING UNIT (SET)	31	7
16-818168A1	STUD KIT (INCLUDES 3 STUDS)	53	11	23-85691	BEARING UNIT (.010 U.S.)	33	16
16-90096A1	STUD ASSEMBLY	15	36	23-85726	BEARING UNIT (STANDARD)	33	16
16-96112	STUD	19	11	23-85727	BEARING UNIT (.001 U.S.)	33	16
16-96112	STUD	43	12	23-85728	BEARING UNIT (.002 U.S.)	33	16
16-98798	STUD	43	2	23-85729	BEARING UNIT (.020 U.S.)	33	16
17-35312	DOWEL PIN (1.4" DIA.)	33	5	23-90915	BUSHING	15	15
17-35312	DOWEL PIN (1/4" DIA.)	31	14	23-92152	SPACER	13	10
17-47617	PIN	15	14	23-98820	SPACER	43	9
17-52190	DOWEL PIN	31	5	23-98828	SPACER	43	4
17-68402	SHOULDER PIN	43	16	23-99322	SPACER	39	3
18-21071	COTTER PIN	43	17	24-17057A1	SPRING (INLET AND EXHAUST)	29	17
18-32857	COTTER PIN	43	6	24-32817	SPRING	19	3
19-37478	EXPANSION PLUG (1-3/4" DIA.)	31	4	24-75533	SPRING	25	4
19-59504	PLUG	27	9	24-814467	SPRING	7	5
19-94140	EXPANSION PLUG	31	6	24-98880	SPRING	43	7
22-16951A1	DRAIN COCK	23	6	25-30224	O-RING	25	7
22-16951A1	DRAIN COCK	31	3	25-59987	GROMMET	19	28
22-16951A1	DRAIN COCK	53	6	25-89879	O-RING	49	11
22-32802	PIPE PLUG (FOR WATER PUMP BODY)	27	24	25-94288	QUAD RING	27	13
22-32803	PIPE PLUG	25	2	26-14756	OIL SEAL	33	6
22-33198A1	PLUG	23	2	26-49154	OIL SEAL	35	26
22-33198A1	PLUG	53	2	26-72785	OIL SEAL	27	19
22-33821	CONNECTOR	17	11	26-90562	OIL SEAL	27	15
22-36305	ELBOW	23	7	27-33179--2	GASKET	25	11
22-36305	ELBOW (90)	53	7	27-34213	GASKET	17	2
22-36382	PIPE PLUG	17	7	27-34486--3	GASKET	15	16
22-36382	PIPE PLUG	23	11	27-41813	GASKET (STANDARD COOLING)	23	9
22-37682	ELBOW	31	15	27-41813	GASKET (STANDARD COOLING)	53	9
22-45084	FITTING (STRAIGHT)	23	12	27-46820	GASKET	23	4
22-45084	FITTING (STRAIGHT)	53	7	27-46820	GASKET	53	4
22-48246	ELBOW	51	16	27-49110	GASKET	35	11
22-48340	PIPE PLUG (1/4")	31	2	27-49121	GASKET	29	3
22-48358	PIPE PLUG (3/8")	31	2	27-49955	GASKET	37	10
22-49099	GREASE FITTING	33	10	27-52457--2	GASKET	19	16
22-63825	ELBOW	51	15	27-52550	GASKET SET	37	8
22-64013	REDUCER	13	17	27-53045--1	GASKET	25	8
22-66201	CONNECTOR	35	7	27-54529	GASKET	35	27
22-73379	PIPE PLUG	23	3	27-811207	GASKET	29	21
22-73379	PIPE PLUG	53	3	27-812712	GASKET SET	35	5
22-814822	ADAPTOR	51	4	27-813970	GASKET	9	35
22-814822	FITTING	51	4	27-91892	GASKET	51	12
22-92499	FITTING (45)	23	12	27-94914	GASKET	27	8
22-93385	ELBOW	17	15	27-94915	GASKET	27	6
22-97282	CONNECTOR	19	2	27-98242--1	GASKET	15	4
22-97368	ELBOW (90)	51	10	28-34466	KEY	33	18
23-17495	SLEEVE	25	10	28-54530	KEY	29	13
23-33186	BUSHING	5	27	30-72961	BALL BEARING	27	16
23-42772	SPACER	11	5	30-814465	BALL BEARING	7	3
23-52193	RETAINER	37	4	30-98475	NYLON BALL	25	5
23-72057	SPACER	49	4	32-17435-70	HOSE, SEA PUMP TO DRIVE UNIT	25	17
23-814476	BUSHING	7	16				

PARTS INDEX

Part Number	Description	Pg.	Ref. No.	Part Number	Description	Pg.	Ref. No.
32-33220-70	HOSE (STARBOARD)	25	15	54-53101	CLAMP	19	30
32-33220-70	HOSE (STARBOARD/PORT)	25	15	54-64628	LIFTING EYE	35	3
32-52519-15	HOSE	49	13	54-72821	RETAINER	15	37
32-66206	HOSE	35	8	54-78945	"J" CLAMP	39	9
32-73815-63	HOSE, FUEL PUMP TO CARBURETOR	17	14	54-78945	CLAMP - STARBOARD	47	7
32-814884T	FUEL LINE, FILTER TO PUMP	17	12	54-814859	CLIP	51	19
32-814885T	FUEL LINE, FUEL PUMP TO CARBURETOR	17	13	54-815504206	CLAMP	49	14
32-816200A2	DIPSTICK TUBE	37	15	54-815504220	CLAMP	25	16
32-816285	HOSE, OIL COOLER TO SEA PUMP - OLD DESIGN	25	18	54-815504232	CLAMP	25	21
32-816286	HOSE, OIL COOLER TO THERMOSTAT HOUSING - OLD DESIGN	25	19	54-815504412	CLAMP	35	9
32-816286--1	HOSE, OIL COOLER TO THERMOSTAT HOUSING - NEW DESIGN	25	19	54-816398	CLAMP	13	2
32-817433	HOSE (MOLDED - PORT)	25	15	54-92850	CLAMP	39	9
32-817579	HOSE, OIL COOLER TO SEA PUMP - NEW DESIGN	25	18	57-13457T	BELT (30")	27	25
32-89718	HOSE, THERMOSTAT HOUSING TO WATER PUMP	25	20	57-48122	BELT	35	24
32-89730--1	HOSE, THERMOSTAT COVER (STARBOARD)	25	23	57-812427T	V-BELT	49	9
32-89749--1	HOSE, THERMOSTAT COVER (PORT)	25	22	84-15275A1	HARNES ASSEMBLY	13	7A
32-90494	HOSE (FITTINGS ON BOTH ENDS)	49	10	84-62826A6	WIRE	39	12
32-92357-51	HOSE (26")	51	17	84-816608A61	SPARK PLUG WIRE KIT	15	21
32-92357-61	HOSE (36")	51	18	84-95084A10	WIRE (SHORT - RED)	13	5
32-92357-61	HOSE (36")	51	5	84-95084A9	WIRE (LONG - RED)	13	4
32-93315-12	HOSE	19	26	84-96020A6	WIRING HARNES	13	1
32-98843-39	HOSE (FITTINGS ONE ONE END)	49	12	85-79695	BOOT	5	5
33-59571	SPARK PLUG	15	23	85-96819T	INSULATOR	13	26
35-60494--1	FUEL FILTER	17	10	87-91019A3	SENSOR ASSEMBLY	15	11
36-75336	CAP	29	7	88-11178	CIRCUIT BREAKER (50 AMP)	13	19
36-95805	CAP	49	2	88-79091	FUSE (20 AMP)	13	6
37-812776A17	DECAL SET	19	25	89-96054	STARTER SOLENOID	13	27
39-817413	PISTON RING (.032 O.S.)	33	2	90-13230902	OWNER'S GUIDE	2	-
39-821091	PISTON RING (STANDARD)	33	2	90-816463	SERVICE MANUAL	2	-
43-61726	CAMSHAFT SPROCKET	31	11	90-816935-90	PARTS CATALOG - Service	2	-
43-61727	CRANKSHAFT TIMING SPROCKET	31	12	230-6540	FLYWHEEL	33	7
43-811578	CAMSHAFT, SPROCKET	31	11	390-7004	FAN	9	4
43-811579	CRANKSHAFT, SPROCKET	31	12	390-7005	BALL BEARING	9	7
43-813776--1	DRIVE GEAR	15	13	390-7007	RETAINER	9	13
46-72774A40	BODY	27	2	390-7014	SLIP RING	9	11
46-72774A50	WATER PUMP ASSEMBLY	27	1	390-7021	NUT	9	21
46-94913A2	PUMP HOUSING ASSEMBLY	27	14	390-7022	WASHER	9	24
47-59362--1	IMPELLER	27	10	390-7027	NUT	9	1
50-812428A3	STARTER MOTOR	5	1	390-7033	LOCKWASHER	9	2
50-812428A3	STARTER MOTOR	7	1	390-7034	KEY	9	9
53-23720	SNAP RING	27	18	390-8637	PULLEY	9	3
53-33290	RETAINING RING	7	13	392-7803A4	IGNITION COIL	15	27
54-47715	CLIP	25	24	429-5880	CRANKSHAFT	33	17
54-49290	CLIP	19	23	431-9830	CAMSHAFT	31	9
				614-9641	CONNECTING ROD	33	13
				737-817412	PISTON & PISTON PIN (.032 O.S.)	33	1
				737-821090	PISTON & PISTON PIN (STANDARD)	33	1
				842-811206	CYLINDER BLOCK ASSEMBLY	31	1
				938-814512	CYLINDER HEAD	29	19
				1347-814623A2	CARBURETOR ASSEMBLY	19	1
				1347-814623A2	CARBURETOR ASSEMBLY	21	-
				1347-9871	NEEDLE AND SEAT KIT	21	11
				1397-817477	AIR HORN KIT	21	1
				1397-817478	FLOAT BOWL KIT	21	2
				1397-817479	THROTTLE BODY KIT	21	3
				1397-817480	METERING JET AND ROD KIT	21	7

PARTS INDEX

Part Number	Description	Pg.	Ref. No.	Part Number	Description	Pg.	Ref. No.
1397-8327	GASKET	21	14				
1397-8541	CHOKE LINK AND LEVER KIT	21	4				
1397-8543	POWER PISTON KIT	21	6				
1397-8557	SCREW KIT, AIR HORN/THROTTLE BODY .	21	15				
1397-8582	PRIMARY VACUUM KIT	21	5				
1397-8767	FUEL FILTER KIT	21	8				
1397-9669	PUMP KIT	21	10				
1397-9723	CARBURETOR AND GASKET KIT	21	13				
7931-2546	FLOAT KIT	21	9				