



# PARTS CATALOG

## 15 H.P. STD 20" LEG OUTBOARD MOTOR

### SERIAL NUMBER

15 H.P. (1992-1993) ..... 225.581495

# TABLE OF CONTENTS:

CARBURETOR .....	8
CRANKSHAFT AND PISTON .....	14
CYLINDER .....	16
ENGINE COVER AND SUPPORT PLATE .....	2
FUEL INTAKE AND RECIRCULATION SYSTEM .....	6
FUEL TANK AND LINE .....	32
GEAR HOUSING .....	28
IGNITION SYSTEM .....	10
MOTOR LEG AND SWIVEL BRACKET .....	18
PARTS INDEX .....	36
SHIFT LINKAGE .....	4
STARTER .....	12
STERN BRACKETS .....	26
THERMOSTAT .....	34
TILLER HANDLE AND THROTTLE LINKAGE .....	22

**NOTE:** Indented description indicate that these parts are included in preceding assembly.

**AR** = As Required

**NSS** = Not Sold Separate

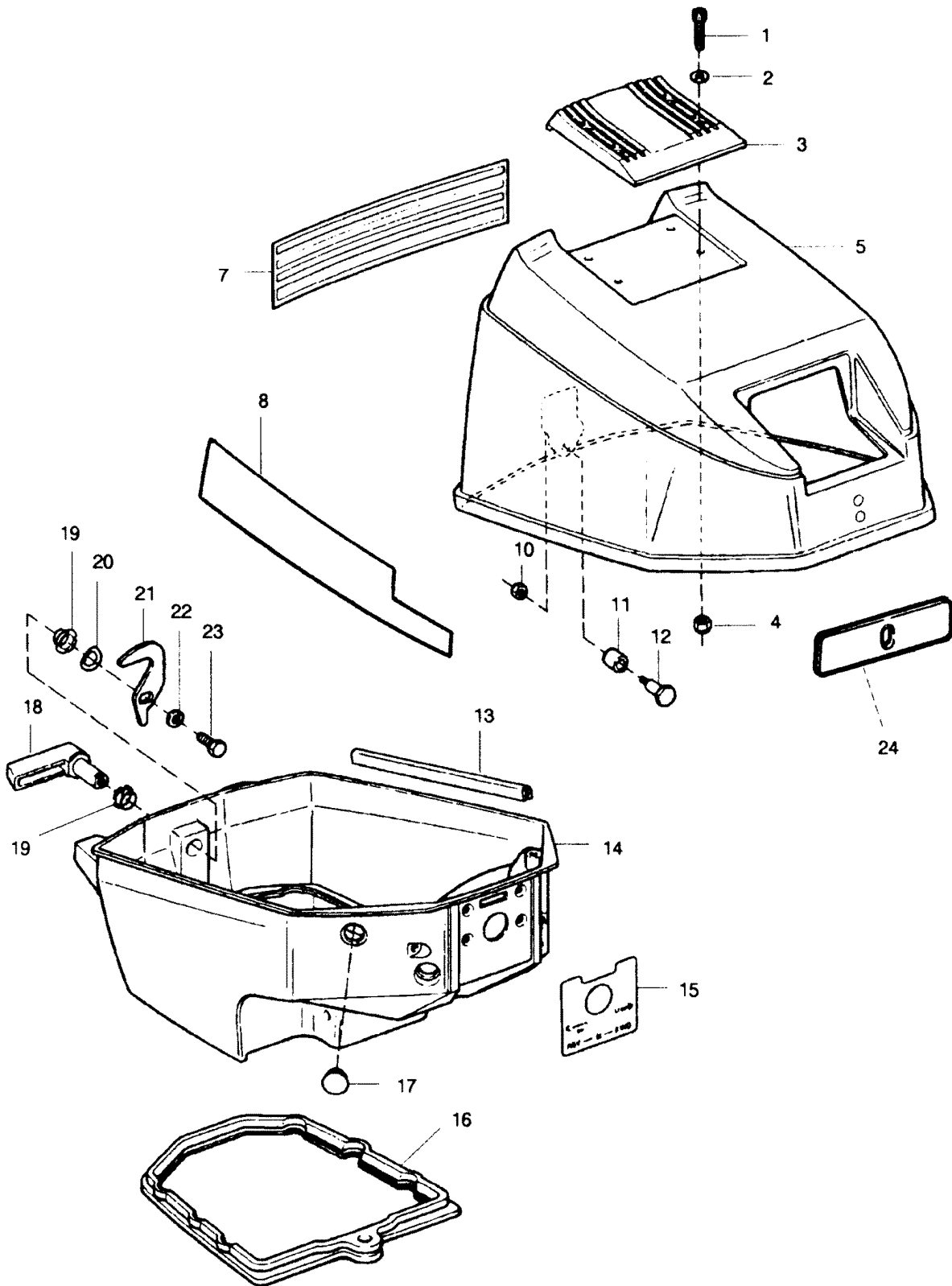
**OPT** = Optional

**NS** = Not Shown

**THESE PARTS BOOKS/FICHE CARD ARE COPYRIGHTED AND MAY NOT BE DISTRIBUTED OR REPRODUCED IN ANY OTHER FORMAT BY ANYONE OTHER THAN MERCURY MARINE WITHOUT THE PRIOR WRITTEN CONSENT OF MERCURY MARINE.**

THIS PAGE INTENTIONALLY LEFT BLANK

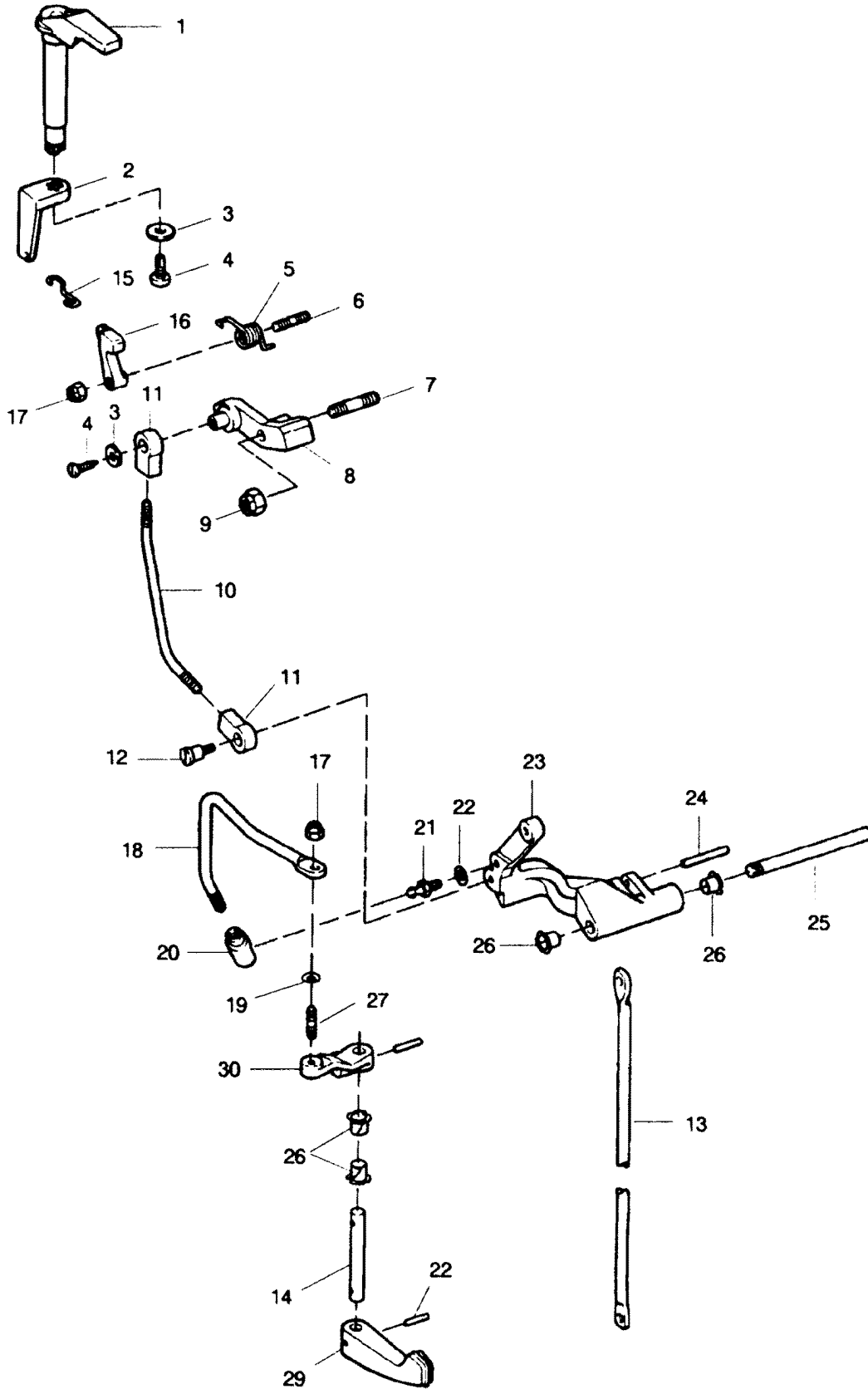
# ENGINE COVER AND SUPPORT PLATE



# ENGINE COVER AND SUPPORT PLATE

REF. NO.	PART NO.	SYM.	QTY.	DESCRIPTION
1	2211		4	HEX HEAD CAP SCREW, LO - 24 X 5/8 S.S.
2	2042		4	WASHER
3	703269		1	HANDLE, TILT
4	7009		4	LOCKNUT, 10 - 24 S.S.
5	S681712		1	COVER, BASIC (UNPAINTED)
	2C710712		0	COVER, COMPLETE (PAINTED W/DECALS)
7	710528		1	DECAL, REAR
8	710396		1	DECAL, STARBOARD - 15 HP
	710397		1	DECAL, PORT - 15 HP
10	1832		1	LOCKNUT, 1/4 - 20 S.S.
11	681759		1	ROLLER, LATCH
12	681026		1	SCREW, LATCH ROLLER
13	392756		1	PACKING
14	819280		1	SUPPORT PLATE
15	819281		1	PLATE, FRONT
16	715989		1	SUPPORT PLATE
17	73336		1	PLUG
18	A681469		1	HANDLE, COVER LATCH
19	307818		2	BEARING
20	8048		1	BOWED WASHER
21	481777		1	CAM, LATCH
22	8083		1	SPRING LOCKWASHER
23	1854		1	HEX HEAD CAP SCREW, 1/4 - 20 X 5/8
24	681390		1	DECAL, START PROCEDURE

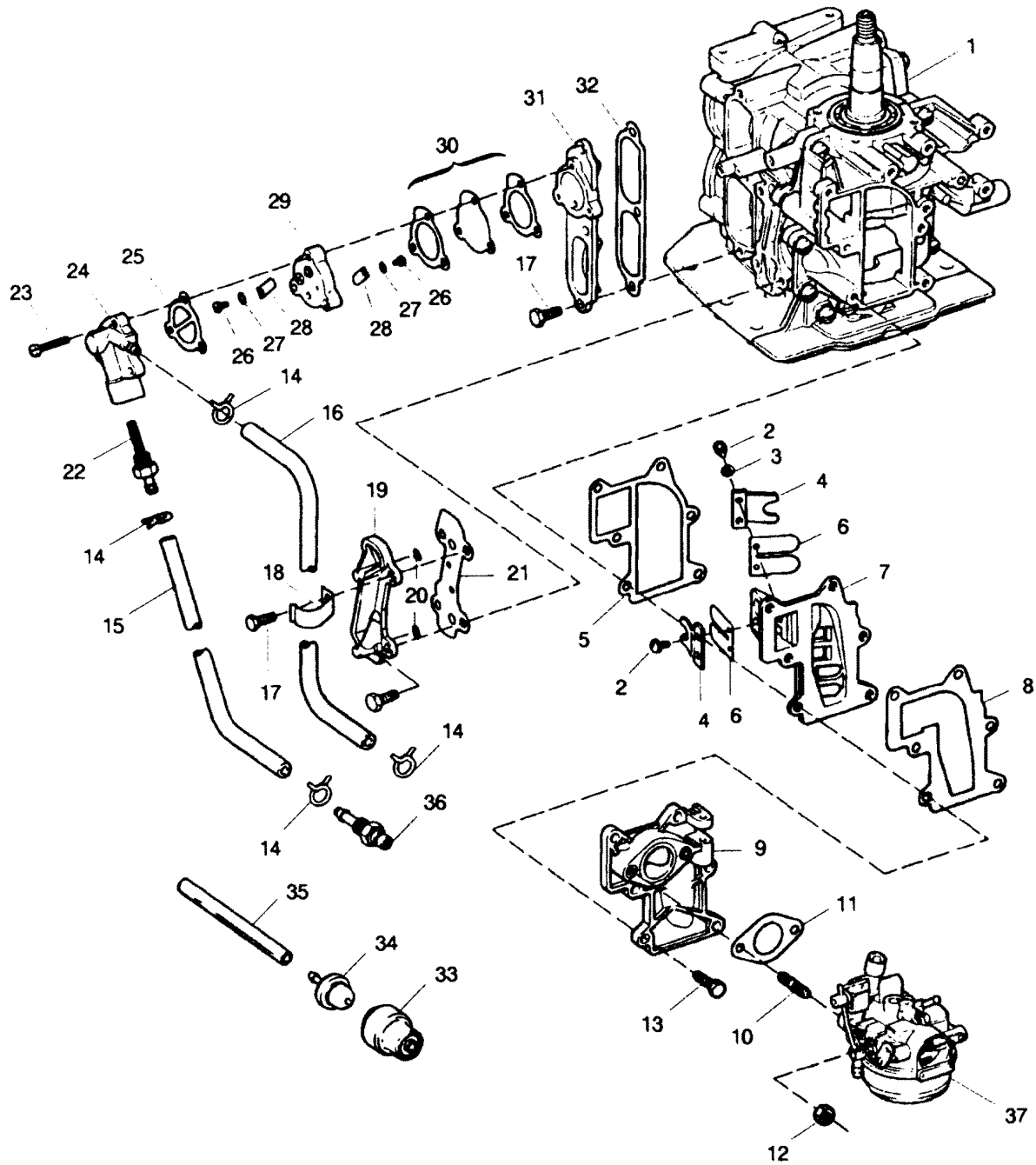
# SHIFT LINKAGE



# SHIFT LINKAGE

REF. NO.	PART NO.	SYM.	QTY.	DESCRIPTION
1	681490		1	STOP, STARTER INTERLOCK
2	681003-1		1	ARM, STARTER INTERLOCK
3	8143		1	WASHER, PLAIN #10
4	2209		1	PAN HEAD SELF TAPPING SCREW 10 - 16
5	681424		1	SPRING. INTERLOCK
6	681134		1	STUD
7	681008		1	STUD
8	681997-1		1	LEVER, NEUTRAL SPEED INTERLOCK
9	1832		1	LOCKNUT 1/4 - 20
10	681531-1		1	ROD, INTERLOCK
11	816514		2	BEARING, CONTROL ROD
12	84026		1	SCREW, SHOULDER
13	286615		1	HOD, GEARSHIFT UPPER
14	715417		1	SHAFT, GEARSHIFT HANDLE
15	68-1263-1		1	LINK , INTERLOCK
16	681742		1	LEVER, INTERMEDIATE INTERLOCK
17	1804		2	STOP NUT, 10 - 32
18	286611-2		1	ROD, GEARSHIFT
19	8048		1	BOWED SPRING WASHER
20	286685		1	CONNECTOR, GEARSHIFT ROD
21	98273		1	STUD, GEARSHIFT ROD CONNECTOR
22	8058		1	INTERNAL TOOTH LOCKWASHER
23	286876		1	LEVER, GEARSHIFT
24	8542		1	SPRING PIN
25	286871		1	PIN, GEARSHIFT LEVER
26	307818		4	BEARING
27	286134		1	STUD, GEARSHIFT LEVER
28	8540		2	SPRING PIN
29	715614		1	HANDLE, GEARSHIFT
30	715619		1	LEVER, SHIFT HANDLE SHAFT

# FUEL INTAKE AND RECIRCULATION SYSTEM

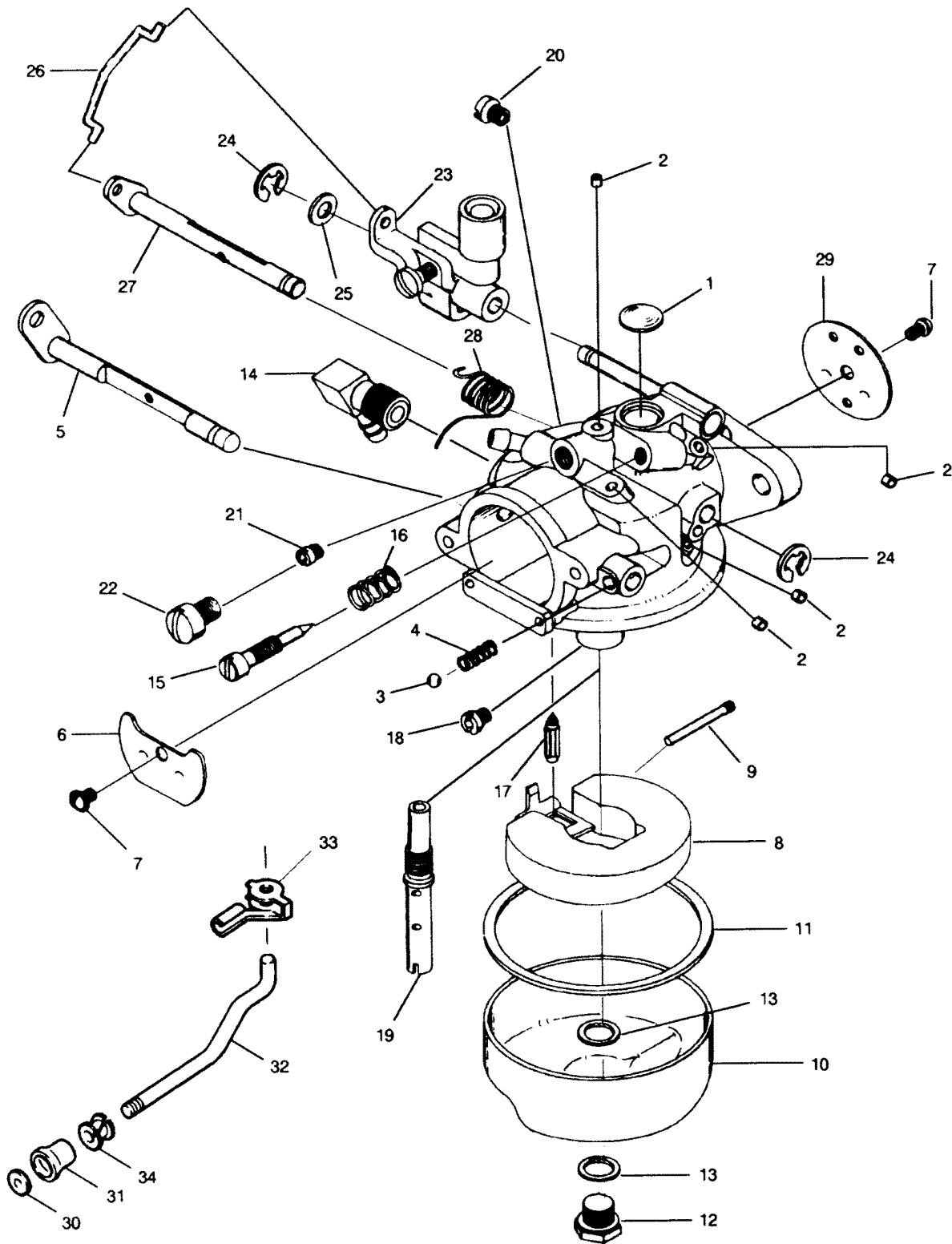




## FUEL INTAKE AND RECIRCULATION SYSTEM

REF. NO.	PART NO.	SYM.	QTY.	DESCRIPTION
1	C710010		1	SHORT BLOCK
2	1755		8	ROUND HEAD SCREW W/LOCKWASHER,6 - 32 X 5/16
3	1704		2	LOCKWASHER, #6 S.S.
4	715161		4	REED STOP, 15 HP
5	286159-1		1	GASKET, REED PLATE
6	31160-2		4	REED
7	A715158		1	REED PLATE W/REEDS AND REED STOPS - 15 HP
8	715168		1	GASKET, MANIFOLD
9	A715167		1	MANIFOLD W/STUDS
10	2788004		2	STUD, CARBURETOR
11	715906		1	GASKET, CARBURETOR
12	1490		2	HEX NUT, 1/4 - 20
13	2008		6	HEX HEAD SCREW, 1/4 - 20 X 7/8
14	2706772		4	HOSE CLAMP
15	40253-1		1	FUEL LINE (SUPPORT PLATE TO FUEL PUMP)
16	681754		1	FUEL LINE (FUEL PUMP TO CARBURETOR)
17	1922		7	HEX HEAD SCREW, L/4 - 20 X 5/8
18	286772--1		1	CLAMP
19	A429471		1	COVER, CYLINDER DRAIN WITH CHECK VALVES AND SCREENS
20	429811		2	SCREEN
21	429472		1	GASKET, CYLINDER DRAIN COVER
22	901811		1	FILTER, FUEL
23	1069		3	HEAD SCREW, 10 - 24 X 1-1/16
24	901746-2		1	COVER, FUEL PUMP
25	24748-2		1	GASKET, FUEL PUMP
26	1286		2	PAN HEAD SCREW, 4 - 40 X 3/16
27	8003		2	PLAIN WASHER
28	18160-3		2	REED, FUEL PUMP
29	2A24757		1	PLATE, FUEL PUMP W/REEDS
30	818043A1		1	FUEL PUMP DIAPHRAGM W/GASKETS
31	286222		1	COVER, TRANSFER PORT
32	286223		1	GASKET, TRANSFER PORT COVER
33	681954-1		1	COVER, PRIME BULB
34	681046		1	BULB, PRIME
35	681243		1	HOSE (PRIME BULB TO CARBURETOR)
36	197767-2		1	BUSHING (FUEL LINE)
37	71-5061		1	CARBURETOR (F01 A)

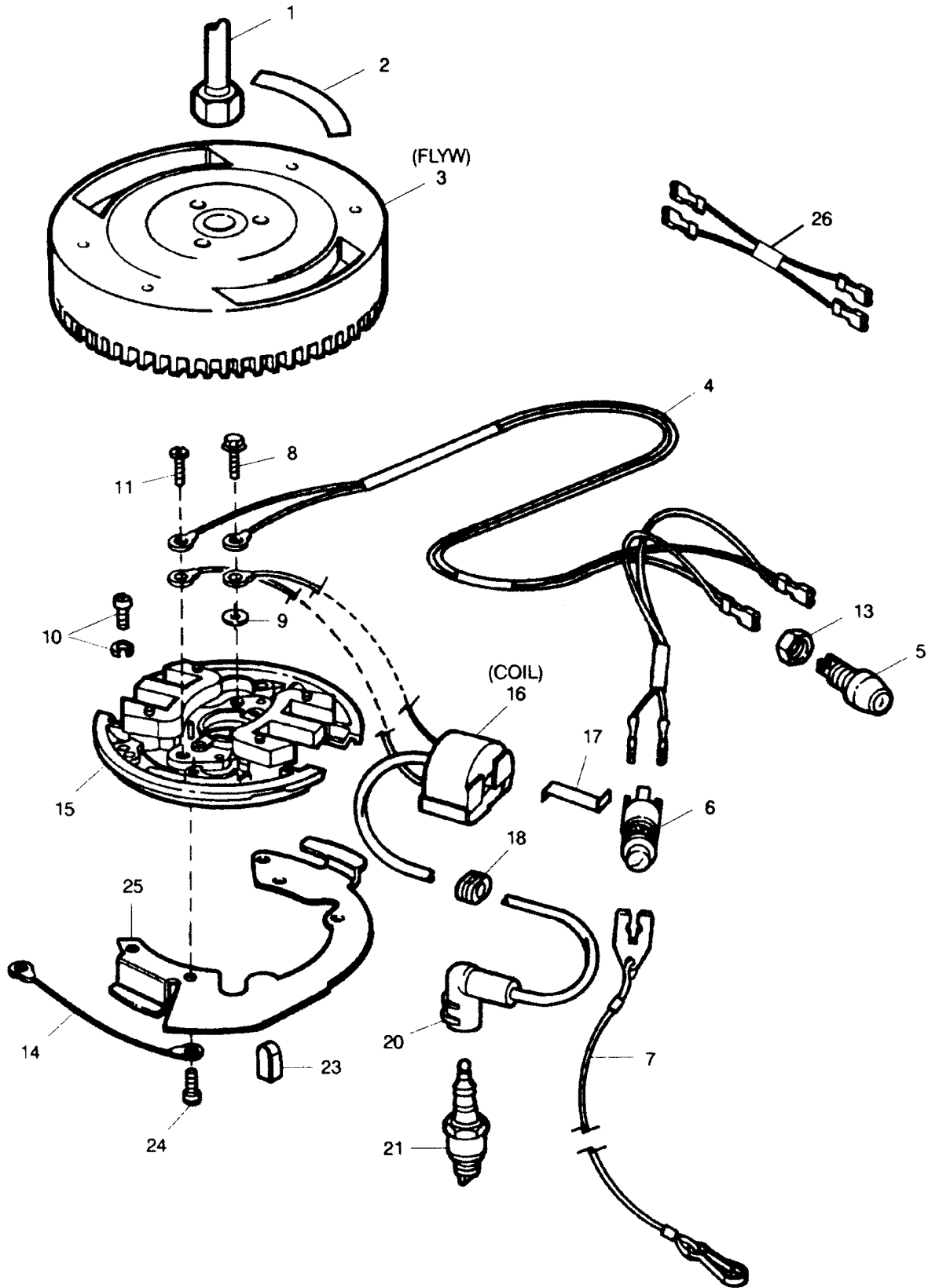
# CARBURETOR



# CARBURETOR

REF. NO.	PART NO.	SYM.	QTY.	DESCRIPTION
1	016128		1	PLUG
2	010588		4	PLUG
3	04784		1	BALL
4	08805		1	SPRING
5	10343		1	SHAFT, CHOKE
6	10344		1	SHUTTER, CHOKE
7	10345		2	SCREW
8	10346		1	FLOAT
9	013944		1	PIN
10	015366		1	BOWL
11	015623		1	GASKET
12	013945		1	SCREW
13	02510		2	GASKET
14	10347		1	ELBOW
15	10268		1	SCREW, IDLE MIXTURE
16	011103		1	SPRING
17	10265		1	NEEDLE, INLET
18	10214		1	JET, MAIN FUEL (.070) SEA LEVEL - 2500 FT
	10215		1	JET, MAIN FUEL (.068) 2500 - 5000 FT.
	10226		1	JET, MAIN FUEL (.066) 5000 - 7500 FT.
	10148		1	JET, MAIN FUEL (.064) 7500 - 10000 FT.
19	015722		1	NOZZLE, MAIN
20	10348		1	JET, IDLE (.050)
21	10273		1	JET, PART THROTTLE (.047)
22	10275		1	SCREW
23	10290		1	LINKAGE ASSEMBLE, THROTTLE
24	10241		2	CLIP
25	10242		1	WASHER
26	10338		1	LINK, THROTTLE
27	10349		1	SHAFT, THROTTLE
28	10350		1	SPRING
29	10351		1	SHUTTER, THROTTLE
30	458677		1	INSERT, CHOKE KNOB
31	286547		1	KNOB, CHOKE
32	819348		1	ROD, CHOKE
33	341384		1	RETAINER, CHOKE ROD
34	197319		1	BEARING, CHOKE ROD
-	<b>K10352</b>		<b>1</b>	<b>GASKET SET (NOT SHOWN)</b>
-	<b>1910353</b>		<b>1</b>	<b>REPAIR KIT (NOT SHOWN)</b>
-	<b>715061</b>		<b>1</b>	<b>CARBURETOR COMPLETE</b>

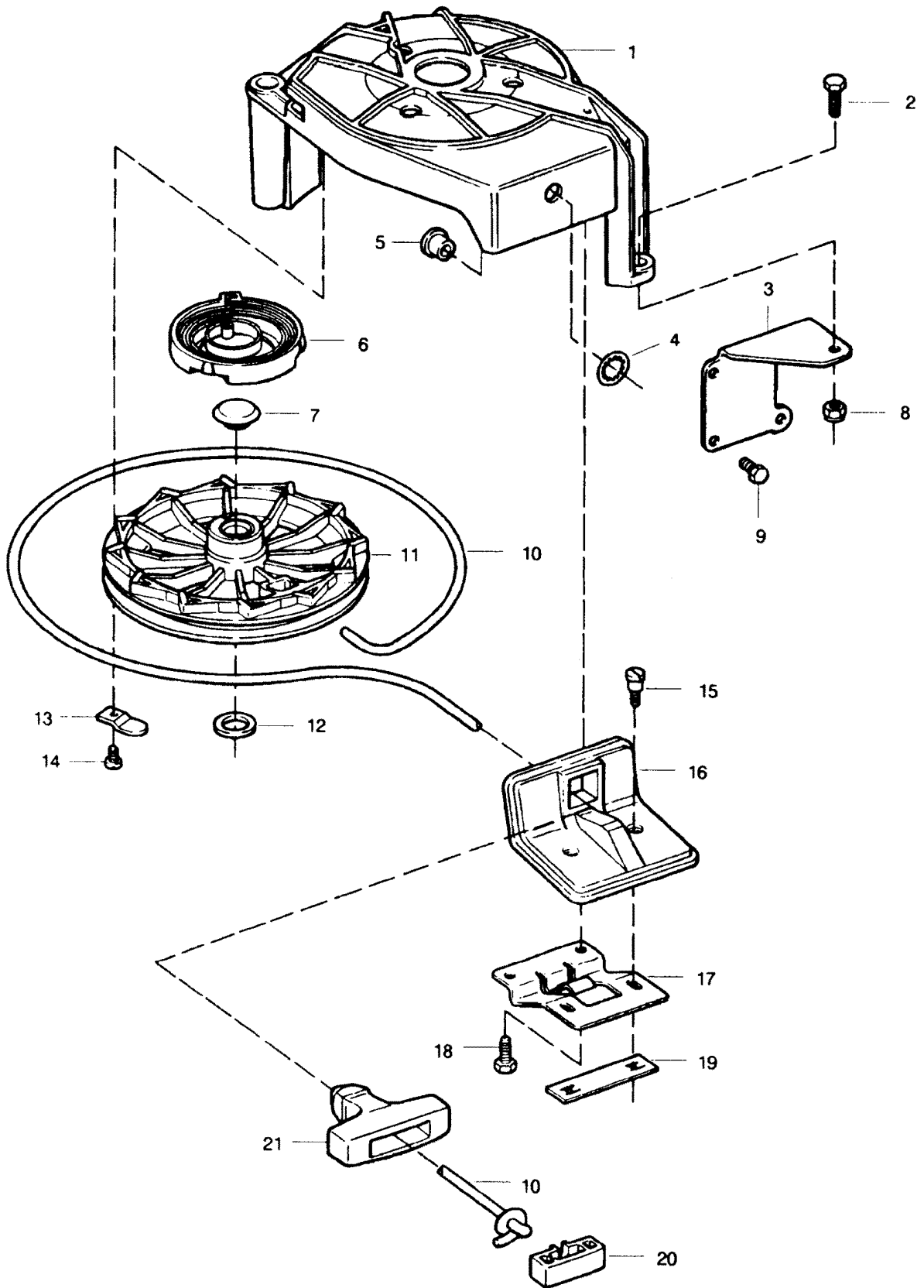
# IGNITION SYSTEM



# IGNITION SYSTEM

REF. NO.	PART NO.	SYM.	QTY.	DESCRIPTION
1	681091		1	NUT, FLYWHEEL
2	A609853		1	DECAL SHIFT WARNING
3	A714097		1	FLYWHEEL W/DECAL
4	12376		1	WIRE, MAGNETO SHORTING
5	817952A1		1	SWITCH, STOP W/NUT
6	K681602		1	SWITCH, EMERGENCY STOP WILANYARD
7	702329		1	LANYARD
8	12380		1	SCREW (PLASTIC)
9	12381		1	WASHER (PLASTIC)
10	1090		4	SCREW W/LOCKWASHER,10 - 24 X 9/16
11	12382		1	SCREW
13	436280		1	NUT, SHORTING SWITCH
14	289664		1	WIRE, STATOR GROUND
15	12377		1	STATOR, PLATE W/LAMINATIONS
16	712475		2	COIL
17	12378		2	SPRING, COIL WEDGE
18	12088		2	GROMMET
20	K1123		2	COVER, SPARK PLUG
21	819182T		2	SPARK PLUG L87YC
23	458498-1		1	KEY, MAGNETO
24	1090		4	SCREW, 10 - 24 X 1T2
25	715192		1	PLATE, THROTTLE CAM
26	819379A1		1	WIRE (STOP SWITCH EXTENSION)

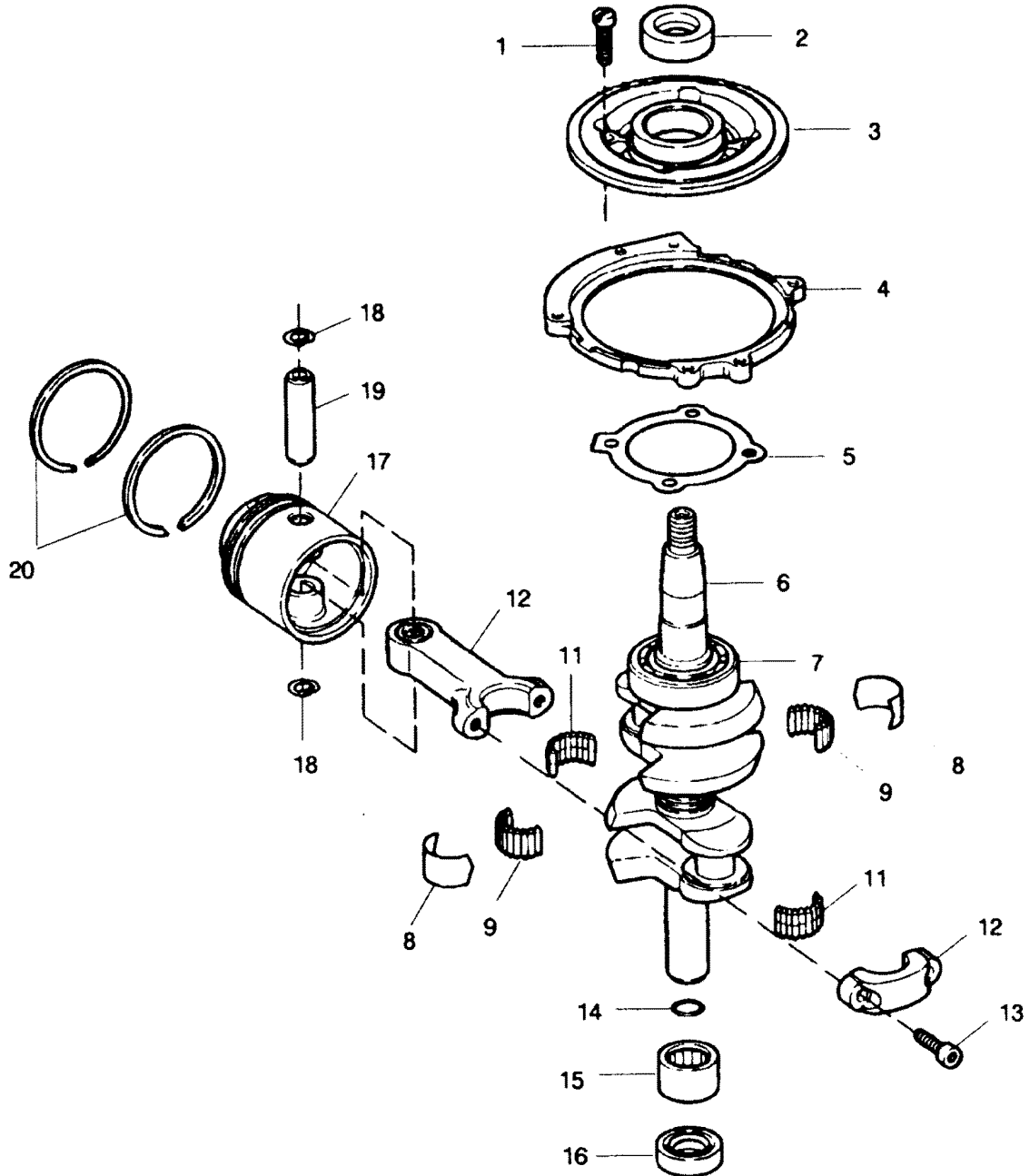
# STARTER



# STARTER

REF. NO.	PART NO.	SYM.	QTY.	DESCRIPTION
1	681408-1		1	HOUSING
2	1864		3	SCREW, HEX HEAD 1/4 - 20 X 3/4 S.S.
3	681427-2		1	BRACKET
4	681741		1	RING, RETAINING
5	681428		1	INSERT, STARTER HOUSING ROPE
6	681970		1	SPRING, STARTER REWIND
7	681971		1	PLUG
8	1832		1	LOCKNUT, L/4- 20
9	1090		3	SCREW, FILL. HEAD TO - 24 X 9/16
10	681232		1	ROPE
11	A681239		1	STARTER PULLEY ASSEMBLY W/PLUG AND SEAL
12	681579		1	SEAL
13	681592		3	RETAINER, STARTER PULLEY
14	2209		3	SCREW, PAN HEAD TO - 16 X L/2 S.S.
15	84026		2	SCREW, SHOULDER
16	A68-1630		1	SUPPORT , HANDLE
17	681090		1	PLATE, HANDLE SUPPORT
18	2210		2	SCREW, PAN HEAD 1/4 - 14 X 1/2 S.S.
19	681874		1	FASTENER, HANDLE SUPPORT PLATE
20	681817		1	RETAINER, STARTER ROPE
21	681132		1	HANDLE, STARTER ROPE

# CRANKSHAFT AND PISTON

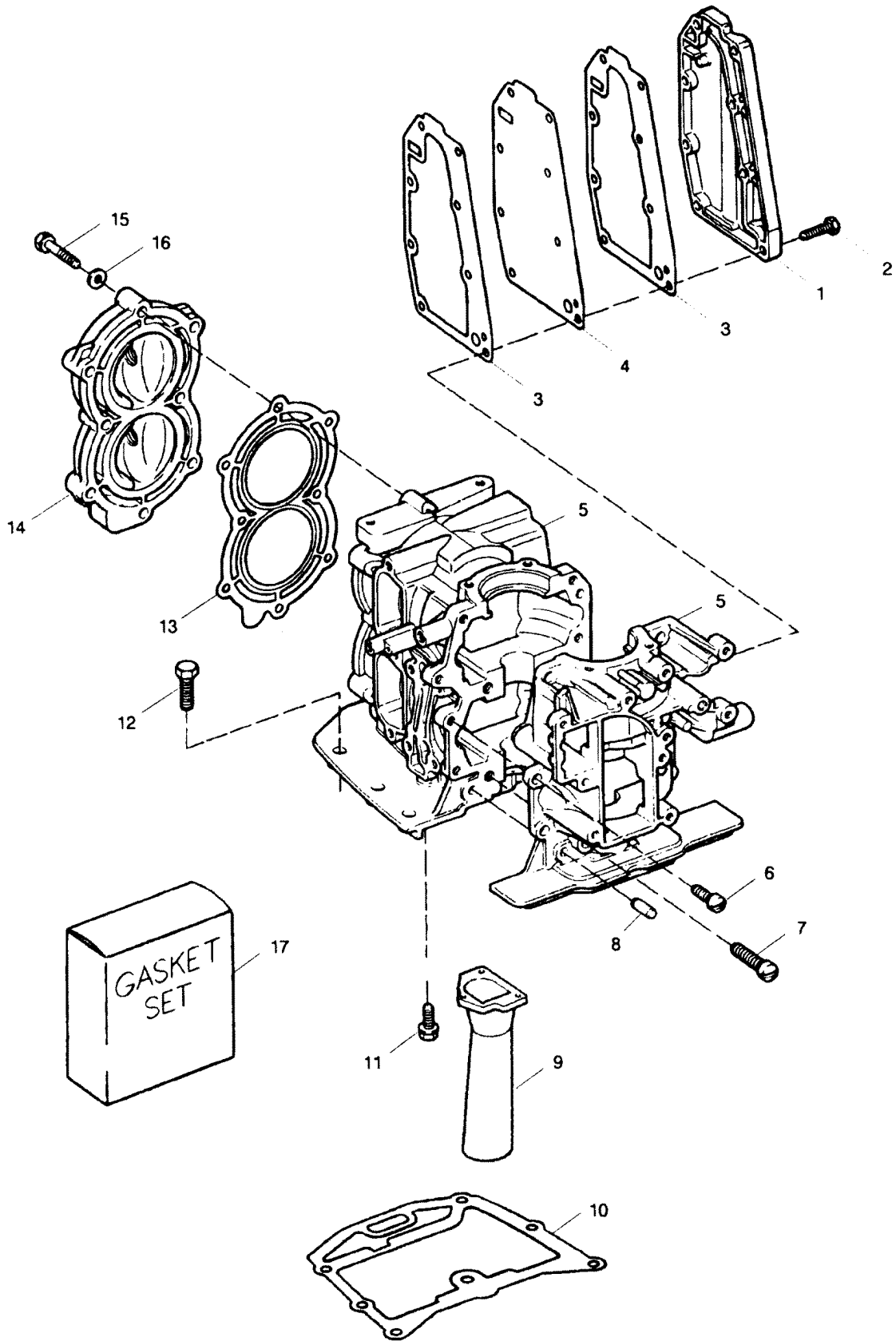




## CRANKSHAFT AND PISTON

REF. NO.	PART NO.	SYM.	QTY.	DESCRIPTION
1	1111		4	HEAD SCREW, 114 - 20 X 7/8
2	346146		1	SEAL, CRANKSHAFT UPPER
3	817753A1		1	CAGE, CRANKSHAFT W/SEAL
4	73082		1	RING, MAGNETO STATOR
5	286277		1	GASKET, CRANKSHAFT BEARING CAGE
6	2A681018		1	CRANKSHAFT W/UPPER MAIN BEARING
7	286028		1	BEARING, CRANKSHAFT UPPER
8	A286155		1	CENTER MAIN BEARING LINER SET (2 PER SET)
9	286571		1	CENTER MAIN BEARING ROLLER SET (26 PER SET)
11	A71-2228		2	CONNECTING ROD ROLLER SET (2 PER SET)
12	S715016		2	ROD, CONNECTING W/CAP AND SCREWS
13	175634		4	SCREW, CONNECTING ROD
14	461342		1	SEAL, DRIVESHAFT SPLINE
15	343014		1	BEARING, CRANKSHAFT LOWER MAIN
16	141118		1	SEAL, CRANKSHAFT LOWER
17	710015		2	PISTON
18	31410		4	RETAINING RING, PISTON PIN
19	712017		2	PIN, PISTON
20	A472260		1	RING SET PISTON (4 PER SET)

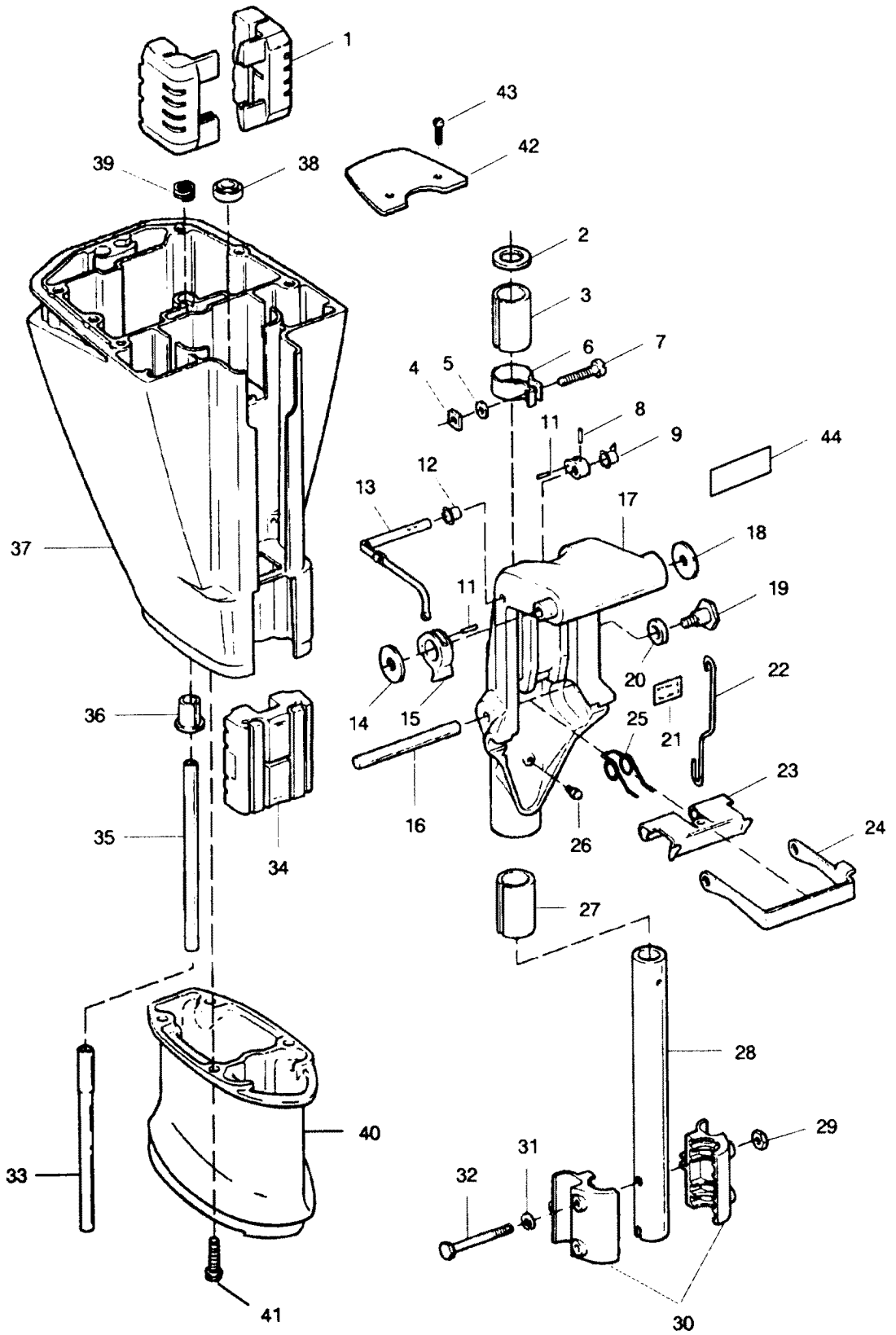
# CYLINDER



# CYLINDER

REF. NO.	PART NO.	SYM.	QTY.	DESCRIPTION
1	715152		1	COVER, EXHAUST
2	2008		8	HEX HEAD SCREW, 1/4 - 20 X 7/8
3	715154		2	GASKET, EXHAUST COVER
4	715151		1	PLATE, EXHAUST
5	A7090-10		1	CYLINDER
-	<b>C710010</b>		<b>1</b>	<b>SHORT BLOCK (CYLINDER WITH CRANKSHAFT, PISTONS AND RODS INSTALLED)</b>
6	1107		8	HEAD SCREW, 1/4 - 20 X 3/4
7	1335		4	HEAD SCREW, 5/16 - 18 X 1-1/4
8	8559		2	DOWEL PIN
9	715660		1	EXHAUST TUBE
10	715279-1		1	GASKET, CYLINDER MOUNT
11	1705		3	HEX HEAD MACHINE SCREW, 1/4 - 20 X 314 S.S.
12	1823		6	HEX HEAD CAP SCREW, 5/16 - 18 X 1
13	286529-3		1	GASKET, CYLINDER HEAD
14	286518		1	HEAD, CYLINDER
15	901938-1		8	SCREW, CYLINDER HEAD
16	8025		8	PLAIN WASHER
17	G1035		1	GASKET SET (INCLUDES ALL GASKETS REQUIRED TO REBUILD POWER HEAD)

# MOTOR LEG AND SWIVEL BRACKET

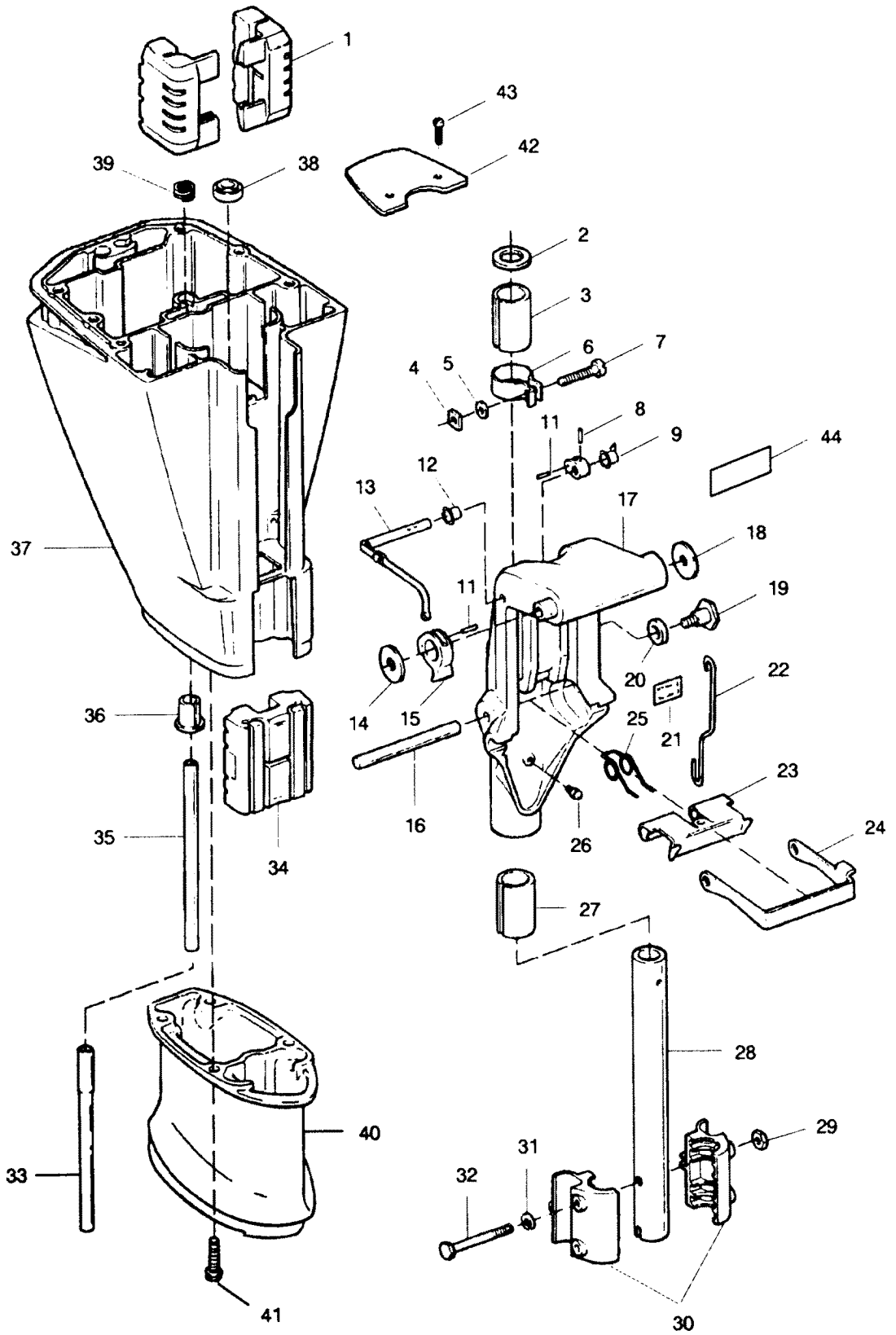


# MOTOR LEG AND SWIVEL BRACKET

REF. NO.	PART NO.	SYM.	QTY.	DESCRIPTION
1	286347		2	MOUNT, UPPER SHOCK
2	286011		1	WASHER, SWIVEL BRACKET
3	286169		1	BEARING, SWIVEL BRACKET
4	1608		1	SQUARE NUT, 1/4 - 20
5	1907		1	WASHER
6	286573-1		1	CLAMP, STEERING FRICTION
7	1820		1	HEAD SCREW, 1/4 - 20 X 1-3/8
8	8538		2	SPRING PIN
9	197813		1	BEARING
10	286364		1	LEVER, REVERSE LOCK
11	1794		1	SPRING PIN
12	536813		1	BEARING
13	A387742		1	LEVER, REVERSE LOCK INTERMEDIATE
14	525286		1	WASHER
15	286827		1	LEVER, REVERSE LOCK
16	1806		1	GROOVE PIN
17	817750A2		1	BRACKET, SWIVEL W/GREASE FITTING AND LOWER BEARING
18	286286--1		1	WASHER
19	286422-1		1	PIVOT, TILT LOCK
20	286451		1	SPACER, TILT LOCK
21	688585		1	DECAL, TILT LOCK
22	A341510		1	LINK, REVERSE LOCK
23	286349		1	REVERSE LOCK
24	286433		1	BRACKET, REVERSE LOCK
25	286300		1	SPRING, REVERSE LOCK
26	213274		4	FITTING, GREASE
27	286169		1	BEARING, LOWER SWIVEL BRACKET
28	286019		1	KINGPIN
29	1341		2	HEX NUT, 1/4 - 20
30	286956		2	BRACKET, SHOCK MOUNT LOWER
31	8083		2	SPRING LOCKWASHER
32	A1844		2	HEX BOLT W/LOCKWASHER, 1/4 - 20 X 2-3/8 S.S.
33	S901244		1	EXTENSION, WATER LINE
34	286346		1	MOUNT, LOWER SHOCK
35	286244		1	LINE, WATER
36	286914-1		1	SLEEVE, WATER LINE
37	819344		1	LEG, MOTOR
38	901307-2		1	SEAL, MOTOR LEG
39	286414		1	SPRING, LEG WATER BRACKET

CONTINUED ON NEXT PAGE ➡

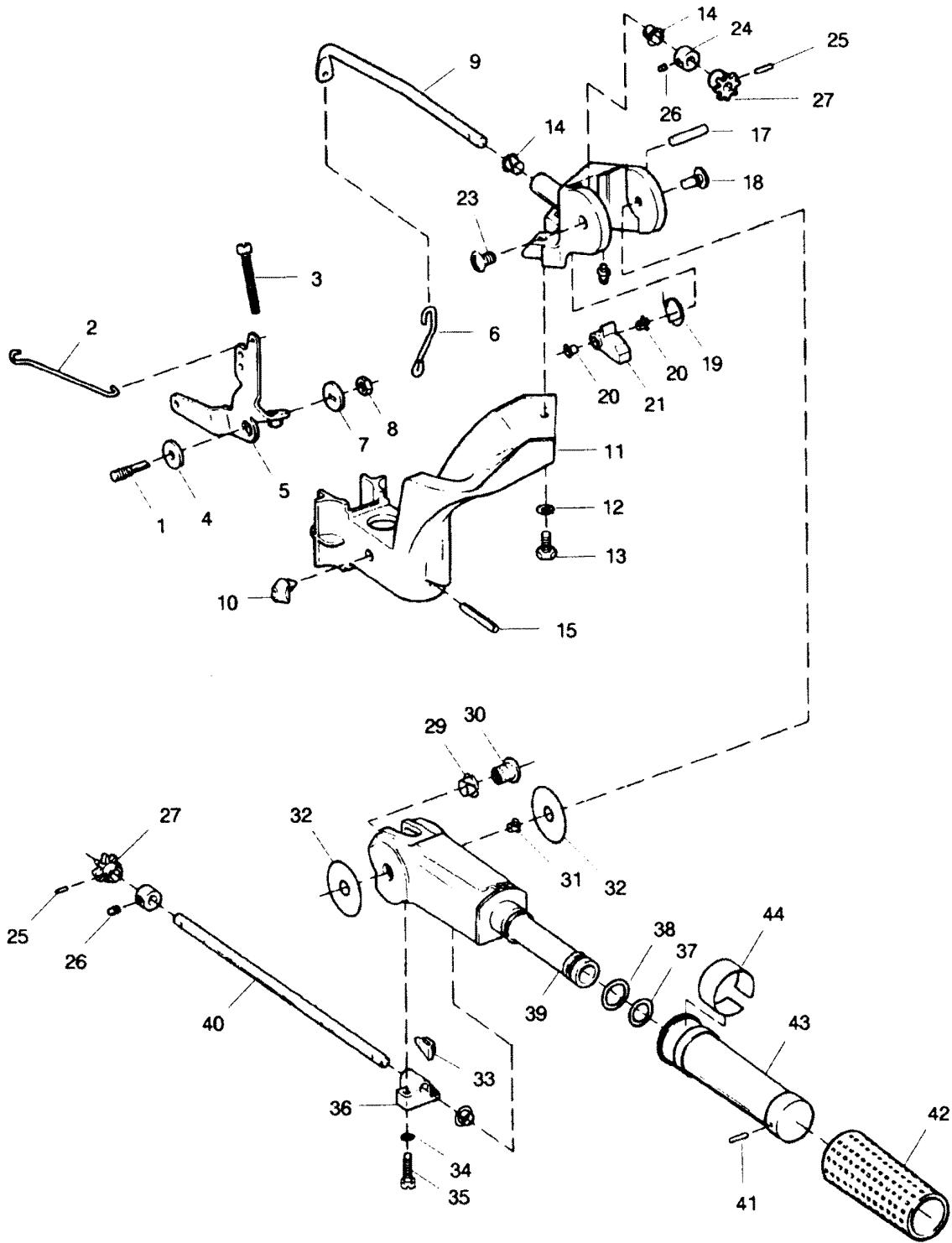
# MOTOR LEG AND SWIVEL BRACKET



# MOTOR LEG AND SWIVEL BRACKET

REF. NO.	PART NO.	SYM.	QTY.	DESCRIPTION
40	A492845		1	EXTENSION, MOTORLEG
41	430732		4	SCREW, S.S.
42	715404		1	PLATE, LEG TUNER
43	2417		2	SCREW, 1/4 - 20 X 3/8
44	818029		1	DECAL, FUEL MIX

# TILLER HANDLE AND THROTTLE LINKAGE



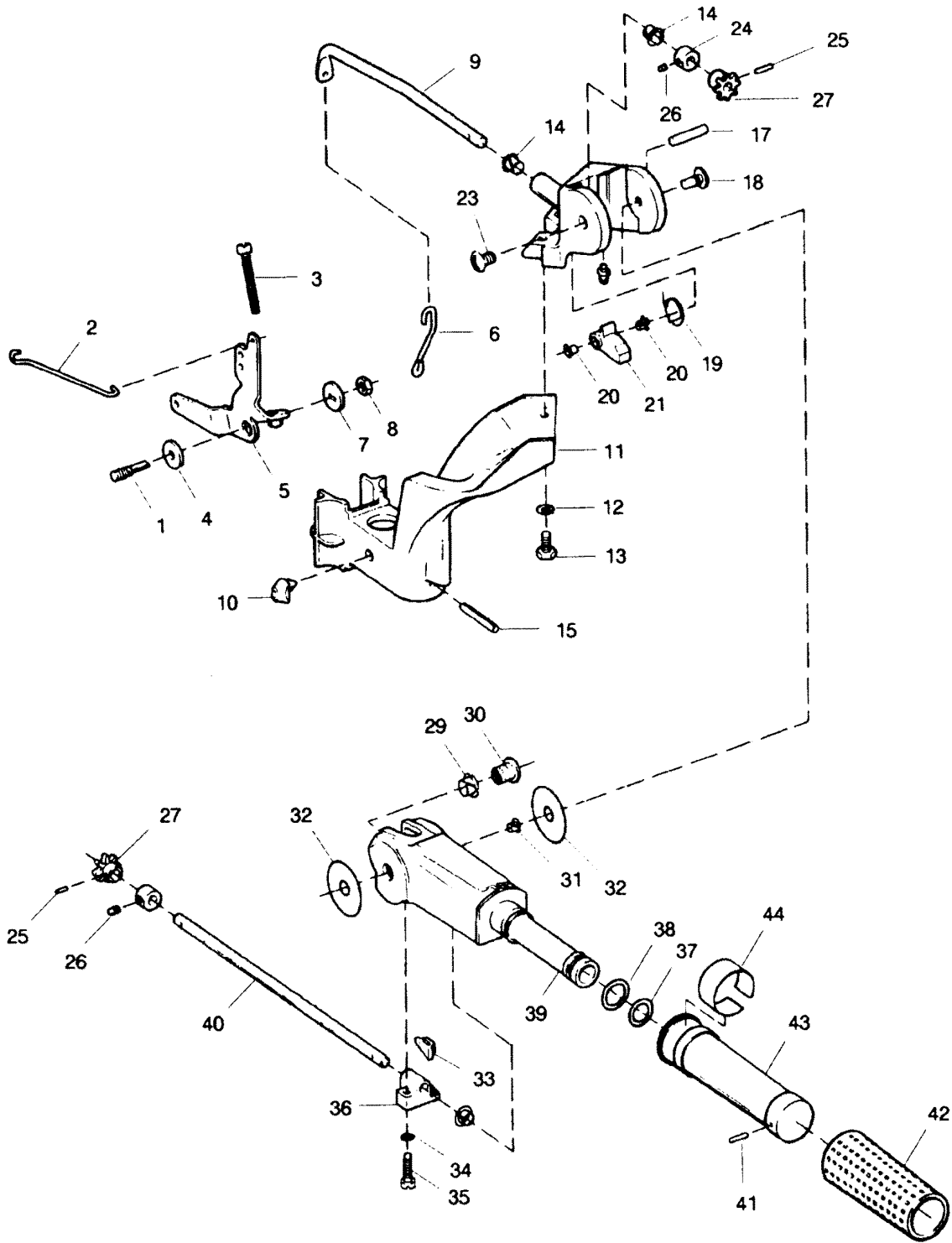


## TILLER HANDLE AND THROTTLE LINKAGE

REF. NO.	PART NO.	SYM.	QTY.	DESCRIPTION
1	286440		1	STUD, MAGNETO CONTROL LEVER
2	286509		1	LINK, THROTTLE CAM
3	2126		1	SLOTTED FILL. HEAD SCREW, 1/4 - 28 X 2
4	183813		1	BEARING, MAGNETO CONTROL LEVER
5	A715081		1	LEVER, MAGNETO CONTROL
6	618445		1	LINK, MAGNETO SHAFT
7	286282		1	WASHER
8	1803		1	STOP NUT, 5/16- 24
9	431838		1	SHAFT, MAGNETO CONTROL
10	286539		1	BUMPER
11	A286582		1	ARM, STEERING W/BUMPER AND SPRING PIN
12	8060		2	EXTERNAL TOOTH LOCKWASHER
13	1922		2	HEX CAP SCREW, 1/4 - 20
14	307818		2	BEARING
15	1805		1	SPRING PIN
16	213274		1	FITTING, GREASE
17	1807		1	GROOVE PIN
18	286080		1	SCREW, STEERING HANDLE PIVOT
19	286868		1	SPRING, STEERING HANDLE STOP
20	197813		2	BEARING, STEERING HANDLE STOP
21	286490		1	STOP, STEERING HANDLE
22	817751A2		1	BRACKET, STEERING HANDLE W/GREASE FITTING
23	1799		1	TRUSS HEAD SCREW, 5/16 - 18 X 5/8
24	A343178		2	RETAINER W/SET SCREW
25	1978		2	SPRING PIN
26	1859		2	HEX HEADLESS SOCKET SET SCREW
27	818009--1		2	GEAR, MAGNETO CONTROL SHAFT
28	85610		1	BEARING
29	286818		1	BEARING
30	286224-1		1	INSERT, STEERING HANDLE PIVOT
31	197813		1	BEARING
32	286220		2	WASHER, STEERING HANDLE
33	341693		1	WEDGE, STEERING HANDLE
34	8058		2	INTERNAL TOOTH LOCKWASHER
35	1829		2	HEAD SCREW, 10 - 24 X 7/8
36	487816-1		1	BEARING, STEERING HANDLE
37	215795		1	SEAL (SMALL)
38	53795-1		1	SEAL (LARGE)
39	819279		1	HANDLE, STEERING

CONTINUED ON NEXT PAGE ➡

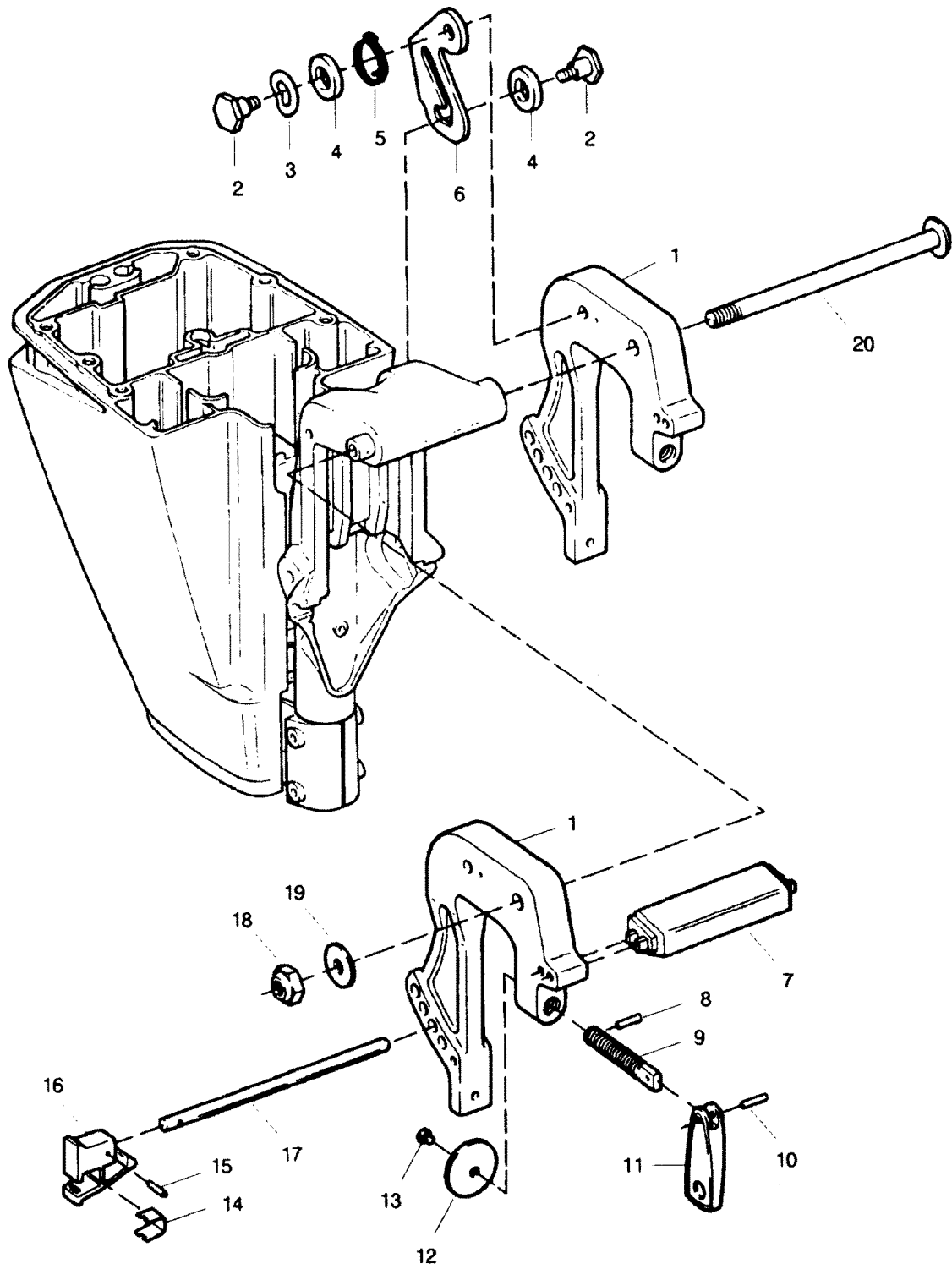
# TILLER HANDLE AND THROTTLE LINKAGE



## TILLER HANDLE AND THROTTLE LINKAGE

REF. NO.	PART NO.	SYM.	QTY.	DESCRIPTION
40	819160		1	SHAFT, STEERING HANDLE
41	8548		1	SPRING PIN
42	458695		1	SLEEVE
43	A456137		1	GRIP, STEERING HANDLE W/SLEEVE
44	709894		1	INDICATOR, STEERING HANDLE

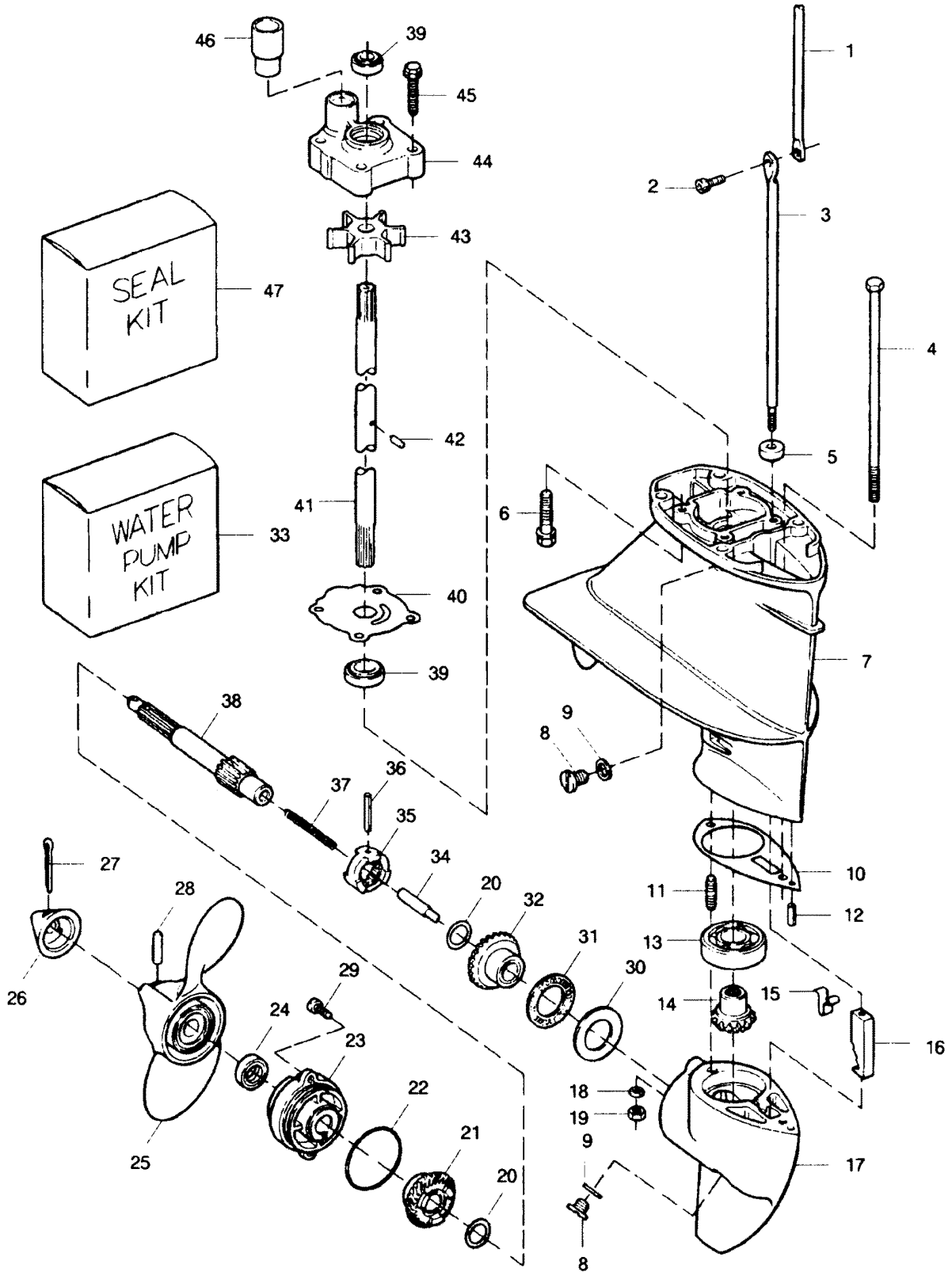
# STERN BRACKETS



# STERN BRACKETS

REF. NO.	PART NO.	SYM.	QTY.	DESCRIPTION
1	S617532		2	STERN BRACKET W/CLAMP SCREW
2	286422-1		2	PIVOT
3	1666		1	BOWED SPRING WASHER
4	286451		2	SPACER
5	286544-1		1	SPRING, TILT STOP
6	429541		1	LOCK TILT
7	286647		1	HANDLE, CARRYING
8	8537		2	SPRING PIN
9	817761A2		2	CLAMP SCREW W/HANDLE AND FOOT
10	8554		2	SPRING PIN
11	424075		2	HANDLE, CLAMP SCREW
12	24074		2	FOOT, CLAMP SCREW
13	66480		2	STUD, CLAMP SCREW
14	286461		1	SPRING, LOCK BAR HANDLE
15	8540		1	SPRING PIN
16	286114		1	HANDLE, LOCK BAR
17	A617113		1	LOCK BAR W/HANDLE
18	7026		1	STOP NUT, 3/8 - 16
19	2014		1	WASHER

# GEAR HOUSING

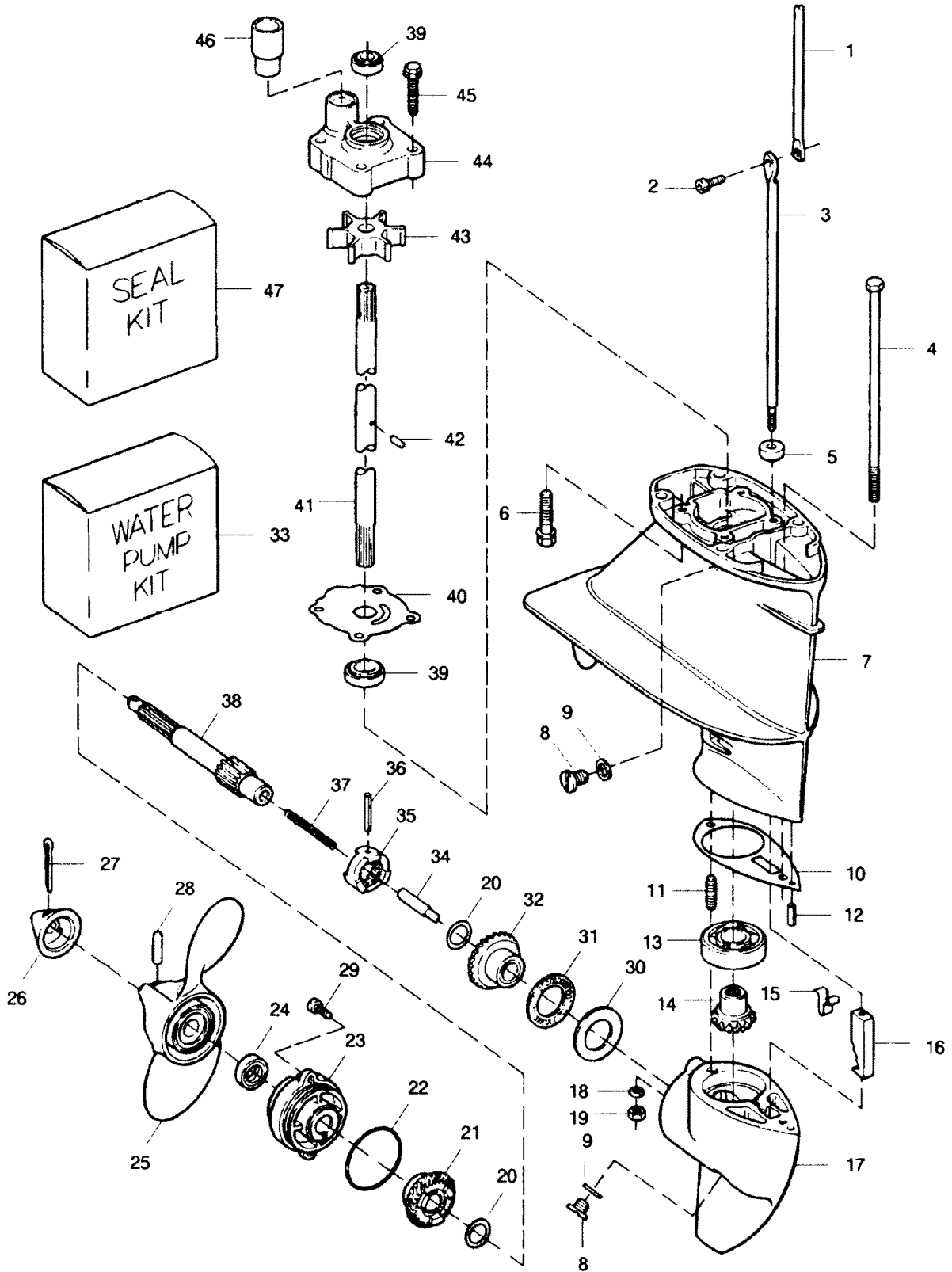


# GEAR HOUSING

REF. NO.	PART NO.	SYM.	QTY.	DESCRIPTION
1	286615		1	GEAR SHIFT ROD, UPPER
2	1976		1	SOCKET HEAD CAP SCREW W/LOCKWASHER,10 - 24 X 1/2
3	330705		1	GEAR SHIFT ROD, LOWER
4	1800		1	HEX BOLT, 1/4 - 20 X 7
5	338618-1		1	SEAL, SHIFT ROD LOWER
6	430732		4	HEX HEAD SCREW, 1/4 - 20 X 1
7	A715554		1	GEAR HOUSING UPPER WLBEARING, PLUGS AND SEALS
8	50109		2	PLUG, GEAR HOUSING
9	8077		2	NYLTITE WASHER
10	286555		1	GASKET, GEAR HOUSING
11	286008		1	STUD, REAR
12	8553		1	SPRING PIN
13	127910-2		1	BALL BEARING
14	819251A1		1	GEAR, BEVEL PINION W/BALL BEARING
15	286895		1	SPRING, CAM DETENT
16	28672-1		1	CARN , SHIFT
17	817749A1		1	GEAR HOUSING LOWER W/PROP SHAFT BEARING AND PLUG
	819483A1		1	GEAR HOUSING KIT (INCLUDES ALL ITEMS REQUIRED TO BUILD COMPLETE LOWER GEAR HOUSI
18	8083		1	SPRING LOCKWASHER
19	1490		1	HEX NUT, 1/4 - 20
20	456717		2	THRUST WASHER
21	819254A1		1	GEAR, BEVEL REAR W/BEARING
22	455305		1	SEAL, PROP SHAFT BEARING CAGE
23	817756A1		1	CAGE, PROP SHAFT BEARING W/BEARING END SEALS
24	346118		1	SEAL, PROP SHAFT
25	P715		1	PROPELLER, 8-3/8 X 6, ALUMINUM, 3 BLADE
26	817752A1		1	PROPELLER NUT W/COTTER PIN
27	1846		1	COTTER PIN
28	A324101		1	PROPELLER PIN, PACK OF 3 W/COTTER PIN
29	1493		2	HEAD SCREW, 1/4 - 20 X 5/8
30	286903		1	RACE, PROPELLER SHAFT BEARING
31	286901		1	BEARING, PROPELLER SHAFT
32	819252A1		1	GEAR, FRONT BEVEL W/BEARING
33	K1031-1		1	WATER PUMP KIT
34	286728		1	SHIFT PIN
35	819253		1	CLUTCH
36	8564		1	SPRING PIN
37	409719		1	SPRING CLUTCH
38	456098		1	PROPELLER SHAFT
39	901307-2		2	SEAL, DRIVESHAFT
40	341562		1	WATER PUMP BACKPLATE
41	344128		1	DRIVESHAFT

CONTINUED ON NEXT PAGE ➡

# GEAR HOUSING

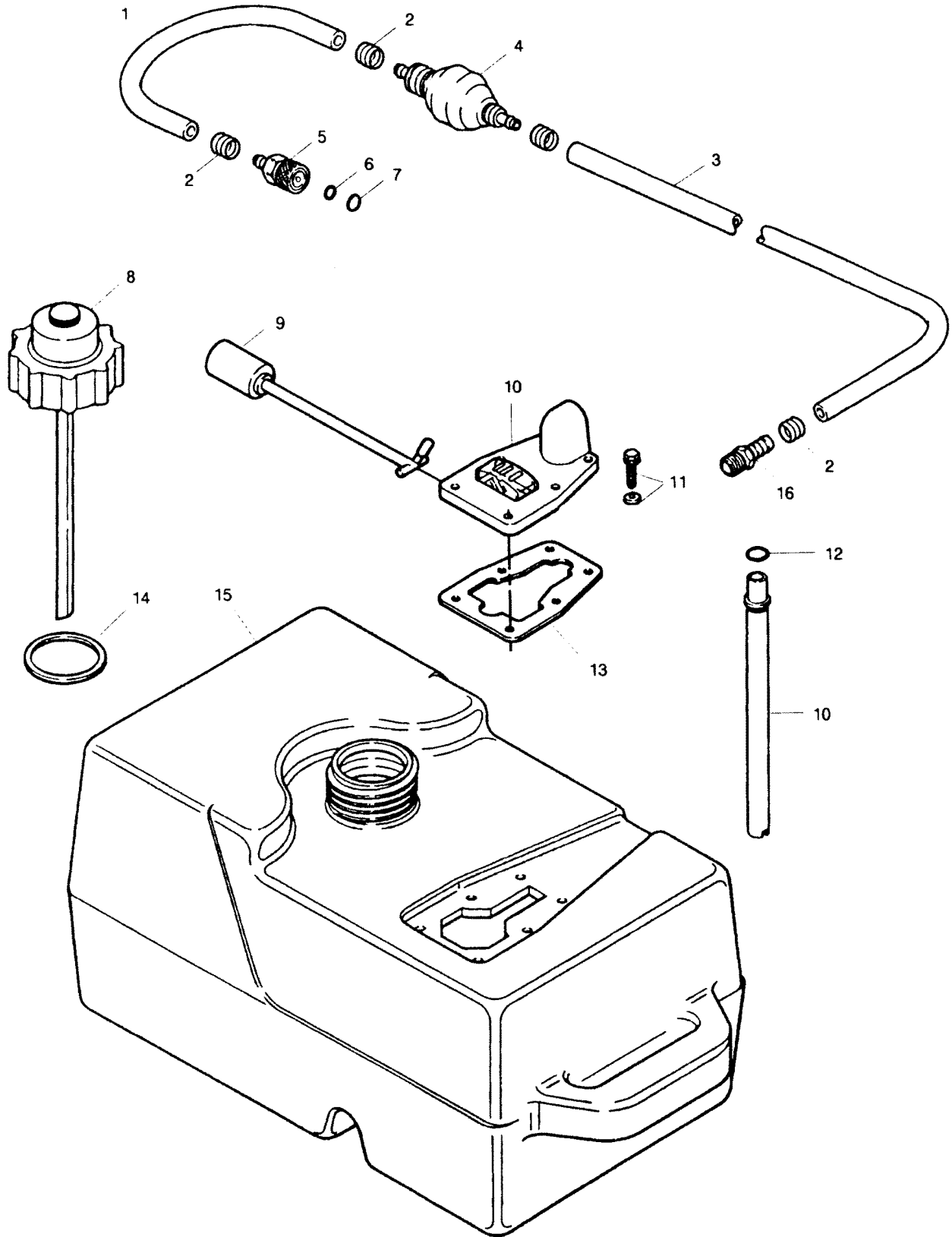




# GEAR HOUSING

REF. NO.	PART NO.	SYM.	QTY.	DESCRIPTION
42	901563		1	PIN, IMPELLER DRIVE
43	436065-2		1	IMPELLER, WATER PUNAP
44	A715060		1	WATER PUMP BODY W/DRIVESHAFT SEAL
45	2030		4	HEX HEAD SCREW, 1T4 - 20 X 1-114 S.S.
46	A510914		1	SEAL, WATER LINE
47	K1065		1	SEAL KIT

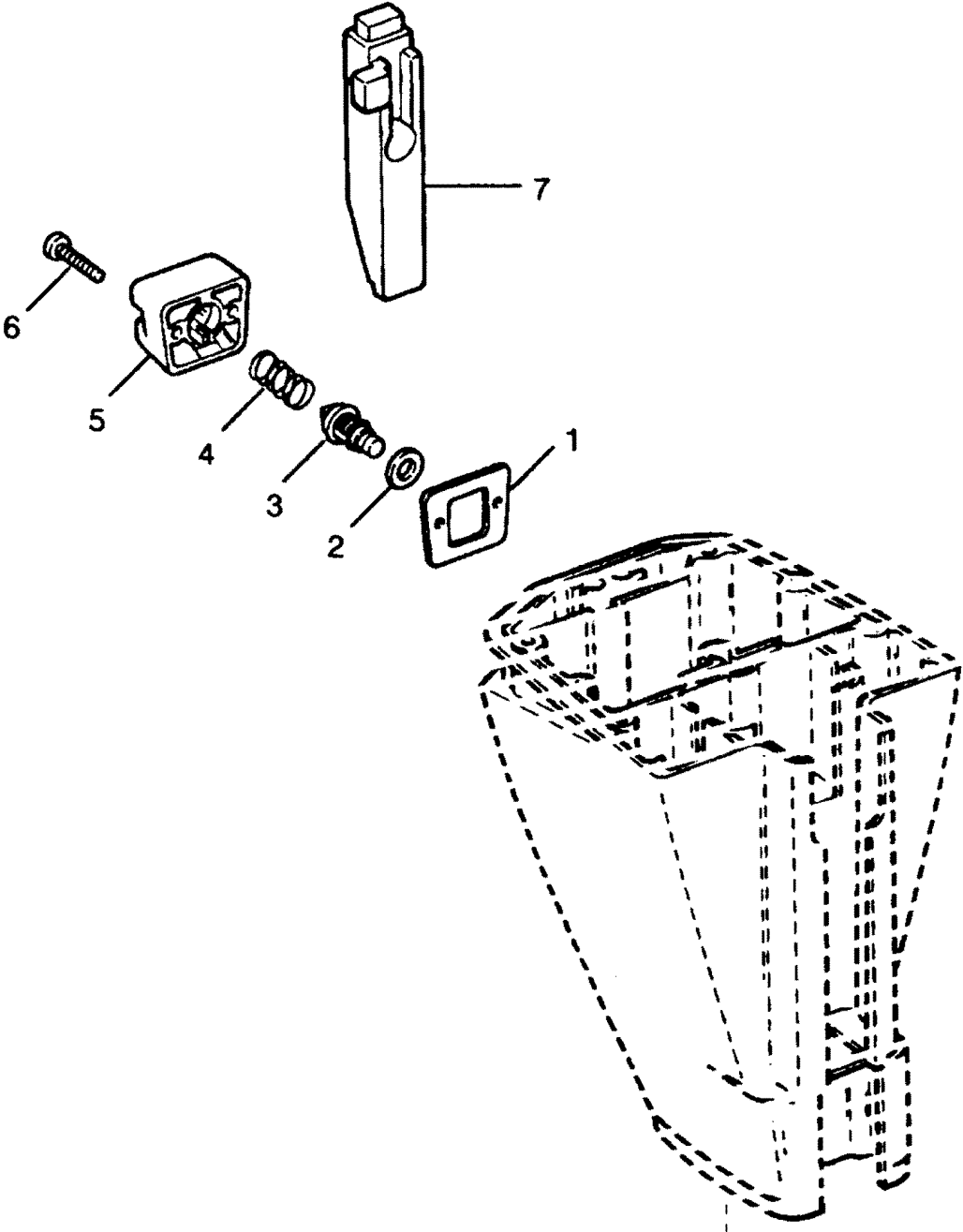
# FUEL TANK AND LINE



## FUEL TANK AND LINE

REF. NO.	PART NO.	SYM.	QTY.	DESCRIPTION
1	A84754-1		1	HOSE
2	298788		4	FERRULE
3	81-7738A1		1	HOSE
4	81-8004A1		1	BULB, PRIME
5	197787-3		1	COUPLER
6	17815		1	SEAL
7	17816		1	SEAL
8	17821		1	CAP, FUEL TANK
9	17826		1	FLOAT
10	17828		1	GAUGE ASSEMBLY
11	17824		6	SCREW
12	17827		1	SEAL
13	17823-1		1	GASKET
14	17822-1		1	GASKET
15	819038A1		1	FUEL TANK WHINE(6 GALLON)
16	702801		1	FITTING FUEL
-	<b>818029</b>		<b>2</b>	<b>DECAL, FUEL MIX (NOT SHOWN)</b>

# THERMOSTAT



# THERMOSTAT

REF. NO.	PART NO.	SYM.	QTY.	DESCRIPTION
1	819121		1	GASKET
2	658504		1	WASHER
3	14586		1	THERMOSTAT
4	819329		1	SPRING
5	819321		1	COVER
6	819382		2	SCREW
7	819383		1	INSERT

# PARTS INDEX

Part Number	Description	Pg.	Ref. No.	Part Number	Description	Pg.	Ref. No.
010588	PLUG	9	2	141118	SEAL, CRANKSHAFT		
011103	SPRING	9	16		LOWER	15	16
013944	PIN	9	9	14586	THERMOSTAT	35	3
013945	SCREW	9	12	1490	HEX NUT, 1/4 - 20	7	12
015366	BOWL	9	10	1490	HEX NUT, 1/4 - 20	29	19
015623	GASKET	9	11	1493	HEAD SCREW, 1/4 - 20 X 5/8	29	29
015722	NOZZLE, MAIN	9	19	1608	SQUARE NUT, 1/4 - 20	19	4
016128	PLUG	9	1	1666	BOWED SPRING WASHER	27	3
02510	GASKET	9	13	1704	LOCKWASHER, #6 S.S.	7	3
04784	BALL	9	3	1705	HEX HEAD MACHINE		
08805	SPRING	9	4		SCREW, 1/4 - 20 X 3/4		
10148	JET, MAIN FUEL (.064) 7500				S.S.	17	11
	- 10000 FT.	9	18	1755	ROUND HEAD SCREW		
10214	JET, MAIN FUEL (.070) SEA				W/LOCKWASHER, 6 - 32 X		
	LEVEL - 2500 FT	9	18		5/16	7	2
10215	JET, MAIN FUEL (.068) 2500			175634	SCREW, CONNECTING ROD	15	13
	- 5000 FT.	9	18	17815	SEAL	33	6
10226	JET, MAIN FUEL (.066) 5000			17816	SEAL	33	7
	- 7500 FT.	9	18	17821	CAP, FUEL TANK	33	8
10241	CLIP	9	24	17822-1	GASKET	33	14
10242	WASHER	9	25	17823-1	GASKET	33	13
10265	NEEDLE, INLET	9	17	17824	SCREW	33	11
10268	SCREW, IDLE MIXTURE	9	15	17826	FLOAT	33	9
10273	JET, PART THROTTLE (.047)	9	21	17827	SEAL	33	12
10275	SCREW	9	22	17828	GAUGE ASSEMBLY	33	10
10290	LINKAGE ASSEMBLE,			1794	SPRING PIN	19	11
	THROTTLE	9	23	1799	TRUSS HEAD SCREW, 5/16 -		
10338	LINK, THROTTLE	9	26		18 X 5/8	23	23
10343	SHAFT, CHOKE	9	5	1800	HEX BOLT, 1/4 - 20 X 7	29	4
10344	SHUTTER, CHOKE	9	6	1803	STOP NUT, 5/16- 24	23	8
10345	SCREW	9	7	1804	STOP NUT, 10 - 32	5	17
10346	FLOAT	9	8	1805	SPRING PIN	23	15
10347	ELBOW	9	14	1806	GROOVE PIN	19	16
10348	JET, IDLE (.050)	9	20	1807	GROOVE PIN	23	17
10349	SHAFT, THROTTLE	9	27	18160-3	REED, FUEL PUMP	7	28
10350	SPRING	9	28	1820	HEAD SCREW, 1/4 - 20 X 1-		
10351	SHUTTER, THROTTLE	9	29		3/8	19	7
1069	HEAD SCREW, 10 - 24 X 1-			1823	HEX HEAD CAP SCREW,		
	1/16	7	23		5/16 - 18 X 1	17	12
1090	SCREW W/LOCKWASHER, 10			1829	HEAD SCREW, 10 - 24 X 7/8	23	35
	- 24 X 9/16	11	10	1832	LOCKNUT 1/4 - 20	5	9
1090	SCREW, 10 - 24 X 1T2	11	24	1832	LOCKNUT, 1/4 - 20 S.S.	3	10
1090	SCREW, FILL. HEAD TO - 24			1832	LOCKNUT, L/4- 20	13	8
	X 9/16	13	9	183813	BEARING, MAGNETO		
1107	HEAD SCREW, 1/4 - 20 X 3/4	17	6		CONTROL LEVER	23	4
1111	HEAD SCREW, 1/4 - 20 X 7/8	15	1	1846	COTTER PIN	29	27
12088	GROMMET	11	18	1854	HEX HEAD CAP SCREW, 1/4		
12376	WIRE, MAGNETO SHORTING	11	4		- 20 X 5/8	3	23
12377	STATOR, PLATE			1859	HEX HEADLESS SOCKET		
	W/LAMINATIONS	11	15		SET SCREW	23	26
12378	SPRING, COIL WEDGE	11	17	1864	SCREW, HEX HEAD 1/4 - 20		
12380	SCREW (PLASTIC)	11	8		X 3/4 S.S.	13	2
12381	WASHER (PLASTIC)	11	9	1907	WASHER	19	5
12382	SCREW	11	11	1910353	REPAIR KIT (NOT SHOWN)	9	-
127910-2	BALL BEARING	29	13	1922	HEX CAP SCREW, 1/4 - 20	23	13
1286	PAN HEAD SCREW, 4 - 40 X			1922	HEX HEAD SCREW, L/4 - 20		
	3/16	7	26		X 5/8	7	17
1335	HEAD SCREW, 5/16 - 18 X 1-			197319	BEARING, CHOKE ROD	9	34
	1/4	17	7				
1341	HEX NUT, 1/4 - 20	19	29				

# PARTS INDEX

Part Number	Description	Pg.	Ref. No.	Part Number	Description	Pg.	Ref. No.
197767-2	BUSHING (FUEL LINE) . . . . .	7	36	286346	MOUNT, LOWER SHOCK . . .	19	34
197787-3	COUPLER . . . . .	33	5	286347	MOUNT, UPPER SHOCK . . .	19	1
1978	SPRING PIN . . . . .	23	25	286349	REVERSE LOCK . . . . .	19	23
197813	BEARING . . . . .	19	9	286364	LEVER, REVERSE LOCK . . .	19	10
197813	BEARING . . . . .	23	31	286414	SPRING, LEG WATER BRACKET . . . . .	19 19	39
197813	BEARING, STEERING HANDLE STOP . . . . .	23 23	20	286422-1	PIVOT . . . . .	27	2
2008	HEX HEAD SCREW, 1/4 - 20 X 7/8 . . . . .	7 7	13	286422-1	PIVOT, TILT LOCK . . . . .	19	19
2008	HEX HEAD SCREW, 1/4 - 20 X 7/8 . . . . .	17	2	286433	BRACKET, REVERSE LOCK	19	24
2014	WASHER . . . . .	27	19	286440	STUD, MAGNETO CONTROL LEVER . . . . .	23	1
2030	HEX HEAD SCREW, 1T4 - 20 X 1-114 S.S. . . . .	31	45	286451	SPACER . . . . .	27	4
2042	WASHER . . . . .	3	2	286451	SPACER, TILT LOCK . . . . .	19	20
2126	SLOTTED FILL. HEAD SCREW, 1/4 - 28 X 2 . . . . .	23	3	286461	SPRING, LOCK BAR HANDLE . . . . .	27	14
213274	FITTING, GREASE . . . . .	19	26	286490	STOP, STEERING HANDLE . .	23	21
213274	FITTING, GREASE . . . . .	23	16	286509	LINK, THROTTLE CAM . . . .	23	2
215795	SEAL (SMALL) . . . . .	23	37	286518	HEAD, CYLINDER . . . . .	17	14
2209	PAN HEAD SELF TAPPING SCREW 10 - 16 . . . . .	5	4	286529-3	GASKET, CYLINDER HEAD . .	17	13
2209	SCREW, PAN HEAD TO - 16 X L/2 S.S. . . . .	13	14	286539	BUMPER . . . . .	23	10
2210	SCREW, PAN HEAD 1/4 - 14 X 1/2 S.S. . . . .	13	18	286544-1	SPRING, TILT STOP . . . . .	27	5
2211	HEX HEAD CAP SCREW, LO - 24 X 5/8 S.S. . . . .	3	1	286547	KNOB, CHOKE . . . . .	9	31
24074	FOOT, CLAMP SCREW . . . . .	27	12	286555	GASKET, GEAR HOUSING . .	29	10
2417	SCREW, 1/4 - 20 X 3/8 . . . . .	21	43	286571	CENTER MAIN BEARING ROLLER SET (26 PER SET) . . . . .	15	9
24748-2	GASKET, FUEL PUMP . . . . .	7	25	286573-1	CLAMP, STEERING FRICTION . . . . .	19	6
2706772	HOSE CLAMP . . . . .	7	14	286611-2	ROD, GEARSHIFT . . . . .	5	18
2788004	STUD, CARBURETOR . . . . .	7	10	286615	GEAR SHIFT ROD, UPPER . .	29	1
286008	STUD, REAR . . . . .	29	11	286615	HOD, GEARSHIFT UPPER . . .	5	13
286011	WASHER, SWIVEL BRACKET	19	2	286647	HANDLE, CARRYING . . . . .	27	7
286019	KINGPIN . . . . .	19	28	286685	CONNECTOR, GEARSHIFT ROD . . . . .	5	20
286028	BEARING, CRANKSHAFT UPPER . . . . .	15	7	28672-1	CARN , SHIFT . . . . .	29	16
286080	SCREW, STEERING HANDLE PIVOT . . . . .	23	18	286728	SHIFT PIN . . . . .	29	34
286114	HANDLE, LOCK BAR . . . . .	27	16	286772--1	CLAMP . . . . .	7	18
286134	STUD, GEARSHIFT LEVER . . .	5	27	286818	BEARING . . . . .	23	29
286159-1	GASKET, REED PLATE . . . . .	7	5	286827	LEVER, REVERSE LOCK . . .	19	15
286169	BEARING, LOWER SWIVEL BRACKET . . . . .	19	27	286868	SPRING, STEERING HANDLE STOP . . . . .	23	19
286169	BEARING, SWIVEL BRACKET . . . . .	19	3	286871	PIN, GEARSHIFT LEVER . . .	5	25
286220	WASHER, STEERING HANDLE . . . . .	23	32	286876	LEVER, GEARSHIFT . . . . .	5	23
286222	COVER, TRANSFER PORT . . .	7	31	286895	SPRING, CAM DETENT . . . .	29	15
286223	GASKET, TRANSFER PORT COVER . . . . .	7	32	286901	BEARING, PROPELLER SHAFT . . . . .	29	31
286224-1	INSERT, STEERING HANDLE PIVOT . . . . .	23	30	286903	RACE, PROPELLER SHAFT BEARING . . . . .	29	30
286244	LINE, WATER . . . . .	19	35	286914-1	SLEEVE, WATER LINE . . . .	19	36
286277	GASKET, CRANKSHAFT BEARING CAGE . . . . .	15	5	286956	BRACKET, SHOCK MOUNT LOWER . . . . .	19	30
286282	WASHER . . . . .	23	7	289664	WIRE, STATOR GROUND . . .	11	14
286286--1	WASHER . . . . .	19	18	298788	FERRULE . . . . .	33	2
286300	SPRING, REVERSE LOCK . .	19	25	2A24757	PLATE, FUEL PUMP W/REEDS . . . . .	7	29
				2A681018	CRANKSHAFT W/UPPER MAIN BEARING . . . . .	15	6
				2C710712	COVER, COMPLETE (PAINTED W/DECALS) . . . .	3	5
				307818	BEARING . . . . .	3	19

# PARTS INDEX

Part Number	Description	Pg.	Ref. No.	Part Number	Description	Pg.	Ref. No.
307818	BEARING	5	26	681390	DECAL, START		
307818	BEARING	23	14		PROCEDURE	3	24
31160-2	REED	7	6	681408-1	HOUSING	13	1
31410	RETAINING RING, PISTON			681424	SPRING, INTERLOCK	5	5
	PIN	15	18	681427-2	BRACKET	13	3
330705	GEAR SHIFT ROD, LOWER	29	3	681428	INSERT, STARTER		
338618-1	SEAL, SHIFT ROD LOWER	29	5		HOUSING ROPE	13	5
341384	RETAINER, CHOKE ROD	9	33	681490	STOP, STARTER		
341562	WATER PUMP BACKPLATE	29	40		INTERLOCK	5	1
341693	WEDGE, STEERING HANDLE	23	33	681531-1	ROD, INTERLOCK	5	10
343014	BEARING, CRANKSHAFT			681579	SEAL	13	12
	LOWER MAIN	15	15	681592	RETAINER, STARTER		
344128	DRIVESHAFT	29	41		PULLEY	13	13
346118	SEAL, PROP SHAFT	29	24	681741	RING, RETAINING	13	4
346146	SEAL, CRANKSHAFT UPPER	15	2	681742	LEVER, INTERMEDIATE		
392756	PACKING	3	13		INTERLOCK	5	16
40253-1	FUEL LINE (SUPPORT			681754	FUEL LINE (FUEL PUMP TO		
	PLATE TO FUEL PUMP)	7	15		CARBURETOR)	7	16
409719	SPRING CLUTCH	29	37	681759	ROLLER, LATCH	3	11
424075	HANDLE, CLAMP SCREW	27	11	681817	RETAINER, STARTER ROPE	13	20
429472	GASKET, CYLINDER DRAIN			681874	FASTENER, HANDLE		
	COVER	7	21		SUPPORT PLATE	13	19
429541	LOCK TILT	27	6	681954-1	COVER, PRIME BULB	7	33
429811	SCREEN	7	20	681970	SPRING, STARTER REWIND	13	6
430732	HEX HEAD SCREW, 1/4 - 20			681971	PLUG	13	7
	X 1	29	6	681997-1	LEVER, NEUTRAL SPEED		
430732	SCREW, S.S.	21	41		INTERLOCK	5	8
431838	SHAFT, MAGNETO			688585	DECAL, TILT LOCK	19	21
	CONTROL	23	9	7009	LOCKNUT, 10 - 24 S.S.	3	4
436065-2	IMPELLER, WATER PUNAP	31	43	702329	LANYARD	11	7
436280	NUT, SHORTING SWITCH	11	13	7026	STOP NUT, 3/8 - 16	27	18
455305	SEAL, PROP SHAFT			702801	FITTING FUEL	33	16
	BEARING CAGE	29	22	703269	HANDLE, TILT	3	3
456098	PROPELLER SHAFT	29	38	709894	INDICATOR, STEERING		
456717	THRUST WASHER	29	20		HANDLE	25	44
458498-1	KEY, MAGNETO	11	23	710015	PISTON	15	17
458677	INSERT, CHOKE KNOB	9	30	710396	DECAL, STARBOARD - 15		
458695	SLEEVE	25	42		HP	3	8
461342	SEAL, DRIVESHAFT SPLINE	15	14	710397	DECAL, PORT - 15 HP	3	8
481777	CAM, LATCH	3	21	710528	DECAL, REAR	3	7
487816-1	BEARING, STEERING			712017	PIN, PISTON	15	19
	HANDLE	23	36	712475	COIL	11	16
50109	PLUG, GEAR HOUSING	29	8	715061	CARBURETOR COMPLETE	9	-
525286	WASHER	19	14	715151	PLATE, EXHAUST	17	4
536813	BEARING	19	12	715152	COVER, EXHAUST	17	1
53795-1	SEAL (LARGE)	23	38	715154	GASKET, EXHAUST COVER	17	3
618445	LINK, MAGNETO SHAFT	23	6	715161	REED STOP, 15 HP	7	4
658504	WASHER	35	2	715168	GASKET, MANIFOLD	7	8
66480	STUD, CLAMP SCREW	27	13	715192	PLATE, THROTTLE CAM	11	25
681003-1	ARM, STARTER INTERLOCK	5	2	715279-1	GASKET, CYLINDER MOUNT	17	10
681008	STUD	5	7	715404	PLATE, LEG TUNER	21	42
681026	SCREW, LATCH ROLLER	3	12	715417	SHAFT, GEARSHIFT		
681046	BULB, PRIME	7	34		HANDLE	5	14
681090	PLATE, HANDLE SUPPORT	13	17	715614	HANDLE, GEARSHIFT	5	29
681091	NUT, FLYWHEEL	11	1	715619	LEVER, SHIFT HANDLE		
681132	HANDLE, STARTER ROPE	13	21		SHAFT	5	30
681134	STUD	5	6	715660	EXHAUST TUBE	17	9
681232	ROPE	13	10	715906	GASKET, CARBURETOR	7	11
681243	HOSE (PRIME BULB TO			715989	SUPPORT PLATE	3	16
	CARBURETOR)	7	35	73082	RING, MAGNETO STATOR	15	4



# PARTS INDEX

Part Number	Description	Pg.	Ref. No.	Part Number	Description	Pg.	Ref. No.
73336	PLUG	3	17	819344	LEG, MOTOR	19	37
8003	PLAIN WASHER	7	27	819348	ROD, CHOKE	9	32
8025	PLAIN WASHER	17	16	819379A1	WIRE (STOP SWITCH EXTENSION)	11	26
8048	BOWED SPRING WASHER	5	19	819382	SCREW	35	6
8048	BOWED WASHER	3	20	819383	INSERT	35	7
8058	INTERNAL TOOTH LOCKWASHER	5	22	819483A1	GEAR HOUSING KIT (INCLUDES ALL ITEMS REQUIRED TO BUILD COMPLETE LOWER GEAR HOUSING)	29	17
8058	INTERNAL TOOTH LOCKWASHER	23	34	84026	SCREW, SHOULDER	5	12
8060	EXTERNAL TOOTH LOCKWASHER	23	12	84026	SCREW, SHOULDER	13	15
8077	NYLTITE WASHER	29	9	8537	SPRING PIN	27	8
8083	SPRING LOCKWASHER	3	22	8538	SPRING PIN	19	8
8083	SPRING LOCKWASHER	19	31	8540	SPRING PIN	5	28
8083	SPRING LOCKWASHER	29	18	8540	SPRING PIN	27	15
8143	WASHER, PLAIN #10	5	3	8542	SPRING PIN	5	24
816514	BEARING, CONTROL ROD	5	11	8548	SPRING PIN	25	41
817749A1	GEAR HOUSING LOWER W/PROP SHAFT BEARING AND PLUG	29	17	8553	SPRING PIN	29	12
817750A2	BRACKET, SWIVEL W/GREASE FITTING AND LOWER BEARING	19	17	8554	SPRING PIN	27	10
817751A2	BRACKET, STEERING HANDLE W/GREASE FITTING	23	22	8559	DOWEL PIN	17	8
817752A1	PROPELLER NUT W/COTTER PIN	29	26	85610	BEARING	23	28
817753A1	CAGE, CRANKSHAFT W/SEAL	15	3	8564	SPRING PIN	29	36
817756A1	CAGE, PROP SHAFT BEARING W/BEARING END SEALS	29	23	901307-2	SEAL, DRIVESHAFT	29	39
817761A2	CLAMP SCREW W/HANDLE AND FOOT	27	9	901307-2	SEAL, MOTOR LEG	19	38
817952A1	SWITCH, STOP W/NUT	11	5	901563	PIN, IMPELLER DRIVE	31	42
818009--1	GEAR, MAGNETO CONTROL SHAFT	23	27	901746-2	COVER, FUEL PUMP	7	24
818029	DECAL, FUEL MIX	21	44	901811	FILTER, FUEL	7	22
818029	DECAL, FUEL MIX (NOT SHOWN)	33	-	901938-1	SCREW, CYLINDER HEAD	17	15
818043A1	FUEL PUMP DIAPHRAGM W/GASKETS	7	30	98273	STUD, GEARSHIFT ROD CONNECTOR	5	21
819038A1	FUEL TANK WHINE(6 GALLON)	33	15	A1844	HEX BOLT W/LOCKWASHER, 1/4 - 20 X 2-3/8 S.S.	19	32
819121	GASKET	35	1	A286155	CENTER MAIN BEARING LINER SET (2 PER SET)	15	8
819160	SHAFT, STEERING HANDLE	25	40	A286582	ARM, STEERING W/BUMPER AND SPRING PIN	23	11
819182T	SPARK PLUG L87YC	11	21	A324101	PROPELLER PIN, PACK OF 3 W/COTTER PIN	29	28
819251A1	GEAR, BEVEL PINION W/BALL BEARING	29	14	A341510	LINK, REVERSE LOCK	19	22
819252A1	GEAR, FRONT BEVEL W/BEARING	29	32	A343178	RETAINER W/SET SCREW	23	24
819253	CLUTCH	29	35	A387742	LEVER, REVERSE LOCK INTERMEDIATE	19	13
819254A1	GEAR, BEVEL REAR W/BEARING	29	21	A429471	COVER, CYLINDER DRAIN WITH CHECK VALVES AND SCREENS	7	19
819279	HANDLE, STEERING	23	39	A456137	GRIP, STEERING HANDLE W/SLEEVE	25	43
819280	SUPPORT PLATE	3	14	A472260	RING SET PISTON (4 PER SET)	15	20
819281	PLATE, FRONT	3	15	A492845	EXTENSION, MOTORLEG	21	40
819321	COVER	35	5	A510914	SEAL, WATER LINE	31	46
819329	SPRING	35	4	A609853	DECAL SHIFT WARNING	11	2
				A617113	LOCK BAR W/HANDLE	27	17
				A681239	STARTER PULLEY ASSEMBLY W/PLUG AND SEAL	13	11
				A681469	HANDLE, COVER LATCH	3	18

# PARTS INDEX

Part Number	Description	Pg.	Ref. No.	Part Number	Description	Pg.	Ref. No.
A7090-10	CYLINDER	17	5				
A714097	FLYWHEEL W/DECAL	11	3				
A715060	WATER PUMP BODY						
	W/DRIVESHAFT SEAL	31	44				
A715081	LEVER, MAGNETO CONTROL	23	5				
A715158	REED PLATE W/REEDS AND REED STOPS - 15 HP	7	7				
A715167	MANIFOLD W/STUDS	7	9				
A715554	GEAR HOUSING UPPER WLBEARING, PLUGS AND SEALS	29	7				
A84754-1	HOSE	33	1				
C710010	SHORT BLOCK	7	1				
C710010	SHORT BLOCK (CYLINDER WITH CRANKSHAFT, PISTONS AND RODS INSTALLED)	17	-				
G1035	GASKET SET (INCLUDES ALL GASKETS REQUIRED TO REBUILD POWER HEAD)	17	17				
K1031-1	WATER PUMP KIT	29	33				
K10352	GASKET SET (NOT SHOWN)	9	-				
K1065	SEAL KIT	31	47				
K1123	COVER, SPARK PLUG	11	20				
K681602	SWITCH, EMERGENCY STOP WILANYARD	11	6				
P715	PROPELLER, 8-3/8 X 6, ALUMINUM, 3 BLADE	29	25				
S617532	STERN BRACKET W/CLAMP SCREW	27	1				
S681712	COVER, BASIC (UNPAINTED)	3	5				
S715016	ROD, CONNECTING W/CAP AND SCREWS	15	12				
S901244	EXTENSION, WATER LINE	19	33				
68-1263-1	LINK, INTERLOCK	5	15				
71-5061	CARBURETOR (F01 A)	7	37				
81-7738A1	HOSE	33	3				
81-8004A1	BULB, PRIME	33	4				
A68-1630	SUPPORT, HANDLE	13	16				
A71-2228	CONNECTING ROD ROLLER SET (2 PER SET)	15	11				