



PARTS CATALOG

5 HP

SERIAL NUMBER

5 H.P. (1988-1995)	0E000001 THRU 0E127699
5 H.P. (1988-1995)	1988-A THRU 1992-B

TABLE OF CONTENTS:

* MODEL INDEX *	63
BOTTOM COWL AND SUPPORT PLATE (90A THRU 92B)	8
BOTTOM COWL AND SUPPORT PLATE(88B THRU 89B MODELS)	6
CARBURETOR (88B THRU 89A MODELS)	36
CARBURETOR (89B THRU 92B)	38
CARBURETOR AND REED PLATE (88A MODELS)	22
CRANKSHAFT AND PISTON (88B THRU 92B)	48
CYLINDER BLOCK (88B THRU 92B)	46
DRIVESHAFT HOOSING (ALL MODELS)	52
FUEL PUMP (88B THRU 92B)	30
FUEL TANK AND LINE (88B THRU 92B)	32
FUEL TANK AND LINE (PLASTIC - 3.2 GALLON)	34
GEAR HOUSING (ALL MODELS)	58
INTAKE SYSTEM (88B THRU 90A MODELS)	26
INTAKE SYSTEM (90B THRU 92B)	28
MAGNETO	20
MAGNETO (88A MODELS)	14
MAGNETO (88B THRU 89A MODELS)	16
MAGNETO (89B THRU 92B)	18
MISCELLANEOUS ENGINE PARTS	1
PARTS INDEX	64
POWERHEAD AND SUPPORT PLATE (88A MODELS)	42
SHIFT LINKAGE (ALL MODELS)	50
STARTER REWIIND (88A THRU 89A MODELS)	10
STARTER REWIND (89B THRU 92B)	12
STEERING HAMDLE/TWIST GRIP THROTTLE (88B THRU 92B)	54
SWIVEL BRACKET/CLAMP BRACKET (ALL MODELS)	56
TOOLS - SPECIAL	62
TOP COWL & FUEL TANK (88A MODELS)	2
TOP COWL (88B THRU 92B)	4

NOTE: Indented description indicate that these parts are included in preceeding assembly.

AR = As Required

NSS = Not Sold Separate

OPT = Optional

NS = Not Shown

NOTE: Following symbols are located in **SYM** column.

● = COMPONENT OF POWERHEAD ASS'Y
[800-819854A2]

■ = CONTENTS OF POWERHEAD GASKET
SET [FG1022-1] OR [FG1034-1]

■ = CONTENTS OF CARB REPAIR KIT
[FK10256]

◇ = CONTENTS OF GEAR HOUSING SEAL
KIT [FK1057]

▲ = CONTENTS OF CARB GASKET SET
[FK10069]

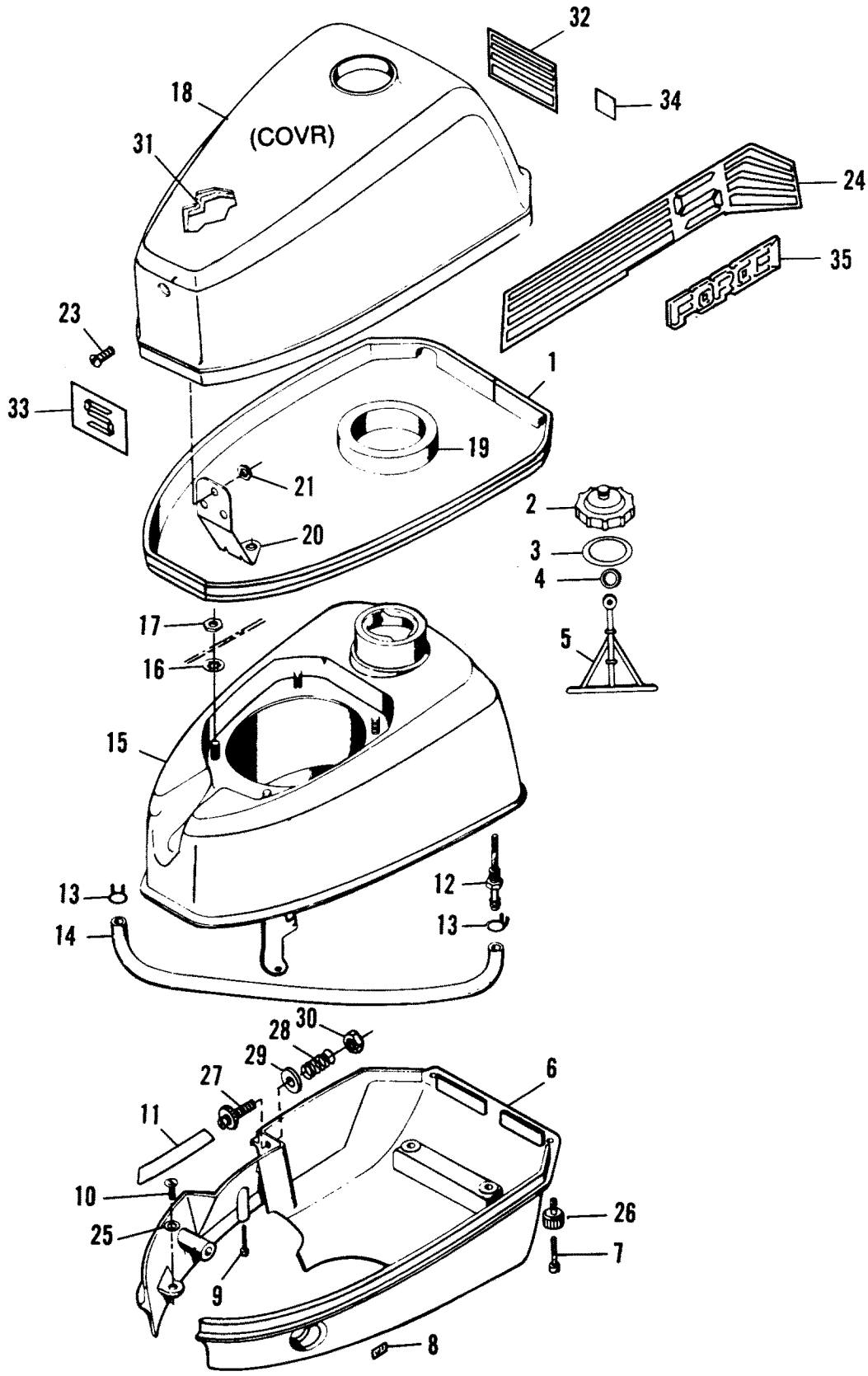
○ = CONTENTS OF WATER PUMP KIT [46-
819026A1]

THESE PARTS BOOKS/FICHE CARD ARE COPYRIGHTED AND MAY NOT BE DISTRIBUTED OR REPRODUCED IN ANY OTHER FORMAT BY ANYONE OTHER THAN MERCURY MARINE WITHOUT THE PRIOR WRITTEN CONSENT OF MERCURY MARINE.

MISCELLANEOUS ENGINE PARTS

REF. NO.	PART NO.	SYM.	QTY.	DESCRIPTION
-	--FOB4205		1	OPERATORS MANUAL 88A - 88B MODELS
-	FOB4225-1		1	OPERATORS MANUAL 89A - 90B MODELS
-	FOB4472		1	OPERATORS MANUAL 91A - 92B MODELS
-	90-822171920		1	OPERATROS MANUAL SER. #E000001 - E009499
-	90-822171941		1	OPERATROS MANUAL SER.# E009500 - E127699-
-	92-819101-12		AR	LACQUER-GRAPHITE GRAY ACRYLIC SPRAY CAN (CASE OF 12)
-	92-825321-12		AR	LACQUER-GRAPHITE GRAY ACRYLIC BRUSH BOTTLE (BOX OF 12)
-	92-819107-12		AR	LAQUER-CLEAR ACRYLIC BRUSH BOTTE (BOX OF 12)

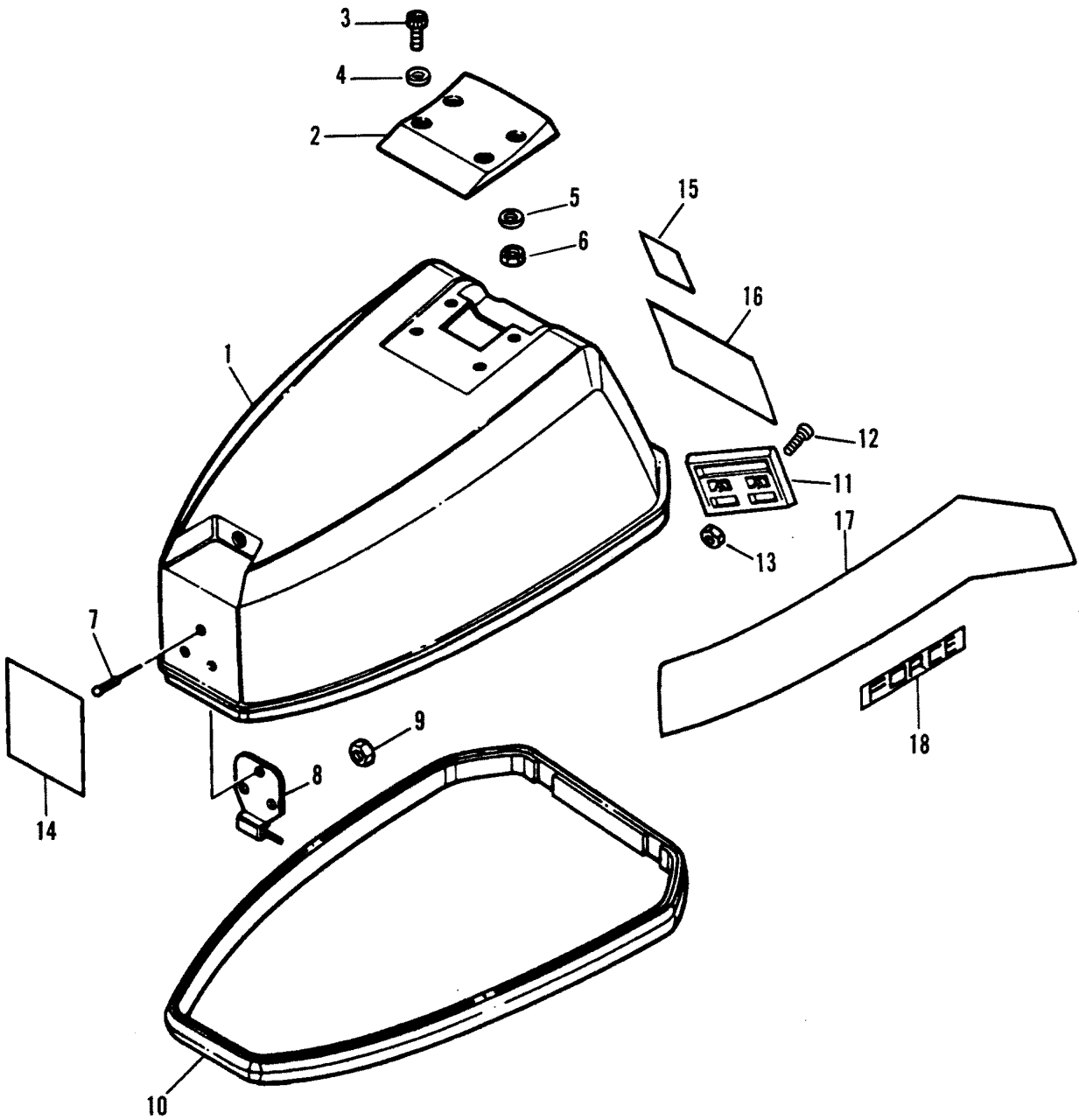
TOP COWL & FUEL TANK (88A MODELS)



TOP COWL & FUEL TANK (88A MODELS)

REF. NO.	PART NO.	SYM.	QTY.	DESCRIPTION
1	23-F459186		1	COLLAR, FUEL TANK FILLER
2	36-F521251-3		1	CAP ASSEMBLY, FUEL TANK
3	F17980		1	GASKET, FUEL CAP
4	F427249		1	RING, RETAINING
5	F17938		1	ANCHOR, FUEL CAP
6	100-F665944		1	COVER, BOTTOM
7	10-F1995		2	SCREW (10-24 X 1")
8	37-F665894		1	DECAL (OFF)
9	10-F1829		1	SCREW (10-24 X 7/8")
10	10-F1035		3	SCREW (1/4-20 X 5/8")
11	37-817908--3		1	DECAL, SPEED RANGE INDICATOR
12	22-F521811		1	FITTING, FUEL TANK
13	54-F2706772		2	CLAMP
14	32-F40253-1		1	HOSE (14-7/8")
15	1200-F521034-1		1	TANK, FUEL
16	13-21272		4	LOCKWASHER (1/4" INTERNAL)
17	11-64015		4	NUT (1/4-20)
18	100-FS665712		1	COWL ASSEMBLY, TOP (NO DECALS)
19	FK525713		1	PACKING
20	FA521778		1	RETAINER KIT, FRONT COWL
21	11-F7011		3	NUT (10-24)
23	10-41772		3	SCREW (10-24 X 1/2")
24	37-F680397		1	DECAL, PORT
	37-F680396		1	DECAL, STARBOARD
25	12-35044		3	WASHER
26	F521284		2	KNOB, COWL RETAINER
27	10-F521690-1		1	SCREW, THROTTLE LEVER ADJUST
28	24-F521199		1	SPRING, THROTTLE LEVER ADJUST
29	12-89302		1	WASHER
30	11-79989		1	NUT (10-24)
31	F521984		1	BLANKET, SOUND, TOP
32	37-F680528		1	DECAL, REAR
33	37-F680892		1	DECAL, FRONT
34	37-F685387-2		1	DECAL, LOGO, (BLUE)
35	819169		1	MEDALLION, FORCE

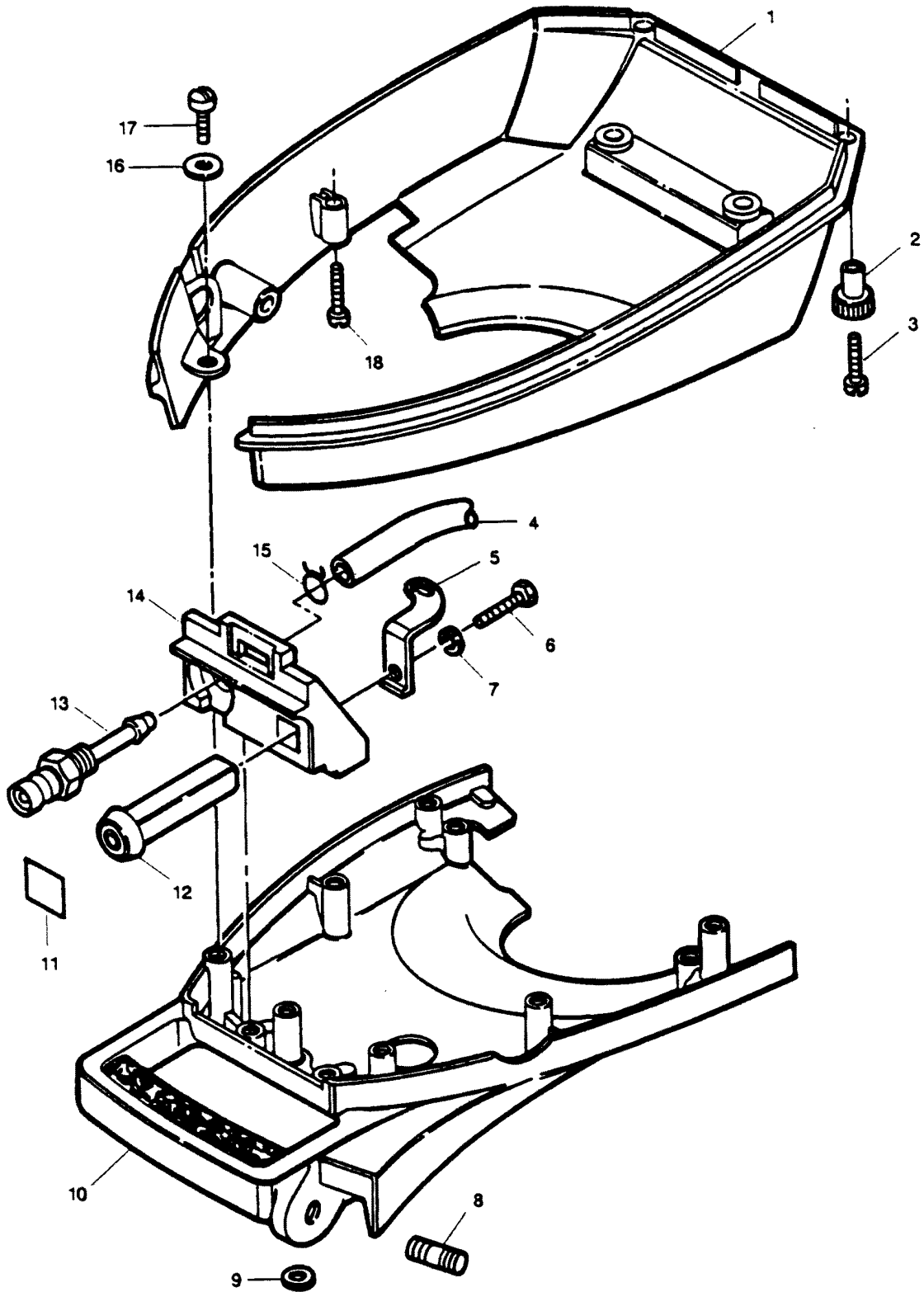
TOP COWL (88B THRU 92B)



TOP COWL (88B THRU 92B)

REF. NO.	PART NO.	SYM.	QTY.	DESCRIPTION
1	100-FS702712		1	TOP COWL (UNPAINTED) (WITHOUT DECALS) (88B THRU 89B)
	FS687712T		1	TOP COWL (PAINTED) (WITHOUT DECALS) (90A THRU 92B)
	100-820190A3		1	TOP COWL (PAINTED) (WITHOUT DECALS) SERIAL 0E000001-0Z999999
2	F681269		1	HANDLE, TILT
3	10-F2211		4	SCREW (10-24 X 5/8")
4	12-89302		4	WASHER
5	12-F8143		4	WASHER
6	11-F7009		4	NUT (10-24)
7	10-41772		3	SCREW (10-24 X 1/2")
8	F702783		1	RETAINER, COWL FRONT
9	11-F7011		3	NUT (10-24)
10	FK525713		1	PACKING (4') CUT AS REQ'D
11	820474A1		1	LATCH KIT, REAR (90A/92B) SERIAL 0E000001-0Z999999
12	10-25504		2	SCREW (10-24 X 3/4")
13	11-F7009		2	NUT (10-24)
14	37-F680892		1	DECAL, FRONT 88B MODELS
	37-F687892		1	DECAL, STARTING (89 MODELS) 89 MODELS
	37-F687390		1	DECAL, STARTING (90A/92B) SERIAL 0E000001-0Z999999
15	37-F685387-2		1	DECAL, US MARINE LOGO 88B MODEL
	37-817985--1		1	DECAL, US MARINE LOGO 89 MODELS
16	37-F680528		1	DECAL, REAR 88B MODELS
17	37-F680397		1	DECAL, PORT 88B MODELS
	37-F680396		1	DECAL, STARBOARD 88B MODELS
16	37-F687528		1	DECAL, REAR 89 MODELS
17	37-F687397		1	DECAL, PORT 89 MODELS
	37-F687396		1	DECAL, STARBOARD 89 MODELS
16	37-F712528		1	DECAL, REAR 90 MODELS
17	37-F712397		1	DECAL, PORT 90 MODELS
	37-F712396		1	DECAL, STARBOARD 90 MODELS
16	NLA		1	DECAL, REAR (F735528) 91 MODELS
17	37-F735397		1	DECAL, PORT 91 MODELS
	37-F735396		1	DECAL, STARBOARD 91 MODELS
16	37-819546		1	DECAL, REAR 92 MODELS
17	37-819548		1	DECAL, PORT 92 MODELS
	37-819547		1	DECAL, STARBOARD 92 MODELS
18	819169		1	MEDALLION, LOGO- FORCE 88B/89B MODELS
-	37-820473A93		1	DECAL SET SERIAL 0E000001-0E090399
-	37-820730A95		1	DECAL SET SERIAL 0E090400-0Z999999

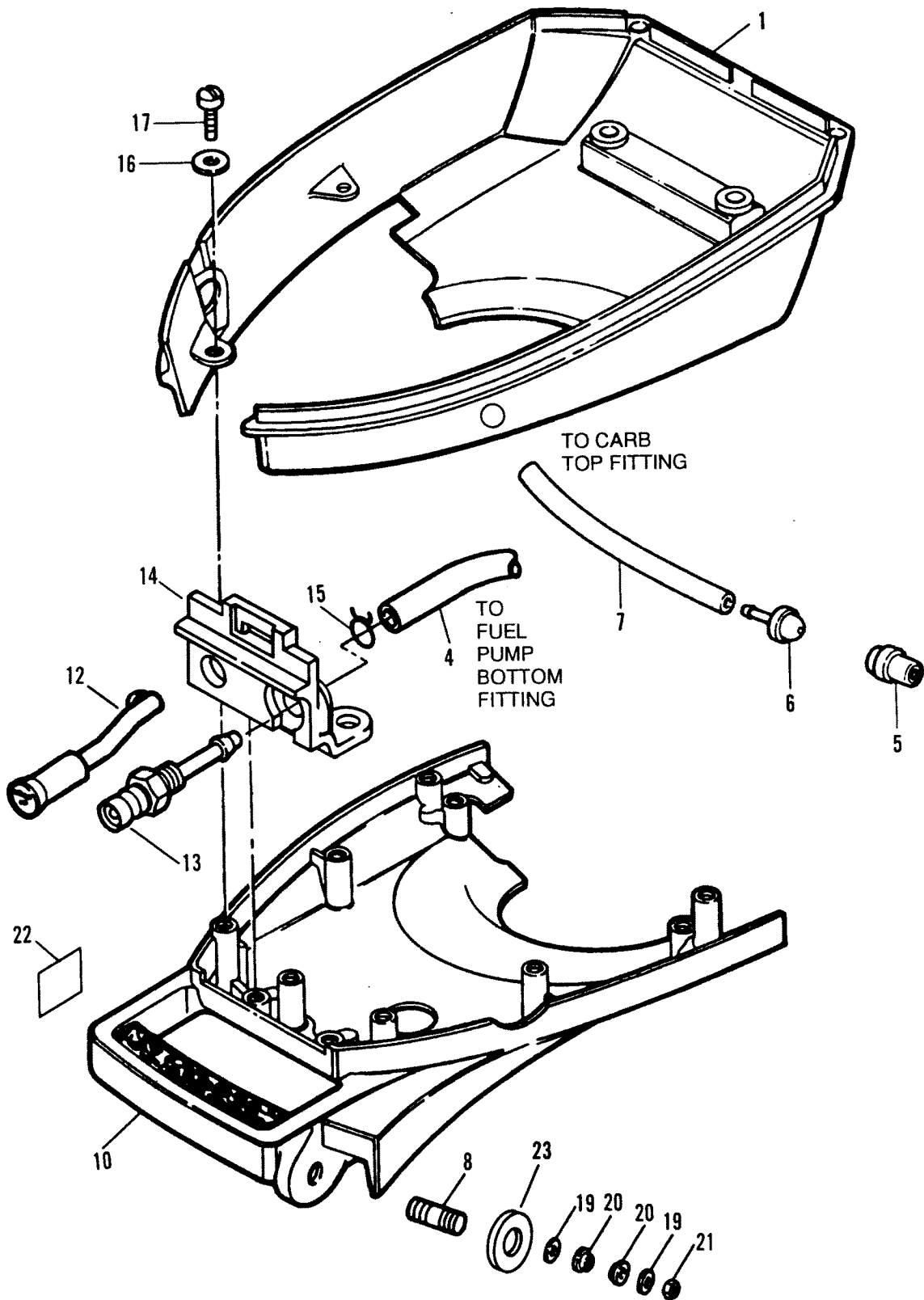
BOTTOM COWL AND SUPPORT PLATE(88B THRU 89B MODELS)



BOTTOM COWL AND SUPPORT PLATE(88B THRU 89B MODELS)

REF. NO.	PART NO.	SYM.	QTY.	DESCRIPTION
2	F521284		2	KNOB, COWL RETAINER
3	10-F1995		2	SCREW (10-24 X 1")
4	32-F40253-1		2	HOSE (14-7/8")
5	F521925		1	LINK, CHOKE KNOB
6	10-F2041		1	SCREW (10-24 X 3/8")
7	13-26996		1	LOCKWASHER (#10)
8	16-F521004		1	STUD, STEERING HANDLE
9	53-F455208		1	RING, RETAINING
10	100-F702038		1	PLATE, SUPPORT
11	NLA-		1	DECAL, CHOKE(37-F702248)
12	F521547		1	KNOB, CHOKE
13	22-F197767-2		1	BUSHING, FUEL
14	F702163		1	COVER, SUPPORT PLATE FRONT
15	54-F2706772		AR	CLAMP
16	12-35044		2	WASHER
17	10-F1035		3	SCREW (1/4-20 X 5/8")
18	10-F1829		1	SCREW (10-24 X 7/8")

BOTTOM COWL AND SUPPORT PLATE (90A THRU 92B)

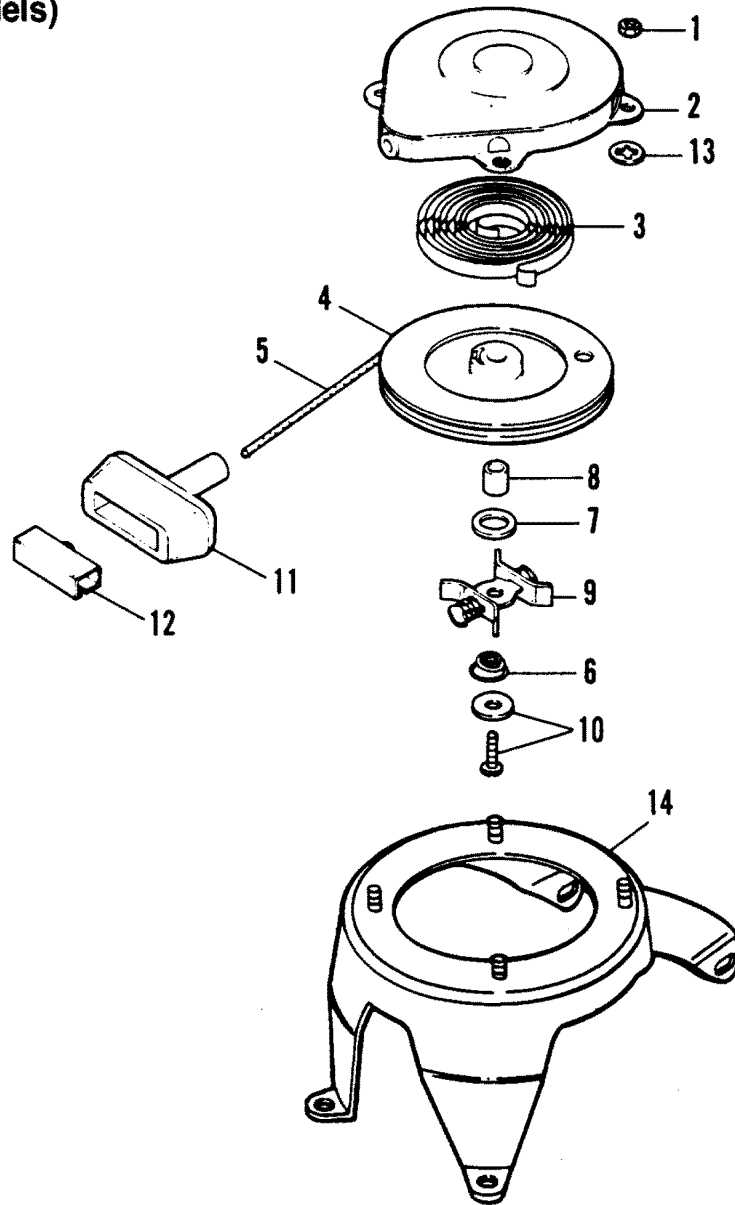


BOTTOM COWL AND SUPPORT PLATE (90A THRU 92B)

REF. NO.	PART NO.	SYM.	QTY.	DESCRIPTION
1	100-820432T		1	COWL, BOTTOM (PAINTED)
4	32-F40253-1		1	HOSE (14-7/8") CUT AS REQ'D
5	F681954-1		1	COVER, PRIME BULB BOOT
6	F681046		1	BULB, PRIMER
7	32-F40253-1		1	HOSE (14-7/8") CUT AS REQ'D
8	16-827618		1	STUD, STEERING HANDLE
10	100-F687038T		1	PLATE, SUPPORT (PAINTED)
12	F687547-1		1	KNOB, CHOKE
13	22-F197767-2		1	BUSHING, FUEL
14	F687163T		1	COVER, FRONT
15	54-F2706772		AR	CLAMP
16	12-35044		4	WASHER
17	10-F1035		4	SCREW (1/4-20 X 5/8")
19	12-F8015		2	WASHER
20	23-F521319		2	BUSHING, STEERING HANDLE
21	11-F1756		1	NUT (3/8-16)
22	37-818029		1	DECAL, FUEL MIX
23	12-F286286-1		1	WASHER

STARTER REWIIND (88A THRU 89A MODELS)

STARTER REWIND (88A Thru 89A Models)

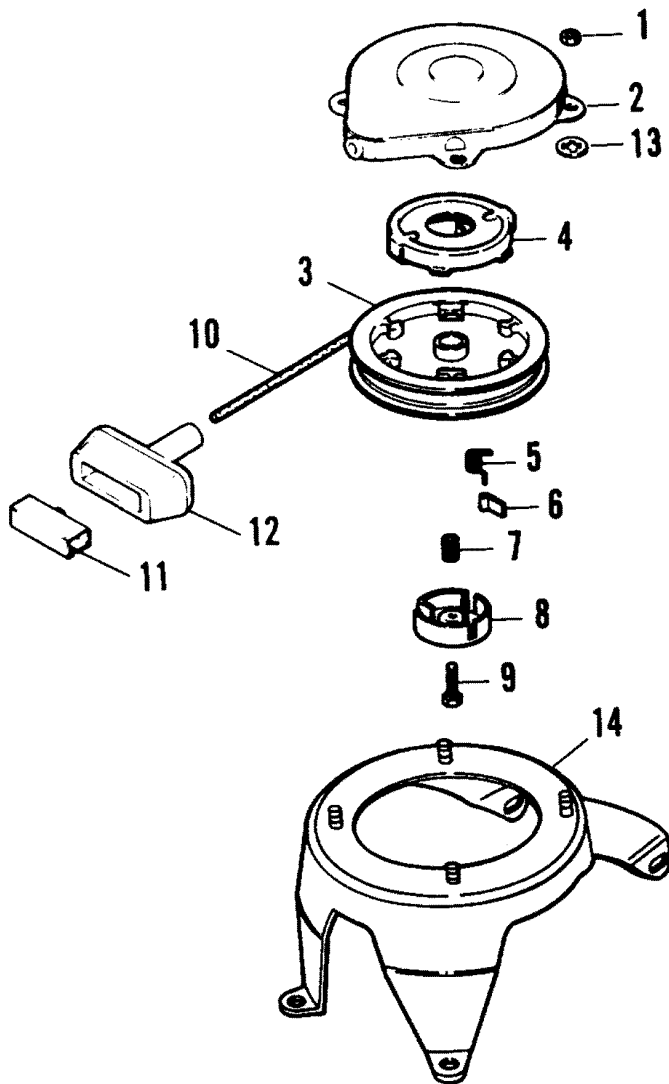


STARTER REWIIND (88A THRU 89A MODELS)

REF. NO.	PART NO.	SYM.	QTY.	DESCRIPTION
1	11-64015		4	NUT (1/4-20)
-	50-817848A3		1	STARTER ASSEMBLY, REWIND
2	FA521408		1	COVER ASSEMBLY, STARTER REWIND
3	24-F521970		1	SPRING, STARTER REWIND
4	FA521239		1	ROTOR ASSEMBLY, STARTER REWIND
5	50-F521232		1	ROPE, STARTER REWIND
6	24-F521003		1	SPRING, STARTER REWIND
7	12-F521359		1	WASHER, STARTER REWIND
8	23-F521818		1	BEARING, STARTER REWIND
9	FA521775		1	SHOE KIT, STARTER REWIND
10	10-F2145		1	SCREW AND WASHER (8-32 X 1/2")
11	F620132		1	HANDLE, STARTER ROPE
12	F620817		1	RETAINER, STARTER ROPE HANDLE
13	13-21272		4	LOCKWASHER (1/4" INTERNAL)
14	F702427		1	BRACKET, STARTER MOUNT (88B/89A)

STARTER REWIND (89B THRU 92B)

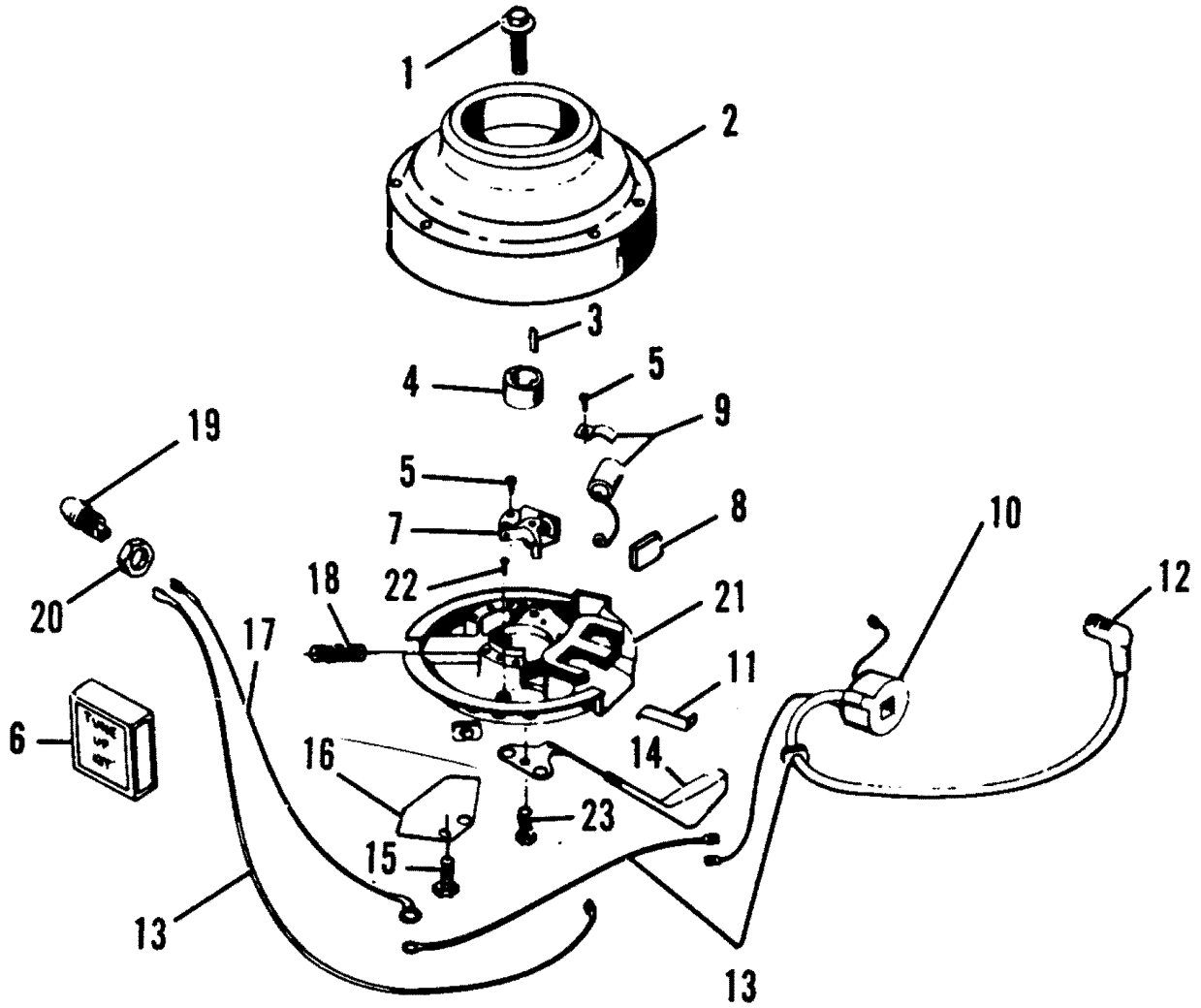
STARTER REWIND (89B Thru 92B & Ser. # E000001 & Up)



STARTER REWIND (89B THRU 92B)

REF. NO.	PART NO.	SYM.	QTY.	DESCRIPTION
1	11-64015		4	NUT (1/4-20)
2	50-F687063		1	STARTER ASSEMBLY, REWIND
3	F15606		1	PULLEY ASSEMBLY, STARTER REWIND
4	F15584		1	SPRING AND KEEPER, STARTER REWIND
5	F15605		3	SPRING, STARTER REWIND DOG
6	F250421		3	DOG, STARTER REWIND SPRING
7	F250003		1	SPRING, STARTER REWIND
8	F15604		1	RETAINER, STARTER REWIND DOG
9	F15615		1	SCREW, STARTER REWIND
10	F15585		1	ROPE, STARTER REWIND
11	F620817		1	RETAINER, ROPE HANDLE
12	F620132		1	HANDLE, STARTER ROPE
13	13-21272		4	LOCKWASHER (1/4" INTERNAL)
14	F702427		1	BRACKET, STARTER MOUNT

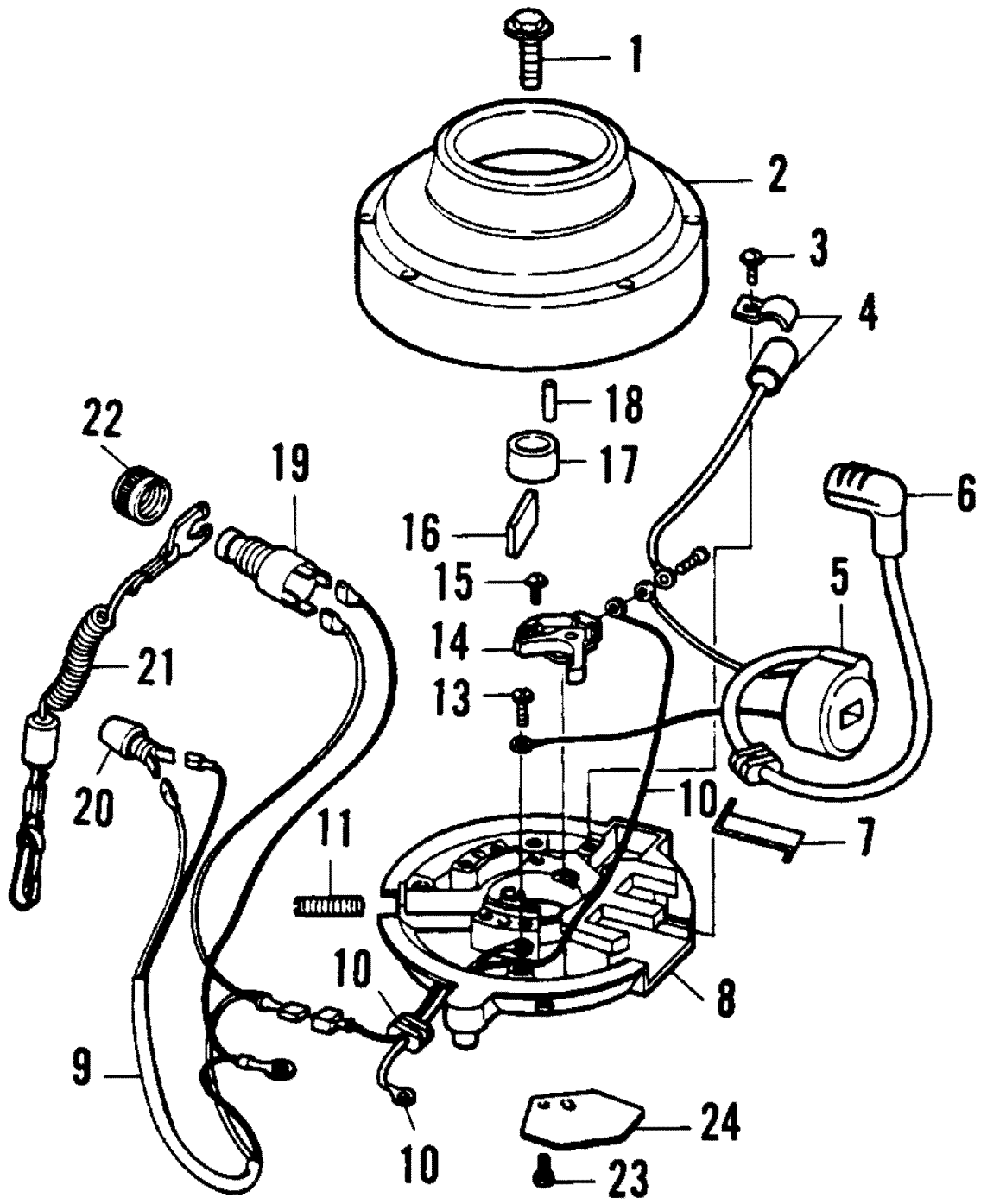
MAGNETO (88A MODELS)



MAGNETO (88A MODELS)

REF. NO.	PART NO.	SYM.	QTY.	DESCRIPTION
1	10-F521552		1	SCREW, FLYWHEEL
2	F535097		1	FLYWHEEL
3	28-F521498		1	KEY, FLYWHEEL
4	F521002		1	CAM, CONTACT SET
5	F12090		4	SCREW
6	FK1058		1	TUNE-UP KIT
7	F12359		1	CONTACT SET
8	F12360		1	FELT
9	FK12357		1	CONDENSER KIT (WITH CLAMP)
10	FK12369		1	COIL KIT (WITH LEAD WIRE)
11	F12350		1	SPRING, COIL WEDGE
12	FK1123		1	BOOT KIT, SPARK PLUG
13	F12361		1	WIRE & GROMMET PACKAGE
14	F521549-2		1	LEVER, THROTTLE
15	10-F1655		1	SCREW (1/4-20 X 3/8")
16	F521192-1		1	CAM, THROTTLE
17	84-F521908		1	WIRE, GROUND
18	F12066		1	SHOE ASSEMBLY, FRICTION
19	87-817952A1		1	SWITCH KIT, SHORTING
20	11-F436280		1	NUT (1/2-20)
21	F12362		1	PLATE ASSEMBLY (WITH CORE), STATOR
22	10-819074		1	SCREW AND LOCKWASHER (6-32 X 5/16")
23	10-34939		1	SCREW (1/4-20 X 1/2")

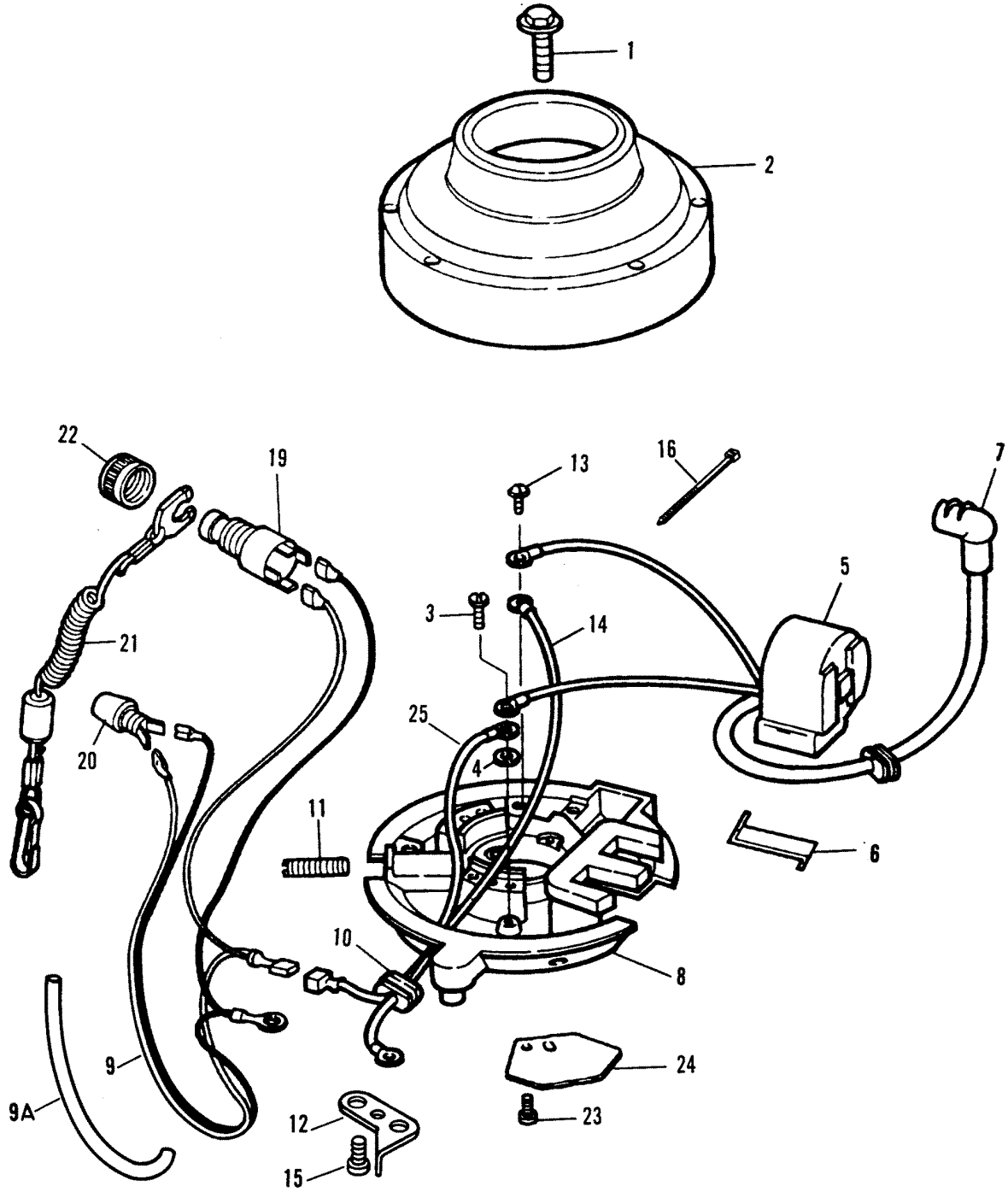
MAGNETO (88B THRU 89A MODELS)



MAGNETO (88B THRU 89A MODELS)

REF. NO.	PART NO.	SYM.	QTY.	DESCRIPTION
1	10-F521552		1	SCREW, FLYWHEEL
2	F535097		1	FLYWHEEL .
3	F12090		2	SCREW .
4	FK12357		1	CONDENSER KIT (WITH CLAMP)
5	FK12369		1	COIL (WITH LEAD WIRE) .
6	FK1123		1	BOOT KIT, SPARK PLUG
7	F12350		1	SPRING, COIL WEDGE
8	820629		1	PLATE ASSEMBLY (WITH CORE), STATOR
9	84-F702908		1	WIRE, SHORTING
10	F12361		1	WIRE/GROMMET PACKAGE
11	F12066		1	SHOE ASSEMBLY, FRICTION
13	10-819074		1	SCREW AND LOCKWASHER (6-32 X 5/16")
14	F12359		1	CONTACT SET
15	F12090		2	SCREW
16	F12360		1	FELT
17	F521002		1	CAM, CONTACT SET
18	28-F521498		1	KEY, FLYWHEEL
19	FK681602		1	SWITCH KIT, EMERGENCY STOP
20	87-F702449		1	SWITCH, STOP
21	819399A1		1	LANYARD ASSEMBLY
22	22-F681188		1	NUT, STOP SWITCH SLEEVE
23	10-34939		1	SCREW (1/4-20 X 1/2")
24	F521192-1		1	CAM, THROTTLE

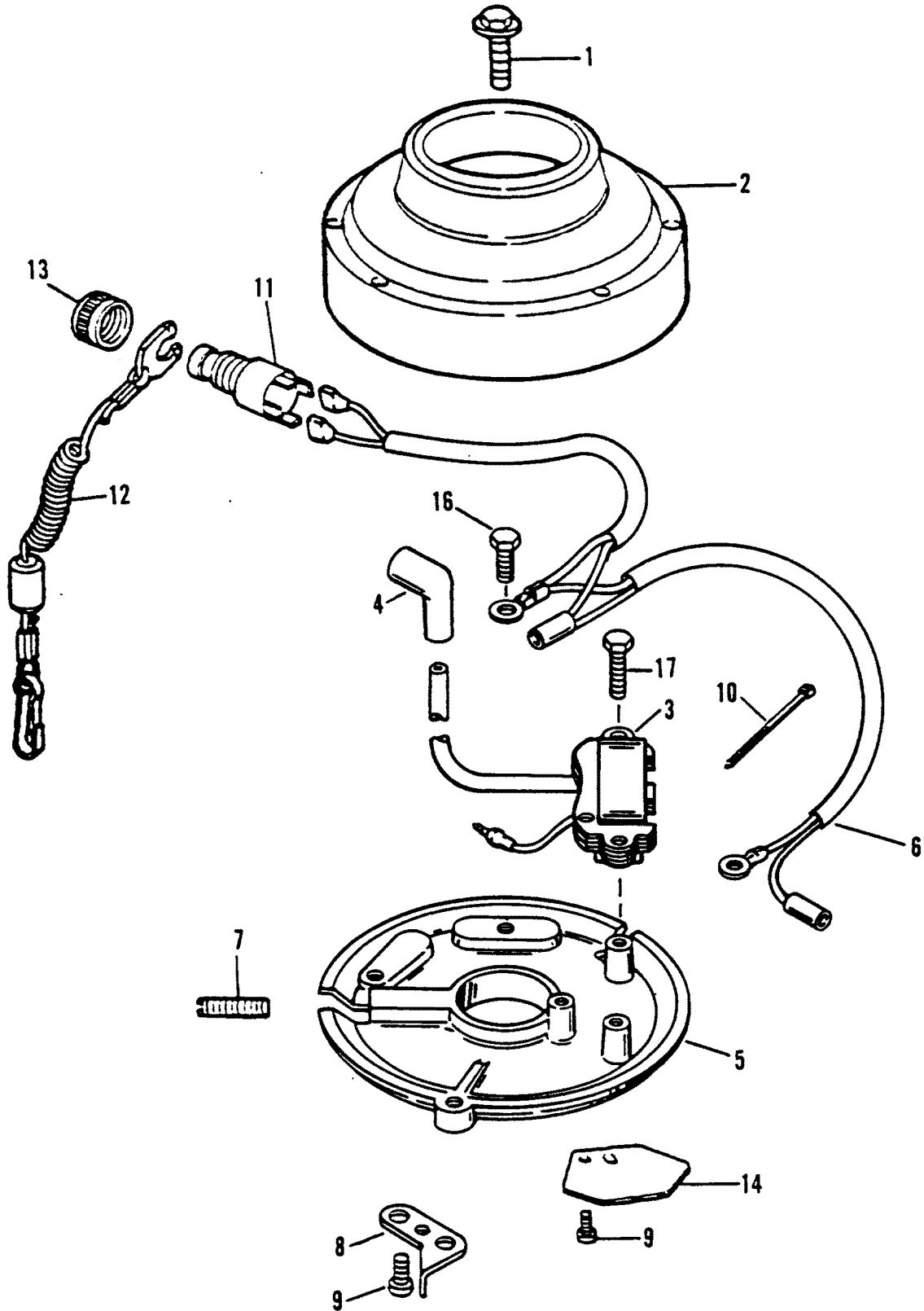
MAGNETO (89B THRU 92B)



MAGNETO (89B THRU 92B)

REF. NO.	PART NO.	SYM.	QTY.	DESCRIPTION
1	10-F521552		1	SCREW, FLYWHEEL
2	200-819363A1		1	FLYWHEEL KIT (WITH F712475 COIL) (89B/90B)
	200-819363T		1	FLYWHEEL (PAINTED)(91A/92B) SERIAL 0E000001-0E034999
3	F12380		2	SCREW
4	F12381		1	WASHER
5	F12386		1	COIL , W/LEAD WIRE (89B/90B)
	F712475		1	COIL, W/LEAD WIRE(91A/92B) SERIAL 0E000001-0E034999
6	F12378		1	SPRING, COIL WEDGE
7	FK1123		1	BOOT KIT, SPARK PLUG
	85-818751		1	BOOT (RFI), SPARK PLUG
8	F12383		1	PLATE ASSEMBLY (W/CORE), STATOR
9	84-F702908		1	WIRE, SHORTING
9A	23-F702405		1	SLEEVE, SHORTING WIRE PROTECTION
10	F12088		1	GROMMET
11	F12066		1	SHOE ASSEMBLY, FRICTION
12	F702505		1	STOP, HIGH SPEED
13	10-819074		1	SCREW AND LOCKWASHER (6-32 X 5/16")
14	F12384		1	WIRE, GROUND
15	10-34939		1	SCREW (1/4-20 X 1/2")
16	56762		AR	CABLE TIE (4")
19	FK681602		1	SWITCH KIT, EMERGENCY STOP (89B MODELS)
	87-F687287		1	SWITCH , EMERGENCY STOP (90B/92B) SERIAL 0E000001-0E034999
20	87-F702449		1	SWITCH, STOP
21	819399A1		1	LANYARD ASSEMBLY
22	22-F681188		1	NUT, STOP SWITCH SLEEVE
23	10-F1655		1	SCREW (1/4-20 X 3/8")
24	F521192-1		1	CAM, THROTTLE (89B MODELS)
	F687192-1		1	CAM, THROTTLE (90A MODELS)
	F712192		1	CAM, THROTTLE (90B/92B) SERIAL 0E000001-0E034999
25	F12385		1	WIRE, STOP

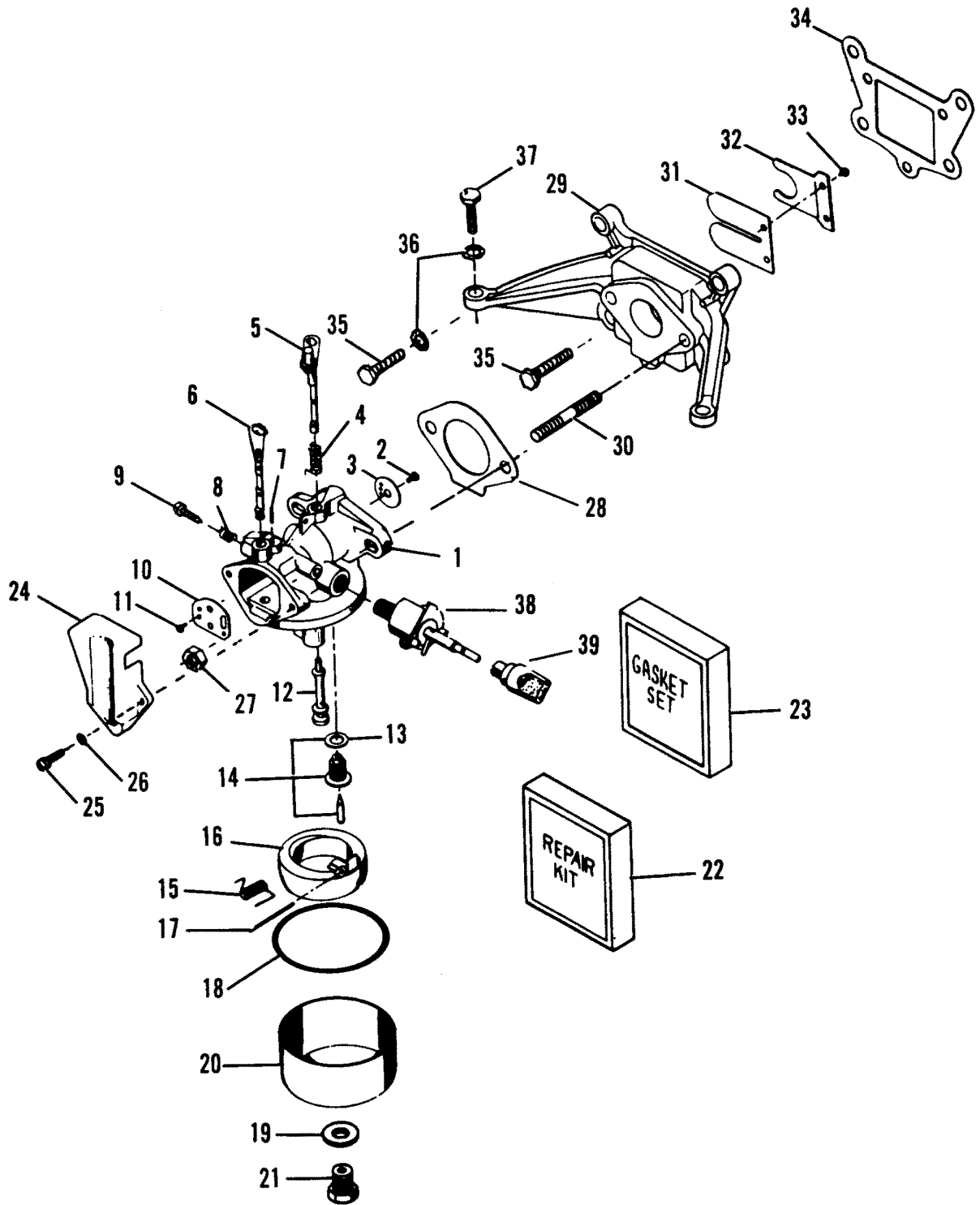
MAGNETO



MAGNETO

REF. NO.	PART NO.	SYM.	QTY.	DESCRIPTION
1	10-F521552		1	SCREW, FLYWHEEL
2	200-819363T		1	FLYWHEEL (PAINTED)
3	300-819156T		1	MODULE, IGNITION (CUT WIRE AS REQ'D)
4	FK1123		1	BOOT KIT, SPARK PLUG
5	300-819345A2		1	PLATE ASSEMBLY, STATOR
6	84-824486A2		1	CABLE ASSEMBLY
7	10-824678		1	SCREW, FRICTION
8	F702505		1	STOP, HIGH SPEED
9	10-34939		2	SCREW (1/4-20 X 1/2")
10	56762		AR	CABLE TIE (4")
11	87-F687287		1	SWITCH, EMERGENCY STOP
12	819399A1		1	LANYARD ASSEMBLY
13	22-F681188		1	NUT, STOP SWITCH
14	F712192		1	CAM, THROTTLE
16	10-824352		1	SCREW (1/4-20 X 3/4")
17	10-824353		3	SCREW (8-32 X 3/4")

CARBURETOR AND REED PLATE (88A MODELS)



CARBURETOR AND REED PLATE (88A MODELS)

REF. NO.	PART NO.	SYM.	QTY.	DESCRIPTION
1	1300-F680061		1	CARBURETOR (LMB-236)
2	1395-5902		1	SCREW, THROTTLE VALVE
3	F10060		1	VALVE, THROTTLE
4	F10075		1	SPRING, THROTTLE RETURN
5	F10059		1	SHAFT, THROTTLE
6	F10061		1	SHAFT, CHOKE
7	F10072		1	SPRING, CHOKE STOP
8	F10073		1	SPRING, IDLE NEEDLE
9	F10077	■	1	NEEDLE, IDLE
10	F10062		1	VALVE, CHOKE
11	F10070		1	SCREW, CHOKE VALVE
12	F10088		1	NOZZLE
13	26-F10066	▲	1	GASKET, VALVE SEAT
14	F10100-1	■	1	VALVE KIT, SEAT
15	1395-5904		1	SPRING, VALVE SEAT
16	1395-5898		1	FLOAT, FUEL BOWL
17	F10064	■	1	PIN, FLOAT
18	27-F10068	▲	1	GASKET, FUEL BOWL
19	27-F10090	▲	2	GASKET, BOWL RETAINER
20	1395-8155		1	BOWL, FUEL
21	F10251	■	1	JET, MAIN (.035) (SEA LEVEL - 2500')
	F10253		OPT.	JET, MAIN (.033) (2500' - 5000')
	F10254		OPT.	JET, MAIN (.031) (5000' - 7500')
	F10255		OPT.	JET, MAIN (.029) (7500' - 10000')
22	FK10256		1	REPAIR KIT, CARBURETOR
23	FK10069	■	1	GASKET SET, CARBURETOR
24	F521708		1	COVER, CARBURETOR
25	10-F1064		2	SCREW (8-32 X 3/8")
26	13-23836		2	LOCKWASHER (#8 INTERNAL)
27	11-20890		2	NUT (1/4-20)
28	27-F521906	■▲	1	GASKET, CARBURETOR
29	818018A1		1	ADAPTER ASSEMBLY, CARBURETOR
30	16-826625		2	STUD (1/4-20 X 1.13") WITH DRY LOC
31	34-F31160-2		1	REED
32	34-F680161		1	STOP, REED
33	10-819074		2	SCREW AND LOCKWASHER (6-32 X 5/16")
34	27-F521168	■	1	GASKET, CARBURETOR ADAPTER

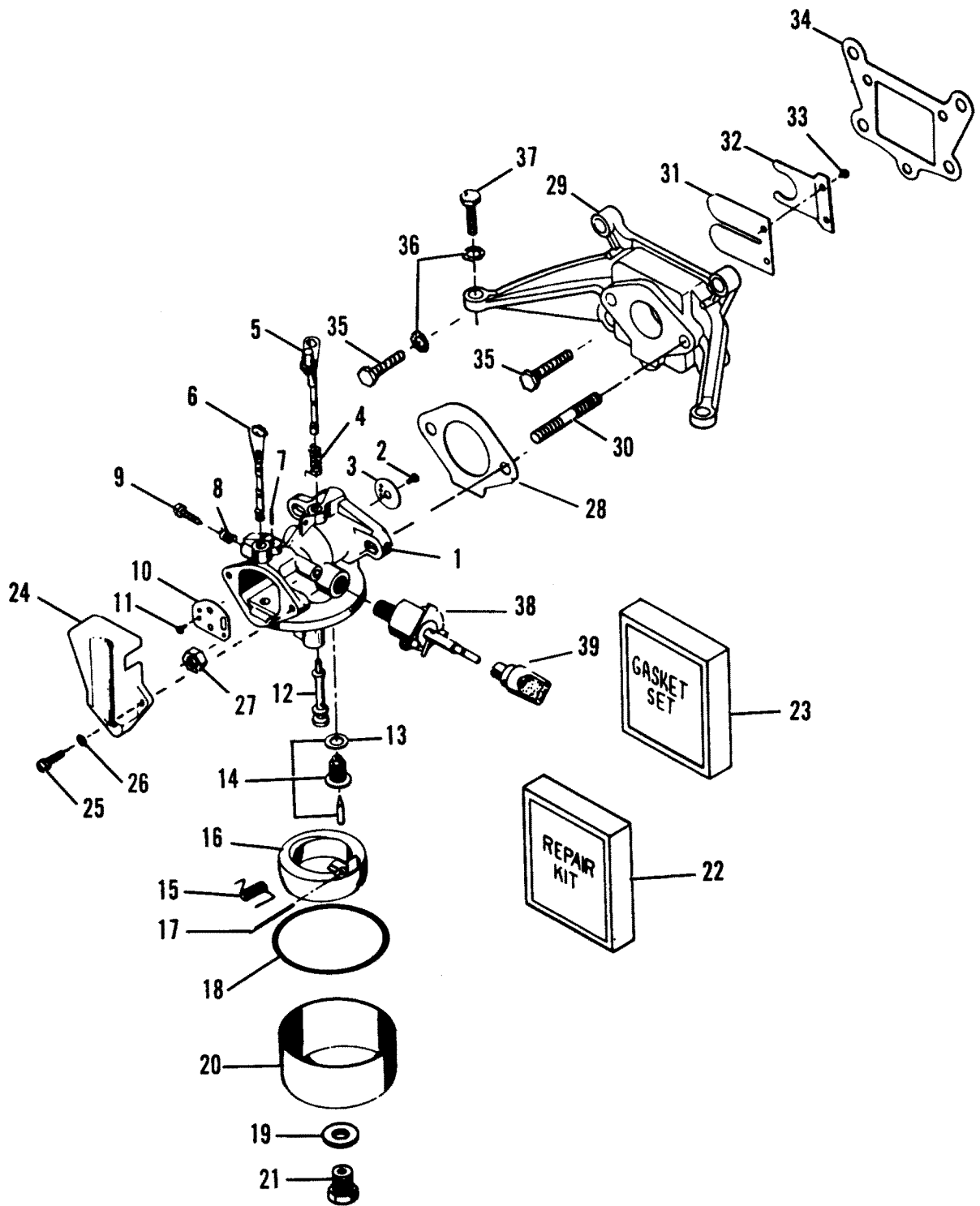
■ = CONTENTS OF POWERHEAD GASKET SET [FG1022-1] OR [FG1034-1]

■ = CONTENTS OF CARB REPAIR KIT [FK10256]

▲ = CONTENTS OF CARB GASKET SET [FK10069]

CONTINUED ON NEXT PAGE ➡

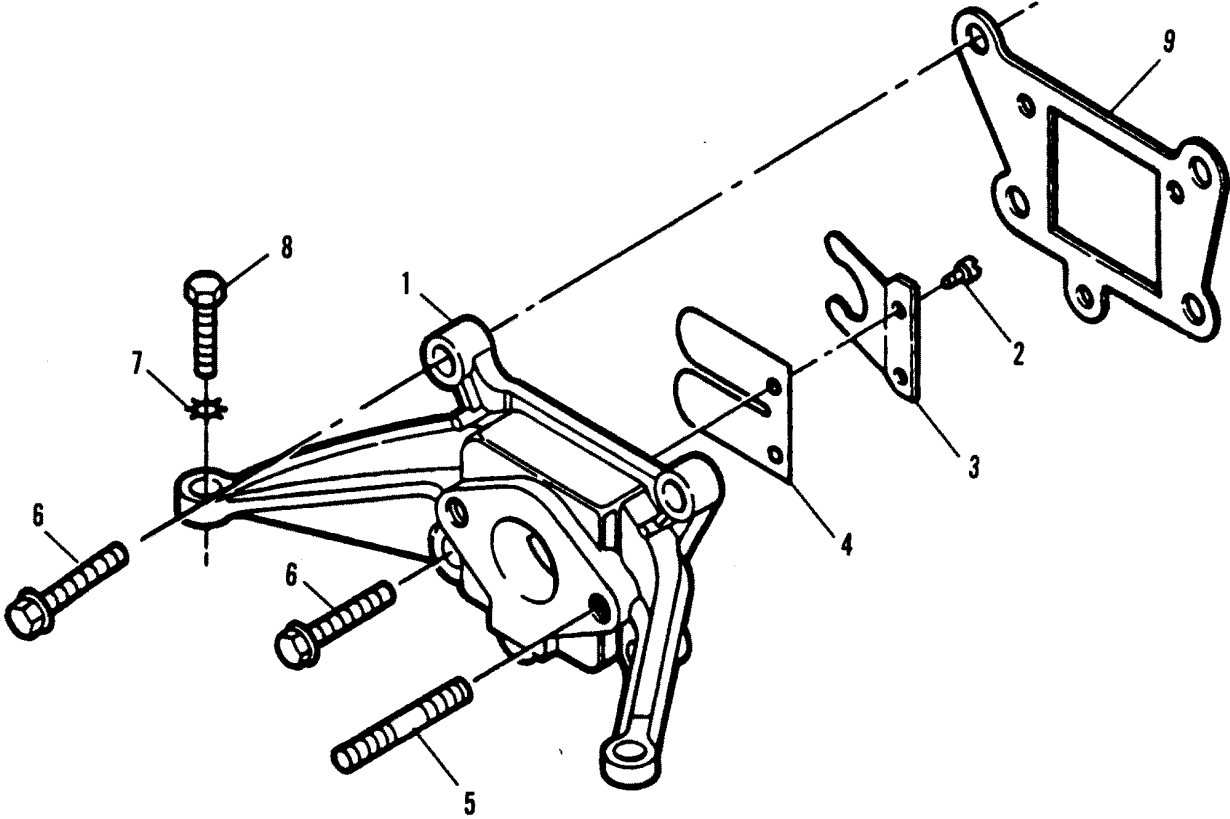
CARBURETOR AND REED PLATE (88A MODELS)



CARBURETOR AND REED PLATE (88A MODELS)

REF. NO.	PART NO.	SYM.	QTY.	DESCRIPTION
35	10-F1532		4	SCREW (1/4-20 X 1")
36	13-F8060		4	LOCKWASHER (1/4" EXTERNAL)
37	10-F2008		2	SCREW (1/4-20 X 7/8")
38	F521550		1	KNOB, FUEL SHUT-OFF
39	20-F521489		1	VALVE, FUEL SHUT-OFF

INTAKE SYSTEM (88B THRU 90A MODELS)

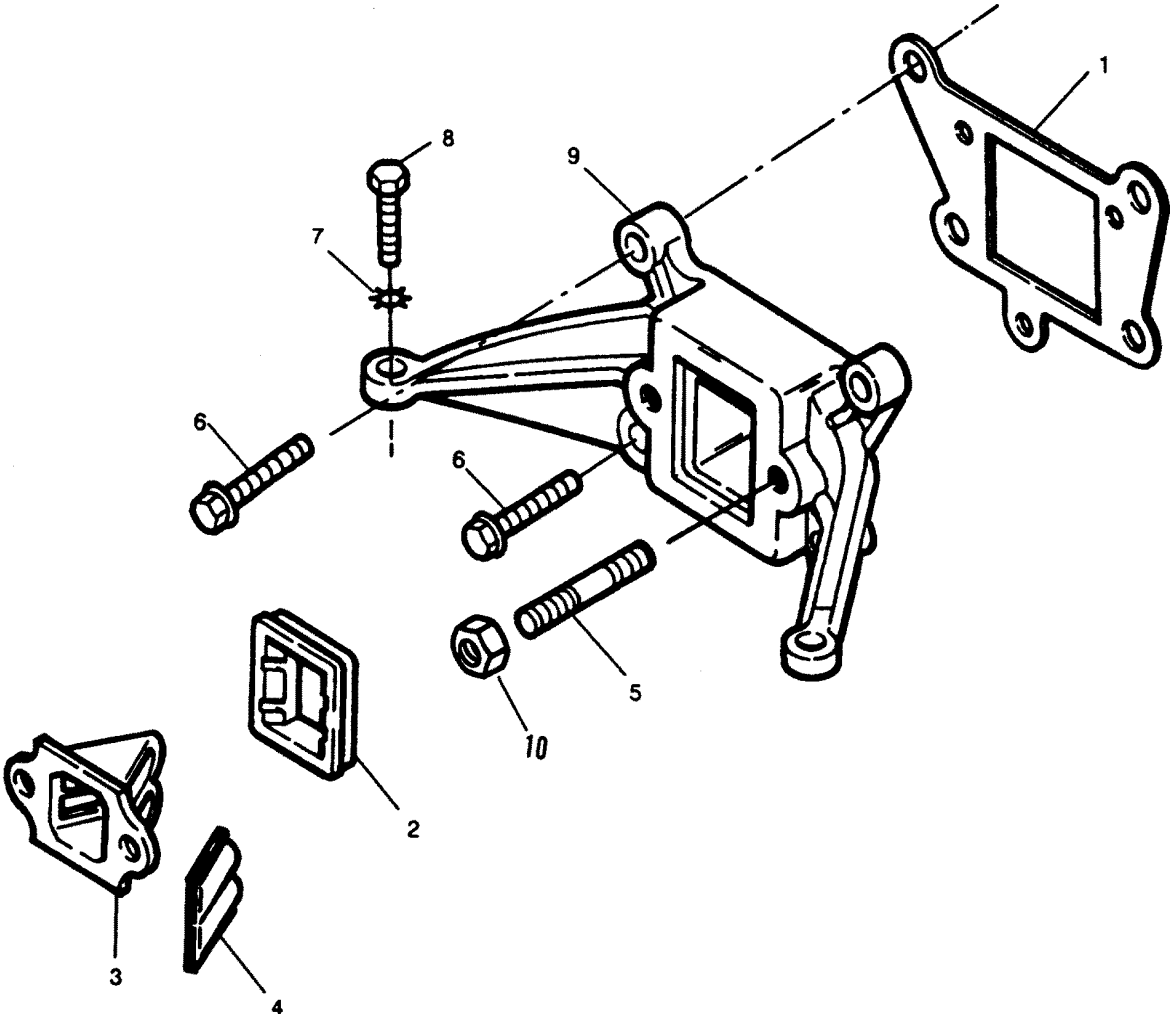


INTAKE SYSTEM (88B THRU 90A MODELS)

REF. NO.	PART NO.	SYM.	QTY.	DESCRIPTION
1	818018A1		1	ADAPTER ASSEMBLY, CARBURETOR
2	10-819074		2	SCREW AND LOCKWASHER (6-32 X 5/16")
3	34-F680161		1	STOP, REED
4	34-F31160-2		1	REED
5	16-826625		2	STUD, CARBURETOR, W/DL
6	10-F1532		4	SCREW (1/4-20 X 1")
7	13-F8060		2	LOCKWASHER (1/4" EXTERNAL)
8	10-F2008		2	SCREW (1/4-20 X 7/8")
9	27-F521168	■	1	GASKET, CARBURETOR ADAPTER

■ = CONTENTS OF POWERHEAD GASKET SET [FG1022-1] OR [FG1034-1]

INTAKE SYSTEM (90B THRU 92B)



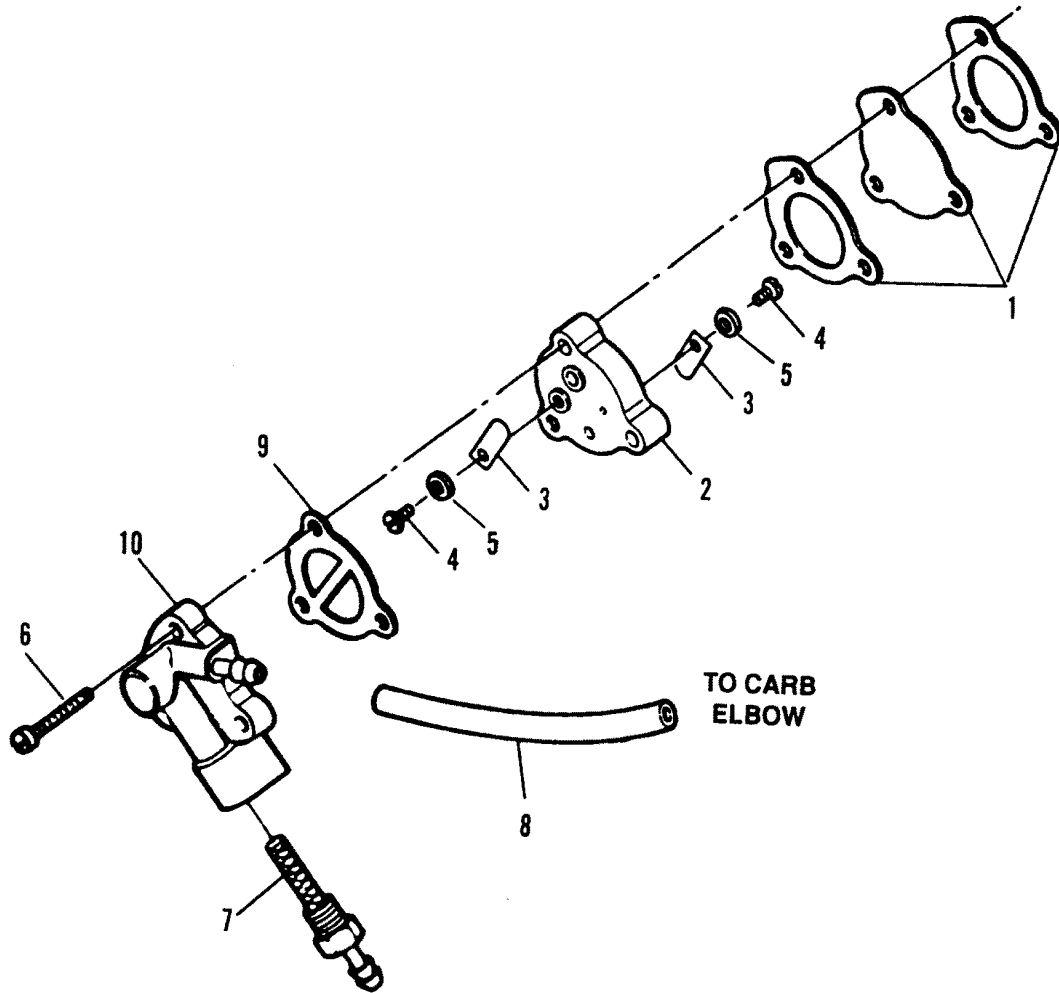
INTAKE SYSTEM (90B THRU 92B)

REF. NO.	PART NO.	SYM.	QTY.	DESCRIPTION
1	27-F521168	●■	1	GASKET, CARBURETOR ADAPTER
2	F712504		1	GROMMET, REED PLATE
3	819677		1	PLATE, REED
4	34-F31160-2		2	REED
5	16-826625		2	STUD (1/4-20 X 1.13") WITH DRY LOC
6	10-F1532		4	SCREW (1/4-20 X 1")
7	13-F8060		2	LOCKWASHER (1/4" EXTERNAL)
8	10-F2008		2	SCREW (1/4-20 X 7/8")
9	F712167T		1	ADAPTER, CARBURETOR
10	11-20890		2	NUT (1/4-20)

● = COMPONENT OF POWERHEAD ASS'Y [800-819854A2]

■ = CONTENTS OF POWERHEAD GASKET SET [FG1022-1] OR [FG1034-1]

FUEL PUMP (88B THRU 92B)

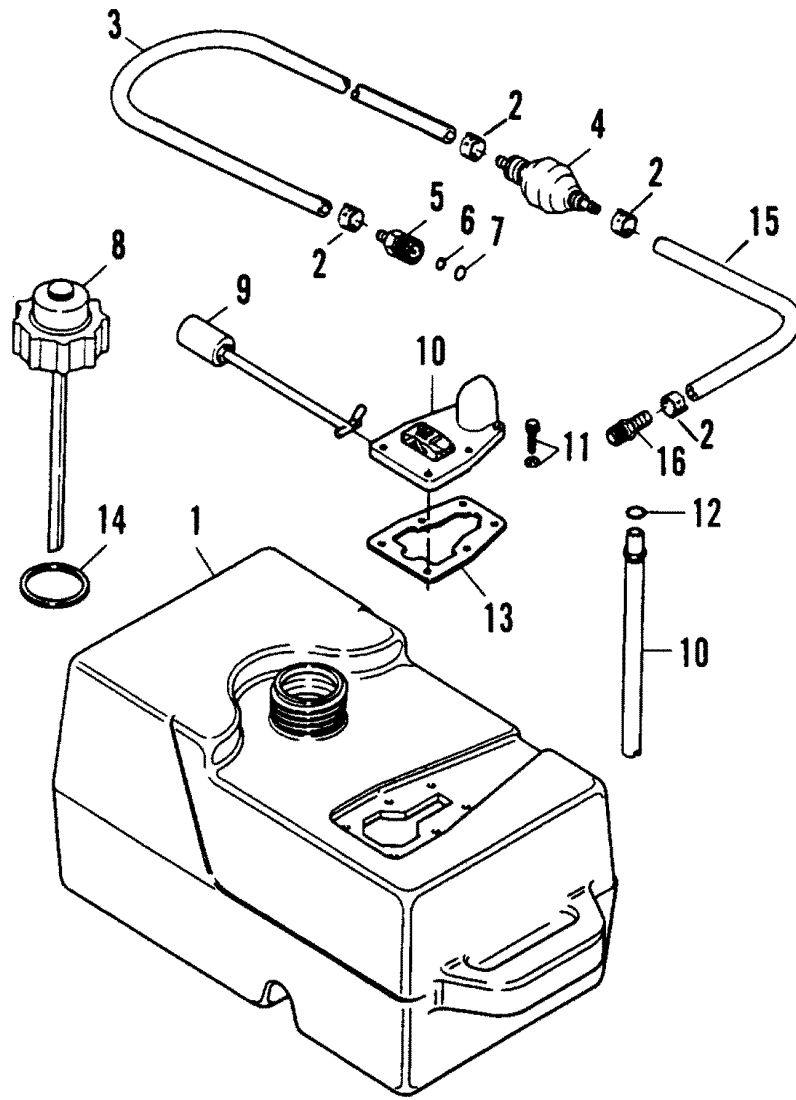


FUEL PUMP (88B THRU 92B)

REF. NO.	PART NO.	SYM.	QTY.	DESCRIPTION
1	27-818043A1	●	1	DIAPHRAGM /GASKET SET
2	F2A24757		1	PLATE ASSEMBLY, FUEL PUMP
3	34-F18160-3		2	REED
4	10-F1286		2	SCREW (4-40 X 3/16")
5	12-18552		2	WASHER
6	10-F1069		3	SCREW (10-24 X 1-1/16")
7	22-F901811		1	FILTER, FUEL PUMP
8	32-F40253-1		1	HOSE, FUEL PUMP TO CARB (14-7/8") CUT AS REQ'D
9	27-F24748-2		1	GASKET, FUEL PUMP
10	819993T1		1	COVER, FUEL PUMP

● = COMPONENT OF POWERHEAD ASS'Y [800-819854A2]

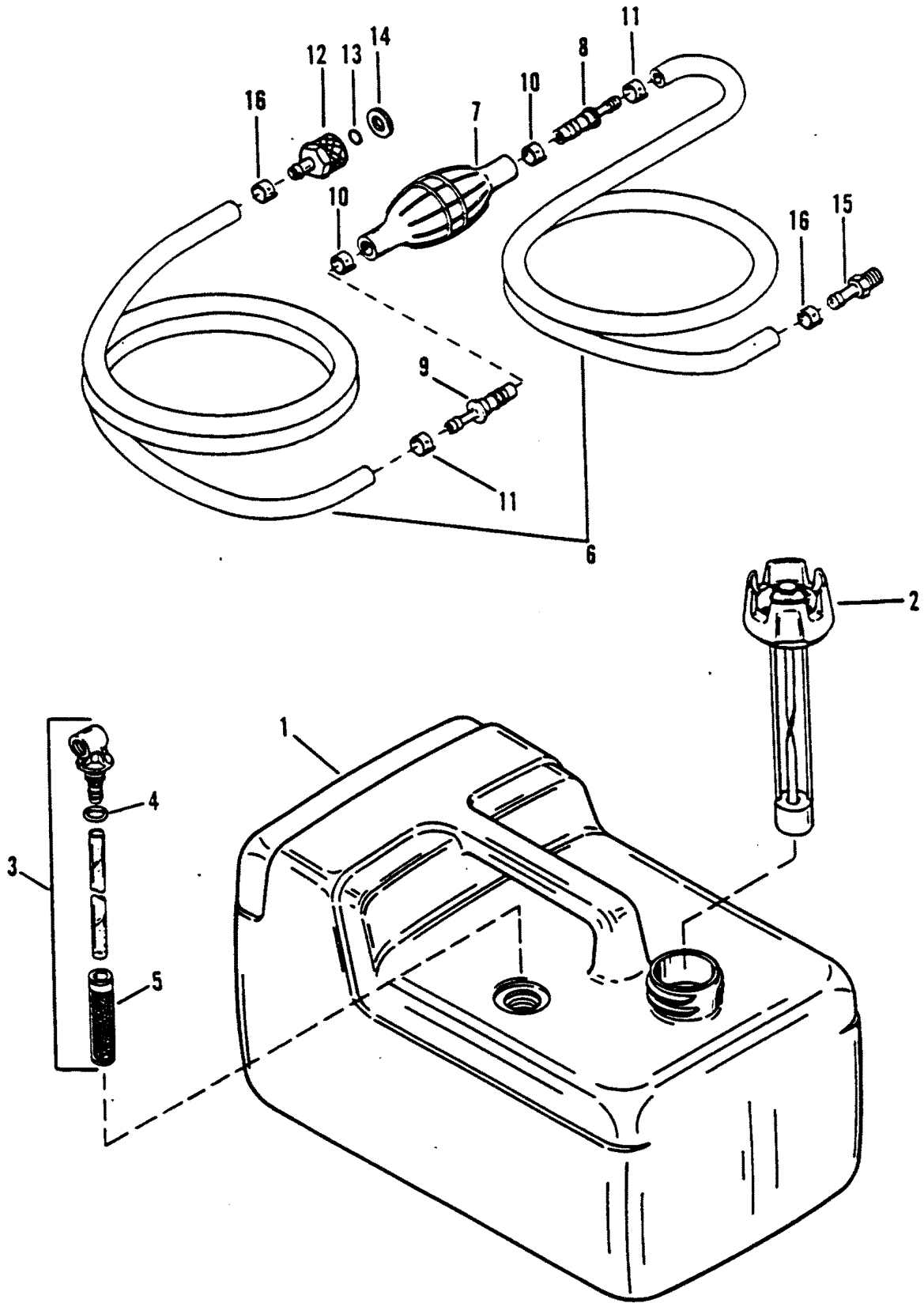
FUEL TANK AND LINE (88B THRU 92B)



FUEL TANK AND LINE (88B THRU 92B)

REF. NO.	PART NO.	SYM.	QTY.	DESCRIPTION
1	1200-819037A1		1	TANK ASSEMBLY, FUEL (PLASTIC) (3 GALLON)
-	32-819380A15		1	HOSE ASSEMBLY, FUEL LINE (COMPLETE)
2	54-41582--7		4	CLAMP
3	32-817738A1		1	HOSE KIT (9')
4	89396A38		1	BULB ASSEMBLY, PRIMER
5	F197787-3		1	COUPLER, FUEL
6	F17815		1	SEAL
7	F17816		1	SEAL
8	F17820		1	CAP ASSEMBLY
9	F17826		1	FLOAT
10	F17828		1	GAUGE ASSEMBLY
11	F17824		6	SCREW
12	F17827		1	O RING
13	F17823-1		1	GASKET
14	F17822-1		1	GASKET
15	32-99127109		1	HOSE (7") CUT AS REQ'D
16	22-F702801		1	FITTING, FUEL

FUEL TANK AND LINE (PLASTIC - 3.2 GALLON)

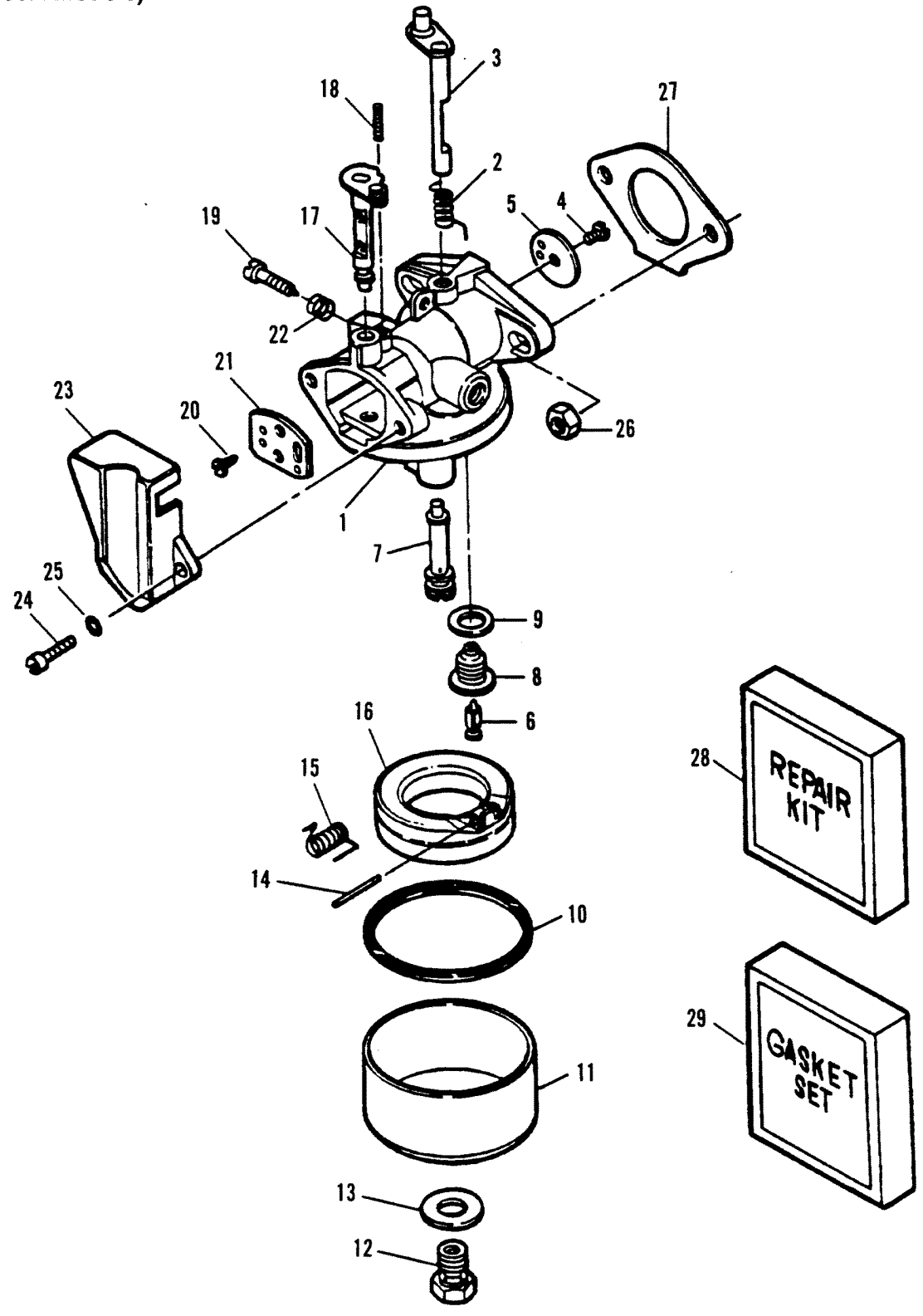


FUEL TANK AND LINE (PLASTIC - 3.2 GALLON)

REF. NO.	PART NO.	SYM.	QTY.	DESCRIPTION
-	1260-823505A2		1	TANK ASSEMBLY, FUEL (PLASTIC) (3.2 GALLON)
1	1260-823505A1		1	TANK ASSEMBLY, FUEL (PLASTIC) (3.2 GAL.)
2	823535		1	GAUGE AND CAP ASSEMBLY
3	22-823531		1	CONNECTOR ASSY., FUEL
4	25-823533		1	O RING
5	35-823534		1	SCREEN, FILTER
6	32-820572A8		1	LINE ASSEMBLY, FUEL (5/16" I.D.)
7	13330A3		1	BULB ASSEMBLY, PRIMER
8	21-13331A1		1	VALVE, CHECK (INLET)
9	21-13331A2		1	VALVE, CHECK (OUTLET)
10	54-41582-10		2	CLAMP (LARGE)
11	54-41582--7		2	CLAMP (SMALL)
12	F197787-3		1	CONNECTOR, ENGINE
13	F17815		1	SEAL
14	F17816		1	SEAL
15	22-89771--1		1	CONNECTOR, FUEL TANK
16	54-41582--7		2	CLAMP

CARBURETOR (88B THRU 89A MODELS)

CARBURETOR (88B Thru 89A Models)



CARBURETOR (88B THRU 89A MODELS)

REF. NO.	PART NO.	SYM.	QTY.	DESCRIPTION
1	1300-F702061		1	CARBURETOR (LMB-237)
2	F10075		1	SPRING, THROTTLE RETURN
3	F10059		1	SHAFT, THROTTLE
4	1395-5902		1	SCREW, SHUTTER
5	F10091		1	SHUTTER, THROTTLE
6	F10170	■	1	VALVE ASSEMBLY
7	F10277		1	NOZZLE, MAIN
8	F10276	■	1	SEAT ASSEMBLY, CHECK VALVE
9	26-F10066	▲	1	GASKET, VALVE SEAT
10	27-F10068	▲	1	GASKET, FUEL BOWL
11	1395-8155		1	BOWL, FUEL
12	F10251		1	JET, MAIN (.035) (STD. - 2500')
	F10253		OPT.	JET, MAIN (.033) (2500' - 5000')
	F10254		OPT.	JET, MAIN (.031) (5000' - 7500')
	F10255		OPT.	JET, MAIN (.029) (7500' - 10000')
13	27-F10090	▲	1	GASKET, FUEL BOWL
14	F10064	■	1	PIN, FLOAT
15	1395-5904	■	1	SPRING, FLOAT
16	1395-5898		1	FLOAT, FUEL BOWL
17	F10061		1	SHAFT, CHOKE
18	F10072		1	SPRING, CHOKE STOP
19	F10077	■	1	NEEDLE, IDLE
20	F10070		2	SCREW, SHUTTER
21	F10062		1	VALVE, CHOKE
22	F10073		1	SPRING, IDLE NEEDLE
-	19-F10278	■	1	PLUG, WELCH
-	19-F10152	■	1	PLUG, CUP
23	F521708		1	COVER, CARBURETOR
24	10-F1064		2	SCREW (8-32 X 3/8")
25	13-23836		2	LOCKWASHER (#8 INTERNAL)
26	11-20890		2	NUT (1/4-20)
27	27-F521906	■▲	1	GASKET, CARBURETOR
28	FK10280		1	REPAIR KIT, CARBURETOR
29	27-FK10281	■	1	GASKET SET, CARBURETOR

■ = CONTENTS OF POWERHEAD GASKET SET [FG1022-1] OR [FG1034-1]

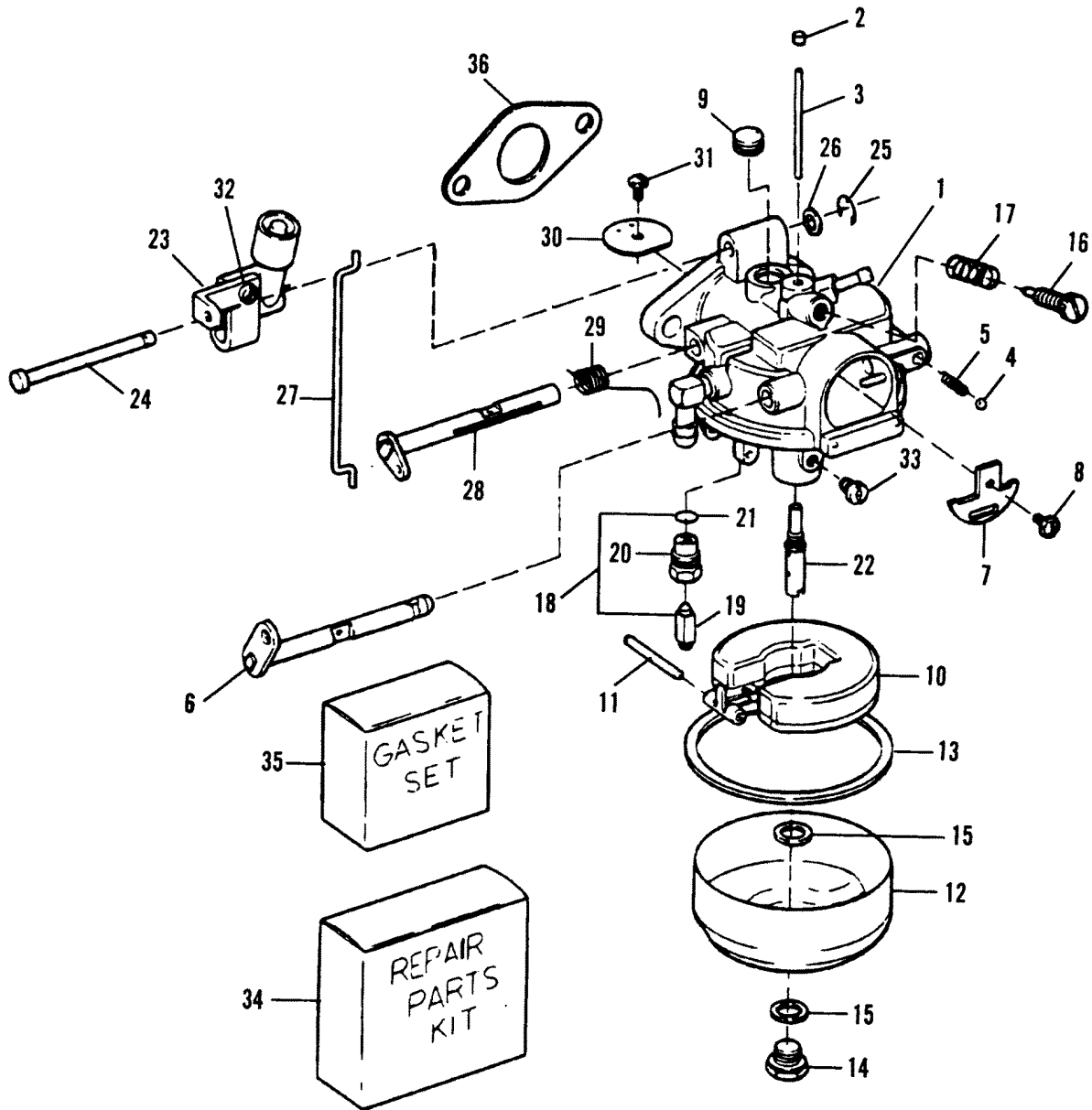
■ = CONTENTS OF CARB REPAIR KIT [FK10256]

▲ = CONTENTS OF CARB GASKET SET [FK10069]

CARBURETOR (89B THRU 92B)

CARBURETOR

(89B Thru 92B & Ser. # E000001 & Up)



CARBURETOR (89B THRU 92B)

REF. NO.	PART NO.	SYM.	QTY.	DESCRIPTION
1	1300-F687061-1		1	CARBURETOR (HO-3B) (89B/90A)
	1300-F712061		1	CARBURETOR (HO-4A) (90B/92B) SERIAL 0E000001-0Z999999
2	19-FO10588	■	1	PLUG, CUP
3	F10235		1	TUBE, BY-PASS
4	FO4784		1	BALL, CHOKE FRICTION SPRING
5	FO8805		1	SPRING, CHOKE FRICTION
6	FO15736		1	SHAFT, CHOKE
7	FO15367		1	SHUTTER, CHOKE
8	10-FO10280	■	2	SCREW, SHUTTER
9	19-FO2531	■	1	PLUG, WELCH
10	F10346		1	FLOAT, FUEL BOWL
11	17-FO13944	■	1	PIN, FLOAT
12	FO15366		1	BOWL, FUEL
13	27-FO15623	▲	1	GASKET, FUEL BOWL
14	1399-5128		1	SCREW, FUEL BOWL
15	27-FO2510	▲	1	GASKET, FUEL BOWL
16	FO15520	■	1	NEEDLE, IDLE
17	24-27160	■	1	SPRING, IDLE NEEDLE
18	FK10237	■	1	NEEDLE SEAT/GASKET SET, INLET
19	F10265		1	NEEDLE, INLET
20	F10292		1	SEAT, INLET
21	27-FO10165		1	GASKET, INLET SEAT
22	F10238		1	NOZZLE
23	F10290		1	BRACKET, THROTTLE
24	F10240		1	SHAFT, THROTTLE LINKAGE
25	F10241		1	E-RING, THROTTLE SHAFT
26	F10242		1	WASHER, THROTTLE SHAFT
27	F10291		1	LINKAGE (HO-3A)
	F10332		1	LINKAGE (HO-3B)
	F10338		1	LINKAGE (HO-4A)
28	FO15718		1	SHAFT, THROTTLE (HO-3A & HO-3B)
	F10339		1	SHAFT, THROTTLE (HO-4A)
29	24-F10246	■	1	SPRING, RETURN
30	F10248		1	SHUTTER, THROTTLE
31	10-F10328	■	2	SCREW, SHUTTER
32	FO10571		1	SCREW, IDLE SPEED
33	1399-2407		1	JET, MAIN (.039) (HO-3A) HO-3B
	F10327		1	JET, MAIN (.033) (STD. - 2500') HO-3B
	1399-3252		OPT.	JET, MAIN (.032) (2500' - 5000') HO-3B
	F10330		OPT.	JET, MAIN (.031) (5000' - 7500') HO-3B
	F10331		OPT.	JET, MAIN (.030) (7500' - 10000') HO-3B
	F10337		1	JET, MAIN (.041) (STD. - 2500') HO-4A

■ = CONTENTS OF CARB REPAIR KIT [FK10256]

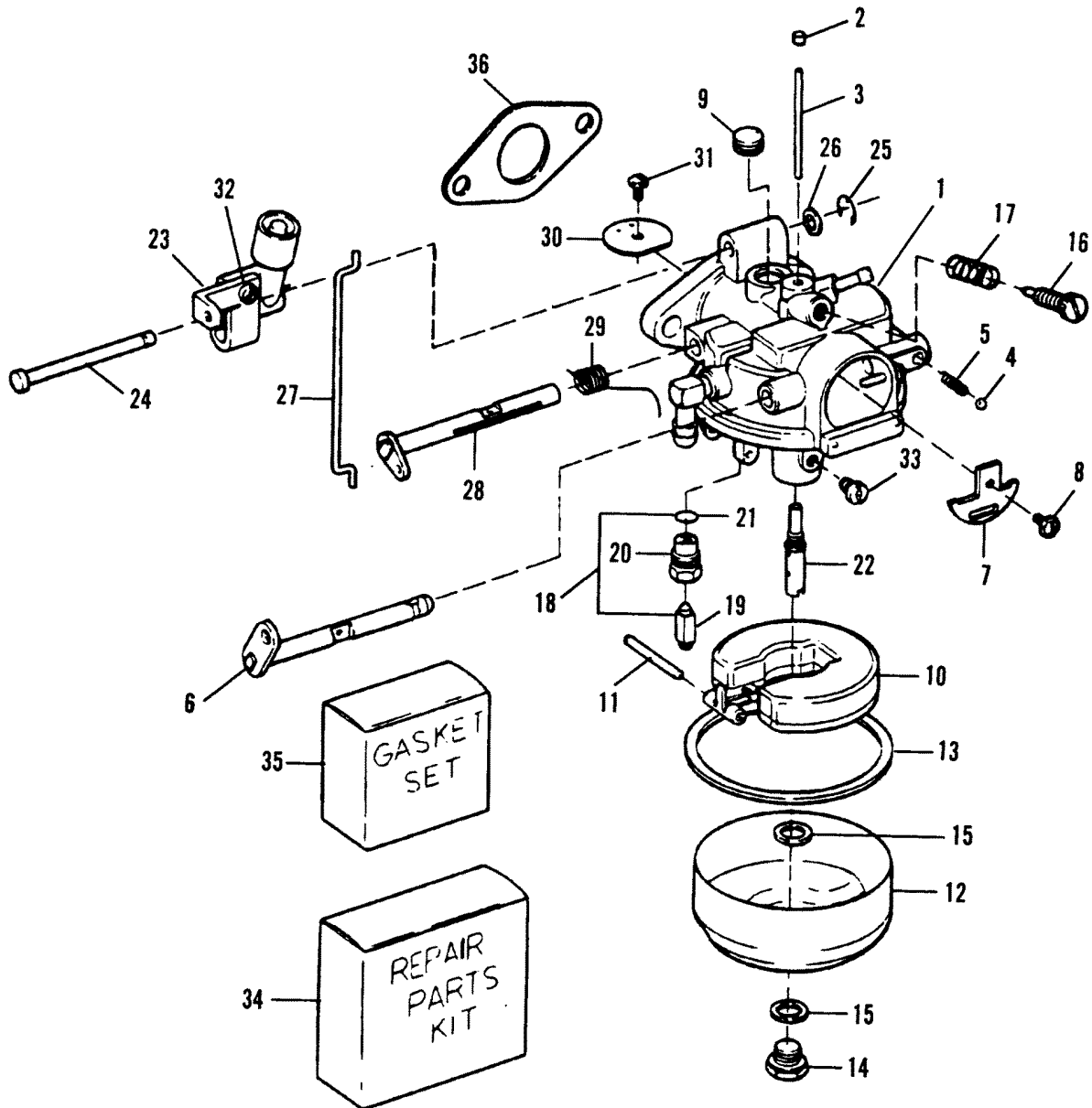
▲ = CONTENTS OF CARB GASKET SET [FK10069]

CONTINUED ON NEXT PAGE ➡

CARBURETOR (89B THRU 92B)

CARBURETOR

(89B Thru 92B & Ser. # E000001 & Up)



CARBURETOR (89B THRU 92B)

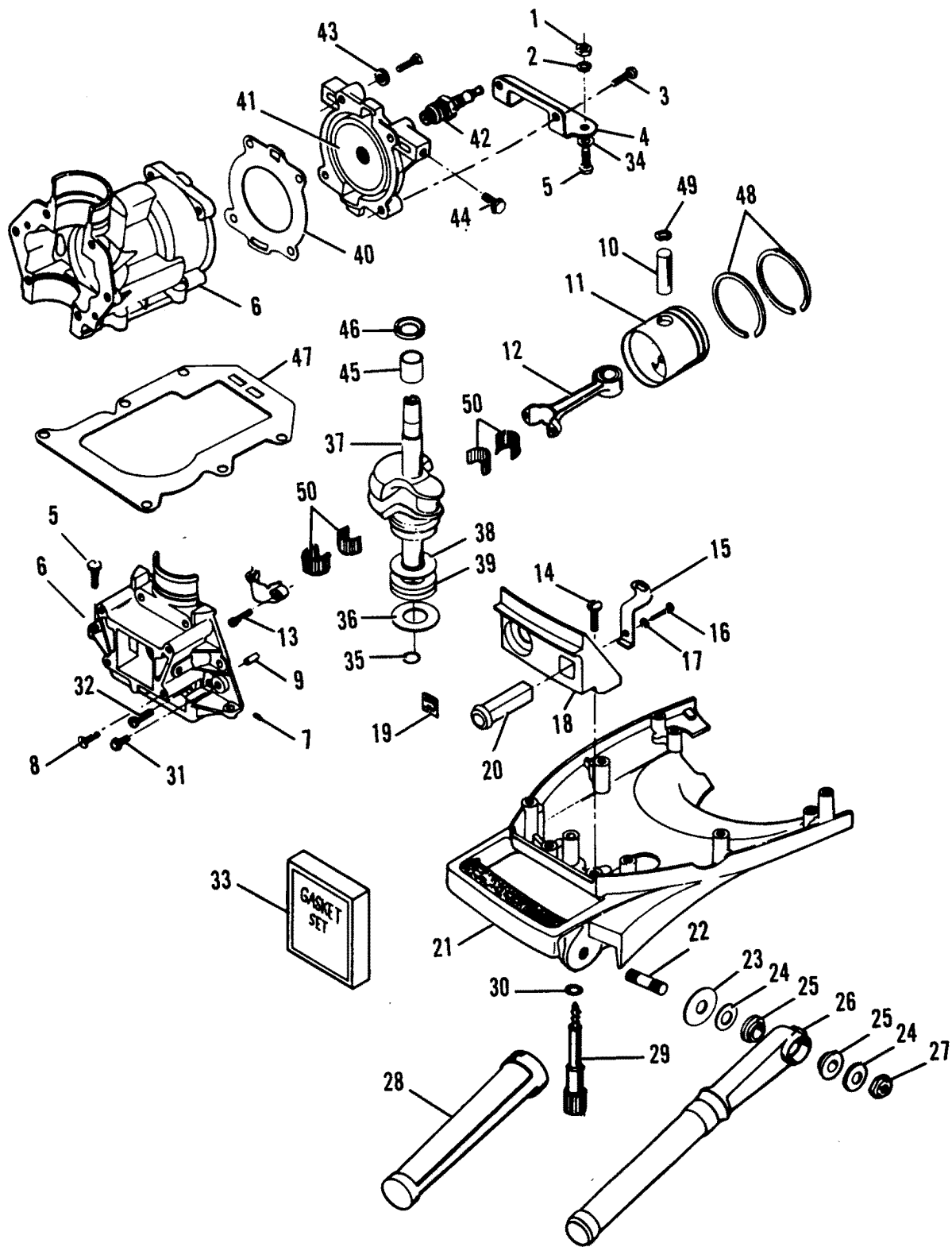
REF. NO.	PART NO.	SYM.	QTY.	DESCRIPTION
33	1399-2407		OPT.	JET, MAIN (.039) (2500' - 5000') HO-4A
	F10342		OPT.	JET, MAIN (.037) (5000' - 7500') HO-4A
	F10341		OPT.	JET, MAIN (.035) (7500' - 10000') HO-4A
34	FK10295		1	REPAIR KIT, CARBURETOR
35	FK10294	■	1	GASKET SET, CARBURETOR
36	27-F18906	■▲	1	GASKET, CARBURETOR

■ = CONTENTS OF POWERHEAD GASKET SET [FG1022-1] OR [FG1034-1]

■ = CONTENTS OF CARB REPAIR KIT [FK10256]

▲ = CONTENTS OF CARB GASKET SET [FK10069]

POWERHEAD AND SUPPORT PLATE (88A MODELS)



POWERHEAD AND SUPPORT PLATE (88A MODELS)

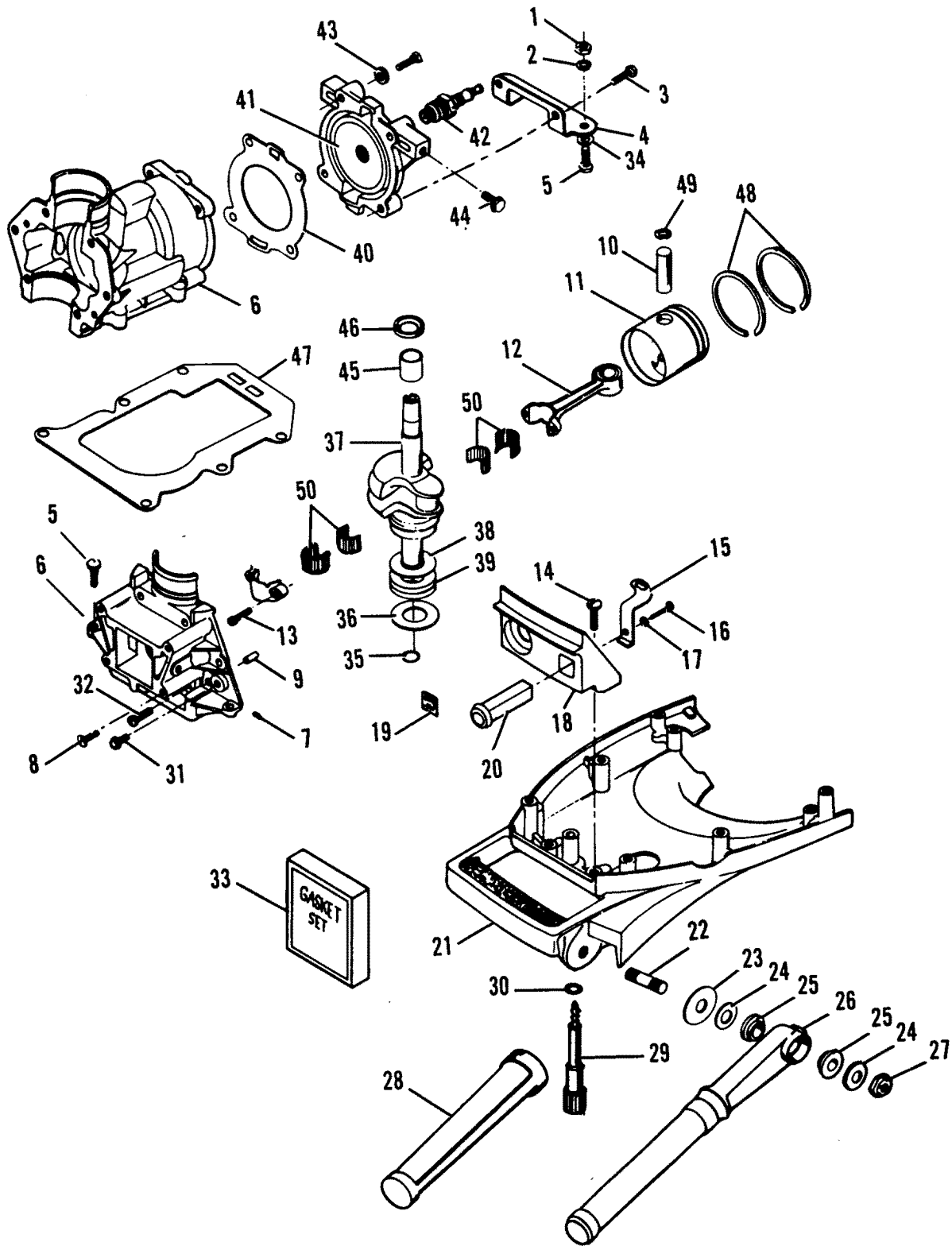
REF. NO.	PART NO.	SYM.	QTY.	DESCRIPTION
-	800-FC521010		1	SHORT BLOCK ASSEMBLY
1	11-64015		2	NUT (1/4-20)
2	13-26992		2	LOCKWASHER (1/4")
3	10-F901938-1		4	SCREW, CYLINDER HEAD
4	F521774		1	BRACKET, MOUNTING
5	10-28636		4	SCREW (1/4-20 X 3/4")
6	FA521010	●	1	CYLINDER BLOCK KIT
7	22-F1789		1	PLUG, PIPE (1/16"-27)
8	10-F1107		2	SCREW (1/4-20 X 3/4")
9	17-F8559		2	PIN, DOWEL
10	41-F250017	●	1	PIN, PISTON
11	700-F521015-1	●	1	PISTON
12	F2A521016	●	1	CONNECTING ROD ASSEMBLY
13	10-F36634		2	SCREW, CONN ROD
14	10-28639		2	SCREW (1/4-20 X 5/8")
15	F521925		1	LINK, CHOKE KNOB
16	10-F2041		1	SCREW (10-24 X 3/8")
17	13-26996		1	LOCKWASHER (#10)
18	F665163		1	COVER, SUPPORT PLATE FRONT
19	NLA		1	DECAL, CHOKE(FC521248)
20	F521547		1	KNOB, CHOKE
21	100-FA271038		1	PLATE KIT, SUPPORT
22	16-F521004		1	STUD, STEERING HANDLE
23	12-F286286-1		1	WASHER
24	12-F8015		2	WASHER
25	23-F521319		2	BUSHING, STEERING HANDLE
26	F521079		1	HANDLE, STEERING
27	11-F1756		1	NUT (3/8-16)
28	F390137		1	GRIP, STEERING HANDLE
29	F341284-1		1	KNOB, COWL RETAINER
30	53-F455208		1	RING, RETAINING
31	10-F2040		1	SCREW (1/4-20 X 5/8")
32	10-F1504	●	4	SCREW (1/4-20 X 1-1/4")
33	FG1022-1		1	GASKET SET, SHORT BLOCK
34	12-35044		2	WASHER
35	25-F521579	●	1	SEAL, CRANKSHAFT SPLINE
36	26-819798	●■	1	SEAL, CRANKSHAFT LOWER
37	FK527018	●	1	CRANKSHAFT KIT
38	F521270		1	SLINGER, CRANKSHAFT
39	30-F521910		1	BEARING, CRANKSHAFT LOWER
40	27-F712529	■	1	GASKET, CYLINDER HEAD
41	900-F680518		1	HEAD, CYLINDER

● = COMPONENT OF POWERHEAD ASS'Y [800-819854A2]

■ = CONTENTS OF POWERHEAD GASKET SET [FG1022-1] OR [FG1034-1]

CONTINUED ON NEXT PAGE ➡

POWERHEAD AND SUPPORT PLATE (88A MODELS)



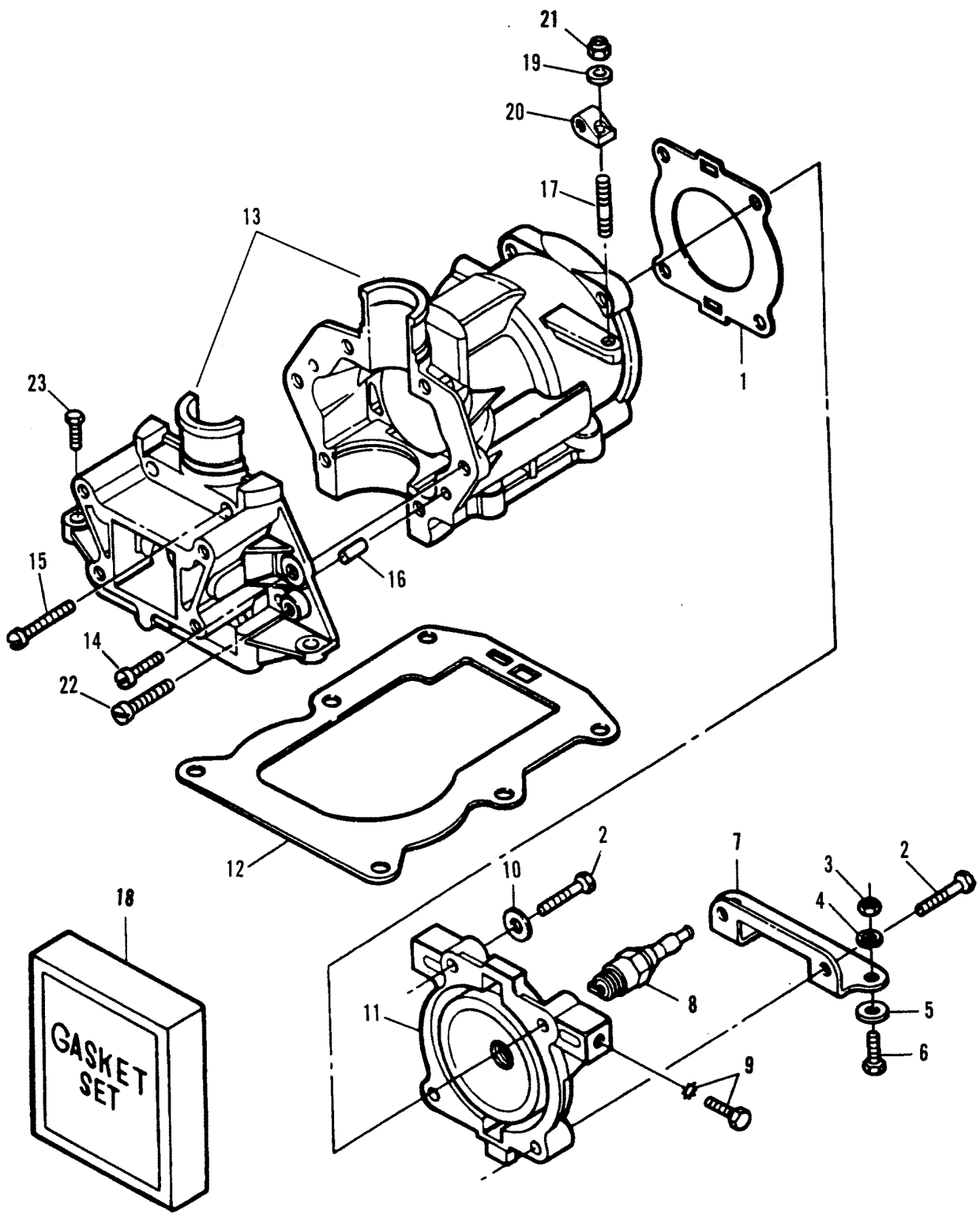
POWERHEAD AND SUPPORT PLATE (88A MODELS)

REF. NO.	PART NO.	SYM.	QTY.	DESCRIPTION
42	33-82370M		1	SPARK PLUG (USA) (NGK # B6HS)
	ORDERLOC		1	SPARK PLUG (CANADA) (CHAMPION #RL-86)
43	12-35044		2	WASHER
44	10-F1426		2	SCREW WITH LOCKWASHER (1/4-20 X 7/16")
45	31-F521013	●	1	BEARING, CRANKSHAFT UPPER
46	26-819799	●■	1	SEAL, CRANKSHAFT UPPER
47	27-F521279-1	■	1	GASKET, CYLINDER EXHAUST
48	39-818038A1	●	1	RING SET (2 RINGS), PISTON
49	53-F250410	●	2	RING, RETAINING
50	FA567241	●	1	ROLLER/CAGE SET, CRANKPIN

● = COMPONENT OF POWERHEAD ASS'Y [800-819854A2]

■ = CONTENTS OF POWERHEAD GASKET SET [FG1022-1] OR [FG1034-1]

CYLINDER BLOCK (88B THRU 92B)



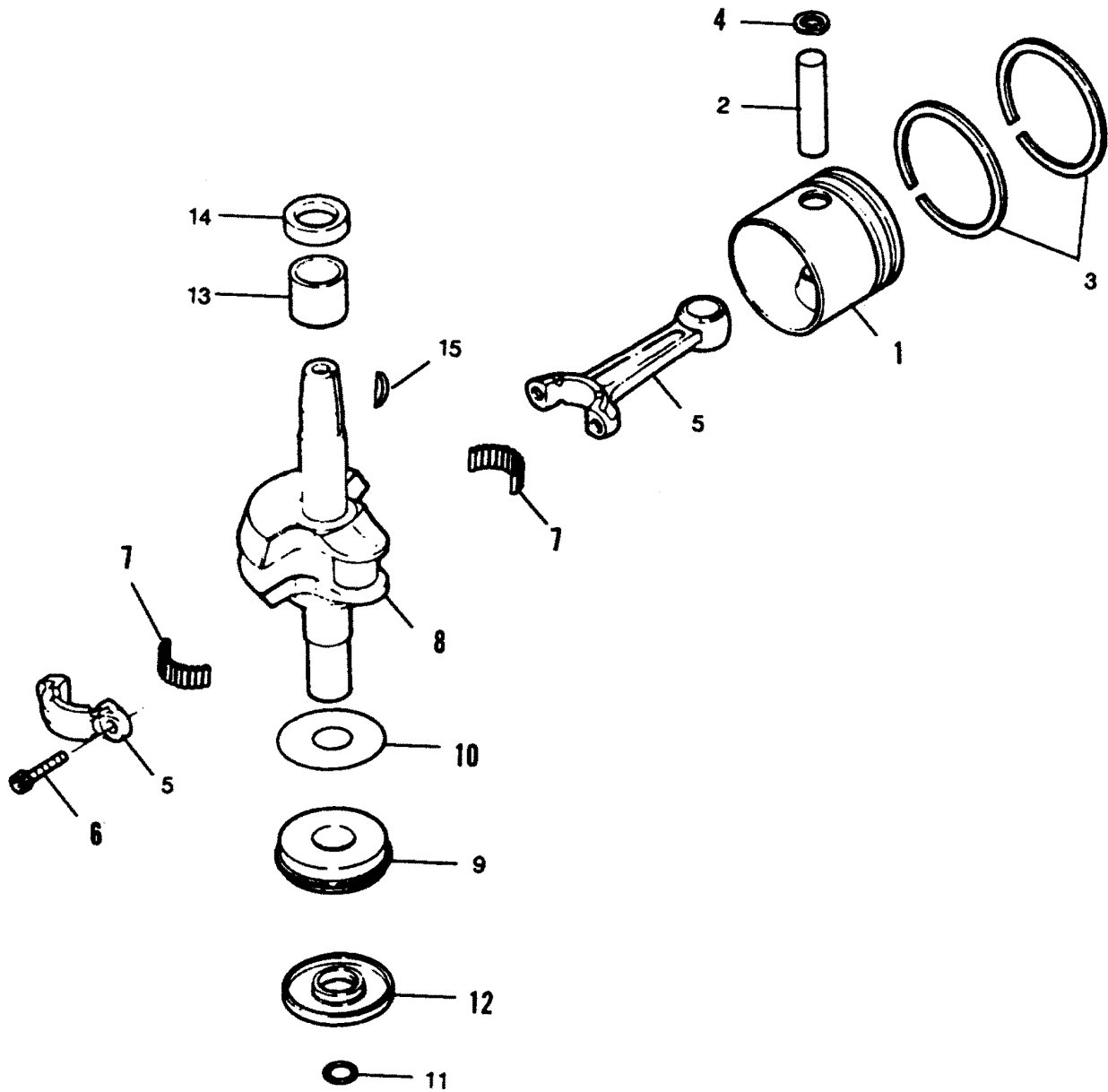
CYLINDER BLOCK (88B THRU 92B)

REF. NO.	PART NO.	SYM.	QTY.	DESCRIPTION
-	800-819854A2		1	POWERHEAD ASSEMBLY (PAINTED)
1	27-F712529	●■	1	GASKET, CYLINDER HEAD
2	10-F901938-1	●	4	SCREW, CYLINDER HEAD
3	11-64015		2	NUT (1/4-20)
4	13-26992		2	LOCKWASHER (1/4")
5	12-35044		2	WASHER
6	10-28636		2	SCREW (1/4-20 X 3/4")
7	F521774		1	BRACKET, COWL LOWER
8	33-82370M		1	SPARK PLUG (NGK # B6HS) (88B/90B)
	33-813423		1	SPARK PLUG (NGK # BPR6HS)(91A/92B)
	33-19796		OPT.	SPARK PLUG (RFI) (NGK # BPR-6HS-10)
	ORERLOCA		OPT.	SPARK PLUG (RFI) (CHAMPION # RL-87YC)
9	10-F1426		2	SCREW (1/4-20 X 7/16")
10	12-35044	●	2	WASHER
11	900-F680518		1	HEAD, CYLINDER (88B/90A)
	900-819367	●	1	HEAD, CYLINDER (90B/92B) SERIAL 0E000001-0Z999999
12	27-F521279-1	●■	1	GASKET, CYLINDER EXHAUST
13	800-819265A2		1	CYLINDER BLOCK KIT (88B/90A)
	800-819854A1	●	1	CYLINDER BLOCK KIT (90B/92B) SERIAL 0E000001-0Z999999
14	10-F1107		2	SCREW (1/4-20 X 3/4")
15	10-F1504		4	SCREW (1/4-20 X 1-1/4")
16	17-F8559		2	PIN, DOWEL
17	16-827386		1	STUD (1/4-20 X 1-1/4"), CABLE RETAINER
18	FG1022-1		1	GASKET SET (88B/90A)
	FG1034-1		1	GASKET SET (90B/92B) SERIAL 0E000001-0Z999999
19	12-29245		1	WASHER
20	F702668		1	RETAINER, SPEED CONTROL CABLE
21	11-814101		1	NUT (1/4-20)
22	10-F2040		1	SCREW (1/4-20 X 5/8")
23	10-28636		6	SCREW (1/4-20 X 3/4")

● = COMPONENT OF POWERHEAD ASS'Y [800-819854A2]

■ = CONTENTS OF POWERHEAD GASKET SET [FG1022-1] OR [FG1034-1]

CRANKSHAFT AND PISTON (88B THRU 92B)

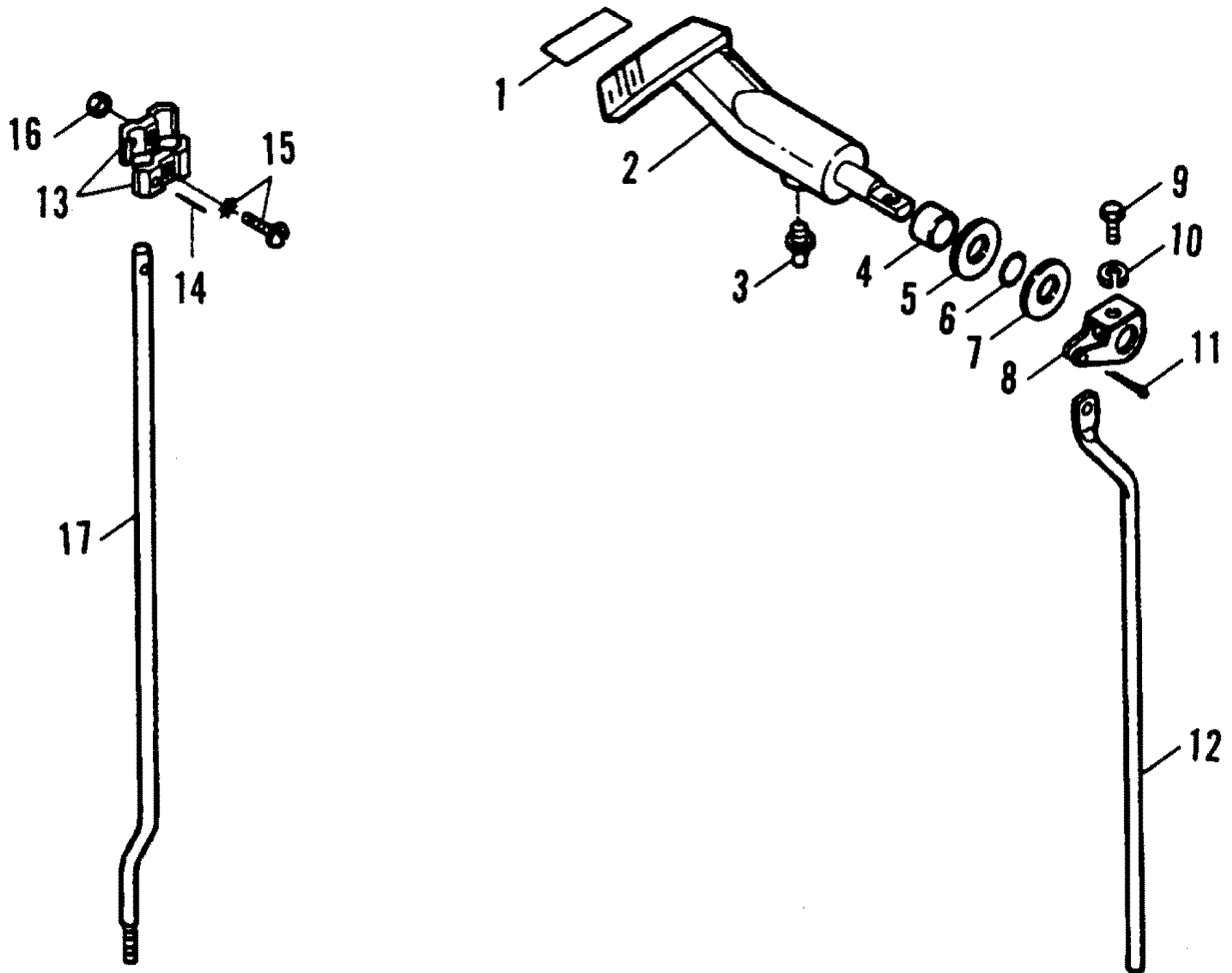


CRANKSHAFT AND PISTON (88B THRU 92B)

REF. NO.	PART NO.	SYM.	QTY.	DESCRIPTION
1	700-F521015-1		1	PISTON 88B THRU 90A MODELS
2	41-F250017		1	PIN, PISTON 88B THRU 90A MODELS
3	39-818038A1		1	RING SET (2), PISTON 88B THRU 90A MODELS
4	53-F250410		2	RING, RETAINING 88B THRU 90A MODELS
5	F2A521016		1	ROD ASSEMBLY 88B THRU 90A MODELS
6	10-F36634		2	SCREW, CONN ROD 88B THRU 90A MODELS
7	FA567241		1	CAGE ASSEMBLY 88B THRU 90A MODELS
1	700-819920A3		1	PISTON KIT 90B THRU 92B SERIAL 0E000001-0Z999999
2	41-F712017		1	PIN, PISTON 90B THRU 92B SERIAL 0E000001-0Z999999
3	39-FA712260		1	RING SET (2), PISTON 90B THRU 92B SERIAL 0E000001-0Z999999
4	53-F31410		2	RING, RETAINING 90B THRU 92B SERIAL 0E000001-0Z999999
5	600-FS715016		1	ROD ASSEMBLY 90B THRU 92B SERIAL 0E000001-0Z999999
6	10-F175634		2	SCREW, CONN ROD 90B THRU 92B SERIAL 0E000001-0Z999999
7	FA712228		1	ROLLER SET (2 STRIPS-28 PER) 90B THRU 92B SERIAL 0E000001-0Z999999
8	FK527018		1	CRANKSHAFTASSEMBLY
9	30-F521910		1	BEARING, CRANKSHAFT LOWER
10	F521270		1	SLINGER, CRANKSHAFT
11	25-F521579	■	1	SEAL, CRANKSHAFT SPLINE
12	26-819798	■	1	SEAL, CRANKSHAFT LOWER
13	31-F521013		1	BEARING, CRANKSHAFT UPPER
14	26-819799	■	1	SEAL, CRANKSHAFT UPPER
15	28-F687498		1	KEY, CRANKSHAFT

■ = CONTENTS OF POWERHEAD GASKET SET [FG1022-1] OR [FG1034-1]

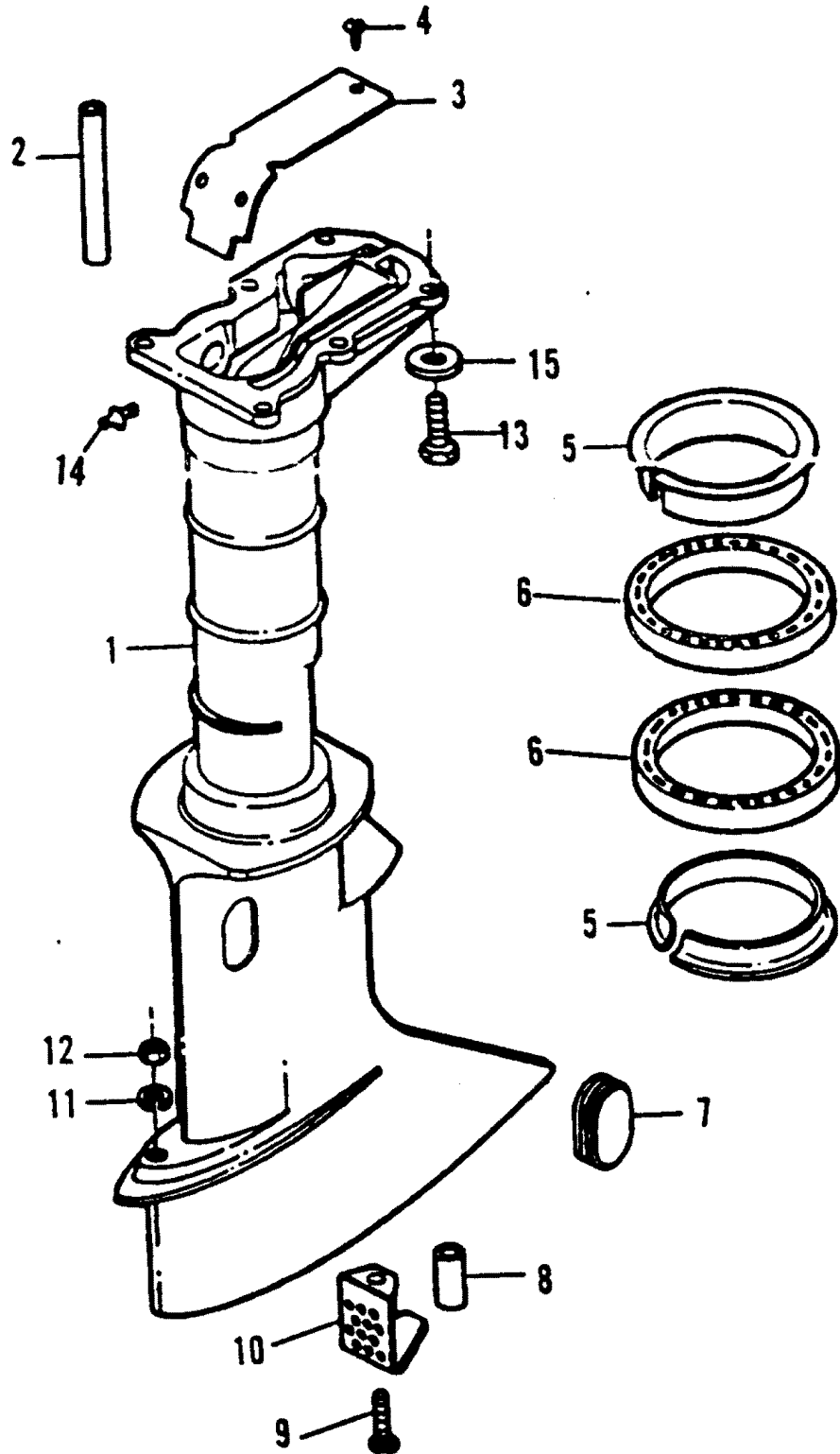
SHIFT LINKAGE (ALL MODELS)



SHIFT LINKAGE (ALL MODELS)

REF. NO.	PART NO.	SYM.	QTY.	DESCRIPTION
1	NLA		1	DECAL, SHIFT (CANADA) (88A) (FC521400)
	NLA		1	DECAL (CANADA) (88B/92B)(FC665400) SERIAL 0E000001-0Z999999
2	820433T		1	HANDLE, GEAR SHIFT (PAINTED)
3	22-F213274		1	FITTING, GREASE (AS APPLICABLE)
4	23-F341610		1	BEARING, GEAR SHIFT SHAFT
5	23-F269052		1	BUSHING, SHIFT ARM
6	25-F19342		1	SEAL
7	12-34931		1	WASHER
8	F521621		1	LEVER, GEAR SHIFT
9	10-F2041		1	SCREW (10-24 X 3/8")
10	13-26996		1	LOCKWASHER (#10)
11	17-29908		1	PIN, ROLL
12	F521615		1	ROD, GEAR SHIFT (UPPER)
13	FK341704		1	COUPLING KIT, GEAR SHIFT ROD
14	17-F8538		1	PIN, SPRING
15	10-F1371		1	SCREW (10-24 X 5/8")
16	11-F7009		1	NUT (10-24)
17	F521705-1		1	ROD, GEAR SHIFT (LOWER) (15" TRANSOM)
	F332705-1		1	ROD, GEAR SHIFT (LOWER) (20" TRANSOM)

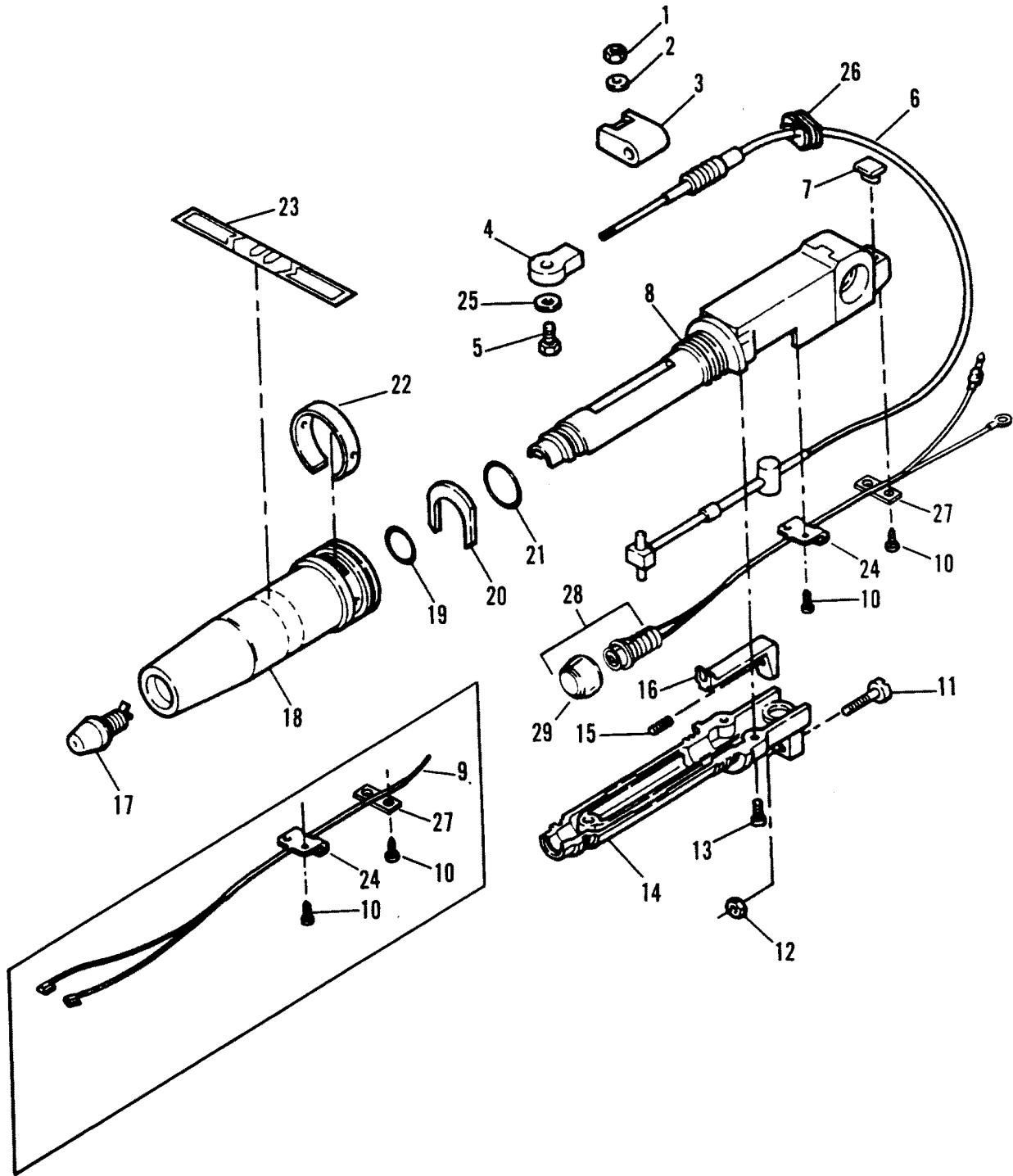
DRIVESHAFT HOOSING (ALL MODELS)



DRIVESHAFT HOOSING (ALL MODELS)

REF. NO.	PART NO.	SYM.	QTY.	DESCRIPTION
1	1500-817940A6		1	HOUSING ASSEMBLY, DRIVESHAFT (PAINTED)
2	32-F521261		1	LINE, WATER OUTLET
3	FA341151		1	PLATE KIT, EXHAUST
4	10-69080		3	SCREW (6-32 X 1/4")
5	23-F468169-1		2	BEARING, SWIVEL BRACKET
6	FA468346		2	MOUNT KIT, SHOCK LOWER
7	25-F46899-1		1	COVER, SHIFT COUPLING
8	23-F521727		1	SLEEVE, IDLE BAFFLE
9	10-F1747		1	SCREW (10-24 X 1-11/16")
10	F521779		1	BAFFLE, IDLE RELIEF
11	13-26992		1	LOCKWASHER (1/4")
12	11-64015		1	NUT (1/4-20)
13	10-28636		6	SCREW (1/4-20 X 3/4")
14	22-F213274		2	FITTING, GREASE (AS APPLICABLE)
15	12-22937		6	WASHER

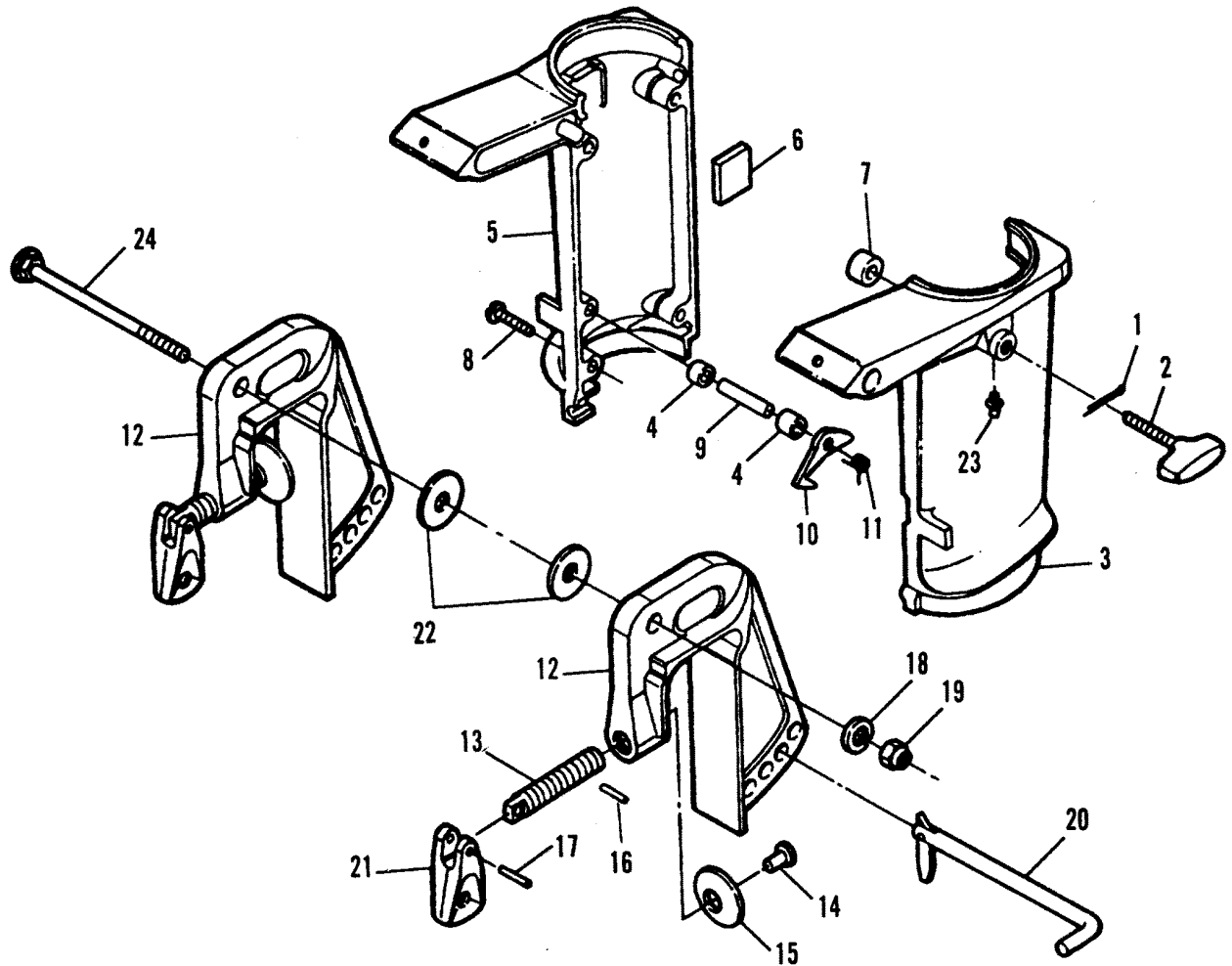
STEERING HANDLE/TWIST GRIP THROTTLE (88B THRU 92B)



STEERING HAMDLE/TWIST GRIP THROTLER (88B THRU 92B)

REF. NO.	PART NO.	SYM.	QTY.	DESCRIPTION
1	11-814101		1	NUT (1/4-20)
2	12-29245		1	WASHER
3	F702668		1	RETAINER, SPEED CONTROL CABLE
4	F702035		1	BEARING, CONNECTOR (10-24 RH)
5	10-F702165		1	SCREW (88B/92B & SERIAL 0E000001-0E034999
	10-90192		1	SCREW (1/4-20 X 3/4") SERIAL 0E035000-0Z999999
6	F702444		1	CABLE, SPEED CONTROL
7	F702025		1	PAD, HANDLE BUMPER
8	F702079T		1	ARM, STEERING (UPPER) (PAINTED)
9	84-F702908		1	WIRE, STOP (88B/92B) SERIAL 0E000001-0E034999
10	10-F2230		4	SCREW (#6 X 3/8")
11	10-F521690-1		1	SCREW, THROTTLE LEVER ADJUST
12	11-F7009		1	NUT (10-24)
13	10-F2219		3	SCREW (8-18 X 3/4")
14	F702576T		1	ARM, STEERING (LOWER)
15	24-F521199		1	SPRING, THROTTLE LEVER ADJUST
16	F702198		1	STOP, IDLE
17	87-F702449		1	SWITCH, STOP (88B/92B) SERIAL 0E000001-0E034999
18	F702137		1	GRIP, STEERING HANDLE
19	25-21836		1	O RING
20	F702178		1	RETAINER, GRIP
21	25-23145		1	O RING
22	F702687		1	COLLAR, HANDLE
23	37-F712894		1	INDICATOR, SPEED CONTROL
24	F702384		1	RETAINER, WIRE
25	12-F8143		1	WASHER (88B/92B) SERIAL 0E000001-0E034999
	23-824687		1	SPACER SERIAL 0E035000-0Z999999
26	25-F702504		1	GROMMET, CABLE
27	F702212		1	PLATE, CABLE CLAMP
28	87-824440A5		1	SWITCH KIT, STOP SERIAL 0E035000-0Z999999
29	824466A3		1	COVER ASS'Y., STOP SWITCH SERIAL 0E035000-0Z999999

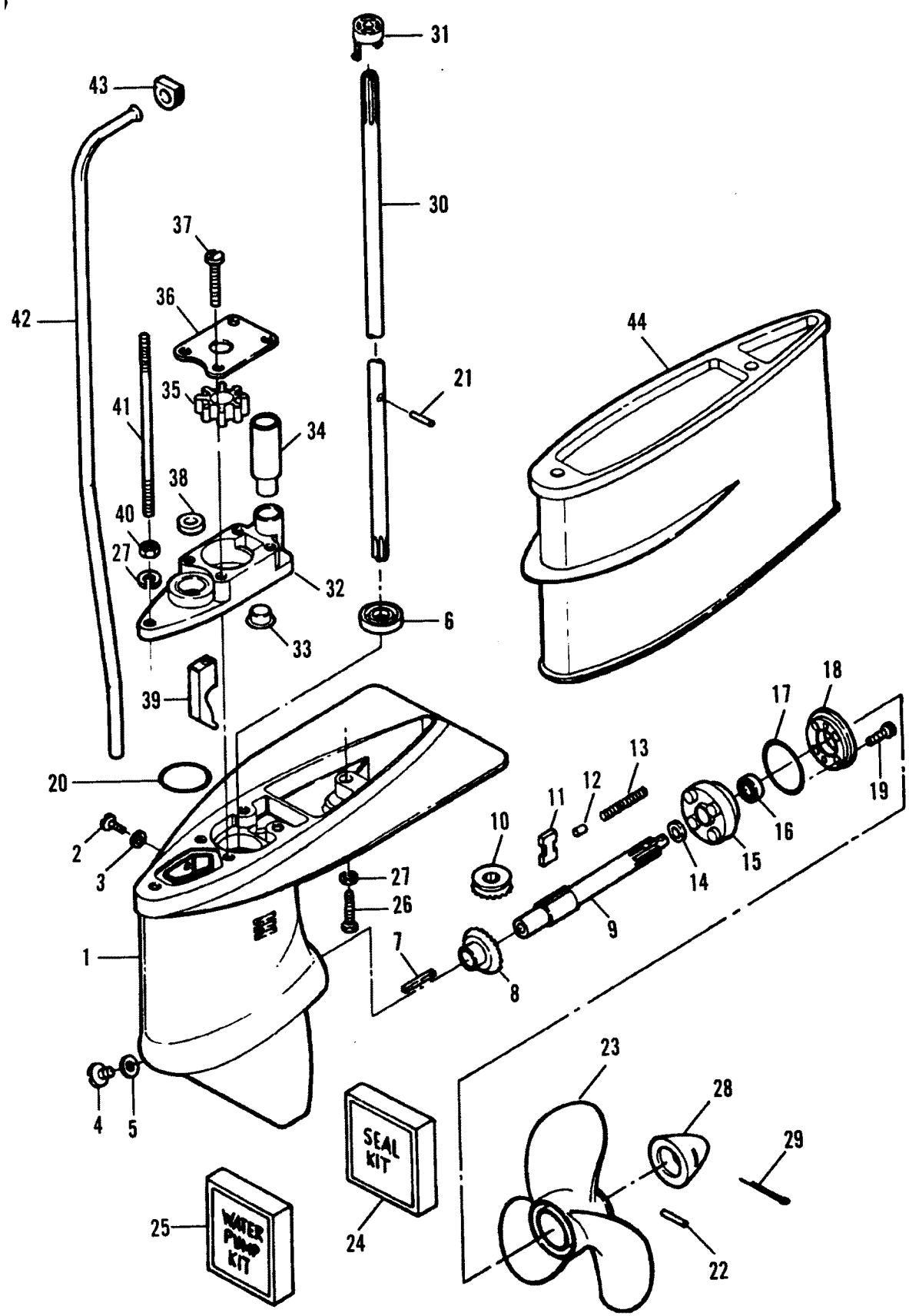
SWIVEL BRACKET/CLAMP BRACKET (ALL MODELS)



SWIVEL BRACKET/CLAMP BRACKET (ALL MODELS)

REF. NO.	PART NO.	SYM.	QTY.	DESCRIPTION
1	18-26953		1	PIN, COTTER
2	F521514		1	KNOB, STEERING FRICTION
3	817815A4		1	BRACKET KIT, SWIVEL, PORT (PAINTED)
4	23-26856		2	BUSHING
5	817816A6		1	BRACKET, SWIVEL, STARBOARD (PAINTED)
6	F521661-1		1	PAD, SWIVEL FRICTION
7	F521631		1	SHOE, SWIVEL FRICTION
8	10-F2035		4	SCREW (1/4-20 X 1")
9	17-F468350		1	PIN, REVERSE LOCK
10	F468349		1	LOCK, REVERSE
11	24-F468300-1		1	SPRING, REVERSE LOCK
12	1400-817850A4		2	BRACKET KIT, STERN (PAINTED) 88A THRU 92B SERIAL 0E000001-0E090399
13	817761A2		2	CLAMPSCREW KIT, STERN BRACKET 88A THRU 92B SERIAL 0E000001-0E090399
14	17-F66480		2	STUD, CLAMPSCREW 88A THRU 92B SERIAL 0E000001-0E090399
15	F24074		2	FOOT, CLAMPSCREW 88A THRU 92B SERIAL 0E000001-0E090399
16	17-F8537		2	PIN, SPRING 88A THRU 92B SERIAL 0E000001-0E090399
17	17-24198		2	PIN, ROLL 88A THRU 92B SERIAL 0E000001-0E090399
12	1400-817850A5		2	BRACKET KIT, STERN (PAINTED) SERIAL 0E090400-0Z999999
13	10-826248		2	SCREW, CLAMP BRACKET SERIAL 0E090400-0Z999999
14	10-69022		2	SCREW (10-32 X 1/2") SERIAL 0E090400-0Z999999
15	F24074		2	FOOT, CLAMP SCREW SERIAL 0E090400-0Z999999
17	17-24198		2	PIN, ROLL SERIAL 0E090400-0Z999999
18	12-20553		1	WASHER
19	11-F7026		1	NUT (3/8-16)
20	817810A1		1	LOCK BAR KIT
21	F424075T		2	HANDLE, CLAMPSCREW (PAINTED)
22	12-F2037		2	WASHER
23	22-F213274		AR	FITTING, GREASE
24	10-F468037-1		1	BOLT, STERN BRACKET PIVOT

GEAR HOUSING (ALL MODELS)



GEAR HOUSING (ALL MODELS)

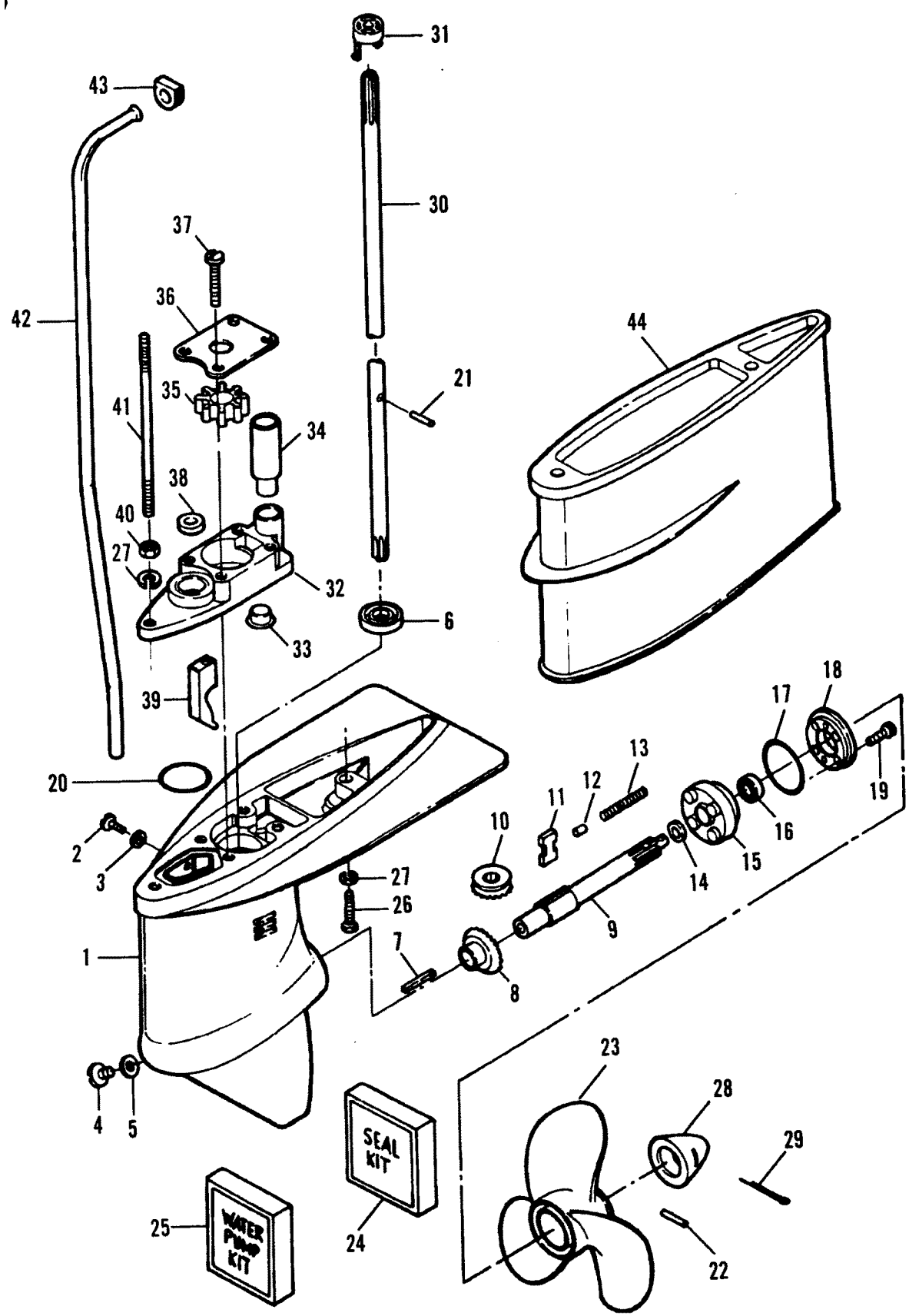
REF. NO.	PART NO.	SYM.	QTY.	DESCRIPTION
-	1600-820090A3		1	GEAR HOUSING KIT (COMPLETE) (PAINTED)
1	1600-820090A2		1	GEAR HOUSING KIT (BASIC) (PAINTED)
2	10-F1077		1	SCREW (10-24 X 1/4")
3	12-F8074	◇	1	WASHER
4	10-F50109		1	PLUG
5	12-19183	◇	1	WASHER
6	26-F318307	◇	1	SEAL, DRIVESHAFT
7	17-F521728		1	PIN, CLUTCH SHIFT
8	43-819249A1		1	GEAR ASSEMBLY, FRONT
9	44-F409098		1	PROP SHAFT
10	43-819250		1	GEAR, PINION
11	52-F409521		1	CLUTCH, SHIFT
12	17-F318372		1	PIN, CLUTCH GUIDE
13	24-F409719		1	SPRING, CLUTCH
14	23-F521099		1	SPACER, PROP SHAFT BEARING
15	FA341298T		1	CAGE ASSEMBLY, PROP SHAFT
16	26-F521307	◇	1	SEAL, PROP SHAFT
17	25-F521305	◇	1	SEAL, PROP SHAFT BEARING CAGE
18	F521296T		1	RETAINER, PROP SHAFT CAGE (PAINTED)
19	10-F525457		4	SCREW, BEARING CAGE RETAINER
20	25-F521783	◇○	1	SEAL, WATER PUMP TO GEAR HOUSING
21	17-F390563		1	PIN, IMPELLER DRIVE
22	FA324101		1	PIN KIT, PROP (3 PINS & COTTER PIN)
23	48-820110A20		1	PROPELLER (7-1/4 X 6-1/2 X 3)
24	FK1057		1	SEAL KIT, GEAR HOUSING
25	46-819026A1		1	WATER PUMP KIT
26	10-14168		1	SCREW (1/4-20 X 1") (15" TRANSOM)
	10-F1825		1	SCREW (1/4-20 X 6") (20" TRANSOM)
27	13-26992		2	LOCKWASHER (1/4")
28	11-817752A1		1	NUT KIT, PROP
29	18-45882		1	PIN, COTTER
30	45-F521128		1	DRIVESHAFT (15" TRANSOM)
	45-F341128		1	DRIVESHAFT (20" TRANSOM)
31	819330		1	BEARING, DRIVESHAFT SUPPORT (20" TRANSOM)
	819330		1	BEARING, D'SHAFT SUPPORT (15") SERIAL 0E035000-0Z999999
32	FA735060	○	1	BODY ASSEMBLY, WATER PUMP
33	19-F521246-1		1	PLUG, WATER PUMP BODY
34	FA521735	○	1	SEAL KIT, WATER LINE
35	47-F521065-1	○	1	IMPELLER, WATER PUMP
36	F521537	○	1	PLATE, WATER PUMP TOP
37	10-F1504	○	4	SCREW (1/4-20 X 1-1/4")

◇ = CONTENTS OF GEAR HOUSING SEAL KIT [FK1057]

○ = CONTENTS OF WATER PUMP KIT [46-819026A1]

CONTINUED ON NEXT PAGE ➡

GEAR HOUSING (ALL MODELS)



GEAR HOUSING (ALL MODELS)

REF. NO.	PART NO.	SYM.	QTY.	DESCRIPTION
38	26-817472	◇○	1	SEAL, GEAR SHIFT ROD LOWER
39	F521721		1	CAM, CLUTCH SHIFT
40	11-64015		1	NUT (1/4-20)
41	16-F601006		1	STUD, GEAR HOUSING FRONT (15" TRANSOM)
	16-F535006		1	STUD, GEAR HOUSING FRONT (20" TRANSOM)
42	32-F521244-1		1	LINE, WATER (15" TRANSOM)
	32-F341244-1		1	LINE, WATER (20" TRANSOM)
43	26-F521342-1		1	SEAL, WATER LINE UPPER
44	F521845T		1	EXTENSION (20" TRANSOM) (PAINTED)

◇ = CONTENTS OF GEAR HOUSING SEAL KIT [FK1057]

○ = CONTENTS OF WATER PUMP KIT [46-819026A1]

TOOLS - SPECIAL

REF. NO.	PART NO.	SYM.	QTY.	DESCRIPTION
-	FT8948-1		1	PULLER KIT, GEAR HOUSING BEARING CAGE
-	10-F1800		2	SCREW (1/4-20 X 7")
-	10-F1972		3	SCREW (1/4-20 X 2-1/2")
-	10-40003-58		3	SCREW (M8 X 50)
-	12-35044		3	WASHER (.281 X .625 X .065)
-	12-F8012		2	WASHER (.203 X .469 X .049)
-	12-25909		3	WASHER (.406 X .812 X .065)
-	FT2991		1	BRUSH, WIRE, CARBON REMOVER
-	FT2990-1		1	PISTON PIN TOOLS, PISTON PIN
-	FT2997		1	COMPRESSER, PISTON RINGS
-	FT8926		1	EXPANDER, PISTON RINGS
-	FT8900		1	PLIERS, HOSE CLAMPS
-	FT8957		1	INSTALLER, SAEL, SHIFT ROD
-	FT8919		1	PUNCH, LOCATING PINS
-	FT8998		1	SCREW, KNOCK-OFF, FLYWHEEL
-	FT2989		1	WEDGE, FLYWHEEL
-	FT8929		1	ADAPTER & HEX BITS, CONN ROD SCREWS
-	FT1749		1	PLIERS, SNAP RINGS
-	FT2907		1	PUNCH TOOL, SEAL
-	FT11202		1	INSTALLER TOOL, CRANKSHAFT SEALS
-	FT11295		1	SPARK TESTER, IGNITION
-	91-99750A1		1	MULTI-METER, ELECTRICAL
-	FT8950		1	TESTER KIT, GEAR HOUSING LEAKAGE
-	FT2969		1	HELI-COIL KIT (10-24)
-	FT2970		1	HELI-COIL KIT (1/4-20)
-	FT2971		1	HELI-COIL KIT (5/16-18)
-	FT2948		1	HELI-COIL KIT (3/8-16)
-	92-825265A1		1	COMPOUND (8 OZ), NEEDLE BEARINGS
-	92-FT2987-1		1	LUBICANT, ANTI-SEIZ
-	FT8969		1	LUBICANT, LPS #1
-	92-90113--2		1	SEALANT, RTV #1473
-	FT8936-1		1	SEALANT, LOCTITE RC-609
-	FT2962-2		1	SEALANT, LOCTITE H
-	92-823089--1		1	SEALANT, LOCTITE 8831
-	92-59327--1		1	SEALANT, LOCQUIC PRIMER

THIS PAGE INTENTIONALLY LEFT BLANK

PARTS INDEX

Part Number	Description	Pg.	Ref. No.	Part Number	Description	Pg.	Ref. No.
13330A3	BULB ASSEMBLY, PRIMER .	35	7	F10235	TUBE, BY-PASS	39	3
56762	CABLE TIE (4")	19	16	F10238	NOZZLE	39	22
56762	CABLE TIE (4")	21	10	F10240	SHAFT, THROTTLE LINKAGE	39	24
817761A2	CLAMPSCREW KIT, STERN BRACKET 88A THRU 92B	57	13	F10241	E-RING, THROTTLE SHAFT	39	25
817810A1	LOCK BAR KIT	57	20	F10242	WASHER, THROTTLE SHAFT	39	26
817815A4	BRACKET KIT, SWIVEL, PORT (PAINTED)	57	3	F10248	SHUTTER, THROTTLE	39	30
817816A6	BRACKET, SWIVEL, STARBOARD (PAINTED) .	57	5	F10251	JET, MAIN (.035) (SEA LEVEL - 2500')	23	21
818018A1	ADAPTER ASSEMBLY, CARBURETOR	23	29	F10251	JET, MAIN (.035) (STD. - 2500')	37	12
818018A1	ADAPTER ASSEMBLY, CARBURETOR	27	1	F10253	JET, MAIN (.033) (2500' - 5000')	23	21
819169	MEDALLION, LOGO- FORCE	5	18	F10253	JET, MAIN (.033) (2500' - 5000')	37	12
819169	MEDALLION, FORCE	3	35	F10254	JET, MAIN (.031) (5000' - 7500')	23	21
819330	BEARING, D'SHAFT SUPPORT (15")	59	31	F10254	JET, MAIN (.031) (5000' - 7500')	37	12
819330	BEARING, DRIVESHAFT SUPPORT (20" TRANSOM)	59	31	F10255	JET, MAIN (.029) (7500' - 10000')	23	21
819399A1	LANYARD ASSEMBLY	17	21	F10255	JET, MAIN (.029) (7500' - 10000')	37	12
819399A1	LANYARD ASSEMBLY	19	21	F10265	NEEDLE, INLET	39	19
819399A1	LANYARD ASSEMBLY	21	12	F10276	SEAT ASSEMBLY, CHECK VALVE	37	8
819677	PLATE, REED	29	3	F10277	NOZZLE, MAIN	37	7
819993T1	COVER, FUEL PUMP	31	10	F10290	BRACKET, THROTTLE	39	23
820433T	HANDLE, GEAR SHIFT (PAINTED)	51	2	F10291	LINKAGE (HO-3A)	39	27
820474A1	LATCH KIT, REAR (90A/92B)	5	11	F10292	SEAT, INLET	39	20
820629	PLATE ASSEMBLY (WITH CORE), STATOR	17	8	F10327	JET, MAIN (.033) (STD. - 2500') HO-3B	39	33
823535	GAUGE AND CAP ASSEMBLY	35	2	F10330	JET, MAIN (.031) (5000' - 7500') HO-3B	39	33
824466A3	COVER ASS'Y., STOP SWITCH	55	29	F10331	JET, MAIN (.030) (7500' - 10000') HO-3B	39	33
89396A38	BULB ASSEMBLY, PRIMER .	33	4	F10332	LINKAGE (HO-3B)	39	27
F10059	SHAFT, THROTTLE	23	5	F10337	JET, MAIN (.041) (STD. - 2500') HO-4A	39	33
F10059	SHAFT, THROTTLE	37	3	F10338	LINKAGE (HO-4A)	39	27
F10060	VALVE, THROTTLE	23	3	F10339	SHAFT, THROTTLE (HO-4A)	39	28
F10061	SHAFT, CHOKE	23	6	F10341	JET, MAIN (.035) (7500' - 10000') HO-4A	41	33
F10061	SHAFT, CHOKE	37	17	F10342	JET, MAIN (.037) (5000' - 7500') HO-4A	41	33
F10062	VALVE, CHOKE	23	10	F10346	FLOAT, FUEL BOWL	39	10
F10062	VALVE, CHOKE	37	21	F12066	SHOE ASSEMBLY, FRICTION	15	18
F10064	PIN, FLOAT	23	17	F12066	SHOE ASSEMBLY, FRICTION	17	11
F10064	PIN, FLOAT	37	14	F12066	SHOE ASSEMBLY, FRICTION	19	11
F10070	SCREW, CHOKE VALVE . . .	23	11	F12088	GROMMET	19	10
F10070	SCREW, SHUTTER	37	20	F12090	SCREW	15	5
F10072	SPRING, CHOKE STOP	23	7	F12090	SCREW	17	15
F10072	SPRING, CHOKE STOP	37	18	F12090	SCREW	17	3
F10073	SPRING, IDLE NEEDLE	23	8	F12350	SPRING, COIL WEDGE	15	11
F10073	SPRING, IDLE NEEDLE	37	22	F12350	SPRING, COIL WEDGE	17	7
F10075	SPRING, THROTTLE RETURN	23	4	F12359	CONTACT SET	15	7
F10075	SPRING, THROTTLE RETURN	37	2	F12359	CONTACT SET	17	14
F10077	NEEDLE, IDLE	23	9	F12360	FELT	15	8
F10077	NEEDLE, IDLE	37	19	F12360	FELT	17	16
F10088	NOZZLE	23	12	F12361	WIRE & GROMMET PACKAGE	15	13
F10091	SHUTTER, THROTTLE	37	5				
F10100-1	VALVE KIT, SEAT	23	14				
F10170	VALVE ASSEMBLY	37	6				

PARTS INDEX

Part Number	Description	Pg.	Ref. No.	Part Number	Description	Pg.	Ref. No.
F12361	WIRE/GROMMET PACKAGE	17	10	F521192-1	CAM, THROTTLE	17	24
F12362	PLATE ASSEMBLY (WITH CORE), STATOR	15	21	F521192-1	CAM, THROTTLE (89B MODELS)	19	24
F12378	SPRING, COIL WEDGE	19	6	F521270	SLINGER, CRANKSHAFT . .	43	38
F12380	SCREW	19	3	F521270	SLINGER, CRANKSHAFT . .	49	10
F12381	WASHER	19	4	F521284	KNOB, COWL RETAINER . .	3	26
F12383	PLATE ASSEMBLY (W/CORE), STATOR	19	8	F521284	KNOB, COWL RETAINER . .	7	2
F12384	WIRE, GROUND	19	14	F521296T	RETAINER, PROP SHAFT CAGE (PAINTED)	59	18
F12385	WIRE, STOP	19	25	F521514	KNOB, STEERING FRICTION	57	2
F12386	COIL , W/LEAD WIRE (89B/90B)	19	5	F521537	PLATE, WATER PUMP TOP	59	36
F15584	SPRING AND KEEPER, STARTER REWIND	13	4	F521547	KNOB, CHOKE	7	12
F15585	ROPE, STARTER REWIND . .	13	10	F521547	KNOB, CHOKE	43	20
F15604	RETAINER, STARTER REWIND DOG	13	8	F521549-2	LEVER, THROTTLE	15	14
F15605	SPRING, STARTER REWIND DOG	13	5	F521550	KNOB, FUEL SHUT-OFF . .	25	38
F15606	PULLEY ASSEMBLY, STARTER REWIND	13	3	F521615	ROD, GEAR SHIFT (UPPER)	51	12
F15615	SCREW, STARTER REWIND	13	9	F521621	LEVER, GEAR SHIFT	51	8
F17815	SEAL	33	6	F521631	SHOE, SWIVEL FRICTION . .	57	7
F17815	SEAL	35	13	F521661-1	PAD, SWIVEL FRICTION . .	57	6
F17816	SEAL	33	7	F521705-1	ROD, GEAR SHIFT (LOWER) (15" TRANSOM)	51	17
F17816	SEAL	35	14	F521708	COVER, CARBURETOR	23	24
F17820	CAP ASSEMBLY	33	8	F521708	COVER, CARBURETOR	37	23
F17822-1	GASKET	33	14	F521721	CAM, CLUTCH SHIFT	61	39
F17823-1	GASKET	33	13	F521774	BRACKET, COWL LOWER . .	47	7
F17824	SCREW	33	11	F521774	BRACKET, MOUNTING	43	4
F17826	FLOAT	33	9	F521779	BAFFLE, IDLE RELIEF	53	10
F17827	O RING	33	12	F521845T	EXTENSION (20" TRANSOM) (PAINTED)	61	44
F17828	GAUGE ASSEMBLY	33	10	F521925	LINK, CHOKE KNOB	7	5
F17938	ANCHOR, FUEL CAP	3	5	F521925	LINK, CHOKE KNOB	43	15
F17980	GASKET, FUEL CAP	3	3	F521984	BLANKET, SOUND, TOP . . .	3	31
F197787-3	CONNECTOR, ENGINE	35	12	F535097	FLYWHEEL	15	2
F197787-3	COUPLER, FUEL	33	5	F535097	FLYWHEEL	17	2
F24074	FOOT, CLAMP SCREW	57	15	F620132	HANDLE, STARTER ROPE . .	11	11
F24074	FOOT, CLAMPSCREW 88A THRU 92B	57	15	F620132	HANDLE, STARTER ROPE . .	13	12
F250003	SPRING, STARTER REWIND	13	7	F620817	RETAINER, ROPE HANDLE . .	13	11
F250421	DOG, STARTER REWIND SPRING	13	6	F620817	RETAINER, STARTER ROPE HANDLE	11	12
F2A24757	PLATE ASSEMBLY, FUEL PUMP	31	2	F665163	COVER, SUPPORT PLATE FRONT	43	18
F2A521016	ROD ASSEMBLY	49	5	F681046	BULB, PRIMER	9	6
F2A521016	CONNECTING ROD ASSEMBLY	43	12	F681269	HANDLE, TILT	5	2
F332705-1	ROD, GEAR SHIFT (LOWER) (20" TRANSOM)	51	17	F681954-1	COVER, PRIME BULB BOOT	9	5
F341284-1	KNOB, COWL RETAINER . .	43	29	F687163T	COVER, FRONT	9	14
F390137	GRIP, STEERING HANDLE . .	43	28	F687192-1	CAM, THROTTLE (90A MODELS)	19	24
F424075T	HANDLE, CLAMPSCREW (PAINTED)	57	21	F687547-1	KNOB, CHOKE	9	12
F427249	RING, RETAINING	3	4	F702025	PAD, HANDLE BUMPER . . .	55	7
F468349	LOCK, REVERSE	57	10	F702035	BEARING, CONNECTOR (10-24 RH)	55	4
F521002	CAM, CONTACT SET	15	4	F702079T	ARM, STEERING (UPPER) (PAINTED)	55	8
F521002	CAM, CONTACT SET	17	17	F702137	GRIP, STEERING HANDLE . .	55	18
F521079	HANDLE, STEERING	43	26	F702163	COVER, SUPPORT PLATE FRONT	7	14
F521192-1	CAM, THROTTLE	15	16	F702178	RETAINER, GRIP	55	20
				F702198	STOP, IDLE	55	16
				F702212	PLATE, CABLE CLAMP	55	27
				F702384	RETAINER, WIRE	55	24

PARTS INDEX

Part Number	Description	Pg.	Ref. No.	Part Number	Description	Pg.	Ref. No.
F702427	BRACKET, STARTER MOUNT	13	14	FK1123	BOOT KIT, SPARK PLUG	19	7
F702427	BRACKET, STARTER MOUNT (88B/89A)	11	14	FK1123	BOOT KIT, SPARK PLUG	21	4
F702444	CABLE, SPEED CONTROL	55	6	FK12357	CONDENSER KIT (WITH CLAMP)	15	9
F702505	STOP, HIGH SPEED	19	12	FK12357	CONDENSER KIT (WITH CLAMP)	17	4
F702505	STOP, HIGH SPEED	21	8	FK12369	COIL (WITH LEAD WIRE)	17	5
F702576T	ARM, STEERING (LOWER)	55	14	FK12369	COIL KIT (WITH LEAD WIRE)	15	10
F702668	RETAINER, SPEED CONTROL CABLE	47	20	FK341704	COUPLING KIT, GEAR SHIFT ROD	51	13
F702668	RETAINER, SPEED CONTROL CABLE	55	3	FK525713	PACKING	3	19
F702687	COLLAR, HANDLE	55	22	FK525713	PACKING (4') CUT AS REQ'D	5	10
F702783	RETAINER, COWL FRONT	5	8	FK527018	CRANKSHAFT KIT	43	37
F712167T	ADAPTER, CARBURETOR	29	9	FK527018	CRANKSHAFTASSEMBLY	49	8
F712192	CAM, THROTTLE	21	14	FK681602	SWITCH KIT, EMERGENCY STOP	17	19
F712192	CAM, THROTTLE (90B/92B)	19	24	FK681602	SWITCH KIT, EMERGENCY STOP (89B MODELS)	19	19
F712475	COIL, W/LEAD WIRE(91A/92B)	19	5	FO10571	SCREW, IDLE SPEED	39	32
F712504	GROMMET, REED PLATE	29	2	FO15366	BOWL, FUEL	39	12
FA324101	PIN KIT, PROP (3 PINS & COTTER PIN)	59	22	FO15367	SHUTTER, CHOKE	39	7
FA341151	PLATE KIT, EXHAUST	53	3	FO15520	NEEDLE, IDLE	39	16
FA341298T	CAGE ASSEMBLY, PROP SHAFT	59	15	FO15718	SHAFT, THROTTLE (HO-3A & HO-3B)	39	28
FA468346	MOUNT KIT, SHOCK LOWER	53	6	FO15736	SHAFT, CHOKE	39	6
FA521010	CYLINDER BLOCK KIT	43	6	FO4784	BALL, CHOKE FRICTION SPRING	39	4
FA521239	ROTOR ASSEMBLY, STARTER REWIND	11	4	FO8805	SPRING, CHOKE FRICTION	39	5
FA521408	COVER ASSEMBLY, STARTER REWIND	11	2	FOB4225-1	OPERATORS MANUAL	1	-
FA521735	SEAL KIT, WATER LINE	59	34	FOB4472	OPERATORS MANUAL	1	-
FA521775	SHOE KIT, STARTER REWIND	11	9	FS687712T	TOP COWL	5	1
FA521778	RETAINER KIT, FRONT COWL	3	20	FT11202	INSTALLER TOOL, CRANKSHAFT SEALS	62	-
FA567241	CAGE ASSEMBLY	49	7	FT11295	SPARK TESTER, IGNITION	62	-
FA567241	ROLLER/CAGE SET, CRANKPIN	45	50	FT1749	PLIERS, SNAP RINGS	62	-
FA712228	ROLLER SET (2 STRIPS-28 PER) 90B THRU 92B	49	7	FT2907	PUNCH TOOL, SEAL	62	-
FA735060	BODY ASSEMBLY, WATER PUMP	59	32	FT2948	HELI-COIL KIT (3/8-16)	62	-
FG1022-1	GASKET SET (88B/90A)	47	18	FT2962-2	SEALANT, LOCTITE H	62	-
FG1022-1	GASKET SET, SHORT BLOCK	43	33	FT2969	HELI-COIL KIT (10-24)	62	-
FG1034-1	GASKET SET (90B/92B)	47	18	FT2970	HELI-COIL KIT (1/4-20)	62	-
FK10069	GASKET SET, CARBURETOR	23	23	FT2971	HELI-COIL KIT (5/16-18)	62	-
FK10237	NEEDLE SEAT/GASKET SET, INLET	39	18	FT2989	WEDGE, FLYWHEEL	62	-
FK10256	REPAIR KIT, CARBURETOR	23	22	FT2990-1	PISTON PIN TOOLS, PISTON PIN	62	-
FK10280	REPAIR KIT, CARBURETOR	37	28	FT2991	BRUSH, WIRE, CARBON REMOVER	62	-
FK10294	GASKET SET, CARBURETOR	41	35	FT2997	COMPRESSOR, PISTON RINGS	62	-
FK10295	REPAIR KIT, CARBURETOR	41	34	FT8900	PLIERS, HOSE CLAMPS	62	-
FK1057	SEAL KIT, GEAR HOUSING	59	24	FT8919	PUNCH, LOCATING PINS	62	-
FK1058	TUNE-UP KIT	15	6	FT8926	EXPANDER, PISTON RINGS	62	-
FK1123	BOOT KIT, SPARK PLUG	15	12	FT8929	ADAPTER & HEX BITS, CONN ROD SCREWS	62	-
FK1123	BOOT KIT, SPARK PLUG	17	6	FT8936-1	SEALANT, LOCTITE RC-609	62	-
				FT8948-1	PULLER KIT, GEAR HOUSING BEARING CAGE	62	-
				FT8950	TESTER KIT, GEAR HOUSING LEAKAGE	62	-
				FT8957	INSTALLER, SAEL, SHIFT ROD	62	-

PARTS INDEX

Part Number	Description	Pg.	Ref. No.	Part Number	Description	Pg.	Ref. No.
FT8969	LUBICANT, LPS #1	62	-	10-F1504	SCREW (1/4-20 X 1-1/4")	47	15
FT8998	SCREW, KNOCK-OFF, FLYWHEEL	62	-	10-F1504	SCREW (1/4-20 X 1-1/4")	59	37
NLA	DECAL (CANADA) (88B/92B)(FC665400)	51	1	10-F1532	SCREW (1/4-20 X 1")	25	35
NLA	DECAL, CHOKE(FC521248)	43	19	10-F1532	SCREW (1/4-20 X 1")	27	6
NLA	DECAL, REAR (F735528)	5	16	10-F1532	SCREW (1/4-20 X 1")	29	6
NLA	DECAL, SHIFT (CANADA) (88A) (FC521400)	51	1	10-F1655	SCREW (1/4-20 X 3/8")	15	15
ORDERLOC	SPARK PLUG	45	42	10-F1655	SCREW (1/4-20 X 3/8")	19	23
ORERLOCA	SPARK PLUG (RFI)	47	8	10-F1747	SCREW (10-24 X 1-11/16")	53	9
--FOB4205	OPERATORS MANUAL	1	-	10-F175634	SCREW, CONN ROD 90B THRU 92B	49	6
10-14168	SCREW (1/4-20 X 1") (15" TRANSOM)	59	26	10-F1800	SCREW (1/4-20 X 7")	62	-
10-25504	SCREW (10-24 X 3/4")	5	12	10-F1825	SCREW (1/4-20 X 6") (20" TRANSOM)	59	26
10-28636	SCREW (1/4-20 X 3/4")	43	5	10-F1829	SCREW (10-24 X 7/8")	3	9
10-28636	SCREW (1/4-20 X 3/4")	47	23	10-F1829	SCREW (10-24 X 7/8")	7	18
10-28636	SCREW (1/4-20 X 3/4")	47	6	10-F1972	SCREW (1/4-20 X 2-1/2")	62	-
10-28636	SCREW (1/4-20 X 3/4")	53	13	10-F1995	SCREW (10-24 X 1")	3	7
10-28639	SCREW (1/4-20 X 5/8")	43	14	10-F1995	SCREW (10-24 X 1")	7	3
10-34939	SCREW (1/4-20 X 1/2")	15	23	10-F2008	SCREW (1/4-20 X 7/8")	25	37
10-34939	SCREW (1/4-20 X 1/2")	17	23	10-F2008	SCREW (1/4-20 X 7/8")	27	8
10-34939	SCREW (1/4-20 X 1/2")	19	15	10-F2008	SCREW (1/4-20 X 7/8")	29	8
10-34939	SCREW (1/4-20 X 1/2")	21	9	10-F2035	SCREW (1/4-20 X 1")	57	8
10-40003-58	SCREW (M8 X 50)	62	-	10-F2040	SCREW (1/4-20 X 5/8")	43	31
10-41772	SCREW (10-24 X 1/2")	3	23	10-F2040	SCREW (1/4-20 X 5/8")	47	22
10-41772	SCREW (10-24 X 1/2")	5	7	10-F2041	SCREW (10-24 X 3/8")	7	6
10-69022	SCREW (10-32 X 1/2")	57	14	10-F2041	SCREW (10-24 X 3/8")	43	16
10-69080	SCREW (6-32 X 1/4")	53	4	10-F2041	SCREW (10-24 X 3/8")	51	9
10-819074	SCREW AND LOCKWASHER	27	2	10-F2145	SCREW AND WASHER (8-32 X 1/2")	11	10
10-819074	SCREW AND LOCKWASHER (6-32 X 5/16")	15	22	10-F2211	SCREW (10-24 X 5/8")	5	3
10-819074	SCREW AND LOCKWASHER (6-32 X 5/16")	17	13	10-F2219	SCREW (8-18 X 3/4")	55	13
10-819074	SCREW AND LOCKWASHER (6-32 X 5/16")	19	13	10-F2230	SCREW (#6 X 3/8")	55	10
10-819074	SCREW AND LOCKWASHER (6-32 X 5/16")	23	33	10-F36634	SCREW, CONN ROD	43	13
10-824352	SCREW (1/4-20 X 3/4")	21	16	10-F36634	SCREW, CONN ROD	49	6
10-824353	SCREW (8-32 X 3/4")	21	17	10-F468037-1	BOLT, STERN BRACKET PIVOT	57	24
10-824678	SCREW, FRICTION	21	7	10-F50109	PLUG	59	4
10-826248	SCREW, CLAMP BRACKET	57	13	10-F521552	SCREW, FLYWHEEL	15	1
10-90192	SCREW (1/4-20 X 3/4")	55	5	10-F521552	SCREW, FLYWHEEL	17	1
10-F10328	SCREW, SHUTTER	39	31	10-F521552	SCREW, FLYWHEEL	19	1
10-F1035	SCREW (1/4-20 X 5/8")	3	10	10-F521552	SCREW, FLYWHEEL	21	1
10-F1035	SCREW (1/4-20 X 5/8")	7	17	10-F521690-1	SCREW, THROTTLE LEVER ADJUST	3	27
10-F1035	SCREW (1/4-20 X 5/8")	9	17	10-F521690-1	SCREW, THROTTLE LEVER ADJUST	55	11
10-F1064	SCREW (8-32 X 3/8")	23	25	10-F525457	SCREW, BEARING CAGE RETAINER	59	19
10-F1064	SCREW (8-32 X 3/8")	37	24	10-F702165	SCREW (88B/92B &)	55	5
10-F1069	SCREW (10-24 X 1-1/16")	31	6	10-F901938-1	SCREW, CYLINDER HEAD	43	3
10-F1077	SCREW (10-24 X 1/4")	59	2	10-F901938-1	SCREW, CYLINDER HEAD	47	2
10-F1107	SCREW (1/4-20 X 3/4")	43	8	10-FO10280	SCREW, SHUTTER	39	8
10-F1107	SCREW (1/4-20 X 3/4")	47	14	11-20890	NUT (1/4-20)	23	27
10-F1286	SCREW (4-40 X 3/16")	31	4	11-20890	NUT (1/4-20)	29	10
10-F1371	SCREW (10-24 X 5/8")	51	15	11-20890	NUT (1/4-20)	37	26
10-F1426	SCREW (1/4-20 X 7/16")	47	9	11-64015	NUT (1/4-20)	3	17
10-F1426	SCREW WITH LOCKWASHER (1/4-20 X 7/16")	45	44	11-64015	NUT (1/4-20)	11	1
10-F1504	SCREW (1/4-20 X 1-1/4")	43	32	11-64015	NUT (1/4-20)	13	1
				11-64015	NUT (1/4-20)	43	1
				11-64015	NUT (1/4-20)	47	3
				11-64015	NUT (1/4-20)	53	12

PARTS INDEX

Part Number	Description	Pg.	Ref. No.	Part Number	Description	Pg.	Ref. No.
11-64015	NUT (1/4-20)	61	40	13-26996	LOCKWASHER (#10)	51	10
11-79989	NUT (10-24)	3	30	13-F8060	LOCKWASHER (1/4"		
11-814101	NUT (1/4-20)	47	21		EXTERNAL)	25	36
11-814101	NUT (1/4-20)	55	1	13-F8060	LOCKWASHER (1/4"		
11-817752A1	NUT KIT, PROP	59	28		EXTERNAL)	27	7
11-F1756	NUT (3/8-16)	9	21	13-F8060	LOCKWASHER (1/4"		
11-F1756	NUT (3/8-16)	43	27		EXTERNAL)	29	7
11-F436280	NUT (1/2-20)	15	20	16-826625	STUD (1/4-20 X 1.13") WITH		
11-F7009	NUT (10-24)	5	13		DRY LOC	23	30
11-F7009	NUT (10-24)	5	6	16-826625	STUD (1/4-20 X 1.13") WITH		
11-F7009	NUT (10-24)	51	16		DRY LOC	29	5
11-F7009	NUT (10-24)	55	12	16-826625	STUD, CARBURETOR, W/DL	27	5
11-F7011	NUT (10-24)	3	21	16-827386	STUD (1/4-20 X 1-1/4"),		
11-F7011	NUT (10-24)	5	9		CABLE RETAINER	47	17
11-F7026	NUT (3/8-16)	57	19	16-827618	STUD, STEERING HANDLE	9	8
12-18552	WASHER	31	5	16-F521004	STUD, STEERING HANDLE	7	8
12-19183	WASHER	59	5	16-F521004	STUD, STEERING HANDLE	43	22
12-20553	WASHER	57	18	16-F535006	STUD, GEAR HOUSING		
12-22937	WASHER	53	15		FRONT (20" TRANSOM)	61	41
12-25909	WASHER (.406 X .812 X .065)	62	-	16-F601006	STUD, GEAR HOUSING		
12-29245	WASHER	47	19		FRONT (15" TRANSOM)	61	41
12-29245	WASHER	55	2	17-24198	PIN, ROLL	57	17
12-34931	WASHER	51	7	17-24198	PIN, ROLL 88A THRU 92B	57	17
12-35044	WASHER	3	25	17-29908	PIN, ROLL	51	11
12-35044	WASHER	7	16	17-F318372	PIN, CLUTCH GUIDE	59	12
12-35044	WASHER	9	16	17-F390563	PIN, IMPELLER DRIVE	59	21
12-35044	WASHER	43	34	17-F468350	PIN, REVERSE LOCK	57	9
12-35044	WASHER	45	43	17-F521728	PIN, CLUTCH SHIFT	59	7
12-35044	WASHER	47	10	17-F66480	STUD, CLAMPSCREW 88A		
12-35044	WASHER	47	5		THRU 92B	57	14
12-35044	WASHER (.281 X .625 X .065)	62	-	17-F8537	PIN, SPRING 88A THRU 92B	57	16
12-89302	WASHER	3	29	17-F8538	PIN, SPRING	51	14
12-89302	WASHER	5	4	17-F8559	PIN, DOWEL	43	9
12-F2037	WASHER	57	22	17-F8559	PIN, DOWEL	47	16
12-F286286-1	WASHER	9	23	17-FO13944	PIN, FLOAT	39	11
12-F286286-1	WASHER	43	23	18-26953	PIN, COTTER	57	1
12-F521359	WASHER, STARTER			18-45882	PIN, COTTER	59	29
	REWIND	11	7	19-F10152	PLUG, CUP	37	--
12-F8012	WASHER (.203 X .469 X .049)	62	-	19-F10278	PLUG, WELCH	37	--
12-F8015	WASHER	9	19	19-F521246-1	PLUG, WATER PUMP BODY	59	33
12-F8015	WASHER	43	24	19-FO10588	PLUG, CUP	39	2
12-F8074	WASHER	59	3	19-FO2531	PLUG, WELCH	39	9
12-F8143	WASHER	5	5	20-F521489	VALVE, FUEL SHUT-OFF	25	39
12-F8143	WASHER (88B/92B)	55	25	21-13331A1	VALVE, CHECK (INLET)	35	8
13-21272	LOCKWASHER (1/4"			21-13331A2	VALVE, CHECK (OUTLET)	35	9
	INTERNAL)	3	16	22-823531	CONNECTOR ASSY., FUEL	35	3
13-21272	LOCKWASHER (1/4"			22-89771--1	CONNECTOR, FUEL TANK	35	15
	INTERNAL)	11	13	22-F1789	PLUG, PIPE (1/16"-27)	43	7
13-21272	LOCKWASHER (1/4"			22-F197767-2	BUSHING, FUEL	7	13
	INTERNAL)	13	13	22-F197767-2	BUSHING, FUEL	9	13
13-23836	LOCKWASHER (#8			22-F213274	FITTING, GREASE	57	23
	INTERNAL)	23	26	22-F213274	FITTING, GREASE (AS		
13-23836	LOCKWASHER (#8				APPLICABLE)	51	3
	INTERNAL)	37	25	22-F213274	FITTING, GREASE (AS		
					APPLICABLE)	53	14
13-26992	LOCKWASHER (1/4")	43	2	22-F521811	FITTING, FUEL TANK	3	12
13-26992	LOCKWASHER (1/4")	47	4	22-F681188	NUT, STOP SWITCH	21	13
13-26992	LOCKWASHER (1/4")	53	11	22-F681188	NUT, STOP SWITCH SLEEVE	17	22
13-26992	LOCKWASHER (1/4")	59	27	22-F681188	NUT, STOP SWITCH SLEEVE	19	22
13-26996	LOCKWASHER (#10)	7	7	22-F681188	NUT, STOP SWITCH SLEEVE	19	22
13-26996	LOCKWASHER (#10)	43	17	22-F702801	FITTING, FUEL	33	16

PARTS INDEX

Part Number	Description	Pg.	Ref. No.	Part Number	Description	Pg.	Ref. No.
22-F901811	FILTER, FUEL PUMP	31	7	27-F18906	GASKET, CARBURETOR	41	36
23-26856	BUSHING	57	4	27-F24748-2	GASKET, FUEL PUMP	31	9
23-824687	SPACER	55	25	27-F521168	GASKET, CARBURETOR		
23-F269052	BUSHING, SHIFT ARM	51	5		ADAPTER	23	34
23-F341610	BEARING, GEAR SHIFT			27-F521168	GASKET, CARBURETOR		
	SHAFT	51	4		ADAPTER	27	9
23-F459186	COLLAR, FUEL TANK FILLER	3	1	27-F521168	GASKET, CARBURETOR		
23-F468169-1	BEARING, SWIVEL				ADAPTER	29	1
	BRACKET	53	5	27-F521279-1	GASKET, CYLINDER		
23-F521099	SPACER, PROP SHAFT				EXHAUST	45	47
	BEARING	59	14	27-F521279-1	GASKET, CYLINDER		
23-F521319	BUSHING, STEERING				EXHAUST	47	12
	HANDLE	9	20	27-F521906	GASKET, CARBURETOR	23	28
23-F521319	BUSHING, STEERING			27-F521906	GASKET, CARBURETOR	37	27
	HANDLE	43	25	27-F712529	GASKET, CYLINDER HEAD	43	40
23-F521727	SLEEVE, IDLE BAFFLE	53	8	27-F712529	GASKET, CYLINDER HEAD	47	1
23-F521818	BEARING, STARTER			27-FK10281	GASKET SET,		
	REWIND	11	8		CARBURETOR	37	29
23-F702405	SLEEVE, SHORTING WIRE			27-FO10165	GASKET, INLET SEAT	39	21
	PROTECTION	19	9A	27-FO15623	GASKET, FUEL BOWL	39	13
24-27160	SPRING, IDLE NEEDLE	39	17	27-FO2510	GASKET, FUEL BOWL	39	15
24-F10246	SPRING, RETURN	39	29	28-F521498	KEY, FLYWHEEL	15	3
24-F409719	SPRING, CLUTCH	59	13	28-F521498	KEY, FLYWHEEL	17	18
24-F468300-1	SPRING, REVERSE LOCK	57	11	28-F687498	KEY, CRANKSHAFT	49	15
24-F521003	SPRING, STARTER REWIND	11	6	30-F521910	BEARING, CRANKSHAFT		
24-F521199	SPRING, THROTTLE LEVER				LOWER	43	39
	ADJUST	3	28	30-F521910	BEARING, CRANKSHAFT		
	ADJUST	55	15		LOWER	49	9
24-F521970	SPRING, STARTER REWIND	11	3	31-F521013	BEARING, CRANKSHAFT		
25-21836	O RING	55	19		UPPER	45	45
25-23145	O RING	55	21	31-F521013	BEARING, CRANKSHAFT		
25-823533	O RING	35	4		UPPER	49	13
25-F19342	SEAL	51	6	32-817738A1	HOSE KIT (9')	33	3
25-F46899-1	COVER, SHIFT COUPLING	53	7	32-819380A15	HOSE ASSEMBLY, FUEL		
25-F521305	SEAL, PROP SHAFT				LINE (COMPLETE)	33	--
	BEARING CAGE	59	17	32-820572A8	LINE ASSEMBLY, FUEL		
25-F521579	SEAL, CRANKSHAFT SPLINE	43	35		(5/16" I.D.)	35	6
25-F521579	SEAL, CRANKSHAFT SPLINE	49	11	32-99127109	HOSE (7")	33	15
25-F521783	SEAL, WATER PUMP TO			32-F341244-1	LINE, WATER (20"		
	GEAR HOUSING	59	20		TRANSOM)	61	42
25-F702504	GROMMET, CABLE	55	26	32-F40253-1	HOSE (14-7/8")	3	14
26-817472	SEAL, GEAR SHIFT ROD			32-F40253-1	HOSE (14-7/8")	7	4
	LOWER	61	38	32-F40253-1	HOSE (14-7/8") CUT AS		
26-819798	SEAL, CRANKSHAFT				REQ'D	9	4
	LOWER	43	36	32-F40253-1	HOSE (14-7/8") CUT AS		
26-819798	SEAL, CRANKSHAFT				REQ'D	9	7
	LOWER	49	12	32-F40253-1	HOSE, FUEL PUMP TO		
26-819799	SEAL, CRANKSHAFT UPPER	45	46		CARB (14-7/8")	31	8
26-819799	SEAL, CRANKSHAFT UPPER	49	14	32-F521244-1	LINE, WATER (15"		
26-F10066	GASKET, VALVE SEAT	23	13		TRANSOM)	61	42
26-F10066	GASKET, VALVE SEAT	37	9	32-F521261	LINE, WATER OUTLET	53	2
26-F318307	SEAL, DRIVESHAFT	59	6	33-19796	SPARK PLUG (RFI)	47	8
26-F521307	SEAL, PROP SHAFT	59	16	33-813423	SPARK PLUG	47	8
26-F521342-1	SEAL, WATER LINE UPPER	61	43	33-82370M	SPARK PLUG	45	42
27-818043A1	DIAPHRAGM /GASKET SET	31	1	33-82370M	SPARK PLUG	47	8
27-F10068	GASKET, FUEL BOWL	23	18	34-F18160-3	REED	31	3
27-F10068	GASKET, FUEL BOWL	37	10	34-F31160-2	REED	23	31
27-F10068	GASKET, FUEL BOWL	37	10	34-F31160-2	REED	27	4
27-F10090	GASKET, BOWL RETAINER	23	19	34-F31160-2	REED	29	4
27-F10090	GASKET, FUEL BOWL	37	13	34-F680161	STOP, REED	23	32

PARTS INDEX

Part Number	Description	Pg.	Ref. No.	Part Number	Description	Pg.	Ref. No.
34-F680161	STOP, REED	27	3	52-F409521	CLUTCH, SHIFT	59	11
35-823534	SCREEN, FILTER	35	5	53-F250410	RING, RETAINING	45	49
36-F521251-3	CAP ASSEMBLY, FUEL TANK	3	2	53-F250410	RING, RETAINING	49	4
37-817908--3	DECAL, SPEED RANGE INDICATOR	3	11	53-F31410	RING, RETAINING 90B THRU 92B	49	4
37-817985--1	DECAL, US MARINE LOGO	5	15	53-F455208	RING, RETAINING	7	9
37-818029	DECAL, FUEL MIX	9	22	53-F455208	RING, RETAINING	43	30
37-819546	DECAL, REAR	5	16	54-41582--7	CLAMP	33	2
37-819547	DECAL, STARBOARD	5	17	54-41582--7	CLAMP	35	16
37-819548	DECAL, PORT	5	17	54-41582--7	CLAMP (SMALL)	35	11
37-820473A93	DECAL SET	5	--	54-41582-10	CLAMP (LARGE)	35	10
37-820730A95	DECAL SET	5	--	54-F2706772	CLAMP	3	13
37-F665894	DECAL (OFF)	3	8	54-F2706772	CLAMP	7	15
37-F680396	DECAL, STARBOARD	3	24	54-F2706772	CLAMP	9	15
37-F680396	DECAL, STARBOARD	5	17	84-824486A2	CABLE ASSEMBLY	21	6
37-F680397	DECAL, PORT	3	24	84-F521908	WIRE, GROUND	15	17
37-F680397	DECAL, PORT	5	17	84-F702908	WIRE, SHORTING	17	9
37-F680528	DECAL, REAR	3	32	84-F702908	WIRE, SHORTING	19	9
37-F680528	DECAL, REAR	5	16	84-F702908	WIRE, STOP (88B/92B)	55	9
37-F680892	DECAL, FRONT	3	33	85-818751	BOOT (RFI), SPARK PLUG	19	7
37-F680892	DECAL, FRONT	5	14	87-817952A1	SWITCH KIT, SHORTING	15	19
37-F685387-2	DECAL, LOGO, (BLUE)	3	34	87-824440A5	SWITCH KIT, STOP	55	28
37-F685387-2	DECAL, US MARINE LOGO	5	15	87-F687287	SWITCH , EMERGENCY STOP (90B/92B)	19	19
37-F687390	DECAL, STARTING	5	14	87-F687287	SWITCH, EMERGENCY STOP	21	11
37-F687396	DECAL, STARBOARD	5	17	87-F702449	SWITCH, STOP	17	20
37-F687397	DECAL, PORT	5	17	87-F702449	SWITCH, STOP	19	20
37-F687528	DECAL, REAR	5	16	87-F702449	SWITCH, STOP (88B/92B)	55	17
37-F687892	DECAL, STARTING (89 MODELS)	5	14	90-822171920	OPERATROS MANUAL	1	-
37-F712396	DECAL, STARBOARD	5	17	90-822171941	OPERATROS MANUAL	1	-
37-F712397	DECAL, PORT	5	17	91-99750A1	MULTI-METER, ELECTRICAL	62	-
37-F712528	DECAL, REAR	5	16	92-59327--1	SEALANT, LOCQUIC PRIMER	62	-
37-F712894	INDICATOR, SPEED CONTROL	55	23	92-819101-12	LACQUER-GRAPHITE GRAY ACRYLIC	1	-
37-F735396	DECAL, STARBOARD	5	17	92-819107-12	LAQUER-CLEAR ACRYLIC	1	-
37-F735397	DECAL, PORT	5	17	92-823089--1	SEALANT, LOCTITE 8831	62	-
39-818038A1	RING SET (2 RINGS), PISTON	45	48	92-825265A1	COMPOUND (8 OZ), NEEDLE BEARINGS	62	-
39-818038A1	RING SET (2), PISTON	49	3	92-825321-12	LACQUER-GRAPHITE GRAY ACRYLIC	1	-
39-FA712260	RING SET (2), PISTON 90B THRU 92B	49	3	92-90113--2	SEALANT, RTV #1473	62	-
41-F250017	PIN, PISTON	43	10	92-FT2987-1	LUBICANT, ANTI-SEEZ	62	-
41-F250017	PIN, PISTON	49	2	100-820190A3	TOP COWL (PAINTED) (WITHOUT DECALS)	5	1
41-F712017	PIN, PISTON 90B THRU 92B	49	2	100-820432T	COWL, BOTTOM (PAINTED)	9	1
43-819249A1	GEAR ASSEMBLY, FRONT	59	8	100-F665944	COVER, BOTTOM	3	6
43-819250	GEAR, PINION	59	10	100-F687038T	PLATE, SUPPORT (PAINTED)	9	10
44-F409098	PROP SHAFT	59	9	100-F702038	PLATE, SUPPORT	7	10
45-F341128	DRIVESHAFT (20" TRANSOM)	59	30	100-FA271038	PLATE KIT, SUPPORT	43	21
45-F521128	DRIVESHAFT (15" TRANSOM)	59	30	100-FS665712	COWL ASSEMBLY, TOP (NO DECALS)	3	18
46-819026A1	WATER PUMP KIT	59	25	100-FS702712	TOP COWL	5	1
47-F521065-1	IMPELLER, WATER PUMP	59	35	200-819363A1	FLYWHEEL KIT	19	2
48-820110A20	PROPELLER (7-1/4 X 6-1/2 X 3)	59	23	200-819363T	FLYWHEEL (PAINTED)	21	2
50-817848A3	STARTER ASSEMBLY, REWIND	11	--	200-819363T	FLYWHEEL (PAINTED)(91A/92B)	19	2
50-F521232	ROPE, STARTER REWIND	11	5	300-819156T	MODULE, IGNITION	21	3

PARTS INDEX

Part Number	Description	Pg.	Ref. No.	Part Number	Description	Pg.	Ref. No.
300-819345A2	PLATE ASSEMBLY, STATOR	21	5				
600-FS715016	ROD ASSEMBLY 90B THRU 92B	49	5				
700-819920A3	PISTON KIT 90B THRU 92B	49	1				
700-F521015-1	PISTON	43	11				
700-F521015-1	PISTON	49	1				
800-819265A2	CYLINDER BLOCK KIT (88B/90A)	47	13				
800-819854A1	CYLINDER BLOCK KIT (90B/92B)	47	13				
800-819854A2	POWERHEAD ASSEMBLY (PAINTED)	47	--				
800-FC521010	SHORT BLOCK ASSEMBLY	43	--				
900-819367	HEAD, CYLINDER (90B/92B)	47	11				
900-F680518	HEAD, CYLINDER	43	41				
900-F680518	HEAD, CYLINDER (88B/90A)	47	11				
NLA-	DECAL, CHOKE(37-F702248)	7	11				
1200-819037A1	TANK ASSEMBLY, FUEL	33	1				
1200-F521034-1	TANK, FUEL	3	15				
1260-823505A1	TANK ASSEMBLY, FUEL (PLASTIC) (3.2 GAL.)	35	1				
1260-823505A2	TANK ASSEMBLY, FUEL (PLASTIC) (3.2 GALLON)	35	--				
1300-F680061	CARBURETOR (LMB-236)	23	1				
1300-F687061-1	CARBURETOR (HO-3B) (89B/90A)	39	1				
1300-F702061	CARBURETOR (LMB-237)	37	1				
1300-F712061	CARBURETOR (HO-4A) (90B/92B)	39	1				
1395-5898	FLOAT, FUEL BOWL	23	16				
1395-5898	FLOAT, FUEL BOWL	37	16				
1395-5902	SCREW, SHUTTER	37	4				
1395-5902	SCREW, THROTTLE VALVE	23	2				
1395-5904	SPRING, FLOAT	37	15				
1395-5904	SPRING, VALVE SEAT	23	15				
1395-8155	BOWL, FUEL	23	20				
1395-8155	BOWL, FUEL	37	11				
1399-2407	JET, MAIN (.039) (2500' - 5000') HO-4A	41	33				
1399-2407	JET, MAIN (.039) (HO-3A) HO-3B	39	33				
1399-3252	JET, MAIN (.032) (2500' - 5000') HO-3B	39	33				
1399-5128	SCREW, FUEL BOWL	39	14				
1400-817850A4	BRACKET KIT, STERN (PAINTED) 88A THRU 92B	57	12				
1400-817850A5	BRACKET KIT, STERN (PAINTED)	57	12				
1500-817940A6	HOUSING ASSEMBLY, DRIVESHAFT (PAINTED)	53	1				
1600-820090A2	GEAR HOUSING KIT (BASIC) (PAINTED)	59	1				
1600-820090A3	GEAR HOUSING KIT (COMPLETE) (PAINTED)	59	--				