



# PARTS CATALOG

## 5 H.P. (OUTBOARD MOTOR)

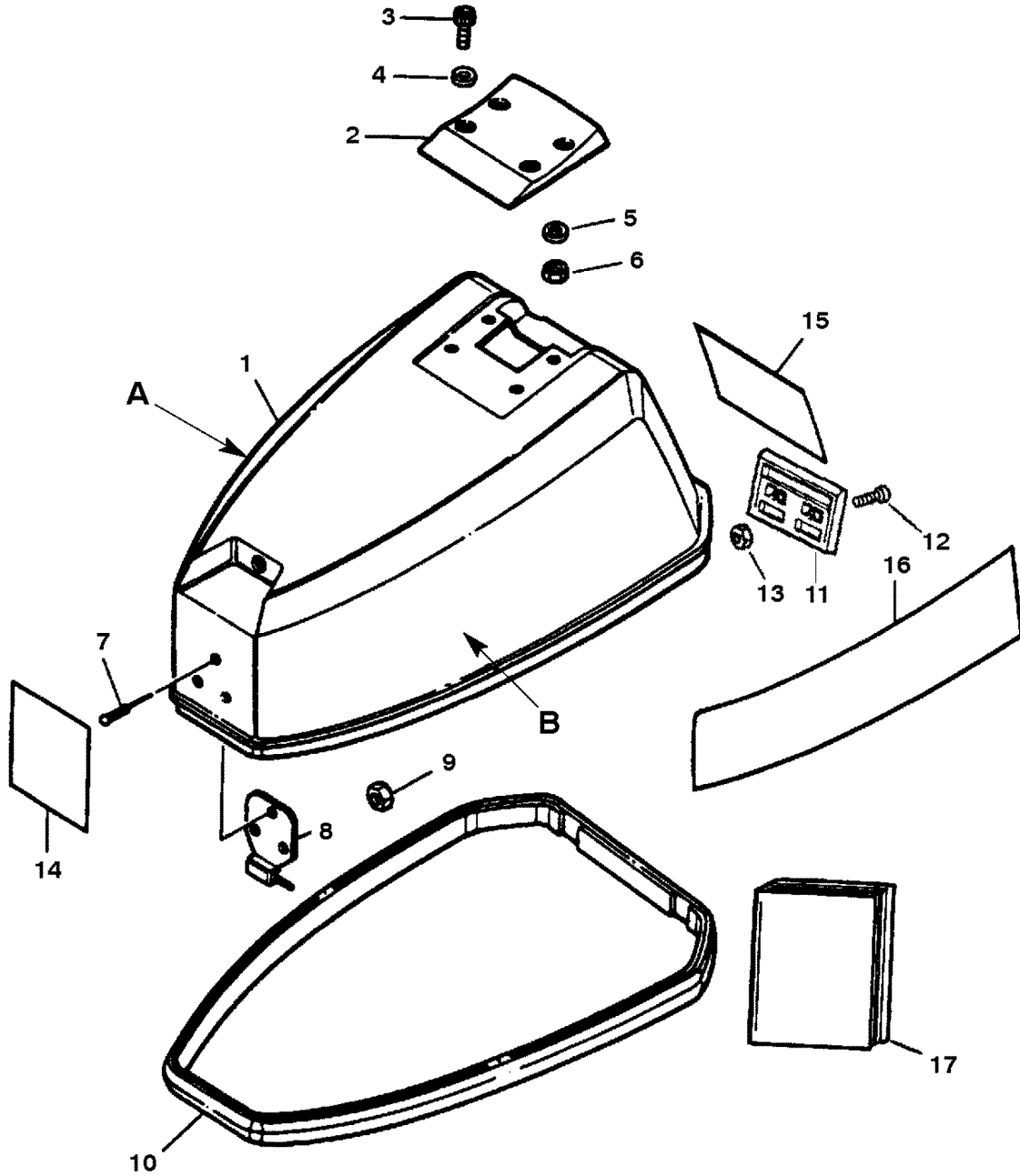
### SERIAL NUMBER

5 H.P. (1996/1997) W/ 3.2 GALLON REMOTE TANK .....225.587506 225.587496



THIS PAGE INTENTIONALLY LEFT BLANK

# TOP COWL ASSEMBLY

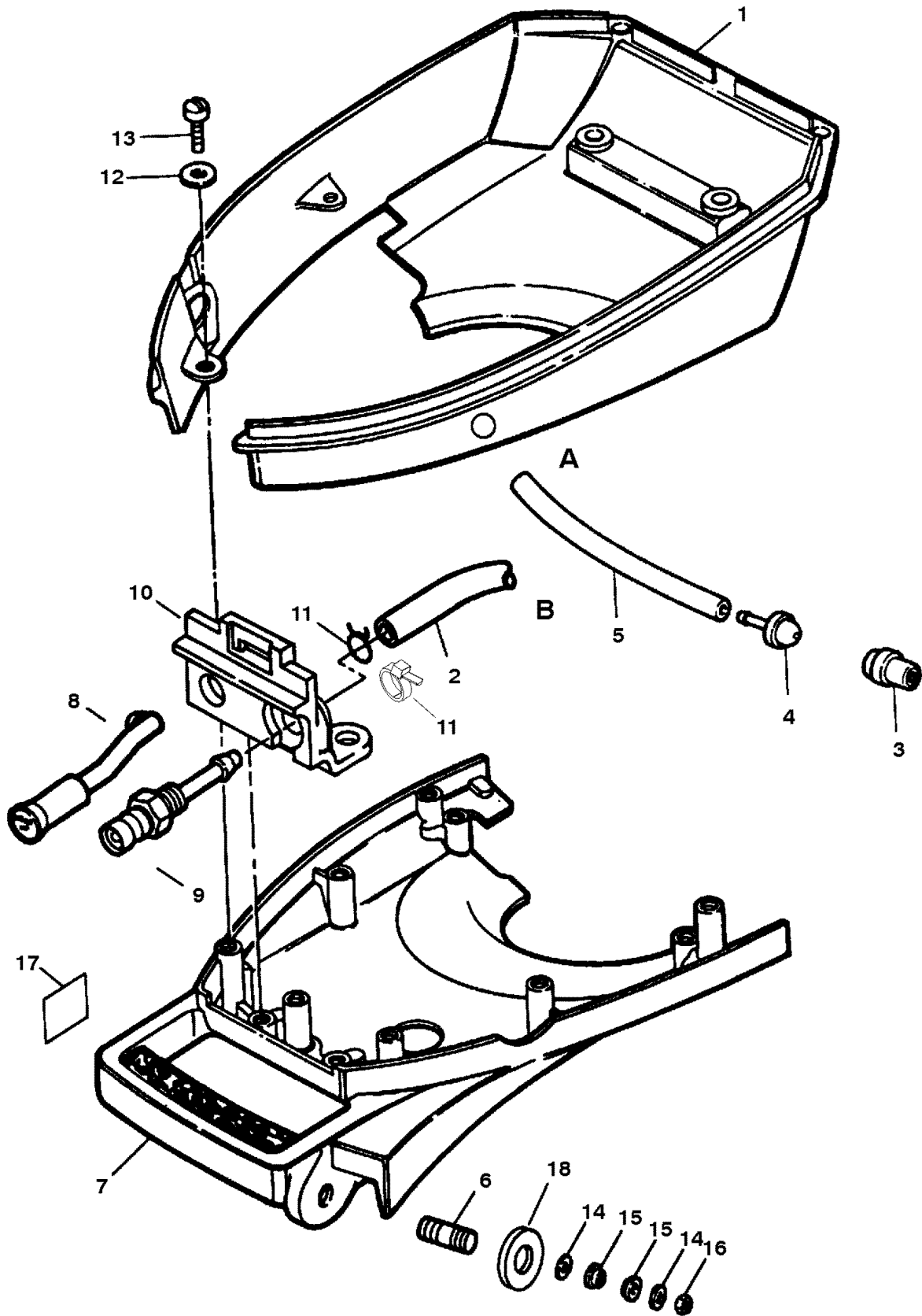


# TOP COWL ASSEMBLY

REF. NO.	PART NO.	SYM.	QTY.	DESCRIPTION
1	100-820190A5		1	COWL ASSEMBLY-TOP (PAINTED) (WITH DECALS)
	100-820190A3		1	COWL ASSEMBLY-TOP (PAINTED) (WITHOUT DECALS)
2	F681269		1	HANDLE-TILT
3	10-F2211		4	SCREW (#10-24 X .625)
4	12-89302		4	WASHER
5	12-F8143		4	WASHER
6	11-F7009		4	NUT (#10-24)
7	10-41772		3	SCREW (#10-24 X .500)
8	F702783		1	RETAINER-FRONT
9	11-F7011		3	NUT (#10-24)
10	FK525713		1	PACKING KIT (4.00 FT. BULK) (CUT 3.422 FT.)
11	820474A1		1	LATCH KIT-REAR
12	10-59771		2	SCREW (#10-32 X .750)
13	11-90078		2	NUT (#10-32)
14	37-826341-12		1	DECAL (FRONT)-STARTING INSTRUCTIONS
15	37-826341-11		1	DECAL (REAR)
16	37-826341-10		1	DECAL (PORT)
	37-826341--9		1	DECAL (STARBOARD)
17	90-830209--2		1	OWNERS MANUAL/PARTS MANUAL

A = STARBOARD SIDE, B = PORT SIDE

# BOTTOM COWL AND SUPPORT PLATE

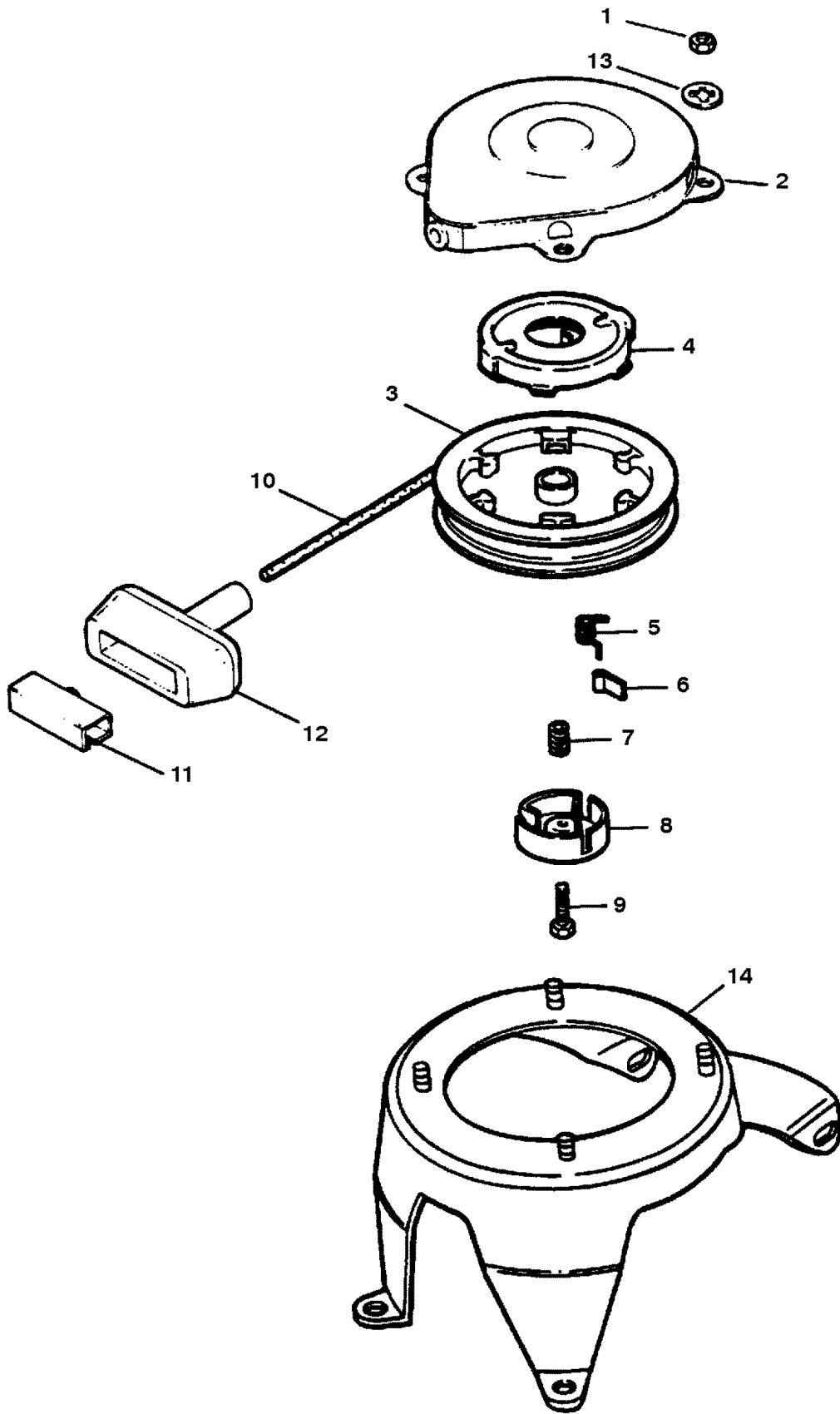


## BOTTOM COWL AND SUPPORT PLATE

REF. NO.	PART NO.	SYM.	QTY.	DESCRIPTION
1	100-820432T		1	COWL-BOTTOM (PAINTED)
2	32-819398T		1	HOSE-FUEL (18.00 IN. BULK) (CUT 6.120 IN.)
3	F681954-1		1	COVER-PRIMER BULB
4	F681046		1	BULB-PRIMER
5	32-819398T		1	HOSE-FUEL (18.00 IN. BULK) (CUT 12.00 IN.)
6	16-827618		1	STUD-STEERING HANDLE
7	100-F687038T		1	PLATE-SUPPORT (PAINTED)
8	F687547-1		1	KNOB-CHOKE-WARM UP
9	22-F197767-2		1	BUSHING-FUEL
10	F687163T		1	COVER-FRONT
11	54-827255		3	CLAMP
	56762		OPT	CABLE TIE (4.00 IN.)
12	12-35044		6	WASHER
13	10-F1035		6	SCREW (.250-20 X .625)
14	12-F8015		2	WASHER
15	23-F521319		2	BUSHING
16	11-F1756		1	NUT (.375-16)
17	37-818029--1		1	DECAL-FUEL MIX
18	12-F286286-1		1	WASHER

A = TO CARB TOP FITTING, B = TO FUEL PUMP BOTTOM FITTING

# STARTER ASSEMBLY

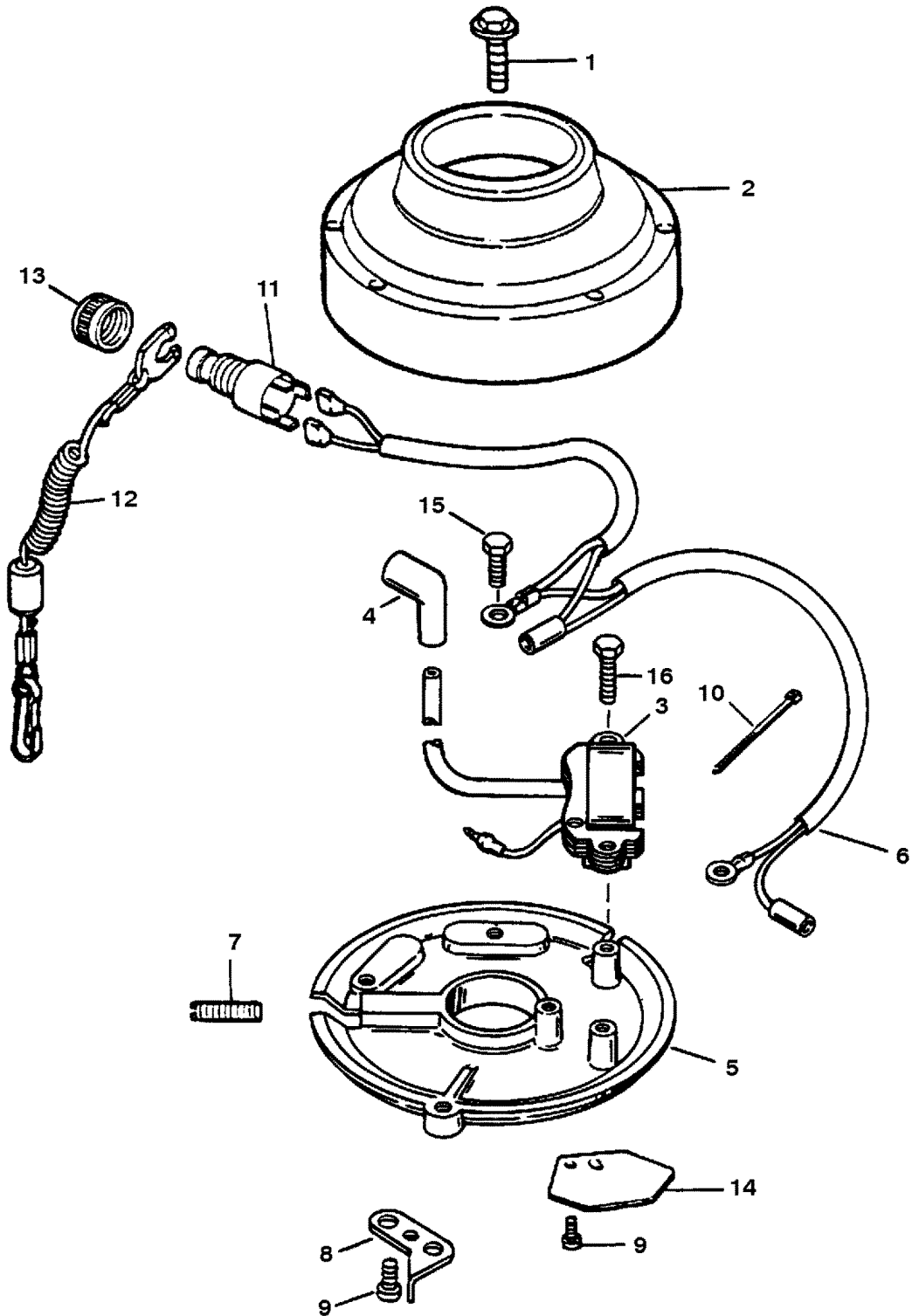




# STARTER ASSEMBLY

REF. NO.	PART NO.	SYM.	QTY.	DESCRIPTION
1	11-64015		4	NUT (.250-20)
2	50-F687063		1	STARTER ASSEMBLY-REWIND
3	F15606		1	PULLEY ASSEMBLY (WITH BEARING)
4	F15584		1	SPRING & KEEPER
5	F15605		3	SPRING-DOG
6	F250421		3	DOG
7	F250003		1	SPRING
8	F15604		1	RETAINER-DOG
9	F15615		1	SCREW
10	F15585		1	ROPE-STARTER
11	F620817		1	RETAINER-STARTER ROPE
12	F620132		1	HANDLE-STARTER ROPE
13	13-21272		4	LOCKWASHER (.250 INTERNAL)
14	F702427		1	BRACKET-STARTER MOUNT

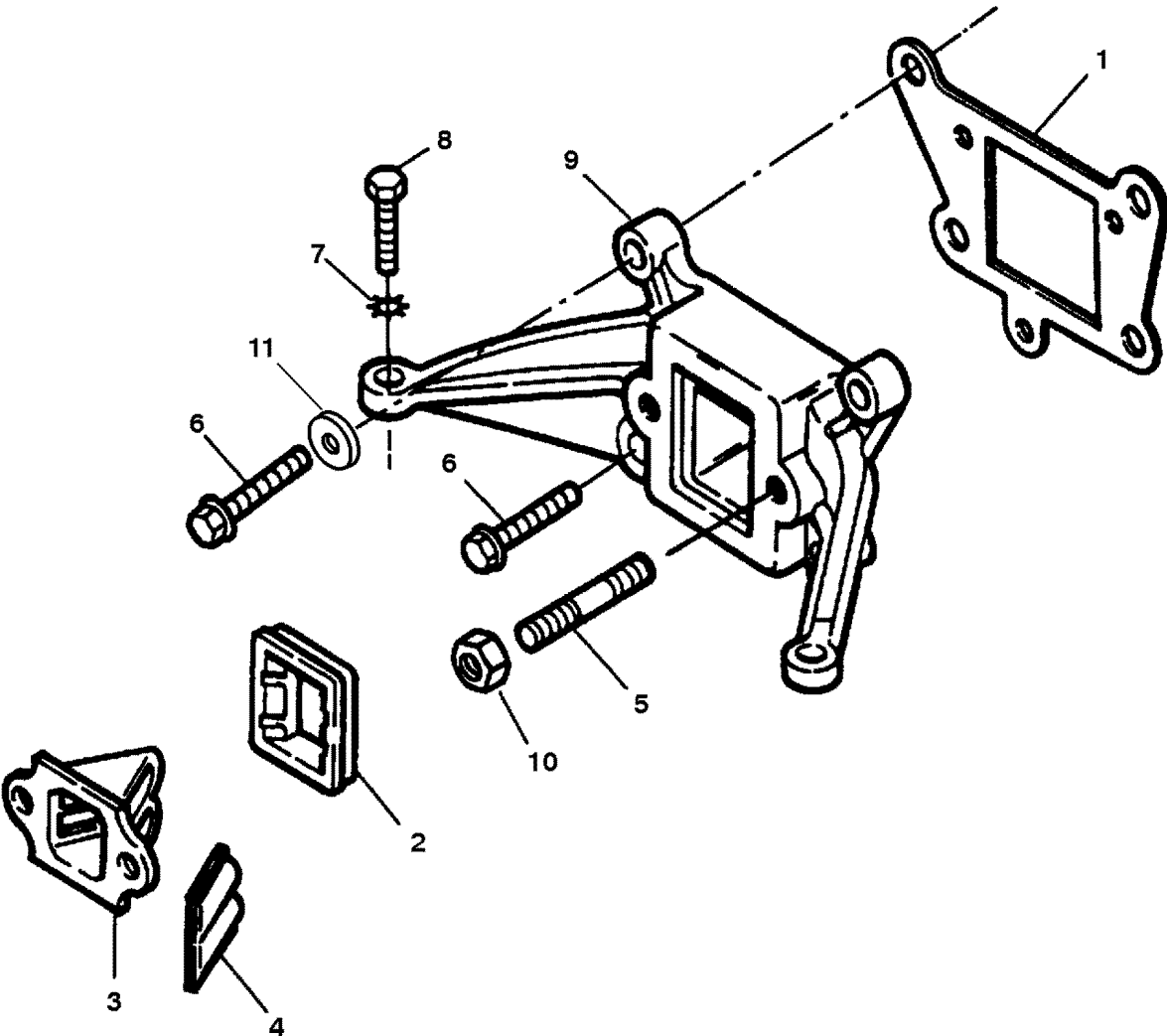
# IGNITION SYSTEM



# IGNITION SYSTEM

REF. NO.	PART NO.	SYM.	QTY.	DESCRIPTION
1	10-F521552		1	SCREW-FLYWHEEL
2	200-819363T		1	FLYWHEEL (PAINTED)
3	300-819156T		1	MODULE-IGNITION (CUT WIRE AS REQ'D)
4	FK1123		1	BOOT KIT-SPARK PLUG
5	300-819345A2		1	PLATE ASSEMBLY-STATOR
6	84-824486A2		1	CABLE ASSEMBLY-STOP
7	10-824678		1	SCREW-FRICTION
8	F702505		1	STOP-HIGH SPEED
9	10-34939		2	SCREW (.250-20 X .500)
10	56762		AR	CABLE TIE (4.00 IN.)
11	87-F687287		1	SWITCH-EMERGENCY STOP
12	819399A1		1	LANYARD-EMERGENCY STOP
13	22-F681188		1	NUT-STOP SWITCH SLEEVE
14	F712192		1	CAM-THROTTLE
15	10-824352		1	SCREW (#10-24 X .375)
16	10-824353		3	SCREW (#8-32 X .750)

# INTAKE SYSTEM



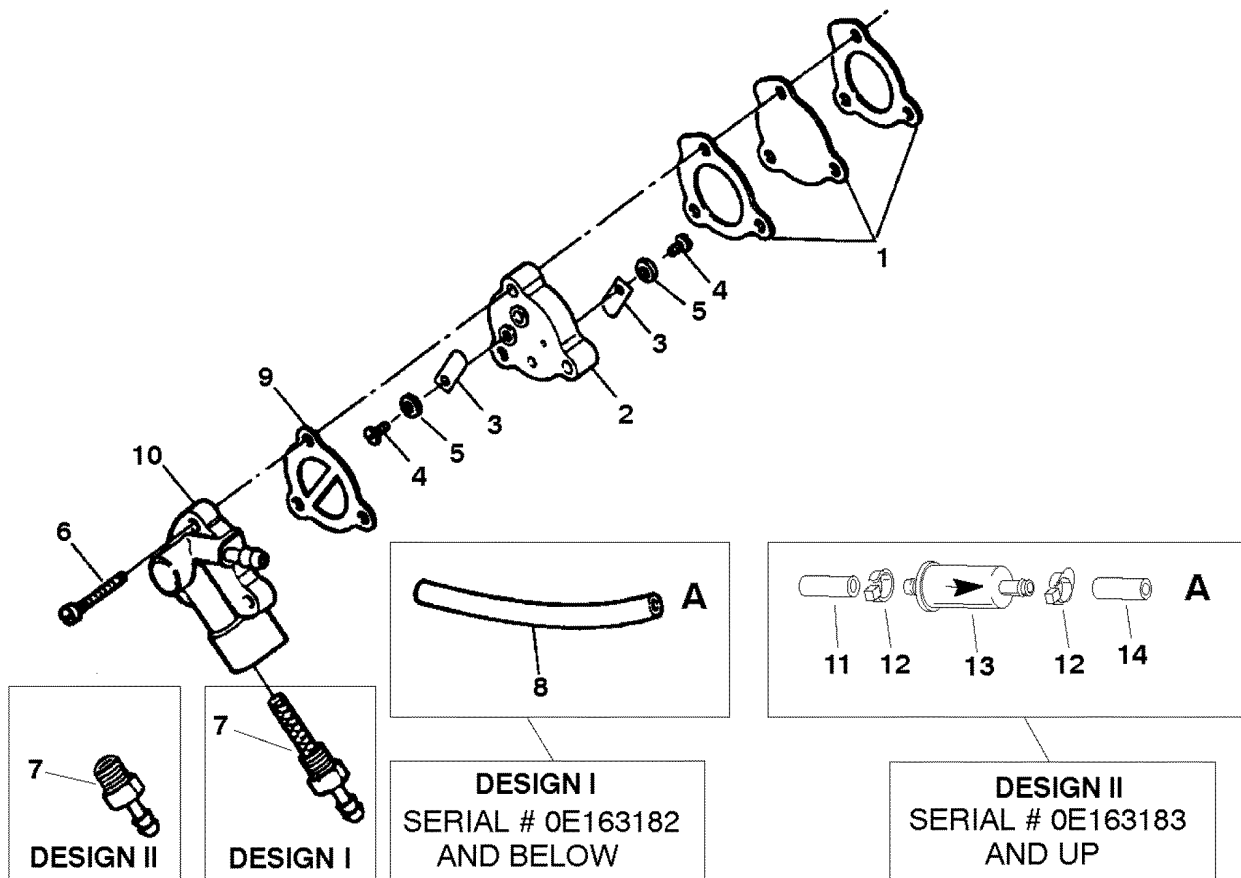
# INTAKE SYSTEM

REF. NO.	PART NO.	SYM.	QTY.	DESCRIPTION
1	27-F521168	■●	1	GASKET-CARBURETOR ADAPTER
2	F712504		1	GROMMET-REED PLATE
3	819677		1	PLATE-REED
4	34-F31160-2		2	REED
5	16-826625		2	STUD (.250-20 X 1.130) WITH DRI LOC
6	10-819110100		4	SCREW (.250-20 X 1.00)
7	13-F8060		2	LOCKWASHER (.250 EXTERNAL)
8	10-F2008		2	SCREW (.250-20 X .875)
9	F712167T		1	ADAPTER-CARBURETOR (PAINTED)
10	11-20890		2	NUT (.250-20)
11	12-18678		2	WASHER
-	<b>FG1034-1</b>		-	<b>POWERHEAD GASKET SET</b>
-	<b>800-819854A2</b>		-	<b>POWERHEAD ASSY</b>

● = COMPONENT OF POWERHEAD

■ = COMPONENT OF POWERHEAD GASKET SET

# FUEL PUMP

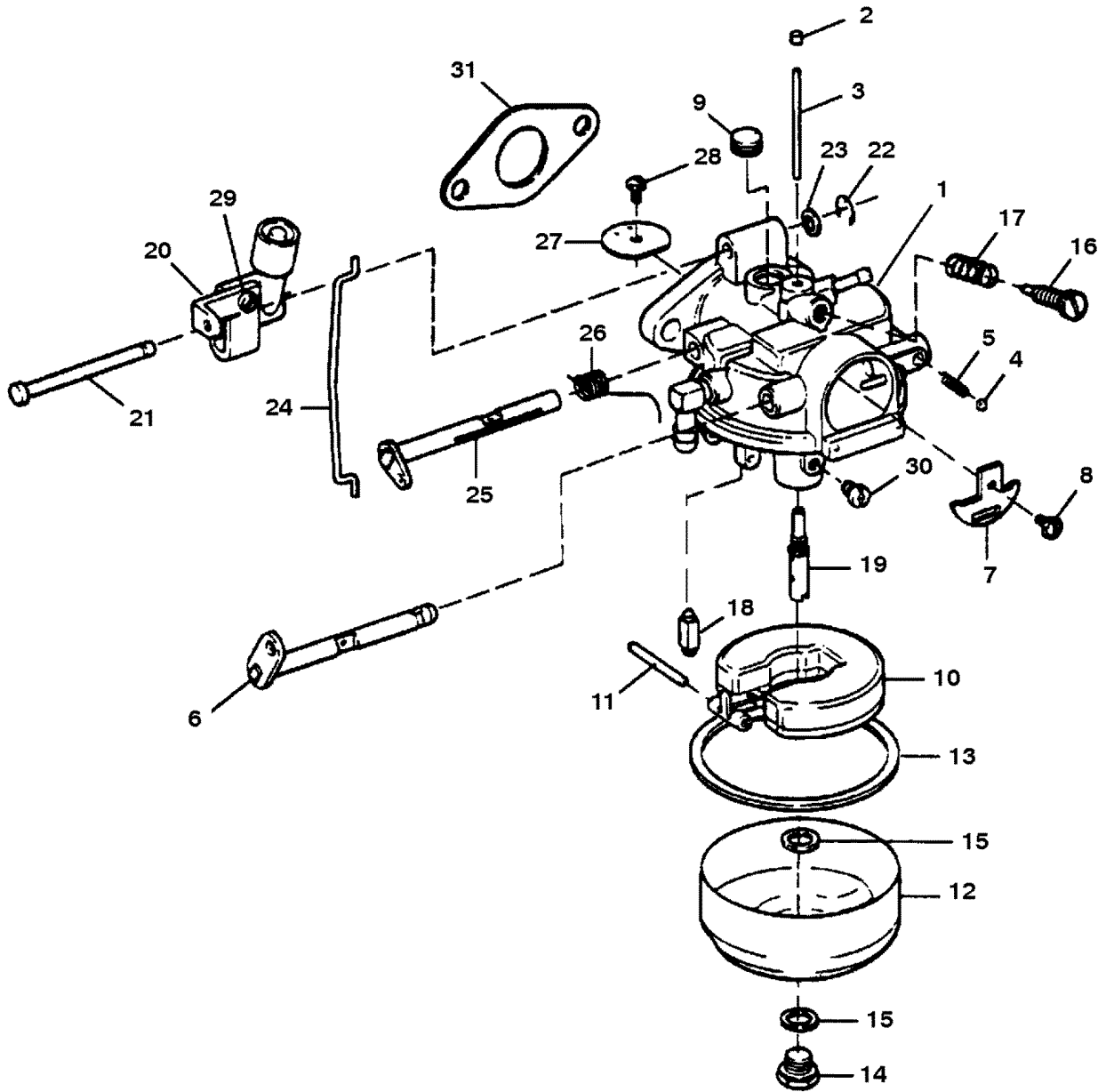


# FUEL PUMP

REF. NO.	PART NO.	SYM.	QTY.	DESCRIPTION
1	27-818043A1	●	1	DIAPHRAGM/GASKET SET-FUEL PUMP
2	F2A24757		1	PLATE ASSEMBLY-FUEL PUMP
3	34-F18160-3		2	REED
4	10-F1286		2	SCREW (#4-40 X .187)
5	12-18552		2	WASHER
6	10-F1069		3	SCREW (#10-24 X 1.125)
7	22-F901811		1	FILTER-FUEL PUMP <b>(DESIGN I)</b>
	22-850314		1	FITTING-FUEL PUMP <b>(WITH FILTER) (DESIGN II)</b>
8	32-819398T		1	HOSE-FUEL (18.00 IN. BULK) (CUT 9.180 IN.) <b>(NO FILTER) (DESIGN I)</b>
9	27-F24748-2		1	GASKET-FUEL PUMP
10	819993T1		1	COVER-FUEL PUMP (PAINTED)
11	32-819398T		1	HOSE-FUEL (18.00 IN. BULK) (CUT 3.00 IN.) <b>(WITH FILTER) (DESIGN II)</b>
12	56762		2	CABLE TIE (4.00 IN.) <b>(DESIGN II)</b>
13	35-828998		1	FILTER-FUEL (DESIGN II)
14	32-819398T		1	HOSE-FUEL (18.00 IN. BULK) (CUT 4.75 IN.) <b>(WITH FILTER) (DESIGN II)</b>
-	<b>800-819854A2</b>		-	<b>POWERHEAD ASSY</b>

● = COMPONENT OF POWERHEAD

# CARBURETOR



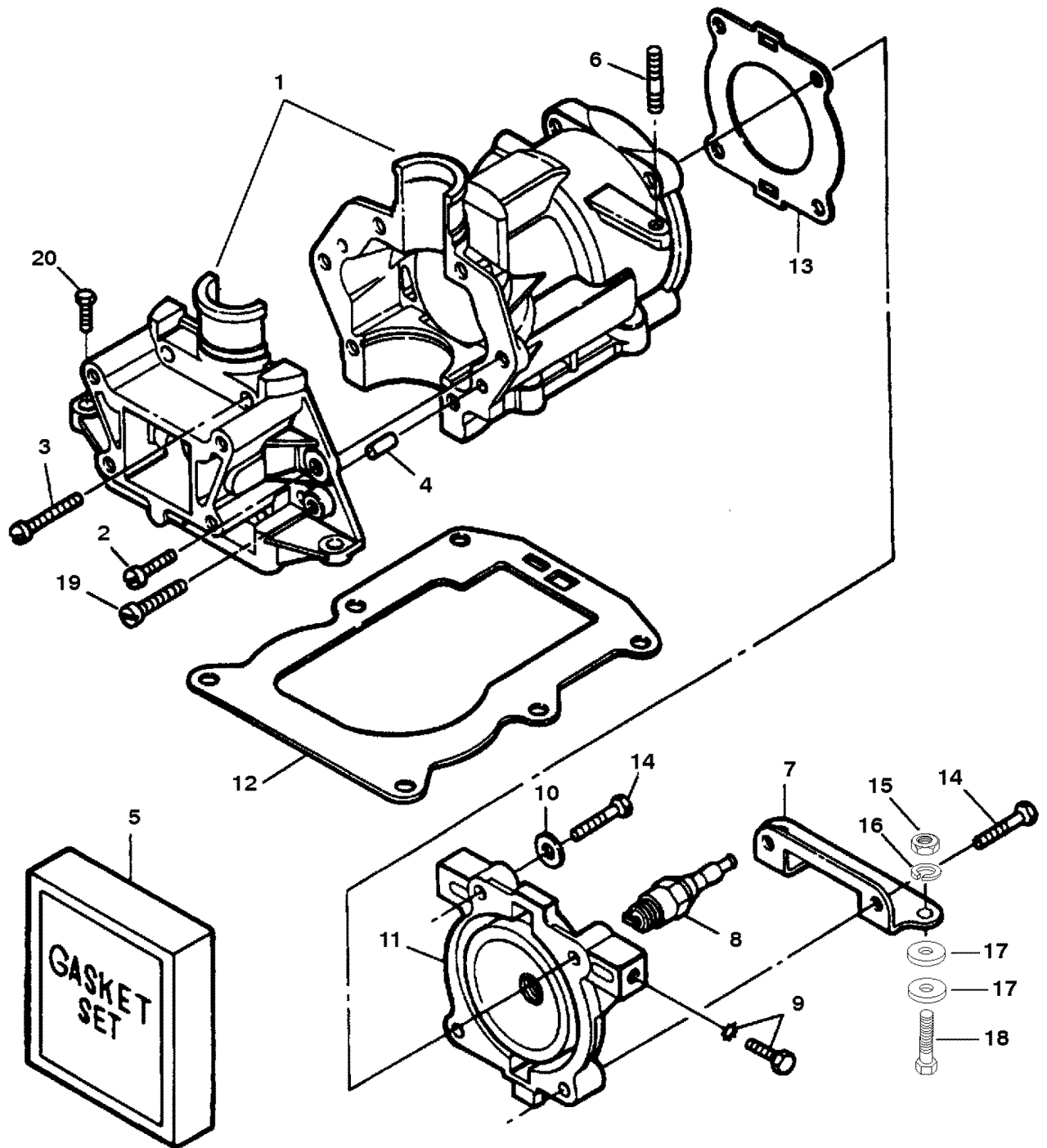


# CARBURETOR

REF. NO.	PART NO.	SYM.	QTY.	DESCRIPTION
1	1300-F712061		1	CARBURETOR (HO-4A)
2	19-FO10588	◇	1	PLUG-CUP
3	F10235		1	TUBE-BY PASS
4	FO4784		1	BALL-CHOKE FRICTION SPRING
5	FO8805		1	SPRING-CHOKE FRICTION
6	FO15736		1	SHAFT-CHOKE
7	FO15367		1	SHUTTER-CHOKE
8	10-FO10280		2	SCREW-SHUTTER
9	19-FO2531	◇	1	PLUG-WELCH
10	F10346		1	FLOAT-FUEL BOWL
11	17-FO13944	◇	1	PIN-FLOAT
12	FO15366		1	BOWL-FUEL
13	27-FO15623	◇+	1	GASKET-FUEL BOWL
14	1399-5128		1	SCREW-FUEL BOWL
15	27-FO2510	◇+	1	GASKET-FUEL BOWL
16	FO15520	◇	1	NEEDLE-IDLE
17	24-27160	◇	1	SPRING-IDLE NEEDLE
18	F10265	◇	1	NEEDLE-INLET (NOTE: DO NOT REMOVE INLET SEAT)
19	F10238		1	NOZZLE-MAIN
20	F10290		1	BRACKET-THROTTLE
21	F10240		1	SHAFT-THROTTLE LINKAGE
22	F10241		1	E RING-THROTTLE LINKAGE SHAFT
23	F10242		1	WASHER-THROTTLE LINKAGE SHAFT
24	F10338		1	LINKAGE-THROTTLE SHAFT
25	F10339		1	SHAFT-THROTTLE
26	24-F10246	◇	1	SPRING-RETURN
27	F10248		1	SHUTTER-THROTTLE
28	10-F10328	◇	2	SCREW-SHUTTER
29	FO10571		1	SCREW-IDLE SPEED
30	F10337		1	JET-MAIN (.041) (0 - 2500 FT.)
	1399-2407		OPT	JET-MAIN (.039) (2500 - 5000 FT.)
	F10342		OPT	JET-MAIN (.037) (5000 - 7500 FT.)
	F10341		OPT	JET-MAIN (.035) (7500 - 10000 FT.)
31	27-F18906	◇+	1	GASKET-FLANGE
NS	FK10295		1	REPAIR KIT-CARBURETOR
	FK10294	◇	1	GASKET SET-CARBURETOR
-	<b>FG1034-1</b>		-	<b>POWERHEAD GASKET SET</b>

◇ = COMPONENT OF CARB REPAIR KIT  
 + = COMPONENT OF CARB GASKET SET

# CYLINDER BLOCK



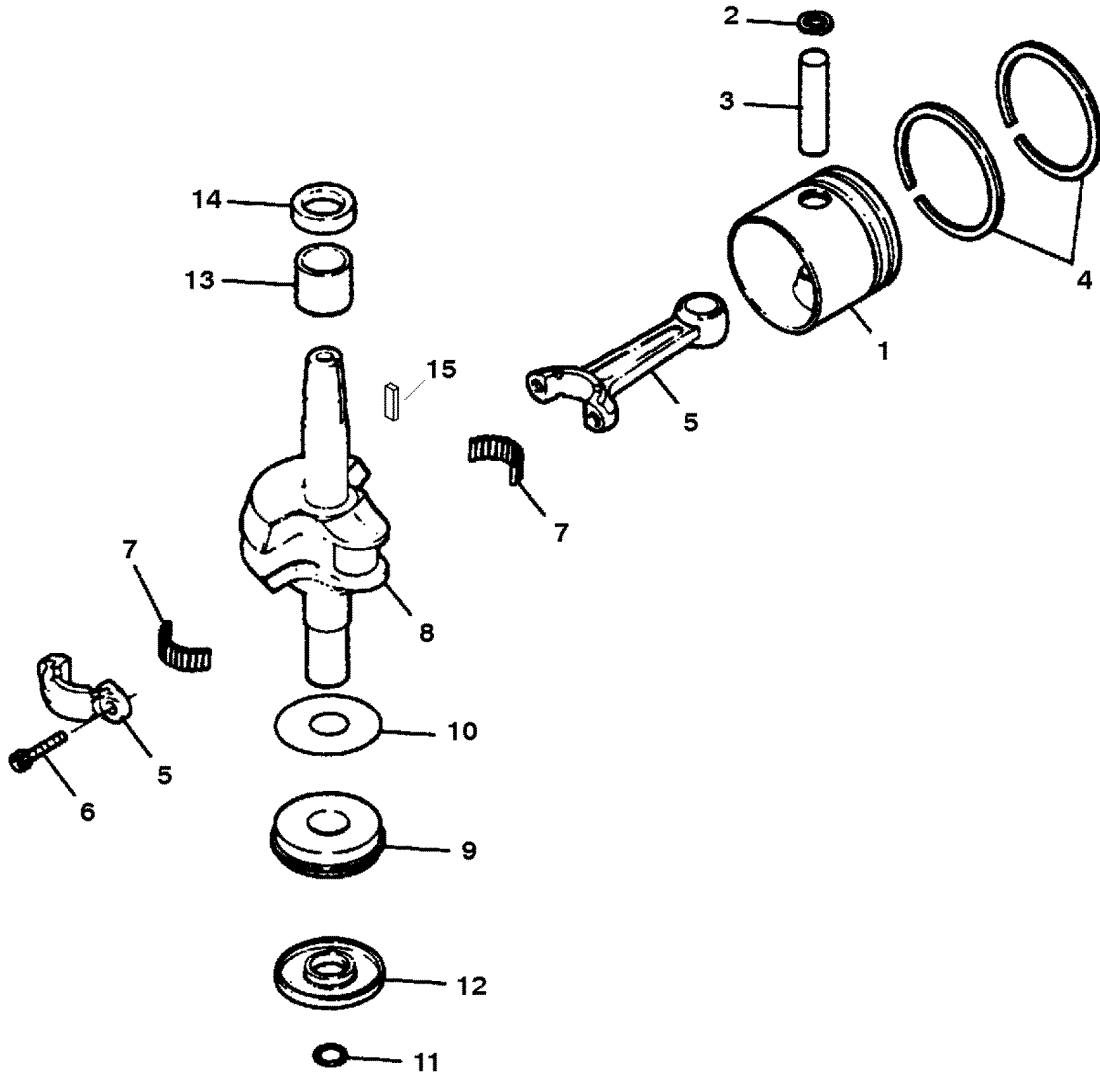
# CYLINDER BLOCK

REF. NO.	PART NO.	SYM.	QTY.	DESCRIPTION
-	<b>800-819854A2</b>		1	<b>POWERHEAD ASSEMBLY (PAINTED)</b>
1	800-819854A1	●	1	CYLINDER BLOCK KIT
2	10-F1107		2	SCREW (.250-20 X .750)
3	10-F1504		4	SCREW (.250-20 X 1.250)
4	17-F8559		2	PIN-DOWEL
5	FG1034-1		1	GASKET SET
6	16-827386		1	STUD-SPEED CONTROL CABLE RETAINER
7	F521774		1	BRACKET-LOWER
8	33-312		1	SPARK PLUG (CHAMPION # L87YC)
	33-327		OPT	SPARK PLUG (RFI) (CHAMPION # RL87YC)
9	10-F1426		2	SCREW WITH LOCKWASHER (.250-20 X .437)
10	12-22937	●	2	WASHER
11	900-819367T	●	1	HEAD-CYLINDER
12	27-F521279-1	■●	1	GASKET-CYLINDER EXHAUST
13	27-F712529	■●	1	GASKET-CYLINDER HEAD
14	10-F901938-1	●	4	SCREW-CYLINDER HEAD
15	11-64015		2	NUT (.250-20)
16	13-26992		2	LOCKWASHER (.250)
17	12-35044		4	WASHER
18	10-28636		2	SCREW (.250-20 X .750)
19	10-F2040		1	SCREW (.250-20 X .625)-GROUND WIRE
20	10-28636		2	SCREW (.250-20 X .750)
-	<b>800-819854A2</b>		-	<b>POWERHEAD ASSY</b>
-	<b>FG1034-1</b>		-	<b>POWERHEAD GASKET SET</b>

● = COMPONENT OF POWERHEAD

■ = COMPONENT OF POWERHEAD GASKET SET

# CRANKSHAFT AND PISTON



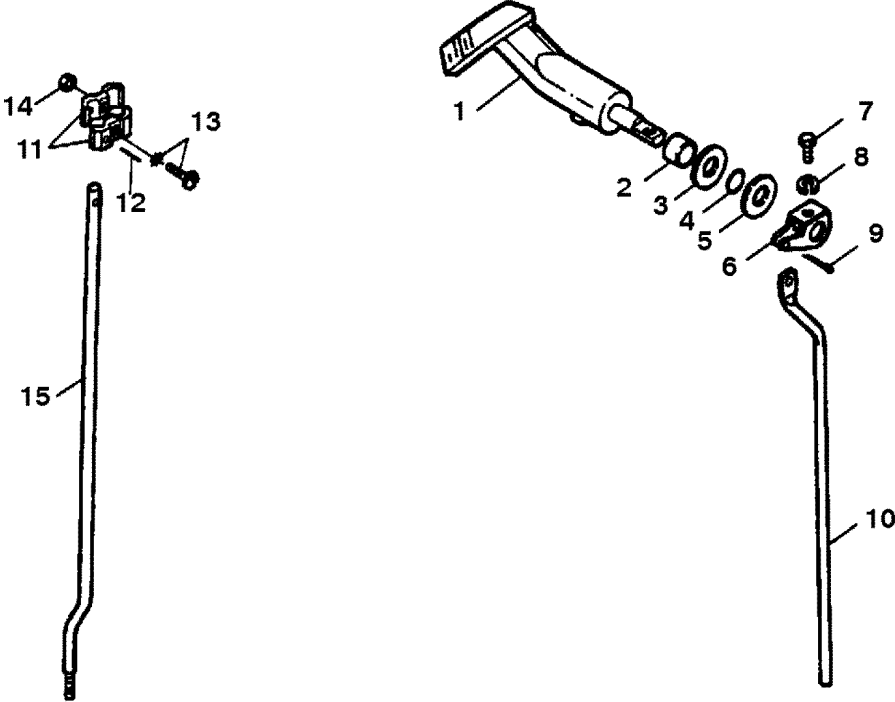
# CRANKSHAFT AND PISTON

REF. NO.	PART NO.	SYM.	QTY.	DESCRIPTION
1	700-819920A3	●	1	PISTON KIT
2	53-F31410		2	RING-RETAINING
3	41-F712017		1	PIN-PISTON
4	39-FA712260		1	RING SET-PISTON (2 RINGS)
5	600-FS715016	●	1	CONNECTING ROD ASSEMBLY
6	10-F175634		2	SCREW-CONN ROD
7	FA712228	●	1	ROLLER SET (2 STRIPS) (28 PER STRIP)
8	FK527018	●	1	CRANKSHAFT KIT
9	30-F521910		1	BEARING-CRANKSHAFT LOWER
10	F521270		1	SLINGER-CRANKSHAFT LOWER
11	25-F521579	■●	1	SEAL-CRANKSHAFT SPLINE
12	26-819798	■●	1	SEAL-CRANKSHAFT LOWER
13	31-F521013	●	1	BEARING-CRANKSHAFT UPPER
14	26-819799	■●	1	SEAL-CRANKSHAFT UPPER
15	28-F687498		1	KEY-CRANKSHAFT/FLYWHEEL
-	<b>800-819854A2</b>		-	<b>POWERHEAD ASSY</b>
-	<b>FG1034-1</b>		-	<b>POWERHEAD GASKET SET</b>

● = COMPONENT OF POWERHEAD

■ = COMPONENT OF POWERHEAD GASKET SET

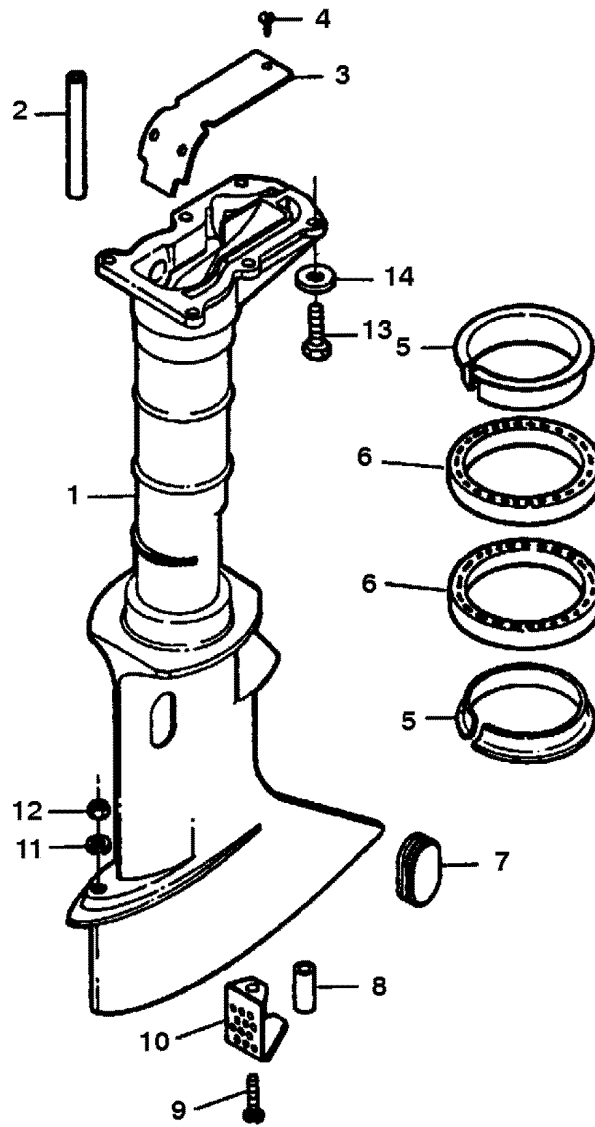
# SHIFT LINKAGE



# SHIFT LINKAGE

REF. NO.	PART NO.	SYM.	QTY.	DESCRIPTION
1	820433T		1	HANDLE-GEAR SHIFT (PAINTED)
2	23-F341610		1	BEARING-GEAR SHIFT SHAFT
3	23-F269052		1	BUSHING-SHIFT ARM
4	25-F19342		1	SEAL
5	12-34931		1	WASHER
6	F521621		1	LEVER-GEAR SHIFT
7	10-F2041		1	SCREW (#10-24 X .375)
8	13-26996		1	LOCKWASHER (#10)
9	17-29908		1	PIN-ROLL
10	F521615		1	ROD-GEAR SHIFT (UPPER)
11	FK341704		1	COUPLING KIT-GEAR SHIFT ROD
12	17-F8538		1	PIN-SPRING
13	10-F1371		1	SCREW WITH LOCKWASHER (#10-24 X .625)
14	11-F7009		1	NUT (#10-24)
15	F521705-1		1	ROD-SHIFT (LOWER) (15 IN.) FOR MODEL 225.587506
	F332705-1		1	ROD-SHIFT (LOWER) (20 IN.) FOR MODEL 225.587496

# DRIVESHAFT HOUSING

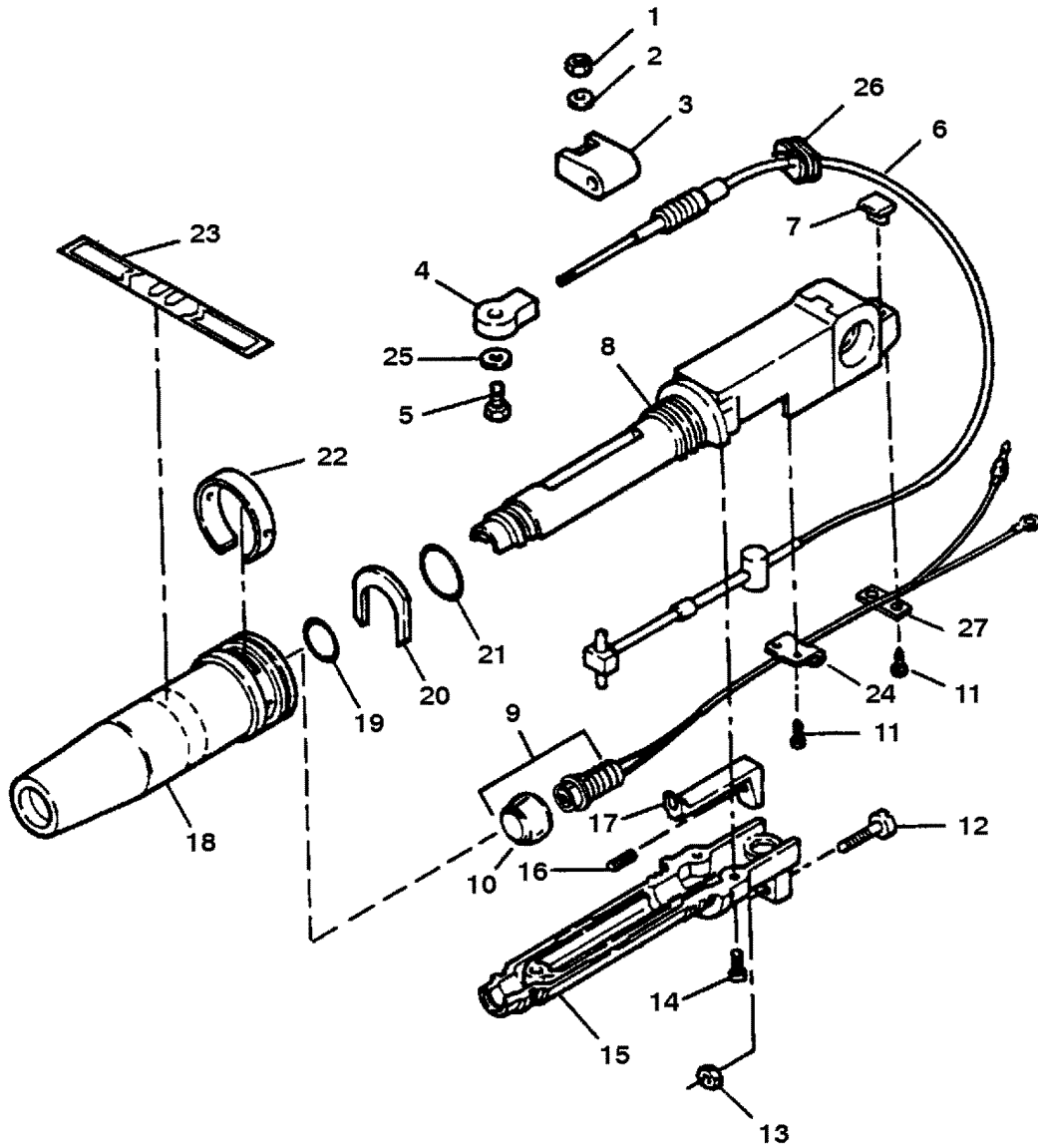




# DRIVESHAFT HOUSING

REF. NO.	PART NO.	SYM.	QTY.	DESCRIPTION
1	1500-817940A6		1	HOUSING ASSEMBLY-DRIVESHAFT (PAINTED)
2	32-F521261		1	LINE-WATER OUTLET
3	FA341151		1	PLATE KIT-EXHAUST
4	10-69080		3	SCREW (#6-32 X .250)
5	23-F468169-1		2	BEARING-SWIVEL BRACKET
6	FA468346		2	MOUNT KIT-SHOCK LOWER
7	25-F46899-1		1	COVER-SHIFT COUPLING
8	23-F521727		1	SLEEVE-IDLE RELIEF BAFFLE
9	10-F1747		1	SCREW (#10-24 X 1.687)
10	F521779		1	BAFFLE-IDLE RELIEF
11	13-26992		1	LOCKWASHER (.250)
12	11-64015		1	NUT (.250-20)
13	10-F1914		6	SCREW (.250-20 X .750)
14	12-22937		6	WASHER

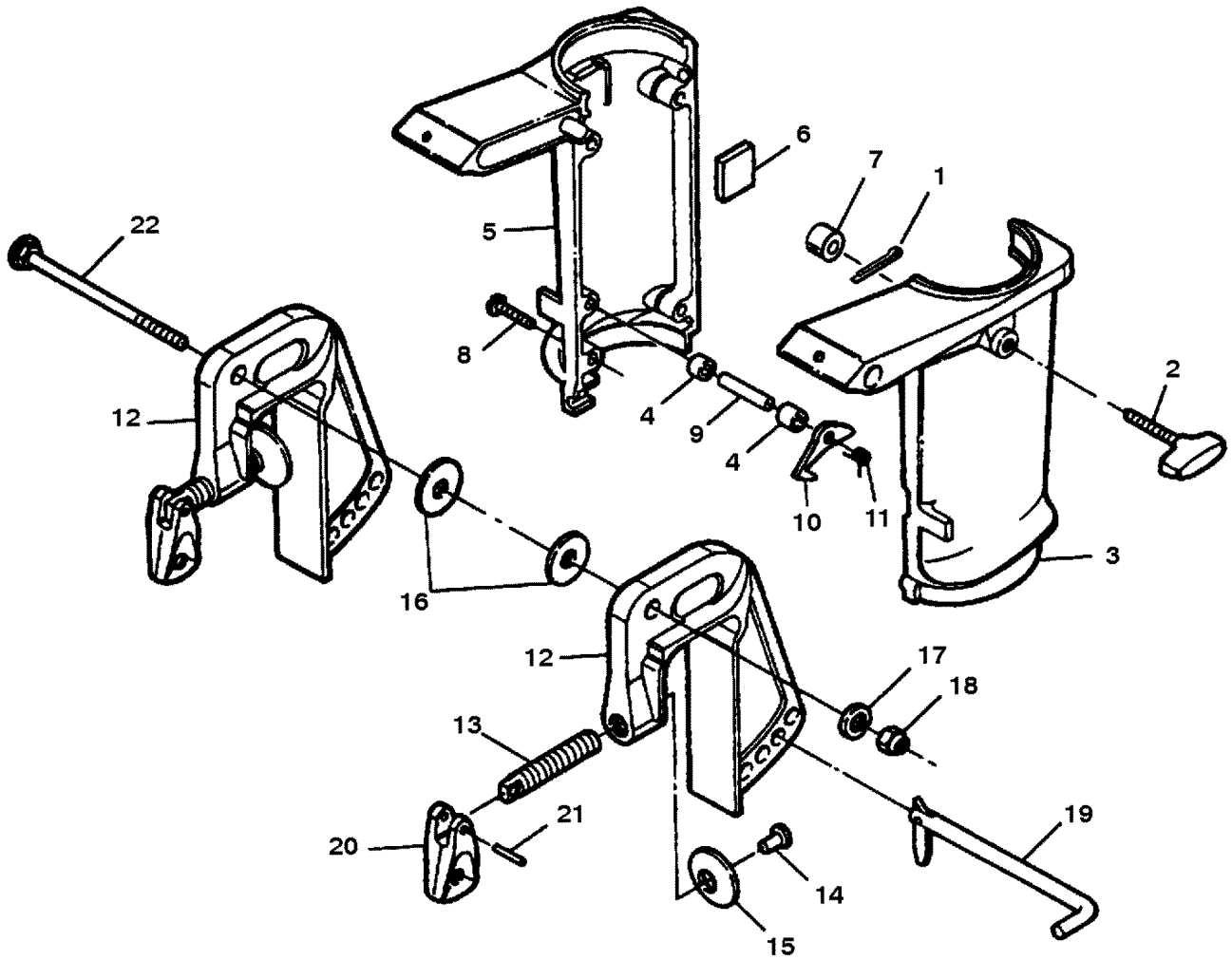
# STEERING HANDLE/TWIST GRIP THROTTLE



## STEERING HANDLE/TWIST GRIP THROTTLE

REF. NO.	PART NO.	SYM.	QTY.	DESCRIPTION
1	11-814101		1	NUT (.250-20)
2	12-29245		1	WASHER
3	F702668		1	RETAINER-SPEED CONTROL CABLE
4	F702035		1	BEARING-CONNECTOR (#10-24 RH)
5	10-90192		1	SCREW (.250-20 X .750)
6	F702444		1	CABLE-THROTTLE
7	F702025		1	PAD-HANDLE BUMPER
8	F702079T		1	ARM-STEERING (UPPER) (PAINTED)
9	87-824440A5		1	SWITCH KIT-STOP
10	824466A3		1	COVER KIT-STOP SWITCH
11	10-F2230		4	SCREW (#6-.375)
12	10-F521690-1		1	SCREW-THROTTLE LEVER ADJUST
13	11-F7009		1	NUT (#10-24)
14	10-F2219		3	SCREW (#8-18 X .750)
15	827252		1	ARM-STEERING (LOWER)
16	24-F521199		1	SPRING-THROTTLE LEVER ADJUST
17	F702198		1	STOP-IDLE
18	828070		1	GRIP-STEERING HANDLE
19	25-21836		1	O RING
20	F702178		1	RETAINER-GRIP
21	25-23145		1	O RING-GRIP REAR
22	F702687		1	COLLAR-HANDLE
23	37-F712894		1	DECAL-SPEED CONTROL INDICATOR
24	F702384		1	RETAINER
25	23-824687		1	SPACER
26	25-F702504		1	GROMMET
27	F702212		1	PLATE-CABLE CLAMP

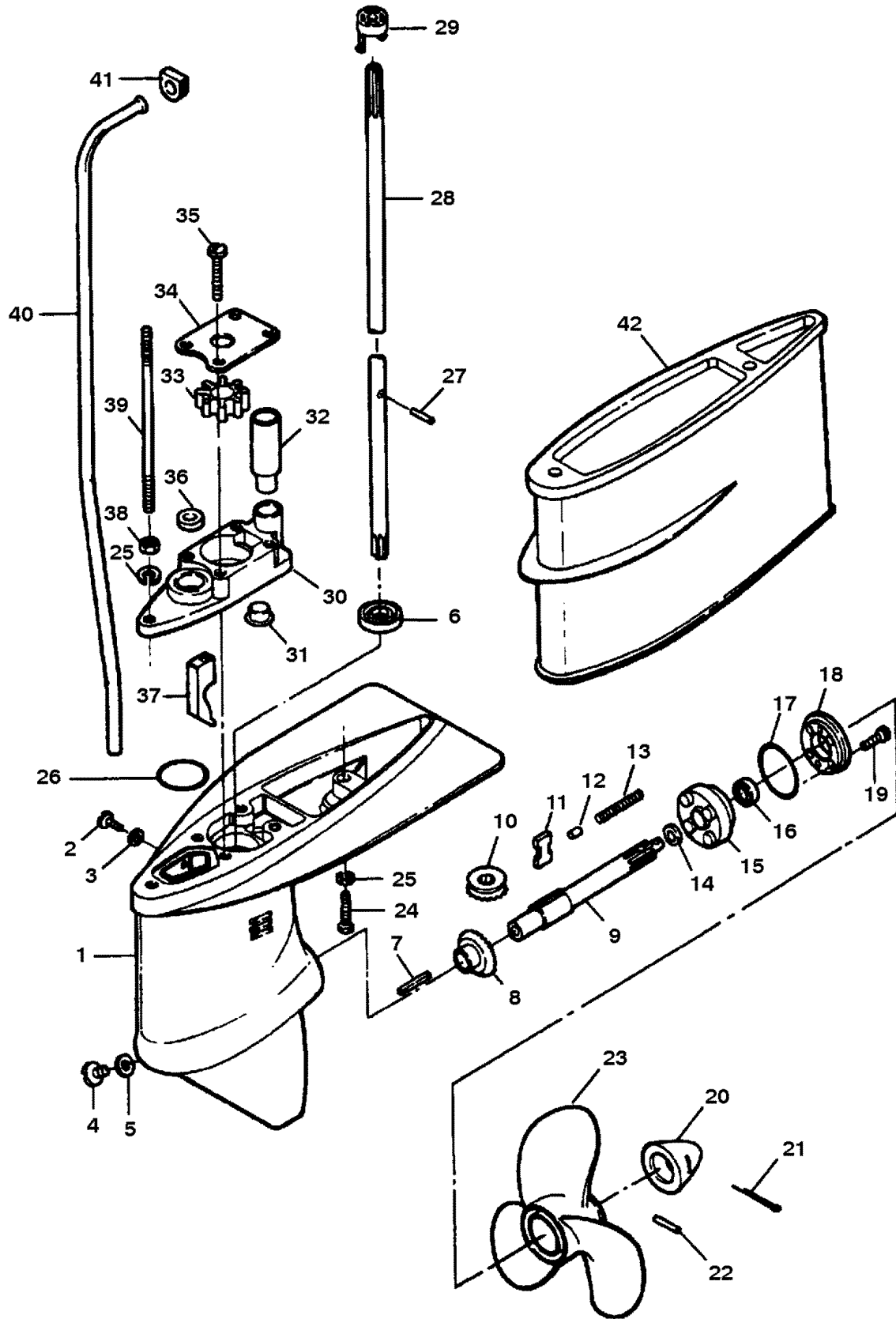
# SWIVEL BRACKET/CLAMP BRACKET



## SWIVEL BRACKET/CLAMP BRACKET

REF. NO.	PART NO.	SYM.	QTY.	DESCRIPTION
1	18-26953		1	PIN-COTTER
2	F521514		1	KNOB-STEERING FRICTION
3	817815A4		1	BRACKET-SWIVEL (PAINTED) (PORT)
4	23-26856		2	BUSHING
5	817816A6		1	BRACKET-SWIVEL (PAINTED) (STARBOARD)
6	F521661-1		1	PAD-SWIVEL FRICTION
7	F521631		1	SHOE-SWIVEL FRICTION
8	10-F2035		4	SCREW (.250-20 X 1.00)
9	17-F468350		1	PIN-REVERSE LOCK
10	F468349		1	LOCK-REVERSE
11	24-F468300-1		1	SPRING-REVERSE LOCK
12	1400-817850A5		2	BRACKET KIT-STERN (PAINTED)
13	10-826248		2	SCREW (SPECIAL)-CLAMP BRACKET
14	10-69022		2	SCREW (#10-32 X .500)
15	F24074		2	FOOT-CLAMPSCREW
16	12-F2037		2	WASHER
17	12-20553		1	WASHER
18	11-F7026		1	NUT (.375-16)
19	817810A1		1	LOCK BAR KIT
20	F424075T		2	HANDLE-CLAMPSCREW (PAINTED)
21	17-24198		2	PIN-ROLL
22	10-F468037-1		1	BOLT-STERN BRACKET PIVOT

# GEAR HOUSING



# GEAR HOUSING

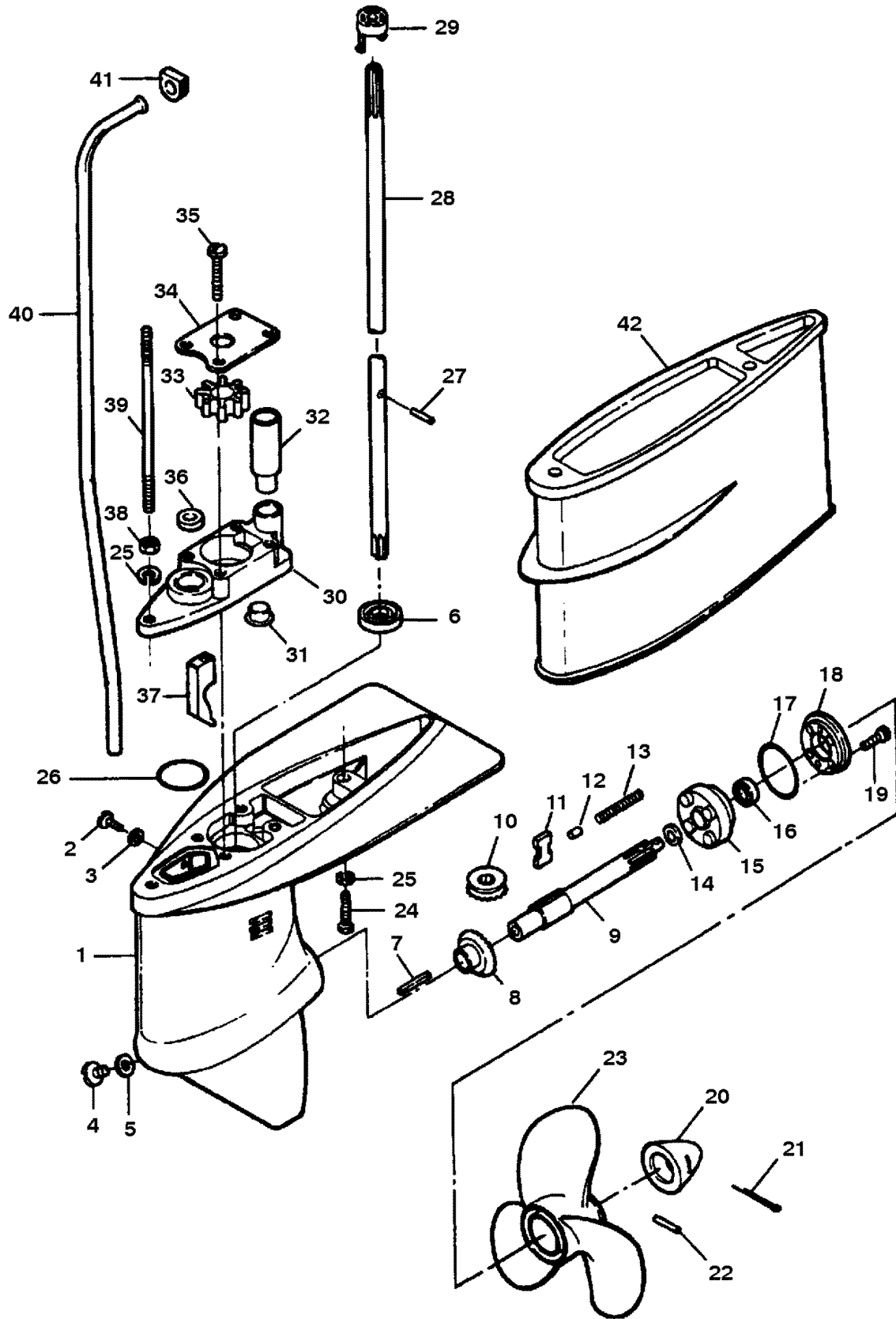
REF. NO.	PART NO.	SYM.	QTY.	DESCRIPTION
-	<b>1600-820090A3</b>		1	<b>HOUSING KIT-GEAR (COMPLETE) (PAINTED)</b>
1	1600-820090A2		1	HOUSING KIT-GEAR (BASIC) (PAINTED)
2	10-F1077		1	SCREW (#10-24 X .250)
3	12-F8074	▲	1	WASHER
4	10-F50109		1	PLUG
5	12-19183	▲	1	SEAL
6	26-F318307	▲	1	SEAL-DRIVESHAFT
7	17-F521728		1	PIN-CLUTCH SHIFT
8	43-819249A1		1	GEAR ASSEMBLY-FRONT
9	44-F409098		1	PROPSHAFT
10	43-819250		1	GEAR-PINION
11	52-F409521		1	CLUTCH-SHIFT
12	17-F318372		1	PIN-CLUTCH GUIDE
13	24-F409719		1	SPRING-CLUTCH
14	23-F521099		1	SPACER-PROPSHAFT BEARING
15	FA341298T		1	CAGE ASSEMBLY-PROPSHAFT
16	26-F521307	▲	1	SEAL-PROPSHAFT
17	25-F521305	▲	1	SEAL-PROPSHAFT BEARING CAGE
18	F521296T		1	RETAINER-PROPSHAFT CAGE (PAINTED)
19	10-F525457		4	SCREW-BEARING CAGE RETAINER
20	11-817752A1		1	NUT KIT-PROP
21	18-45882		1	PIN-COTTER
22	FA324101		1	PIN KIT-PROP (PACK OF 3 WITH COTTER PIN)
23	48-820110A20		1	PROPELLER-NYLON (7.250 X 6.500 X 3) (STANDARD)
	48-FP487		OPT	PROPELLER-ALUM (7.00 X 6.250 X 2)
	48-FP488		OPT	PROPELLER-ALUM (7.250 X 5.500 X 3)
	FP75		OPT	PROPELLER-ALUM (8.00 X 5.00 X 2)
	FP652		OPT	PROPELLER-ALUM (8.00 X 5.00 X 3)
24	10-14168		1	SCREW (.250-20 X 1.00) <b>(15 IN.) FOR MODEL 225.587506</b>
	10-F1825		1	SCREW (.250-20 X 6.00) <b>(20 IN.) FOR MODEL 225.587496</b>
25	13-26992		2	LOCKWASHER (.250)
26	25-F521783	▲○	1	SEAL-WATER PUMP BODY
27	17-F390563		1	PIN-IMPELLER DRIVE
28	45-F521128		1	DRIVESHAFT <b>(15 IN.) FOR MODEL 225.587506</b>
	45-F341128		1	DRIVESHAFT <b>(20 IN.) FOR MODEL 225.587496</b>
29	819330		1	BEARING-DRIVESHAFT SUPPORT
30	FA735060	○	1	BODY ASSEMBLY-WATER PUMP
31	19-F521246-1		1	PLUG-WATER PUMP
32	FA521735	○	1	SEAL KIT-WATER LINE
33	47-F521065-1	○	1	IMPELLER-WATER PUMP
34	F521537	○	1	PLATE-WATER PUMP TOP
35	10-F1504	○	4	SCREW (.250-20 X 1.250)

▲ = COMPONENT OF GEAR HOUSING SEAL KIT

○ = COMPONENT OF WATER PUMP KIT

CONTINUED ON NEXT PAGE ➡

# GEAR HOUSING



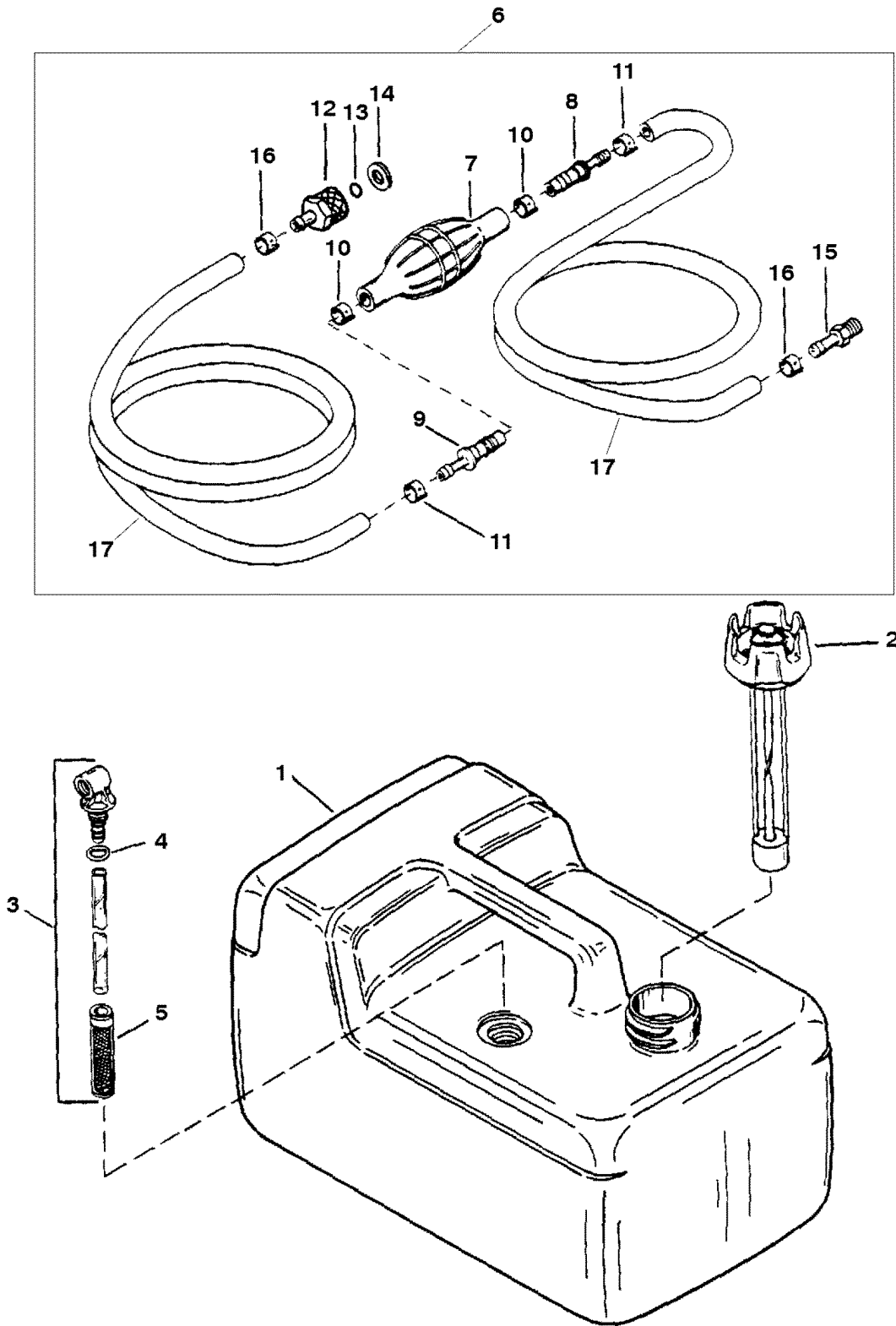


# GEAR HOUSING

REF. NO.	PART NO.	SYM.	QTY.	DESCRIPTION
36	26-817472	▲ ○	1	SEAL-GEARSHIFT ROD LOWER
37	F521721		1	CAM-CLUTCH SHIFT
38	11-64015		1	NUT (.250-20)
39	16-F601006		1	STUD (15 IN.) FOR MODEL 225.587506
	16-F535006		1	STUD (20 IN.) FOR MODEL 225.587496
40	32-F521244-1		1	LINE-WATER (15 IN.) FOR MODEL 225.587506
	32-F341244-1		1	LINE-WATER (20 IN.) FOR MODEL 225.587496
41	26-F521342-1		1	SEAL-WATER LINE UPPER
42	F521845T		1	EXTENSION (PAINTED) (20 IN.) FOR MODEL 225.587496
NS	FK1057		1	SEAL KIT-GEAR HOUSING
	46-819026A1		1	PUMP KIT-WATER

- ▲ = COMPONENT OF GEAR HOUSING SEAL KIT  
 ○ = COMPONENT OF WATER PUMP KIT

# FUEL TANK AND LINE (PLASTIC - 3.2 GALLON)



## FUEL TANK AND LINE (PLASTIC - 3.2 GALLON)

REF. NO.	PART NO.	SYM.	QTY.	DESCRIPTION
1	1260-823505A2		1	TANK ASSEMBLY-FUEL (PLASTIC - 3.2 GAL.)
2	823535		1	GAUGE ASSEMBLY
3	22-823531		1	CONNECTOR ASSEMBLY-FUEL
4	25-823533		1	O RING
5	35-823534		1	SCREEN-FUEL PICKUP
6	32-820572A8		1	LINE ASSEMBLY-FUEL (.312 I.D.) (8.00 FT.) (30 IN. & 60 IN.)
7	13330A3		1	BULB ASSEMBLY-PRIMER
8	21-13331A1		1	CHECK VALVE (INLET)
9	21-13331A2		1	CHECK VALVE (OUTLET)
10	54-41582-10		2	CLAMP (LARGE)
11	54-41582--7		2	CLAMP (SMALL)
12	F197787-3		1	COUPLER-FUEL LINE
13	F17815		1	SEAL-COUPLER
14	F17816		1	SEAL-COUPLER
15	22-89771--1		1	CONNECTOR-FUEL TANK
16	54-41582--7		2	CLAMP
NS	32-16789-78		AR	LINE-FUEL-BULK (9.00 FT.) CUT AS REQ'D
	32-16789100		AR	LINE-FUEL-BULK (100.00 FT.) CUT AS REQ'D

# MISCELLANEOUS PARTS

REF. NO.	PART NO.	SYM.	QTY.	DESCRIPTION
-	92-818252-12		AR	LACQUER-GRAPHITE GRAY ACRYLIC-SPRAY CAN (12 PER CASE)
-	92-825321-12		AR	LACQUER-GRAPHITE GRAY ACRYLIC-BRUSH BOTTLE (12 PER BOX)
-	92-819107-12		AR	LACQUER-CLEAR ACRYLIC-(FOR COWL ONLY) SPRAY CAN (12 PER CASE)

# PARTS INDEX

Part Number	Description	Pg.	Ref. No.	Part Number	Description	Pg.	Ref. No.
13330A3	BULB ASSEMBLY-PRIMER	33	7	F468349	LOCK-REVERSE	27	10
56762	CABLE TIE (4.00 IN.)	5	11	F521270	SLINGER-CRANKSHAFT		
56762	CABLE TIE (4.00 IN.)	9	10		LOWER	19	10
56762	CABLE TIE (4.00 IN.)	13	12	F521296T	RETAINER-PROPSHAFT		
817810A1	LOCK BAR KIT	27	19		CAGE (PAINTED)	29	18
817815A4	BRACKET-SWIVEL			F521514	KNOB-STEERING FRICTION	27	2
	(PAINTED) (PORT)	27	3	F521537	PLATE-WATER PUMP TOP	29	34
817816A6	BRACKET-SWIVEL			F521615	ROD-GEAR SHIFT (UPPER)	21	10
	(PAINTED) (STARBOARD)	27	5	F521621	LEVER-GEAR SHIFT	21	6
819330	BEARING-DRIVESHAFT			F521631	SHOE-SWIVEL FRICTION	27	7
	SUPPORT	29	29	F521661-1	PAD-SWIVEL FRICTION	27	6
819399A1	LANYARD-EMERGENCY			F521705-1	ROD-SHIFT (LOWER)	21	15
	STOP	9	12	F521721	CAM-CLUTCH SHIFT	31	37
819677	PLATE-REED	11	3	F521774	BRACKET-LOWER	17	7
819993T1	COVER-FUEL PUMP			F521779	BAFFLE-IDLE RELIEF	23	10
	(PAINTED)	13	10	F521845T	EXTENSION (PAINTED)	31	42
820433T	HANDLE-GEAR SHIFT			F620132	HANDLE-STARTER ROPE	7	12
	(PAINTED)	21	1	F620817	RETAINER-STARTER ROPE	7	11
820474A1	LATCH KIT-REAR	3	11	F681046	BULB-PRIMER	5	4
823535	GAUGE ASSEMBLY	33	2	F681269	HANDLE-TILT	3	2
824466A3	COVER KIT-STOP SWITCH	25	10	F681954-1	COVER-PRIMER BULB	5	3
827252	ARM-STEERING (LOWER)	25	15	F687163T	COVER-FRONT	5	10
828070	GRIP-STEERING HANDLE	25	18	F687547-1	KNOB-CHOKE-WARM UP	5	8
F10235	TUBE-BY PASS	15	3	F702025	PAD-HANDLE BUMPER	25	7
F10238	NOZZLE-MAIN	15	19	F702035	BEARING-CONNECTOR		
F10240	SHAFT-THROTTLE LINKAGE	15	21		(#10-24 RH)	25	4
F10241	E RING-THROTTLE LINKAGE			F702079T	ARM-STEERING (UPPER)		
	SHAFT	15	22		(PAINTED)	25	8
F10242	WASHER-THROTTLE			F702178	RETAINER-GRIP	25	20
	LINKAGE SHAFT	15	23	F702198	STOP-IDLE	25	17
F10248	SHUTTER-THROTTLE	15	27	F702212	PLATE-CABLE CLAMP	25	27
F10265	NEEDLE-INLET	15	18	F702384	RETAINER	25	24
F10290	BRACKET-THROTTLE	15	20	F702427	BRACKET-STARTER MOUNT	7	14
F10337	JET-MAIN (.041) (0 - 2500			F702444	CABLE-THROTTLE	25	6
	FT.)	15	30	F702505	STOP-HIGH SPEED	9	8
F10338	LINKAGE-THROTTLE SHAFT	15	24	F702668	RETAINER-SPEED		
F10339	SHAFT-THROTTLE	15	25		CONTROL CABLE	25	3
F10341	JET-MAIN (.035) (7500 -			F702687	COLLAR-HANDLE	25	22
	10000 FT.)	15	30	F702783	RETAINER-FRONT	3	8
F10342	JET-MAIN (.037) (5000 - 7500			F712167T	ADAPTER-CARBURETOR		
	FT.)	15	30		(PAINTED)	11	9
F10346	FLOAT-FUEL BOWL	15	10	F712192	CAM-THROTTLE	9	14
F15584	SPRING & KEEPER	7	4	F712504	GROMMET-REED PLATE	11	2
F15585	ROPE-STARTER	7	10	FA324101	PIN KIT-PROP (PACK OF 3		
F15604	RETAINER-DOG	7	8		WITH COTTER PIN)	29	22
F15605	SPRING-DOG	7	5	FA341151	PLATE KIT-EXHAUST	23	3
F15606	PULLEY ASSEMBLY (WITH			FA341298T	CAGE ASSEMBLY-		
	BEARING)	7	3		PROPSHAFT	29	15
F15615	SCREW	7	9	FA468346	MOUNT KIT-SHOCK LOWER	23	6
F17815	SEAL-COUPLER	33	13	FA521735	SEAL KIT-WATER LINE	29	32
F17816	SEAL-COUPLER	33	14	FA712228	ROLLER SET (2 STRIPS) (28		
F197787-3	COUPLER-FUEL LINE	33	12		PER STRIP)	19	7
F24074	FOOT-CLAMPSCREW	27	15	FA735060	BODY ASSEMBLY-WATER		
F250003	SPRING	7	7		PUMP	29	30
F250421	DOG	7	6	FG1034-1	GASKET SET	17	5
F2A24757	PLATE ASSEMBLY-FUEL			FG1034-1	POWERHEAD GASKET SET	11	-
	PUMP	13	2	FG1034-1	POWERHEAD GASKET SET	15	-
F332705-1	ROD-SHIFT (LOWER)	21	15	FG1034-1	POWERHEAD GASKET SET	17	-
F424075T	HANDLE-CLAMPSCREW			FG1034-1	POWERHEAD GASKET SET	19	-
	(PAINTED)	27	20	FK10294	GASKET SET-CARBURETOR	15	NS

# PARTS INDEX

Part Number	Description	Pg.	Ref. No.	Part Number	Description	Pg.	Ref. No.
FK10295	REPAIR KIT-CARBURETOR .	15	NS	10-F2230	SCREW (#6-.375) . . . . .	25	11
FK1057	SEAL KIT-GEAR HOUSING .	31	NS	10-F468037-1	BOLT-STERN BRACKET PIVOT . . . . .	27	22
FK1123	BOOT KIT-SPARK PLUG . . .	9	4	10-F50109	PLUG . . . . .	29	4
FK341704	COUPLING KIT-GEAR SHIFT ROD . . . . .	21	11	10-F521552	SCREW-FLYWHEEL . . . . .	9	1
FK525713	PACKING KIT (4.00 FT. BULK) (CUT 3.422 FT.) . . .	3	10	10-F521690-1	SCREW-THROTTLE LEVER ADJUST . . . . .	25	12
FK527018	CRANKSHAFT KIT . . . . .	19	8	10-F525457	SCREW-BEARING CAGE RETAINER . . . . .	29	19
FO10571	SCREW-IDLE SPEED . . . . .	15	29	10-F901938-1	SCREW-CYLINDER HEAD . .	17	14
FO15366	BOWL-FUEL . . . . .	15	12	10-FO10280	SCREW-SHUTTER . . . . .	15	8
FO15367	SHUTTER-CHOKE . . . . .	15	7	11-20890	NUT (.250-20) . . . . .	11	10
FO15520	NEEDLE-IDLE . . . . .	15	16	11-64015	NUT (.250-20) . . . . .	7	1
FO15736	SHAFT-CHOKE . . . . .	15	6	11-64015	NUT (.250-20) . . . . .	17	15
FO4784	BALL-CHOKE FRICTION SPRING . . . . .	15	4	11-64015	NUT (.250-20) . . . . .	23	12
FO8805	SPRING-CHOKE FRICTION .	15	5	11-64015	NUT (.250-20) . . . . .	31	38
FP652	PROPELLER-ALUM (8.00 X 5.00 X 3) . . . . .	29	23	11-814101	NUT (.250-20) . . . . .	25	1
FP75	PROPELLER-ALUM (8.00 X 5.00 X 2) . . . . .	29	23	11-817752A1	NUT KIT-PROP . . . . .	29	20
10-14168	SCREW (.250-20 X 1.00) . . .	29	24	11-90078	NUT (#10-32) . . . . .	3	13
10-28636	SCREW (.250-20 X .750) . . .	17	18	11-F1756	NUT (.375-16) . . . . .	5	16
10-28636	SCREW (.250-20 X .750) . . .	17	20	11-F7009	NUT (#10-24) . . . . .	3	6
10-34939	SCREW (.250-20 X .500) . . .	9	9	11-F7009	NUT (#10-24) . . . . .	21	14
10-41772	SCREW (#10-24 X .500) . . . .	3	7	11-F7009	NUT (#10-24) . . . . .	25	13
10-59771	SCREW (#10-32 X .750) . . . .	3	12	11-F7011	NUT (#10-24) . . . . .	3	9
10-69022	SCREW (#10-32 X .500) . . . .	27	14	11-F7026	NUT (.375-16) . . . . .	27	18
10-69080	SCREW (#6-32 X .250) . . . . .	23	4	12-18552	WASHER . . . . .	13	5
10-819110100	SCREW (.250-20 X 1.00) . . . .	11	6	12-18678	WASHER . . . . .	11	11
10-824352	SCREW (#10-24 X .375) . . . . .	9	15	12-19183	SEAL . . . . .	29	5
10-824353	SCREW (#8-32 X .750) . . . . .	9	16	12-20553	WASHER . . . . .	27	17
10-824678	SCREW-FRICTION . . . . .	9	7	12-22937	WASHER . . . . .	17	10
10-826248	SCREW (SPECIAL)-CLAMP BRACKET . . . . .	27	13	12-22937	WASHER . . . . .	23	14
10-90192	SCREW (.250-20 X .750) . . . .	25	5	12-29245	WASHER . . . . .	25	2
10-F10328	SCREW-SHUTTER . . . . .	15	28	12-34931	WASHER . . . . .	21	5
10-F1035	SCREW (.250-20 X .625) . . . .	5	13	12-35044	WASHER . . . . .	5	12
10-F1069	SCREW (#10-24 X 1.125) . . . .	13	6	12-35044	WASHER . . . . .	17	17
10-F1077	SCREW (#10-24 X .250) . . . . .	29	2	12-89302	WASHER . . . . .	3	4
10-F1107	SCREW (.250-20 X .750) . . . .	17	2	12-F2037	WASHER . . . . .	27	16
10-F1286	SCREW (#4-40 X .187) . . . . .	13	4	12-F286286-1	WASHER . . . . .	5	18
10-F1371	SCREW WITH LOCKWASHER (#10-24 X .625) . . . . .	21	13	12-F8015	WASHER . . . . .	5	14
10-F1426	SCREW WITH LOCKWASHER (.250-20 X .437) . . . . .	17	9	12-F8074	WASHER . . . . .	29	3
10-F1504	SCREW (.250-20 X 1.250) . . . .	17	3	12-F8143	WASHER . . . . .	3	5
10-F1504	SCREW (.250-20 X 1.250) . . . .	29	35	13-21272	LOCKWASHER (.250 INTERNAL) . . . . .	7	13
10-F1747	SCREW (#10-24 X 1.687) . . . .	23	9	13-26992	LOCKWASHER (.250) . . . . .	17	16
10-F175634	SCREW-CONN ROD . . . . .	19	6	13-26992	LOCKWASHER (.250) . . . . .	23	11
10-F1825	SCREW (.250-20 X 6.00) . . . . .	29	24	13-26992	LOCKWASHER (.250) . . . . .	29	25
10-F1914	SCREW (.250-20 X .750) . . . .	23	13	13-26996	LOCKWASHER (#10) . . . . .	21	8
10-F2008	SCREW (.250-20 X .875) . . . . .	11	8	13-F8060	LOCKWASHER (.250 EXTERNAL) . . . . .	11	7
10-F2035	SCREW (.250-20 X 1.00) . . . . .	27	8	16-826625	STUD (.250-20 X 1.130) WITH DRI LOC . . . . .	11	5
10-F2040	SCREW (.250-20 X .625)- GROUND WIRE . . . . .	17	19	16-827386	STUD-SPEED CONTROL CABLE RETAINER . . . . .	17	6
10-F2041	SCREW (#10-24 X .375) . . . . .	21	7	16-827618	STUD-STEERING HANDLE . .	5	6
10-F2211	SCREW (#10-24 X .625) . . . . .	3	3	16-F535006	STUD . . . . .	31	39
10-F2219	SCREW (#8-18 X .750) . . . . .	25	14	16-F601006	STUD . . . . .	31	39
				17-24198	PIN-ROLL . . . . .	27	21
				17-29908	PIN-ROLL . . . . .	21	9
				17-F318372	PIN-CLUTCH GUIDE . . . . .	29	12
				17-F390563	PIN-IMPELLER DRIVE . . . .	29	27

# PARTS INDEX

Part Number	Description	Pg.	Ref. No.	Part Number	Description	Pg.	Ref. No.
17-F468350	PIN-REVERSE LOCK	27	9	27-F712529	GASKET-CYLINDER HEAD	17	13
17-F521728	PIN-CLUTCH SHIFT	29	7	27-FO15623	GASKET-FUEL BOWL	15	13
17-F8538	PIN-SPRING	21	12	27-FO2510	GASKET-FUEL BOWL	15	15
17-F8559	PIN-DOWEL	17	4	28-F687498	KEY-		
17-FO13944	PIN-FLOAT	15	11		CRANKSHAFT/FLYWHEEL	19	15
18-26953	PIN-COTTER	27	1	30-F521910	BEARING-CRANKSHAFT		
18-45882	PIN-COTTER	29	21		LOWER	19	9
19-F521246-1	PLUG-WATER PUMP	29	31	31-F521013	BEARING-CRANKSHAFT		
19-FO10588	PLUG-CUP	15	2		UPPER	19	13
19-FO2531	PLUG-WELCH	15	9	32-16789-78	LINE-FUEL-BULK (9.00 FT.)		
21-13331A1	CHECK VALVE (INLET)	33	8		CUT AS REQ'D	33	NS
21-13331A2	CHECK VALVE (OUTLET)	33	9	32-16789100	LINE-FUEL-BULK (100.00		
22-823531	CONNECTOR ASSEMBLY-				FT.) CUT AS REQ'D	33	NS
	FUEL	33	3	32-819398T	HOSE-FUEL (18.00 IN. BULK)		
					(CUT 12.00 IN.)	5	5
22-850314	FITTING-FUEL PUMP	13	7	32-819398T	HOSE-FUEL (18.00 IN. BULK)		
22-89771--1	CONNECTOR-FUEL TANK	33	15		(CUT 3.00 IN.)	13	11
22-F197767-2	BUSHING-FUEL	5	9	32-819398T	HOSE-FUEL (18.00 IN. BULK)		
22-F681188	NUT-STOP SWITCH SLEEVE	9	13		(CUT 4.75 IN.)	13	14
22-F901811	FILTER-FUEL PUMP	13	7	32-819398T	HOSE-FUEL (18.00 IN. BULK)		
23-26856	BUSHING	27	4		(CUT 6.120 IN.)	5	2
23-824687	SPACER	25	25	32-819398T	HOSE-FUEL (18.00 IN. BULK)		
23-F269052	BUSHING-SHIFT ARM	21	3		(CUT 9.180 IN.)	13	8
23-F341610	BEARING-GEAR SHIFT			32-820572A8	LINE ASSEMBLY-FUEL (.312		
	SHAFT	21	2		I.D.) (8.00 FT.) (30 IN. & 60		
23-F468169-1	BEARING-SWIVEL BRACKET	23	5		IN.)	33	6
23-F521099	SPACER-PROPSHAFT			32-F341244-1	LINE-WATER	31	40
	BEARING	29	14	32-F521244-1	LINE-WATER	31	40
23-F521319	BUSHING	5	15	32-F521261	LINE-WATER OUTLET	23	2
23-F521727	SLEEVE-IDLE RELIEF			33-312	SPARK PLUG (CHAMPION #		
	BAFFLE	23	8		L87YC)	17	8
24-27160	SPRING-IDLE NEEDLE	15	17	33-327	SPARK PLUG (RFI)		
24-F10246	SPRING-RETURN	15	26		(CHAMPION # RL87YC)	17	8
24-F409719	SPRING-CLUTCH	29	13	34-F18160-3	REED	13	3
24-F468300-1	SPRING-REVERSE LOCK	27	11	34-F31160-2	REED	11	4
24-F521199	SPRING-THROTTLE LEVER			35-823534	SCREEN-FUEL PICKUP	33	5
	ADJUST	25	16	35-828998	FILTER-FUEL (DESIGN II)	13	13
25-21836	O RING	25	19	37-818029--1	DECAL-FUEL MIX	5	17
25-23145	O RING-GRIP REAR	25	21	37-826341--9	DECAL (STARBOARD)	3	16
25-823533	O RING	33	4	37-826341-10	DECAL (PORT)	3	16
25-F19342	SEAL	21	4	37-826341-11	DECAL (REAR)	3	15
25-F46899-1	COVER-SHIFT COUPLING	23	7	37-826341-12	DECAL (FRONT)-STARTING		
25-F521305	SEAL-PROPSHAFT BEARING				INSTRUCTIONS	3	14
	CAGE	29	17	37-F712894	DECAL-SPEED CONTROL		
25-F521579	SEAL-CRANKSHAFT SPLINE	19	11		INDICATOR	25	23
25-F521783	SEAL-WATER PUMP BODY	29	26	39-FA712260	RING SET-PISTON (2 RINGS)	19	4
25-F702504	GROMMET	25	26	41-F712017	PIN-PISTON	19	3
26-817472	SEAL-GEARSHIFT ROD			43-819249A1	GEAR ASSEMBLY-FRONT	29	8
	LOWER	31	36	43-819250	GEAR-PINION	29	10
26-819798	SEAL-CRANKSHAFT LOWER	19	12	44-F409098	PROPSHAFT	29	9
26-819799	SEAL-CRANKSHAFT UPPER	19	14	45-F341128	DRIVESHAFT	29	28
26-F318307	SEAL-DRIVESHAFT	29	6	45-F521128	DRIVESHAFT	29	28
26-F521307	SEAL-PROPSHAFT	29	16	46-819026A1	PUMP KIT-WATER	31	NS
26-F521342-1	SEAL-WATER LINE UPPER	31	41	47-F521065-1	IMPELLER-WATER PUMP	29	33
27-818043A1	DIAPHRAGM/GASKET SET-			48-820110A20	PROPELLER-NYLON (7.250		
	FUEL PUMP	13	1		X 6.500 X 3) (STANDARD)	29	23
27-F18906	GASKET-FLANGE	15	31	48-FP487	PROPELLER-ALUM (7.00 X		
27-F24748-2	GASKET-FUEL PUMP	13	9		6.250 X 2)	29	23
27-F521168	GASKET-CARBURETOR			48-FP488	PROPELLER-ALUM (7.250 X		
	ADAPTER	11	1		5.500 X 3)	29	23

# PARTS INDEX

Part Number	Description	Pg.	Ref. No.	Part Number	Description	Pg.	Ref. No.
50-F687063	STARTER ASSEMBLY- REWIND .....	7	2				
52-F409521	CLUTCH-SHIFT .....	29	11				
53-F31410	RING-RETAINING .....	19	2				
54-41582--7	CLAMP .....	33	16				
54-41582--7	CLAMP (SMALL) .....	33	11				
54-41582-10	CLAMP (LARGE) .....	33	10				
54-827255	CLAMP .....	5	11				
84-824486A2	CABLE ASSEMBLY-STOP ..	9	6				
87-824440A5	SWITCH KIT-STOP .....	25	9				
87-F687287	SWITCH-EMERGENCY STOP	9	11				
90-830209--2	OWNERS MANUAL/PARTS MANUAL .....	3	17				
92-818252-12	LACQUER-GRAPHITE GRAY ACRYLIC-SPRAY CAN (12 PER CASE) .....	34	-				
92-819107-12	LACQUER-CLEAR ACRYLIC-( FOR COWL ONLY) SPRAY CAN (12 PER CASE) ....	34	-				
92-825321-12	LACQUER-GRAPHITE GRAY ACRYLIC-BRUSH BOTTLE (12 PER BOX) .....	34	-				
100-820190A3	COWL ASSEMBLY-TOP (PAINTED) .....	3	1				
100-820190A5	COWL ASSEMBLY-TOP (PAINTED) .....	3	1				
100-820432T	COWL-BOTTOM (PAINTED) .	5	1				
100-F687038T	PLATE-SUPPORT (PAINTED)	5	7				
200-819363T	FLYWHEEL (PAINTED) ....	9	2				
300-819156T	MODULE-IGNITION (CUT WIRE AS REQ'D) .....	9	3				
300-819345A2	PLATE ASSEMBLY-STATOR	9	5				
600-FS715016	CONNECTING ROD ASSEMBLY .....	19	5				
700-819920A3	PISTON KIT .....	19	1				
800-819854A1	CYLINDER BLOCK KIT ....	17	1				
800-819854A2	POWERHEAD ASSEMBLY (PAINTED) .....	17	-				
800-819854A2	POWERHEAD ASSY .....	11	-				
800-819854A2	POWERHEAD ASSY .....	13	-				
800-819854A2	POWERHEAD ASSY .....	17	-				
800-819854A2	POWERHEAD ASSY .....	19	-				
900-819367T	HEAD-CYLINDER .....	17	11				
1260-823505A2	TANK ASSEMBLY-FUEL (PLASTIC - 3.2 GAL.) ....	33	1				
1300-F712061	CARBURETOR (HO-4A) ....	15	1				
1399-2407	JET-MAIN (.039) (2500 - 5000 FT.) .....	15	30				
1399-5128	SCREW-FUEL BOWL .....	15	14				
1400-817850A5	BRACKET KIT-STERN (PAINTED) .....	27	12				
1500-817940A6	HOUSING ASSEMBLY- DRIVESHAFT (PAINTED) .	23	1				
1600-820090A2	HOUSING KIT-GEAR (BASIC) (PAINTED) .....	29	1				
1600-820090A3	HOUSING KIT-GEAR .....	29	-				