



# PARTS CATALOG

## 5 H.P.

### SERIAL NUMBER

5C .....M 6E3-102151 AND UP  
5C .....ML 6E3-400101 AND UP

# TABLE OF CONTENTS:

C.D.I. MAGNETO .....	10
CARBURETOR .....	22
COWLING .....	4
CRANKCASE AND CYLINDER HEAD .....	14
CRANKSHAFT AND PISTON .....	18
DRIVESHAFT HOUSING/ CLAMP AND SWIVEL BRACKET .....	34
DRIVESHAFT HOUSING/CLAMP AND SWIVEL BRACKET .....	32
FUEL TANK (PLASTIC-6.6 GALLON) .....	50
FUEL TANK AND FUEL LINE ASSEMBLY .....	44
FUEL TANK AND FUEL LINE ASSEMBLY .....	46
FUEL TANK AND FUEL LINE ASSEMBLY .....	48
GEAR SHIFT LINKAGE .....	28
GEARHOUSING ASSEMBLY .....	38
INTAKE MANIFOLD .....	20
OPTIONAL PARTS .....	30
PARTS INDEX .....	52
PROP CHART .....	2
RECOIL STARTER .....	8
THROTTLE CONTROL .....	26

**NOTE:** Indented description indicate that these parts are included in preceeding assembly.

**AR** = As Required

**NSS** = Not Sold Separate

**OPT** = Optional

**NS** = Not Shown

**NOTE:** Following symbols are located in **SYM** column.

● = CONTENTS OF POWERHEAD GASKET SET [27-14196M].

▲ = CONTENTS OF LOWER UNIT GASKET SET [27-96324M].

■ = CONTENTS OF CARBURETOR REPAIR KIT [14184M].

✚ = CONTENTS OF WATER PUMP REPAIR KIT [96325M].

▣ = CONTENTS OF POWERHEAD GASKET SET [27-96386M].

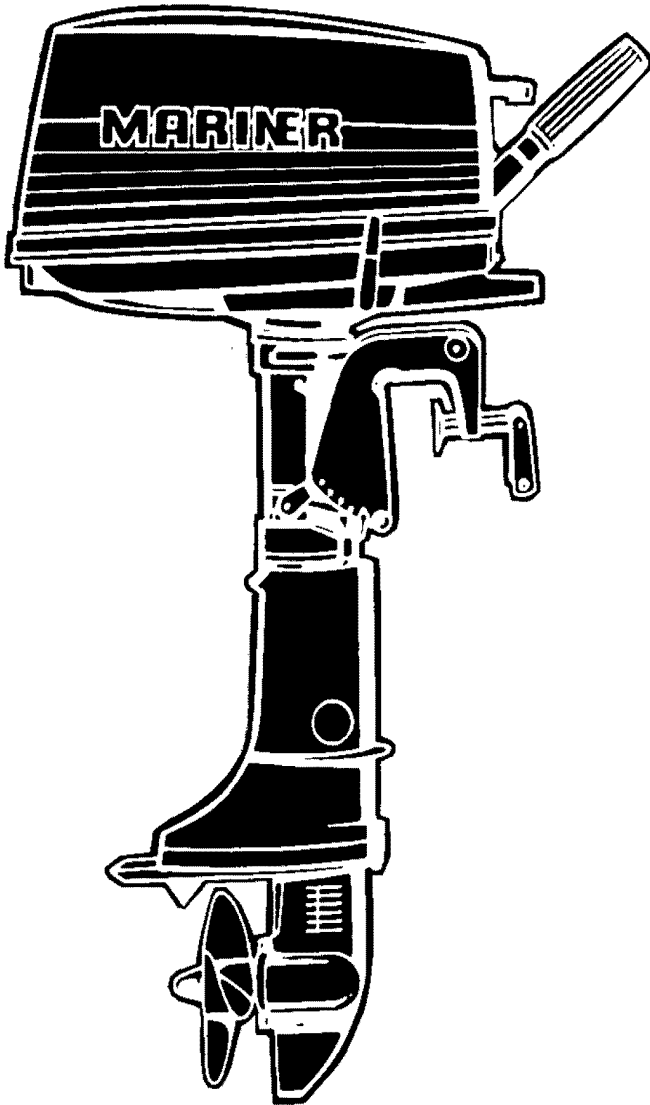
† = CONTENTS OF CHROME PUMP KIT [96326M].

◇ = CONTENTS OF POWERHEAD GASKET SET [27-41289M].

**THESE PARTS BOOKS/FICHE CARD ARE COPYRIGHTED AND MAY NOT BE DISTRIBUTED OR REPRODUCED IN ANY OTHER FORMAT BY ANYONE OTHER THAN MERCURY MARINE WITHOUT THE PRIOR WRITTEN CONSENT OF MERCURY MARINE.**

THIS PAGE INTENTIONALLY LEFT BLANK

# PROP CHART



## **MARINER 5 H.P.**

Full Throttle RPM:  
4500-5500

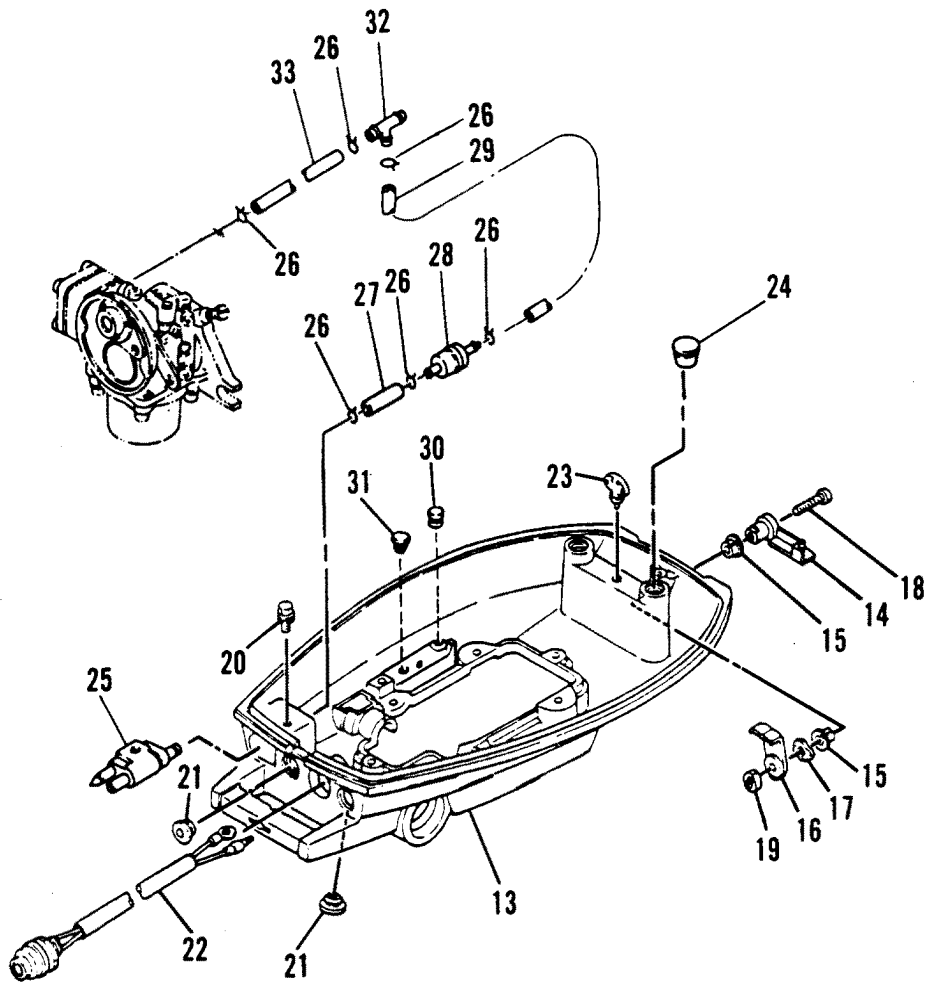
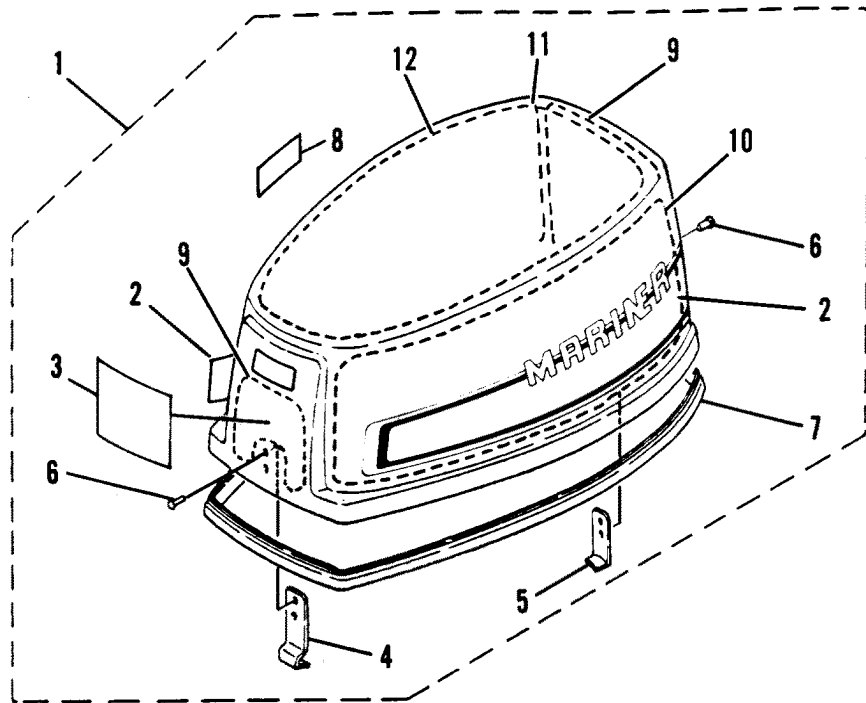
Gear Ratio:  
2.08:1

# PROP CHART

REF. NO.	PART NO.	SYM.	QTY.	DESCRIPTION
-	48-96590M		0	PROPELLER (PITCH 8")(ALUMINUM) 3 BLADES, STANDARD PROPELLER FURNISHED WITH ENGINE
-	48-96591M		0	PROPELLER (PITCH 7")(ALUMINUM) 3 BLADES
-	48-96592M		0	PROPELLER (PITCH 7-1/4")(ALUMINUM) 3 BLADES, WEEDLESS PROPELLER
-	48-96593M		0	PROPELLER (PITCH 8-1/4")(ALUMINUM) 3 BLADES, WEEDLESS PROPELLER

RECOMMENDED TRANSOM HEIGHT : LONG SHAFT 20", STANDARD 15"

# COWLING

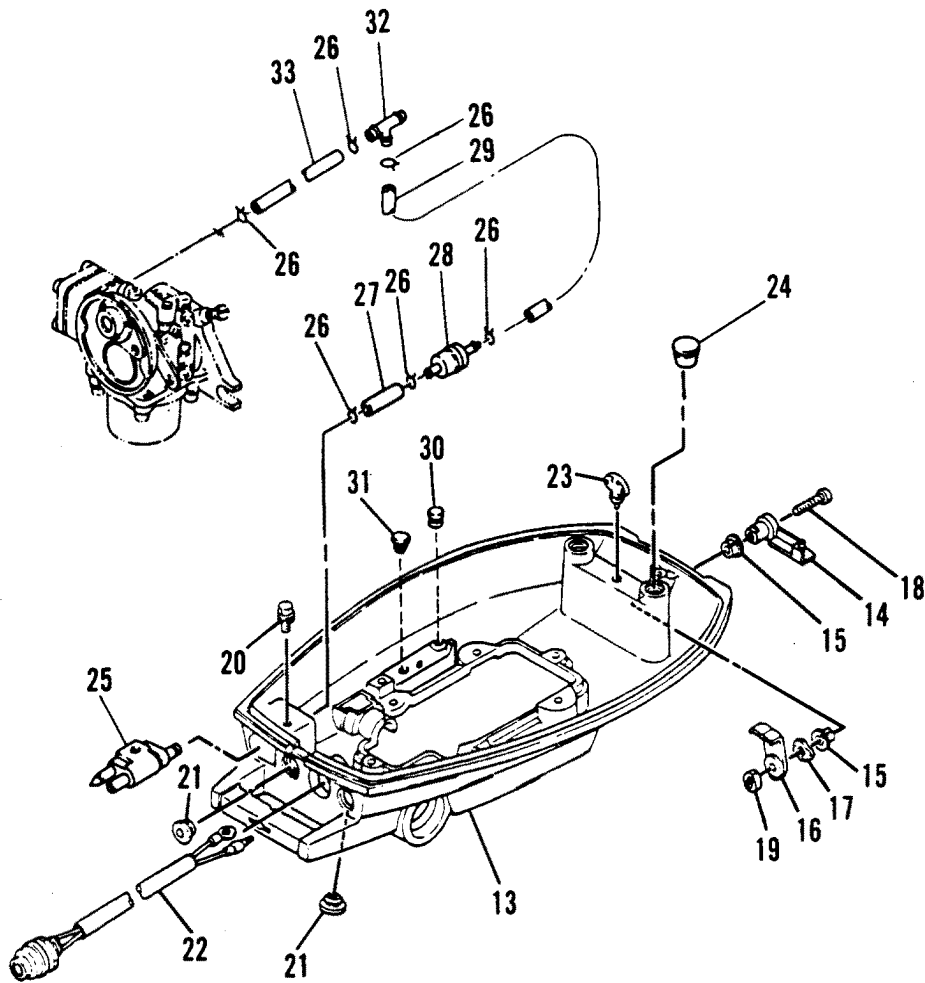
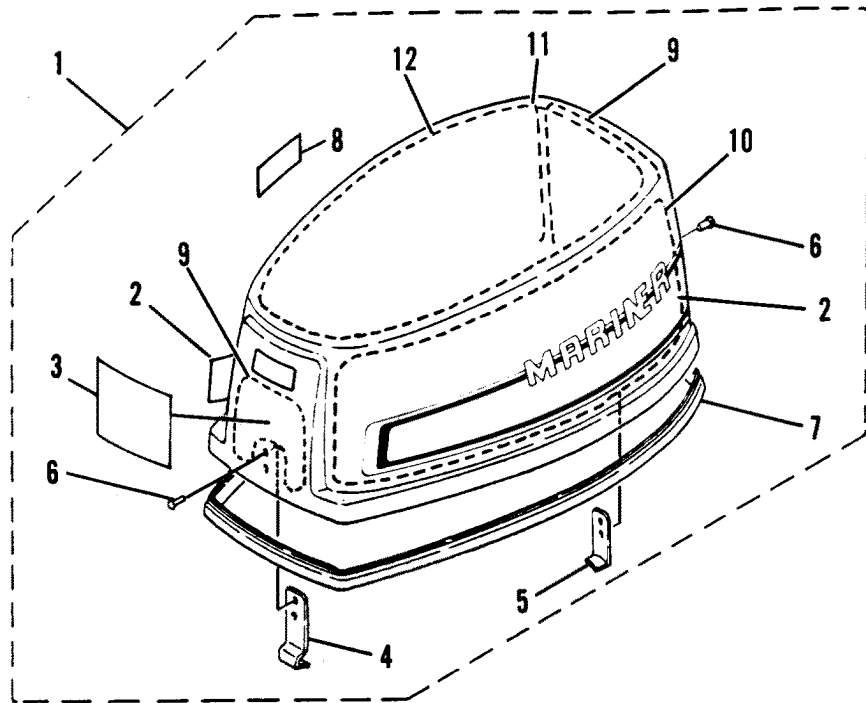


# COWLING

REF. NO.	PART NO.	SYM.	QTY.	DESCRIPTION
1	2168-811007M		1	TOP COWLING ASS'Y SERIAL (M-162953 ML-435351) AND ABOVE
	2168-9657M		1	TOP COWLING ASS'Y SERIAL (M-162952 ML-435350) AND BELOW
2	37-810933A90		1	DECAL, SIDE SET SERIAL (M-162953 ML-435351) AND ABOVE
	37-11924M		1	DECAL, SIDE SET SERIAL (M-136244 THRU 162952 ML-420839 THRU 435350)
	37-98964M		1	DECAL, SIDE SET SERIAL (M-136243 ML-420838) AND BELOW
3	NSS		1	DECAL, FRONT (PART OF 37-810933A90) SERIAL (M-162953 ML-435351) AND ABOVE
	37-11914M		1	DECAL, FRONT SERIAL (M-162952 ML-435350) AND BELOW
4	814454M		1	HOOK SERIAL (M-159237 ML-433188) AND ABOVE
	91656M		1	HOOK SERIAL (M-154199 THRU 159236 ML-430159 THRU 433187)
5	98957M		1	HOLDER, CLAMP BAND
6	17-83140M		4	RIVET
7	91658M		1	SEAL
8	37-81202M		1	DECAL, SHIFT
9	84323M		2	SOUND BLANKET, FRONT AND REAR SERIAL (M-006976 THRU 149803 ML-304984 THRU 427441)
10	83232M		1	SOUND BLANKET, PORT SERIAL (M-006976 THRU 149803 ML-304984 THRU 427441)
11	83232M		1	SOUND BLANKET, STARBOARD SERIAL (M-006976 THRU 149803 ML-304984 THRU 427441)
12	95482M		1	SOUND BLANKET, TOP SERIAL (M-006976 THRU 149803 ML-304984 THRU 427441)
13	2168-9790M		1	COWLING, BOTTOM SERIAL (M-154200 ML-430160) AND ABOVE
	2168-9340M		1	COWLING, BOTTOM SERIAL (M-154199 ML-430159) AND BELOW
14	91659M		1	LEVER, CLAMP
15	23-81949M		2	BUSHING
16	91660M		1	LEVER, CLAMP
17	13-81869M		1	WASHER, WAVE
18	10-814482M		1	SCREW SERIAL (M-159237 ML-433188) AND ABOVE
	10-82179M		1	SCREW SERIAL (M-159236 ML-433187) AND BELOW
19	11-82381M		1	NUT
20	10-91779M		1	BOLT
21	25-91675M		2	GROMMET
22	87-91676M		1	STOP SWITCH ASS'Y
23	80033M		1	HOLDER, PIN
24	23-96389M		2	GROMMET
25	14187M		1	FUEL CONNECTOR
26	54-82047M		6	CLAMP

CONTINUED ON NEXT PAGE ➡

# COWLING

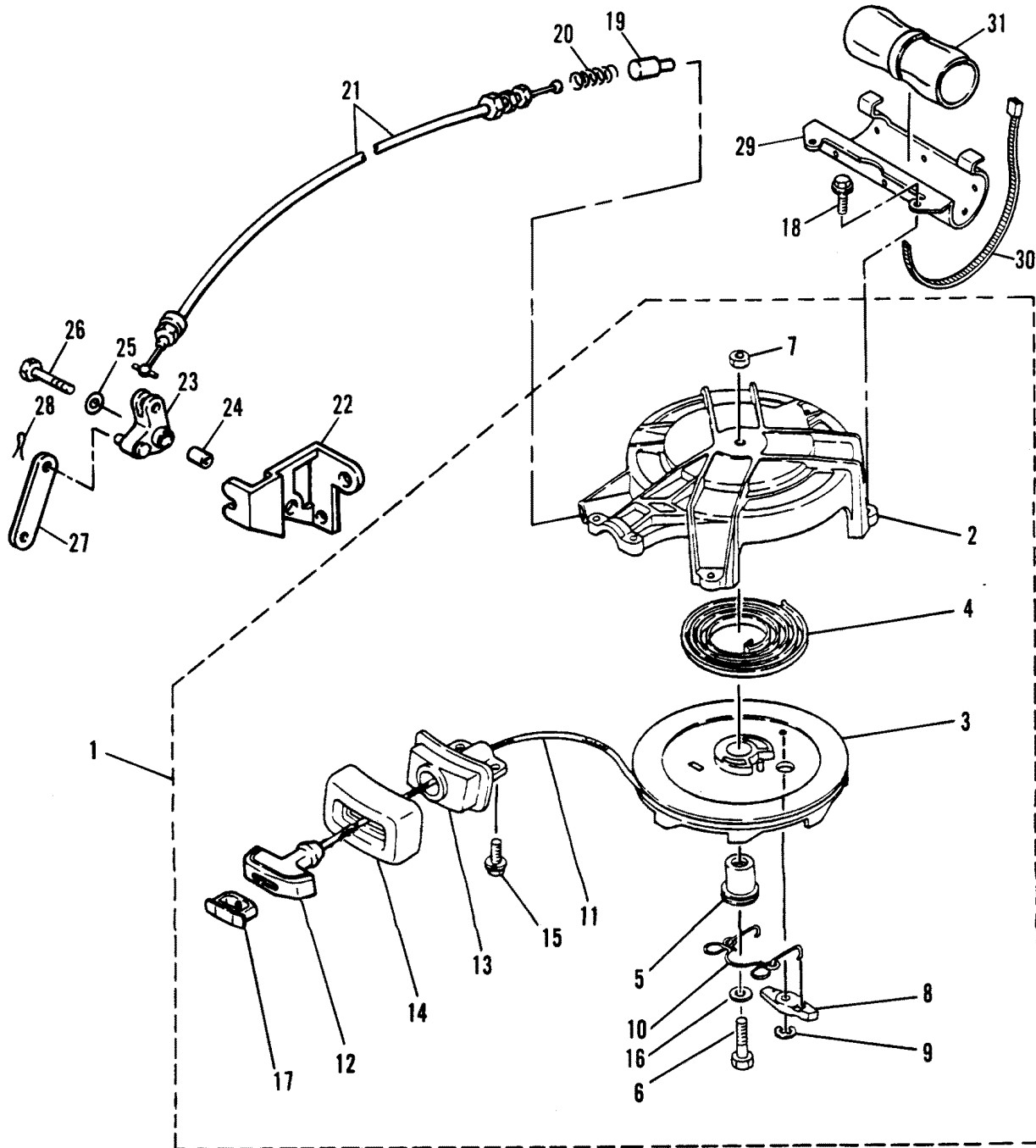




# COWLING

REF. NO.	PART NO.	SYM.	QTY.	DESCRIPTION
27	32-82003M		1	HOSE
28	35-80365M		1	FILTER
29	32-83772M		1	HOSE
30	25-16633M		1	GROMMET SERIAL (M-149804 THRU 154199 ML-427442 THRU 430159)
31	25-16634M		1	GROMMET SERIAL (M-149804 THRU 154199 ML-427442 THRU 430159)
32	22-97083M		1	FUEL PIPE JOINT (TEE)
33	32-97129M		1	HOSE

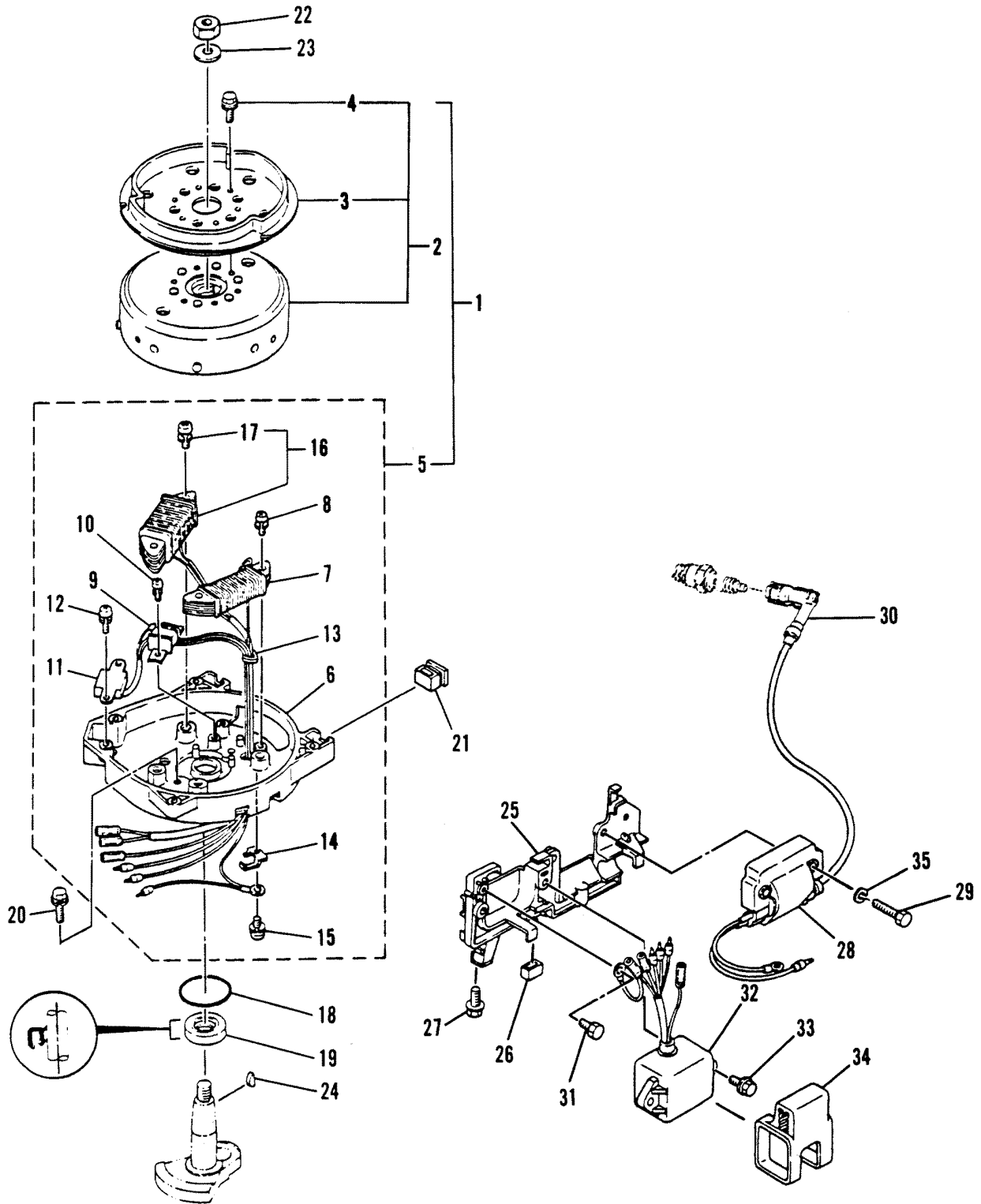
# RECOIL STARTER



# RECOIL STARTER

REF. NO.	PART NO.	SYM.	QTY.	DESCRIPTION
1	2169-9217M		1	STARTER ASS'Y
2	2169-9218M		1	CASE, STARTER
3	50-99986M		1	STARTER, SHEAVE
4	24-95484M		1	SPRING, SPIRAL
5	91680M		1	SHAFT
6	10-83285M		1	<b>BOLT SERIAL (M-110396 ML-406501) AND ABOVE</b>
	10-91681M		1	<b>BOLT SERIAL (M-110395 ML-406500) AND BELOW</b>
7	11-82380M		1	NUT
8	83252M		1	PAWL, DRIVE
9	53-84895M		1	SNAP RING
10	24-91682M		1	SPRING, DRIVE PAWL
11	50-12066A9		1	STARTER ROPE
12	95468M		1	HANDLE, STARTER
13	41251M		1	GUIDE, ROPE
14	91685M		1	SEAL, RUBBER
15	10-91686M		2	BOLT
16	12-92564M		1	<b>WASHER SERIAL (M-110396 ML-406501) AND ABOVE</b>
17	18841M		1	<b>COVER SERIAL (M-154200 ML-430160) AND ABOVE</b>
	41882M		1	<b>COVER SERIAL (M-006976 THRU 154199 ML-304984 THRU 430159)</b>
18	10-91779M		3	BOLT
19	81106M		1	PLUNGER
20	24-82079M		1	SPRING
21	96391M		1	WIRE COMPLETE
22	814483M		1	<b>BRACKET SERIAL (M-159237 ML-433188) AND ABOVE</b>
	96392M		1	<b>BRACKET SERIAL (M-159236 ML-433187) AND BELOW</b>
23	96393M		1	ARM
24	23-81974M		1	COLLAR
25	12-83769M		1	WASHER
26	10-83539M		1	BOLT
27	96383M		1	LINK
28	18-82051M		1	CLIP
29	96394M		1	BRACKET
30	95485M		1	<b>STRAP SERIAL (M-006976 ML-304984) AND ABOVE</b>
	96395M		1	<b>STRAP SERIAL (M-006975 ML-304983) AND BELOW</b>
31	91-80277M		1	TOOL KIT

# C.D.I. MAGNETO



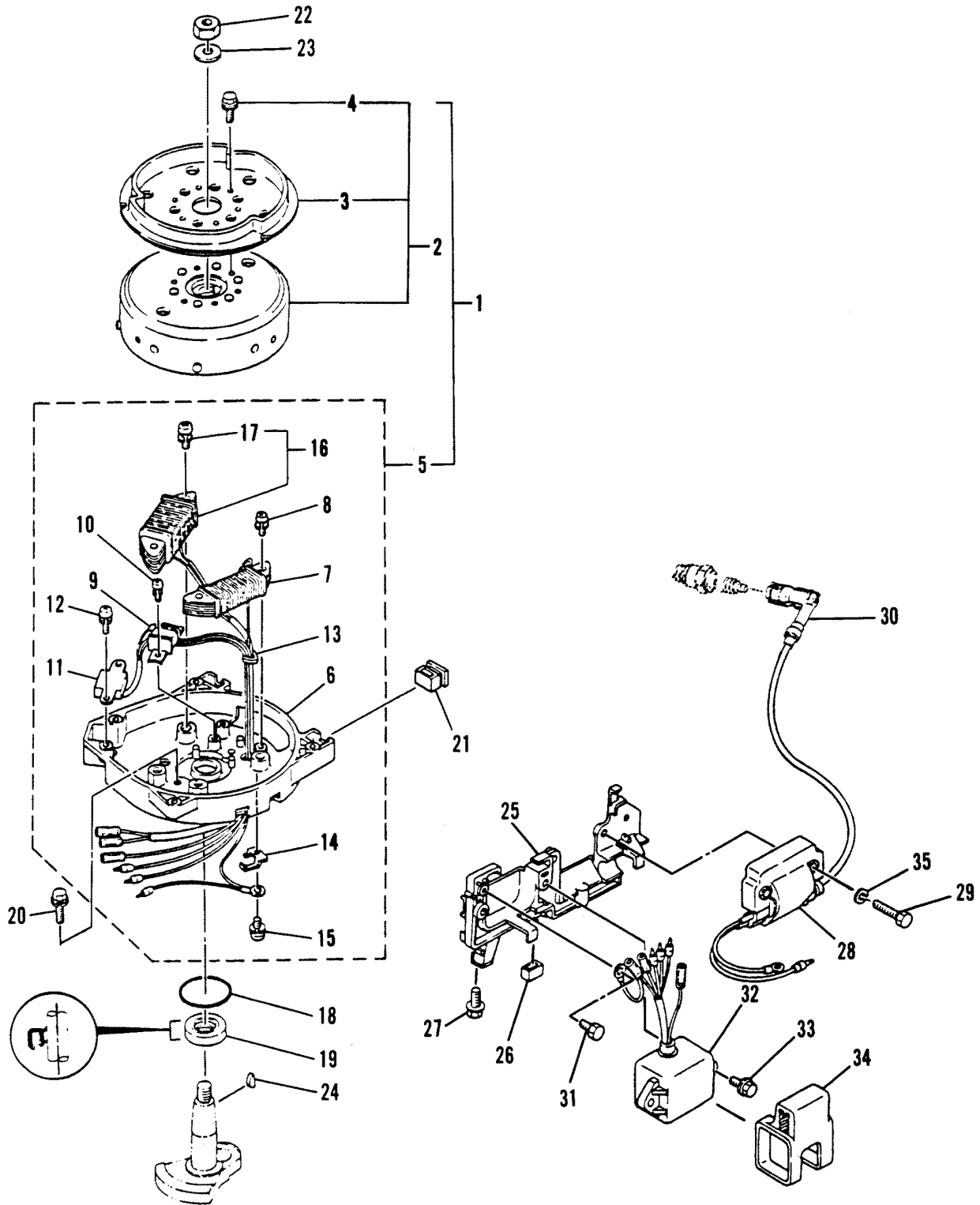
# C.D.I. MAGNETO

REF. NO.	PART NO.	SYM.	QTY.	DESCRIPTION
1	253-8252M		1	C.D.I. MAGNETO ASS'Y SERIAL (M-159236 ML-433187) AND BELOW
2	253-9775M		1	FLYWHEEL ASS'Y SERIAL (M-154200 ML-430160) AND ABOVE
	253-8253M		1	FLYWHEEL ASS'Y SERIAL (M-154199 ML-430159) AND BELOW
3	50-91687M		1	RACHET, STARTER
4	10-91686M		3	BOLT
5	95469M		1	BASE ASS'Y
6	91689M		1	HOUSING, OIL SEA
7	91690M		1	COIL ASS'Y
8	10-91691M		2	SCREW, W/WASHER
9	91692M		1	PULSER COIL ASS'Y
10	10-91693M		2	SCREW, W/WASHER
11	91694M		1	PULSER COIL ASS'Y
12	10-91695M		2	SCREW, W/WASHER
13	25-91696M		1	GROMMET
14	54-91698M		1	CLAMP
15	10-91699M		1	SCREW W/WASHER
16	96396M		1	LIGHTING COIL ASS'Y (40W) (OPT)
	91697M		1	LIGHTING COIL ASS'Y (80W) (OPT)
17	10-97803M		2	SCREW W/WASHER (OPT) SERIAL (M-108871 ML-404901) AND ABOVE
	10-91691M		2	SCREW W/WASHER (OPT) SERIAL (M-108870 ML-404900) AND BELOW
18	25-82276M	■◇●	1	O-RING
19	26-14195M	■◇●	1	OIL SEAL
20	10-91686M		2	BOLT SERIAL (M-006976 ML-304984) AND ABOVE
	10-91681M		2	BOLT SERIAL (M-006975 ML-304983) AND BELOW
21	25-91702M		2	GROMMET
22	11-81769M		1	NUT
23	12-81805M		1	WASHER
24	28-18856M		1	KEY, WOODRUFF
25	91703M		1	BRACKET, IGNITION COIL
26	25-91704M		2	GROMMET
27	10-91705M		2	BOLT
28	95470M		1	IGNITION COIL ASS'Y
29	10-84237M		2	BOLT
30	80935M		1	PLUG CAP ASS'Y (NOISE SUPPRESSOR) (OPT)
	82788M		1	PLUG CAP ASS'Y

- = CONTENTS OF POWERHEAD GASKET SET [27-14196M].
- = CONTENTS OF POWERHEAD GASKET SET [27-96386M].
- ◇ = CONTENTS OF POWERHEAD GASKET SET [27-41289M].

CONTINUED ON NEXT PAGE ➡

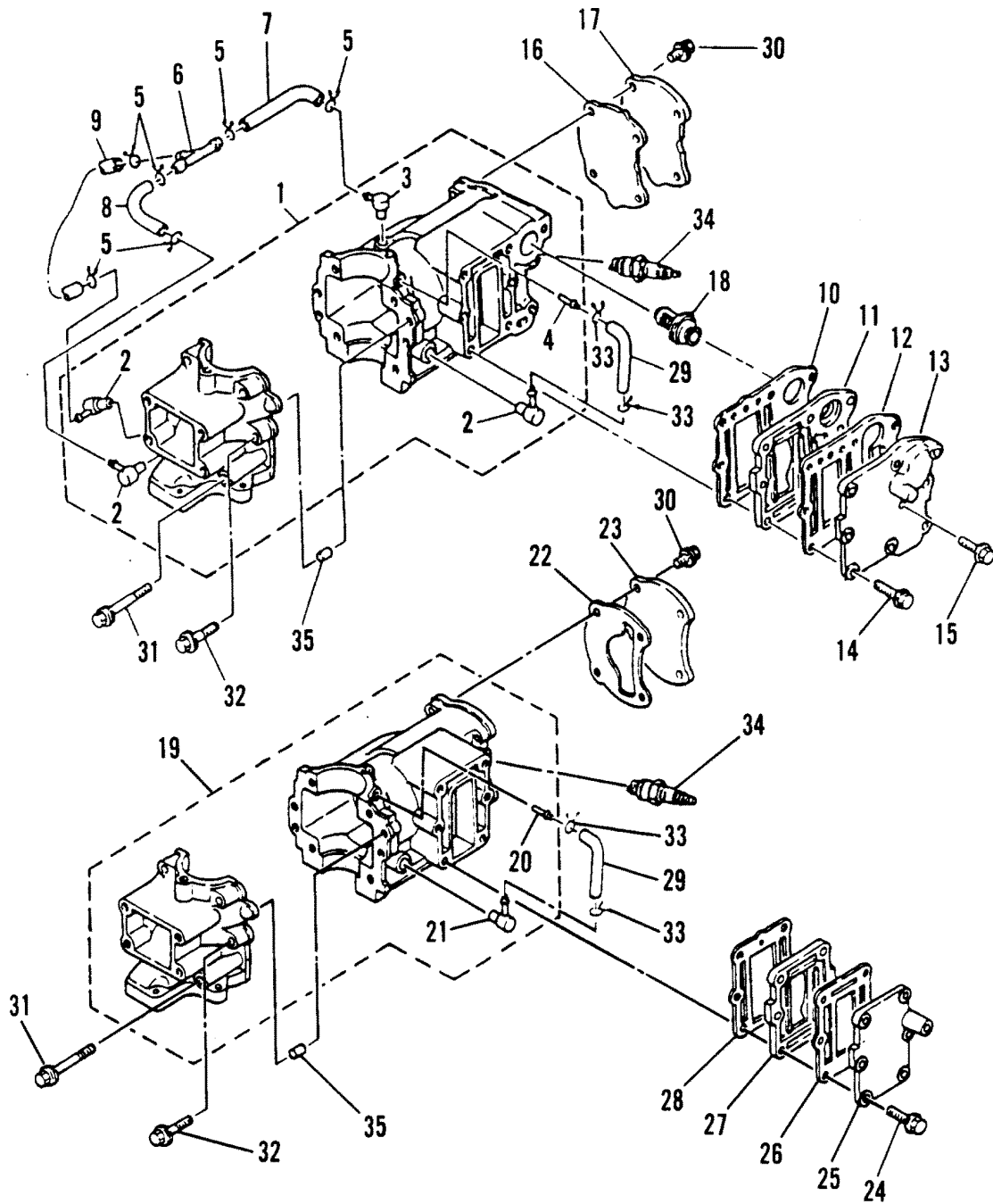
# C.D.I. MAGNETO



# C.D.I. MAGNETO

REF. NO.	PART NO.	SYM.	QTY.	DESCRIPTION
31	10-84315M		1	BOLT
32	91707M		1	C.D.I. UNIT ASS'Y
33	91708M		1	HOLDER, WIRE HARNESS
34	10-91779M		2	BOLT
35	12-82214M		2	WASHER

# CRANKCASE AND CYLINDER HEAD





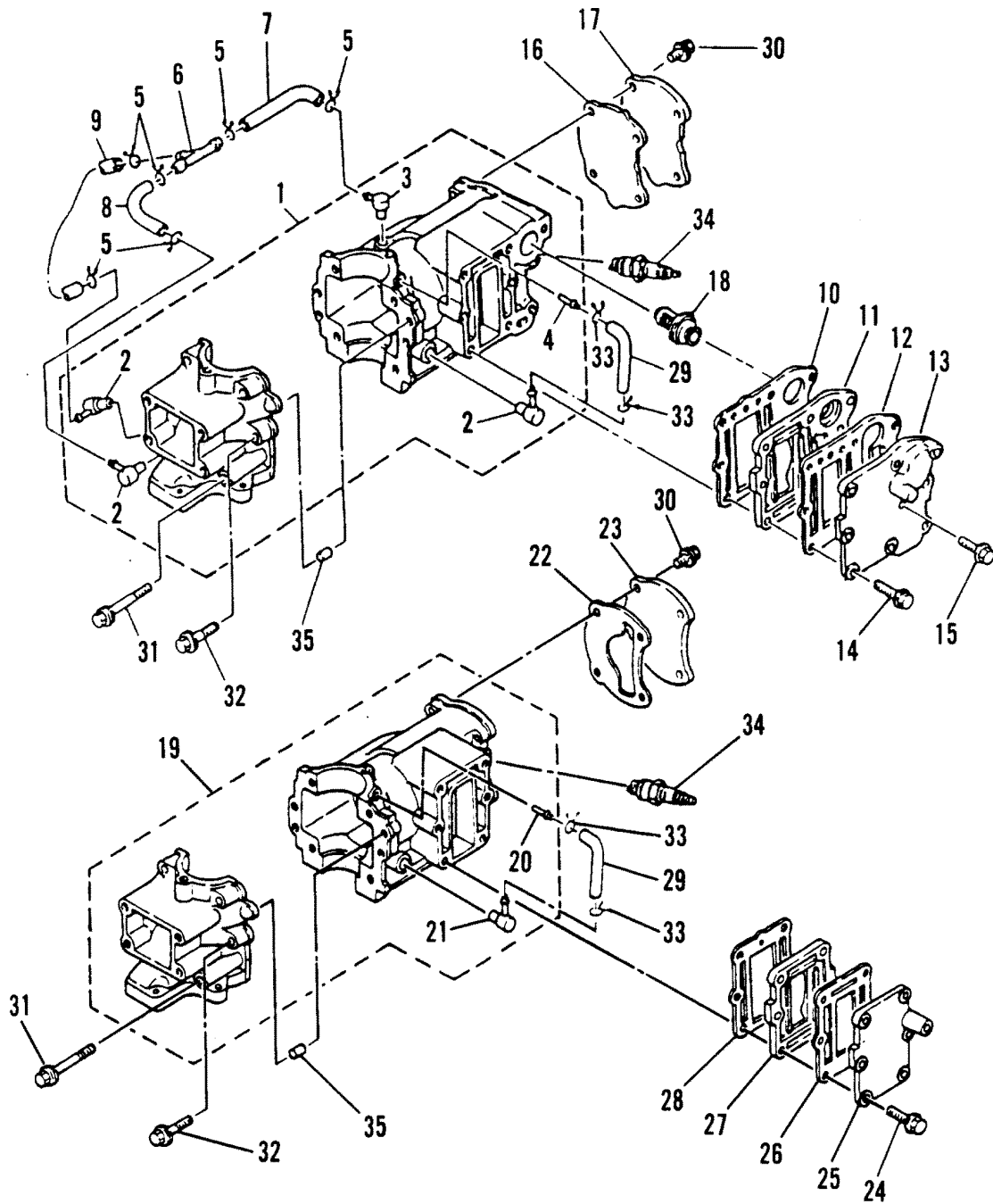
# CRANKCASE AND CYLINDER HEAD

REF. NO.	PART NO.	SYM.	QTY.	DESCRIPTION
1	968-9507M		1	CRANKCASE ASS'Y SERIAL (M-108871 ML-404901) AND ABOVE
2	21-80727M		3	CHECK VALVE ASS'Y SERIAL (M-108871 ML-404901) AND ABOVE
3	22-99988M		1	NIPPLE, HOSE SERIAL (M-108871 ML-404901) AND ABOVE
4	22-80122M		1	FITTING SERIAL (M-108871 ML-404901) AND ABOVE
5	54-82046M		6	CLIP SERIAL (M-108871 ML-404901) AND ABOVE
6	22-99989M		1	FITTING, JOINT SERIAL (M-108871 ML-404901) AND ABOVE
7	32-99990M		1	HOSE SERIAL (M-108871 ML-404901) AND ABOVE
8	32-83088M		1	HOSE SERIAL (M-108871 ML-404901) AND ABOVE
9	32-91709M		1	HOSE SERIAL (M-108871 ML-404901) AND ABOVE
10	27-99998M	◇ ●	1	GASKET, INNER COVER SERIAL (M-108871 ML-404901) AND ABOVE
11	99999M		1	INNER COVER, EXHAUST SERIAL (M-108871 ML-404901) AND ABOVE
12	27-41279M	◇ ●	1	GASKET, OUTER COVER SERIAL (M-108871 ML-404901) AND ABOVE
13	41281M		1	OUTER COVER, EXHAUST SERIAL (M-108871 ML-404901) AND ABOVE
14	10-11945M		8	BOLT SERIAL (M-108871 ML-404901) AND ABOVE
15	10-91686M		1	BOLT SERIAL (M-108871 ML-404901) AND ABOVE
16	27-41283M	◇ ●	1	GASKET, HEAD COVER SERIAL (M-108871 ML-404901) AND ABOVE
17	811680M		1	COVER, CYLINDER HEAD SERIAL (M-108871 ML-404901) AND ABOVE
18	11919M		1	THERMOSTAT SERIAL (M-136244 ML-420839) AND ABOVE
	83282M		1	THERMOSTAT SERIAL (M-108871 THRU 136243 ML-404901 THRU 420838)
19	968-8387M		1	CRANKCASE ASS'Y SERIAL (M-108870 ML-404900) AND BELOW
20	22-80122M		1	FITTING SERIAL (M-108870 ML-404900) AND BELOW
21	21-80727M		1	CHECK VALVE ASS'Y SERIAL (M-108870 ML-404900) AND BELOW
22	27-96384M	■	1	GASKET, HEAD COVER SERIAL (M-108870 ML-404900) AND BELOW
23	96381M		1	COVER, CYLINDER HEAD SERIAL (M-108870 ML-404900) AND BELOW
24	10-91666M		6	BOLT SERIAL (M-108870 ML-404900) AND BELOW
25	96399M		1	OUTER COVER, EXHAUST SERIAL (M-108870 ML-404900) AND BELOW
26	27-96380M	■	1	GASKET, OUTER COVER SERIAL (M-108870 ML-404900) AND BELOW
27	96397M		1	INNER COVER, EXHAUST SERIAL (M-108870 ML-404900) AND BELOW

- = CONTENTS OF POWERHEAD GASKET SET [27-14196M].
- = CONTENTS OF POWERHEAD GASKET SET [27-96386M].
- ◇ = CONTENTS OF POWERHEAD GASKET SET [27-41289M].

CONTINUED ON NEXT PAGE ➡

# CRANKCASE AND CYLINDER HEAD



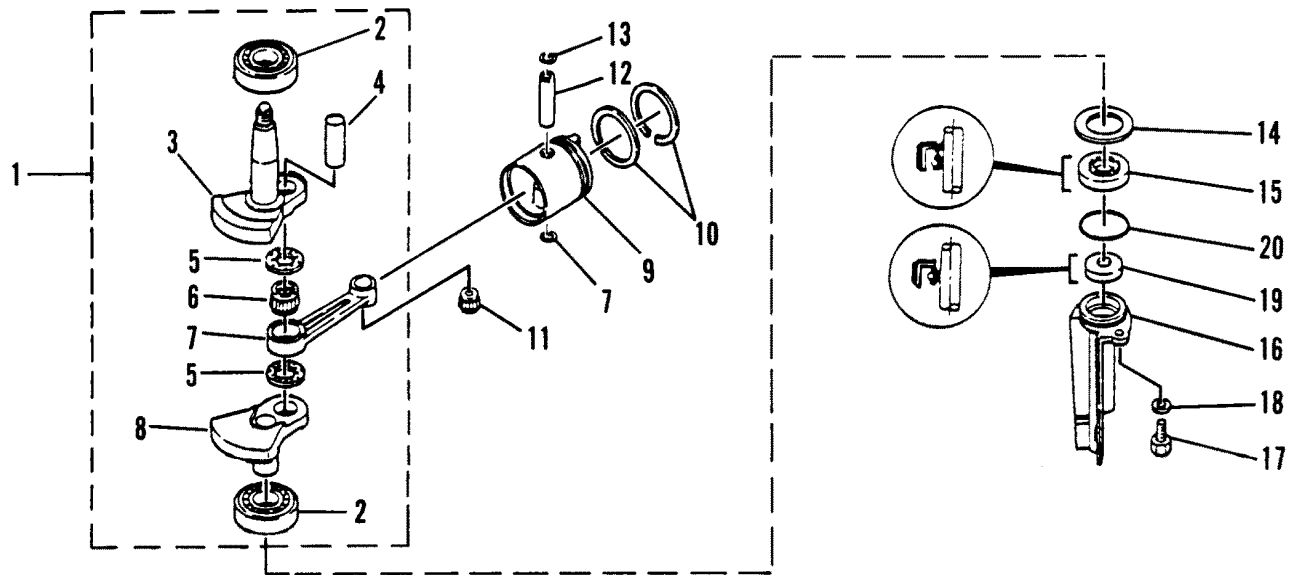
## CRANKCASE AND CYLINDER HEAD

REF. NO.	PART NO.	SYM.	QTY.	DESCRIPTION
28	27-96398M	■	1	GASKET, INNER COVER SERIAL (M-108870 ML-404900) AND BELOW
29	32-811045M		1	HOSE
30	10-91686M		4	BOLT
31	10-91710M		2	BOLT
32	10-91681M		4	BOLT
33	54-82046M		2	CLIP
34	33-53098		1	SPARK PLUG
35	17-82364M		2	PIN
	18854M		1	POWERHEAD ASS'Y, COMPLETE (SEE NOTE) REPLACEMENT PARTS
	27-14196M	●	1	GASKET SET, POWERHEAD REPLACEMENT PARTS SERIAL (M-144067 ML-425167) AND ABOVE
	27-41289M	◇	1	GASKET SET, POWERHEAD REPLACEMENT PARTS SERIAL (M-108871 THRU 144066 ML-404901 THRU 425196)
	27-96386M	■	1	GASKET SET, POWERHEAD REPLACEMENT PARTS SERIAL (M-108870 ML-404900) AND BELOW

NOTE: FOR REPLACEMENT OF POWERHEAD ASSEMBLY COMPLETE, WHICH INCLUDES CRANKCASE ASSEMBLY, CYLINDER HEAD, CRANKSHAFT ASSEMBLY, PISTONS, BEARINGS, ETC. ORDER POWERHEAD ASSEMBLY [18854M].

- = CONTENTS OF POWERHEAD GASKET SET [27-14196M].
- = CONTENTS OF POWERHEAD GASKET SET [27-96386M].
- ◇ = CONTENTS OF POWERHEAD GASKET SET [27-41289M].

# CRANKSHAFT AND PISTON



# CRANKSHAFT AND PISTON

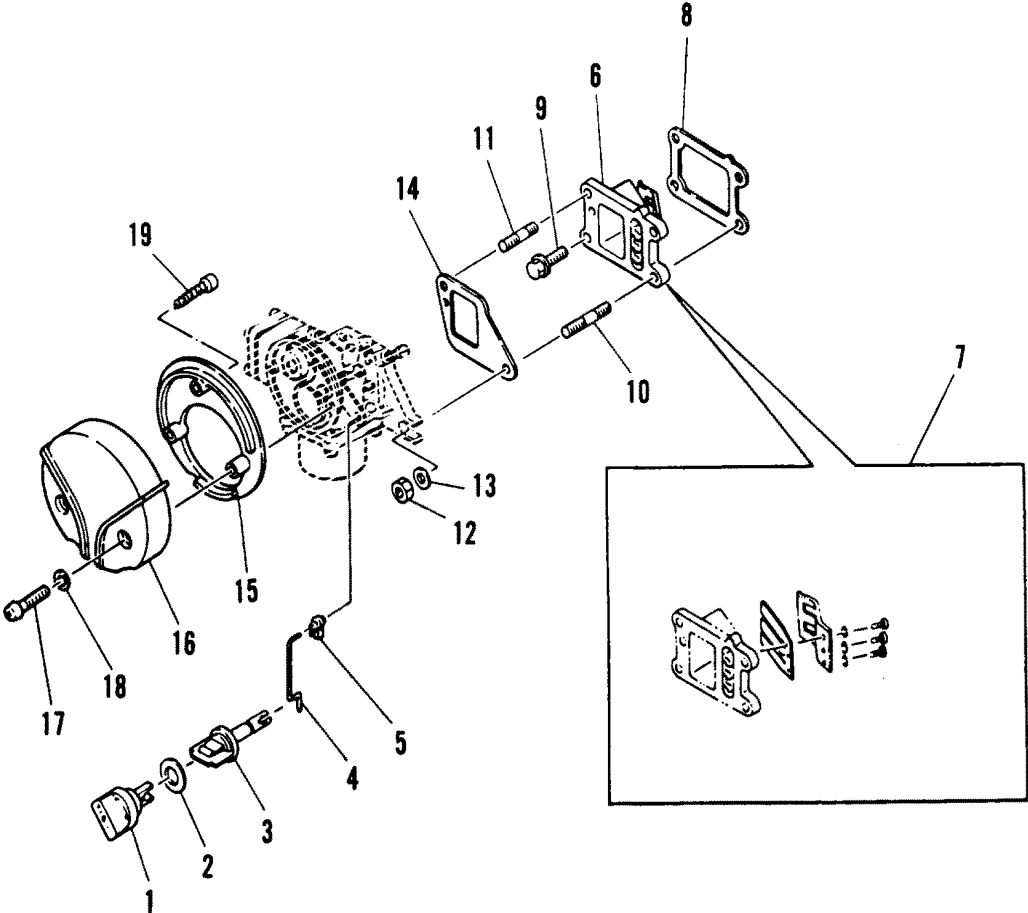
REF. NO.	PART NO.	SYM.	QTY.	DESCRIPTION
1	463-8388M		1	CRANK SHAFT ASS'Y
2	30-18859M		2	BEARING
3	99084M		1	CRANKSHAFT 1
4	17-14193M		1	PIN, CRANKSHAFT 1
5	12-84620M		2	WASHER
6	31-99083M		1	BEARING, CYLINDRICAL
7	629-9491M		1	ROD, CONNECTING
8	99085M		1	CRANKSHAFT 2
9	761-8389M		1	PISTON (STD)
10	39-14197M		1	PISTON RING SET (STD)
11	31-91721M		1	BEARING
12	41-95601M		1	PIN SERIAL (M-136244 ML-420839) AND ABOVE
	41-80005M		1	PIN SERIAL (M-136243 ML-420838) AND BELOW
13	53-82342M		2	SNAP RING
14	12-91723M		1	WASHER
15	26-18843M	●	1	OIL SEAL SERIAL (M-154200 ML-430160) AND ABOVE
	26-18941M	■◇●	1	OIL SEAL SERIAL (M-154199 ML-430159) AND BELOW
16	814455M		1	HOUSING, OIL SEAL SERIAL (M-159237 ML-433188) AND ABOVE
	18844M		1	HOUSING, OIL SEAL SERIAL (M-149804 THRU 159236 ML-427442 THRU 433187)
	14177M		1	HOUSING, OIL SEAL SERIAL (M-154199 ML-430159) AND BELOW
17	10-91725M		1	BOLT
18	12-82214M		1	WASHER
19	26-95472M	■◇	1	OIL SEAL SERIAL (M-006976 ML-304984) AND ABOVE
	26-91726M	■●	1	OIL SEAL SERIAL (M-006975 ML-304983) AND BELOW
20	25-91727M	■◇●	1	O-RING

● = CONTENTS OF POWERHEAD GASKET SET [27-14196M].

■ = CONTENTS OF POWERHEAD GASKET SET [27-96386M].

◇ = CONTENTS OF POWERHEAD GASKET SET [27-41289M].

# INTAKE MANIFOLD

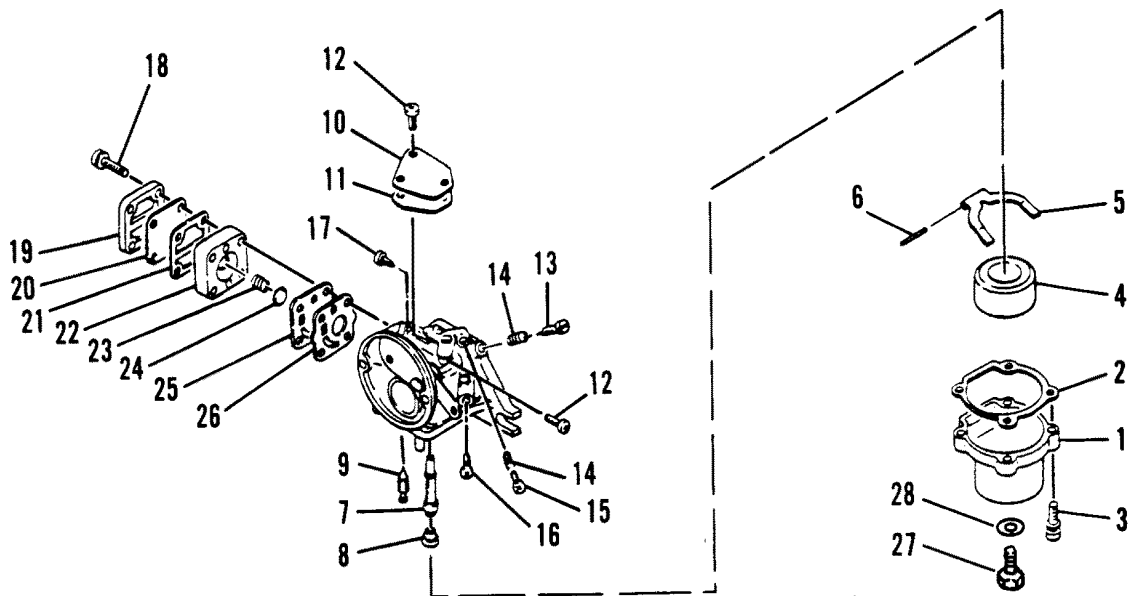


# INTAKE MANIFOLD

REF. NO.	PART NO.	SYM.	QTY.	DESCRIPTION
1	91728M		1	KNOB, CHOKE
2	12-91729M		1	WASHER
3	91730M		1	KNOB, CHOKE
4	91731M		1	ROD, CHOKE LINK
5	81191M		1	RETAINER, CHOKE LEVER
6	91732M		1	REED VALVE ASS'Y
7	34-91733M		1	REED SET
8	27-91734M	■◇●■	1	GASKET, VALVE SEAT
9	10-91686M		2	BOLT
10	16-80232M		1	STUD
11	16-91735M		1	STUD
12	11-82381M		2	NUT
13	12-82214M		2	WASHER
14	27-91736M	◇●■	1	GASKET
15	96553M		1	COVER
16	96554M		1	COVER
17	10-83108M		2	SCREW
18	12-82211M		2	WASHER
19	10-96555M		1	SCREW

- = CONTENTS OF POWERHEAD GASKET SET [27-14196M].
- = CONTENTS OF CARBURETOR REPAIR KIT [14184M].
- = CONTENTS OF POWERHEAD GASKET SET [27-96386M].
- ◇ = CONTENTS OF POWERHEAD GASKET SET [27-41289M].

# CARBURETOR





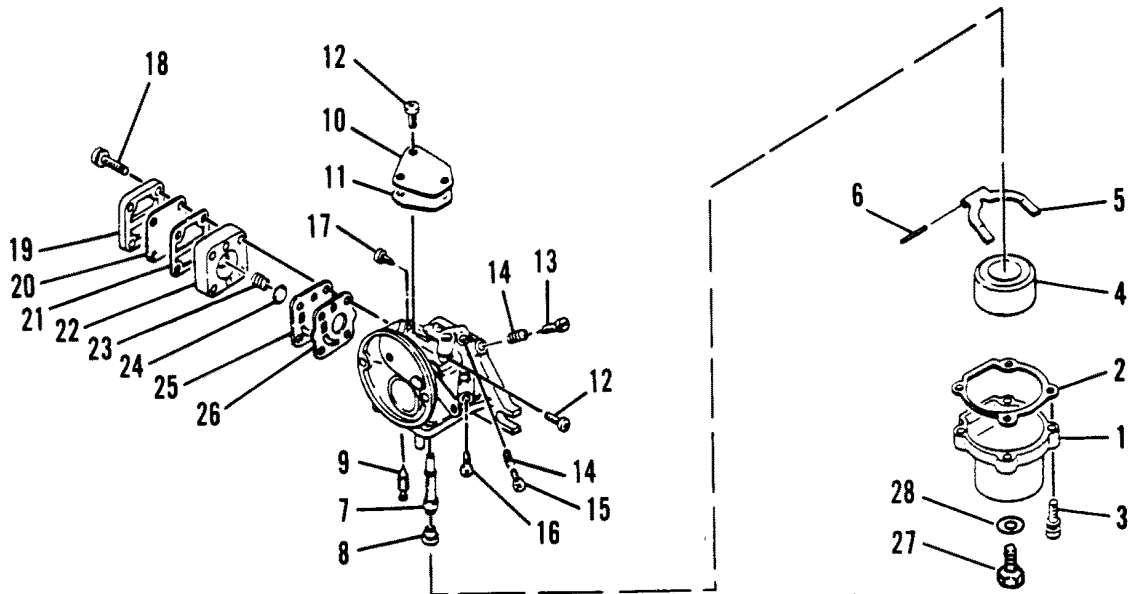
# CARBURETOR

REF. NO.	PART NO.	SYM.	QTY.	DESCRIPTION
0-1	1383-9508M		1	CARBURETOR ASS'Y SERIAL (M-144067 ML-425197) AND ABOVE
	1383-8390M		1	CARBURETOR ASS'Y SERIAL (M-144066 ML-425196) AND BELOW
1	14178M		1	BODY, FLOAT CHAMBER SERIAL (M-144067 ML-425197) AND ABOVE
	91737M		1	BODY, FLOAT CHAMBER SERIAL (M-136244 THRU 144066 ML-420839 THRU 425196)
	82943M		1	BODY, FLOAT CHAMBER SERIAL (M-136243 ML-420838) AND BELOW
2	27-14179M	●■	1	GASKET, FLOAT CHAMBER SERIAL (M-144067 ML-425197) AND ABOVE
	27-80972M	■▲◇	1	GASKET, FLOAT CHAMBER SERIAL (M-144066 ML-425196) AND BELOW
3	10-91738M	■▲	4	SCREW
4	14180M	■	1	FLOAT SERIAL (M-144067 ML-425197) AND ABOVE
	80450M	■	1	FLOAT SERIAL (M-144066 ML-425196) AND BELOW
5	91739M	▲	1	ARM SERIAL (M-144066 ML-425196) AND BELOW
6	17-80451M	■▲	1	PIN, FLOAT
0-1	1383-9508M		1	CARBURETOR ASS'Y SERIAL (M-144067 ML-425197) AND ABOVE
	1383-8390M		1	CARBURETOR ASS'Y SERIAL (M-144066 ML-425196) AND BELOW
7	14198M		1	NOZZLE, MAIN SERIAL (M-144067 ML-425197) AND ABOVE
	14181M		1	NOZZLE, MAIN SERIAL (M-144066 ML-425196) AND BELOW
8	80579M		1	JET, MAIN (#80) SERIAL (M-144067 ML-425197) AND ABOVE
	91741M		1	JET, MAIN (#86) SERIAL (M-108871 THRU 144066 ML-404901 THRU 425196)
	96556M		1	JET, MAIN (#94) SERIAL (M-108870 ML-404900) AND BELOW
9	91742M	▲	1	VALVE, NEEDLE SERIAL (M-162953 ML-435351) AND ABOVE
	14182M	■	1	VALVE, NEEDLE SERIAL (M-144067 THRU 162952 ML-425197 THRU 435350)
	91742M	▲	1	VALVE, NEEDLE SERIAL (M-144066 ML-425196) AND BELOW
10	91743M		1	COVER, PLATE
11	27-91744M	■▲	1	GASKET
12	10-82513M		4	SCREW
13	10-80573M	■▲	1	SCREW, AIR ADJUSTING
14	24-80329M		2	SPRING, PILOT ADJUSTING
15	10-82513M		1	SCREW, IDLE SERIAL (M-162953 ML-435351) AND ABOVE

- = CONTENTS OF POWERHEAD GASKET SET [27-14196M].
- = CONTENTS OF CARBURETOR REPAIR KIT [14184M].
- = CONTENTS OF POWERHEAD GASKET SET [27-96386M].
- ◇ = CONTENTS OF POWERHEAD GASKET SET [27-41289M].
- ▲ = CONTENTS OF LOWER UNIT GASKET SET [27-96324M].

CONTINUED ON NEXT PAGE ➡

# CARBURETOR

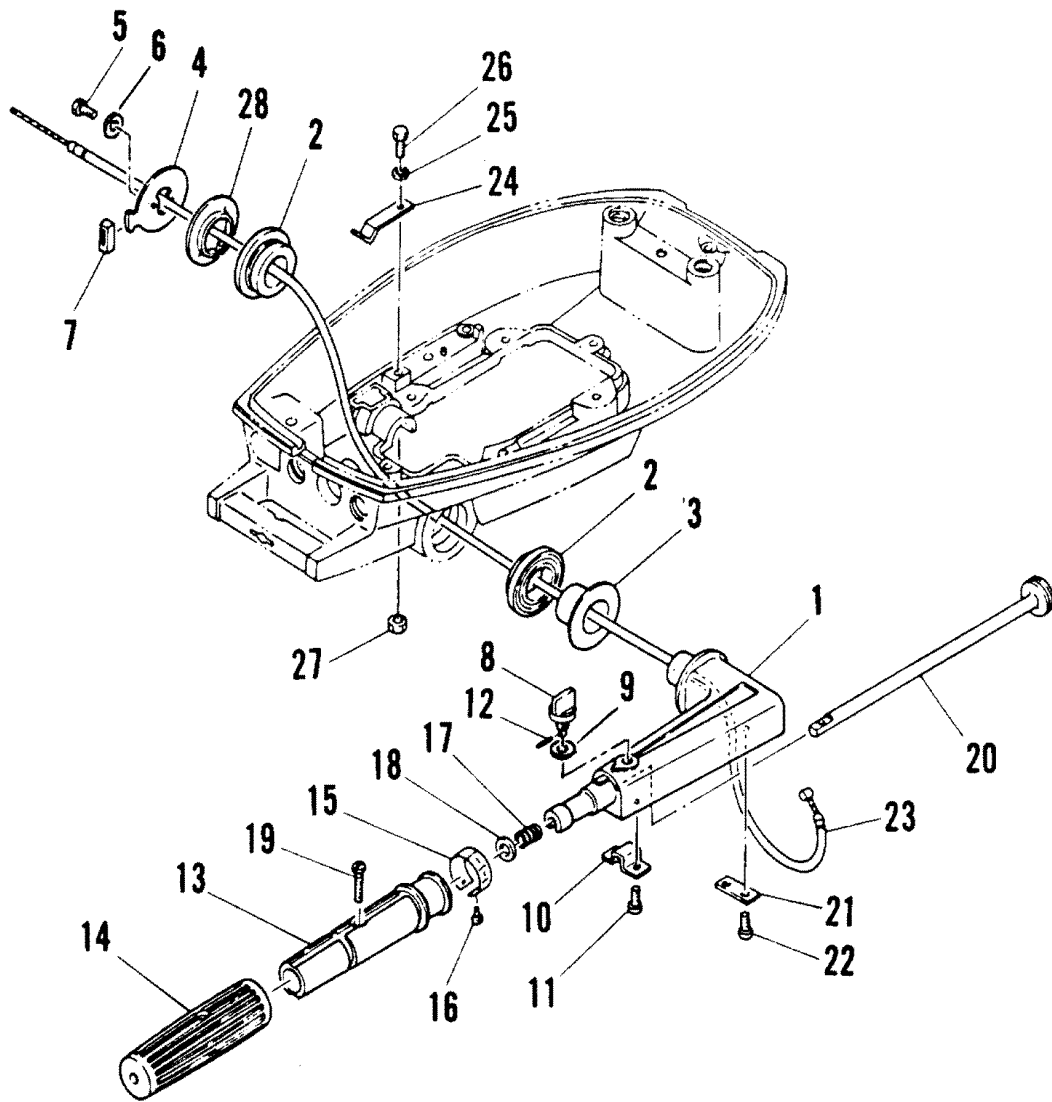


# CARBURETOR

REF. NO.	PART NO.	SYM.	QTY.	DESCRIPTION
15	10-82623M		1	SCREW, IDLE SERIAL (M-162952 ML-435350) AND BELOW
16	14199M		1	JET, PILOT (#52)
	91746M		1	JET, PILOT (#46) SERIAL (M-108871 THRU 144066 ML-404901 THRU 425196)
	96557M		1	JET, PILOT (#44) SERIAL (M-108870 ML-404900) AND BELOW
17	10-80434M		1	SCREW, GUIDE
18	10-80738M		4	SCREW
19	91747M		1	COVER, PUMP
20	91748M	▲ ■	1	DIAPHRAGM
21	27-91749M		1	GASKET, PUMP COVER
22	91750M		1	BODY, PUMP
23	24-91751M		1	SPRING
24	91752M		1	PLATE
25	91753M	■ ▲	1	DIAPHRAGM
26	27-91754M		1	GASKET, PUMP BODY
27	22-14183M		1	SCREW, DRAIN SERIAL (M-144067 ML-425197) AND ABOVE
28	27-13999M	● ■	1	GASKET SERIAL (M-144067 ML-425197) AND ABOVE
	14184M	■	1	REPAIR KIT, CARBURETOR REPLACEMENT PARTS SERIAL (M-144067 ML-425197) AND ABOVE
	91755M	▲	1	REPAIR KIT, CARBURETOR REPLACEMENT PARTS SERIAL (M-144066 ML-425196) AND BELOW

- = CONTENTS OF POWERHEAD GASKET SET [27-14196M].
- = CONTENTS OF CARBURETOR REPAIR KIT [14184M].
- ▲ = CONTENTS OF LOWER UNIT GASKET SET [27-96324M].

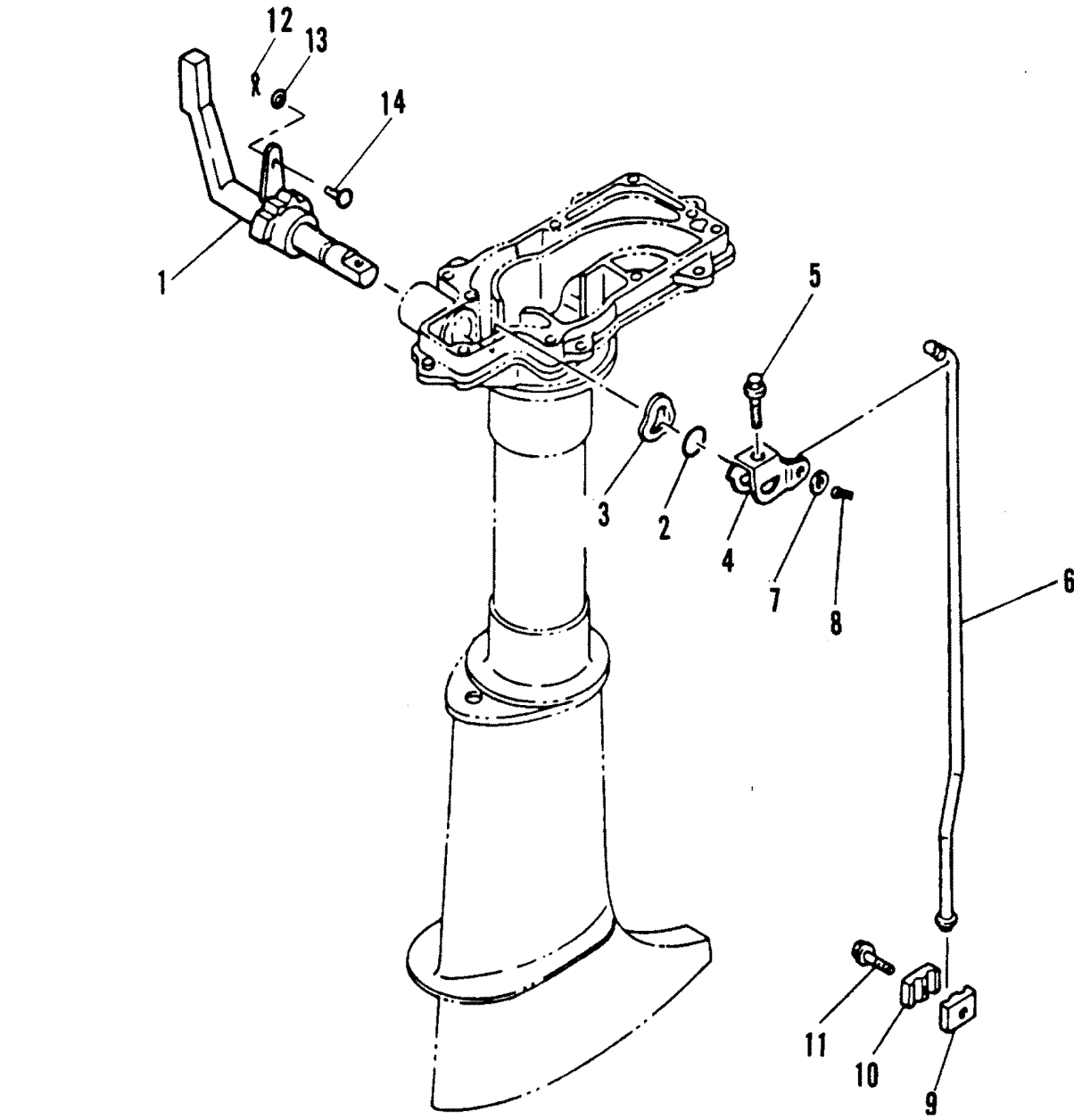
# THROTTLE CONTROL



# THROTTLE CONTROL

REF. NO.	PART NO.	SYM.	QTY.	DESCRIPTION
1	91756M		1	HANDLE, STEERING
2	23-17657M		2	BUSHING, RUBBER
3	23-91758M		1	BUSHING
4	18845M		1	COVER, HANDLE STEERING SERIAL (M-154200 ML-430160) AND ABOVE
	43112M		1	COVER, HANDLE STEERING SERIAL (M-154199 ML-430159) AND BELOW
5	10-82419M		2	BOLT SERIAL (M-144067 ML-425197) AND ABOVE
	10-95473M		2	BOLT SERIAL (M-136244 THRU 144066 ML-304984 THRU 425196)
	10-82417M		2	BOLT SERIAL (M-006975 ML-304983) AND BELOW
6	12-82211M		2	WASHER SERIAL (M-108871 ML-404901) AND ABOVE
7	23-91760M		1	BUSHING, RUBBER SERIAL (M-154199 ML-430159) AND BELOW
8	10-91761M		1	BOLT, FRICTION ADJUSTING
9	12-41290M		1	WASHER SERIAL (M-108871 ML-404901) AND ABOVE
10	18846M		1	COVER SERIAL (M-154200 ML-430160) AND ABOVE
	91762M		1	COVER SERIAL (M-154199 ML-430159) AND BELOW
11	10-14232M		2	SCREW
12	18-82124M		1	PIN, COTTER
13	91764M		1	HANDLE
14	91765M		1	GRIP, HANDLE
15	16632M		1	INDICATOR, THROTTLE SERIAL (M-149804 ML-427442) AND ABOVE
	98958M		1	INDICATOR, THROTTLE SERIAL (M-149803 ML-427441) AND BELOW
16	17-81907M		1	RIVET
17	24-82095M		1	SPRING
18	12-91767M		1	WASHER
19	10-18847M		1	SCREW SERIAL (M-154200 ML-430160) AND ABOVE
	10-84300M		1	SCREW SERIAL (M-154199 ML-430159) AND BELOW
20	41252M		1	SHAFT
21	18848M		1	PLATE SERIAL (M-154200 ML-430160) AND ABOVE
	91769M		1	PLATE SERIAL (M-154199 ML-430159) AND BELOW
22	10-14232M		2	SCREW
23	11921M		1	THROTTLE WIRE ASS'Y
24	24-91771M		1	SPRING
25	12-82214M		1	WASHER
26	10-91772M		1	BOLT
27	11-82390M		1	NUT
28	23-96558M		1	BUSHING

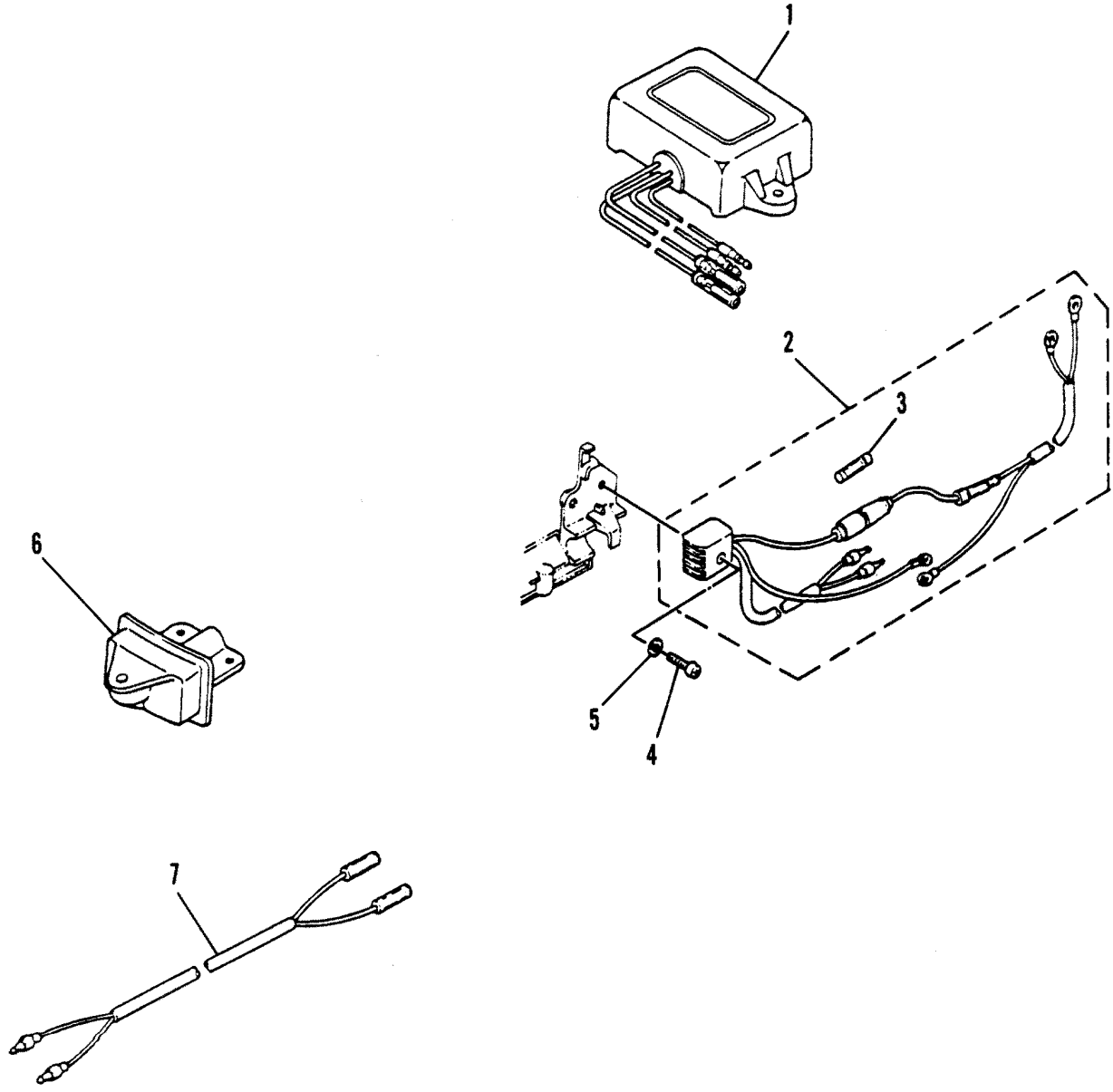
# GEAR SHIFT LINKAGE



## GEAR SHIFT LINKAGE

REF. NO.	PART NO.	SYM.	QTY.	DESCRIPTION
1	95486M		1	HANDLE, GEAR SHIFT
2	25-91774M		2	O-RING
3	13-91775M		1	WASHER, WAVE
4	91776M		1	LEVER, SHIFT ROD
5	10-91666M		1	BOLT
6	91777M		1	ROD, SHIFT (SHORT)
	91778M		1	ROD, SHIFT (LONG)
7	12-82211M		1	WASHER
8	18-82125M		1	PIN, COTTER
9	98959M		1	CONNECTOR, SHIFT ROD <b>SERIAL (M-102656 ML-040111) AND ABOVE</b>
	80049M		1	CONNECTOR, SHIFT ROD <b>SERIAL (M-102655 ML-40110) AND BELOW</b>
10	98960M		1	CONNECTOR, SHIFT ROD <b>SERIAL (M-102656 ML-040111) AND ABOVE</b>
	80050M		1	CONNECTOR, SHIFT ROD <b>SERIAL (M-102655 ML-040110) AND BELOW</b>
11	10-91779M		1	BOLT
12	18-96560M		1	PIN
13	12-83768M		1	WASHER
14	18-82125M		1	PIN

# OPTIONAL PARTS

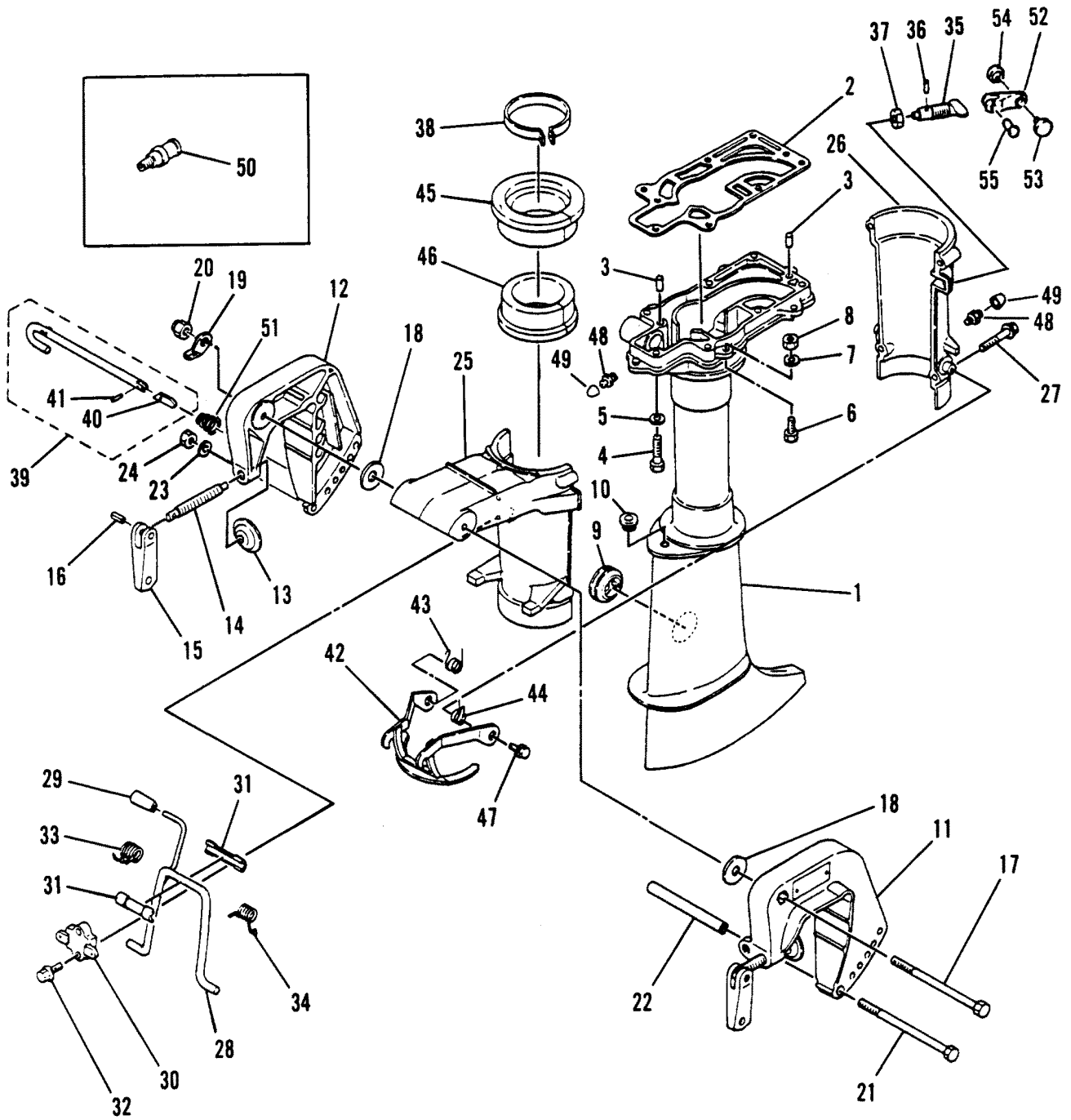




## OPTIONAL PARTS

REF. NO.	PART NO.	SYM.	QTY.	DESCRIPTION
1	84125M		1	VOLTAGE REGULATOR ASS'Y
2	84329M		1	RECTIFIER ASS'Y
3	88-81522M		1	FUSE (12V-20A)
4	10-82521M		1	SCREW
5	12-82211M		1	WASHER
6	96328M		1	GUIDE, VERTICAL START
7	84-96329M		1	WIRE, LEAD

# DRIVESHAFT HOUSING/CLAMP AND SWIVEL BRACKET

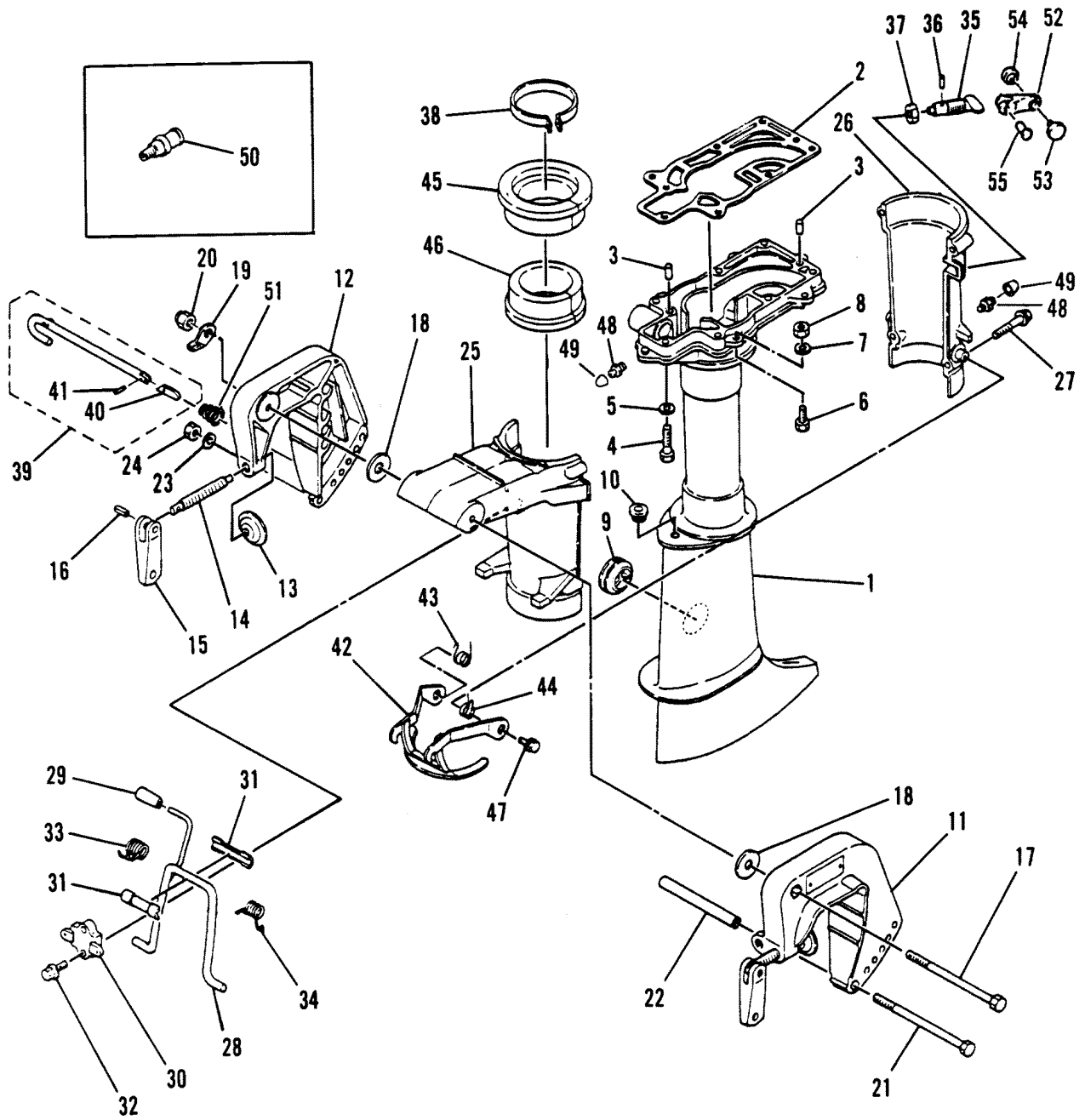


# DRIVESHAFT HOUSING/CLAMP AND SWIVEL BRACKET

REF. NO.	PART NO.	SYM.	QTY.	DESCRIPTION
1	1587-9776M		1	DRIVESHAFT HOUSING (SHORT) SERIAL (M-154200 ML-430160) AND ABOVE
	1587-9213M		1	DRIVESHAFT HOUSING (SHORT) SERIAL (M-006976 THRU 154199 ML-304984 THRU 430159)
	1587-8347M		1	DRIVESHAFT HOUSING (SHORT) SERIAL (M-006975 ML-304983) AND BELOW
	1587-9777M		1	DRIVESHAFT HOUSING (LONG) SERIAL (M-154200 ML-430160) AND ABOVE
	1587-9214M		1	DRIVESHAFT HOUSING (LONG) SERIAL (M-006976 THRU 154199 ML-304984 THRU 430159)
	1587-8348M		1	DRIVESHAFT HOUSING (LONG) SERIAL (M-006975 ML-304983) AND BELOW
2	27-91780M	■◇●	1	GASKET
3	17-82364M		2	PIN, DOWEL
4	10-84237M		7	BOLT
5	12-82214M		7	WASHER
6	10-91725M		4	BOLT
7	12-82214M		4	WASHER
8	11-82390M		4	NUT
9	80533M		1	COVER, DRIVESHAFT HOUSING
10	25-91782M		1	GROMMET
11	1484-9778M		1	BRACKET, CLAMP (PORT) SERIAL (M-154200 ML-430160) AND ABOVE
	1484-8349M		1	BRACKET, CLAMP (PORT) SERIAL (M-154199 ML-430159) AND BELOW
12	1484-9779M		1	BRACKET, CLAMP (STARBOARD) SERIAL (M-154200 ML-430160) AND ABOVE
	1484-8350M		1	BRACKET, CLAMP (STARBOARD) SERIAL (M-154199 ML-430159) AND BELOW
13	12-80638M		2	PAD, TRANSOM CLAMP
14	10-91783M		2	SCREW, TRANSOM CLAMP
15	91784M		2	HANDLE, TRANSOM CLAMP
16	17-41267M		2	PIN SERIAL (M-108871 ML-404901) AND ABOVE
	17-82157M		2	PIN SERIAL (M-108870 ML-404900) AND BELOW
17	10-18849M		1	BOLT SERIAL (M-154200 ML-430160) AND ABOVE
	10-98961M		1	BOLT SERIAL (M-154199 ML-430159) AND BELOW
18	12-18850M		2	WASHER
19	18840M		1	PLATE, CLAMP BRACKET SERIAL (M-154200 ML-430160) AND ABOVE
	12-82217M		1	WASHER SERIAL (M-154199 ML-430159) AND BELOW
20	11-84295M		1	NUT

- = CONTENTS OF POWERHEAD GASKET SET [27-14196M].
- = CONTENTS OF POWERHEAD GASKET SET [27-96386M].
- ◇ = CONTENTS OF POWERHEAD GASKET SET [27-41289M].

# DRIVESHAFT HOUSING/ CLAMP AND SWIVEL BRACKET

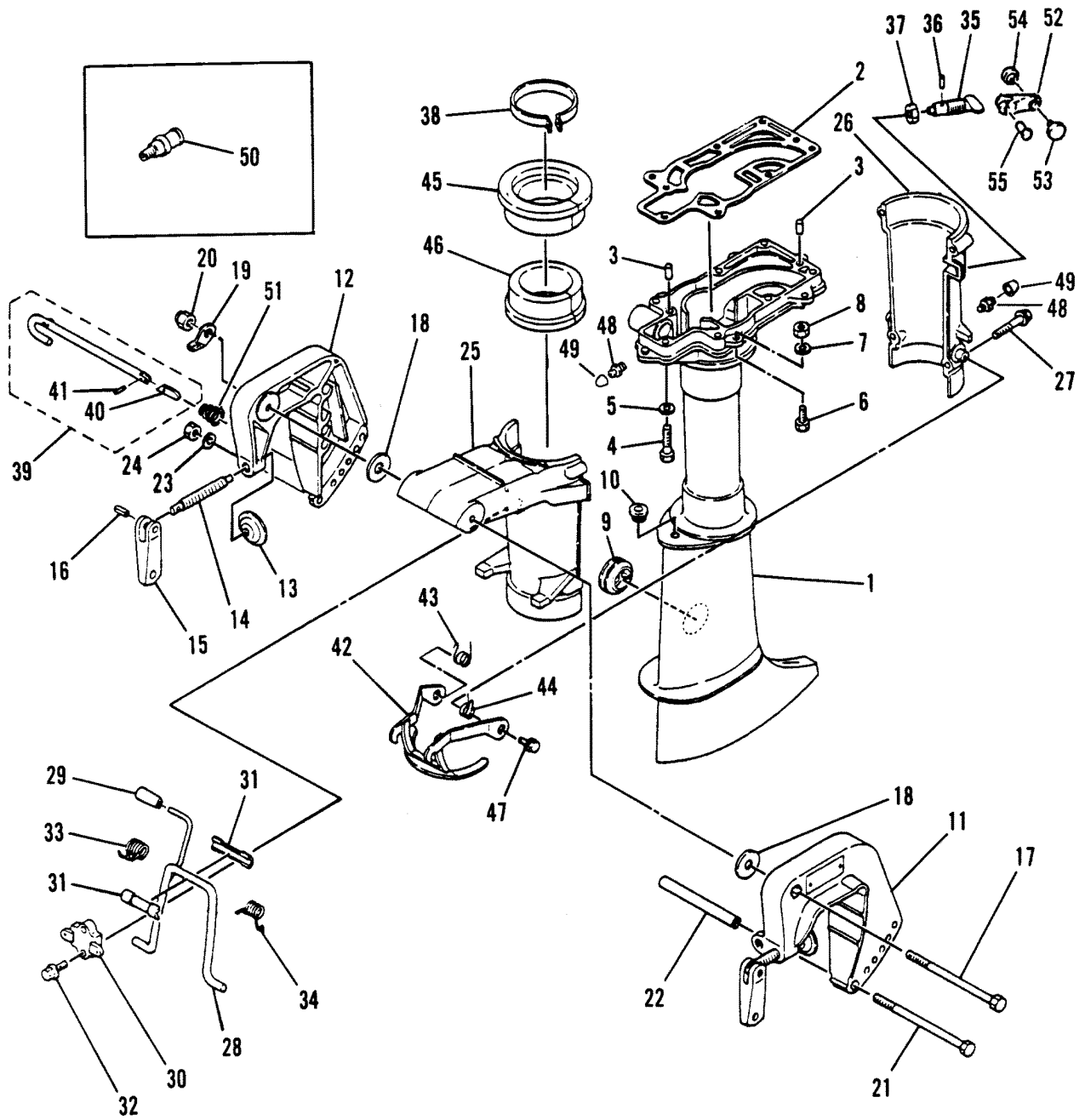


# DRIVESHAFT HOUSING/ CLAMP AND SWIVEL BRACKET

REF. NO.	PART NO.	SYM.	QTY.	DESCRIPTION
21	10-82858M		1	BOLT
22	23-82116M		1	SPACER
23	12-82214M		1	WASHER
24	11-82389M		1	NUT
25	1485-811997M		1	BRACKET, SWIVEL SERIAL (M-162953 ML-435351) AND ABOVE
	1485-9705M		1	BRACKET, SWIVEL SERIAL (M-162952 ML-435350) AND BELOW
26	1485-9342M		1	BRACKET, SWIVEL SERIAL (M-136244 ML-420839) AND ABOVE
	1485-9216M		1	BRACKET, SWIVEL SERIAL (M-136243 ML-420838) AND BELOW
27	10-91788M		4	BOLT
28	91789M		1	LEVER, TILIT STOP
29	91790M		1	KNOB, TILT
30	91791M		1	BRACKET, SWIVEL
31	23-80097M		2	BUSHING
32	10-91779M		2	BOLT
33	24-82110M		1	SPRING
34	24-82111M		1	SPRING
35	10-810947M		1	SCREW, FRICTION PIECE SERIAL (M-162953 ML-435351) AND ABOVE
	10-17496M		1	SCREW, FRICTION PIECE SERIAL (M-154200 THRU 162952 ML-430160 THRU 435350)
	10-98962M		1	SCREW, FRICTION PIECE SERIAL (M-154199 ML-430159) AND BELOW
36	17-91793M		1	PIN SERIAL (M-154199 ML-430159) AND BELOW
37	11-82392M		1	NUT
38	17497M		1	PIECE, FRICTION
39	17-91795M		1	TILT ROD ASS'Y
40	82857M		1	STOPPER PLATE
41	17-82144M		1	PIN
42	91796M		1	PLATE, TILT LOCK
43	24-91797M		1	SPRING
44	24-91798M		1	SPRING
45	23-41258M		1	BUSHING, PIVOT SHAFT
46	23-41821M		1	BUSHING, PIVOT SHAFT
47	10-96292M		2	BOLT
48	22-82369M		2	FITTING, GREASE SERIAL (M-136244 ML-420839) AND ABOVE
49	81439M		2	CAP, GREASE FITTING SERIAL (M-136244 THRU 159236 ML-420838 THRU 433187)
50	22-95633M		1	PLUG, WATER CHECK (OPT) SERIAL (M-136244 ML-420839) AND ABOVE
	22-80218M		1	PLUG, WATER CHECK (OPT) SERIAL (M-136243 ML-420838) AND BELOW

CONTINUED ON NEXT PAGE ➡

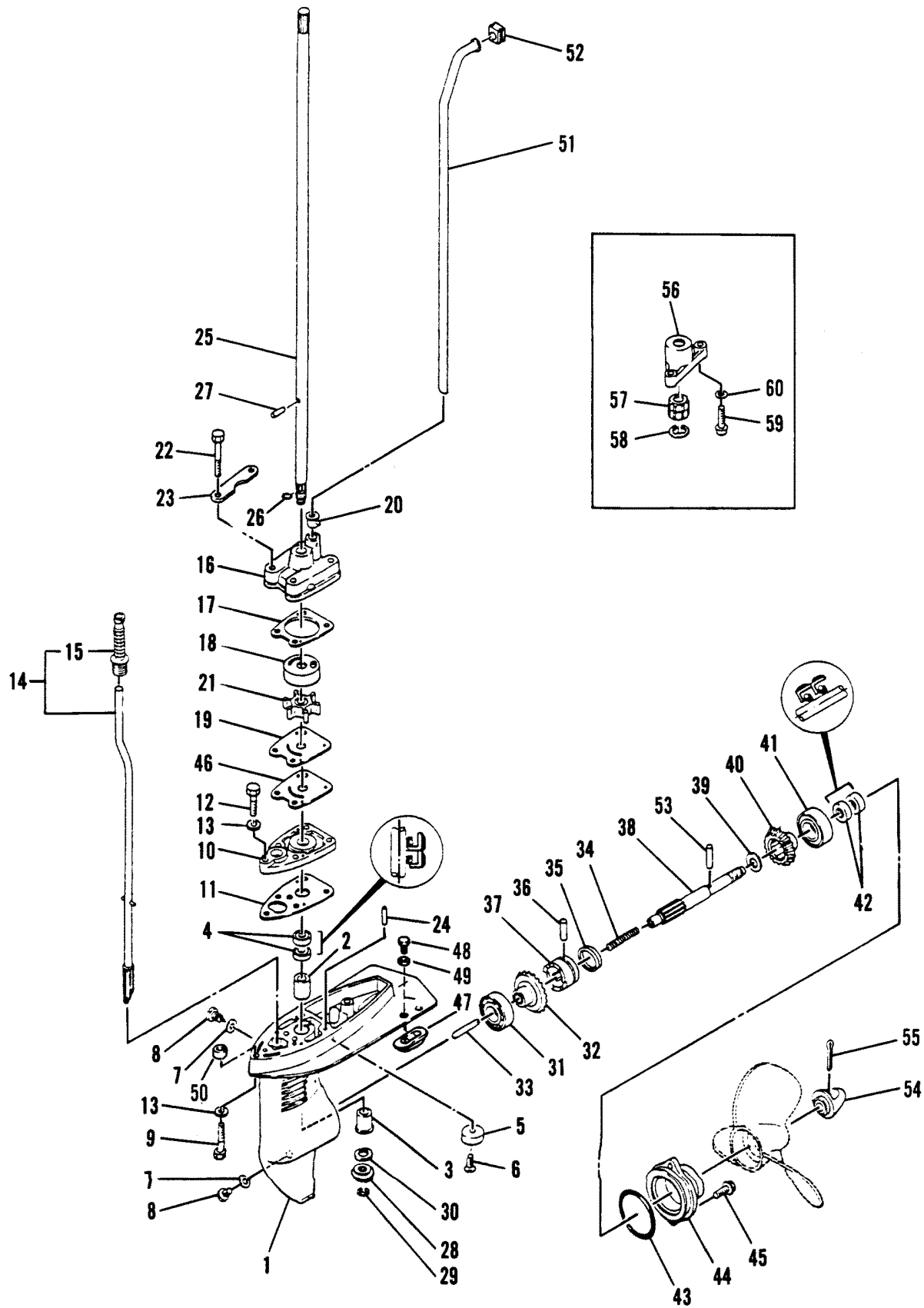
# DRIVESHAFT HOUSING/ CLAMP AND SWIVEL BRACKET



# DRIVESHAFT HOUSING/ CLAMP AND SWIVEL BRACKET

REF. NO.	PART NO.	SYM.	QTY.	DESCRIPTION
51	24-814456M		1	SPRING, CONICAL SERIAL (M-159237 ML-433188) AND ABOVE
52	810948M		1	KNOB, STEERING LOCK SERIAL (M-162953 ML-435351) AND ABOVE
53	810949M		1	INDICATOR SERIAL (M-162953 ML-435351) AND ABOVE
54	810950M		1	INDICATOR SERIAL (M-162953 ML-435351) AND ABOVE
55	17-810951M		1	RIVET SERIAL (M-162953 ML-435351) AND ABOVE

# GEARHOUSING ASSEMBLY





# GEARHOUSING ASSEMBLY

REF. NO.	PART NO.	SYM.	QTY.	DESCRIPTION
0-1	1651-810952M		1	GEARHOUSING ASS'Y (SHORT) SERIAL (M-162953 ML-435351) AND ABOVE
	1651-9780M		1	GEARHOUSING ASS'Y (SHORT) SERIAL (M-162952 ML-435350) AND BELOW
	1651-810953M		1	GEARHOUSING ASS'Y (LONG) SERIAL (M-162953 ML-435351) AND ABOVE
	1651-9781M		1	GEARHOUSING ASS'Y (LONG) SERIAL (M-154200 THRU 162952 ML-430160 THRU 435350)
	1651-8258M		1	GEARHOUSING ASS'Y (LONG) SERIAL (M-154199 ML-430159) AND BELOW
1	1651-810954M		1	GEARHOUSING SERIAL (M-162953 ML-435351) AND ABOVE
	1651-9782M		1	GEARHOUSING SERIAL (M-154200 THRU 162952 ML-430160 THRU 435350)
	1651-8259M		1	GEARHOUSING SERIAL (M-154199 ML-430159) AND BELOW
2	23-95476M		1	BUSHING SERIAL (M-006976 ML-304894) AND ABOVE
3	23-95477M		1	BUSHING SERIAL (M-006976 ML-304984) AND ABOVE
4	26-91726M	▲	2	OIL SEAL
5	81045M		1	ANODE SERIAL (M-162953 ML-435351) AND ABOVE
	11922M		1	ANODE SERIAL (M-136244 THRU 162952 ML-420839 THRU 435350)
	43107M		1	ANODE SERIAL (M-136243 ML-420838) AND BELOW
6	10-91772M		1	SCREW SERIAL (M-136244 ML-420839) AND ABOVE
	10-84367M		1	SCREW SERIAL (M-136243 ML-420838) AND BELOW
7	27-81987M	▲	3	GASKET
8	22-81924M		3	PLUG
9	10-18851M		2	BOLT SERIAL (M-154200 ML-430160) AND ABOVE
	10-14185M		2	BOLT SERIAL (M-144067 THRU 154199 ML-425197 THRU 430159)
	10-96293M		2	BOLT SERIAL (M-144066 ML-425196) AND BELOW
10	814457M		1	PLATE SERIAL (M-159237 ML-433188) AND ABOVE
	11923M		1	PLATE SERIAL (M-136244 THRU 159236 ML-420838 THRU 433187)
	96294M		1	PLATE SERIAL (M-136243 ML-420838) AND BELOW
11	27-96295M	▲	1	GASKET
12	10-82405M		1	BOLT
13	12-82214M		1	WASHER
14	96297M		1	SHIFT CAM ASS'Y (SHORT)
	96298M		1	SHIFT CAM ASS'Y (LONG)
15	15304M		1	BOOT, SHIFT ROD
16	46-96299M	+	1	HOUSING, WATER PUMP
17	27-96300M	▲+	1	GASKET, WATER PUMP
18	96301M	+	1	INSERT, CARTRIDGE
	96302M	†	1	INSERT, CHROME (OPT)

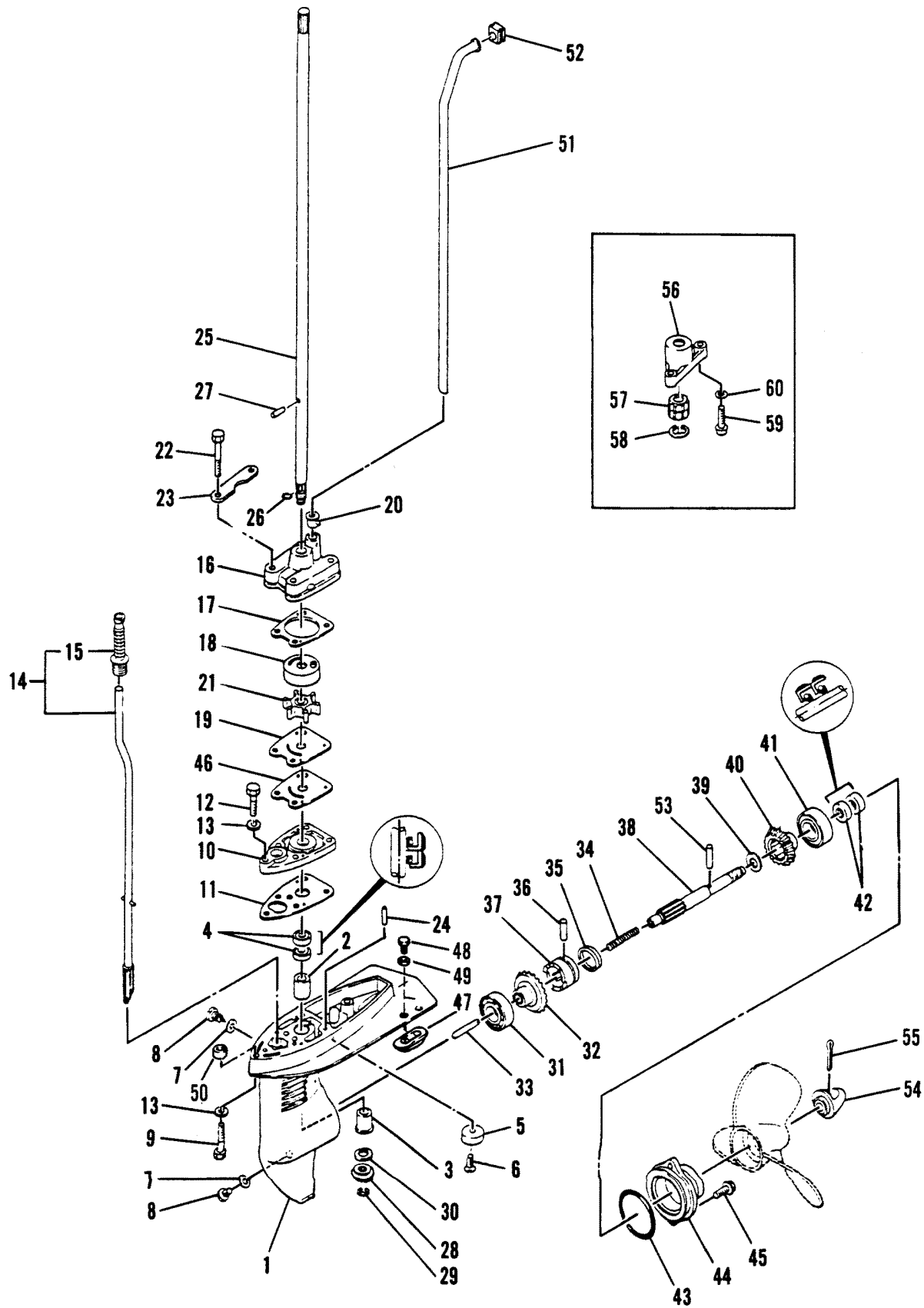
▲ = CONTENTS OF LOWER UNIT GASKET SET [27-96324M].

⊕ = CONTENTS OF WATER PUMP REPAIR KIT [96325M].

† = CONTENTS OF CHROME PUMP KIT [96326M].

CONTINUED ON NEXT PAGE ➡

# GEARHOUSING ASSEMBLY



# GEARHOUSING ASSEMBLY

REF. NO.	PART NO.	SYM.	QTY.	DESCRIPTION
19	96303M	+	1	OUTER PLATE, CARTRIDGE
	96304M	+	1	OUTER PLATE, CHROME (OPT)
20	26-14186M	+	1	SEAL SERIAL (M-144067 ML-425197) AND ABOVE
	26-80398M	+	1	SEAL SERIAL (M-144066 ML-425196) AND BELOW
21	47-96305M	+	1	IMPELLER
22	10-92536M	+	4	BOLT
23	96306M		2	PLATE
24	17-82357M	+	2	PIN
25	45-96307M		1	DRIVESHAFT (SHORT)
	45-96308M		1	DRIVESHAFT (LONG)
26	53-96309M		1	CLIP
27	17-82355M	+	1	PIN
28	43-96310M		1	PINION
29	53-82331M		1	SNAP RING
0-1	1651-810952M		1	GEARHOUSING ASS'Y (SHORT) SERIAL (M-162953 ML-435351) AND ABOVE
	1651-9780M		1	GEARHOUSING ASS'Y (SHORT) SERIAL (M-162952 ML-435350) AND BELOW
	1651-810953M		1	GEARHOUSING ASS'Y (LONG) SERIAL (M-162953 ML-435351) AND ABOVE
	1651-9781M		1	GEARHOUSING ASS'Y (LONG) SERIAL (M-154200 THRU 162952 ML-430160 THRU 435350)
	1651-8258M		1	GEARHOUSING ASS'Y (LONG) SERIAL (M-154199 ML-430159) AND BELOW
30	12-96311M		1	WASHER
31	30-95475M		1	BEARING SERIAL (M-144067 ML-425197) AND ABOVE
	30-82291M		1	BEARING SERIAL (M-144066 ML-425196) AND BELOW
32	43-96312M		1	GEAR, FORWARD
33	81014M		1	PLUNGER, SHIFT
34	24-82077M		1	SPRING
35	53-81013M		1	RING, CROSS PIN
36	17-81902M		1	PIN, CROSS
37	52-96313M		1	CLUTCH, DOG
38	44-96314M		1	SHAFT, PROPELLER
39	12-96315M		1	WASHER
40	43-96316M		1	GEAR, REVERSE
41	30-95475M		1	BEARING (M-006976 ML-304984) AND ABOVE
	30-82291M		1	BEARING (M-006975 ML-304983) AND BELOW
42	26-96317M	▲	2	OIL SEAL
43	25-82280M	▲	1	O-RING
44	96318M		1	CAP, GEARHOUSING
45	10-91705M		2	BOLT

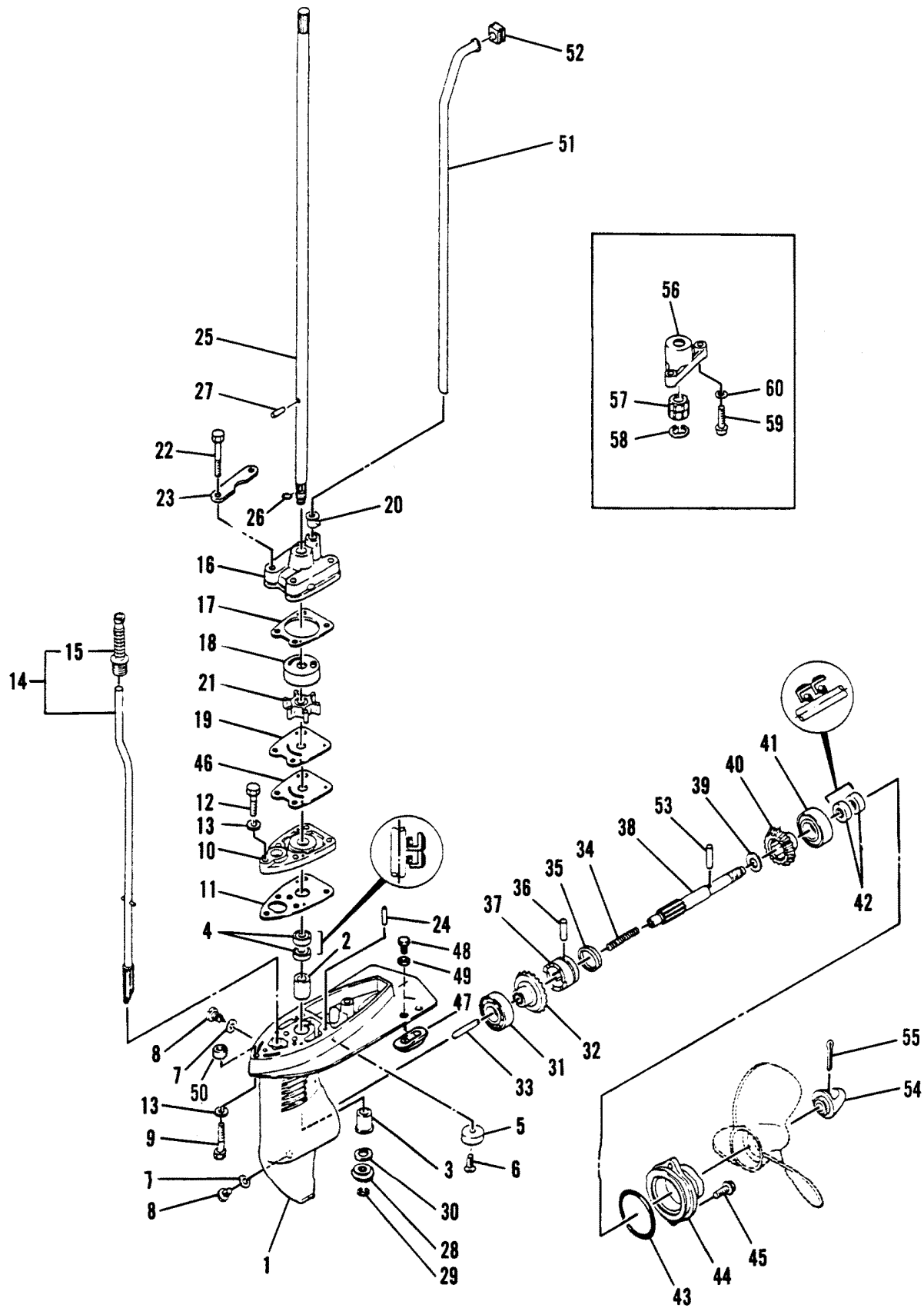
▲ = CONTENTS OF LOWER UNIT GASKET SET [27-96324M].

+

+ = CONTENTS OF CHROME PUMP KIT [96326M].

CONTINUED ON NEXT PAGE ➡

# GEARHOUSING ASSEMBLY



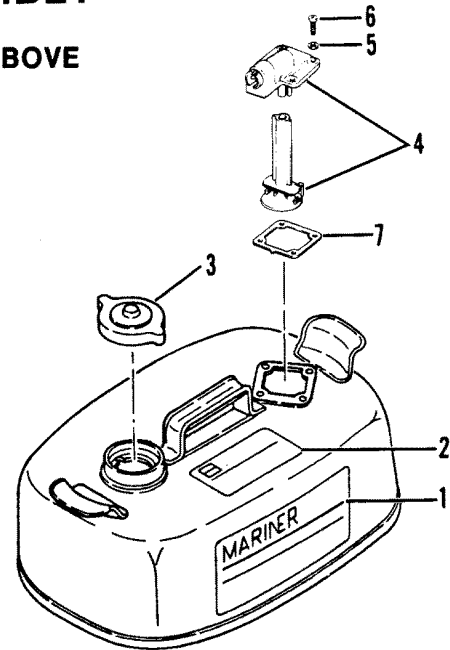
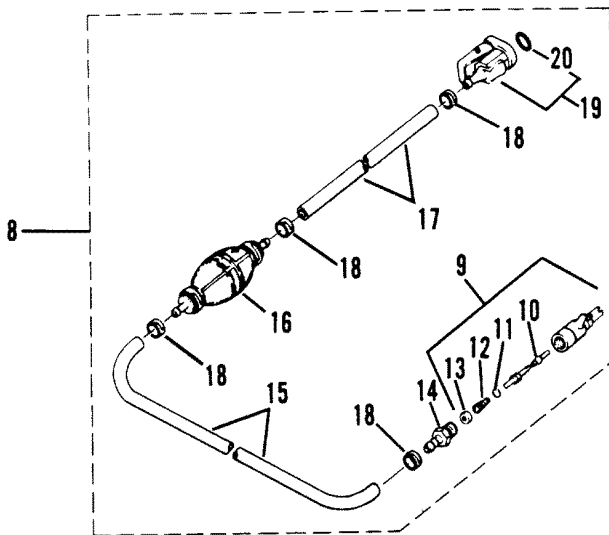
# GEARHOUSING ASSEMBLY

REF. NO.	PART NO.	SYM.	QTY.	DESCRIPTION
46	27-41822M		1	GASKET, WATER PUMP SERIAL (M-136243 ML-420838) AND BELOW
47	18852M		2	ANODE SERIAL (M-154200 THRU 162952 ML-430160 THRU 435350)
48	10-91725M		2	BOLT SERIAL (M-154200 THRU 162952 ML-430160 THRU 435350)
49	12-82214M		2	WASHER SERIAL (M-154200 ML-430160) AND ABOVE
50	18853M		2	COLLAR SERIAL (M-154200 ML-430160) AND ABOVE
51	32-96319M		1	TUBE, WATER (SHORT)
	32-96320M		1	TUBE, WATER (LONG)
52	26-80397M	◇ ●	1	SEAL
53	17-17554M		1	PIN, DRIVE
54	11-80545M		1	NUT, PROPELLER
55	18-82132M		1	PIN, COTTER
56	96321M		1	HOUSING, BEARING (LONG)
57	23-96322M		1	BUSHING, DRIVE SHAFT (LONG)
58	53-96323M		1	SNAP RING (LONG)
59	10-83108M		2	SCREW (LONG)
60	12-82211M		2	WASHER (LONG)
	27-96324M	▲	1	LOWER UNIT CASKET KIT REPLACEMENT PARTS
	96325M	+	1	WATER PUMP REPAIR KIT REPLACEMENT PARTS
	96326M	†	1	CHROME PUMP KIT REPLACEMENT PARTS

- = CONTENTS OF POWERHEAD GASKET SET [27-14196M].
- ◇ = CONTENTS OF POWERHEAD GASKET SET [27-41289M].
- ▲ = CONTENTS OF LOWER UNIT GASKET SET [27-96324M].
- ⊕ = CONTENTS OF WATER PUMP REPAIR KIT [96325M].
- † = CONTENTS OF CHROME PUMP KIT [96326M].

# FUEL TANK AND FUEL LINE ASSEMBLY

## FUEL TANK AND FUEL LINE ASSEMBLY (ORIGINAL EQUIPMENT) 14 LITRE (3.7 GALLONS) FOR SERIAL NUMBERS (M-129816 ML-418073) AND ABOVE (SEE NOTE)



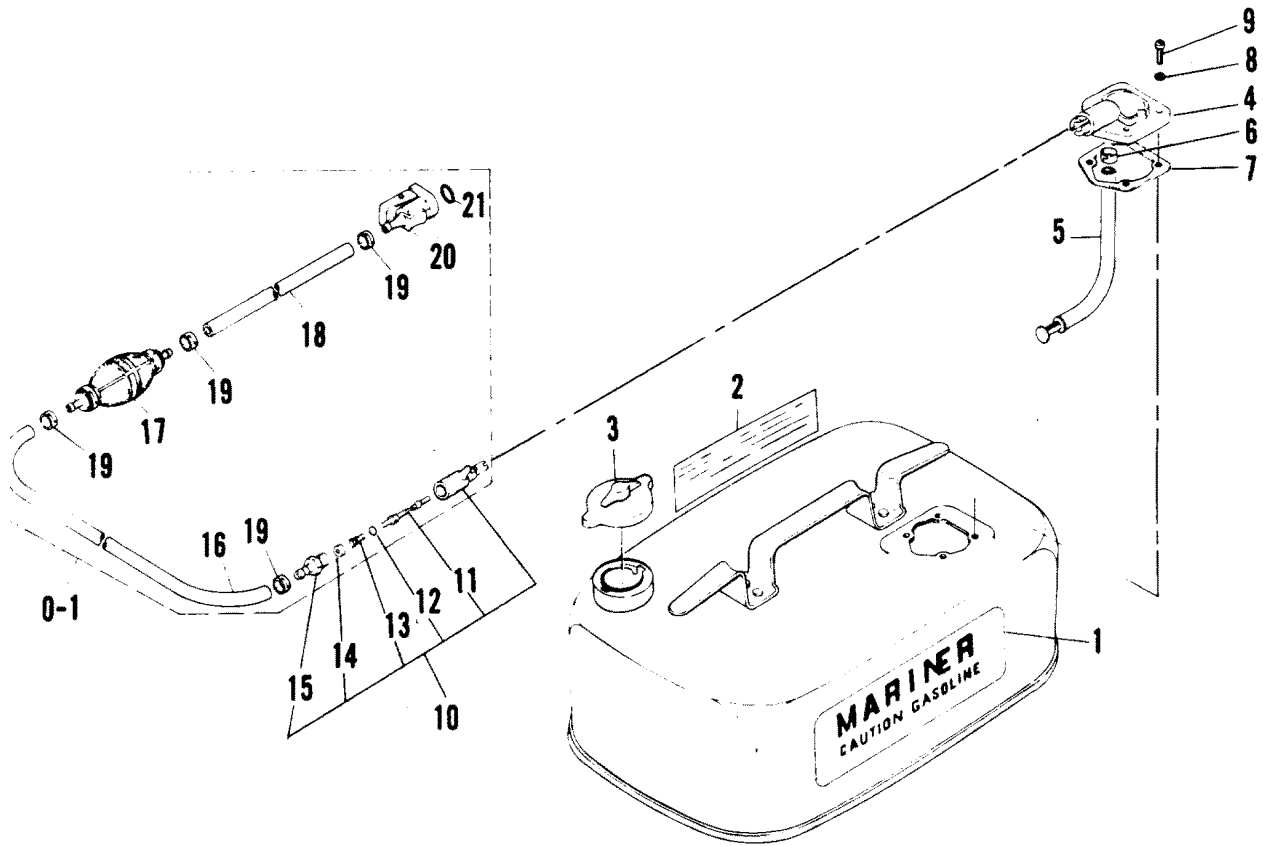
## FUEL TANK AND FUEL LINE ASSEMBLY

REF. NO.	PART NO.	SYM.	QTY.	DESCRIPTION
1	37-95539M		1	DECAL, SIDE (ENGLISH)
	37-95540M		1	DECAL, SIDE (FRENCH)
2	37-95489M		1	DECAL, TOP (ENGLISH)
	37-95503M		1	DECAL, TOP (FRENCH)
3	36-14223M		1	FUEL TANK CAP
4	95541M		1	HOUSING ASS'Y FUEL CONNECTOR
5	12-95501M		4	SEAL
6	10-95502M		4	SCREW
7	27-95500M		1	GASKET, HOUSING ASS'Y
8	32-18925M		1	FUEL LINE ASS'Y (5/16"-8MM-I.D. HOSE)
	32-16570M		1	FUEL LINE ASS'Y (1/4"-6MM-I.D. HOSE)
9	30185A3		1	BAYONET BODY ASSEMBLY
10	30187		1	STEM
11	25-20415		1	O-RING
12	24-30189		1	SPRING
13	30188		1	CAP WASHER
14	22-89771--1		1	FITTING (5/16"-8MM-I.D. HOSE)
	22-63187		1	FITTING (1/4"-6MM-I.D. HOSE)
15	32-16571M		1	HOSE (5/16"-8MM-I.D. HOSE)
	32-14210M		1	HOSE (1/4"-6MM-I.D. HOSE)
16	17149M		1	PRIMER BULB (5/16"-8MM-I.D. HOSE)
	16572M		1	PRIMER BULB (1/4"-6MM-I.D. HOSE)
17	32-16573M		1	HOSE (5/16"-8MM-I.D. HOSE)
	32-14212M		1	HOSE (1/4"-6MM-I.D. HOSE)
18	54-16574M		4	CLAMP (5/16"-8MM-I.D. HOSE)
	54-80752M		4	CLAMP (1/4"-6MM-I.D. HOSE)
19	22-13563A3		1	FUEL CONNECTOR (5/16"-8MM-I.D. HOSE)
	22-14213M		1	FUEL CONNECTOR (1/4"-6MM-I.D. HOSE)
20	25-82789M		1	O-RING (1/4"-6MM-I.D. HOSE)

NOTE: TO ORDER REPLACEMENT PARTS FOR NON ORIGINAL FUEL TANK SEE "FUEL TANK AND FUEL LINE ASS'Y (NOT ORIG. EQUIP. TANK)"

# FUEL TANK AND FUEL LINE ASSEMBLY

## FUEL TANK AND FUEL LINE ASSEMBLY (ORIGINAL EQUIPMENT) 12 LITRE (3.2 GALLONS) FOR SERIAL NUMBERS (M-129815 ML-418072) AND BELOW (SEE NOTE)





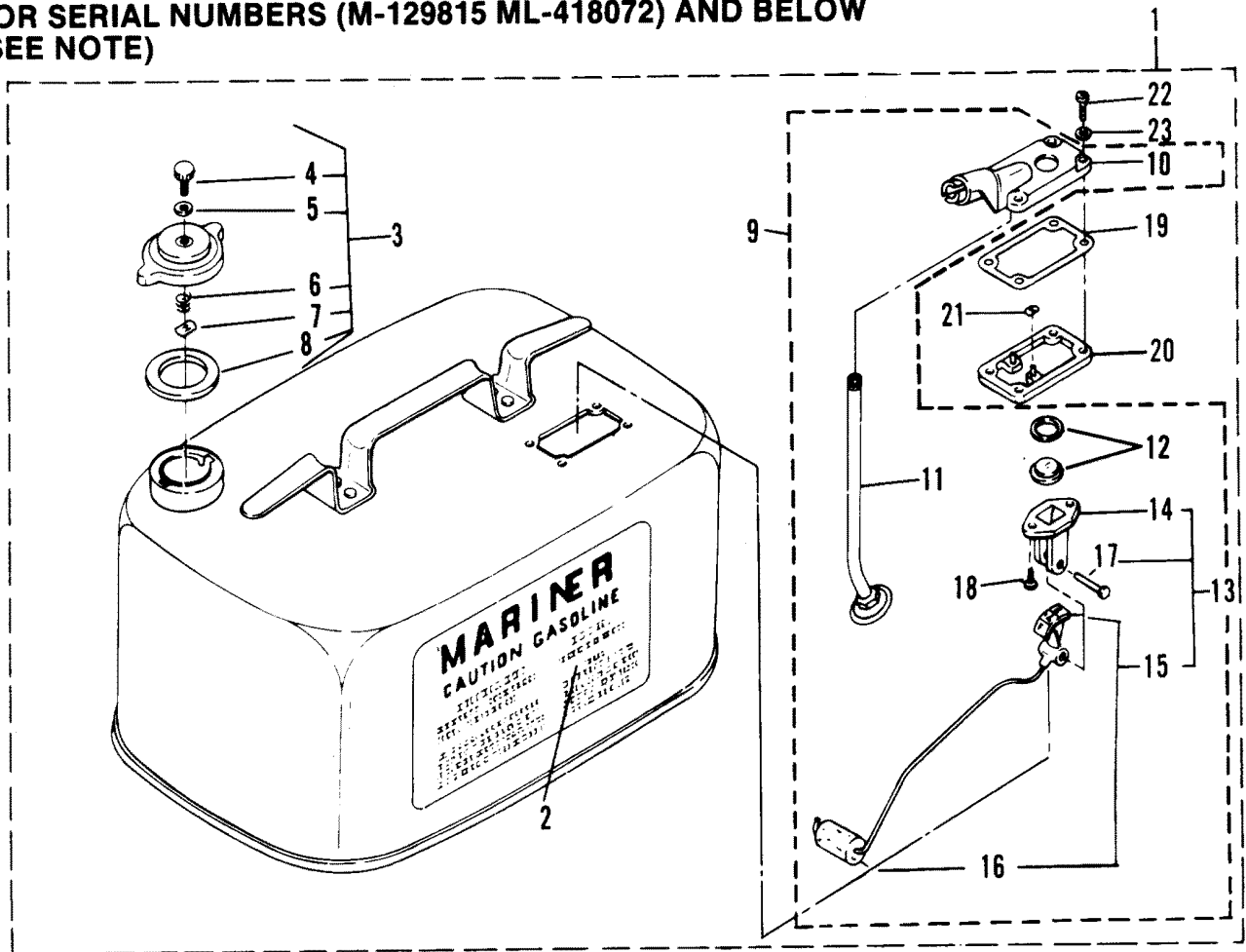
## FUEL TANK AND FUEL LINE ASSEMBLY

REF. NO.	PART NO.	SYM.	QTY.	DESCRIPTION
1	37-95488M		1	DECAL, SIDE (MARINER) SERIAL (M-006976 THRU 129815 ML-304984 THRU 418072)
	37-83057M		1	DECAL, SIDE (MARINER) SERIAL (M-006975 ML-304983) AND BELOW
2	37-95489M		1	DECAL, SIDE (CAUTION) SERIAL (M-006976 THRU 129815 ML-304984 THRU 418072)
	37-83765M		1	DECAL, SIDE (CAUTION) SERIAL (M-006975 ML-304983) AND BELOW
3	36-14223M		1	CAP ASS'Y
4	83584M		1	HOUSING ASS'Y, FUEL CONNECTOR
5	32-83626M		1	HOSE, PICKUP
6	54-80752M		1	CLAMP, PICKUP HOSE
7	27-81320M		1	GASKET, HOUSING ASS'Y
8	12-80271M		4	SEAL
9	10-83356M		4	SCREW
0-1	32-95491M		1	FUEL LINE ASS'Y SERIAL (M-006976 THRU 129815 ML-304984 THRU 418072)
	32-16570M		1	FUEL LINE ASS'Y SERIAL (M-006975 ML-304983) AND BELOW
10	30185A3		1	BAYONET BODY ASS'Y
11	30187		1	STEM, BAYONET BODY
12	25-20415		1	O-RING, BAYONET BODY STEM
13	24-30189		1	SPRING, BAYONET BODY STEM
14	30188		1	WASHER, CAP
15	22-63187		1	FITTING, FUEL LINE
16	32-82024M		1	HOSE, FUEL TANK TO PRIMER BULB
17	14211M		1	PRIMER BULB
18	32-82023M		1	HOSE, PRIMER BULB TO FUEL CONNECTOR
19	54-80752M		4	CLAMP, HOSE
20	22-14213M		1	HOUSING ASS'Y, FUEL CONNECTOR
21	25-82789M		1	O-RING

NOTE: TO ORDER REPLACEMENT PARTS FOR THE NON ORIGINAL FUEL TANK SEE "FUEL TANK AND FUEL LINE ASS'Y (NOT ORIG. EQUIP. TANK)"

# FUEL TANK AND FUEL LINE ASSEMBLY

(NOT ORIGINAL EQUIPMENT TANK)  
FOR SERIAL NUMBERS (M-129815 ML-418072) AND BELOW  
(SEE NOTE)

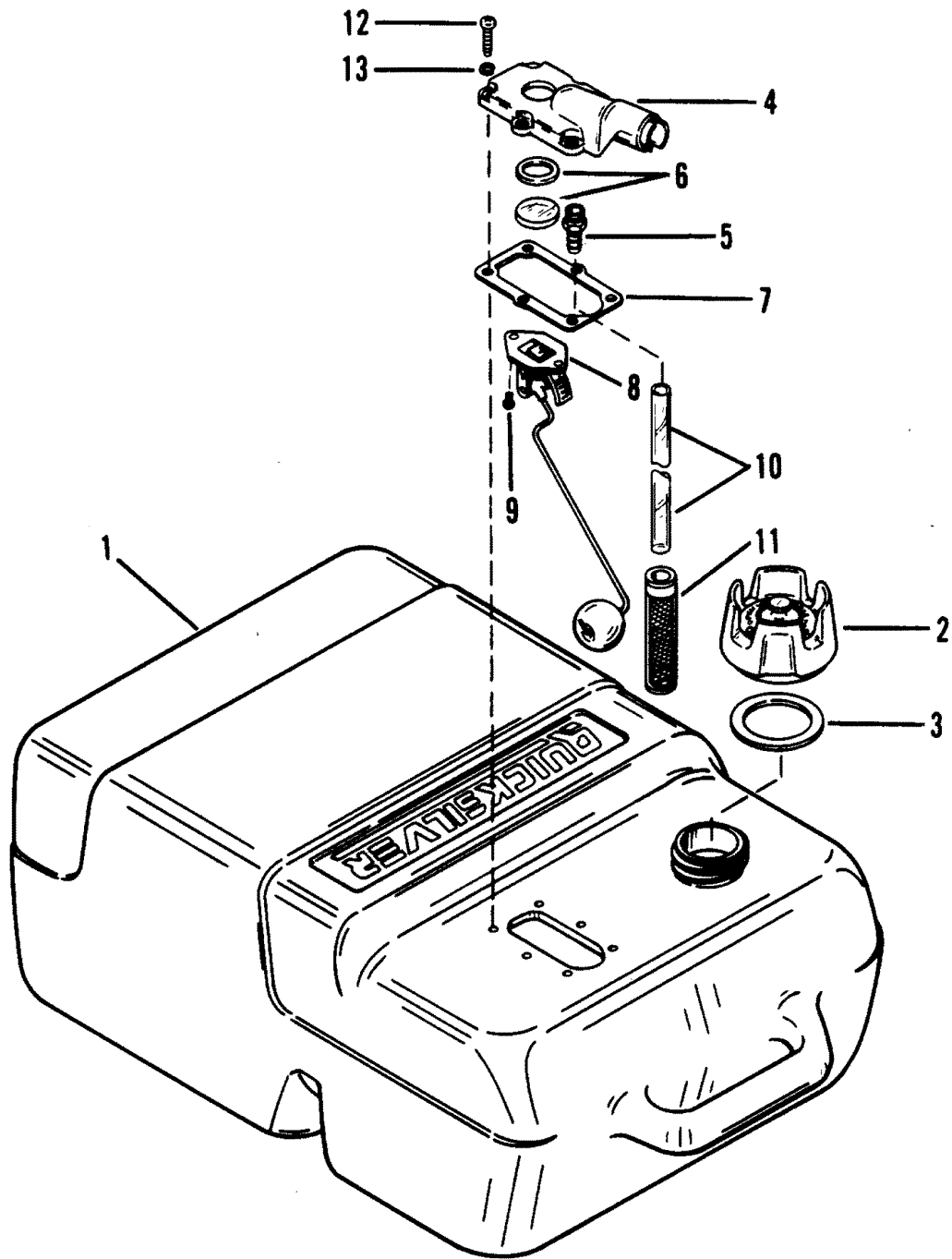


## FUEL TANK AND FUEL LINE ASSEMBLY

REF. NO.	PART NO.	SYM.	QTY.	DESCRIPTION
1	1259-812410A1		1	FUEL TANK, COMPLETE
2	37-13921		1	DECAL, FUEL TANK
3	36-14223M		1	FILLER CAP ASSEMBLY
4	10-25575		1	SCREW, VENT-FILLER CAP
5	12-49221--1		1	WASHER, VENT SCREW
6	24-22227		1	SPRING, TENSION-VENT SCREW
7	11-28587		1	NUT, SPEED-SPRING RETAINER
8	27-41065		1	GASKET, FILLER CAP TO FUEL TANK
9	64841A1		1	CONNECTOR/GAUGE ASS'Y, COMPLETE
10	64841A3		1	COVER, FUEL TANK
11	32-75239		1	TUBE
12	98542A1		1	LENS ASSEMBLY, FUEL GAUGE
13	28897A2		1	FUEL GAUGE ASSEMBLY, COMPLETE
14	20430		1	RETAINER, FUEL GAUGE
15	28897A1		1	INDICATOR AND FLOAT ASSEMBLY
16	99274		1	FLOAT, FUEL GAUGE
17	17-20426		1	RIVET, INDICATOR TO RETAINER
18	10-62568		2	SCREW, RETAINER TO FUEL TANK COVER
19	27-28862		1	GASKET, COVER ASSEMBLY TO FRAME
20	28860		1	FRAME, RETAINING-FUEL TANK COVER
21	11-28903		2	FASTENER, RETAINING FRAME TO FUEL TANK
22	10-20411		4	SCREW, FUEL TANK COVER TO FUEL TANK
23	12-29070		4	WASHER, FUEL TANK COVER FASTENING SCREW

NOTE: TO ORDER REPLACEMENT PARTS FOR THE ORIGINAL FUEL TANK OR FUEL LINE ASS'Y SEE "FUEL TANK AND FUEL LINE ASSEMBLY (ORIG. EQUIP.)"

# FUEL TANK (PLASTIC-6.6 GALLON)



## FUEL TANK (PLASTIC-6.6 GALLON)

REF. NO.	PART NO.	SYM.	QTY.	DESCRIPTION
1	1259-9728		1	FUEL TANK ASSEMBLY (PLASTIC-6.6 GAL.)
2	1259-812410A1		1	FILLER CAP
3	27-18032		1	GASKET, FILLER CAP
4	17792A1		1	PICK-UP BODY ASSEMBLY
5	18030		1	ADAPTOR
6	98542A1		1	WINDOW ASSEMBLY
7	27-18026		1	GASKET, PICK-UP BODY
8	17971A2		1	FUEL GAUGE ASSEMBLY
9	10-62568		2	SCREW, FUEL GAUGE
10	32-F8028		1	HOSE
11	35-18029		1	FILTER
12	10-18027		6	SCREW, PICK-UP BODY
13	12-29070		6	WASHER, PICK-UP BODY SCREW

NOTE: TO ORDER REPLACEMENT PARTS FOR THE ORIGINAL FUEL TANK OR FUEL LINE ASSEMBLY SEE "FUEL TANK AND FUEL LINE ASSEMBLY (ORIG. EQUIP)"

# PARTS INDEX

Part Number	Description	Pg.	Ref. No.	Part Number	Description	Pg.	Ref. No.
11919M	THERMOSTAT	15	18	80533M	COVER, DRIVESHAFT HOUSING	33	9
11921M	THROTTLE WIRE ASS'Y	27	23	80579M	JET, MAIN (#80)	23	8
11922M	ANODE	39	5	80935M	PLUG CAP ASS'Y (NOISE SUPPRESSOR) (OPT)	11	30
11923M	PLATE	39	10	81014M	PLUNGER, SHIFT	41	33
14177M	HOUSING, OIL SEAL	19	16	81045M	ANODE	39	5
14178M	BODY, FLOAT CHAMBER	23	1	810948M	KNOB, STEERING LOCK	37	52
14180M	FLOAT	23	4	810949M	INDICATOR	37	53
14181M	NOZZLE, MAIN	23	7	810950M	INDICATOR	37	54
14182M	VALVE, NEEDLE	23	9	81106M	PLUNGER	9	19
14184M	REPAIR KIT, CARBURETOR	25	28	811680M	COVER, CYLINDER HEAD	15	17
14187M	FUEL CONNECTOR	5	25	81191M	RETAINER, CHOKE LEVER	21	5
14198M	NOZZLE, MAIN	23	7	81439M	CAP, GREASE FITTING	35	49
14199M	JET, PILOT (#52)	25	16	814454M	HOOK	5	4
14211M	PRIMER BULB	47	17	814455M	HOUSING, OIL SEAL	19	16
15304M	BOOT, SHIFT ROD	39	15	814457M	PLATE	39	10
16572M	PRIMER BULB (1/4"-6MM-I.D. HOSE)	45	16	814483M	BRACKET	9	22
16632M	INDICATOR, THROTTLE	27	15	82788M	PLUG CAP ASS'Y	11	30
17149M	PRIMER BULB (5/16"-8MM-I.D. HOSE)	45	16	82857M	STOPPER PLATE	35	40
17497M	PIECE, FRICTION	35	38	82943M	BODY, FLOAT CHAMBER	23	1
17792A1	PICK-UP BODY ASSEMBLY	51	4	83232M	SOUND BLANKET, PORT	5	10
17971A2	FUEL GAUGE ASSEMBLY	51	8	83232M	SOUND BLANKET, STARBOARD	5	11
18030	ADAPTOR	51	5	83252M	PAWL, DRIVE	9	8
18840M	PLATE, CLAMP BRACKET	33	19	83282M	THERMOSTAT	15	18
18841M	COVER	9	17	83584M	HOUSING ASS'Y, FUEL CONNECTOR	47	4
18844M	HOUSING, OIL SEAL	19	16	84125M	VOLTAGE REGULATOR ASS'Y	31	1
18845M	COVER, HANDLE STEERING	27	4	84323M	SOUND BLANKET, FRONT AND REAR	5	9
18846M	COVER	27	10	84329M	RECTIFIER ASS'Y	31	2
18848M	PLATE	27	21	91656M	HOOK	5	4
18852M	ANODE	43	47	91658M	SEAL	5	7
18853M	COLLAR	43	50	91659M	LEVER, CLAMP	5	14
18854M	POWERHEAD ASS'Y, COMPLETE (SEE NOTE)	17	35	91660M	LEVER, CLAMP	5	16
20430	RETAINER, FUEL GAUGE	49	14	91680M	SHAFT	9	5
28860	FRAME, RETAINING-FUEL TANK COVER	49	20	91685M	SEAL, RUBBER	9	14
28897A1	INDICATOR AND FLOAT ASSEMBLY	49	15	91689M	HOUSING, OIL SEA	11	6
28897A2	FUEL GAUGE ASSEMBLY, COMPLETE	49	13	91690M	COIL ASS'Y	11	7
30185A3	BAYONET BODY ASS'Y	47	10	91692M	PULSER COIL ASS'Y	11	9
30185A3	BAYONET BODY ASSEMBLY	45	9	91694M	PULSER COIL ASS'Y	11	11
30187	STEM	45	10	91697M	LIGHTING COIL ASS'Y (80W) (OPT)	11	16
30187	STEM, BAYONET BODY	47	11	91703M	BRACKET, IGNITION COIL	11	25
30188	CAP WASHER	45	13	91707M	C.D.I. UNIT ASS'Y	13	32
30188	WASHER, CAP	47	14	91708M	HOLDER, WIRE HARNESS	13	33
41251M	GUIDE, ROPE	9	13	91728M	KNOB, CHOKE	21	1
41252M	SHAFT	27	20	91730M	KNOB, CHOKE	21	3
41281M	OUTER COVER, EXHAUST	15	13	91731M	ROD, CHOKE LINK	21	4
41882M	COVER	9	17	91732M	REED VALVE ASS'Y	21	6
43107M	ANODE	39	5	91737M	BODY, FLOAT CHAMBER	23	1
43112M	COVER, HANDLE STEERING	27	4	91739M	ARM	23	5
64841A1	CONNECTOR/GAUGE ASS'Y, COMPLETE	49	9	91741M	JET, MAIN (#86)	23	8
64841A3	COVER, FUEL TANK	49	10	91742M	VALVE, NEEDLE	23	9
80033M	HOLDER, PIN	5	23	91742M	VALVE, NEEDLE	23	9
80049M	CONNECTOR, SHIFT ROD	29	9	91743M	COVER, PLATE	23	10
80050M	CONNECTOR, SHIFT ROD	29	10	91746M	JET, PILOT (#46)	25	16
80450M	FLOAT	23	4	91747M	COVER, PUMP	25	19

# PARTS INDEX

Part Number	Description	Pg.	Ref. No.	Part Number	Description	Pg.	Ref. No.
91748M	DIAPHRAGM	25	20	98959M	CONNECTOR, SHIFT ROD	29	9
91750M	BODY, PUMP	25	22	98960M	CONNECTOR, SHIFT ROD	29	10
91752M	PLATE	25	24	99084M	CRANKSHAFT 1	19	3
91753M	DIAPHRAGM	25	25	99085M	CRANKSHAFT 2	19	8
91755M	REPAIR KIT, CARBURETOR	25	28	99274	FLOAT, FUEL GAUGE	49	16
91756M	HANDLE, STEERING	27	1	99999M	INNER COVER, EXHAUST	15	11
91762M	COVER	27	10	10-11945M	BOLT	15	14
91764M	HANDLE	27	13	10-14185M	BOLT	39	9
91765M	GRIP, HANDLE	27	14	10-14232M	SCREW	27	11
91769M	PLATE	27	21	10-14232M	SCREW	27	22
91776M	LEVER, SHIFT ROD	29	4	10-17496M	SCREW, FRICTION PIECE	35	35
91777M	ROD, SHIFT (SHORT)	29	6	10-18027	SCREW, PICK-UP BODY	51	12
91778M	ROD, SHIFT (LONG)	29	6	10-18847M	SCREW	27	19
91784M	HANDLE, TRANSOM CLAMP	33	15	10-18849M	BOLT	33	17
91789M	LEVER, TILT STOP	35	28	10-18851M	BOLT	39	9
91790M	KNOB, TILT	35	29	10-20411	SCREW, FUEL TANK COVER TO FUEL TANK	49	22
91791M	BRACKET, SWIVEL	35	30	10-25575	SCREW, VENT-FILLER CAP	49	4
91796M	PLATE, TILT LOCK	35	42	10-62568	SCREW, FUEL GAUGE	51	9
95468M	HANDLE, STARTER	9	12	10-62568	SCREW, RETAINER TO FUEL TANK COVER	49	18
95469M	BASE ASS'Y	11	5	10-80434M	SCREW, GUIDE	25	17
95470M	IGNITION COIL ASS'Y	11	28	10-80573M	SCREW, AIR ADJUSTING	23	13
95482M	SOUND BLANKET, TOP	5	12	10-80738M	SCREW	25	18
95485M	STRAP	9	30	10-810947M	SCREW, FRICTION PIECE	35	35
95486M	HANDLE, GEAR SHIFT	29	1	10-814482M	SCREW	5	18
95541M	HOUSING ASS'Y FUEL CONNECTOR	45	4	10-82179M	SCREW	5	18
96294M	PLATE	39	10	10-82405M	BOLT	39	12
96297M	SHIFT CAM ASS'Y (SHORT)	39	14	10-82417M	BOLT	27	5
96298M	SHIFT CAM ASS'Y (LONG)	39	14	10-82419M	BOLT	27	5
96301M	INSERT, CARTRIDGE	39	18	10-82513M	SCREW	23	12
96302M	INSERT, CHROME (OPT)	39	18	10-82513M	SCREW, IDLE	23	15
96303M	OUTER PLATE, CARTRIDGE	41	19	10-82521M	SCREW	31	4
96304M	OUTER PLATE, CHROME (OPT)	41	19	10-82623M	SCREW, IDLE	25	15
96306M	PLATE	41	23	10-82858M	BOLT	35	21
96318M	CAP, GEARHOUSING	41	44	10-83108M	SCREW	21	17
96321M	HOUSING, BEARING (LONG)	43	56	10-83108M	SCREW (LONG)	43	59
96325M	WATER PUMP REPAIR KIT	43	60	10-83285M	BOLT	9	6
96326M	CHROME PUMP KIT	43	60	10-83356M	SCREW	47	9
96328M	GUIDE, VERTICAL START	31	6	10-83539M	BOLT	9	26
96381M	COVER, CYLINDER HEAD	15	23	10-84237M	BOLT	11	29
96383M	LINK	9	27	10-84237M	BOLT	33	4
96391M	WIRE COMPLETE	9	21	10-84300M	SCREW	27	19
96392M	BRACKET	9	22	10-84315M	BOLT	13	31
96393M	ARM	9	23	10-84367M	SCREW	39	6
96394M	BRACKET	9	29	10-91666M	BOLT	15	24
96395M	STRAP	9	30	10-91666M	BOLT	29	5
96396M	LIGHTING COIL ASS'Y (40W) (OPT)	11	16	10-91681M	BOLT	9	6
96397M	INNER COVER, EXHAUST	15	27	10-91681M	BOLT	11	20
96399M	OUTER COVER, EXHAUST	15	25	10-91681M	BOLT	17	32
96553M	COVER	21	15	10-91686M	BOLT	9	15
96554M	COVER	21	16	10-91686M	BOLT	11	20
96556M	JET, MAIN (#94)	23	8	10-91686M	BOLT	11	4
96557M	JET, PILOT (#44)	25	16	10-91686M	BOLT	15	15
98542A1	LENS ASSEMBLY, FUEL GAUGE	49	12	10-91686M	BOLT	17	30
98542A1	WINDOW ASSEMBLY	51	6	10-91686M	BOLT	21	9
98957M	HOLDER, CLAMP BAND	5	5	10-91691M	SCREW W/WASHER (OPT)	11	17
98958M	INDICATOR, THROTTLE	27	15	10-91691M	SCREW, W/WASHER	11	8
				10-91693M	SCREW, W/WASHER	11	10
				10-91695M	SCREW, W/WASHER	11	12

# PARTS INDEX

Part Number	Description	Pg.	Ref. No.	Part Number	Description	Pg.	Ref. No.
10-91699M	SCREW W/WASHER	11	15	12-82214M	WASHER	21	13
10-91705M	BOLT	11	27	12-82214M	WASHER	27	25
10-91705M	BOLT	41	45	12-82214M	WASHER	33	5
10-91710M	BOLT	17	31	12-82214M	WASHER	33	7
10-91725M	BOLT	19	17	12-82214M	WASHER	35	23
10-91725M	BOLT	33	6	12-82214M	WASHER	39	13
10-91725M	BOLT	43	48	12-82214M	WASHER	43	49
10-91738M	SCREW	23	3	12-82217M	WASHER	33	19
10-91761M	BOLT, FRICTION ADJUSTING	27	8	12-83768M	WASHER	29	13
10-91772M	BOLT	27	26	12-83769M	WASHER	9	25
10-91772M	SCREW	39	6	12-84620M	WASHER	19	5
10-91779M	BOLT	5	20	12-91723M	WASHER	19	14
10-91779M	BOLT	9	18	12-91729M	WASHER	21	2
10-91779M	BOLT	13	34	12-91767M	WASHER	27	18
10-91779M	BOLT	29	11	12-92564M	WASHER	9	16
10-91779M	BOLT	35	32	12-95501M	SEAL	45	5
10-91783M	SCREW, TRANSOM CLAMP	33	14	12-96311M	WASHER	41	30
10-91788M	BOLT	35	27	12-96315M	WASHER	41	39
10-92536M	BOLT	41	22	13-81869M	WASHER, WAVE	5	17
10-95473M	BOLT	27	5	13-91775M	WASHER, WAVE	29	3
10-95502M	SCREW	45	6	16-80232M	STUD	21	10
10-96292M	BOLT	35	47	16-91735M	STUD	21	11
10-96293M	BOLT	39	9	17-14193M	PIN, CRANKSHAFT 1	19	4
10-96555M	SCREW	21	19	17-17554M	PIN, DRIVE	43	53
10-97803M	SCREW W/WASHER (OPT)	11	17	17-20426	RIVET, INDICATOR TO RETAINER	49	17
10-98961M	BOLT	33	17	17-41267M	PIN	33	16
10-98962M	SCREW, FRICTION PIECE	35	35	17-80451M	PIN, FLOAT	23	6
11-28587	NUT, SPEED-SPRING RETAINER	49	7	17-810951M	RIVET	37	55
11-28903	FASTENER, RETAINING FRAME TO FUEL TANK	49	21	17-81902M	PIN, CROSS	41	36
11-80545M	NUT, PROPELLER	43	54	17-81907M	RIVET	27	16
11-81769M	NUT	11	22	17-82144M	PIN	35	41
11-82380M	NUT	9	7	17-82157M	PIN	33	16
11-82381M	NUT	5	19	17-82355M	PIN	41	27
11-82381M	NUT	21	12	17-82357M	PIN	41	24
11-82389M	NUT	35	24	17-82364M	PIN	17	35
11-82390M	NUT	27	27	17-82364M	PIN, DOWEL	33	3
11-82390M	NUT	33	8	17-83140M	RIVET	5	6
11-82392M	NUT	35	37	17-91793M	PIN	35	36
11-84295M	NUT	33	20	17-91795M	TILT ROD ASS'Y	35	39
12-18850M	WASHER	33	18	18-82051M	CLIP	9	28
12-29070	WASHER, FUEL TANK COVER FASTENING SCREW	49	23	18-82124M	PIN, COTTER	27	12
12-29070	WASHER, PICK-UP BODY SCREW	51	13	18-82125M	PIN	29	14
12-41290M	WASHER	27	9	18-82125M	PIN, COTTER	29	8
12-49221--1	WASHER, VENT SCREW	49	5	18-82132M	PIN, COTTER	43	55
12-80271M	SEAL	47	8	18-96560M	PIN	29	12
12-80638M	PAD, TRANSOM CLAMP	33	13	21-80727M	CHECK VALVE ASS'Y	15	2
12-81805M	WASHER	11	23	21-80727M	CHECK VALVE ASS'Y	15	21
12-82211M	WASHER	21	18	22-13563A3	FUEL CONNECTOR (5/16"- 8MM-I.D. HOSE)	45	19
12-82211M	WASHER	27	6	22-14183M	SCREW, DRAIN	25	27
12-82211M	WASHER	29	7	22-14213M	FUEL CONNECTOR (1/4"- 6MM-I.D. HOSE)	45	19
12-82211M	WASHER	31	5	22-14213M	HOUSING ASS'Y, FUEL CONNECTOR	47	20
12-82211M	WASHER (LONG)	43	60	22-63187	FITTING (1/4"-6MM-1.D. HOSE)	45	14
12-82214M	WASHER	13	35	22-63187	FITTING, FUEL LINE	47	15
12-82214M	WASHER	19	18	22-80122M	FITTING	15	20
				22-80122M	FITTING	15	4



# PARTS INDEX

Part Number	Description	Pg.	Ref. No.	Part Number	Description	Pg.	Ref. No.
22-80218M	PLUG, WATER CHECK (OPT)	35	50	26-14195M	OIL SEAL	11	19
22-81924M	PLUG	39	8	26-18843M	OIL SEAL	19	15
22-82369M	FITTING, GREASE	35	48	26-18941M	OIL SEAL	19	15
22-89771--1	FITTING (5/16"-8MM-I.D. HOSE)	45	14	26-80397M	SEAL	43	52
22-95633M	PLUG, WATER CHECK (OPT)	35	50	26-80398M	SEAL	41	20
22-97083M	FUEL PIPE JOINT (TEE)	7	32	26-91726M	OIL SEAL	19	19
22-99988M	NIPPLE, HOSE	15	3	26-91726M	OIL SEAL	39	4
22-99989M	FITTING, JOINT	15	6	26-95472M	OIL SEAL	19	19
23-17657M	BUSHING, RUBBER	27	2	26-96317M	OIL SEAL	41	42
23-41258M	BUSHING, PIVOT SHAFT	35	45	27-13999M	GASKET	25	28
23-41821M	BUSHING, PIVOT SHAFT	35	46	27-14179M	GASKET, FLOAT CHAMBER	23	2
23-80097M	BUSHING	35	31	27-14196M	GASKET SET, POWERHEAD	17	35
23-81949M	BUSHING	5	15	27-18026	GASKET, PICK-UP BODY	51	7
23-81974M	COLLAR	9	24	27-18032	GASKET, FILLER CAP	51	3
23-82116M	SPACER	35	22	27-28862	GASKET, COVER		
23-91758M	BUSHING	27	3		ASSEMBLY TO FRAME	49	19
23-91760M	BUSHING, RUBBER	27	7	27-41065	GASKET, FILLER CAP TO FUEL TANK	49	8
23-95476M	BUSHING	39	2	27-41279M	GASKET, OUTER COVER	15	12
23-95477M	BUSHING	39	3	27-41283M	GASKET, HEAD COVER	15	16
23-96322M	BUSHING, DRIVE SHAFT (LONG)	43	57	27-41289M	GASKET SET, POWERHEAD	17	35
23-96389M	GROMMET	5	24	27-41822M	GASKET, WATER PUMP	43	46
23-96558M	BUSHING	27	28	27-80972M	GASKET, FLOAT CHAMBER	23	2
24-22227	SPRING, TENSION-VENT SCREW	49	6	27-81320M	GASKET, HOUSING ASS'Y	47	7
24-30189	SPRING	45	12	27-81987M	GASKET	39	7
24-30189	SPRING, BAYONET BODY STEM	47	13	27-91734M	GASKET, VALVE SEAT	21	8
24-80329M	SPRING, PILOT ADJUSTING	23	14	27-91736M	GASKET	21	14
24-814456M	SPRING, CONICAL	35	51	27-91744M	GASKET	23	11
24-82077M	SPRING	41	34	27-91749M	GASKET, PUMP COVER	25	21
24-82079M	SPRING	9	20	27-91754M	GASKET, PUMP BODY	25	26
24-82095M	SPRING	27	17	27-91780M	GASKET	33	2
24-82110M	SPRING	35	33	27-95500M	GASKET, HOUSING ASS'Y	45	7
24-82111M	SPRING	35	34	27-96295M	GASKET	39	11
24-91682M	SPRING, DRIVE PAWL	9	10	27-96300M	GASKET, WATER PUMP	39	17
24-91751M	SPRING	25	23	27-96324M	LOWER UNIT GASKET KIT	43	60
24-91771M	SPRING	27	24	27-96380M	GASKET, OUTER COVER	15	26
24-91797M	SPRING	35	43	27-96384M	GASKET, HEAD COVER	15	22
24-91798M	SPRING	35	44	27-96386M	GASKET SET, POWERHEAD	17	35
24-95484M	SPRING, SPIRAL	9	4	27-96398M	GASKET, INNER COVER	17	28
25-16633M	GROMMET	7	30	27-99998M	GASKET, INNER COVER	15	10
25-16634M	GROMMET	7	31	28-18856M	KEY, WOODRUFF	11	24
25-20415	O-RING	45	11	30-18859M	BEARING	19	2
25-20415	O-RING, BAYONET BODY STEM	47	12	30-82291M	BEARING	41	31
25-82276M	O-RING	11	18	30-82291M	BEARING	41	41
25-82280M	O-RING	41	43	30-95475M	BEARING	41	31
25-82789M	O-RING	47	21	30-95475M	BEARING	41	41
25-82789M	O-RING (1/4"-6MM-I.D. HOSE)	45	20	31-91721M	BEARING	19	11
25-91675M	GROMMET	5	21	31-99083M	BEARING, CYLINDRICAL	19	6
25-91696M	GROMMET	11	13	32-14210M	HOSE (1/4"-6MM-I.D. HOSE)	45	15
25-91702M	GROMMET	11	21	32-14212M	HOSE (1/4"-6MM-I.D. HOSE)	45	17
25-91704M	GROMMET	11	26	32-16570M	FUEL LINE ASS'Y	47	0-1
25-91727M	O-RING	19	20	32-16570M	FUEL LINE ASS'Y (1/4"-6MM-I.D. HOSE)	45	8
25-91774M	O-RING	29	2	32-16571M	HOSE (5/16"-8MM-I.D. HOSE)	45	15
25-91782M	GROMMET	33	10	32-16573M	HOSE (5/16"-8MM-I.D. HOSE)	45	17
26-14186M	SEAL	41	20	32-18925M	FUEL LINE ASS'Y (5/16"-8MM-I.D. HOSE)	45	8
				32-75239	TUBE	49	11
				32-811045M	HOSE	17	29
				32-82003M	HOSE	7	27

# PARTS INDEX

Part Number	Description	Pg.	Ref. No.	Part Number	Description	Pg.	Ref. No.
32-82023M	HOSE, PROMER BULB TO FUEL CONNECTOR	47	18	53-82342M	SNAP RING	19	13
32-82024M	HOSE, FUEL TANK TO PRIMER BULB	47	16	53-84895M	SNAP RING	9	9
32-83088M	HOSE	15	8	53-96309M	CLIP	41	26
32-83626M	HOSE, PICKUP	47	5	53-96323M	SNAP RING (LONG)	43	58
32-83772M	HOSE	7	29	54-16574M	CLAMP (5/16"-8MM-I.D. HOSE)	45	18
32-91709M	HOSE	15	9	54-80752M	CLAMP (1/4"-6MM-I.D. HOSE)	45	18
32-95491M	FUEL LINE ASS'Y	47	0-1	54-80752M	CLAMP, HOSE	47	19
32-96319M	TUBE, WATER (SHORT)	43	51	54-80752M	CLAMP, PICKUP HOSE	47	6
32-96320M	TUBE, WATER (LONG)	43	51	54-82046M	CLIP	15	5
32-97129M	HOSE	7	33	54-82046M	CLIP	17	33
32-99990M	HOSE	15	7	54-82047M	CLAMP	5	26
32-F8028	HOSE	51	10	54-91698M	CLAMP	11	14
33-53098	SPARK PLUG	17	34	84-96329M	WIRE, LEAD	31	7
34-91733M	REED SET	21	7	87-91676M	STOP SWITCH ASS'Y	5	22
35-18029	FILTER	51	11	88-81522M	FUSE (12V-20A)	31	3
35-80365M	FILTER	7	28	91-80277M	TOOL KIT	9	31
36-14223M	CAP ASS'Y	47	3	253-8252M	C.D.I. MAGNETO ASS'Y	11	1
36-14223M	FILLER CAP ASSEMBLY	49	3	253-8253M	FLYWHEEL ASS'Y	11	2
36-14223M	FUEL TANK CAP	45	3	253-9775M	FLYWHEEL ASS'Y	11	2
37-11914M	DECAL, FRONT	5	3	463-8388M	CRANK SHAFT ASS'Y	19	1
37-11924M	DECAL, SIDE SET	5	2	629-9491M	ROD, CONNECTING	19	7
37-13921	DECAL, FUEL TANK	49	2	761-8389M	PISTON (STD)	19	9
37-810933A90	DECAL, SIDE SET	5	2	968-8387M	CRANKCASE ASS'Y	15	19
37-81202M	DECAL, SHIFT	5	8	968-9507M	CRANKCASE ASS'Y	15	1
37-83057M	DECAL, SIDE (MARINER)	47	1	1259-812410A1	FILLER CAP	51	2
37-83765M	DECAL, SIDE (CAUTION)	47	2	1259-812410A1	FUEL TANK, COMPLETE	49	1
37-95488M	DECAL, SIDE (MARINER)	47	1	1259-9728	FUEL TANK ASSEMBLY (PLASTIC-6.6 GAL.)	51	1
37-95489M	DECAL, SIDE (CAUTION)	47	2	1383-8390M	CARBURETOR ASS'Y	23	0-1
37-95489M	DECAL, TOP (ENGLISH)	45	2	1383-8390M	CARBURETOR ASS'Y	23	0-1
37-95503M	DECAL, TOP (FRENCH)	45	2	1383-9508M	CARBURETOR ASS'Y	23	0-1
37-95539M	DECAL, SIDE (ENGLISH)	45	1	1383-9508M	CARBURETOR ASS'Y	23	0-1
37-95540M	DECAL, SIDE (FRENCH)	45	1	1484-8349M	BRACKET, CLAMP (PORT)	33	11
37-98964M	DECAL, SIDE SET	5	2	1484-8350M	BRACKET, CLAMP (STARBOARD)	33	12
39-14197M	PISTON RING SET (STD)	19	10	1484-9778M	BRACKET, CLAMP (PORT)	33	11
41-80005M	PIN	19	12	1484-9779M	BRACKET, CLAMP (STARBOARD)	33	12
41-95601M	PIN	19	12	1485-811997M	BRACKET, SWIVEL	35	25
43-96310M	PINION	41	28	1485-9216M	BRACKET, SWIVEL	35	26
43-96312M	GEAR, FORWARD	41	32	1485-9342M	BRACKET, SWIVEL	35	26
43-96316M	GEAR, REVERSE	41	40	1485-9705M	BRACKET, SWIVEL	35	25
44-96314M	SHAFT, PROPELLER	41	38	1587-8347M	DRIVESHAFT HOUSING (SHORT)	33	1
45-96307M	DRIVESHAFT (SHORT)	41	25	1587-8348M	DRIVESHAFT HOUSING (LONG)	33	1
45-96308M	DRIVESHAFT (LONG)	41	25	1587-9213M	DRIVESHAFT HOUSING (SHORT)	33	1
46-96299M	HOUSING, WATER PUMP	39	16	1587-9214M	DRIVESHAFT HOUSING (LONG)	33	1
47-96305M	IMPELLER	41	21	1587-9776M	DRIVESHAFT HOUSING (SHORT)	33	1
48-96590M	PROPELLER (PITCH 8")(ALUMINUM)	3	-	1587-9777M	DRIVESHAFT HOUSING (LONG)	33	1
48-96591M	PROPELLER (PITCH 7")(ALUMINUM)	3	-	1651-810952M	GEARHOUSING ASS'Y (SHORT)	39	0-1
48-96592M	PROPELLER (PITCH 7-1/4")(ALUMINUM)	3	-	1651-810952M	GEARHOUSING ASS'Y (SHORT)	41	0-1
48-96593M	PROPELLER (PITCH 8-1/4")(ALUMINUM)	3	-				
50-12066A9	STARTER ROPE	9	11				
50-91687M	RACHET, STARTER	11	3				
50-99986M	STARTER, SHEAVE	9	3				
52-96313M	CLUTCH, DOG	41	37				
53-81013M	RING, CROSS PIN	41	35				
53-82331M	SNAP RING	41	29				

# PARTS INDEX

Part Number	Description	Pg.	Ref. No.	Part Number	Description	Pg.	Ref. No.
1651-810953M	GEARHOUSING ASS'Y						
	(LONG) .....	41	0-1				
1651-810954M	GEARHOUSING .....	39	1				
1651-8258M	GEARHOUSING ASS'Y						
	(LONG) .....	39	0-1				
1651-8258M	GEARHOUSING ASS'Y						
	(LONG) .....	41	0-1				
1651-8259M	GEARHOUSING .....	39	1				
1651-9780M	GEARHOUSING ASS'Y						
	(SHORT) .....	39	0-1				
1651-9780M	GEARHOUSING ASS'Y						
	(SHORT) .....	41	0-1				
1651-9781M	GEARHOUSING AS'Y (LONG)	41	0-1				
1651-9781M	GEARHOUSING ASS'Y						
	(LONG) .....	39	0-1				
1651-9782M	GEARHOUSING .....	39	1				
2168-811007M	TOP COWLING ASS'Y .....	5	1				
2168-9340M	COWLING, BOTTOM .....	5	13				
2168-9657M	TOP COWLING ASS'Y .....	5	1				
2168-9790M	COWLING, BOTTOM .....	5	13				
2169-9217M	STARTER ASS'Y .....	9	1				
2169-9218M	CASE, STARTER .....	9	2				