



PARTS CATALOG

MARINER W25

SERIAL NUMBER

W25648-019426 AND UP (M)
W25648-329486 AND UP (ML)

TABLE OF CONTENTS:

CARBURETOR	16
CLAMP AND SWIVEL BRACKET/REVERSE LOCK	26
COWLING	2
CRANKCASE AND CYLINDER HEAD	10
CRANKSHAFT AND PISTON	12
DRIVESHAFT HOUSING	34
FLYWHEEL MAGNETO	8
FUEL LINES AND FILTER	20
FUEL PUMP	18
FUEL TANK	44
FUEL TANK AND FUEL LINE ASSEMBLY	42
GEAR SHIFT LINKAGE	24
GEARHOUSING ASSEMBLY	36
INTAKE MANIFOLD	14
MOUNTING SYSTEM	32
OPTIONAL PARTS	46
PARTS INDEX	50
RECOIL STARTER	4
REMOTE CONTROL ATTACHING KIT	48
STEERING HANDLE	30
THROTTLE CONTROL	22

NOTE: *Indented description indicate that these parts are included in preceding assembly.*

AR = As Required

NSS = Not Sold Seperate

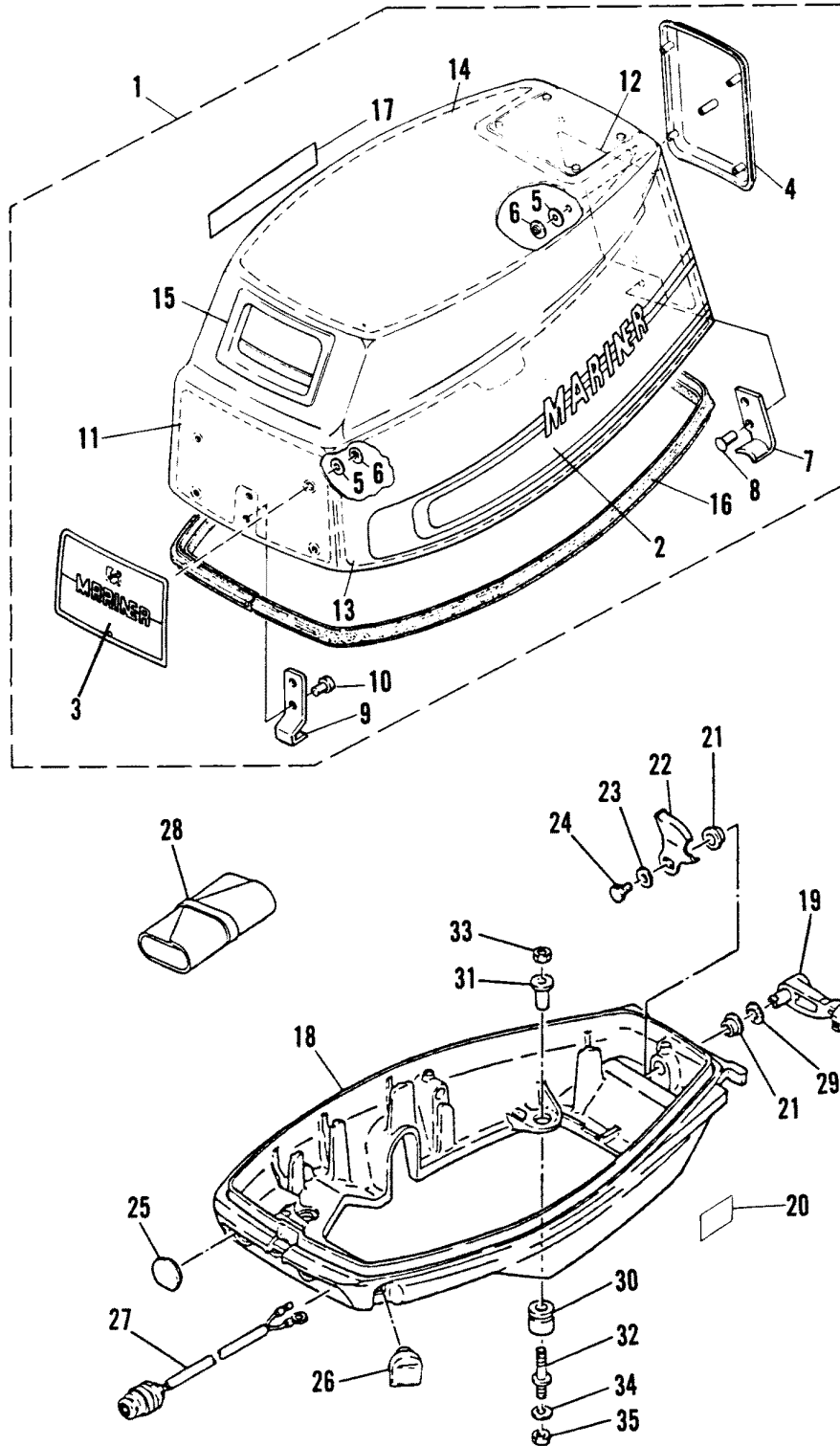
OPT = Optional

NS = Not Shown

THESE PARTS BOOKS/FICHE CARD ARE COPYRIGHTED AND MAY NOT BE DISTRIBUTED OR REPRODUCED IN ANY OTHER FORMAT BY ANYONE OTHER THAN MERCURY MARINE WITHOUT THE PRIOR WRITTEN CONSENT OF MERCURY MARINE.

THIS PAGE INTENTIONALLY LEFT BLANK

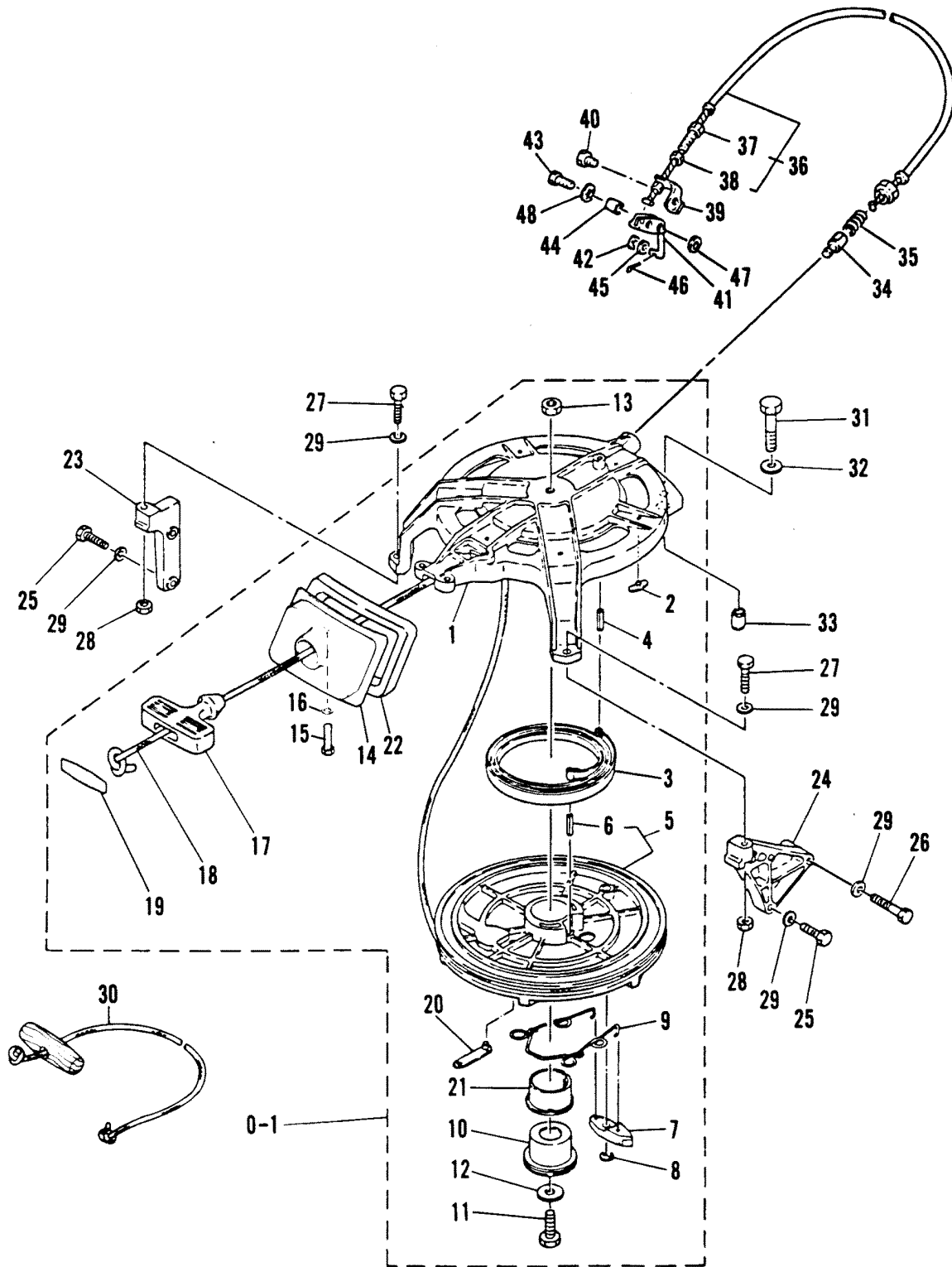
COWLING



COWLING

REF. NO.	PART NO.	SYM.	QTY.	DESCRIPTION
1	2168-8587M		1	TO COWL ASS'Y SERIAL 00022741-09999999
	2168-6793M		1	TOP COWL ASS'Y SERIAL 00000000-00022740
2	37-97766M		1	DECAL, SIDE AND REAR SET SERIAL 00022741-09999999
	37-81114M		1	DECAL, SIDE SET SERIAL 00000000-00022740
3	97767M		1	APPLIQUE, FRONT SERIAL 00022741-09999999
	82898M		1	APPLIQUE, FRONT SERIAL 00000000-00335095
4	82899M		1	APPLIQUE, REAR SERIAL 00000000-00022740
5	12-80884M		10	WASHER, APPLIQUE NUT SERIAL 00000000-00022740
6	11-82927M		10	NUT, APPLIQUE ATTACHING
7	83212M		1	HOLDER, CLAMP BAND
8	17-84903M		2	RIVET
9	83137M		1	HOOK
10	17-83140M		2	RIVET
11	83319M		1	SOUND BLANKET
12	83320M		1	SOUND BLANKET
13	83321M		2	SOUND BLANKET
14	83322M		1	SOUND BLANKET
15	80601M		1	SEAL, RUBBER-STARTER
16	84901M		1	SEAL, TOP COWL
17	37-81202M		1	INDICATOR, SHIFT
18	2168-7854M		1	BOTTOM COWL
19	84913M		1	LEVER, COWL CLAMP
20	37-97036M		2	GRAPHIC, SIDE (HP)
21	23-81949M		2	BUSHING, COWL CLAMP LEVER
22	54-84914M		1	CLAMP, COWL
23	12-81794M		1	WASHER
24	10-84315M		1	BOLT
25	25-83988M		1	GROMMET, BOTTOM COWL
26	25-84915M		1	GROMMET, BOTTOM COWL
27	87-92600M		1	STOP SWITCH
28	91-81669M		1	TOOL KIT
29	13-81869M		1	WASHER, WAVE
30	25-84910M		4	GROMMET
31	23-84911M		4	COLLAR
32	16-84912M		4	BOLT, SPECIAL
33	11-82383M		4	NUT
34	12-82217M		4	WASHER
35	11-82393M		4	NUT

RECOIL STARTER

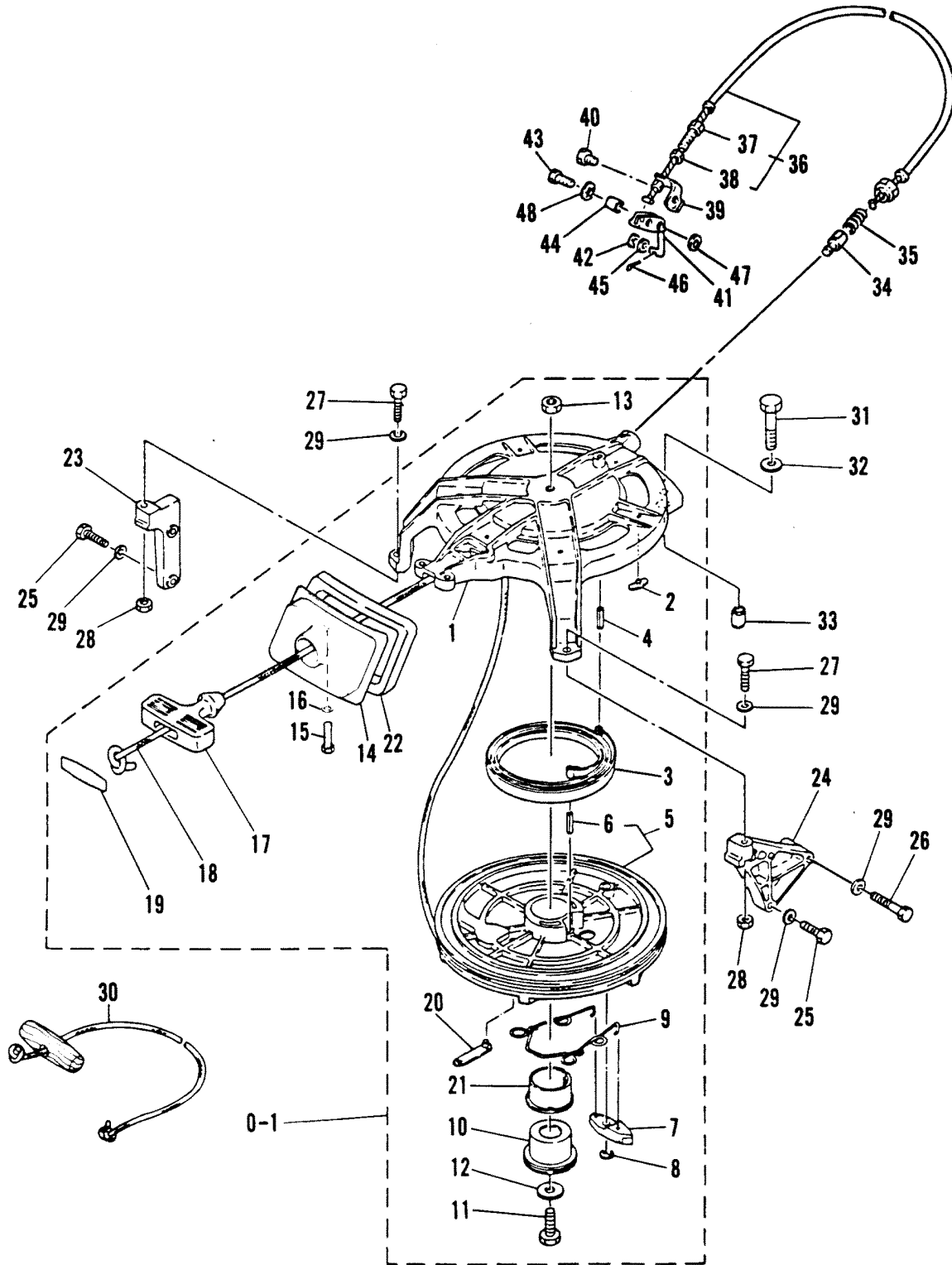


RECOIL STARTER

REF. NO.	PART NO.	SYM.	QTY.	DESCRIPTION
0-1	50-92597M		1	STARTER ASS'Y
1	2169-7102M		1	HOUSING, STARTER
2	23-83585M		6	PLUG, STARTER HOUSING
3	24-83588M		1	SPRING, STARTER
4	17-82157M		1	PIN
5	50-83587M		1	STARTER SHEAVE
6	17-82157M		1	PIN, ROLL
7	84894M		1	PAWL, STARTER
8	53-84895M		1	SNAP RING
9	24-83591M		1	SPRING, PAWL
10	23-83590M		1	SHAFT, SHEAVE
11	10-84342M		1	BOLT
12	12-81801M		1	WASHER
13	11-82382M		1	NUT
14	80600M		1	GUIDE, STARTER ROPE
15	10-84247M		2	BOLT
16	13-82199M		2	WASHER, LOCK
17	80063M		1	HANDLE, STARTER
18	79629A1		1	STARTER ROPE
19	84892M		1	COVER
20	54-84893M		1	CLIP
21	23-83589M		1	BUSHING
22	93107M		1	SEAL
23	84465M		1	BRACKET, STARTER HSG (STARBOARD)
24	84466M		1	BRACKET, STARTER HSG (PORT)
25	10-82405M		4	BOLT
26	10-82428M		1	BOLT
27	10-84237M		2	BOLT
28	11-82380M		2	NUT
29	13-82199M		7	WASHER, LOCK
30	47341A1		1	EMERGENCY STARTER ROPE
31	10-82442M		1	BOLT
32	12-82202M		1	WASHER
33	17-82162M		1	PIN, DOWEL
34	81106M		1	PLUNGER, STARTER LOCKOUT
35	24-82079M		1	SPRING, STARTER LOCKOUT
36	81108M		1	CABLE, STARTER LOCKOUT
37	10-81746M		1	BOLT
38	11-82380M		2	NUT
39	81109M		1	BRACKET, STARTER LOCKOUT
40	10-84315M		1	BOLT
41	81107M		1	LINK, STARTER LOCKOUT
42	12-82196M		1	WASHER

CONTINUED ON NEXT PAGE ➡

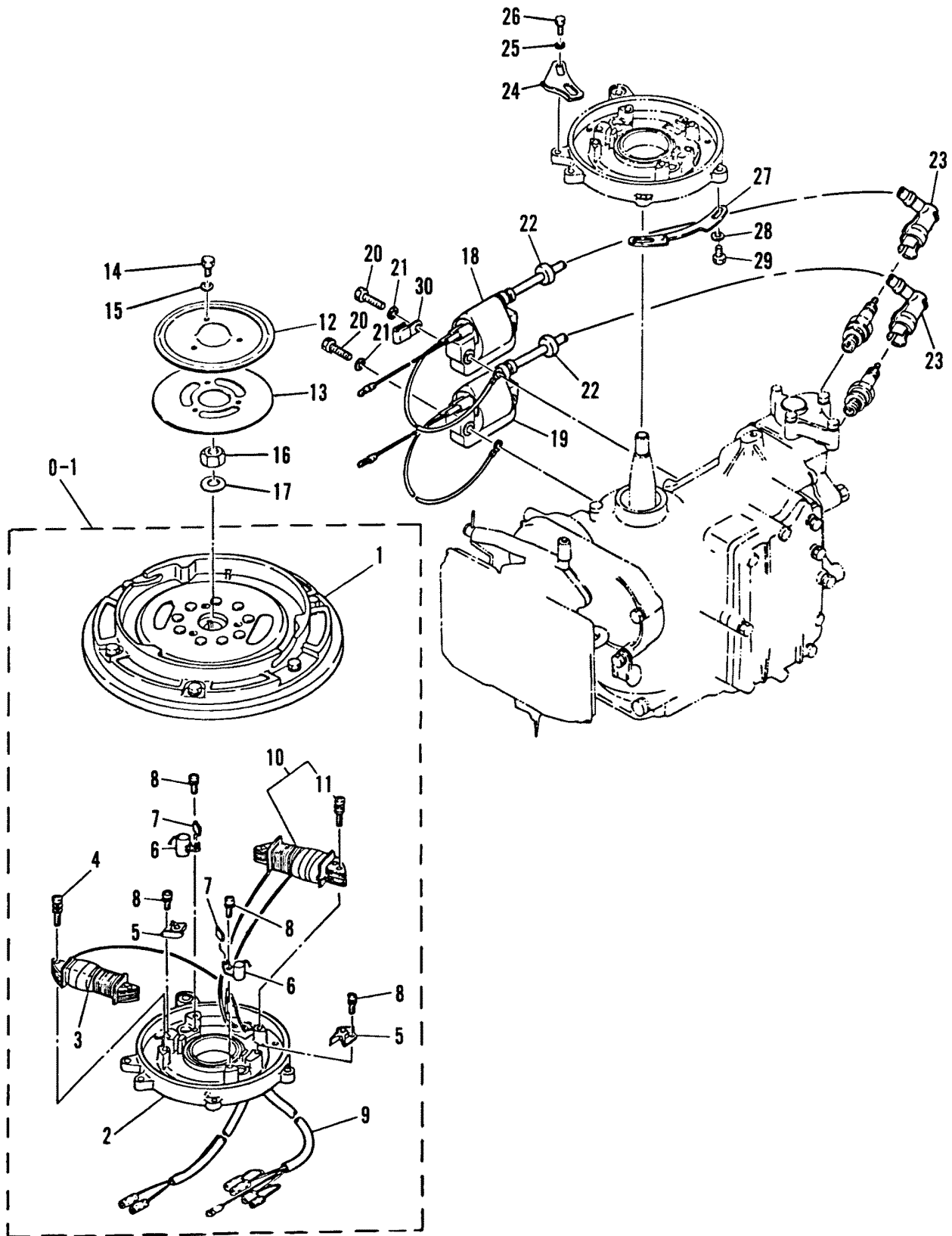
RECOIL STARTER



RECOIL STARTER

REF. NO.	PART NO.	SYM.	QTY.	DESCRIPTION
43	10-83539M		1	BOLT
44	23-82929M		1	COLLAR
45	13-81865M		2	WASHER, WAVE
46	18-82125M		1	PIN, COTTER
47	13-82199M		1	WASHER
48	13-81867M		1	WASHER

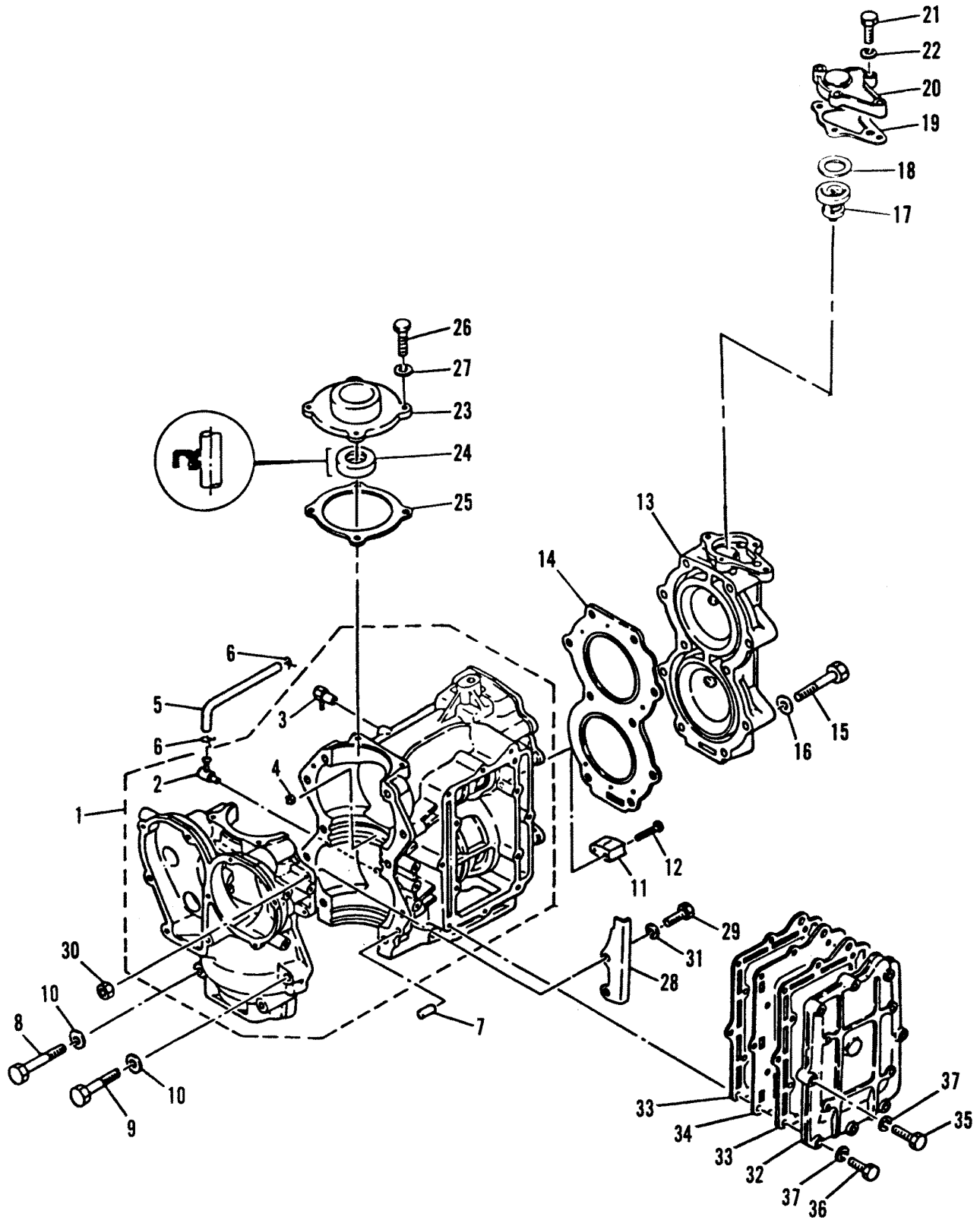
FLYWHEEL MAGNETO



FLYWHEEL MAGNETO

REF. NO.	PART NO.	SYM.	QTY.	DESCRIPTION
0-1	253-7953M		1	FLYWHEEL MAG ASS'Y
1	253-7955M		1	FLYWHEEL ASS'Y
2	92592M		1	BASE, MAGNETO
3	83281M		1	PRIMARY IGNITION COIL
4	10-84309M		2	SCREW W/WASHER
5	80930M		2	BREAKER ASS'Y
6	80558M		2	CONDENSER
7	80025M		2	LUBRICATOR
8	10-80023M		4	SCREW W/WASHER
9	84-92594M		1	LEAD WIRE
10	83315M		1	LIGHTING COIL
11	10-84309M		2	SCREW W/WASHER
12	80688M		1	COVER, FLYWHEEL
13	27-80690M		1	GASKET, FLYWHEEL COVER
14	10-84303M		5	BOLT
15	12-82198M		3	WASHER
16	11-81770M		1	NUT
17	12-81814M		1	WASHER
18	94777M		1	SECONDARY IGNITION COIL ASS'Y #1 CYL
19	94778M		1	SECONDARY IGNITION COIL ASS'Y #2 CYL
20	10-92523M		4	BOLT
21	13-82197M		4	WASHER, LOCK
22	25-82069M		2	GROMMET
23	80935M		2	PLUG CAP ASS'Y (NOISE SUPPRESSOR) STD
	82788M		2	PLUG CAP ASS'Y
24	97037M		1	CAM
25	12-82196M		2	WASHER
26	10-82417M		1	BOLT
27	84511M		1	STOP, MAGNETO BASE
28	12-82198M		2	WASHER
29	10-84303M		2	BOLT
30	M-96348M		1	CLAMP

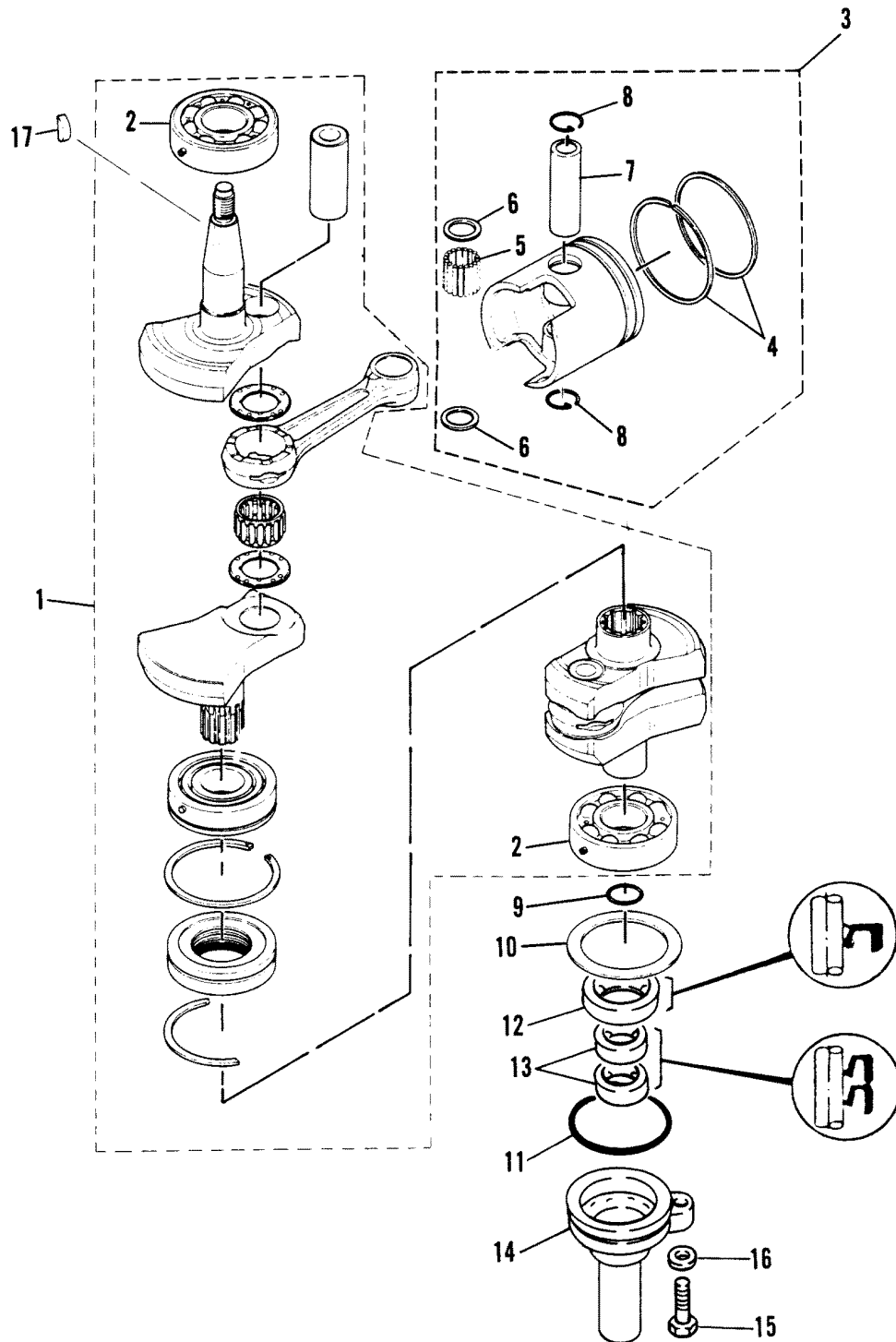
CRANKCASE AND CYLINDER HEAD



CRANKCASE AND CYLINDER HEAD

REF. NO.	PART NO.	SYM.	QTY.	DESCRIPTION
1	870-8427M		1	CRANKCASE ASS'Y
2	22-80743M		1	FITTING
3	21-80727M		1	CHECK VALVE ASS'Y
4	21-80107M		1	VALVE, CHECK
5	32-81999M		1	HOSE
6	54-82046M		2	CLIP
7	17-82364M		2	PIN, DOWEL
8	10-82408M		8	BOLT
9	10-82406M		2	BOLT
10	12-80564M		10	WASHER
11	81094M		1	ANODE
12	10-81757M		2	SCREW
13	968-6784M		1	HEAD, CYLINDER
14	27-81093M		1	GASKET, CYLINDER HEAD
15	10-82406M		10	BOLT
16	12-80564M		10	WASHER
17	81098M		1	THERMOSTAT
18	12-81835M		1	WASHER
19	27-80566M		1	GASKET
20	81099M		1	COVER
21	10-83539M		3	BOLT
22	13-82197M		3	WASHER
23	80596M		1	HOUSING
24	26-82245M		1	OIL SEAL
25	27-80597M		1	GASKET
26	10-83539M		4	BOLT
27	13-82197M		4	WASHER
28	81125M		1	STOPPER MAGNETO
29	10-82405M		2	BOLT
30	11-82380M		2	NUT
31	13-82199M		2	WASHER
32	81116M		1	OUTER COVER, EXHAUST
33	27-81117M		2	GASKET, EXHAUST
34	81115M		1	INNER COVER, EXHAUST
35	10-92523M		9	BOLT (M-022741 ML-335096) AND ABOVE
	10-84487M		9	BOLT (M-022740 ML-335095) AND BELOW
36	10-82453M		3	BOLT (M-022740 ML-335096) AND ABOVE
	10-84239M		3	BOLT (M-022740 ML-335095) AND BELOW
37	13-82197M		12	WASHER
	97038M		1	POWERHEAD ASS'Y, COMPLETE (SEE NOTE)
	27-97039M		1	GASKET SET, POWERHEAD

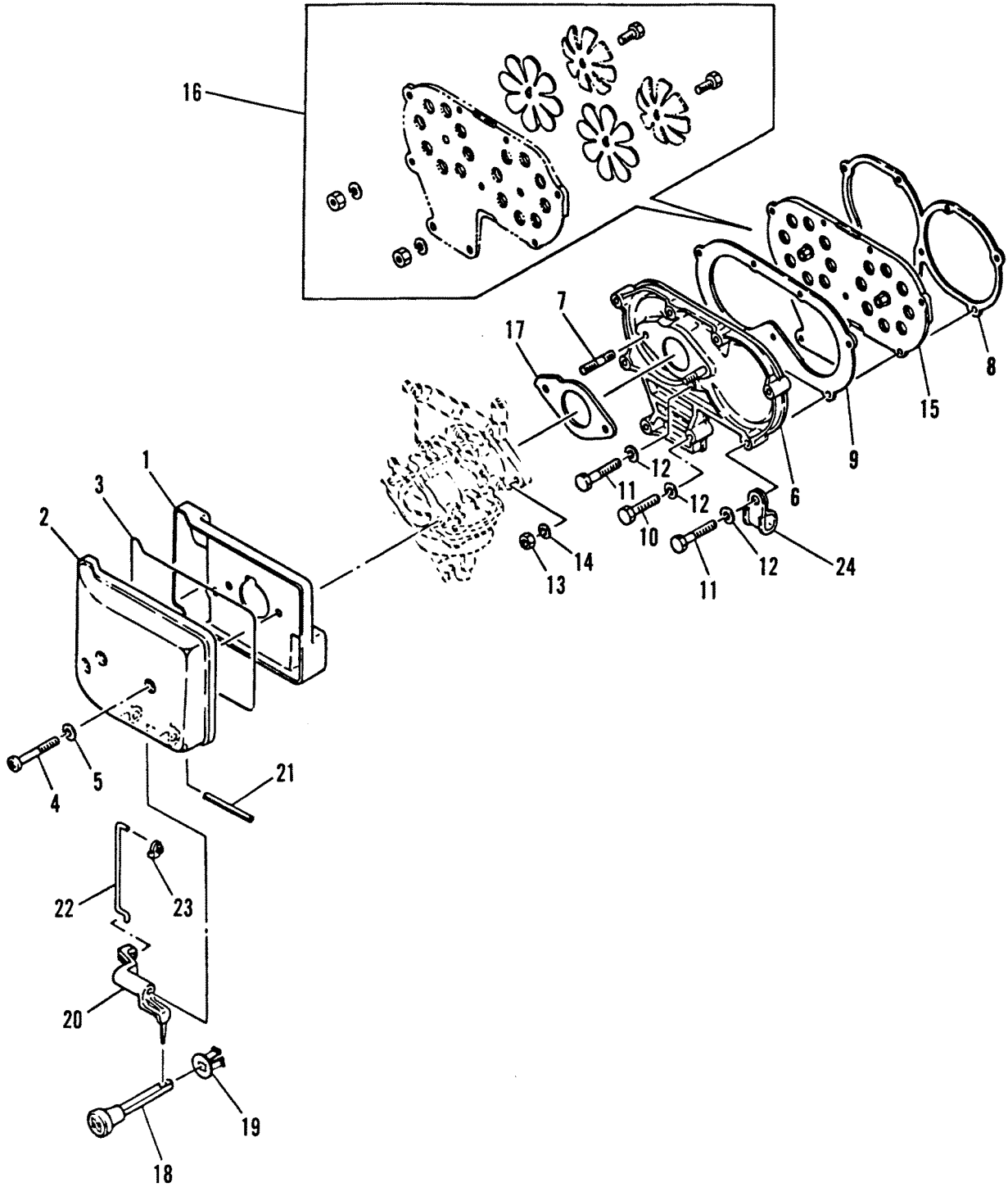
CRANKSHAFT AND PISTON



CRANKSHAFT AND PISTON

REF. NO.	PART NO.	SYM.	QTY.	DESCRIPTION
1	463-6748M		1	CRANKSHAFT ASS'Y
2	30-82308M		2	BEARING, CRANKSHAFT
3	761-8428M		2	PISTON ASS'Y (STD)
	761-8429M		AR	PISTON ASS'Y (1ST O.S. 67.25 MM)
	761-8430M		AR	PISTON ASS'Y (2ND O.S. 67.50 MM)
4	39-81095M		2	PISTON RING SET (STD)
	39-81096M		AR	PISTON RING SET (1ST O.S. 67.25 MM)
	39-81097M		AR	PISTON RING SET (2ND O.S. 67.50 MM)
5	29-84452M		62	BEARING, NEEDLE
6	12-81829M		4	WASHER, CONNECTING ROD BEARING
7	41-80565M		2	PIN, PISTON
8	53-82345M		4	SNAP RING
9	25-82267M		1	O-RING, CRANKSHAFT TO DRIVESHAFT
10	23-81842M		1	SPACER, INNER BEARING
11	25-84751M		1	O-RING, OIL SEAL HOUSING
12	26-84752M		1	OIL SEAL, LARGE
13	26-97040M		2	OIL SEAL, SMALL
14	97041M		1	HOUSING, OIL SEAL (LOWER)
15	10-94526M		1	BOLT
16	12-82214M		1	WASHER, LOCK
17	28-81914M		1	KEY, CRANKSHAFT TO FLYWHEEL

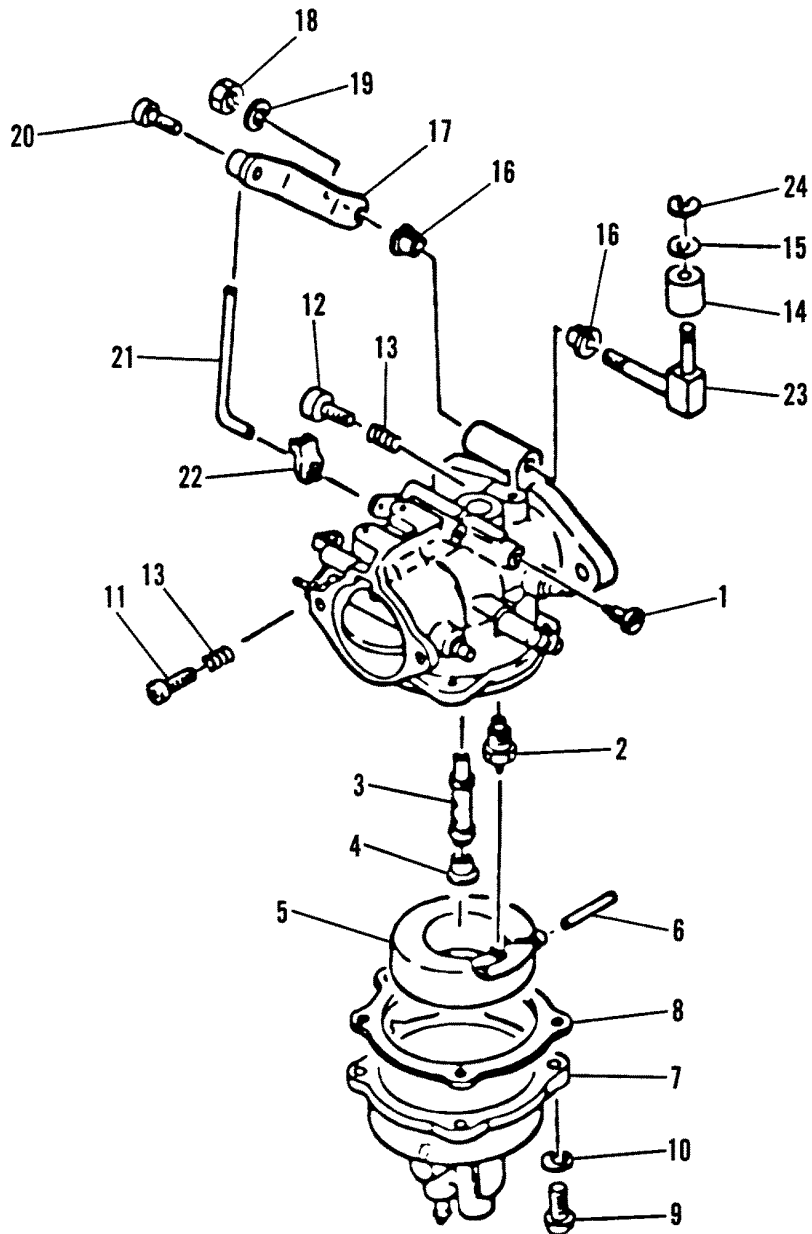
INTAKE MANIFOLD



INTAKE MANIFOLD

REF. NO.	PART NO.	SYM.	QTY.	DESCRIPTION
1	92576M		1	COVER, AIR INTAKE (INNER)
2	92577M		1	COVER, AIR INTAKE (OUTER)
3	27-92578M		1	GASKET, COVER
4	10-84245M		2	SCREW
5	12-82196M		2	WASHER
6	80570M		1	MANIFOLD, INTAKE
7	16-91735M		2	STUD, CARBURETOR ATTACHING
8	27-80569M		1	GASKET, INTAKE MANIFOLD
9	27-80571M		1	GASKET, REED VALVE
10	10-82405M		2	BOLT
11	10-83285M		7	BOLT
12	13-82199M		9	WASHER, LOCK
13	11-82380M		2	NUT
14	13-82199M		2	WASHER
15	84758M		1	REED VALVE ASS'Y
16	34-84759M		1	REED SET (REED STOPS NOT INCLUDED)
17	27-80572M		1	GASKET, CARBURETOR MANIFOLD
18	83960M		1	KNOB, CHOKE
19	25-84760M		1	GROMMET, CHOKE KNOB
20	84761M		1	LEVER, CHOKE
21	17-84762M		1	PIN, ROLL
22	92579M		1	ROD, CHOKE
23	81191M		1	JOINT
24	54-82034M		1	CLAMP, HOSE

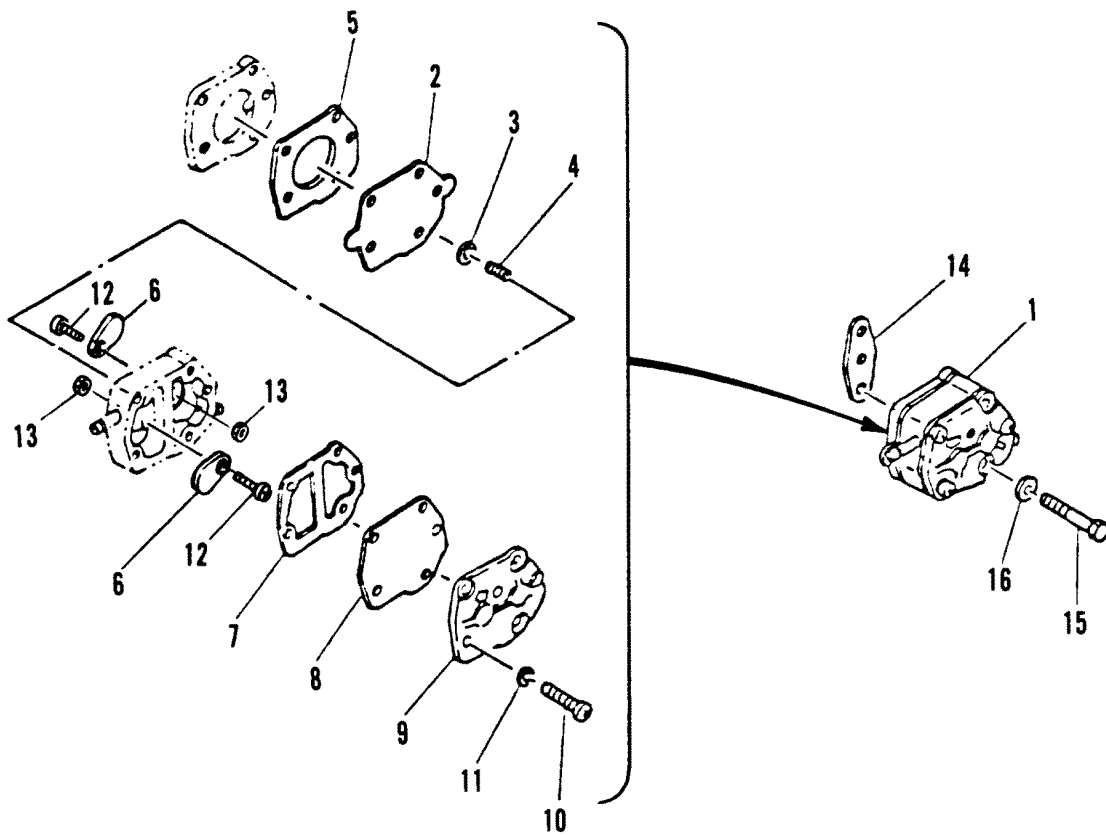
CARBURETOR



CARBURETOR

REF. NO.	PART NO.	SYM.	QTY.	DESCRIPTION
0-1	1383-8431M		1	CARBURETOR ASS'Y
1	80578M		1	JET, LOW SPEED (#60)
2	80593M		1	INLET VALVE & SEAT
3	80576M		1	NOZZLE, MAIN
4	80582M		1	JET, MAIN (#140)
5	80591M		1	FLOAT
6	17-84765M		1	PIN, FLOAT
7	83200M		1	FLOAT BOWL
8	27-80590M		1	GASKET, FLOAT BOWL
9	10-82515M		4	SCREW
10	13-82206M		4	WASHER, LOCK
11	10-82623M		1	SCREW, IDLE SPEED
12	10-80573M		1	SCREW, IDLE MIXTURE
13	24-80575M		2	SPRING
14	23-84454M		1	BUSHING, THROTTLE SHAFT
15	12-82209M		1	WASHER
16	23-81941M		2	BUSHING, THROTTLE SHAFT
17	80622M		1	LEVER, THROTTLE
18	11-82379M		1	NUT
19	13-82208M		1	WASHER, LOCK
20	10-81558M		1	SET SCREW, THROTTLE LEVER
21	83160M		1	LINK ROD, THROTTLE LEVER
22	81191M		1	JOINT
23	84772M		1	SHAFT, THROTTLE
24	53-82328M		1	SNAP RING
	84773M		1	REPAIR KIT, CARBURETOR

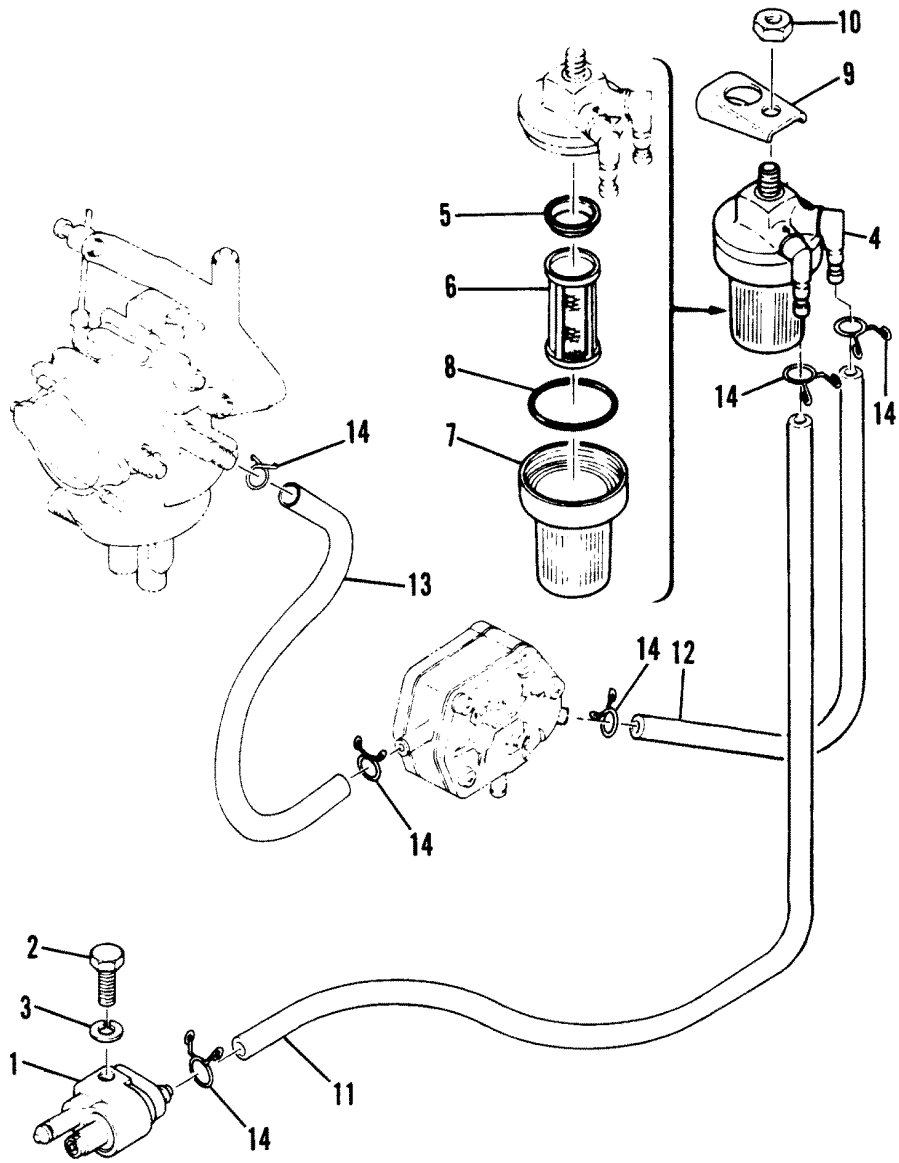
FUEL PUMP



FUEL PUMP

REF. NO.	PART NO.	SYM.	QTY.	DESCRIPTION
1	94799M		1	FUEL PUMP ASS'Y
2	80606M		1	DIAPHRAGM
3	80611M		1	PLATE, SPRING GUIDE
4	24-80610M		1	SPRING
5	27-80613M		1	GASKET, BODY TO USE
6	21-94800M		2	CHECK VALVE
7	27-80614M		1	GASKET, BODY TO COVER
8	84141M		1	DIAPHRAGM
9	80607M		1	COVER
10	10-82522M		3	SCREW
11	13-82208M		3	WASHER, LOCK
12	10-94801M		2	SCREW
13	11-82537M		2	NUT
14	27-80757M		1	GASKET, FUEL PUMP TO CRANKCASE
15	10-82428M		2	BOLT
16	13-82199M		2	WASHER, LOCK

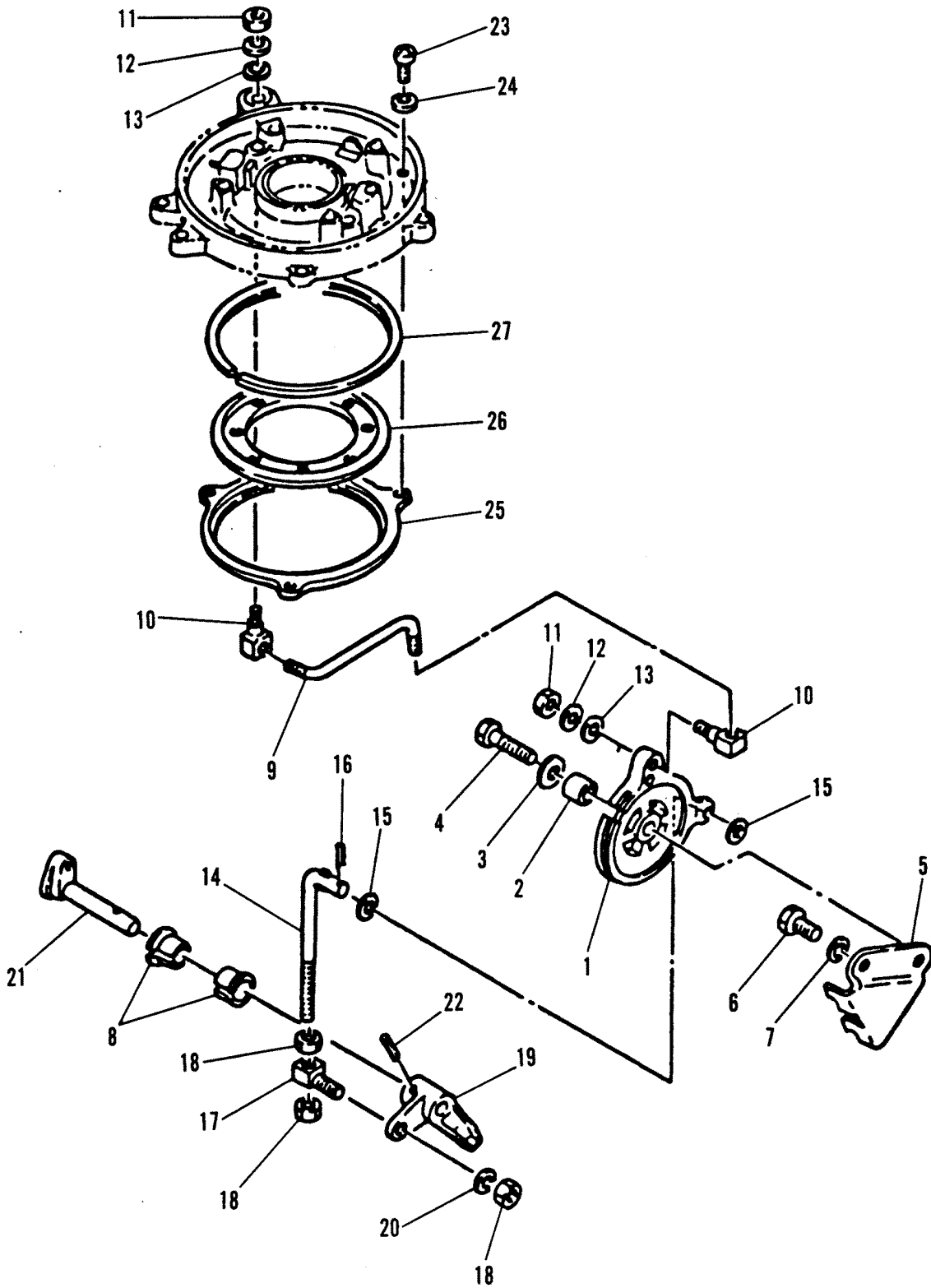
FUEL LINES AND FILTER



FUEL LINES AND FILTER

REF. NO.	PART NO.	SYM.	QTY.	DESCRIPTION
1	93099M		1	FUEL LINE CONNECTOR ASS'Y
2	10-83539M		1	BOLT
3	13-82199M		1	WASHER, LOCK
4	35-80617M		1	FILTER ASS'Y
5	27-82790M		1	PACKING
6	35-82783M		1	ELEMENT, FILTER
7	82784M		1	FILTER
8	25-84957M		1	O-RING
9	80620M		1	BRACKET, FUEL FILTER
10	11-82382M		1	NUT
11	32-82007M		1	FUEL LINE, CONNECTOR TO FILTER
12	32-81112M		1	FUEL LINE, FUEL FILTER TO FUEL PUMP
13	32-80605M		1	FUEL LINE, FUEL PUMP TO CARBURETOR
14	54-82047M		6	CLAMP, HOSE

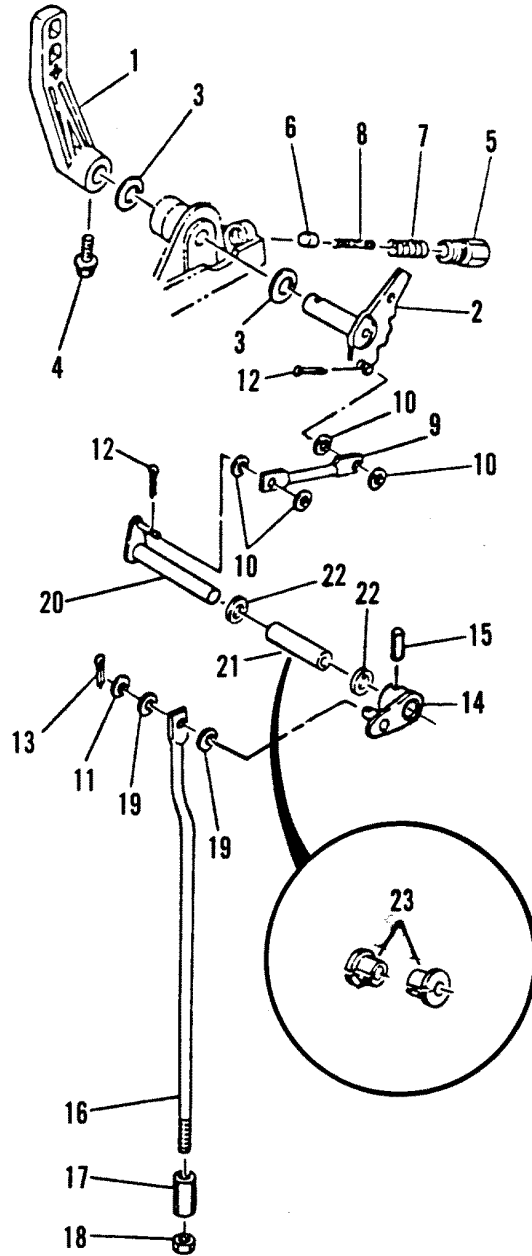
THROTTLE CONTROL



THROTTLE CONTROL

REF. NO.	PART NO.	SYM.	QTY.	DESCRIPTION
1	81126M		1	LEVER, MAGNETO CONTROL
2	23-83310M		1	COLLAR
3	12-81969M		1	WASHER
4	10-82405M		1	BOLT
5	81102M		1	BRACKET
6	10-84211M		1	BOLT
7	13-82197M		1	WASHER
8	23-81946M		2	BUSHING
9	81127M		1	ROD, MAGNETO CONTROL
10	80629M		2	SHAFT, CONNECTING
11	11-82378M		2	NUT
12	13-82193M		2	WASHER
13	12-82196M		2	WASHER
14	81137M		1	JOINT
15	12-82196M		2	WASHER
16	18-82051M		1	CLIP
17	81892M		1	PIN
18	11-82378M		3	NUT
19	81135M		1	LEVER, THROTTLE CONTROL
20	13-82193M		1	WASHER
21	81134M		1	SHAFT, THROTTLE CONTROL
22	17-82156M		1	PIN
23	10-82490M		3	SCREW
24	13-82193M		3	WASHER
25	92573M		1	RETAINER, MAGNETO BASE
26	96379M		1	RETAINER, MAGNETO BASE
27	92572M		1	PLATE, FRICTION

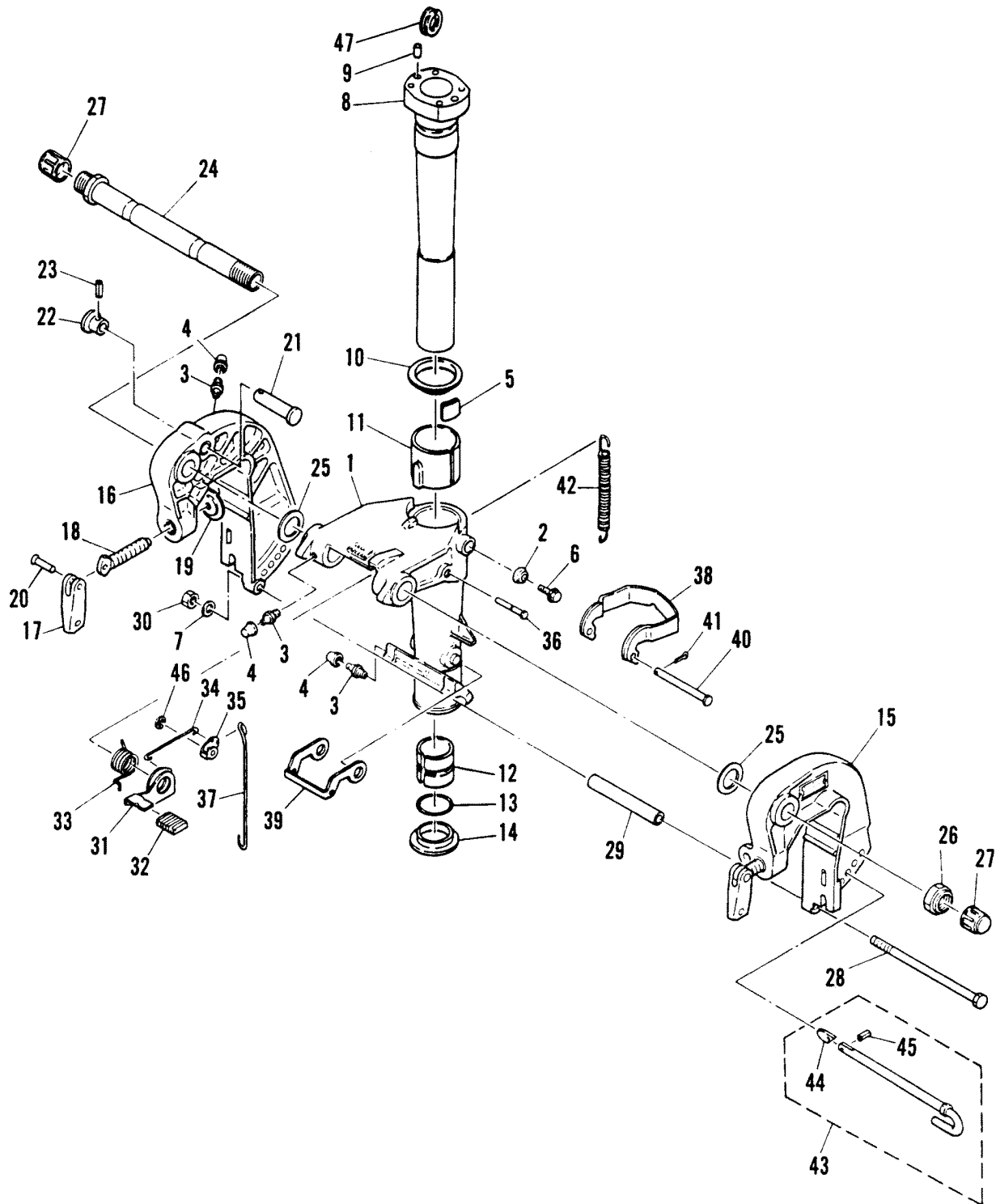
GEAR SHIFT LINKAGE



GEAR SHIFT LINKAGE

REF. NO.	PART NO.	SYM.	QTY.	DESCRIPTION
1	84865M		1	HANDLE, GEAR SHIFT
2	84653M		1	CAM, SHIFT
3	12-81851M		2	WASHER
4	10-84830M		1	BOLT
5	84459M		1	RETAINER, SHIFT DETENT
6	84460M		1	PLUNGER, SHIFT CAM
7	24-84461M		1	SPRING, COMPRESSION
8	24-84462M		1	SPRING, COMPRESSION
9	83136M		1	LINK ROD, SHIFT
10	12-81843M		4	WASHER
11	12-82211M		1	WASHER
12	18-82125M		1	PIN, COTTER
13	18-82127M		1	PIN, COTTER
14	97043M		1	SWIVEL, SHIFT ROD
15	17-82155M		1	PIN, ROLL
16	80651M		1	SHAFT, SHIFT-UPPER
17	80652M		1	CONNECTOR, SHIFT
18	11-81767M		1	NUT
19	12-81843M		2	WASHER
20	97044M		1	LEVER, SHIFT ROD
21	23-97142M		1	COLLAR SERIAL 00022101-09999999
22	M-97141M		2	WASHER SERIAL 00022101-09999999
23	23-81946M		2	BUSHING SERIAL 00000000-00022100

CLAMP AND SWIVEL BRACKET/REVERSE LOCK

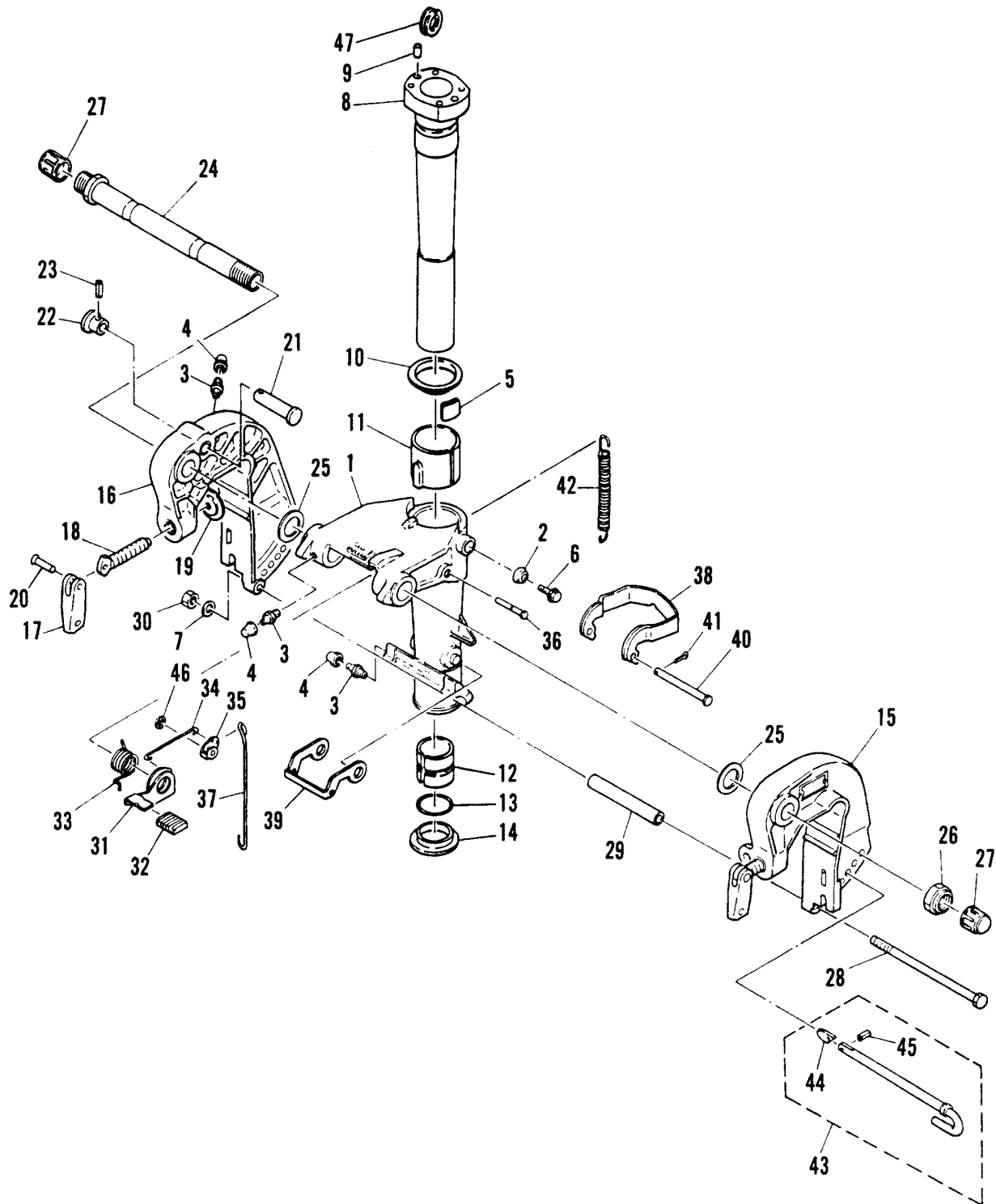


CLAMP AND SWIVEL BRACKET/REVERSE LOCK

REF. NO.	PART NO.	SYM.	QTY.	DESCRIPTION
1	1485-8244M		1	SWIVEL BRACKET
2	26-91637M		1	SEAL
3	22-82369M		4	FITTING, GREASE
4	81439M		4	CAP, GREASE FITTING
5	80633M		1	PLATE, FRICTION
6	10-96382M		1	SCREW
7	12-82217M		2	WASHER, LOCK
8	84833M		1	SHAFT, STEERING PIVOT
9	17-82368M		2	PIN, DOWEL
10	12-81873M		1	BUSHING
11	23-81964M		1	BUSHING, PIVOT SHAFT-UPPER
12	23-81959M		1	BUSHING, PIVOT SHAFT-LOWER
13	25-82274M		1	O-RING, PIVOT SHAFT BUSHING
14	23-81961M		1	BUSHING
15	1484-8245M		1	CLAMP BRACKET, PORT
16	1484-8246M		1	CLAMP BRACKET, STARBOARD
17	80048M		2	HANDLE, TRANSOM CLAMP SCREW
18	10-81756M		2	SCREW, TRANSOM CLAMP
19	12-80638M		2	PAD, TRANSOM CLAMP SCREW
20	17-81888M		2	PIN, ROLL
21	84835M		1	SHAFT, TILT STOP
22	84836M		1	KNOB, TILT STOP SHAFT
23	17-82148M		1	PIN, ROLL
24	10-91639M		1	TUBE, STEERING
25	12-81836M		2	WASHER
26	11-81787M		1	NUT
27	81388M		2	CAP
28	10-82924M		1	BOLT
29	23-81979M		1	SPACER, CLAMP BRACKET
30	11-82392M		1	NUT
31	91640M		1	LEVER, LOCK/RELEASE
32	91641M		1	COVER, LEVER
33	24-91642M		1	SPRING, TENSION
34	24-91642M		1	LINK, REVERSE LOCK LEVER
35	80648M		1	CAM, TILT
36	17-91644M		1	PIN
37	80645M		1	ROD, REVERSE LEVER
38	80643M		1	HOOK, REVERSE LOCK-REAR
39	84837M		1	HOOK, REVERSE LOCK-FRONT
40	17-81882M		1	PIN
41	18-82125M		1	PIN, COPTTER
42	24-82105M		1	SPRING, REVERSE LOCK

CONTINUED ON NEXT PAGE ➡

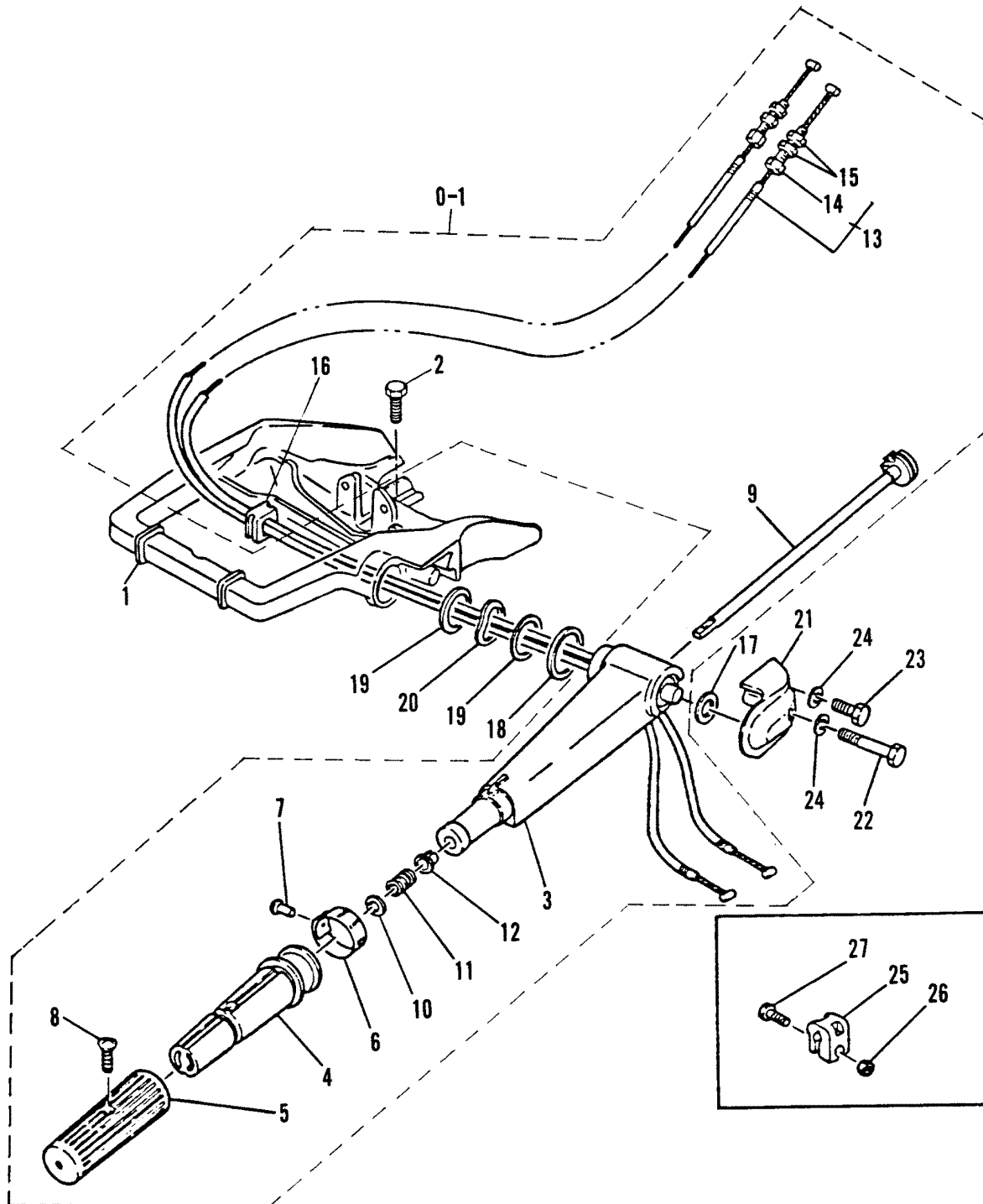
CLAMP AND SWIVEL BRACKET/REVERSE LOCK



CLAMP AND SWIVEL BRACKET/REVERSE LOCK

REF. NO.	PART NO.	SYM.	QTY.	DESCRIPTION
43	17-94569M		1	TILT LOCK PIN ASS'Y
44	82857M		1	STOPPER, PLATE
45	17-82144M		1	PIN, ROLL
46	53-82330M		1	SNAP RING
47	25-82070M		1	GROMMET

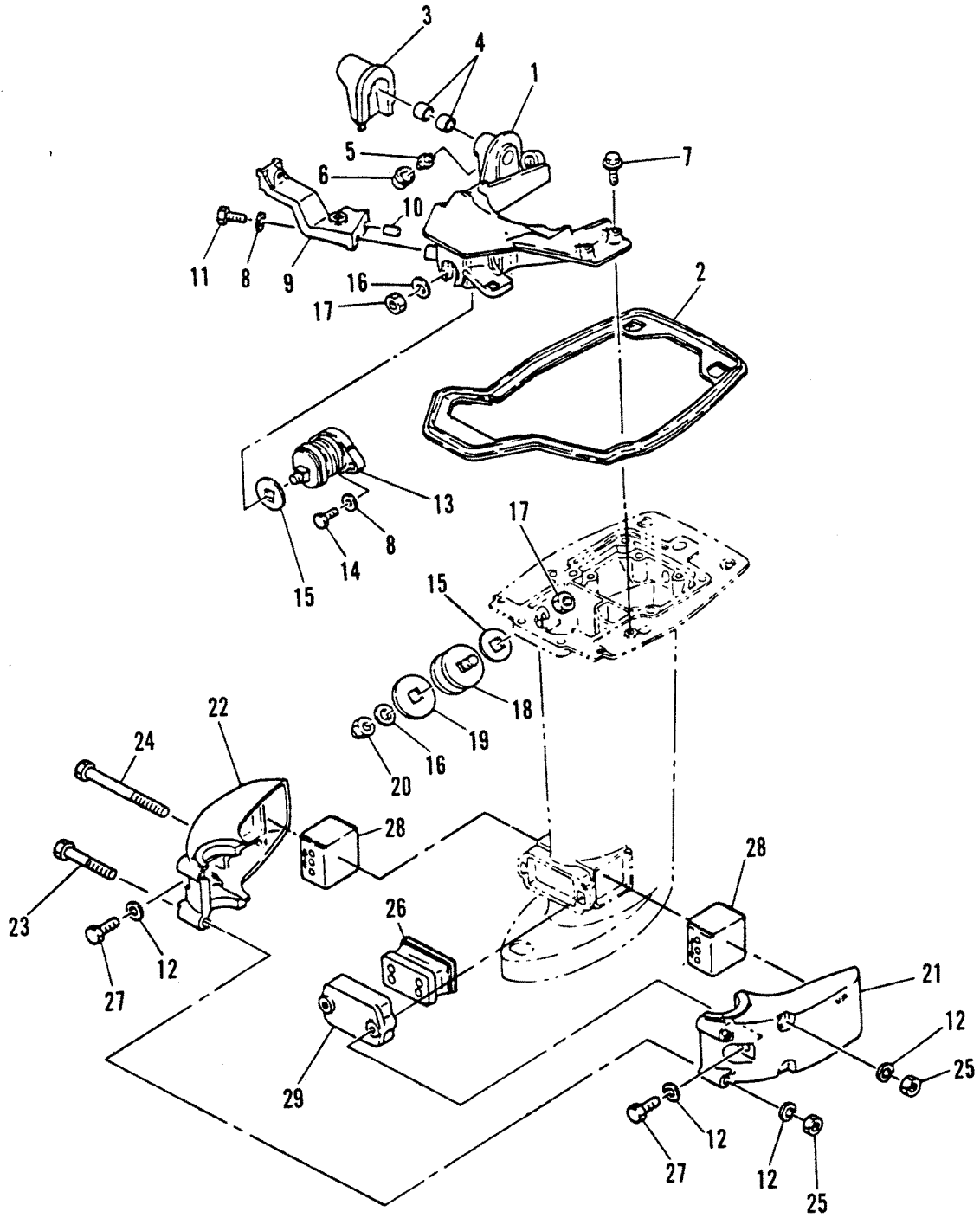
STEERING HANDLE



STEERING HANDLE

REF. NO.	PART NO.	SYM.	QTY.	DESCRIPTION
1	81138M		1	BRACKET, STEERING 1
2	10-84830M		4	BOLT
0-1	97045M		1	STEERING HANDLE ASS'Y
3	96664M		1	HANDLE, STEERING
5	81585M		1	HANDLE, THROTTLE
	84854M		1	GRIP, THROTTLE HANDLE
6	97775M		1	INDICATOR, THROTTLE SERIAL 00022741-09999999
	97046M		1	INDICATOR, THROTTLE SERIAL 00000000-00022740
7	17-81907M		1	RIVET
8	10-82483M		1	SCREW
9	84856M		1	LEVER, THROTTLE
10	12-82204M		1	WASHER, THROTTLE SHAFT
11	24-82095M		1	SPRING
12	23-81945M		1	BUSHING, STEERING ARM
13	97047M		2	CABLE ASS'Y, THROTTLE
14	10-81747M		2	ADJUSTER, CABLE
15	11-81765M		4	NUT
16	25-82064M		1	GROMMET
17	23-82119M		1	SPACER
18	23-81861M		1	SPACER
19	12-84850M		2	WASHER
20	13-84851M		1	WASHER, WAVE
21	84852M		1	RETAINER
22	10-84853M		1	BOLT
23	10-84058M		1	BOLT
24	12-82214M		2	WASHER, LOCK
25	82895M		1	PIECE, FRICTION
26	11-83056M		1	NUT
27	10-84058M		1	BOLT

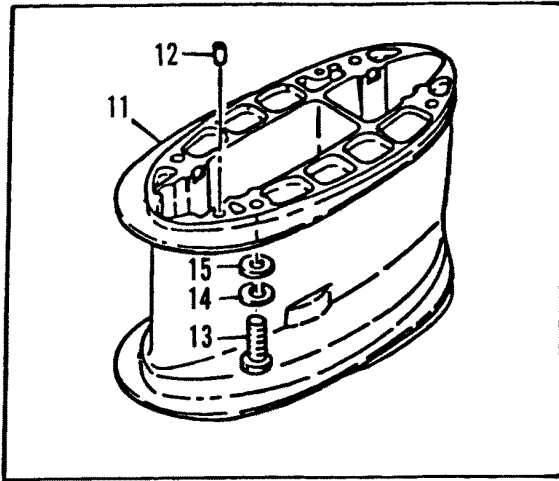
MOUNTING SYSTEM



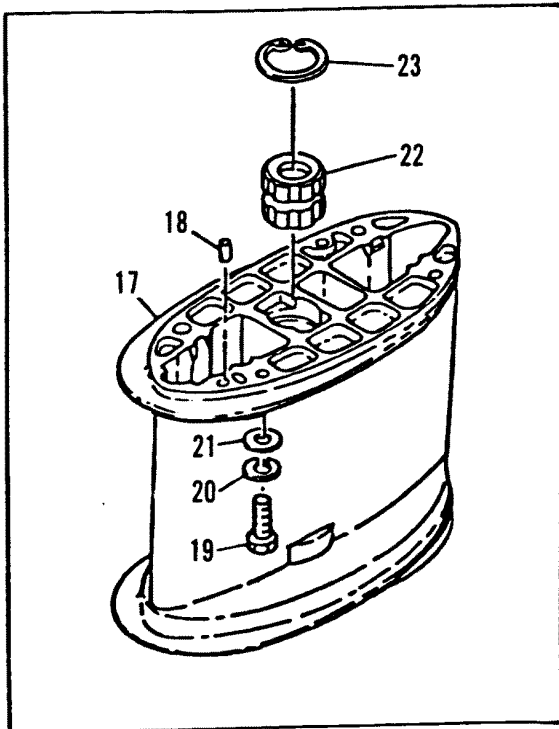
MOUNTING SYSTEM

REF. NO.	PART NO.	SYM.	QTY.	DESCRIPTION
1	80654M		1	BRACKET, MOUNTING
2	26-84838M		1	SEAL, BOTTOM BOWL
3	26-84840M		1	SEAL, SHIFT BRACKET
4	23-81930M		2	BUSHING, SHIFT ROD LEVER
5	22-82369M		1	FITTING, GREASE
6	81439M		1	CAP, GREASE FITTING
7	10-84839M		4	BOLT
8	12-82214M		3	WASHER, LOCK
9	80657M		1	BRACKET, CABLE ANCHOR
10	17-82364M		1	PIN, DOWEL
11	10-82451M		1	BOLT
12	12-82217M		6	WASHER
13	84841M		1	MOUNT, RUBBER-UPPER FRONT
14	10-84058M		2	BOLT
15	27-80662M		3	WASHER
16	12-82219M		3	WASHER
17	11-82182M		3	NUT
18	82557M		2	MOUNT, UPPER SIDE
19	27-81612M		2	WASHER
20	11-82183M		2	NUT
21	84842M		1	HOUSING, LOWER MOUNT-PORT
22	84843M		1	HOUSING, LOWER MOUNT-STARBOARD
23	10-84844M		2	BOLT
24	10-84845M		2	BOLT
25	11-82392M		4	NUT
26	84846M		1	MOUNT, RUBBER-LOWER FRONT
27	10-82464M		2	BOLT
28	84848M		2	MOUNT, RUBBER-HOUSING
29	84847M		1	COVER, LOWER MOUNT

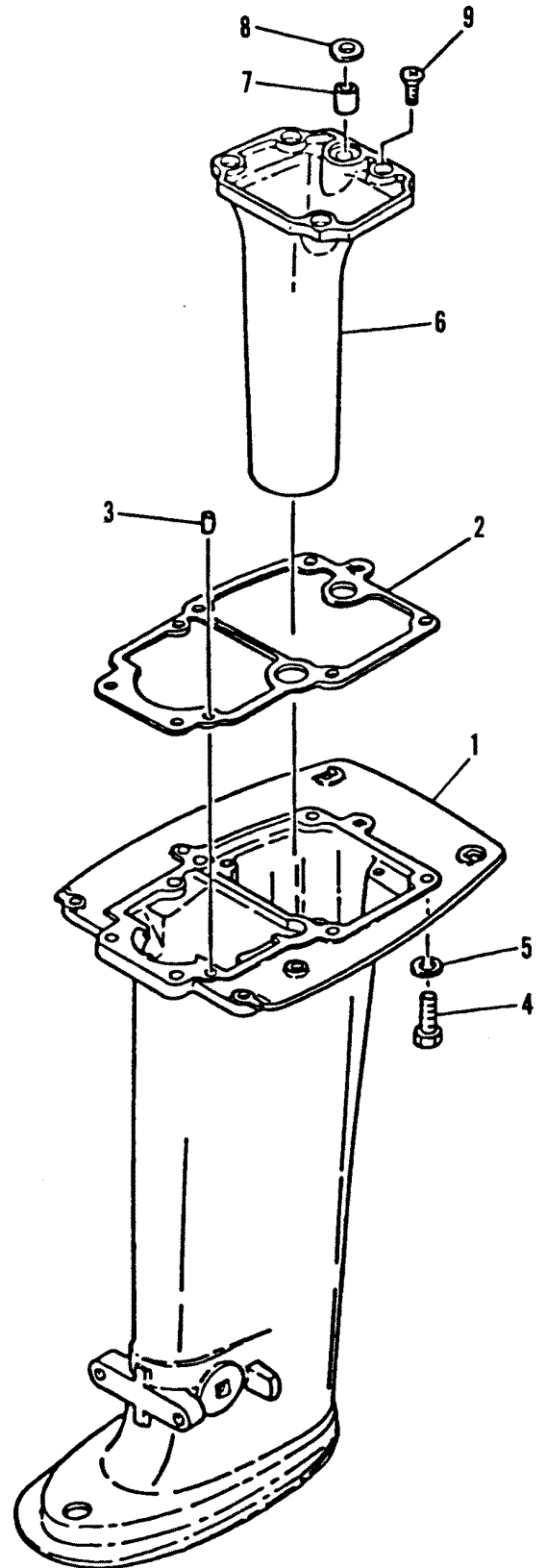
DRIVESHAFT HOUSING



10



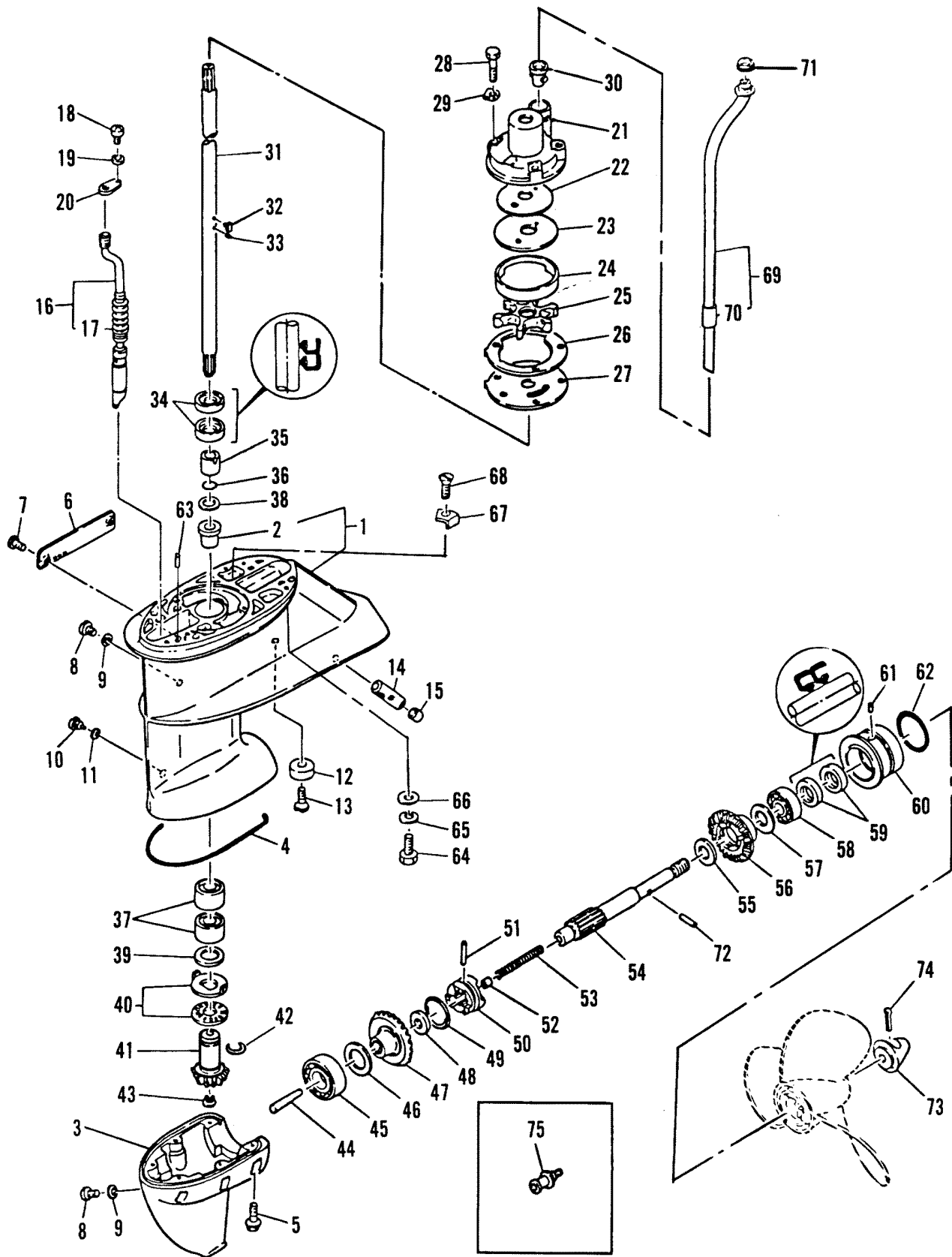
16



DRIVESHAFT HOUSING

REF. NO.	PART NO.	SYM.	QTY.	DESCRIPTION
1	1587-6757M		1	DRIVESHAFT HOUSING (SHORT SHAFT)
2	27-81162M		1	GASKET
3	17-82364M		2	PIN, DOWEL
4	10-82465M		6	BOLT
5	13-82215M		6	WASHER
6	80621M		1	MANIFOLD, EXHAUST
7	23-80567M		1	SEAL
8	26-81988M		1	GASKET
9	10-82181M		4	SCREW
10	83812M		1	EXTENSION KIT, LONG SHAFT
11	81163M		1	EXTENSION, LONG SHAFT
12	14-82364M		2	PIN
13	10-82465M		4	BOLT
14	13-82215M		4	WASHER
15	12-82217M		4	WASHER
16	83813M		1	EXTENSION KIT, SUPER LONG SHAFT
17	83071M		1	EXTENSION, SUPER LONG SHAFT
18	17-82364M		2	PIN
19	10-82465M		4	BOLT
20	13-82215M		4	WASHER
21	12-82217M		4	WASHER
22	23-83757M		1	BUSHING
23	53-83758M		1	SNAP-RING

GEARHOUSING ASSEMBLY

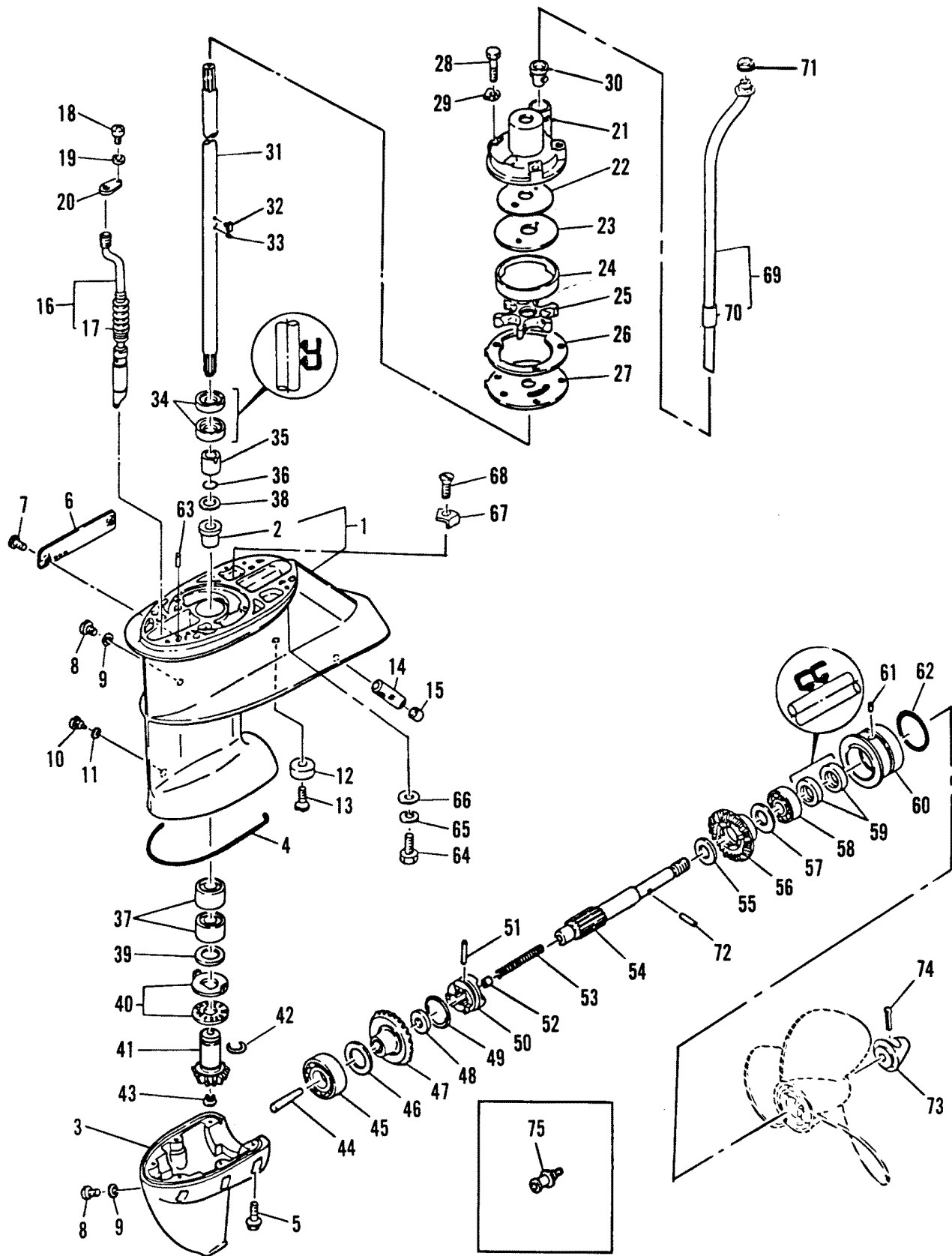


GEARHOUSING ASSEMBLY

REF. NO.	PART NO.	SYM.	QTY.	DESCRIPTION
0-1	1651-8433M		1	GEARHOUSING ASS'Y (SHORT SHAFT)
	1651-8434M		1	GEARHOUSING ASS'Y (LONG SHAFT)
1	1651-6798M		1	GEARHOUSING, UPPER
2	23-80667M		1	BUSHING
3	1651-6884M		1	GEARHOUSING, LOWER
4	27-80666M		1	SEAL
5	10-82476M		1	SEAL
	10-82476M		6	BOLT
6	81164M		1	COVER
7	10-82482M		2	SCREW
8	22-81924M		3	PLUG
9	27-81987M		3	GASKET
10	10-81752M		1	SCREW
11	27-81986M		1	GASKET
12	80051M		1	ANODE
13	10-82791M		1	SCREW
14	35-80246M		1	COVER
15	22-81920M		1	PLUG
16	83157M		1	SHIFT CAM ASS'Y (LONG SHAFT)
	83158M		1	SHIFT CAM ASS'Y (LONG SHAFT)
	83798M		1	SHIFT CAM ASS'Y (SUPER LONG SHAFT)
17	82881M		1	BOOT
18	10-82932M		1	SCREW
19	12-82214M		1	WASHER
20	82882M		1	PLATE
21	46-97049M		1	HOUSING
22	27-94807M		1	SEAL
23	97056M		1	INNER PLATE (CHROME)
24	84825M		1	INSERT (CHROME)
25	47-97051M		1	IMPELLER
26	27-97052M		1	GASKET
27	97057M		1	OUTER PLATE (CHROME)
28	10-82453M		3	BOLT SERIAL 00022741-09999999
	10-84790M		3	BOLT SERIAL 00000000-00022740
29	12-84791M		3	WASHER
30	12-84791M		1	SEAL
31	45-81165M		1	DRIVE SHAFT (SHORT SHAFT)
	45-81166M		1	DRIVE SHAFT (LONG SHAFT)
	45-83799M		1	DRIVE SHAFT (SUPER LONG SHAFT)
32	17-81159M		1	KEY
34	26-82229M		2	OIL SEAL
35	23-80247M		1	BUSHING
36	25-82266M		1	O-RING

CONTINUED ON NEXT PAGE ➡

GEARHOUSING ASSEMBLY

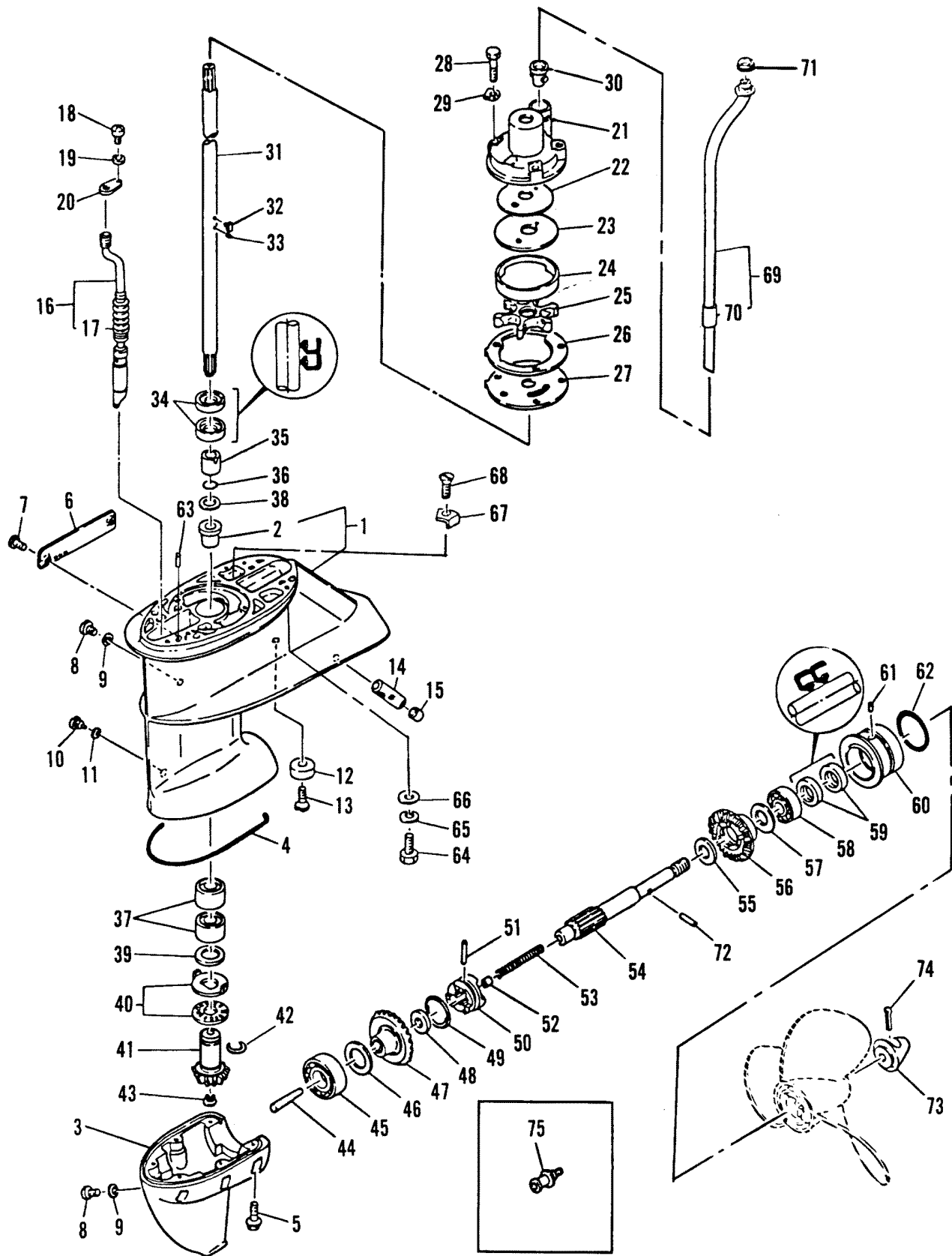


GEARHOUSING ASSEMBLY

REF. NO.	PART NO.	SYM.	QTY.	DESCRIPTION
37	31-82318M		2	BEARING
38	12-80255M		1	WASHER
39	12-83135M		AR	WASHER (0.2 MM)
	12-83134M		AR	WASHER (0.3 MM)
40	31-82322M		1	BEARING 1
41	M-97146M		1	PINION SERIAL 00020986-09999999
	43-80669M		1	PINION SERIAL 00000000-00020985
42	53-97147M		1	SNAP RING SERIAL 00020986-09999999
43	53-82323M		1	SNAP RING
44	80680M		1	PLUNGER
45	30-97054M		1	BEARING
46	15-80671M		AR	SHIM (0.2MM)
	15-80671M		AR	SHIM (0.3MM)
47	43-80670M		1	WASHER
49	53-80678M		1	RING, CROSS PIN
50	25-81167M		1	CLUTCH , DOG
51	17-81899M		1	PIN
52	80679M		1	SLIDE, SHIFT
53	24-82078M		1	SPRING
54	44-80677M		1	SHAFT, PROPELLER
55	12-81828M		1	WAHSER
56	43-80673M		1	GEAR, REVERSE
57	15-80674M		AR	SHIM (1.3 MM)
	15-80675M		AR	SHIM (1.5 MM)
	15-80676M		AR	SHIM (1.7 MM)
58	30-82298M		1	BEARING
59	26-82227M		2	OIL SEAL
60	80668M		1	CAP, GEARHOUSING
61	17-82356M		1	PIN
62	25-82278M		1	O-RING
63	17-82364M		1	PIN
64	10-82465M		4	BOLT
65	13-82215M		4	WASHER
66	12-82217M		4	WASHER
67	84506M		1	ANODE
68	10-84507M		1	SCREW
69	32-81160M		1	TUBE, WATER (SHORT SHAFT)
	32-81161M		1	TUBE, WATER (SUPER LONG SHAFT)
	32-83800M		1	TUBE, WATER (SHAFT LONG SHAFT)
70	23-82022M		1	HOSE
71	26-80653M		1	SEAL
72	17-81900M		1	PIN
73	11-82787M		1	NUT

CONTINUED ON NEXT PAGE ➡

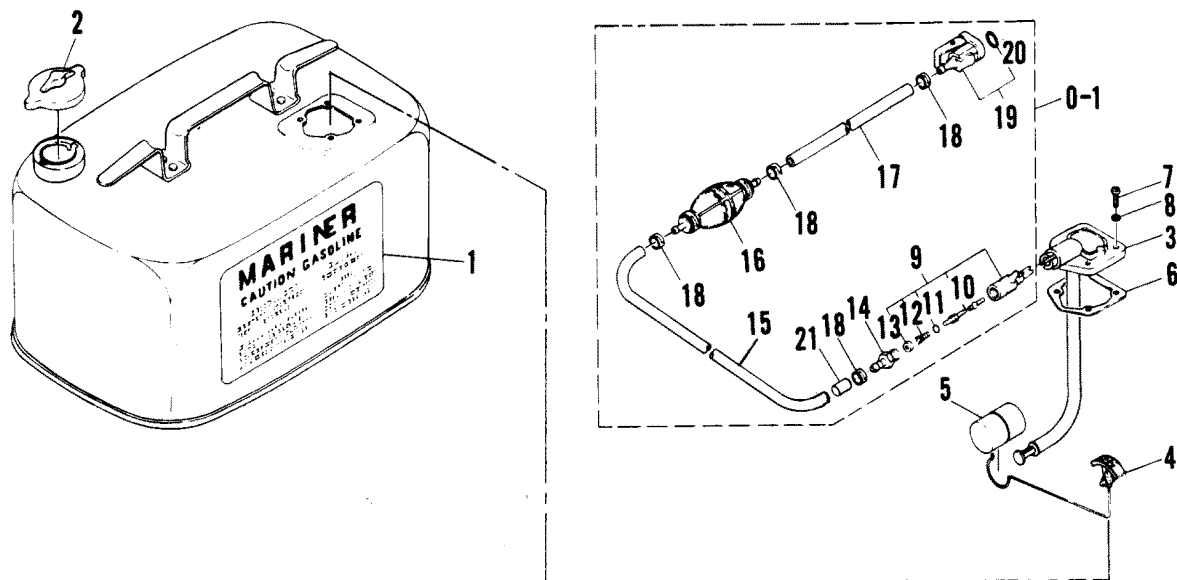
GEARHOUSING ASSEMBLY



GEARHOUSING ASSEMBLY

REF. NO.	PART NO.	SYM.	QTY.	DESCRIPTION
74	18-82132M		1	PIN,COTTER
75	M-95633M		1	FLUSH PLUG
	27-97058M		1	LOWER UNIT GASKET SET
	46-97055M		1	FHROME PUMP KIT

FUEL TANK AND FUEL LINE ASSEMBLY

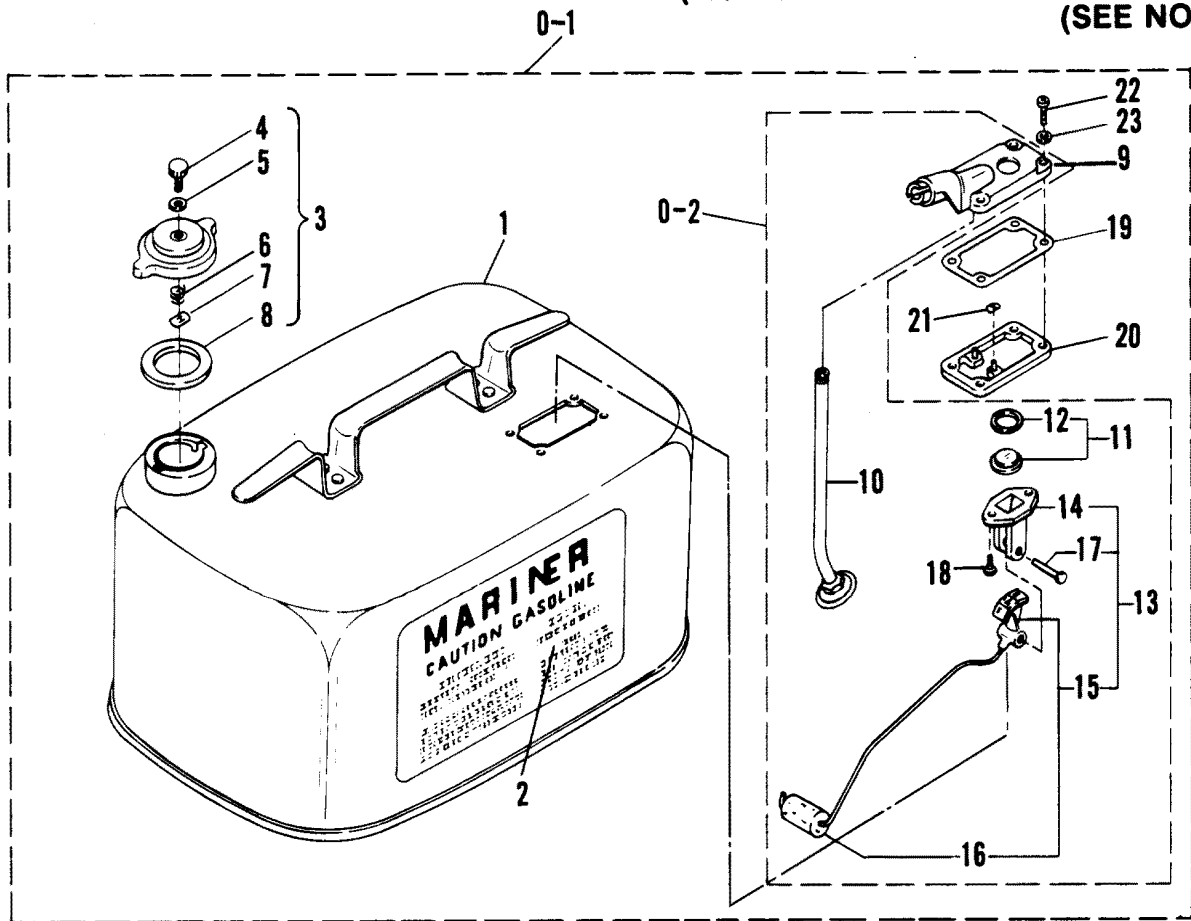


FUEL TANK AND FUEL LINE ASSEMBLY

REF. NO.	PART NO.	SYM.	QTY.	DESCRIPTION
1	37-83954M		2	DECAL, SIDE
2	36-83617M		1	FUEL RANK CAP
3	83618M		1	FUEL METER COMPLETE
4	81318M		1	INDICATOR, FUEL LEVEL
5	81319M		1	FLOAT, INDICATOR
6	27-81320M		1	GASKET, HOUNDING TO TANK
	10-81320M		1	GASKET, HOUSING TO TANK
7	10-82496M		4	SCREW
8	12-80271M		4	WASHER
0-1	32-83628M		1	FUEL LINE ASS'Y
9	30185A1		1	BATONET BODY ASS'Y
10	30187		1	STEM, BAYONET BODY
11	25-20415		1	O-RING, BAYONET BODY STEM
12	24-30189		1	SPRING, BAYONET BODY STEM
13	30188		1	WASHER,CAP
14	22-63187		1	FITTING, FUEL LINE
15	32-84955M		1	HOSE, CONNECTOR HOUSING TO BULB
16	81325M		1	BULB, PRIMER
17	32-82023M		1	HOSE, BULB TO CONNECTOR
18	54-80752M		4	CLAMP, HOSE
19	22-81042M		1	FUEL CONNECTOR, ENGINE END
20	25-82789M		1	O-RING
21	23-81327M		1	COLLAR

FUEL TANK

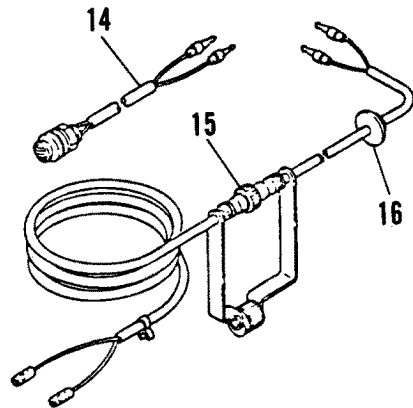
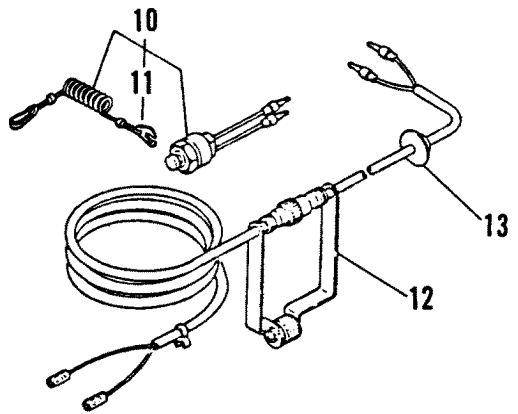
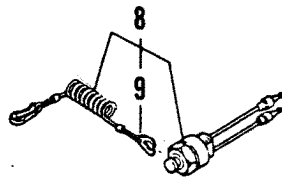
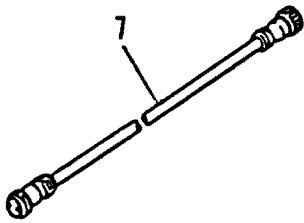
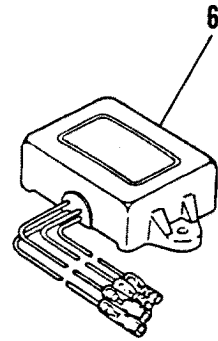
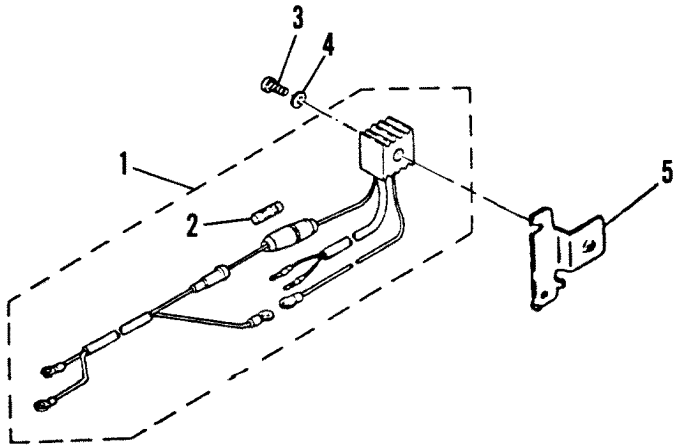
(NOT ORIGINAL EQUIPMENT TANK)
(SEE NOTE)



FUEL TANK

REF. NO.	PART NO.	SYM.	QTY.	DESCRIPTION
0-1	1225-1529A21		1	FUEL TANK, COMPLERE
1	1225-1529		1	FUEL TANK
2	37-75881		1	DECAL TANK
3	36-25392A2		1	FILLER CAP ASSEMBLY
4	10-25575		1	SCREW, VENT-FILLER CAP
5	12-49221		1	WASHER, VENT SCREW
6	24-22227		1	SPRING, TENSION-VENT SCREW
7	11-28587		1	NUT, SPEED-SPRING RETAINER
8	27-25568		1	GASKET, FILLER CAP TO FUEL TANK
0-2	64841A1		1	CONNECTOR/GUAGE ASS'Y, COMPLETE
9	64841A3		1	COVER, FUEL TANK
10	32-33909A3		1	TUBE
11	54920A1		1	LENS ASSEMBLY, FUEL GAUGE
12	27-54921		1	GASKET, FUEL GAUGE LENS
13	28897A2		1	FUEL GAUGE ASSEMBLY, COMPLETE
14	20430		1	RETAINER, FUEL GUAGE
15	28897A1		1	INDICATOR AND FLOAT ASSEMBLY
16	20427		1	FLOAT, FULE GAUGE
17	17-20426		1	RIVRT, INDICATOR TO RETAINER
18	10-62568		2	SCREW, RETAINER TO FUEL TANK COVER
19	27-28862		1	GASKET, COVER ASSEMBLY TO FRAME
20	28860		1	FRAME, RETAINIG-FUEL TANK COVER
21	25-28903		2	FASTENER, RETAINER FRAME TO FUEL TANK"2
22	10-20411		4	SCREW, FUEL TANK COVER TO FUEL TANK
23	12-74711		4	WASHER, FUEL TANK COVER FASTENING SCREW

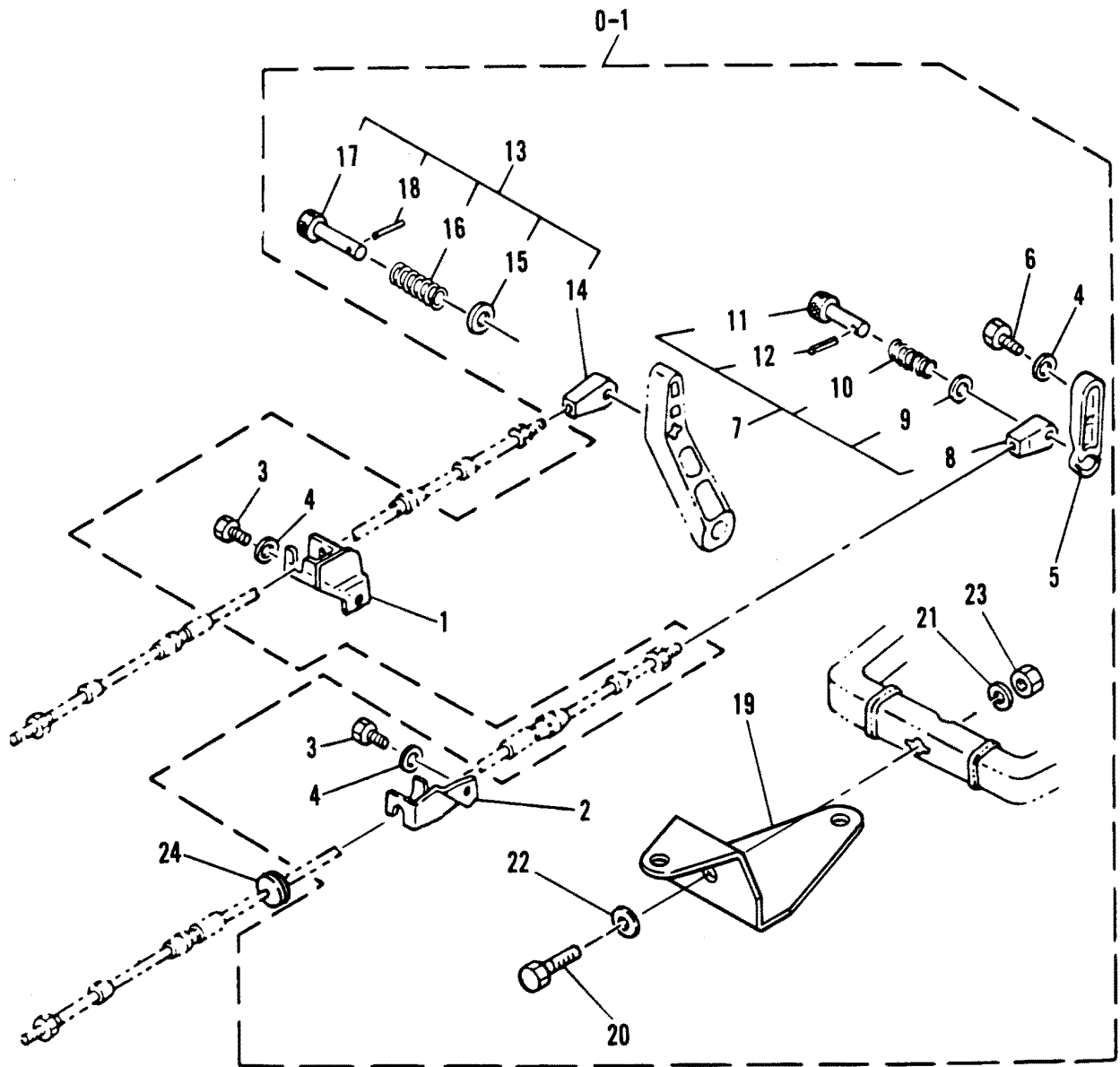
OPTIONAL PARTS



OPTIONAL PARTS

REF. NO.	PART NO.	SYM.	QTY.	DESCRIPTION
1	M-84329M		1	RECTIFIER ASS'Y
2	88-81522M		1	FUSE
3	10-82492M		1	SCREW
4	12-82196M		1	WASHER
5	92603M		1	PLATE, RECTIFIER MOUNTINF
6	84125M		1	VOLTAGE REGULATOR ASS'Y
7	84959M		1	EXTENSION (2M) FOR STOP SWITCH
8	87-97776M		1	KILL SWITCH, MOTOR MOUNT SERIAL 00022741-09999999
	87-92611M		1	KILL SWITCH, MOTOR MOUNT SERIAL 00000000-00022740
9	97756M		1	STOPPER SERIAL 00000000-00022740
	81531M		1	STOPPER SERIAL 00000000-00022741
10	87-97777M		1	KILL SWITCH, REMOTE (5M) SERIAL 00022741-09999999
	87-92612M		1	KILL SWITCH, REMOTE (5M) SERIAL 0A000000-0M022740
11	97756M		1	STOPPER SERIAL 00022741-09999999
	81531M		1	STOPPER SERIAL 00000000-00022740
12	92613M		1	EXTENSION (5M)
13	25-84967M		1	GROMMET
14	87-92614M		1	STOP SWITCH, REMOTE (5M)
15	92613M		1	EXTENTION (5M)
16	25-84967M		1	GROMMET

REMOTE CONTROL ATTACHING KIT



REMOTE CONTROL ATTACHING KIT

REF. NO.	PART NO.	SYM.	QTY.	DESCRIPTION
0-1	91633M		1	ATTACHING KIT
1	84221M		1	BRACKET, GEAR SHIFT
2	83717M		1	BRACKET, THROTTLE
3	10-83395M		2	BOLT
4	12-82214M		3	WASHER
5	84222M		1	THROTTLE LEVER
6	10-82448M		1	BOLT
7	83933M		1	CABLE END ASS'Y, THROTTLE
8	83934M		1	CABLE END
9	12-82216M		1	WASHER
10	24-83725M		1	SPRING
11	17-83726M		1	HOOK
12	17-82146M		1	PIN, ROLL
13	83719M		1	CABLE END ASS'Y, SHIFT
14	83720M		1	CABLE END
15	12-82216M		1	WASHER
16	24-83721M		1	SPRING
17	17-83722M		1	HIK
18	17-82146M		1	PIN, ROLL
19	91635M		1	BRACKET, STEERING
20	M-91636M		1	BOLT
21	13-82218M		1	WASHER, LOCK
23	11-81785M		1	LOCKNUT SERIAL 00020986-09999999
	11-82395M		1	NUT SERIAL 00000000-00020985
24	25-97031M		1	GROMMET

PARTS INDEX

Part Number	Description	Pg.	Ref. No.	Part Number	Description	Pg.	Ref. No.
20427	FLOAT, FULE GAUGE	45	16	81102M	BRACKET	23	5
20430	RETAINER, FUEL GUAGE	45	14	81106M	PLUNGER, STARTER LOCKOUT	5	34
28860	FRAME, RETAINIG-FUEL TANK COVER	45	20	81107M	LINK, STARTER LOCKOUT	5	41
28897A1	INDICATOR AND FLOAT ASSEMBLY	45	15	81108M	CABLE, STARTER LOCKOUT	5	36
28897A2	FUEL GAUGE ASSEMBLY, COMPLETE	45	13	81109M	BRACKET, STARTER LOCKOUT	5	39
30185A1	BATONET BODY ASS'Y	43	9	81115M	INNER COVER, EXHAUST	11	34
30187	STEM, BAYONET BODY	43	10	81116M	OUTER COVER, EXHAUST	11	32
30188	WASHER,CAP	43	13	81125M	STOPPER MAGNETO	11	28
47341A1	EMERGENCY STARTER ROPE	5	30	81126M	LEVER, MAGNETO CONTROL	23	1
54920A1	LENS ASSEMBLY, FUEL GAUGE	45	11	81127M	ROD, MAGNETO CONTROL	23	9
64841A1	CONNECTOR/GUAGE ASS'Y, COMPLETE	45	0-2	81134M	SHAFT, THROTTLE CONTROL	23	21
64841A3	COVER, FUEL TANK	45	9	81135M	LEVER, THROTTLE CONTROL	23	19
79629A1	STARTER ROPE	5	18	81137M	JOINT	23	14
80025M	LUBRICATOR	9	7	81138M	BRACKET, STEERING 1	31	1
80048M	HANDLE, TRANSOM CLAMP SCREW	27	17	81163M	EXTENSION, LONG SHAFT	35	11
80051M	ANODE	37	12	81164M	COVER	37	6
80063M	HANDLE, STARTER	5	17	81191M	JOINT	15	23
80558M	CONDENSER	9	6	81191M	JOINT	17	22
80570M	MANIFOLD, INTAKE	15	6	81318M	INDICATOR, FUEL LEVEL	43	4
80576M	NOZZLE, MAIN	17	3	81319M	FLOAT, INDICATOR	43	5
80578M	JET, LOW SPEED (#60)	17	1	81325M	BULB, PRIMER	43	16
80582M	JET, MAIN (#140)	17	4	81388M	CAP	27	27
80591M	FLOAT	17	5	81439M	CAP, GREASE FITTING	27	4
80593M	INLET VALVE & SEAT	17	2	81439M	CAP, GREASE FITTING	33	6
80596M	HOUSING	11	23	81531M	STOPPER	47	11
80600M	GUIDE, STARTER ROPE	5	14	81531M	STOPPER	47	9
80601M	SEAL, RUBBER-STARTER	3	15	81585M	HANDLE, THROTTLE	31	5
80606M	DIAPHRAGM	19	2	81892M	PIN	23	17
80607M	COVER	19	9	82557M	MOUNT, UPPER SIDE	33	18
80611M	PLATE, SPRING GUIDE	19	3	82784M	FILTER	21	7
80620M	BRACKET, FUEL FILTER	21	9	82788M	PLUG CAP ASS'Y	9	23
80621M	MANIFOLD, EXHAUST	35	6	82857M	STOPPER, PLATE	29	44
80622M	LEVER, THROTTLE	17	17	82881M	BOOT	37	17
80629M	SHAFT, CONNECTING	23	10	82882M	PLATE	37	20
80633M	PLATE, FRICTION	27	5	82895M	PIECE, FRICTION	31	25
80643M	HOOK, REVERSE LOCK-REAR	27	38	82898M	APPLIQUE, FRONT	3	3
80645M	ROD,REVERSE LEVER	27	37	82899M	APPLIQUE, REAR	3	4
80648M	CAM, TILT	27	35	83071M	EXTENSION, SUPER LONG SHAFT	35	17
80651M	SHAFT, SHIFT-UPPER	25	16	83136M	LINK ROD, SHIFT	25	9
80652M	CONNECTOR, SHIFT	25	17	83137M	HOOK	3	9
80654M	BRACKET, MOUNTING	33	1	83157M	SHIFT CAM ASS'Y (LONG SHAFT)	37	16
80657M	BRACKET, CABLE ANCHOR	33	9	83158M	SHIFT CAM ASS'Y (LONG SHAFT)	37	16
80668M	CAP, GEARHOUSING	39	60	83160M	LINK ROD, THROTTLE LEVER	17	21
80679M	SLIDE, SHIFT	39	52	83200M	FLOAT BOWL	17	7
80680M	PLUNGER	39	44	83212M	HOLDER, CLAMP BAND	3	7
80688M	COVER, FLYWHEEL	9	12	83281M	PRIMARY IGNITION COIL	9	3
80930M	BREAKER ASS'Y	9	5	83315M	LIGHTING COIL	9	10
80935M	PLUG CAP ASS'Y (NOISE SUPPRESSOR) STD	9	23	83319M	SOUND BLANKET	3	11
81094M	ANODE	11	11	83320M	SOUND BLANKET	3	12
81098M	THERMOSTAT	11	17	83321M	SOUND BLANKET	3	13
81099M	COVER	11	20	83322M	SOUND BLANKET	3	14

PARTS INDEX

Part Number	Description	Pg.	Ref. No.	Part Number	Description	Pg.	Ref. No.
83618M	FUEL METER COMPLETE ..	43	3	91640M	LEVER, LOCK/RELEASE ...	27	31
83717M	BRACKET, THROTTLE	49	2	91641M	COVER, LEVER	27	32
83719M	CABLE END ASS'Y, SHIFT .	49	13	92572M	PLATE, FRICTION	23	27
83720M	CABLE END	49	14	92573M	RETAINER, MAGNETO BASE	23	25
83798M	SHIFT CAM ASS'Y (SUPER LONG SHAFT)	37	16	92576M	COVER, AIR INTAKE (INNER)	15	1
83812M	EXTENSION KIT, LONG SHAFT	35	10	92577M	COVER, AIR INTAKE (OUTER)	15	2
83813M	EXTENSION KIT, SUPER LONG SHAFT	35	16	92579M	ROD, CHOKE	15	22
83933M	CABLE END ASS'Y, THROTTLE	49	7	92592M	BASE, MAGNETO	9	2
83934M	CABLE END	49	8	92603M	PLATE, RECTIFIER MOUNTINF	47	5
83960M	KNOB, CHOKE	15	18	92613M	EXTENSION (5M)	47	12
84125M	VOLTAGE REGULATOR ASS'Y	47	6	92613M	EXTENTION (5M)	47	15
84141M	DIAPHRAGM	19	8	93099M	FUEL LINE CONNECTOR ASS'Y	21	1
84221M	BRACKET, GEAR SHIFT ...	49	1	93107M	SEAL	5	22
84222M	THROTTLE LEVER	49	5	94777M	SECONDARY IGNITION COIL ASS'Y #1 CYL	9	18
84459M	RETAINER, SHIFT DETENT .	25	5	94778M	SECONDARY IGNITION COIL ASS'Y #2 CYL	9	19
84460M	PLUNGER, SHIFT CAM	25	6	94799M	FUEL PUMP ASS'Y	19	1
84465M	BRACKET, STARTER HSG (STARBOARD)	5	23	96379M	RETAINER, MAGNETO BASE	23	26
84466M	BRACKET, STARTER HSG (PORT)	5	24	96664M	HANDLE, STEERING	31	3
84506M	ANODE	39	67	97037M	CAM	9	24
84511M	STOP, MAGNETO BASE ...	9	27	97038M	POWERHEAD ASS'Y, COMPLETE (SEE NOTE) .	11	37
84653M	CAM, SHIFT	25	2	97041M	HOUSING, OIL SEAL (LOWER)	13	14
84758M	REED VALVE ASS'Y	15	15	97043M	SWIVEL, SHIFT ROD	25	14
84761M	LEVER, CHOKE	15	20	97044M	LEVER, SHIFT ROD	25	20
84772M	SHAFT, THROTTLE	17	23	97045M	STEERING HANDLE ASS'Y .	31	0-1
84773M	REPAIR KIT, CARBURETOR	17	24	97046M	INDICATOR, THROTTLE ...	31	6
84825M	INSERT (CHROME)	37	24	97047M	CABLE ASS'Y, THROTTLE .	31	13
84833M	SHAFT, STEERING PIVOT ..	27	8	97047M	CABLE ASS'Y, THROTTLE .	31	13
84835M	SHAFT, TILT STOP	27	21	97056M	INNER PLATE (CHROME) ..	37	23
84836M	KNOB, TILT STOP SHAFT ..	27	22	97057M	OUTER PLATE (CHROME) .	37	27
84837M	HOOK, REVERSE LOCK- FRONT	27	39	97756M	STOPPER	47	11
84841M	MOUNT, RUBBER-UPPER FRONT	33	13	97756M	STOPPER	47	9
84842M	HOUSING, LOWER MOUNT- PORT	33	21	97767M	APPLIQUE, FRONT	3	3
84843M	HOUSING, LOWER MOUNT- STARBOARD	33	22	97775M	INDICATOR, THROTTLE ...	31	6
84846M	MOUNT, RUBBER-LOWER FRONT	33	26	M-84329M	RECTIFIER ASS'Y	47	1
84847M	COVER, LOWER MOUNT ..	33	29	M-91636M	BOLT	49	20
84848M	MOUNT, RUBBER-HOUSING	33	28	M-95633M	FLUSH PLUG	41	75
84852M	RETAINER	31	21	M-96348M	CLAMP	9	30
84854M	GRIP, THROTTLE HANDLE .	31	5	M-97141M	WASHER	25	22
84856M	LEVER, THROTTLE	31	9	M-97146M	PINION	39	41
84865M	HANDLE, GEAR SHIFT	25	1	10-20411	SCREW, FUEL TANK COVER TO FUEL TANK	45	22
84892M	COVER	5	19	10-25575	SCREW, VENT-FILLER CAP	45	4
84894M	PAWL, STARTER	5	7	10-62568	SCREW, RETAINER TO FUEL TANK COVER	45	18
84901M	SEAL, TOP COWL	3	16	10-80023M	SCREW W/WASHER	9	8
84913M	LEVER, COWL CLAMP	3	19	10-80573M	SCREW, IDLE MIXTURE ...	17	12
84959M	EXTENSION (2M) FOR STOP SWITCH	47	7	10-81320M	GASKET, HOUSING TO TANK	43	6
91633M	ATTACHING KIT	49	0-1	10-81558M	SET SCREW, THROTTLE LEVER	17	20
91635M	BRACKET, STEERING	49	19	10-81746M	BOLT	5	37
				10-81747M	ADJUSTER, CABLE	31	14
				10-81752M	SCREW	37	10
				10-81756M	SCREW, TRANSOM CLAMP	27	18

PARTS INDEX

Part Number	Description	Pg.	Ref. No.	Part Number	Description	Pg.	Ref. No.
10-81757M	SCREW	11	12	10-84507M	SCREW	39	68
10-82181M	SCREW	35	9	10-84790M	BOLT	37	28
10-82405M	BOLT	5	25	10-84830M	BOLT	25	4
10-82405M	BOLT	11	29	10-84830M	BOLT	31	2
10-82405M	BOLT	15	10	10-84839M	BOLT	33	7
10-82405M	BOLT	23	4	10-84844M	BOLT	33	23
10-82406M	BOLT	11	15	10-84845M	BOLT	33	24
10-82406M	BOLT	11	9	10-84853M	BOLT	31	22
10-82408M	BOLT	11	8	10-91639M	TUBE, STEERING	27	24
10-82417M	BOLT	9	26	10-92523M	BOLT	9	20
10-82428M	BOLT	5	26	10-92523M	BOLT (M-022741 ML-335096)		
10-82428M	BOLT	19	15		AND ABOVE	11	35
10-82442M	BOLT	5	31	10-94526M	BOLT	13	15
10-82448M	BOLT	49	6	10-94801M	SCREW	19	12
10-82451M	BOLT	33	11	10-96382M	SCREW	27	6
10-82453M	BOLT	37	28	11-28587	NUT, SPEED-SPRING		
10-82453M	BOLT (M-022740 ML-335096)				RETAINER	45	7
	AND ABOVE	11	36	11-81765M	NUT	31	15
10-82464M	BOLT	33	27	11-81767M	NUT	25	18
10-82465M	BOLT	35	13	11-81770M	NUT	9	16
10-82465M	BOLT	35	19	11-81785M	LOCKNUT	49	23
10-82465M	BOLT	35	4	11-81787M	NUT	27	26
10-82465M	BOLT	39	64	11-82182M	NUT	33	17
10-82476M	BOLT	37	5	11-82183M	NUT	33	20
10-82476M	SEAL	37	5	11-82378M	NUT	23	11
10-82482M	SCREW	37	7	11-82378M	NUT	23	18
10-82483M	SCREW	31	8	11-82379M	NUT	17	18
10-82490M	SCREW	23	23	11-82380M	NUT	5	28
10-82492M	SCREW	47	3	11-82380M	NUT	5	38
10-82496M	SCREW	43	7	11-82380M	NUT	11	30
10-82515M	SCREW	17	9	11-82380M	NUT	15	13
10-82522M	SCREW	19	10	11-82382M	NUT	5	13
10-82623M	SCREW, IDLE SPEED	17	11	11-82382M	NUT	21	10
10-82791M	SCREW	37	13	11-82383M	NUT	3	33
10-82924M	BOLT	27	28	11-82392M	NUT	27	30
10-82932M	SCREW	37	18	11-82392M	NUT	33	25
10-83285M	BOLT	15	11	11-82393M	NUT	3	35
10-83395M	BOLT	49	3	11-82395M	NUT	49	23
10-83539M	BOLT	7	43	11-82537M	NUT	19	13
10-83539M	BOLT	11	21	11-82787M	NUT	39	73
10-83539M	BOLT	11	26	11-82927M	NUT, APPLIQUE ATTACHING	3	6
10-83539M	BOLT	21	2	11-83056M	NUT	31	26
10-84058M	BOLT	31	23	12-49221	WASHER, VENT SCREW	45	5
10-84058M	BOLT	31	27	12-74711	WASHER, FUEL TANK		
10-84058M	BOLT	33	14		COVER FASTENING		
10-84211M	BOLT	23	6		SCREW	45	23
10-84237M	BOLT	5	27	12-80255M	WASHER	39	38
10-84239M	BOLT (M-022740 ML-335095)			12-80271M	WASHER	43	8
	AND BELOW	11	36	12-80564M	WASHER	11	10
10-84245M	SCREW	15	4	12-80564M	WASHER	11	16
10-84247M	BOLT	5	15	12-80638M	PAD, TRANSOM CLAMP		
10-84303M	BOLT	9	14		SCREW	27	19
10-84303M	BOLT	9	29	12-80884M	WASHER, APPLIQUE NUT	3	5
10-84309M	SCREW W/WASHER	9	11	12-81794M	WASHER	3	23
10-84309M	SCREW W/WASHER	9	4	12-81801M	WASHER	5	12
10-84315M	BOLT	3	24	12-81814M	WASHER	9	17
10-84315M	BOLT	5	40	12-81828M	WAHSER	39	55
10-84342M	BOLT	5	11	12-81829M	WASHER, CONNECTING		
10-84487M	BOLT (M-022740 ML-335095)				ROD BEARING	13	6
	AND BELOW	11	35	12-81835M	WASHER	11	18

PARTS INDEX

Part Number	Description	Pg.	Ref. No.	Part Number	Description	Pg.	Ref. No.
12-81836M	WASHER	27	25	13-82215M	WASHER	35	20
12-81843M	WASHER	25	10	13-82215M	WASHER	35	5
12-81843M	WASHER	25	19	13-82215M	WASHER	39	65
12-81851M	WASHER	25	3	13-82218M	WASHER, LOCK	49	21
12-81873M	BUSHING	27	10	13-84851M	WASHER, WAVE	31	20
12-81969M	WASHER	23	3	14-82364M	PIN	35	12
12-82196M	WASHER	5	42	15-80671M	SHIM (0.2MM)	39	46
12-82196M	WASHER	9	25	15-80671M	SHIM (0.3MM)	39	46
12-82196M	WASHER	15	5	15-80674M	SHIM (1.3 MM)	39	57
12-82196M	WASHER	23	13	15-80675M	SHIM (1.5 MM)	39	57
12-82196M	WASHER	23	15	15-80676M	SHIM (1.7 MM)	39	57
12-82196M	WASHER	47	4	16-84912M	BOLT, SPECIAL	3	32
12-82198M	WASHER	9	15	16-91735M	STUD, CARBURETOR		
12-82198M	WASHER	9	28		ATTACHING	15	7
12-82202M	WASHER	5	32	17-20426	RIVRT, INDICATOR TO		
12-82204M	WASHER, THROTTLE SHAFT	31	10		RETAINER	45	17
12-82209M	WASHER	17	15	17-81159M	KEY	37	32
12-82211M	WASHER	25	11	17-81882M	PIN	27	40
12-82214M	WASHER	37	19	17-81888M	PIN, ROLL	27	20
12-82214M	WASHER	49	4	17-81899M	PIN	39	51
12-82214M	WASHER, LOCK	13	16	17-81900M	PIN	39	72
12-82214M	WASHER, LOCK	31	24	17-81907M	RIVET	31	7
12-82214M	WASHER, LOCK	33	8	17-82144M	PIN, ROLL	29	45
12-82216M	WASHER	49	15	17-82146M	PIN, ROLL	49	12
12-82216M	WASHER	49	9	17-82146M	PIN, ROLL	49	18
12-82217M	WASHER	3	34	17-82148M	PIN, ROLL	27	23
12-82217M	WASHER	33	12	17-82155M	PIN, ROLL	25	15
12-82217M	WASHER	35	15	17-82156M	PIN	23	22
12-82217M	WASHER	35	21	17-82157M	PIN	5	4
12-82217M	WASHER	39	66	17-82157M	PIN, ROLL	5	6
12-82217M	WASHER, LOCK	27	7	17-82162M	PIN, DOWEL	5	33
12-82219M	WASHER	33	16	17-82356M	PIN	39	61
12-83134M	WASHER (0.3 MM)	39	39	17-82364M	PIN	35	18
12-83135M	WASHER (0.2 MM)	39	39	17-82364M	PIN	39	63
12-84791M	SEAL	37	30	17-82364M	PIN, DOWEL	11	7
12-84791M	WASHER	37	29	17-82364M	PIN, DOWEL	33	10
12-84850M	WASHER	31	19	17-82364M	PIN, DOWEL	35	3
13-81865M	WASHER, WAVE	7	45	17-82368M	PIN, DOWEL	27	9
13-81867M	WASHER	7	48	17-83140M	RIVET	3	10
13-81869M	WASHER, WAVE	3	29	17-83722M	HIK	49	17
13-82193M	WASHER	23	12	17-83726M	HOOK	49	11
13-82193M	WASHER	23	20	17-84762M	PIN, ROLL	15	21
13-82193M	WASHER	23	24	17-84765M	PIN, FLOAT	17	6
13-82197M	WASHER	11	22	17-84903M	RIVET	3	8
13-82197M	WASHER	11	27	17-91644M	PIN	27	36
13-82197M	WASHER	11	37	17-94569M	TILT LOCK PIN ASS'Y	27	43
13-82197M	WASHER	23	7	18-82051M	CLIP	23	16
13-82197M	WASHER, LOCK	9	21	18-82125M	PIN, COPTTER	27	41
13-82199M	WASHER	7	47	18-82125M	PIN, COTTER	7	46
13-82199M	WASHER	11	31	18-82125M	PIN, COTTER	25	12
13-82199M	WASHER	15	14	18-82127M	PIN, COTTER	25	13
13-82199M	WASHER, LOCK	5	16	18-82132M	PIN,COTTER	41	74
13-82199M	WASHER, LOCK	5	29	21-80107M	VALVE, CHECK	11	4
13-82199M	WASHER, LOCK	15	12	21-80727M	CHECK VALVE ASS'Y	11	3
13-82199M	WASHER, LOCK	19	16	21-94800M	CHECK VALVE	19	6
13-82199M	WASHER, LOCK	21	3	22-63187	FITTING, FUEL LINE	43	14
13-82206M	WASHER, LOCK	17	10	22-80743M	FITTING	11	2
13-82208M	WASHER, LOCK	17	19	22-81042M	FUEL CONNECTOR, ENGINE		
13-82208M	WASHER, LOCK	19	11		END	43	19
13-82215M	WASHER	35	14	22-81920M	PLUG	37	15

PARTS INDEX

Part Number	Description	Pg.	Ref. No.	Part Number	Description	Pg.	Ref. No.
22-81924M	PLUG	37	8	25-81167M	CLUTCH , DOG	39	50
22-82369M	FITTING, GREASE	27	3	25-82064M	GROMMET	31	16
22-82369M	FITTING, GREASE	33	5	25-82069M	GROMMET	9	22
23-80247M	BUSHING	37	35	25-82070M	GROMMET	29	47
23-80567M	SEAL	35	7	25-82266M	O-RING	37	36
23-80667M	BUSHING	37	2	25-82267M	O-RING, CRANKSHAFT TO DRIVESHAFT	13	9
23-81327M	COLLAR	43	21	25-82274M	O-RING, PIVOT SHAFT BUSHING	27	13
23-81842M	SPACER, INNER BEARING	13	10	25-82278M	O-RING	39	62
23-81861M	SPACER	31	18	25-82789M	O-RING	43	20
23-81930M	BUSHING, SHIFT ROD LEVER	33	4	25-83988M	GROMMET, BOTTOM COWL	3	25
23-81941M	BUSHING, THROTTLE SHAFT	17	16	25-84751M	O-RING, OIL SEAL HOUSING	13	11
23-81945M	BUSHING, STEERING ARM	31	12	25-84760M	GROMMET, CHOKE KNOB	15	19
23-81946M	BUSHING	23	8	25-84910M	GROMMET	3	30
23-81946M	BUSHING	25	23	25-84915M	GROMMET, BOTTOM COWL	3	26
23-81949M	BUSHING, COWL CLAMP LEVER	3	21	25-84957M	O-RING	21	8
23-81959M	BUSHING, PIVOT SHAFT- LOWER	27	12	25-84967M	GROMMET	47	13
23-81961M	BUSHING	27	14	25-84967M	GROMMET	47	16
23-81964M	BUSHING, PIVOT SHAFT- UPPER	27	11	25-97031M	GROMMET	49	24
23-81979M	SPACER, CLAMP BRACKET	27	29	26-80653M	SEAL	39	71
23-82022M	HOSE	39	70	26-81988M	GASKET	35	8
23-82119M	SPACER	31	17	26-82227M	OIL SEAL	39	59
23-82929M	COLLAR	7	44	26-82229M	OIL SEAL	37	34
23-83310M	COLLAR	23	2	26-82245M	OIL SEAL	11	24
23-83585M	PLUG, STARTER HOUSING	5	2	26-84752M	OIL SEAL, LARGE	13	12
23-83589M	BUSHING	5	21	26-84838M	SEAL, BOTTOM BOWL	33	2
23-83590M	SHAFT, SHEAVE	5	10	26-84840M	SEAL, SHIFT BRACKET	33	3
23-83757M	BUSHING	35	22	26-91637M	SEAL	27	2
23-84454M	BUSHING, THROTTLE SHAFT	17	14	26-97040M	OIL SEAL, SMALL	13	13
23-84911M	COLLAR	3	31	27-25568	GASKET, FILLER CAP TO FUEL TANK	45	8
23-97142M	COLLAR	25	21	27-28862	GASKET, COVER ASSEMBLY TO FRAME	45	19
24-22227	SPRING, TENSION-VENT SCREW	45	6	27-54921	GASKET, FUEL GAUGE LENS	45	12
24-30189	SPRING, BAYONET BODY STEM	43	12	27-80566M	GASKET	11	19
24-80575M	SPRING	17	13	27-80569M	GASKET, INTAKE MANIFOLD	15	8
24-80610M	SPRING	19	4	27-80571M	GASKET, REED VALVE	15	9
24-82078M	SPRING	39	53	27-80572M	GASKET, CARBURETOR MANIFOLD	15	17
24-82079M	SPRING, STARTER LOCKOUT	5	35	27-80590M	GASKET, FLOAT BOWL	17	8
24-82095M	SPRING	31	11	27-80597M	GASKET	11	25
24-82105M	SPRING, REVERSE LOCK	27	42	27-80613M	GASKET, BODY TO USE	19	5
24-83588M	SPRING, STARTER	5	3	27-80614M	GASKET, BODY TO COVER	19	7
24-83591M	SPRING, PAWL	5	9	27-80662M	WASHER	33	15
24-83721M	SPRING	49	16	27-80666M	SEAL	37	4
24-83725M	SPRING	49	10	27-80690M	GASKET, FLYWHEEL COVER	9	13
24-84461M	SPRING, COMPRESSION	25	7	27-80757M	GASKET, FUEL PUMP TO CRANKCASE	19	14
24-84462M	SPRING, COMPRESSION	25	8	27-81093M	GASKET, CYLINDER HEAD	11	14
24-91642M	LINK, REVERSE LOCK LEVER	27	34	27-81117M	GASKET, EXHAUST	11	33
24-91642M	SPRING, TENSION	27	33	27-81162M	GASKET	35	2
25-20415	O-RING, BAYONET BODY STEM	43	11	27-81320M	GASKET, HOUDING TO TANK	43	6
25-28903	FASTENER, RETAINER FRAME TO FUEL TANK"2	45	21	27-81612M	WASHER	33	19
				27-81986M	GASKET	37	11
				27-81987M	GASKET	37	9
				27-82790M	PACKING	21	5

PARTS INDEX

Part Number	Description	Pg.	Ref. No.	Part Number	Description	Pg.	Ref. No.
27-92578M	GASKET, COVER	15	3	45-83799M	DRIVE SHAFT (SUPER LONG SHAFT)	37	31
27-94807M	SEAL	37	22	46-97049M	HOUSING	37	21
27-97039M	GASKET SET, POWERHEAD	11	37	46-97055M	FHROME PUMP KIT	41	75
27-97052M	GASKET	37	26	47-97051M	IMPELLER	37	25
27-97058M	LOWER UNIT GASKET SET	41	75	50-83587M	STARTER SHEAVE	5	5
28-81914M	KEY, CRANKSHAFT TO FLYWHEEL	13	17	50-92597M	STARTER ASS'Y	5	0-1
29-84452M	BEARING, NEEDLE	13	5	53-80678M	RING, CROSS PIN	39	49
30-82298M	BEARING	39	58	53-82323M	SNAP RING	39	43
30-82308M	BEARING, CRANKSHAFT	13	2	53-82328M	SNAP RING	17	24
30-97054M	BEARING	39	45	53-82330M	SNAP RING	29	46
31-82318M	BEARING	39	37	53-82345M	SNAP RING	13	8
31-82322M	BEARING 1	39	40	53-83758M	SNAP-RING	35	23
32-33909A3	TUBE	45	10	53-84895M	SNAP RING	5	8
32-80605M	FUEL LINE, FUEL PUMP TO CARBURETOR	21	13	53-97147M	SNAP RING	39	42
32-81112M	FUEL LINE, FUEL FILTER TO FUEL PUMP	21	12	54-80752M	CLAMP, HOSE	43	18
32-81160M	TUBE, WATER (SHORT SHAFT)	39	69	54-82034M	CLAMP, HOSE	15	24
32-81161M	TUBE, WATER (SUPER LONG SHAFT)	39	69	54-82046M	CLIP	11	6
32-81999M	HOSE	11	5	54-82047M	CLAMP, HOSE	21	14
32-82007M	FUEL LINE, CONNECTOR TO FILTER	21	11	54-84893M	CLIP	5	20
32-82023M	HOSE, BULB TO CONNECTOR	43	17	54-84914M	CLAMP, COWL	3	22
32-83628M	FUEL LINE ASS'Y	43	0-1	84-92594M	LEAD WIRE	9	9
32-83800M	TUBE, WATER (SHAFT LONG SHAFT)	39	69	87-92600M	STOP SWITCH	3	27
32-84955M	HOSE, CONNECTOR HOUSING TO BULB	43	15	87-92611M	KILL SWITCH, MOTOR MOUNT	47	8
34-84759M	REED SET (REED STOPS NOT INCLUDED)	15	16	87-92612M	KILL SWITCH, REMOTE (5M)	47	10
35-80246M	COVER	37	14	87-92614M	STOP SWITCH, REMOTE (5M)	47	14
35-80617M	FILTER ASS'Y	21	4	87-97776M	KILL SWITCH, MOTOR MOUNT	47	8
35-82783M	ELEMENT, FILTER	21	6	87-97777M	KILL SWITCH, REMOTE (5M)	47	10
36-25392A2	FILLER CAP ASSEMBLY	45	3	88-81522M	FUSE	47	2
36-83617M	FUEL RANK CAP	43	2	91-81669M	TOOL KIT	3	28
37-75881	DECAL TANK	45	2	253-7953M	FLYWHEEL MAG ASS'Y	9	0-1
37-81114M	DECAL, SIDE SET	3	2	253-7955M	FLYWHEEL ASS'Y	9	1
37-81202M	INDICATOR, SHIFT	3	17	463-6748M	CRANKSHAFT ASS'Y	13	1
37-83954M	DECAL, SIDE	43	1	761-8428M	PISTON ASS'Y (STD)	13	3
37-97036M	GRAPHIC, SIDE (HP)	3	20	761-8429M	PISTON ASS'Y (1ST O.S. 67.25 MM)	13	3
37-97766M	DECAL, SIDE AND REAR SET	3	2	761-8430M	PISTON ASS'Y (2ND O.S. 67.50 MM)	13	3
39-81095M	PISTON RING SET (STD)	13	4	870-8427M	CRANKCASE ASS'Y	11	1
39-81096M	PISTON RING SET (1ST O.S. 67.25 MM)	13	4	968-6784M	HEAD, CYLINDER	11	13
39-81097M	PISTON RING SET (2ND O.S. 67.50 MM)	13	4	1225-1529	FUEL TANK	45	1
41-80565M	PIN, PISTON	13	7	1225-1529A21	FUEL TANK, COMPLERE	45	0-1
43-80669M	PINION	39	41	1383-8431M	CARBURETOR ASS'Y	17	0-1
43-80670M	WASHER	39	47	1484-8245M	CLAMP BRACKET, PORT	27	15
43-80673M	GEAR, REVERSE	39	56	1484-8246M	CLAMP BRACKET, STARBOARD	27	16
44-80677M	SHAFT, PROPELLER	39	54	1485-8244M	SWIVEL BRACKET	27	1
45-81165M	DRIVE SHAFT (SHORT SHAFT)	37	31	1587-6757M	DRIVESHAFT HOUSING (SHORT SHAFT)	35	1
45-81166M	DRIVE SHAFT (LONG SHAFT)	37	31	1651-6798M	GEARHOUSING, UPPER	37	1
				1651-6884M	GEARHOUSING, LOWER	37	3
				1651-8433M	GEARHOUSING ASS'Y (SHORT SHAFT)	37	0-1
				1651-8434M	GEARHOUSINGASS'Y (LONG SHAFT)	37	0-1
				2168-6793M	TOP COWL ASS'Y	3	1
				2168-7854M	BOTTOM COWL	3	18

PARTS INDEX

Part Number	Description	Pg.	Ref. No.	Part Number	Description	Pg.	Ref. No.
2168-8587M	TO COWL ASS'Y	3	1				
2169-7102M	HOUSING, STARTER	5	1				