



# PARTS CATALOG

## MARINER 60

### SERIAL NUMBER

60 (2 CYL.) .....	6F0-000101 AND UP
60 (2 CYL.) .....	6F0-300311 AND UP

# TABLE OF CONTENTS:

CARBURETOR .....	22
CLAMP AND SWIVEL BRACKET .....	34
COWLING .....	4
CRANKCASE AND CYLINDER HEAD .....	14
CRANKSHAFT AND PISTON .....	18
DRIVESHAFT HOUSING .....	38
ELECTRIC START COMPONENTS .....	26
ELECTRIC STARTER MOTOR .....	8
FUEL LINE AND FILTER .....	24
FUEL PUMP .....	2
FUEL TANK (NOT ORIGINAL EQUIPMENT TANK) .....	48
FUEL TANK AND FUEL LINE ASSEMBLY .....	46
GEAR SHIFT LINKAGE .....	30
GEARHOUSING ASS'Y .....	40
IGNITION SYSTEM .....	10
INTAKE MANIFOLD .....	20
MOUNTING SYSTEM .....	36
OPTIONAL PARTS .....	50
PARTS INDEX .....	52
REVERSE LOCK .....	32
THROTTLE CONTROL .....	28

**NOTE:** Indented description indicate that these parts are included in preceding assembly.

**AR** = As Required

**NSS** = Not Sold Separate

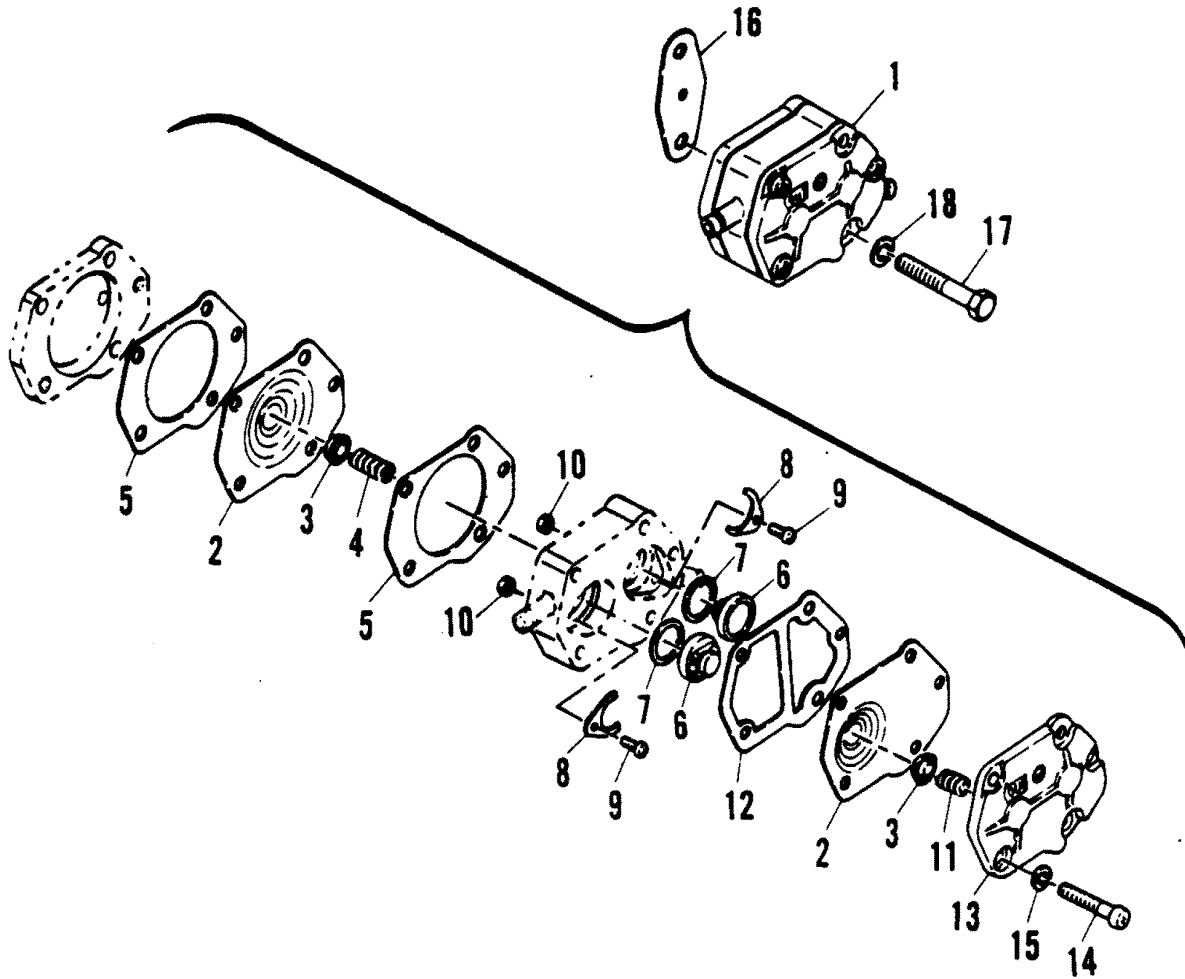
**OPT** = Optional

**NS** = Not Shown

**THESE PARTS BOOKS/FICHE CARD ARE COPYRIGHTED AND MAY NOT BE DISTRIBUTED OR REPRODUCED IN ANY OTHER FORMAT BY ANYONE OTHER THAN MERCURY MARINE WITHOUT THE PRIOR WRITTEN CONSENT OF MERCURY MARINE.**

THIS PAGE INTENTIONALLY LEFT BLANK

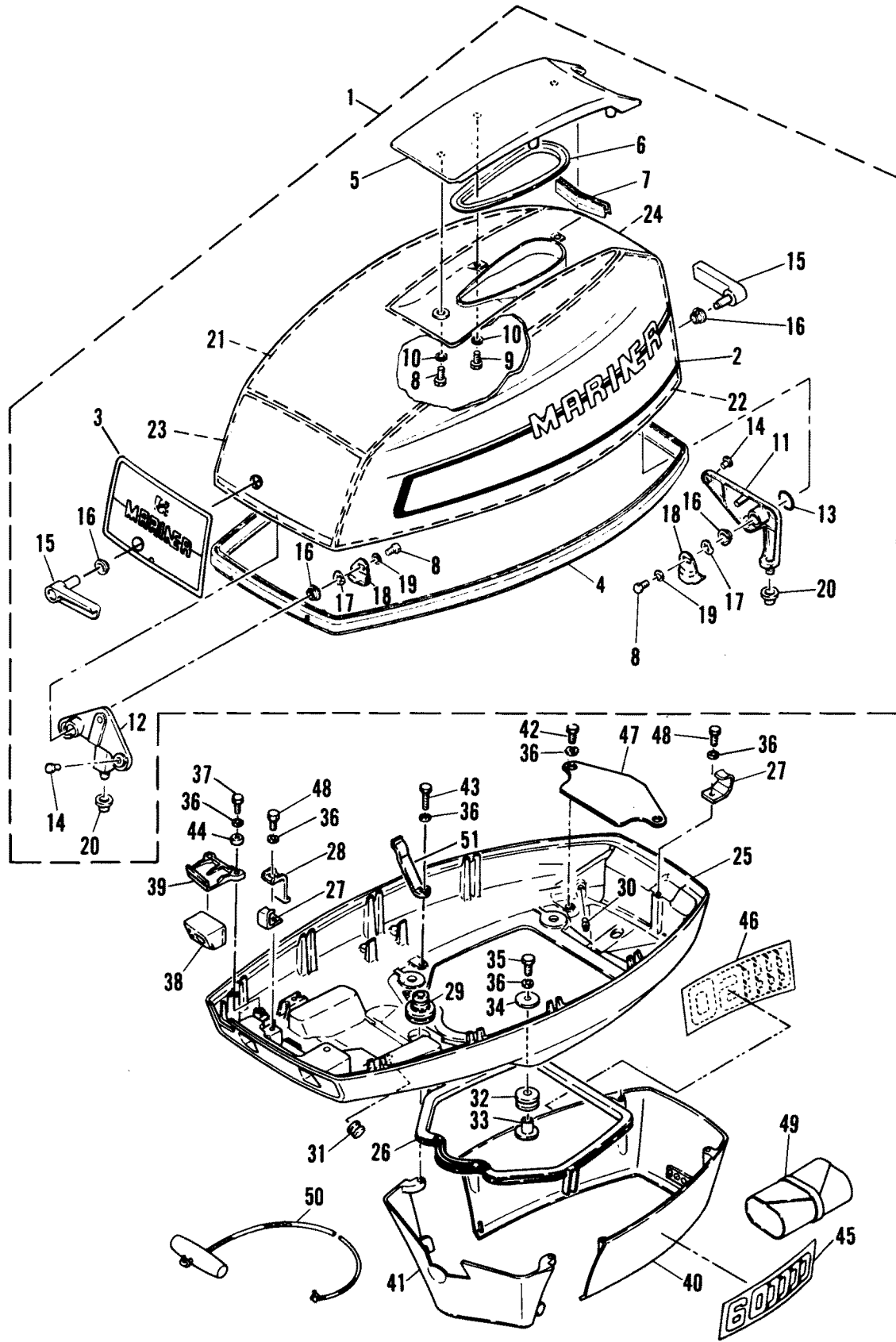
# FUEL PUMP



# FUEL PUMP

REF. NO.	PART NO.	SYM.	QTY.	DESCRIPTION
1	93045M		1	FUEL PUMP ASS'Y
2	80606M		2	DIAPHRAGM
3	80611M		2	PLATE, SPRING GUIDE
4	24-80610M		1	SPRING
5	27-80613M		2	GASKET, BODY TO BASE
6	21-80608M		2	CHECK VALVE
7	27-80612M		2	GASKET, CHECK VALVE
8	80609M		2	RETAINER, CHECK VALVE
9	10-82511M		2	SCREW
10	11-84515M		2	NUT
11	24-80615M		1	SPRING
12	27-80614M		1	GASKET, BODY TO COVER
13	80607M		1	COVER
14	10-82522M		3	SCREW
15	13-82208M		3	WASHER, LOCK
16	27-80757M		1	GASKET, FUEL PUMP TO CRANKCAE
17	10-82428M		2	BOLT
18	12-82198M		2	WASHER

# COWLING



# COWLING

REF. NO.	PART NO.	SYM.	QTY.	DESCRIPTION
1	2168-8601M		1	TOP COWL ASS'Y
2	37-97796M		1	DECAL, SIDE AND REAR SET
3	97797M		1	EMBLEM, FRONT
4	84043M		1	SEAL, TOP COWL
5	83024M		1	COVER, AIR DUCT
6	83025M		1	AIR SHROUD
7	83039M		1	SEAL, RUBBER
8	10-84303M		3	BOLT
9	10-84247M		4	BOLT
10	13-82199M		5	WASHER, LOCK
11	83040M		1	HOLDER
12	83041M		1	HOLDER
13	25-82269M		1	O-RING
14	17-82982M		6	RIVET
15	42445M		2	LEVER, COWL CLAMP
	83026M		2	LEVER, COWL CLAMP
16	23-41823M		4	BUSHING
	23-81952M		4	BUSHING
17	13-81871M		2	WASHER, WAVE
18	83027M		2	CLAMP, COWL
19	12-81794M		2	WASHER
20	83042M		2	DAMPER
21	84210M		1	SOUND BLANKET, TOP
22	83233M		2	SOUND BLANKET, SIDE
23	83234M		1	SOUND BLANKET, FRONT
24	84213M		1	SOUND BLANKET, REAR
25	2168-7972M		1	BOTTOM COWL
26	27-83044M		1	SEAL, BOTTOM COWL TO APRON
27	83045M		2	HOOK, COWL CLAMP
28	82996M		1	CLAMP
29	25-81369M		1	GROMMET
30	22-81326M		1	FITTING, LOWER COWL
31	25-82061M		1	GROMMET
32	25-93101M		4	GROMMET
33	23-83610M		4	COLLAR
34	12-81796M		4	WASHER
35	10-84237M		4	BOLT
36	13-82197M		12	WASHER, LOCK
37	10-84247M		2	BOLT
38	81370M		1	BUMPER, COWL
39	83153M		1	RETAINER, COWL BUMPER
40	81374M		1	APRON, COWL-REAR
41	81378M		1	APRON, COWL - FRONT

CONTINUED ON NEXT PAGE ➡

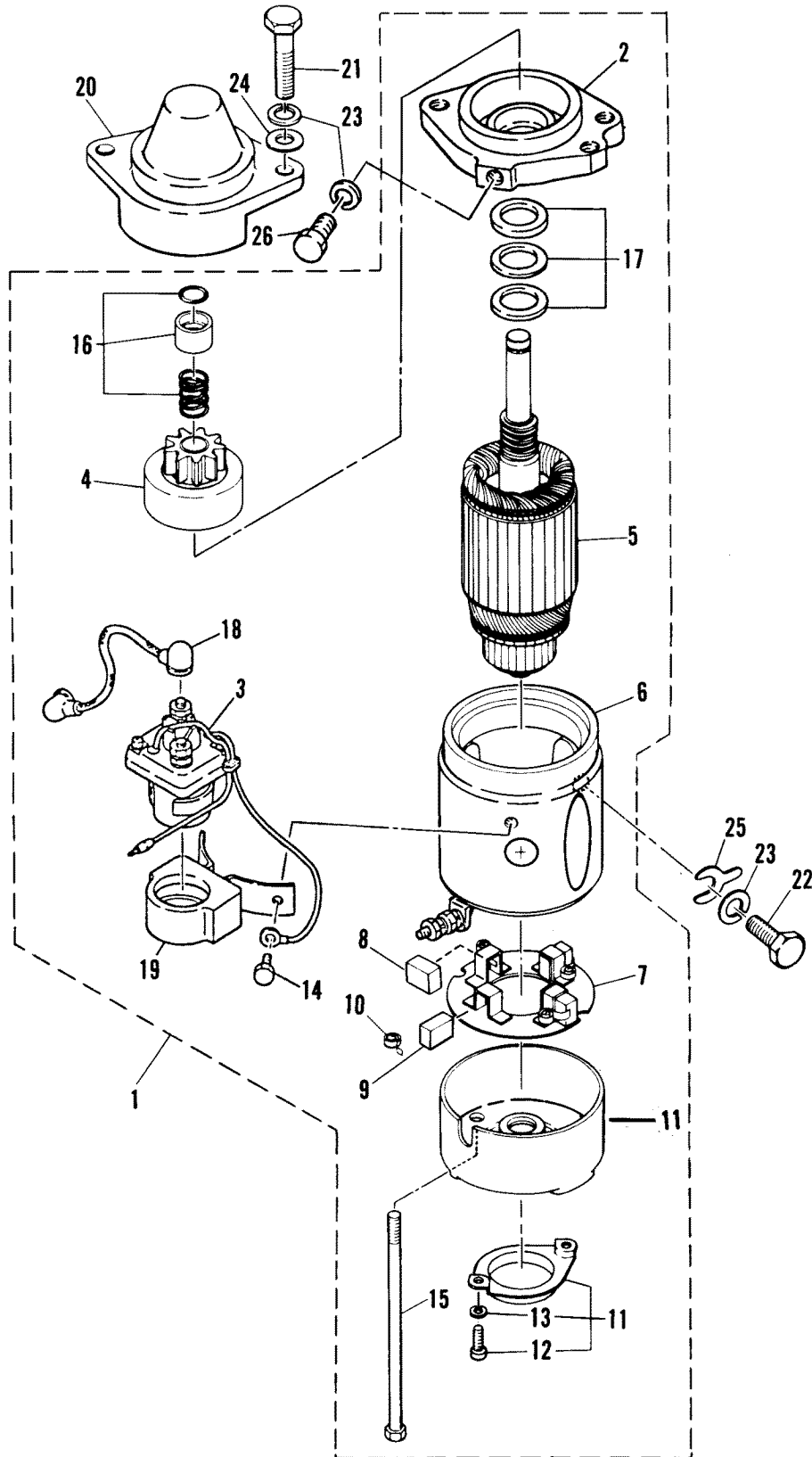




# COWLING

REF. NO.	PART NO.	SYM.	QTY.	DESCRIPTION
42	10-84058M		2	BOLT
43	10-82453M		2	BOLT
44	13-82199M		2	WASHER
45	37-83028M		1	DECAL (HP) - PORT
46	37-83029M		1	DECAL(HP)-STARBOARD
47	83047M		1	COVER,BOTTOM
48	10-84211M		2	BOLT
49	91-81669M		1	TOOK KIT
50	47341A1		1	ROPE, EMERGENCY START
51	54-82983M		1	CLAMP

# ELECTRIC STARTER MOTOR

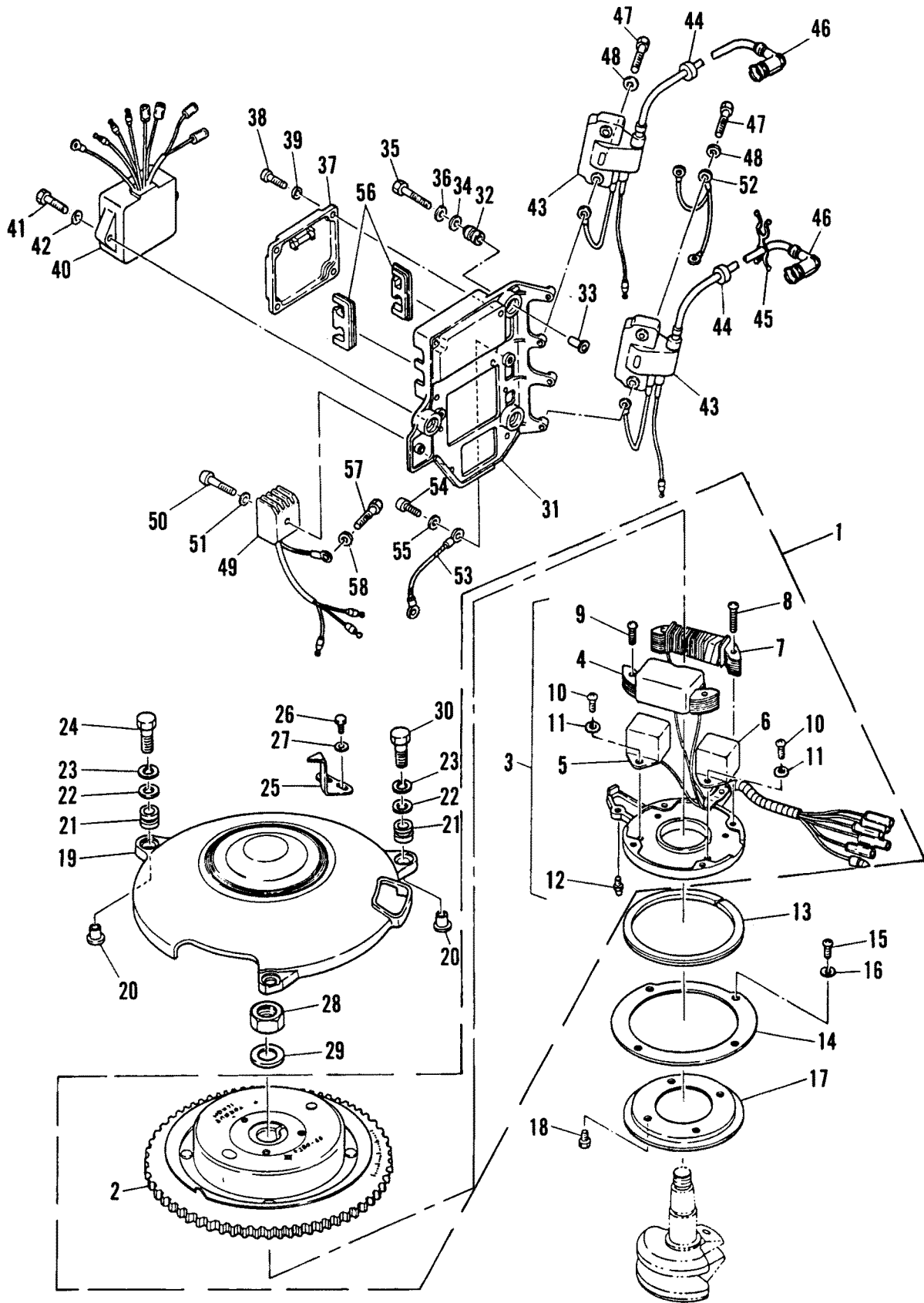


MARIN

# ELECTRIC STARTER MOTOR

REF. NO.	PART NO.	SYM.	QTY.	DESCRIPTION
1	50-97072M		1	ELECTRIC MOTOR ASS'Y
2	83654M		1	FRONT BRACKET
3	89-96357M		1	SWITCH, SOLENOID
4	81504M		1	GEAR
5	83651M		1	ARMATURE
6	81493M		1	STATOR 1
7	81507M		1	BRUSH HOLDER
8	94475M		2	BRUSH(+)
9	94478M		2	BRUSH (-)
10	24-81496M		4	SPRING, BRUSH
11	81499M		1	REAR COVER ASS'Y
12	10-82515M		2	SCREW
13	13-82184M		2	WASHER, LOCK
14	10-84315M		2	BOLT
15	10-81500M		2	BOLT
16	92671M		1	RING, STOP
17	12-83652M		1	WASHER KIT
18	92672M		1	WIRE, LEAD
19	84934M		1	MOUNT
20	81508M		1	COVER
21	10-84236M		2	BOLT
22	10-84342M		1	BOLT
23	13-82200M		4	WASHER
24	12-82202M		3	WASHER
25	10-82437M		1	BOLT

# IGNITION SYSTEM

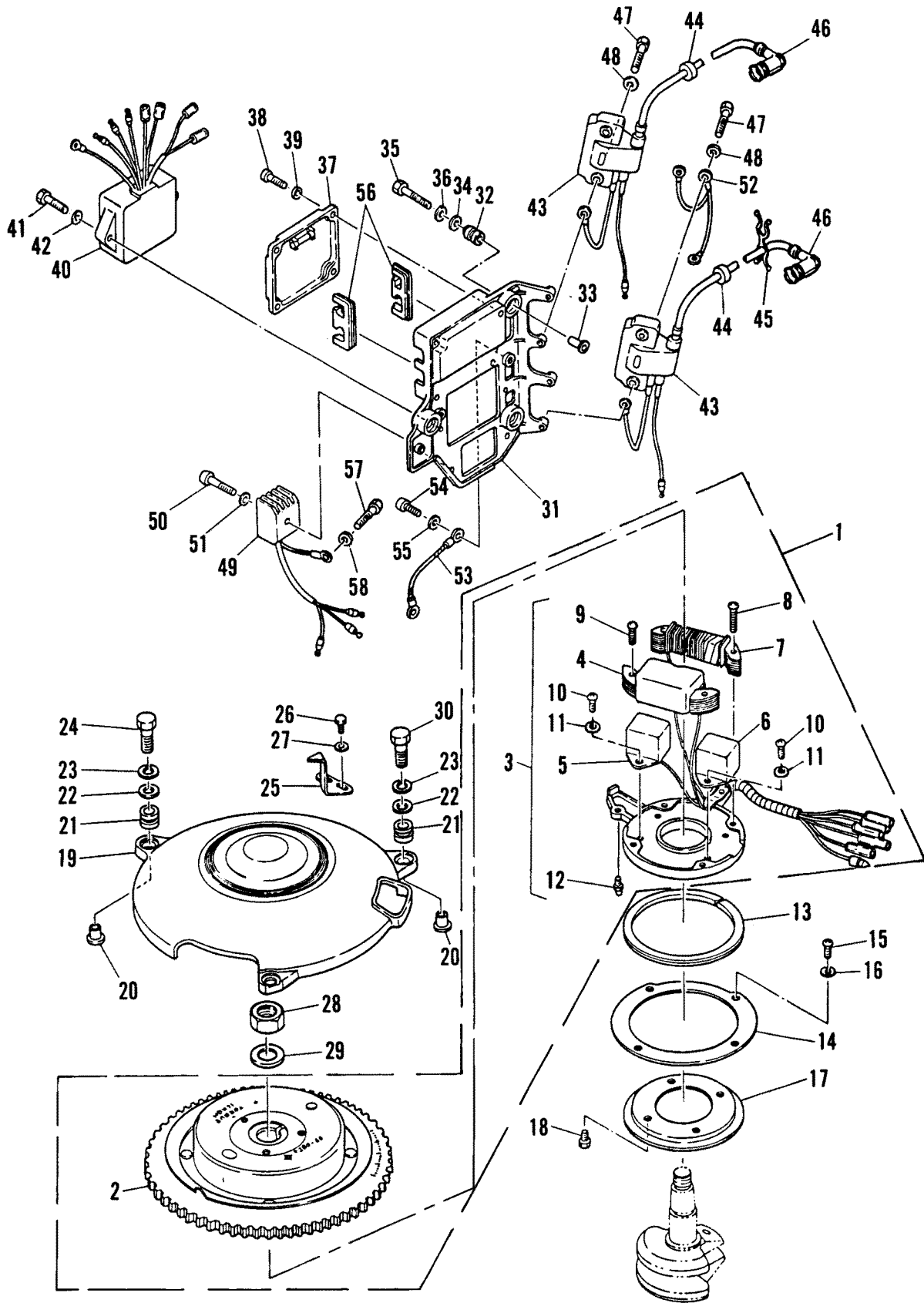


# IGNITION SYSTEM

REF. NO.	PART NO.	SYM.	QTY.	DESCRIPTION
1	253-8602M		1	I. MAGNETO ASS'Y
2	253-8603M		1	FLYWHEEL ASS'Y
3	97798M		1	BASE ASS'Y
4	97799M		1	COIL, CHARGE
5	97800M		1	COIL, PULSAR
6	97801M		1	COIL, PULSER
7	97802M		1	COIL, LIGHTING
8	10-97803M		2	SCREW
9	10-91691M		2	SCREW
10	10-97804M		4	SCREW
11	13-82186M		4	WASHER
12	84305M		1	JOINT, BALL
13	97805M		1	RETAINER, MAGNETO BASE
14	97806M		2	RETAINER, MAGNETO BASE
15	10-83568M		4	SCREW
16	13-82212M		4	WASHER
17	97807M		1	PLATE, BASE
18	10-97808M		4	BOLT
19	97809M		1	COVER, FLYWHEEL
20	23-97810M		3	COLLAR
21	25-97811M		3	GROMMET
22	12-82202M		3	WASHER
23	13-82200M		3	WASHER
24	10-82441M		2	BOLT
25	97812M		1	PLATE, TIMING
26	10-84303M		1	BOLT
27	13-82199M		1	WASHER
28	11-81773M		1	NUT
29	12-84436M		1	WASHER
30	10-84342M		1	BOLT
31	97813M		1	BRACKET
32	25-93114M		3	GROMMET
33	23-82851M		3	COLLAR
34	12-82979M		3	WASHER
35	10-84237M		3	BOLT
36	13-82197M		3	WASHER
37	97814M		1	COVER, TERMINAL
38	10-82980M		4	SCREW
39	13-82199M		4	WASHER
40	97815M		1	I. ASS'Y
41	10-82405M		2	BOLT
42	13-82199M		2	WASHER
43	97817M		2	COIL ASS'Y, IGNITION

CONTINUED ON NEXT PAGE ➡

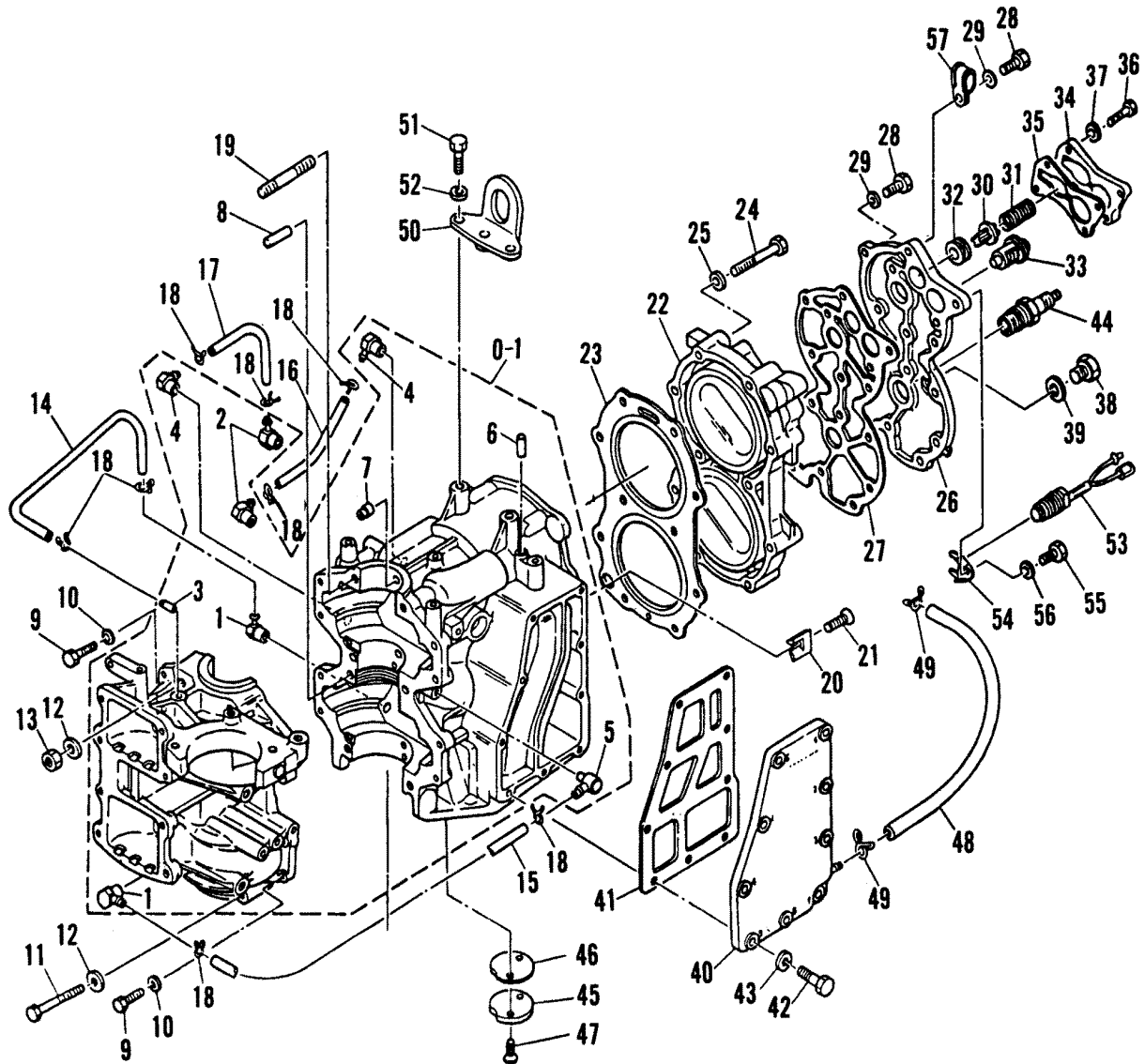
# IGNITION SYSTEM



# IGNITION SYSTEM

REF. NO.	PART NO.	SYM.	QTY.	DESCRIPTION
44	25-82069M		2	GROMMET
45	54-97079M		1	CLAMP
46	80935M		2	PLUG CAP ASS'Y (NOISE SUPPRESSOR)
	82788M		2	PLUG CAP ASS'Y
47	10-84237M		4	BOLT
48	13-82199M		4	WASHER
49	81652M		1	RECTIFIER ASS'Y
50	10-82492M		1	SCREW
51	12-82196M		1	WASHER
52	84-97078M		1	WIRE, GROUND
53	84-81250M		1	WIRE, GROUND
54	10-84303M		3	BOLT
55	13-82197M		3	WASHER
56	97818M		4	RETAINER
57	10-91772M		1	BOLT
58	12-82214M		1	WASHER

# CRANKCASE AND CYLINDER HEAD



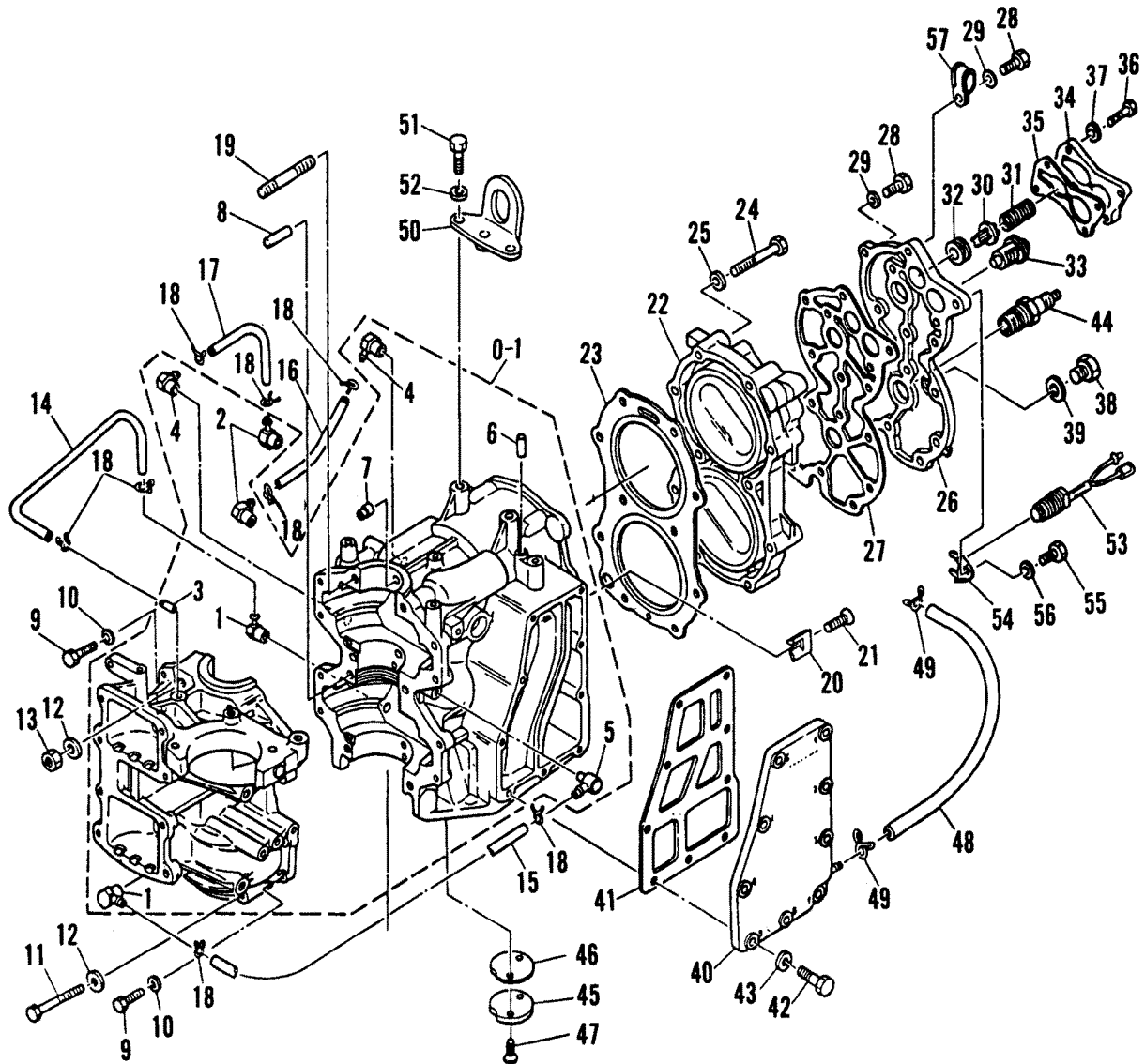


# CRANKCASE AND CYLINDER HEAD

REF. NO.	PART NO.	SYM.	QTY.	DESCRIPTION
0-1	870-8604M		1	CRANKCASE ASS'Y
1	21-80727M		2	CHECK VALVE ASS"Y
2	21-97819M		2	CHECK VALVE ASS'Y
3	22-80122M		1	FITTING
4	22-97820M		2	ELBOW
5	22-80743M		1	ELBOW
6	17-82354M		1	PIN, DOWEL
7	17-81258M		2	LOCK, BEARING
8	17-82368M		1	PIN, DOWEL
9	10-41837M		8	BOLT, W/WASHER
	10-82405M		8	BOLT
10	12-81792M		8	WASHER
11	10-41838M		4	BOLT, W/WASHER
	10-82410M		4	BOLT
12	12-81807M		6	WASHER
13	11-82387M		2	NUT
14	32-81995M		1	HOSE
15	32-97822M		1	HOSE
16	32-97823M		1	HOSE
17	32-97824M		1	HOSE
18	54-82046M		8	CLIP
19	16-81743M		2	STUD
20	97825M		1	ANODE
21	10-82532M		1	SCREW
22	968-8605M		1	HEAD, CYLINDER
23	27-97826M		1	GASKET, CYLINDER HEAD
24	10-41839M		10	BOLT, W/WASHER
	10-82409M		10	BOLT
25	12-80564M		10	WASHER
26	97827M		1	COVER, CYLINDER HEAD
27	27-97828M		1	GASKET, HEAD COVER
28	10-83539M		12	BOLT
29	13-82199M		12	WASHER
30	81267M		1	VALVE, PRESSURE CONTROL
31	24-82086M		1	SPRING
32	25-82067M		1	GROMMET
33	81098M		1	THERMOSTAT
34	81265M		1	COVER, THERMOSTAT
35	27-81266M		1	GASKET, THERMOSTAT COVER
36	10-84237M		4	BOLT
37	13-82199M		4	WASHER
38	22-81926M		1	PLUG
39	27-81990M		1	GASKET

CONTINUED ON NEXT PAGE ➡

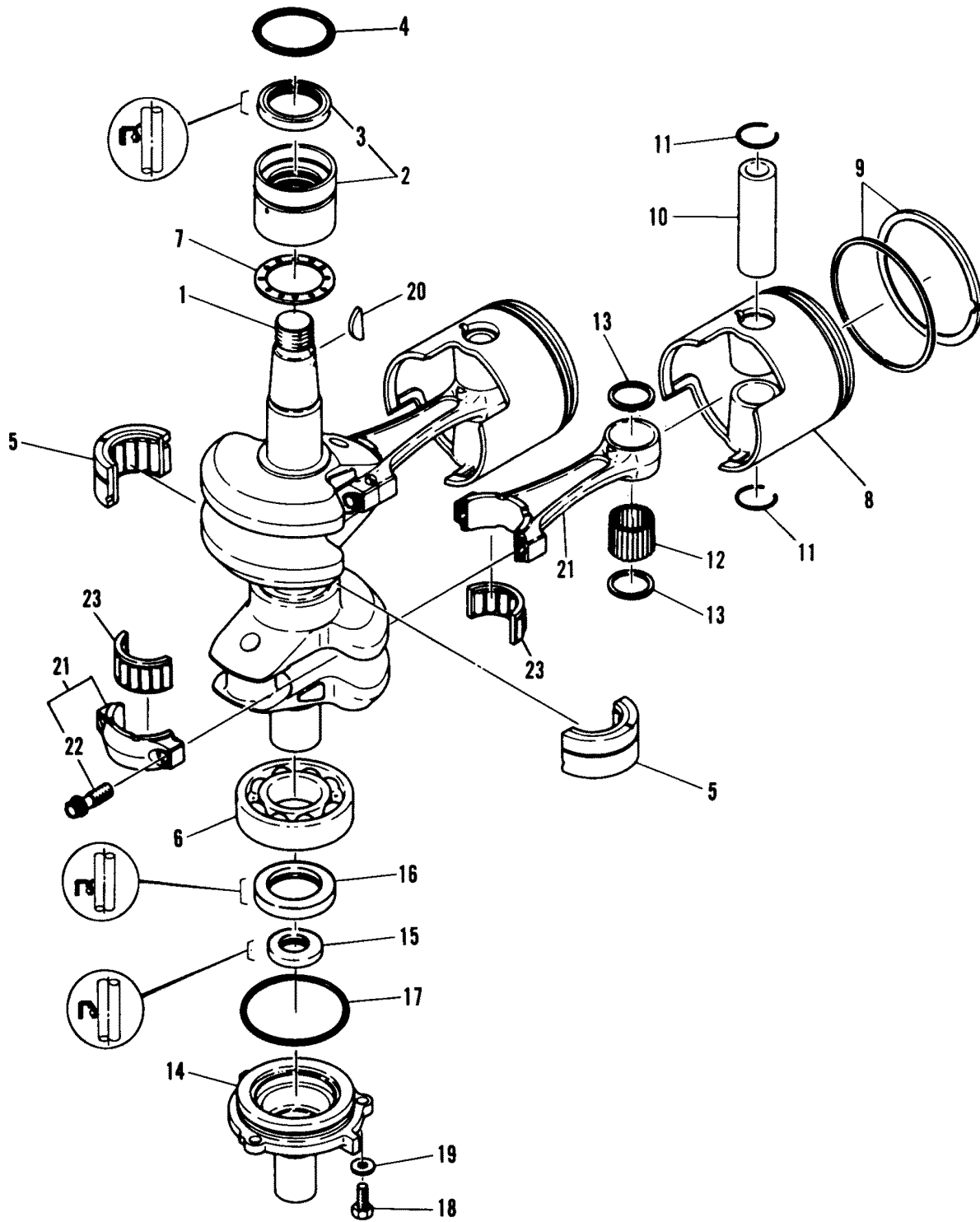
# CRANKCASE AND CYLINDER HEAD



## CRANKCASE AND CYLINDER HEAD

REF. NO.	PART NO.	SYM.	QTY.	DESCRIPTION
40	97829M		1	OUT COVER, EXHAUST
41	27-97830M		1	GASKET
42	10-83539M		9	BOLT
43	13-82199M		9	WASHER
44	33-84409M		2	PLUG, SPARK B-,HS (NGK)
45	98939M		0	COVER
46	27-97831M		1	GASKET
47	10-97832M		2	SCREW
48	32-81324M		1	HOSOE
49	54-82047M		2	CLIP
50	97833M		1	HANGER, ENGINE
51	10-82439M		2	BOLT
52	13-82200M		2	WASHER
53	87-97834M		1	THERMO-SWITCH ASS'Y
54	97835M		1	PLAT
55	10-84315M		1	BOLT
56	13-82197M		1	WASHER
57	54-97561M		1	CLAMP
	97836M		1	POWER HEAD ASS'Y (SEE NOTE)
	27-97760M		1	GASKET SET, POWERHEAD FOR REPLACEMENT OF POWER HEAD ASSEMBLY COMPLETE; WHICH INCLUDES CRANKCASE ASSEMBLY, CYLINDER PISTONS, CONNECTING RODS, CRANKSHAFT, BEARINGS, ETC. - ORDER POWER HEAD ASSEMBLY (97836M).

# CRANKSHAFT AND PISTON



# CRANKSHAFT AND PISTON

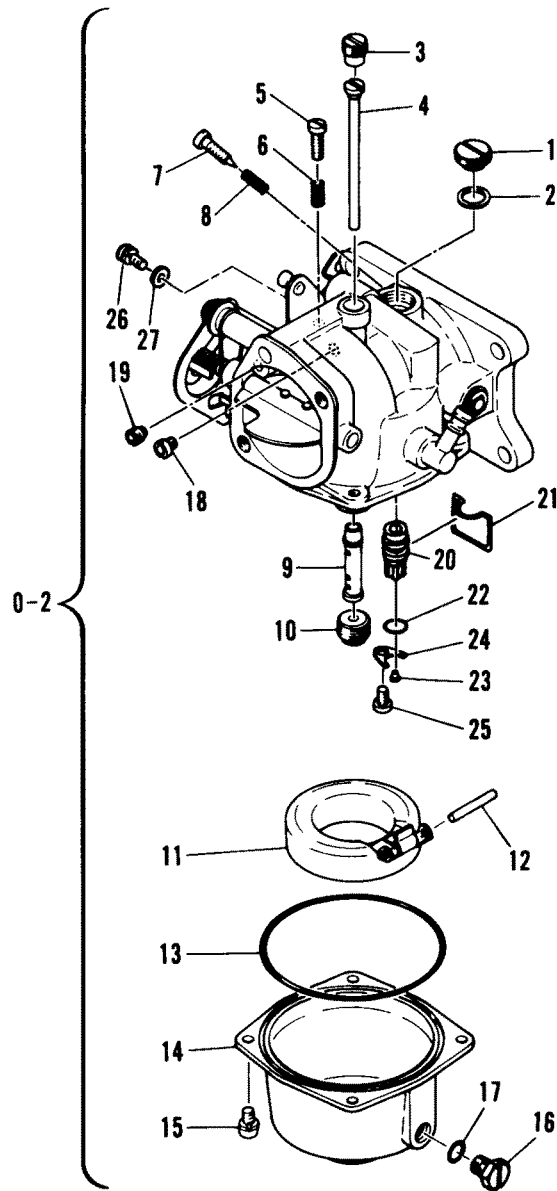
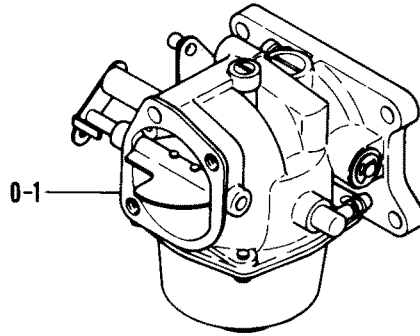
REF. NO.	PART NO.	SYM.	QTY.	DESCRIPTION
1	463-6825M		1	CRANKSHAFT ASS'Y
2	31-82312M		1	BEARING, NEEDLE
3	26-82249M		1	OIL SEAL, CRANKSHAFT - UPPER
4	25-82276M		1	O-RING, CRANKSHAFT - UPPER
5	31-97837M		1	BEARING, CENTER MAIN
6	30-99983M		1	BEARING, CRANKSHAFT - LOWER
	30-97838M		1	BEARING, CRANKSHAFT - LOWER
7	15-81259M		1	SHIM, CRANKSHAFT
8	761-8930M		2	PISTON (STD 83.95 MM)
	761-8606M		2	PISTON (STD 83.95 MM)
	761-8931M		AR	PISTON (1ST O.S. 84.25 MM)
	761-8607M		AR	PISTON (1ST O.S. 84.25 MM)
	761-8932M		AR	PISTON (2ND O.S. 84.50 MM)
	761-8608M		AR	PISTON (2ND O.S. 84.50 MM)
9	39-97839M		2	PISTON RING SET (STD)
	39-97840M		AR	PISTON RING SET 1ST (O.S. 84.25 MM)
	39-97841M		AR	PISTON RING SET 2ND (O.S. 84.50 MM)
10	41-81263M		2	PIN, PISTON
11	53-41297M		4	SNAP RING, PISTON PIN
	53-98938M		4	SNAP RING, PISTON PIN
12	29-82353M		56	BEARING, CONNECTING ROD (PISTON END)
13	12-81831M		4	RETAINER, CONNECTING ROD BEARING
14	41828M		1	HOUSING, OIL SEAL
	82986M		1	HOUSING, OIL SEAL
15	26-82255M		1	OIL SEAL, CRANKSHAFT - LOWER
16	26-82248M		1	OIL SEAL, CRANKSHAFT - LOWER
17	25-82286M		1	O-RING, OIL SEAL HOUSING
18	10-91725M		3	BOLT
19	12-82214M		3	WASHER
20	28-81915M		1	KEY, CRANKSHAFT TO FLYWHEEL
21	8813M		2	CONNECTING ROD ASS'Y
	629-8609M		2	CONNECTING ROD ASS'Y
22	10-81715M		4	BOLT
23	31-41298M		2	BEARING, CONNECTING ROD (CRANKSHAFT END)
	31-98944M		2	BEARING, CONNECTING ROD (CRANKSHAFT END)
	31-82311M		2	BEARING, CONNECTING ROD (CRANKSHAFT END)



# INTAKE MANIFOLD

REF. NO.	PART NO.	SYM.	QTY.	DESCRIPTION
1	92629M		1	BASE, AIR INTAKE
2	27-81276M		1	GASKET, AIR INTAKE TO CARBURETOR
3	10-82405M		4	BOLT
4	13-82197M		10	WASHER, LOCK
5	92630M		1	COVER, AIR INTAKE
6	27-92631M		1	GASKET, AIR INTAKE
7	10-84657M		2	BOLT
8	13-82199M		2	WASHER, LOCK
9	89-97843M		1	SOLENOID
10	17-82145M		1	PIN, ROLL
11	84411M		1	HOOK, WIRE PULL
12	84412M		1	WIRE, PULL
13	25-82258M		1	O-RING, PULL WIRE
14	81551M		1	COVER, SOLENOID
15	10-94723M		2	SCREW
16	27-81272M		2	GASKET, CARBURETOR TO MANIFOLD
17	92632M		2	MANIFOLD, INTAKE
18	22-80122M		2	PIPE, OVER FLOW
19	80454M		2	CAP, OVER FLOW PIPE
20	27-81269M		2	GASKET, MANIFOLD TO REED VALVE - UPPER
21	27-81270M		2	GASKET, MANIFOLD TO REED VALVE - LOWER
22	34-92633M		2	REED VALVE
23	34-92634M		2	REED SET (REED STOPS NOT INCLUDED)
24	11-82380M		8	NUT
25	81337M		1	ROD, CHOKE
26	81191M		3	CONNECTOR, CHOKE LEVER
27	82988M		1	ROD, CHOKE LINK
28	97844M		1	ROD, THROTTLE ADJUSTMENT
29	81554M		1	DAMPER
30	32-84415M		1	HOSE
31	54-82047M		2	CLAMP, HOSE
32	37-84416M		1	DECAL
33	16-81735M		8	STUD

# CARBURETOR

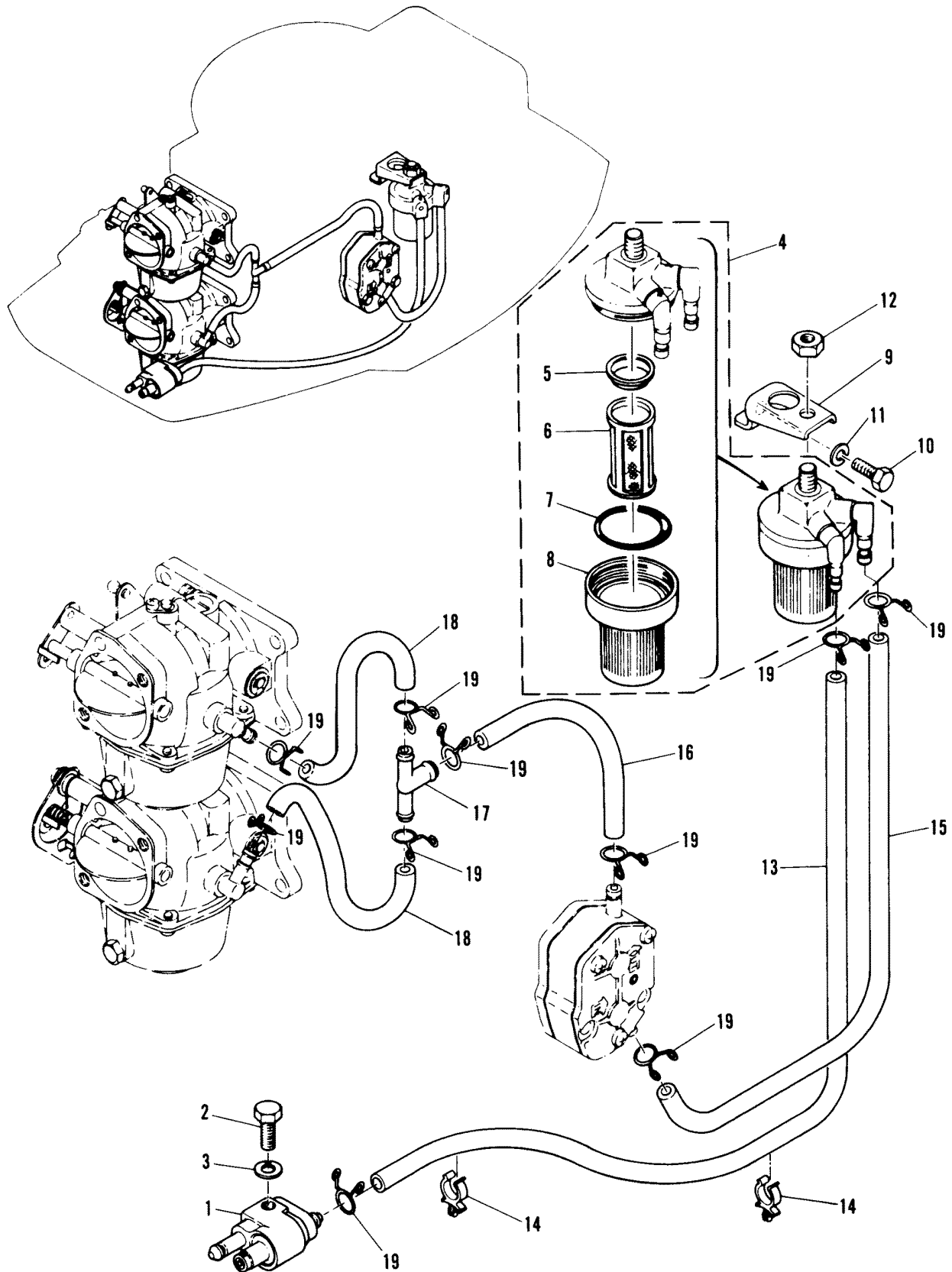




# CARBURETOR

REF. NO.	PART NO.	SYM.	QTY.	DESCRIPTION
0-1	1383-8610M		1	CARBURETOR ASS'Y (UPPER)
0-2	1383-8611M		1	CARBURETOR ASS"Y (LOWER)
1	10-81292M		2	SCREW, PLUG
2	12-92636M		2	WASHER
3	10-97080M		2	SCREW, PLUG
4	97845M		2	JET, PILOT (#80)
5	10-81281M		1	SCREW, THROTTLE (LOWER)
6	24-82073M		1	SPRING, COMPRESSION (LOWER)
7	10-81277M		2	SCREW, IDLE SPEED
8	24-82080M		2	SPRING, COMPRESSION
9	97846M		2	NOZZLE, MAIN
10	97847M		2	JET, MAIN (#155)
11	97848M		2	FLOAT
12	17-81278M		2	PIN, FLOAT
13	25-82288M		2	O-RING, FLOAT BOWL
14	81290M		2	FLOAT, BOWL
15	10-81758M		8	SCREW W/WASHER
16	10-81293M		2	SCREW
17	25-94498M		2	O-RING
18	97849M		2	PILOT, AIR JET (#110)
19	98906M		2	JET(#115) (E)
20	98907M		2	VALVE SEAT
21	54-82781M		2	CLIP
22	25-82261M		2	O-RING
23	17-98908M		2	PIN, VALVE
24	80026M		2	PLATE
25	10-82499M		2	SCREW
26	10-97082M		1	SCREW W/WASHER (UPPER)
27	12-83372M		1	WASHER (UPPER)
	97759M		1	REPAIR KIT, CARBURETOR (FITS BOTH CARBS)

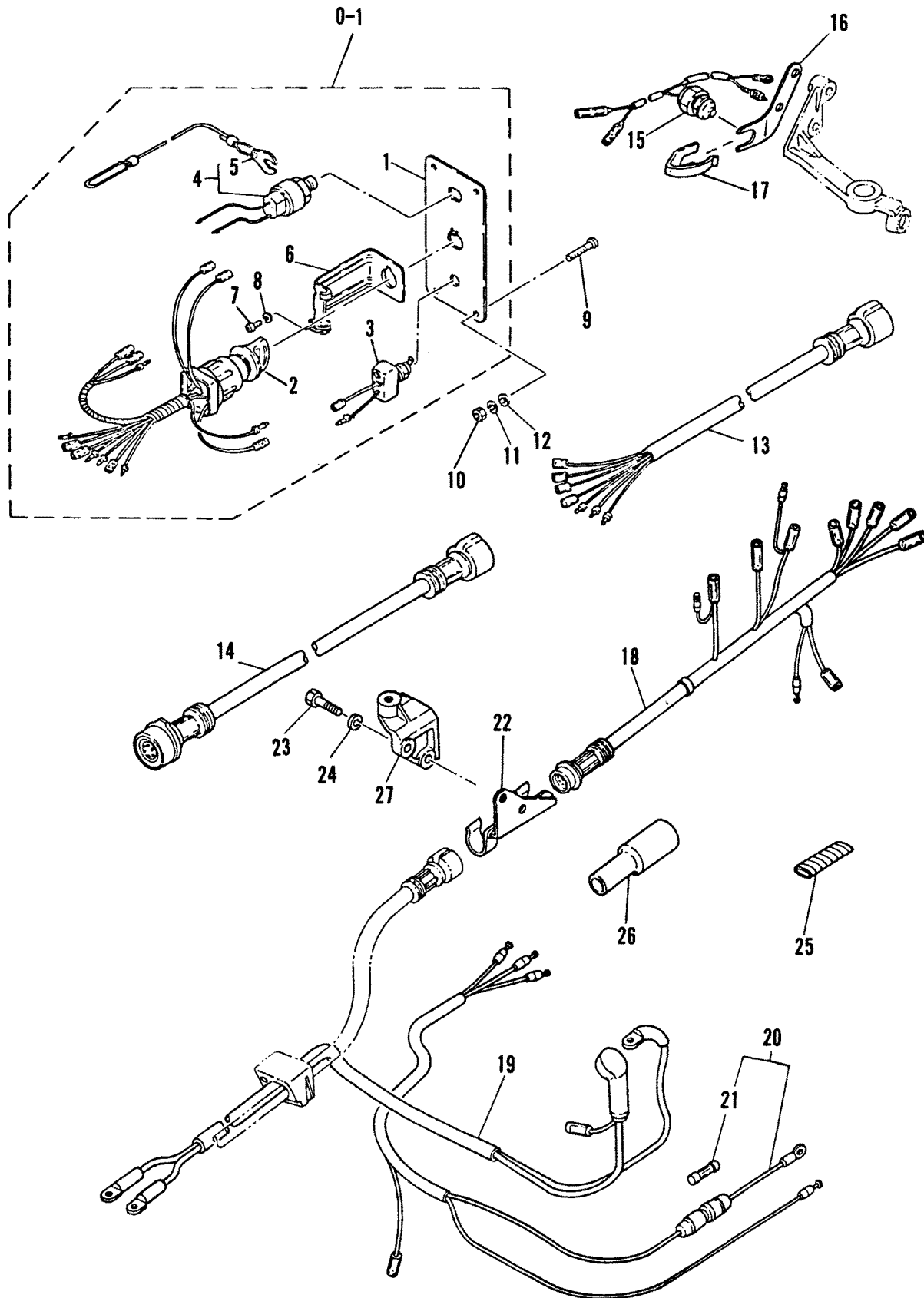
# FUEL LINE AND FILTER



## FUEL LINE AND FILTER

REF. NO.	PART NO.	SYM.	QTY.	DESCRIPTION
1	93099M		1	FUEL CONNECTOR
2	10-83539M		1	BOLT
3	13-82212M		1	WASHER, LOCK
4	35-80617M		1	FILTER ASS'Y
5	27-82790M		1	GASKET, FUEL BOWL
6	35-82783M		1	ELEMENT, FUEL FILTER
7	25-84957M		1	O-RING
8	82784M		1	FUEL BOWL
9	80620M		1	BRACKET, FUEL FILTER
10	10-84211M		1	BOLT
11	13-82197M		1	WASHER, LOCK
12	11-82382M		1	NUT
13	32-84956M		1	FUEL LINE, CONNECTOR TO PUMP
14	545-82037M		1	CLAMP
15	32-82010M		1	FUEL LINE, FILTER TO PUMP
16	32-82016M		1	FUEL LINE, PUMP TO TEE
17	22-97083M		1	TEE FITTING, FUEL LINE
18	32-82004M		2	FUEL LINE, TEE TO CARBURETOR
19	54-82047M		10	CLAMP, HOSE

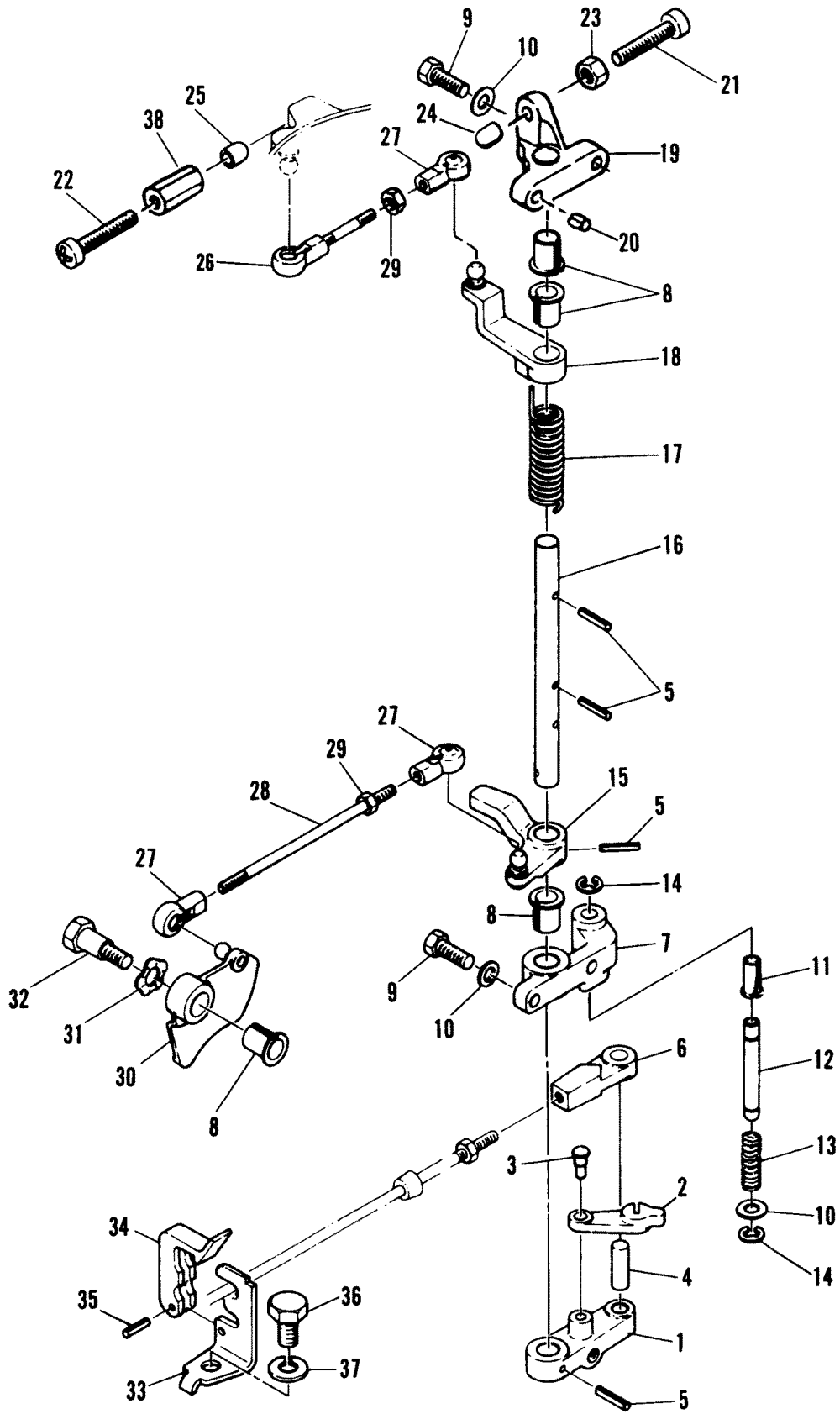
# ELECTRIC START COMPONENTS



# ELECTRIC START COMPONENTS

REF. NO.	PART NO.	SYM.	QTY.	DESCRIPTION
0-1	97681M		1	SWITCH PANEL ASS'Y
1	42435M		1	SWITCH PANEL
2	87-84943M		1	MAIN SWITCH ASS'Y
3	87-84944M		1	SWITCH, CHOKE
4	87-97682M		1	KILL SWITCH ASS'Y
5	97756M		1	STOPPER
6	81537M		1	BRACKET
7	10-82487M		1	SCREW
8	13-82184M		1	WASHER
9	10-84946M		4	SCREW
10	11-82378M		4	NUT
11	13-82193M		4	WASHER
12	12-82196M		4	WASHER
13	84-84711M		1	EXTENSION, WIRE HARNESS (5M)
14	84960M		1	EXTENTION, WIRE HARNESS (2M)
15	87-98910M		1	NEUTRAL SWITCH ASS'Y
16	81529M		1	BRACKET
17	81530M		1	PLATE
18	84-98911M		1	WIRE HARNESS ASS"Y
19	84-98912M		1	WIRE, LEAD
20	84-98913M		1	WIRE, LEAD
21	88-81522M		1	FUSE (12V-20A)
22	98914M		1	BRACKET
23	10-82441M		1	BOLT
24	13-82200M		1	WASHER
25	98915M		2	INSULATOR
26	98916M		1	INSULATOR
27	81313M		1	BRACKET

# THROTTLE CONTROL



# THROTTLE CONTROL

REF. NO.	PART NO.	SYM.	QTY.	DESCRIPTION
1	81345M		1	LEVER, C.D.I. CONTRL
2	81341M		1	CAP, CLEVIS LOCK
3	17-82976M		1	PIN
4	17-82367M		1	PIN, DOWEL
5	17-82149M		4	PIN, ROLL
6	81480M		1	CLEVIS, THROTTLE CABLE
7	81350M		1	BRACKET, SHAFT
8	23-81946M		4	BUSHING
9	10-82423M		3	BOLT
10	13-82199M		4	WASHER, LOCK
11	23-41311M		1	BUSHING
	23-81942M		1	BUSH
12	81403M		1	STOP, SHAFT BRACKET
13	24-82074M		1	SPRING, COMPRESSION
14	53-82330M		2	SNAP RING
15	81346M		1	LEVER, C.D.I. CONTROL
16	81347M		1	SHAFT, LINK CONNECTING
17	24-82113M		1	SPRING, TORSION
18	81344M		1	LEVER, C.D.I. CONTROL
19	98917M		1	BRACKET, SHAFT - UPPER
20	17-82154M		1	PIN, ROLL
21	10-82977M		1	SCREW
22	10-83050M		1	SCREW
23	11-82381M		1	NUT
24	81415M		1	CAP
25	97087M		1	CAP
26	83921M		1	ROD, CONTROL
27	81225M		3	CLEVIS
28	92655M		1	ROD, LINK
29	11-82378M		2	NUT
30	98918M		1	CAM
31	13-81868M		1	WASHER, WAVE
32	10-81713M		1	BOLT
33	81483M		1	BRACKET, ROMOTE CONTROL
34	81484M		1	CLAMP, CABEL
35	17-82146M		1	PIN, ROLL
36	10-82437M		1	BOLT
37	13-82200M		1	WASHER
38	11-81764M		1	NUT

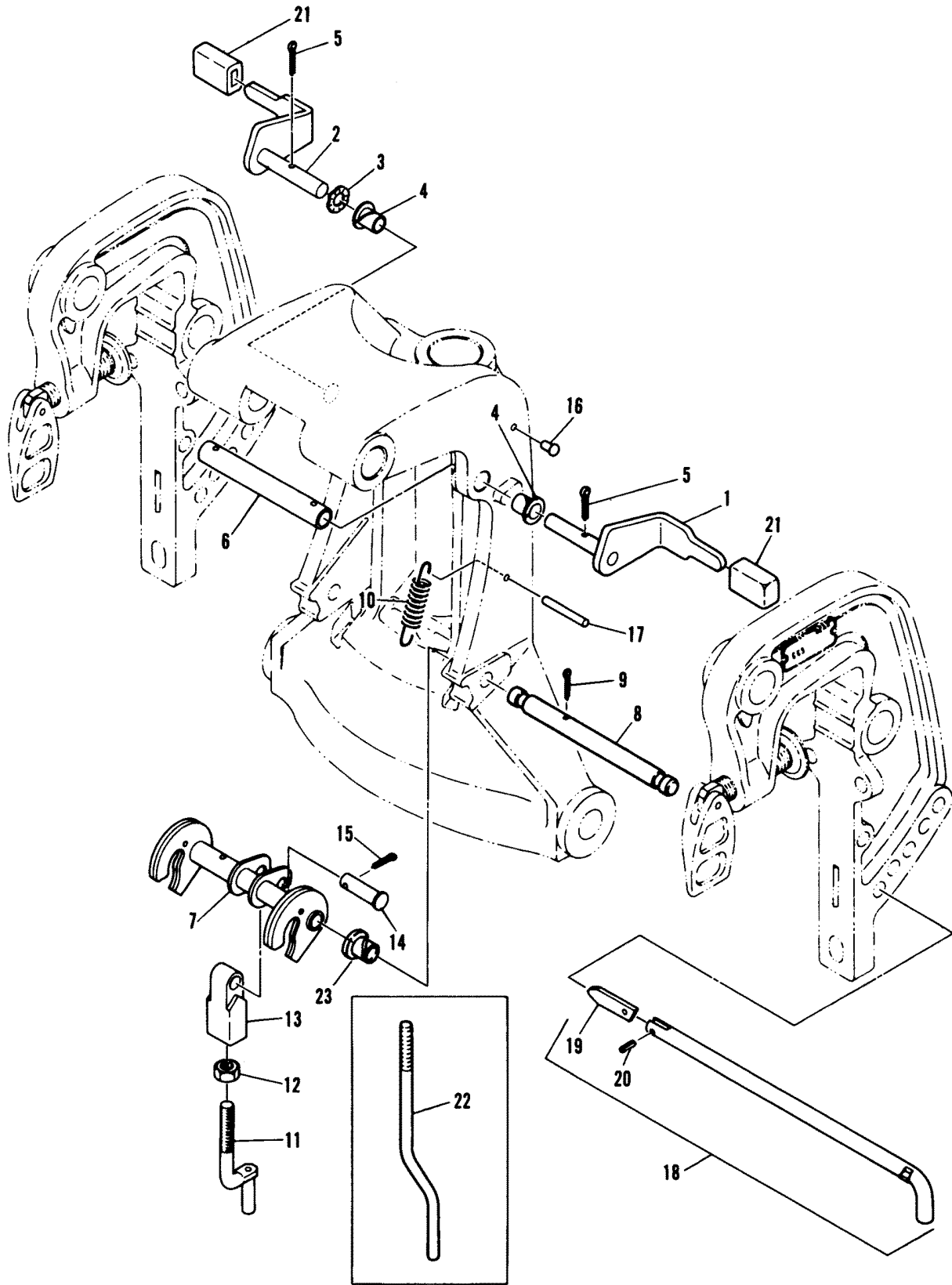




## GEAR SHIFT LINKAGE

REF. NO.	PART NO.	SYM.	QTY.	DESCRIPTION
1	98919M		1	BRACKET, SHIFT
2	17-82137M		1	PIN, CLEVIS
3	13-82199M		3	WASHER, LOCK
4	13-81866M		1	WASHER, WAVE
5	10-82423M		1	BOLT
6	53-82330M		2	SNAP RING
7	84209M		1	LEVER, SHIFT ROD
8	18-82126M		2	PIN, COTTER
9	81480M		1	CLEVIS, SHIFT CONTROL CABLE
10	98920M		1	BRACKET, SHIFT ROD
11	10-82441M		2	BOLT
12	13-82200M		2	WASHER, LOCK
13	92659M		1	BALL, DETENT
14	24-82081M		1	SPRING
15	23-80635M		1	RETAINER, SPRING
16	98921M		1	SHIFT ROD, UPPER - (E)
	98922M		1	SHIFT ROD, UPPER -(EL)
17	23-98923M		1	BUSHING
18	12-82216M		1	WASHER
19	18-82053M		1	COTTER PIN
20	98924M		1	BOOT

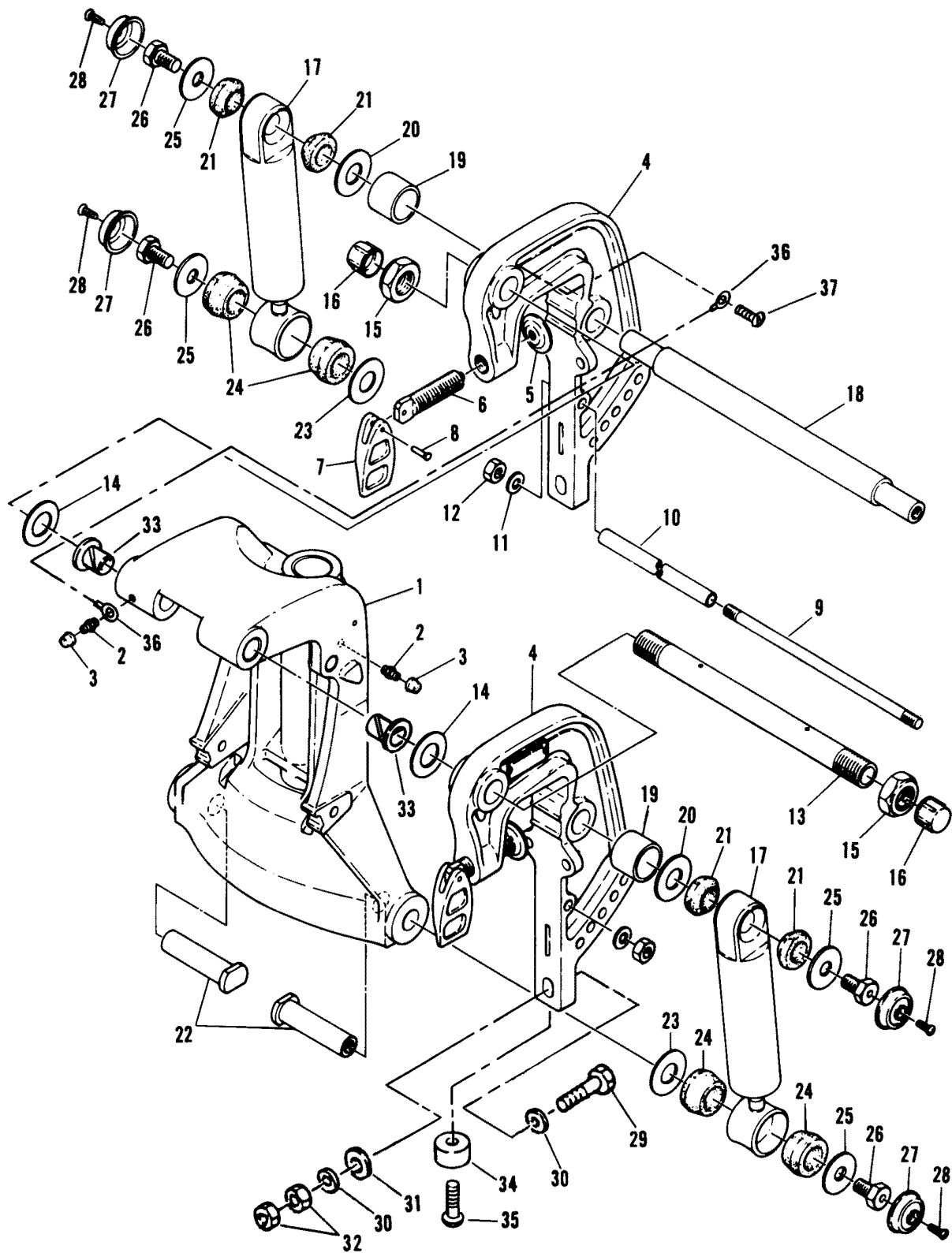
# REVERSE LOCK



# REVERSE LOCK

REF. NO.	PART NO.	SYM.	QTY.	DESCRIPTION
1	81393M		1	LEVER, TILT STOP SUPPORT (PORT)
2	81394M		1	LEVER, TILT STOP SUPPORT (STARTBOARD)
3	13-92562M		1	WASHER, WAVE
4	23-81947M		2	BUSHING
5	18-82131M		2	PIN, COTTER
6	23-81980M		1	COLLAR, TILT STOP SUPPORT
7	41315M		1	REVERSE LOCKEE
	97088M		1	REVERSE LOCK
8	17-41314M		1	ROD, REVERSE LOCK
	17-81397M		1	ROD, REVERSE LOCK
9	18-82130M		1	PIN, COTTER
10	24-82103M		1	SPRING, TENSION
11	92653M		1	ROD, REVERSE LOCK (E)
12	11-82400M		1	NUT
13	81400M		1	NUT, ADJUSTING
14	17-82138M		1	PIN, CLEVIS
15	18-82128M		1	PIN, COTTER
	18-82752M		1	PIN, COTTER
16	17-81909M		1	RIVET
17	17-82159M		1	PIN, ROLL
18	17-83904M		1	TILT LOCK PIN ASS'Y
19	84044M		1	STOPPER PLATE
20	17-82145M		1	PIN, ROLL
21	81395M		2	COVER
22	81399M		1	ROD, REVERSE LOCK (EL)
23	23-81947M		2	BUSHING (E-000101 EL-300101)

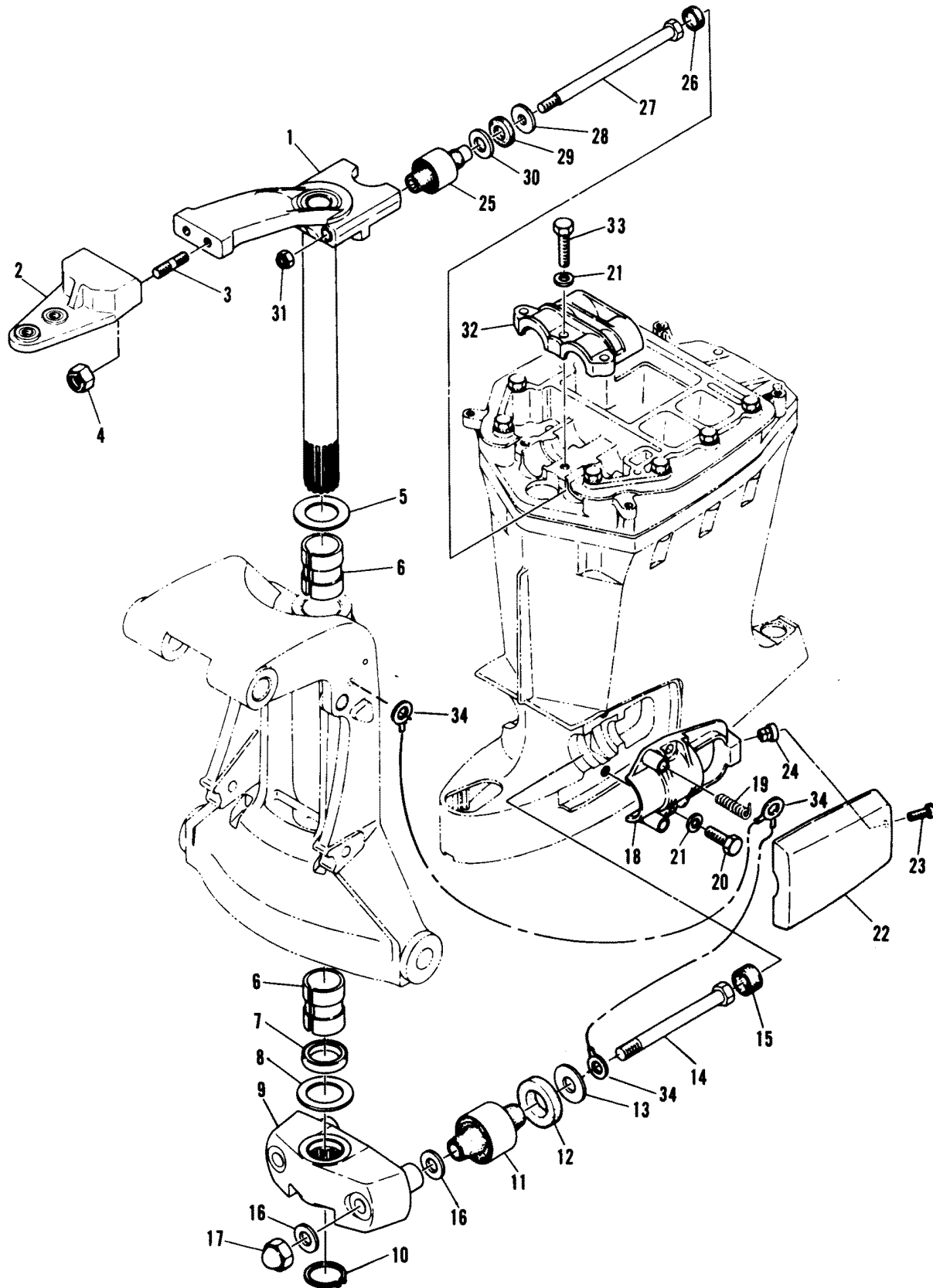
# CLAMP AND SWIVEL BRACKET



# CLAMP AND SWIVEL BRACKET

REF. NO.	PART NO.	SYM.	QTY.	DESCRIPTION
1	1485-8818M		1	SWIVEL BRACKET (E)
	1485-6840M		1	SWIVEL BRACKET (E)
	1485-8819M		1	SWIVEL BRACKET (EL)
	1485-6841M		1	SWIVEL BRACKET (EL)
2	22-82369M		3	FITTING, GREASE
3	81439M		3	CAP, GREASE FITTING
4	1484-8933M		2	CLAMP BRACKET
	1484-6839M		2	CLAMP BRACKET
5	12-80638M		2	PAT, TRANSOM CLAMP SCREW
6	10-81381M		2	SCREW, TRANSOM CLAMP
7	81382M		2	HANDLE, TRANSOM CLAMP SCREW
8	17-81889M		2	PIN
9	16-81383M		1	STUD, CLAMP BRACKET
10	23-81981M		1	SPACER, CLAMP BRACKET STUD
11	12-82220M		2	WASHER
12	11-82395M		2	NUT
13	10-41312M		1	TUBE, CLAMP BRACKET
	81387M		1	TUBE, CLAMP BRACKET
14	12-81836M		2	WASHER
15	11-81787M		2	NUT
16	81388M		2	CAP, CLAMP BRACKET STUD
17	55-92650M		2	SHOCK ABSORBER
18	17-81386M		1	SHAFT, UPPER SHOCK MOUNT
19	23-82120M		2	SPACER, SHOCK MOUNT
20	12-81830M		2	WASHER
21	23-81939M		4	BUSHING
22	17-81384M		2	PIN, LOWER SHOCK MOUNT
23	12-81859M		2	WASHER
24	23-81938M		4	BUSHING
25	12-81812M		4	WASHER
26	10-81718M		4	BOLT
27	92651M		4	COVER, SHOCK MOUNT
28	10-82533M		4	SCREW
29	10-84970M		4	BOLT
30	12-82220M		8	WASHER
31	12-81812M		4	WASHER
32	11-82395M		8	NUT
33	23-41313M		2	BUSHING () AND ABOVE
34	41843M		1	ANODE () AND ABOVE
35	10-92679M		1	SCREW () AND ABOVE
36	41846M		1	GROUND WIRE () AND ABOVE
37	10-83568M		1	SCREW () AND ABOVE

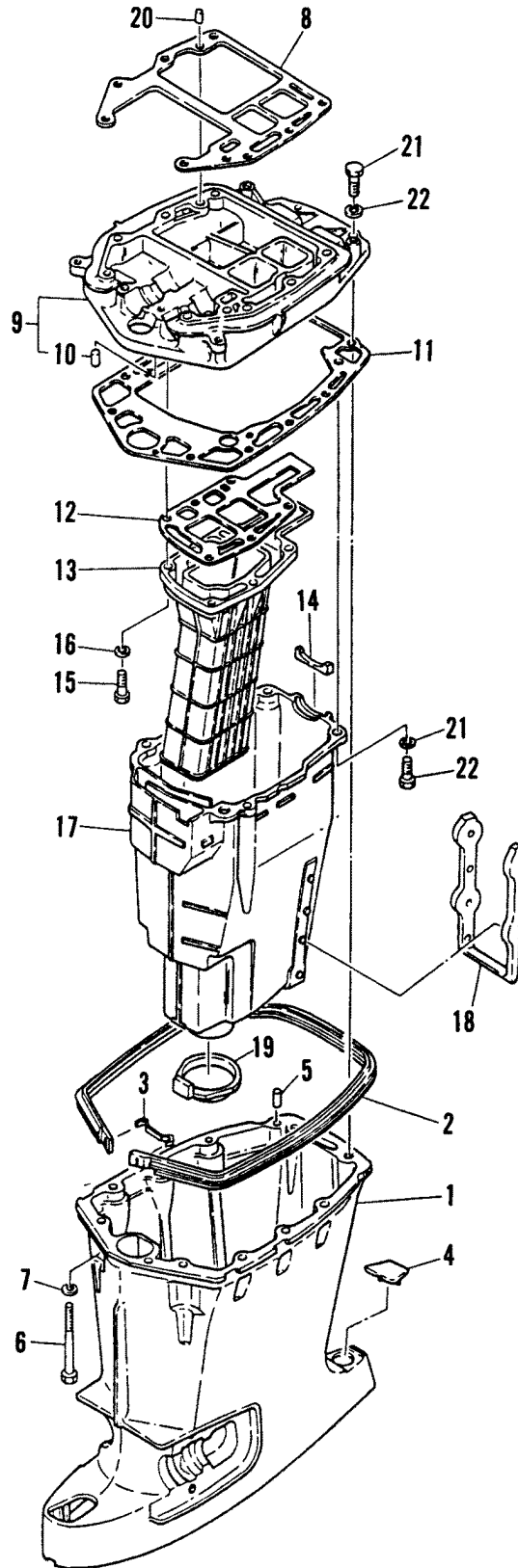
# MOUNTING SYSTEM



# MOUNTING SYSTEM

REF. NO.	PART NO.	SYM.	QTY.	DESCRIPTION
1	81359M		1	ARM & SHAFT (E)
	81360M		1	ARM & SHAFT (EL)
2	81482M		1	PLATE, STEERING (RIDE GUIDE)
3	16-81742M		2	STUD, STEERING PLATE
4	11-81785M		2	NUT
5	12-81838M		1	WASHER
6	23-81955M		2	BUSHING
7	26-82256M		1	OIL SEAL, STEERING S HAFT
8	12-81839M		1	WASHER
9	81432M		1	HOUSING, LOWER MOUNT
10	53-42446M		1	SNAP RING
11	84430M		2	MOUNT, LOWER
12	12-84431M		2	WASHER
13	12-84432M		2	WASHER
14	10-81717M		2	BOLT
15	81436M		2	BUMPER
16	12-84429M		4	WASHER
17	11-82397M		2	NUT
18	84433M		2	RETAINER, LOWER MOUNT
19	24-82087M		4	SPRING, COMPRESSION
20	10-82464M		4	BOLT
21	13-82215M		7	WASHER, LOCK
22	81434M		2	COVER, LOWER MOUNT
23	10-82172M		2	SCREW
24	11-81779M		2	NUT
25	81676M		2	MOUNT, UPPER
26	81431M		2	BUMPER
27	10-81714M		2	BOLT
28	12-81825M		2	WASHER
29	12-81857M		2	WASHER
30	12-81803M		2	WASHER
31	11-81783M		2	NUT
32	81429M		1	RETAINER, UPPER MOUNT
33	10-82466M		3	BOLT
34	41844M		1	GROUND WIRE (E)
	41845M		1	GROUND WIRE (EL)

# DRIVESHAFT HOUSING

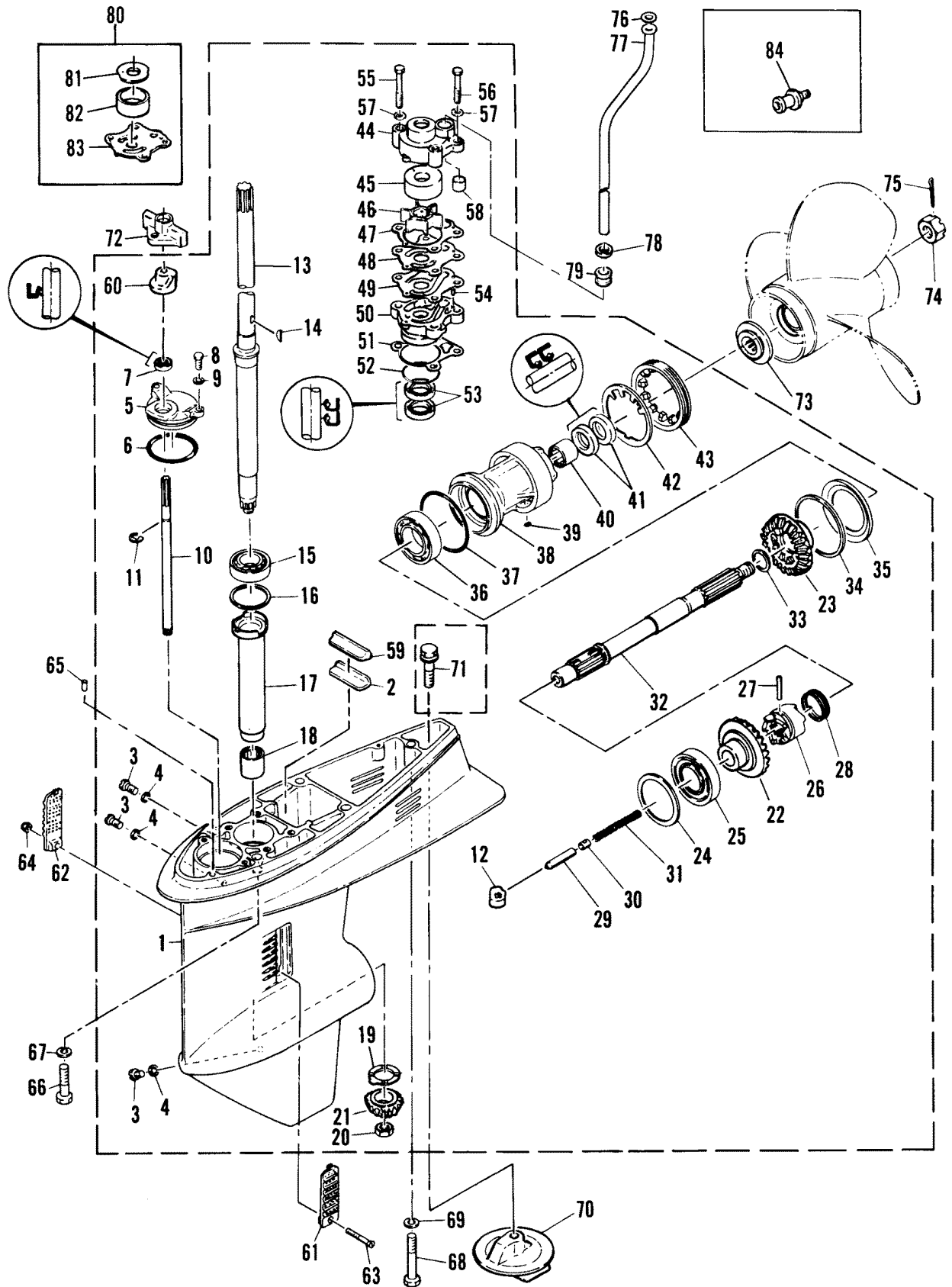




# DRIVESHAFT HOUSING

REF. NO.	PART NO.	SYM.	QTY.	DESCRIPTION
1	1587-7163M		1	DRIVESHAFT HOUSING (E)
	1587-7164M		1	DRIVESHAFT HOUSING (EL)
2	27-83033M		1	SEAL
3	83034M		1	HOOK
4	81441M		1	CAP (E)
	81442M		1	CAP (EL)
5	17-82364M		2	PIN, DOWEL
6	10-84427M		8	BOLT
7	13-82215M		8	WASHER
8	27-98925M		1	GASKET
9	98926M		1	GUIDE, EXHAUST
10	23-84426M		1	BUSHING
11	27-98927M		1	GASKET
12	27-98928M		2	GASKET
13	98929M		1	MANIFOLD, EXHAUST
14	27-98930M		1	GASKET
15	10-82464M		6	BOLT
16	13-82215M		6	WASHER
17	98931M		1	MUFFLER (E)
	98932M		1	MUFFLER (EL)
18	84424M		1	DAMPER (E)
	84425M		1	DAMPER (EL)
19	27-92642M		1	GASKET
20	17-82364M		2	PIN
21	10-82465M		6	BOLT
22	13-82215M		6	WASHER

# GEARHOUSING ASS'Y

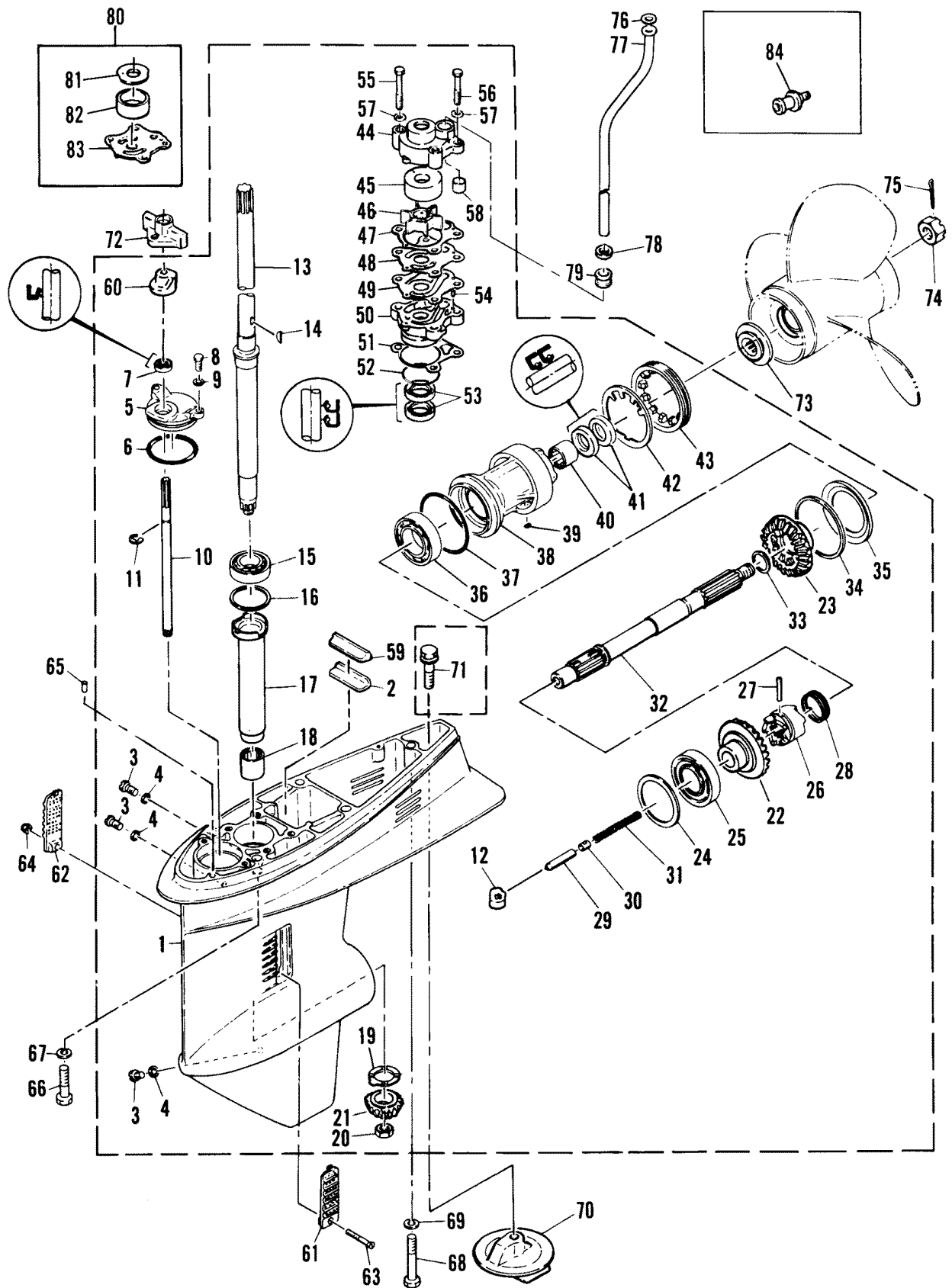


# GEARHOUSING ASS'Y

REF. NO.	PART NO.	SYM.	QTY.	DESCRIPTION
0-1	1651-8612M		1	GEARHOUSING ASS'Y (E)
	1651-8613M		1	GEARHOUSING ASS'Y (EL)
1	1651-7971M		1	GEAR HOUSING
2	81449M		1	GUIDE, SEAL
3	22-81924M		3	PLUG
4	27-81987M		3	GASKET
5	81445M		1	COVER, GEAR HOUSING
6	25-82281M		1	O-RING, COVER TO GEAR HOUSING
7	26-82257M		1	OIL SEAL, GEAR HOUSING COVER
8	10-91725M		2	BOLT
9	12-82214M		2	WASHER
10	81408M		1	ROD, SHIFT - LOWER
11	53-82334M		1	SNAPP RING
12	81409M		1	CAM, SHIFT
13	45-81451M		1	DRIVESHAFT (E)
	45-81452M		1	DRIVESHAFT (EL)
14	28-97089M		1	KEY
15	31-98933M		1	BEARING, DRIVESHAFT
16	15-81467M		AR	SHIM, DRIVESHAFT BEARING (.05MM)
	15-81468M		AR	SHIM, DRIVESHAFT BEARING (.08MM)
	15-81469M		AR	SHIM, DRIVEHSAFT BEARING (.12MM)
	15-81470M		AR	SHIM, DRIVESHAFT BEARING (.30MM)
	15-81471M		AR	SHIM, DRIVESHAFT BEARING (.50MM)
17	23-98934M		1	SLEEVE, DRIVESHAFT
18	31-98935M		1	BEARING, NEEDLE - DRIVESHAFT
19	12-81455M		1	THRUST WASHER, DRIVESHAFT
20	11-81772M		1	NUT, DRIVESHAFT
21	43-84208M		1	GEAR, PINION
22	43-84206M		1	GEAR, FORWARD
23	43-84207M		1	GEAR, REVERSE
24	15-81456M		AR	SHIM, FORWARD GEAR ADJUST (.05MM)
	15-81457M		AR	SHIM, FORWARD GEAR ADJUST (.08MM)
	15-81458M		AR	SHIM, FORWARD GEAR AADJUST (.12MM)
	15-81459M		AR	SHIM, FORWARD GE AR ADJUST (.30MM)
	15-81460M		AR	SHIM, FORWARD GEAR ADJUST (.50MM)
25	31-82320M		1	BEARING, FORWARD GEAR
26	52-81473M		1	CLUTCH
27	17-81903M		1	CROSS PIN, CLUTCH
28	81474M		1	RING, CROSS PIN
29	92643M		1	PLUNGER, SHIFT
30	81475M		1	SLIDE, SHIFT
31	24-82091M		1	SPRING, SHIFT
32	44-92644M		1	SHAFT, PROPELLER

CONTINUED ON NEXT PAGE ➡

# GEARHOUSING ASS'Y

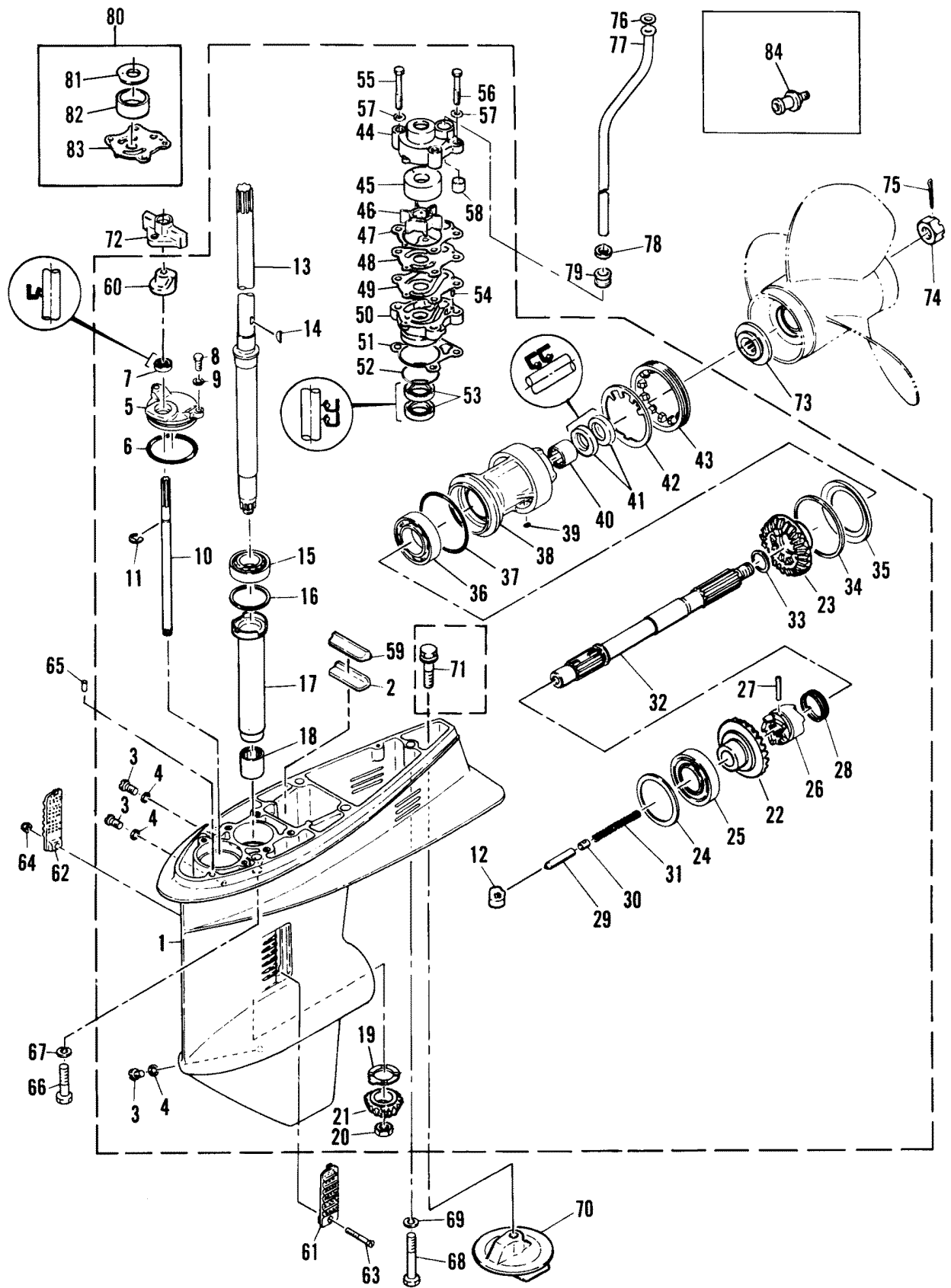


# GEARHOUSING ASS'Y

REF. NO.	PART NO.	SYM.	QTY.	DESCRIPTION
33	12-81837M		1	THRUST WASHER, REVERSE GEAR
34	15-81462M		AR	SHIM, REVERSE GEAR ADJ (.05 MM)
	15-81463M		AR	SHIM, REVERSE GEAR ADJ (.08 MM)
	15-81464M		AR	SHIM, REVERSE GEAR ADJ (.12 MM)
	15-81465M		AR	SHIM, REVERSE GEAR ADJ (.30 MM)
	15-81466M		AR	SHIM, REVERSE GEAR ADJ (.50 MM)
35	12-81461M		1	THRUST WASHER, REVERSE GEAR
36	30-82296M		1	BEARING, REVERSE GEAR
37	25-82289M		1	O-RING, BEARING HOUSING
38	81446M		1	HOUSING, BEARING
39	28-81916M		1	KEY
40	31-82317M		1	BEARING, NEEDLE - PROPELLER SHAFT
41	26-82233M		2	OIL SEAL, PROPELLER SHAFT
42	14-81877M		1	WASHER, CLAW
43	11-81450M		1	NUT
44	46-81416M		1	BODY, WATER PUMP
45	81419M		1	INSERT, CARTRIDGE
46	47-97108M		1	IMPELLER, WATER PUMP
47	27-81417M		1	GASKET, WATER PUMP
48	81420M		1	OUTER PLATE, CARTRIDGE
49	27-81421M		1	GASKET, CARTRIDGE OUTER PLATE
50	46-81422M		1	BASE, WATER PUMP
51	27-81418M		1	GASKET, WATER PUMP BASE
52	25-82275M		1	O-RING, WATER PUMP BASE
53	26-82234M		2	OIL SEAL, WATER PUMP
54	17-82354M		2	PIN, DOWEL
55	10-84057M		2	BOLT
56	10-82468M		2	BOLT
57	12-82217M		4	WASHER
58	26-81426M		1	SEAL, WATER TUBE - UPPER
59	81448M		1	SEAL, RUBBER
60	81410M		1	CAM, REVERSE ROD
61	97091M		1	COVER, WATER INLET - PORT
62	97092M		1	COVER, WATER INLET - STARBOARD
63	10-82484M		1	SCREW
64	11-81781M		1	NUT
65	17-82364M		2	PIN, DOWEL
66	10-82474M		4	BOLT
67	13-82218M		4	WASHER, LOCK
68	10-82470M		1	BOLT
69	13-82215M		1	WASHER, LOCK
70	83859M		1	TRIM TAB
71	10-82801M		1	BOLT

CONTINUED ON NEXT PAGE ➡

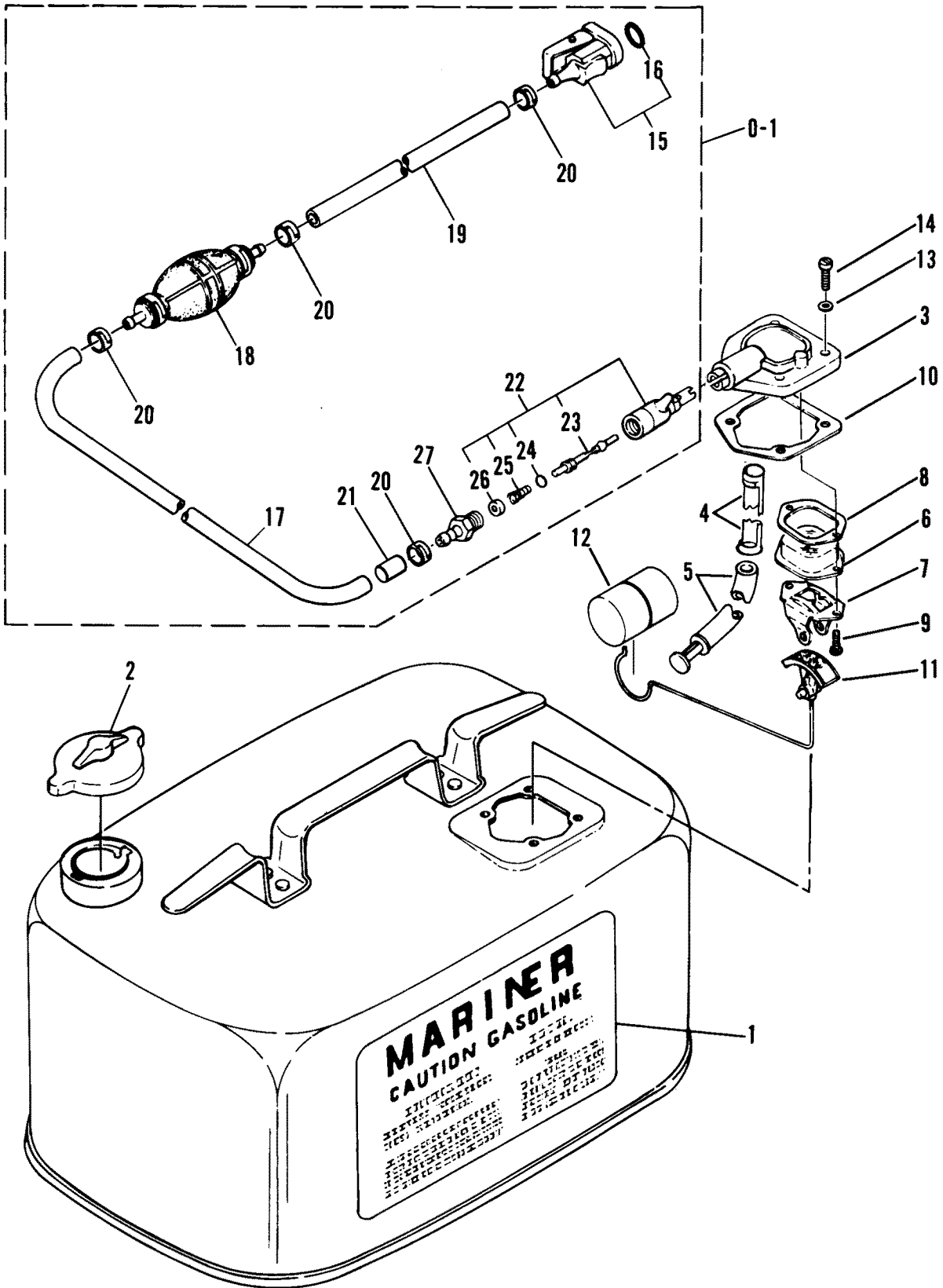
# GEARHOUSING ASS'Y



## GEARHOUSING ASS'Y

REF. NO.	PART NO.	SYM.	QTY.	DESCRIPTION
72	98937M		1	GUIDE, REVERSE ROD
73	73345		1	THRUST WASHER
74	11-81775M		1	NUT, PROPELLER
75	18-82131M		1	PIN, COTTER
76	12-81852M		1	WASHER, WATER TUBE
77	32-81424M		1	TUBE, WATER (E)
	32-81425M		1	TUBE, WATER (EL)
78	25-81989M		1	GASKET, WATER TUBE
79	26-81427M		1	SEAL, WATER TUBE - LOWER
80	84187M		1	CHRIME WATER PUMP KIT (OPT)
81	83131M		1	INNER PLATE
82	81672M		1	INSERT, CARTRIDGE
83	81673M		1	FACE PLATE
	27-92648M		1	GASKET SET, LOWER UNIT
	84188M		1	REPAIR KIT, WATER PUMP

# FUEL TANK AND FUEL LINE ASSEMBLY

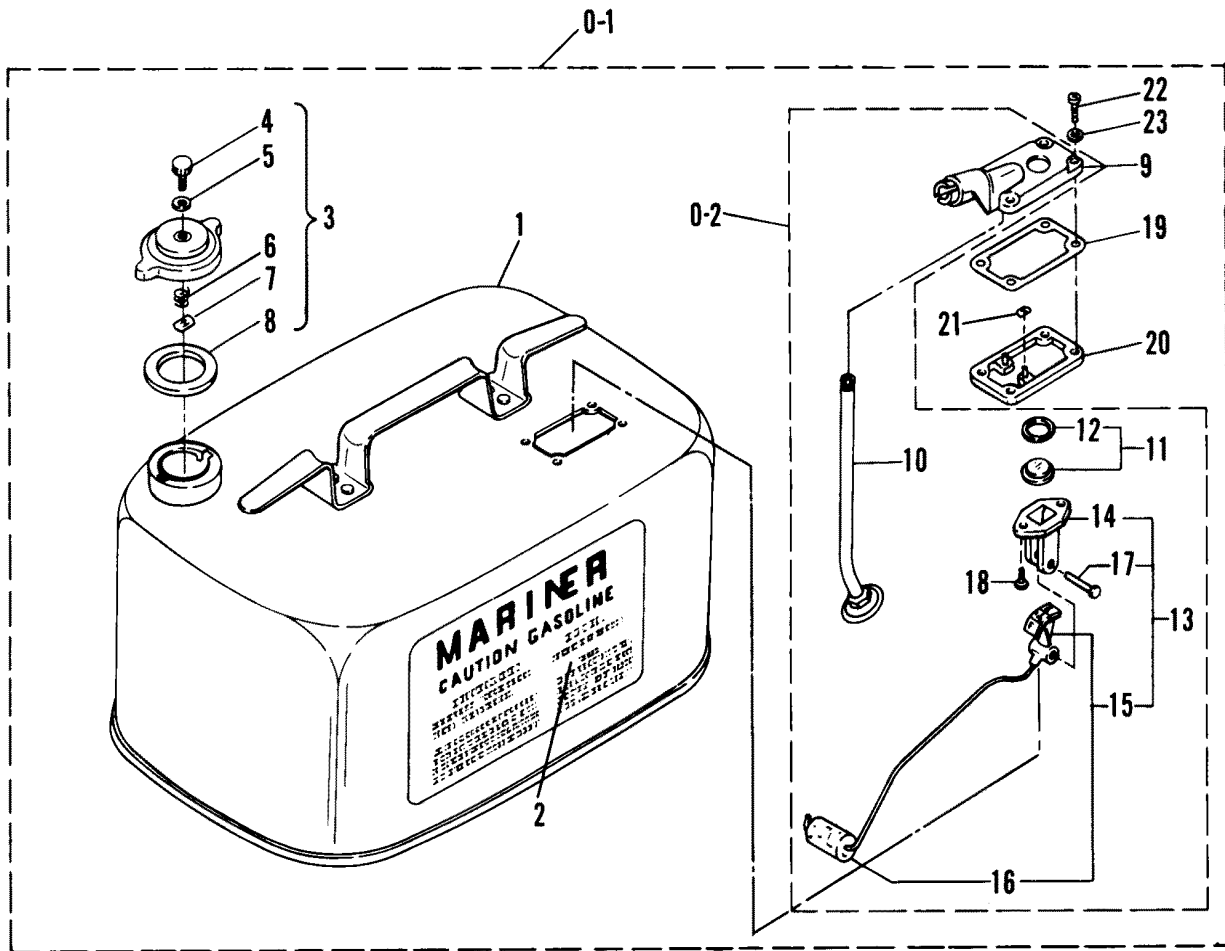




## FUEL TANK AND FUEL LINE ASSEMBLY

REF. NO.	PART NO.	SYM.	QTY.	DESCRIPTION
1	37-82984M		2	DECAL, SIDE
2	36-83617M		1	FUEL TANK CAP
3	83618M		1	FUEL METER ASSY
4	54-83764M		1	CLAMP, PICKUP HOSE
5	32-83626M		1	HOSE, PICKUP
6	80269M		1	LENS, INDICATOR
7	80268M		1	BRACKET, INDICATOR
8	27-80270M		1	GASKET, HOUSING TO LENS INDICATOR
9	10-82518M		2	SCREW
10	27-81320M		1	GASKET, HOUSING TO TANK
11	81318M		1	INDICATOR, FUEL LEVEL
12	81319M		1	FLOAT, INDICATOR
13	12-80271M		4	WASHER, HOUSING SCREW
14	10-82496M		4	SCREW, HOUSING ATTACHING
0-1	32-83628M		1	FUEL LINE ASS'Y
15	22-81042M		1	FUEL CONNECTOR, ENGINE END
16	25-82789M		1	O-RING
17	32-84955M		1	HOSE, CONNECTOR HOUSING TO BULB
18	81325M		1	BULB, PRIMER
19	32-82023M		1	HOSE, BULB TO CONNECTOR
20	54-80752M		4	CLAMP, HOSE
21	23-81327M		1	COLLAR
22	30185A1		1	BAYONET BODY ASS'Y
23	30187		1	STEM, BAYONET BODY
24	25-20415		1	O-RING, BAYONET BODY STEM
25	24-30189		1	SPRING, BAYONET BODY STEM
26	30188		1	WASHER, CAP
27	22-63187		1	FITTING, FUEL LINE

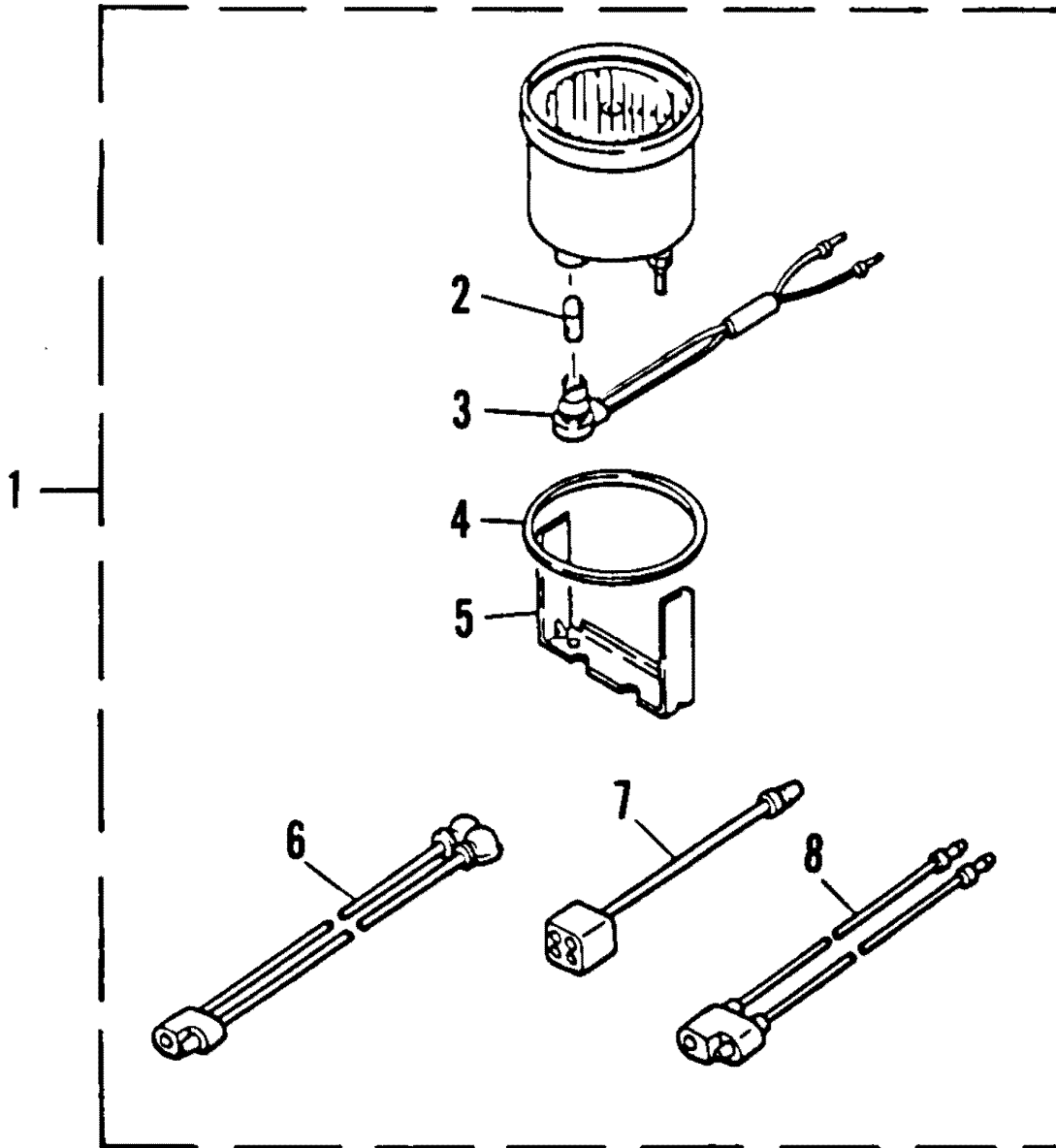
# FUEL TANK (NOT ORIGINAL EQUIPMENT TANK)



## FUEL TANK (NOT ORIGINAL EQUIPMENT TANK)

REF. NO.	PART NO.	SYM.	QTY.	DESCRIPTION
0-1	1225-1529A21		1	FUEL TANK ASSEMBLY
1	1225-1529		1	FUEL TANK
2	37-75881		1	DECAL
3	36-25392A2		1	FILLER CAP ASSEMBLY
4	10-25575		1	SCREW, VENT-FILLER CAP
5	12-49221		1	WASHER, VENT SCREW
6	24-22227		1	SPRING, TENSION-VENT SCREW
7	11-28587		1	NUT, SPEED-SPRING RETAINER
8	27-25568		1	GASKET, FILLER CAP TO FUEL TANK
0-2	64841A1		1	COVER ASSEMBLY, COMPLETE
9	64841A3		1	COVER ASSEMBLY, FUEL TANK
10	32-33909A3		1	TUBE ASSEMBLY
11	54920A1		1	LENS ASSEMBLY, FUEL GAUGE
12	27-54921		1	GASKET, FUEL GAUGE LENS
13	28897A2		1	FUEL GAUGE ASSEMBLY, COMPLETE
14	20430		1	RETAINER, FUEL GAUGE
15	28897A1		1	INDICATOR AND FLOAT ASSEMBLY
16	20427		1	FLOAT, FUEL GAUGE
17	17-20426		1	RIVET, INDICATOR TO RETAINER
18	10-62568		2	SCREW, RETAINER TO FUEL TANK COVER
19	27-28862		1	GASKET, COVER ASSEMBLY TO FRAME
20	28860		1	FRAME, RETAINING-FUEL TANK COVER
21	53-28903		2	FASTENER, RETAINING FRAME TO FUEL TANK
22	10-20411		4	SCREW, FUEL TANK COVER TO FUEL TANK
23	12-74711		4	WASHER, FUEL TANK COVER FASTENING SCREW

# OPTIONAL PARTS



## OPTIONAL PARTS

REF. NO.	PART NO.	SYM.	QTY.	DESCRIPTION
1	79-84311M		1	TACHOMETER KIT
2	88-80007M		1	BULB
3	84348M		1	SOCKET, BULB
4	84349M		2	DAMPER
5	12-84350M		2	WASHER
6	84351M		1	PLATE
7	84-84352M		1	EXTENSION, LEAD
8	84-84353M		2	CONNECTOR

# PARTS INDEX

Part Number	Description	Pg.	Ref. No.	Part Number	Description	Pg.	Ref. No.
20427	FLOAT, FUEL GAUGE	49	16	81370M	BUMPER, COWL	5	38
20430	RETAINER, FUEL GAUGE	49	14	81374M	APRON, COWL-REAR	5	40
28860	FRAME, RETAINING-FUEL TANK COVER	49	20	81378M	APRON, COWL - FRONT	5	41
28897A1	INDICATOR AND FLOAT ASSEMBLY	49	15	81382M	HANDLE, TRANSOM CLAMP SCREW	35	7
28897A2	FUEL GAUGE ASSEMBLY, COMPLETE	49	13	81387M	TUBE, CLAMP BRACKET	35	13
30185A1	BAYONET BODY ASS'Y	47	22	81388M	CAP, CLAMP BRACKET STUD	35	16
30187	STEM, BAYONET BODY	47	23	81393M	LEVER, TILT STOP SUPPORT (PORT)	33	1
30188	WASHER, CAP	47	26	81394M	LEVER, TILT STOP SUPPORT (STARTBOARD)	33	2
41315M	REVERSE LOCKEE	33	7	81395M	COVER	33	21
41828M	HOUSING, OIL SEAL	19	14	81399M	ROD, REVERSE LOCK (EL)	33	22
41843M	ANODE () AND ABOVE	35	34	81400M	NUT, ADJUSTING	33	13
41844M	GROUND WIRE (E)	37	34	81403M	STOP, SHAFT BRACKET	29	12
41845M	GROUND WIRE (EL)	37	34	81408M	ROD, SHIFT - LOWER	41	10
41846M	GROUND WIRE () AND ABOVE	35	36	81409M	CAM, SHIFT	41	12
42435M	SWITCH PANEL	27	1	81410M	CAM, REVERSE ROD	43	60
42445M	LEVER, COWL CLAMP	5	15	81415M	CAP	29	24
47341A1	ROPE, EMERGENCY START	7	50	81419M	INSERT, CARTRIDGE	43	45
54920A1	LENS ASSEMBLY, FUEL GAUGE	49	11	81420M	OUTER PLATE, CARTRIDGE	43	48
64841A1	COVER ASSEMBLY, COMPLETE	49	0-2	81429M	RETAINER, UPPER MOUNT	37	32
64841A3	COVER ASSEMBLY, FUEL TANK	49	9	81431M	BUMPER	37	26
73345	THRUST WASHER	45	73	81432M	HOUSING, LOWER MOUNT	37	9
80026M	PLATE	23	24	81434M	COVER, LOWER MOUNT	37	22
80268M	BRACKET, INDICATOR	47	7	81436M	BUMPER	37	15
80269M	LENS, INDICATOR	47	6	81439M	CAP, GREASE FITTING	35	3
80454M	CAP, OVER FLOW PIPE	21	19	81441M	CAP (E)	39	4
80606M	DIAPHRAGM	3	2	81442M	CAP (EL)	39	4
80607M	COVER	3	13	81445M	COVER, GEAR HOUSING	41	5
80609M	RETAINER, CHECK VALVE	3	8	81446M	HOUSING, BEARING	43	38
80611M	PLATE, SPRING GUIDE	3	3	81448M	SEAL, RUBBER	43	59
80620M	BRACKET, FUEL FILTER	25	9	81449M	GUIDE, SEAL	41	2
80935M	PLUG CAP ASS'Y (NOISE SUPPRESSOR)	13	46	81474M	RING, CROSS PIN	41	28
81098M	THERMOSTAT	15	33	81475M	SLIDE, SHIFT	41	30
81191M	CONNECTOR, CHOKE LEVER	21	26	81480M	CLEVIS, SHIFT CONTROL CABLE	31	9
81225M	CLEVIS	29	27	81480M	CLEVIS, THROTTLE CABLE	29	6
81265M	COVER, THERMOSTAT	15	34	81482M	PLATE, STEERING (RIDE GUIDE)	37	2
81267M	VALVE, PRESSURE CONTROL	15	30	81483M	BRACKET, ROMOTE CONTROL	29	33
81290M	FLOAT, BOWL	23	14	81484M	CLAMP, CABEL	29	34
81313M	BRACKET	27	27	81493M	STATOR 1	9	6
81318M	INDICATOR, FUEL LEVEL	47	11	81499M	REAR COVER ASS'Y	9	11
81319M	FLOAT, INDICATOR	47	12	81504M	GEAR	9	4
81325M	BULB, PRIMER	47	18	81507M	BRUSH HOLDER	9	7
81337M	ROD, CHOKE	21	25	81508M	COVER	9	20
81341M	CAP, CLEVIS LOCK	29	2	81529M	BRACKET	27	16
81344M	LEVER, C.D.I. CONTROL	29	18	81530M	PLATE	27	17
81345M	LEVER, C.D.I. CONTRL	29	1	81537M	BRACKET	27	6
81346M	LEVER, C.D.I. CONTROL	29	15	81551M	COVER, SOLENOID	21	14
81347M	SHAFT, LINK CONNECTING	29	16	81554M	DAMPER	21	29
81350M	BRACKET, SHAFT	29	7	81652M	RECTIFIER ASS'Y	13	49
81359M	ARM & SHAFT (E)	37	1	81672M	INSERT, CARTRIDGE	45	82
81360M	ARM & SHAFT (EL)	37	1	81673M	FACE PLATE	45	83
				81676M	MOUNT, UPPER	37	25
				82784M	FUEL BOWL	25	8
				82788M	PLUG CAP ASS'Y	13	46

# PARTS INDEX

Part Number	Description	Pg.	Ref. No.	Part Number	Description	Pg.	Ref. No.
82986M	HOUSING, OIL SEAL	19	14	97088M	REVERSE LOCK	33	7
82988M	ROD, CHOKE LINK	21	27	97091M	COVER, WATER INLET - PORT	43	61
82996M	CLAMP	5	28	97092M	COVER, WATER INLET - STARBOARD	43	62
83024M	COVER, AIR DUCT	5	5	97681M	SWITCH PANEL ASS'Y	27	0-1
83025M	AIR SHROUD	5	6	97756M	STOPPER	27	5
83026M	LEVER, COWL CLAMP	5	15	97759M	REPAIR KIT, CARBURETOR (FITS BOTH CARBS)	23	27
83027M	CLAMP, COWL	5	18	97797M	EMBLEM, FRONT	5	3
83034M	HOOK	39	3	97798M	BASE ASS'Y	11	3
83039M	SEAL, RUBBER	5	7	97799M	COIL, CHARGE	11	4
83040M	HOLDER	5	11	97800M	COIL, PULSAR	11	5
83041M	HOLDER	5	12	97801M	COIL, PULSER	11	6
83042M	DAMPER	5	20	97802M	COIL, LIGHTING	11	7
83045M	HOOK, COWL CLAMP	5	27	97805M	RETAINER, MAGNETO BASE	11	13
83047M	COVER, BOTTOM	7	47	97806M	RETAINER, MAGNETO BASE	11	14
83131M	INNER PLATE	45	81	97807M	PLATE, BASE	11	17
83153M	RETAINER, COWL BUMPER	5	39	97809M	COVER, FLYWHEEL	11	19
83233M	SOUND BLANKET, SIDE	5	22	97812M	PLATE, TIMING	11	25
83234M	SOUND BLANKET, FRONT	5	23	97813M	BRACKET	11	31
83618M	FUEL METER ASSY	47	3	97814M	COVER, TERMINAL	11	37
83651M	ARMATURE	9	5	97815M	I. ASS'Y	11	40
83654M	FRONT BRACKET	9	2	97817M	COIL ASS'Y, IGNITION	11	43
83859M	TRIM TAB	43	70	97818M	RETAINER	13	56
83921M	ROD, CONTROL	29	26	97825M	ANODE	15	20
84043M	SEAL, TOP COWL	5	4	97827M	COVER, CYLINDER HEAD	15	26
84044M	STOPPER PLATE	33	19	97829M	OUT COVER, EXHAUST	17	40
84187M	CHROME WATER PUMP KIT (OPT)	45	80	97833M	HANGER, ENGINE	17	50
84188M	REPAIR KIT, WATER PUMP	45	83	97835M	PLAT	17	54
84209M	LEVER, SHIFT ROD	31	7	97836M	POWER HEAD ASS'Y (SEE NOTE)	17	57
84210M	SOUND BLANKET, TOP	5	21	97844M	ROD, THROTTLE ADJUSTMENT	21	28
84213M	SOUND BLANKET, REAR	5	24	97845M	JET, PILOT (#80)	23	4
84305M	JOINT, BALL	11	12	97846M	NOZZLE, MAIN	23	9
84348M	SOCKET, BULB	51	3	97847M	JET, MAIN (#155)	23	10
84349M	DAMPER	51	4	97848M	FLOAT	23	11
84351M	PLATE	51	6	97849M	PILOT, AIR JET (#110)	23	18
84411M	HOOK, WIRE PULL	21	11	98906M	JET(#115) (E)	23	19
84412M	WIRE, PULL	21	12	98907M	VALVE SEAT	23	20
84424M	DAMPER (E)	39	18	98914M	BRACKET	27	22
84425M	DAMPER (EL)	39	18	98915M	INSULATOR	27	25
84430M	MOUNT, LOWER	37	11	98916M	INSULATOR	27	26
84433M	RETAINER, LOWER MOUNT	37	18	98917M	BRACKET, SHAFT - UPPER	29	19
84934M	MOUNT	9	19	98918M	CAM	29	30
84960M	EXTENTION, WIRE HARNES (2M)	27	14	98919M	BRACKET, SHIFT	31	1
8813M	CONNECTING ROD ASS'Y	19	21	98920M	BRACKET, SHIFT ROD	31	10
92629M	BASE, AIR INTAKE	21	1	98921M	SHIFT ROD, UPPER - (E)	31	16
92630M	COVER, AIR INTAKE	21	5	98922M	SHIFT ROD, UPPER -(EL)	31	16
92632M	MANIFOLD, INTAKE	21	17	98924M	BOOT	31	20
92643M	PLUNGER, SHIFT	41	29	98926M	GUIDE, EXHAUST	39	9
92651M	COVER, SHOCK MOUNT	35	27	98929M	MANIFOLD, EXHAUST	39	13
92653M	ROD, REVERSE LOCK (E)	33	11	98931M	MUFFLER (E)	39	17
92655M	ROD, LINK	29	28	98932M	MUFFLER (EL)	39	17
92659M	BALL, DETENT	31	13	98937M	GUIDE, REVERSE ROD	45	72
92671M	RING, STOP	9	16	98939M	COVER	17	45
92672M	WIRE, LEAD	9	18	10-20411	SCREW, FUEL TANK COVER TO FUEL TANK	49	22
93045M	FUEL PUMP ASS'Y	3	1	10-25575	SCREW, VENT-FILLER CAP	49	4
93099M	FUEL CONNECTOR	25	1				
94475M	BRUSH(+)	9	8				
94478M	BRUSH (-)	9	9				
97087M	CAP	29	25				

# PARTS INDEX

Part Number	Description	Pg.	Ref. No.	Part Number	Description	Pg.	Ref. No.
10-41312M	TUBE, CLAMP BRACKET . . .	35	13	10-83539M	BOLT . . . . .	25	2
10-41837M	BOLT, W/WASHER . . . . .	15	9	10-83568M	SCREW . . . . .	11	15
10-41838M	BOLT, W/WASHER . . . . .	15	11	10-83568M	SCREW () AND ABOVE . . . .	35	37
10-41839M	BOLT, W/WASHER . . . . .	15	24	10-84057M	BOLT . . . . .	43	55
10-62568	SCREW, RETAINER TO FUEL TANK COVER . . . . .	49	18	10-84058M	BOLT . . . . .	7	42
10-81277M	SCREW, IDLE SPEED . . . . .	23	7	10-84211M	BOLT . . . . .	7	48
10-81281M	SCREW, THROTTLE (LOWER) . . . . .	23	5	10-84211M	BOLT . . . . .	25	10
10-81292M	SCREW, PLUG . . . . .	23	1	10-84236M	BOLT . . . . .	9	21
10-81293M	SCREW . . . . .	23	16	10-84237M	BOLT . . . . .	5	35
10-81381M	SCREW, TRANSOM CLAMP	35	6	10-84237M	BOLT . . . . .	11	35
10-81500M	BOLT . . . . .	9	15	10-84237M	BOLT . . . . .	13	47
10-81713M	BOLT . . . . .	29	32	10-84237M	BOLT . . . . .	15	36
10-81714M	BOLT . . . . .	37	27	10-84247M	BOLT . . . . .	5	37
10-81715M	BOLT . . . . .	19	22	10-84247M	BOLT . . . . .	5	9
10-81717M	BOLT . . . . .	37	14	10-84303M	BOLT . . . . .	5	8
10-81718M	BOLT . . . . .	35	26	10-84303M	BOLT . . . . .	11	26
10-81758M	SCREW W/WASHER . . . . .	23	15	10-84303M	BOLT . . . . .	13	54
10-82172M	SCREW . . . . .	37	23	10-84315M	BOLT . . . . .	9	14
10-82405M	BOLT . . . . .	11	41	10-84315M	BOLT . . . . .	17	55
10-82405M	BOLT . . . . .	15	9	10-84342M	BOLT . . . . .	9	22
10-82405M	BOLT . . . . .	21	3	10-84342M	BOLT . . . . .	11	30
10-82409M	BOLT . . . . .	15	24	10-84427M	BOLT . . . . .	39	6
10-82410M	BOLT . . . . .	15	11	10-84657M	BOLT . . . . .	21	7
10-82423M	BOLT . . . . .	29	9	10-84946M	SCREW . . . . .	27	9
10-82423M	BOLT . . . . .	31	5	10-84970M	BOLT . . . . .	35	29
10-82428M	BOLT . . . . .	3	17	10-91691M	SCREW . . . . .	11	9
10-82437M	BOLT . . . . .	9	25	10-91725M	BOLT . . . . .	19	18
10-82437M	BOLT . . . . .	29	36	10-91725M	BOLT . . . . .	41	8
10-82439M	BOLT . . . . .	17	51	10-91772M	BOLT . . . . .	13	57
10-82441M	BOLT . . . . .	11	24	10-92679M	SCREW () AND ABOVE . . . .	35	35
10-82441M	BOLT . . . . .	27	23	10-94723M	SCREW . . . . .	21	15
10-82441M	BOLT . . . . .	31	11	10-97080M	SCREW, PLUG . . . . .	23	3
10-82453M	BOLT . . . . .	7	43	10-97082M	SCREW W/WASHER (UPPER) . . . . .	23	26
10-82464M	BOLT . . . . .	37	20	10-97803M	SCREW . . . . .	11	8
10-82464M	BOLT . . . . .	39	15	10-97804M	SCREW . . . . .	11	10
10-82465M	BOLT . . . . .	39	21	10-97808M	BOLT . . . . .	11	18
10-82466M	BOLT . . . . .	37	33	10-97832M	SCREW . . . . .	17	47
10-82468M	BOLT . . . . .	43	56	11-28587	NUT, SPEED-SPRING RETAINER . . . . .	49	7
10-82470M	BOLT . . . . .	43	68	11-81450M	NUT . . . . .	43	43
10-82474M	BOLT . . . . .	43	66	11-81764M	NUT . . . . .	29	38
10-82484M	SCREW . . . . .	43	63	11-81772M	NUT, DRIVESHAFT . . . . .	41	20
10-82487M	SCREW . . . . .	27	7	11-81773M	NUT . . . . .	11	28
10-82492M	SCREW . . . . .	13	50	11-81775M	NUT, PROPELLER . . . . .	45	74
10-82496M	SCREW, HOUSING ATTACHING . . . . .	47	14	11-81779M	NUT . . . . .	37	24
10-82499M	SCREW . . . . .	23	25	11-81781M	NUT . . . . .	43	64
10-82511M	SCREW . . . . .	3	9	11-81783M	NUT . . . . .	37	31
10-82515M	SCREW . . . . .	9	12	11-81785M	NUT . . . . .	37	4
10-82518M	SCREW . . . . .	47	9	11-81787M	NUT . . . . .	35	15
10-82522M	SCREW . . . . .	3	14	11-82378M	NUT . . . . .	27	10
10-82532M	SCREW . . . . .	15	21	11-82378M	NUT . . . . .	29	29
10-82533M	SCREW . . . . .	35	28	11-82380M	NUT . . . . .	21	24
10-82801M	BOLT . . . . .	43	71	11-82381M	NUT . . . . .	29	23
10-82977M	SCREW . . . . .	29	21	11-82382M	NUT . . . . .	25	12
10-82980M	SCREW . . . . .	11	38	11-82387M	NUT . . . . .	15	13
10-83050M	SCREW . . . . .	29	22	11-82395M	NUT . . . . .	35	12
10-83539M	BOLT . . . . .	15	28	11-82395M	NUT . . . . .	35	32
10-83539M	BOLT . . . . .	17	42	11-82397M	NUT . . . . .	37	17
				11-82400M	NUT . . . . .	33	12



# PARTS INDEX

Part Number	Description	Pg.	Ref. No.	Part Number	Description	Pg.	Ref. No.
11-84515M	NUT	3	10	13-82197M	WASHER	11	36
12-49221	WASHER, VENT SCREW	49	5	13-82197M	WASHER	13	55
12-74711	WASHER, FUEL TANK COVER FASTENING SCREW	49	23	13-82197M	WASHER	17	56
12-80271M	WASHER, HOUSING SCREW	47	13	13-82197M	WASHER, LOCK	5	36
12-80564M	WASHER	15	25	13-82197M	WASHER, LOCK	21	4
12-80638M	PAT, TRANSOM CLAMP SCREW	35	5	13-82199M	WASHER, LOCK	25	11
12-81455M	THRUST WASHER, DRIVESHAFT	41	19	13-82199M	WASHER	7	44
12-81461M	THRUST WASHER, REVERSE GEAR	43	35	13-82199M	WASHER	11	27
12-81792M	WASHER	15	10	13-82199M	WASHER	11	39
12-81794M	WASHER	5	19	13-82199M	WASHER	11	42
12-81796M	WASHER	5	34	13-82199M	WASHER	13	48
12-81803M	WASHER	37	30	13-82199M	WASHER	15	29
12-81807M	WASHER	15	12	13-82199M	WASHER	15	37
12-81812M	WASHER	35	25	13-82199M	WASHER	17	43
12-81812M	WASHER	35	31	13-82199M	WASHER, LOCK	5	10
12-81825M	WASHER	37	28	13-82199M	WASHER, LOCK	21	8
12-81830M	WASHER	35	20	13-82199M	WASHER, LOCK	29	10
12-81831M	RETAINER, CONNECTING ROD BEARING	19	13	13-82199M	WASHER, LOCK	31	3
12-81836M	WASHER	35	14	13-82200M	WASHER	9	23
12-81837M	THRUST WASHER, REVERSE GEAR	43	33	13-82200M	WASHER	11	23
12-81838M	WASHER	37	5	13-82200M	WASHER	17	52
12-81839M	WASHER	37	8	13-82200M	WASHER	27	24
12-81852M	WASHER, WATER TUBE	45	76	13-82200M	WASHER, LOCK	31	12
12-81857M	WASHER	37	29	13-82200M	WASHER, LOCK	3	15
12-81859M	WASHER	35	23	13-82208M	WASHER	11	16
12-82196M	WASHER	13	51	13-82212M	WASHER, LOCK	25	3
12-82196M	WASHER	27	12	13-82212M	WASHER, LOCK	39	16
12-82198M	WASHER	3	18	13-82215M	WASHER	39	22
12-82202M	WASHER	9	24	13-82215M	WASHER	39	7
12-82202M	WASHER	11	22	13-82215M	WASHER, LOCK	37	21
12-82214M	WASHER	13	58	13-82215M	WASHER, LOCK	43	69
12-82214M	WASHER	19	19	13-82215M	WASHER, LOCK	43	67
12-82214M	WASHER	41	9	13-82218M	WASHER, LOCK	43	67
12-82216M	WASHER	31	18	13-92562M	WASHER, WAVE	33	3
12-82217M	WASHER	43	57	14-81877M	WASHER, CLAW	43	42
12-82220M	WASHER	35	11	15-81259M	SHIM, CRANKSHAFT	19	7
12-82220M	WASHER	35	30	15-81456M	SHIM, FORWARD GEAR ADJUST (.05MM)	41	24
12-82979M	WASHER	11	34	15-81457M	SHIM, FORWARD GEAR ADJUST (.08MM)	41	24
12-83372M	WASHER (UPPER)	23	27	15-81458M	SHIM, FORWARD GEAR AADJUST (.12MM)	41	24
12-83652M	WASHER KIT	9	17	15-81459M	SHIM, FORWARD GE AR ADJUST (.30MM)	41	24
12-84350M	WASHER	51	5	15-81460M	SHIM, FORWARD GEAR ADJUST (.50MM)	41	24
12-84429M	WASHER	37	16	15-81462M	SHIM, REVERSE GEAR ADJ (.05 MM)	43	34
12-84431M	WASHER	37	12	15-81463M	SHIM, REVERSE GEAR ADJ (.08 MM)	43	34
12-84432M	WASHER	37	13	15-81464M	SHIM, REVERSE GEAR ADJ (.12 MM)	43	34
12-84436M	WASHER	11	29	15-81465M	SHIM, REVERSE GEAR ADJ (.30 MM)	43	34
12-92636M	WASHER	23	2	15-81466M	SHIM, REVERSE GEAR ADJ (.50 MM)	43	34
13-81866M	WASHER, WAVE	31	4	15-81467M	SHIM, DRIVESHAFT BEARING (.05MM)	41	16
13-81868M	WASHER, WAVE	29	31	15-81468M	SHIM, DRIVESHAFT BEARING (.08MM)	41	16
13-81871M	WASHER, WAVE	5	17				
13-82184M	WASHER	27	8				
13-82184M	WASHER, LOCK	9	13				
13-82186M	WASHER	11	11				
13-82193M	WASHER	27	11				

# PARTS INDEX

Part Number	Description	Pg.	Ref. No.	Part Number	Description	Pg.	Ref. No.
15-81469M	SHIM, DRIVEHAFT BEARING (.12MM)	41	16	22-82369M	FITTING, GREASE	35	2
15-81470M	SHIM, DRIVESHAFT BEARING (.30MM)	41	16	22-97083M	TEE FITTING, FUEL LINE	25	17
15-81471M	SHIM, DRIVESHAFT BEARING (.50MM)	41	16	22-97820M	ELBOW	15	4
16-81383M	STUD, CLAMP BRACKET	35	9	23-41311M	BUSHING	29	11
16-81735M	STUD	21	33	23-41313M	BUSHING ( ) AND ABOVE	35	33
16-81742M	STUD, STEERING PLATE	37	3	23-41823M	BUSHING	5	16
16-81743M	STUD	15	19	23-80635M	RETAINER, SPRING	31	15
17-20426	RIVET, INDICATOR TO RETAINER	49	17	23-81327M	COLLAR	47	21
17-41314M	ROD, REVERSE LOCK	33	8	23-81938M	BUSHING	35	24
17-81258M	LOCK, BEARING	15	7	23-81939M	BUSHING	35	21
17-81278M	PIN, FLOAT	23	12	23-81942M	BUSH	29	11
17-81384M	PIN, LOWER SHOCK MOUNT	35	22	23-81946M	BUSHING	29	8
17-81386M	SHAFT, UPPER SHOCK MOUNT	35	18	23-81947M	BUSHING	33	4
17-81397M	ROD, REVERSE LOCK	33	8	23-81947M	BUSHING (E-000101 EL-300101)	33	23
17-81889M	PIN	35	8	23-81952M	BUSHING	5	16
17-81903M	CROSS PIN, CLUTCH	41	27	23-81955M	BUSHING	37	6
17-81909M	RIVET	33	16	23-81980M	COLLAR, TILT STOP SUPPORT	33	6
17-82137M	PIN, CLEVIS	31	2	23-81981M	SPACER, CLAMP BRACKET	35	10
17-82138M	PIN, CLEVIS	33	14	23-82120M	STUD	35	19
17-82145M	PIN, ROLL	21	10	23-82851M	SPACER, SHOCK MOUNT	11	33
17-82145M	PIN, ROLL	33	20	23-83610M	COLLAR	5	33
17-82146M	PIN, ROLL	29	35	23-84426M	BUSHING	39	10
17-82149M	PIN, ROLL	29	5	23-97810M	COLLAR	11	20
17-82154M	PIN, ROLL	29	20	23-98923M	BUSHING	31	17
17-82159M	PIN, ROLL	33	17	23-98934M	SLEEVE, DRIVESHAFT	41	17
17-82354M	PIN, DOWEL	15	6	24-22227	SPRING, TENSION-VENT SCREW	49	6
17-82354M	PIN, DOWEL	43	54	24-30189	SPRING, BAYONET BODY STEM	47	25
17-82364M	PIN	39	20	24-80610M	SPRING	3	4
17-82364M	PIN, DOWEL	39	5	24-80615M	SPRING	3	11
17-82364M	PIN, DOWEL	43	65	24-81496M	SPRING, BRUSH	9	10
17-82367M	PIN, DOWEL	29	4	24-82073M	SPRING, COMPRESSION (LOWER)	23	6
17-82368M	PIN, DOWEL	15	8	24-82074M	SPRING, COMPRESSION	29	13
17-82976M	PIN	29	3	24-82080M	SPRING, COMPRESSION	23	8
17-82982M	RIVET	5	14	24-82081M	SPRING	31	14
17-83904M	TILT LOCK PIN ASS'Y	33	18	24-82086M	SPRING	15	31
17-98908M	PIN, VALVE	23	23	24-82087M	SPRING, COMPRESSION	37	19
18-82053M	COTTER PIN	31	19	24-82091M	SPRING, SHIFT	41	31
18-82126M	PIN, COTTER	31	8	24-82103M	SPRING, TENSION	33	10
18-82128M	PIN, COTTER	33	15	24-82113M	SPRING, TORSION	29	17
18-82130M	PIN, COTTER	33	9	25-20415	O-RING, BAYONET BODY STEM	47	24
18-82131M	PIN, COTTER	33	5	25-81369M	GROMMET	5	29
18-82131M	PIN, COTTER	45	75	25-81989M	GASKET, WATER TUBE	45	78
18-82752M	PIN, COTTER	33	15	25-82061M	GROMMET	5	31
21-80608M	CHECK VALVE	3	6	25-82067M	GROMMET	15	32
21-80727M	CHECK VALVE ASS'Y	15	1	25-82069M	GROMMET	13	44
21-97819M	CHECK VALVE ASS'Y	15	2	25-82258M	O-RING, PULL WIRE	21	13
22-63187	FITTING, FUEL LINE	47	27	25-82261M	O-RING	23	22
22-80122M	FITTING	15	3	25-82269M	O-RING	5	13
22-80122M	PIPE, OVER FLOW	21	18	25-82275M	O-RING, WATER PUMP BASE	43	52
22-80743M	ELBOW	15	5	25-82276M	O-RING, CRANKSHAFT - UPPER	19	4
22-81042M	FUEL CONNECTOR, ENGINE END	47	15				
22-81326M	FITTING, LOWER COWL	5	30				
22-81924M	PLUG	41	3				
22-81926M	PLUG	15	38				

# PARTS INDEX

Part Number	Description	Pg.	Ref. No.	Part Number	Description	Pg.	Ref. No.
25-82286M	O-RING, OIL SEAL HOUSING	19	17	27-83044M	SEAL, BOTTOM COWL TO APRON	5	26
25-82288M	O-RING, FLOAT BOWL	23	13	27-92631M	GASKET, AIR INTAKE	21	6
25-82289M	O-RING, BEARING HOUSING	43	37	27-92642M	GASKET	39	19
25-82789M	O-RING	47	16	27-92648M	GASKET SET, LOWER UNIT	45	83
25-84957M	O-RING	25	7	27-97760M	GASKET SET, POWERHEAD	17	57
25-93101M	GROMMET	5	32	27-97826M	GASKET, CYLINDER HEAD	15	23
25-93114M	GROMMET	11	32	27-97828M	GASKET, HEAD COVER	15	27
25-94498M	O-RING	23	17	27-97830M	GASKET	17	41
25-97811M	GROMMET	11	21	27-97831M	GASKET	17	46
26-81426M	SEAL, WATER TUBE - UPPER	43	58	27-98925M	GASKET	39	8
26-81427M	SEAL, WATER TUBE - LOWER	45	79	27-98927M	GASKET	39	11
26-82233M	OIL SEAL, PROPELLER SHAFT	43	41	27-98928M	GASKET	39	12
26-82234M	OIL SEAL, WATER PUMP	43	53	27-98930M	GASKET	39	14
26-82248M	OIL SEAL, CRANKSHAFT - LOWER	19	16	28-81915M	KEY, CRANKSHAFT TO FLYWHEEL	19	20
26-82249M	OIL SEAL, CRANKSHAFT - UPPER	19	3	28-81916M	KEY	43	39
26-82255M	OIL SEAL, CRANKSHAFT - LOWER	19	15	28-97089M	KEY	41	14
26-82256M	OIL SEAL, STEERING SHAFT	37	7	29-82353M	BEARING, CONNECTING ROD (PISTON END)	19	12
26-82257M	OIL SEAL, GEAR HOUSING COVER	41	7	30-82296M	BEARING, REVERSE GEAR	43	36
27-25568	GASKET, FILLER CAP TO FUEL TANK	49	8	30-97838M	BEARING, CRANKSHAFT - LOWER	19	6
27-28862	GASKET, COVER ASSEMBLY TO FRAME	49	19	30-99983M	BEARING, CRANKSHAFT - LOWER	19	6
27-54921	GASKET, FUEL GAUGE LENS	49	12	31-41298M	BEARING, CONNECTING ROD (CRANKSHAFT END)	19	23
27-80270M	GASKET, HOUSING TO LENS INDICATOR	47	8	31-82311M	BEARING, CONNECTING ROD (CRANKSHAFT END)	19	23
27-80612M	GASKET, CHECK VALVE	3	7	31-82312M	BEARING, NEEDLE	19	2
27-80613M	GASKET, BODY TO BASE	3	5	31-82317M	BEARING, NEEDLE - PROPELLER SHAFT	43	40
27-80614M	GASKET, BODY TO COVER	3	12	31-82320M	BEARING, FORWARD GEAR	41	25
27-80757M	GASKET, FUEL PUMP TO CRANKCAE	3	16	31-97837M	BEARING, CENTER MAIN	19	5
27-81266M	GASKET, THERMOSTAT COVER	15	35	31-98933M	BEARING, DRIVESHAFT	41	15
27-81269M	GASKET, MANIFOLD TO REED VALVE - UPPER	21	20	31-98935M	BEARING, NEEDLE - DRIVESHAFT	41	18
27-81270M	GASKET, MANIFOLD TO REED VALVE - LOWER	21	21	31-98944M	BEARING, CONNECTING ROD (CRANKSHAFT END)	19	23
27-81272M	GASKET, CARBURETOR TO MANIFOLD	21	16	32-33909A3	TUBE ASSEMBLY	49	10
27-81276M	GASKET, AIR INTAKE TO CARBURETOR	21	2	32-81324M	HOSOE	17	48
27-81320M	GASKET, HOUSING TO TANK	47	10	32-81424M	TUBE, WATER (E)	45	77
27-81417M	GASKET, WATER PUMP	43	47	32-81425M	TUBE, WATER (EL)	45	77
27-81418M	GASKET, WATER PUMP BASE	43	51	32-81995M	HOSE	15	14
27-81421M	GASKET, CARTRIDGE OUTER PLATE	43	49	32-82004M	FUEL LINE, TEE TO CARBURETOR	25	18
27-81987M	GASKET	41	4	32-82010M	FUEL LINE, FILTER TO PUMP	25	15
27-81990M	GASKET	15	39	32-82016M	FUEL LINE, PUMP TO TEE	25	16
27-82790M	GASKET, FUEL BOWL	25	5	32-82023M	HOSE, BULB TO CONNECTOR	47	19
27-83033M	SEAL	39	2	32-83626M	HOSE, PICKUP	47	5
				32-83628M	FUEL LINE ASS'Y	47	0-1
				32-84415M	HOSE	21	30
				32-84955M	HOSE, CONNECTOR HOUSING TO BULB	47	17
				32-84956M	FUEL LINE, CONNECTOR TO PUMP	25	13
				32-97822M	HOSE	15	15
				32-97823M	HOSE	15	16

# PARTS INDEX

Part Number	Description	Pg.	Ref. No.	Part Number	Description	Pg.	Ref. No.
32-97824M	HOSE	15	17	84-98912M	WIRE, LEAD	27	19
33-84409M	PLUG, SPARK B-,HS (NGK)	17	44	84-98913M	WIRE, LEAD	27	20
34-92633M	REED VALVE	21	22	87-84943M	MAIN SWITCH ASS'Y	27	2
34-92634M	REED SET (REED STOPS NOT INCLUDED)	21	23	87-84944M	SWITCH, CHOKE	27	3
35-80617M	FILTER ASS'Y	25	4	87-97682M	KILL SWITCH ASS'Y	27	4
35-82783M	ELEMENT, FUEL FILTER	25	6	87-97834M	THERMO-SWITCH ASS'Y	17	53
36-25392A2	FILLER CAP ASSEMBLY	49	3	87-98910M	NEUTRAL SWITCH ASS'Y	27	15
36-83617M	FUEL TANK CAP	47	2	88-80007M	BULB	51	2
37-75881	DECAL	49	2	88-81522M	FUSE (12V-20A)	27	21
37-82984M	DECAL, SIDE	47	1	89-96357M	SWITCH, SOLENOID	9	3
37-83028M	DECAL (HP) - PORT	7	45	89-97843M	SOLENOID	21	9
37-83029M	DECAL(HP)-STARBOARD	7	46	91-81669M	TOOK KIT	7	49
37-84416M	DECAL	21	32	253-8602M	I. MAGNETO ASS'Y	11	1
37-97796M	DECAL, SIDE AND REAR SET	5	2	253-8603M	FLYWHEEL ASS'Y	11	2
39-97839M	PISTON RING SET (STD)	19	9	463-6825M	CRANKSHAFT ASS'Y	19	1
39-97840M	PISTON RING SET 1ST (O.S. 84.25 MM)	19	9	545-82037M	CLAMP	25	14
39-97841M	PISTON RING SET 2ND (O.S. 84.50 MM)	19	9	629-8609M	CONNECTING ROD ASS'Y	19	21
41-81263M	PIN, PISTON	19	10	761-8606M	PISTON (STD 83.95 MM)	19	8
43-84206M	GEAR, FORWARD	41	22	761-8607M	PISTON (1ST O.S. 84.25 MM)	19	8
43-84207M	GEAR, REVERSE	41	23	761-8608M	PISTON (2ND O.S. 84.50 MM)	19	8
43-84208M	GEAR, PINION	41	21	761-8930M	PISTON (STD 83.95 MM)	19	8
44-92644M	SHAFT, PROPELLER	41	32	761-8931M	PISTON (1ST O.S. 84.25 MM)	19	8
45-81451M	DRIVESHAFT (E)	41	13	761-8932M	PISTON (2ND O.S. 84.50 MM)	19	8
45-81452M	DRIVESHAFT (EL)	41	13	870-8604M	CRANKCASE ASS'Y	15	0-1
46-81416M	BODY, WATER PUMP	43	44	968-8605M	HEAD, CYLINDER	15	22
46-81422M	BASE, WATER PUMP	43	50	1225-1529	FUEL TANK	49	1
47-97108M	IMPELLER, WATER PUMP	43	46	1225-1529A21	FUEL TANK ASSEMBLY	49	0-1
50-97072M	ELECTRIC MOTOR ASS'Y	9	1	1383-8610M	CARBURETOR ASS'Y (UPPER)	23	0-1
52-81473M	CLUTCH	41	26	1383-8611M	CARBURETOR ASS'Y (LOWER)	23	0-2
53-28903	FASTENER, RETAINING FRAME TO FUEL TANK	49	21	1484-6839M	CLAMP BRACKET	35	4
53-41297M	SNAP RING, PISTON PIN	19	11	1484-8933M	CLAMP BRACKET	35	4
53-42446M	SNAP RING	37	10	1485-6840M	SWIVEL BRACKET (E)	35	1
53-82330M	SNAP RING	29	14	1485-6841M	SWIVEL BRACKET (EL)	35	1
53-82330M	SNAP RING	31	6	1485-8818M	SWIVEL BRACKET (E)	35	1
53-82334M	SNAPP RING	41	11	1485-8819M	SWIVEL BRACKET (EL)	35	1
53-98938M	SNAP RING, PISTON PIN	19	11	1587-7163M	DRIVESHAFT HOUSING (E)	39	1
54-80752M	CLAMP, HOSE	47	20	1587-7164M	DRIVESHAFT HOUSING (EL)	39	1
54-82046M	CLIP	15	18	1651-7971M	GEAR HOUSING	41	1
54-82047M	CLAMP, HOSE	21	31	1651-8612M	GEARHOUSING ASS'Y (E)	41	0-1
54-82047M	CLAMP, HOSE	25	19	1651-8613M	GEARHOUSING ASS'Y (EL)	41	0-1
54-82047M	CLIP	17	49	2168-7972M	BOTTOM COWL	5	25
54-82781M	CLIP	23	21	2168-8601M	TOP COWL ASS'Y	5	1
54-82983M	CLAMP	7	51				
54-83764M	CLAMP, PICKUP HOSE	47	4				
54-97079M	CLAMP	13	45				
54-97561M	CLAMP	17	57				
55-92650M	SHOCK ABSORBER	35	17				
79-84311M	TACHOMETER KIT	51	1				
84-81250M	WIRE, GROUND	13	53				
84-84352M	EXTENSION, LEAD	51	7				
84-84353M	CONNECTOR	51	8				
84-84711M	EXTENSION, WIRE HARNESS (5M)	27	13				
84-97078M	WIRE, GROUND	13	52				
84-98911M	WIRE HARNESS ASS'Y	27	18				