



PARTS CATALOG

105 H.P. CHARGER

SERIAL NUMBER

105 (1976)	1055BA
105 (1976)	1055BB
105 (1976)	1055HA
105 (1976)	1055HB

TABLE OF CONTENTS:

ACCESSORIES	62
CARBURETOR	14
CRANKSHAFT AND PISTON GROUP	40
DISTRIBUTOR FOR MODEL 1055 HB	22
ELECTRICAL COMPONENTS FOR MODEL 1055 HB	10
ELECTRICAL COMPONENTS FOR MODEL 1055HA	6
ENGINE COVER AND SUPPORT PLATE	2
FUEL PUMP AND REED PLATE	18
FUEL TANK AND LINE	52
GEAR HOUSING	48
LUBRICATION CHART	66
MOTOR LEG	42
PARTS INDEX	68
POWER HEAD FOR MODEL 1055 HA	28
POWER HEAD FOR MODEL 1055 HB	34
REMOTE CONTROL	54
SPECIAL ADJUSTMENTS	67
SPECIAL TOOLS - GEAR HOUSING	60
SPECIAL TOOLS - POWER HEAD	59
SPECIAL TOOLS - TEST EQUIPMENT	61
SPECIAL TOOLS - TUNE-UP	58
SPECIFICATIONS	65
STARTER	26

NOTE: Indented description indicate that these parts are included in preceeding assembly.

AR = As Required

NSS = Not Sold Separate

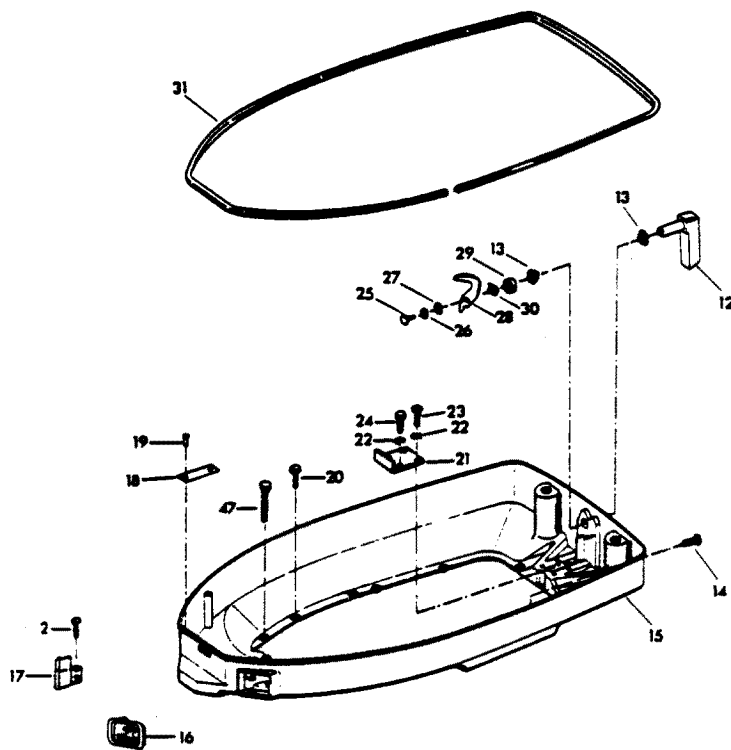
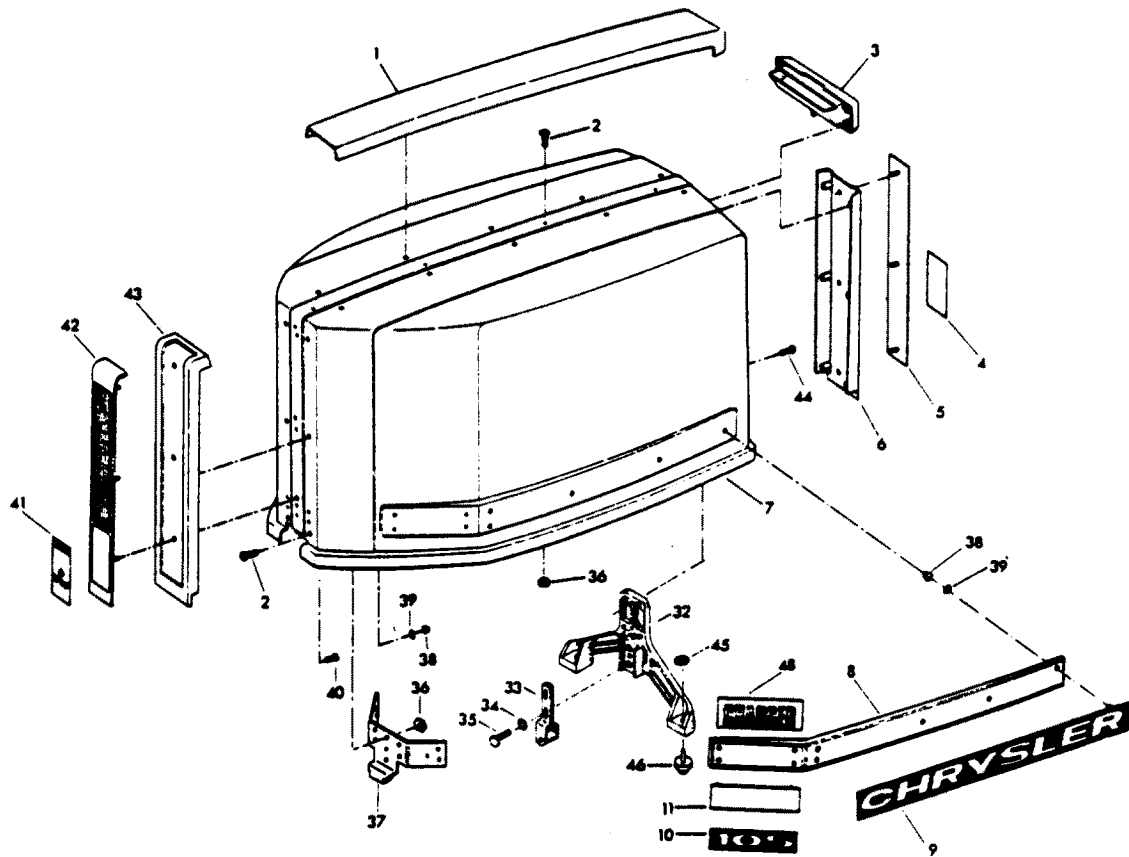
OPT = Optional

NS = Not Shown

THESE PARTS BOOKS/FICHE CARD ARE COPYRIGHTED AND MAY NOT BE DISTRIBUTED OR REPRODUCED IN ANY OTHER FORMAT BY ANYONE OTHER THAN MERCURY MARINE WITHOUT THE PRIOR WRITTEN CONSENT OF MERCURY MARINE.

THIS PAGE INTENTIONALLY LEFT BLANK

ENGINE COVER AND SUPPORT PLATE

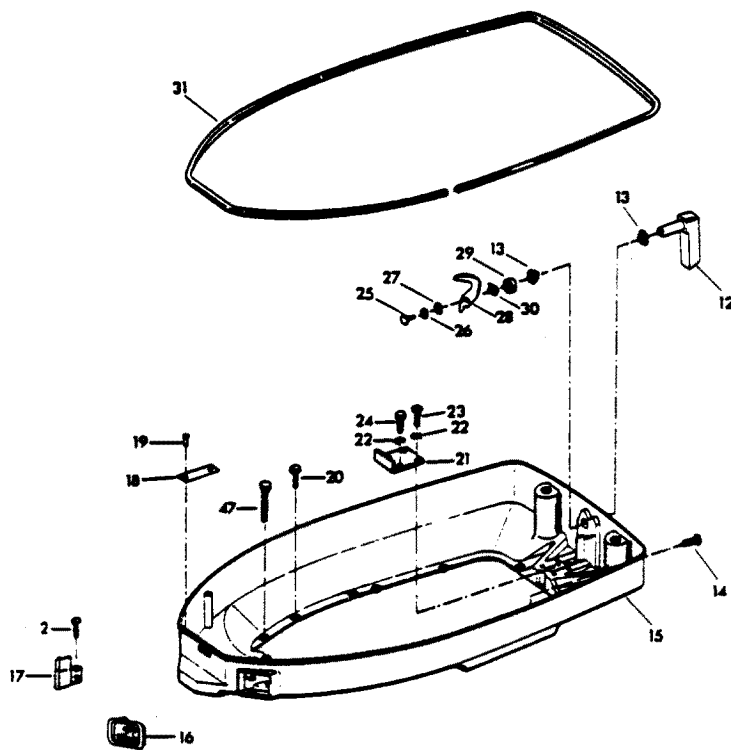
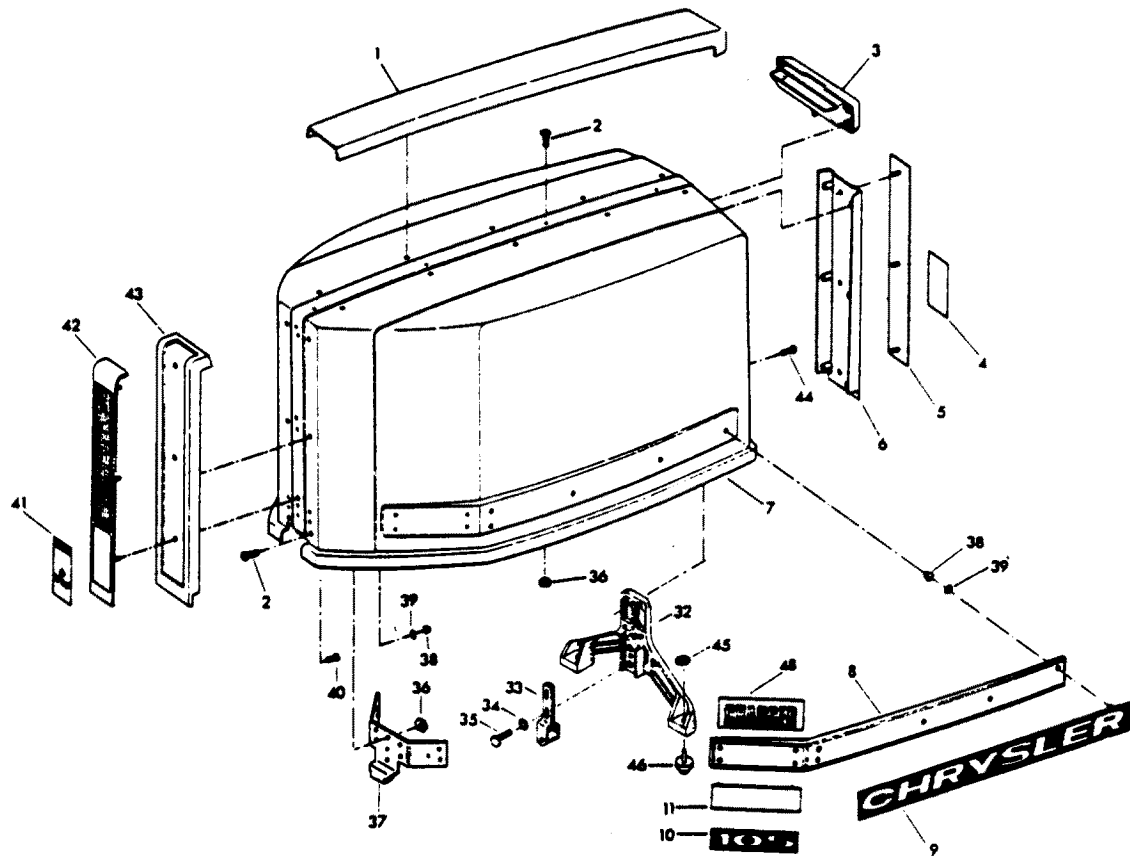


ENGINE COVER AND SUPPORT PLATE

REF. NO.	PART NO.	SYM.	QTY.	DESCRIPTION
1	FS480179		1	TRIM TOP
2	F1733		6	PAN HD MACHINE SCREW, 10 - 24 X 9/16
3	FS480269		1	TILT HANDLE
4	FA489528		1	INSERT, PLATE REAR
5	F489386		1	PLATE REAR
6	FS489180		1	TRIM REAR
7	FA489944		1	ENGINE COVER W/RETAINER, SCREWS AND NUTS
8	F333392		2	PLATE SIDE
9	F463366		2	NAME "CHRYSLER"
10	FA489385		2	INSERT, PLATE SIDE
11	F373512		2	PLATE INSERT
12	FA481469		1	HANDLE W/SHAFT
13	F480818		2	BEARING
14	F1238		6	HEX CAP SCREW, 1/4 - 20 X 3/4
15	F480038-2		1	SUPPORT PLATE
16	F310189		1	BUSHING, ELECTRIC CABLE
17	F311189-1		1	BUSHING, CABLE ENTRY
18	FA77395-5		1	IDENTIFICATION PLATE W/SCREWS FOR U.S.A MODELS
-	AC16395-7		1	IDENTIFICATION PLATE W/SCREWS FOR CANADA MODELS
19	F1293		2	ROUND HD SCREWS, 2 X 3/16
20	F1502		5	HEX CAP SCREW, 1/4 - 20 X 5/8
21	F335654-1		1	DEFLECTION STOP
22	F8096		4	SPRING LOCKWASHER
23	F1857		2	HEX CAP SCREW, 5/16 - 18 X 5/8
24	F1858		2	HEX CAP SCREW, 5/16 - 18 X 1
25	F1854		1	HEX CAP SCREW, 1/4 - 20 X 5/8
26	F8083		1	SPRING LOCKWASHER
27	F8094		1	PLAIN WASHER
28	F481777		1	CAM, LATCH
29	F481382-1		1	SPACER, LATCH SHAFT
30	F2047		1	WAVE SPRING LOCKWASHER
31	F321756		1	PACKING, COVER
32	F481774		1	BRACKET, COVER LATCH
33	FA481743		1	ROLLER BRACKET
34	F8096		2	SPRING LOCKWASHER
35	F1857		2	HEX CAP SCREW, 5/16 - 18 X 5/8
36	F1473		7	HEX NUT
37	F373778-1		1	RETAINER, ENGINE COVER
38	F1753		25	FASTENER
39	F85735-1		25	SEAL
40	F2066		30	PAN HD TAPPING SCREW, 10 X 7/16 (TRIM TO COVER)
42	F489711		1	PLATE, ENGINE COVER FRONT
43	FS489888		1	TRIM FRONT

CONTINUED ON NEXT PAGE ➡

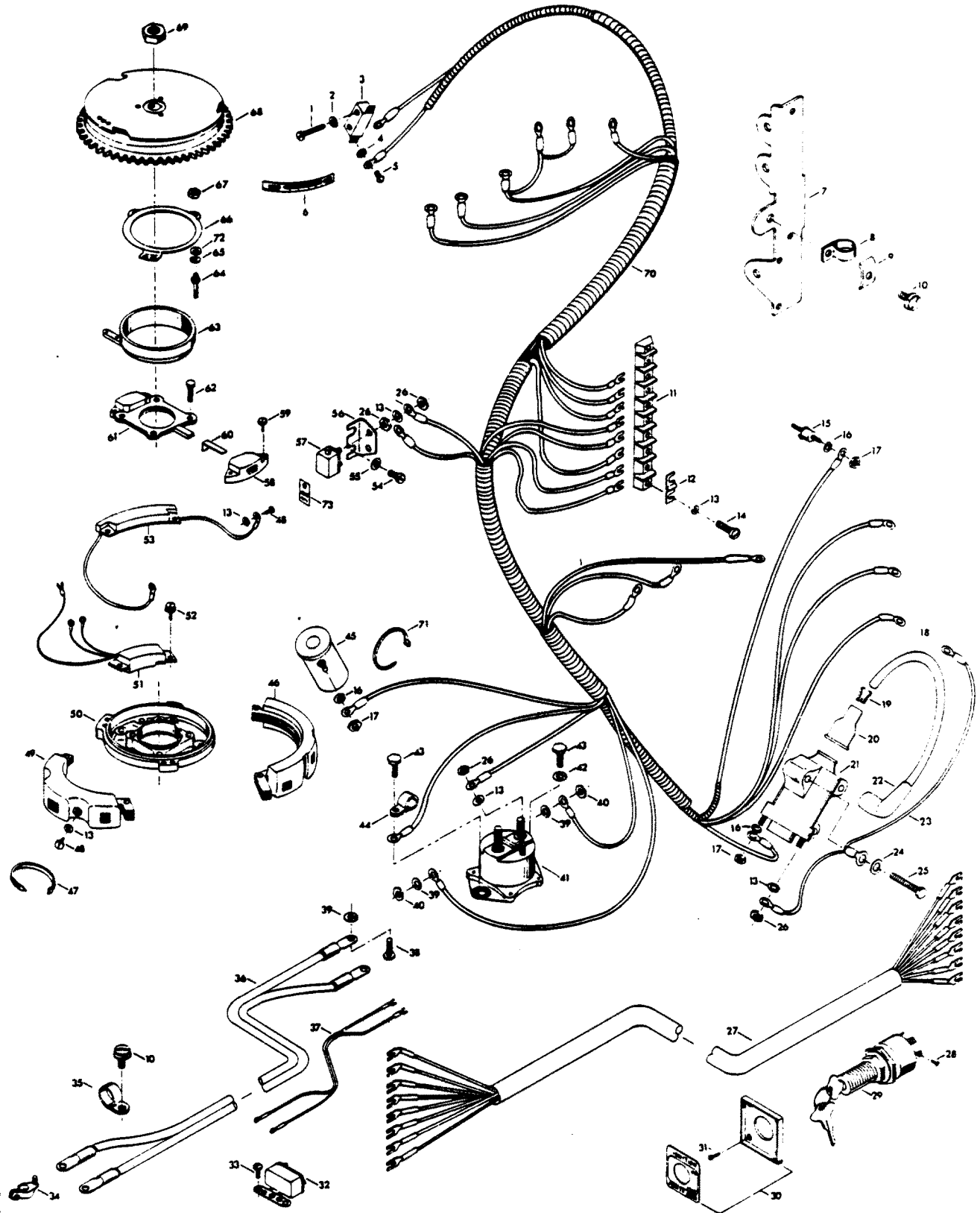
ENGINE COVER AND SUPPORT PLATE



ENGINE COVER AND SUPPORT PLATE

REF. NO.	PART NO.	SYM.	QTY.	DESCRIPTION
44	F1730		4	PAN HD SCREW W/SPRING LOCKWASHER, 1/4 - 20 X 5/8
45	F2088		2	FASTENER
46	F481434		2	GUIDE, ENGINE COVER
47	F1849		2	HEX HD CAP SCREW, 1/4 - 20 X 1 3/8
-	F438984-1		1	BLANKET, SILENCER TOP (NOT SHOWN)
-	F489985		2	BLANKET, SILENCER SIDE (NOT SHOWN)
41	A478892		1	INSERT, PLATE FRONT - U. S. A.
-	FA474893		1	INSERT, PLATE FRONT - CANADA
	FA467892		1	INSERT, PLATE FRONT - U. S. A.
-	FA467893		1	INSERT, PLATE FRONT - CANADA
48	523785		2	DECAL, CHARGER

ELECTRICAL COMPONENTS FOR MODEL 1055HA

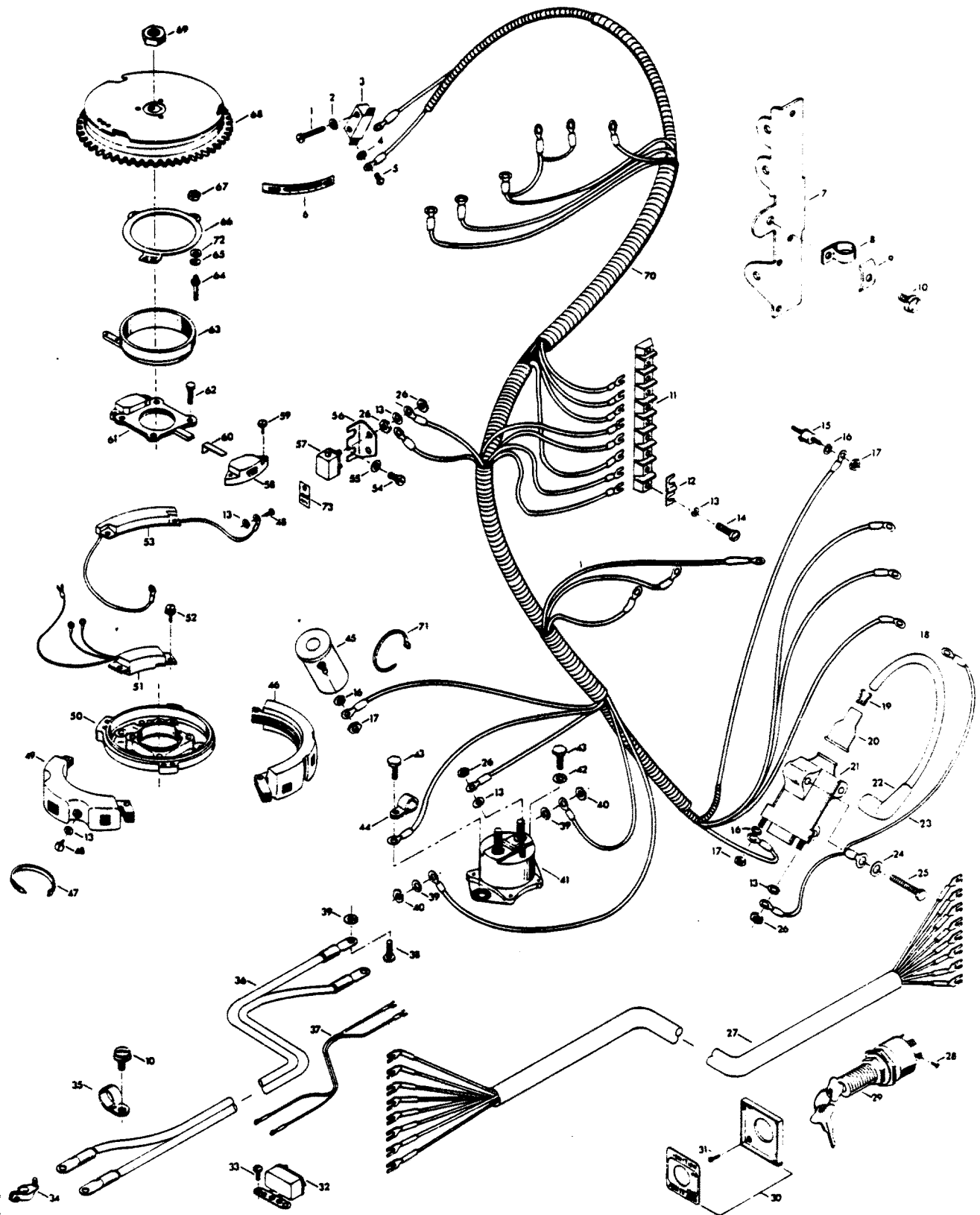


ELECTRICAL COMPONENTS FOR MODEL 1055HA

REF. NO.	PART NO.	SYM.	QTY.	DESCRIPTION
1	F2016		2	SLOTTED FILL HD SCREW, 6 - 32 X 7/8
2	F8088		2	PLAIN WASHER
3	F84449		1	NEUTRAL INTERLOCK SWITCH
4	F1704		2	INTERNAL TOOTH LOCKWASHER
5	F1645		2	RD HD SCREW, 6 - 32 X 1 1/4
6	F474387		1	TIMING DECAL
7	FA439493		1	TERMINAL BLOCK BRACKET
8	F289446-1		1	CLAMP
9	F438668		1	RETAINER, CABLE CLAMP
10	F1734		2	FILL HD SCREW W/LOCKWASHER, 1/4 - 20 X 1/2
11	FA510497		1	TERMINAL BLOCK
12	F307317		1	CLIP, TERMINAL BLOCK GROUND
13	F1975		17	LOCKWASHER
14	F1648		2	PAN HD SCREW, 10 - 24 X 3/4
15	87-817778A1		1	THERMOSWITCH
16	F8056		6	SPRING LOCKWASHER
17	F1647		6	HEX NUT, 8 - 32
18	84-817821A1		4	HI-TENSION WIRE
19	F203673		4	CLIP, HI-TENSION TERMINAL
20	F203276		4	BOOT, SECONDARY COIL
21	FS474475		4	IGNITION COIL
22	FK750-1		1	SPARKIE KIT
23	F345908		2	GROUND WIRE, COIL
24	F2012		12	PLAIN WASHER
25	F1849		12	HEX CAP SCREW, 1/4 - 20 X 1 3/8
26	F1513		10	HEX NUT, 10 - 32
27	F85843-1		1	ELECTRIC CONTROL CABLE, 18 FT.
28	F1280		5	SLOTTED PAN HD SCREW, 8 - 32 X 1/4
29	F74H20		1	IGNITION SWITCH (ACCESSORY ITEM)
30	F71H21		1	IGNITION SWITCH MOUNTING KIT (ACCESSORY ITEM)
31	F1934		4	FLAT HD SLOTTED SCREW, 6 X 1/2
32	F71H30		1	BUZZER, HEAT INDICATOR (ACCESSORY ITEM)
33	F1741		2	PAN HD SCREW, 8 X 3/4
34	F71H26		1	BATTERY TERMINAL KIT (ACCESSORY ITEM)
35	F407446		1	CLAMP
36	F381896-4		1	BATTERY CABLE
37	F404841		1	CABLE
38	F2000		1	HEX CAP SCREW, 5/16 - 18 X 3/4
39	F8096		3	SPRING LOCKWASHER
40	F1615		2	HEX NUT, S.S., 5/16 - 24
41	F460917		1	STARTER RELAY
42	F8083		1	SPRING LOCKWASHER
43	F1854		2	HEX CAP SCREW, 1/4 - 20 X 5/8

CONTINUED ON NEXT PAGE ➡

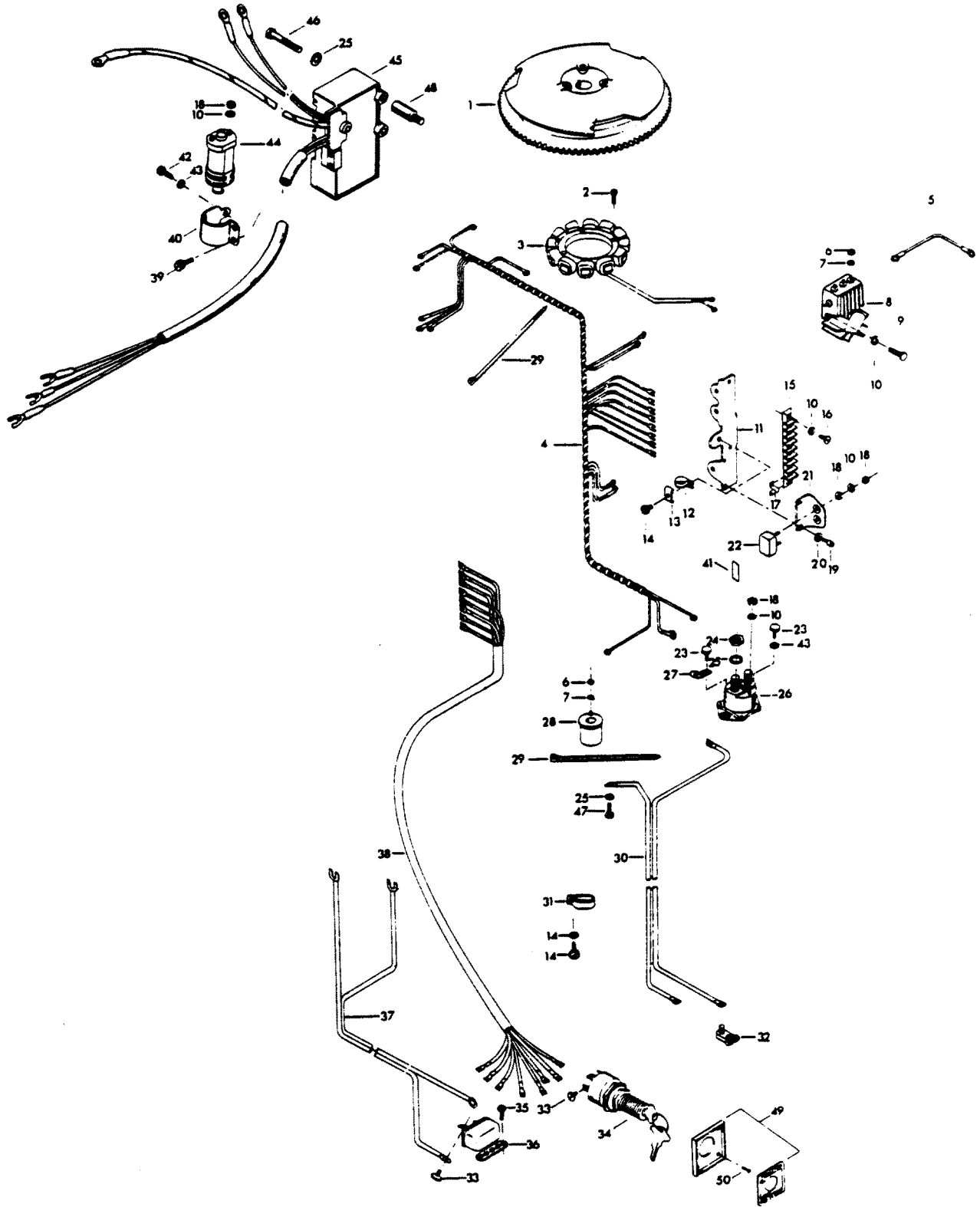
ELECTRICAL COMPONENTS FOR MODEL 1055HA



ELECTRICAL COMPONENTS FOR MODEL 1055HA

REF. NO.	PART NO.	SYM.	QTY.	DESCRIPTION
44	F404446		1	CLAMP
45	F85924		1	CHOKE SOLENOID
46	S474301-1		1	MODULE
47	F1845		2	TY-RAP, REGULATOR TO POWER PACK LEADS
48	F2077		7	SLOTTED PAN HD M. SCREW, 10 - 32 X 1/4
49	FS474095		1	ALTERNATOR STATOR
50	FA489144		1	BEARING CAGE W/CRANKSHAFT SEAL
51	FS474470		1	REGULATOR-RECTIFIER
52	F1734		2	SLOTTED FILL HD SCREW W/LOCKWASHER, 1/4 - 20 X 1/2
53	FS474030		1	CAPACITOR
54	F1760		2	SLOTTED PAN HD SCREW, 10 - 24 X 3/8
55	F8011		2	PLAIN WASHER
56	F91446-1		1	CIRCUIT BREAKER BRACKET
57	F510460		1	CIRCUIT BREAKER
58	F12352-1		4	TRIGGER COIL
59	F1036		8	SLOTTED FILL HD M. SCREW, 6 - 32 X 1/4
60	F12353		4	CLIP
61	F12356		1	SPIDER
62	F1854		4	HEX CAP SCREW, 1/4 - 20 X 5/8
63	S474082-1		1	TIMING RING
64	F474531		4	STUD, TIMING RING RETAINER
65	F8048		4	BOWED WASHER
66	F474178		1	RETAINER, TIMING RING
67	F1804		4	STOP NUT, 10 - 32
68	FS489097		1	FLYWHEEL
69	F1968		1	HEX NUT, 3/4 - 16
70	F500744		1	WIRING HARNESS
71	F1877		1	TY-RAP
72	F2042		4	PLAIN WASHER
73	F510374		1	DECAL, CIRCUIT BREAKER

ELECTRICAL COMPONENTS FOR MODEL 1055 HB

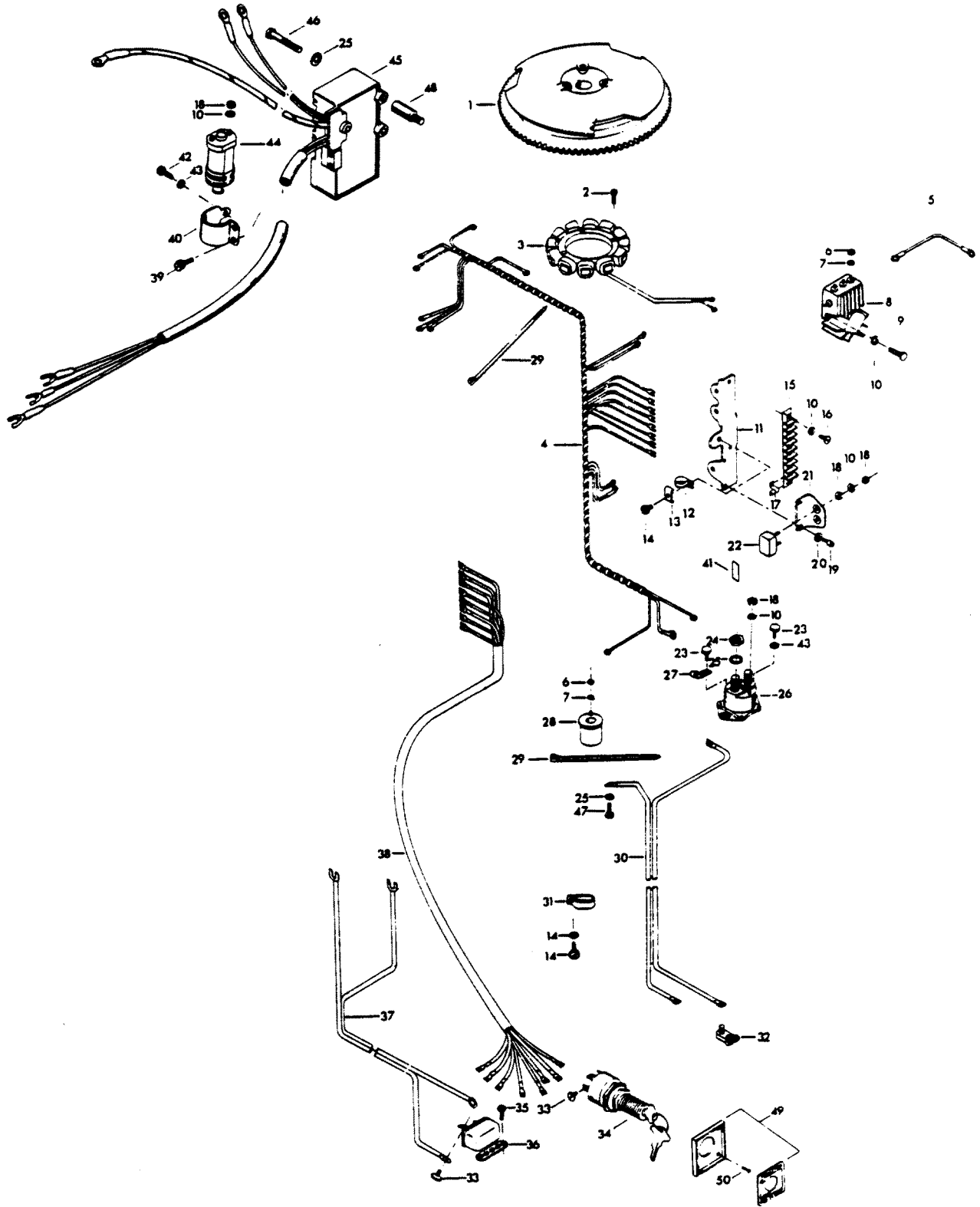


ELECTRICAL COMPONENTS FOR MODEL 1055 HB

REF. NO.	PART NO.	SYM.	QTY.	DESCRIPTION
1	F404097		1	FLYWHEEL
2	F1678		6	FILL HD SCREW, 10 - 24 X 13/16
3	F85095-2		1	STATOR
4	F438744-1		1	WIRING HARNESS
5	F345683		1	WIRE, REGULATOR-RECTIFIER GROUND
6	F1647		5	HEX NUT, 6 - 32
7	F8056		7	SPRING LOCKWASHER
8	F404470-1		1	REGULATOR-RECTIFIER
9	F2001		3	FILL HD SCREW, 10 - 24 X 5/8
10	F1975		11	SPRING LOCKWASHER
11	FA439493		1	TERMINAL BLOCK BRACKET
12	F289446-1		1	CLAMP
13	F438668		1	RETAINER, CABLE CLAMP
14	F1734		2	FILL HD SCREW W/LOCKWASHER, 1/4 - 20 X 1/2
15	FA510497		1	TERMINAL BLOCK
16	F1648		2	PAN HD SCREW, 10 - 24 X 3/4
17	F307317		1	CLIP, TERMINAL BLOCK
18	F1513		8	HEX NUT
19	F1760		2	PAN HD SCREW, 10 - 24 X 3/8
20	F8011		2	PLAIN WASHER
21	F91446-1		1	CIRCUIT BREAKER BRACKET
22	F510460		1	CIRCUIT BREAKER
23	F1705		2	HEX CAP SCREW, 1/4 - 20 X 3/4
24	F1615		2	HEX NUT
25	F8096		6	SPRING LOCKWASHER
26	F460917		1	STARTER RELAY
27	F404446		1	CLAMP
28	F85924		1	CHOKE SOLENOID
29	F1877		1	TY-RAP
30	F381896-4		1	BATTERY CABLE
31	F407446		1	CLAMP
32	F71H26		1	BATTERY CABLE CLAMP KIT (ACCESSORY ITEM)
33	F1280		7	PAN HD SCREW, 8 - 32 X 1/4
34	F74H20		1	IGNITION SWITCH (LONG BARREL) W/KEYS AND SCREWS (ACCESSORY ITEM)
35	F1741		2	PAN HD SCREW, 8 X 3/4
36	F71H30		1	OVERHEAT BUZZER (ACCESSORY ITEM)
37	F404841		1	CABLE, HEAT INDICATOR
38	F85843-1		1	REMOTE ELECTRIC CABLE, 18 FEET
39	F1851		2	FILL HD SCREW W/LOCKWASHER, 10 - 24 X 1/2
40	F404513		1	COIL CLAMP
41	F510374		1	DECAL, CIRCUIT BREAKER
42	F1689		1	HEX HD CAP SCREW, 1/4 - 20 X 1/2

CONTINUED ON NEXT PAGE ➡

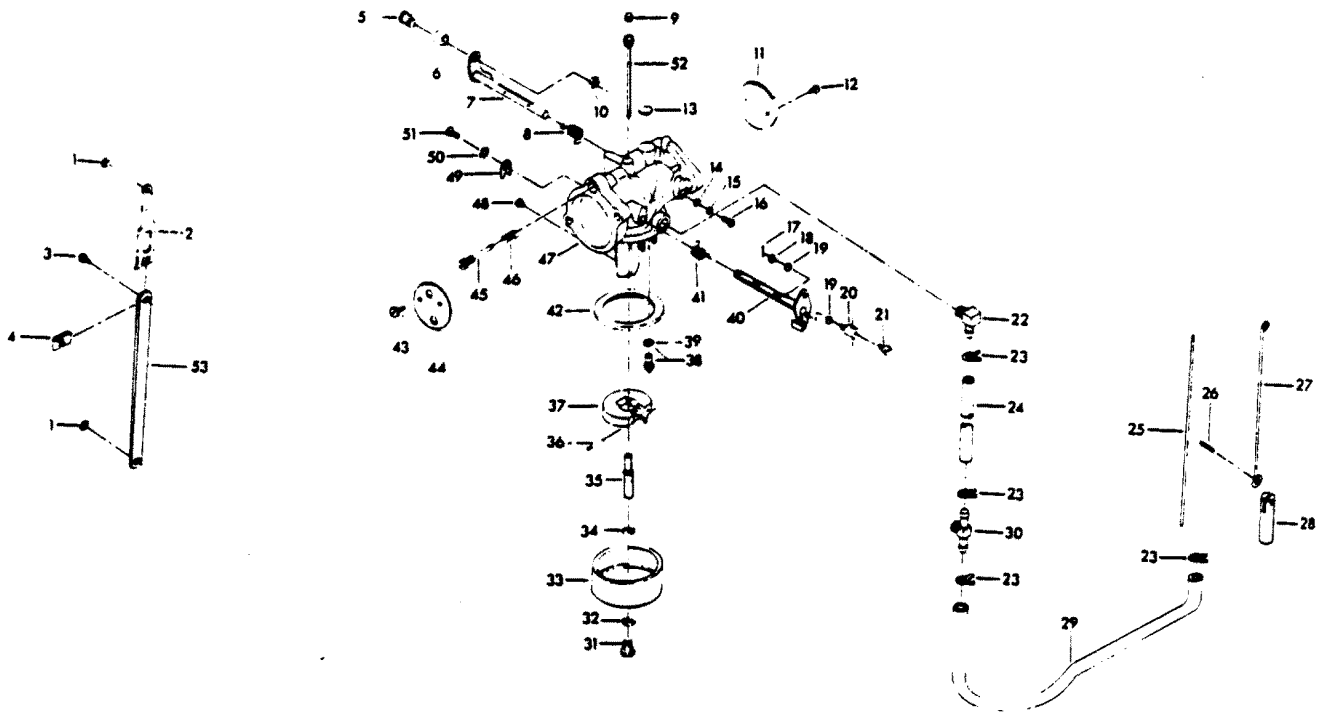
ELECTRICAL COMPONENTS FOR MODEL 1055 HB



ELECTRICAL COMPONENTS FOR MODEL 1055 HB

REF. NO.	PART NO.	SYM.	QTY.	DESCRIPTION
43	F8083		2	SPRING LOCKWASHER
44	F345475-1		1	COIL
45	817855A1		1	UNIT (ORIGINAL FORCE P/N A 523301-1)(Does not include Coil & Clamp)
46	F2027		3	HEX CAP SCREW, 5/16 - 18 X 3
47	F2000		1	HEX CAP SCREW, 5/16 - 18 X 3/4
48	F322273		1	STUD, C.D. UNIT
49	F71H21		1	IGNITION SWITCH MOUNTING KIT (ACCESSORY ITEM)
50	F1934		4	FLAT HD SLOTTED SCREW, 6 X 12
-	480373		1	DECAL, MAGNAPOWER IGNITION (NOT SHOWN)
-	F474387		1	TIMING DECAL (NOT SHOWN)

CARBURETOR

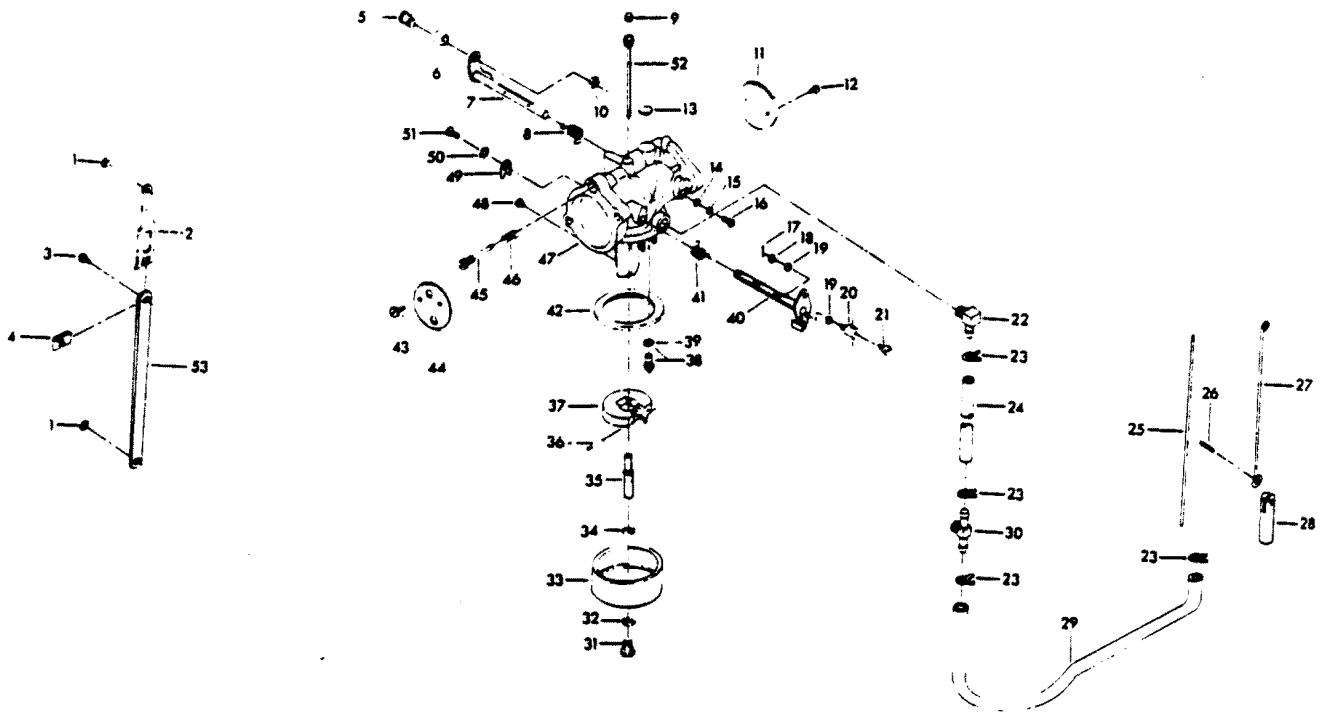


CARBURETOR

REF. NO.	PART NO.	SYM.	QTY.	DESCRIPTION
1	90607		2	RETAINING RING
2	A65193		1	TIE BAR END W/SWIVEL
3	F1064		1	FILL HD SCREW, 8 - 32 X 3/8
4	F1693		1	TIE BAR RETAINER
5	F333316		1	THROTTLE ROLLER SHAFT
6	F92759		1	THROTTLE ROLLER
7	FO15231		1	THROTTLE SHAFT AND LEVER
8	FO16008		1	THROTTLE SHAFT RETURN SPRING
9	FO10588		1	BODY CHANNEL CUP PLUG
10	F1997		1	STOP NUT, 8 - 32
11	FO13942		1	THROTTLE SHUTTER
12	06942		2	THROTTLE SHUTTER RETAINING SCREW AND LOCKWASHER
13	FO4326		1	BODY CHANNEL WELCH PLUG
14	FO3804		1	RETAINING SCREW WASHER
15	FO6396		1	RETAINING SCREW LOCKWASHER
16	FO6393		1	RETAINING SCREW
17	F1014		2	COTTER PIN
18	F8088		3	PLAIN WASHER
19	F184579		5	"O" RING SEAL
20	F184033-1		1	SWIVEL, TOP CARBURETOR
21	F1059		2	FILL HD SCREW, 6 - 32 X 1/4
22	F84314-2		1	ELBOW
23	F97772		4	CLAMP
24	F178754-1		1	FUEL LINE
25	F85509-1		1	LINK, CHOKE
26	F2033		1	GROOVE PIN
27	F372925		1	CHOKE RED
28	F391926-1		1	PLUNGER
29	F438754		1	FUEL LINE W/CLAMP, PUMP TO CARBURETOR
30	F85314-1		1	FUEL FITTING
31	FO13945		1	FUEL BOWL RETAINING SCREW
32	FO2510		2	FUEL BOWL RETAINING SCREW GASKET
33	013532		1	FUEL BOWL
34	FO2510		1	FUEL BOWL RETAINING SCREW WASHER
35	FO15217		1	MAIN NOZZLE
36	FO13944		1	FLOAT LEVER PIN
37	FO13554		1	FLOAT
38	FO10790		1	INLET NEEDLE, SEAL AND GASKET
39	FO10165		1	INLET SEAT GASKET
40	FO17241		1	CHOKE SHAFT AND LEVER
41	FO13947		1	CHOKE SHAFT RETURN SPRING
42	FO15623		1	FUEL BOWL GASKET
43	FO8942		2	CHOKE SHUTTER RETAINING SCREW AND LOCKWASHER

CONTINUED ON NEXT PAGE ➡

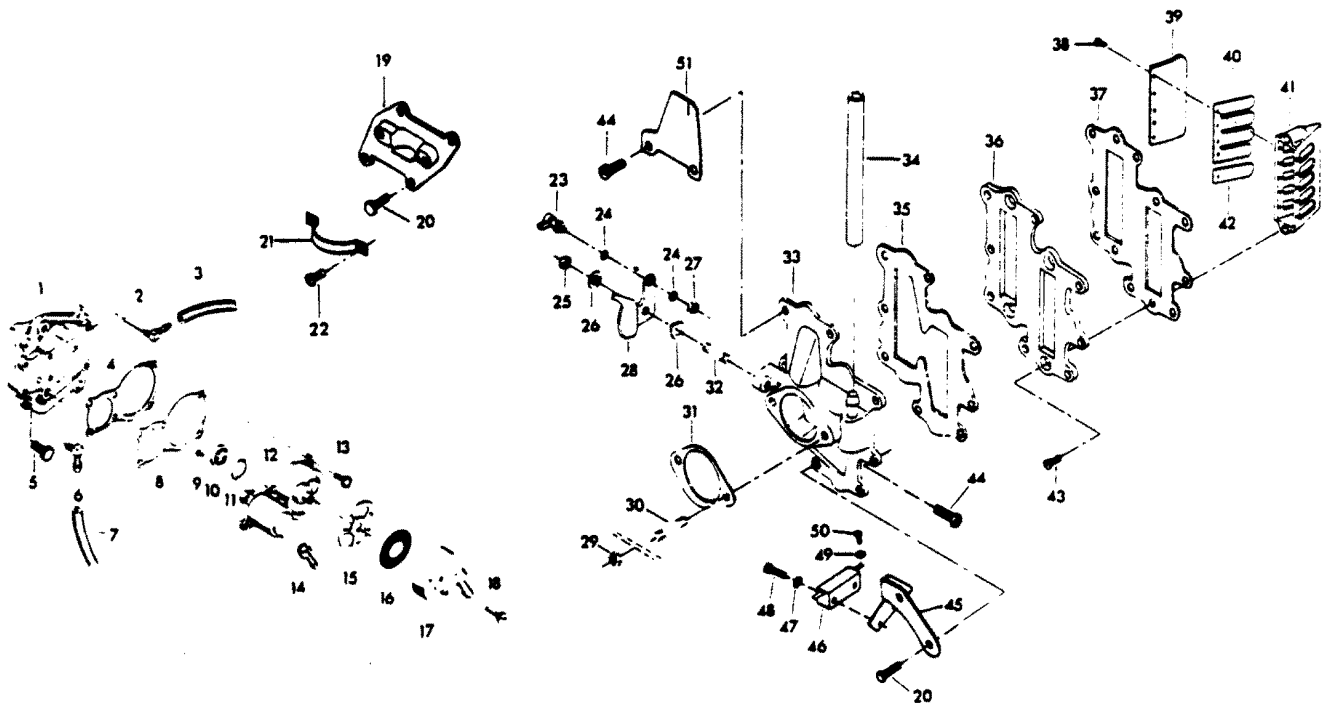
CARBURETOR



CARBURETOR

REF. NO.	PART NO.	SYM.	QTY.	DESCRIPTION
44	FO13555		1	CHOKE SHUTTER
45	FO13946		1	IDLE MIXTURE SCREW
46	FO11103		1	IDLE MIXTURE SCREW SPRING
49	FO9678		1	CLIP, CHOKE SHAFT
50	FO992		1	LOCKWASHER
51	FO1974		1	SCREW
52	FO17181		1	IDLE TUBE
53	FA178233		1	THROTTLE TIE BAR W/SWIVEL
-	F85033		1	SWIVEL, CHOKE ROD (BOTTOM CARBURETOR) (NOT SHOWN)
-	F10000		1	GASKET SET (NOT SHOWN)
-	F10005		1	REPAIR PARTS KIT (NOT SHOWN). INCLUDES ALL ITEMS MARKED WITH AN ASTERISK (*).
47	F500061-1		1	CARBURETOR COMPLETE (WB24A)
48	FO14306		1	MAIN FUEL JET (.0785)
47	F500061-1		1	CARBURETOR COMPLETE (WB24B)
48	FO13194		1	MAIN FUEL JET (.060)

FUEL PUMP AND REED PLATE

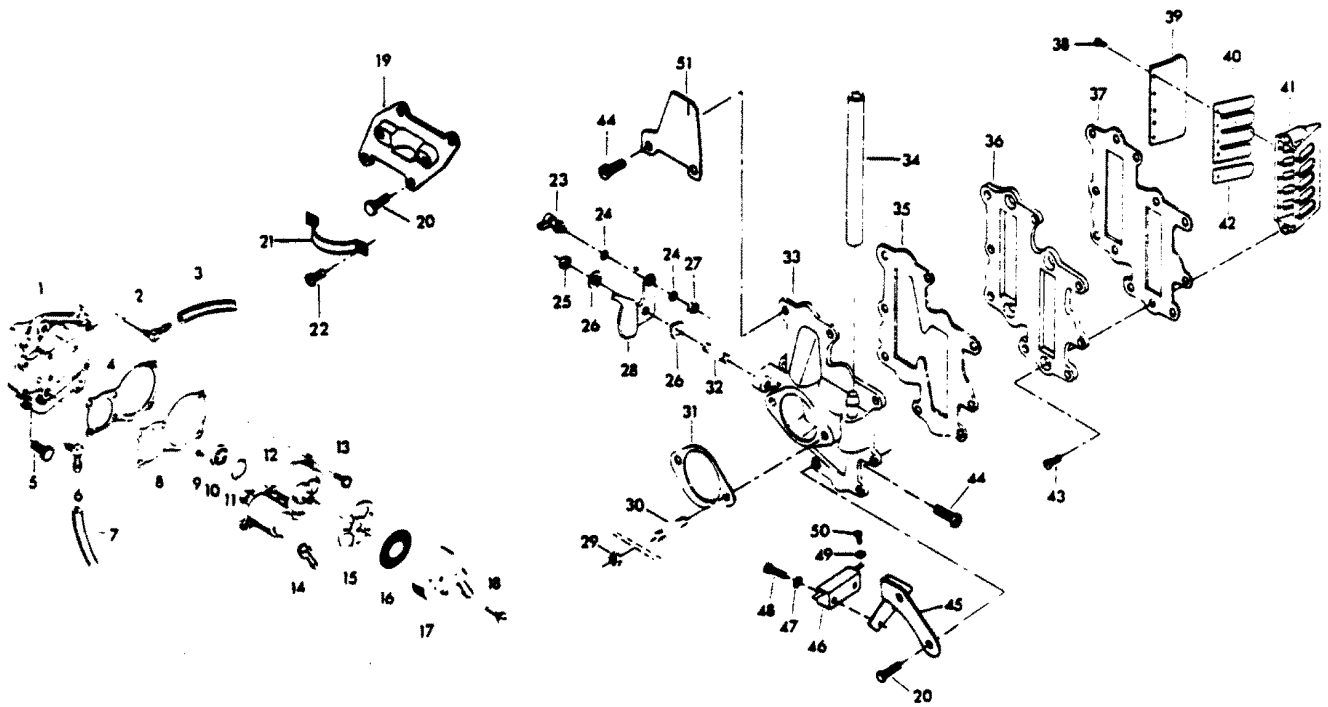


FUEL PUMP AND REED PLATE

REF. NO.	PART NO.	SYM.	QTY.	DESCRIPTION
1	FA439746		1	FUEL PUMP COVER
2	F404314		1	ELBOW, FUEL PUMP COVER
3	F441754-1		1	HOSE
4	F438760		1	FUEL PUMP GASKET
5	F1502		4	HEX CAP SCREW, 1/4 - 20 X 5/8
6	F84314-2		1	ELBOW
7	F89758		1	FUEL PUMP AIR HOSE - TOP
8	F438747		1	FUEL PUMP DIAPHRAGM W/GASKET
9	F1860		2	RD HD SCREW, 6 - 32 X 1/4
10	F177330		3	FUEL PUMP VALVE
11	F84792		1	GASKET, CENTER FUEL PUMP VALVE
12	FA438431		1	FUEL PUMP BODY W/VALVES
13	F1108		6	FILL HD SCREW, 1/4 - 20 X 3/4
14	F438801		1	FITTING
15	F438617		1	FUEL SEDIMENT BOWL GASKET
16	F438653		1	FUEL SEDIMENT BOWL SCREEN
17	F438500		1	FUEL SEDIMENT BOWL
18	F438165		1	SCREW, FUEL PUMP BOWL
19	F372958		1	CHOKE BRACKET
20	F1953		6	HEX HD SCREW, 1/4 - 20 X 1
21	F85317-1		1	SOLENOID CLAMP
22	F1236		2	SCREW, 1/4 - 20 X 1/2
23	817747--1		1	BALL JOINT W/STUD
24	F8058		2	INTERNAL TOOTH LOCKWASHER
25	F1910		1	STOP NUT, 1/4 - 20
26	F269319		2	THROTTLE CAM BEARING
27	F1513		1	HEX NUT, 10 - 32
28	F85192-1		1	THROTTLE CAM
29	F1515		4	HEX NUT, 5/16 - 18
30	F40209		4	CARBURETOR STUD
31	F85906		2	CARBURETOR GASKET
32	F433209		1	THROTTLE CAM STUD
33	FA178167		1	CARBURETOR ADAPTER, LOWER W/FITTING AND STUD
-	FA178157		1	CARBURETOR ADAPTER, UPPER W/FITTING AND STUD
34	32-77653-77		1	BALANCE TUBE
35	F178168-1		2	GASKET, CARBURETOR ADAPTER
36	F178404-1		2	DEFLECTOR PLATE
37	F406406		2	GASKET, DEFLECTOR PLATE
38	F1298		40	RD HD SCREW W/LOCKWASHER, 6 - 32 X 1/4
39	F85161-1		8	REED STOP
40	F335160		8	REED (4 PETAL)
41	F2A335158		4	REED PLATE W/REEDS, REED STOPS AND SCREWS
42	F335164		8	REED (1 PETAL)

CONTINUED ON NEXT PAGE ➡

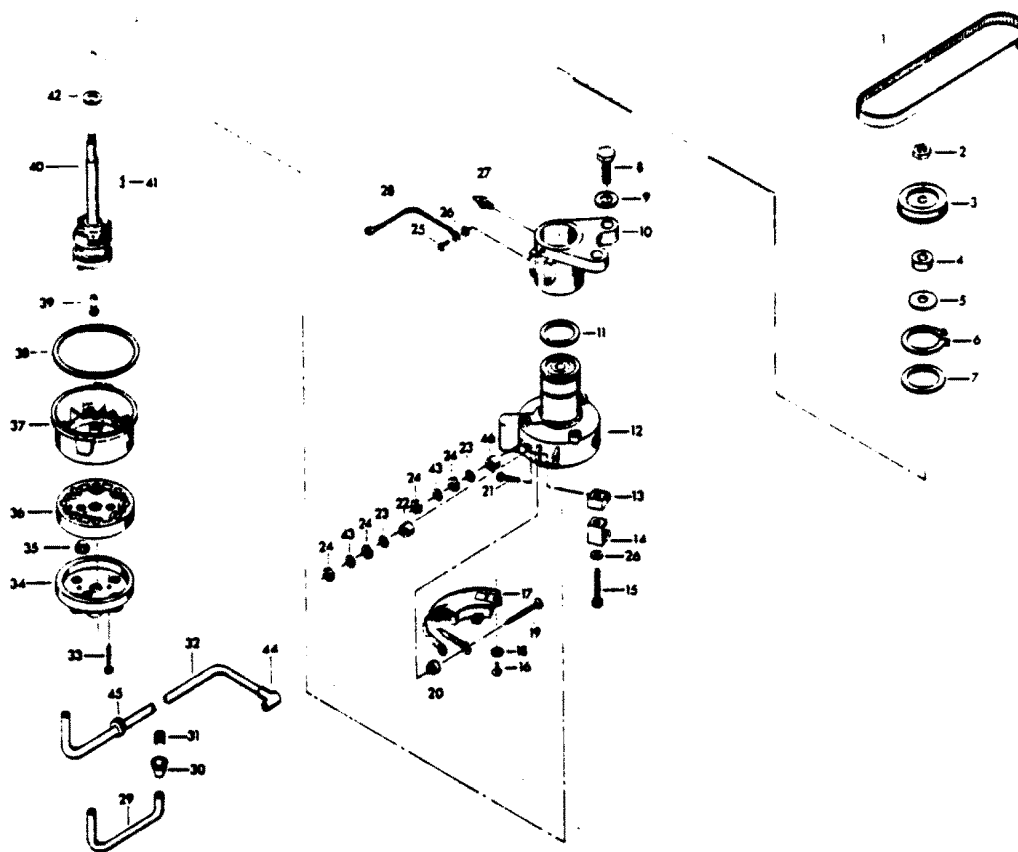
FUEL PUMP AND REED PLATE



FUEL PUMP AND REED PLATE

REF. NO.	PART NO.	SYM.	QTY.	DESCRIPTION
43	F1831		8	FLAT HD SCREW, 1/4 - 20 X 5/8
44	F1915		10	HEX HD SCREW, 1/4 - 20 X 7/8
45	F489551		1	BRACKET NEUTRAL INTERLOCK SWITCH
46	F84449		1	INTERLOCK SWITCH
47	F8088		2	PLAIN WASHER
48	F2016		2	FILL HD SCREW, 6 - 32 X 7/8
49	F1704		2	INTERNAL TOOTH LOCKWASHER
50	F1645		2	RD HD SCREW, 6 - 32 X 1/4
51	F500894		1	TIMING POINTER FOR MODEL 1055HA

DISTRIBUTOR FOR MODEL 1055 HB

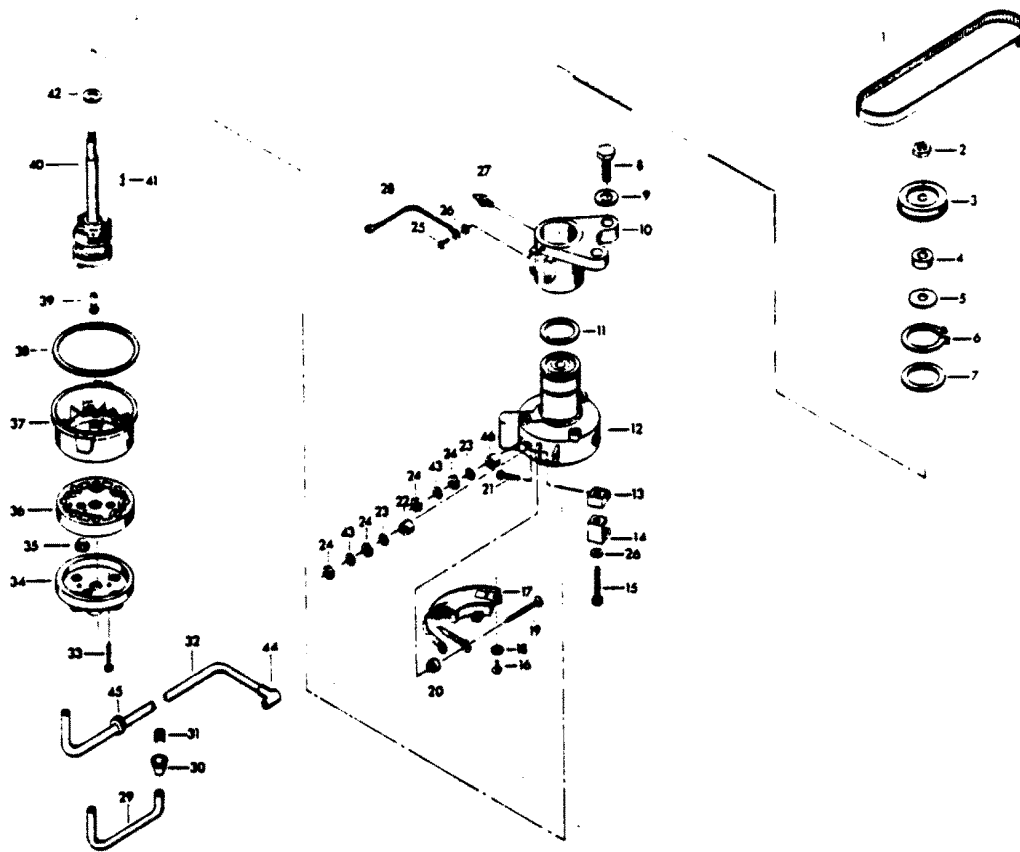


DISTRIBUTOR FOR MODEL 1055 HB

REF. NO.	PART NO.	SYM.	QTY.	DESCRIPTION
1	F85311		1	DISTRIBUTOR BELT
2	F7013		1	STOP NUT
3	817786A1		1	DISTRIBUTOR PULLEY
4	F14025		1	SPACER
5	F14028		1	THRUST WASHER
6	F85173		1	RETAINING RING
7	F14029		1	THRUST WASHER
8	F1612		1	HEX CAP SCREW, 3/8 - 16 X 1 1/4
9	F2014		2	PLAIN WASHER
10	FA321574		1	DISTRIBUTOR BRACKET
11	F1759		2	SHIM, DISTRIBUTOR (QTY. AS REQUIRED)
12	F14042		1	DISTRIBUTOR HOUSING W/BEARINGS
13	F14036		2	SWIVEL
14	F14037		2	CAP CLIPS
15	F14038		2	CAP CLIP SCREWS
16	F14045		2	SCREW
17	F14048		1	PREAMPLIFIER
18	F8056		2	LOCKWASHER
19	F14046		2	TERMINAL SCREW
20	F14047		2	TERMINAL INSULATOR (INSIDE)
21	F14015		2	CAP CLIP RIVET
22	F14049		1	TERMINAL INSULATOR (OUTSIDE)
23	F14041		2	EXTERNAL TOOTH LOCKWASHER
24	F1647		4	HEX NUT, 8 - 32
25	F1760		2	PAN HD SCREW, 10 - 24 X 3/6
26	F1975		4	SPRING LOCKWASHER
27	F213274		1	GREASE FITTING
28	F85664		1	DISTRIBUTOR GROUND
29	84-817775A1		1	COIL WIRE W/TERMINAL CLIP
30	F203276		1	BOOT
31	F203673		1	TERMINAL CLIP
32	F321841-2		4	LEAD WIRE W/GROMMET
33	F14007		2	CAP SCREW
34	F14010-1		1	CAP COVER
35	F14040		2	VENT
36	F14021-1		1	CAP SEAL
37	F14005-2		1	CAP BASE
38	F14030		1	CAP GASKET
39	F14012-1		1	BRUSH
40	F14044		1	DISTRIBUTOR SHAFT
41	F1692		1	WOODRUFF KEY
42	F14024		1	SPACER
43	F8056		2	LOCKWASHER

CONTINUED ON NEXT PAGE ➡

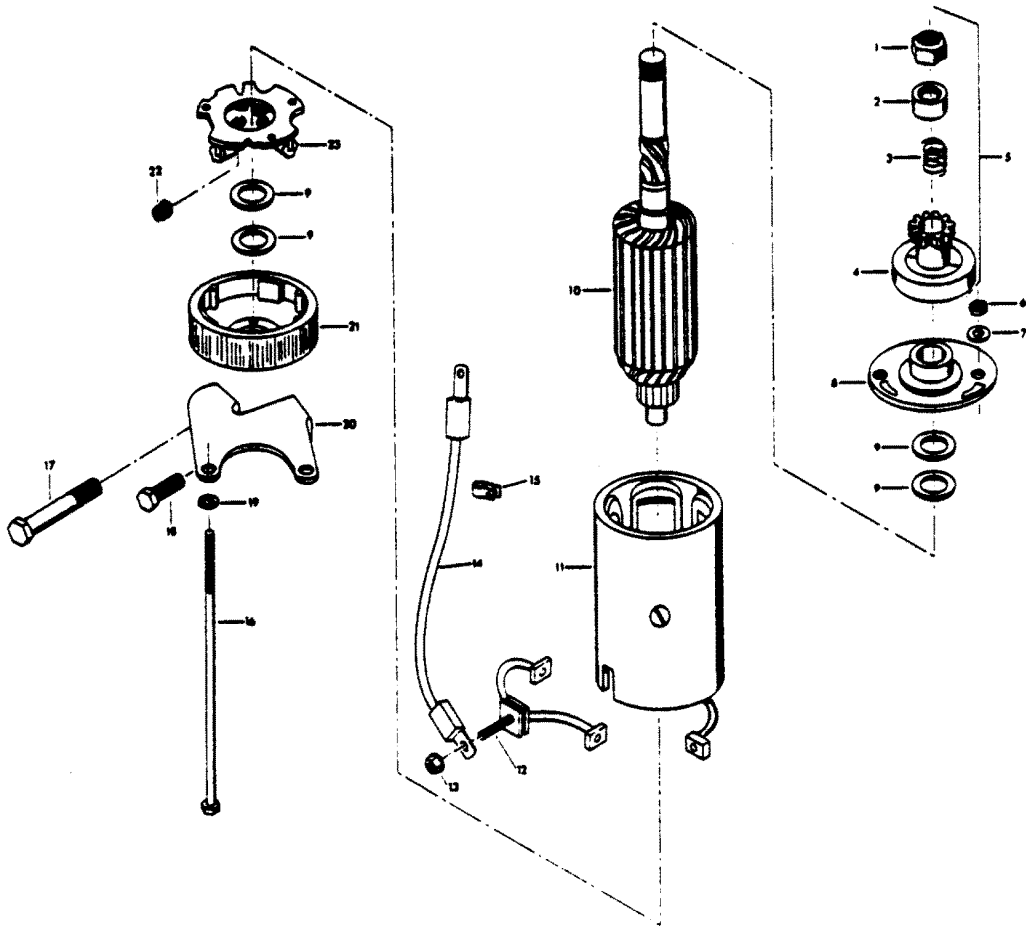
DISTRIBUTOR FOR MODEL 1055 HB



DISTRIBUTOR FOR MODEL 1055 HB

REF. NO.	PART NO.	SYM.	QTY.	DESCRIPTION
44	FK750-1		4	SPARKIE W/SPRING
45	F84991-1		4	GROMMET
46	F14017		1	TERMINAL INSULATOR (OUTSIDE)
-	FA489309		1	DISTRIBUTOR
-	481373		1	DECAL, "ELECTRIC" (NOT SHOWN)

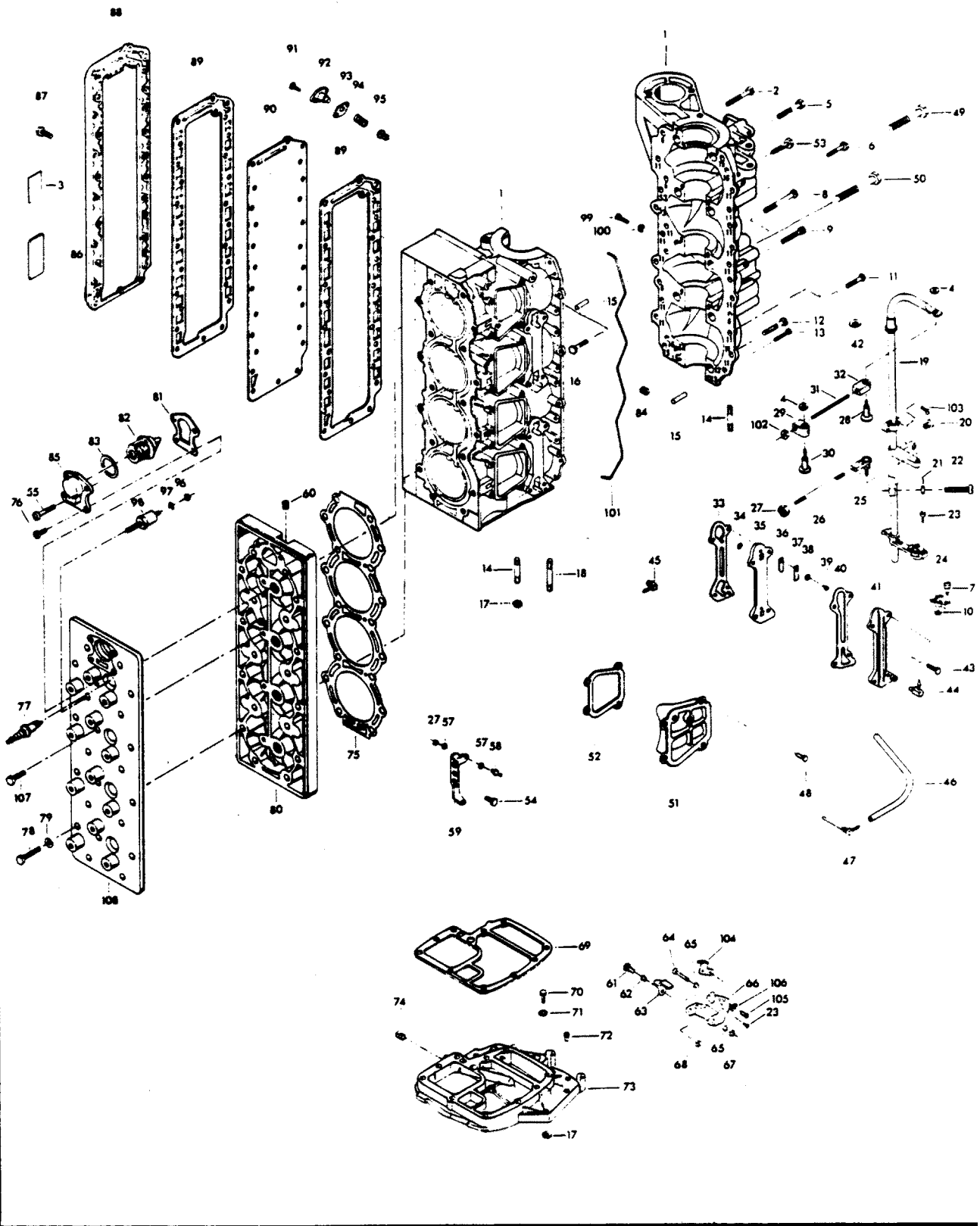
STARTER



STARTER

REF. NO.	PART NO.	SYM.	QTY.	DESCRIPTION
5	F15118		1	BENDIX DRIVE ASSEMBLY
6	F1514		2	HEX NUT, 1/4 - 20
7	F8028		2	PLAIN WASHER
8	F15021-1		1	HEAD ASSEMBLY, DRIVE END
9	F15073		1	THRUST WASHER PACKAGE
10	F15099		1	ARMATURE
11	F15124		1	FRAME AND FIELD ASSEMBLY
12	F15054		1	BRUSH AND TERMINAL SET
13	FA15072		1	HEX LOCK NUT, 1/4 - 20
14	F178908		1	STARTER LEAD WIRE
15	F404446		1	CLAMP
16	F15035		1	THRU BOLT PACKAGE
17	F1868		1	HEX BOLT, 3/8 - 16 X 3 1/4
18	F1502		1	HEX CAP SCREW, 1/4 - 20 X 5/8
19	F8060		2	LOCKWASHER
20	F373675-1		1	STARTER BRACKET, LOWER
21	15037		1	HEAD ASSEMBLY, COMMUTATOR END
22	F15034		1	SPRING SET
23	F15057		1	BRUSH PLATE AND HOLDER ASSEMBLY
-	FS489955		1	STARTER COMPLETE

POWER HEAD FOR MODEL 1055 HA

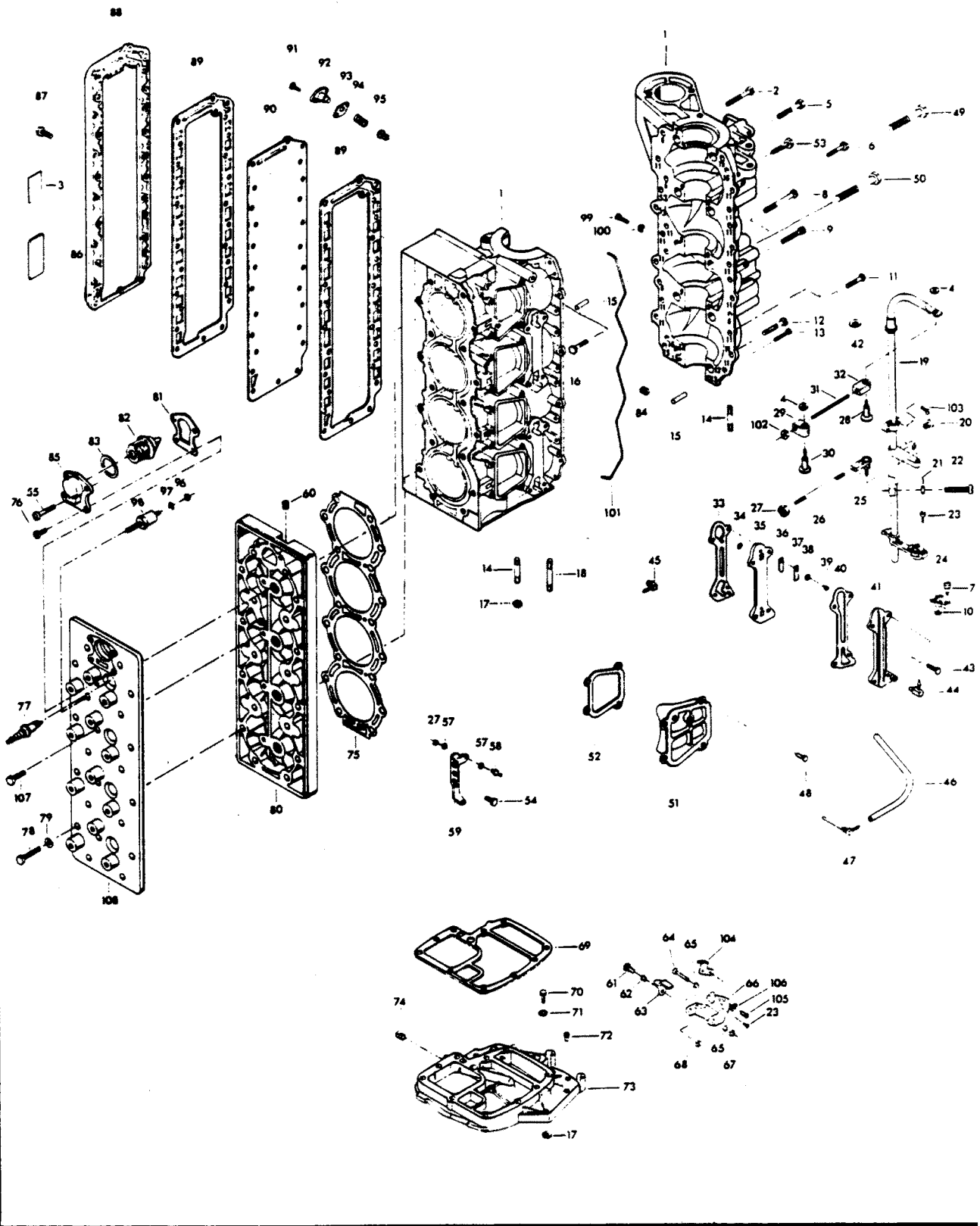


POWER HEAD FOR MODEL 1055 HA

REF. NO.	PART NO.	SYM.	QTY.	DESCRIPTION
1	FA500010		1	CYLINDER W/CRANKCASE COVER, PARTING LINE SEAL, W/SCREWS & DOWEL PIN
2	F1874		1	HEX HD SCREW, 3/8 - 16 X 3 1/8
3	474374		1	DECAL, IGNITION
4	F7009		2	LOCK NUT, 10 - 24
5	F1009		1	HEX HD SCREW, 3/8 - 16 X 2 3/4
6	F1915		3	HEX HD SCREW, 1/4 - 20 X 7/8
7	F405457		1	PIVOT SCREW
8	F1699		1	HEX HD SCREW, 1/4 - 20 X 1 1/8
9	F1253		4	HEX SOCKET HD CAP SCREW, 3/8 - 16 X 2
10	F7008		1	ELASTIC STOP NUT
11	F1914		16	HEX HD SCREW, 1/4 - 20 X 3/4
12	F1872		2	HEX CAP SCREW, 3/8 - 16 X 1 3/4
13	F1099		2	FILL HD SCREW, 1/4 - 20 X 1 1/4
14	F85859		4	STUD
15	F8563		2	DOWEL PIN
16	F1953		2	HEX HD SCREW, 1/4 - 20 X 1
17	F7004		10	STOP NUT, 3/8 - 16
18	F85211		6	STUD
19	FA491838		1	TOWERSHAFT W/SWIVEL, BEARINGS AND SCREWS
20	F1727		1	PLASTIC RIVET
21	F1341		1	HEX NUT, 1/4 - 20
22	F1052		1	FILL HD SCREW, 1/4 - 20 X 1
23	F1556		2	FILL HD SCREW W/LOCKWASHER, 10 - 24 X 3/8
24	FK405020		2	SWIVEL W/CLAMP, SHOULDER SCREW AND NUT
25	817747--1		1	BALL JOINT W/STUD
26	F85502		1	THROTTLE LINK
27	F1513		4	HEX NUT, 10 - 32
28	F499026		1	SWIVEL, TOWERSHAFT
29	F499035		1	TIMING RING, CONTROL ROD END
30	F500026		1	SWIVEL, TIMING RING
31	F85445		1	CONTROL ROD
32	F499036		1	TOWERSHAFT CONTROL ROD END
33	F84748-3		2	GASKET
34	F93811		4	SCREEN
35	F2A476757		2	CYLINDER DRAIN REED PLATE W/REEDS, STOPS AND SCREWS
36	F18160-1		4	CYLINDER DRAIN REED
37	F93920		4	REED STOP
38	F8003		4	PLAIN WASHER
39	F1286		4	PAN HD SCREW, 4 - 40 X 3/16
40	F84472-5		2	GASKET, CYLINDER DRAIN COVER
41	F406471-1		2	CYLINDER DRAIN COVER
42	F185764		1	RETAINING RING

CONTINUED ON NEXT PAGE ➡

POWER HEAD FOR MODEL 1055 HA

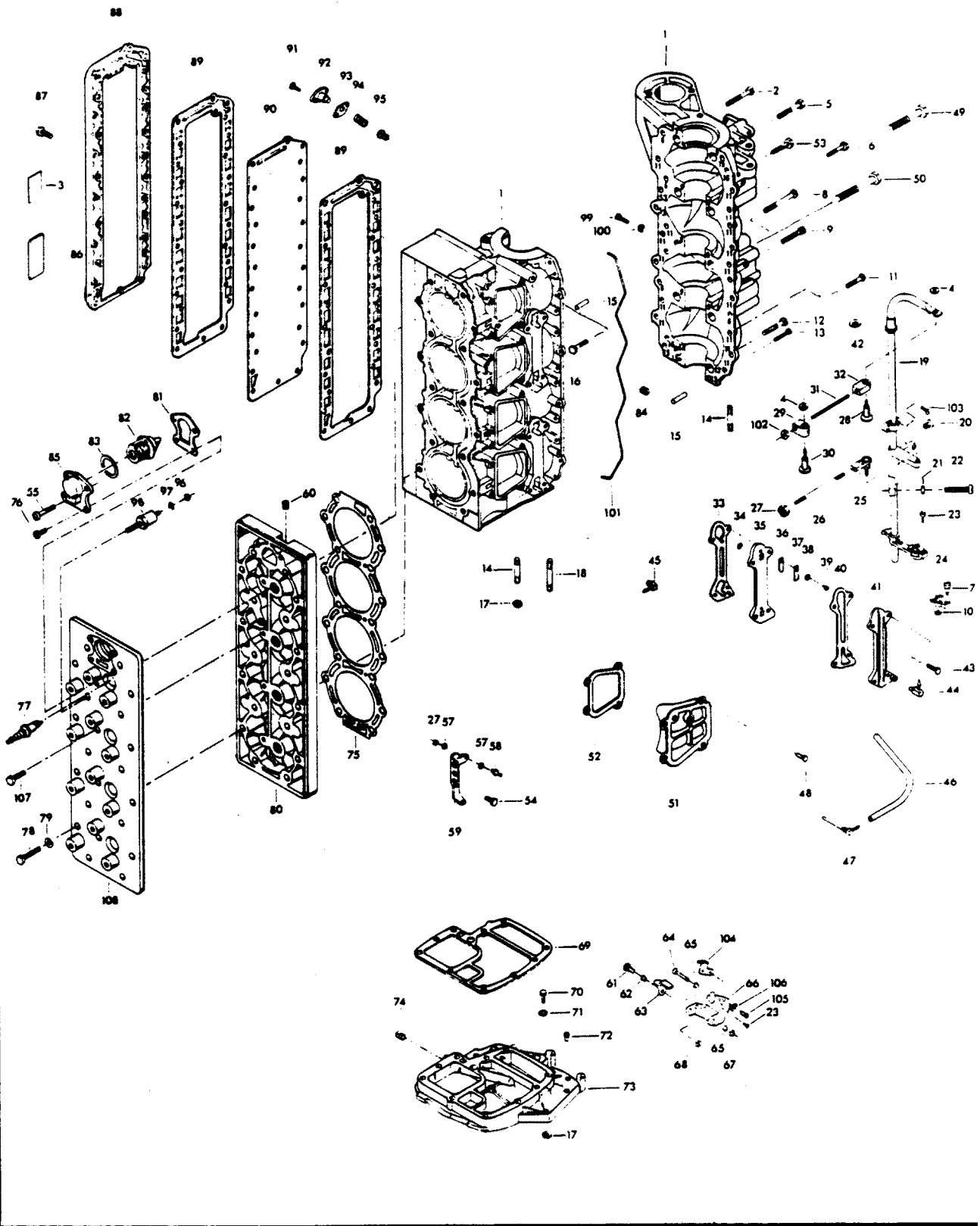


POWER HEAD FOR MODEL 1055 HA

REF. NO.	PART NO.	SYM.	QTY.	DESCRIPTION
43	F1187		8	HEX HD SCREW, 1/4 - 20 X 1
44	22-818103--1		1	ELBOW, CYLINDER DRAIN LOWER
-	F404801		1	ELBOW, CYLINDER DRAIN UPPER
45	F84314-2		1	ELBOW
46	F406754-1		1	HOSE
47	F404314		2	FITTING
48	F1502		10	HEX CAP SCREW, 1/4 - 20 X 5/8
49	F1866		1	HEX CAP SCREW, 3/8 - 16 X 3 1/4
50	F1873		1	HEX CAP SCREW, 3/8 - 16 X 3
51	FA411222		3	TRANSFER PORT COVER
52	F40223		4	GASKET, TRANSFER PORT COVER
53	F2008		2	HEX HD SCREW, 1/4 - 20 X 7/8
54	F1238		2	HEX CAP SCREW, 1/4 - 20 X 3/4
55	F1099		2	FILL HD SCREW, 1/4 - 20 X 1 1/4
57	F8058		4	INTERNAL TOOTH LOCKWASHER
58	F98273		2	ROD END CONNECTOR STUD
59	F321872		1	BRACKET
60	F19109		1	PLUG
61	F369887		1	SHOULDER SCREW
62	F369610		1	BEARING
63	F369977-1		1	INTERLOCK ARM
64	F1885		1	HEX BOLTS, S.S., 5/16 - 18 X 4 1/4
65	F85610		2	BEARING
66	FA480876		1	GEAR SHIFT ARM W/SWIVEL, BEARINGS, INTERLOCK ARM AND SHOULDER SCREW
67	F2108		1	STOP NUT, 5/16 - 18
68	F1832		1	STOP NUT, 1/4 - 20
69	F85279-2		1	GASKET, CYLINDER EXHAUST UPPER
70	F1869		6	HEX CAP SCREW, 3/8 - 16 X 1 1/4
71	F1703		6	LOCKWASHER
72	FA98689		1	BEARING
73	817788A3		1	SPACER PLATE W/PLUGS
74	F2090		1	PLUG
75	F476529		1	CYLINDER HEAD GASKET
76	F1107		2	SLOTTED FILL HD CAP SCREW, 1/4 - 20 X 3/4
77	33-818007--1		4	SPARK PLUG (CHAMPION UL-18-V)
78	F2049		18	HEX CAP SCREW, 5/16 - 18 X 2 5/8
79	F1987		18	PLAIN WASHER
80	FA501518		1	CYLINDER HEAD
81	F476067		1	GASKET
82	F335068		1	THERMOSTAT
83	F84504		1	GROMMET (THERMOSTAT)
85	F476066-1		1	THERMOSTAT COVER

CONTINUED ON NEXT PAGE ➡

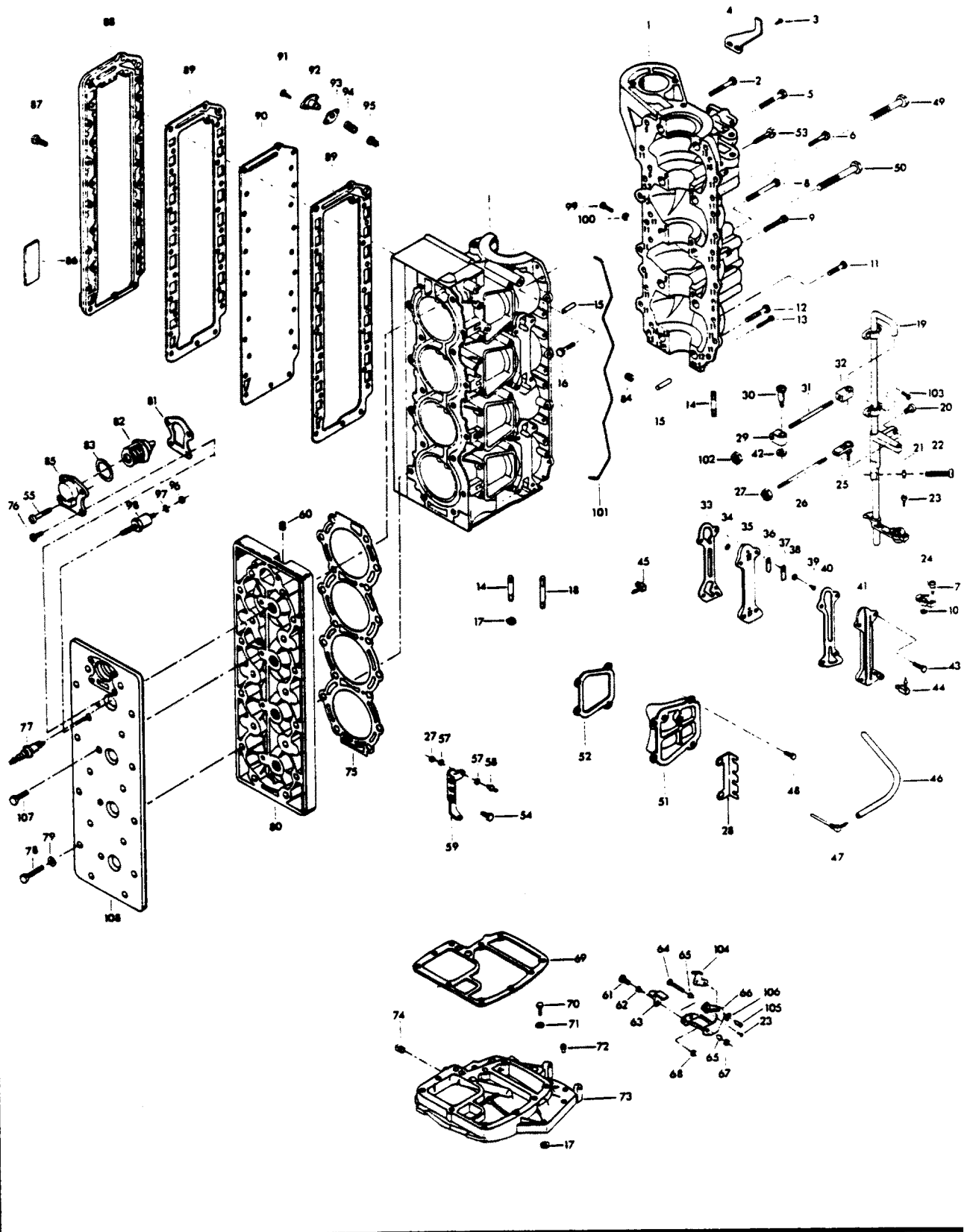
POWER HEAD FOR MODEL 1055 HA



POWER HEAD FOR MODEL 1055 HA

REF. NO.	PART NO.	SYM.	QTY.	DESCRIPTION
86	F499398		1	DECAL, WIRING
87	F1709		27	HEX BOLT, 1/4 - 20 X 1 1/8
88	F372152-1		1	EXHAUST PORT COVER
89	F372154-1		2	GASKET, EXHAUST PORT PLATE
90	F372151-1		1	EXHAUST PORT PLATE
91	F1950		2	HEX CAP SCREW, 10 - 24 X 5/8
92	F438066		1	BY-PASS VALVE COVER
93	F85762		1	BY-PASS VALVE COVER GASKET
94	F404268		1	BY-PASS VALVE SPRING
95	F85916-1		1	BY-PASS VALVE
96	F1647		1	HEX NUT, 8 - 32
97	F8056		1	LOCKWASHER
98	87-817778A1		1	THERMOSWITCH
99	F2000		1	HEX CAP SCREW, 5/16 - 18 X 3/4
100	F8096		1	SPRING LOCKWASHER
101	F184122-1		1	SEAL, PARTING LINE
102	F2015		1	HEX NUT, 1/4 - 28
103	F1475		2	FILL HD SCREW, 10 - 24 X 1/2
104	F480107-1		1	CAM STARTER INTERLOCK
105	F2089		2	SLOTTED PAN HD M. SCREW, 10 - 24 X 5/16
106	F2042		2	PLAIN WASHER
107	F1203		4	HEX CAP SCREW, 1/4 - 20 X 7/8
108	F491995		1	COVER CYLINDER HEAD
-	FG1003-1		1	GASKET SET (NOT SHOWN)
-	499373		1	DECAL, MAGNAPOWER II (NOT SHOWN)
-	FC500010		1	SHORT BLOCK INCLUDES ALL ITEMS MARKED WITH AN ASTERISK. ALSO REFER TO CRANKSHAFT PAGE.

POWER HEAD FOR MODEL 1055 HB

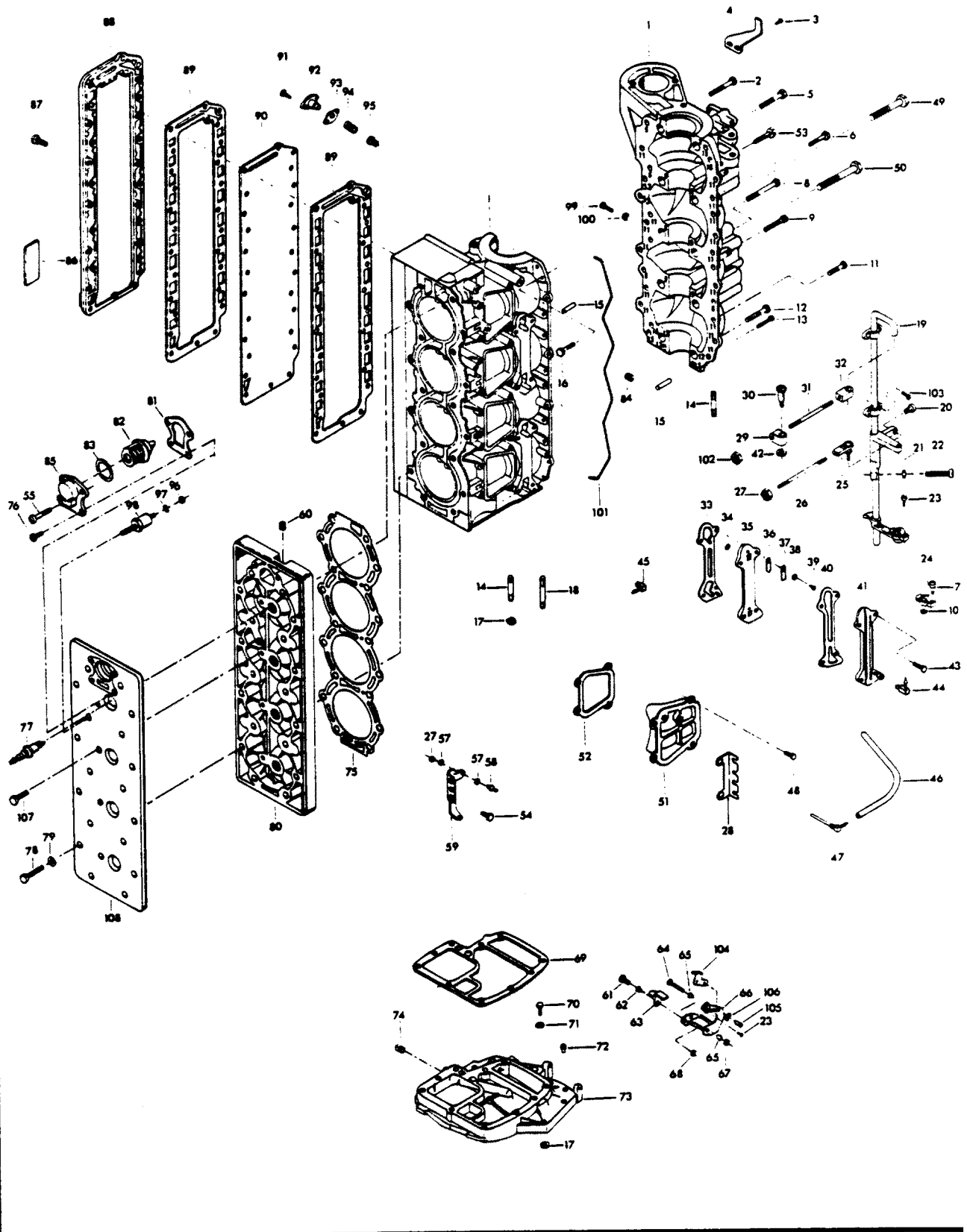


POWER HEAD FOR MODEL 1055 HB

REF. NO.	PART NO.	SYM.	QTY.	DESCRIPTION
1	FA523010		1	CYLINDER W/CRANKCASE COVER, PARTING LINE SEAL, W/SCREWS & DOWEL PINS
2	F1874		1	HEX HD SCREW, 3/8 - 16 X 3 1/8
3	F1760		2	PAN HD SCREW, 10 - 24 X 3/8
4	FA480894		1	TIMING POINTER
5	F1009		1	HEX HD SCREW, 3/8 - 16 X 2 3/4
6	F1915		3	HEX HD SCREW, 1/4 - 20 X 7/8
7	F405457		1	PIVOT SCREW
8	F1699		1	HEX HD SCREW, 1/4 - 20 X 1 1/8
9	F1253		4	HEX SOCKET HD CAP SCREW, 3/8 - 16 X 2
10	F7008		1	ELASTIC STOP NUT
11	F1941		16	HEX HD SCREW, 1/4 - 20 X 3/4
12	F1872		2	HEX CAP SCREW, 3/8 - 16 X 1 3/4
13	F1099		2	FILL HD SCREW, 1/4 - 20 X 1 1/4
14	F85859		4	STUD
15	F8563		2	DOWEL PIN
16	F1953		2	HEX HD SCREW, 1/4 - 20 X 1
17	F7004		10	STOP NUT, 3/8 - 16
18	F85211		6	STUD
19	817932A6		1	TOWERSHAFT W/SWIVEL, BEARINGS AND SCREWS
20	F1727		1	PLASTIC RIVET
21	F1341		1	HEX NUT, 1/4 - 20
22	F1052		1	FILL HD SCREW, 1/4 - 20 X 1
23	F1556		2	FILL HD SCREW W/LOCKWASHER, 10 - 24 X 3/8
24	FK405020		2	SWIVEL W/CLAMP, SHOULDER SCREW AND NUT
25	817747--1		1	BALL JOINT W/STUD
26	F85502		1	THROTTLE LINK
27	1531		4	HEX NUT, 10 - 32
28	F439834		1	CLIP, SPARK PLUG WIRE
29	F85035		1	DISTRIBUTOR, CONTROL ROD END
30	F85026		1	SWIVEL
31	F85445		1	CONTROL ROD
32	F85036		1	TOWERSHAFT CONTROL ROD END
33	F84748-3		2	GASKET
34	F93811		4	SCREEN
35	F2A476757		2	CYLINDER DRAIN REED PLATE W/REEDS, STOPS AND SCREWS
36	F18160-1		4	CYLINDER DRAIN REED
37	F93920		4	REED STOP
38	F8003		4	PLAIN WASHER
39	F1286		4	PAN HD SCREW, 4 - 40 X 3/16
40	F84472-5		2	GASKET, CYLINDER DRAIN COVER
41	F406471-1		2	CYLINDER DRAIN COVER
42	F1935		1	PLAIN WASHER

CONTINUED ON NEXT PAGE ➡

POWER HEAD FOR MODEL 1055 HB

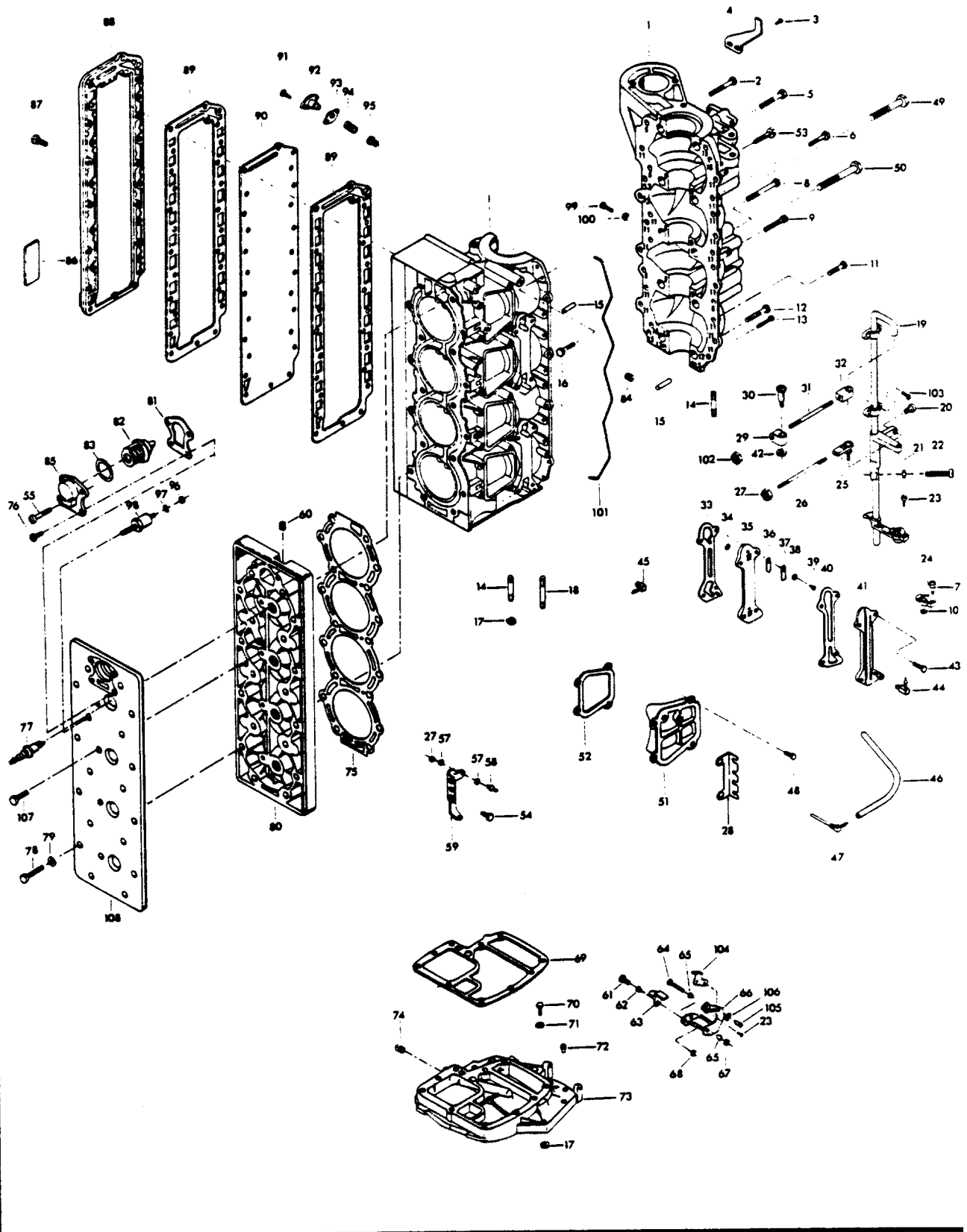


POWER HEAD FOR MODEL 1055 HB

REF. NO.	PART NO.	SYM.	QTY.	DESCRIPTION
43	F1187		8	HEX HD SCREW, 1/4 - 20 X 1
44	22-818103--1		1	ELBOW, CYLINDER DRAIN LOWER
-	F404801		1	ELBOW, CYLINDER DRAIN UPPER
45	F84314-2		1	ELBOW
46	F406754-1		1	HOSE
47	F404314		2	FITTING
48	F1502		8	HEX CAP SCREW, 1/4 - 20 X 5/8
49	F1868		1	HEX CAP SCREW, 3/8 - 16 X 3 1/4
50	F1873		1	HEX CAP SCREW, 3/8 - 16 X 3
51	FA411222		3	TRANSFER PORT COVER
52	F40223		4	GASKET, TRANSFER PORT COVER
53	F2008		2	HEX HD SCREW, 1/4 - 20 X 7/8
54	F1238		4	HEX CAP SCREW, 1/4 - 20 X 3/4
55	F1099		2	FILL HD SCREW, 1/4 - 20 X 1 1/4
57	F8058		4	INTERNAL TOOTH LOCKWASHER
58	F98273		2	ROD END CONNECTOR STUD
59	F321872		1	BRACKET
60	F19109		1	PLUG
61	F369887		1	SHOULDER SCREW
62	F369610		1	BEARING
63	F369977-1		1	INTERLOCK ARM
64	F1885		1	HEX BOLTS, S.S., 5/16 - 18 X 4 1/4
65	F85610		2	BEARING
66	FA480876		1	GEAR SHIFT ARM W/SWIVEL, BEARINGS, INTERLOCK ARM AND SHOULDER SCREW
67	F2108		1	STOP NUT, 5/16 - 18
68	F1832		1	STOP NUT, 1/4 - 20
69	F85279-2		1	GASKET, CYLINDER EXHAUST UPPER
70	F1869		6	HEX CAP SCREW, 3/8 - 16 X 1 1/4
71	F1703		6	LOCKWASHER
72	FA98689		1	BEARING
73	817788A3		1	SPACER PLATE W/PLUGS
74	F2090		1	PLUG
75	F476529		1	CYLINDER HEAD GASKET
76	F1107		2	SLOTTED FILL HD CAP SCREW, 1/4 - 20 X 3/4
77	33-97180		4	SPARK PLUG (CHAMPION L20V)
78	F2049		18	HEX CAP SCREW, 5/16 - 18 X 2 5/8
79	F1987		18	PLAIN WASHER
80	FA501518		1	CYLINDER HEAD
81	F476067		1	GASKET
82	F335068		1	THERMOSTAT
83	F84504		1	GROMMET (THERMOSTAT)
85	F476066-1		1	THERMOSTAT COVER

CONTINUED ON NEXT PAGE ➡

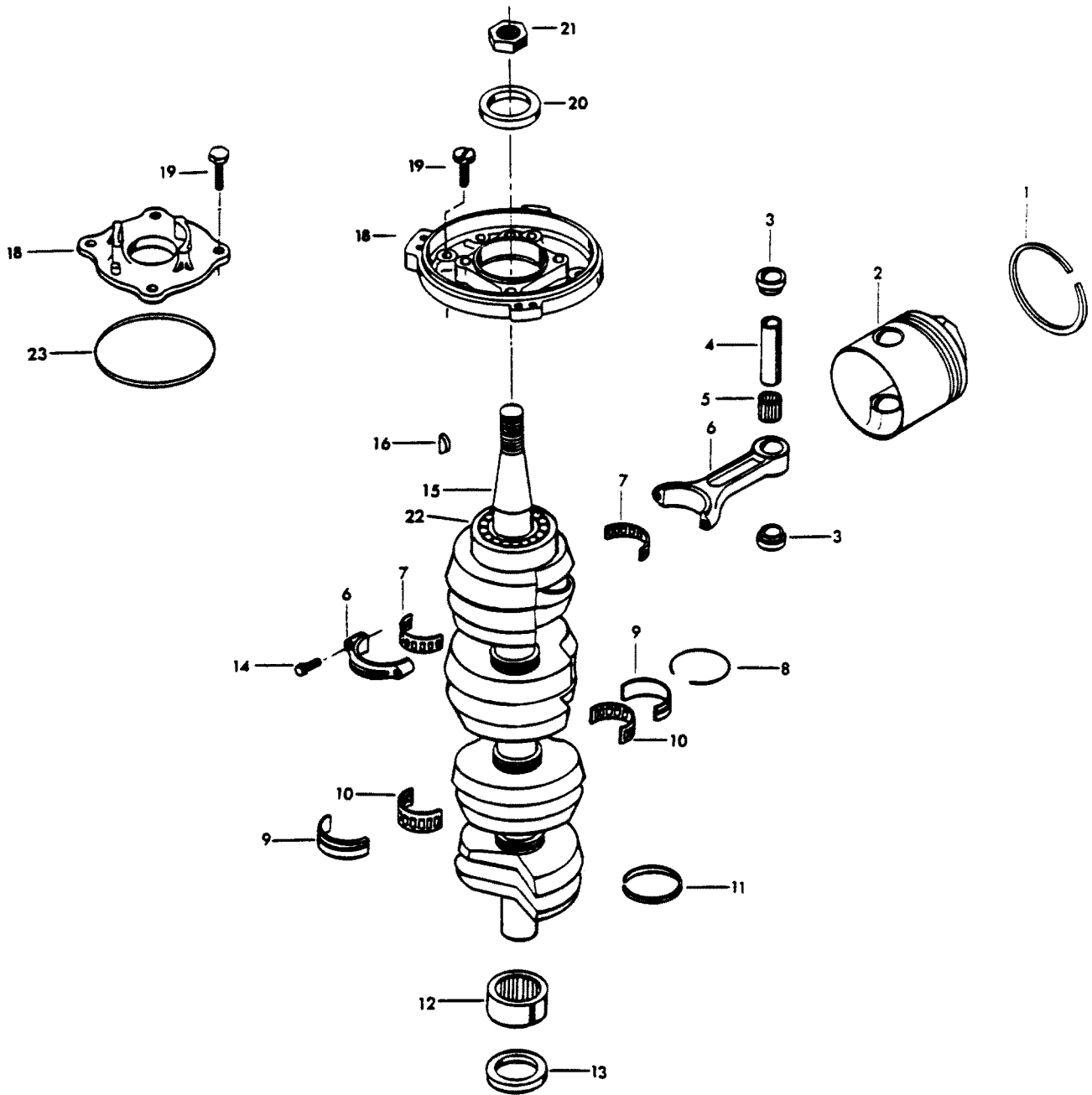
POWER HEAD FOR MODEL 1055 HB



POWER HEAD FOR MODEL 1055 HB

REF. NO.	PART NO.	SYM.	QTY.	DESCRIPTION
86	F438398		1	DECAL, WIRING
87	F1709		27	HEX BOLT, 1/4 - 20 X 1 1/8
88	F372152-1		1	EXHAUST PORT COVER
89	F372154-1		2	GASKET, EXHAUST PORT PLATE
90	F372151-1		1	EXHAUST PORT PLATE
91	F1950		2	HEX CAP SCREW, 10 - 24 X 5/8
92	F438066		1	BY-PASS VALVE COVER
93	F85762		1	BY-PASS VALVE COVER GASKET
94	F404268		1	BY-PASS VALVE SPRING
95	F85916-1		1	BY-PASS VALVE
96	F1647		1	HEX NUT, 8 - 32
97	F8056		1	LOCKWASHER
98	87-817778A1		1	THERMOSWITCH
99	F2000		1	HEX CAP SCREW, 5/16 - 18 X 3/4
100	F8096		1	SPRING LOCKWASHER
101	F184122-1		1	SEAL, PARTING LINE
102	F2015		1	HEX NUT, 1/4 - 28
103	F1475		4	FILL HD SCREW, 10 - 24 X 1/2
104	F480107-1		1	CAM STARTER INTERLOCK
105	F2089		2	SLOTTED PAN HD M. SCREW, 10 - 24 X 5/16
106	F2042		2	PLAIN WASHER
107	F1203		4	HEX CAP SCREW, 1/4 - 20 X 7/8
108	523995		1	COVER CYLINDER HEAD
-	FG1003-1		1	GASKET SET (NOT SHOWN)
-	FC523010		1	SHORT BLOCK INCLUDES ALL ITEMS MARKED WITH AN ASTERISK. ALSO REFER TO CRANKSHAFT PAGE.

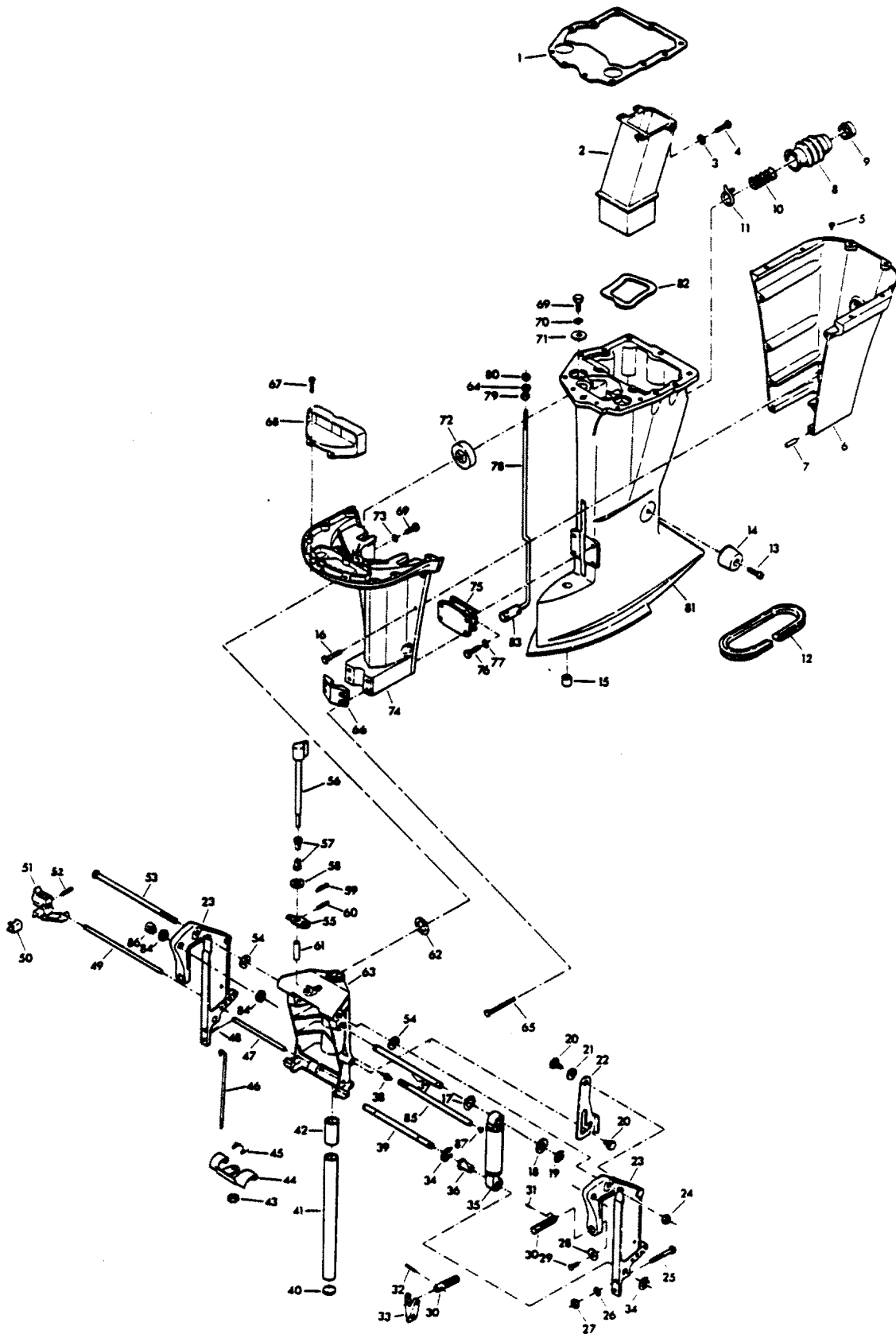
CRANKSHAFT AND PISTON GROUP



CRANKSHAFT AND PISTON GROUP

REF. NO.	PART NO.	SYM.	QTY.	DESCRIPTION
3	F335215		8	SPACER, PISTON PIN (2 PER PISTON)
4	F85017		4	PISTON PIN
5	F335217-1		4	BEARING, PISTON PIN (26 PER SET)
6	600-818052A4		4	CONNECTING ROD W/CAP AND SCREWS
7	FK85228		4	BEARING CAGE W/ROLLER
8	F85410		3	SNAP RING
9	FA85655-1		3	CRANKSHAFT MAIN BEARING RACE W/SNAP RING
10	F85571		3	BEARING CAGE W/ROLLER
11	F316579		3	SEAL, CRANKCASE
12	31-FA523014		1	CRANKSHAFT LOWER MAIN BEARING W/ITEM 13 ORIGINAL FORCE P/N A373014-1
13	F84146-2		1	SEAL
14	F85634-1		8	CONNECTING ROD SCREW
15	400-817735A4		1	CRANKSHAFT W/BEARING
16	F85498		1	FLYWHEEL KEY
20	F84146-2		1	SEAL
21	F1968		1	FLYWHEEL NUT
22	30-F284659-2		1	BEARING, CRANKSHAFT UPPER MAIN
-	F2067		1	PLASTISOL CAP (NOT SHOWN)
1	FA440260		2	PISTON RING SET (4 PER SET)
2	F440015-1		4	PISTON
-	FS440260		2	PISTON RING (4 PER SET) .010 OVERSIZE (NOT SHOWN)
-	39-818117A1		2	PISTON RING (4 PER SET) .030 OVERSIZE (NOT SHOWN)
-	FSA440015		4	PISTON .010 OVERSIZE (NOT SHOWN)
-	700-818116A2		4	PISTON .030 OVERSIZE (NOT SHOWN)
18	FA489144		1	CRANKSHAFT BEARING CAGE W/SEAL
19	F1493		5	SLOTTED PAN HD SCREW, 1/4 - 20 X 5/8
1	FA335260		2	PISTON RING SET (4 PER SET)
2	700-F372015-3		4	PISTON
-	FSA335260		2	PISTON RING (4 PER SET) .010 OVERSIZE (NOT SHOWN)
-	39-818110A1		2	PISTON RING (4 PER SET) .030 OVERSIZE
-	700-817988A2		4	PISTON .010 OVERSIZE (NOT SHOWN)
-	700-818111A2		4	PISTON .030 OVERSIZE (NOT SHOWN)
18	31-817785A2		1	CRANKSHAFT BEARING CAGE W/SEAL
19	F1867		4	HEX CAP SCREW, 3/8 - 16 X 1
23	F84278		1	SEAL, BEARING CAGE

MOTOR LEG

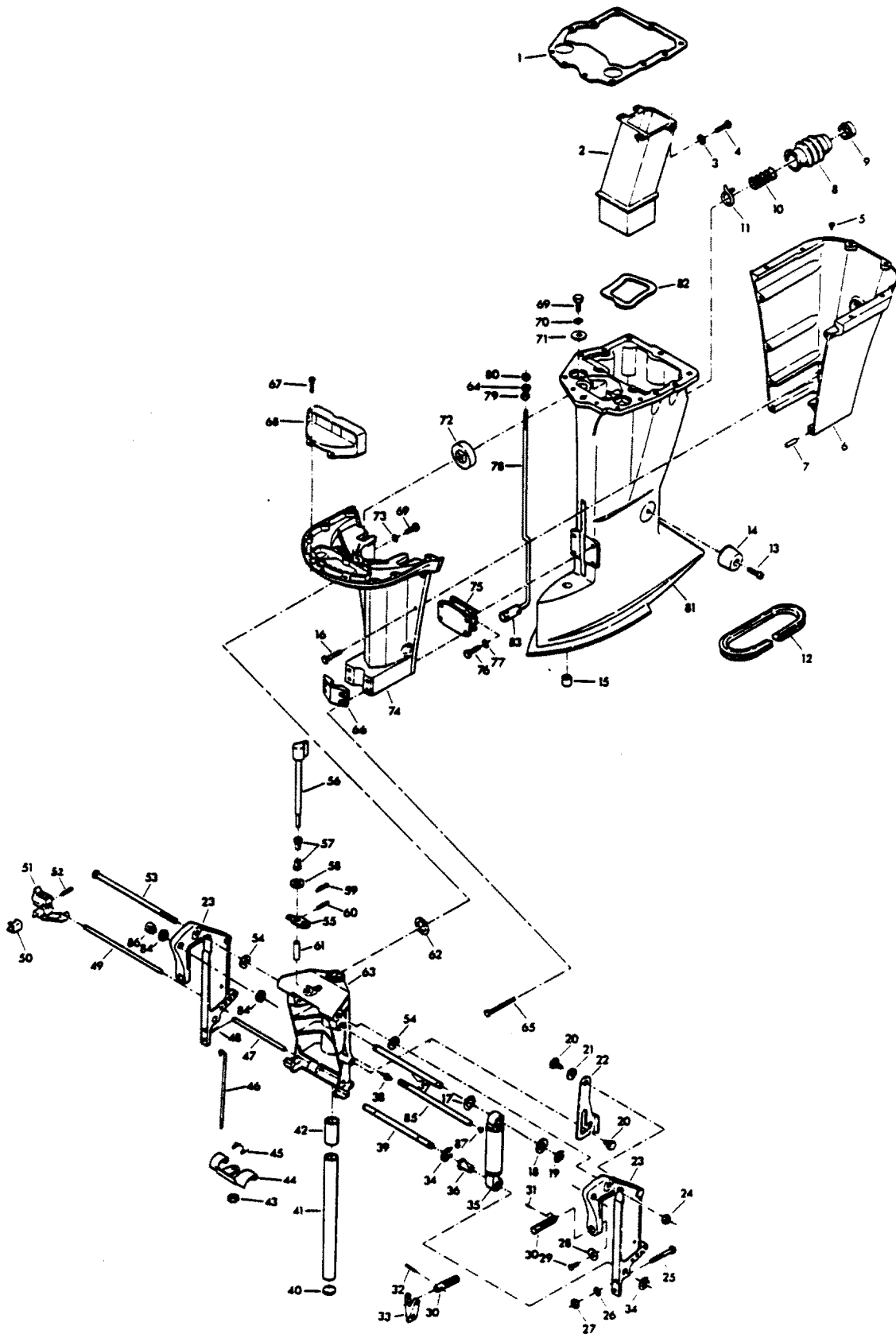


MOTOR LEG

REF. NO.	PART NO.	SYM.	QTY.	DESCRIPTION
1	F85453-1		1	GASKET EXHAUST LOWER
2	F85660		1	EXHAUST TUBE
3	F8083		4	SPRING LOCKWASHER
4	F1864		4	HEX SLOT HD SCREW 1/4 - 20 X 3/4
5	F1729		2	PLUG
6	817931A7		1	MOTOR LEG COVER REAR
7	F1664		2	SPRING PIN
8	F85130		1	BOOT IDLE EXHAUST
9	F85258		1	INSERT
10	F85380		1	SPRING
11	F85772		1	CLAMP
12	F178323		1	SEAL, MOTOR LEG
13	F1263		2	HEX SOCKET HD CAP SCREW 5/16 - 18 X 9/16
14	F438962		2	SHOCK MOUNT LOWER REAR
15	F338618-1		1	SEAL GEAR SHIFT ROD
16	F2030		6	HEX HD M. SCREW 1/4 - 20 X 1-1/4
17	F1711		2	SPRING BOWED WASHER
18	F1710		2	PLAIN WASHER
19	F178208		2	RETAINING RING
20	F85350-1		2	TILT STOP PIVOT
21	F1666		1	SPRING BOWED WASHER
22	F85541-1		1	TILT LOCK
24	F7012		1	STOP NUT
25	F1593		2	HEX HD SCREW 3/8 - 16 X 3
26	F1904		2	PLAIN WASHER
27	F1346		2	HEX NUT
28	F84074		2	CLAMP SCREW FOOT
31	F8537		2	SPRING PIN
34	F178173		4	RETAINING RING
35	FA178962		2	SHOCK ABSORBER W/BUSHING
36	F178362		2	BEARING
37	F178889		1	SHAFT, SHOCK MOUNT UPPER
38	F213274		3	GREASE FITTING
39	F178632		1	SHAFT, SHOCK MOUNT LOWER
40	F1528		1	WELCH PLUG
41	FA85019		1	KINGPIN W/PLUG
42	F438169		2	BEARING
43	F1669		1	LOCK NUT
44	F369349		1	REVERSE LOCK
45	F85300		1	REVERSE LOCK SPRING
46	F369510		1	LINK REVERSE LOCK
47	F177350		1	REVERSE LOCK PIN
48	F1744		1	SPRING PIN

CONTINUED ON NEXT PAGE ➡

MOTOR LEG

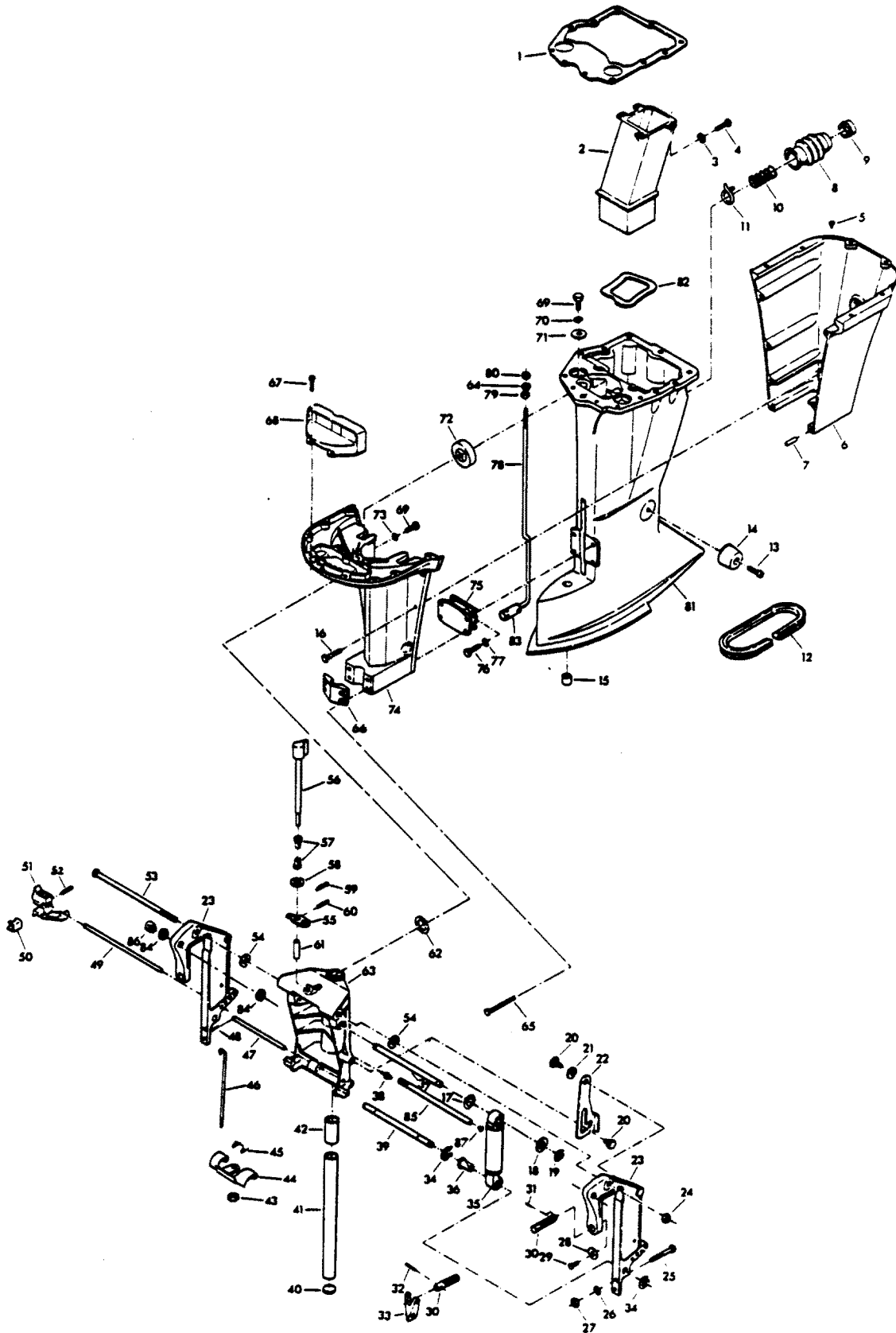


MOTOR LEG

REF. NO.	PART NO.	SYM.	QTY.	DESCRIPTION
49	FA438113		1	STERN BRACKET LOCK BAR W/HANDLE
50	F286461		1	SPRING, LOCK BAR HANDLE
51	F433114		1	HANDLE, LOCK BAR
52	F1744		1	SPRING PIN
53	F85037-1		1	STERN BRACKET PIVOT BOLT
54	F84286-1		4	FRICTION WASHER
55	F369364		1	REVERSE LOCK ARM
56	F369827		1	HANDLE AND SHAFT
57	F197813		2	BEARING
58	F8094		1	PLAIN WASHER
59	F1014		1	COTTER PIN
60	F1836		1	SPRING PIN
61	F369884		1	BEARING
62	F84011		1	WASHER
63	817783A5		1	SWIVEL BRACKET W/BEARINGS AND GREASE FITTINGS
64	F1987		1	PLAIN WASHER
65	F1696		4	HEX BOLT 5/16 - 18 X 1 3/4
66	F85606		1	KINGPIN CAP
67	F1912		4	HEX HD SCREW 10 - 24 X 1/2
68	F85779-1		1	BAFFLE, AIR INTAKE
69	F1871		4	HEX HD SCREW 3/8 - 16 X 3/4
70	F2014		2	PLAIN WASHER
71	FA85355-1		2	WASHER
72	F85965		2	SHOCK MOUNT UPPER
73	F1703		2	SPRING LOCKWASHER
74	A85135-3		1	LEG COVER FRONT
75	F438346		1	SHOCK MOUNT LOWER
76	F1822		4	HEX BOLT 5/16 - 18 X 7/8
77	F8096		4	SPRING LOCKWASHER
78	F85615		4	GEAR SHIFT ROD UPPER
79	F2108		1	LOCK NUT
80	F2108		1	LOCK NUT
81	A438133-1		1	MOTOR LEG
82	F439736		1	SEAL, EXHAUST TUBE
83	F85704		1	COUPLER, GEAR SHIFT ROD
23	1400-817958A6		2	STERN BRACKET
29	F66480		2	STUD
30	F85073		2	CLAMP SCREW
32	F1638		2	SPRING PIN
33	F288075		2	CLAMP SCREW HANDLE
-	F369390-1		1	DECAL, REVERSE LOCK (NOT SHOWN)
23	1400-817958A6		2	STERN BRACKET
29	F353480		2	STUD

CONTINUED ON NEXT PAGE ➡

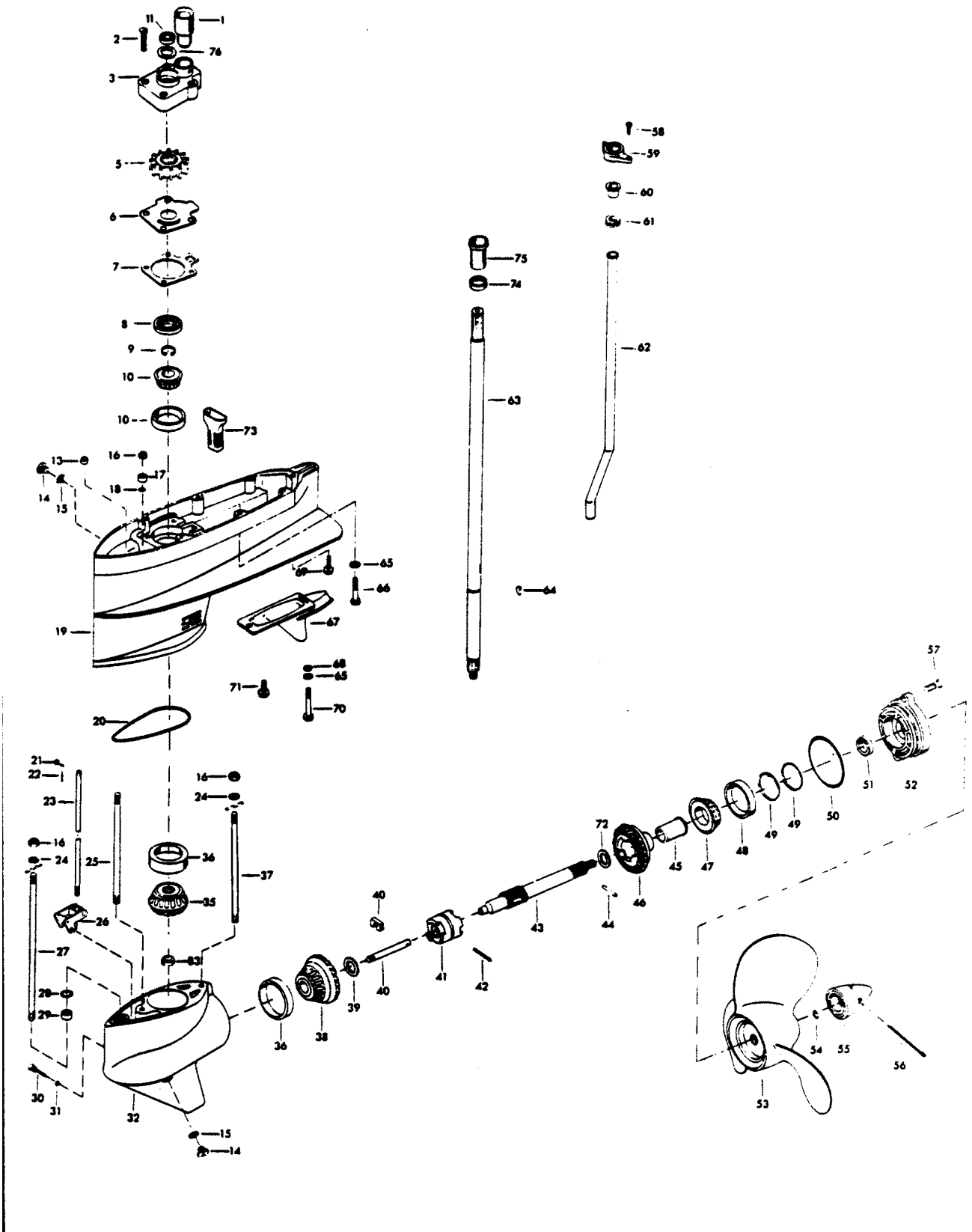
MOTOR LEG



MOTOR LEG

REF. NO.	PART NO.	SYM.	QTY.	DESCRIPTION
30	F474073		2	CLAMP SCREW
84	F523280		2	NUT, STEERING SUPPORT TUBE
85	F511125-1		1	TUBE, STEERING SUPPORT
86	F9018		1	CAP
87	9053		1	PLUG
-	F474390-1		1	DECAL, REVERSE LOCK (NOT SHOWN)

GEAR HOUSING



GEAR HOUSING

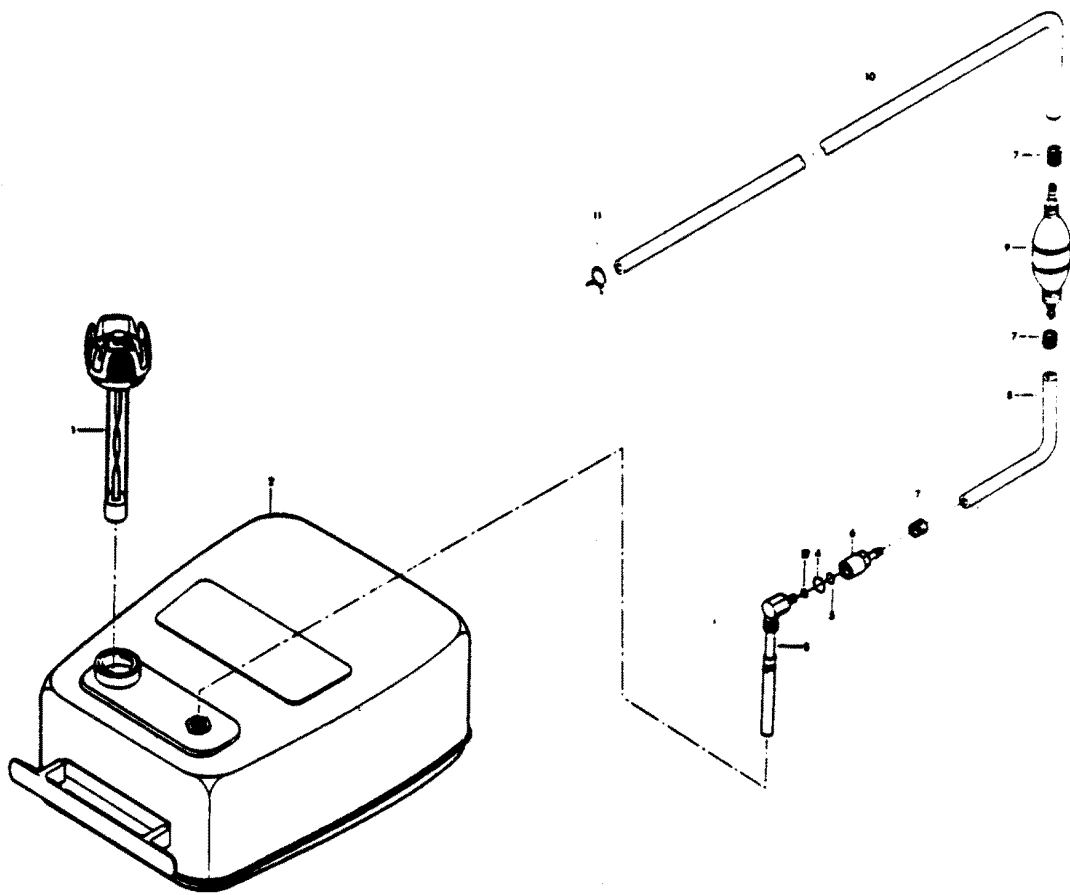
REF. NO.	PART NO.	SYM.	QTY.	DESCRIPTION
1	FA523735		1	SEAL, INLET WATER LINE, LOWER
2	F1584		4	FLAT HD SCREW, S.S., 1/4 - 20 X 1 3/8
3	FK500060		1	WATER PUMP BODY W/ITEMS 1 AND 11 ORIGINAL FORCE P/N A369060-1
5	F438065		1	WATER PUMP IMPELLER
6	F369562		1	WATER PUMP BACK PLATE
7	F84031		1	GASKET, WATER PUMP
8	F84307-1		1	SEAL, DRIVESHAFT
9	F84173		1	RETAINING RING
10	FA40901		1	BEARING, DRIVESHAFT W/CUP
11	F351307		1	SEAL, WATER PUMP
13	F338618-1		1	SEAL, GEAR SHIFT ROD
14	F50109		2	PLUG, GEAR HOUSING
15	F8077		2	WASHER, GEAR HOUSING PLUG
16	F1346		3	STOP NUT, 3/8 - 16
17	F84215		1	SPACER
18	F19342		1	SEAL
19	A316554-2		1	GEAR HOUSING UPPER W/PLUG & WASHER
20	F316555		1	SEAL
21	F85372		1	PIN, GEAR SHIFT ROD LOWER
22	F1015		1	COTTER PIN, S.S.
23	F85705-1		1	GEAR SHIFT ROD LOWER
24	F1778		2	PLAIN WASHER
25	F316165		1	STUD, GEAR HOUSING CENTER
26	FA84621-1		1	COUPLING, GEAR SHIFT ARM W/BUSHING
27	F85006-1		1	STUD, GEAR HOUSING, FRONT
28	F316599		1	SEAL, GEAR HOUSING STUD, FRONT
29	F85012		1	PILOT, GEAR HOUSING
30	F90891		1	PIN, GEAR SHIFT ARM
31	F8001		1	WASHER
32	1600-817767A2		1	GEAR HOUSING LOWER W/PLUG AND WASHER
33	FA480188		1	NUT, BEVEL PINION RETAINING
35	FA481266		1	BEVEL PINION GEAR W/BEARING & SHIMS
36	84903		2	BEARING CUP
37	F84008-3		1	STUD, GEAR HOUSING, REAR
38	F2A481023		1	BEVEL GEAR FRONT W/BEARINGS & SHIMS
40	FA84871-1		1	PIN, GEAR SHIFT W/YOKE
41	F84521-1		1	CLUTCH
42	F1713		1	SPRING PIN
43	A85098-2		1	PROPELLER SHAFT
44	FK280		1	PROPELLER PIN
45	F384143		1	BEARING, BEVEL GEAR REAR
46	F481662		1	BEVEL GEAR, REAR

CONTINUED ON NEXT PAGE ➡

GEAR HOUSING

REF. NO.	PART NO.	SYM.	QTY.	DESCRIPTION
47	FA84225		1	BEARING W/CUP
48	84250		1	BEARING CUP
50	F84305		1	SEAL, PROPELLER SHAFT BEARING CAGE
51	F84118		1	SEAL, PROPELLER SHAFT
52	FA84298-3		1	PROPELLER SHAFT BEARING CAGE W/SEAL
53	P489		1	PROPELLER (ACCESSORY ITEM)
54	F40342		1	SEAL, PROPELLER NUT
55	11-817784A1		1	PROPELLER NUT W/COTTER PIN & SEAL
56	F1028		1	COTTER PIN, S.S.
57	F1252		2	HEX SOCKET HD CAP SCREW, S.S., 3/8 - 16 X 1
58	F1705		2	HEX CAP SCREW, S.S., 1/4 - 20 X 3/4
59	F85117		1	BRACKET, WATER LINE
60	F84342		1	SEAL, INLET WATER LINE, UPPER
61	F381899		1	GROMMET, WATER LINE
62	F85244		1	INLET WATER LINE
63	FK85128-1		1	DRIVESHAFT W/NUT, RETAINER & SEAL
64	F9038		1	DRIVE KEY, WATER PUMP
65	F8096		7	SPRING LOCKWASHER, S.S.
66	F1696		6	HEX BOLT, S.S., 5/16 - 18 X 1 3/4
67	817797A2		1	EXHAUST OUTLET, GEAR HOUSING UPPER W/SCREW
68	F1907		1	PLAIN WASHER
69	F1213		1	HEX CAP SCREW, 5/16 - 18 X 1 1/8
70	F1994		1	HEX SOCKET HD CAP SCREW, 5/16 - 18 X 1
71	F438930		1	RETAINER, SNOUT
72	F84717		1	THRUST WASHER, BEVEL GEAR REAR
73	F438077		1	SCREEN, WATER INLET
74	F438271		1	RETAINER, CRANKSHAFT SPLINE SEAL
75	F438129		1	SEAL, DRIVESHAFT SPLINE
76	F480388		1	DISC, WATER PUMP LOCATING
-	FC481054		1	GEAR HOUSING COMPLETE. INCLUDES ALL ITEMS MARKED WITH AN ASTERISK (*).

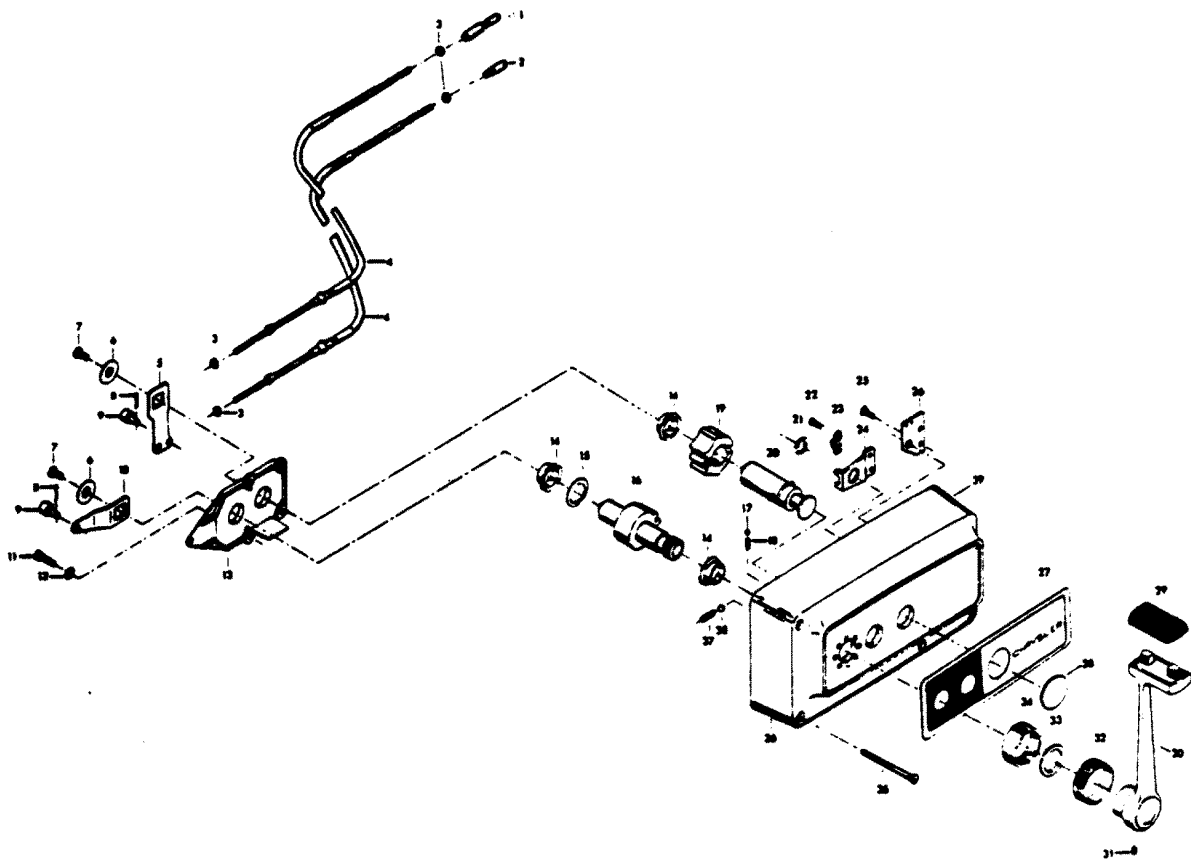
FUEL TANK AND LINE



FUEL TANK AND LINE

REF. NO.	PART NO.	SYM.	QTY.	DESCRIPTION
1	F409251-1		1	GAUGE CAP
2	F71H08		1	FUEL TANK (ACCESSORY ITEM)
3	F485755		1	FUEL TANK ADAPTER
4	F213342		1	SEAL, FUEL LINE COUPLER (LARGE)
5	F213735		1	SEAL, FUEL LINE COUPLER (SMALL)
6	F197787-2		1	FUEL LINE COUPLER
7	F298788		3	FERRULE
8	FA84754-1		1	FUEL LINE SHORT W/FERRULES
9	89396A38		1	PRIME BULB
10	32-817738A1		1	FUEL LINE LONG W/CLAMP AND FERRULE
11	F97772		1	FUEL LINE CLAMP
12	F17932		1	SEAL, FUEL LINE COUPLER
-	FS409752		1	FUEL LINE COMPLETE (NOT SHOWN)

REMOTE CONTROL

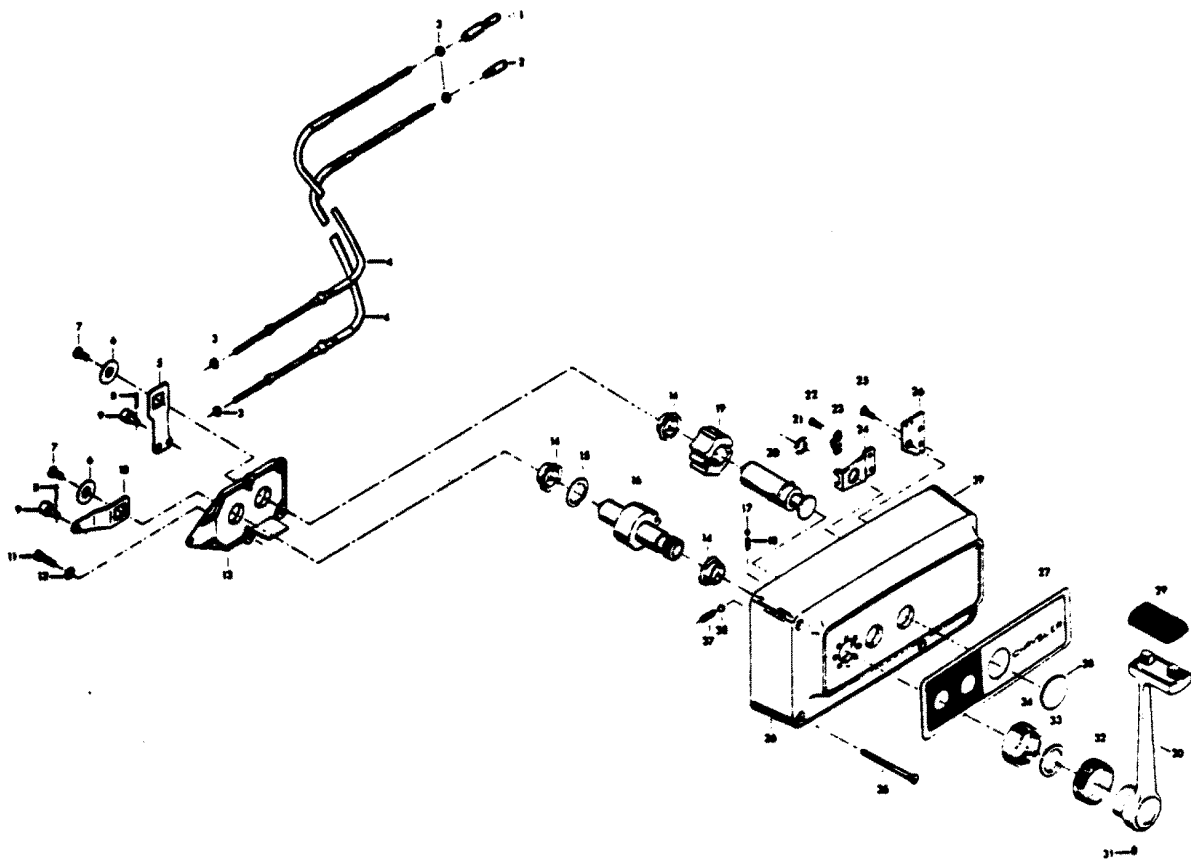


REMOTE CONTROL

REF. NO.	PART NO.	SYM.	QTY.	DESCRIPTION
1	FA58976-1		1	CONNECTOR, THROTTLE CABLE
2	F58685-2		1	CONNECTOR, SHIFT CABLE
3	F1513		4	HEX NUT
4	ÄF58356//		2	REMOTE CONTROL CABLE (SPECIFY LENGTH)
5	F17019		1	CLUTCH ARM
6	F17036		2	INTERNAL TOOTH LOCKWASHER
7	F1715		2	HEX BOLT, 1/4 - 28 X 9/16
8	F17015		2	COTTER PIN
9	F17016		2	CABLE TERMINAL
10	F17014		1	THROTTLE ARM
11	F17013		2	FILL HD SCREW, 1/4 - 20 X 1/2
12	F17020		2	INTERNAL TOOTH LOCKWASHER
13	F17012		1	RETAINING PLATE
14	F17009		3	BEARING
15	F17011		1	BOWED WASHER
16	F17010-1		1	THROTTLE GEAR
17	F17111		1	DETENT BALL
18	F17006		1	DETENT SPRING
19	F17021		1	CLUTCH GEAR
20	F17100		1	CLUTCH SHAFT
21	F17092		1	SNAP RING
22	F17107		2	FILL HD SCREW, 10 - 24 X 5/16
23	F154317		1	CABLE CLAMP
24	F17026		1	SWIVEL
25	F1557		2	FLAT HD SCREW, 10 - 24 X 3/8
26	F17112		1	JUNCTION BOARD, STARBOARD
-	F17113		1	JUNCTION BOARD, PORT
27	F17101		1	DECAL, STARBOARD
-	17102		1	DECAL, PORT
28	F17031		1	SNAP CAP
29	F17116		1	KNOB
30	F17115		1	HANDLE
31	F17030-1		1	SET SCREW
32	FK17114-1		1	INDICATOR
33	F17105		1	FELT WASHER
34	F17106		1	COLLAR
35	17108		3	WOOD SCREW

CONTINUED ON NEXT PAGE ➡

REMOTE CONTROL



REMOTE CONTROL

REF. NO.	PART NO.	SYM.	QTY.	DESCRIPTION
36	F17068		1	HOUSING
37	F17008		1	DETENT SPRING
38	F17082-1		1	DETENT BALL
39	F72H36		1	REMOTE CONTROL UNIT, SINGLE LEVER STARBOARD MOUNT (ACCERSORY ITEM)
-	F1280		2	PAN HD SCREW, 8 - 32 X 1/4 (TERMINAL BOARD) (NOT SHOWN)

SPECIAL TOOLS - TUNE-UP

REF. NO.	PART NO.	SYM.	QTY.	DESCRIPTION
-	FT8948-1		0	FLYWHEEL PULLER TO REMOVE FLYWHEEL.
-	FTA2937-1		0	TIMING TOOL TO SET INITIAL SPARK ADVANCE.
-	FT8978		0	POWER TIMING LIGHT FOR FINAL ADJUSTMENT OF SPARK ADVANCE.

SPECIAL TOOLS - POWER HEAD

REF. NO.	PART NO.	SYM.	QTY.	DESCRIPTION
-	FT8914		0	SEAL REMOVER TO REMOVE UPPER CRANKSHAFT BEARING CAGE SEAL.
-	FT8903		0	SEAL INSTALLER TO INSTALL UPPER CRANKSHAFT BEARING CAGE SEAL.
-	FT8927		0	SEAL PROTECTOR TO INSTALL UPPER CRANKSHAFT BEARING CAGE SEAL.
-	FT8907		0	DRIVE HANDLE USED WITH T8910, T8909, T8908 AND T8903.
-	FT8922		0	SLIDE HAMMER TO REMOVE UPPER CRANKSHAFT BEARING CAGE SEAL. ALSO USED TO REMOVE BEARING CUPS FROM PROPELLER SHAFT BEARING CAGE.
-	FT2953		0	SOCKET TO TORQUE CONNECTING ROD SCREWS.
-	FT2990		0	PISTON PIN TOOL TO REMOVE AND INSTALL PISTON PINS.
-	FT2996		0	RING COMPRESSOR TO INSTALL PISTON RINGS.
-	FT8926		0	RING EXPANDER TO INSTALL PISTON RINGS.

SPECIAL TOOLS - GEAR HOUSING

REF. NO.	PART NO.	SYM.	QTY.	DESCRIPTION
-	FT8948-1		0	PROPELLER SHAFT BEARING CAGE PULLER TO REMOVE PROPELLER SHAFT BEARING CAGE FROM GEAR HOUSING.
-	FT8918		0	BEARING GUIDE SET TO REMOVE AND INSTALL BEARING CUP IN LOWER GEAR HOUSING.
-	FT2995		0	FORWARD BEARING CUP REMOVER TO REMOVE FORWARD BEARING CUP IN LOWER GEAR HOUSING.
-	FT8909		0	FORWARD BEARING CUP INSTALLER TO INSTALL FORWARD BEARING CUP IN LOWER GEAR HOUSING.
-	FT8917		0	REAR BEARING CUP REMOVER TO REMOVE REAR BEARING CUP FROM PROPELLER SHAFT BEARING CAGE.
-	FT8910		0	REAR BEARING CUP INSTALLER TO INSTALL REAR BEARING CUP IN PROPELLER SHAFT BEARING CAGE.
-	FT8908		0	PROPELLER SHAFT SEAL INSTALLER TO INSTALL PROPELLER SHAFT SEAL IN PROPELLER SHAFT BEARING CAGE.
-	FT8915		0	PROPELLER SHAFT SEAL PROTECTOR TO INSTALL PROPELLER SHAFT SEAL IN PROPELLER SHAFT BEARING CAGE.
-	FT8916		0	PROPELLER SHAFT BEARING INSTALLER TO INSTALL REVERSE GEAR AND BEARING ON PROPELLER SHAFT.
-	FT8906		0	PROPELLER SHAFT BEARING SUPPORT TO INSTALL REVERSE GEAR AND BEARING ON PROPELLER SHAFT.
-	FT8911		0	DRIVESHAFT KNOCK-OFF NUT TO REMOVE DRIVESHAFT FROM UPPER GEAR HOUSING.
-	FT8905		0	DRIVESHAFT BEARING REMOVER TO REMOVE BEARING FROM DRIVESHAFT.
-	FT8920		0	DRIVESHAFT BEARING INSTALLER TO INSTALL BEARING ON DRIVESHAFT.
-	FT8925		0	DRIVESHAFT SEAL INSTALLER TO INSTALL DRIVESHAFT AND IN UPPER HOUSING.
-	FT8924-1		0	CHECKING GAUGE TO MEASURE PROPELLER SHAFT END PLAY AND END FLOAT.
-	FT8907		0	DRIVER HANDLE TO INSTALL BEARING CUPS AND SEALS.
-	FT8901		0	INDICATOR HOLDER USED IN CONJUNCTION WITH T8924-1.
-	FT8902		0	DIAL INDICATOR USED IN CONJUNCTION WITH T8924-1.
-	FT8970		0	CENTERING TOOL TO CENTER WATER PUMP BODY.
-	FT8919		0	SPRING PIN PUNCH TO REMOVE CLUTCH SPRING PIN.
-	FT8957		0	SEAL INSTALLER TO INSTALL SHIFT ROD SEAL.

SPECIAL TOOLS - TEST EQUIPMENT

REF. NO.	PART NO.	SYM.	QTY.	DESCRIPTION
-	FT2981A		0	TEST WHEEL (105 H.P.) TO TEST MOTOR IN TEST TANK. ORIGINAL FORCE P/N T2891A
-	FT8933		0	LIFTING HOOK TO LIFT ENGINE.
-	FT8950		0	LEAKAGE TESTER TO TEST LOWER UNIT SEALS FOR LEAKAGE.

ACCESSORIES

REF. NO.	PART NO.	SYM.	QTY.	DESCRIPTION
-	F861		0	FLUSHING ADAPTER PERMITS FRESH WATER FLUSHING OF WATER PASSAGES WITH STANDARD GARDEN HOSE.
-	F72H36		0	SYNCHRO-DRIVE CONTROL BOX (SINGLE LEVER) PERMITS REMOTE CONTROL OF THROTTLE AND GEAR SHIFT FROM STARBOARD SIDE OF BOAT.
-	73H08		0	PORT SIDE DECAL KIT CONVERTS 72H36 CONTROL BOX TO PORT SIDE MOUNTING.
-	F590		0	SYNCHRO-DRIVE CONTROL HEAD (SINGLE LEVER) FLUSH MOUNT CONTROL UNIT PERMITS REMOTE CONTROL OF THROTTLE AND GEAR SHIFT. MAY BE MOUNTED ON PORT OR STARBOARD SIDE OF BOAT.
-	865		0	TWIN SYNCHRO-DRIVE CONTROL BOX PERMITS REMOTE CONTROL OF THROTTLE AND GEAR SHIFT ON TWIN ENGINE INSTALLATIONS. MAY BE MOUNTED ON PORT OR STARBOARD SIDE OF BOAT.
-	F75H07		0	SYNCHRO-DRIVE CONTROL BOX FOR MOUNTING ON CONSOLE OF BOAT.
-	F75H08		0	TWIN SYNCHRO-DRIVE CONTROL BOX FOR MOUNTING ON CONSOLE OF BOAT.
-	F195/___		0	REMOTE CONTROL CABLES CONNECTS REMOTE CONTROL BOX TO THROTTLE AND GEAR SHIFT ON ENGINE. AVAILABLE IN 6 THROUGH 20 FOOT LENGTHS.
-	F165		0	REMOTE STEERING BRACKET ADAPTS ENGINE TO CABLE TYPE REMOTE STEERING.
-	F166		0	DUAL ENGINE TIE BAR PERMITS DUAL ENGINE INSTALLATIONS.
-	F862		0	STEEL, 6 GALLON FUEL TANK ADDITIONAL TANK TO CARRY FUEL RESERVE.
-	F71H08		0	STEEL, 6 GALLON FUEL TANK (LOW PROFILE)
-	F71H12		0	TANK ANCHOR SECURES 71H08 TO BOAT.
-	F71H23		0	STEEL, 12 GALLON FUEL TANK
-	F70H01		0	ANTI-CORROSION KIT ELECTRICAL KIT FOR MOUNTING ON BOAT (12V) TO REDUCE CORROSION.
-	F71H02		0	ANTI-CORROSION SACRIFICIAL ANODE KIT USED TO REDUCE CORROSION.
-	F71H30		0	OVERHEAT BUZZER SOUNDS WARNING BUZZER IF ENGINE OVERHEATS.
-	F75H16		0	POWER TRIM INDICATOR INDICATES ENGINE TRIM ANGLE. (FLUSH MOUNT)
-	75H19		0	POWER TRIM INDICATOR INDICATES ENGINE TRIM ANGLE. (SURFACE MOUNT)
-	72H31		0	FROST WHITE LACQUER ENGINE TOUCH-UP PAINT IN 16 OZ. SPRAY BOMBS (12 CANS PER CASE).
-	72H32		0	GOLD LACQUER ENGINE TOUCH-UP PAINT IN 6 OZ. SPRAY BOMBS (12 CANS PER CASE).
-	F71H32		0	TILT STOP KIT LIMITS TILTING ANGLE.
-	F72H66		0	EXHAUST SNOOT
-	F75H09		0	BATTERY CABLE LONGER LENGTH - 15 FEET.
-	F74H01		0	VOLTMETER - FLUSH MOUNT INDICATES BATTERY CONDITION.

CONTINUED ON NEXT PAGE ➡

ACCESSORIES

REF. NO.	PART NO.	SYM.	QTY.	DESCRIPTION
-	74H02		0	VOLTMETER - SURFACE MOUNT INDICATES BATTERY CONDITION.
-	72H07		0	CANVAS HOOD PROTECTION FOR ENGINE COVER.
-	72H13		0	BATTERY, 74 AMP 12 VOLT HEAVY DUTY BATTERY.
-	172		0	BATTERY CASE HEAVY PLASTIC CASE WITH TIE DOWN STRAPS. PROTECTS BATTERY FROM DAMAGE.
-	F70H05		0	EXTENSION CABLE FOR LENGTHENING BATTERY CABLE 6 1/2 FEET.
-	F71H20		0	CIGAR LIGHTER FOR USE AS CONVENIENCE OUTLET.
-	168		0	CONTROL PANEL FOR MOUNTING LAMPS, SWITCHES, ETC.
-	877		0	DECAL SET FOR RACING ENGINE IDENTIFICATION.
-	75H20		0	FUEL GAUGE SURFACE MOUNT MONITORS FUEL SUPPLY.
-	75H17		0	FUEL GAUGE FLUSH MOUNT MONITORS FUEL SUPPLY.
-	F72H09		0	HYDRAULIC TILT HYDRAULIC UNIT TO RAISE AND LOWER THE LOWER UNIT WHEN BEACHING OR TRAILERING BOAT.
-	479		0	HEAT LAMP KIT GLOWS RED IF ENGINE OVERHEATS. DO NOT USE HEAT LAMP AND TEMPERATURE GAUGE IN SAME INSTALLATION.
-	478		0	IGNITION LAMP KIT GLOWS ORANGE WHEN IGNITION SWITCH IS IN "ON" POSITION.
-	F74H19		0	IGNITION KEY SWITCH SHORT BARREL WITH KEYS.
-	F74H20		0	IGNITION KEY SWITCH LONG BARREL WITH KEYS.
-	71H11		0	RACING LOWER UNIT (15") FOR RACING APPLICATIONS.
-	72H19		0	RACING LOWER UNIT (17 1/4") FOR RACING APPLICATIONS.
-	70H24		0	RACING STRIPE KIT ORANGE STRIPING FOR ENGINE COVER.
-	70H25		0	RACING STRIPE KIT BLUE STRIPING FOR ENGINE COVER.
-	F762		0	REMOTE ELECTRIC CABLE 25 FOOT CABLE FOR LARGE BOATS.
-	F73H11		0	REMOTE ELECTRIC CABLE 21 FOOT CABLE FOR LARGE BOATS.
-	F71H10		0	SENDING UNIT FOR USE WITH FUEL GAUGE.
-	F74H10		0	TEMPERATURE GAUGE FLUSH MOUNT MONITORS ENGINE TEMPERATURE. DO NOT USE TEMPERATURE GAUGE AND HEAT LAMP IN SAME INSTALLATION.
-	74H14		0	TEMPERATURE GAUGE SURFACE MOUNT MONITORS ENGINE TEMPERATURE. DO NOT USE TEMPERATURE GAUGE AND HEAT LAMP IN SAME INSTALLATION.
-	75H18		0	TACHOMETER SURFACE MOUNT MONITORS ENGINE R.P.M. TO PROVIDE CHECK OF ENGINE PERFORMANCE.
-	75H15		0	TACHOMETER FLUSH MOUNT MONITORS ENGINE R.P.M. TO PROVIDE CHECK OF ENGINE PERFORMANCE.
-	F74H07		0	WATER PUMP KIT HEAVY DUTY WATER PUMP KIT.
-	F71H27		0	POWER TRIM ADJUSTS ENGINE TRIM AND TILTS ENGINE.
-	176		0	SPEEDOMETER SURFACE MOUNT MONITORS BOAT SPEED (0 - 50 M.P.H.)
-	F71H04		0	SPEEDOMETER FLUSH MOUNT MONITORS BOAT SPEED (0 - 50 M.P.H.)

CONTINUED ON NEXT PAGE ➡

ACCESSORIES

REF. NO.	PART NO.	SYM.	QTY.	DESCRIPTION
-	F74H18		0	SWITCH EXTENSION CABLE 5 FOOT LONG SWITCH WIRING HARNESS.

SPECIFICATIONS

REF. NO.	PART NO.	SYM.	QTY.	DESCRIPTION
-			0	HORSEPOWER 105 B.I.A. CERTIFIED BRAKE H.P. AT 5000 R.P.M.
-			0	MOTOR TWO-CYCLE, FOUR CYLINDER ALTERNATE FIRING.
-			0	BORE AND STROKE 105 H.P. - 3 5/16" BORE X 2.8" STROKE.
-			0	DISPLACEMENT 105 H.P. - 96.55 CUBIC INCHES.
-			0	CONNECTING RODS NICKEL STEEL. CAGED NEEDLE BEARINGS AT CRANKSHAFT. FULL COMPLIMENT NEEDLE BEARINGS AT PISTON PIN.
-			0	CRANKSHAFT NICKEL STEEL. BALL BEARINGS AT UPPER MAIN. CAGED NEEDLE BEARINGS AT CENTER MAIN AND CASED NEEDLE BEARINGS AT LOWER MAIN.
-			0	CORROSION PROTECTION ALODINE TREATED CASTINGS, STAINLESS STEEL DRIVE SHAFT, PROPELLER SHAFT, GEAR SHIFT ROD AND UNDERWATER FASTENERS.
-			0	FUEL SYSTEM VACUUM TYPE FUEL PUMP. FLOAT FEED CARBURETOR WITH FIXED HIGH SPEED JET AND ADJUSTABLE LOW SPEED JET.
-			0	FUEL FILTERS FILTER SCREENS IN FUEL TANK AND FUEL PUMP.
-			0	STARTER ELECTRIC.
-			0	COOLING WATER COOLED, THERMOSTATICALLY CONTROLLED. POSITIVE DISPLACEMENT TYPE WATER PUMP.
-			0	TRANSOM HEIGHT 20".
-			0	WEIGHT 250 LBS.
-			0	TILT LOCK POSITIVE TILT LOCK PERMITS ENGINE TO REMAIN IN TILTED POSITION WHEN NOT IN USE.
-			0	RECOMMENDED OPERATING RANGE 105 H.P. -- 4500-5500 R.P.M.
-			0	FUEL TANK SEPARATE STEEL, 6 U.S. GALLONS, 5 IMPERIAL GALLON CAPACITY.

LUBRICATION CHART

REF. NO.	PART NO.	SYM.	QTY.	DESCRIPTION
-			0	UPPER AND LOWER GEAR HOUSINGS SEE BLOCK COMMENT 1.
-			0	CONTROL LINKAGE LUBRICATE ALL MOVING PARTS AND CONTROL LINKAGE WITH RYKON #2 EP, PART #T-2961 TWICE EACH SEASON OR OFTENER IF REQUIRED.
-			0	STERN BRACKET LUBRICATE STERN BRACKET AND ASSOCIATED PARTS WITH RYKON #2 EP, PART #T-2961 TWICE EACH SEASON OR OFTENER IF REQUIRED.
-			0	GREASE FITTINGS GREASE FITTINGS ARE PROVIDED AT CRITICAL POINTS WHERE BEARING SURFACES ARE NOT EXPOSES EXTERNALLY. USING AN AUTOMOTIVE - TYPE GREASE GUN AND LUBRICANT, GREASE TWICE EACH SEASON OR OFTENER IF REQUIRED.
-			0	STARTER PINION GEAR LUBRICATE WITH RYKON #2 EP. PART NO. T2961, TWICE EACH SEASON OR OFTENER IF REQUIRED.

SPECIAL ADJUSTMENTS

REF. NO.	PART NO.	SYM.	QTY.	DESCRIPTION
-			0	SPARK PLUG CHAMPION (UL18V) - MODEL 1055HA CHAMPION (L20V) - MODEL 1055HB
-			0	FLYWHEEL NUT TORQUE TO 90 FOOT POUNDS.
-			0	CYLINDER HEAD BOLT

PARTS INDEX

Part Number	Description	Pg.	Ref. No.	Part Number	Description	Pg.	Ref. No.
ÄF58356//	REMOTE CONTROL CABLE (SPECIFY LENGTH)	55	4	817855A1	UNIT	13	45
013532	FUEL BOWL	15	33	817931A7	MOTOR LEG COVER REAR	43	6
06942	THROTTLE SHUTTER RETAINING SCREW AND LOCKWASHER	15	12	817932A6	TOWERSHAFT W/SWIVEL, BEARINGS AND SCREWS	35	19
15037	HEAD ASSEMBLY, COMMUTATOR END	27	21	84250	BEARING CUP	51	48
1531	HEX NUT, 10 - 32	35	27	84903	BEARING CUP	49	36
168	CONTROL PANEL	63	-	865	TWIN SYNCHRO-DRIVE CONTROL BOX	62	-
17102	DECAL, PORT	55	-	877	DECAL SET	63	-
17108	WOOD SCREW	55	35	89396A38	PRIME BULB	53	9
172	BATTERY CASE	63	-	9053	PLUG	47	87
176	SPEEDOMETER SURFACE MOUNT	63	-	90607	RETAINING RING	15	1
474374	DECAL, IGNITION	29	3	A316554-2	GEAR HOUSING UPPER W/PLUG & WASHER	49	19
478	IGNITION LAMP KIT	63	-	A438133-1	MOTOR LEG	45	81
479	HEAT LAMP KIT	63	-	A478892	INSERT, PLATE FRONT - U. S. A.	5	41
480373	DECAL, MAGNAPOWER IGNITION (NOT SHOWN) .	13	-	A65193	TIE BAR END W/SWIVEL . . .	15	2
481373	DECAL, "ELECTRIC" (NOT SHOWN)	25	-	A85098-2	PROPELLER SHAFT	49	43
499373	DECAL, MAGNAPOWER II (NOT SHOWN)	33	-	A85135-3	LEG COVER FRONT	45	74
523785	DECAL, CHARGER	5	48	AC16395-7	IDENTIFICATION PLATE W/SCREWS FOR CANADA MODELS	3	-
523995	COVER CYLINDER HEAD . .	39	108	F10000	GASKET SET (NOT SHOWN)	17	-
70H24	RACING STRIPE KIT	63	-	F10005	REPAIR PARTS KIT (NOT SHOWN).	17	-
70H25	RACING STRIPE KIT	63	-	F1009	HEX HD SCREW, 3/8 - 16 X 2 3/4	29	5
71H11	RACING LOWER UNIT	63	-	F1009	HEX HD SCREW, 3/8 - 16 X 2 3/4	35	5
72H07	CANVAS HOOD	63	-	F1014	COTTER PIN	15	17
72H13	BATTERY, 74 AMP	63	-	F1014	COTTER PIN	45	59
72H19	RACING LOWER UNIT	63	-	F1015	COTTER PIN, S.S.	49	22
72H31	FROST WHITE LACQUER . .	62	-	F1028	COTTER PIN, S.S.	51	56
72H32	GOLD LACQUER	62	-	F1036	SLOTTED FILL HD M. SCREW, 6 - 32 X 1/4	9	59
73H08	PORT SIDE DECAL KIT	62	-	F1052	FILL HD SCREW, 1/4 - 20 X 1	29	22
74H02	VOLTMETER - SURFACE MOUNT	63	-	F1052	FILL HD SCREW, 1/4 - 20 X 1	35	22
74H14	TEMPERATURE GAUGE SURFACE MOUNT	63	-	F1059	FILL HD SCREW, 6 - 32 X 1/4	15	21
75H15	TACHOMETER FLUSH MOUNT	63	-	F1064	FILL HD SCREW, 8 - 32 X 3/8	15	3
75H17	FUEL GAUGE FLUSH MOUNT	63	-	F1099	FILL HD SCREW, 1/4 - 20 X 1 1/4	29	13
75H18	TACHOMETER SURFACE MOUNT	63	-	F1099	FILL HD SCREW, 1/4 - 20 X 1 1/4	31	55
75H19	POWER TRIM INDICATOR . .	62	-	F1099	FILL HD SCREW, 1/4 - 20 X 1 1/4	35	13
75H20	FUEL GAUGE SURFACE MOUNT	63	-	F1099	FILL HD SCREW, 1/4 - 20 X 1 1/4	37	55
817747--1	BALL JOINT W/STUD	19	23	F1107	SLOTTED FILL HD CAP SCREW, 1/4 - 20 X 3/4 . . .	31	76
817747--1	BALL JOINT W/STUD	29	25	F1107	SLOTTED FILL HD CAP SCREW, 1/4 - 20 X 3/4 . . .	37	76
817747--1	BALL JOINT W/STUD	35	25	F1108	FILL HD SCREW, 1/4 - 20 X 3/4	19	13
817783A5	SWIVEL BRACKET W/BEARINGS AND GREASE FITTINGS	45	63	F1187	HEX HD SCREW, 1/4 - 20 X 1	31	43
817786A1	DISTRIBUTOR PULLEY	23	3	F1187	HEX HD SCREW, 1/4 - 20 X 1	37	43
817788A3	SPACER PLATE W/PLUGS . .	31	73	F1203	HEX CAP SCREW, 1/4 - 20 X 7/8	33	107
817788A3	SPACER PLATE W/PLUGS . .	37	73	F1203	HEX CAP SCREW, 1/4 - 20 X 7/8	39	107
817797A2	EXHAUST OUTLET, GEAR HOUSING UPPER W/SCREW	51	67				

PARTS INDEX

Part Number	Description	Pg.	Ref. No.	Part Number	Description	Pg.	Ref. No.
F1213	HEX CAP SCREW, 5/16 - 18 X 1 1/8	51	69	F14044	DISTRIBUTOR SHAFT	23	40
F12352-1	TRIGGER COIL	9	58	F14045	SCREW	23	16
F12353	CLIP	9	60	F14046	TERMINAL SCREW	23	19
F12356	SPIDER	9	61	F14047	TERMINAL INSULATOR (INSIDE)	23	20
F1236	SCREW, 1/4 - 20 X 1/2	19	22	F14048	PREAMPLIFIER	23	17
F1238	HEX CAP SCREW, 1/4 - 20 X 3/4	3	14	F14049	TERMINAL INSULATOR (OUTSIDE)	23	22
F1238	HEX CAP SCREW, 1/4 - 20 X 3/4	31	54	F1473	HEX NUT	3	36
F1238	HEX CAP SCREW, 1/4 - 20 X 3/4	37	54	F1475	FILL HD SCREW, 10 - 24 X 1/2	33	103
F1252	HEX SOCKET HD CAP SCREW, S.S., 3/8 - 16 X 1	51	57	F1475	FILL HD SCREW, 10 - 24 X 1/2	39	103
F1253	HEX SOCKET HD CAP SCREW, 3/8 - 16 X 2	29	9	F1493	SLOTTED PAN HD SCREW, 1/4 - 20 X 5/8	41	19
F1253	HEX SOCKET HD CAP SCREW, 3/8 - 16 X 2	35	9	F1502	HEX CAP SCREW, 1/4 - 20 X 5/8	3	20
F1263	HEX SOCKET HD CAP SCREW 5/16 - 18 X 9/16	43	13	F1502	HEX CAP SCREW, 1/4 - 20 X 5/8	19	5
F1280	PAN HD SCREW, 8 - 32 X 1/4	11	33	F1502	HEX CAP SCREW, 1/4 - 20 X 5/8	27	18
F1280	PAN HD SCREW, 8 - 32 X 1/4 (TERMINAL BOARD) (NOT SHOWN)	57	-	F1502	HEX CAP SCREW, 1/4 - 20 X 5/8	31	48
F1280	SLOTTED PAN HD SCREW, 8 - 32 X 1/4	7	28	F1502	HEX CAP SCREW, 1/4 - 20 X 5/8	37	48
F1286	PAN HD SCREW, 4 - 40 X 3/16	29	39	F15021-1	HEAD ASSEMBLY, DRIVE END	27	8
F1286	PAN HD SCREW, 4 - 40 X 3/16	35	39	F15034	SPRING SET	27	22
F1293	ROUND HD SCREWS, 2 X 3/16	3	19	F15035	THRU BOLT PACKAGE	27	16
F1298	RD HD SCREW W/LOCKWASHER, 6 - 32 X 1/4	19	38	F15054	BRUSH AND TERMINAL SET	27	12
F1341	HEX NUT, 1/4 - 20	29	21	F15057	BRUSH PLATE AND HOLDER ASSEMBLY	27	23
F1341	HEX NUT, 1/4 - 20	35	21	F15073	THRUST WASHER PACKAGE	27	9
F1346	HEX NUT	43	27	F15099	ARMATURE	27	10
F1346	STOP NUT, 3/8 - 16	49	16	F15118	BENDIX DRIVE ASSEMBLY	27	5
F14005-2	CAP BASE	23	37	F15124	FRAME AND FIELD ASSEMBLY	27	11
F14007	CAP SCREW	23	33	F1513	HEX NUT	11	18
F14010-1	CAP COVER	23	34	F1513	HEX NUT	55	3
F14012-1	BRUSH	23	39	F1513	HEX NUT, 10 - 32	7	26
F14015	CAP CLIP RIVET	23	21	F1513	HEX NUT, 10 - 32	19	27
F14017	TERMINAL INSULATOR (OUTSIDE)	25	46	F1513	HEX NUT, 10 - 32	29	27
F14021-1	CAP SEAL	23	36	F1514	HEX NUT, 1/4 - 20	27	6
F14024	SPACER	23	42	F1514	HEX NUT, 1/4 - 20	19	29
F14025	SPACER	23	4	F1515	HEX NUT, 5/16 - 18	19	29
F14028	THRUST WASHER	23	5	F1528	WELCH PLUG	43	40
F14029	THRUST WASHER	23	7	F154317	CABLE CLAMP	55	23
F14030	CAP GASKET	23	38	F1556	FILL HD SCREW W/LOCKWASHER, 10 - 24 X 3/8	29	23
F14036	SWIVEL	23	13	F1556	FILL HD SCREW W/LOCKWASHER, 10 - 24 X 3/8	35	23
F14037	CAP CLIPS	23	14	F1557	FLAT HD SCREW, 10 - 24 X 3/8	55	25
F14038	CAP CLIP SCREWS	23	15	F1584	FLAT HD SCREW, S.S., 1/4 - 20 X 1 3/8	49	2
F14040	VENT	23	35	F1593	HEX HD SCREW 3/8 - 16 X 3	43	25
F14041	EXTERNAL TOOTH LOCKWASHER	23	23	F1612	HEX CAP SCREW, 3/8 - 16 X 1 1/4	23	8
F14042	DISTRIBUTOR HOUSING W/BEARINGS	23	12				

PARTS INDEX

Part Number	Description	Pg.	Ref. No.	Part Number	Description	Pg.	Ref. No.
F1615	HEX NUT	11	24	F1705	HEX CAP SCREW, 1/4 - 20 X 3/4	11	23
F1615	HEX NUT, S.S., 5/16 - 24	7	40	F1705	HEX CAP SCREW, S.S., 1/4 - 20 X 3/4	51	58
F1638	SPRING PIN	45	32	F17068	HOUSING	57	36
F1645	RD HD SCREW, 6 - 32 X 1 1/4	7	5	F17082-1	DETENT BALL	57	38
F1645	RD HD SCREW, 6 - 32 X 1/4	21	50	F1709	HEX BOLT, 1/4 - 20 X 1 1/8	33	87
F1647	HEX NUT, 6 - 32	11	6	F1709	HEX BOLT, 1/4 - 20 X 1 1/8	39	87
F1647	HEX NUT, 8 - 32	7	17	F17092	SNAP RING	55	21
F1647	HEX NUT, 8 - 32	23	24	F1710	PLAIN WASHER	43	18
F1647	HEX NUT, 8 - 32	33	96	F17100	CLUTCH SHAFT	55	20
F1647	HEX NUT, 8 - 32	39	96	F17101	DECAL, STARBOARD	55	27
F1648	PAN HD SCREW, 10 - 24 X 3/4	7	14	F17105	FELT WASHER	55	33
F1648	PAN HD SCREW, 10 - 24 X 3/4	11	16	F17106	COLLAR	55	34
F165	REMOTE STEERING BRACKET	62	-	F17107	FILL HD SCREW, 10 - 24 X 5/16	55	22
F166	DUAL ENGINE TIE BAR	62	-	F1711	SPRING BOWED WASHER	43	17
F1664	SPRING PIN	43	7	F17111	DETENT BALL	55	17
F1666	SPRING BOWED WASHER	43	21	F17112	JUNCTION BOARD, STARBOARD	55	26
F1669	LOCK NUT	43	43	F17113	JUNCTION BOARD, PORT	55	-
F1678	FILL HD SCREW, 10 - 24 X 13/16	11	2	F17115	HANDLE	55	30
F1689	HEX HD CAP SCREW, 1/4 - 20 X 1/2	11	42	F17116	KNOB	55	29
F1692	WOODRUFF KEY	23	41	F1713	SPRING PIN	49	42
F1693	TIE BAR RETAINER	15	4	F1715	HEX BOLT, 1/4 - 28 X 9/16	55	7
F1696	HEX BOLT 5/16 - 18 X 1 3/4	45	65	F1727	PLASTIC RIVET	29	20
F1696	HEX BOLT, S.S., 5/16 - 18 X 1 3/4	51	66	F1727	PLASTIC RIVET	35	20
F1699	HEX HD SCREW, 1/4 - 20 X 1 1/8	29	8	F1729	PLUG	43	5
F1699	HEX HD SCREW, 1/4 - 20 X 1 1/8	35	8	F1730	PAN HD SCREW W/SPRING LOCKWASHER, 1/4 - 20 X 5/8	5	44
F17006	DETENT SPRING	55	18	F1733	PAN HD MACHINE SCREW, 10 - 24 X 9/16	3	2
F17008	DETENT SPRING	57	37	F1734	FILL HD SCREW W/LOCKWASHER, 1/4 - 20 X 1/2	7	10
F17009	BEARING	55	14	F1734	FILL HD SCREW W/LOCKWASHER, 1/4 - 20 X 1/2	11	14
F17010-1	THROTTLE GEAR	55	16	F1734	SLOTTED FILL HD SCREW W/LOCKWASHER, 1/4 - 20 X 1/2	9	52
F17011	BOWED WASHER	55	15	F1741	PAN HD SCREW, 8 X 3/4	7	33
F17012	RETAINING PLATE	55	13	F1741	PAN HD SCREW, 8 X 3/4	11	35
F17013	FILL HD SCREW, 1/4 - 20 X 1/2	55	11	F1744	SPRING PIN	43	48
F17014	THROTTLE ARM	55	10	F1744	SPRING PIN	45	52
F17015	COTTER PIN	55	8	F1753	FASTENER	3	38
F17016	CABLE TERMINAL	55	9	F1759	SHIM, DISTRIBUTOR (QTY. AS REQUIRED)	23	11
F17019	CLUTCH ARM	55	5	F1760	PAN HD SCREW, 10 - 24 X 3/6	23	25
F17020	INTERNAL TOOTH LOCKWASHER	55	12	F1760	PAN HD SCREW, 10 - 24 X 3/8	11	19
F17021	CLUTCH GEAR	55	19	F1760	PAN HD SCREW, 10 - 24 X 3/8	35	3
F17026	SWIVEL	55	24	F1760	SLOTTED PAN HD SCREW, 10 - 24 X 3/8	9	54
F1703	LOCKWASHER	31	71	F177330	FUEL PUMP VALVE	19	10
F1703	LOCKWASHER	37	71	F177350	REVERSE LOCK PIN	43	47
F1703	SPRING LOCKWASHER	45	73	F1778	PLAIN WASHER	49	24
F17030-1	SET SCREW	55	31				
F17031	SNAP CAP	55	28				
F17036	INTERNAL TOOTH LOCKWASHER	55	6				
F1704	INTERNAL TOOTH LOCKWASHER	7	4				

PARTS INDEX

Part Number	Description	Pg.	Ref. No.	Part Number	Description	Pg.	Ref. No.
F178168-1	GASKET, CARBURETOR ADAPTER	19	35	F1869	HEX CAP SCREW, 3/8 - 16 X 1 1/4	37	70
F178173	RETAINING RING	43	34	F1871	HEX HD SCREW 3/8 - 16 X 3/4	45	69
F178208	RETAINING RING	43	19	F1872	HEX CAP SCREW, 3/8 - 16 X 1 3/4	29	12
F178323	SEAL, MOTOR LEG	43	12	F1872	HEX CAP SCREW, 3/8 - 16 X 1 3/4	35	12
F178362	BEARING	43	36	F1873	HEX CAP SCREW, 3/8 - 16 X 3	31	50
F178404-1	DEFLECTOR PLATE	19	36	F1873	HEX CAP SCREW, 3/8 - 16 X 3	37	50
F178632	SHAFT, SHOCK MOUNT LOWER	43	39	F1874	HEX HD SCREW, 3/8 - 16 X 3 1/8	29	2
F178754-1	FUEL LINE	15	24	F1874	HEX HD SCREW, 3/8 - 16 X 3 1/8	35	2
F178889	SHAFT, SHOCK MOUNT UPPER	43	37	F1877	TY-RAP	9	71
F178908	STARTER LEAD WIRE	27	14	F1877	TY-RAP	11	29
F17932	SEAL, FUEL LINE COUPLER	53	12	F1885	HEX BOLTS, S.S., 5/16 - 18 X 4 1/4	31	64
F1804	STOP NUT, 10 - 32	9	67	F1885	HEX BOLTS, S.S., 5/16 - 18 X 4 1/4	37	64
F18160-1	CYLINDER DRAIN REED	29	36	F1904	PLAIN WASHER	43	26
F18160-1	CYLINDER DRAIN REED	35	36	F1907	PLAIN WASHER	51	68
F1822	HEX BOLT 5/16 - 18 X 7/8	45	76	F1910	STOP NUT, 1/4 - 20	19	25
F1831	FLAT HD SCREW, 1/4 - 20 X 5/8	21	43	F19109	PLUG	31	60
F1832	STOP NUT, 1/4 - 20	31	68	F19109	PLUG	37	60
F1832	STOP NUT, 1/4 - 20	37	68	F1912	HEX HD SCREW 10 - 24 X 1/2	45	67
F1836	SPRING PIN	45	60	F1914	HEX HD SCREW, 1/4 - 20 X 3/4	29	11
F184033-1	SWIVEL, TOP CARBURETOR	15	20	F1915	HEX HD SCREW, 1/4 - 20 X 7/8	21	44
F184122-1	SEAL, PARTING LINE	33	101	F1915	HEX HD SCREW, 1/4 - 20 X 7/8	29	6
F184122-1	SEAL, PARTING LINE	39	101	F1915	HEX HD SCREW, 1/4 - 20 X 7/8	35	6
F1845	TY-RAP, REGULATOR TO POWER PACK LEADS	9	47	F1934	FLAT HD SLOTTED SCREW, 6 X 1/2	7	31
F184579	"O" RING SEAL	15	19	F1934	FLAT HD SLOTTED SCREW, 6 X 12	13	50
F1849	HEX CAP SCREW, 1/4 - 20 X 1 3/8	7	25	F19342	SEAL	49	18
F1849	HEX HD CAP SCREW, 1/4 - 20 X 1 3/8	5	47	F1935	PLAIN WASHER	35	42
F1851	FILL HD SCREW W/LOCKWASHER, 10 - 24 X 1/2	11	39	F1941	HEX HD SCREW, 1/4 - 20 X 3/4	35	11
F1854	HEX CAP SCREW, 1/4 - 20 X 5/8	3	25	F195/_	REMOTE CONTROL CABLES	62	-
F1854	HEX CAP SCREW, 1/4 - 20 X 5/8	7	43	F1950	HEX CAP SCREW, 10 - 24 X 5/8	33	91
F1854	HEX CAP SCREW, 1/4 - 20 X 5/8	9	62	F1950	HEX CAP SCREW, 10 - 24 X 5/8	39	91
F1857	HEX CAP SCREW, 5/16 - 18 X 5/8	3	23	F1953	HEX HD SCREW, 1/4 - 20 X 1	19	20
F1857	HEX CAP SCREW, 5/16 - 18 X 5/8	3	35	F1953	HEX HD SCREW, 1/4 - 20 X 1	29	16
F185764	RETAINING RING	29	42	F1953	HEX HD SCREW, 1/4 - 20 X 1	35	16
F1858	HEX CAP SCREW, 5/16 - 18 X 1	3	24	F1968	FLYWHEEL NUT	41	21
F1860	RD HD SCREW, 6 - 32 X 1/4	19	9	F1968	HEX NUT, 3/4 - 16	9	69
F1864	HEX SLOT HD SCREW 1/4 - 20 X 3/4	43	4	F1975	LOCKWASHER	7	13
F1866	HEX CAP SCREW, 3/8 - 16 X 3 1/4	31	49	F1975	SPRING LOCKWASHER	11	10
F1867	HEX CAP SCREW, 3/8 - 16 X 1	41	19	F1975	SPRING LOCKWASHER	23	26
F1868	HEX BOLT, 3/8 - 16 X 3 1/4	27	17	F197787-2	FUEL LINE COUPLER	53	6
F1868	HEX CAP SCREW, 3/8 - 16 X 3 1/4	37	49	F197813	BEARING	45	57

PARTS INDEX

Part Number	Description	Pg.	Ref. No.	Part Number	Description	Pg.	Ref. No.
F1987	PLAIN WASHER	31	79	F2090	PLUG	37	74
F1987	PLAIN WASHER	37	79	F2108	LOCK NUT	45	79
F1987	PLAIN WASHER	45	64	F2108	LOCK NUT	45	80
F1994	HEX SOCKET HD CAP SCREW, 5/16 - 18 X 1	51	70	F2108	STOP NUT, 5/16 - 18	31	67
F1997	STOP NUT, 8 - 32	15	10	F2108	STOP NUT, 5/16 - 18	37	67
F2000	HEX CAP SCREW, 5/16 - 18 X 3/4	7	38	F213274	GREASE FITTING	23	27
F2000	HEX CAP SCREW, 5/16 - 18 X 3/4	13	47	F213274	GREASE FITTING	43	38
F2000	HEX CAP SCREW, 5/16 - 18 X 3/4	33	99	F213342	SEAL, FUEL LINE COUPLER (LARGE)	53	4
F2000	HEX CAP SCREW, 5/16 - 18 X 3/4	39	99	F213735	SEAL, FUEL LINE COUPLER (SMALL)	53	5
F2001	FILL HD SCREW, 10 - 24 X 5/8	11	9	F269319	THROTTLE CAM BEARING	19	26
F2008	HEX HD SCREW, 1/4 - 20 X 7/8	31	53	F286461	SPRING, LOCK BAR HANDLE	45	50
F2008	HEX HD SCREW, 1/4 - 20 X 7/8	37	53	F288075	CLAMP SCREW HANDLE	45	33
F2012	PLAIN WASHER	7	24	F289446-1	CLAMP	7	8
F2014	PLAIN WASHER	23	9	F289446-1	CLAMP	11	12
F2014	PLAIN WASHER	45	70	F298788	FERRULE	53	7
F2015	HEX NUT, 1/4 - 28	33	102	F2A335158	REED PLATE W/REEDS, REED STOPS AND SCREWS	19	41
F2015	HEX NUT, 1/4 - 28	39	102	F2A476757	CYLINDER DRAIN REED PLATE W/REEDS, STOPS AND SCREWS	29	35
F2016	FILL HD SCREW, 6 - 32 X 7/8	21	48	F2A476757	CYLINDER DRAIN REED PLATE W/REEDS, STOPS AND SCREWS	35	35
F2016	SLOTTED FILL HD SCREW, 6 - 32 X 7/8	7	1	F2A481023	BEVEL GEAR FRONT W/BEARINGS & SHIMS	49	38
F2027	HEX CAP SCREW, 5/16 - 18 X 3	13	46	F307317	CLIP, TERMINAL BLOCK	11	17
F2030	HEX HD M. SCREW 1/4 - 20 X 1-1/4	43	16	F307317	CLIP, TERMINAL BLOCK GROUND	7	12
F203276	BOOT	23	30	F310189	BUSHING, ELECTRIC CABLE	3	16
F203276	BOOT, SECONDARY COIL	7	20	F311189-1	BUSHING, CABLE ENTRY	3	17
F2033	GROOVE PIN	15	26	F316165	STUD, GEAR HOUSING CENTER	49	25
F203673	CLIP, HI-TENSION TERMINAL	7	19	F316555	SEAL	49	20
F203673	TERMINAL CLIP	23	31	F316579	SEAL, CRANKCASE	41	11
F2042	PLAIN WASHER	9	72	F316599	SEAL, GEAR HOUSING STUD, FRONT	49	28
F2042	PLAIN WASHER	33	106	F321756	PACKING, COVER	3	31
F2042	PLAIN WASHER	39	106	F321841-2	LEAD WIRE W/GROMMET	23	32
F2047	WAVE SPRING LOCKWASHER	3	30	F321872	BRACKET	31	59
F2049	HEX CAP SCREW, 5/16 - 18 X 2 5/8	31	78	F321872	BRACKET	37	59
F2049	HEX CAP SCREW, 5/16 - 18 X 2 5/8	37	78	F322273	STUD, C.D. UNIT	13	48
F2066	PAN HD TAPPING SCREW, 10 X 7/16 (TRIM TO COVER)	3	40	F333316	THROTTLE ROLLER SHAFT	15	5
F2067	PLASTISOL CAP (NOT SHOWN)	41	-	F333392	PLATE SIDE	3	8
F2077	SLOTTED PAN HD M. SCREW, 10 - 32 X 1/4	9	48	F335068	THERMOSTAT	31	82
F2088	FASTENER	5	45	F335068	THERMOSTAT	37	82
F2089	SLOTTED PAN HD M. SCREW, 10 - 24 X 5/16	33	105	F335160	REED (4 PETAL)	19	40
F2089	SLOTTED PAN HD M. SCREW, 10 - 24 X 5/16	39	105	F335164	REED	19	42
F2090	PLUG	31	74	F335215	SPACER, PISTON PIN (2 PER PISTON)	41	3
				F335217-1	BEARING, PISTON PIN (26 PER SET)	41	5
				F335654-1	DEFLECTION STOP	3	21
				F338618-1	SEAL GEAR SHIFT ROD	43	15
				F338618-1	SEAL, GEAR SHIFT ROD	49	13
				F345475-1	COIL	13	44

PARTS INDEX

Part Number	Description	Pg.	Ref. No.	Part Number	Description	Pg.	Ref. No.
F345908	GROUND WIRE, COIL	7	23	F405457	PIVOT SCREW	29	7
F351307	SEAL, WATER PUMP	49	11	F405457	PIVOT SCREW	35	7
F353480	STUD	45	29	F406406	GASKET, DEFLECTOR PLATE	19	37
F369349	REVERSE LOCK	43	44	F406471-1	CYLINDER DRAIN COVER	29	41
F369364	REVERSE LOCK ARM	45	55	F406471-1	CYLINDER DRAIN COVER	35	41
F369390-1	DECAL, REVERSE LOCK (NOT SHOWN)	45	-	F406754-1	HOSE	31	46
F369510	LINK REVERSE LOCK	43	46	F406754-1	HOSE	37	46
F369562	WATER PUMP BACK PLATE	49	6	F407446	CLAMP	7	35
F369610	BEARING	31	62	F407446	CLAMP	11	31
F369610	BEARING	37	62	F409251-1	GAUGE CAP	53	1
F369827	HANDLE AND SHAFT	45	56	F433114	HANDLE, LOCK BAR	45	51
F369884	BEARING	45	61	F433209	THROTTLE CAM STUD	19	32
F369887	SHOULDER SCREW	31	61	F438065	WATER PUMP IMPELLER	49	5
F369887	SHOULDER SCREW	37	61	F438066	BY-PASS VALVE COVER	33	92
F369977-1	INTERLOCK ARM	31	63	F438066	BY-PASS VALVE COVER	39	92
F369977-1	INTERLOCK ARM	37	63	F438077	SCREEN, WATER INLET	51	73
F372151-1	EXHAUST PORT PLATE	33	90	F438129	SEAL, DRIVESHAFT SPLINE	51	75
F372151-1	EXHAUST PORT PLATE	39	90	F438165	SCREW, FUEL PUMP BOWL	19	18
F372152-1	EXHAUST PORT COVER	33	88	F438169	BEARING	43	42
F372152-1	EXHAUST PORT COVER	39	88	F438271	RETAINER, CRANKSHAFT SPLINE SEAL	51	74
F372154-1	GASKET, EXHAUST PORT PLATE	33	89	F438346	SHOCK MOUNT LOWER	45	75
F372154-1	GASKET, EXHAUST PORT PLATE	39	89	F438398	DECAL, WIRING	39	86
F372925	CHOKE RED	15	27	F438500	FUEL SEDIMENT BOWL	19	17
F372958	CHOKE BRACKET	19	19	F438617	FUEL SEDIMENT BOWL GASKET	19	15
F373512	PLATE INSERT	3	11	F438653	FUEL SEDIMENT BOWL SCREEN	19	16
F373675-1	STARTER BRACKET, LOWER	27	20	F438668	RETAINER, CABLE CLAMP	7	9
F373778-1	RETAINER, ENGINE COVER	3	37	F438668	RETAINER, CABLE CLAMP	11	13
F381896-4	BATTERY CABLE	7	36	F438744-1	WIRING HARNESS	11	4
F381896-4	BATTERY CABLE	11	30	F438747	FUEL PUMP DIAPHRAGM W/GASKET	19	8
F381899	GROMMET, WATER LINE	51	61	F438754	FUEL LINE W/CLAMP, PUMP TO CARBURETOR	15	29
F384143	BEARING, BEVEL GEAR REAR	49	45	F438760	FUEL PUMP GASKET	19	4
F391926-1	PLUNGER	15	28	F438801	FITTING	19	14
F40209	CARBURETOR STUD	19	30	F438930	RETAINER, SNOUT	51	71
F40223	GASKET, TRANSFER PORT COVER	31	52	F438962	SHOCK MOUNT LOWER REAR	43	14
F40223	GASKET, TRANSFER PORT COVER	37	52	F438984-1	BLANKET, SILENCER TOP (NOT SHOWN)	5	-
F40342	SEAL, PROPELLER NUT	51	54	F439736	SEAL, EXHAUST TUBE	45	82
F404097	FLYWHEEL	11	1	F439834	CLIP, SPARK PLUG WIRE	35	28
F404268	BY-PASS VALVE SPRING	33	94	F440015-1	PISTON	41	2
F404268	BY-PASS VALVE SPRING	39	94	F441754-1	HOSE	19	3
F404314	ELBOW, FUEL PUMP COVER	19	2	F460917	STARTER RELAY	7	41
F404314	FITTING	31	47	F460917	STARTER RELAY	11	26
F404314	FITTING	37	47	F463366	NAME "CHRYSLER"	3	9
F404446	CLAMP	9	44	F474073	CLAMP SCREW	47	30
F404446	CLAMP	11	27	F474178	RETAINER, TIMING RING	9	66
F404446	CLAMP	27	15	F474387	TIMING DECAL	7	6
F404470-1	REGULATOR-RECTIFIER	11	8	F474387	TIMING DECAL (NOT SHOWN)	13	-
F404513	COIL CLAMP	11	40	F474390-1	DECAL, REVERSE LOCK (NOT SHOWN)	47	-
F404801	ELBOW, CYLINDER DRAIN UPPER	31	-	F474531	STUD, TIMING RING RETAINER	9	64
F404801	ELBOW, CYLINDER DRAIN UPPER	37	-	F476066-1	THERMOSTAT COVER	31	85
F404841	CABLE	7	37				
F404841	CABLE, HEAT INDICATOR	11	37				

PARTS INDEX

Part Number	Description	Pg.	Ref. No.	Part Number	Description	Pg.	Ref. No.
F476066-1	THERMOSTAT COVER	37	85	F71H02	ANTI-CORROSION		
F476067	GASKET	31	81	F71H04	SACRIFICIAL ANODE	62	-
F476067	GASKET	37	81	F71H08	SPEEDOMETER FLUSH		
F476529	CYLINDER HEAD GASKET .	31	75	F71H08	MOUNT	63	-
F476529	CYLINDER HEAD GASKET .	37	75	F71H08	FUEL TANK (ACCESSORY		
F480038-2	SUPPORT PLATE	3	15	F71H08	ITEM)	53	2
F480107-1	CAM STARTER INTERLOCK	33	104	F71H08	STEEL, 6 GALLON FUEL		
F480107-1	CAM STARTER INTERLOCK	39	104	F71H10	TANK (LOW PROFILE) . . .	62	-
F480388	DISC, WATER PUMP			F71H10	SENDING UNIT	63	-
	LOCATING	51	76	F71H12	TANK ANCHOR	62	-
F480818	BEARING	3	13	F71H20	CIGAR LIGHTER	63	-
F481382-1	SPACER, LATCH SHAFT . . .	3	29	F71H21	IGNITION SWITCH		
F481434	GUIDE, ENGINE COVER . . .	5	46	F71H21	MOUNTING KIT		
F481662	BEVEL GEAR, REAR	49	46	F71H21	(ACCESSORY ITEM)	7	30
F481774	BRACKET, COVER LATCH .	3	32	F71H21	IGNITION SWITCH		
F481777	CAM, LATCH	3	28	F71H21	MOUNTING KIT		
F485755	FUEL TANK ADAPTER	53	3	F71H23	(ACCESSORY ITEM)	13	49
F489386	PLATE REAR	3	5	F71H23	STEEL, 12 GALLON FUEL		
F489551	BRACKET NEUTRAL			F71H26	TANK	62	-
	INTERLOCK SWITCH	21	45	F71H26	BATTERY CABLE CLAMP KIT		
F489711	PLATE, ENGINE COVER			F71H26	(ACCESSORY ITEM)	11	32
	FRONT	3	42	F71H26	BATTERY TERMINAL KIT		
F489985	BLANKET, SILENCER SIDE			F71H27	(ACCESSORY ITEM)	7	34
	(NOT SHOWN)	5	-	F71H27	POWER TRIM	63	-
F491995	COVER CYLINDER HEAD . .	33	108	F71H30	BUZZER, HEAT INDICATOR		
F499026	SWIVEL, TOWERSHAFT . . .	29	28	F71H30	(ACCESSORY ITEM)	7	32
F499035	TIMING RING, CONTROL			F71H30	OVERHEAT BUZZER	62	-
	ROD END	29	29	F71H30	OVERHEAT BUZZER		
F499036	TOWERSHAFT CONTROL			F71H32	(ACCESSORY ITEM)	11	36
	ROD END	29	32	F71H32	TILT STOP KIT	62	-
F499398	DECAL, WIRING	33	86	F72H09	HYDRAULIC TILT	63	-
F500026	SWIVEL, TIMING RING	29	30	F72H36	REMOTE CONTROL UNIT,		
F500061-1	CARBURETOR COMPLETE			F72H36	SINGLE LEVER		
	(WB24A)	17	47	F72H36	STARBOARD MOUNT . . .	57	39
F500061-1	CARBURETOR COMPLETE			F72H36	SYNCHRO-DRIVE CONTROL		
	(WB24B)	17	47	F72H36	BOX (SINGLE LEVER) . . .	62	-
F500744	WIRING HARNESS	9	70	F72H66	EXHAUST SNOOT	62	-
F500894	TIMING POINTER FOR			F73H11	REMOTE ELECTRIC CABLE		
	MODEL 1055HA	21	51	F74H01	VOLTMETER - FLUSH		
F50109	PLUG, GEAR HOUSING	49	14	F74H01	MOUNT	62	-
F510374	DECAL, CIRCUIT BREAKER			F74H07	WATER PUMP KIT	63	-
F510374	DECAL, CIRCUIT BREAKER			F74H10	TEMPERATURE GAUGE		
F510460	CIRCUIT BREAKER	9	57	F74H10	FLUSH MOUNT	63	-
F510460	CIRCUIT BREAKER	11	22	F74H18	SWITCH EXTENSION CABLE		
F511125-1	TUBE, STEERING SUPPORT			F74H19	IGNITION KEY SWITCH . . .	63	-
F523280	NUT, STEERING SUPPORT			F74H20	IGNITION KEY SWITCH . . .	63	-
	TUBE	47	84	F74H20	IGNITION SWITCH		
F58685-2	CONNECTOR, SHIFT CABLE			F74H20	(ACCESSORY ITEM)	7	29
F590	SYNCHRO-DRIVE CONTROL			F74H20	IGNITION SWITCH (LONG		
	HEAD (SINGLE LEVER) . .	62	-	F74H20	BARREL) W/KEYS AND		
F66480	STUD	45	29	F74H20	SCREWS	11	34
F7004	STOP NUT, 3/8 - 16	29	17	F75H07	SYNCHRO-DRIVE CONTROL		
F7004	STOP NUT, 3/8 - 16	35	17	F75H07	BOX	62	-
F7008	ELASTIC STOP NUT	29	10	F75H08	TWIN SYNCHRO-DRIVE		
F7008	ELASTIC STOP NUT	35	10	F75H08	CONTROL BOX	62	-
F7009	LOCK NUT, 10 - 24	29	4	F75H09	BATTERY CABLE	62	-
F7012	STOP NUT	43	24	F75H16	POWER TRIM INDICATOR .	62	-
F7013	STOP NUT	23	2	F762	REMOTE ELECTRIC CABLE		
F70H01	ANTI-CORROSION KIT	62	-	F8001	WASHER	49	31
F70H05	EXTENSION CABLE	63	-	F8003	PLAIN WASHER	29	38

PARTS INDEX

Part Number	Description	Pg.	Ref. No.	Part Number	Description	Pg.	Ref. No.
F8003	PLAIN WASHER	35	38	F84472-5	GASKET, CYLINDER DRAIN COVER	29	40
F8011	PLAIN WASHER	9	55	F84472-5	GASKET, CYLINDER DRAIN COVER	35	40
F8011	PLAIN WASHER	11	20	F84504	GROMMET (THERMOSTAT)	31	83
F8028	PLAIN WASHER	27	7	F84504	GROMMET (THERMOSTAT)	37	83
F8048	BOWED WASHER	9	65	F84521-1	CLUTCH	49	41
F8056	LOCKWASHER	23	18	F84717	THRUST WASHER, BEVEL GEAR REAR	51	72
F8056	LOCKWASHER	23	43	F84748-3	GASKET	29	33
F8056	LOCKWASHER	33	97	F84748-3	GASKET	35	33
F8056	LOCKWASHER	39	97	F84792	GASKET, CENTER FUEL PUMP VALVE	19	11
F8056	SPRING LOCKWASHER ...	7	16	F84991-1	GROMMET	25	45
F8056	SPRING LOCKWASHER ...	11	7	F85006-1	STUD, GEAR HOUSING, FRONT	49	27
F8058	INTERNAL TOOTH LOCKWASHER	19	24	F85012	PILOT, GEAR HOUSING ...	49	29
F8058	INTERNAL TOOTH LOCKWASHER	31	57	F85017	PISTON PIN	41	4
F8058	INTERNAL TOOTH LOCKWASHER	37	57	F85026	SWIVEL	35	30
F8060	LOCKWASHER	27	19	F85033	SWIVEL, CHOKE ROD (BOTTOM CARBURETOR) (NOT SHOWN)	17	-
F8077	WASHER, GEAR HOUSING PLUG	49	15	F85035	DISTRIBUTOR, CONTROL ROD END	35	29
F8083	SPRING LOCKWASHER ...	3	26	F85036	TOWERSHAFT CONTROL ROD END	35	32
F8083	SPRING LOCKWASHER ...	7	42	F85037-1	STERN BRACKET PIVOT BOLT	45	53
F8083	SPRING LOCKWASHER ...	13	43	F85073	CLAMP SCREW	45	30
F8083	SPRING LOCKWASHER ...	43	3	F85095-2	STATOR	11	3
F8088	PLAIN WASHER	7	2	F85117	BRACKET, WATER LINE ...	51	59
F8088	PLAIN WASHER	15	18	F85130	BOOT IDLE EXHAUST	43	8
F8088	PLAIN WASHER	21	47	F85161-1	REED STOP	19	39
F8094	PLAIN WASHER	3	27	F85173	RETAINING RING	23	6
F8094	PLAIN WASHER	45	58	F85192-1	THROTTLE CAM	19	28
F8096	SPRING LOCKWASHER ...	3	22	F85211	STUD	29	18
F8096	SPRING LOCKWASHER ...	3	34	F85211	STUD	35	18
F8096	SPRING LOCKWASHER ...	7	39	F85244	INLET WATER LINE	51	62
F8096	SPRING LOCKWASHER ...	11	25	F85258	INSERT	43	9
F8096	SPRING LOCKWASHER ...	33	100	F85279-2	GASKET, CYLINDER EXHAUST UPPER	31	69
F8096	SPRING LOCKWASHER ...	39	100	F85279-2	GASKET, CYLINDER EXHAUST UPPER	37	69
F8096	SPRING LOCKWASHER ...	45	77	F85300	REVERSE LOCK SPRING ..	43	45
F8096	SPRING LOCKWASHER, S.S.	51	65	F85311	DISTRIBUTOR BELT	23	1
F84008-3	STUD, GEAR HOUSING, REAR	49	37	F85314-1	FUEL FITTING	15	30
F84011	WASHER	45	62	F85317-1	SOLENOID CLAMP	19	21
F84031	GASKET, WATER PUMP ...	49	7	F85350-1	TILT STOP PIVOT	43	20
F84074	CLAMP SCREW FOOT	43	28	F8537	SPRING PIN	43	31
F84118	SEAL, PROPELLER SHAFT .	51	51	F85372	PIN, GEAR SHIFT ROD LOWER	49	21
F84146-2	SEAL	41	13	F85380	SPRING	43	10
F84146-2	SEAL	41	20	F85410	SNAP RING	41	8
F84173	RETAINING RING	49	9	F85445	CONTROL ROD	29	31
F84215	SPACER	49	17	F85445	CONTROL ROD	35	31
F84278	SEAL, BEARING CAGE	41	23	F85453-1	GASKET EXHAUST LOWER	43	1
F84286-1	FRICTION WASHER	45	54	F85498	FLYWHEEL KEY	41	16
F84305	SEAL, PROPELLER SHAFT BEARING CAGE	51	50	F85502	THROTTLE LINK	29	26
F84307-1	SEAL, DRIVESHAFT	49	8	F85502	THROTTLE LINK	35	26
F84314-2	ELBOW	15	22	F85509-1	LINK, CHOKE	15	25
F84314-2	ELBOW	19	6				
F84314-2	ELBOW	31	45				
F84314-2	ELBOW	37	45				
F84342	SEAL, INLET WATER LINE, UPPER	51	60				
F84449	INTERLOCK SWITCH	21	46				

PARTS INDEX

Part Number	Description	Pg.	Ref. No.	Part Number	Description	Pg.	Ref. No.
F85541-1	TILT LOCK	43	22	FA178167	CARBURETOR ADAPTER, LOWER W/FITTING AND STUD	19	33
F85571	BEARING CAGE W/ROLLER	41	10				
F85606	KINGPIN CAP	45	66	FA178233	THROTTLE TIE BAR W/SWIVEL	17	53
F85610	BEARING	31	65				
F85610	BEARING	37	65	FA178962	SHOCK ABSORBER W/BUSHING	43	35
F85615	GEAR SHIFT ROD UPPER	45	78	FA321574	DISTRIBUTOR BRACKET	23	10
F8563	DOWEL PIN	29	15	FA335260	PISTON RING SET (4 PER SET)	41	1
F8563	DOWEL PIN	35	15	FA40901	BEARING, DRIVESHAFT W/CUP	49	10
F85634-1	CONNECTING ROD SCREW	41	14	FA411222	TRANSFER PORT COVER	31	51
F85660	EXHAUST TUBE	43	2	FA411222	TRANSFER PORT COVER	37	51
F85664	DISTRIBUTOR GROUND	23	28	FA438113	STERN BRACKET LOCK BAR W/HANDLE	45	49
F85704	COUPLER, GEAR SHIFT ROD	45	83	FA438431	FUEL PUMP BODY W/VALVES	19	12
F85705-1	GEAR SHIFT ROD LOWER	49	23	FA439493	TERMINAL BLOCK BRACKET	7	7
F85735-1	SEAL	3	39	FA439493	TERMINAL BLOCK BRACKET	11	11
F85762	BY-PASS VALVE COVER GASKET	33	93	FA439746	FUEL PUMP COVER	19	1
F85762	BY-PASS VALVE COVER GASKET	39	93	FA440260	PISTON RING SET (4 PER SET)	41	1
F85772	CLAMP	43	11	FA467892	INSERT, PLATE FRONT - U. S. A.	5	41
F85779-1	BAFFLE, AIR INTAKE	45	68	FA467893	INSERT, PLATE FRONT - CANADA	5	-
F85843-1	ELECTRIC CONTROL CABLE, 18 FT.	7	27	FA474893	INSERT, PLATE FRONT - CANADA	5	-
F85843-1	REMOTE ELECTRIC CABLE, 18 FEET	11	38	FA480188	NUT, BEVEL PINION RETAINING	49	33
F85859	STUD	29	14	FA480876	GEAR SHIFT ARM	31	66
F85859	STUD	35	14	FA480876	GEAR SHIFT ARM	37	66
F85906	CARBURETOR GASKET	19	31	FA480894	TIMING POINTER	35	4
F85916-1	BY-PASS VALVE	33	95	FA481266	BEVEL PINION GEAR W/BEARING & SHIMS	49	35
F85916-1	BY-PASS VALVE	39	95	FA481469	HANDLE W/SHAFT	3	12
F85924	CHOKE SOLENOID	9	45	FA481743	ROLLER BRACKET	3	33
F85924	CHOKE SOLENOID	11	28	FA489144	BEARING CAGE W/CRANKSHAFT SEAL	9	50
F85965	SHOCK MOUNT UPPER	45	72	FA489144	CRANKSHAFT BEARING CAGE W/SEAL	41	18
F861	FLUSHING ADAPTER	62	-	FA489309	DISTRIBUTOR	25	-
F862	STEEL, 6 GALLON FUEL TANK	62	-	FA489385	INSERT, PLATE SIDE	3	10
F89758	FUEL PUMP AIR HOSE - TOP	19	7	FA489528	INSERT, PLATE REAR	3	4
F9018	CAP	47	86	FA489944	ENGINE COVER W/RETAINER, SCREWS AND NUTS	3	7
F9038	DRIVE KEY, WATER PUMP	51	64	FA491838	TOWERSHAFT W/SWIVEL, BEARINGS AND SCREWS	29	19
F90891	PIN, GEAR SHIFT ARM	49	30	FA500010	CYLINDER W/CRANKCASE COVER, PARTING LINE SEAL	29	1
F91446-1	CIRCUIT BREAKER BRACKET	9	56	FA501518	CYLINDER HEAD	31	80
F91446-1	CIRCUIT BREAKER BRACKET	11	21	FA501518	CYLINDER HEAD	37	80
F92759	THROTTLE ROLLER	15	6	FA510497	TERMINAL BLOCK	7	11
F93811	SCREEN	29	34	FA510497	TERMINAL BLOCK	11	15
F93811	SCREEN	35	34	FA523010	CYLINDER W/CRANKCASE COVER, PARTING LINE SEAL	35	1
F93920	REED STOP	29	37				
F93920	REED STOP	35	37				
F97772	CLAMP	15	23				
F97772	FUEL LINE CLAMP	53	11				
F98273	ROD END CONNECTOR STUD	31	58				
F98273	ROD END CONNECTOR STUD	37	58				
FA15072	HEX LOCK NUT, 1/4 - 20	27	13				
FA178157	CARBURETOR ADAPTER, UPPER W/FITTING AND STUD	19	-				

PARTS INDEX

Part Number	Description	Pg.	Ref. No.	Part Number	Description	Pg.	Ref. No.
FA523735	SEAL, INLET WATER LINE, LOWER	49	1	FO15231	THROTTLE SHAFT AND LEVER	15	7
FA58976-1	CONNECTOR, THROTTLE CABLE	55	1	FO15623	FUEL BOWL GASKET	15	42
FA77395-5	IDENTIFICATION PLATE W/SCREWS FOR U.S.A MODELS	3	18	FO16008	THROTTLE SHAFT RETURN SPRING	15	8
FA84225	BEARING W/CUP	51	47	FO17181	IDLE TUBE	17	52
FA84298-3	PROPELLER SHAFT BEARING CAGE W/SEAL .	51	52	FO17241	CHOKE SHAFT AND LEVER	15	40
FA84621-1	COUPLING, GEAR SHIFT ARM W/BUSHING	49	26	FO1974	SCREW	17	51
FA84754-1	FUEL LINE SHORT W/FERRULES	53	8	FO2510	FUEL BOWL RETAINING SCREW GASKET	15	32
FA84871-1	PIN, GEAR SHIFT W/YOKE .	49	40	FO2510	FUEL BOWL RETAINING SCREW WASHER	15	34
FA85019	KINGPIN W/PLUG	43	41	FO3804	RETAINING SCREW WASHER	15	14
FA85355-1	WASHER	45	71	FO4326	BODY CHANNEL WELCH PLUG	15	13
FA85655-1	CRANKSHAFT MAIN BEARING RACE W/SNAP RING	41	9	FO6393	RETAINING SCREW	15	16
FA98689	BEARING	31	72	FO6396	RETAINING SCREW LOCKWASHER	15	15
FA98689	BEARING	37	72	FO8942	CHOKE SHUTTER RETAINING SCREW AND LOCKWASHER	15	43
FC481054	GEAR HOUSING COMPLETE.	51	-	FO9678	CLIP, CHOKE SHAFT	17	49
FC500010	SHORT BLOCK	33	-	FO992	LOCKWASHER	17	50
FC523010	SHORT BLOCK	39	-	FS409752	FUEL LINE COMPLETE (NOT SHOWN)	53	-
FG1003-1	GASKET SET (NOT SHOWN)	33	-	FS440260	PISTON RING (4 PER SET) .010 OVERSIZE (NOT SHOWN)	41	-
FG1003-1	GASKET SET (NOT SHOWN)	39	-	FS474030	CAPACITOR	9	53
FK17114-1	INDICATOR	55	32	FS474095	ALTERNATOR STATOR	9	49
FK280	PROPELLER PIN	49	44	FS474470	REGULATOR-RECTIFIER ..	9	51
FK405020	SWIVEL W/CLAMP, SHOULDER SCREW AND NUT	29	24	FS474475	IGNITION COIL	7	21
FK405020	SWIVEL W/CLAMP, SHOULDER SCREW AND NUT	35	24	FS480179	TRIM TOP	3	1
FK500060	WATER PUMP BODY	49	3	FS480269	TILT HANDLE	3	3
FK750-1	SPARKIE KIT	7	22	FS489097	FLYWHEEL	9	68
FK750-1	SPARKIE W/SPRING	25	44	FS489180	TRIM REAR	3	6
FK85128-1	DRIVESHAFT W/NUT, RETAINER & SEAL	51	63	FS489888	TRIM FRONT	3	43
FK85228	BEARING CAGE W/ROLLER	41	7	FS489955	STARTER COMPLETE	27	-
FO10165	INLET SEAT GASKET	15	39	FSA335260	PISTON RING (4 PER SET) .010 OVERSIZE (NOT SHOWN)	41	-
FO10588	BODY CHANNEL CUP PLUG	15	9	FSA440015	PISTON .010 OVERSIZE (NOT SHOWN)	41	-
FO10790	INLET NEEDLE, SEAL AND GASKET	15	38	FT2953	SOCKET	59	-
FO11103	IDLE MIXTURE SCREW SPRING	17	46	FT2981A	TEST WHEEL (105 H.P.) ...	61	-
FO13194	MAIN FUEL JET (.060)	17	48	FT2990	PISTON PIN TOOL	59	-
FO13554	FLOAT	15	37	FT2995	FORWARD BEARING CUP REMOVER	60	-
FO13555	CHOKE SHUTTER	17	44	FT2996	RING COMPRESSOR	59	-
FO13942	THROTTLE SHUTTER	15	11	FT8901	INDICATOR HOLDER	60	-
FO13944	FLOAT LEVER PIN	15	36	FT8902	DIAL INDICATOR	60	-
FO13945	FUEL BOWL RETAINING SCREW	15	31	FT8903	SEAL INSTALLER	59	-
FO13946	IDLE MIXTURE SCREW	17	45	FT8905	DRIVESHAFT BEARING REMOVER	60	-
FO13947	CHOKE SHAFT RETURN SPRING	15	41	FT8906	PROPELLER SHAFT BEARING SUPPORT	60	-
FO14306	MAIN FUEL JET (.0785)	17	48	FT8907	DRIVE HANDLE	59	-
FO15217	MAIN NOZZLE	15	35	FT8907	DRIVER HANDLE	60	-

PARTS INDEX

Part Number	Description	Pg.	Ref. No.	Part Number	Description	Pg.	Ref. No.
FT8909	FORWARD BEARING CUP			84-817775A1	COIL WIRE W/TERMINAL		
	INSTALLER	60	-		CLIP	23	29
FT8910	REAR BEARING CUP			84-817821A1	HI-TENSION WIRE	7	18
	INSTALLER	60	-	87-817778A1	THERMOSWITCH	7	15
FT8911	DRIVESHAFT KNOCK-OFF			87-817778A1	THERMOSWITCH	33	98
	NUT	60	-	87-817778A1	THERMOSWITCH	39	98
FT8914	SEAL REMOVER	59	-	400-817735A4	CRANKSHAFT W/BEARING .	41	15
FT8915	PROPELLER SHAFT SEAL			600-818052A4	CONNECTING ROD W/CAP		
	PROTECTOR	60	-		AND SCREWS	41	6
FT8916	PROPELLER SHAFT			700-817988A2	PISTON .010 OVERSIZE		
	BEARING INSTALLER ...	60	-		(NOT SHOWN)	41	-
FT8917	REAR BEARING CUP			700-818111A2	PISTON .030 OVERSIZE		
	REMOVER	60	-		(NOT SHOWN)	41	-
FT8918	BEARING GUIDE SET	60	-	700-818116A2	PISTON .030 OVERSIZE		
FT8919	SPRING PIN PUNCH	60	-		(NOT SHOWN)	41	-
FT8920	DRIVESHAFT BEARING			700-F372015-3	PISTON	41	2
	INSTALLER	60	-	1400-817958A6	STERN BRACKET	45	23
FT8922	SLIDE HAMMER	59	-	1400-817958A6	STERN BRACKET	45	23
FT8924-1	CHECKING GAUGE	60	-	1600-817767A2	GEAR HOUSING LOWER		
FT8925	DRIVESHAFT SEAL				W/PLUG AND WASHER ..	49	32
	INSTALLER	60	-				
FT8926	RING EXPANDER	59	-				
FT8927	SEAL PROTECTOR	59	-				
FT8933	LIFTING HOOK	61	-				
FT8948-1	FLYWHEEL PULLER	58	-				
FT8948-1	PROPELLER SHAFT						
	BEARING CAGE PULLER	60	-				
FT8950	LEAKAGE TESTER	61	-				
FT8957	SEAL INSTALLER	60	-				
FT8970	CENTERING TOOL	60	-				
FT8978	POWER TIMING LIGHT	58	-				
FTA2937-1	TIMING TOOL	58	-				
P489	PROPELLER (ACCESSORY						
	ITEM)	51	53				
S474082-1	TIMING RING	9	63				
S474301-1	MODULE	9	46				
11-817784A1	PROPELLER NUT						
	W/COTTER PIN & SEAL ..	51	55				
22-818103--1	ELBOW, CYLINDER DRAIN						
	LOWER	31	44				
22-818103--1	ELBOW, CYLINDER DRAIN						
	LOWER	37	44				
30-F284659-2	BEARING, CRANKSHAFT						
	UPPER MAIN	41	22				
31-817785A2	CRANKSHAFT BEARING						
	CAGE W/SEAL	41	18				
31-FA523014	CRANKSHAFT LOWER MAIN						
	BEARING	41	12				
32-77653-77	BALANCE TUBE	19	34				
32-817738A1	FUEL LINE LONG W/CLAMP						
	AND FERRULE	53	10				
33-818007--1	SPARK PLUG (CHAMPION						
	UL-18-V)	31	77				
33-97180	SPARK PLUG (CHAMPION						
	L20V)	37	77				
39-818110A1	PISTON RING (4 PER SET)						
	.030 OVERSIZE	41	-				
39-818117A1	PISTON RING (4 PER SET)						
	.030 OVERSIZE (NOT						
	SHOWN)	41	-				