



PARTS CATALOG

35 H.P.

SERIAL NUMBER

35 (1978)	350B8L
35 (1978)	350H8L
35 (1978)	351B8L
35 (1978)	351H8L
35 (1978)	356B8M
35 (1978)	356H8M
35 (1978)	357H8M

TABLE OF CONTENTS:

ACCESSORIES	54
ALTERNATOR	18
CARBURETOR	20
CRANKSHAFT AND PISTON GROUP	26
ELECTRIC STARTER	12
ELECTRICAL COMPONENTS	16
ENGINE COVER AND SUPPORT PLATE (ALTERNATOR MODELS)	6
ENGINE COVER AND SUPPORT PLATE (HAND START MODELS)	2
FUEL PUMP	28
FUEL TANK AND LINE	48
GEAR HOUSING	44
HAND STARTER	10
LUBRICATION CHART	57
MAGNETO	14
MOTOR LEG	40
PARTS INDEX	59
POWER HEAD	30
REED PLATE	24
SPECIAL ADJUSTMENTS	58
SPECIAL TOOLS - LOWER UNIT	52
SPECIAL TOOLS - POWER HEAD	51
SPECIAL TOOLS - TEST EQUIPMENT	53
SPECIAL TOOLS - TUNE-UP	50
SPECIFICATIONS	56
SWIVEL BRACKET GROUP	36

NOTE: Indented description indicate that these parts are included in preceeding assembly.

AR = As Required

NSS = Not Sold Separate

OPT = Optional

NS = Not Shown

THESE PARTS BOOKS/FICHE CARD ARE COPYRIGHTED AND MAY NOT BE DISTRIBUTED OR REPRODUCED IN ANY OTHER FORMAT BY ANYONE OTHER THAN MERCURY MARINE WITHOUT THE PRIOR WRITTEN CONSENT OF MERCURY MARINE.

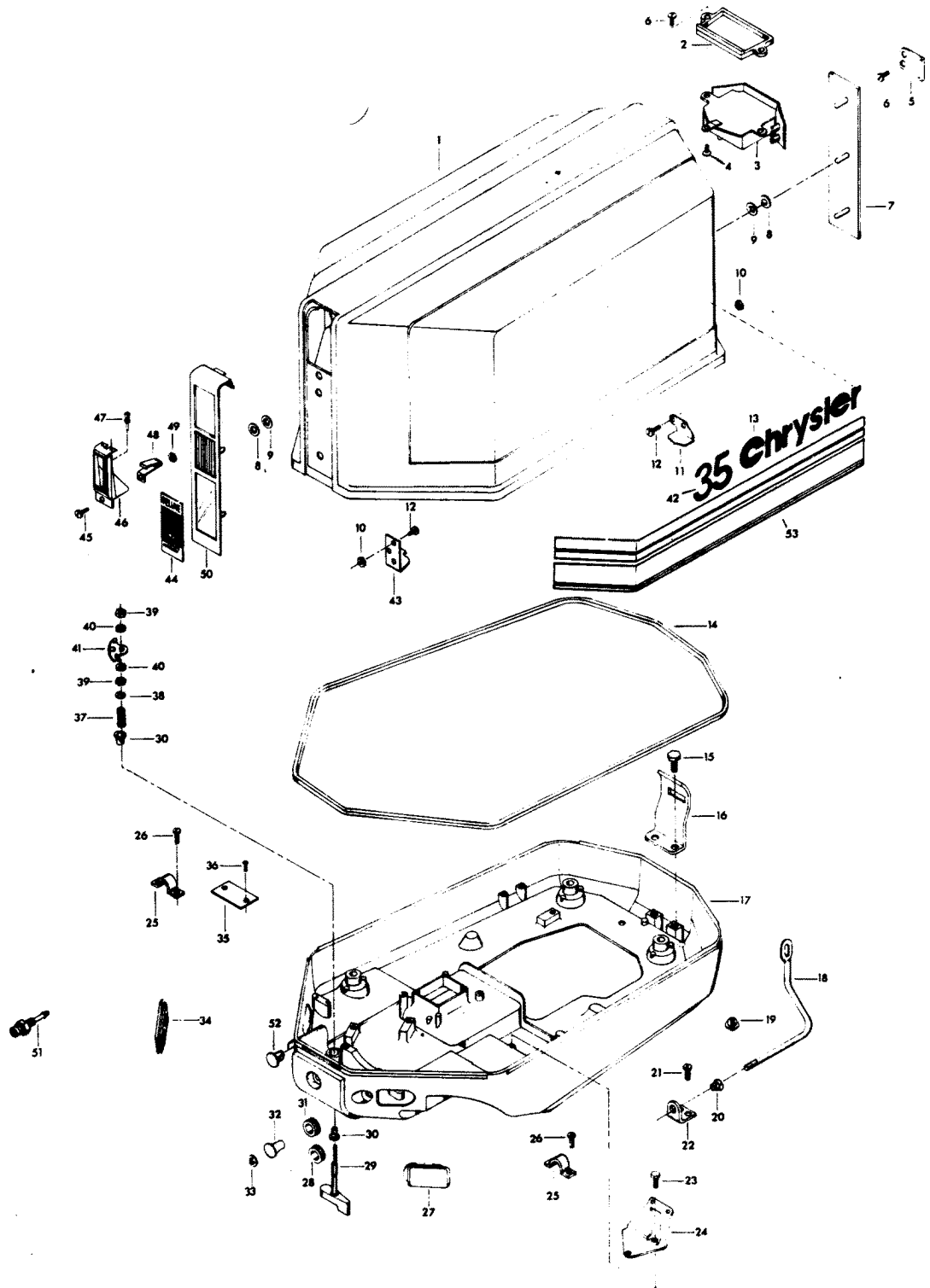
THIS PAGE INTENTIONALLY LEFT BLANK

ENGINE COVER AND SUPPORT PLATE (HAND START MODELS)

REF. NO.	PART NO.	SYM.	QTY.	DESCRIPTION
1	FS529712		1	ENGINE COVER W/FRONT AND REAR RETAINERS
2	F458245		1	BAFFLE, TILT HANDLE
3	F505269		1	TILT HANDLE
4	F2025		1	PAN HD SCREW, 10 X 5/8
5	F463864		2	RETAINER, TILT HANDLE
6	F2066		6	PAN HD SCREW, 10 X 3/8
7	529180		1	TRIM, REAR
8	F85735-1		5	SEAL
9	F1753		5	FASTENER
10	F7011		4	HEX NUT, 10 - 24
11	FA458480		1	RETAINER, ENGINE COVER REAR W/SCREWS AND NUTS
12	F1475		4	FILL HD SCREW, 10 - 24 X 1/2
13	505392		2	DECAL, "CHRYSLER"
14	F85756		1	PACKING, ENGINE COVER
15	F1502		2	HEX HD MACHINE SCREW, 1/4 - 20 X 5/8
16	F461774		1	BRACKET, RETAINER REAR
17	F458038-2		1	SUPPORT PLATE
18	F458503		1	CHOKE ROD
19	F1632		1	PLASTI-PLUG
20	F183818		1	BEARING, CHOKE ROD
21	F1760		2	PAN HD SCREW, 10 - 24 X 3/8
22	F324993		1	BRACKET, CHOKE ROD BEARING
23	F1236		2	HEX CAP SCREW, 1/4 - 20 X 1/2
24	F458371		1	BRACKET, REMOTE THROTTLE CABLE
25	F154317		2	CLAMP, REMOTE CABLE
26	F2107		4	SLOTTED FILL HD SCREW W/SPRING LOCKWASHER, 10 - 24 X 5/8
27	F462840		1	GROMMET, REMOTE THROTTLE CABLE
28	F53504		1	GROMMET, MAGNETO CONTROL SHAFT
29	FA413469		1	COVER LATCH HANDLE W/SHAFT
30	F307818		2	BEARING, LATCH SHAFT
31	F24623-1		1	GROMMET, CHOKE ROD
32	F286547		1	CHOKE KNOB
33	F458677		1	INSERT, CHOKE KNOB
34	F462840		1	GROMMET, REMOTE SHIFT CABLE
35	FA77395-5		1	PLATE, IDENTIFICATION W/SCREWS, U.S.A.
-	AC16395-8		1	PLATE, IDENTIFICATION W/SCREWS, CANADA
36	F1293		2	DRIVE SCREWS
37	F183300		1	SPRING, LATCH SHAFT
38	F185764		1	RETAINING RING
39	F1515		2	HEX JAM NUT, 5/16 - 18
40	F8096		2	SPRING LOCKWASHER
41	F89777-1		1	CAM, ENGINE COVER LATCH

CONTINUED ON NEXT PAGE ➡

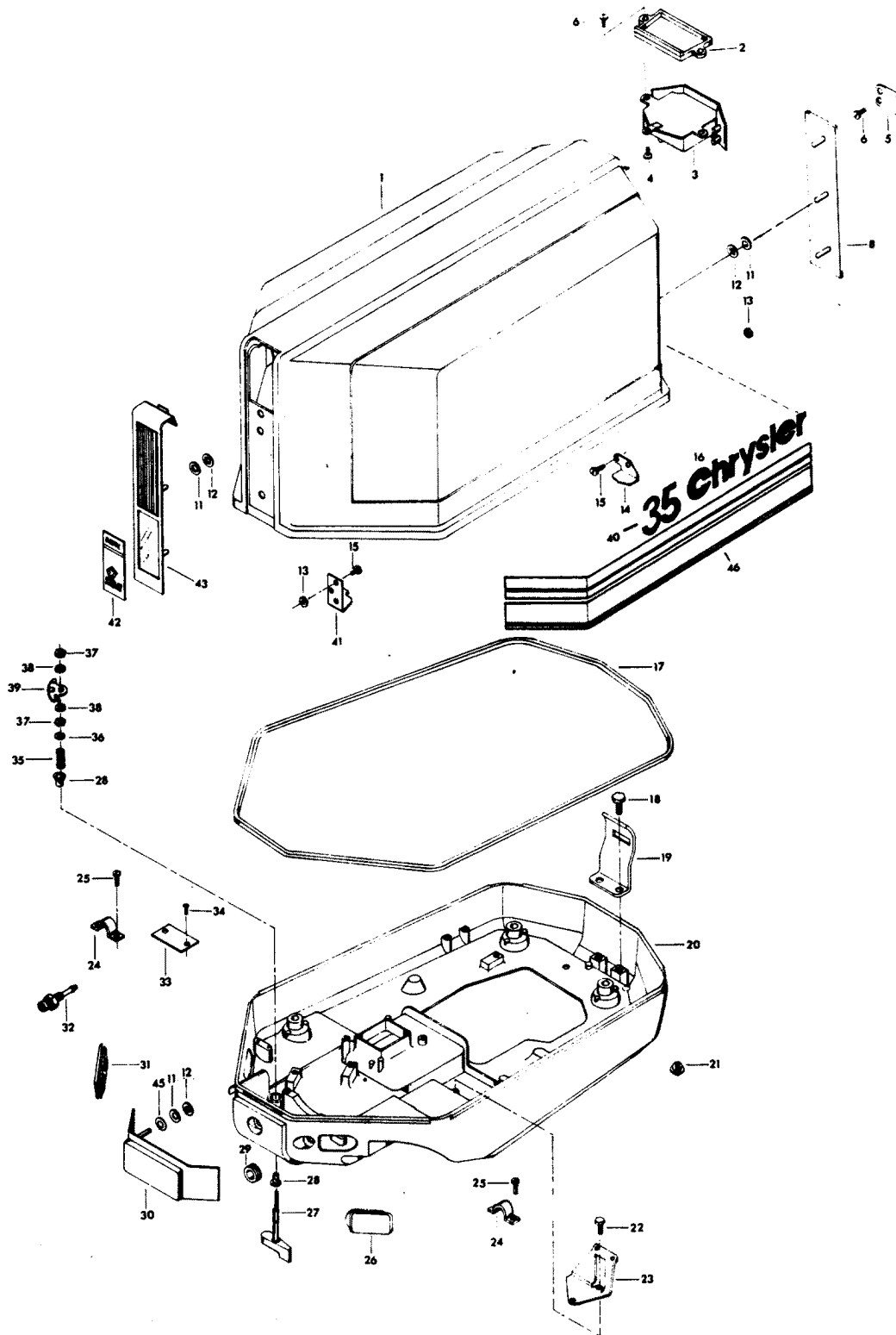
ENGINE COVER AND SUPPORT PLATE (HAND START MODELS)



ENGINE COVER AND SUPPORT PLATE (HAND START MODELS)

REF. NO.	PART NO.	SYM.	QTY.	DESCRIPTION
42	513386-1		2	DECAL, NUMERAL
43	FA458778		1	RETAINER, ENGINE COVER FRONT W/SCREWS AND NUTS
44	A529892-1		1	INSERT, PLATE FRONT, U.S.A.
-	A529893-1		1	INSERT, PLATE FRONT, CANADA
45	F1760		1	PAN HD SCREW, 10 - 24 X 3/8
46	F458888-1		1	TRIM, STARTER HANDLE GUIDE
47	F2026		2	PLASTIC RIVET
48	FA458880		1	CLIP, STARTER GUIDE
49	F1473		1	HEX NUT, 10 - 24
50	F505711		1	PLATE, FRONT
51	F434767		1	BUSHING, FUEL LINE
52	F9066		1	PLASTIC PLUG BUTTON
53	505396		1	DECAL, STRIPE, STARBOARD
-	505397		1	DECAL, STRIPE, PORT

ENGINE COVER AND SUPPORT PLATE (ALTERNATOR MODELS)

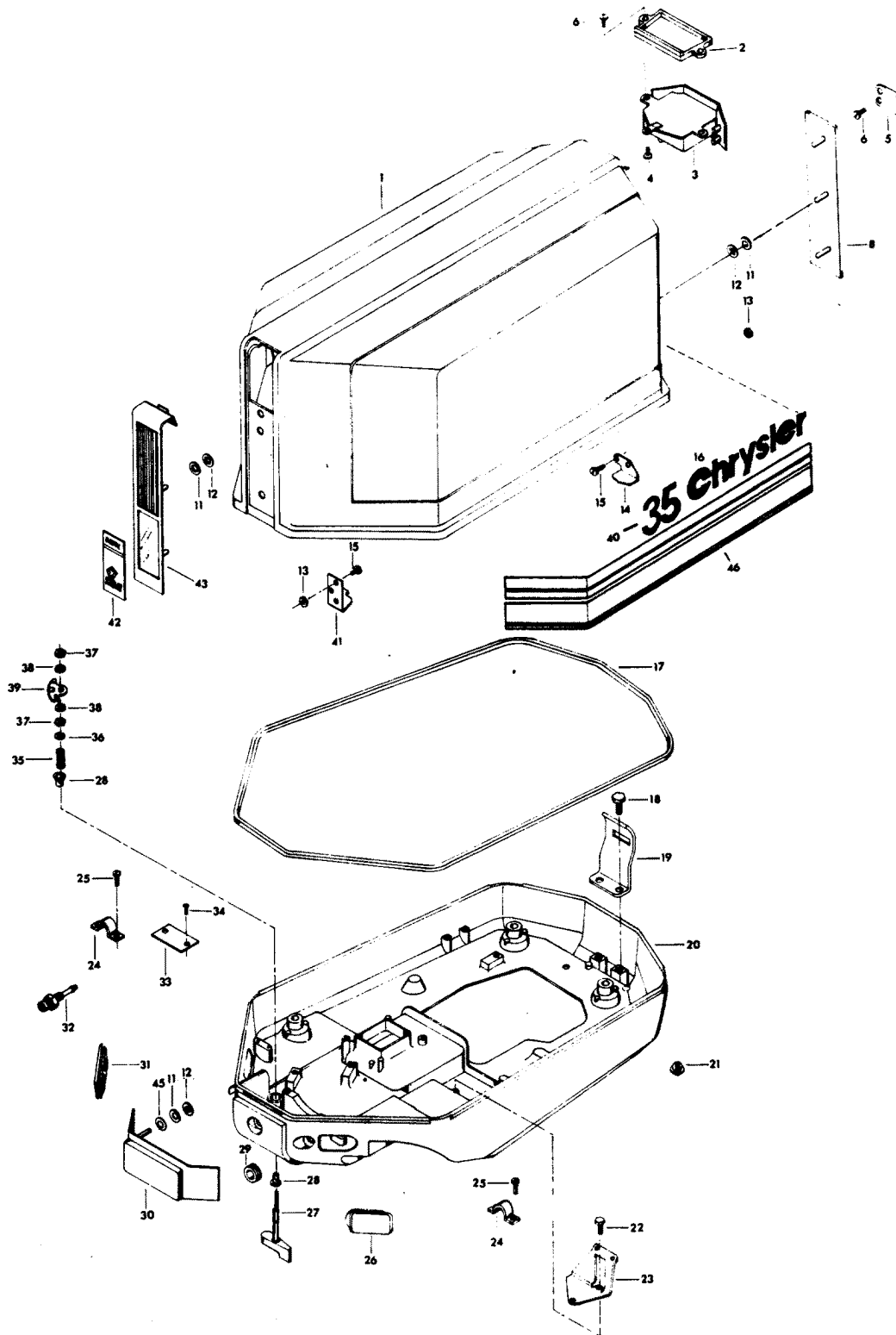


ENGINE COVER AND SUPPORT PLATE (ALTERNATOR MODELS)

REF. NO.	PART NO.	SYM.	QTY.	DESCRIPTION
1	FS529712		1	ENGINE COVER W/FRONT AND REAR RETAINERS
2	F458245		1	BAFFLE TILT HANDLE
3	F505269		1	TILT HANDLE
4	F2025		1	PAN HD SCREW, 10 X 5/8
5	F463864		2	RETAINER, TILT HANDLE
6	F2066		6	PAN HD SCREW, 10 - 7/16
8	529180		1	TRIM, REAR
11	F85735-1		7	SEAL
12	F1753		7	FASTENER
13	F7011		4	HEX NUT, 10 - 24
14	FA458480		1	RETAINER, ENGINE COVER REAR W/SCREWS AND NUTS
15	F1475		4	FILL HD SCREW, 10 - 24 X 1/2
16	505392		2	DECAL, "CHRYSLER"
17	F85756		1	PACKING, ENGINE COVER
18	F1502		2	HEX HD MACHINE SCREW, 1/4 - 20 X 5/8
19	F461774		1	BRACKET, RETAINER REAR
20	F458038-2		1	SUPPORT PLATE
21	F1632		1	PLASTI-PLUG
22	F1236		2	HEX CAP SCREW, 1/4 - 20 X 1/2
23	F458371		1	BRACKET, REMOTE THROTTLE CABLE
24	F154317		2	CLAMP, REMOTE CABLE
25	F2107		4	SLOTTED FILL HD SCREW W/SPRING LOCKWASHER, 10 - 24 X 5/8
26	F462840		1	GROMMET, REMOTE THROTTLE CABLE
27	FA413469		1	COVER LATCH HANDLE W/SHAFT
28	F307818		2	BEARING, LATCH SHAFT
29	F53504		1	GROMMET, SUPPORT PLATE
30	F460163-1		1	COVER, SUPPORT PLATE
31	F462840		1	GROMMET, REMOTE SHIFT CABLE
32	F434767		1	BUSHING, FUEL LINE
33	FA77395-5		1	PLATE, IDENTIFICATION W/SCREWS, U.S.A.
-	AC16395-8		1	PLATE, IDENTIFICATION W/SCREWS, CANADA
34	F1293		2	DRIVE SCREW
35	F183300		1	SPRING, LATCH SHAFT
36	F185764		1	RETAINING RING
37	F1515		2	HEX JAM NUT, 5/16 - 18
38	F8096		2	SPRING LOCKWASHER
39	F89777-1		1	CAM, ENGINE COVER LATCH
40	513386-1		2	DECAL, NUMERAL
41	FA458778		1	RETAINER, ENGINE COVER FRONT W/SCREWS AND NUTS
42	A529892-1		1	INSERT, FRONT PLATE - U.S.A.

CONTINUED ON NEXT PAGE ➡

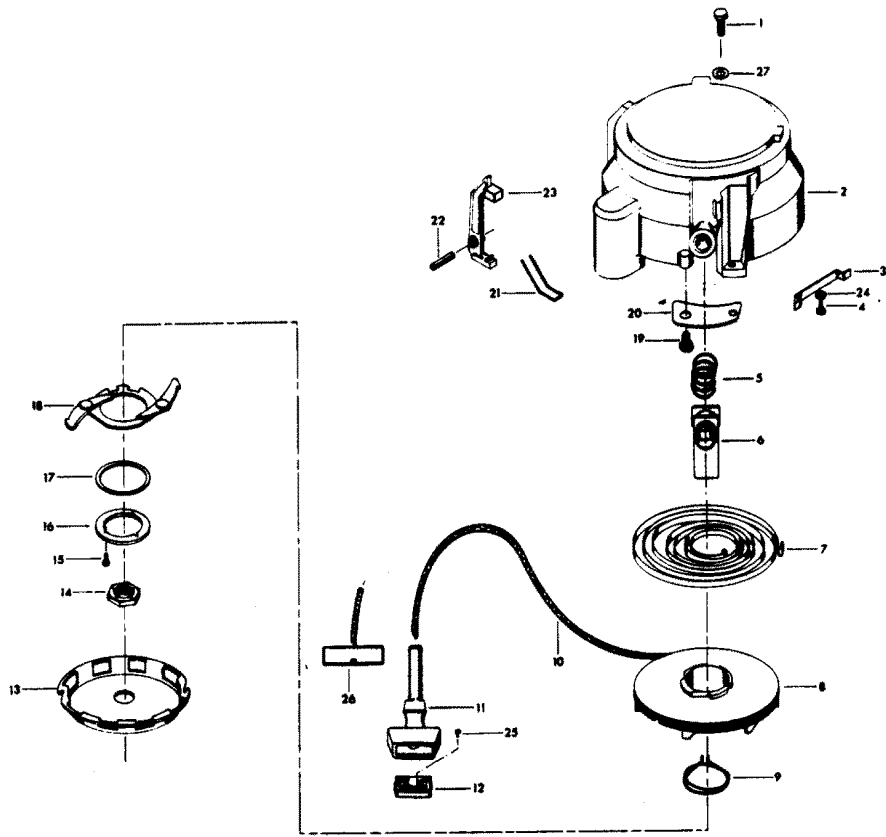
ENGINE COVER AND SUPPORT PLATE (ALTERNATOR MODELS)



ENGINE COVER AND SUPPORT PLATE (ALTERNATOR MODELS)

REF. NO.	PART NO.	SYM.	QTY.	DESCRIPTION
-	A529893-1		1	INSERT, FRONT PLATE - CANADA
43	F529711		1	PLATE, FRONT
45	F8011		1	PLAIN WASHER
46	505396		1	DECAL, STRIPE, STARBOARD
-	505397		1	DECAL, STRIPE, PORT

HAND STARTER



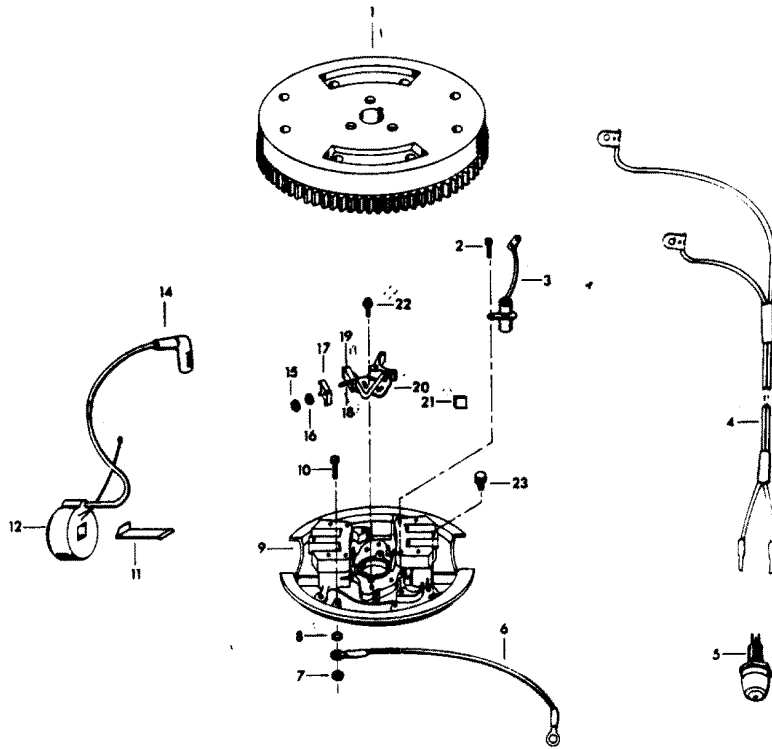
HAND STARTER

REF. NO.	PART NO.	SYM.	QTY.	DESCRIPTION
1	F1864		3	HEX HD SCREW, 1/4 - 20 X 3/4
-	F1864		1	HEX HD SCREW, 1/4 - 20 X 3/4, ELECTRIC START MODELS
2	817955A1		1	HOUSING, HAND STARTER
3	F458937		1	LINER, STARTER HOUSING
4	F1927		1	PAN HD SCREW, 10 - 32 X 3/8
5	F458071		1	SPRING, STARTER HANDLE GUIDE FOR MANUAL START MODELS ONLY
6	F458953-1		1	GUIDE, STARTER HANDLE FOR MANUAL START MODELS ONLY
7	F458970		1	SPRING, STARTER REWIND
8	F458239		1	STARTER PULLEY
9	F458424		1	SPRING, STARTER PAWL PLATE
10	F458232		1	STARTER ROPE
11	F458132		1	HANDLE, STARTER ROPE FOR MANUAL START MODELS ONLY
12	817938A1		1	RETAINER, STARTER ROPE HANDLE FOR MANUAL START MODELS ONLY
13	F458456		1	HAND STARTER COLLAR
14	F2021		1	FLYWHEEL NUT
15	F2004		3	FILL HD SCREW, 8 - 32 X 3/8
16	F458592		1	RETAINER, STARTER PULLEY
17	F9022		0	SHIM .006"(SILVER)
-	F9023		0	SHIM .007"(BRASS)
-	F9024		0	SHIM .010"(BLACK)
18	FA460423		1	STARTER PAWL PLATE ASSEMBLY
19	F2040		1	HEX HD MACHINE SCREW W/SPRING LOCKWASHER, 1/4 - 20 X 5/8
20	F461952		1	STRAP, HAND STARTER HOUSING
21	F458846		1	SPRING
22	F1638		1	SPRING PIN
23	F458003		1	STARTER INTERLOCK LEVER
24	F8011		1	PLAIN WASHER
25	F1500		1	RD HD SHEET METAL SCREW FOR MANUAL START MODELS ONLY
26	F18132-1		1	STARTER ROPE HANDLE FOR ELECTRIC START MODELS ONLY
27	F2012		3	PLAIN WASHER
-	F2012		1	PLAIN WASHER, ELECTRIC START MODELS

ELECTRIC STARTER

REF. NO.	PART NO.	SYM.	QTY.	DESCRIPTION
1	F15147		1	STOP NUT, PINION
2	F15148		1	STOP, PINION
3	F15149		1	SPRING, ANTI-DRIFT
4	F15150		1	DRIVE PINION
5	F1514		2	HEX JAM NUT, 1/4 - 20
6	F8063		2	SPRING LOCKWASHER
7	F15154		1	CAP, DRIVE END
8	F15155		1	WASHER, THRUST
9	F15156		1	ARMATURE
10	F1705		1	HEX CAP SCREW, 1/4 - 20 X 3/4
11	F8028		1	PLAIN WASHER
12	F460573		1	CLAMP, STARTER MOTOR
14	F15158		2	SCREW, BRUSH HOLDER
15	F15164		1	BRUSH KIT
16	F15157		1	HOLDER, BRUSH
17	F15162		1	NUT, HOT LEAD
18	F15152		3	LOCKWASHER
19	F15161		1	PLAIN WASHER
20	F15160		1	INSULATOR WASHER
21	F15159		1	INSULATOR
22	F15163		1	CAP, COMMUTATOR END
23	F15153		1	SPACER WASHER, THRU BOLT
24	F15151		2	THRU BOLT
-	F514955		1	STARTER MOTOR COMPLETE(NOT SHOWN)
-	FC513390		1	DECAL, STARTER (NOT SHOWN)
-	F307908		1	WIRE, STARTER

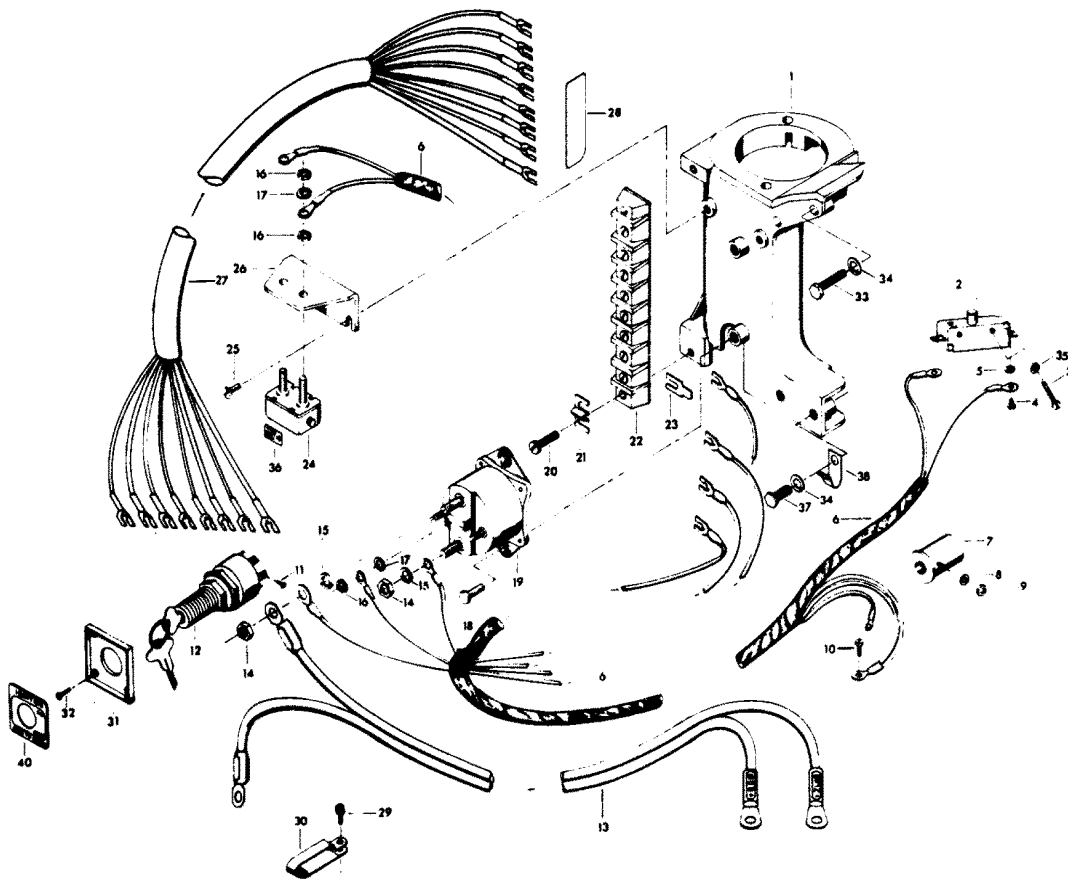
MAGNETO



MAGNETO

REF. NO.	PART NO.	SYM.	QTY.	DESCRIPTION
1	F460097-1		1	FLYWHEEL
2	F12083		2	CONDENSER MOUNTING SCREW
3	F12181-1		2	CONDENSER
4	F12186		1	GROUND LEAD
5	F436449		1	SHORTING SWITCH FOR MANUAL START MODELS ONLY
6	F460664		1	STATOR GROUND WIRE
7	F1513		1	HEX NUT
8	F8059		1	SPRING LOCKWASHER
9	F12346		1	STATOR PLATE W/LAMINATIONS
10	F1092		1	FILL HD SCREW, 10 - 32 X 5/8
11	F12146		2	COIL WEDGE SPRING
12	FA12345		2	COIL W/LEAD WIRE
14	FK750-1		2	SPARKIE W/SPRING
15	F12127		2	STUD NUT
16	F8055		2	LOCKWASHER
17	F12128		2	INSULATOR, OUTSIDE
18	F12142		2	CONNECTION STUD
19	F12129		2	INSULATOR, INSIDE
20	F12153		2	BREAKER POINT SET
21	F12228		1	CAM WIPER FELT
22	F12170		4	CONTACT SCREW W/LOCKWASHER
23	F2010		3	FILL HD SCREW W/SPRING LOCKWASHER, 10 - 32 X 9/16

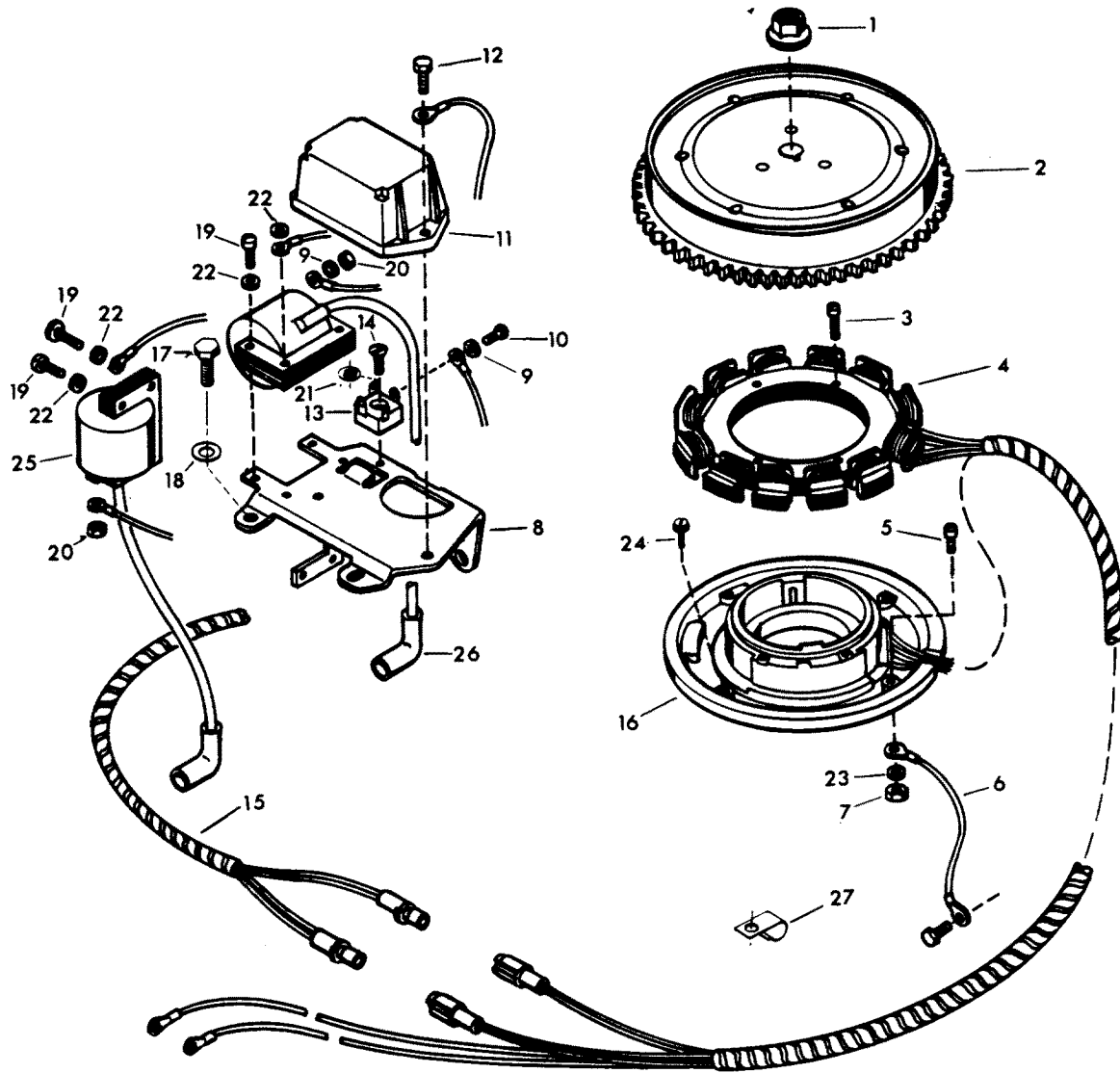
ELECTRICAL COMPONENTS



ELECTRICAL COMPONENTS

REF. NO.	PART NO.	SYM.	QTY.	DESCRIPTION
1	F514427		1	BRACKET, STARTER MOTOR
2	F84449		1	SWITCH, STARTER INTERLOCK
3	F2016		2	FILL HD SCREW, 6 - 32 X 7/8
4	F1645		2	ROUND HD SCREW, 6 - 32 X 7/8
5	F1704		2	INTERNAL TOOTH LOCKWASHER
6	F529744		1	WIRING HARNESS
7	F85924		1	CHOKE SOLENOID
8	F8056		1	SPRING LOCKWASHER
9	F1647		1	HEX NUT
10	F1077		1	FILL HD SCREW, 10 - 24 X 1/2
11	F1280		5	PAN HD SCREW, 8 - 32 X 1/4
12	F5H078		1	IGNITION SWITCH (ACCESSORY ITEM)
13	F381896-4		1	CABLE, BATTERY ENTRY
14	F1515		2	HEX NUT
15	F8096		2	SPRING LOCKWASHER
16	F1513		6	HEX NUT, 10 - 32
17	F1975		4	SPRING LOCKWASHER
18	F1854		2	HEX CAP SCREW, 1/4 - 20 X 5/8
19	F460917		1	STARTER RELAY
20	F1648		2	PAN HD SCREW, 10 - 24 X 3/4
21	F307317		1	CLIP, TERMINAL BLOCK GROUND
22	FA510497		1	TERMINAL BLOCK
23	F296898		2	TERMINAL
24	F510460		1	CIRCUIT BREAKER
25	F1979		2	PAN HD SCREW, 10 - 24 X 1/2
26	F91446-1		1	BRACKET, CIRCUIT BREAKER
27	F85843-1		1	CABLE, ELECTRIC CONTROL
28	F529398		1	DECAL, WIRING - U.S.A.
-	FC529398		1	DECAL, WIRING - CANADA
29	F1734		1	FILL HD MACHINE SCREW W/SPRING LOCKWASHER, 1/4 - 20 X 1/2
30	F407446		1	CLAMP, BATTERY CABLE
31	F411420		1	RETAINER, SWITCH PLATE
32	F1934		4	FLAT HD SLOTTED SCREW
33	F1916		3	HEX HD M. SCREW, 1/4 - 20 X 1 1/8
34	F8063		4	SPRING LOCKWASHER
35	F8088		2	PLAIN WASHER
36	F510374		1	DECAL, CIRCUIT BREAKER
-	FC510374		1	DECAL, CIRCUIT BREAKER
37	F1100		1	SLOTTED FILL HD SCREW, 1/4 - 20 X 1 1/8
38	F286772-1		1	CLAMP, FUEL PUMP TO CARBURETOR HOSE
40	F412181-1		1	PLATE, IGNITION - U.S.A.
-	817892--1		1	PLATE, IGNITION - CANADA

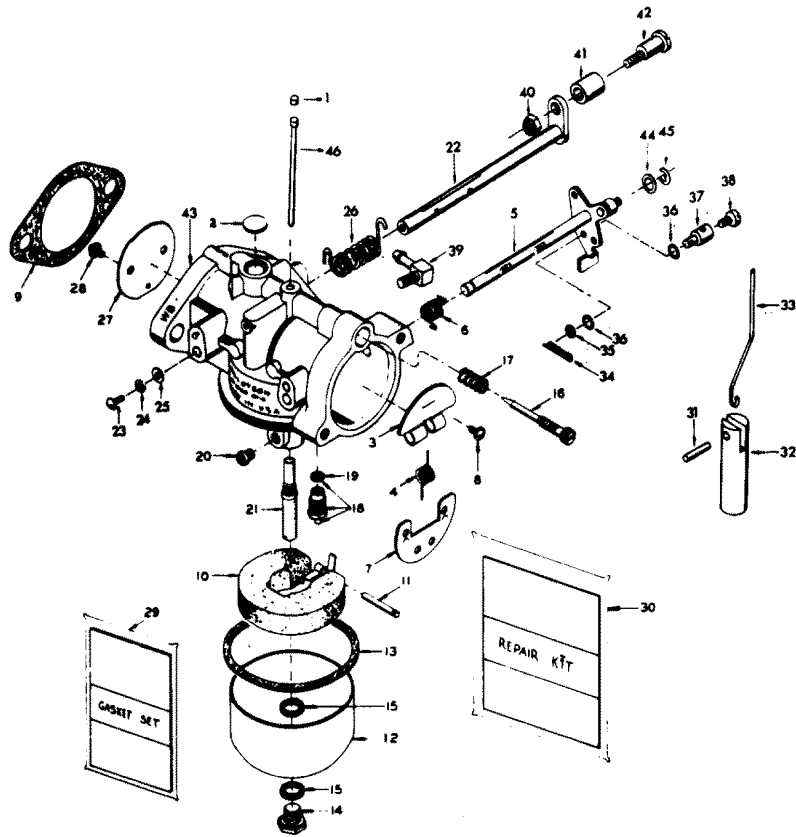
ALTERNATOR



ALTERNATOR

REF. NO.	PART NO.	SYM.	QTY.	DESCRIPTION
1	F2021		1	FLYWHEEL NUT, 5/8 - 18
2	F529097		1	FLYWHEEL (FOR ELECTRIC START MODELS)
3	F1050		4	SLOTTED FILL HD SCREW, 10 - 24 X 1
4	F529095		1	STATOR, ALTERNATOR
5	F2010		3	FILL HD SCREW, 10 - 32 X 9/16
6	F460664		1	STATOR GROUND WIRE
7	F1513		1	HEX NUT, 10 - 32
8	F529358		1	BRACKET, ELECTRICAL COMPONENTS
9	F1704		4	LOCKWASHER #6
10	F1645		4	ROUND HD SCREW, 6 - 32 X 1/4
11	F529301		1	C-D MODULE
12	F1746		2	HEX CAP SCREW, 1/4 - 28 X 5/8
13	F510450-1		1	RECTIFIER
14	F1552		1	PAN HD SCREW, 8 - 32 X 1/2
15	F529744		1	WIRING HARNESS
16	F529029		1	STATOR TRIGGER
17	F2008		2	HEX HD SCREW, 1/4 - 20 X 7/8
18	F2012		2	PLAIN WASHER
19	F1648		8	PAN HD SCREW, 10 - 24 X 3/4
20	F1337		2	NUT, 6 - 32
21	F8078		1	LOCKWASHER #8
22	F1975		8	LOCKWASHER
23	F8059		1	SPRING LOCKWASHER
24	F1092		1	FILL HD SCREW, 10 - 32 X 5/8
25	F510475		2	IGNITION COIL
26	FK750-2		2	HI-TENSION WIRE
27	F286772-1		1	CLAMP

CARBURETOR

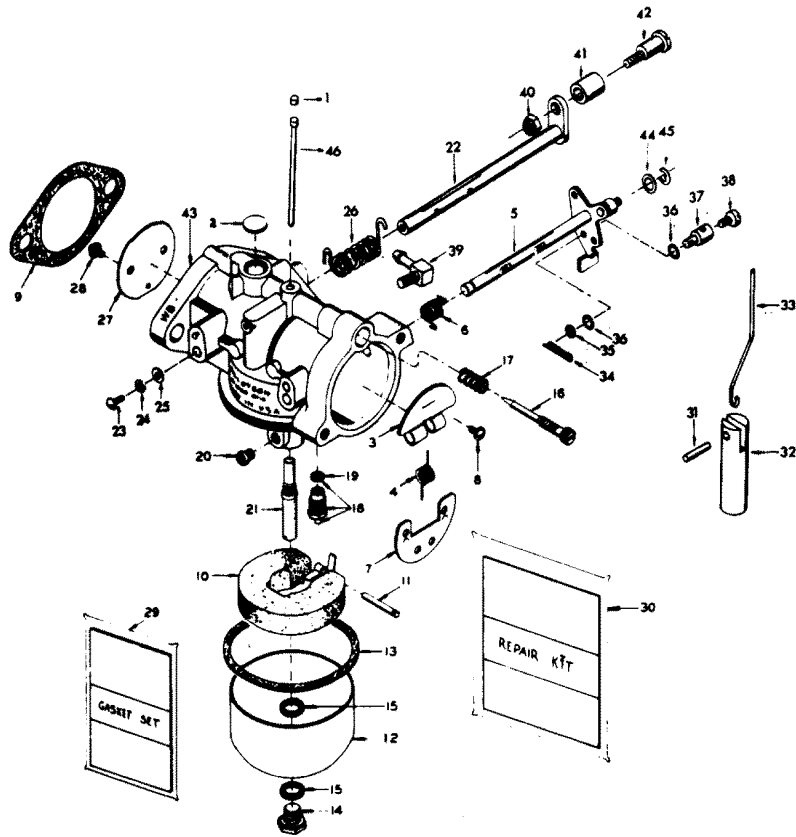


CARBURETOR

REF. NO.	PART NO.	SYM.	QTY.	DESCRIPTION
1	FO10588		3	BODY CHANNEL CUP PLUG
2	FO4326		1	BODY CHANNEL WELCH PLUG
3	FO12251		1	CHOKE RELIEF VALVE
4	FO10883		1	CHOKE RELIEF VALVE SPRING
5	FO16562		1	CHOKE SHAFT AND LEVER
6	FO16397		1	CHOKE SHAFT RETURN SPRING
7	FO12250		1	CHOKE SHUTTER
8	FO10280		1	CHOKE SHUTTER RETAINING SCREW AND LOCKWASHER
9	F40906-1		1	FLANGE GASKET
10	FO13554		1	FLOAT
11	FO13944		1	FLOAT LEVER PIN
12	FO13552		1	FUEL BOWL
13	FO15623		1	FUEL BOWL GASKET
14	FO13945		1	FUEL BOWL RETAINING SCREW
15	FO2510		2	FUEL BOWL RETAINING SCREW GASKET
16	FO14166		1	IDLE MIXTURE SCREW
17	FO11103		1	IDLE MIXTURE SCREW SPRING
18	FO10790		1	INLET NEEDLE, SEAT AND GASKET
19	FO10165		1	INLET SEAT GASKET
20	FO14188		1	MAIN FUEL JET (.066) (STANDARD)
21	FO15213		1	MAIN NOZZLE
22	FO16561		1	THROTTLE SHAFT AND LEVER
23	FO6393		1	THROTTLE SHAFT POSITION RETAINING SCREW
24	FO6396		1	THROTTLE SHAFT POSITION RETAINING SCREW LOCKWASHER
25	FO3804		1	THROTTLE SHAFT POSITION RETAINING SCREW WASHER
26	FO16563		1	THROTTLE SHAFT RETURN SPRING
27	FO17486		1	THROTTLE SHUTTER
28	FO8942		2	THROTTLE SHUTTER RETAINING SCREW AND LOCKWASHER
29	F10025		1	GASKET SET
30	F10027		1	REPAIR PARTS KIT INCLUDES ALL ITEMS MARKED WITH AN ASTERISK (*)
31	F2033		1	GROOVE PIN FOR ELECTRIC START MODELS
32	F391926-1		1	PLUNGER FOR ELECTRIC START MODELS
33	F460925		1	ROD FOR ELECTRIC START MODELS
34	F1014		1	COTTER PIN FOR ELECTRIC START MODELS
35	F8088		1	PLAIN WASHER FOR ELECTRIC START MODELS
36	F184579		2	SEAL, CHOKE ARM SWIVEL FOR ELECTRIC START MODELS
37	F184033-1		1	SWIVEL, CHOKE ARM FOR ELECTRIC START MODELS
38	F1059		1	FILL HD SCREW, 6 - 32 X 1/4 FOR ELECTRIC START MODELS
39	F84314-2		1	ELBOW, CARBURETOR
40	F1997		1	LOCK NUT
41	F92759		1	ROLLER, THROTTLE CAM FOLLOWER

CONTINUED ON NEXT PAGE ➡

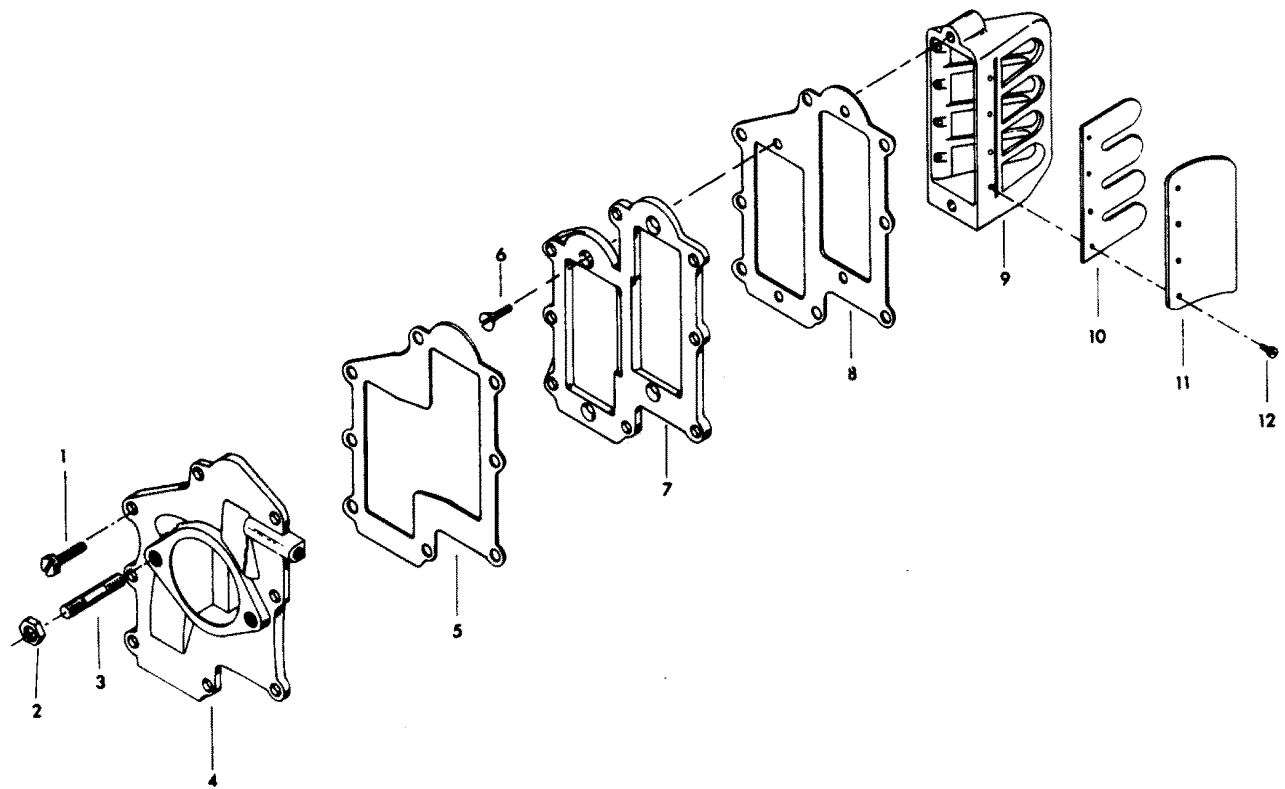
CARBURETOR



CARBURETOR

REF. NO.	PART NO.	SYM.	QTY.	DESCRIPTION
42	F333316		1	SHAFT, THROTTLE ROLLER
43	F513061		1	CARBURETOR COMPLETE (WB28A)
44	F8011		1	PLAIN WASHER FOR MANUAL START MODELS
45	F90807		1	RETAINER, CHOKE ROD FOR MANUAL START MODELS
46	FO16791		1	IDLE TUBE

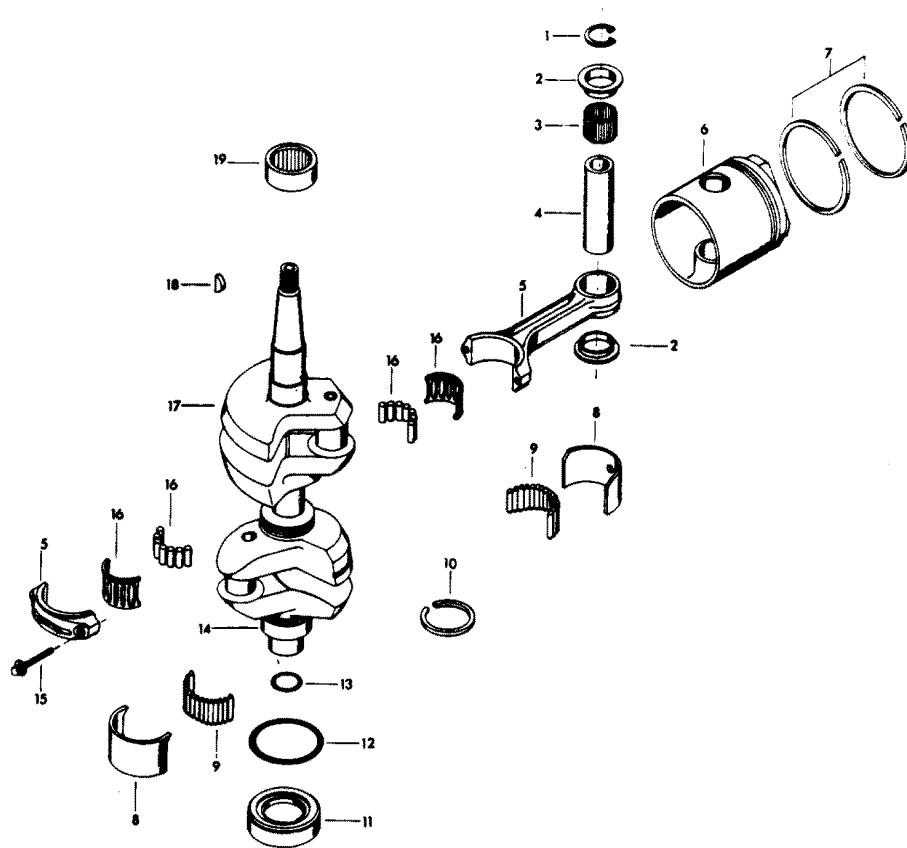
REED PLATE



REED PLATE

REF. NO.	PART NO.	SYM.	QTY.	DESCRIPTION
1	F1915		8	HEX HD MACHINE SCREW, 1/4 - 20 X 7/8
2	F1515		2	HEX NUT, 5/16 - 18
3	F40209		2	CARBURETOR STUD
4	FA458167		1	CARBURETOR ADAPTER
5	F433168		1	GASKET, CARBURETOR ADAPTER
6	F1141		4	FLAT HD SCREW, 10 - 24 X 1/2
7	F433404		1	DEFLECTOR PLATE
8	F433406		1	GASKET, DEFLECTOR PLATE
9	FA458158		2	REED PLATE W/REEDS, STOPS AND SCREWS
10	F316160		4	REED
11	F88161-3		4	REED STOP
12	F1755		16	ROUND HD SCREW W/LOCKWASHER, 6 - 32 X 5/16

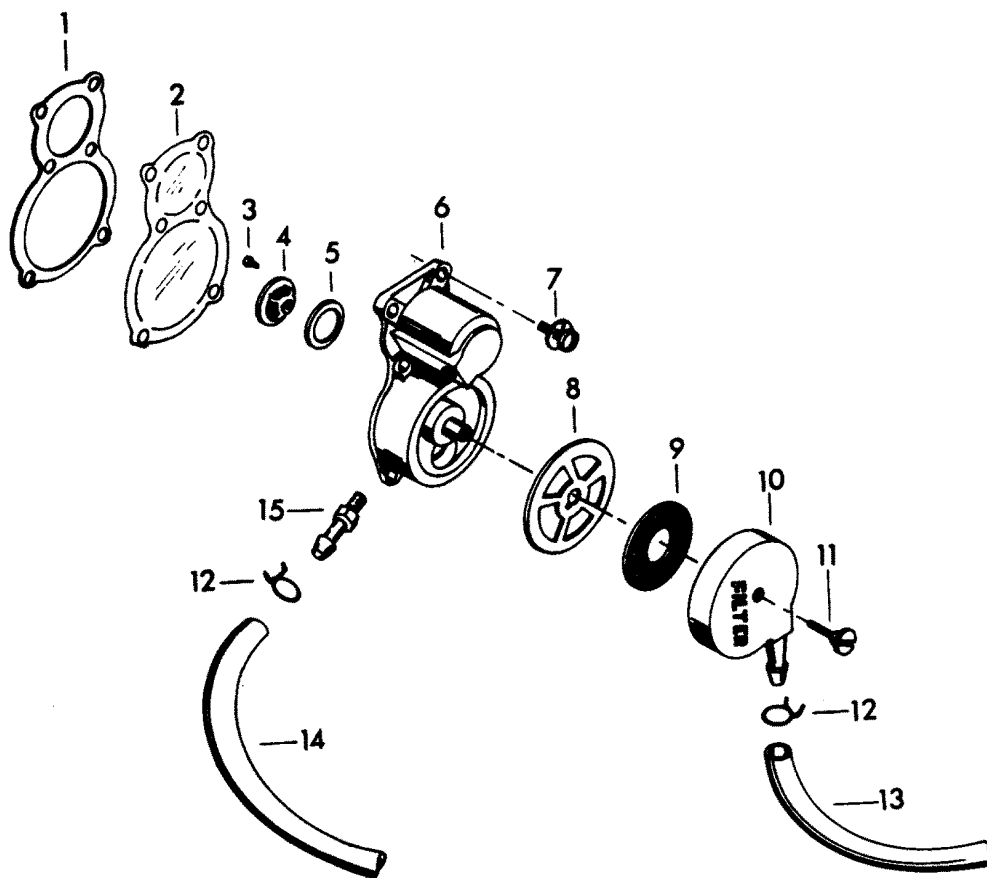
CRANKSHAFT AND PISTON GROUP



CRANKSHAFT AND PISTON GROUP

REF. NO.	PART NO.	SYM.	QTY.	DESCRIPTION
1	F428096		4	RETAINER, PISTON PIN
2	F366215		4	SPACER, PISTON PIN
3	F335217-1		2	BEARING, PISTON PIN
4	F40017-2		2	PISTON PIN
5	600-818052A4		2	CONNECTING ROD W/CAP AND SCREWS
6	F513015-1		2	PISTON
7	FA463260		1	PISTON RING SET (4 PER SET)
8	FA458655		1	LINER, CENTER MAIN
9	FA458571		1	ROLLER, CENTER MAIN
10	F458579		1	SEAL, CRANKCASE
11	F2A458581		1	COLLAR W/LOWER CRANKSHAFT SEAL
12	F455305		1	SEAL, CRANKSHAFT COLLAR
13	F458342		1	SEAL, CRANKSHAFT SPLINE
14	F286028-1		1	CRANKSHAFT LOWER MAIN BEARING
15	F85634-1		4	SCREW, CONNECTING ROD
16	FK85228		2	BEARING CAGE W/ROLLERS (16 PER SET)
17	A458018-1		1	CRANKSHAFT W/LOWER MAIN BEARING FOR MAGNETO MODELS
-	400-818061A1		1	CRANKSHAFT W/LOWER MAIN BEARING FOR ALTERNATOR MODELS
18	F458498		1	FLYWHEEL KEY
-	F85498		1	FLYWHEEL KEY FOR ALTERNATOR MODELS
19	F458028		1	BEARING, CRANKSHAFT UPPER MAIN

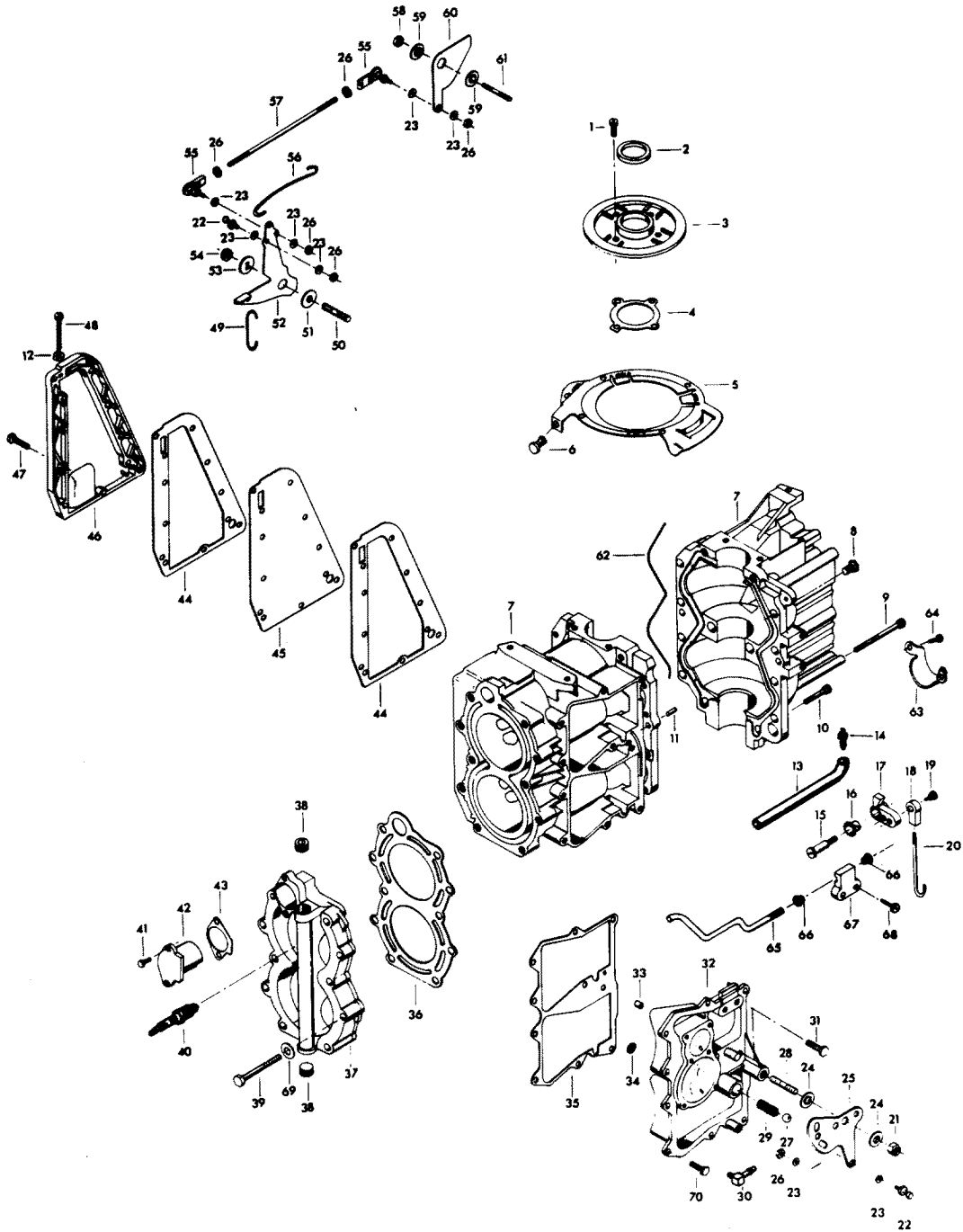
FUEL PUMP



FUEL PUMP

REF. NO.	PART NO.	SYM.	QTY.	DESCRIPTION
1	F438760		1	FUEL PUMP GASKET
2	F438747		1	FUEL PUMP DIAPHRAGM
3	F1860		2	BINDING HD MACHINE SCREW, 6 - 32 X 1/4
4	F177330		3	FUEL PUMP VALVE
5	F84792		3	FUEL PUMP GASKET
6	FA438431		1	FUEL PUMP BODY W/VALVES
7	F1108		6	FILL HD MACHINE SCREW W/LOCKWASHER, 1/4 - 20 X 3/4
8	F438617		1	GASKET, FUEL PUMP BOWL
9	F438653		1	SCREEN, FUEL PUMP
10	F438500		1	FUEL PUMP BOWL
11	F438165		1	SCREW, FUEL PUMP BOWL
12	F97772		4	FUEL LINE CLAMP
13	FA85754-1		1	HOSE, FUEL PUMP TO BUSHING
14	F458754		1	HOSE, FUEL PUMP TO CARBURETOR
15	F438801		1	FITTING, FUEL PUMP BODY

POWER HEAD

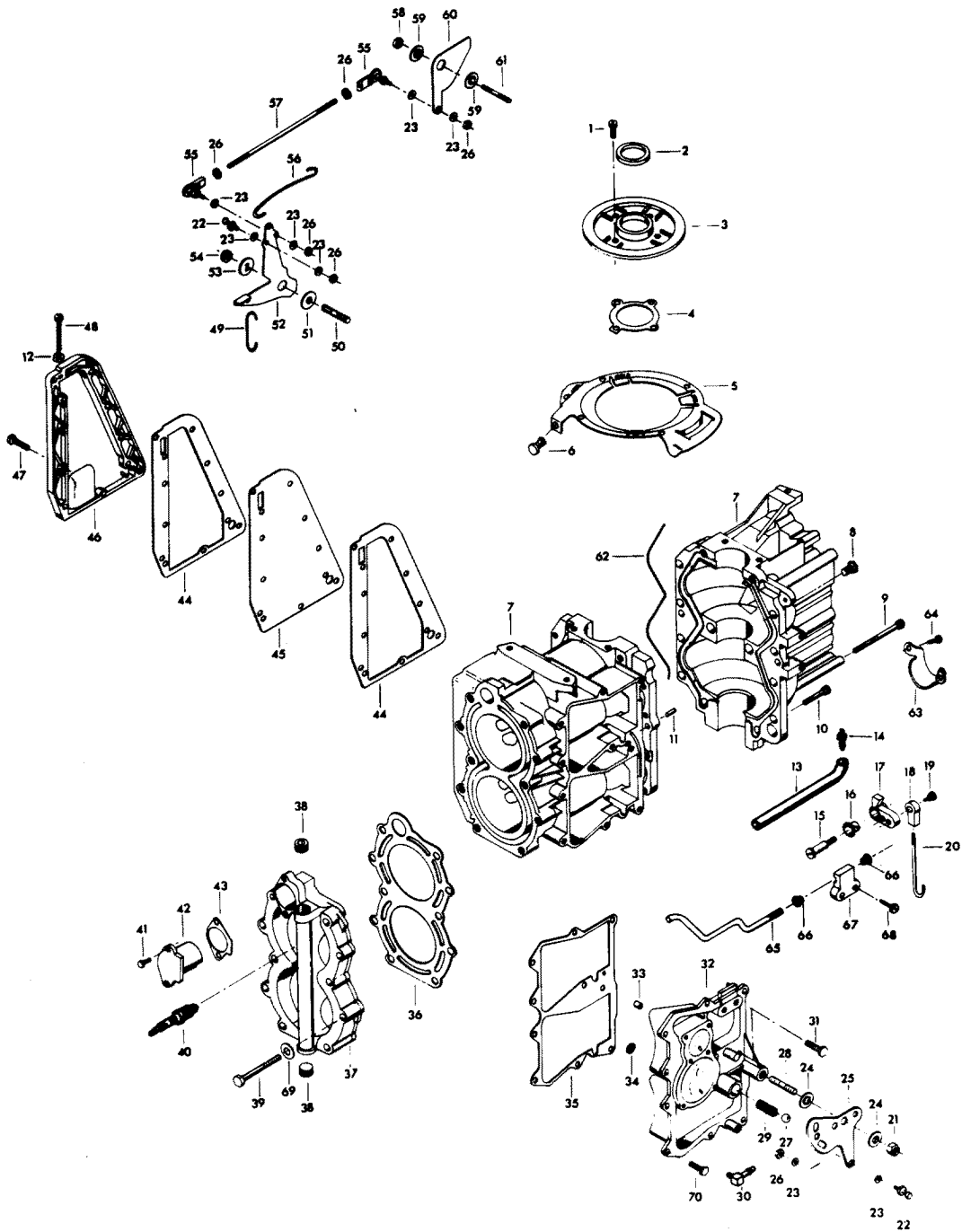


POWER HEAD

REF. NO.	PART NO.	SYM.	QTY.	DESCRIPTION
1	F1107		4	FILL HD SCREW, 1/4 - 20 X 3/4
2	F458146		1	SEAL, CRANKSHAFT UPPER MAIN
3	FA458144		1	CRANKSHAFT BEARING CAGE
4	F458277		1	GASKET, CRANKSHAFT BEARING CAGE
5	FA504082		1	MAGNETO STATOR RING
6	F1727		1	PLASTI-RIVET
7	FA513010		1	CYLINDER W/CRANKCASE COVER, SCREWS AND DOWEL PINS
8	F1914		8	HEX HD SCREW, 1/4 - 20 X 3/4
9	F2005		2	HEX SOCKET HD CAP SCREW, 5/16 - 18 X 2 3/4
10	F2013		4	HEX SOCKET HD CAP SCREW, 5/16 - 18 X 1 1/4
11	F8559		2	DOWEL PIN
12	F1341		1	HEX NUT
13	FA458254		1	HOSE, DRAIN
14	F366801		1	FITTING
15	F85026		1	SWIVEL, SHIFT INTERLOCK LEVER
16	F307818		1	BEARING
17	F458977-3		1	LEVER, SHIFT INTERLOCK
18	F84035-2		1	BEARING, SHIFT INTERLOCK ROD
19	F84026		1	SWIVEL, SHIFT INTERLOCK BEARING
20	F458531		1	ROD, SHIFT INTERLOCK
21	F7004		1	LOCK NUT, 3/8 - 16
22	F98273		2	ROD END CONNECTOR STUD
23	F8058		8	INTERNAL TOOTH LOCKWASHER
24	F269052		2	BEARING, SHIFT LEVER
25	817808A2		1	LEVER, GEAR SHIFT
26	F1513		6	HEX NUT, 10 - 32
27	F458727		1	BALL, SHIFT LEVER DETENT
28	F440209		1	STUD, GEAR SHIFT LEVER
29	F183300		1	SPRING, SHIFT DETENT
30	F436314-1		1	ELBOW, DRAIN HOSE
31	F1922		1	HEX HD SCREW, 1/4 - 20 X 5/8
32	FA504222		1	TRANSFER PORT COVER
33	21-817741A1		2	VALVE, CHECK
34	F429811		2	SCREEN, CYLINDER DRAIN
35	F458223		1	GASKET, TRANSFER PORT COVER
36	F513529		1	GASKET, CYLINDER HEAD
37	FA513518		1	CYLINDER HEAD W/PLUGS
38	F458109		2	PLUG, CYLINDER HEAD
39	F458936		10	SCREW, CYLINDER HEAD
40	FS174227		2	SPARK PLUG (L-4-J)
-	FC310227		2	SPARK PLUG FOR MODELS 350B8L, 351B8L, 356B8M, 357B8M (CHAMPION QL - 4 - J)
41	F1854		2	HEX CAP SCREW, 1/4 - 20 X 5/8

CONTINUED ON NEXT PAGE ➡

POWER HEAD

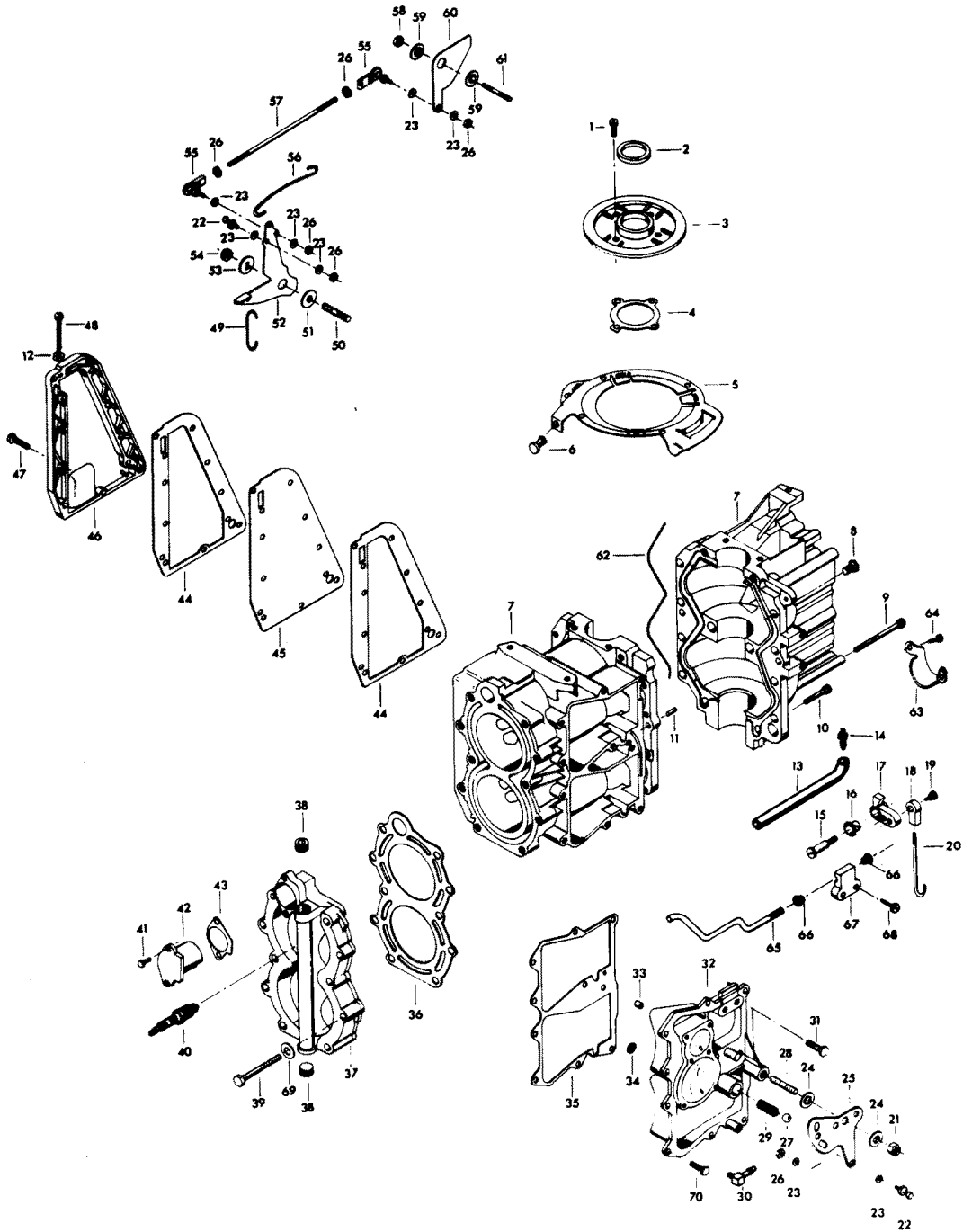


POWER HEAD

REF. NO.	PART NO.	SYM.	QTY.	DESCRIPTION
-	F1854		1	HEX CAP SCREW, 1/4 - 20 X 5/8 FOR ELECTRIC START MODELS
42	F458066		1	THERMOSTAT COVER
43	F458067		1	GASKET, THERMOSTAT COVER
44	F458154		2	GASKET, EXHAUST PORT PLATE
45	F458151		1	EXHAUST PORT PLATE
46	F458152		1	EXHAUST PORT COVER
47	F1833		10	HEX HD SCREW, 1/4 - 20 X 1
48	F1072		1	FILL HD SCREW, 1/4 - 20 X 1 3/4
49	F2014		2	PLAIN WASHER
50	F286440		1	STUD, MAGNETO CONTROL LEVER
51	F183813		1	BEARING
52	F2A458081		1	MAGNETO CONTROL LEVER
53	F286282		1	WASHER
54	F1803		1	STOP NUT
55	817747--1		2	JOINT, BALL ASSEMBLY
56	F458509		1	LINK, MAGNETO STATOR
57	F458502		1	ROD, THROTTLE CAM
58	F1910		1	LOCK NUT
59	F269319		2	BEARING, THROTTLE CAM
60	F458192		1	THROTTLE CAM
61	F433209-1		1	STUD, THROTTLE CAM
62	F269122-1		1	SEAL, CRANKCASE PARTING LINE
63	F460317		1	CLAMP, SOLENOID FOR ELECTRIC START
64	F1689		2	HEX CAP SCREW, 1/4 - 20 X 1/2 FOR ELECTRIC START MODELS
65	F504809		1	ROD, STARTER INTERLOCK
66	F504052		2	BEARING, STARTER INTERLOCK
67	F504527		1	STARTER INTERLOCK BEARING CAP
68	F1075		2	FILL HD M. SCREW, 10 - 24 X 1/2
69	F1739		10	PLAIN WASHER (HAND START)
-	F1739		7	PLAIN WASHER (ELECTRIC)
70	F1502		9	HEX CAP SCREW, 1/4 - 20 X 5/8
-	FG1014		1	GASKET SET (NOT SHOWN)
-	C513010		1	SHORT BLOCK FOR MAGNETO MODELS
-	FC514010		1	SHORT BLOCK FOR ALTERNATOR MODELS (INCLUDES ALL ITEMS MARKED WITH AN ASTERISK *. ALSO REFER TO CRANKSHAFT AND PISTON PAGE.
-	F40906-1		1	CARBURETOR
-	F84792		3	FUEL PUMP VALVE
-	F433168		1	CARBURETOR ADAPTER
-	F433406		1	DEFLECTOR PLATE
-	F438617		1	FUEL PUMP BOWL
-	F438760		1	FUEL PUMP

CONTINUED ON NEXT PAGE ➡

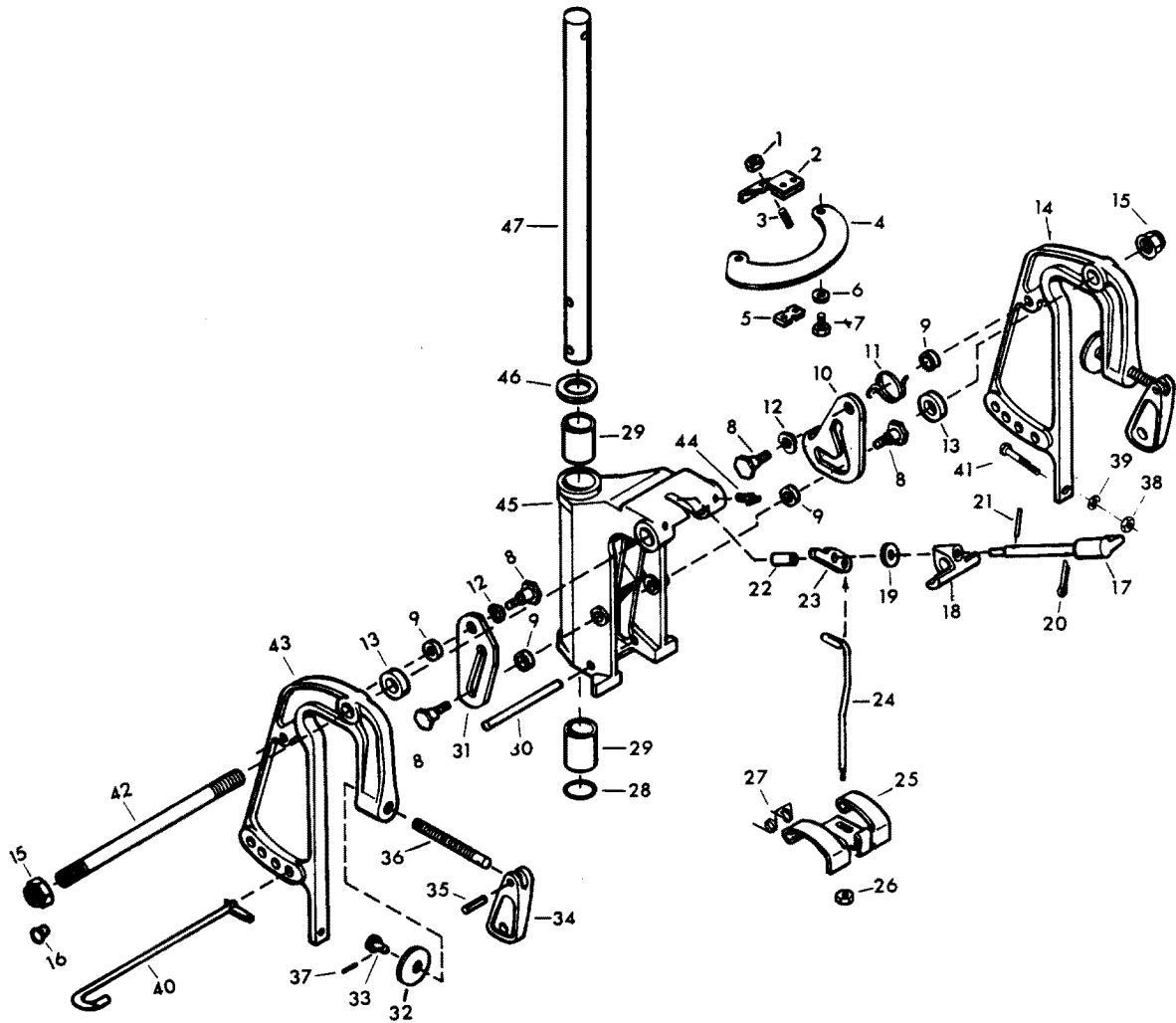
POWER HEAD



POWER HEAD

REF. NO.	PART NO.	SYM.	QTY.	DESCRIPTION
-	F458067		1	THERMOSTAT COVER
-	F458154		2	EXHAUST PORT PLATE
-	F458223		1	TRANSFER PORT COVER
-	F458277		1	CRANKSHAFT BEARING CAGE
-	F458279		1	CYLINDER EXHAUST
-	F458453		1	LEG EXHAUST
-	F513529		1	CYLINDER HEAD

SWIVEL BRACKET GROUP

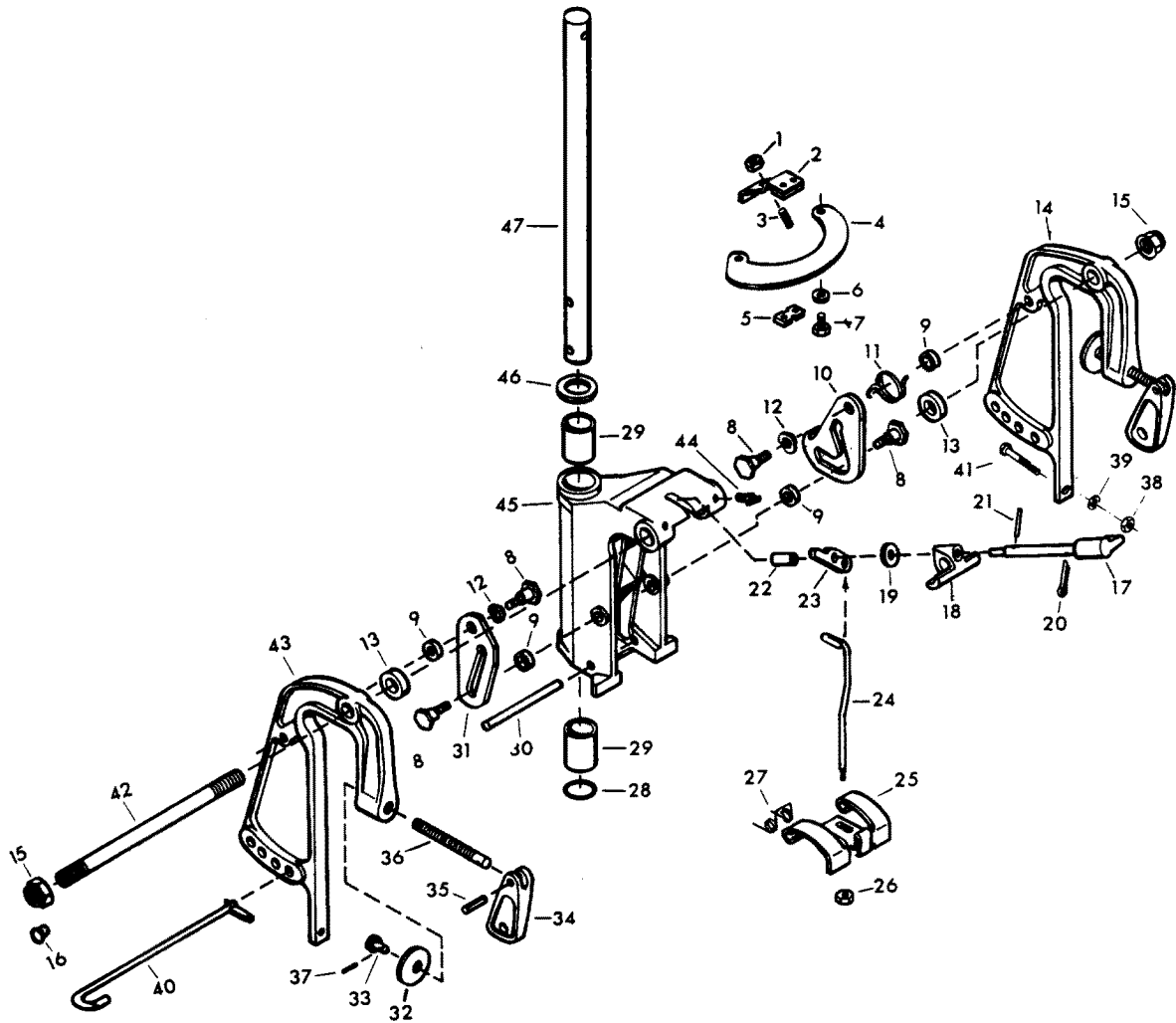


SWIVEL BRACKET GROUP

REF. NO.	PART NO.	SYM.	QTY.	DESCRIPTION
1	F7024		1	STOP NUT
2	817882A1		1	FRICITION SHOE ADJUSTING ARM
3	F901822-1		1	STUD, SWIVEL BRACKET
4	F901775		1	PLATE, FRICTION SHOE
5	F901631-1		1	FRICTION SHOE
6	F8063		2	SPRING LOCKWASHER
7	F1689		2	HEX CAP SCREW, 1/4 - 20 X 1/2
8	F286422-1		4	PIVOT, TILT LOCK
9	F286451		4	SPACER, TILT LOCK
10	F436541		1	TILT LOCK (PORT)
11	F286544-1		1	SPRING, TILT LOCK
12	F1666		2	BOWED SPRING WASHER
13	F529286		2	WASHER, SWIVEL BRACKET FRICTION
14	FS529532		1	STERN BRACKET PORT W/CLAMP, SCREW AND FOOT
15	F1600		2	STOP NUT
16	F9018		2	PLUG, PIVOT STEERING TUBE
17	F483827		1	LEVER, REVERSE LOCK
18	F529726		1	BEARING, REVERSE LOCK
19	F8094		1	PLAIN WASHER
20	F1014		1	COTTER PIN
21	F1836		1	SPRING PIN
22	F483884		1	BEARING, REVERSE LOCK
23	F366364		1	ARM, REVERSE LOCK
24	F483510-1		1	LINK, REVERSE LOCK
25	F483349-1		1	REVERSE LOCK
26	F1669		1	NUT
27	F483300		1	SPRING
28	F458783		1	SEAL, SWIVEL BRACKET
29	F901169-1		2	BEARING, SWIVEL BRACKET
30	F2095		1	SPRING PIN
31	F385433		1	TILT STOP
32	F24074		2	CLAMP SCREW FOOT
33	F66480		2	STUD
34	F288075		2	HANDLE, STERN BRACKET CLAMP SCREW
35	F1638		2	SPRING PIN
36	817776A3		2	STERN BRACKET CLAMP SCREW W/FOOT AND STUD
37	F1632		2	SPRING PIN
38	F1515		2	HEX NUT, 5/16 - 18
39	F1904		2	PLAIN WASHER
40	FA324113		1	STERN BRACKET LOCK BAR W/END
41	F2027		2	HEX CAP SCREW, 5/16 - 18 X 3
42	F529125		1	TUBE, PIVOT STEERING

CONTINUED ON NEXT PAGE ➡

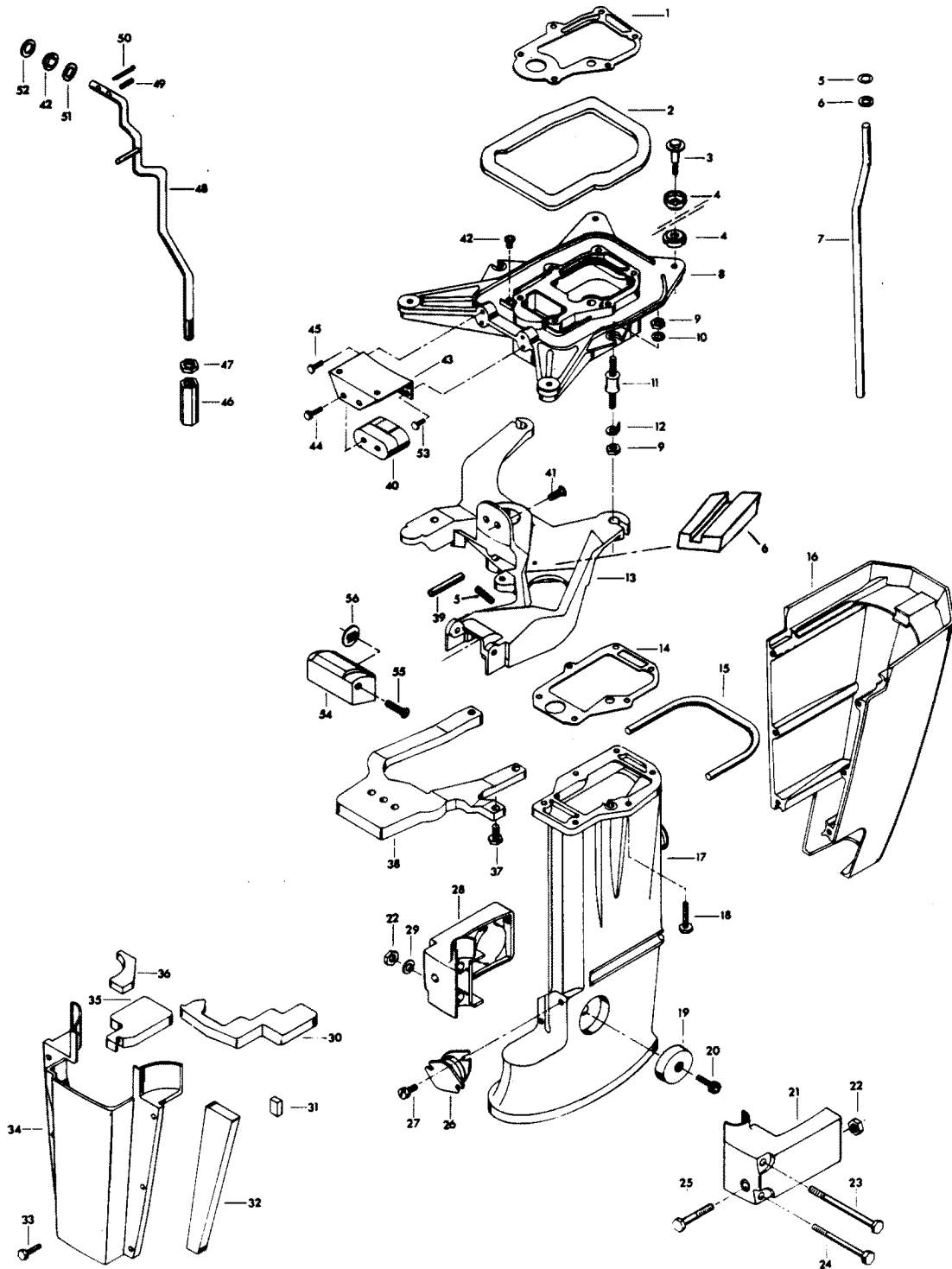
SWIVEL BRACKET GROUP



SWIVEL BRACKET GROUP

REF. NO.	PART NO.	SYM.	QTY.	DESCRIPTION
43	FS529032		1	STERN BRACKET, STARBOARD, W/CLAMP, SCREW AND FOOT
44	F213274		3	GREASE FITTING
45	FA529072		1	SWIVEL BRACKET W/BEARINGS AND GREASE FITTINGS
46	F901011		1	WASHER, SWIVEL BRACKET
47	F458019		1	KINGPIN
-	F529390		1	DECAL, REVERSE LOCK (NOT SHOWN)
-	FC529390		1	DECAL, REVERSE LOCK - CANADA ONLY (NOT SHOWN)

MOTOR LEG

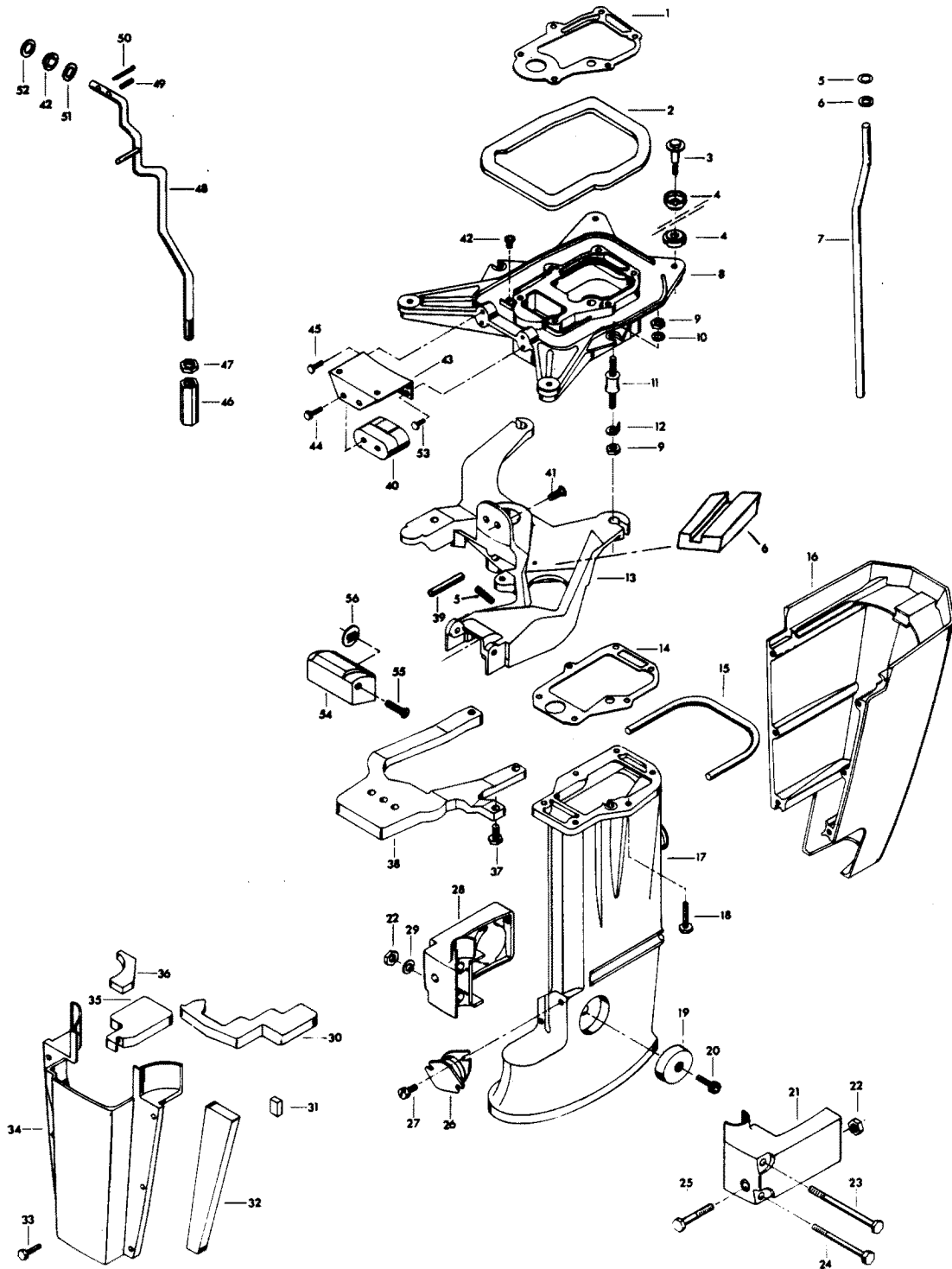


MOTOR LEG

REF. NO.	PART NO.	SYM.	QTY.	DESCRIPTION
1	F458279		1	GASKET, CYLINDER EXHAUST
2	F183756-1		1	PACKING, SUPPORT PLATE
3	F458887		4	FASTENER, SUPPORT PLATE MOUNT
4	F458347		8	MOUNT, SUPPORT PLATE
5	F8550		1	SPRING PIN
6	F458345		1	PAD, KINGPIN MOUNTING
8	F458963		1	PLATE, SHOCK MOUNT
9	F1347		4	HEX NUT, 3/8 - 16
10	F1778		2	PLAIN WASHER
11	F458962		2	MOUNT, SIDE UPPER
12	F458076		2	TAB, SHOCK MOUNT SIDE
13	817809A1		1	PLATE, KINGPIN MOUNTING
14	F458453		1	GASKET, LEG EXHAUST
15	F458322		2	PACKING, LEG COVER REAR
16	818057A1		1	LEG COVER REAR W/PACKING
17	F458133		1	MOTOR LEG
18	F458166-2		6	SCREW, MOTOR LEG TO CYLINDER
19	F438962		2	SHOCK MOUNT LOWER SIDE
20	F1263		2	HEX SOCKET HD CAP SCREW, 5/16 - 18 X 9/16
21	F458973		1	COVER, SHOCK MOUNT PORT
22	F1515		4	HEX NUT, 5/16 - 18
23	F2006		1	HEX CAP SCREW, 5/16 - 18 X 4 3/4
24	F2007		1	HEX CAP SCREW, 5/16 - 18 X 4
25	F1696		2	HEX CAP SCREW, 5/16 - 18 X 1 3/4
26	F183346-1		1	SHOCK MOUNT LOWER THRUST
27	F1129		2	FILL HD SCREW, 5/16 - 18 X 1/2
28	F458972		1	COVER, SHOCK MOUNT STARBOARD
29	F8096		2	SPRING LOCKWASHER
30	F458320		1	PACKING, LEG COVER FRONT UPPER PORT
31	F458323-1		4	PACKING, LEG COVER FRONT
32	F458312		2	PACKING, LEG COVER SIDE
33	F1705		6	HEX CAP SCREW, 1/4 - 20 X 3/4
34	818056A2		1	LEG COVER FRONT W/PACKING
35	F458324		1	PACKING, LEG COVER FRONT UPPER STARBOARD
36	F458315		2	PACKING, LEG COVER SIDE UPPER
37	F1745		3	HEX HD SCREW W/SPRING LOCKWASHER, 5/16 - 18 X 1
38	F385647		1	CARRYING HANDLE
39	F1663		1	SPRING PIN
40	F203965		1	SHOCK MOUNT UPPER THRUST
41	F1160		2	FLAT HD SCREW, 1/4 - 28 X 5/8
42	F85610		2	BEARING
43	F40956		1	BRACKET, SHOCK MOUNT UPPER THRUST
44	F1211		2	HEX HD SCREW W/SPRING LOCKWASHER, 1/4 - 28 X 5/8

CONTINUED ON NEXT PAGE ➡

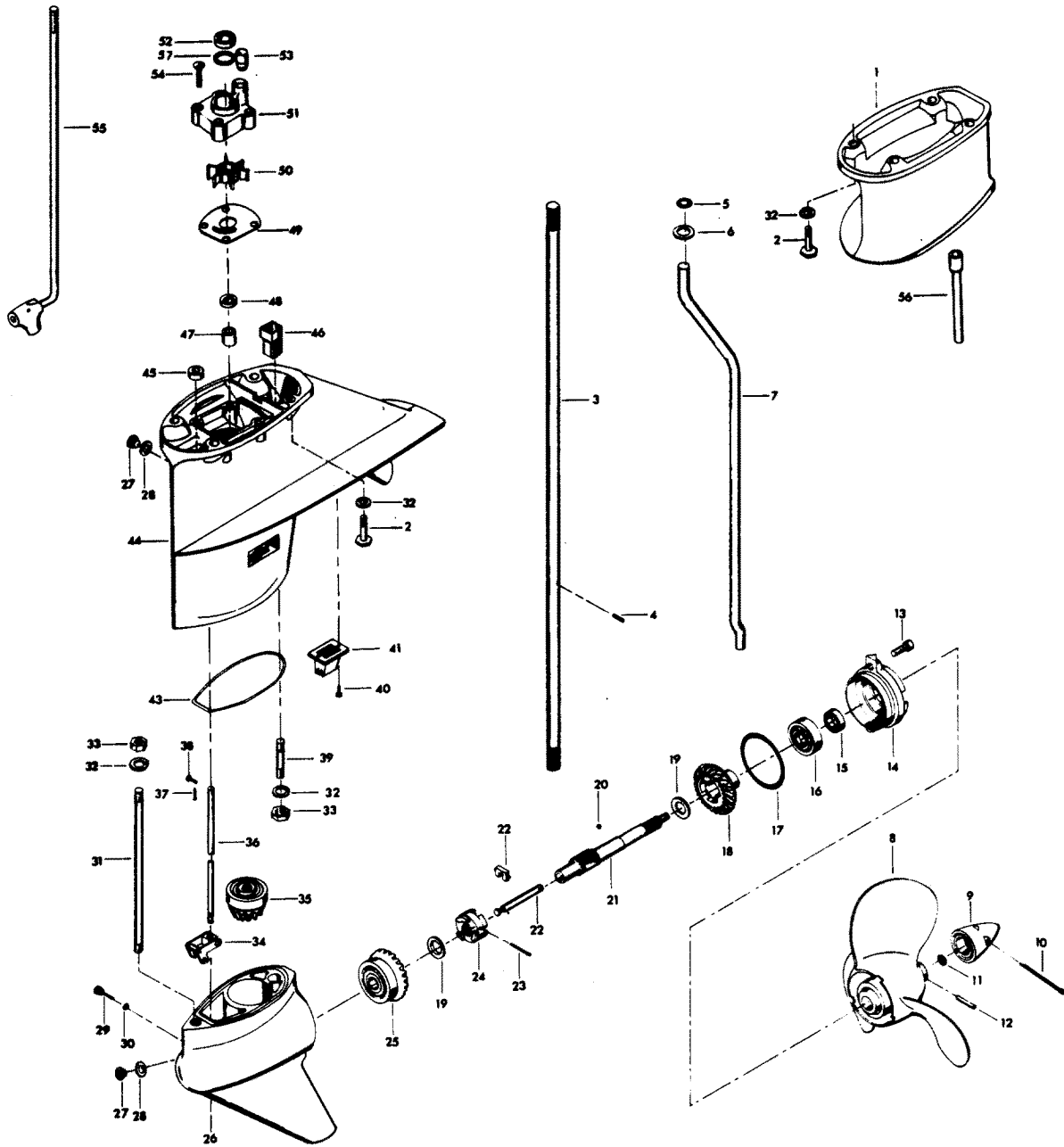
MOTOR LEG



MOTOR LEG

REF. NO.	PART NO.	SYM.	QTY.	DESCRIPTION
45	F1472		2	HEX SLOT HD SCREW W/LOCKWASHER, 1/4 - 20 X 3/4
46	F141704		1	COUPLING, GEAR SHIFT ROD
47	F1349		1	HEX NUT
48	F458615		1	GEAR SHIFT ROD UPPER
49	F1978		1	SPRING PIN
50	F1020		1	COTTER PIN
51	F8049		1	BOWED SPRING WASHER
52	F1739		1	PLAIN WASHER
53	F1502		2	HEX CAP SCREW, 1/4 - 20 X 5/8
54	F460686		1	COVER, KING PIN MOUNTING PLATE
55	F2011		2	PAN HD SCREW, 1/4 - 20 X 1 1/4
56	F2018		2	SPEED NUT, 1/4 - 20

GEAR HOUSING

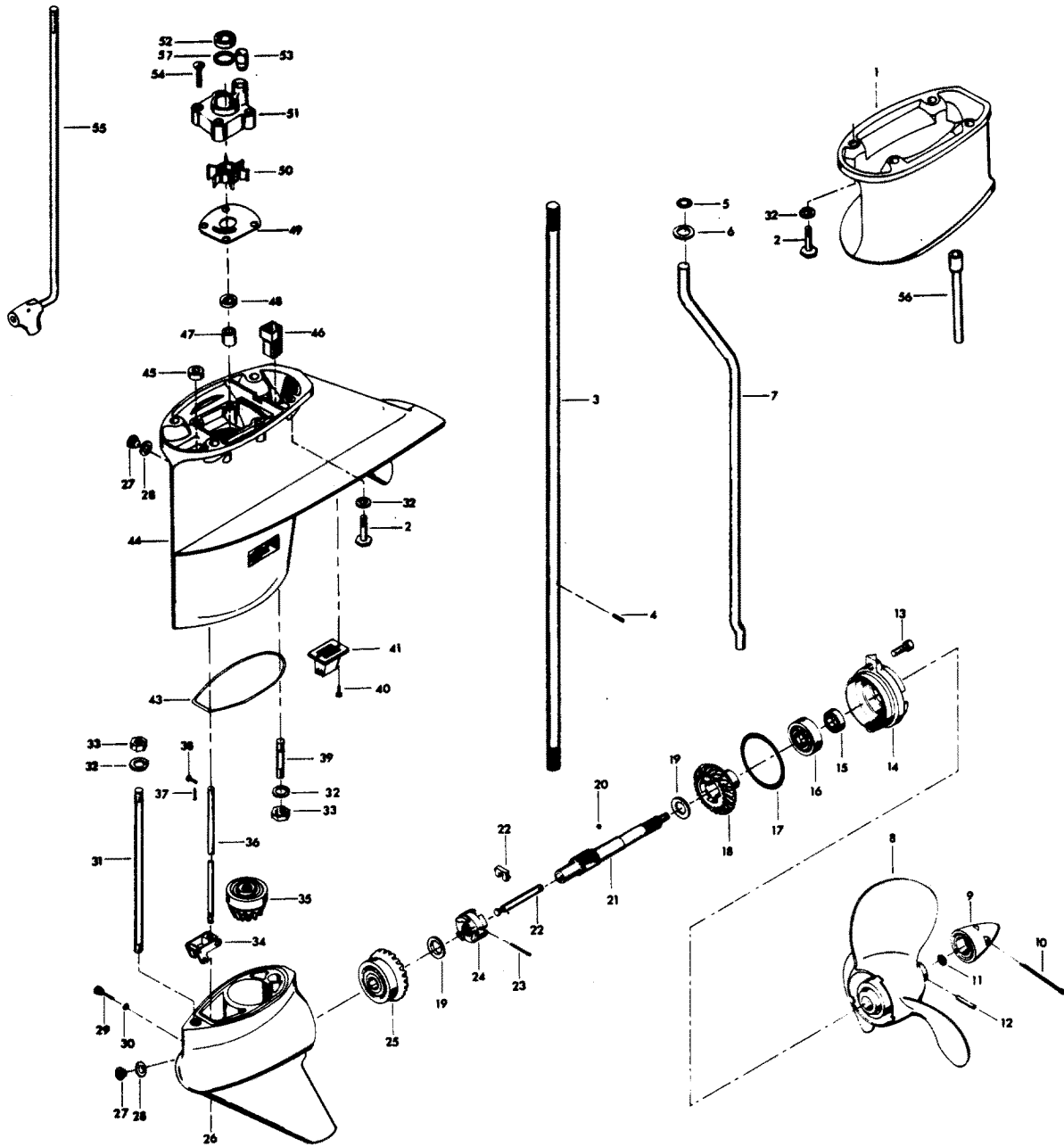


GEAR HOUSING

REF. NO.	PART NO.	SYM.	QTY.	DESCRIPTION
1	F458845		1	EXTENSION, MOTOR LEG
2	F1929		8	HEX CAP SCREW, 3/8 - 16 X 1 1/8
3	F458128		1	DRIVESHAFT FOR STANDARD SHAFT MODELS
-	F462128		1	DRIVESHAFT FOR LONG SHAFT MODELS
4	F901563		1	DRIVE PIN, WATER PUMP IMPELLER
5	F24342		1	SEAL, INLET WATER LINE UPPER
6	F8039		1	PLAIN WASHER
7	F458244-1		1	INLET WATER LINE FOR STANDARD SHAFT MODELS
8	FP273		1	PROPELLER (ACCESSORY ITEM)
9	FA94094-2		1	PROP NUT W/SEAL AND COTTER PIN
10	F1027		1	COTTER PIN
11	F40342		1	SEAL, PROPELLER NUT
12	FK247		1	PROPELLER PIN, PACK OF 6 W/COTTER PIN
13	F1263		2	HEX SOCKET HD CAP SCREW, 5/16 - 18 X 9/16
14	F2A366298		1	PROP SHAFT BEARING CAGE W/ITEMS 15 & 16
15	F141118		1	SEAL, PROPELLER SHAFT
16	F366058		1	BALL BEARING, PROPELLER SHAFT
17	F141305		1	SEAL, PROPELLER SHAFT BEARING CAGE
18	FA458662		1	BEVEL GEAR REAR W/BUSHING
19	F40717		2	THRUST WASHER
20	F366727		1	BALL, PROPELLER SHAFT
21	44-819500A3		1	PROPELLER SHAFT
22	FA90871-3		1	GEAR SHIFT ARM PIN W/YOKE
23	F2097		1	SPRING PIN
24	F99521-1		1	CLUTCH
25	FS458023		1	BEVEL GEAR FRONT W/BEARING
26	1600-817804A3		1	GEAR HOUSING LOWER W/PLUG, WASHER AND THRUST BEARING CUP
27	F50109		2	PLUG, GEAR HOUSING
28	F8077		2	WASHER, GEAR HOUSING PLUG
29	F90891		1	GEAR SHIFT ARM PIN
30	F8001		1	NYLTITE WASHER
31	F97008-1		1	STUD, LONG
32	F8065		10	SPRING LOCKWASHER
33	F1346		2	HEX NUT
34	817796A2		1	GEAR SHIFT ARM
35	F2A458266		1	BEVEL PINION W/BEARING
36	F435705		1	GEAR SHIFT ROD LOWER
37	F1015		1	COTTER PIN
38	F85372		1	PIN, GEAR SHIFT ROD LOWER
39	F40008		1	STUD, SHORT
40	F1733		2	PAN HD SCREW, 10 - 24 X 9/16
41	FA513485		1	ANTI-CORROSION ANODE

CONTINUED ON NEXT PAGE ➡

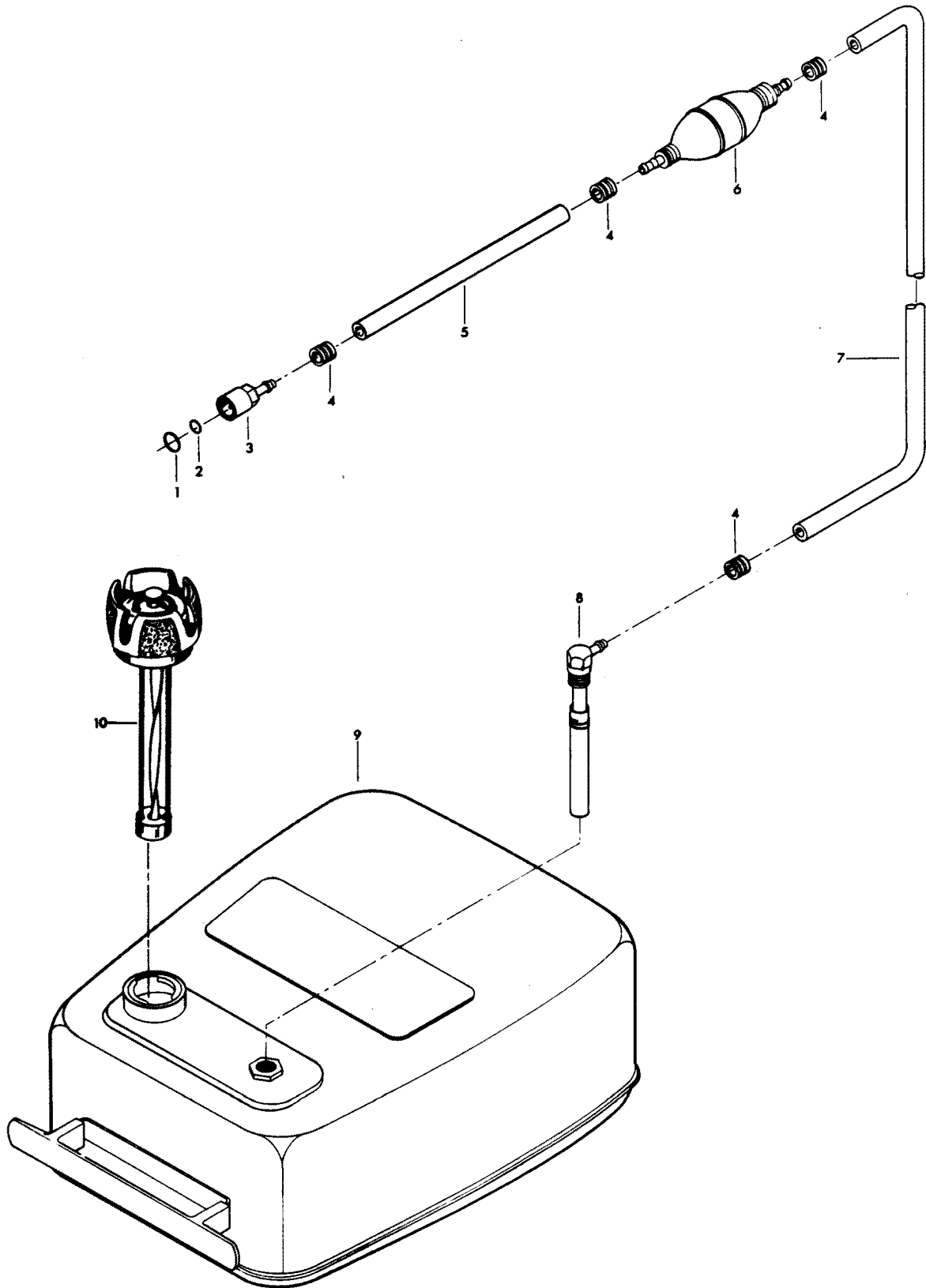
GEAR HOUSING



GEAR HOUSING

REF. NO.	PART NO.	SYM.	QTY.	DESCRIPTION
43	F435555		1	SEAL, GEAR HOUSING
44	FA458554		1	GEAR HOUSING UPPER W/ITEMS 27, 28, 41, 45, 46, 47 AND 48
45	F338618-1		1	SEAL, SHIFT ROD LOWER
46	F435077		1	SCREEN, WATER INLET
47	F458057		1	BEARING, DRIVESHAFT UPPER
48	F458307		1	SEAL, DRIVESHAFT
49	F435562		1	WATER PUMP BACK PLATE
50	F458065		1	WATER PUMP IMPELLER
51	FA504060		1	WATER PUMP BODY W/ITEM 52
52	F458736		1	SEAL, WATER PUMP
53	FA510914		1	SEAL, INLET WATER LINE LOWER
54	F2030		4	HEX HD CAP SCREW, 1/4 - 20 X 1 1/4
55	FA434616		1	GEAR SHIFT ROD INTERMEDIATE FOR STANDARD SHAFT MODELS
-	FA435616		1	GEAR SHIFT ROD INTERMEDIATE FOR LONG SHAFT MODELS
56	FS901244		1	EXTENSION, INLET WATER LINE
57	F513388		1	DISC, WATER PUMP LOCATING
-	1600-817896A2		1	LOWER GEAR HOUSING COMPLETE (NOT SHOWN) INCLUDES ALL ITEMS MARKED WITH AN ASTERISK (*). ORIGINAL FORCE P/N C458054-1

FUEL TANK AND LINE



FUEL TANK AND LINE

REF. NO.	PART NO.	SYM.	QTY.	DESCRIPTION
1	F213342		1	SEAL, FUEL LINE COUPLER
2	F213735		1	SEAL, FUEL LINE COUPLER
3	F197787-3		1	FUEL LINE COUPLER
4	F298788		4	FERRULE
5	FA84754-1		1	FUEL LINE SHORT W/CLAMPS
6	89396A38		1	PRIME BULB
7	32-817738A1		1	FUEL LINE, LONG W/CLAMPS AND FERRULE
8	F487755		1	FUEL TANK ADAPTER
9	F5H027		1	FUEL TANK (ACCESSORY ITEM)
10	F409251-1		1	GAUGE CAP
-	FS409752		1	FUEL LINE COMPLETE (NOT SHOWN)
-	FC409398		1	DECAL (NOT SHOWN)

SPECIAL TOOLS - TUNE-UP

REF. NO.	PART NO.	SYM.	QTY.	DESCRIPTION
-	FT2910		0	KNOCK-OFF NUT TO REMOVE FLYWHEEL
-	FTA2937-1		0	TIMING TOOL TO ADJUST SPARK ADVANCE
-	T8974		0	POINT TENSION GAUGE TO MEASURE BREAKER POINT SPRING TENSION

SPECIAL TOOLS - POWER HEAD

REF. NO.	PART NO.	SYM.	QTY.	DESCRIPTION
-	FT8971		0	SEAL INSTALLER TO INSTALL UPPER CRANKSHAFT BEARING CAGE SEAL
-	FT8967		0	SEAL PROTECTOR TO PROTECT UPPER CRANKSHAFT BEARING CAGE SEAL DURING INSTALLATION.
-	FT2953		0	SOCKET TO TORQUE CONNECTING ROD SCREWS
-	FT2990		0	PISTON PIN REMOVER TO REMOVE AND INSTALL PISTON PIN IN PISTON
-	FT8926		0	RING EXPANDER TO INSTALL RINGS ON PISTONS
-	FT2996		0	RING COMPRESSOR TO INSTALL PISTONS IN CYLINDERS
-	FT8977		0	SEAL COLLAR INSTALLER TO INSTALL CRANKSHAFT LOWER SEAL COLLAR
-	FT8976		0	SEAL PROTECTOR TO PROTECT CRANKSHAFT LOWER SEAL DURING INSTALLATION.

SPECIAL TOOLS - LOWER UNIT

REF. NO.	PART NO.	SYM.	QTY.	DESCRIPTION
-	FT8948-1		0	PROPELLER SHAFT BEARING CAGE PULLER TO REMOVE PROPELLER SHAFT BEARING CAGE FROM LOWER GEAR HOUSING
-	FT8919		0	SPRING PIN PUNCH TO REMOVE CLUTCH SPRING PIN
-	FT8907		0	DRIVER HANDLE TO INSTALL BEARING CUP IN LOWER GEAR HOUSING
-	FT8918		0	BUSHING GUIDE SET TO REMOVE AND INSTALL BEARING CUP IN LOWER GEAR HOUSING
-	FT8921		0	FORWARD BEARING CUP REMOVER TO REMOVE FORWARD BEARING CUP FROM LOWER GEAR HOUSING
-	FT8904		0	FORWARD BEARING CUP INSTALLER TO INSTALL FORWARD BEARING CUP IN LOWER GEAR HOUSING
-	FT8972		0	DRIVESHAFT SEAL INSTALLER TO INSTALL DRIVESHAFT SEAL
-	FT8957		0	SEAL INSTALLER TO INSTALL SHIFT ROD SEAL
-	FT8962		0	BEARING INSTALLER TO INSTALL DRIVESHAFT BEARING IN GEAR HOUSING UPPER
-	FT8964		0	BEARING REMOVER TO REMOVE DRIVESHAFT BEARING FROM GEAR HOUSING UPPER

SPECIAL TOOLS - TEST EQUIPMENT

REF. NO.	PART NO.	SYM.	QTY.	DESCRIPTION
-	FT2954A		0	TEST WHEEL TO TEST MOTOR IN TEST TANK
-	FT8932		0	LIFTING HOOK TO LIFT ENGINE
-	FT8950		0	LEAKAGE TESTER TO TEST LOWER UNIT FOR LEAKAGE

ACCESSORIES

REF. NO.	PART NO.	SYM.	QTY.	DESCRIPTION
-	F5H081		0	BATTERY CABLE LONGER LENGTH - 15 FEET
-	F5H019		0	ANTI-CORROSION KIT ELECTRICAL UNIT USED TO HELP PREVENT CORROSION.
-	F5H025		0	ANTI-CORROSION SACRIFICIAL ANODE USED TO HELP PREVENT CORROSION
-	5H051		0	BATTERY, 74 AMP TWELVE VOLT HEAVY DUTY BATTERY TO OPERATE STARTER AND ELECTRICAL ACCESSORIES.
-	F5H021		0	BATTERY EXTENSION CABLE USED TO EXTEND BATTERY CABLE 6 1/2 FEET.
-	493		0	HANDLE PROVIDES REAR HANDLE AND REST PADS.
-	F5H020		0	CARRYING HANDLE PERMITS EASIER TRANSPORTATION OF ENGINE TO AND FROM BOAT (2 MAN).
-	F5H014		0	FLUSHING ADAPTER PERMITS FRESH WATER FLUSHING OF WATER PASSAGES WITH STANDARD GARDEN HOSE.
-	F5H008		0	FUEL GAUGE FLUSH MOUNT MONITORS FUEL SUPPLY. ELECTRIC START MODELS.
-	F5H028		0	SENDING UNIT FOR USE WITH ABOVE FUEL GAUGES.
-	F5H055		0	WATER PUMP KIT HEAVY DUTY WATER PUMP RECOMMENDED FOR CONTINUED OPERATION IN SANDY OR SALT WATER.
-	5H061		0	FROST WHITE LACQUER ENGINE TOUCH-UP PAINT IN 16 OZ. SPRAY BOMBS (12 CANS PER CASE).
-	5H016		0	GOLD LACQUER ENGINE TOUCH-UP PAINT IN 16 OZ. SPRAY BOMBS (12 CANS PER CASE).
-	F476		0	FUEL LINE ADAPTION KIT ADAPTS MODEL 71H09 FUEL TANK FOR DISCONNECT AT TANK.
-	F5H027		0	STEEL, 6 GALLON FUEL TANK AUXILIARY TANK.
-	F5H029		0	FUEL TANK ANCHOR SECURES 71H09 TO DECK.
-	5H065		0	CANVAS HOOD PROTECTION FOR ENGINE COVER.
-	F5H070		0	REMOTE ELECTRIC CABLE 21 FEET.
-	F5H004		0	SPEEDOMETER FLUSH MOUNT 0 TO 50 M. P. H.
-	F5H072		0	OVERHEAT BUZZER KIT FOR ELECTRIC START MODELS. WARNS OF ENGINE OVERHEATING.
-	167		0	IGNITION CUT-OFF KIT ALLOWS STOPPING OF ALL MAGNETO ENGINES FROM DASH.
-	F5H077		0	IGNITION KEY SWITCH FOR ELECTRIC START MODELS SHORT BARREL.
-	F5H078		0	IGNITION KEY SWITCH FOR ELECTRIC START MODELS LONG BARREL.
-	FK1026		0	LONG LEG CONVERSION KIT CONVERTS 15" STANDARD SHAFT MODELS TO 20" LONG SHAFT MODELS.
-	F195/___		0	REMOTE CONTROL CABLE CONNECTS REMOTE CONTROL BOX TO THROTTLE AND GEAR SHIFT ON MOTOR. AVAILABLE IN 6 THROUGH 40 FOOT LENGTHS.
-	F5H063		0	REMOTE CONTROL SURFACE MOUNT (SINGLE LEVER) PERMITS REMOTE CONTROL OF THROTTLE AND GEAR SHIFT FROM STARBOARD SIDE OF BOAT.
-	5H067		0	PORT SIDE DECAL KIT CONVERTS 72H36 CONTROL BOX TO PORT SIDE MOUNTING.

CONTINUED ON NEXT PAGE ➡

ACCESSORIES

REF. NO.	PART NO.	SYM.	QTY.	DESCRIPTION
-	F590		0	REMOTE CONTROL FLUSH MOUNT PERMITS REMOTE CONTROL OF THROTTLE AND GEAR SHIFT. MAY BE MOUNTED ON PORT STARBOARD SIDE OF BOAT.
-	865		0	REMOTE CONTROL SURFACE MOUNT (SINGLE LEVER) PERMITS REMOTE CONTROL OF THROTTLE AND GEAR SHIFT ON TWIN ENGINE INSTALLATION. MAY BE MOUNTED ON PORT OR STARBOARD SIDE OF BOAT.
-	F137		0	REMOTE STEERING BRACKET ADAPTS MOTOR TO CABLE TYPE REMOTE STEERING.
-	F165		0	REMOTE STEERING BRACKET ADAPTS MOTOR TO CABLE TYPE REMOTE STEERING.
-	F5H018		0	DUAL ENGINE TIE BAR PERMITS DUAL ENGINE INSTALLATION.
-	F5H012		0	TACHOMETER (FLUSH MOUNT) MONITORS ENGINE R.P.M. TO PROVIDE CHECK OF ENGINE PERFORMANCE.
-	F73H07		0	STARTER CONVERSION CONVERTS HAND START MODELS TO ELECTRIC START.
-	F5H006		0	VOLTMETER FLUSH MOUNT - INDICATES BATTERY CONDITION. ELECTRIC START MODELS.

SPECIFICATIONS

REF. NO.	PART NO.	SYM.	QTY.	DESCRIPTION
-			0	HORSEPOWER 35 B.I.A. CERTIFIED BRAKE H.P. AT 5000 R.P.M.
-			0	MOTOR TWO-CYCLE, TWIN CYLINDER ALTERNATE FIRING.
-			0	BORE AND STROKE 3.000" BORE X 2.414" STROKE.
-			0	DISPLACEMENT 34.1 CUBIC INCHES.
-			0	CONNECTING RODS FORGED ALLOY STEEL. CAGED ROLLER BEARINGS AT CRANKSHAFT. CASED NEEDLE BEARINGS AT PISTON PIN.
-			0	CRANKSHAFT FORGED ALLOY STEEL. BALL BEARINGS AT LOWER MAIN. ROLLER BEARINGS AT CENTER AND UPPER MAIN.
-			0	CORROSION PROTECTION ALODINE TREATED CASTINGS, STAINLESS STEEL DRIVESHAFT, PROPELLER SHAFT, GEAR SHIFT ROD AND UNDERWATER FASTENERS.
-			0	FUEL TANK SEPARATE STEEL TANK, 6 U.S. GALLONS, 5 IMPERIAL GALLONS CAPACITY.
-			0	FUEL SYSTEM VACUUM TYPE FUEL PUMP, FLOAT FEED CARBURETOR WITH FIXED HIGH SPEED JET AND ADJUSTABLE LOW SPEED JET.
-			0	FUEL FILTERS FILTER SCREENS IN FUEL TANK AND FUEL PUMP.
-			0	COOLING WATER COOLED, POSITIVE DISPLACEMENT TYPE WATER PUMP.
-			0	TRANSOM HEIGHT 15" OR 20" DEPENDING ON MODEL.
-			0	WEIGHT 113 - 120 LBS. FOR STANDARD SHAFT MODELS.
-			0	TILT LOCK POSITIVE TILT LOCK PERMITS ENGINE TO REMAIN IN TILTED POSITION WHEN NOT IN USE.
-			0	RECOMMENDED OPERATING RANGE 4500-5500 R.P.M.
-			0	PROPELLER ALUMINUM ALLOY - 10 3/8" DIAMETER, 13 1/2" PITCH RIGHT HAND ROTATION, 3-BLADE.

LUBRICATION CHART

REF. NO.	PART NO.	SYM.	QTY.	DESCRIPTION
-			0	UPPER AND LOWER GEAR HOUSINGS CHECK AFTER EVERY THIRTY HOURS OF OPERATION AND REPLACE AFTER EVERY 100 HOURS WITH A NON-CORROSIVE LEADED OUTBOARD GEAR OIL - CHRYSLER OUTBOARD GEAR LUBE. DO NOT USE CORROSIVE HYPOID OIL UNDER ANY CIRCUMSTANCE.
-			0	CONTROL LINKAGE LUBRICATE ALL MOVING PARTS AND CONTROL LINKAGE WITH RYKON # 2EP, PART NO. T2961, TWICE EACH SEASON OR OFTENER IF REQUIRED.
-			0	STERN BRACKET LUBRICATE STERN BRACKET AND ASSOCIATED PARTS WITH RYKON # 2EP, PART NO. T2961, TWICE EACH SEASON OR OFTENER IF REQUIRED.
-			0	GREASE FITTING GREASE FITTINGS ARE PROVIDED AT CRITICAL POINTS WHERE BEARING SURFACES ARE NOT EXPOSED EXTERNALLY. USING AN AUTOMOTIVE TYPE GREASE GUN AND LUBRICANT, GREASE TWICE EACH SEASON OR OFTENER IF REQUIRED.
-			0	STARTER PINION GEAR LUBRICATE WITH RYKON # 2EP, PART NO. T-2961, TWICE EACH SEASON OR OFTENER IF REQUIRED.

SPECIAL ADJUSTMENTS

REF. NO.	PART NO.	SYM.	QTY.	DESCRIPTION
-			0	BREAKER POINT GAP .020" FOR MAGNETO MODELS. .015" FOR ALTERNATOR MODELS.
-			0	SPARK PLUG CHAMPION L-4-J, GAP .030".
-			0	SPARK PLUG CHAMPION QL-4J FOR MODELS 350B8L, 351B8L, 356B8M, 357B8M
-			0	FLYWHEEL NUT TORQUE TO 45 FOOT POUNDS.
-			0	CYLINDER HEAD BOLT TORQUE TO 225 INCH POUNDS.
-			0	POINT OF THROTTLE OPENING 1. UNSNAP BALL JOINT CONNECTOR FROM THROTTLE CAM.
-			0	POINT OF THROTTLE OPENING 2. WITH THROTTLE SHUTTER IN CARBURETOR CLOSED, ADJUST ECCENTRIC SCREW HOLDING THROTTLE ROLLER TO THROTTLE SHAFT SO THAT PICK-UP LINE ON LOWER END OF THROTTLE CAM IS EXACTLY CENTERED ON THROTTLE ROLLER.
-			0	POINT OF THROTTLE OPENING 3. ADVANCE MAGNETO CONTROL LEVER AND THROTTLE CAM TO FULL ADVANCE POSITION, (THROTTLE SHUTTER HORIZONTAL.)
-			0	POINT OF THROTTLE OPENING 4. ADJUST BALL JOINT CONNECTORS UNTIL SPACING IS IDENTICAL TO SPACING BETWEEN CONNECTOR STUD ON THROTTLE CAM AND MAGNETO CONTROL LEVER.
-			0	POINT OF THROTTLE OPENING

PARTS INDEX

Part Number	Description	Pg.	Ref. No.	Part Number	Description	Pg.	Ref. No.
167	IGNITION CUT-OFF KIT	54	-	F1014	COTTER PIN	37	20
493	HANDLE	54	-	F1014	COTTER PIN FOR ELECTRIC		
505392	DECAL, "CHRYSLER"	3	13		START MODELS	21	34
505392	DECAL, "CHRYSLER"	7	16	F1015	COTTER PIN	45	37
505396	DECAL, STRIPE, STARBOARD	5	53	F1020	COTTER PIN	43	50
505396	DECAL, STRIPE, STARBOARD	9	46	F1027	COTTER PIN	45	10
505397	DECAL, STRIPE, PORT	5	-	F1050	SLOTTED FILL HD SCREW, 10 - 24 X 1	19	3
505397	DECAL, STRIPE, PORT	9	-	F1059	FILL HD SCREW, 6 - 32 X 1/4 FOR ELECTRIC START MODELS	21	38
513386-1	DECAL, NUMERAL	5	42	F1072	FILL HD SCREW, 1/4 - 20 X 1 3/4	33	48
513386-1	DECAL, NUMERAL	7	40	F1075	FILL HD M. SCREW, 10 - 24 X 1/2	33	68
529180	TRIM, REAR	3	7	F1077	FILL HD SCREW, 10 - 24 X 1/2	17	10
529180	TRIM, REAR	7	8	F1092	FILL HD SCREW, 10 - 32 X 5/8	15	10
5H016	GOLD LACQUER	54	-	F1092	FILL HD SCREW, 10 - 32 X 5/8	19	24
5H051	BATTERY, 74 AMP	54	-	F1100	SLOTTED FILL HD SCREW, 1/4 - 20 X 1 1/8	17	37
5H061	FROST WHITE LACQUER	54	-	F1107	FILL HD SCREW, 1/4 - 20 X 3/4	31	1
5H065	CANVAS HOOD	54	-	F1108	FILL HD MACHINE SCREW W/LOCKWASHER, 1/4 - 20 X 3/4	29	7
5H067	PORT SIDE DECAL KIT	54	-	F1129	FILL HD SCREW, 5/16 - 18 X 1/2	41	27
817747--1	JOINT, BALL ASSEMBLY	33	55	F1141	FLAT HD SCREW, 10 - 24 X 1/2	25	6
817776A3	STERN BRACKET CLAMP SCREW W/FOOT AND STUD	37	36	F1160	FLAT HD SCREW, 1/4 - 28 X 5/8	41	41
817796A2	GEAR SHIFT ARM	45	34	F12083	CONDENSER MOUNTING SCREW	15	2
817808A2	LEVER, GEAR SHIFT	31	25	F1211	HEX HD SCREW W/SPRING LOCKWASHER, 1/4 - 28 X 5/8	41	44
817809A1	PLATE, KINGPIN MOUNTING	41	13	F12127	STUD NUT	15	15
817882A1	FRICTION SHOE ADJUSTING ARM	37	2	F12128	INSULATOR, OUTSIDE	15	17
817892--1	PLATE, IGNITION - CANADA	17	-	F12129	INSULATOR, INSIDE	15	19
817938A1	RETAINER, STARTER ROPE HANDLE FOR MANUAL START MODELS ONLY	11	12	F12142	CONNECTION STUD	15	18
817955A1	HOUSING, HAND STARTER	11	2	F12146	COIL WEDGE SPRING	15	11
818056A2	LEG COVER FRONT W/PACKING	41	34	F12153	BREAKER POINT SET	15	20
818057A1	LEG COVER REAR W/PACKING	41	16	F12170	CONTACT SCREW W/LOCKWASHER	15	22
865	REMOTE CONTROL SURFACE MOUNT (SINGLE LEVER)	55	-	F12181-1	CONDENSER	15	3
89396A38	PRIME BULB	49	6	F12186	GROUND LEAD	15	4
A458018-1	CRANKSHAFT W/LOWER MAIN BEARING FOR MAGNETO MODELS	27	17	F12228	CAM WIPER FELT	15	21
A529892-1	INSERT, FRONT PLATE - U.S.A.	7	42	F12346	STATOR PLATE W/LAMINATIONS	15	9
A529892-1	INSERT, PLATE FRONT, U.S.A.	5	44	F1236	HEX CAP SCREW, 1/4 - 20 X 1/2	3	23
A529893-1	INSERT, FRONT PLATE - CANADA	9	-	F1236	HEX CAP SCREW, 1/4 - 20 X 1/2	7	22
A529893-1	INSERT, PLATE FRONT, CANADA	5	-	F1263	HEX SOCKET HD CAP SCREW, 5/16 - 18 X 9/16	41	20
AC16395-8	PLATE, IDENTIFICATION W/SCREWS, CANADA	3	-	F1263	HEX SOCKET HD CAP SCREW, 5/16 - 18 X 9/16	45	13
AC16395-8	PLATE, IDENTIFICATION W/SCREWS, CANADA	7	-				
C513010	SHORT BLOCK FOR MAGNETO MODELS	33	-				
F10025	GASKET SET	21	29				
F10027	REPAIR PARTS KIT	21	30				

PARTS INDEX

Part Number	Description	Pg.	Ref. No.	Part Number	Description	Pg.	Ref. No.
F1280	PAN HD SCREW, 8 - 32 X 1/4	17	11	F15161	PLAIN WASHER	13	19
F1293	DRIVE SCREW	7	34	F15162	NUT, HOT LEAD	13	17
F1293	DRIVE SCREWS	3	36	F15163	CAP, COMMUTATOR END	13	22
F1337	NUT, 6 - 32	19	20	F15164	BRUSH KIT	13	15
F1341	HEX NUT	31	12	F154317	CLAMP, REMOTE CABLE	3	25
F1346	HEX NUT	45	33	F154317	CLAMP, REMOTE CABLE	7	24
F1347	HEX NUT, 3/8 - 16	41	9	F1552	PAN HD SCREW, 8 - 32 X 1/2	19	14
F1349	HEX NUT	43	47	F1600	STOP NUT	37	15
F137	REMOTE STEERING BRACKET	55	-	F1632	PLASTI-PLUG	3	19
F141118	SEAL, PROPELLER SHAFT	45	15	F1632	PLASTI-PLUG	7	21
F141305	SEAL, PROPELLER SHAFT BEARING CAGE	45	17	F1632	SPRING PIN	37	37
F141704	COUPLING, GEAR SHIFT ROD	43	46	F1638	SPRING PIN	11	22
F1472	HEX SLOT HD SCREW W/LOCKWASHER, 1/4 - 20 X 3/4	43	45	F1638	SPRING PIN	37	35
F1473	HEX NUT, 10 - 24	5	49	F1645	ROUND HD SCREW, 6 - 32 X 1/4	19	10
F1475	FILL HD SCREW, 10 - 24 X 1/2	3	12	F1645	ROUND HD SCREW, 6 - 32 X 7/8	17	4
F1475	FILL HD SCREW, 10 - 24 X 1/2	7	15	F1647	HEX NUT	17	9
F1500	RD HD SHEET METAL SCREW FOR MANUAL START MODELS ONLY	11	25	F1648	PAN HD SCREW, 10 - 24 X 3/4	17	20
F1502	HEX CAP SCREW, 1/4 - 20 X 5/8	33	70	F1648	PAN HD SCREW, 10 - 24 X 3/4	19	19
F1502	HEX CAP SCREW, 1/4 - 20 X 5/8	43	53	F165	REMOTE STEERING BRACKET	55	-
F1502	HEX HD MACHINE SCREW, 1/4 - 20 X 5/8	3	15	F1663	SPRING PIN	41	39
F1502	HEX HD MACHINE SCREW, 1/4 - 20 X 5/8	7	18	F1666	BOWED SPRING WASHER	37	12
F1513	HEX NUT	15	7	F1669	NUT	37	26
F1513	HEX NUT, 10 - 32	17	16	F1689	HEX CAP SCREW, 1/4 - 20 X 1/2	37	7
F1513	HEX NUT, 10 - 32	19	7	F1689	HEX CAP SCREW, 1/4 - 20 X 1/2 FOR ELECTRIC START MODELS	33	64
F1513	HEX NUT, 10 - 32	31	26	F1696	HEX CAP SCREW, 5/16 - 18 X 1 3/4	41	25
F1514	HEX JAM NUT, 1/4 - 20	13	5	F1704	INTERNAL TOOTH LOCKWASHER	17	5
F15147	STOP NUT, PINION	13	1	F1704	LOCKWASHER #6	19	9
F15148	STOP, PINION	13	2	F1705	HEX CAP SCREW, 1/4 - 20 X 3/4	13	10
F15149	SPRING, ANTI-DRIFT	13	3	F1705	HEX CAP SCREW, 1/4 - 20 X 3/4	41	33
F1515	HEX JAM NUT, 5/16 - 18	3	39	F1727	PLASTI-RIVET	31	6
F1515	HEX JAM NUT, 5/16 - 18	7	37	F1733	PAN HD SCREW, 10 - 24 X 9/16	45	40
F1515	HEX NUT	17	14	F1734	FILL HD MACHINE SCREW W/SPRING LOCKWASHER, 1/4 - 20 X 1/2	17	29
F1515	HEX NUT, 5/16 - 18	25	2	F1739	PLAIN WASHER	33	-
F1515	HEX NUT, 5/16 - 18	37	38	F1739	PLAIN WASHER	43	52
F1515	HEX NUT, 5/16 - 18	41	22	F1739	PLAIN WASHER (HAND START)	33	69
F15150	DRIVE PINION	13	4	F1745	HEX HD SCREW W/SPRING LOCKWASHER, 5/16 - 18 X 1	41	37
F15151	THRU BOLT	13	24	F1746	HEX CAP SCREW, 1/4 - 28 X 5/8	19	12
F15152	LOCKWASHER	13	18	F1753	FASTENER	3	9
F15153	SPACER WASHER, THRU BOLT	13	23	F1753	FASTENER	7	12
F15154	CAP, DRIVE END	13	7				
F15155	WASHER, THRUST	13	8				
F15156	ARMATURE	13	9				
F15157	HOLDER, BRUSH	13	16				
F15158	SCREW, BRUSH HOLDER	13	14				
F15159	INSULATOR	13	21				
F15160	INSULATOR WASHER	13	20				

PARTS INDEX

Part Number	Description	Pg.	Ref. No.	Part Number	Description	Pg.	Ref. No.
F1760	PAN HD SCREW, 10 - 24 X 3/8	3	21	F197787-3	FUEL LINE COUPLER	49	3
F1760	PAN HD SCREW, 10 - 24 X 3/8	5	45	F1978	SPRING PIN	43	49
F177330	FUEL PUMP VALVE	29	4	F1979	PAN HD SCREW, 10 - 24 X 1/2	17	25
F1778	PLAIN WASHER	41	10	F1997	LOCK NUT	21	40
F1803	STOP NUT	33	54	F2004	FILL HD SCREW, 8 - 32 X 3/8	11	15
F18132-1	STARTER ROPE HANDLE FOR ELECTRIC START MODELS ONLY	11	26	F2005	HEX SOCKET HD CAP SCREW, 5/16 - 18 X 2 3/4	31	9
F1833	HEX HD SCREW, 1/4 - 20 X 1	33	47	F2006	HEX CAP SCREW, 5/16 - 18 X 4 3/4	41	23
F183300	SPRING, LATCH SHAFT	3	37	F2007	HEX CAP SCREW, 5/16 - 18 X 4	41	24
F183300	SPRING, LATCH SHAFT	7	35	F2008	HEX HD SCREW, 1/4 - 20 X 7/8	19	17
F183300	SPRING, SHIFT DETENT	31	29	F2010	FILL HD SCREW W/SPRING LOCKWASHER, 10 - 32 X 9/16	15	23
F183346-1	SHOCK MOUNT LOWER THRUST	41	26	F2010	FILL HD SCREW, 10 - 32 X 9/16	19	5
F1836	SPRING PIN	37	21	F2011	PAN HD SCREW, 1/4 - 20 X 1 1/4	43	55
F183756-1	PACKING, SUPPORT PLATE	41	2	F2012	PLAIN WASHER	11	27
F183813	BEARING	33	51	F2012	PLAIN WASHER	19	18
F183818	BEARING, CHOKE ROD	3	20	F2012	PLAIN WASHER, ELECTRIC START MODELS	11	-
F184033-1	SWIVEL, CHOKE ARM FOR ELECTRIC START MODELS	21	37	F2013	HEX SOCKET HD CAP SCREW, 5/16 - 18 X 1 1/4	31	10
F184579	SEAL, CHOKE ARM SWIVEL FOR ELECTRIC START MODELS	21	36	F2014	PLAIN WASHER	33	49
F1854	HEX CAP SCREW, 1/4 - 20 X 5/8	17	18	F2016	FILL HD SCREW, 6 - 32 X 7/8	17	3
F1854	HEX CAP SCREW, 1/4 - 20 X 5/8	31	41	F2018	SPEED NUT, 1/4 - 20	43	56
F1854	HEX CAP SCREW, 1/4 - 20 X 5/8 FOR ELECTRIC START MODELS	33	-	F2021	FLYWHEEL NUT	11	14
F185764	RETAINING RING	3	38	F2021	FLYWHEEL NUT, 5/8 - 18	19	1
F185764	RETAINING RING	7	36	F2025	PAN HD SCREW, 10 X 5/8	3	4
F1860	BINDING HD MACHINE SCREW, 6 - 32 X 1/4	29	3	F2025	PAN HD SCREW, 10 X 5/8	7	4
F1864	HEX HD SCREW, 1/4 - 20 X 3/4	11	1	F2026	PLASTIC RIVET	5	47
F1864	HEX HD SCREW, 1/4 - 20 X 3/4, ELECTRIC START MODELS	11	-	F2027	HEX CAP SCREW, 5/16 - 18 X 3	37	41
F1904	PLAIN WASHER	37	39	F2030	HEX HD CAP SCREW, 1/4 - 20 X 1 1/4	47	54
F1910	LOCK NUT	33	58	F2033	GROOVE PIN FOR ELECTRIC START MODELS	21	31
F1914	HEX HD SCREW, 1/4 - 20 X 3/4	31	8	F203965	SHOCK MOUNT UPPER THRUST	41	40
F1915	HEX HD MACHINE SCREW, 1/4 - 20 X 7/8	25	1	F2040	HEX HD MACHINE SCREW W/SPRING LOCKWASHER, 1/4 - 20 X 5/8	11	19
F1916	HEX HD M. SCREW, 1/4 - 20 X 1 1/8	17	33	F2066	PAN HD SCREW, 10 - 7/16	7	6
F1922	HEX HD SCREW, 1/4 - 20 X 5/8	31	31	F2066	PAN HD SCREW, 10 X 3/8	3	6
F1927	PAN HD SCREW, 10 - 32 X 3/8	11	4	F2095	SPRING PIN	37	30
F1929	HEX CAP SCREW, 3/8 - 16 X 1 1/8	45	2	F2097	SPRING PIN	45	23
F1934	FLAT HD SLOTTED SCREW	17	32	F2107	SLOTTED FILL HD SCREW W/SPRING LOCKWASHER, 10 - 24 X 5/8	3	26
F195/	REMOTE CONTROL CABLE	54	-	F2107	SLOTTED FILL HD SCREW W/SPRING LOCKWASHER, 10 - 24 X 5/8	7	25
F1975	LOCKWASHER	19	22	F213274	GREASE FITTING	39	44
F1975	SPRING LOCKWASHER	17	17	F213342	SEAL, FUEL LINE COUPLER	49	1
				F213735	SEAL, FUEL LINE COUPLER	49	2

PARTS INDEX

Part Number	Description	Pg.	Ref. No.	Part Number	Description	Pg.	Ref. No.
F24074	CLAMP SCREW FOOT	37	32	F40906-1	FLANGE GASKET	21	9
F24342	SEAL, INLET WATER LINE UPPER	45	5	F409251-1	GAUGE CAP	49	10
F24623-1	GROMMET, CHOKE ROD . .	3	31	F40956	BRACKET, SHOCK MOUNT UPPER THRUST	41	43
F269052	BEARING, SHIFT LEVER . . .	31	24	F411420	RETAINER, SWITCH PLATE	17	31
F269122-1	SEAL, CRANKCASE PARTING LINE	33	62	F412181-1	PLATE, IGNITION - U.S.A. . .	17	40
F269319	BEARING, THROTTLE CAM .	33	59	F428096	RETAINER, PISTON PIN . . .	27	1
F286028-1	CRANKSHAFT LOWER MAIN BEARING	27	14	F429811	SCREEN, CYLINDER DRAIN	31	34
F286282	WASHER	33	53	F433168	CARBURETOR ADAPTER . .	33	-
F286422-1	PIVOT, TILT LOCK	37	8	F433168	GASKET, CARBURETOR ADAPTER	25	5
F286440	STUD, MAGNETO CONTROL LEVER	33	50	F433209-1	STUD, THROTTLE CAM	33	61
F286451	SPACER, TILT LOCK	37	9	F433404	DEFLECTOR PLATE	25	7
F286544-1	SPRING, TILT LOCK	37	11	F433406	DEFLECTOR PLATE	33	-
F286547	CHOKE KNOB	3	32	F433406	GASKET, DEFLECTOR PLATE	25	8
F286772-1	CLAMP	19	27	F434767	BUSHING, FUEL LINE	5	51
F286772-1	CLAMP, FUEL PUMP TO CARBURETOR HOSE	17	38	F434767	BUSHING, FUEL LINE	7	32
F288075	HANDLE, STERN BRACKET CLAMP SCREW	37	34	F435077	SCREEN, WATER INLET	47	46
F296898	TERMINAL	17	23	F435555	SEAL, GEAR HOUSING	47	43
F298788	FERRULE	49	4	F435562	WATER PUMP BACK PLATE	47	49
F2A366298	PROP SHAFT BEARING CAGE	45	14	F435705	GEAR SHIFT ROD LOWER . .	45	36
F2A458081	MAGNETO CONTROL LEVER	33	52	F436314-1	ELBOW, DRAIN HOSE	31	30
F2A458266	BEVEL PINION W/BEARING	45	35	F436449	SHORTING SWITCH FOR MANUAL START MODELS ONLY	15	5
F2A458581	COLLAR W/LOWER CRANKSHAFT SEAL	27	11	F436541	TILT LOCK (PORT)	37	10
F307317	CLIP, TERMINAL BLOCK GROUND	17	21	F438165	SCREW, FUEL PUMP BOWL	29	11
F307818	BEARING	31	16	F438500	FUEL PUMP BOWL	29	10
F307818	BEARING, LATCH SHAFT . .	3	30	F438617	FUEL PUMP BOWL	33	-
F307818	BEARING, LATCH SHAFT . .	7	28	F438617	GASKET, FUEL PUMP BOWL	29	8
F307908	WIRE, STARTER	13	-	F438653	SCREEN, FUEL PUMP	29	9
F316160	REED	25	10	F438747	FUEL PUMP DIAPHRAGM . .	29	2
F324993	BRACKET, CHOKE ROD BEARING	3	22	F438760	FUEL PUMP	33	-
F333316	SHAFT, THROTTLE ROLLER	21	42	F438760	FUEL PUMP GASKET	29	1
F335217-1	BEARING, PISTON PIN	27	3	F438801	FITTING, FUEL PUMP BODY	29	15
F338618-1	SEAL, SHIFT ROD LOWER . .	47	45	F438962	SHOCK MOUNT LOWER SIDE	41	19
F366058	BALL BEARING, PROPELLER SHAFT	45	16	F440209	STUD, GEAR SHIFT LEVER	31	28
F366215	SPACER, PISTON PIN	27	2	F455305	SEAL, CRANKSHAFT COLLAR	27	12
F366364	ARM, REVERSE LOCK	37	23	F458003	STARTER INTERLOCK LEVER	11	23
F366727	BALL, PROPELLER SHAFT . .	45	20	F458019	KINGPIN	39	47
F366801	FITTING	31	14	F458028	BEARING, CRANKSHAFT UPPER MAIN	27	19
F381896-4	CABLE, BATTERY ENTRY . .	17	13	F458038-2	SUPPORT PLATE	3	17
F385433	TILT STOP	37	31	F458038-2	SUPPORT PLATE	7	20
F385647	CARRYING HANDLE	41	38	F458057	BEARING, DRIVESHAFT UPPER	47	47
F391926-1	PLUNGER FOR ELECTRIC START MODELS	21	32	F458065	WATER PUMP IMPELLER . .	47	50
F40008	STUD, SHORT	45	39	F458066	THERMOSTAT COVER	33	42
F40017-2	PISTON PIN	27	4	F458067	GASKET, THERMOSTAT COVER	33	43
F40209	CARBURETOR STUD	25	3	F458067	THERMOSTAT COVER	35	-
F40342	SEAL, PROPELLER NUT . . .	45	11	F458071	SPRING, STARTER HANDLE GUIDE FOR MANUAL START MODELS ONLY . .	11	5
F40717	THRUST WASHER	45	19	F458076	TAB, SHOCK MOUNT SIDE . .	41	12
F407446	CLAMP, BATTERY CABLE . .	17	30	F458109	PLUG, CYLINDER HEAD . . .	31	38
F40906-1	CARBURETOR	33	-				

PARTS INDEX

Part Number	Description	Pg.	Ref. No.	Part Number	Description	Pg.	Ref. No.
F458128	DRIVESHAFT FOR STANDARD SHAFT MODELS	45	3	F458502	ROD, THROTTLE CAM	33	57
F458132	HANDLE, STARTER ROPE FOR MANUAL START MODELS ONLY	11	11	F458503	CHOKE ROD	3	18
F458133	MOTOR LEG	41	17	F458509	LINK, MAGNETO STATOR	33	56
F458146	SEAL, CRANKSHAFT UPPER MAIN	31	2	F458531	ROD, SHIFT INTERLOCK	31	20
F458151	EXHAUST PORT PLATE	33	45	F458579	SEAL, CRANKCASE	27	10
F458152	EXHAUST PORT COVER	33	46	F458592	RETAINER, STARTER PULLEY	11	16
F458154	EXHAUST PORT PLATE	35	-	F458615	GEAR SHIFT ROD UPPER	43	48
F458154	GASKET, EXHAUST PORT PLATE	33	44	F458677	INSERT, CHOKE KNOB	3	33
F458166-2	SCREW, MOTOR LEG TO CYLINDER	41	18	F458727	BALL, SHIFT LEVER DETENT	31	27
F458192	THROTTLE CAM	33	60	F458736	SEAL, WATER PUMP	47	52
F458223	GASKET, TRANSFER PORT COVER	31	35	F458754	HOSE, FUEL PUMP TO CARBURETOR	29	14
F458223	TRANSFER PORT COVER	35	-	F458783	SEAL, SWIVEL BRACKET	37	28
F458232	STARTER ROPE	11	10	F458845	EXTENSION, MOTOR LEG	45	1
F458239	STARTER PULLEY	11	8	F458846	SPRING	11	21
F458244-1	INLET WATER LINE FOR STANDARD SHAFT MODELS	45	7	F458887	FASTENER, SUPPORT PLATE MOUNT	41	3
F458245	BAFFLE TILT HANDLE	7	2	F458888-1	TRIM, STARTER HANDLE GUIDE	5	46
F458245	BAFFLE, TILT HANDLE	3	2	F458936	SCREW, CYLINDER HEAD	31	39
F458277	CRANKSHAFT BEARING CAGE	35	-	F458937	LINER, STARTER HOUSING	11	3
F458277	GASKET, CRANKSHAFT BEARING CAGE	31	4	F458953-1	GUIDE, STARTER HANDLE FOR MANUAL START MODELS ONLY	11	6
F458279	CYLINDER EXHAUST	35	-	F458962	MOUNT, SIDE UPPER	41	11
F458279	GASKET, CYLINDER EXHAUST	41	1	F458963	PLATE, SHOCK MOUNT	41	8
F458307	SEAL, DRIVESHAFT	47	48	F458970	SPRING, STARTER REWIND	11	7
F458312	PACKING, LEG COVER SIDE	41	32	F458972	COVER, SHOCK MOUNT STARBOARD	41	28
F458315	PACKING, LEG COVER SIDE UPPER	41	36	F458973	COVER, SHOCK MOUNT PORT	41	21
F458320	PACKING, LEG COVER FRONT UPPER PORT	41	30	F458977-3	LEVER, SHIFT INTERLOCK	31	17
F458322	PACKING, LEG COVER REAR	41	15	F460097-1	FLYWHEEL	15	1
F458323-1	PACKING, LEG COVER FRONT	41	31	F460163-1	COVER, SUPPORT PLATE	7	30
F458324	PACKING, LEG COVER FRONT UPPER STARBOARD	41	35	F460317	CLAMP, SOLENOID FOR ELECTRIC START	33	63
F458342	SEAL, CRANKSHAFT SPLINE	27	13	F460573	CLAMP, STARTER MOTOR	13	12
F458345	PAD, KINGPIN MOUNTING	41	6	F460664	STATOR GROUND WIRE	15	6
F458347	MOUNT, SUPPORT PLATE	41	4	F460664	STATOR GROUND WIRE	19	6
F458371	BRACKET, REMOTE THROTTLE CABLE	3	24	F460686	COVER, KING PIN MOUNTING PLATE	43	54
F458371	BRACKET, REMOTE THROTTLE CABLE	7	23	F460917	STARTER RELAY	17	19
F458424	SPRING, STARTER PAWL PLATE	11	9	F460925	ROD FOR ELECTRIC START MODELS	21	33
F458453	GASKET, LEG EXHAUST	41	14	F461774	BRACKET, RETAINER REAR	3	16
F458453	LEG EXHAUST	35	-	F461774	BRACKET, RETAINER REAR	7	19
F458456	HAND STARTER COLLAR	11	13	F461952	STRAP, HAND STARTER HOUSING	11	20
F458498	FLYWHEEL KEY	27	18	F462128	DRIVESHAFT FOR LONG SHAFT MODELS	45	-
				F462840	GROMMET, REMOTE SHIFT CABLE	3	34
				F462840	GROMMET, REMOTE SHIFT CABLE	7	31
				F462840	GROMMET, REMOTE THROTTLE CABLE	3	27
				F462840	GROMMET, REMOTE THROTTLE CABLE	7	26
				F463864	RETAINER, TILT HANDLE	3	5

PARTS INDEX

Part Number	Description	Pg.	Ref. No.	Part Number	Description	Pg.	Ref. No.
F463864	RETAINER, TILT HANDLE ..	7	5	F5H014	FLUSHING ADAPTER	54	-
F476	FUEL LINE ADAPTION KIT .	54	-	F5H018	DUAL ENGINE TIE BAR	55	-
F483300	SPRING	37	27	F5H019	ANTI-CORROSION KIT	54	-
F483349-1	REVERSE LOCK	37	25	F5H020	CARRYING HANDLE	54	-
F483510-1	LINK, REVERSE LOCK	37	24	F5H021	BATTERY EXTENSION CABLE	54	-
F483827	LEVER, REVERSE LOCK ...	37	17	F5H025	ANTI-CORROSION SACRIFICIAL ANODE	54	-
F483884	BEARING, REVERSE LOCK .	37	22	F5H027	FUEL TANK (ACCESSORY ITEM)	49	9
F487755	FUEL TANK ADAPTER	49	8	F5H027	STEEL, 6 GALLON FUEL TANK	54	-
F50109	PLUG, GEAR HOUSING	45	27	F5H027	SENDING UNIT	54	-
F504052	BEARING, STARTER INTERLOCK	33	66	F5H028	FUEL TANK ANCHOR	54	-
F504527	STARTER INTERLOCK BEARING CAP	33	67	F5H029	WATER PUMP KIT	54	-
F504809	ROD, STARTER INTERLOCK	33	65	F5H055	REMOTE CONTROL SURFACE MOUNT (SINGLE LEVER)	54	-
F505269	TILT HANDLE	3	3	F5H063	REMOTE ELECTRIC CABLE	54	-
F505269	TILT HANDLE	7	3	F5H072	OVERHEAT BUZZER KIT ...	54	-
F505711	PLATE, FRONT	5	50	F5H077	IGNITION KEY SWITCH	54	-
F510374	DECAL, CIRCUIT BREAKER	17	36	F5H078	IGNITION KEY SWITCH	54	-
F510450-1	RECTIFIER	19	13	F5H078	IGNITION SWITCH (ACCESSORY ITEM)	17	12
F510460	CIRCUIT BREAKER	17	24	F5H081	BATTERY CABLE	54	-
F510475	IGNITION COIL	19	25	F66480	STUD	37	33
F513015-1	PISTON	27	6	F7004	LOCK NUT, 3/8 - 16	31	21
F513061	CARBURETOR COMPLETE (WB28A)	23	43	F7011	HEX NUT, 10 - 24	3	10
F513388	DISC, WATER PUMP LOCATING	47	57	F7011	HEX NUT, 10 - 24	7	13
F513529	CYLINDER HEAD	35	-	F7024	STOP NUT	37	1
F513529	GASKET, CYLINDER HEAD .	31	36	F73H07	STARTER CONVERSION ...	55	-
F514427	BRACKET, STARTER MOTOR	17	1	F8001	NYLTITE WASHER	45	30
F514955	STARTER MOTOR COMPLETE(NOT SHOWN)	13	-	F8011	PLAIN WASHER	9	45
F529029	STATOR TRIGGER	19	16	F8011	PLAIN WASHER	11	24
F529095	STATOR, ALTERNATOR ...	19	4	F8011	PLAIN WASHER FOR MANUAL START MODELS	23	44
F529097	FLYWHEEL (FOR ELECTRIC START MODELS)	19	2	F8028	PLAIN WASHER	13	11
F529125	TUBE, PIVOT STEERING ...	37	42	F8039	PLAIN WASHER	45	6
F529286	WASHER, SWIVEL BRACKET FRICTION	37	13	F8049	BOWED SPRING WASHER .	43	51
F529301	C-D MODULE	19	11	F8055	LOCKWASHER	15	16
F529358	BRACKET, ELECTRICAL COMPONENTS	19	8	F8056	SPRING LOCKWASHER ...	17	8
F529390	DECAL, REVERSE LOCK (NOT SHOWN)	39	-	F8058	INTERNAL TOOTH LOCKWASHER	31	23
F529398	DECAL, WIRING - U.S.A. ...	17	28	F8059	SPRING LOCKWASHER ...	15	8
F529711	PLATE, FRONT	9	43	F8059	SPRING LOCKWASHER ...	19	23
F529726	BEARING, REVERSE LOCK .	37	18	F8063	SPRING LOCKWASHER ...	13	6
F529744	WIRING HARNESS	17	6	F8063	SPRING LOCKWASHER ...	17	34
F529744	WIRING HARNESS	19	15	F8063	SPRING LOCKWASHER ...	37	6
F53504	GROMMET, MAGNETO CONTROL SHAFT	3	28	F8065	SPRING LOCKWASHER ...	45	32
F53504	GROMMET, SUPPORT PLATE	7	29	F8077	WASHER, GEAR HOUSING PLUG	45	28
F590	REMOTE CONTROL FLUSH MOUNT	55	-	F8078	LOCKWASHER #8	19	21
F5H004	SPEEDOMETER	54	-	F8088	PLAIN WASHER	17	35
F5H006	VOLTMETER	55	-	F8088	PLAIN WASHER FOR ELECTRIC START MODELS	21	35
F5H008	FUEL GAUGE FLUSH MOUNT	54	-	F8094	PLAIN WASHER	37	19
				F8096	SPRING LOCKWASHER ...	3	40
				F8096	SPRING LOCKWASHER ...	7	38
				F8096	SPRING LOCKWASHER ...	17	15

PARTS INDEX

Part Number	Description	Pg.	Ref. No.	Part Number	Description	Pg.	Ref. No.
F8096	SPRING LOCKWASHER . . .	41	29	FA324113	STERN BRACKET LOCK BAR		
F84026	SWIVEL, SHIFT INTERLOCK				W/END	37	40
	BEARING	31	19	FA413469	COVER LATCH HANDLE		
F84035-2	BEARING, SHIFT				W/SHAFT	3	29
	INTERLOCK ROD	31	18	FA413469	COVER LATCH HANDLE		
F84314-2	ELBOW, CARBURETOR . . .	21	39		W/SHAFT	7	27
F84449	SWITCH, STARTER			FA434616	GEAR SHIFT ROD		
	INTERLOCK	17	2		INTERMEDIATE FOR		
F84792	FUEL PUMP GASKET	29	5		STANDARD SHAFT		
F84792	FUEL PUMP VALVE	33	-		MODELS	47	55
F85026	SWIVEL, SHIFT INTERLOCK			FA435616	GEAR SHIFT ROD		
	LEVER	31	15		INTERMEDIATE FOR		
F85372	PIN, GEAR SHIFT ROD				LONG SHAFT MODELS . .	47	-
	LOWER	45	38	FA438431	FUEL PUMP BODY		
F85498	FLYWHEEL KEY FOR				W/VALVES	29	6
	ALTERNATOR MODELS .	27	-	FA458144	CRANKSHAFT BEARING		
F8550	SPRING PIN	41	5		CAGE	31	3
F8559	DOWEL PIN	31	11	FA458158	REED PLATE W/REEDS,		
F85610	BEARING	41	42		STOPS AND SCREWS . . .	25	9
F85634-1	SCREW, CONNECTING ROD	27	15	FA458167	CARBURETOR ADAPTER . .	25	4
F85735-1	SEAL	3	8	FA458254	HOSE, DRAIN	31	13
F85735-1	SEAL	7	11	FA458480	RETAINER, ENGINE COVER		
F85756	PACKING, ENGINE COVER .	3	14		REAR W/SCREWS AND		
F85756	PACKING, ENGINE COVER .	7	17		NUTS	3	11
F85843-1	CABLE, ELECTRIC			FA458480	RETAINER, ENGINE COVER		
	CONTROL	17	27		REAR W/SCREWS AND		
F85924	CHOKE SOLENOID	17	7		NUTS	7	14
F88161-3	REED STOP	25	11	FA458554	GEAR HOUSING UPPER . . .	47	44
F89777-1	CAM, ENGINE COVER			FA458571	ROLLER, CENTER MAIN . . .	27	9
	LATCH	3	41	FA458655	LINER, CENTER MAIN	27	8
F89777-1	CAM, ENGINE COVER			FA458662	BEVEL GEAR REAR		
	LATCH	7	39		W/BUSHING	45	18
F901011	WASHER, SWIVEL BRACKET	39	46	FA458778	RETAINER, ENGINE COVER		
F901169-1	BEARING, SWIVEL				FRONT W/SCREWS AND		
	BRACKET	37	29		NUTS	5	43
F901563	DRIVE PIN, WATER PUMP			FA458778	RETAINER, ENGINE COVER		
	IMPELLER	45	4		FRONT W/SCREWS AND		
F901631-1	FRICTION SHOE	37	5		NUTS	7	41
F901775	PLATE, FRICTION SHOE . . .	37	4	FA458880	CLIP, STARTER GUIDE	5	48
F9018	PLUG, PIVOT STEERING			FA460423	STARTER PAWL PLATE		
	TUBE	37	16		ASSEMBLY	11	18
F901822-1	STUD, SWIVEL BRACKET . .	37	3	FA463260	PISTON RING SET (4 PER		
F9022	SHIM .006"(SILVER)	11	17		SET)	27	7
F9023	SHIM .007"(BRASS)	11	-	FA504060	WATER PUMP BODY	47	51
F9024	SHIM .010"(BLACK)	11	-	FA504082	MAGNETO STATOR RING . . .	31	5
F9066	PLASTIC PLUG BUTTON . . .	5	52	FA504222	TRANSFER PORT COVER . . .	31	32
F90807	RETAINER, CHOKE ROD			FA510497	TERMINAL BLOCK	17	22
	FOR MANUAL START			FA510914	SEAL, INLET WATER LINE		
	MODELS	23	45		LOWER	47	53
F90891	GEAR SHIFT ARM PIN	45	29	FA513010	CYLINDER W/CRANKCASE		
F91446-1	BRACKET, CIRCUIT				COVER, SCREWS AND		
	BREAKER	17	26		DOWEL PINS	31	7
F92759	ROLLER, THROTTLE CAM			FA513485	ANTI-CORROSION ANODE . .	45	41
	FOLLOWER	21	41	FA513518	CYLINDER HEAD W/PLUGS	31	37
F97008-1	STUD, LONG	45	31	FA529072	SWIVEL BRACKET		
F97772	FUEL LINE CLAMP	29	12		W/BEARINGS AND		
F98273	ROD END CONNECTOR				GREASE FITTINGS	39	45
	STUD	31	22	FA77395-5	PLATE, IDENTIFICATION		
F99521-1	CLUTCH	45	24		W/SCREWS, U.S.A.	3	35
FA12345	COIL W/LEAD WIRE	15	12				

PARTS INDEX

Part Number	Description	Pg.	Ref. No.	Part Number	Description	Pg.	Ref. No.
FA84754-1	FUEL LINE SHORT W/CLAMPS	49	5	FO16791	IDLE TUBE	23	46
FA85754-1	HOSE, FUEL PUMP TO BUSHING	29	13	FO17486	THROTTLE SHUTTER	21	27
FA90871-3	GEAR SHIFT ARM PIN W/YOKE	45	22	FO2510	FUEL BOWL RETAINING SCREW GASKET	21	15
FA94094-2	PROP NUT W/SEAL AND COTTER PIN	45	9	FO3804	THROTTLE SHAFT POSITION RETAINING SCREW WASHER	21	25
FC310227	SPARK PLUG FOR MODELS 350B8L, 351B8L, 356B8M, 357B8M	31	-	FO4326	BODY CHANNEL WELCH PLUG	21	2
FC409398	DECAL (NOT SHOWN)	49	-	FO6393	THROTTLE SHAFT POSITION RETAINING SCREW	21	23
FC510374	DECAL, CIRCUIT BREAKER	17	-	FO6396	THROTTLE SHAFT POSITION RETAINING SCREW LOCKWASHER	21	24
FC513390	DECAL, STARTER (NOT SHOWN)	13	-	FO8942	THROTTLE SHUTTER RETAINING SCREW AND LOCKWASHER	21	28
FC514010	SHORT BLOCK FOR ALTERNATOR MODELS	33	-	FP273	PROPELLER (ACCESSORY ITEM)	45	8
FC529390	DECAL, REVERSE LOCK - CANADA ONLY (NOT SHOWN)	39	-	FS174227	SPARK PLUG (L-4-J)	31	40
FC529398	DECAL, WIRING - CANADA	17	-	FS409752	FUEL LINE COMPLETE (NOT SHOWN)	49	-
FG1014	GASKET SET (NOT SHOWN)	33	-	FS458023	BEVEL GEAR FRONT W/BEARING	45	25
FK1026	LONG LEG CONVERSION KIT	54	-	FS529032	STERN BRACKET, STARBOARD, W/CLAMP, SCREW AND FOOT	39	43
FK247	PROPELLER PIN, PACK OF 6 W/COTTER PIN	45	12	FS529532	STERN BRACKET PORT W/CLAMP, SCREW AND FOOT	37	14
FK750-1	SPARKIE W/SPRING	15	14	FS529712	ENGINE COVER W/FRONT AND REAR RETAINERS	3	1
FK750-2	HI-TENSION WIRE	19	26	FS529712	ENGINE COVER W/FRONT AND REAR RETAINERS	7	1
FK85228	BEARING CAGE W/ROLLERS (16 PER SET)	27	16	FS901244	EXTENSION, INLET WATER LINE	47	56
FO10165	INLET SEAT GASKET	21	19	FT2910	KNOCK-OFF NUT	50	-
FO10280	CHOKE SHUTTER RETAINING SCREW AND LOCKWASHER	21	8	FT2953	SOCKET	51	-
FO10588	BODY CHANNEL CUP PLUG	21	1	FT2954A	TEST WHEEL	53	-
FO10790	INLET NEEDLE, SEAT AND GASKET	21	18	FT2990	PISTON PIN REMOVER	51	-
FO10883	CHOKE RELIEF VALVE SPRING	21	4	FT2996	RING COMPRESSOR	51	-
FO11103	IDLE MIXTURE SCREW SPRING	21	17	FT8904	FORWARD BEARING CUP INSTALLER	52	-
FO12250	CHOKE SHUTTER	21	7	FT8907	DRIVER HANDLE	52	-
FO12251	CHOKE RELIEF VALVE	21	3	FT8918	BUSHING GUIDE SET	52	-
FO13552	FUEL BOWL	21	12	FT8919	SPRING PIN PUNCH	52	-
FO13554	FLOAT	21	10	FT8921	FORWARD BEARING CUP REMOVER	52	-
FO13944	FLOAT LEVER PIN	21	11	FT8926	RING EXPANDER	51	-
FO13945	FUEL BOWL RETAINING SCREW	21	14	FT8932	LIFTING HOOK	53	-
FO14166	IDLE MIXTURE SCREW	21	16	FT8948-1	PROPELLER SHAFT BEARING CAGE PULLER	52	-
FO14188	MAIN FUEL JET (.066) (STANDARD)	21	20	FT8950	LEAKAGE TESTER	53	-
FO15213	MAIN NOZZLE	21	21	FT8957	SEAL INSTALLER	52	-
FO15623	FUEL BOWL GASKET	21	13	FT8962	BEARING INSTALLER	52	-
FO16397	CHOKE SHAFT RETURN SPRING	21	6	FT8964	BEARING REMOVER	52	-
FO16561	THROTTLE SHAFT AND LEVER	21	22	FT8967	SEAL PROTECTOR	51	-
FO16562	CHOKE SHAFT AND LEVER	21	5	FT8971	SEAL INSTALLER	51	-
FO16563	THROTTLE SHAFT RETURN SPRING	21	26				

PARTS INDEX

Part Number	Description	Pg.	Ref. No.	Part Number	Description	Pg.	Ref. No.
FT8976	SEAL PROTECTOR	51	-				
FT8977	SEAL COLLAR INSTALLER .	51	-				
FTA2937-1	TIMING TOOL	50	-				
T8974	POINT TENSION GAUGE . . .	50	-				
21-817741A1	VALVE, CHECK	31	33				
32-817738A1	FUEL LINE, LONG W/CLAMPS AND FERRULE	49	7				
44-819500A3	PROPELLER SHAFT	45	21				
400-818061A1	CRANKSHAFT W/LOWER MAIN BEARING FOR ALTERNATOR MODELS .	27	-				
600-818052A4	CONNECTING ROD W/CAP AND SCREWS	27	5				
1600-817804A3	GEAR HOUSING LOWER W/PLUG, WASHER AND THRUST BEARING CUP .	45	26				
1600-817896A2	LOWER GEAR HOUSING COMPLETE (NOT SHOWN)	47	-				