



PARTS CATALOG

85 H.P.

SERIAL NUMBER

85 (1978)	857B8F
85 (1978)	857H8F

TABLE OF CONTENTS:

ACCESSORIES	48
CARBURETOR	16
CRANKSHAFT AND PISTON GROUP	28
DISTRIBUTOR	12
ELECTRICAL COMPONENTS	6
ENGINE COVER AND SUPPORT PLATE	2
FUEL TANK AND LINE	38
GEAR HOUSING	34
LUBRICATION CHART	51
MOTOR LEG	30
PARTS INDEX	53
POWER HEAD	22
REMOTE CONTROL	40
SPECIAL ADJUSTMENTS	52
SPECIAL TOOLS - GEAR HOUSING	46
SPECIAL TOOLS - POWER HEAD	45
SPECIAL TOOLS - TEST EQUIPMENT	47
SPECIAL TOOLS - TUNE-UP	44
SPECIFICATIONS	50
STARTER	10

NOTE: Indented description indicate that these parts are included in preceeding assembly.

AR = As Required

NSS = Not Sold Separate

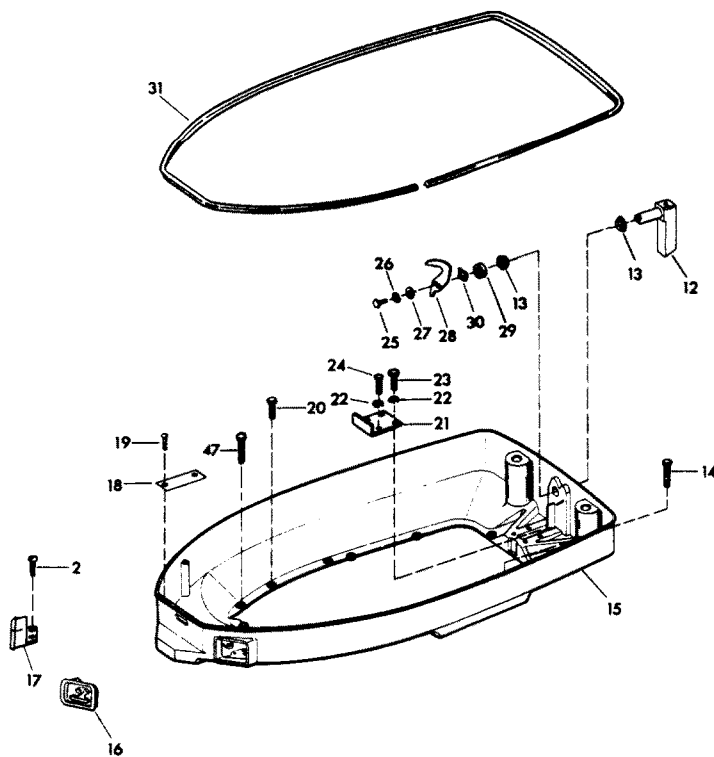
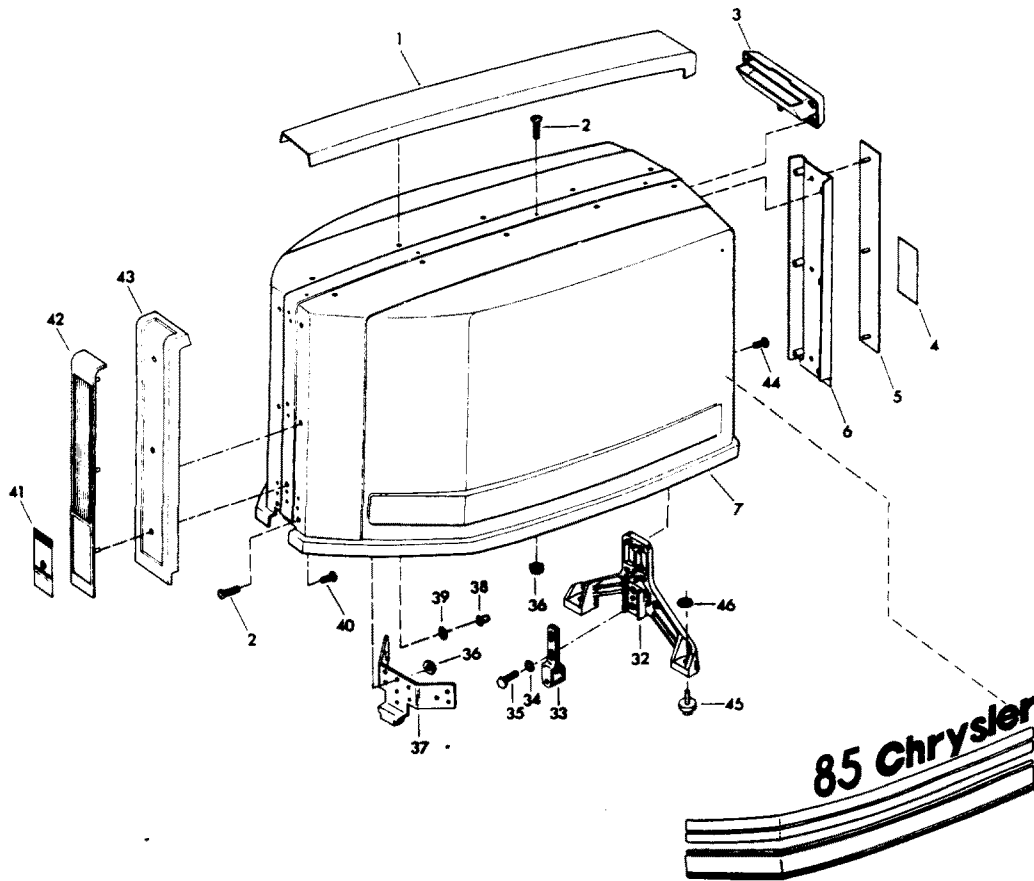
OPT = Optional

NS = Not Shown

THESE PARTS BOOKS/FICHE CARD ARE COPYRIGHTED AND MAY NOT BE DISTRIBUTED OR REPRODUCED IN ANY OTHER FORMAT BY ANYONE OTHER THAN MERCURY MARINE WITHOUT THE PRIOR WRITTEN CONSENT OF MERCURY MARINE.

THIS PAGE INTENTIONALLY LEFT BLANK

ENGINE COVER AND SUPPORT PLATE

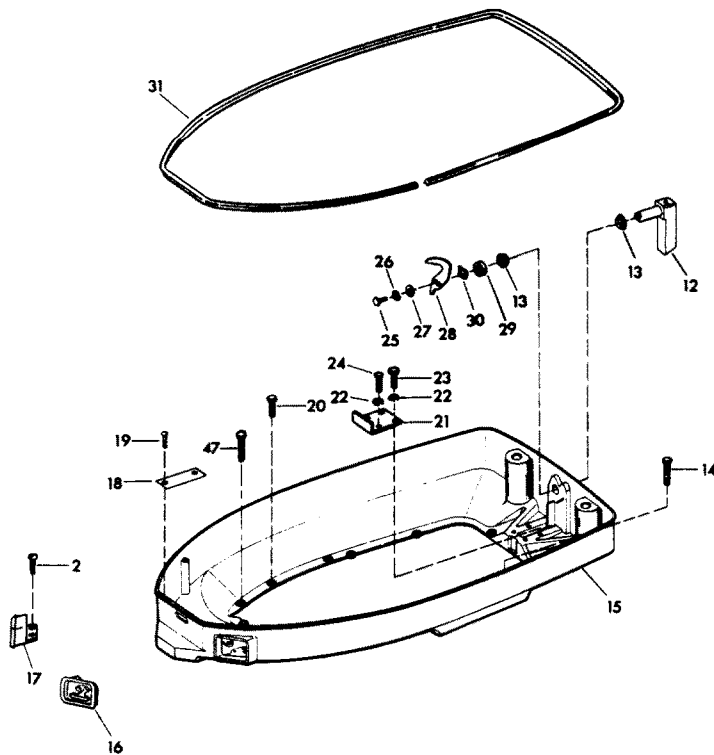
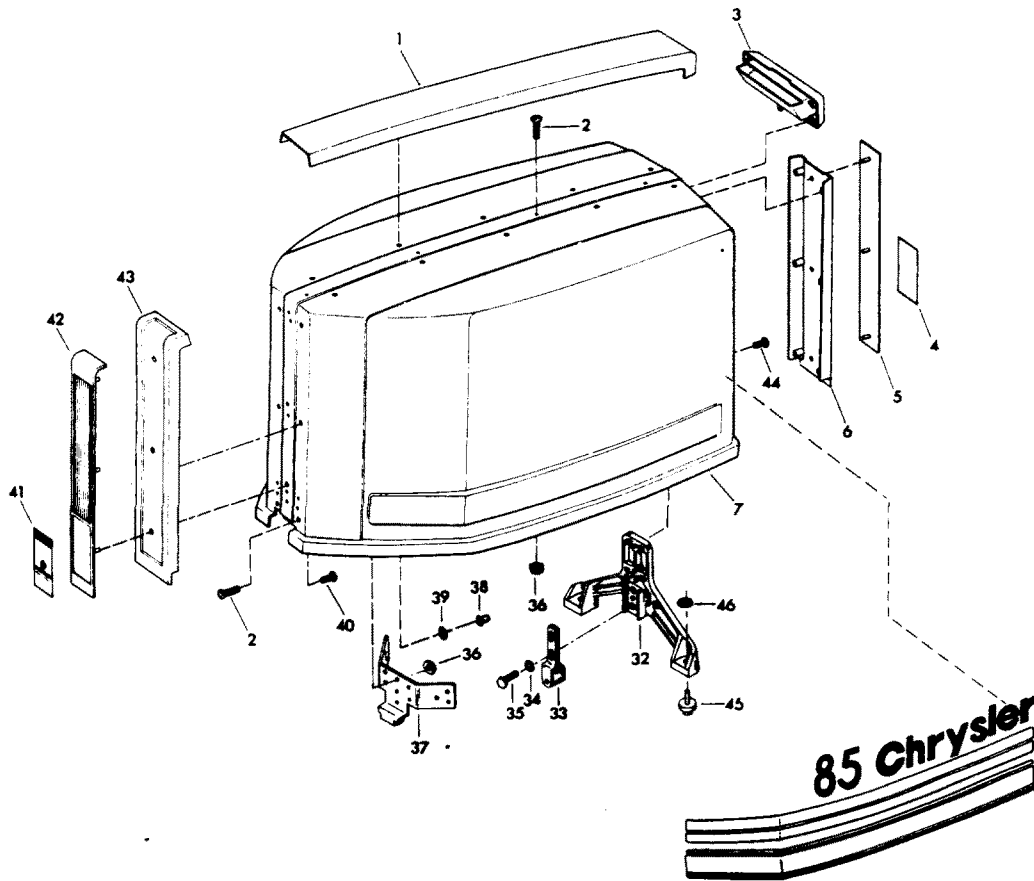


ENGINE COVER AND SUPPORT PLATE

REF. NO.	PART NO.	SYM.	QTY.	DESCRIPTION
1	F2S480179		1	TRIM, TOP
2	F1733		10	PAN HD SCREW, 10 - 24 X 9/16
3	F2S480269		1	TILT HANDLE
4	FA407528		1	INSERT, PLATE REAR
5	F438386		1	PLATE, REAR
6	F2S480180		1	TRIM, REAR
7	A480944		1	ENGINE COVER W/RETAINER, SCREWS AND NUTS
8	F498397		2	DECAL STRIPE, LOWER
9	F498392		2	DECAL, "CHRYSLER"
10	F407386		2	DECAL, NUMERAL 85
11	F498396		2	DECAL, STRIPE UPPER
12	FA481469		1	ENGINE COVER LATCH HANDLE W/SHAFT
13	F480818		2	BEARING, LATCH SHAFT
14	F1238		6	HEX CAP SCREW, 1/4 - 20 X 3/4
15	F480038-2		1	SUPPORT PLATE
16	F310189		1	BUSHING, ELECTRIC CABLE
17	F311189-1		1	BUSHING, CABLE ENTRY
18	FA77395-5		1	IDENTIFICATION PLATE W/SCREWS FOR U.S.A. MODELS
-	AC16395-8		1	IDENTIFICATION PLATE W/SCREWS FOR CANADA MODELS
19	F1447		2	ROUND HD SCREW, 2 X 3/16
20	F1502		5	HEX SLOT HD SCREW, 1/4 - 20 X 5/8
21	F335654-1		1	DEFLECTION STOP
22	F8096		4	SPRING LOCKWASHER
23	F1857		2	HEX CAP SCREW, 5/16 - 18 X 5/8
24	F1858		2	HEX CAP SCREW, 5/16 - 18 X 1
25	F1854		1	HEX CAP SCREW, 1/4 - 20 X 5/8
26	F8083		1	SPRING LOCKWASHER
27	F8094		1	PLAIN WASHER
28	F481777		1	CAM, LATCH SHAFT
29	F481382-1		1	SPACER, LATCH SHAFT
30	F2047		1	WAVE SPRING WASHER
31	F321756		1	PACKING
32	F481774		1	BRACKET, ENGINE COVER LATCH
33	FA481743		1	LATCH, ROLLER BRACKET
34	F8096		2	SPRING LOCKWASHER
35	F1857		2	HEX CAP SCREW, 5/16 - 18 X 5/8
36	F1473		7	HEX NUT, 10 - 24
37	F373778-1		1	RETAINER, ENGINE COVER
38	F1753		6	FASTENER
39	F85735-1		6	SEAL
40	F2066		26	PAN HD TAPPING SCREW, 10 X 7/16
41	FA467892		1	INSERT, PLATE FRONT - U.S.A
-	FA467893		1	INSERT, PLATE FRONT - CANADA

CONTINUED ON NEXT PAGE ➡

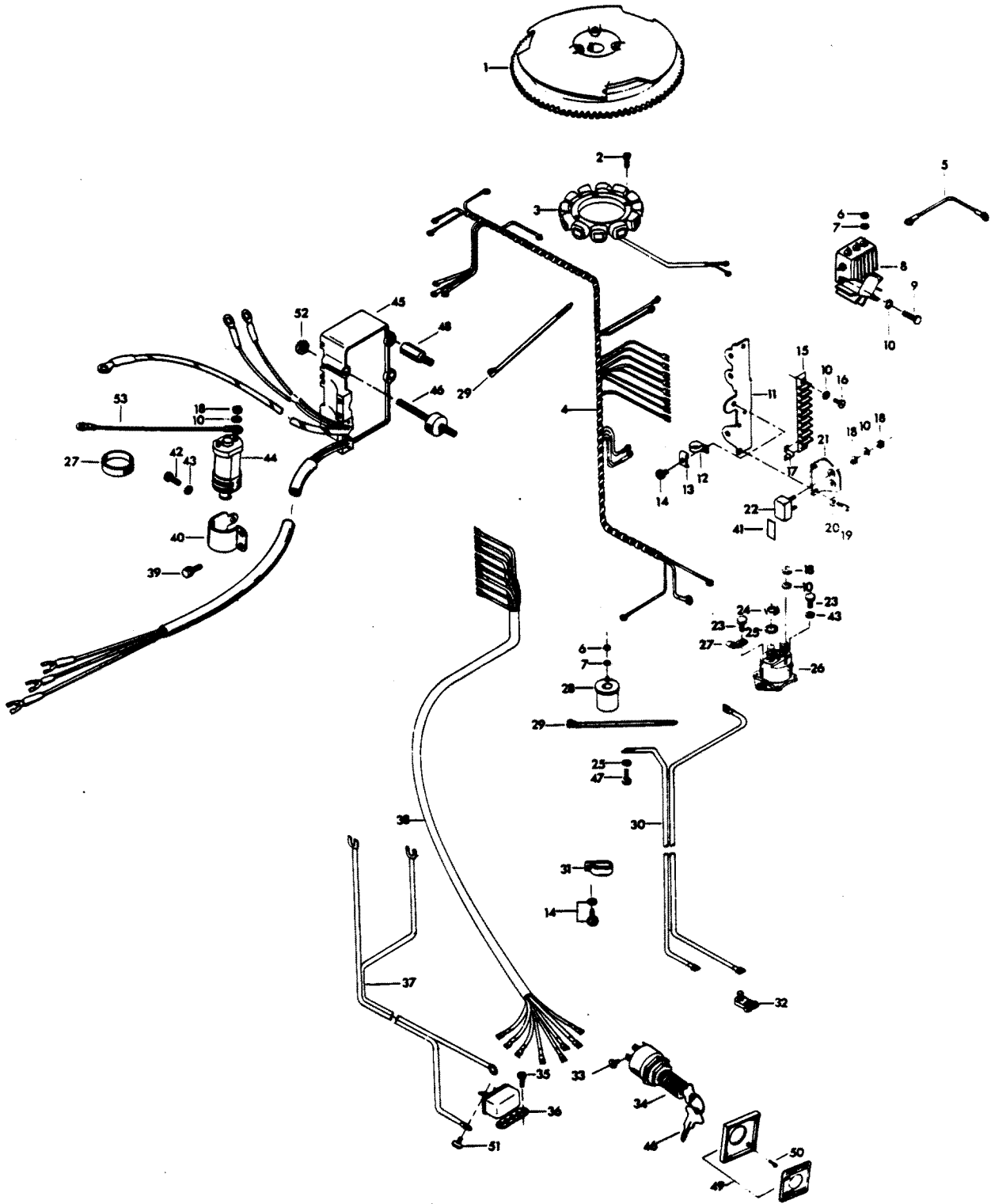
ENGINE COVER AND SUPPORT PLATE



ENGINE COVER AND SUPPORT PLATE

REF. NO.	PART NO.	SYM.	QTY.	DESCRIPTION
42	F498711		1	PLATE, ENGINE COVER FRONT
43	F2S480888		1	TRIM, FRONT
44	F1730		4	PAN HD SCREW W/SPRING LOCKWASHER, 1/4 - 20 X 5/8
-	F438984-1		1	BLANKET, SILENCER TOP (NOT SHOWN)
-	F480985		2	BLANKET, SILENCER SIDE (NOT SHOWN)
45	F481434		2	GUIDE, ENGINE COVER
46	F2088		2	FASTENER
47	F1849		2	HEX HD CAP SCREW, 1/4 - 20 X 1 3/8

ELECTRICAL COMPONENTS

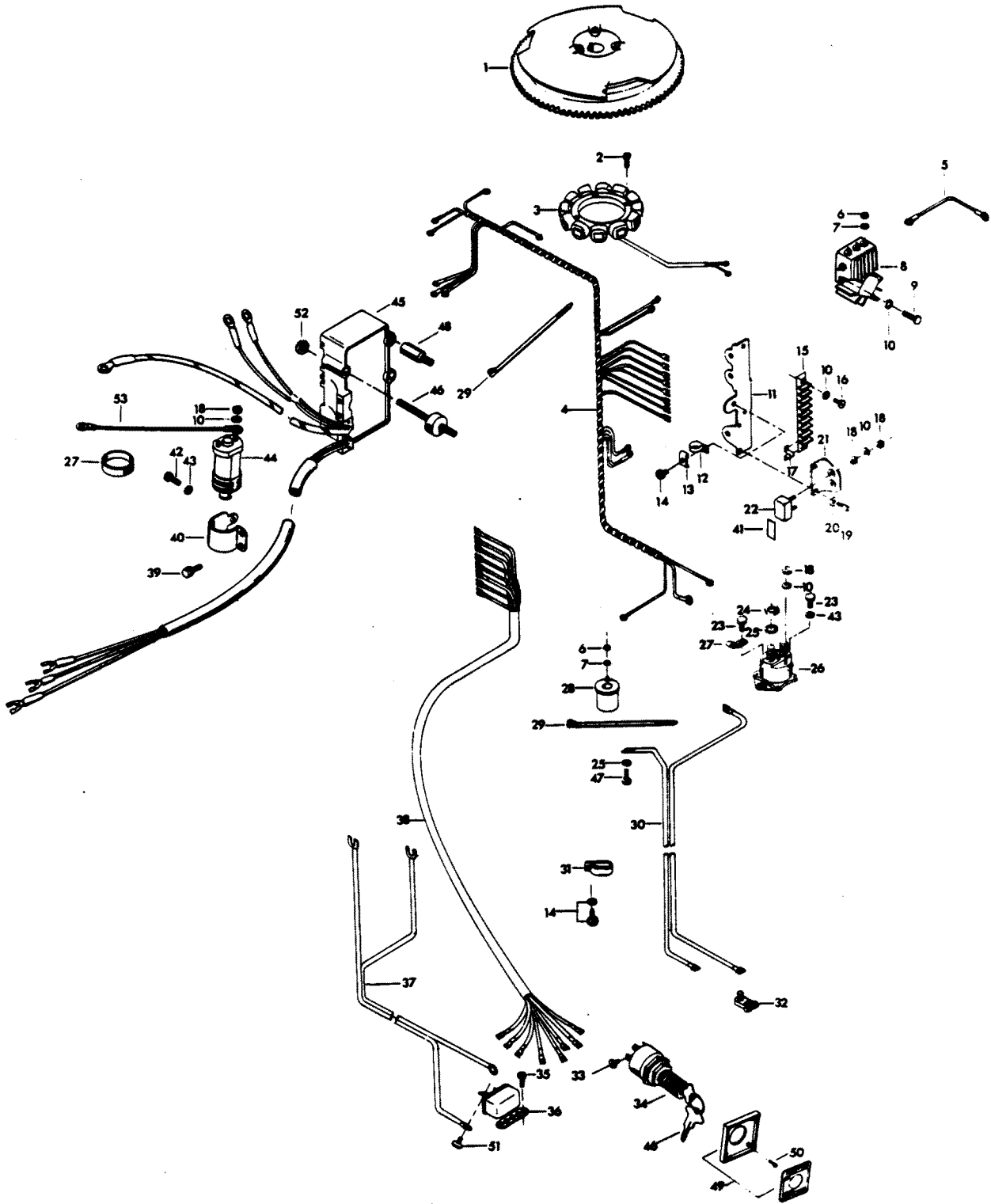


ELECTRICAL COMPONENTS

REF. NO.	PART NO.	SYM.	QTY.	DESCRIPTION
1	F404097		1	FLYWHEEL
2	F1678		6	FILL HD SCREW, 10 - 24 X 13/16
3	F85095-2		1	STATOR
4	F438744-1		1	WIRING HARNESS
5	F345683		1	WIRE, REGULATOR-RECTIFIER GROUND
6	F1647		5	HEX NUT, 8 - 32
7	F8056		5	SPRING LOCKWASHER
8	F404470-1		1	REGULATOR-RECTIFIER
9	F2001		3	FILL HD SCREW, 10 - 24 X 5/8
10	F1975		11	SPRING LOCKWASHER
11	FA438493		1	TERMINAL BLOCK BRACKET
12	F289446-1		1	CLAMP
13	F438668		1	RETAINER, CABLE CLAMP
14	F1734		2	FILL HD SCREW W/LOCKWASHER, 1/4 - 20 X 1/2
15	FA510497		1	TERMINAL BLOCK
16	F1648		2	PAN HD SCREW, 10 - 24 X 3/4
17	F307317		1	CLIP, TERMINAL BLOCK
18	F1513		8	HEX NUT
19	F1760		2	PAN HD SCREW, 10 - 24 X 3/8
20	F8011		2	PLAIN WASHER
21	F91446-1		1	CIRCUIT BREAKER BRACKET
22	F510460		1	CIRCUIT BREAKER
23	F1705		2	HEX CAP SCREW, 1/4 - 20 X 3/4
24	F1515		2	HEX NUT
25	F8096		3	SPRING LOCKWASHER
26	F460917		1	STARTER RELAY
27	F391983		2	RETAINING BAND
28	F85924		1	CHOKE SOLENOID
29	F1877		2	TY-RAP
30	F381896-4		1	BATTERY CABLE
31	F407446		1	CLAMP
32	F71H26		1	BATTERY CABLE CLAMP KIT, (ACCY. ITEM)
33	F1280		5	PAN HD SCREW, 8 - 32 X 1/4
34	F74H20		1	IGNITION SWITCH W/KEYS AND SCREWS (LONG BARREL) (ACCESSORY ITEM)
35	F1741		2	PAN HD SCREW, 8 X 3/4
36	F71H30		1	OVERHEAT BUZZER (ACCESSORY ITEM)
37	F404841		1	CABLE, HEAT INDICATOR
38	F85843-1		1	REMOTE ELECTRIC CABLE, 18 FEET
39	F1851		2	FILL HD SCREW W/LOCKWASHER, 10 - 24 X 1/2
40	F404513		1	COIL CLAMP
41	F510374		1	DECAL, CIRCUIT BREAKER
-	FC510374		1	DECAL, CIRCUIT BREAKER - CANADA

CONTINUED ON NEXT PAGE ➡

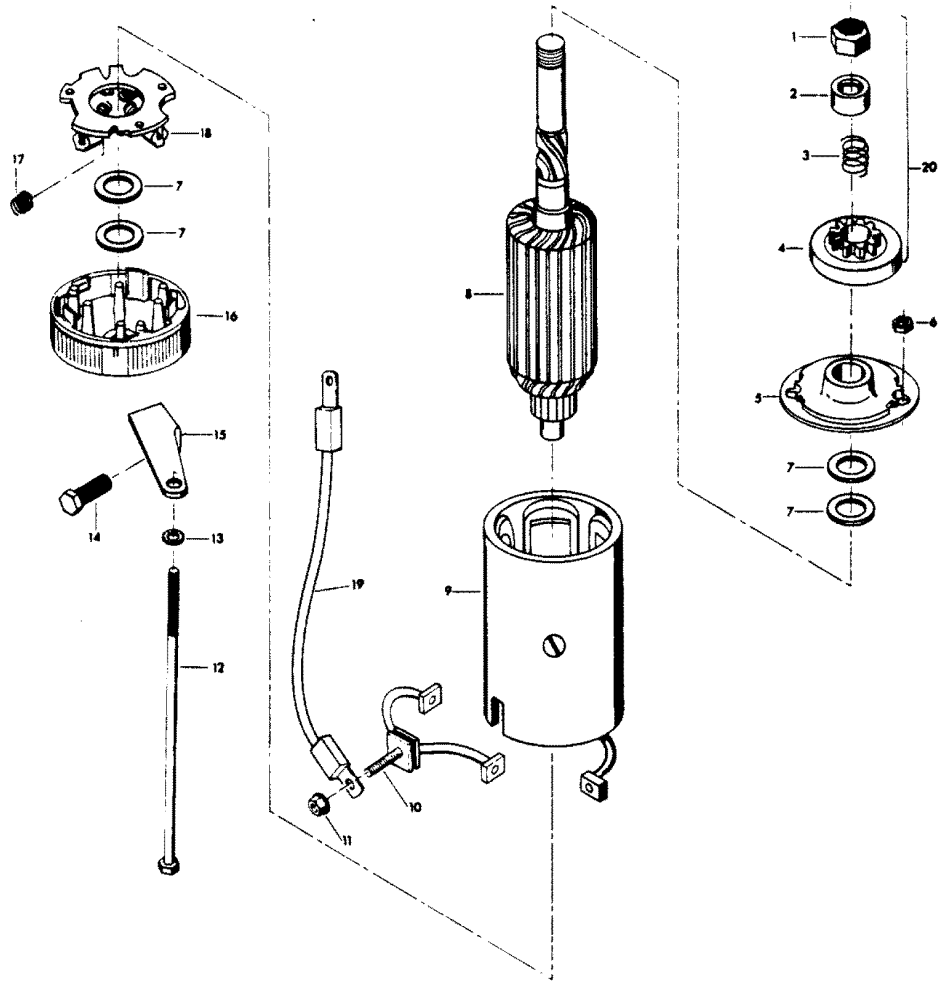
ELECTRICAL COMPONENTS



ELECTRICAL COMPONENTS

REF. NO.	PART NO.	SYM.	QTY.	DESCRIPTION
42	F1689		1	HEX HD CAP SCREW, 1/4 - 20 X 1/2
43	F8083		2	SPRING LOCKWASHER
44	F345475-1		1	COIL
45	FA523301		1	UNIT W/DECAL
46	F523962		3	SHOCK MOUNT
47	F2000		1	HEX CAP SCREW, 5/16 - 18 X 3/4
49	F71H21		1	IGNITION SWITCH MOUNTING KIT (ACCESSORY ITEM)
50	F1934		4	FLAT HD SLOTTED SCREW, 6 X 1/2
51	F1645		2	RD HD SCREW, 6 - 32 X 1/4
52	F1892		3	STOP NUT
53	F85664		1	WIRE, DISTRIBUTOR GROUND
-	480373		1	DECAL, MAGNAPOWER IGNITION (NOT SHOWN)
-	F474387		1	TIMING DECAL (NOT SHOWN)
-	FC474387		1	TIMING DECAL - CANADA (NOT SHOWN)

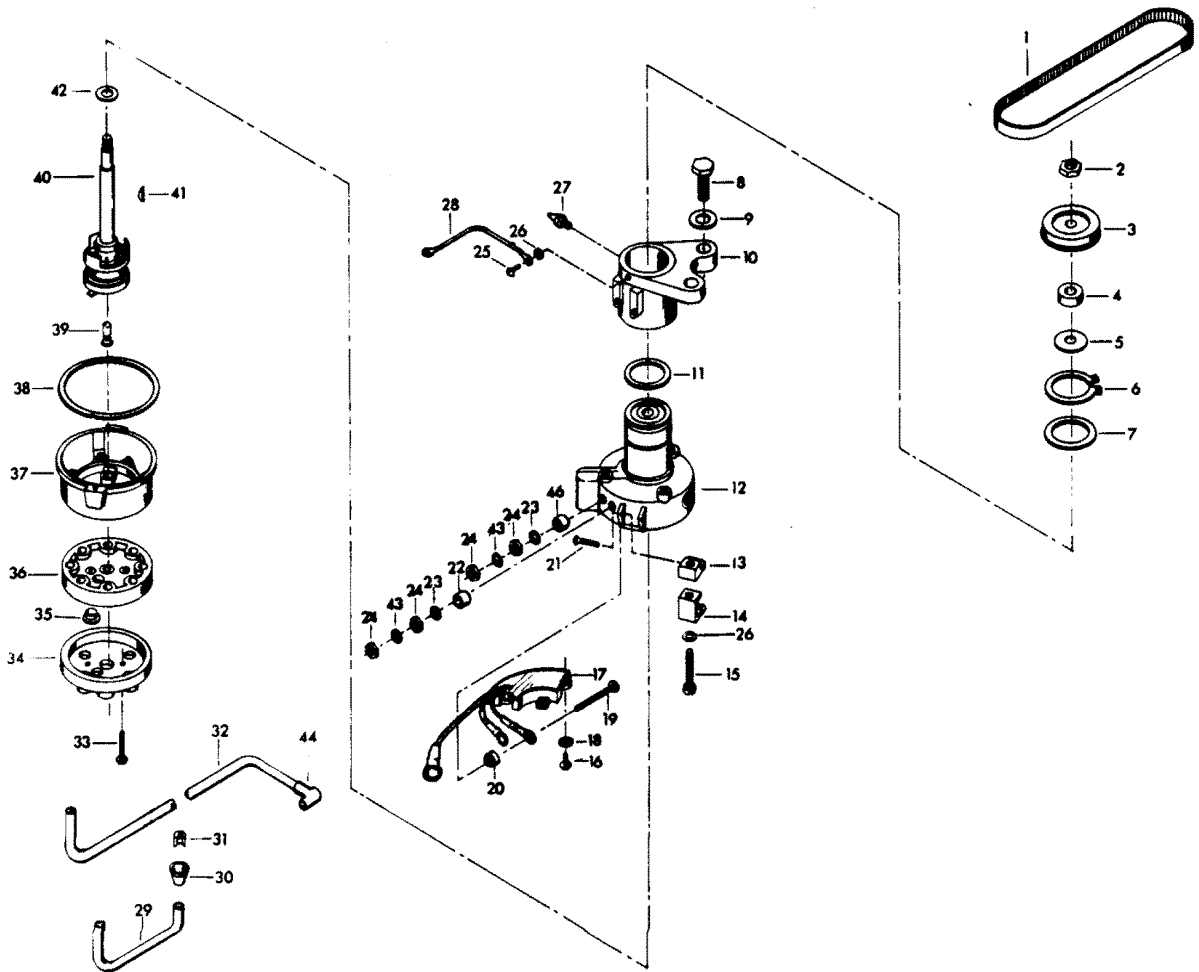
STARTER



STARTER

REF. NO.	PART NO.	SYM.	QTY.	DESCRIPTION
1	F15111		1	NUT, STOP RETAINING
2	F15112		1	STOP, PINION
3	F15080		1	SPRING
4	F15110		1	CLUTCH ASSEMBLY
5	F15167		1	HEAD ASSEMBLY DRIVE END
6	F1641		2	LOCK NUT, 1/4 - 28
7	F15126		1	THRUST WASHER PACKAGE
8	F15099		1	ARMATURE
9	15169		1	FRAME AND FIELD ASSEMBLY
10	F15165		1	BRUSH TERMINAL SET
11	FA15072		1	HEX LOCK NUT, 1/4 - 20
12	F15168		1	THRU BOLT PACKAGE
13	F8028		2	PLAIN WASHER
14	F1502		1	HEX HD SCREW, 1/4 - 20 X 5/8
15	F511675		1	STARTER BRACKET, LOWER
16	F15125		1	HEAD ASSEMBLY, COMMUTATOR END
17	F15034		1	SPRING SET
18	F15057		1	BRUSH PLATE AND HOLDER
19	F85908		1	STARTER LEAD WIRE
20	F15100		1	BENDIX
-	FS480955		1	STARTER COMPLETE

DISTRIBUTOR

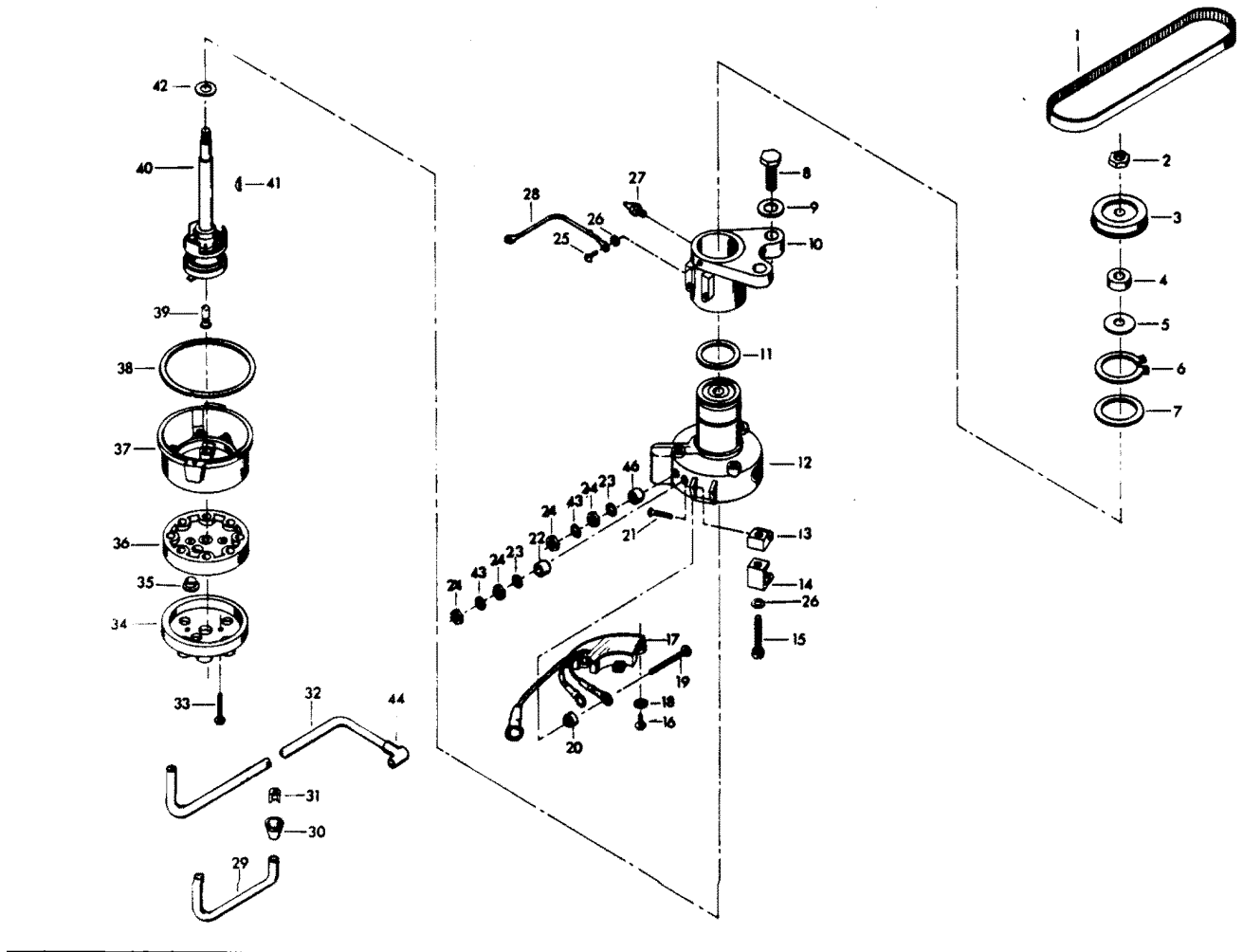


DISTRIBUTOR

REF. NO.	PART NO.	SYM.	QTY.	DESCRIPTION
1	F85311		1	DISTRIBUTOR BELT
2	F7013		1	STOP NUT
3	817786A1		1	DISTRIBUTOR PULLEY
4	F14025		1	SPACER
5	F14028		1	THRUST WASHER
6	F85173		1	RETAINING RING
7	F14029		1	THRUST WASHER
8	F1612		2	HEX CAP SCREW, 3/8 - 16 X 1 1/4
9	F2014		2	PLAIN WASHER
10	FA321574		1	DISTRIBUTOR BRACKET
11	F1759		2	SHIM, DISTRIBUTOR (QTY. AS REQUIRED)
12	F14042		1	DISTRIBUTOR HOUSING W/BEARINGS
13	F14036		2	SWIVEL
14	F14037		2	CAP CLIPS
15	F14038		2	CAP CLIP SCREWS
16	F14045		2	SCREW
17	14048-2		1	PREAMPLIFIER
18	F8056		2	LOCKWASHER
19	F14046		2	TERMINAL SCREW
20	F14047		2	TERMINAL INSULATOR (INSIDE)
21	F14015		2	CAP CLIP RIVET
22	F14049		1	TERMINAL INSULATOR (OUTSIDE)
23	F14041		2	EXTERNAL TOOTH LOCKWASHER
24	F1647		2	HEX NUT, 8 - 32
25	F1760		2	PAN HD SCREW, 10 - 24 X 3/8
26	F1975		2	SPRING LOCKWASHER
27	F213274		1	GREASE FITTING
28	F85664		1	DISTRIBUTOR GROUND
29	84-817775A1		1	COIL WIRE W/TERMINAL CLIP
30	F203276		1	BOOT
31	F203673		1	TERMINAL CLIP
32	F321841-2		3	LEAD WIRE
33	F14007		2	CAP SCREW
34	F14011-1		1	CAP COVER
35	F14040		2	VENT
36	F14020-1		1	CAP SEAL
37	F14006-2		1	CAP BASE
38	F14030		1	CAP GASKET
39	F14012-1		1	BRUSH
40	F14043		1	DISTRIBUTOR SHAFT
41	F1692		1	WOODRUFF KEY
42	F14024		1	SPACER

CONTINUED ON NEXT PAGE ➡

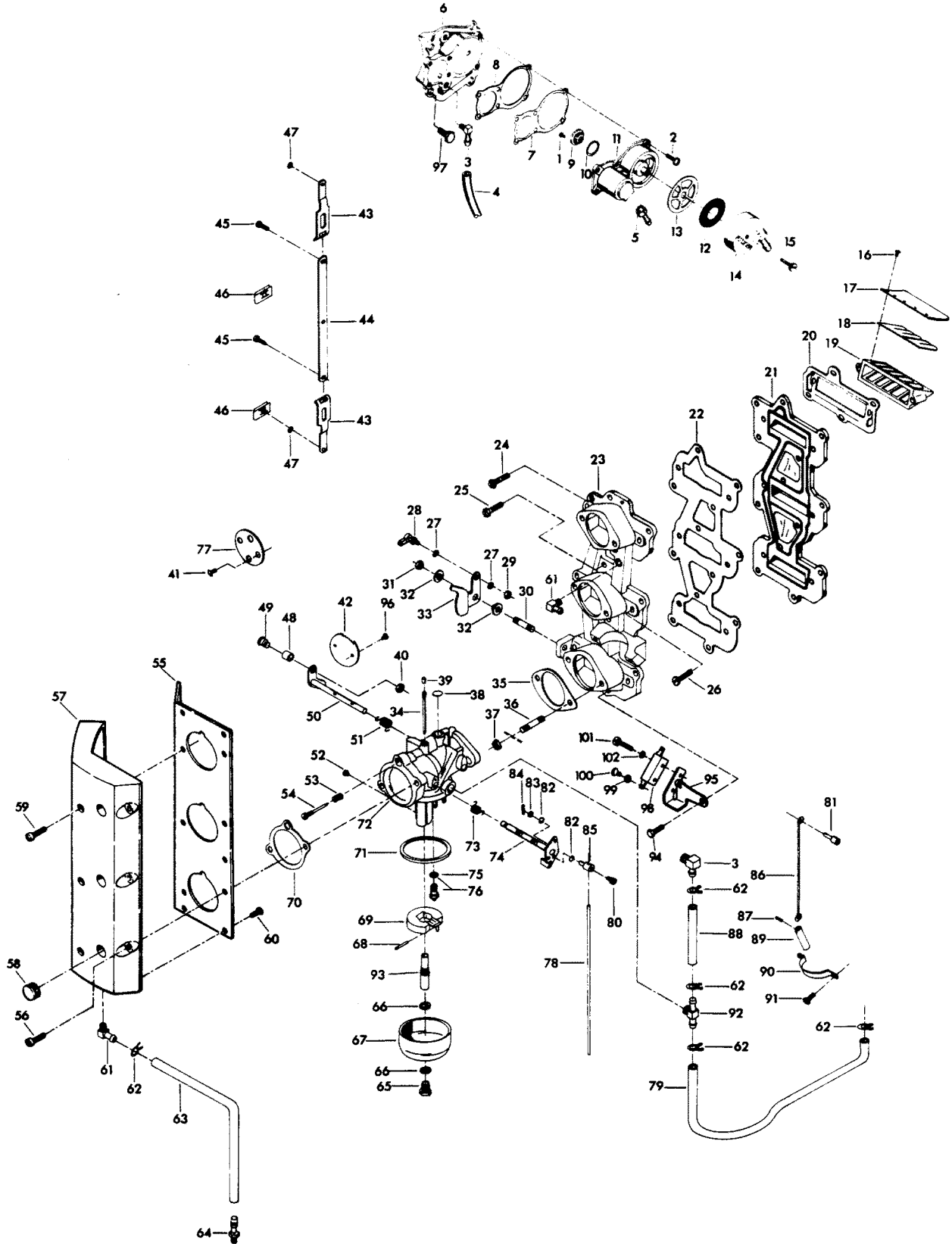
DISTRIBUTOR



DISTRIBUTOR

REF. NO.	PART NO.	SYM.	QTY.	DESCRIPTION
43	F8056		2	LOCKWASHER
44	FK750-1		3	SPARKIE W/SPRING
46	F14017		1	TERMINAL INSULATOR (OUTSIDE)
-	817822A1		1	DISTRIBUTOR
-	481373-1		1	DECAL, "ELECTRONIC" (NOT SHOWN)

CARBURETOR

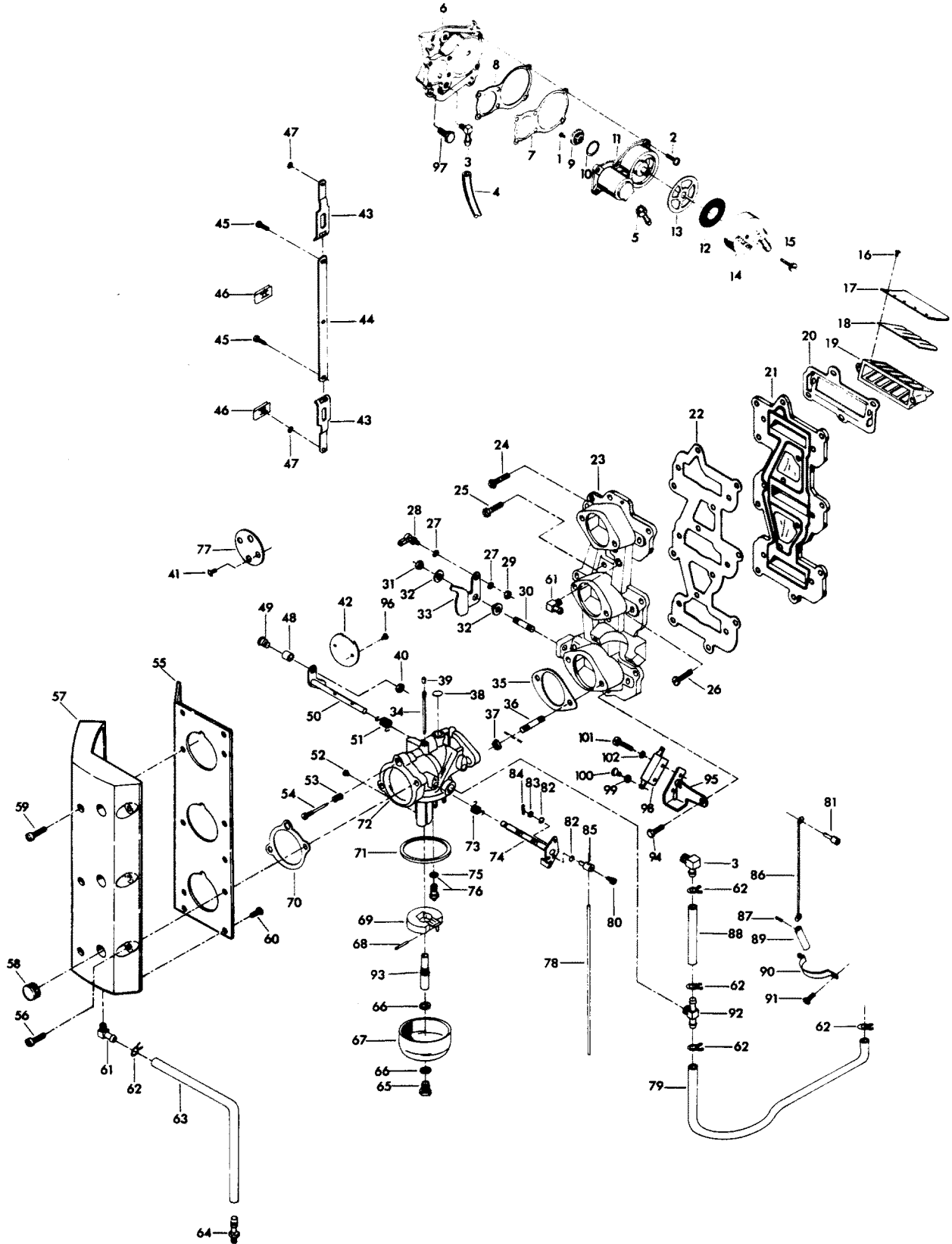


CARBURETOR

REF. NO.	PART NO.	SYM.	QTY.	DESCRIPTION
1	F1860		2	SLOTTED BINDING HD SCREW, 6 - 32 X 1/4
2	F1108		6	FILL HD SCREW W/LOCKWASHER, 1/4 - 20 X 3/4
3	F84314-2		2	ELBOW
4	F89758		1	FUEL PUMP AIR HOSE, TOP
5	F438801		1	FITTING
6	FA439746		1	FUEL PUMP COVER
7	F438747		1	FUEL PUMP DIAPHRAGM
8	F438760		1	FUEL PUMP GASKET
9	F177330		3	FUEL PUMP VALVE
10	F84792		1	GASKET, FUEL PUMP VALVE
11	FA438431		1	FUEL PUMP BODY W/VALVES
12	F438653		1	FUEL SEDIMENT BOWL SCREEN
13	F438617		1	FUEL SEDIMENT BOWL GASKET
14	F438500		1	FUEL SEDIMENT BOWL
15	F438165		1	SCREW, FUEL PUMP BOWL
16	F1755		30	RD HD SCREW W/LOCKWASHER, 6 - 32 X 5/16
17	F85161-1		6	REED STOP
18	F316160		6	REED (4 PETAL)
-	F316164		6	REED (1 PETAL)
19	F2A321158		3	REED PLATE W/REEDS, REED STOP AND SCREW
20	F85168		3	GASKET REED PLATE ADAPTER
21	F85162		1	REED PLATE ADAPTER
22	F85159		1	GASKET, INTAKE MANIFOLD
23	817959A3		1	INTAKE MANIFOLD
24	F2008		8	HEX HD SCREW, 1/4 - 20 X 7/8
25	F1916		2	HEX HD SCREW, 1/4 - 20 X 1 1/8
26	F1773		6	HEX HD SCREW, 1/4 - 20 X 1 1/2
27	F8058		2	INTERNAL TOOTH LOCKWASHER
28	817747--1		1	BALL JOINT W/STUD
29	F1513		1	HEX NUT, 10 - 32
30	F433209-1		1	STUD
31	F1910		1	STOP NUT, 1/4 - 20
32	F269319		2	BEARING
33	F85192-1		1	THROTTLE CAM
34	FO13966		1	IDLE TUBE, FOR 75 H.P. ENGINE CARBURETORS ONLY
35	F85906		3	CARBURETOR GASKET
36	F40209		6	CARBURETOR STUD
37	F1515		6	HEX NUT, 5/16 - 18
38	FO4326		1	BODY CHANNEL WELCH PLUG
39	FO10588		1	BODY CHANNEL CUP PLUG
40	F1997		1	STOP NUT, 8 - 32
41	FO8942		2	SHUTTER SCREW W/LOCKWASHER
42	FO16851		0	THROTTLE SHUTTER

CONTINUED ON NEXT PAGE ➡

CARBURETOR

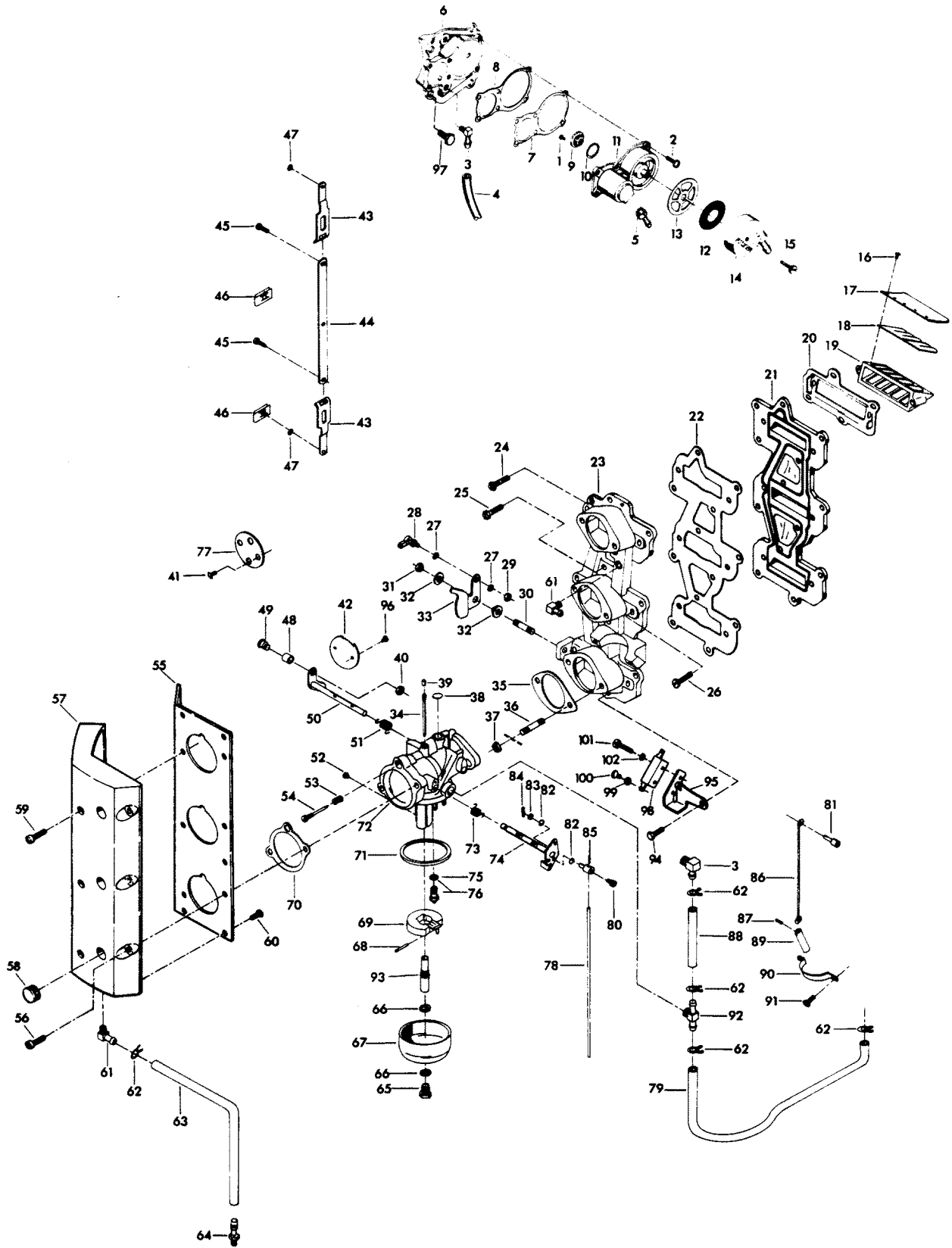


CARBURETOR

REF. NO.	PART NO.	SYM.	QTY.	DESCRIPTION
43	FA85193		2	TIE BAR END W/SWIVEL
44	FA85511		1	THROTTLE TIE BAR W/SWIVEL
45	F1064		2	FILL HD SCREW, S.S., 8 - 32 X 3/8
46	F1693		2	TIE BAR RETAINER
47	F90807		3	RETAINING RING
48	F92759		1	THROTTLE ROLLER
49	F333316		1	THROTTLE ROLLER SHAFT
50	FO15230		1	THROTTLE SHAFT AND LEVER
51	FO16008		1	THROTTLE SHAFT RETURN SPRING
52	FO15026		0	MAIN FUEL JET (.072)
53	FO11103		1	IDLE SCREW SPRING
54	FO13946		0	IDLE SCREW
55	F481567		1	CARBURETOR INTAKE ADAPTER
56	F1504		3	FILL HD SCREW, 1/4 - 20 X 1 1/4
57	F481860-1		1	CARBURETOR, INTAKE
58	F53504		3	GROMMET
59	F1072		3	FILL HD SCREW, 1/4 - 20 X 1 3/4
60	F1760		6	PAN HD SCREW, 10 - 24 X 3/8
61	22-818103--1		2	ELBOW
62	F97772		6	HOSE CLAMP
63	F63754		1	HOSE INTAKE DRAIN
64	22-817789A1		1	DRAIN FITTING
65	FO13945		1	FUEL BOWL RETAINING SCREW
66	FO2510		2	GASKET, FUEL BOWL RETAINING SCREW
67	FO13552		1	FUEL BOWL
68	FO13944		1	FLOAT LEVER PIN
69	FO13554		1	FLOAT
70	F481836		3	INTAKE GASKET
71	FO15623		1	FUEL BOWL GASKET
72	F481061-2		0	CARBURETOR COMPLETE (WB21C)
73	FO13947		0	CHOKE SHAFT RETURN SPRING
74	FO16850		1	CHOKE SHAFT AND LEVER
75	FO10165		1	INLET SEAT GASKET
76	FO10790		1	INLET NEEDLE, SEAT AND GASKET
77	FO13555		0	CHOKE SHUTTER
78	F85509-1		1	CHOKE LINK
79	F438754		1	FUEL LINE W/CLAMPS
80	F1059		3	FILL HD SCREW, S.S., 6 - 32 X 1/4
81	F85033		1	CHOKE ROD SWIVEL
82	F184579		6	SEAL, CHOKE ARM SWIVEL
83	F8088		3	PLAIN WASHER
84	F1014		3	COTTER PIN
85	F184033-1		2	CHOKE ARM SWIVEL

CONTINUED ON NEXT PAGE ➡

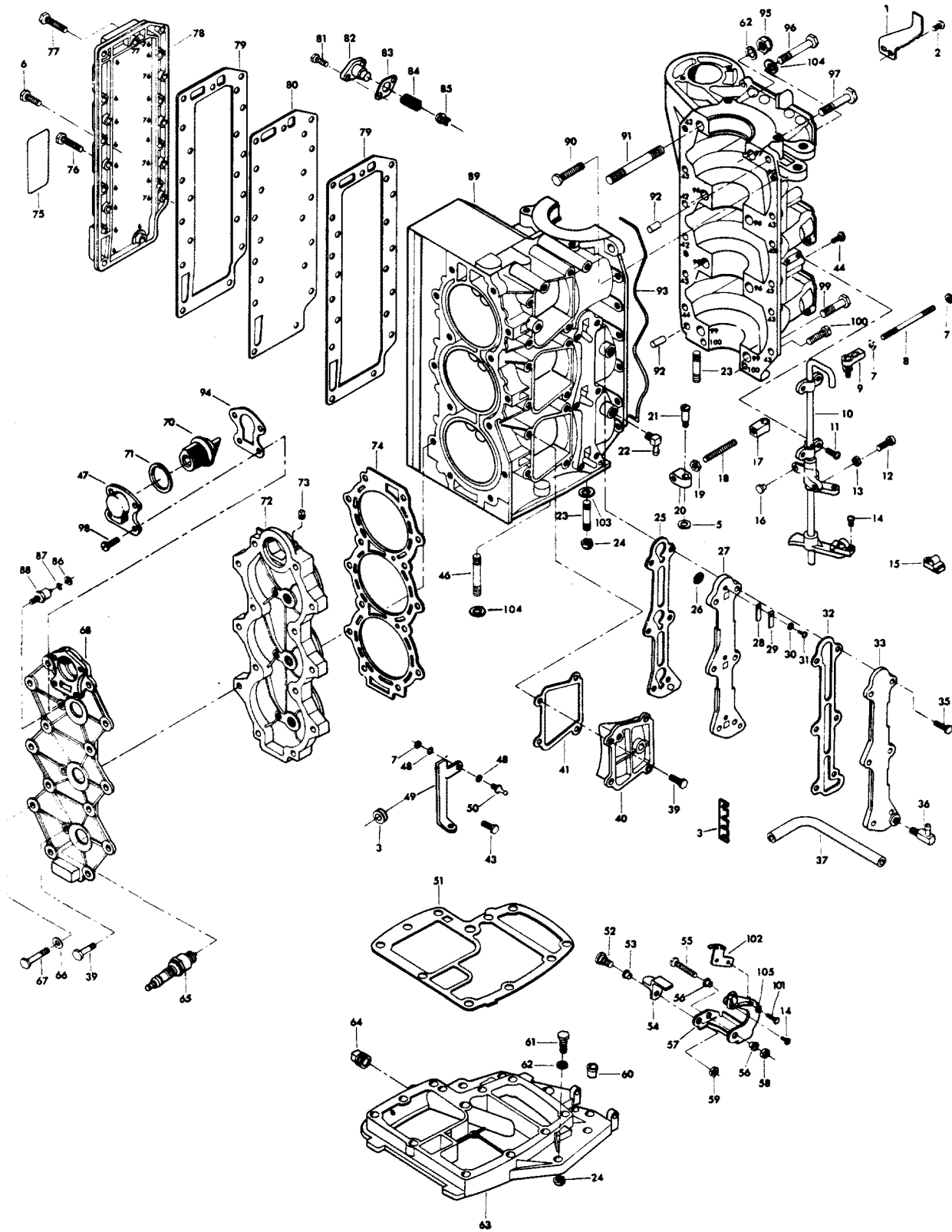
CARBURETOR



CARBURETOR

REF. NO.	PART NO.	SYM.	QTY.	DESCRIPTION
86	F85925		1	CHOKE ROD
87	F2033		1	GROOVE PIN
88	F85253-1		2	FUEL LINE W/CLAMPS
89	F391926-1		1	CHOKE SOLENOID PLUNGER
90	F85317-1		1	CLAMP
91	F1236		2	HEX HD SCREW, 1/4 - 20 X 1/2
92	F85314-1		2	FUEL FITTING
93	FO15217		0	MAIN NOZZLE
94	F1953		2	HEX HD SCREW, 1/4 - 20 X 1
95	F480551-1		1	BRACKET INTERLOCK SWITCH
96	FO8942		2	THROTTLE SHUTTER SCREW AND LOCKWASHER
97	F1502		4	HEX CAP SCREW, 1/4 - 20 X 5/8
98	F84449		1	INTERLOCK SWITCH
99	F1704		2	INTERNAL TOOTH LOCKWASHER
100	F1645		2	RD HD SCREW, 6 - 32 X 1/4
101	F2016		2	FILL HD SCREW, 6 - 32 X 7/8
102	F8088		2	PLAIN WASHER
103	F523451		6	SPACER, REED STOP
-	F10000		1	GASKET SET (NOT SHOWN)
-	F10053		0	REPAIR PARTS KIT (NOT SHOWN) INCLUDES ALL ITEMS MARKED WITH AN ASTERISK *.

POWER HEAD

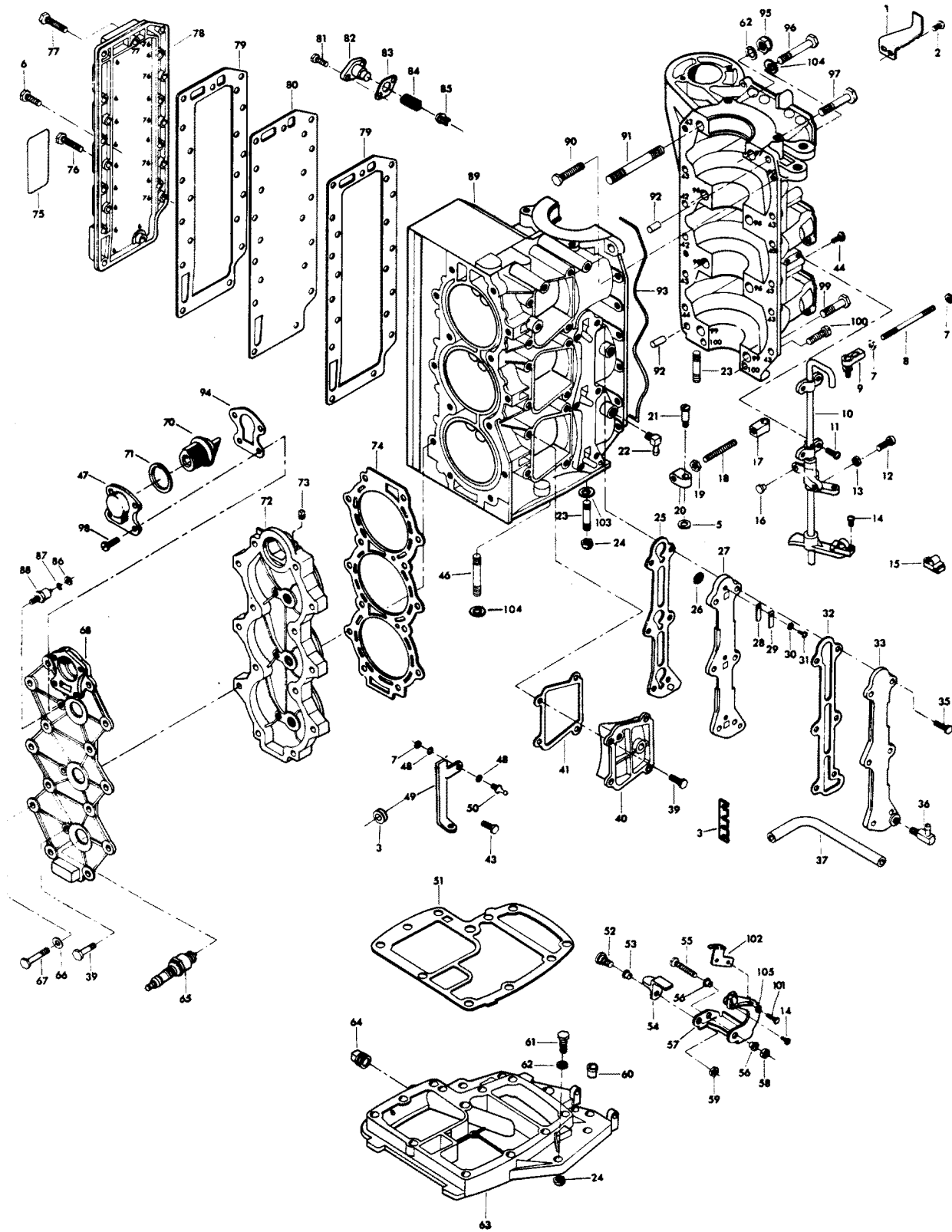


POWER HEAD

REF. NO.	PART NO.	SYM.	QTY.	DESCRIPTION
1	FA480894		1	TIMING POINTER
2	F1760		2	PAN HD SCREW, 10 - 24 X 3/8
3	F523834		1	CLIP, SPARK PLUG WIRE
5	F2042		1	PLAIN WASHER
6	F1203		14	HEX BOLT, 1/4 - 20 X 7/8
7	F1513		4	HEX NUT, 10 - 32
8	F85502		1	THROTTLE LINK
9	817747--1		1	BALL JOINT W/STUD
10	FA85838-5		1	TOWERSHAFT W/BEARINGS, SWIVEL, ARMS AND SCREW
11	F1475		4	FILL HD SCREW, 10 - 24 X 1/2
12	F1504		1	FILL HD SCREW, 1/4 - 20 X 1 1/4
13	F1341		1	HEX NUT, 1/4 - 20
14	F1556		2	FILL HD SCREW W/LOCKWASHER, 10 - 24 X 3/8
15	FK405020		2	SWIVEL W/PIVOT SCREW AND NUT
16	F1727		1	PLASTIC RIVET
17	F85036		1	TOWERSHAFT CONTROL ROD END
18	F85445		1	DISTRIBUTOR CONTROL ROD
19	F2015		1	HEX NUT, 1/4 - 28
20	F85035		1	DISTRIBUTOR CONTROL ROD END
21	F85026		1	SWIVEL
22	F84314-2		1	ELBOW
23	F85859		4	STUD, FORWARD
24	F7004		10	STOP NUT, 3/18 - 16
25	F85748-2		1	GASKET, CYLINDER DRAIN REED PLATE
26	F93811		3	SCREEN
27	F2A404757		1	CYLINDER DRAIN REED PLATE W/RDS, STOPS, METERG CUP & SCREWS
28	F18160-1		3	REED
29	F93920		3	REED STOP
30	F8003		3	PLAIN WASHER
31	F1286		3	PAN HD SCREW, 4 - 40 X 3/16
32	F85472-2		1	GASKET, CYLINDER DRAIN COVER
33	817787A1		1	CYLINDER DRAIN COVER
35	F1187		6	HEX HD SCREW, 1/4 - 20 X 1
36	F404801		1	FITTING
37	F433253		1	HOSE
39	F1502		8	HEX HD SCREW, 1/4 - 20 X 5/8
40	FA411222		2	TRANSFER PORT COVER W/PLUG
41	F40223		3	GASKET, TRANSFER PORT COVER
42	F1999		2	HEX CAP SCREW, 1/4 - 20 X 7/8
43	F1238		10	HEX HD SCREW, 1/4 - 20 X 3/4
44	F1199		1	HEX CAP SCREW, 1/4 - 20 X 1
46	F85211		6	STUD, REAR

CONTINUED ON NEXT PAGE ➡

POWER HEAD

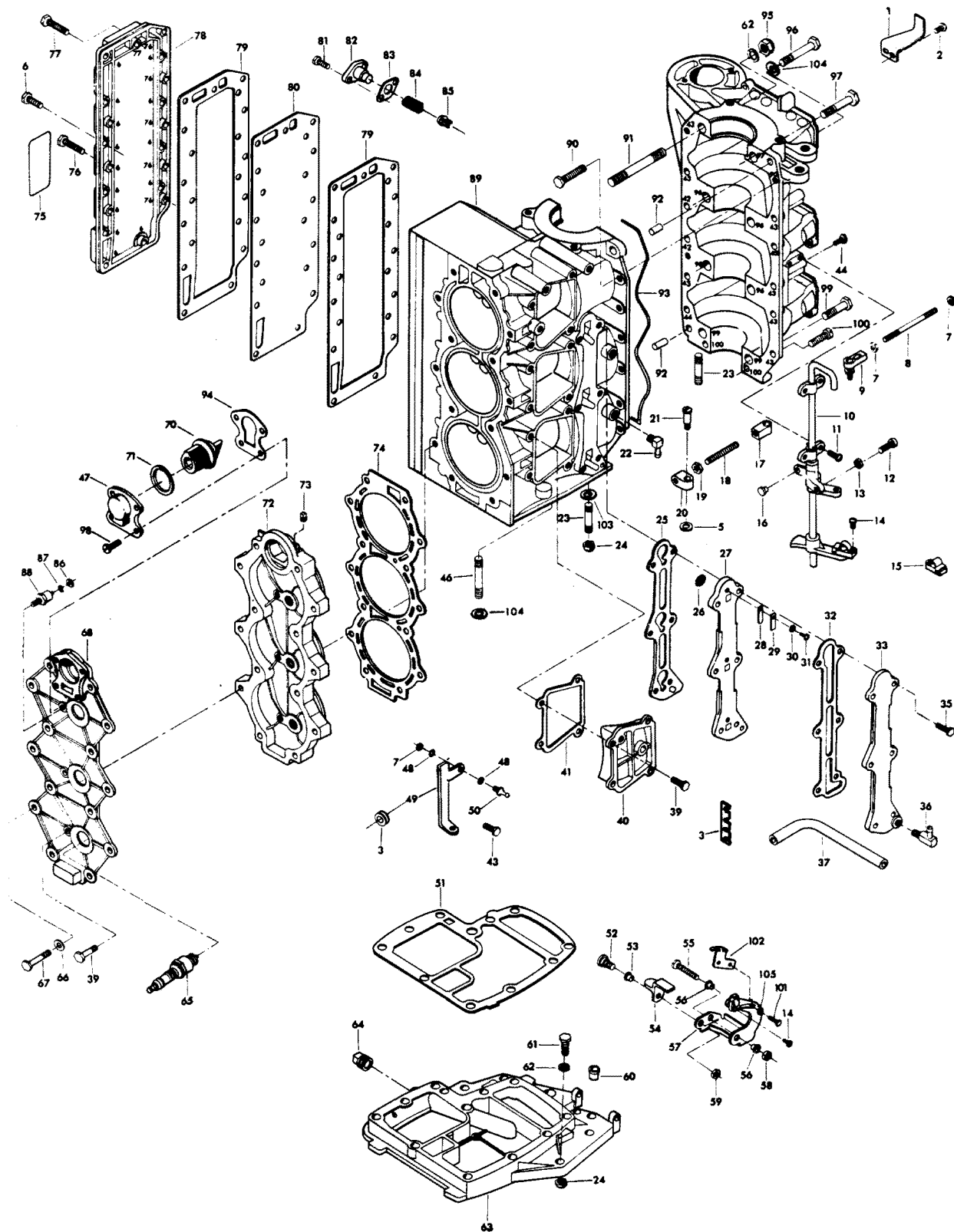


POWER HEAD

REF. NO.	PART NO.	SYM.	QTY.	DESCRIPTION
47	F476066-1		1	COVER, THERMOSTAT
48	F8058		4	INTERNAL TOOTH LOCKWASHER
49	85872-1		1	BRACKET
50	F98273		2	ROD END CONNECTOR STUD
51	F85279-2		1	CYLINDER EXHAUST GASKET, UPPER
52	F369887		1	SHOULDER SCREW
53	F369610		1	BEARING
54	F369977-1		1	INTERLOCK ARM
55	F1885		1	HEX BOLT, 5/16 - 18 X 4 1/4
56	F85610		2	BEARING
57	FA480876		1	GEAR SHIFT ARM W/SWIVEL, INTERLOCK ARM AND BEARINGS
58	F2108		1	STOP NUT, 5/16 - 18
59	F1832		1	STOP NUT, 1/4 - 20
60	FA98689		1	BEARING, TOWERSHAFT
61	F1869		6	HEX BOLT, 3/8 - 16 X 1 1/4
62	F1703		6	SPRING LOCKWASHER
63	817788A3		1	SPACER PLATE W/PLUGS
64	F2090		1	PLUG
65	33-97180		3	SPARK PLUG (CHAMPION L-20-V)
66	F1987		14	PLAIN WASHER
67	F1883		14	HEX BOLT, 5/16 - 18 X 2 3/8
68	F499995		1	CYLINDER HEAD COVER
70	F528068		1	THERMOSTAT
71	F84504		1	GROMMET
72	F480518		1	CYLINDER HEAD
73	F19109		1	PLUG
74	F369529		1	CYLINDER HEAD GASKET
75	F438398		1	DECAL, WIRING
-	FC438398		1	DECAL, WIRING - CANADA (NOT SHOWN)
76	F1709		5	HEX HD SCREW, 1/4 - 20 X 1 1/8
77	F1849		1	HEX HD SCREW, 1/4 - 20 X 1 3/8
78	F85152-4		1	EXHAUST PORT COVER
79	F85154-1		2	GASKET, EXHAUST PORT PLATE
80	F85151-1		1	EXHAUST PORT PLATE
81	F1950		2	HEX HD SCREW, 10 - 24 X 5/8
82	F438066		1	BY-PASS VALVE COVER
83	F85762		1	GASKET, BY-PASS
84	F404268		1	SPRING, BY-PASS VALVE
85	F85916-1		1	BY-PASS VALVE
86	F1647		1	HEX NUT, 10 - 32
87	F8056		1	SPRING LOCKWASHER
88	87-817778A1		1	THERMOSWITCH

CONTINUED ON NEXT PAGE ➡

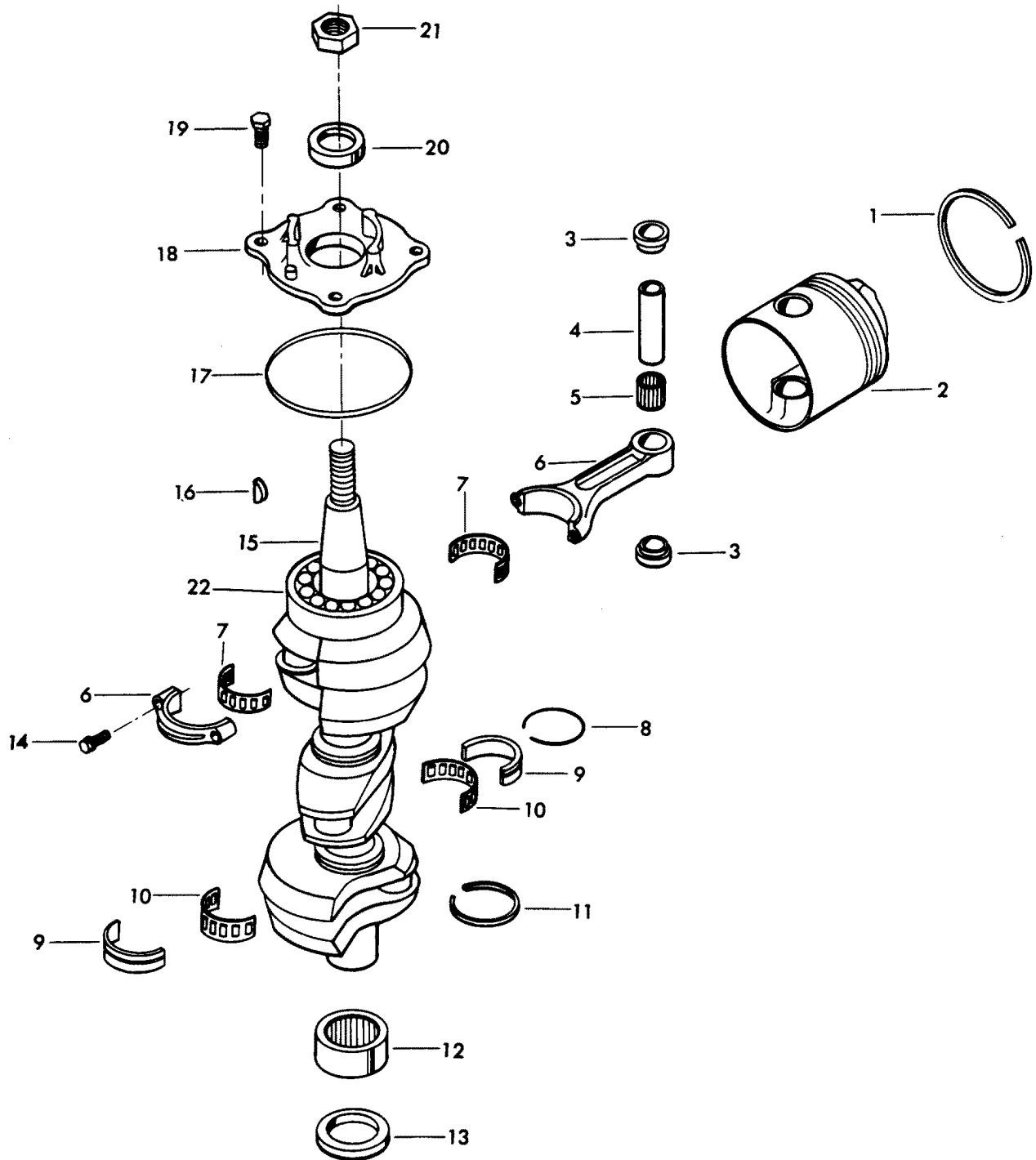
POWER HEAD



POWER HEAD

REF. NO.	PART NO.	SYM.	QTY.	DESCRIPTION
89	800-817823A7		1	CYLINDER ASSEM'Y W/PARTG LINE SEAL AND LOWR MAIN BEARG ASS'Y
90	F1864		1	HEX HD SCREW, 1/4 - 20 X 3/4
91	F85210		1	STUD
92	F8563		2	DOWEL PIN
93	F85122		1	PARTING LINE SEAL
94	F476067		1	GASKET, THERMOSTAT COVER
95	F1347		1	HEX NUT, 3/8 - 16
96	F1873		4	HEX BOLT, 3/8 - 16 X 3
97	F1009		1	HEX BOLT, 3/8 - 16 X 2 3/4
98	F1110		4	FILL HD SCREW, 1/4 - 20 X 5/8
99	F1872		2	HEX BOLT, 3/8 - 16 X 1 3/4
100	F1099		2	FILL HD SCREW, 1/4 - 20 X 1 1/4
101	F2089		2	SLOTTED PAN HD MACHINE SCREW, 10 - 24 X 5/16
102	F480107-1		1	CAM, STARTER INTERLOCK
103	F8038		4	PLAIN WASHER
104	F8095		14	PLAIN WASHER
105	F2042		2	PLAIN WASHER
-	FG460-1		1	GASKET SET (NOT SHOWN)
-	C523227		3	SPARK PLUG (CHAMPION QL-76V) FOR MODEL 857BF
-	800-817901A9		1	SHORT BLOCK INCLUDES ALL ITEMS MARKED WITH AN ASTERISK (*). ALSO REFER TO CRANKSHAFT PAGE. ORIGINAL FORCE P/N C481010-4

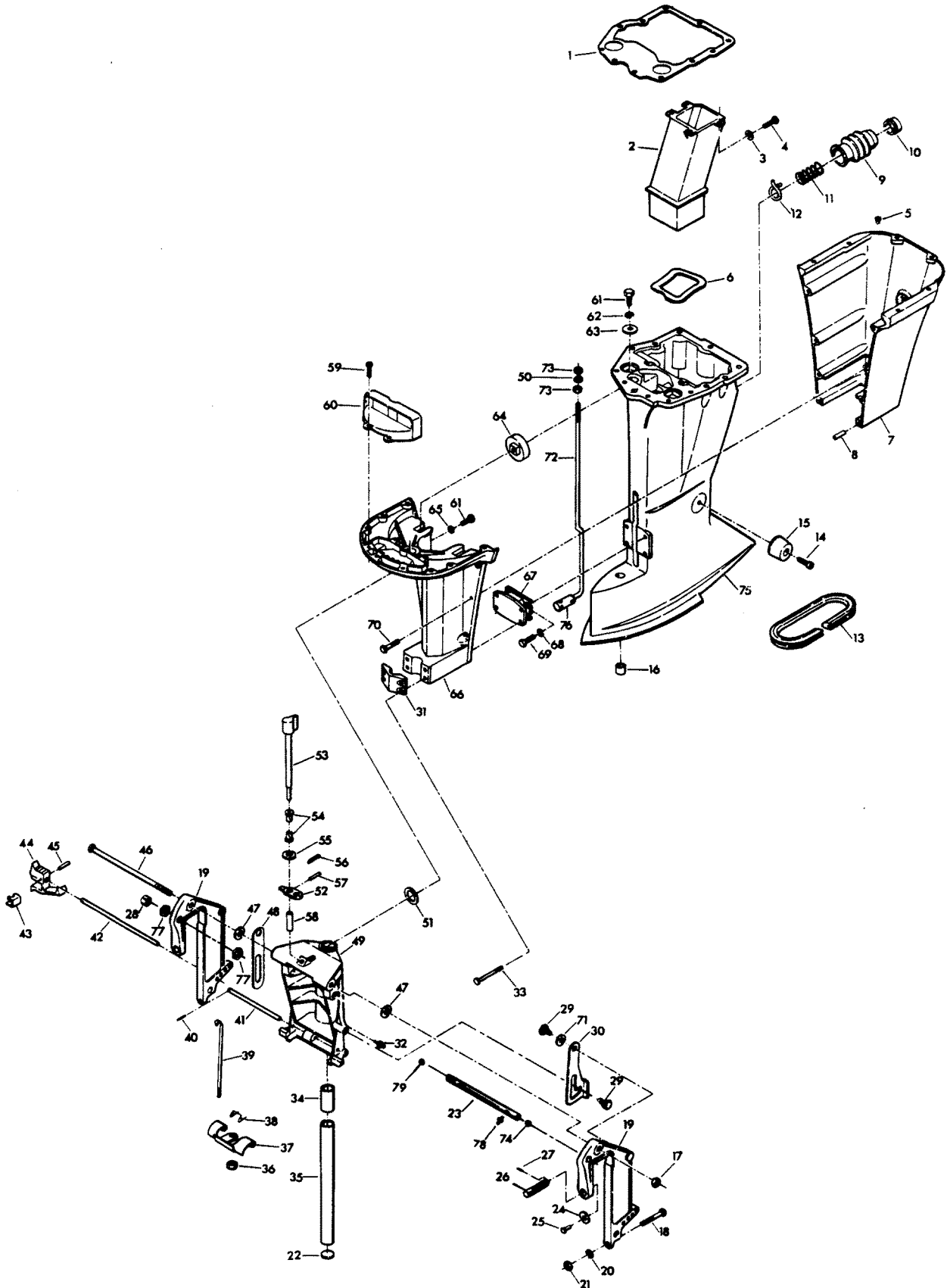
CRANKSHAFT AND PISTON GROUP



CRANKSHAFT AND PISTON GROUP

REF. NO.	PART NO.	SYM.	QTY.	DESCRIPTION
1	FA335260		3	PISTON RING SET (3 PER SET)
2	700-F372015-3		3	PISTON
3	F335215		6	SPACER, PISTON PIN (2 PER PISTON)
4	F85017		3	PISTON PIN
5	F335217-1		3	BEARING PISTON PIN (26 PER SET)
6	600-818052A4		3	CONNECTING ROD W/CAP AND SCREWS
7	FK85228		3	BEARING CAGE W/ROLLER
8	F85410		2	SNAP RING
9	FA85655-1		2	CRANKSHAFT MAIN BEARING RACE W/SNAP RING
10	F85571		2	BEARING CAGE W/ROLLER
11	F316579		2	SEAL, CRANKCASE
12	31-FA523014		1	CRANKSHAFT LOWER MAIN BEARING W/SEAL
13	F84146-2		1	SEAL
14	F85634-1		6	CONNECTING ROD SCREW
15	FA85018-2		1	CRANKSHAFT W/BEARING
16	F85498		1	FLYWHEEL KEY
17	F84278		1	SEAL, CRANKSHAFT BEARING CAGE
18	31-817785A2		1	CRANKSHAFT BEARING CAGE W/SEAL
19	F1867		4	HEX CAP SCREW, 3/8 - 16 X 1
20	F523146		1	SEAL
21	F1968		1	FLYWHEEL NUT
22	30-F284659-2		1	CRANKSHAFT THRUST BEARING UPPER
-	F2067		1	PLASTISOL CAP (NOT SHOWN)
-	FSA335260		3	PISTON RINGS (3 PER SET) .010 OVERSIZE (NOT SHOWN)
-	39-818110A1		3	PISTON RINGS (3 PER SET) .030 OVERSIZE (NOT SHOWN)
-	700-817988A2		3	PISTON .010 OVERSIZE (NOT SHOWN)
-	700-818111A2		3	PISTON .030 OVERSIZE (NOT SHOWN)

MOTOR LEG

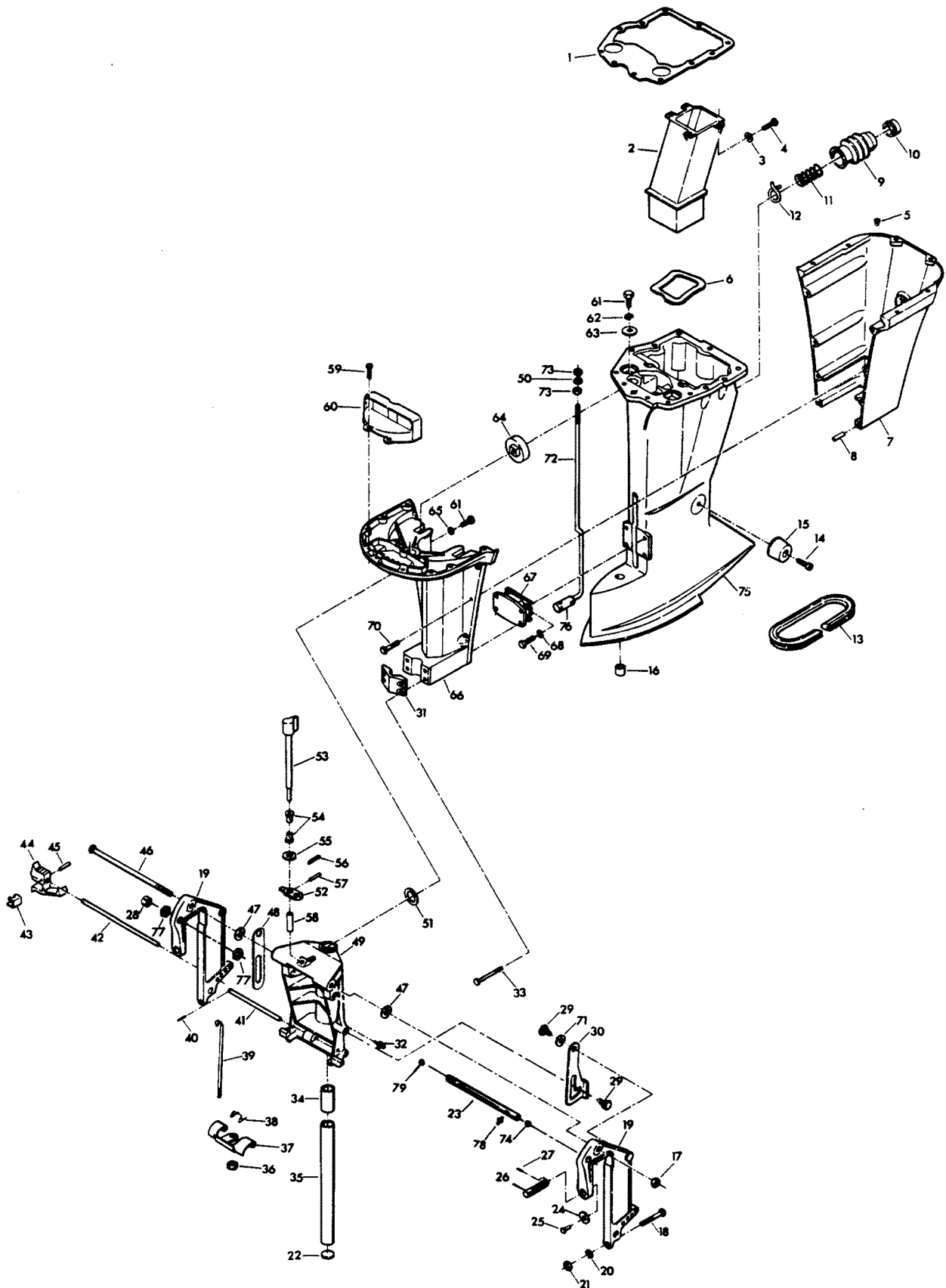


MOTOR LEG

REF. NO.	PART NO.	SYM.	QTY.	DESCRIPTION
1	F85453-1		1	GASKET, EXHAUST LOWER
2	F85660-1		1	EXHAUST TUBE
3	F8083		4	SPRING LOCKWASHER
4	F1864		4	HEX SLOT HD SCREW 1/4 - 20 X 3/4
5	F1729		2	PLUG
6	F439736		1	SEAL EXHAUST TUBE
7	817931A7		1	MOTOR LEG COVER REAR
8	F1664		2	SPRING PIN
9	F85130		1	BOOT, IDLE EXHAUST
10	F85258		1	INSERT
11	F85380		1	SPRING
12	F85772		1	CLAMP
13	F178323		1	SEAL, MOTOR LEG
14	F1263		2	HEX SOCKET HD CAP SCREW 5/16 - 18 X 9/16
15	F438962		2	SHOCK MOUNT SIDE
16	F338618-1		1	SEAL, GEAR SHIFT ROD
17	F7012		1	LOCK NUT, 1/2 - 20
18	F1593		2	HEX HD SCREW 3/8 - 16 X 3
19	1400-817958A6		2	STERN BRACKET
20	F1904		2	PLAIN WASHER
21	F1346		2	HEX NUT 3/8 - 16
22	F1528		1	WELCH PLUG
23	F511125-2		2	TUBE, STEERING SUPPORT
24	F84074		2	CLAMP SCREW FOOT
25	F353480		2	STUD
26	F474073-1		2	CLAMP SCREW
27	F8538		2	SPRING PIN
28	F9018		1	CAP
29	F85350-1		4	TILT STOP PIVOT
30	F85541-1		1	TILT LOCK
31	F85606		1	KINGPIN CAP
32	F213274		3	GREASE FITTING
33	F1696		4	HEX BOLT 5/16 - 18 X 1 3/4
34	F438169		2	BEARING
35	FA85019		1	KINGPIN W/PLUG
36	F1669		1	LOCK NUT
37	F369349		1	REVERSE LOCK
38	F85300		1	REVERSE LOCK SPRING
39	F369510		1	LINK
40	F8547		1	SPRING PIN
41	F177350		1	REVERSE LOCK PIN
42	FA438113		1	STERN BRACKET LOCK BAR W/HANDLE
43	F286461		1	SPRING LOCK BAR HANDLE

CONTINUED ON NEXT PAGE ➡

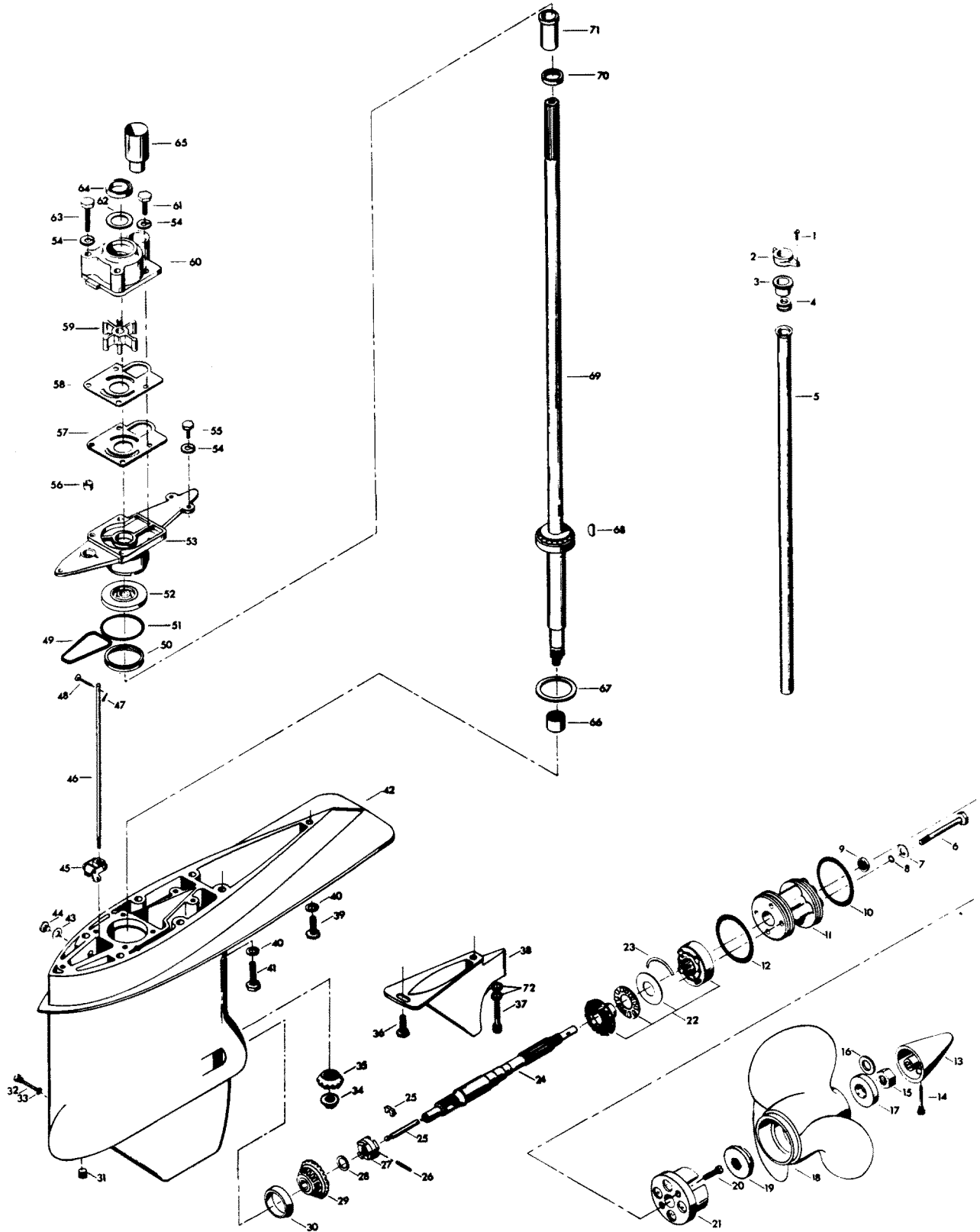
MOTOR LEG



MOTOR LEG

REF. NO.	PART NO.	SYM.	QTY.	DESCRIPTION
44	F433114		1	HANDLE, LOCK BAR
45	F1744		1	SPRING PIN
46	F85037-1		1	STERN BRACKET PIVOT BOLT
47	F84286-1		4	FRICITION WASHER
48	F85426		1	TILT STOP
49	817783A5		1	SWIVEL BRACKET W/BEARING AND GREASE FITTINGS
50	F1987		1	PLAIN WASHER
51	F84011		1	WASHER
52	F369364		1	REVERSE LOCK ARM
53	F369827		1	HANDLE AND SHAFT
54	F197813		2	BEARING
55	F8094		1	PLAIN WASHER
56	F1014		1	COTTER PIN
57	F1836		1	SPRING PIN
58	F483884		1	BEARING
59	F1912		4	HEX HD SCREW 10 - 24 X 1/2
60	F85779-1		1	BAFFLE, AIR INTAKE
61	F1871		4	HEX HD SCREW 3/8 - 16 X 3/4
62	F2014		2	PLAIN WASHER
63	FA85355-1		2	WASHER SHOCK MOUNT UPPER
64	F85965		2	SHOCK MOUNT, UPPER
65	F1703		2	SPRING LOCKWASHER
66	A85135-3		1	LEG COVER, FRONT
67	F438346		1	SHOCK MOUNT, LOWER
68	F8096		4	SPRING LOCKWASHER
69	F1822		4	HEX BOLT 5/16 - 18 X 7/8
70	F2030		6	HEX HD SCREW 1/4 - 20 X 1 1/4
71	F1666		2	BOWED SPRING WASHER
72	F85615		1	GEAR SHIFT ROD UPPER
73	F2108		2	LOCK NUT 5/16 - 18
74	F9052		1	PLUG
75	F523133-2		1	MOTOR LEG
76	F85704		1	COUPLER, GEARSHIFT ROD UPPER
77	F523280		2	NUT, STEERING SUPPORT TUBE
78	F523274		1	GREASE FITTING
79	F316599		1	SEAL, STEERING SUPPORT TUBE
-	F474390-1		1	DECAL, REVERSE LOCK (NOT SHOWN)
-	37-819450		1	DECAL, REVERSE LOCK - CANADA (NOT SHOWN)

GEAR HOUSING

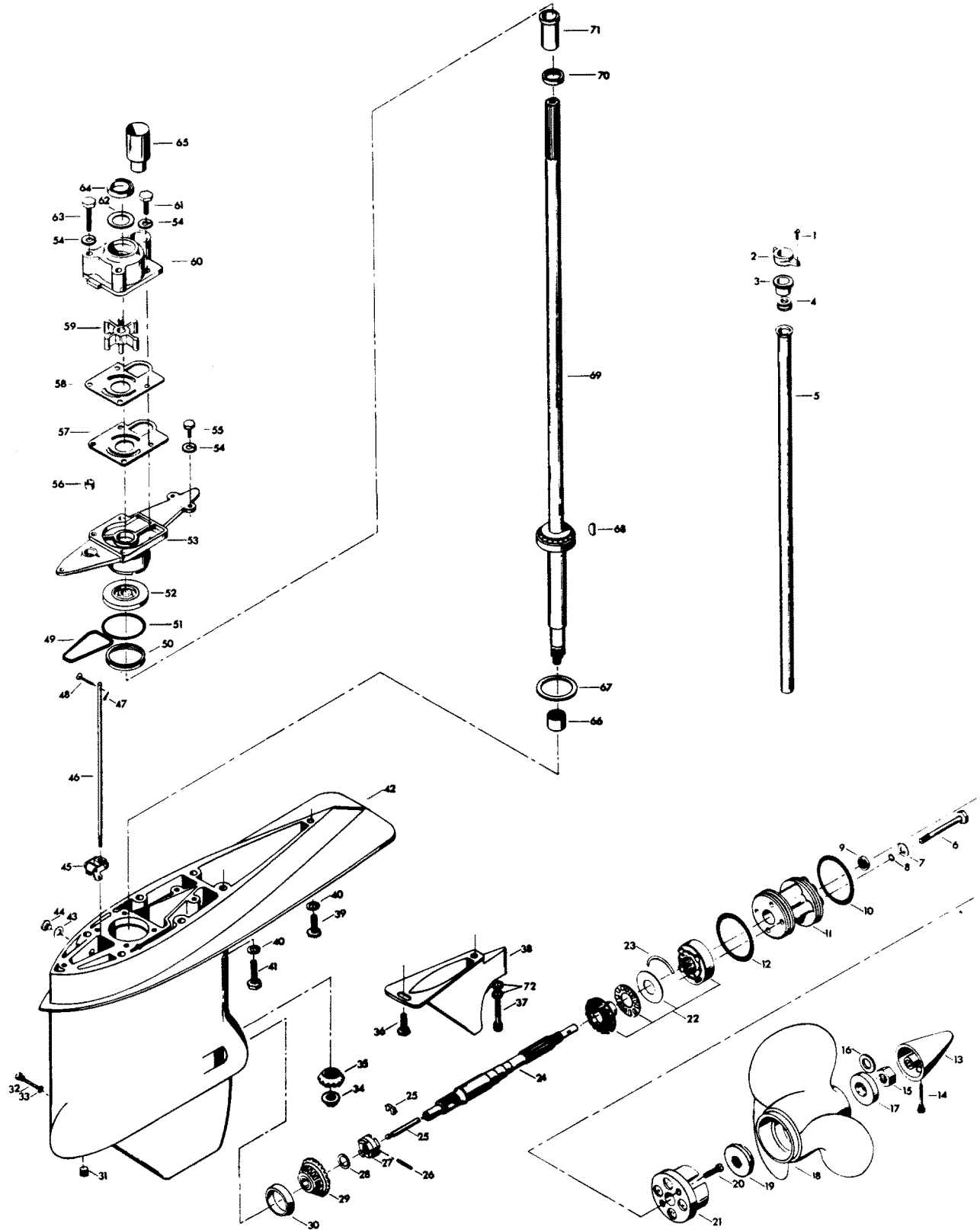


GEAR HOUSING

REF. NO.	PART NO.	SYM.	QTY.	DESCRIPTION
1	F1705		2	HEX CAP SCREW, 1/4 - 20 X 3/4
2	F85117		1	BRACKET, WATER LINE
3	F84342		1	SEAL, INLET WATER LINE UPPER
4	F523899		1	GROMMET, WATER LINE
5	F523244		1	INLET WATER LINE
6	F1885		4	HEX CAP SCREW, 5/16 - 18 X 4 1/4
7	F1907		4	PLAIN WASHER
8	F50342-1		4	SEAL, BEARING CAGE BOLTS
9	F506118		1	SEAL, PROPELLER SHAFT
10	F24278		1	SEAL, "O" RING PROPELLER SHAFT SPOOL
11	F2A523239		1	SPOOL, PROPELLER SHAFT BEARING W/SEALS
12	F84305		1	SEAL, PROPELLER SHAFT BEARING SPOOL
13	F523094-2		1	PROPELLER NUT
14	F90891		1	PIN, PROPELLER NUT RETAINING
15	F1788		1	STOP NUT
16	F1866		1	PLAIN WASHER
17	F523299-1		1	WASHER, PROPELLER SPLINE
18	FP524		1	PROPELLER, (ACCESSORY ITEM)
19	F523099		1	SPACER, PROPELLER
20	F1577		2	FILL HD SCREW, 1/4 - 20 X 3/4
21	FA523485		1	ANTI-CORROSION ANODE
22	F2A498662		1	BEVEL GEAR REAR W/BEARING CAGE, SPACER AND BEARING
23	F523411		2	RETAINING RING
24	FA523098		1	PROPELLER SHAFT
25	FA84871-1		1	PIN, GEAR SHIFT W/YOKE
26	F1713		1	SPRING PIN
27	F84521-1		1	CLUTCH
29	F2A498023		1	BEVEL GEAR FRONT W/BEARING
30	F523812		1	BEARING CUP
31	F19109		1	PLUG, GEAR HOUSING
32	F90891		1	PIN, GEAR SHIFT ARM
33	F8001		1	WASHER
34	F523188		1	NUT, BEVEL PINION RETAINING
35	FA498266		1	BEVEL PINION GEAR W/CRUSH RING AND SHIMS
36	F438930		1	RETAINER, SNOUT
37	F1994		1	HEX SOCKET HD CAP SCREW, 5/16 - 18 X 1
38	F523116		1	EXHAUST SNOUT
39	F1858		1	HEX CAP SCREW, 5/16 - 18 X 1
40	F8096		7	SPRING LOCKWASHER
41	F1491		6	HEX CAP SCREW, 5/16 - 18 X 3 1/4
42	FA523054		1	GEAR HOUSING W/BEARG CUP DRIVESHAFT BEARG LOWR, PLUGS & WSHR
43	F8077		2	WASHER, GEAR HOUSING PLUG

CONTINUED ON NEXT PAGE ➡

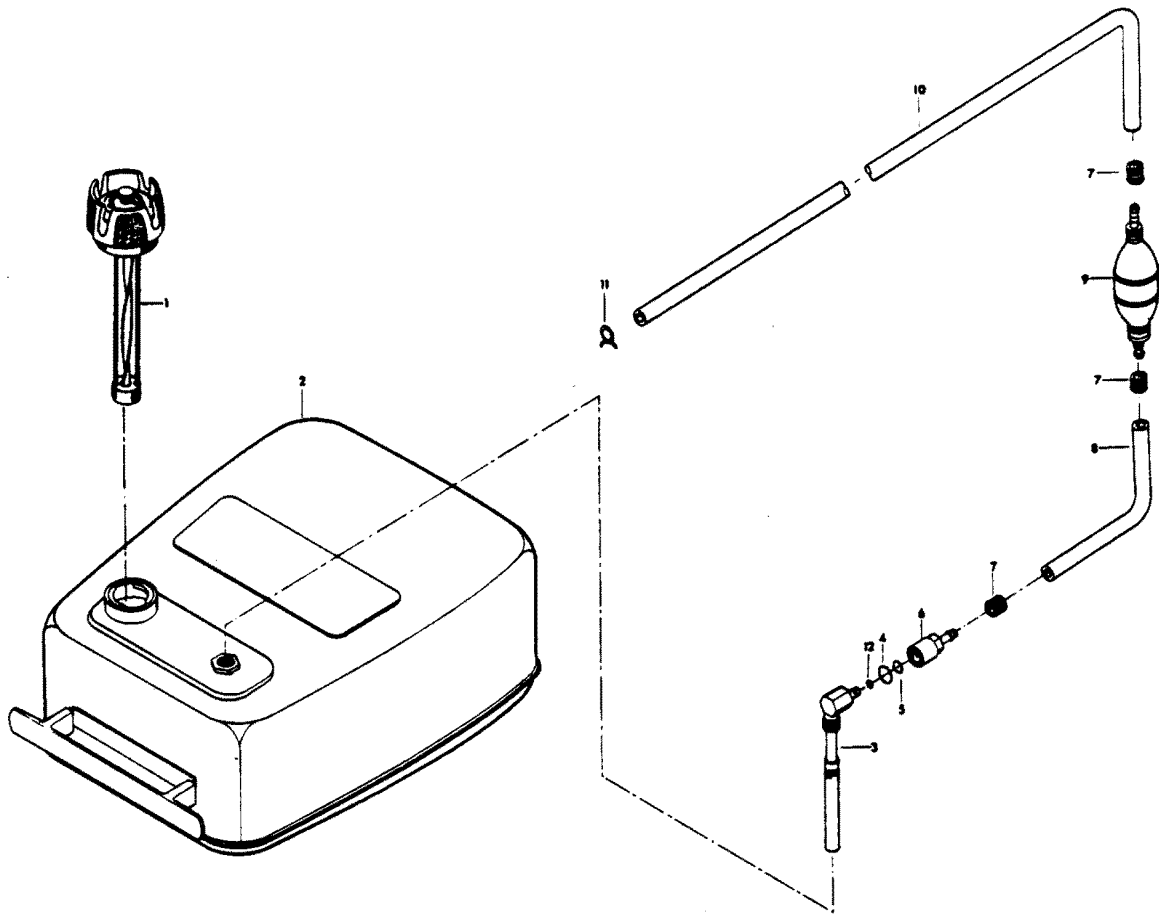
GEAR HOUSING



GEAR HOUSING

REF. NO.	PART NO.	SYM.	QTY.	DESCRIPTION
44	F50109		2	PLUG, GEAR HOUSING
45	FA84621-1		1	COUPLING, GEAR SHIFT ARM W/BUSHING
46	F523705		1	GEAR SHIFT ROD LOWER
47	F1015		1	COTTER PIN
48	F85372		1	PIN, GEAR SHIFT ROD LOWER
49	F523555		1	SEAL, "O" RING - GEAR HOUSING COVER
50	F523961		1	CRUSH RING
51	F74305		1	SEAL, DRIVESHAFT BEARING CAGE
52	F84307-1		1	SEAL, DRIVESHAFT
53	FA523706		1	GEAR HOUSING COVER W/SEALS
54	F8083		7	SPRING LOCKWASHER
55	F1999		3	HEX CAP SCREW, 1/4 - 20 X 7/8
56	F338618-1		1	SEAL, GEAR SHIFT ROD
57	F523031		1	GASKET, WATER PUMP
58	F523562		1	WATER PUMP BACK PLATE
59	F523065		1	WATER PUMP IMPELLER
60	FA523060		1	WATER PUMP BODY W/DRIVESHAFT SEAL, DISC AND WATER LINE SEAL
61	F1990		2	HEX CAP SCREW, 1/4 - 20 X 1 5/8
62	F480388		1	DISC, WATER PUMP LOCATING
63	F1425		2	HEX CAP SCREW, 1/4 - 20 X 2 5/8
64	F351307		1	SEAL, WATER PUMP
65	FA523735		1	SEAL, INLET WATER LINE LOWER
66	F523057		1	BEARING, DRIVESHAFT LOWER
68	F523498		1	DRIVE KEY, WATER PUMP
69	45-818017A3		1	DRIVESHAFT W/BEARING, SHIMS AND CRUSH RING
70	F438271		1	RETAINER, CRANKSHAFT SPLINE SEAL
71	F438129		1	SEAL, DRIVESHAFT SPLINE
72	F1856		2	PLAIN WASHER
-	FC498054		1	GEAR HOUSING COMPLETE INCLUDES ALL ITEMS MARKED WITH AN ASTERISK (*).

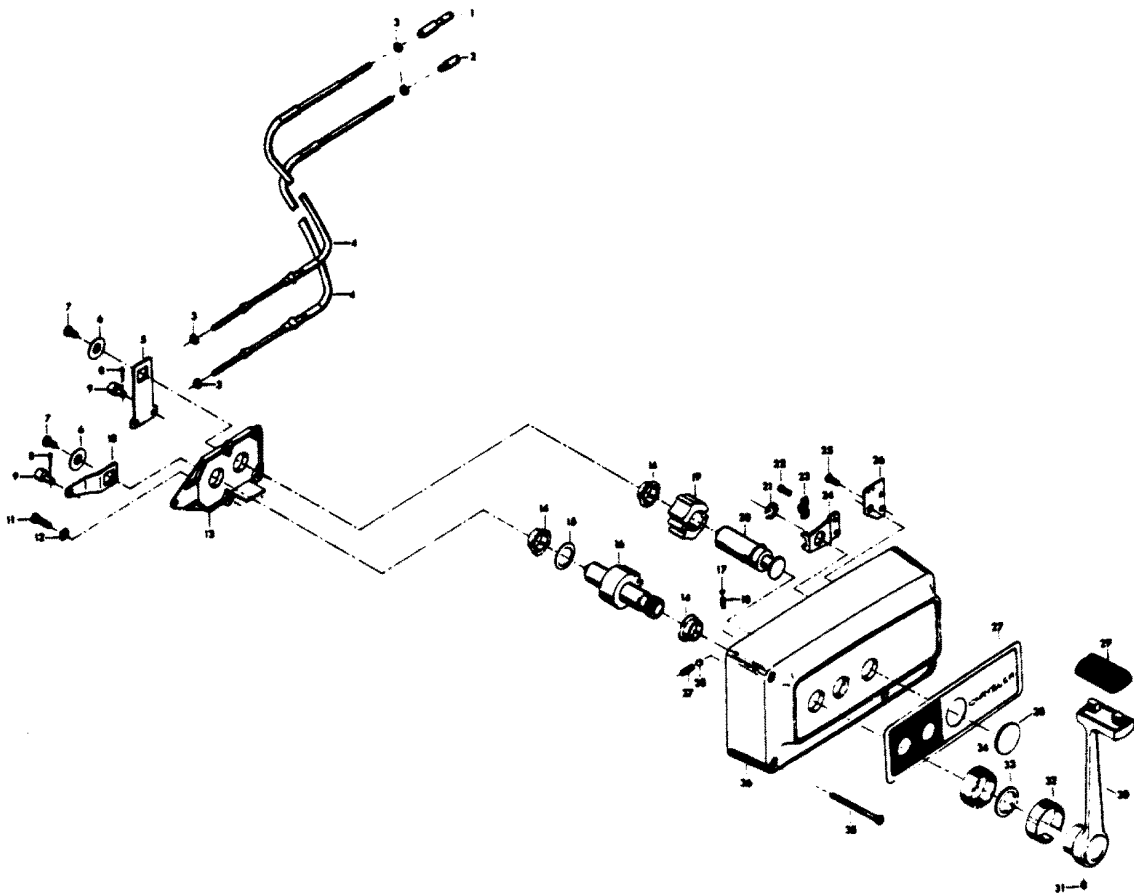
FUEL TANK AND LINE



FUEL TANK AND LINE

REF. NO.	PART NO.	SYM.	QTY.	DESCRIPTION
1	F409251-1		1	GAUGE CAP
2	F71H08		1	FUEL TANK (ACCESSORY ITEM)
3	F485755-1		1	FUEL TANK ADAPTER
4	F213342		1	SEAL, FUEL LINE COUPLER (LARGE)
5	F213735		1	SEAL, FUEL LINE COUPLER (SMALL)
6	F197787-3		1	FUEL LINE COUPLER
7	F298788		3	FERRULE
8	FA84754-1		1	FUEL LINE SHORT W/FERRULES
9	89396A38		1	PRIME BULB
10	32-817738A1		1	FUEL LINE LONG W/CLAMP AND FERRULE
11	F97772		1	FUEL LINE CLAMP
12	F17932		1	SEAL, FUEL TANK ADAPTER
-	FS409752		1	FUEL LINE COMPLETE (NOT SHOWN)
-	FC409398		1	DECAL, TOTE TANK - CANADA (NOT SHOWN)

REMOTE CONTROL

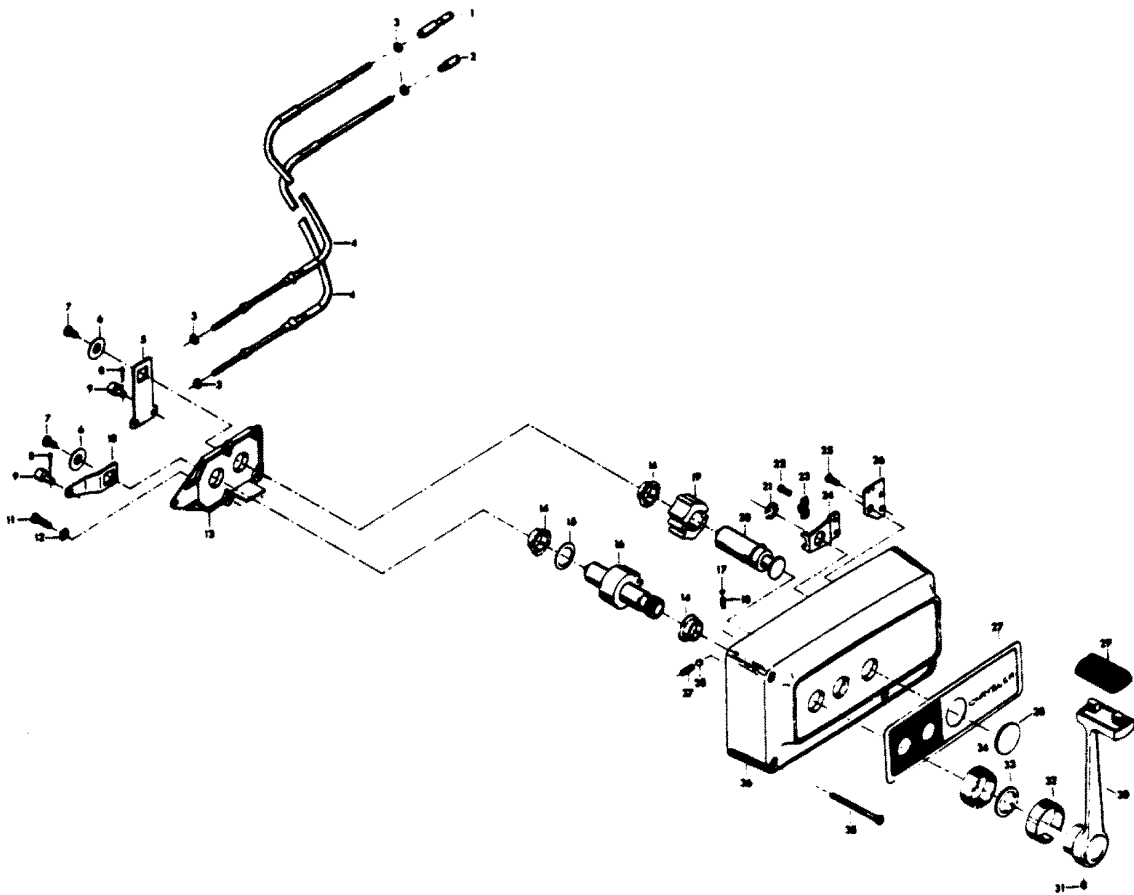


REMOTE CONTROL

REF. NO.	PART NO.	SYM.	QTY.	DESCRIPTION
1	FA58976-1		1	CONNECTOR, THROTTLE CABLE
2	F58685-2		1	CONNECTOR, SHIFT CABLE
3	F1513		4	HEX NUT
4	ÄF58356//		2	REMOTE CONTROL CABLE (SPECIFY LENGTH)
5	F17019		1	CLUTCH ARM
6	F17036		2	INTERNAL TOOTH LOCKWASHER
7	F1715		2	HEX BOLT, 1/4 - 28 X 9/16
8	F17015		2	COTTER PIN
9	F17016		2	CABLE TERMINAL
10	F17014		1	THROTTLE ARM
11	F17013		2	FILL HD SCREW, 1/4 - 20 X 1/2
12	F17020		2	INTERNAL TOOTH LOCKWASHER
13	F17012		1	RETAINING PLATE
14	F17009		3	BEARING
15	F17011		1	BOWED WASHER
16	F17010-1		1	THROTTLE GEAR
17	F17111		1	DETENT BALL
18	F17006		1	DETENT SPRING
19	F17021		1	CLUTCH GEAR
20	F17100		1	CLUTCH SHAFT
21	F17092		1	SNAP RING
22	F17107		2	FILL HD SCREW, 10 - 24 X 5/16
23	F154317		1	CABLE CLAMP
24	F17026		1	SWIVEL
25	F1557		2	FLAT HD SCREW, 10 - 24 X 3/8
26	F17112		1	JUNCTION BOARD, STARBOARD
-	F17113		1	JUNCTION BOARD, PORT
27	F17101		1	DECAL, STARBOARD
-	17102		1	DECAL, PORT
28	F17031		1	SNAP CAP
29	F17116		1	KNOB
30	F17115		1	HANDLE
31	F17030-1		1	SET SCREW
32	FK17114-1		1	INDICATOR
33	F17105		1	FELT WASHER
34	F17106		1	COLLAR
35	17108		3	WOOD SCREW

CONTINUED ON NEXT PAGE ➡

REMOTE CONTROL



REMOTE CONTROL

REF. NO.	PART NO.	SYM.	QTY.	DESCRIPTION
36	F17099		1	HOUSING
37	F17068		1	DETENT SPRING
38	F17082-1		1	DETENT BALL
39	F72H36		1	REMOTE CONTROL UNIT COMPLETE (SINGLE LEVER STARBOARD)
-	F1280		2	PAN HD SCREW, 8 - 32 X 1/4 (TERMINAL BOARD) (NOT SHOWN)

SPECIAL TOOLS - TUNE-UP

REF. NO.	PART NO.	SYM.	QTY.	DESCRIPTION
-	FT8948-1		0	FLYWHEEL PULLER TO REMOVE FLYWHEEL.
-	FTA2937-1		0	TIMING TOOL TO ADJUST SPARK ADVANCE.

SPECIAL TOOLS - POWER HEAD

REF. NO.	PART NO.	SYM.	QTY.	DESCRIPTION
-	FT8914		0	SEAL REMOVER TO REMOVE UPPER CRANKSHAFT BEARING CAGE SEAL.
-	FT8903		0	SEAL INSTALLER TO INSTALL UPPER CRANKSHAFT BEARING CAGE SEAL.
-	FT8927		0	SEAL PROTECTOR TO INSTALL UPPER CRANKSHAFT BEARING CAGE SEAL.
-	FT8907		0	DRIVE HANDLE USED WITH T8910, T8909, T8908 AND T8903.
-	FT8922		0	SLIDE HAMMER TO REMOVE UPPER CRANKSHAFT BEARING CAGE SEAL. ALSO USED TO REMOVE BEARING CUPS FROM PROPELLER SHAFT BEARING CAGE.
-	FT2953		0	SOCKET TO TORQUE CONNECTING ROD SCREWS.
-	FT2990		0	PISTON PIN TOOL TO REMOVE AND INSTALL PISTON PINS.
-	FT2996		0	RING COMPRESSOR TO INSTALL PISTON RINGS.
-	FT8926		0	RING EXPANDER TO INSTALL PISTON RINGS.

SPECIAL TOOLS - GEAR HOUSING

REF. NO.	PART NO.	SYM.	QTY.	DESCRIPTION
-	FT2993		0	PROPELLER SHAFT BEARING CAGE PULLER TO REMOVE PROPELLER SHAFT BEARING CAGE FROM GEAR HOUSING.
-	FT8918		0	BEARING GUIDE SET TO REMOVE AND INSTALL BEARING CUP IN LOWER GEAR HOUSING.
-	FT2995		0	FORWARD BEARING CUP REMOVER TO REMOVE FORWARD BEARING CUP IN LOWER GEAR HOUSING.
-	FT8909		0	FORWARD BEARING CUP INSTALLER TO INSTALL FORWARD BEARING CUP IN LOWER GEAR HOUSING.
-	FT8917		0	REAR BEARING CUP REMOVER TO REMOVE REAR BEARING CUP FROM PROPELLER SHAFT BEARING CAGE.
-	FT8910		0	REAR BEARING CUP INSTALLER TO INSTALL REAR BEARING CUP IN PROPELLER SHAFT BEARING CAGE.
-	FT8957		0	SEAL INSTALLER TO INSTALL SHIFT ROD SEAL.
-	FT8908		0	PROPELLER SHAFT SEAL INSTALLER TO INSTALL PROPELLER SHAFT SEAL IN PROPELLER SHAFT BEARING CAGE.
-	FT8915		0	PROPELLER SHAFT SEAL PROTECTOR TO INSTALL PROPELLER SHAFT SEAL IN PROPELLER SHAFT BEARING CAGE.
-	FT8916		0	PROPELLER SHAFT BEARING INSTALLER TO INSTALL REVERSE GEAR AND BEARING ON PROPELLER SHAFT.
-	FT8906		0	PROPELLER SHAFT BEARING SUPPORT TO INSTALL REVERSE GEAR AND BEARING ON PROPELLER SHAFT.
-	FT8911		0	DRIVESHAFT KNOCK-OFF NUT TO REMOVE DRIVESHAFT FROM UPPER GEAR HOUSING.
-	FT8905		0	DRIVESHAFT BEARING REMOVER TO REMOVE BEARING FROM DRIVESHAFT.
-	FT8920		0	DRIVESHAFT BEARING INSTALLER TO INSTALL BEARING ON DRIVESHAFT.
-	FT8925		0	DRIVESHAFT SEAL INSTALLER TO INSTALL DRIVESHAFT SEAL IN UPPER HOUSING.
-	FT8924-1		0	CHECKING GAUGE TO MEASURE PROPELLER SHAFT END PLAY AND END FLOAT.
-	FT8907		0	DRIVER HANDLE TO INSTALL BEARING CUPS AND SEALS.
-	FT8901		0	INDICATOR HOLDER USED IN CONJUNCTION WITH T8924.
-	FT8902		0	DIAL INDICATOR USED IN CONJUNCTION WITH T8924.
-	FT2992		0	GAUGE TO CENTER WATER PUMP BODY.
-	FT8919		0	SPRING PIN PUNCH TO REMOVE CLUTCH SPRING PIN.

SPECIAL TOOLS - TEST EQUIPMENT

REF. NO.	PART NO.	SYM.	QTY.	DESCRIPTION
-	FT8961A		0	TEST WHEEL TO TEST MOTOR IN TEST TANK.
-	FT8933		0	LIFTING HOOK TO LIFT ENGINE.
-	FT8950		0	LEAKAGE TESTER TO TEST LOWER UNIT SEALS FOR LEAKAGE.
-	T8974		0	BREAKER POINT TENSION GAUGE FOR CHECKING BREAKER POINT SPRING TENSION.

ACCESSORIES

REF. NO.	PART NO.	SYM.	QTY.	DESCRIPTION
-	F5H014		0	FLUSHING ADAPTER PERMITS FRESH WATER FLUSHING OF WATER PASSAGE WITH STANDARD GARDEN HOSE.
-	F5H063		0	SYNCHRO-DRIVE CONTROL BOX (SINGLE LEVER) PERMITS REMOTE CONTROL OF THROTTLE AND GEAR SHIFT FROM STARBOARD SIDE OF BOAT.
-	5H067		0	PORT SIDE DECAL KIT CONVERTS 72H36 CONTROL BOX TO PORT SIDE MOUNTING.
-	F590		0	SYNCHRO-DRIVE CONTROL HEAD (SINGLE LEVER) FLUSH MOUNT CONTROL UNIT PERMITS REMOTE CONTROL OF THROTTLE AND GEAR SHIFT. MAY BE MOUNTED ON PORT OR STARBOARD SIDE OF BOAT.
-	865		0	TWIN SYNCHRO-DRIVE CONTROL BOX PERMITS REMOTE CONTROL OF THROTTLE AND GEAR SHIFT ON TWIN ENGINE INSTALLATIONS. MAY BE MOUNTED ON PORT OR STARBOARD SIDE OF BOAT.
-	F195/___		0	REMOTE CONTROL CABLES CONNECTS REMOTE CONTROL BOX TO THROTTLE AND GEAR SHIFT ON ENGINE. AVAILABLE IN 6 THROUGH 40 FOOT LENGTHS.
-	F165		0	REMOTE STEERING BRACKET ADAPTS ENGINE TO CABLE TYPE REMOTE STEERING.
-	F5H018		0	DUAL ENGINE TIE BAR PERMITS DUAL ENGINE INSTALLATIONS.
-	F5H026		0	STEEL, 6 GALLON FUEL TANK (LOW PROFILE)
-	F5H029		0	TANK ANCHOR SECURES 71H08 TO BOAT.
-	F5H040		0	STEEL, 12 GALLON FUEL TANK
-	F5H019		0	ANTI-CORROSION KIT ELECTRICAL KIT FOR MOUNTING ON BOAT (12V) TO REDUCE CORROSION.
-	F71H02		0	ANTI-CORROSION SACRIFICIAL ANODE KIT USED TO REDUCE CORROSION.
-	F5H043		0	OVERHEAT BUZZER SOUNDS WARNING BUZZER IF ENGINE OVERHEATS.
-	F72H22		0	POWER TRIM INDICATOR INDICATES ENGINE TRIM ANGLE. (FLUSH MOUNT)
-	F5H010		0	POWER TRIM INDICATOR INDICATES ENGINE TRIM ANGLE. (SURFACE MOUNT)
-	5H061		0	FROST WHITE LACQUER ENGINE TOUCH-UP PAINT IN 16 OZ. SPRAY BOMBS (12 CANS PER CASE)
-	F5H098		0	STEERING CONVERSION KIT
-	F5H003		0	SPEEDOMETER FLUSH MOUNT MONITORS BOAT SPEED (0 - 100 KM/H)
-	5H016		0	GOLD LACQUER ENGINE TOUCH-UP PAINT IN 6 OZ. SPRAY BOMBS (12 CANS PER CASE)
-	F5H044		0	TILT STOP KIT LIMITS TILTING ANGLE.
-	F5H068		0	RFI SUPPRESSION KIT PROVIDES RADIO NOISE SUPPRESSION.
-	F461		0	SHOCK ABSORBER KIT
-	F5H064		0	EXHAUST SNOUT
-	F5H081		0	BATTERY CABLE LONGER LENGTH - 15 FEET.

CONTINUED ON NEXT PAGE ➡

ACCESSORIES

REF. NO.	PART NO.	SYM.	QTY.	DESCRIPTION
-	F74H01		0	VOLTMETER - FLUSH MOUNT INDICATES BATTERY CONDITION.
-	5H047		0	CANVAS HOOD PROTECTION FOR ENGINE COVER.
-	5H051		0	BATTERY, 74 AMP 12 VOLT HEAVY DUTY BATTERY.
-	F5H021		0	EXTENSION CABLE FOR LENGTHENING BATTERY CABLE 6 1/2 FEET.
-	F5H041		0	BATTERY TERMINAL KIT ADAPTS MODEL 72H13 BATTERY TERMINALS FOR CONNECTIONS TO BATTERY CABLE ON ENGINE.
-	F5H037		0	CIGAR LIGHTER FOR USE AS CONVENIENCE OUTLET.
-	168		0	CONTROL PANEL FOR MOUNTING LAMPS, SWITCHES, ETC.
-	F5H008		0	FUEL GAUGE FLUSH MOUNT MONITORS FUEL SUPPLY.
-	F5H049		0	HYDRAULIC TILT HYDRAULIC UNIT TO RAISE AND LOWER THE LOWER UNIT WHEN BEACHING OR TRAILERING BOAT.
-	F5H077		0	IGNITION KEY SWITCH SHORT BARREL WITH KEYS.
-	F5H078		0	IGNITION KEY SWITCH LONG BARREL WITH KEYS.
-	F762		0	REMOTE ELECTRIC CABLE 25 FOOT CABLE FOR LARGER BOATS.
-	F5H070		0	REMOTE ELECTRIC CABLE 21 FOOT CABLE FOR LARGE BOATS.
-	F5H028		0	SENDING UNIT FOR USE WITH 71H07 FUEL GAUGE.
-	F5H005		0	TEMPERATURE GAUGE FLUSH MOUNT MONITORS ENGINE TEMPERATURE. DO NOT USE TEMPERATURE GAUGE AND HEAT LAMP IN SAME INSTALLATION.
-	F5H012		0	TACHOMETER FLUSH MOUNT MONITORS ENGINE R.P.M. TO PROVIDE CHECK OF ENGINE PERFORMANCE.
-	F5H045		0	POWER TRIM ADJUSTS ENGINE TRIM AND TILTS ENGINE.
-	F5H004		0	SPEEDOMETER FLUSH MOUNT MONITORS BOAT SPEED (0 - 50 M.P.H.)
-	F5H115		0	TILT LOCK FOR TRAILERING.

SPECIFICATIONS

REF. NO.	PART NO.	SYM.	QTY.	DESCRIPTION
-			0	HORSEPOWER 85 B.I.A. CERTIFIED BRAKE H.P. AT 5000 R.P.M.
-			0	MOTOR TWO-CYCLE, THREE CYLINDER, ALTERNATE FIRING.
-			0	BORE AND STROKE 3 - 5/16" BORE X 2.8" -- STROKE.
-			0	DISPLACEMENT 72.39 CUBIC INCHES.
-			0	CONNECTING RODS NICKEL STEEL. CAGED NEEDLE BEARINGS AT CRANKSHAFT. FULL COMPLIMENT NEEDLE BEARINGS AT PISTON PIN.
-			0	CRANKSHAFT NICKEL STEEL. BALL BEARINGS AT UPPER MAIN. CAGED NEEDLE BEARINGS AT CENTER MAIN AND CAGED NEEDLE BEARINGS AT LOWER MAIN.
-			0	CORROSION PROTECTION ALODINE TREATED CASTINGS, STAINLESS STEEL DRIVE SHAFT, PROPELLER SHAFT, GEAR SHIFT ROD AND UNDERWATER FASTENERS.
-			0	FUEL TANK SEPARATE STEEL 6 U.S. GALLON, 5 IMPERIAL GALLON CAPACITY.
-			0	FUEL SYSTEM VACUUM TYPE FUEL PUMP. FLOAT FEED CARBURETOR WITH FIXED HIGH SPEED JET AND ADJUSTABLE LOW SPEED JET.
-			0	FUEL FILTERS FILTER SCREENS IN FUEL TANK AND FUEL PUMP.
-			0	STARTER ELECTRIC.
-			0	COOLING WATER COOLED, THERMOSTATICALLY CONTROLLED, POSITIVE DISPLACEMENT TYPE WATER PUMP.
-			0	TRANSOM HEIGHT 15" OR 20", DEPENDING ON MODEL.
-			0	WEIGHT 221 LBS. FOR SHORT SHAFT MODELS.
-			0	TILT LOCK POSITIVE TILT LOCK PERMITS ENGINE TO REMAIN IN TILTED POSITION WHEN NOT IN USE.
-			0	RECOMMENDED OPERATING RANGE 75 H.P. - 4400-5100 R.P.M. 90 H.P. - 4500-5500 R.P.M.

LUBRICATION CHART

REF. NO.	PART NO.	SYM.	QTY.	DESCRIPTION
-			0	UPPER AND LOWER GEAR HOUSINGS SEE BLOCK COMMENT 1.
-			0	CONTROL LINKAGE LUBRICATE ALL MOVING PARTS AND CONTROL LINKAGE WITH RYKON #2EP, PART NO. T2961 EACH SEASON OR OFTENER IF REQUIRED.
-			0	STERN BRACKET LUBRICATE STERN BRACKET AND ASSOCIATED PARTS WITH RYKON #2EP. PART NO. T2961 TWICE EACH SEASON OR OFTENER IF REQUIRED.
-			0	GREASE FITTINGS GREASE FITTINGS ARE PROVIDED AT CRITICAL POINTS WHERE BEARING SURFACES ARE NOT EXPOSED EXTERNALLY. USING AN AUTOMOTIVE-TYPE GREASE GUN AND LUBRICANT, GREASE TWICE EACH SEASON OR OFTENER IF REQUIRED.
-			0	STARTER PINION GEAR LUBRICATE WITH RYKON #2EP, PART NO. T-2961, TWICE EACH SEASON OR OFTENER IF REQUIRED.

SPECIAL ADJUSTMENTS

REF. NO.	PART NO.	SYM.	QTY.	DESCRIPTION
-			0	BREAKER POINT GAP .013" - .015".
-			0	FLYWHEEL NUT TORQUE TO 90 FOOT POUNDS.
-			0	CYLINDER HEAD BOLT TORQUE TO 270 INCH POUNDS.
-			0	SPARK PLUG

PARTS INDEX

Part Number	Description	Pg.	Ref. No.	Part Number	Description	Pg.	Ref. No.
ÄF58356//	REMOTE CONTROL CABLE (SPECIFY LENGTH)	41	4	F1110	FILL HD SCREW, 1/4 - 20 X 5/8	27	98
14048-2	PREAMPLIFIER	13	17	F1187	HEX HD SCREW, 1/4 - 20 X 1	23	35
15169	FRAME AND FIELD ASSEMBLY	11	9	F1199	HEX CAP SCREW, 1/4 - 20 X 1	23	44
168	CONTROL PANEL	49	-	F1203	HEX BOLT, 1/4 - 20 X 7/8 . .	23	6
17102	DECAL, PORT	41	-	F1236	HEX HD SCREW, 1/4 - 20 X 1/2	21	91
17108	WOOD SCREW	41	35	F1238	HEX CAP SCREW, 1/4 - 20 X 3/4	3	14
480373	DECAL, MAGNAPOWER IGNITION (NOT SHOWN) .	9	-	F1238	HEX HD SCREW, 1/4 - 20 X 3/4	23	43
481373-1	DECAL, "ELECTRONIC" (NOT SHOWN)	15	-	F1263	HEX SOCKET HD CAP SCREW 5/16 - 18 X 9/16 .	31	14
5H016	GOLD LACQUER	48	-	F1280	PAN HD SCREW, 8 - 32 X 1/4	7	33
5H047	CANVAS HOOD	49	-	F1280	PAN HD SCREW, 8 - 32 X 1/4 (TERMINAL BOARD) (NOT SHOWN)	43	-
5H051	BATTERY, 74 AMP	49	-	F1286	PAN HD SCREW, 4 - 40 X 3/16	23	31
5H061	FROST WHITE LACQUER . .	48	-	F1341	HEX NUT, 1/4 - 20	23	13
5H067	PORT SIDE DECAL KIT	48	-	F1346	HEX NUT 3/8 - 16	31	21
817747--1	BALL JOINT W/STUD	17	28	F1347	HEX NUT, 3/8 - 16	27	95
817747--1	BALL JOINT W/STUD	23	9	F14006-2	CAP BASE	13	37
817783A5	SWIVEL BRACKET W/BEARING AND GREASE FITTINGS	33	49	F14007	CAP SCREW	13	33
817786A1	DISTRIBUTOR PULLEY	13	3	F14011-1	CAP COVER	13	34
817787A1	CYLINDER DRAIN COVER . .	23	33	F14012-1	BRUSH	13	39
817788A3	SPACER PLATE W/PLUGS . .	25	63	F14015	CAP CLIP RIVET	13	21
817822A1	DISTRIBUTOR	15	-	F14017	TERMINAL INSULATOR (OUTSIDE)	15	46
817931A7	MOTOR LEG COVER REAR	31	7	F14020-1	CAP SEAL	13	36
817959A3	INTAKE MANIFOLD	17	23	F14024	SPACER	13	42
85872-1	BRACKET	25	49	F14025	SPACER	13	4
865	TWIN SYNCHRO-DRIVE CONTROL BOX	48	-	F14028	THRUST WASHER	13	5
89396A38	PRIME BULB	39	9	F14029	THRUST WASHER	13	7
A480944	ENGINE COVER W/RETAINER, SCREWS AND NUTS	3	7	F14030	CAP GASKET	13	38
A85135-3	LEG COVER, FRONT	33	66	F14036	SWIVEL	13	13
AC16395-8	IDENTIFICATION PLATE W/SCREWS FOR CANADA MODELS	3	-	F14037	CAP CLIPS	13	14
C523227	SPARK PLUG (CHAMPION QL-76V) FOR MODEL 857BF	27	-	F14038	CAP CLIP SCREWS	13	15
F10000	GASKET SET (NOT SHOWN)	21	-	F14040	VENT	13	35
F10053	REPAIR PARTS KIT (NOT SHOWN)	21	-	F14041	EXTERNAL TOOTH LOCKWASHER	13	23
F1009	HEX BOLT, 3/8 - 16 X 2 3/4 .	27	97	F14042	DISTRIBUTOR HOUSING W/BEARINGS	13	12
F1014	COTTER PIN	19	84	F14043	DISTRIBUTOR SHAFT	13	40
F1014	COTTER PIN	33	56	F14045	SCREW	13	16
F1015	COTTER PIN	37	47	F14046	TERMINAL SCREW	13	19
F1059	FILL HD SCREW, S.S., 6 - 32 X 1/4	19	80	F14047	TERMINAL INSULATOR (INSIDE)	13	20
F1064	FILL HD SCREW, S.S., 8 - 32 X 3/8	19	45	F14049	TERMINAL INSULATOR (OUTSIDE)	13	22
F1072	FILL HD SCREW, 1/4 - 20 X 1 3/4	19	59	F1425	HEX CAP SCREW, 1/4 - 20 X 2 5/8	37	63
F1099	FILL HD SCREW, 1/4 - 20 X 1 1/4	27	100	F1447	ROUND HD SCREW, 2 X 3/16	3	19
F1108	FILL HD SCREW W/LOCKWASHER, 1/4 - 20 X 3/4	17	2	F1473	HEX NUT, 10 - 24	3	36
				F1475	FILL HD SCREW, 10 - 24 X 1/2	23	11
				F1491	HEX CAP SCREW, 5/16 - 18 X 3 1/4	35	41

PARTS INDEX

Part Number	Description	Pg.	Ref. No.	Part Number	Description	Pg.	Ref. No.
F1502	HEX CAP SCREW, 1/4 - 20 X 5/8	21	97	F1678	FILL HD SCREW, 10 - 24 X 13/16	7	2
F1502	HEX HD SCREW, 1/4 - 20 X 5/8	11	14	F1689	HEX HD CAP SCREW, 1/4 - 20 X 1/2	9	42
F1502	HEX HD SCREW, 1/4 - 20 X 5/8	23	39	F1692	WOODRUFF KEY	13	41
F1502	HEX SLOT HD SCREW, 1/4 - 20 X 5/8	3	20	F1693	TIE BAR RETAINER	19	46
F15034	SPRING SET	11	17	F1696	HEX BOLT 5/16 - 18 X 1 3/4	31	33
F1504	FILL HD SCREW, 1/4 - 20 X 1/4	19	56	F17006	DETENT SPRING	41	18
F1504	FILL HD SCREW, 1/4 - 20 X 1/4	23	12	F17009	BEARING	41	14
F15057	BRUSH PLATE AND HOLDER	11	18	F17010-1	THROTTLE GEAR	41	16
F15080	SPRING	11	3	F17011	BOWED WASHER	41	15
F15099	ARMATURE	11	8	F17012	RETAINING PLATE	41	13
F15100	BENDIX	11	20	F17013	FILL HD SCREW, 1/4 - 20 X 1/2	41	11
F15110	CLUTCH ASSEMBLY	11	4	F17014	THROTTLE ARM	41	10
F15111	NUT, STOP RETAINING	11	1	F17015	COTTER PIN	41	8
F15112	STOP, PINION	11	2	F17016	CABLE TERMINAL	41	9
F15125	HEAD ASSEMBLY, COMMUTATOR END	11	16	F17019	CLUTCH ARM	41	5
F15126	THRUST WASHER PACKAGE	11	7	F17020	INTERNAL TOOTH LOCKWASHER	41	12
F1513	HEX NUT	7	18	F17021	CLUTCH GEAR	41	19
F1513	HEX NUT	41	3	F17026	SWIVEL	41	24
F1513	HEX NUT, 10 - 32	17	29	F1703	SPRING LOCKWASHER	25	62
F1513	HEX NUT, 10 - 32	23	7	F1703	SPRING LOCKWASHER	33	65
F1515	HEX NUT	7	24	F17030-1	SET SCREW	41	31
F1515	HEX NUT, 5/16 - 18	17	37	F17031	SNAP CAP	41	28
F15165	BRUSH TERMINAL SET	11	10	F17036	INTERNAL TOOTH LOCKWASHER	41	6
F15167	HEAD ASSEMBLY DRIVE END	11	5	F1704	INTERNAL TOOTH LOCKWASHER	21	99
F15168	THRU BOLT PACKAGE	11	12	F1705	HEX CAP SCREW, 1/4 - 20 X 3/4	7	23
F1528	WELCH PLUG	31	22	F1705	HEX CAP SCREW, 1/4 - 20 X 3/4	35	1
F154317	CABLE CLAMP	41	23	F17068	DETENT SPRING	43	37
F1556	FILL HD SCREW W/LOCKWASHER, 10 - 24 X 3/8	23	14	F17082-1	DETENT BALL	43	38
F1557	FLAT HD SCREW, 10 - 24 X 3/8	41	25	F1709	HEX HD SCREW, 1/4 - 20 X 1/8	25	76
F1577	FILL HD SCREW, 1/4 - 20 X 3/4	35	20	F17092	SNAP RING	41	21
F1593	HEX HD SCREW 3/8 - 16 X 3	31	18	F17099	HOUSING	43	36
F1612	HEX CAP SCREW, 3/8 - 16 X 1 1/4	13	8	F17100	CLUTCH SHAFT	41	20
F1641	LOCK NUT, 1/4 - 28	11	6	F17101	DECAL, STARBOARD	41	27
F1645	RD HD SCREW, 6 - 32 X 1/4	9	51	F17105	FELT WASHER	41	33
F1645	RD HD SCREW, 6 - 32 X 1/4	21	100	F17106	COLLAR	41	34
F1647	HEX NUT, 10 - 32	25	86	F17107	FILL HD SCREW, 10 - 24 X 5/16	41	22
F1647	HEX NUT, 8 - 32	7	6	F17111	DETENT BALL	41	17
F1647	HEX NUT, 8 - 32	13	24	F17112	JUNCTION BOARD, STARBOARD	41	26
F1648	PAN HD SCREW, 10 - 24 X 3/4	7	16	F17113	JUNCTION BOARD, PORT	41	-
F165	REMOTE STEERING BRACKET	48	-	F17115	HANDLE	41	30
F1664	SPRING PIN	31	8	F17116	KNOB	41	29
F1666	BOWED SPRING WASHER	33	71	F1713	SPRING PIN	35	26
F1669	LOCK NUT	31	36	F1715	HEX BOLT, 1/4 - 28 X 9/16	41	7
				F1727	PLASTIC RIVET	23	16
				F1729	PLUG	31	5
				F1730	PAN HD SCREW W/SPRING LOCKWASHER, 1/4 - 20 X 5/8	5	44

PARTS INDEX

Part Number	Description	Pg.	Ref. No.	Part Number	Description	Pg.	Ref. No.
F1734	FILL HD SCREW W/LOCKWASHER, 1/4 - 20 X 1/2	7	14	F1871	HEX HD SCREW 3/8 - 16 X 3/4	33	61
F1741	PAN HD SCREW, 8 X 3/4	7	35	F1872	HEX BOLT, 3/8 - 16 X 1 3/4	27	99
F1744	SPRING PIN	33	45	F1873	HEX BOLT, 3/8 - 16 X 3	27	96
F1753	FASTENER	3	38	F1877	TY-RAP	7	29
F1755	RD HD SCREW W/LOCKWASHER, 6 - 32 X 5/16	17	16	F1883	HEX BOLT, 5/16 - 18 X 2 3/8	25	67
F1759	SHIM, DISTRIBUTOR (QTY. AS REQUIRED)	13	11	F1885	HEX BOLT, 5/16 - 18 X 4 1/4	25	55
F1760	PAN HD SCREW, 10 - 24 X 3/8	7	19	F1885	HEX CAP SCREW, 5/16 - 18 X 4 1/4	35	6
F1760	PAN HD SCREW, 10 - 24 X 3/8	13	25	F1892	STOP NUT	9	52
F1760	PAN HD SCREW, 10 - 24 X 3/8	19	60	F1904	PLAIN WASHER	31	20
F1760	PAN HD SCREW, 10 - 24 X 3/8	23	2	F1907	PLAIN WASHER	35	7
F1773	HEX HD SCREW, 1/4 - 20 X 1 1/2	17	26	F1910	STOP NUT, 1/4 - 20	17	31
F177330	FUEL PUMP VALVE	17	9	F19109	PLUG	25	73
F177350	REVERSE LOCK PIN	31	41	F19109	PLUG, GEAR HOUSING	35	31
F178323	SEAL, MOTOR LEG	31	13	F1912	HEX HD SCREW 10 - 24 X 1/2	33	59
F1788	STOP NUT	35	15	F1916	HEX HD SCREW, 1/4 - 20 X 1 1/8	17	25
F17932	SEAL, FUEL TANK ADAPTER	39	12	F1934	FLAT HD SLOTTED SCREW, 6 X 1/2	9	50
F18160-1	REED	23	28	F195/	REMOTE CONTROL CABLES	48	-
F1822	HEX BOLT 5/16 - 18 X 7/8	33	69	F1950	HEX HD SCREW, 10 - 24 X 5/8	25	81
F1832	STOP NUT, 1/4 - 20	25	59	F1953	HEX HD SCREW, 1/4 - 20 X 1	21	94
F1836	SPRING PIN	33	57	F1968	FLYWHEEL NUT	29	21
F184033-1	CHOKE ARM SWIVEL	19	85	F1975	SPRING LOCKWASHER	7	10
F184579	SEAL, CHOKE ARM SWIVEL	19	82	F1975	SPRING LOCKWASHER	13	26
F1849	HEX HD CAP SCREW, 1/4 - 20 X 1 3/8	5	47	F197787-3	FUEL LINE COUPLER	39	6
F1849	HEX HD SCREW, 1/4 - 20 X 1 3/8	25	77	F197813	BEARING	33	54
F1851	FILL HD SCREW W/LOCKWASHER, 10 - 24 X 1/2	7	39	F1987	PLAIN WASHER	25	66
F1854	HEX CAP SCREW, 1/4 - 20 X 5/8	3	25	F1987	PLAIN WASHER	33	50
F1856	PLAIN WASHER	37	72	F1990	HEX CAP SCREW, 1/4 - 20 X 1 5/8	37	61
F1857	HEX CAP SCREW, 5/16 - 18 X 5/8	3	23	F1994	HEX SOCKET HD CAP SCREW, 5/16 - 18 X 1	35	37
F1857	HEX CAP SCREW, 5/16 - 18 X 5/8	3	35	F1997	STOP NUT, 8 - 32	17	40
F1858	HEX CAP SCREW, 5/16 - 18 X 1	3	24	F1999	HEX CAP SCREW, 1/4 - 20 X 7/8	23	42
F1858	HEX CAP SCREW, 5/16 - 18 X 1	35	39	F1999	HEX CAP SCREW, 1/4 - 20 X 7/8	37	55
F1860	SLOTTED BINDING HD SCREW, 6 - 32 X 1/4	17	1	F2000	HEX CAP SCREW, 5/16 - 18 X 3/4	9	47
F1864	HEX HD SCREW, 1/4 - 20 X 3/4	27	90	F2001	FILL HD SCREW, 10 - 24 X 5/8	7	9
F1864	HEX SLOT HD SCREW 1/4 - 20 X 3/4	31	4	F2008	HEX HD SCREW, 1/4 - 20 X 7/8	17	24
F1866	PLAIN WASHER	35	16	F2014	PLAIN WASHER	13	9
F1867	HEX CAP SCREW, 3/8 - 16 X 1	29	19	F2014	PLAIN WASHER	33	62
F1869	HEX BOLT, 3/8 - 16 X 1 1/4	25	61	F2015	HEX NUT, 1/4 - 28	23	19
				F2016	FILL HD SCREW, 6 - 32 X 7/8	21	101
				F2030	HEX HD SCREW 1/4 - 20 X 1 1/4	33	70
				F203276	BOOT	13	30
				F2033	GROOVE PIN	21	87
				F203673	TERMINAL CLIP	13	31
				F2042	PLAIN WASHER	23	5
				F2042	PLAIN WASHER	27	105
				F2047	WAVE SPRING WASHER	3	30

PARTS INDEX

Part Number	Description	Pg.	Ref. No.	Part Number	Description	Pg.	Ref. No.
F2067	PLASTISOL CAP (NOT SHOWN)	29	-	F369364	REVERSE LOCK ARM	33	52
F2088	FASTENER	5	46	F369510	LINK	31	39
F2089	SLOTTED PAN HD MACHINE SCREW, 10 - 24 X 5/16	27	101	F369529	CYLINDER HEAD GASKET	25	74
F2090	PLUG	25	64	F369610	BEARING	25	53
F2108	LOCK NUT 5/16 - 18	33	73	F369827	HANDLE AND SHAFT	33	53
F2108	STOP NUT, 5/16 - 18	25	58	F369887	SHOULDER SCREW	25	52
F213274	GREASE FITTING	13	27	F369977-1	INTERLOCK ARM	25	54
F213274	GREASE FITTING	31	32	F373778-1	RETAINER, ENGINE COVER	3	37
F213342	SEAL, FUEL LINE COUPLER (LARGE)	39	4	F381896-4	BATTERY CABLE	7	30
F213735	SEAL, FUEL LINE COUPLER (SMALL)	39	5	F391926-1	CHOKE SOLENOID PLUNGER	21	89
F24278	SEAL, "O" RING PROPELLER SHAFT SPOOL	35	10	F391983	RETAINING BAND	7	27
F269319	BEARING	17	32	F40209	CARBURETOR STUD	17	36
F286461	SPRING LOCK BAR HANDLE	31	43	F40223	GASKET, TRANSFER PORT COVER	23	41
F289446-1	CLAMP	7	12	F404097	FLYWHEEL	7	1
F298788	FERRULE	39	7	F404268	SPRING, BY-PASS VALVE	25	84
F2A321158	REED PLATE W/REEDS, REED STOP AND SCREW	17	19	F404470-1	REGULATOR-RECTIFIER	7	8
F2A404757	CYLINDER DRAIN REED PLATE W/RDS, STOPS, METERG CUP & SCREWS	23	27	F404513	COIL CLAMP	7	40
F2A498023	BEVEL GEAR FRONT W/BEARING	35	29	F404801	FITTING	23	36
F2A498662	BEVEL GEAR REAR W/BEARING CAGE, SPACER AND BEARING	35	22	F404841	CABLE, HEAT INDICATOR	7	37
F2A523239	SPOOL, PROPELLER SHAFT BEARING W/SEALS	35	11	F407386	DECAL, NUMERAL 85	3	10
F2S480179	TRIM, TOP	3	1	F407446	CLAMP	7	31
F2S480180	TRIM, REAR	3	6	F409251-1	GAUGE CAP	39	1
F2S480269	TILT HANDLE	3	3	F433114	HANDLE, LOCK BAR	33	44
F2S480888	TRIM, FRONT	5	43	F433209-1	STUD	17	30
F307317	CLIP, TERMINAL BLOCK	7	17	F433253	HOSE	23	37
F310189	BUSHING, ELECTRIC CABLE	3	16	F438066	BY-PASS VALVE COVER	25	82
F311189-1	BUSHING, CABLE ENTRY	3	17	F438129	SEAL, DRIVESHAFT SPLINE	37	71
F316160	REED (4 PETAL)	17	18	F438165	SCREW, FUEL PUMP BOWL	17	15
F316164	REED (1 PETAL)	17	-	F438169	BEARING	31	34
F316579	SEAL, CRANKCASE	29	11	F438271	RETAINER, CRANKSHAFT SPLINE SEAL	37	70
F316599	SEAL, STEERING SUPPORT TUBE	33	79	F438346	SHOCK MOUNT, LOWER	33	67
F321756	PACKING	3	31	F438386	PLATE, REAR	3	5
F321841-2	LEAD WIRE	13	32	F438398	DECAL, WIRING	25	75
F333316	THROTTLE ROLLER SHAFT	19	49	F438500	FUEL SEDIMENT BOWL	17	14
F335215	SPACER, PISTON PIN (2 PER PISTON)	29	3	F438617	FUEL SEDIMENT BOWL GASKET	17	13
F335217-1	BEARING PISTON PIN (26 PER SET)	29	5	F438653	FUEL SEDIMENT BOWL SCREEN	17	12
F335654-1	DEFLECTION STOP	3	21	F438668	RETAINER, CABLE CLAMP	7	13
F338618-1	SEAL, GEAR SHIFT ROD	31	16	F438744-1	WIRING HARNESS	7	4
F338618-1	SEAL, GEAR SHIFT ROD	37	56	F438747	FUEL PUMP DIAPHRAGM	17	7
F345475-1	COIL	9	44	F438754	FUEL LINE W/CLAMPS	19	79
F345683	WIRE, REGULATOR-RECTIFIER GROUND	7	5	F438760	FUEL PUMP GASKET	17	8
F351307	SEAL, WATER PUMP	37	64	F438801	FITTING	17	5
F353480	STUD	31	25	F438930	RETAINER, SNOUT	35	36
F369349	REVERSE LOCK	31	37	F438962	SHOCK MOUNT SIDE	31	15
				F438984-1	BLANKET, SILENCER TOP (NOT SHOWN)	5	-
				F439736	SEAL EXHAUST TUBE	31	6
				F460917	STARTER RELAY	7	26
				F461	SHOCK ABSORBER KIT	48	-
				F474073-1	CLAMP SCREW	31	26
				F474387	TIMING DECAL (NOT SHOWN)	9	-
				F474390-1	DECAL, REVERSE LOCK (NOT SHOWN)	33	-
				F476066-1	COVER, THERMOSTAT	25	47

PARTS INDEX

Part Number	Description	Pg.	Ref. No.	Part Number	Description	Pg.	Ref. No.
F476067	GASKET, THERMOSTAT COVER	27	94	F523555	SEAL, "O" RING - GEAR HOUSING COVER	37	49
F480038-2	SUPPORT PLATE	3	15	F523562	WATER PUMP BACK PLATE	37	58
F480107-1	CAM, STARTER INTERLOCK	27	102	F523705	GEAR SHIFT ROD LOWER	37	46
F480388	DISC, WATER PUMP LOCATING	37	62	F523812	BEARING CUP	35	30
F480518	CYLINDER HEAD	25	72	F523834	CLIP, SPARK PLUG WIRE	23	3
F480551-1	BRACKET INTERLOCK SWITCH	21	95	F523899	GROMMET, WATER LINE	35	4
F480818	BEARING, LATCH SHAFT	3	13	F523961	CRUSH RING	37	50
F480985	BLANKET, SILENCER SIDE (NOT SHOWN)	5	-	F523962	SHOCK MOUNT	9	46
F481061-2	CARBURETOR COMPLETE (WB21C)	19	72	F528068	THERMOSTAT	25	70
F481382-1	SPACER, LATCH SHAFT	3	29	F53504	GROMMET	19	58
F481434	GUIDE, ENGINE COVER	5	45	F58685-2	CONNECTOR, SHIFT CABLE	41	2
F481567	CARBURETOR INTAKE ADAPTER	19	55	F590	SYNCHRO-DRIVE CONTROL HEAD (SINGLE LEVER)	48	-
F481774	BRACKET, ENGINE COVER LATCH	3	32	F5H003	SPEEDOMETER FLUSH MOUNT	48	-
F481777	CAM, LATCH SHAFT	3	28	F5H004	SPEEDOMETER FLUSH MOUNT	49	-
F481836	INTAKE GASKET	19	70	F5H005	TEMPERATURE GAUGE FLUSH MOUNT	49	-
F481860-1	CARBURETOR, INTAKE	19	57	F5H008	FUEL GAUGE FLUSH MOUNT	49	-
F483884	BEARING	33	58	F5H010	POWER TRIM INDICATOR	48	-
F485755-1	FUEL TANK ADAPTER	39	3	F5H012	TACHOMETER FLUSH MOUNT	49	-
F498392	DECAL, "CHRYSLER"	3	9	F5H014	FLUSHING ADAPTER	48	-
F498396	DECAL, STRIPE UPPER	3	11	F5H018	DUAL ENGINE TIE BAR	48	-
F498397	DECAL STRIPE, LOWER	3	8	F5H019	ANTI-CORROSION KIT	48	-
F498711	PLATE, ENGINE COVER FRONT	5	42	F5H021	EXTENSION CABLE	49	-
F499995	CYLINDER HEAD COVER	25	68	F5H026	STEEL, 6 GALLON FUEL TANK (LOW PROFILE)	48	-
F50109	PLUG, GEAR HOUSING	37	44	F5H028	SENDING UNIT	49	-
F50342-1	SEAL, BEARING CAGE BOLTS	35	8	F5H029	TANK ANCHOR	48	-
F506118	SEAL, PROPELLER SHAFT	35	9	F5H037	CIGAR LIGHTER	49	-
F510374	DECAL, CIRCUIT BREAKER	7	41	F5H040	STEEL, 12 GALLON FUEL TANK	48	-
F510460	CIRCUIT BREAKER	7	22	F5H041	BATTERY TERMINAL KIT	49	-
F511125-2	TUBE, STEERING SUPPORT	31	23	F5H043	OVERHEAT BUZZER	48	-
F511675	STARTER BRACKET, LOWER	11	15	F5H044	TILT STOP KIT	48	-
F523031	GASKET, WATER PUMP	37	57	F5H045	POWER TRIM	49	-
F523057	BEARING, DRIVESHAFT LOWER	37	66	F5H049	HYDRAULIC TILT	49	-
F523065	WATER PUMP IMPELLER	37	59	F5H063	SYNCHRO-DRIVE CONTROL BOX (SINGLE LEVER)	48	-
F523094-2	PROPELLER NUT	35	13	F5H064	EXHAUST SNOOT	48	-
F523099	SPACER, PROPELLER	35	19	F5H068	RFI SUPPRESSION KIT	48	-
F523116	EXHAUST SNOOT	35	38	F5H070	REMOTE ELECTRIC CABLE	49	-
F523133-2	MOTOR LEG	33	75	F5H077	IGNITION KEY SWITCH	49	-
F523146	SEAL	29	20	F5H078	IGNITION KEY SWITCH	49	-
F523188	NUT, BEVEL PINION RETAINING	35	34	F5H081	BATTERY CABLE	48	-
F523244	INLET WATER LINE	35	5	F5H098	STEERING CONVERSION KIT	48	-
F523274	GREASE FITTING	33	78	F5H115	TILT LOCK	49	-
F523280	NUT, STEERING SUPPORT TUBE	33	77	F63754	HOSE INTAKE DRAIN	19	63
F523299-1	WASHER, PROPELLER SPLINE	35	17	F7004	STOP NUT, 3/18 - 16	23	24
F523411	RETAINING RING	35	23	F7012	LOCK NUT, 1/2 - 20	31	17
F523451	SPACER, REED STOP	21	103	F7013	STOP NUT	13	2
F523498	DRIVE KEY, WATER PUMP	37	68	F71H02	ANTI-CORROSION SACRIFICIAL ANODE	48	-
				F71H08	FUEL TANK (ACCESSORY ITEM)	39	2

PARTS INDEX

Part Number	Description	Pg.	Ref. No.	Part Number	Description	Pg.	Ref. No.
F71H21	IGNITION SWITCH MOUNTING KIT (ACCESSORY ITEM)	9	49	F84449	INTERLOCK SWITCH	21	98
F71H26	BATTERY CABLE CLAMP KIT, (ACCY. ITEM)	7	32	F84504	GROMMET	25	71
F71H30	OVERHEAT BUZZER (ACCESSORY ITEM)	7	36	F84521-1	CLUTCH	35	27
F72H22	POWER TRIM INDICATOR	48	-	F84792	GASKET, FUEL PUMP VALVE	17	10
F72H36	REMOTE CONTROL UNIT COMPLETE (SINGLE LEVER STARBOARD)	43	39	F85017	PISTON PIN	29	4
F74305	SEAL, DRIVESHAFT BEARING CAGE	37	51	F85026	SWIVEL	23	21
F74H01	VOLTMETER - FLUSH MOUNT	49	-	F85033	CHOKE ROD SWIVEL	19	81
F74H20	IGNITION SWITCH W/KEYS AND SCREWS	7	34	F85035	DISTRIBUTOR CONTROL ROD END	23	20
F762	REMOTE ELECTRIC CABLE	49	-	F85036	TOWERSHAFT CONTROL ROD END	23	17
F8001	WASHER	35	33	F85037-1	STERN BRACKET PIVOT BOLT	33	46
F8003	PLAIN WASHER	23	30	F85095-2	STATOR	7	3
F8011	PLAIN WASHER	7	20	F85117	BRACKET, WATER LINE	35	2
F8028	PLAIN WASHER	11	13	F85122	PARTING LINE SEAL	27	93
F8038	PLAIN WASHER	27	103	F85130	BOOT, IDLE EXHAUST	31	9
F8056	LOCKWASHER	13	18	F85151-1	EXHAUST PORT PLATE	25	80
F8056	LOCKWASHER	13	43	F85152-4	EXHAUST PORT COVER	25	78
F8056	SPRING LOCKWASHER	7	7	F85154-1	GASKET, EXHAUST PORT PLATE	25	79
F8056	SPRING LOCKWASHER	25	87	F85159	GASKET, INTAKE MANIFOLD	17	22
F8058	INTERNAL TOOTH LOCKWASHER	17	27	F85161-1	REED STOP	17	17
F8058	INTERNAL TOOTH LOCKWASHER	25	48	F85162	REED PLATE ADAPTER	17	21
F8077	WASHER, GEAR HOUSING PLUG	35	43	F85168	GASKET REED PLATE ADAPTER	17	20
F8083	SPRING LOCKWASHER	3	26	F85173	RETAINING RING	13	6
F8083	SPRING LOCKWASHER	9	43	F85192-1	THROTTLE CAM	17	33
F8083	SPRING LOCKWASHER	31	3	F85210	STUD	27	91
F8083	SPRING LOCKWASHER	37	54	F85211	STUD, REAR	23	46
F8088	PLAIN WASHER	19	83	F85253-1	FUEL LINE W/CLAMPS	21	88
F8088	PLAIN WASHER	21	102	F85258	INSERT	31	10
F8094	PLAIN WASHER	3	27	F85279-2	CYLINDER EXHAUST GASKET, UPPER	25	51
F8094	PLAIN WASHER	33	55	F85300	REVERSE LOCK SPRING	31	38
F8095	PLAIN WASHER	27	104	F85311	DISTRIBUTOR BELT	13	1
F8096	SPRING LOCKWASHER	3	22	F85314-1	FUEL FITTING	21	92
F8096	SPRING LOCKWASHER	3	34	F85317-1	CLAMP	21	90
F8096	SPRING LOCKWASHER	7	25	F85350-1	TILT STOP PIVOT	31	29
F8096	SPRING LOCKWASHER	33	68	F85372	PIN, GEAR SHIFT ROD LOWER	37	48
F8096	SPRING LOCKWASHER	35	40	F8538	SPRING PIN	31	27
F84011	WASHER	33	51	F85380	SPRING	31	11
F84074	CLAMP SCREW FOOT	31	24	F85410	SNAP RING	29	8
F84146-2	SEAL	29	13	F85426	TILT STOP	33	48
F84278	SEAL, CRANKSHAFT BEARING CAGE	29	17	F85445	DISTRIBUTOR CONTROL ROD	23	18
F84286-1	FRICTION WASHER	33	47	F85453-1	GASKET, EXHAUST LOWER	31	1
F84305	SEAL, PROPELLER SHAFT BEARING SPOOL	35	12	F8547	SPRING PIN	31	40
F84307-1	SEAL, DRIVESHAFT	37	52	F85472-2	GASKET, CYLINDER DRAIN COVER	23	32
F84314-2	ELBOW	17	3	F85498	FLYWHEEL KEY	29	16
F84314-2	ELBOW	23	22	F85502	THROTTLE LINK	23	8
F84342	SEAL, INLET WATER LINE UPPER	35	3	F85509-1	CHOKE LINK	19	78
				F85541-1	TILT LOCK	31	30
				F85571	BEARING CAGE W/ROLLER	29	10
				F85606	KINGPIN CAP	31	31
				F85610	BEARING	25	56
				F85615	GEAR SHIFT ROD UPPER	33	72

PARTS INDEX

Part Number	Description	Pg.	Ref. No.	Part Number	Description	Pg.	Ref. No.
F8563	DOWEL PIN	27	92	FA481469	ENGINE COVER LATCH		
F85634-1	CONNECTING ROD SCREW	29	14		HANDLE W/SHAFT	3	12
F85660-1	EXHAUST TUBE	31	2	FA481743	LATCH, ROLLER BRACKET	3	33
F85664	DISTRIBUTOR GROUND	13	28	FA498266	BEVEL PINION GEAR		
F85664	WIRE, DISTRIBUTOR				W/CRUSH RING AND		
	GROUND	9	53		SHIMS	35	35
F85704	COUPLER, GEARSHIFT ROD			FA510497	TERMINAL BLOCK	7	15
	UPPER	33	76	FA523054	GEAR HOUSING W/BEARG		
F85735-1	SEAL	3	39		CUP DRIVESHAFT BEARG		
F85748-2	GASKET, CYLINDER DRAIN				LOWR, PLUGS & WSHR	35	42
	REED PLATE	23	25	FA523060	WATER PUMP BODY		
F85762	GASKET, BY-PASS	25	83		W/DRIVESHAFT SEAL,		
F85772	CLAMP	31	12		DISC AND WATER LINE		
F85779-1	BAFFLE, AIR INTAKE	33	60		SEAL	37	60
F85843-1	REMOTE ELECTRIC CABLE,			FA523098	PROPELLER SHAFT	35	24
	18 FEET	7	38	FA523301	UNIT W/DECAL	9	45
F85859	STUD, FORWARD	23	23	FA523485	ANTI-CORROSION ANODE	35	21
F85906	CARBURETOR GASKET	17	35	FA523706	GEAR HOUSING COVER		
F85908	STARTER LEAD WIRE	11	19		W/SEALS	37	53
F85916-1	BY-PASS VALVE	25	85	FA523735	SEAL, INLET WATER LINE		
F85924	CHOKE SOLENOID	7	28		LOWER	37	65
F85925	CHOKE ROD	21	86	FA58976-1	CONNECTOR, THROTTLE		
F85965	SHOCK MOUNT, UPPER	33	64		CABLE	41	1
F89758	FUEL PUMP AIR HOSE, TOP	17	4	FA77395-5	IDENTIFICATION PLATE		
F9018	CAP	31	28		W/SCREWS FOR U.S.A.		
F9052	PLUG	33	74		MODELS	3	18
F90807	RETAINING RING	19	47	FA84621-1	COUPLING, GEAR SHIFT		
F90891	PIN, GEAR SHIFT ARM	35	32		ARM W/BUSHING	37	45
F90891	PIN, PROPELLER NUT			FA84754-1	FUEL LINE SHORT		
	RETAINING	35	14		W/FERRULES	39	8
F91446-1	CIRCUIT BREAKER			FA84871-1	PIN, GEAR SHIFT W/YOKE	35	25
	BRACKET	7	21	FA85018-2	CRANKSHAFT W/BEARING	29	15
F92759	THROTTLE ROLLER	19	48	FA85019	KINGPIN W/PLUG	31	35
F93811	SCREEN	23	26	FA85193	TIE BAR END W/SWIVEL	19	43
F93920	REED STOP	23	29	FA85355-1	WASHER SHOCK MOUNT		
F97772	FUEL LINE CLAMP	39	11		UPPER	33	63
F97772	HOSE CLAMP	19	62	FA85511	THROTTLE TIE BAR		
F98273	ROD END CONNECTOR				W/SWIVEL	19	44
	STUD	25	50	FA85655-1	CRANKSHAFT MAIN		
FA15072	HEX LOCK NUT, 1/4 - 20	11	11		BEARING RACE W/SNAP		
FA321574	DISTRIBUTOR BRACKET	13	10		RING	29	9
FA335260	PISTON RING SET (3 PER			FA85838-5	TOWERSHAFT		
	SET)	29	1		W/BEARINGS, SWIVEL,		
FA407528	INSERT, PLATE REAR	3	4		ARMS AND SCREW	23	10
FA411222	TRANSFER PORT COVER			FA98689	BEARING, TOWERSHAFT	25	60
	W/PLUG	23	40	FC409398	DECAL, TOTE TANK -		
FA438113	STERN BRACKET LOCK BAR				CANADA (NOT SHOWN)	39	-
	W/HANDLE	31	42	FC438398	DECAL, WIRING - CANADA		
FA438431	FUEL PUMP BODY				(NOT SHOWN)	25	-
	W/VALVES	17	11	FC474387	TIMING DECAL - CANADA		
FA438493	TERMINAL BLOCK BRACKET	7	11		(NOT SHOWN)	9	-
FA439746	FUEL PUMP COVER	17	6	FC498054	GEAR HOUSING COMPLETE	37	-
FA467892	INSERT, PLATE FRONT -			FC510374	DECAL, CIRCUIT BREAKER -		
	U.S.A	3	41		CANADA	7	-
FA467893	INSERT, PLATE FRONT -			FG460-1	GASKET SET (NOT SHOWN)	27	-
	CANADA	3	-	FK17114-1	INDICATOR	41	32
FA480876	GEAR SHIFT ARM			FK405020	SWIVEL W/PIVOT SCREW		
	W/SWIVEL, INTERLOCK				AND NUT	23	15
	ARM AND BEARINGS	25	57	FK750-1	SPARKIE W/SPRING	15	44
FA480894	TIMING POINTER	23	1	FK85228	BEARING CAGE W/ROLLER	29	7

PARTS INDEX

Part Number	Description	Pg.	Ref. No.	Part Number	Description	Pg.	Ref. No.
FO10165	INLET SEAT GASKET	19	75	FT8908	PROPELLER SHAFT SEAL		
FO10588	BODY CHANNEL CUP PLUG	17	39		INSTALLER	46	-
FO10790	INLET NEEDLE, SEAT AND GASKET	19	76	FT8909	FORWARD BEARING CUP		
FO11103	IDLE SCREW SPRING	19	53		INSTALLER	46	-
FO13552	FUEL BOWL	19	67	FT8910	REAR BEARING CUP		
FO13554	FLOAT	19	69		INSTALLER	46	-
FO13555	CHOKE SHUTTER	19	77	FT8911	DRIVESHAFT KNOCK-OFF		
FO13944	FLOAT LEVER PIN	19	68		NUT	46	-
FO13945	FUEL BOWL RETAINING SCREW	19	65	FT8914	SEAL REMOVER	45	-
FO13946	IDLE SCREW	19	54	FT8915	PROPELLER SHAFT PROTECTOR	46	-
FO13947	CHOKE SHAFT RETURN SPRING	19	73	FT8916	PROPELLER SHAFT BEARING INSTALLER . . .	46	-
FO13966	IDLE TUBE, FOR 75 H.P. ENGINE CARBURETORS ONLY	17	34	FT8917	REAR BEARING CUP REMOVER	46	-
FO15026	MAIN FUEL JET (.072)	19	52	FT8918	BEARING GUIDE SET	46	-
FO15217	MAIN NOZZLE	21	93	FT8919	SPRING PIN PUNCH	46	-
FO15230	THROTTLE SHAFT AND LEVER	19	50	FT8920	DRIVESHAFT BEARING INSTALLER	46	-
FO15623	FUEL BOWL GASKET	19	71	FT8922	SLIDE HAMMER	45	-
FO16008	THROTTLE SHAFT RETURN SPRING	19	51	FT8924-1	CHECKING GAUGE	46	-
FO16850	CHOKE SHAFT AND LEVER	19	74	FT8925	DRIVESHAFT SEAL INSTALLER	46	-
FO16851	THROTTLE SHUTTER	17	42	FT8926	RING EXPANDER	45	-
FO2510	GASKET, FUEL BOWL RETAINING SCREW	19	66	FT8927	SEAL PROTECTOR	45	-
FO4326	BODY CHANNEL WELCH PLUG	17	38	FT8933	LIFTING HOOK	47	-
FO8942	SHUTTER SCREW W/LOCKWASHER	17	41	FT8948-1	FLYWHEEL PULLER	44	-
FO8942	THROTTLE SHUTTER SCREW AND LOCKWASHER	21	96	FT8950	LEAKAGE TESTER	47	-
FP524	PROPELLER, (ACCESSORY ITEM)	35	18	FT8957	SEAL INSTALLER	46	-
FS409752	FUEL LINE COMPLETE (NOT SHOWN)	39	-	FT8961A	TEST WHEEL	47	-
FS480955	STARTER COMPLETE	11	-	FTA2937-1	TIMING TOOL	44	-
FSA335260	PISTON RINGS (3 PER SET) .010 OVERSIZE (NOT SHOWN)	29	-	T8974	BREAKER POINT TENSION GAUGE	47	-
FT2953	SOCKET	45	-	22-817789A1	DRAIN FITTING	19	64
FT2990	PISTON PIN TOOL	45	-	22-818103--1	ELBOW	19	61
FT2992	GAUGE	46	-	30-F284659-2	CRANKSHAFT THRUST BEARING UPPER	29	22
FT2993	PROPELLER SHAFT BEARING CAGE PULLER	46	-	31-817785A2	CRANKSHAFT BEARING CAGE W/SEAL	29	18
FT2995	FORWARD BEARING CUP REMOVER	46	-	31-FA523014	CRANKSHAFT LOWER MAIN BEARING W/SEAL	29	12
FT2996	RING COMPRESSOR	45	-	32-817738A1	FUEL LINE LONG W/CLAMP AND FERRULE	39	10
FT8901	INDICATOR HOLDER	46	-	33-97180	SPARK PLUG (CHAMPION L- 20-V)	25	65
FT8902	DIAL INDICATOR	46	-	37-819450	DECAL, REVERSE LOCK - CANADA (NOT SHOWN) .	33	-
FT8903	SEAL INSTALLER	45	-	39-818110A1	PISTON RINGS (3 PER SET) .030 OVERSIZE (NOT SHOWN)	29	-
FT8905	DRIVESHAFT BEARING REMOVER	46	-	45-818017A3	DRIVESHAFT W/BEARING, SHIMS AND CRUSH RING	37	69
FT8906	PROPELLER SHAFT BEARING SUPPORT	46	-	84-817775A1	COIL WIRE W/TERMINAL CLIP	13	29
FT8907	DRIVE HANDLE	45	-	87-817778A1	THERMOSWITCH	25	88
FT8907	DRIVER HANDLE	46	-	600-818052A4	CONNECTING ROD W/CAP AND SCREWS	29	6
				700-817988A2	PISTON .010 OVERSIZE (NOT SHOWN)	29	-

PARTS INDEX

Part Number	Description	Pg.	Ref. No.	Part Number	Description	Pg.	Ref. No.
700-F372015-3	PISTON	29	2				
800-817823A7	CYLINDER ASSEM'Y W/PARTG LINE SEAL AND LOWR MAIN BEARG ASS'Y	27	89				
800-817901A9	SHORT BLOCK	27	-				
1400-817958A6	STERN BRACKET	31	19				