



# PARTS CATALOG

## 140 H.P.

### SERIAL NUMBER

140 (1978) .....	.1407B8A
140 (1978) .....	.1407H8A
140 (1978) .....	.1408B8A
140 (1978) .....	.1408H8A

# TABLE OF CONTENTS:

ACCESSORIES .....	54
CARBURETOR .....	16
CRANKSHAFT AND PISTON GROUP .....	32
DISTRIBUTOR .....	12
ELECTRICAL COMPONENTS .....	6
ENGINE COVER AND SUPPORT PLATE .....	2
FUEL PUMP AND REED PLATE .....	20
FUEL TANK AND LINE .....	44
GEAR HOUSING .....	40
LUBRICATION CHART .....	58
MOTOR LEG .....	34
PARTS INDEX .....	60
POWER HEAD .....	24
REMOTE CONTROL .....	46
SPECIAL ADJUSTMENTS .....	59
SPECIAL TOOLS - GEAR HOUSING .....	52
SPECIAL TOOLS - POWER HEAD .....	51
SPECIAL TOOLS - TEST EQUIPMENT .....	53
SPECIAL TOOLS - TUNE-UP .....	50
SPECIFICATIONS .....	57
STARTER .....	10

**NOTE:** *Indented description indicate that these parts are included in preceeding assembly.*

**AR** = As Required

**NSS** = Not Sold Separate

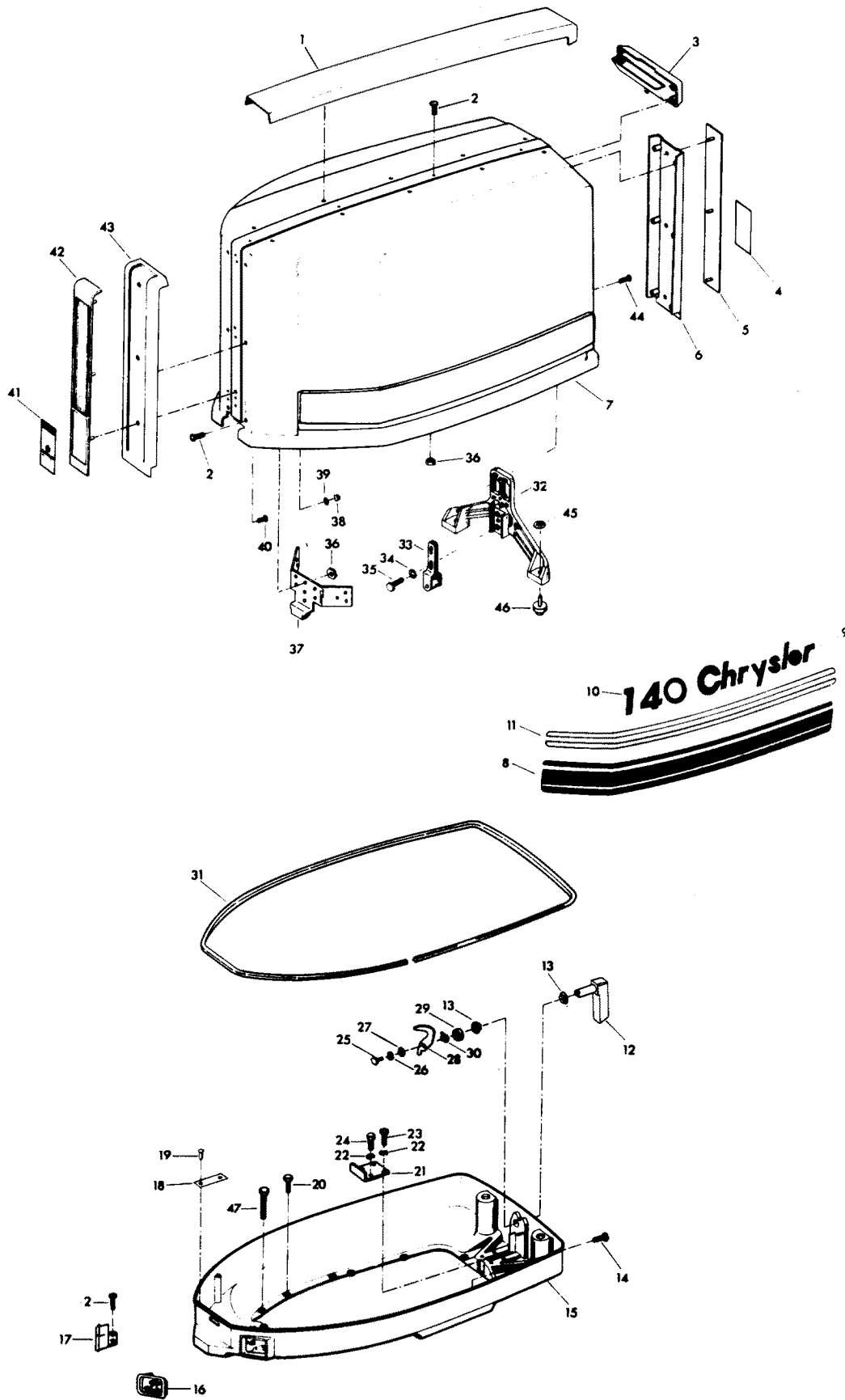
**OPT** = Optional

**NS** = Not Shown

**THESE PARTS BOOKS/FICHE CARD ARE COPYRIGHTED AND MAY NOT BE DISTRIBUTED OR REPRODUCED IN ANY OTHER FORMAT BY ANYONE OTHER THAN MERCURY MARINE WITHOUT THE PRIOR WRITTEN CONSENT OF MERCURY MARINE.**

THIS PAGE INTENTIONALLY LEFT BLANK

# ENGINE COVER AND SUPPORT PLATE

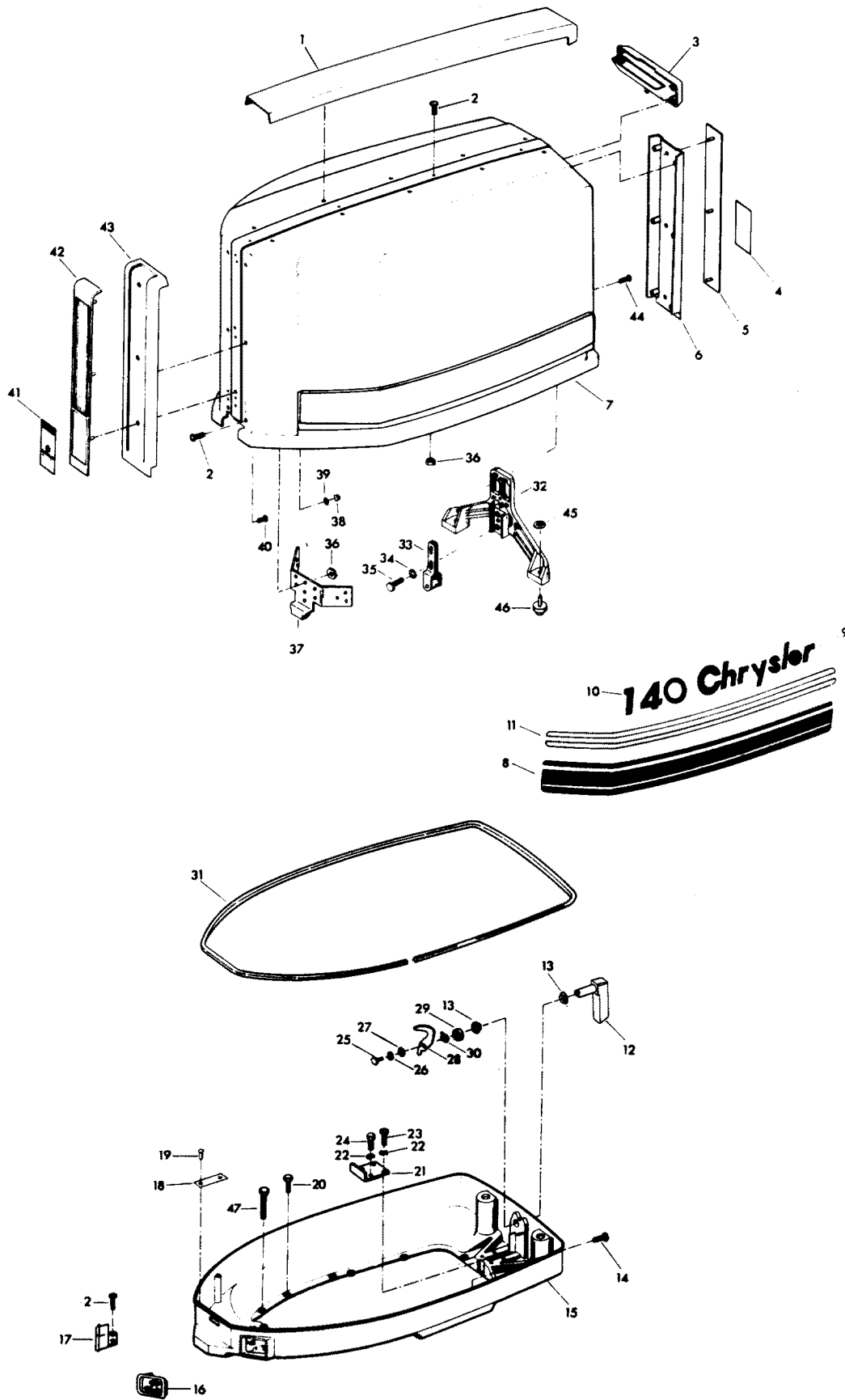


# ENGINE COVER AND SUPPORT PLATE

REF. NO.	PART NO.	SYM.	QTY.	DESCRIPTION
1	F2S480179		1	TRIM TOP
2	F1733		10	PAN HD MACHINE SCREW, 10 - 24 X 9/16
3	F2S480269		1	TILT HANDLE
4	FA528528		1	INSERT, PLATE REAR
5	F439386		1	PLATE REAR
6	F2S489180		1	TRIM REAR
7	FA489944		1	ENGINE COVER W/RETAINER, SCREWS AND NUTS
8	F498397		2	DECAL, STRIPE LOWER
9	F498392		2	DECAL "CHRYSLER"
10	528386		2	DECAL, NUMERAL
11	F498396		2	DECAL, STRIPE UPPER
12	FA481469		1	HANDLE W/SHAFT
13	F480818		2	BEARING
14	F1238		6	HEX CAP SCREW, 1/4 - 20 X 3/4
15	F480038-2		1	SUPPORT PLATE
16	F310189		1	BUSHING, ELECTRIC CABLE
17	F311189-1		1	BUSHING, CABLE ENTRY
18	FA77395-5		1	IDENTIFICATION PLATE W/SCREWS FOR U.S.A. MODELS
-	<b>AC16395-8</b>		<b>1</b>	<b>IDENTIFICATION PLATE W/SCREWS FOR CANADA MODELS</b>
19	F1447		2	ROUND HD SCREWS, 2 X 3/16
20	F1502		5	HEX CAP SCREW, 1/4 - 20 X 5/8
21	F335654-1		1	DEFLECTION STOP
22	F8096		4	SPRING LOCKWASHER
23	F1857		2	HEX CAP SCREW, 5/16 - 18 X 5/8
24	F1858		2	HEX CAP SCREW, 5/16 - 18 X 1
25	F1854		1	HEX CAP SCREW, 1/4 - 20 X 5/8
26	F8083		1	SPRING LOCKWASHER
27	F8094		1	PLAIN WASHER
28	F481777		1	CAM, LATCH
29	F481382-1		1	SPACER, LATCH SHAFT
30	F2047		1	WAVE SPRING LOCKWASHER
31	F321756		1	PACKING, COVER
32	F481774		1	BRACKET, COVER LATCH
33	FA481743		1	ROLLER BRACKET
34	F8096		2	SPRING LOCKWASHER
35	F1857		2	HEX CAP SCREW, 5/16 - 18 X 5/8
36	F1473		7	HEX NUT
37	F373778-1		1	RETAINER, ENGINE COVER
38	F1753		7	FASTENER
39	F85735-1		7	SEAL
40	F2066		30	PAN HD TAPPING SCREW, 10 X 7/16 (TRIM TO COVER)
41	FA467892		1	INSERT PLATE FRONT - U.S.A.
-	<b>FA467893</b>		<b>1</b>	<b>INSERT PLATE FRONT - CANADA</b>

CONTINUED ON NEXT PAGE ➡

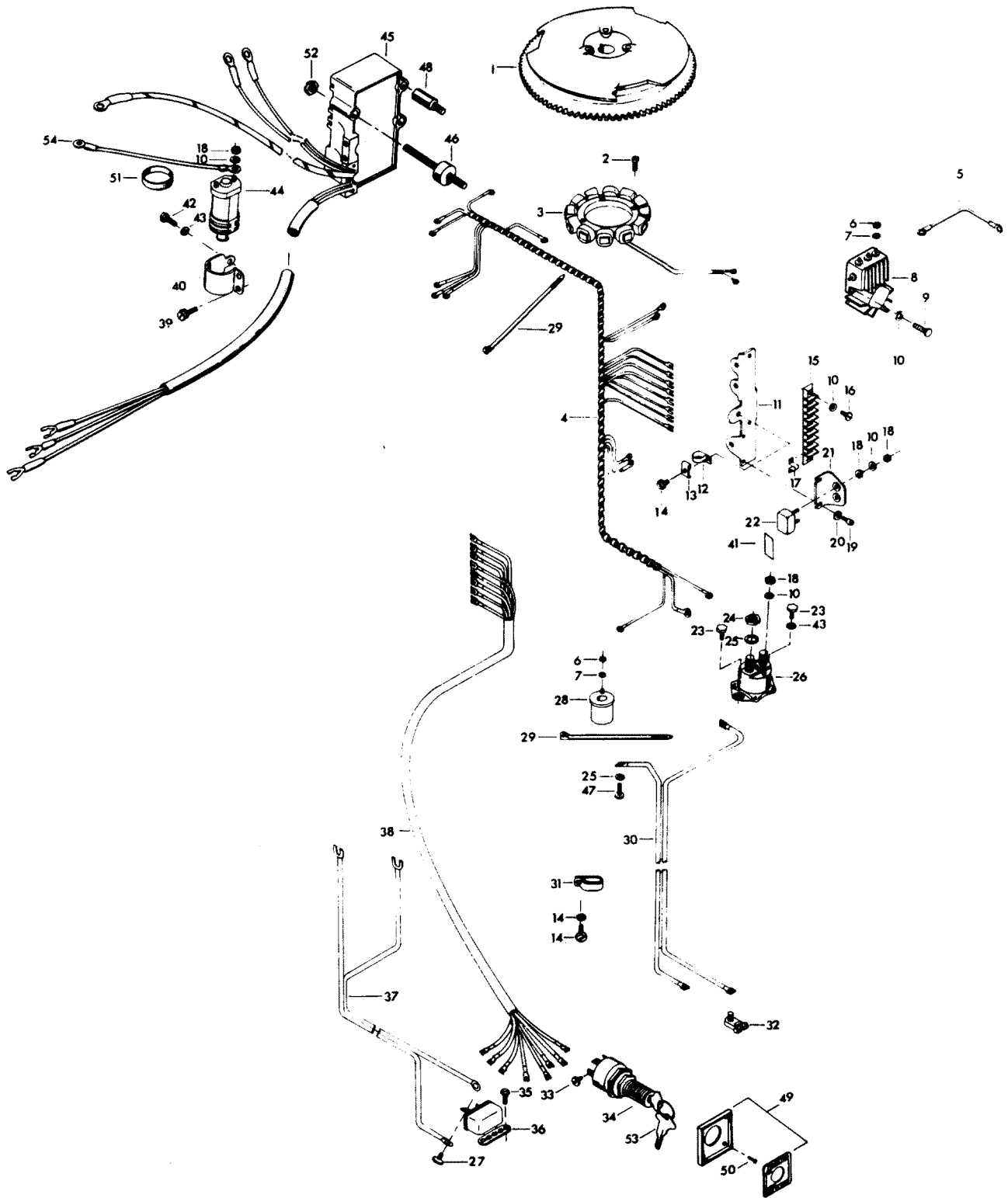
# ENGINE COVER AND SUPPORT PLATE



## ENGINE COVER AND SUPPORT PLATE

REF. NO.	PART NO.	SYM.	QTY.	DESCRIPTION
42	F500711		1	PLATE, ENGINE COVER FRONT
43	F2S489888		1	TRIM FRONT
44	F1730		4	PAN HD SCREW W/SPRING LOCKWASHER, 1/4 - 20 X 5/8
45	F2088		2	FASTENER
46	F481434		2	GUIDE, ENGINE COVER
47	F1849		2	HEX HD CAP SCREW, 1/4 - 20 X 1 3/8
-	<b>F438984-1</b>		<b>1</b>	<b>BLANKET, SILENCER TOP (NOT SHOWN)</b>
-	<b>F489985</b>		<b>2</b>	<b>BLANKET, SILENCER SIDE (NOT SHOWN)</b>

# ELECTRICAL COMPONENTS



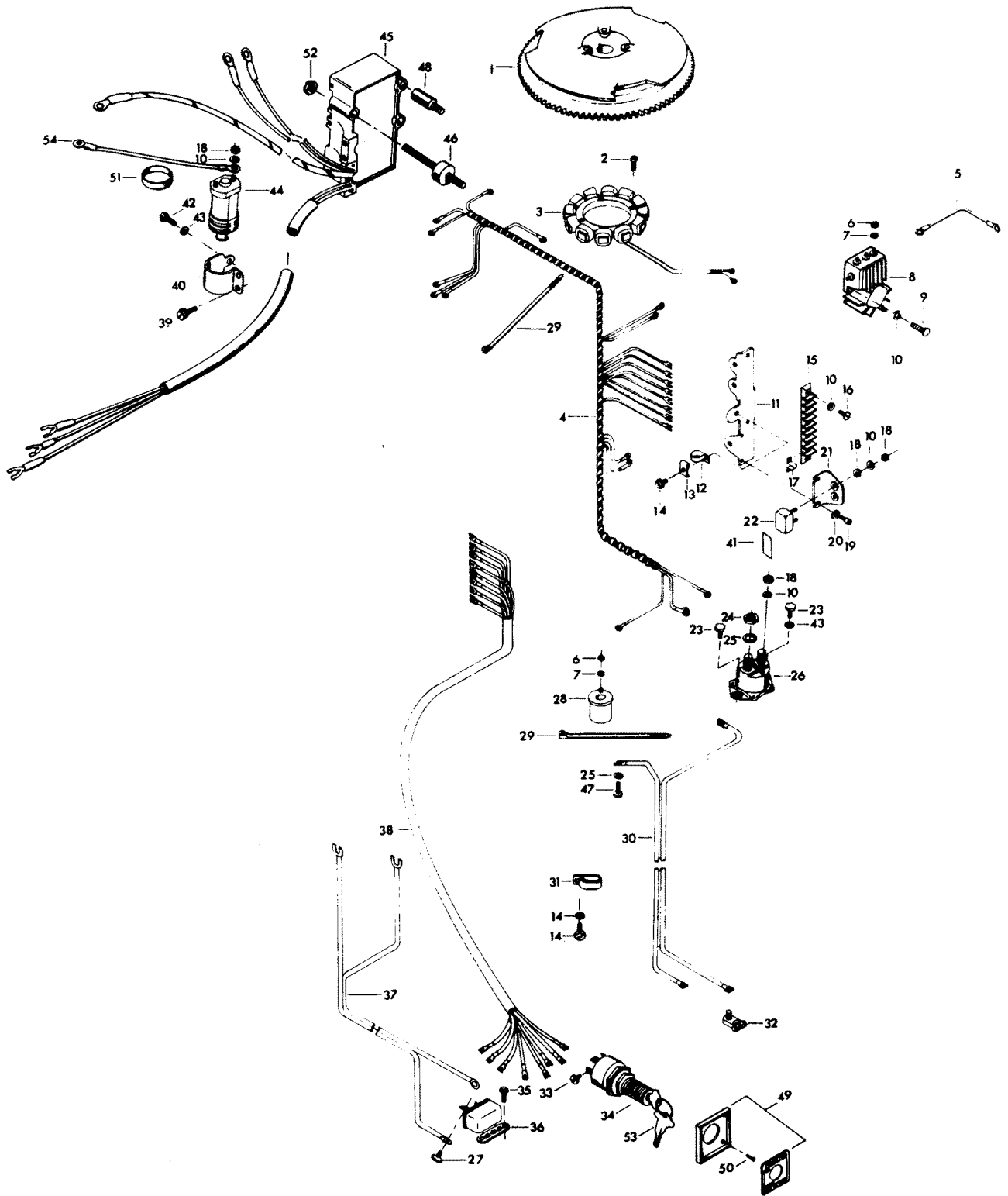


# ELECTRICAL COMPONENTS

REF. NO.	PART NO.	SYM.	QTY.	DESCRIPTION
1	F404097		1	FLYWHEEL
2	F1678		6	FILL HD SCREW, 10 - 24 X 13/16
3	F85095-2		1	STATOR
4	F438744-1		1	WIRING HARNESS
5	F345683		1	WIRE, REGULATOR-RECTIFIER GROUND
6	F1647		5	HEX NUT, 8 - 32
7	F8056		5	SPRING LOCKWASHER
8	F404470-1		1	REGULATOR-RECTIFIER
9	F2001		3	FILL HD SCREW, 10 - 24 X 5/8
10	F1975		9	SPRING LOCKWASHER
11	FA438493		1	TERMINAL BLOCK BRACKET
12	F289446-1		1	CLAMP
13	F438668		1	RETAINER, CABLE CLAMP
14	F1734		2	FILL HD SCREW W/LOCKWASHER, 1/4 - 20 X 1/2
15	FA510497		1	TERMINAL BLOCK
16	F1648		2	PAN HD SCREW, 10 - 24 X 3/4
17	F307317		1	CLIP, TERMINAL BLOCK
18	F1513		8	HEX NUT
19	F1760		2	PAN HD SCREW, 10 - 24 X 3/8
20	F8011		2	PLAIN WASHER
21	F91446-1		1	CIRCUIT BREAKER BRACKET
22	F510460		1	CIRCUIT BREAKER
23	F1705		2	HEX CAP SCREW, 1/4 - 20 X 3/4
24	F1515		2	HEX NUT
25	F8096		3	SPRING LOCKWASHER
26	F460917		1	STARTER RELAY
27	F1645		2	HD. SCREW, 6 - 32 X 1/4
28	F85924		1	CHOKE SOLENOID
29	F1877		2	TY-RAP
30	F381896-4		1	BATTERY CABLE
31	F407446		1	CLAMP
32	F5H041		1	BATTERY CABLE CLAMP KIT (ACCESSORY ITEM)
33	F1280		5	PAN HD SCREW, 8 - 32 X 1/4
34	F5H078		1	IGNITION SWITCH W/KEYS AND SCREWS <b>(LONG BARREL)</b> <b>(ACCESSORY ITEM)</b>
35	F1741		2	PAN HD SCREW, 8 X 3/4
36	F5H043		1	OVERHEAT BUZZER (ACCESSORY ITEM)
37	F404841		1	CABLE, HEAT INDICATOR
38	F85843-1		1	REMOTE ELECTRIC CABLE, 18 FEET
39	F1851		2	FILL HD SCREW W/LOCKWASHER, 10 - 24 X 1/2
40	F404513		1	COIL CLAMP
41	F510374		1	DECAL, CIRCUIT BREAKER U.S.A.
-	<b>FC510374</b>		<b>1</b>	<b>DECAL, CIRCUIT BREAKER CANADA</b>

CONTINUED ON NEXT PAGE ➡

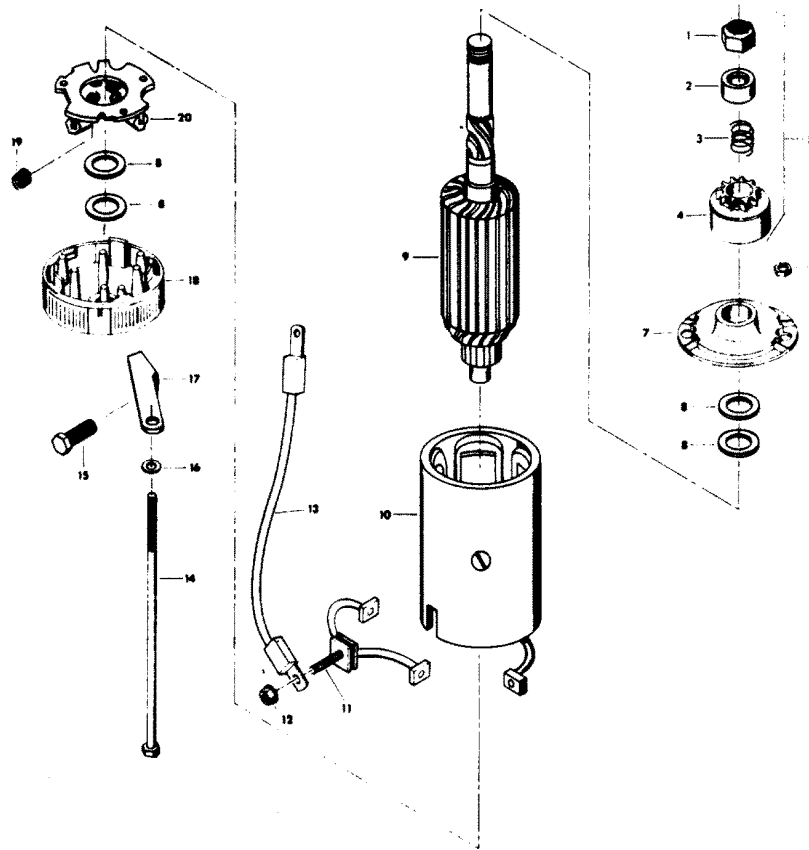
# ELECTRICAL COMPONENTS



# ELECTRICAL COMPONENTS

REF. NO.	PART NO.	SYM.	QTY.	DESCRIPTION
42	F1689		1	HEX HD CAP SCREW, 1/4 - 20 X 1/2
43	F8083		2	SPRING LOCKWASHER
44	F345475-1		1	COIL
45	FA523301		1	UNIT W/DECAL
46	F523962		3	SHOCK MOUNT - C.D. UNIT
47	F2000		1	HEX CAP SCREW, 5/16 - 18 X 3/4
48	F322273		1	STUD, C.D. UNIT
49	F5H038		1	IGNITION SWITCH MOUNTING KIT (ACCESSORY ITEM)
50	F1934		4	FLAT HD SLOTTED SCREW, 6 X 12
51	F391983		2	RETAINING BAND
52	F1892		3	STOP NUT
54	F85664		1	GROUND WIRE
-	<b>480373</b>		<b>1</b>	<b>DECAL, MAGNAPOWER IGNITION (NOT SHOWN)</b>
-	<b>F474387</b>		<b>1</b>	<b>TIMING DECAL (NOT SHOWN) U.S.A.</b>
-	<b>FC474387</b>		<b>1</b>	<b>TIMING DECAL - CANADA</b>

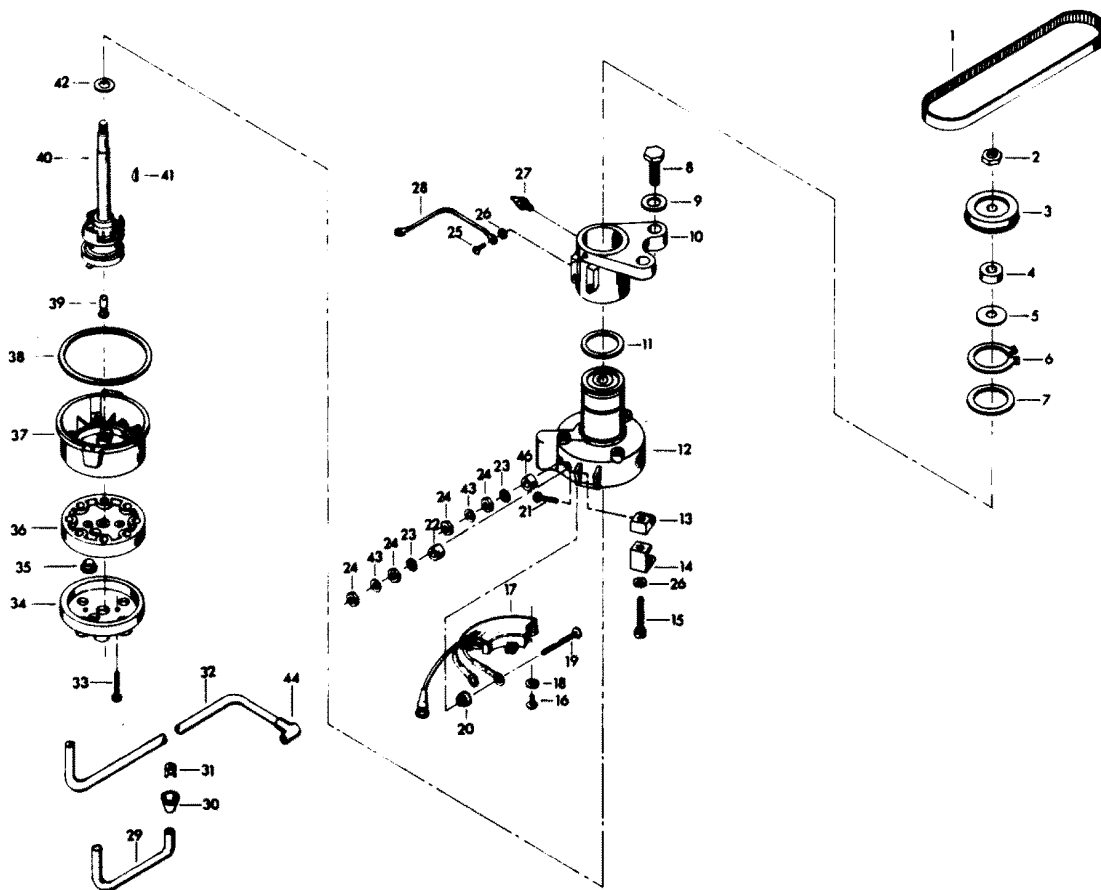
# STARTER



# STARTER

REF. NO.	PART NO.	SYM.	QTY.	DESCRIPTION
5	F15118		1	BENDIX DRIVE ASSEMBLY
6	F1641		2	LOCK NUT
7	F15167		1	HEAD ASSEMBLY, DRIVE END
8	F15126		1	THRUST WASHER PACKAGE
9	F15099		1	ARMATURE
10	F15166		1	FRAME AND FIELD ASSEMBLY
11	F15054		1	BRUSH AND TERMINAL SET
12	FA15072		1	HEX LOCK NUT, 1/4 - 20
13	F85908		1	STARTER LEAD WIRE
14	F15168		1	THRU BOLT PACKAGE
15	F1502		1	HEX CAP SCREW, 1/4 - 20 X 5/8
16	F8028		2	PLAIN WASHER
17	F511675		1	STARTER BRACKET, LOWER
18	F15125		1	HEAD ASSEMBLY, COMMUTATOR END
19	F15034		1	SPRING SET
20	F15057		1	BRUSH PLATE AND HOLDER ASSEMBLY
-	<b>FS490955</b>		<b>1</b>	<b>STARTER COMPLETE</b>
-	<b>FC500390</b>		<b>1</b>	<b>DECAL CANADA (NOT SHOWN)</b>

# DISTRIBUTOR

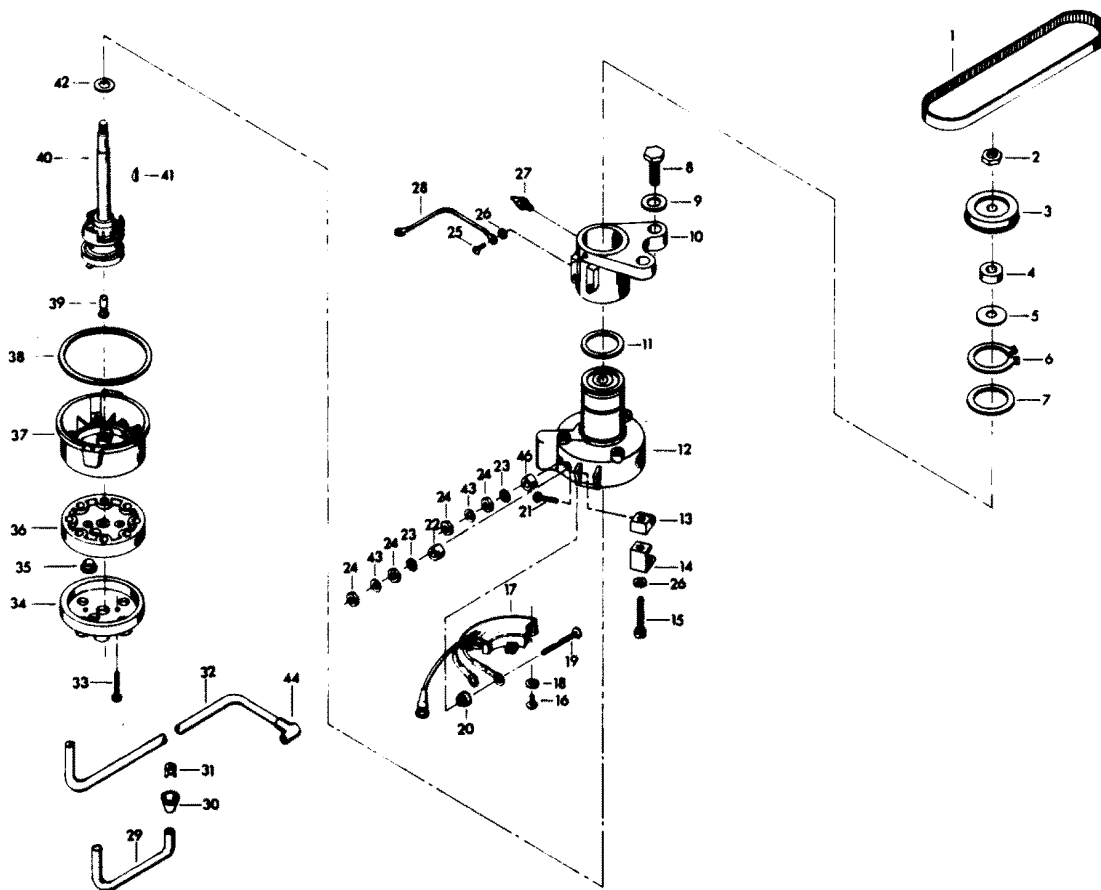


# DISTRIBUTOR

REF. NO.	PART NO.	SYM.	QTY.	DESCRIPTION
1	F85311		1	DISTRIBUTOR BELT
2	F7013		1	STOP NUT
3	817786A1		1	DISTRIBUTOR PULLEY
4	F14025		1	SPACER
5	F14028		1	THRUST WASHER
6	F85173		1	RETAINING RING
7	F14029		1	THRUST WASHER
8	F1612		2	HEX CAP SCREW, 3/8 - 16 X 1 1/4
9	F2014		2	PLAIN WASHER
10	FA321574		1	DISTRIBUTOR BRACKET
11	F1759		2	SHIM, DISTRIBUTOR (QTY. AS REQUIRED)
12	F14042		1	DISTRIBUTOR HOUSING W/BEARINGS
13	F14036		2	SWIVEL
14	F14037		2	CAP CLIPS
15	F14038		2	CAP CLIP SCREWS
16	F14045		2	SCREW
17	FA14048-2		1	PREAMPLIFIER
18	F8056		2	LOCKWASHER
19	F14046		2	TERMINAL SCREW
20	F14047		2	TERMINAL INSULATOR (INSIDE)
21	F14015		2	CAP CLIP RIVET
22	F14049		1	TERMINAL INSULATOR (OUTSIDE)
23	F14041		2	EXTERNAL TOOTH LOCKWASHER
24	F1647		4	HEX NUT, 8 - 32
25	F1760		2	PAN HD SCREW, 10 - 24 X 3/8
26	F1975		2	SPRING LOCKWASHER
27	F213274		1	GREASE FITTING
28	F85664		1	DISTRIBUTOR GROUND
29	84-817775A1		1	COIL WIRE W/TERMINAL CLIP
30	F203276		1	BOOT
31	F203673		1	TERMINAL CLIP
32	F321841-3		4	LEAD WIRE
33	F14007		2	CAP SCREW
34	F14010-1		1	CAP COVER
35	F14040		2	VENT
36	F14021-1		1	CAP SEAL
37	F14005-2		1	CAP BASE
38	F14030		1	CAP GASKET
39	F14012-1		1	BRUSH
40	F14044		1	DISTRIBUTOR SHAFT
41	F1692		1	WOODRUFF KEY
42	F14024		1	SPACER

CONTINUED ON NEXT PAGE ➡

# DISTRIBUTOR

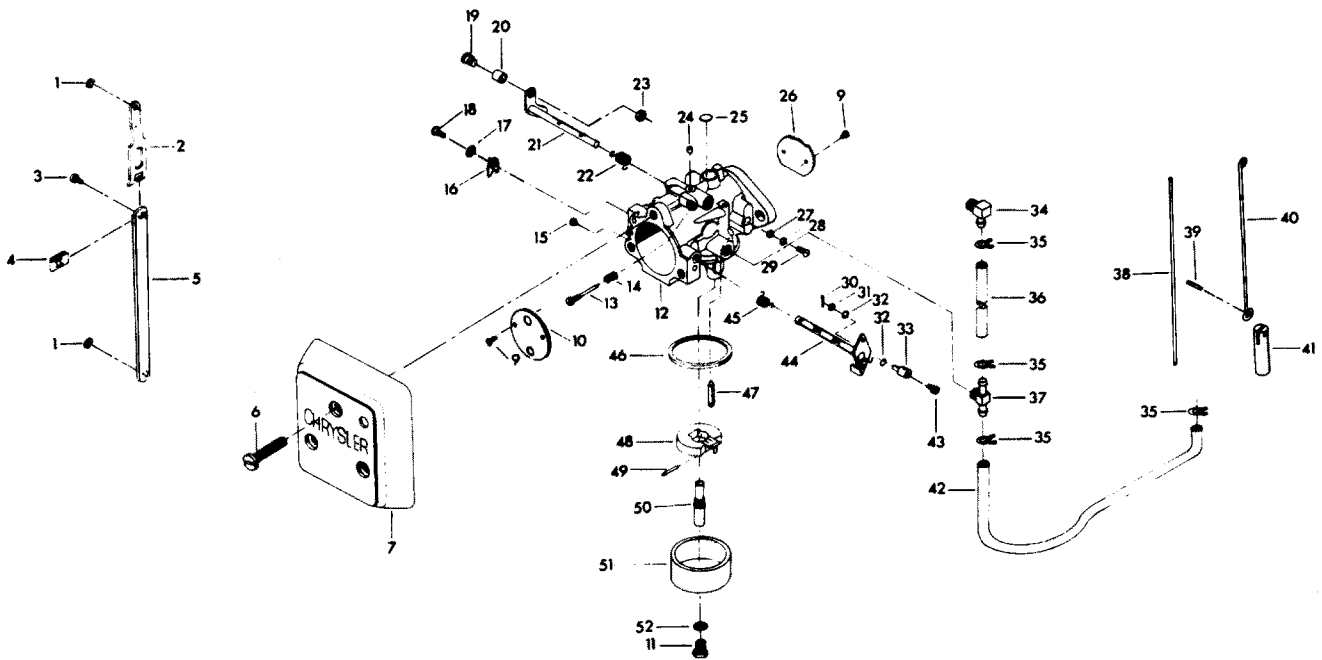




# DISTRIBUTOR

REF. NO.	PART NO.	SYM.	QTY.	DESCRIPTION
43	F8056		2	LOCKWASHER
44	FK750-1		4	SPARKIE W/SPRING
46	F14017		1	TERMINAL INSULATOR (OUTSIDE)
-	<b>817828A1</b>		<b>1</b>	<b>DISTRIBUTOR</b>
-	<b>481373-1</b>		<b>1</b>	<b>DECAL, "ELECTRONIC" (NOT SHOWN)</b>

# CARBURETOR

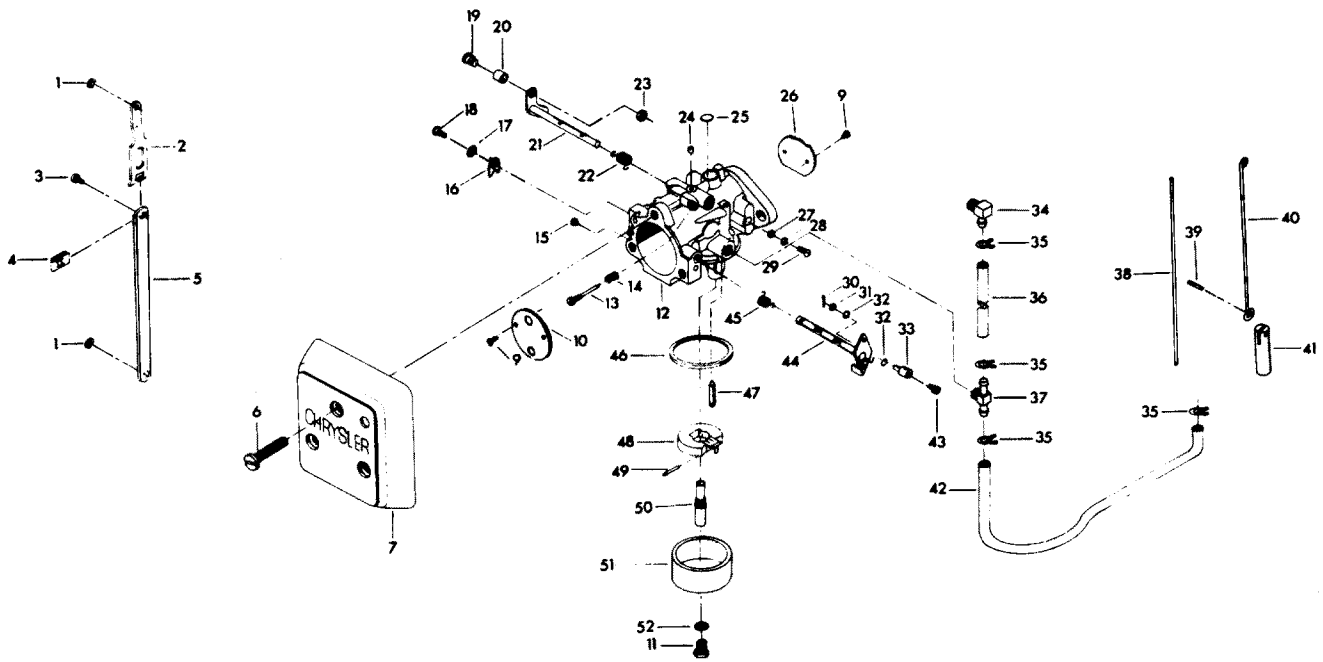


# CARBURETOR

REF. NO.	PART NO.	SYM.	QTY.	DESCRIPTION
1	F90807		2	RETAINING RING
2	FA85193		1	TIE BAR END W/SWIVEL
3	F1064		1	FILL HD SCREW, 8 - 32 X 3/8
4	F1693		1	TIE BAR RETAINER
5	FA178233		1	THROTTLE TIE BAR W/SWIVEL
6	F1034		6	PAN HD SCREW, 1/4 - 20 X 1 3/8
7	F511708		2	COVER, CARBURETOR
9	FO15912		4	CHOKE AND THROTTLE SHUTTER SCREW
10	FO17719		1	CHOKE SHUTTER
11	FO16132		1	FUEL BOWL RETAINING SCREW
13	FO14166		1	IDLE MIXTURE SCREW
14	FO11103		1	IDLE MIXTURE SCREW SPRING
15	FO12947		1	MAIN FUEL JET, .096 STANDARD
16	FO9678		1	CLIP, CHOKE SHAFT
17	FO992		1	LOCKWASHER
18	FO1974		1	SCREW
19	F333316		1	THROTTLE ROLLER SHAFT
20	F92759		1	THROTTLE ROLLER
21	FO16145		1	THROTTLE SHAFT AND LEVER
22	FO16143		1	THROTTLE SHAFT RETURN SPRING
23	F1997		1	STOP NUT, 8 - 32
24	FO10588		5	BODY CHANNEL CUP PLUG
25	FO16128		1	BODY CHANNEL WELCH PLUG
26	FO16142		1	THROTTLE SHUTTER
27	FO12400		1	RETAINING SCREW WASHER
28	FO6396		1	RETAINING SCREW LOCKWASHER
29	FO6393		1	RETAINING SCREW
30	F1014		2	COTTER PIN
31	F8088		3	PLAIN WASHER
32	F184579		5	"O" RING SEAL
33	F184033-1		1	SWIVEL, TOP CARBURETOR
34	F84314-2		1	ELBOW
35	F97772		4	CLAMP
36	F178754-1		1	FUEL LINE
37	F85314-1		1	FUEL FITTING
38	F85509-1		1	LINK, CHOKE
39	F2033		1	GROOVE PIN
40	F440925		1	CHOKE ROD
41	F391926-1		1	PLUNGER
42	F434754		1	FUEL LINE W/CLAMP, PUMP TO CARBURETOR
43	F1059		2	FILL HD SCREW, 6 - 32 X 1/4
44	FO16301		1	CHOKE SHAFT AND LEVER
45	FO16136		1	CHOKE SHAFT RETURN SPRING

CONTINUED ON NEXT PAGE ➡

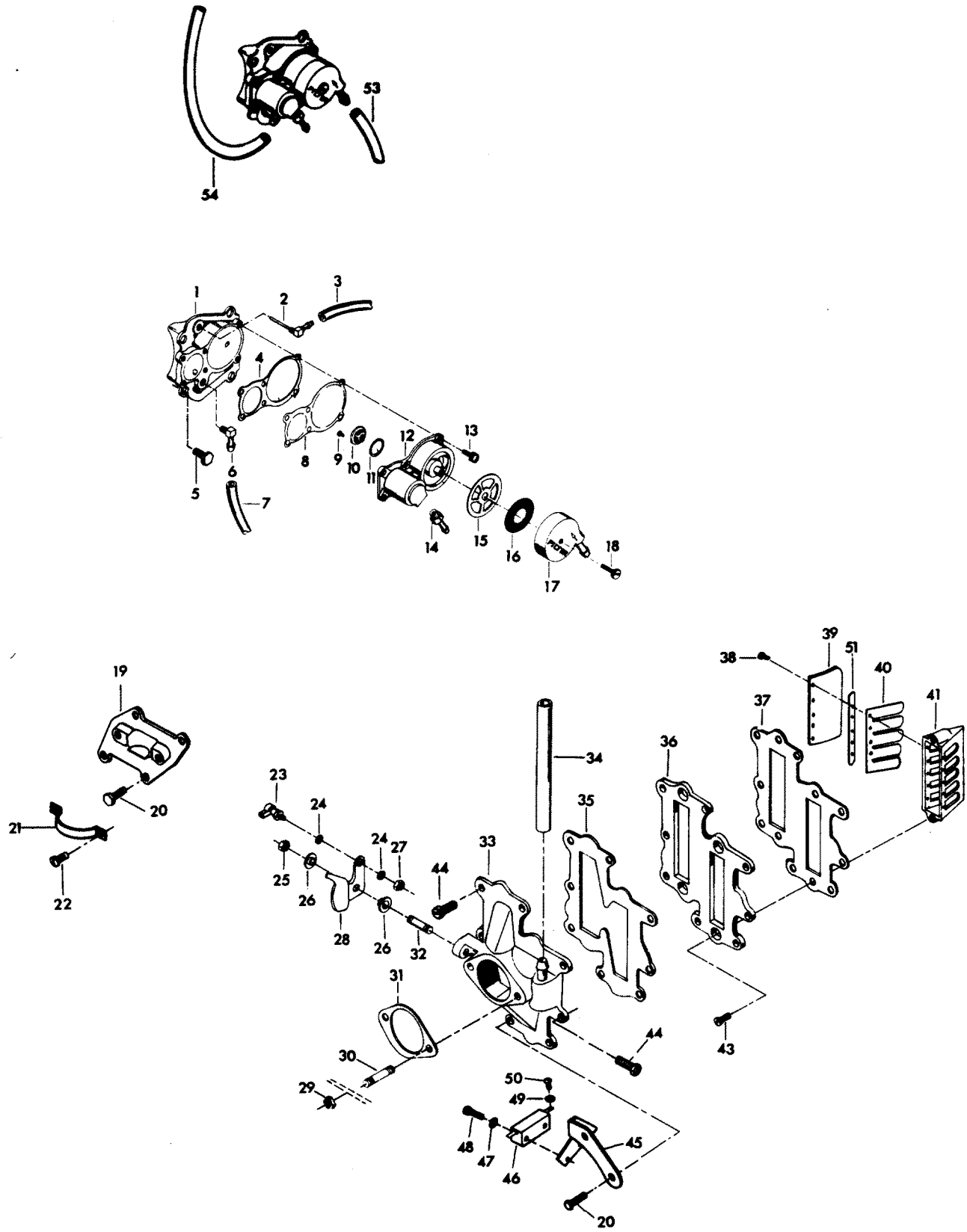
# CARBURETOR



# CARBURETOR

REF. NO.	PART NO.	SYM.	QTY.	DESCRIPTION
46	FO15623		1	FUEL BOWL GASKET
47	FO16697		1	INLET NEEDLE
48	FO13554		1	FLOAT
49	FO13944		1	FLOAT LEVER PIN
50	FO16133		1	MAIN NOZZLE
51	FO16130		1	FUEL BOWL
52	FO5323		1	FUEL BOWL RETAINING SCREW GASKET
-	<b>F85033</b>		<b>1</b>	<b>SWIVEL, CHOKE ROD (BOTTOM CARBURETOR) (NOT SHOWN)</b>
-	<b>F10023</b>		<b>1</b>	<b>GASKET SET (NOT SHOWN)</b>
-	<b>F10051</b>		<b>1</b>	<b>REPAIR PARTS KIT (NOT SHOWN) INCLUDES ALL ITEMS MARKED WITH AN ASTERISK (*)</b>
-	<b>F476061-4</b>		<b>1</b>	<b>CARBURETOR COMPLETE (TC-5E)</b>

# FUEL PUMP AND REED PLATE

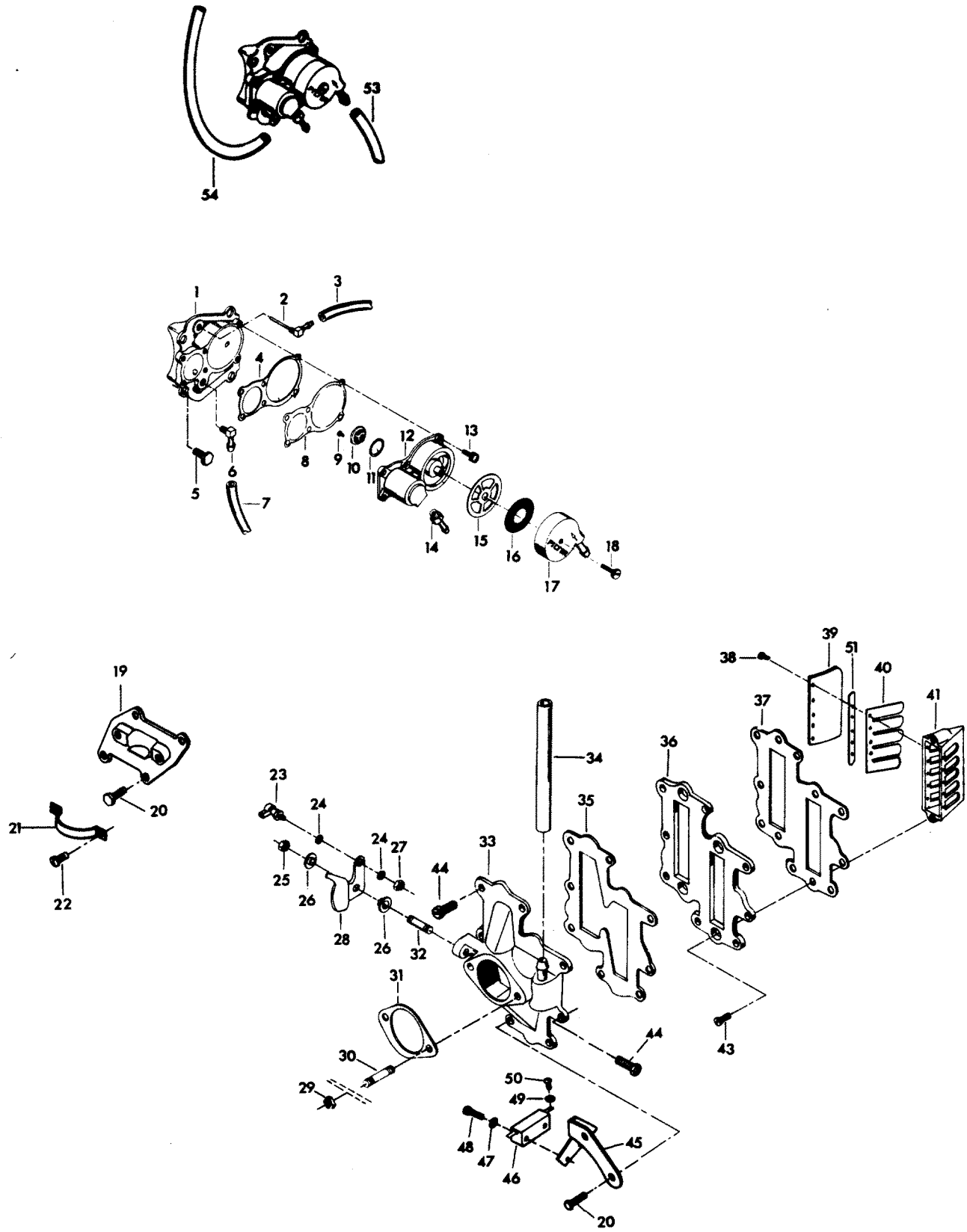


# FUEL PUMP AND REED PLATE

REF. NO.	PART NO.	SYM.	QTY.	DESCRIPTION
1	FA439746		2	FUEL PUMP COVER
2	F404314		1	ELBOW, FUEL PUMP COVER
3	F441754-1		1	HOSE
4	F438760		2	FUEL PUMP GASKET
5	F1502		8	HEX CAP SCREW, 1/4 - 20 X 5/8
6	F84314-2		2	ELBOW
7	F89758		1	FUEL PUMP AIR HOSE - TOP
8	F438747		2	FUEL PUMP DIAPHRAGM W/GASKET
9	F1860		4	RD HD SCREW, 6 - 32 X 1/4
10	F177330		6	FUEL PUMP VALVE
11	F84792		2	GASKET, CENTER FUEL PUMP VALVE
12	FA438431		2	FUEL PUMP BODY W/VALVES
13	F1108		12	FILL HD SCREW, 1/4 - 20 X 3/4
14	F438801		2	FITTING
15	F438617		2	FUEL SEDIMENT BOWL GASKET
16	F438653		2	FUEL SEDIMENT BOWL SCREEN
17	F438500		2	FUEL SEDIMENT BOWL
18	F438165		2	SCREW, FUEL PUMP BOWL
19	F372958		1	CHOKE BRACKET
20	F1953		6	HEX HD SCREW, 1/4 - 20 X 1
21	F85317-1		1	SOLENOID CLAMP
22	F1236		2	SCREW, 1/4 - 20 X 1/2
23	817747--1		1	BALL JOINT W/STUD
24	F8058		2	INTERNAL TOOTH LOCKWASHER
25	F1910		1	STOP NUT, 1/4 - 20
26	F269319		2	THROTTLE CAM BEARING
27	F1513		1	HEX NUT, 10 - 32
28	F440192		1	THROTTLE CAM
29	F1346		4	HEX NUT
30	F440209		4	CARBURETOR STUD
31	F440906		2	CARBURETOR GASKET
32	F433209-1		1	THROTTLE CAM STUD
33	FA440167		1	CARBURETOR ADAPTER, LOWER W/FITTING AND STUD
-	<b>FA440157</b>		<b>1</b>	<b>CARBURETOR ADAPTER, UPPER W/FITTING AND STUD</b>
34	F440254		1	BALANCE TUBE
35	F178168-1		2	GASKET, CARBURETOR ADAPTER
36	F178404-1		2	DEFLECTOR PLATE
37	F406406		2	GASKET DEFLECTOR PLATE
38	F1755		40	ROUND HD SCREW W/LOCKWASHER, 6 - 32 X 1/4
39	F85161-1		8	REED STOP
40	F530160		8	REED (4 PETAL)
41	F2A523158		4	REED PLATE W/REEDS, REED STOPS AND SCREWS
42	F316164		8	REED (1 PETAL)

CONTINUED ON NEXT PAGE ➡

# FUEL PUMP AND REED PLATE

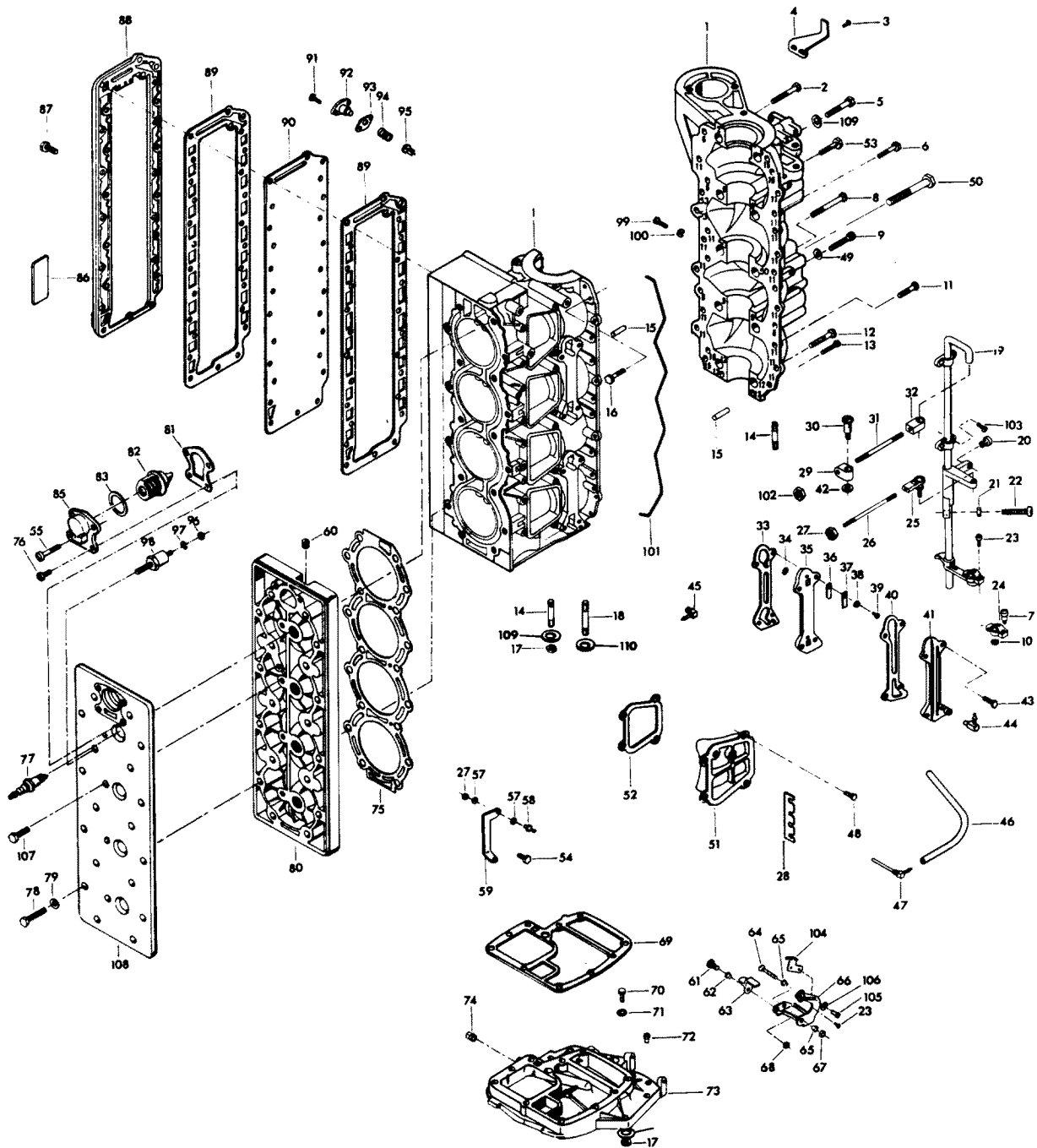




# FUEL PUMP AND REED PLATE

REF. NO.	PART NO.	SYM.	QTY.	DESCRIPTION
43	F1831		8	FLAT HD SCREW, 1/4 - 20 X 5/8
44	F1915		10	HEX HD SCREW, 1/4 - 20 X 7/8
45	F489551		1	BRACKET NEUTRAL INTERLOCK SWITCH
46	F84449		1	INTERLOCK SWITCH
47	F8088		2	PLAIN WASHER
48	F2016		2	FILL HD SCREW, 6 - 32 X 7/8
49	F1704		2	INTERNAL TOOTH LOCKWASHER
50	F1645		2	RD HD SCREW, 6 - 32 X 1/4
51	F523451		8	SPACER, REED STOP
52	F97772		2	CLAMP
53	F528253		1	HOSE (LOWER FUEL PUMP TO UPPER)
54	F154758		1	HOSE (FUEL PUMP UPPER)

# POWER HEAD

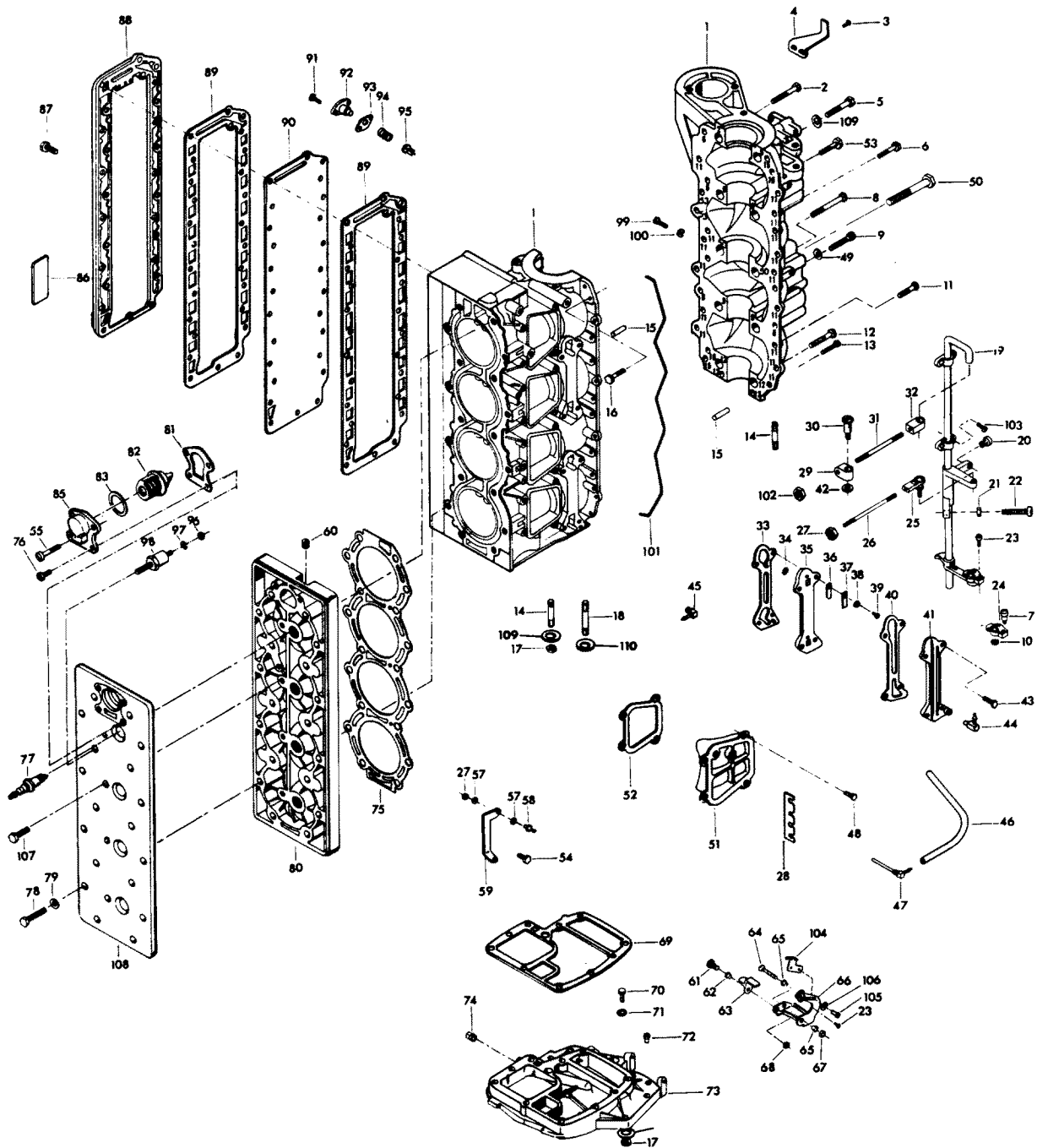


# POWER HEAD

REF. NO.	PART NO.	SYM.	QTY.	DESCRIPTION
1	A476010-1		1	CYLINDER, PARTNG LINE SEAL, SCREWS & DOWEL PINS <b>W/CRANKCASE COVER</b>
2	F1874		1	HEX HD SCREW, 3/8 - 16 X 3 1/8
3	F1760		2	PAN HD SCREW, 10 - 24 X 3/8
4	FA480894		1	TIMING POINTER
5	F1009		1	HEX HD SCREW, 3/8 - 16 X 2 3/4
6	F1915		3	HEX HD SCREW, 1/4 - 20 X 7/8
7	F405457		1	PIVOT SCREW
8	F1699		1	HEX HD SCREW, 1/4 - 20 X 1 1/8
9	F1253		4	HEX SOCKET HD CAP SCREW, 3/8 - 16 X 2
10	F7008		1	ELASTIC STOP NUT
11	F1914		16	HEX HD SCREW, 1/4 - 20 X 3/4
12	F1872		2	HEX CAP SCREW, 3/8 - 16 X 1 3/4
13	F1099		2	FILL HD SCREW, 1/4 - 20 X 1 1/4
14	F85859		4	STUD
15	F8563		2	DOWEL PIN
16	F1953		2	HEX HD SCREW, 1/4 - 20 X 1
17	F7004		10	STOP NUT, 3/8 - 16
18	F85211		6	STUD
19	817932A6		1	TOWERSHAFT W/SWIVEL, BEARINGS AND SCREWS
20	F1727		0	PLASTIC RIVET
21	F1341		1	HEX NUT, 1/4 - 20
22	F1052		1	FILL HD SCREW, 1/4 - 20 X 1
23	F1556		2	FILL HD SCREW W/LOCKWASHER, 10 - 24 X 3/8
24	FK405020		2	SWIVEL W/CLAMP, SHOULDER SCREW AND NUT
25	817747--1		1	BALL JOINT W/STUD
26	F85502		1	THROTTLE LINK
27	F1513		4	HEX NUT, 10 - 32
28	F523834		1	CLIP, SPARK PLUG WIRE
29	F85035		1	DISTRIBUTOR, CONTROL ROD END
30	F85026		1	SWIVEL
31	F85445		1	CONTROL ROD
32	F85036		1	TOWERSHAFT CONTROL ROD END
33	F84748-3		2	GASKET
34	F93811		4	SCREEN
35	F2A476757		2	CYLINDER DRAIN REED PLATE W/REEDS, STOPS AND SCREWS
36	F18160-2		4	CYLINDER DRAIN REED
37	F93920		4	REED STOP
38	F8003		4	PLAIN WASHER
39	F1286		4	PAN HD SCREW, 4 - 40 X 3/16
40	F84472-5		2	GASKET, CYLINDER DRAIN COVER
41	A406471-1		2	CYLINDER DRAIN COVER
42	F1935		1	PLAIN WASHER

CONTINUED ON NEXT PAGE ➡

# POWER HEAD

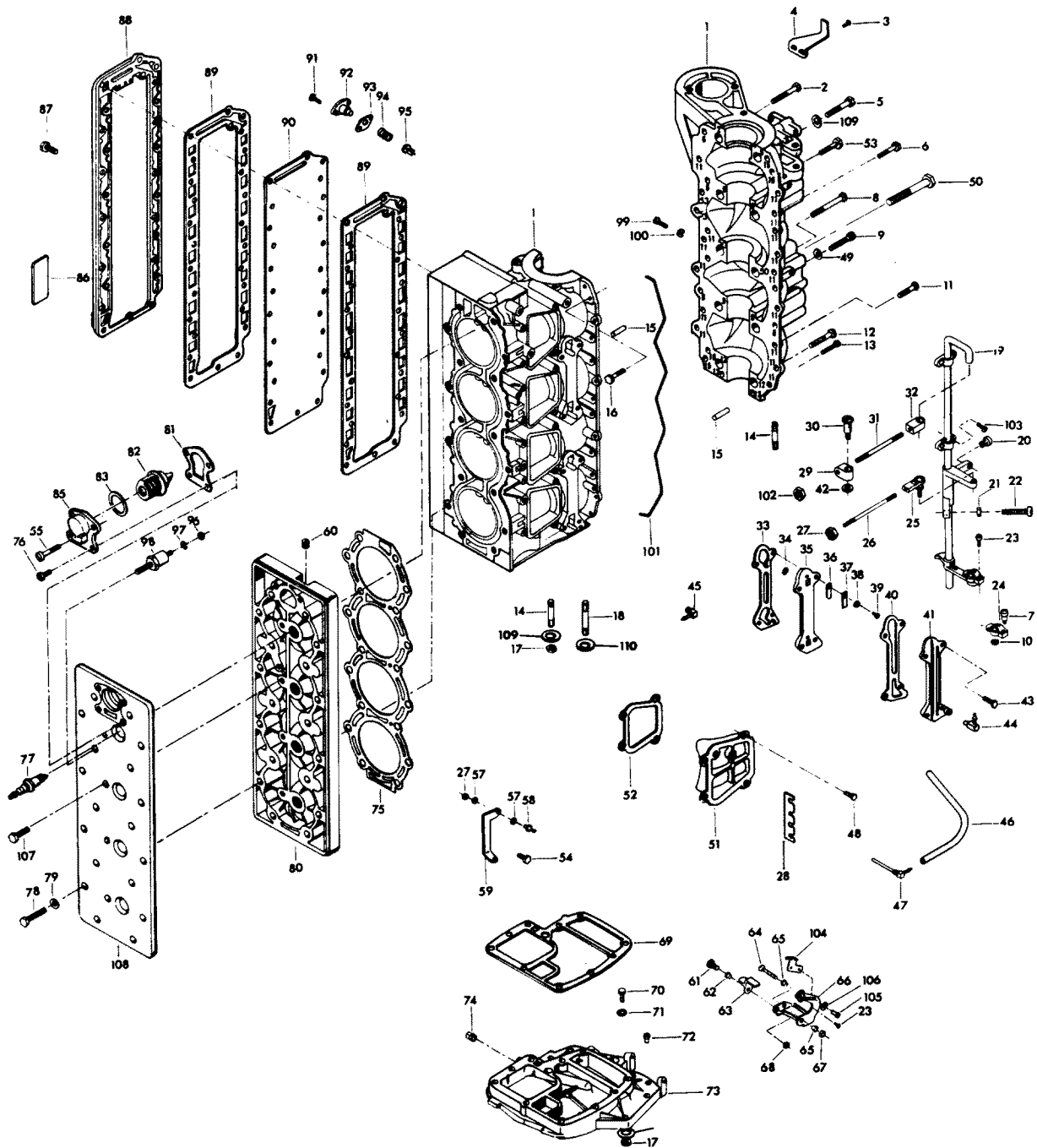


# POWER HEAD

REF. NO.	PART NO.	SYM.	QTY.	DESCRIPTION
43	F1187		8	HEX HD SCREW, 1/4 - 20 X 1
44	22-818103--1		1	ELBOW, CYLINDER DRAIN LOWER
-	<b>F404801</b>		<b>1</b>	<b>ELBOW, CYLINDER DRAIN UPPER</b>
45	F84314-2		1	ELBOW
46	F406754-1		1	HOSE
47	F404314		1	FITTING
48	F1502		7	HEX CAP SCREW, 1/4 - 20 X 5/8
49	F8104		4	PLAIN WASHER
50	F1873		2	HEX CAP SCREW, 3/8 - 16 X 3
51	FA411222		3	TRANSFER PORT COVER
52	F40223		4	GASKET, TRANSFER PORT COVER
-	<b>FG1003-1</b>		<b>1</b>	<b>GASKET SET (SEE BELOW)</b>
53	F2008		2	HEX HD SCREW, 1/4 - 20 X 7/8
54	F1238		2	HEX CAP SCREW, 1/4 - 20 X 3/4
55	F1099		2	FILL HD SCREW, 1/4 - 20 X 1 1/4
57	F8058		4	INTERNAL TOOTH LOCKWASHER
58	F98273		2	ROD END CONNECTOR STUD
59	85872-1		1	BRACKET
60	F19109		1	PLUG
61	F369887		1	SHOULDER SCREW
62	F369610		1	BEARING
63	F369977-1		1	INTERLOCK ARM
64	F1885		1	HEX BOLTS, S.S., 5/16 - 18 X 4 1/4
65	F85610		2	BEARING
66	FA480876		1	GEAR SHIFT ARM W/SWIVLBEARNGS, INTRLOCK ARM & SHOULDR SCRW
67	F2108		1	STOP NUT, 5/16 - 18
68	F1832		1	STOP NUT, 1/4 - 20
69	F85279-2		1	GASKET, CYLINDER EXHAUST UPPER
70	F1869		6	HEX CAP SCREW, 3/8 - 16 X 1 1/4
71	F1703		6	LOCKWASHER
72	FA98689		1	BEARING
73	817788A3		1	SPACER PLATE W/PLUG
74	F2090		1	PLUG
75	F476529		1	CYLINDER HEAD GASKET
76	F1107		2	SLOTTED FILL HD CAP SCREW, 1/4 - 20 X 3/4
77	33-97180		4	SPARK PLUG (CHAMPION L20V)
-	<b>C523227</b>		<b>4</b>	<b>SPARK PLUG (CHAMPION QL-76V) FOR MODELS 1407BA</b>
78	F2049		18	HEX CAP SCREW, 5/16 - 18 X 2 5/8
79	F1987		18	PLAIN WASHER
80	FA528518		1	CYLINDER HEAD
81	F476067		1	GASKET
82	F528068		1	THERMOSTAT

CONTINUED ON NEXT PAGE ➡

# POWER HEAD

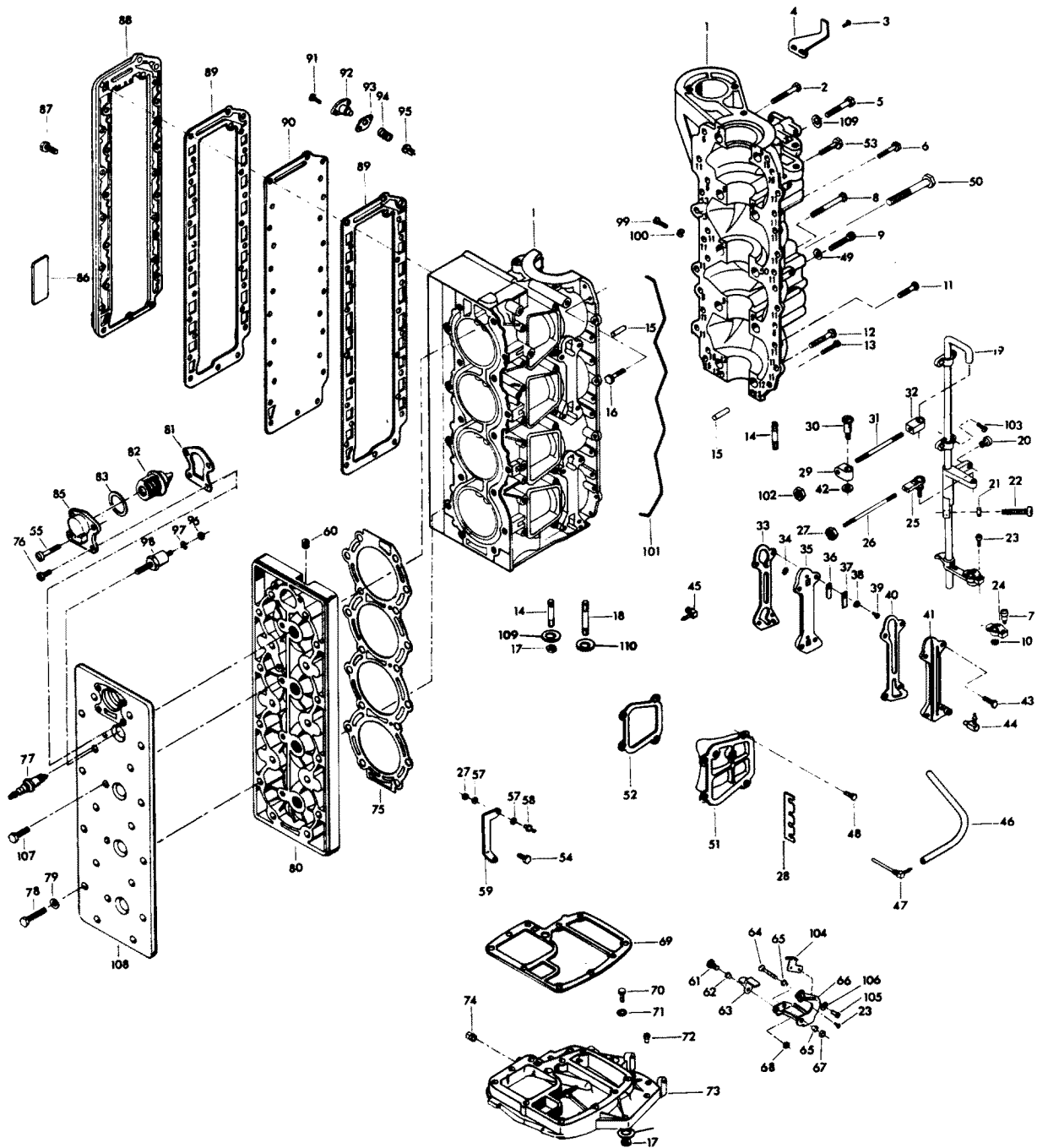


# POWER HEAD

REF. NO.	PART NO.	SYM.	QTY.	DESCRIPTION
83	F84504		1	GROMMET (THERMOSTAT)
85	F476066-1		1	THERMOSTAT COVER
86	F438398		1	DECAL, WIRING
-	<b>FC438398</b>		<b>1</b>	<b>DECAL, WIRING - CANADA</b>
87	F1709		27	HEX BOLT, 1/4 - 20 X 1 1/8
88	F372152-1		1	EXHAUST PORT COVER
89	F372154-1		2	GASKET, EXHAUST PORT PLATE
90	F372151-1		1	EXHAUST PORT PLATE
91	F1950		2	HEX CAP SCREW, 10 - 24 X 5/8
92	F438066		1	BY-PASS VALVE COVER
93	F85762		1	BY-PASS VALVE COVER GASKET
94	F404268		1	BY-PASS VALVE SPRING
95	F85916-1		1	BY-PASS VALVE
96	F1647		1	HEX NUT, 8 - 32
97	F8056		1	LOCKWASHER
98	87-817778A1		1	THERMOSWITCH
99	F2000		1	HEX CAP SCREW, 5/16 - 18 X 3/4
100	F8096		1	SPRING LOCKWASHER
101	F184122-1		1	SEAL, PARTING LINE
102	F2015		1	HEX NUT, 1/4 - 28
103	F1475		4	FILL HD SCREW, 10 - 24 X 1/2
104	F480107-1		1	CAM STARTER INTERLOCK
105	F2089		2	SLOTTED PAN HD M. SCREW, 10 - 24 X 5/16
106	F2042		2	PLAIN WASHER
107	F1203		4	HEX CAP SCREW, 1/4 - 20 X 7/8
108	F528995		1	COVER, CYLINDER HEAD
109	F8095		6	PLAIN WASHER
110	F8038		4	PLAIN WASHER
111	F1907		6	PLAIN WASHER
-	<b>C528010</b>		<b>1</b>	<b>SHORT BLOCK CONTAINS ALL ITEMS MARKED WITH AN ASTERISK. ALSO REFER TO CRANKSHAFT PAGE.</b>
-	<b>F40223</b>		<b>0</b>	<b>TRANSFER PORT COVER</b>
-	<b>F84067-1</b>		<b>0</b>	<b>THERMOSTAT COVER</b>
-	<b>F84472-5</b>		<b>0</b>	<b>CYLINDER DRAIN COVER</b>
-	<b>F84748-3</b>		<b>0</b>	<b>CYLINDER DRAIN</b>
-	<b>F85279-2</b>		<b>0</b>	<b>CYLINDER EXHAUST UPPER</b>
-	<b>F85453-1</b>		<b>0</b>	<b>CYLINDER EXHAUST LOWER</b>
-	<b>F85762</b>		<b>0</b>	<b>BY - PASS</b>
-	<b>F85906</b>		<b>0</b>	<b>CARBURETOR</b>
-	<b>F178168-1</b>		<b>0</b>	<b>CARBURETOR ADAPTER</b>
-	<b>F184122-1</b>		<b>0</b>	<b>SEAL</b>
-	<b>F372154-1</b>		<b>0</b>	<b>EXHAUST PORT PLATE</b>
-	<b>F372529</b>		<b>0</b>	<b>CLYINDER HEAD</b>

CONTINUED ON NEXT PAGE ➡

# POWER HEAD

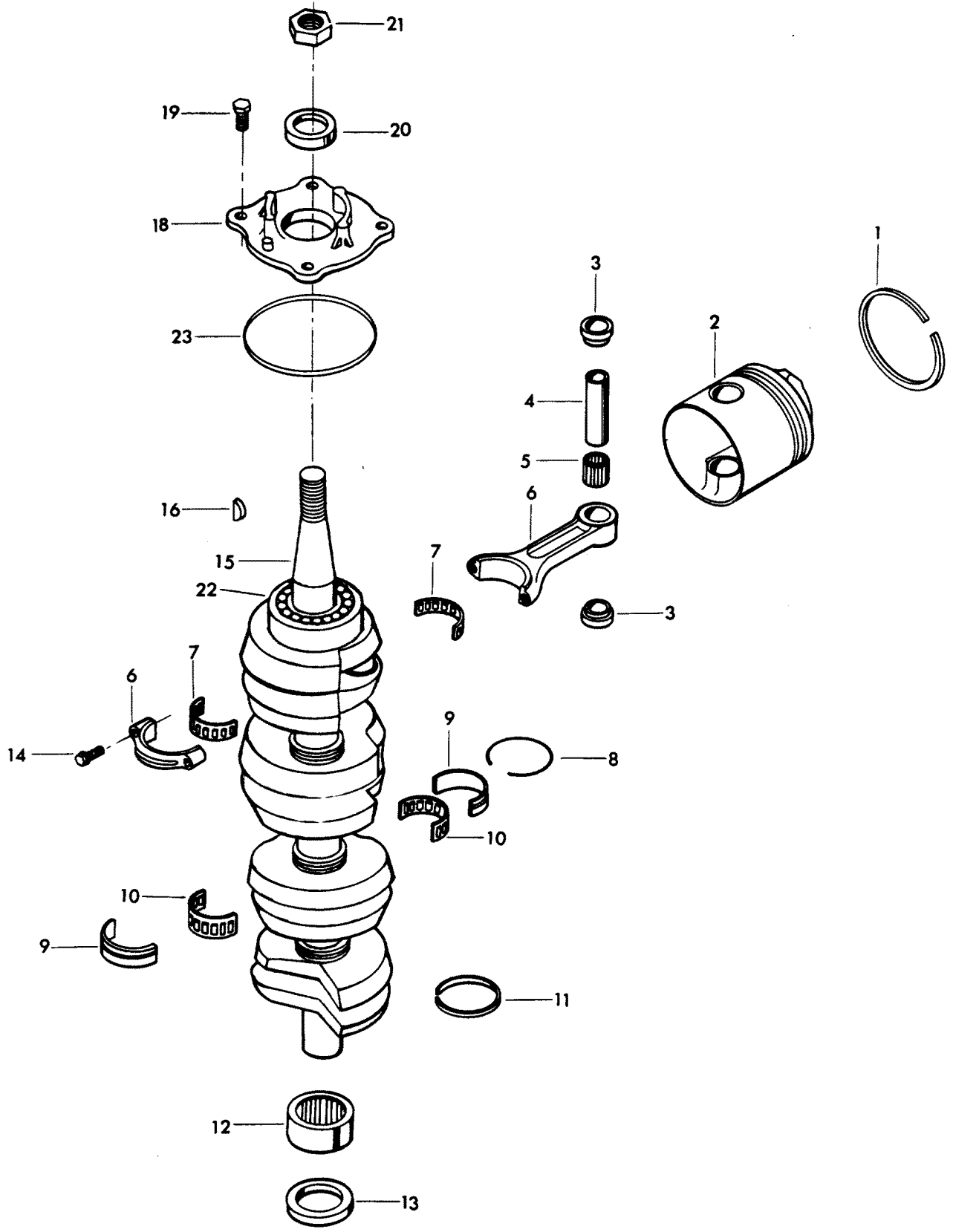




# POWER HEAD

REF. NO.	PART NO.	SYM.	QTY.	DESCRIPTION
-	F406406		0	DEFLECTOR PLATE
-	F440906		0	CARBURETOR
-	F476067		0	THERMOSTAT COVER
-	F476529		0	CYLINDER HEAD

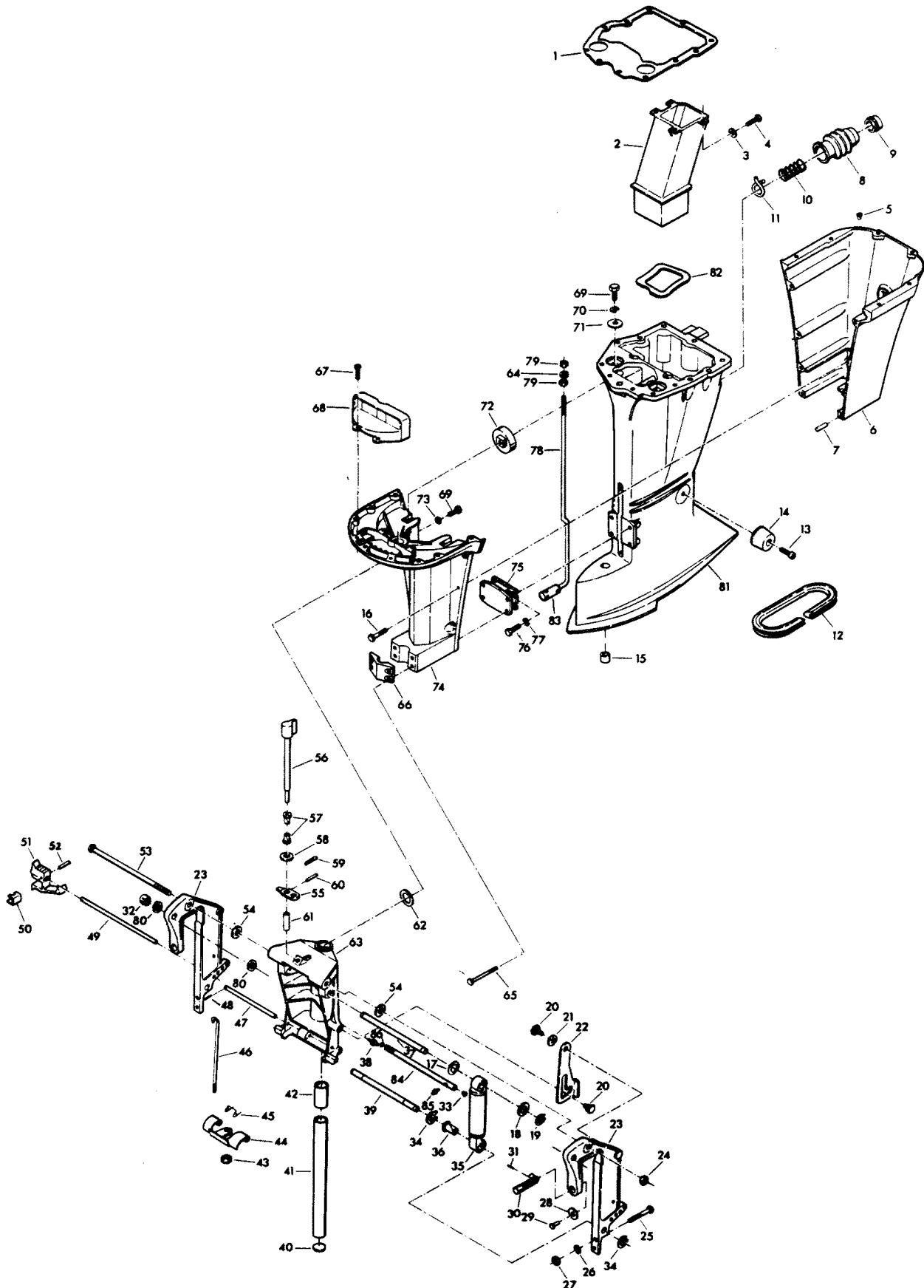
# CRANKSHAFT AND PISTON GROUP



# CRANKSHAFT AND PISTON GROUP

REF. NO.	PART NO.	SYM.	QTY.	DESCRIPTION
3	F335215		8	SPACER, PISTON PIN (2 PER PISTON)
4	F85017		4	PISTON PIN
5	F335217-1		4	BEARING, PISTON PIN (26 PER SET)
6	600-818052A4		4	CONNECTING ROD W/CAP AND SCREWS
7	FK85228-1		4	BEARING CAGE W/ROLLER
8	F85410		3	SNAP RING
9	FA85655-1		3	CRANKSHAFT MAIN BEARING RACE W/SNAP RING
10	F85571		3	BEARING CAGE W/ROLLER
11	F316579		3	SEAL, CRANKCASE
12	31-FA523014		1	CRANKSHAFT LOWER MAIN BEARING <b>W/ITEM 13 ORIGINAL FORCE P/N A373014-1</b>
13	F523146		1	SEAL, CRANKSHAFT LOWER
14	F85634-1		8	CONNECTING ROD SCREW
15	FA528018		1	CRANKSHAFT W/BEARING
16	F85498		1	FLYWHEEL KEY
18	31-817785A2		1	CRANKSHAFT BEARING CAGE W/SEAL
19	F1867		4	HEX CAP SCREW, 3/8 - 16 X 1
20	F84146-2		1	SEAL
21	F1968		1	FLYWHEEL NUT
22	F284659-2		1	BEARING, CRANKSHAFT UPPER MAIN
23	F84278		1	SEAL
-	<b>F2067</b>		<b>1</b>	<b>PLASTISOL CAP (NOT SHOWN)</b>
1	39-817820A1		2	PISTON RING SET FOR 2 PISTONS
2	F475015-6		4	PISTON
-	<b>FSA474260</b>		<b>2</b>	<b>PISTON RING SET FOR 2 PISTONS .010 OVERSIZE (NOT SHOWN)</b>
-	<b>39-818122A1</b>		<b>2</b>	<b>PISTON RING SET FOR 2 PISTONS .030 OVERSIZE (NOT SHOWN)</b>
-	<b>SA475015</b>		<b>4</b>	<b>PISTON .010 OVERSIZE (NOT SHOWN)</b>
-	<b>3SA475015</b>		<b>4</b>	<b>PISTON .030 OVERSIZE (NOT SHOWN)</b>

# MOTOR LEG

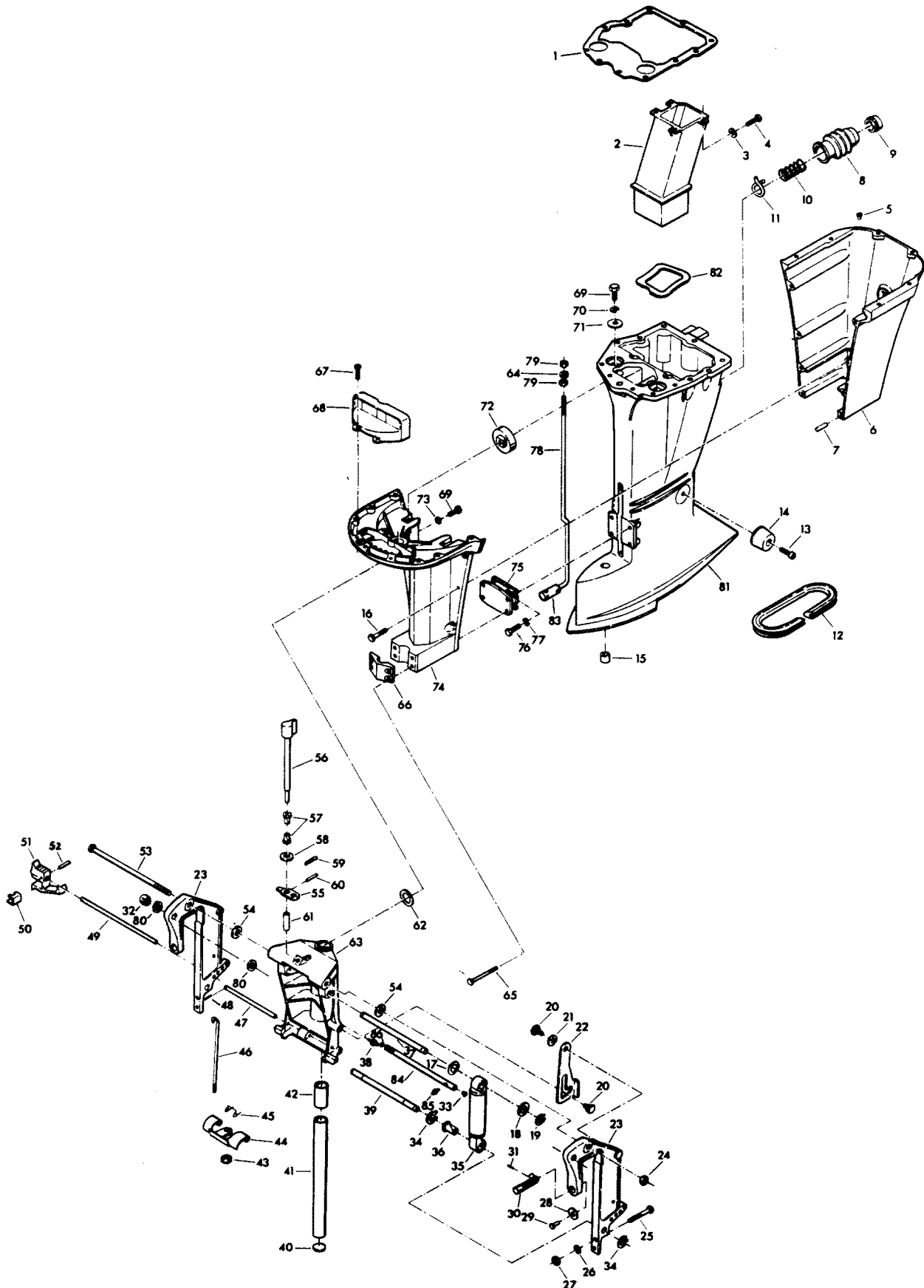


# MOTOR LEG

REF. NO.	PART NO.	SYM.	QTY.	DESCRIPTION
1	F85453-1		1	GASKET EXHAUST LOWER
2	F85660-1		1	EXHAUST TUBE
3	F8083		4	SPRING LOCKWASHER
4	F1864		4	HEX SLOT HD SCREW 1/4 - 20 X 3/4
5	F1729		2	PLUG
6	817931A7		1	MOTOR LEG COVER REAR
7	F1664		2	SPRING PIN
8	F85130		1	BOOT IDLE EXHAUST
9	F85258		1	INSERT
10	F85380		1	SPRING
11	F85772		1	CLAMP
12	F178323		1	SEAL, MOTOR LEG
13	F1263		2	HEX SOCKET HD CAP SCREW 5/16 - 18 X 9/16
14	F438962		2	SHOCK MOUNT LOWER REAR
15	F338618-1		1	SEAL GEAR SHIFT ROAD
16	F2030		6	HEX HD M. SCREW 1/4 - 20 X 1-1/4
17	F1711		2	SPRING BOWED WASHER
18	F1710		2	PLAIN WASHER
19	F178208		2	RETAINING RING
20	F85350-1		2	TILT STOP PIVOT
21	F1666		1	SPRING BOWED WASHER
22	F85541-1		1	TILT LOCK
23	1400-817958A6		2	STERN BRACKET
24	F7012		1	STOP NUT
25	F1593		2	HEX HD SCREW 3/8 - 16 X 3
26	F1904		2	PLAIN WASHER
27	F1346		2	HEX NUT
28	F84074		2	CLAMP SCREW FOOT
29	F353480		2	STUD
30	F474073-1		2	CLAMP SCREW
31	F8538		2	SPRING PIN
32	F9018		1	CAP
33	F9052		1	PLUG
34	F178173		4	RETAINING RING
35	FA178962		2	SHOCK ABSORBER W/BUSHING
36	F178362		2	BEARING
37	F178889		1	SHAFT, SHOCK MOUNT UPPER
38	F213274		3	GREASE FITTING
39	F178632		1	SHAFT, SHOCK MOUNT LOWER
40	F1528		1	WELCH PLUG
41	FA85019		1	KINGPIN W/PLUG
42	F438169		2	BEARING
43	F1669		1	LOCK NUT

CONTINUED ON NEXT PAGE ➡

# MOTOR LEG

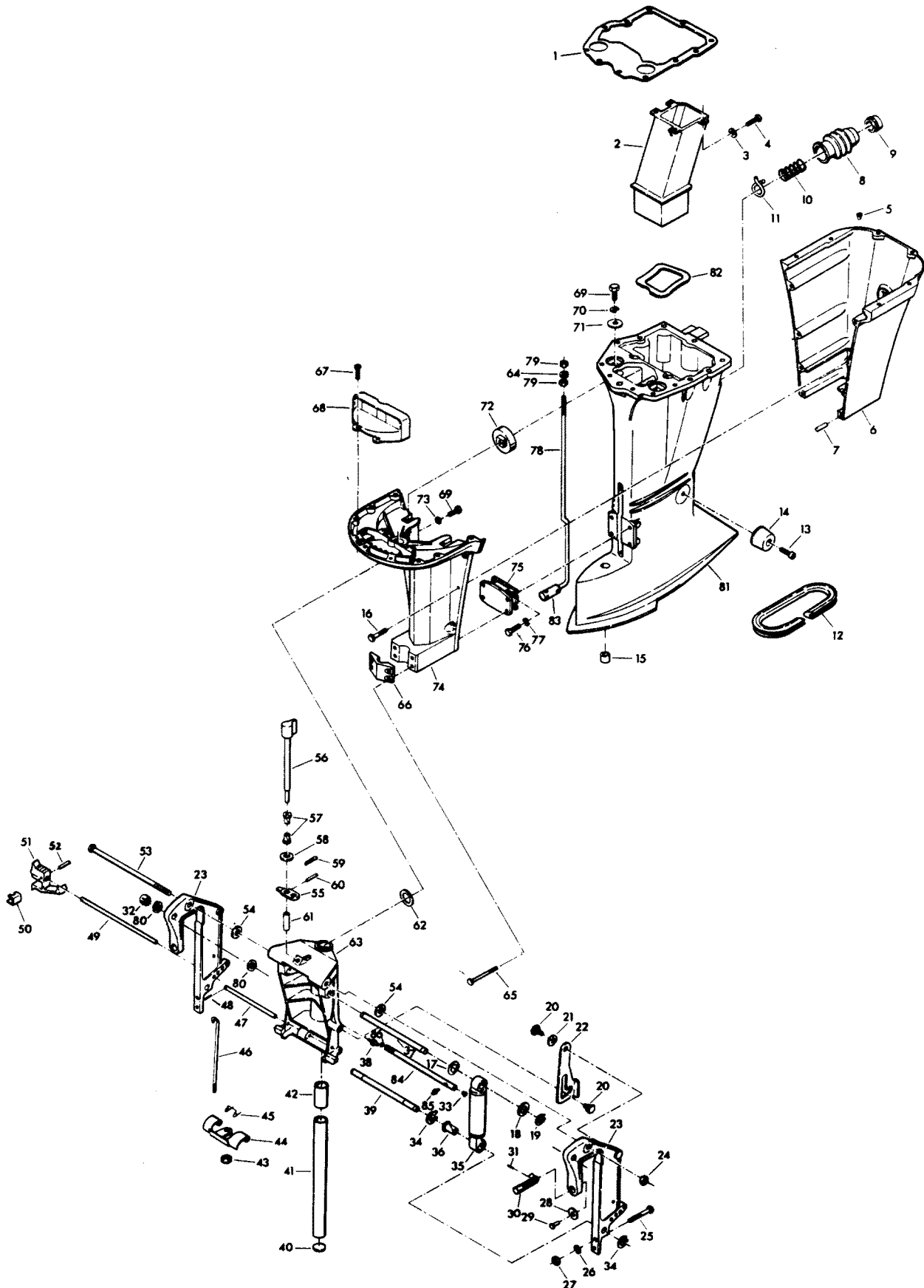


# MOTOR LEG

REF. NO.	PART NO.	SYM.	QTY.	DESCRIPTION
44	F369349		1	REVERSE LOCK
45	F85300		1	REVERSE LOCK SPRING
46	F369510		1	LINK REVERSE LOCK
47	F177350		1	REVERSE LOCK PIN
48	F1744		1	SPRING PIN
49	FA438113		1	STERN BRACKET LOCK BAR W/HANDLE
50	F286461		1	SPRING, LOCK BAR HANDLE
51	F433114		1	HANDLE, LOCK BAR
52	F1744		1	SPRING PIN
53	F85037-1		1	STERN BRACKET PIVOT BOLT
54	F84286-1		4	FRICTION WASHER
55	F369364		1	REVERSE LOCK ARM
56	F369827		1	HANDLE AND SHAFT
57	F197813		2	BEARING
58	F8094		1	PLAIN WASHER
59	F1014		1	COTTER PIN
60	F1836		1	SPRING PIN
61	F483884		1	BEARING
62	F84011		1	WASHER
63	817783A5		1	SWIVEL BRACKET W/BEARINGS AND GREASE FITTINGS
64	F1987		1	PLAIN WASHER
65	F1696		4	HEX BOLT 5/16 - 18 X 1 3/4
66	F85606		1	KINGPIN CAP
67	F1912		4	HEX HD SCREW 10 - 24 X 1/2
68	F85779-1		1	BAFFLE, AIR INTAKE
69	F1871		4	HEX HD SCREW 3/8 - 16 X 3/4
70	F2014		2	PLAIN WASHER
71	FA85355-1		2	WASHER
72	F85965		2	SHOCK MOUNT UPPER
73	F1703		2	SPRING LOCKWASHER
74	A85135-3		1	LEG COVER FRONT
75	F438346		1	SHOCK MOUNT LOWER
76	F1822		4	HEX BOLT 5/16 - 18 X 7/8
77	F8096		4	SPRING LOCKWASHER
78	F85615		1	GEAR SHIFT ROD UPPER
79	F2108		2	LOCK NUT
80	F523280		1	NUT, STEERING SUPPORT TUBE
81	F523133-2		1	MOTOR LEG
82	F439736		1	SEAL, EXHAUST TUBE
83	F85704		1	COUPLER, GEAR SHIFT ROD
84	F511125-2		1	TUBE, STEERING SUPPORT
85	F523274		1	GREASE FITTING
86	F316599		1	SEAL, STEERING SUPPORT TUBE

CONTINUED ON NEXT PAGE ➡

# MOTOR LEG

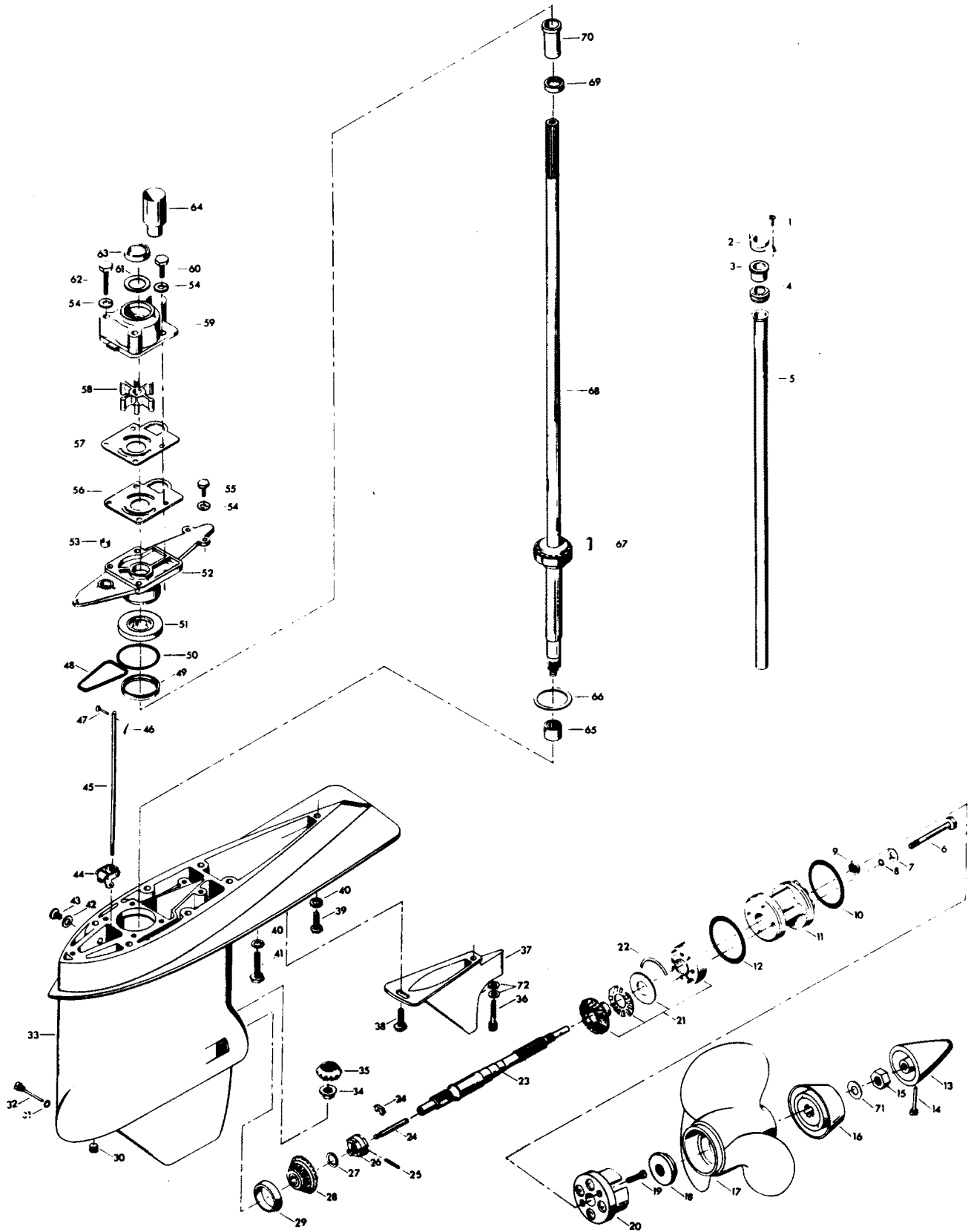




# MOTOR LEG

REF. NO.	PART NO.	SYM.	QTY.	DESCRIPTION
-	F474390-1		1	DECAL, REVERSE LOCK (NOT SHOWN)
-	37-819450		1	DECAL, REVERSE LOCK - CANADA (NOT SHOWN)

# GEAR HOUSING

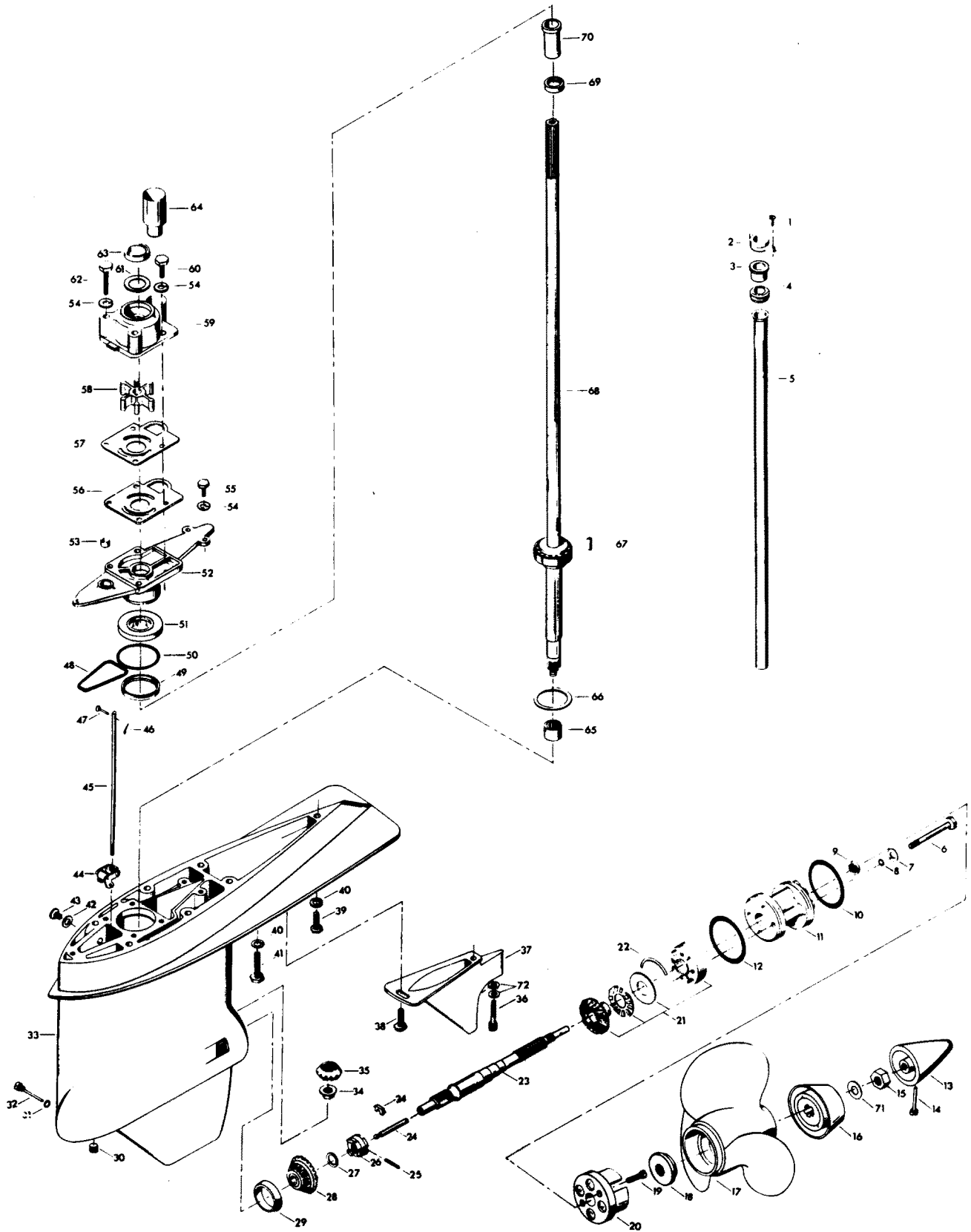


# GEAR HOUSING

REF. NO.	PART NO.	SYM.	QTY.	DESCRIPTION
1	F1705		2	HEX CAP SCREW, 1/4 - 20 X 3/4
2	F85117		1	BRACKET, WATER LINE
3	F84342		1	SEAL, INLET WATER LINE, UPPER
4	F523899		1	GROMMET, WATER LINE
5	F523244		1	INLET WATER LINE
6	F1885		4	HEX CAP SCREW, 5/16 - 18 X 4 1/4
7	F1907		4	PLAIN WASHER
8	F50342-1		4	SEAL, "O" RING
9	F506118		1	SEAL, PROPELLER SHAFT
10	F24278		1	SEAL, "O" RING PROPELLER SHAFT SPOOL
11	F2A523239		1	SPOOL, PROPELLER SHAFT BEARING W/SEALS
12	F84305		1	SEAL, "O" RING PROPELLER SHAFT SPOOL
13	F523094-2		1	PROPELLER NUT
14	F90891		1	PIN, PROPELLER NUT RETAINING
15	F1788		1	STOP NUT
16	F523299-1		1	WASHER
17	FP526		1	PROPELLER - 140 H.P. (ACCESSORY ITEM)
18	F523099		1	SPACER, PROPELLER
19	F1577		2	FILL HD SCREW, 1/4 - 20 X 3/4
20	FA523485		1	ANTICORROSION ANODE
21	F2A523662		1	BEVEL GEAR REAR W/BEARING CAGE SPACER AND BEARING
22	F523411		2	RETAINING RING, BEARING CAGE
23	FA523098		1	PROPELLER SHAFT
24	FA84871-1		1	PIN, GEAR SHIFT W/YOKE
25	F1713		1	SPRING PIN
26	F84521-1		1	CLUTCH
28	F2A523023		1	BEVEL GEAR FRONT W/BEARING
29	F523813		1	BEARING CUP
30	F19109		1	PLUG
31	F8001		1	WASHER
32	F90891		1	PIN, GEAR SHIFT ARM
33	FA523054		1	GEAR HOUSNG W/BEARNG CUP, DRIVESHAFT BEARNG LOWR PLGS & WSHR
34	F523188		1	NUT, BEVEL PINION
35	FA523266		1	BEVEL PINION GEAR W/CRUSH RING AND SHIMS
36	F1994		1	HEX SOCKET HD CAP SCREW, 5/16 - 18 X 1
37	F523116		1	EXHAUST SNOUT
38	F438930		1	RETAINER, SNOUT
39	F1858		1	HEX CAP SCREW, 5/16 - 18 X 1
40	F8096		7	SPRING LOCKWASHER
41	F1491		6	HEX HD SCREW, 5/16 - 18 X 3 1/4
42	F8077		2	WASHER, GEAR HOUSING PLUG
43	F50109		2	PLUG, GEAR HOUSING

CONTINUED ON NEXT PAGE ➡

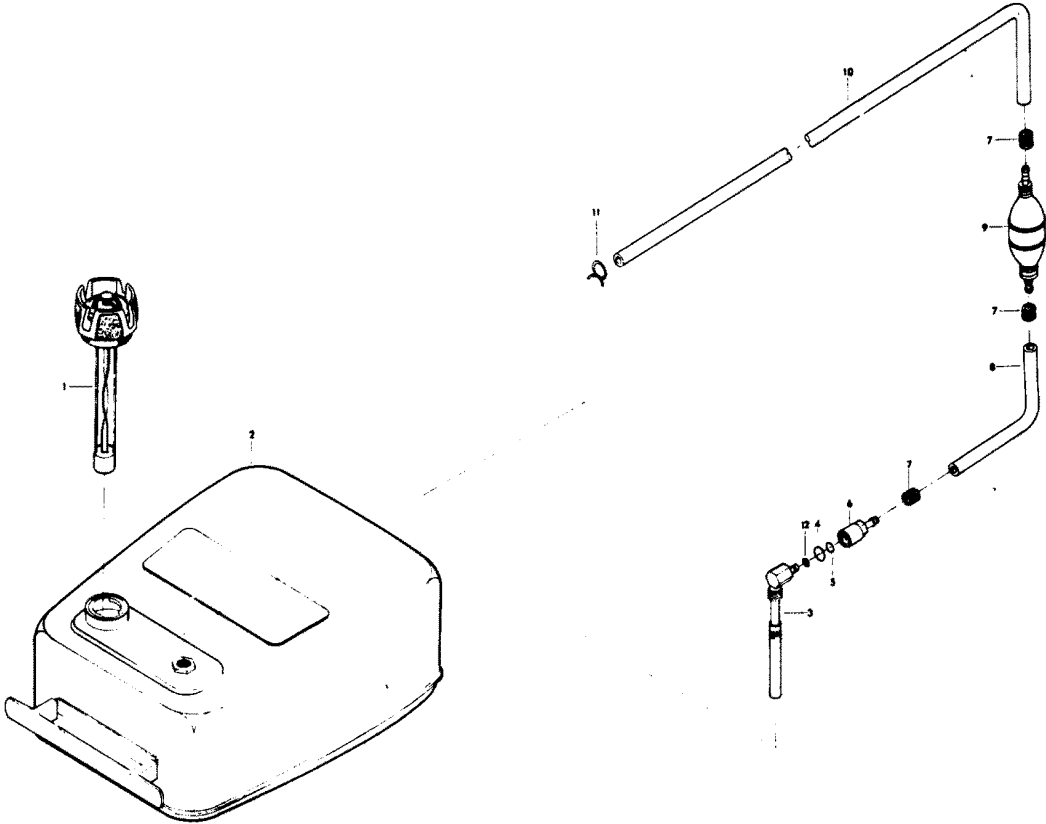
# GEAR HOUSING



# GEAR HOUSING

REF. NO.	PART NO.	SYM.	QTY.	DESCRIPTION
44	FA84621-1		1	COUPLING, GEAR SHIFT ARM W/BUSHING
45	F523705		1	GEAR SHIFT ROD LOWER
46	F1015		1	COTTER PIN
47	F85372		1	PIN, GEAR SHIFT ROD LOWER
48	F523555		1	SEAL, "O" RING, GEAR HOUSING COVER
49	F523961		1	CRUSH RING
50	F74305		1	SEAL, DRIVESHAFT BEARING CAGE
51	F84307-1		1	SEAL, DRIVESHAFT
52	FA523706		1	GEAR HOUSING COVER W/SEALS
53	F338618-1		1	SEAL, GEAR SHIFT ROD
54	F8083		7	SPRING LOCKWASHER
55	F1999		3	HEX CAP SCREW, 1/4 - 20 X 7/8
56	F523031		1	GASKET, WATER PUMP
57	F523562		1	PLATE, WATER PUMP
58	F523065		1	IMPELLER, WATER PUMP
59	FA523060		1	WATER PUMP BODY W/DRIVESHAFT SEAL, DISC AND WATERLINE SEAL
60	F1990		2	HEX CAP SCREW, 1/4 - 20 X 1 5/8
61	F480388		1	DISC, WATER PUMP LOCATING
62	F1425		2	HEX CAP SCREW, 1/4 - 20 X 1 5/8
63	F351307		1	SEAL, DRIVESHAFT - WATER PUMP
64	FA523735		1	SEAL, INLET WATER LINE, LOWER
65	F523057		1	BEARING, DRIVESHAFT LOWER
67	F523498		1	DRIVE KEY, WATER PUMP
68	45-818017A3		1	DRIVESHAFT W/BEARING, SHIMS AND CRUSH RING
69	F438271		1	RETAINER, CRANKSHAFT SPLINE SEAL
70	F438129		1	SEAL, DRIVESHAFT SPLINE
71	F1866		1	PLAIN WASHER
72	F1856		2	PLAIN WASHER
-	<b>FC523054</b>		<b>1</b>	<b>GEAR HOUSING COMPLETE (INCLUDES ALL ITEMS MARKED WITH AN ASTERISK *).</b>

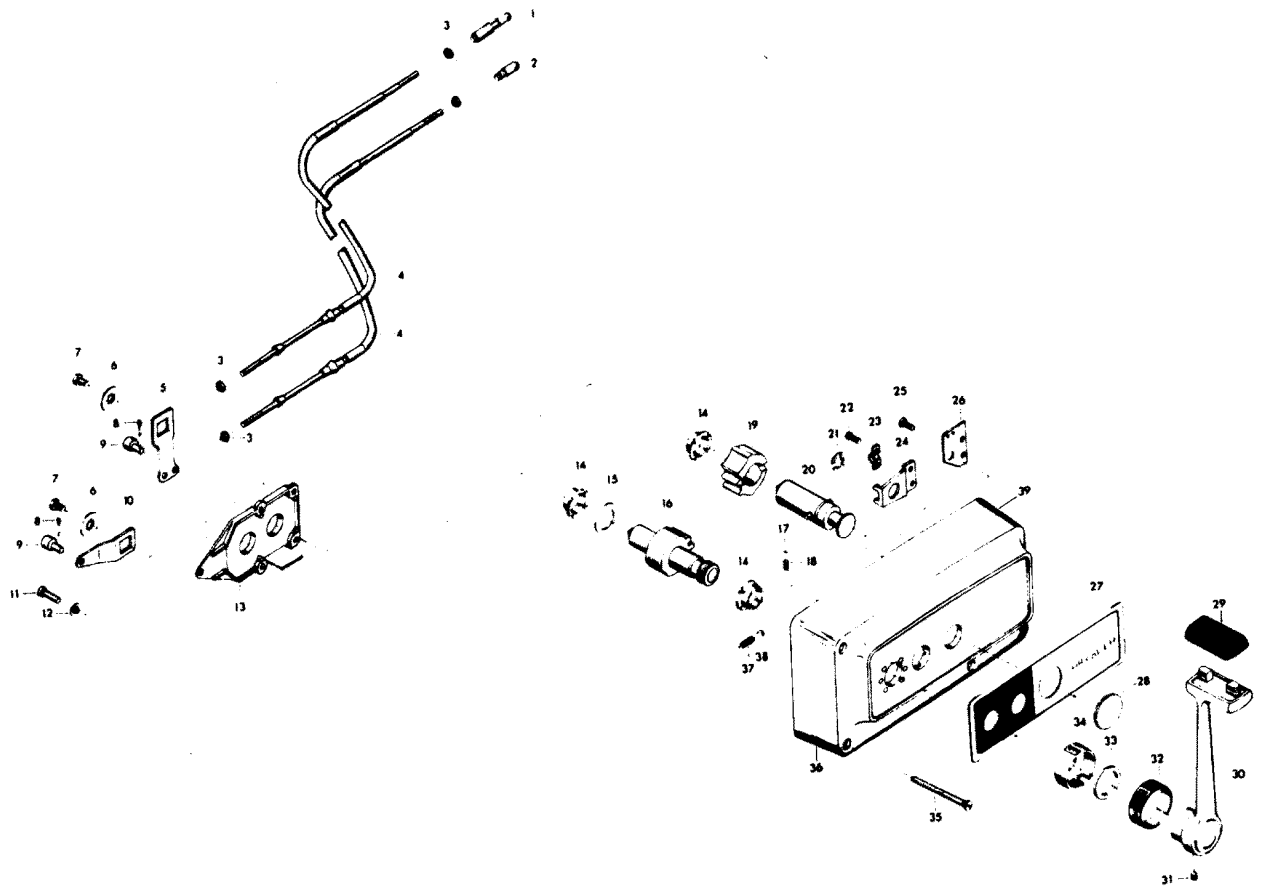
# FUEL TANK AND LINE



## FUEL TANK AND LINE

REF. NO.	PART NO.	SYM.	QTY.	DESCRIPTION
1	F409251-1		1	GAUGE CAP
2	F5H026		1	FUEL TANK (ACCESSORY ITEM)
3	F485755-1		1	FUEL TANK ADAPTER
4	F213342		1	SEAL, FUEL LINE COUPLER (LARGE)
5	F213735		1	SEAL, FUEL LINE COUPLER (SMALL)
6	F197787-3		1	FUEL LINE COUPLER
7	F298788		3	FERRULE
8	FA84754-1		1	FUEL LINE SHORT W/FERRULES
9	89396A38		1	PRIME BULB
10	32-817738A1		1	FUEL LINE LONG W/CLAMP AND FERRULE
11	F97772		1	FUEL LINE CLAMP
12	F17932		1	SEAL, FUEL LINE COUPLER
-	<b>FS409752</b>		<b>1</b>	<b>FUEL LINE COMPLETE (NOT SHOWN)</b>
-	<b>FC409398</b>		<b>1</b>	<b>DECAL, TOTE TANK (NOT SHOWN)</b>

# REMOTE CONTROL



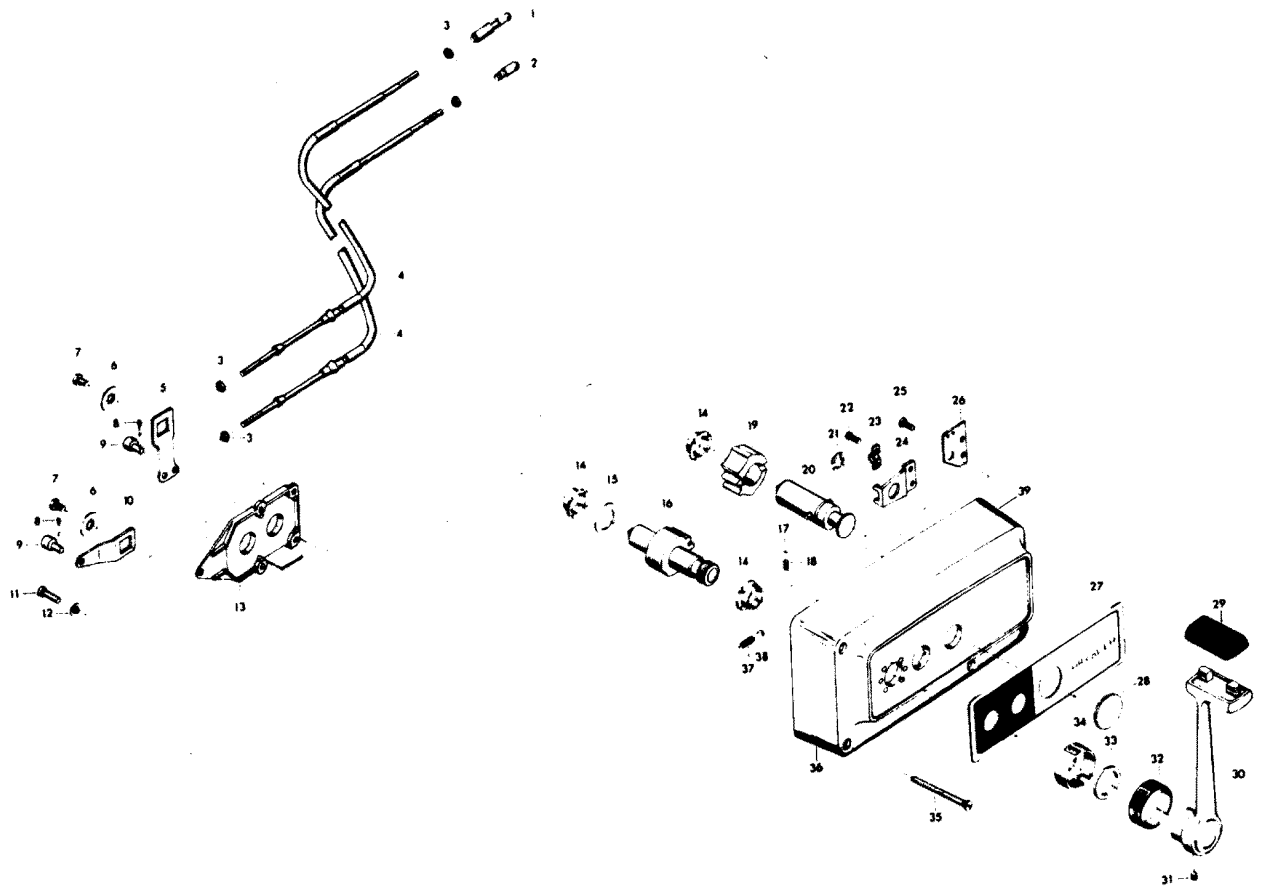


# REMOTE CONTROL

REF. NO.	PART NO.	SYM.	QTY.	DESCRIPTION
1	FA58976-1		1	CONNECTOR, THROTTLE CABLE
2	F58685-2		1	CONNECTOR, SHIFT CABLE
3	F1513		4	HEX NUT
4	ÄF58356//		2	REMOTE CONTROL CABLE (SPECIFY LENGTH)
5	F17019		1	CLUTCH ARM
6	F17036		2	INTERNAL TOOTH LOCKWASHER
7	F1715		2	HEX BOLT, 1/4 - 28 X 9/16
8	F17015		2	COTTER PIN
9	F17016		2	CABLE TERMINAL
10	F17014		1	THROTTLE ARM
11	F17013		2	FILL HD SCREW, 1/4 - 20 X 1/2
12	F17020		2	INTERNAL TOOTH LOCKWASHER
13	F17012		1	RETAINING PLATE
14	F17009		3	BEARING
15	F17011		1	BOWED WASHER
16	F17010-1		1	THROTTLE GEAR
17	F17111		1	DETENT BALL
18	F17006		1	DETENT SPRING
19	F17021		1	CLUTCH GEAR
20	F17100		1	CLUTCH SHAFT
21	F17092		1	SNAP RING
22	F17107		2	FILL HD SCREW, 10 - 24 X 5/16
23	F154317		1	CABLE CLAMP
24	F17026		1	SWIVEL
25	F1557		2	FLAT HD SCREW, 10 - 24 X 3/8
26	F17112		1	JUNCTION BOARD, STARBOARD
-	<b>F17113</b>		<b>1</b>	<b>JUNCTION BOARD, PORT</b>
27	F17101		1	DECAL, STARBOARD
-	<b>17102</b>		<b>1</b>	<b>DECAL, PORT</b>
28	F17031		1	SNAP CAP
29	F17116		1	KNOB
30	F17115		1	HANDLE
31	F17030-1		1	SET SCREW
32	FK17114-1		1	INDICATOR
33	F17105		1	FELT WASHER
34	F17106		1	COLLAR
35	17108		3	WOOD SCREW

CONTINUED ON NEXT PAGE ➡

# REMOTE CONTROL



# REMOTE CONTROL

REF. NO.	PART NO.	SYM.	QTY.	DESCRIPTION
36	F17068		1	HOUSING
37	F17008		1	DETENT SPRING
38	F17082-1		1	DETENT BALL
39	F72H36		1	REMOTE CONTROL UNIT, SINGLE LEVER STARBOARD MOUNT ( <b>ACCESSORY ITEM</b> )
-	<b>F1280</b>		<b>2</b>	<b>PAN HD SCREW, 8 - 32 X 1/4 (TERMINAL BOARD) (NOT SHOWN)</b>

## SPECIAL TOOLS - TUNE-UP

REF. NO.	PART NO.	SYM.	QTY.	DESCRIPTION
-	FT8948-1		0	FLYWHEEL PULLER TO REMOVE FLYWHEEL.
-	FTA2937-1		0	TIMING TOOL TO SET INITIAL SPARK ADVANCE.
-	FT8978		0	POWER TIMING LIGHT FOR FINAL ADJUSTMENT OF SPARK ADVANCE.

## SPECIAL TOOLS - POWER HEAD

REF. NO.	PART NO.	SYM.	QTY.	DESCRIPTION
-	FT8914		0	SEAL REMOVER TO REMOVE UPPER CRANKSHAFT BEARING CAGE SEAL.
-	FT8903		0	SEAL INSTALLER TO INSTALL UPPER CRANKSHAFT BEARING CAGE SEAL.
-	FT8927		0	SEAL PROTECTOR TO INSTALL UPPER CRANKSHAFT BEARING CAGE SEAL.
-	FT8907		0	DRIVE HANDLE USED WITH T8910, T8909, T8908 AND T8903.
-	FT8922		0	SLIDE HAMMER TO REMOVE UPPER CRANKSHAFT BEARING CAGE SEAL. ALSO USED TO REMOVE BEARING CUPS FROM PROPELLER SHAFT BEARING CAGE.
-	FT2953		0	SOCKET TO TORQUE CONNECTING ROD SCREWS.
-	FTA8994		0	PISTON PIN TOOL TO REMOVE AND INSTALL PISTON PINS.
-	FT2996		0	RING COMPRESSOR TO INSTALL PISTON RINGS.
-	FT8926		0	RING EXPANDER TO INSTALL PISTON RINGS.

# SPECIAL TOOLS - GEAR HOUSING

REF. NO.	PART NO.	SYM.	QTY.	DESCRIPTION
-	FT8948-1		0	PROPELLER SHAFT BEARING CAGE PULLER TO REMOVE PROPELLER SHAFT BEARING CAGE FROM GEAR HOUSING.
-	FT8908		0	PROPELLER SHAFT SEAL INSTALLER TO INSTALL PROPELLER SHAFT SEAL IN PROPELLER SHAFT BEARING CAGE.
-	FT8915		0	PROPELLER SHAFT SEAL PROTECTOR TO INSTALL PROPELLER SHAFT SEAL IN PROPELLER SHAFT BEARING CAGE.
-	FT8925		0	DRIVESHAFT SEAL INSTALLER TO INSTALL DRIVESHAFT SEAL IN UPPER HOUSING.
-	FT8907		0	DRIVER HANDLE TO INSTALL BEARING CUPS AND SEALS.
-	FT8901		0	INDICATOR HOLDER USED IN CONJUNCTION WITH T8997.
-	FT8902		0	DIAL INDICATOR USED IN CONJUNCTION WITH T8997.
-	FT8919		0	SPRING PIN PUNCH TO REMOVE CLUTCH SPRING PIN.
-	FT8957		0	SEAL INSTALLER TO INSTALL SHIFT ROD SEAL.
-	FT8997		0	SHIMMING TOOL TO SHIM LOWER UNIT.

## SPECIAL TOOLS - TEST EQUIPMENT

REF. NO.	PART NO.	SYM.	QTY.	DESCRIPTION
-	FT8933		0	LIFTING HOOK TO LIFT ENGINE.
-	FT8950		0	LEAKAGE TESTER TO TEST LOWER UNIT SEALS FOR LEAKAGE.

# ACCESSORIES

REF. NO.	PART NO.	SYM.	QTY.	DESCRIPTION
-	F861		0	FLUSHING ADAPTER PERMITS FRESH WATER FLUSHING OF WATER PASSAGES WITH STANDARD GARDEN HOSE.
-	F5H063		0	SYNCHRO-DRIVE CONTROL BOX (SINGLE LEVER) PERMITS REMOTE CONTROL OF THROTTLE AND GEAR SHIFT FROM STARBOARD SIDE OF BOAT.
-	5H067		0	PORT SIDE DECAL KIT CONVERTS 72H36 CONTROL BOX TO PORT SIDE MOUNTING.
-	F590		0	SYNCHRO-DRIVE CONTROL HEAD (SINGLE LEVER) FLUSH MOUNT CONTROL UNIT PERMITS REMOTE CONTROL OF THROTTLE AND GEAR SHIFT. MAY BE MOUNTED ON PORT OR STARBOARD SIDE OF BOAT.
-	865		0	TWIN SYNCHRO-DRIVE CONTROL BOX PERMITS REMOTE CONTROL OF THROTTLE AND GEAR SHIFT ON TWIN ENGINE INSTALLATIONS. MAY BE MOUNTED ON PORT OR STARBOARD SIDE OF BOAT.
-	F5H079		0	SYNCHRO-DRIVE CONTROL BOX FOR MOUNTING ON CONSOLE OF BOAT.
-	F75H08		0	TWIN SYNCHRO-DRIVE CONTROL BOX FOR MOUNTING ON CONSOLE OF BOAT.
-	F195/___		0	REMOTE CONTROL CABLES CONNECTS REMOTE CONTROL BOX TO THROTTLE AND GEAR SHIFT ON ENGINE. AVAILABLE IN 6 THROUGH 20 FOOT LENGTHS.
-	F165		0	REMOTE STEERING BRACKET ADAPTS ENGINE TO CABLE TYPE REMOTE STEERING.
-	F166		0	DUAL ENGINE TIE BAR PERMITS DUAL ENGINE INSTALLATIONS.
-	F862		0	STEEL, 6 GALLON FUEL TANK ADDITIONAL TANK TO CARRY FUEL RESERVE.
-	F5H026		0	STEEL, 6 GALLON FUEL TANK (LOW PROFILE)
-	F5H029		0	TANK ANCHOR SECURES 71H08 TO BOAT.
-	F5H040		0	STEEL, 12 GALLON FUEL TANK
-	F5H019		0	ANTI-CORROSION KIT ELECTRICAL KIT FOR MOUNTING ON BOAT (12 V) TO REDUCE CORROSION.
-	F5H025		0	ANTI-CORROSION SACRIFICIAL ANODE KIT USED TO REDUCE CORROSION.
-	F5H043		0	OVERHEAT BUZZER SOUNDS WARNING BUZZER IF ENGINE OVERHEATS.
-	F75H16		0	POWER TRIM INDICATOR INDICATES ENGINE TRIM ANGLE. (FLUSH MOUNT)
-	75H19		0	POWER TRIM INDICATOR INDICATES ENGINE TRIM ANGLE. (SURFACE MOUNT)
-	5H061		0	FROST WHITE LACQUER ENGINE TOUCH-UP PAINT IN 16 OZ. SPRAY BOMBS (12 CANS PER CASE).
-	72H32		0	GOLD LACQUER ENGINE TOUCH-UP PAINT IN 6 OZ. SPRAY BOMBS (12 CANS PER CASE).
-	F5H044		0	TILT STOP KIT LIMITS TILTING ANGLE.
-	F5H064		0	EXHAUST SNOOT
-	F5H081		0	BATTERY CABLE LONGER LENGTH - 15 FEET.
-	F74H01		0	VOLTMETER - FLUSH MOUNT INDICATES BATTERY CONDITION.

CONTINUED ON NEXT PAGE ➡



# ACCESSORIES

REF. NO.	PART NO.	SYM.	QTY.	DESCRIPTION
-	74H02		0	VOLTMETER - SURFACE MOUNT INDICATES BATTERY CONDITION.
-	5H048		0	CANVAS HOOD PROTECTION FOR ENGINE COVER.
-	5H051		0	BATTERY, 74 AMP 12 VOLT HEAVY DUTY BATTERY.
-	172		0	BATTERY CASE HEAVY PLASTIC CASE WITH TIE DOWN STRAPS. PROTECTS BATTERY FROM DAMAGE.
-	F5H021		0	EXTENSION CABLE FOR LENGTHENING BATTERY CABLE 6 1/2 FEET.
-	F5H037		0	CIGAR LIGHTER FOR USE AS CONVENIENCE OUTLET.
-	168		0	CONTROL PANEL FOR MOUNTING LAMPS, SWITCHES, ETC.
-	877		0	DECAL SET FOR RACING ENGINE IDENTIFICATION.
-	75H20		0	FUEL GAUGE SURFACE MOUNT MONITORS FUEL SUPPLY.
-	75H17		0	FUEL GAUGE FLUSH MOUNT MONITORS FUEL SUPPLY.
-	F5H050		0	HYDRAULIC TILT HYDRAULIC UNIT TO RAISE AND LOWER THE LOWER UNIT WHEN BEACHING OR TRAILERING BOAT.
-	479		0	HEAT LAMP KIT GLOWS RED IF ENGINE OVERHEATS. DO NOT USE HEAT LAMP AND TEMPERATURE GAUGE IN SAME INSTALLATION.
-	478		0	IGNITION LAMP KIT GLOWS ORANGE WHEN IGNITION SWITCH IS IN "ON" POSITION.
-	F5H077		0	IGNITION KEY SWITCH SHORT BARREL WITH KEYS.
-	F5H078		0	IGNITION KEY SWITCH LONG BARREL WITH KEYS.
-	71H11		0	RACING LOWER UNIT (15") FOR RACING APPLICATIONS.
-	72H19		0	RACING LOWER UNIT (17 1/4") FOR RACING APPLICATIONS.
-	70H24		0	RACING STRIPE KIT ORANGE STRIPING FOR ENGINE COVER.
-	70H25		0	RACING STRIPE KIT BLUE STRIPING FOR ENGINE COVER.
-	F762		0	REMOTE ELECTRIC CABLE 25 FOOT CABLE FOR LARGE BOATS.
-	F5H070		0	REMOTE ELECTRIC CABLE 21 FOOT CABLE FOR LARGE BOATS.
-	F5H028		0	SENDING UNIT FOR USE WITH FUEL GAUGE.
-	F5H069		0	TEMPERATURE GAUGE FLUSH MOUNT MONITORS ENGINE TEMPERATURE. DO NOT USE TEMPERATURE GAUGE AND HEAT LAMP IN SAME INSTALLATION.
-	74H14		0	TEMPERATURE GAUGE SURFACE MOUNT MONITORS ENGINE TEMPERATURE. DO NOT USE TEMPERATURE GAUGE AND HEAT LAMP IN SAME INSTALLATION.
-	75H18		0	TACHOMETER SURFACE MOUNT MONITORS ENGINE R.P.M. TO PROVIDE CHECK OF ENGINE PERFORMANCE.
-	75H15		0	TACHOMETER FLUSH MOUNT MONITORS ENGINE R.P.M. TO PROVIDE CHECK OF ENGINE PERFORMANCE.
-	F5H074		0	WATER PUMP KIT HEAVY DUTY WATER PUMP KIT.
-	F5H042		0	POWER TRIM ADJUSTS ENGINE TRIM AND TILTS ENGINE.
-	176		0	SPEEDOMETER SURFACE MOUNT MONITORS BOAT SPEED (0 - 50 M.P.H.)
-	F71H04		0	SPEEDOMETER FLUSH MOUNT MONITORS BOAT SPEED (0 - 50 M.P.H.)

CONTINUED ON NEXT PAGE ➡

# ACCESSORIES

REF. NO.	PART NO.	SYM.	QTY.	DESCRIPTION
-	F5H076		0	SWITCH EXTENSION CABLE 5 FOOT LONG SWITCH WIRING HARNESS.

# SPECIFICATIONS

REF. NO.	PART NO.	SYM.	QTY.	DESCRIPTION
-			0	HORSEPOWER 140 B.I.A. CERTIFIED BRAKE H.P. AT 5000 R.P.M.
-			0	MOTOR TWO-CYCLE, FOUR CYLINDER ALTERNATE FIRING.
-			0	BORE AND STROKE 140 H.P. - 3 3/8" BORE X 2.8" STROKE.
-			0	DISPLACEMENT 140 H.P. - 99.8 CUBIC INCHES
-			0	CONNECTING RODS NICKEL STEEL. CAGED NEEDLE BEARINGS AT CRANKSHAFT. FULL COMPLIMENT NEEDLE BEARINGS AT PISTON PIN.
-			0	CRANKSHAFT NICKEL STEEL. BALL BEARINGS AT UPPER MAIN. CAGED NEEDLE BEARINGS AT CENTER MAIN AND CASED NEEDLE BEARINGS AT LOWER MAIN.
-			0	CORROSION PROTECTION ALODINE TREATED CASTINGS, STAINLESS STEEL DRIVE SHAFT, PROPELLER SHAFT, GEAR SHIFT ROD AND UNDERWATER FASTENERS.
-			0	FUEL SYSTEM VACUUM TYPE FUEL PUMP. FLOAT FEED CARBURETOR WITH FIXED HIGH SPEED JET AND ADJUSTABLE LOW SPEED JET.
-			0	FUEL FILTERS FILTER SCREENS IN FUEL TANK AND FUEL PUMP.
-			0	STARTER ELECTRIC.
-			0	COOLING WATER COOLED, THERMOSTATICALLY CONTROLLED. POSITIVE DISPLACEMENT TYPE WATER PUMP.
-			0	TRANSOM HEIGHT 15" OR 20", DEPENDING ON MODEL.
-			0	WEIGHT 248 LBS. - 250 LBS. FOR SHORT SHAFT MODELS.
-			0	TILT LOCK POSITIVE TILT LOCK PERMITS ENGINE TO REMAIN IN TILTED POSITION WHEN NOT IN USE.
-			0	RECOMMENDED OPERATING RANGE 140 H.P. - 4500-5500 R.P.M.
-			0	FUEL TANK SEPARATE STEEL, 6 U.S. GALLONS, 5 IMPERIAL GALLON CAPACITY.

# LUBRICATION CHART

REF. NO.	PART NO.	SYM.	QTY.	DESCRIPTION
-			0	UPPER AND LOWER GEAR HOUSINGS SEE BLOCK COMMENT 1.
-			0	CONTROL LINKAGE LUBRICATE ALL MOVING PARTS AND CONTROL LINKAGE WITH RYKON #2 EP, PART #T-2961 TWICE EACH SEASON OR OFTENER IF REQUIRED.
-			0	STERN BRACKET LUBRICATE STERN BRACKET AND ASSOCIATED PARTS WITH RYKON #2 EP, PART #T-2961 TWICE EACH SEASON OR OFTENER IF REQUIRED.
-			0	GREASE FITTINGS GREASE FITTINGS ARE PROVIDED AT CRITICAL POINTS WHERE BEARING SURFACES ARE NOT EXPOSED EXTERNALLY. USING AN AUTOMOTIVE - TYPE GREASE GUN AND LUBRICANT, GREASE TWICE EACH SEASON OR OFTENER IF REQUIRED.
-			0	STARTER PINION GEAR LUBRICATE WITH RYKON #2 EP, PART NO. T2961, TWICE EACH SEASON OR OFTENER IF REQUIRED.

## SPECIAL ADJUSTMENTS

REF. NO.	PART NO.	SYM.	QTY.	DESCRIPTION
-			0	SPARK PLUG CHAMPION (L20V)
-			0	SPARK PLUG CHAMPION (QL-76V) FOR MODEL 1407BA.
-			0	FLYWHEEL NUT TORQUE TO 90 FOOT POUNDS.
-			0	CYLINDER HEAD BOLT

# PARTS INDEX

Part Number	Description	Pg.	Ref. No.	Part Number	Description	Pg.	Ref. No.
ÄF58356//	REMOTE CONTROL CABLE (SPECIFY LENGTH) . . . . .	47	4	AC16395-8	IDENTIFICATION PLATE W/SCREWS FOR CANADA MODELS . . . . .	3	-
168	CONTROL PANEL . . . . .	55	-	C523227	SPARK PLUG (CHAMPION QL-76V) FOR MODELS 1407BA . . . . .	27	-
17102	DECAL, PORT . . . . .	47	-	C528010	SHORT BLOCK . . . . .	29	-
17108	WOOD SCREW . . . . .	47	35	F10023	GASKET SET (NOT SHOWN)	19	-
172	BATTERY CASE . . . . .	55	-	F10051	REPAIR PARTS KIT (NOT SHOWN) . . . . .	19	-
176	SPEEDOMETER SURFACE MOUNT . . . . .	55	-	F1009	HEX HD SCREW, 3/8 - 16 X 2 3/4 . . . . .	25	5
3SA475015	PISTON .030 OVERSIZE (NOT SHOWN) . . . . .	33	-	F1014	COTTER PIN . . . . .	17	30
478	IGNITION LAMP KIT . . . . .	55	-	F1014	COTTER PIN . . . . .	37	59
479	HEAT LAMP KIT . . . . .	55	-	F1015	COTTER PIN . . . . .	43	46
480373	DECAL, MAGNAPOWER IGNITION (NOT SHOWN) .	9	-	F1034	PAN HD SCREW, 1/4 - 20 X 1 3/8 . . . . .	17	6
481373-1	DECAL, "ELECTRONIC" (NOT SHOWN) . . . . .	15	-	F1052	FILL HD SCREW, 1/4 - 20 X 1	25	22
528386	DECAL, NUMERAL . . . . .	3	10	F1059	FILL HD SCREW, 6 - 32 X 1/4	17	43
5H048	CANVAS HOOD . . . . .	55	-	F1064	FILL HD SCREW, 8 - 32 X 3/8	17	3
5H051	BATTERY, 74 AMP . . . . .	55	-	F1099	FILL HD SCREW, 1/4 - 20 X 1 1/4 . . . . .	25	13
5H061	FROST WHITE LACQUER . .	54	-	F1099	FILL HD SCREW, 1/4 - 20 X 1 1/4 . . . . .	27	55
5H067	PORT SIDE DECAL KIT . . . .	54	-	F1107	SLOTTED FILL HD CAP SCREW, 1/4 - 20 X 3/4 . . .	27	76
70H24	RACING STRIPE KIT . . . . .	55	-	F1108	FILL HD SCREW, 1/4 - 20 X 3/4 . . . . .	21	13
70H25	RACING STRIPE KIT . . . . .	55	-	F1187	HEX HD SCREW, 1/4 - 20 X 1	27	43
71H11	RACING LOWER UNIT . . . . .	55	-	F1203	HEX CAP SCREW, 1/4 - 20 X 7/8 . . . . .	29	107
72H19	RACING LOWER UNIT . . . . .	55	-	F1236	SCREW, 1/4 - 20 X 1/2 . . . . .	21	22
72H32	GOLD LACQUER . . . . .	54	-	F1238	HEX CAP SCREW, 1/4 - 20 X 3/4 . . . . .	3	14
74H02	VOLTMETER - SURFACE MOUNT . . . . .	55	-	F1238	HEX CAP SCREW, 1/4 - 20 X 3/4 . . . . .	27	54
74H14	TEMPERATURE GAUGE SURFACE MOUNT . . . . .	55	-	F1253	HEX SOCKET HD CAP SCREW, 3/8 - 16 X 2 . . . .	25	9
75H15	TACHOMETER FLUSH MOUNT . . . . .	55	-	F1263	HEX SOCKET HD CAP SCREW 5/16 - 18 X 9/16 .	35	13
75H17	FUEL GAUGE FLUSH MOUNT . . . . .	55	-	F1280	PAN HD SCREW, 8 - 32 X 1/4	7	33
75H18	TACHOMETER SURFACE MOUNT . . . . .	55	-	F1280	PAN HD SCREW, 8 - 32 X 1/4 (TERMINAL BOARD) (NOT SHOWN) . . . . .	49	-
75H19	POWER TRIM INDICATOR . .	54	-	F1286	PAN HD SCREW, 4 - 40 X 3/16 . . . . .	25	39
75H20	FUEL GAUGE SURFACE MOUNT . . . . .	55	-	F1341	HEX NUT, 1/4 - 20 . . . . .	25	21
817747--1	BALL JOINT W/STUD . . . . .	21	23	F1346	HEX NUT . . . . .	21	29
817747--1	BALL JOINT W/STUD . . . . .	25	25	F1346	HEX NUT . . . . .	35	27
817783A5	SWIVEL BRACKET W/BEARINGS AND GREASE FITTINGS . . . . .	37	63	F14005-2	CAP BASE . . . . .	13	37
817786A1	DISTRIBUTOR PULLEY . . . .	13	3	F14007	CAP SCREW . . . . .	13	33
817788A3	SPACER PLATE W/PLUG . .	27	73	F14010-1	CAP COVER . . . . .	13	34
817828A1	DISTRIBUTOR . . . . .	15	-	F14012-1	BRUSH . . . . .	13	39
817931A7	MOTOR LEG COVER REAR	35	6	F14015	CAP CLIP RIVET . . . . .	13	21
817932A6	TOWERSHAFT W/SWIVEL, BEARINGS AND SCREWS	25	19	F14017	TERMINAL INSULATOR (OUTSIDE) . . . . .	15	46
85872-1	BRACKET . . . . .	27	59	F14021-1	CAP SEAL . . . . .	13	36
865	TWIN SYNCHRO-DRIVE CONTROL BOX . . . . .	54	-	F14024	SPACER . . . . .	13	42
877	DECAL SET . . . . .	55	-	F14025	SPACER . . . . .	13	4
89396A38	PRIME BULB . . . . .	45	9	F14028	THRUST WASHER . . . . .	13	5
A406471-1	CYLINDER DRAIN COVER . .	25	41				
A476010-1	CYLINDER, PARTNG LINE SEAL, SCREWS & DOWEL PINS . . . . .	25	1				
A85135-3	LEG COVER FRONT . . . . .	37	74				

# PARTS INDEX

Part Number	Description	Pg.	Ref. No.	Part Number	Description	Pg.	Ref. No.
F14029	THRUST WASHER	13	7	F1557	FLAT HD SCREW, 10 - 24 X 3/8	47	25
F14030	CAP GASKET	13	38	F1577	FILL HD SCREW, 1/4 - 20 X 3/4	41	19
F14036	SWIVEL	13	13	F1593	HEX HD SCREW 3/8 - 16 X 3	35	25
F14037	CAP CLIPS	13	14	F1612	HEX CAP SCREW, 3/8 - 16 X 1 1/4	13	8
F14038	CAP CLIP SCREWS	13	15	F1641	LOCK NUT	11	6
F14040	VENT	13	35	F1645	HD. SCREW, 6 - 32 X 1/4	7	27
F14041	EXTERNAL TOOTH LOCKWASHER	13	23	F1645	RD HD SCREW, 6 - 32 X 1/4	23	50
F14042	DISTRIBUTOR HOUSING W/BEARINGS	13	12	F1647	HEX NUT, 8 - 32	7	6
F14044	DISTRIBUTOR SHAFT	13	40	F1647	HEX NUT, 8 - 32	13	24
F14045	SCREW	13	16	F1647	HEX NUT, 8 - 32	29	96
F14046	TERMINAL SCREW	13	19	F1648	PAN HD SCREW, 10 - 24 X 3/4	7	16
F14047	TERMINAL INSULATOR (INSIDE)	13	20	F165	REMOTE STEERING BRACKET	54	-
F14049	TERMINAL INSULATOR (OUTSIDE)	13	22	F166	DUAL ENGINE TIE BAR	54	-
F1425	HEX CAP SCREW, 1/4 - 20 X 1 5/8	43	62	F1664	SPRING PIN	35	7
F1447	ROUND HD SCREWS, 2 X 3/16	3	19	F1666	SPRING BOWED WASHER	35	21
F1473	HEX NUT	3	36	F1669	LOCK NUT	35	43
F1475	FILL HD SCREW, 10 - 24 X 1/2	29	103	F1678	FILL HD SCREW, 10 - 24 X 13/16	7	2
F1491	HEX HD SCREW, 5/16 - 18 X 3 1/4	41	41	F1689	HEX HD CAP SCREW, 1/4 - 20 X 1/2	9	42
F1502	HEX CAP SCREW, 1/4 - 20 X 5/8	3	20	F1692	WOODRUFF KEY	13	41
F1502	HEX CAP SCREW, 1/4 - 20 X 5/8	11	15	F1693	TIE BAR RETAINER	17	4
F1502	HEX CAP SCREW, 1/4 - 20 X 5/8	21	5	F1696	HEX BOLT 5/16 - 18 X 1 3/4	37	65
F1502	HEX CAP SCREW, 1/4 - 20 X 5/8	27	48	F1699	HEX HD SCREW, 1/4 - 20 X 1 1/8	25	8
F15034	SPRING SET	11	19	F17006	DETENT SPRING	47	18
F15054	BRUSH AND TERMINAL SET	11	11	F17008	DETENT SPRING	49	37
F15057	BRUSH PLATE AND HOLDER ASSEMBLY	11	20	F17009	BEARING	47	14
F15099	ARMATURE	11	9	F17010-1	THROTTLE GEAR	47	16
F15118	BENDIX DRIVE ASSEMBLY	11	5	F17011	BOWED WASHER	47	15
F15125	HEAD ASSEMBLY, COMMUTATOR END	11	18	F17012	RETAINING PLATE	47	13
F15126	THRUST WASHER PACKAGE	11	8	F17013	FILL HD SCREW, 1/4 - 20 X 1/2	47	11
F1513	HEX NUT	7	18	F17014	THROTTLE ARM	47	10
F1513	HEX NUT	47	3	F17015	COTTER PIN	47	8
F1513	HEX NUT, 10 - 32	21	27	F17016	CABLE TERMINAL	47	9
F1513	HEX NUT, 10 - 32	25	27	F17019	CLUTCH ARM	47	5
F1515	HEX NUT	7	24	F17020	INTERNAL TOOTH LOCKWASHER	47	12
F15166	FRAME AND FIELD ASSEMBLY	11	10	F17021	CLUTCH GEAR	47	19
F15167	HEAD ASSEMBLY, DRIVE END	11	7	F17026	SWIVEL	47	24
F15168	THRU BOLT PACKAGE	11	14	F1703	LOCKWASHER	27	71
F1528	WELCH PLUG	35	40	F1703	SPRING LOCKWASHER	37	73
F154317	CABLE CLAMP	47	23	F17030-1	SET SCREW	47	31
F154758	HOSE (FUEL PUMP UPPER)	23	54	F17031	SNAP CAP	47	28
F1556	FILL HD SCREW W/LOCKWASHER, 10 - 24 X 3/8	25	23	F17036	INTERNAL TOOTH LOCKWASHER	47	6
				F1704	INTERNAL TOOTH LOCKWASHER	23	49
				F1705	HEX CAP SCREW, 1/4 - 20 X 3/4	7	23
				F1705	HEX CAP SCREW, 1/4 - 20 X 3/4	41	1
				F17068	HOUSING	49	36
				F17082-1	DETENT BALL	49	38

# PARTS INDEX

Part Number	Description	Pg.	Ref. No.	Part Number	Description	Pg.	Ref. No.
F1709	HEX BOLT, 1/4 - 20 X 1 1/8	29	87	F18160-2	CYLINDER DRAIN REED	25	36
F17092	SNAP RING	47	21	F1822	HEX BOLT 5/16 - 18 X 7/8	37	76
F1710	PLAIN WASHER	35	18	F1831	FLAT HD SCREW, 1/4 - 20 X 5/8	23	43
F17100	CLUTCH SHAFT	47	20	F1832	STOP NUT, 1/4 - 20	27	68
F17101	DECAL, STARBOARD	47	27	F1836	SPRING PIN	37	60
F17105	FELT WASHER	47	33	F184033-1	SWIVEL, TOP CARBURETOR	17	33
F17106	COLLAR	47	34	F184122-1	SEAL	29	-
F17107	FILL HD SCREW, 10 - 24 X 5/16	47	22	F184122-1	SEAL, PARTING LINE	29	101
F1711	SPRING BOWED WASHER	35	17	F184579	"O" RING SEAL	17	32
F17111	DETENT BALL	47	17	F1849	HEX HD CAP SCREW, 1/4 - 20 X 1 3/8	5	47
F17112	JUNCTION BOARD, STARBOARD	47	26	F1851	FILL HD SCREW W/LOCKWASHER, 10 - 24 X 1/2	7	39
F17113	JUNCTION BOARD, PORT	47	-	F1854	HEX CAP SCREW, 1/4 - 20 X 5/8	3	25
F17115	HANDLE	47	30	F1856	PLAIN WASHER	43	72
F17116	KNOB	47	29	F1857	HEX CAP SCREW, 5/16 - 18 X 5/8	3	23
F1713	SPRING PIN	41	25	F1857	HEX CAP SCREW, 5/16 - 18 X 5/8	3	35
F1715	HEX BOLT, 1/4 - 28 X 9/16	47	7	F1858	HEX CAP SCREW, 5/16 - 18 X 1	3	24
F1727	PLASTIC RIVET	25	20	F1858	HEX CAP SCREW, 5/16 - 18 X 1	41	39
F1729	PLUG	35	5	F1860	RD HD SCREW, 6 - 32 X 1/4	21	9
F1730	PAN HD SCREW W/SPRING LOCKWASHER, 1/4 - 20 X 5/8	5	44	F1864	HEX SLOT HD SCREW 1/4 - 20 X 3/4	35	4
F1733	PAN HD MACHINE SCREW, 10 - 24 X 9/16	3	2	F1866	PLAIN WASHER	43	71
F1734	FILL HD SCREW W/LOCKWASHER, 1/4 - 20 X 1/2	7	14	F1867	HEX CAP SCREW, 3/8 - 16 X 1	33	19
F1741	PAN HD SCREW, 8 X 3/4	7	35	F1869	HEX CAP SCREW, 3/8 - 16 X 1 1/4	27	70
F1744	SPRING PIN	37	48	F1871	HEX HD SCREW 3/8 - 16 X 3/4	37	69
F1744	SPRING PIN	37	52	F1872	HEX CAP SCREW, 3/8 - 16 X 1 3/4	25	12
F1753	FASTENER	3	38	F1873	HEX CAP SCREW, 3/8 - 16 X 3	27	50
F1755	ROUND HD SCREW W/LOCKWASHER, 6 - 32 X 1/4	21	38	F1874	HEX HD SCREW, 3/8 - 16 X 3 1/8	25	2
F1759	SHIM, DISTRIBUTOR (QTY. AS REQUIRED)	13	11	F1877	TY-RAP	7	29
F1760	PAN HD SCREW, 10 - 24 X 3/8	7	19	F1885	HEX BOLTS, S.S., 5/16 - 18 X 4 1/4	27	64
F1760	PAN HD SCREW, 10 - 24 X 3/8	13	25	F1885	HEX CAP SCREW, 5/16 - 18 X 4 1/4	41	6
F1760	PAN HD SCREW, 10 - 24 X 3/8	25	3	F1892	STOP NUT	9	52
F177330	FUEL PUMP VALVE	21	10	F1904	PLAIN WASHER	35	26
F177350	REVERSE LOCK PIN	37	47	F1907	PLAIN WASHER	29	111
F178168-1	CARBURETOR ADAPTER	29	-	F1907	PLAIN WASHER	41	7
F178168-1	GASKET, CARBURETOR ADAPTER	21	35	F1910	STOP NUT, 1/4 - 20	21	25
F178173	RETAINING RING	35	34	F19109	PLUG	27	60
F178208	RETAINING RING	35	19	F19109	PLUG	41	30
F178323	SEAL, MOTOR LEG	35	12	F1912	HEX HD SCREW 10 - 24 X 1/2	37	67
F178362	BEARING	35	36	F1914	HEX HD SCREW, 1/4 - 20 X 3/4	25	11
F178404-1	DEFLECTOR PLATE	21	36	F1915	HEX HD SCREW, 1/4 - 20 X 7/8	23	44
F178632	SHAFT, SHOCK MOUNT LOWER	35	39				
F178754-1	FUEL LINE	17	36				
F1788	STOP NUT	41	15				
F178889	SHAFT, SHOCK MOUNT UPPER	35	37				
F17932	SEAL, FUEL LINE COUPLER	45	12				



# PARTS INDEX

Part Number	Description	Pg.	Ref. No.	Part Number	Description	Pg.	Ref. No.
F1915	HEX HD SCREW, 1/4 - 20 X 7/8	25	6	F213735	SEAL, FUEL LINE COUPLER (SMALL)	45	5
F1934	FLAT HD SLOTTED SCREW, 6 X 12	9	50	F24278	SEAL, "O" RING PROPELLER SHAFT SPOOL	41	10
F1935	PLAIN WASHER	25	42	F269319	THROTTLE CAM BEARING	21	26
F195/	REMOTE CONTROL CABLES	54	-	F284659-2	BEARING, CRANKSHAFT UPPER MAIN	33	22
F1950	HEX CAP SCREW, 10 - 24 X 5/8	29	91	F286461	SPRING, LOCK BAR HANDLE	37	50
F1953	HEX HD SCREW, 1/4 - 20 X 1	21	20	F289446-1	CLAMP	7	12
F1953	HEX HD SCREW, 1/4 - 20 X 1	25	16	F298788	FERRULE	45	7
F1968	FLYWHEEL NUT	33	21	F2A476757	CYLINDER DRAIN REED PLATE W/REEDS, STOPS AND SCREWS	25	35
F1975	SPRING LOCKWASHER	7	10	F2A523023	BEVEL GEAR FRONT W/BEARING	41	28
F1975	SPRING LOCKWASHER	13	26	F2A523158	REED PLATE W/REEDS, REED STOPS AND SCREWS	21	41
F197787-3	FUEL LINE COUPLER	45	6	F2A523239	SPOOL, PROPELLER SHAFT BEARING W/SEALS	41	11
F197813	BEARING	37	57	F2A523662	BEVEL GEAR REAR W/BEARING CAGE SPACER AND BEARING	41	21
F1987	PLAIN WASHER	27	79	F2S480179	TRIM TOP	3	1
F1987	PLAIN WASHER	37	64	F2S480269	TILT HANDLE	3	3
F1990	HEX CAP SCREW, 1/4 - 20 X 1 5/8	43	60	F2S489180	TRIM REAR	3	6
F1994	HEX SOCKET HD CAP SCREW, 5/16 - 18 X 1	41	36	F2S489888	TRIM FRONT	5	43
F1997	STOP NUT, 8 - 32	17	23	F307317	CLIP, TERMINAL BLOCK	7	17
F1999	HEX CAP SCREW, 1/4 - 20 X 7/8	43	55	F310189	BUSHING, ELECTRIC CABLE	3	16
F2000	HEX CAP SCREW, 5/16 - 18 X 3/4	9	47	F311189-1	BUSHING, CABLE ENTRY	3	17
F2000	HEX CAP SCREW, 5/16 - 18 X 3/4	29	99	F316164	REED (1 PETAL)	21	42
F2001	FILL HD SCREW, 10 - 24 X 5/8	7	9	F316579	SEAL, CRANKCASE	33	11
F2008	HEX HD SCREW, 1/4 - 20 X 7/8	27	53	F316599	SEAL, STEERING SUPPORT TUBE	37	86
F2014	PLAIN WASHER	13	9	F321756	PACKING, COVER	3	31
F2014	PLAIN WASHER	37	70	F321841-3	LEAD WIRE	13	32
F2015	HEX NUT, 1/4 - 28	29	102	F322273	STUD, C.D. UNIT	9	48
F2016	FILL HD SCREW, 6 - 32 X 7/8	23	48	F333316	THROTTLE ROLLER SHAFT	17	19
F2030	HEX HD M. SCREW 1/4 - 20 X 1-1/4	35	16	F335215	SPACER, PISTON PIN (2 PER PISTON)	33	3
F203276	BOOT	13	30	F335217-1	BEARING, PISTON PIN (26 PER SET)	33	5
F2033	GROOVE PIN	17	39	F335654-1	DEFLECTION STOP	3	21
F203673	TERMINAL CLIP	13	31	F338618-1	SEAL GEAR SHIFT ROAD	35	15
F2042	PLAIN WASHER	29	106	F338618-1	SEAL, GEAR SHIFT ROD	43	53
F2047	WAVE SPRING LOCKWASHER	3	30	F345475-1	COIL	9	44
F2049	HEX CAP SCREW, 5/16 - 18 X 2 5/8	27	78	F345683	WIRE, REGULATOR-RECTIFIER GROUND	7	5
F2066	PAN HD TAPPING SCREW, 10 X 7/16 (TRIM TO COVER)	3	40	F351307	SEAL, DRIVESHAFT - WATER PUMP	43	63
F2067	PLASTISOL CAP (NOT SHOWN)	33	-	F353480	STUD	35	29
F2088	FASTENER	5	45	F369349	REVERSE LOCK	37	44
F2089	SLOTTED PAN HD M. SCREW, 10 - 24 X 5/16	29	105	F369364	REVERSE LOCK ARM	37	55
F2090	PLUG	27	74	F369510	LINK REVERSE LOCK	37	46
F2108	LOCK NUT	37	79	F369610	BEARING	27	62
F2108	STOP NUT, 5/16 - 18	27	67	F369827	HANDLE AND SHAFT	37	56
F213274	GREASE FITTING	13	27	F369887	SHOULDER SCREW	27	61
F213274	GREASE FITTING	35	38	F369977-1	INTERLOCK ARM	27	63
				F372151-1	EXHAUST PORT PLATE	29	90

# PARTS INDEX

Part Number	Description	Pg.	Ref. No.	Part Number	Description	Pg.	Ref. No.
F372152-1	EXHAUST PORT COVER . . .	29	88	F440209	CARBURETOR STUD . . . . .	21	30
F372154-1	EXHAUST PORT PLATE . . .	29	-	F440254	BALANCE TUBE . . . . .	21	34
F372154-1	GASKET, EXHAUST PORT PLATE . . . . .	29	89	F440906	CARBURETOR . . . . .	31	-
F372529	CLYINDER HEAD . . . . .	29	-	F440906	CARBURETOR GASKET . . .	21	31
F372958	CHOKE BRACKET . . . . .	21	19	F440925	CHOKE ROD . . . . .	17	40
F373778-1	RETAINER, ENGINE COVER	3	37	F441754-1	HOSE . . . . .	21	3
F381896-4	BATTERY CABLE . . . . .	7	30	F460917	STARTER RELAY . . . . .	7	26
F391926-1	PLUNGER . . . . .	17	41	F474073-1	CLAMP SCREW . . . . .	35	30
F391983	RETAINING BAND . . . . .	9	51	F474387	TIMING DECAL (NOT SHOWN) U.S.A. . . . .	9	-
F40223	GASKET, TRANSFER PORT COVER . . . . .	27	52	F474390-1	DECAL, REVERSE LOCK (NOT SHOWN) . . . . .	39	-
F40223	TRANSFER PORT COVER .	29	-	F475015-6	PISTON . . . . .	33	2
F404097	FLYWHEEL . . . . .	7	1	F476061-4	CARBURETOR COMPLETE (TC-5E) . . . . .	19	-
F404268	BY-PASS VALVE SPRING . .	29	94	F476066-1	THERMOSTAT COVER . . . .	29	85
F404314	ELBOW, FUEL PUMP COVER	21	2	F476067	GASKET . . . . .	27	81
F404314	FITTING . . . . .	27	47	F476067	THERMOSTAT COVER . . . .	31	-
F404470-1	REGULATOR-RECTIFIER . .	7	8	F476529	CYLINDER HEAD . . . . .	31	-
F404513	COIL CLAMP . . . . .	7	40	F476529	CYLINDER HEAD GASKET .	27	75
F404801	ELBOW, CYLINDER DRAIN UPPER . . . . .	27	-	F480038-2	SUPPORT PLATE . . . . .	3	15
F404841	CABLE, HEAT INDICATOR .	7	37	F480107-1	CAM STARTER INTERLOCK	29	104
F405457	PIVOT SCREW . . . . .	25	7	F480388	DISC, WATER PUMP LOCATING . . . . .	43	61
F406406	DEFLECTOR PLATE . . . . .	31	-	F480818	BEARING . . . . .	3	13
F406406	GASKET DEFLECTOR PLATE . . . . .	21	37	F481382-1	SPACER, LATCH SHAFT . . .	3	29
F406754-1	HOSE . . . . .	27	46	F481434	GUIDE, ENGINE COVER . . .	5	46
F407446	CLAMP . . . . .	7	31	F481774	BRACKET, COVER LATCH .	3	32
F409251-1	GAUGE CAP . . . . .	45	1	F481777	CAM, LATCH . . . . .	3	28
F433114	HANDLE, LOCK BAR . . . . .	37	51	F483884	BEARING . . . . .	37	61
F433209-1	THROTTLE CAM STUD . . . .	21	32	F485755-1	FUEL TANK ADAPTER . . . .	45	3
F434754	FUEL LINE W/CLAMP, PUMP TO CARBURETOR . . . . .	17	42	F489551	BRACKET NEUTRAL INTERLOCK SWITCH . . . .	23	45
F438066	BY-PASS VALVE COVER . . .	29	92	F489985	BLANKET, SILENCER SIDE (NOT SHOWN) . . . . .	5	-
F438129	SEAL, DRIVESHAFT SPLINE	43	70	F498392	DECAL "CHRYSLER" . . . . .	3	9
F438165	SCREW, FUEL PUMP BOWL	21	18	F498396	DECAL, STRIPE UPPER . . .	3	11
F438169	BEARING . . . . .	35	42	F498397	DECAL, STRIPE LOWER . . .	3	8
F438271	RETAINER, CRANKSHAFT SPLINE SEAL . . . . .	43	69	F500711	PLATE, ENGINE COVER FRONT . . . . .	5	42
F438346	SHOCK MOUNT LOWER . . .	37	75	F50109	PLUG, GEAR HOUSING . . . .	41	43
F438398	DECAL, WIRING . . . . .	29	86	F50342-1	SEAL, "O" RING . . . . .	41	8
F438500	FUEL SEDIMENT BOWL . . . .	21	17	F506118	SEAL, PROPELLER SHAFT .	41	9
F438617	FUEL SEDIMENT BOWL GASKET . . . . .	21	15	F510374	DECAL, CIRCUIT BREAKER U.S.A. . . . .	7	41
F438653	FUEL SEDIMENT BOWL SCREEN . . . . .	21	16	F510460	CIRCUIT BREAKER . . . . .	7	22
F438668	RETAINER, CABLE CLAMP .	7	13	F511125-2	TUBE, STEERING SUPPORT	37	84
F438744-1	WIRING HARNESS . . . . .	7	4	F511675	STARTER BRACKET, LOWER . . . . .	11	17
F438747	FUEL PUMP DIAPHRAGM W/GASKET . . . . .	21	8	F511708	COVER, CARBURETOR . . . .	17	7
F438760	FUEL PUMP GASKET . . . . .	21	4	F523031	GASKET, WATER PUMP . . .	43	56
F438801	FITTING . . . . .	21	14	F523057	BEARING, DRIVESHAFT LOWER . . . . .	43	65
F438930	RETAINER, SNOUT . . . . .	41	38	F523065	IMPELLER, WATER PUMP .	43	58
F438962	SHOCK MOUNT LOWER REAR . . . . .	35	14	F523094-2	PROPELLER NUT . . . . .	41	13
F438984-1	BLANKET, SILENCER TOP (NOT SHOWN) . . . . .	5	-	F523099	SPACER, PROPELLER . . . .	41	18
F439386	PLATE REAR . . . . .	3	5	F523116	EXHAUST SNOUT . . . . .	41	37
F439736	SEAL, EXHAUST TUBE . . . .	37	82	F523133-2	MOTOR LEG . . . . .	37	81
F440192	THROTTLE CAM . . . . .	21	28	F523146	SEAL, CRANKSHAFT LOWER . . . . .	33	13

# PARTS INDEX

Part Number	Description	Pg.	Ref. No.	Part Number	Description	Pg.	Ref. No.
F523188	NUT, BEVEL PINION	41	34	F5H078	IGNITION KEY SWITCH	55	-
F523244	INLET WATER LINE	41	5	F5H078	IGNITION SWITCH W/KEYS AND SCREWS	7	34
F523274	GREASE FITTING	37	85	F5H079	SYNCHRO-DRIVE CONTROL BOX	54	-
F523280	NUT, STEERING SUPPORT TUBE	37	80	F5H081	BATTERY CABLE	54	-
F523299-1	WASHER	41	16	F7004	STOP NUT, 3/8 - 16	25	17
F523411	RETAINING RING, BEARING CAGE	41	22	F7008	ELASTIC STOP NUT	25	10
F523451	SPACER, REED STOP	23	51	F7012	STOP NUT	35	24
F523498	DRIVE KEY, WATER PUMP	43	67	F7013	STOP NUT	13	2
F523555	SEAL, "O" RING, GEAR HOUSING COVER	43	48	F71H04	SPEEDOMETER FLUSH MOUNT	55	-
F523562	PLATE, WATER PUMP	43	57	F72H36	REMOTE CONTROL UNIT, SINGLE LEVER STARBOARD MOUNT	49	39
F523705	GEAR SHIFT ROD LOWER	43	45	F74305	SEAL, DRIVESHAFT BEARING CAGE	43	50
F523813	BEARING CUP	41	29	F74H01	VOLTMETER - FLUSH MOUNT	54	-
F523834	CLIP, SPARK PLUG WIRE	25	28	F75H08	TWIN SYNCHRO-DRIVE CONTROL BOX	54	-
F523899	GROMMET, WATER LINE	41	4	F75H16	POWER TRIM INDICATOR	54	-
F523961	CRUSH RING	43	49	F762	REMOTE ELECTRIC CABLE	55	-
F523962	SHOCK MOUNT - C.D. UNIT	9	46	F8001	WASHER	41	31
F528068	THERMOSTAT	27	82	F8003	PLAIN WASHER	25	38
F528253	HOSE (LOWER FUEL PUMP TO UPPER)	23	53	F8011	PLAIN WASHER	7	20
F528995	COVER, CYLINDER HEAD	29	108	F8028	PLAIN WASHER	11	16
F530160	REED (4 PETAL)	21	40	F8038	PLAIN WASHER	29	110
F58685-2	CONNECTOR, SHIFT CABLE	47	2	F8056	LOCKWASHER	13	18
F590	SYNCHRO-DRIVE CONTROL HEAD (SINGLE LEVER)	54	-	F8056	LOCKWASHER	29	97
F5H019	ANTI-CORROSION KIT	54	-	F8056	SPRING LOCKWASHER	7	7
F5H021	EXTENSION CABLE	55	-	F8058	INTERNAL TOOTH LOCKWASHER	21	24
F5H025	ANTI-CORROSION SACRIFICIAL ANODE	54	-	F8058	INTERNAL TOOTH LOCKWASHER	27	57
F5H026	FUEL TANK (ACCESSORY ITEM)	45	2	F8077	WASHER, GEAR HOUSING PLUG	41	42
F5H026	STEEL, 6 GALLON FUEL TANK (LOW PROFILE)	54	-	F8083	SPRING LOCKWASHER	3	26
F5H028	SENDING UNIT	55	-	F8083	SPRING LOCKWASHER	9	43
F5H029	TANK ANCHOR	54	-	F8083	SPRING LOCKWASHER	35	3
F5H037	CIGAR LIGHTER	55	-	F8083	SPRING LOCKWASHER	43	54
F5H038	IGNITION SWITCH MOUNTING KIT (ACCESSORY ITEM)	9	49	F8088	PLAIN WASHER	17	31
F5H040	STEEL, 12 GALLON FUEL TANK	54	-	F8088	PLAIN WASHER	23	47
F5H041	BATTERY CABLE CLAMP KIT (ACCESSORY ITEM)	7	32	F8094	PLAIN WASHER	3	27
F5H042	POWER TRIM	55	-	F8094	PLAIN WASHER	37	58
F5H043	OVERHEAT BUZZER	54	-	F8095	PLAIN WASHER	29	109
F5H043	OVERHEAT BUZZER (ACCESSORY ITEM)	7	36	F8096	SPRING LOCKWASHER	3	22
F5H044	TILT STOP KIT	54	-	F8096	SPRING LOCKWASHER	3	34
F5H050	HYDRAULIC TILT	55	-	F8096	SPRING LOCKWASHER	7	25
F5H063	SYNCHRO-DRIVE CONTROL BOX (SINGLE LEVER)	54	-	F8096	SPRING LOCKWASHER	29	100
F5H064	EXHAUST SNOUT	54	-	F8096	SPRING LOCKWASHER	37	77
F5H069	TEMPERATURE GAUGE FLUSH MOUNT	55	-	F8096	SPRING LOCKWASHER	41	40
F5H070	REMOTE ELECTRIC CABLE	55	-	F8104	PLAIN WASHER	27	49
F5H074	WATER PUMP KIT	55	-	F84011	WASHER	37	62
F5H076	SWITCH EXTENSION CABLE	56	-	F84067-1	THERMOSTAT COVER	29	-
F5H077	IGNITION KEY SWITCH	55	-	F84074	CLAMP SCREW FOOT	35	28
				F84146-2	SEAL	33	20
				F84278	SEAL	33	23
				F84286-1	FRICTION WASHER	37	54

# PARTS INDEX

Part Number	Description	Pg.	Ref. No.	Part Number	Description	Pg.	Ref. No.
F84305	SEAL, "O" RING PROPELLER SHAFT SPOOL	41	12	F85615	GEAR SHIFT ROD UPPER	37	78
F84307-1	SEAL, DRIVESHAFT	43	51	F8563	DOWEL PIN	25	15
F84314-2	ELBOW	17	34	F85634-1	CONNECTING ROD SCREW	33	14
F84314-2	ELBOW	21	6	F85660-1	EXHAUST TUBE	35	2
F84314-2	ELBOW	27	45	F85664	DISTRIBUTOR GROUND	13	28
F84342	SEAL, INLET WATER LINE, UPPER	41	3	F85664	GROUND WIRE	9	54
F84449	INTERLOCK SWITCH	23	46	F85704	COUPLER, GEAR SHIFT ROD	37	83
F84472-5	CYLINDER DRAIN COVER	29	-	F85735-1	SEAL	3	39
F84472-5	GASKET, CYLINDER DRAIN COVER	25	40	F85762	BY - PASS	29	-
F84504	GROMMET (THERMOSTAT)	29	83	F85762	BY-PASS VALVE COVER GASKET	29	93
F84521-1	CLUTCH	41	26	F85772	CLAMP	35	11
F84748-3	CYLINDER DRAIN	29	-	F85779-1	BAFFLE, AIR INTAKE	37	68
F84748-3	GASKET	25	33	F85843-1	REMOTE ELECTRIC CABLE, 18 FEET	7	38
F84792	GASKET, CENTER FUEL PUMP VALVE	21	11	F85859	STUD	25	14
F85017	PISTON PIN	33	4	F85906	CARBURETOR	29	-
F85026	SWIVEL	25	30	F85908	STARTER LEAD WIRE	11	13
F85033	SWIVEL, CHOKE ROD (BOTTOM CARBURETOR) (NOT SHOWN)	19	-	F85916-1	BY-PASS VALVE	29	95
F85035	DISTRIBUTOR, CONTROL ROD END	25	29	F85924	CHOKE SOLENOID	7	28
F85036	TOWERSHAFT CONTROL ROD END	25	32	F85965	SHOCK MOUNT UPPER	37	72
F85037-1	STERN BRACKET PIVOT BOLT	37	53	F861	FLUSHING ADAPTER	54	-
F85095-2	STATOR	7	3	F862	STEEL, 6 GALLON FUEL TANK	54	-
F85117	BRACKET, WATER LINE	41	2	F89758	FUEL PUMP AIR HOSE - TOP	21	7
F85130	BOOT IDLE EXHAUST	35	8	F9018	CAP	35	32
F85161-1	REED STOP	21	39	F9052	PLUG	35	33
F85173	RETAINING RING	13	6	F90807	RETAINING RING	17	1
F85211	STUD	25	18	F90891	PIN, GEAR SHIFT ARM	41	32
F85258	INSERT	35	9	F90891	PIN, PROPELLER NUT RETAINING	41	14
F85279-2	CYLINDER EXHAUST UPPER	29	-	F91446-1	CIRCUIT BREAKER BRACKET	7	21
F85279-2	GASKET, CYLINDER EXHAUST UPPER	27	69	F92759	THROTTLE ROLLER	17	20
F85300	REVERSE LOCK SPRING	37	45	F93811	SCREEN	25	34
F85311	DISTRIBUTOR BELT	13	1	F93920	REED STOP	25	37
F85314-1	FUEL FITTING	17	37	F97772	CLAMP	17	35
F85317-1	SOLENOID CLAMP	21	21	F97772	CLAMP	23	52
F85350-1	TILT STOP PIVOT	35	20	F97772	FUEL LINE CLAMP	45	11
F85372	PIN, GEAR SHIFT ROD LOWER	43	47	F98273	ROD END CONNECTOR STUD	27	58
F8538	SPRING PIN	35	31	FA14048-2	PREAMPLIFIER	13	17
F85380	SPRING	35	10	FA15072	HEX LOCK NUT, 1/4 - 20	11	12
F85410	SNAP RING	33	8	FA178233	THROTTLE TIE BAR W/SWIVEL	17	5
F85445	CONTROL ROD	25	31	FA178962	SHOCK ABSORBER W/BUSHING	35	35
F85453-1	CYLINDER EXHAUST LOWER	29	-	FA321574	DISTRIBUTOR BRACKET	13	10
F85453-1	GASKET EXHAUST LOWER	35	1	FA411222	TRANSFER PORT COVER	27	51
F85498	FLYWHEEL KEY	33	16	FA438113	STERN BRACKET LOCK BAR W/HANDLE	37	49
F85502	THROTTLE LINK	25	26	FA438431	FUEL PUMP BODY W/VALVES	21	12
F85509-1	LINK, CHOKE	17	38	FA438493	TERMINAL BLOCK BRACKET	7	11
F85541-1	TILT LOCK	35	22	FA439746	FUEL PUMP COVER	21	1
F85571	BEARING CAGE W/ROLLER	33	10	FA440157	CARBURETOR ADAPTER, UPPER W/FITTING AND STUD	21	-
F85606	KINGPIN CAP	37	66				
F85610	BEARING	27	65				

# PARTS INDEX

Part Number	Description	Pg.	Ref. No.	Part Number	Description	Pg.	Ref. No.
FA440167	CARBURETOR ADAPTER, LOWER W/FITTING AND STUD .....	21	33	FC500390	DECAL CANADA (NOT SHOWN) .....	11	-
FA467892	INSERT PLATE FRONT - U.S.A. ....	3	41	FC510374	DECAL, CIRCUIT BREAKER CANADA .....	7	-
FA467893	INSERT PLATE FRONT - CANADA .....	3	-	FC523054	GEAR HOUSING COMPLETE	43	-
FA480876	GEAR SHIFT ARM W/SWIVLBEARNGS, INTRLOCK ARM & SHOULDR SCRW .....	27	66	FG1003-1	GASKET SET (SEE BELOW)	27	-
FA480894	TIMING POINTER .....	25	4	FK17114-1	INDICATOR .....	47	32
FA481469	HANDLE W/SHAFT .....	3	12	FK405020	SWIVEL W/CLAMP, SHOULDER SCREW AND NUT .....	25	24
FA481743	ROLLER BRACKET .....	3	33	FK750-1	SPARKIE W/SPRING .....	15	44
FA489944	ENGINE COVER W/RETAINER, SCREWS AND NUTS .....	3	7	FK85228-1	BEARING CAGE W/ROLLER	33	7
FA510497	TERMINAL BLOCK .....	7	15	FO10588	BODY CHANNEL CUP PLUG	17	24
FA523054	GEAR HOUSNG W/BEARNG CUP, DRIVESHAFT BEARNG LOWR PLGS & WSHR .....	41	33	FO11103	IDLE MIXTURE SCREW SPRING .....	17	14
FA523060	WATER PUMP BODY W/DRIVESHAFT SEAL, DISC AND WATERLINE SEAL .....	43	59	FO12400	RETAINING SCREW WASHER .....	17	27
FA523098	PROPELLER SHAFT .....	41	23	FO12947	MAIN FUEL JET, .096 STANDARD .....	17	15
FA523266	BEVEL PINION GEAR W/CRUSH RING AND SHIMS .....	41	35	FO13554	FLOAT .....	19	48
FA523301	UNIT W/DECAL .....	9	45	FO13944	FLOAT LEVER PIN .....	19	49
FA523485	ANTICORROSION ANODE ..	41	20	FO14166	IDLE MIXTURE SCREW ....	17	13
FA523706	GEAR HOUSING COVER W/SEALS .....	43	52	FO15623	FUEL BOWL GASKET .....	19	46
FA523735	SEAL, INLET WATER LINE, LOWER .....	43	64	FO15912	CHOKE AND THROTTLE SHUTTER SCREW .....	17	9
FA528018	CRANKSHAFT W/BEARING ..	33	15	FO16128	BODY CHANNEL WELCH PLUG .....	17	25
FA528518	CYLINDER HEAD .....	27	80	FO16130	FUEL BOWL .....	19	51
FA528528	INSERT, PLATE REAR .....	3	4	FO16132	FUEL BOWL RETAINING SCREW .....	17	11
FA58976-1	CONNECTOR, THROTTLE CABLE .....	47	1	FO16133	MAIN NOZZLE .....	19	50
FA77395-5	IDENTIFICATION PLATE W/SCREWS FOR U.S.A. MODELS .....	3	18	FO16136	CHOKE SHAFT RETURN SPRING .....	17	45
FA84621-1	COUPLING, GEAR SHIFT ARM W/BUSHING .....	43	44	FO16142	THROTTLE SHUTTER .....	17	26
FA84754-1	FUEL LINE SHORT W/FERRULES .....	45	8	FO16143	THROTTLE SHAFT RETURN SPRING .....	17	22
FA84871-1	PIN, GEAR SHIFT W/YOKE ..	41	24	FO16145	THROTTLE SHAFT AND LEVER .....	17	21
FA85019	KINGPIN W/PLUG .....	35	41	FO16301	CHOKE SHAFT AND LEVER	17	44
FA85193	TIE BAR END W/SWIVEL ...	17	2	FO16697	INLET NEEDLE .....	19	47
FA85355-1	WASHER .....	37	71	FO17719	CHOKE SHUTTER .....	17	10
FA85655-1	CRANKSHAFT MAIN BEARING RACE W/SNAP RING .....	33	9	FO1974	SCREW .....	17	18
FA98689	BEARING .....	27	72	FO5323	FUEL BOWL RETAINING SCREW GASKET .....	19	52
FC409398	DECAL, TOTE TANK (NOT SHOWN) .....	45	-	FO6393	RETAINING SCREW .....	17	29
FC438398	DECAL, WIRING - CANADA ..	29	-	FO6396	RETAINING SCREW LOCKWASHER .....	17	28
FC474387	TIMING DECAL - CANADA ..	9	-	FO9678	CLIP, CHOKE SHAFT .....	17	16
				FO992	LOCKWASHER .....	17	17
				FP526	PROPELLER - 140 H.P. (ACCESSORY ITEM) ....	41	17
				FS409752	FUEL LINE COMPLETE (NOT SHOWN) .....	45	-
				FS490955	STARTER COMPLETE .....	11	-
				FSA474260	PISTON RING SET FOR 2 PISTONS .010 OVERSIZE (NOT SHOWN) .....	33	-
				FT2953	SOCKET .....	51	-
				FT2996	RING COMPRESSOR .....	51	-
				FT8901	INDICATOR HOLDER .....	52	-

# PARTS INDEX

Part Number	Description	Pg.	Ref. No.	Part Number	Description	Pg.	Ref. No.
FT8902	DIAL INDICATOR	52	-				
FT8903	SEAL INSTALLER	51	-				
FT8907	DRIVE HANDLE	51	-				
FT8907	DRIVER HANDLE	52	-				
FT8908	PROPELLER SHAFT SEAL						
	INSTALLER	52	-				
FT8914	SEAL REMOVER	51	-				
FT8915	PROPELLER SHAFT SEAL						
	PROTECTOR	52	-				
FT8919	SPRING PIN PUNCH	52	-				
FT8922	SLIDE HAMMER	51	-				
FT8925	DRIVESHAFT SEAL						
	INSTALLER	52	-				
FT8926	RING EXPANDER	51	-				
FT8927	SEAL PROTECTOR	51	-				
FT8933	LIFTING HOOK	53	-				
FT8948-1	FLYWHEEL PULLER	50	-				
FT8948-1	PROPELLER SHAFT						
	BEARING CAGE PULLER	52	-				
FT8950	LEAKAGE TESTER	53	-				
FT8957	SEAL INSTALLER	52	-				
FT8978	POWER TIMING LIGHT	50	-				
FT8997	SHIMMING TOOL	52	-				
FTA2937-1	TIMING TOOL	50	-				
FTA8994	PISTON PIN TOOL	51	-				
SA475015	PISTON .010 OVERSIZE						
	(NOT SHOWN)	33	-				
22-818103--1	ELBOW, CYLINDER DRAIN						
	LOWER	27	44				
31-817785A2	CRANKSHAFT BEARING						
	CAGE W/SEAL	33	18				
31-FA523014	CRANKSHAFT LOWER MAIN						
	BEARING	33	12				
32-817738A1	FUEL LINE LONG W/CLAMP						
	AND FERRULE	45	10				
33-97180	SPARK PLUG (CHAMPION						
	L20V)	27	77				
37-819450	DECAL, REVERSE LOCK -						
	CANADA (NOT SHOWN)	39	-				
39-817820A1	PISTON RING SET FOR 2						
	PISTONS	33	1				
39-818122A1	PISTON RING SET FOR 2						
	PISTONS .030 OVERSIZE						
	(NOT SHOWN)	33	-				
45-818017A3	DRIVESHAFT W/BEARING,						
	SHIMS AND CRUSH RING	43	68				
84-817775A1	COIL WIRE W/TERMINAL						
	CLIP	13	29				
87-817778A1	THERMOSWITCH	29	98				
600-818052A4	CONNECTING ROD W/CAP						
	AND SCREWS	33	6				
1400-817958A6	STERN BRACKET	35	23				