



PARTS CATALOG

12 H.P. SAILOR

SERIAL NUMBER

12 (1979) 121B9A
12 (1979) 121H9A

TABLE OF CONTENTS:

ACCESSORIES	39
ELECTRIC STARTER	8
ELECTRICAL COMPONENTS	10
ENGINE COVER AND SUPPORT PLATE	2
FUEL PUMP	6
FUEL SYSTEM	14
FUEL TANK AND LINE	32
GEAR HOUSING	28
MOTOR LEG	22
PARTS INDEX	41
POWER HEAD	18
SPECIAL TOOLS - LOWER UNIT	36
SPECIAL TOOLS - LUBRICANTS AND SEALANTS	38
SPECIAL TOOLS - POWER HEAD	35
SPECIAL TOOLS - TEST EQUIPMENT	37
SPECIAL TOOLS - TUNE-UP	34

NOTE: *Indented description indicate that these parts are included in preceeding assembly.*

AR = As Required

NSS = Not Sold Separate

OPT = Optional

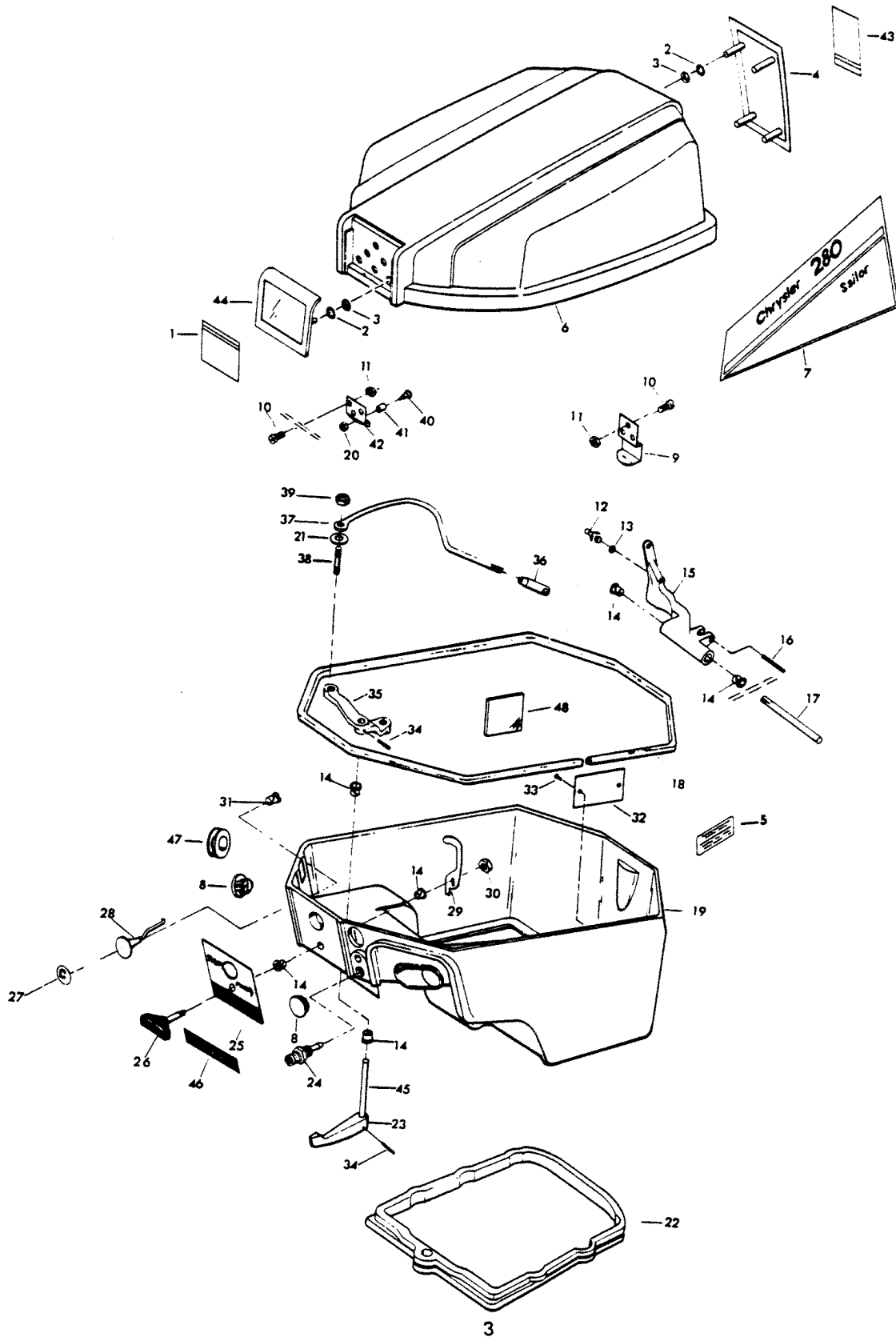
NS = Not Shown

THESE PARTS BOOKS/FICHE CARD ARE COPYRIGHTED AND MAY NOT BE DISTRIBUTED OR REPRODUCED IN ANY OTHER FORMAT BY ANYONE OTHER THAN MERCURY MARINE WITHOUT THE PRIOR WRITTEN CONSENT OF MERCURY MARINE.

THIS PAGE INTENTIONALLY LEFT BLANK

ENGINE COVER AND SUPPORT PLATE

Order by Part Number and Name, giving Motor Model and Serial Number.



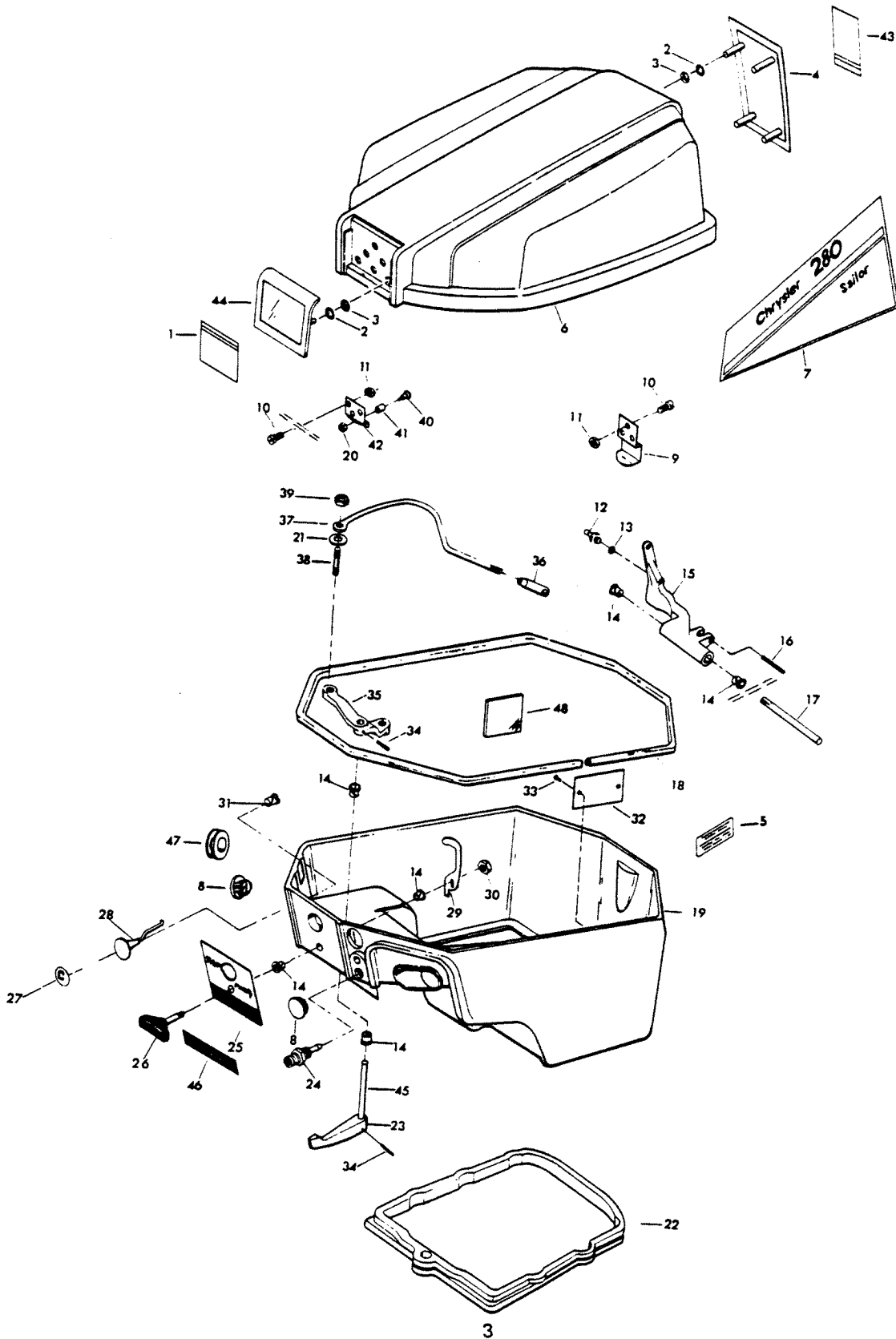
ENGINE COVER AND SUPPORT PLATE

REF. NO.	PART NO.	SYM.	QTY.	DESCRIPTION
1	FA540892		1	DECAL, ENGINE COVER, FRONT
2	F85735-1		7	SEAL
3	F1753		7	FASTENER
4	F540180		1	TRIM, ENGINE COVER, REAR
5	F235785		1	DECAL, COMPLIANCE - CANADA
6	FS541712		1	COVER, ENGINE, W/BACKET, RETAINER AND TILT HANDLE
-	2C540712		1	COVER, ENGINE - COMPLETE. INCLUDES ALL ITEMS MARKED WITH AN ASTERISK (*).
7	FA540397		1	DECAL "CHRYSLER", PORT
-	FA540396		1	DECAL, "CHRYSLER", STARBOARD
8	F343226-1		2	PLUG
9	FA286480		1	RETAINER, ENGINE COVER, INCL. SCREWS AND NUTS
10	F1979		6	SCREW PAN HD., 10 - 24 X 1/2
11	F7011		6	NUT, ELASTIC STOP, 10 - 24
12	F98273		1	STUD, GEAR SHIFT ROD CONNECTOR
13	F8058		1	LOCKWASHER, INTERNAL TOOTH
14	F307818		6	BEARING
15	F286876		1	LEVER, GEAR SHIFT
16	F8542		1	SPRING PIN
17	F286871		1	PIN, GEAR SHIFT LEVER
18	F392756		1	PACKING, SUPPORT PLATE
19	FA510038		1	PLATE, SUPPORT, INCL. PLUGS
20	F7011		1	NUT, STOP, 10 - 24
21	F8048		1	WASHER, BOWED SPRING
22	F286989-2		1	SEAL, SUPPORT PLATE
23	F286614		1	HANDLE, GEAR SHIFT
24	F197767-1		1	BUSHING, FUEL LINE
25	FA510711		1	PLATE, FRONT - U.S.A.
-	FC510711		1	PLATE, FRONT - CANADA
26	FA286469		1	KNOB, COVER LATCH
27	F458677		1	INSERT, CHOKE KNOB
28	FA286547		1	KNOB, CHOKE, INCL. INSERT & ROD
29	F286777		1	CAM, COVER LATCH
30	F2002		1	NUT, STOP, 5/16 - 18
31	F197319		1	BEARING, CHOKE ROD
32	FA535395		1	PLATE, IDENTIFICATION, INCL. SCREWS - U.S.A.
-	FAC535395		1	PLATE, IDENTIFICATION, INCL. SCREWS - CANADA
33	F1447		2	SCREW, DRIVE
34	F8540		2	PIN, SPRING
35	F492619		1	LEVER, GEAR SHIFT SHAFT
36	F286685		1	CONNECTOR, GEAR SHIFT ROD
37	F286611-1		1	ROD, GEAR SHIFT
38	F286134		1	STUD, GEAR SHIFT LEVER

CONTINUED ON NEXT PAGE ➡

ENGINE COVER AND SUPPORT PLATE

Order by Part Number and Name, giving Motor Model and Serial Number.

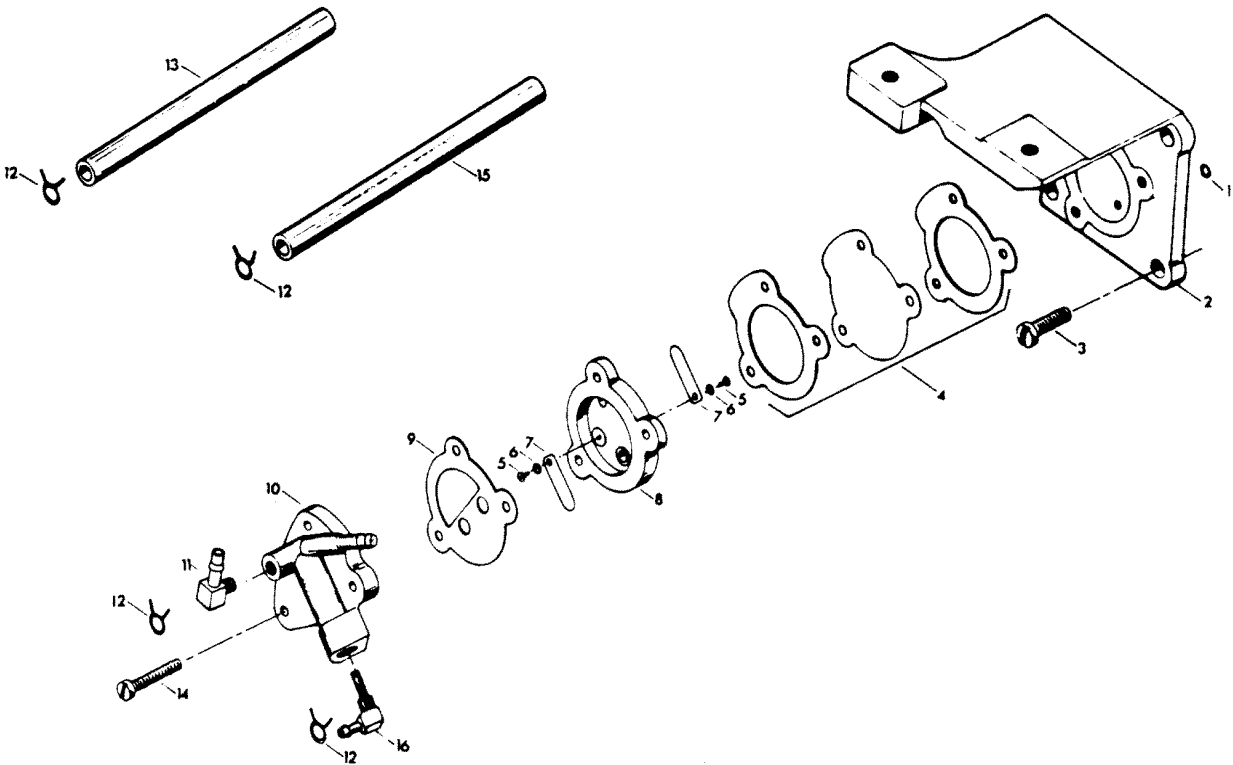


ENGINE COVER AND SUPPORT PLATE

REF. NO.	PART NO.	SYM.	QTY.	DESCRIPTION
39	F1804		1	NUT, STOP, 10 - 24
40	F269316		1	SHAFT, ROLLER
41	F92759		1	ROLLER
42	817758A1		1	BRACKET, COVER LATCH, INCL. SCREWS, NUTS AND ROLLERS
43	FA540528		1	DECAL, ENGINE COVER, REAR
44	F487711		1	PLATE, ENGINE COVER
45	F492417		1	SHAFT, GEAR SHIFT HANDLE
46	F517400		1	DECAL, SHIFT - U.S.A.
-	FC517400		1	DECAL, SHIFT - CANADA
47	F94840		1	GROMMET, BATTERY CABLE
48	F510661		1	PAD, STARTER MOTOR

FUEL PUMP

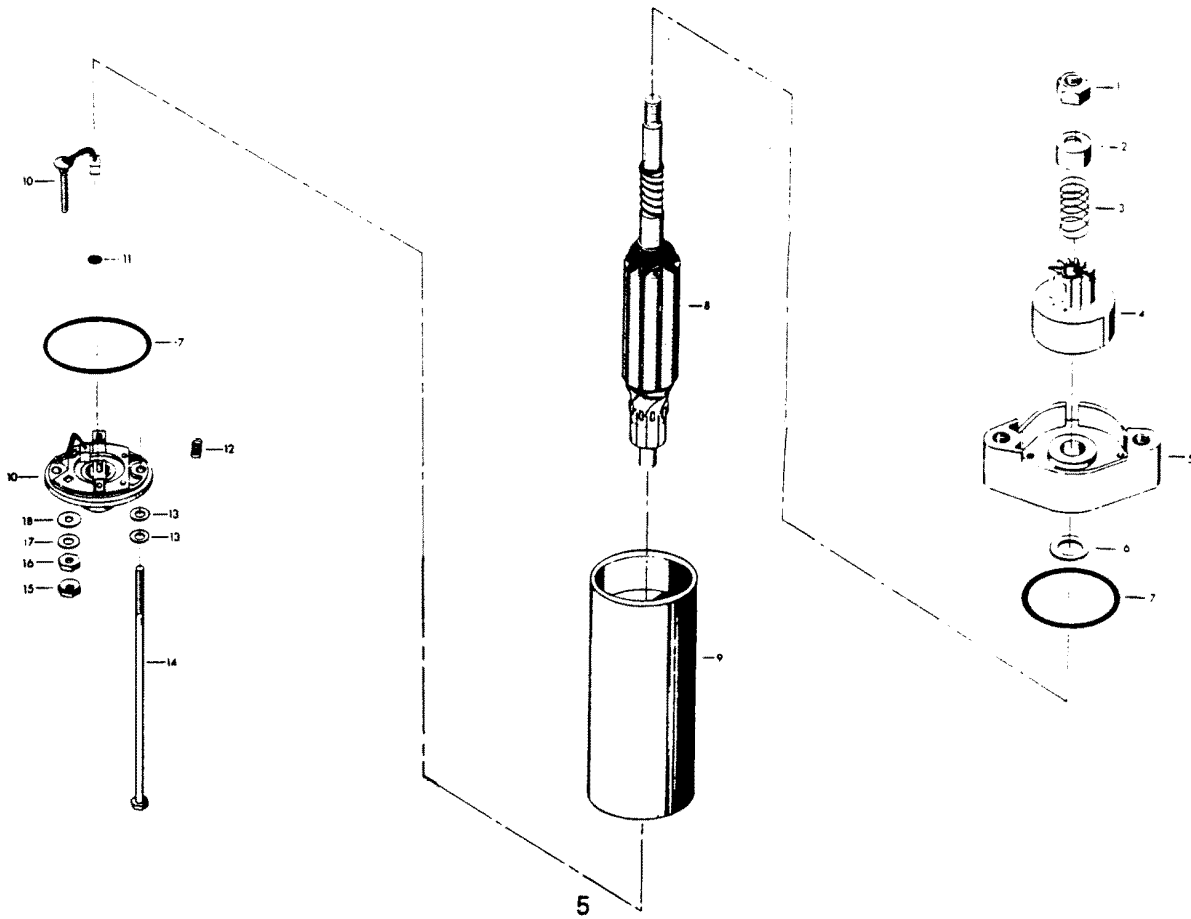
Order by Part Number and Name, giving Motor Model and Serial Number.



FUEL PUMP

REF. NO.	PART NO.	SYM.	QTY.	DESCRIPTION
1	F455118		1	SEAL, FUEL PUMP BRACKET
2	F510427		1	BRACKET, STARTER SUPPORT
3	F1577		4	FILL HD SCREW, 1/4 - 20 X 3/4
4	27-818043A1		1	FUEL PUMP DIAPHRAGM W/GASKETS
5	F1286		2	PAN HD SCREW, 4 - 40 X 3/16
6	F8003		2	PLAIN WASHER
7	F18160-2		2	REED, FUEL PUMP
8	FA24757-3		1	FUEL PUMP REED PLATE W/REEDS AND SCREWS
9	F24748-2		1	GASKET, FUEL PUMP
10	F510746		1	FUEL PUMP COVER
11	22-818103--1		1	FITTING, FUEL PUMP
12	F2706772		4	HOSE CLAMP
13	F2771254		1	HOSE, FUEL PUMP TO CARBURETOR
14	F1069		3	FILL HD SCREW, 10 - 24 X 1 1/16
15	F2752253		1	HOSE, FUEL PUMP TO BUSHING
16	F510811		1	FILTER, FUEL PUMP

ELECTRIC STARTER

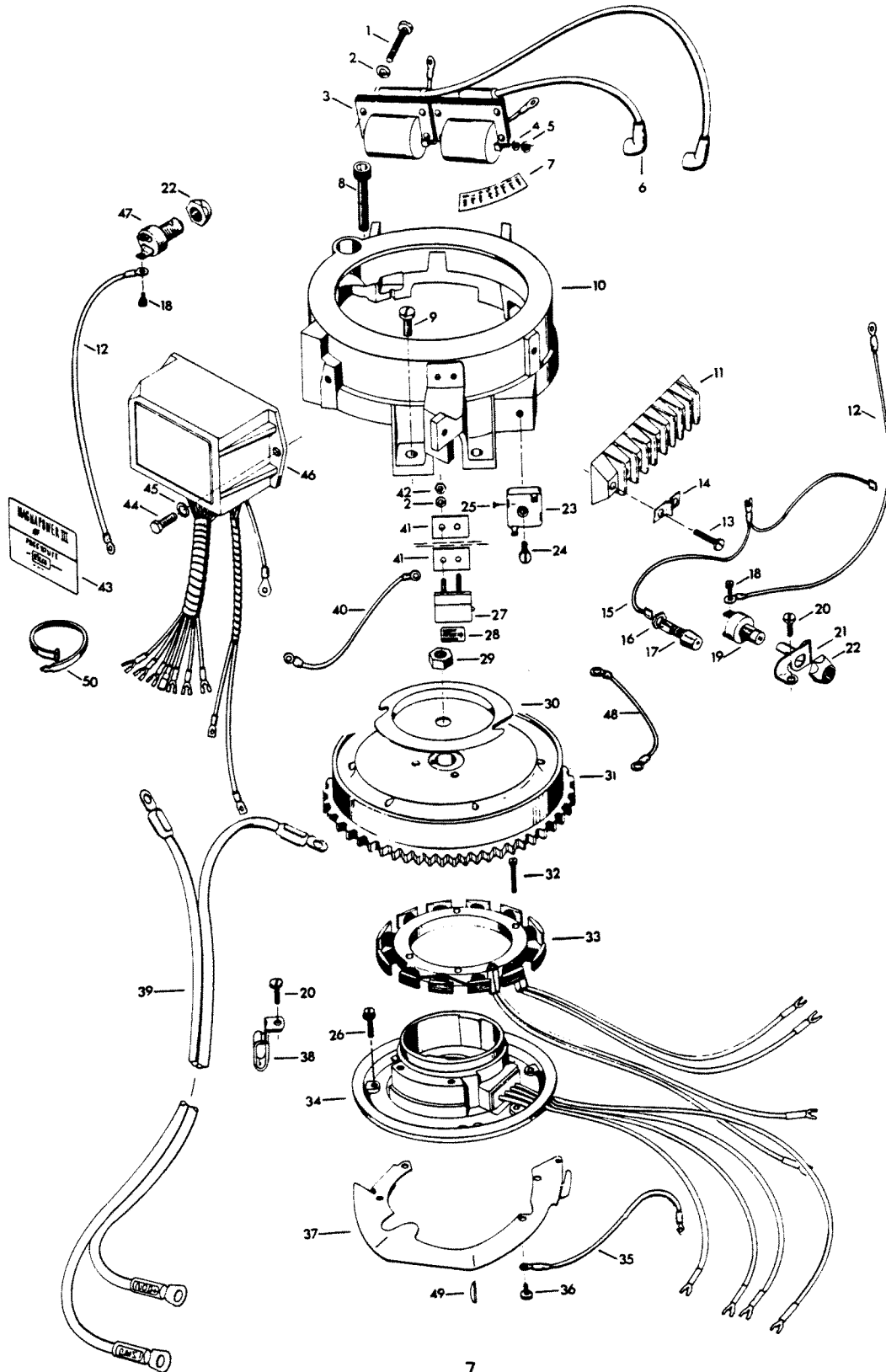


ELECTRIC STARTER

REF. NO.	PART NO.	SYM.	QTY.	DESCRIPTION
1	F15142		1	STOP NUT
2	F15141		1	PINION STOP
3	F15140		1	SPRING
4	F15139		1	PINION ASSEMBLY
5	F15135		1	CAP ASSEMBLY, DRIVE END
6	F15137		1	WASHER
7	F15145		2	GASKET
8	F15134		1	ARMATURE
9	F15136		1	HOUSING ASSEMBLY
10	F15127		1	CAP ASSEMBLY, COMMUTATOR END INCLUDES ITEMS 15, 16, 17 AND 18
11	F15143		1	DISC
12	F15138		2	SPRING, BRUSH
13	F15146		4	WASHER
14	F15144		2	SCREW, THRU BOLT
15	F15129		1	NUT W/LOCKWASHER
16	F15130		1	NUT
17	F15133		1	WASHER
18	F15132		1	WASHER, FIBER
-	F510955		1	STARTER MOTOR COMPLETE
-	FC520390		1	DECAL, STARTER - CANADA (NOT SHOWN)

ELECTRICAL COMPONENTS

Order by Part Number and Name, giving Motor Model and Serial Number.



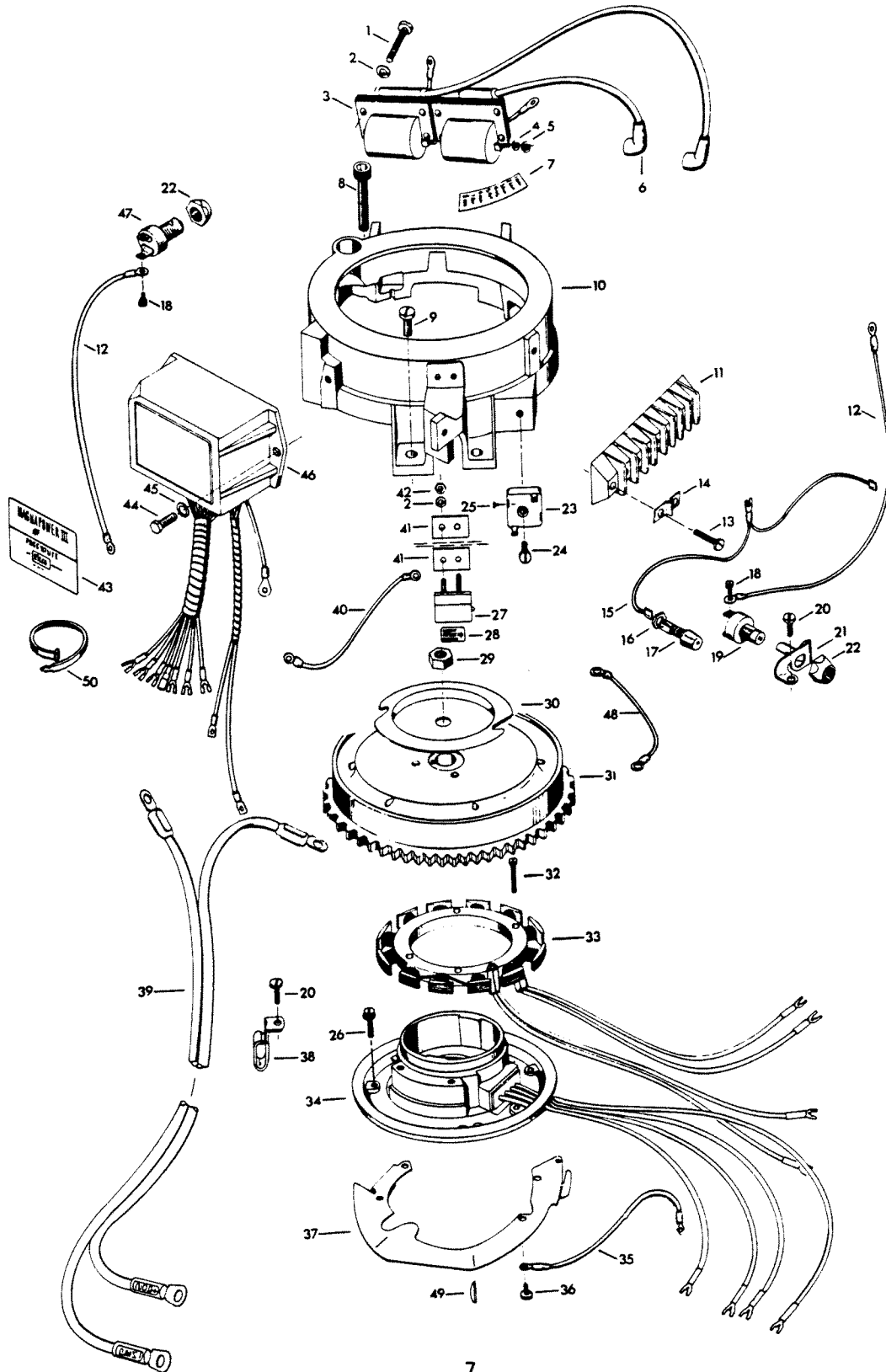
ELECTRICAL COMPONENTS

REF. NO.	PART NO.	SYM.	QTY.	DESCRIPTION
1	F1829		8	FILL HD M. SCREW, 10 - 24 X 7/8
2	F1975		12	SPRING LOCKWASHER
3	F510475		2	IGNITION COIL
4	F1704		2	INTERNAL TOOTH LOCKWASHER
5	F1337		2	HEX NUT, 6 - 32
6	FK750-2		2	SPARKIE W/SPRING
7	F510398		1	DECAL, WIRING
-	FC510398		1	DECAL, WIRING - CANADA
8	F1646		2	HEX SOCKET HD CAP SCREW, 3/8 - 16 X 2 1/4
9	F1577		4	FILL HD SCREW, 1/4 - 20 X 3/4
10	F510675-1		1	STARTER SUPPORT
11	FA510497		1	TERMINAL BLOCK
12	F510841		2	WIRE, STARTER INTERLOCK SWITCH
13	F1648		2	PAN HD SCREW, 10 - 24 X 3/4
14	F307317		1	CLIP, TERMINAL BLOCK GROUND
15	F510908		1	WIRE, GROUND
16	F510288		1	NUT, SHORTING SWITCH
17	F436449		1	SHORTING SWITCH
18	F1556		4	FILL HD M. SCREW W.SPRING LOCKWASHER, 10 - 24 X 3/8
19	F510918		1	STARTER SWITCH
20	F1802		3	FILL HD SCREW, 1/4 - 20 X 9/16
21	F510540		1	BRACKET, STARTER SWITCH
22	F510669		2	NUT, INTERLOCK SWITCH AND STARTER SWITCH
23	F510450-1		1	RECTIFIER
24	F1303		1	SLOTTED PAN HD M. SCREW, 8/32 X 3/4
25	F1645		4	RD HD THREAD CUTTING SCREW, 6 - 32 X 1/4
26	F1090		4	FILL HD SCREW W/SPRING LOCKWASHER, 10 - 24 X 9/16
27	F510460		1	CIRCUIT BREAKER
28	F510374		1	DECAL, CIRCUIT BREAKER
-	FC510374		1	DECAL, CIRCUIT BREAKER - CANADA
29	F1809		1	HEX NUT
30	F901456-1		1	EMERGENCY STARTER COLLAR
31	F510097		1	FLYWHEEL
32	F1678		4	FILL HD SCREW, 10 - 24 X 13/16
33	F510095		1	STATOR, ALTERNATOR
34	F510029		1	STATOR, TRIGGER
35	F404908		1	GROUND WIRE
36	F1075		4	FILL HD SCREW, 10 - 24 X 1/2
37	F286192		1	THROTTLE CAM
38	F510446		1	CLAMP, BATTERY CABLE
39	F517896		1	BATTERY CABLE
40	F493683		1	WIRE
41	F510595		2	INSULATOR, CIRCUIT BREAKER

CONTINUED ON NEXT PAGE ➡

ELECTRICAL COMPONENTS

Order by Part Number and Name, giving Motor Model and Serial Number.

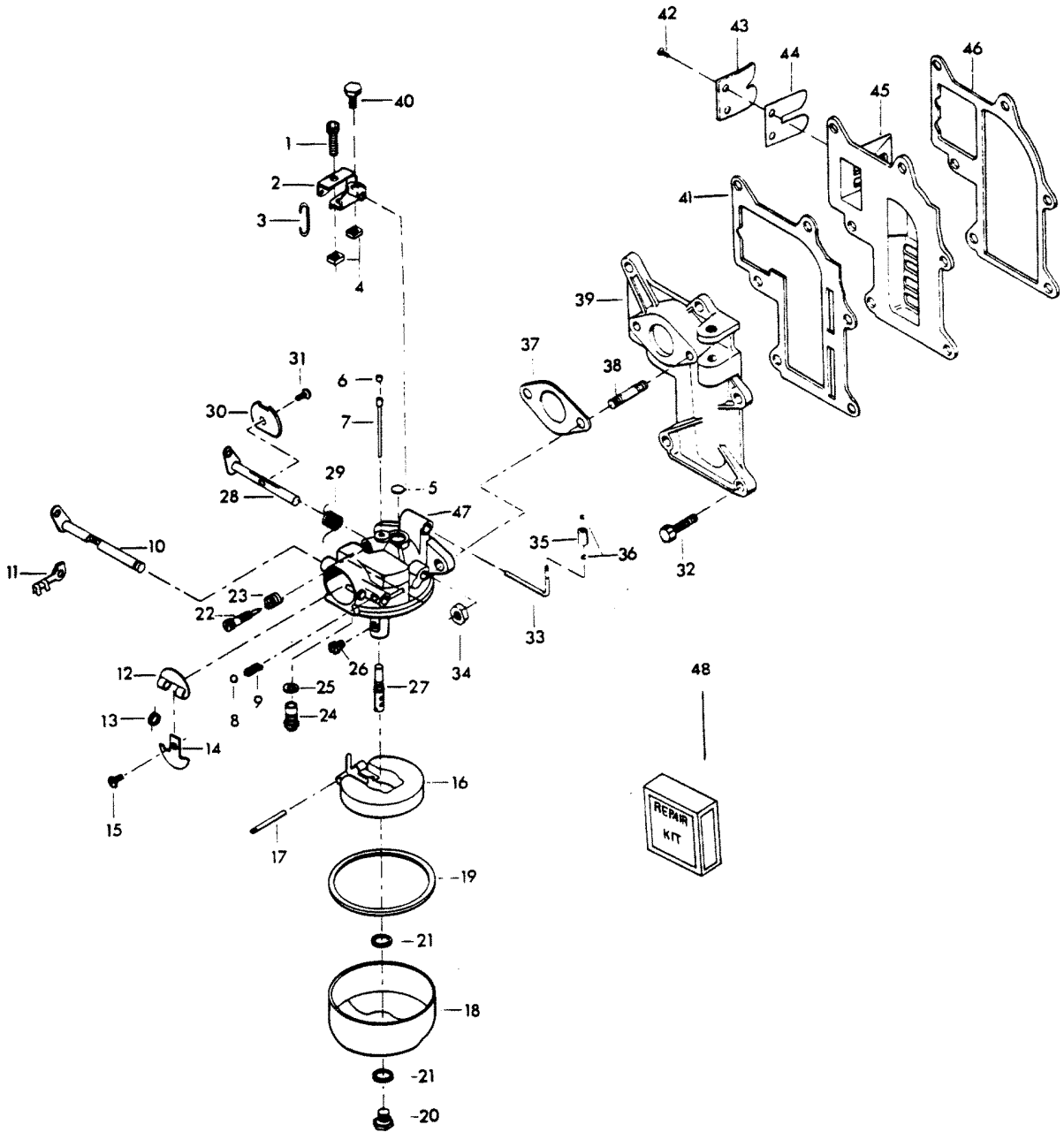


ELECTRICAL COMPONENTS

REF. NO.	PART NO.	SYM.	QTY.	DESCRIPTION
42	F1513		2	HEX NUT, 10 - 32
43	510373-1		1	DECAL, MAGNAPOWER III
44	F1999		2	HEX CAP SCREW, 1/4 - 20 X 7/8
45	F8083		1	SPRING LOCKWASHER
46	F510301		1	C-D MODULE
47	F510449		1	NEUTRAL INTERLOCK SWITCH
48	F510683		1	WIRE, RECTIFIER - CIRCUIT BREAKER
49	F458498		1	KEY, FLYWHEEL
50	F1845		5	TY-RAP

FUEL SYSTEM

Order by Part Number and Name, giving Motor Model and Serial Number.



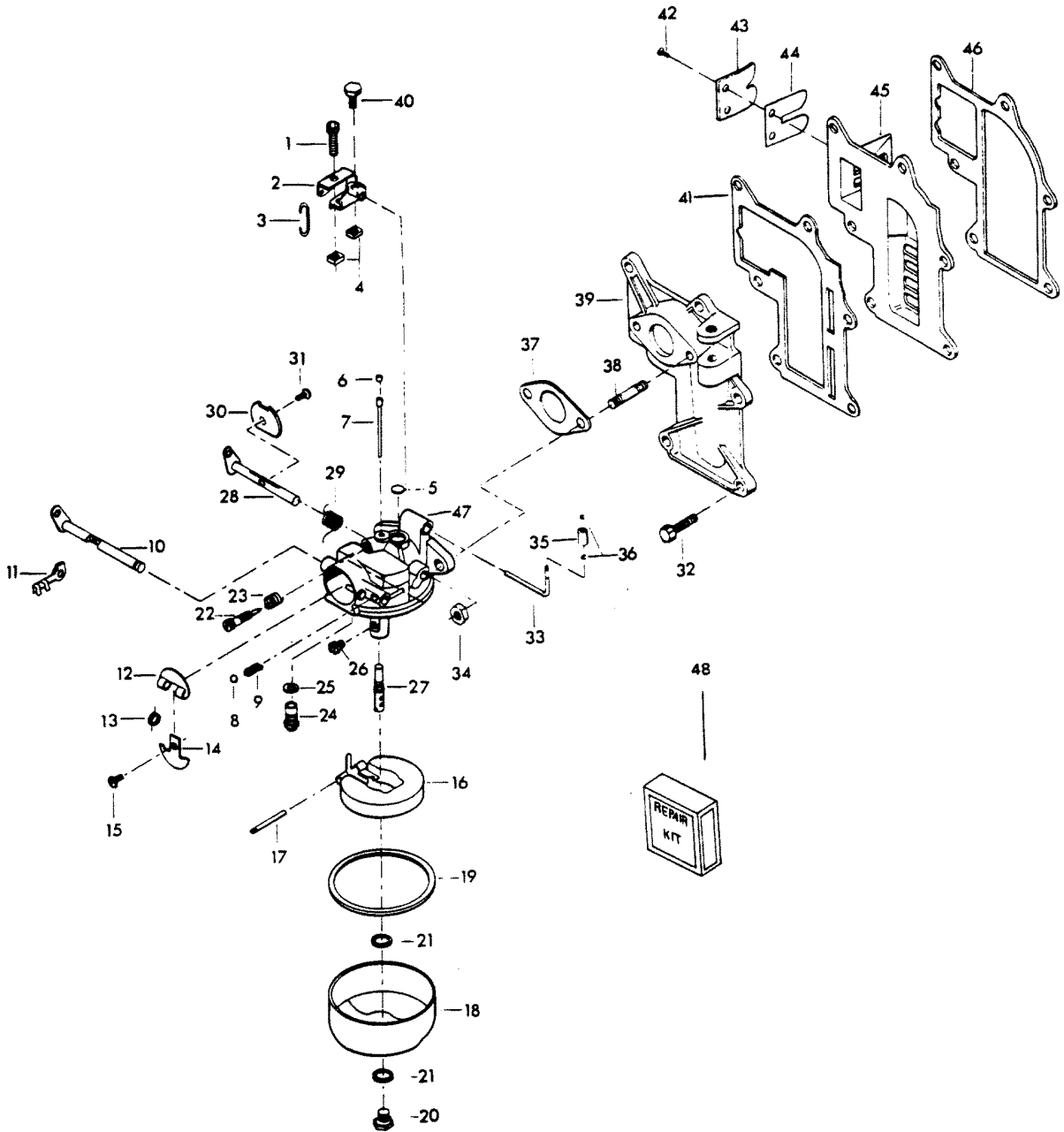
FUEL SYSTEM

REF. NO.	PART NO.	SYM.	QTY.	DESCRIPTION
1	F1834		1	FILL HD SCREW, 10 - 24 X 7/8
2	817754A1		1	ARM, CARBURETOR FOLLOWER
3	F66193		1	THROTTLE LINK
4	F1365		2	SQUARE NUT, 10 - 24
5	FO2531		1	BODY CHANNEL WELCH PLUG
6	FO10588		1	BODY CHANNEL CUP PLUG
7	FO15522		2	BYPASS TUBE
8	FO4784		1	CHOKE FRICTION BALL
9	FO8805		1	CHOKE FRICTION SPRING
10	FO15736		1	CHOKE SHAFT AND LEVER
11	F341384		1	RETAINER, CHOKE ROD
12	FO15368		1	CHOKE RELIEF VALVE
13	FO15783		1	CHOKE RELIEF VALVE SPRING
14	FO15367		1	CHOKE SHUTTER
15	FO10280		1	CHOKE SHUTTER RETAINER SCREW AND LOCKWASHER
16	FO13554		1	FLOAT
17	FO13944		1	FLOAT LEVER PIN
18	FO15366		1	FUEL BOWL
19	FO15623		1	FUEL BOWL GASKET
20	FO13945		1	FUEL BOWL RETAINING SCREW
21	FO2510		2	FUEL BOWL RETAINING SCREW GASKET
22	FO15520		1	IDLE MIXTURE SCREW
23	FO11103		1	IDLE MIXTURE SCREW SPRING
24	FO10790		1	INLET NEEDLE, SEAT AND GASKET
25	FO10165		1	INLET SEAT GASKET
26	FO11722		1	JET MAIN FUEL JET STD. .055 SEA LEVEL - 3000 FT.
-	FO11765		-	MAIN FUEL JET OPT. .053 3000 FT. - 6000 FT.
-	FO11764		-	MAIN FUEL JET OPT. .051 6000 FT & UP OPTIONAL SIZE MAIN FUEL JETS ARE TO USED ONLY AT ALTITUDES INDICATED.
27	FO15525		1	MAIN NOZZLE
28	FO15757		1	THROTTLE SHAFT AND LEVER
29	FO15526		1	THROTTLE SHAFT RETURN SPRING
30	FO16878		1	THROTTLE SHUTTER
31	FO10280		1	THROTTLE SHUTTER RETAINING SCREW AND LOCKWASHER
32	F1914		4	HEX HD SCREW, 1/4 - 20 X 3/4
33	F286316		1	THROTTLE CAM FOLLOWER
34	F1490		2	HEX NUT, 1/4 - 20
35	F78318		1	ROLLER, THROTTLE CAM FOLLOWER
36	F78410		2	RETAINER
37	F18906		1	CARBURETOR GASKET
38	F2788004		2	STUD, CARBURETOR
39	F2A424167		1	MANIFOLD W/STUDS AND PULLEY
40	F1912		1	HEX HD SCREW, 10 - 24 X 1/2

CONTINUED ON NEXT PAGE ➡

FUEL SYSTEM

Order by Part Number and Name, giving Motor Model and Serial Number.

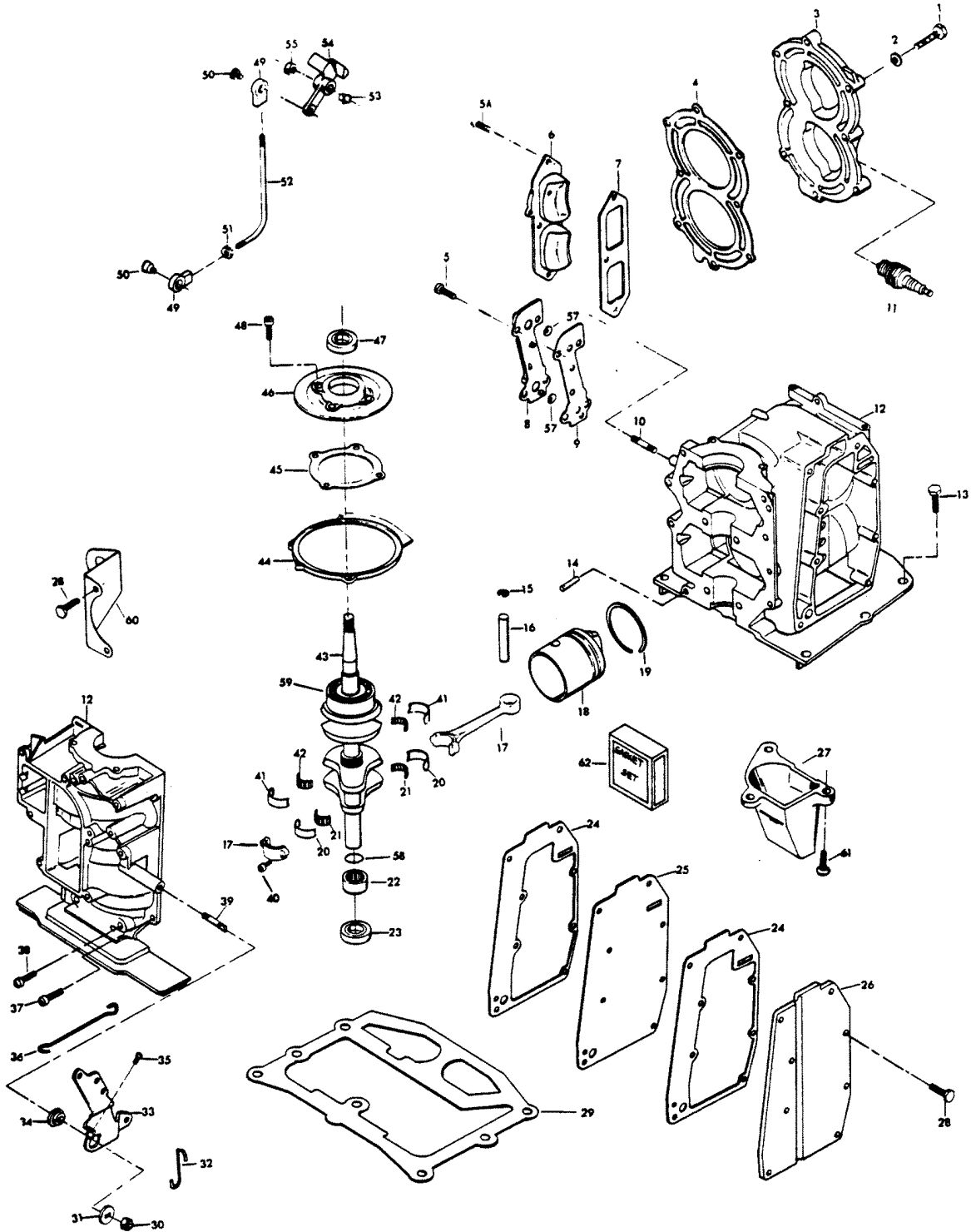


FUEL SYSTEM

REF. NO.	PART NO.	SYM.	QTY.	DESCRIPTION
41	F424168-1		1	GASKET, MANIFOLD
42	F1755		8	HD SCREW W/LOCKWASHER, 6 - 32 X 5/16
43	F424161		4	REED STOP
44	F31160-1		4	REED
45	FA424158		1	REED PLATE W/REEDS, STOPS AND SCREWS
46	F286159-1		1	GASKET, REED PLATE
47	F472061-1		1	CARBURETOR COMPLETE (C010B)
-	F10006		1	GASKET SET, CARBURETOR (NOT SHOWN)
48	F10007		1	REPAIR PARTS KIT, CARBURETOR. INCLUDES ALL ITEMS MARKED WITH AN ASTERISK (*).

POWER HEAD

Order by Part Number and Name, giving Motor Model and Serial Number.



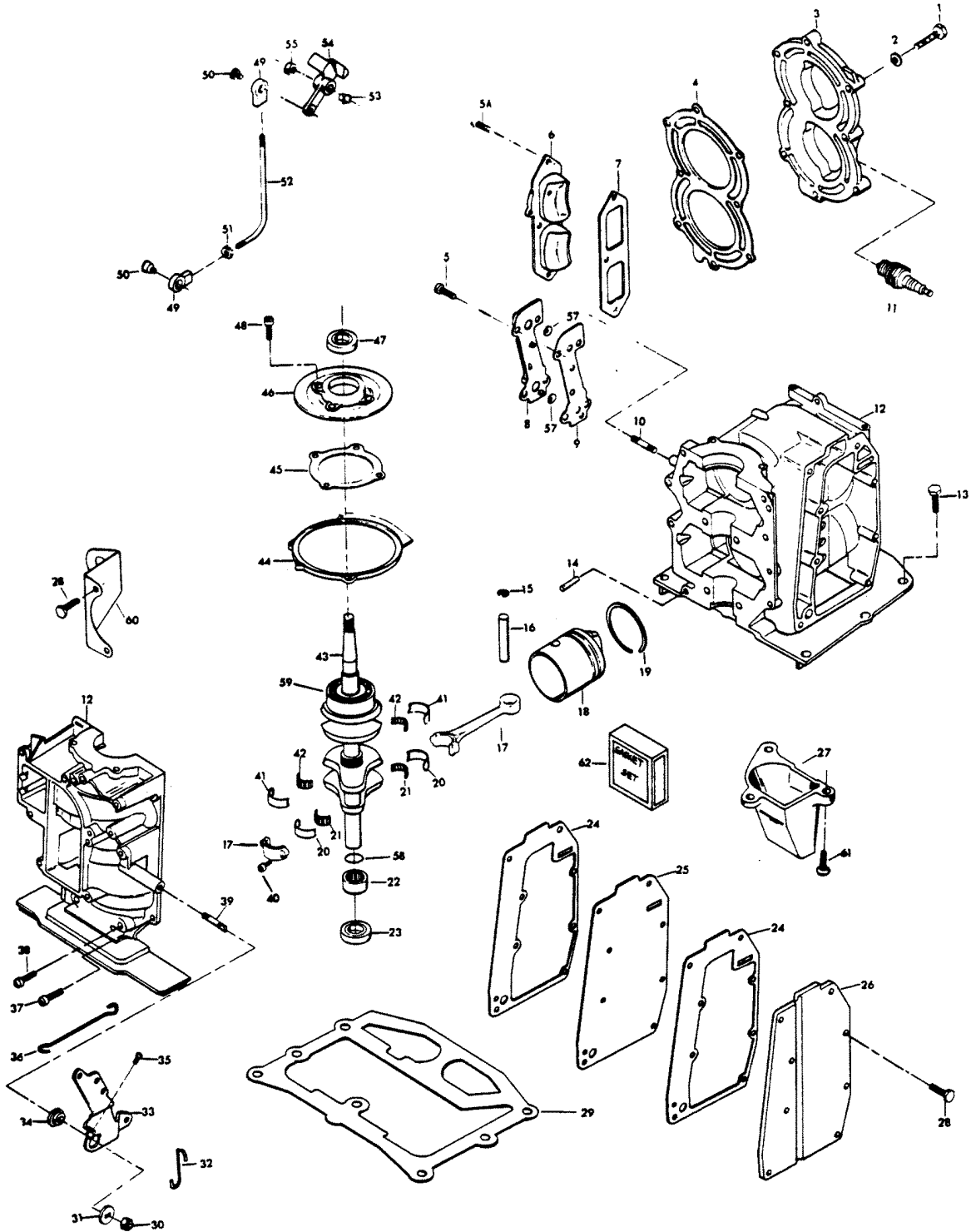
POWER HEAD

REF. NO.	PART NO.	SYM.	QTY.	DESCRIPTION
1	F901938-1		8	SCREW, CYLINDER HEAD
2	F8025		8	PLAIN WASHER
3	F286518		1	HEAD, CYLINDER
4	F286529-3		1	GASKET, CYLINDER HEAD
5	F1922		4	HEX HD SCREW, 1/4 - 20 X 5/8
5A	F510165		3	SCREW
-	F1859		1	HEX SOCKET HEADLESS SET SCREW, 1/4 - 28 X 3/16 (TRANSFER PORT COVER)
6	F510222		1	COVER, TRANSFER PORT
7	F286223		1	GASKET, TRANSFER PORT COVER
8	FA429471		1	COVER, CYLINDER DRAIN W/CHECK VALVES AND SCREWS
9	F429472		1	GASKET, CYLINDER DRAIN COVER
10	F28004		1	STUD, INTERLOCK LEVER
11	FS174227		2	PLUG, SPARK, L-4-J
-	FC503227		2	SPARK PLUG (QL77J4)
12	FA520010		1	CYLINDER W/CRANKCASE COVER, CYLINDER DRAIN COVER, DOWEL PINS, SCREW & STUDS.
-	FC520010		1	SHORT BLOCK (NOT SHOWN) INCLUDES ALL ITEMS MARKED WITH AN ASTERISK (*)
13	F1823		6	HEX CAP SCREW, 5/16 - 18 X 1
14	F8559		2	DOWEL PIN
15	F31410		4	RETAINING RING, PISTON PIN
16	F174017		2	PIN, PISTON
17	FS36016-5		2	ROD, CONNECTING W/CAP AND SCREWS
18	F472015-2		2	PISTON
19	FA472260		2	PISTON RING SET (2 PER SET)
20	FA525241		2	CRANKPIN ROLLER BEARING CAGE
21	FA525228		2	ROLLER SET, CONNECTING ROD (16 PER SET)
22	F343014		1	BEARING, CRANKSHAFT LOWER MAIN
23	F141118		1	SEAL, CRANKSHAFT LOWER
24	F286154		2	GASKET, EXHAUST COVER
25	F286151		1	PLATE, EXHAUST
26	F286152		1	COVER, EXHAUST
27	F487660-1		1	EXHAUST TUBE
28	F1915		10	HEX HD SCREW, 1/4 - 20 X 7/8
29	F286279-2		1	GASKET, CYLINDER MOUNTING
30	F1803		1	STOP NUT, 5/16 - 24
31	F286282		1	WASHER
32	F286445		1	LINK, MAGNETO SHAFT
33	817971A3		1	LEVER, MAGNETO CONTROL
34	F183813		1	BEARING, MAGNETO CONTROL LEVER
35	F1504		1	FILL HD SCREW, 1/4 - 20 X 1 1/4
36	F286509		1	LINK, THROTTLE CAM
37	F1107		8	FILL HD SCREW, 1/4 - 20 X 3/4

CONTINUED ON NEXT PAGE ➡

POWER HEAD

Order by Part Number and Name, giving Motor Model and Serial Number.

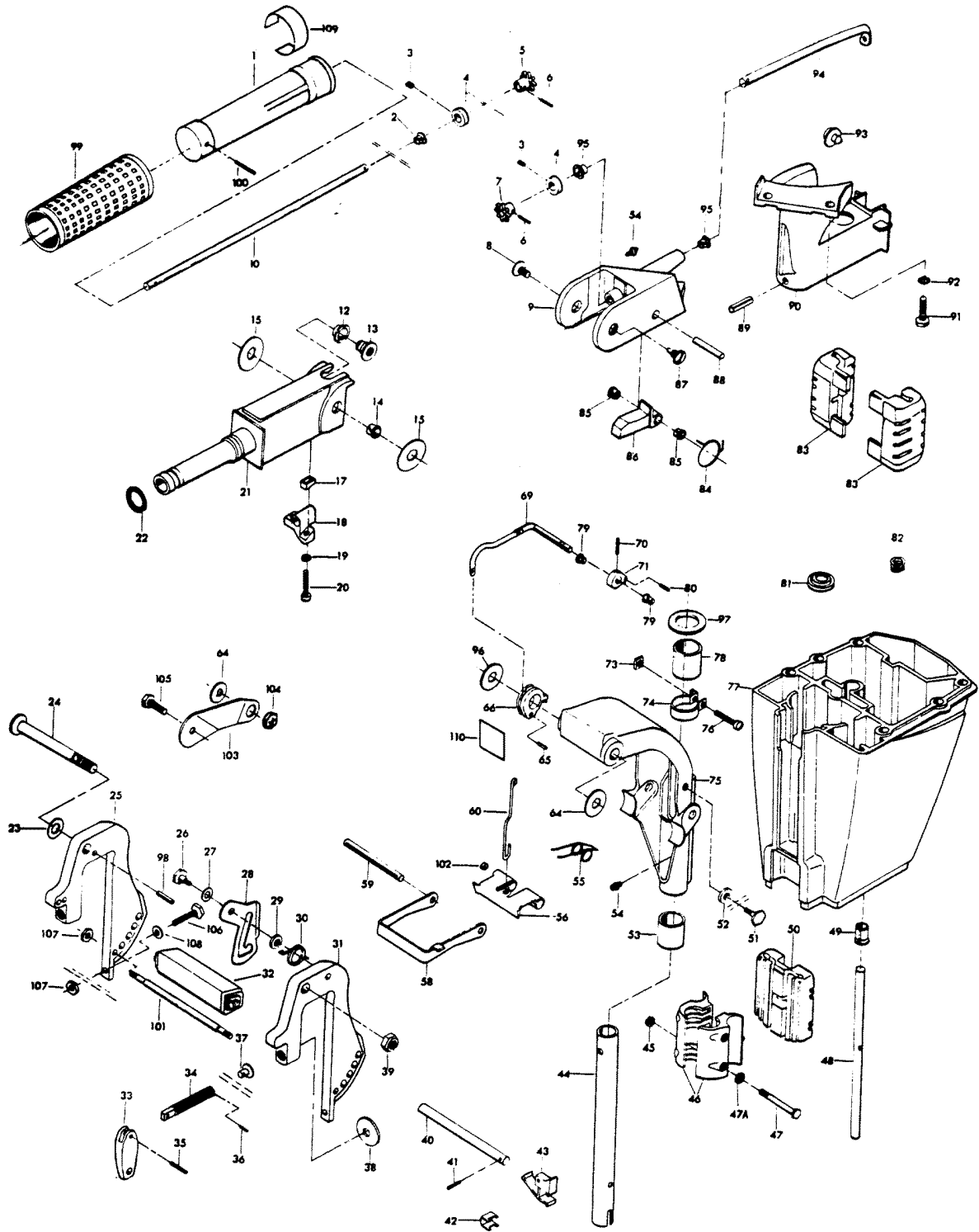


POWER HEAD

REF. NO.	PART NO.	SYM.	QTY.	DESCRIPTION
38	F1335		4	FILL HD SCREW, 5/16 - 18 X 1 1/4
39	F286440		1	STUD, MAGNETO CONTROL LEVER
40	F36634		4	SCREW, CONNECTING ROD
41	FA286155		1	MAIN BEARING LINER SET (2 PER SET)
42	F286571		1	ROLLER SET, MAIN BEARING (26 PER SET)
43	A492018		1	CRANKSHAFT W/UPPER MAIN BEARING
44	F73082		1	RING, MAGNETO STATOR
45	F286277		1	GASKET, CRANKSHAFT BEARING CAGE
46	1100-817753A1		1	CAGE, CRANKSHAFT BEARING W/SEAL
47	F346146		1	SEAL, CRANKSHAFT UPPER
48	F1111		4	FILL HD SCREW, 1/4 - 20 X 7/8
49	F84035-2		2	BEARING, INTERLOCK ROD
50	F84026		2	SWIVEL, INTERLOCK ROD BEARING
51	F1339		1	HEX NUT, 10 - 24
52	F510531		1	ROD, INTERLOCK
53	F197813		1	BEARING, INTERLOCK LEVER
54	F517977-1		1	LEVER, INTERLOCK
55	F7008		1	STOP NUT, 1/4 - 20
57	F429811		2	SCREEN
58	F461342		1	SEAL, DRIVESHAFT SPLINE
59	F286028		1	BEARING, CRANKSHAFT UPPER MAIN
60	F510551		1	BRACKET, INTERLOCK SWITCH
61	F2040		3	TAPTITE HEX WASHER HD SCREW, 1/4 - 20 5/8
62	FG1005-1		1	GASKET SET INCLUDES ITEMS LISTED BELOW
-	F18906		1	CARBURETOR GASKET
-	F286154		2	GASKET EXHAUST COVER
-	F286159-1		1	GASKET, REED PLATE
-	F286223		1	GASKET, TRANSFER PORT COVER
-	F286277		1	GASKET, CRANKSHAFT BEARING CAGE
-	F286279-2		1	GASKET CYLINDER MOUNTING
-	F286529-3		1	GASKET, CYLINDER HEAD
-	F424168-1		1	GASKET, MANIFOLD
-	F429472		1	GASKET, CYLINDER DRAIN COVER

MOTOR LEG

Order by Part Number and Name, giving Motor Model and Serial Number.



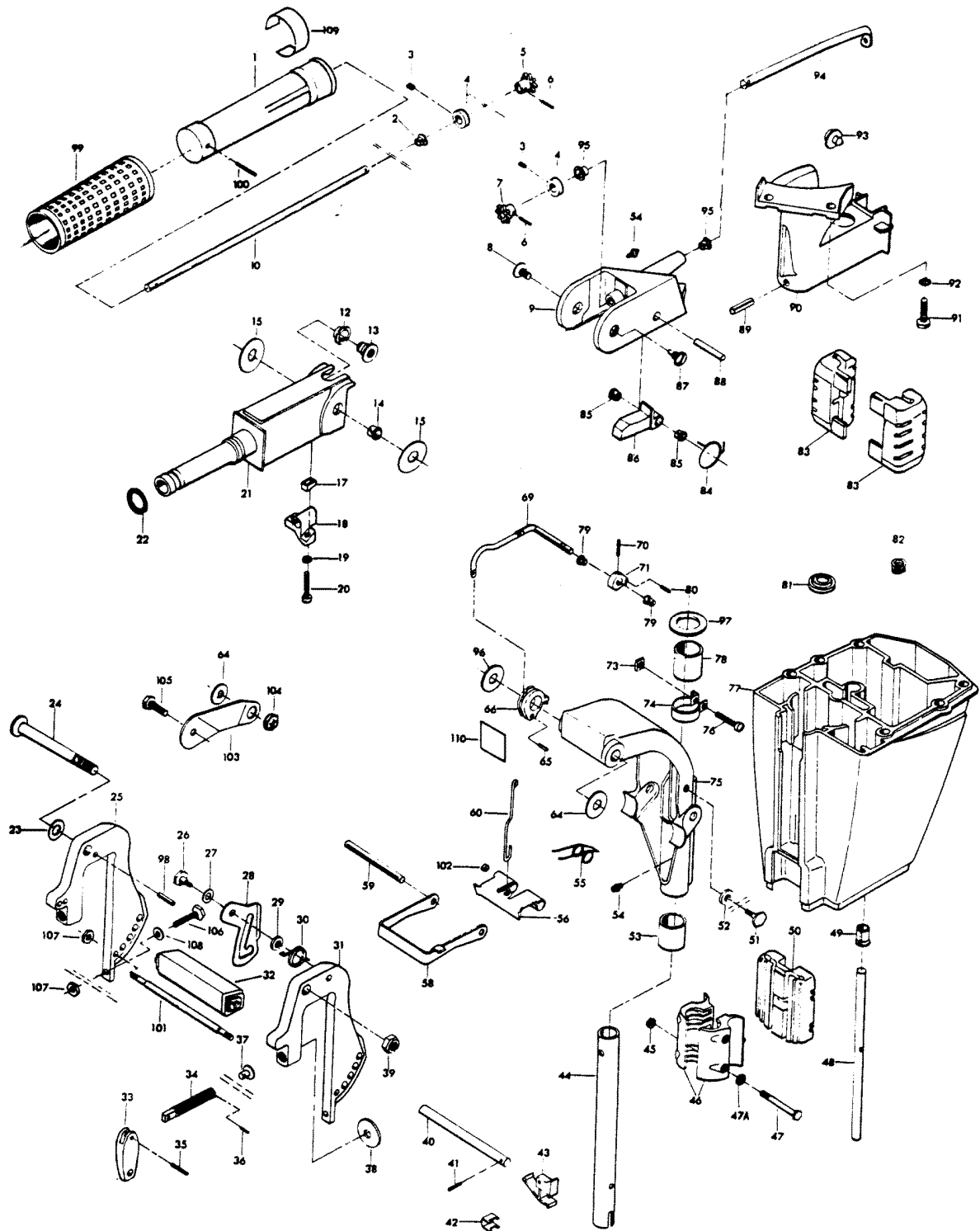
MOTOR LEG

REF. NO.	PART NO.	SYM.	QTY.	DESCRIPTION
1	FA456137		1	GRIP, STEERING HANDLE W/SLEEVE
2	F85610		1	BEARING
3	F1859		2	HEX SOCKET HEADLESS SET SCREW
4	FA343178		2	RETAINER W/SET SCREW
5	43-818009--1		1	GEAR, STEERING HANDLE SHAFT
6	F1978		2	SPRING PIN
7	43-818009--1		1	GEAR, MAGNETO CONTROL SHAFT
8	F1799		1	TRUSS HD SCREW, 5/16 - 18 X 5/8
9	817751A3		1	STEERING HANDLE BRACKET W/GREASE FITTING
10	F429688		1	SHAFT, STEERING HANDLE
12	F286818		1	BEARING
13	F286224		1	INSERT, STEERING HANDLE PIVOT
14	F197813		1	BEARING
15	F286220		2	WASHER, STEERING HANDLE
17	F341693		1	WEDGE, STEERING HANDLE
18	F487816		1	BEARING, STEERING HANDLE
19	F8058		2	INTERNAL TOOTH LOCKWASHER
20	F1829		2	FILL HD SCREW, 10 - 24 X 7/8
21	F286079-1		1	STEERING HANDLE
22	F53795-1		1	SEAL, STEERING HANDLE GRIP DAMPENER
23	F8039		1	PLAIN WASHER
24	F286037		1	STERN BRACKET PIVOT BOLT
25	FK517032		1	STERN BRACKET W/CLAMP SCREW AND FOOT
26	F286422-1		1	TILT LOCK PIVOT
27	F1666		1	BOWED SPRING WASHER
28	F429541		1	TILT LOCK
29	F286451		1	SPACER, TILT LOCK
30	F286544-1		1	SPRING, TILT STOP
31	FK567532		1	STERN BRACKET PORT W/CLAMP SCREW AND FOOT
32	F286647		1	CARRYING HANDLE
33	F424075		2	HANDLE, CLAMP SCREW
34	817761A2		2	CLAMP SCREW W/FOOT AND STUD
35	F8554		2	SPRING PIN
36	F8537		2	SPRING PIN
37	F66480		2	STUD CLAMP SCREW
38	F24074		2	CLAMP SCREW FOOT
39	F7005		1	STOP NUT, 3/8 - 16
40	FA286113		1	LOCK BAR W/HANDLE AND SPRING
41	F8540		1	SPRING PIN
42	F286461		1	SPRING, LOCK BAR HANDLE
43	F286114		1	LOCK BAR HANDLE
44	F286019		1	KING PIN
45	F1341		2	HEX NUT, 1/4 - 20

CONTINUED ON NEXT PAGE ➡

MOTOR LEG

Order by Part Number and Name, giving Motor Model and Serial Number.



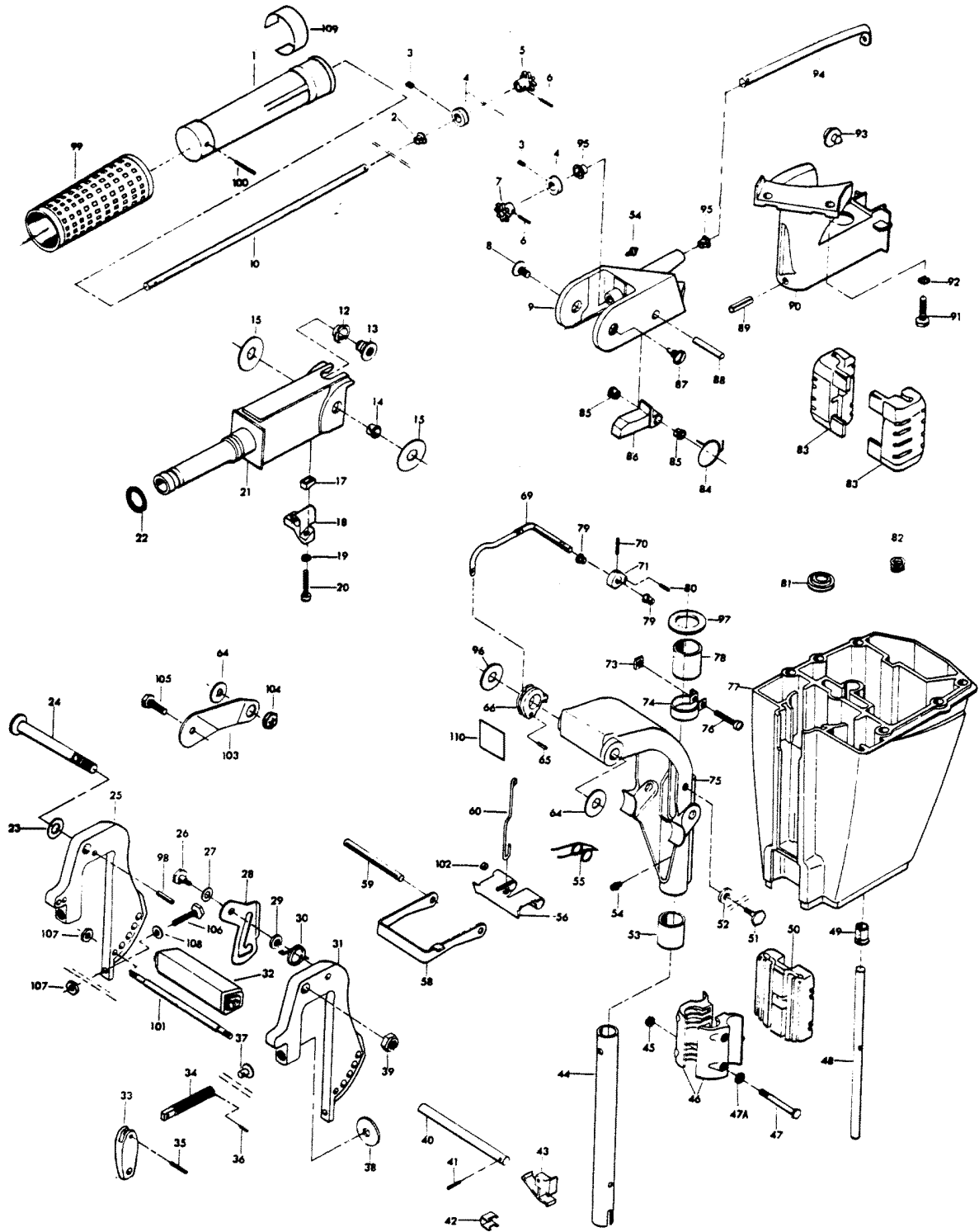
MOTOR LEG

REF. NO.	PART NO.	SYM.	QTY.	DESCRIPTION
46	F286956		2	BRACKET, SHOCK MOUNT LOWER
47	FA1844		2	HEX BOLT, 1/4 - 20 X 2 3/8
47A	F8083		2	SPRING LOCKWASHER
48	F286244		1	WATER LINE
49	F286914		1	SLEEVE WATER LINE
50	F286346		1	SHOCK MOUNT LOWER
51	F286422-1		1	TILT LOCK PIVOT
52	F286451		1	SPACER, TILT LOCK
53	F286169		1	BEARING, SWIVEL BRACKET
54	F213274		3	GREASE FITTING
55	F286300		1	SPRING, REVERSE LOCK
56	F516349		1	REVERSE LOCK
58	F286433		1	BRACKET SHALLOW WATER DRIVE
59	F1806		1	GROOVE PIN
60	FA341510		1	LINK, REVERSE LOCK LEVER
64	F286286-1		2	WASHER, STERN BRACKET
65	F1794		1	SPRING PIN
66	F286827		1	REVERSE LOCK RELEASE LEVER
69	FA387742		1	LEVER, REVERSE LOCK INTERMEDIATE
70	F8538		1	SPRING PIN
71	F286364		1	LEVER, REVERSE LOCK
73	F1608		1	SQUARE NUT, 1/4 - 20
74	F286573-1		1	CLAMP, STEERING HANDLE
75	1400-817750A4		1	SWIVEL BRACKET W/GREASE FITTING
76	F1820		1	FILL HD SCREW, 1/4 - 20 X 1 3/8
77	F2A477133		1	MOTOR LEG W/ITEMS 48, 49 & 81
78	F286169		1	BEARING, SWIVEL BRACKET
79	F197813		2	BEARING
80	F1794		1	SPRING PIN
81	F901307-2		1	SEAL, DRIVESHAFT
82	F286414		1	SPRING, LEG WATER BRACKET
83	F517347		2	SHOCK MOUNT UPPER
84	F286868		1	SPRING, STEERING HANDLE STOP
85	F197813		2	BEARING, STEERING HANDLE STOP
86	F286490		1	STEERING HANDLE STOP
87	F286080		1	SCREW, STEERING HANDLE PIVOT
88	F1807		1	GROOVE PIN
89	F1805		1	SPRING PIN
90	FA286582		1	STEERING ARM W/SPRING PIN & BUMPER
91	F1502		2	HEX CAP SCREW, 1/4 - 20 X 5/8
92	F8060		2	EXTERNAL TOOTH LOCKWASHER
93	F286539		1	BUMPER
94	F431838		1	MAGNETO CONTROL SHAFT

CONTINUED ON NEXT PAGE ➡

MOTOR LEG

Order by Part Number and Name, giving Motor Model and Serial Number.

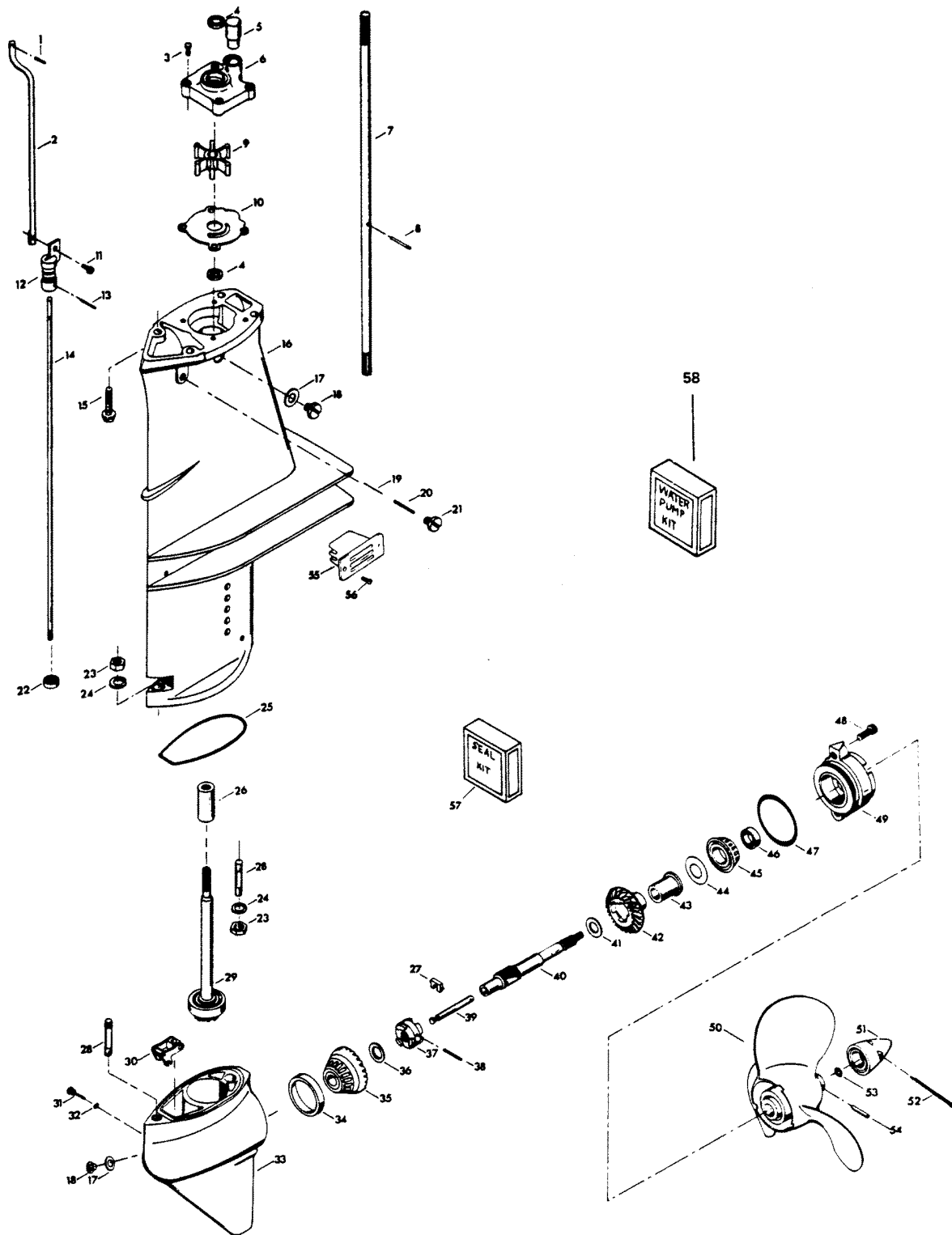


MOTOR LEG

REF. NO.	PART NO.	SYM.	QTY.	DESCRIPTION
95	F307818		2	BEARING
96	F525286		1	WASHER
97	F286011		1	WASHER, SWIVEL BRACKET
98	F8538		1	SPRING PIN
99	F458695		1	SLEEVE
100	F8548		1	SPRING PIN
101	F517273		1	TIE BAR
102	F516677		2	SPACER, REVERSE LOCK
103	F517078		1	BRACKET, LOCK STEERING
104	F516697		1	NUT, STEERING LOCK BRACKET
105	F516552		1	SCREW, STEERING LOCK BRACKET
106	F1887		2	HEX SLOTTED HD SCREW, 1/4 - 20 X 3 3/16
107	F7024		4	LOCK NUT
108	F2012		2	PLAIN WASHER
109	F286894-3		1	SPEED CONTROL INDICATOR
-	37-F286894-3		1	SPEED CONTROL INDICATOR - CANADA
110	F286585-1		1	DECAL, TILT RELEASE
-	37-F286585-2		1	DECAL, TILT RELEASE - CANADA

GEAR HOUSING

Order by Part Number and Name, giving Motor Model and Serial Number.



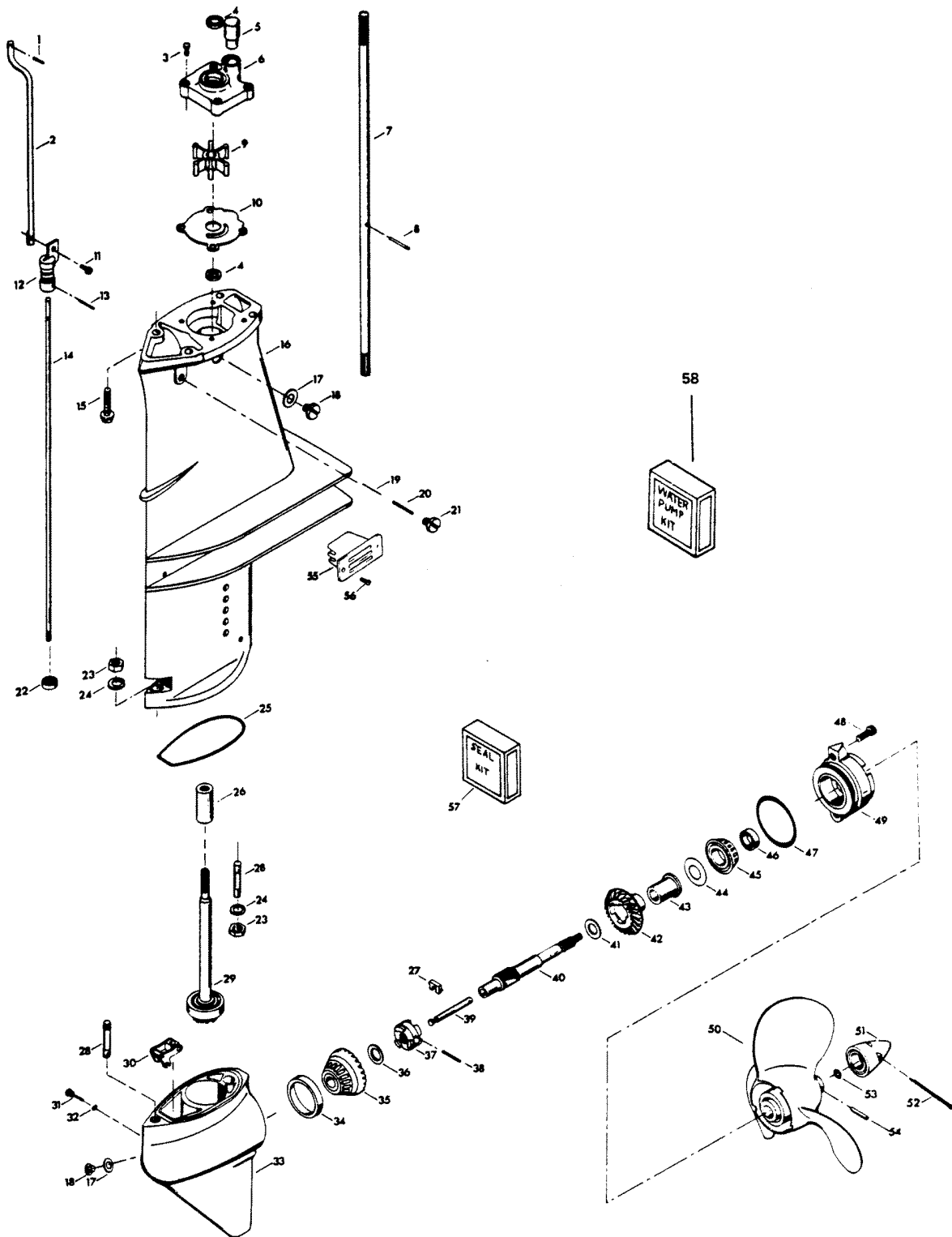
GEAR HOUSING

REF. NO.	PART NO.	SYM.	QTY.	DESCRIPTION
1	F8542		1	SPRING PIN
2	F286615		1	GEAR SHIFT ROD UPPER
3	F2030		4	HEX HD SCREW, 1/4 - 20 X 1 1/4
4	F901307-2		2	SEAL
5	FA510914		1	SEAL, INLET WATER LINE
6	FA504060		1	WATER PUMP BODY W/WATER PUMP SEAL
7	F343128		1	DRIVESHAFT
8	F901563		1	WATER PUMP IMPELLER DRIVE PIN
9	F436065		1	WATER PUMP IMPELLER
10	F341562		1	WATER PUMP BACK PLATE
11	F1976		1	SOCKET HD SCREW W/WASHER, 10 - 24 X 1/2
12	F516704-1		1	COUPLING SHIFT ROD
13	F8540		1	SPRING PIN
14	F516705		1	GEAR SHIFT ROD LOWER
15	F430732		4	HEX HD SCREW, 5/16 - 18 X 1 1/4
16	1600-817844A3		1	GEAR HOUSING UPPER W/BEARING, SEALS, WASHER AND PLUG
17	F8077		2	NYLTITE WASHER
18	F50109		2	GEAR HOUSING PLUG
19	F516584		1	GUIDE, SPRING DETENT
20	F516895		1	SPRING, SHIFT DETENT
21	F516885		1	PLUG, SPRING HOLDING
22	F338618-1		1	SEAL, SHIFT ROD LOWER
23	F1346		2	HEX NUT, S.S., 3/8 - 16
24	F8065		2	LOCKWASHER
25	F435555		1	SEAL, GEAR HOUSING LOWER
26	F517125		1	COUPLING, DRIVESHAFT
27	F90619-1		1	YOKE
28	F40008		2	STUD
29	F2A516266		1	PINION SHAFT W/BEARING
30	817796A2		1	GEAR SHIFT ARM
31	F498891		1	GEAR SHIFT ARM PIN
32	F498618		1	SEAL "O" RING
33	FA516054		1	GEAR HOUSING LOWER W/PLUG, WASHER AND BEARING CUP
-	FC516054		1	GEAR HOUSING COMPLETE (NOT SHOWN). INCLUDES ALL ITEMS MARKED WITH AN ASTERISK (*).
34	F458250		1	BEARING CUP
35	F2A516023		1	BEVEL GEAR FORWARD W/BEARING
36	F2087		A/R	SPACER, BEVEL GEAR FRONT .056
-	F2055		A/R	SPACER, BEVEL GEAR FRONT .059
-	F2056		A/R	SPACER, BEVEL GEAR FRONT .062
-	F2057		A/R	SPACER, BEVEL GEAR FRONT .065
-	F2058		A/R	SPACER, BEVEL GEAR FRONT .068

CONTINUED ON NEXT PAGE ➡

GEAR HOUSING

Order by Part Number and Name, giving Motor Model and Serial Number.

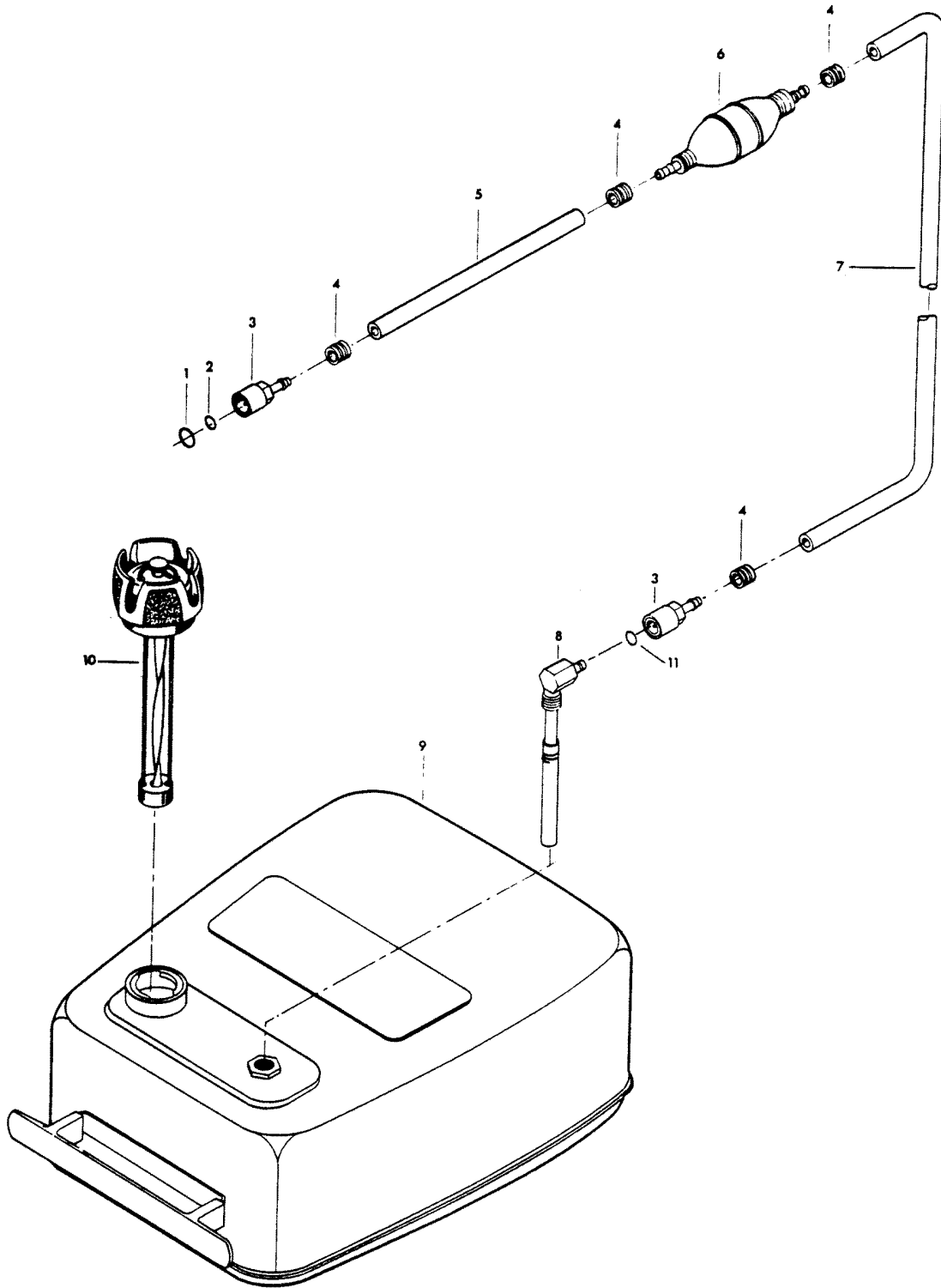


GEAR HOUSING

REF. NO.	PART NO.	SYM.	QTY.	DESCRIPTION
-	F2059		A/R	SPACER, BEVEL GEAR FRONT .071
-	F2060		A/R	SPACER, BEVEL GEAR FRONT .074
-	F2061		A/R	SPACER, BEVEL GEAR FRONT .077
-	F2062		A/R	SPACER, BEVEL GEAR FRONT .080
-	F2063		A/R	SPACER, BEVEL GEAR FRONT .083
-	F2064		A/R	SPACER, BEVEL GEAR FRONT .086
37	F99521-1		1	CLUTCH
38	F2097		1	SPRING CLUTCH
39	F90871-3		1	GEAR SHIFT ARM PIN
40	FA474098		1	PROPELLER SHAFT
41	F40717		1	THRUST WASHER BEVEL GEAR
42	F516662		1	GEAR, BEVEL REAR
43	F474143		1	BEARING, BEVEL GEAR REAR
44	F2052		A/R	SHIM PROPELLER SHAFT BEARING .005 (SILVER)
-	F2053		A/R	SHIM PROPELLER SHAFT BEARING .006 (RED)
-	F2054		A/R	SHIM PROPELLER SHAFT BEARING .008 (BLACK)
45	F474225		1	BEARING, PROPELLER SHAFT REVERSE THRUST
46	F141118		1	SEAL, PROPELLER SHAFT
47	F141305		1	SEAL, PROPELLER SHAFT BEARING CAGE
48	F1994		2	HEX SOCKET HD CAP SCREW, 5/16 - 18 X 1
49	F2A474298		1	PROPELLER SHAFT BEARING CAGE W/SEALS AND BEARING CUP
50	FP278		1	PROPELLER NUT W/SEAL & COTTER PIN
51	FA94094-2		1	PROPELLER NUT W/SEAL & COTTER PIN
52	F1027		1	COTTER PIN
53	F40342		1	SEAL, PROPELLER NUT
54	FK247		1	PROPELLER PIN (PACK OF 6 W/COTTER PIN)
55	FA516485		1	ANTICORROSION ANODE
56	F1733		2	PAN HD SCREW 10 - 24 X 9/16
57	FK1064		1	GEAR HOUSING SEAL KIT. INCLUDES ALL ITEMS MARKED WITH A DOUBLE ASTERISK (**)
58	FK1031-1		1	WATER PUMP KIT

FUEL TANK AND LINE

Order by Part Number and Name, giving Motor Model and Serial Number.



FUEL TANK AND LINE

REF. NO.	PART NO.	SYM.	QTY.	DESCRIPTION
1	F213342		1	SEAL, FUEL LINE COUPLER
2	F213735		1	SEAL, FUEL LINE COUPLER
3	F197787-3		2	FUEL LINE COUPLER
4	F298788		4	FERRULE
5	FA84754-1		1	FUEL LINE SHORT W/FERRULES
6	89396A38		1	PRIME BULB
7	32-817738A1		1	FUEL LINE, LONG W/CLAMP AND FERRULE
8	F485755-1		1	FUEL TANK ADAPTER
9	F5H027		1	FUEL TANK (ACCESSORY ITEM)
10	F409251-1		1	GAUGE CAP
11	F17932		1	SEAL
-	FS409752		1	FUEL LINE COMPLETE (NOT SHOWN)
-	FC409398		1	DECAL, TOTE TANK - CANADA (NOT SHOWN)

SPECIAL TOOLS - TUNE-UP

REF. NO.	PART NO.	SYM.	QTY.	DESCRIPTION
-	FT2909		0	KNOCK-OFF NUT TO REMOVE FLYWHEEL
-	FT2989		0	FLYWHEEL WEDGE TO REMOVE FLYWHEEL

SPECIAL TOOLS - POWER HEAD

REF. NO.	PART NO.	SYM.	QTY.	DESCRIPTION
-	FT2908		0	SEAL SLEEVE TO INSTALL UPPER CRANKSHAFT BEARING CAGE SEAL
-	FT8929		0	ADAPTER AND HEX BIT TO TORQUE CONNECTING ROD SCREWS
-	FT8949		0	SEAL INSTALLER TO INSTALL LOWER CRANKSHAFT SEAL
-	FT2997		0	RING COMPRESSOR TO INSTALL PISTONS
-	FT8926		0	RING EXPANDER TO INSTALL RINGS ON PISTONS
-	FT3012		0	SEAL INSTALLER TO REMOVE AND INSTALL CRANKSHAFT BEARING CAGE SEAL

SPECIAL TOOLS - LOWER UNIT

REF. NO.	PART NO.	SYM.	QTY.	DESCRIPTION
-	FT8904		0	FORWARD CUP INSTALLER TO INSTALL FORWARD BEARING CUP
-	FT8907		0	DRIVER HANDLE TO INSTALL FORWARD BEARING CUP
-	FT8921		0	CUP REMOVER TO REMOVE FORWARD BEARING CUP
-	FT8918		0	BEARING GUIDE SET TO REMOVE FORWARD BEARING CUP
-	T3413		0	SEAL INSTALLER TO INSTALL PROPELLER SHAFT SEAL
-	FT8919		0	SPRING PIN PUNCH TO REMOVE CLUTCH PIN
-	FT2907		0	SEAL INSTALLER TO INSTALL DRIVESHAFT SEAL - WATER PUMP AND GEAR HOUSING
-	FT8948-1		0	PULLER TO REMOVE PROPELLER SHAFT BEARING CAGE
-	FT8985		0	SEAL INSTALLER TO INSTALL PROPELLER SHAFT SEAL
-	FT8957		0	SEAL INSTALLER TO INSTALL SHIFT ROD SEAL
-	FT8920		0	BEARING INSTALLER TO INSTALL PROPELLER SHAFT BEARING
-	FT8924-1		0	CHECKING GAUGE TO SHIM LOWER UNIT
-	FT8982		0	SHIM ADAPTER TO USE WITH CHECKING GAUGE (T8924-1)
-	FT8995		0	SHIM SPACER TO USE WITH CHECKING GAUGE (T8924-1)
-	FT8901		0	INDICATOR HOLDER TO USE WITH CHECKING GAUGE T8924-1
-	FT8902		0	DIAL INDICATOR TO USE WITH CHECKING GAUGE T8924-1

SPECIAL TOOLS - TEST EQUIPMENT

REF. NO.	PART NO.	SYM.	QTY.	DESCRIPTION
-	FT2954A		0	TEST WHEEL TO TEST MOTOR IN TEST TANK
-	FT8950		0	LEAKAGE TESTER TO TEST LOWER UNIT SEAL FOR LEAKS
-	FT8996		0	IGNITION TESTER TO TEST TRIGGER OUTPUT
-	FT8953		0	C-D TESTER TO TEST STATOR OUTPUT AND SECONDARY VOLTAGE

SPECIAL TOOLS - LUBRICANTS AND SEALANTS

REF. NO.	PART NO.	SYM.	QTY.	DESCRIPTION
-	FT2961		0	LUBRICANT
-	FT2987		0	LUBRICANT
-	FT8969		0	LUBRICANT
-	FT8983		0	SEALANT
-	FT8936		0	SEALANT
-	FT2962-1		0	SEALANT
-	FT2963-1		0	SEALANT
-	FT8935		0	SEALANT PRIMER

ACCESSORIES

REF. NO.	PART NO.	SYM.	QTY.	DESCRIPTION
-	F5H013		0	FLUSHING ADAPTER PERMITS FRESH WATER FLUSHING OF WATER PASSAGES WITH STANDARD GARDEN HOSE.
-	F5H062		0	WATER PUMP KIT HEAVY DUTY WATER PUMP RECOMMENDED FOR CONTINUED OPERATION IN SANDY OR SALT WATER.
-	F5H088		0	REMOTE CONTROL CONVERSION KIT PERMITS REMOTE CONTROL OF THROTTLE AND GEAR SHIFT FROM FRONT OF BOAT.
-	F5H130		0	SYNCHRO-DRIVE CONTROL BOX (SINGLE LEVER) PERMITS REMOTE CONTROL OF THROTTLE AND GEAR SHIFT FROM STARBOARD SIDE OF BOAT.
-	F5H131		0	PORT SIDE DECAL KIT CONVERTS 5H130 CONTROL BOX TO PORT SIDE MOUNTING
-	167		0	IGNITION CUT-OFF KIT PERMITS STOPPING OF ENGINE FROM OPERATORS SEAT.
-	F195/___		0	REMOTE CONTROL CABLES CONNECTS REMOTE CONTROL BOX TO THROTTLE AND GEAR SHIFT ON MOTOR. AVAILABLE IN 6 THROUGH 40 FOOT LENGTHS.
-	F5H054		0	REMOTE STEERING BRACKET ADAPTS MOTOR TO REMOTE STEERING.
-	F5H027		0	STEEL, 6 GALLON FUEL TANK W/HOSE AUXILIARY TANK.
-	F476		0	FUEL LINE ADAPTION KIT ADAPTS MODEL 583 AND 5H027 TANKS FOR DISCONNECT AT TANK.
-	491		0	CARRYING HANDLE PROVIDES CARRYING HANDLE ON REAR OF ENGINE.
-	F5H090		0	REMOTE START KIT PERMITS STARTING OF ENGINE FROM FRONT OF BOAT.
-	F5H134		0	BOAT WHITE LACQUER ENGINE TOUCH-UP PAINT IN 12 3/4 OZ. SPRAY BOMBS (12 CANS PER CASE).
-	F5H135		0	SAND TAN LACQUER ENGINE TOUCH-UP PAINT IN 12 3/4 OZ. SPRAY BOMBS (6 CANS PER CASE).
-			0	CHRYSLER OUTBOARD OIL SEE BLOCK COMMENT 1.
-			0	CHRYSLER OUTBOARD GEAR LUBE SEE BLOCK COMMENT 2.
-			0	CHRYSLER OUTBOARD FUEL AID REMOVES MOISTURE, PREVENTS SLUDGE AND VARNISH AND STABILIZES GAS. AVAILABLE IN 16 OZ. CANS AND 12 CAN CASES.

CONTINUED ON NEXT PAGE ➡

ACCESSORIES

REF. NO.	PART NO.	SYM.	QTY.	DESCRIPTION
-			0	CHRYSLER OUTBOARD STORAGE LUBRICANT WORKS AS A CORROSION INHIBITOR AND PROTECTS INTERNAL ENGINE PARTS DURING STORAGE. AVAILABLE IN 18 OZ. CANS AND 12 CAN CASES.
-			0	CHRYSLER OUTBOARD MULTI-PURPOSE SPRAY LUBE WORKS AS A LUBRICANT, CLEANER MOISTURE REMOVER AND ELECTRIC INSULATOR. AVAILABLE IN 9 OZ. CANS AND 12 CAN CASES.
-			0	CHRYSLER OUTBOARD MULTI-PURPOSE GREASE LUBRICATES BEARINGS AND OTHER MOVING PARTS. AVAILABLE IN 8 OZ. TUBES AND 12 TUBE CASES.
-			0	CHRYSLER OUTBOARD GREASE GUN USED WITH CHRYSLER OUTBOARD MULTI-PURPOSE GREASE TUBES FOR PRESSURE FITTINGS.
-			0	CHRYSLER OUTBOARD MULTI-PURPOSE CLEANER

PARTS INDEX

Part Number	Description	Pg.	Ref. No.	Part Number	Description	Pg.	Ref. No.
167	IGNITION CUT-OFF KIT	39	-	F15127	CAP ASSEMBLY,		
2C540712	COVER, ENGINE - COMPLETE.	3	-	F15129	COMMUTATOR END	9	10
491	CARRYING HANDLE	39	-	F1513	NUT W/LOCKWASHER	9	15
510373-1	DECAL, MAGNAPOWER III	13	43	F15130	HEX NUT, 10 - 32	13	42
817751A3	STEERING HANDLE			F15130	NUT	9	16
	BRACKET W/GREASE FITTING	23	9	F15132	WASHER, FIBER	9	18
817754A1	ARM, CARBURETOR FOLLOWER	15	2	F15133	WASHER	9	17
817758A1	BRACKET, COVER LATCH, INCL. SCREWS, NUTS AND ROLLERS	5	42	F15134	ARMATURE	9	8
817761A2	CLAMP SCREW W/FOOT AND STUD	23	34	F15135	CAP ASSEMBLY, DRIVE END	9	5
817796A2	GEAR SHIFT ARM	29	30	F15136	HOUSING ASSEMBLY	9	9
817971A3	LEVER, MAGNETO CONTROL	19	33	F15137	WASHER	9	6
89396A38	PRIME BULB	33	6	F15138	SPRING, BRUSH	9	12
A492018	CRANKSHAFT W/UPPER MAIN BEARING	21	43	F15139	PINION ASSEMBLY	9	4
F10006	GASKET SET, CARBURETOR (NOT SHOWN)	17	-	F15140	SPRING	9	3
F10007	REPAIR PARTS KIT, CARBURETOR.	17	48	F15141	PINION STOP	9	2
F1027	COTTER PIN	31	52	F15142	STOP NUT	9	1
F1069	FILL HD SCREW, 10 - 24 X 1/16	7	14	F15143	DISC	9	11
F1075	FILL HD SCREW, 10 - 24 X 1/2	11	36	F15144	SCREW, THRU BOLT	9	14
F1090	FILL HD SCREW W/SPRING LOCKWASHER, 10 - 24 X 9/16	11	26	F15145	GASKET	9	7
F1107	FILL HD SCREW, 1/4 - 20 X 3/4	19	37	F15146	WASHER	9	13
F1111	FILL HD SCREW, 1/4 - 20 X 7/8	21	48	F1556	FILL HD M. SCREW W. SPRING LOCKWASHER, 10 - 24 X 3/8	11	18
F1286	PAN HD SCREW, 4 - 40 X 3/16	7	5	F1577	FILL HD SCREW, 1/4 - 20 X 3/4	7	3
F1303	SLOTTED PAN HD M. SCREW, 8/32 X 3/4	11	24	F1577	FILL HD SCREW, 1/4 - 20 X 3/4	11	9
F1335	FILL HD SCREW, 5/16 - 18 X 1 1/4	21	38	F1608	SQUARE NUT, 1/4 - 20	25	73
F1337	HEX NUT, 6 - 32	11	5	F1645	RD HD THREAD CUTTING SCREW, 6 - 32 X 1/4	11	25
F1339	HEX NUT, 10 - 24	21	51	F1646	HEX SOCKET HD CAP SCREW, 3/8 - 16 X 2 1/4	11	8
F1341	HEX NUT, 1/4 - 20	23	45	F1648	PAN HD SCREW, 10 - 24 X 3/4	11	13
F1346	HEX NUT, S.S., 3/8 - 16	29	23	F1666	BOWED SPRING WASHER	23	27
F1365	SQUARE NUT, 10 - 24	15	4	F1678	FILL HD SCREW, 10 - 24 X 13/16	11	32
F141118	SEAL, CRANKSHAFT LOWER	19	23	F1704	INTERNAL TOOTH LOCKWASHER	11	4
F141118	SEAL, PROPELLER SHAFT	31	46	F1733	PAN HD SCREW 10 - 24 X 9/16	31	56
F141305	SEAL, PROPELLER SHAFT BEARING CAGE	31	47	F174017	PIN, PISTON	19	16
F1447	SCREW, DRIVE	3	33	F1753	FASTENER	3	3
F1490	HEX NUT, 1/4 - 20	15	34	F1755	HD SCREW W/LOCKWASHER, 6 - 32 X 5/16	17	42
F1502	HEX CAP SCREW, 1/4 - 20 X 5/8	25	91	F17932	SEAL	33	11
F1504	FILL HD SCREW, 1/4 - 20 X 1/4	19	35	F1794	SPRING PIN	25	65
				F1794	SPRING PIN	25	80
				F1799	TRUSS HD SCREW, 5/16 - 18 X 5/8	23	8
				F1802	FILL HD SCREW, 1/4 - 20 X 9/16	11	20
				F1803	STOP NUT, 5/16 - 24	19	30
				F1804	NUT, STOP, 10 - 24	5	39
				F1805	SPRING PIN	25	89
				F1806	GROOVE PIN	25	59
				F1807	GROOVE PIN	25	88
				F1809	HEX NUT	11	29
				F18160-2	REED, FUEL PUMP	7	7

PARTS INDEX

Part Number	Description	Pg.	Ref. No.	Part Number	Description	Pg.	Ref. No.
F1820	FILL HD SCREW, 1/4 - 20 X 1 3/8	25	76	F2054	SHIM PROPELLER SHAFT BEARING .008 (BLACK) ..	31	-
F1823	HEX CAP SCREW, 5/16 - 18 X 1	19	13	F2055	SPACER, BEVEL GEAR FRONT .059	29	-
F1829	FILL HD M. SCREW, 10 - 24 X 7/8	11	1	F2056	SPACER, BEVEL GEAR FRONT .062	29	-
F1829	FILL HD SCREW, 10 - 24 X 7/8	23	20	F2057	SPACER, BEVEL GEAR FRONT .065	29	-
F1834	FILL HD SCREW, 10 - 24 X 7/8	15	1	F2058	SPACER, BEVEL GEAR FRONT .068	29	-
F183813	BEARING, MAGNETO CONTROL LEVER	19	34	F2059	SPACER, BEVEL GEAR FRONT .071	31	-
F1845	TY-RAP	13	50	F2060	SPACER, BEVEL GEAR FRONT .074	31	-
F1859	HEX SOCKET HEADLESS SET SCREW	23	3	F2061	SPACER, BEVEL GEAR FRONT .077	31	-
F1859	HEX SOCKET HEADLESS SET SCREW, 1/4 - 28 X 3/16	19	-	F2062	SPACER, BEVEL GEAR FRONT .080	31	-
F1887	HEX SLOTTED HD SCREW, 1/4 - 20 X 3 3/16	27	106	F2063	SPACER, BEVEL GEAR FRONT .083	31	-
F18906	CARBURETOR GASKET ...	15	37	F2064	SPACER, BEVEL GEAR FRONT .086	31	-
F18906	CARBURETOR GASKET ...	21	-	F2087	SPACER, BEVEL GEAR FRONT .056	29	36
F1912	HEX HD SCREW, 10 - 24 X 1/2	15	40	F2097	SPRING CLUTCH	31	38
F1914	HEX HD SCREW, 1/4 - 20 X 3/4	15	32	F213274	GREASE FITTING	25	54
F1915	HEX HD SCREW, 1/4 - 20 X 7/8	19	28	F213342	SEAL, FUEL LINE COUPLER	33	1
F1922	HEX HD SCREW, 1/4 - 20 X 5/8	19	5	F213735	SEAL, FUEL LINE COUPLER	33	2
F195/_	REMOTE CONTROL CABLES	39	-	F235785	DECAL, COMPLIANCE - CANADA	3	5
F197319	BEARING, CHOKE ROD ...	3	31	F24074	CLAMP SCREW FOOT	23	38
F1975	SPRING LOCKWASHER ...	11	2	F24748-2	GASKET, FUEL PUMP	7	9
F1976	SOCKET HD SCREW W/WASHER, 10 - 24 X 1/2	29	11	F269316	SHAFT, ROLLER	5	40
F197767-1	BUSHING, FUEL LINE	3	24	F2706772	HOSE CLAMP	7	12
F197787-3	FUEL LINE COUPLER	33	3	F2752253	HOSE, FUEL PUMP TO BUSHING	7	15
F1978	SPRING PIN	23	6	F2771254	HOSE, FUEL PUMP TO CARBURETOR	7	13
F197813	BEARING	23	14	F2788004	STUD, CARBURETOR	15	38
F197813	BEARING	25	79	F28004	STUD, INTERLOCK LEVER .	19	10
F197813	BEARING, INTERLOCK LEVER	21	53	F286011	WASHER, SWIVEL BRACKET	27	97
F197813	BEARING, STEERING HANDLE STOP	25	85	F286019	KING PIN	23	44
F1979	SCREW PAN HD., 10 - 24 X 1/2	3	10	F286028	BEARING, CRANKSHAFT UPPER MAIN	21	59
F1994	HEX SOCKET HD CAP SCREW, 5/16 - 18 X 1 ...	31	48	F286037	STERN BRACKET PIVOT BOLT	23	24
F1999	HEX CAP SCREW, 1/4 - 20 X 7/8	13	44	F286079-1	STEERING HANDLE	23	21
F2002	NUT, STOP, 5/16 - 18	3	30	F286080	SCREW, STEERING HANDLE PIVOT	25	87
F2012	PLAIN WASHER	27	108	F286114	LOCK BAR HANDLE	23	43
F2030	HEX HD SCREW, 1/4 - 20 X 1 1/4	29	3	F286134	STUD, GEAR SHIFT LEVER	3	38
F2040	TAPTITE HEX WASHER HD SCREW, 1/4 - 20 5/8	21	61	F286151	PLATE, EXHAUST	19	25
F2052	SHIM PROPELLER SHAFT BEARING .005 (SILVER) .	31	44	F286152	COVER, EXHAUST	19	26
F2053	SHIM PROPELLER SHAFT BEARING .006 (RED)	31	-	F286154	GASKET EXHAUST COVER	21	-
				F286154	GASKET, EXHAUST COVER	19	24
				F286159-1	GASKET, REED PLATE	17	46
				F286159-1	GASKET, REED PLATE	21	-
				F286169	BEARING, SWIVEL BRACKET	25	53

PARTS INDEX

Part Number	Description	Pg.	Ref. No.	Part Number	Description	Pg.	Ref. No.
F286192	THROTTLE CAM	11	37	F286871	PIN, GEAR SHIFT LEVER	3	17
F286220	WASHER, STEERING HANDLE	23	15	F286876	LEVER, GEAR SHIFT	3	15
F286223	GASKET, TRANSFER PORT COVER	19	7	F286894-3	SPEED CONTROL INDICATOR	27	109
F286223	GASKET, TRANSFER PORT COVER	21	-	F286914	SLEEVE WATER LINE	25	49
F286224	INSERT, STEERING HANDLE PIVOT	23	13	F286956	BRACKET, SHOCK MOUNT LOWER	25	46
F286244	WATER LINE	25	48	F286989-2	SEAL, SUPPORT PLATE	3	22
F286277	GASKET, CRANKSHAFT BEARING CAGE	21	-	F298788	FERRULE	33	4
F286277	GASKET, CRANKSHAFT BEARING CAGE	21	45	F2A424167	MANIFOLD W/STUDS AND PULLEY	15	39
F286279-2	GASKET CYLINDER MOUNTING	21	-	F2A474298	PROPELLER SHAFT BEARING CAGE W/SEALS AND BEARING CUP	31	49
F286279-2	GASKET, CYLINDER MOUNTING	19	29	F2A477133	MOTOR LEG	25	77
F286282	WASHER	19	31	F2A516023	BEVEL GEAR FORWARD W/BEARING	29	35
F286286-1	WASHER, STERN BRACKET	25	64	F2A516266	PINION SHAFT W/BEARING	29	29
F286300	SPRING, REVERSE LOCK	25	55	F307317	CLIP, TERMINAL BLOCK GROUND	11	14
F286316	THROTTLE CAM FOLLOWER	15	33	F307818	BEARING	3	14
F286346	SHOCK MOUNT LOWER	25	50	F307818	BEARING	27	95
F286364	LEVER, REVERSE LOCK	25	71	F31160-1	REED	17	44
F286414	SPRING, LEG WATER BRACKET	25	82	F31410	RETAINING RING, PISTON PIN	19	15
F286422-1	TILT LOCK PIVOT	23	26	F338618-1	SEAL, SHIFT ROD LOWER	29	22
F286422-1	TILT LOCK PIVOT	25	51	F341384	RETAINER, CHOKE ROD	15	11
F286433	BRACKET SHALLOW WATER DRIVE	25	58	F341562	WATER PUMP BACK PLATE	29	10
F286440	STUD, MAGNETO CONTROL LEVER	21	39	F341693	WEDGE, STEERING HANDLE BEARING, CRANKSHAFT	23	17
F286445	LINK, MAGNETO SHAFT	19	32	F343014	BEARING, CRANKSHAFT LOWER MAIN	19	22
F286451	SPACER, TILT LOCK	23	29	F343128	DRIVESHAFT	29	7
F286451	SPACER, TILT LOCK	25	52	F343226-1	PLUG	3	8
F286461	SPRING, LOCK BAR HANDLE	23	42	F346146	SEAL, CRANKSHAFT UPPER	21	47
F286490	STEERING HANDLE STOP	25	86	F36634	SCREW, CONNECTING ROD	21	40
F286509	LINK, THROTTLE CAM	19	36	F392756	PACKING, SUPPORT PLATE	3	18
F286518	HEAD, CYLINDER	19	3	F40008	STUD	29	28
F286529-3	GASKET, CYLINDER HEAD	19	4	F40342	SEAL, PROPELLER NUT	31	53
F286529-3	GASKET, CYLINDER HEAD	21	-	F404908	GROUND WIRE	11	35
F286539	BUMPER	25	93	F40717	THRUST WASHER BEVEL GEAR	31	41
F286544-1	SPRING, TILT STOP	23	30	F409251-1	GAUGE CAP	33	10
F286571	ROLLER SET, MAIN BEARING (26 PER SET)	21	42	F424075	HANDLE, CLAMP SCREW	23	33
F286573-1	CLAMP, STEERING HANDLE	25	74	F424161	REED STOP	17	43
F286585-1	DECAL, TILT RELEASE	27	110	F424168-1	GASKET, MANIFOLD	17	41
F286611-1	ROD, GEAR SHIFT	3	37	F424168-1	GASKET, MANIFOLD	21	-
F286614	HANDLE, GEAR SHIFT	3	23	F429472	GASKET, CYLINDER DRAIN COVER	19	9
F286615	GEAR SHIFT ROD UPPER	29	2	F429472	GASKET, CYLINDER DRAIN COVER	21	-
F286647	CARRYING HANDLE	23	32	F429541	TILT LOCK	23	28
F286685	CONNECTOR, GEAR SHIFT ROD	3	36	F429688	SHAFT, STEERING HANDLE	23	10
F286777	CAM, COVER LATCH	3	29	F429811	SCREEN	21	57
F286818	BEARING	23	12	F430732	HEX HD SCREW, 5/16 - 18 X 1 1/4	29	15
F286827	REVERSE LOCK RELEASE LEVER	25	66	F431838	MAGNETO CONTROL SHAFT	25	94
F286868	SPRING, STEERING HANDLE STOP	25	84	F435555	SEAL, GEAR HOUSING LOWER	29	25
				F436065	WATER PUMP IMPELLER	29	9
				F436449	SHORTING SWITCH	11	17

PARTS INDEX

Part Number	Description	Pg.	Ref. No.	Part Number	Description	Pg.	Ref. No.
F455118	SEAL, FUEL PUMP BRACKET	7	1	F510908	WIRE, GROUND	11	15
F458250	BEARING CUP	29	34	F510918	STARTER SWITCH	11	19
F458498	KEY, FLYWHEEL	13	49	F510955	STARTER MOTOR COMPLETE	9	-
F458677	INSERT, CHOKE KNOB	3	27	F516349	REVERSE LOCK	25	56
F458695	SLEEVE	27	99	F516552	SCREW, STEERING LOCK BRACKET	27	105
F461342	SEAL, DRIVESHAFT SPLINE	21	58	F516584	GUIDE, SPRING DETENT	29	19
F472015-2	PISTON	19	18	F516662	GEAR, BEVEL REAR	31	42
F472061-1	CARBURETOR COMPLETE (C010B)	17	47	F516677	SPACER, REVERSE LOCK	27	102
F474143	BEARING, BEVEL GEAR REAR	31	43	F516697	NUT, STEERING LOCK BRACKET	27	104
F474225	BEARING, PROPELLER SHAFT REVERSE THRUST	31	45	F516704-1	COUPLING SHIFT ROD	29	12
F476	FUEL LINE ADAPTION KIT	39	-	F516705	GEAR SHIFT ROD LOWER	29	14
F485755-1	FUEL TANK ADAPTER	33	8	F516885	PLUG, SPRING HOLDING	29	21
F487660-1	EXHAUST TUBE	19	27	F516895	SPRING, SHIFT DETENT	29	20
F487711	PLATE, ENGINE COVER	5	44	F517078	BRACKET, LOCK STEERING	27	103
F487816	BEARING, STEERING HANDLE	23	18	F517125	COUPLING, DRIVESHAFT	29	26
F492417	SHAFT, GEAR SHIFT HANDLE	5	45	F517273	TIE BAR	27	101
F492619	LEVER, GEAR SHIFT SHAFT	3	35	F517347	SHOCK MOUNT UPPER	25	83
F493683	WIRE	11	40	F517400	DECAL, SHIFT - U.S.A.	5	46
F498618	SEAL "O" RING	29	32	F517896	BATTERY CABLE	11	39
F498891	GEAR SHIFT ARM PIN	29	31	F517977-1	LEVER, INTERLOCK	21	54
F50109	GEAR HOUSING PLUG	29	18	F525286	WASHER	27	96
F510029	STATOR, TRIGGER	11	34	F53795-1	SEAL, STEERING HANDLE GRIP DAMPENER	23	22
F510095	STATOR, ALTERNATOR	11	33	F540180	TRIM, ENGINE COVER, REAR	3	4
F510097	FLYWHEEL	11	31	F5H013	FLUSHING ADAPTER	39	-
F510165	SCREW	19	5A	F5H027	FUEL TANK (ACCESSORY ITEM)	33	9
F510222	COVER, TRANSFER PORT	19	6	F5H027	STEEL, 6 GALLON FUEL TANK W/HOSE	39	-
F510288	NUT, SHORTING SWITCH	11	16	F5H054	REMOTE STEERING BRACKET	39	-
F510301	C-D MODULE	13	46	F5H062	WATER PUMP KIT	39	-
F510374	DECAL, CIRCUIT BREAKER	11	28	F5H088	REMOTE CONTROL CONVERSION KIT	39	-
F510398	DECAL, WIRING	11	7	F5H090	REMOTE START KIT	39	-
F510427	BRACKET, STARTER SUPPORT	7	2	F5H130	SYNCHRO-DRIVE CONTROL BOX (SINGLE LEVER)	39	-
F510446	CLAMP, BATTERY CABLE	11	38	F5H131	PORT SIDE DECAL KIT	39	-
F510449	NEUTRAL INTERLOCK SWITCH	13	47	F5H134	BOAT WHITE LACQUER	39	-
F510450-1	RECTIFIER	11	23	F5H135	SAND TAN LACQUER	39	-
F510460	CIRCUIT BREAKER	11	27	F66193	THROTTLE LINK	15	3
F510475	IGNITION COIL	11	3	F66480	STUD CLAMP SCREW	23	37
F510531	ROD, INTERLOCK	21	52	F7005	STOP NUT, 3/8 - 16	23	39
F510540	BRACKET, STARTER SWITCH	11	21	F7008	STOP NUT, 1/4 - 20	21	55
F510551	BRACKET, INTERLOCK SWITCH	21	60	F7011	NUT, ELASTIC STOP, 10 - 24	3	11
F510595	INSULATOR, CIRCUIT BREAKER	11	41	F7011	NUT, STOP, 10 - 24	3	20
F510661	PAD, STARTER MOTOR	5	48	F7024	LOCK NUT	27	107
F510669	NUT, INTERLOCK SWITCH AND STARTER SWITCH	11	22	F73082	RING, MAGNETO STATOR	21	44
F510675-1	STARTER SUPPORT	11	10	F78318	ROLLER, THROTTLE CAM FOLLOWER	15	35
F510683	WIRE, RECTIFIER - CIRCUIT BREAKER	13	48	F78410	RETAINER	15	36
F510746	FUEL PUMP COVER	7	10	F8003	PLAIN WASHER	7	6
F510811	FILTER, FUEL PUMP	7	16	F8025	PLAIN WASHER	19	2
				F8039	PLAIN WASHER	23	23
				F8048	WASHER, BOWED SPRING	3	21

PARTS INDEX

Part Number	Description	Pg.	Ref. No.	Part Number	Description	Pg.	Ref. No.
F8058	LOCKWASHER, INTERNAL TOOTH	3	13	FA429471	COVER, CYLINDER DRAIN W/CHECK VALVES AND SCREWS	19	8
F8060	EXTERNAL TOOTH LOCKWASHER	25	92	FA456137	GRIP, STEERING HANDLE W/SLEEVE	23	1
F8065	LOCKWASHER	29	24	FA472260	PISTON RING SET (2 PER SET)	19	19
F8077	NYLTITE WASHER	29	17	FA474098	PROPELLER SHAFT	31	40
F8083	SPRING LOCKWASHER	13	45	FA504060	WATER PUMP BODY W/WATER PUMP SEAL	29	6
F8083	SPRING LOCKWASHER	25	47A	FA510038	PLATE, SUPPORT, INCL. PLUGS	3	19
F84026	SWIVEL, INTERLOCK ROD BEARING	21	50	FA510497	TERMINAL BLOCK	11	11
F84035-2	BEARING, INTERLOCK ROD	21	49	FA510711	PLATE, FRONT - U.S.A.	3	25
F8537	SPRING PIN	23	36	FA510914	SEAL, INLET WATER LINE	29	5
F8538	SPRING PIN	25	70	FA516054	GEAR HOUSING LOWER W/PLUG, WASHER AND BEARING CUP	29	33
F8538	SPRING PIN	27	98	FA516485	ANTICORROSION ANODE	31	55
F8540	PIN, SPRING	3	34	FA520010	CYLINDER	19	12
F8540	SPRING PIN	23	41	FA525228	ROLLER SET, CONNECTING ROD (16 PER SET)	19	21
F8540	SPRING PIN	29	13	FA525241	CRANKPIN ROLLER BEARING CAGE	19	20
F8542	SPRING PIN	3	16	FA535395	PLATE, IDENTIFICATION, INCL. SCREWS - U.S.A.	3	32
F8542	SPRING PIN	29	1	FA540396	DECAL, "CHRYSLER", STARBOARD	3	-
F8548	SPRING PIN	27	100	FA540397	DECAL "CHRYSLER", PORT	3	7
F8554	SPRING PIN	23	35	FA540528	DECAL, ENGINE COVER, REAR	5	43
F8559	DOWEL PIN	19	14	FA540892	DECAL, ENGINE COVER, FRONT	3	1
F85610	BEARING	23	2	FA84754-1	FUEL LINE SHORT W/FERRULES	33	5
F85735-1	SEAL	3	2	FA94094-2	PROPELLER NUT W/SEAL & COTTER PIN	31	51
F901307-2	SEAL	29	4	FAC535395	PLATE, IDENTIFICATION, INCL. SCREWS - CANADA	3	-
F901307-2	SEAL, DRIVESHAFT	25	81	FC409398	DECAL, TOTE TANK - CANADA (NOT SHOWN)	33	-
F901456-1	EMERGENCY STARTER COLLAR	11	30	FC503227	SPARK PLUG (QL77J4)	19	-
F901563	WATER PUMP IMPELLER DRIVE PIN	29	8	FC510374	DECAL, CIRCUIT BREAKER - CANADA	11	-
F901938-1	SCREW, CYLINDER HEAD	19	1	FC510398	DECAL, WIRING - CANADA	11	-
F90619-1	YOKE	29	27	FC510711	PLATE, FRONT - CANADA	3	-
F90871-3	GEAR SHIFT ARM PIN	31	39	FC516054	GEAR HOUSING COMPLETE (NOT SHOWN)	29	-
F92759	ROLLER	5	41	FC517400	DECAL, SHIFT - CANADA	5	-
F94840	GROMMET, BATTERY CABLE	5	47	FC520010	SHORT BLOCK (NOT SHOWN)	19	-
F98273	STUD, GEAR SHIFT ROD CONNECTOR	3	12	FC520390	DECAL, STARTER - CANADA (NOT SHOWN)	9	-
F99521-1	CLUTCH	31	37	FG1005-1	GASKET SET	21	62
FA1844	HEX BOLT, 1/4 - 20 X 2 3/8	25	47	FK1031-1	WATER PUMP KIT	31	58
FA24757-3	FUEL PUMP REED PLATE W/REEDS AND SCREWS	7	8	FK1064	GEAR HOUSING SEAL KIT	31	57
FA286113	LOCK BAR W/HANDLE AND SPRING	23	40	FK247	PROPELLER PIN (PACK OF 6 W/COTTER PIN)	31	54
FA286155	MAIN BEARING LINER SET (2 PER SET)	21	41	FK517032	STERN BRACKET W/CLAMP SCREW AND FOOT	23	25
FA286469	KNOB, COVER LATCH	3	26				
FA286480	RETAINER, ENGINE COVER, INCL. SCREWS AND NUTS	3	9				
FA286547	KNOB, CHOKE, INCL. INSERT & ROD	3	28				
FA286582	STEERING ARM W/SPRING PIN & BUMPER	25	90				
FA341510	LINK, REVERSE LOCK LEVER	25	60				
FA343178	RETAINER W/SET SCREW	23	4				
FA387742	LEVER, REVERSE LOCK INTERMEDIATE	25	69				
FA424158	REED PLATE W/REEDS, STOPS AND SCREWS	17	45				

PARTS INDEX

Part Number	Description	Pg.	Ref. No.	Part Number	Description	Pg.	Ref. No.
FK567532	STERN BRACKET PORT W/CLAMP SCREW AND FOOT	23	31	FT2954A	TEST WHEEL	37	-
FK750-2	SPARKIE W/SPRING	11	6	FT2961	LUBRICANT	38	-
FO10165	INLET SEAT GASKET	15	25	FT2962-1	SEALANT	38	-
FO10280	CHOKE SHUTTER RETAINER SCREW AND LOCKWASHER	15	15	FT2963-1	SEALANT	38	-
FO10280	THROTTLE SHUTTER RETAINING SCREW AND LOCKWASHER	15	31	FT2987	LUBRICANT	38	-
FO10588	BODY CHANNEL CUP PLUG	15	6	FT2989	FLYWHEEL WEDGE	34	-
FO10790	INLET NEEDLE, SEAT AND GASKET	15	24	FT2997	RING COMPRESSOR	35	-
FO11103	IDLE MIXTURE SCREW SPRING	15	23	FT3012	SEAL INSTALLER	35	-
FO11722	JET MAIN FUEL JET STD. .055 SEA LEVEL - 3000 FT.	15	26	FT8901	INDICATOR HOLDER	36	-
FO11764	MAIN FUEL JET OPT. .051 6000 FT & UP	15	-	FT8902	DIAL INDICATOR	36	-
FO11765	MAIN FUEL JET OPT. .053 3000 FT. - 6000 FT.	15	-	FT8904	FORWARD CUP INSTALLER	36	-
FO13554	FLOAT	15	16	FT8907	DRIVER HANDLE	36	-
FO13944	FLOAT LEVER PIN	15	17	FT8918	BEARING GUIDE SET	36	-
FO13945	FUEL BOWL RETAINING SCREW	15	20	FT8919	SPRING PIN PUNCH	36	-
FO15366	FUEL BOWL	15	18	FT8920	BEARING INSTALLER	36	-
FO15367	CHOKE SHUTTER	15	14	FT8921	CUP REMOVER	36	-
FO15368	CHOKE RELIEF VALVE	15	12	FT8924-1	CHECKING GAUGE	36	-
FO15520	IDLE MIXTURE SCREW	15	22	FT8926	RING EXPANDER	35	-
FO15522	BYPASS TUBE	15	7	FT8929	ADAPTER AND HEX BIT	35	-
FO15525	MAIN NOZZLE	15	27	FT8935	SEALANT PRIMER	38	-
FO15526	THROTTLE SHAFT RETURN SPRING	15	29	FT8936	SEALANT	38	-
FO15623	FUEL BOWL GASKET	15	19	FT8948-1	PULLER	36	-
FO15736	CHOKE SHAFT AND LEVER	15	10	FT8949	SEAL INSTALLER	35	-
FO15757	THROTTLE SHAFT AND LEVER	15	28	FT8950	LEAKAGE TESTER	37	-
FO15783	CHOKE RELIEF VALVE SPRING	15	13	FT8953	C-D TESTER	37	-
FO16878	THROTTLE SHUTTER	15	30	FT8957	SEAL INSTALLER	36	-
FO2510	FUEL BOWL RETAINING SCREW GASKET	15	21	FT8969	LUBRICANT	38	-
FO2531	BODY CHANNEL WELCH PLUG	15	5	FT8982	SHIM ADAPTER	36	-
FO4784	CHOKE FRICTION BALL	15	8	FT8983	SEALANT	38	-
FO8805	CHOKE FRICTION SPRING	15	9	FT8985	SEAL INSTALLER	36	-
FP278	PROPELLER NUT W/SEAL & COTTER PIN	31	50	FT8995	SHIM SPACER	36	-
FS174227	PLUG, SPARK, L-4-J	19	11	FT8996	IGNITION TESTER	37	-
FS36016-5	ROD, CONNECTING W/CAP AND SCREWS	19	17	T3413	SEAL INSTALLER	36	-
FS409752	FUEL LINE COMPLETE (NOT SHOWN)	33	-	22-818103--1	FITTING, FUEL PUMP	7	11
FS541712	COVER, ENGINE, W/BRACKET, RETAINER AND TILT HANDLE	3	6	27-818043A1	FUEL PUMP DIAPHRAGM W/GASKETS	7	4
FT2907	SEAL INSTALLER	36	-	32-817738A1	FUEL LINE, LONG W/CLAMP AND FERRULE	33	7
FT2908	SEAL SLEEVE	35	-	37-F286585-2	DECAL, TILT RELEASE - CANADA	27	-
FT2909	KNOCK-OFF NUT	34	-	37-F286894-3	SPEED CONTROL INDICATOR - CANADA	27	-
				43-818009--1	GEAR, MAGNETO CONTROL SHAFT	23	7
				43-818009--1	GEAR, STEERING HANDLE SHAFT	23	5
				1100-817753A1	CAGE, CRANKSHAFT BEARING W/SEAL	21	46
				1400-817750A4	SWIVEL BRACKET W/GREASE FITTING	25	75
				1600-817844A3	GEAR HOUSING UPPER W/BEARING, SEALS, WASHER AND PLUG	29	16