



PARTS CATALOG

35 H.P.

SERIAL NUMBER

35 (1979)352H9L
35 (1979)353H9L

TABLE OF CONTENTS:

ACCESSORIES	46
CARBURETOR	14
CRANKSHAFT AND PISTON GROUP	24
ENGINE COVER AND SUPPORT PLATE	2
FUEL PUMP	12
FUEL TANK AND LINE	38
GEAR HOUSING	34
HAND STARTER	10
MAGNETO	8
MOTOR LEG	28
PARTS INDEX	47
POWER HEAD	18
REED PLATE	26
SPECIAL TOOLS - GEAR HOUSING	43
SPECIAL TOOLS - LUBRICANTS AND SEALANTS	45
SPECIAL TOOLS - MANUAL STARTER	41
SPECIAL TOOLS - POWER HEAD	42
SPECIAL TOOLS - TEST EQUIPMENT	44
SPECIAL TOOLS - TUNE-UP	40

NOTE: Indented description indicate that these parts are included in preceeding assembly.

AR = As Required

NSS = Not Sold Separate

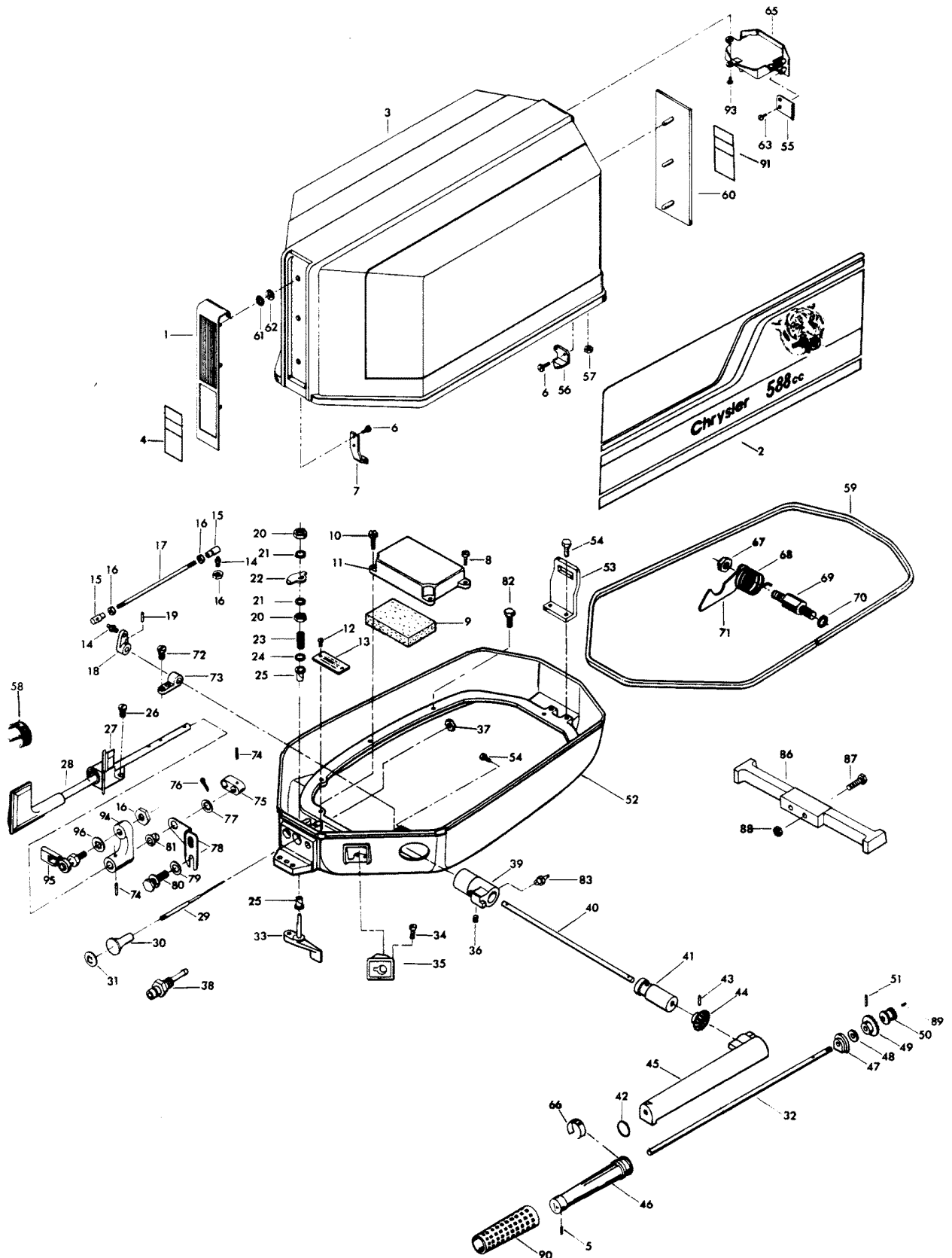
OPT = Optional

NS = Not Shown

THESE PARTS BOOKS/FICHE CARD ARE COPYRIGHTED AND MAY NOT BE DISTRIBUTED OR REPRODUCED IN ANY OTHER FORMAT BY ANYONE OTHER THAN MERCURY MARINE WITHOUT THE PRIOR WRITTEN CONSENT OF MERCURY MARINE.

THIS PAGE INTENTIONALLY LEFT BLANK

ENGINE COVER AND SUPPORT PLATE

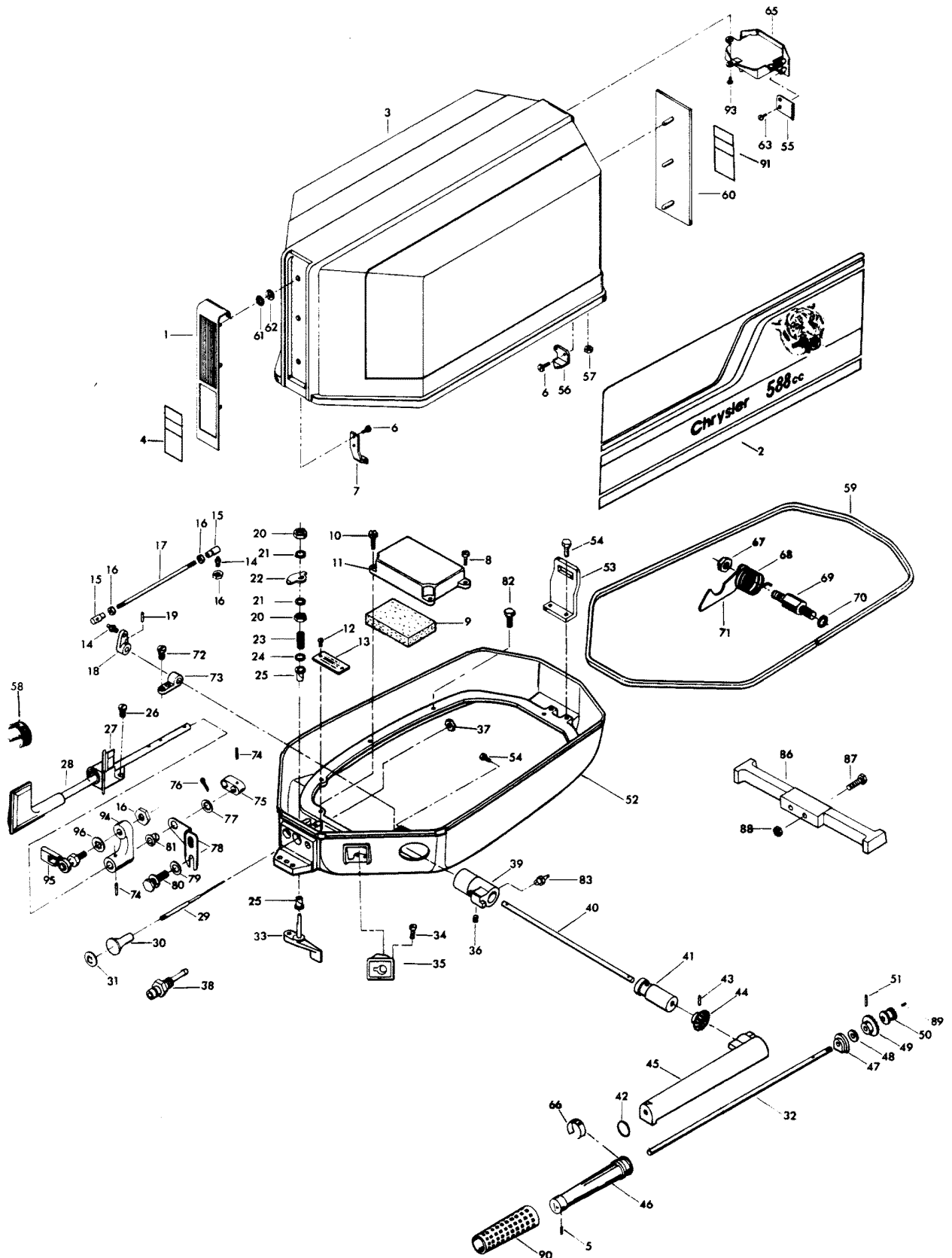


ENGINE COVER AND SUPPORT PLATE

REF. NO.	PART NO.	SYM.	QTY.	DESCRIPTION
1	F545711		1	PLATE, FRONT
2	FA544397		1	DECAL, ENGINE COVER - PORT
-	FA544396		1	DECAL, ENGINE COVER - STARBOARD
3	FS486712		1	ENGINE COVER W/TILT HANDLE AND RETAINERS
-	2C544712		1	ENGINE COVER COMPLETE INCLUDES ALL ITEMS MARKED WITH AN ASTERISK (*)
4	FA544892		1	DECAL, ENGINE COVER FRONT
5	F8548		1	SPRING PIN
6	F1979		4	FILL HD SCREW, 10 - 24 X 1/2
7	FA366778		1	ENGINE COVER RETAINER, FORWARD, W/SCREWS AND NUTS
8	F1864		2	HEX HD SCREW, 1/4 - 20 X 3/4
9	F307860		1	INTAKE SILENCER
10	F1953		2	HEX HD SCREW, 1/4 - 20 X 1
11	FA307779		1	BAFFLE, AIR INTAKE
12	F1447		2	ROUND HD SCREW, 2 X 3/16
13	FA535395		1	IDENTIFICATION PLATE W/SCREWS - U.S.A.
-	FAC535395		1	IDENTIFICATION PLATE W/SCREWS - CANADA
14	F98273		2	ROD END CONNECTOR STUD
15	F58685-2		2	ROD END CONNECTOR, MAGNETO CONTROL
16	F1513		4	HEX NUT, 10 - 32
17	F307809-1		1	MAGNETO CONTROL ROD
18	F328438		1	MAGNETO CONTROL ARM
19	F8540		1	SPRING PIN
20	F1515		2	HEX NUT, 5/16 - 18
21	F8096		2	SPRING LOCKWASHER
22	F89777-1		1	LATCH CAM
23	F183300		1	SPRING
24	F1987		1	PLAIN WASHER
25	F307818		2	BEARING, LATCH SHAFT
26	F1733		2	PAN HD SCREW, 10 - 24 X 9/16
27	F328189-1		1	BUSHING, GEAR SHIFT ROD
28	818059A1		1	GEAR SHIFT ROD W/KNOB
29	F433503		1	CHOKE CABLE
30	F286547		1	CHOKE KNOB
31	F458677		1	INSERT, CHOKE KNOB
32	F433688		1	SHAFT, STEERING HANDLE
33	FA328763		1	LATCH SHAFT W/HANDLE
34	F1733		1	PAN HD SCREW, 10 - 24 X 9/16
35	FA366953		1	BUSHING, STARTER HANDLE
36	FA901839		1	STEERING HANDLE FRICTION SCREW W/SPRING AND BUTTON
37	F1738		1	HEX NUT, 3/8 - 24
38	F434767		1	BUSHING

CONTINUED ON NEXT PAGE ➡

ENGINE COVER AND SUPPORT PLATE

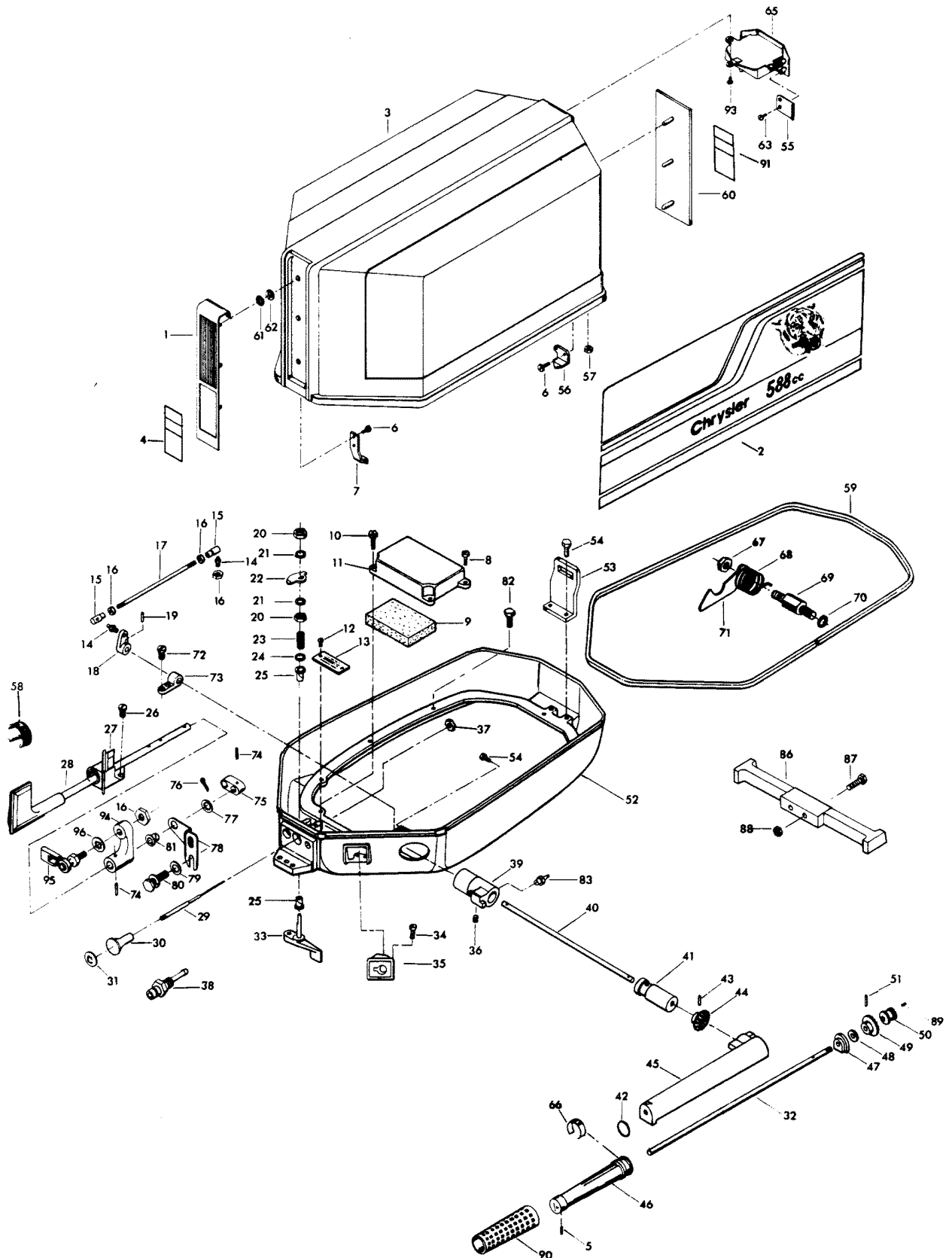


ENGINE COVER AND SUPPORT PLATE

REF. NO.	PART NO.	SYM.	QTY.	DESCRIPTION
39	F328703-1		1	STEERING HANDLE ADAPTER
40	F338877		1	MAGNETO CONTROL SHAFT
41	F328692		1	PIVOT TUBE
42	F53795-1		2	DAMPENER
43	F8538		1	SPRING PIN
44	F338815		1	STEERING HANDLE GEAR
45	F2A338079		1	STEERING HANDLE INCLUDING ITEMS 40 THROUGH 45
46	FA456137		1	STEERING HANDLE GRIP W/SLEEVE
47	F40816-1		1	STEERING HANDLE CONTROL SHAFT THRUST BEARING
48	F1955		1	PLAIN WASHER
49	F338815		1	STEERING HANDLE GEAR
50	F307689-1		1	STEERING HANDLE CONTROL SHAFT BEARING
51	F8538		1	SPRING PIN
52	818054A1		1	SUPPORT PLATE
53	F458774		1	BRACKET, RETAINER REAR
54	F1864		6	HEX CAP SCREW, 1/4 - 20 X 3/4
55	F463864		2	RETAINER, TILT HANDLE
56	FA458480		1	ENGINE COVER RETAINER W/SCREWS AND NUTS
57	F7011		4	HEX NUT, 10 - 24
58	F461400		1	GEAR SHIFT INDICATOR
59	F85756		1	SUPPORT PLATE PACKING
60	F545180		1	TRIM, ENGINE COVER REAR
61	F85735-1		6	SEAL
62	F1753		6	FASTENER
63	F2066		4	PAN HD SELF-TAPPING SCREW, 10 - 7/16
65	F544269		1	TILT HANDLE
66	F286894-3		1	STEERING HANDLE INDICATOR
-	37-F286894-3		1	STEERING HANDLE INDICATOR - CANADA
67	F2002		1	HEX NUT, 5/16 - 18
68	F367300		1	SPRING SHIFT DETENT
69	F328819		1	SWIVEL SHIFT DETENT
70	F8060		1	INTERNAL TOOTH LOCKWASHER
71	F328884		1	DETENT, SHIFT ARM
72	F2001		2	FILL HD SCREW, 10 - 24 X 5/8
73	F366813		1	BEARING
74	F1836		2	SPRING PIN
75	F328621		1	GEAR SHIFT ARM
76	F1017		1	COTTER PIN
77	F8032		1	PLAIN WASHER
78	F433612		1	BRACKET, SHIFT ROD
79	F8028		2	PLAIN WASHER
80	F1578		2	HEX HD SCREW W/LOCKWASHER, 1/4 - 20 X 7/8
81	F85610		1	BEARING

CONTINUED ON NEXT PAGE ➡

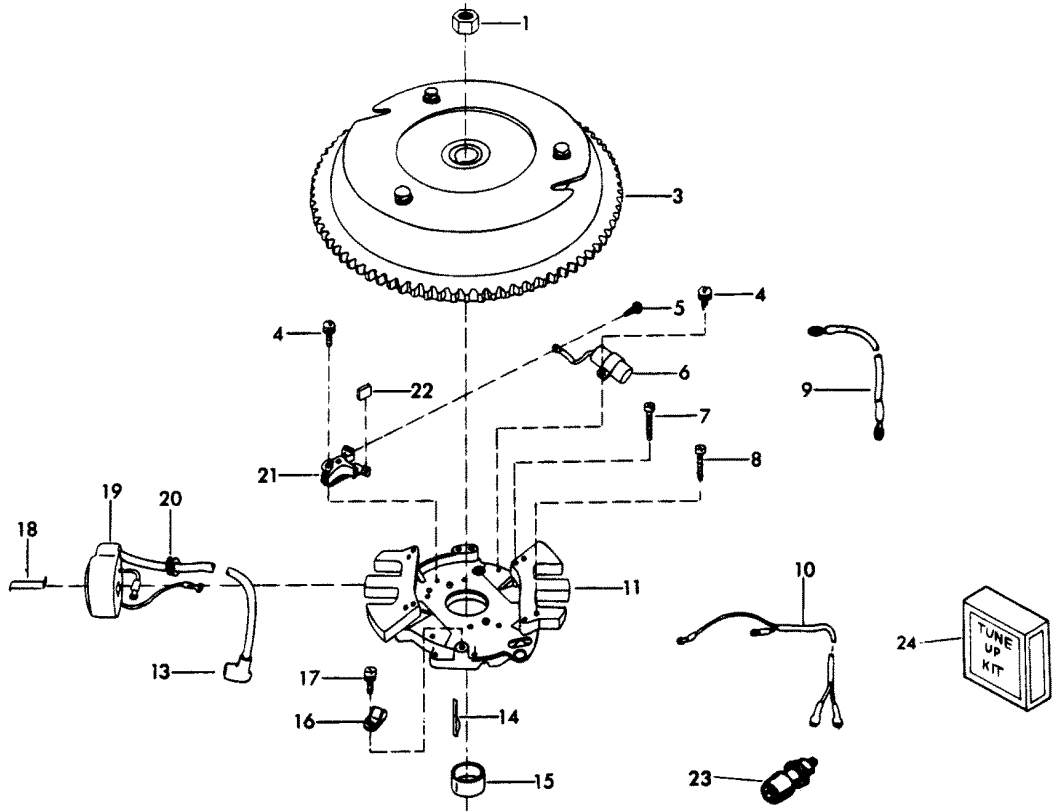
ENGINE COVER AND SUPPORT PLATE



ENGINE COVER AND SUPPORT PLATE

REF. NO.	PART NO.	SYM.	QTY.	DESCRIPTION
82	F1238		8	HEX CAP SCREW, 1/4 - 20 X 3/4
83	F213274		1	GREASE FITTING
86	F366824		1	CARRYING HANDLE
87	F1603		2	HEX BOLT, 5/16 - 18 X 2
88	F1892		2	STOP NUT, 5/16 - 18
89	F1277		1	SLOTTED OVAL HD SET SCREW 1/4 - 28 X 3/8
90	F458695		1	SLEEVE, STEERING HANDLE
91	FA544528		1	DECAL, ENGINE COVER REAR
93	F2025		1	PAN HD SCREW, 10 X 3/8
94	F485005		1	INTERLOCK LEVER ARM
95	817747--1		1	BALL JOINT W/BEARING
96	F8058		1	INTERNAL TOOTH LOCKWASHER
-	F191993-1		1	BRACKET, CHOKE CABLE (NOT SHOWN)

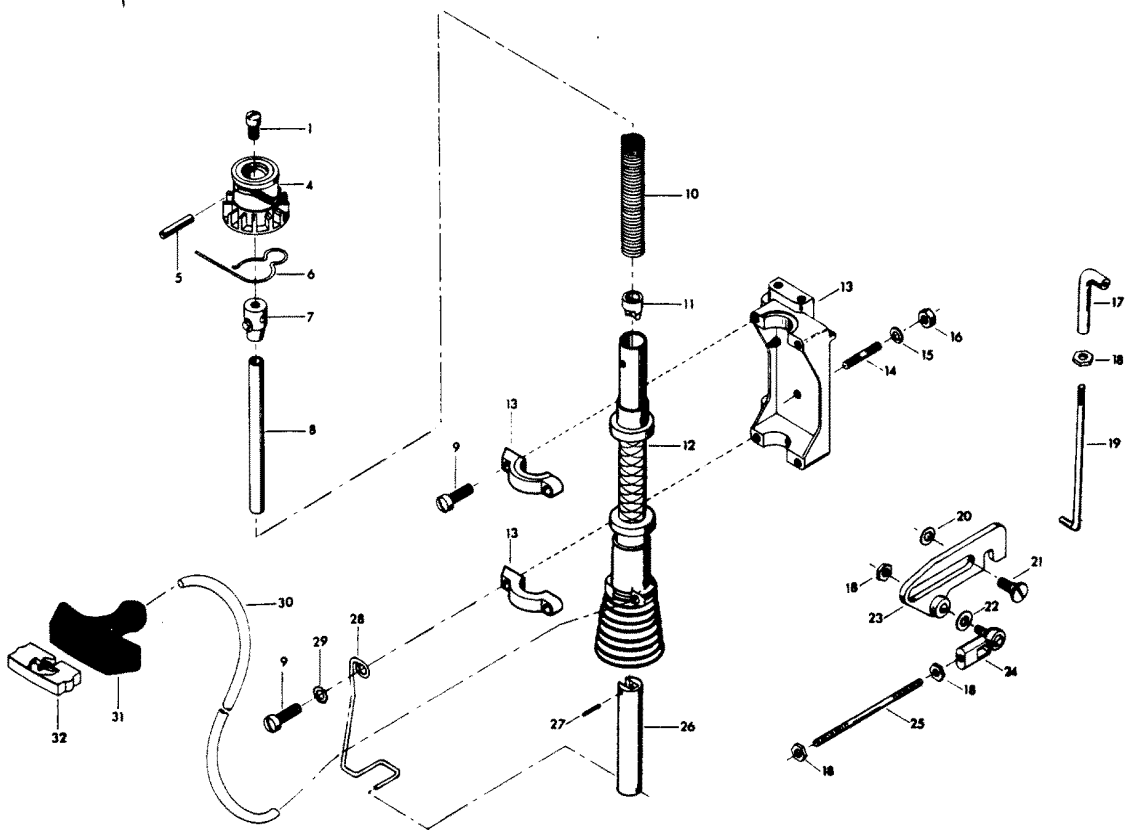
MAGNETO



MAGNETO

REF. NO.	PART NO.	SYM.	QTY.	DESCRIPTION
1	F1920		1	HEX NUT, 5/8 - 18
2	F93097-6		1	FLYWHEEL AND STARTER GEAR
4	F12014		6	BREAKER POINT AND CONDENSER MOUNTING SCREW, 8 - 32 X 3/8
5	F1300		2	BREAKER POINT TERMINAL SCREW, 6 - 32 X 3/8
6	F12042-1		2	CONDENSER W/MOUNT
7	F1926		2	LAMINATION SCREW, 8 - 32 X 7/8
8	F12023		2	LAMINATION SCREW, 10 - 24 X 1
9	F460664		1	WIRE, STATOR GROUND
10	F12059		1	PRIMARY TERMINAL WIRE
11	F12342		1	STATOR PLATE WITHOUT LAMINATIONS
13	FK750-2		2	SPARKIE KIT
14	F92498		1	KEY
15	F93002		1	CAM
16	F12246		1	CABLE CLIP
17	F12016		1	CABLE CLIP SCREW, 8 - 32 X 1/2
18	F12053		2	COIL RETAINING CLIP
19	F12057		2	COIL W/LEAD WIRE, SPARKIE AND GROMMET
20	F12050		2	GROMMET
21	F12044		2	BREAKER POINT SET
22	F12227		2	CAM WIPER FELT
23	F436449		1	SHORTING SWITCH
24	FK1077		1	TUNE-UP KIT INCLUDES ALL ITEMS MARKED WITH AN ASTERISK (*)
-	F94914		1	SLEEVE, STATOR GROUND WIRE (NOT SHOWN)
-	F12341		2	COIL LAMINATIONS (NOT SHOWN)

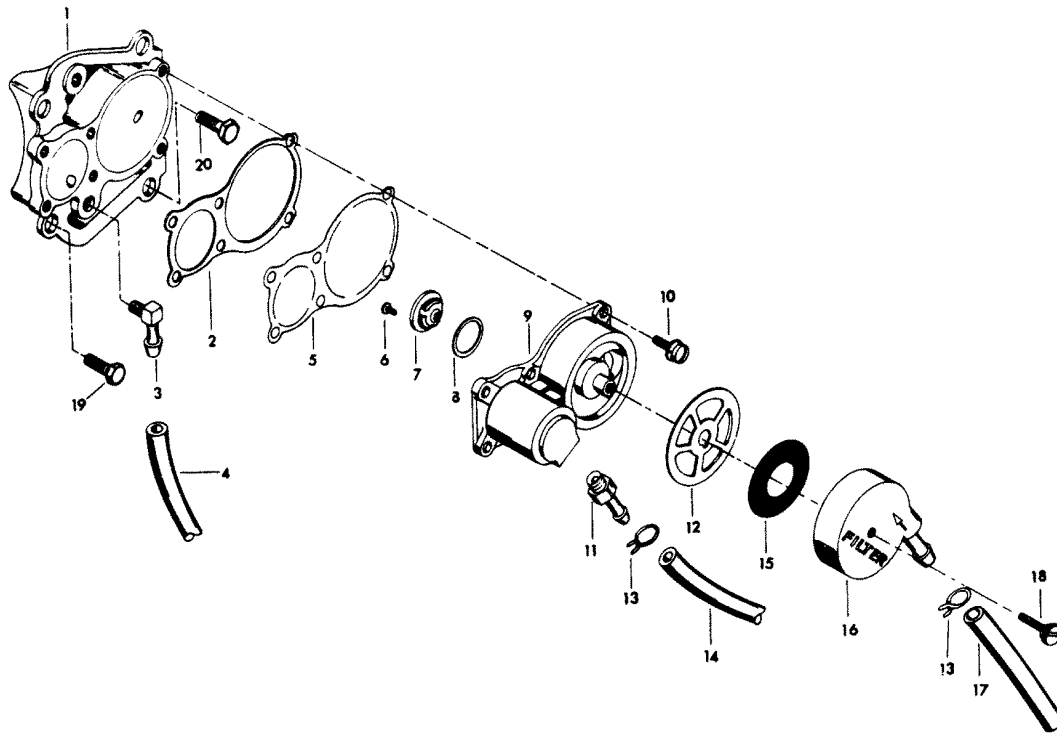
HAND STARTER



HAND STARTER

REF. NO.	PART NO.	SYM.	QTY.	DESCRIPTION
1	F1097		1	FILL HD SCREW, 1/4 - 20 X 3/8
4	F487674		1	STARTER PINION GEAR
5	F40425		1	STARTER PINION PIN
6	F485424		1	SPRING, STARTER PINION
7	F901739		1	STARTER REWIND SPRING DRIVE
8	F328710		1	STARTER ROPE GUIDE POST
9	F1111		4	FILL HD SCREW, 1/4 - 20 X 7/8
10	F901970		1	SPRING STARTER REWIND
11	F191737		1	RETAINER, STARTER SPRING
12	F328239		1	STARTER SPOOL
13	A486427-1		1	STARTER MOUNTING BRACKET W/CAPS AND SCREWS
14	F307211		3	STUD
15	F8096		3	SPRING LOCKWASHER
16	F1515		3	HEX NUT, 5/16 - 18
17	F485971		1	STARTER SPRING EXTENSION
18	F1513		4	HEX NUT, 10 - 32
19	F486531		1	STARTER INTERLOCK ROD
20	F8028		2	PLAIN WASHER
21	F369887		2	INTERLOCK SCREW
22	F8058		1	INTERNAL TOOTH LOCKWASHER
23	F485781		1	STARTER INTERLOCK LOCK
24	817747--1		1	BALL JOINT W/BEARING
25	F478502		1	LINK
26	F191971		1	STARTER RETAINER EXTENSION
27	F8540		1	SPRING PIN
28	F328455		1	STARTER ROPE GUIDE
29	F8060		1	EXTERNAL TOOTH LOCKWASHER
30	F328232		1	STARTER ROPE
31	F286132		1	STARTER ROPE HANDLE
32	817938A1		1	STARTER ROPE HANDLE RETAINER
-	FA27232		1	EMERGENCY STARTER ROPE (NOT SHOWN)
33	F24333		1	END, STARTER ROPE

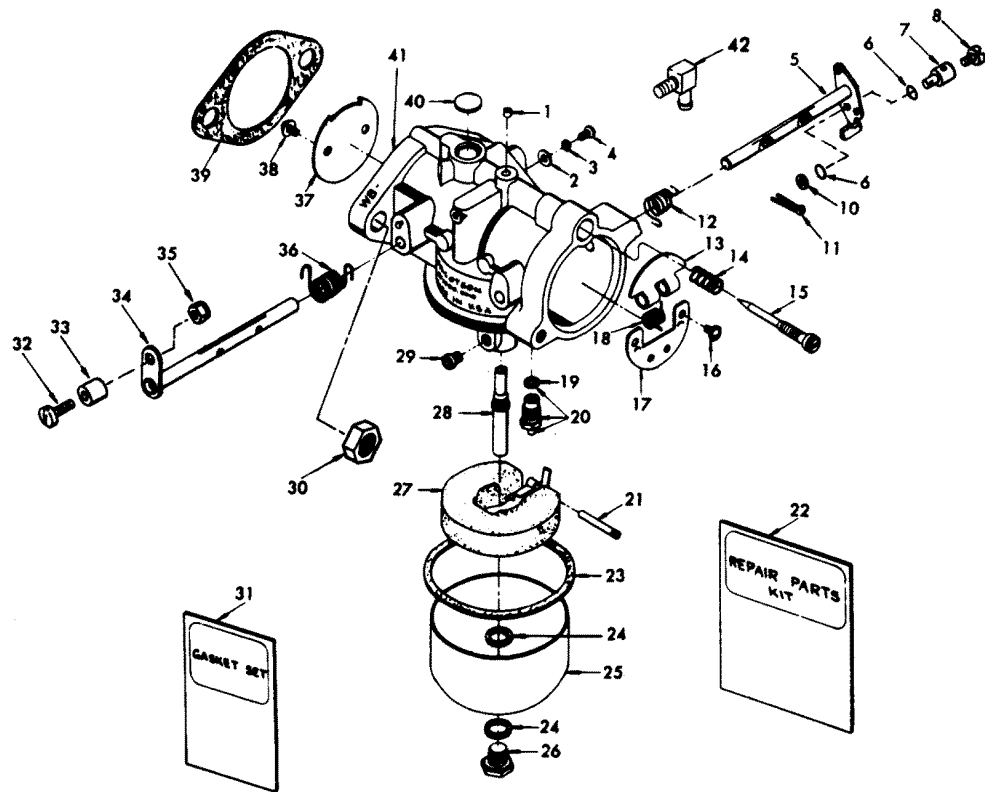
FUEL PUMP



FUEL PUMP

REF. NO.	PART NO.	SYM.	QTY.	DESCRIPTION
1	FA439746		1	FUEL PUMP COVER
2	F438760		1	FUEL PUMP GASKET
3	F84314-2		1	ELBOW
4	F434758		1	FUEL PUMP IMPULSE HOSE
5	F438747		1	FUEL PUMP DIAPHRAGM
6	F1860		2	ROUND HD SCREW, 6 - 32 X 1/4
7	F177330		3	FUEL PUMP VALVE
8	F84792		1	FUEL PUMP VALVE GASKET (CENTER VALVE)
9	FA438431		1	FUEL PUMP BODY W/VALVES
10	F1108		6	FILL HD SCREW W/LOCKWASHER
11	F438801		1	ELBOW
12	F438617		1	FUEL SEDIMENT BOWL GASKET
13	F97772		4	FUEL LINE CLAMPS
14	F434754		1	FUEL LINE, PUMP TO CARBURETOR
15	F438653		1	FUEL PUMP SCREEN
16	F438500		1	FUEL SEDIMENT BOWL
17	F434754		1	HOSE BUSHING TO FUEL PUMP
18	F438165		1	SCREW, FUEL BOWL
19	F1502		3	HEX CAP SCREW, 1/4 - 20 X 5/8
20	F1922		1	HEX HD SCREW, 1/4 - 20 X 5/8

CARBURETOR

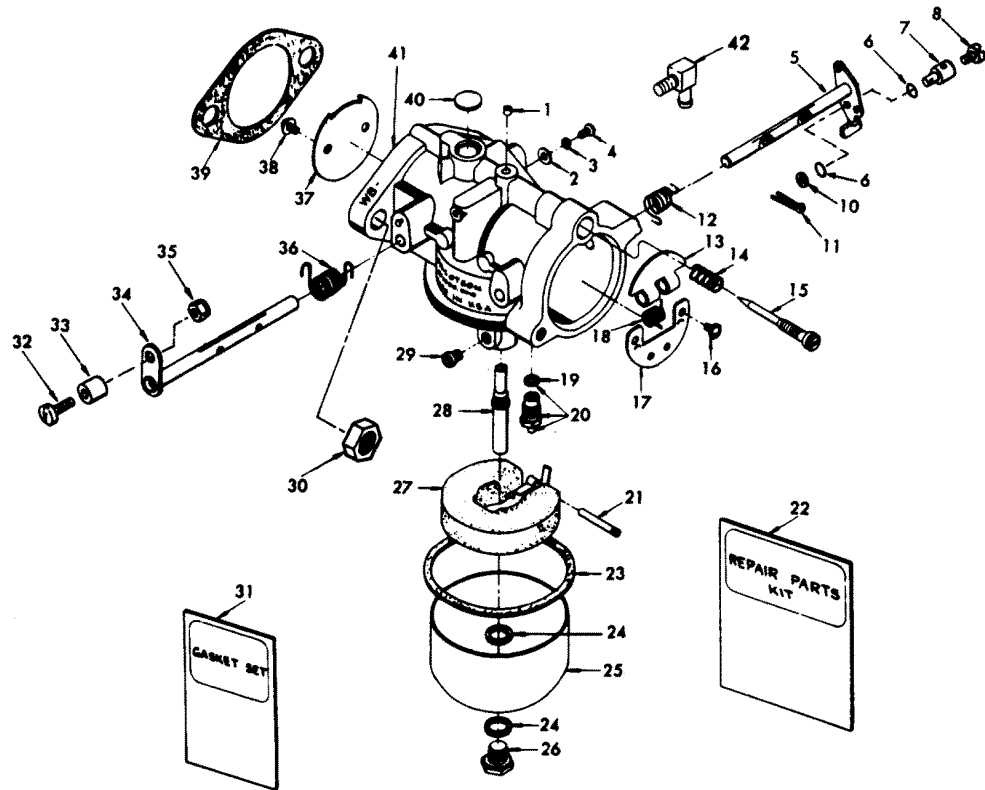


CARBURETOR

REF. NO.	PART NO.	SYM.	QTY.	DESCRIPTION
1	FO10588		1	BODY CHANNEL CUP PLUG
2	FO3804		1	THROTTLE SHAFT POSITION RETAINING SCREW WASHER
3	FO6396		1	THROTTLE SHAFT POSITION RETAINING SCREW LOCKWASHER
4	FO6393		1	THROTTLE SHAFT POSITION RETAINING SCREW
5	FO16383		1	CHOKE SHAFT AND LEVER
6	F184579		2	SEAL, CHOKE ARM SWIVEL
7	F184033-1		1	SWIVEL, CHOKE ROD
8	F1059		1	FILL HD SCREW, 6 - 32 X 1/4
10	F8088		1	PLAIN WASHER
11	F1014		1	COTTER PIN
12	FO16385		1	CHOKE SHAFT RETURN SPRING
13	FO12251		1	CHOKE RELIEF VALVE
14	FO11103		1	IDLE MIXTURE SCREW SPRING
15	FO13946		1	IDLE MIXTURE SCREW
16	FO10280		2	CHOKE SHUTTER RETAINING SCREW AND LOCKWASHER
17	FO12250		1	CHOKE SHUTTER
18	FO10883		1	CHOKE RELIEF VALVE SPRING
19	FO10165		1	INLET SEAT GASKET
20	FO10790		1	INLET NEEDLE, SEAT AND GASKET
21	FO13944		1	FLOAT LEVER PIN
22	F10019		1	REPAIR PARTS KIT INCLUDES ALL ITEMS MARKED WITH AN ASTERISK (*)
23	FO15623		1	FUEL BOWL GASKET
24	FO2510		2	FUEL BOWL RETAINING SCREW GASKET
25	FO13552		1	FUEL BOWL
26	FO13945		1	FUEL BOWL RETAINING SCREW
27	FO13554		1	FLOAT
28	FO16251		1	MAIN NOZZLE
29	FO15406		1	MAIN FUEL JET .090 (STD.)
-	FO13193		0	MAIN FUEL JET .088 (OPT.) 1250-3750 FEET
-	FO13949		0	MAIN FUEL JET .086 (OPT.) 3750-6250 FEET
-	FO14302		0	MAIN FUEL JET .084 (OPT.) 6250-8250 FEET
30	F1515		2	HEX NUT, 5/16 - 18
31	F10000		1	GASKET SET
32	F333316		1	THROTTLE ROLLER SHAFT
33	F92759		1	ROLLER
34	FO15728		1	THROTTLE SHAFT AND LEVER
35	F1997		1	STOP NUT, 10 - 24
36	FO14292		1	THROTTLE SHAFT RETURN SPRING
37	FO16119		1	THROTTLE SHUTTER

CONTINUED ON NEXT PAGE ➡

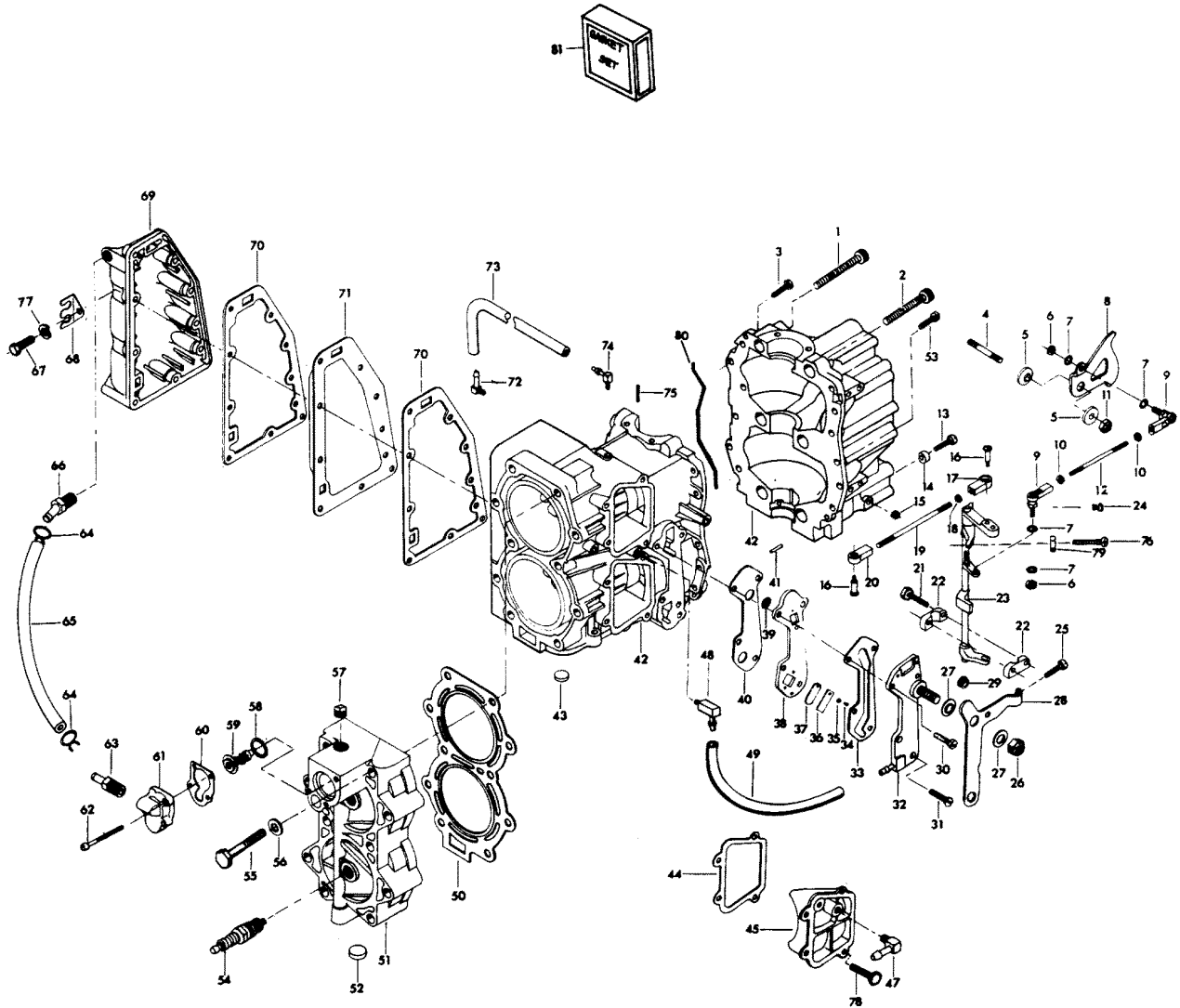
CARBURETOR



CARBURETOR

REF. NO.	PART NO.	SYM.	QTY.	DESCRIPTION
38	FO8942		2	THROTTLE SHUTTER RETAINING SCREW AND LOCKWASHER
39	F40906-1		1	FLANGE GASKET
40	FO4326		1	BODY CHANNEL WELCH PLUG
41	F433061-2		1	CARBURETOR COMPLETE (WB-17C)
42	F84314-2		1	ELBOW, FUEL LINE

POWER HEAD

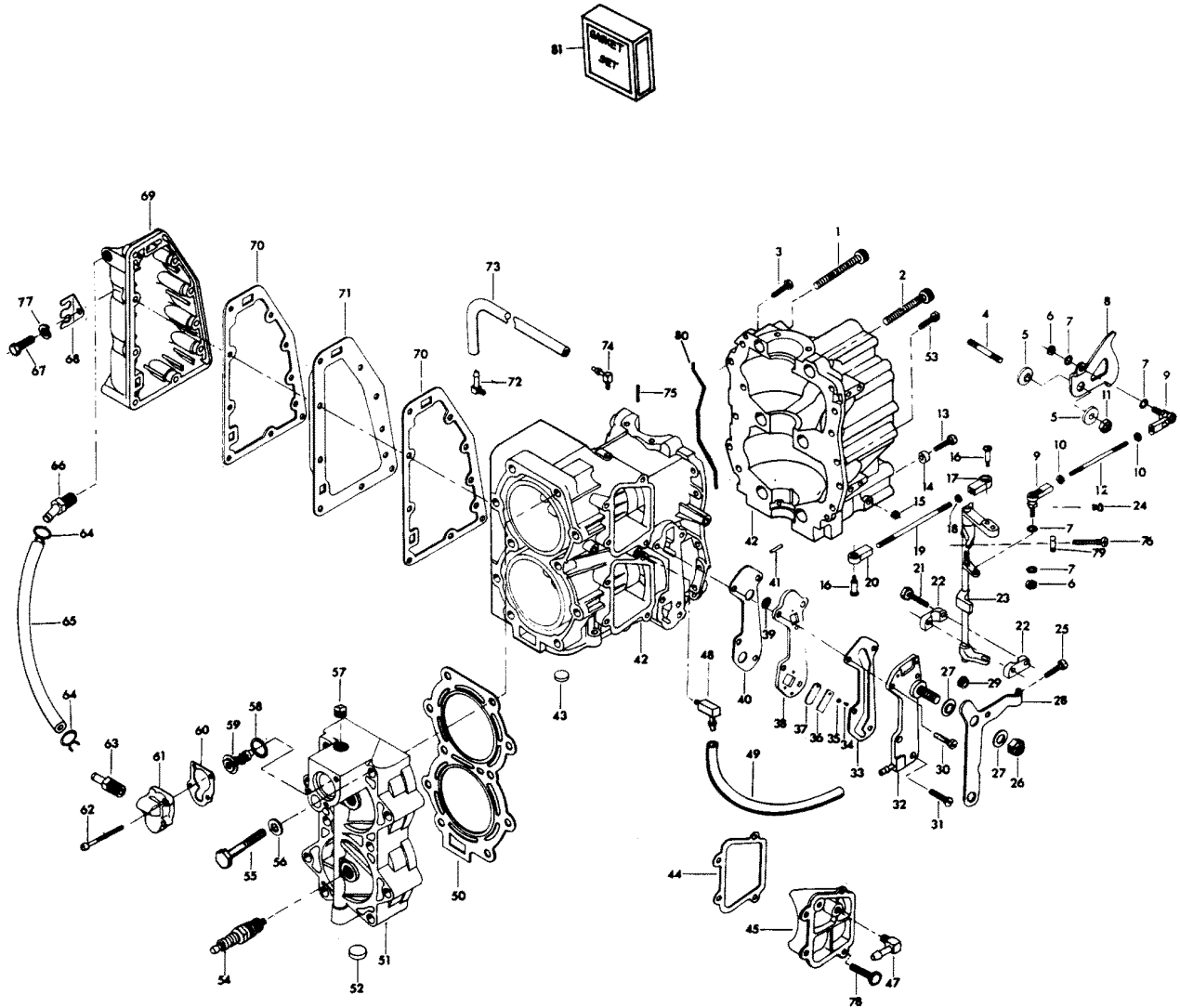


POWER HEAD

REF. NO.	PART NO.	SYM.	QTY.	DESCRIPTION
1	F1646		1	HEX SOCKET HD CAP SCREW, 3/8 - 16 X 2-1/4
2	F1879		5	HEX SOCKET HD CAP SCREW, 3/8 - 16 X 1-5/8
3	F1864		9	HEX SLOT HD SCREW, 1/4 - 20 X 3/4
4	F433209-1		1	STUD, THROTTLE CAM
5	F269319		2	THROTTLE CAM BEARING
6	F1513		2	HEX NUT, 10 - 32
7	F8058		4	INTERNAL TOOTH LOCKWASHER
8	F433192		1	THROTTLE CAM
9	817747--1		2	BALL JOINT W/BEARING
10	F1513		2	HEX NUT, 10 - 32
11	F1910		1	ELASTIC STOP NUT, 1/4 - 20
12	F85502		1	THROTTLE LINK
13	F1134		2	FILL HD SCREW, 8 - 32 X 1-1/8
14	F307942-1		2	BUMPER
15	F1770		2	STOP NUT, 8 - 32
16	F84026		2	SPARK CONTROL SWIVEL
17	F84036		1	SPARK CONTROL BEARING, L.H.
18	F1473		1	HEX NUT, 10 - 24
19	F269445-1		1	SPARK CONTROL LINK
20	F84035-2		1	SPARK CONTROL BEARING, R.H.
21	F1995		4	FILL HD SCREW, 10 - 24 X 1
22	F433689		4	BEARING, TOWERSHAFT
23	FK433838		1	TOWERSHAFT
24	F1727		1	PLASTIC RIVET
25	F1969		1	FILL HD SCREW, 1/4 - 20 X 3/4
26	F7004		1	STOP NUT, 3/8 - 16
27	F269052		2	SHIFT ARM BEARING
28	FA434876		1	SHIFT ARM W/ROLLER
29	F85610		1	BEARING
30	F1446		2	SLOTTED PAN HD SCREW, 1/4 - 20 X 1
31	F1136		2	FLAT HD SCREW, 1/4 - 20 X 1
32	FA433471		1	CYLINDER DRAIN COVER
33	F93472-1		1	CYLINDER DRAIN COVER GASKET
34	F1286		2	PAN HD SCREW, 4 - 40 X 3/16
35	F8003		2	PLAIN WASHER
36	F93920		2	CYLINDER DRAIN REED STOP
37	F18160-2		2	REED, CYLINDER DRAIN
38	F2A433757		1	CYLINDER DRAIN REED PLATE W/REEDS, REED STOPS, SCREWS AND SCREENS
39	F93811		2	SCREEN, CYLINDER DRAIN REED PLATE
40	F93748-1		1	CYLINDER DRAIN REED PLATE GASKET
41	F8559		2	DOWEL PIN
42	800-817791A1		1	CYLINDER W/CRANKCASE COVER, DEFLECTOR PLATE AND SCREWS

CONTINUED ON NEXT PAGE ➡

POWER HEAD

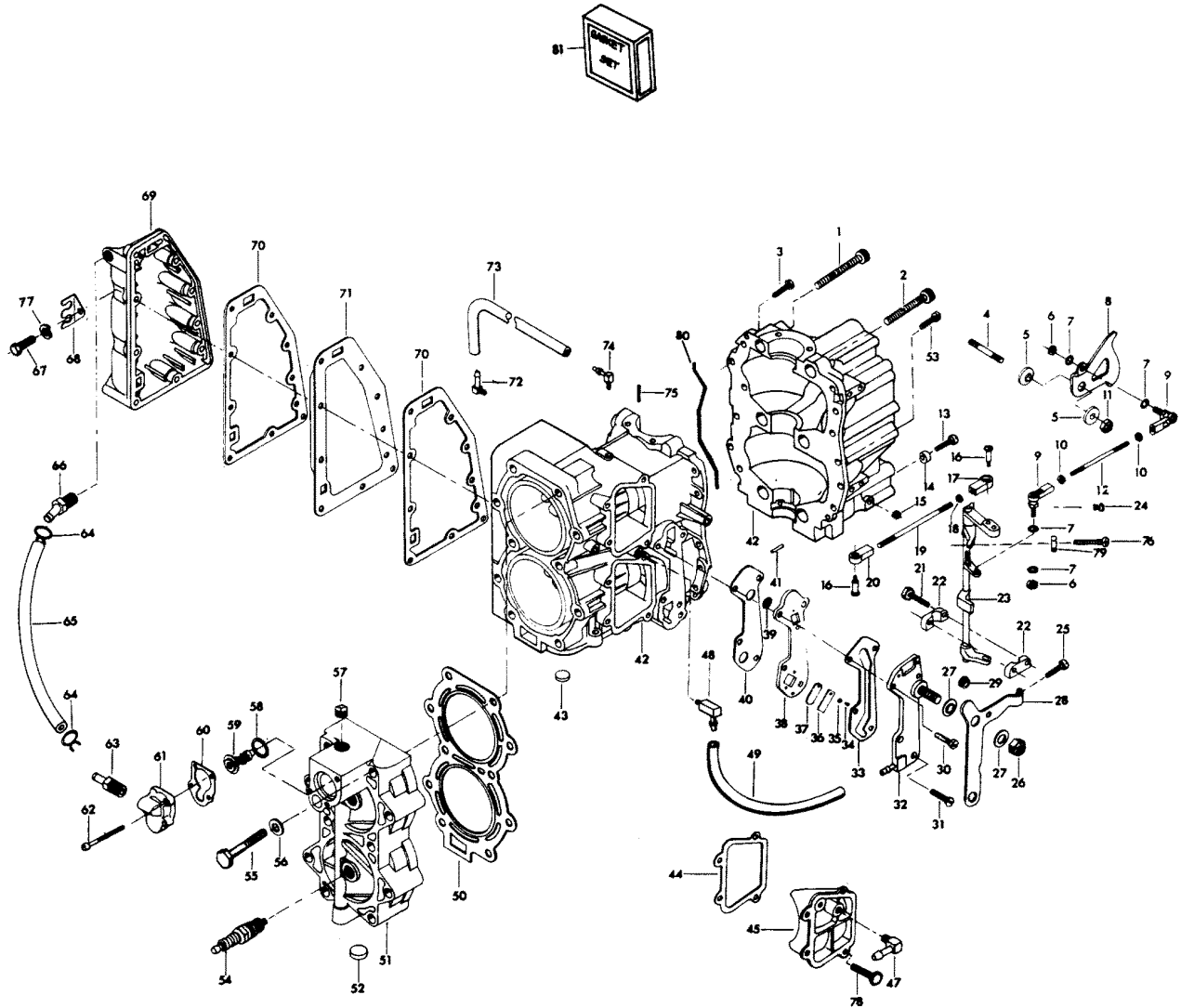


POWER HEAD

REF. NO.	PART NO.	SYM.	QTY.	DESCRIPTION
-	800-817894A2		1	SHORT BLOCK (NOT SHOWN) INCLUDES ALL ITEMS MARKED WITH AN ASTERISK (*). ALSO REFER TO CRANKSHAFT AND PISTON PAGE. ORIGINAL FORCE P/N C433010-2
43	F1525		1	WELCH PLUG
44	F40223		2	TRANSFER PORT COVER GASKET
45	FA411222		1	TRANSFER PORT COVER
46	F84314-2		1	ELBOW, FUEL LINE
48	F404801		1	ELBOW
49	F433254		1	HOSE
50	F201529-1		1	CYLINDER HEAD GASKET
51	2A307518		1	CYLINDER HEAD W/PLUG
52	F1526		1	WELCH PLUG
53	F1922		3	HEX HD SCREW, 1/4 - 20 X 5/8
54	FS174227		2	SPARK PLUG (L-4-J)
-	FC310227		2	SPARK PLUG (QL-4-J) FOR MODELS 352B9L AND 353B9L
55	F1544		10	HEX HD CAP SCREW, 3/8 - 16 X 2-1/4
56	F2014		10	PLAIN WASHER
57	F328109		1	PIPE PLUG CYLINDER HEAD
58	F97504		1	GROMMET, THERMOSTAT
59	F97068-1		1	THERMOSTAT
60	F97067		1	THERMOSTAT COVER GASKET
61	F97066-1		1	THERMOSTAT COVER
62	F1995		3	FILL HD SCREW, 10 - 24 X 1
63	F97275		1	FITTING, THERMOSTAT
64	F97772		2	CLAMP
65	FA97247		1	WATER TUBE, THERMOSTAT
66	F141275		1	FITTING, THERMOSTAT
67	F1971		9	HEX HD SCREW, 1/4 - 20 X 2-1/8
68	F901834		1	LEAD WIRE CLIP
69	FA433152		1	EXHAUST PORT COVER
70	F40154-3		2	EXHAUST PORT PLATE GASKET
71	F40151-1		1	EXHAUST PORT PLATE
72	F463314		1	FITTING
73	FS433758		1	HOSE
74	22-817740A1		1	ELBOW W/METERING CUP
75	F8545		1	SPRING PIN
76	F1052		1	FILL HD SCREW, 1/4 - 20 X 1
77	F8083		9	SPRING LOCKWASHER
78	F1502		2	HEX CAP SCREW, 1/4 - 20 X 5/8
79	F1341		1	HEX NUT, 1/4 - 20
80	F269122-1		1	CRANKCASE PARTING LINE SEAL
81	FG1007-1		1	GASKET SET INCLUDES ITEMS LISTED BELOW:
-	F40154-3		3	GASKET, EXHAUST PORT PLATE

CONTINUED ON NEXT PAGE ➡

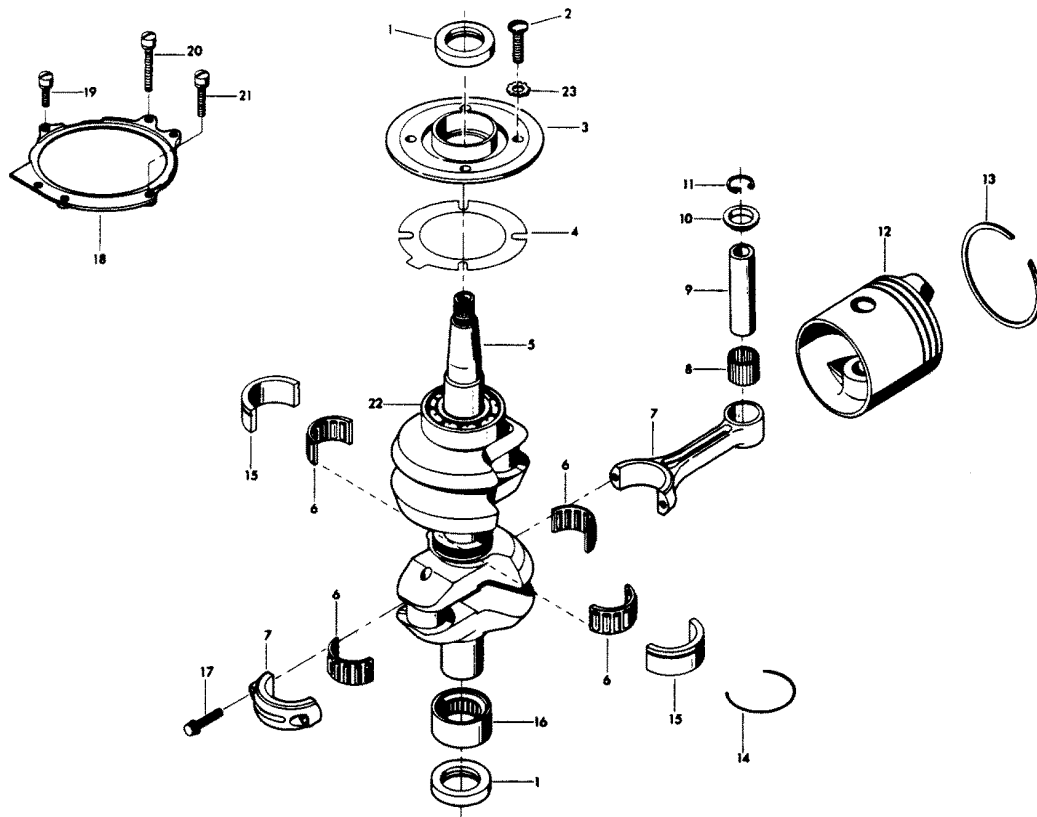
POWER HEAD



POWER HEAD

REF. NO.	PART NO.	SYM.	QTY.	DESCRIPTION
-	F40223		1	GASKET, TRANSFER PORT COVER
-	F40833-4		1	GASKET, RELIEF COVER
-	F40906-1		1	GASKET, CARBURETOR
-	F93472-1		1	GASKET, CYLINDER DRAIN
-	F93748-1		1	GASKET, CYLINDER DRAIN
-	F97067		1	GASKET, THERMOSTAT COVER
-	F201529-1		1	GASKET, CYLINDER HEAD
-	F269122-1		1	GASKET, CRANKCASE PARTING LINE SEAL
-	F307279-2		1	GASKET, CYLINDER EXHAUST UPPER
-	F307453-3		1	GASKET, CYLINDER EXHAUST LOWER
-	F311996		1	GASKET, CYLINDER HEAD COVER
-	F366277		1	GASKET, BEARING CAGE
-	F433168		1	GASKET, CARBURETOR ADAPTER
-	F433406		1	GASKET, DEFLECTOR PLATE

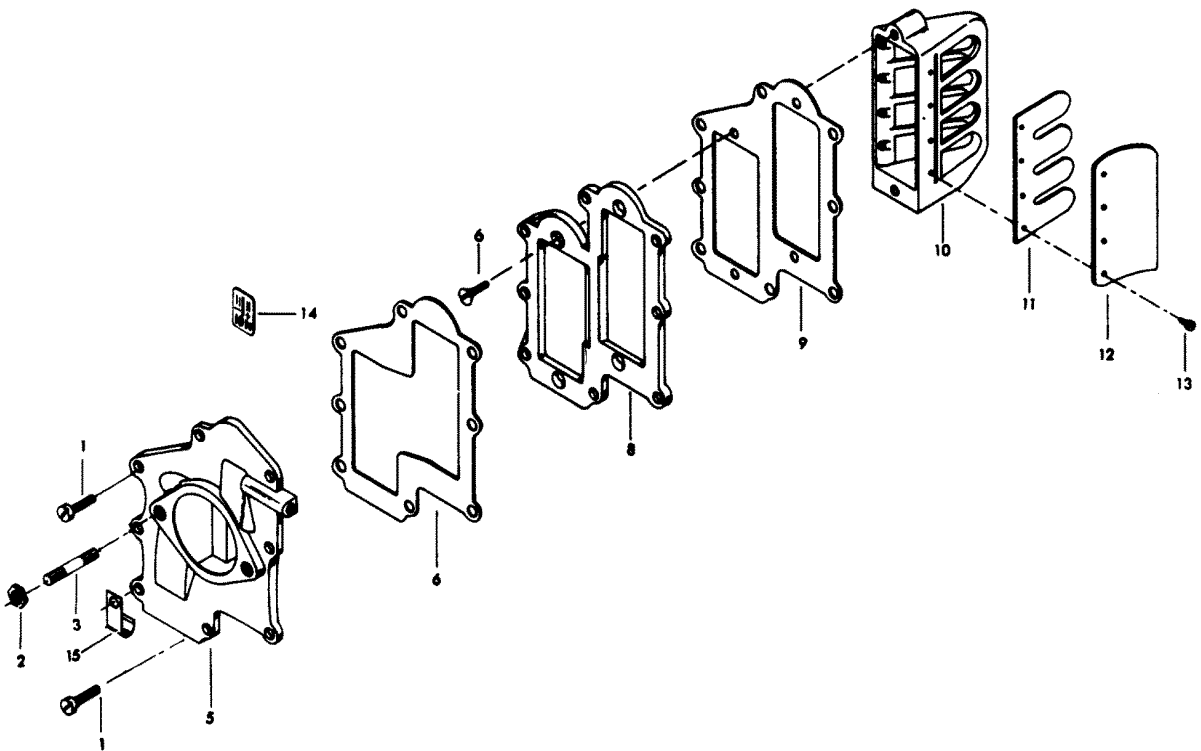
CRANKSHAFT AND PISTON GROUP



CRANKSHAFT AND PISTON GROUP

REF. NO.	PART NO.	SYM.	QTY.	DESCRIPTION
1	F40146-1		2	CRANKSHAFT SEAL
2	F1441		4	PAN HD SCREW, 1/4 - 20 X 7/8
3	FA433144		1	CRANKSHAFT BEARING CAGE W/SEAL
4	F366277		1	BEARING CAGE GASKET
5	400-FA485018		1	CRANKSHAFT W/BEARING
6	FK85228		3	BEARING CAGE W/ROLLERS (16 PER SET)
7	600-818052A4		2	CONNECTING ROD W/CAP AND SCREWS
8	F335217-1		2	BEARING
9	F40017-2		1	PISTON PIN
10	F366215		4	SPACER
11	F428096		4	RETAINER, PISTON PIN
12	F377015-1		2	PISTON (STANDARD)
-	3SA377015		2	PISTON .030 OVERSIZE
-	SA377015		2	PISTON .010 OVERSIZE SHORT BLOCK COMPLETE INCLUDES ALL ITEMS MARKED WITH AN ASTERISK (*). ALSO REFER TO POWERHEAD PAGE.
13	FA353260		1	PISTON RING SET (6 PER SET) (STANDARD)
-	39-818112A1		1	PISTON RINGS (6 PER SET) .030 OVERSIZE
-	FS307260		1	PISTON RINGS (6 PER SET) .010 OVERSIZE
14	F40410		1	SNAP RING
15	FA40655		1	CRANKSHAFT CENTER MAIN BEARING RACE W/SNAP RING
16	F90014		1	CRANKSHAFT LOWER MAIN BEARING
17	F85634-2		4	CONNECTING ROD SCREW
18	F366082		1	MAGNETO STATOR RING
19	F1080		1	FILL HD SCREW W/LOCKWASHER, 10 - 24 X 3/4
20	F1812		2	FILL HD SCREW W/LOCKWASHER, 10 - 24 X 1-9/16
21	F1813		1	FILL HD SCREW W/LOCKWASHER, 10 - 24 X 1-1/8
22	F366013		1	CRANKSHAFT THRUST BEARING UPPER
23	F8060		4	EXTERNAL TOOTH LOCKWASHER (USE WITH PAN HD SCREW)

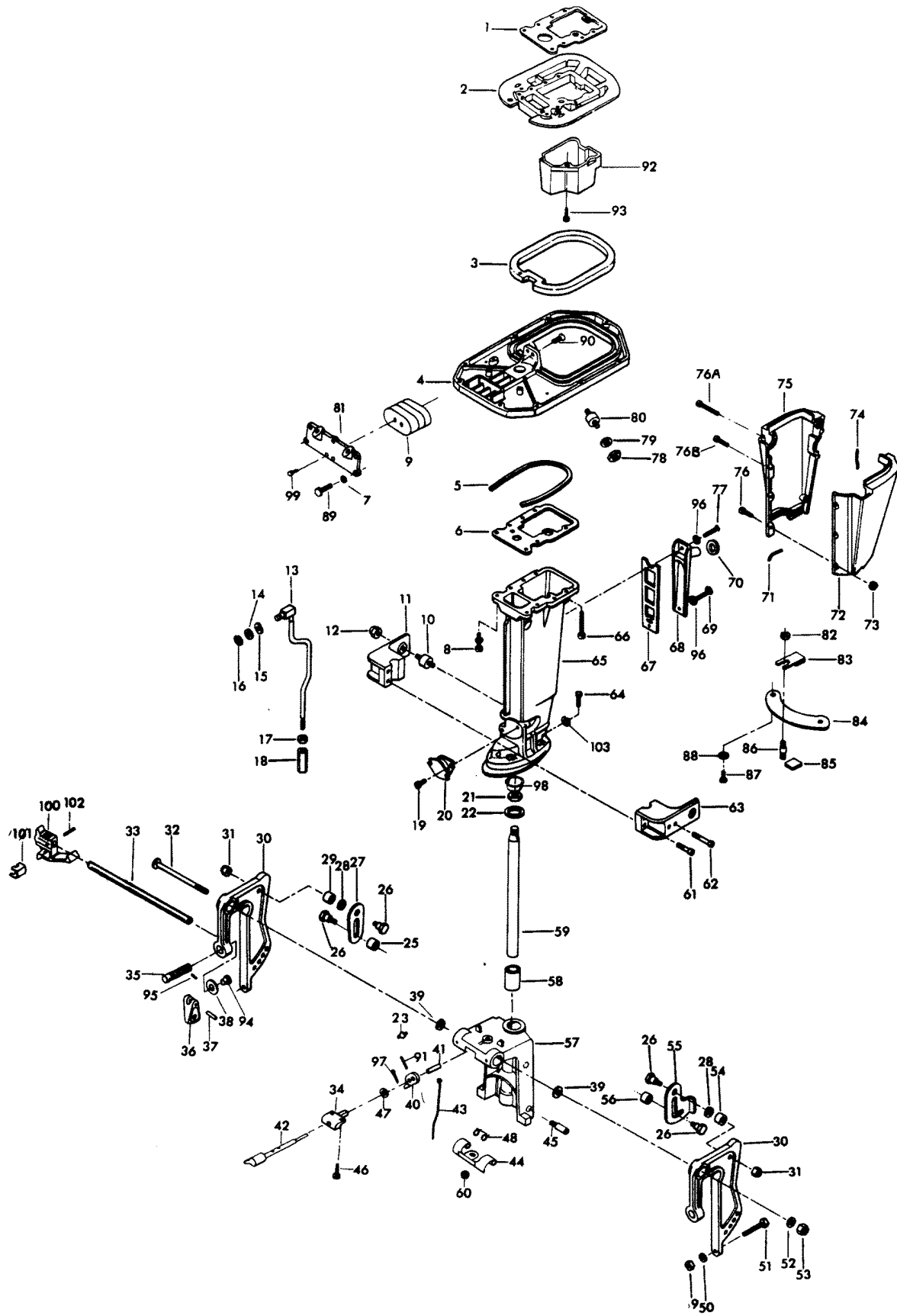
REED PLATE



REED PLATE

REF. NO.	PART NO.	SYM.	QTY.	DESCRIPTION
1	F2008		8	HEX HD SCREW, 1/4 - 20 X 7/8
2	F1515		2	HEX NUT, 5/16 - 18
3	F40209		2	CARBURETOR STUD
5	FA433167		1	CARBURETOR ADAPTER FLANGE
6	F433168		1	CARBURETOR ADAPTER GASKET
7	F1141		4	FLAT HD SCREW, 10 - 24 X 1/2
8	F433404		1	DEFLECTOR PLATE
9	F433406		1	DEFLECTOR PLATE GASKET
10	FA433158		2	REED PLATE W/REEDS, STOPS AND SCREWS
11	F335160		4	REED
12	F88161-3		4	REED STOP
13	F1755		16	ROUND HD SCREW W/LOCKWASHER, 6 - 32 X 5/16
14	FA463387		1	DECAL, TIMING - U.S.A.
-	FAC463387		1	DECAL, TIMING - CANADA
15	F286772-1		1	CLAMP

MOTOR LEG

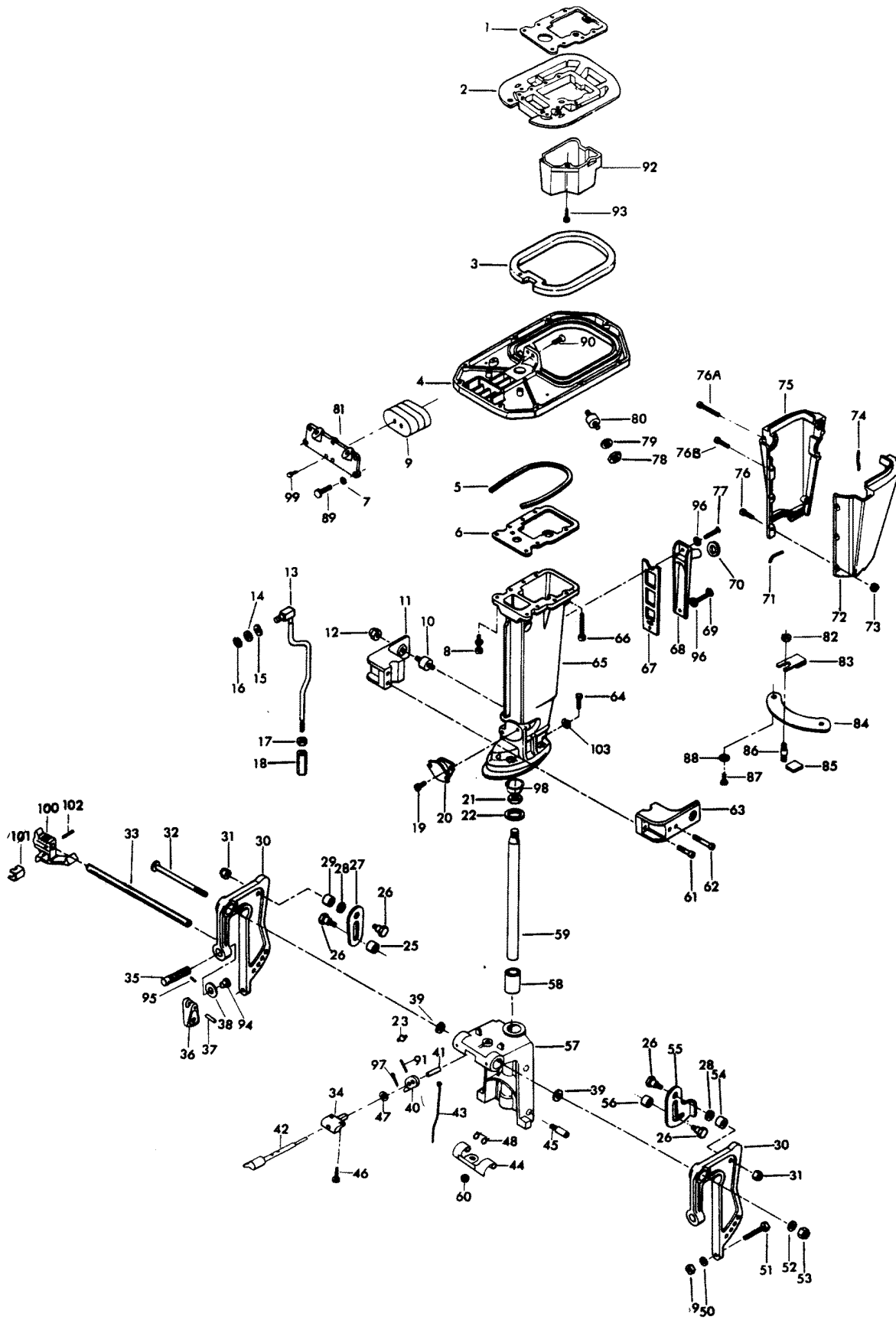


MOTOR LEG

REF. NO.	PART NO.	SYM.	QTY.	DESCRIPTION
1	F307279-2		1	CYLINDER EXHAUST GASKET UPPER
2	F433680		1	SPACER PLATE
3	F307989-1		1	SEAL, KINGPIN PLATE
4	FS307940		1	KINGPIN PLATE
5	F89025		1	DAMPENING PAD
6	F307453-3		1	CYLINDER EXHAUST GASKET LOWER
7	F8025		1	PLAIN WASHER
8	F1947		8	FLANGED 12 PT. SCREW, 5/16 - 18 X 2
9	F203965		1	SHOCK MOUNT UPPER
10	F215962		2	SHOCK MOUNT SIDE LOWER
11	F433972		1	SHOCK MOUNT LOWER COVER, STARBOARD
12	F1326		2	ACORN NUT
13	F328615		1	GEAR SHIFT ROD UPPER
14	F1987		1	PLAIN WASHER
15	F8049		1	BOWED SPRING WASHER
16	F185764		1	RETAINING RING
17	F1349		1	HEX NUT, S.S., 5/16 - 18
18	F141704		1	GEAR SHIFT ROD COUPLING
19	F1129		4	FILL HD SCREW, S.S., 5/16 - 18 X 1/2
20	FA40346-2		1	SHOCK MOUNT LOWER
21	F84280		1	KINGPIN NUT
22	F89011		1	SWIVEL BRACKET WASHER
23	F213274		3	GREASE FITTING
25	F269929		1	SPACER, TILT STOP
26	F366350		4	TILT STOP PIVOT
27	F366433		1	TILT STOP, STARBOARD
28	F1666		2	BOWED SPRING WASHER
29	F269929		1	SPACER, TILT STOP
30	FK433032		2	STERN BRACKET W/CLAMP SCREW AND FOOT
31	F7007		4	ELASTIC STOP NUT
32	F366037		1	STERN BRACKET PIVOT BOLT
33	FA433113		1	STERN BRACKET LOCK BAR W/HANDLE
34	F366884		1	BEARING
35	F463073		2	CLAMP SCREW
36	F288075		2	CLAMP SCREW HANDLE
37	F1638		2	SPRING PIN
38	F24074		2	CLAMP SCREW FOOT
39	F366286		2	STERN BRACKET FRICTION WASHER
40	F366364		1	ARM
41	F483884		1	BEARING
42	F366827		1	HANDLE AND SHAFT
43	F366510		1	LINK
44	F366349		1	LOCK

CONTINUED ON NEXT PAGE ➡

MOTOR LEG

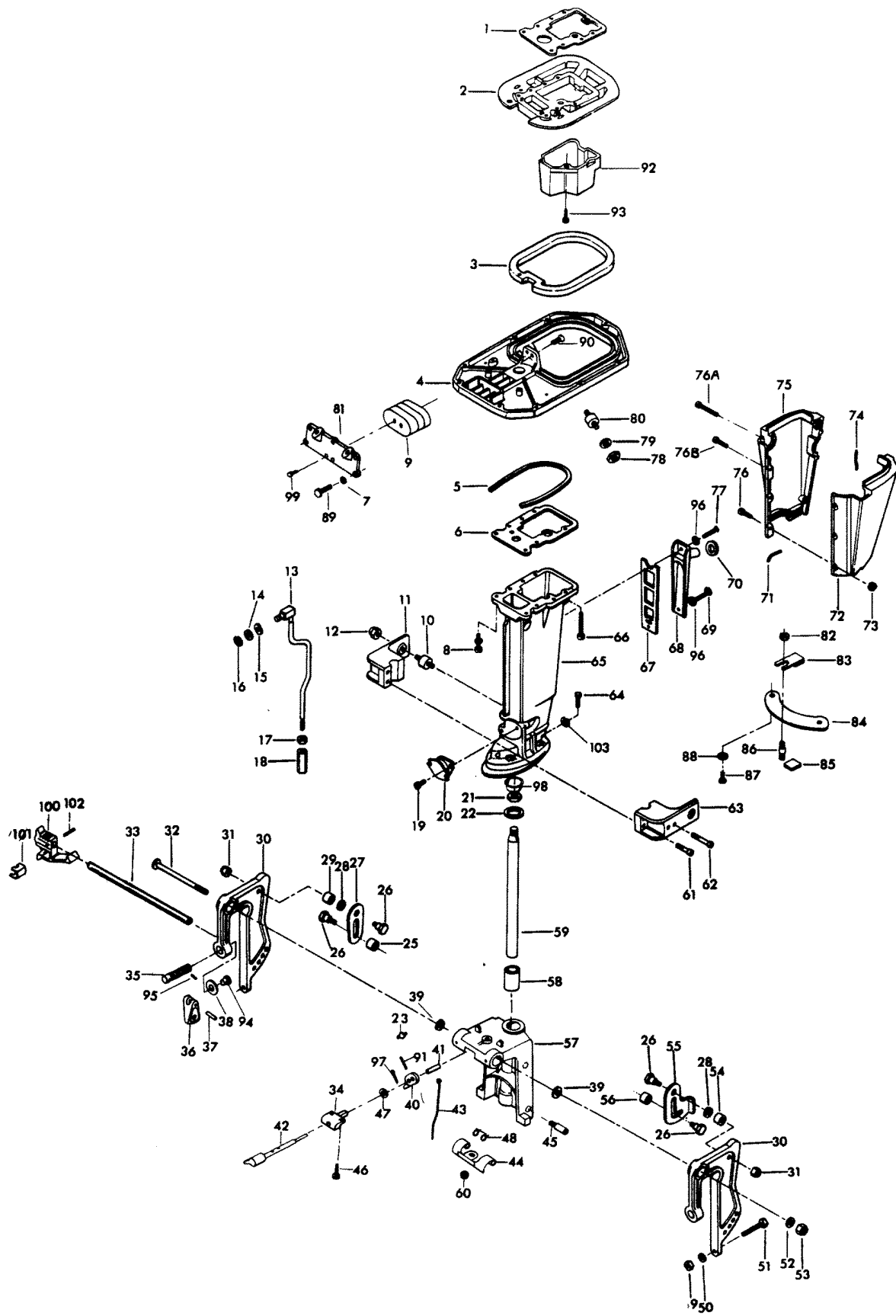


MOTOR LEG

REF. NO.	PART NO.	SYM.	QTY.	DESCRIPTION
45	F366886		2	PIN
46	F1733		2	PAN HD SCREW, 10 - 24 X 9/16
47	F8094		1	PLAIN WASHER
48	F366300		2	REVERSE LOCK SPRING
49	F1346		2	HEX NUT, S.S., 3/8 - 16
50	F1904		2	PLAIN WASHER
51	F1593		2	HEX HD SCREW, S.S., 3/8 - 16 X 3
52	F1656		1	PLAIN WASHER
53	F7001		1	ELASTIC STOP NUT
54	F269929		1	SPACER, TILT STOP
55	F366426		1	TILT STOP, PORT
56	F269929		1	SPACER, TILT STOP
57	817945A1		1	SWIVEL BRACKET W/BEARINGS AND GREASE FITTING
58	F191169-1		2	SWIVEL BRACKET BEARING
59	FA433019		1	KINGPIN W/PLUG
60	F1669		1	STOP NUT
61	F1636		2	HEX SOCKET HD CAP SCREW, S.S., 3/8 - 16 X 1-1/4
62	F1635		2	HEX SOCKET HD CAP SCREW, S.S., 3/8 - 16 X 3-1/2
63	F433973		1	SHOCK MOUNT LOWER COVER, PORT
64	F1929		4	HEX HD CAP SCREW, S.S., 3/8 - 16 X 1-1/8
65	F366133-2		1	MOTOR LEG, FOR SHORT SHAFT MODELS
-	F435133-1		1	MOTOR LEG, FOR LONG SHAFT MODELS
66	F1905		1	HEX HD SCREW, 1/4 - 20 X 3-7/16
67	F40833-4		1	MOTOR LEG EXHAUST COVER GASKET
68	FA89832-2		1	MOTOR LEG EXHAUST COVER
69	F1199		1	HEX HD SCREW, 1/4 - 20 X 1
70	F89504		1	GROMMET, MOTOR LEG
71	F435323		2	PACKING LEG COVER LOWER
72	FA366135		1	LEG COVER (PORT), FOR SHORT SHAFT MODELS
-	FA435135		1	LEG COVER (PORT), FOR LONG SHAFT MODELS
73	F1473		6	HEX NUT, 10 - 24
74	F435323		2	PACKING LEG COVER UPPER
75	FA366145		1	LEG COVER (STARBOARD), FOR SHORT SHAFT MODELS
-	F434322		1	PACKING - LEG COVER LOWER REAR (NOT SHOWN), FOR SHORT SHAFT MODELS
-	FA435145		1	LEG COVER (STARBOARD), FOR LONG SHAFT MODELS
76	F1088		2	FILL HD SCREW, 10 - 24 X 9/16, FOR SHORT SHAFT MODELS
-	F1088		3	FILL HD SCREW, 10 - 24 X 9/16, FOR LONG SHAFT MODELS
76A	F1767		1	FILL HD SCREW, 10 - 24 X 3
76B	F1768		3	FILL HD SCREW, 10 - 24 X 1-3/8, FOR SHORT SHAFT MODELS
-	F1768		2	FILL HD SCREW, 10 - 24 X 1-3/8, FOR LONG SHAFT MODELS
77	F1849		1	FLAT HD SCREW, S.S., 1/4 - 20 X 1-3/8
78	F1346		2	HEX NUT, 3/8 - 16

CONTINUED ON NEXT PAGE ➡

MOTOR LEG

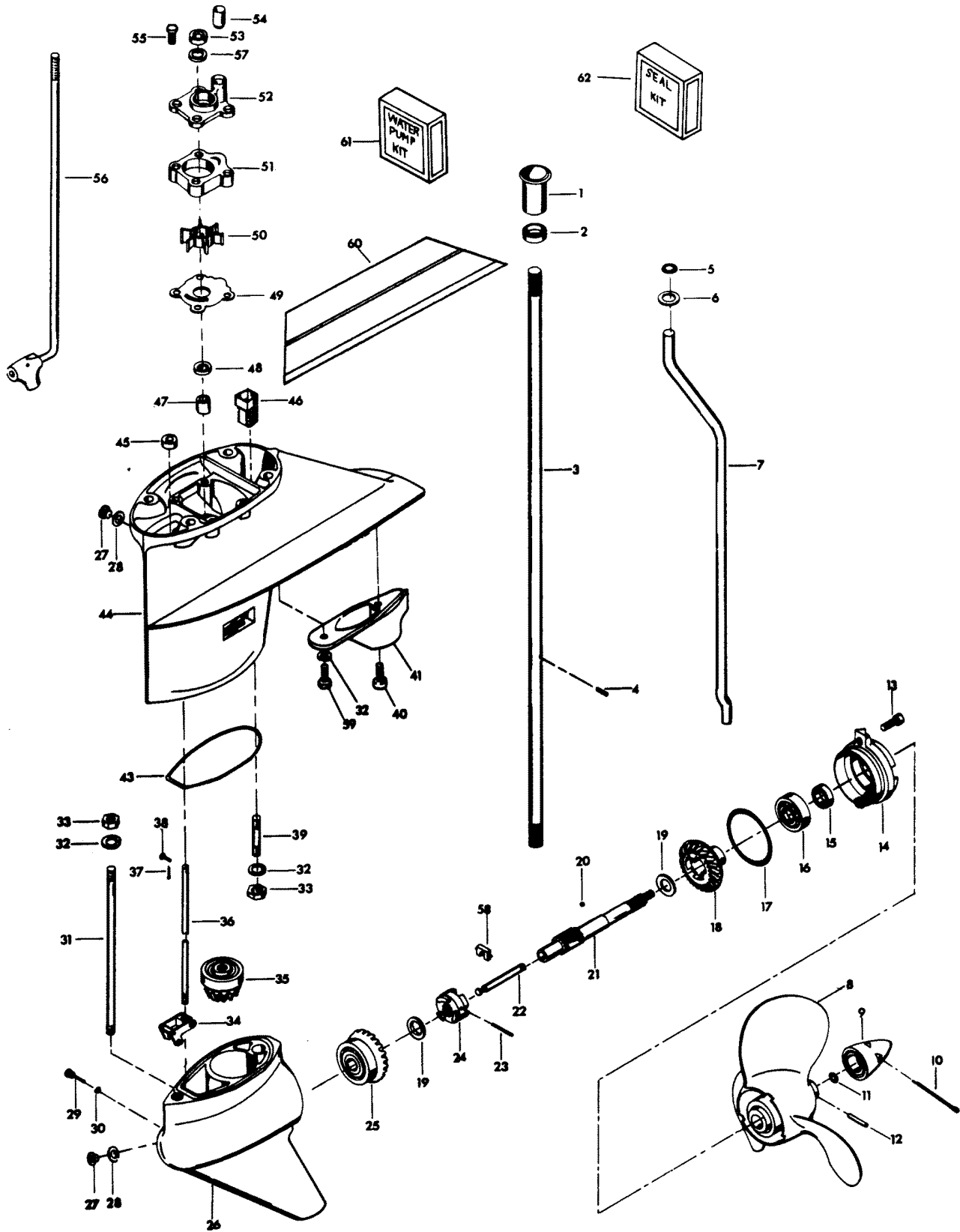


17

MOTOR LEG

REF. NO.	PART NO.	SYM.	QTY.	DESCRIPTION
79	F8038		2	PLAIN WASHER
80	F307962		2	SHOCK MOUNT, SIDE UPPER
81	F485946		1	SHOCK MOUNT UPPER COVER
82	F1832		1	HEX LOCK NUT, 1/4 - 20
83	FA40742		1	FRICTION SHOE ADJUSTING ARM W/SHOE
84	F40775		1	FRICTION SHOE PLATE
85	F901631-1		1	FRICTION SHOE
86	F210-1		1	STUD
87	F1689		2	HEX HD SCREW, 1/4 - 20 X 1/2
88	F8083		2	LOCKWASHER
89	F1502		3	HEX HD SCREW, 1/4 - 20 X 5/8
90	F1160		2	FLAT HD SCREW, 1/4 - 28 X 5/8
91	F1836		1	SPRING PIN
92	F307660-1		1	TUBE LEG EXHAUST
93	F1851		3	FILL HD MACHINE SCREW W/LOCKWASHER, 10 - 24 X 1/2
94	F353480		2	STUD
95	F8537		2	SPRING PIN
96	F8083		2	SPRING LOCKWASHER
97	F1014		1	COTTER PIN
98	F1880		1	PLUG
99	F1211		2	HEX HD SCREW W/LOCKWASHER, 1/4 - 28 X 5/8
100	F433114		1	HANDLE, LOCK BAR
101	F286461		1	SPRING LOCK BAR HANDLE
102	F1744		1	SPRING PIN
103	F8065		4	SPRING LOCKWASHER
104	F369390-1		1	DECAL, REVERSE LOCK - U.S.A.
-	37-F544390-1		1	DECAL, REVERSE LOCK - CANADA

GEAR HOUSING

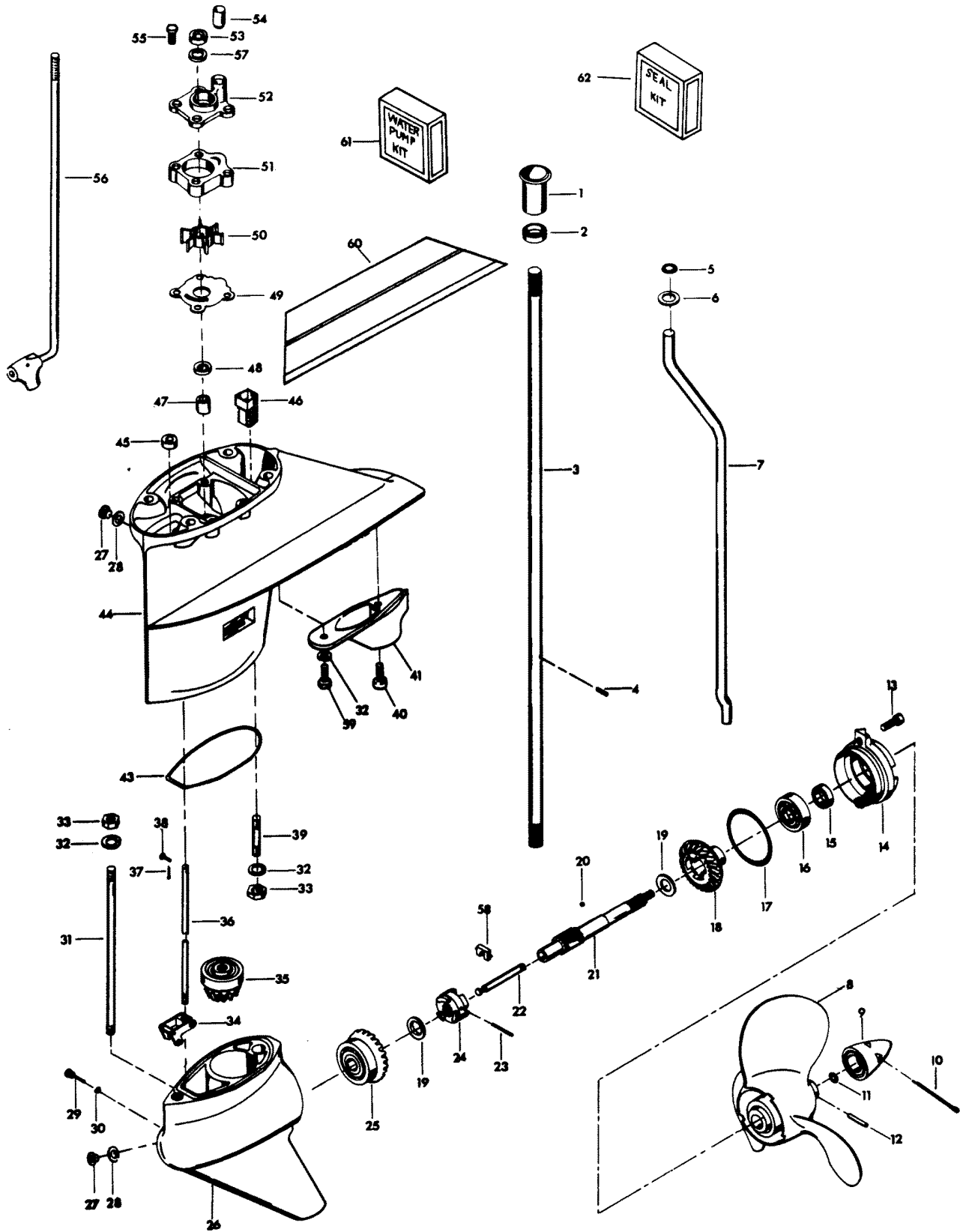


GEAR HOUSING

REF. NO.	PART NO.	SYM.	QTY.	DESCRIPTION
1	F338129-1		1	BOOT
2	F338271		1	RETAINER
3	45-817737A1		1	DRIVESHAFT W/RETAINER FOR STANDARD SHAFT MODELS
-	FA89128-1		1	DRIVESHAFT W/RETAINER FOR LONG SHAFT MODELS
4	F901563		1	DRIVE PIN, WATER PUMP IMPELLER
5	F40342		1	SEAL
6	F8042		1	PLAIN WASHER
7	F141244		1	INLET WATER LINE FOR STANDARD SHAFT MODELS
-	F435244		1	INLET WATER LINE FOR LONG SHAFT MODELS
8	FP273		1	STANDARD PROP (ACCESSORY ITEM)
9	FA94094-2		1	PROPELLER NUT W/SEAL AND COTTER PIN
10	F1027		1	COTTER PIN, S.S., 1/8 - 1/2
11	F40342		1	SEAL, PROPELLER NUT
12	FK247		1	PROPELLER PIN, PACK OF 6 W/COTTER PIN
13	F1263		2	HEX SOCKET HD CAP SCREW, S.S., 5/16 - 18 X 9/16
14	F2A366298		1	PROPELLER SHAFT BEARING CAGE W/SEAL
15	F141118		1	SEAL, PROPELLER SHAFT
16	F366058		1	BALL BEARING, PROPELLER SHAFT
17	F141305		1	SEAL, PROPELLER SHAFT BEARING CAGE
18	FA458662		1	BEVEL GEAR REAR W/BEARING
19	F40717		2	THRUST WASHER, BEVEL GEAR
20	F366727		1	BALL, PROPELLER SHAFT
21	44-819500A3		1	PROPELLER SHAFT
22	F90871-3		1	GEAR SHIFT ARM PIN
23	F2097		1	SPRING PIN
24	F99521-1		1	CLUTCH
25	FS458023		1	BEVEL GEAR FRONT W/BEARING
26	FA544054		1	GEAR HOUSING LOWER W/PLUG, WASHER AND THRUST BEARING CUP
-	FC544054		1	GEAR HOUSING COMPLETE (NOT SHOWN) INCLUDES ALL ITEMS MARKED WITH AN ASTERISK (*)
27	F50109		2	PLUG, GEAR HOUSING
28	F8077		2	WASHER, GEAR HOUSING PLUG
29	F498891		1	GEAR SHIFT ARM PIN
30	F498618		1	SEAL, GEAR SHIFT ARM PIN
31	F97008-1		1	STUD, LONG
32	F8065		2	LOCKWASHER
33	F1346		2	HEX NUT, S.S., 3/8 - 16
34	817796A2		1	GEAR SHIFT ARM
35	F2A544266		1	BEVEL PINION GEAR W/BEARING AND CUP
36	F435705		1	GEAR SHIFT ROD LOWER
37	F1015		1	COTTER PIN
38	F85372		1	PIN, GEAR SHIFT ROD LOWER
39	F40008		1	STUD, SHORT

CONTINUED ON NEXT PAGE ➡

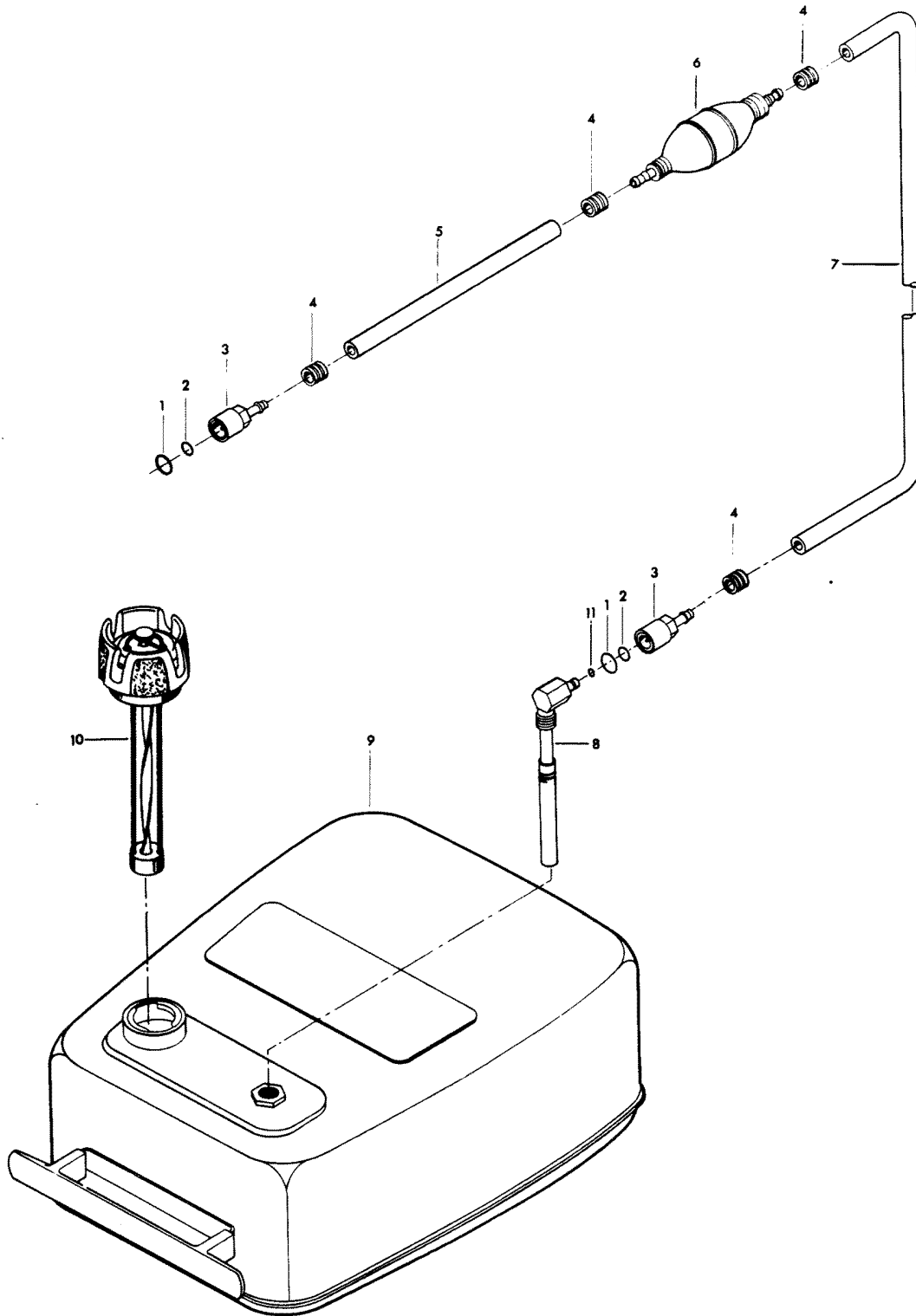
GEAR HOUSING



GEAR HOUSING

REF. NO.	PART NO.	SYM.	QTY.	DESCRIPTION
40	F1994		1	HEX HD CAP SCREW, 5/16 - 18 X 1
41	FA435116		1	SNOUT, EXHAUST
43	F435555		1	SEAL, GEAR HOUSING
44	1600-817871A3		1	GEAR HOUSING UPPER W/SEAL, WASHER, PLUG AND INLET WATER SCREEN ORIGINAL FORCE P/N A435554-2
45	F338618-1		1	SEAL, SHIFT ROD LOWER
46	F435077		1	SCREEN, WATER INLET
47	F435057		1	BEARING, DRIVESHAFT UPPER
48	F40307-2		1	SEAL, DRIVESHAFT
49	F433562		1	WATER PUMP BACK PLATE
50	F40065-2		1	WATER PUMP IMPELLER
51	F366060		1	WATER PUMP BODY
52	A366326-1		1	WATER PUMP COVER INCLUDES ITEM 53 ORIGINAL FORCE P/N A366326-1
53	F349307		1	DRIVESHAFT SEAL
54	FA485914		1	SEAL, INLET WATER LINE, LOWER
55	F2030		4	HEX HD SCREW, 1/4 - 20 X 1-1/4
56	FA434616		1	GEAR SHIFT ROD INTERMEDIATE FOR STANDARD SHAFT MODELS
-	FA435616		1	GEAR SHIFT ROD INTERMEDIATE FOR LONG SHAFT MODELS
57	485388		1	DISC, WATER PUMP
58	F90619-1		1	YOKE
59	F438930		1	RETAINER, SNOUT
60	A544392		1	DECAL, LEG - PORT
-	A544391		1	DECAL, LEG - STARBOARD
61	FK1076		1	WATER PUMP KIT
62	FK1074		1	GEAR HOUSING SEAL KIT INCLUDES ALL ITEMS MARKED WITH A DOUBLE ASTERISK (**)

FUEL TANK AND LINE



23

FUEL TANK AND LINE

REF. NO.	PART NO.	SYM.	QTY.	DESCRIPTION
1	F213342		2	SEAL, FUEL LINE COUPLER
2	F213735		2	SEAL, FUEL LINE COUPLER
3	F197787-3		2	FUEL LINE COUPLER
4	F298788		4	FERRULE
5	FA84754-1		1	FUEL LINE SHORT W/FERRULES
6	89396A38		1	PRIME BULB
7	32-817738A1		1	FUEL LINE, LONG W/CLAMP AND FERRULE
8	F485755-1		1	FUEL TANK ADAPTER
9	F5H026		1	FUEL TANK (ACCESSORY ITEM)
10	F409251-1		1	GAUGE CAP
11	F17932		1	SEAL, FUEL TANK ADAPTER
-	FS409752		1	FUEL LINE, COMPLETE
-	FC409398		1	DECAL, TOTE TANK - CANADA

SPECIAL TOOLS - TUNE-UP

REF. NO.	PART NO.	SYM.	QTY.	DESCRIPTION
-	FT2910		0	KNOCK-OFF NUT TO REMOVE FLYWHEEL
-	FT2989		0	FLYWHEEL REMOVAL TOOL TO REMOVE FLYWHEEL
-	FT2937-1		0	TIMING TOOL TO ADJUST SPARK ADVANCE
-	FT2937A		0	TIMING ROD TO BE USED W/T2937-1

SPECIAL TOOLS - MANUAL STARTER

REF. NO.	PART NO.	SYM.	QTY.	DESCRIPTION
-	FT3139-1		0	STARTER REWIND KEY TO REWIND STARTER SPRING

SPECIAL TOOLS - POWER HEAD

REF. NO.	PART NO.	SYM.	QTY.	DESCRIPTION
-	FT3510		0	SEAL PUNCH TO INSTALL UPPER CRANKSHAFT BEARING CAGE SEAL
-	FT8900		0	CLAMP PLIERS TO REMOVE AND INSTALL HOSE CLAMPS
-	FT2996		0	RING COMPRESSOR TO INSTALL PISTONS IN CYLINDERS
-	FT3512		0	SEAL PROTECTOR TO INSTALL UPPER CRANKSHAFT BEARING CAGE SEAL
-	FT8926		0	RING EXPANDER TO INSTALL RINGS ON PISTONS
-	FT2953		0	SOCKET TO TORQUE CONNECTING ROD SCREWS W/T2999
-	FT2990		0	PISTON PIN REMOVER TO REMOVE AND INSTALL PISTON PIN IN PISTON
-	FT2999		0	TORQUE WRENCH TO TORQUE CONNECTING ROD SCREWS

SPECIAL TOOLS - GEAR HOUSING

REF. NO.	PART NO.	SYM.	QTY.	DESCRIPTION
-	FT8948-1		0	PROPELLER SHAFT BEARING CAGE PULLER TO REMOVE PROPELLER SHAFT BEARING CAGE FROM LOWER GEAR HOUSING
-	FT8919		0	SPRING PIN PUNCH TO REMOVE CLUTCH SPRING PIN
-	FT8964		0	BEARING REMOVER TO REMOVE DRIVESHAFT BEARING
-	FT8907		0	DRIVER HANDLE FOR USE WITH T8904
-	FT8945		0	RETAINER PUNCH TO INSTALL RETAINER ON DRIVESHAFT SPLINE BOOT
-	FT8918		0	BUSHING GUIDE SET TO REMOVE AND INSTALL BEARING CUP IN LOWER GEAR HOUSING
-	FT8921		0	FORWARD BEARING CUP REMOVER TO REMOVE FORWARD BEARING CUP FROM LOWER GEAR HOUSING
-	FT8904		0	FORWARD BEARING CUP INSTALLER TO INSTALL FORWARD BEARING CUP IN LOWER GEAR HOUSING
-	FT3431		0	DRIVESHAFT SEAL AND PROP SHAFT SEAL INSTALLER TO INSTALL DRIVESHAFT AND PROP SHAFT SEAL IN LOWER UNIT
-	FT8962		0	BEARING INSTALLER TO INSTALL DRIVESHAFT BEARING
-	FT8957		0	SEAL INSTALLER TO INSTALL SHIFT ROD SEAL

SPECIAL TOOLS - TEST EQUIPMENT

REF. NO.	PART NO.	SYM.	QTY.	DESCRIPTION
-	FT2955A		0	TEST WHEEL TO TEST MOTOR IN TEST TANK
-	FT8932		0	LIFTING HOOK TO LIFT ENGINE
-	FT8950		0	LEAKAGE TESTER TO TEST LOWER UNIT FOR LEAKAGE ORIGINAL FORCE P/N 78950
-	T8974		0	BREAKER POINT TENSION GAUGE FOR CHECKING BREAKER POINT SPRING TENSION

SPECIAL TOOLS - LUBRICANTS AND SEALANTS

REF. NO.	PART NO.	SYM.	QTY.	DESCRIPTION
-	FT2961		0	LUBRICANT
-	FT2987-1		0	LUBRICANT
-	FT8969		0	LUBRICANT
-	FT8983		0	SEALANT
-	FT8936		0	SEALANT
-	FT2962-1		0	SEALANT
-	FT2963-1		0	SEALANT
-	FT8935		0	SEALANT PRIMER

ACCESSORIES

REF. NO.	PART NO.	SYM.	QTY.	DESCRIPTION
-	F5H025		0	ANTI-CORROSION SACRIFICIAL ANODE HELPS TO PREVENT CORROSION
-	494		0	HANDLE (REAR) PROVIDES REAR HANDLE AND REST PADS
-	589		0	HANDLE (FRONT) TO AID CARRYING OF ENGINE
-	F861		0	FLUSHING ADAPTER PERMITS FRESH WATER FLUSHING OF WATER PASSAGES WITH STANDARD GARDEN HOSE.
-	F5H040		0	FUEL TANK, 12 GALLON, STEEL ADDITIONAL TANK TO CARRY FUEL
-	F5H026		0	FUEL TANK, 6 GALLON, STEEL ADDITIONAL TANK TO CARRY FUEL
-	F5H066		0	LONG LEG CONVERSION KIT CONVERTS 15" STANDARD SHAFT MODEL TO 20" LONG SHAFT MODEL.
-	5H065		0	CANVAS HOOD PROTECTION FOR ENGINE COVER
-			0	CHRYSLER OUTBOARD OIL SEE BLOCK COMMENT 1.
-			0	CHRYSLER OUTBOARD GEAR LUBE SEE BLOCK COMMENT 2.
-			0	CHRYSLER OUTBOARD FUEL AID REMOVES MOISTURE. PREVENTS SLUDGE AND VARNISH AND STABILIZES GAS. AVAILABLE IN 16 OZ. CANS AND 12 CAN CASES.
-			0	CHRYSLER OUTBOARD STORAGE LUBRICANT WORKS AS A CORROSION INHIBITER AND PROTECTS INTERNAL ENGINE PARTS DURING STORAGE. AVAILABLE IN 16 OZ. CANS AND 12 CAN CASES.
-			0	CHRYSLER OUTBOARD MULTI-PURPOSE SPRAY LUBE WORKS AS A LUBRICANT, CLEANER, MOISTURE REMOVER AND ELECTRIC INSULATOR. AVAILABLE IN 9 OZ. CANS AND 12 CAN CASES.
-			0	CHRYSLER OUTBOARD MULTI-PURPOSE GREASE LUBRICATES BEARINGS AND OTHER MOVING PARTS. AVAILABLE IN 8 OZ. TUBES AND 12 TUBE CASES.
-			0	CHRYSLER OUTBOARD GREASE GUN USED WITH CHRYSLER OUTBOARD MULTI-PURPOSE GREASE TUBES FOR PRESSURE FITTINGS.
-			0	CHRYSLER OUTBOARD MULTI-PURPOSE CLEANER

PARTS INDEX

Part Number	Description	Pg.	Ref. No.	Part Number	Description	Pg.	Ref. No.
2A307518	CYLINDER HEAD W/PLUG	21	51	F12014	BREAKER POINT AND CONDENSER MOUNTING		
2C544712	ENGINE COVER COMPLETE	3	-		SCREW, 8 - 32 X 3/8	9	4
3SA377015	PISTON .030 OVERSIZE	25	-	F12016	CABLE CLIP SCREW, 8 - 32 X 1/2	9	17
485388	DISC, WATER PUMP	37	57	F12023	LAMINATION SCREW, 10 - 24 X 1	9	8
494	HANDLE (REAR)	46	-	F12042-1	CONDENSER W/MOUNT	9	6
589	HANDLE (FRONT)	46	-	F12044	BREAKER POINT SET	9	21
5H065	CANVAS HOOD	46	-	F12050	GROMMET	9	20
817747--1	BALL JOINT W/BEARING	7	95	F12053	COIL RETAINING CLIP	9	18
817747--1	BALL JOINT W/BEARING	11	24	F12057	COIL W/LEAD WIRE, SPARKIE AND GROMMET	9	19
817747--1	BALL JOINT W/BEARING	19	9	F12059	PRIMARY TERMINAL WIRE	9	10
817796A2	GEAR SHIFT ARM	35	34	F1211	HEX HD SCREW W/LOCKWASHER, 1/4 - 28 X 5/8	33	99
817938A1	STARTER ROPE HANDLE RETAINER	11	32	F12227	CAM WIPER FELT	9	22
817945A1	SWIVEL BRACKET W/BEARINGS AND GREASE FITTING	31	57	F12246	CABLE CLIP	9	16
818054A1	SUPPORT PLATE	5	52	F12341	COIL LAMINATIONS (NOT SHOWN)	9	-
818059A1	GEAR SHIFT ROD W/KNOB	3	28	F12342	STATOR PLATE WITHOUT LAMINATIONS	9	11
89396A38	PRIME BULB	39	6	F1238	HEX CAP SCREW, 1/4 - 20 X 3/4	7	82
A366326-1	WATER PUMP COVER	37	52	F1263	HEX SOCKET HD CAP SCREW, S.S., 5/16 - 18 X 9/16	35	13
A486427-1	STARTER MOUNTING BRACKET W/CAPS AND SCREWS	11	13	F1277	SLOTTED OVAL HD SET SCREW 1/4 - 28 X 3/8	7	89
A544391	DECAL, LEG - STARBOARD	37	-	F1286	PAN HD SCREW, 4 - 40 X 3/16	19	34
A544392	DECAL, LEG - PORT	37	60	F1300	BREAKER POINT TERMINAL SCREW, 6 - 32 X 3/8	9	5
F10000	GASKET SET	15	31	F1326	ACORN NUT	29	12
F10019	REPAIR PARTS KIT	15	22	F1341	HEX NUT, 1/4 - 20	21	79
F1014	COTTER PIN	15	11	F1346	HEX NUT, 3/8 - 16	31	78
F1014	COTTER PIN	33	97	F1346	HEX NUT, S.S., 3/8 - 16	31	49
F1015	COTTER PIN	35	37	F1346	HEX NUT, S.S., 3/8 - 16	35	33
F1017	COTTER PIN	5	76	F1349	HEX NUT, S.S., 5/16 - 18	29	17
F1027	COTTER PIN, S.S., 1/8 - 1/2	35	10	F141118	SEAL, PROPELLER SHAFT	35	15
F1052	FILL HD SCREW, 1/4 - 20 X 1	21	76	F141244	INLET WATER LINE FOR STANDARD SHAFT MODELS	35	7
F1059	FILL HD SCREW, 6 - 32 X 1/4	15	8	F141275	FITTING, THERMOSTAT	21	66
F1080	FILL HD SCREW W/LOCKWASHER, 10 - 24 X 3/4	25	19	F141305	SEAL, PROPELLER SHAFT BEARING CAGE	35	17
F1088	FILL HD SCREW, 10 - 24 X 9/16, FOR LONG SHAFT MODELS	31	-	F141704	GEAR SHIFT ROD COUPLING	29	18
F1088	FILL HD SCREW, 10 - 24 X 9/16, FOR SHORT SHAFT MODELS	31	76	F1441	PAN HD SCREW, 1/4 - 20 X 7/8	25	2
F1097	FILL HD SCREW, 1/4 - 20 X 3/8	11	1	F1446	SLOTTED PAN HD SCREW, 1/4 - 20 X 1	19	30
F1108	FILL HD SCREW W/LOCKWASHER	13	10	F1447	ROUND HD SCREW, 2 X 3/16	3	12
F1111	FILL HD SCREW, 1/4 - 20 X 7/8	11	9	F1473	HEX NUT, 10 - 24	19	18
F1129	FILL HD SCREW, S.S., 5/16 - 18 X 1/2	29	19	F1473	HEX NUT, 10 - 24	31	73
F1134	FILL HD SCREW, 8 - 32 X 1-1/8	19	13	F1502	HEX CAP SCREW, 1/4 - 20 X 5/8	13	19
F1136	FLAT HD SCREW, 1/4 - 20 X 1	19	31				
F1141	FLAT HD SCREW, 10 - 24 X 1/2	27	7				
F1160	FLAT HD SCREW, 1/4 - 28 X 5/8	33	90				
F1199	HEX HD SCREW, 1/4 - 20 X 1	31	69				

PARTS INDEX

Part Number	Description	Pg.	Ref. No.	Part Number	Description	Pg.	Ref. No.
F1502	HEX HD SCREW, 1/4 - 20 X 5/8	33	89	F1813	FILL HD SCREW W/LOCKWASHER, 10 - 24 X 1-1/8	25	21
F1513	HEX NUT, 10 - 32	3	16	F18160-2	REED, CYLINDER DRAIN	19	37
F1513	HEX NUT, 10 - 32	11	18	F1832	HEX LOCK NUT, 1/4 - 20	33	82
F1513	HEX NUT, 10 - 32	19	10	F183300	SPRING	3	23
F1513	HEX NUT, 10 - 32	19	6	F1836	SPRING PIN	5	74
F1515	HEX NUT, 5/16 - 18	3	20	F1836	SPRING PIN	33	91
F1515	HEX NUT, 5/16 - 18	11	16	F184033-1	SWIVEL, CHOKE ROD	15	7
F1515	HEX NUT, 5/16 - 18	15	30	F184579	SEAL, CHOKE ARM SWIVEL	15	6
F1515	HEX NUT, 5/16 - 18	27	2	F1849	FLAT HD SCREW, S.S., 1/4 - 20 X 1-3/8	31	77
F1525	WELCH PLUG	21	43	F1851	FILL HD MACHINE SCREW W/LOCKWASHER, 10 - 24 X 1/2	33	93
F1526	WELCH PLUG	21	52	F185764	RETAINING RING	29	16
F1544	HEX HD CAP SCREW, 3/8 - 16 X 2-1/4	21	55	F1860	ROUND HD SCREW, 6 - 32 X 1/4	13	6
F1578	HEX HD SCREW W/LOCKWASHER, 1/4 - 20 X 7/8	5	80	F1864	HEX CAP SCREW, 1/4 - 20 X 3/4	5	54
F1593	HEX HD SCREW, S.S., 3/8 - 16 X 3	31	51	F1864	HEX HD SCREW, 1/4 - 20 X 3/4	3	8
F1603	HEX BOLT, 5/16 - 18 X 2	7	87	F1864	HEX SLOT HD SCREW, 1/4 - 20 X 3/4	19	3
F1635	HEX SOCKET HD CAP SCREW, S.S., 3/8 - 16 X 3-1/2	31	62	F1879	HEX SOCKET HD CAP SCREW, 3/8 - 16 X 1-5/8	19	2
F1636	HEX SOCKET HD CAP SCREW, S.S., 3/8 - 16 X 1-1/4	31	61	F1880	PLUG	33	98
F1638	SPRING PIN	29	37	F1892	STOP NUT, 5/16 - 18	7	88
F1646	HEX SOCKET HD CAP SCREW, 3/8 - 16 X 2-1/4	19	1	F1904	PLAIN WASHER	31	50
F1656	PLAIN WASHER	31	52	F1905	HEX HD SCREW, 1/4 - 20 X 3-7/16	31	66
F1666	BOWED SPRING WASHER	29	28	F1910	ELASTIC STOP NUT, 1/4 - 20	19	11
F1669	STOP NUT	31	60	F191169-1	SWIVEL BRACKET BEARING	31	58
F1689	HEX HD SCREW, 1/4 - 20 X 1/2	33	87	F191737	RETAINER, STARTER SPRING	11	11
F1727	PLASTIC RIVET	19	24	F191971	STARTER RETAINER EXTENSION	11	26
F1733	PAN HD SCREW, 10 - 24 X 9/16	3	26	F191993-1	BRACKET, CHOKE CABLE (NOT SHOWN)	7	-
F1733	PAN HD SCREW, 10 - 24 X 9/16	3	34	F1920	HEX NUT, 5/8 - 18	9	1
F1733	PAN HD SCREW, 10 - 24 X 9/16	31	46	F1922	HEX HD SCREW, 1/4 - 20 X 5/8	13	20
F1738	HEX NUT, 3/8 - 24	3	37	F1922	HEX HD SCREW, 1/4 - 20 X 5/8	21	53
F1744	SPRING PIN	33	102	F1926	LAMINATION SCREW, 8 - 32 X 7/8	9	7
F1753	FASTENER	5	62	F1929	HEX HD CAP SCREW, S.S., 3/8 - 16 X 1-1/8	31	64
F1755	ROUND HD SCREW W/LOCKWASHER, 6 - 32 X 5/16	27	13	F1947	FLANGED 12 PT. SCREW, 5/16 - 18 X 2	29	8
F1767	FILL HD SCREW, 10 - 24 X 3	31	76A	F1953	HEX HD SCREW, 1/4 - 20 X 1	3	10
F1768	FILL HD SCREW, 10 - 24 X 1-3/8, FOR LONG SHAFT MODELS	31	-	F1955	PLAIN WASHER	5	48
F1768	FILL HD SCREW, 10 - 24 X 1-3/8, FOR SHORT SHAFT MODELS	31	76B	F1969	FILL HD SCREW, 1/4 - 20 X 3/4	19	25
F1770	STOP NUT, 8 - 32	19	15	F1971	HEX HD SCREW, 1/4 - 20 X 2-1/8	21	67
F177330	FUEL PUMP VALVE	13	7	F197787-3	FUEL LINE COUPLER	39	3
F17932	SEAL, FUEL TANK ADAPTER	39	11	F1979	FILL HD SCREW, 10 - 24 X 1/2	3	6
F1812	FILL HD SCREW W/LOCKWASHER, 10 - 24 X 1-9/16	25	20	F1987	PLAIN WASHER	3	24

PARTS INDEX

Part Number	Description	Pg.	Ref. No.	Part Number	Description	Pg.	Ref. No.
F1987	PLAIN WASHER	29	14	F307453-3	CYLINDER EXHAUST		
F1994	HEX HD CAP SCREW, 5/16 - 18 X 1	37	40	F307453-3	GASKET LOWER	29	6
F1995	FILL HD SCREW, 10 - 24 X 1	19	21	F307453-3	GASKET, CYLINDER EXHAUST LOWER	23	-
F1995	FILL HD SCREW, 10 - 24 X 1	21	62	F307660-1	TUBE LEG EXHAUST	33	92
F1997	STOP NUT, 10 - 24	15	35	F307689-1	STEERING HANDLE CONTROL SHAFT BEARING	5	50
F2001	FILL HD SCREW, 10 - 24 X 5/8	5	72	F307809-1	MAGNETO CONTROL ROD	3	17
F2002	HEX NUT, 5/16 - 18	5	67	F307818	BEARING, LATCH SHAFT	3	25
F2008	HEX HD SCREW, 1/4 - 20 X 7/8	27	1	F307860	INTAKE SILENCER	3	9
F2014	PLAIN WASHER	21	56	F307942-1	BUMPER	19	14
F201529-1	CYLINDER HEAD GASKET	21	50	F307962	SHOCK MOUNT, SIDE UPPER	33	80
F201529-1	GASKET, CYLINDER HEAD	23	-	F307989-1	SEAL, KINGPIN PLATE	29	3
F2025	PAN HD SCREW, 10 X 3/8	7	93	F311996	GASKET, CYLINDER HEAD COVER	23	-
F2030	HEX HD SCREW, 1/4 - 20 X 1-1/4	37	55	F328109	PIPE PLUG CYLINDER HEAD	21	57
F203965	SHOCK MOUNT UPPER	29	9	F328189-1	BUSHING, GEAR SHIFT ROD	3	27
F2066	PAN HD SELF-TAPPING SCREW, 10 - 7/16	5	63	F328232	STARTER ROPE	11	30
F2097	SPRING PIN	35	23	F328239	STARTER SPOOL	11	12
F213274	GREASE FITTING	7	83	F328438	MAGNETO CONTROL ARM	3	18
F213274	GREASE FITTING	29	23	F328455	STARTER ROPE GUIDE	11	28
F213342	SEAL, FUEL LINE COUPLER	39	1	F328615	GEAR SHIFT ROD UPPER	29	13
F213735	SEAL, FUEL LINE COUPLER	39	2	F328621	GEAR SHIFT ARM	5	75
F215962	SHOCK MOUNT SIDE LOWER	29	10	F328692	PIVOT TUBE	5	41
F24074	CLAMP SCREW FOOT	29	38	F328703-1	STEERING HANDLE ADAPTER	5	39
F24333	END, STARTER ROPE	11	33	F328710	STARTER ROPE GUIDE POST	11	8
F269052	SHIFT ARM BEARING	19	27	F328819	SWIVEL SHIFT DETENT	5	69
F269122-1	CRANKCASE PARTING LINE SEAL	21	80	F328884	DETENT, SHIFT ARM	5	71
F269122-1	GASKET, CRANKCASE PARTING LINE SEAL	23	-	F333316	THROTTLE ROLLER SHAFT	15	32
F269319	THROTTLE CAM BEARING	19	5	F335160	REED	27	11
F269445-1	SPARK CONTROL LINK	19	19	F335217-1	BEARING	25	8
F269929	SPACER, TILT STOP	29	25	F338129-1	BOOT	35	1
F269929	SPACER, TILT STOP	29	29	F338271	RETAINER	35	2
F269929	SPACER, TILT STOP	31	54	F338618-1	SEAL, SHIFT ROD LOWER	37	45
F269929	SPACER, TILT STOP	31	56	F338815	STEERING HANDLE GEAR	5	44
F286132	STARTER ROPE HANDLE	11	31	F338815	STEERING HANDLE GEAR	5	49
F286461	SPRING LOCK BAR HANDLE	33	101	F338877	MAGNETO CONTROL SHAFT	5	40
F286547	CHOKE KNOB	3	30	F349307	DRIVESHAFT SEAL	37	53
F286772-1	CLAMP	27	15	F353480	STUD	33	94
F286894-3	STEERING HANDLE INDICATOR	5	66	F366013	CRANKSHAFT THRUST BEARING UPPER	25	22
F288075	CLAMP SCREW HANDLE	29	36	F366037	STERN BRACKET PIVOT BOLT	29	32
F298788	FERRULE	39	4	F366058	BALL BEARING, PROPELLER SHAFT	35	16
F2A338079	STEERING HANDLE	5	45	F366060	WATER PUMP BODY	37	51
F2A366298	PROPELLER SHAFT BEARING CAGE W/SEAL	35	14	F366082	MAGNETO STATOR RING	25	18
F2A433757	CYLINDER DRAIN REED PLATE	19	38	F366133-2	MOTOR LEG, FOR SHORT SHAFT MODELS	31	65
F2A544266	BEVEL PINION GEAR W/BEARING AND CUP	35	35	F366215	SPACER	25	10
F307211	STUD	11	14	F366277	BEARING CAGE GASKET	25	4
F307279-2	CYLINDER EXHAUST GASKET UPPER	29	1	F366277	GASKET, BEARING CAGE	23	-
F307279-2	GASKET, CYLINDER EXHAUST UPPER	23	-	F366286	STERN BRACKET FRICTION WASHER	29	39
				F366300	REVERSE LOCK SPRING	31	48
				F366349	LOCK	29	44

PARTS INDEX

Part Number	Description	Pg.	Ref. No.	Part Number	Description	Pg.	Ref. No.
F366350	TILT STOP PIVOT	29	26	F433406	DEFLECTOR PLATE		
F366364	ARM	29	40		GASKET	27	9
F366426	TILT STOP, PORT	31	55	F433406	GASKET, DEFLECTOR		
F366433	TILT STOP, STARBOARD	29	27		PLATE	23	-
F366510	LINK	29	43	F433503	CHOKE CABLE	3	29
F366727	BALL, PROPELLER SHAFT	35	20	F433562	WATER PUMP BACK PLATE	37	49
F366813	BEARING	5	73	F433612	BRACKET, SHIFT ROD	5	78
F366824	CARRYING HANDLE	7	86	F433680	SPACER PLATE	29	2
F366827	HANDLE AND SHAFT	29	42	F433688	SHAFT, STEERING HANDLE	3	32
F366884	BEARING	29	34	F433689	BEARING, TOWERSHAFT	19	22
F366886	PIN	31	45	F433972	SHOCK MOUNT LOWER		
F367300	SPRING SHIFT DETENT	5	68		COVER, STARBOARD	29	11
F369390-1	DECAL, REVERSE LOCK -			F433973	SHOCK MOUNT LOWER		
	U.S.A.	33	104		COVER, PORT	31	63
F369887	INTERLOCK SCREW	11	21	F434322	PACKING - LEG COVER		
F377015-1	PISTON (STANDARD)	25	12		LOWER REAR (NOT		
F40008	STUD, SHORT	35	39		SHOWN),	31	-
F40017-2	PISTON PIN	25	9	F434754	FUEL LINE, PUMP TO		
F40065-2	WATER PUMP IMPELLER	37	50		CARBURETOR	13	14
F40146-1	CRANKSHAFT SEAL	25	1	F434754	HOSE BUSHING TO FUEL		
F40151-1	EXHAUST PORT PLATE	21	71		PUMP	13	17
F40154-3	EXHAUST PORT PLATE			F434758	FUEL PUMP IMPULSE HOSE	13	4
	GASKET	21	70	F434767	BUSHING	3	38
F40154-3	GASKET, EXHAUST PORT			F435057	BEARING, DRIVESHAFT		
	PLATE	21	-		UPPER	37	47
F40209	CARBURETOR STUD	27	3	F435077	SCREEN, WATER INLET	37	46
F40223	GASKET, TRANSFER PORT			F435133-1	MOTOR LEG, FOR LONG		
	COVER	23	-		SHAFT MODELS	31	-
F40223	TRANSFER PORT COVER			F435244	INLET WATER LINE FOR		
	GASKET	21	44		LONG SHAFT MODELS	35	-
F40307-2	SEAL, DRIVESHAFT	37	48	F435323	PACKING LEG COVER		
F40342	SEAL	35	5		LOWER	31	71
F40342	SEAL, PROPELLER NUT	35	11	F435323	PACKING LEG COVER		
F40410	SNAP RING	25	14		UPPER	31	74
F40425	STARTER PINION PIN	11	5	F435555	SEAL, GEAR HOUSING	37	43
F404801	ELBOW	21	48	F435705	GEAR SHIFT ROD LOWER	35	36
F40717	THRUST WASHER, BEVEL			F436449	SHORTING SWITCH	9	23
	GEAR	35	19	F438165	SCREW, FUEL BOWL	13	18
F40775	FRICITION SHOE PLATE	33	84	F438500	FUEL SEDIMENT BOWL	13	16
F40816-1	STEERING HANDLE			F438617	FUEL SEDIMENT BOWL		
	CONTROL SHAFT				GASKET	13	12
	THRUST BEARING	5	47	F438653	FUEL PUMP SCREEN	13	15
F40833-4	GASKET, RELIEF COVER	23	-	F438747	FUEL PUMP DIAPHRAGM	13	5
F40833-4	MOTOR LEG EXHAUST			F438760	FUEL PUMP GASKET	13	2
	COVER GASKET	31	67	F438801	ELBOW	13	11
F40906-1	FLANGE GASKET	17	39	F438930	RETAINER, SNOUT	37	59
F40906-1	GASKET, CARBURETOR	23	-	F458677	INSERT, CHOKE KNOB	3	31
F409251-1	GAUGE CAP	39	10	F458695	SLEEVE, STEERING		
F428096	RETAINER, PISTON PIN	25	11		HANDLE	7	90
F433061-2	CARBURETOR COMPLETE			F458774	BRACKET, RETAINER REAR	5	53
	(WB-17C)	17	41	F460664	WIRE, STATOR GROUND	9	9
F433114	HANDLE, LOCK BAR	33	100	F461400	GEAR SHIFT INDICATOR	5	58
F433168	CARBURETOR ADAPTER			F463073	CLAMP SCREW	29	35
	GASKET	27	6	F463314	FITTING	21	72
F433168	GASKET, CARBURETOR			F463864	RETAINER, TILT HANDLE	5	55
	ADAPTER	23	-	F478502	LINK	11	25
F433192	THROTTLE CAM	19	8	F483884	BEARING	29	41
F433209-1	STUD, THROTTLE CAM	19	4	F485005	INTERLOCK LEVER ARM	7	94
F433254	HOSE	21	49	F485424	SPRING, STARTER PINION	11	6
F433404	DEFLECTOR PLATE	27	8	F485755-1	FUEL TANK ADAPTER	39	8

PARTS INDEX

Part Number	Description	Pg.	Ref. No.	Part Number	Description	Pg.	Ref. No.
F485781	STARTER INTERLOCK LOCK	11	23	F8096	SPRING LOCKWASHER . . .	3	21
F485946	SHOCK MOUNT UPPER COVER	33	81	F8096	SPRING LOCKWASHER . . .	11	15
F485971	STARTER SPRING EXTENSION	11	17	F84026	SPARK CONTROL SWIVEL .	19	16
F486531	STARTER INTERLOCK ROD	11	19	F84035-2	SPARK CONTROL BEARING, R.H.	19	20
F487674	STARTER PINION GEAR . . .	11	4	F84036	SPARK CONTROL BEARING, L.H.	19	17
F498618	SEAL, GEAR SHIFT ARM PIN	35	30	F84280	KINGPIN NUT	29	21
F498891	GEAR SHIFT ARM PIN	35	29	F84314-2	ELBOW	13	3
F50109	PLUG, GEAR HOUSING	35	27	F84314-2	ELBOW, FUEL LINE	17	42
F53795-1	DAMPENER	5	42	F84314-2	ELBOW, FUEL LINE	21	46
F544269	TILT HANDLE	5	65	F84792	FUEL PUMP VALVE GASKET (CENTER VALVE)	13	8
F545180	TRIM, ENGINE COVER REAR	5	60	F8537	SPRING PIN	33	95
F545711	PLATE, FRONT	3	1	F85372	PIN, GEAR SHIFT ROD LOWER	35	38
F58685-2	ROD END CONNECTOR, MAGNETO CONTROL . . .	3	15	F8538	SPRING PIN	5	43
F5H025	ANTI-CORROSION SACRIFICIAL ANODE	46	-	F8538	SPRING PIN	5	51
F5H026	FUEL TANK (ACCESSORY ITEM)	39	9	F8540	SPRING PIN	3	19
F5H026	FUEL TANK, 6 GALLON, STEEL	46	-	F8540	SPRING PIN	11	27
F5H040	FUEL TANK, 12 GALLON, STEEL	46	-	F8545	SPRING PIN	21	75
F5H066	LONG LEG CONVERSION KIT	46	-	F8548	SPRING PIN	3	5
F7001	ELASTIC STOP NUT	31	53	F85502	THROTTLE LINK	19	12
F7004	STOP NUT, 3/8 - 16	19	26	F8559	DOWEL PIN	19	41
F7007	ELASTIC STOP NUT	29	31	F85610	BEARING	5	81
F7011	HEX NUT, 10 - 24	5	57	F85610	BEARING	19	29
F8003	PLAIN WASHER	19	35	F85634-2	CONNECTING ROD SCREW	25	17
F8025	PLAIN WASHER	29	7	F85735-1	SEAL	5	61
F8028	PLAIN WASHER	5	79	F85756	SUPPORT PLATE PACKING	5	59
F8028	PLAIN WASHER	11	20	F861	FLUSHING ADAPTER	46	-
F8032	PLAIN WASHER	5	77	F88161-3	REED STOP	27	12
F8038	PLAIN WASHER	33	79	F89011	SWIVEL BRACKET WASHER	29	22
F8042	PLAIN WASHER	35	6	F89025	DAMPENING PAD	29	5
F8049	BOWED SPRING WASHER .	29	15	F89504	GROMMET, MOTOR LEG . .	31	70
F8058	INTERNAL TOOTH LOCKWASHER	7	96	F89777-1	LATCH CAM	3	22
F8058	INTERNAL TOOTH LOCKWASHER	11	22	F90014	CRANKSHAFT LOWER MAIN BEARING	25	16
F8058	INTERNAL TOOTH LOCKWASHER	19	7	F901563	DRIVE PIN, WATER PUMP IMPELLER	35	4
F8060	EXTERNAL TOOTH LOCKWASHER	11	29	F901631-1	FRICITION SHOE	33	85
F8060	EXTERNAL TOOTH LOCKWASHER (USE WITH PAN HD SCREW)	25	23	F901739	STARTER REWIND SPRING DRIVE	11	7
F8060	INTERNAL TOOTH LOCKWASHER	5	70	F901834	LEAD WIRE CLIP	21	68
F8065	LOCKWASHER	35	32	F901970	SPRING STARTER REWIND	11	10
F8065	SPRING LOCKWASHER . . .	33	103	F90619-1	YOKE	37	58
F8077	WASHER, GEAR HOUSING PLUG	35	28	F90871-3	GEAR SHIFT ARM PIN	35	22
F8083	LOCKWASHER	33	88	F92498	KEY	9	14
F8083	SPRING LOCKWASHER . . .	21	77	F92759	ROLLER	15	33
F8083	SPRING LOCKWASHER . . .	33	96	F93002	CAM	9	15
F8088	PLAIN WASHER	15	10	F93097-6	FLYWHEEL AND STARTER GEAR	9	2
F8094	PLAIN WASHER	31	47	F93472-1	CYLINDER DRAIN COVER GASKET	19	33
				F93472-1	GASKET, CYLINDER DRAIN	23	-
				F93748-1	CYLINDER DRAIN REED PLATE GASKET	19	40
				F93748-1	GASKET, CYLINDER DRAIN	23	-
				F93811	SCREEN, CYLINDER DRAIN REED PLATE	19	39

PARTS INDEX

Part Number	Description	Pg.	Ref. No.	Part Number	Description	Pg.	Ref. No.
F94914	SLEEVE, STATOR GROUND WIRE (NOT SHOWN)	9	-	FA435616	GEAR SHIFT ROD INTERMEDIATE FOR LONG SHAFT MODELS . .	37	-
F97008-1	STUD, LONG	35	31	FA438431	FUEL PUMP BODY W/VALVES	13	9
F97066-1	THERMOSTAT COVER	21	61	FA439746	FUEL PUMP COVER	13	1
F97067	GASKET, THERMOSTAT COVER	23	-	FA456137	STEERING HANDLE GRIP W/SLEEVE	5	46
F97067	THERMOSTAT COVER GASKET	21	60	FA458480	ENGINE COVER RETAINER W/SCREWS AND NUTS . .	5	56
F97068-1	THERMOSTAT	21	59	FA458662	BEVEL GEAR REAR W/BEARING	35	18
F97275	FITTING, THERMOSTAT . . .	21	63	FA463387	DECAL, TIMING - U.S.A. . . .	27	14
F97504	GROMMET, THERMOSTAT . .	21	58	FA485914	SEAL, INLET WATER LINE, LOWER	37	54
F97772	CLAMP	21	64	FA535395	IDENTIFICATION PLATE W/SCREWS - U.S.A.	3	13
F97772	FUEL LINE CLAMPS	13	13	FA544054	GEAR HOUSING LOWER W/PLUG, WASHER AND THRUST BEARING CUP . .	35	26
F98273	ROD END CONNECTOR STUD	3	14	FA544396	DECAL, ENGINE COVER - STARBOARD	3	-
F99521-1	CLUTCH	35	24	FA544397	DECAL, ENGINE COVER - PORT	3	2
FA27232	EMERGENCY STARTER ROPE (NOT SHOWN)	11	-	FA544528	DECAL, ENGINE COVER REAR	7	91
FA307779	BAFFLE, AIR INTAKE	3	11	FA544892	DECAL, ENGINE COVER FRONT	3	4
FA328763	LATCH SHAFT W/HANDLE . .	3	33	FA84754-1	FUEL LINE SHORT W/FERRULES	39	5
FA353260	PISTON RING SET (6 PER SET) (STANDARD)	25	13	FA89128-1	DRIVESHAFT W/RETAINER FOR LONG SHAFT MODELS	35	-
FA366135	LEG COVER (PORT), FOR SHORT SHAFT MODELS . .	31	72	FA89832-2	MOTOR LEG EXHAUST COVER	31	68
FA366145	LEG COVER (STARBOARD), FOR SHORT SHAFT MODELS	31	75	FA901839	STEERING HANDLE FRICTION SCREW W/SPRING AND BUTTON . .	3	36
FA366778	ENGINE COVER RETAINER, FORWARD, W/SCREWS AND NUTS	3	7	FA94094-2	PROPELLER NUT W/SEAL AND COTTER PIN	35	9
FA366953	BUSHING, STARTER HANDLE	3	35	FA97247	WATER TUBE, THERMOSTAT	21	65
FA40346-2	SHOCK MOUNT LOWER . . .	29	20	FAC463387	DECAL, TIMING - CANADA . .	27	-
FA40655	CRANKSHAFT CENTER MAIN BEARING RACE W/SNAP RING	25	15	FAC535395	IDENTIFICATION PLATE W/SCREWS - CANADA . .	3	-
FA40742	FRICTION SHOE ADJUSTING ARM W/SHOE	33	83	FC310227	SPARK PLUG (QL-4-J) FOR MODELS 352B9L AND 353B9L	21	-
FA411222	TRANSFER PORT COVER . .	21	45	FC409398	DECAL, TOTE TANK - CANADA	39	-
FA433019	KINGPIN W/PLUG	31	59	FC544054	GEAR HOUSING COMPLETE (NOT SHOWN)	35	-
FA433113	STERN BRACKET LOCK BAR W/HANDLE	29	33	FG1007-1	GASKET SET	21	81
FA433144	CRANKSHAFT BEARING CAGE W/SEAL	25	3	FK1074	GEAR HOUSING SEAL KIT . .	37	62
FA433152	EXHAUST PORT COVER . . .	21	69	FK1076	WATER PUMP KIT	37	61
FA433158	REED PLATE W/REEDS, STOPS AND SCREWS . . .	27	10	FK1077	TUNE-UP KIT	9	24
FA433167	CARBURETOR ADAPTER FLANGE	27	5	FK247	PROPELLER PIN, PACK OF 6 W/COTTER PIN	35	12
FA433471	CYLINDER DRAIN COVER . .	19	32	FK433032	STERN BRACKET W/CLAMP SCREW AND FOOT	29	30
FA434616	GEAR SHIFT ROD INTERMEDIATE FOR STANDARD SHAFT MODELS	37	56				
FA434876	SHIFT ARM W/ROLLER	19	28				
FA435116	SNOUT, EXHAUST	37	41				
FA435135	LEG COVER (PORT), FOR LONG SHAFT MODELS . .	31	-				

PARTS INDEX

Part Number	Description	Pg.	Ref. No.	Part Number	Description	Pg.	Ref. No.
FK433838	TOWERSHAFT	19	23	FS307940	KINGPIN PLATE	29	4
FK750-2	SPARKIE KIT	9	13	FS409752	FUEL LINE, COMPLETE ...	39	-
FK85228	BEARING CAGE W/ROLLERS (16 PER SET)	25	6	FS433758	HOSE	21	73
FO10165	INLET SEAT GASKET	15	19	FS458023	BEVEL GEAR FRONT W/BEARING	35	25
FO10280	CHOKE SHUTTER RETAINING SCREW AND LOCKWASHER	15	16	FS486712	ENGINE COVER W/TILT HANDLE AND RETAINERS	3	3
FO10588	BODY CHANNEL CUP PLUG	15	1	FT2910	KNOCK-OFF NUT	40	-
FO10790	INLET NEEDLE, SEAT AND GASKET	15	20	FT2937-1	TIMING TOOL	40	-
FO10883	CHOKE RELIEF VALVE SPRING	15	18	FT2937A	TIMING ROD	40	-
FO11103	IDLE MIXTURE SCREW SPRING	15	14	FT2953	SOCKET	42	-
FO12250	CHOKE SHUTTER	15	17	FT2955A	TEST WHEEL	44	-
FO12251	CHOKE RELIEF VALVE	15	13	FT2961	LUBRICANT	45	-
FO13193	MAIN FUEL JET .088 (OPT.) 1250-3750 FEET	15	-	FT2962-1	SEALANT	45	-
FO13552	FUEL BOWL	15	25	FT2963-1	SEALANT	45	-
FO13554	FLOAT	15	27	FT2987-1	LUBRICANT	45	-
FO13944	FLOAT LEVER PIN	15	21	FT2989	FLYWHEEL REMOVAL TOOL	40	-
FO13945	FUEL BOWL RETAINING SCREW	15	26	FT2990	PISTON PIN REMOVER	42	-
FO13946	IDLE MIXTURE SCREW	15	15	FT2996	RING COMPRESSOR	42	-
FO13949	MAIN FUEL JET .086 (OPT.) 3750-6250 FEET	15	-	FT2999	TORQUE WRENCH	42	-
FO14292	THROTTLE SHAFT RETURN SPRING	15	36	FT3139-1	TORQUE WRENCH	42	-
FO14302	MAIN FUEL JET .084 (OPT.) 6250-8250 FEET	15	-	FT3431	STARTER REWIND KEY ...	41	-
FO15406	MAIN FUEL JET .090 (STD.)	15	29		DRIVESHAFT SEAL AND PROP SHAFT SEAL INSTALLER	43	-
FO15623	FUEL BOWL GASKET	15	23	FT3510	SEAL PUNCH	42	-
FO15728	THROTTLE SHAFT AND LEVER	15	34	FT3512	SEAL PROTECTOR	42	-
FO16119	THROTTLE SHUTTER	15	37	FT8900	CLAMP PLIERS	42	-
FO16251	MAIN NOZZLE	15	28	FT8904	FORWARD BEARING CUP INSTALLER	43	-
FO16383	CHOKE SHAFT AND LEVER	15	5	FT8907	DRIVER HANDLE	43	-
FO16385	CHOKE SHAFT RETURN SPRING	15	12	FT8918	BUSHING GUIDE SET	43	-
FO2510	FUEL BOWL RETAINING SCREW GASKET	15	24	FT8919	SPRING PIN PUNCH	43	-
FO3804	THROTTLE SHAFT POSITION RETAINING SCREW WASHER	15	2	FT8921	FORWARD BEARING CUP REMOVER	43	-
FO4326	BODY CHANNEL WELCH PLUG	17	40	FT8926	RING EXPANDER	42	-
FO6393	THROTTLE SHAFT POSITION RETAINING SCREW	15	4	FT8932	LIFTING HOOK	44	-
FO6396	THROTTLE SHAFT POSITION RETAINING SCREW LOCKWASHER ..	15	3	FT8935	SEALANT PRIMER	45	-
FO8942	THROTTLE SHUTTER RETAINING SCREW AND LOCKWASHER	17	38	FT8936	SEALANT	45	-
FP273	STANDARD PROP (ACCESSORY ITEM)	35	8	FT8945	RETAINER PUNCH	43	-
FS174227	SPARK PLUG (L-4-J)	21	54	FT8948-1	PROPELLER SHAFT BEARING CAGE PULLER	43	-
				FT8950	LEAKAGE TESTER	44	-
				FT8957	SEAL INSTALLER	43	-
				FT8962	BEARING INSTALLER	43	-
				FT8964	BEARING REMOVER	43	-
				FT8969	LUBRICANT	45	-
				FT8983	SEALANT	45	-
				SA377015	PISTON .010 OVERSIZE SHORT BLOCK COMPLETE	25	-
				T8974	BREAKER POINT TENSION GAUGE	44	-
				22-817740A1	ELBOW W/METERING CUP .	21	74
				32-817738A1	FUEL LINE, LONG W/CLAMP AND FERRULE	39	7
				37-F286894-3	STEERING HANDLE INDICATOR - CANADA ...	5	-
				37-F544390-1	DECAL, REVERSE LOCK - CANADA	33	-

PARTS INDEX

Part Number	Description	Pg.	Ref. No.	Part Number	Description	Pg.	Ref. No.
44-819500A3	PROPELLER SHAFT	35	21				
45-817737A1	DRIVESHAFT W/RETAINER FOR STANDARD SHAFT MODELS	35	3				
400-FA485018	CRANKSHAFT W/BEARING .	25	5				
600-818052A4	CONNECTING ROD W/CAP AND SCREWS	25	7				
800-817791A1	CYLINDER W/CRANKCASE COVER, DEFLECTOR PLATE AND SCREWS . . .	19	42				
800-817894A2	SHORT BLOCK (NOT SHOWN)	21	-				
1600-817871A3	GEAR HOUSING UPPER . . .	37	44				
F210-1	STUD	33	86				