



# PARTS CATALOG

## 70 H.P. SKIER

### SERIAL NUMBER

70 (1979) .....	709B9A
70 (1979) .....	709B9AN
70 (1979) .....	709H9A
70 (1979) .....	709H9AN

# TABLE OF CONTENTS:

ACCESSORIES .....	51
CARBURETOR .....	16
CRANKSHAFT AND PISTON GROUP .....	28
DISTRIBUTOR .....	10
ELECTRIC STARTER .....	14
ELECTRICAL COMPONENTS .....	6
ENGINE COVER AND SUPPORT PLATE .....	2
FUEL TANK AND LINE .....	40
GEAR HOUSING .....	34
MOTOR LEG .....	30
PARTS INDEX .....	55
POWERHEAD .....	22
REMOTE CONTROL .....	42
SPECIAL TOOLS - GEAR HOUSING .....	48
SPECIAL TOOLS - LUBRICANTS AND SEALANTS .....	50
SPECIAL TOOLS - POWER HEAD .....	47
SPECIAL TOOLS - TEST EQUIPMENT .....	49
SPECIAL TOOLS - TUNE-UP .....	46

**NOTE:** Indented description indicate that these parts are included in preceeding assembly.

**AR** = As Required

**NSS** = Not Sold Separate

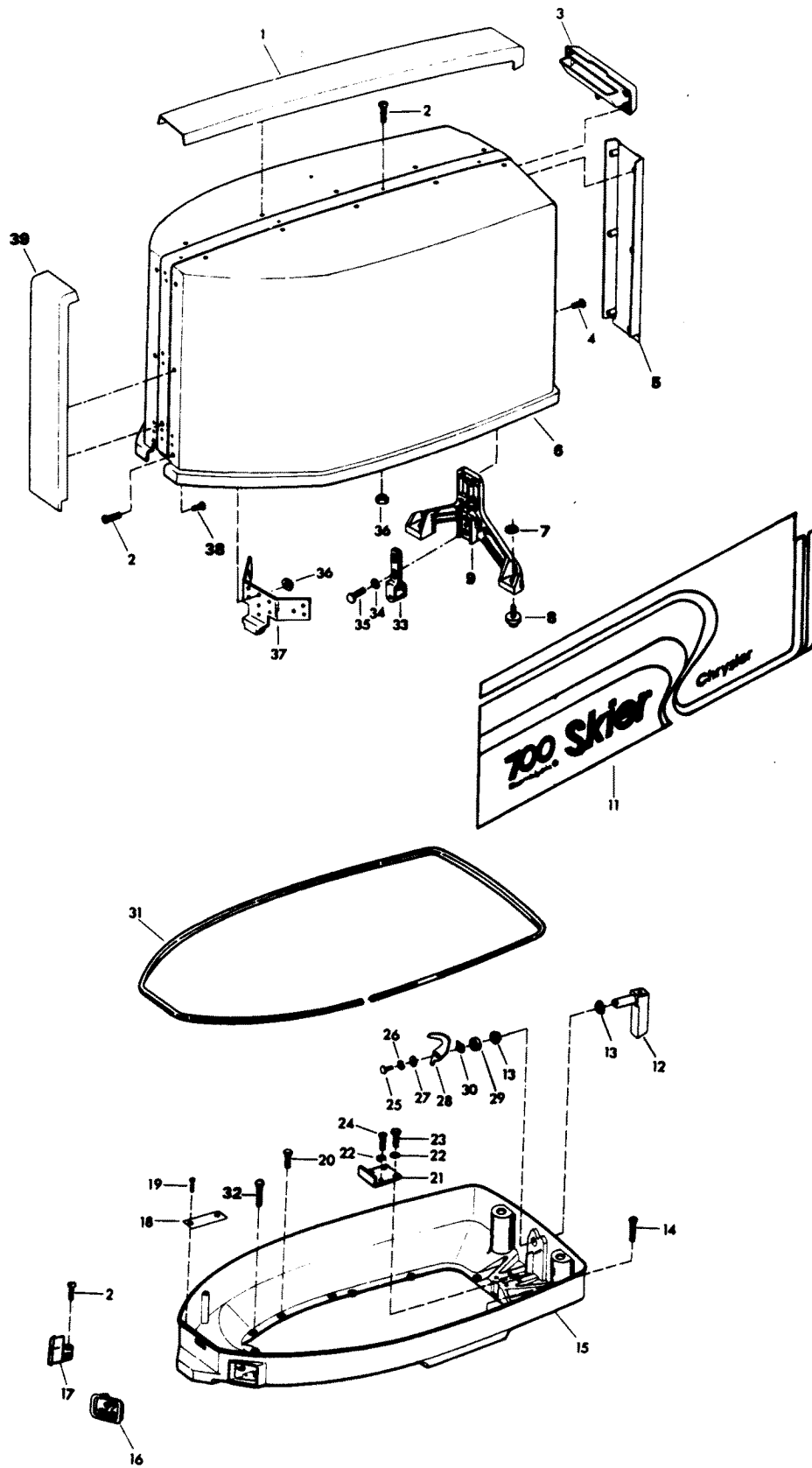
**OPT** = Optional

**NS** = Not Shown

**THESE PARTS BOOKS/FICHE CARD ARE COPYRIGHTED AND MAY NOT BE DISTRIBUTED OR REPRODUCED IN ANY OTHER FORMAT BY ANYONE OTHER THAN MERCURY MARINE WITHOUT THE PRIOR WRITTEN CONSENT OF MERCURY MARINE.**

THIS PAGE INTENTIONALLY LEFT BLANK

# ENGINE COVER AND SUPPORT PLATE

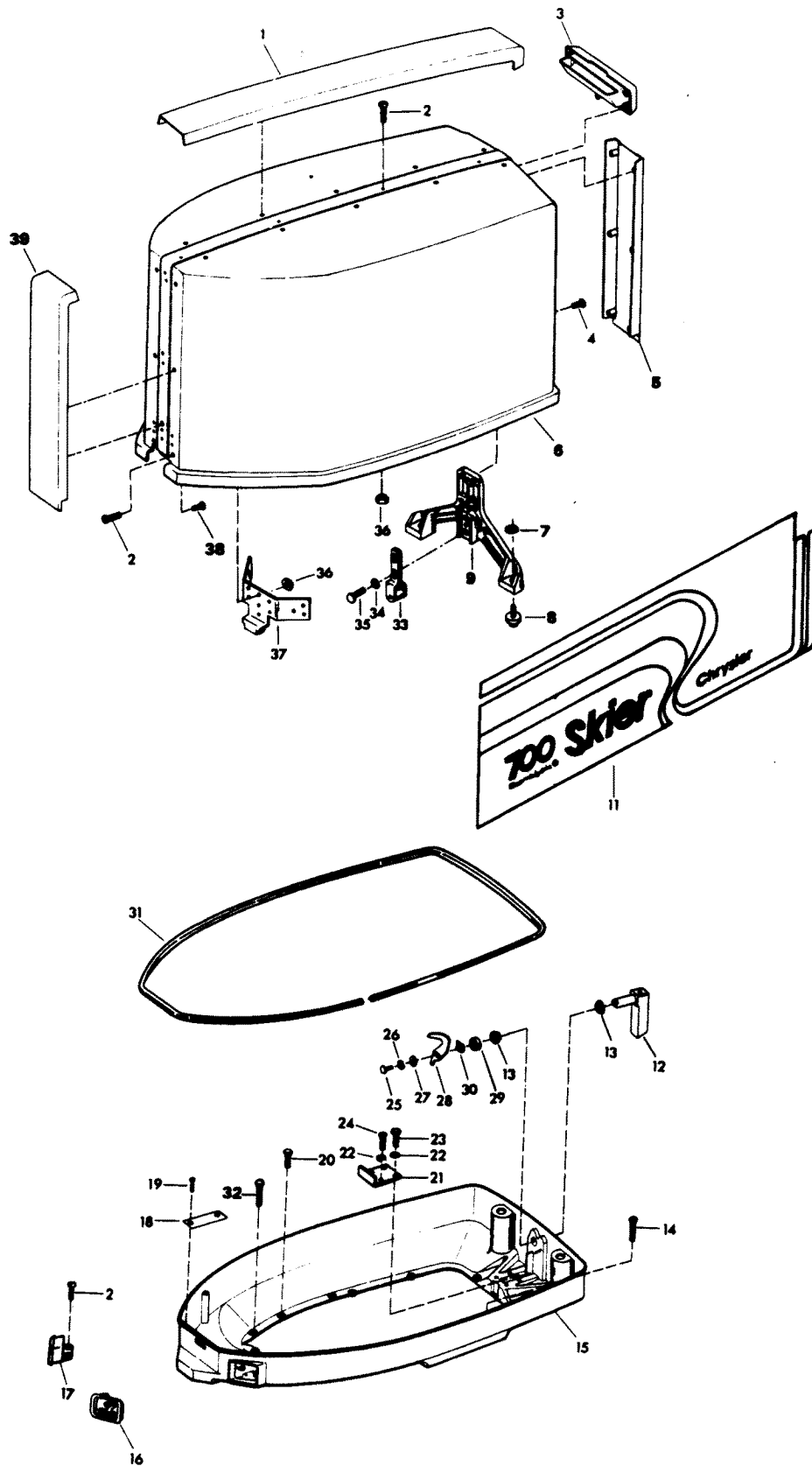


# ENGINE COVER AND SUPPORT PLATE

REF. NO.	PART NO.	SYM.	QTY.	DESCRIPTION
1	FS548179		1	TRIM, TOP
2	F1733		10	SCREW, PAN HD., 10 - 24 X 9/16
3	FS548269		1	HANDLE, TILT
4	F1730		3	SCREW, PAN HD., W/SPRING LOCKWASHER 1/4 - 20 5/8
5	FS548180		1	TRIM, REAR
6	FA549944		1	COVER, ENGINE W/RETAINER
-	<b>3C548944</b>		<b>1</b>	<b>COVER, ENGINE - COMPLETE INCLUDES ITEMS MARKED WITH AN ASTERISK (*).</b>
7	F2088		2	FASTENER
8	F481434		2	GUIDE, ENGINE COVER
9	F481774		1	BRACKET, ENGINE COVER LATCH
11	FA548397		1	DECAL, ENGINE COVER - PORT
-	<b>FA548396</b>		<b>1</b>	<b>DECAL, ENGINE COVER - STARBOARD</b>
12	FA481469		1	LATCH HANDLE, ENGINE COVER W/SHAFT
13	F480818		2	BEARING, LATCH SHAFT
14	F1238		6	HEX CAP SCREW, 1/4 - 20 X 3/4
15	F480038-2		1	PLATE, SUPPORT
16	F549189		1	BUSHING, ELECTRIC CABLE
17	F545189		1	BUSHING, CABLE ENTRY
18	FA535395		1	IDENTIFICATION PLATE, W/SCREWS - USA
-	<b>FAC535395</b>		<b>1</b>	<b>IDENTIFICATION PLATE, W/SCREWS - CANADA</b>
19	F1447		2	ROUND HD SCREW, 2 X 3/16
20	F1502		5	HEX SLOT HD SCREW 1/4 - 20 X 5/8
21	F335654-1		1	STOP, DEFLECTION
22	F8096		4	LOCKWASHER
23	F1857		2	HEX CAP SCREW, 5/16 - 18 X 5/8
24	F1858		2	HEX CAP SCREW, 5/16 - 18 X 1
25	F1854		1	HEX CAP SCREW, 1/4 - 20 X 5/8
26	F8083		1	LOCKWASHER
27	F8094		1	WASHER, PLAIN
28	F481777		1	CAM, LATCH SHAFT
29	F481382-1		1	SPACER, LATCH SHAFT
30	F2047		1	WAVE WASHER
31	F321756		1	PACKING
32	F1849		2	HEX HD CAP SCREW, 1/4 - 20 X 1 3/8
33	FA481743		1	LATCH, ROLLER BRACKET
34	F8096		2	LOCK WASHER
35	F1857		2	HEX CAPSCREW, 5/16 - 18 X 5/8
36	F1473		7	HEX NUT, 10 - 24

CONTINUED ON NEXT PAGE ➡

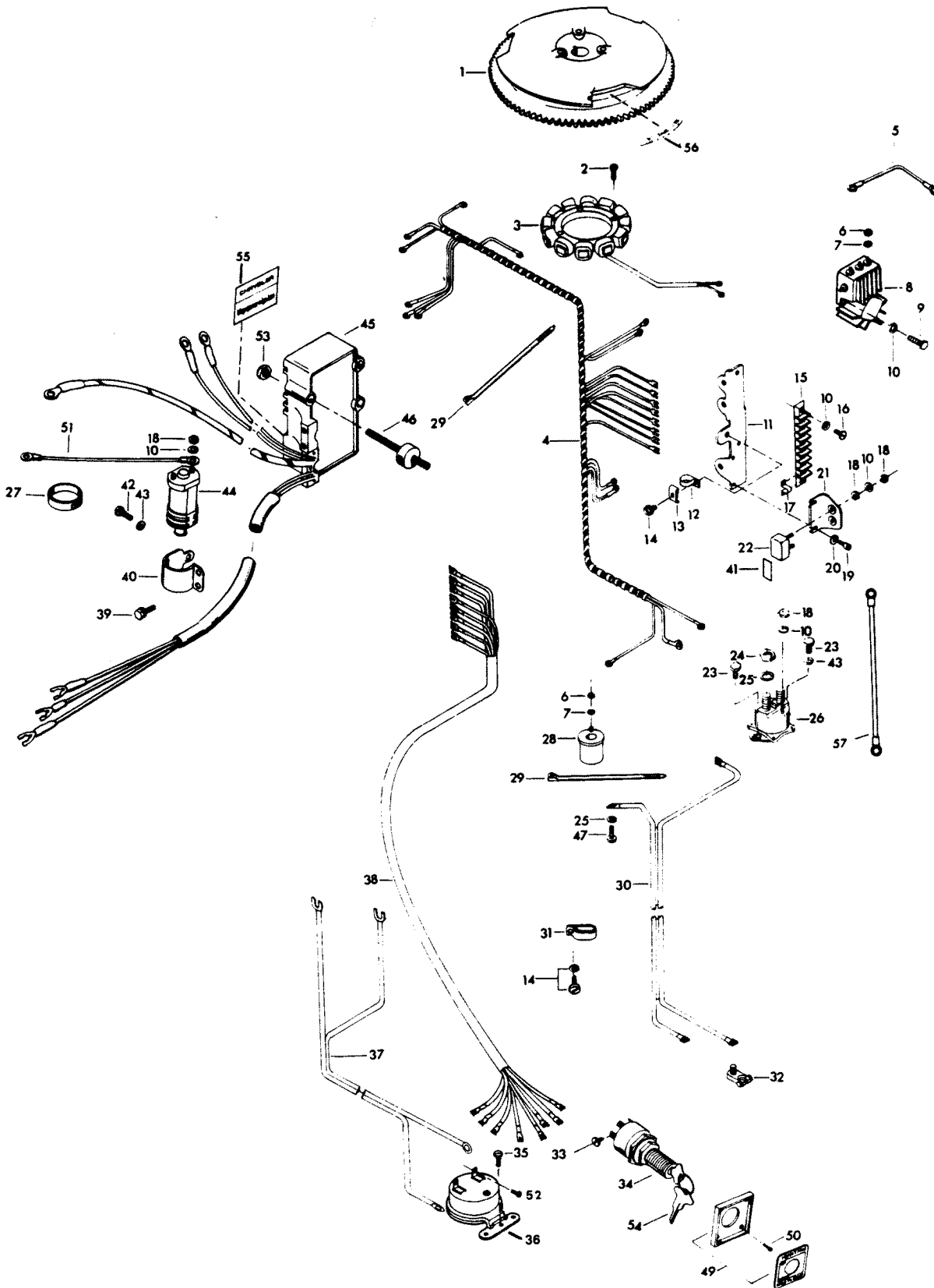
# ENGINE COVER AND SUPPORT PLATE



# ENGINE COVER AND SUPPORT PLATE

REF. NO.	PART NO.	SYM.	QTY.	DESCRIPTION
37	F373778-1		1	RETAINER, ENGINE COVER
38	F2066		26	PAN HEAD TAPPING SCREW, 10 X 7/16
39	FS548888		1	TRIM, FRONT
-	<b>F548984</b>		<b>1</b>	<b>BLANKET, SILENCER-TOP (NOT SHOWN)</b>
-	<b>F548985</b>		<b>2</b>	<b>BLANKET, SILENCER - SIDE (NOT SHOWN)</b>

# ELECTRICAL COMPONENTS



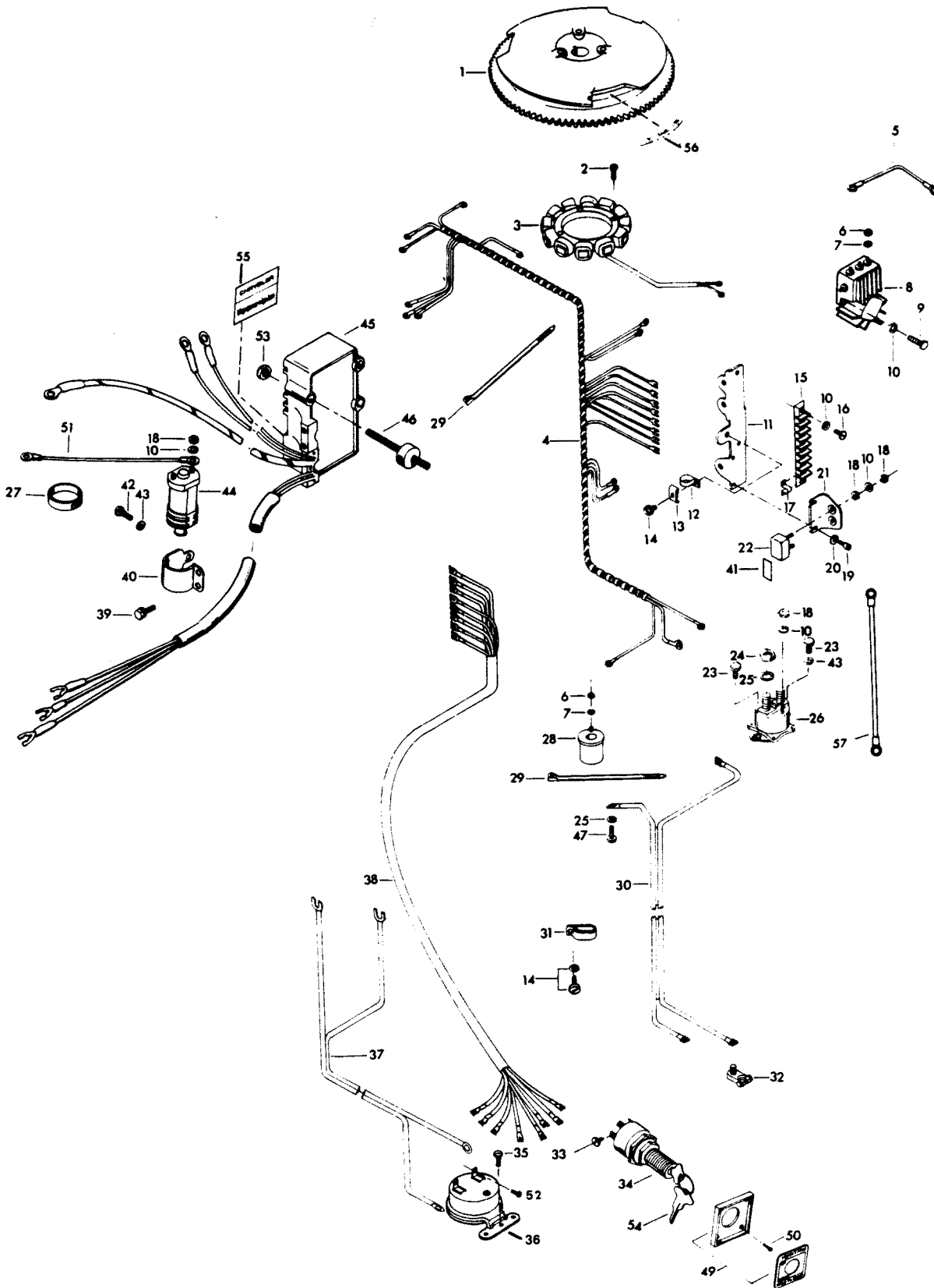


# ELECTRICAL COMPONENTS

REF. NO.	PART NO.	SYM.	QTY.	DESCRIPTION
1	F404097		1	FLYWHEEL
2	F1678		6	FILL HD SCREW, 10 - 24 X 13/16
3	F85095-2		1	STATOR
4	F438744-1		1	WIRING HARNESS
5	F345683		1	WIRE, REGULATOR-RECTIFIER GROUND
6	F1647		5	HEX NUT, 8 - 32
7	F8056		5	SPRING LOCKWASHER
8	F404470-1		1	REGULATOR-RECTIFIER
9	F2001		3	FILL HD SCREW, 10 - 24 X 5/8
10	F1975		11	SPRING LOCKWASHER
11	FA438493		1	TERMINAL BLOCK BRACKET
12	F289446-1		1	CLAMP
13	F438668		1	RECTIFIER, CABLE CLAMP
14	F1734		2	FILL HD SCREW W/LOCKWASHER 1/4 - 20 X 1/2
15	FA510497		1	TERMINAL BLOCK
16	F1648		2	PAN HD SCREW, 10 - 24 X 3/4
17	F307317		1	CLIP, TERMINAL BLOCK
18	F1513		8	HEX NUT
19	F1760		2	PAN HD SCREW, 10 - 24 X 3/8
20	F8011		2	PLAIN WASHER
21	F91446-1		1	CIRCUIT BREAKER BRACKET
22	F510460		1	CIRCUIT BREAKER
23	F1705		2	HEX CAP SCREW, 1/4 - 20 X 3/4
24	F1515		2	HEX NUT
25	F8096		3	SPRING LOCKWASHER
26	F460917		1	STARTER RELAY
27	F391983		2	RETAINING BAND
28	F85924		1	CHOKE SOLENOID
29	F1877		2	TY-RAP
30	F381896-4		1	BATTERY CABLE
31	F407446		1	CLAMP
32	F5H041		1	BATTERY CABLE CLAMP KIT, (ACCESSORY ITEM)
33	F1280		5	PAN HD SCREW, 8 - 32 X 1/4
34	F5H078		1	IGNITION SWITCH (LONG BARREL) W/KEYS AND SCREWS <b>(ACCESSORY ITEM)</b>
35	F1741		2	PAN HD SCREW, 8 X 3/4
36	F5H043		1	OVERHEAT BUZZER (ACCESSORY ITEM)
37	F404841		1	CABLE, HEAT INDICATOR
38	F85843-1		1	REMOTE ELECTRIC CABLE, 18 FEET
39	F1851		2	FILL HD SCREW W/LOCKWASHER, 10 - 24 X 1/2
40	F404513		1	COIL CLAMP
41	F510374		1	DECAL, CIRCUIT BREAKER - USA
-	<b>FC510374</b>		<b>1</b>	<b>DECAL, CIRCUIT BREAKER - CANADA</b>

CONTINUED ON NEXT PAGE ➡

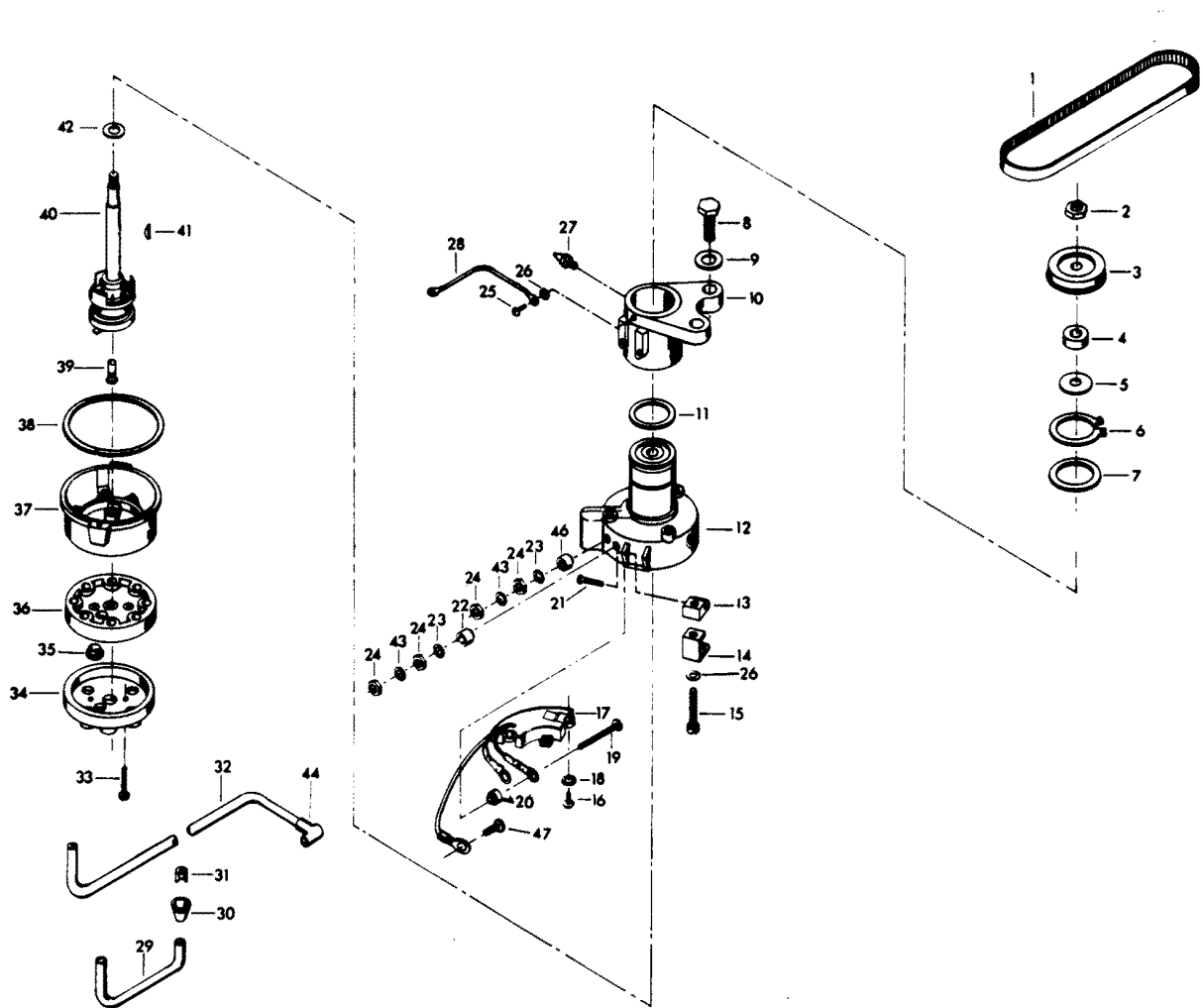
# ELECTRICAL COMPONENTS



# ELECTRICAL COMPONENTS

REF. NO.	PART NO.	SYM.	QTY.	DESCRIPTION
42	F1689		1	HEX HD CAP SCREW, 1/4 - 20 X 1/2
43	F8083		2	SPRING LOCKWASHER
44	F345475-1		1	COIL
45	FA523301		1	UNIT W/DECAL
46	F523962		3	SHOCK MOUNT - C.D. UNIT
47	F2000		1	HEX CAP SCREW, 5/16 - 18 X 3/4
49	F5H038		1	IGNITION SWITCH MOUNTING KIT (ACCESSORY ITEM)
-	<b>817892--1</b>		<b>1</b>	<b>IGNITION SWITCH PLATE - CANADA (NOT SHOWN)</b>
-	<b>F235785</b>		<b>1</b>	<b>DECAL, COMPLIANCE - CANADA (NOT SHOWN)</b>
50	F1934		4	FLAT HD SLOTTED SCREW, 6 X 1/2
51	F85664		1	WIRE, DISTRIBUTOR GROUND
52	F1645		2	RD HD SCREW, 6 - 32 X 1/4
53	F1892		3	STOP NUT
54	FA368700		-	KEY, IGNITION - NO LETTER OR STAMPED A
-	<b>FB368700</b>		-	<b>KEY, IGNITION - STAMPED B</b>
-	<b>FC368700</b>		-	<b>KEY, IGNITION - STAMPED C</b>
-	<b>FD368700</b>		-	<b>KEY, IGNITION - STAMPED D</b>
-	<b>FE368700</b>		-	<b>KEY, IGNITION - STAMPED E</b>
55	480373		1	DECAL, MAGNAPOWER IGNITION
56	F474387		1	TIMING DECAL - USA
-	<b>FC474387</b>		<b>1</b>	<b>TIMING DECAL - CANADA</b>
57	F319908		1	WIRE, GROUND - CANADA

# DISTRIBUTOR

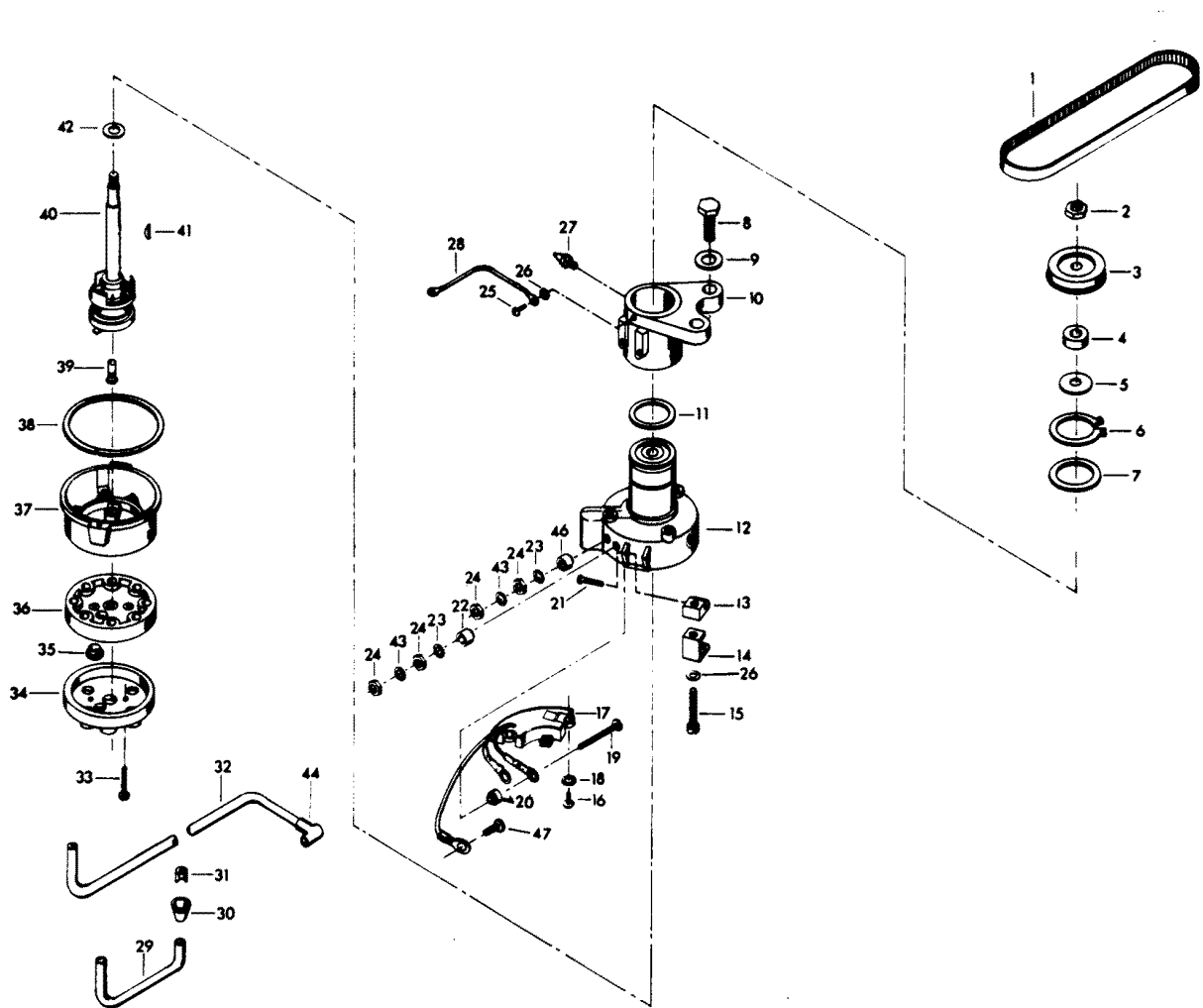


# DISTRIBUTOR

REF. NO.	PART NO.	SYM.	QTY.	DESCRIPTION
1	F85311		1	DISTRIBUTOR BELT
2	F7013		1	STOP NUT
3	817786A1		1	DISTRIBUTOR PULLEY
4	F14025		1	SPACER
5	F14028		1	THRUST WASHER
6	F85173		1	RETAINING RING
7	F14029		1	THRUST WASHER
8	F1612		2	HEX CAP SCREW, 3/8 - 16 X 1 1/4
9	F1778		2	PLAIN WASHER
10	FA321574		1	DISTRIBUTOR BRACKET
11	F1759		2	SHIM, DISTRIBUTOR (QTY. AS REQUIRED)
12	F14042		1	DISTRIBUTOR HOUSING W/BEARINGS
-	<b>817822A1</b>		<b>1</b>	<b>DISTRIBUTOR, COMPLETE</b>
13	F14036		2	SWIVEL
14	F14037		2	CAP CLIPS
15	F14038		2	CAP CLIP SCREWS
16	F14045		2	SCREW
17	FA14048-2		1	PREAMPLIFIER
18	F8056		2	LOCKWASHER
19	F14046		2	TERMINAL SCREW
20	F14047		2	TERMINAL INSULATOR (INSIDE)
21	F14015		2	CAP CLIP RIVET
22	F14049		1	TERMINAL INSULATOR (OUTSIDE)
23	14141		2	EXTERNAL TOOTH LOCKWASHER
24	F1647		4	HEX NUT, 8 - 32
25	F1760		2	PAN HD SCREW, 10 - 24 X 3/8
26	F1975		2	SPRING LOCKWASHER
27	F213274		1	GREASE FITTING
28	F85664		1	DISTRIBUTOR GROUND
29	84-817775A1		1	COIL WIRE W/TERMINAL CLIP - USA
-	<b>F438905</b>		<b>1</b>	<b>COIL WIRE - CANADA</b>
30	F203276		1	BOOT
31	F203673		1	TERMINAL CLIP
32	F321841-3		3	LEAD WIRE - USA
-	<b>F438841-1</b>		<b>3</b>	<b>LEAD WIRE - CANADA</b>
33	F14007		2	CAP SCREW
34	F14011-1		1	CAP COVER
35	F14040		2	VENT
36	F14020-1		1	CAP SEAL
37	F14006-2		1	CAP BASE
38	F14030		1	CAP GASKET
39	F14012-1		1	BRUSH
40	F14043		1	DISTRIBUTOR SHAFT

CONTINUED ON NEXT PAGE ➡

# DISTRIBUTOR



# DISTRIBUTOR

REF. NO.	PART NO.	SYM.	QTY.	DESCRIPTION
41	F1692		1	WOODRUFF KEY
42	F14024		1	SPACER
43	F8056		2	LOCKWASHER
44	FK750-1		3	SPARKIE W/SPRING
46	F14017		1	TERMINAL INSULATOR (OUTSIDE)
47	F14056		1	SCREW
-	<b>481373-1</b>		<b>1</b>	<b>DECAL, "ELECTRONIC" (NOT SHOWN)</b>

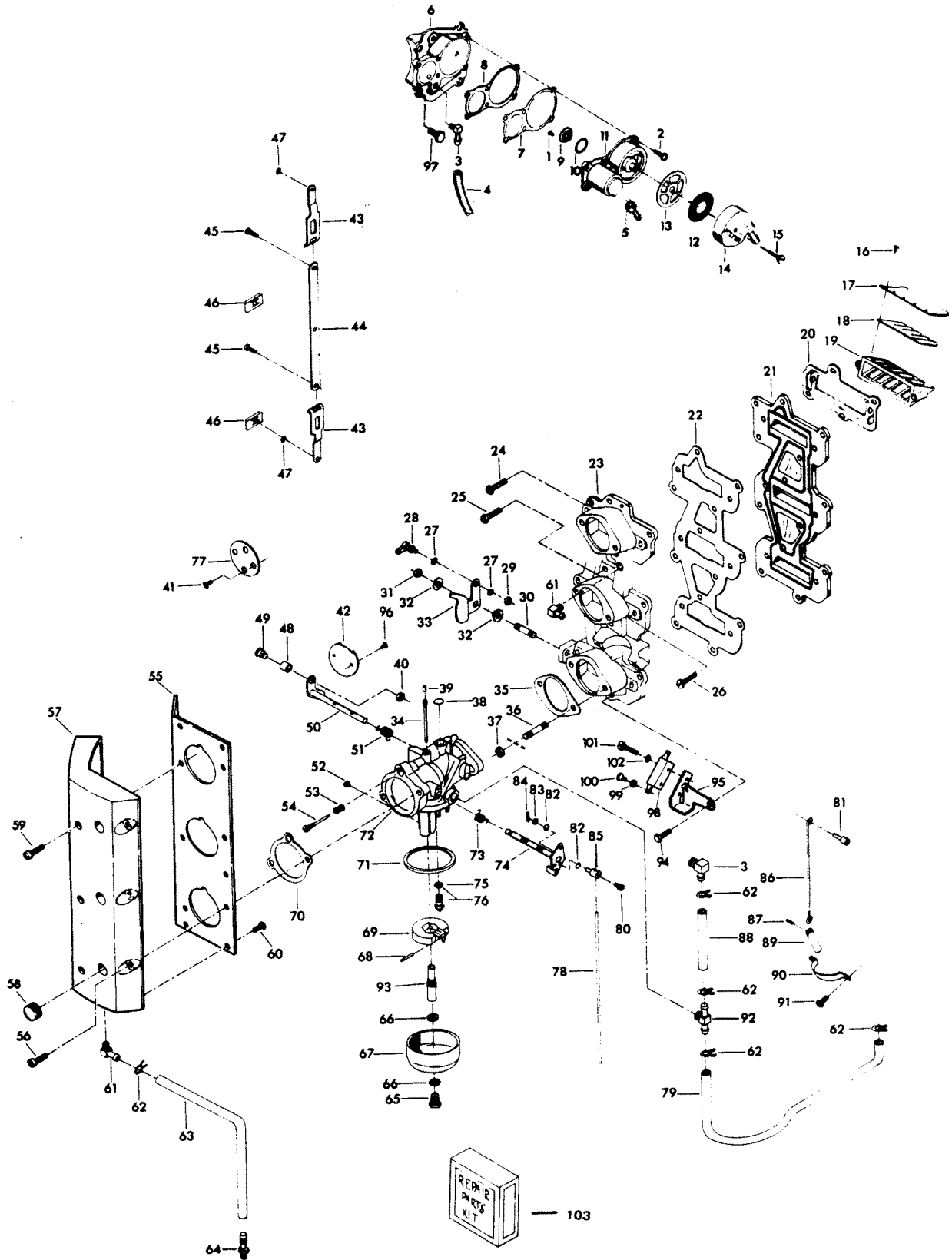




# ELECTRIC STARTER

REF. NO.	PART NO.	SYM.	QTY.	DESCRIPTION
1	F15111		1	NUT, STOP RETAINING
2	F15112		1	STOP, PINION
3	F15080		1	SPRING
4	F15110		1	CLUTCH ASSEMBLY
5	F15167		1	HEAD ASSEMBLY DRIVE END
6	F1641		2	LOCK NUT
7	F15126		1	THRUST WASHER PACKAGE
8	F15099		1	ARMATURE
9	15169		1	FRAME AND FIELD ASSEMBLY
10	F15165		1	BRUSH TERMINAL SET
11	FA15072		1	HEX LOCK NUT, 1/4 - 20
12	F15168		1	THRU BOLT PACKAGE
13	F8028		2	PLAIN WASHER
14	F1502		1	HEX HD SCREW, 1/4 - 20 X 5/8
15	F511675		1	STARTER BRACKET, LOWER
16	F15125		1	HEAD ASSEMBLY, COMMUTATOR END
17	F15034		1	SPRING SET
18	F15057		1	BRUSH PLATE AND HOLDER
19	F85908		1	STARTER LEAD WIRE
20	F15100		1	BENDIX
-	<b>FS480955</b>		<b>1</b>	<b>STARTER COMPLETE</b>

# CARBURETOR

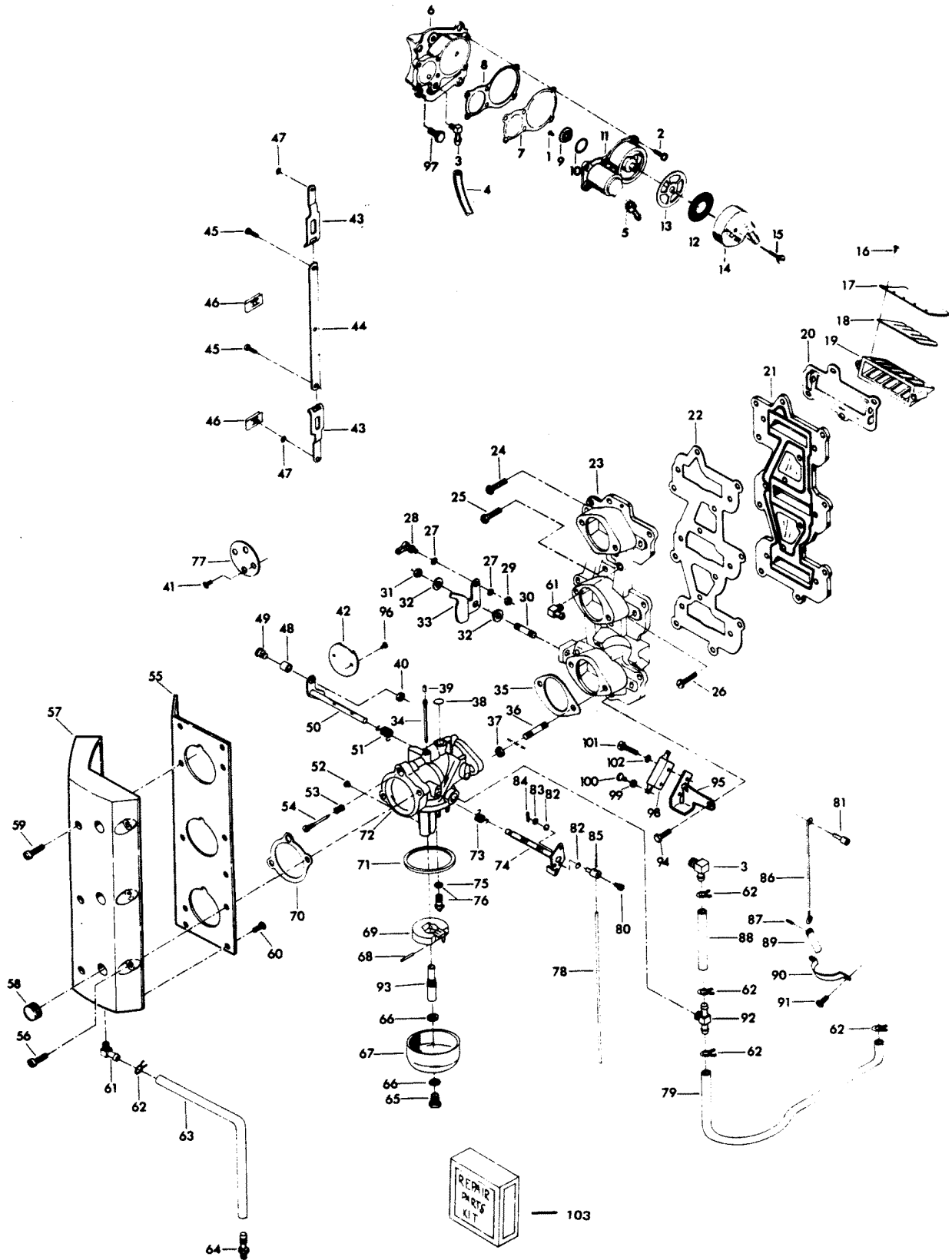


# CARBURETOR

REF. NO.	PART NO.	SYM.	QTY.	DESCRIPTION
1	F1860		2	SLOTTED BINDING HD SCREW 6 - 32 X 1/4
2	F1108		6	FILL HD SCREW W/LOCKWASHER, 1/4 - 20 X 3/4
3	F84314-2		2	ELBOW
4	F89758		1	FUEL PUMP AIR HOSE, TOP
5	F438801		1	FITTING
6	FA439746		1	FUEL PUMP COVER
7	F438747		1	FUEL PUMP DIAPHRAGM
8	F438760		1	FUEL PUMP GASKET
9	F177330		3	FUEL PUMP VALVE
10	F84792		1	GASKET, FUEL PUMP VALVE
11	FA438431		1	FUEL PUMP BODY W/VALVES
12	F438653		1	FUEL SEDIMENT BOWL SCREEN
13	F438617		1	FUEL SEDIMENT BOWL GASKET
14	F438500		1	FUEL SEDIMENT BOWL
15	F438165		1	SCREW, FUEL PUMP BOWL
16	F1755		30	RD HD SCREW W/LOCKWASHER 6 - 32 X 5/16
17	F85161-1		6	REED STOP
18	F316160		6	REED (4 PETAL)
-	<b>F316164</b>		<b>6</b>	<b>REED (1 PETAL)</b>
19	F2A321158		3	REED PLATE W/REEDS, REED STOP AND SCREW
20	F85168		3	GASKET REED PLATE ADAPTER
21	F85162		1	REED PLATE ADAPTER
22	F85159		1	GASKET, INTAKE MANIFOLD
23	817959A3		1	INTAKE MANIFOLD
24	F2008		8	HEX HD SCREW, 1/4 - 20 X 7/8
25	F1916		2	HEX HD SCREW, 1/4 - 20 X 1 1/8
26	F1773		6	HEX HD SCREW, 1/4 - 20 X 1 1/2
27	F8058		2	INTERNAL TOOTH LOCKWASHER
28	817747--1		1	BALL JOINT W/STUD
29	F1513		1	HEX NUT, 10 - 32
30	F433209-1		1	STUD
31	F1910		1	STOP NUT, 1/4 - 20
32	F269319		2	BEARING
33	F85192-1		1	THROTTLE CAM
34	FO13966		1	IDLE TUBE
35	F85906		3	CARBURETOR GASKET
36	F40209		6	CARBURETOR STUD
37	F1515		6	HEX NUT, 5/16 - 18
38	FO4326		1	BODY CHANNEL WELCH PLUG
39	FO10588		1	BODY CHANNEL CUP PLUG
40	F1997		1	STOP NUT, 8 - 32
41	FO8942		2	SHUTTER SCREW W/LOCKWASHER
42	FO14167		1	THROTTLE SHUTTER

CONTINUED ON NEXT PAGE ➡

# CARBURETOR

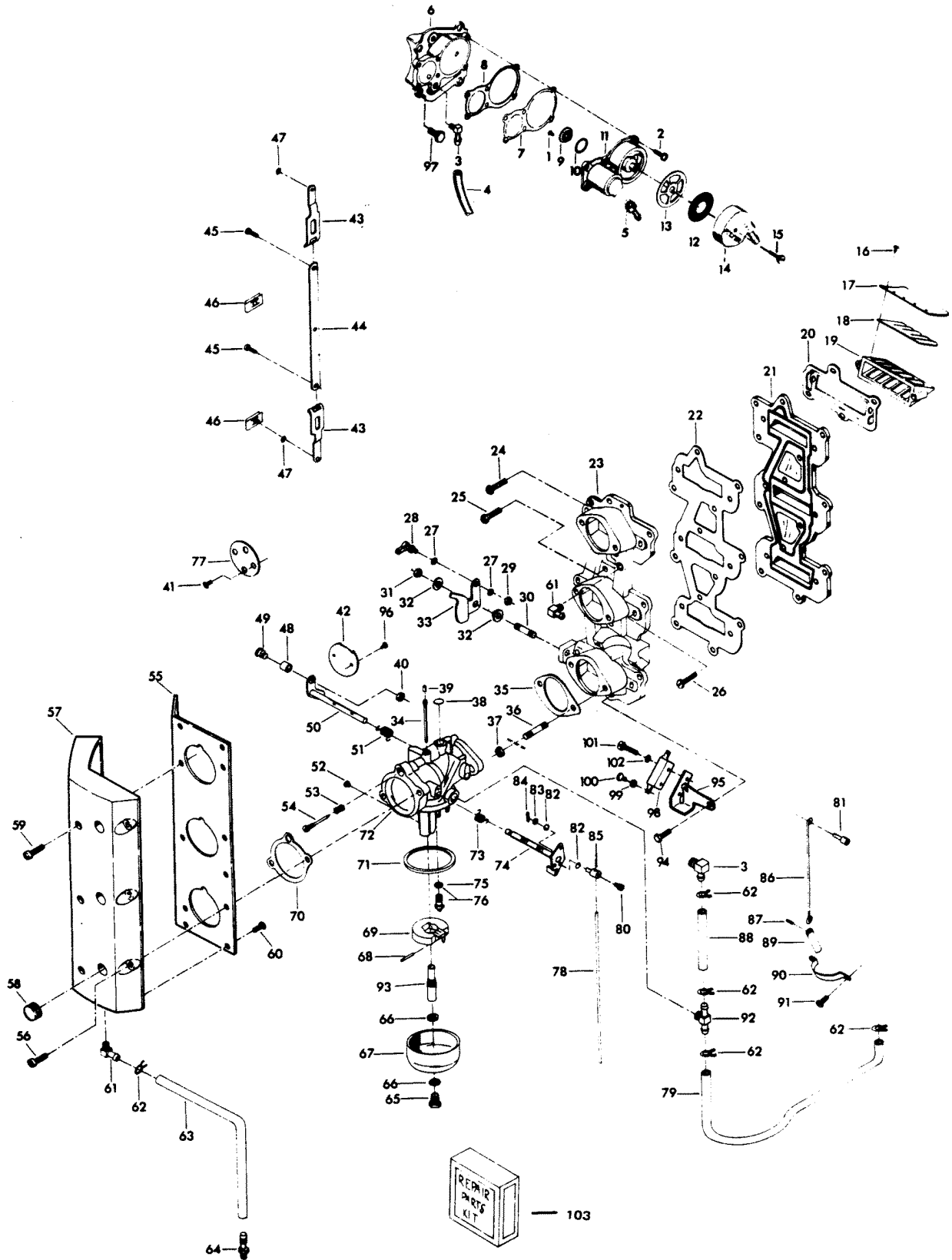


# CARBURETOR

REF. NO.	PART NO.	SYM.	QTY.	DESCRIPTION
43	FA85193		2	TIE BAR END W/SWIVEL
44	FA85511		1	THROTTLE TIE BAR W/SWIVEL
45	F1064		2	FILL HD SCREW, S.S., 8 - 32 X 3/8
46	F1693		2	TIE BAR RETAINER
47	F90807		3	RETAINING RING
48	F92759		1	THROTTLE ROLLER
49	F333316		1	THROTTLE ROLLER SHAFT
50	FO15230		1	THROTTLE SHAFT AND LEVER
51	FO16008		1	THROTTLE SHAFT RETURN SPRING
52	FO14188		1	MAIN FUEL JET (.066) STD. SEA LEVEL - 1500 FT.
-	<b>FO14108</b>		-	<b>MAIN FUEL JET (.064) OPT. 1500 FT. - 3000 FT.</b>
-	<b>FO14187</b>		-	<b>MAIN FUEL JET (.062) OPT. 3000 FT. - 4500 FT.</b>
-	<b>FO14186</b>		-	<b>MAIN FUEL JET (.060) OPT. 4500 FT. - 6000 FT.</b>
-	<b>FO15337</b>		-	<b>MAIN FUEL JET (.058) OPT. 6000 FT. &amp; UP. OPTIONAL SIZE MAIN FUEL JETS (USE ONLY AT ALTITUDES INDICATED)</b>
53	FO11103		1	IDLE SCREW SPRING
54	FO14166		1	IDLE SCREW
55	F481567		1	CARBURETOR INTAKE ADAPTER
56	F1504		3	FILL HD SCREW, 1/4 - 20 X 1 1/4
57	F481860-1		1	CARBURETOR, INTAKE
58	F53504		3	GROMMET
59	F1072		3	FILL HD SCREW, 1/4 - 20 X 1 3/4
60	F1760		6	PAN HD SCREW, 10 - 24 X 3/8
61	22-818103--1		2	ELBOW
62	F97772		6	HOSE CLAMP
63	F63754		1	HOSE INTAKE DRAIN
64	22-817789A1		1	DRAIN FITTING
65	FO13945		1	FUEL BOWL RETAINING SCREW
66	FO2510		2	GASKET, FUEL BOWL RETAINING SCREW
67	FO13552		1	FUEL BOWL
68	FO13944		1	FLOAT LEVER PIN
69	FO13554		1	FLOAT
70	F481836		3	INTAKE GASKET
71	FO15623		1	FUEL BOWL GASKET
72	F498061-1		1	CARBURETOR COMPLETE (WB26B)
73	FO16397		1	CHOKE SHAFT RETURN SPRING
74	FO16850		1	CHOKE SHAFT AND LEVER
75	FO10165		1	INLET SEAT GASKET
76	FO10790		1	INLET NEEDLE, SEAT AND GASKET
77	FO14471		1	CHOKE SHUTTER
78	F85509-1		1	CHOKE LINK
79	F438754		1	FUEL LINE
80	F1059		3	FILL HD SCREW, S.S., 6 - 32 X 1/4

CONTINUED ON NEXT PAGE ➡

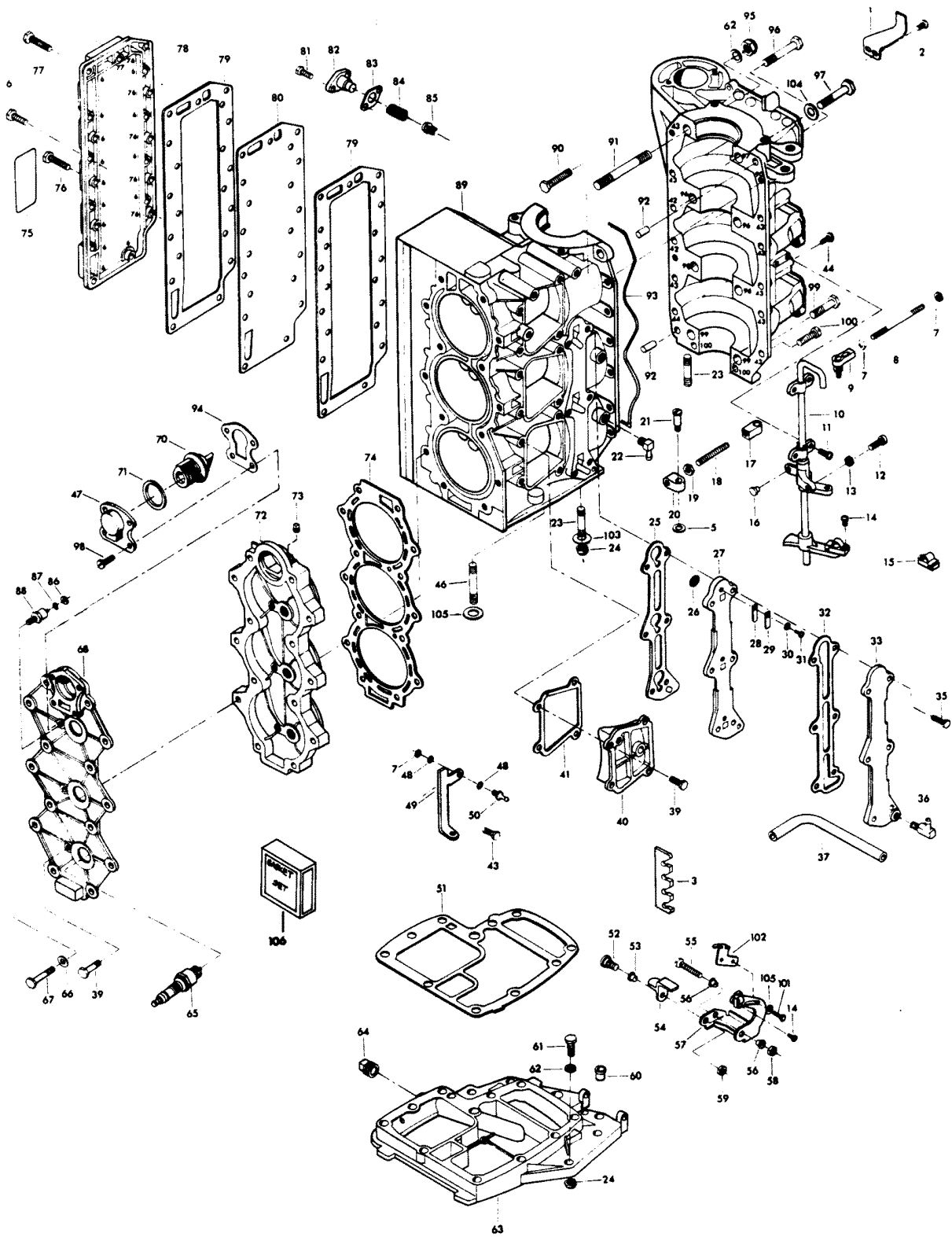
# CARBURETOR



# CARBURETOR

REF. NO.	PART NO.	SYM.	QTY.	DESCRIPTION
81	F85033		1	CHOKE ROD SWIVEL
82	F184579		6	SEAL, CHOKE ARM SWIVEL
83	F8088		3	PLAIN WASHER
84	F1014		3	COTTER PIN
85	F184033-1		2	CHOKE ARM SWIVEL
86	F85925		1	CHOKE ROD
87	F2033		1	GROOVE PIN
88	F85253-1		2	FUEL LINE
89	F391926-1		1	CHOKE SOLENOID PLUNGER
90	F85317-1		1	CLAMP
91	F1236		2	HEX HD SCREW, 1/4 - 20 X 1/2
92	F85314-1		2	FUEL FITTING
93	FO15209		1	MAIN NOZZLE
94	F1953		2	HEX HD SCREW, 1/4 - 20 X 1
95	F480551-1		1	BRACKET, INTERLOCK SWITCH
96	FO8942		2	THROTTLE SHUTTER SCREW AND LOCKWASHER
97	F1502		4	HEX CAP SCREW, 1/4 - 20 X 5/8
98	F84449		1	INTERLOCK SWITCH
99	F1704		2	INTERNAL TOOTH LOCKWASHER
100	F1645		2	RD HD SCREW, 6 - 32 X 1/4
101	F2016		2	FILL HD SCREW, 6 - 32 X 7/8
102	F8088		2	PLAIN WASHER
-	<b>F10000</b>		<b>1</b>	<b>GASKET SET (NOT SHOWN)</b>
103	F10026		0	REPAIR PARTS KIT. <b>INCLUDES ALL ITEMS MARKED WITH AN ASTERISK (*)</b> .

# POWERHEAD



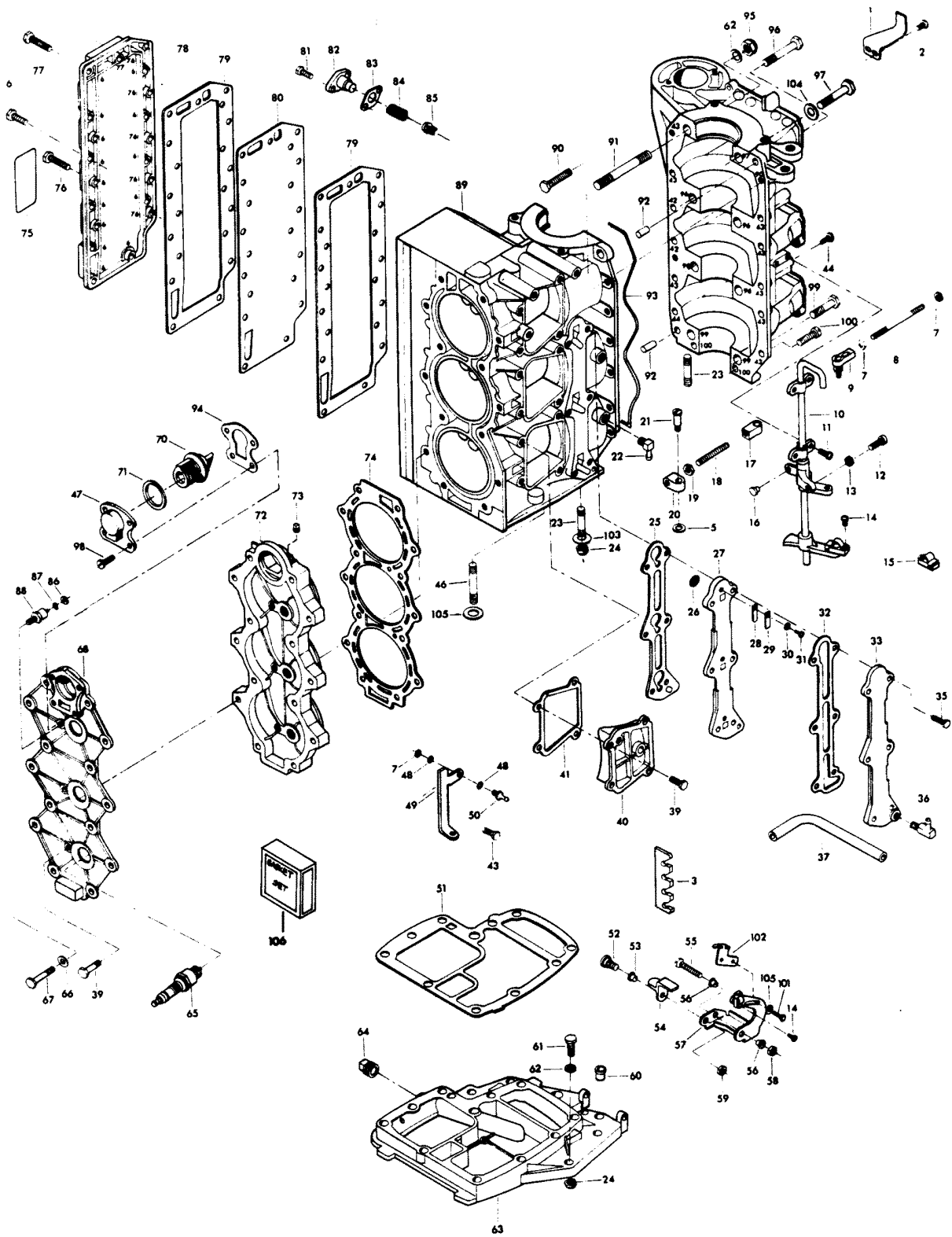


# POWERHEAD

REF. NO.	PART NO.	SYM.	QTY.	DESCRIPTION
1	FA480894		1	TIMING POINTER
2	F1760		2	PAN HD SCREW, 10 - 24 X 3/8
3	F523834		1	CLIP, SPARK PLUG WIRE
5	F2042		1	PLAIN WASHER
6	F1203		14	HEX BOLT, 1/4 - 20 X 7/8
7	F1513		4	HEX NUT, 10 - 32
8	F85502		1	THROTTLE LINK
9	817747--1		1	BALL JOINT W/STUD
10	FA85838-5		1	TOWERSHAFT W/BEARINGS, SWIVEL, ARMS AND SCREWS
11	F1475		4	FILL HD SCREW, 10 - 24 X 1/2
12	F1504		1	FILL HD SCREW, 1/4 - 20 X 1 1/4
13	F1341		1	HEX NUT, 1/4 - 20
14	F1556		2	FILL HD SCREW W/LOCKWASHER, 10 - 24 X 3/8
15	FK405020		2	SWIVEL W/PIVOT SCREW AND NUT
16	F1727		1	PLASTIC RIVET
17	F85036		1	TOWERSHAFT CONTROL ROD END
18	F85445		1	DISTRIBUTOR CONTROL ROD
19	F2015		1	HEX NUT, 1/4 - 28
20	F85035		1	DISTRIBUTOR CONTROL ROD END
21	F85026		1	SWIVEL
22	F84314-2		1	ELBOW
23	F85859		4	STUD, FORWARD
24	F7004		10	STOP NUT, 3/8 - 16
25	F85748-2		1	GASKET, CYLINDER DRAIN REED PLATE
26	F93811		3	SCREEN
27	F2A404757		1	CYLNDR DRAIN REED PLATE W/REEDS, STOPS, METERING CUP & SCREW
28	F18160-2		3	REED
29	F93920		3	REED STOP
30	F8003		3	PLAIN WASHER
31	F1286		3	PAN HD SCREW, 4 - 40 3/16
32	F85472-2		1	GASKET, CYLINDER DRAIN COVER
33	817787A1		1	CYLINDER DRAIN COVER
35	F1187		6	HEX HD SCREW, 1/4 - 20 X 1
36	F404801		1	FITTING
37	F433253		1	HOSE
39	F1502		8	HEX HD SCREW, 1/4 - 20 X 5/8
40	FA411222		2	TRANSFER PORT COVER W/PLUG
41	F40223		3	GASKET, TRANSFER PORT COVER
42	F1999		2	HEX CAP SCREW, 1/4 - 20 X 7/8
43	F1238		10	HEX HD SCREW, 1/4 - 2 X 3/4
44	F1199		1	HEX CAP SCREW, 1/4 - 20 X 1
46	F85211		6	STUD, REAR

CONTINUED ON NEXT PAGE ➡

# POWERHEAD

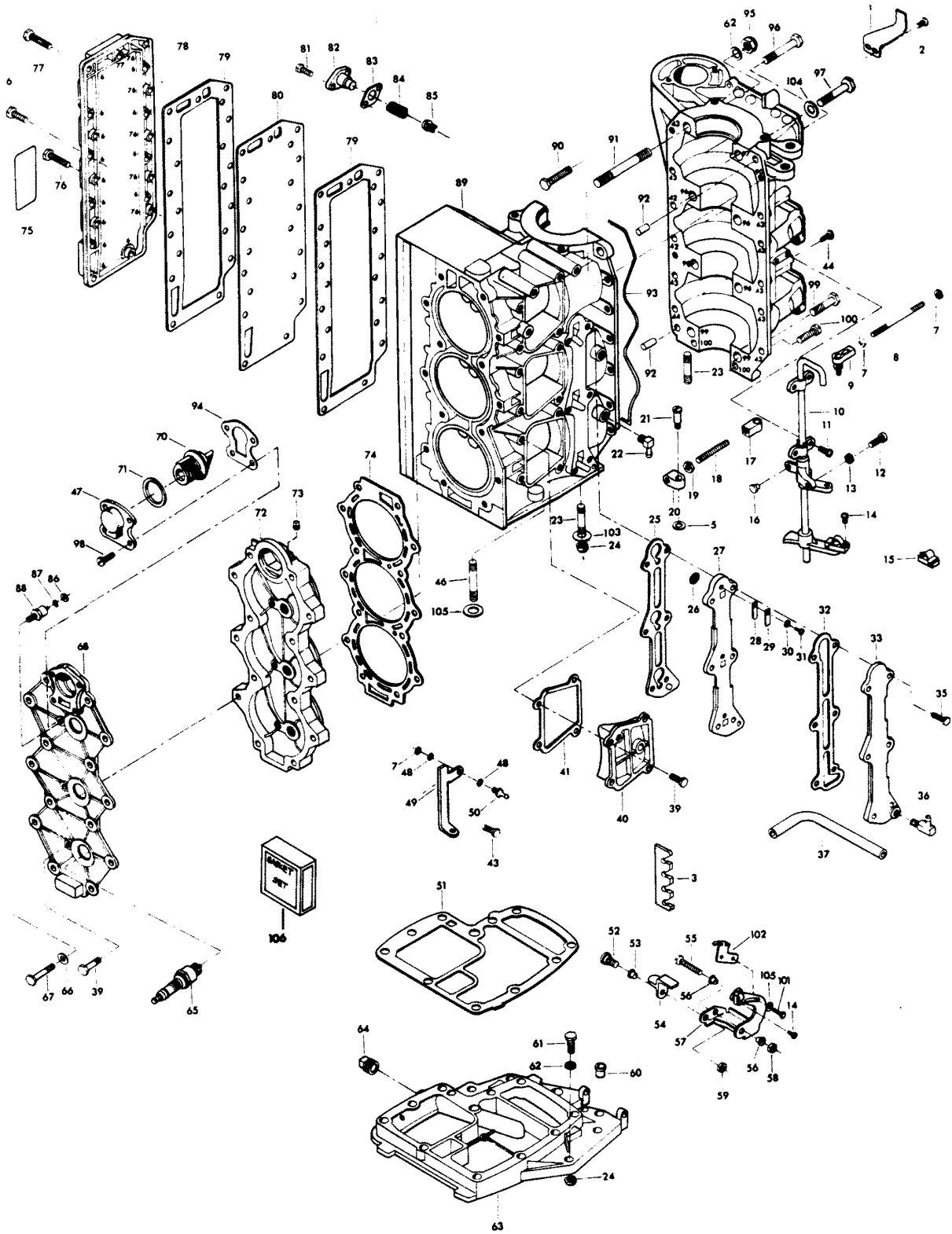


# POWERHEAD

REF. NO.	PART NO.	SYM.	QTY.	DESCRIPTION
47	F476066-1		1	COVER, THERMOSTAT
48	F8058		4	INTERNAL TOOTH LOCKWASHER
49	85872-1		1	BRACKET
50	F98273		2	ROD END CONNECTOR STUD
51	F85279-2		1	CYLINDER EXHAUST GASKET, UPPER
52	F369887		1	SHOULDER SCREW
53	F369610		1	BEARING
54	F369977-1		1	INTERLOCK ARM
55	F1885		1	HEX BOLT, 5/16 - 18 X 4 1/4
56	F85610		2	BEARING
57	FA480876		1	GEAR SHIFT ARM W/SWIVEL, INTERLOCK ARM AND BEARINGS
58	F2108		1	STOP NUT, 5/16 - 18
59	F1832		1	STOP NUT, 1/4 - 20
60	F40689-1		1	BEARING, TOWERSHAFT
61	F1869		6	HEX BOLT, 3/8 - 16 X 1 1/4
62	F1703		6	SPRING LOCKWASHER
63	817788A3		1	SPACER PLATE W/PLUGS
64	F2090		1	PLUG
65	33-97180		3	SPARK PLUG (CHAMPION L-20-V) - USA
-	<b>FC522227</b>		<b>3</b>	<b>SPARK PLUG (CHAMPION QUL-77V) FOR MODEL 709B9A - CANADA</b>
66	F1987		14	PLAIN WASHER
67	F1883		14	HEX BOLT, 5/16 - 18 X 2 3/8
68	F499995		1	CYLINDER HEAD COVER
70	F528068		1	THERMOSTAT
71	F84504		1	GROMMET
72	F549518		1	CYLINDER HEAD
73	F19109		1	PLUG
74	F369529		1	CYLINDER HEAD GASKET
75	F438398		1	DECAL, WIRING - USA
-	<b>FC438398</b>		<b>1</b>	<b>DECAL WIRING - CANADA</b>
76	F1709		5	HEX HD SCREW, 1/4 - 20 X 1 1/8
77	F1849		1	HEX HD SCREW, 1/4 - 20 X 1 3/8
78	F85152-4		1	EXHAUST PORT COVER
79	F85154-1		2	GASKET, EXHAUST PORT PLATE
80	F85151-1		1	EXHAUST PORT PLATE
81	F1950		2	HEX HD SCREW, 10 - 24 X 5/8
82	F438066		1	BY-PASS VALVE COVER
83	F85762		1	GASKET, BY-PASS VALVE
84	F404268		1	SPRING, BY-PASS VALVE
85	F85916-1		1	BY-PASS VALVE
86	F1647		1	HEX NUT, 10 - 32
87	F8056		1	SPRING LOCKWASHER

CONTINUED ON NEXT PAGE ➡

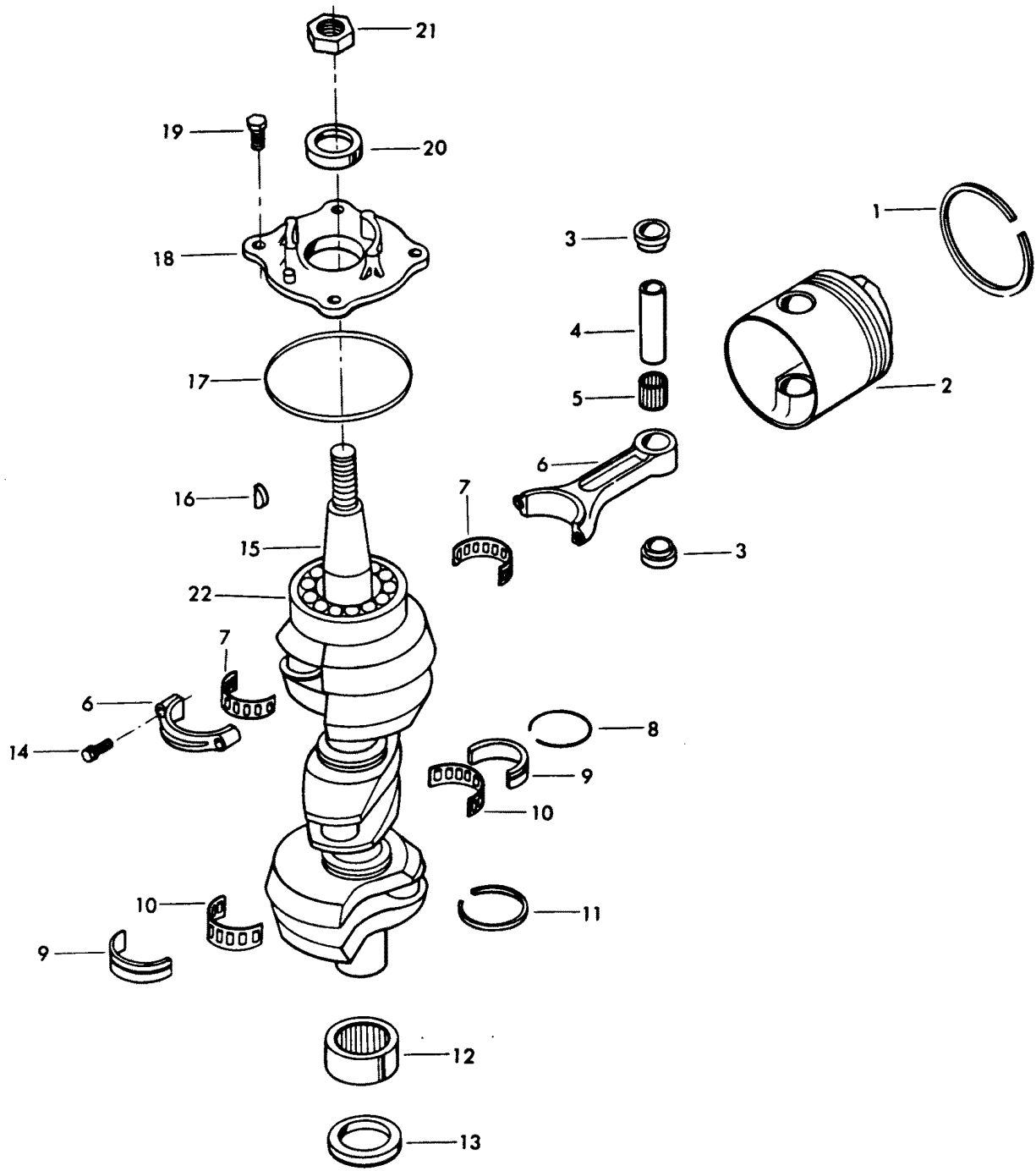
# POWERHEAD



# POWERHEAD

REF. NO.	PART NO.	SYM.	QTY.	DESCRIPTION
88	87-817778A1		1	THERMOSWITCH
89	FA480010		1	CYLNDR ASS'Y W/PARTING LINE SEAL & LOWER MAIN BEARING ASS'Y
-	<b>FC548010</b>		<b>1</b>	<b>SHORT BLOCK INCLUDES ALL ITEMS MARKED WITH AN ASTERISK(*). ALSO REFER TO CRANKSHAFT PAGE.</b>
90	F1864		1	HEX HD SCREW, 1/4 - 20 X 3/4
91	F85210		1	STUD
92	F8563		2	DOWEL PIN
93	F85122		1	PARTING LINE SEAL
94	F476067		1	GASKET, THERMOSTAT COVER
95	F1347		1	HEX NUT, 3/8 - 16
96	F1873		4	HEX BOLT, 3/8 - 16 X 3
97	F1009		1	HEX BOLT, 3/8 - 16 X 2 3/4
98	F1110		4	FILL HD SCREW, 1/4 - 20 X 5/8
99	F1872		2	HEX BOLT, 3/8 - 16 X 1 3/4
100	F1099		2	FILL HD SCREW, 1/4 - 20 X 1 1/4
101	F2089		2	SLOTTED PAN HD MACHINE SCREW, 10 - 24 X 5/16
102	F480107-1		1	CAM, STARTER INTERLOCK
103	F8038		4	PLAIN WASHER
104	F8095		14	PLAIN WASHER
105	F2042		2	PLAIN WASHER
106	FG460-1		1	GASKET SET (INCLUDES THE FOLLOWING)
-	<b>F40223</b>		<b>3</b>	<b>TRANSFER PORT COVER GASKET</b>
-	<b>F84031</b>		<b>1</b>	<b>WATER PUMP GASKET</b>
-	<b>F84278</b>		<b>1</b>	<b>CRANKSHAFT BRG. CAGE SEAL</b>
-	<b>F84504</b>		<b>1</b>	<b>THERMOSTAT GROMMET</b>
-	<b>F85122</b>		<b>1</b>	<b>CRANKCASE SEAL</b>
-	<b>F85154-1</b>		<b>2</b>	<b>EXHAUST PORT PLATE GASKET</b>
-	<b>F85159</b>		<b>1</b>	<b>MANIFOLD GASKET</b>
-	<b>F85168</b>		<b>3</b>	<b>CARBURETOR ADAPTER FLANGE GASKET</b>
-	<b>F85279-2</b>		<b>1</b>	<b>CYLINDER, EXHAUST - UPPER GASKET</b>
-	<b>F85453-1</b>		<b>1</b>	<b>CYLINDER, EXHAUST - LOWER GASKET</b>
-	<b>F85472-2</b>		<b>1</b>	<b>CYLINDER DRAIN COVER GASKET</b>
-	<b>F85748-2</b>		<b>1</b>	<b>CYLINDER DRAIN REED PLATE GASKET</b>
-	<b>F85762</b>		<b>1</b>	<b>BY-PASS VALVE GASKET</b>
-	<b>F85836-1</b>		<b>3</b>	<b>INTAKE GASKET</b>
-	<b>F85906</b>		<b>3</b>	<b>CARBURETOR GASKET</b>
-	<b>F316555</b>		<b>1</b>	<b>GEAR HOUSING SEAL</b>
-	<b>F369529</b>		<b>1</b>	<b>CYLINDER HEAD GASKET</b>
-	<b>F476067</b>		<b>1</b>	<b>THERMOSTAT COVER GASKET</b>
-	<b>F481836</b>		<b>3</b>	<b>INTAKE GASKET</b>

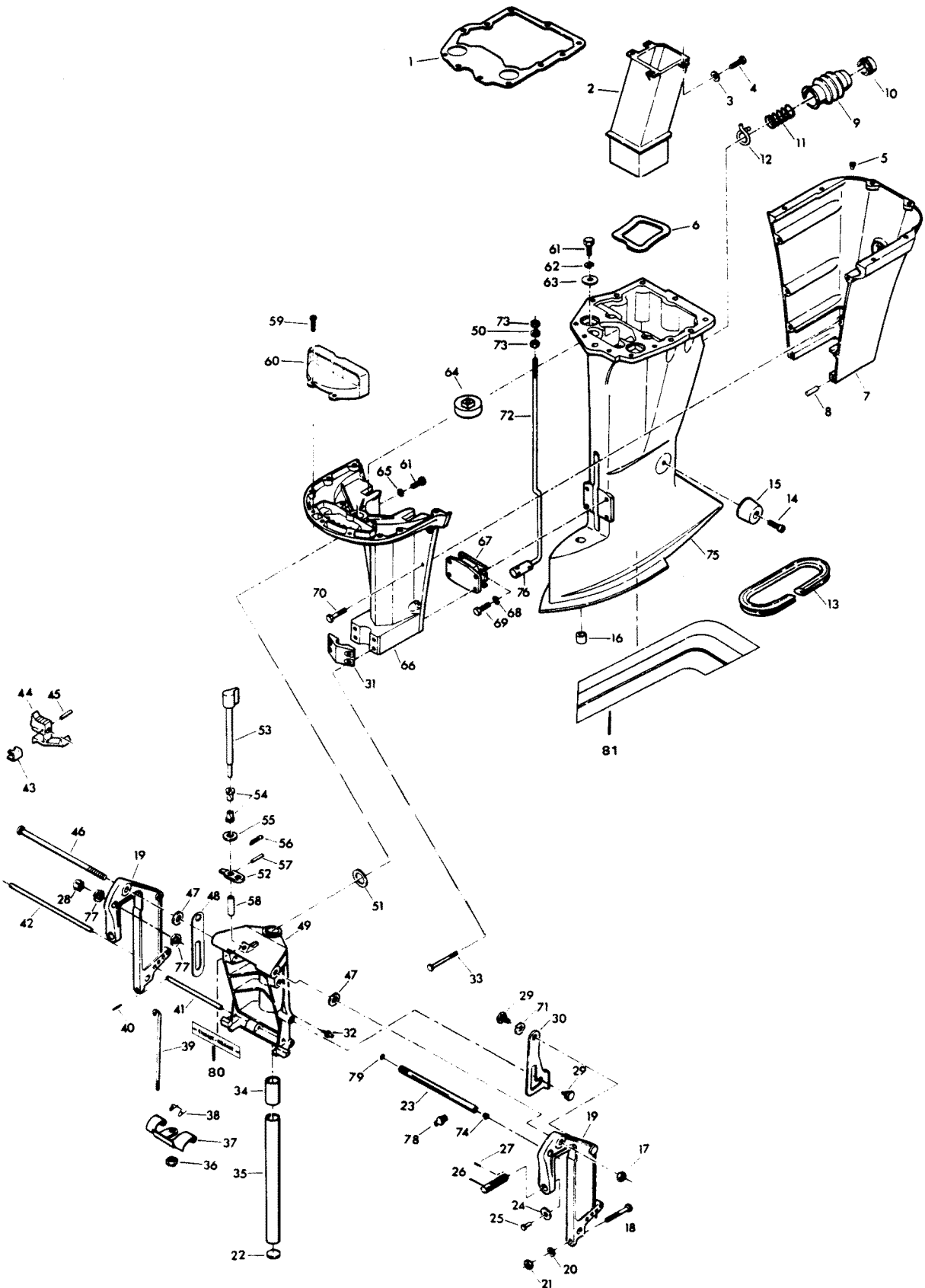
# CRANKSHAFT AND PISTON GROUP



## CRANKSHAFT AND PISTON GROUP

REF. NO.	PART NO.	SYM.	QTY.	DESCRIPTION
1	FA335260		3	PISTON RING SET (3 PER SET) STANDARD
-	<b>FSA335260</b>		<b>3</b>	<b>PISTON RINGS (3 PER SET) .010 OVERSIZE</b>
-	<b>39-818110A1</b>		<b>3</b>	<b>PISTON RINGS (3 PER SET) .030 OVERSIZE</b>
2	700-F372015-3		3	PISTON STANDARD
-	<b>700-817988A2</b>		<b>3</b>	<b>PISTON .010 OVERSIZE</b>
-	<b>700-818111A2</b>		<b>3</b>	<b>PISTON .030 OVERSIZE</b>
3	F335215		6	SPACER, PISTON PIN (2 PER PISTON)
4	F85017		3	PISTON PIN
5	F335217-1		3	BEARING PISTON PIN (26 PER SET)
6	600-818052A4		3	CONNECTING ROD W/CAP AND SCREWS
7	FK85228		3	BEARING CAGE W/ROLLER
8	F85410		2	SNAP RING
9	FA85655-1		2	CRANKSHAFT MAIN BEARING RACE W/SNAP RING
10	F85571		2	BEARING CAGE W/ROLLER
11	F316579		2	SEAL, CRANKCASE
12	FA523014		1	CRANKSHAFT LOWER MAIN BEARING W/SEAL
13	F523146		1	SEAL, CRANKSHAFT LOWER
14	F85634-2		6	CONNECTING ROD SCREW
15	FA85018-2		1	CRANKSHAFT W/BEARING
16	F85498		1	FLYWHEEL KEY
17	F84278		1	SEAL, CRANKSHAFT BEARING CAGE
18	31-817785A2		1	CRANKSHAFT BEARING CAGE W/SEAL
19	F1867		4	HEX CAP SCREW, 3/8 - 16 X 1
20	F84146-2		1	SEAL
21	F1968		1	FLYWHEEL NUT
22	F284659-2		1	CRANKSHAFT THRUST BEARING UPPER
-	<b>F2067</b>		<b>1</b>	<b>PLASTISOL CAP (NOT SHOWN)</b>

# MOTOR LEG



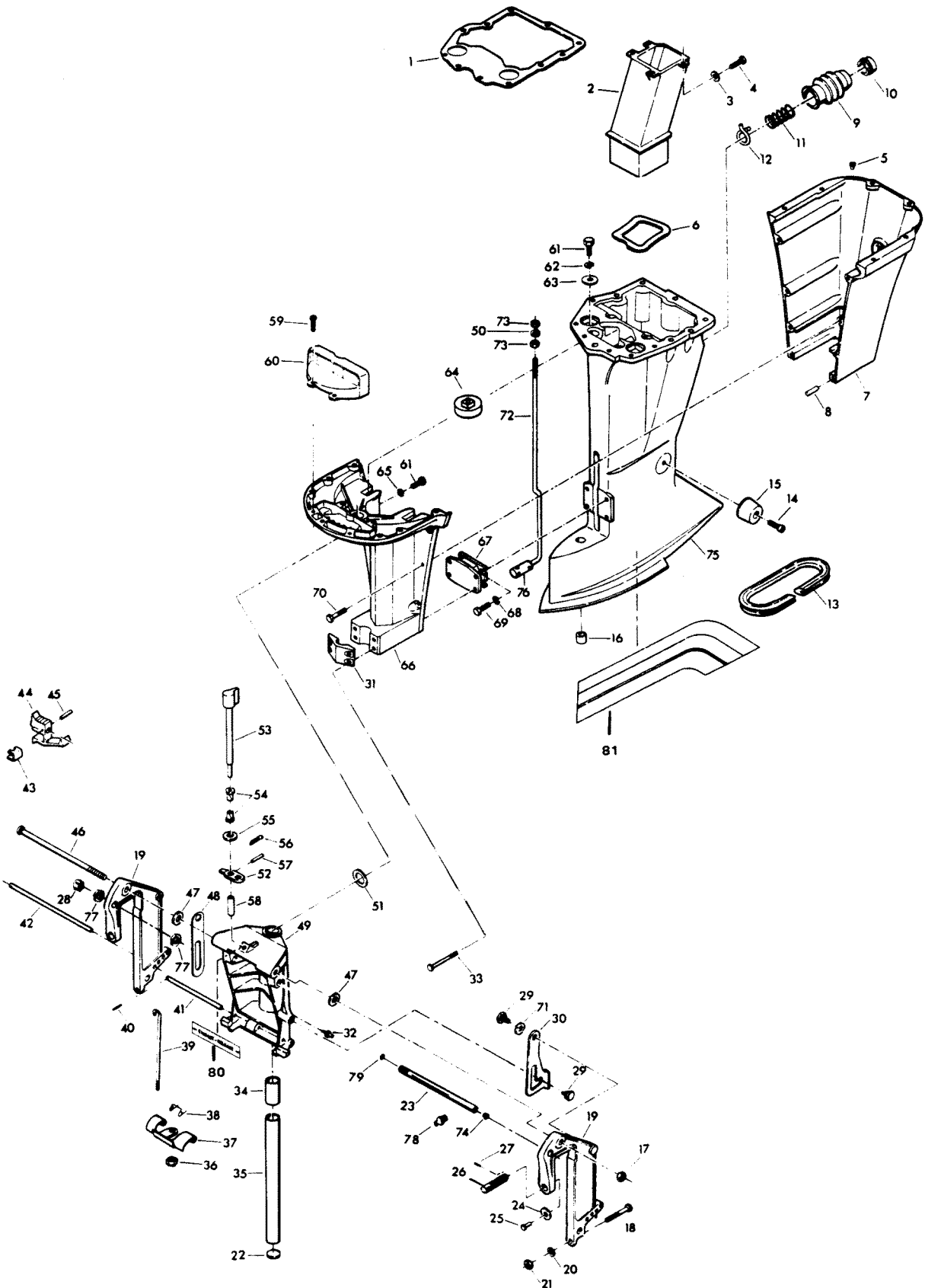


# MOTOR LEG

REF. NO.	PART NO.	SYM.	QTY.	DESCRIPTION
1	F85453-1		1	GASKET, EXHAUST LOWER
2	F85660-1		1	EXHAUST TUBE
3	F8083		4	SPRING LOCKWASHER
4	F1864		4	HEX SLOT HD SCREW 1/4 - 20 X 3/4
5	F1729		2	PLUG
6	F439736		1	SEAL EXHAUST TUBE
7	817931A7		1	MOTOR LEG COVER REAR
8	F1664		2	SPRING PIN
9	F85130		1	BOOT, IDLE EXHAUST
10	F85258		1	INSERT
11	F85380		1	SPRING
12	F85772		1	CLAMP
13	F178323		1	SEAL, MOTOR LEG
14	F1263		2	HEX SOCKET HD CAP SCREW 5/16 - 18 X 9/16
15	F438962		2	SHOCK MOUNT SLIDE
16	F338618-1		1	SEAL, GEAR SHIFT ROD
17	F7012		1	LOCK NUT, 1/2 - 20
18	F1593		2	HEX HD SCREW 3/8 - 16 X 3
19	1400-817958A6		2	STERN BRACKET
20	F1904		2	PLAIN WASHER
21	F1346		2	HEX NUT 3/8 - 16
22	F1528		1	WELCH PLUG
23	F511125-2		1	TUBE, STEERING SUPPORT
24	F84074		2	CLAMP SCREW FOOT
25	F353480		2	STUD
26	F474073-1		2	CLAMP SCREW
27	F8538		2	SPRING PIN
28	F9018		1	CAP
29	F85350-1		4	TILT STOP PIVOT
30	F85541-1		1	TILT LOCK
31	F85606		1	KINGPIN CAP
32	F213274		3	GREASE FITTING
33	F1696		4	HEX BOLT 5/16 - 18 X 1 3/4
34	F438169		2	BEARING
35	FA85019		1	KINGPIN W/PLUG
36	F1669		1	LOCK NUT
37	F369349		1	REVERSE LOCK
38	F85300		1	REVERSE LOCK SPRING
39	F369510		1	LINK
40	F1744		1	SPRING PIN
41	F177350		1	REVERSE LOCK PIN
42	FA438113		1	STERN BRACKET LOCK BAR W/HANDLE
43	F286461		1	SPRING LOCK BAR HANDLE

CONTINUED ON NEXT PAGE ➡

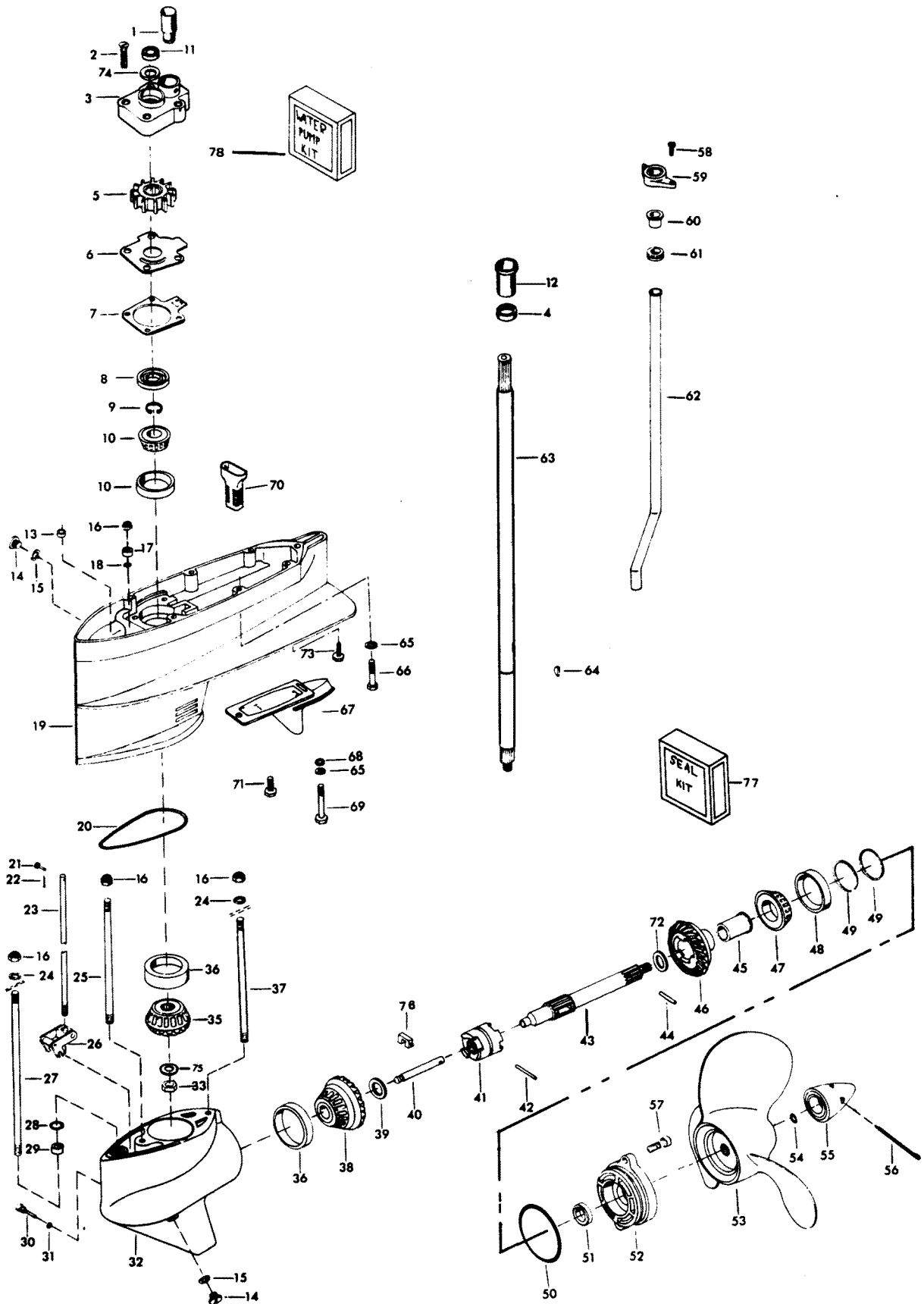
# MOTOR LEG



# MOTOR LEG

REF. NO.	PART NO.	SYM.	QTY.	DESCRIPTION
44	F433114		1	HANDLE, LOCK BAR
45	F1744		1	SPRING PIN
46	F85037-1		1	STERN BRACKET PIVOT BOLT
47	F84286-1		4	FRICTION WASHER
48	F85426		1	TILT STOP
49	817783A5		1	SWIVEL BRACKET W/BEARING AND GREASE FITTING
50	F1987		1	PLAIN WASHER
51	F84011		1	WASHER
52	F369364		1	REVERSE LOCK ARM
53	F369827		1	HANDLE AND SHAFT
54	F197813		2	BEARING
55	F8094		1	PLAIN WASHER
56	F1014		1	COTTER PIN
57	F1836		1	SPRING PIN
58	F483884		1	BEARING
59	F1912		4	HEX HD SCREW 10 - 24 X 1/2
60	F85779-1		1	BAFFLE, AIR INTAKE
61	F1871		4	HEX HD SCREW 3/8 - 16 X 3/4
62	F2014		2	PLAIN WASHER
63	FA85355-1		2	WASHER SHOCK MOUNT UPPER
64	F85965		2	SHOCK MOUNT, UPPER
65	F1703		2	SPRING LOCKWASHER
66	A85135-3		1	LEG COVER, FRONT
67	F438346		1	SHOCK MOUNT, LOWER
68	F8096		4	SPRING LOCKWASHER
69	F1822		4	HEX BOLT 5/16 - 18 X 7/8
70	F2030		6	HEX HD SCREW 1/4 - 20 X 1 1/4
71	F1666		2	BOWED SPRING WASHER
72	F85615		1	GEAR SHIFT ROD UPPER
73	F2108		2	LOCK NUT 5/16 - 18
74	F9052		1	PLUG
75	A438133-1		1	MOTOR LEG
76	F85704		1	COUPLER, GEARSHIFT ROD UPPER
77	F523280		2	NUT, STEERING SUPPORT TUBE
78	F523274		1	GREASE FITTING
79	F316599		1	SEAL, STEERING SUPPORT TUBE
80	F474390-1		1	DECAL, REVERSE LOCK - USA
-	<b>37-819450</b>		<b>1</b>	<b>DECAL, REVERSE LOCK - CANADA</b>
81	A548392		1	DECAL, LEG - PORT
-	<b>A548391</b>		<b>1</b>	<b>DECAL, LEG - STARBOARD</b>

# GEAR HOUSING



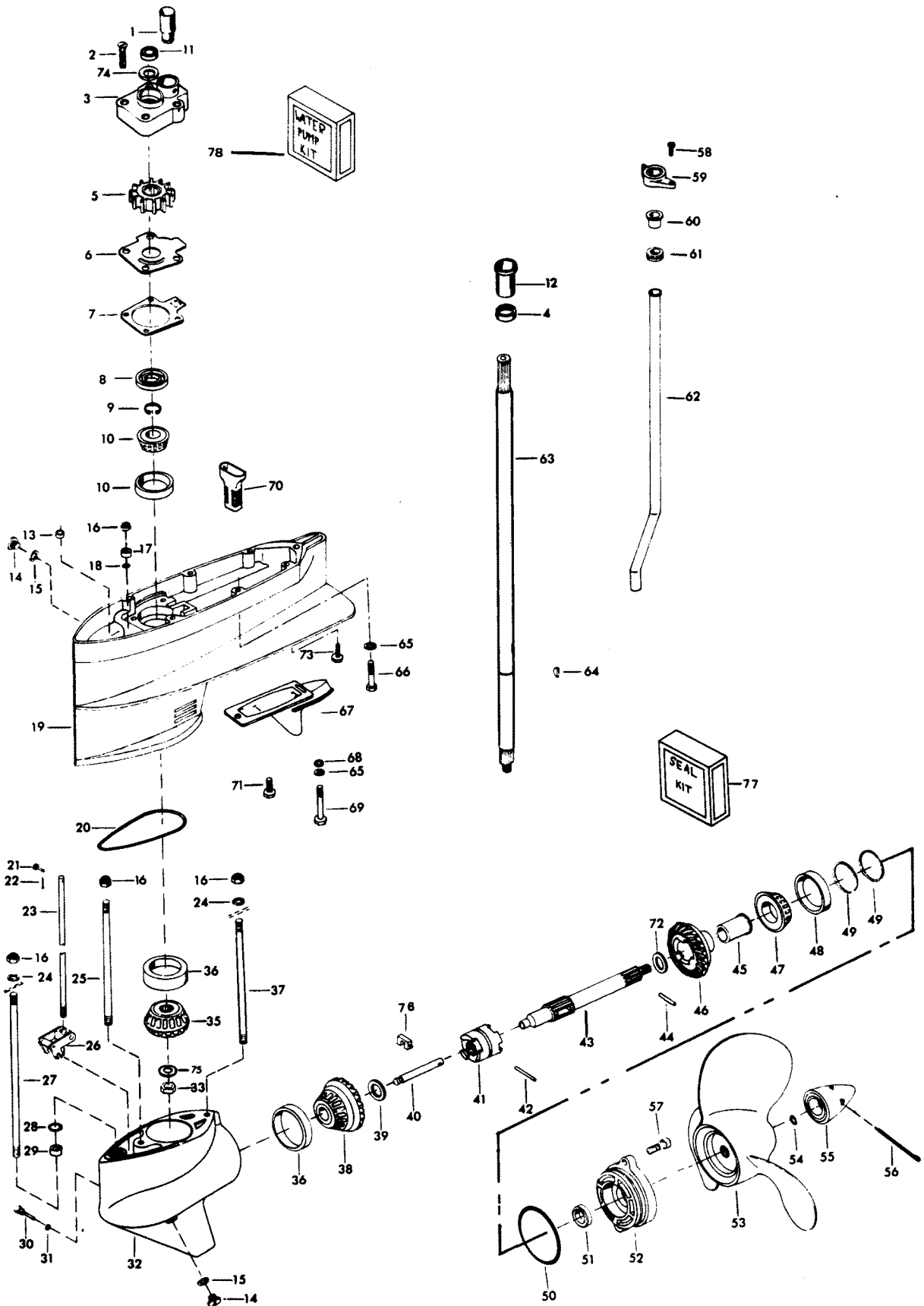
2E

# GEAR HOUSING

REF. NO.	PART NO.	SYM.	QTY.	DESCRIPTION
1	FA523735		1	SEAL, INLET WATER LINE, LOWER
2	F1849		4	FLAT HD SCREWS, S.S., 1/4 - 20 X 1 3/8
3	FK500060		1	WATER PUMP BODY <b>W/ITEMS 1, 2, 11 &amp; 74</b>
4	F438271		1	RETAINER, CRANKSHAFT SPLINE SEAL
5	F84065		1	WATER PUMP IMPELLER
6	F369562		1	WATER PUMP BACK PLATE
7	F84031		1	GASKET, WATER PUMP
8	F84307-1		1	SEAL, DRIVESHAFT
9	F84173		1	RETAINING RING
10	FA40901		1	BEARING, DRIVESHAFT W/CUP
11	F351307		1	SEAL, WATER PUMP
12	F438129		1	SEAL, DRIVESHAFT SPLINE
13	F338618-1		1	SEAL, GEAR SHIFT ROD
14	F50109		2	PLUG, GEAR HOUSING
15	F8077		2	WASHER, GEAR HOUSING PLUG
16	F7025		3	HEX NUT, 3/8 - 16
17	F84215		1	SPACER
18	F19342		1	SEAL
19	A316554-2		1	GEAR HOUSING UPPER W/PLUG AND WASHER
20	F316555		1	SEAL
21	F85372		1	PIN, GEAR SHIFT ROD LOWER
22	F1015		1	COTTER PIN, S.S.
23	F85705-1		1	GEAR SHIFT ROD LOWER
24	F1778		2	PLAIN WASHER
25	F316165		1	STUD, GEAR HOUSING CENTER
26	FA84621-1		1	COUPLING, GEAR SHIFT ARM W/BUSHING
27	F85006-1		1	STUD, GEAR HOUSING, FRONT
28	F316599		1	SEAL, GEAR HOUSING STUD, FRONT
29	F85012		1	PILOT, GEAR HOUSING
30	F498891		1	PIN, GEAR SHIFT ARM
31	F498618		1	SEAL
32	1600-817767A2		1	GEAR HOUSING LOWER W/PLUG AND WASHER
-	<b>FC481054</b>		<b>0</b>	<b>GEAR HOUSING COMPLETE. INCLUDES ALL ITEMS MARKED WITH AN ASTERISK (*).</b>
33	FA511188		1	NUT, BEVEL PINION RETAINING
35	FA481266		1	BEVEL PINION GEAR W/BEARING AND CUP
36	84903		2	BEARING CUP
37	F84008-4		1	STUD, GEAR HOUSING, REAR
38	F2A481023		1	BEVEL GEAR FRONT W/BEARINGS
39	F1936		A/R	SPACER .059"
-	<b>F1937</b>		<b>A/R</b>	<b>SPACER .062"</b>
-	<b>F1938</b>		<b>A/R</b>	<b>SPACER .065"</b>
-	<b>F1939</b>		<b>A/R</b>	<b>SPACER .068"</b>

CONTINUED ON NEXT PAGE ➡

# GEAR HOUSING

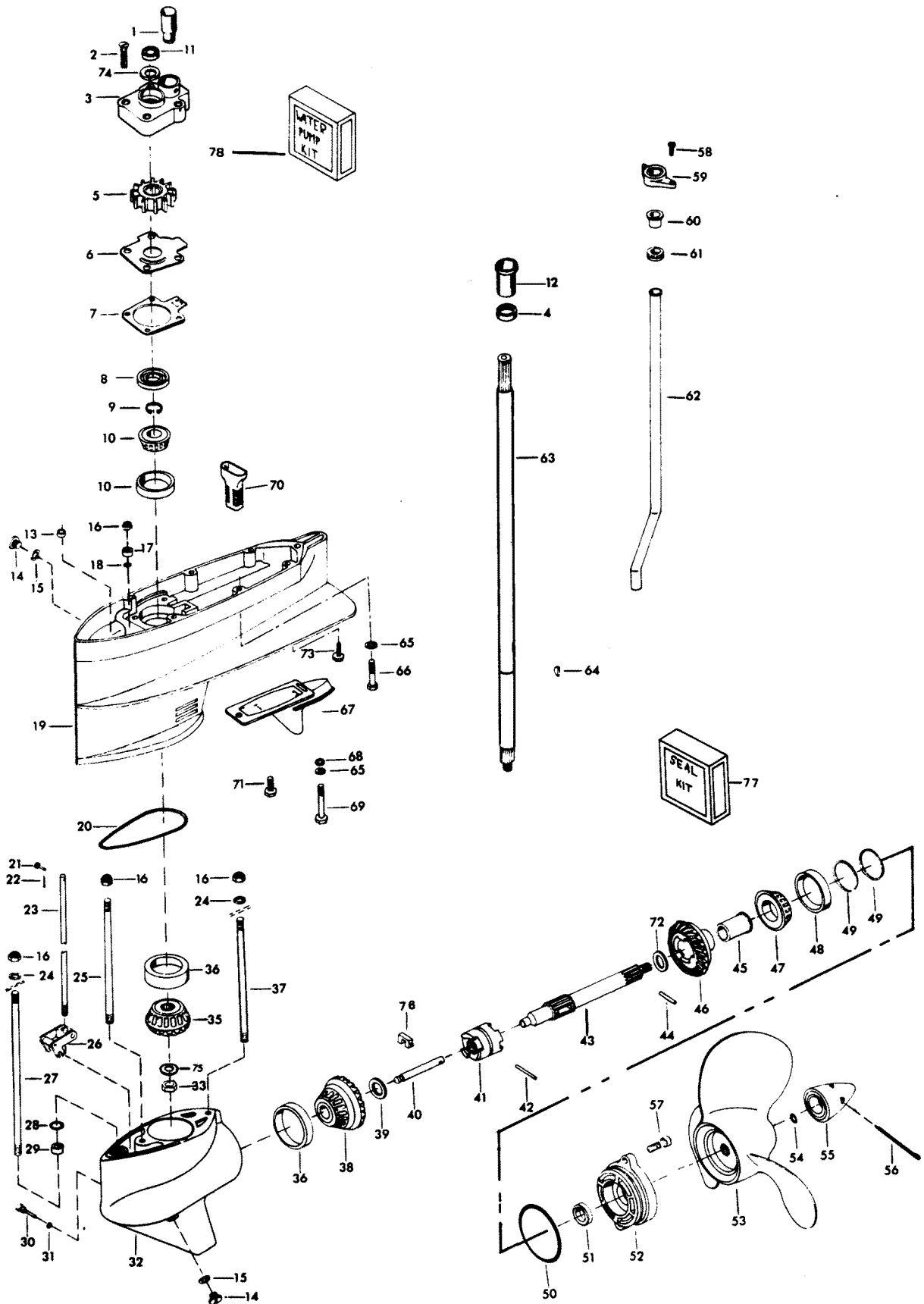


# GEAR HOUSING

REF. NO.	PART NO.	SYM.	QTY.	DESCRIPTION
-	F1940		A/R	SPACER .071"
-	F1941		A/R	SPACER .074"
-	F1942		A/R	SPACER .077" SPACERS AVAILABLE FOR THE BEVEL GEAR THRUST, FRONT POSITION.
40	F84871-1		1	PIN, GEAR SHIFT
41	F84521-1		1	CLUTCH
42	F1713		1	SPRING PIN
43	A85098-2		1	PROPELLER SHAFT
44	FK280		1	PROPELLER PIN
45	F384143		1	BEARING, BEVEL GEAR REAR
46	F481662		1	BEVEL GEAR, REAR
47	FA84225		1	BEARING W/CUP
48	84250		1	BEARING CUP
49	F9022		A/R	SHIM, PROPELLER SHAFT BEARING CAGE .006 (SILVER)
-	F9023		A/R	SHIM, PROPELLER SHAFT BEARING CAGE .007 (BRASS)
-	F9024		A/R	SHIM, PROPELLER SHAFT BEARING CAGE .010 (BLACK) SHIMS AVAILABLE FOR THE PROPELLER SHAFT BEARING CAGE.
50	F84305		1	SEAL, PROPELLER SHAFT BEARING CAGE
51	F84118		1	SEAL, PROPELLER SHAFT
52	FA84298-3		1	PROPELLER SHAFT BEARING CAGE <b>W/ITEM 51</b>
53	FP372		1	PROPELLER (ACCESSORY ITEM)
54	F40342		1	SEAL, PROPELLER NUT
55	11-817784A1		1	PROPELLER NUT W/COTTER PIN AND SEAL
56	F1028		1	COTTER PIN, S.S.
57	F1252		2	HEX SOCKET HD CAP SCREW, S.S., 3/8 - 16 X 1
58	F1705		2	HEX CAP SCREW, S.S., 1/4 - 20 X 3/4
59	F85117		1	BRACKET, WATER LINE
60	F84342		1	SEAL, INLET WATER LINE, UPPER
61	F381899		1	GROMMET, WATER LINE
62	F85244		1	INLET WATER LINE
63	FK85128-1		1	DRIVESHAFT
64	F9038		1	DRIVE KEY, WATER PUMP
65	F8096		7	SPRING LOCKWASHER, S.S.
66	F1696		6	HEX BOLT, S.S., 5/16 - 18 X 1 3/4
67	817797A2		1	EXHAUST OUTLET, GEAR HOUSING UPPER
68	F1907		1	PLAIN WASHER
69	F1994		1	HEX SOCKET HD CAP SCREW, 5/16 - 18 X 1
70	F438077		1	SCREEN, WATER INLET
71	F438930		1	RETAINER, SNOUT
72	F84717		1	THRUST WASHER, BEVEL GEAR, REAR
73	F1213		1	HEX CAP SCREW, 5/16 - 18 X 1 1/8
74	F480388		1	DISC, WATER PUMP LOCATING
75	F136717		1	WASHER, BEVEL GEAR THRUST

CONTINUED ON NEXT PAGE ➡

# GEAR HOUSING

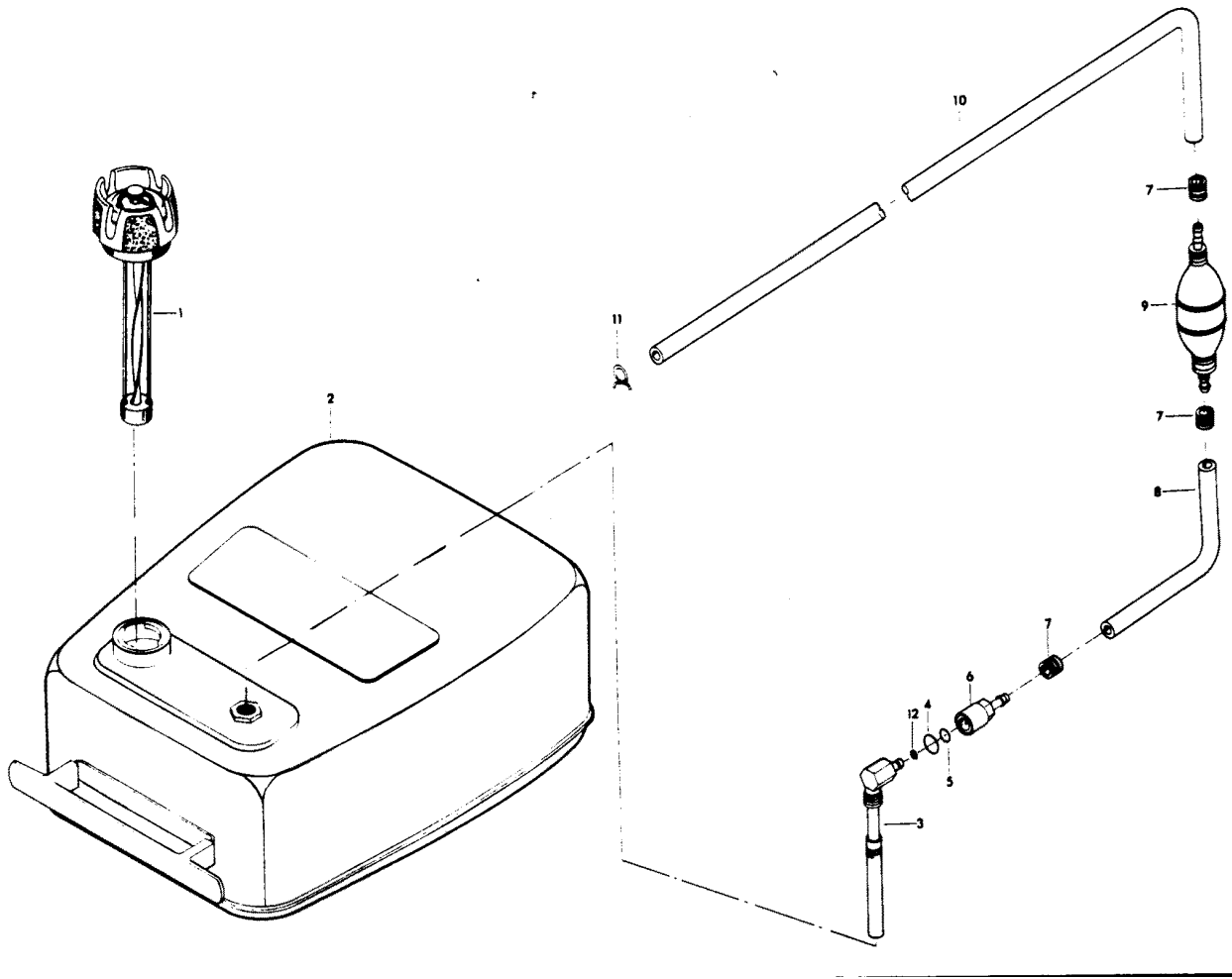




# GEAR HOUSING

REF. NO.	PART NO.	SYM.	QTY.	DESCRIPTION
76	F90619-1		1	YOKE
77	FK1061		1	SEAL KIT (INCLUDES THE FOLLOWING)
-	<b>F84307-1</b>		<b>1</b>	<b>DRIVESHAFT SEAL</b>
-	<b>F19342</b>		<b>1</b>	<b>GEAR HOUSING STUD SEAL</b>
-	<b>F338618-1</b>		<b>1</b>	<b>GEAR SHIFT ROD SEAL</b>
-	<b>F8077</b>		<b>2</b>	<b>WASHER</b>
-	<b>F498618</b>		<b>1</b>	<b>GEAR SHIFT ARM PIN</b>
-	<b>F316555</b>		<b>1</b>	<b>GEAR HOUSING SEAL</b>
-	<b>F316599</b>		<b>1</b>	<b>GEAR HOUSING STUD SEAL</b>
-	<b>F84305</b>		<b>1</b>	<b>PROP SHAFT BEARING CAGE SEAL</b>
-	<b>F84118</b>		<b>1</b>	<b>PROP SHAFT SEAL</b>
78	FK1033-1		0	WATER PUMP KIT

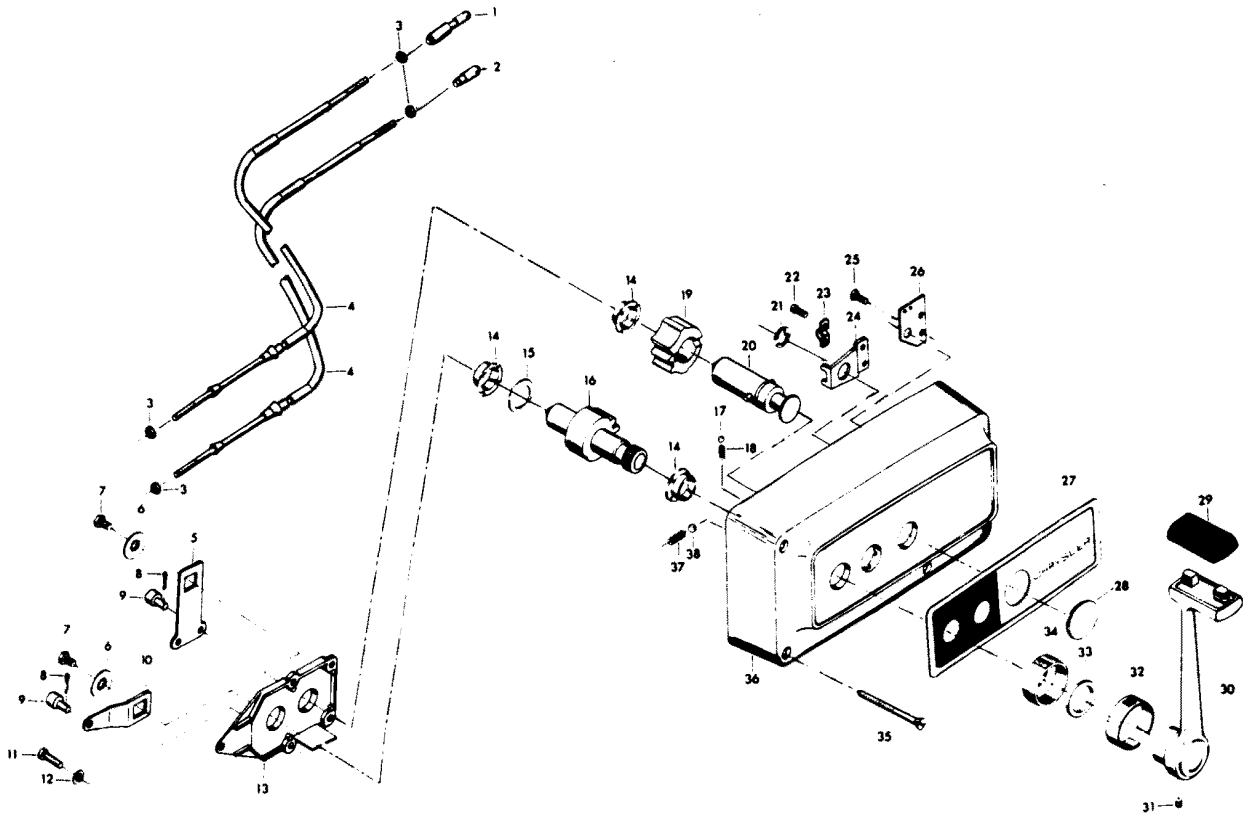
# FUEL TANK AND LINE



## FUEL TANK AND LINE

REF. NO.	PART NO.	SYM.	QTY.	DESCRIPTION
1	F409251-1		1	GAUGE CAP
2	F5H026		1	FUEL TANK (ACCESSORY ITEM)
3	F485755-1		1	FUEL TANK ADAPTER
4	F213342		1	SEAL, FUEL LINE COUPLER (LARGE)
5	F213735		1	SEAL, FUEL LINE COUPLER (SMALL)
6	F197787-3		1	FUEL LINE COUPLER
7	F298788		3	FERRULE
8	FA84754-1		1	FUEL LINE SHORT W/FERRULES
9	89396A38		1	PRIME BULB
10	32-817738A1		1	FUEL LINE LONG W/CLAMP AND FERRULE
11	F97772		1	FUEL LINE CLAMP
12	F17932		1	SEAL, FUEL TANK ADAPTER
-	<b>FS409752</b>		<b>1</b>	<b>FUEL LINE COMPLETE</b>
-	<b>FC409398</b>		<b>1</b>	<b>DECAL, TOTE TANK - CANADA (NOT SHOWN)</b>

# REMOTE CONTROL



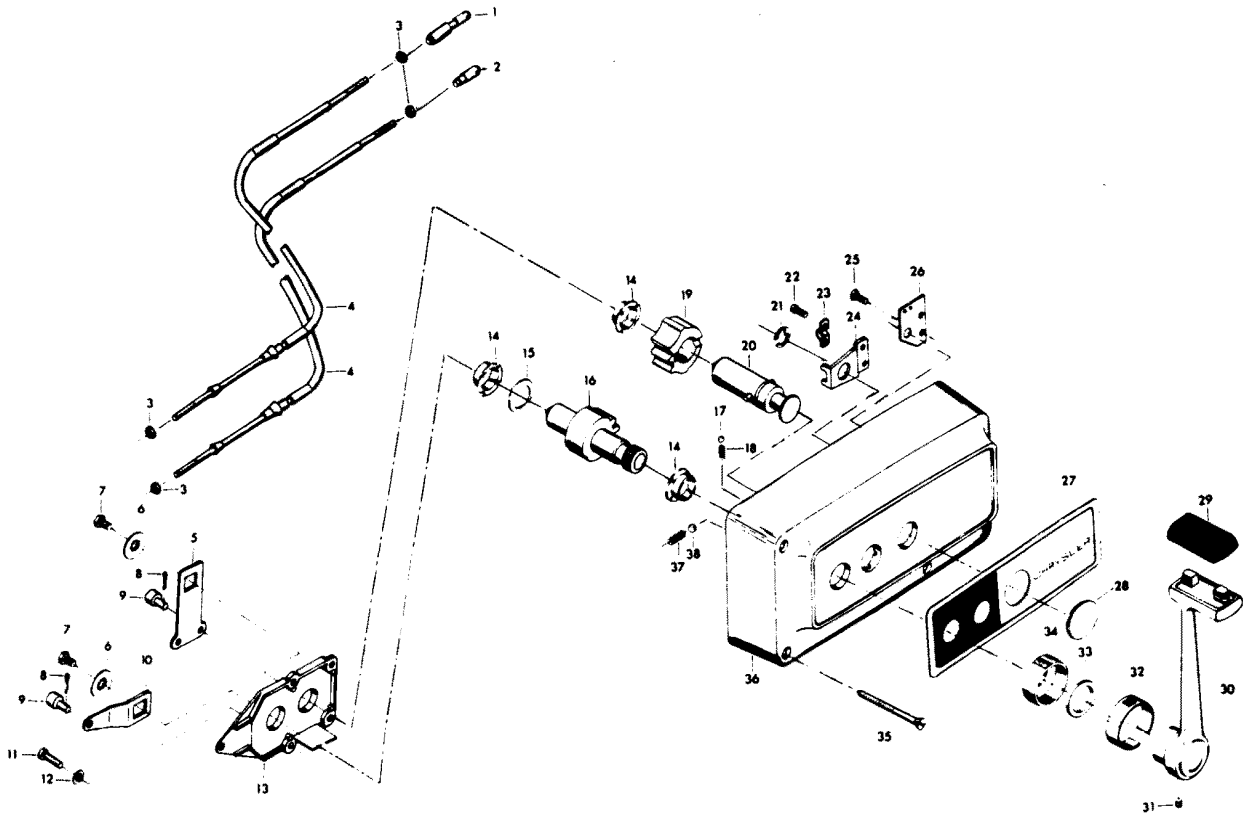
29

# REMOTE CONTROL

REF. NO.	PART NO.	SYM.	QTY.	DESCRIPTION
1	FA58976-1		1	CONNECTOR, THROTTLE CABLE
2	F58685-2		1	CONNECTOR, SHIFT CABLE
3	F1513		4	HEX NUT
4	ÄF58356//		2	REMOTE CONTROL CABLE (SPECIFY LENGTH)
5	F17019		1	CLUTCH ARM
6	F17036		2	INTERNAL TOOTH LOCKWASHER
7	F1715		2	HEX BOLT, 1/4 - 28 X 9/16
8	F17149		2	COTTER PIN
9	F17016		2	CABLE TERMINAL
10	F17014		1	THROTTLE ARM
11	F17013		2	FILL HD SCREW, 1/4 - 20 X 1/2
12	F17147		2	INTERNAL TOOTH LOCKWASHER
13	F17012		1	RETAINING PLATE
14	F17009		3	BEARING
15	F17011		1	BOWED WASHER
16	F17010-1		1	THROTTLE GEAR
17	F17111		1	DETENT BALL
18	F17006		1	DETENT SPRING
19	F17021		1	CLUTCH GEAR
20	F17100		1	CLUTCH SHAFT
21	F17092		1	SNAP RING
22	F17071		2	FILL HD SCREW, 10 - 24 X 5/16
23	F154317		1	CABLE CLAMP
24	F17026		1	SWIVEL
25	F1557		2	FLAT HD SCREW, 10 - 24 X 3/8
26	F17112		1	JUNCTION BOARD, STARBOARD
-	<b>F17113</b>		<b>1</b>	<b>JUNCTION BOARD, PORT</b>
27	F17148		1	DECAL, STARBOARD
-	<b>F531892</b>		<b>1</b>	<b>DECAL, PORT</b>
28	F17031-1		1	SNAP CAP
29	F17116		1	KNOB
30	F17115-1		1	HANDLE
31	F17030-1		1	SET SCREW
32	FK17114-1		1	INDICATOR
33	F17105		1	FELT WASHER
34	F17106		1	COLLAR
35	F17146		3	WOOD SCREW
36	F17099-1		1	HOUSING

CONTINUED ON NEXT PAGE ➡

# REMOTE CONTROL



29

# REMOTE CONTROL

REF. NO.	PART NO.	SYM.	QTY.	DESCRIPTION
37	F17068		1	DETENT SPRING
38	F17082-1		1	DETENT BALL
-	F1280		2	PAN HD SCREW, 8 - 32 X 1/4 (TERMINAL BOARD) (NOT SHOWN)
-	OB3061		1	LITERATURE (NOT SHOWN)
-	F17103-1		1	BAG ASSEMBLY (NOT SHOWN) INCLUDES ITEMS MARKED WITH AN ASTERISK (*).

## SPECIAL TOOLS - TUNE-UP

REF. NO.	PART NO.	SYM.	QTY.	DESCRIPTION
-	FT8948-1		0	PULLER TO REMOVE FLYWHEEL.
-	FTA2937-1		0	TIMING TOOL TO ADJUST TIMING POINTER
-	FT2951		0	CIRCUIT TRACER TO TROUBLESHOOT ELECTRICAL SYSTEM.
-	FT8978		0	TIMING LIGHT FOR ADJUSTING IGNITION TIMING.



## SPECIAL TOOLS - POWER HEAD

REF. NO.	PART NO.	SYM.	QTY.	DESCRIPTION
-	FT8914		0	SEAL REMOVER TO REMOVE UPPER CRANKSHAFT BEARING CAGE SEAL.
-	FT8903		0	SEAL INSTALLER TO INSTALL UPPER CRANKSHAFT BEARING CAGE SEAL.
-	FT8927		0	SEAL PROTECTOR TO INSTALL UPPER CRANKSHAFT BEARING CAGE.
-	FT8907		0	DRIVE HANDLE USED WITH T8903.
-	FT8925		0	SEAL INSTALLER TO INSTALL LOWER CRANKSHAFT SEAL.
-	FT2953		0	SOCKET TO TORQUE CONNECTING ROD SCREWS.
-	FT2990		0	PISTON PIN TOOL TO REMOVE AND INSTALL PISTON PINS.
-	FT2996		0	RING COMPRESSOR TO INSTALL PISTONS IN CYLINDER
-	FT8926		0	RING EXPANDER TO INSTALL PISTON RINGS.
-	FT1082		0	SNAP RING PLIER TO REMOVE AND INSTALL DISTRIBUTOR RETAINING RING.

# SPECIAL TOOLS - GEAR HOUSING

REF. NO.	PART NO.	SYM.	QTY.	DESCRIPTION
-	FT8948-1		0	PULLER TO REMOVE PROPELLER SHAFT BEARING CAGE FROM GEAR HOUSING.
-	FT8918		0	BEARING GUIDE SET TO REMOVE AND INSTALL BEARING CUP IN LOWER GEAR HOUSING.
-	FT2995		0	BEARING CUP REMOVER TO REMOVE FORWARD BEARING CUP IN LOWER GEAR HOUSING.
-	FT8917		0	BEARING CUP REMOVER TO REMOVE REAR BEARING CUP FROM PROPELLER SHAFT BEARING CAGE.
-	FT8909		0	BEARING CUP INSTALLER TO INSTALL FORWARD BEARING CUP IN LOWER GEAR HOUSING
-	FT8922		0	SLIDE HAMMER USED WITH T8917
-	FT8910		0	BEARING CUP INSTALLER TO INSTALL REAR BEARING CUP IN PROPELLER SHAFT BEARING CAGE.
-	FT8957		0	SEAL INSTALLER TO INSTALL SHIFT ROD SEAL.
-	FT8908		0	SEAL INSTALLER TO INSTALL PROPELLER SHAFT SEAL IN PROPELLER SHAFT BEARING CAGE.
-	FT8915		0	SEAL PROTECTOR TO INSTALL BEARING CAGE ON PROPELLER SHAFT.
-	FT8916		0	BEARING INSTALLER TO INSTALL REVERSE GEAR AND BEARING ON PROPELLER SHAFT.
-	FT8906		0	BEARING SUPPORT TO INSTALL REVERSE GEAR AND BEARING ON PROPELLER SHAFT.
-	FT8911		0	DRIVESHAFT KNOCK-OFF NUT TO REMOVE DRIVESHAFT FROM UPPER GEAR HOUSING.
-	FT8905		0	BEARING REMOVER TO REMOVE BEARING FROM DRIVESHAFT.
-	FT8920		0	BEARING INSTALLER TO INSTALL BEARING ON DRIVESHAFT.
-	FT8925		0	SEAL INSTALLER TO INSTALL DRIVESHAFT SEAL IN UPPER HOUSING.
-	FT3012		0	SEAL INSTALLER TO INSTALL DRIVESHAFT SEAL IN WATER PUMP.
-	FT8924-1		0	CHECKING GAUGE TO MEASURE PROPELLER SHAFT END PLAY AND END FLOAT.
-	FTA8991		0	SPACER KIT TO SHIM LOWER UNIT - USED WITH T8924-1.
-	FT8901		0	INDICATOR HOLDER USED IN CONJUNCTION WITH T8924-1
-	FT8902		0	DIAL INDICATOR USED IN CONJUNCTION WITH T8924-1
-	FT8907		0	DRIVER HANDLE USED WITH T8910, T8909, T8908.
-	FT8919		0	SPRING PIN PUNCH TO REMOVE CLUTCH SPRING PIN.
-	FT1081		0	SNAP RING PLIER TO REMOVE AND INSTALL DRIVESHAFT BEARING RETAINING RING.

## SPECIAL TOOLS - TEST EQUIPMENT

REF. NO.	PART NO.	SYM.	QTY.	DESCRIPTION
-	FTA8991		0	TEST WHEEL TO TEST MOTOR IN TEST TANK.
-	FT8933		0	LIFTING HOOK TO LIFT ENGINE.
-	FT8950		0	LEAKAGE TESTER TO TEST LOWER UNIT SEALS FOR LEAKAGE.
-	FT8953		0	IGNITION TESTER TO TEST OUTPUT OF C-D UNIT.

## SPECIAL TOOLS - LUBRICANTS AND SEALANTS

REF. NO.	PART NO.	SYM.	QTY.	DESCRIPTION
-	FT2961		0	LUBRICANT
-	FT2987-1		0	LUBRICANT
-	FT8969		0	LUBRICANT
-	FT8955		0	SEALANT
-	FT8993		0	SEALANT
-	FT8936		0	SEALANT
-	FT2962-1		0	SEALANT
-	T8963-1		0	SEALANT
-	FT8935		0	SEALANT PRIMER

# ACCESSORIES

REF. NO.	PART NO.	SYM.	QTY.	DESCRIPTION
-	F861		0	FLUSHING ADAPTER PERMITS FRESH WATER FLUSHING OF WATER PASSAGES WITH STANDARD GARDEN HOSE.
-	F5H130		0	REMOTE CONTROL - SURFACE MOUNT (SINGLE LEVER) PERMITS REMOTE CONTROL OF THROTTLE AND GEAR SHIFT FROM STARBOARD SIDE OF BOAT.
-	F5H120		0	REMOTE CONTROL BACK PLATE TO PREVENT INTERFERENCE WITH PADDED SIDE OF BOAT.
-	F5H131		0	PORT SIDE DECAL KIT COVERTS 5H130 CONTROL BOX TO PORT SIDE MOUNTING
-	F590		0	REMOTE CONTROL - FLUSH MOUNT (SINGLE LEVER) FLUSH MOUNT CONTROL UNIT PERMITS REMOTE CONTROL OF THROTTLE AND GEAR SHIFT. MAY BE MOUNTED ON PORT OR STARBOARD SIDE OF BOAT.
-	865		0	REMOTE CONTROL - SURFACE MOUNT (SINGLE LEVER PER ENGINE) PERMITS REMOTE CONTROL OF THROTTLE AND GEAR SHIFT ON TWIN ENGINE INSTALLATIONS. MAY BE MOUNTED ON PORT OR STARBOARD SIDE OF BOAT.
-	F5H079		0	SINGLE REMOTE CONTROL BOX PERMITS REMOTE CONTROL OF THROTTLE AND GEAR SHIFT. CONSOLE MOUNTED.
-	F5H080		0	TWIN REMOTE CONTROL BOX PERMITS REMOTE CONTROL OF THROTTLE AND GEAR SHIFT. TWO ENGINES. CONSOLE MOUNTED.
-	F195/___		0	REMOTE CONTROL CABLES CONNECTS REMOTE CONTROL BOX TO THROTTLE AND GEAR SHIFT ON ENGINE. AVAILABLE IN 6 THROUGH 40 FOOT LENGTHS.
-	F5H132		0	REMOTE CONTROL HANDLE TRIM SWITCH HAS POWER TRIM CONTROL SWITCH IN HANDLE. REPLACES STANDARD CONTROL LEVER ON 5H130 CONTROL BOX.
-	F5H108		0	STEERING CONNECTOR CLEVIS TYPE FOR BOAT MOUNTED STEERING AND NON-THREADED CABLE END.
-	F5H094		0	STEERING LINK KIT CONNECTS STEERING CABLE TO ENGINE WHEN USING ENGINE MOUNTED STEERING SYSTEM.
-	F5H018		0	DUAL STEERING CONNECTOR PERMITS DUAL ENGINE INSTALLATION.
-	F5H026		0	STEEL, 6 GALLON FUEL TANK (LOW PROFILE) AUXILIARY TANK.
-	F5H029		0	TANK ANCHOR SECURES 5H026 TO BOAT.
-	F5H040		0	STEEL, 12 GALLON FUEL TANK AUXILIARY TANK.
-	5H111		0	INSTRUMENT ADAPTER - 2" PROVIDES SURFACE MOUNTING OF INSTRUMENTS.
-	F5H112		0	INSTRUMENT ADAPTER - 3 1/2" PROVIDES SURFACE MOUNTING OF INSTRUMENTS.
-	71H06		0	AMMETER-FLUSH MOUNT MONITORS OUTPUT OF ALTERNATOR.
-	F5H019		0	ANTI-CORROSION KIT ELECTRICAL KIT FOR MOUNTING ON BOAT (12V) TO REDUCE CORROSION.
-	F5H025		0	ANTI-CORROSION SACRIFICIAL ANODE KIT USED TO REDUCE CORROSION.

CONTINUED ON NEXT PAGE ➡

# ACCESSORIES

REF. NO.	PART NO.	SYM.	QTY.	DESCRIPTION
-	F5H043		0	OVERHEAT BUZZER SOUNDS WARNING BUZZER IF ENGINE OVERHEATS.
-	F5H010		0	POWER TRIM INDICATOR INDICATES ENGINE TRIM ANGLE. (FLUSH MOUNT)
-	F5H134		0	BOAT WHITE LACQUER ENGINE TOUCH-UP PAINT IN 12 3/4 OZ. SPRAY BOMBS (6 CANS PER CASE).
-	F5H135		0	SAND TAN LACQUER ENGINE TOUCH-UP PAINT IN 12 3/4 OZ. SPRAY BOMBS (6 CANS PER CASE)
-	F5H044		0	TILT STOP KIT LIMITS TILTING ANGLE
-	F5H068		0	RFI SUPPRESSION KIT PROVIDES RADIO NOISE SUPPRESSION.
-	F5H129		0	SHOCK ABSORBER KIT
-	F5H064		0	EXHAUST SNOOT FOR UNUSUAL BOAT COMBINATIONS AND MORE CLEARANCE.
-	F5H081		0	BATTERY CABLE LONGER LENGTH - 15 FEET.
-	F5H006		0	VOLTMETER - FLUSH MOUNT INDICATES BATTERY CONDITION
-	5H047		0	CANVAS HOOD PROTECTION FOR ENGINE COVER.
-	5H051		0	BATTERY, 74 AMP 12 VOLT HEAVY DUTY BATTERY.
-	F5H021		0	EXTENSION CABLE FOR LENGTHENING BATTERY CABLE 6 1/2 FEET.
-	F5H041		0	BATTERY TERMINAL KIT ADAPTS MODEL 5H051 BATTERY TERMINALS FOR CONNECTIONS TO BATTERY CABLE ON ENGINE.
-	71H25		0	CHARGE INDICATOR LAMP GLOWS GREEN WHEN ALTERNATOR IS RECHARGING BATTERY. DO NOT USE INDICATOR LAMP AND AMMETER IN SAME INSTALLATION.
-	F5H037		0	CIGAR LIGHTER FOR USE AS CONVENIENCE OUTLET.
-	168		0	CONTROL PANEL FOR MOUNTING LAMPS, SWITCHES, ETC.
-	F5H008		0	FUEL GAUGE FLUSH MOUNT MONITORS FUEL SUPPLY.
-	F5H123		0	HYDRAULIC TILT HYDRAULIC UNIT TO RAISE AND LOWER THE LOWER UNIT WHEN BEACHING OR TRAILERING BOAT.
-	479		0	HEAT LAMP KIT GLOWS RED IF ENGINE OVERHEATS. DO NOT USE HEAT LAMP AND TEMPERATURE GAUGE IN SAME INSTALLATION.
-	F5H007		0	HOURLY METER RECORDS ENGINE RUNNING TIME.
-	478		0	IGNITION LAMP KIT GLOWS ORANGE WHEN IGNITION SWITCH IS IN "ON" POSITION.
-	F5H077		0	IGNITION KEY SWITCH SHORT BARREL WITH KEYS.
-	F5H078		0	IGNITION KEY SWITCH LONG BARREL WITH KEYS.
-	F762		0	REMOTE ELECTRIC CABLE 25 FOOT CABLE FOR LARGE BOATS.
-	F5H070		0	REMOTE ELECTRIC CABLE 21 FOOT CABLE FOR LARGE BOATS.
-	5H082		0	REMOTE ELECTRIC CABLE 35 FOOT CABLE FOR LARGE BOATS.
-	F5H028		0	SENDING UNIT FOR USE WITH 5H008 FUEL GAUGE.

CONTINUED ON NEXT PAGE ➡

# ACCESSORIES

REF. NO.	PART NO.	SYM.	QTY.	DESCRIPTION
-	F5H005		0	TEMPERATURE GAUGE FLUSH MOUNT MONITORS ENGINE TEMPERATURE. DO NOT USE TEMPERATURE GAUGE AND HEAT LAMP IN SAME INSTALLATION.
-	F5H012		0	TACHOMETER - FLUSH MOUNT MONITORS ENGINE R.P.M. TO PROVIDE CHECK OF ENGINE PERFORMANCE.
-	F5H074		0	WATER PUMP KIT HEAVY DUTY WATER PUMP KIT.
-	F5H127		0	POWER TRIM ADJUSTS ENGINE TRIM AND TILTS ENGINE.
-	F5H002		0	SPEEDOMETER - FLUSH MOUNT MONITORS BOAT SPEED (0-65 M.P.H.)
-	F5H004		0	SPEEDOMETER - FLUSH MOUNT MONITORS BOAT SPEED (0-50 M.P.H.)
-	F5H115		0	TRAILERING TILT LOCK SECURES ENGINE IN HALF TILT POSITION FOR TRAILERING.
-	F5H076		0	SWITCH EXTENSION CABLE ALLOWS INSTALLATION OF IGNITION SWITCH IN 5H130 CONTROL BOX WITH 563 TERMINAL BLOCK.
-	F5H030		0	SWITCH KIT - RUNNING LIGHTS DASH MOUNTED TOGGLE SWITCH.
-	F5H031		0	SWITCH KIT - SPOT LIGHT DASH MOUNTED TOGGLE SWITCH.
-	F5H032		0	SWITCH KIT - WIPER DASH MOUNTED TOGGLE SWITCH.
-	F5H034		0	SWITCH KIT - BILGE PUMP DASH MOUNTED TOGGLE SWITCH.
-	F5H035		0	SWITCH KIT - HORN DASH MOUNTED TOGGLE SWITCH (MOMENTARY)
-	F5H036		0	SWITCH KIT - TACHOMETER TRANSFER DASH MOUNTED TOGGLE SWITCH FOR ONE TACHOMETER ON DUAL ENGINE INSTALLATION.
-	F5H038		0	SWITCH KIT - IGNITION SWITCH TO MOUNT IGNITION SWITCH ON DASH.
-	F5H039		0	SWITCH KIT - INSTRUMENT LIGHT DASH MOUNTED TOGGLE SWITCH
-	F563		0	TERMINAL BLOCK KIT DOUBLE ROW 10 SECTION TO SIMPLIFY ACCESSORY INSTALLATION.
-	479		0	UNIMOUNT UNDER DASH MOUNT FOR INDICATORS, LAMPS AND IGNITION SWITCHES.
-	F5H075		0	WIRING HARNESS - IGNITION SWITCH (24") USE WITH 563 TERMINAL BLOCK.
-			0	CHRYSLER OUTBOARD OIL SEE BLOCK COMMENT 1.
-			0	CHRYSLER OUTBOARD GEAR LUBE SEE BLOCK COMMENT 2.
-			0	CHRYSLER OUTBOARD FUEL AID REMOVES MOISTURE, PREVENTS SLUDGE AND VARNISH AND STABILIZES GAS. AVAILABLE IN 16 OZ. CANS AND 12 CAN CASES.
-			0	CHRYSLER OUTBOARD STORAGE LUBRICANT WORKS AS A CORROSION INHIBITOR AND PROTECTS INTERNAL ENGINE PARTS DURING STORAGE. AVAILABLE IN 16 OZ. CANS AND 12 CAN CASES.

CONTINUED ON NEXT PAGE ➡

# ACCESSORIES

REF. NO.	PART NO.	SYM.	QTY.	DESCRIPTION
-			0	CHRYSLER OUTBOARD MULTI-PURPOSE SPRAY LUBE WORKS AS A LUBRICANT, CLEANER, MOISTURE REMOVER AND ELECTRIC INSULATOR. AVAILABLE IN 9 OZ. CANS AND 12 CAN CASES.
-			0	CHRYSLER OUTBOARD MULTI-PURPOSE GREASE LUBRICATES BEARINGS AND OTHER MOVING PARTS. AVAILABLE IN 8 OZ. TUBES AND 12 TUBE CASES
-			0	CHRYSLER OUTBOARD GREASE GUN USED WITH CHRYSLER OUTBOARD MULTI-PURPOSE GREASE TUBES FOR PRESSURE FITTINGS.
-			0	CHRYSLER OUTBOARD MULTI-PURPOSE CLEANER



# PARTS INDEX

Part Number	Description	Pg.	Ref. No.	Part Number	Description	Pg.	Ref. No.
ÄF58356//	REMOTE CONTROL CABLE (SPECIFY LENGTH) . . . . .	43	4	F1064	FILL HD SCREW, S.S., 8 - 32 X 3/8 . . . . .	19	45
14141	EXTERNAL TOOTH LOCKWASHER . . . . .	11	23	F1072	FILL HD SCREW, 1/4 - 20 X 1 3/4 . . . . .	19	59
15169	FRAME AND FIELD ASSEMBLY . . . . .	15	9	F1099	FILL HD SCREW, 1/4 - 20 X 1 1/4 . . . . .	27	100
168	CONTROL PANEL . . . . .	52	-	F1108	FILL HD SCREW W/LOCKWASHER, 1/4 - 20 X 3/4 . . . . .	17	2
3C548944	COVER, ENGINE - COMPLETE . . . . .	3	-	F1110	FILL HD SCREW, 1/4 - 20 X 5/8 . . . . .	27	98
478	IGNITION LAMP KIT . . . . .	52	-	F1187	HEX HD SCREW, 1/4 - 20 X 1	23	35
479	HEAT LAMP KIT . . . . .	52	-	F1199	HEX CAP SCREW, 1/4 - 20 X 1 . . . . .	23	44
479	UNIMOUNT . . . . .	53	-	F1203	HEX BOLT, 1/4 - 20 X 7/8 . .	23	6
480373	DECAL, MAGNAPOWER IGNITION . . . . .	9	55	F1213	HEX CAP SCREW, 5/16 - 18 X 1 1/8 . . . . .	37	73
481373-1	DECAL, "ELECTRONIC" (NOT SHOWN) . . . . .	13	-	F1236	HEX HD SCREW, 1/4 - 20 X 1/2 . . . . .	21	91
5H047	CANVAS HOOD . . . . .	52	-	F1238	HEX CAP SCREW, 1/4 - 20 X 3/4 . . . . .	3	14
5H051	BATTERY, 74 AMP . . . . .	52	-	F1238	HEX HD SCREW, 1/4 - 2 X 3/4 . . . . .	23	43
5H082	REMOTE ELECTRIC CABLE	52	-	F1252	HEX SOCKET HD CAP SCREW, S.S., 3/8 - 16 X 1	37	57
5H111	INSTRUMENT ADAPTER - 2"	51	-	F1263	HEX SOCKET HD CAP SCREW 5/16 - 18 X 9/16 . .	31	14
71H06	AMMETER-FLUSH MOUNT .	51	-	F1280	PAN HD SCREW, 8 - 32 X 1/4	7	33
71H25	CHARGE INDICATOR LAMP	52	-	F1280	PAN HD SCREW, 8 - 32 X 1/4 (TERMINAL BOARD) (NOT SHOWN) . . . . .	45	-
817747--1	BALL JOINT W/STUD . . . . .	17	28	F1286	PAN HD SCREW, 4 - 40 3/16	23	31
817747--1	BALL JOINT W/STUD . . . . .	23	9	F1341	HEX NUT, 1/4 - 20 . . . . .	23	13
817783A5	SWIVEL BRACKET W/BEARING AND GREASE FITTING . . . . .	33	49	F1346	HEX NUT 3/8 - 16 . . . . .	31	21
817786A1	DISTRIBUTOR PULLEY . . . .	11	3	F1347	HEX NUT, 3/8 - 16 . . . . .	27	95
817787A1	CYLINDER DRAIN COVER .	23	33	F136717	WASHER, BEVEL GEAR THRUST . . . . .	37	75
817788A3	SPACER PLATE W/PLUGS .	25	63	F14006-2	CAP BASE . . . . .	11	37
817797A2	EXHAUST OUTLET, GEAR HOUSING UPPER . . . . .	37	67	F14007	CAP SCREW . . . . .	11	33
817822A1	DISTRIBUTOR, COMPLETE .	11	-	F14011-1	CAP COVER . . . . .	11	34
817892--1	IGNITION SWITCH PLATE - CANADA (NOT SHOWN) .	9	-	F14012-1	BRUSH . . . . .	11	39
817931A7	MOTOR LEG COVER REAR	31	7	F14015	CAP CLIP RIVET . . . . .	11	21
817959A3	INTAKE MANIFOLD . . . . .	17	23	F14017	TERMINAL INSULATOR (OUTSIDE) . . . . .	13	46
84250	BEARING CUP . . . . .	37	48	F14020-1	CAP SEAL . . . . .	11	36
84903	BEARING CUP . . . . .	35	36	F14024	SPACER . . . . .	13	42
85872-1	BRACKET . . . . .	25	49	F14025	SPACER . . . . .	11	4
865	REMOTE CONTROL - SURFACE MOUNT (SINGLE LEVER PER ENGINE) . . . . .	51	-	F14028	THRUST WASHER . . . . .	11	5
89396A38	PRIME BULB . . . . .	41	9	F14029	THRUST WASHER . . . . .	11	7
A316554-2	GEAR HOUSING UPPER W/PLUG AND WASHER . .	35	19	F14030	CAP GASKET . . . . .	11	38
A438133-1	MOTOR LEG . . . . .	33	75	F14036	SWIVEL . . . . .	11	13
A548391	DECAL, LEG - STARBOARD	33	-	F14037	CAP CLIPS . . . . .	11	14
A548392	DECAL, LEG - PORT . . . . .	33	81	F14038	CAP CLIP SCREWS . . . . .	11	15
A85098-2	PROPELLER SHAFT . . . . .	37	43	F14040	VENT . . . . .	11	35
A85135-3	LEG COVER, FRONT . . . . .	33	66	F14042	DISTRIBUTOR HOUSING W/BEARINGS . . . . .	11	12
F10000	GASKET SET (NOT SHOWN)	21	-	F14043	DISTRIBUTOR SHAFT . . . . .	11	40
F10026	REPAIR PARTS KIT. . . . .	21	103	F14045	SCREW . . . . .	11	16
F1009	HEX BOLT, 3/8 - 16 X 2 3/4 .	27	97	F14046	TERMINAL SCREW . . . . .	11	19
F1014	COTTER PIN . . . . .	21	84				
F1014	COTTER PIN . . . . .	33	56				
F1015	COTTER PIN, S.S. . . . . .	35	22				
F1028	COTTER PIN, S.S. . . . . .	37	56				

# PARTS INDEX

Part Number	Description	Pg.	Ref. No.	Part Number	Description	Pg.	Ref. No.
F14049	TERMINAL INSULATOR (OUTSIDE) .....	11	22	F1664	SPRING PIN .....	31	8
F14056	SCREW .....	13	47	F1666	BOWED SPRING WASHER .	33	71
F1447	ROUND HD SCREW, 2 X 3/16 .....	3	19	F1669	LOCK NUT .....	31	36
F1473	HEX NUT, 10 - 24 .....	3	36	F1678	FILL HD SCREW, 10 - 24 X 13/16 .....	7	2
F1475	FILL HD SCREW, 10 - 24 X 1/2 .....	23	11	F1689	HEX HD CAP SCREW, 1/4 - 20 X 1/2 .....	9	42
F1502	HEX CAP SCREW, 1/4 - 20 X 5/8 .....	21	97	F1692	WOODRUFF KEY .....	13	41
F1502	HEX HD SCREW, 1/4 - 20 X 5/8 .....	15	14	F1693	TIE BAR RETAINER .....	19	46
F1502	HEX HD SCREW, 1/4 - 20 X 5/8 .....	23	39	F1696	HEX BOLT 5/16 - 18 X 1 3/4 .	31	33
F1502	HEX SLOT HD SCREW 1/4 - 20 X 5/8 .....	3	20	F1696	HEX BOLT, S.S., 5/16 - 18 X 1 3/4 .....	37	66
F15034	SPRING SET .....	15	17	F17006	DETENT SPRING .....	43	18
F1504	FILL HD SCREW, 1/4 - 20 X 1 1/4 .....	19	56	F17009	BEARING .....	43	14
F1504	FILL HD SCREW, 1/4 - 20 X 1 1/4 .....	23	12	F17010-1	THROTTLE GEAR .....	43	16
F15057	BRUSH PLATE AND HOLDER .....	15	18	F17011	BOWED WASHER .....	43	15
F15080	SPRING .....	15	3	F17012	RETAINING PLATE .....	43	13
F15099	ARMATURE .....	15	8	F17013	FILL HD SCREW, 1/4 - 20 X 1/2 .....	43	11
F15100	BENDIX .....	15	20	F17014	THROTTLE ARM .....	43	10
F15110	CLUTCH ASSEMBLY .....	15	4	F17016	CABLE TERMINAL .....	43	9
F15111	NUT, STOP RETAINING ....	15	1	F17019	CLUTCH ARM .....	43	5
F15112	STOP, PINION .....	15	2	F17021	CLUTCH GEAR .....	43	19
F15125	HEAD ASSEMBLY, COMMUTATOR END ....	15	16	F17026	SWIVEL .....	43	24
F15126	THRUST WASHER PACKAGE .....	15	7	F1703	SPRING LOCKWASHER ...	25	62
F1513	HEX NUT .....	7	18	F1703	SPRING LOCKWASHER ...	33	65
F1513	HEX NUT .....	43	3	F17030-1	SET SCREW .....	43	31
F1513	HEX NUT, 10 - 32 .....	17	29	F17031-1	SNAP CAP .....	43	28
F1513	HEX NUT, 10 - 32 .....	23	7	F17036	INTERNAL TOOTH LOCKWASHER .....	43	6
F1515	HEX NUT .....	7	24	F1704	INTERNAL TOOTH LOCKWASHER .....	21	99
F1515	HEX NUT, 5/16 - 18 .....	17	37	F1705	HEX CAP SCREW, 1/4 - 20 X 3/4 .....	7	23
F15165	BRUSH TERMINAL SET ....	15	10	F1705	HEX CAP SCREW, S.S., 1/4 - 20 X 3/4 .....	37	58
F15167	HEAD ASSEMBLY DRIVE END .....	15	5	F17068	DETENT SPRING .....	45	37
F15168	THRU BOLT PACKAGE ....	15	12	F17071	FILL HD SCREW, 10 - 24 X 5/16 .....	43	22
F1528	WELCH PLUG .....	31	22	F17082-1	DETENT BALL .....	45	38
F154317	CABLE CLAMP .....	43	23	F1709	HEX HD SCREW, 1/4 - 20 X 1 1/8 .....	25	76
F1556	FILL HD SCREW W/LOCKWASHER, 10 - 24 X 3/8 .....	23	14	F17092	SNAP RING .....	43	21
F1557	FLAT HD SCREW, 10 - 24 X 3/8 .....	43	25	F17099-1	HOUSING .....	43	36
F1593	HEX HD SCREW 3/8 - 16 X 3	31	18	F17100	CLUTCH SHAFT .....	43	20
F1612	HEX CAP SCREW, 3/8 - 16 X 1 1/4 .....	11	8	F17103-1	BAG ASSEMBLY (NOT SHOWN) .....	45	-
F1641	LOCK NUT .....	15	6	F17105	FELT WASHER .....	43	33
F1645	RD HD SCREW, 6 - 32 X 1/4	9	52	F17106	COLLAR .....	43	34
F1645	RD HD SCREW, 6 - 32 X 1/4	21	100	F17111	DETENT BALL .....	43	17
F1647	HEX NUT, 10 - 32 .....	25	86	F17112	JUNCTION BOARD, STARBOARD .....	43	26
F1647	HEX NUT, 8 - 32 .....	7	6	F17113	JUNCTION BOARD, PORT ..	43	-
F1647	HEX NUT, 8 - 32 .....	11	24	F17115-1	HANDLE .....	43	30
				F17116	KNOB .....	43	29
				F1713	SPRING PIN .....	37	42
				F17146	WOOD SCREW .....	43	35
				F17147	INTERNAL TOOTH LOCKWASHER .....	43	12
				F17148	DECAL, STARBOARD ....	43	27

# PARTS INDEX

Part Number	Description	Pg.	Ref. No.	Part Number	Description	Pg.	Ref. No.
F17149	COTTER PIN	43	8	F1864	HEX HD SCREW, 1/4 - 20 X 3/4	27	90
F1715	HEX BOLT, 1/4 - 28 X 9/16	43	7	F1864	HEX SLOT HD SCREW 1/4 - 20 X 3/4	31	4
F1727	PLASTIC RIVET	23	16	F1867	HEX CAP SCREW, 3/8 - 16 X 1	29	19
F1729	PLUG	31	5	F1869	HEX BOLT, 3/8 - 16 X 1 1/4	25	61
F1730	SCREW, PAN HD., W/SPRING LOCKWASHER 1/4 - 20 5/8	3	4	F1871	HEX HD SCREW 3/8 - 16 X 3/4	33	61
F1733	SCREW, PAN HD., 10 - 24 X 9/16	3	2	F1872	HEX BOLT, 3/8 - 16 X 1 3/4	27	99
F1734	FILL HD SCREW W/LOCKWASHER 1/4 - 20 X 1/2	7	14	F1873	HEX BOLT, 3/8 - 16 X 3	27	96
F1741	PAN HD SCREW, 8 X 3/4	7	35	F1877	TY-RAP	7	29
F1744	SPRING PIN	31	40	F1883	HEX BOLT, 5/16 - 18 X 2 3/8	25	67
F1744	SPRING PIN	33	45	F1885	HEX BOLT, 5/16 - 18 X 4 1/4	25	55
F1755	RD HD SCREW W/LOCKWASHER 6 - 32 X 5/16	17	16	F1892	STOP NUT	9	53
F1759	SHIM, DISTRIBUTOR (QTY. AS REQUIRED)	11	11	F1904	PLAIN WASHER	31	20
F1760	PAN HD SCREW, 10 - 24 X 3/8	7	19	F1907	PLAIN WASHER	37	68
F1760	PAN HD SCREW, 10 - 24 X 3/8	11	25	F1910	STOP NUT, 1/4 - 20	17	31
F1760	PAN HD SCREW, 10 - 24 X 3/8	19	60	F19109	PLUG	25	73
F1760	PAN HD SCREW, 10 - 24 X 3/8	23	2	F1912	HEX HD SCREW 10 - 24 X 1/2	33	59
F1773	HEX HD SCREW, 1/4 - 20 X 1 1/2	17	26	F1916	HEX HD SCREW, 1/4 - 20 X 1 1/8	17	25
F177330	FUEL PUMP VALVE	17	9	F1934	FLAT HD SLOTTED SCREW, 6 X 1/2	9	50
F177350	REVERSE LOCK PIN	31	41	F19342	GEAR HOUSING STUD SEAL	39	-
F1778	PLAIN WASHER	11	9	F19342	SEAL	35	18
F1778	PLAIN WASHER	35	24	F1936	SPACER .059"	35	39
F178323	SEAL, MOTOR LEG	31	13	F1937	SPACER .062"	35	-
F17932	SEAL, FUEL TANK ADAPTER	41	12	F1938	SPACER .065"	35	-
F18160-2	REED	23	28	F1939	SPACER .068"	35	-
F1822	HEX BOLT 5/16 - 18 X 7/8	33	69	F1940	SPACER .071"	37	-
F1832	STOP NUT, 1/4 - 20	25	59	F1941	SPACER .074"	37	-
F1836	SPRING PIN	33	57	F1942	SPACER .077"	37	-
F184033-1	CHOKE ARM SWIVEL	21	85	F195/_	REMOTE CONTROL CABLES	51	-
F184579	SEAL, CHOKE ARM SWIVEL	21	82	F1950	HEX HD SCREW, 10 - 24 X 5/8	25	81
F1849	FLAT HD SCREWS, S.S., 1/4 - 20 X 1 3/8	35	2	F1953	HEX HD SCREW, 1/4 - 20 X 1 1/8	21	94
F1849	HEX HD CAP SCREW, 1/4 - 20 X 1 3/8	3	32	F1968	FLYWHEEL NUT	29	21
F1849	HEX HD SCREW, 1/4 - 20 X 1 3/8	25	77	F1975	SPRING LOCKWASHER	7	10
F1851	FILL HD SCREW W/LOCKWASHER, 10 - 24 X 1/2	7	39	F1975	SPRING LOCKWASHER	11	26
F1854	HEX CAP SCREW, 1/4 - 20 X 5/8	3	25	F197787-3	FUEL LINE COUPLER	41	6
F1857	HEX CAP SCREW, 5/16 - 18 X 5/8	3	23	F197813	BEARING	33	54
F1857	HEX CAPSCREW, 5/16 - 18 X 5/8	3	35	F1987	PLAIN WASHER	25	66
F1858	HEX CAP SCREW, 5/16 - 18 X 1	3	24	F1987	PLAIN WASHER	33	50
				F1994	HEX SOCKET HD CAP SCREW, 5/16 - 18 X 1	37	69
				F1997	STOP NUT, 8 - 32	17	40
				F1999	HEX CAP SCREW, 1/4 - 20 X 7/8	23	42
				F2000	HEX CAP SCREW, 5/16 - 18 X 3/4	9	47
				F2001	FILL HD SCREW, 10 - 24 X 5/8	7	9
				F2008	HEX HD SCREW, 1/4 - 20 X 7/8	17	24
				F2014	PLAIN WASHER	33	62
				F2015	HEX NUT, 1/4 - 28	23	19
				F2016	FILL HD SCREW, 6 - 32 X 7/8	21	101

# PARTS INDEX

Part Number	Description	Pg.	Ref. No.	Part Number	Description	Pg.	Ref. No.
F203276	BOOT	11	30	F338618-1	GEAR SHIFT ROD SEAL	39	-
F2033	GROOVE PIN	21	87	F338618-1	SEAL, GEAR SHIFT ROD	31	16
F203673	TERMINAL CLIP	11	31	F338618-1	SEAL, GEAR SHIFT ROD	35	13
F2042	PLAIN WASHER	23	5	F345475-1	COIL	9	44
F2042	PLAIN WASHER	27	105	F345683	WIRE, REGULATOR- RECTIFIER GROUND	7	5
F2047	WAVE WASHER	3	30	F351307	SEAL, WATER PUMP	35	11
F2066	PAN HEAD TAPPING SCREW, 10 X 7/16	5	38	F353480	STUD	31	25
F2067	PLASTISOL CAP (NOT SHOWN)	29	-	F369349	REVERSE LOCK	31	37
F2088	FASTENER	3	7	F369364	REVERSE LOCK ARM	33	52
F2089	SLOTTED PAN HD MACHINE SCREW, 10 - 24 X 5/16	27	101	F369510	LINK	31	39
F2090	PLUG	25	64	F369529	CYLINDER HEAD GASKET	25	74
F2108	LOCK NUT 5/16 - 18	33	73	F369529	CYLINDER HEAD GASKET	27	-
F2108	STOP NUT, 5/16 - 18	25	58	F369562	WATER PUMP BACK PLATE	35	6
F213274	GREASE FITTING	11	27	F369610	BEARING	25	53
F213274	GREASE FITTING	31	32	F369827	HANDLE AND SHAFT	33	53
F213342	SEAL, FUEL LINE COUPLER (LARGE)	41	4	F369887	SHOULDER SCREW	25	52
F213735	SEAL, FUEL LINE COUPLER (SMALL)	41	5	F369977-1	INTERLOCK ARM	25	54
F235785	DECAL, COMPLIANCE - CANADA (NOT SHOWN)	9	-	F373778-1	RETAINER, ENGINE COVER	5	37
F269319	BEARING	17	32	F381896-4	BATTERY CABLE	7	30
F284659-2	CRANKSHAFT THRUST BEARING UPPER	29	22	F381899	GROMMET, WATER LINE	37	61
F286461	SPRING LOCK BAR HANDLE	31	43	F384143	BEARING, BEVEL GEAR REAR	37	45
F289446-1	CLAMP	7	12	F391926-1	CHOKE SOLENOID PLUNGER	21	89
F298788	FERRULE	41	7	F391983	RETAINING BAND	7	27
F2A321158	REED PLATE W/REEDS, REED STOP AND SCREW	17	19	F40209	CARBURETOR STUD	17	36
F2A404757	CYLNDR DRAIN REED PLATE W/REEDS, STOPS, METERING CUP & SCREW	23	27	F40223	GASKET, TRANSFER PORT COVER	23	41
F2A481023	BEVEL GEAR FRONT W/BEARINGS	35	38	F40223	TRANSFER PORT COVER GASKET	27	-
F307317	CLIP, TERMINAL BLOCK	7	17	F40342	SEAL, PROPELLER NUT	37	54
F316160	REED (4 PETAL)	17	18	F404097	FLYWHEEL	7	1
F316164	REED (1 PETAL)	17	-	F404268	SPRING, BY-PASS VALVE	25	84
F316165	STUD, GEAR HOUSING CENTER	35	25	F404470-1	REGULATOR-RECTIFIER	7	8
F316555	GEAR HOUSING SEAL	27	-	F404513	COIL CLAMP	7	40
F316555	GEAR HOUSING SEAL	39	-	F404801	FITTING	23	36
F316555	SEAL	35	20	F404841	CABLE, HEAT INDICATOR	7	37
F316579	SEAL, CRANKCASE	29	11	F40689-1	BEARING, TOWERSHAFT	25	60
F316599	GEAR HOUSING STUD SEAL	39	-	F407446	CLAMP	7	31
F316599	SEAL, GEAR HOUSING STUD, FRONT	35	28	F409251-1	GAUGE CAP	41	1
F316599	SEAL, STEERING SUPPORT TUBE	33	79	F433114	HANDLE, LOCK BAR	33	44
F319908	WIRE, GROUND - CANADA	9	57	F433209-1	STUD	17	30
F321756	PACKING	3	31	F433253	HOSE	23	37
F321841-3	LEAD WIRE - USA	11	32	F438066	BY-PASS VALVE COVER	25	82
F333316	THROTTLE ROLLER SHAFT	19	49	F438077	SCREEN, WATER INLET	37	70
F335215	SPACER, PISTON PIN (2 PER PISTON)	29	3	F438129	SEAL, DRIVESHAFT SPLINE	35	12
F335217-1	BEARING PISTON PIN (26 PER SET)	29	5	F438165	SCREW, FUEL PUMP BOWL	17	15
F335654-1	STOP, DEFLECTION	3	21	F438169	BEARING	31	34
				F438271	RETAINER, CRANKSHAFT SPLINE SEAL	35	4
				F438346	SHOCK MOUNT, LOWER	33	67
				F438398	DECAL, WIRING - USA	25	75
				F438500	FUEL SEDIMENT BOWL	17	14
				F438617	FUEL SEDIMENT BOWL GASKET	17	13
				F438653	FUEL SEDIMENT BOWL SCREEN	17	12
				F438668	RECTIFIER, CABLE CLAMP	7	13
				F438744-1	WIRING HARNESS	7	4

# PARTS INDEX

Part Number	Description	Pg.	Ref. No.	Part Number	Description	Pg.	Ref. No.
F438747	FUEL PUMP DIAPHRAGM ..	17	7	F531892	DECAL, PORT .....	43	-
F438754	FUEL LINE .....	19	79	F53504	GROMMET .....	19	58
F438760	FUEL PUMP GASKET .....	17	8	F545189	BUSHING, CABLE ENTRY ..	3	17
F438801	FITTING .....	17	5	F548984	BLANKET, SILENCER-TOP (NOT SHOWN) .....	5	-
F438841-1	LEAD WIRE - CANADA .....	11	-	F548985	BLANKET, SILENCER - SIDE (NOT SHOWN) .....	5	-
F438905	COIL WIRE - CANADA .....	11	-	F549189	BUSHING, ELECTRIC CABLE	3	16
F438930	RETAINER, SNOUT .....	37	71	F549518	CYLINDER HEAD .....	25	72
F438962	SHOCK MOUNT SLIDE .....	31	15	F563	TERMINAL BLOCK KIT .....	53	-
F439736	SEAL EXHAUST TUBE .....	31	6	F58685-2	CONNECTOR, SHIFT CABLE	43	2
F460917	STARTER RELAY .....	7	26	F590	REMOTE CONTROL - FLUSH MOUNT (SINGLE LEVER)	51	-
F474073-1	CLAMP SCREW .....	31	26	F5H002	SPEEDOMETER - FLUSH MOUNT .....	53	-
F474387	TIMING DECAL - USA .....	9	56	F5H004	SPEEDOMETER - FLUSH MOUNT .....	53	-
F474390-1	DECAL, REVERSE LOCK - USA .....	33	80	F5H005	TEMPERATURE GAUGE FLUSH MOUNT .....	53	-
F476066-1	COVER, THERMOSTAT .....	25	47	F5H006	VOLTMETER - FLUSH MOUNT .....	52	-
F476067	GASKET, THERMOSTAT COVER .....	27	94	F5H007	HOURLY METER .....	52	-
F476067	THERMOSTAT COVER GASKET .....	27	-	F5H008	FUEL GAUGE FLUSH MOUNT .....	52	-
F480038-2	PLATE, SUPPORT .....	3	15	F5H010	POWER TRIM INDICATOR ..	52	-
F480107-1	CAM, STARTER INTERLOCK	27	102	F5H012	TACHOMETER - FLUSH MOUNT .....	53	-
F480388	DISC, WATER PUMP LOCATING .....	37	74	F5H018	DUAL STEERING CONNECTOR .....	51	-
F480551-1	BRACKET, INTERLOCK SWITCH .....	21	95	F5H019	ANTI-CORROSION KIT .....	51	-
F480818	BEARING, LATCH SHAFT ..	3	13	F5H021	EXTENSION CABLE .....	52	-
F481382-1	SPACER, LATCH SHAFT ...	3	29	F5H025	ANTI-CORROSION SACRIFICIAL ANODE ....	51	-
F481434	GUIDE, ENGINE COVER ...	3	8	F5H026	FUEL TANK (ACCESSORY ITEM) .....	41	2
F481567	CARBURETOR INTAKE ADAPTER .....	19	55	F5H026	STEEL, 6 GALLON FUEL TANK (LOW PROFILE) ...	51	-
F481662	BEVEL GEAR, REAR .....	37	46	F5H028	SENDING UNIT .....	52	-
F481774	BRACKET, ENGINE COVER LATCH .....	3	9	F5H029	TANK ANCHOR .....	51	-
F481777	CAM, LATCH SHAFT .....	3	28	F5H030	SWITCH KIT - RUNNING LIGHTS .....	53	-
F481836	INTAKE GASKET .....	19	70	F5H031	SWITCH KIT - SPOT LIGHT ..	53	-
F481836	INTAKE GASKET .....	27	-	F5H032	SWITCH KIT - WIPER .....	53	-
F481860-1	CARBURETOR, INTAKE ...	19	57	F5H034	SWITCH KIT - BILGE PUMP ..	53	-
F483884	BEARING .....	33	58	F5H035	SWITCH KIT - HORN .....	53	-
F485755-1	FUEL TANK ADAPTER .....	41	3	F5H036	SWITCH KIT - TACHOMETER TRANSFER .....	53	-
F498061-1	CARBURETOR COMPLETE (WB26B) .....	19	72	F5H037	CIGAR LIGHTER .....	52	-
F498618	GEAR SHIFT ARM PIN .....	39	-	F5H038	IGNITION SWITCH MOUNTING KIT (ACCESSORY ITEM) ....	9	49
F498618	SEAL .....	35	31	F5H038	SWITCH KIT - IGNITION SWITCH .....	53	-
F498891	PIN, GEAR SHIFT ARM .....	35	30	F5H039	SWITCH KIT - INSTRUMENT LIGHT .....	53	-
F499995	CYLINDER HEAD COVER ..	25	68	F5H040	STEEL, 12 GALLON FUEL TANK .....	51	-
F50109	PLUG, GEAR HOUSING ....	35	14	F5H041	BATTERY CABLE CLAMP KIT, (ACCESSORY ITEM) ..	7	32
F510374	DECAL, CIRCUIT BREAKER - USA .....	7	41	F5H041	BATTERY TERMINAL KIT ..	52	-
F510460	CIRCUIT BREAKER .....	7	22				
F511125-2	TUBE, STEERING SUPPORT	31	23				
F511675	STARTER BRACKET, LOWER .....	15	15				
F523146	SEAL, CRANKSHAFT LOWER .....	29	13				
F523274	GREASE FITTING .....	33	78				
F523280	NUT, STEERING SUPPORT TUBE .....	33	77				
F523834	CLIP, SPARK PLUG WIRE ..	23	3				
F523962	SHOCK MOUNT - C.D. UNIT	9	46				
F528068	THERMOSTAT .....	25	70				

# PARTS INDEX

Part Number	Description	Pg.	Ref. No.	Part Number	Description	Pg.	Ref. No.
F5H043	OVERHEAT BUZZER	52	-	F8083	LOCKWASHER	3	26
F5H043	OVERHEAT BUZZER (ACCESSORY ITEM)	7	36	F8083	SPRING LOCKWASHER	9	43
F5H044	TILT STOP KIT	52	-	F8083	SPRING LOCKWASHER	31	3
F5H064	EXHAUST SNOUT	52	-	F8088	PLAIN WASHER	21	102
F5H068	RFI SUPPRESSION KIT	52	-	F8088	PLAIN WASHER	21	83
F5H070	REMOTE ELECTRIC CABLE	52	-	F8094	PLAIN WASHER	33	55
F5H074	WATER PUMP KIT	53	-	F8094	WASHER, PLAIN	3	27
F5H075	WIRING HARNESS - IGNITION SWITCH (24")	53	-	F8095	PLAIN WASHER	27	104
F5H076	SWITCH EXTENSION CABLE	53	-	F8096	LOCK WASHER	3	34
F5H077	IGNITION KEY SWITCH	52	-	F8096	LOCKWASHER	3	22
F5H078	IGNITION KEY SWITCH	52	-	F8096	SPRING LOCKWASHER	7	25
F5H078	IGNITION SWITCH (LONG BARREL) W/KEYS AND SCREWS	7	34	F8096	SPRING LOCKWASHER	33	68
F5H079	SINGLE REMOTE CONTROL BOX	51	-	F8096	SPRING LOCKWASHER, S.S.	37	65
F5H080	TWIN REMOTE CONTROL BOX	51	-	F84008-4	STUD, GEAR HOUSING, REAR	35	37
F5H081	BATTERY CABLE	52	-	F84011	WASHER	33	51
F5H094	STEERING LINK KIT	51	-	F84031	GASKET, WATER PUMP	35	7
F5H108	STEERING CONNECTOR	51	-	F84031	WATER PUMP GASKET	27	-
F5H112	INSTRUMENT ADAPTER - 3 1/2"	51	-	F84065	WATER PUMP IMPELLER	35	5
F5H115	TRAILERING TILT LOCK	53	-	F84074	CLAMP SCREW FOOT	31	24
F5H120	REMOTE CONTROL BACK PLATE	51	-	F84118	PROP SHAFT SEAL	39	-
F5H123	HYDRAULIC TILT	52	-	F84118	SEAL, PROPELLER SHAFT	37	51
F5H127	POWER TRIM	53	-	F84146-2	SEAL	29	20
F5H129	SHOCK ABSORBER KIT	52	-	F84173	RETAINING RING	35	9
F5H130	REMOTE CONTROL - SURFACE MOUNT (SINGLE LEVER)	51	-	F84215	SPACER	35	17
F5H131	PORT SIDE DECAL KIT	51	-	F84278	CRANKSHAFT BRG. CAGE SEAL	27	-
F5H132	REMOTE CONTROL HANDLE TRIM SWITCH	51	-	F84278	SEAL, CRANKSHAFT BEARING CAGE	29	17
F5H134	BOAT WHITE LACQUER	52	-	F84286-1	FRICTION WASHER	33	47
F5H135	SAND TAN LACQUER	52	-	F84305	PROP SHAFT BEARING CAGE SEAL	39	-
F63754	HOSE INTAKE DRAIN	19	63	F84305	SEAL, PROPELLER SHAFT BEARING CAGE	37	50
F7004	STOP NUT, 3/8 - 16	23	24	F84307-1	DRIVESHAFT SEAL	39	-
F7012	LOCK NUT, 1/2 - 20	31	17	F84307-1	SEAL, DRIVESHAFT	35	8
F7013	STOP NUT	11	2	F84314-2	ELBOW	17	3
F7025	HEX NUT, 3/8 - 16	35	16	F84314-2	ELBOW	23	22
F762	REMOTE ELECTRIC CABLE	52	-	F84342	SEAL, INLET WATER LINE, UPPER	37	60
F8003	PLAIN WASHER	23	30	F84449	INTERLOCK SWITCH	21	98
F8011	PLAIN WASHER	7	20	F84504	GROMMET	25	71
F8028	PLAIN WASHER	15	13	F84504	THERMOSTAT GROMMET	27	-
F8038	PLAIN WASHER	27	103	F84521-1	CLUTCH	37	41
F8056	LOCKWASHER	11	18	F84717	THRUST WASHER, BEVEL GEAR, REAR	37	72
F8056	LOCKWASHER	13	43	F84792	GASKET, FUEL PUMP VALVE	17	10
F8056	SPRING LOCKWASHER	7	7	F84871-1	PIN, GEAR SHIFT	37	40
F8056	SPRING LOCKWASHER	25	87	F85006-1	STUD, GEAR HOUSING, FRONT	35	27
F8058	INTERNAL TOOTH LOCKWASHER	17	27	F85012	PILOT, GEAR HOUSING	35	29
F8058	INTERNAL TOOTH LOCKWASHER	25	48	F85017	PISTON PIN	29	4
F8077	WASHER	39	-	F85026	SWIVEL	23	21
F8077	WASHER, GEAR HOUSING PLUG	35	15	F85033	CHOKE ROD SWIVEL	21	81
				F85035	DISTRIBUTOR CONTROL ROD END	23	20
				F85036	TOWERSHAFT CONTROL ROD END	23	17

# PARTS INDEX

Part Number	Description	Pg.	Ref. No.	Part Number	Description	Pg.	Ref. No.
F85095-2	STATOR	7	3	F85660-1	EXHAUST TUBE	31	2
F85117	BRACKET, WATER LINE	37	59	F85664	DISTRIBUTOR GROUND	11	28
F85122	CRANKCASE SEAL	27	-	F85664	WIRE, DISTRIBUTOR		
F85122	PARTING LINE SEAL	27	93		GROUND	9	51
F85130	BOOT, IDLE EXHAUST	31	9	F85704	COUPLER, GEARSHIFT ROD		
F85151-1	EXHAUST PORT PLATE	25	80		UPPER	33	76
F85152-4	EXHAUST PORT COVER	25	78	F85705-1	GEAR SHIFT ROD LOWER	35	23
F85154-1	EXHAUST PORT PLATE			F85748-2	CYLINDER DRAIN REED		
	GASKET	27	-		PLATE GASKET	27	-
F85154-1	GASKET, EXHAUST PORT			F85748-2	GASKET, CYLINDER DRAIN		
	PLATE	25	79		REED PLATE	23	25
F85159	GASKET, INTAKE MANIFOLD	17	22	F85762	BY-PASS VALVE GASKET	27	-
F85159	MANIFOLD GASKET	27	-	F85762	GASKET, BY-PASS VALVE	25	83
F85161-1	REED STOP	17	17	F85772	CLAMP	31	12
F85162	REED PLATE ADAPTER	17	21	F85779-1	BAFFLE, AIR INTAKE	33	60
F85168	CARBURETOR ADAPTER			F85836-1	INTAKE GASKET	27	-
	FLANGE GASKET	27	-	F85843-1	REMOTE ELECTRIC CABLE,		
F85168	GASKET REED PLATE				18 FEET	7	38
	ADAPTER	17	20	F85859	STUD, FORWARD	23	23
F85173	RETAINING RING	11	6	F85906	CARBURETOR GASKET	17	35
F85192-1	THROTTLE CAM	17	33	F85906	CARBURETOR GASKET	27	-
F85210	STUD	27	91	F85908	STARTER LEAD WIRE	15	19
F85211	STUD, REAR	23	46	F85916-1	BY-PASS VALVE	25	85
F85244	INLET WATER LINE	37	62	F85924	CHOKE SOLENOID	7	28
F85253-1	FUEL LINE	21	88	F85925	CHOKE ROD	21	86
F85258	INSERT	31	10	F85965	SHOCK MOUNT, UPPER	33	64
F85279-2	CYLINDER EXHAUST			F861	FLUSHING ADAPTER	51	-
	GASKET, UPPER	25	51	F89758	FUEL PUMP AIR HOSE, TOP	17	4
F85279-2	CYLINDER, EXHAUST -			F9018	CAP	31	28
	UPPER GASKET	27	-	F9022	SHIM, PROPELLER SHAFT		
F85300	REVERSE LOCK SPRING	31	38		BEARING CAGE .006		
F85311	DISTRIBUTOR BELT	11	1		(SILVER)	37	49
F85314-1	FUEL FITTING	21	92	F9023	SHIM, PROPELLER SHAFT		
F85317-1	CLAMP	21	90		BEARING CAGE .007		
F85350-1	TILT STOP PIVOT	31	29		(BRASS)	37	-
F85372	PIN, GEAR SHIFT ROD			F9024	SHIM, PROPELLER SHAFT		
	LOWER	35	21		BEARING CAGE .010		
F8538	SPRING PIN	31	27		(BLACK)	37	-
F85380	SPRING	31	11	F9038	DRIVE KEY, WATER PUMP	37	64
F85410	SNAP RING	29	8	F9052	PLUG	33	74
F85426	TILT STOP	33	48	F90619-1	YOKE	39	76
F85445	DISTRIBUTOR CONTROL			F90807	RETAINING RING	19	47
	ROD	23	18	F91446-1	CIRCUIT BREAKER		
F85453-1	CYLINDER, EXHAUST -				BRACKET	7	21
	LOWER GASKET	27	-	F92759	THROTTLE ROLLER	19	48
F85453-1	GASKET, EXHAUST LOWER	31	1	F93811	SCREEN	23	26
F85472-2	CYLINDER DRAIN COVER			F93920	REED STOP	23	29
	GASKET	27	-	F97772	FUEL LINE CLAMP	41	11
F85472-2	GASKET, CYLINDER DRAIN			F97772	HOSE CLAMP	19	62
	COVER	23	32	F98273	ROD END CONNECTOR		
F85498	FLYWHEEL KEY	29	16		STUD	25	50
F85502	THROTTLE LINK	23	8	FA14048-2	PREAMPLIFIER	11	17
F85509-1	CHOKE LINK	19	78	FA15072	HEX LOCK NUT, 1/4 - 20	15	11
F85541-1	TILT LOCK	31	30	FA321574	DISTRIBUTOR BRACKET	11	10
F85571	BEARING CAGE W/ROLLER	29	10	FA335260	PISTON RING SET (3 PER		
F85606	KINGPIN CAP	31	31		SET) STANDARD	29	1
F85610	BEARING	25	56	FA368700	KEY, IGNITION - NO LETTER		
F85615	GEAR SHIFT ROD UPPER	33	72		OR STAMPED A	9	54
F8563	DOWEL PIN	27	92	FA40901	BEARING, DRIVESHAFT		
F85634-2	CONNECTING ROD SCREW	29	14		W/CUP	35	10

# PARTS INDEX

Part Number	Description	Pg.	Ref. No.	Part Number	Description	Pg.	Ref. No.
FA411222	TRANSFER PORT COVER W/PLUG .....	23	40	FB368700	KEY, IGNITION - STAMPED B	9	-
FA438113	STERN BRACKET LOCK BAR W/HANDLE .....	31	42	FC368700	KEY, IGNITION - STAMPED C .....	9	-
FA438431	FUEL PUMP BODY W/VALVES .....	17	11	FC409398	DECAL, TOTE TANK - CANADA (NOT SHOWN) .	41	-
FA438493	TERMINAL BLOCK BRACKET	7	11	FC438398	DECAL WIRING - CANADA .	25	-
FA439746	FUEL PUMP COVER .....	17	6	FC474387	TIMING DECAL - CANADA ..	9	-
FA480010	CYLNDR ASS'Y W/PARTING LINE SEAL & LOWER MAIN BEARING ASS'Y ...	27	89	FC481054	GEAR HOUSING COMPLETE. ....	35	-
FA480876	GEAR SHIFT ARM W/SWIVEL, INTERLOCK ARM AND BEARINGS ...	25	57	FC510374	DECAL, CIRCUIT BREAKER - CANADA .....	7	-
FA480894	TIMING POINTER .....	23	1	FC522227	SPARK PLUG (CHAMPION QUL-77V) FOR MODEL 709B9A - CANADA .....	25	-
FA481266	BEVEL PINION GEAR W/BEARING AND CUP ...	35	35	FC548010	SHORT BLOCK .....	27	-
FA481469	LATCH HANDLE, ENGINE COVER W/SHAFT .....	3	12	FD368700	KEY, IGNITION - STAMPED D .....	9	-
FA481743	LATCH, ROLLER BRACKET .	3	33	FE368700	KEY, IGNITION - STAMPED E	9	-
FA510497	TERMINAL BLOCK .....	7	15	FG460-1	GASKET SET .....	27	106
FA511188	NUT, BEVEL PINION RETAINING .....	35	33	FK1033-1	WATER PUMP KIT .....	39	78
FA523014	CRANKSHAFT LOWER MAIN BEARING W/SEAL .....	29	12	FK1061	SEAL KIT .....	39	77
FA523301	UNIT W/DECAL .....	9	45	FK17114-1	INDICATOR .....	43	32
FA523735	SEAL, INLET WATER LINE, LOWER .....	35	1	FK280	PROPELLER PIN .....	37	44
FA535395	IDENTIFICATION PLATE, W/SCREWS - USA .....	3	18	FK405020	SWIVEL W/PIVOT SCREW AND NUT .....	23	15
FA548396	DECAL, ENGINE COVER - STARBOARD .....	3	-	FK500060	WATER PUMP BODY .....	35	3
FA548397	DECAL, ENGINE COVER - PORT .....	3	11	FK750-1	SPARKIE W/SPRING .....	13	44
FA549944	COVER, ENGINE W/RETAINER .....	3	6	FK85128-1	DRIVESHAFT .....	37	63
FA58976-1	CONNECTOR, THROTTLE CABLE .....	43	1	FK85228	BEARING CAGE W/ROLLER	29	7
FA84225	BEARING W/CUP .....	37	47	FO10165	INLET SEAT GASKET .....	19	75
FA84298-3	PROPELLER SHAFT BEARING CAGE .....	37	52	FO10588	BODY CHANNEL CUP PLUG	17	39
FA84621-1	COUPLING, GEAR SHIFT ARM W/BUSHING .....	35	26	FO10790	INLET NEEDLE, SEAT AND GASKET .....	19	76
FA84754-1	FUEL LINE SHORT W/FERRULES .....	41	8	FO11103	IDLE SCREW SPRING .....	19	53
FA85018-2	CRANKSHAFT W/BEARING .	29	15	FO13552	FUEL BOWL .....	19	67
FA85019	KINGPIN W/PLUG .....	31	35	FO13554	FLOAT .....	19	69
FA85193	TIE BAR END W/SWIVEL ...	19	43	FO13944	FLOAT LEVER PIN .....	19	68
FA85355-1	WASHER SHOCK MOUNT UPPER .....	33	63	FO13945	FUEL BOWL RETAINING SCREW .....	19	65
FA85511	THROTTLE TIE BAR W/SWIVEL .....	19	44	FO13966	IDLE TUBE .....	17	34
FA85655-1	CRANKSHAFT MAIN BEARING RACE W/SNAP RING .....	29	9	FO14108	MAIN FUEL JET (.064) OPT. 1500 FT. - 3000 FT. ....	19	-
FA85838-5	TOWERSHAFT W/BEARINGS, SWIVEL, ARMS AND SCREWS ....	23	10	FO14166	IDLE SCREW .....	19	54
FAC535395	IDENTIFICATION PLATE, W/SCREWS - CANADA ..	3	-	FO14167	THROTTLE SHUTTER .....	17	42
				FO14186	MAIN FUEL JET (.060) OPT. 4500 FT. - 6000 FT. ....	19	-
				FO14187	MAIN FUEL JET (.062) OPT. 3000 FT. - 4500 FT. ....	19	-
				FO14188	MAIN FUEL JET (.066) STD. SEA LEVEL - 1500 FT. ...	19	52
				FO14471	CHOKE SHUTTER .....	19	77
				FO15209	MAIN NOZZLE .....	21	93
				FO15230	THROTTLE SHAFT AND LEVER .....	19	50
				FO15337	MAIN FUEL JET (.058) OPT. 6000 FT. & UP. ....	19	-
				FO15623	FUEL BOWL GASKET .....	19	71
				FO16008	THROTTLE SHAFT RETURN SPRING .....	19	51



# PARTS INDEX

Part Number	Description	Pg.	Ref. No.	Part Number	Description	Pg.	Ref. No.
FO16850	CHOKE SHAFT AND LEVER	19	74	FT8948-1	PULLER . . . . .	48	-
FO2510	GASKET, FUEL BOWL			FT8950	LEAKAGE TESTER . . . . .	49	-
	RETAINING SCREW . . . . .	19	66	FT8953	IGNITION TESTER . . . . .	49	-
FO4326	BODY CHANNEL WELCH			FT8955	SEALANT . . . . .	50	-
	PLUG . . . . .	17	38	FT8957	SEAL INSTALLER . . . . .	48	-
FO8942	SHUTTER SCREW			FT8969	LUBRICANT . . . . .	50	-
	W/LOCKWASHER . . . . .	17	41	FT8978	TIMING LIGHT . . . . .	46	-
FO8942	THROTTLE SHUTTER			FT8993	SEALANT . . . . .	50	-
	SCREW AND			FTA2937-1	TIMING TOOL . . . . .	46	-
	LOCKWASHER . . . . .	21	96	FTA8991	SPACER KIT . . . . .	48	-
FP372	PROPELLER (ACCESSORY			FTA8991	TEST WHEEL . . . . .	49	-
	ITEM) . . . . .	37	53	OB3061	LITERATURE (NOT SHOWN)	45	-
FS409752	FUEL LINE COMPLETE . . . . .	41	-	T8963-1	SEALANT . . . . .	50	-
FS480955	STARTER COMPLETE . . . . .	15	-	11-817784A1	PROPELLER NUT		
FS548179	TRIM, TOP . . . . .	3	1		W/COTTER PIN AND SEAL	37	55
FS548180	TRIM, REAR . . . . .	3	5	22-817789A1	DRAIN FITTING . . . . .	19	64
FS548269	HANDLE, TILT . . . . .	3	3	22-818103--1	ELBOW . . . . .	19	61
FS548888	TRIM, FRONT . . . . .	5	39	31-817785A2	CRANKSHAFT BEARING		
FSA335260	PISTON RINGS (3 PER SET)				CAGE W/SEAL . . . . .	29	18
	.010 OVERSIZE . . . . .	29	-	32-817738A1	FUEL LINE LONG W/CLAMP		
FT1081	SNAP RING PLIER . . . . .	48	-		AND FERRULE . . . . .	41	10
FT1082	SNAP RING PLIER . . . . .	47	-	33-97180	SPARK PLUG (CHAMPION L-		
FT2951	CIRCUIT TRACER . . . . .	46	-		20-V) - USA . . . . .	25	65
FT2953	SOCKET . . . . .	47	-	37-819450	DECAL, REVERSE LOCK -		
FT2961	LUBRICANT . . . . .	50	-		CANADA . . . . .	33	-
FT2962-1	SEALANT . . . . .	50	-	39-818110A1	PISTON RINGS (3 PER SET)		
FT2987-1	LUBRICANT . . . . .	50	-		.030 OVERSIZE . . . . .	29	-
FT2990	PISTON PIN TOOL . . . . .	47	-	84-817775A1	COIL WIRE W/TERMINAL		
FT2995	BEARING CUP REMOVER . . . . .	48	-		CLIP - USA . . . . .	11	29
FT2996	RING COMPRESSOR . . . . .	47	-	87-817778A1	THERMOSWITCH . . . . .	27	88
FT3012	SEAL INSTALLER . . . . .	48	-	600-818052A4	CONNECTING ROD W/CAP		
FT8901	INDICATOR HOLDER . . . . .	48	-		AND SCREWS . . . . .	29	6
FT8902	DIAL INDICATOR . . . . .	48	-	700-817988A2	PISTON .010 OVERSIZE . . . . .	29	-
FT8903	SEAL INSTALLER . . . . .	47	-	700-818111A2	PISTON .030 OVERSIZE . . . . .	29	-
FT8905	BEARING REMOVER . . . . .	48	-	700-F372015-3	PISTON STANDARD . . . . .	29	2
FT8906	BEARING SUPPORT . . . . .	48	-	1400-817958A6	STERN BRACKET . . . . .	31	19
FT8907	DRIVE HANDLE . . . . .	47	-	1600-817767A2	GEAR HOUSING LOWER		
FT8907	DRIVER HANDLE . . . . .	48	-		W/PLUG AND WASHER . . . . .	35	32
FT8908	SEAL INSTALLER . . . . .	48	-				
FT8909	BEARING CUP INSTALLER . . . . .	48	-				
FT8910	BEARING CUP INSTALLER . . . . .	48	-				
FT8911	DRIVESHAFT KNOCK-OFF						
	NUT . . . . .	48	-				
FT8914	SEAL REMOVER . . . . .	47	-				
FT8915	SEAL PROTECTOR . . . . .	48	-				
FT8916	BEARING INSTALLER . . . . .	48	-				
FT8917	BEARING CUP REMOVER . . . . .	48	-				
FT8918	BEARING GUIDE SET . . . . .	48	-				
FT8919	SPRING PIN PUNCH . . . . .	48	-				
FT8920	BEARING INSTALLER . . . . .	48	-				
FT8922	SLIDE HAMMER . . . . .	48	-				
FT8924-1	CHECKING GAUGE . . . . .	48	-				
FT8925	SEAL INSTALLER . . . . .	47	-				
FT8925	SEAL INSTALLER . . . . .	48	-				
FT8926	RING EXPANDER . . . . .	47	-				
FT8927	SEAL PROTECTOR . . . . .	47	-				
FT8933	LIFTING HOOK . . . . .	49	-				
FT8935	SEALANT PRIMER . . . . .	50	-				
FT8936	SEALANT . . . . .	50	-				
FT8948-1	PULLER . . . . .	46	-				