



PARTS CATALOG

115 H.P. TWIN

SERIAL NUMBER

115 (1979)	115H9A
115 (1979)	P1155H9A
115 (1979)	S1155H9A

TABLE OF CONTENTS:

ACCESSORIES	58
CARBURETOR	16
CRANKSHAFT AND PISTON GROUP	32
DISTRIBUTOR	10
DUAL STEERING	46
ELECTRICAL COMPONENTS	6
ENGINE COVER AND SUPPORT PLATE	2
FUEL PUMP AND REED PLATE	20
FUEL TANK AND LINE	44
GEAR HOUSING	38
MOTOR LEG	34
PARTS INDEX	61
POWER HEAD	24
POWER TRIM UNIT	48
SPECIAL TOOLS - DECAL REPAIR SHEET	57
SPECIAL TOOLS - GEAR HOUSING	54
SPECIAL TOOLS - LUBRICANTS AND SEALANTS	56
SPECIAL TOOLS - POWER HEAD	53
SPECIAL TOOLS - TEST EQUIPMENT	55
SPECIAL TOOLS - TUNE-UP	52
STARTER	14

NOTE: Indented description indicate that these parts are included in preceding assembly.

AR = As Required

NSS = Not Sold Separate

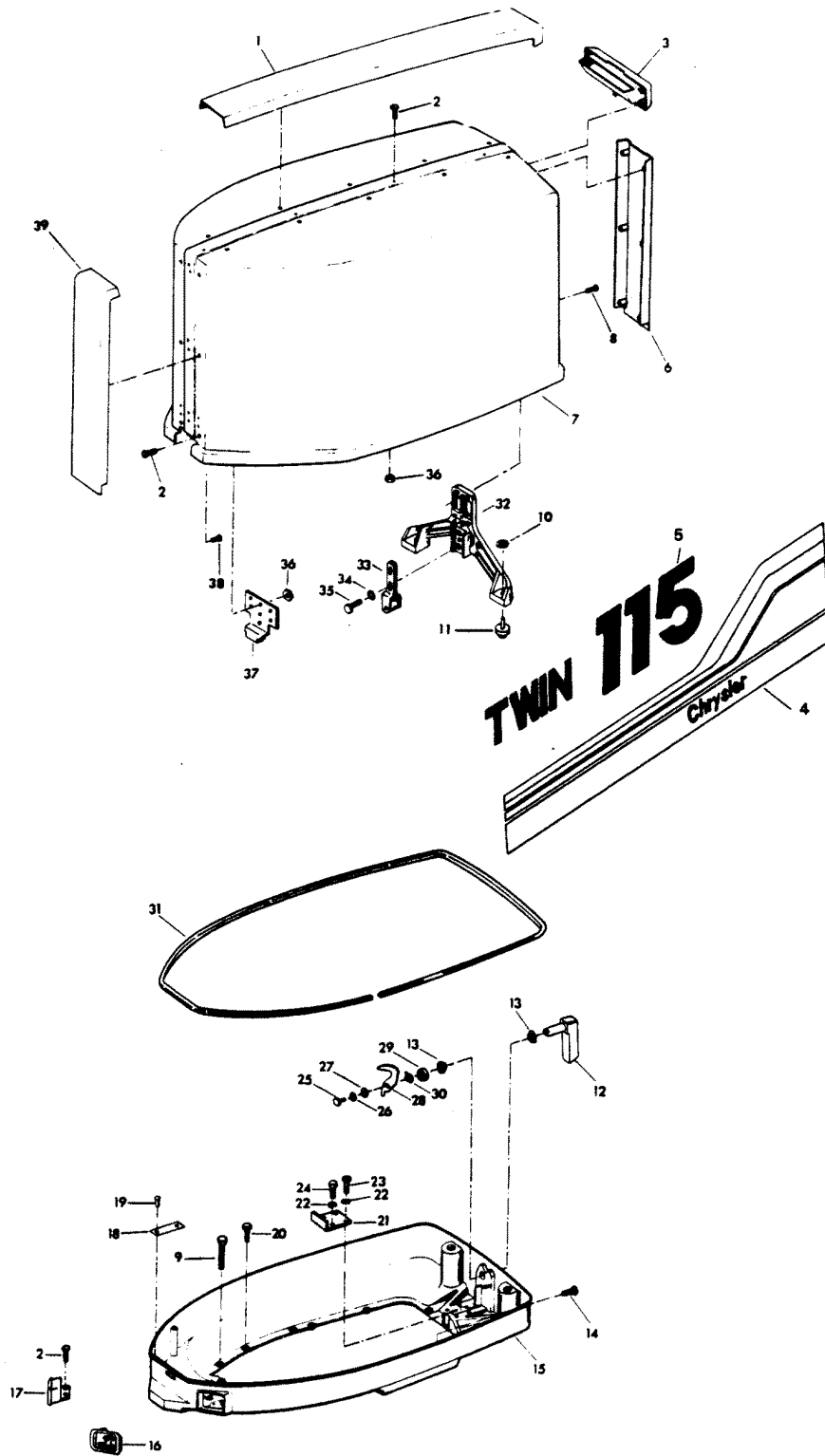
OPT = Optional

NS = Not Shown

THESE PARTS BOOKS/FICHE CARD ARE COPYRIGHTED AND MAY NOT BE DISTRIBUTED OR REPRODUCED IN ANY OTHER FORMAT BY ANYONE OTHER THAN MERCURY MARINE WITHOUT THE PRIOR WRITTEN CONSENT OF MERCURY MARINE.

THIS PAGE INTENTIONALLY LEFT BLANK

ENGINE COVER AND SUPPORT PLATE

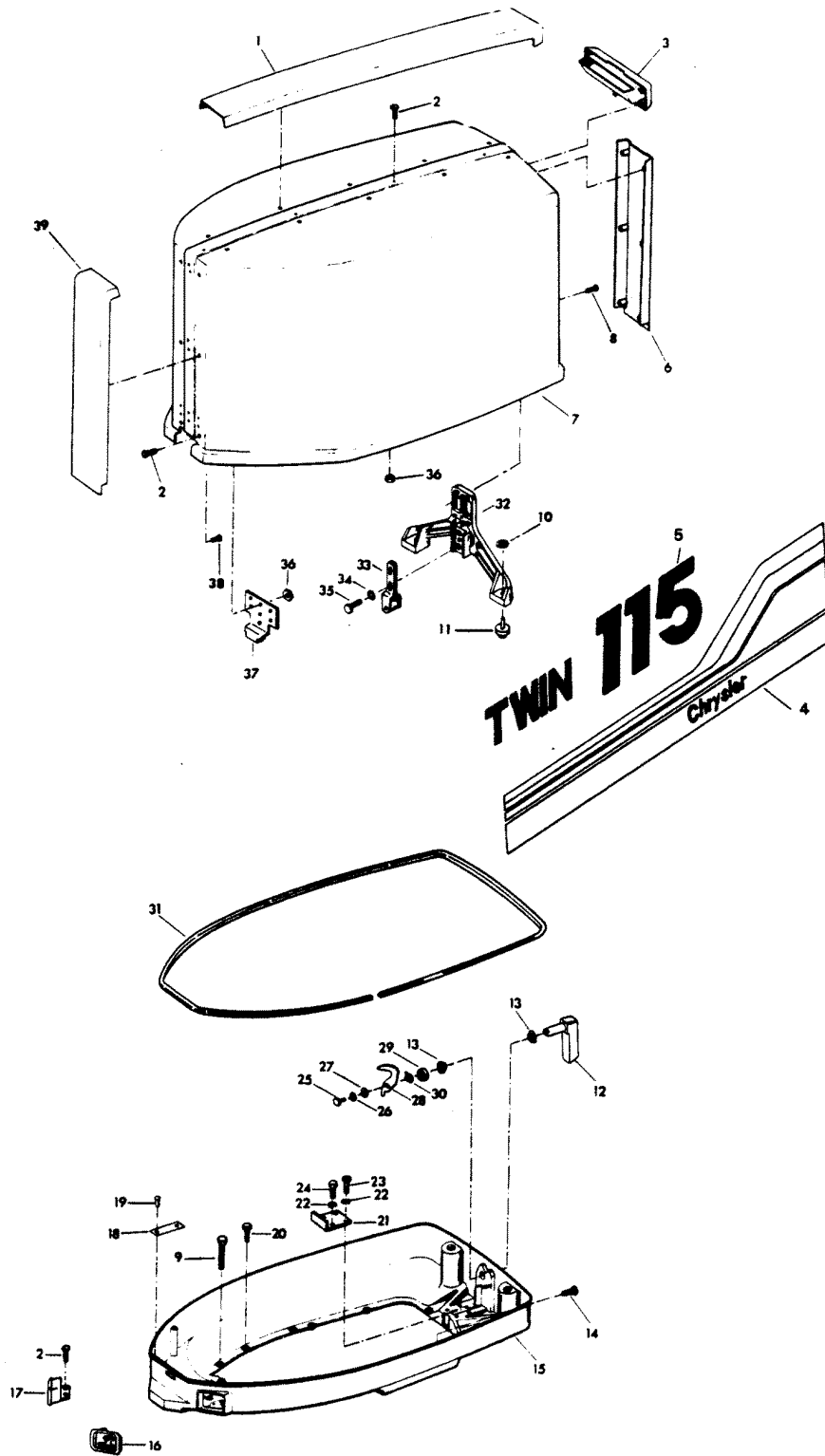


ENGINE COVER AND SUPPORT PLATE

REF. NO.	PART NO.	SYM.	QTY.	DESCRIPTION
1	FS548179		1	TRIM TOP
2	F1733		10	PAN HD MACHINE SCREW, 10 - 24 X 9/16
3	FS548269		1	TILT HANDLE
4	FA523397		1	DECAL, ENGINE COVER PORT
-	A523396		1	DECAL, ENGINE COVER STBD.
5	A522386		1	DECAL, NUMERAL TWIN
6	FS552180		1	TRIM REAR
7	FA552944		1	ENGINE COVER W/RETAINER, SCREWS AND NUTS
-	3C511944		1	ENGINE COVER COMPLETE, PORT INCLUDES ALL ITEMS MARKED WITH AN ASTERISK (*).
-	5C511944		1	ENGINE COVER COMPLETE, STARBOARD
8	F1730		3	PAN HD SCREW W/SPRING LOCKWASHER, 1/4 - 20 X 5/8
9	F1849		2	HEX HD CAP SCREW, 1/4 - 20 X 1-3/8
10	F2088		2	FASTENER
11	F481434		2	GUIDE, ENGINE COVER
12	FA481469		1	HANDLE W/SHAFT
13	F480818		2	BEARING
14	F1238		6	HEX CAP SCREW, 1/4 - 20 X 3/4
15	F480038-2		1	SUPPORT PLATE
16	F549189		1	BUSHING, ELECTRIC CABLE
17	F545189		1	BUSHING, CABLE ENTRY
18	FA535395		1	IDENTIFICATION PLATE W/SCREWS FOR U.S.A. MODELS
19	F1447		2	ROUND HD SCREW, 2 X 3/16
20	F1502		5	SCREW, 1/4 - 20 X 5/8
21	F335654-1		1	DEFLECTION STOP
22	F8096		4	SPRING LOCKWASHER
23	F1857		2	HEX CAP SCREW, 5/16 - 18 X 5/8
24	F1858		2	HEX CAP SCREW, 5/16 - 18 X 1
25	F1854		1	HEX CAP SCREW, 1/4 - 20 X 5/8
26	F8083		1	SPRING LOCKWASHER
27	F8094		1	PLAIN WASHER
28	F481777		1	CAM, LATCH
29	F481382-1		1	SPACER, LATCH SHAFT
30	F2047		1	WAVE SPRING LOCKWASHER
31	F321756		1	PACKING, COVER,
32	F481774		1	BRACKET, COVER LATCH
33	FA481743		1	ROLLER BRACKET
34	F8096		2	SPRING LOCKWASHER
35	F1857		2	HEX CAP SCREW, 5/16 - 18 X 5/8
36	F1473		7	HEX NUT

CONTINUED ON NEXT PAGE ➡

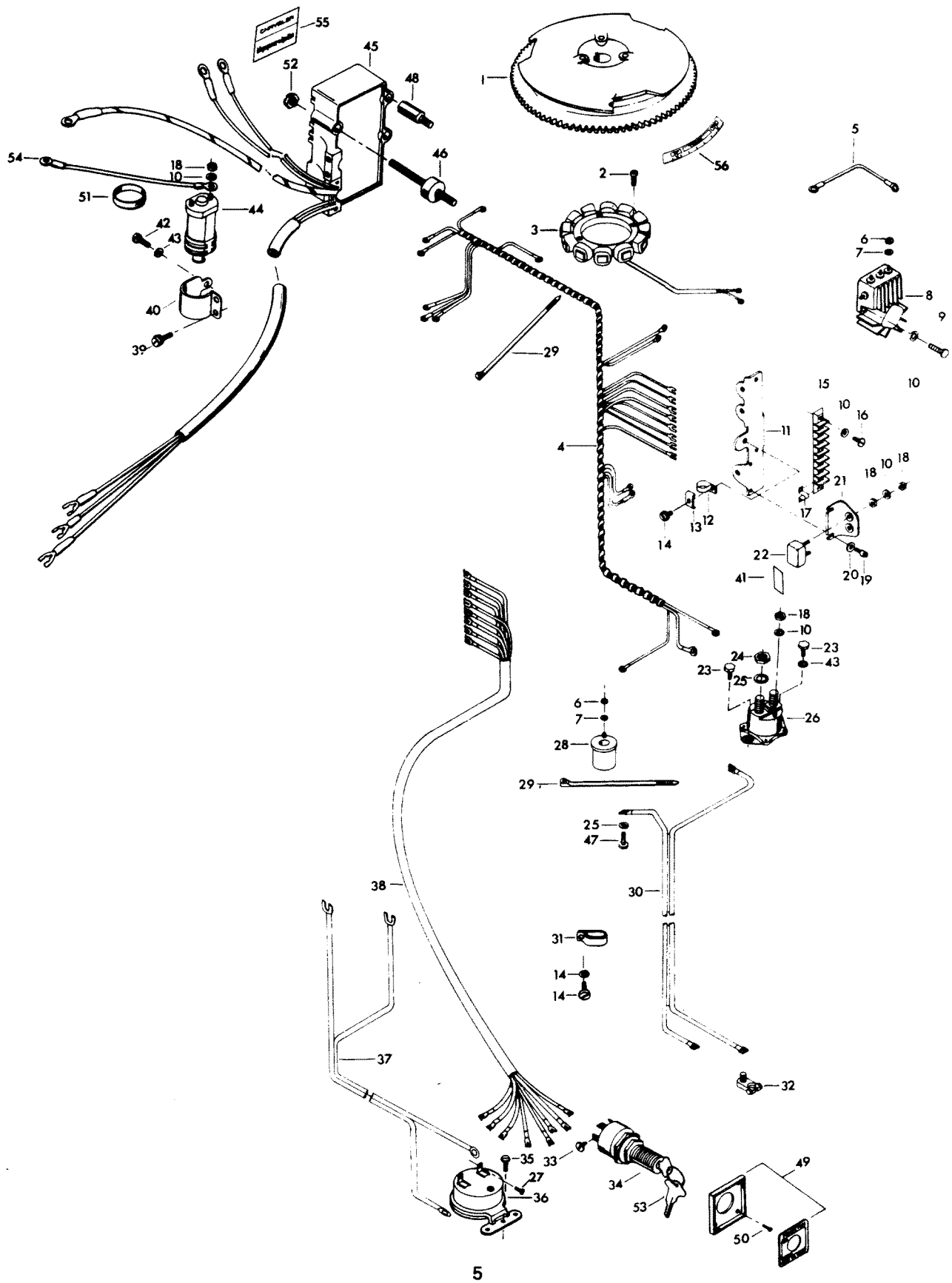
ENGINE COVER AND SUPPORT PLATE



ENGINE COVER AND SUPPORT PLATE

REF. NO.	PART NO.	SYM.	QTY.	DESCRIPTION
37	F333480-1		1	RETAINER, ENGINE COVER
38	F2066		30	PAN HD TAPPING SCREW, 10 X 7/16 (TRIM TO COVER)
39	FS552888		1	TRIM FRONT
-	F548984		1	BLANKET, SILENCER TOP (NOT SHOWN)
-	F552985		2	BLANKET, SILENCER SIDE (NOT SHOWN)

ELECTRICAL COMPONENTS

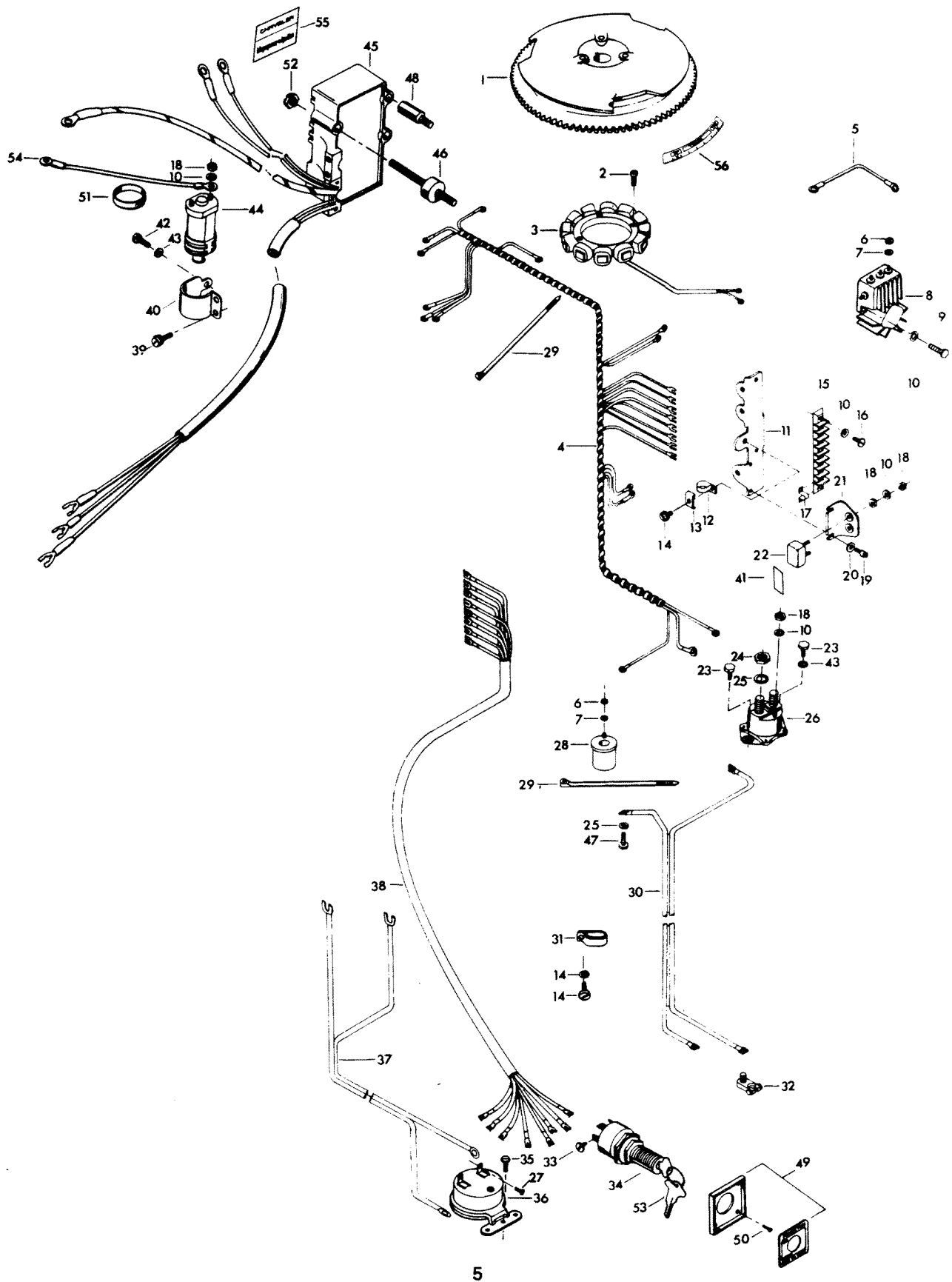


ELECTRICAL COMPONENTS

REF. NO.	PART NO.	SYM.	QTY.	DESCRIPTION
1	F404097		1	FLYWHEEL
2	F1678		6	FILL HD SCREW, 10 - 24 X 13/16
3	F85095-2		1	STATOR
4	F438744-1		1	WIRING HARNESS
5	F345683		1	WIRE, REGULATOR-RECTIFIER GROUND
6	F1647		5	HEX NUT, 8 - 32
7	F8056		5	SPRING LOCKWASHER
8	F404470-1		1	REGULATOR-RECTIFIER
9	F2001		3	FILL HD SCREW, 10 - 24 X 5/8
10	F1975		9	SPRING LOCKWASHER
11	FA439493		1	TERMINAL BLOCK BRACKET
12	F289446-1		1	CLAMP
13	F438668		1	RETAINER, CABLE CLAMP
14	F1734		2	FILL HD SCREW W/LOCKWASHER, 1/4 - 20 X 1/2
15	FA510497		1	TERMINAL BLOCK
16	F1648		2	PAN HD SCREW, 10 - 24 X 3/4
17	F307317		1	CLIP, TERMINAL BLOCK
18	F1513		8	HEX NUT
19	F1760		2	PAN HD SCREW, 10 - 24 X 3/8
20	F8011		2	PLAIN WASHER
21	F91446-1		1	CIRCUIT BREAKER BRACKET
22	F510460		1	CIRCUIT BREAKER
23	F1705		2	HEX CAP SCREW, 1/4 - 20 X 3/4
24	F1515		2	HEX NUT
25	F8096		3	SPRING LOCKWASHER
26	F460917		1	STARTER RELAY
27	F1645		2	SCREW, 6 - 32 X 1/4
28	F85924		1	CHOKE SOLENOID
29	F1877		2	TY-RAP
30	F381896-4		1	BATTERY CABLE
31	F407446		1	CLAMP
32	F5H041		1	BATTERY TERMINAL KIT (ACCESSORY ITEM)
33	F1280		5	SCREW, 8 - 32 X 1/4
34	F5H078		1	IGNITION SWITCH LONG BARREL W/KEYS AND SCREWS (ACCESSORY ITEM)
35	F1741		2	SCREW, 8 X 3/4
36	F5H043		1	OVERHEAT BUZZER (ACCESSORY ITEM)
37	F404841		1	CABLE, HEAT INDICATOR
38	F85843-1		1	REMOTE ELECTRIC CABLE, 18 FEET
39	F1851		2	FILL HD SCREW W/LOCKWASHER, 10 - 24 X 1/2
40	F404513		1	COIL CLAMP
41	F510374		1	DECAL, CIRCUIT BREAKER - USA
42	F1689		1	HEX HD CAP SCREW, 1/4 - 20 X 1/2

CONTINUED ON NEXT PAGE ➡

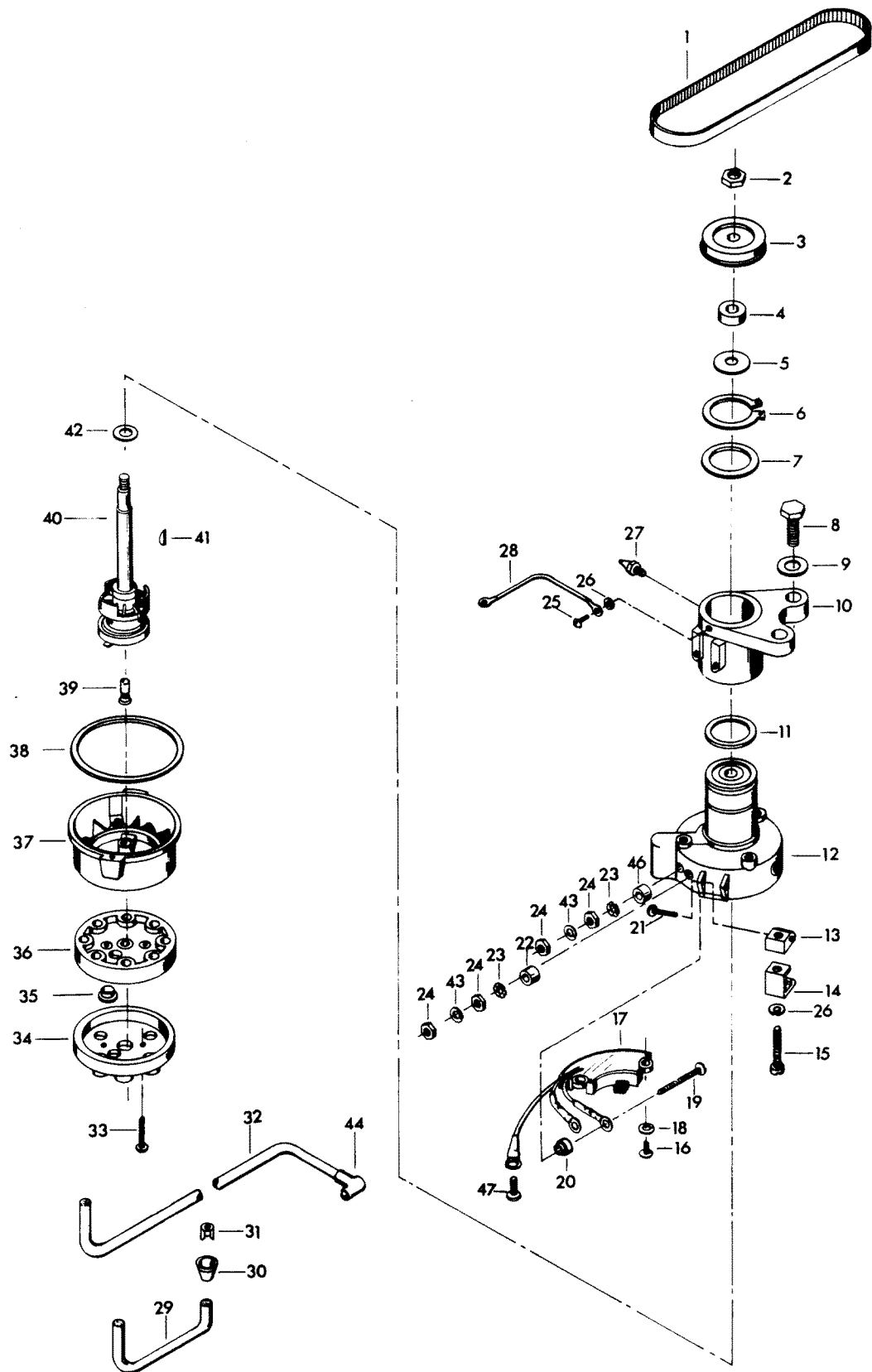
ELECTRICAL COMPONENTS



ELECTRICAL COMPONENTS

REF. NO.	PART NO.	SYM.	QTY.	DESCRIPTION
43	F8083		2	SPRING LOCKWASHER
44	F345475-1		1	COIL
45	300-817855A1		1	UNIT W/DECAL (ORIGINAL FORCE P/N A 523301-1)(Does not include Coil & Clamp)
46	F523962		3	SHOCK MOUNT - C.D. UNIT
47	F2000		1	HEX CAP SCREW, 5/16 - 18 X 3/4
48	F322273		1	STUD, C.D. UNIT
49	F5H038		1	IGNITION SWITCH MOUNTING KIT (ACCESSORY ITEM)
50	F1934		4	SCREW, 6 X 12
51	F391983		2	RETAINING BAND
52	F1892		3	STOP NUT
53	FA368700		-	IGNITION KEY - NO LETTER OR STAMPED A
-	FB368700		-	IGNITION KEY - STAMPED B
-	FC368700		-	IGNITION KEY - STAMPED C
-	FD368700		-	IGNITION KEY - STAMPED D
-	FE368700		-	IGNITION KEY - STAMPED E
54	F85664		1	GROUND WIRE
55	480373		1	DECAL, MAGNAPOWER IGNITION
56	F474387		1	TIMING DECAL - USA

DISTRIBUTOR

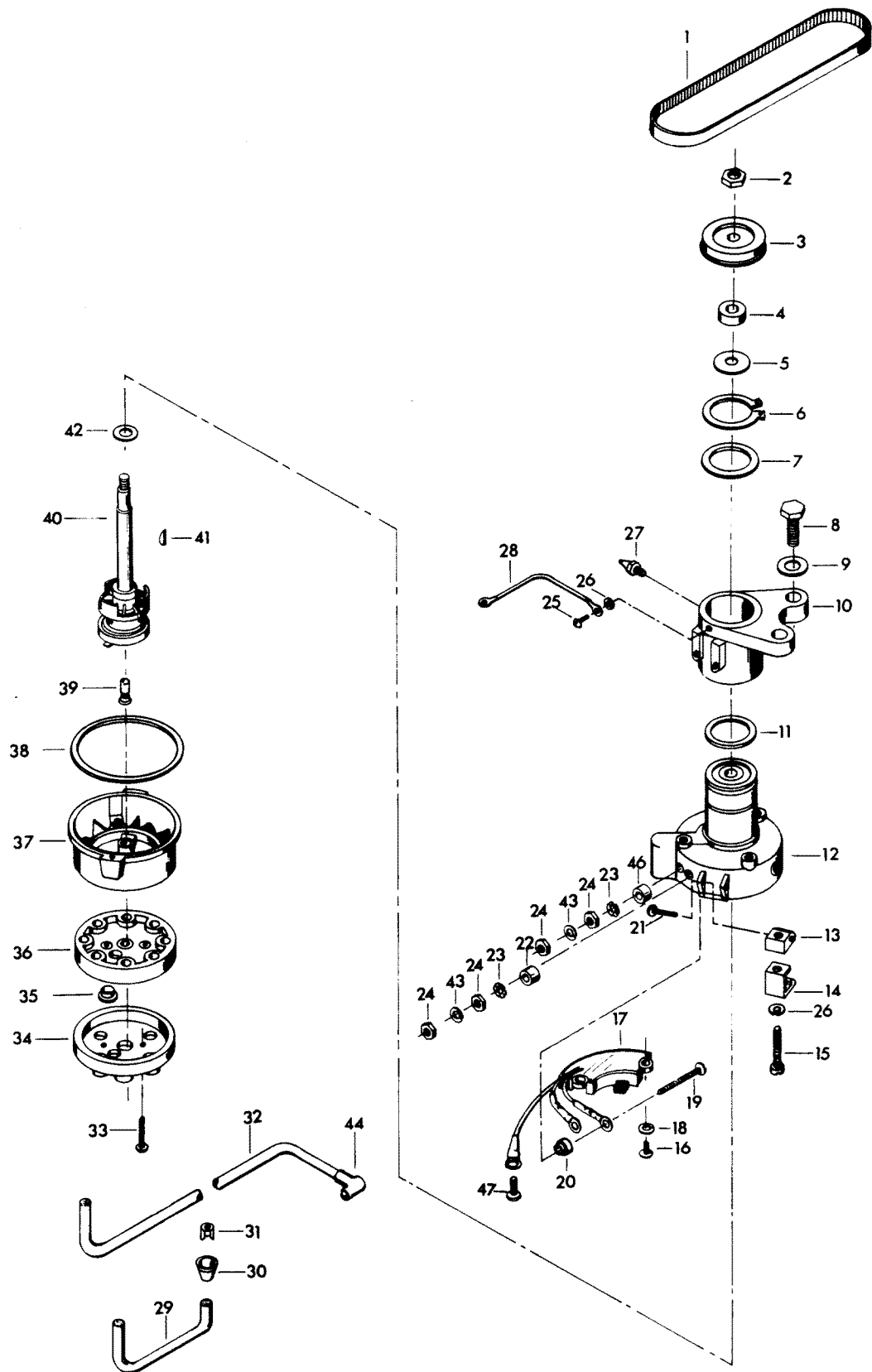


DISTRIBUTOR

REF. NO.	PART NO.	SYM.	QTY.	DESCRIPTION
1	F85311		1	DISTRIBUTOR BELT
2	F7013		1	STOP NUT
3	817786A1		1	DISTRIBUTOR PULLEY
4	F14025		1	SPACER
5	F14028		1	THRUST WASHER
6	F85173		1	RETAINING RING
7	F14029		1	THRUST WASHER
8	F1612		2	HEX CAP SCREW, 3/8 - 16 X 1-1/4
9	F1778		2	PLAIN WASHER
10	FA321574		1	DISTRIBUTOR BRACKET
11	F1759		2	SHIM, DISTRIBUTOR (QTY. AS REQUIRED)
12	F14042		1	DISTRIBUTOR HOUSING W/BEARINGS
13	F14036		2	SWIVEL
14	F14037		2	CAP CLIPS
15	F14038		2	CAP CLIP SCREWS
16	F14045		2	SCREW
17	FA14048-2		1	PREAMPLIFIER
18	F8056		2	LOCKWASHER
19	F14046		2	TERMINAL SCREW
20	F14047		2	TERMINAL INSULATOR (INSIDE)
21	F14015		2	CAP CLIP RIVET
22	F14049		1	TERMINAL INSULATOR (OUTSIDE)
23	F14041		2	EXTERNAL TOOTH LOCKWASHER
24	F1647		2	HEX NUT, 8 - 32
25	F1760		2	PAN HD SCREW, 10 - 24 X 3/8
26	F1975		2	SPRING LOCKWASHER
27	F213274		1	GREASE FITTING
28	F85664		1	DISTRIBUTOR GROUND
29	84-817775A1		1	COIL WIRE W/TERMINAL CLIP
30	F203276		1	BOOT
31	F203673		1	TERMINAL CLIP
32	F321841-3		4	LEAD WIRE
33	F14007		2	CAP SCREW
34	F14010-1		1	CAP COVER
35	F14040		2	VENT
36	F14021-1		1	CAP SEAL
37	F14005-2		1	CAP BASE
38	F14030		1	CAP GASKET
39	F14012-1		1	BRUSH
40	F14044		1	DISTRIBUTOR SHAFT
41	F1692		1	WOODRUFF KEY
42	F14024		1	SPACER
43	F8056		2	LOCKWASHER

CONTINUED ON NEXT PAGE ➡

DISTRIBUTOR



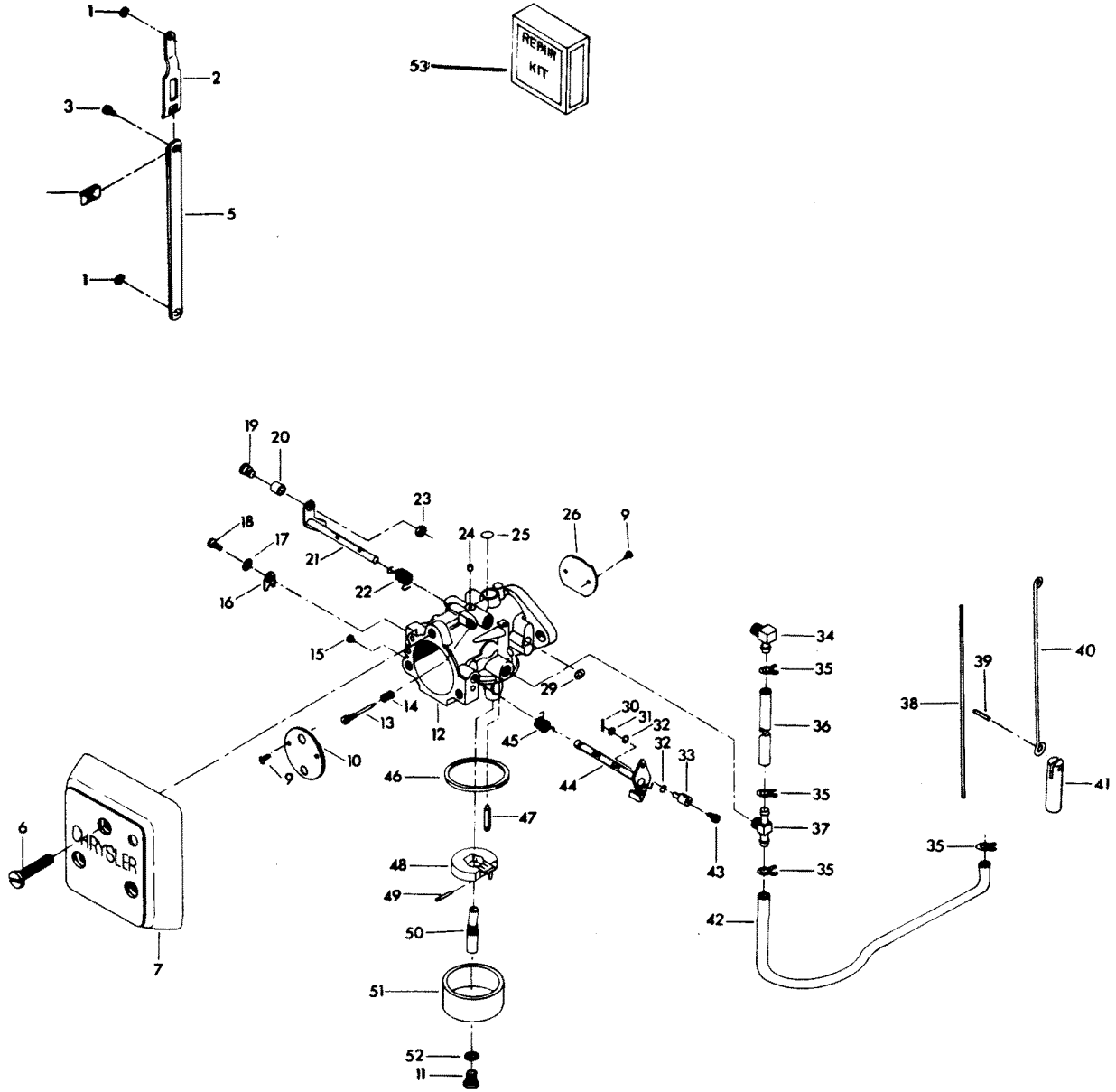
DISTRIBUTOR

REF. NO.	PART NO.	SYM.	QTY.	DESCRIPTION
44	FK750-3		4	SPARKIE
46	F14017		1	TERMINAL INSULATOR (OUTSIDE)
-	817828A1		1	DISTRIBUTOR
-	481373-1		1	DECAL, "ELECTRONIC" NOT SHOWN
47	F14056		1	SCREW

STARTER

REF. NO.	PART NO.	SYM.	QTY.	DESCRIPTION
5	F15118		1	BENDIX DRIVE ASSEMBLY
6	F1641		2	LOCK NUT, 1/4 - 28
8	F15167		1	HEAD ASSEMBLY, DRIVE END
9	F15126		1	THRUST WASHER PACKAGE
10	F15099		1	ARMATURE
11	F15166		1	FRAME AND FIELD ASSEMBLY
12	F15054		1	BRUSH AND TERMINAL SET
13	FA15072		1	HEX LOCK NUT, 1/4 - 20
14	F85908		1	STARTER LEAD WIRE
16	F15168		1	THRU BOLT PACKAGE
18	F1502		1	HEX CAP SCREW, 1/4 - 20 X 5/8
19	F8028		2	PLAIN WASHER
20	F511675		1	STARTER BRACKET, LOWER
21	F15125		1	HEAD ASSEMBLY, COMMUTATOR END
22	F15034		1	SPRING SET
23	F15057		1	BRUSH PLATE AND HOLDER ASSEMBLY
-	FS490955		1	STARTER COMPLETE

CARBURETOR

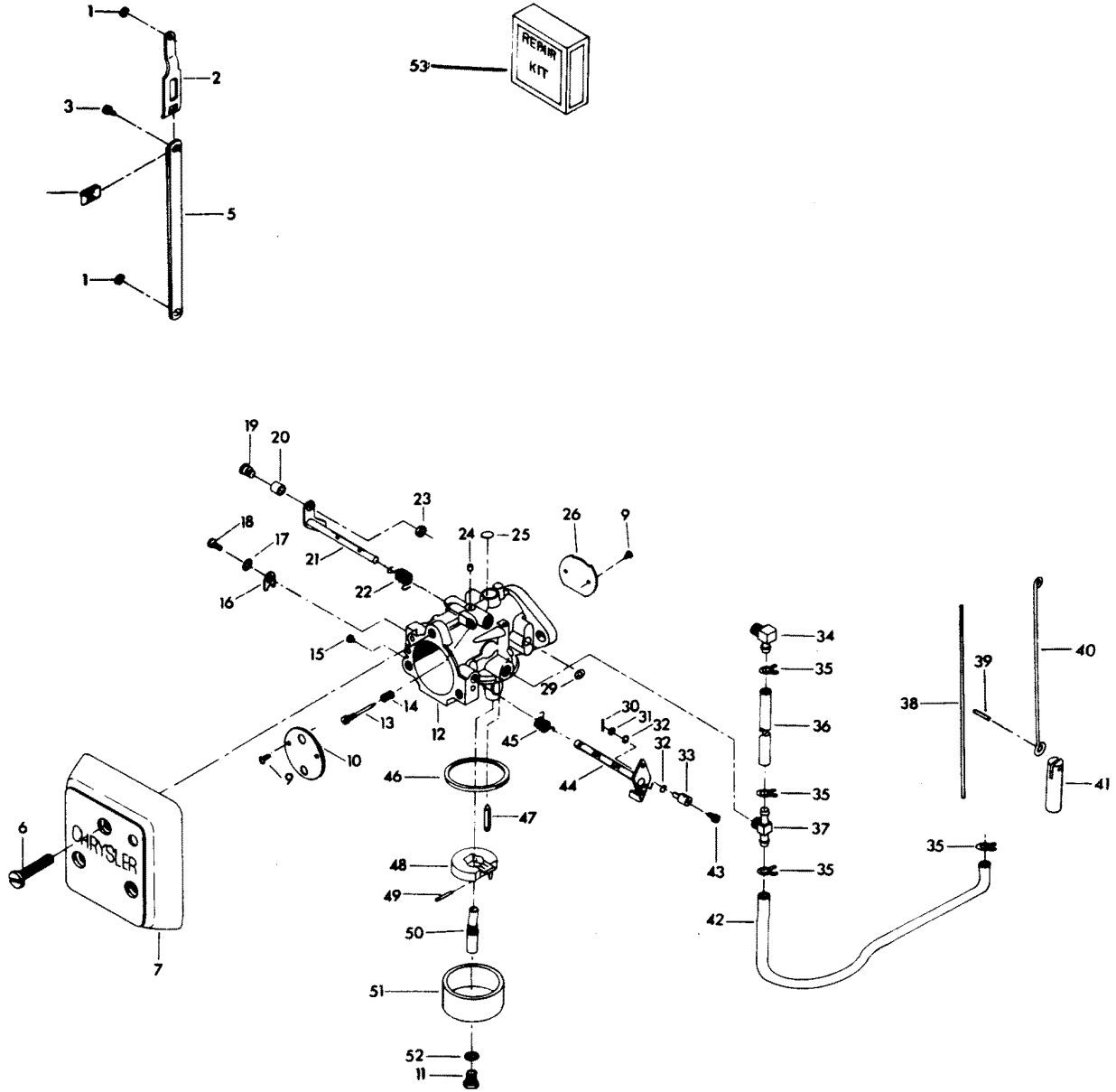


CARBURETOR

REF. NO.	PART NO.	SYM.	QTY.	DESCRIPTION
1	F90807		2	RETAINING RING
2	FA85193		1	TIE BAR END W/SWIVEL
3	F1064		1	FILL HD SCREW, 8 - 32 X 3/8
4	F1693		1	TIE BAR RETAINER NUT
5	FA178233		1	THROTTLE TIE BAR W/SWIVEL
6	F1034		6	SCREW, 1/4 - 20 X 1-3/8
7	F511708		2	COVER, CARBURETOR
9	FO15912		4	CHOKE AND THROTTLE SHUTTER SCREW
10	FO17719		1	CHOKE, SHUTTER
11	FO16132		1	FUEL BOWL RETAINING SCREW
12	F553061		2	CARBURETOR COMPLETE (TC-7A)
13	FO14166		1	IDLE MIXTURE SCREW
14	FO11103		1	IDLE MIXTURE SCREW SPRING
15	FO15406		1	MAIN FUEL JET STD. .090 SEA LEVEL - 1500 FT.
-	FO13193		-	MAIN FUEL JET OPT. .088 1500 - 3000 FT.
-	FO13949		-	MAIN FUEL JET OPT. .086 3000 - 4500 FT.
-	FO14302		-	MAIN FUEL JET OPT. .084 4500 - 6000 FT.
-	FO14109		-	MAIN FUEL JET OPT. .082 6000 FT & UP
16	FO9678		1	CLIP, CHOKE SHAFT
17	FO992		1	LOCKWASHER
18	FO1974		1	SCREW
19	F333316		1	THROTTLE ROLLER SHAFT
20	F92759		1	THROTTLE ROLLER
21	FO17884		1	THROTTLE SHAFT AND LEVER
22	FO16143		1	THROTTLE SHAFT RETURN SPRING
23	F1997		1	STOP NUT, 8 - 32
24	FO10588		5	BODY CHANNEL CUP PLUG
25	FO16128		1	BODY CHANNEL WELCH PLUG
26	FO16142		1	THROTTLE SHUTTER
29	FO16620		1	"E" RING
30	F1014		2	COTTER PIN
31	F8088		3	PLAIN WASHER
32	F184579		5	"O" RING SEAL
33	F184033-1		1	SWIVEL, TOP CARBURETOR
34	F84314-2		1	ELBOW
35	F97772		4	CLAMP
36	F178754-1		1	FUEL LINE
37	F85314-1		1	FUEL FITTING
38	F85509-1		1	LINK, CHOKE
39	F2033		1	GROOVE PIN
40	F440925		1	CHOKE ROD
41	F391926-1		1	PLUNGER
42	F438754		1	FUEL LINE

CONTINUED ON NEXT PAGE ➡

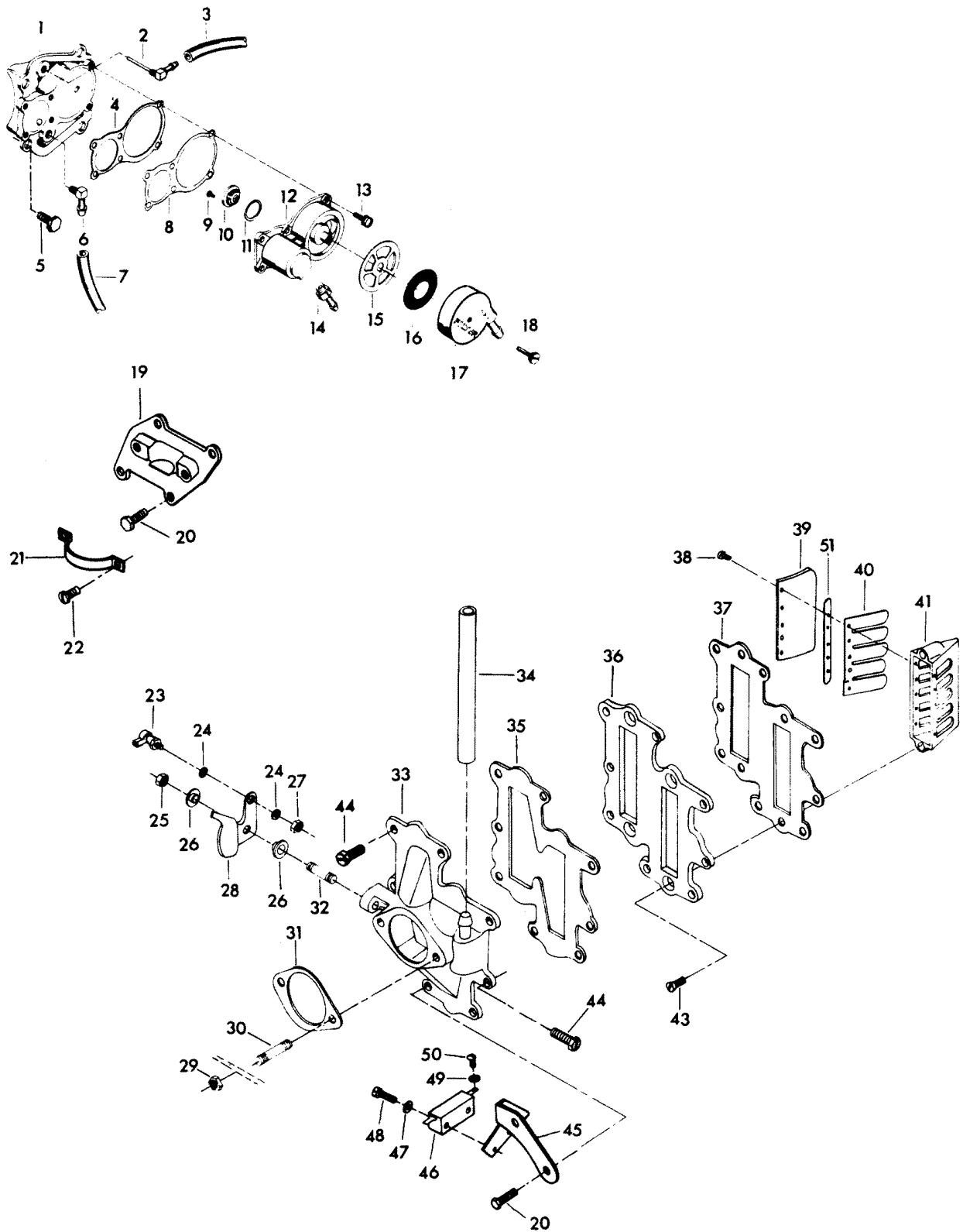
CARBURETOR



CARBURETOR

REF. NO.	PART NO.	SYM.	QTY.	DESCRIPTION
43	F1059		2	FILL HD SCREW, 6 - 32 X 1/4
44	FO16301		1	CHOKE SHAFT AND LEVER
45	FO17885		1	CHOKE SHAFT RETURN SPRING
46	FO15623		1	FUEL BOWL GASKET
47	FO16697		1	INLET NEEDLE
48	FO13554		1	FLOAT
49	FO13944		1	FLOAT LEVER PIN
50	FO16133		1	MAIN NOZZLE
51	FO16130		1	FUEL BOWL
52	FO5323		2	FUEL BOWL RETAINING SCREW GASKET
-	F85033		1	SWIVEL, CHOKE ROD (BOTTOM CARBURETOR) (NOT SHOWN)
-	F10023		1	GASKET SET (NOT SHOWN)
53	F10103		1	REPAIR PARTS KIT INCLUDES ALL ITEMS MARKED WITH AN ASTERISK (*) .

FUEL PUMP AND REED PLATE

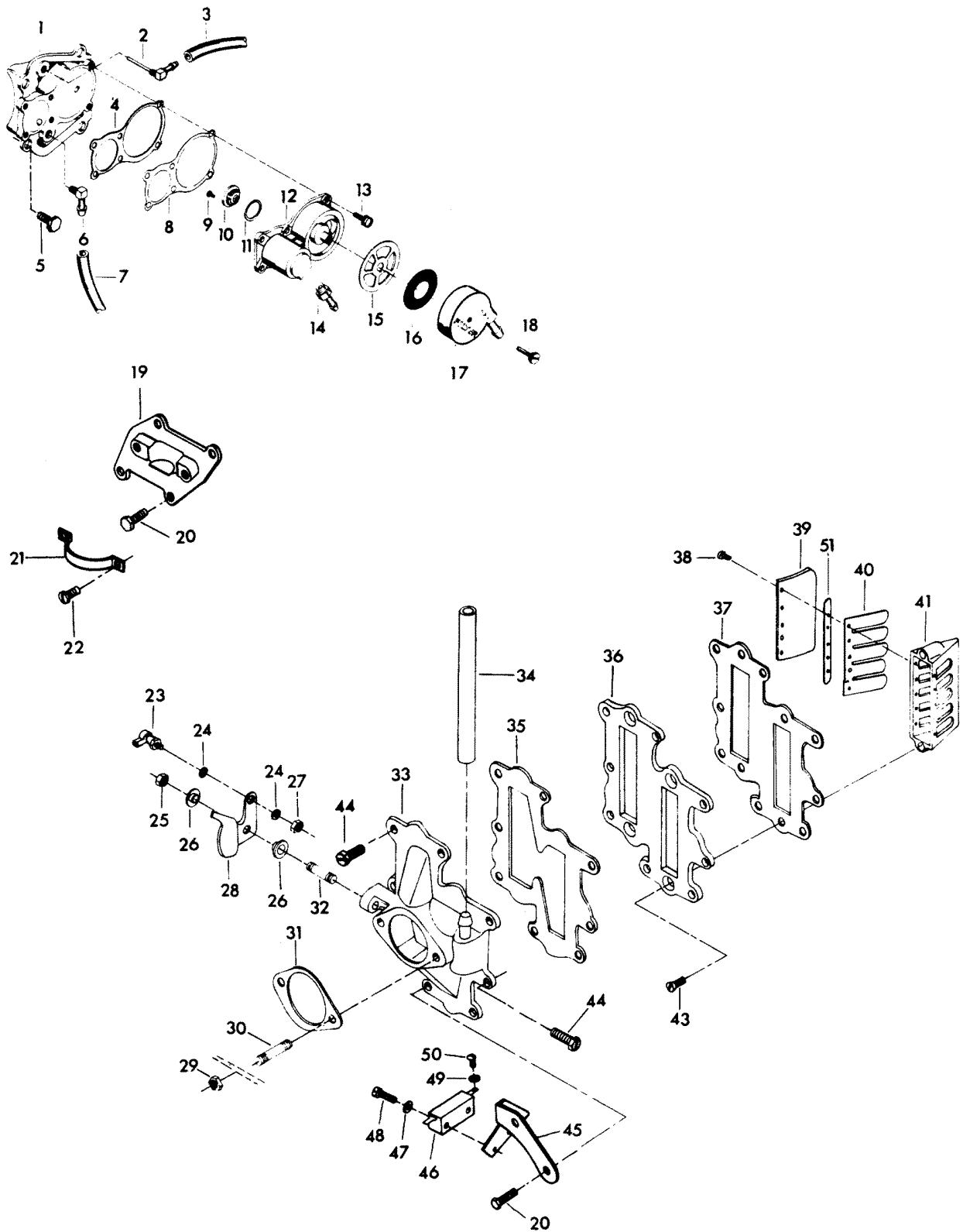


FUEL PUMP AND REED PLATE

REF. NO.	PART NO.	SYM.	QTY.	DESCRIPTION
1	FA439746		1	FUEL PUMP COVER
2	F404314		1	ELBOW, FUEL PUMP COVER
3	F441754-1		1	HOSE
4	F438760		1	FUEL PUMP GASKET
5	F1502		4	HEX CAP SCREW, 1/4 - 20 X 5/8
6	F84314-2		1	ELBOW
7	F89758		1	HOSE, FUEL PUMP USA
8	F438747		1	FUEL PUMP DIAPHRAGM
9	F1860		2	RD HD SCREW, 6 - 32 X 1/4
10	F177330		3	FUEL PUMP VALVE
11	F84792		1	GASKET, CENTER FUEL PUMP VALVE
12	FA438431		1	FUEL PUMP BODY W/VALVES
13	F1108		6	FILL HD SCREW, 1/4 - 20 X 3/4
14	F438801		1	FITTING
15	F438617		1	FUEL SEDIMENT BOWL GASKET
16	F438653		1	FUEL SEDIMENT BOWL SCREEN
17	F438500		1	FUEL SEDIMENT BOWL
18	F438165		1	SCREW, FUEL PUMP BOWL
19	F372958		1	CHOKE BRACKET
20	F1953		6	HEX HD SCREW, 1/4 - 20 X 1
21	F85317-1		1	SOLENOID CLAMP
22	F1236		2	SCREW, 1/4 - 20 X 1/2
23	817747--1		1	BALL JOINT W/STUD
24	F8058		2	INTERNAL TOOTH LOCKWASHER
25	F1910		1	STOP NUT, 1/4 - 20
26	F269319		2	THROTTLE CAM BEARING
27	F1513		1	HEX NUT, 10 - 32
28	F440192-1		1	THROTTLE CAM
29	F1346		4	HEX NUT
30	F440209		4	CARBURETOR STUD
31	F440906		2	CARBURETOR GASKET
32	F433209-1		1	THROTTLE CAM STUD
33	FA440167		1	CARBURETOR ADAPTER, LOWER W/FITTING AND STUDS
-	FA440157		1	CARBURETOR ADAPTER, UPPER W/FITTING AND STUDS (NOT SHOWN)
34	F440254		1	BALANCE TUBE
35	F178168-1		1	GASKET, CARBURETOR ADAPTER
36	F178404-1		2	DEFLECTOR PLATE
37	F406406		2	GASKET DEFLECTOR PLATE
38	F1755		40	ROUND HD SCREW W/LOCKWASHER 6 - 32 X 1/4
39	F85161-1		8	REED STOP
40	F530160		8	REED (5 PETAL)
41	F2A523158		4	REED PLATE W/REEDS, REED STOPS AND SCREWS

CONTINUED ON NEXT PAGE ➡

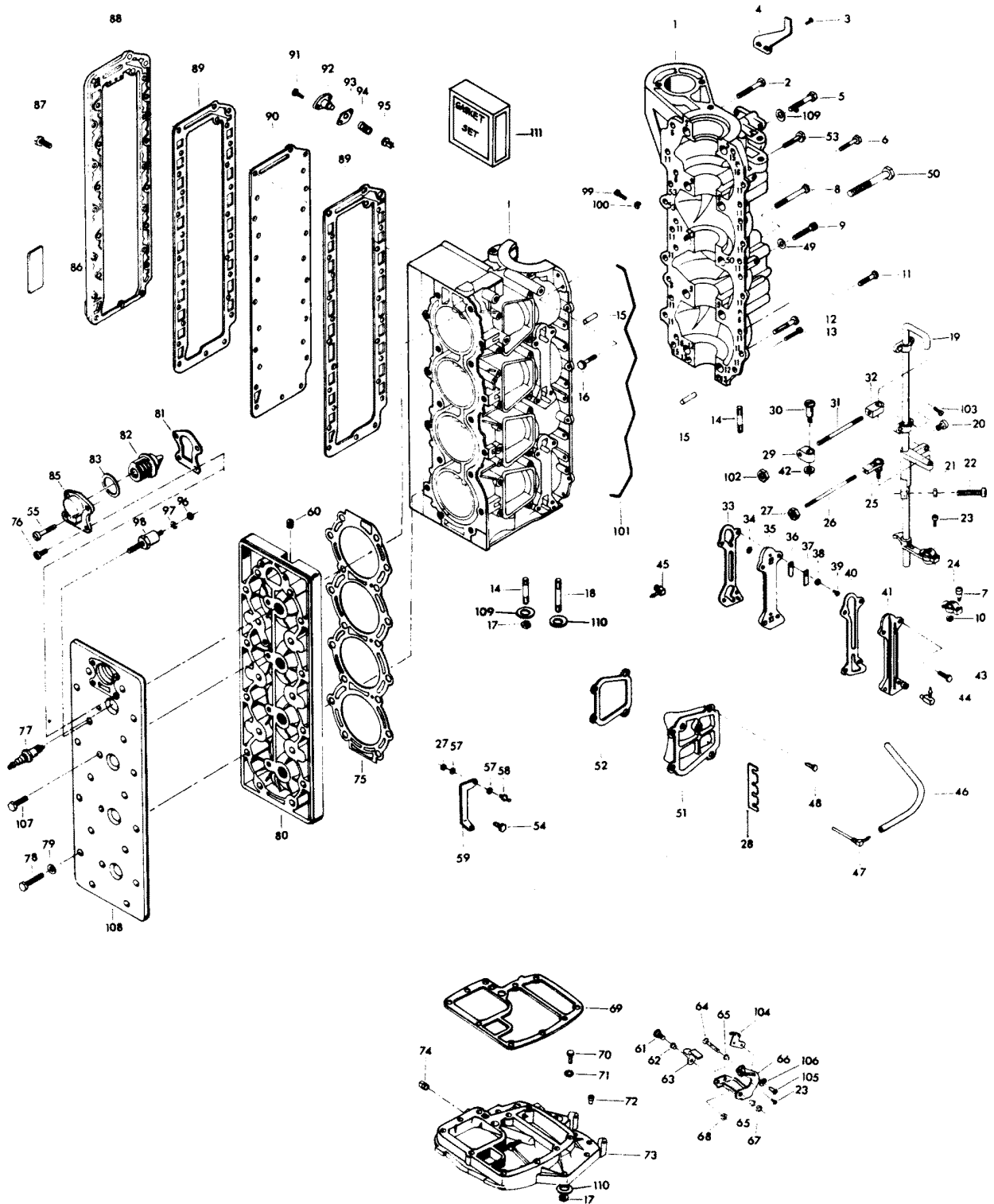
FUEL PUMP AND REED PLATE



FUEL PUMP AND REED PLATE

REF. NO.	PART NO.	SYM.	QTY.	DESCRIPTION
43	F1831		8	FLAT HD SCREW, 1/4 - 20 X 5/8
44	F1915		10	HEX HD SCREW, 1/4 - 20 X 7/8
45	F489551		1	BRACKET NEUTRAL INTERLOCK SWITCH
46	F84449		1	INTERLOCK SWITCH
47	F8088		2	PLAIN WASHER
48	F2016		2	FILL HD SCREW, 6 - 32 X 7/8
49	F1704		2	INTERNAL TOOTH LOCKWASHER
50	F1645		2	RD HD SCREW, 6 - 32 X 1/4
51	F523451		8	SPACER, REEDS STOP

POWER HEAD

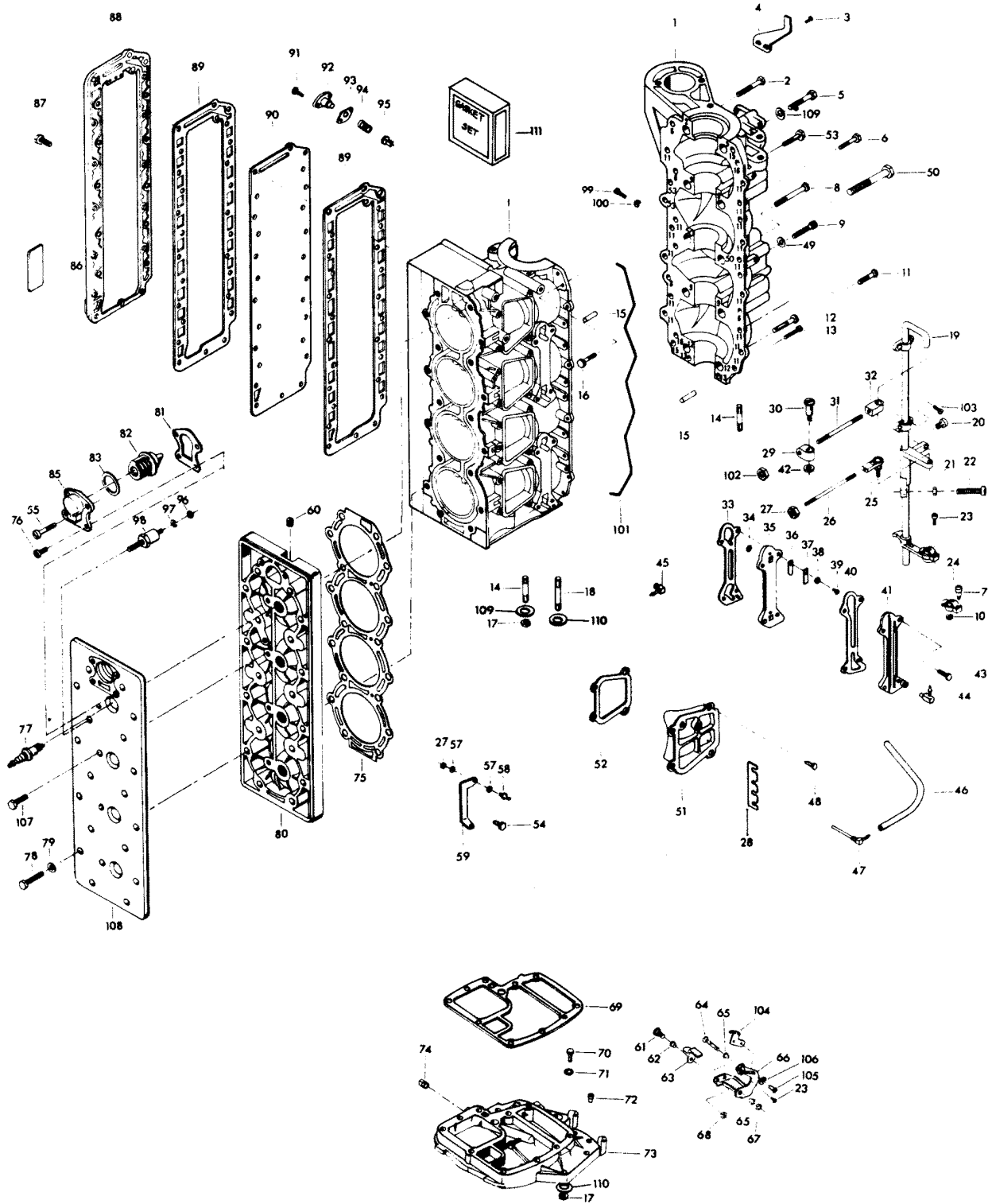


POWER HEAD

REF. NO.	PART NO.	SYM.	QTY.	DESCRIPTION
1	FA553010		1	CYLINDER W/CRANKCASE COVER, PARTING LINE SEAL, SCREWS & DOWEL PINS
-	FC553010		1	SHORT BLOCK, CONTAINS ALL ITEMS MARKED WITH AN ASTERISK (*). ALSO REFER TO CRANKSHAFT PAGE
2	F1874		1	HEX HD SCREW, 3/8 - 16 X 1/8
3	F1760		2	PAN HD SCREW, 10 - 24 X 3/8
4	FA480894		1	TIMING POINTER
5	F1009		1	HEX HD SCREW, 3/8 - 16 X 2-3/4
6	F1915		3	HEX HD SCREW, 1/4 - 20 X 7/8
7	F405457		1	PIVOT SCREW
8	F1699		1	HEX HD SCREW, 1/4 - 20 X 1-1/8
9	F1253		4	HEX SOCKET HD CAP SCREW, 3/8 - 16 X 2
10	F7008		1	ELASTIC STOP NUT
11	F1914		16	HEX HD SCREW, 1/4 - 20 X 3/4
12	F1872		2	HEX CAP SCREW, 3/8 - 16 X 1-3/4
13	F1099		2	FILL HD SCREW, 1/4 - 20 X 1-1/4
14	F85859		4	STUD
15	F8563		2	DOWEL PIN
16	F1953		2	HEX HD SCREW, 1/4 - 20 X 1
17	F7004		10	STOP NUT, 3/8 - 16
18	F85211		6	STUD
19	817932A6		1	TOWERSHAFT W/SWIVEL, BEARINGS AND SCREWS
20	F1727		1	PLASTIC RIVET
21	F1341		1	HEX NUT, 1/4 - 20
22	F1052		1	FILL HD SCREW, 1/4 - 20 X 1
23	F1556		2	FILL HD SCREW W/LOCKWASHER, 10 - 24 X 3/8
24	FK405020		2	SWIVEL W/CLAMP, SHOULDER SCREW AND NUT
25	817747--1		1	BALL JOINT W/STUD
26	F85502		1	THROTTLE LINK
27	F1513		4	HEX NUT, 10 - 32
28	F523834		1	CLIP, SPARK PLUG WIRE
29	F85035		1	DISTRIBUTOR, CONTROL ROD END
30	F85026		1	SWIVEL
31	F85445		1	CONTROL ROD
32	F85036		1	TOWERSHAFT CONTROL ROD END
33	F84748-3		2	GASKET, CYL. DRAIN REED PLATE
34	F93811		4	SCREEN
35	F2A476757		2	CYLINDER DRAIN REED PLATE W/REEDS, STOPS AND SCREWS
36	F18160-2		4	CYLINDER DRAIN REED
37	F93920		4	REED STOP
38	F8003		4	PLAIN WASHER
39	F1286		4	PAN HD SCREW, 4 - 40 X 3/16
40	F84472-5		2	GASKET, CYLINDER DRAIN COVER

CONTINUED ON NEXT PAGE ➡

POWER HEAD

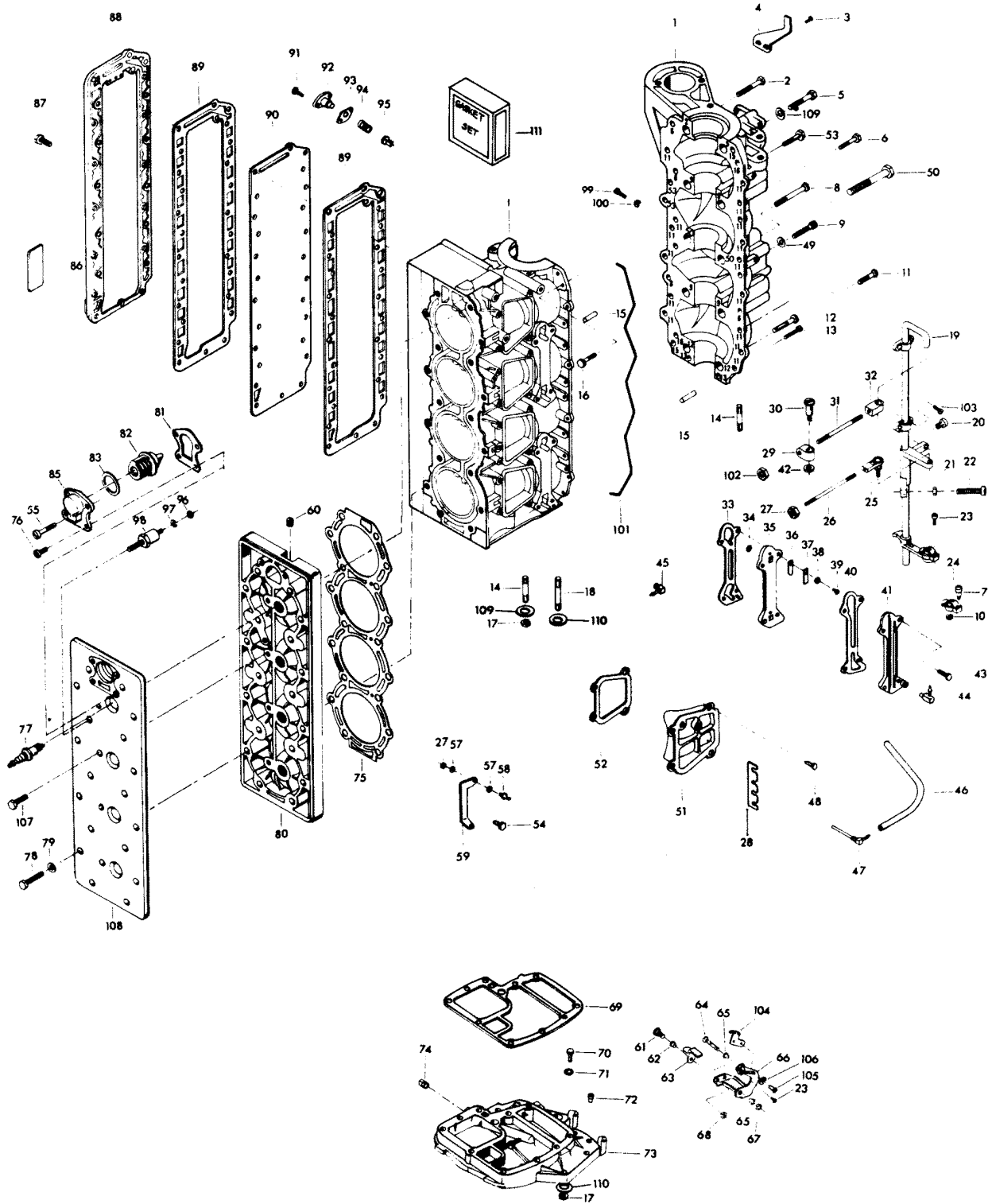


POWER HEAD

REF. NO.	PART NO.	SYM.	QTY.	DESCRIPTION
41	F406471-1		2	CYLINDER DRAIN COVER
42	F1935		1	PLAIN WASHER
43	F1187		8	HEX HD SCREW, 1/4 - 20 X 1
44	22-818103--1		1	ELBOX, CYLINDER DRAIN LOWER
-	F404801		1	ELBOW, CYLINDER DRAIN UPPER (NOT SHOWN)
45	F84314-2		1	ELBOW
46	F406754-1		1	HOSE
47	F404314		1	FITTING
48	F1502		10	HEX CAP SCREW, 1/4 - 20 X 5/8
49	F8104		4	PLAIN WASHER
50	F1873		2	HEX CAP SCREW, 3/8 - 16 X 3
51	FA411222		3	TRANSFER PORT COVER
52	F40223		4	GASKET, TRANSFER PORT COVER
53	F2008		2	HEX HD SCREW, 1/4 - 20 X 7/8
54	F1238		2	HEX CAP SCREW, 1/4 - 20 X 3/4
55	F1099		2	FILL HD SCREW, 1/4 - 20 - 1-1/4
57	F8058		4	INTERNAL TOOTH LOCKWASHER
58	F98273		2	ROD END CONNECTOR STUD
59	85872-1		1	BRACKET
60	F19109		1	PLUG
61	F369887		1	SHOULDER SCREW
62	F369610		1	BEARING
63	F369977-1		1	INTERLOCK ARM
64	F1885		1	HEX BOLTS, S.S., 5/16 - 18 X 4-1/4
65	F85610		2	BEARING
66	FA480876		1	GEAR SHIFT ARM W/SWIVEL, BEARINGS, INTERLOCK ARM AND SHOULDER SCREW
67	F2108		1	STOP NUT, 5/16 - 18
68	F1832		1	STOP NUT, 1/4 - 20
69	F85279-2		1	GASKET, CYLINDER EXHAUST UPPER
70	F1869		6	HEX CAP SCREW, 3/8 - 16 X 1-1/4
71	F1703		6	LOCKWASHER
72	F40689-1		1	BEARING
73	817788A3		1	SPACER PLATE W/PLUG
74	F2090		1	PLUG
75	F476529		1	CYLINDER HEAD GASKET
76	F1107		2	SLOTTED FILL HD CAP SCREW, 1/4 - 20 X 3/4
77	33-97180		4	SPARK PLUG (CHAMPION L20V) - USA
78	F2049		18	HEX CAP SCREW, 5/16 - 18 X 2-5/8
79	F1987		18	PLAIN WASHER
80	FA528518		1	CYLINDER HEAD
81	F476067		1	GASKET
82	F528068		1	THERMOSTAT

CONTINUED ON NEXT PAGE ➡

POWER HEAD

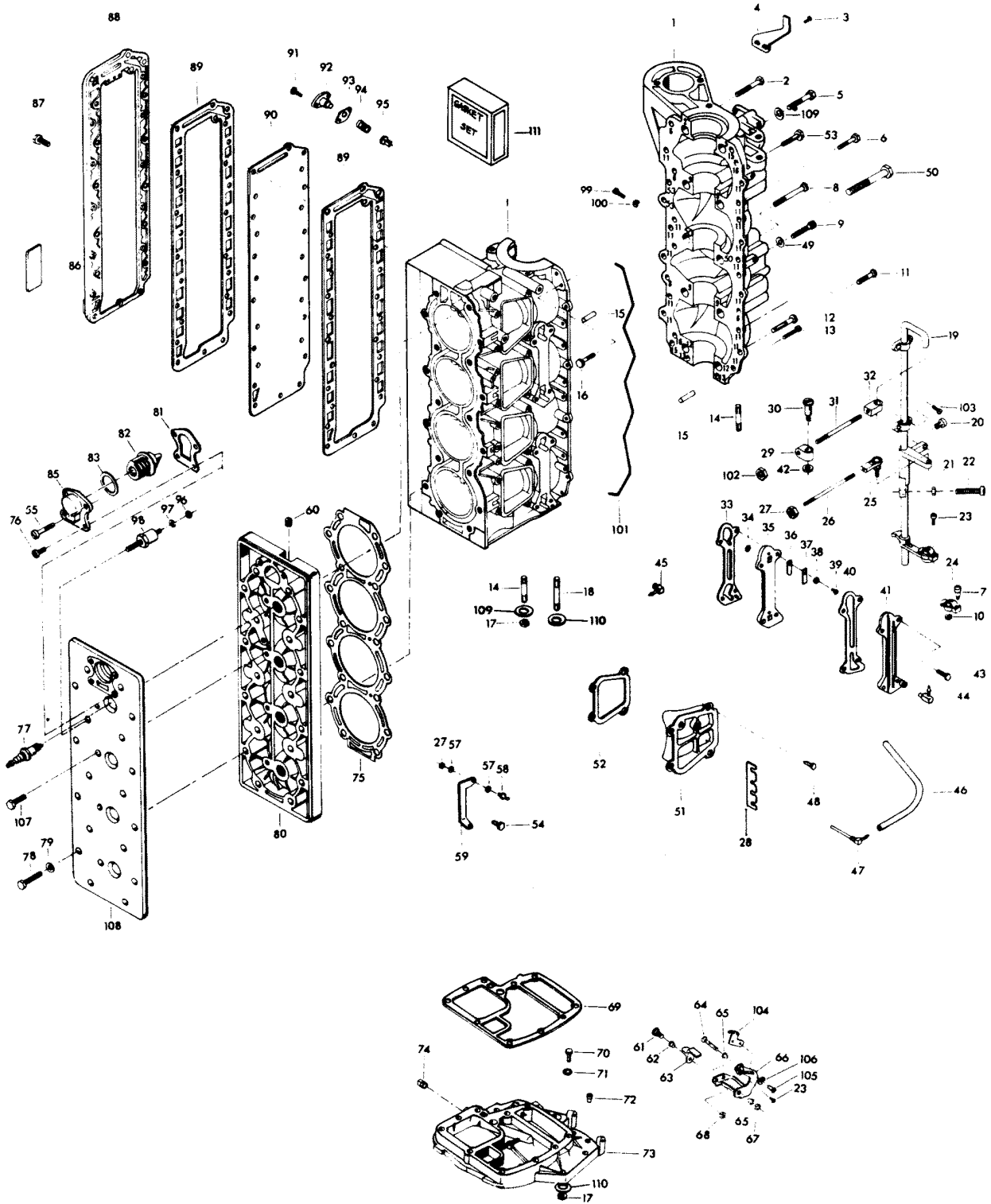


POWER HEAD

REF. NO.	PART NO.	SYM.	QTY.	DESCRIPTION
83	F84504		1	GROMMET (THERMOSTAT)
85	F476066-1		1	THERMOSTAT COVER
86	F438398		1	DECAL, WIRING - USA
87	F1709		27	HEX BOLT, 1/4 - 20 X 1-1/8
88	F372152-1		1	EXHAUST PORT COVER
89	F372154-1		2	GASKET, EXHAUST PORT PLATE
90	F372151-1		1	EXHAUST PORT PLATE
91	F1950		2	HEX CAP SCREW, 10 - 24 X 5/8
92	F438066		1	BY-PASS VALVE COVER
93	F85762		1	BY-PASS VALVE COVER GASKET
94	F404268		1	BY-PASS VALVE SPRING
95	F85916-1		1	BY-PASS VALVE
96	F1647		1	HEX NUT, 8 - 32
97	F8056		1	LOCKWASHER
98	87-817778A1		1	THERMOSWITCH W/ILLUSTRATION 96, 97 ORIGINAL FORCE P/N A335449-1
99	F2000		1	HEX CAP SCREW, 5/16 - 18 X 3/4
100	F8096		1	SPRING LOCKWASHER
101	F184122-1		1	SEAL, PARTING LINE
102	F2015		1	HEX NUT, 1/4 - 28
103	F1475		4	FILL HD SCREW, 10 - 24 X 1/2
104	F480107-1		1	CAM STARTER INTERLOCK
105	F2089		2	SLOTTED PAN HD M. SCREW 10 - 24 X 5/16
106	F2042		2	PLAIN WASHER
107	F1203		4	HEX CAP SCREW, 1/4 - 20 X 7/8
108	F528995		1	COVER, CYLINDER HEAD
109	F8038		4	PLAIN WASHER
110	F8095		12	PLAIN WASHER
111	FG1003-1		1	GASKET SET (INCLUDES THE FOLLOWING)
-	F40223		4	TRANSFER PORT COVER GASKET
-	F84067-1		1	THERMOSTAT COVER GASKET
-	F84472-5		2	CYLINDER DRAIN COVER GASKET
-	F84748-3		2	CYLINDER DRAIN REED PLATE GASKET
-	F85279-2		1	CYLINDER EXHAUST UPPER GASKET
-	F85453-1		1	CYLINDER EXHAUST LOWER GASKET
-	F85762		1	BY-PASS COVER GASKET
-	F85906		2	CARBURETOR GASKET
-	F178168-1		2	CARBURETOR ADAPTER GASKET
-	F184122-1		1	SEAL
-	F372154-1		2	EXHAUST PLATE GASKET
-	F372529		1	CYLINDER HEAD GASKET
-	F406406		2	DEFLECTOR PLATE GASKET
-	F440906		2	CARBURETOR GASKET

CONTINUED ON NEXT PAGE ➡

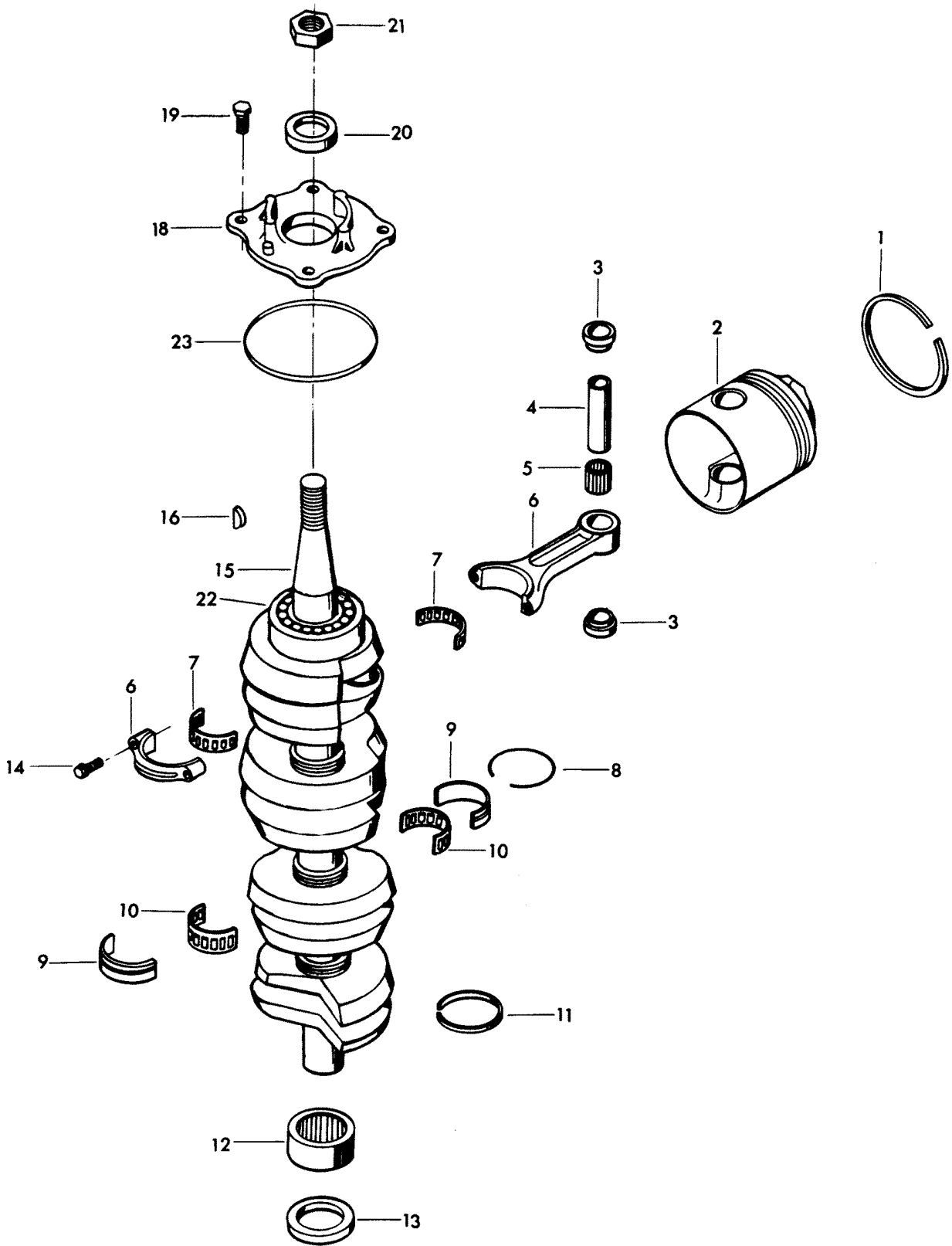
POWER HEAD



POWER HEAD

REF. NO.	PART NO.	SYM.	QTY.	DESCRIPTION
-	F476067		1	THERMOSTAT COVER GASKET
-	F476529		1	CYLINDER HEAD GASKET

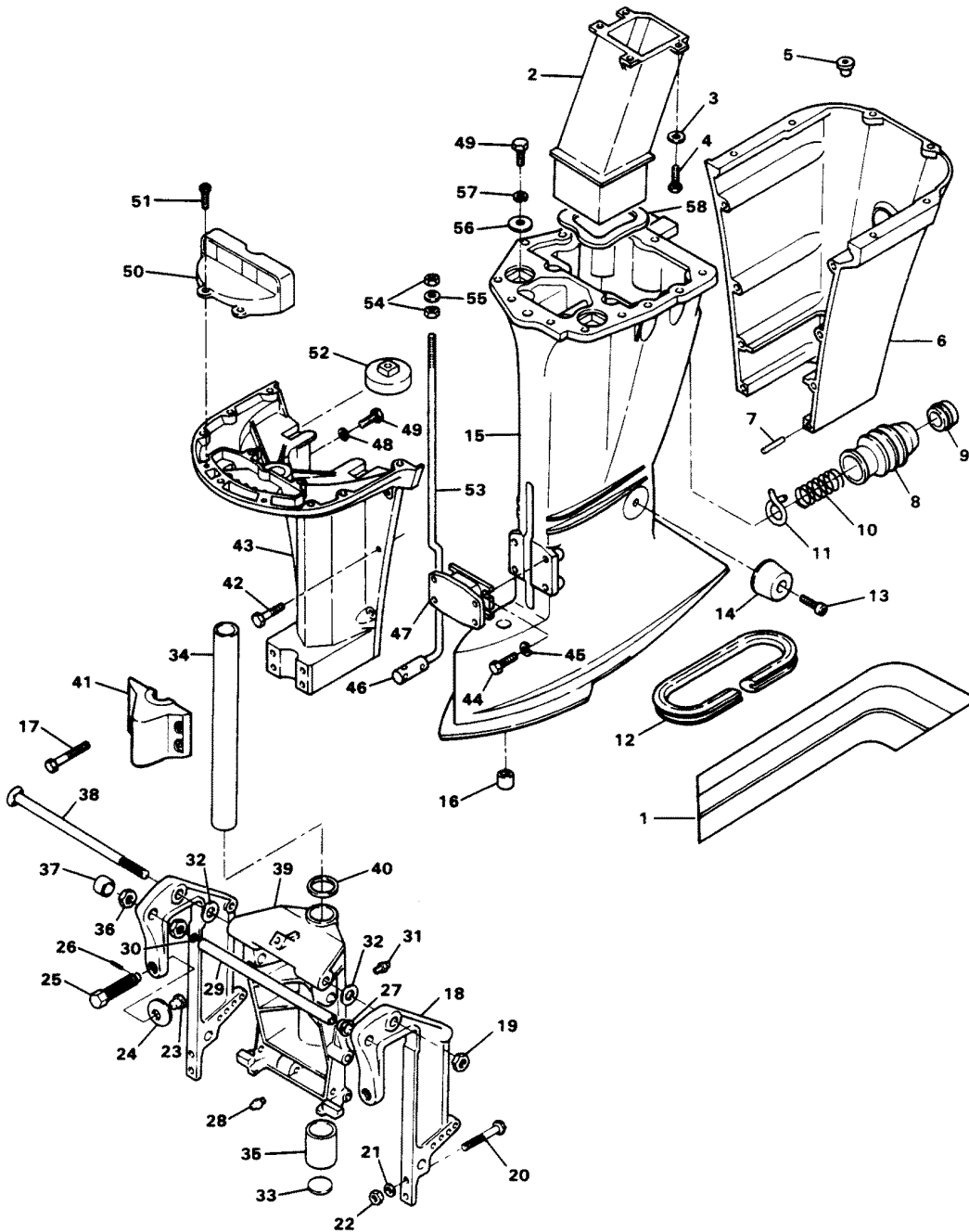
CRANKSHAFT AND PISTON GROUP



CRANKSHAFT AND PISTON GROUP

REF. NO.	PART NO.	SYM.	QTY.	DESCRIPTION
1	FA475260		4	PISTON RING SET - STANDARD (2 PER SET)
-	FSA475260		4	PISTON RING (2 PER SET) .010 OVERSIZE (NOT SHOWN)
-	39-818123A1		4	PISTON RING (2 PER SET) .030 OVERSIZE (NOT SHOWN)
2	F511015-2		4	PISTON - STANDARD
-	700-819409A3		4	PISTON .010 OVERSIZE (NOT SHOWN)
-	700-819409A4		4	PISTON .030 OVERSIZE (NOT SHOWN)
3	F335215		8	SPACER, PISTON PIN (2 PER PISTON)
4	F85017		4	PISTON PIN
5	F335217-1		4	BEARING, PISTON PIN (26 PER SET)
6	600-818052A4		4	CONNECTING ROD W/CAP AND SCREWS
7	FK85228-1		4	BEARING CAGE W/ROLLER
8	F85410		3	SNAP RING
9	FA85655-1		3	CRANKSHAFT MAIN BEARING RACE W/SNAP RING
10	F85571		3	BEARING CAGE W/ROLLER
11	F316579		3	SEAL, CRANKCASE
12	FA523014		1	CRANKSHAFT LOWER MAIN BEARING W/ITEM 13
13	F523146		1	SEAL, CRANKSHAFT LOWER
14	F85634-2		8	CONNECTING ROD SCREW
15	400-817735A4		1	CRANKSHAFT W/BEARING
16	F85498		1	FLYWHEEL KEY
18	31-817785A2		1	CRANKSHAFT BEARING CAGE W/SEAL
19	F1867		4	HEX CAP SCREW, 3/8 - 16 X 1
20	F84146-2		1	SEAL
21	F1968		1	FLYWHEEL NUT
22	F284659-2		1	BEARING, CRANKSHAFT UPPER MAIN
23	F84278		1	SEAL
-	F2067		1	PLASTISOL CAP (NOT SHOWN).

MOTOR LEG

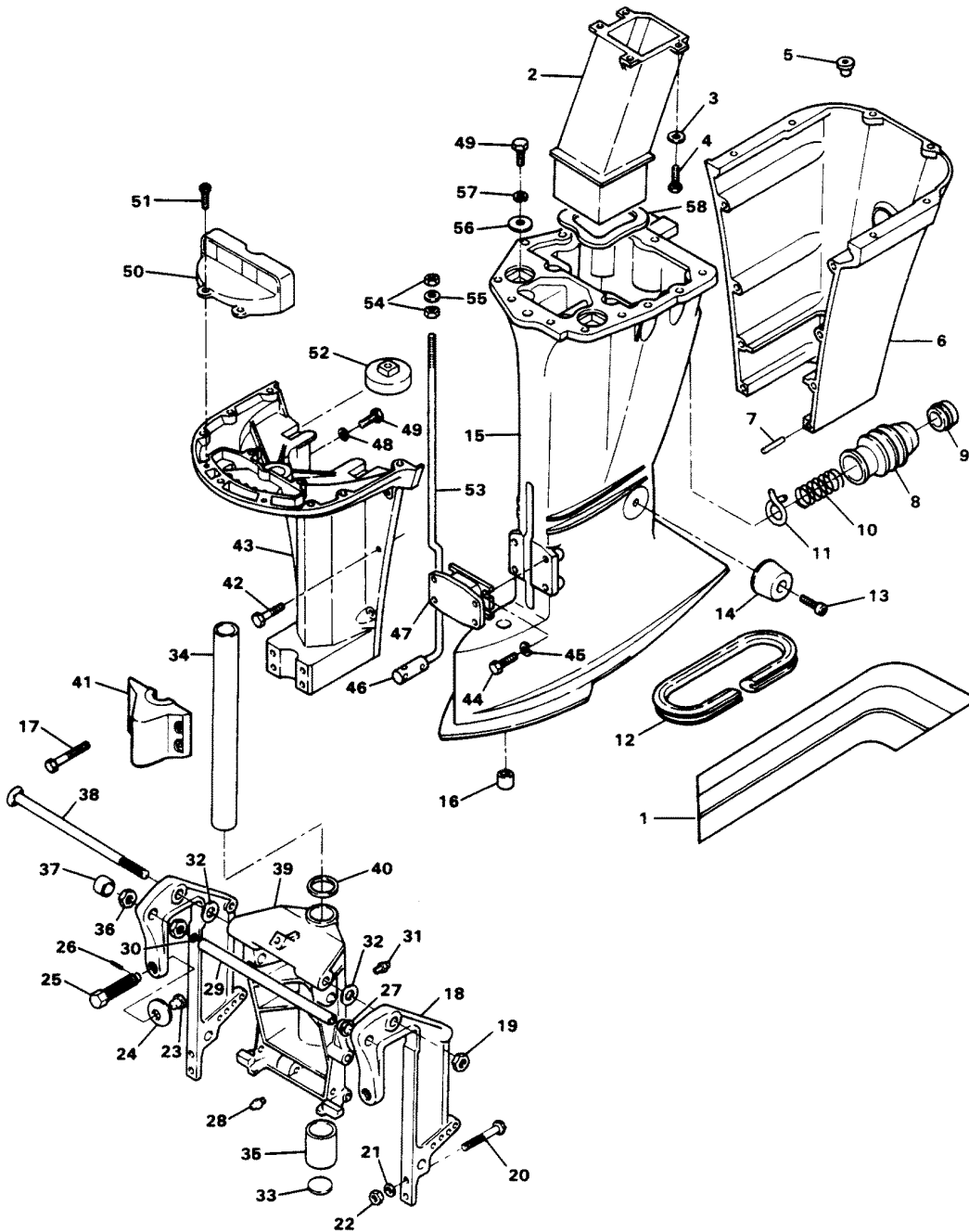


MOTOR LEG

REF. NO.	PART NO.	SYM.	QTY.	DESCRIPTION
1	A553392		1	DECAL, LEG (PORT ENGINE)
-	A553391		1	DECAL, LEG (STBD ENGINE)
2	F85660-1		1	EXHAUST TUBE
3	F8083		4	SPRING LOCKWASHER
4	F1864		4	HEX SLOT HD SCREW, 1/4 - 20 X 3/4
5	F1729		2	PLUG
6	817931A7		1	MOTOR LEG COVER REAR
7	F1664		2	SPRING PIN
8	F85130		1	BOOT IDLE EXHAUST
9	F85258		1	INSERT
10	F85380		1	SPRING
11	F85772		1	CLAMP
12	F178323		1	SEAL, MOTOR LEG
13	F1263		2	HEX SOCKET HD CAP SCREWS, 5/16 - 18 X 9/16
14	F438962		2	SHOCK MOUNT LOWER REAR
15	F523133-2		1	MOTOR LEG
16	F338618-1		1	SEAL, GEAR SHIFT ROD
17	F1696		4	SCREW, 5/16 - 18 X 1-3/4
18	1400-817958A6		2	STERN BRACKET
19	F7012		1	STOP NUT
20	F1593		2	HEX HD SCREW, 3/8 - 16 X 3
21	F1904		2	PLAIN WASHER
22	F1346		2	HEX NUT
23	F353480		2	STUD
24	F84074		2	CLAMP SCREW FOOT
25	F474073-1		2	CLAMP SCREW
26	F8538		2	SPRING PIN
27	F9052		1	PLUG
28	F523274		1	GREASE FITTING
29	F511125-2		1	TUBE, STEERING SUPPORT
30	F316599		1	SEAL, STEERING TUBE
31	F213274		3	GREASE FITTING
32	F84286-1		4	FRICTION WASHER
33	F1528		1	WELCH PLUG
34	FA85019		1	KINGPIN W/PLUG
35	F438169		2	BEARING
36	F523280		1	NUT, STEERING SUPPORT TUBE
37	F9018		1	CAP
38	F85037-1		1	STERN BRACKET PIVOT BOLT
39	817783A5		1	SWIVEL BRACKET W/BEARINGS & GREASE FITTINGS
40	F84011		1	WASHER
41	F85606		1	KINGPIN CAP
42	F2030		6	HEX HD M. SCREW, 1/4 - 20 X 1-1/4

CONTINUED ON NEXT PAGE ➡

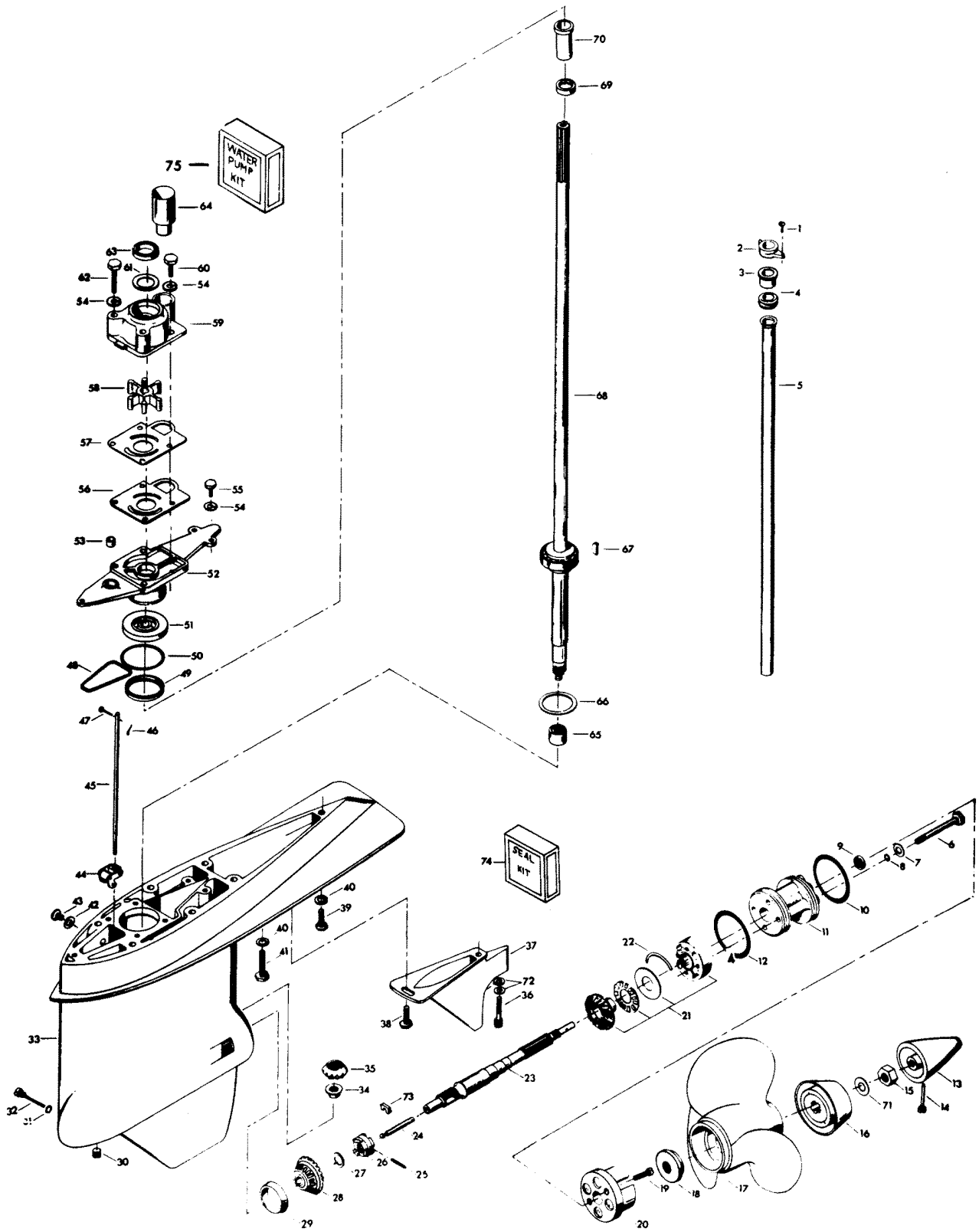
MOTOR LEG



MOTOR LEG

REF. NO.	PART NO.	SYM.	QTY.	DESCRIPTION
43	A85135-3		1	LEG COVER FRONT
44	F1822		4	HEX BOLT, 5/16 - 18 X 7/8
45	F8096		4	SPRING LOCKWASHER
46	F85704		1	COUPLER, GEAR SHIFT ROD
47	F438346		1	SHOCK MOUNT LOWER
48	F1703		2	SPRING LOCKWASHER
49	F1871		4	HEX HD SCREW, 3/8 - 16 X 3/4
50	F85779-1		1	BAFFLE, AIR INTAKE
51	F1912		4	HEX HD SCREW, 10 - 24 X 1/2
52	F85965		2	SHOCK MOUNT UPPER
53	F85615		1	GEAR SHIFT ROD UPPER
54	F2108		2	LOCK NUT
55	F1987		1	PLAIN WASHER
56	FA85355-1		2	WASHER
57	F8039		2	PLAIN WASHER
58	F439736		1	SEAL, EXHAUST TUBE

GEAR HOUSING



GEAR HOUSING

REF. NO.	PART NO.	SYM.	QTY.	DESCRIPTION
1	F1705		2	HEX CAP SCREW, 1/4 - 20 X 3/4
2	F85117		1	BRACKET, WATER LINE
3	F84342		1	SEAL, INLET WATER LINE, UPPER
4	F523899		1	GROMMET, WATER LINE
5	F523244		1	INLET WATER LINE
6	F1885		4	HEX CAP SCREW, 5/16 - 18 X 4-1/4
7	F1907		4	PLAIN WASHER
8	F50342-1		4	SEAL, "O" RING
9	F506118		1	SEAL, PROPELLER SHAFT
10	F24278		1	SEAL, "O" RING PROPELLER SHAFT SPOOL
11	F2A523239		1	SPOOL, PROPELLER SHAFT BEARING W/SEALS
12	F84305		1	SEAL, "O" RING PROPELLER SHAFT SPOOL
13	F523094-2		1	PROPELLER NUT
14	F498891		1	PIN, PROPELLER NUT RETAINING
15	F1788		1	STOP NUT
16	F532299		1	WASHER
17	FPS524		1	PROPELLER (ACCESSORY ITEM)
18	F523099-1		1	SPACER, PROPELLER
19	F1577		2	FILL HD SCREW, 1/4 - 20 X 3/4
20	FA523485		1	ANTICORROSION ANODE
21	F2A523662		1	BEVEL GEAR REAR W/BEARING CAGE SPACER AND BEARING
22	F523411		2	RETAINING RING, BEARING CAGE
23	FA523098		1	PROPELLER SHAFT
24	F84871-1		1	PIN, GEAR SHIFT W/YOKE
25	F1713		1	SPRING PIN
26	F84521-1		1	CLUTCH
27	F1936		A/R	SPACER, BEVEL GEAR FRONT .059
-	F1937		A/R	SPACER, BEVEL GEAR FRONT .062
-	F1938		A/R	SPACER, BEVEL GEAR FRONT .065
-	F1939		A/R	SPACER, BEVEL GEAR FRONT .068
-	F1940		A/R	SPACER, BEVEL GEAR FRONT .071
-	F1941		A/R	SPACER, BEVEL GEAR FRONT .074
-	F1942		A/R	SPACER, BEVEL GEAR FRONT .077
-	F2113		A/R	SPACER, BEVEL GEAR FRONT .080
-	F2114		A/R	SPACER, BEVEL GEAR FRONT .083
-	F2115		A/R	SPACER, BEVEL GEAR FRONT .086
-	F2116		A/R	SPACER, BEVEL GEAR FRONT .089
-	F2121		A/R	SPACER, BEVEL GEAR FRONT .057
-	F2122		A/R	SPACER, BEVEL GEAR FRONT .054
28	F2A523023		1	BEVEL GEAR FRONT W/BEARING
29	F523813		1	BEARING CUP
30	F19109		1	PLUG

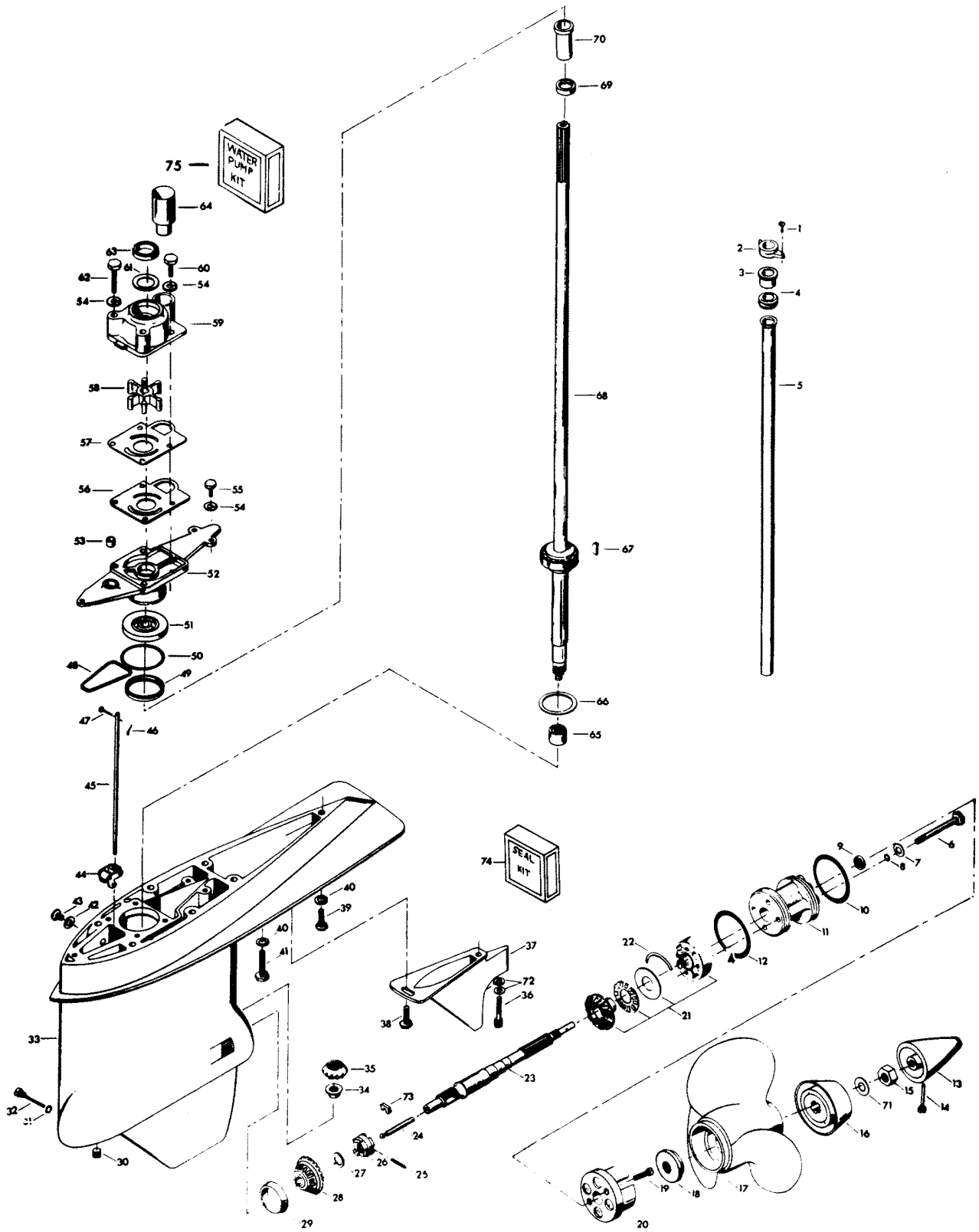
CONTINUED ON NEXT PAGE ➡

GEAR HOUSING

REF. NO.	PART NO.	SYM.	QTY.	DESCRIPTION
31	F498618		1	"O" RING
32	F498891		1	PIN, GEAR SHIFT ARM
33	FA523054		1	GEAR HOUSING W/BEARING CUP, DRIVESHAFT BEARING LOWER, PLUGS AND WASHERS
-	FC555054		1	GEAR HOUSING COMPLETE INCLUDES ALL ITEMS MARKED WITH AN ASTERISK (*).
34	F523188		1	NUT, BEVEL PINION
35	43-817854A2		1	BEVEL PINION GEAR W/CRUSH RING AND SHIMS
36	F1994		1	HEX SOCKET HD CAP SCREW, 5/16 - 18 X 1
37	F523116		1	EXHAUST SNOUT
38	F438930		1	RETAINER, SNOUT
39	F1858		1	HEX CAP SCREW, 5/16 - 18 X 1
40	F8096		7	SPRING LOCKWASHER
41	F1491		6	HEX HD SCREW, 5/16 - 18 X 3-1/4
42	F8077		2	WASHER, GEAR HOUSING PLUG
43	F50109		2	PLUG, GEAR HOUSING
44	FA84621-1		1	COUPLING, GEAR SHIFT ARM W/BUSHING
45	F523705		1	GEAR SHIFT ROD LOWER
46	F1015		1	COTTER PIN
47	F85372		1	PIN, GEAR SHIFT ROD LOWER
48	F523555		1	SEAL, "O" RING, GEAR HOUSING COVER
49	F523961		1	CRUSH RING
50	F74305		1	SEAL, DRIVESHAFT BEARING CAGE
51	F506118		1	SEAL, DRIVESHAFT
52	2A523706		1	GEAR HOUSING COVER W/SEALS
53	F338618-1		1	SEAL, GEAR SHIFT ROD
54	F8083		7	SPRING LOCKWASHER
55	F1999		3	HEX CAP SCREW, 1/4 - 20 X 7/8
56	F523031		1	GASKET, WATER PUMP
57	F523562		1	PLATE, WATER PUMP
58	F523065		1	IMPELLER, WATER PUMP
59	46-817853A1		1	WATER PUMP BODY W/DRIVESHAFT SEAL, DISC AND WATERLINE SEAL
60	F1990		2	HEX CAP SCREW, 1/4 - 20 X 1 - 5/8
61	F480388		1	DISC, WATER PUMP LOCATING
62	F1425		2	HEX CAP SCREW, 1/4 - 20 X 1 - 5/8
63	F351307		1	SEAL, DRIVESHAFT - WATER PUMP
64	FA523735		1	SEAL, INLET WATER LINE, LOWER
65	F523057		1	BEARING, DRIVESHAFT LOWER
66	F9106		A/R	SHIM, DRIVESHAFT BEARING UPPER .003 BRASS
-	F9095		A/R	SHIM, DRIVESHAFT BEARING UPPER .005 BRASS
-	F9097		A/R	SHIM, DRIVESHAFT BEARING UPPER .010 BLACK
67	F523498		1	DRIVE KEY, WATER PUMP
68	FK550128		1	DRIVESHAFT W/BEARING, SHIMS AND CRUSH RING

CONTINUED ON NEXT PAGE ➡

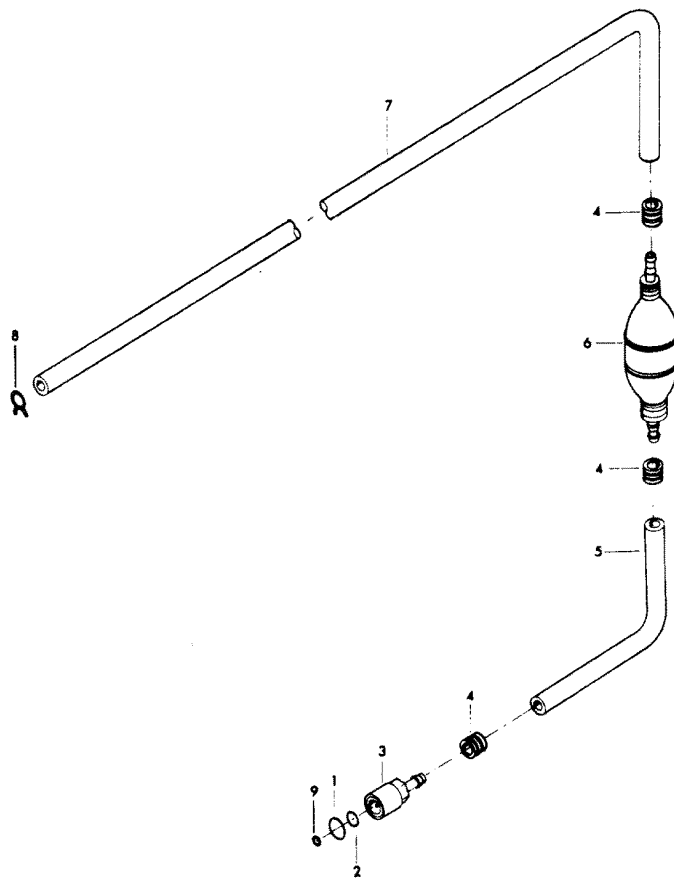
GEAR HOUSING



GEAR HOUSING

REF. NO.	PART NO.	SYM.	QTY.	DESCRIPTION
69	F438271		1	RETAINER, CRANKSHAFT SPLINE SEAL
70	F438129		1	SEAL, DRIVESHAFT SPLINE
71	F1866		1	PLAIN WASHER
72	F1856		2	PLAIN WASHER
73	F90619-1		1	YOKE
74	FK1063-1		1	SEAL KIT (INCLUDES THE FOLLOWING)
-	F50342-1		4	BEARING CAGE BOLT SEAL
-	F506118		2	PROPELLER SHAFT SEAL
-	F24278		1	PROPELLER SHAFT SPOOL SEAL
-	F84305		1	PROPELLER SHAFT SPOOL SEAL
-	F498618		1	GEAR SHIFT ARM PIN SEAL
-	F8077		2	WASHER
-	F523555		1	GEAR HOUSING COVER SEAL
-	F74305		1	GEAR HOUSING COVER SEAL
-	F84307-1		1	DRIVESHAFT SEAL
-	F338618-1		1	GEAR SHIFT ROD SEAL
75	FK1069		1	WATER PUMP KIT
-	F1425		2	HEX CAP SC, 1/4 - 20 X 5/8
-	F1990		2	HEX CAP SCREW
-	F8083		4	SPRING LOCKWASHER
-	F523031		1	GASKET, WATER PUMP
-	F523065		1	IMPELLER
-	F523498		1	KEY
-	F523562		1	PLATE, WATER PUMP
-	46-817853A1		1	WATER PUMP

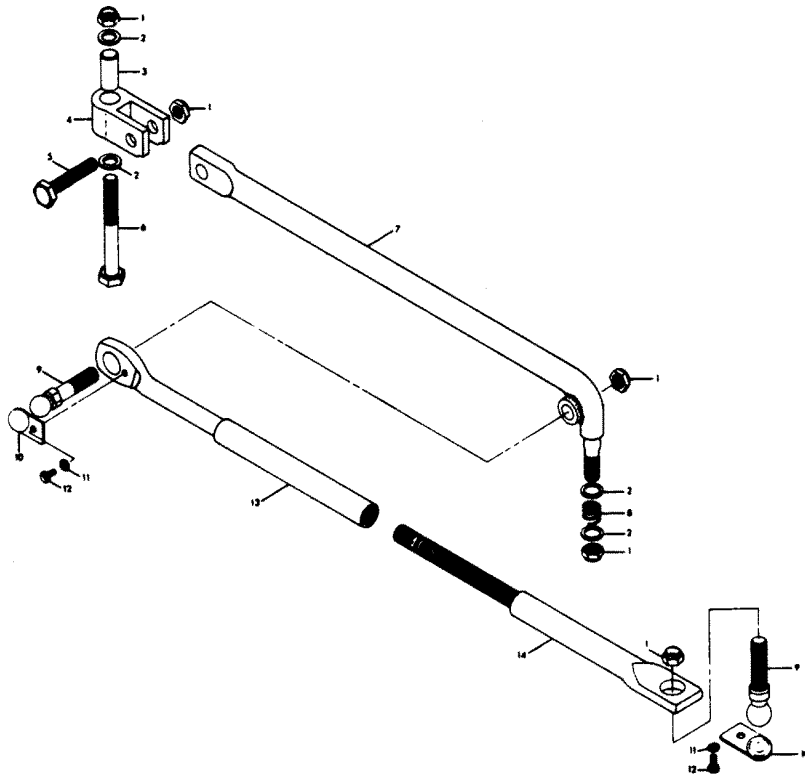
FUEL TANK AND LINE



FUEL TANK AND LINE

REF. NO.	PART NO.	SYM.	QTY.	DESCRIPTION
1	F213342		1	SEAL, FUEL LINE COUPLER (LARGE)
2	F213735		1	SEAL, FUEL LINE COUPLER (SMALL)
3	F197787-3		1	FUEL LINE COUPLER
4	F298788		3	FERRULE
5	FA84754-1		1	FUEL LINE SHORT W/FERRULES
6	89396A38		1	PRIME BULB
7	32-817738A1		1	FUEL LINE LONG W/CLAMP AND FERRULE
8	F97772		1	FUEL LINE CLAMP
9	F17932		1	SEAL, FUEL TANK ADAPTER
-	FS409752		1	FUEL LINE COMPLETE

DUAL STEERING

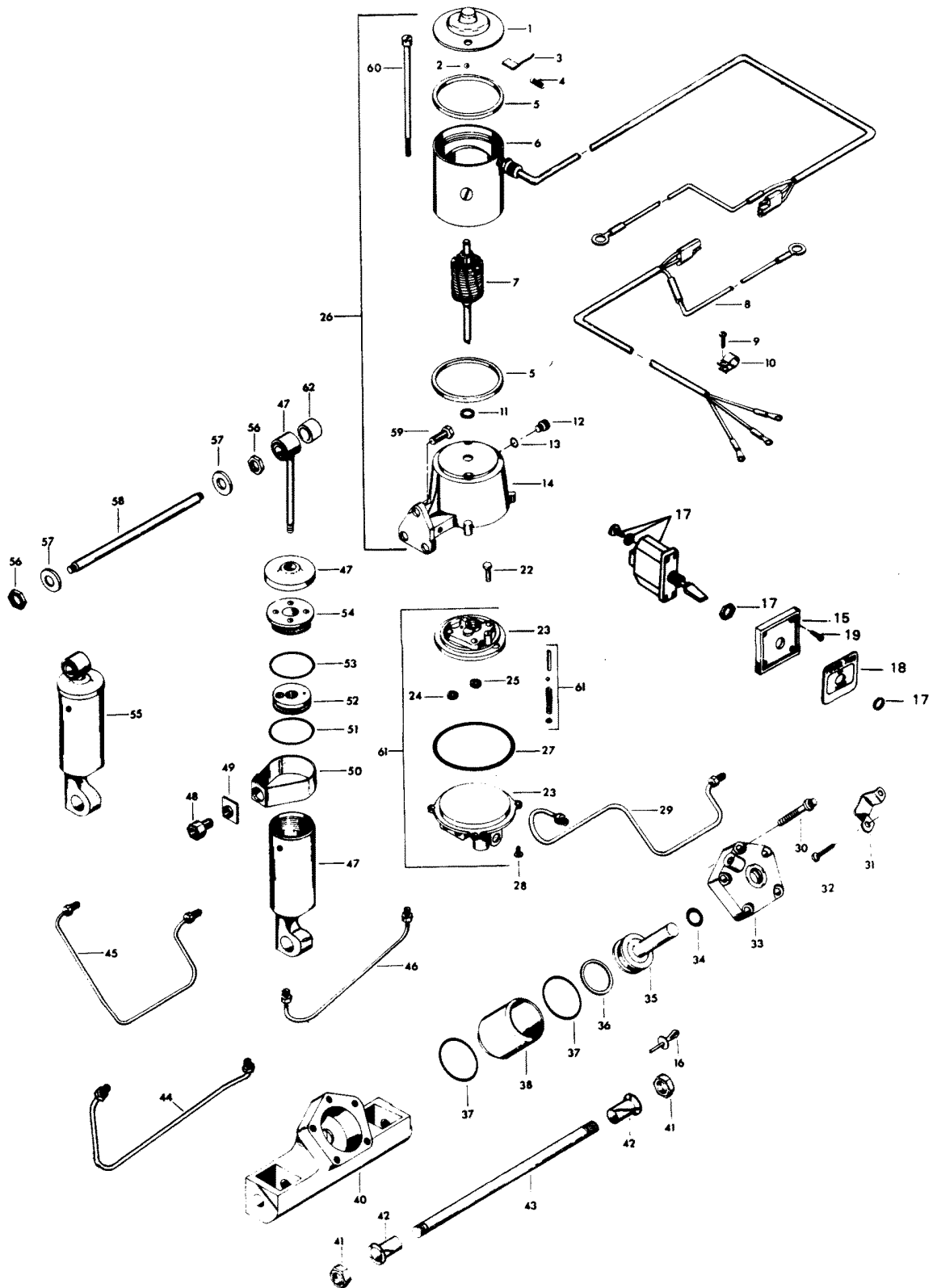


27

DUAL STEERING

REF. NO.	PART NO.	SYM.	QTY.	DESCRIPTION
1	F2093		5	3/8 - 24 STOP NUT
2	F8038		4	PLAIN WASHER
3	F17978		1	BUSHING
4	F17979		1	SWIVEL
5	F1469		1	3/8 - 24 X 1 1/4 HEX CAP SCREW
6	F1433		1	3/8 -24 X 2 1/4 HEX CAP SCREW
7	F501881		1	LINK, DUAL STEERING STARBOARD
8	F523300-1		1	SPRING, STEERING LINK
9	F523273		2	STUD, STEERING BALL
10	F523930		2	RETAINER, STUD STEERING BALL
11	F8080		2	#8 SPRING LOCKWASHER
12	F1280		2	8 - 32 X 1/4 PAN HEAD SCREW
13	F500509		1	LINK, DUAL STEERING
14	FS500510		1	LINK, DUAL STEERING

POWER TRIM UNIT

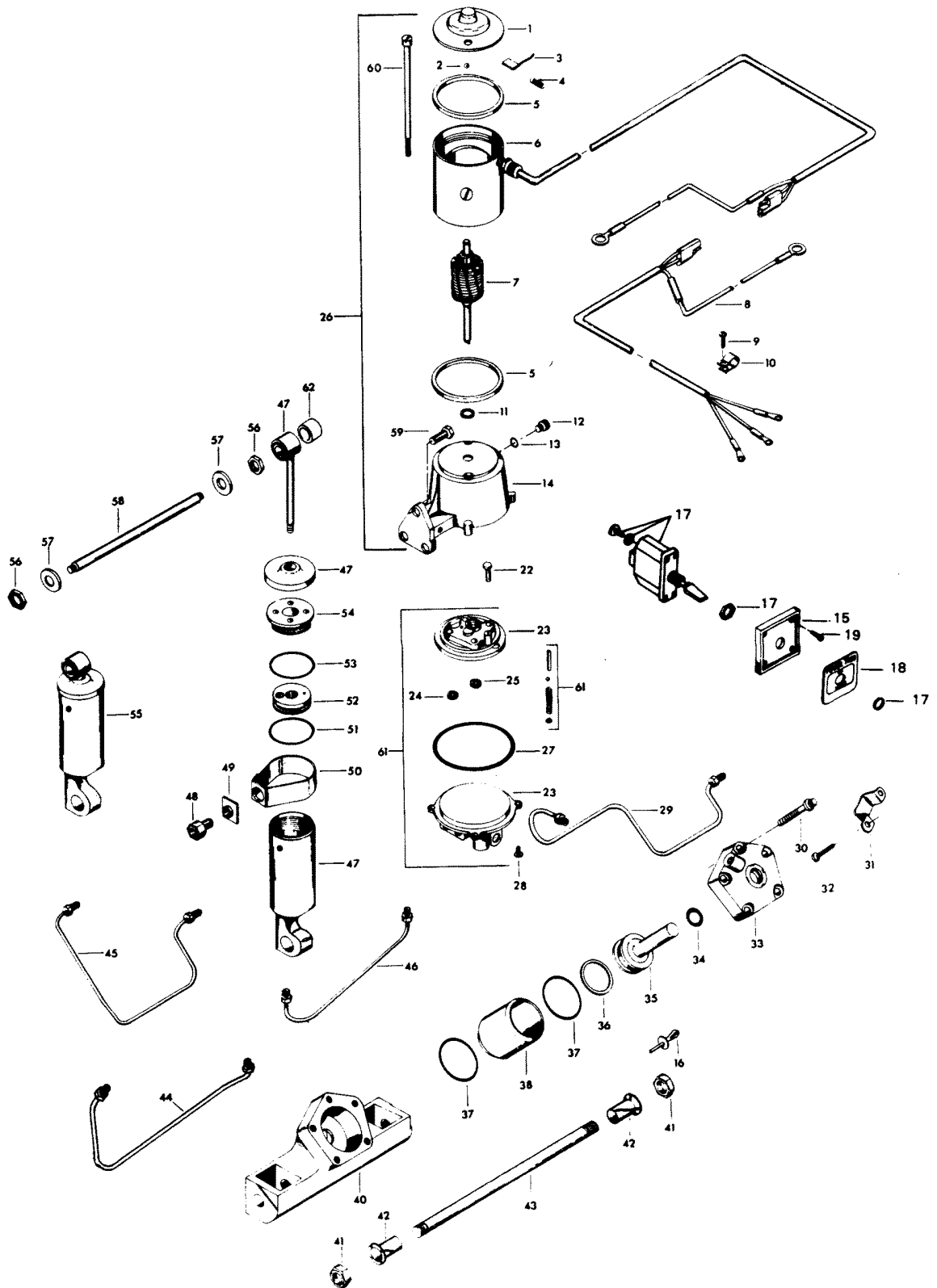


POWER TRIM UNIT

REF. NO.	PART NO.	SYM.	QTY.	DESCRIPTION
1	F17543		1	HEAD ASSEMBLY, COMMUTATOR END
2	F17539		1	BALL
3	F17504		1	BRUSH SET
4	F17500		1	SPRING SET
5	F17557		2	GASKET
6	F17556		1	FIELD AND FRAME ASSEMBLY
7	F17555		1	ARMATURE
8	F449843		1	CABLE
9	F1741		2	THREAD FORMING SCREW, 8 X 3/4
10	F178446		2	CLAMP
11	F17508		A/R	THRUST WASHER
12	F17518		1	FILLER CAP
13	F17510		1	"O" RING
14	F17505		1	RESERVOIR AND BRACKET W/SEAL
15	F413420		1	RETAINER SWITCH PLATE
16	F1966		1	PLUG, SWIVEL BRACKET
17	F299449-4		1	SWITCH TOGGLE
18	F449181		1	PLATE POWER TRIM SWITCH
19	F1934		4	#6 X 1/2 THD. FORMING SC.
22	F1203		1	HEX CAP SCREW, 1/4 - 20 X 7/8
23	F17564		1	VALVE BODY AND PUMP
24	F17566		1	IDLE GEAR
25	F17565		1	DRIVE GEAR
26	F17563		1	MOTOR AND RESERVOIR
27	F17522		1	"O" RING
28	F1310		4	ROUND HD SCREW, 10 - 24 X 5/8
29	F449254		1	HYDRAULIC LINE, TRIM CYLINDER, UPPER
30	F1959		5	SCREW, 1/4 - 20 X 1-3/4, STAINLESS STEEL
31	F449354		1	THRUST BRACKET
32	F1734		2	SCREW AND LOCKWASHER, 1/4 - 20 X 1/2
33	FA449149		1	COVER W/SEALS AND RETAINER
34	F449342		1	SEAL, PISTON SHAFT
35	FA449015		1	PISTON
36	F449278		1	PISTON SEAL
37	F40278		2	SEAL, CYLINDER
38	F449010		1	CYLINDER
40	F449545-2		1	CYLINDER HOUSING
41	F1963		2	NUT, 5/8 - 18
42	F178362		2	BEARING
43	F449632		1	SHAFT
44	F449253-1		1	HYDRAULIC LINE, TRIM CYLINDER, LOWER
45	F449758		1	HYDRAULIC LINE, LIFT CYLINDER, UPPER
46	F449754-1		1	HYDRAULIC LINE, LIFT CYLINDER, LOWER

CONTINUED ON NEXT PAGE ➡

POWER TRIM UNIT



POWER TRIM UNIT

REF. NO.	PART NO.	SYM.	QTY.	DESCRIPTION
47	FA17559		1	LIFT CYLINDER COMPLETE
48	F17577		1	ADAPTER FITTING PACKAGE
49	F17577		1	ADAPTER FITTING PACKAGE
50	F17577		1	ADAPTER FITTING PACKAGE
51	F17561-1		1	"O" RING
52	F17562-1		1	PISTON ASSEMBLY
53	F17528		1	"O" RING
54	F17560		1	HEAD ASSEMBLY
55	FA178962		1	SHOCK ABSORBER W/BUSHING
56	F1931		2	NUT, 1/2 - 20, STAINLESS STEEL
57	F1960		2	PLAIN WASHER
58	F449889		1	SHAFT, UPPER
59	F1822		3	SCREW, 5/16 - 18 X 7/8, STAINLESS STEEL
60	F17558		1	THRU-BOLT PACKAGE
61	F17568		1	HYDRAULIC PUMP AND VALVE ASSEMBLY
-	F1877		2	TY-RAP (NOT SHOWN)
62	F178344		2	BUSHING, SHOCK ABSORBER - UPPER

SPECIAL TOOLS - TUNE-UP

REF. NO.	PART NO.	SYM.	QTY.	DESCRIPTION
-	FT8948-1		0	PULLER TO REMOVE FLYWHEEL.
-	FTA2937-1		0	TIMING TOOL TO ADJUST TIMING POINTER.
-	FT8978		0	POWER TIMING LIGHT FOR ADJUSTMENT OF ENGINE TIMING.
-	FT2951		0	CIRCUIT TRACER TO TROUBLESHOOT ELECTRICAL SYSTEM.

SPECIAL TOOLS - POWER HEAD

REF. NO.	PART NO.	SYM.	QTY.	DESCRIPTION
-	FT8914		0	SEAL REMOVER TO REMOVE UPPER CRANKSHAFT BEARING CAGE SEAL.
-	FT8927		0	SEAL PROTECTOR TO INSTALL UPPER CRANKSHAFT BEARING CAGE.
-	FT8907		0	DRIVE HANDLE USED WITH T8903.
-	FT8925		0	SEAL INSTALLER TO INSTALL LOWER CRANKSHAFT SEAL.
-	FT2953		0	SOCKET TO TORQUE CONNECTING ROD SCREWS.
-	FT2990		0	PISTON PIN TOOL TO REMOVE AND INSTALL PISTON PINS.
-	FTA8994		0	PISTON PIN TOOL USE WITH T2990.
-	FT2996		0	RING COMPRESSOR TO INSTALL PISTON IN CYLINDER.
-	FT8926		0	RING EXPANDER TO INSTALL PISTON RINGS.
-	FT8903		0	SEAL INSTALLER TO INSTALL UPPER CRANKSHAFT BEARING CAGE SEAL.
-	FT1082		0	SNAP RING PLIER TO REMOVE AND INSTALL DISTRIBUTOR RETAINING RING.

SPECIAL TOOLS - GEAR HOUSING

REF. NO.	PART NO.	SYM.	QTY.	DESCRIPTION
-	FT8948-1		0	PULLER TO REMOVE SPOOL FROM GEAR HOUSING.
-	FT8985		0	SEAL INSTALLER TO INSTALL PROPELLER SHAFT SEAL IN PROPELLER SHAFT BEARING SPOOL.
-	FT8925		0	SEAL INSTALLER TO INSTALL DRIVESHAFT SEAL IN GEAR HOUSING COVER.
-	FT8907		0	DRIVER HANDLE TO INSTALL BEARING CUPS AND SEALS.
-	FT8901		0	INDICATOR HOLDER USED IN CONJUNCTION WITH T8997.
-	FT8902		0	DIAL INDICATOR USED IN CONJUNCTION WITH T8997.
-	FT8919		0	SPRING PIN PUNCH TO REMOVE CLUTCH SPRING PIN.
-	FT8957		0	SEAL INSTALLER TO INSTALL SHIFT ROD SEAL.
-	FT8997		0	SHIMMING TOOL TO SHIM LOWER UNIT.
-	FT8918		0	BEARING GUIDE SET TO REMOVE FORWARD BEARING CUP IN GEAR HOUSING.
-	FT11209		0	BEARING GUIDE SET USE WITH T8918.
-	FT11207		0	BEARING CUP REMOVER TO REMOVE FORWARD BEARING CUP IN GEAR HOUSING.
-	FT11204		0	BEARING CUP INSTALLER TO INSTALL FORWARD BEARING CUP IN GEAR HOUSING.
-	FT3012		0	SEAL INSTALLER TO INSTALL WATER PUMP SEAL.
-	FT11205		0	BEARING INSTALLER/REMOVER TO INSTALL AND REMOVE LOWER DRIVESHAFT BEARING IN GEAR HOUSING.
-	FT7848		0	TORQUING ADAPTER HOLD DRIVESHAFT WHILE INSTALLING OR REMOVING PINION NUT.

SPECIAL TOOLS - TEST EQUIPMENT

REF. NO.	PART NO.	SYM.	QTY.	DESCRIPTION
-	FT8933		0	LIFTING HOOK TO LIFT ENGINE.
-	FT8950		0	LEAKAGE TESTER TO TEST LOWER UNIT SEALS FOR LEAKAGE.
-	FTK8999		0	TEST WHEEL TO TEST MOTOR IN TEST TANK. ORIGINAL FORCE P/N TA8999
-	FT8953		0	IGNITION TESTER TO TEST OUTPUT OF C-D UNIT.

SPECIAL TOOLS - LUBRICANTS AND SEALANTS

REF. NO.	PART NO.	SYM.	QTY.	DESCRIPTION
-	FT2961		0	LUBRICANT
-	FT2987-1		0	LUBRICANT
-	FT8969		0	LUBRICANT
-	FT8955		0	SEALANT
-	FT8993		0	SEALANT
-	FT8936		0	SEALANT
-	FT2962-1		0	SEALANT
-	FT2963-1		0	SEALANT
-	FT8935		0	SEALANT PRIMER

SPECIAL TOOLS - DECAL REPAIR SHEET

REF. NO.	PART NO.	SYM.	QTY.	DESCRIPTION
-	T11227		0	DARK BROWN REPAIR DECALS ON ENGINE COVERS.
-	T11228		0	DARK METALLIC BROWN REPAIR DECALS ON ENGINE COVERS AND LEG.
-	T11229		0	SAND TAN REPAIR DECALS ON ENGINE COVERS.
-	T11230		0	ORANGE REPAIR DECALS ON ENGINE COVERS AND LEG.
-	T11231		0	GOLD REPAIR DECALS ON ENGINE COVERS AND LEG.

ACCESSORIES

REF. NO.	PART NO.	SYM.	QTY.	DESCRIPTION
-	F5H014		0	FLUSHING ADAPTER PERMITS FRESH WATER FLUSHING OF WATER PASSAGES WITH STANDARD GARDEN HOSE.
-	F5H130		0	REMOTE CONTROL BOX (SINGLE LEVER) (SURFACE MOUNT) PERMITS REMOTE CONTROL OF THROTTLE AND GEAR SHIFT FROM STARBOARD SIDE OF BOAT.
-	F5H120		0	REMOTE CONTROL BACK PLATE PROTECTS CONTROL MECHANISM FROM PADDED BOAT SURFACES.
-	F5H131		0	PORT SIDE DECAL KIT CONVERTS 5H130 CONTROL BOX TO PORT SIDE MOUNTING.
-	F590		0	REMOTE CONTROL HEAD (SINGLE LEVER) FLUSH MOUNT CONTROL UNIT PERMITS REMOTE CONTROL OF THROTTLE AND GEAR SHIFT. MAY BE MOUNTED ON PORT OR STARBOARD SIDE OF BOAT.
-	865		0	TWIN REMOTE CONTROL BOX PERMITS REMOTE CONTROL OF THROTTLE, AND GEAR SHIFT ON TWIN ENGINE INSTALLATIONS. MAY BE MOUNTED ON PORT OR STARBOARD SIDE OF BOAT.
-	F5H079		0	REMOTE CONTROL BOX FOR MOUNTING ON CONSOLE OF BOAT.
-	F5H080		0	TWIN REMOTE CONTROL BOX FOR MOUNTING ON CONSOLE OF BOAT.
-	F195/___		0	REMOTE CONTROL CABLES CONNECTS REMOTE CONTROL BOX TO THROTTLE AND GEAR SHIFT ON ENGINE. AVAILABLE IN 6 THROUGH 40 FOOT LENGTHS.
-	F5H108		0	STEERING CONNECTOR CLEVIS TYPE FOR BOAT MOUNTED STEERING AND NON THREADED CABLE END.
-	F5H018		0	DUAL ENGINE TIE BAR PERMITS DUAL ENGINE INSTALLATIONS.
-	F5H094		0	STEERING LINK CONNECTS ENGINE TO REMOTE STEERING CABLE.
-	F5H026		0	STEEL, 6 GALLON FUEL TANK (LOW PROFILE) AUXILIARY TANK.
-	F5H029		0	TANK ANCHOR SECURES 5H026 TO BOAT.
-	F5H040		0	STEEL, 12 GALLON FUEL TANK AUXILIARY TANK.
-	F5H019		0	ANTI-CORROSION KIT ELECTRICAL KIT FOR MOUNTING ON BOAT (12V) TO REDUCE CORROSION.
-	F5H025		0	ANTI-CORROSION SACRIFICIAL ANODE KIT USED TO REDUCE CORROSION.
-	F5H043		0	OVERHEAT BUZZER SOUNDS WARNING BUZZER IF ENGINE OVERHEATS.
-	479		0	OVERHEAT LAMP WARNS OF ENGINE OVERHEATING. DO NOT USE GAUGE AND LAMP IN SAME INSTALLATION.
-	F5H010		0	POWER TRIM INDICATOR INDICATES ENGINE TRIM ANGLE. (FLUSH MOUNT).
-	F5H134		0	BOAT WHITE LACQUER ENGINE TOUCH-UP PAINT IN 12-3/4 OZ. SPRAY BOMBS (6 CANS PER CASE).
-	F5H135		0	SAND TAN LACQUER ENGINE TOUCH-UP PAINT IN 12-3/4 OZ. SPRAY BOMBS (6 CANS PER CASE).
-	F5H081		0	BATTERY CABLE LONGER LENGTH - 15 FEET.

CONTINUED ON NEXT PAGE ➡

ACCESSORIES

REF. NO.	PART NO.	SYM.	QTY.	DESCRIPTION
-	71H06		0	AMMETER - FLUSH MOUNT INDICATES ALTERNATOR OUTPUT.
-	F5H006		0	VOLTMETER - FLUSH MOUNT INDICATES BATTERY CONDITION.
-	71H25		0	CHARGE INDICATOR LAMP INDICATES ALTERNATOR OUTPUT.
-	F5H007		0	HOURMETER - FLUSH MOUNT RECORDS ENGINE RUNNING TIME.
-	5H111		0	INSTRUMENT ADAPTER - 2" PROVIDES SURFACE MOUNTING OF INSTRUMENTS.
-	F5H112		0	INSTRUMENT ADAPTER - 3-1/2" PROVIDES SURFACE MOUNTING OF INSTRUMENTS.
-	F5H119		0	PROPELLER SPACER - FLARED REDUCES PROPELLER VENTILATION ON SOME BOAT APPLICATIONS.
-	F5H069		0	RFI SUPPRESSION KIT PROVIDES RADIO NOISE SUPPRESSION.
-	5H048		0	CANVASS HOOD PROTECTION FOR ENGINE COVER.
-	5H051		0	BATTERY, 74 AMP. 12 VOLT HEAVY DUTY BATTERY.
-	F5H041		0	BATTERY TERMINAL KIT ADAPTS MODEL 5H051 BATTERY TERMINALS FOR CONNECTIONS TO CABLE ON ENGINE.
-	F5H021		0	EXTENSION CABLE FOR LENGTHENING BATTERY CABLE 6-1/2 FEET.
-	F5H037		0	CIGAR LIGHTER FOR USE AS CONVENIENCE OUTLET.
-	168		0	CONTROL PANEL FOR MOUNTING LAMPS, SWITCHES, ETC.
-	F5H008		0	FUEL GAUGE FLUSH MOUNT MONITORS FUEL SUPPLY.
-	F5H076		0	SWITCH EXTENSION CABLE 5 FOOT LONG SWITCH WIRING HARNESS.
-	F5H077		0	IGNITION KEY SWITCH SHORT BARREL WITH KEYS.
-	F5H078		0	IGNITION KEY SWITCH LONG BARREL WITH KEYS.
-	478		0	IGNITION LAMP INDICATES WHEN IGNITION SWITCH IS "ON".
-	F762		0	REMOTE ELECTRIC CABLE 25 FOOT CABLE FOR LARGE BOATS.
-	5H082		0	REMOTE ELECTRIC CABLE 35 FOOT CABLE FOR LARGE BOATS.
-	F5H070		0	REMOTE ELECTRIC CABLE 21 FOOT CABLE FOR LARGE BOATS.
-	F5H028		0	SENDING UNIT FOR USE WITH FUEL GAUGE.
-	F5H005		0	TEMPERATURE GAUGE - FLUSH MOUNT MONITORS ENGINE TEMPERATURE. DO NOT USE TEMPERATURE GAUGE AND HEAT LAMP IN SAME INSTALLATION.
-	F5H012		0	TACHOMETER FLUSH MOUNT MONITORS ENGINE R.P.M. TO PROVIDE CHECK OF ENGINE PERFORMANCE.
-	F5H128		0	POWER TRIM ADJUSTS ENGINE TRIM AND TILTS ENGINE.
-	F5H004		0	SPEEDOMETER FLUSH MOUNT MONITORS BOAT SPEED (0-50 M.P.H.)
-	F5H002		0	SPEEDOMETER - FLUSH MOUNT MONITORS BOAT SPEED (0-65 M.P.H.)

CONTINUED ON NEXT PAGE ➡

ACCESSORIES

REF. NO.	PART NO.	SYM.	QTY.	DESCRIPTION
-	F5H076		0	SWITCH EXTENSION CABLE 5 FOOT LONG SWITCH WIRING HARNESS.
-	F5H003		0	SPEEDOMETER FLUSH MOUNT MONITORS BOAT SPEED (TO 100 KM/H).
-	F5H030		0	SWITCH KIT - RUNNING LIGHTS DASH MOUNTED TOGGLE SWITCH
-	F5H031		0	SWITCH KIT - SPOT LIGHT DASH MOUNTED TOGGLE SWITCH
-	F5H032		0	SWITCH KIT - WIPER DASH MOUNTED TOGGLE SWITCH
-	F5H034		0	SWITCH KIT - BILGE PUMP DASH MOUNTED TOGGLE SWITCH
-	F5H035		0	SWITCH KIT - HORN DASH MOUNTED TOGGLE SWITCH
-	F5H039		0	SWITCH KIT - INSTRUMENTS LIGHTS DASH MOUNTED TOGGLE SWITCH
-	F5H036		0	SWITCH KIT - TACHOMETER TRANSFER FOR ONE TACHOMETER ON DUAL ENGINE INSTALLATION.
-	F5H038		0	SWITCH KIT - IGNITION SWITCH TO MOUNT IGNITION SWITCH IN DASH.
-	F563		0	TERMINAL BLOCK KIT DOUBLE ROW 10 SECTION, TO SIMPLIFY ACCESSORY INSTALLATION.
-	479		0	UNIMOUNT UNDER DASH MOUNT FOR INDICATOR LIGHTS AND IGNITION SWITCH.
-	F5H075		0	WIRING HARNESS - IGNITION SWITCH - 24" USE WITH 563 TERMINAL BLOCK.
-			0	CHRYSLER OUTBOARD OIL SEE BLOCK COMMENT 1.
-			0	CHRYSLER OUTBOARD GEAR LUBE SEE BLOCK COMMENT 2.
-			0	CHRYSLER OUTBOARD FUEL AID REMOVES MOISTURE, PREVENTS SLUDGE AND VARNISH AND STABILIZES GAS. AVAILABLE IN 16 OZ. CANS AND 12 CAN CASES.
-			0	CHRYSLER OUTBOARD STORAGE LUBRICANT WORKS AS A CORROSION INHIBITOR AND PROTECTS INTERNAL ENGINE PARTS DURING STORAGE. AVAILABLE IN 16 OZ. CANS AND 12 CAN CASES.
-			0	CHRYSLER OUTBOARD MULTI-PURPOSE SPRAY LUBE WORKS AS A LUBRICANT, CLEANER, MOISTURE REMOVER AND ELECTRIC INSULATOR. AVAILABLE IN 9 OZ. CANS AND 12 CAN CASES.
-			0	CHRYSLER OUTBOARD MULTI-PURPOSE GREASE LUBRICATES BEARINGS AND OTHER MOVING PARTS. AVAILABLE IN 8 OZ. TUBES AND 12 TUBE CASES.
-			0	CHRYSLER OUTBOARD GREASE GUN USED WITH CHRYSLER OUTBOARD MULTI-PURPOSE GREASE TUBES FOR PRESSURE FITTINGS.
-			0	CHRYSLER OUTBOARD MULTI-PURPOSE CLEANER

PARTS INDEX

Part Number	Description	Pg.	Ref. No.	Part Number	Description	Pg.	Ref. No.
168	CONTROL PANEL	59	-	F1203	HEX CAP SCREW, 1/4 - 20 X		
2A523706	GEAR HOUSING COVER				7/8	29	107
	W/SEALS	41	52	F1203	HEX CAP SCREW, 1/4 - 20 X		
3C511944	ENGINE COVER COMPLETE,				7/8	49	22
	PORT	3	-	F1236	SCREW, 1/4 - 20 X 1/2	21	22
478	IGNITION LAMP	59	-	F1238	HEX CAP SCREW, 1/4 - 20 X		
479	OVERHEAT LAMP	58	-		3/4	3	14
479	UNIMOUNT	60	-	F1238	HEX CAP SCREW, 1/4 - 20 X		
480373	DECAL, MAGNAPOWER				3/4	27	54
	IGNITION	9	55	F1253	HEX SOCKET HD CAP		
481373-1	DECAL, "ELECTRONIC" NOT				SCREW, 3/8 - 16 X 2	25	9
	SHOWN	13	-	F1263	HEX SOCKET HD CAP		
5C511944	ENGINE COVER COMPLETE,				SCREWS, 5/16 - 18 X 9/16	35	13
	STARBOARD	3	-	F1280	8 - 32 X 1/4 PAN HEAD		
5H048	CANVASS HOOD	59	-		SCREW	47	12
5H051	BATTERY, 74 AMP.	59	-	F1280	SCREW, 8 - 32 X 1/4	7	33
5H082	REMOTE ELECTRIC CABLE	59	-	F1286	PAN HD SCREW, 4 - 40 X		
5H111	INSTRUMENT ADAPTER - 2"	59	-		3/16	25	39
71H06	AMMETER - FLUSH MOUNT	59	-	F1310	ROUND HD SCREW, 10 - 24		
71H25	CHARGE INDICATOR LAMP	59	-		X 5/8	49	28
817747--1	BALL JOINT W/STUD	21	23	F1341	HEX NUT, 1/4 - 20	25	21
817747--1	BALL JOINT W/STUD	25	25	F1346	HEX NUT	21	29
817783A5	SWIVEL BRACKET			F1346	HEX NUT	35	22
	W/BEARINGS & GREASE			F14005-2	CAP BASE	11	37
	FITTINGS	35	39	F14007	CAP SCREW	11	33
817786A1	DISTRIBUTOR PULLEY	11	3	F14010-1	CAP COVER	11	34
817788A3	SPACER PLATE W/PLUG	27	73	F14012-1	BRUSH	11	39
817828A1	DISTRIBUTOR	13	-	F14015	CAP CLIP RIVET	11	21
817931A7	MOTOR LEG COVER REAR	35	6	F14017	TERMINAL INSULATOR		
817932A6	TOWERSHAFT W/SWIVEL,				(OUTSIDE)	13	46
	BEARINGS AND SCREWS	25	19	F14021-1	CAP SEAL	11	36
85872-1	BRACKET	27	59	F14024	SPACER	11	42
865	TWIN REMOTE CONTROL			F14025	SPACER	11	4
	BOX	58	-	F14028	THRUST WASHER	11	5
89396A38	PRIME BULB	45	6	F14029	THRUST WASHER	11	7
A522386	DECAL, NUMERAL TWIN	3	5	F14030	CAP GASKET	11	38
A523396	DECAL, ENGINE COVER			F14036	SWIVEL	11	13
	STBD.	3	-	F14037	CAP CLIPS	11	14
A553391	DECAL, LEG (STBD ENGINE)	35	-	F14038	CAP CLIP SCREWS	11	15
A553392	DECAL, LEG (PORT ENGINE)	35	1	F14040	VENT	11	35
A85135-3	LEG COVER FRONT	37	43	F14041	EXTERNAL TOOTH		
F10023	GASKET SET (NOT SHOWN)	19	-		LOCKWASHER	11	23
F1009	HEX HD SCREW, 3/8 - 16 X			F14042	DISTRIBUTOR HOUSING		
	2-3/4	25	5		W/BEARINGS	11	12
F10103	REPAIR PARTS KIT	19	53	F14044	DISTRIBUTOR SHAFT	11	40
F1014	COTTER PIN	17	30	F14045	SCREW	11	16
F1015	COTTER PIN	41	46	F14046	TERMINAL SCREW	11	19
F1034	SCREW, 1/4 - 20 X 1-3/8	17	6	F14047	TERMINAL INSULATOR		
F1052	FILL HD SCREW, 1/4 - 20 X 1	25	22		(INSIDE)	11	20
F1059	FILL HD SCREW, 6 - 32 X 1/4	19	43	F14049	TERMINAL INSULATOR		
F1064	FILL HD SCREW, 8 - 32 X 3/8	17	3		(OUTSIDE)	11	22
F1099	FILL HD SCREW, 1/4 - 20 - 1-			F14056	SCREW	13	47
	1/4	27	55	F1425	HEX CAP SC, 1/4 - 20 X 5/8	43	-
F1099	FILL HD SCREW, 1/4 - 20 X			F1425	HEX CAP SCREW, 1/4 - 20 X		
	1-1/4	25	13		1 -5/8	41	62
F1107	SLOTTED FILL HD CAP			F1433	3/8 -24 X 2 1/4 HEX CAP		
	SCREW, 1/4 - 20 X 3/4	27	76		SCREW	47	6
F1108	FILL HD SCREW, 1/4 - 20 X			F1447	ROUND HD SCREW, 2 X		
	3/4	21	13		3/16	3	19
F1187	HEX HD SCREW, 1/4 - 20 X 1	27	43				

PARTS INDEX

Part Number	Description	Pg.	Ref. No.	Part Number	Description	Pg.	Ref. No.
F1473	HEX NUT	3	36	F1704	INTERNAL TOOTH LOCKWASHER	23	49
F1475	FILL HD SCREW, 10 - 24 X 1/2	29	103	F1705	HEX CAP SCREW, 1/4 - 20 X 3/4	7	23
F1491	HEX HD SCREW, 5/16 - 18 X 3-1/4	41	41	F1705	HEX CAP SCREW, 1/4 - 20 X 3/4	39	1
F1502	HEX CAP SCREW, 1/4 - 20 X 5/8	15	18	F1709	HEX BOLT, 1/4 - 20 X 1-1/8	29	87
F1502	HEX CAP SCREW, 1/4 - 20 X 5/8	21	5	F1713	SPRING PIN	39	25
F1502	HEX CAP SCREW, 1/4 - 20 X 5/8	27	48	F1727	PLASTIC RIVET	25	20
F1502	SCREW, 1/4 - 20 X 5/8	3	20	F1729	PLUG	35	5
F15034	SPRING SET	15	22	F1730	PAN HD SCREW W/SPRING LOCKWASHER, 1/4 - 20 X 5/8	3	8
F15054	BRUSH AND TERMINAL SET	15	12	F1733	PAN HD MACHINE SCREW, 10 - 24 X 9/16	3	2
F15057	BRUSH PLATE AND HOLDER ASSEMBLY	15	23	F1734	FILL HD SCREW W/LOCKWASHER, 1/4 - 20 X 1/2	7	14
F15099	ARMATURE	15	10	F1734	SCREW AND LOCKWASHER, 1/4 - 20 X 1/2	49	32
F15118	BENDIX DRIVE ASSEMBLY	15	5	F1741	SCREW, 8 X 3/4	7	35
F15125	HEAD ASSEMBLY, COMMUTATOR END	15	21	F1741	THREAD FORMING SCREW, 8 X 3/4	49	9
F15126	THRUST WASHER PACKAGE	15	9	F17500	SPRING SET	49	4
F1513	HEX NUT	7	18	F17504	BRUSH SET	49	3
F1513	HEX NUT, 10 - 32	21	27	F17505	RESERVOIR AND BRACKET W/SEAL	49	14
F1513	HEX NUT, 10 - 32	25	27	F17508	THRUST WASHER	49	11
F1515	HEX NUT	7	24	F17510	"O" RING	49	13
F15166	FRAME AND FIELD ASSEMBLY	15	11	F17518	FILLER CAP	49	12
F15167	HEAD ASSEMBLY, DRIVE END	15	8	F17522	"O" RING	49	27
F15168	THRU BOLT PACKAGE	15	16	F17528	"O" RING	51	53
F1528	WELCH PLUG	35	33	F17539	BALL	49	2
F1556	FILL HD SCREW W/LOCKWASHER, 10 - 24 X 3/8	25	23	F17543	HEAD ASSEMBLY, COMMUTATOR END	49	1
F1577	FILL HD SCREW, 1/4 - 20 X 3/4	39	19	F1755	ROUND HD SCREW W/LOCKWASHER 6 - 32 X 1/4	21	38
F1593	HEX HD SCREW, 3/8 - 16 X 3	35	20	F17555	ARMATURE	49	7
F1612	HEX CAP SCREW, 3/8 - 16 X 1-1/4	11	8	F17556	FIELD AND FRAME ASSEMBLY	49	6
F1641	LOCK NUT, 1/4 - 28	15	6	F17557	GASKET	49	5
F1645	RD HD SCREW, 6 - 32 X 1/4	23	50	F17558	THRU-BOLT PACKAGE	51	60
F1645	SCREW, 6 - 32 X 1/4	7	27	F17560	HEAD ASSEMBLY	51	54
F1647	HEX NUT, 8 - 32	7	6	F17561-1	"O" RING	51	51
F1647	HEX NUT, 8 - 32	11	24	F17562-1	PISTON ASSEMBLY	51	52
F1647	HEX NUT, 8 - 32	29	96	F17563	MOTOR AND RESERVOIR	49	26
F1648	PAN HD SCREW, 10 - 24 X 3/4	7	16	F17564	VALVE BODY AND PUMP	49	23
F1664	SPRING PIN	35	7	F17565	DRIVE GEAR	49	25
F1678	FILL HD SCREW, 10 - 24 X 13/16	7	2	F17566	IDLE GEAR	49	24
F1689	HEX HD CAP SCREW, 1/4 - 20 X 1/2	7	42	F17568	HYDRAULIC PUMP AND VALVE ASSEMBLY	51	61
F1692	WOODRUFF KEY	11	41	F17577	ADAPTER FITTING PACKAGE	51	48
F1693	TIE BAR RETAINER NUT	17	4	F17577	ADAPTER FITTING PACKAGE	51	49
F1696	SCREW, 5/16 - 18 X 1-3/4	35	17	F17577	ADAPTER FITTING PACKAGE	51	50
F1699	HEX HD SCREW, 1/4 - 20 X 1-1/8	25	8	F1759	SHIM, DISTRIBUTOR (QTY. AS REQUIRED)	11	11
F1703	LOCKWASHER	27	71				
F1703	SPRING LOCKWASHER	37	48				

PARTS INDEX

Part Number	Description	Pg.	Ref. No.	Part Number	Description	Pg.	Ref. No.
F1760	PAN HD SCREW, 10 - 24 X 3/8	7	19	F1872	HEX CAP SCREW, 3/8 - 16 X 1-3/4	25	12
F1760	PAN HD SCREW, 10 - 24 X 3/8	11	25	F1873	HEX CAP SCREW, 3/8 - 16 X 3	27	50
F1760	PAN HD SCREW, 10 - 24 X 3/8	25	3	F1874	HEX HD SCREW, 3/8 - 16 X 1/8	25	2
F177330	FUEL PUMP VALVE	21	10	F1877	TY-RAP	7	29
F1778	PLAIN WASHER	11	9	F1877	TY-RAP (NOT SHOWN)	51	-
F178168-1	CARBURETOR ADAPTER GASKET	29	-	F1885	HEX BOLTS, S.S., 5/16 - 18 X 4-1/4	27	64
F178168-1	GASKET, CARBURETOR ADAPTER	21	35	F1885	HEX CAP SCREW, 5/16 - 18 X 4-1/4	39	6
F178323	SEAL, MOTOR LEG	35	12	F1892	STOP NUT	9	52
F178344	BUSHING, SHOCK ABSORBER - UPPER	51	62	F1904	PLAIN WASHER	35	21
F178362	BEARING	49	42	F1907	PLAIN WASHER	39	7
F178404-1	DEFLECTOR PLATE	21	36	F1910	STOP NUT, 1/4 - 20	21	25
F178446	CLAMP	49	10	F19109	PLUG	27	60
F178754-1	FUEL LINE	17	36	F19109	PLUG	39	30
F1788	STOP NUT	39	15	F1912	HEX HD SCREW, 10 - 24 X 1/2	37	51
F17932	SEAL, FUEL TANK ADAPTER	45	9	F1914	HEX HD SCREW, 1/4 - 20 X 3/4	25	11
F17978	BUSHING	47	3	F1915	HEX HD SCREW, 1/4 - 20 X 7/8	23	44
F17979	SWIVEL	47	4	F1915	HEX HD SCREW, 1/4 - 20 X 7/8	25	6
F18160-2	CYLINDER DRAIN REED	25	36	F1931	NUT, 1/2 - 20, STAINLESS STEEL	51	56
F1822	HEX BOLT, 5/16 - 18 X 7/8	37	44	F1934	#6 X 1/2 THD. FORMING SC.	49	19
F1822	SCREW, 5/16 - 18 X 7/8, STAINLESS STEEL	51	59	F1934	SCREW, 6 X 12	9	50
F1831	FLAT HD SCREW, 1/4 - 20 X 5/8	23	43	F1935	PLAIN WASHER	27	42
F1832	STOP NUT, 1/4 - 20	27	68	F1936	SPACER, BEVEL GEAR FRONT .059	39	27
F184033-1	SWIVEL, TOP CARBURETOR	17	33	F1937	SPACER, BEVEL GEAR FRONT .062	39	-
F184122-1	SEAL	29	-	F1938	SPACER, BEVEL GEAR FRONT .065	39	-
F184122-1	SEAL, PARTING LINE	29	101	F1939	SPACER, BEVEL GEAR FRONT .068	39	-
F184579	"O" RING SEAL	17	32	F1940	SPACER, BEVEL GEAR FRONT .071	39	-
F1849	HEX HD CAP SCREW, 1/4 - 20 X 1-3/8	3	9	F1941	SPACER, BEVEL GEAR FRONT .074	39	-
F1851	FILL HD SCREW W/LOCKWASHER, 10 - 24 X 1/2	7	39	F1942	SPACER, BEVEL GEAR FRONT .077	39	-
F1854	HEX CAP SCREW, 1/4 - 20 X 5/8	3	25	F195/_	REMOTE CONTROL CABLES	58	-
F1856	PLAIN WASHER	43	72	F1950	HEX CAP SCREW, 10 - 24 X 5/8	29	91
F1857	HEX CAP SCREW, 5/16 - 18 X 5/8	3	23	F1953	HEX HD SCREW, 1/4 - 20 X 1	21	20
F1857	HEX CAP SCREW, 5/16 - 18 X 5/8	3	35	F1953	HEX HD SCREW, 1/4 - 20 X 1	25	16
F1858	HEX CAP SCREW, 5/16 - 18 X 1	3	24	F1959	SCREW, 1/4 - 20 X 1-3/4, STAINLESS STEEL	49	30
F1858	HEX CAP SCREW, 5/16 - 18 X 1	41	39	F1960	PLAIN WASHER	51	57
F1860	RD HD SCREW, 6 - 32 X 1/4	21	9	F1963	NUT, 5/8 - 18	49	41
F1864	HEX SLOT HD SCREW, 1/4 - 20 X 3/4	35	4	F1966	PLUG, SWIVEL BRACKET	49	16
F1866	PLAIN WASHER	43	71	F1968	FLYWHEEL NUT	33	21
F1867	HEX CAP SCREW, 3/8 - 16 X 1	33	19	F1975	SPRING LOCKWASHER	7	10
F1869	HEX CAP SCREW, 3/8 - 16 X 1-1/4	27	70	F1975	SPRING LOCKWASHER	11	26
F1871	HEX HD SCREW, 3/8 - 16 X 3/4	37	49	F197787-3	FUEL LINE COUPLER	45	3
				F1987	PLAIN WASHER	27	79

PARTS INDEX

Part Number	Description	Pg.	Ref. No.	Part Number	Description	Pg.	Ref. No.
F1987	PLAIN WASHER	37	55	F24278	SEAL, "O" RING PROPELLER SHAFT SPOOL	39	10
F1990	HEX CAP SCREW	43	-	F269319	THROTTLE CAM BEARING	21	26
F1990	HEX CAP SCREW, 1/4 - 20 X 1 - 5/8	41	60	F284659-2	BEARING, CRANKSHAFT UPPER MAIN	33	22
F1994	HEX SOCKET HD CAP SCREW, 5/16 - 18 X 1	41	36	F289446-1	CLAMP	7	12
F1997	STOP NUT, 8 - 32	17	23	F298788	FERRULE	45	4
F1999	HEX CAP SCREW, 1/4 - 20 X 7/8	41	55	F299449-4	SWITCH TOGGLE	49	17
F2000	HEX CAP SCREW, 5/16 - 18 X 3/4	9	47	F2A476757	CYLINDER DRAIN REED PLATE W/REEDS, STOPS AND SCREWS	25	35
F2000	HEX CAP SCREW, 5/16 - 18 X 3/4	29	99	F2A523023	BEVEL GEAR FRONT W/BEARING	39	28
F2001	FILL HD SCREW, 10 - 24 X 5/8	7	9	F2A523158	REED PLATE W/REEDS, REED STOPS AND SCREWS	21	41
F2008	HEX HD SCREW, 1/4 - 20 X 78	27	53	F2A523239	SPOOL, PROPELLER SHAFT BEARING W/SEALS	39	11
F2015	HEX NUT, 1/4 - 28	29	102	F2A523662	BEVEL GEAR REAR W/BEARING CAGE SPACER AND BEARING	39	21
F2016	FILL HD SCREW, 6 - 32 X 7/8	23	48	F307317	CLIP, TERMINAL BLOCK	7	17
F2030	HEX HD M. SCREW, 1/4 - 20 X 1-1/4	35	42	F316579	SEAL, CRANKCASE	33	11
F203276	BOOT	11	30	F316599	SEAL, STEERING TUBE	35	30
F2033	GROOVE PIN	17	39	F321756	PACKING, COVER,	3	31
F203673	TERMINAL CLIP	11	31	F321841-3	LEAD WIRE	11	32
F2042	PLAIN WASHER	29	106	F322273	STUD, C.D. UNIT	9	48
F2047	WAVE SPRING LOCKWASHER	3	30	F333316	THROTTLE ROLLER SHAFT	17	19
F2049	HEX CAP SCREW, 5/16 - 18 X 2-5/8	27	78	F333480-1	RETAINER, ENGINE COVER	5	37
F2066	PAN HD TAPPING SCREW, 10 X 7/16 (TRIM TO COVER)	5	38	F335215	SPACER, PISTON PIN (2 PER PISTON)	33	3
F2067	PLASTISOL CAP (NOT SHOWN).	33	-	F335217-1	BEARING, PISTON PIN (26 PER SET)	33	5
F2088	FASTENER	3	10	F335654-1	DEFLECTION STOP	3	21
F2089	SLOTTED PAN HD M. SCREW 10 - 24 X 5/16	29	105	F338618-1	GEAR SHIFT ROD SEAL	43	-
F2090	PLUG	27	74	F338618-1	SEAL, GEAR SHIFT ROD	35	16
F2093	3/8 - 24 STOP NUT	47	1	F338618-1	SEAL, GEAR SHIFT ROD	41	53
F2108	LOCK NUT	37	54	F345475-1	COIL	9	44
F2108	STOP NUT, 5/16 - 18	27	67	F345683	WIRE, REGULATOR-RECTIFIER GROUND	7	5
F2113	SPACER, BEVEL GEAR FRONT .080	39	-	F351307	SEAL, DRIVESHAFT - WATER PUMP	41	63
F2114	SPACER, BEVEL GEAR FRONT .083	39	-	F353480	STUD	35	23
F2115	SPACER, BEVEL GEAR FRONT .086	39	-	F369610	BEARING	27	62
F2116	SPACER, BEVEL GEAR FRONT .089	39	-	F369887	SHOULDER SCREW	27	61
F2121	SPACER, BEVEL GEAR FRONT .057	39	-	F369977-1	INTERLOCK ARM	27	63
F2122	SPACER, BEVEL GEAR FRONT .054	39	-	F372151-1	EXHAUST PORT PLATE	29	90
F213274	GREASE FITTING	11	27	F372152-1	EXHAUST PORT COVER	29	88
F213274	GREASE FITTING	35	31	F372154-1	EXHAUST PLATE GASKET	29	-
F213342	SEAL, FUEL LINE COUPLER (LARGE)	45	1	F372154-1	GASKET, EXHAUST PORT PLATE	29	89
F213735	SEAL, FUEL LINE COUPLER (SMALL)	45	2	F372529	CYLINDER HEAD GASKET	29	-
				F372958	CHOKE BRACKET	21	19
				F381896-4	BATTERY CABLE	7	30
				F391926-1	PLUNGER	17	41
				F391983	RETAINING BAND	9	51
				F40223	GASKET, TRANSFER PORT COVER	27	52
				F40223	TRANSFER PORT COVER GASKET	29	-

PARTS INDEX

Part Number	Description	Pg.	Ref. No.	Part Number	Description	Pg.	Ref. No.
F40278	SEAL, CYLINDER	49	37	F449354	THRUST BRACKET	49	31
F404097	FLYWHEEL	7	1	F449545-2	CYLINDER HOUSING	49	40
F404268	BY-PASS VALVE SPRING	29	94	F449632	SHAFT	49	43
F404314	ELBOW, FUEL PUMP COVER	21	2	F449754-1	HYDRAULIC LINE, LIFT CYLINDER, LOWER	49	46
F404314	FITTING	27	47	F449758	HYDRAULIC LINE, LIFT CYLINDER, UPPER	49	45
F404470-1	REGULATOR-RECTIFIER	7	8	F449843	CABLE	49	8
F404513	COIL CLAMP	7	40	F449889	SHAFT, UPPER	51	58
F404801	ELBOW, CYLINDER DRAIN UPPER (NOT SHOWN)	27	-	F460917	STARTER RELAY	7	26
F404841	CABLE, HEAT INDICATOR	7	37	F474073-1	CLAMP SCREW	35	25
F405457	PIVOT SCREW	25	7	F474387	TIMING DECAL - USA	9	56
F406406	DEFLECTOR PLATE GASKET	29	-	F476066-1	THERMOSTAT COVER	29	85
F406406	GASKET DEFLECTOR PLATE	21	37	F476067	GASKET	27	81
F406471-1	CYLINDER DRAIN COVER	27	41	F476067	THERMOSTAT COVER GASKET	31	-
F406754-1	HOSE	27	46	F476529	CYLINDER HEAD GASKET	27	75
F40689-1	BEARING	27	72	F476529	CYLINDER HEAD GASKET	31	-
F407446	CLAMP	7	31	F480038-2	SUPPORT PLATE	3	15
F413420	RETAINER SWITCH PLATE	49	15	F480107-1	CAM STARTER INTERLOCK	29	104
F433209-1	THROTTLE CAM STUD	21	32	F480388	DISC, WATER PUMP LOCATING	41	61
F438066	BY-PASS VALVE COVER	29	92	F480818	BEARING	3	13
F438129	SEAL, DRIVESHAFT SPLINE	43	70	F481382-1	SPACER, LATCH SHAFT	3	29
F438165	SCREW, FUEL PUMP BOWL	21	18	F481434	GUIDE, ENGINE COVER	3	11
F438169	BEARING	35	35	F481774	BRACKET, COVER LATCH	3	32
F438271	RETAINER, CRANKSHAFT SPLINE SEAL	43	69	F481777	CAM, LATCH	3	28
F438346	SHOCK MOUNT LOWER	37	47	F489551	BRACKET NEUTRAL INTERLOCK SWITCH	23	45
F438398	DECAL, WIRING - USA	29	86	F498618	"O" RING	41	31
F438500	FUEL SEDIMENT BOWL	21	17	F498618	GEAR SHIFT ARM PIN SEAL	43	-
F438617	FUEL SEDIMENT BOWL GASKET	21	15	F498891	PIN, GEAR SHIFT ARM	41	32
F438653	FUEL SEDIMENT BOWL SCREEN	21	16	F498891	PIN, PROPELLER NUT RETAINING	39	14
F438668	RETAINER, CABLE CLAMP	7	13	F500509	LINK, DUAL STEERING	47	13
F438744-1	WIRING HARNESS	7	4	F50109	PLUG, GEAR HOUSING	41	43
F438747	FUEL PUMP DIAPHRAGM	21	8	F501881	LINK, DUAL STEERING STARBOARD	47	7
F438754	FUEL LINE	17	42	F50342-1	BEARING CAGE BOLT SEAL	43	-
F438760	FUEL PUMP GASKET	21	4	F50342-1	SEAL, "O" RING	39	8
F438801	FITTING	21	14	F506118	PROPELLER SHAFT SEAL	43	-
F438930	RETAINER, SNOUT	41	38	F506118	SEAL, DRIVESHAFT	41	51
F438962	SHOCK MOUNT LOWER REAR	35	14	F506118	SEAL, PROPELLER SHAFT	39	9
F439736	SEAL, EXHAUST TUBE	37	58	F510374	DECAL, CIRCUIT BREAKER - USA	7	41
F440192-1	THROTTLE CAM	21	28	F510460	CIRCUIT BREAKER	7	22
F440209	CARBURETOR STUD	21	30	F511015-2	PISTON - STANDARD	33	2
F440254	BALANCE TUBE	21	34	F511125-2	TUBE, STEERING SUPPORT	35	29
F440906	CARBURETOR GASKET	21	31	F511675	STARTER BRACKET, LOWER	15	20
F440906	CARBURETOR GASKET	29	-	F511708	COVER, CARBURETOR	17	7
F440925	CHOKE ROD	17	40	F523031	GASKET, WATER PUMP	41	56
F441754-1	HOSE	21	3	F523031	GASKET, WATER PUMP	43	-
F449010	CYLINDER	49	38	F523057	BEARING, DRIVESHAFT LOWER	41	65
F449181	PLATE POWER TRIM SWITCH	49	18	F523065	IMPELLER	43	-
F449253-1	HYDRAULIC LINE, TRIM CYLINDER, LOWER	49	44	F523065	IMPELLER, WATER PUMP	41	58
F449254	HYDRAULIC LINE, TRIM CYLINDER, UPPER	49	29	F523094-2	PROPELLER NUT	39	13
F449278	PISTON SEAL	49	36	F523099-1	SPACER, PROPELLER	39	18
F449342	SEAL, PISTON SHAFT	49	34	F523116	EXHAUST SNOUT	41	37

PARTS INDEX

Part Number	Description	Pg.	Ref. No.	Part Number	Description	Pg.	Ref. No.
F523133-2	MOTOR LEG	35	15	F5H014	FLUSHING ADAPTER	58	-
F523146	SEAL, CRANKSHAFT LOWER	33	13	F5H018	DUAL ENGINE TIE BAR	58	-
F523188	NUT, BEVEL PINION	41	34	F5H019	ANTI-CORROSION KIT	58	-
F523244	INLET WATER LINE	39	5	F5H021	EXTENSION CABLE	59	-
F523273	STUD, STEERING BALL	47	9	F5H025	ANTI-CORROSION SACRIFICIAL ANODE	58	-
F523274	GREASE FITTING	35	28	F5H026	STEEL, 6 GALLON FUEL TANK (LOW PROFILE)	58	-
F523280	NUT, STEERING SUPPORT TUBE	35	36	F5H028	SENDING UNIT	59	-
F523300-1	SPRING, STEERING LINK	47	8	F5H029	TANK ANCHOR	58	-
F523411	RETAINING RING, BEARING CAGE	39	22	F5H030	SWITCH KIT - RUNNING LIGHTS	60	-
F523451	SPACER, REEDS STOP	23	51	F5H031	SWITCH KIT - SPOT LIGHT	60	-
F523498	DRIVE KEY, WATER PUMP	41	67	F5H032	SWITCH KIT - WIPER	60	-
F523498	KEY	43	-	F5H034	SWITCH KIT - BILGE PUMP	60	-
F523555	GEAR HOUSING COVER SEAL	43	-	F5H035	SWITCH KIT - HORN	60	-
F523555	SEAL, "O" RING, GEAR HOUSING COVER	41	48	F5H036	SWITCH KIT - TACHOMETER TRANSFER	60	-
F523562	PLATE, WATER PUMP	41	57	F5H037	CIGAR LIGHTER	59	-
F523562	PLATE, WATER PUMP	43	-	F5H038	IGNITION SWITCH MOUNTING KIT (ACCESSORY ITEM)	9	49
F523705	GEAR SHIFT ROD LOWER	41	45	F5H038	SWITCH KIT - IGNITION SWITCH	60	-
F523813	BEARING CUP	39	29	F5H039	SWITCH KIT - INSTRUMENTS LIGHTS	60	-
F523834	CLIP, SPARK PLUG WIRE	25	28	F5H040	STEEL, 12 GALLON FUEL TANK	58	-
F523899	GROMMET, WATER LINE	39	4	F5H041	BATTERY TERMINAL KIT	59	-
F523930	RETAINER, STUD STEERING BALL	47	10	F5H041	BATTERY TERMINAL KIT (ACCESSORY ITEM)	7	32
F523961	CRUSH RING	41	49	F5H043	OVERHEAT BUZZER	58	-
F523962	SHOCK MOUNT - C.D. UNIT	9	46	F5H043	OVERHEAT BUZZER (ACCESSORY ITEM)	7	36
F528068	THERMOSTAT	27	82	F5H069	RFI SUPPRESSION KIT	59	-
F528995	COVER, CYLINDER HEAD	29	108	F5H070	REMOTE ELECTRIC CABLE	59	-
F530160	REED (5 PETAL)	21	40	F5H075	WIRING HARNESS - IGNITION SWITCH - 24"	60	-
F532299	WASHER	39	16	F5H076	SWITCH EXTENSION CABLE	59	-
F545189	BUSHING, CABLE ENTRY	3	17	F5H076	SWITCH EXTENSION CABLE	60	-
F548984	BLANKET, SILENCER TOP (NOT SHOWN)	5	-	F5H077	IGNITION KEY SWITCH	59	-
F549189	BUSHING, ELECTRIC CABLE	3	16	F5H078	IGNITION KEY SWITCH	59	-
F552985	BLANKET, SILENCER SIDE (NOT SHOWN)	5	-	F5H078	IGNITION SWITCH LONG BARREL W/KEYS AND SCREWS	7	34
F553061	CARBURETOR COMPLETE (TC-7A)	17	12	F5H079	REMOTE CONTROL BOX	58	-
F563	TERMINAL BLOCK KIT	60	-	F5H080	TWIN REMOTE CONTROL BOX	58	-
F590	REMOTE CONTROL HEAD (SINGLE LEVER)	58	-	F5H081	BATTERY CABLE	58	-
F5H002	SPEEDOMETER - FLUSH MOUNT	59	-	F5H094	STEERING LINK	58	-
F5H003	SPEEDOMETER FLUSH MOUNT	60	-	F5H108	STEERING CONNECTOR	58	-
F5H004	SPEEDOMETER FLUSH MOUNT	59	-	F5H112	INSTRUMENT ADAPTER - 3- 1/2"	59	-
F5H005	TEMPERATURE GAUGE - FLUSH MOUNT	59	-	F5H119	PROPELLER SPACER - FLARED	59	-
F5H006	VOLTMETER - FLUSH MOUNT	59	-	F5H120	REMOTE CONTROL BACK PLATE	58	-
F5H007	HOURMETER - FLUSH MOUNT	59	-	F5H128	POWER TRIM	59	-
F5H008	FUEL GAUGE FLUSH MOUNT	59	-				
F5H010	POWER TRIM INDICATOR	58	-				

PARTS INDEX

Part Number	Description	Pg.	Ref. No.	Part Number	Description	Pg.	Ref. No.
F5H131	PORT SIDE DECAL KIT	58	-	F84314-2	ELBOW	27	45
F5H134	BOAT WHITE LACQUER	58	-	F84342	SEAL, INLET WATER LINE, UPPER	39	3
F5H135	SAND TAN LACQUER	58	-	F84449	INTERLOCK SWITCH	23	46
F7004	STOP NUT, 3/8 - 16	25	17	F84472-5	CYLINDER DRAIN COVER GASKET	29	-
F7008	ELASTIC STOP NUT	25	10	F84472-5	GASKET, CYLINDER DRAIN COVER	25	40
F7012	STOP NUT	35	19	F84504	GROMMET (THERMOSTAT)	29	83
F7013	STOP NUT	11	2	F84521-1	CLUTCH	39	26
F74305	GEAR HOUSING COVER SEAL	43	-	F84748-3	CYLINDER DRAIN REED PLATE GASKET	29	-
F74305	SEAL, DRIVESHAFT BEARING CAGE	41	50	F84748-3	GASKET, CYL. DRAIN REED PLATE	25	33
F762	REMOTE ELECTRIC CABLE	59	-	F84792	GASKET, CENTER FUEL PUMP VALVE	21	11
F8003	PLAIN WASHER	25	38	F84871-1	PIN, GEAR SHIFT W/YOKE	39	24
F8011	PLAIN WASHER	7	20	F85017	PISTON PIN	33	4
F8028	PLAIN WASHER	15	19	F85026	SWIVEL	25	30
F8038	PLAIN WASHER	29	109	F85033	SWIVEL, CHOKE ROD (BOTTOM CARBURETOR) (NOT SHOWN)	19	-
F8038	PLAIN WASHER	47	2	F85035	DISTRIBUTOR, CONTROL ROD END	25	29
F8039	PLAIN WASHER	37	57	F85036	TOWERSHAFT CONTROL ROD END	25	32
F8056	LOCKWASHER	11	18	F85037-1	STERN BRACKET PIVOT BOLT	35	38
F8056	LOCKWASHER	11	43	F85095-2	STATOR	7	3
F8056	LOCKWASHER	29	97	F85117	BRACKET, WATER LINE	39	2
F8056	SPRING LOCKWASHER	7	7	F85130	BOOT IDLE EXHAUST	35	8
F8058	INTERNAL TOOTH LOCKWASHER	21	24	F85161-1	REED STOP	21	39
F8058	INTERNAL TOOTH LOCKWASHER	27	57	F85173	RETAINING RING	11	6
F8077	WASHER	43	-	F85211	STUD	25	18
F8077	WASHER, GEAR HOUSING PLUG	41	42	F85258	INSERT	35	9
F8080	#8 SPRING LOCKWASHER	47	11	F85279-2	CYLINDER EXHAUST UPPER GASKET	29	-
F8083	SPRING LOCKWASHER	3	26	F85279-2	GASKET, CYLINDER EXHAUST UPPER	27	69
F8083	SPRING LOCKWASHER	9	43	F85311	DISTRIBUTOR BELT	11	1
F8083	SPRING LOCKWASHER	35	3	F85314-1	FUEL FITTING	17	37
F8083	SPRING LOCKWASHER	41	54	F85317-1	SOLENOID CLAMP	21	21
F8083	SPRING LOCKWASHER	43	-	F85372	PIN, GEAR SHIFT ROD LOWER	41	47
F8088	PLAIN WASHER	17	31	F8538	SPRING PIN	35	26
F8088	PLAIN WASHER	23	47	F85380	SPRING	35	10
F8094	PLAIN WASHER	3	27	F85410	SNAP RING	33	8
F8095	PLAIN WASHER	29	110	F85445	CONTROL ROD	25	31
F8096	SPRING LOCKWASHER	3	22	F85453-1	CYLINDER EXHAUST LOWER GASKET	29	-
F8096	SPRING LOCKWASHER	3	34	F85498	FLYWHEEL KEY	33	16
F8096	SPRING LOCKWASHER	7	25	F85502	THROTTLE LINK	25	26
F8096	SPRING LOCKWASHER	29	100	F85509-1	LINK, CHOKE	17	38
F8096	SPRING LOCKWASHER	37	45	F85571	BEARING CAGE W/ROLLER	33	10
F8096	SPRING LOCKWASHER	41	40	F85606	KINGPIN CAP	35	41
F8104	PLAIN WASHER	27	49	F85610	BEARING	27	65
F84011	WASHER	35	40	F85615	GEAR SHIFT ROD UPPER	37	53
F84067-1	THERMOSTAT COVER GASKET	29	-	F8563	DOWEL PIN	25	15
F84074	CLAMP SCREW FOOT	35	24	F85634-2	CONNECTING ROD SCREW	33	14
F84146-2	SEAL	33	20	F85660-1	EXHAUST TUBE	35	2
F84278	SEAL	33	23				
F84286-1	FRICTION WASHER	35	32				
F84305	PROPELLER SHAFT SPOOL SEAL	43	-				
F84305	SEAL, "O" RING PROPELLER SHAFT SPOOL	39	12				
F84307-1	DRIVESHAFT SEAL	43	-				
F84314-2	ELBOW	17	34				
F84314-2	ELBOW	21	6				

PARTS INDEX

Part Number	Description	Pg.	Ref. No.	Part Number	Description	Pg.	Ref. No.
F85664	DISTRIBUTOR GROUND . . .	11	28	FA449015	PISTON	49	35
F85664	GROUND WIRE	9	54	FA449149	COVER W/SEALS AND RETAINER	49	33
F85704	COUPLER, GEAR SHIFT ROD	37	46	FA475260	PISTON RING SET - STANDARD (2 PER SET) .	33	1
F85762	BY-PASS COVER GASKET .	29	-	FA480876	GEAR SHIFT ARM	27	66
F85762	BY-PASS VALVE COVER GASKET	29	93	FA480894	TIMING POINTER	25	4
F85772	CLAMP	35	11	FA481469	HANDLE W/SHAFT	3	12
F85779-1	BAFFLE, AIR INTAKE	37	50	FA481743	ROLLER BRACKET	3	33
F85843-1	REMOTE ELECTRIC CABLE, 18 FEET	7	38	FA510497	TERMINAL BLOCK	7	15
F85859	STUD	25	14	FA523014	CRANKSHAFT LOWER MAIN BEARING	33	12
F85906	CARBURETOR GASKET . . .	29	-	FA523054	GEAR HOUSING	41	33
F85908	STARTER LEAD WIRE	15	14	FA523098	PROPELLER SHAFT	39	23
F85916-1	BY-PASS VALVE	29	95	FA523397	3	4
F85924	CHOKE SOLENOID	7	28	FA523485	ANTICORROSION ANODE . .	39	20
F85965	SHOCK MOUNT UPPER . . .	37	52	FA523735	SEAL, INLET WATER LINE, LOWER	41	64
F89758	HOSE, FUEL PUMP USA . . .	21	7	FA528518	CYLINDER HEAD	27	80
F9018	CAP	35	37	FA535395	IDENTIFICATION PLATE W/SCREWS FOR U.S.A. MODELS	3	18
F9052	PLUG	35	27	FA552944	ENGINE COVER W/RETAINER, SCREWS AND NUTS	3	7
F90619-1	YOKE	43	73	FA553010	CYLINDER	25	1
F90807	RETAINING RING	17	1	FA84621-1	COUPLING, GEAR SHIFT ARM W/BUSHING	41	44
F9095	SHIM, DRIVESHAFT BEARING UPPER .005 BRASS	41	-	FA84754-1	FUEL LINE SHORT W/FERRULES	45	5
F9097	SHIM, DRIVESHAFT BEARING UPPER .010 BLACK	41	-	FA85019	KINGPIN W/PLUG	35	34
F9106	SHIM, DRIVESHAFT BEARING UPPER .003 BRASS	41	66	FA85193	TIE BAR END W/SWIVEL . . .	17	2
F91446-1	CIRCUIT BREAKER BRACKET	7	21	FA85355-1	WASHER	37	56
F92759	THROTTLE ROLLER	17	20	FA85655-1	CRANKSHAFT MAIN BEARING RACE W/SNAP RING	33	9
F93811	SCREEN	25	34	FB368700	IGNITION KEY - STAMPED B	9	-
F93920	REED STOP	25	37	FC368700	IGNITION KEY - STAMPED C	9	-
F97772	CLAMP	17	35	FC553010	SHORT BLOCK,	25	-
F97772	FUEL LINE CLAMP	45	8	FC555054	GEAR HOUSING COMPLETE	41	-
F98273	ROD END CONNECTOR STUD	27	58	FD368700	IGNITION KEY - STAMPED D	9	-
FA14048-2	PREAMPLIFIER	11	17	FE368700	IGNITION KEY - STAMPED E	9	-
FA15072	HEX LOCK NUT, 1/4 - 20 . . .	15	13	FG1003-1	GASKET SET	29	111
FA17559	LIFT CYLINDER COMPLETE	51	47	FK1063-1	SEAL KIT	43	74
FA178233	THROTTLE TIE BAR W/SWIVEL	17	5	FK1069	WATER PUMP KIT	43	75
FA178962	SHOCK ABSORBER W/BUSHING	51	55	FK405020	SWIVEL W/CLAMP, SHOULDER SCREW AND NUT	25	24
FA321574	DISTRIBUTOR BRACKET . .	11	10	FK550128	DRIVESHAFT W/BEARING, SHIMS AND CRUSH RING	41	68
FA368700	IGNITION KEY - NO LETTER OR STAMPED A	9	53	FK750-3	SPARKIE	13	44
FA411222	TRANSFER PORT COVER .	27	51	FK85228-1	BEARING CAGE W/ROLLER	33	7
FA438431	FUEL PUMP BODY W/VALVES	21	12	FO10588	BODY CHANNEL CUP PLUG	17	24
FA439493	TERMINAL BLOCK BRACKET	7	11	FO11103	IDLE MIXTURE SCREW SPRING	17	14
FA439746	FUEL PUMP COVER	21	1	FO13193	MAIN FUEL JET OPT. .088 1500 - 3000 FT.	17	-
FA440157	CARBURETOR ADAPTER, UPPER W/FITTING AND STUDS (NOT SHOWN) . . .	21	-	FO13554	FLOAT	19	48
				FO13944	FLOAT LEVER PIN	19	49

PARTS INDEX

Part Number	Description	Pg.	Ref. No.	Part Number	Description	Pg.	Ref. No.
FO14109	MAIN FUEL JET OPT. .082 6000 FT & UP	17	-	FT8901	INDICATOR HOLDER	54	-
FO14166	IDLE MIXTURE SCREW	17	13	FT8902	DIAL INDICATOR	54	-
FO14302	MAIN FUEL JET OPT. .084 4500 - 6000 FT.	17	-	FT8903	SEAL INSTALLER	53	-
FO15406	MAIN FUEL JET STD. .090 SEA LEVEL - 1500 FT.	17	15	FT8907	DRIVE HANDLE	53	-
FO15623	FUEL BOWL GASKET	19	46	FT8907	DRIVER HANDLE	54	-
FO15912	CHOKE AND THROTTLE SHUTTER SCREW	17	9	FT8914	SEAL REMOVER	53	-
FO16128	BODY CHANNEL WELCH PLUG	17	25	FT8918	BEARING GUIDE SET	54	-
FO16130	FUEL BOWL	19	51	FT8919	SPRING PIN PUNCH	54	-
FO16132	FUEL BOWL RETAINING SCREW	17	11	FT8925	SEAL INSTALLER	53	-
FO16133	MAIN NOZZLE	19	50	FT8925	SEAL INSTALLER	54	-
FO16142	THROTTLE SHUTTER	17	26	FT8926	RING EXPANDER	53	-
FO16143	THROTTLE SHAFT RETURN SPRING	17	22	FT8927	SEAL PROTECTOR	53	-
FO16301	CHOKE SHAFT AND LEVER	19	44	FT8933	LIFTING HOOK	55	-
FO16620	"E" RING	17	29	FT8935	SEALANT PRIMER	56	-
FO16697	INLET NEEDLE	19	47	FT8936	SEALANT	56	-
FO17719	CHOKE, SHUTTER	17	10	FT8948-1	PULLER	52	-
FO17884	THROTTLE SHAFT AND LEVER	17	21	FT8948-1	PULLER	54	-
FO17885	CHOKE SHAFT RETURN SPRING	19	45	FT8950	LEAKAGE TESTER	55	-
FO1974	SCREW	17	18	FT8953	IGNITION TESTER	55	-
FO5323	FUEL BOWL RETAINING SCREW GASKET	19	52	FT8955	SEALANT	56	-
FO9678	CLIP, CHOKE SHAFT	17	16	FT8957	SEAL INSTALLER	54	-
FO992	LOCKWASHER	17	17	FT8969	LUBRICANT	56	-
FPS524	PROPELLER (ACCESSORY ITEM)	39	17	FT8978	POWER TIMING LIGHT	52	-
FS409752	FUEL LINE COMPLETE	45	-	FT8985	SEAL INSTALLER	54	-
FS490955	STARTER COMPLETE	15	-	FT8993	SEALANT	56	-
FS500510	LINK, DUAL STEERING	47	14	FT8997	SHIMMING TOOL	54	-
FS548179	TRIM TOP	3	1	FTA2937-1	TIMING TOOL	52	-
FS548269	TILT HANDLE	3	3	FTA8994	PISTON PIN TOOL	53	-
FS552180	TRIM REAR	3	6	FTK8999	TEST WHEEL	55	-
FS552888	TRIM FRONT	5	39	T11227	DARK BROWN	57	-
FSA475260	PISTON RING (2 PER SET) .010 OVERSIZE (NOT SHOWN)	33	-	T11228	DARK METALLIC BROWN	57	-
FT1082	SNAP RING PLIER	53	-	T11229	SAND TAN	57	-
FT11204	BEARING CUP INSTALLER	54	-	T11230	ORANGE	57	-
FT11205	BEARING INSTALLER/REMOVER	54	-	T11231	GOLD	57	-
FT11207	BEARING CUP REMOVER	54	-	22-818103--1	ELBOX, CYLINDER DRAIN LOWER	27	44
FT11209	BEARING GUIDE SET	54	-	31-817785A2	CRANKSHAFT BEARING CAGE W/SEAL	33	18
FT2951	CIRCUIT TRACER	52	-	32-817738A1	FUEL LINE LONG W/CLAMP AND FERRULE	45	7
FT2953	SOCKET	53	-	33-97180	SPARK PLUG (CHAMPION L20V) - USA	27	77
FT2961	LUBRICANT	56	-	39-818123A1	PISTON RING (2 PER SET) .030 OVERSIZE (NOT SHOWN)	33	-
FT2962-1	SEALANT	56	-	43-817854A2	BEVEL PINION GEAR W/CRUSH RING AND SHIMS	41	35
FT2963-1	SEALANT	56	-	46-817853A1	WATER PUMP	43	-
FT2987-1	LUBRICANT	56	-	46-817853A1	WATER PUMP BODY W/DRIVESHAFT SEAL, DISC AND WATERLINE SEAL	41	59
FT2990	PISTON PIN TOOL	53	-	84-817775A1	COIL WIRE W/TERMINAL CLIP	11	29
FT2996	RING COMPRESSOR	53	-	87-817778A1	THERMOSWITCH	29	98
FT3012	SEAL INSTALLER	54	-	300-817855A1	UNIT W/DECAL	9	45
FT7848	TORQUING ADAPTER	54	-	400-817735A4	CRANKSHAFT W/BEARING	33	15
				600-818052A4	CONNECTING ROD W/CAP AND SCREWS	33	6

PARTS INDEX

Part Number	Description	Pg.	Ref. No.	Part Number	Description	Pg.	Ref. No.
700-819409A3	PISTON .010 OVERSIZE (NOT SHOWN)	33	-				
700-819409A4	PISTON .030 OVERSIZE (NOT SHOWN)	33	-				
1400-817958A6	STERN BRACKET	35	18				