



PARTS CATALOG

4 H.P.

SERIAL NUMBER

4 (1980)	42B0G
4 (1980)	42H0G
4 (1980)	43B0A
4 (1980)	43H0A
4 (1980)	47B0G
4 (1980)	47H0G

TABLE OF CONTENTS:

ACCESSORIES	32
CARBURETOR & REED PLATE	10
ENGINE COVER AND FUEL TANK	2
GEAR HOUSING	22
MAGNETO	8
MOTOR LEG	18
PARTS INDEX	33
POWER HEAD & SUPPORT PLATE	14
SPECIAL TOOLS - LOWER UNIT	28
SPECIAL TOOLS - LUBRICANTS AND SEALANTS	30
SPECIAL TOOLS - POWER HEAD	27
SPECIAL TOOLS - REPAIR DECALS - ENGINE COVERS	31
SPECIAL TOOLS - TEST EQUIPMENT	29
SPECIAL TOOLS - TUNE-UP	26
STARTER	6

NOTE: Indented description indicate that these parts are included in preceding assembly.

AR = As Required

NSS = Not Sold Separate

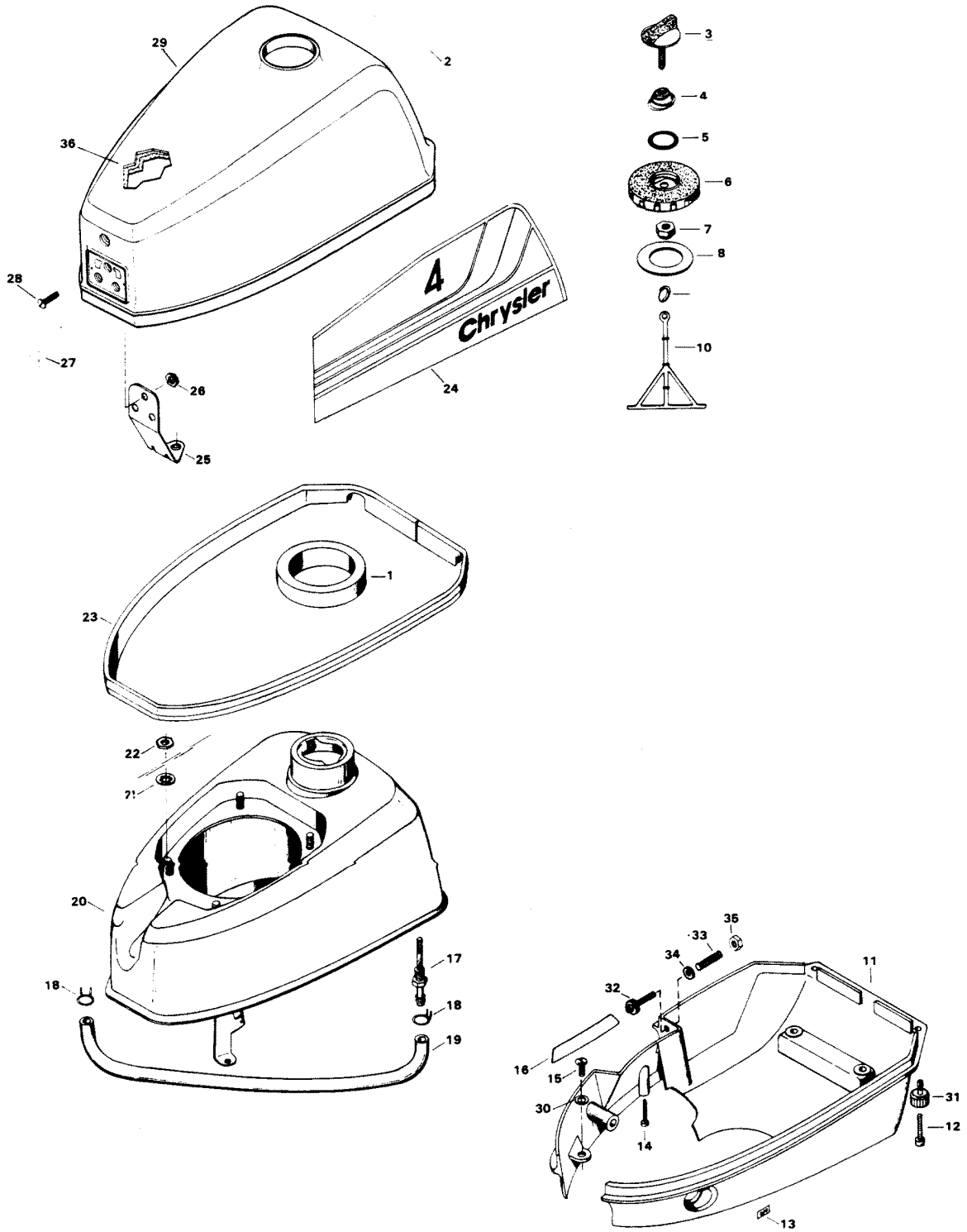
OPT = Optional

NS = Not Shown

THESE PARTS BOOKS/FICHE CARD ARE COPYRIGHTED AND MAY NOT BE DISTRIBUTED OR REPRODUCED IN ANY OTHER FORMAT BY ANYONE OTHER THAN MERCURY MARINE WITHOUT THE PRIOR WRITTEN CONSENT OF MERCURY MARINE.

THIS PAGE INTENTIONALLY LEFT BLANK

ENGINE COVER AND FUEL TANK

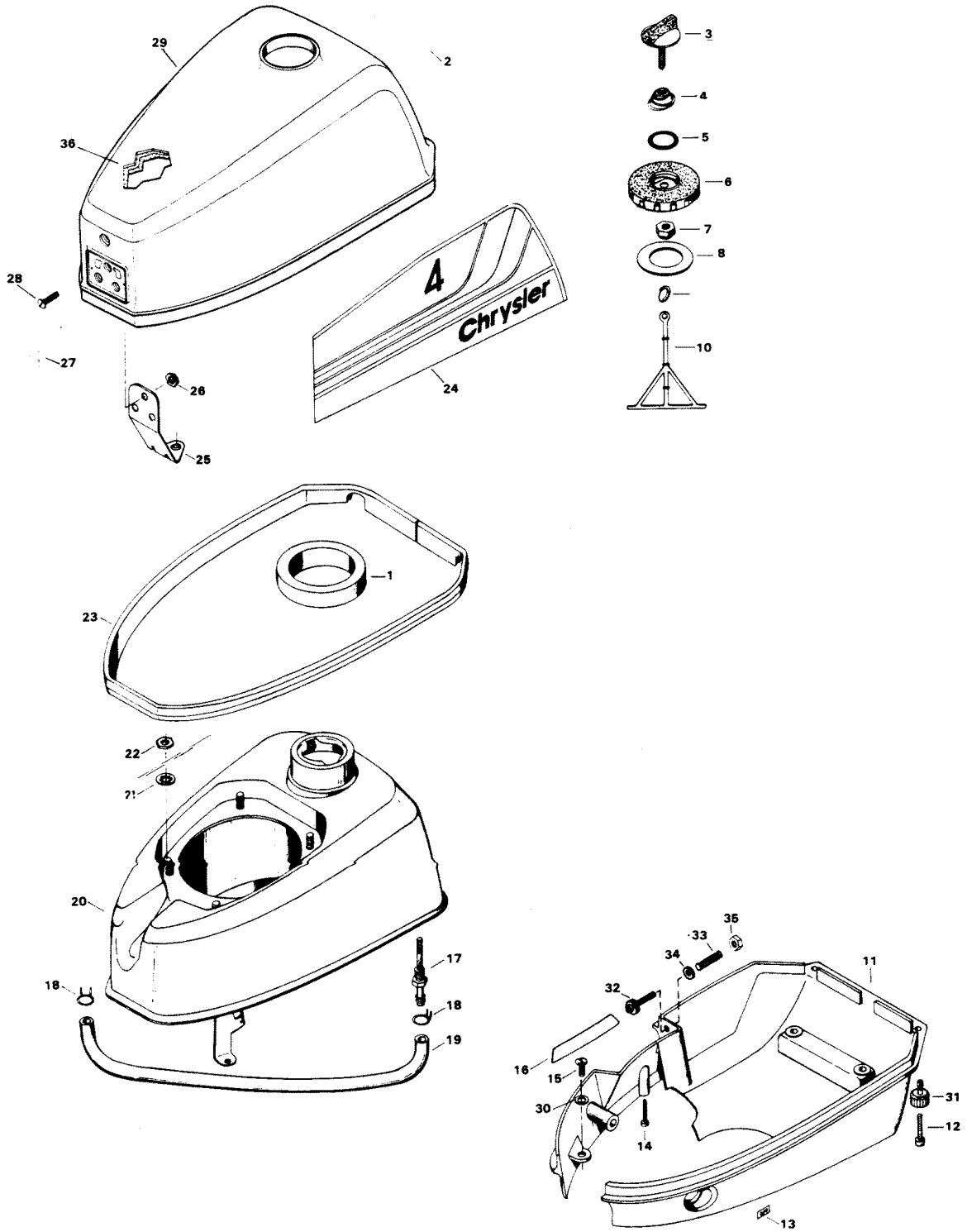


ENGINE COVER AND FUEL TANK

REF. NO.	PART NO.	SYM.	QTY.	DESCRIPTION
1	F459186		1	COLLAR, FUEL TANK
2	FA564528		1	DECAL, ENGINE COVER, REAR W/LITERATURE
3	F17940		1	VENT CAP
4	F17942		1	CAP, TENSION SPRING
5	F17935		1	GASKET, "O" RING
6	F17936		1	FUEL CAP
7	F17941		1	NUT, VENT SCREW
8	F17943-1		1	FUEL CAP GASKET
9	F427249		1	RETAINING RING
10	F17938		1	ANCHOR
11	F535944		1	ENGINE COVER, BOTTOM
12	F1995		2	SLOTTED FILL HD SCREW, 10 - 24 X 1
13	F521894		1	DECAL, "OFF" (USA)
-	FC521894		1	DECAL, "OFF" (CANADA)
14	F1892		1	FILL HD M. SCREW, 10 - 24 X 7/8
15	F1035		3	SLOTTED FILL HD SCREW, 1/4 - 20 X 5/8
16	F521391-2		1	DECAL, SPEED RANGE (USA)
-	37-817908--3		1	DECAL, SPEED RANGE (CANADA)
17	F521811		1	FITTING, GAS TANK
18	F2706772		2	HOSE CLAMP
19	F901754		1	HOSE
20	F521034-1		1	FUEL TANK
21	F8061		4	INTERNAL TOOTH LOCKWASHER
22	F1896		4	HEX NUT
23	FK525713		1	PACKING, TOP COVER TRIM W/LITERATURE ORIGINAL FORCE P/N K 521713-1
24	FA564397		1	DECAL, ENGINE COVER - PORT W/LITERATURE
-	FA564396		1	DECAL, ENGINE COVER - STARBOARD W/LITERATURE
25	FA521778		1	RETAINER, ENGINE COVER FRONT W/ILLUSTRATION 26 & 28
26	F7009		3	HEX NUT
27	FA564892		1	DECAL, ENGINE COVER - FRONT W/LITERATURE
28	F1447		3	PAN HD SCREW, 10 - 24 X 1/2
29	FA535712		1	ENGINE COVER TOP W/RETAINER & PACKING
-	2C564712		1	ENGINE COVER COMPLETE. INCLUDES ALL ITEMS MARKED WITH AN ASTERISK (*)
30	F8008		3	PLAIN WASHER
31	F521284		2	KNOB, ENGINE COVER RETAINER
32	F521690-1		1	SCREW, THROTTLE LEVER ADJUSTMENT

CONTINUED ON NEXT PAGE ➡

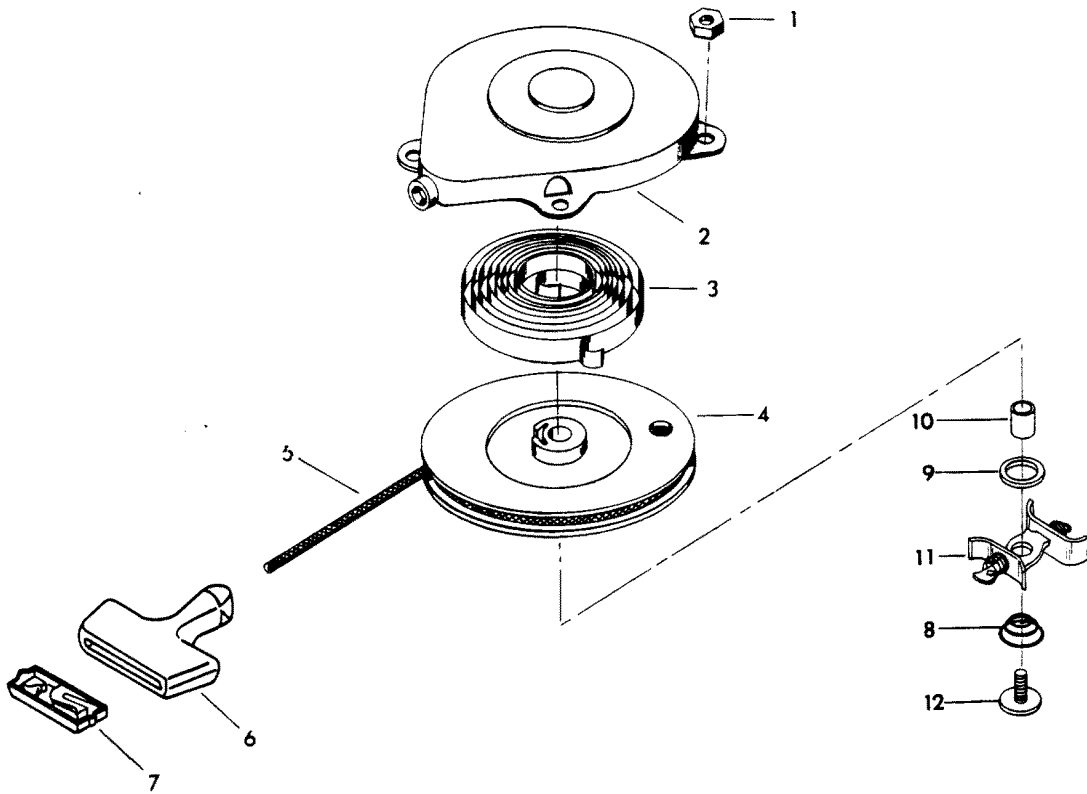
ENGINE COVER AND FUEL TANK



ENGINE COVER AND FUEL TANK

REF. NO.	PART NO.	SYM.	QTY.	DESCRIPTION
33	F521199		1	SPRING, THROTTLE LEVER ADJUSTMENT
34	F2042		1	PLAIN WASHER, #10 NARROW
35	F1473		1	HEX NUT
36	F521984		1	BLANKET, SILENCER TOP
-	F521251-2		1	GAS CAP COMPLETE (NOT SHOWN). INCLUDES ILLUSTRATION 3 THRU 10

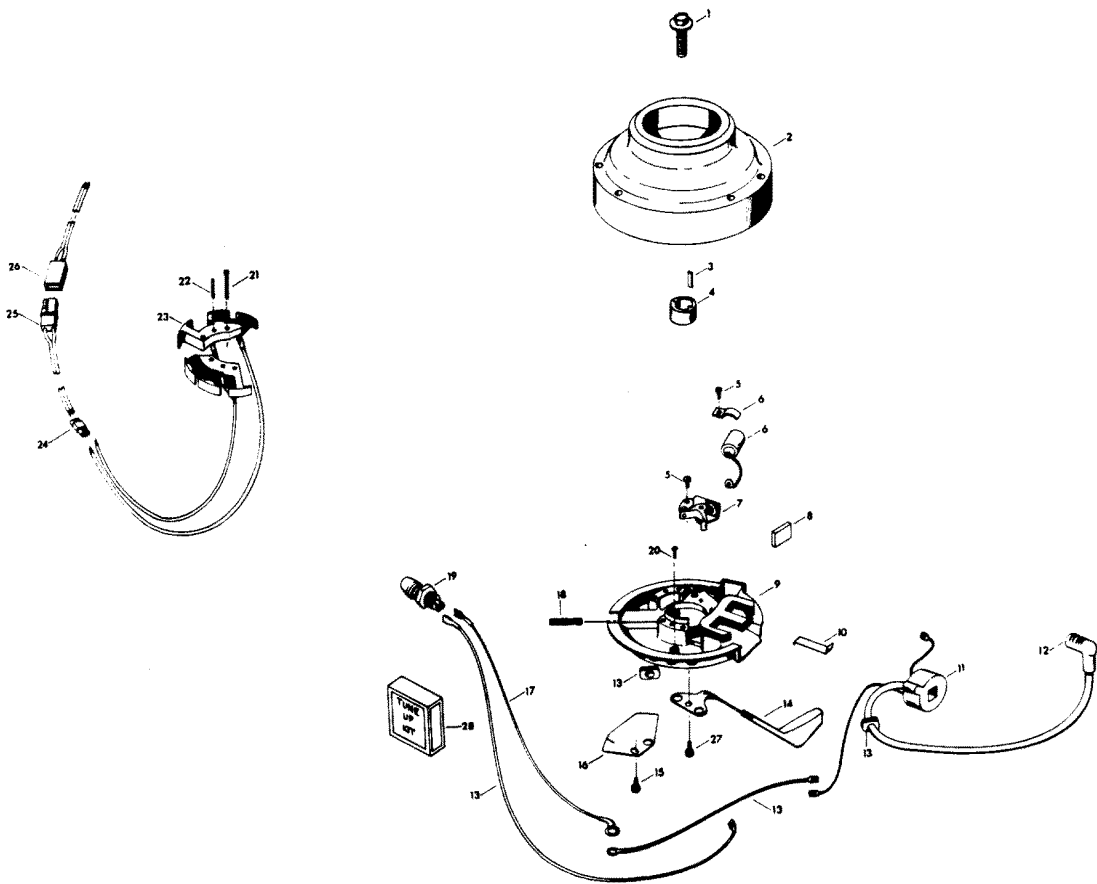
STARTER



STARTER

REF. NO.	PART NO.	SYM.	QTY.	DESCRIPTION
1	F1896		4	HEX NUT
2	F15601		1	COVER
3	F15570		1	SPRING, REWIND
4	F15591		1	ROTOR
5	F15600		1	STARTER ROPE
6	F286132		1	HANDLE, STARTER ROPE
7	817938A1		1	RETAINER, STARTER ROPE HANDLE W/LITERATURE ORIGINAL FORCE P/N K 286817-1
8	F15596		1	SPRING
9	F15594		2	WASHER
10	F15602		1	NYLINER
11	F15595		1	FRICITION SHOE ASSEMBLY
12	F15597		1	SCREW
-	F521063-2		1	STARTER - COMPLETE

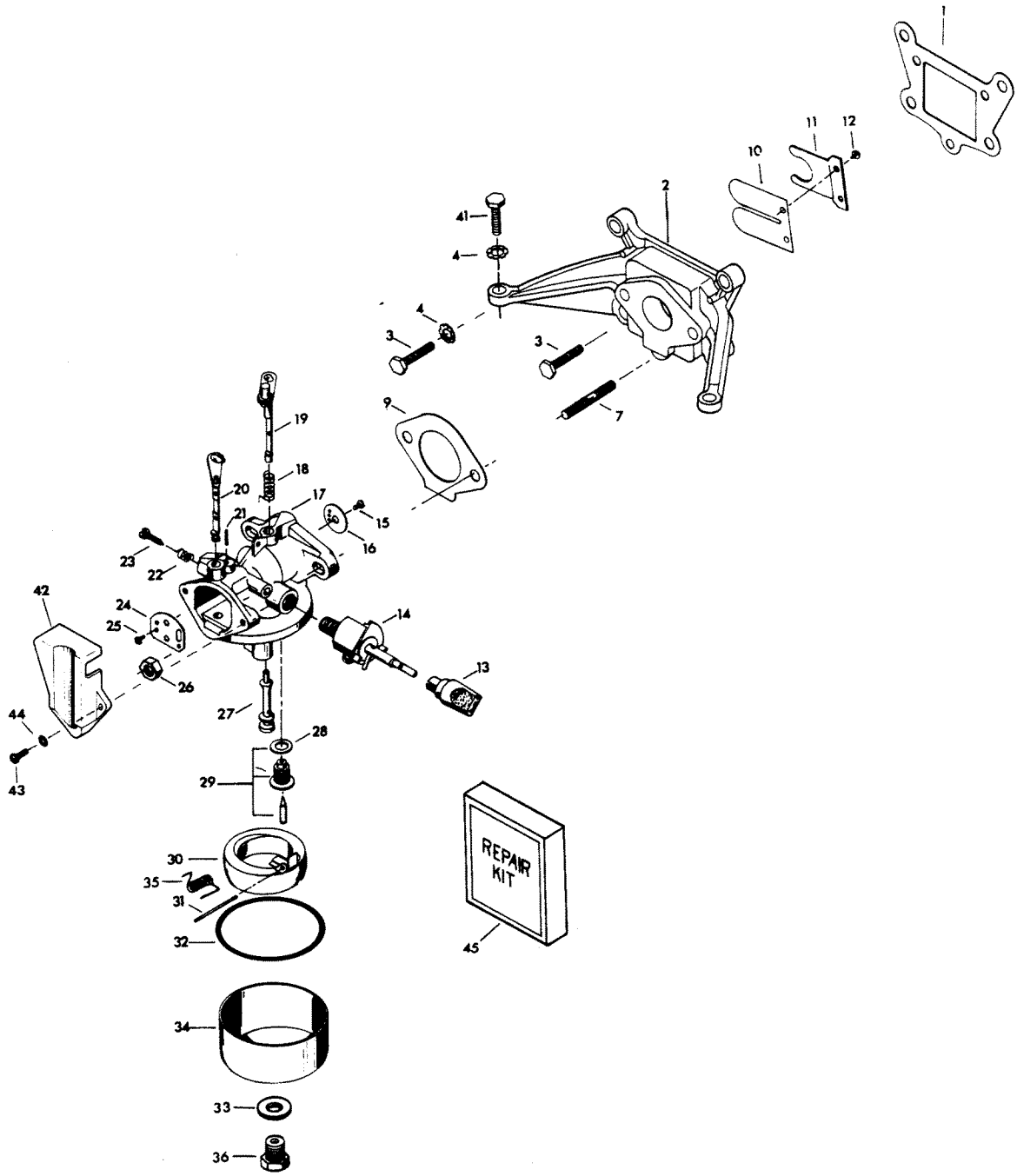
MAGNETO



MAGNETO

REF. NO.	PART NO.	SYM.	QTY.	DESCRIPTION
1	F521552		1	SCREW, FLYWHEEL
2	F521097-1		1	FLYWHEEL
3	F521498		1	KEY, FLYWHEEL
4	F521002		1	CAM
5	F12090		2	MOUNTING SCREW
6	F12357		1	CONDENSER W/CLAMP
7	F12359		1	CONTACT SET
8	F12360		1	FELT CAM
9	F12362		1	STATOR PLATE W/CORE
10	F12363		1	WEDGE SPRING
11	F12358		1	COIL W/LEAD WIRE AND WEDGE SPRING
12	FK750-3		1	SPARKIE KIT
13	F12361		1	LEAD WIRE AND GROMMET PACKAGE
14	F521549-2		1	THROTTLE LEVER
15	F1655		1	HEX HD SCREW W/SPRING LOCKWASHER, 1/4 - 20 X 3/8
16	F521192		1	THROTTLE CAM
17	F521908		1	GROUND WIRE
18	F12066		1	FRICTION SCREW
19	F436449		1	SHORTING SWITCH
20	F1298		1	ROUND HD SCREW W/LOCKWASHER
21	F1087		4	FILL HD SCREW, 10 - 24 X 7/8, FOR MODELS 47HOG, 47BOG
22	F1876		2	SPRING PIN FOR MODELS 47HOG, 47BOG
23	FA523095		1	STATOR, ALTERNATOR FOR MODELS 47HOG, 47BOG W/ILLUSTRATION 24
24	F448874		1	PARALLEL SPLICE FOR MODELS 47HOG, 47BOG
25	F521843		1	CABLE LIGHTING COIL EXTENSION, FOR MODELS 47HOG, 47BOG
26	FA521841		1	CABLE, LIGHTING COIL, FOR MODELS 47HOG, 47BOG W/ILLUSTRATION 24
27	F1734		1	SLOTTED FILL HD SCREW, 1/4 - 20 X 1/2
28	FK1058		1	TUNE UP KIT. INCLUDES ITEMS MARKED WITH AN ASTERISK (*)

CARBURETOR & REED PLATE

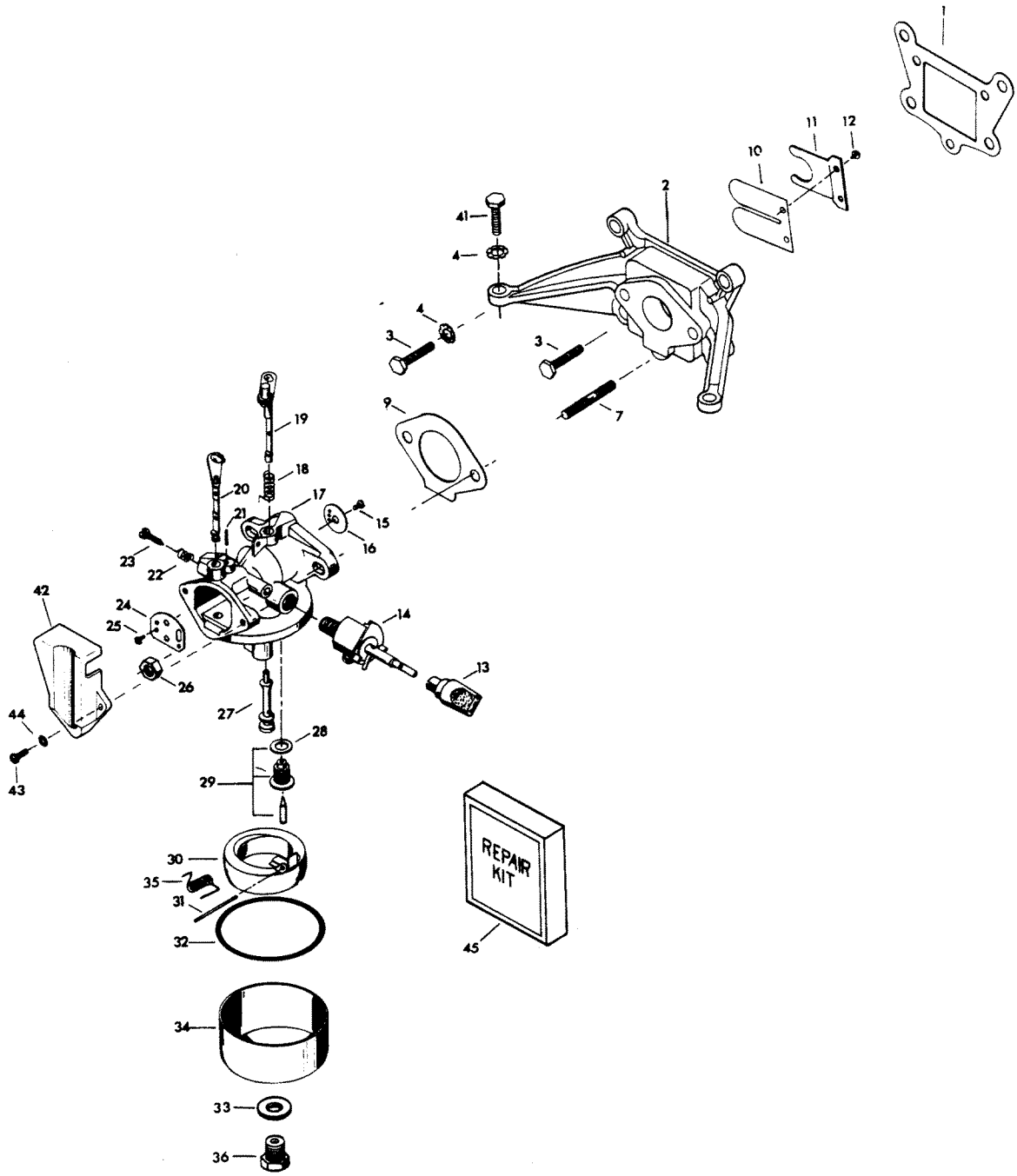


CARBURETOR & REED PLATE

REF. NO.	PART NO.	SYM.	QTY.	DESCRIPTION
1	F521168		1	GASKET, CARBURETOR ADAPTER
2	F2A332167		1	CARBURETOR ADAPTER W/STUDS, REED AND STOP
3	F1532		4	HEX CAP SCREW, 1/4 - 20 X 1
4	F8060		4	INTERNAL TOOTH LOCKWASHER
7	F27209-1		1	STUD, CARBURETOR
9	F521906		1	GASKET, CARBURETOR
10	F31160-1		1	REED
11	F424161		1	REED STOP
12	F1755		2	ROUND HD SCREW W/LOCKWASHER, 6 - 32 X 5/16
13	F521550		1	KNOB, FUEL SHUT-OFF
14	F521489		1	VALVE, FUEL SHUT-OFF
15	F10071		1	SCREW
16	F10060		1	THROTTLE
17	F521061-5		1	CARBURETOR - COMPLETE
18	F10075		1	SPRING, THROTTLE RETURN
19	F10059		1	THROTTLE SHAFT
20	F10061		1	CHOKE SHAFT
21	F10072		1	SPRING, CHOKE STOP
22	F10073		1	SPRING, IDLE ADJUSTMENT NEEDLE
23	F10077		1	NEEDLE, IDLE
24	F10062		1	CHOKE VALVE
25	F10070		2	SCREW, CHOKE VALVE
26	F1490		2	HEX NUT, 1/4 - 20
27	F10065		1	NOZZLE
28	F10066		1	GASKET, VALVE SEAT
29	F10100		1	VALVE, SEAT AND GASKET ASSEMBLY
30	F10063		1	FLOAT
31	F10064		1	FLOAT PIN
32	F10068		1	GASKET, FUEL BOWL
33	F10090		2	GASKET, BOWL RETAINER
34	F10058		1	FUEL BOWL
35	F10084		1	SPRING, FLOAT SUPPORT
36	F10096		1	JET ASSEMBLY (.039) STD. SEA LEVEL - 3000 FT.
-	F10093		-	JET ASSEMBLY (.038) OPT. 3000 FT. - 5000 FT.
-	F10086		-	JET ASSEMBLY (.037) OPT. 5000 FT. - 7000 FT.
-	F10094		-	JET ASSEMBLY (.036) OPT. 7000 FT. AND UP. OPTIONAL SIZE MAIN FUEL JETS (USE ONLY AT ALTITUDES INDICATED)
41	F1534		2	HEX CAP SCREW, 1/4 - 20 X 7/8

CONTINUED ON NEXT PAGE ➡

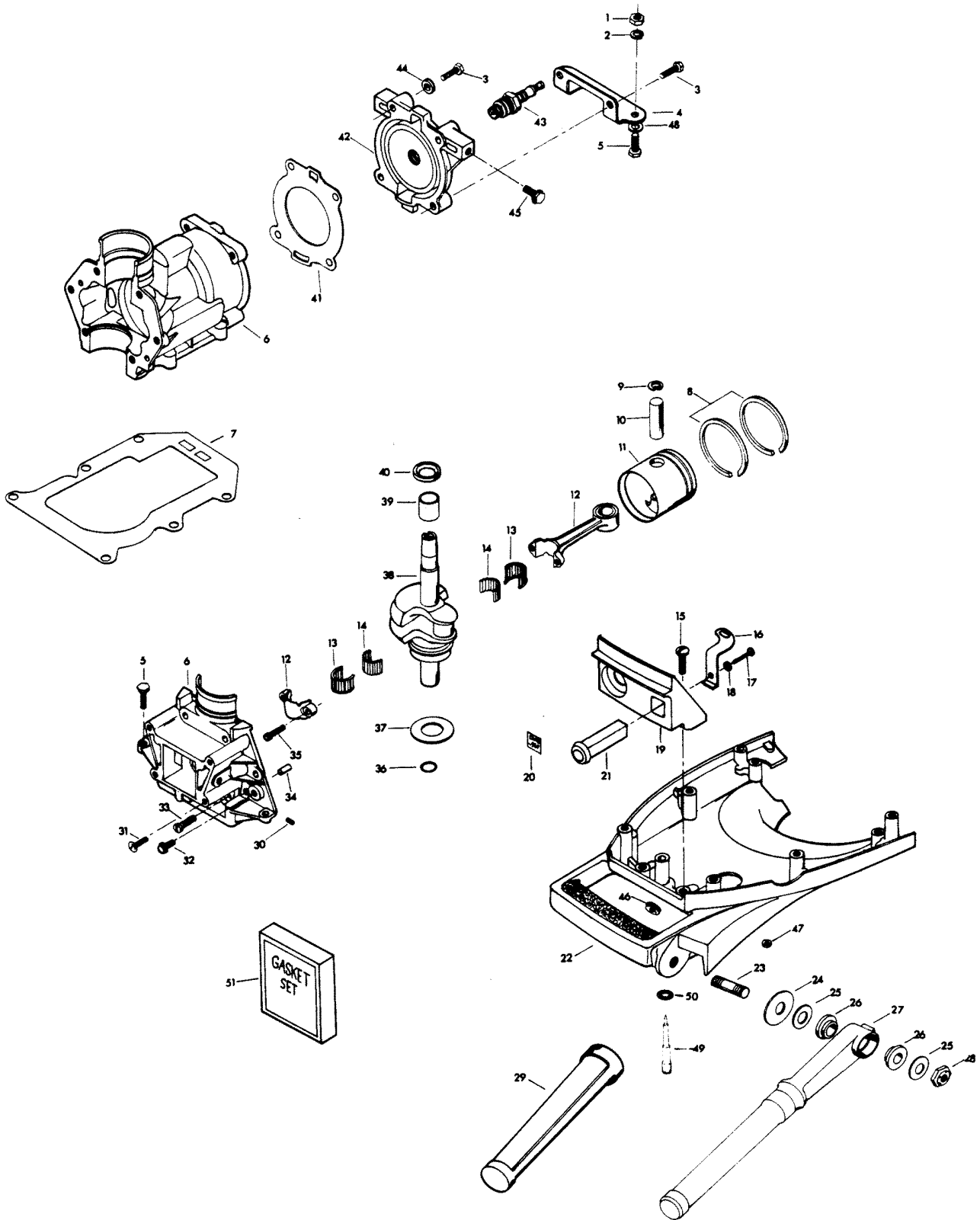
CARBURETOR & REED PLATE



CARBURETOR & REED PLATE

REF. NO.	PART NO.	SYM.	QTY.	DESCRIPTION
42	F521708		1	CARBURETOR COVER
43	F1064		2	FILL HD SCREW, 8 - 32 X 3/8
44	F8078		2	LOCKWASHER, INTERNAL TOOTH
45	F10098		1	REPAIR KIT. INCLUDES ALL ITEMS MARKED WITH AN ASTERISK (*)
-	F10069		1	GASKET SET. INCLUDES ALL ITEMS MARKED WITH A DOUBLE ASTERISK (**)

POWER HEAD & SUPPORT PLATE

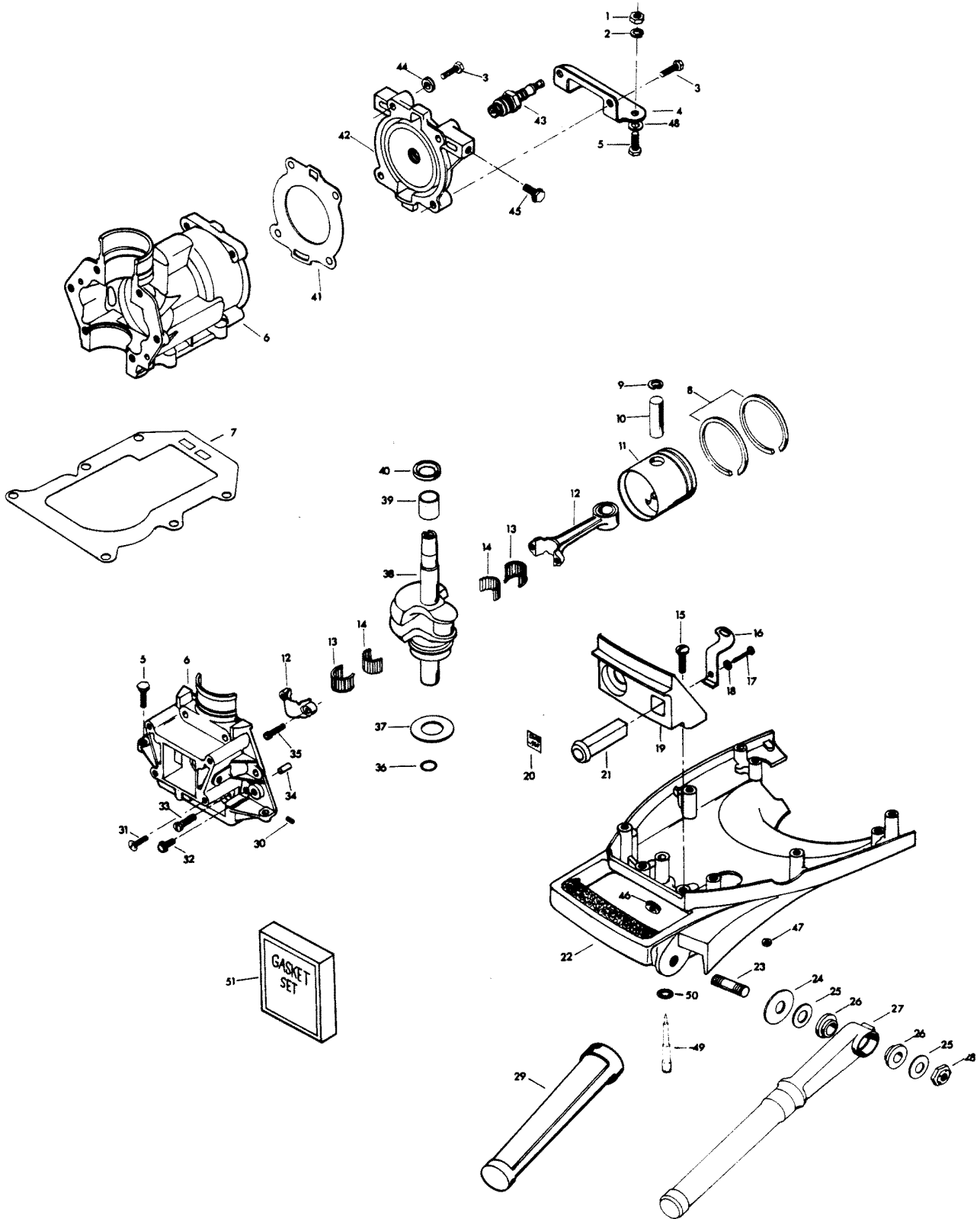


POWER HEAD & SUPPORT PLATE

REF. NO.	PART NO.	SYM.	QTY.	DESCRIPTION
1	F1341		2	HEX NUT
2	F8083		2	SPRING LOCKWASHER
3	F901938-1		4	SCREW, CYLINDER HEAD
4	F521774		1	BRACKET, ENGINE COVER LOWER MOUNTING
5	F1536		4	HEX HD CAP SCREW, 1/4 - 20 X 3/4
6	F2A521010		1	CYLINDER W/CRANKCASE COVER, DOWEL PINS AND SCREWS
-	FC521010		1	SHORT BLOCK (NOT SHOWN). INCLUDES ALL ITEMS MARKED WITH AN ASTERISK (*)
7	F521279		1	GASKET, CYLINDER EXHAUST
8	39-818038A1		2	PISTON RING SET (2 RINGS)
9	F250410		2	PISTON PIN RETAINING RING
10	F250017		1	PISTON PIN
11	F251015		1	PISTON
12	F2A521016		1	CONNECTING ROD W/SCREWS AND BEARING
13	FA525241		2	CAGE, CRANKPIN ROLLER
14	FA525228		1	CRANKPIN ROLLER SET (16 ROLLERS)
15	F1493		2	PAN HD SCREW, 1/4 - 20 X 5/8
16	F521925		1	LINK, CHOKE KNOB
17	F2041		1	HEX HD M. SCREW, 10 - 24 X 3/8
18	F1975		1	SPRING LOCKWASHER
19	F535163		1	COVER, SUPPORT PLATE
20	F521248		1	DECAL, CHOKE (USA)
-	FC521248		1	DECAL, CHOKE (CANADA)
21	F521547		1	CHOKE KNOB
22	F270038		1	SUPPORT PLATE (42HOG, 42BOG)
-	F226038		1	SUPPORT PLATE (42HOG, 47BOG)
23	F521004		1	STUD
24	F286286-1		1	WASHER, NYLON
25	F8015		2	PLAIN WASHER
26	F521319		2	BUSHING, STEERING HANDLE
27	F521079		1	STEERING HANDLE
28	F1756		1	STOP NUT
29	F390137		1	GRIP, STEERING HANDLE
30	F1789		1	PIPE PLUG
31	F1107		2	FILL HD M. SCREW, 1/4 - 20 X 3/4
32	F2040		1	HEX WASHER HD TAPTITE SCREW, 1/4 - 20 X 5/8
33	F1099		4	SLOTTED FILL HD SCREW, 1/4 - 20 X 1 1/4
34	F8559		2	DOWEL PIN
35	F36634		2	SCREW, CONNECTING ROD
36	F521579		1	SEAL, CRANKSHAFT SPLINE
37	F521118-1		1	SEAL, CRANKSHAFT LOWER
38	F2A521018		1	CRANKSHAFT W/SLINGER AND LOWER BEARING
39	F521013		1	BEARING, CRANKSHAFT UPPER

CONTINUED ON NEXT PAGE ➡

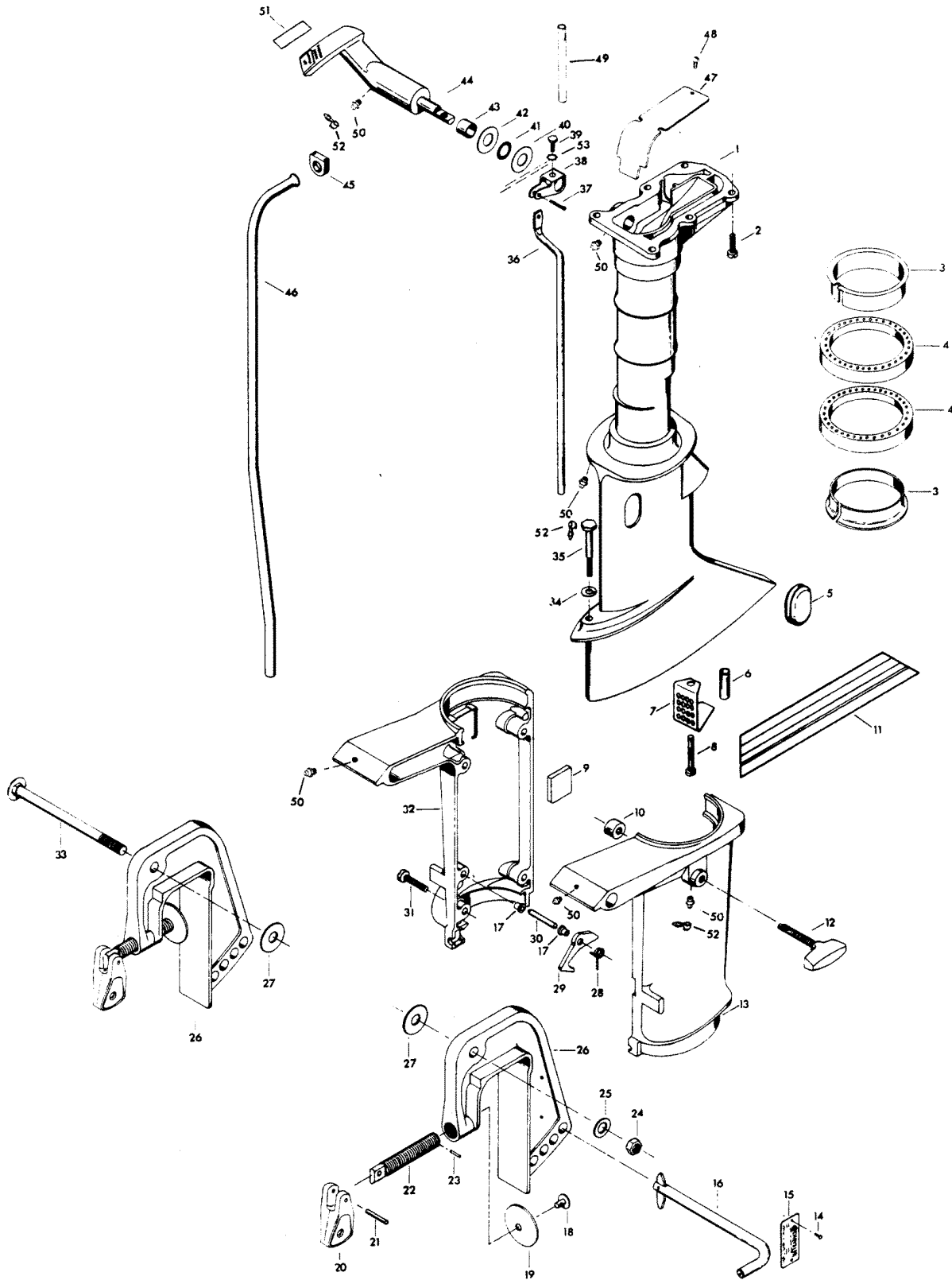
POWER HEAD & SUPPORT PLATE



POWER HEAD & SUPPORT PLATE

REF. NO.	PART NO.	SYM.	QTY.	DESCRIPTION
40	F521146		1	SEAL, CRANKSHAFT UPPER
41	F521529-1		1	GASKET, CYLINDER HEAD
42	F521518		1	CYLINDER HEAD
43	33-82370M		1	SPARK PLUG (L-86)
-	C247227		1	SPARK PLUG (RL-86) FOR MODELS 42BOG, 47BOG
44	F8028		2	PLAIN WASHER
45	F1426		2	HEX HD SCREW W/LOCKWASHER, 1/4 - 20 X 7/16
46	F84991-1		1	GROMMET FOR MODELS 47HOG, 47BOG
47	F53991-2		1	GROMMET, SHEAR PIN
48	F8008		2	PLAIN WASHER
49	F341284-1		1	KNOB, ENGINE COVER RETAINER
50	F9102		1	RETAINING RING
51	FG1015		1	GASKET SET. INCLUDES ITEMS LISTED BELOW
-	F521159		2	REED PLATE GASKET
-	F521168		1	CARBURETOR ADAPTER GASKET
-	F521279		1	CYLINDER EXHAUST GASKET
-	F521529		1	CYLINDER HEAD GASKET
-	F521906		1	CARBURETOR GASKET

MOTOR LEG

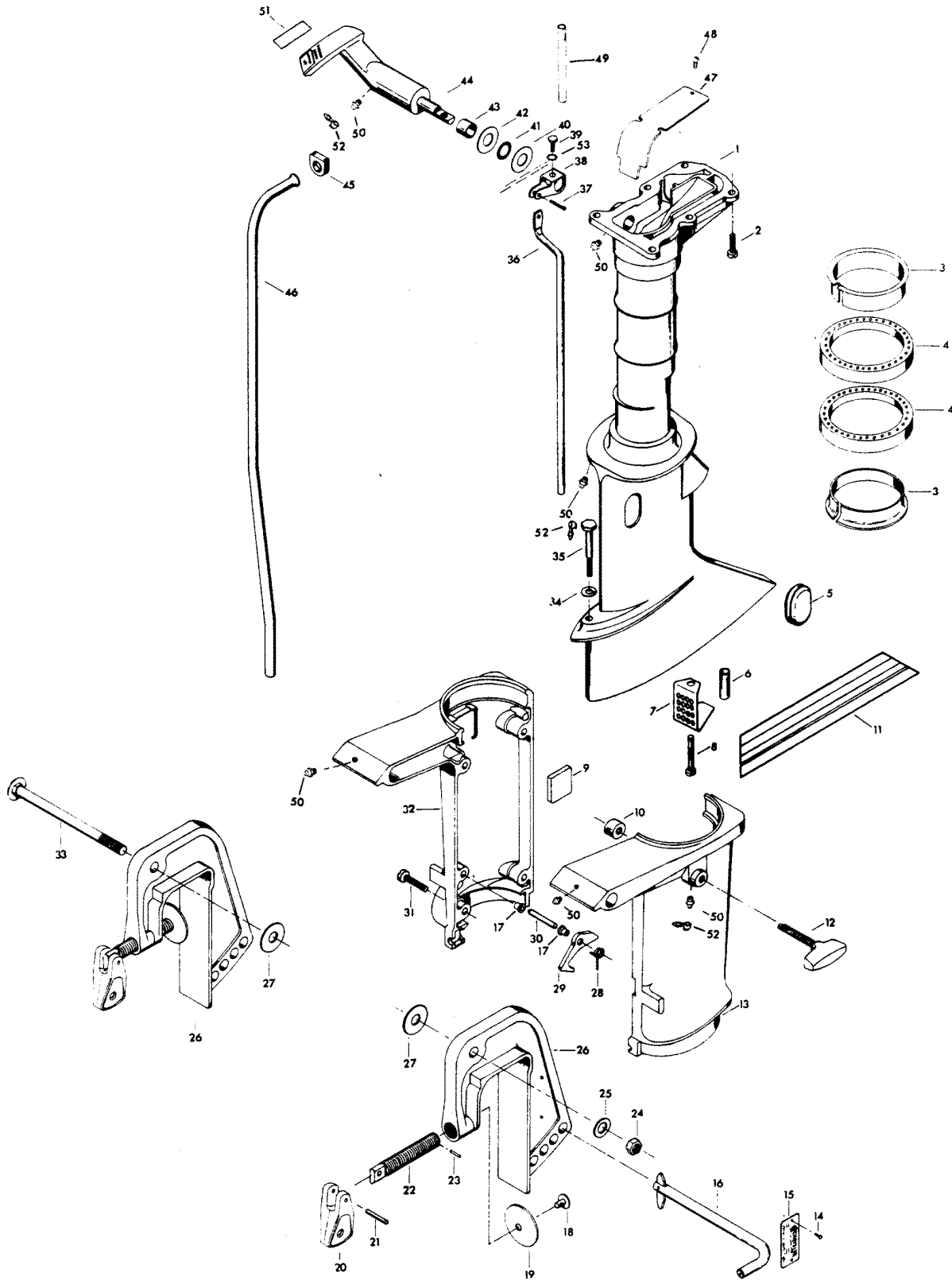


MOTOR LEG

REF. NO.	PART NO.	SYM.	QTY.	DESCRIPTION
1	1500-817940A6		1	MOTOR LEG W/ITEMS 43, 47, 48, 49 AND 50 ORIGINAL FORCE P/N K 341133-2
2	F1540		6	HEX HD SCREW, 1/4 - 20 X 5/8
3	F468169		2	BEARING, SWIVEL BRACKET
4	F468346		2	SHOCK MOUNT
5	F46899-1		1	COVER, SHIFT COUPLING
6	F521727		1	SLEEVE, IDLE BAFFLE
7	F521779		1	BAFFLE, IDLE RELIEF
8	F1747		1	FILL HD SCREW, 10 - 24 X 1-11/16
9	F521661-1		1	PAD, SWIVEL FRICTION
10	F521631		1	SHOE, SWIVEL FRICTION
11	A564392		1	DECAL, LEG - PORT W/LITERATURE
-	A564391		1	DECAL, LEG - STARBOARD W/LITERATURE
12	F531514		1	KNOB, STEERING FRICTION W/SCREW
13	817815A4		1	SWIVEL BRACKET - PORT W/ILLUSTRATION 17 & 50 ORIGINAL FORCE P/N A 521072-3
14	F1447		2	DRIVE SCREW, 2 X 3/16
15	FA535395		1	PLATE, IDENTIFICATION W/SCREWS - USA
-	FAC535395		1	PLATE, IDENTIFICATION W/SCREWS - CANADA
16	817810A1		1	LOCK BAR
17	F197813		2	BEARING
18	F66480		2	STUD
19	F24074		2	CLAMP SCREW FOOT
20	F298075		2	HANDLE, CLAMP SCREW
21	F8554		2	SPRING PIN
22	817761A2		2	CLAMP SCREW W/FOOT AND STUD
23	F8537		2	SPRING PIN
24	F7005		1	STOP NUT
25	F8039		1	PLAIN WASHER
26	1400-817850A4		2	STERN BRACKET W/CLAMP SCREW & FOOT
27	F2037		2	PLAIN WASHER
28	F468300		1	SPRING, REVERSE LOCK
29	F468349		1	REVERSE LOCK
30	F468350		1	PIN, REVERSE LOCK
31	F2035		4	PHILLIPS FILL HD SCREW, 1/4 - 20 X 1
32	817816A6		1	SWIVEL BRACKET - STARBOARD W/ILLUSTRATION 17 ORIGINAL FORCE P/N A 468572-3
33	F468037-1		1	PIVOT BOLT
34	F8083		1	SPRING LOCKWASHER
35	F1175		1	HEX CAP SCREW, 1/4 - 20 X 1 7/8, FOR MODELS 42H9FB, 42B9FB
36	F521615		1	ROD, GEAR SHIFT UPPER
37	F1406		1	COTTER PIN
38	F521621		1	LEVER, GEAR SHIFT

CONTINUED ON NEXT PAGE ➡

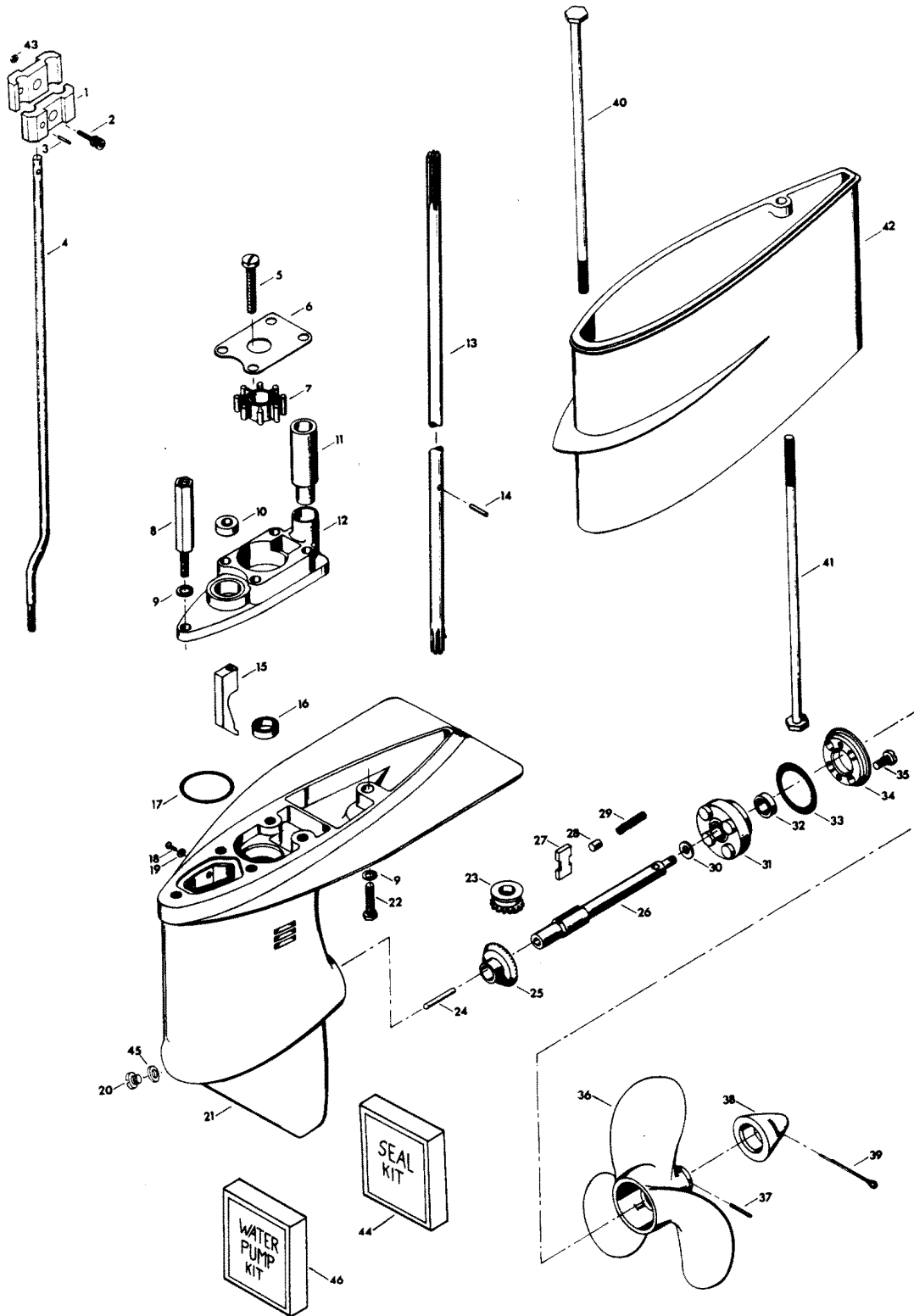
MOTOR LEG



MOTOR LEG

REF. NO.	PART NO.	SYM.	QTY.	DESCRIPTION
39	F2041		1	HEX M. SCREW, 10 - 24 X 3/8
40	F2014		1	PLAIN WASHER
41	F19342		1	SEAL, SHIFT LEVER SHAFT
42	F521415		1	WASHER, GEAR SHIFT HANDLE
43	F341610		1	BEARING, GEAR SHIFT SHAFT
44	820433T		1	HANDLE, GEAR SHIFT W/SHAFT
45	F521342-1		1	SEAL, WATER LINE
46	F521244		1	WATER LINE STANDARD LEG
-	F341244		1	WATER LINE LONG LEG
47	FA341151		1	PLATE, EXHAUST W/ILLUSTRATION 48
48	F1645		3	RD HD THD. CUTTING, 6 - 32 X 1/4
49	F521261		1	LINE, WATER OUTLET
50	F213274		6	FITTING, GREASE
51	FC521400		1	DECAL, GEAR SHIFT HANDLE (CANADA)
52	F521569		3	CAP, GREASE FITTING
53	F1975		1	LOCKWASHER, #10

GEAR HOUSING

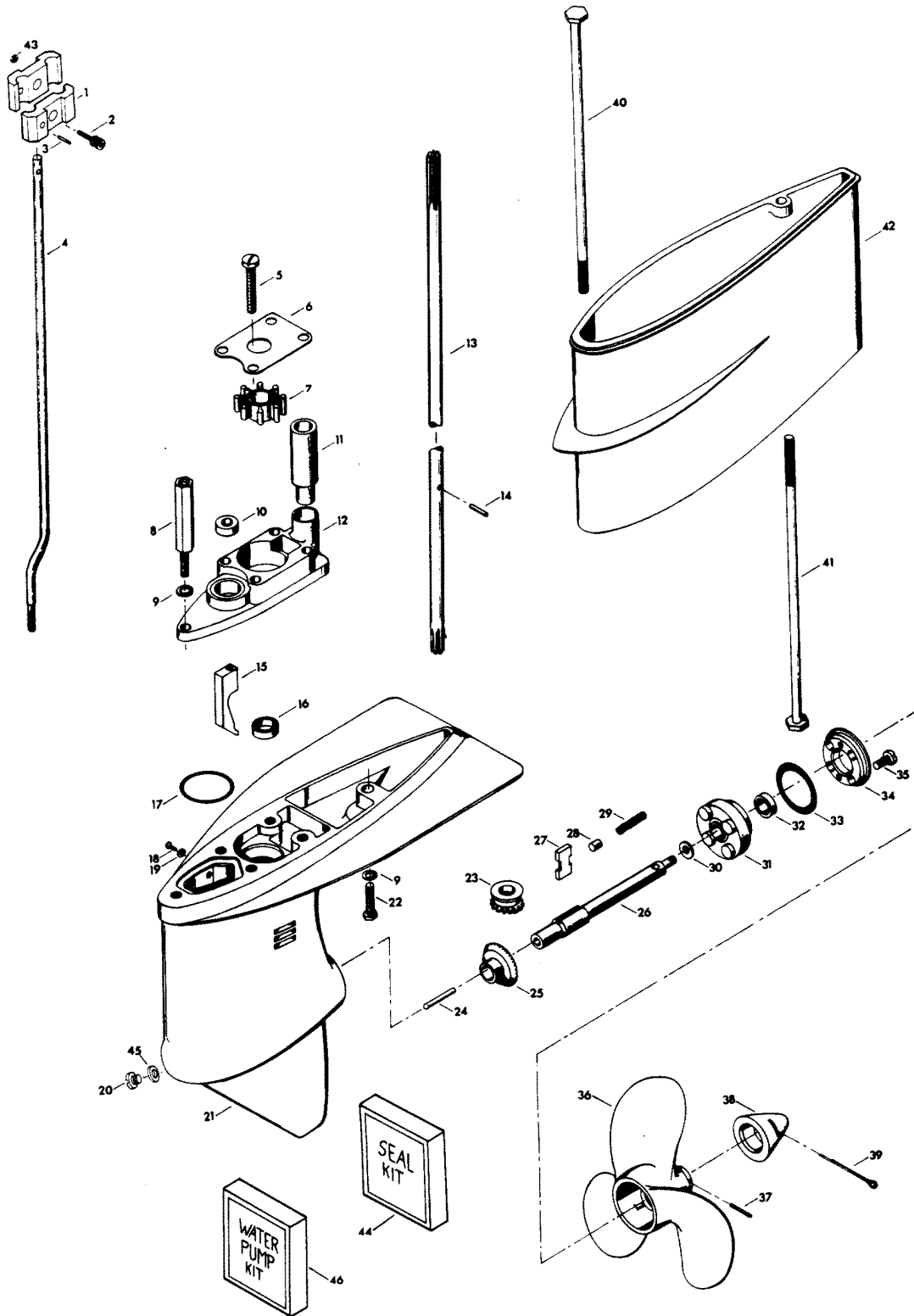


GEAR HOUSING

REF. NO.	PART NO.	SYM.	QTY.	DESCRIPTION
1	F341704		2	COUPLING, GEAR SHIFT ROD
2	F1371		1	SOCKET HD SCREW W/LOCKWASHER, 10 - 24 X 5/8
3	F8538		1	SPRING PIN
4	F521705		1	ROD, GEAR SHIFT LOWER (42HOG, 42BOG)
-	F332705		1	GEAR SHIFT ROD LOWER, FOR MODELS 47HOG, 47BOG
5	F1504		4	FILL HD SCREW, 1/4 - 20 X 1 1/4
6	F521537		1	PLATE, WATER PUMP
7	F521065		1	IMPELLER
8	F521006		1	STUD
9	F8083		3	SPRING LOCKWASHER
10	F338618-1		1	SEAL, SHIFT ROD
11	FA521735		1	SEAL, WATERLINE W/LITERATURE
12	FA735060		1	WATER PUMP BODY W/PLUG
13	F521128		1	DRIVESHAFT - STANDARD LEG
-	F341128		1	DRIVESHAFT - LONG LEG
14	F390563		1	PIN, WATER PUMP IMPELLER DRIVE
15	F521721		1	CAM, CLUTCH SHIFT
16	F318307		1	SEAL, DRIVESHAFT
17	F521783		1	SEAL
18	F1077		1	FILL HD SCREW, 10 - 24 X 1/4
19	F8074		1	WASHER
20	F50109		1	PLUG, GEAR HOUSING
21	F2A521054		1	GEAR HOUSING W/PLUG VENT SCREW, WASHER, DRIVESHAFT BEARING AND SEAL
-	FC521054		1	GEAR HOUSING COMPLETE (47HOG, 47BOG). INCLUDES ALL ITEMS MARKED WITH AN ASTERISK (*)
-	FC341054		1	GEAR HOUSING COMPLETE (42HOG, 42BOG). INCLUDES ALL ITEMS MARKED WITH AN ASTERISK (*)
22	F1199		1	HEX CAP SCREW, 1/4 - 20 X 1, FOR MODELS 42HOG, 42BOG
23	F521266		1	BEVEL PINION GEAR
24	F521728		1	CLUTCH SHIFT PIN
25	FA521023		1	BEVEL GEAR W/BEARING
26	FA409098		1	PROPELLER SHAFT (42HOG, 42BOG) W/ILLUSTRATION 29 & LITERATURE
-	F459098		1	PROPELLER SHAFT (47HOG, 47BOG)
27	F409521		1	CLUTCH
28	F318372		1	PIN, CLUTCH GUIDE
29	F409719		1	CLUTCH SPRING
30	F521099		1	SPACER
31	FA521298		1	BEARING CAGE W/BEARING AND SEAL
32	F521307		1	SEAL, PROPELLER SHAFT
33	F521305		1	SEAL, "O" RING
34	F521296		1	RETAINER, PROPELLER SHAFT BEARING CAGE
35	F525457		4	FILL HD SCREW, 1/4 - 20 X 5/8

CONTINUED ON NEXT PAGE ➡

GEAR HOUSING



GEAR HOUSING

REF. NO.	PART NO.	SYM.	QTY.	DESCRIPTION
36	FP341		1	PROPELLER (42HOG, 47BOG)
-	FP332		1	PROPELLER (42HOG, 42BOG)
37	FA459101		1	PROPELLER PIN, PACK OF 3 (47HOG, 47BOG)
-	FA324101		1	PROPELLER PIN, PACK OF 3 (42HOG, 42BOG)
38	11-817752A1		1	PROPELLER NUT W/COTTER PIN
39	F1846		1	COTTER PIN
40	F1808		1	HEX CAP SCREW, 1/4 - 20 X 7, FOR MODELS 47HOG, 47BOG
41	F1825		1	HEX CAP SCREW, 1/4 - 20 X 6, FOR MODELS 47HOG, 47BOG
42	F521845		1	EXTENSION, MOTOR - FOR MODELS 47HOG, 47BOG
43	F7009		1	LOCK NUT, 10 - 24
44	FK1057		1	GEAR HOUSING SEAL KIT. INCLUDES ALL ITEMS MARKED WITH A DOUBLE ASTERISK (*)
45	F8077		1	WASHER
46	FK1072		1	WATER PUMP KIT. (INCLUDES ITEMS LISTED BELOW)
-	FA521735		1	WATERLINE SEAL
-	FA735060		1	BODY, WATER PUMP
-	F521537		1	PLATE, WATER PUMP TOP
-	F521065		1	IMPELLER, WATER PUMP
-	F338618-1		1	SEAL
-	F1504		4	FILL H.M.S. 1/4-20 X 1-1/4

SPECIAL TOOLS - TUNE-UP

REF. NO.	PART NO.	SYM.	QTY.	DESCRIPTION
-	FT8998		0	KNOCK-OFF SCREW TO REMOVE FLYWHEEL
-	FT2989		0	FLYWHEEL WEDGE TO REMOVE FLYWHEEL
-	FT2993		0	SPANNER WRENCH TO HOLD FLYWHEEL WHEN REMOVING FLYWHEEL SCREW

SPECIAL TOOLS - POWER HEAD

REF. NO.	PART NO.	SYM.	QTY.	DESCRIPTION
-	FT8929		0	CONNECTING ROD TOOL TO REMOVE CONNECTING ROD SCREWS
-	FT8926		0	RING EXPANDER TO REMOVE AND INSTALL PISTON RINGS
-	FT1749		0	SNAP RING PLIERS TO REMOVE AND INSTALL PISTON PIN RETAINING RINGS
-	FT2997		0	RING COMPRESSOR INSTALL PISTON AND RINGS IN CYLINDER

SPECIAL TOOLS - LOWER UNIT

REF. NO.	PART NO.	SYM.	QTY.	DESCRIPTION
-	FT8948-1		0	PULLER TO REMOVE BEARING CAGE RETAINER
-	FT2915		0	SEAL INSTALLER TO INSTALL PROPELLER SHAFT SEAL AND DRIVE SHAFT SEAL
-	FT8957		0	SEAL INSTALLER TO INSTALL SHIFT ROD SEAL

SPECIAL TOOLS - TEST EQUIPMENT

REF. NO.	PART NO.	SYM.	QTY.	DESCRIPTION
-	T8974		0	BREAKER POINT TENSION GAUGE TO CHECK BREAKER POINT SPRING TENSION
-	FT8950		0	LEAKAGE TESTER TO CHECK GEAR HOUSING FOR LEAKS

SPECIAL TOOLS - LUBRICANTS AND SEALANTS

REF. NO.	PART NO.	SYM.	QTY.	DESCRIPTION
-	FT8969		0	LUBRICANT - RYKON #2EP
-	FT2987-1		0	LUBRICANT - ANTI-SEIZE
-	FT2961		0	LUBRICANT - 7 OZ. 2 PSI LUBRICANT
-	FT8983		0	SEALANT
-	FT2962-1		0	SEALANT - 2 CC LOCTITE RETAINING COMPOUND #75
-	FT2963-1		0	SEALANT - 50 CC LOCTITE H, NON-HARDENING GRADE
-	FT8936		0	SEALANT - 2 OZ. LOCTITE D, HARDENING GRADE
-	FT8935		0	SEALANT PRIMER - 6 OZ.

SPECIAL TOOLS - REPAIR DECALS - ENGINE COVERS

REF. NO.	PART NO.	SYM.	QTY.	DESCRIPTION
-	T11236		0	METALLIC SILVER
-	T11233		0	MEDIUM
-	T11212		0	BOAT BLACK
-	T11211		0	BOAT WHITE
-	T11230		0	ORANGE

ACCESSORIES

REF. NO.	PART NO.	SYM.	QTY.	DESCRIPTION
-	F5H089		0	A-C LIGHTING COIL KIT PROVIDES 12 VOLT, 60 WATT OUTPUT FOR OUTBOARD RUNNING LIGHTS.
-	F5H091		0	BATTERY CHARGING SYSTEM USED IN CONJUNCTION WITH 5H089 LIGHTING COIL KIT OR 47H9F, 47B9F MODEL ENGINES.
-	5H092		0	FUEL PUMP KIT ADAPTS ENGINE TO USE WITH REMOTE FUEL TANK.
-	F5H027		0	6 GALLON FUEL TANK USED IN CONJUNCTION WITH 5H092 FUEL PUMP KIT TO PERMIT EXTENDED CRUISING RANGE.
-	760		0	4 1/4 GALLON FUEL TANK USED IN CONJUNCTION WITH 5H092 FUEL PUMP KIT TO PERMIT EXTENDED CRUISING RANGE.
-	F5H093		0	LEG EXTENSION KIT CONVERTS 15 INCH STANDARD SHAFT MODEL TO 20 INCH LONG SHAFT MODEL.
-	F596		0	CHRYSLER OUTBOARD OIL SEE BLOCK COMMENT 1.
-	F597		0	CHRYSLER OUTBOARD GEAR LUBE SEE BLOCK COMMENT 2.
-	72H26		0	CHRYSLER OUTBOARD FUEL AID REMOVES MOISTURE, PREVENTS SLUDGE AND VARNISH AND STABILIZES GAS. AVAILABLE IN 16 OZ. CANS AND 12 CAN CASES.
-	72H27		0	CHRYSLER OUTBOARD STORAGE LUBRICANT WORKS AS A CORROSION INHIBITOR AND PROTECTS INTERNAL ENGINE PARTS DURING STORAGE. AVAILABLE IN 16 OZ. CANS AND 12 CAN CASES.
-	72H28		0	CHRYSLER OUTBOARD MULTI-PURPOSE SPRAY LUBE WORKS AS A LUBRICANT, CLEANER, MOISTURE REMOVER AND ELECTRIC INSULATOR. AVAILABLE IN 9 OZ. CANS AND 12 CAN CASES.
-	F72H29		0	CHRYSLER OUTBOARD MULTI-PURPOSE GREASE LUBRICATES BEARINGS AND OTHER MOVING PARTS. AVAILABLE IN 8 OZ. TUBES AND 12 TUBE CASES.
-	F72H30		0	CHRYSLER OUTBOARD GREASE GUN USED WITH CHRYSLER OUTBOARD MULTI-PURPOSE GREASE TUBES FOR PRESSURE FITTINGS.
-	72H34		0	CHRYSLER OUTBOARD MULTI-PURPOSE CLEANER CLEANS METAL, PAINTED FIBERGLASS AND VINYL SURFACES. AVAILABLE IN 32 OZ. PLASTIC BOTTLES AND 12 BOTTLE CASES.
-	F5H134		0	BOAT WHITE LACQUER

PARTS INDEX

Part Number	Description	Pg.	Ref. No.	Part Number	Description	Pg.	Ref. No.
2C564712	ENGINE COVER COMPLETE.	3	-	F1064	FILL HD SCREW, 8 - 32 X 3/8	13	43
5H092	FUEL PUMP KIT	32	-	F1077	FILL HD SCREW, 10 - 24 X 1/4	23	18
72H26	CHRYSLER OUTBOARD FUEL AID	32	-	F1087	FILL HD SCREW, 10 - 24 X 7/8, FOR MODELS 47HOG, 47BOG	9	21
72H27	CHRYSLER OUTBOARD STORAGE LUBRICANT . .	32	-	F1099	SLOTTED FILL HD SCREW, 1/4 - 20 X 1 1/4	15	33
72H28	CHRYSLER OUTBOARD MULTI-PURPOSE SPRAY LUBE	32	-	F1107	FILL HD M. SCREW, 1/4 - 20 X 3/4	15	31
72H34	CHRYSLER OUTBOARD MULTI-PURPOSE CLEANER	32	-	F1175	HEX CAP SCREW, 1/4 - 20 X 1 7/8, FOR MODELS 42H9FB, 42B9FB	19	35
760	4 1/4 GALLON FUEL TANK .	32	-	F1199	HEX CAP SCREW, 1/4 - 20 X 1, FOR MODELS 42HOG, 42BOG	23	22
817761A2	CLAMP SCREW W/FOOT AND STUD	19	22	F12066	FRICTION SCREW	9	18
817810A1	LOCK BAR	19	16	F12090	MOUNTING SCREW	9	5
817815A4	SWIVEL BRACKET - PORT .	19	13	F12357	CONDENSER W/CLAMP . . .	9	6
817816A6	SWIVEL BRACKET - STARBOARD	19	32	F12358	COIL W/LEAD WIRE AND WEDGE SPRING	9	11
817938A1	RETAINER, STARTER ROPE HANDLE	7	7	F12359	CONTACT SET	9	7
820433T	HANDLE, GEAR SHIFT W/SHAFT	21	44	F12360	FELT CAM	9	8
A564391	DECAL, LEG - STARBOARD	19	-	F12361	LEAD WIRE AND GROMMET PACKAGE	9	13
A564392	DECAL, LEG - PORT	19	11	F12362	STATOR PLATE W/CORE . .	9	9
C247227	SPARK PLUG (RL-86) FOR MODELS 42BOG, 47BOG .	17	-	F12363	WEDGE SPRING	9	10
F10058	FUEL BOWL	11	34	F1298	ROUND HD SCREW W/LOCKWASHER	9	20
F10059	THROTTLE SHAFT	11	19	F1341	HEX NUT	15	1
F10060	THROTTLE	11	16	F1371	SOCKET HD SCREW W/LOCKWASHER, 10 - 24 X 5/8	23	2
F10061	CHOKE SHAFT	11	20	F1406	COTTER PIN	19	37
F10062	CHOKE VALVE	11	24	F1426	HEX HD SCREW W/LOCKWASHER, 1/4 - 20 X 7/16	17	45
F10063	FLOAT	11	30	F1447	DRIVE SCREW, 2 X 3/16 . .	19	14
F10064	FLOAT PIN	11	31	F1447	PAN HD SCREW, 10 - 24 X 1/2	3	28
F10065	NOZZLE	11	27	F1473	HEX NUT	5	35
F10066	GASKET, VALVE SEAT	11	28	F1490	HEX NUT, 1/4 - 20	11	26
F10068	GASKET, FUEL BOWL	11	32	F1493	PAN HD SCREW, 1/4 - 20 X 5/8	15	15
F10069	GASKET SET.	13	-	F1504	FILL H.M.S. 1/4-20 X 1-1/4 . .	25	-
F10070	SCREW, CHOKE VALVE	11	25	F1504	FILL HD SCREW, 1/4 - 20 X 1 1/4	23	5
F10071	SCREW	11	15	F1532	HEX CAP SCREW, 1/4 - 20 X 1	11	3
F10072	SPRING, CHOKE STOP	11	21	F1534	HEX CAP SCREW, 1/4 - 20 X 7/8	11	41
F10073	SPRING, IDLE ADJUSTMENT NEEDLE	11	22	F1536	HEX HD CAP SCREW, 1/4 - 20 X 3/4	15	5
F10075	SPRING, THROTTLE RETURN	11	18	F1540	HEX HD SCREW, 1/4 - 20 X 5/8	19	2
F10077	NEEDLE, IDLE	11	23	F15570	SPRING, REWIND	7	3
F10084	SPRING, FLOAT SUPPORT .	11	35	F15591	ROTOR	7	4
F10086	JET ASSEMBLY (.037) OPT. 5000 FT. - 7000 FT.	11	-	F15594	WASHER	7	9
F10090	GASKET, BOWL RETAINER	11	33	F15595	FRICTION SHOE ASSEMBLY	7	11
F10093	JET ASSEMBLY (.038) OPT. 3000 FT. - 5000 FT.	11	-	F15596	SPRING	7	8
F10094	JET ASSEMBLY (.036) OPT. 7000 FT. AND UP.	11	-				
F10096	JET ASSEMBLY (.039) STD. SEA LEVEL - 3000 FT. . . .	11	36				
F10098	REPAIR KIT.	13	45				
F10100	VALVE, SEAT AND GASKET ASSEMBLY	11	29				

PARTS INDEX

Part Number	Description	Pg.	Ref. No.	Part Number	Description	Pg.	Ref. No.
F15597	SCREW	7	12	F250017	PISTON PIN	15	10
F15600	STARTER ROPE	7	5	F250410	PISTON PIN RETAINING RING	15	9
F15601	COVER	7	2	F251015	PISTON	15	11
F15602	NYLINER	7	10	F270038	SUPPORT PLATE (42HOG, 42BOG)	15	22
F1645	RD HD THD. CUTTING, 6 - 32 X 1/4	21	48	F2706772	HOSE CLAMP	3	18
F1655	HEX HD SCREW W/SPRING LOCKWASHER, 1/4 - 20 X 3/8	9	15	F27209-1	STUD, CARBURETOR	11	7
F1734	SLOTTED FILL HD SCREW, 1/4 - 20 X 1/2	9	27	F286132	HANDLE, STARTER ROPE	7	6
F1747	FILL HD SCREW, 10 - 24 X 1-11/16	19	8	F286286-1	WASHER, NYLON	15	24
F1755	ROUND HD SCREW W/LOCKWASHER, 6 - 32 X 5/16	11	12	F298075	HANDLE, CLAMP SCREW	19	20
F1756	STOP NUT	15	28	F2A332167	CARBURETOR ADAPTER W/STUDS, REED AND STOP	11	2
F1789	PIPE PLUG	15	30	F2A521010	CYLINDER W/CRANKCASE COVER, DOWEL PINS AND SCREWS	15	6
F17935	GASKET, "O" RING	3	5	F2A521016	CONNECTING ROD W/SCREWS AND BEARING	15	12
F17936	FUEL CAP	3	6	F2A521018	CRANKSHAFT W/SLINGER AND LOWER BEARING	15	38
F17938	ANCHOR	3	10	F2A521054	GEAR HOUSING	23	21
F17940	VENT CAP	3	3	F31160-1	REED	11	10
F17941	NUT, VENT SCREW	3	7	F318307	SEAL, DRIVESHAFT	23	16
F17942	CAP, TENSION SPRING	3	4	F318372	PIN, CLUTCH GUIDE	23	28
F17943-1	FUEL CAP GASKET	3	8	F332705	GEAR SHIFT ROD LOWER, FOR MODELS 47HOG, 47BOG	23	-
F1808	HEX CAP SCREW, 1/4 - 20 X 7, FOR MODELS 47HOG, 47BOG	25	40	F338618-1	SEAL	25	-
F1825	HEX CAP SCREW, 1/4 - 20 X 6, FOR MODELS 47HOG, 47BOG	25	41	F338618-1	SEAL, SHIFT ROD	23	10
F1846	COTTER PIN	25	39	F341128	DRIVESHAFT - LONG LEG	23	-
F1876	SPRING PIN FOR MODELS 47HOG, 47BOG	9	22	F341244	WATER LINE LONG LEG	21	-
F1892	FILL HD M. SCREW, 10 - 24 X 7/8	3	14	F341284-1	KNOB, ENGINE COVER RETAINER	17	49
F1896	HEX NUT	3	22	F341610	BEARING, GEAR SHIFT SHAFT	21	43
F1896	HEX NUT	7	1	F341704	COUPLING, GEAR SHIFT ROD	23	1
F19342	SEAL, SHIFT LEVER SHAFT	21	41	F36634	SCREW, CONNECTING ROD	15	35
F1975	LOCKWASHER, #10	21	53	F390137	GRIP, STEERING HANDLE	15	29
F1975	SPRING LOCKWASHER	15	18	F390563	PIN, WATER PUMP IMPELLER DRIVE	23	14
F197813	BEARING	19	17	F409521	CLUTCH	23	27
F1995	SLOTTED FILL HD SCREW, 10 - 24 X 1	3	12	F409719	CLUTCH SPRING	23	29
F2014	PLAIN WASHER	21	40	F424161	REED STOP	11	11
F2035	PHILLIPS FILL HD SCREW, 1/4 - 20 X 1	19	31	F427249	RETAINING RING	3	9
F2037	PLAIN WASHER	19	27	F436449	SHORTING SWITCH	9	19
F2040	HEX WASHER HD TAPTITE SCREW, 1/4 - 20 X 5/8	15	32	F448874	PARALLEL SPLICE FOR MODELS 47HOG, 47BOG	9	24
F2041	HEX HD M. SCREW, 10 - 24 X 3/8	15	17	F459098	PROPELLER SHAFT (47HOG, 47BOG)	23	-
F2041	HEX M. SCREW, 10 - 24 X 3/8	21	39	F459186	COLLAR, FUEL TANK	3	1
F2042	PLAIN WASHER, #10 NARROW	5	34	F468037-1	PIVOT BOLT	19	33
F213274	FITTING, GREASE	21	50	F468169	BEARING, SWIVEL BRACKET	19	3
F226038	SUPPORT PLATE (42HOG, 47BOG)	15	-	F468300	SPRING, REVERSE LOCK	19	28
F24074	CLAMP SCREW FOOT	19	19	F468346	SHOCK MOUNT	19	4
				F468349	REVERSE LOCK	19	29
				F468350	PIN, REVERSE LOCK	19	30

PARTS INDEX

Part Number	Description	Pg.	Ref. No.	Part Number	Description	Pg.	Ref. No.
F46899-1	COVER, SHIFT COUPLING	19	5	F521549-2	THROTTLE LEVER	9	14
F50109	PLUG, GEAR HOUSING	23	20	F521550	KNOB, FUEL SHUT-OFF	11	13
F521002	CAM	9	4	F521552	SCREW, FLYWHEEL	9	1
F521004	STUD	15	23	F521569	CAP, GREASE FITTING	21	52
F521006	STUD	23	8	F521579	SEAL, CRANKSHAFT SPLINE	15	36
F521013	BEARING, CRANKSHAFT UPPER	15	39	F521615	ROD, GEAR SHIFT UPPER	19	36
F521034-1	FUEL TANK	3	20	F521621	LEVER, GEAR SHIFT	19	38
F521061-5	CARBURETOR - COMPLETE	11	17	F521631	SHOE, SWIVEL FRICTION	19	10
F521063-2	STARTER - COMPLETE	7	-	F521661-1	PAD, SWIVEL FRICTION	19	9
F521065	IMPELLER	23	7	F521690-1	SCREW, THROTTLE LEVER ADJUSTMENT	3	32
F521065	IMPELLER, WATER PUMP	25	-	F521705	ROD, GEAR SHIFT LOWER (42HOG, 42BOG)	23	4
F521079	STEERING HANDLE	15	27	F521708	CARBURETOR COVER	13	42
F521097-1	FLYWHEEL	9	2	F521721	CAM, CLUTCH SHIFT	23	15
F521099	SPACER	23	30	F521727	SLEEVE, IDLE BAFFLE	19	6
F521118-1	SEAL, CRANKSHAFT LOWER	15	37	F521728	CLUTCH SHIFT PIN	23	24
F521128	DRIVESHAFT - STANDARD LEG	23	13	F521774	BRACKET, ENGINE COVER LOWER MOUNTING	15	4
F521146	SEAL, CRANKSHAFT UPPER	17	40	F521779	BAFFLE, IDLE RELIEF	19	7
F521159	REED PLATE GASKET	17	-	F521783	SEAL	23	17
F521168	CARBURETOR ADAPTER GASKET	17	-	F521811	FITTING, GAS TANK	3	17
F521168	GASKET, CARBURETOR ADAPTER	11	1	F521843	CABLE LIGHTING COIL EXTENSION, FOR MODELS 47HOG, 47BOG	9	25
F521192	THROTTLE CAM	9	16	F521845	EXTENSION, MOTOR - FOR MODELS 47HOG, 47BOG	25	42
F521199	SPRING, THROTTLE LEVER ADJUSTMENT	5	33	F521894	DECAL, "OFF" (USA)	3	13
F521244	WATER LINE STANDARD LEG	21	46	F521906	CARBURETOR GASKET	17	-
F521248	DECAL, CHOKE (USA)	15	20	F521906	GASKET, CARBURETOR	11	9
F521251-2	GAS CAP COMPLETE (NOT SHOWN)	5	-	F521908	GROUND WIRE	9	17
F521261	LINE, WATER OUTLET	21	49	F521925	LINK, CHOKE KNOB	15	16
F521266	BEVEL PINION GEAR	23	23	F521984	BLANKET, SILENCER TOP	5	36
F521279	CYLINDER EXHAUST GASKET	17	-	F525457	FILL HD SCREW, 1/4 - 20 X 5/8	23	35
F521279	GASKET, CYLINDER EXHAUST	15	7	F531514	KNOB, STEERING FRICTION W/SCREW	19	12
F521284	KNOB, ENGINE COVER RETAINER	3	31	F535163	COVER, SUPPORT PLATE	15	19
F521296	RETAINER, PROPELLER SHAFT BEARING CAGE	23	34	F535944	ENGINE COVER, BOTTOM	3	11
F521305	SEAL, "O" RING	23	33	F53991-2	GROMMET, SHEAR PIN	17	47
F521307	SEAL, PROPELLER SHAFT	23	32	F596	CHRYSLER OUTBOARD OIL	32	-
F521319	BUSHING, STEERING HANDLE	15	26	F597	CHRYSLER OUTBOARD GEAR LUBE	32	-
F521342-1	SEAL, WATER LINE	21	45	F5H027	6 GALLON FUEL TANK	32	-
F521391-2	DECAL, SPEED RANGE (USA)	3	16	F5H089	A-C LIGHTING COIL KIT	32	-
F521415	WASHER, GEAR SHIFT HANDLE	21	42	F5H091	BATTERY CHARGING SYSTEM	32	-
F521489	VALVE, FUEL SHUT-OFF	11	14	F5H093	LEG EXTENSION KIT	32	-
F521498	KEY, FLYWHEEL	9	3	F5H134	BOAT WHITE LACQUER	32	-
F521518	CYLINDER HEAD	17	42	F66480	STUD	19	18
F521529	CYLINDER HEAD GASKET	17	-	F7005	STOP NUT	19	24
F521529-1	GASKET, CYLINDER HEAD	17	41	F7009	HEX NUT	3	26
F521537	PLATE, WATER PUMP	23	6	F7009	LOCK NUT, 10 - 24	25	43
F521537	PLATE, WATER PUMP TOP	25	-	F72H29	CHRYSLER OUTBOARD MULTI-PURPOSE GREASE	32	-
F521547	CHOKE KNOB	15	21	F72H30	CHRYSLER OUTBOARD GREASE GUN	32	-
				F8008	PLAIN WASHER	3	30
				F8008	PLAIN WASHER	17	48
				F8015	PLAIN WASHER	15	25

PARTS INDEX

Part Number	Description	Pg.	Ref. No.	Part Number	Description	Pg.	Ref. No.
F8028	PLAIN WASHER	17	44	FC341054	GEAR HOUSING COMPLETE (42HOG, 42BOG).	23	-
F8039	PLAIN WASHER	19	25	FC521010	SHORT BLOCK (NOT SHOWN).	15	-
F8060	INTERNAL TOOTH LOCKWASHER	11	4	FC521054	GEAR HOUSING COMPLETE (47HOG, 47BOG).	23	-
F8061	INTERNAL TOOTH LOCKWASHER	3	21	FC521248	DECAL, CHOKE (CANADA)	15	-
F8074	WASHER	23	19	FC521400	DECAL, GEAR SHIFT HANDLE (CANADA)	21	51
F8077	WASHER	25	45	FC521894	DECAL, "OFF" (CANADA)	3	-
F8078	LOCKWASHER, INTERNAL TOOTH	13	44	FG1015	GASKET SET.	17	51
F8083	SPRING LOCKWASHER	15	2	FK1057	GEAR HOUSING SEAL KIT.	25	44
F8083	SPRING LOCKWASHER	19	34	FK1058	TUNE UP KIT.	9	28
F8083	SPRING LOCKWASHER	23	9	FK1072	WATER PUMP KIT.	25	46
F84991-1	GROMMET FOR MODELS 47HOG, 47BOG	17	46	FK525713	PACKING, TOP COVER TRIM	3	23
F8537	SPRING PIN	19	23	FK750-3	SPARKIE KIT	9	12
F8538	SPRING PIN	23	3	FP332	PROPELLER (42HOG, 42BOG)	25	-
F8554	SPRING PIN	19	21	FP341	PROPELLER (42HOG, 47BOG)	25	36
F8559	DOWEL PIN	15	34	FT1749	SNAP RING PLIERS	27	-
F901754	HOSE	3	19	FT2915	SEAL INSTALLER	28	-
F901938-1	SCREW, CYLINDER HEAD	15	3	FT2961	LUBRICANT - 7 OZ. 2 PSI LUBRICANT	30	-
F9102	RETAINING RING	17	50	FT2962-1	SEALANT - 2 CC LOCTITE RETAINING COMPOUND #75	30	-
FA324101	PROPELLER PIN, PACK OF 3 (42HOG, 42BOG)	25	-	FT2963-1	SEALANT - 50 CC LOCTITE H, NON-HARDENING GRADE	30	-
FA341151	PLATE, EXHAUST	21	47	FT2987-1	LUBRICANT - ANTI-SEIZE	30	-
FA409098	PROPELLER SHAFT (42HOG, 42BOG)	23	26	FT2989	FLYWHEEL WEDGE	26	-
FA459101	PROPELLER PIN, PACK OF 3 (47HOG, 47BOG)	25	37	FT2993	SPANNER WRENCH	26	-
FA521023	BEVEL GEAR W/BEARING	23	25	FT2997	RING COMPRESSOR	27	-
FA521298	BEARING CAGE W/BEARING AND SEAL	23	31	FT8926	RING EXPANDER	27	-
FA521735	SEAL, WATERLINE	23	11	FT8929	CONNECTING ROD TOOL	27	-
FA521735	WATERLINE SEAL	25	-	FT8935	SEALANT PRIMER - 6 OZ.	30	-
FA521778	RETAINER, ENGINE COVER FRONT	3	25	FT8936	SEALANT - 2 OZ. LOCTITE D, HARDENING GRADE	30	-
FA521841	CABLE, LIGHTING COIL, FOR MODELS 47HOG, 47BOG	9	26	FT8948-1	PULLER	28	-
FA523095	STATOR, ALTERNATOR FOR MODELS 47HOG, 47BOG	9	23	FT8950	LEAKAGE TESTER	29	-
FA525228	CRANKPIN ROLLER SET (16 ROLLERS)	15	14	FT8957	SEAL INSTALLER	28	-
FA525241	CAGE, CRANKPIN ROLLER	15	13	FT8969	LUBRICANT - RYKON #2EP	30	-
FA535395	PLATE, IDENTIFICATION W/SCREWS - USA	19	15	FT8983	SEALANT	30	-
FA535712	ENGINE COVER TOP W/RETAINER & PACKING	3	29	FT8998	KNOCK-OFF SCREW	26	-
FA564396	DECAL, ENGINE COVER - STARBOARD	3	-	T11211	BOAT WHITE	31	-
FA564397	DECAL, ENGINE COVER - PORT	3	24	T11212	BOAT BLACK	31	-
FA564528	DECAL, ENGINE COVER, REAR	3	2	T11230	ORANGE	31	-
FA564892	DECAL, ENGINE COVER - FRONT	3	27	T11233	MEDIUM	31	-
FA735060	BODY, WATER PUMP	25	-	T11236	METALLIC SILVER	31	-
FA735060	WATER PUMP BODY W/PLUG	23	12	T8974	BREAKER POINT TENSION GAUGE	29	-
				11-817752A1	PROPELLER NUT W/COTTER PIN	25	38
				33-82370M	SPARK PLUG (L-86)	17	43
				37-817908--3	DECAL, SPEED RANGE (CANADA)	3	-
				39-818038A1	PISTON RING SET (2 RINGS)	15	8
				1400-817850A4	STERN BRACKET W/CLAMP SCREW & FOOT	19	26

PARTS INDEX

Part Number	Description	Pg.	Ref. No.	Part Number	Description	Pg.	Ref. No.
1500-817940A6	MOTOR LEG	19	1				