



PARTS CATALOG

7.5 H.P.

SERIAL NUMBER

7.5 (1980)	72B0C
7.5 (1980)	72H0C
7.5 (1980)	77B0B
7.5 (1980)	77H0B

TABLE OF CONTENTS:

ACCESSORIES	39
ELECTRICAL COMPONENTS	6
ENGINE COVER AND SUPPORT PLATE	2
FUEL SYSTEM	14
FUEL TANK AND LINE	30
GEAR HOUSING	26
MOTOR LEG	22
PARTS INDEX	40
POWER HEAD	18
SPECIAL TOOLS - LOWER UNIT	35
SPECIAL TOOLS - LUBRICANTS AND SEALANTS	37
SPECIAL TOOLS - POWER HEAD	34
SPECIAL TOOLS - REPAIR DECALS - ENGINE COVERS	38
SPECIAL TOOLS - STARTER	33
SPECIAL TOOLS - TEST EQUIPMENT	36
SPECIAL TOOLS - TUNE-UP	32
STARTER	12
STEERING ARM	8

NOTE: Indented description indicate that these parts are included in preceeding assembly.

AR = As Required

NSS = Not Sold Separate

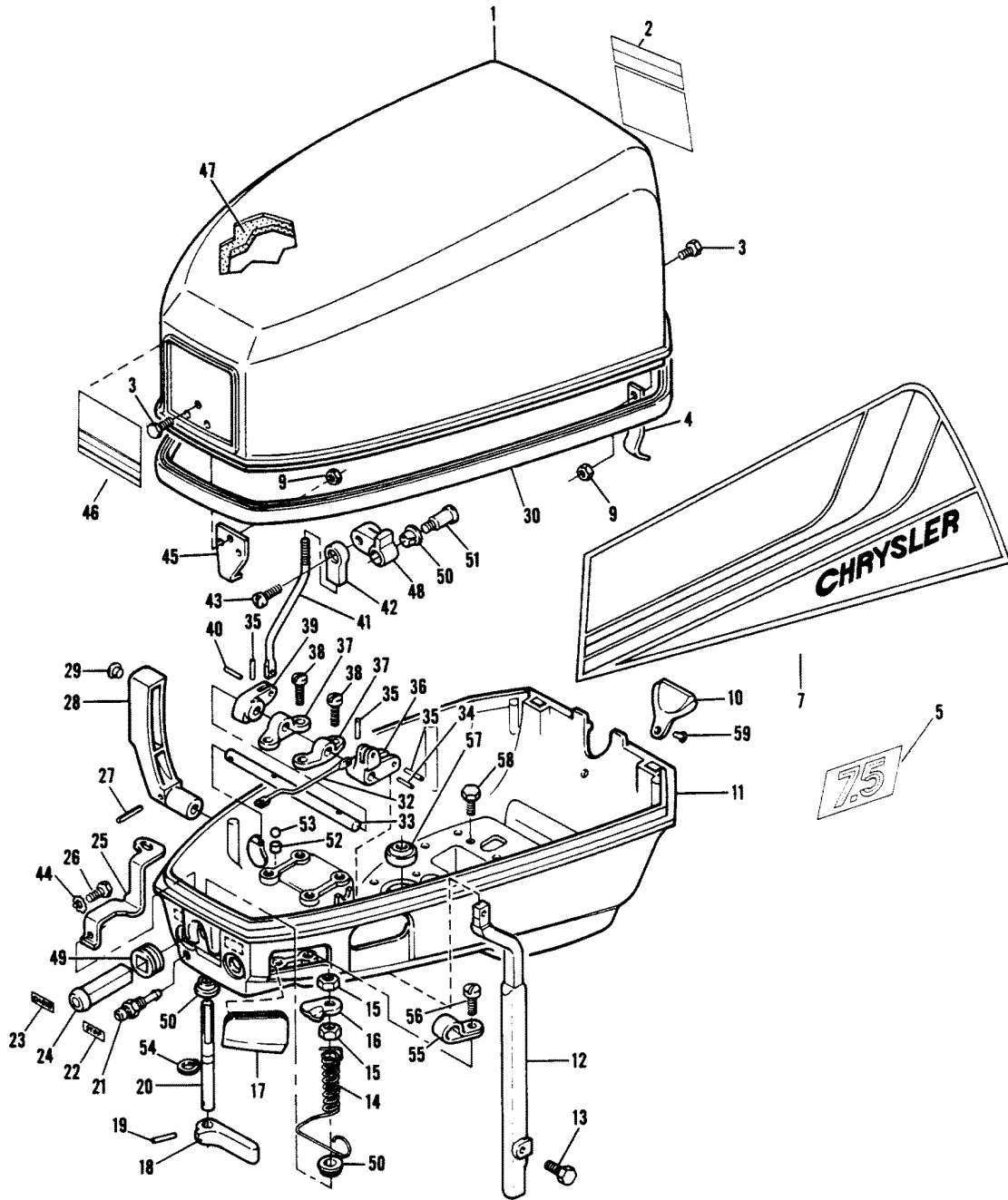
OPT = Optional

NS = Not Shown

THESE PARTS BOOKS/FICHE CARD ARE COPYRIGHTED AND MAY NOT BE DISTRIBUTED OR REPRODUCED IN ANY OTHER FORMAT BY ANYONE OTHER THAN MERCURY MARINE WITHOUT THE PRIOR WRITTEN CONSENT OF MERCURY MARINE.

THIS PAGE INTENTIONALLY LEFT BLANK

ENGINE COVER AND SUPPORT PLATE

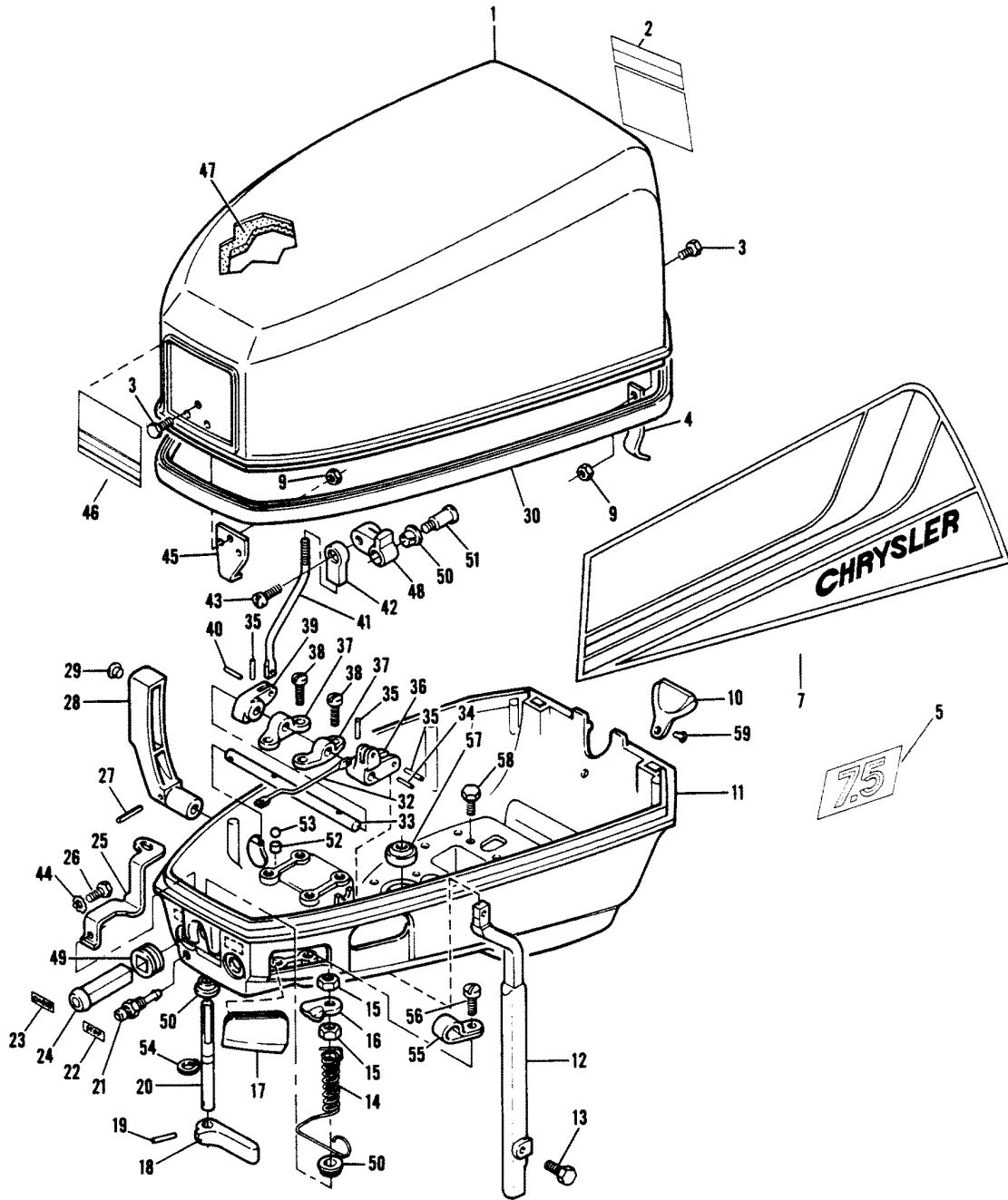


ENGINE COVER AND SUPPORT PLATE

REF. NO.	PART NO.	SYM.	QTY.	DESCRIPTION
1	FS537712		1	ENGINE COVER W/PACKING, REAR RETAINER AND LATCH BRACKET
-	2C567712		1	ENGINE COVER COMPLETE. INCLUDES ALL ITEMS MARKED WITH AN ASTERISK (*)
2	FA567528		1	DECAL ENGINE COVER, REAR W/LITERATURE
3	F1475		7	FILL HD SCREW, 10 - 24 X 1/2
4	FA525480		2	RETAINER ENGINE COVER W/NUTS &SCREWS
5	FA567386		2	DECAL, NUMERAL 7.5 W/LITERATURE
7	FA567397		1	DECAL ENGINE COVER - PORT W/LITERATURE
-	FA567396		1	DECAL ENGINE COVER - STARBOARD W/LITERATURE
9	F7011		7	ELASTIC STOP NUT, 10 - 24
10	525156		1	COVER SUPPORT PLATE REAR
11	FA525038		1	SUPPORT PLATE W/EYELET (72HOC AND 72BOC)
-	FA526038		1	SUPPORT PLATE W/EYELET (77HOB AND 77BOB)
12	F525615		1	ROD GEAR SHIFT UPPER
13	F1950		1	HEX HD SCREW, 10 - 24 X 5/8
14	F525912		1	SPRING LATCH SHAFT
15	F1518		2	NUT, 5/16 - 18
16	F392777		1	CAM COVER LATCH
17	F525840		1	GROMMET REMOTE THROTTLE CABLE
-	F84991-1		1	GROMMET (77HOB & 77BOB) LIGHTING COIL WIRE
18	F525469		1	HANDLE LATCH
19	F8547		1	SPRING PIN, 1/8 X 5/8
20	F525763		1	SHAFT COVER LATCH
21	F197767-1		1	BUSHING FUEL LINE
22	F525390		1	DECAL STOP - USA
-	FC525390		1	DECAL STOP - CANADA
23	F525394		1	DECAL CHOKE - USA
-	FC525394		1	DECAL CHOKE - CANADA
24	F521547		1	CHOKE KNOB
25	F525925		1	LINK CHOKE KNOB
26	F2041		1	HEX HD SCREW, 10 - 24 X 3/8
27	F8567		1	SPRING PIN, 1/8 X 13/16
28	F525614		1	HANDLE GEAR SHIFT
29	F526524		2	RIVET GEAR SHIFT HANDLE
30	FK525713		1	ENGINE COVER PACKING W/LITERATURE
32	F525263		1	LINK STARTER INTERLOCK
33	F525871		1	SHAFT GEAR SHIFT LEVER
34	F8538		1	SPRING PIN, 3/32 X 1/2
35	F8547		3	SPRING PIN, 1/8 X 5/8
36	F525876		1	LEVER GEAR SHIFT
37	F318818		2	BEARING, SHIFT LEVER SHAFT
38	F1573		4	FILL HD SCREW, 1/4 - 20 X 1/2
39	F525977		1	LEVER SHIFT INTERLOCK

CONTINUED ON NEXT PAGE ➡

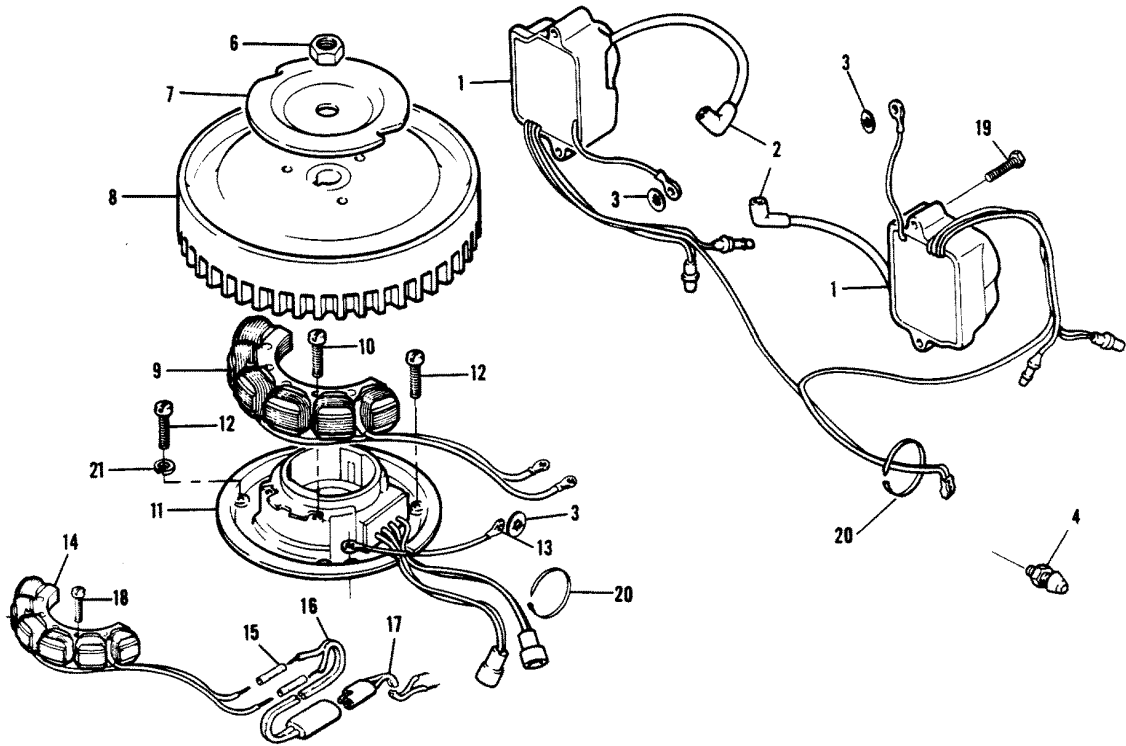
ENGINE COVER AND SUPPORT PLATE



ENGINE COVER AND SUPPORT PLATE

REF. NO.	PART NO.	SYM.	QTY.	DESCRIPTION
40	F1978		1	SPRING PIN, 1/8 X 1/2
41	F525531		1	ROD SHIFT INTERLOCK
42	F84035-2		1	BEARING INTERLOCK ROD
43	F84026		1	SCREW SHOULDER
44	F1975		1	LOCKWASHER, #10
45	FA525774		1	BRACKET COVER LATCH W/SCREWS & NUTS
46	FA567892		1	DECAL ENGINE COVER FRONT W/LITERATURE
47	FK516984		1	BLANKET TOP & SIDES
48	F458977-3		1	LEVER SHIFT INTERLOCK
49	F525504		1	GROMMET, CHOKE ROD
50	F307818		3	BEARING (NYLINER)
51	F85026		1	SCREW
52	F525025		1	PAD SHIFT DETENT
53	F409740		1	BALL CHECK
54	F73741-1		1	RING
55	F178446		1	CLAMP LEAD WIRE
56	F1734		1	SLOTTED FILL HD SCREW, 1/4 - 20 X 1/2
57	F318307		1	SEAL, DRIVESHAFT
58	F1546		2	HEX HD SCREW, 1/4 - 20 X 1/2
59	F2026		1	RIVET, SUPPORT PLATE COVER
60	F8049		1	WASHER BOWED SPRING

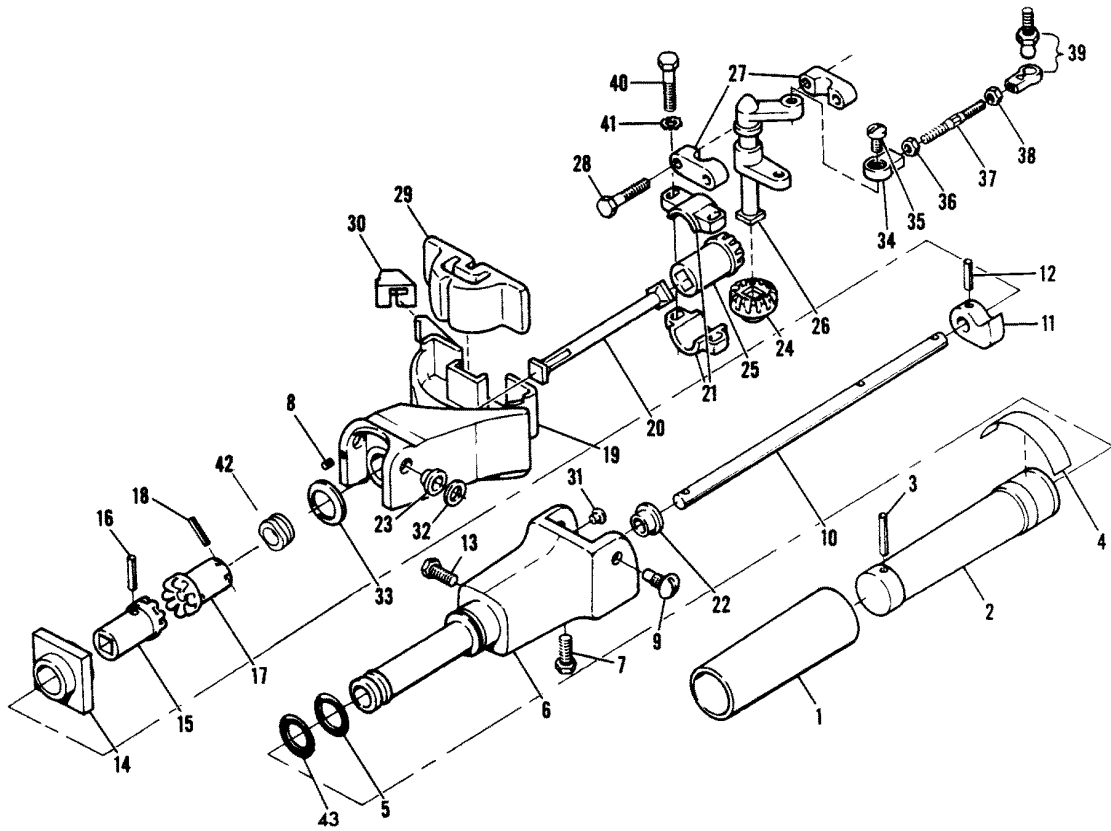
ELECTRICAL COMPONENTS



ELECTRICAL COMPONENTS

REF. NO.	PART NO.	SYM.	QTY.	DESCRIPTION
1	F525475		2	C-D MODULE COIL
2	FK750-3		2	SPARKIE KIT
3	F2106		3	LOCKWASHER
4	F436449		1	SHORTING SWITCH
6	F1809		1	FLYWHEEL NUT
7	F901456-1		1	COLLAR, EMERGENCY START
8	F525097		1	FLYWHEEL
9	F525301		1	STATOR - C-D
10	F1678		2	FILL HD SCREW, 10 - 24 X 13/16
11	F525029		1	STATOR - TRIGGER
12	F2010		4	FILL HD SCREW, 10 - 32 X 9/16
13	F404908		1	WIRE, STATOR GROUND
14	F525095		1	STATOR ALTERNATOR (77HOB, 77BOB ONLY)
15	F448874		2	SPLICE (77HOB, 77BOB)
16	F521843		1	CABLE LIGHTING COIL EXT, (77HOB, 77BOB ONLY)
17	FA521841		1	CABLE LIGHTING COIL (77HOB, 77BOB ONLY) W/SPLICES
18	F1087		2	SLOTTED FILL HD SCREW, 10 - 24 X 13/16 (77HOB, 77BOB ONLY)
19	F525064		4	SCREW - C-D COIL
20	F1877		2	TY-RAP

STEERING ARM

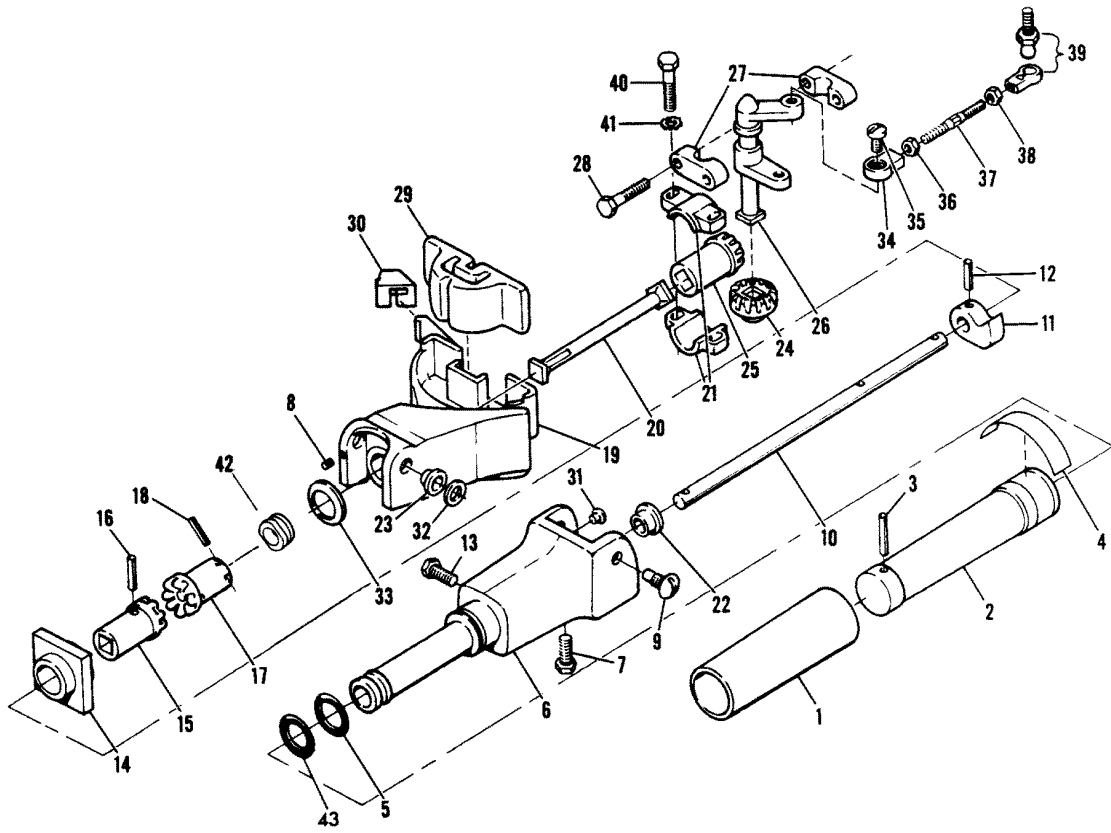


STEERING ARM

REF. NO.	PART NO.	SYM.	QTY.	DESCRIPTION
1	F458695		1	SLEEVE, STEERING HANDLE GRIP
2	FA458137		1	GRIP, STEERING HANDLE W/SLEEVE
3	F8548		1	SPRING PIN, 1/8 X 1
4	F286894-3		1	INDICATOR STEERING HANDLE - USA
-	37-F286894-3		1	INDICATOR STEERING HANDLE - CANADA
5	F53795-1		1	SEAL, STEERING HANDLE DAMPENER
6	F525079		1	HANDLE - STEERING
7	F1974		1	SCREW, STEERING HANDLE BEARING
8	F1471		1	HEX SET SCREW, 10 - 24 X 1/4
9	F525080		2	SCREW, STEERING HANDLE PIVOT
10	F525688		1	SHAFT, STEERING HANDLE
11	F525198		1	THROTTLE STOP
12	F8547		1	SPRING PIN, 1/8 X 5/8
13	F458519		1	SCREW, IDLE STOP
14	F525816		1	BEARING, STEERING HANDLE GEAR
15	F525815		1	GEAR, STEERING HANDLE
16	F8567		1	SPRING PIN, 1/8 X 13/16
17	F525691		1	GEAR, STEERING ARM
18	F8540		1	SPRING PIN, 3/32 X 5/8
19	F525582-1		1	STEERING ARM
20	F525877		1	SHAFT, MAGNETO CONTROL
21	F525665		2	BEARING, GEAR PINION TOWERSHAFT
22	F307818		1	BEARING, STEERING HANDLE SHAFT
23	F390689		2	BEARING, STEERING ARM PIVOT SCREW
24	F525605		1	GEAR, TOWERSHAFT
25	F525627		1	GEAR, TOWERSHAFT PINION
26	F525838		1	TOWERSHAFT
27	F525689		2	TOWERSHAFT BEARING
28	F1699		2	HEX HD SCREW, 1/4 - 20 X 1/8
29	F318347-1		1	UPPER MOUNT
30	F318539		1	BUMPER
31	F525524		1	RIVET, STEERING HANDLE
32	F525220		2	WASHER, STEERING HANDLE
33	F8043		1	WAVE WASHER
34	F84036		1	BEARING, SPARK CONTROL
35	F84026		1	SHOULDER SCREW
36	F7027		1	NUT (LEFT HAND), 10 - 24
37	F525445		1	LINK, MAGNETO STATOR CONTROL
38	F1513		1	NUT, 10 - 32

CONTINUED ON NEXT PAGE ➡

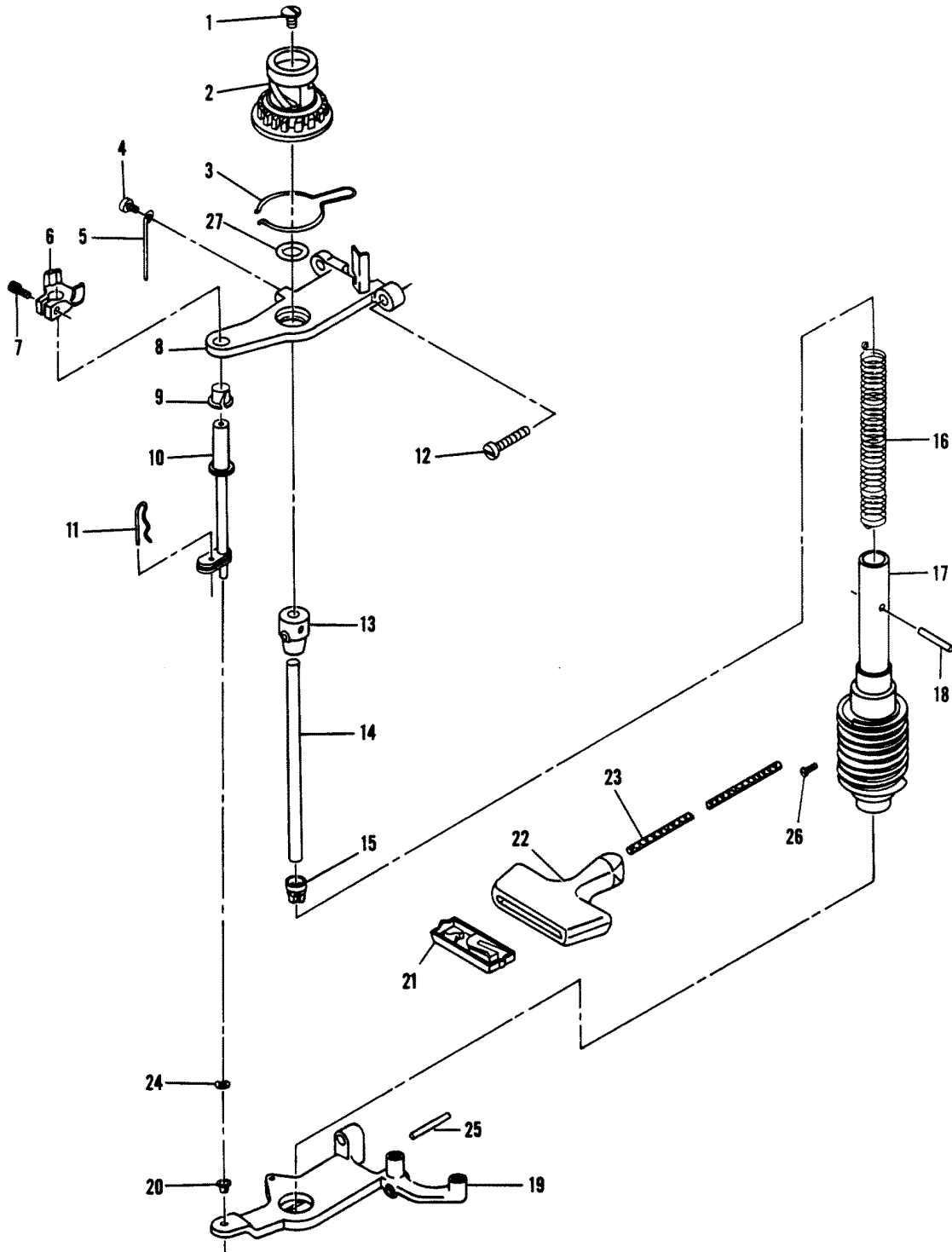
STEERING ARM



STEERING ARM

REF. NO.	PART NO.	SYM.	QTY.	DESCRIPTION
39	817747--1		1	JOINT, BALL ASSEMBLY
40	F525751		2	SCREW
41	F8060		2	LOCKWASHER
42	F318504		1	GROMMET
43	F215795		1	SEAL "O" RING STEERING HANDLE DAMPENER

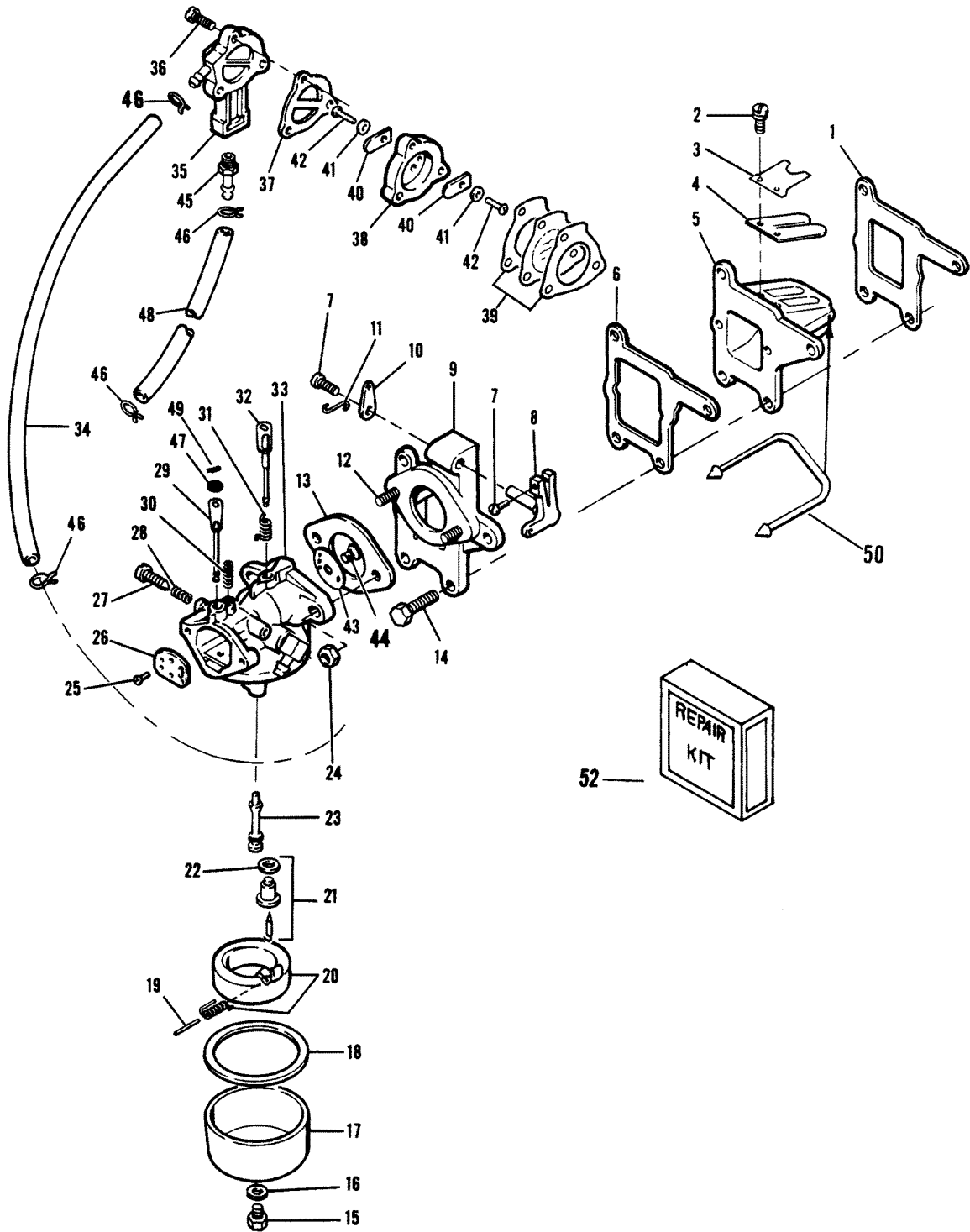
STARTER



STARTER

REF. NO.	PART NO.	SYM.	QTY.	DESCRIPTION
1	F1156		1	FLAT HD SCREW, 1/4 - 20 X 1/2
2	F525674		1	GEAR STARTER PINION
3	F525424		1	SPRING STARTER PINION
4	F1760		1	PAN HD SCREW, 10 - 24 X 3/8
5	F525455		1	GUIDE STARTER ROPE
6	F525781		1	INTERLOCK STARTER
7	F2031		1	HEX HD SCREW, 1/4 - 20 X 3/4
8	F525427		1	BRACKET STARTER UPPER
9	F269689		1	BEARING STARTER BRACKET UPPER
10	F525105		1	SHAFT INTERLOCK
11	F525629		1	COTTER PIN
12	F1052		4	FILL HD SCREW, 1/4 - 20 X 1
13	F901739		1	DRIVE STARTER REWIND SPRING
14	F901710		1	POST STARTER SPRING GUIDE
15	F525737		1	RETAINER STARTER REWIND SPRING
16	F901970		1	SPRING STARTER REWIND
17	817856A1		1	SPOOL STARTER W/SCREW
18	F40425		1	PIN STARTER PINION
19	F525675		1	BRACKET STARTER LOWER
20	F197813		1	BEARING STARTER BRACKET LOWER
21	817938A1		1	RETAINER STARTER ROPE HANDLE W/LITERATURE ORIGINAL FORCE P/N K 286817-1
22	F286132		1	HANDLE STARTER ROPE
23	F409232		1	ROPE STARTER
24	F8070		1	BOWED SPRING WASHER
25	F8571		1	SPRING PIN, 1/8 X 1 3/4
26	F1500		1	RD HD SHEET METAL SCREW #4 X 1/4

FUEL SYSTEM

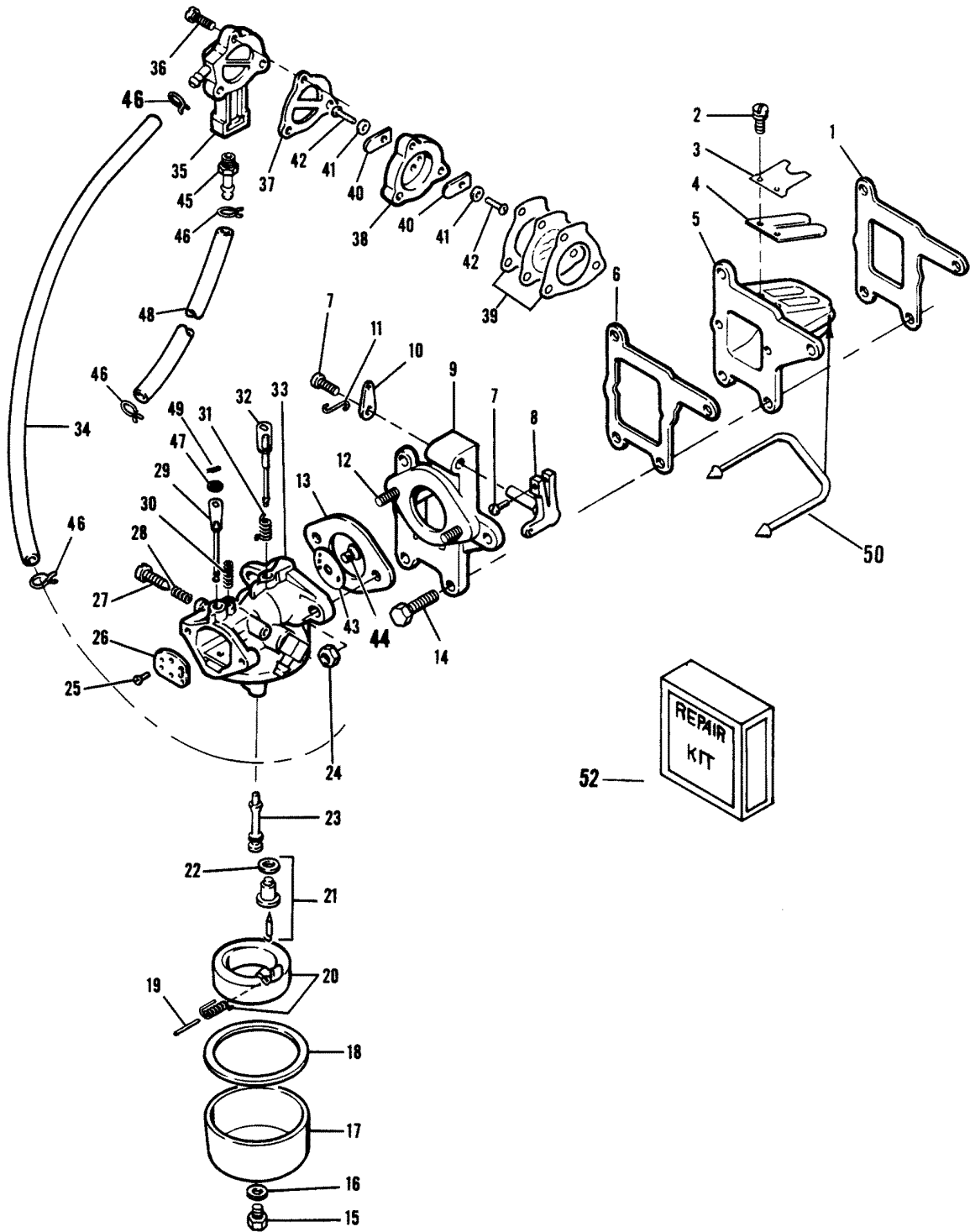


FUEL SYSTEM

REF. NO.	PART NO.	SYM.	QTY.	DESCRIPTION
1	F525159		1	GASKET, REED PLATE
2	F1755		4	RD HD SCREW & SPRING LOCKWASHER ASSEMBLY, 6 - 32 X 5/16
3	F525161		2	REED STOP
4	F31160-1		2	REED
5	F2A525158		1	PLATE REED W/SEAL
6	F525168		1	GASKET MANIFOLD
7	F1772		2	HEX HD SCREW, 8 - 32 X 1/2
8	F525316-1		1	FOLLOWER THROTTLE CAM
9	FA525167		1	MANIFOLD W/STUDS
10	F525081		1	LEVER THROTTLE
11	F525193		1	LINK THROTTLE
12	F2788004		2	STUD CARBURETOR
13	F18906		1	GASKET CARBURETOR
14	F1532		4	HEX HD SCREW, 1/4 - 20 X 1
15	F10089		1	JET ASSEMBLY, STD. .041 SEA LEVEL - 3000 FT.
-	F10097		-	JET ASSEMBLY, OPT. .040 3000 - 5000 FT.
-	F10096		-	JET ASSEMBLY, OPT. .039 5100 - 7000 FT.
.	F10093		-	JET ASSEMBLY, OPT. .038 7000 FT. & UP , OPTIONAL SIZE JET ASSEMBLIES ARE TO BE USED ONL ATA ALTITUDES INDICATED.
16	F10090		1	GASKET FUEL BOWL RETAINER
17	F10058		1	FUEL BOWL
18	F10068		1	GASKET BODY TO BOWL
19	F10064		1	SHAFT - FLOAT
20	F10063		1	FLOAT
21	F10101		1	KIT - VALVE, SEAT, SPRING & GASKET
22	F10066		1	GASKET VALVE SEAT
23	F10088		1	NOZZLE
24	F1490		2	NUT, 1/4 - 20
25	F10070		2	SCREW ASSEMBLY - CHOKE VALVE
26	F10062		1	CHOKE VALVE ASSEMBLY
27	F10077		1	NEEDLE - IDLE
28	F10073		1	SPRING IDLE NEEDLE
29	F10061		1	CHOKE SHAFT ASSEMBLY
30	F10072		1	SPRING CHOKE STOP
31	F10085		1	SPRING THROTTLE RETURN
32	F10081		1	SHAFT ASSEMBLY - THROTTLE
33	F526061-3		1	CARBURETOR
34	F84253		1	HOSE
35	F901746-2		1	COVER FUEL PUMP
36	F1069		3	FILL HD SCREW, 10 - 24 X 1/16
37	F24748-2		1	GASKET FUEL PUMP
38	FA24757-3		1	PLATE FUEL PUMP REED W/REEDS & SCREWS

CONTINUED ON NEXT PAGE ➡

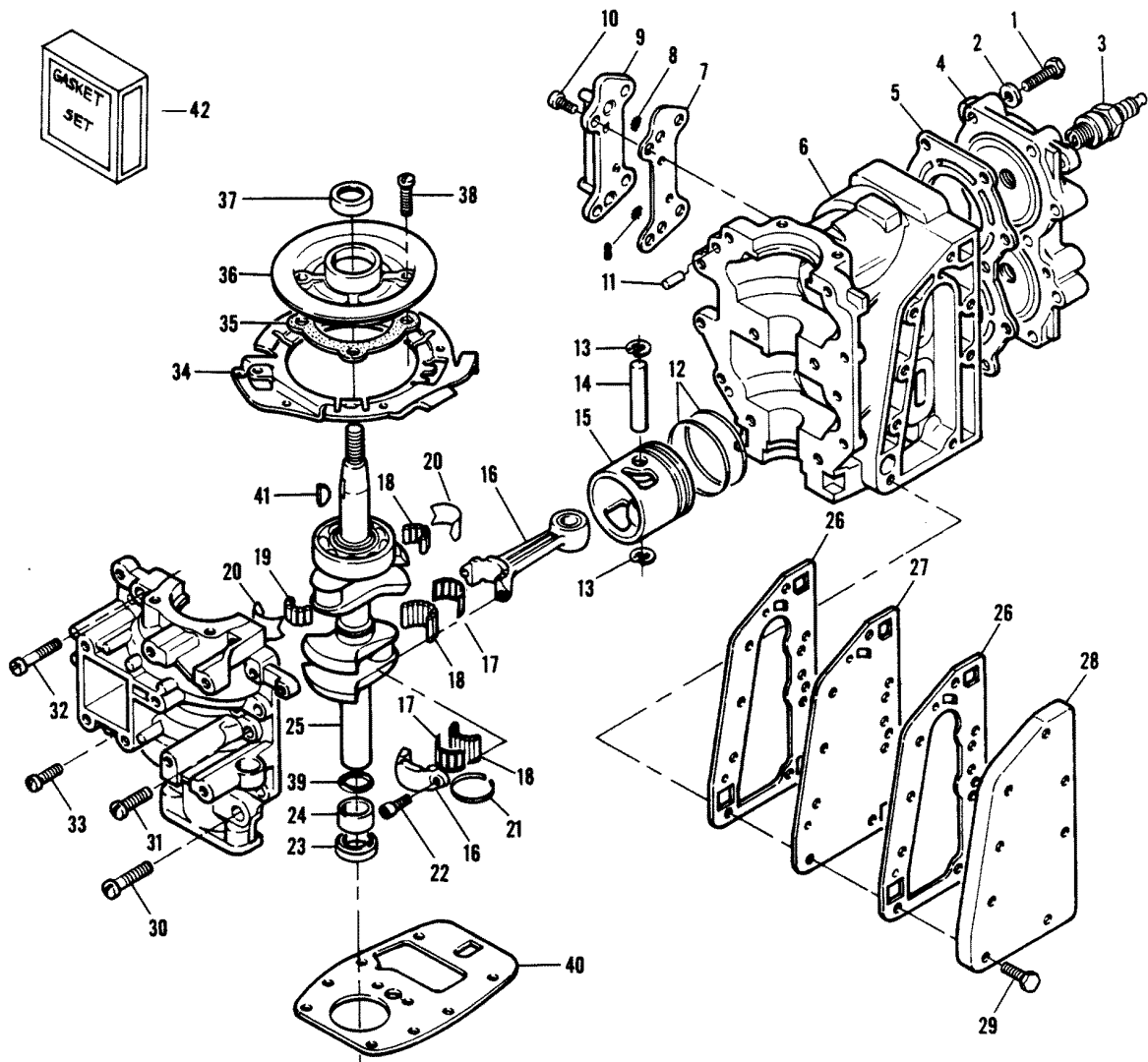
FUEL SYSTEM



FUEL SYSTEM

REF. NO.	PART NO.	SYM.	QTY.	DESCRIPTION
39	27-818043A1		1	DIAPHRAGM, FUEL PUMP W/GASKETS
40	F18160-1		2	REED FUEL PUMP
41	F8003		2	PLAIN WASHER
42	F1286		2	PAN HD SCREW, #4 - 40 X 3/16
43	F10091		1	VALVE THROTTLE
44	F10071		1	SCREW, THROTTLE VALVE
45	F901811		1	FILTER FUEL PUMP
46	F2706772		4	CLAMP HOSE
47	F2042		1	WASHER
48	F84253		1	HOSE
49	F90807		1	RETAINING RING
50	F525984		1	SEAL, REED PLATE
51	F10084		1	FLOAT SUPPORT SPRING
52	F10083		1	REPAIR KIT. INCLUDES ALL ITEMS MARKED WITH DOUBLE ASTERISKS (**)
-	F10069		1	GASKET KIT. INCLUDES ALL ITEMS MARKED WITH AN ASTERISK (*)

POWER HEAD

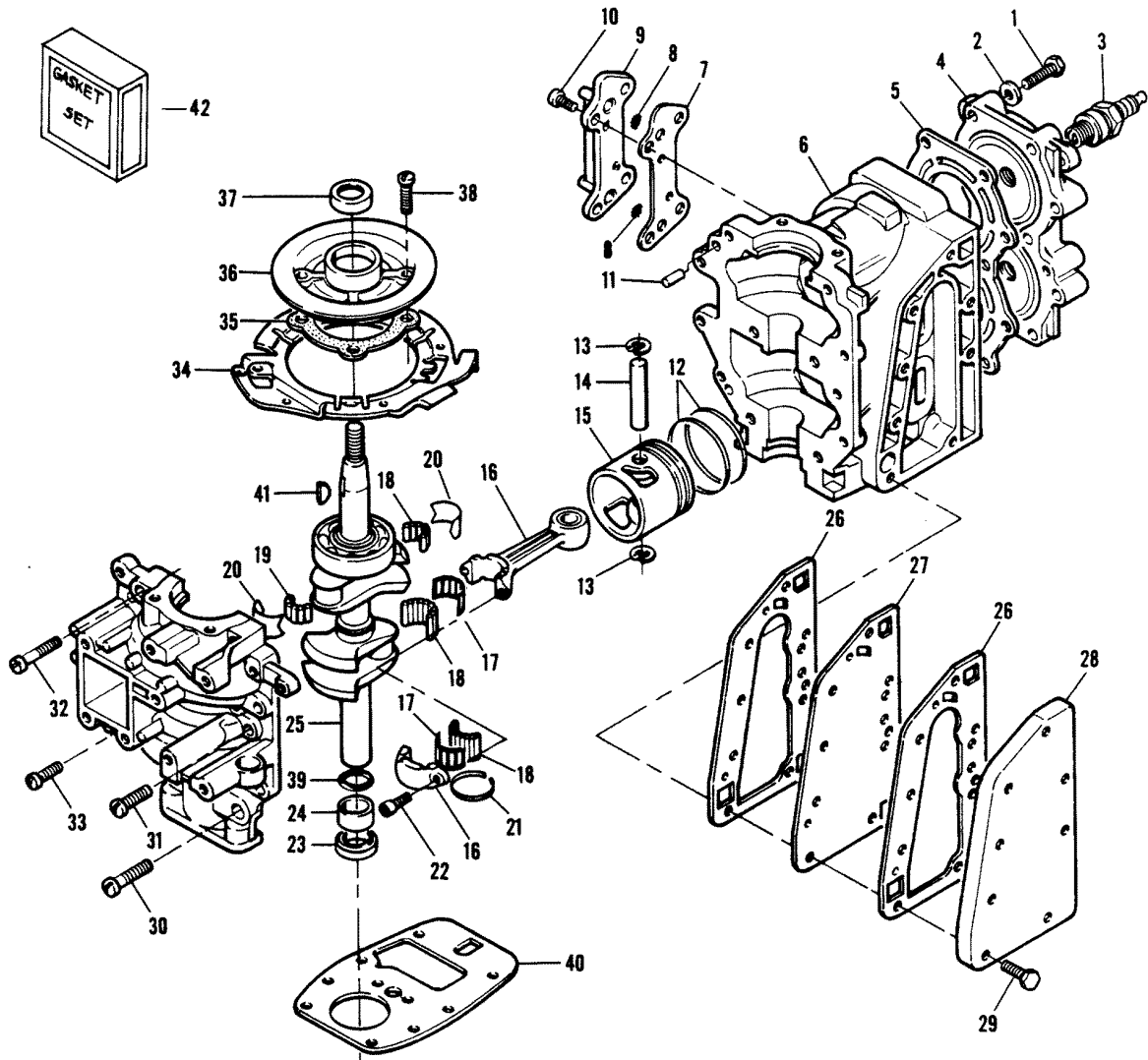


POWER HEAD

REF. NO.	PART NO.	SYM.	QTY.	DESCRIPTION
1	F901938-1		10	SCREW, CYLINDER HEAD
2	F8025		10	PLAIN WASHER
3	33-82370M		2	SPARK PLUG (L-86)
-	C341227		2	SPARK PLUG (QL-86) CANADA ONLY
4	F525518		1	CYLINDER HEAD
5	F525529		1	GASKET, CYLINDER HEAD
6	F2A525010		1	CYLINDER
-	FC525010		1	CYLINDER COMPLETE. (NOT SHOWN). INCLUDES ALL ITEMS MARKED WITH AN ASTERISK (*)
7	F525472		1	GASKET, CYLINDER DRAIN COVER
8	F429811		2	SCREEN, CYLINDER DRAIN
9	FA525471		1	COVER, CYLINDER DRAIN W/SCREEN
10	F1110		4	SCREW, 1/4 - 20 X 5/8
11	F8559		2	DOWEL PIN
12	39-818038A1		2	PISTON RING (2 RINGS PER SET)
13	F250410		4	PISTON PIN RETAINING RING
14	F250017		4	PISTON PIN
15	F525015		2	PISTON
16	F2A521016		2	CONNECTING ROD W/ITEM 22
17	FA525241		2	CRANKPIN ROLLER CAGE (ONE CAGE)
18	FA525228		2	ROLLER CRANKPIN (16 ROLLERS)
19	F286571		1	ROLLER ASSEMBLY, CENTER MAIN BEARING
20	FA286155		1	LINER, CENTER MAIN W/LITERATURE
21	F525579		1	CRANKCASE SEAL
22	F36634		4	CONNECTING ROD SCREW
23	F141118		1	SEAL, CRANKSHAFT LOWER
24	F343014		1	BEARING, CRANKSHAFT LOWER MAIN
25	F2A525018		1	CRANKSHAFT W/UPPER BEARING
26	F525154		2	GASKET EXHAUST
27	F525151		1	PLATE EXHAUST
28	F525152		1	COVER EXHAUST
29	F1532		8	SCREW, 1/4 - 20 X 1
30	F1257		2	SCREW, 5/16 - 18 X 1/4
31	F1994		2	SCREW, 5/16 - 18 X 1
32	F1044		2	SCREW, 1/4 - 20 X 1 3/8
33	F1107		6	SCREW, 1/4 - 20 X 3/4
34	F525082		1	RING STATOR
35	F286277		1	GASKET, CRANKSHAFT BEARING CAGE
36	1100-817753A1		1	CAGE, CRANKSHAFT BEARING W/UPPER CRANKSHAFT SEAL
37	F346146		1	SEAL, CRANKSHAFT UPPER
38	F1111		4	FILL HD SCREW, 1/4 - 20 X 7/8
39	F468342		1	SEAL, CRANKSHAFT SPLINE
40	F525279		1	GASKET, CYLINDER MOUNTING

CONTINUED ON NEXT PAGE ➡

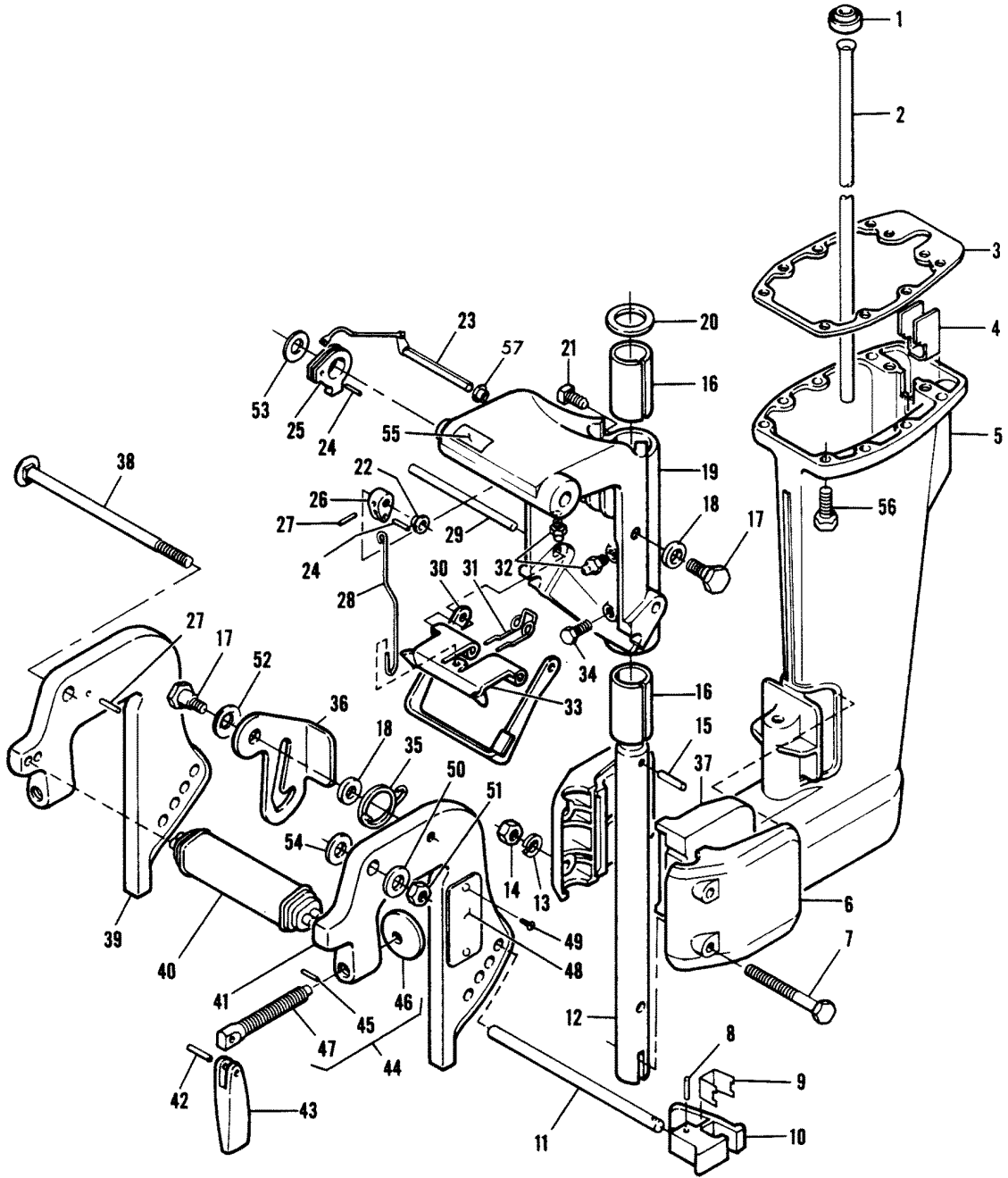
POWER HEAD



POWER HEAD

REF. NO.	PART NO.	SYM.	QTY.	DESCRIPTION
41	F458498		1	MAGNETO KEY
42	FG1018		1	GASKET SET. INCLUDES ITEMS LISTED BELOW
-	F18906		1	GASKET, CARBURETOR
-	F286277		1	GASKET, CRANKSHAFT BEARING CAGE
-	F525154		2	GASKET, EXHAUST
-	F525159		1	GASKET, REED PLATE
-	F525168		1	GASKET, MANIFOLD
-	F525279		1	GASKET, CYLINDER MOUNTING
-	F525453		1	GASKET, LEG MOUNTING
-	F525529		1	GASKET, CYLINDER HEAD
-	F525472		1	GASKET, CYLINDER DRAIN COVER

MOTOR LEG

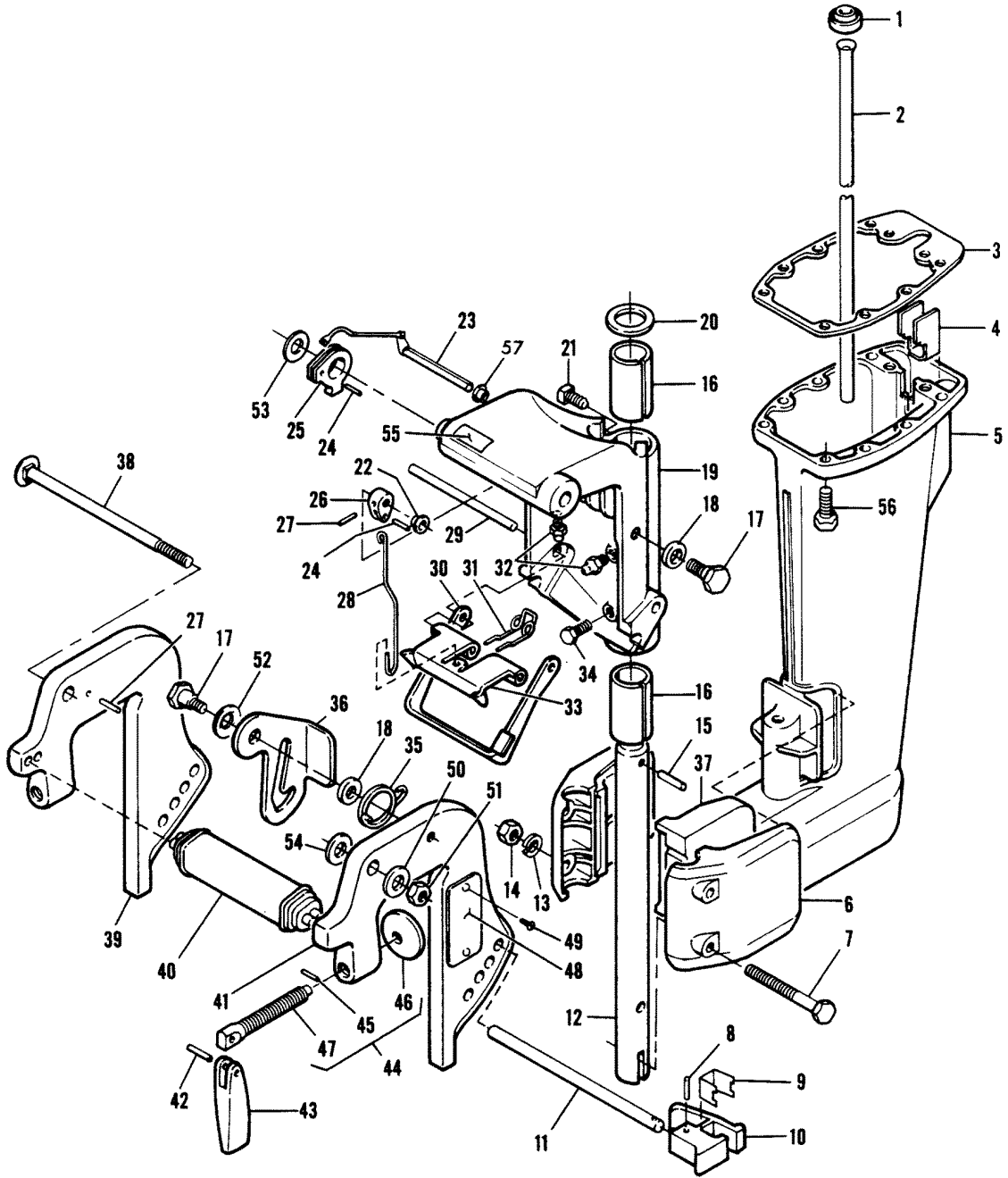


MOTOR LEG

REF. NO.	PART NO.	SYM.	QTY.	DESCRIPTION
1	F318342		1	SEAL, WATERLINE INLET UPPER
2	F525244		1	WATERLINE (STD. LEG)
-	F526244		1	WATERLINE (LONG LEG)
3	F525453		1	GASKET LEG MOUNTING
4	F525779		1	BAFFLE IDLE RELIEF
5	F525133		1	MOTOR LEG
6	F525707		2	COVER, SHOCK MOUNT LOWER
7	F1972		2	HEX HD SCREW, 1/4 - 20 X 2 1/2
8	F8540		1	SPRING PIN, 3/32 X 5/8
9	F286461		1	SPRING LOCK BAR HANDLE
10	F286114		1	HANDLE LOCK BAR
11	FA286113		1	BAR LOCK W/ILLUSTRATIONS 8, 9, 10
12	F525019		1	KINGPIN
13	F8083		2	LOCKWASHER
14	F1341		2	NUT, 1/4 - 20
15	F1805		1	SPRING PIN, 1/4 X 3/8
16	F286169		2	BEARING SWIVEL BRACKET
17	F286422-1		2	PIVOT TILT LOCK
18	F286451		2	SPACER TILT LOCK
19	1400-817964A2		1	SWIVEL BRACKET W/ILLUSTRATIONS 16, 32 ORIGINAL FORCE P/N K 525072-1
20	F286011		1	WASHER SWIVEL BRACKET
21	F525839		1	SCREW, STEERING FRICTION
22	F197813		1	BEARING
23	FA387742		1	LEVER REVERSE LOCK INTERMEDIATE ASSY.
24	F1794		2	SPRING PIN, 3/32 X 3/8
25	F286827		1	LEVER REVERSE LOCK RELEASE
26	F286364		1	LEVER REVERSE LOCK
27	F8538		2	SPRING PIN, 3/32 X 1/2
28	F341510		1	LINK REVERSE LOCK LEVER
29	F1806		1	GROOVE PIN, 5/16 - 3/4
30	F286433		1	BRACKET SHALLOW WATER DRIVE
31	F286300		1	SPRING REVERSE LOCK
32	F213274		2	FITTING GREASE
33	F286349		1	LOCK REVERSE
34	F1467		1	SCREW SWIVEL BRACKET
35	F286544-1		1	SPRING TILT LOCK
36	F429541		1	LOCK TILT
37	F525346		2	MOUNT LOWER SHOCK
38	F286037		1	BOLT STERN BRACKET
39	FS567532		1	BRACKET STERN STARBOARD W/SCREW CLAMP
40	F286647		1	HANDLE CARRYING
41	FS567532		1	BRACKET STERN PORT, W/SCREW CLAMP

CONTINUED ON NEXT PAGE ➡

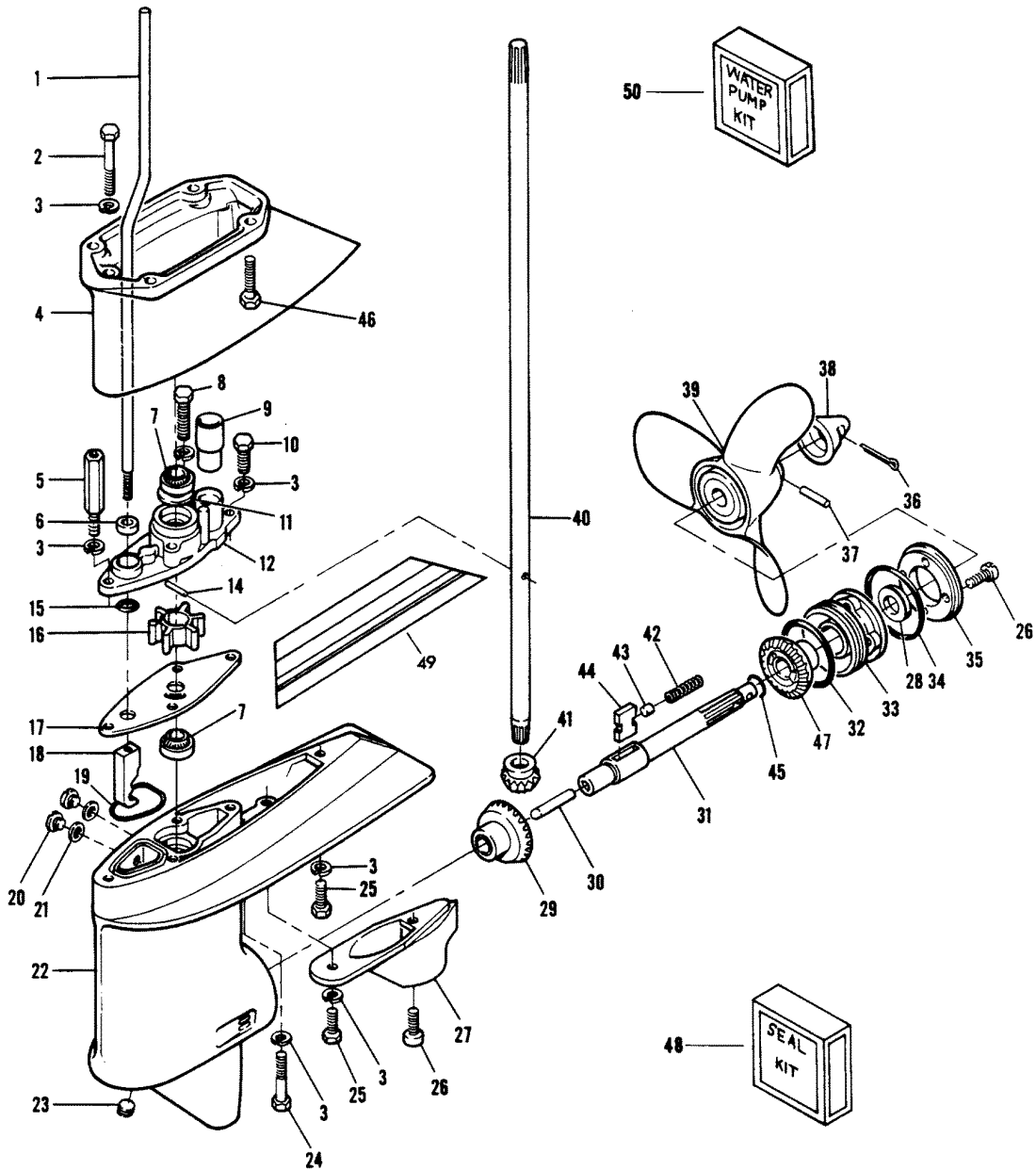
MOTOR LEG



MOTOR LEG

REF. NO.	PART NO.	SYM.	QTY.	DESCRIPTION
42	F8554		2	SPRING PIN, 3/16 X 3/4
43	F424075		2	HANDLE CLAMP SCREW
44	817761A2		2	SCREW CLAMP W/45, 46, 47
45	F8537		2	SPRING PIN
46	F24074		2	FOOT CLAMP SCREW
47	F66480		2	STUD CLAMP SCREW
48	FA538395		1	IDENTIFICATION PLATE W/SCREWS
49	F1447		2	RD HD DRIVE SCREW, #2 X 3/16
50	F8039		1	PLAIN WASHER
51	F7005		1	NUT, 3/8 - 16
52	F1666		1	WAVE WASHER
53	F525286		1	WASHER
54	F286286-1		1	WASHER
55	F286585-1		1	DECAL, TILT RELEASE - USA
-	37-F286585-2		1	DECAL, TILT RELEASE - CANADA
56	F1532		8	HEX CAP SCREW, 1/4 - 20 X 1
57	F536813		1	BEARING REV. LOCK INTERMED.

GEAR HOUSING

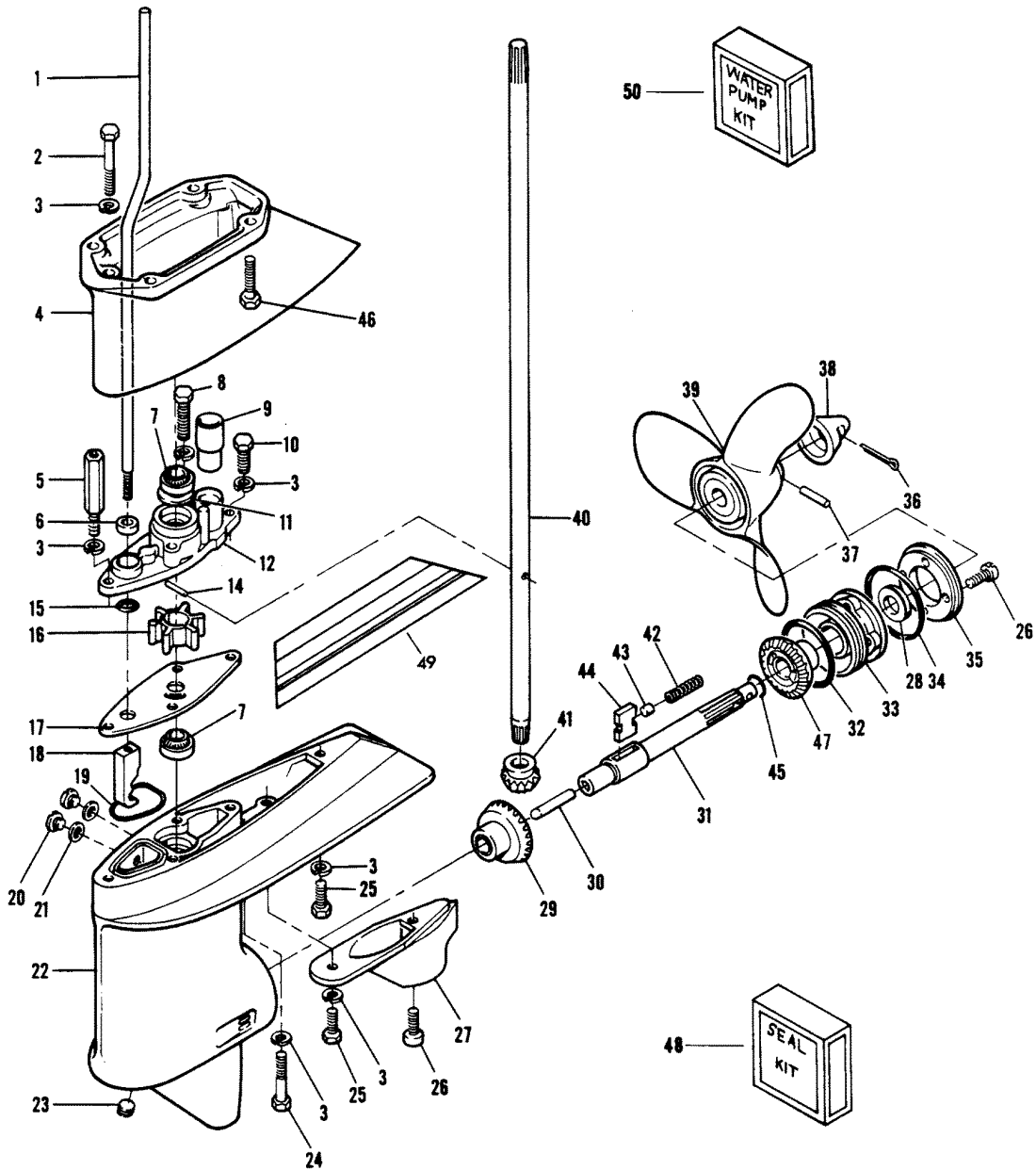


GEAR HOUSING

REF. NO.	PART NO.	SYM.	QTY.	DESCRIPTION
1	F525705		1	ROD, GEAR SHIFT (STD. LEG)
-	F526705		1	ROD, GEAR SHIFT (LONG LEG)
2	F1175		1	HEX HD CAP SCREW, 1/4 - 20 X 1 7/8 (STD. LEG)
-	F1825		1	HEX HD CAP SCREW, 1/4 - 20 X 6 (LONG LEG)
3	F8083		8	SPRING LOCKWASHER
4	F525845		1	EXTENSION MOTOR LEG
-	F526845		1	EXTENSION MOTOR LEG (LONG LEG)
5	F521006		1	STUD, GEAR HOUSING FRONT
6	F338618-1		1	SEAL, GEAR SHIFT ROD LOWER
7	F318307		2	SEAL
8	F1891		2	HEX HD SCREW, 1/4 - 20 X 1/2
9	FA510914		1	SEAL, WATERLINE W/LITERATURE
10	F1534		1	HEX HD SCREW, 1/4 - 20 X 7/8
11	525388		1	DISC, WATER PUMP LOCATING
12	FA525060		1	WATER PUMP BODY W/GEAR SHIFT ROD SEAL, WATERLINE SEAL, LOCATING DISC, DRIVESHAFT SEAL.
14	F390563		1	PIN, WATER PUMP IMPELLER DRIVE
15	F474342		1	SEAL, WATER PUMP GEAR SHIFT ROD
16	F525065		1	IMPELLER
17	F525562		1	PLATE, WATER PUMP BACK
18	F459721-1		1	CLUTCH SHIFT CAM
19	F525555		1	SEAL, SHIFT ROD CAVITY
20	F50109		2	PLUG, GEAR HOUSING
21	F8077		2	WASHER
22	FA525054		1	GEAR HOUSING W/PLUGS, WASHERS, DRIVESHAFT UPPER BEARING, PROP SHAFT BEARING, DRIVESHAFT SEAL, BEVEL PINION BEARING. ORIGINAL FORCE P/N A-525054
-	FC525054		1	GEAR HOUSING COMPLETE (NOT SHOWN). INCLUDES ALL ITEMS MARKED WITH AN ASTERISK (*)
23	F19109		1	PLUG
24	F1990		2	HEX HD SCREW, 1/4 - 20 X 1 5/8
25	F1536		2	HEX CAP SCREW, 1/4 - 20 X 3/4
26	F525457		5	SCREW
27	FA525116		1	SNOUT W/LITERATURE
28	F521307		1	PROPSHAFT SEAL
29	FA521023		1	BEVEL GEAR W/BEARING
30	F901728		1	PIN CLUTCH SHIFT
31	F525098		1	PROPELLER SHAFT
32	F525305		1	SEAL, PROP SHAFT
33	FA525298		1	PROP SHAFT CAGE W/PROP SHAFT THRUST BEARING, PROP SHAFT BEARING, PROP SHAFT SEAL.
34	F521305		1	SEAL, PROP SHAFT BEARING CAGE
35	F521296		1	RETAINER, PROP SHAFT BEARING CAGE
36	F1846		1	COTTER PIN

CONTINUED ON NEXT PAGE ➡

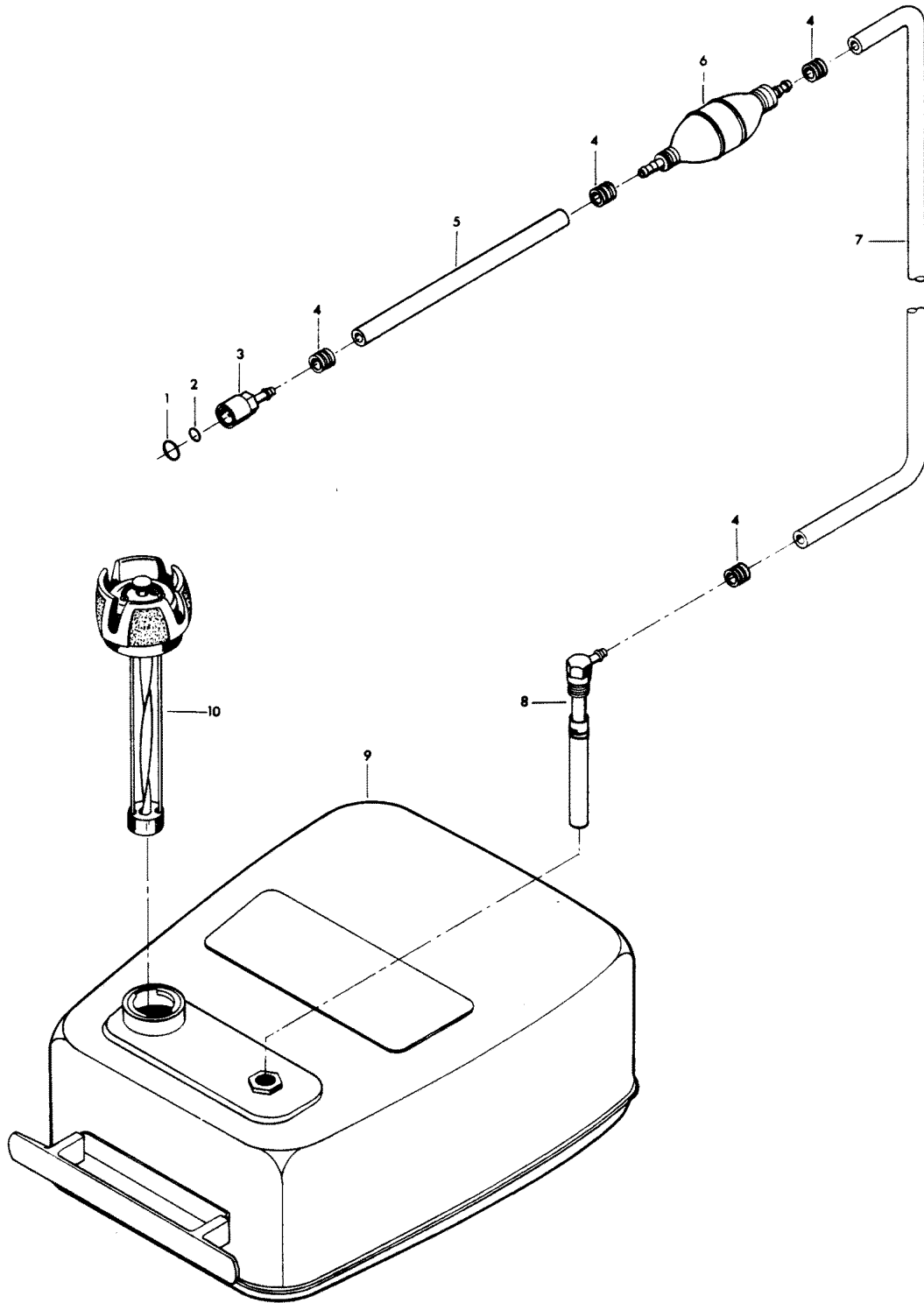
GEAR HOUSING



GEAR HOUSING

REF. NO.	PART NO.	SYM.	QTY.	DESCRIPTION
37	FA324101		1	PROPELLER PIN W/ITEM 36
38	11-817752A1		1	PROPELLER NUT W/COTTER PIN
39	FP477		1	PROPELLER
40	F525128		1	DRIVESHAFT (STD. LEG)
-	F526128		1	DRIVESHAFT (LONG LEG)
41	F521266		1	GEAR, BEVEL PINION
42	F409719		1	CLUTCH SPRING
43	F318372		1	CLUTCH PIN GUIDE
44	F409521		1	CLUTCH SHIFT
45	F317717		1	WASHER, BEVEL GEAR THRUST
46	F430732		4	MOTOR LEG EXTENSION TO GEAR HOUSING SCREWS
47	F525662		1	BEVEL GEAR - REAR
48	FK1062		1	GEAR HOUSING SEAL KIT. INCLUDES ALL ITEMS MARKED WITH A DOUBLE ASTERISK (**)
49	A567392		1	DECAL, LEG - PORT W/LITERATURE
-	A567391		1	DECAL, LEG - STARBOARD W/LITERATURE
50	FK1067		1	WATER PUMP KIT
-	F390563		1	PIN, WATER PUMP IMPELLER
-	F525065		1	IMPELLER, WATER PUMP
-	F525562		1	PLATE, WATER PUMP
-	FA525060		1	BODY, WATER PUMP

FUEL TANK AND LINE



FUEL TANK AND LINE

REF. NO.	PART NO.	SYM.	QTY.	DESCRIPTION
1	F213342		1	SEAL, FUEL LINE COUPLER
2	F213735		1	SEAL, FUEL LINE COUPLER
3	F197787-3		1	FUEL LINE COUPLER
4	F298788		4	FERRULE
5	FA84754-1		1	FUEL LINE SHORT W/FERRULES
6	89396A38		1	PRIME BULB
7	32-817738A1		1	FUEL LINE, LONG W/CLAMP AND FERRULE
8	F487755		1	FUEL TANK ADAPTER
9	F5H027		1	FUEL TANK (ACCESSORY ITEM)
10	F409251-1		1	GAUGE CAP
-	FS409752		1	FUEL LINE - COMPLETE (NOT SHOWN). INCLUDES ALL ITEMS MARKED WITH AN ASTERISK (*)
-	FC409398		1	DECAL TOTE TANK - CANADA (NOT SHOWN)

SPECIAL TOOLS - TUNE-UP

REF. NO.	PART NO.	SYM.	QTY.	DESCRIPTION
-	FT2909		0	KNOCK-OFF NUT TO REMOVE FLYWHEEL
-	FT2989		0	FLYWHEEL WEDGE TO REMOVE FLYWHEEL

SPECIAL TOOLS - STARTER

REF. NO.	PART NO.	SYM.	QTY.	DESCRIPTION
-	FT3139-1		0	STARTER REWIND KEY TO REWIND STARTER SPRING

SPECIAL TOOLS - POWER HEAD

REF. NO.	PART NO.	SYM.	QTY.	DESCRIPTION
-	FT3012		0	SEAL INSTALLER TO INSTALL UPPER CRANKSHAFT BEARING CAGE SEAL
-	FT8929		0	ADAPTER AND HEX BIT TO TORQUE CONNECTING ROD SCREWS
-	FT2997		0	RING COMPRESSOR TO INSTALL PISTONS IN CYLINDERS
-	FT1749		0	SNAP RING PLIERS TO REMOVE AND INSTALL PISTON PIN RETAINING RINGS
-	FT8926		0	PISTON RING EXPANDER TO INSTALL RINGS ON PISTONS
-	FT11202		0	SEAL INSTALLER TO INSTALL LOWER CRANKSHAFT SEAL

SPECIAL TOOLS - LOWER UNIT

REF. NO.	PART NO.	SYM.	QTY.	DESCRIPTION
-	FT2915		0	SEAL INSTALLER TO INSTALL DRIVESHAFT SEAL - UPPER AND LOWER AND PROPELLER SHAFT SEAL
-	FT8957		0	SEAL INSTALLER TO INSTALL SHIFT ROD SEAL
-	FT8948-1		0	BEARING CAGE PULLER TO REMOVE PROPELLER SHAFT BEARING CAGE

SPECIAL TOOLS - TEST EQUIPMENT

REF. NO.	PART NO.	SYM.	QTY.	DESCRIPTION
-	FT8950		0	LEAKAGE TESTER TO TEST LOWER UNIT SEALS FOR LEAKS
-	FT8996		0	IGNITION TESTER TO TEST TRIGGER OUTPUT
-	FT8953		0	C-D TESTER TO TEST STATOR OUTPUT AND SECONDARY VOLTAGE

SPECIAL TOOLS - LUBRICANTS AND SEALANTS

REF. NO.	PART NO.	SYM.	QTY.	DESCRIPTION
-	FT2961		0	LUBRICANT - RYKON #2EP
-	FT2987-1		0	LUBRICANT - ANTI-SEIZE
-	FT8969		0	LUBRICANT - 7 OZ. 2 PSI LUBRICANT
-	FT8983		0	SEALANT - 5 OZ EC-750 INDUSTRIAL SEALANT
-	FT8936		0	SEALANT - 2 CC LOCTITE RETAINING COMPOUND #75
-	FT2962-1		0	SEALANT - 50 CC LOCTITE H, NON-HARDENING GRADE
-	FT2963-1		0	SEALANT - 2 OZ. LOCTITE D, HARDENING GRADE
-	FT8935		0	SEALANT PRIMER - 6 OZ.

SPECIAL TOOLS - REPAIR DECALS - ENGINE COVERS

REF. NO.	PART NO.	SYM.	QTY.	DESCRIPTION
-	T11232		0	METALIC SILVER
-	T11233		0	MEDIUM METALIC SILVER
-	T11212		0	BOAT BLACK
-	T11211		0	BOAT WHITE
-	T11230		0	ORANGE

ACCESSORIES

REF. NO.	PART NO.	SYM.	QTY.	DESCRIPTION
-	F5H104		0	LIGHTING COIL PROVIDES 12 VOLT, 60 WATT OUTPUT FOR OUTBOARD RUNNING LIGHTS.
-	F5H105		0	BATTERY CHARGING SYSTEM USED IN CONJUNCTION WITH 5H104 LIGHTING COIL KIT.
-	F5H113		0	REMOTE CONTROL KIT PERMITS REMOTE CONTROL OF THROTTLE, GEAR SHIFT AND STEERING FROM FRONT OF BOAT.
-	F5H114		0	REMOTE STEERING BRACKET ADAPTS MOTOR TO CABLE TYPE REMOTE STEERING.
-	F5H027		0	STEEL 6 GALLON FUEL TANK AUXILIARY TANK.
-	F5H029		0	FUEL TANK ANCHOR RETAINS TOTE TANK ON BOAT FLOOR.
-	F5H040		0	STEEL 12 GALLON FUEL TANK AUXILIARY TANK.
-	F5H134		0	BOAT WHITE LACQUER ENGINE TOUCH-UP PAINT IN 12 3/4 OZ. SPRAY BOMBS (6 CANS PER CASE).
-	F5H130		0	REMOTE CONTROL BOX SINGLE LEVER SURFACE MOUNT - STARBOARD.
-	F5H131		0	REMOTE CONTROL DECAL KIT DECAL FOR PORT SIDE MOUNTING OF 5H130 CONTROL BOX.
-	F195/___		0	REMOTE CONTROL CABLES CONNECTS REMOTE CONTROL BOX TO THROTTLE AND GEAR SHIFT ON MOTOR. AVAILABLE IN 6 THRU 40 FOOT LENGTHS.
-	F596		0	CHRYSLER OUTBOARD OIL SEE BLOCK COMMENT 1.
-	F597		0	CHRYSLER OUTBOARD GEAR LUBE SEE BLOCK COMMENT 2.
-	72H26		0	CHRYSLER OUTBOARD FUEL AID REMOVES MOISTURE. PREVENTS SLUDGE AND VARNISH AND STABILIZES GAS. AVAILABLE IN 16 OZ. CANS AND 12 CAN CASES.
-	72H27		0	CHRYSLER OUTBOARD STORAGE LUBRICANT WORKS AS A CORROSION INHIBITOR AND PROTECTS INTERNAL ENGINE PARTS DURING STORAGE. AVAILABLE IN 16 OZ. CANS AND 12 CAN CASES.
-	72H28		0	CHRYSLER OUTBOARD MULTI-PURPOSE SPRAY LUBE WORKS AS A LUBRICANT, CLEANER, MOISTURE REMOVER AND ELECTRIC INSULATOR. AVAILABLE IN 9 OZ. CANS AND 12 CAN CASES.
-	F72H29		0	CHRYSLER OUTBOARD MULTI-PURPOSE GREASE LUBRICATES BEARINGS AND OTHER MOVING PARTS. AVAILABLE IN 8 OZ. TUBES AND 12 TUBE CASES.
-	F72H30		0	CHRYSLER OUTBOARD GREASE GUN USED WITH CHRYSLER OUTBOARD MULTI-PURPOSE GREASE TUBES FOR PRESSURE FITTINGS
-	72H34		0	CHRYSLER OUTBOARD MULTI-PURPOSE CLEANER

PARTS INDEX

Part Number	Description	Pg.	Ref. No.	Part Number	Description	Pg.	Ref. No.
2C567712	ENGINE COVER COMPLETE.	3	-	F1052	FILL HD SCREW, 1/4 - 20 X 1	13	12
525156	COVER SUPPORT PLATE			F1069	FILL HD SCREW, 10 - 24 X		
	REAR	3	10		1/16	15	36
525388	DISC, WATER PUMP			F1087	SLOTTED FILL HD SCREW,		
	LOCATING	27	11		10 - 24 X 13/16 (77HOB,		
72H26	CHRYSLER OUTBOARD				77BOB ONLY)	7	18
	FUEL AID	39	-	F1107	SCREW, 1/4 - 20 X 3/4	19	33
72H27	CHRYSLER OUTBOARD			F1110	SCREW, 1/4 - 20 X 5/8	19	10
	STORAGE LUBRICANT . .	39	-	F1111	FILL HD SCREW, 1/4 - 20 X		
72H28	CHRYSLER OUTBOARD				7/8	19	38
	MULTI-PURPOSE SPRAY			F1156	FLAT HD SCREW, 1/4 - 20 X		
	LUBE	39	-		1/2	13	1
72H34	CHRYSLER OUTBOARD			F1175	HEX HD CAP SCREW, 1/4 -		
	MULTI-PURPOSE				20 X 1 7/8 (STD. LEG) . . .	27	2
	CLEANER	39	-	F1257	SCREW, 5/16 - 18 X 1/4	19	30
817747--1	JOINT, BALL ASSEMBLY . .	11	39	F1286	PAN HD SCREW, #4 - 40 X		
817761A2	SCREW CLAMP W/45, 46, 47	25	44		3/16	17	42
817856A1	SPOOL STARTER W/SCREW	13	17	F1341	NUT, 1/4 - 20	23	14
817938A1	RETAINER STARTER ROPE			F141118	SEAL, CRANKSHAFT		
	HANDLE	13	21		LOWER	19	23
89396A38	PRIME BULB	31	6	F1447	RD HD DRIVE SCREW, #2 X		
A567391	DECAL, LEG - STARBOARD	29	-		3/16	25	49
A567392	DECAL, LEG - PORT	29	49	F1467	SCREW SWIVEL BRACKET .	23	34
C341227	SPARK PLUG (QL-86)			F1471	HEX SET SCREW, 10 - 24 X		
	CANADA ONLY	19	-		1/4	9	8
F10058	FUEL BOWL	15	17	F1475	FILL HD SCREW, 10 - 24 X		
F10061	CHOKE SHAFT ASSEMBLY .	15	29		1/2	3	3
F10062	CHOKE VALVE ASSEMBLY .	15	26	F1490	NUT, 1/4 - 20	15	24
F10063	FLOAT	15	20	F1500	RD HD SHEET METAL		
F10064	SHAFT - FLOAT	15	19		SCREW #4 X 1/4	13	26
F10066	GASKET VALVE SEAT	15	22	F1513	NUT, 10 - 32	9	38
F10068	GASKET BODY TO BOWL . .	15	18	F1518	NUT, 5/16 - 18	3	15
F10069	GASKET KIT.	17	-	F1532	HEX CAP SCREW, 1/4 - 20 X		
F10070	SCREW ASSEMBLY -				1	25	56
	CHOKE VALVE	15	25	F1532	HEX HD SCREW, 1/4 - 20 X 1	15	14
F10071	SCREW, THROTTLE VALVE	17	44	F1532	SCREW, 1/4 - 20 X 1	19	29
F10072	SPRING CHOKE STOP	15	30	F1534	HEX HD SCREW, 1/4 - 20 X		
F10073	SPRING IDLE NEEDLE	15	28		7/8	27	10
F10077	NEEDLE - IDLE	15	27	F1536	HEX CAP SCREW, 1/4 - 20 X		
F10081	SHAFT ASSEMBLY -				3/4	27	25
	THROTTLE	15	32	F1546	HEX HD SCREW, 1/4 - 20 X		
F10083	REPAIR KIT.	17	52		1/2	5	58
F10084	FLOAT SUPPORT SPRING .	17	51	F1573	FILL HD SCREW, 1/4 - 20 X		
F10085	SPRING THROTTLE				1/2	3	38
	RETURN	15	31	F1666	WAVE WASHER	25	52
F10088	NOZZLE	15	23	F1678	FILL HD SCREW, 10 - 24 X		
F10089	JET ASSEMBLY, STD. .041				13/16	7	10
	SEA LEVEL - 3000 FT. . . .	15	15	F1699	HEX HD SCREW, 1/4 - 20 X		
F10090	GASKET FUEL BOWL				1/8	9	28
	RETAINER	15	16	F1734	SLOTTED FILL HD SCREW,		
F10091	VALVE THROTTLE	17	43		1/4 - 20 X 1/2	5	56
F10093	JET ASSEMBLY, OPT. .038			F1755	RD HD SCREW & SPRING		
	7000 FT. & UP	15	.		LOCKWASHER		
F10096	JET ASSEMBLY, OPT. .039				ASSEMBLY, 6 - 32 X 5/16	15	2
	5100 - 7000 FT.	15	-	F1760	PAN HD SCREW, 10 - 24 X		
F10097	JET ASSEMBLY, OPT. .040				3/8	13	4
	3000 - 5000 FT.	15	-	F1772	HEX HD SCREW, 8 - 32 X 1/2	15	7
F10101	KIT - VALVE, SEAT, SPRING			F178446	CLAMP LEAD WIRE	5	55
	& GASKET	15	21	F1794	SPRING PIN, 3/32 X 3/8	23	24
F1044	SCREW, 1/4 - 20 X 1 3/8 . .	19	32	F1805	SPRING PIN, 1/4 X 3/8	23	15

PARTS INDEX

Part Number	Description	Pg.	Ref. No.	Part Number	Description	Pg.	Ref. No.
F1806	GROOVE PIN, 5/16 - 3/4	23	29	F286277	GASKET, CRANKSHAFT BEARING CAGE	21	-
F1809	FLYWHEEL NUT	7	6	F286286-1	WASHER	25	54
F18160-1	REED FUEL PUMP	17	40	F286300	SPRING REVERSE LOCK	23	31
F1825	HEX HD CAP SCREW, 1/4 - 20 X 6 (LONG LEG)	27	-	F286349	LOCK REVERSE	23	33
F1846	COTTER PIN	27	36	F286364	LEVER REVERSE LOCK	23	26
F1877	TY-RAP	7	20	F286422-1	PIVOT TILT LOCK	23	17
F18906	GASKET CARBURETOR	15	13	F286433	BRACKET SHALLOW WATER DRIVE	23	30
F18906	GASKET, CARBURETOR	21	-	F286451	SPACER TILT LOCK	23	18
F1891	HEX HD SCREW, 1/4 - 20 X 1/2	27	8	F286461	SPRING LOCK BAR HANDLE	23	9
F19109	PLUG	27	23	F286544-1	SPRING TILT LOCK	23	35
F195/___	REMOTE CONTROL CABLES	39	-	F286571	ROLLER ASSEMBLY, CENTER MAIN BEARING	19	19
F1950	HEX HD SCREW, 10 - 24 X 5/8	3	13	F286585-1	DECAL, TILT RELEASE - USA	25	55
F1972	HEX HD SCREW, 1/4 - 20 X 2 1/2	23	7	F286647	HANDLE CARRYING	23	40
F1974	SCREW, STEERING HANDLE BEARING	9	7	F286827	LEVER REVERSE LOCK RELEASE	23	25
F1975	LOCKWASHER, #10	5	44	F286894-3	INDICATOR STEERING HANDLE - USA	9	4
F197767-1	BUSHING FUEL LINE	3	21	F298788	FERRULE	31	4
F197787-3	FUEL LINE COUPLER	31	3	F2A521016	CONNECTING ROD	19	16
F1978	SPRING PIN, 1/8 X 1/2	5	40	F2A525010	CYLINDER	19	6
F197813	BEARING	23	22	F2A525018	CRANKSHAFT W/UPPER BEARING	19	25
F197813	BEARING STARTER BRACKET LOWER	13	20	F2A525158	PLATE REED W/SEAL	15	5
F1990	HEX HD SCREW, 1/4 - 20 X 1 5/8	27	24	F307818	BEARING (NYLINER)	5	50
F1994	SCREW, 5/16 - 18 X 1	19	31	F307818	BEARING, STEERING HANDLE SHAFT	9	22
F2010	FILL HD SCREW, 10 - 32 X 9/16	7	12	F31160-1	REED	15	4
F2026	RIVET, SUPPORT PLATE COVER	5	59	F317717	WASHER, BEVEL GEAR THRUST	29	45
F2031	HEX HD SCREW, 1/4 - 20 X 3/4	13	7	F318307	SEAL	27	7
F2041	HEX HD SCREW, 10 - 24 X 3/8	3	26	F318307	SEAL, DRIVESHAFT	5	57
F2042	WASHER	17	47	F318342	SEAL, WATERLINE INLET UPPER	23	1
F2106	LOCKWASHER	7	3	F318347-1	UPPER MOUNT	9	29
F213274	FITTING GREASE	23	32	F318372	CLUTCH PIN GUIDE	29	43
F213342	SEAL, FUEL LINE COUPLER	31	1	F318504	GROMMET	11	42
F213735	SEAL, FUEL LINE COUPLER	31	2	F318539	BUMPER	9	30
F215795	SEAL "O" RING STEERING HANDLE DAMPENOR	11	43	F318818	BEARING, SHIFT LEVER SHAFT	3	37
F24074	FOOT CLAMP SCREW	25	46	F338618-1	SEAL, GEAR SHIFT ROD LOWER	27	6
F24748-2	GASKET FUEL PUMP	15	37	F341510	LINK REVERSE LOCK LEVER	23	28
F250017	PISTON PIN	19	14	F343014	BEARING, CRANKSHAFT LOWER MAIN	19	24
F250410	PISTON PIN RETAINING RING	19	13	F346146	SEAL, CRANKSHAFT UPPER	19	37
F269689	BEARING STARTER BRACKET UPPER	13	9	F36634	CONNECTING ROD SCREW	19	22
F2706772	CLAMP HOSE	17	46	F390563	PIN, WATER PUMP IMPELLER	29	-
F2788004	STUD CARBURETOR	15	12	F390563	PIN, WATER PUMP IMPELLER DRIVE	27	14
F286011	WASHER SWIVEL BRACKET	23	20	F390689	BEARING, STEERING ARM PIVOT SCREW	9	23
F286037	BOLT STERN BRACKET	23	38	F392777	CAM COVER LATCH	3	16
F286114	HANDLE LOCK BAR	23	10	F40425	PIN STARTER PINION	13	18
F286132	HANDLE STARTER ROPE	13	22	F404908	WIRE, STATOR GROUND	7	13
F286169	BEARING SWIVEL BRACKET	23	16				
F286277	GASKET, CRANKSHAFT BEARING CAGE	19	35				

PARTS INDEX

Part Number	Description	Pg.	Ref. No.	Part Number	Description	Pg.	Ref. No.
F409232	ROPE STARTER	13	23	F525168	GASKET MANIFOLD	15	6
F409251-1	GAUGE CAP	31	10	F525168	GASKET, MANIFOLD	21	-
F409521	CLUTCH SHIFT	29	44	F525193	LINK THROTTLE	15	11
F409719	CLUTCH SPRING	29	42	F525198	THROTTLE STOP	9	11
F409740	BALL CHECK	5	53	F525220	WASHER, STEERING HANDLE	9	32
F424075	HANDLE CLAMP SCREW	25	43	F525244	WATERLINE (STD. LEG)	23	2
F429541	LOCK TILT	23	36	F525263	LINK STARTER INTERLOCK	3	32
F429811	SCREEN, CYLINDER DRAIN	19	8	F525279	GASKET, CYLINDER MOUNTING	19	40
F430732	MOTOR LEG EXTENSION TO GEAR HOUSING SCREWS	29	46	F525279	GASKET, CYLINDER MOUNTING	21	-
F436449	SHORTING SWITCH	7	4	F525286	WASHER	25	53
F448874	SPLICE (77HOB, 77BOB)	7	15	F525301	STATOR - C-D	7	9
F458498	MAGNETO KEY	21	41	F525305	SEAL, PROP SHAFT	27	32
F458519	SCREW, IDLE STOP	9	13	F525316-1	FOLLOWER THROTTLE CAM	15	8
F458695	SLEEVE, STEERING HANDLE GRIP	9	1	F525346	MOUNT LOWER SHOCK	23	37
F458977-3	LEVER SHIFT INTERLOCK	5	48	F525390	DECAL STOP - USA	3	22
F459721-1	CLUTCH SHIFT CAM	27	18	F525394	DECAL CHOKE - USA	3	23
F468342	SEAL, CRANKSHAFT SPLINE	19	39	F525424	SPRING STARTER PINION	13	3
F474342	SEAL, WATER PUMP GEAR SHIFT ROD	27	15	F525427	BRACKET STARTER UPPER	13	8
F487755	FUEL TANK ADAPTER	31	8	F525445	LINK, MAGNETO STATOR CONTROL	9	37
F50109	PLUG, GEAR HOUSING	27	20	F525453	GASKET LEG MOUNTING	23	3
F521006	STUD, GEAR HOUSING FRONT	27	5	F525453	GASKET, LEG MOUNTING	21	-
F521266	GEAR, BEVEL PINION	29	41	F525455	GUIDE STARTER ROPE	13	5
F521296	RETAINER, PROP SHAFT BEARING CAGE	27	35	F525457	SCREW	27	26
F521305	SEAL, PROP SHAFT BEARING CAGE	27	34	F525469	HANDLE LATCH	3	18
F521307	PROPSHAFT SEAL	27	28	F525472	GASKET, CYLINDER DRAIN COVER	19	7
F521547	CHOKE KNOB	3	24	F525472	GASKET, CYLINDER DRAIN COVER	21	-
F521843	CABLE LIGHTING COIL EXT, (77HOB, 77BOB ONLY)	7	16	F525475	C-D MODULE COIL	7	1
F525015	PISTON	19	15	F525504	GROMMET, CHOKE ROD	5	49
F525019	KINGPIN	23	12	F525518	CYLINDER HEAD	19	4
F525025	PAD SHIFT DETENT	5	52	F525524	RIVET, STEERING HANDLE	9	31
F525029	STATOR - TRIGGER	7	11	F525529	GASKET, CYLINDER HEAD	19	5
F525064	SCREW - C-D COIL	7	19	F525529	GASKET, CYLINDER HEAD	21	-
F525065	IMPELLER	27	16	F525531	ROD SHIFT INTERLOCK	5	41
F525065	IMPELLER, WATER PUMP	29	-	F525555	SEAL, SHIFT ROD CAVITY	27	19
F525079	HANDLE - STEERING	9	6	F525562	PLATE, WATER PUMP	29	-
F525080	SCREW, STEERING HANDLE PIVOT	9	9	F525562	PLATE, WATER PUMP BACK	27	17
F525081	LEVER THROTTLE	15	10	F525579	CRANKCASE SEAL	19	21
F525082	RING STATOR	19	34	F525582-1	STEERING ARM	9	19
F525095	STATOR ALTERNATOR (77HOB, 77BOB ONLY)	7	14	F525605	GEAR, TOWERSHAFT	9	24
F525097	FLYWHEEL	7	8	F525614	HANDLE GEAR SHIFT	3	28
F525098	PROPELLER SHAFT	27	31	F525615	ROD GEAR SHIFT UPPER	3	12
F525105	SHAFT INTERLOCK	13	10	F525627	GEAR, TOWERSHAFT PINION	9	25
F525128	DRIVESHAFT (STD. LEG)	29	40	F525629	COTTER PIN	13	11
F525133	MOTOR LEG	23	5	F525662	BEVEL GEAR - REAR	29	47
F525151	PLATE EXHAUST	19	27	F525665	BEARING, GEAR PINION TOWERSHAFT	9	21
F525152	COVER EXHAUST	19	28	F525674	GEAR STARTER PINION	13	2
F525154	GASKET EXHAUST	19	26	F525675	BRACKET STARTER LOWER	13	19
F525154	GASKET, EXHAUST	21	-	F525688	SHAFT, STEERING HANDLE	9	10
F525159	GASKET, REED PLATE	15	1	F525689	TOWERSHAFT BEARING	9	27
F525159	GASKET, REED PLATE	21	-	F525691	GEAR, STEERING ARM	9	17
F525161	REED STOP	15	3	F525705	ROD, GEAR SHIFT (STD. LEG)	27	1

PARTS INDEX

Part Number	Description	Pg.	Ref. No.	Part Number	Description	Pg.	Ref. No.
F525707	COVER, SHOCK MOUNT LOWER	23	6	F7027	NUT (LEFT HAND), 10 - 24	9	36
F525737	RETAINER STARTER REWIND SPRING	13	15	F72H29	CHRYSLER OUTBOARD MULTI-PURPOSE GREASE	39	-
F525751	SCREW	11	40	F72H30	CHRYSLER OUTBOARD GREASE GUN	39	-
F525763	SHAFT COVER LATCH	3	20	F73741-1	RING	5	54
F525779	BAFFLE IDLE RELIEF	23	4	F8003	PLAIN WASHER	17	41
F525781	INTERLOCK STARTER	13	6	F8025	PLAIN WASHER	19	2
F525815	GEAR, STEERING HANDLE	9	15	F8039	PLAIN WASHER	25	50
F525816	BEARING, STEERING HANDLE GEAR	9	14	F8043	WAVE WASHER	9	33
F525838	TOWERSHAFT	9	26	F8049	WASHER BOWED SPRING	5	60
F525839	SCREW, STEERING FRICTION	23	21	F8060	LOCKWASHER	11	41
F525840	GROMMET REMOTE THROTTLE CABLE	3	17	F8070	BOWED SPRING WASHER	13	24
F525845	EXTENSION MOTOR LEG	27	4	F8077	WASHER	27	21
F525871	SHAFT GEAR SHIFT LEVER	3	33	F8083	LOCKWASHER	23	13
F525876	LEVER GEAR SHIFT	3	36	F8083	SPRING LOCKWASHER	27	3
F525877	SHAFT, MAGNETO CONTROL	9	20	F84026	SCREW SHOULDER	5	43
F525912	SPRING LATCH SHAFT	3	14	F84026	SHOULDER SCREW	9	35
F525925	LINK CHOKE KNOB	3	25	F84035-2	BEARING INTERLOCK ROD	5	42
F525977	LEVER SHIFT INTERLOCK	3	39	F84036	BEARING, SPARK CONTROL	9	34
F525984	SEAL, REED PLATE	17	50	F84253	HOSE	15	34
F526061-3	CARBURETOR	15	33	F84253	HOSE	17	48
F526128	DRIVESHAFT (LONG LEG)	29	-	F84991-1	GROMMET (77HOB & 77BOB) LIGHTING COIL WIRE	3	-
F526244	WATERLINE (LONG LEG)	23	-	F85026	SCREW	5	51
F526524	RIVET GEAR SHIFT HANDLE	3	29	F8537	SPRING PIN	25	45
F526705	ROD, GEAR SHIFT (LONG LEG)	27	-	F8538	SPRING PIN, 3/32 X 1/2	3	34
F526845	EXTENSION MOTOR LEG (LONG LEG)	27	-	F8538	SPRING PIN, 3/32 X 1/2	23	27
F536813	BEARING REV. LOCK INTERMED.	25	57	F8540	SPRING PIN, 3/32 X 5/8	9	18
F53795-1	SEAL, STEERING HANDLE DAMPENER	9	5	F8540	SPRING PIN, 3/32 X 5/8	23	8
F596	CHRYSLER OUTBOARD OIL	39	-	F8547	SPRING PIN, 1/8 X 5/8	3	19
F597	CHRYSLER OUTBOARD GEAR LUBE	39	-	F8547	SPRING PIN, 1/8 X 5/8	3	35
F5H027	FUEL TANK (ACCESSORY ITEM)	31	9	F8547	SPRING PIN, 1/8 X 5/8	9	12
F5H027	STEEL 6 GALLON FUEL TANK	39	-	F8548	SPRING PIN, 1/8 X 1	9	3
F5H029	FUEL TANK ANCHOR	39	-	F8554	SPRING PIN, 3/16 X 3/4	25	42
F5H040	STEEL 12 GALLON FUEL TANK	39	-	F8559	DOWEL PIN	19	11
F5H104	LIGHTING COIL	39	-	F8567	SPRING PIN, 1/8 X 13/16	3	27
F5H105	BATTERY CHARGING SYSTEM	39	-	F8567	SPRING PIN, 1/8 X 13/16	9	16
F5H113	REMOTE CONTROL KIT	39	-	F8571	SPRING PIN, 1/8 X 1 3/4	13	25
F5H114	REMOTE STEERING BRACKET	39	-	F901456-1	COLLAR, EMERGENCY START	7	7
F5H130	REMOTE CONTROL BOX	39	-	F901710	POST STARTER SPRING GUIDE	13	14
F5H131	REMOTE CONTROL DECAL KIT	39	-	F901728	PIN CLUTCH SHIFT	27	30
F5H134	BOAT WHITE LACQUER	39	-	F901739	DRIVE STARTER REWIND SPRING	13	13
F66480	STUD CLAMP SCREW	25	47	F901746-2	COVER FUEL PUMP	15	35
F7005	NUT, 3/8 - 16	25	51	F901811	FILTER FUEL PUMP	17	45
F7011	ELASTIC STOP NUT, 10 - 24	3	9	F901938-1	SCREW, CYLINDER HEAD	19	1
				F901970	SPRING STARTER REWIND	13	16
				F90807	RETAINING RING	17	49
				FA24757-3	PLATE FUEL PUMP REED W/REEDS & SCREWS	15	38
				FA286113	BAR LOCK	23	11
				FA286155	LINER, CENTER MAIN	19	20
				FA324101	PROPELLER PIN	29	37
				FA387742	LEVER REVERSE LOCK INTERMEDIATE ASSY.	23	23

PARTS INDEX

Part Number	Description	Pg.	Ref. No.	Part Number	Description	Pg.	Ref. No.
FA510914	SEAL, WATERLINE	27	9	FS567532	BRACKET STERN STARBOARD W/SCREW CLAMP	23	39
FA521023	BEVEL GEAR W/BEARING	27	29				
FA521841	CABLE LIGHTING COIL (77HOB, 77BOB ONLY) W/SPLICES	7	17	FT11202	SEAL INSTALLER	34	-
FA525038	SUPPORT PLATE W/EYELET (72HOC AND 72BOC)	3	11	FT1749	SNAP RING PLIERS	34	-
FA525054	GEAR HOUSING	27	22	FT2909	KNOCK-OFF NUT	32	-
FA525060	BODY, WATER PUMP	29	-	FT2915	SEAL INSTALLER	35	-
FA525060	WATER PUMP BODY	27	12	FT2961	LUBRICANT - RYKON #2EP	37	-
FA525116	SNOUT	27	27	FT2962-1	SEALANT - 50 CC LOCTITE H, NON-HARDENING GRADE	37	-
FA525167	MANIFOLD W/STUDS	15	9	FT2963-1	SEALANT - 2 OZ. LOCTITE D, HARDENING GRADE	37	-
FA525228	ROLLER CRANKPIN (16 ROLLERS)	19	18	FT2987-1	LUBRICANT - ANTI-SEIZE	37	-
FA525241	CRANKPIN ROLLER CAGE (ONE CAGE)	19	17	FT2989	FLYWHEEL WEDGE	32	-
FA525298	PROP SHAFT CAGE	27	33	FT2997	RING COMPRESSOR	34	-
FA525471	COVER, CYLINDER DRAIN W/SCREEN	19	9	FT3012	SEAL INSTALLER	34	-
FA525480	RETAINER ENGINE COVER W/NUTS & SCREWS	3	4	FT3139-1	STARTER REWIND KEY	33	-
FA525774	BRACKET COVER LATCH W/SCREWS & NUTS	5	45	FT8926	PISTON RING EXPANDER	34	-
FA526038	SUPPORT PLATE W/EYELET (77HOB AND 77BOB)	3	-	FT8929	ADAPTER AND HEX BIT	34	-
FA538395	IDENTIFICATION PLATE W/SCREWS	25	48	FT8935	SEALANT PRIMER - 6 OZ.	37	-
FA567386	DECAL, NUMERAL 7.5	3	5	FT8936	SEALANT - 2 CC LOCTITE RETAINING COMPOUND #75	37	-
FA567396	DECAL ENGINE COVER - STARBOARD	3	-	FT8948-1	BEARING CAGE PULLER	35	-
FA567397	DECAL ENGINE COVER - PORT	3	7	FT8950	LEAKAGE TESTER	36	-
FA567528	DECAL ENGINE COVER, REAR	3	2	FT8953	C-D TESTER	36	-
FA567892	DECAL ENGINE COVER FRONT	5	46	FT8957	SEAL INSTALLER	35	-
FA84754-1	FUEL LINE SHORT W/FERRULES	31	5	FT8969	LUBRICANT - 7 OZ. 2 PSI LUBRICANT	37	-
FC409398	DECAL TOTE TANK - CANADA (NOT SHOWN)	31	-	FT8983	SEALANT - 5 OZ EC-750 INDUSTRIAL SEALANT	37	-
FC525010	CYLINDER COMPLETE. (NOT SHOWN).	19	-	FT8996	IGNITION TESTER	36	-
FC525054	GEAR HOUSING COMPLETE (NOT SHOWN).	27	-	T11211	BOAT WHITE	38	-
FC525390	DECAL STOP - CANADA	3	-	T11212	BOAT BLACK	38	-
FC525394	DECAL CHOKE - CANADA	3	-	T11230	ORANGE	38	-
FG1018	GASKET SET.	21	42	T11232	METALIC SILVER	38	-
FK1062	GEAR HOUSING SEAL KIT.	29	48	T11233	MEDIUM METALIC SILVER	38	-
FK1067	WATER PUMP KIT	29	50	11-817752A1	PROPELLER NUT W/COTTER PIN	29	38
FK516984	BLANKET TOP & SIDES	5	47	27-818043A1	DIAPHRAGM, FUEL PUMP W/GASKETS	17	39
FK525713	ENGINE COVER PACKING	3	30	32-817738A1	FUEL LINE, LONG W/CLAMP AND FERRULE	31	7
FK750-3	SPARKIE KIT	7	2	33-82370M	SPARK PLUG (L-86)	19	3
FP477	PROPELLER	29	39	37-F286585-2	DECAL, TILT RELEASE - CANADA	25	-
FS409752	FUEL LINE - COMPLETE (NOT SHOWN).	31	-	37-F286894-3	INDICATOR STEERING HANDLE - CANADA	9	-
FS537712	ENGINE COVER W/PACKING, REAR RETAINER AND LATCH BRACKET	3	1	39-818038A1	PISTON RING (2 RINGS PER SET)	19	12
				1100-817753A1	CAGE, CRANKSHAFT BEARING W/UPPER CRANKSHAFT SEAL	19	36
				1400-817964A2	SWIVEL BRACKET	23	19