



PARTS CATALOG

35 H.P.

SERIAL NUMBER

35 (1980) 353H0M

TABLE OF CONTENTS:

ACCESSORIES	47
CARBURETOR	14
CRANKSHAFT AND PISTON GROUP	24
ENGINE COVER AND SUPPORT PLATE	2
FUEL PUMP	12
FUEL TANK AND LINE	38
GEAR HOUSING	34
HAND STARTER	10
MAGNETO	8
MOTOR LEG	28
PARTS INDEX	48
POWER HEAD	18
REED PLATE	26
SPECIAL TOOLS - GEAR HOUSING	43
SPECIAL TOOLS - LUBRICANTS AND SEALANTS	45
SPECIAL TOOLS - MANUAL STARTER	41
SPECIAL TOOLS - POWER HEAD	42
SPECIAL TOOLS - REPAIR DECALS - ENGINE COVERS	46
SPECIAL TOOLS - TEST EQUIPMENT	44
SPECIAL TOOLS - TUNE-UP	40

NOTE: Indented description indicate that these parts are included in preceeding assembly.

AR = As Required

NSS = Not Sold Separate

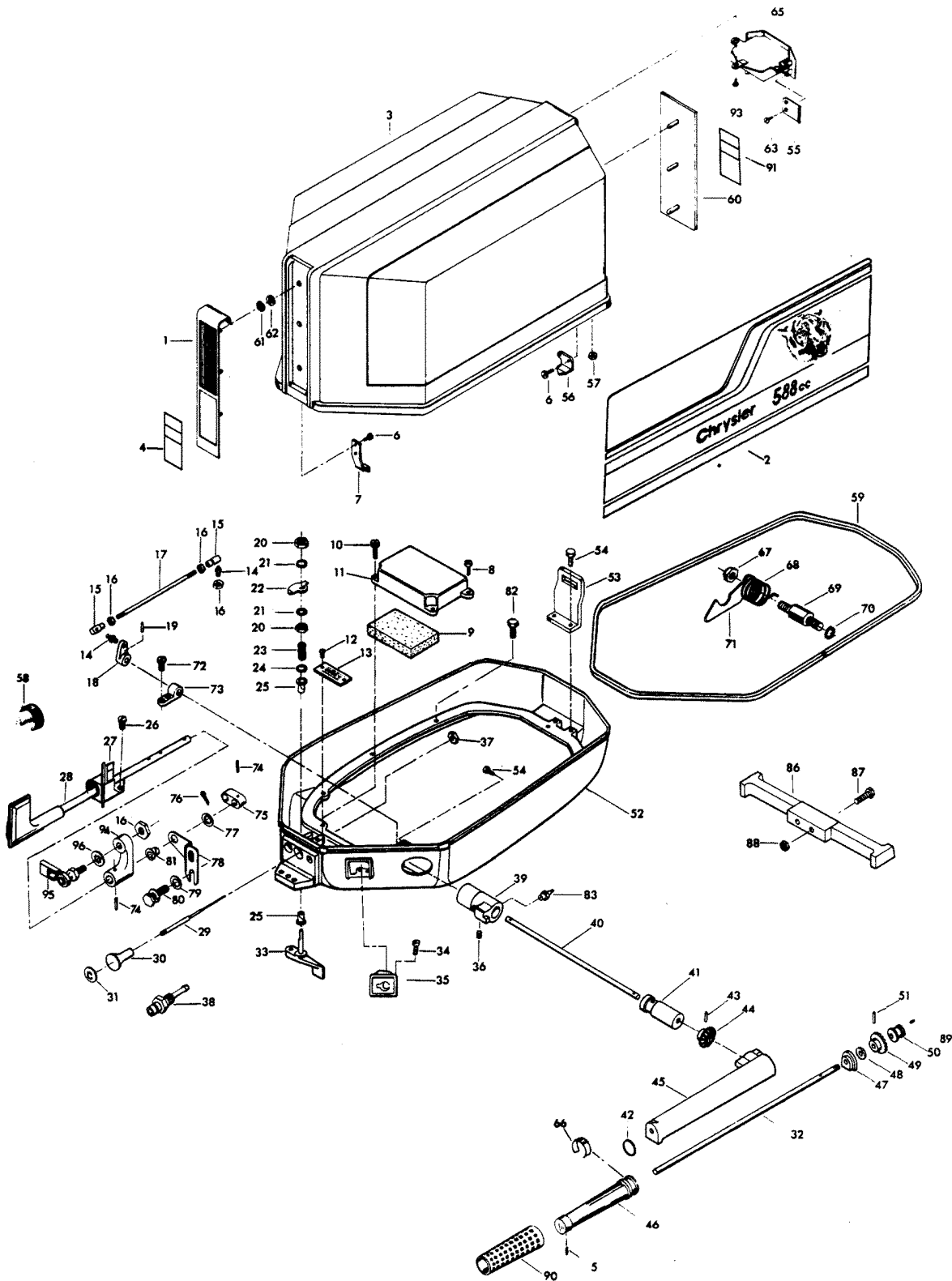
OPT = Optional

NS = Not Shown

THESE PARTS BOOKS/FICHE CARD ARE COPYRIGHTED AND MAY NOT BE DISTRIBUTED OR REPRODUCED IN ANY OTHER FORMAT BY ANYONE OTHER THAN MERCURY MARINE WITHOUT THE PRIOR WRITTEN CONSENT OF MERCURY MARINE.

THIS PAGE INTENTIONALLY LEFT BLANK

ENGINE COVER AND SUPPORT PLATE

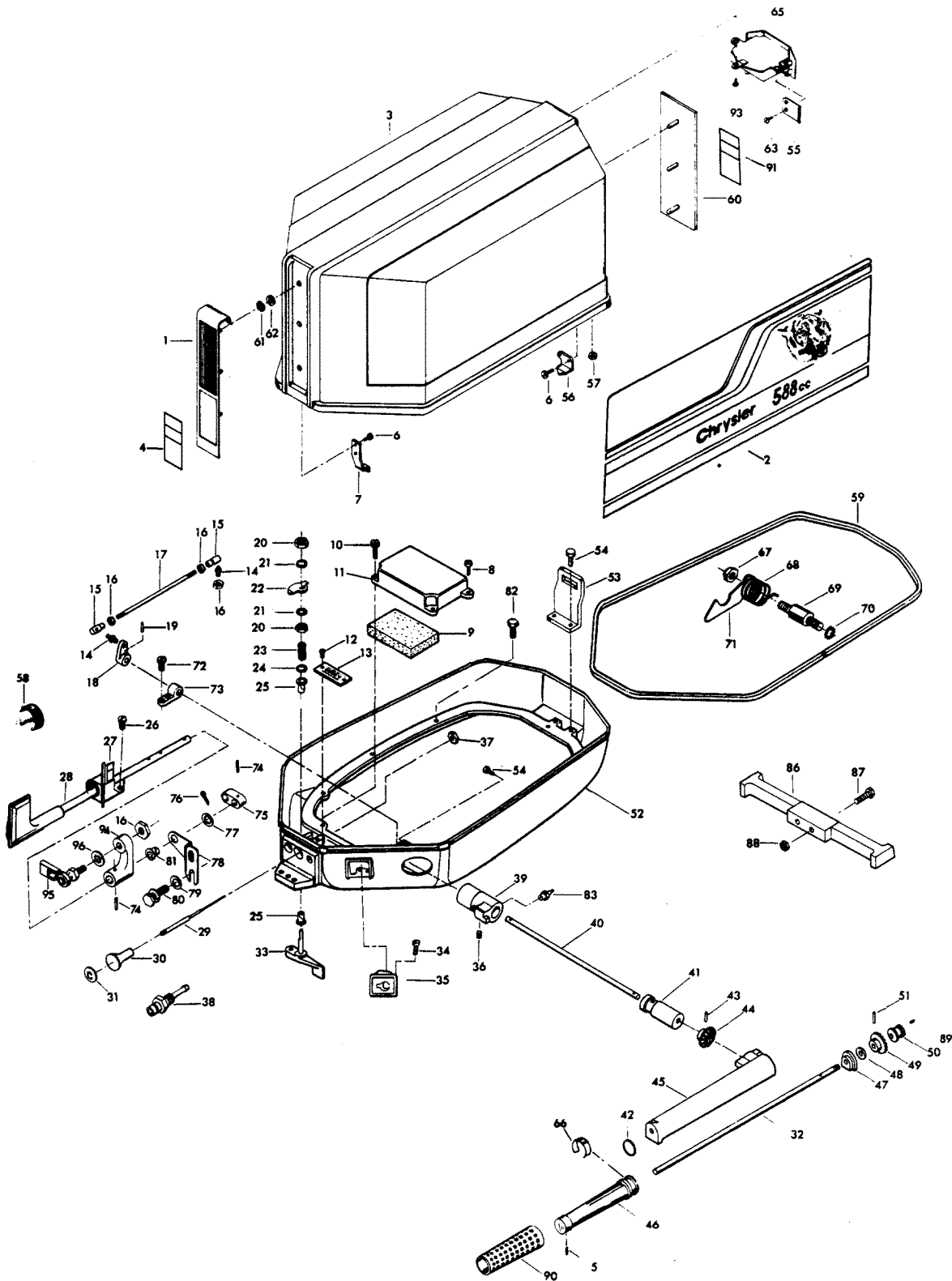


ENGINE COVER AND SUPPORT PLATE

REF. NO.	PART NO.	SYM.	QTY.	DESCRIPTION
1	F545711		1	PLATE, FRONT
2	A574397		1	DECAL, ENGINE COVER - PORT W/LITERATURE
-	A574396		1	DECAL, ENGINE COVER - STARBOARD W/LITERATURE
3	FS486712		1	ENGINE COVER W/TILT HANDLE AND RETAINERS
-	2C574712		1	ENGINE COVER COMPLETE INCLUDES ALL ITEMS MARKED WITH AN ASTERISK (*)
4	FA544892		1	DECAL, ENGINE COVER FRONT W/LITERATURE
5	F8548		1	SPRING PIN
6	F1979		4	FILL HD SCREW, 10 - 24 X 1/2
7	FA366778		1	ENGINE COVER RETAINER, FORWARD, W/SCREWS AND NUTS
8	F1864		2	HEX HD SCREW, 1/4 - 20 X 3/4
9	F1535		1	INTAKE SILENCER
10	F1953		2	HEX HD SCREW, 1/4 - 20 X 1
11	FA307779		1	BAFFLE, AIR INTAKE ASSY.
12	F1447		2	ROUND HD SCREW, 2 X 3/16
13	FA538395		1	IDENTIFICATION PLATE W/SCREWS
14	F98273		2	ROD END CONNECTOR STUD
15	F58685-2		2	ROD END CONNECTOR, MAGNETO CONTROL
16	F1513		4	HEX NUT, 10 - 32
17	F307809-1		1	MAGNETO CONTROL ROD
18	F328438		1	MAGNETO CONTROL ARM
19	F8540		1	SPRING PIN
20	F1515		2	HEX NUT, 5/16 - 18
21	F8096		2	SPRING LOCKWASHER
22	F89777-1		1	LATCH CAM
23	F183300		1	SPRING
24	F1987		1	PLAIN WASHER
25	F307818		2	BEARING, LATCH SHAFT
26	F1733		2	PAN HD SCREW, 10 - 24 X 9/16
27	F328189-1		1	BRUSHING, GEAR SHIFT ROD
28	818059A1		1	GEAR SHIFT ROD W/KNOB
29	F433503		1	CHOKE CABLE
30	F286547		1	CHOKE KNOB
31	F458677		1	INSERT, CHOKE KNOB
32	F433688		1	SHAFT, STEERING HANDLE
33	FA328763		1	LATCH SHAFT W/HANDLE
34	F1733		1	PAN HD SCREW, 10 - 24 X 9/16
35	FA366953		1	BUSHING, STARTER HANDLE W/INSERT
36	FA901839		1	STEERING HANDLE FRICTION SCREW W/SPRING AND BUTTON
37	F1738		1	HEX NUT, 3/8 - 24
38	F434767		1	BUSHING
39	F328703-1		1	STEERING HANDLE ADAPTER

CONTINUED ON NEXT PAGE ➡

ENGINE COVER AND SUPPORT PLATE

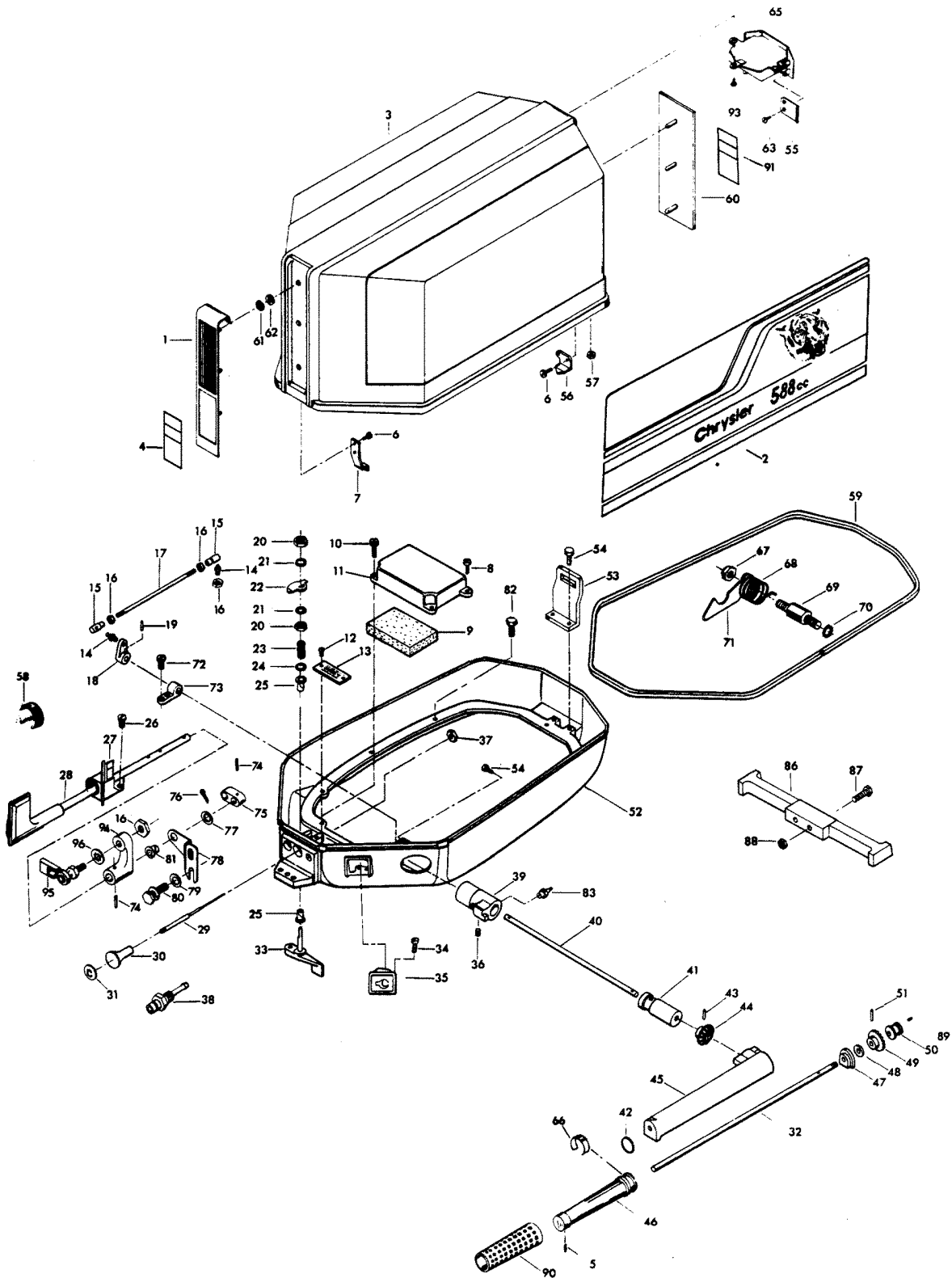


ENGINE COVER AND SUPPORT PLATE

REF. NO.	PART NO.	SYM.	QTY.	DESCRIPTION
40	F338877		1	MAGNETO CONTROL SHAFT
41	F328692		1	PIVOT TUBE
42	F53795-1		2	DAMPENER
43	F8538		1	SPRING PIN
44	F338815		1	STEERING HANDLE GEAR
45	F2A338079		1	STEERING HANDLE INCLUDING ITEMS 40 THROUGH 45
46	FA456137		1	STEERING HANDLE GRIP W/SLEEVE
47	F40816-1		1	STEERING HANDLE CONTROL SHAFT THRUST BEARING
48	F1955		1	PLAIN WASHER
49	F338815		1	STEERING HANDLE GEAR
50	F307689-1		1	STEERING HANDLE CONTROL SHAFT BEARING
51	F8538		1	SPRING PIN
52	818054A1		1	SUPPORT PLATE W/PLUG
53	F458774		1	BRACKET, RETAINER REAR
54	F1864		6	HEX CAP SCREW, 1/4 - 20 X 3/4
55	F463864		2	RETAINER, TILT HANDLE
56	FA458480		1	ENGINE COVER RETAINER W/SCREWS AND NUTS
57	F7011		4	HEX NUT, 10 - 24
58	F461400		1	GEAR SHIFT INDICATOR
59	F85756		1	SUPPORT PLATE PACKING
60	F545180		1	TRIM, ENGINE COVER REAR
61	F85735-1		6	SEAL
62	F1753		6	FASTENER
63	F2066		4	PAN HD SELF - TAPPING SCREW, 10 - 7/16
65	F544269		1	TILT HANDLE
66	F286894-3		1	STEERING HANDLE INDICATOR
-	37-F286894-3		1	STEERING HANDLE INDICATOR - CANADA
67	F2002		1	HEX NUT, 5/16 - 18
68	F367300		1	SPRING SHIFT DETENT
69	F328819		1	SWIVEL SHIFT DETENT
70	F8060		1	INTERNAL TOOTH LOCKWASHER
71	F328884		1	DETENT, SHIFT ARM
72	F2001		2	FILL HD SCREW, 10 - 24 X 5/8
73	F366813		1	BEARING
74	F1836		2	SPRING PIN
75	FA434876		1	GEAR SHIFT ARM W/BEARING, ROLLER & PIN
76	F1017		1	COTTER PIN
77	F8032		1	PLAIN WASHER
78	F433612		1	BRACKET, SHIFT ROD
79	F8028		2	PLAIN WASHER
80	F1578		2	HEX HD SCREW W/LOCKWASHER, 1/4 - 20 X 7/8
81	F85610		1	BEARING
82	F1553		8	HEX CAP SCREW, 1/4 - 20 X 3/4

CONTINUED ON NEXT PAGE ➡

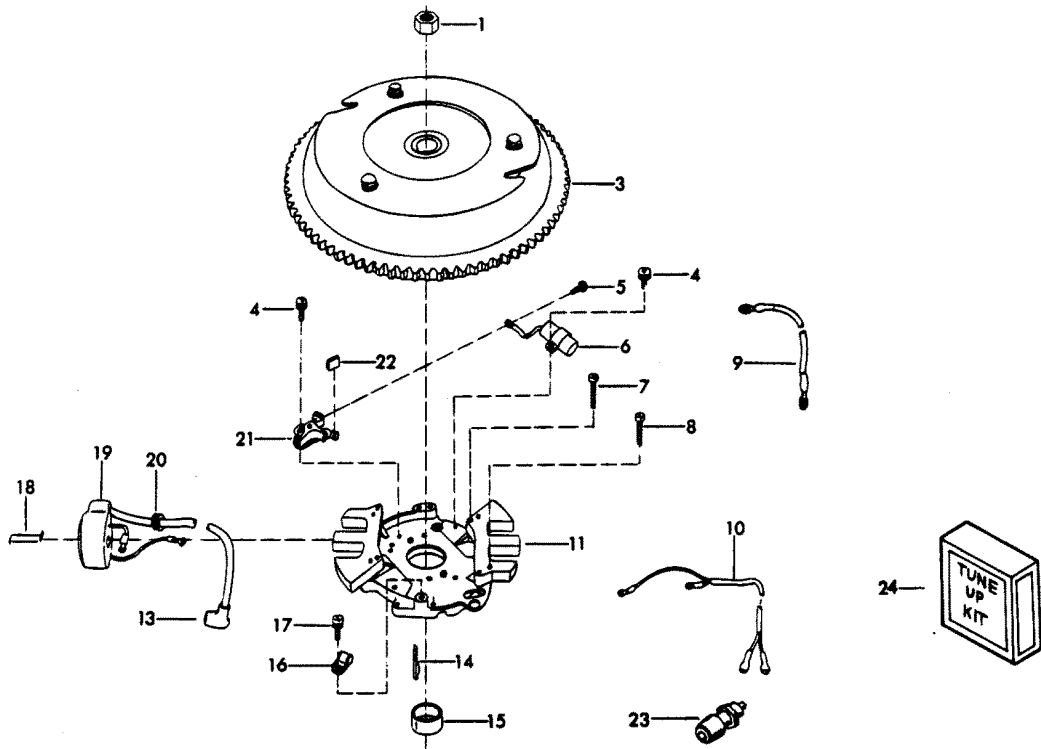
ENGINE COVER AND SUPPORT PLATE



ENGINE COVER AND SUPPORT PLATE

REF. NO.	PART NO.	SYM.	QTY.	DESCRIPTION
83	F213274		1	GREASE FITTING
86	F366824		1	CARRYING HANDLE
87	F1603		2	HEX BOLT, 5/16 - 18 X 2
88	F1892		2	STOP NUT, 5/16 - 18
89	F1277		1	SLOTTED OVAL HD SET SCREW 1/4 - 28 X 3/8
90	F458695		1	SLEEVE, STEERING HANDLE
91	FA544528		1	DECAL, ENGINE COVER REAR W/LITERATURE
93	F2025		1	PAN HD SCREW, 10 X 3/8
94	F485005		1	INTERLOCK LEVER ARM
95	817747--1		1	BALL JOINT W/BEARING
96	F8058		1	INTERNAL TOOTH LOCKWASHER
-	F191993-1		1	BRACKET, CHOKE CABLE (NOT SHOWN)
-	F1532		2	WASHER

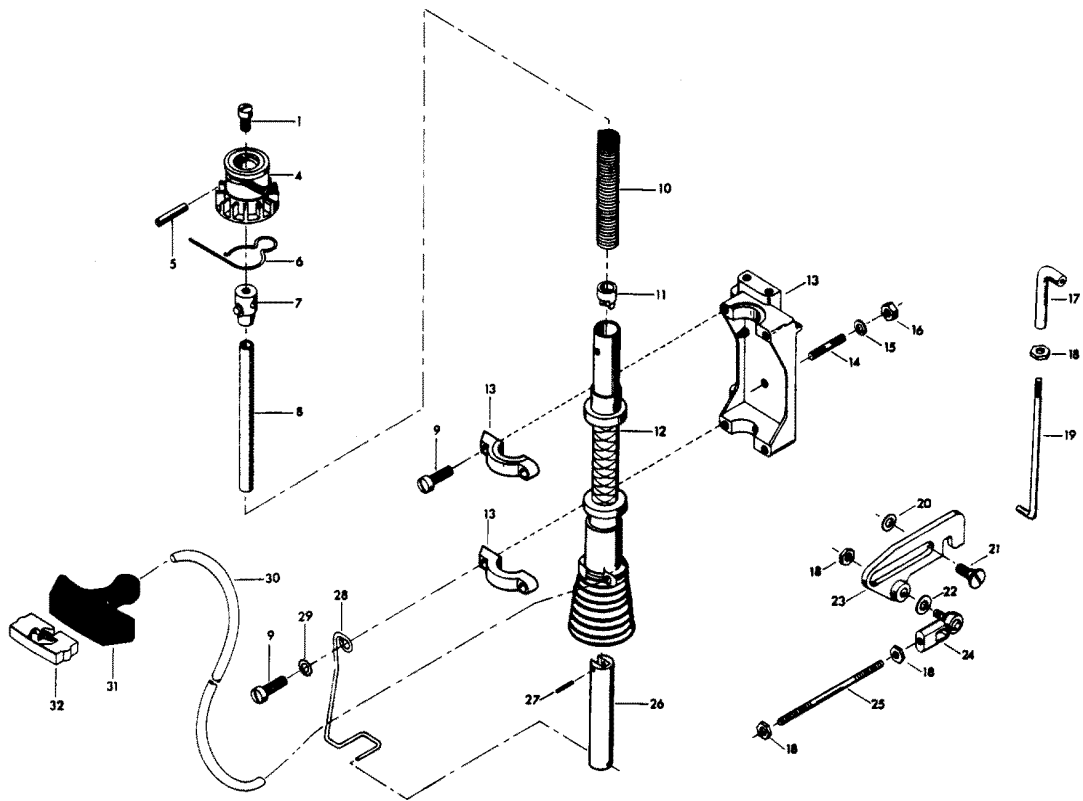
MAGNETO



MAGNETO

REF. NO.	PART NO.	SYM.	QTY.	DESCRIPTION
1	F1920		1	HEX NUT, 5/8 - 18
2	F93097-6		1	FLYWHEEL AND STARTER GEAR
4	F12014		6	BREAKER POINT AND CONDENSER MOUNTING SCREW, 8 - 32 X 3/8
5	F1300		2	BREAKER POINT TERMINAL SCREW, 6 - 32 X 3/8
6	F12042-1		2	CONDENSER W/MOUNT
7	F1926		2	LAMINATION SCREW, 8 - 32 X 7/8
8	F12023		2	LAMINATION SCREW, 10 - 24 X 1
9	F460664		1	WIRE, STATOR GROUND
10	F12059		1	PRIMARY TERMINAL WIRE
11	F12342		1	STATOR PLATE WITHOUT LAMINATIONS
13	FK750-2		2	SPARKIE KIT
14	F92498		1	KEY
15	F93002		1	CAM
16	F12246		1	CABLE CLIP
17	F12016		1	CABLE CLIP SCREW, 8 - 32 X 1/2
18	F12053		2	COIL RETAINING CLIP
19	F12057		2	COIL W/LEAD WIRE, SPARKIE AND GROMMET
20	F12050		2	GROMMET
21	F12044		2	BREAKER POINT SET
22	F12227		2	CAM WIPER FELT
23	F436449		1	SHORTING SWITCH
24	FK1077		1	TUNE - UP KIT INCLUDES ALL ITEMS MARKED WITH AN ASTERISK (*)
-	F94914		1	SLEEVE, STATOR WIRE (NOT SHOWN)
-	F12341		2	COIL LAMINATIONS (NOT SHOWN)
-	F338095-2		-	STATOR (NO DWG) INCLUDES ALL ITEMS WITH A DOUBLE ASTERISK (**).
-	37-817792A1		1	DECAL TIMING

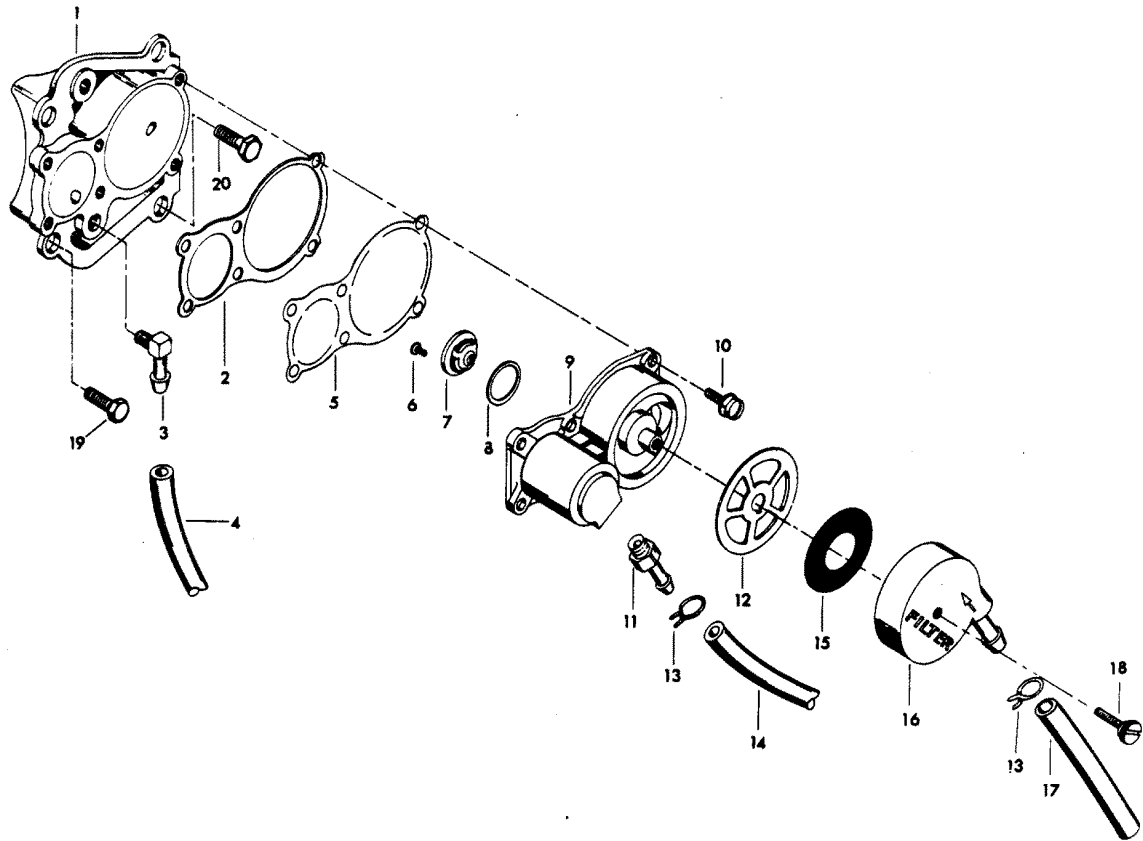
HAND STARTER



HAND STARTER

REF. NO.	PART NO.	SYM.	QTY.	DESCRIPTION
1	F1097		1	FILL HD SCREW, 1/4 - 20 X 3/8
4	F487674		1	STARTER PINION GEAR
5	F40425		1	STARTER PINION PIN
6	F485424		1	SPRING, STARTER PINION
7	F901739		1	STARTER REWIND SPRING DRIVE
8	F328710		1	STARTER ROPE GUIDE POST
9	F1111		4	FILL HD SCREW, 1/4 - 20 X 7/8
10	F901970		1	SPRING STARTER REWIND
11	F191737		1	RETAINER, STARTER SPRING
12	F328239		1	STARTER POOL
13	2A486427		1	STARTER MOUNTING BRACKET W/CAPS AND SCREWS
14	F307211		3	STUD
15	F8096		3	SPRING LOCKWASHER
16	F1515		3	HEX NUT, 5/16 - 18
17	F485971		1	STARTER SPRING EXTENSION
18	F1513		4	HEX NUT, 10 - 32
19	F486531		1	STARTER INTERLOCK ROD
20	F8028		2	PLAIN WASHER
21	F369887		2	INTERLOCK SCREW
22	F8058		1	INTERNAL TOOTH LOCKWASHER
23	F485781		1	STARTER INTERLOCK LOCK
24	817747--1		1	BALL JOINT W/BEARING
25	F478502		1	LINK
26	F191971		1	STARTER RETAINER EXTENSION
27	F8540		1	SPRING PIN
28	F328455		1	STARTER ROPE GUIDE
29	F8060		1	EXTERNAL TOOTH LOCKWASHER
30	F328232		1	STARTER ROPE
31	F286132		1	STARTER ROPE HANDLE
32	817938A1		1	STARTER ROPE HANDLE RETAINER W/LITERATURE ORIGINAL FORCE P/N K 286817-1
-	FA27232		1	EMERGENCY STARTER ROPE (NOT SHOWN) W/HANDLE
33	F24333		1	END, STARTER ROPE

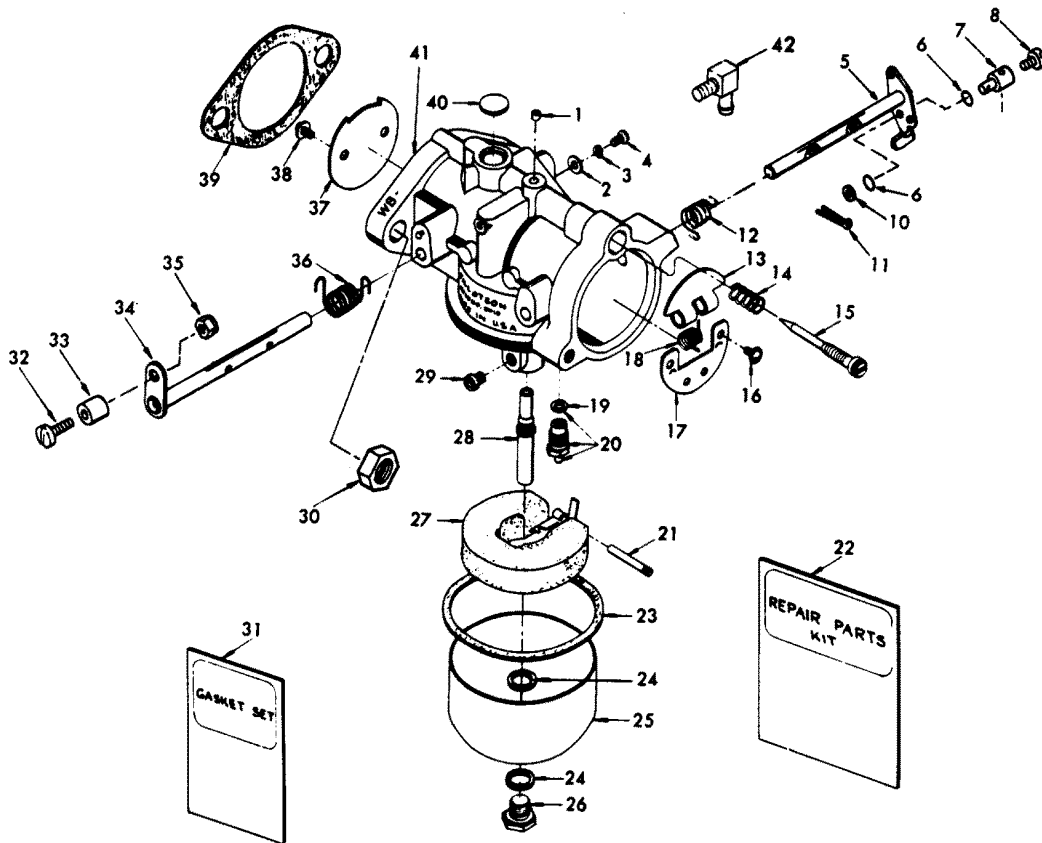
FUEL PUMP



FUEL PUMP

REF. NO.	PART NO.	SYM.	QTY.	DESCRIPTION
1	FA439746		1	FUEL PUMP COVER W/LITERATURE
2	F438760		1	FUEL PUMP GASKET
3	F84314-2		1	ELBOW
4	FC434758		1	FUEL PUMP IMPULSE HOSE
5	F438747		1	FUEL PUMP DIAPHRAGM
6	F1860		2	ROUND HD SCREW, 6 - 32 X 1/4
7	F177330		3	FUEL PUMP VALVE
8	F84792		1	FUEL PUMP VALVE GASKET (CENTER VALVE)
9	FA438431		1	FUEL PUMP BODY W/VALVES
10	F1108		6	FILL HD SCREW W/LOCKWASHER
11	F438801		1	ELBOW
12	F438617		1	FUEL SEDIMENT BOWL GASKET
13	F97772		4	FUEL LINE CLAMPS
14	F434754		1	FUEL LINE, PUMP TO CARBURETOR
15	F438653		1	FUEL PUMP SCREEN
16	FA438500		1	FUEL SEDIMENT BOWL W/ILLUS. 18
17	F434754		1	HOSE BUSHING TO FUEL PUMP
18	F438165		1	SCREW, FUEL BOWL
19	F1540		3	HEX CAP SCREW, 1/4 - 20 X 5/8
20	F1922		1	HEX HD SCREW, 1/4 - 20 X 5/8
-	F286772-1		1	CLAMP

CARBURETOR

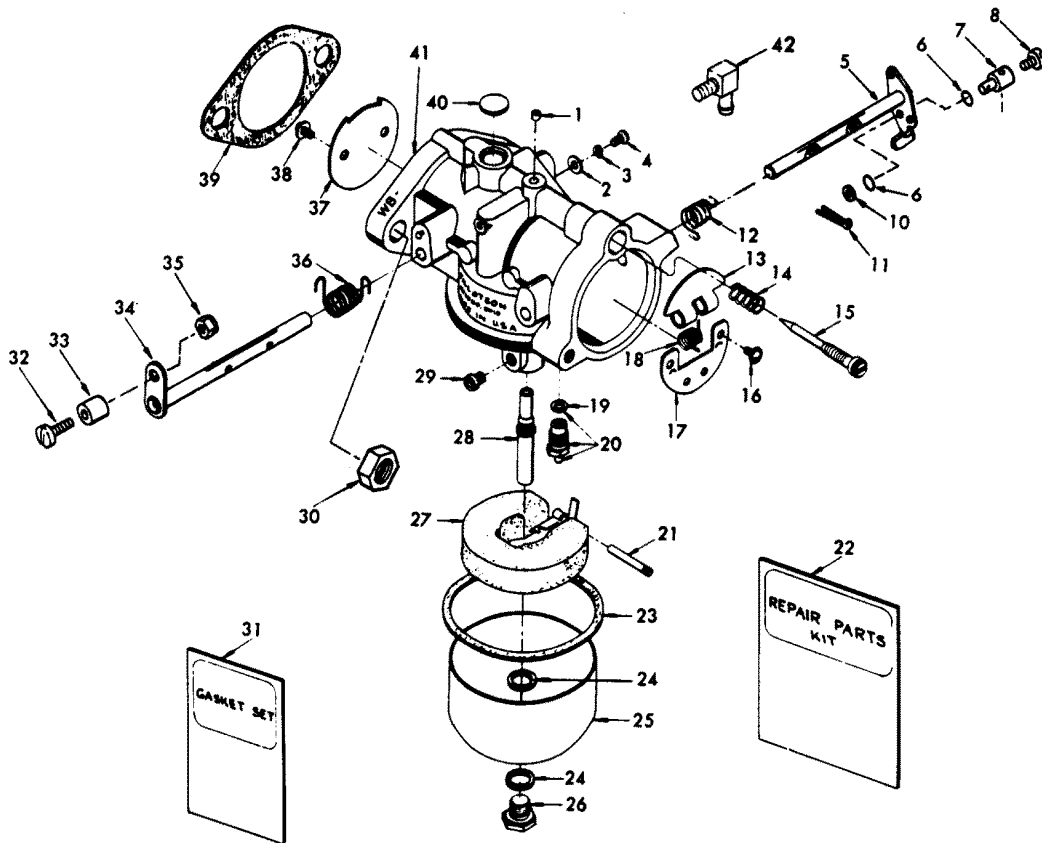


CARBURETOR

REF. NO.	PART NO.	SYM.	QTY.	DESCRIPTION
1	FO10588		1	BODY CHANNEL CUP PLUG
2	FO3804		1	THROTTLE SHAFT POSITION RETAINING SCREW WASHER
3	FO6396		1	THROTTLE SHAFT POSITION RETAINING SCREW LOCKWASHER
4	FO6393		1	THROTTLE SHAFT POSITION RETAINING SCREW
5	FO16383		1	CHOKE SHAFT AND LEVER
6	F184579		2	SEAL, CHOKE ARM SWIVEL
7	F184033-1		1	SWIVEL, CHOKE ROD
8	F1059		1	FILL HD SCREW, 6 - 32 X 1/4
10	F8088		1	PLAIN WASHER
11	F1014		1	COTTER PIN
12	FO16385		1	CHOKE SHAFT RETURN SPRING
13	FO12251		1	CHOKE RELIEF VALVE
14	FO11103		1	IDLE MIXTURE SCREW SPRING
15	FO13946		1	IDLE MIXTURE SCREW
16	FO10280		2	CHOKE SHUTTER RETAINING SCREW AND LOCKWASHER
17	FO12250		1	CHOKE SHUTTER
18	FO10883		1	CHOKE RELIEF VALVE SPRING
19	FO10165		1	INLET SEAT GASKET
20	FO10790		1	INLET NEEDLE, SEAT AND GASKET
21	FO13944		1	FLOAT LEVER PIN
22	F10019		1	REPAIR PARTS KIT INCLUDES ALL ITEMS MARKED WITH AN ASTERISK (*)
23	FO15623		1	FUEL BOWL GASKET
24	FO2510		2	FUEL BOWL RETAINING SCREW GASKET
25	FO13552		1	FUEL BOWL
26	FO13945		1	FUEL BOWL RETAINING SCREW
27	FO13554		1	FLOAT
28	FO16251		1	MAIN NOZZLE
29	FO15406		1	MAIN FUEL JET .090 (STD.)
-	FO13193		-	MAIN FUEL JET .088 (OPT.) 1250 - 3750 FEET
-	FO13949		-	MAIN FUEL JET .086 (OPT.) 3750 - 6250 FEET
-	FO14302		-	MAIN FUEL JET .084 (OPT.) 6250 - 8250 FEET
30	F1515		2	HEX NUT, 5/16 - 18
31	F10000		1	GASKET SET
32	F333316		1	THROTTLE ROLLER SHAFT
33	F92759		1	ROLLER
34	FO15728		1	THROTTLE SHAFT AND LEVER
35	F1997		1	STOP NUT, 10 - 24
36	FO14292		1	THROTTLE SHAFT RETURN SPRING
37	FO16119		1	THROTTLE SHUTTER

CONTINUED ON NEXT PAGE ➡

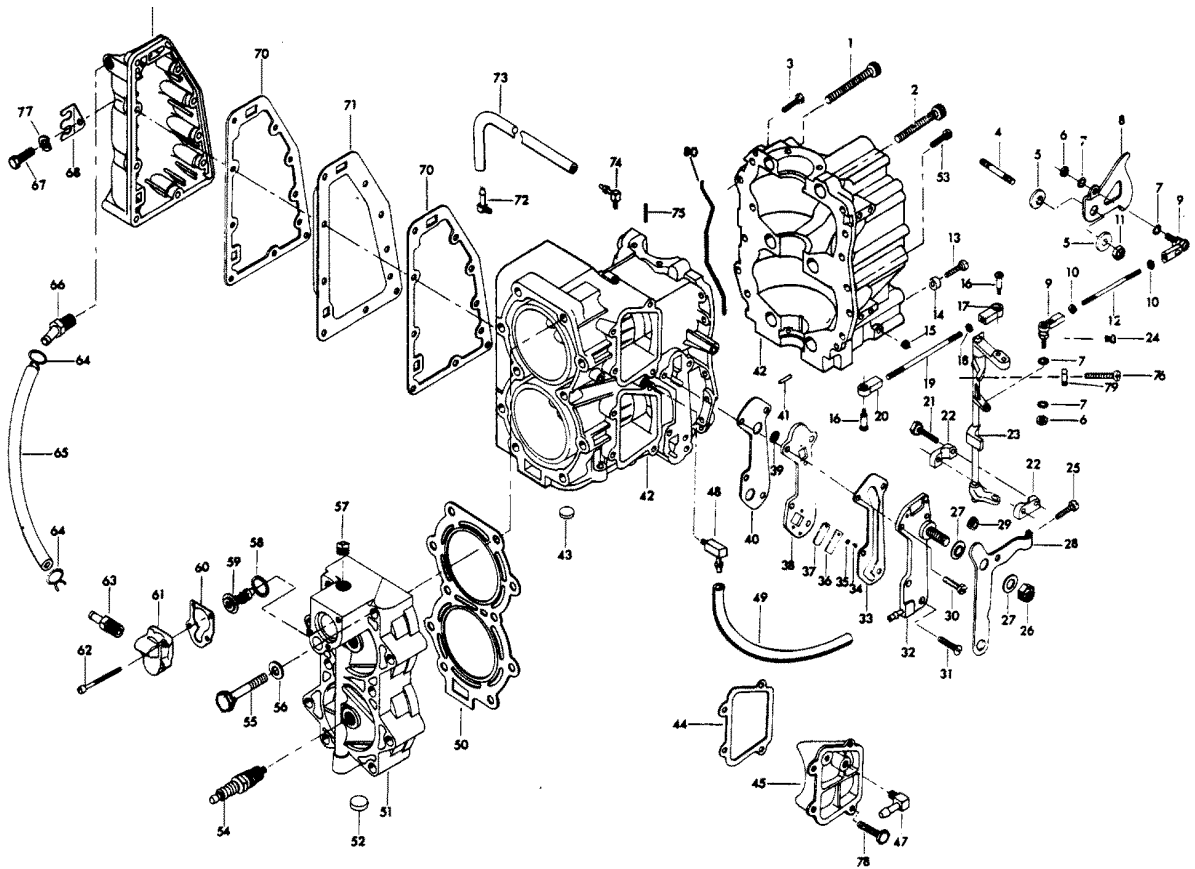
CARBURETOR



CARBURETOR

REF. NO.	PART NO.	SYM.	QTY.	DESCRIPTION
38	FO8942		2	THROTTLE SHUTTER RETAINING SCREW AND LOCKWASHER
39	F40906-1		1	FLANGE GASKET
40	FO4326		1	BODY CHANNEL WELCH PLUG
41	F433061-2		1	CARBURETOR COMPLETE (WB-17C)
42	F84314-2		1	ELBOW, FUEL LINE

POWER HEAD

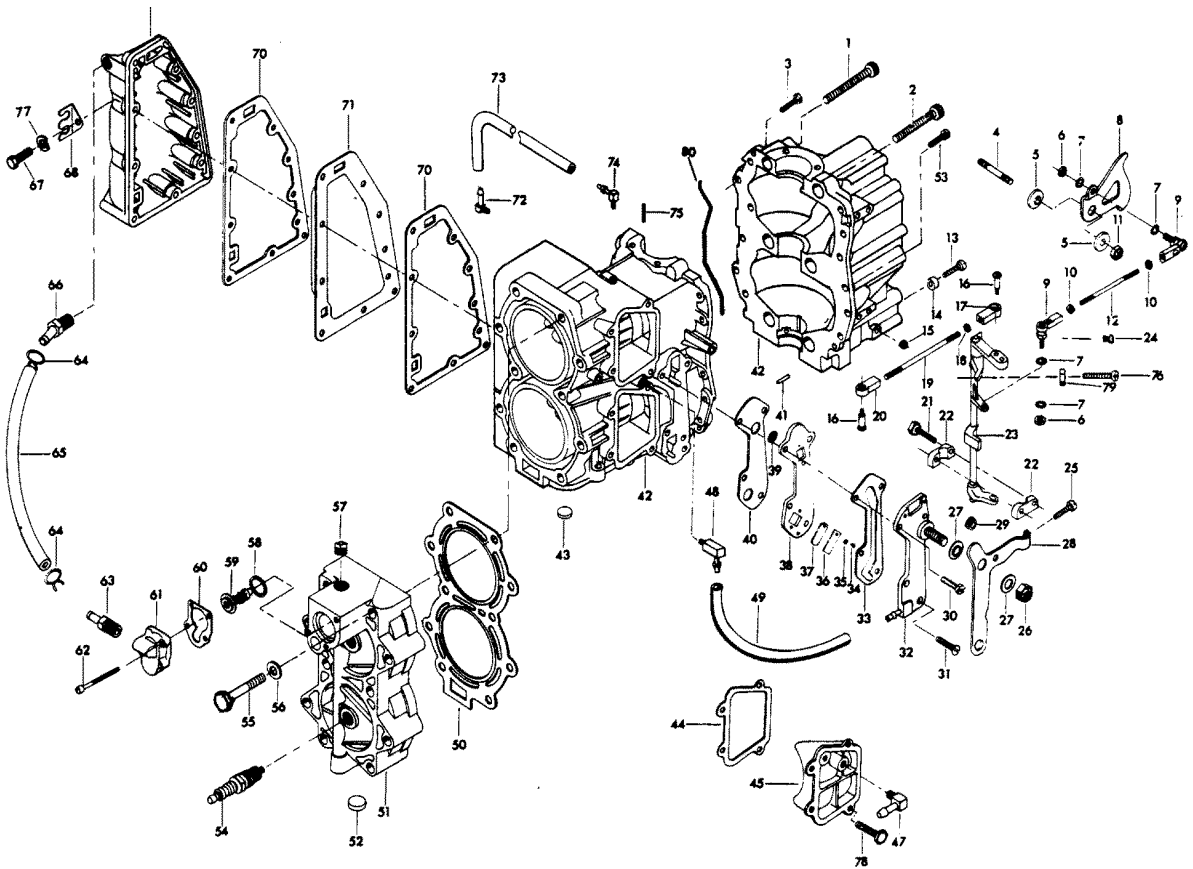


POWER HEAD

REF. NO.	PART NO.	SYM.	QTY.	DESCRIPTION
1	F1646		1	HEX SOCKET HD CAP SCREW, 3/8 - 16 X 2 1/4
2	F1879		5	HEX SOCKET HD CAP SCREW, 3/8 - 16 X 1 5/8
3	F1864		9	HEX SLOT HD SCREW, 1/4 - 20 X 3/4
4	F433209-1		1	STUD, THROTTLE CAM
5	F269319		2	THROTTLE CAM BEARING
6	F1513		2	HEX NUT, 10 - 32
7	F8058		4	INTERNAL TOOTH LOCKWASHER
8	F433192		1	THROTTLE CAM
9	817747--1		2	BALL JOINT W/BEARING
10	F1513		2	HEX NUT, 10 - 32
11	F1910		1	ELASTIC STOP NUT, 1/4 - 20
12	F85502		1	THROTTLE LINK
13	F1134		2	FILL HD SCREW, 8 - 32 X 1 - 1/8
14	F307942-1		2	BUMPER
15	F1770		2	STOP NUT, 8 - 32
16	F84026		2	SPARK CONTROL SWIVEL
17	F84036		1	SPARK CONTROL BEARING, L.H.
18	F1473		1	HEX NUT, 10 - 24
19	F269445-1		1	SPARK CONTROL LINK
20	F84035-2		1	SPARK CONTROL BEARING, R.H.
21	F1995		4	FILL HD SCREW, 10 - 24 X 1
22	F433689		4	BEARING, TOWERSHAFT
23	FK433838		1	TOWERSHAFT ASSY.
24	F1727		1	PLASTIC RIVET
25	F1969		1	FILL HD SCREW, 1/4 - 20 X 3/4
26	F7004		1	STOP NUT, 3/8 - 16
27	F269052		2	SHIFT ARM BEARING
28	FA434876		1	SHIFT ARM W/ROLLER
29	F85610		1	BEARING
30	F1446		2	SLOTTED PAN HD SCREW, 1/4 - 20 X 1
31	F1136		2	FLAT HD SCREW, 1/4 - 20 X 1
32	FA433471		1	CYLINDER DRAIN COVER W/FITTING
33	F93472-1		1	CYLINDER DRAIN COVER GASKET
34	F1286		2	PAN HD SCREW, 4 - 40 X 3/16
35	F8003		2	PLAIN WASHER
36	F93920		2	CYLINDER DRAIN REED STOP
37	F18160-2		2	REED, CYLINDER DRAIN
38	F2A433757		1	CYLINDER DRAIN RD PLATE W/REEDS, REED STOPS, SCRWS AND SCRN
39	F93811		2	SCREEN, CYLINDER DRAIN REED PLATE
40	F93748-1		1	CYLINDER DRAIN REED PLATE GASKET
41	F8559		2	DOWEL PIN
42	A487010		1	CYLINDER W/CRANKCASE COVER, DEFLECTOR PLATE AND SCREWS

CONTINUED ON NEXT PAGE ➡

POWER HEAD

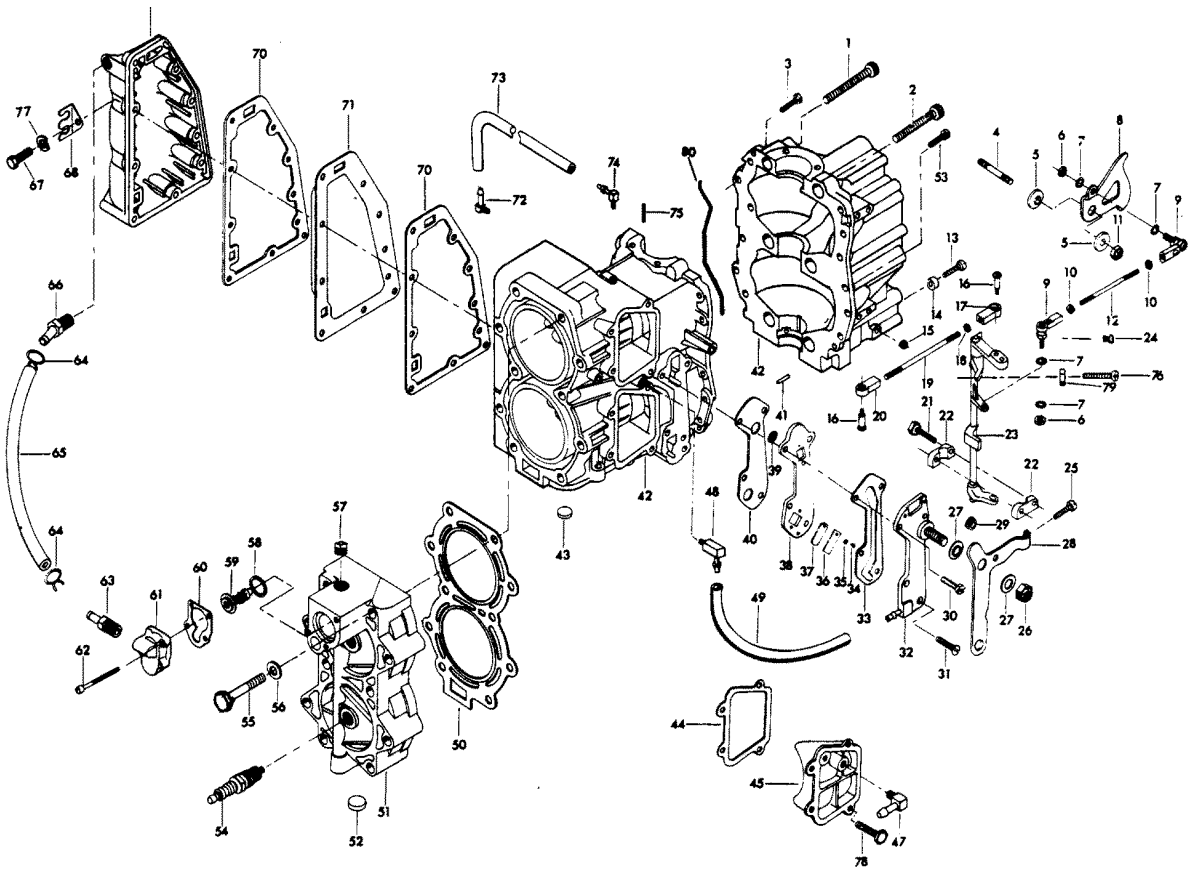


POWER HEAD

REF. NO.	PART NO.	SYM.	QTY.	DESCRIPTION
-	C487010		1	SHORT BLOCK (NOT SHOWN) INCLUDES ALL ITEMS MARKED WITH AN ASTERISK (*). ALSO REFER TO CRANKSHAFT AND PISTON PAGE
43	F1525		1	WELCH PLUG
44	F40223		2	TRANSFER PORT COVER GASKET
45	FA411222		1	TRANSFER PORT COVER W/FITTING & LITERATURE
46	F84314-2		1	ELBOW, FUEL LINE
48	F404801		1	ELBOW
49	FC433254		1	HOSE
50	F201529-1		1	CYLINDER HEAD GASKET
51	2A307518		1	CYLINDER HEAD W/PLUG
52	F1526		1	WELCH PLUG
53	F1922		3	HEX HD SCREW, 1/4 - 20 X 5/8
54	FS174227		2	SPARK PLUG (L-4-J)
-	FC310227		2	SPARK PLUG (QL-4-J) FOR CANADA
55	F1544		10	HEX HD SCREW, 3/8 - 16 X 2 - 1/4
56	F2014		10	PLAIN WASHER
57	F328109		1	PIPE PLUG CYLINDER HEAD
58	F97504		1	GROMMET, THERMOSTAT
59	F97068-1		1	THERMOSTAT
60	F97067		1	THERMOSTAT COVER GASKET
61	F97066-1		1	THERMOSTAT COVER
62	F1995		3	FILL HD SCREW, 10 - 24 X 1
63	F97275		1	FITTING, THERMOSTAT
64	F97772		2	CLAMP
65	FA97247		1	WATER TUBE, THERMOSTAT W/LITERATURE
66	F141275		1	FITTING, THERMOSTAT
67	F1660		9	HEX HD SCREW, 1/4 - 20 X 2 - 1/8
68	F901834		1	LEAD WIRE CLIP
69	FA433152		1	EXHAUST PORT COVER W/SCREWS
70	F40154-3		2	EXHAUST PORT PLATE GASKET
71	F40151-1		1	EXHAUST PORT PLATE
72	F463314		1	FITTING
73	FS433758		1	HOSE
-	FC433758		1	HOSE CANADA
74	22-817740A1		1	ELBOW W/METERING CUP
75	F8545		1	SPRING PIN
76	F1052		1	FILL HD SCREW, 1/4 - 20 X 1
77	F8083		9	SPRING LOCKWASHER
78	F1540		2	HEX CAP SCREW, 1/4 - 20 X 5/8
79	F1341		1	HEX NUT, 1/4 - 20
80	F269122-1		1	CRANKCASE PARTING LINE SEAL
81	FG1007-1		1	GASKET SET INCLUDES ITEMS LISTED BELOW:
-	F40154-3		3	GASKET, EXHAUST PORT PLATE

CONTINUED ON NEXT PAGE ➡

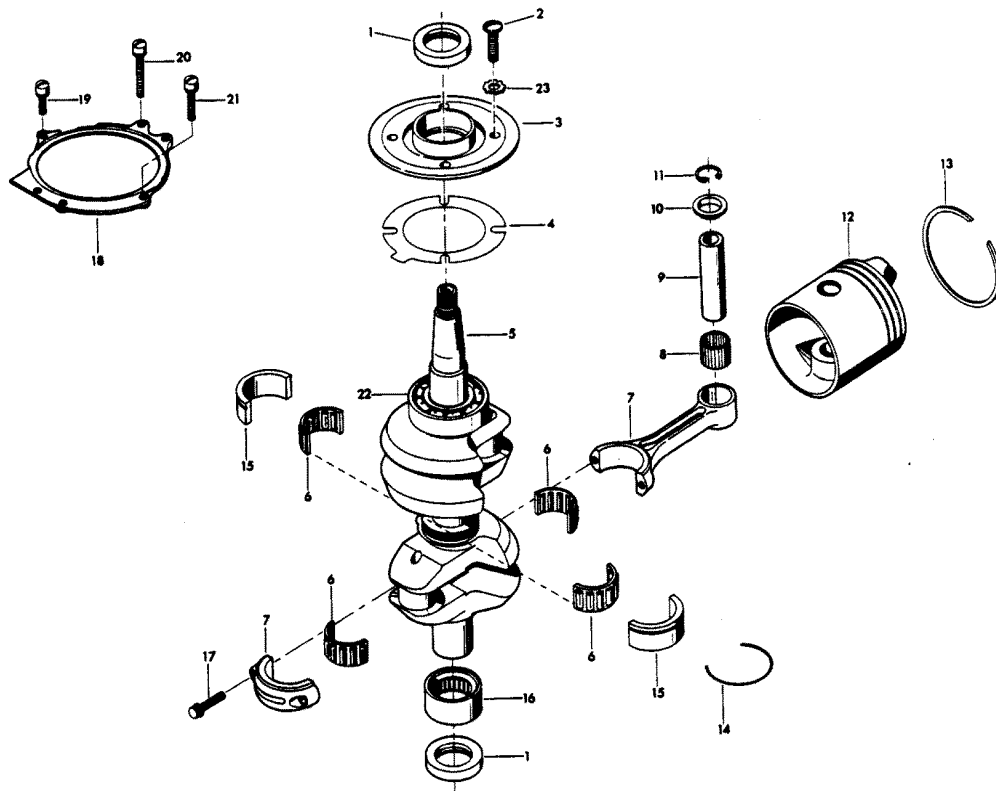
POWER HEAD



POWER HEAD

REF. NO.	PART NO.	SYM.	QTY.	DESCRIPTION
-	F40223		1	GASKET, TRANSFER PORT COVER
-	F40833-4		1	GASKET, RELIEF COVER
-	F40906-1		1	GASKET, CARBURETOR
-	F93472-1		1	GASKET, CYLINDER DRAIN
-	F93748-1		1	GASKET, CYLINDER DRAIN
-	F97067		1	GASKET, THERMOSTAT COVER
-	F201529-1		1	GASKET, CYLINDER HEAD
-	F269122-1		1	GASKET, CRANKCASE PARTING LINE SEAL
-	F307279-2		1	GASKET, CYLINDER EXHAUST UPPER
-	F307453-3		1	GASKET, CYLINDER EXHAUST LOWER
-	F311996		1	GASKET, CYLINDER HEAD COVER
-	F366277		1	GASKET, BEARING CAGE
-	F433168		1	GASKET, CARBURETOR ADAPTER
-	F433406		1	GASKET, DEFLECTOR PLATE

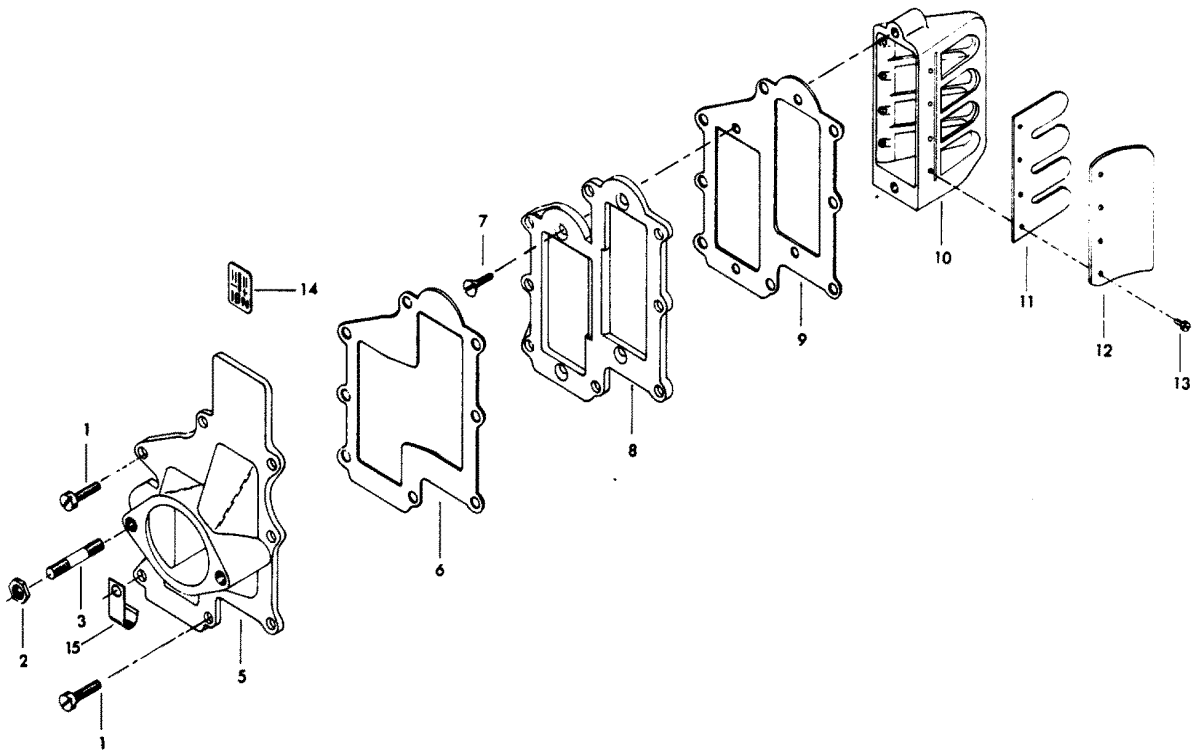
CRANKSHAFT AND PISTON GROUP



CRANKSHAFT AND PISTON GROUP

REF. NO.	PART NO.	SYM.	QTY.	DESCRIPTION
1	F40146-1		2	CRANKSHAFT SEAL
2	F1441		4	PAN HD SCREW, 1/4 - 20 X 7/8
3	FA433144		1	CRANKSHAFT BEARING CAGE W/SEAL
4	F366277		1	BEARING CAGE GASKET
5	400-FA485018		1	CRANKSHAFT W/BEARING
6	FK85228		3	BEARING CAGE W/ROLLERS (16 PER SET)
7	600-818052A4		2	CONNECTING ROD W/CAP AND SCREWS
8	F335217-1		2	BEARING
9	F40017-2		1	PISTON PIN
10	F366215		4	SPACER
11	F428096		4	RETAINER, PISTON PIN
12	F377015-1		2	PISTON (STANDARD)
-	3SA37701		2	PISTON .030 OVERSIZE
-	SA377015		2	PISTON .010 OVERSIZE - SHORT BLOCK COMPLETE INCLUDES ALL ITEMS MARKED WITH AN (*). ALSO REFER TO-POWERHEAD PAGE
13	FA353260		1	PISTON RING SET (6 PER SET) (STANDARD)
-	39-818112A1		1	PISTON RINGS (6 PER SET) .030 OVERSIZE
-	FS307260		1	PISTON RINGS (6 PER SET) .010 OVERSIZE
14	F40410		1	SNAP RING
15	FA40655		1	CRANKSHAFT CENTER MAIN BEARING RACE W/SNAP RING
16	F90014		1	CRANKSHAFT LOWER MAIN BEARING
17	F85634-2		4	CONNECTING ROD SCREW
18	F366082		1	MAGNETO STATOR RING
19	F1080		1	FILL HD SCREW, W/LOCKWASHER, 10 - 24 X 3/4
20	F1812		2	FILL HD SCREW, W/LOCKWASHER, 10 - 24 X 1-9/16
21	F1813		1	FILL HD SCREW, W/LOCKWASHER, 10 - 24 X 1-1/8
22	F366013		1	CRANKSHAFT THRUST BEARING UPPER
23	F8060		4	EXTERNAL TOOTH LOCKWASHER (USE WITH PAN HD SCREW)

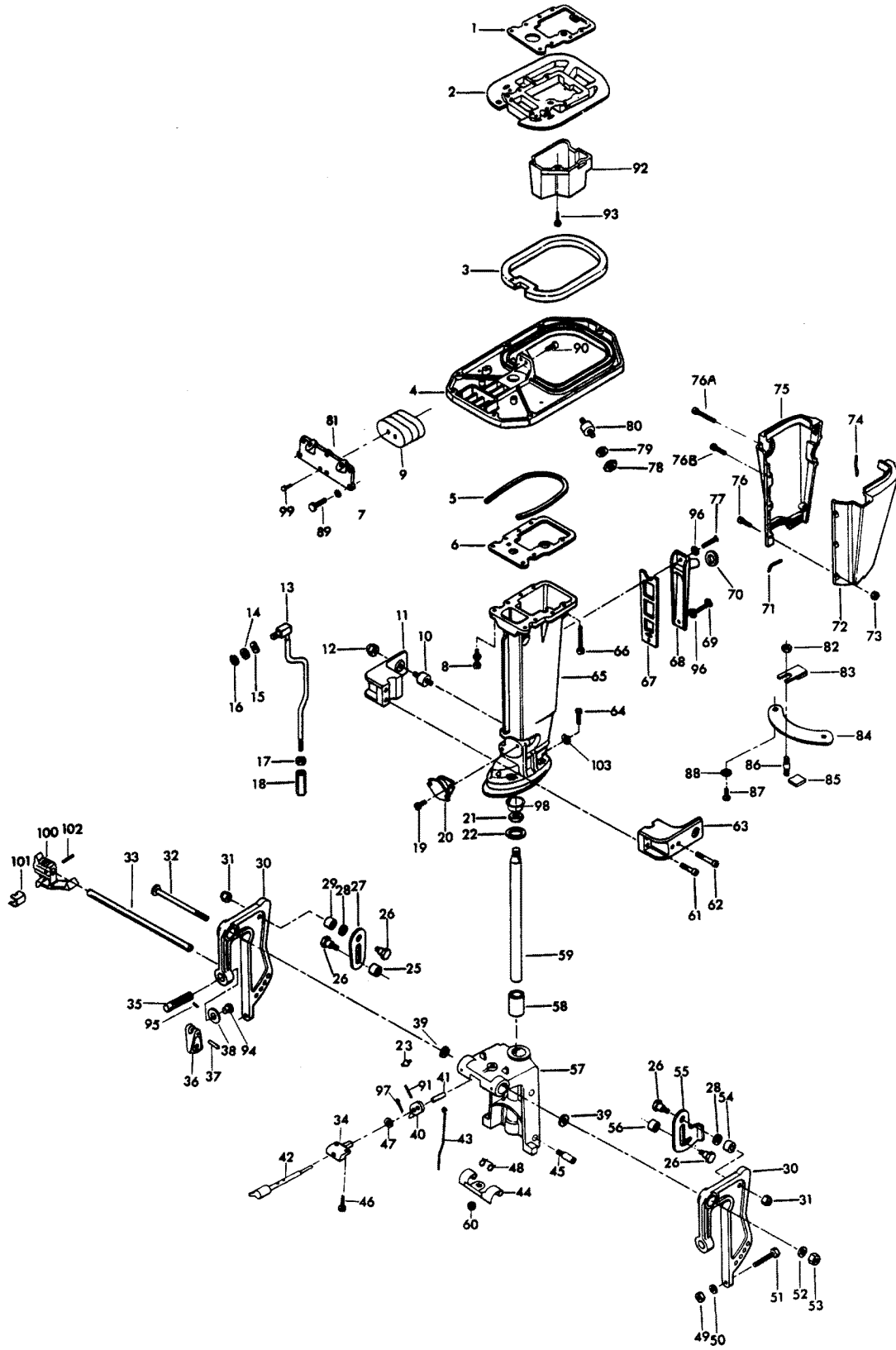
REED PLATE



REED PLATE

REF. NO.	PART NO.	SYM.	QTY.	DESCRIPTION
1	F1533		8	HEX HD SCREW, 1/4 - 20 X 7/8
2	F1515		2	HEX NUT, 5/16 - 18
3	F40209		2	CARBURETOR STUD
5	FA433167		1	CARBURETOR ADAPTER FLANGE W/ILLUS. 3
6	F433168		1	CARBURETOR ADAPTER GASKET
7	F1141		4	FLAT HD SCREW, 10 - 24 X 1/2
8	F433404		1	DEFLECTOR PLATE
9	F433406		1	DEFLECTOR PLATE GASKET
10	FA433158		2	REED PLATE W/REEDS, STOPS AND SCREWS
11	F335160		4	REED
12	F88161-3		4	REED STOP
13	F1755		16	ROUND HD SCREW W/LOCKWASHER, 6 - 32 X 5/16
14	FA463387		1	DECAL, TIMING - U.S.A. W/LITERATURE
-	FAC463387		1	DECAL, TIMING - CANADA W/LITERATURE
15	F286772-1		1	CLAMP

MOTOR LEG

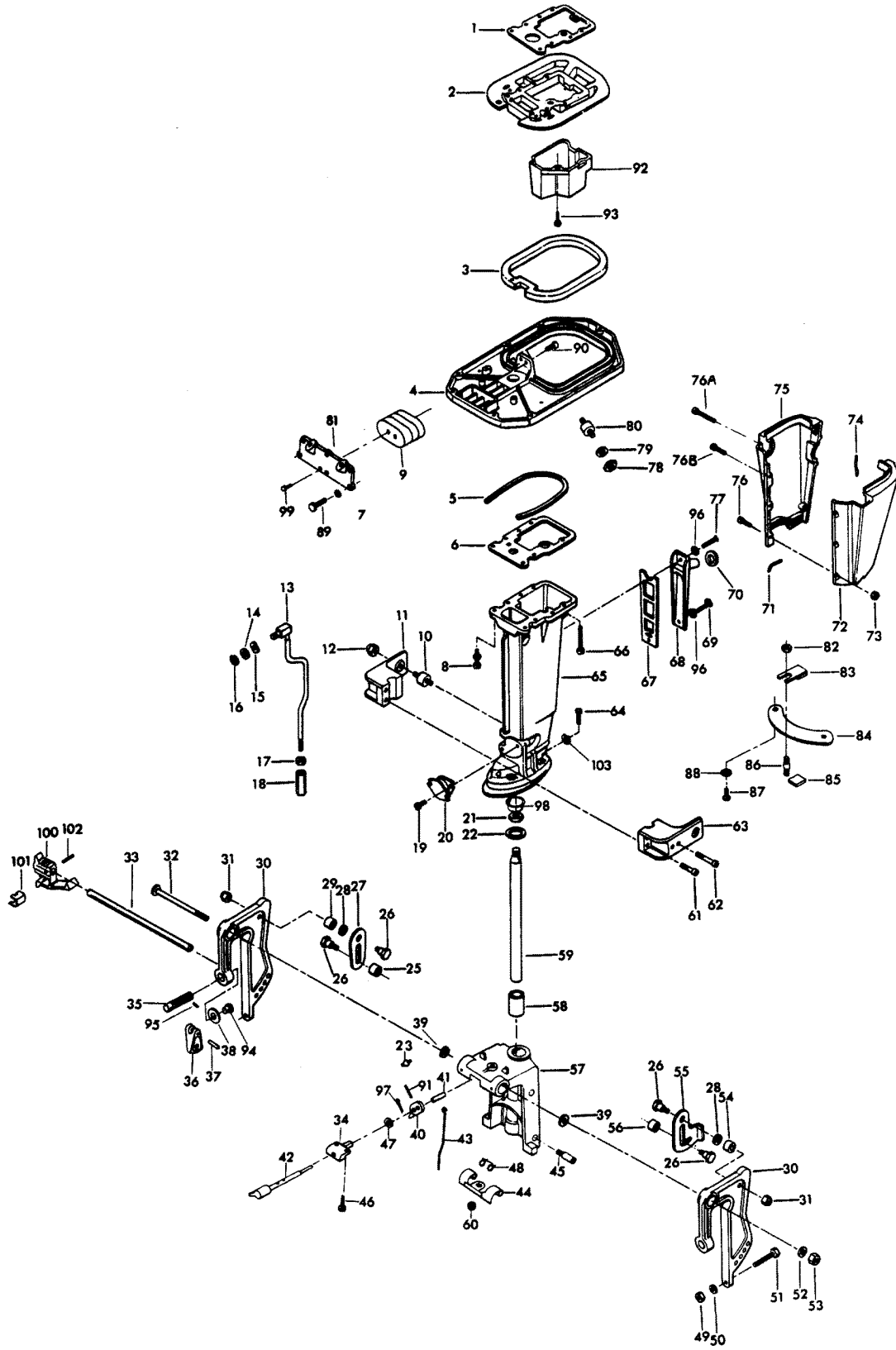


MOTOR LEG

REF. NO.	PART NO.	SYM.	QTY.	DESCRIPTION
1	F307279-2		1	CYLINDER EXHAUST GASKET UPPER
2	F433680		1	SPACER PLATE
3	F307989-1		1	SEAL, KINGPIN PLATE
4	FS307940		1	KINGPIN PLATE
5	F89025		1	DAMPENING PAD
6	F307453-3		1	CYLINDER EXHAUST GASKET LOWER
7	F8025		1	PLAIN WASHER
8	F1947		8	FLANGED 12 PT. SCREW, 5/16 - 18 X 2
9	F203965		1	SHOCK MOUNT UPPER
10	F215962		2	SHOCK MOUNT SIDE LOWER
11	F433972		1	SHOCK MOUNT LOWER COVER, STARBOARD
12	F1326		2	ACORN NUT
13	F328615		1	GEAR SHIFT ROD UPPER
14	F1987		1	PLAIN WASHER
15	F8049		1	BOWED SPRING WASHER
16	F185764		1	RETAINING RING
17	F1349		1	HEX NUT, S.S., 5/16 - 18
18	F141704		1	GEAR SHIFT ROD COUPLING
19	F1129		4	FILL HD SCREW, S.S., 5/16 - 18 X 1/2
20	FA40346-2		1	SHOCK MOUNT LOWER ASSY.
21	F84280		1	KINGPIN NUT
22	F89011		1	SWIVEL BRACKET WASHER
23	F213274		3	GREASE FITTING
25	F269929		1	SPACER, TILT STOP
26	F366350		4	TILT STOP PIVOT
27	F366433		1	TILT STOP, STARBOARD
28	F1666		2	BOWED SPRING WASHER
29	F269929		1	SPACER, TILT STOP
30	FK433032		2	STERN BRACKET W/CLAMP SCREW AND FOOT
31	F7007		4	ELASTIC STOP NUT
32	F366037		1	STERN BRACKET PIVOT BOLT
33	FA433113		1	STERN BRACKET LOCK BAR W/HANDLE
34	F366884		1	BEARING
35	F463073		2	CLAMP SCREW
36	F288075		2	CLAMP SCREW HANDLE
37	F1638		2	SPRING PIN
38	F24074		2	CLAMP SCREW FOOT
39	F366286		2	STERN BRACKET FRICTION WASHER
40	F366364		1	ARM
41	F483884		1	BEARING
42	F366827		1	HANDLE AND SHAFT
43	F366510		1	LINK
44	F366349		1	LOCK

CONTINUED ON NEXT PAGE ➡

MOTOR LEG

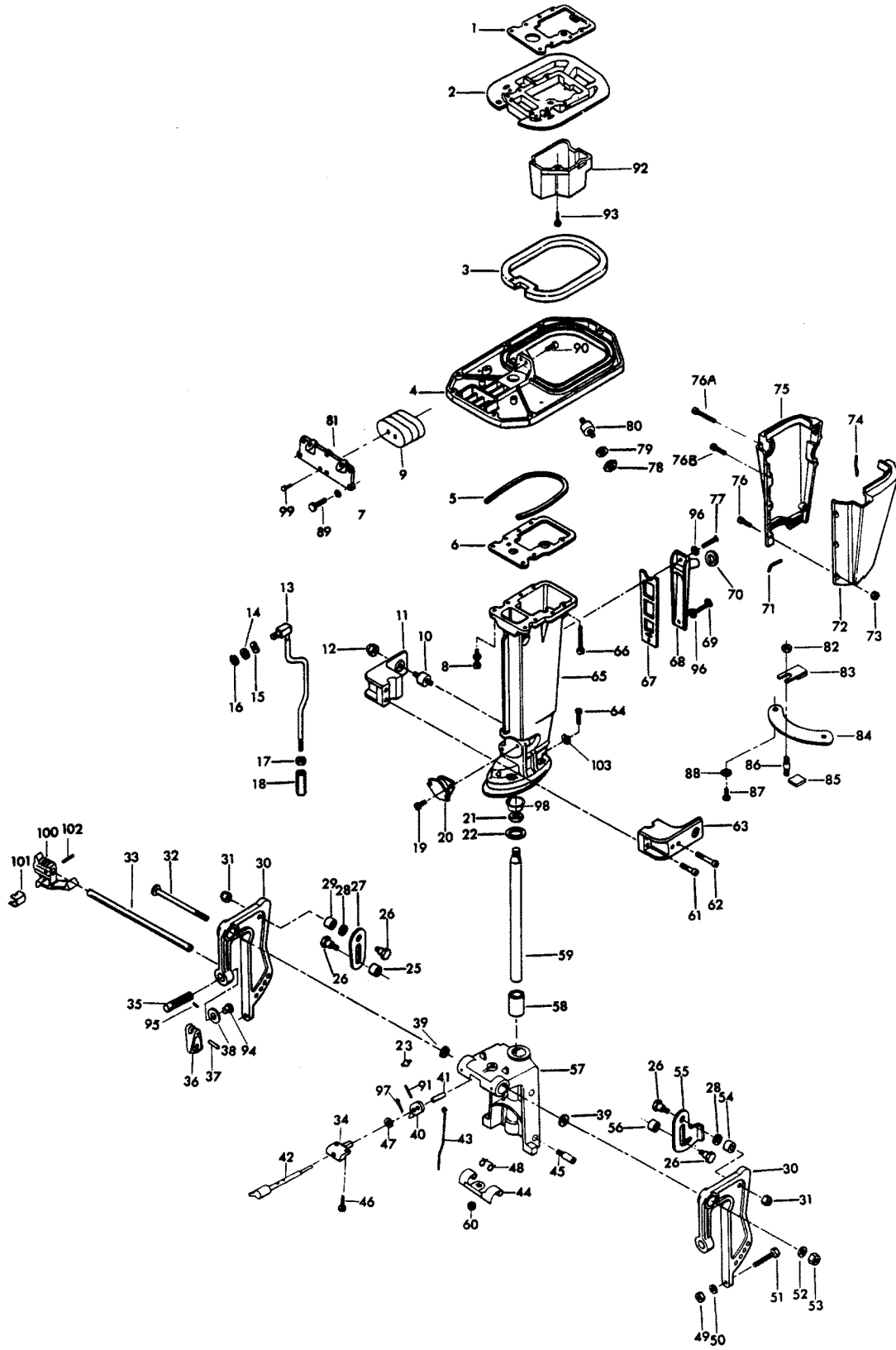


MOTOR LEG

REF. NO.	PART NO.	SYM.	QTY.	DESCRIPTION
45	F366866		2	PIN
46	F1733		2	PAN HD SCREW, 10 - 24 X 9/16
47	F8094		1	PLAIN WASHER
48	F366300		2	REVERSE LOCK SPRING
49	F1346		2	HEX NUT, S.S., 3/8 - 16
50	F1904		2	PLAIN WASHER
51	F1593		2	HEX HD SCREW, S.S., 3/8 - 16 X 3
52	F1656		1	PLAIN WASHER
53	F7001		1	ELASTIC STOP NUT
54	F269929		1	SPACER, TILT STOP
55	F366426		1	TILT STOP, PORT
56	F269929		1	SPACER, TILT STOP
57	817945A1		1	SWIVEL BRACKET W/BEARINGS AND GREASE FITTING
58	F191169-1		2	SWIVEL BRACKET BEARING
59	FA433019		1	KINGPIN W/PLUG
60	F1669		1	STOP NUT
61	F1636		2	HEX SOCKET HD CAP SCREW, S.S., 3/8 - 16 X 1 - 1/4
62	F1635		2	HEX SOCKET HD CAP SCREW, S.S., 3/8 - 16 X 3 - 1/2
63	F433973		1	SHOCK MOUNT LOWER COVER, PORT
64	F1929		4	HEX HD CAP SCREW, S.S., 3/8 - 16 X 1 -1/8
65	F435133-1		1	MOTOR LEG, FOR LONG SHAFT MODELS
66	F1905		1	HEX HD SCREW, 1/4 - 20 X 3 - 7/16
67	F40833-4		1	MOTOR LEG EXHAUST COVER GASKET
68	FA89832-2		1	MOTOR LEG EXHAUST COVER
69	F1199		1	HEX HD SCREW, 1/4 - 20 X 1
70	F89504		1	GROMMET, MOTOR LEG
71	F435323		2	PACKING LEG COVER LOWER
72	FA435135		1	LEG COVER (PORT), W/PACKING
73	F1473		6	HEX NUT, 10 - 24
74	F435323		2	PACKING LEG COVER UPPER
75	FA435145		1	LEG COVER (STARBOARD), W/PACKING
76	F1088		3	FILL HD SCREW, 10 - 24 X 9/16
76A	F1767		1	FILL HD SCREW, 10 - 24 X 3
76B	F1768		2	FILL HD SCREW, 10 - 24 X 1 - 3/8
77	F1849		1	FLAT HD SCREW, S.S., 1/4 - 20 X 1 -3/8
78	F1346		2	HEX NUT, 3/8 - 16
79	F8038		2	PLAIN WASHER
80	F307962		2	SHOCK MOUNT, SIDE UPPER
81	F485946		1	SHOCK MOUNT UPPER COVER
82	F1832		1	HEX LOCK NUT, 1/4 - 20
83	FA40742		1	FRICTION SHOE ADJUSTING ARM W/SHOE
84	F40775		1	FRICTION SHOE PLATE
85	F901631-1		1	FRICTION SHOE

CONTINUED ON NEXT PAGE ➡

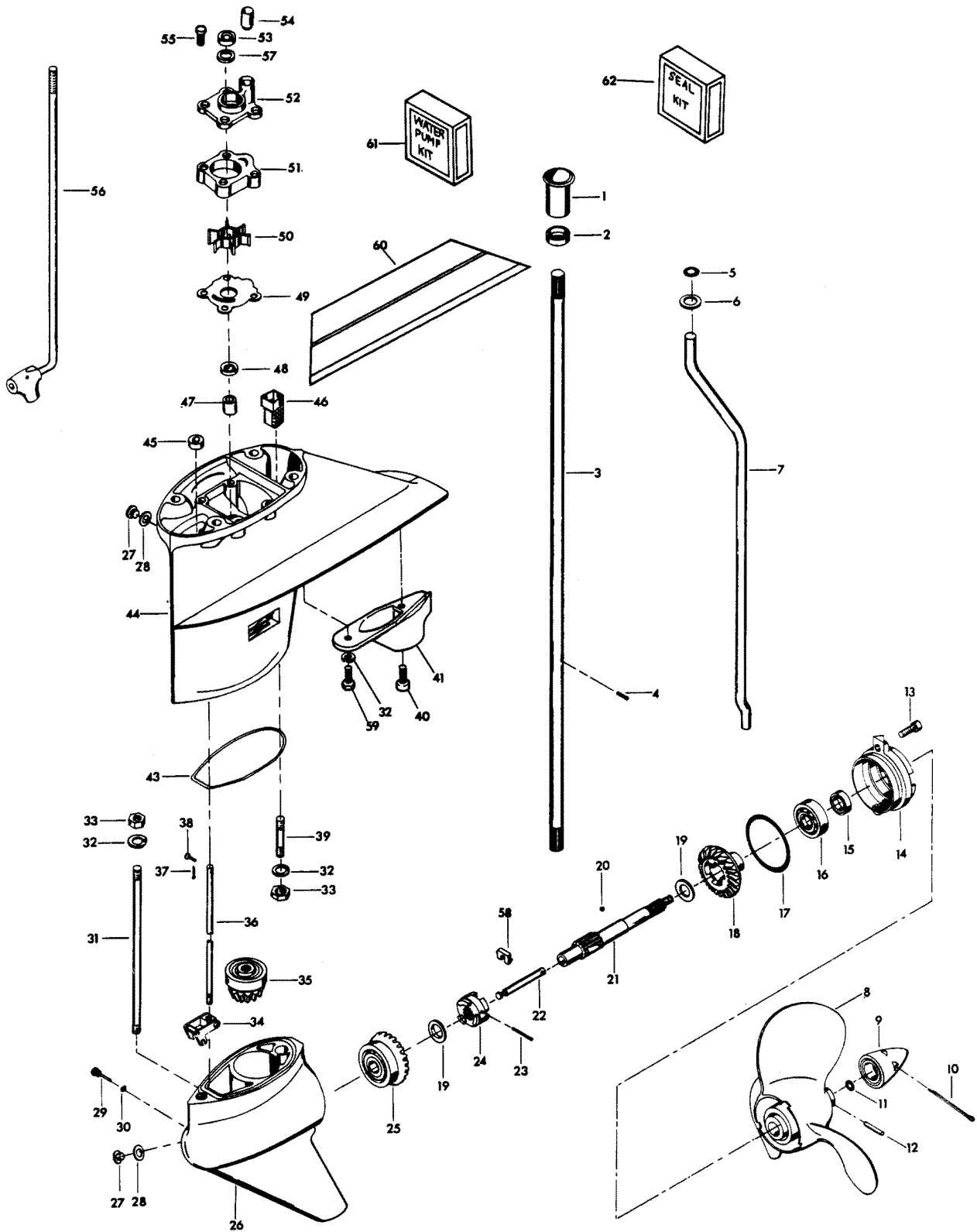
MOTOR LEG



MOTOR LEG

REF. NO.	PART NO.	SYM.	QTY.	DESCRIPTION
86	F210-1		1	STUD
87	F1689		2	HEX HD SCREW, 1/4 - 20 X 1/2
88	F8083		2	LOCKWASHER
89	F1540		3	HEX HD SCREW, 1/4 - 20 X 5/8
90	F1160		2	FLAT HD SCREW, 1/4 - 28 X 5/8
91	F1836		1	SPRING PIN
92	F307660-1		1	TUBE LEG EXHAUST
93	F1851		3	FILL HD MACHINE SCREW W/LOCKWASHER, 10 - 24 X 1/2
94	F353480		2	STUD
95	F8537		2	SPRING PIN
96	F8083		2	SPRING LOCKWASHER
97	F1014		1	COTTER PIN
98	F1880		1	PLUG
99	F1211		2	HEX HD SCREW, W/LOCKWASHER, 1/4 - 28 X 5/8
100	F433114		1	HANDLE, LOCK BAR
101	F286461		1	SPRING LOCK BAR HANDLE
102	F1744		1	SPRING PIN
103	F8065		4	SPRING LOCKWASHER
104	F544390-1		1	DECAL, REVERSE LOCK - U.S.A.
-	37-F544390-1		1	DECAL, REVERSE LOCK - CANADA

GEAR HOUSING

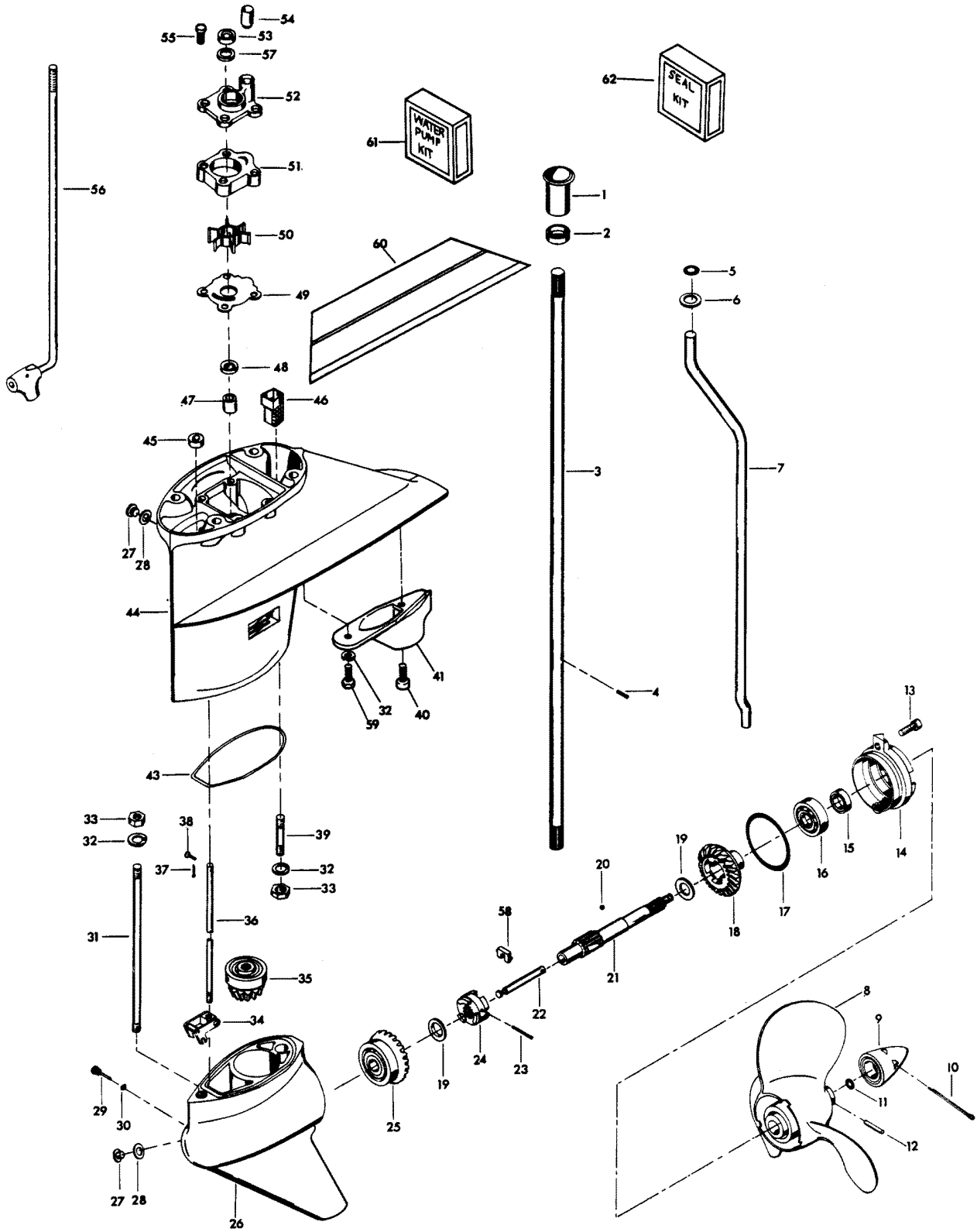


GEAR HOUSING

REF. NO.	PART NO.	SYM.	QTY.	DESCRIPTION
1	F338129-1		1	BOOT
2	F338271		1	RETAINER
-	FA89128-1		1	DRIVESHAFT W/RETAINER FOR LONG SHAFT MODELS
4	F901563		1	DRIVE PIN, WATER PUMP IMPELLER
5	F24342		1	SEAL
6	F8042		1	PLAIN WASHER
-	F435244		1	INLET WATER LINE FOR LONG SHAFT MODELS
8	FP273		1	STANDARD PROP (ACCESSORY ITEM)
9	FA94094-2		1	PROPELLER NUT W/SEAL AND COTTER PIN
10	F1027		1	COTTER PIN, S.S., 1/8 - 1/2
11	F40342		1	SEAL, PROPELLER NUT
12	FK247		1	PROPELLER PIN, PACK OF 6 W/COTTER PIN
13	F1263		2	HEX SOCKET HD CAP SCREW, S.S., 5/16 - 1/8 X 9/16
14	F2A366298		1	PROPELLER SHAFT BEARING CAGE W/SEAL
15	F141118		1	SEAL, PROPELLER SHAFT
16	F366058		1	BALL BEARING, PROPELLER SHAFT
17	F141305		1	SEAL, PROPELLER SHAFT BEARING CAGE
18	FA458662		1	BEVEL GEAR REAR W/BEARING
19	F40717		2	THRUST WASHER, BEVEL GEAR
20	F366727		1	BALL, PROPELLER SHAFT
21	44-819500A3		1	PROPELLER SHAFT ASSY.
22	F90871-3		1	GEAR SHIFT ARM PIN
23	F2097		1	SPRING PIN
24	F99521-1		1	CLUTCH
25	FS458023		1	BEVEL GEAR FRONT W/BEARING
26	FA544054		1	GEAR HOUSING LOWER W/PLUG, WASHER AND THRUST BEARING CUP
-	FC533054		1	GEAR HOUSING COMPLETE (NOT SHOWN) INCLUDES ALL ITEMS MARKED WITH AN ASTERISK (*)
27	F50109		2	PLUG, GEAR HOUSING
28	F8077		2	WASHER, GEAR HOUSING PLUG
29	F498891		1	GEAR SHIFT ARM PIN
30	F498618		1	SEAL, GEAR SHIFT ARM PIN
31	F97008-1		1	STUD, LONG
32	F8065		2	LOCKWASHER
33	F1346		2	HEX NUT, S.S., 3/8 - 16
34	817796A2		1	GEAR SHIFT ARM ASSY.
36	F435705		1	GEAR SHIFT ROD LOWER
37	F1015		1	COTTER PIN
38	F85372		1	PIN, GEAR SHIFT ROD LOWER
39	F40008		1	STUD, SHORT
40	F1994		1	HEX HD CAP SCREW, 5/16 - 18 X 1
41	FA435116		1	SNOUT, EXHAUST W/LITERATURE
43	F435555		1	SEAL, GEAR HOUSING

CONTINUED ON NEXT PAGE ➡

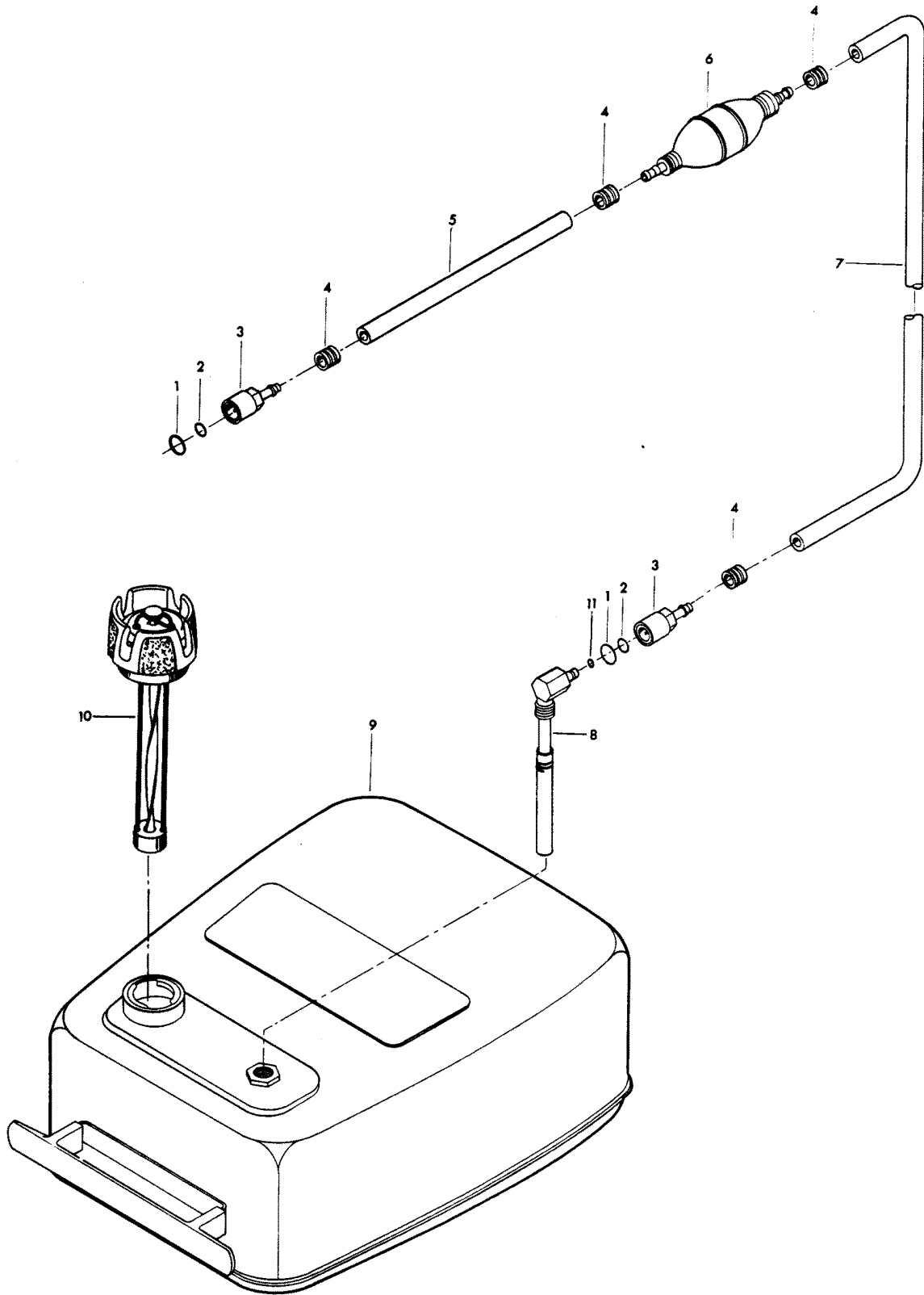
GEAR HOUSING



GEAR HOUSING

REF. NO.	PART NO.	SYM.	QTY.	DESCRIPTION
44	1600-817871A3		1	GEAR HOUSING UPPER W/SEAL, WASHR, PLUG AND INLET WATR SCREEN
45	F338618-1		1	SEAL, SHIFT ROD LOWER
46	F435077		1	SCREEN, WATER INLET
47	F435057		1	BEARING, DRIVESHAFT UPPER
48	F40307-2		1	SEAL, DRIVESHAFT
49	F433562		1	WATER PUMP BACK PLATE
50	F40065-2		1	WATER PUMP IMPELLER
51	F366060		1	WATER PUMP BODY
52	A366326-1		1	WATER PUMP COVER INCLUDES ITEM 53 ORIGINAL FORCE P/N A 366326-1
53	F349307		1	DRIVESHAFT SEAL
54	FA485914		1	SEAL, INLET WATER LINE, LOWER W/LITERATURE
55	F2030		4	HEX HD SCREW, 1/4 - 20 X 1 - 1/4
56	FA435616		1	GEAR SHIFT INTERMEDIATE
57	485388		1	DISC, WATER PUMP
58	F90619-1		1	YOKE
59	F438930		1	RETAINER, SNOUT
60	A544392		1	DECAL, LEG - PORT W/LITERATURE
-	A544391		1	DECAL, LEG - STARBOARD W/LITERATURE
61	FK1076		1	WATER PUMP KIT
62	FK1074		1	GEAR HOUSING SEAL KIT INCLUDES ALL ITEMS MARKED WITH A DOUBLE ASTERISK (**)

FUEL TANK AND LINE



FUEL TANK AND LINE

REF. NO.	PART NO.	SYM.	QTY.	DESCRIPTION
1	F213342		2	SEAL, FUEL LINE COUPLER
2	F213735		2	SEAL, FUEL LINE COUPLER
3	F197787-3		2	FUEL LINE COUPLER
4	F298788		4	FERRULE
5	FA84754-1		1	FUEL LINE SHORT W/FERRULES
6	89396A38		1	PRIME BULB
7	32-817738A1		1	FUEL LINE, LONG W/CLAMP AND FERRULE
8	F485755-1		1	FUEL TANK ADAPTER
9	F5H026		1	FUEL TANK (ACCESSORY ITEM)
10	F409251-1		1	GAUGE CAP
11	F17932		1	SEAL, FUEL TANK ADAPTER
-	FS409752		1	FUEL LINE, COMPLETE INCLUDES ALL ITEMS MARKED WITH AN ASTERISK (*).
-	FC409308		1	DECAL, TOTE TANK - CANADA

SPECIAL TOOLS - TUNE-UP

REF. NO.	PART NO.	SYM.	QTY.	DESCRIPTION
-	FT2910		0	KNOCK-OFF NUT TO REMOVE FLYWHEEL
-	FT2989		0	FLYWHEEL REMOVAL TOOL TO REMOVE FLYWHEEL
-	FT2937-1		0	TIMING TOOL TO ADJUST SPARK ADVANCE
-	FT2937A		0	TIMING ROD TO BE USED W/T 2937-1

SPECIAL TOOLS - MANUAL STARTER

REF. NO.	PART NO.	SYM.	QTY.	DESCRIPTION
-	FT3139-1		0	STARTER REWIND KEY TO REWIND STARTER SPRING

SPECIAL TOOLS - POWER HEAD

REF. NO.	PART NO.	SYM.	QTY.	DESCRIPTION
-	FT3510		0	SEAL PUNCH TO INSTALL UPPER CRANKSHAFT BEARING CAGE SEAL
-	FT8900		0	CLAMP PLIERS TO REMOVE AND INSTALL HOSE CLAMPS
-	FT2996		0	RING COMPRESSOR TO INSTALL PISTONS IN CYLINDERS
-	FT3512		0	SEAL PROTECTOR TO INSTALL UPPER CRANKSHAFT BEARING CAGE SEAL
-	FT8926		0	RING EXPANDER TO INSTALL RINGS ON PISTONS
-	FT2953		0	SOCKET TO TORQUE CONNECTING ROD SCREWS W/T 2999
-	FT2990		0	PISTONS PIN REMOVER TO REMOVE AND INSTALL PISTON PIN IN PISTON
-	FT2999		0	TORQUE WRENCH TO TORQUE CONNECTING ROD SCREWS
-	FT8932		0	LIFTING HOOK TO LIFT ENGINE

SPECIAL TOOLS - GEAR HOUSING

REF. NO.	PART NO.	SYM.	QTY.	DESCRIPTION
-	FT8948-1		0	PROPELLER SHAFT BEARING CAGE PULLER TO REMOVE PROPELLER SHAFT BEARING CAGE FROM LOWER GEAR HOUSING
-	FT8919		0	SPRING PIN PUNCH TO REMOVE CLUTCH SPRING PIN
-	FT8964		0	BEARING REMOVER TO REMOVE DRIVESHAFT BEARING
-	FT8907		0	DRIVER HANDLE FOR USE WITH T 8904
-	FT8945		0	RETAINER PUNCH TO INSTALL RETAINER ON DRIVESHAFT SPLINE BOOT
-	FT8918		0	BRUSHING GUIDE SET TO REMOVE AND INSTALL BEARING CUP IN LOWER GEAR HOUSING
-	FT8921		0	FORWARD BEARING CUP REMOVER TO REMOVE FORWARD BEARING CUP FROM LOWER GEAR HOUSING
-	FT8904		0	FORWARD BEARING CUP INSTALLER TO INSTALL FORWARD BEARING CUP IN LOWER GEAR HOUSING
-	FT3431		0	DRIVESHAFT SEAL AND PROP SHAFT INSTALLER TO INSTALL DRIVESHAFT AND PROP SHAFT SEAL IN LOWER UNIT
-	FT8962		0	BEARING INSTALLER TO INSTALL DRIVESHAFT BEARING
-	FT8957		0	SEAL INSTALLER TO INSTALL SHIFT SEAL

SPECIAL TOOLS - TEST EQUIPMENT

REF. NO.	PART NO.	SYM.	QTY.	DESCRIPTION
-	FT2955A		0	TEST WHEEL TO TEST MOTOR IN TEST TANKS
-	FT8950		0	LEAKAGE TESTER TO TEST LOWER UNIT FOR LEAKAGE
-	T8974		0	BREAKER POINT TENSION GAUGE FOR CHECKING BREAKER POINT SPRING TENSION

SPECIAL TOOLS - LUBRICANTS AND SEALANTS

REF. NO.	PART NO.	SYM.	QTY.	DESCRIPTION
-	FT2961		0	LUBRICANT - RYKON #2EP
-	FT2987-1		0	LUBRICANT - ANTI-SEIZE
-	FT8969		0	LUBRICANT - 7 OZ. 2 PSI LUBRICANT
-	FT8983		0	SEALANT
-	FT8936		0	SEALANT - 2 CC LOCTITE RETAINING COMPOUND #75
-	FT2962-1		0	SEALANT - 50 CC LOCTITE H, NON-HARDENING GRADE
-	FT2963-1		0	SEALANT - 2 OZ. LOCTITE D, HARDENING GRADE
-	FT8935		0	SEALANT PRIMER - 6 OZ.

SPECIAL TOOLS - REPAIR DECALS - ENGINE COVERS

REF. NO.	PART NO.	SYM.	QTY.	DESCRIPTION
-	T11217		0	ORANGE W/BROWN
-	T11215		0	BEIGE
-	T11230		0	ORANGE
-	T11216		0	DARK BROWN
-	T11219		0	YELLOW ORANGE

ACCESSORIES

REF. NO.	PART NO.	SYM.	QTY.	DESCRIPTION
-	F5H025		0	ANTI-CORROSION SACRIFICIAL ANODE HELPS TO PREVENT CORROSION.
-	494		0	HANDLE (REAR) PROVIDES REAR HANDLE AND REST PADS.
-	589		0	HANDLE (FRONT) TO AID CARRYING OF ENGINE.
-	F861		0	FLUSHING ADAPTER PERMITS FRESH WATER FLUSHING OF WATER PASSAGES WITH STANDARD GARDEN HOSE.
-	F5H040		0	FUEL TANK, 12 GALLON, STEEL ADDITIONAL TANK TO CARRY FUEL.
-	F5H026		0	FUEL TANK, 6 GALLON, STEEL ADDITIONAL TANK TO CARRY FUEL.
-	F5H066		0	LONG LEG CONVERSION KIT CONVERTS 15" STANDARD SHAFT MODEL TO 20" LONG SHAFT MODEL.
-	5H065		0	CANVAS HOOD PROTECTION FOR ENGINE COVER
-	F596		0	CHRYSLER OUTBOARD OIL SEE BLOCK COMMENT 1.
-	F597		0	CHRYSLER OUTBOARD GEAR LUBE SEE BLOCK COMMENT 2.
-	72H26		0	CHRYSLER OUTBOARD FUEL AID REMOVES MOISTURE. PREVENTS SLUDGE AND VARNISH AND STABILIZES GAS. AVAILABLE IN 16 OZ. CANS AND 12 CAN CASES.
-	72H27		0	CHRYSLER OUTBOARD STORAGE LUBRICANT WORKS AS A CORROSION INHIBITOR AND PROTECTS INTERNAL ENGINE PARTS DURING STORAGE. AVAILABLE IN 16 OZ. CANS AND 12 CAN CASES.
-	72H28		0	CHRYSLER OUTBOARD MULTI-PURPOSE SPRAY LUBE WORKS AS A LUBRICANT, CLEANER, MOISTURE REMOVER AND ELECTRIC INSTALLER. AVAILABLE IN 9 OZ. CANS AND 12 CAN CASES.
-	F72H29		0	CHRYSLER OUTBOARD MULTI-PURPOSE GREASE LUBRICATES BEARINGS AND OTHER MOVING PARTS. AVAILABLE IN 8 OZ. CANS AND 12 TUBE CASES.
-	F72H30		0	CHRYSLER OUTBOARD GREASE GUN USED WITH CHRYSLER OUTBOARD MULTI-PURPOSE GREASE TUBES FOR PRESSURE FITTINGS.
-	72H34		0	CHRYSLER OUTBOARD MULTI-PURPOSE CLEANER

PARTS INDEX

Part Number	Description	Pg.	Ref. No.	Part Number	Description	Pg.	Ref. No.
2A307518	CYLINDER HEAD W/PLUG	21	51	F1108	FILL HD SCREW		
2A486427	STARTER MOUNTING BRACKET W/CAPS AND SCREWS	11	13	F1111	W/LOCKWASHER	13	10
2C574712	ENGINE COVER COMPLETE	3	-	F1129	FILL HD SCREW, 1/4 - 20 X 7/8	11	9
3SA37701	PISTON .030 OVERSIZE	25	-	F1134	FILL HD SCREW, S.S., 5/16 - 18 X 1/2	29	19
485388	DISC, WATER PUMP	37	57	F1136	FILL HD SCREW, 8 - 32 X 1 - 1/8	19	13
494	HANDLE (REAR)	47	-	F1141	FLAT HD SCREW, 1/4 - 20 X 1	19	31
589	HANDLE (FRONT)	47	-	F1160	FLAT HD SCREW, 10 - 24 X 1/2	27	7
5H065	CANVAS HOOD	47	-	F1199	FLAT HD SCREW, 1/4 - 28 X 5/8	33	90
72H26	CHRYSLER OUTBOARD FUEL AID	47	-	F12014	HEX HD SCREW, 1/4 - 20 X 1	31	69
72H27	CHRYSLER OUTBOARD STORAGE LUBRICANT	47	-	F12016	BREAKER POINT AND CONDENSER MOUNTING SCREW, 8 - 32 X 3/8	9	4
72H28	CHRYSLER OUTBOARD MULTI-PURPOSE SPRAY LUBE	47	-	F12023	CABLE CLIP SCREW, 8 - 32 X 1/2	9	17
72H34	CHRYSLER OUTBOARD MULTI-PURPOSE CLEANER	47	-	F12023	LAMINATION SCREW, 10 - 24 X 1	9	8
817747--1	BALL JOINT W/BEARING	7	95	F12042-1	CONDENSER W/MOUNT	9	6
817747--1	BALL JOINT W/BEARING	11	24	F12044	BREAKER POINT SET	9	21
817747--1	BALL JOINT W/BEARING	19	9	F12050	GROMMET	9	20
817796A2	GEAR SHIFT ARM ASSY.	35	34	F12053	COIL RETAINING CLIP	9	18
817938A1	STARTER ROPE HANDLE RETAINER	11	32	F12057	COIL W/LEAD WIRE, SPARKIE AND GROMMET	9	19
817945A1	SWIVEL BRACKET W/BEARINGS AND GREASE FITTING	31	57	F12059	PRIMARY TERMINAL WIRE	9	10
818054A1	SUPPORT PLATE W/PLUG	5	52	F1211	HEX HD SCREW, W/LOCKWASHER, 1/4 - 28 X 5/8	33	99
818059A1	GEAR SHIFT ROD W/KNOB	3	28	F12227	CAM WIPER FELT	9	22
89396A38	PRIME BULB	39	6	F12246	CABLE CLIP	9	16
A366326-1	WATER PUMP COVER	37	52	F12341	COIL LAMINATIONS (NOT SHOWN)	9	-
A487010	CYLINDER W/CRANKCASE COVER, DEFLECTOR PLATE AND SCREWS	19	42	F12342	STATOR PLATE WITHOUT LAMINATIONS	9	11
A544391	DECAL, LEG - STARBOARD	37	-	F1263	HEX SOCKET HD CAP SCREW, S.S., 5/16 - 1/8 X 9/16	35	13
A544392	DECAL, LEG - PORT	37	60	F1277	SLOTTED OVAL HD SET SCREW 1/4 - 28 X 3/8	7	89
A574396	DECAL, ENGINE COVER - STARBOARD	3	-	F1286	PAN HD SCREW, 4 - 40 X 3/16	19	34
A574397	DECAL, ENGINE COVER - PORT	3	2	F1300	BREAKER POINT TERMINAL SCREW, 6 - 32 X 3/8	9	5
C487010	SHORT BLOCK (NOT SHOWN)	21	-	F1326	ACORN NUT	29	12
F10000	GASKET SET	15	31	F1341	HEX NUT, 1/4 - 20	21	79
F10019	REPAIR PARTS KIT	15	22	F1346	HEX NUT, 3/8 - 16	31	78
F1014	COTTER PIN	15	11	F1346	HEX NUT, S.S., 3/8 - 16	31	49
F1014	COTTER PIN	33	97	F1346	HEX NUT, S.S., 3/8 - 16	35	33
F1015	COTTER PIN	35	37	F1349	HEX NUT, S.S., 5/16 - 18	29	17
F1017	COTTER PIN	5	76	F141118	SEAL, PROPELLER SHAFT	35	15
F1027	COTTER PIN, S.S., 1/8 - 1/2	35	10	F141275	FITTING, THERMOSTAT	21	66
F1052	FILL HD SCREW, 1/4 - 20 X 1	21	76	F141305	SEAL, PROPELLER SHAFT BEARING CAGE	35	17
F1059	FILL HD SCREW, 6 - 32 X 1/4	15	8	F141704	GEAR SHIFT ROD COUPLING	29	18
F1080	FILL HD SCREW, W/LOCKWASHER, 10 - 24 X 3/4	25	19				
F1088	FILL HD SCREW, 10 - 24 X 9/16	31	76				
F1097	FILL HD SCREW, 1/4 - 20 X 3/8	11	1				

PARTS INDEX

Part Number	Description	Pg.	Ref. No.	Part Number	Description	Pg.	Ref. No.
F1446	SLOTTED PAN HD SCREW, 1/4 - 20 X 1	19	30	F1744	SPRING PIN	33	102
F1447	ROUND HD SCREW, 2 X 3/16	3	12	F1753	FASTENER	5	62
F1473	HEX NUT, 10 - 24	19	18	F1755	ROUND HD SCREW W/LOCKWASHER, 6 - 32 X 5/16	27	13
F1473	HEX NUT, 10 - 24	31	73	F1767	FILL HD SCREW, 10 - 24 X 3	31	76A
F1513	HEX NUT, 10 - 32	3	16	F1768	FILL HD SCREW, 10 - 24 X 1 - 3/8	31	76B
F1513	HEX NUT, 10 - 32	11	18	F1770	STOP NUT, 8 - 32	19	15
F1513	HEX NUT, 10 - 32	19	10	F177330	FUEL PUMP VALVE	13	7
F1513	HEX NUT, 10 - 32	19	6	F17932	SEAL, FUEL TANK ADAPTER	39	11
F1515	HEX NUT, 5/16 - 18	3	20	F1812	FILL HD SCREW, W/LOCKWASHER, 10 - 24 X 1-9/16	25	20
F1515	HEX NUT, 5/16 - 18	11	16	F1813	FILL HD SCREW, W/LOCKWASHER, 10 - 24 X 1-1/8	25	21
F1515	HEX NUT, 5/16 - 18	15	30	F18160-2	REED, CYLINDER DRAIN	19	37
F1515	HEX NUT, 5/16 - 18	27	2	F1832	HEX LOCK NUT, 1/4 - 20	31	82
F1525	WELCH PLUG	21	43	F183300	SPRING	3	23
F1526	WELCH PLUG	21	52	F1836	SPRING PIN	5	74
F1532	WASHER	7	-	F1836	SPRING PIN	33	91
F1533	HEX HD SCREW, 1/4 - 20 X 7/8	27	1	F184033-1	SWIVEL, CHOKE ROD	15	7
F1535	INTAKE SILENCER	3	9	F184579	SEAL, CHOKE ARM SWIVEL	15	6
F1540	HEX CAP SCREW, 1/4 - 20 X 5/8	13	19	F1849	FLAT HD SCREW, S.S., 1/4 - 20 X 1 -3/8	31	77
F1540	HEX CAP SCREW, 1/4 - 20 X 5/8	21	78	F1851	FILL HD MACHINE SCREW W/LOCKWASHER, 10 - 24 X 1/2	33	93
F1540	HEX HD SCREW, 1/4 - 20 X 5/8	33	89	F185764	RETAINING RING	29	16
F1544	HEX HD SCREW, 3/8 - 16 X 2 - 1/4	21	55	F1860	ROUND HD SCREW, 6 - 32 X 1/4	13	6
F1553	HEX CAP SCREW, 1/4 - 20 X 3/4	5	82	F1864	HEX CAP SCREW, 1/4 - 20 X 3/4	5	54
F1578	HEX HD SCREW W/LOCKWASHER, 1/4 - 20 X 7/8	5	80	F1864	HEX HD SCREW, 1/4 - 20 X 3/4	3	8
F1593	HEX HD SCREW, S.S., 3/8 - 16 X 3	31	51	F1864	HEX SLOT HD SCREW, 1/4 - 20 X 3/4	19	3
F1603	HEX BOLT, 5/16 - 18 X 2	7	87	F1879	HEX SOCKET HD CAP SCREW, 3/8 - 16 X 1 5/8	19	2
F1635	HEX SOCKET HD CAP SCREW, S.S., 3/8 - 16 X 3 - 1/2	31	62	F1880	PLUG	33	98
F1636	HEX SOCKET HD CAP SCREW, S.S., 3/8 - 16 X 1 - 1/4	31	61	F1892	STOP NUT, 5/16 - 18	7	88
F1638	SPRING PIN	29	37	F1904	PLAIN WASHER	31	50
F1646	HEX SOCKET HD CAP SCREW, 3/8 - 16 X 2 1/4	19	1	F1905	HEX HD SCREW, 1/4 - 20 X 3 - 7/16	31	66
F1656	PLAIN WASHER	31	52	F1910	ELASTIC STOP NUT, 1/4 - 20	19	11
F1660	HEX HD SCREW, 1/4 - 20 X 2 - 1/8	21	67	F191169-1	SWIVEL BRACKET BEARING	31	58
F1666	BOWED SPRING WASHER	29	28	F191737	RETAINER, STARTER SPRING	11	11
F1669	STOP NUT	31	60	F191971	STARTER RETAINER EXTENSION	11	26
F1689	HEX HD SCREW, 1/4 - 20 X 1/2	33	87	F191993-1	BRACKET, CHOKE CABLE (NOT SHOWN)	7	-
F1727	PLASTIC RIVET	19	24	F1920	HEX NUT, 5/8 - 18	9	1
F1733	PAN HD SCREW, 10 - 24 X 9/16	3	26	F1922	HEX HD SCREW, 1/4 - 20 X 5/8	13	20
F1733	PAN HD SCREW, 10 - 24 X 9/16	3	34	F1922	HEX HD SCREW, 1/4 - 20 X 5/8	21	53
F1733	PAN HD SCREW, 10 - 24 X 9/16	31	46	F1926	LAMINATION SCREW, 8 - 32 X 7/8	9	7
F1738	HEX NUT, 3/8 - 24	3	37				

PARTS INDEX

Part Number	Description	Pg.	Ref. No.	Part Number	Description	Pg.	Ref. No.
F1929	HEX HD CAP SCREW, S.S., 3/8 - 16 X 1 -1/8	31	64	F2A338079	STEERING HANDLE	5	45
F1947	FLANGED 12 PT. SCREW, 5/16 - 18 X 2	29	8	F2A366298	PROPELLER SHAFT BEARING CAGE W/SEAL	35	14
F1953	HEX HD SCREW, 1/4 - 20 X 1	3	10	F2A433757	CYLINDER DRAIN RD PLATE W/REEDS, REED STOPS, SCRWS AND SCRNS	19	38
F1955	PLAIN WASHER	5	48	F307211	STUD	11	14
F1969	FILL HD SCREW, 1/4 - 20 X 3/4	19	25	F307279-2	CYLINDER EXHAUST GASKET UPPER	29	1
F197787-3	FUEL LINE COUPLER	39	3	F307279-2	GASKET, CYLINDER EXHAUST UPPER	23	-
F1979	FILL HD SCREW, 10 - 24 X 1/2	3	6	F307453-3	CYLINDER EXHAUST GASKET LOWER	29	6
F1987	PLAIN WASHER	3	24	F307453-3	GASKET, CYLINDER EXHAUST LOWER	23	-
F1987	PLAIN WASHER	29	14	F307660-1	TUBE LEG EXHAUST	33	92
F1994	HEX HD CAP SCREW, 5/16 - 18 X 1	35	40	F307689-1	STEERING HANDLE CONTROL SHAFT BEARING	5	50
F1995	FILL HD SCREW, 10 - 24 X 1	19	21	F307809-1	MAGNETO CONTROL ROD	3	17
F1995	FILL HD SCREW, 10 - 24 X 1	21	62	F307818	BEARING, LATCH SHAFT	3	25
F1997	STOP NUT, 10 - 24	15	35	F307942-1	BUMPER	19	14
F2001	FILL HD SCREW, 10 - 24 X 5/8	5	72	F307962	SHOCK MOUNT, SIDE UPPER	31	80
F2002	HEX NUT, 5/16 - 18	5	67	F307989-1	SEAL, KINGPIN PLATE	29	3
F2014	PLAIN WASHER	21	56	F311996	GASKET, CYLINDER HEAD COVER	23	-
F201529-1	CYLINDER HEAD GASKET	21	50	F328109	PIPE PLUG CYLINDER HEAD	21	57
F201529-1	GASKET, CYLINDER HEAD	23	-	F328189-1	BRUSHING, GEAR SHIFT ROD	3	27
F2025	PAN HD SCREW, 10 X 3/8	7	93	F328232	STARTER ROPE	11	30
F2030	HEX HD SCREW, 1/4 - 20 X 1 - 1/4	37	55	F328239	STARTER POOL	11	12
F203965	SHOCK MOUNT UPPER	29	9	F328438	MAGNETO CONTROL ARM	3	18
F2066	PAN HD SELF - TAPPING SCREW, 10 - 7/16	5	63	F328455	STARTER ROPE GUIDE	11	28
F2097	SPRING PIN	35	23	F328615	GEAR SHIFT ROD UPPER	29	13
F213274	GREASE FITTING	7	83	F328692	PIVOT TUBE	5	41
F213274	GREASE FITTING	29	23	F328703-1	STEERING HANDLE ADAPTER	3	39
F213342	SEAL, FUEL LINE COUPLER	39	1	F328710	STARTER ROPE GUIDE POST	11	8
F213735	SEAL, FUEL LINE COUPLER	39	2	F328819	SWIVEL SHIFT DETENT	5	69
F215962	SHOCK MOUNT SIDE LOWER	29	10	F328884	DETENT, SHIFT ARM	5	71
F24074	CLAMP SCREW FOOT	29	38	F333316	THROTTLE ROLLER SHAFT	15	32
F24333	END, STARTER ROPE	11	33	F335160	REED	27	11
F24342	SEAL	35	5	F335217-1	BEARING	25	8
F269052	SHIFT ARM BEARING	19	27	F338095-2	STATOR (NO DWG)	9	-
F269122-1	CRANKCASE PARTING LINE SEAL	21	80	F338129-1	BOOT	35	1
F269122-1	GASKET, CRANKCASE PARTING LINE SEAL	23	-	F338271	RETAINER	35	2
F269319	THROTTLE CAM BEARING	19	5	F338618-1	SEAL, SHIFT ROD LOWER	37	45
F269445-1	SPARK CONTROL LINK	19	19	F338815	STEERING HANDLE GEAR	5	44
F269929	SPACER, TILT STOP	29	25	F338815	STEERING HANDLE GEAR	5	49
F269929	SPACER, TILT STOP	29	29	F338877	MAGNETO CONTROL SHAFT	5	40
F269929	SPACER, TILT STOP	31	54	F349307	DRIVESHAFT SEAL	37	53
F269929	SPACER, TILT STOP	31	56	F353480	STUD	33	94
F286132	STARTER ROPE HANDLE	11	31	F366013	CRANKSHAFT THRUST BEARING UPPER	25	22
F286461	SPRING LOCK BAR HANDLE	33	101	F366037	STERN BRACKET PIVOT BOLT	29	32
F286547	CHOKE KNOB	3	30	F366058	BALL BEARING, PROPELLER SHAFT	35	16
F286772-1	CLAMP	13	-				
F286772-1	CLAMP	27	15				
F286894-3	STEERING HANDLE INDICATOR	5	66				
F288075	CLAMP SCREW HANDLE	29	36				
F298788	FERRULE	39	4				

PARTS INDEX

Part Number	Description	Pg.	Ref. No.	Part Number	Description	Pg.	Ref. No.
F366060	WATER PUMP BODY	37	51	F433168	GASKET, CARBURETOR ADAPTER	23	-
F366082	MAGNETO STATOR RING . .	25	18	F433192	THROTTLE CAM	19	8
F366215	SPACER	25	10	F433209-1	STUD, THROTTLE CAM	19	4
F366277	BEARING CAGE GASKET . .	25	4	F433404	DEFLECTOR PLATE	27	8
F366277	GASKET, BEARING CAGE . .	23	-	F433406	DEFLECTOR PLATE GASKET	27	9
F366286	STERN BRACKET FRICTION WASHER	29	39	F433406	GASKET, DEFLECTOR PLATE	23	-
F366300	REVERSE LOCK SPRING . .	31	48	F433503	CHOKE CABLE	3	29
F366349	LOCK	29	44	F433562	WATER PUMP BACK PLATE	37	49
F366350	TILT STOP PIVOT	29	26	F433612	BRACKET, SHIFT ROD	5	78
F366364	ARM	29	40	F433680	SPACER PLATE	29	2
F366426	TILT STOP, PORT	31	55	F433688	SHAFT, STEERING HANDLE	3	32
F366433	TILT STOP, STARBOARD . .	29	27	F433689	BEARING, TOWERSHAFT . .	19	22
F366510	LINK	29	43	F433972	SHOCK MOUNT LOWER COVER, STARBOARD . . .	29	11
F366727	BALL, PROPELLER SHAFT .	35	20	F433973	SHOCK MOUNT LOWER COVER, PORT	31	63
F366813	BEARING	5	73	F434754	FUEL LINE, PUMP TO CARBURETOR	13	14
F366824	CARRYING HANDLE	7	86	F434754	HOSE BUSHING TO FUEL PUMP	13	17
F366827	HANDLE AND SHAFT	29	42	F434767	BUSHING	3	38
F366866	PIN	31	45	F435057	BEARING, DRIVESHAFT UPPER	37	47
F366884	BEARING	29	34	F435077	SCREEN, WATER INLET . . .	37	46
F367300	SPRING SHIFT DETENT . . .	5	68	F435133-1	MOTOR LEG, FOR LONG SHAFT MODELS	31	65
F369887	INTERLOCK SCREW	11	21	F435244	INLET WATER LINE FOR LONG SHAFT MODELS . .	35	-
F377015-1	PISTON (STANDARD)	25	12	F435323	PACKING LEG COVER LOWER	31	71
F40008	STUD, SHORT	35	39	F435323	PACKING LEG COVER UPPER	31	74
F40017-2	PISTON PIN	25	9	F435555	SEAL, GEAR HOUSING	35	43
F40065-2	WATER PUMP IMPELLER . .	37	50	F435705	GEAR SHIFT ROD LOWER . .	35	36
F40146-1	CRANKSHAFT SEAL	25	1	F436449	SHORTING SWITCH	9	23
F40151-1	EXHAUST PORT PLATE . . .	21	71	F438165	SCREW, FUEL BOWL	13	18
F40154-3	EXHAUST PORT PLATE GASKET	21	70	F438617	FUEL SEDIMENT BOWL GASKET	13	12
F40154-3	GASKET, EXHAUST PORT PLATE	21	-	F438653	FUEL PUMP SCREEN	13	15
F40209	CARBURETOR STUD	27	3	F438747	FUEL PUMP DIAPHRAGM . .	13	5
F40223	GASKET, TRANSFER PORT COVER	23	-	F438760	FUEL PUMP GASKET	13	2
F40223	TRANSFER PORT COVER GASKET	21	44	F438801	ELBOW	13	11
F40307-2	SEAL, DRIVESHAFT	37	48	F438930	RETAINER, SNOUT	37	59
F40342	SEAL, PROPELLER NUT . . .	35	11	F458677	INSERT, CHOKE KNOB	3	31
F40410	SNAP RING	25	14	F458695	SLEEVE, STEERING HANDLE	7	90
F40425	STARTER PINION PIN	11	5	F458774	BRACKET, RETAINER REAR	5	53
F404801	ELBOW	21	48	F460664	WIRE, STATOR GROUND . .	9	9
F40717	THRUST WASHER, BEVEL GEAR	35	19	F461400	GEAR SHIFT INDICATOR . .	5	58
F40775	FRICTION SHOE PLATE . . .	31	84	F463073	CLAMP SCREW	29	35
F40816-1	STEERING HANDLE CONTROL SHAFT THRUST BEARING	5	47	F463314	FITTING	21	72
F40833-4	GASKET, RELIEF COVER . .	23	-	F463864	RETAINER, TILT HANDLE . .	5	55
F40833-4	MOTOR LEG EXHAUST COVER GASKET	31	67	F478502	LINK	11	25
F40906-1	FLANGE GASKET	17	39	F483884	BEARING	29	41
F40906-1	GASKET, CARBURETOR . . .	23	-	F485005	INTERLOCK LEVER ARM . .	7	94
F409251-1	GAUGE CAP	39	10	F485424	SPRING, STARTER PINION .	11	6
F428096	RETAINER, PISTON PIN . . .	25	11	F485755-1	FUEL TANK ADAPTER	39	8
F433061-2	CARBURETOR COMPLETE (WB-17C)	17	41				
F433114	HANDLE, LOCK BAR	33	100				
F433168	CARBURETOR ADAPTER GASKET	27	6				

PARTS INDEX

Part Number	Description	Pg.	Ref. No.	Part Number	Description	Pg.	Ref. No.
F485781	STARTER INTERLOCK LOCK	11	23	F8065	LOCKWASHER	35	32
F485946	SHOCK MOUNT UPPER COVER	31	81	F8065	SPRING LOCKWASHER	33	103
F485971	STARTER SPRING EXTENSION	11	17	F8077	WASHER, GEAR HOUSING PLUG	35	28
F486531	STARTER INTERLOCK ROD	11	19	F8083	LOCKWASHER	33	88
F487674	STARTER PINION GEAR	11	4	F8083	SPRING LOCKWASHER	21	77
F498618	SEAL, GEAR SHIFT ARM PIN	35	30	F8083	SPRING LOCKWASHER	33	96
F498891	GEAR SHIFT ARM PIN	35	29	F8088	PLAIN WASHER	15	10
F50109	PLUG, GEAR HOUSING	35	27	F8094	PLAIN WASHER	31	47
F53795-1	DAMPENER	5	42	F8096	SPRING LOCKWASHER	3	21
F544269	TILT HANDLE	5	65	F8096	SPRING LOCKWASHER	11	15
F544390-1	DECAL, REVERSE LOCK - U.S.A.	33	104	F84026	SPARK CONTROL SWIVEL	19	16
F545180	TRIM, ENGINE COVER REAR	5	60	F84035-2	SPARK CONTROL BEARING, R.H.	19	20
F545711	PLATE, FRONT	3	1	F84036	SPARK CONTROL BEARING, L.H.	19	17
F58685-2	ROD END CONNECTOR, MAGNETO CONTROL	3	15	F84280	KINGPIN NUT	29	21
F596	CHRYSLER OUTBOARD OIL	47	-	F84314-2	ELBOW	13	3
F597	CHRYSLER OUTBOARD GEAR LUBE	47	-	F84314-2	ELBOW, FUEL LINE	17	42
F5H025	ANTI-CORROSION SACRIFICIAL ANODE	47	-	F84314-2	ELBOW, FUEL LINE	21	46
F5H026	FUEL TANK (ACCESSORY ITEM)	39	9	F84792	FUEL PUMP VALVE GASKET (CENTER VALVE)	13	8
F5H026	FUEL TANK, 6 GALLON, STEEL	47	-	F8537	SPRING PIN	33	95
F5H040	FUEL TANK, 12 GALLON, STEEL	47	-	F85372	PIN, GEAR SHIFT ROD LOWER	35	38
F5H066	LONG LEG CONVERSION KIT	47	-	F8538	SPRING PIN	5	43
F7001	ELASTIC STOP NUT	31	53	F8538	SPRING PIN	5	51
F7004	STOP NUT, 3/8 - 16	19	26	F8540	SPRING PIN	3	19
F7007	ELASTIC STOP NUT	29	31	F8540	SPRING PIN	11	27
F7011	HEX NUT, 10 - 24	5	57	F8545	SPRING PIN	21	75
F72H29	CHRYSLER OUTBOARD MULTI-PURPOSE GREASE	47	-	F8548	SPRING PIN	3	5
F72H30	CHRYSLER OUTBOARD GREASE GUN	47	-	F85502	THROTTLE LINK	19	12
F8003	PLAIN WASHER	19	35	F8559	DOWEL PIN	19	41
F8025	PLAIN WASHER	29	7	F85610	BEARING	5	81
F8028	PLAIN WASHER	5	79	F85610	BEARING	19	29
F8028	PLAIN WASHER	11	20	F85634-2	CONNECTING ROD SCREW	25	17
F8032	PLAIN WASHER	5	77	F85735-1	SEAL	5	61
F8038	PLAIN WASHER	31	79	F85756	SUPPORT PLATE PACKING	5	59
F8042	PLAIN WASHER	35	6	F861	FLUSHING ADAPTER	47	-
F8049	BOWED SPRING WASHER	29	15	F88161-3	REED STOP	27	12
F8058	INTERNAL TOOTH LOCKWASHER	7	96	F89011	SWIVEL BRACKET WASHER	29	22
F8058	INTERNAL TOOTH LOCKWASHER	11	22	F89025	DAMPENING PAD	29	5
F8058	INTERNAL TOOTH LOCKWASHER	19	7	F89504	GROMMET, MOTOR LEG	31	70
F8060	EXTERNAL TOOTH LOCKWASHER	11	29	F89777-1	LATCH CAM	3	22
F8060	EXTERNAL TOOTH LOCKWASHER (USE WITH PAN HD SCREW)	25	23	F90014	CRANKSHAFT LOWER MAIN BEARING	25	16
F8060	INTERNAL TOOTH LOCKWASHER	5	70	F901563	DRIVE PIN, WATER PUMP IMPELLER	35	4
				F901631-1	FRICITION SHOE	31	85
				F901739	STARTER REWIND SPRING DRIVE	11	7
				F901834	LEAD WIRE CLIP	21	68
				F901970	SPRING STARTER REWIND	11	10
				F90619-1	YOKE	37	58
				F90871-3	GEAR SHIFT ARM PIN	35	22
				F92498	KEY	9	14
				F92759	ROLLER	15	33
				F93002	CAM	9	15
				F93097-6	FLYWHEEL AND STARTER GEAR	9	2

PARTS INDEX

Part Number	Description	Pg.	Ref. No.	Part Number	Description	Pg.	Ref. No.
F93472-1	CYLINDER DRAIN COVER			FA434876	SHIFT ARM W/ROLLER	19	28
	GASKET	19	33	FA435116	SNOUT, EXHAUST	35	41
F93472-1	GASKET, CYLINDER DRAIN	23	-	FA435135	LEG COVER (PORT),		
F93748-1	CYLINDER DRAIN REED				W/PACKING	31	72
	PLATE GASKET	19	40	FA435145	LEG COVER (STARBOARD),		
F93748-1	GASKET, CYLINDER DRAIN	23	-		W/PACKING	31	75
F93811	SCREEN, CYLINDER DRAIN			FA435616	GEAR SHIFT INTERMEDIATE	37	56
	REED PLATE	19	39	FA438431	FUEL PUMP BODY		
F93920	CYLINDER DRAIN REED				W/VALVES	13	9
	STOP	19	36	FA438500	FUEL SEDIMENT BOWL . . .	13	16
F94914	SLEEVE, STATOR WIRE			FA439746	FUEL PUMP COVER	13	1
	(NOT SHOWN)	9	-	FA456137	STEERING HANDLE GRIP		
F97008-1	STUD, LONG	35	31		W/SLEEVE	5	46
F97066-1	THERMOSTAT COVER	21	61	FA458480	ENGINE COVER RETAINER		
F97067	GASKET, THERMOSTAT				W/SCREWS AND NUTS . .	5	56
	COVER	23	-	FA458662	BEVEL GEAR REAR		
F97067	THERMOSTAT COVER				W/BEARING	35	18
	GASKET	21	60	FA463387	DECAL, TIMING - U.S.A. . .	27	14
F97068-1	THERMOSTAT	21	59	FA485914	SEAL, INLET WATER LINE,		
F97275	FITTING, THERMOSTAT . . .	21	63		LOWER	37	54
F97504	GROMMET, THERMOSTAT . .	21	58	FA538395	IDENTIFICATION PLATE		
F97772	CLAMP	21	64		W/SCREWS	3	13
F97772	FUEL LINE CLAMPS	13	13	FA544054	GEAR HOUSING LOWER		
F98273	ROD END CONNECTOR				W/PLUG, WASHER AND		
	STUD	3	14		THRUST BEARING CUP . .	35	26
F99521-1	CLUTCH	35	24	FA544528	DECAL, ENGINE COVER		
FA27232	EMERGENCY STARTER				REAR	7	91
	ROPE (NOT SHOWN)			FA544892	DECAL, ENGINE COVER		
	W/HANDLE	11	-		FRONT	3	4
FA307779	BAFFLE, AIR INTAKE ASSY.	3	11	FA84754-1	FUEL LINE SHORT		
FA328763	LATCH SHAFT W/HANDLE . .	3	33		W/FERRULES	39	5
FA353260	PISTON RING SET (6 PER			FA89128-1	DRIVESHAFT W/RETAINER		
	SET) (STANDARD)	25	13		FOR LONG SHAFT		
FA366778	ENGINE COVER RETAINER,				MODELS	35	-
	FORWARD, W/SCREWS			FA89832-2	MOTOR LEG EXHAUST		
	AND NUTS	3	7		COVER	31	68
FA366953	BUSHING, STARTER			FA901839	STEERING HANDLE		
	HANDLE W/INSERT	3	35		FRICTION SCREW		
FA40346-2	SHOCK MOUNT LOWER				W/SPRING AND BUTTON	3	36
	ASSY.	29	20	FA94094-2	PROPELLER NUT W/SEAL		
FA40655	CRANKSHAFT CENTER				AND COTTER PIN	35	9
	MAIN BEARING RACE			FA97247	WATER TUBE,		
	W/SNAP RING	25	15		THERMOSTAT	21	65
FA40742	FRICTION SHOE ADJUSTING			FAC463387	DECAL, TIMING - CANADA . .	27	-
	ARM W/SHOE	31	83	FC310227	SPARK PLUG (QL-4-J) FOR		
FA411222	TRANSFER PORT COVER . .	21	45		CANADA	21	-
FA433019	KINGPIN W/PLUG	31	59	FC409308	DECAL, TOTE TANK -		
FA433113	STERN BRACKET LOCK BAR				CANADA	39	-
	W/HANDLE	29	33	FC433254	HOSE	21	49
FA433144	CRANKSHAFT BEARING			FC433758	HOSE CANADA	21	-
	CAGE W/SEAL	25	3	FC434758	FUEL PUMP IMPULSE HOSE	13	4
FA433152	EXHAUST PORT COVER			FC533054	GEAR HOUSING COMPLETE		
	W/SCREWS	21	69		(NOT SHOWN)	35	-
FA433158	REED PLATE W/REEDS,			FG1007-1	GASKET SET	21	81
	STOPS AND SCREWS . . .	27	10	FK1074	GEAR HOUSING SEAL KIT . .	37	62
FA433167	CARBURETOR ADAPTER			FK1076	WATER PUMP KIT	37	61
	FLANGE	27	5	FK1077	TUNE - UP KIT	9	24
FA433471	CYLINDER DRAIN COVER			FK247	PROPELLER PIN, PACK OF		
	W/FITTING	19	32		6 W/COTTER PIN	35	12

PARTS INDEX

Part Number	Description	Pg.	Ref. No.	Part Number	Description	Pg.	Ref. No.
FK433838	TOWERSHAFT ASSY.	19	23	FS307940	KINGPIN PLATE	29	4
FK750-2	SPARKIE KIT	9	13	FS409752	FUEL LINE, COMPLETE ...	39	-
FK85228	BEARING CAGE W/ROLLERS (16 PER SET)	25	6	FS433758	HOSE	21	73
FO10165	INLET SEAT GASKET	15	19	FS458023	BEVEL GEAR FRONT W/BEARING	35	25
FO10280	CHOKE SHUTTER RETAINING SCREW AND LOCKWASHER	15	16	FS486712	ENGINE COVER W/TILT HANDLE AND RETAINERS	3	3
FO10588	BODY CHANNEL CUP PLUG	15	1	FT2910	KNOCK-OFF NUT	40	-
FO10790	INLET NEEDLE, SEAT AND GASKET	15	20	FT2937-1	TIMING TOOL	40	-
FO10883	CHOKE RELIEF VALVE SPRING	15	18	FT2937A	TIMING ROD	40	-
FO11103	IDLE MIXTURE SCREW SPRING	15	14	FT2953	SOCKET	42	-
FO12250	CHOKE SHUTTER	15	17	FT2955A	TEST WHEEL	44	-
FO12251	CHOKE RELIEF VALVE	15	13	FT2961	LUBRICANT - RYKON #2EP	45	-
FO13193	MAIN FUEL JET .088 (OPT.) 1250 - 3750 FEET	15	-	FT2962-1	SEALANT - 50 CC LOCTITE H, NON-HARDENING GRADE	45	-
FO13552	FUEL BOWL	15	25	FT2963-1	SEALANT - 2 OZ. LOCTITE D, HARDENING GRADE ..	45	-
FO13554	FLOAT	15	27	FT2987-1	LUBRICANT - ANTI-SEIZE ..	45	-
FO13944	FLOAT LEVER PIN	15	21	FT2989	FLYWHEEL REMOVAL TOOL	40	-
FO13945	FUEL BOWL RETAINING SCREW	15	26	FT2990	PISTONS PIN REMOVER ...	42	-
FO13946	IDLE MIXTURE SCREW	15	15	FT2996	RING COMPRESSOR	42	-
FO13949	MAIN FUEL JET .086 (OPT.) 3750 - 6250 FEET	15	-	FT2999	TORQUE WRENCH	42	-
FO14292	THROTTLE SHAFT RETURN SPRING	15	36	FT3139-1	STARTER REWIND KEY ...	41	-
FO14302	MAIN FUEL JET .084 (OPT.) 6250 - 8250 FEET	15	-	FT3431	DRIVESHAFT SEAL AND PROP SHAFT INSTALLER	43	-
FO15406	MAIN FUEL JET .090 (STD.)	15	29	FT3510	SEAL PUNCH	42	-
FO15623	FUEL BOWL GASKET	15	23	FT3512	SEAL PROTECTOR	42	-
FO15728	THROTTLE SHAFT AND LEVER	15	34	FT8900	CLAMP PLIERS	42	-
FO16119	THROTTLE SHUTTER	15	37	FT8904	FORWARD BEARING CUP INSTALLER	43	-
FO16251	MAIN NOZZLE	15	28	FT8907	DRIVER HANDLE	43	-
FO16383	CHOKE SHAFT AND LEVER	15	5	FT8918	BRUSHING GUIDE SET	43	-
FO16385	CHOKE SHAFT RETURN SPRING	15	12	FT8919	SPRING PIN PUNCH	43	-
FO2510	FUEL BOWL RETAINING SCREW GASKET	15	24	FT8921	FORWARD BEARING CUP REMOVER	43	-
FO3804	THROTTLE SHAFT POSITION RETAINING SCREW WASHER	15	2	FT8926	RING EXPANDER	42	-
FO4326	BODY CHANNEL WELCH PLUG	17	40	FT8932	LIFTING HOOK	42	-
FO6393	THROTTLE SHAFT POSITION RETAINING SCREW	15	4	FT8935	SEALANT PRIMER - 6 OZ. ..	45	-
FO6396	THROTTLE SHAFT POSITION RETAINING SCREW LOCKWASHER ..	15	3	FT8936	SEALANT - 2 CC LOCTITE RETAINING COMPOUND #75	45	-
FO8942	THROTTLE SHUTTER RETAINING SCREW AND LOCKWASHER	17	38	FT8945	RETAINER PUNCH	43	-
FP273	STANDARD PROP (ACCESSORY ITEM)	35	8	FT8948-1	PROPELLER SHAFT BEARING CAGE PULLER	43	-
FS174227	SPARK PLUG (L-4-J)	21	54	FT8950	LEAKAGE TESTER	44	-
				FT8957	SEAL INSTALLER	43	-
				FT8962	BEARING INSTALLER	43	-
				FT8964	BEARING REMOVER	43	-
				FT8969	LUBRICANT - 7 OZ. 2 PSI LUBRICANT	45	-
				FT8983	SEALANT	45	-
				SA377015	PISTON .010 OVERSIZE - SHORT BLOCK COMPLETE	25	-
				T11215	BEIGE	46	-
				T11216	DARK BROWN	46	-
				T11217	ORANGE W/BROWN	46	-
				T11219	YELLOW ORANGE	46	-
				T11230	ORANGE	46	-

PARTS INDEX

Part Number	Description	Pg.	Ref. No.	Part Number	Description	Pg.	Ref. No.
T8974	BREAKER POINT TENSION GAUGE	44	-				
22-817740A1	ELBOW W/METERING CUP .	21	74				
32-817738A1	FUEL LINE, LONG W/CLAMP AND FERRULE	39	7				
37-817792A1	DECAL TIMING	9	-				
37-F286894-3	STEERING HANDLE INDICATOR - CANADA . . .	5	-				
37-F544390-1	DECAL, REVERSE LOCK - CANADA	33	-				
39-818112A1	PISTON RINGS (6 PER SET) .030 OVERSIZE	25	-				
44-819500A3	PROPELLER SHAFT ASSY. .	35	21				
400-FA485018	CRANKSHAFT W/BEARING .	25	5				
600-818052A4	CONNECTING ROD W/CAP AND SCREWS	25	7				
1600-817871A3	GEAR HOUSING UPPER W/SEAL, WASHR, PLUG AND INLET WATR SCREEN	37	44				
F210-1	STUD	33	86				