



PARTS CATALOG

15 H.P.

SERIAL NUMBER

15 (1980)152B0F
15 (1980)152H0F
15 (1980)153B0F
15 (1980)153H0F

TABLE OF CONTENTS:

ACCESSORIES	37
ENGINE COVER AND SUPPORT PLATE	2
FUEL SYSTEM	10
FUEL TANK AND LINE	28
GEAR HOUSING	24
MAGNETO	6
MOTOR LEG	18
PARTS INDEX	39
POWER HEAD	14
SPECIAL TOOLS - LOWER UNIT	33
SPECIAL TOOLS - LUBRICANTS AND SEALANTS	35
SPECIAL TOOLS - MANUAL STARTER	31
SPECIAL TOOLS - POWER HEAD	32
SPECIAL TOOLS - REPAIR DECALS - ENGINE COVERS	36
SPECIAL TOOLS - TEST EQUIPMENT	34
SPECIAL TOOLS - TUNE-UP	30
STARTER	8

NOTE: Indented description indicate that these parts are included in preceding assembly.

AR = As Required

NSS = Not Sold Separate

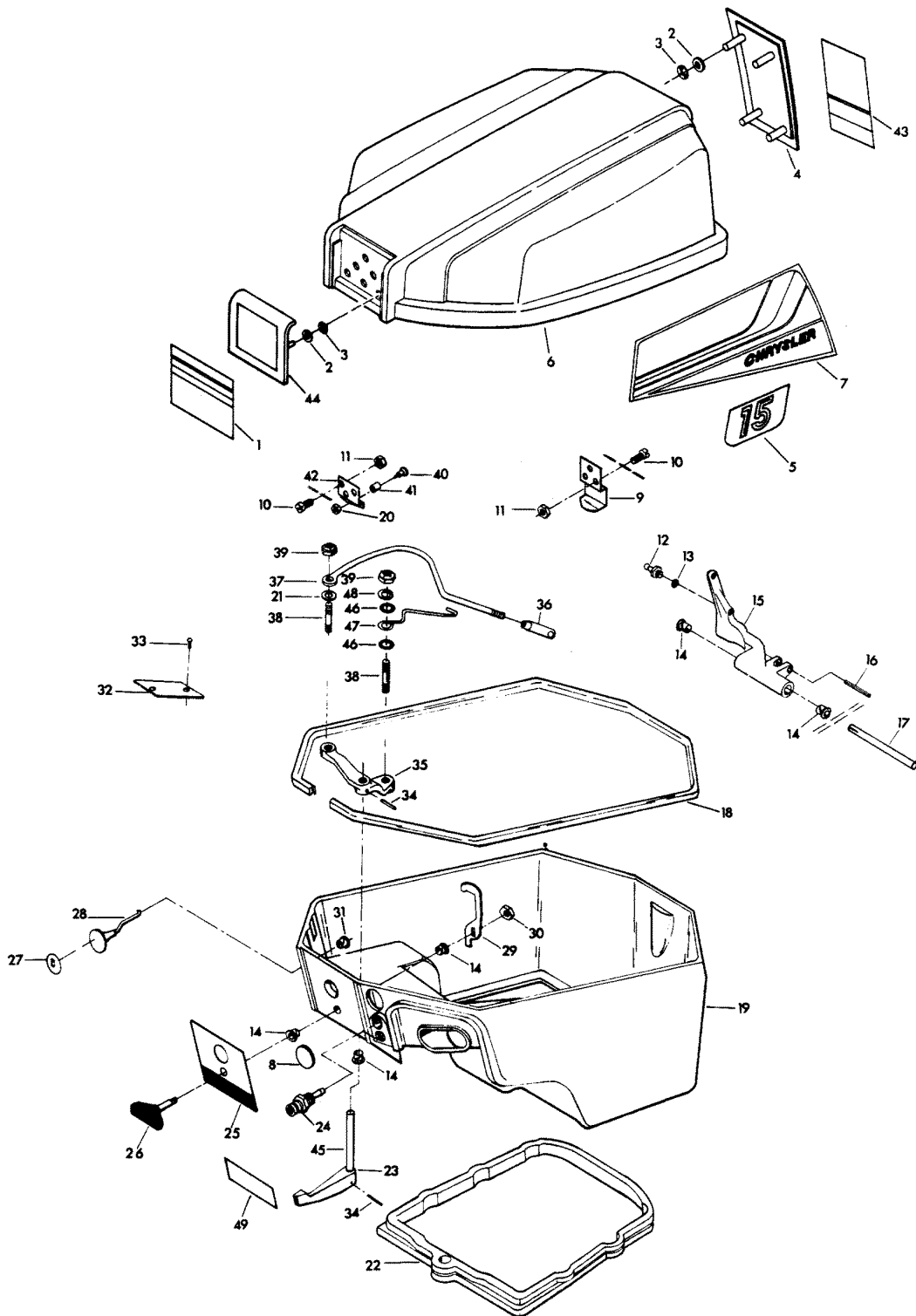
OPT = Optional

NS = Not Shown

THESE PARTS BOOKS/FICHE CARD ARE COPYRIGHTED AND MAY NOT BE DISTRIBUTED OR REPRODUCED IN ANY OTHER FORMAT BY ANYONE OTHER THAN MERCURY MARINE WITHOUT THE PRIOR WRITTEN CONSENT OF MERCURY MARINE.

THIS PAGE INTENTIONALLY LEFT BLANK

ENGINE COVER AND SUPPORT PLATE

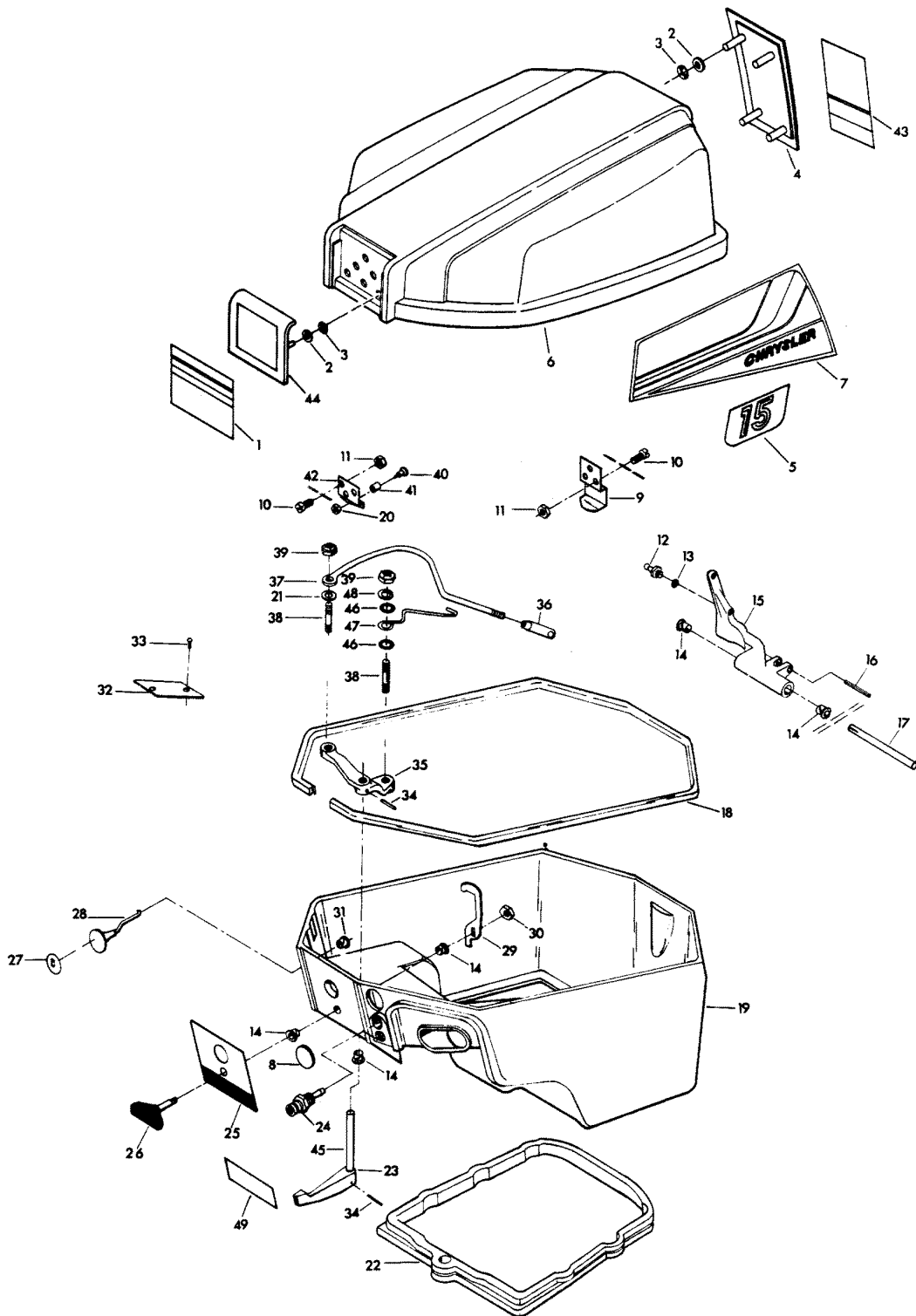


ENGINE COVER AND SUPPORT PLATE

REF. NO.	PART NO.	SYM.	QTY.	DESCRIPTION
1	A568892		1	DECAL, ENGINE COVER, FRONT W/LITERATURE
2	F85735-1		7	SEAL
3	F1753		7	FASTENER
4	569180		1	TRIM, ENGINE COVER REAR
5	FA570386		2	DECAL, NUMERAL 15 W/LITERATURE
6	FS541712		1	COVER, ENGINE W/BACKET, RETAINER AND TILT HANDLE
-	2C570712		1	ENGINE COVER COMPLETE. INCLUDES ALL ITEMS MARKED WITH AN ASTERISK (*)
7	FA568397		1	DECAL, PORT, "CHRYSLER" W/LITERATURE
-	FA568396		1	DECAL, STARBOARD, "CHRYSLER" W/LITERATURE
8	F343226-1		2	PLUG
9	FA286480		1	RETAINER, ENGINE COVER W/SCREWS AND NUTS
10	F1475		6	FILL HD SCREW, 10 - 24 X 1/2
11	F7011		6	ELASTIC STOP NUT, 10 - 24
12	F98273		1	STUD, GEAR SHIFT ROD CONNECTOR
13	F8058		1	INTERNAL TOOTH LOCKWASHER
14	F307818		6	BEARING
15	F286876		1	LEVER, GEAR SHIFT
16	F8542		1	SPRING PIN
17	F286871		1	PIN, GEAR SHIFT LEVER
18	F392756		1	PACKING, SUPPORT PLATE
19	FA492038		1	PLATE, SUPPORT W/PLUGS
20	F7011		1	STOP NUT, 10 - 24
21	F8048		1	BOWED SPRING WASHER
22	F286989-2		1	SEAL, SUPPORT PLATE
23	F286614		1	HANDLE, GEAR SHIFT
24	F197767-1		1	BUSHING, FUEL LINE
25	817757A4		1	PLATE, FRONT W/LITERATURE ORIGINAL FORCE P/N A 286711-2
26	FA286469		1	KNOB, COVER LATCH W/SHAFT
27	F458677		1	INSERT, CHOKE KNOB
28	FA286547		1	KNOB, CHOKE W/INSERT AND CHOKE ROD
29	F286777		1	CAM, COVER LATCH
30	F7006		1	STOP NUT, 5/16 - 18
31	F197319		1	BEARING, CHOKE ROD
32	FA538395		1	PLATE, IDENTIFICATION W/SCREWS, USA
33	F1447		2	DRIVE SCREW
34	F8540		2	SPRING PIN
35	F492619		1	LEVER, GEAR SHIFT SHAFT
36	F286685		1	CONNECTOR, GEAR SHIFT ROD
37	F286611-1		1	ROD, GEAR SHIFT
38	F286134		2	STUD, GEAR SHIFT LEVER
39	F1804		2	STOP NUT, 10 - 32
40	F269316		1	ROLLER SHAFT

CONTINUED ON NEXT PAGE ➡

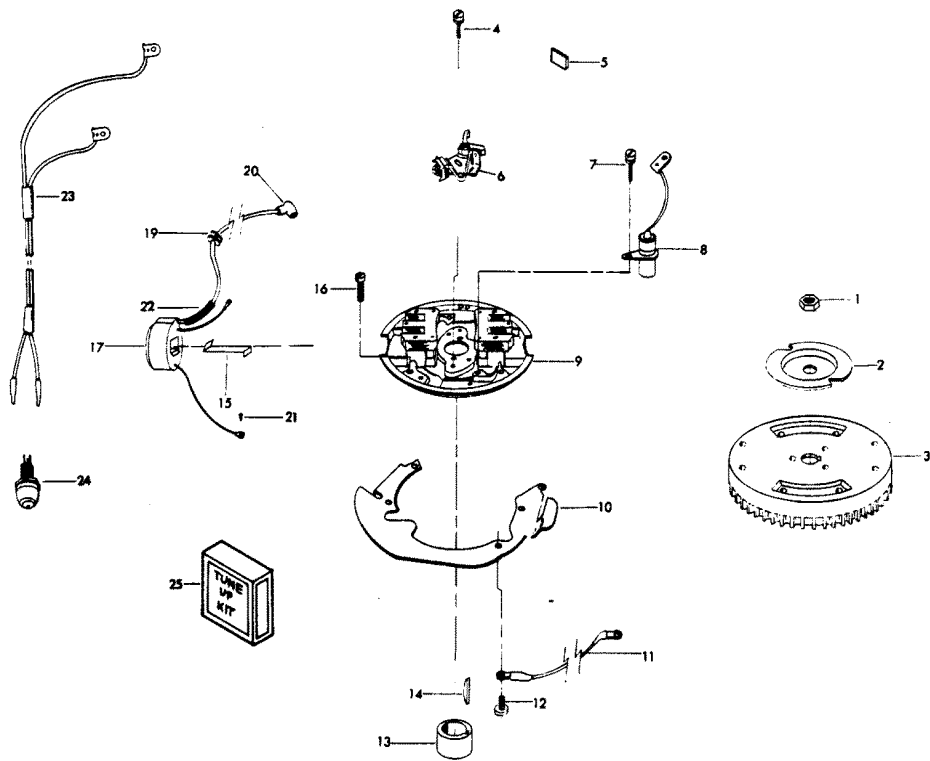
ENGINE COVER AND SUPPORT PLATE



ENGINE COVER AND SUPPORT PLATE

REF. NO.	PART NO.	SYM.	QTY.	DESCRIPTION
41	F92759		1	ROLLER
42	817758A1		1	BRACKET, COVER LATCH W/SCREWS, NUTS AND ROLLER
43	FA568528		1	DECAL, ENGINE COVER, REAR W/LITERATURE
44	F487711		1	PLATE, ENGINE COVER
45	F492417		1	SHAFT, GEAR SHIFT HANDLE
46	F184579		2	SEAL
47	F492263		1	LINK, STARTER INTERLOCK
48	F8011		1	PLAIN WASHER
49	FC516400		1	DECAL, SHIFT - CANADA

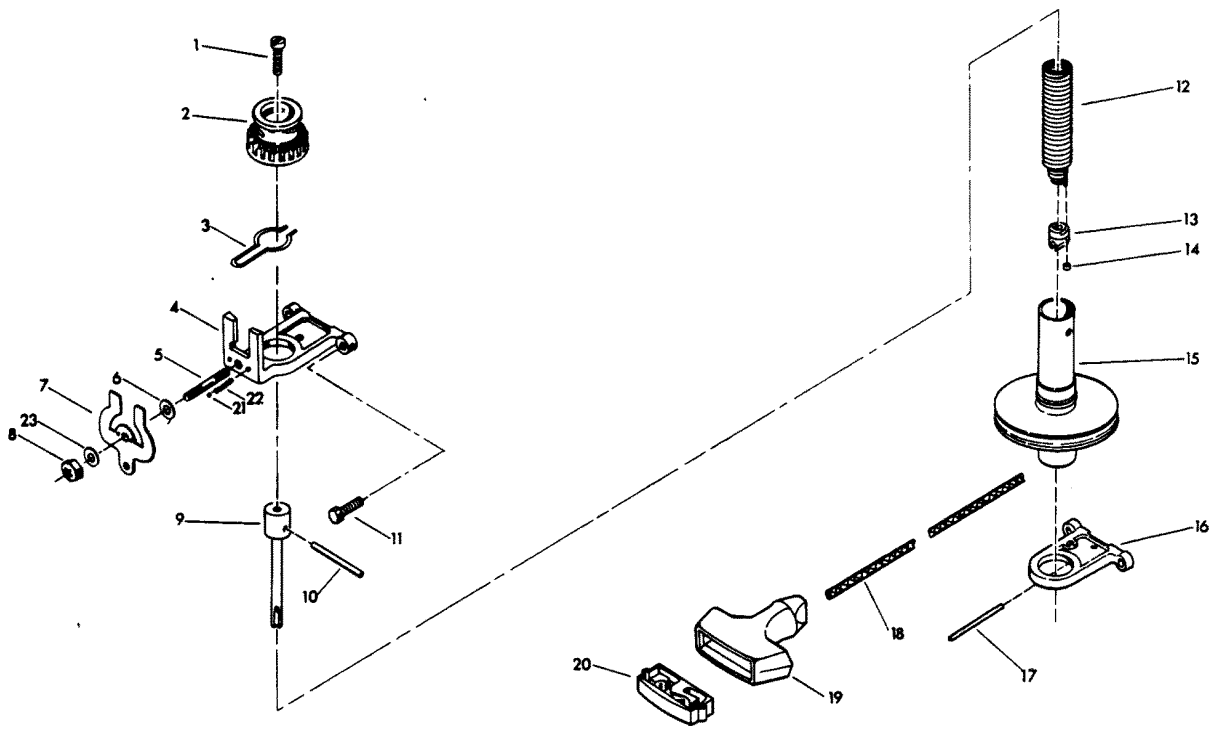
MAGNETO



MAGNETO

REF. NO.	PART NO.	SYM.	QTY.	DESCRIPTION
1	F1809		1	HEX NUT, 1/2 - 20
2	F901456-1		1	EMERGENCY STARTER COLLAR
3	F302097		1	FLYWHEEL
4	F12170		4	CONTACT SCREW W/LOCKWASHER
5	F12228		1	CAM WIPER FELT
6	F12153		2	BREAKER POINT SET
7	F12083		2	CONDENSER SCREW W/LOCKWASHER
8	F12181-1		2	CONDENSER
9	F12343		1	STATOR PLATE W/LAMINATIONS
10	F286192		1	THROTTLE CAM PLATE
11	F289664		1	WIRE, STATOR GROUND
12	F1075		4	FILL HD SCREW, 10 - 24 X 1/2
13	F217002		1	MAGNETO BREAKER CAM
14	F458498		1	MAGNETO KEY
15	F12146		2	COIL WEDGE SPRING
16	F1090		4	FILL HD SCREW W/LOCKWASHER, 10 - 24 X 9/16
17	FA12370		2	COIL W/LEAD WIRE AND WEDGE SPRING
19	F12088		2	GROMMET
20	FK750-3		2	SPARKIE W/SPRING
21	F12114		2	COIL GROUND TERMINAL SCREW
22	F12141		1	HIGH TENSION LEAD SLEEVE
23	F12186		1	PRIMARY TERMINAL WIRE
24	F436449		1	SHORTING SWITCH
-	F12091		1	LEAD WIRE MARKER TOP (NOT SHOWN)
25	FK1066		1	TUNE UP KIT INCLUDES ALL ITEMS MARKED WITH AN ASTERISK (*).
-	F492095		1	STATOR MAGNETO INCLUDES ALL ITEMS MARKED WITH TWO ASTERISKS (**).

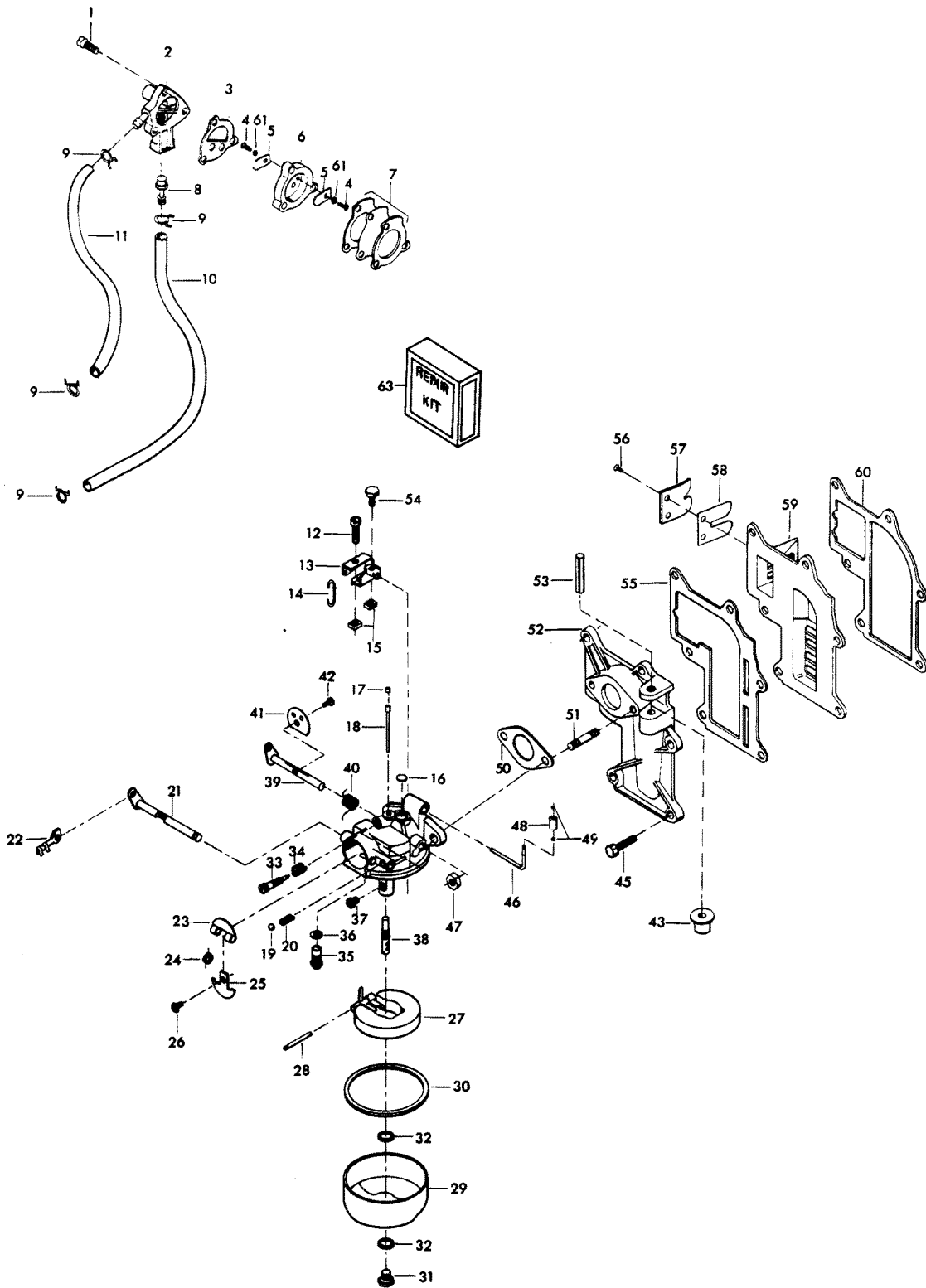
STARTER



STARTER

REF. NO.	PART NO.	SYM.	QTY.	DESCRIPTION
1	F1089		1	FILL HD SCREW, 10 - 24 X 9/16
2	F487674		1	GEAR, STARTER PINION
3	F487424-1		1	STARTER PINION SPRING
4	F487427-1		1	BRACKET, STARTER UPPER
5	F286134		1	STUD
6	F8011		1	PLAIN WASHER
7	F487781-3		1	STARTER INTERLOCK
8	F1804		1	STOP NUT
9	F286710		1	ARBOR, STARTER SPRING
10	F40425		1	STARTER PINION PIN
11	F1914		4	HEX HD SCREW, 1/4 - 20 X 3/4
12	FA286970		1	STARTER REWIND SPRING W/END AND RETAINER
13	F286737-1		1	RETAINER, STARTER REWIND SPRING
14	F286930		1	END, STARTER SPRING
15	F2A459239		1	STARTER SPOOL W/SHAFT
16	FK317427		1	BRACKET, STARTER LOWER W/SPRING PIN
17	F1875		1	SPRING PIN, STARTER BRACKET
18	F409232		1	STARTER ROPE
19	F286132		1	HANDLE, STARTER ROPE
20	817938A1		1	RETAINER, STARTER ROPE HANDLE W/LITERATURE ORIGINAL FORCE P/N K 286817-1
21	F487727		4	BALL, INTERLOCK DETENT
22	F487895		2	SPRING, INTERLOCK DETENT
23	F2042		1	PLAIN WASHER

FUEL SYSTEM

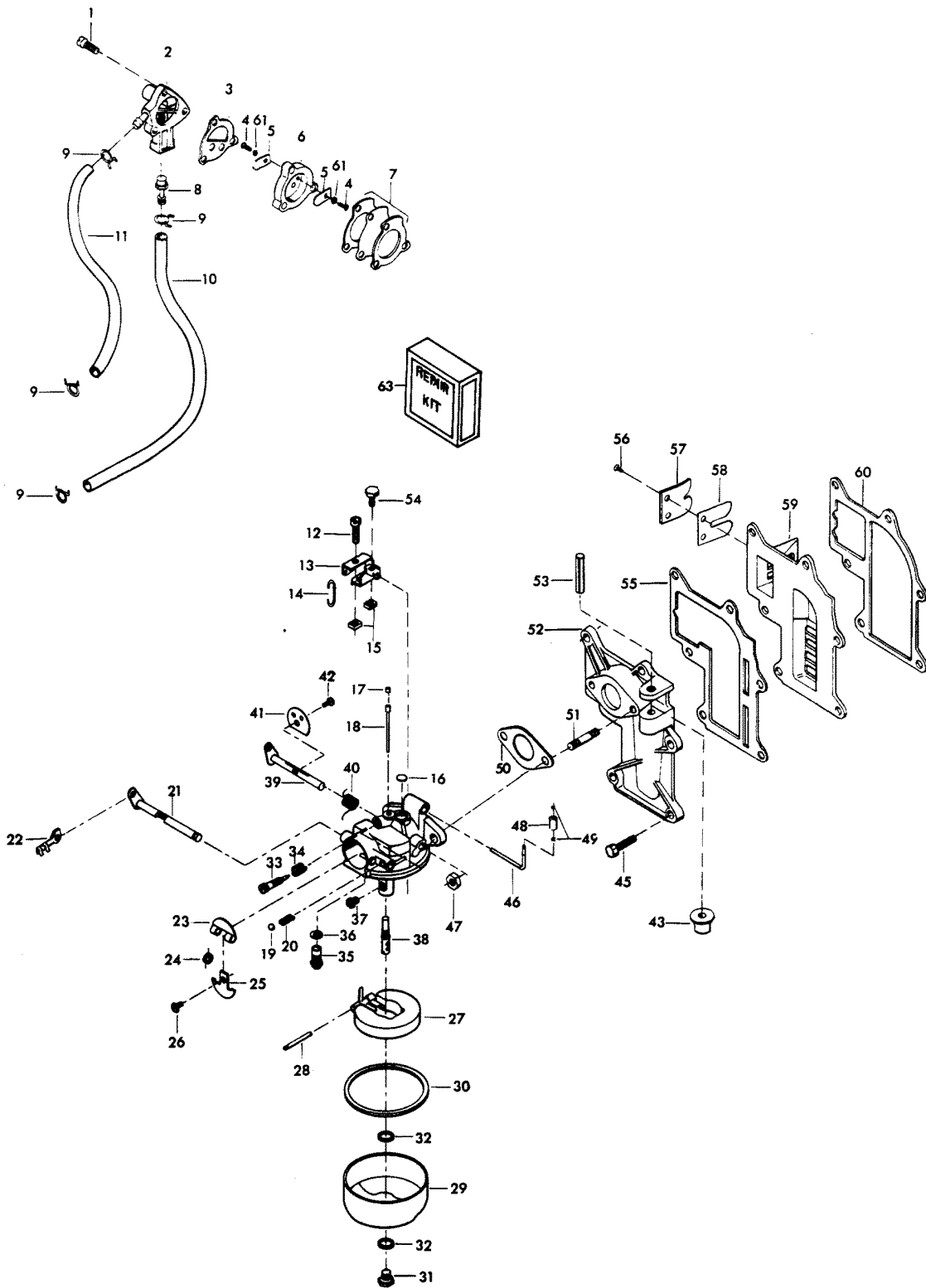


FUEL SYSTEM

REF. NO.	PART NO.	SYM.	QTY.	DESCRIPTION
1	F1069		3	FILL HD SCREW, 10 - 24 X 1 1/16
2	F901746-2		1	FUEL PUMP COVER
3	F24748-2		1	GASKET, FUEL PUMP
4	F1286		2	PAN HD SCREW, 4 - 40 X 3/16
5	F18160-2		2	REED FUEL PUMP
6	F2A24757		1	FUEL PUMP REED PLATE W/REEDS AND SCREWS
7	27-818043A1		1	FUEL PUMP DIAPHRAGM W/GASKETS
8	F901811		1	FUEL PUMP FILTER
9	F2706772		4	HOSE CLAMP
10	F40253-1		1	FUEL LINE
11	FA24754-1		1	FUEL LINE W/CLAMPS
12	F1834		1	FILL HD SCREW, 10 - 24 X 7/8
13	817754A1		1	ARM, CARBURETOR FOLLOWER W/LITERATURE ORIGINAL FORCE P/N A286190-1
14	F66193		1	THROTTLE LINK
15	F1365		2	SQUARE NUT, 10 - 24
16	FO2531		1	BODY CHANNEL WELCH PLUG
17	FO10588		1	BODY CHANNEL CUP PLUG
18	FO15522		1	BYPASS TUBE
19	FO4784		1	CHOKE FRICTION BALL
20	FO8805		1	CHOKE FRICTION SPRING
21	FO15736		1	CHOKE SHAFT AND LEVER
22	F341384		1	RETAINER, CHOKE ROD
23	FO15368		1	CHOKE RELIEF VALVE
24	FO15783		1	CHOKE RELIEF VALVE SPRING
25	FO15367		1	CHOKE SHUTTER
26	FO10280		1	CHOKE SHUTTER RETAINER SCREW AND LOCKWASHER
27	FO13554		1	FLOAT
28	FO13944		1	FLOAT LEVER PIN
29	FO15366		1	FUEL BOWL
30	FO15623		1	FUEL BOWL GASKET
31	FO13945		1	FUEL BOWL RETAINING SCREW
32	FO2510		2	FUEL BOWL RETAINING SCREW GASKET
33	FO15520		1	IDLE MIXTURE SCREW
34	FO11103		1	IDLE MIXTURE SCREW SPRING
35	FO10790		1	INLET NEEDLE, SEAT AND GASKET
36	FO10165		1	INLET SEAT GASKET
37	FO11722		1	MAIN FUEL JET, STD. .055 SEA LEVEL - 3000 FT.
-	FO11765		-	MAIN FUEL JET, OPT. .053 SEA LEVEL - 3000 - 6000 FT.
-	FO11764		-	MAIN FUEL JET, OPT. .051 SEA LEVEL - 6000 FT. AND UP
38	FO15525		1	MAIN NOZZLE
39	FO15757		1	THROTTLE SHAFT AND LEVER
40	FO15526		1	THROTTLE SHAFT RETURN SPRING

CONTINUED ON NEXT PAGE ➡

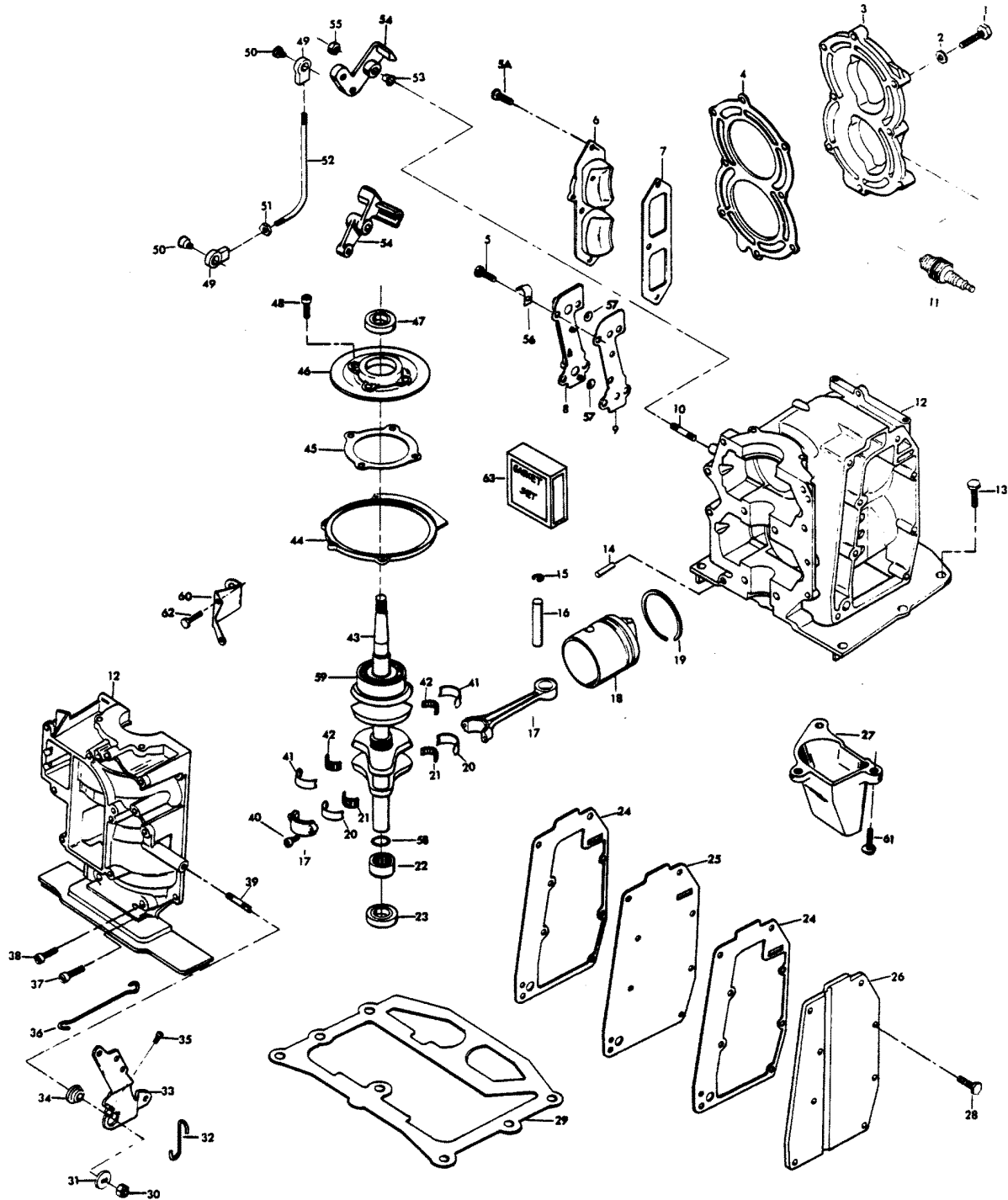
FUEL SYSTEM



FUEL SYSTEM

REF. NO.	PART NO.	SYM.	QTY.	DESCRIPTION
41	FO16878		1	THROTTLE SHUTTER
42	FO10280		1	THROTTLE SHUTTER RETAINING SCREW AND LOCKWASHER
43	F487435		1	PULLEY, STARTER ROPE
45	F1914		6	HEX HD SCREW, 1/4 - 20 X 3/4
46	F286316		1	THROTTLE CAM FOLLOWER
47	F1490		2	HEX NUT, 1/4 - 20
48	F78318		1	ROLLER, THROTTLE CAM FOLLOWER
49	F78410		2	RETAINER
50	F18906		1	CARBURETOR GASKET
51	F2788004		2	STUD, CARBURETOR
52	F2A424167		1	MANIFOLD W/STUDS AND PULLEY
53	F1876		1	SPRING PIN
54	F1912		1	HEX HD SCREW, 10 - 24 X 1/2
55	F424168-1		1	GASKET, MANIFOLD
56	F1755		8	RD HD SCREW W/LOCKWASHER, 6 - 32 X 5/16
57	F424161		4	REED STOP
58	F31160-1		4	REED
59	FA424158		1	REED PLATE W/REEDS, STOPS AND SCREWS
60	F286159-1		1	GASKET, REED PLATE
61	F8003		2	PLAIN WASHER
62	F472061-1		1	CARBURETOR COMPLETE (C010B)
-	F10006		1	GASKET SET, CARBURETOR
63	F10007		1	REPAIR PARTS KIT INCLUDES ALL ITEMS MARKED WITH AN ASTERISK (*)

POWER HEAD

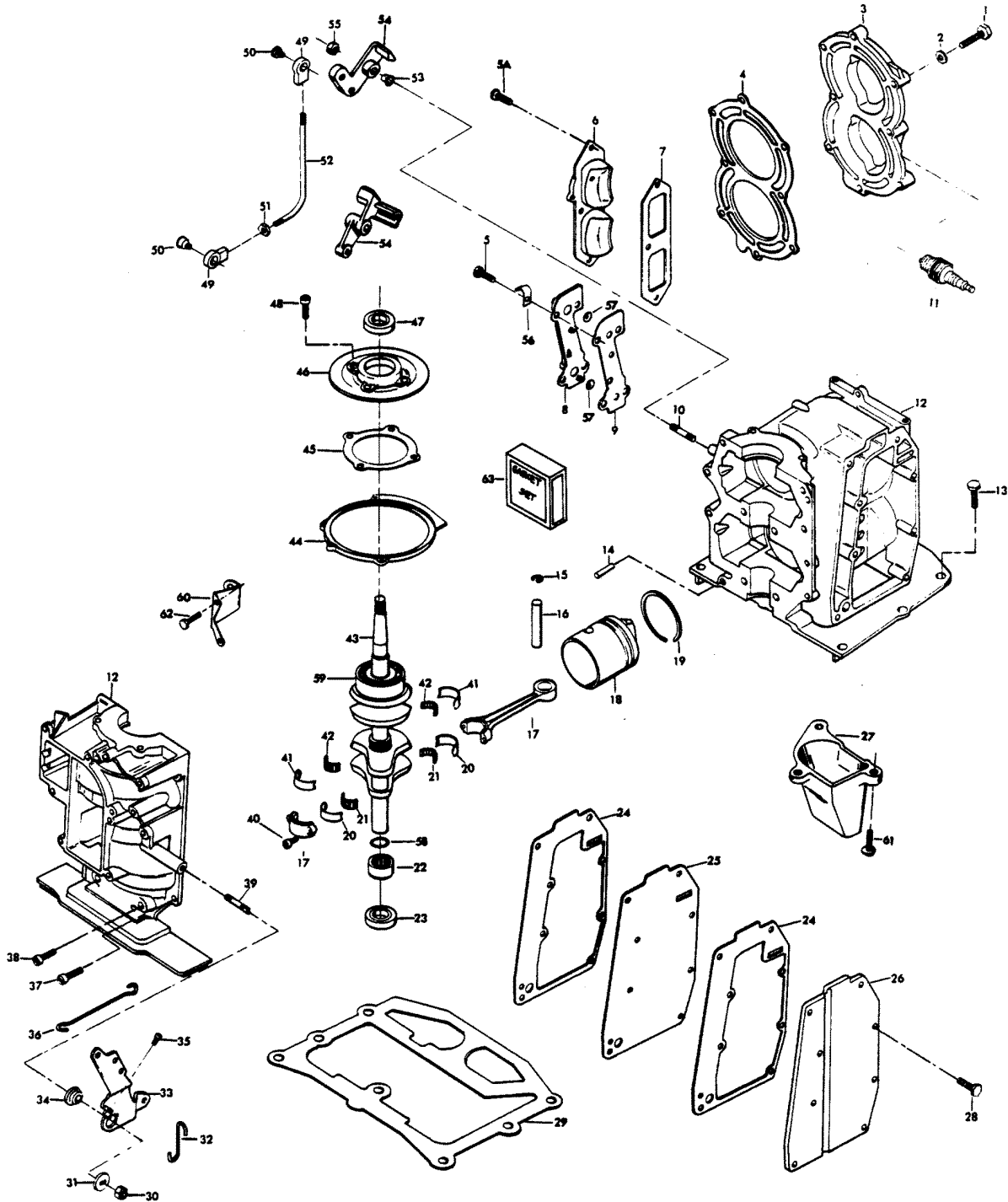


POWER HEAD

REF. NO.	PART NO.	SYM.	QTY.	DESCRIPTION
1	F901938-1		8	SCREW, CYLINDER HEAD
2	F8025		8	PLAIN WASHER
3	F286518		1	HEAD, CYLINDER
4	F286529-3		1	GASKET, CYLINDER HEAD
5	F1540		4	HEX HD SCREW, 1/4 - 20 X 5/8
5A	F1535		3	HEX CAP SCREW, 1/4 - 20 X 5/8
6	F286222		1	COVER, TRANSFER PORT
7	F286223		1	GASKET, TRANSFER PORT COVER
8	FA429471		1	COVER, CYLINDER DRAIN W/CHECK VALVES AND SCREWS
9	F429472		1	GASKET, CYLINDER DRAIN COVER
10	F28004		1	STUD, INTERLOCK LEVER
11	FS174227		2	PLUG, SPARK, L-4-J
-	FC235227		2	PLUG, SPARK CHAMPION (RL-4-J) FOR CANADA
12	FA473010		1	CYLINDER W/CRANKCASE COVER, DOWEL PINS, SCREWS AND STUDS
-	800-819091A1		1	SHORT BLOCK (NOT SHOWN). INCLUDES ALL ITEMS MARKED WITH AN ASTERISK (*) ORIGINAL FORCE P/N C 472010-1
13	F1823		6	HEX CAP SCREW, 5/16 - 18 X 1
14	F8559		2	DOWEL PIN
15	F31410		4	RETAINING RING, PISTON PIN
16	F174017		2	PIN, PISTON
17	600-FS715016		2	ROD, CONNECTING W/CAP AND SCREWS
18	F472015-2		2	PISTONS
19	FA472260		2	PISTON RING SET (2 PER SET)
20	FA525241		2	CRANK PIN ROLLER BEARING CAGE (2 PER SET)
21	FA525228		2	ROLLER SET, CONNECTING ROD (26 PER SET)
22	F343014		1	BEARING, CRANKSHAFT LOWER MAIN
23	F141118		1	SEAL, CRANKSHAFT LOWER
24	F286154		2	GASKET, EXHAUST COVER
25	F286151		1	PLATE, EXHAUST
26	F286152		1	COVER, EXHAUST
27	F487660-1		1	EXHAUST TUBE
28	F1533		8	HEX HD SCREW, 1/4 - 20 X 7/8
29	F286279-2		1	GASKET, CYLINDER MOUNTING
30	F1803		1	STOP NUT, 5/16 - 24
31	F286282		1	WASHER
32	F286445		1	LINK, MAGNETO SHAFT
33	817971A3		1	LINK, MAGNETO SHAFT
34	F183813		1	LEVER, MAGNETO CONTROL W/NUT
35	F1504		1	FILL HD SCREW, 1/4 - 20 X 1 1/4
36	F286509		1	LINK, THROTTLE CAM
37	F1107		8	FILL HD SCREW, 1/4 - 20 X 3/4
38	F1335		4	FILL HD SCREW, 5/16 - 18 X 1 1/4

CONTINUED ON NEXT PAGE ➡

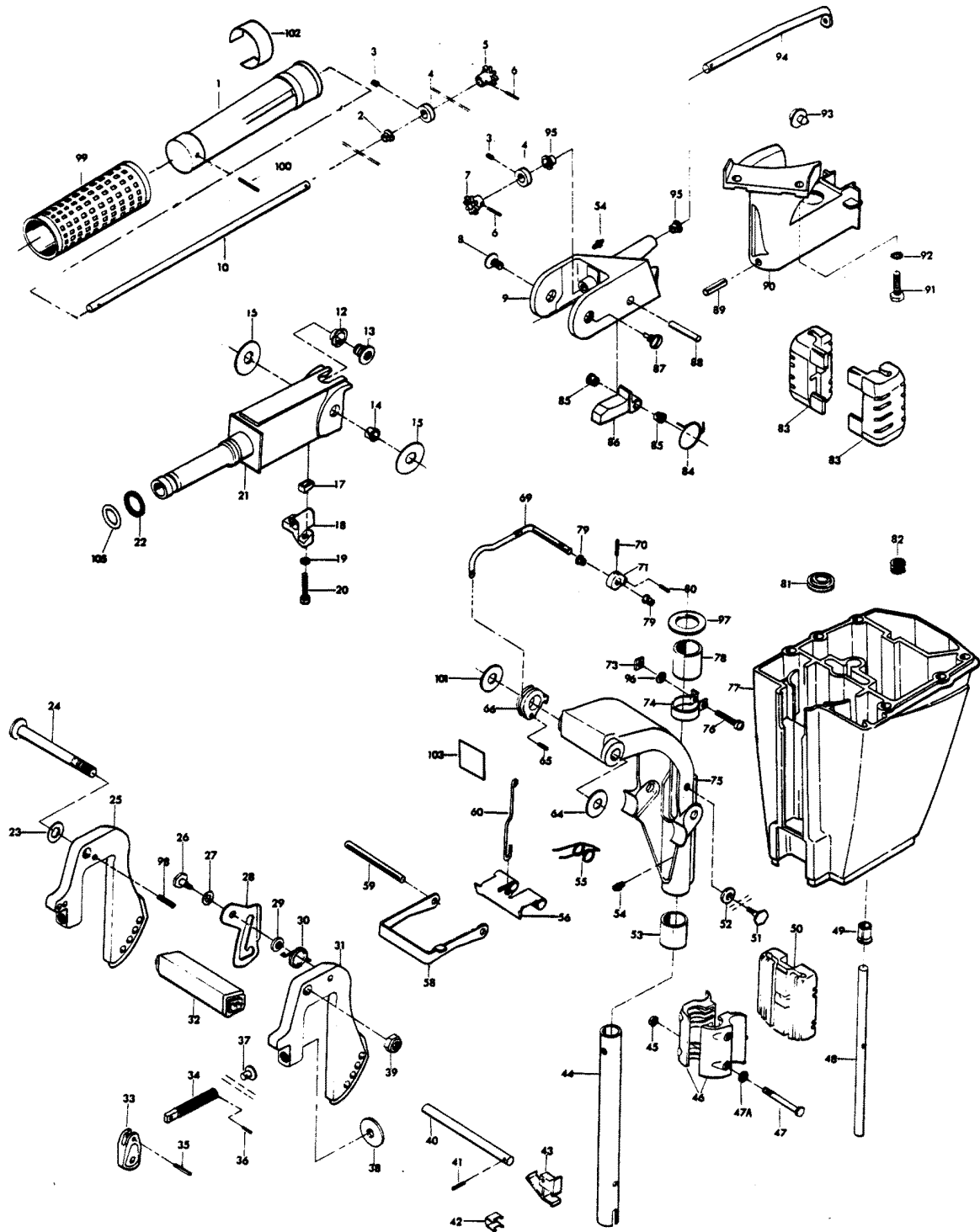
POWER HEAD



POWER HEAD

REF. NO.	PART NO.	SYM.	QTY.	DESCRIPTION
39	F286440		1	STUD, MAGNETO CONTROL LEVER
40	F36634		4	SCREW, CONNECTING ROD
41	FA286155		1	MAIN BEARING LINER SET (2 PER SET)
42	F286571		1	ROLLER SET, MAIN BEARING (26 PER SET)
43	FA472018		1	CRANKSHAFT W/UPPER MAIN BEARING
44	F73082		1	RING, MAGNETO STATOR
45	F286277		1	GASKET, CRANKSHAFT BEARING CAGE
46	1100-817753A1		1	CAGE, CRANKSHAFT BEARING W/SEAL
47	F346146		1	SEAL, CRANKSHAFT UPPER
48	F1111		4	FILL HD SCREW, 1/4 - 20 X 7/8
49	F84035-2		2	BEARING, INTERLOCK ROD
50	F84026		2	SWIVEL, INTERLOCK ROD BEARING
51	F1339		1	HEX NUT, 10 - 24
52	F492531		1	INTERLOCK ROD
53	F197813		1	BEARING, INTERLOCK LEVER
54	F492977		1	INTERLOCK LEVER
55	F7008		1	STOP NUT, 1/4 - 20
56	F286772-1		1	HOSE CLAMP
57	F429811		2	SCREEN
58	F461342		1	SEAL, DRIVESHAFT SPLINE
59	F286028-1		1	BEARING, CRANKSHAFT UPPER MAIN
61	F2040		3	HEX WASHER HD M. SCREW, 1/4 - 20 X 5/8
63	FG1005-1		1	GASKET SET INCLUDES ITEMS LISTED BELOW:
-	F18906		1	GASKET, CARBURETOR
-	F286154		2	GASKET, EXHAUST
-	F286159-1		1	GASKET, REED PLATE
-	F286223		1	GASKET, TRANSFER PORT
-	F286277		1	GASKET, CRANKSHAFT BEARING CAGE
-	F286279-2		1	GASKET CYLINDER MOUNTING
-	F286529-3		1	GASKET, CYLINDER HEAD
-	F424168-1		1	GASKET, MANIFOLD
-	F429472		1	GASKET, CYLINDER DRAIN COVER

MOTOR LEG

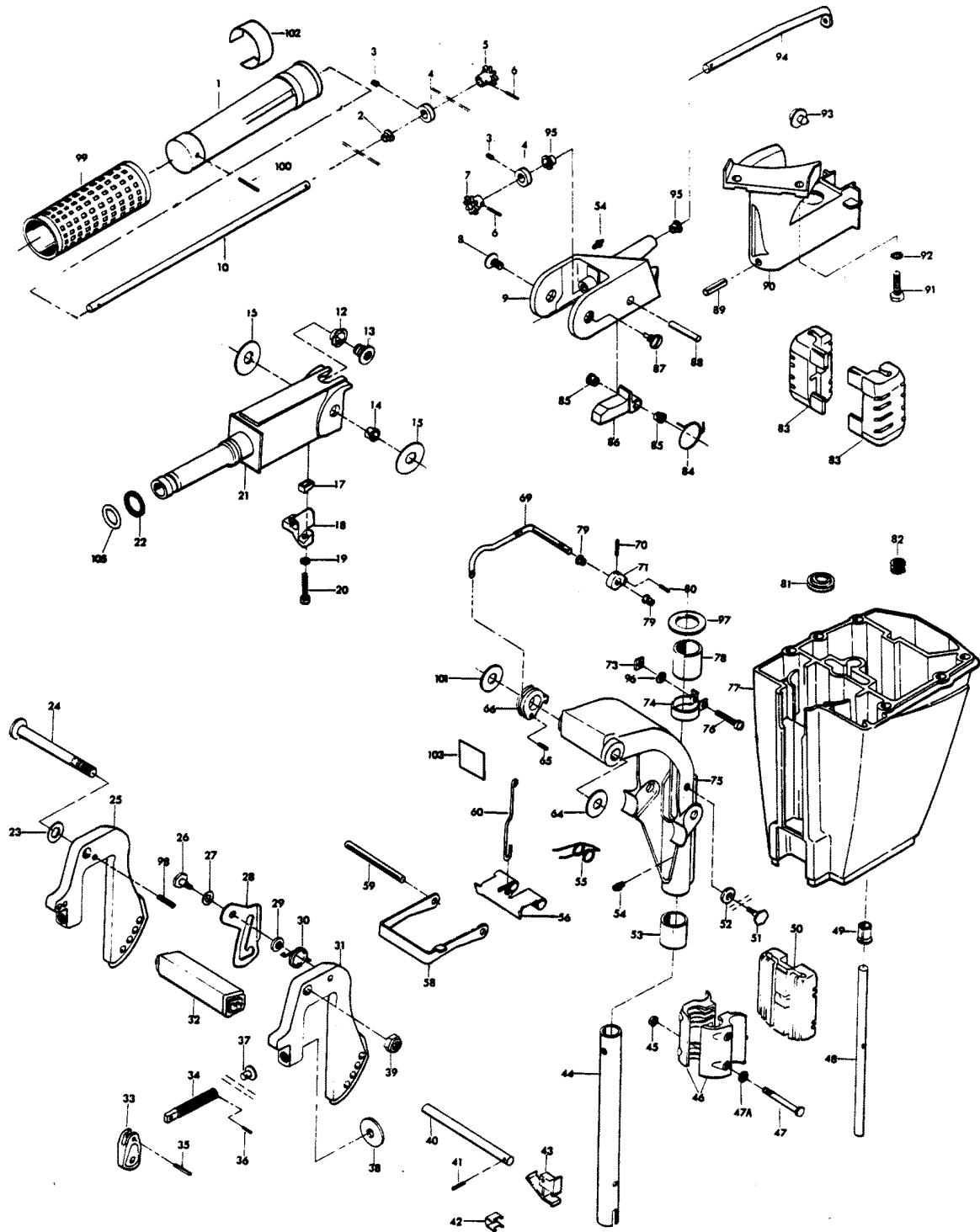


MOTOR LEG

REF. NO.	PART NO.	SYM.	QTY.	DESCRIPTION
1	FA456137		1	GRIP, STEERING HANDLE W/SLEEVE
2	F85610		1	BEARING
3	F1859		2	HEX SOCKET HEADLESS SET SCREW
4	FA343178		2	RETAINER W/SET SCREW
5	43-818009--1		1	GEAR, STEERING HANDLE SHAFT
6	F1978		2	SPRING PIN
7	43-818009--1		1	GEAR, MAGNETO CONTROL SHAFT
8	F1799		1	TRUSS HD SCREW, 5/16 - 18 X 5/8
9	817751A3		1	STEERING HANDLE BRACKET W/GREASE FITTING
10	F429688		1	SHAFT, STEERING HANDLE
12	F286818		1	BEARING
13	F286224		1	INSERT, STEERING HANDLE PIVOT
14	F197813		1	BEARING
15	F286220		2	WASHER, STEERING HANDLE
17	F341693		1	WEDGE, STEERING HANDLE
18	F487816		1	BEARING, STEERING HANDLE
19	F8058		2	INTERNAL TOOTH LOCKWASHER
20	F1829		2	FILL HD SCREW, 10 - 24 X 7/8
21	F286079-1		1	STEERING HANDLE
22	F53795-1		1	SEAL, STEERING HANDLE GRIP DAMPENER (LARGE)
23	F8039		1	PLAIN WASHER
24	F286037		1	STERN BRACKET PIVOT BOLT
25	FS567532		1	STERN BRACKET STARBOARD W/CLAMP SCREW AND FOOT
26	F286422-1		1	TILT LOCK PIVOT
27	F1666		1	BOWED SPRING WASHER
28	F429541		1	TILT LOCK
29	F286451		1	SPACER, TILT LOCK
30	F286544-1		1	SPRING, TILT STOP
31	FS567532		1	STERN BRACKET PORT W/CLAMP SCREW AND FOOT
32	F286647		1	CARRYING HANDLE
33	F424075		2	HANDLE, CLAMP SCREW
34	817761A2		2	CLAMP SCREW W/FOOT AND STUD
35	F8554		2	SPRING PIN
36	F8537		2	SPRING PIN
37	F66480		2	STUD CLAMP SCREW
38	F24074		2	CLAMP SCREW FOOT
39	F7005		1	STOP NUT, 3/8 - 16
40	FA286113		1	LOCK BAR W/HANDLE AND SPRING
41	F8540		1	SPRING PIN
42	F286461		1	SPRING, LOCK BAR HANDLE
43	F286114		1	LOCK BAR HANDLE
44	F286019		1	KINGPIN
45	F1341		2	HEX NUT, 1/4 - 20

CONTINUED ON NEXT PAGE ➡

MOTOR LEG

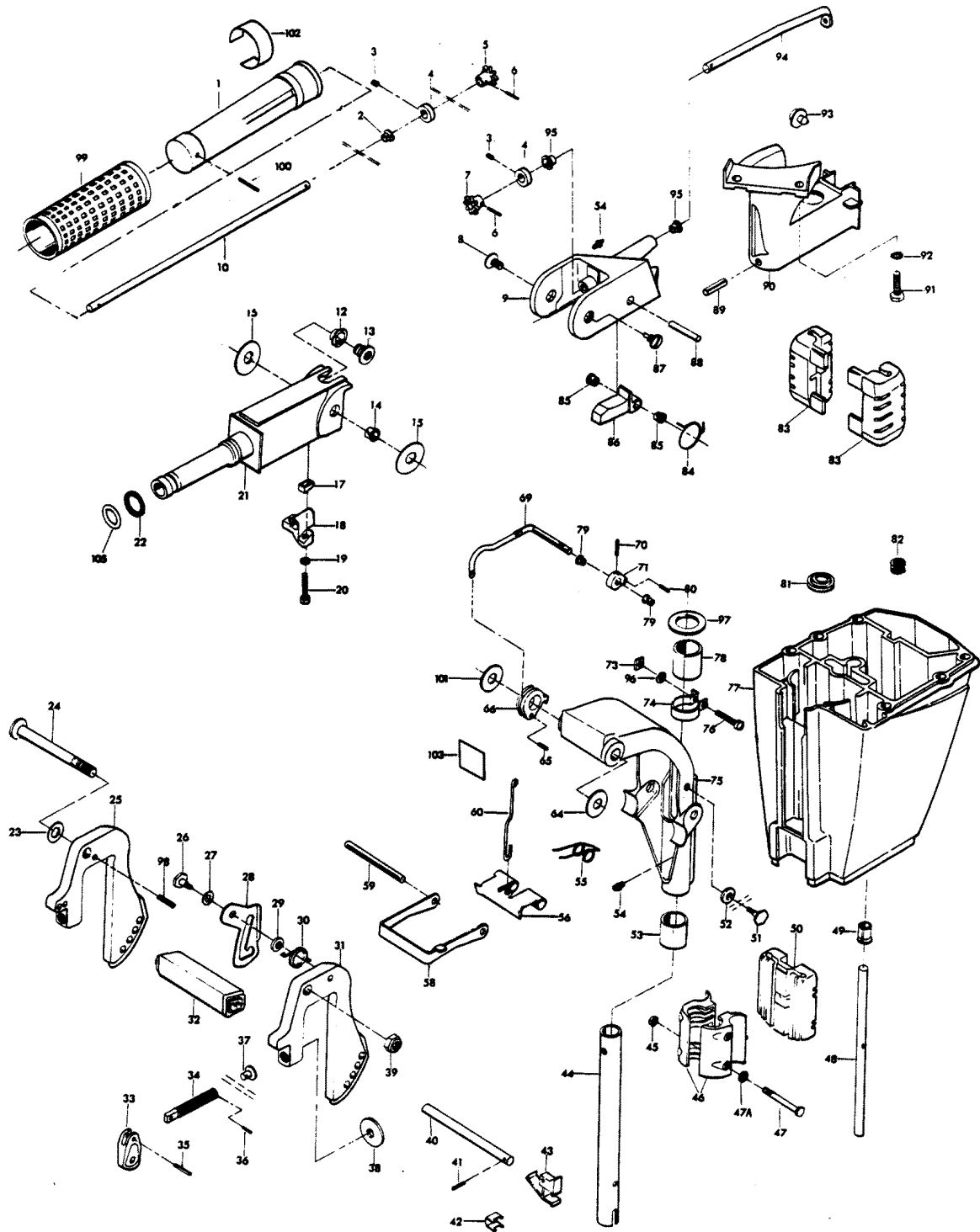


MOTOR LEG

REF. NO.	PART NO.	SYM.	QTY.	DESCRIPTION
46	F286956		2	BRACKET, SHOCK MOUNT LOWER
47	FA1844		2	HEX BOLT, 1/4 - 20 X 2 3/8
47A	F8083		2	SPRING LOCKWASHER
48	F286244		1	WATER LINE
49	F286914		1	SLEEVE WATER LINE
50	F286346-1		1	SHOCK MOUNT LOWER
51	F286422-1		1	TILT LOCK PIVOT
52	F286451		1	SPACER, TILT LOCK
53	F286169		1	BEARING, SWIVEL BRACKET
54	F213274		4	GREASE FITTING
55	F286300		1	SPRING, REVERSE LOCK
56	F286349		1	REVERSE LOCK
58	F286433		1	BRACKET SHALLOW WATER DRIVE
59	F1806		1	GROOVE PIN
60	FA341510		1	LINK, REVERSE LOCK LEVER W/LITERATURE
64	F286286-1		1	WASHER, STERN BRACKET
65	F1794		1	SPRING PIN
66	F286827		1	REVERSE LOCK RELEASE LEVER
69	FA387742		1	LEVER, REVERSE LOCK INTERMEDIATE ASSY.
70	F8538		1	SPRING PIN
71	F286364		1	LEVER, REVERSE LOCK
73	F1608		1	SQUARE NUT, 1/4 - 20
74	F286573-1		1	CLAMP, STEERING FRICTION
75	1400-817750A4		1	SWIVEL BRACKET W/GREASE FITTING
76	F1034		1	FILL HD SCREW, 1/4 - 20 X 1 3/8
77	F2A477133		1	MOTOR LEG W/ITEMS 48, 49 & 81
78	F286169		1	BEARING, SWIVEL BRACKET
79	F197813		1	BEARING
80	F1794		1	SPRING PIN
81	F461342		1	SEAL, DRIVESHAFT
82	F286414		1	SPRING, LEG WATER BRACKET
83	F286347		2	SHOCK MOUNT, UPPER
84	F286868		1	SPRING, STEERING HANDLE STOP
85	F197813		2	BEARING, STEERING HANDLE STOP
86	F286490		1	STEERING HANDLE STOP
87	F286080		1	SCREW, STEERING HANDLE PIVOT
88	F1807		1	GROOVE PIN
89	F1805		1	SPRING PIN
90	FA286582		1	STEERING ARM W/SPRING PIN & BUMPER
91	F1502		2	HEX CAP SCREW, 1/4 - 20 X 5/8
92	F8060		2	EXTERNAL TOOTH LOCKWASHER
93	F286539		1	BUMPER
94	F431838		1	MAGNETO CONTROL SHAFT

CONTINUED ON NEXT PAGE ➡

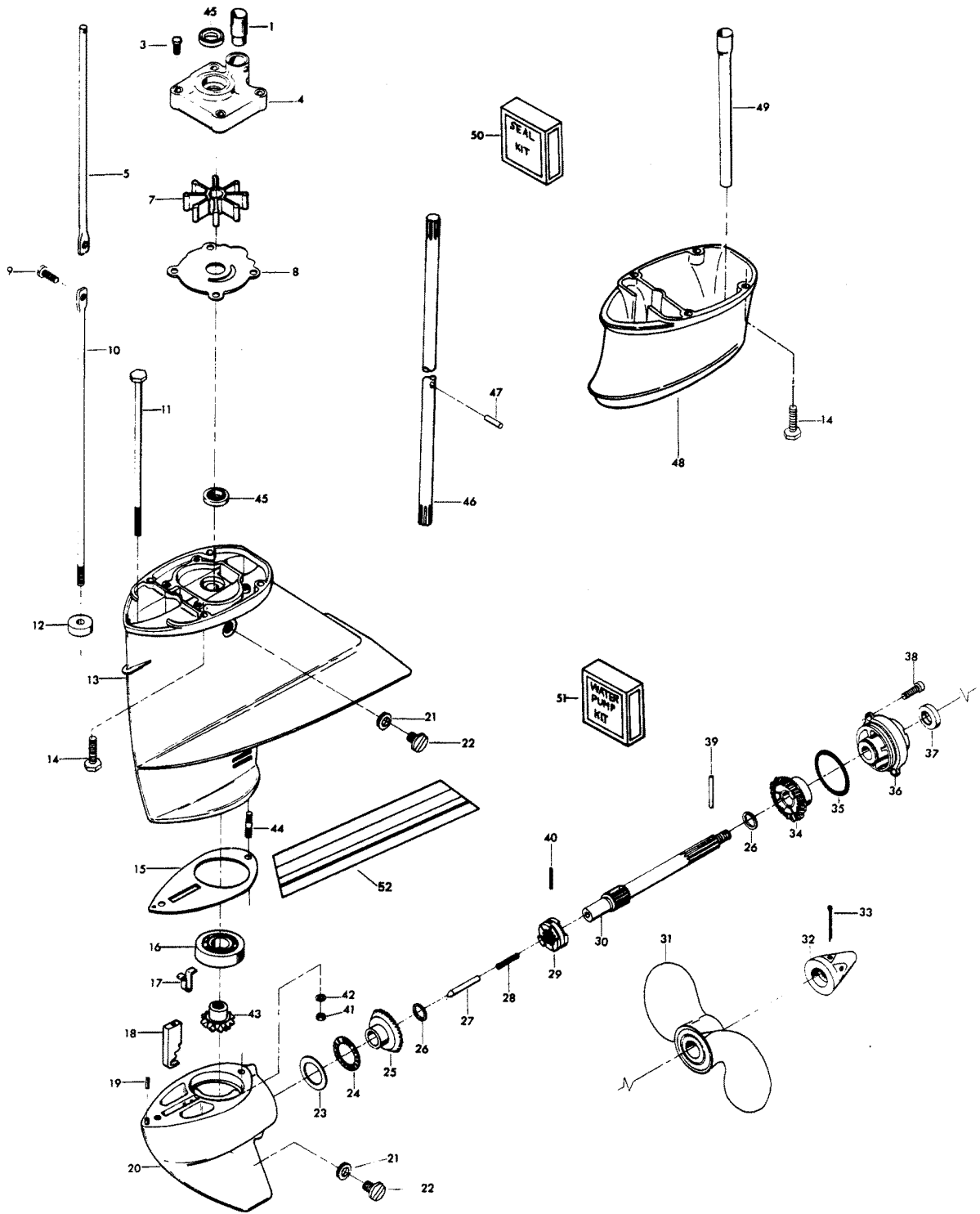
MOTOR LEG



MOTOR LEG

REF. NO.	PART NO.	SYM.	QTY.	DESCRIPTION
95	F307818		2	BEARING
96	F1907		1	WASHER
97	F286011		1	WASHER, SWIVEL BRACKET
98	F8538		1	SPRING PIN
99	F458695		1	SLEEVE
100	F8548		1	SPRING PIN
101	F525286		1	WASHER
102	F286894-3		1	STEERING HANDLE INDICATOR
-	37-F286894-3		1	STEERING HANDLE INDICATOR - CANADA
103	F286585-1		1	DECAL, TILT RELEASE
-	37-F286585-2		1	DECAL, TILT RELEASE - CANADA
104	F536813		1	BEARING, REVERSE LOCK INTERMEDIATE LEVER
105	F215795		1	SEAL

GEAR HOUSING

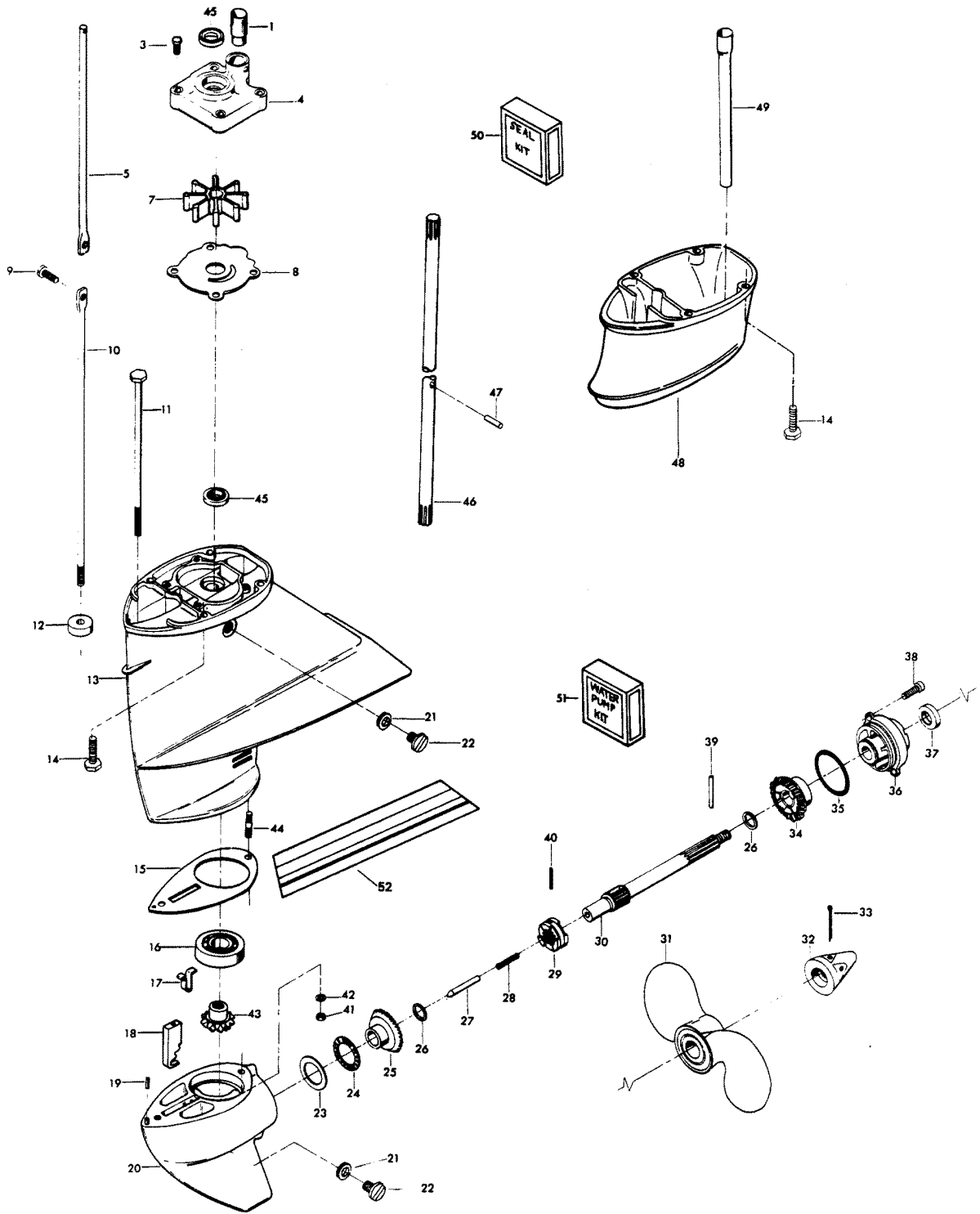


GEAR HOUSING

REF. NO.	PART NO.	SYM.	QTY.	DESCRIPTION
1	FA510914		1	SEAL, INLET WATER LINE W/LITERATURE
2	F2030		4	HEX HD SCREW, 1/4 - 20 X 1 1/4
4	FA504060		1	WATER PUMP BODY W/DRIVESHAFT SEAL
5	F286615		1	GEAR SHIFT ROD UPPER
7	F436065		1	WATER PUMP IMPELLER
8	F341562		1	WATER PUMP BACK PLATE
9	F1976		1	SOCKET HD SCREW W/LOCKWASHER, 10 - 24 X 1/2
10	F286705		1	GEAR SHIFT ROD LOWER, FOR STANDARD SHAFT MODELS
-	F330705		1	GEAR SHIFT ROD LOWER, FOR LONG SHAFT MODELS
11	F1800		1	HEX BOLT, 1/4 - 20 X 7
12	F338618-1		1	SEAL, GEAR SHIFT ROD LOWER **
13	1600-824916A1		1	GEAR HOUSING UPPER W/BEARING AND ITEMS 12, 21, 22, 44 AND 45 ORIGINAL FORCE P/N A 456554-1
14	F430732		8	HEX HD SCREW, 1/4 - 20 X 1
15	F286555		1	GASKET, GEAR HOUSING **
16	F127910-2		1	BALL BEARING
17	F286895		1	SPRING CAM DETENT
18	F286721		1	CLUTCH, SHIFT CAM
19	F8553		1	SPRING PIN
20	FA286054		1	GEAR HOUSING LOWER W/BEARING, PLUG AND SPRING PIN
-	FC456054		1	LOWER GEAR HOUSING COMPLETE (NOT SHOWN) INCLUDES ALL ITEMS MARKED WITH AN ASTERISK (*)
21	F8077		2	NYLTITE WASHER
22	F50109		2	GEAR HOUSING PLUG
23	F286903		1	RACE, PROPELLER SHAFT BEARING
24	F286901		1	BEARING, RADIAL, PROPELLER SHAFT
25	FA456023		1	BEVEL GEAR FRONT W/BEARING
26	F456717		2	THRUST WASHER
27	F286728		1	CLUTCH SHIFT PIN
28	F409719		1	CLUTCH SPRING
29	FA456521		1	CLUTCH W/LITERATURE
30	F456098		1	PROPELLER SHAFT
31	FP408		1	PROPELLER (ACCESSORY ITEM)
32	11-817752A1		1	PROPELLER NUT W/COTTER PIN
33	F1846		1	COTTER PIN
34	FA456662		1	BEVEL GEAR REAR W/BEARING
35	F455305		1	SEAL, PROP SHAFT BEARING CAGE
36	31-817756A2		1	PROPELLER SHAFT BEARING CAGE W/BEARING AND ITEMS 35 AND 37 ORIGINAL FORCE P/N A 286298-1
37	F346118		1	SEAL, PROPELLER SHAFT
38	F1493		1	FILL HD SCREW, 1/4 - 20 X 9/16
39	FA324101		1	PROPELLER PIN, PACK OF 3
40	F8564		1	SPRING PIN
41	F1490		1	HEX NUT, 1/4 - 20

CONTINUED ON NEXT PAGE ➡

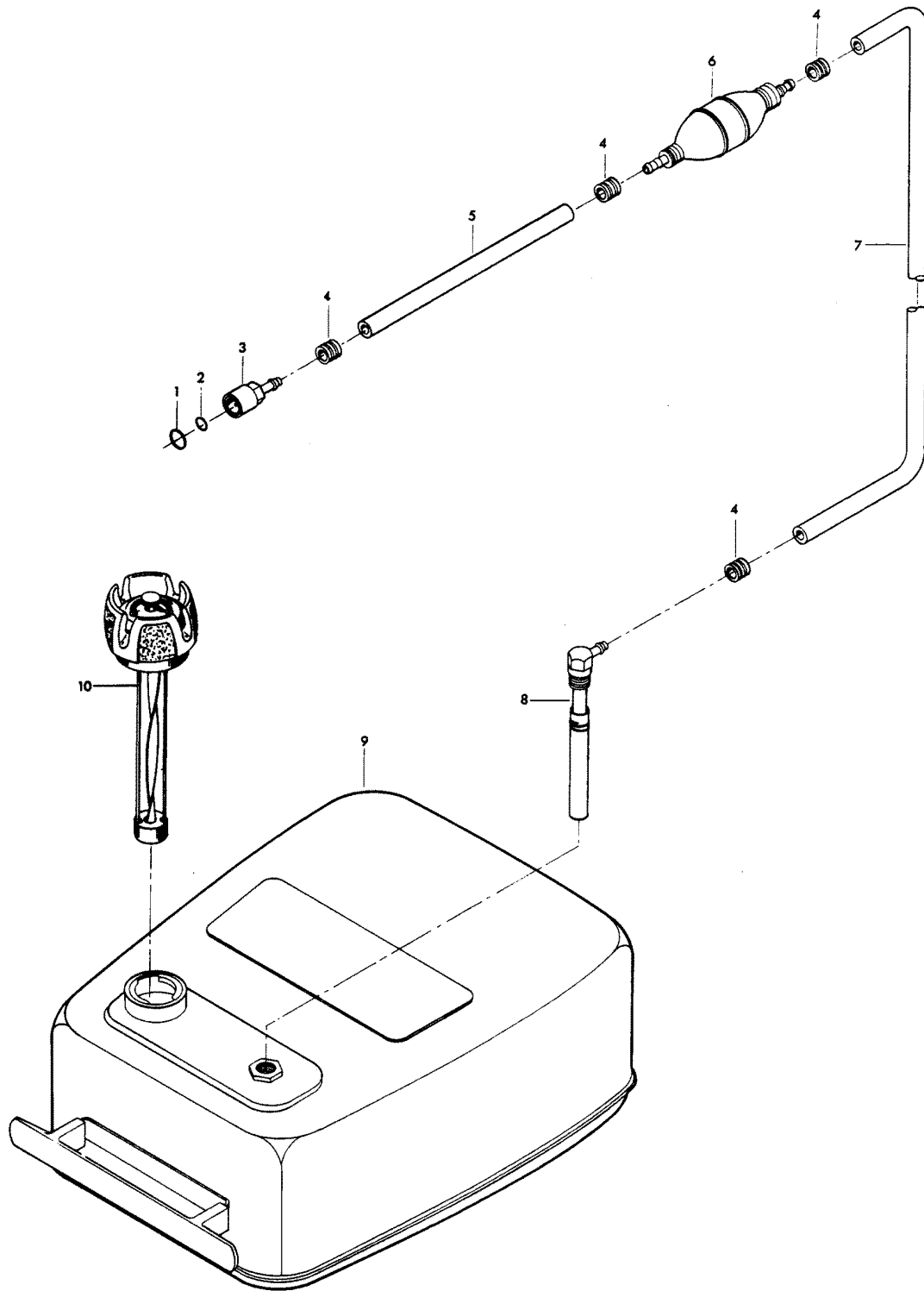
GEAR HOUSING



GEAR HOUSING

REF. NO.	PART NO.	SYM.	QTY.	DESCRIPTION
42	F8063		1	SPRING LOCKWASHER
43	FA286266		1	GEAR, BEVEL PINION W/ITEM 16
44	F286008		1	STUD, GEAR HOUSING REAR
45	F901307-2		2	SEAL, DRIVESHAFT AND WATER PUMP
46	F343128		1	DRIVESHAFT, FOR STANDARD SHAFT MODELS
-	F344128		1	DRIVESHAFT, FOR LONG SHAFT MODELS
47	F901563		1	WATER PUMP IMPELLER DRIVE PIN
48	FA492845		1	MOTOR LEG EXTENSION W/ILLUSTRATION 14 AND LITERATURE
49	FS901244		1	INLET WATER LINE EXTENSION
50	FK1065		1	GEAR HOUSING SEAL KIT INCLUDES ALL ITEMS MARKED WITH A DOUBLE ASTERISK (**)
51	FK1031-1		1	WATER PUMP KIT
52	A568392		1	DECAL LEG - PORT W/LITERATURE
-	A568391		1	DECAL LEG - STARBOARD W/LITERATURE
-	F2030		4	SCREW, 1/4 - 20 X 1 1/4
-	F341562		1	PLATE, WATER PUMP BACK
-	F436065		1	IMPELLER
-	F510914		1	SEAL, WATER LINE
-	F901563		1	PIN, WATER PUMP IMPELLER DRIVE
-	FA504060		1	BODY, WATER PUMP

FUEL TANK AND LINE



FUEL TANK AND LINE

REF. NO.	PART NO.	SYM.	QTY.	DESCRIPTION
1	F213342		1	SEAL, FUEL LINE COUPLER
2	F213735		1	SEAL, FUEL LINE COUPLER
3	F197787-3		1	FUEL LINE COUPLER
4	F298788		4	FERRULE
5	FA84754-1		1	FUEL LINE, SHORT W/CLAMPS
6	89396A38		1	PRIME BULB
7	32-817738A1		1	FUEL LINE, LONG W/CLAMPS AND FERRULE
8	F487755		1	FUEL TANK ADAPTER
9	F5H027		1	FUEL TANK (ACCESSORY ITEM)
10	F409251-1		1	GAUGE CAP
-	FS409752		1	FUEL LINE COMPLETE - (NOT SHOWN). INCLUDES ALL ITEMS MARKED WITH AN ASTERISK (*)
-	FC409398		1	DECAL TOTE TANK - CANADA (NOT SHOWN)

SPECIAL TOOLS - TUNE-UP

REF. NO.	PART NO.	SYM.	QTY.	DESCRIPTION
-	FT2989		0	FLYWHEEL WEDGE TO REMOVE FLYWHEEL
-	FT2909		0	KNOCK-OFF NUT TO REMOVE FLYWHEEL

SPECIAL TOOLS - MANUAL STARTER

REF. NO.	PART NO.	SYM.	QTY.	DESCRIPTION
-	FT2985		0	STARTER REWIND KEY TO REWIND STARTER SPRING

SPECIAL TOOLS - POWER HEAD

REF. NO.	PART NO.	SYM.	QTY.	DESCRIPTION
-	FT8949		0	SEAL INSTALLER TO INSTALL CRANKSHAFT SEALS
-	FT3012		0	SEAL INSTALLER TO INSTALL UPPER CRANKSHAFT BEARING CAGE SEAL
-	FT2908		0	SEAL SLEEVE TO INSTALL UPPER CRANKSHAFT BEARING CAGE SEAL
-	FT8929		0	ADAPTER AND HEX BIT TO TORQUE CONNECTING ROD SCREWS
-	FT1749		0	SNAP RING PLIERS TO REMOVE AND INSTALL PISTON PIN RETAINING RINGS
-	FT2997		0	RING COMPRESSOR TO INSTALL PISTONS
-	FT8926		0	RING EXPANDER TO INSTALL RINGS ON PISTONS

SPECIAL TOOLS - LOWER UNIT

REF. NO.	PART NO.	SYM.	QTY.	DESCRIPTION
-	FT8948-1		0	PULLER TO REMOVE PROPELLER SHAFT BEARING CAGE
-	FT8957		0	SEAL INSTALLER TO INSTALL SHIFT ROD SEAL
-	FT2907		0	SEAL INSTALLER TO INSTALL DRIVESHAFT SEAL IN GEAR HOUSING, UPPER PROPELLER SHAFT SEAL AND WATER PUMP SEAL

SPECIAL TOOLS - TEST EQUIPMENT

REF. NO.	PART NO.	SYM.	QTY.	DESCRIPTION
-	FT8952		0	TEST WHEEL TO TEST MOTOR IN TEST TANK
-	FT8950		0	LEAKAGE TESTER TO TEST GEAR HOUSING SEALS FOR LEAKS
-	T8974		0	BREAKER POINT TENSION GAUGE FOR CHECKING BREAKER POINT SPRING TENSION

SPECIAL TOOLS - LUBRICANTS AND SEALANTS

REF. NO.	PART NO.	SYM.	QTY.	DESCRIPTION
-	FT2961		0	LUBRICANT - RYKON #2EP
-	FT2987-1		0	LUBRICANT - ANTI-SEIZE
-	FT8969		0	LUBRICANT - 7 OZ. 2 PSI LUBRICANT
-	FT8983		0	SEALANT
-	FT8936		0	SEALANT - 2 CC LOCTITE RETAINING COMPOUND #75
-	FT2962-1		0	SEALANT - 50 CC LOCTITE H, NON-HARDENING GRADE
-	FT2963-1		0	SEALANT - 2 OZ. LOCTITE D, HARDENING GRADE
-	FT8935		0	SEALANT PRIMER - 6 OZ.

SPECIAL TOOLS - REPAIR DECALS - ENGINE COVERS

REF. NO.	PART NO.	SYM.	QTY.	DESCRIPTION
-	T11232		0	METALLIC SILVER
-	T11233		0	MEDIUM
-	T11212		0	BOAT BLACK
-	T11211		0	BOAT WHITE
-	T11230		0	ORANGE

ACCESSORIES

REF. NO.	PART NO.	SYM.	QTY.	DESCRIPTION
-	FK1019-1		0	5" LONG LEG CONVERSION KIT CONVERTS 15" STANDARD SHAFT MODEL TO 20" LONG SHAFT MODEL.
-	F72H24		0	15" LONG LEG CONVERSION KIT CONVERTS 15" STANDARD SHAFT OR 20" LONG SHAFT MODEL TO 30" LONG SHAFT MODEL.
-	491		0	CARRYING HANDLE PROVIDES CARRYING HANDLE ON REAR OF ENGINE.
-	F588		0	FLUSHING ADAPTER PERMITS FRESH WATER FLUSHING OF WATER PASSAGES WITH STANDARD GARDEN HOSE.
-	F5H062		0	WATER PUMP KIT HEAVY DUTY WATER PUMP RECOMMENDED FOR CONTINUED OPERATION IN SANDY OR SALT WATER.
-	F5H088		0	REMOTE CONTROL CONVERSION KIT PERMITS REMOTE CONTROL OF THROTTLE AND GEAR SHIFT FROM FRONT OF BOAT.
-	F5H090		0	REMOTE ELECTRIC START KIT PROVIDES REMOTE ELECTRIC START AND CHOKE.
-	F5H130		0	SYNCHRO-DRIVE CONTROL BOX (SINGLE LEVER) PERMITS REMOTE CONTROL OF THROTTLE AND GEAR SHIFT FROM STARBOARD SIDE OF BOAT.
-	F5H131		0	PORT SIDE DECAL KIT CONVERTS 5H130 CONTROL BOX TO PORT SIDE MOUNTING.
-	F866		0	DUO-DRIVE CONTROL BOX (TWIN LEVER) PERMITS REMOTE CONTROL OF THROTTLE AND GEAR SHIFT. MAY BE MOUNTED ON PORT OR STARBOARD SIDE OF BOAT.
-	865		0	TWIN SYNCHRO-DRIVE CONTROL BOX PERMITS REMOTE CONTROL OF THROTTLE AND GEAR SHIFT ON TWIN ENGINE INSTALLATIONS. MAY BE MOUNTED ON PORT OR STARBOARD SIDE OF BOAT.
-	167		0	IGNITION CUT-OFF KIT PERMITS STOPPING OF ENGINE FROM OPERATOR'S SEAT.
-	F195/___		0	REMOTE CONTROL CABLES CONNECTS REMOTE CONTROL BOX TO THROTTLE AND GEAR SHIFT ON MOTOR. AVAILABLE IN 6 THROUGH 40 FOOT LENGTHS.
-	F5H027		0	STEEL, 6 GALLON FUEL TANK AUXILIARY TANK.
-	F476		0	FUEL LINE ADAPTION KIT ADAPTS MODEL 5H027 TANK FOR DISCONNECT AT TANK.
-	72H03		0	CARRYING BAG CANVAS BAG FOR TRANSPORTING AND STORING ENGINE.
-	72H12		0	BATTERY 12 VOLT - 30 AMPERE HOUR MARINE BATTERY.
-	173		0	BATTERY CASE INSULATED CASE FOR 30 AMPERE HOUR BATTERY.
-	F71H02		0	ANTI-CORROSION SACRIFICIAL ANODE
-	F5H006		0	VOLTMETER FLUSH MOUNT, INDICATES BATTERY CONDITION.
-	F5H134		0	BOAT WHITE LACQUER ENGINE TOUCH-UP PAINT IN 12-3/4 OZ. SPRAY BOMBS (6 CANS PER CASE).
-	F596		0	CHRYSLER OUTBOARD OIL SEE BLOCK COMMENT 1.
-	F597		0	CHRYSLER OUTBOARD GEAR LUBE SEE BLOCK COMMENT 2.

CONTINUED ON NEXT PAGE ➡

ACCESSORIES

REF. NO.	PART NO.	SYM.	QTY.	DESCRIPTION
-	72H26		0	CHRYSLER OUTBOARD FUEL AID REMOVES MOISTURE. PREVENTS SLUDGE AND VARNISH AND STABILIZES GAS. AVAILABLE IN 16 OZ. CANS AND 12 CAN CASES.
-	72H27		0	CHRYSLER OUTBOARD STORAGE LUBRICANT WORKS AS A CORROSION INHIBITOR AND PROTECTS INTERNAL ENGINE PARTS DURING STORAGE. AVAILABLE IN 16 OZ. CANS AND 12 CAN CASES.
-	72H28		0	CHRYSLER OUTBOARD MULTI-PURPOSE SPRAY LUBE WORKS AS A LUBRICANT, CLEANER, MOISTURE REMOVER AND ELECTRIC INSULATOR. AVAILABLE IN 9 OZ. CANS AND 12 CAN CASES.
-	F72H29		0	CHRYSLER OUTBOARD MULTI-PURPOSE GREASE LUBRICATES BEARINGS AND OTHER MOVING PARTS. AVAILABLE IN 8 OZ. TUBES AND 12 TUBE CASES.
-	F72H30		0	CHRYSLER OUTBOARD GREASE GUN USED WITH CHRYSLER OUTBOARD MULTI-PURPOSE GREASE TUBES FOR PRESSURE FITTINGS.
-	72H34		0	CHRYSLER OUTBOARD MULTI-PURPOSE CLEANER

PARTS INDEX

Part Number	Description	Pg.	Ref. No.	Part Number	Description	Pg.	Ref. No.
167	IGNITION CUT-OFF KIT	37	-	F12114	COIL GROUND TERMINAL		
173	BATTERY CASE	37	-		SCREW	7	21
2C570712	ENGINE COVER COMPLETE.	3	-	F12141	HIGH TENSION LEAD		
491	CARRYING HANDLE	37	-		SLEEVE	7	22
569180	TRIM, ENGINE COVER REAR	3	4	F12146	COIL WEDGE SPRING	7	15
72H03	CARRYING BAG	37	-	F12153	BREAKER POINT SET	7	6
72H12	BATTERY	37	-	F12170	CONTACT SCREW		
72H26	CHRYSLER OUTBOARD				W/LOCKWASHER	7	4
	FUEL AID	38	-	F12181-1	CONDENSER	7	8
72H27	CHRYSLER OUTBOARD			F12186	PRIMARY TERMINAL WIRE	7	23
	STORAGE LUBRICANT	38	-	F12228	CAM WIPER FELT	7	5
72H28	CHRYSLER OUTBOARD			F12343	STATOR PLATE		
	MULTI-PURPOSE SPRAY				W/LAMINATIONS	7	9
	LUBE	38	-	F127910-2	BALL BEARING	25	16
72H34	CHRYSLER OUTBOARD			F1286	PAN HD SCREW, 4 - 40 X		
	MULTI-PURPOSE				3/16	11	4
	CLEANER	38	-	F1335	FILL HD SCREW, 5/16 - 18 X		
817751A3	STEERING HANDLE				1 1/4	15	38
	BRACKET W/GREASE			F1339	HEX NUT, 10 - 24	17	51
	FITTING	19	9	F1341	HEX NUT, 1/4 - 20	19	45
817754A1	ARM, CARBURETOR			F1365	SQUARE NUT, 10 - 24	11	15
	FOLLOWER	11	13	F141118	SEAL, CRANKSHAFT		
817757A4	PLATE, FRONT	3	25		LOWER	15	23
817758A1	BRACKET, COVER LATCH			F1447	DRIVE SCREW	3	33
	W/SCREWS, NUTS AND			F1475	FILL HD SCREW, 10 - 24 X		
	ROLLER	5	42		1/2	3	10
817761A2	CLAMP SCREW W/FOOT			F1490	HEX NUT, 1/4 - 20	13	47
	AND STUD	19	34	F1490	HEX NUT, 1/4 - 20	25	41
817938A1	RETAINER, STARTER ROPE			F1493	FILL HD SCREW, 1/4 - 20 X		
	HANDLE	9	20		9/16	25	38
817971A3	LINK, MAGNETO SHAFT	15	33	F1502	HEX CAP SCREW, 1/4 - 20 X		
865	TWIN SYNCHRO-DRIVE				5/8	21	91
	CONTROL BOX	37	-	F1504	FILL HD SCREW, 1/4 - 20 X 1		
89396A38	PRIME BULB	29	6		1/4	15	35
A568391	DECAL LEG - STARBOARD	27	-	F1533	HEX HD SCREW, 1/4 - 20 X		
A568392	DECAL LEG - PORT	27	52		7/8	15	28
A568892	DECAL, ENGINE COVER,			F1535	HEX CAP SCREW, 1/4 - 20 X		
	FRONT	3	1		5/8	15	5A
F10006	GASKET SET,			F1540	HEX HD SCREW, 1/4 - 20 X		
	CARBURETOR	13	-		5/8	15	5
F10007	REPAIR PARTS KIT	13	63	F1608	SQUARE NUT, 1/4 - 20	21	73
F1034	FILL HD SCREW, 1/4 - 20 X 1			F1666	BOWED SPRING WASHER	19	27
	3/8	21	76	F174017	PIN, PISTON	15	16
F1069	FILL HD SCREW, 10 - 24 X 1			F1753	FASTENER	3	3
	1/16	11	1	F1755	RD HD SCREW		
F1075	FILL HD SCREW, 10 - 24 X				W/LOCKWASHER, 6 - 32 X		
	1/2	7	12		5/16	13	56
F1089	FILL HD SCREW, 10 - 24 X			F1794	SPRING PIN	21	65
	9/16	9	1	F1794	SPRING PIN	21	80
F1090	FILL HD SCREW			F1799	TRUSS HD SCREW, 5/16 - 18		
	W/LOCKWASHER, 10 - 24				X 5/8	19	8
	X 9/16	7	16	F1800	HEX BOLT, 1/4 - 20 X 7	25	11
F1107	FILL HD SCREW, 1/4 - 20 X			F1803	STOP NUT, 5/16 - 24	15	30
	3/4	15	37	F1804	STOP NUT	9	8
F1111	FILL HD SCREW, 1/4 - 20 X			F1804	STOP NUT, 10 - 32	3	39
	7/8	17	48	F1805	SPRING PIN	21	89
F12083	CONDENSER SCREW			F1806	GROOVE PIN	21	59
	W/LOCKWASHER	7	7	F1807	GROOVE PIN	21	88
F12088	GROMMET	7	19	F1809	HEX NUT, 1/2 - 20	7	1
				F18160-2	REED FUEL PUMP	11	5

PARTS INDEX

Part Number	Description	Pg.	Ref. No.	Part Number	Description	Pg.	Ref. No.
F1823	HEX CAP SCREW, 5/16 - 18 X 1	15	13	F286037	STERN BRACKET PIVOT BOLT	19	24
F1829	FILL HD SCREW, 10 - 24 X 7/8	19	20	F286079-1	STEERING HANDLE	19	21
F1834	FILL HD SCREW, 10 - 24 X 7/8	11	12	F286080	SCREW, STEERING HANDLE PIVOT	21	87
F183813	LEVER, MAGNETO CONTROL W/NUT	15	34	F286114	LOCK BAR HANDLE	19	43
F184579	SEAL	5	46	F286132	HANDLE, STARTER ROPE	9	19
F1846	COTTER PIN	25	33	F286134	STUD	9	5
F1859	HEX SOCKET HEADLESS SET SCREW	19	3	F286134	STUD, GEAR SHIFT LEVER	3	38
F1875	SPRING PIN, STARTER BRACKET	9	17	F286151	PLATE, EXHAUST	15	25
F1876	SPRING PIN	13	53	F286152	COVER, EXHAUST	15	26
F18906	CARBURETOR GASKET	13	50	F286154	GASKET, EXHAUST	17	-
F18906	GASKET, CARBURETOR	17	-	F286154	GASKET, EXHAUST COVER	15	24
F1907	WASHER	23	96	F286159-1	GASKET, REED PLATE	13	60
F1912	HEX HD SCREW, 10 - 24 X 1/2	13	54	F286159-1	GASKET, REED PLATE	17	-
F1914	HEX HD SCREW, 1/4 - 20 X 3/4	9	11	F286169	BEARING, SWIVEL BRACKET	21	53
F1914	HEX HD SCREW, 1/4 - 20 X 3/4	13	45	F286169	BEARING, SWIVEL BRACKET	21	78
F195/_	REMOTE CONTROL CABLES	37	-	F286192	THROTTLE CAM PLATE	7	10
F197319	BEARING, CHOKE ROD	3	31	F286220	WASHER, STEERING HANDLE	19	15
F1976	SOCKET HD SCREW W/LOCKWASHER, 10 - 24 X 1/2	25	9	F286222	COVER, TRANSFER PORT	15	6
F197767-1	BUSHING, FUEL LINE	3	24	F286223	GASKET, TRANSFER PORT	17	-
F197787-3	FUEL LINE COUPLER	29	3	F286223	GASKET, TRANSFER PORT COVER	15	7
F1978	SPRING PIN	19	6	F286224	INSERT, STEERING HANDLE PIVOT	19	13
F197813	BEARING	19	14	F286244	WATER LINE	21	48
F197813	BEARING	21	79	F286277	GASKET, CRANKSHAFT BEARING CAGE	17	-
F197813	BEARING, INTERLOCK LEVER	17	53	F286277	GASKET, CRANKSHAFT BEARING CAGE	17	45
F197813	BEARING, STEERING HANDLE STOP	21	85	F286279-2	GASKET CYLINDER MOUNTING	17	-
F2030	HEX HD SCREW, 1/4 - 20 X 1 1/4	25	2	F286279-2	GASKET, CYLINDER MOUNTING	15	29
F2030	SCREW, 1/4 - 20 X 1 1/4	27	-	F286282	WASHER	15	31
F2040	HEX WASHER HD M. SCREW, 1/4 - 20 X 5/8	17	61	F286286-1	WASHER, STERN BRACKET	21	64
F2042	PLAIN WASHER	9	23	F286300	SPRING, REVERSE LOCK	21	55
F213274	GREASE FITTING	21	54	F286316	THROTTLE CAM FOLLOWER	13	46
F213342	SEAL, FUEL LINE COUPLER	29	1	F286346-1	SHOCK MOUNT LOWER	21	50
F213735	SEAL, FUEL LINE COUPLER	29	2	F286347	SHOCK MOUNT, UPPER	21	83
F215795	SEAL	23	105	F286349	REVERSE LOCK	21	56
F217002	MAGNETO BREAKER CAM	7	13	F286364	LEVER, REVERSE LOCK	21	71
F24074	CLAMP SCREW FOOT	19	38	F286414	SPRING, LEG WATER BRACKET	21	82
F24748-2	GASKET, FUEL PUMP	11	3	F286422-1	TILT LOCK PIVOT	19	26
F269316	ROLLER SHAFT	3	40	F286422-1	TILT LOCK PIVOT	21	51
F2706772	HOSE CLAMP	11	9	F286433	BRACKET SHALLOW WATER DRIVE	21	58
F2788004	STUD, CARBURETOR	13	51	F286440	STUD, MAGNETO CONTROL LEVER	17	39
F28004	STUD, INTERLOCK LEVER	15	10	F286445	LINK, MAGNETO SHAFT	15	32
F286008	STUD, GEAR HOUSING REAR	27	44	F286451	SPACER, TILT LOCK	19	29
F286011	WASHER, SWIVEL BRACKET	23	97	F286451	SPACER, TILT LOCK	21	52
F286019	KINGPIN	19	44	F286461	SPRING, LOCK BAR HANDLE	19	42
				F286490	STEERING HANDLE STOP	21	86
				F286509	LINK, THROTTLE CAM	15	36

PARTS INDEX

Part Number	Description	Pg.	Ref. No.	Part Number	Description	Pg.	Ref. No.
F286518	HEAD, CYLINDER	15	3	F330705	GEAR SHIFT ROD LOWER, FOR LONG SHAFT MODELS	25	-
F286529-3	GASKET, CYLINDER HEAD	15	4	F338618-1	SEAL, GEAR SHIFT ROD LOWER	25	12
F286529-3	GASKET, CYLINDER HEAD	17	-	F341384	RETAINER, CHOKE ROD	11	22
F286539	BUMPER	21	93	F341562	PLATE, WATER PUMP BACK	27	-
F286544-1	SPRING, TILT STOP	19	30	F341562	WATER PUMP BACK PLATE	25	8
F286555	GASKET, GEAR HOUSING	25	15	F341693	WEDGE, STEERING HANDLE	19	17
F286571	ROLLER SET, MAIN BEARING (26 PER SET)	17	42	F343014	BEARING, CRANKSHAFT LOWER MAIN	15	22
F286573-1	CLAMP, STEERING FRICTION	21	74	F343128	DRIVESHAFT, FOR STANDARD SHAFT MODELS	27	46
F286585-1	DECAL, TILT RELEASE	23	103	F343226-1	PLUG	3	8
F286611-1	ROD, GEAR SHIFT	3	37	F344128	DRIVESHAFT, FOR LONG SHAFT MODELS	27	-
F286614	HANDLE, GEAR SHIFT	3	23	F346118	SEAL, PROPELLER SHAFT	25	37
F286615	GEAR SHIFT ROD UPPER	25	5	F346146	SEAL, CRANKSHAFT UPPER	17	47
F286647	CARRYING HANDLE	19	32	F36634	SCREW, CONNECTING ROD	17	40
F286685	CONNECTOR, GEAR SHIFT ROD	3	36	F392756	PACKING, SUPPORT PLATE	3	18
F286705	GEAR SHIFT ROD LOWER, FOR STANDARD SHAFT MODELS	25	10	F40253-1	FUEL LINE	11	10
F286710	ARBOR, STARTER SPRING	9	9	F40425	STARTER PINION PIN	9	10
F286721	CLUTCH, SHIFT CAM	25	18	F409232	STARTER ROPE	9	18
F286728	CLUTCH SHIFT PIN	25	27	F409251-1	GAUGE CAP	29	10
F286737-1	RETAINER, STARTER REWIND SPRING	9	13	F409719	CLUTCH SPRING	25	28
F286772-1	HOSE CLAMP	17	56	F424075	HANDLE, CLAMP SCREW	19	33
F286777	CAM, COVER LATCH	3	29	F424161	REED STOP	13	57
F286818	BEARING	19	12	F424168-1	GASKET, MANIFOLD	13	55
F286827	REVERSE LOCK RELEASE LEVER	21	66	F424168-1	GASKET, MANIFOLD	17	-
F286868	SPRING, STEERING HANDLE STOP	21	84	F429472	GASKET, CYLINDER DRAIN COVER	15	9
F286871	PIN, GEAR SHIFT LEVER	3	17	F429472	GASKET, CYLINDER DRAIN COVER	17	-
F286876	LEVER, GEAR SHIFT	3	15	F429541	TILT LOCK	19	28
F286894-3	STEERING HANDLE INDICATOR	23	102	F429688	SHAFT, STEERING HANDLE	19	10
F286895	SPRING CAM DETENT	25	17	F429811	SCREEN	17	57
F286901	BEARING, RADIAL, PROPELLER SHAFT	25	24	F430732	HEX HD SCREW, 1/4 - 20 X 1	25	14
F286903	RACE, PROPELLER SHAFT BEARING	25	23	F431838	MAGNETO CONTROL SHAFT	21	94
F286914	SLEEVE WATER LINE	21	49	F436065	IMPELLER	27	-
F286930	END, STARTER SPRING	9	14	F436065	WATER PUMP IMPELLER	25	7
F286956	BRACKET, SHOCK MOUNT LOWER	21	46	F436449	SHORTING SWITCH	7	24
F286989-2	SEAL, SUPPORT PLATE	3	22	F455305	SEAL, PROP SHAFT BEARING CAGE	25	35
F289664	WIRE, STATOR GROUND	7	11	F456098	PROPELLER SHAFT	25	30
F298788	FERRULE	29	4	F456717	THRUST WASHER	25	26
F2A24757	FUEL PUMP REED PLATE W/REEDS AND SCREWS	11	6	F458498	MAGNETO KEY	7	14
F2A424167	MANIFOLD W/STUDS AND PULLEY	13	52	F458677	INSERT, CHOKE KNOB	3	27
F2A459239	STARTER SPOOL W/SHAFT	9	15	F458695	SLEEVE	23	99
F2A477133	MOTOR LEG	21	77	F461342	SEAL, DRIVESHAFT	21	81
F302097	FLYWHEEL	7	3	F461342	SEAL, DRIVESHAFT SPLINE	17	58
F307818	BEARING	3	14	F472015-2	PISTONS	15	18
F307818	BEARING	23	95	F472061-1	CARBURETOR COMPLETE (C010B)	13	62
F31160-1	REED	13	58	F476	FUEL LINE ADAPTION KIT	37	-
F31410	RETAINING RING, PISTON PIN	15	15	F487424-1	STARTER PINION SPRING	9	3
				F487427-1	BRACKET, STARTER UPPER	9	4
				F487435	PULLEY, STARTER ROPE	13	43
				F487660-1	EXHAUST TUBE	15	27
				F487674	GEAR, STARTER PINION	9	2

PARTS INDEX

Part Number	Description	Pg.	Ref. No.	Part Number	Description	Pg.	Ref. No.
F487711	PLATE, ENGINE COVER . . .	5	44	F8003	PLAIN WASHER	13	61
F487727	BALL, INTERLOCK DETENT	9	21	F8011	PLAIN WASHER	5	48
F487755	FUEL TANK ADAPTER	29	8	F8011	PLAIN WASHER	9	6
F487781-3	STARTER INTERLOCK	9	7	F8025	PLAIN WASHER	15	2
F487816	BEARING, STEERING HANDLE	19	18	F8039	PLAIN WASHER	19	23
F487895	SPRING, INTERLOCK DETENT	9	22	F8048	BOWED SPRING WASHER	3	21
F492095	STATOR MAGNETO	7	-	F8058	INTERNAL TOOTH LOCKWASHER	3	13
F492263	LINK, STARTER INTERLOCK	5	47	F8058	INTERNAL TOOTH LOCKWASHER	19	19
F492417	SHAFT, GEAR SHIFT HANDLE	5	45	F8060	EXTERNAL TOOTH LOCKWASHER	21	92
F492531	INTERLOCK ROD	17	52	F8063	SPRING LOCKWASHER	27	42
F492619	LEVER, GEAR SHIFT SHAFT	3	35	F8077	NYLTITE WASHER	25	21
F492977	INTERLOCK LEVER	17	54	F8083	SPRING LOCKWASHER	21	47A
F50109	GEAR HOUSING PLUG	25	22	F84026	SWIVEL, INTERLOCK ROD BEARING	17	50
F510914	SEAL, WATER LINE	27	-	F84035-2	BEARING, INTERLOCK ROD	17	49
F525286	WASHER	23	101	F8537	SPRING PIN	19	36
F536813	BEARING, REVERSE LOCK INTERMEDIATE LEVER	23	104	F8538	SPRING PIN	21	70
F53795-1	SEAL, STEERING HANDLE GRIP DAMPENER (LARGE)	19	22	F8538	SPRING PIN	23	98
F588	FLUSHING ADAPTER	37	-	F8540	SPRING PIN	3	34
F596	CHRYSLER OUTBOARD OIL	37	-	F8540	SPRING PIN	19	41
F597	CHRYSLER OUTBOARD GEAR LUBE	37	-	F8542	SPRING PIN	3	16
F5H006	VOLTMETER	37	-	F8548	SPRING PIN	23	100
F5H027	FUEL TANK (ACCESSORY ITEM)	29	9	F8553	SPRING PIN	25	19
F5H027	STEEL, 6 GALLON FUEL TANK	37	-	F8554	SPRING PIN	19	35
F5H062	WATER PUMP KIT	37	-	F8559	DOWEL PIN	15	14
F5H088	REMOTE CONTROL CONVERSION KIT	37	-	F85610	BEARING	19	2
F5H090	REMOTE ELECTRIC START KIT	37	-	F8564	SPRING PIN	25	40
F5H130	SYNCHRO-DRIVE CONTROL BOX (SINGLE LEVER)	37	-	F85735-1	SEAL	3	2
F5H131	PORT SIDE DECAL KIT	37	-	F866	DUO-DRIVE CONTROL BOX (TWIN LEVER)	37	-
F5H134	BOAT WHITE LACQUER	37	-	F901307-2	SEAL, DRIVESHAFT AND WATER PUMP	27	45
F66193	THROTTLE LINK	11	14	F901456-1	EMERGENCY STARTER COLLAR	7	2
F66480	STUD CLAMP SCREW	19	37	F901563	PIN, WATER PUMP IMPELLER DRIVE	27	-
F7005	STOP NUT, 3/8 - 16	19	39	F901563	WATER PUMP IMPELLER DRIVE PIN	27	47
F7006	STOP NUT, 5/16 - 18	3	30	F901746-2	FUEL PUMP COVER	11	2
F7008	STOP NUT, 1/4 - 20	17	55	F901811	FUEL PUMP FILTER	11	8
F7011	ELASTIC STOP NUT, 10 - 24	3	11	F901938-1	SCREW, CYLINDER HEAD	15	1
F7011	STOP NUT, 10 - 24	3	20	F92759	ROLLER	5	41
F71H02	ANTI-COROSSION SACRIFICIAL ANODE	37	-	F98273	STUD, GEAR SHIFT ROD CONNECTOR	3	12
F72H24	15" LONG LEG CONVERSION KIT	37	-	FA12370	COIL W/LEAD WIRE AND WEDGE SPRING	7	17
F72H29	CHRYSLER OUTBOARD MULTI-PURPOSE GREASE	38	-	FA1844	HEX BOLT, 1/4 - 20 X 2 3/8	21	47
F72H30	CHRYSLER OUTBOARD GREASE GUN	38	-	FA24754-1	FUEL LINE W/CLAMPS	11	11
F73082	RING, MAGNETO STATOR	17	44	FA286054	GEAR HOUSING LOWER W/BEARING, PLUG AND SPRING PIN	25	20
F78318	ROLLER, THROTTLE CAM FOLLOWER	13	48	FA286113	LOCK BAR W/HANDLE AND SPRING	19	40
F78410	RETAINER	13	49	FA286155	MAIN BEARING LINER SET (2 PER SET)	17	41
				FA286266	GEAR, BEVEL PINION	27	43

PARTS INDEX

Part Number	Description	Pg.	Ref. No.	Part Number	Description	Pg.	Ref. No.
FA286480	RETAINER, ENGINE COVER W/SCREWS AND NUTS . . .	3	9	FC516400	DECAL, SHIFT - CANADA . . .	5	49
FA286547	KNOB, CHOKE W/INSERT AND CHOKE ROD	3	28	FG1005-1	GASKET SET	17	63
FA286582	STEERING ARM W/SPRING PIN & BUMPER	21	90	FK1019-1	5" LONG LEG CONVERSION KIT	37	-
FA286970	STARTER REWIND SPRING W/END AND RETAINER . . .	9	12	FK1031-1	WATER PUMP KIT	27	51
FA324101	PROPELLER PIN, PACK OF 3	25	39	FK1065	GEAR HOUSING SEAL KIT . . .	27	50
FA341510	LINK, REVERSE LOCK LEVER	21	60	FK1066	TUNE UP KIT	7	25
FA343178	RETAINER W/SET SCREW . . .	19	4	FK317427	BRACKET, STARTER LOWER W/SPRING PIN . . .	9	16
FA387742	LEVER, REVERSE LOCK INTERMEDIATE ASSY.	21	69	FK750-3	SPARKIE W/SPRING	7	20
FA424158	REED PLATE W/REEDS, STOPS AND SCREWS	13	59	FO10165	INLET SEAT GASKET	11	36
FA429471	COVER, CYLINDER DRAIN W/CHECK VALVES AND SCREWS	15	8	FO10280	CHOKE SHUTTER RETAINER SCREW AND LOCKWASHER	11	26
FA456023	BEVEL GEAR FRONT W/BEARING	25	25	FO10280	THROTTLE SHUTTER RETAINING SCREW AND LOCKWASHER	13	42
FA456137	GRIP, STEERING HANDLE W/SLEEVE	19	1	FO10588	BODY CHANNEL CUP PLUG . . .	11	17
FA456521	CLUTCH	25	29	FO10790	INLET NEEDLE, SEAT AND GASKET	11	35
FA456662	BEVEL GEAR REAR W/BEARING	25	34	FO11103	IDLE MIXTURE SCREW SPRING	11	34
FA472018	CRANKSHAFT W/UPPER MAIN BEARING	17	43	FO11722	MAIN FUEL JET, STD. .055 SEA LEVEL - 3000 FT.	11	37
FA472260	PISTON RING SET (2 PER SET)	15	19	FO11764	MAIN FUEL JET, OPT. .051 SEA LEVEL - 6000 FT. AND UP	11	-
FA473010	CYLINDER W/CRANKCASE COVER, DOWEL PINS, SCREWS AND STUDS	15	12	FO11765	MAIN FUEL JET, OPT. .053 SEA LEVEL - 3000 - 6000 FT.	11	-
FA492038	PLATE, SUPPORT W/PLUGS . . .	3	19	FO13554	FLOAT	11	27
FA492845	MOTOR LEG EXTENSION	27	48	FO13944	FLOAT LEVER PIN	11	28
FA504060	BODY, WATER PUMP	27	-	FO13945	FUEL BOWL RETAINING SCREW	11	31
FA504060	WATER PUMP BODY W/DRIVESHAFT SEAL	25	4	FO15366	FUEL BOWL	11	29
FA510914	SEAL, INLET WATER LINE . . .	25	1	FO15367	CHOKE SHUTTER	11	25
FA525228	ROLLER SET, CONNECTING ROD (26 PER SET)	15	21	FO15368	CHOKE RELIEF VALVE	11	23
FA525241	CRANK PIN ROLLER BEARING CAGE (2 PER SET)	15	20	FO15520	IDLE MIXTURE SCREW	11	33
FA538395	PLATE, IDENTIFICATION W/SCREWS, USA	3	32	FO15522	BYPASS TUBE	11	18
FA568396	DECAL, STARBOARD, "CHRYSLER"	3	-	FO15525	MAIN NOZZLE	11	38
FA568397	DECAL, PORT, "CHRYSLER"	3	7	FO15526	THROTTLE SHAFT RETURN SPRING	11	40
FA568528	DECAL, ENGINE COVER, REAR	5	43	FO15623	FUEL BOWL GASKET	11	30
FA570386	DECAL, NUMERAL 15	3	5	FO15736	CHOKE SHAFT AND LEVER . . .	11	21
FA84754-1	FUEL LINE, SHORT W/CLAMPS	29	5	FO15757	THROTTLE SHAFT AND LEVER	11	39
FC235227	PLUG, SPARK CHAMPION (RL-4-J) FOR CANADA	15	-	FO15783	CHOKE RELIEF VALVE SPRING	11	24
FC409398	DECAL TOTE TANK - CANADA (NOT SHOWN)	29	-	FO16878	THROTTLE SHUTTER	13	41
				FO2510	FUEL BOWL RETAINING SCREW GASKET	11	32
				FO2531	BODY CHANNEL WELCH PLUG	11	16
				FO4784	CHOKE FRICTION BALL	11	19
				FO8805	CHOKE FRICTION SPRING . . .	11	20
				FP408	PROPELLER (ACCESSORY ITEM)	25	31
				FS174227	PLUG, SPARK, L-4-J	15	11
				FS409752	FUEL LINE COMPLETE - (NOT SHOWN).	29	-

PARTS INDEX

Part Number	Description	Pg.	Ref. No.	Part Number	Description	Pg.	Ref. No.
FS541712	COVER, ENGINE W/BRACKET, RETAINER AND TILT HANDLE	3	6	43-818009--1	GEAR, STEERING HANDLE SHAFT	19	5
FS567532	STERN BRACKET PORT W/CLAMP SCREW AND FOOT	19	31	600-FS715016	ROD, CONNECTING W/CAP AND SCREWS	15	17
FS567532	STERN BRACKET STARBOARD W/CLAMP SCREW AND FOOT	19	25	800-819091A1	SHORT BLOCK (NOT SHOWN).	15	-
FS901244	INLET WATER LINE EXTENSION	27	49	1100-817753A1	CAGE, CRANKSHAFT BEARING W/SEAL	17	46
FT1749	SNAP RING PLIERS	32	-	1400-817750A4	SWIVEL BRACKET W/GREASE FITTING	21	75
FT2907	SEAL INSTALLER	33	-	1600-824916A1	GEAR HOUSING UPPER	25	13
FT2908	SEAL SLEEVE	32	-				
FT2909	KNOCK-OFF NUT	30	-				
FT2961	LUBRICANT - RYKON #2EP	35	-				
FT2962-1	SEALANT - 50 CC LOCTITE H, NON-HARDENING GRADE	35	-				
FT2963-1	SEALANT - 2 OZ. LOCTITE D, HARDENING GRADE	35	-				
FT2985	STARTER REWIND KEY	31	-				
FT2987-1	LUBRICANT - ANTI-SEIZE	35	-				
FT2989	FLYWHEEL WEDGE	30	-				
FT2997	RING COMPRESSOR	32	-				
FT3012	SEAL INSTALLER	32	-				
FT8926	RING EXPANDER	32	-				
FT8929	ADAPTER AND HEX BIT	32	-				
FT8935	SEALANT PRIMER - 6 OZ.	35	-				
FT8936	SEALANT - 2 CC LOCTITE RETAINING COMPOUND #75	35	-				
FT8948-1	PULLER	33	-				
FT8949	SEAL INSTALLER	32	-				
FT8950	LEAKAGE TESTER	34	-				
FT8952	TEST WHEEL	34	-				
FT8957	SEAL INSTALLER	33	-				
FT8969	LUBRICANT - 7 OZ. 2 PSI LUBRICANT	35	-				
FT8983	SEALANT	35	-				
T11211	BOAT WHITE	36	-				
T11212	BOAT BLACK	36	-				
T11230	ORANGE	36	-				
T11232	METALLIC SILVER	36	-				
T11233	MEDIUM	36	-				
T8974	BREAKER POINT TENSION GAUGE	34	-				
11-817752A1	PROPELLER NUT W/COTTER PIN	25	32				
27-818043A1	FUEL PUMP DIAPHRAGM W/GASKETS	11	7				
31-817756A2	PROPELLER SHAFT BEARING CAGE	25	36				
32-817738A1	FUEL LINE, LONG W/CLAMPS AND FERRULE	29	7				
37-F286585-2	DECAL, TILT RELEASE - CANADA	23	-				
37-F286894-3	STEERING HANDLE INDICATOR - CANADA	23	-				