



PARTS CATALOG

115 H.P.

SERIAL NUMBER

115 (1982)	1158B2E
115 (1982)	1158H2E

TABLE OF CONTENTS:

ACCESSORIES	57
CARBURETOR	14
CRANKSHAFT AND PISTON GROUP	28
DISTRIBUTOR	10
ELECTRICAL COMPONENTS	4
ENGINE COVER AND SUPPORT PLATE	2
FUEL PUMP AND REED PLATE	18
FUEL TANK AND LINE	42
GEAR HOUSING	36
MOTOR LEG	30
PARTS INDEX	60
POWER HEAD	22
POWER TRIM UNIT	48
REMOTE CONTROL	44
SPECIAL TOOLS - GEAR HOUSING	54
SPECIAL TOOLS - LUBRICANTS AND SEALANTS	56
SPECIAL TOOLS - POWER HEAD	53
SPECIAL TOOLS - TEST EQUIPMENT	55
SPECIAL TOOLS - TUNE-UP	52
STARTER	8

NOTE: Indented description indicate that these parts are included in preceeding assembly.

AR = As Required

NSS = Not Sold Separate

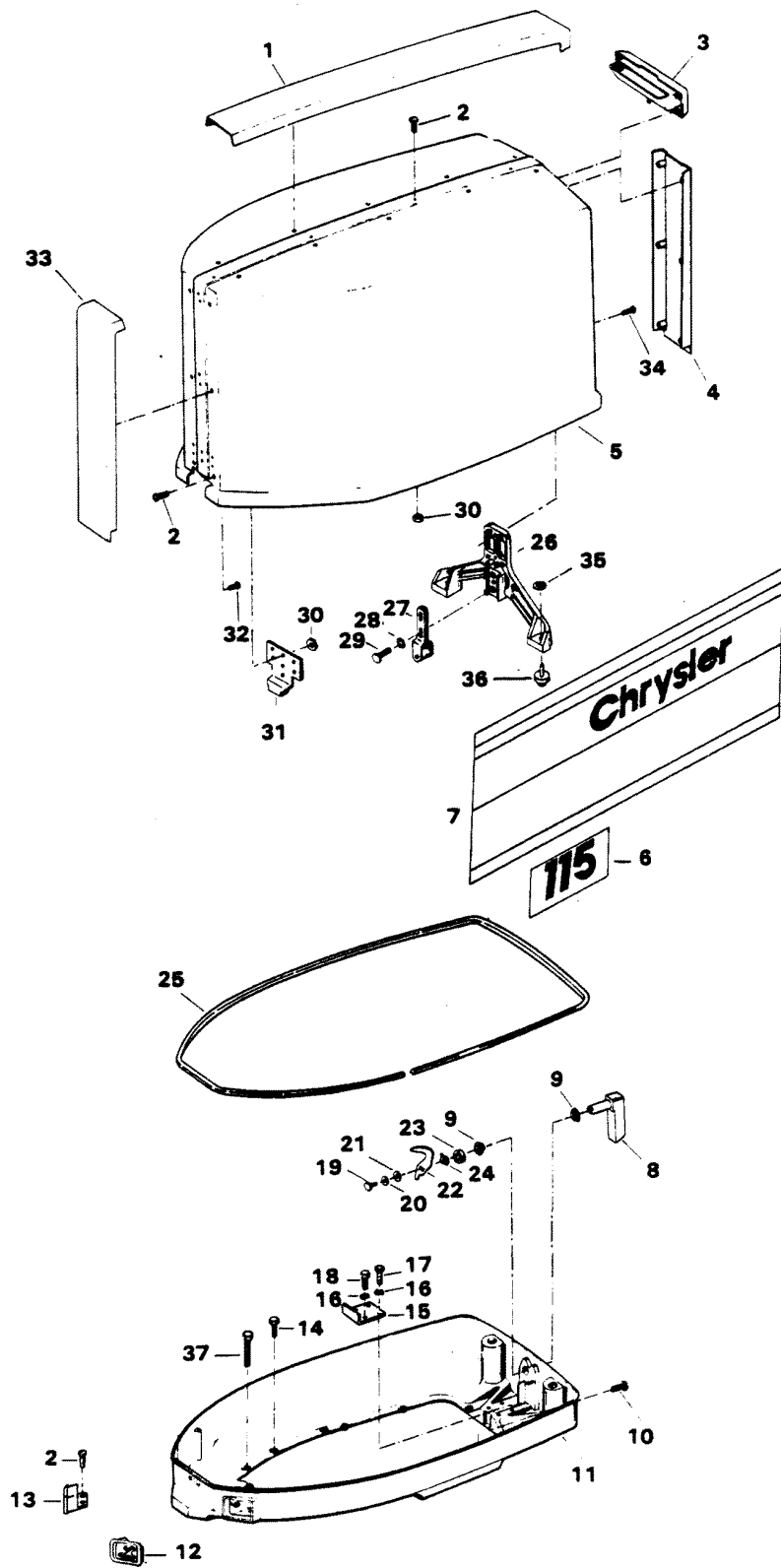
OPT = Optional

NS = Not Shown

THESE PARTS BOOKS/FICHE CARD ARE COPYRIGHTED AND MAY NOT BE DISTRIBUTED OR REPRODUCED IN ANY OTHER FORMAT BY ANYONE OTHER THAN MERCURY MARINE WITHOUT THE PRIOR WRITTEN CONSENT OF MERCURY MARINE.

THIS PAGE INTENTIONALLY LEFT BLANK

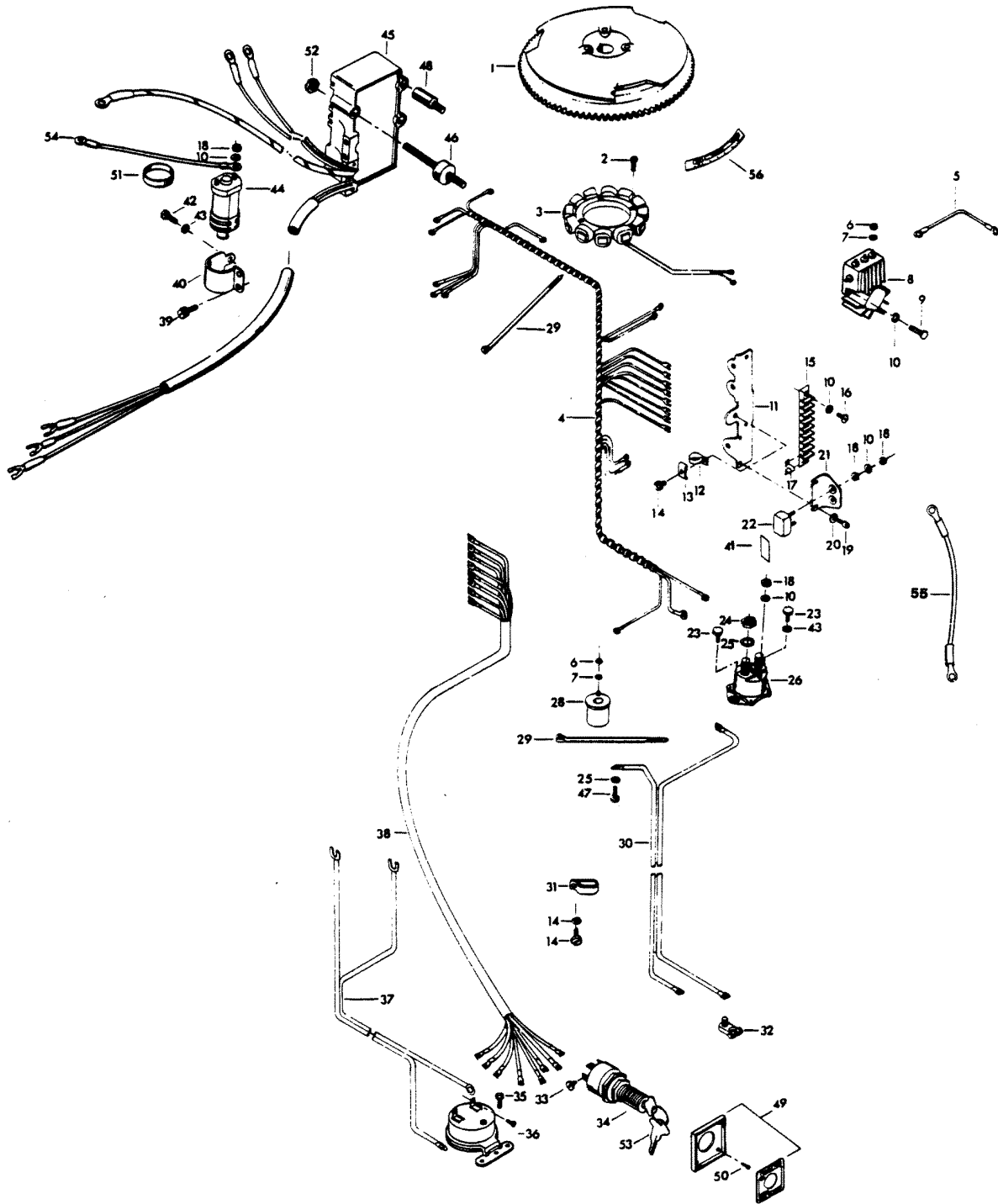
ENGINE COVER AND SUPPORT PLATE



ENGINE COVER AND SUPPORT PLATE

REF. NO.	PART NO.	SYM.	QTY.	DESCRIPTION
1	FA480179		1	TRIM TOP W/LITERATURE
2	F1733		10	PAN HD MACHINE SCREW, 10 - 24 X 9/16
3	FA480269		1	TILT HANDLE W/LITERATURE
4	FA552180		1	TRIM REAR W/LITERATURE
5	FA552944		1	ENGINE COVER W/ILLUS. 2, 30 AND 31
-	3C612944		1	ENGINE COVER COMPLETE INCLUDES ALL ITEMS MARKED WITH AN ASTERISK (*). ORDER NUMERAL SEPARATE
6	FA565386		2	DECAL, NUMERAL W/LITERATURE
7	FA612397		1	DECAL, PORT W/LITERATURE
-	FA612396		1	DECAL, STARBOARD W/LITERATURE
8	FA481469		1	HANDLE W/SHAFT
9	F480818		2	BEARING
10	F1864		6	HEX CAP SCREW, 1/4 - 20 X 3/4
11	F480038-2		1	SUPPORT PLATE
12	F549189		1	BUSHING, ELECTRIC CABLE
13	F545189		1	BUSHING, CABLE ENTRY
14	F1922		5	HEX CAP SCREW, 1/4 - 20 X 5/8
15	F335654-1		1	DEFLECTION STOP
16	F8096		4	SPRING LOCKWASHER
17	F1857		2	HEX CAP SCREW, 5/16 - 18 X 5/8
18	F1858		2	HEX CAP SCREW, 5/16 - 18 X 1
19	F1854		1	HEX CAP SCREW, 1/4 - 20 X 5/8
20	F8083		1	SPRING LOCKWASHER
21	F8094		1	PLAIN WASHER
22	F481777		1	CAM, LATCH
23	F481382-1		1	SPACER, LATCH SHAFT
24	F2047		1	WAVE SPRING LOCKWASHER
25	F321756		1	PACKING COVER
26	F481774		1	BRACKET, COVER LATCH
27	FA481743		1	ROLLER BRACKET W/ROLLER
28	F8096		2	SPRING LOCKWASHER
29	F1857		2	HEX CAP SCREW, 5/16 - 18 X 5/8
30	F1473		7	HEX NUT
31	F373778-1		1	RETAINER, ENGINE COVER
32	F2066		30	PAN HD TAPPING SCREW, 10 X 7/16 (TRIM TO COVER)
33	FA552888		1	TRIM, FRONT W/LITERATURE
34	F1730		3	PAN HD SCREW W/SPRING LOCKWASHER, 1/4 - 20 X 5/8
35	F2088		2	FASTENER
36	F481434		2	GUIDE, ENGINE COVER
37	F1708		2	HEX HD SCREW, 1/4 - 20 X 1-3/8
-	F548984		1	BLANKET, SILENCER TOP (NOT SHOWN)
-	F552985		2	BLANKET, SILENCER SIDE (NOT SHOWN)

ELECTRICAL COMPONENTS

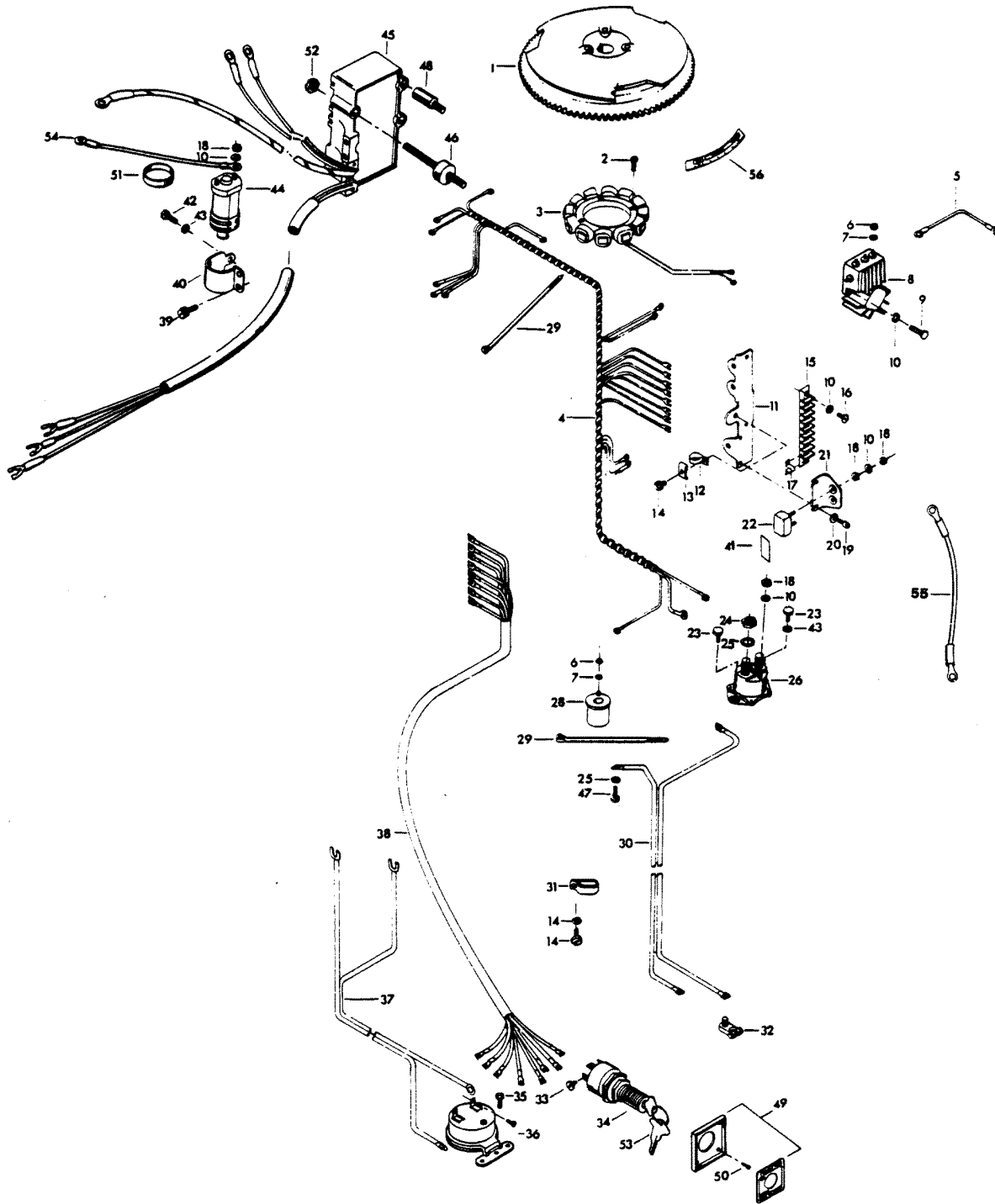


ELECTRICAL COMPONENTS

REF. NO.	PART NO.	SYM.	QTY.	DESCRIPTION
1	F404097		1	FLYWHEEL
2	F1087		6	FILL HD SCREW, 10 - 24 X 13/16
3	F85095-2		1	STATOR
4	F438744-1		1	WIRING HARNESS
5	F345683		1	WIRE, REGULATOR-RECTIFIER GROUND
6	F1647		5	HEX NUT, 8 - 32
7	F8056		5	SPRING LOCKWASHER
8	F404470-1		1	REGULATOR-RECTIFIER
9	F2107		3	FILL HD SCREW, 10 - 24 X 5/8
10	F1975		9	SPRING LOCKWASHER
11	FA439493		1	TERMINAL BLOCK BRACKET W/ILLUS. 13, 14 AND ON PAGE 16 ILLUS. 87
12	F289446-1		1	CLAMP
13	F438668		1	RETAINER, CABLE CLAMP
14	F1734		2	FILL HD SCREW W/LOCKWASHER, 1/4 - 20 X 1/2
15	FA510497		1	TERMINAL BLOCK W/ILLUS. 16 ORIGINAL FORCE P/N K289497-2
16	F1648		2	PAN HD SCREW, 10 - 24 X 3/4
17	F307317		1	CLIP, TERMINAL BLOCK
18	F1513		8	HEX NUT
19	F1760		2	PAN HD SCREW, 10 - 24 X 3/8
20	F8011		2	PLAIN WASHER
21	F91446-1		1	CIRCUIT BREAKER BRACKET
22	F510460		1	CIRCUIT BREAKER
23	F1705		2	HEX CAP SCREW, 1/4 - 20 X 3/4
24	F1515		2	HEX NUT
25	F8096		3	SPRING LOCKWASHER
26	F460917		1	STARTER RELAY
27	F1645		2	SCREW, 6 - 32 X 1/4
28	F85924		1	CHOKE SOLENOID
29	F1877		2	TY-RAP
30	F381896-4		1	BATTERY CABLE
31	F407446		1	CLAMP
32	F71H26		1	BATTERY TERMINAL KIT (ACCESSORY ITEM)
33	F1280		5	SCREW, 8 - 32 X 1/4
34	F5H078		1	IGNITION SWITCH (LONG BARREL) W/KEYS AND SCREWS (ACCESSORY ITEM)
35	F1741		2	SCREW, 8 X 3/4
36	F5H043		1	OVERHEAT BUZZER (ACCESSORY ITEM)
37	F404841		1	CABLE, HEAT INDICATOR
38	F85843-1		1	REMOTE ELECTRIC CABLE, 18 FEET
39	F1851		2	FILL HD SCREW W/LOCKWASHER, 10 - 24 X 1/2
40	F404513		1	COIL CLAMP
41	F510374		1	DECAL, CIRCUIT BREAKER - USA

CONTINUED ON NEXT PAGE ➡

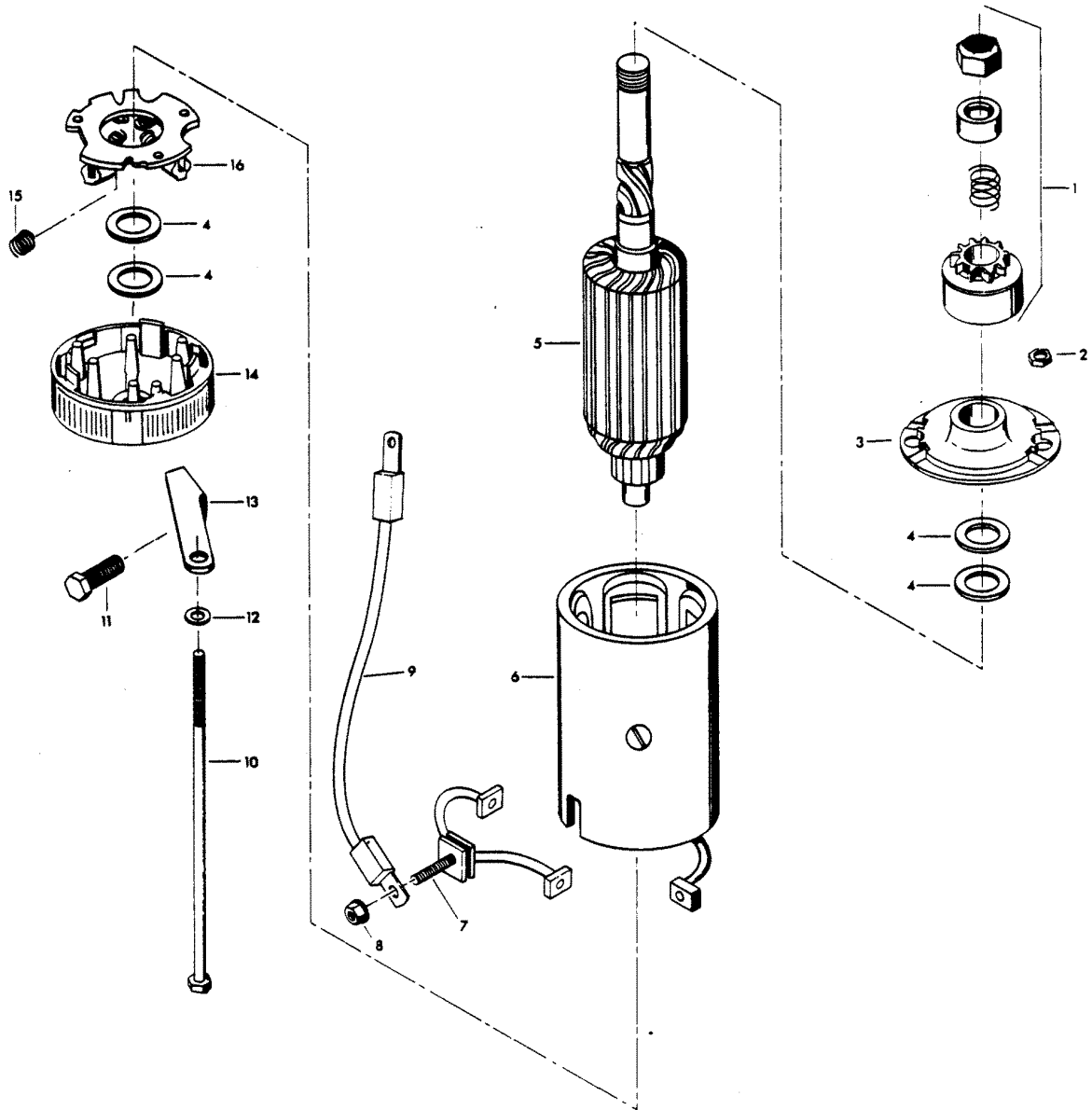
ELECTRICAL COMPONENTS



ELECTRICAL COMPONENTS

REF. NO.	PART NO.	SYM.	QTY.	DESCRIPTION
-	FC510374		1	DECAL, CIRCUIT BREAKER - CANADA
42	F1689		1	HEX HD CAP SCREW, 1/4 - 20 X 1/2
43	F8083		2	SPRING LOCKWASHER
44	F345475-1		1	COIL
45	300-817855A1		1	UNIT (ORIGINAL FORCE P/N A 523301-1)(Does not include Coil & Clamp)
46	F523962		3	SHOCK MOUNT - C.D. UNIT
47	F2000		1	HEX CAP SCREW, 5/16 - 18 X 3/4
48	F322273		1	STUD, C.D. UNIT
49	F5H038		1	IGNITION SWITCH MOUNTING KIT (ACCESSORY ITEM)
-	817892--1		1	PLATE, IGNITION SWITCH - CANADA (NOT SHOWN)
50	F1934		4	FLAT HD SLOTTED SCREW, 6 X 12
51	F391983		2	RETAINING BAND
52	F1892		3	STOP NUT
53	FA368700		-	IGNITION KEY - NO LETTER OR STAMPED A
-	FB368700		-	IGNITION KEY - STAMPED B
-	FC368700		-	IGNITION KEY - STAMPED C
-	FD368700		-	IGNITION KEY - STAMPED D
-	FE368700		-	IGNITION KEY - STAMPED E
54	F85664		1	GROUND WIRE
55	F319908		1	GROUND WIRE - CANADA
56	F474387		1	TIMING DECAL - USA
-	FC474387		1	TIMING DECAL - CANADA

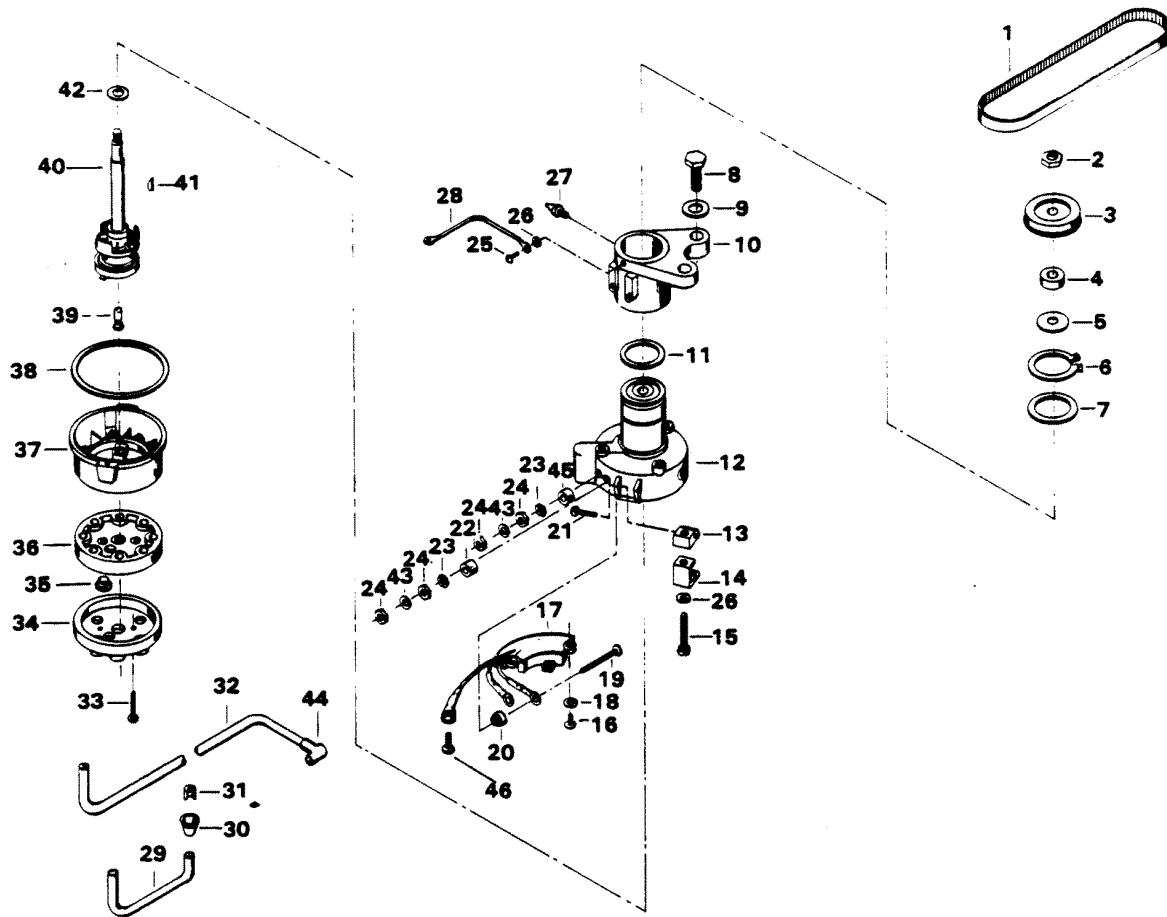
STARTER



STARTER

REF. NO.	PART NO.	SYM.	QTY.	DESCRIPTION
1	F15118		1	BENDIX DRIVE ASSEMBLY
2	F1641		2	LOCK NUT, 1/4 - 28
3	F15167		1	HEAD ASSEMBLY, DRIVE END
4	F15126		1	THRUST WASHER PACKAGE
5	F15099		1	ARMATURE
6	F15166		1	FRAME AND FIELD ASSEMBLY
7	F15054		1	BRUSH AND TERMINAL SET
8	FA15072		1	HEX LOCK NUT, 1/4 - 20 W/WASHER
9	F85908		1	STARTER LEAD WIRE
10	F15168		1	THRU BOLT PACKAGE
11	F1922		1	HEX CAP SCREW, 1/4 - 20 X 5/8
12	F8028		2	PLAIN WASHER
13	F511675		1	STARTER BRACKET, LOWER
14	F15125		1	HEAD ASSEMBLY, COMMUTATOR END
15	F15034		1	SPRING SET
16	F15057		1	BRUSH PLATE AND HOLDER ASSEMBLY
-	F490955		1	STARTER COMPLETE
-	FC500390		1	DECAL, STARTER - CANADA (NOT SHOWN)

DISTRIBUTOR

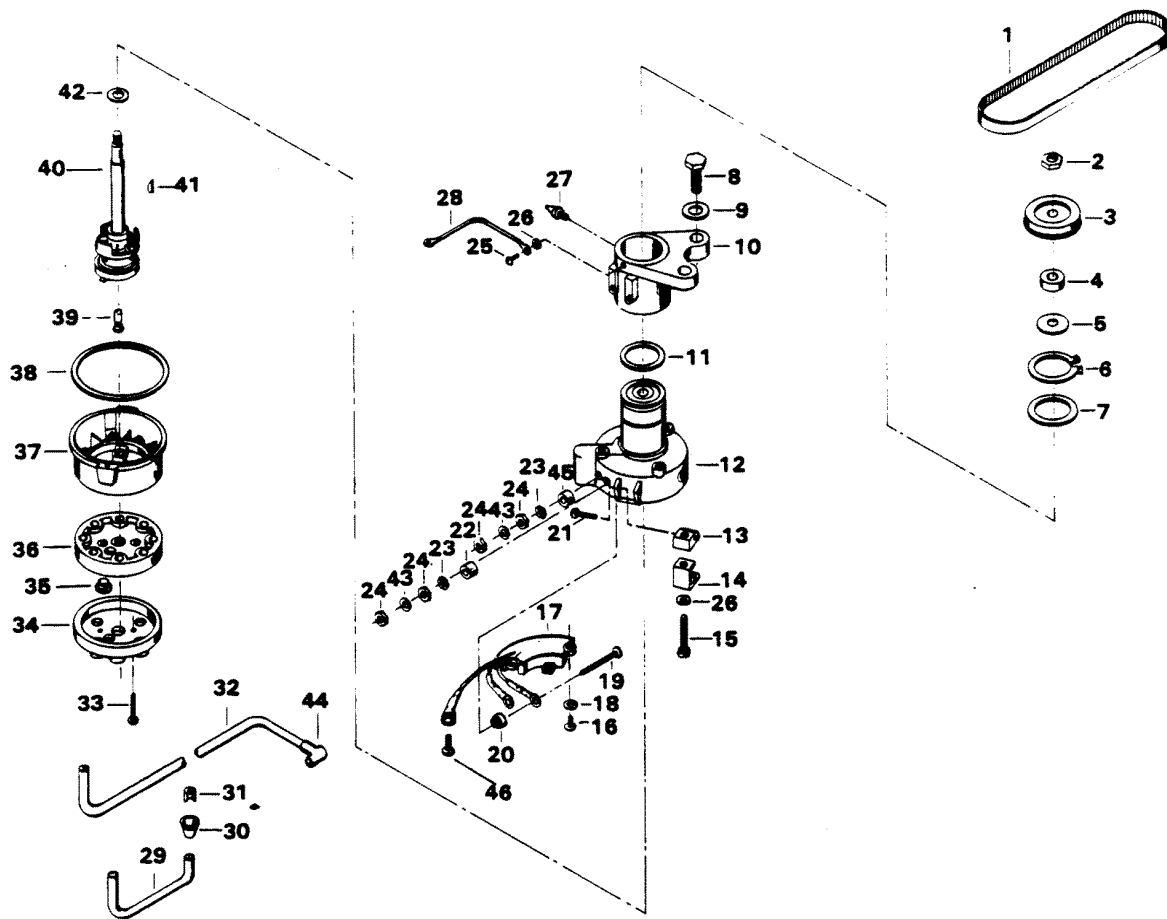


DISTRIBUTOR

REF. NO.	PART NO.	SYM.	QTY.	DESCRIPTION
1	F85311		1	DISTRIBUTOR BELT
2	F7013		1	STOP NUT
3	817786A1		1	DISTRIBUTOR PULLEY W/ILLUS. 2 ORIGINAL FORCE P/N A373435-1
4	F14025		1	SPACER
5	F14028		1	THRUST WASHER
6	F85173		1	RETAINING RING
7	F14029		1	THRUST WASHER
8	F1612		2	HEX CAP SCREW, 3/8 - 16 X 1-1/4
9	F1778		2	PLAIN WASHER
10	FA321574		1	DISTRIBUTOR BRACKET W/ILLUS. 25, 26 AND 27
11	F1759		2	SHIM, DISTRIBUTOR (QTY. AS REQUIRED)
12	F14042		1	DISTRIBUTOR HOUSING W/BEARINGS
13	F14036		2	SWIVEL
14	F14037		2	CAP CLIPS
15	F14038		2	CAP CLIP SCREWS
16	F14045		2	SCREW
17	FA14048-2		1	PREAMPLIFIER W/ILLUS. 18, SCREW AND LITERATURE
18	F8056		2	LOCKWASHER
19	F14046		2	TERMINAL SCREW
20	F14047		2	TERMINAL INSULATOR (INSIDE)
21	F14015		2	CAP CLIP RIVET
22	F14049		1	TERMINAL INSULATOR (OUTSIDE)
23	F14041		2	EXTERNAL TOOTH LOCKWASHER
24	F1647		2	HEX NUT, 8 - 32
25	F1760		2	PAN HD SCREW, 10 - 24 X 3/8
26	F1975		2	SPRING LOCKWASHER
27	F213274		1	GREASE FITTING
28	F85664		1	DISTRIBUTOR GROUND
29	84-817775A1		1	COIL WIRE W/ILLUS. 31 - USA ORIGINAL FORCE P/N A321905-1
-	F438905		1	COIL WIRE - CANADA
30	F203276		1	BOOT
31	F203673		1	TERMINAL CLIP
32	F321841-3		4	LEAD WIRE - USA
-	F438841-1		4	LEAD WIRE - CANADA
33	F14007		2	CAP SCREW
34	F14010-1		1	CAP COVER
35	F14040		2	VENT
36	F14021-1		1	CAP SEAL
37	F14005-2		1	CAP BASE
38	F14030		1	CAP GASKET
39	F14012-1		1	BRUSH
40	F14044		1	DISTRIBUTOR SHAFT

CONTINUED ON NEXT PAGE ➡

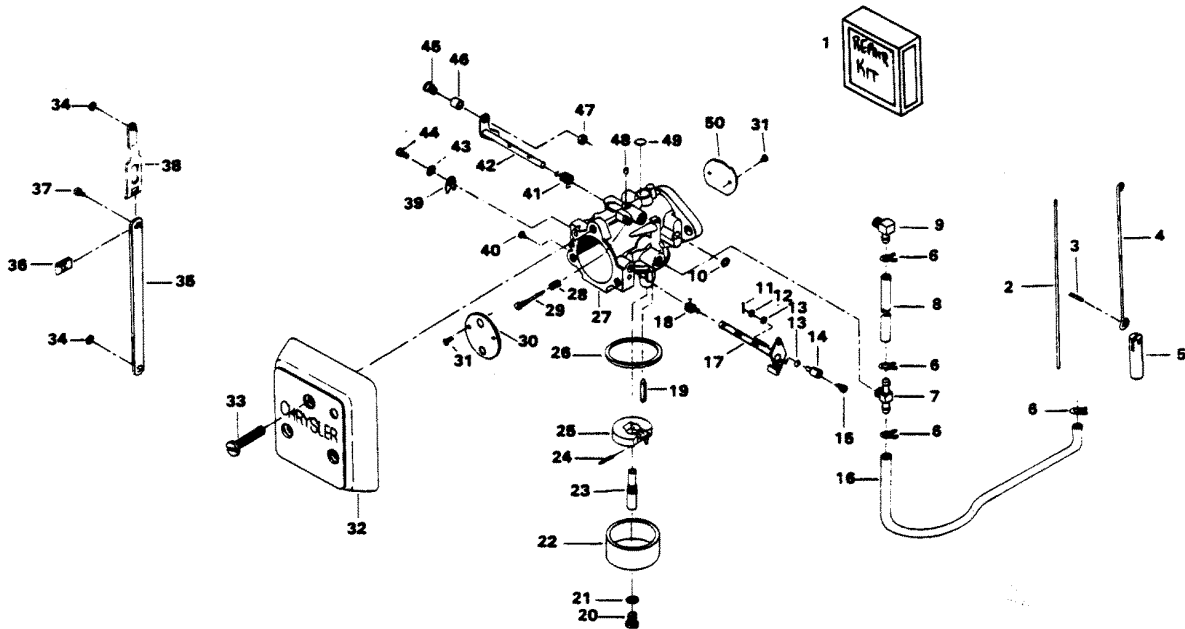
DISTRIBUTOR



DISTRIBUTOR

REF. NO.	PART NO.	SYM.	QTY.	DESCRIPTION
41	F1692		1	WOODRUFF KEY
42	F14024		1	SPACER
43	F8056		2	LOCKWASHER
44	FK1123		4	SPARKIE W/SPRING
45	F14017		1	TERMINAL INSULATOR (OUTSIDE)
46	F14056		1	SCREW
-	817828A1		1	DISTRIBUTOR COMPLETE. INCLUDES ALL ITEMS MARKED WITH AN ASTERISK (*) ORIGINAL FORCE P/N A489309-1

CARBURETOR

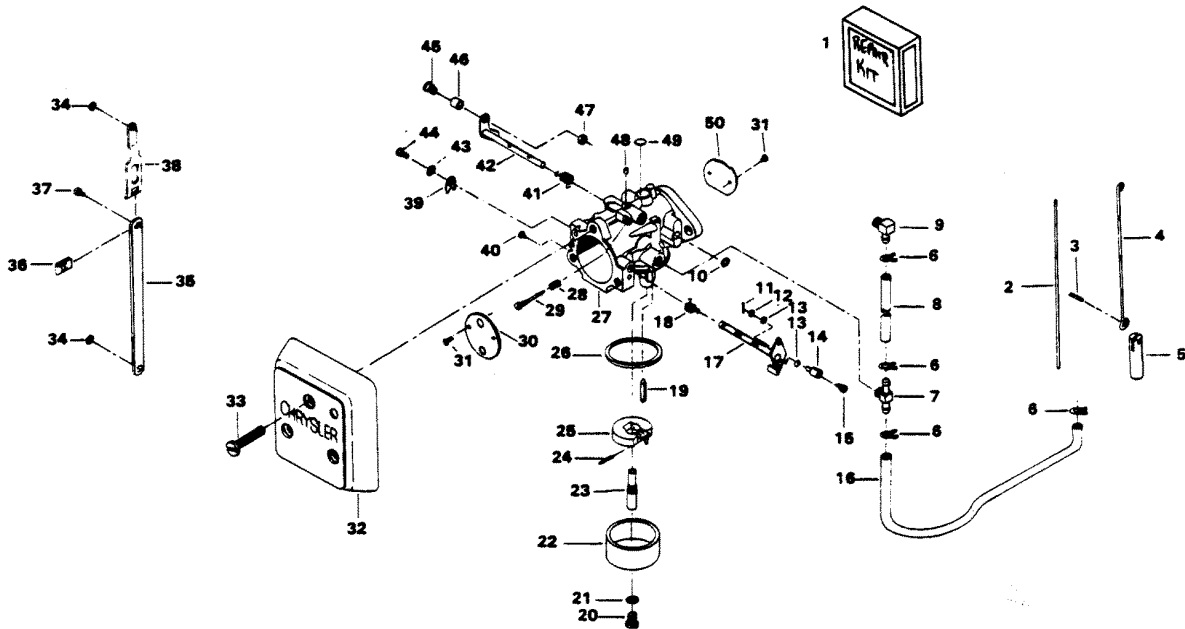


CARBURETOR

REF. NO.	PART NO.	SYM.	QTY.	DESCRIPTION
1	FK10103		1	REPAIR PARTS KIT. INCLUDES ALL ITEMS MARKED WITH AN ASTERISK (*)
2	F85509-1		1	LINK, CHOKE
3	F2033		1	GROOVE PIN
4	F440925		1	CHOKE ROD
5	F391926-1		1	PLUNGER
6	F97772		4	CLAMP
7	F85314-1		1	FUEL FITTING
8	F178754-1		1	FUEL LINE
9	F84314-2		1	ELBOW
10	FO16620		1	E-RING
11	F1014		2	COTTER PIN
12	F8088		3	PLAIN WASHER
13	F184579		5	O-RING SEAL
14	F184033-1		1	SWIVEL, TOP CARBURETOR
15	F1059		2	FILL HD SCREW, 6 - 32 X 1/4
16	F438754		1	FUEL LINE
17	FO16301		1	CHOKE SHAFT AND LEVER
18	FO17885		1	CHOKE SHAFT RETURN SPRING
19	FK10107		1	INLET NEEDLE AND SEAT W/LITERATURE
20	FO16132		1	FUEL BOWL RETAINING SCREW
21	FO5323		2	FUEL BOWL RETAINING SCREW GASKET
-	F85033		1	SWIVEL, CHOKE ROD (BOTTOM CARBURETOR) (NOT SHOWN)
-	F10023		1	GASKET SET (NOT SHOWN)
22	FO16130		1	FUEL BOWL
23	FO16133		1	MAIN NOZZLE
24	FO13944		1	FLOAT LEVER PIN
25	FO13554		1	FLOAT
26	FO15623		1	FUEL BOWL GASKET
27	F553061		2	CARBURETOR COMPLETE (TC-7A)
28	FO11103		1	IDLE MIXTURE SCREW SPRING
29	FO14166		1	IDLE MIXTURE SCREW
30	FO17719		1	CHOKE, SHUTTER
31	FO15912		4	CHOKE AND THROTTLE SHUTTER SCREW
32	F511708		2	COVER, CARBURETOR
33	F1034		6	PAN HD SCREW, 1/4 - 20 X 1-3/8
34	F90807		2	RETAINING RING
35	FA178233		1	THROTTLE TIE BAR W/SWIVEL
36	F1693		1	TIE BAR RETAINER NUT
37	F1064		1	FILL HD SCREW, 8 - 32 X 3/8
38	FA85193		1	TIE BAR END W/SWIVEL
39	FO9678		1	CLIP, CHOKE SHAFT
40	FO15406		1	MAIN FUEL JET STD. .090 SEA LEVEL - 1500 FT.

CONTINUED ON NEXT PAGE ➡

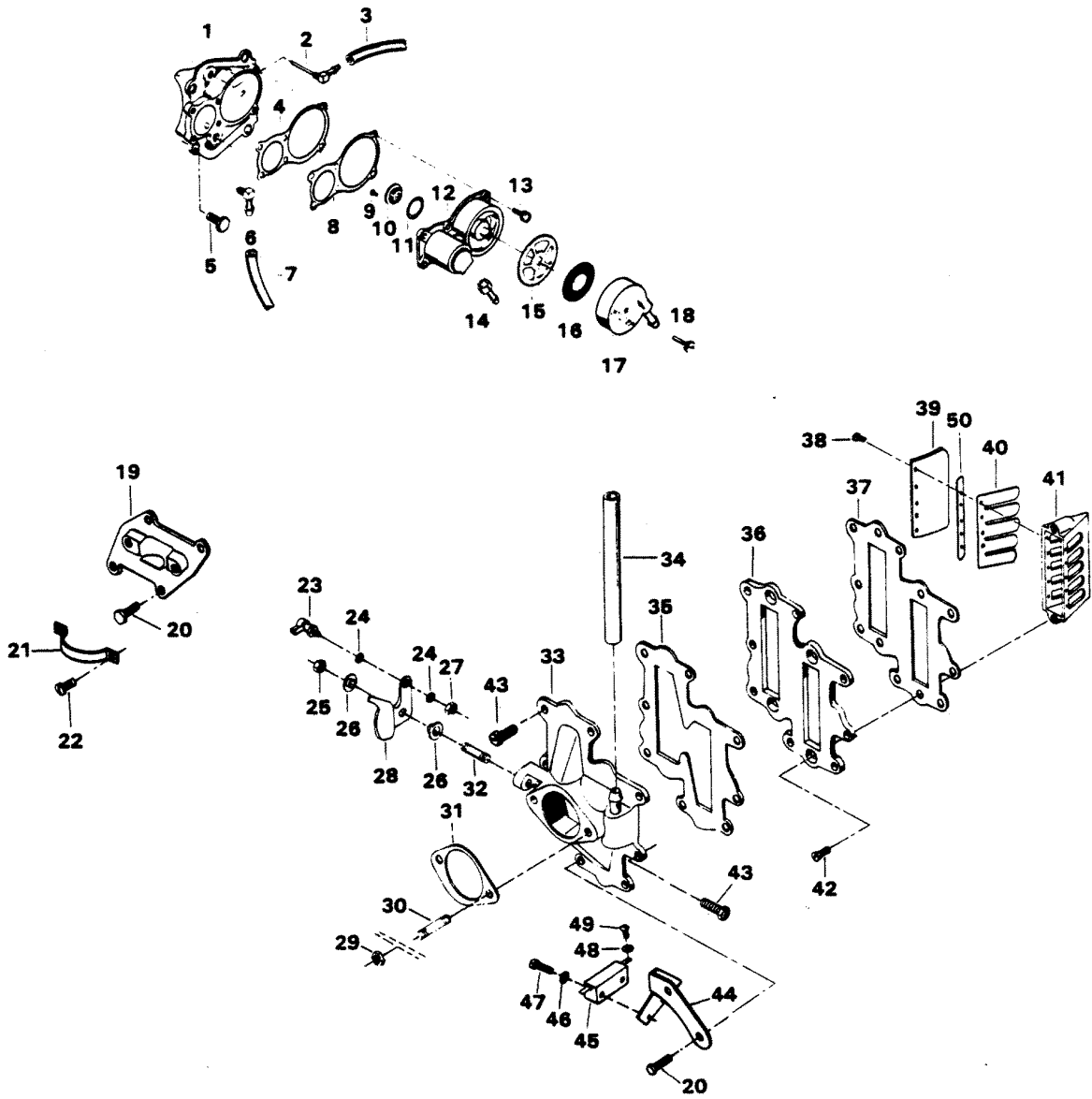
CARBURETOR



CARBURETOR

REF. NO.	PART NO.	SYM.	QTY.	DESCRIPTION
-	FO13193		-	MAIN FUEL JET OPT. .088 1500 - 3000 FT.
-	FO13949		-	MAIN FUEL JET OPT. .086 3000 - 4500 FT.
-	FO14302		-	MAIN FUEL JET OPT. .084 4500 - 6000 FT.
-	FO14109		-	MAIN FUEL JET OPT. .082 6000 FT & UP
41	FO16143		1	THROTTLE SHAFT RETURN SPRING
42	FO17884		1	THROTTLE SHAFT AND LEVER
43	FO992		1	LOCKWASHER
44	FO1974		1	SCREW
45	F333316		1	THROTTLE ROLLER SHAFT
46	F92759		1	THROTTLE ROLLER
47	F1997		1	STOP NUT, 8 - 32
48	FO10588		5	BODY CHANNEL CUP PLUG
49	FO16128		1	BODY CHANNEL WELCH PLUG
50	FO16142		1	THROTTLE SHUTTER

FUEL PUMP AND REED PLATE

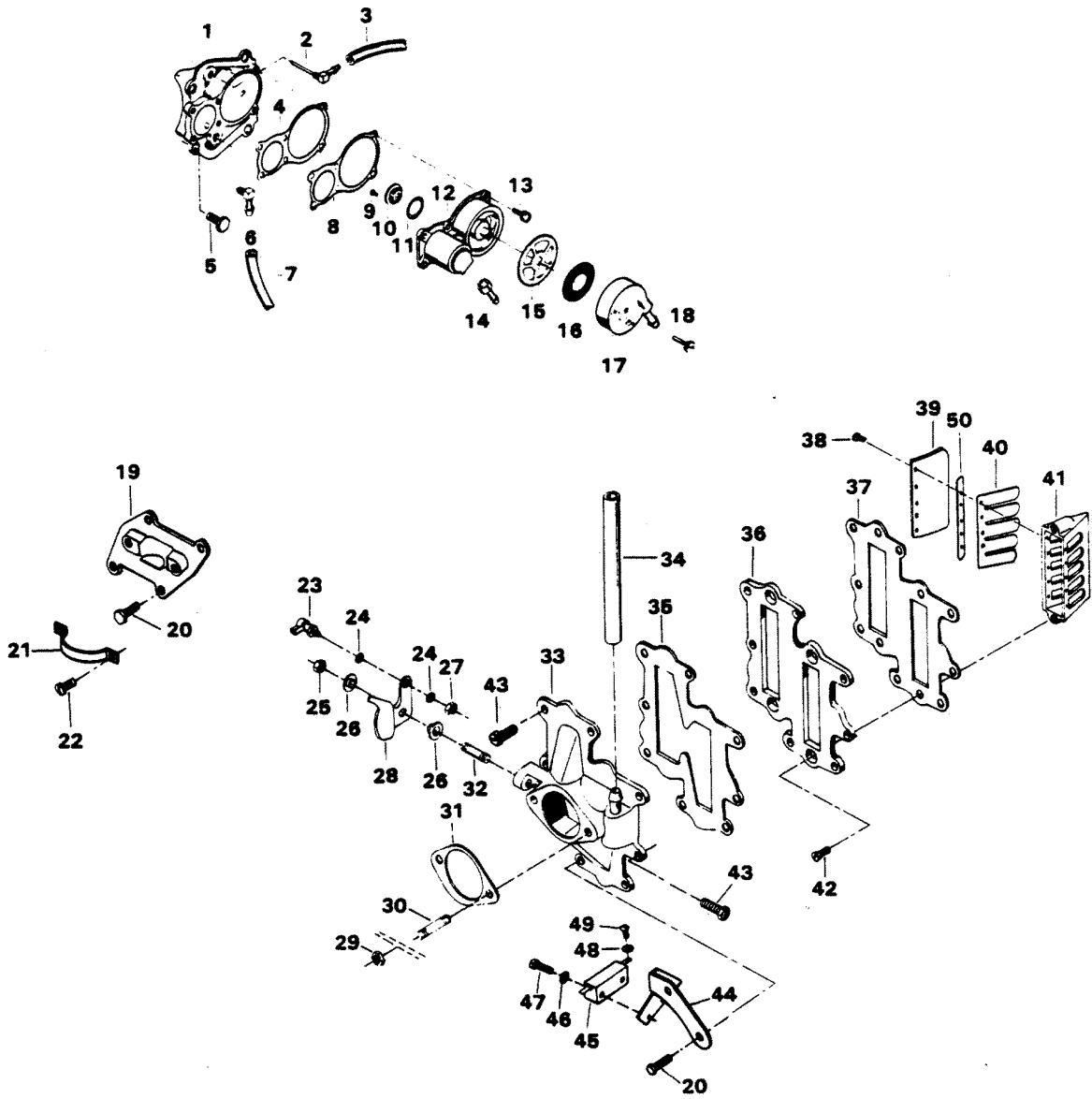


FUEL PUMP AND REED PLATE

REF. NO.	PART NO.	SYM.	QTY.	DESCRIPTION
1	FA439746		1	FUEL PUMP COVER W/PLUG
2	F404314		1	ELBOW, FUEL PUMP COVER
3	F441754-1		1	HOSE
4	F438760		1	FUEL PUMP GASKET
5	F1922		4	HEX CAP SCREW, 1/4 - 20 X 5/8
6	F84314-2		1	ELBOW
7	F89758		1	FUEL PUMP AIR HOSE - TOP
8	F438747		1	FUEL PUMP DIAPHRAGM
9	F1860		2	RD HD SCREW, 6 - 32 X 1/4
10	F177330		3	FUEL PUMP VALVE
11	F84792		1	GASKET, CENTER FUEL PUMP VALVE
12	FA438431		1	FUEL PUMP BODY W/VALVES
13	F1108		6	FILL HD SCREW, 1/4 - 20 X 3/4
14	F438801		1	FITTING
15	F438617		1	FUEL SEDIMENT BOWL GASKET
16	F438653		1	FUEL SEDIMENT BOWL SCREEN
17	F438500		1	FUEL SEDIMENT BOWL
18	F438165		1	SCREW, FUEL PUMP BOWL
19	F372958		1	CHOKE BRACKET
20	F1532		6	HEX HD SCREW, 1/4 - 20 X 1
21	F85317-1		1	SOLENOID CLAMP
22	F1236		2	SCREW, 1/4 - 20 X 1/2
23	817747--1		1	BALL JOINT W/STUD
24	F8058		2	INTERNAL TOOTH LOCKWASHER
25	F1910		1	STOP NUT, 1/4 - 20
26	F269319		2	THROTTLE CAM BEARING
27	F1513		1	HEX NUT, 10 - 32
28	F440192-1		1	THROTTLE CAM
29	F1346		4	HEX NUT
30	F440209		4	CARBURETOR STUD
31	F440906		2	CARBURETOR GASKET
32	F433209-1		1	THROTTLE CAM STUD
33	FA440167		1	CARBURETOR ADAPTER, LOWER W/FITTING AND ILLUS. 30
-	FA440157		1	CARBURETOR ADAPTER, UPPER W/FITTING AND ILLUS. 30 (NOT SHOWN)
34	F440254		1	BALANCE TUBE
35	F178168-1		1	GASKET, CARBURETOR ADAPTER
36	F178404-1		2	DEFLECTOR PLATE
37	F406406		2	GASKET DEFLECTOR PLATE
38	F1755		40	ROUND HD SCREW W/LOCKWASHER 6 - 32 X 1/4
39	F85161-1		8	REED STOP
40	F530160		8	REED (5 PETAL)
41	F3A523158		4	REED PLATE W/ILLUS. 38, 39, 40, 43 AND 50

CONTINUED ON NEXT PAGE ➡

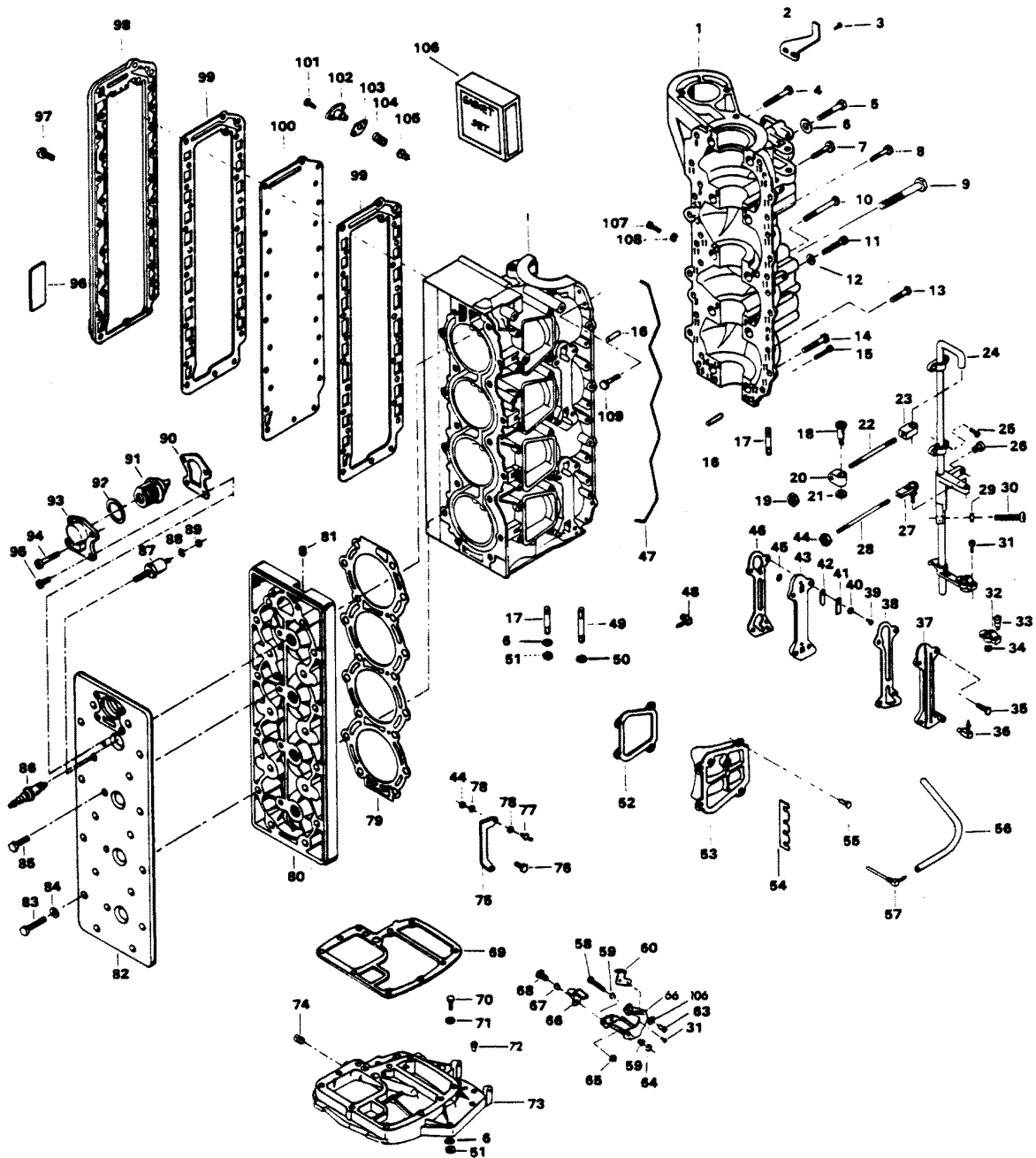
FUEL PUMP AND REED PLATE



FUEL PUMP AND REED PLATE

REF. NO.	PART NO.	SYM.	QTY.	DESCRIPTION
42	F1831		8	FLAT HD SCREW, 1/4 - 20 X 5/8
43	F2008		10	HEX HD SCREW, 1/4 - 20 X 7/8
44	F489551		1	BRACKET NEUTRAL INTERLOCK SWITCH
45	F84449		1	INTERLOCK SWITCH
46	F8088		2	PLAIN WASHER
47	F2016		2	FILL HD SCREW, 6 - 32 X 7/8
48	F1704		2	INTERNAL TOOTH LOCKWASHER
49	F1645		2	RD HD SCREW, 6 - 32 X 1/4
50	F523451		8	SPACER, REEDS STOP

POWER HEAD

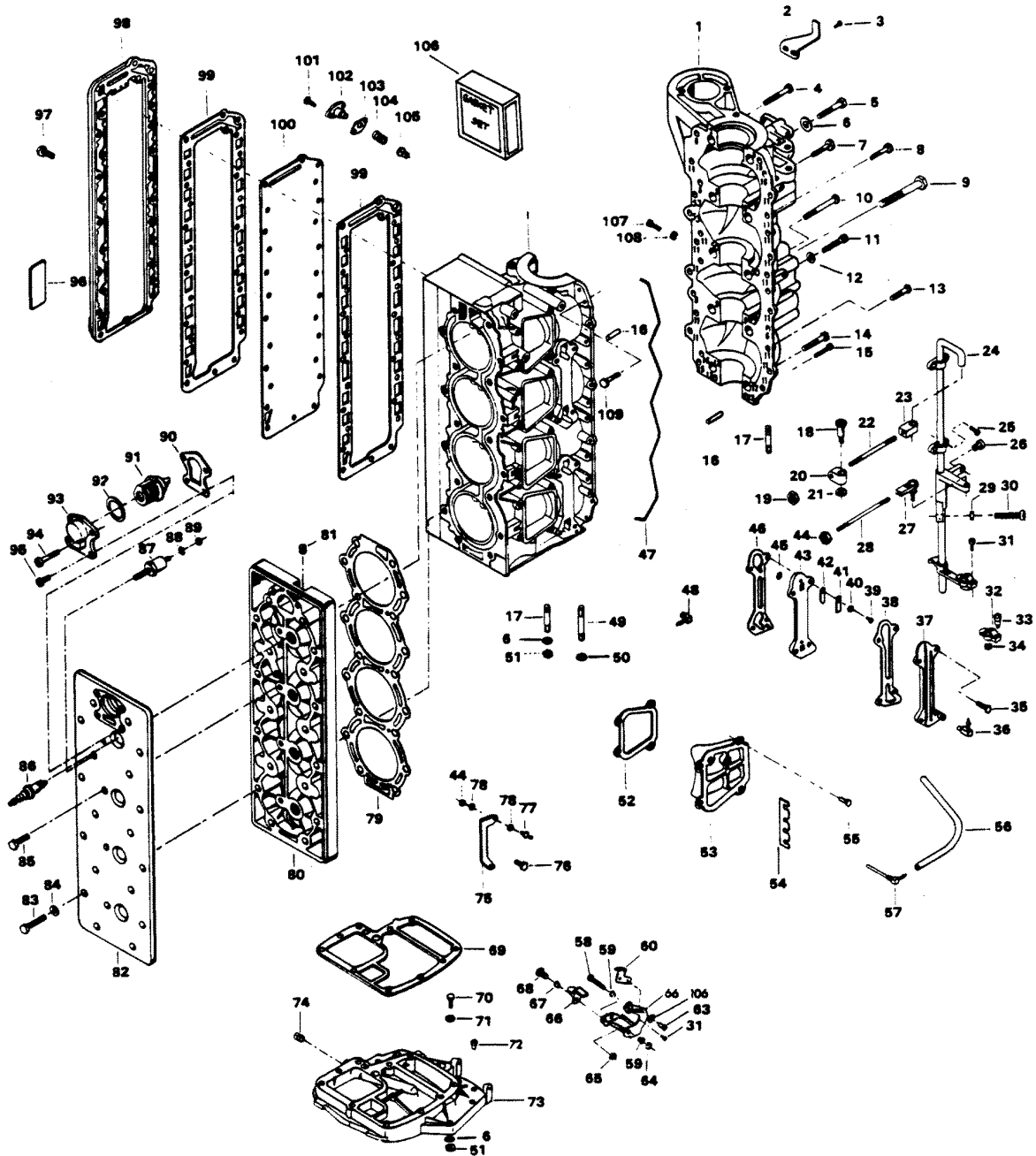


POWER HEAD

REF. NO.	PART NO.	SYM.	QTY.	DESCRIPTION
1	FA553010		1	CYLINDER W/CRANKCASE COVER ILLUS. 4, 5, 9, 11, 14, 16, 47 AND 49
-	FC553010		1	SHORT BLOCK, CONTAINS ALL ITEMS MARKED WITH AN ASTERISK (*). ALSO REFER TO CRANKSHAFT PAGE.
2	FA480894		1	TIMING POINTER W/ILLUS. 56 ON PAGE 4
3	F1760		2	PAN HD SCREW, 10 - 24 X 3/8
4	F1874		1	HEX HD SCREW, 3/8 - 16 X 1/8
5	F1009		1	HEX HD SCREW, 3/8 - 16 X 2-3/4
6	F8038		4	PLAIN WASHER
7	F2008		2	HEX HD SCREW, 1/4 - 20 X 7/8
8	F2008		3	HEX HD SCREW, 1/4 - 20 X 7/8
9	F1873		2	HEX CAP SCREW, 3/8 - 16 X 3
10	F1699		1	HEX HD SCREW, 1/4 - 20 X 1-1/8
11	F1253		4	HEX SOCKET HD CAP SCREW, 3/8 - 16 X 2
12	F8104		4	PLAIN WASHER
13	F1864		16	HEX HD SCREW, 1/4 - 20 X 3/4
14	F1872		2	HEX CAP SCREW, 3/8 - 16 X 1-3/4
15	F1099		2	FILL HD SCREW, 1/4 - 20 X 1-1/4
16	F8563		2	DOWEL PIN
17	F85859		4	STUD
18	F85026		1	SWIVEL
19	F2015		1	HEX NUT, 1/4 - 28
20	F85035		1	DISTRIBUTOR, CONTROL ROD END
21	F1935		1	PLAIN WASHER
22	F85445		1	CONTROL ROD
23	F85036		1	TOWERSHAFT CONTROL ROD END
24	817932A6		1	TOWERSHAFT W/SWIVEL, BEARINGS AND SCREWS
25	F1475		4	FILL HD SCREW, 10 - 24 X 1/2
26	F1727		1	PLASTIC RIVET
27	817747--1		1	BALL JOINT W/STUD
28	F85502		1	THROTTLE LINK
29	F1341		1	HEX NUT, 1/4 - 20
30	F1052		1	FILL HD SCREW, 1/4 - 20 X 1
31	F1556		2	FILL HD SCREW, W/LOCKWASHER, 10 - 24 X 3/8
32	FK405020		2	SWIVEL W/CLAMP, SHOULDER SCREW AND NUT
33	F405457		1	PIVOT SCREW
34	F7008		1	ELASTIC STOP NUT
35	F1532		8	HEX HD SCREW, 1/4 - 20 X 1
36	22-818103--1		1	ELBOW, CYLINDER DRAIN LOWER
-	F404801		1	ELBOW, CYLINDER DRAIN UPPER (NOT SHOWN)
37	F406471-1		2	CYLINDER DRAIN COVER
38	F84472-5		2	GASKET, CYLINDER DRAIN COVER
39	F1286		4	PAN HD SCREW, 4 - 40 X 3/16
40	F8003		4	PLAIN WASHER

CONTINUED ON NEXT PAGE ➡

POWER HEAD

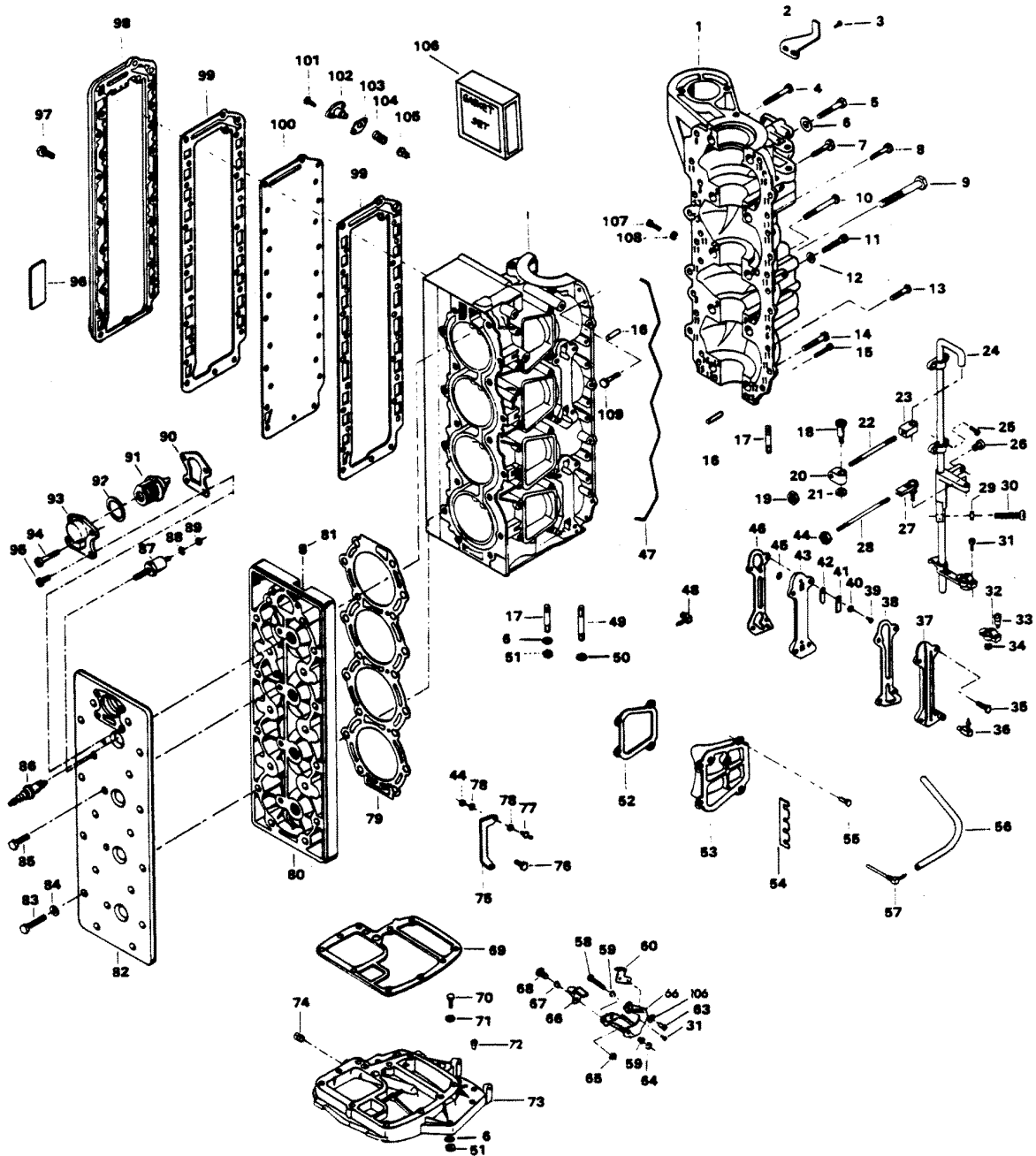


POWER HEAD

REF. NO.	PART NO.	SYM.	QTY.	DESCRIPTION
41	F93920		4	REED STOP
42	F18160-2		4	CYLINDER DRAIN REED
43	F2A406757		2	CYLINDER DRAIN REED W/ILLUS. 39, 40, 41, 42 AND 45
44	F1513		4	HEX NUT, 10 - 32
45	F93811		4	SCREEN
46	F84748-3		2	GASKET, CYL. DRAIN REED PLATE
47	F184122-1		1	SEAL, PARTING LINE
48	F84314-2		1	ELBOW
49	F85211		6	STUD
50	F8095		12	PLAIN WASHER
51	F7004		10	STOP NUT, 3/8 - 16
52	F40223		4	GASKET, TRANSFER PORT COVER
53	FA411222		3	TRANSFER PORT COVER W/ILLUS. 81
54	F523834		1	CLIP, SPARK PLUG WIRE
55	F1922		10	HEX CAP SCREW, 1/4 - 20 X 5/8
56	F406754-1		1	HOSE
57	F404314		1	FITTING
58	F1885		1	HEX BOLTS. S.S., 5/16 - 18 X 4-1/4
59	F85610		2	BEARING
60	F480107-1		1	CAM STARTER INTERLOCK
61	FA480876		1	GEAR SHIFT ARM W/ILLUS. 32, 59, 65, 66, 67 AND 68
62	F2042		2	PLAIN WASHER
63	F2089		2	SLOTTED PAN HD M. SCREW 10 - 24 X 5/16
64	F2108		1	STOP NUT, 5/16 - 18
65	F1832		1	STOP NUT, 1/4 - 20
66	F369977-1		1	INTERLOCK ARM
67	F369610		1	BEARING
68	F369887		1	SHOULDER SCREW
69	F85279-2		1	GASKET, CYLINDER EXHAUST UPPER
70	F1869		6	HEX CAP SCREW, 3/8 - 16 X 1-1/4
71	F1703		6	LOCKWASHER
72	F40689-1		1	BEARING
73	817788A3		1	SPACER PLATE W/ILLUS. 74 ORIGINAL FORCE P/N A404680-1
74	F2090		1	PLUG
75	FS85872-1		1	BRACKET W/ILLUS. 54
76	F1864		2	HEX CAP SCREW, 1/4 - 20 X 3/4
77	F98273		2	ROD END CONNECTOR STUD
78	F8058		4	INTERNAL TOOTH LOCKWASHER
79	F476529-1		1	CYLINDER HEAD GASKET
80	FA528518		1	CYLINDER HEAD W/ILLUS. 81
81	F19109		1	PLUG
82	F528995		1	COVER, CYLINDER HEAD
83	F2049		18	HEX CAP SCREW, 5/16 - 18 X 2-5/8

CONTINUED ON NEXT PAGE ➡

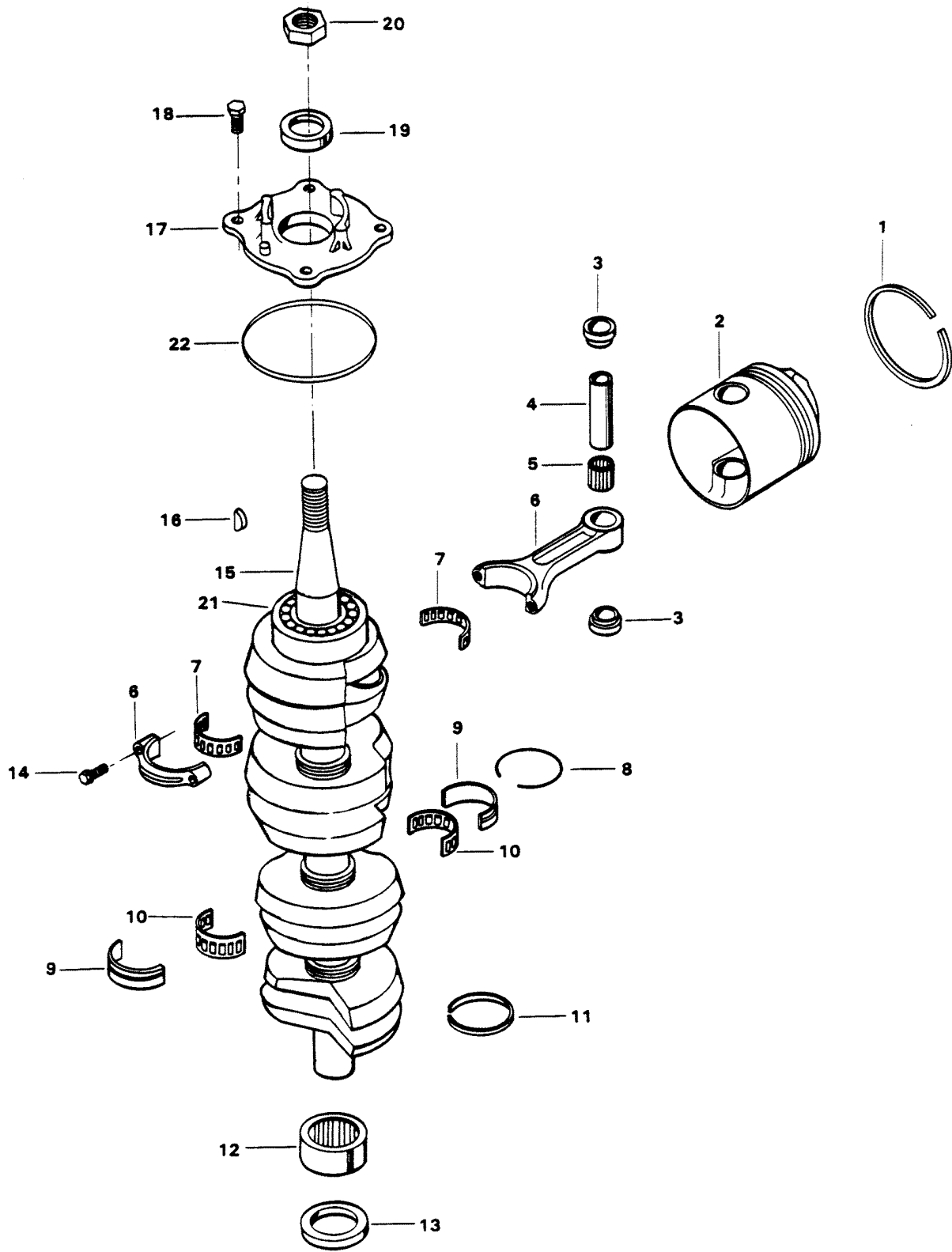
POWER HEAD



POWER HEAD

REF. NO.	PART NO.	SYM.	QTY.	DESCRIPTION
84	F1987		18	PLAIN WASHER
85	F2008		4	HEX CAP SCREW, 1/4 - 20 X 7/8
86	33-97180		4	SPARK PLUG (CHAMPION L20V) - USA
-	C523227		4	SPARK PLUG (CHAMPION QL-76V) - CANADA.
87	87-817778A1		1	THERMOSWITCH W/ILLUS. 88 AND 89 ORIGINAL FORCE P/N A335449-1
88	F8056		1	LOCKWASHER
89	F1647		1	HEX NUT, 8 - 32
90	F476067		1	GASKET
91	F528068		1	THERMOSTAT
92	F84504		1	GROMMET (THERMOSTAT)
93	F476066-1		1	THERMOSTAT COVER
94	F1099		2	FILL HD SCREW, 1/4 - 20 X 1-1/4
95	F1107		2	SLOTTED FILL HD CAP SCREW, 1/4 - 20 X 3/4
96	F438398		1	DECAL, WIRING - USA
-	FC438398		1	DECAL, WIRING - CANADA
97	F1916		27	HEX BOLT, 1/4 - 20 X 1-1/8
98	F372152-1		1	EXHAUST PORT COVER
99	F372154-1		2	GASKET, EXHAUST PORT PLATE
100	F372151-1		1	EXHAUST PORT PLATE
101	F1950		2	HEX CAP SCREW, 10 - 24 X 5/8
102	F438066		1	BY-PASS VALVE COVER
103	F85762		1	BY-PASS VALVE COVER GASKET
104	F404268		1	BY-PASS VALVE SPRING
105	F85916-1		1	BY-PASS VALVE
106	FG1019		1	GASKET SET (INCLUDES THE FOLLOWING)
-	F40223		4	TRANSFER PORT COVER GASKET
-	F84472-5		2	CYLINDER DRAIN COVER GASKET
-	F84748-3		2	CYLINDER DRAIN REED PLATE GASKET
-	F85279-2		1	CYLINDER EXHAUST UPPER GASKET
-	F85762		1	BY-PASS COVER GASKET
-	F85906		2	CARBURETOR GASKET
-	F178168-1		2	CARBURETOR ADAPTER GASKET
-	F184122-1		1	SEAL
-	F372154-1		2	EXHAUST PLATE GASKET
-	F406406		2	DEFLECTOR PLATE GASKET
-	F440906		2	CARBURETOR GASKET
-	F476067		1	THERMOSTAT COVER GASKET
-	F476529-1		1	CYLINDER HEAD GASKET
107	F2000		1	HEX CAP SCREW, 5/16 - 18 X 3/4
108	F8096		1	SPRING LOCKWASHER
109	F1532		2	HEX HD SCREW, 1/4 - 20 X 1

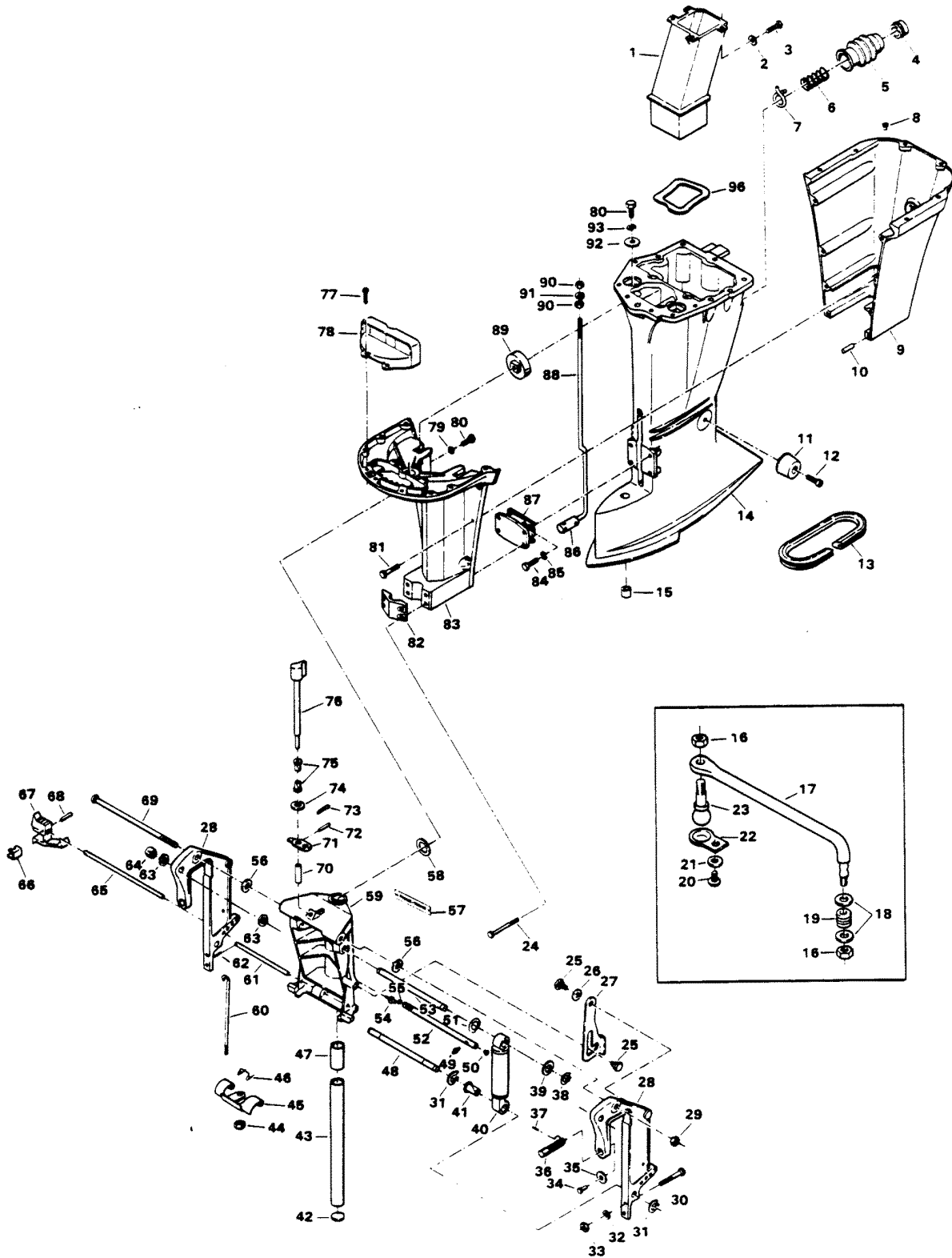
CRANKSHAFT AND PISTON GROUP



CRANKSHAFT AND PISTON GROUP

REF. NO.	PART NO.	SYM.	QTY.	DESCRIPTION
1	FA475260		4	PISTON RING SET (2 PER SET) - STANDARD
-	FSA475260		4	PISTON RING (2 PER SET) .010 OVERSIZE
-	39-818123A1		4	PISTON RING (2 PER SET) .030 OVERSIZE
2	F511015-2		4	PISTON - STANDARD
-	700-819409A3		4	PISTON .010 OVERSIZE
-	700-819409A4		4	PISTON .030 OVERSIZE
3	F335215		8	SPACER, PISTON PIN (2 PER PISTON)
4	F85017		4	PISTON PIN
5	F335217-1		4	BEARING, PISTON PIN (26 PER SET)
6	600-818052A4		4	CONNECTING ROD W/CAP AND ILLUS. 14 ORIGINAL FORCE P/N S366016-4
7	FK85228-1		4	BEARING CAGE W/ROLLER
8	F85410		3	SNAP RING *
9	FA85655-1		3	CRANKSHAFT MAIN BEARING RACE W/SNAP RING
10	F85571		3	BEARING CAGE W/ROLLER
11	F316579		3	SEAL, CRANKCASE
12	FA523014		1	CRANKSHAFT LOWER MAIN BEARING W/ILLUS. 13
13	F523146		1	SEAL, CRANKSHAFT LOWER
14	F85634-2		8	CONNECTING ROD SCREW
15	400-817735A4		1	CRANKSHAFT W/ILLUS. 21 ORIGINAL FORCE P/N A178018-4
16	F85498		1	FLYWHEEL KEY
17	31-817785A2		1	CRANKSHAFT BEARING CAGE W/ILLUS. 19 ORIGINAL FORCE P/N A373144-2
18	F1867		4	HEX CAP SCREW, 3/8 - 16 X 1
19	F84146-2		1	SEAL
20	F1968		1	FLYWHEEL NUT
21	F284659-2		1	BEARING, CRANKSHAFT UPPER MAIN
22	F84278		1	SEAL
-	F2067		1	PLASTISOL CAP (NOT SHOWN) FOR EXPOSED THREADS OF CRANKSHAFT

MOTOR LEG

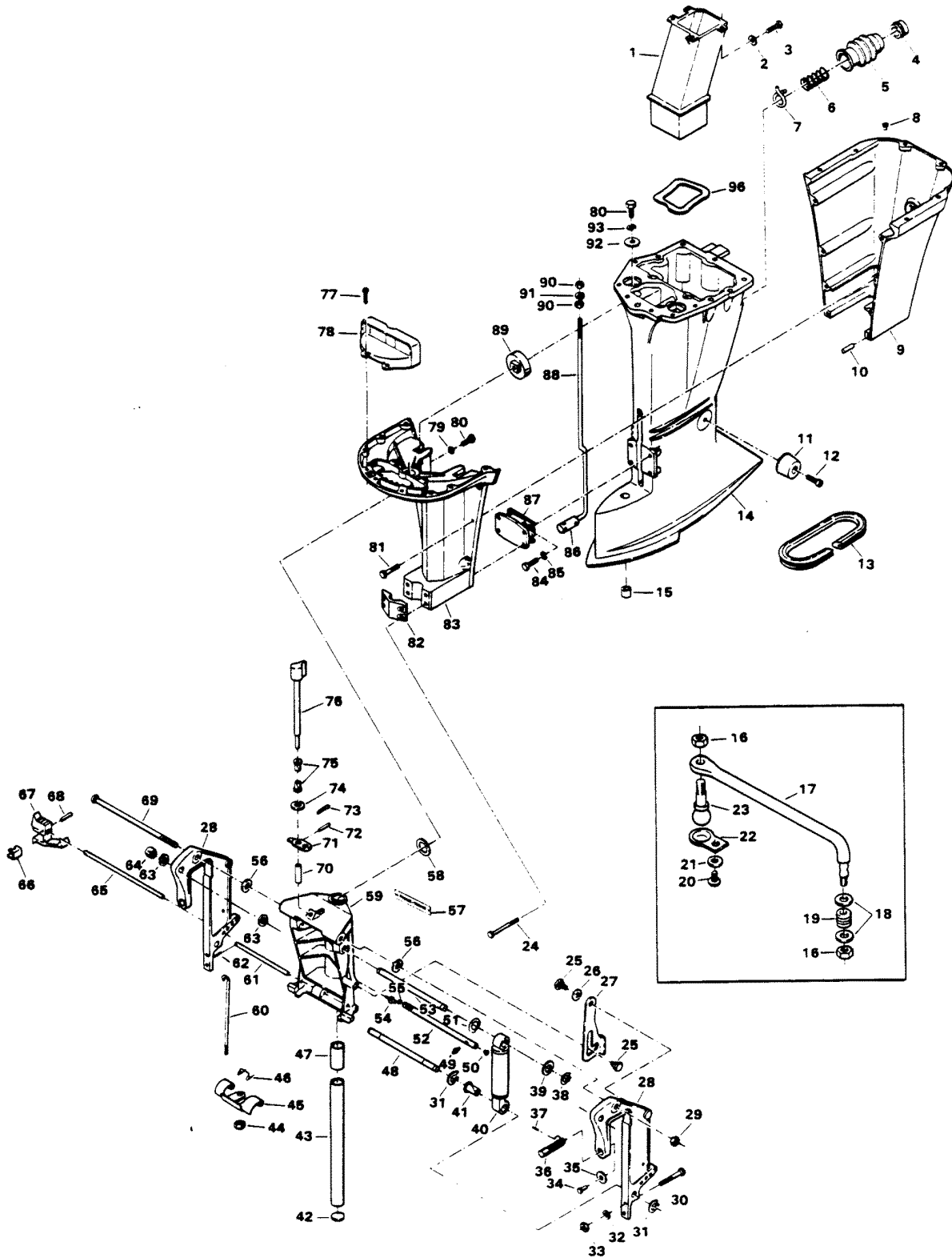


MOTOR LEG

REF. NO.	PART NO.	SYM.	QTY.	DESCRIPTION
1	F85660-1		1	EXHAUST TUBE
2	F8083		4	SPRING LOCKWASHER
3	F1705		4	HEX SLOT HD SCREW, 1/4 - 20 X 3/4
4	F85258		1	INSERT
5	F85130		1	BOOT IDLE EXHAUST
6	F85380		1	SPRING
7	F85772		1	CLAMP
8	F1729		2	PLUG
9	F178145-3		1	MOTOR LEG COVER REAR
10	F1664		2	SPRING PIN
11	F1263		2	HEX SOCKET HD CAP SCREWS, 5/16 - 18 X 9/16
12	F438962		2	SHOCK MOUNT LOWER REAR
13	F178323		1	SEAL, MOTOR LEG
14	F523133-2		1	MOTOR LEG
15	F338618-1		1	SEAL, GEAR SHIFT ROD
16	F2093		2	STOP NUT, 3/8 - 24
17	F523881-2		1	STEERING LINK
18	F8038		2	PLAIN WASHER
19	F523300-1		1	SPRING
20	F1280		1	PAN HD SCREW, 8 - 32 X 1/4
21	F8080		1	SPRING LOCKWASHER
22	F523930		1	RETAINER
23	F523273		1	STEERING BALL STUD
24	F1696		4	HEX BOLT, 5/16 - 18 X 1-3/4
25	F85350-1		2	TILT STOP PIVOT
26	F1666		1	SPRING BOWED WASHER
27	F85541-1		1	TILT LOCK
28	1400-817958A6		2	STERN BRACKET
29	F7012		1	STOP NUT
30	F1593		2	HEX HD SCREW, 3/8 - 16 X 3
31	F178173		4	RETAINING RING
32	F1904		2	PLAIN WASHER
33	F1346		2	HEX NUT
34	F353480		2	STUD
35	F84074		2	CLAMP SCREW FOOT
36	F474073-1		2	CLAMP SCREW
37	F8538		2	SPRING PIN
38	F178208		2	RETAINING RING
39	F1710		2	PLAIN WASHER
40	FA178962		2	SHOCK ABSORBER W/BUSHING
41	F178362		2	BEARING
42	F1528		1	WELCH PLUG
43	FA85019		1	KINGPIN WILLUS.42

CONTINUED ON NEXT PAGE ➡

MOTOR LEG

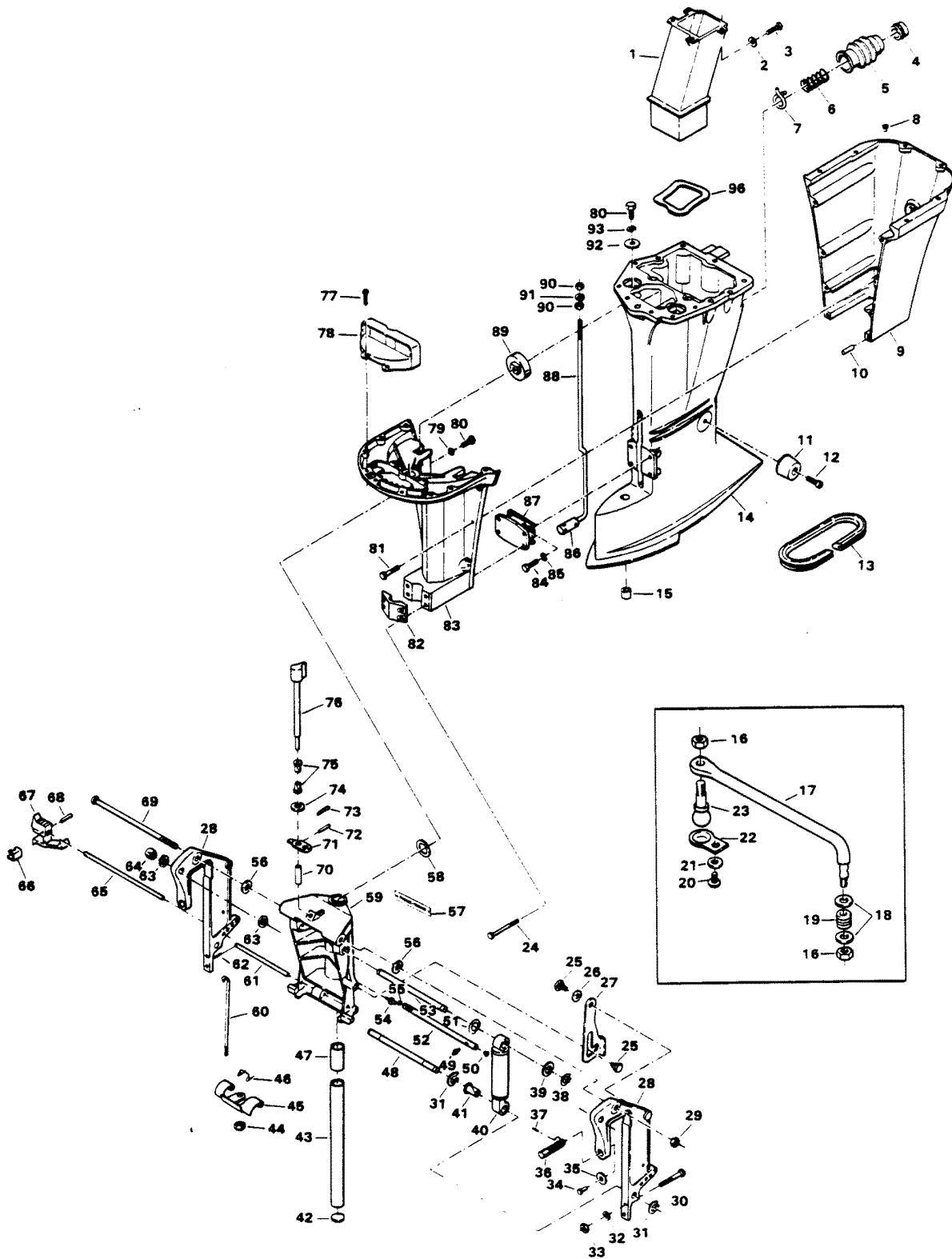


MOTOR LEG

REF. NO.	PART NO.	SYM.	QTY.	DESCRIPTION
44	F1669		1	LOCK NUT
45	F369349		1	REVERSE LOCK
46	F85300		1	REVERSE LOCK SPRING
47	F438169		2	BEARING
48	F178632		1	SHAFT, SHOCK MOUNT LOWER
49	F523274		1	GREASE FITTING
50	F9052		1	PLUG
51	F1711		2	SPRING BOWED WASHER
52	F511125-2		1	TUBE, STEERING SUPPORT
53	F178889		1	SHAFT, SHOCK MOUNT UPPER
54	F213274		3	GREASE FITTING
55	F316599		1	SEAL, STEERING SUPPORT TUBE
56	F84286-1		4	FRICITION WASHER
57	F474390-1		1	DECAL, REVERSE LOCK - USA
-	37-819450		1	DECAL, REVERSE LOCK - CANADA
58	F84011		1	WASHER
59	817783A5		1	SWIVEL BRACKET WILLUS. 47 AND 54 ORIGINAL FORCE P/N A 369072-1
60	F369510		1	LINK REVERSE LOCK
61	F177350		1	REVERSE LOCK PIN
62	F1744		1	SPRING PIN
63	F523280		1	NUT, STEERING SUPPORT TUBE
64	F9018		1	CAP
65	FA438113		1	STERN BRACKET LOCK BAR WILLUS. 66, 67 AND 68
66	F286461		1	SPRING, LOCK BAR HANDLE
67	F433114		1	HANDLE, LOCK BAR
68	F1744		1	SPRING PIN
69	F85037-1		1	STERN BRACKET PIVOT BOLT
70	F483884		1	BEARING
71	F369364		1	REVERSE LOCK ARM
72	F1836		1	SPRING PIN
73	F1014		1	COTTER PIN
74	F8094		1	PLAIN WASHER
75	F197813		2	BEARING
76	F369827		1	LEVER AND SHAFT
77	F1912		4	HEX HD SCREW, 10 - 24 X 1/2
78	F85779-1		1	BAFFLE, AIR INTAKE
79	F1703		2	SPRING LOCKWASHER
80	F1871		4	HEX HD SCREW, 3/8 - 16 X 3/4
81	F2030		6	HEX HD SCREW, 1/4 - 20 X 1-1/4
82	F85606		1	KINGPIN CAP
83	A3		1	LEG COVER FRONT WILLUS. 81
84	F1822		4	HEX BOLT, 5/16 - 18 X 7/8

CONTINUED ON NEXT PAGE ➡

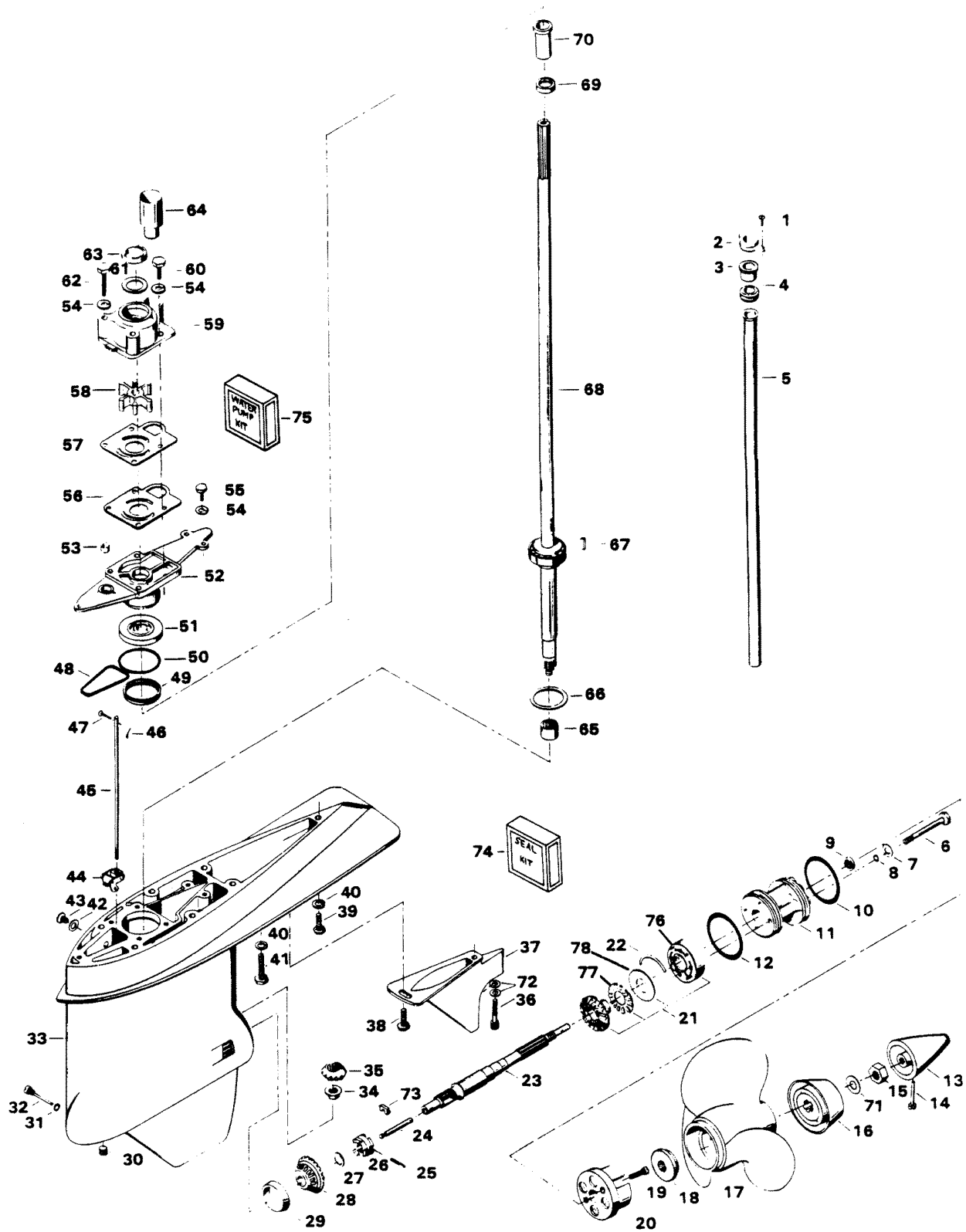
MOTOR LEG



MOTOR LEG

REF. NO.	PART NO.	SYM.	QTY.	DESCRIPTION
85	F8096		4	SPRING LOCKWASHER
86	F85704		1	COUPLER, GEAR SHIFT ROD
87	F438346		1	SHOCK MOUNT LOWER
88	F85615		1	GEAR SHIFT ROD UPPER
89	F85965		2	SHOCK MOUNT UPPER
90	F2108		2	LOCK NUT
91	F1987		1	PLAIN WASHER
92	FA85355-1		2	WASHER W/ILLUS. 93
93	F2014		2	PLAIN WASHER
94	F439736		1	SEAL, EXHAUST TUBE

GEAR HOUSING

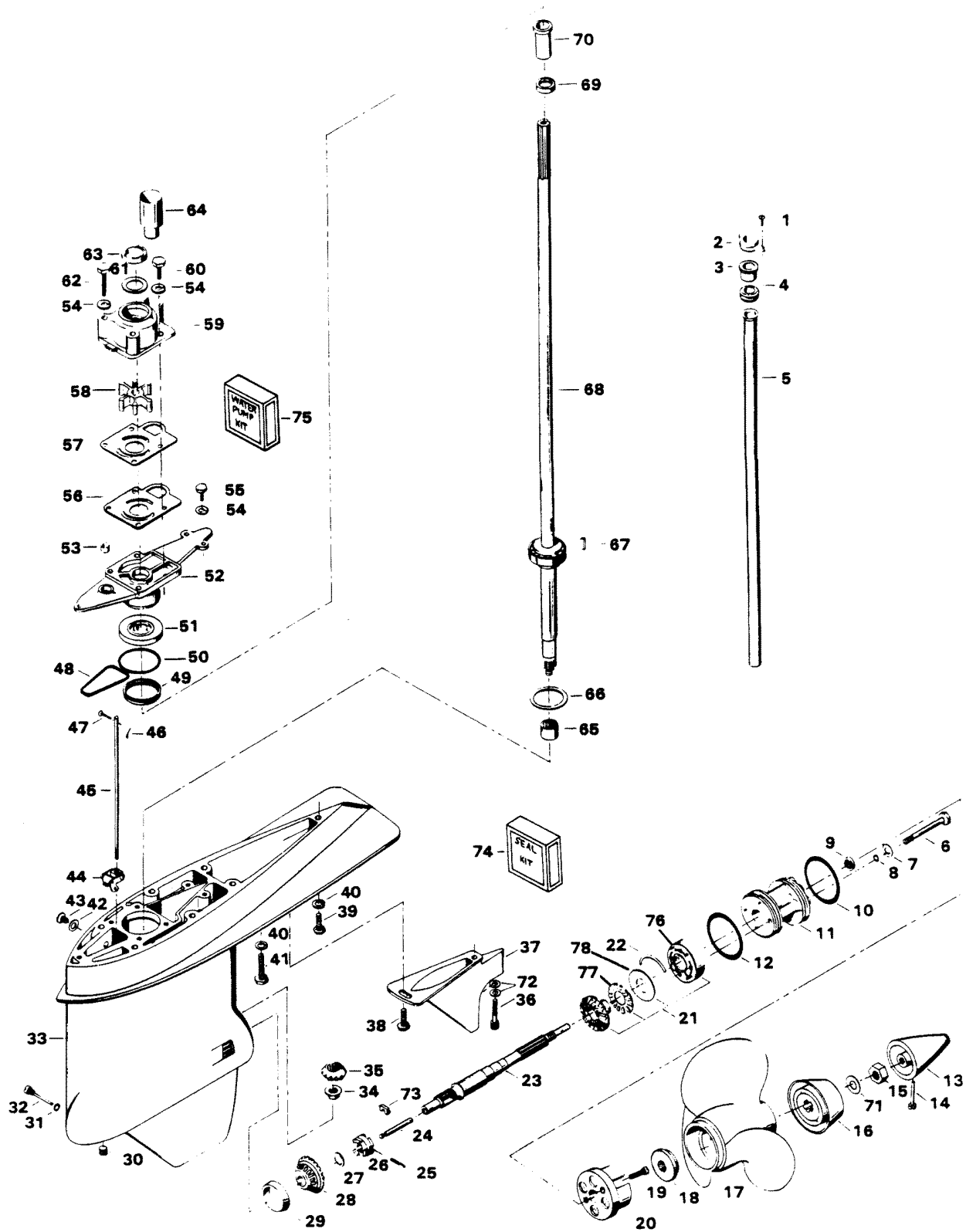


GEAR HOUSING

REF. NO.	PART NO.	SYM.	QTY.	DESCRIPTION
1	F1705		2	HEX CAP SCREW, 1/4 - 20 X 3/4
2	F85117		1	BRACKET, WATER LINE
3	F84342		1	SEAL, INLET WATER LINE, UPPER
4	F523899		1	GROMMET, WATER LINE
5	F523244		1	INLET WATER LINE
6	F1885		4	HEX CAP SCREW, 5/16 - 18 X 4-1/4
7	F1907		4	PLAIN WASHER
8	F50342-1		4	SEAL, O-RING
9	F506118		1	SEAL, PROPELLER SHAFT
10	F24278		1	SEAL, O-RING PROPELLER SHAFT SPOOL
11	F2A523239		1	SPOOL, PROPELLER SHAFT BEARING W/ILLUS. 9
12	F84305		1	SEAL, O-RING PROPELLER SHAFT SPOOL
13	F523094-2		1	PROPELLER NUT
14	F498891		1	PIN, PROPELLER NUT RETAINING
15	F1788		1	STOP NUT
16	F5H119		1	WASHER
17	FPS524		1	PROPELLER (ACCESSORY ITEM)
18	F523099-1		1	SPACER, PROPELLER
19	F1577		2	FILL HD SCREW, 1/4 - 20 X 3/4
20	FA523485		1	ANTICORROSION ANODE W/LITERATURE
21	F2A523662		1	BEVEL GEAR REAR W/BEARING CAGE SPACER AND BEARING
22	F523411		2	RETAINING RING, BEARING CAGE
23	FA523098		1	PROPELLER SHAFT
24	F84871-1		1	PIN, GEAR SHIFT W/YOKE
25	F1713		1	SPRING PIN
26	F84521-1		1	CLUTCH
27	F1936		A/R	SPACER, BEVEL GEAR FRONT .059
-	F1937		A/R	SPACER, BEVEL GEAR FRONT .062
-	F1938		A/R	SPACER, BEVEL GEAR FRONT .065
-	F1939		A/R	SPACER, BEVEL GEAR FRONT .068
-	F1940		A/R	SPACER, BEVEL GEAR FRONT .071
-	F1941		A/R	SPACER, BEVEL GEAR FRONT .074
-	F1942		A/R	SPACER, BEVEL GEAR FRONT .077
-	F2113		A/R	SPACER, BEVEL GEAR FRONT .080
-	F2114		A/R	SPACER, BEVEL GEAR FRONT .083
-	F2115		A/R	SPACER, BEVEL GEAR FRONT .086
-	F2116		A/R	SPACER, BEVEL GEAR FRONT .089
-	F2121		A/R	SPACER, BEVEL GEAR FRONT .057
-	F2122		A/R	SPACER, BEVEL GEAR FRONT .054
28	F2A523023		1	BEVEL GEAR FRONT W/BEARING AND SHIMS
29	F523813		1	BEARING CUP
30	F19109		1	PLUG *

CONTINUED ON NEXT PAGE ➡

GEAR HOUSING

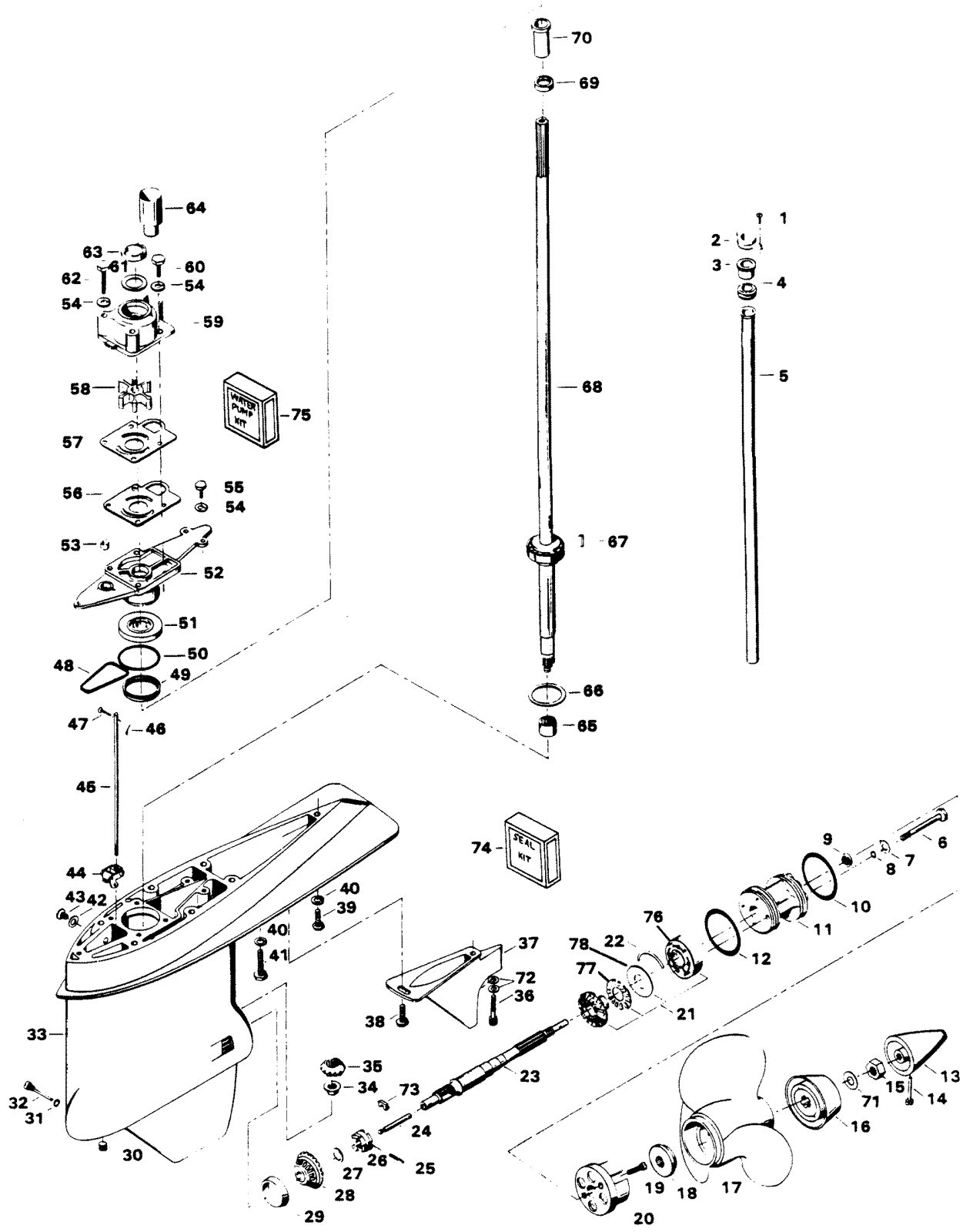


GEAR HOUSING

REF. NO.	PART NO.	SYM.	QTY.	DESCRIPTION
31	F498618		1	O-RING
32	F498891		1	PIN, GEAR SHIFT ARM
33	FA523054		1	GEAR HOUSING WILLUS. 29, 30, 42, 43 AND 65
-	FC555054		1	GEAR HOUSING COMPLETE INCLUDES ALL ITEMS MARKED WITH AN ASTERISK (*)
34	F523188		1	NUT, BEVEL PINION
35	43-817854A2		1	BEVEL PINION GEAR WILLUS. 49 AND 66 ORIGINAL FORCE P/N A523266-1
36	F1994		1	HEX SOCKET HD CAP SCREW, 5/16 - 18 X 1
37	F523116		1	EXHAUST SNOOT
38	F438930		1	RETAINER; SNOOT
39	F1858		1	HEX CAP SCREW, 5/16 - 18 X 1
40	F8096		7	SPRING LOCKWASHER
41	F1491		6	HEX HD SCREW, 5/16 - 18 X 3-1/4
42	F8077		2	WASHER, GEAR HOUSING PLUG
43	F50109		2	PLUG, GEAR HOUSING
44	FA84621-1		1	COUPLING, GEAR SHIFT ARM W/BUSHING
45	F523705		1	GEAR SHIFT ROD LOWER
46	F1015		1	COTTER PIN
47	F85372		1	PIN, GEAR SHIFT ROD LOWER
48	F523555		1	SEAL, O-RING, GEAR HOUSING COVER
49	F523961		1	CRUSH RING
50	F74305		1	SEAL, DRIVESHAFT BEARING CAGE
51	F506118		1	SEAL, DRIVESHAFT
52	F2A550706		1	GEAR HOUSING COVER WILLUS. 51 AND 53
53	F338618-1		1	SEAL, GEAR SHIFT ROD
54	F8083		7	SPRING LOCKWASHER
55	F2008		3	HEX CAP SCREW, 1/4 - 20 X 7/8
56	F523031		1	GASKET, WATER PUMP
57	F523562		1	PLATE, WATER PUMP
58	F523065-1		1	IMPELLER, WATER PUMP
59	46-817853A1		1	WATER PUMP BODY WILLUS. 61, 63 AND 64 ORIGINAL FORCE P/N A523060-1
60	F1990		2	HEX CAP SCREW, 1/4 - 20 X 1-5/8
61	F480388		1	DISC, WATER PUMP LOCATING
62	F1425		2	HEX CAP SCREW, 1/4 - 20 X 1-5/8
63	F351307		1	SEAL, DRIVESHAFT - WATER PUMP
64	FA523735		1	SEAL, INLET WATER LINE, LOWER W/LITERATURE
65	F523057		1	BEARING, DRIVESHAFT LOWER
66	F9106		0	SHIM, DRIVESHAFT BEARING UPPER .003 BRASS
-	F9095		0	SHIM, DRIVESHAFT BEARING UPPER .005 BRASS
-	F9096		0	SHIM, DRIVESHAFT BEARING UPPER .007 BRASS
-	F9097		0	SHIM, DRIVESHAFT BEARING UPPER .010 BRASS
67	F523498		1	DRIVE KEY, WATER PUMP

CONTINUED ON NEXT PAGE ➡

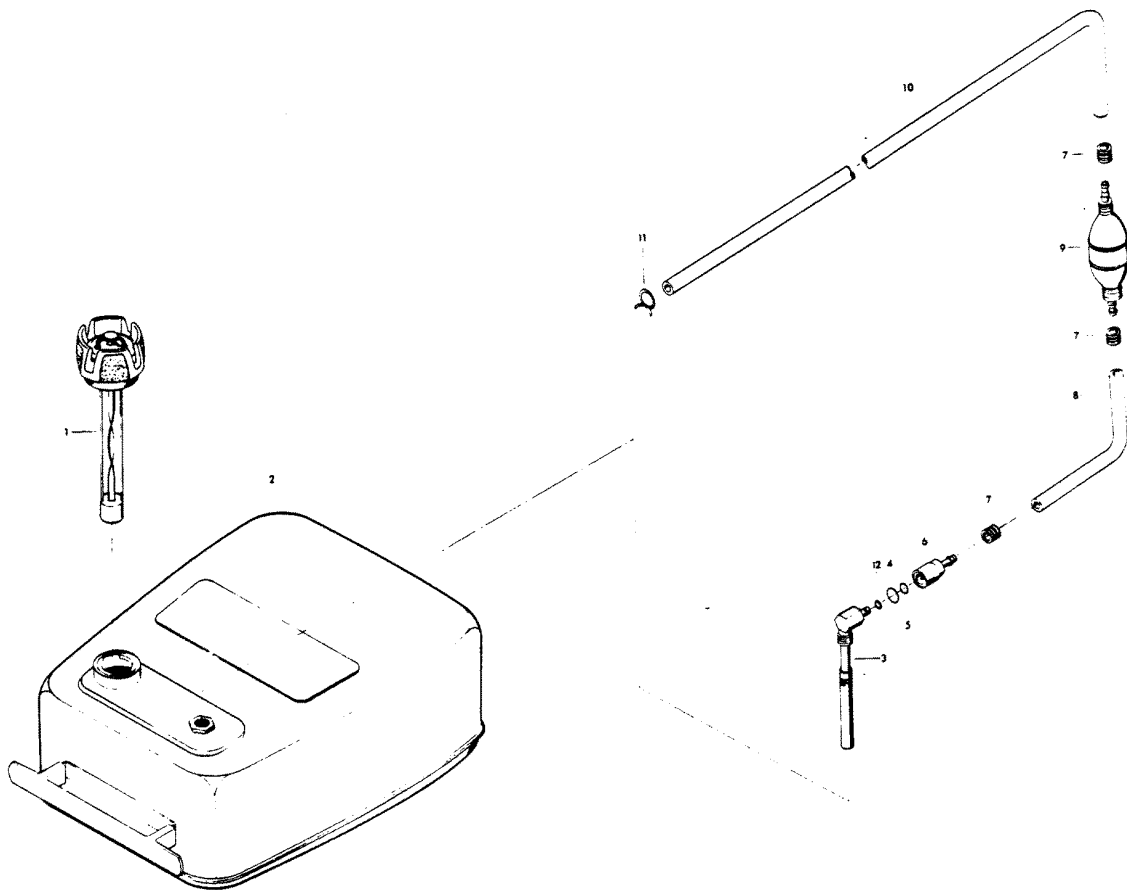
GEAR HOUSING



GEAR HOUSING

REF. NO.	PART NO.	SYM.	QTY.	DESCRIPTION
68	FK550128		1	DRIVESHAFT W/BEARING ILLUS. 49 AND 66
69	F438271		1	RETAINER, CRANKSHAFT SPLINE SEAL
70	F438129		1	SEAL, DRIVESHAFT SPLINE
71	F1866		1	PLAIN WASHER
72	F1856		2	PLAIN WASHER
73	F90619-1		1	YOKE
74	FK1063-1		1	SEAL KIT (INCLUDES THE FOLLOWING)
-	F50342-1		4	BEARING CAGE BOLT SEAL
-	F506118		2	PROPELLER SHAFT SEAL
-	F24278		1	PROPELLER SHAFT SPOOL SEAL
-	F84305		1	PROPELLER SHAFT SPOOL SEAL
-	F498618		1	GEAR SHIFT ARM PIN SEAL
-	F8077		2	WASHER
-	F523555		1	GEAR HOUSING COVER SEAL
-	F74305		1	GEAR HOUSING COVER SEAL
-	F84307-1		1	DRIVESHAFT SEAL
-	F338618-1		1	GEAR SHIFT ROD SEAL
75	FK1069		1	WATER PUMP KIT
-	F1425		2	HEX CAP SC. 1/4 - 20 X 5/8
-	F1990		2	HEX CAP SCREW
-	F8083		4	SPRING LOCKWASHER
-	F523031		1	GASKET, WATER PUMP
-	F523065-1		1	IMPELLER
-	F523498		1	KEY
-	F523562		1	PLATE, WATER PUMP
-	46-817853A1		1	WATER PUMP
76	FA523136		1	CAGE, REAR
77	F523901		1	BEARING, BEVEL GEAR REAR
78	F2117		A/R	SPACER, BEVEL GEAR REAR
-	F2118		A/R	SPACER, BEVEL GEAR REAR
-	F2119		A/R	SPACER, BEVEL GEAR REAR
-	F2120		A/R	SPACER, BEVEL GEAR REAR

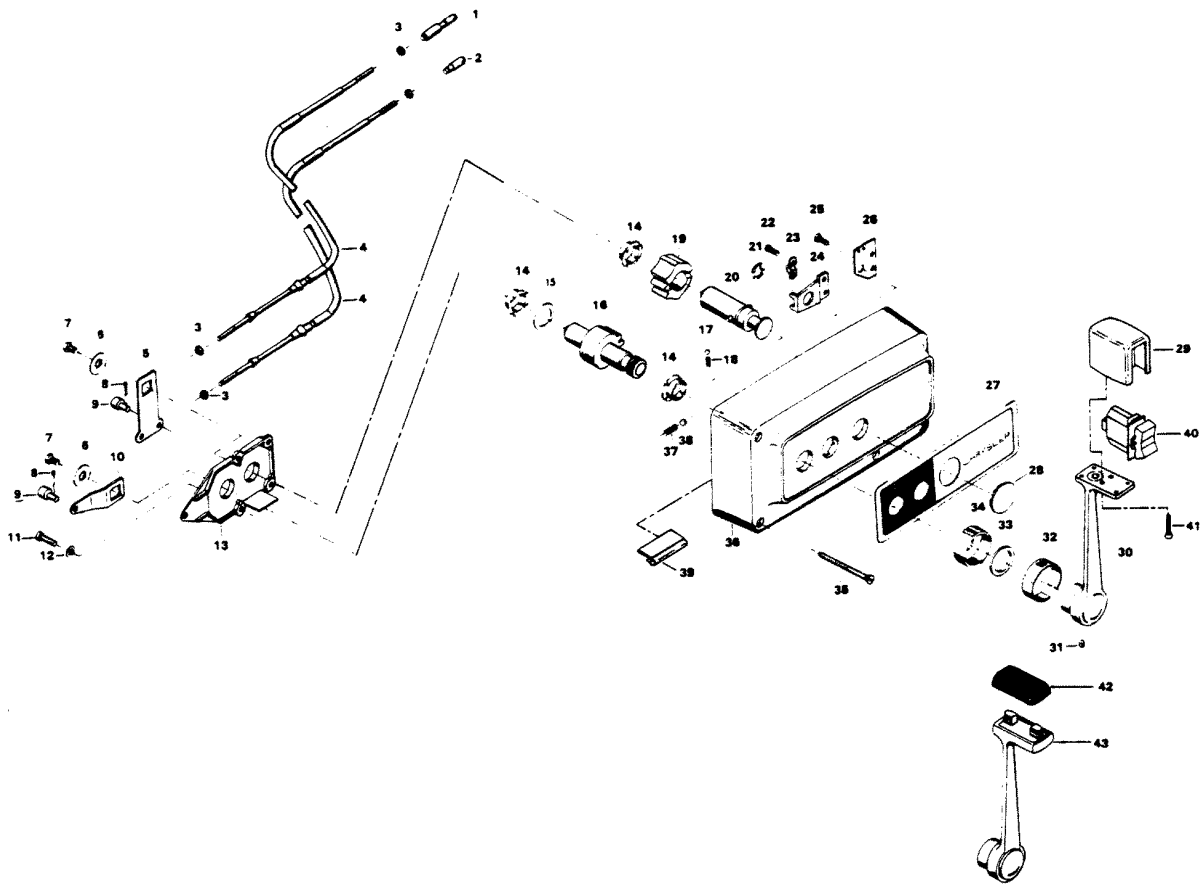
FUEL TANK AND LINE



FUEL TANK AND LINE

REF. NO.	PART NO.	SYM.	QTY.	DESCRIPTION
1	F409251-1		1	GAUGE CAP
2	F5H026		1	FUEL TANK (ACCESSORY ITEM)
3	F485755-1		1	FUEL TANK ADAPTER
4	F213342		1	SEAL, FUEL LINE COUPLER (LARGE)
5	F213735		1	SEAL, FUEL LINE COUPLER (SMALL)
6	F197787-3		1	FUEL LINE COUPLER
7	F298788		3	FERRULE
8	FA84754-1		1	FUEL LINE SHORT W/FERRULES
9	89396A38		1	PRIME BULB
10	32-817738A1		1	FUEL LINE LONG W/ILLUS. 7 AND 11 ORIGINAL FORCE P/N A197752-1
11	F97772		1	FUEL LINE CLAMP
12	F17932		1	SEAL, FUEL TANK ADAPTER
-	FS409752		1	FUEL LINE COMPLETE INCLUDES ALL ITEMS MARKED WITH AN ASTERISK (*)
-	FC409398		1	DECAL, TOTE TANK - CANADA (NOT SHOWN)

REMOTE CONTROL

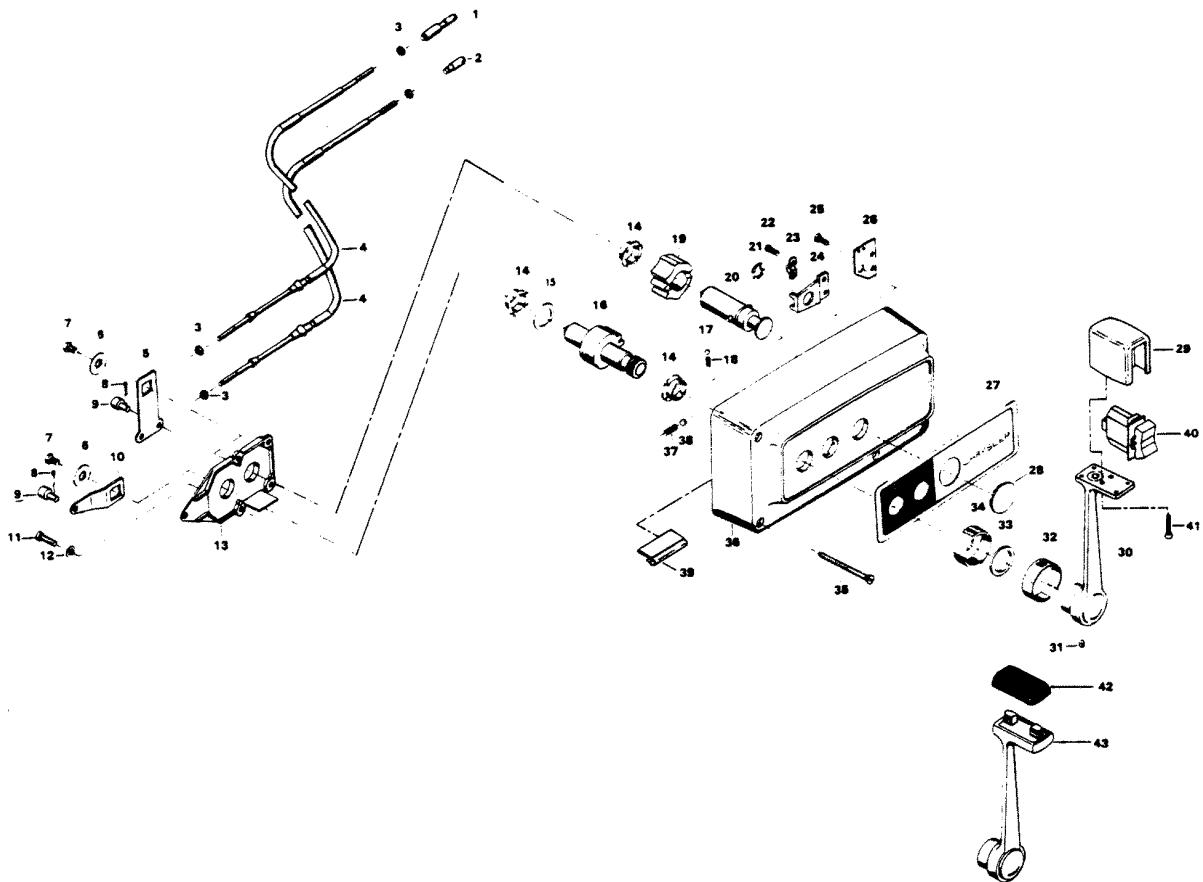


REMOTE CONTROL

REF. NO.	PART NO.	SYM.	QTY.	DESCRIPTION
1	FA58976-1		1	CONNECTOR, THROTTLE CABLE
2	F58685-2		1	CONNECTOR, SHIFT CABLE
3	F1513		4	HEX NUT
4	ÄF58356//		2	REMOTE CONTROL CABLE (SPECIFY LENGTH)
5	F17019		1	CLUTCH ARM
6	F17036		2	INTERNAL TOOTH LOCKWASHER
7	F1715		2	HEX BOLT, 1/4 - 28 X 9/16
8	F17149		2	COTTER PIN
9	F17016		2	CABLE TERMINAL
10	F17014		1	THROTTLE ARM
11	F17013		2	FILL HD SCREW, 1/4 - 20 X 1/2
12	F17147		2	INTERNAL TOOTH LOCKWASHER
13	F17012		1	RETAINING PLATE
14	F17009		3	BEARING
15	F17011		1	BOWED WASHER
16	F17010-1		1	THROTTLE GEAR
17	F17111		1	DETENT BALL
18	F17006		1	DETENT SPRING
19	F17021		1	CLUTCH GEAR
20	F17100		1	CLUTCH SHAFT
21	F17092		1	SNAP RING
22	F17071		2	FILL HD SCREW, 10 - 24 X 5/16
23	F154317		1	CABLE CLAMP
24	F17026		1	SWIVEL
25	F1557		2	FLAT HD SCREW, 10 - 24 X 3/8
26	F17112		1	JUNCTION BOARD, STARBOARD
-	F17113		1	JUNCTION BOARD, PORT
27	F17148		1	DECAL, STARBOARD
-	F531892		1	DECAL, PORT
28	F17031-1		1	SNAP CAP
29	F448543		1	KNOB
30	F448611-1		1	LEVER
31	F17030-1		1	SET SCREW
32	F449894		1	INDICATOR - STARBOARD
-	F448894		1	INDICATOR - PORT
33	F17105		1	FELT WASHER
34	F17106		1	COLLAR
35	F17146		3	WOOD SCREW
36	F17099		1	HOUSING
37	F17068		1	DETENT SPRING
38	F17082-1		1	DETENT BALL
39	F455449		1	SWITCH, TRIM
40	F1461		2	SCREW #6 X 7/8

CONTINUED ON NEXT PAGE ➡

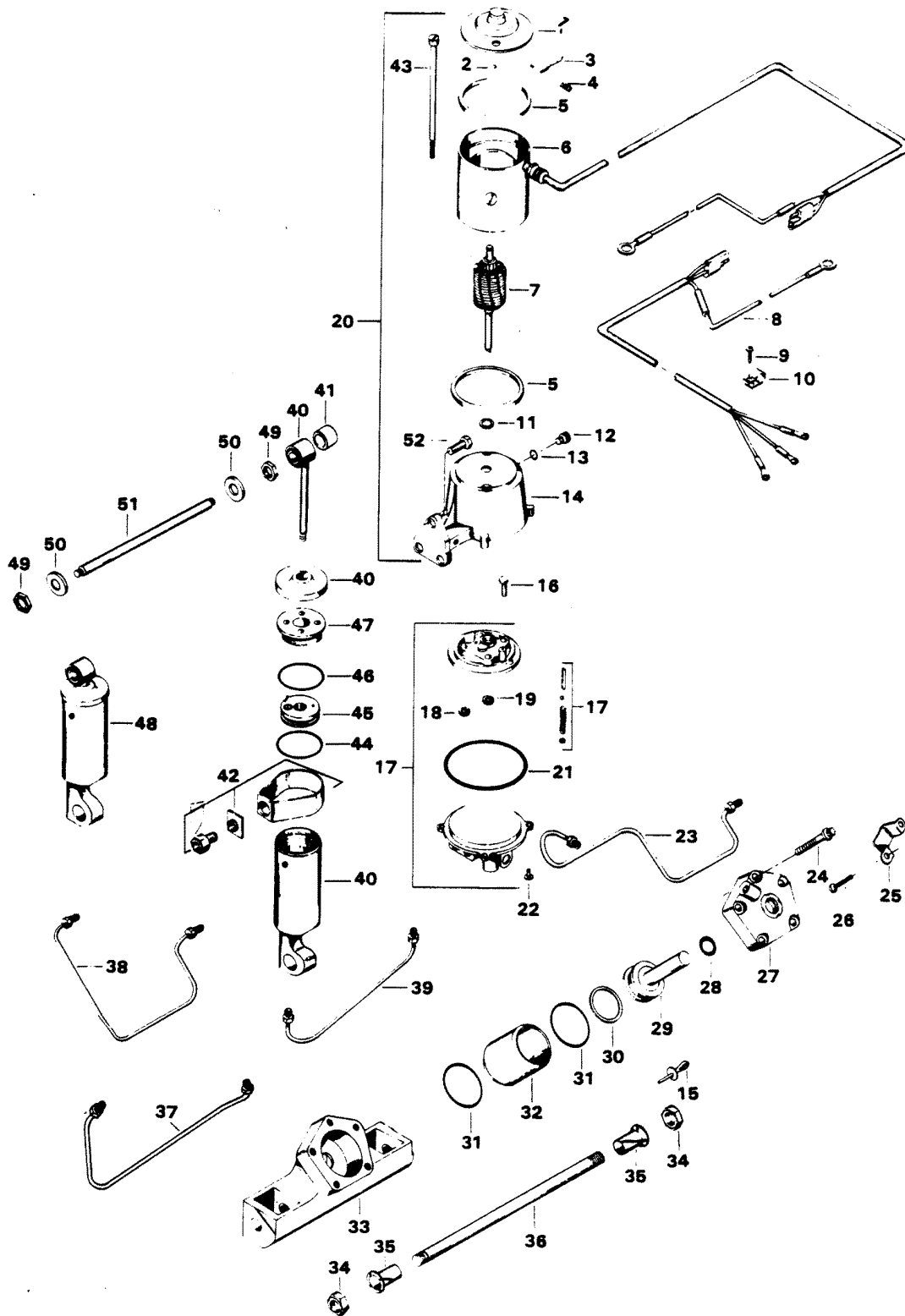
REMOTE CONTROL



REMOTE CONTROL

REF. NO.	PART NO.	SYM.	QTY.	DESCRIPTION
41	F448446		1	CLAMP, TRIM SWITCH CABLE
-	F1280		2	PAN HD SCREW, 8 - 32 X 1/4 (TERMINAL BOARD) (NOT SHOWN)
-	OB3062		1	LITERATURE INSTALLATION INSTRUCTIONS FOR REMOTE CONTROL
-	F17103		1	BAG ASSEMBLY INCLUDES ITEMS MARKED WITH AN ASTERISK (*)
42	F1280		3	PAN HD SCREW, 8 - 32 X 1/4
43	FK17114-1		1	INDICATOR
44	F17115-1		1	HANDLE
45	F17116		1	KNOB

POWER TRIM UNIT

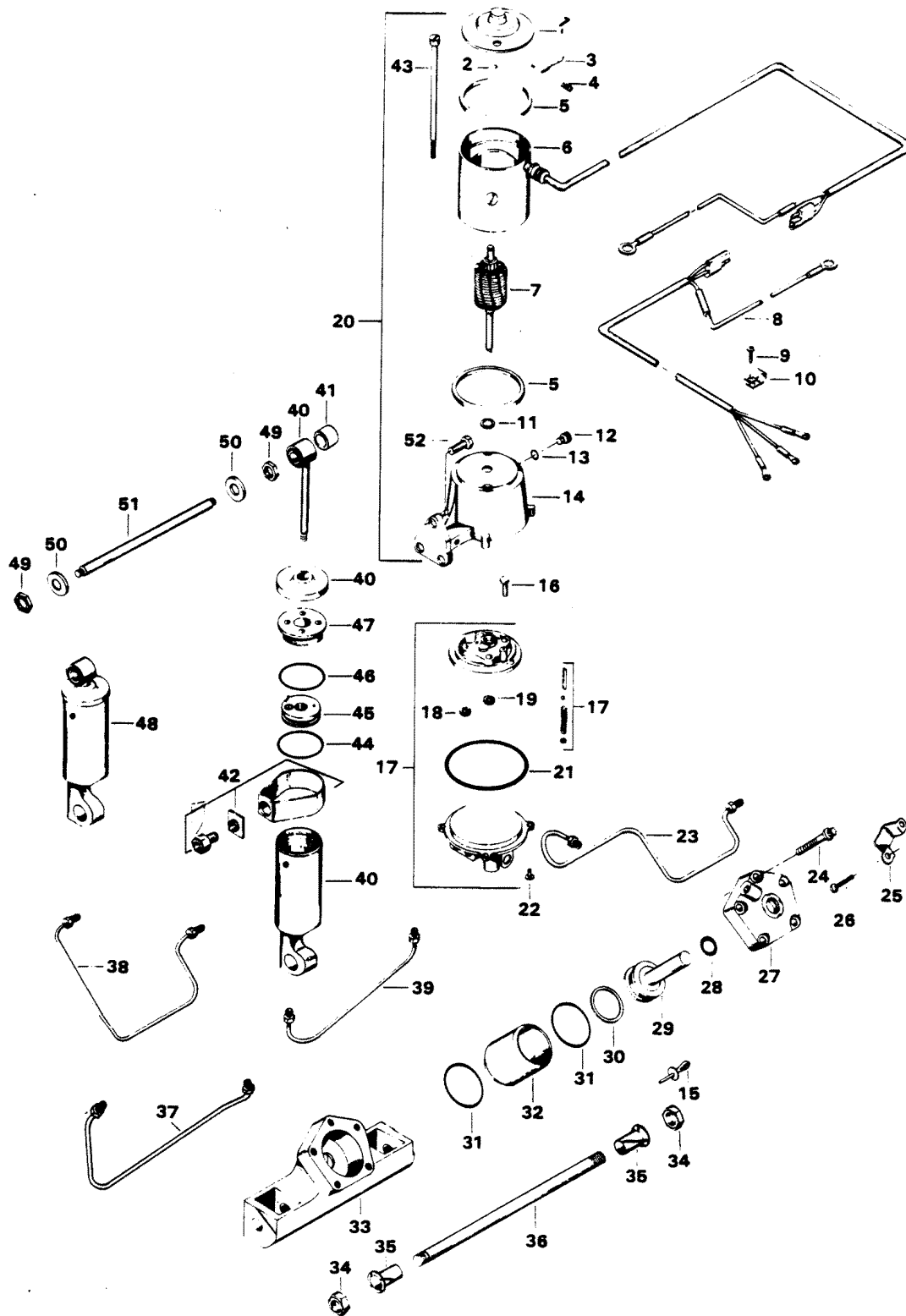


POWER TRIM UNIT

REF. NO.	PART NO.	SYM.	QTY.	DESCRIPTION
1	F17543		1	HEAD ASSEMBLY, COMMUTATOR END
2	F17539		1	BALL
3	F17504		1	BRUSH SET
4	F17500		1	SPRING SET
5	F17557		2	GASKET
6	F17556		1	FIELD AND FRAME ASSEMBLY
7	F17555		1	ARMATURE
8	F500843		1	CABLE
9	F1741		2	THREAD FORMING SCREW, 8 X 3/4
10	F178446		2	CLAMP
11	F17508		0	THRUST WASHER
12	F17518		1	FILLER CAP
13	F17510		1	O-RING
14	F17505		1	RESERVOIR AND BRACKET W/SEAL
15	F1966		1	PLUG, SWIVEL BRACKET
16	F1203		1	HEX CAP SCREW, 1/4 - 20 X 7/8
17	F17564		1	VALVE BODY AND PUMP WILLUS. 16, 18, 19 AND 21
18	F17566		1	IDLE GEAR
19	F17565		1	DRIVE GEAR
20	F17563		1	MOTOR AND RESERVOIR
21	F17522		1	O-RING
22	F1310		4	ROUND HD SCREW, 10 - 24 X 5/8
23	F449254		1	HYDRAULIC LINE, TRIM CYLINDER, UPPER
24	F1959		2	SCREW, 1/4 - 20 X 1-3/4, STAINLESS STEEL
25	F449354		1	THRUST BRACKET
26	F1734		2	SCREW AND LOCKWASHER, 1/4 - 20 X 1/2
27	FA449149		1	COVER W/SEALS AND RETAINER
28	F449342		1	SEAL, PISTON SHAFT
29	FA449015		1	PISTON
30	F449278		1	PISTON SEAL
31	F40278		2	SEAL, CYLINDER
32	F449010		1	CYLINDER
33	F449545-2		1	CYLINDER HOUSING
34	F1963		0	NUT, 5/8 - 18
35	F178362		2	BEARING
36	F449632		1	SHAFT
37	F449253-1		1	HYDRAULIC LINE, TRIM CYLINDER, LOWER
38	F449758		1	HYDRAULIC LINE, LIFT CYLINDER, UPPER
39	F449754-1		1	HYDRAULIC LINE, LIFT CYLINDER, LOWER
40	FA17559		1	LIFT CYLINDER COMPLETE
41	F178344		2	BUSHING, SHOCK ABSORBER - UPPER
42	F17577		1	ADAPTER FITTING PACKAGE
43	F17558		1	THRU-BOLT PACKAGE

CONTINUED ON NEXT PAGE ➡

POWER TRIM UNIT



POWER TRIM UNIT

REF. NO.	PART NO.	SYM.	QTY.	DESCRIPTION
-	F1877		2	TY-RAP (NOT SHOWN)
44	FA17561-1		1	O-RING W/LITERATURE
45	F17562-1		1	PISTON ASSEMBLY
46	F17528		1	O-RING
47	F17560		1	HEAD ASSEMBLY
48	FA178962		1	SHOCK ABSORBER W/BUSHING
49	F1931		2	NUT, 1/2 - 20, STAINLESS STEEL
50	F1960		2	PLAIN WASHER
51	F449889		1	SHAFT, UPPER
52	F1822		3	SCREW, 5/16 - 18 X 7/8, STAINLESS STEEL

SPECIAL TOOLS - TUNE-UP

REF. NO.	PART NO.	SYM.	QTY.	DESCRIPTION
-	FT8948-1		0	PULLER TO REMOVE FLYWHEEL.
-	FTA2937-1		0	TIMING TOOL TO ADJUST TIMING POINTER.
-	FT8978		0	POWER TIMING LIGHT FOR ADJUSTMENT OF ENGINE TIMING.
-	FT2951		0	CIRCUIT TRACER TO TROUBLESHOOT ELECTRICAL SYSTEM
-	FT2938-1		0	BATTERY POWERED TEST LIGHT TO CHECK FOR CONTINUITY.

SPECIAL TOOLS - POWER HEAD

REF. NO.	PART NO.	SYM.	QTY.	DESCRIPTION
-	FT8914		0	SEAL REMOVER TO REMOVE UPPER CRANKSHAFT BEARING CAGE SEAL.
-	FT8927		0	SEAL PROTECTOR TO INSTALL UPPER CRANKSHAFT BEARING CAGE.
-	FT8907		0	DRIVE HANDLE USED WITH T 8903
-	FT8925		0	SEAL INSTALLER TO INSTALL LOWER CRANKSHAFT SEAL.
-	FT2953		0	SOCKET TO TORQUE CONNECTING ROD SCREWS.
-	FT2990		0	PISTON PIN TOOL TO REMOVE AND INSTALL PISTON PINS.
-	FTA8994		0	PISTON PIN TOOL USE WITH T 2990.
-	FT2996		0	RING COMPRESSOR TO INSTALL PISTON IN CYLINDER.
-	FT8926		0	RING EXPANDER TO INSTALL PISTON RINGS.
-	FT8903		0	SEAL INSTALLER TO INSTALL UPPER CRANKSHAFT BEARING CAGE SEAL.
-	FT1082		0	SNAP RING PLIER TO REMOVE AND INSTALL DISTRIBUTOR RETAINING RING.
-	FT8933		0	LIFTING HOOK TO LIFT ENGINE.
-	FT2998		0	TORQUE WRENCH TO PROPERLY TIGHTEN FASTENERS.
-	FT2999		0	TORQUE WRENCH TO PROPERLY TIGHTEN FASTENERS.
-	FT2991		0	CARBON BRUSH TO REMOVE CARBON FROM INSIDE ENGINE.
-	FT8900		0	HOSE CLAMP PLIERS TO REMOVE AND INSTALL FUEL HOSE CLAMPS.

SPECIAL TOOLS - GEAR HOUSING

REF. NO.	PART NO.	SYM.	QTY.	DESCRIPTION
-	FT8948-1		0	PULLER TO REMOVE SPOOL FROM GEAR HOUSING.
-	FT8985		0	SEAL INSTALLER TO INSTALL PROPELLER SHAFT SEAL IN PROPELLER SHAFT BEARING SPOOL.
-	FT8925		0	SEAL INSTALLER TO INSTALL DRIVESHAFT SEAL IN GEAR HOUSING COVER.
-	FT8907		0	DRIVER HANDLE TO INSTALL BEARING CUPS AND SEALS.
-	FT8901		0	INDICATOR HOLDER USED IN CONJUNCTION WITH T 8997.
-	FT8902		0	DIAL INDICATOR USED IN CONJUNCTION WITH T 8997.
-	FT8919		0	SPRING PIN PUNCH TO REMOVE CLUTCH SPRING PIN.
-	FT8957		0	SEAL INSTALLER TO INSTALL SHIFT ROD SEAL.
-	FT8997		0	SHIMMING TOOL TO SHIM LOWER UNIT.
-	FT8918		0	BEARING GUIDE SET TO REMOVE FORWARD BEARING CUP IN GEAR HOUSING.
-	FT11209		0	BEARING GUIDE SET USE WITH T 8918.
-	FT11207		0	BEARING CUP REMOVER TO REMOVE FORWARD BEARING CUP IN GEAR HOUSING. ORIGINAL FORCE P/N T 11027
-	FT11204		0	BEARING CUP INSTALLER TO INSTALL FORWARD BEARING CUP IN GEAR HOUSING. ORIGINAL FORCE P/N T 11024
-	FT3012		0	SEAL INSTALLER TO INSTALL WATER PUMP SEAL.
-	FT11205		0	BEARING INSTALLER/REMOVER TO INSTALL AND REMOVE LOWER DRIVESHAFT BEARING IN GEAR HOUSING.
-	FT7848		0	TORQUING ADAPTER HOLD DRIVESHAFT WHILE INSTALLING OR REMOVING PINION NUT.

SPECIAL TOOLS - TEST EQUIPMENT

REF. NO.	PART NO.	SYM.	QTY.	DESCRIPTION
-	FT8950		0	LEAKAGE TESTER TO TEST LOWER UNIT SEALS FOR LEAKAGE.
-	FTK8999		0	TEST WHEEL TO TEST MOTOR IN TEST TANK. ORIGINAL FORCE P/N TA 8999
-	FT8953		0	IGNITION TESTER TO TEST OUTPUT OF C-D UNIT.

SPECIAL TOOLS - LUBRICANTS AND SEALANTS

REF. NO.	PART NO.	SYM.	QTY.	DESCRIPTION
-	FT2961		0	LUBRICANT - RYKON GREASE #2EP
-	FT2987-1		0	LUBRICANT - ANTI-SEIZE
-	FT8969		0	LUBRICANT - 7 OZ. LPSI LUBRICANT
-	FT8955		0	SEALANT - 5 OZ. EC-750 INDUSTRIAL SEALANT
-	FT8983		0	SEALANT - 3 OZ. RTV SEALANT FROM IN PLACE GASKETS
-	FT8936-1		0	SEALANT - 2 CC LOCTITE RETAINING COMPOUND #75
-	FT2962-1		0	SEALANT - 50 CC LOCTITE H, NON-HARDENING GRADE
-	FT2963-2		0	SEALANT - 2 OZ. LOCTITE D, HARDENING GRADE
-	FT8935		0	SEALANT PRIMER - 6 OZ.

ACCESSORIES

REF. NO.	PART NO.	SYM.	QTY.	DESCRIPTION
-	F5H014		0	FLUSHING ADAPTER PERMITS FRESH WATER FLUSHING OF WATER PASSAGES WITH STANDARD GARDEN HOSE.
-	F5H130		0	REMOTE CONTROL BOX (SINGLE LEVER) (SURFACE MOUNT) PERMITS REMOTE CONTROL OF THROTTLE AND GEAR SHIFT FROM STARBOARD SIDE OF BOAT.
-	F5H120		0	REMOTE CONTROL BACK PLATE PROTECTS CONTROL MECHANISM FROM PADDED BOAT SURFACES.
-	F5H131		0	PORT SIDE DECAL KIT CONVERTS 5H130 CONTROL BOX TO PORT SIDE MOUNTING.
-	F590		0	REMOTE CONTROL HEAD (SINGLE LEVER) FLUSH MOUNT CONTROL UNIT PERMITS REMOTE CONTROL OF THROTTLE AND GEAR SHIFT. MAY BE MOUNTED ON PORT OR STARBOARD SIDE OF BOAT.
-	865		0	TWIN REMOTE CONTROL BOX PERMITS REMOTE CONTROL OF THROTTLE, AND GEAR SHIFT ON TWIN ENGINE INSTALLATIONS. MAY BE MOUNTED ON PORT OR STARBOARD SIDE OF BOAT.
-	F5H079		0	REMOTE CONTROL BOX FOR MOUNTING ON CONSOLE OF BOAT.
-	F5H080		0	TWIN REMOTE CONTROL BOX FOR MOUNTING ON CONSOLE OF BOAT.
-	ÄF195//		0	REMOTE CONTROL CABLES CONNECTS REMOTE CONTROL BOX TO THROTTLE AND GEAR SHIFT ON ENGINE. AVAILABLE IN 6 THROUGH 40 FOOT LENGTHS.
-	F5H108		0	STEERING CONNECTOR CLEVIS TYPE FOR BOAT MOUNTED STEERING AND NON THREADED CABLE END.
-	F5H018		0	DUAL ENGINE TIE BAR PERMITS DUAL ENGINE INSTALLATIONS.
-	F5H094		0	STEERING LINK CONNECTS ENGINE TO REMOTE STEERING CABLE.
-	F5H026		0	STEEL, 6 GALLON FUEL TANK (LOW PROFILE) AUXILIARY TANK.
-	F5H029		0	TANK ANCHOR SECURES 5H026 TO BOAT.
-	F5H040		0	STEEL, 12 GALLON FUEL TANK AUXILIARY TANK.
-	F5H019		0	ANTI-CORROSION KIT ELECTRICAL KIT FOR MOUNTING ON BOAT (12V) TO REDUCE CORROSION.
-	F5H025		0	ANTI-CORROSION SACRIFICIAL ANODE KIT USED TO REDUCE CORROSION.
-	F5H043		0	OVERHEAT BUZZER SOUNDS WARNING BUZZER IF ENGINE OVERHEATS.
-	F5H161		0	POWER TRIM INDICATOR INDICATES ENGINE TRIM ANGLE. (FLUSH MOUNT).
-	F5H134		0	BOAT WHITE LACQUER ENGINE TOUCH-UP PAINT IN 12-3/4 OZ. SPRAY BOMBS (6 CANS PER CASE).
-	F5H081		0	BATTERY CABLE LONGER LENGTH - 15 FEET.
-	F5H157		0	VOLTMETER - FLUSH MOUNT INDICATES BATTERY CONDITION.
-	F5H159		0	HOURMETER - FLUSH MOUNT RECORDS ENGINE RUNNING TIME.

CONTINUED ON NEXT PAGE ➡

ACCESSORIES

REF. NO.	PART NO.	SYM.	QTY.	DESCRIPTION
-	F5H119		0	PROPELLER SPACER - FLARED REDUCES PROPELLER VENTILATION ON SOME BOAT APPLICATIONS.
-	F5H069		0	RFI SUPPRESSION KIT PROVIDES RADIO NOISE SUPPRESSION.
-	5H048		0	CANVAS HOOD PROTECTION FOR ENGINE COVER.
-	F5H041		0	BATTERY TERMINAL KIT FOR POSITIVE AND NEGATIVE BATTERY POSTS.
-	F5H021		0	EXTENSION CABLE FOR LENGTHENING BATTERY CABLE 6-1/2 FEET.
-	F5H037		0	CIGAR LIGHTER FOR USE AS CONVENIENCE OUTLET.
-	5H158		0	FUEL GAUGE FLUSH MOUNT MONITORS FUEL SUPPLY.
-	F5H077		0	IGNITION KEY SWITCH SHORT BARREL WITH KEYS.
-	F5H078		0	IGNITION KEY SWITCH LONG BARREL WITH KEYS.
-	F762		0	REMOTE ELECTRIC CABLE 25 FOOT CABLE FOR LARGE BOATS.
-	F5H115		0	TRAILERING TILT LOCK SECURES ENGINE IN HALF-TILT POSITION FOR TRAILERING.
-	F5H044		0	TILT STOP KIT SHORTER TILT STOP FOR SHORT TRANSOM WELL.
-	F5H146		0	POWER TILT TILTS ENGINES FOR BEACHING.
-	F5H132		0	REMOTE CONTROL HANDLE TRIM SWITCH FOR CONVENIENT OPERATION OF POWER TRIM.
-	F5H044		0	TILT STOP KIT SHORTER TILT STOP FOR SHORT TRANSOM WELL.
-	F5H070		0	REMOTE ELECTRIC CABLE 21 FOOT CABLE FOR LARGE BOATS.
-	F5H028		0	SENDING UNIT FOR USE WITH FUEL GAUGE.
-	F5H156		0	TEMPERATURE GAUGE - FLUSH MOUNT MONITORS ENGINE TEMPERATURE. DO NOT USE TEMPERATURE GAUGE AND HEAT LAMP IN SAME INSTALLATION.
-	F5H153		0	TACHOMETER FLUSH MOUNT MONITORS ENGINE R.P.M. TO PROVIDE CHECK OF ENGINE PERFORMANCE.
-	F5H150		0	POWER TRIM ADJUSTS ENGINE TRIM AND TILTS ENGINE.
-	F5H154		0	SPEEDOMETER FLUSH MOUNT MONITORS BOAT SPEED (10-50 M.P.H.)
-	F5H155		0	SPEEDOMETER - FLUSH MOUNT MONITORS BOAT SPEED (10-65 M.P.H.)
-	F5H076		0	SWITCH EXTENSION CABLE 5 FOOT LONG SWITCH WIRING HARNESS.
-	F5H030		0	SWITCH KIT - RUNNING LIGHTS DASH MOUNTED TOGGLE SWITCH
-	F5H031		0	SWITCH KIT - SPOT LIGHT DASH MOUNTED TOGGLE SWITCH
-	F5H032		0	SWITCH KIT - WIPER DASH MOUNTED TOGGLE SWITCH
-	F5H034		0	SWITCH KIT - BILGE PUMP DASH MOUNTED TOGGLE SWITCH
-	F5H035		0	SWITCH KIT - HORN DASH MOUNTED TOGGLE SWITCH

CONTINUED ON NEXT PAGE ➡

ACCESSORIES

REF. NO.	PART NO.	SYM.	QTY.	DESCRIPTION
-	F5H039		0	SWITCH KIT - INSTRUMENT LIGHTS DASH MOUNTED TOGGLE SWITCH
-	F5H036		0	SWITCH KIT - TACHOMETER TRANSFER FOR ONE TACHOMETER ON DUAL ENGINE INSTALLATION.
-	F5H038		0	SWITCH KIT - IGNITION SWITCH TO MOUNT IGNITION SWITCH IN DASH.
-	F563		0	TERMINAL BLOCK KIT DOUBLE ROW 10 SECTION, TO SIMPLIFY ACCESSORY INSTALLATION.
-	F5H075		0	WIRING HARNESS - IGNITION SWITCH - 24" USE WITH 563 TERMINAL BLOCK
-	F596		0	CHRYSLER OUTBOARD OIL CHRYSLER OUTBOARD OIL IS COMPOUNDED FROM SELECTED HIGH QUALITY HEAT RESISTANT BASE OIL AND A NON-METALLIC ADDITIVE TO LUBRICATE AND MAINTAIN CLEANLINESS OF CHRYSLER OUTBOARD MOTORS.
-	F597		0	CHRYSLER OUTBOARD GEAR LUBE CHRYSLER OUTBOARD GEAR LUBE IS AN EXTREME PRESSURE LUBRICANT FORMULATED TO HANDLE THE HIGH GEAR LOADS PRESENT IN AN OUTBOARD LOWER UNIT. CHRYSLER OUTBOARD GEAR LUBE ALLOWS THE LOWER UNIT TO WORK MORE EFFICIENTLY.
-	F5H059		0	CHRYSLER OUTBOARD MULTI-PURPOSE GREASE LUBRICATES BEARINGS AND OTHER MOVING PARTS. AVAILABLE IN 8 OZ. TUBES AND 12 TUBE CASES.
-	F5H060		0	CHRYSLER OUTBOARD GREASE GUN

PARTS INDEX

Part Number	Description	Pg.	Ref. No.	Part Number	Description	Pg.	Ref. No.
ÄF195//	REMOTE CONTROL CABLES	57	-	F1341	HEX NUT, 1/4 - 20	23	29
ÄF58356//	REMOTE CONTROL CABLE (SPECIFY LENGTH)	45	4	F1346	HEX NUT	19	29
3C612944	ENGINE COVER COMPLETE	3	-	F1346	HEX NUT	31	33
5H048	CANVAS HOOD	58	-	F14005-2	CAP BASE	11	37
5H158	FUEL GAUGE FLUSH MOUNT	58	-	F14007	CAP SCREW	11	33
817747--1	BALL JOINT W/STUD	19	23	F14010-1	CAP COVER	11	34
817747--1	BALL JOINT W/STUD	23	27	F14012-1	BRUSH	11	39
817783A5	SWIVEL BRACKET	33	59	F14015	CAP CLIP RIVET	11	21
817786A1	DISTRIBUTOR PULLEY	11	3	F14017	TERMINAL INSULATOR (OUTSIDE)	13	45
817788A3	SPACER PLATE	25	73	F14021-1	CAP SEAL	11	36
817828A1	DISTRIBUTOR COMPLETE.	13	-	F14024	SPACER	13	42
817892--1	PLATE, IGNITION SWITCH - CANADA (NOT SHOWN)	7	-	F14025	SPACER	11	4
817932A6	TOWERSHAFT W/SWIVEL, BEARINGS AND SCREWS	23	24	F14028	THRUST WASHER	11	5
865	TWIN REMOTE CONTROL BOX	57	-	F14029	THRUST WASHER	11	7
89396A38	PRIME BULB	43	9	F14030	CAP GASKET	11	38
A3	LEG COVER FRONT	33	83	F14036	SWIVEL	11	13
C523227	SPARK PLUG (CHAMPION QL-76V) - CANADA.	27	-	F14037	CAP CLIPS	11	14
F10023	GASKET SET (NOT SHOWN)	15	-	F14038	CAP CLIP SCREWS	11	15
F1009	HEX HD SCREW, 3/8 - 16 X 2-3/4	23	5	F14040	VENT	11	35
F1014	COTTER PIN	15	11	F14041	EXTERNAL TOOTH LOCKWASHER	11	23
F1014	COTTER PIN	33	73	F14042	DISTRIBUTOR HOUSING W/BEARINGS	11	12
F1015	COTTER PIN	39	46	F14044	DISTRIBUTOR SHAFT	11	40
F1034	PAN HD SCREW, 1/4 - 20 X 1-3/8	15	33	F14045	SCREW	11	16
F1052	FILL HD SCREW, 1/4 - 20 X 1	23	30	F14046	TERMINAL SCREW	11	19
F1059	FILL HD SCREW, 6 - 32 X 1/4	15	15	F14047	TERMINAL INSULATOR (INSIDE)	11	20
F1064	FILL HD SCREW, 8 - 32 X 3/8	15	37	F14049	TERMINAL INSULATOR (OUTSIDE)	11	22
F1087	FILL HD SCREW, 10 - 24 X 13/16	5	2	F14056	SCREW	13	46
F1099	FILL HD SCREW, 1/4 - 20 X 1-1/4	23	15	F1425	HEX CAP SC. 1/4 - 20 X 5/8	41	-
F1099	FILL HD SCREW, 1/4 - 20 X 1-1/4	27	94	F1425	HEX CAP SCREW, 1/4 - 20 X 1-5/8	39	62
F1107	SLOTTED FILL HD CAP SCREW, 1/4 - 20 X 3/4	27	95	F1461	SCREW #6 X 7/8	45	40
F1108	FILL HD SCREW, 1/4 - 20 X 3/4	19	13	F1473	HEX NUT	3	30
F1203	HEX CAP SCREW, 1/4 - 20 X 7/8	49	16	F1475	FILL HD SCREW, 10 - 24 X 1/2	23	25
F1236	SCREW, 1/4 - 20 X 1/2	19	22	F1491	HEX HD SCREW, 5/16 - 18 X 3-1/4	39	41
F1253	HEX SOCKET HD CAP SCREW, 3/8 - 16 X 2	23	11	F15034	SPRING SET	9	15
F1263	HEX SOCKET HD CAP SCREWS, 5/16 - 18 X 9/16	31	11	F15054	BRUSH AND TERMINAL SET	9	7
F1280	PAN HD SCREW, 8 - 32 X 1/4	31	20	F15057	BRUSH PLATE AND HOLDER ASSEMBLY	9	16
F1280	PAN HD SCREW, 8 - 32 X 1/4	47	42	F15099	ARMATURE	9	5
F1280	PAN HD SCREW, 8 - 32 X 1/4 (TERMINAL BOARD) (NOT SHOWN)	47	-	F15118	BENDIX DRIVE ASSEMBLY	9	1
F1280	SCREW, 8 - 32 X 1/4	5	33	F15125	HEAD ASSEMBLY, COMMUTATOR END	9	14
F1286	PAN HD SCREW, 4 - 40 X 3/16	23	39	F15126	THRUST WASHER PACKAGE	9	4
				F1513	HEX NUT	5	18
				F1513	HEX NUT	45	3
				F1513	HEX NUT, 10 - 32	19	27
				F1513	HEX NUT, 10 - 32	25	44
				F1515	HEX NUT	5	24
				F15166	FRAME AND FIELD ASSEMBLY	9	6
				F15167	HEAD ASSEMBLY, DRIVE END	9	3

PARTS INDEX

Part Number	Description	Pg.	Ref. No.	Part Number	Description	Pg.	Ref. No.
F15168	THRU BOLT PACKAGE	9	10	F17068	DETENT SPRING	45	37
F1528	WELCH PLUG	31	42	F17071	FILL HD SCREW, 10 - 24 X 5/16	45	22
F1532	HEX HD SCREW, 1/4 - 20 X 1	19	20	F1708	HEX HD SCREW, 1/4 - 20 X 1-3/8	3	37
F1532	HEX HD SCREW, 1/4 - 20 X 1	23	35	F17082-1	DETENT BALL	45	38
F1532	HEX HD SCREW, 1/4 - 20 X 1	27	109	F17092	SNAP RING	45	21
F154317	CABLE CLAMP	45	23	F17099	HOUSING	45	36
F1556	FILL HD SCREW, W/LOCKWASHER, 10 - 24 X 3/8	23	31	F1710	PLAIN WASHER	31	39
F1557	FLAT HD SCREW, 10 - 24 X 3/8	45	25	F17100	CLUTCH SHAFT	45	20
F1577	FILL HD SCREW, 1/4 - 20 X 3/4	37	19	F17103	BAG ASSEMBLY	47	-
F1593	HEX HD SCREW, 3/8 - 16 X 3	31	30	F17105	FELT WASHER	45	33
F1612	HEX CAP SCREW, 3/8 - 16 X 1-1/4	11	8	F17106	COLLAR	45	34
F1641	LOCK NUT, 1/4 - 28	9	2	F17111	SPRING BOWED WASHER . .	33	51
F1645	RD HD SCREW, 6 - 32 X 1/4	21	49	F17112	DETENT BALL	45	17
F1645	SCREW, 6 - 32 X 1/4	5	27	F17112	JUNCTION BOARD, STARBOARD	45	26
F1647	HEX NUT, 8 - 32	5	6	F17113	JUNCTION BOARD, PORT . .	45	-
F1647	HEX NUT, 8 - 32	11	24	F17115-1	HANDLE	47	44
F1647	HEX NUT, 8 - 32	27	89	F17116	KNOB	47	45
F1648	PAN HD SCREW, 10 - 24 X 3/4	5	16	F1713	SPRING PIN	37	25
F1664	SPRING PIN	31	10	F17146	WOOD SCREW	45	35
F1666	SPRING BOWED WASHER . .	31	26	F17147	INTERNAL TOOTH LOCKWASHER	45	12
F1669	LOCK NUT	33	44	F17148	DECAL, STARBOARD	45	27
F1689	HEX HD CAP SCREW, 1/4 - 20 X 1/2	7	42	F17149	COTTER PIN	45	8
F1692	WOODRUFF KEY	13	41	F1715	HEX BOLT, 1/4 - 28 X 9/16 . .	45	7
F1693	TIE BAR RETAINER NUT . . .	15	36	F1727	PLASTIC RIVET	23	26
F1696	HEX BOLT, 5/16 - 18 X 1-3/4	31	24	F1729	PLUG	31	8
F1699	HEX HD SCREW, 1/4 - 20 X 1-1/8	23	10	F1730	PAN HD SCREW W/SPRING LOCKWASHER, 1/4 - 20 X 5/8	3	34
F17006	DETENT SPRING	45	18	F1733	PAN HD MACHINE SCREW, 10 - 24 X 9/16	3	2
F17009	BEARING	45	14	F1734	FILL HD SCREW W/LOCKWASHER, 1/4 - 20 X 1/2	5	14
F17010-1	THROTTLE GEAR	45	16	F1734	SCREW AND LOCKWASHER, 1/4 - 20 X 1/2	49	26
F17011	BOWED WASHER	45	15	F1741	SCREW, 8 X 3/4	5	35
F17012	RETAINING PLATE	45	13	F1741	THREAD FORMING SCREW, 8 X 3/4	49	9
F17013	FILL HD SCREW, 1/4 - 20 X 1/2	45	11	F1744	SPRING PIN	33	62
F17014	THROTTLE ARM	45	10	F1744	SPRING PIN	33	68
F17016	CABLE TERMINAL	45	9	F17500	SPRING SET	49	4
F17019	CLUTCH ARM	45	5	F17504	BRUSH SET	49	3
F17021	CLUTCH GEAR	45	19	F17505	RESERVOIR AND BRACKET W/SEAL	49	14
F17026	SWIVEL	45	24	F17508	THRUST WASHER	49	11
F1703	LOCKWASHER	25	71	F17510	O-RING	49	13
F1703	SPRING LOCKWASHER	33	79	F17518	FILLER CAP	49	12
F17030-1	SET SCREW	45	31	F17522	O-RING	49	21
F17031-1	SNAP CAP	45	28	F17528	O-RING	51	46
F17036	INTERNAL TOOTH LOCKWASHER	45	6	F17539	BALL	49	2
F1704	INTERNAL TOOTH LOCKWASHER	21	48	F17543	HEAD ASSEMBLY, COMMUTATOR END	49	1
F1705	HEX CAP SCREW, 1/4 - 20 X 3/4	5	23	F1755	ROUND HD SCREW W/LOCKWASHER 6 - 32 X 1/4	19	38
F1705	HEX CAP SCREW, 1/4 - 20 X 3/4	37	1	F17555	ARMATURE	49	7
F1705	HEX SLOT HD SCREW, 1/4 - 20 X 3/4	31	3				

PARTS INDEX

Part Number	Description	Pg.	Ref. No.	Part Number	Description	Pg.	Ref. No.
F17556	FIELD AND FRAME ASSEMBLY	49	6	F1856	PLAIN WASHER	41	72
F17557	GASKET	49	5	F1857	HEX CAP SCREW, 5/16 - 18 X 5/8	3	17
F17558	THRU-BOLT PACKAGE	49	43	F1857	HEX CAP SCREW, 5/16 - 18 X 5/8	3	29
F17560	HEAD ASSEMBLY	51	47	F1858	HEX CAP SCREW, 5/16 - 18 X 1	3	18
F17562-1	PISTON ASSEMBLY	51	45	F1858	HEX CAP SCREW, 5/16 - 18 X 1	39	39
F17563	MOTOR AND RESERVOIR	49	20	F1860	RD HD SCREW, 6 - 32 X 1/4	19	9
F17564	VALVE BODY AND PUMP	49	17	F1864	HEX CAP SCREW, 1/4 - 20 X 3/4	3	10
F17565	DRIVE GEAR	49	19	F1864	HEX CAP SCREW, 1/4 - 20 X 3/4	25	76
F17566	IDLE GEAR	49	18	F1864	HEX HD SCREW, 1/4 - 20 X 3/4	23	13
F17577	ADAPTER FITTING PACKAGE	49	42	F1866	PLAIN WASHER	41	71
F1759	SHIM, DISTRIBUTOR (QTY. AS REQUIRED)	11	11	F1867	HEX CAP SCREW, 3/8 - 16 X 1	29	18
F1760	PAN HD SCREW, 10 - 24 X 3/8	5	19	F1869	HEX CAP SCREW, 3/8 - 16 X 1-1/4	25	70
F1760	PAN HD SCREW, 10 - 24 X 3/8	11	25	F1871	HEX HD SCREW, 3/8 - 16 X 3/4	33	80
F1760	PAN HD SCREW, 10 - 24 X 3/8	23	3	F1872	HEX CAP SCREW, 3/8 - 16 X 1-3/4	23	14
F177330	FUEL PUMP VALVE	19	10	F1873	HEX CAP SCREW, 3/8 - 16 X 3	23	9
F177350	REVERSE LOCK PIN	33	61	F1874	HEX HD SCREW, 3/8 - 16 X 1/8	23	4
F1778	PLAIN WASHER	11	9	F1877	TY-RAP	5	29
F178145-3	MOTOR LEG COVER REAR	31	9	F1877	TY-RAP (NOT SHOWN)	51	-
F178168-1	CARBURETOR ADAPTER GASKET	27	-	F1885	HEX BOLTS. S.S., 5/16 - 18 X 4-1/4	25	58
F178168-1	GASKET, CARBURETOR ADAPTER	19	35	F1885	HEX CAP SCREW, 5/16 - 18 X 4-1/4	37	6
F178173	RETAINING RING	31	31	F1892	STOP NUT	7	52
F178208	RETAINING RING	31	38	F1904	PLAIN WASHER	31	32
F178323	SEAL, MOTOR LEG	31	13	F1907	PLAIN WASHER	37	7
F178344	BUSHING, SHOCK ABSORBER - UPPER	49	41	F1910	STOP NUT, 1/4 - 20	19	25
F178362	BEARING	31	41	F19109	PLUG	25	81
F178362	BEARING	49	35	F19109	PLUG	37	30
F178404-1	DEFLECTOR PLATE	19	36	F1912	HEX HD SCREW, 10 - 24 X 1/2	33	77
F178446	CLAMP	49	10	F1916	HEX BOLT, 1/4 - 20 X 1-1/8	27	97
F178632	SHAFT, SHOCK MOUNT LOWER	33	48	F1922	HEX CAP SCREW, 1/4 - 20 X 5/8	3	14
F178754-1	FUEL LINE	15	8	F1922	HEX CAP SCREW, 1/4 - 20 X 5/8	9	11
F1788	STOP NUT	37	15	F1922	HEX CAP SCREW, 1/4 - 20 X 5/8	19	5
F178889	SHAFT, SHOCK MOUNT UPPER	33	53	F1922	HEX CAP SCREW, 1/4 - 20 X 5/8	25	55
F17932	SEAL, FUEL TANK ADAPTER	43	12	F1931	NUT, 1/2 - 20, STAINLESS STEEL	51	49
F18160-2	CYLINDER DRAIN REED	25	42	F1934	FLAT HD SLOTTED SCREW, 6 X 12	7	50
F1822	HEX BOLT, 5/16 - 18 X 7/8	33	84	F1935	PLAIN WASHER	23	21
F1822	SCREW, 5/16 - 18 X 7/8, STAINLESS STEEL	51	52	F1936	SPACER, BEVEL GEAR FRONT .059	37	27
F1831	FLAT HD SCREW, 1/4 - 20 X 5/8	21	42				
F1832	STOP NUT, 1/4 - 20	25	65				
F1836	SPRING PIN	33	72				
F184033-1	SWIVEL, TOP CARBURETOR	15	14				
F184122-1	SEAL	27	-				
F184122-1	SEAL, PARTING LINE	25	47				
F184579	O-RING SEAL	15	13				
F1851	FILL HD SCREW W/LOCKWASHER, 10 - 24 X 1/2	5	39				

PARTS INDEX

Part Number	Description	Pg.	Ref. No.	Part Number	Description	Pg.	Ref. No.
F1938	SPACER, BEVEL GEAR FRONT .065	37	-	F2067	PLASTISOL CAP (NOT SHOWN) FOR EXPOSED THREADS OF CRANKSHAFT	29	-
F1939	SPACER, BEVEL GEAR FRONT .068	37	-	F2088	FASTENER	3	35
F1940	SPACER, BEVEL GEAR FRONT .071	37	-	F2089	SLOTTED PAN HD M. SCREW 10 - 24 X 5/16	25	63
F1941	SPACER, BEVEL GEAR FRONT .074	37	-	F2090	PLUG	25	74
F1942	SPACER, BEVEL GEAR FRONT .077	37	-	F2093	STOP NUT, 3/8 - 24	31	16
F1950	HEX CAP SCREW, 10 - 24 X 5/8	27	101	F2107	FILL HD SCREW, 10 - 24 X 5/8	5	9
F1959	SCREW, 1/4 - 20 X 1-3/4, STAINLESS STEEL	49	24	F2108	LOCK NUT	35	90
F1960	PLAIN WASHER	51	50	F2108	STOP NUT, 5/16 - 18	25	64
F1963	NUT, 5/8 - 18	49	34	F2113	SPACER, BEVEL GEAR FRONT .080	37	-
F1966	PLUG, SWIVEL BRACKET	49	15	F2114	SPACER, BEVEL GEAR FRONT .083	37	-
F1968	FLYWHEEL NUT	29	20	F2115	SPACER, BEVEL GEAR FRONT .086	37	-
F1975	SPRING LOCKWASHER	5	10	F2116	SPACER, BEVEL GEAR FRONT .089	37	-
F1975	SPRING LOCKWASHER	11	26	F2116	SPACER, BEVEL GEAR FRONT .089	37	-
F197787-3	FUEL LINE COUPLER	43	6	F2117	SPACER, BEVEL GEAR REAR	41	78
F197813	BEARING	33	75	F2117	SPACER, BEVEL GEAR REAR	41	-
F1987	PLAIN WASHER	27	84	F2118	SPACER, BEVEL GEAR REAR	41	-
F1987	PLAIN WASHER	35	91	F2119	SPACER, BEVEL GEAR REAR	41	-
F1990	HEX CAP SCREW	41	-	F2120	SPACER, BEVEL GEAR REAR	41	-
F1990	HEX CAP SCREW, 1/4 - 20 X 1-5/8	39	60	F2120	SPACER, BEVEL GEAR REAR	41	-
F1994	HEX SOCKET HD CAP SCREW, 5/16 - 18 X 1	39	36	F2121	SPACER, BEVEL GEAR FRONT .057	37	-
F1997	STOP NUT, 8 - 32	17	47	F2122	SPACER, BEVEL GEAR FRONT .054	37	-
F2000	HEX CAP SCREW, 5/16 - 18 X 3/4	7	47	F2122	SPACER, BEVEL GEAR FRONT .054	37	-
F2000	HEX CAP SCREW, 5/16 - 18 X 3/4	27	107	F213274	GREASE FITTING	11	27
F2008	HEX CAP SCREW, 1/4 - 20 X 7/8	27	85	F213274	GREASE FITTING	33	54
F2008	HEX CAP SCREW, 1/4 - 20 X 7/8	39	55	F213342		43	4
F2008	HEX HD SCREW, 1/4 - 20 X 7/8	21	43	F213735	SEAL, FUEL LINE COUPLER (SMALL)	43	5
F2008	HEX HD SCREW, 1/4 - 20 X 7/8	23	7	F24278	PROPELLER SHAFT SPOOL SEAL	41	-
F2008	HEX HD SCREW, 1/4 - 20 X 7/8	23	8	F24278	SEAL, O-RING PROPELLER SHAFT SPOOL	37	10
F2014	PLAIN WASHER	35	93	F269319	THROTTLE CAM BEARING	19	26
F2015	HEX NUT, 1/4 - 28	23	19	F284659-2	BEARING, CRANKSHAFT UPPER MAIN	29	21
F2016	FILL HD SCREW, 6 - 32 X 7/8	21	47	F286461	SPRING, LOCK BAR HANDLE	33	66
F2030	HEX HD SCREW, 1/4 - 20 X 1-1/4	33	81	F289446-1	CLAMP	5	12
F203276	BOOT	11	30	F298788	FERRULE	43	7
F2033	GROOVE PIN	15	3	F2A406757	CYLINDER DRAIN REED	25	43
F203673	TERMINAL CLIP	11	31	F2A523023	BEVEL GEAR FRONT W/BEARING AND SHIMS	37	28
F2042	PLAIN WASHER	25	62	F2A523239	SPOOL, PROPELLER SHAFT BEARING	37	11
F2047	WAVE SPRING LOCKWASHER	3	24	F2A523662	BEVEL GEAR REAR W/BEARING CAGE SPACER AND BEARING	37	21
F2049	HEX CAP SCREW, 5/16 - 18 X 2-5/8	25	83	F2A550706	GEAR HOUSING COVER	39	52
F2066	PAN HD TAPPING SCREW, 10 X 7/16 (TRIM TO COVER)	3	32	F307317	CLIP, TERMINAL BLOCK	5	17
				F316579	SEAL, CRANKCASE	29	11

PARTS INDEX

Part Number	Description	Pg.	Ref. No.	Part Number	Description	Pg.	Ref. No.
F316599	SEAL, STEERING SUPPORT TUBE	33	55	F40689-1	BEARING	25	72
F319908	GROUND WIRE - CANADA	7	55	F407446	CLAMP	5	31
F321756	PACKING COVER	3	25	F409251-1	GAUGE CAP	43	1
F321841-3	LEAD WIRE - USA	11	32	F433114	HANDLE, LOCK BAR	33	67
F322273	STUD, C.D. UNIT	7	48	F433209-1	THROTTLE CAM STUD	19	32
F333316	THROTTLE ROLLER SHAFT	17	45	F438066	BY-PASS VALVE COVER	27	102
F335215	SPACER, PISTON PIN (2 PER PISTON)	29	3	F438129	SEAL, DRIVESHAFT SPLINE	41	70
F335217-1	BEARING, PISTON PIN (26 PER SET)	29	5	F438165	SCREW, FUEL PUMP BOWL	19	18
F335654-1	DEFLECTION STOP	3	15	F438169	BEARING	33	47
F338618-1	GEAR SHIFT ROD SEAL	41	-	F438271	RETAINER, CRANKSHAFT SPLINE SEAL	41	69
F338618-1	SEAL, GEAR SHIFT ROD	31	15	F438346	SHOCK MOUNT LOWER	35	87
F338618-1	SEAL, GEAR SHIFT ROD	39	53	F438398	DECAL, WIRING - USA	27	96
F345475-1	COIL	7	44	F438500	FUEL SEDIMENT BOWL	19	17
F345683	WIRE, REGULATOR-RECTIFIER GROUND	5	5	F438617	FUEL SEDIMENT BOWL GASKET	19	15
F351307	SEAL, DRIVESHAFT - WATER PUMP	39	63	F438653	FUEL SEDIMENT BOWL SCREEN	19	16
F353480	STUD	31	34	F438668	RETAINER, CABLE CLAMP	5	13
F369349	REVERSE LOCK	33	45	F438744-1	WIRING HARNESS	5	4
F369364	REVERSE LOCK ARM	33	71	F438747	FUEL PUMP DIAPHRAGM	19	8
F369510	LINK REVERSE LOCK	33	60	F438754	FUEL LINE	15	16
F369610	BEARING	25	67	F438760	FUEL PUMP GASKET	19	4
F369827	LEVER AND SHAFT	33	76	F438801	FITTING	19	14
F369887	SHOULDER SCREW	25	68	F438841-1	LEAD WIRE - CANADA	11	-
F369977-1	INTERLOCK ARM	25	66	F438905	COIL WIRE - CANADA	11	-
F372151-1	EXHAUST PORT PLATE	27	100	F438930	RETAINER; SNOUT	39	38
F372152-1	EXHAUST PORT COVER	27	98	F438962	SHOCK MOUNT LOWER REAR	31	12
F372154-1	EXHAUST PLATE GASKET	27	-	F439736	SEAL, EXHAUST TUBE	35	94
F372154-1	GASKET, EXHAUST PORT PLATE	27	99	F440192-1	THROTTLE CAM	19	28
F372958	CHOKE BRACKET	19	19	F440209	CARBURETOR STUD	19	30
F373778-1	RETAINER, ENGINE COVER	3	31	F440254	BALANCE TUBE	19	34
F381896-4	BATTERY CABLE	5	30	F440906	CARBURETOR GASKET	19	31
F391926-1	PLUNGER	15	5	F440906	CARBURETOR GASKET	27	-
F391983	RETAINING BAND	7	51	F440925	CHOKE ROD	15	4
F3A523158	REED PLATE	19	41	F441754-1	HOSE	19	3
F40223	GASKET, TRANSFER PORT COVER	25	52	F448446	CLAMP, TRIM SWITCH CABLE	47	41
F40223	TRANSFER PORT COVER GASKET	27	-	F448543	KNOB	45	29
F40278	SEAL, CYLINDER	49	31	F448611-1	LEVER	45	30
F404097	FLYWHEEL	5	1	F448894	INDICATOR - PORT	45	-
F404268	BY-PASS VALVE SPRING	27	104	F449010	CYLINDER	49	32
F404314	ELBOW, FUEL PUMP COVER	19	2	F449253-1	HYDRAULIC LINE, TRIM CYLINDER, LOWER	49	37
F404314	FITTING	25	57	F449254	HYDRAULIC LINE, TRIM CYLINDER, UPPER	49	23
F404470-1	REGULATOR-RECTIFIER	5	8	F449278	PISTON SEAL	49	30
F404513	COIL CLAMP	5	40	F449342	SEAL, PISTON SHAFT	49	28
F404801	ELBOW, CYLINDER DRAIN UPPER (NOT SHOWN)	23	-	F449354	THRUST BRACKET	49	25
F404841	CABLE, HEAT INDICATOR	5	37	F449545-2	CYLINDER HOUSING	49	33
F405457	PIVOT SCREW	23	33	F449632	SHAFT	49	36
F406406	DEFLECTOR PLATE GASKET	27	-	F449754-1	HYDRAULIC LINE, LIFT CYLINDER, LOWER	49	39
F406406	GASKET DEFLECTOR PLATE	19	37	F449758	HYDRAULIC LINE, LIFT CYLINDER, UPPER	49	38
F406471-1	CYLINDER DRAIN COVER	23	37	F449889	SHAFT, UPPER	51	51
F406754-1	HOSE	25	56	F449894	INDICATOR - STARBOARD	45	32
				F455449	SWITCH, TRIM	45	39
				F460917	STARTER RELAY	5	26

PARTS INDEX

Part Number	Description	Pg.	Ref. No.	Part Number	Description	Pg.	Ref. No.
F474073-1	CLAMP SCREW	31	36	F523280	NUT, STEERING SUPPORT		
F474387	TIMING DECAL - USA	7	56		TUBE	33	63
F474390-1	DECAL, REVERSE LOCK - USA	33	57	F523300-1	SPRING	31	19
F476066-1	THERMOSTAT COVER	27	93	F523411	RETAINING RING, BEARING CAGE	37	22
F476067	GASKET	27	90	F523451	SPACER, REEDS STOP	21	50
F476067	THERMOSTAT COVER			F523498	DRIVE KEY, WATER PUMP	39	67
	GASKET	27	-	F523498	KEY	41	-
F476529-1	CYLINDER HEAD GASKET	25	79	F523555	GEAR HOUSING COVER		
F476529-1	CYLINDER HEAD GASKET	27	-		SEAL	41	-
F480038-2	SUPPORT PLATE	3	11	F523555	SEAL, O-RING, GEAR HOUSING COVER	39	48
F480107-1	CAM STARTER INTERLOCK	25	60	F523562	PLATE, WATER PUMP	39	57
F480388	DISC, WATER PUMP LOCATING	39	61	F523562	PLATE, WATER PUMP	41	-
F480818	BEARING	3	9	F523705	GEAR SHIFT ROD LOWER	39	45
F481382-1	SPACER, LATCH SHAFT	3	23	F523813	BEARING CUP	37	29
F481434	GUIDE, ENGINE COVER	3	36	F523834	CLIP, SPARK PLUG WIRE	25	54
F481774	BRACKET, COVER LATCH	3	26	F523881-2	STEERING LINK	31	17
F481777	CAM, LATCH	3	22	F523899	GROMMET, WATER LINE	37	4
F483884	BEARING	33	70	F523901	BEARING, BEVEL GEAR		
F485755-1	FUEL TANK ADAPTER	43	3		REAR	41	77
F489551	BRACKET NEUTRAL INTERLOCK SWITCH	21	44	F523930	RETAINER	31	22
F490955	STARTER COMPLETE	9	-	F523961	CRUSH RING	39	49
F498618	GEAR SHIFT ARM PIN SEAL	41	-	F523962	SHOCK MOUNT - C.D. UNIT	7	46
F498618	O-RING	39	31	F528068	THERMOSTAT	27	91
F498891	PIN, GEAR SHIFT ARM	39	32	F528995	COVER, CYLINDER HEAD	25	82
F498891	PIN, PROPELLER NUT			F530160	REED (5 PETAL)	19	40
	RETAINING	37	14	F531892	DECAL, PORT	45	-
F500843	CABLE	49	8	F545189	BUSHING, CABLE ENTRY	3	13
F50109	PLUG, GEAR HOUSING	39	43	F548984	BLANKET, SILENCER TOP (NOT SHOWN)	3	-
F50342-1	BEARING CAGE BOLT SEAL	41	-	F549189	BUSHING, ELECTRIC CABLE	3	12
F50342-1	SEAL, O-RING	37	8	F552985	BLANKET, SILENCER SIDE (NOT SHOWN)	3	-
F506118	PROPELLER SHAFT SEAL	41	-	F553061	CARBURETOR COMPLETE (TC-7A)	15	27
F506118	SEAL, DRIVESHAFT	39	51		TERMINAL BLOCK KIT	59	-
F506118	SEAL, PROPELLER SHAFT	37	9	F563	CONNECTOR, SHIFT CABLE	45	2
F510374	DECAL, CIRCUIT BREAKER - USA	5	41	F58685-2	REMOTE CONTROL HEAD (SINGLE LEVER)	57	-
F510460	CIRCUIT BREAKER	5	22	F590	CHRYSLER OUTBOARD OIL	59	-
F511015-2	PISTON - STANDARD	29	2	F596	CHRYSLER OUTBOARD		
F511125-2	TUBE, STEERING SUPPORT	33	52	F597	GEAR LUBE	59	-
F511675	STARTER BRACKET, LOWER	9	13	F5H014	FLUSHING ADAPTER	57	-
F511708	COVER, CARBURETOR	15	32	F5H018	DUAL ENGINE TIE BAR	57	-
F523031	GASKET, WATER PUMP	39	56	F5H019	ANTI-CORROSION KIT	57	-
F523031	GASKET, WATER PUMP	41	-	F5H021	EXTENSION CABLE	58	-
F523057	BEARING, DRIVESHAFT			F5H025	ANTI-CORROSION		
	LOWER	39	65		SACRIFICIAL ANODE	57	-
F523065-1	IMPELLER	41	-	F5H026	FUEL TANK (ACCESSORY ITEM)	43	2
F523065-1	IMPELLER, WATER PUMP	39	58	F5H026	STEEL, 6 GALLON FUEL TANK (LOW PROFILE)	57	-
F523094-2	PROPELLER NUT	37	13	F5H028	SENDING UNIT	58	-
F523099-1	SPACER, PROPELLER	37	18	F5H029	TANK ANCHOR	57	-
F523116	EXHAUST SNOOT	39	37	F5H030	SWITCH KIT - RUNNING LIGHTS	58	-
F523133-2	MOTOR LEG	31	14		SWITCH KIT - SPOT LIGHT	58	-
F523146	SEAL, CRANKSHAFT			F5H031	SWITCH KIT - WIPER	58	-
	LOWER	29	13	F5H032	SWITCH KIT - BILGE PUMP	58	-
F523188	NUT, BEVEL PINION	39	34	F5H034			
F523244	INLET WATER LINE	37	5				
F523273	STEERING BALL STUD	31	23				
F523274	GREASE FITTING	33	49				

PARTS INDEX

Part Number	Description	Pg.	Ref. No.	Part Number	Description	Pg.	Ref. No.
F5H035	SWITCH KIT - HORN	58	-	F5H157	VOLTMETER - FLUSH MOUNT	57	-
F5H036	SWITCH KIT - TACHOMETER TRANSFER	59	-	F5H159	HOURMETER - FLUSH MOUNT	57	-
F5H037	CIGAR LIGHTER	58	-	F5H161	POWER TRIM INDICATOR	57	-
F5H038	IGNITION SWITCH MOUNTING KIT (ACCESSORY ITEM)	7	49	F7004	STOP NUT, 3/8 - 16	25	51
F5H038	SWITCH KIT - IGNITION SWITCH	59	-	F7008	ELASTIC STOP NUT	23	34
F5H039	SWITCH KIT - INSTRUMENT LIGHTS	59	-	F7012	STOP NUT	31	29
F5H040	STEEL, 12 GALLON FUEL TANK	57	-	F7013	STOP NUT	11	2
F5H041	BATTERY TERMINAL KIT	58	-	F71H26	BATTERY TERMINAL KIT (ACCESSORY ITEM)	5	32
F5H043	OVERHEAT BUZZER	57	-	F74305	GEAR HOUSING COVER SEAL	41	-
F5H043	OVERHEAT BUZZER (ACCESSORY ITEM)	5	36	F74305	SEAL, DRIVESHAFT BEARING CAGE	39	50
F5H044	TILT STOP KIT	58	-	F762	REMOTE ELECTRIC CABLE	58	-
F5H044	TILT STOP KIT	58	-	F8003	PLAIN WASHER	23	40
F5H059	CHRYSLER OUTBOARD MULTI-PURPOSE GREASE	59	-	F8011	PLAIN WASHER	5	20
F5H060	CHRYSLER OUTBOARD GREASE GUN	59	-	F8028	PLAIN WASHER	9	12
F5H069	RFI SUPPRESSION KIT	58	-	F8038	PLAIN WASHER	23	6
F5H070	REMOTE ELECTRIC CABLE	58	-	F8038	PLAIN WASHER	31	18
F5H075	WIRING HARNESS - IGNITION SWITCH - 24"	59	-	F8056	LOCKWASHER	11	18
F5H076	SWITCH EXTENSION CABLE	58	-	F8056	LOCKWASHER	13	43
F5H077	IGNITION KEY SWITCH	58	-	F8056	LOCKWASHER	27	88
F5H078	IGNITION KEY SWITCH	58	-	F8056	SPRING LOCKWASHER	5	7
F5H078	IGNITION SWITCH (LONG BARREL)	5	34	F8058	INTERNAL TOOTH LOCKWASHER	19	24
F5H079	REMOTE CONTROL BOX	57	-	F8058	INTERNAL TOOTH LOCKWASHER	25	78
F5H080	TWIN REMOTE CONTROL BOX	57	-	F8077	WASHER	41	-
F5H081	BATTERY CABLE	57	-	F8077	WASHER, GEAR HOUSING PLUG	39	42
F5H094	STEERING LINK	57	-	F8080	SPRING LOCKWASHER	31	21
F5H108	STEERING CONNECTOR	57	-	F8083	SPRING LOCKWASHER	3	20
F5H115	TRAILERING TILT LOCK	58	-	F8083	SPRING LOCKWASHER	7	43
F5H119	PROPELLER SPACER - FLARED	58	-	F8083	SPRING LOCKWASHER	31	2
F5H119	WASHER	37	16	F8083	SPRING LOCKWASHER	39	54
F5H120	REMOTE CONTROL BACK PLATE	57	-	F8083	SPRING LOCKWASHER	41	-
F5H130	REMOTE CONTROL BOX (SINGLE LEVER) (SURFACE MOUNT)	57	-	F8088	PLAIN WASHER	15	12
F5H131	PORT SIDE DECAL KIT	57	-	F8088	PLAIN WASHER	21	46
F5H132	REMOTE CONTROL HANDLE TRIM SWITCH	58	-	F8088	PLAIN WASHER	3	21
F5H134	BOAT WHITE LACQUER	57	-	F8094	PLAIN WASHER	33	74
F5H146	POWER TILT	58	-	F8094	PLAIN WASHER	25	50
F5H150	POWER TRIM	58	-	F8095	SPRING LOCKWASHER	3	16
F5H153	TACHOMETER FLUSH MOUNT	58	-	F8096	SPRING LOCKWASHER	3	28
F5H154	SPEEDOMETER FLUSH MOUNT	58	-	F8096	SPRING LOCKWASHER	5	25
F5H155	SPEEDOMETER - FLUSH MOUNT	58	-	F8096	SPRING LOCKWASHER	27	108
				F8096	SPRING LOCKWASHER	35	85
				F8096	SPRING LOCKWASHER	39	40
				F8104	PLAIN WASHER	23	12
				F84011	WASHER	33	58
				F84074	CLAMP SCREW FOOT	31	35
				F84146-2	SEAL	29	19
				F84278	SEAL	29	22
				F84286-1	FRICITION WASHER	33	56
				F84305	PROPELLER SHAFT SPOOL SEAL	41	-
				F84305	SEAL, O-RING PROPELLER SHAFT SPOOL	37	12
				F84307-1	DRIVESHAFT SEAL	41	-

PARTS INDEX

Part Number	Description	Pg.	Ref. No.	Part Number	Description	Pg.	Ref. No.
F84314-2	ELBOW	15	9	F8563	DOWEL PIN	23	16
F84314-2	ELBOW	19	6	F85634-2	CONNECTING ROD SCREW	29	14
F84314-2	ELBOW	25	48	F85660-1	EXHAUST TUBE	31	1
F84342	SEAL, INLET WATER LINE, UPPER	37	3	F85664	DISTRIBUTOR GROUND	11	28
F84449	INTERLOCK SWITCH	21	45	F85664	GROUND WIRE	7	54
F84472-5	CYLINDER DRAIN COVER GASKET	27	-	F85704	COUPLER, GEAR SHIFT ROD	35	86
F84472-5	GASKET, CYLINDER DRAIN COVER	23	38	F85762	BY-PASS COVER GASKET	27	-
F84504	GROMMET (THERMOSTAT)	27	92	F85762	BY-PASS VALVE COVER GASKET	27	103
F84521-1	CLUTCH	37	26	F85772	CLAMP	31	7
F84748-3	CYLINDER DRAIN REED PLATE GASKET	27	-	F85779-1	BAFFLE, AIR INTAKE	33	78
F84748-3	GASKET, CYL. DRAIN REED PLATE	25	46	F85843-1	REMOTE ELECTRIC CABLE, 18 FEET	5	38
F84792	GASKET, CENTER FUEL PUMP VALVE	19	11	F85859	STUD	23	17
F84871-1	PIN, GEAR SHIFT W/YOKE	37	24	F85906	CARBURETOR GASKET	27	-
F85017	PISTON PIN	29	4	F85908	STARTER LEAD WIRE	9	9
F85026	SWIVEL	23	18	F85916-1	BY-PASS VALVE	27	105
F85033	SWIVEL, CHOKE ROD (BOTTOM CARBURETOR) (NOT SHOWN)	15	-	F85924	CHOKE SOLENOID	5	28
F85035	DISTRIBUTOR, CONTROL ROD END	23	20	F85965	SHOCK MOUNT UPPER	35	89
F85036	TOWERSHAFT CONTROL ROD END	23	23	F89758	FUEL PUMP AIR HOSE - TOP	19	7
F85037-1	STERN BRACKET PIVOT BOLT	33	69	F9018	CAP	33	64
F85095-2	STATOR	5	3	F9052	PLUG	33	50
F85117	BRACKET, WATER LINE	37	2	F90619-1	YOKE	41	73
F85130	BOOT IDLE EXHAUST	31	5	F90807	RETAINING RING	15	34
F85161-1	REED STOP	19	39	F9095	SHIM, DRIVESHAFT BEARING UPPER .005 BRASS	39	-
F85173	RETAINING RING	11	6	F9096	SHIM, DRIVESHAFT BEARING UPPER .007 BRASS	39	-
F85211	STUD	25	49	F9097	SHIM, DRIVESHAFT BEARING UPPER .010 BRASS	39	-
F85258	INSERT	31	4	F9106	SHIM, DRIVESHAFT BEARING UPPER .003 BRASS	39	66
F85279-2	CYLINDER EXHAUST UPPER GASKET	27	-	F91446-1	CIRCUIT BREAKER BRACKET	5	21
F85279-2	GASKET, CYLINDER EXHAUST UPPER	25	69	F92759	THROTTLE ROLLER	17	46
F85300	REVERSE LOCK SPRING	33	46	F93811	SCREEN	25	45
F85311	DISTRIBUTOR BELT	11	1	F93920	REED STOP	25	41
F85314-1	FUEL FITTING	15	7	F97772	CLAMP	15	6
F85317-1	SOLENOID CLAMP	19	21	F97772	FUEL LINE CLAMP	43	11
F85350-1	TILT STOP PIVOT	31	25	F98273	ROD END CONNECTOR STUD	25	77
F85372	PIN, GEAR SHIFT ROD LOWER	39	47	FA14048-2	PREAMPLIFIER	11	17
F8538	SPRING PIN	31	37	FA15072	HEX LOCK NUT, 1/4 - 20 W/WASHER	9	8
F85380	SPRING	31	6	FA17559	LIFT CYLINDER COMPLETE	49	40
F85410	SNAP RING	29	8	FA17561-1	O-RING	51	44
F85445	CONTROL ROD	23	22	FA178233	THROTTLE TIE BAR W/SWIVEL	15	35
F85498	FLYWHEEL KEY	29	16	FA178962	SHOCK ABSORBER W/BUSHING	31	40
F85502	THROTTLE LINK	23	28	FA178962	SHOCK ABSORBER W/BUSHING	51	48
F85509-1	LINK, CHOKE	15	2	FA321574	DISTRIBUTOR BRACKET	11	10
F85541-1	TILT LOCK	31	27				
F85571	BEARING CAGE W/ROLLER	29	10				
F85606	KINGPIN CAP	33	82				
F85610	BEARING	25	59				
F85615	GEAR SHIFT ROD UPPER	35	88				

PARTS INDEX

Part Number	Description	Pg.	Ref. No.	Part Number	Description	Pg.	Ref. No.
FA411222	TRANSFER PORT COVER	25	53	FC510374	DECAL, CIRCUIT BREAKER - CANADA	7	-
FA438113	STERN BRACKET LOCK BAR	33	65	FC553010	SHORT BLOCK, CONTAINS ALL ITEMS MARKED WITH AN ASTERISK (*).	23	-
FA438431	FUEL PUMP BODY W/VALVES	19	12	FC555054	GEAR HOUSING COMPLETE	39	-
FA439493	TERMINAL BLOCK BRACKET	5	11	FD368700	IGNITION KEY - STAMPED D	7	-
FA439746	FUEL PUMP COVER W/PLUG	19	1	FE368700	IGNITION KEY - STAMPED E	7	-
FA440157	CARBURETOR ADAPTER, UPPER	19	-	FG1019	GASKET SET (INCLUDES THE FOLLOWING)	27	106
FA440167	CARBURETOR ADAPTER, LOWER	19	33	FK10103	REPAIR PARTS KIT.	15	1
FA449015	PISTON	49	29	FK10107	INLET NEEDLE AND SEAT	15	19
FA449149	COVER W/SEALS AND RETAINER	49	27	FK1063-1	SEAL KIT (INCLUDES THE FOLLOWING)	41	74
FA475260	PISTON RING SET (2 PER SET) - STANDARD	29	1	FK1069	WATER PUMP KIT	41	75
FA480179	TRIM TOP	3	1	FK1123	SPARKIE W/SPRING	13	44
FA480269	TILT HANDLE	3	3	FK17114-1	INDICATOR	47	43
FA480876	GEAR SHIFT ARM	25	61	FK405020	SWIVEL W/CLAMP, SHOULDER SCREW AND NUT	23	32
FA480894	TIMING POINTER	23	2	FK550128	DRIVESHAFT W/BEARING	41	68
FA481469	HANDLE W/SHAFT	3	8	FK85228-1	BEARING CAGE W/ROLLER	29	7
FA481743	ROLLER BRACKET W/ROLLER	3	27	FO10588	BODY CHANNEL CUP PLUG	17	48
FA510497	TERMINAL BLOCK	5	15	FO11103	IDLE MIXTURE SCREW SPRING	15	28
FA523014	CRANKSHAFT LOWER MAIN BEARING	29	12	FO13193	MAIN FUEL JET OPT. .088 1500 - 3000 FT.	17	-
FA523054	GEAR HOUSING	39	33	FO13554	FLOAT	15	25
FA523098	PROPELLER SHAFT	37	23	FO13944	FLOAT LEVER PIN	15	24
FA523136	CAGE, REAR	41	76	FO13949	MAIN FUEL JET OPT. .086 3000 - 4500 FT.	17	-
FA523485	ANTICORROSION ANODE	37	20	FO14109	MAIN FUEL JET OPT. .082 6000 FT & UP	17	-
FA523735	SEAL, INLET WATER LINE, LOWER	39	64	FO14166	IDLE MIXTURE SCREW	15	29
FA528518	CYLINDER HEAD	25	80	FO14302	MAIN FUEL JET OPT. .084 4500 - 6000 FT.	17	-
FA552180	TRIM REAR	3	4	FO15406	MAIN FUEL JET STD. .090 SEA LEVEL - 1500 FT.	15	40
FA552888	TRIM, FRONT	3	33	FO15623	FUEL BOWL GASKET	15	26
FA552944	ENGINE COVER	3	5	FO15912	CHOKE AND THROTTLE SHUTTER SCREW	15	31
FA553010	CYLINDER W/CRANKCASE COVER	23	1	FO16128	BODY CHANNEL WELCH PLUG	17	49
FA565386	DECAL, NUMERAL	3	6	FO16130	FUEL BOWL	15	22
FA58976-1	CONNECTOR, THROTTLE CABLE	45	1	FO16132	FUEL BOWL RETAINING SCREW	15	20
FA612396	DECAL, STARBOARD	3	-	FO16133	MAIN NOZZLE	15	23
FA612397	DECAL, PORT	3	7	FO16142	THROTTLE SHUTTER	17	50
FA84621-1	COUPLING, GEAR SHIFT ARM W/BUSHING	39	44	FO16143	THROTTLE SHAFT RETURN SPRING	17	41
FA84754-1	FUEL LINE SHORT W/FERRULES	43	8	FO16301	CHOKE SHAFT AND LEVER	15	17
FA85019	KINGPIN	31	43	FO16620	E-RING	15	10
FA85193	TIE BAR END W/SWIVEL	15	38	FO17719	CHOKE, SHUTTER	15	30
FA85355-1	WASHER	35	92	FO17884	THROTTLE SHAFT AND LEVER	17	42
FA85655-1	CRANKSHAFT MAIN BEARING RACE W/SNAP RING	29	9	FO17885	CHOKE SHAFT RETURN SPRING	15	18
FB368700	IGNITION KEY - STAMPED B	7	-	FO1974	SCREW	17	44
FC368700	IGNITION KEY - STAMPED C	7	-	FO5323	FUEL BOWL RETAINING SCREW GASKET	15	21
FC409398	DECAL, TOTE TANK - CANADA (NOT SHOWN)	43	-				
FC438398	DECAL, WIRING - CANADA	27	-				
FC474387	TIMING DECAL - CANADA	7	-				

PARTS INDEX

Part Number	Description	Pg.	Ref. No.	Part Number	Description	Pg.	Ref. No.
FO9678	CLIP, CHOKE SHAFT	15	39	FT8978	POWER TIMING LIGHT	52	-
FO992	LOCKWASHER	17	43	FT8983	SEALANT - 3 OZ. RTV SEALANT FROM IN PLACE		
FPS524	PROPELLER (ACCESSORY ITEM)	37	17		GASKETS	56	-
FS409752	FUEL LINE COMPLETE	43	-	FT8985	SEAL INSTALLER	54	-
FS85872-1	BRACKET	25	75	FT8997	SHIMMING TOOL	54	-
FSA475260	PISTON RING (2 PER SET) .010 OVERSIZE	29	-	FTA2937-1	TIMING TOOL	52	-
FT1082	SNAP RING PLIER	53	-	FTA8994	PISTON PIN TOOL	53	-
FT11204	BEARING CUP INSTALLER	54	-	FTK8999	TEST WHEEL	55	-
FT11205	BEARING INSTALLER/REMOVER	54	-	OB3062	LITERATURE	47	-
FT11207	BEARING CUP REMOVER	54	-	22-818103--1	ELBOW, CYLINDER DRAIN LOWER	23	36
FT11209	BEARING GUIDE SET	54	-	31-817785A2	CRANKSHAFT BEARING CAGE	29	17
FT2938-1	BATTERY POWERED TEST LIGHT	52	-	32-817738A1	FUEL LINE LONG	43	10
FT2951	CIRCUIT TRACER	52	-	33-97180	SPARK PLUG (CHAMPION L20V) - USA	27	86
FT2953	SOCKET	53	-	37-819450	DECAL, REVERSE LOCK - CANADA	33	-
FT2961	LUBRICANT - RYKON GREASE #2EP	56	-	39-818123A1	PISTON RING (2 PER SET) .030 OVERSIZE	29	-
FT2962-1	SEALANT - 50 CC LOCTITE H, NON-HARDENING GRADE	56	-	43-817854A2	BEVEL PINION GEAR	39	35
FT2963-2	SEALANT - 2 OZ. LOCTITE D, HARDENING GRADE	56	-	46-817853A1	WATER PUMP	41	-
FT2987-1	LUBRICANT - ANTI-SEIZE	56	-	46-817853A1	WATER PUMP BODY	39	59
FT2990	PISTON PIN TOOL	53	-	84-817775A1	COIL WIRE	11	29
FT2991	CARBON BRUSH	53	-	87-817778A1	THERMOSWITCH	27	87
FT2996	RING COMPRESSOR	53	-	300-817855A1	UNIT	7	45
FT2998	TORQUE WRENCH	53	-	400-817735A4	CRANKSHAFT	29	15
FT2999	TORQUE WRENCH	53	-	600-818052A4	CONNECTING ROD	29	6
FT3012	SEAL INSTALLER	54	-	700-819409A3	PISTON .010 OVERSIZE	29	-
FT7848	TORQUING ADAPTER	54	-	700-819409A4	PISTON .030 OVERSIZE	29	-
FT8900	HOSE CLAMP PLIERS	53	-	1400-817958A6	STERN BRACKET	31	28
FT8901	INDICATOR HOLDER	54	-				
FT8902	DIAL INDICATOR	54	-				
FT8903	SEAL INSTALLER	53	-				
FT8907	DRIVE HANDLE	53	-				
FT8907	DRIVER HANDLE	54	-				
FT8914	SEAL REMOVER	53	-				
FT8918	BEARING GUIDE SET	54	-				
FT8919	SPRING PIN PUNCH	54	-				
FT8925	SEAL INSTALLER	53	-				
FT8925	SEAL INSTALLER	54	-				
FT8926	RING EXPANDER	53	-				
FT8927	SEAL PROTECTOR	53	-				
FT8933	LIFTING HOOK	53	-				
FT8935	SEALANT PRIMER - 6 OZ.	56	-				
FT8936-1	SEALANT - 2 CC LOCTITE RETAINING COMPOUND #75	56	-				
FT8948-1	PULLER	52	-				
FT8948-1	PULLER	54	-				
FT8950	LEAKAGE TESTER	55	-				
FT8953	IGNITION TESTER	55	-				
FT8955	SEALANT - 5 OZ. EC-750 INDUSTRIAL SEALANT	56	-				
FT8957	SEAL INSTALLER	54	-				
FT8969	LUBRICANT - 7 OZ. LPSI LUBRICANT	56	-				