



PARTS CATALOG

50 H.P.

SERIAL NUMBER

50 (1983)	503B3A
50 (1983)	503C4B
50 (1983)	503H3A
50 (1983)	503H4B
50 (1983)	507B2C
50 (1983)	507B3D
50 (1983)	507C4E
50 (1983)	507H2C
50 (1983)	507H3D
50 (1983)	507H4E
50 (1983)	507R3E
50 (1983)	507S4A
50 (1983)	507S4B

TABLE OF CONTENTS:

ALTERNATOR AND ELECTRICAL COMPONENTS	10
CARBURETOR	18
CRANKSHAFT AND PISTON GROUP	28
ELECTRIC STARTER	14
ENGINE COVER AND SUPPORT PLATE	2
ENGINE COVER AND SUPPORT PLATE 503H3A, 503B3A	4
FUEL PUMP	16
FUEL TANK AND LINE	42
GEAR HOUSING	38
MOTOR LEG	32
PARTS INDEX	56
POWER HEAD	22
REED PLATE	30
REMOTE CONTROL	44
SPECIAL TOOLS - ACCESSORIES	53
SPECIAL TOOLS - LOWER UNIT	50
SPECIAL TOOLS - LUBRICANTS AND SEALANTS	52
SPECIAL TOOLS - POWER HEAD	49
SPECIAL TOOLS - TEST EQUIPMENT	51
SPECIAL TOOLS - TUNE-UP	48

NOTE: Indented description indicate that these parts are included in preceeding assembly.

AR = As Required

NSS = Not Sold Separate

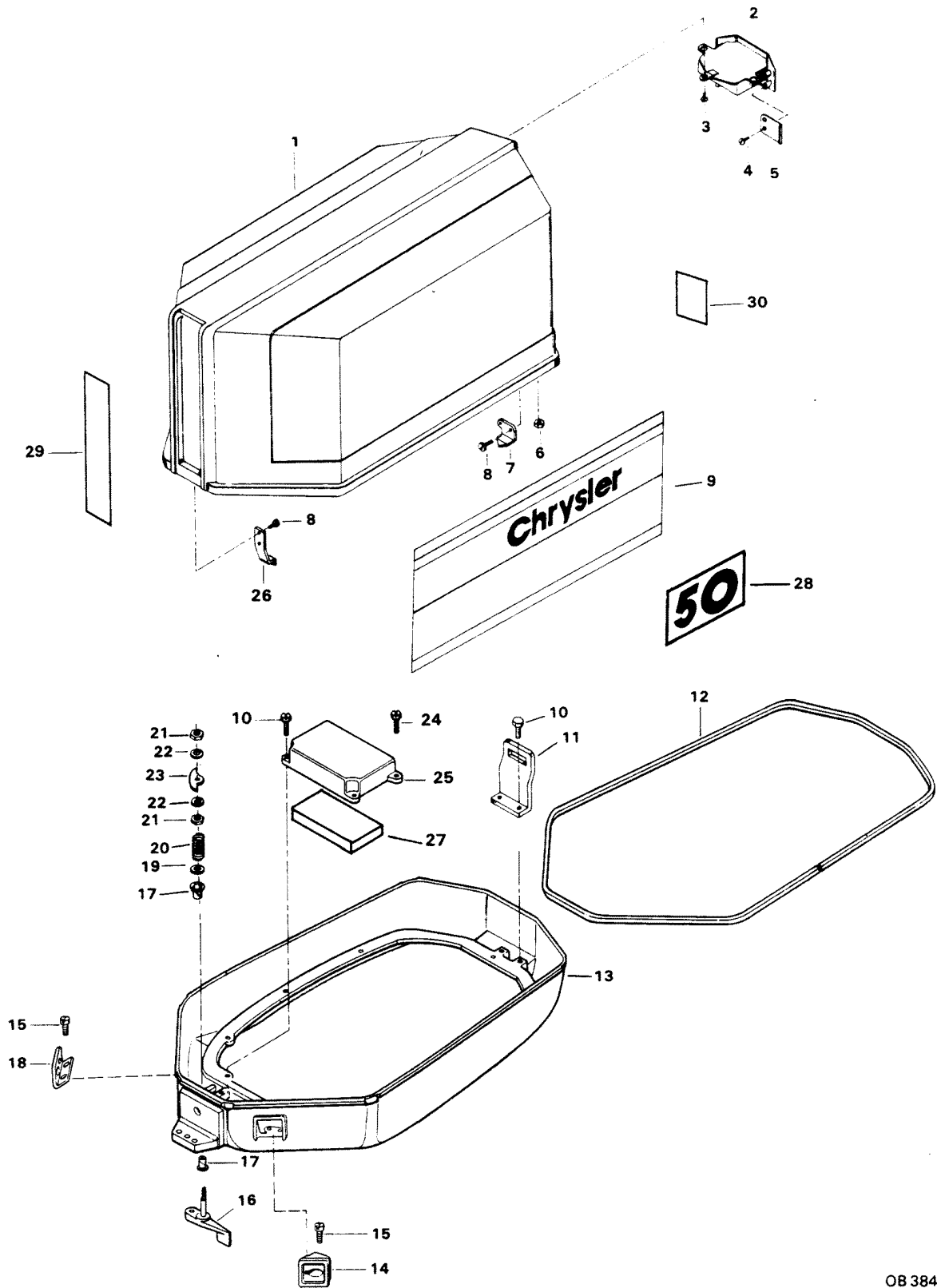
OPT = Optional

NS = Not Shown

THESE PARTS BOOKS/FICHE CARD ARE COPYRIGHTED AND MAY NOT BE DISTRIBUTED OR REPRODUCED IN ANY OTHER FORMAT BY ANYONE OTHER THAN MERCURY MARINE WITHOUT THE PRIOR WRITTEN CONSENT OF MERCURY MARINE.

THIS PAGE INTENTIONALLY LEFT BLANK

ENGINE COVER AND SUPPORT PLATE

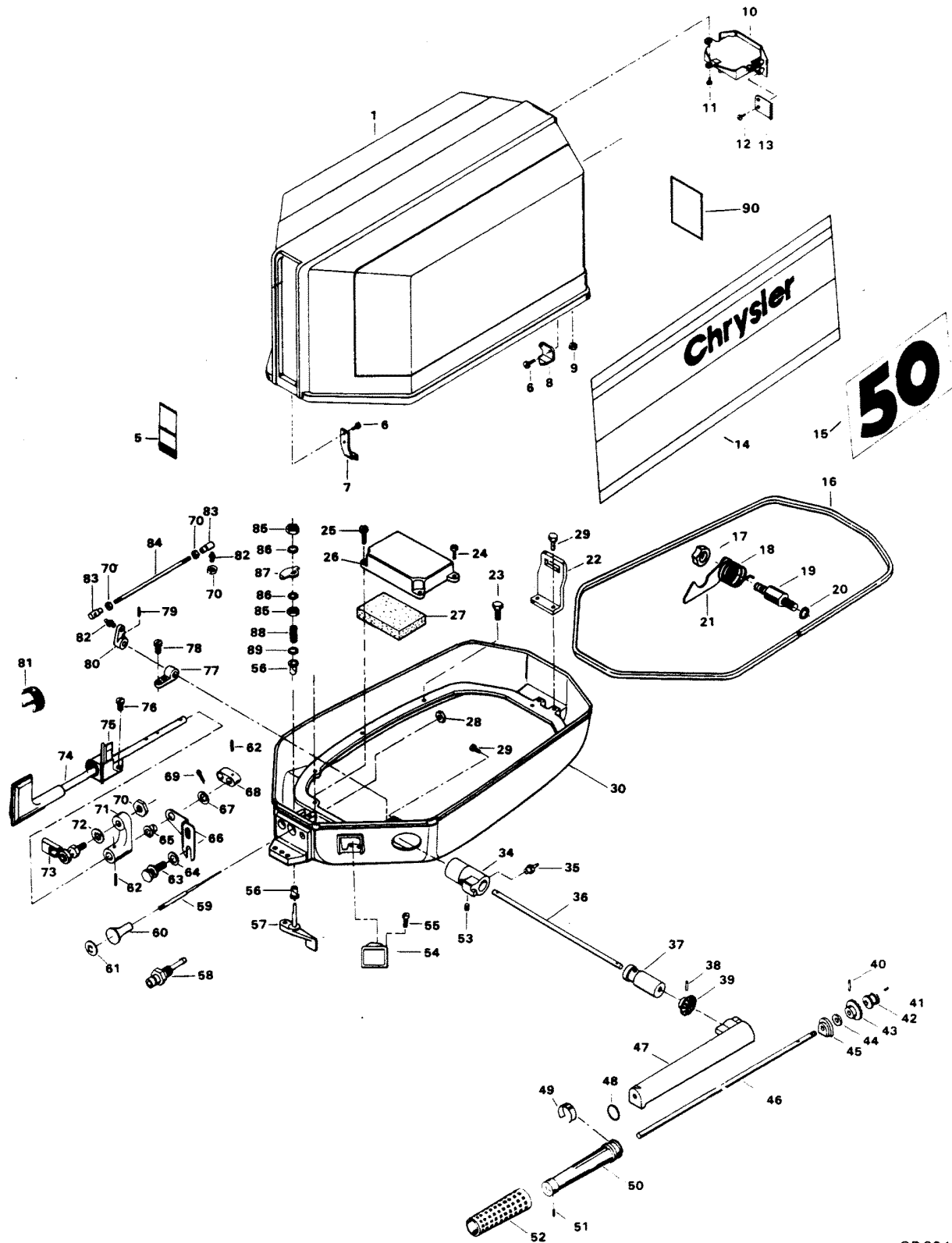


OB 3848

ENGINE COVER AND SUPPORT PLATE

REF. NO.	PART NO.	SYM.	QTY.	DESCRIPTION
1	486712-1		1	ENGINE COVER W/ILLUS. 6, 7, 8 AND 26
-	613712		1	ENGINE COVER COMPLETE. INCLUDES ITEMS MARKED WITH AN ASTERISK (*). (507H2C, 507B2C) ORDER NUMERAL SEPARATE
-	F606712		1	ENGINE COVER COMPLETE. INCLUDES ITEMS MARKED WITH AN ASTERISK (*). (507H3D, 507B3D) ORDER NUMERAL SEPARATE
2	F463269-1		1	TILT HANDLE W/LITERATURE
3	F2025		1	PAN HD SCREW, 10 X 5/8
4	2066		4	PAN HD SELF-TAPPING SCREW
5	F463864		2	RETAINER, TILT HANDLE
6	7011		4	HEX NUT, 10 - 24
7	458480		1	ENGINE COVER RETAINER W/ILLUS. 6 AND 8
8	1475		4	FILL HD SCREW, 10 X 24 X 1/2
9	605396		1	DECAL, ENGINE COVER ST'BD W/LITERATURE (507H2C, 507B2C)
-	606396		1	DECAL, ENGINE COVER ST'BD W/LITERATURE (507H3D, 507B3D)
-	605397		1	DECAL, ENGINE COVER PORT W/LITERATURE (507H2C, 507B2C)
-	606397		1	DECAL, ENGINE COVER PORT W/LITERATURE (507H3D, 507B3D)
10	1864		10	HEX CAP SCREW, 1/4 - 20 X 3/4
11	F458774		1	BRACKET RETAINER -REAR
12	F85756		1	SUPPORT PLATE PACKING
13	F307038		1	SUPPORT PLATE
14	F549189		1	BUSHING ELECTRIC CABLE ENTRY
15	F1733		3	PAN HD SCREW, 10 - 24 X 9/16
16	328763		1	COVER LATCH HANDLE W/SHAFT
17	F307818		2	BEARING, LATCH SHAFT
18	F545189		1	BUSHING, CABLE ENTRY
19	F1987		1	PLAIN WASHER
20	F183300		1	SPRING
21	1515		2	HEX NUT, 5/16 - 18
22	F8096		2	SPRING LOCKWASHER
23	F89777-1		1	LATCH CAM
24	1532		2	HEX HD SCREW, 1/4 - 20 X 1
25	307779		1	BAFFLE, AIR INTAKE W/ILLUS. 27
26	366778		1	ENGINE COVER RETAINER FORWARD W/ILLUS. 6 AND 8
27	F307860		1	INTAKE SILENCER (507H2C, 507B2C, 507H3D, 507B3D)
28	613386		2	DECAL, NUMERAL 50
29	604892		1	DECAL, ENGINE COVER FRONT W/LITERATURE (507H3D, 507B3D)
30	606528		1	DECAL, ENGINE COVER REAR W/LITERATURE (507H3D, 507B3D)

ENGINE COVER AND SUPPORT PLATE 503H3A, 503B3A



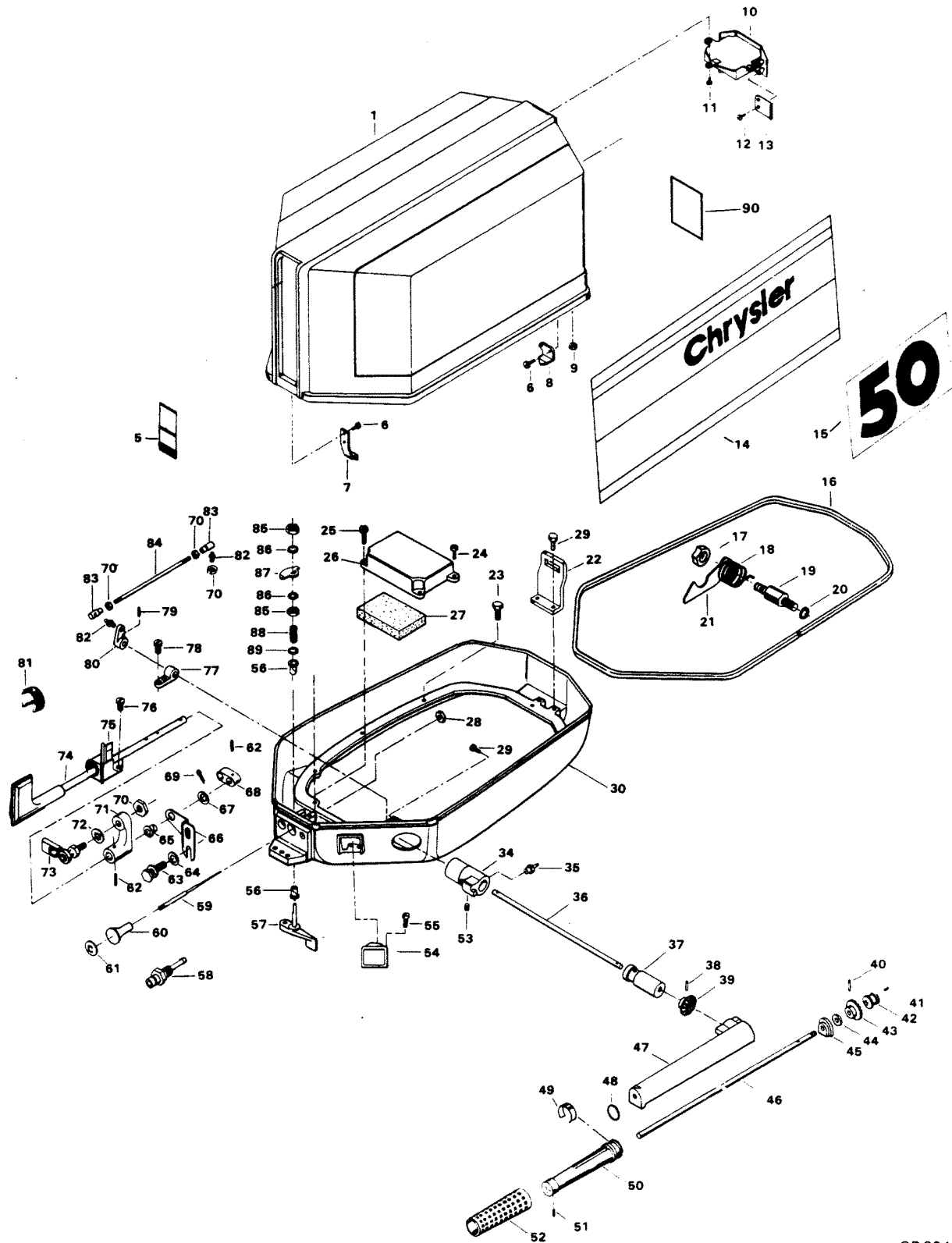
OB 3848

ENGINE COVER AND SUPPORT PLATE 503H3A, 503B3A

REF. NO.	PART NO.	SYM.	QTY.	DESCRIPTION
1	486712-1		1	ENGINE COVER W/ILLUS. 6, 7, 8 AND 9
-	F606712		1	ENGINE COVER COMPLETE INCLUDES ALL ITEMS MARKED WITH AN ASTERISK (*) NOTE: THE NUMERAL DECAL IS NOT PART OF THIS COVER. IT MUST BE ORDERED SEPARATELY
5	604892		1	DECAL, ENGINE COVER FRONT W/LITERATURE
6	F1979		4	FILL HD SCREW, 10 - 24 X 1/2
7	366778		1	ENGINE COVER RETAINER, FORWARD W/ILLUS. 6 AND 9
8	458480		1	ENGINE COVER RETAINER W/ILLUS. 6 AND 9
9	7011		4	HEX NUT, 10 - 24
10	F463269-1		1	TILT HANDLE W/LITERATURE
11	F2025		1	PAN HD SCREW, 10 X 3/8
12	2066		4	PAN HD SELF - TAPPING SCREW, 10 - 7/16
13	F463864		2	RETAINER, TILT HANDLE
14	606397		1	DECAL, ENGINE COVER - PORT W/LITERATURE
-	606396		1	DECAL, ENGINE COVER - STARBOARD W/LITERATURE
15	613386		2	DECAL, NUMERAL W/LITERATURE
16	F85756		1	SUPPORT PLATE PACKING
17	7006		1	HEX NUT, 5/16 - 18
18	F367300		1	SPRING SHIFT DETENT
19	F328819		1	SWIVEL SHIFT DETENT
20	F8060		1	INTERNAL TOOTH LOCKWASHER
21	F328884		1	DETENT, SHIFT ARM
22	F458774		1	BRACKET, RETAINER REAR
23	1864		8	HEX CAP SCREW, 1/4 - 20 X 3/4
24	1864		2	HEX HD SCREW, 1/4 - 20 X 3/4
25	1532		2	HEX HD SCREW, 1/4 - 20 X 1
26	307779		1	BAFFLE, AIR INTAKE ASSEMBLY W/ILLUS. 27
27	F307860		1	INTAKE SILENCER
28	F1738		1	HEX NUT, 3/8 - 24
29	1864		6	HEX CAP SCREW, 1/4 - 20 X 3/4
30	F613038		1	SUPPORT PLATE
34	F328703-1		1	STEERING HANDLE ADAPTER
35	F213274		1	GREASE FITTING
36	F338877		1	MAGNETO CONTROL SHAFT
37	F328692		1	PIVOT TUBE
38	8538		1	SPRING PIN
39	F338815		1	STEERING HANDLE GEAR
40	8538		1	SPRING PIN
41	F1277		1	SLOTTED OVAL HD SET SCREW 1/4 - 28 X 3/8
42	F307689-1		1	STEERING HANDLE CONTROL SHAFT BEARING
43	F338815		1	STEERING HANDLE GEAR
44	F1955		1	PLAIN WASHER
45	F40816-1		1	STEERING HANDLE CONTROL SHAFT THRUST BEARING
46	F433688		1	SHAFT, STEERING HANDLE

CONTINUED ON NEXT PAGE ➡

ENGINE COVER AND SUPPORT PLATE 503H3A, 503B3A



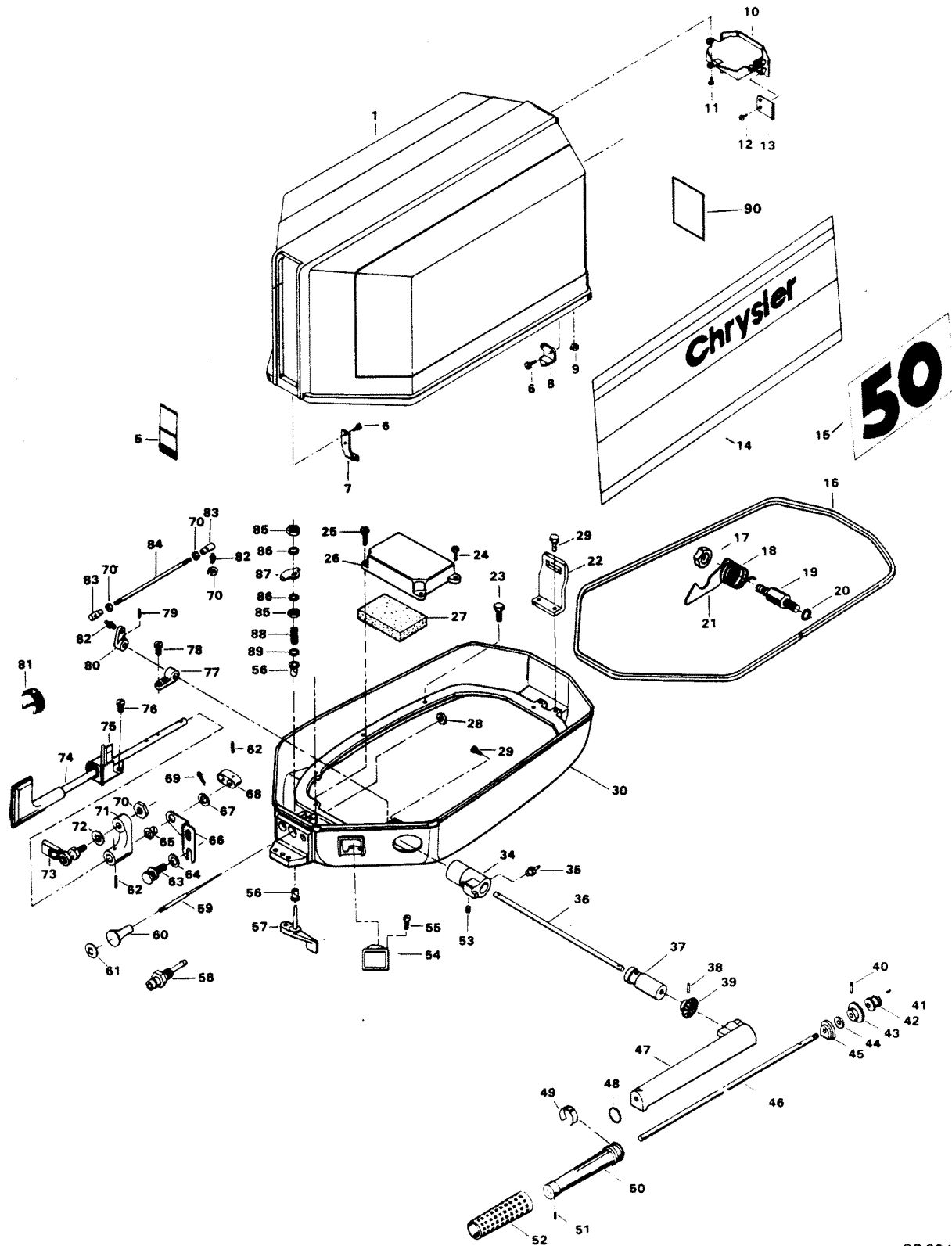
OB 3848

ENGINE COVER AND SUPPORT PLATE 503H3A, 503B3A

REF. NO.	PART NO.	SYM.	QTY.	DESCRIPTION
47	F338079		1	STEERING HANDLE INCLUDING ITEMS 36, 37, 38, 39 AND 48
48	F53795-1		2	DAMPENER
49	F286894-3		1	STEERING HANDLE INDICATOR
50	456137		1	STEERING HANDLE GRIP W/ILLUS. 52
51	8548		1	SPRING PIN
52	F458695		1	SLEEVE, STEERING HANDLE
53	901839		1	STEERING HANDLE FRICTION SCREW W/SPRING AND BUTTON
54	F549189		1	BUSHING, ELEC. CABLE ENTRY
55	F1733		3	PAN HD SCREW, 10 - 24 X 9/16
56	F307818		2	BEARING, LATCH SHAFT
57	328763		1	LATCH SHAFT W/HANDLE
58	F434767		1	BUSHING
59	F433503		1	CHOKE CABLE
60	F286547		1	CHOKE KNOB
61	F458677		1	INSERT, CHOKE KNOB
62	F1836		2	SPRING PIN
63	F2008		2	HEX HD SCREW W/LOCKWASHER, 1/4 - 20 X 7/8
64	F8028		2	PLAIN WASHER
65	85610		1	BEARING
66	F433612		1	BRACKET, SHIFT ROD
67	F8032		1	PLAIN WASHER
68	F328621		1	ARM, GEAR SHIFT LEVER
69	F1017		1	COTTER PIN
70	F1513		4	HEX NUT, 10 - 32
71	F485005		1	INTERLOCK LEVER ARM
72	F8058		1	INTERNAL TOOTH LOCKWASHER
-	F191993-1		1	BRACKET, CHOKE CABLE (NOT SHOWN)
73	F269141-1		1	BALL JOINT W/BEARING
74	463614-1		1	GEAR SHIFT ROD W/ILLUS. 81
75	F328189-1		1	BUSHING, GEAR SHIFT ROD
76	F1733		2	PAN HD SCREW, 10 - 24 X 9/16
77	F366813		1	BEARING
78	1974		2	FILL HD SCREW, 10 - 24 X 5/8
79	8540		1	SPRING PIN
80	F328438		1	MAGNETO CONTROL ARM
81	F461400		1	GEAR SHIFT INDICATOR
82	F98273		2	ROD END CONNECTOR STUD
83	F58685-2		2	ROD END CONNECTOR, MAGNETO CONTROL
84	F307809-1		1	MAGNETO CONTROL ROD
85	1515		2	HEX NUT, 5/16 - 18
86	F8096		2	SPRING LOCKWASHER
87	F613777		1	LATCH CAM

CONTINUED ON NEXT PAGE ➡

ENGINE COVER AND SUPPORT PLATE 503H3A, 503B3A

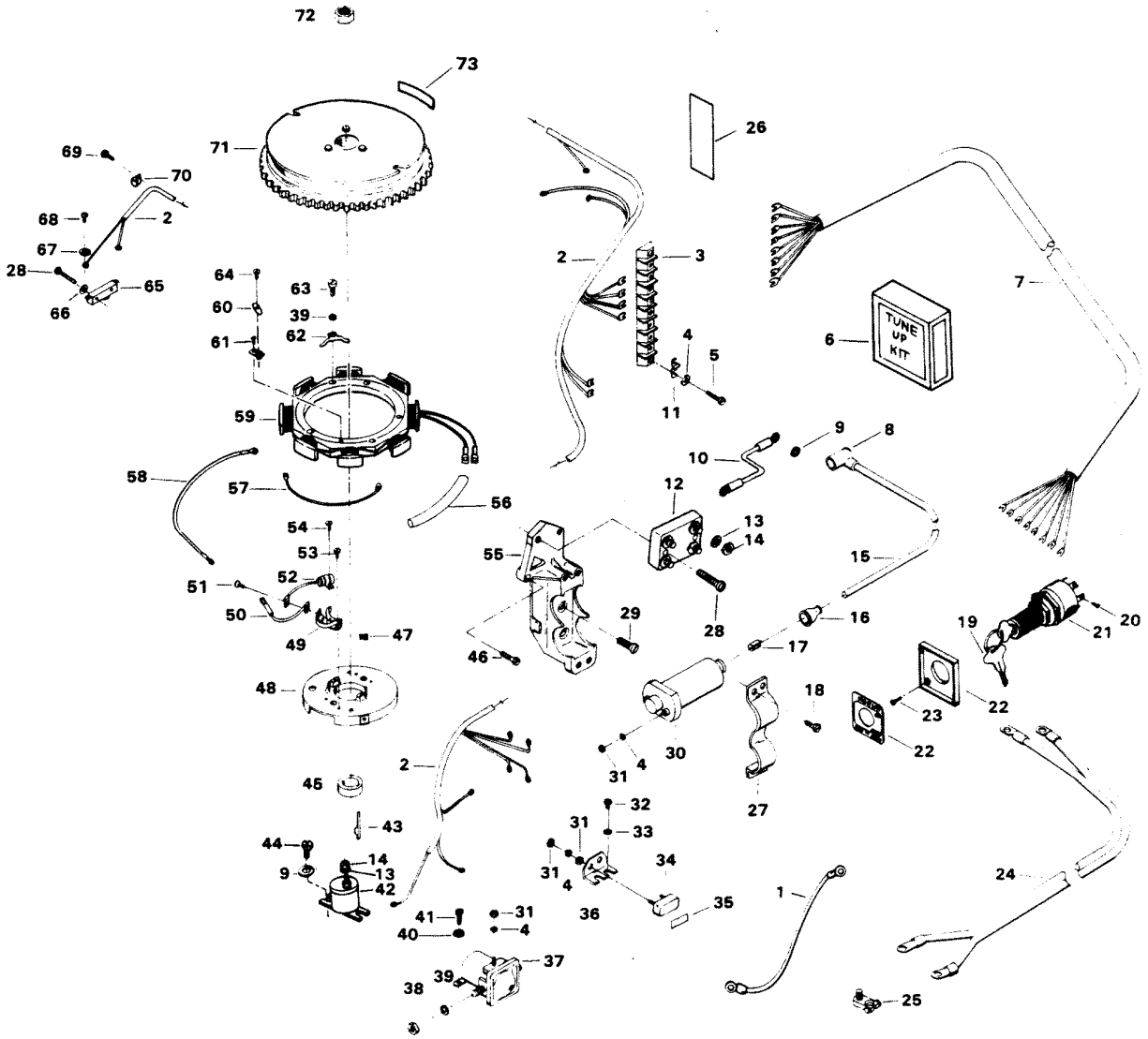


OB 3848

ENGINE COVER AND SUPPORT PLATE 503H3A, 503B3A

REF. NO.	PART NO.	SYM.	QTY.	DESCRIPTION
88	F183300		1	SPRING
89	F1987		1	PLAIN WASHER
90	606528		1	DECAL, ENGINE COVER REAR W/LITERATURE

ALTERNATOR AND ELECTRICAL COMPONENTS

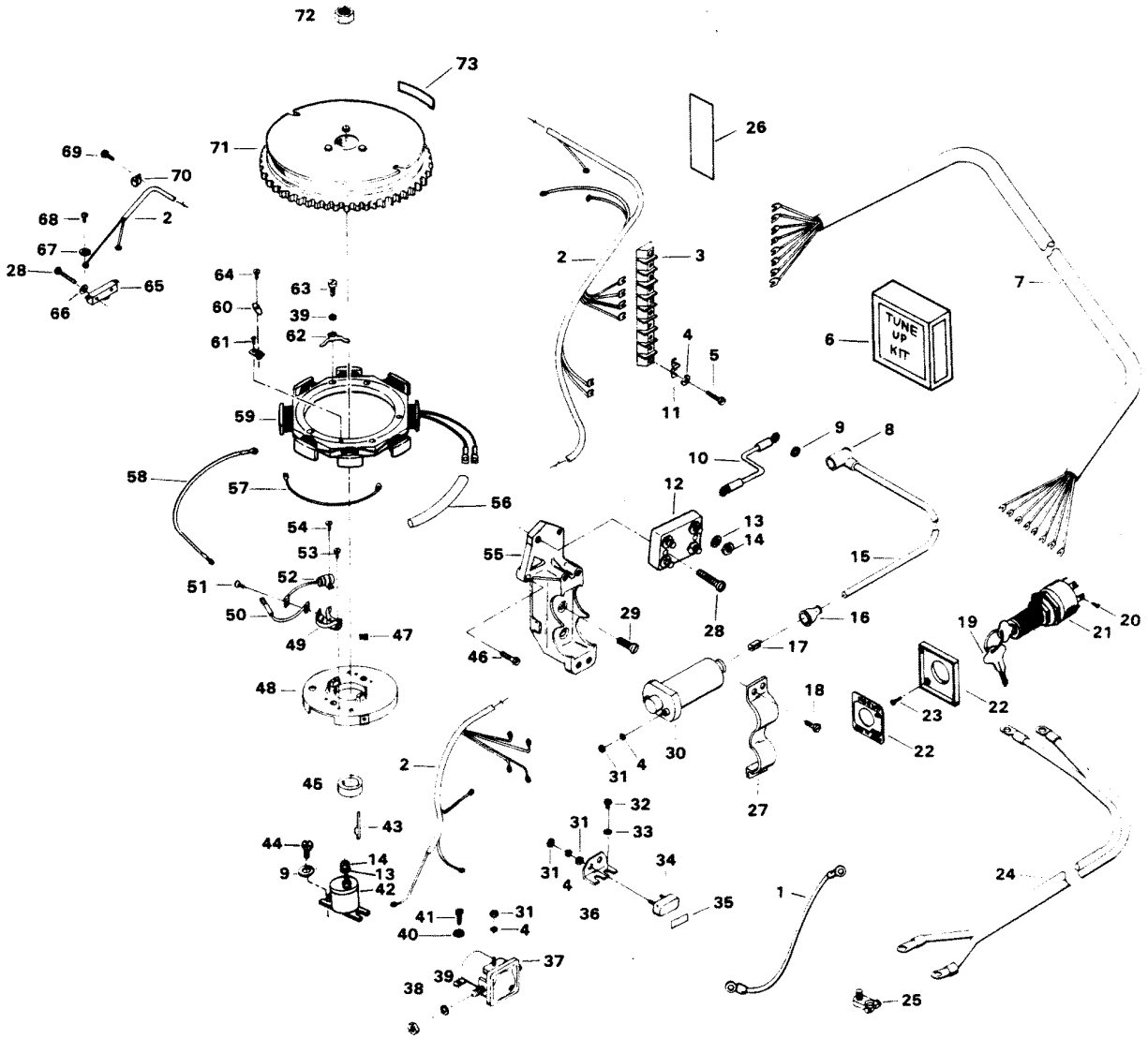


ALTERNATOR AND ELECTRICAL COMPONENTS

REF. NO.	PART NO.	SYM.	QTY.	DESCRIPTION
1	F307683		1	WIRE, CIRCUIT BREAKER
2	F311744-2		1	WIRING HARNESS
3	510497		1	TERMINAL BLOCK WILLUS. 5 & 11
4	F1975		7	LOCKWASHER
5	1974		2	SLOTTED PAN HD SCREW, 10 - 24 X 5/8
6	F1075		1	TUNE-UP KIT INCLUDES ALL ITEMS MARKED WITH AN ASTERISK (*)
7	F85843-1		1	ELECTRIC CONTROL CABLE
8	FK1123		2	SPARKIE KIT
9	F8083		3	SPRING LOCKWASHER
10	F345683		1	WIRE - GROUND
11	F307317-1		1	CLIP, TERMINAL BLOCK - GROUND
12	F369450		1	RECTIFIER
13	F8056		6	SPRING LOCKWASHER
14	F1647		5	HEX NUT, 8 - 32
15	F307664-1		2	COIL WIRE. INCLUDES ITEMS 16 AND 17
-	F467841		2	COIL WIRE - CANADA
16	F203276		2	COIL BOOT
17	F203673		2	TERMINAL CLIP
18	F1922		4	HEX CAP SCREW, 1/4 - 20 X 5/8
19	368700		1	IGNITION KEY - NO LETTER OR STAMPED A
-	368700		1	IGNITION KEY - STAMPED B
-	368700		1	IGNITION KEY - STAMPED C
-	368700		1	IGNITION KEY - STAMPED D
-	368700		1	IGNITION KEY - STAMPED E
20	F1280		5	PAN HD SCREW, 8 - 32 X 1/4
21	078		1	IGNITION SWITCH (ACCESSORY ITEM) WILLUS. 19 AND 21
22	038		1	IGNITION SWITCH MOUNTING KIT (ACCESSORY ITEM) WILLUS. 23
23	F1934		4	FLAT HD SLOTTED SCREW, 6 X 1/2
24	F381896-4		1	BATTERY CABLE
25	F71H26		1	BATTERY TERMINAL KIT (ACCESSORY ITEM)
26	F438398		1	DECAL, WIRING
-	27232		1	EMERGENCY STARTER ROPE (NOT SHOWN) WITH HANDLE
27	F380513		1	COIL CLAMP
28	2016		4	FILL HD SCREW, 8 - 32 X 7/8
29	F1164		2	FLAT HD SCREW, 5/16 - 18 X 1 - 1/8
30	F380475		2	COIL
31	F1513		9	HEX NUT, 10 - 32
32	F1733		2	PAN HD SCREW, 10 - 24 X 9/16
33	F8011		2	PLAIN WASHER
34	F510460		1	CIRCUIT BREAKER
35	F510374		1	DECAL, CIRCUIT BREAKER
36	F91446-1		1	CIRCUIT BREAKER BRACKET

CONTINUED ON NEXT PAGE ➡

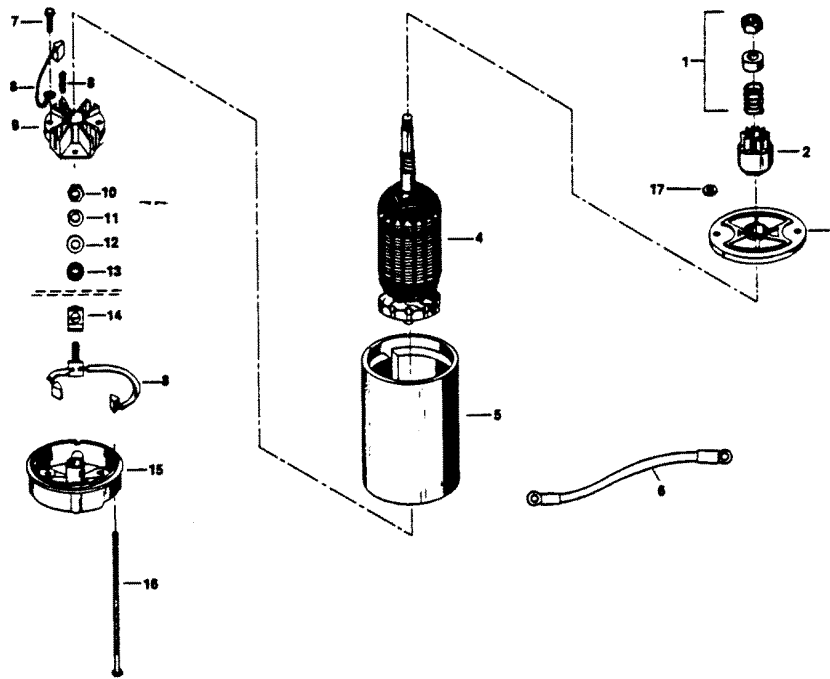
ALTERNATOR AND ELECTRICAL COMPONENTS



ALTERNATOR AND ELECTRICAL COMPONENTS

REF. NO.	PART NO.	SYM.	QTY.	DESCRIPTION
37	F177917		1	STARTER RELAY
38	F1615		2	HEX NUT, 5/16 - 24
39	F8096		5	SPRING LOCKWASHER
40	F8094		1	PLAIN WASHER
41	1238		2	FILL HD SCREW, 1/4 - 20 X 3/4
42	F289924-1		1	CHOKE SOLENOID W/ILLUS. 13 AND 14
43	F92498		1	KEY
44	F1854		2	HEX HD SCREW, 1/4 - 20 X 5/8
45	F268002-2		1	CAM
46	1532		1	HEX HD SCREW, 1/4 - 20 X 1
47	F12227		2	CAM WIPER - FELT
48	F12344		1	BREAKER PLATE
49	F12329-2		2	BREAKER POINT SET
50	F12174-1		2	PRIMARY INTERLEAD GROUP
51	F12189		2	CONDENSER MOUNT SCREW
52	F12139-1		2	CONDENSER
53	F12090		4	BREAKER CONTACT SCREW
54	F12170		2	CONDENSER MOUNT SCREW W/LOCKWASHER
55	F380501		1	COIL MOUNT
56	94914		1	SLEEVE (503H3A, 503B3A)
57	F12338		1	GROUND WIRE
58	F289664		1	WIRE STATOR GROUND
59	F466095		1	STATOR
60	F12172		2	TERMINAL COMPLETE INCLUDES ILLUS. 64
61	F1958		2	PAN HD SCREW, 6 X 7/16
62	F466479		3	BREAKER PLATE SHOE
63	2071		3	HEX CAP SCREW, 5/16 - 18 X 1-3/8
64	F12167		2	SCREW
65	F84449		1	NEUTRAL INTERLOCK SWITCH
66	F8088		2	PLAIN WASHER
67	1704		2	INTERNAL TOOTH LOCKWASHER
68	F1645		2	RD-HD SELF-TAPPING SCREW, 6 - 32 X 1/4
69			1	SLOTTED FILL HD SCREW, 1/4 - 20 X 5/8 (SEE ILLUS. 2 ON PAGE 10)
70	F92446		1	CLAMP
71	F203097-5		1	FLYWHEEL W/ILLUS. 73
72	F1920		1	HEX NUT, 5/8 - 18
73	F609853		1	DECAL, WARNING W/LITERATURE

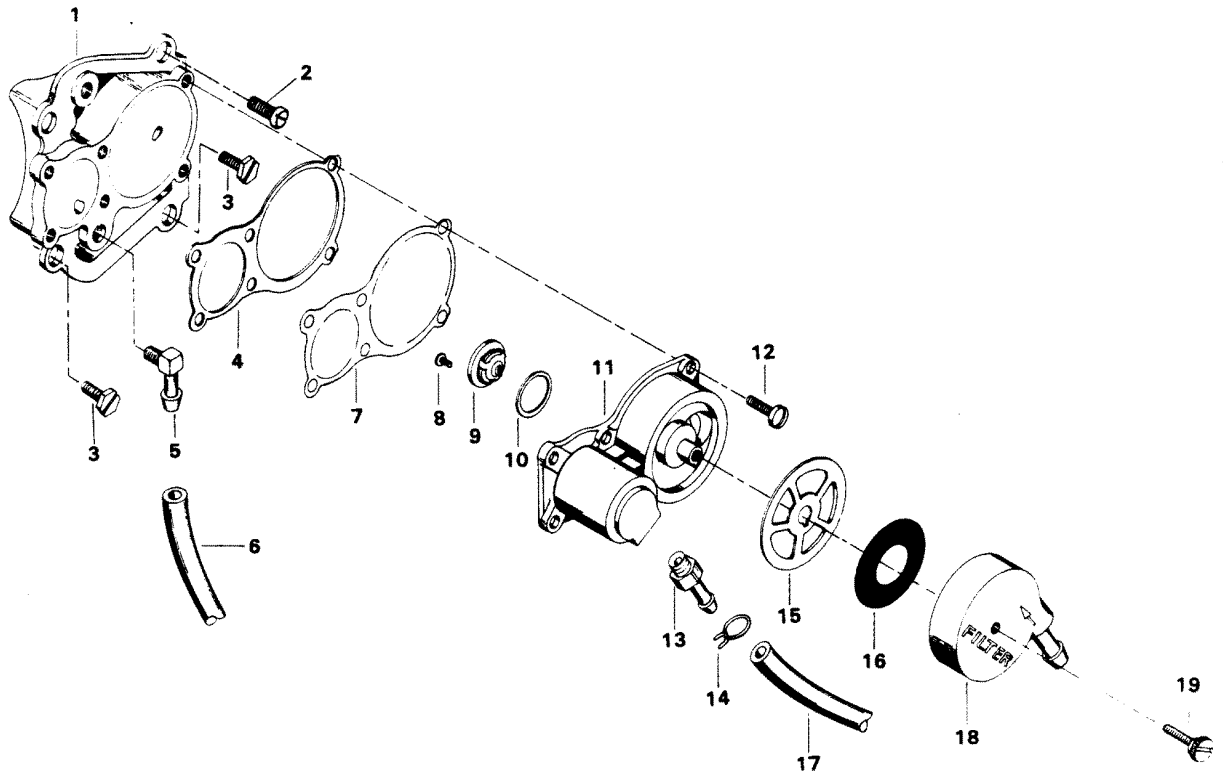
ELECTRIC STARTER



ELECTRIC STARTER

REF. NO.	PART NO.	SYM.	QTY.	DESCRIPTION
1	F15113		1	BENDIX DRIVE. (INCLUDES ILLUS. 2 THRU 10)
2	F15087		1	NUT
3	F15109		1	STOP
4	F15088		1	SPRING
5	F15115		1	CUP, PINION
6	F15116		1	SLEEVE
7	F15114		1	PINION
8	F15084		1	SCREW SHAFT W/PINION AND LITERATURE
9	F15091		1	WASHER
10	F15105		1	CUP
11	F15106		1	CUSHION
12	F15104		1	CUP, CUSHION THRUST
13	F8028		2	PLAIN WASHER
14	F8060		2	LOCKWASHER
15	1514		2	HEX NUT, 1/4 - 20
16	15000		1	SEAL, O-RING
17	F15044		1	ARMATURE
18	F15073		1	THRUST WASHER PACKAGE
19	F15043		1	FRAME AND FIELD ASSEMBLY. INCLUDES ITEM 22
20	F307908		1	STARTER LEAD
21	F15162		1	HEX LOCK NUT, 1/4 - 20
22	F15042		1	BRUSH SET
23	F15038-1		1	BRUSH PLATE AND HOLDER
24	F15034		1	SPRING SET
25	15094		1	THRU BOLT PACKAGE (SET OF 2 BOLTS)
26	15037		1	HEAD ASSEMBLY, COMMUTATOR END
-	201955		1	STARTER MOTOR - COMPLETE (NOT SHOWN). INCLUDES ALL ITEMS MARKED WITH AN ASTERISK (*).
-	479390		1	DECAL, STARTER - CANADA (NOT SHOWN)
27	F15021-1		1	HEAD ASSEMBLY, DRIVE END

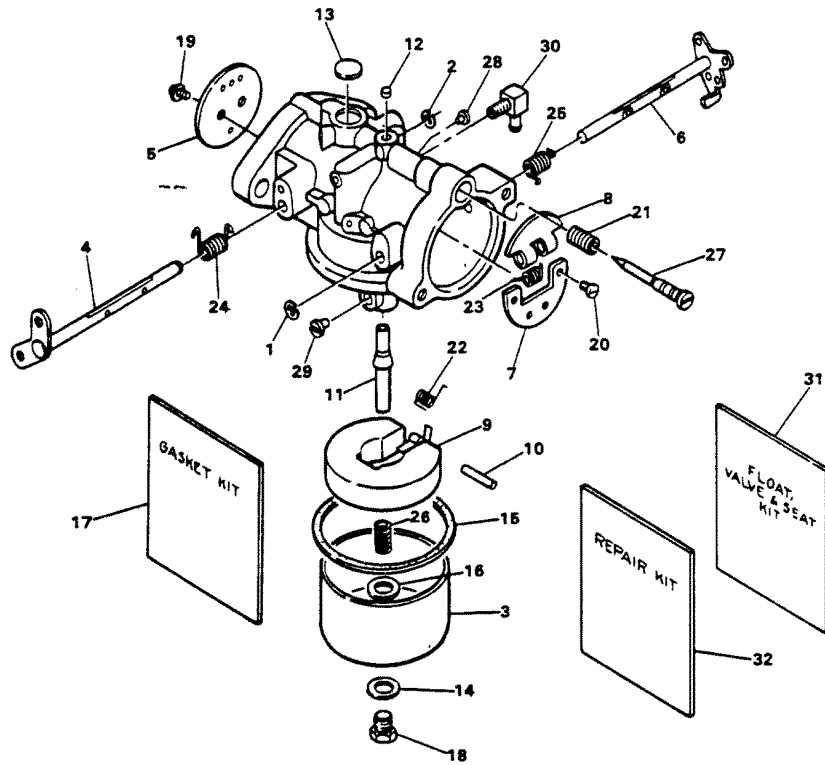
FUEL PUMP



FUEL PUMP

REF. NO.	PART NO.	SYM.	QTY.	DESCRIPTION
1	F439746		1	FUEL PUMP COVER W/LITERATURE
2	1110		1	SLOTTED FILL HD SCREW, 1/4 - 20 X 5/8
3	F1922		2	HEX HD SCREW, 1/4 - 20 X 5/8
4	F438760		1	FUEL PUMP GASKET
5	F84314-2		1	ELBOW
6	F434758		1	FUEL PUMP IMPULSE HOSE
7	F438747		1	FUEL PUMP DIAPHRAGM
8	1860		2	SLOTTED BINDING HD SCREW, 6 - 32 X 1/4
9	F177330		3	FUEL PUMP VALVE
10	F84792		3	FUEL PUMP VALVE GASKET
11	438431		1	FUEL PUMP BODY W/ILLUS. 8, 9 AND 10
12	F1108		6	FILL HD SCREW W/SPRING LOCKWASHER, 1/4 - 20 X 3/4
13	F438801		1	ELBOW
14	F97772		2	FUEL LINE CLAMPS
15	F438617		1	FUEL SEDIMENT BOWL GASKET
16	F438653		1	FUEL PUMP SCREEN
17	F434754		1	FUEL LINE, PUMP TO CARBURETOR
18	F438500		1	FUEL SEDIMENT BOWL
19	F438165		1	SCREW, FUEL BOWL

CARBURETOR

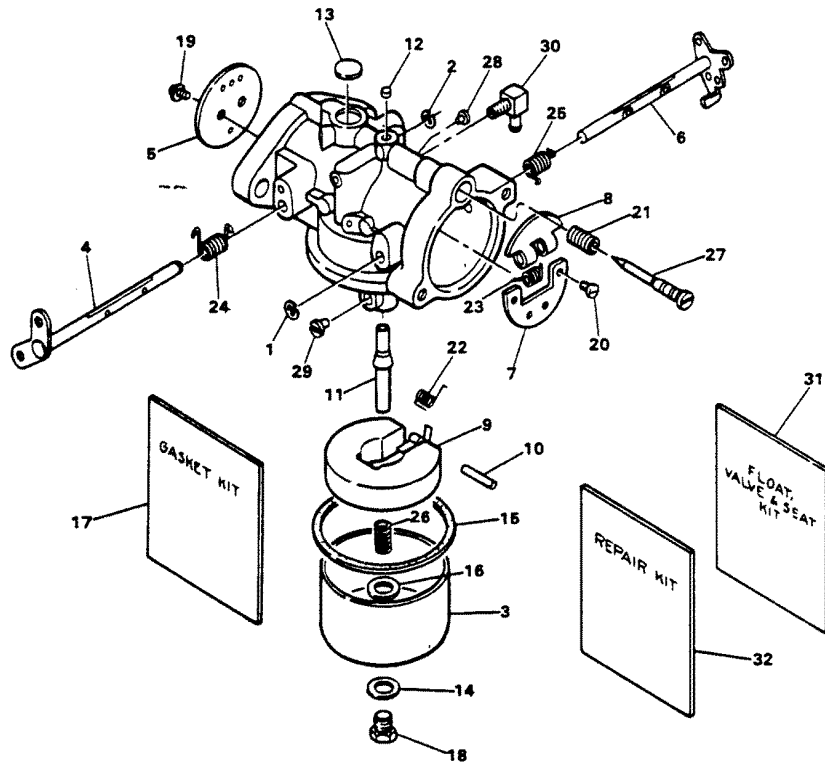


CARBURETOR

REF. NO.	PART NO.	SYM.	QTY.	DESCRIPTION
1	F84314-2		1	ELBOW, FUEL LINE CARBURETOR
2	016383		1	CHOKE SHAFT AND LEVER
3	F184579		3	SEAL, CHOKE ARM SWIVEL
4	F184033-1		1	SWIVEL, CHOKE ROD
5	F1059		1	FILL HD SCREW, 6 - 32 X 1/4
6	F8088		1	PLAIN WASHER
7	F1014		1	COTTER PIN
8	F452925		1	CHOKE SOLENOID ROD
9	F391926-1		1	CHOKE SOLENOID PLUNGER
10	F2033		1	GROOVE PIN
11	013946		1	IDLE MIXTURE SCREW
12	O11103		1	IDLE MIXTURE SCREW SPRING
13	015725		1	CHOKE RELIEF VALVE
14	016385		1	CHOKE SHAFT RETURN SPRING
15	010280		2	CHOKE SHUTTER RETAINING SCREW AND LOCKWASHER
16	015724		1	CHOKE SHUTTER
17	010883		1	CHOKE RELIEF VALVE SPRING
18	010165		1	INLET SEAT GASKET
19	010790		1	INLET NEEDLE, SEAT AND GASKET
20	O13944		1	FLOAT LEVER PIN
21	F10057		1	REPAIR PARTS KIT. INCLUDES ALL ITEMS MARKED WITH AN ASTERISK (*)
22	O15623		1	FUEL BOWL GASKET
23	02510		2	FUEL BOWL RETAINING SCREW GASKET
24	013552		1	FUEL BOWL
25	013945		1	FUEL BOWL RETAINING SCREW
26	F10000		1	GASKET SET. INCLUDES ILLUS. WITH A DOUBLE ASTERISK (**)
27	O13554		1	FLOAT
28	017355		1	MAIN NOZZLE
29	014302		1	MAIN FUEL JET .084 - STD.
-	014109		-	MAIN FUEL JET .082 - OPT. - 1250 - 3750 FT.
-	013194		-	MAIN FUEL JET .080 - OPT. - 3750 - 6250 FT.
-	014306		-	MAIN FUEL JET .078 - OPT. - 6280 - 8250 FT.
30	014292		1	THROTTLE SHAFT RETURN SPRING
31	F1997		1	STOP NUT, 8 - 32
32	015728		1	THROTTLE SHAFT AND LEVER
33	F92759		1	ROLLER
34	F333316		1	THROTTLE ROLLER SHAFT
35	F40906-1		1	FLANGE GASKET
36	08942		2	THROTTLE SHUTTER RETAINING SCREW AND LOCKWASHER
37	016340		1	THROTTLE SHUTTER
38	F434061-3		1	CARBURETOR - COMPLETE (WB16D)

CONTINUED ON NEXT PAGE ➡

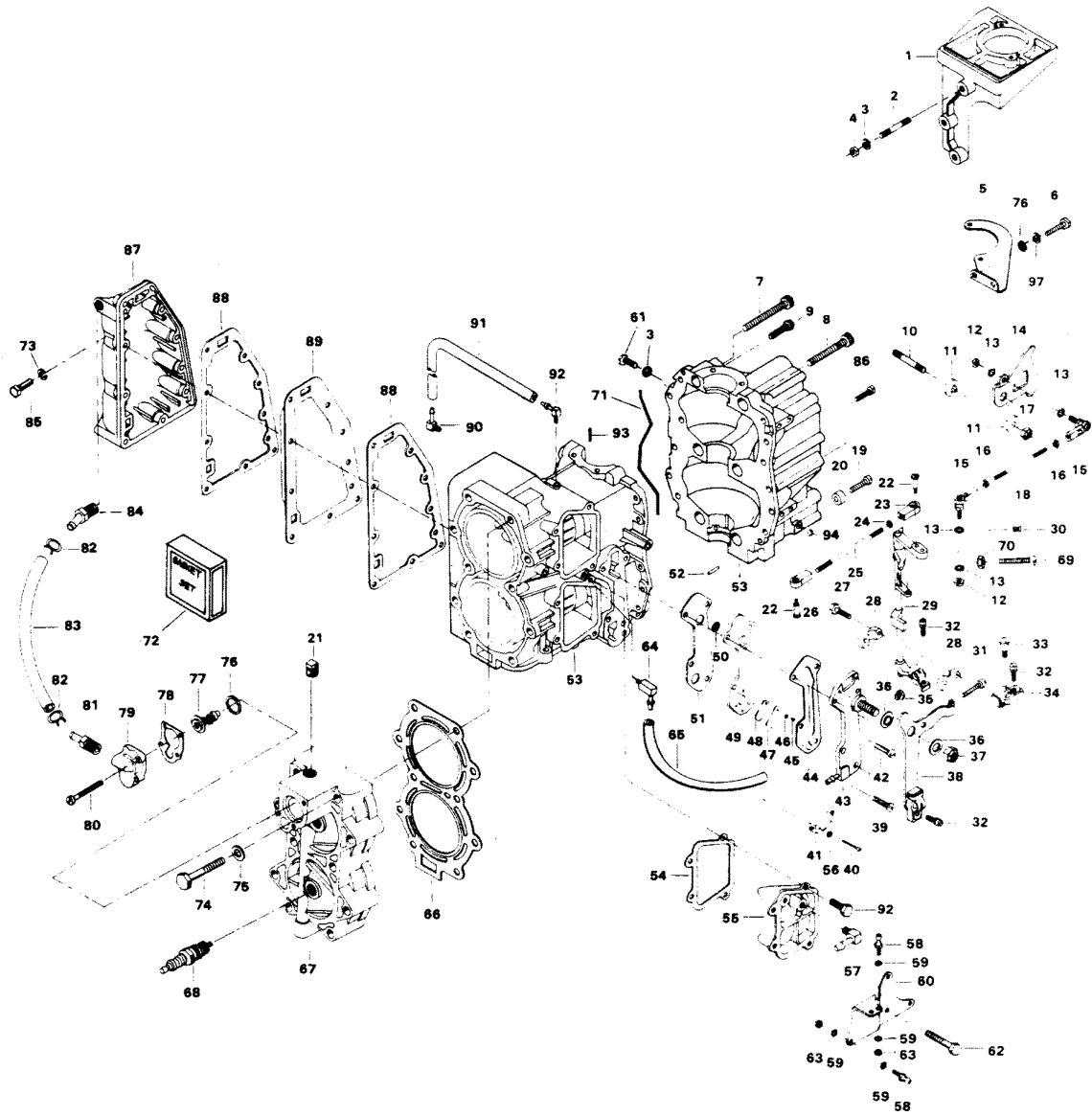
CARBURETOR



CARBURETOR

REF. NO.	PART NO.	SYM.	QTY.	DESCRIPTION
39	04326		1	BODY CHANNEL WELCH PLUG
40	O10588		1	BODY CHANNEL CUP PLUG
41	03804		1	THROTTLE SHAFT POSITION RETAINING SCREW WASHER
42	06396		1	THROTTLE SHAFT POSITION RETAINING SCREW LOCKWASHER
43	06393		1	THROTTLE SHAFT POSITION RETAINING SCREW

POWER HEAD

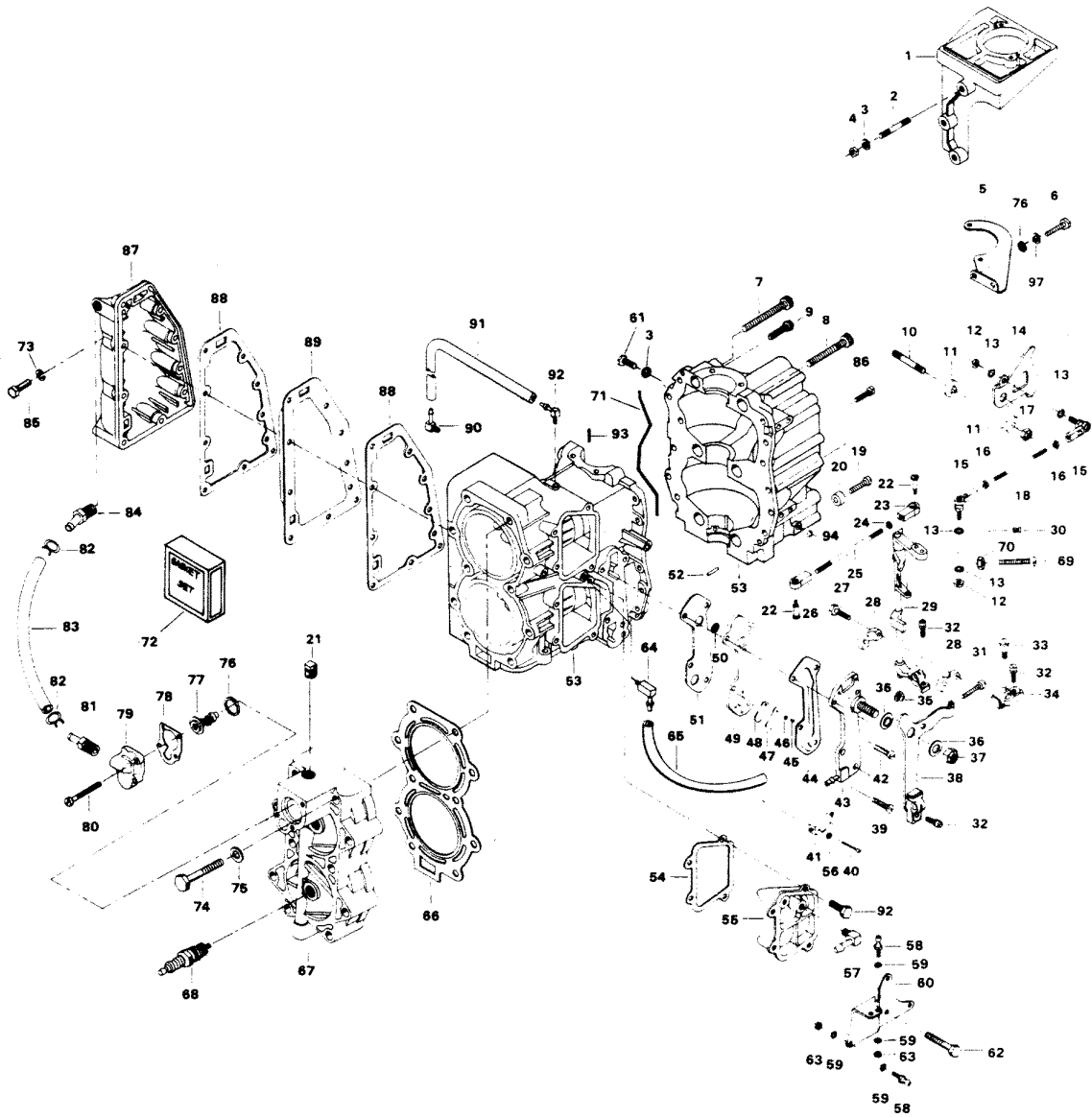


POWER HEAD

REF. NO.	PART NO.	SYM.	QTY.	DESCRIPTION
1	F345427-1		1	BRACKET, STARTER MOUNTING
2	F307211		3	STUD
3	F8096		4	SPRING LOCKWASHER
4	1515		3	HEX NUT, 5/16 - 18
5	F433675		1	STARTER MOUNTING BRACKET - LOWER
6	F1854		2	HEX SLOT HD SCREW, 1/4 - 20 X 5/8
7	F1646		1	HEX SOCKET HD CAP SCREW, 3/8 - 16 X 2-1/4
8	F1879		5	HEX SOCKET HD CAP SCREW, 3/8 - 16 X 1-5/8
9	1864		9	HEX HD SCREW, 1/4 - 20 X 3/4
10	F433209-1		1	STUD, THROTTLE CAM
11	F269319		2	THROTTLE CAM BEARING
12	F1513		2	HEX NUT, 10 - 32
13	F8058		4	INTERNAL TOOTH LOCKWASHER
14	F433192		1	THROTTLE CAM
15	F269141-1		2	BALL JOINT W/BEARING
16	F1513		2	HEX NUT, 10 - 32
17	F1910		1	ELASTIC STOP NUT, 1/4 - 20
18	F85502		1	THROTTLE LINK
19	F1134		2	FILL HD SCREW, 8 - 32 X 1-1/8
20	F307942-1		2	BUMPER
21	F328109		1	PLUG
22	F84026		2	SPARK CONTROL SWIVEL
23	F84036		1	SPARK CONTROL BEARING, L.H.
24	1473		1	HEX NUT, 10 - 24
25	F269445-1		1	SPARK CONTROL LINK
26	F84035-2		1	SPARK CONTROL BEARING, R.H.
27	1995		4	FILL HD SCREW, 10 - 24 X 1
28	F433689		4	TOWERSHAFT BEARING
29	FK433838		1	TOWERSHAFT W/ILLUS. 34, 69, 70 AND LITERATURE
30	F1727		1	PLASTIC RIVET
31	F1969		1	FILL HD SCREW, 1/4 - 20 X 3/4
32	1556		2	FILL HD SCREW W/LOCKWASHER, 10 - 24 X 3/8 (507H2C, 507B2C, 507H3D,507B3D)
33	F405457		2	PIVOT SCREW
34	F405020		1	SWIVEL W/ ILLUS. 33 AND NUT (507H2C, 507B2C, 507H3D, 507B3D)
35	85610		1	BEARING
36	F269052		2	SHIFT ARM BEARING
37	7004		1	STOP NUT, 7/16 - 20
38	FA433876		1	SHIFT ARM W/ILLUS. 34 AND 35 (507H2C, 507B2C, 507H3D, 507B3D)
-	434876		1	SHIFT ARM W/ ILLUS. 35 (503H3A, 503B3A)
39	1136		2	FLAT HD SCREW, 1/4 - 20 X 1
42	1446		2	SLOTTED PAN HD SCREW, 1/4 - 20 X 1

CONTINUED ON NEXT PAGE ➡

POWER HEAD

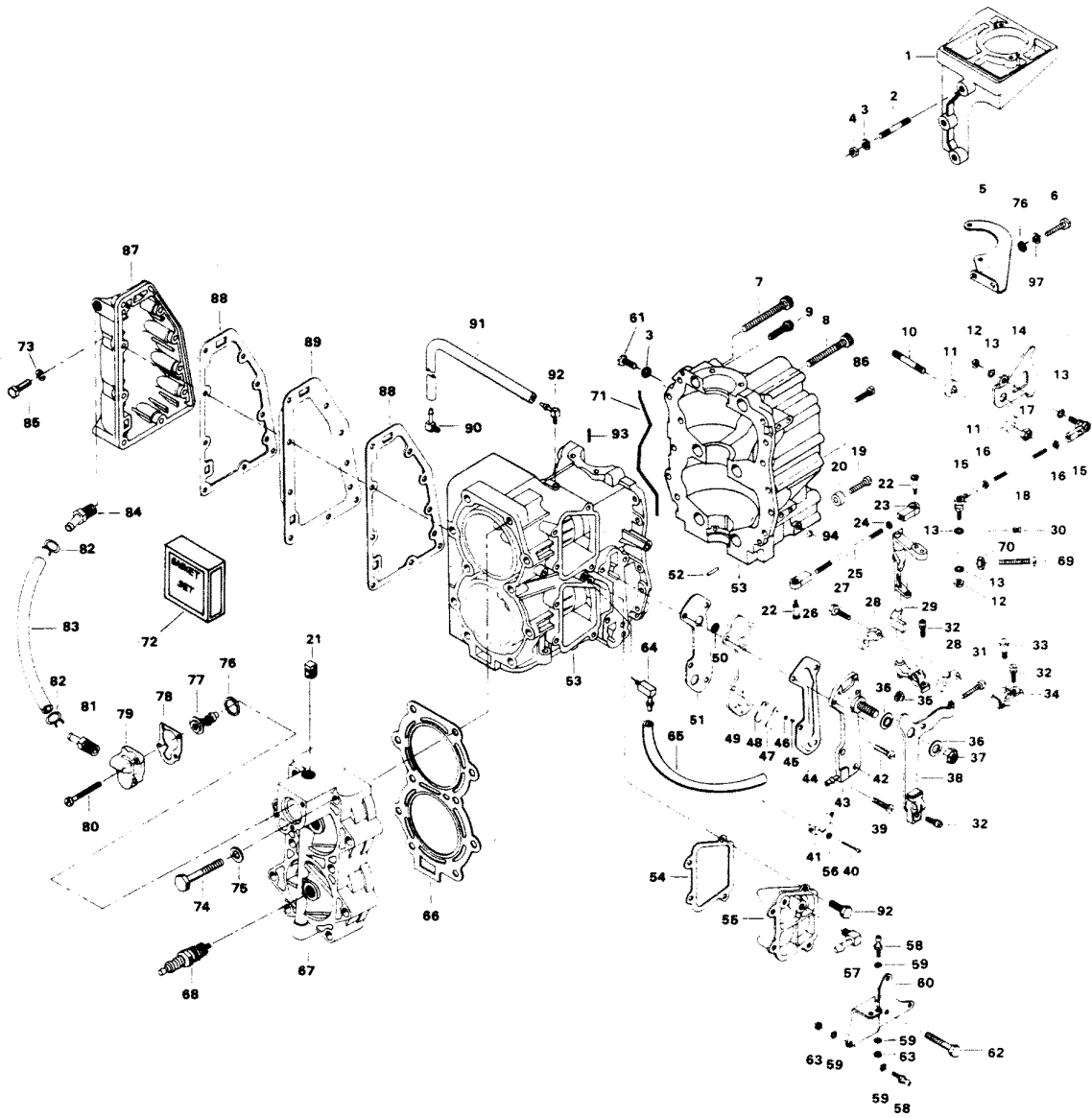


POWER HEAD

REF. NO.	PART NO.	SYM.	QTY.	DESCRIPTION
43	FA433471		1	CYLINDER DRAIN COVER W/FITTING
44	F93472-1		1	CYLINDER DRAIN COVER GASKET
45	1286		2	PAN HD SCREW, 4 - 40 X 3/16
46	F8003		2	PLAIN WASHER
47	93920		2	CYLINDER DRAIN REED STOP
48	F18160-2		2	REED, CYLINDER DRAIN
49	F3A433757		1	CYLINDER DRAIN REED PLATE W/ILLUS. 45, 46, 47, 48 AND 50
50	F93811		2	SCREEN CYLINDER DRAIN REED PLATE
51	F93748-1		1	CYLINDER DRAIN REED PLATE GASKET
52	F8559		2	DOWEL PIN
53	465010		1	CYLINDER W/ CRANKCASE COVER, DEFLECTOR PLATE AND ILLUS. 7, 8, 52, 71, 93 AND LITERATURE
-	465010		1	SHORT BLOCK INCLUDES ALL ITEMS MARKED WITH AN ASTERISK (*). ALSO REFER TO CRANKSHAFT PAGE.
54	F40223		2	TRANSFER PORT COVER GASKET
55	411222		1	TRANSFER PORT COVER W/LITERATURE
57	F84314-2		1	ELBOW, FUEL LINE
58	F98273		2	ROD END CONNECTOR STUD
59	F8058		4	INTERNAL TOOTH LOCKWASHER
60	F267371-1		1	CONNECTOR STUD BRACKET W/LITERATURE (507H2C, 507B2C, 507H3D, 507B3D)
61	F1857		1	HEX CAP SCREW, 5/16 - 18 X 5/8
62	1864		3	HEX CAP SCREW, 1/4 - 20 X 3/4 (507H2C, 507B2C, 507H3D, 507B3D)
63	F1513		2	HEX NUT, 10 - 32 (507H2C, 507B2C, 507H3D, 507B3D)
64	F404801		1	ELBOW
65	F433254		1	HOSE
66	F201529-1		1	CYLINDER HEAD GASKET
67	310518-1		1	CYLINDER HEAD W/PLUGS
68	380227-1		2	SPARK PLUG (UL-4-J)
-	F235227-1		2	SPARK PLUG (RL-4-J) - CANADA
69	1052		1	FILL HD SCREW, 1/4 - 20 X 1
70	F1341		1	HEX NUT
71	F269122-1		1	CRANKCASE PARTING LINE SEAL
72	1007-1		1	GASKET SET. INCLUDES ITEMS MARKED WITH A STAR (*)
*	F40154-3		3	GASKET, EXHAUST PORT PLATE
	F40223		1	GASKET, TRANSFER PORT COVER
	F40833-1		1	GASKET, IDLE RELIEF COVER
	F40906-1		1	GASKET, CARBURETOR
	F93472-1		1	GASKET, CYLINDER DRAIN COVER
	F93748-1		1	GASKET, CYLINDER DRAIN REED PLATE
	F97067		1	GASKET, THERMOSTAT COVER
	F201529-1		1	GASKET, CYLINDER HEAD

CONTINUED ON NEXT PAGE ➡

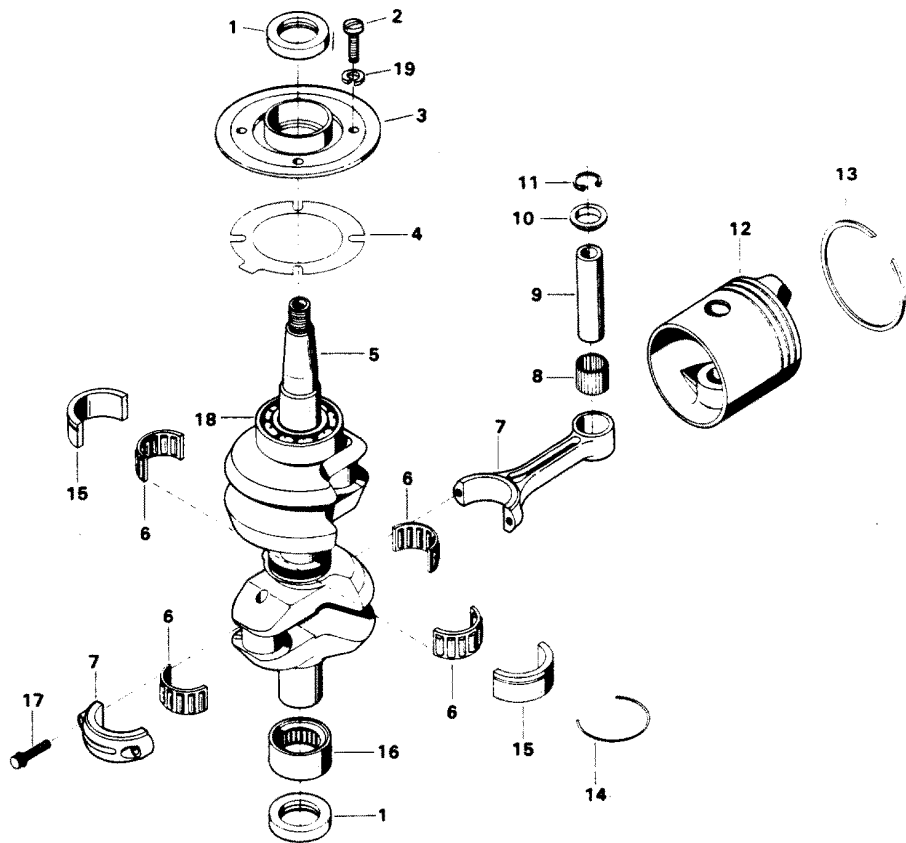
POWER HEAD



POWER HEAD

REF. NO.	PART NO.	SYM.	QTY.	DESCRIPTION
*	F269122-1		1	CRANKCASE PARTING LINE SEAL
	F307279-2		1	GASKET, CYLINDER EXHAUST - UPPER
	F40279-1		1	GASKET, CYLINDER EXHAUST - LOWER
	F311996		1	GASKET, CYLINDER HEAD COVER
	F366277		1	GASKET, BEARING CAGE
	F433168		1	GASKET, CARBURETOR ADAPTER
	F433406		1	GASKET, DEFLECTOR PLATE
73	F8083		11	SPRING LOCKWASHER
74	F1544		10	HEX HD CAP SCREW, 3/8 - 16 X 2-1/4
75	2014		10	PLAIN WASHER
76	F97504		1	GROMMET, THERMOSTAT
77	F97068-1		1	THERMOSTAT
78	F97067		1	THERMOSTAT COVER GASKET
79	F97066-1		1	THERMOSTAT COVER
80	1995		3	FILL HD SCREW, 10 - 24 X 1-1/16
81	F97275		1	FITTING, THERMOSTAT
82	F97772		2	CLAMP
83	F97247		1	WATER TUBE, THERMOSTAT W/LITERATURE
84	F141275		1	FITTING, THERMOSTAT
85	1971		9	HEX HD SCREW, 1/4 - 20 X 2-1/8
86	F1922		4	HEX HD SCREW, 1/4 - 20 X 5/8
87	F433152		1	EXHAUST PORT COVER W/ILLUS. 85
88	F40154-3		2	EXHAUST PORT PLATE GASKET
89	F40151-1		1	EXHAUST PORT PLATE
90	F463314		1	ELBOW
91	F433758		1	HOSE W/VALVE
92	213314-1		1	ELBOW ASSEMBLY
93	8545		1	SPRING PIN
94	F1997		2	STOP NUT, 8 - 32
95	F1526		1	WELCH PLUG, CYLINDER HEAD (NOT SHOWN)
96	F1525		1	WELCH PLUG, CYLINDER HEAD (NOT SHOWN)
97	F8083		2	SPRING LOCKWASHER

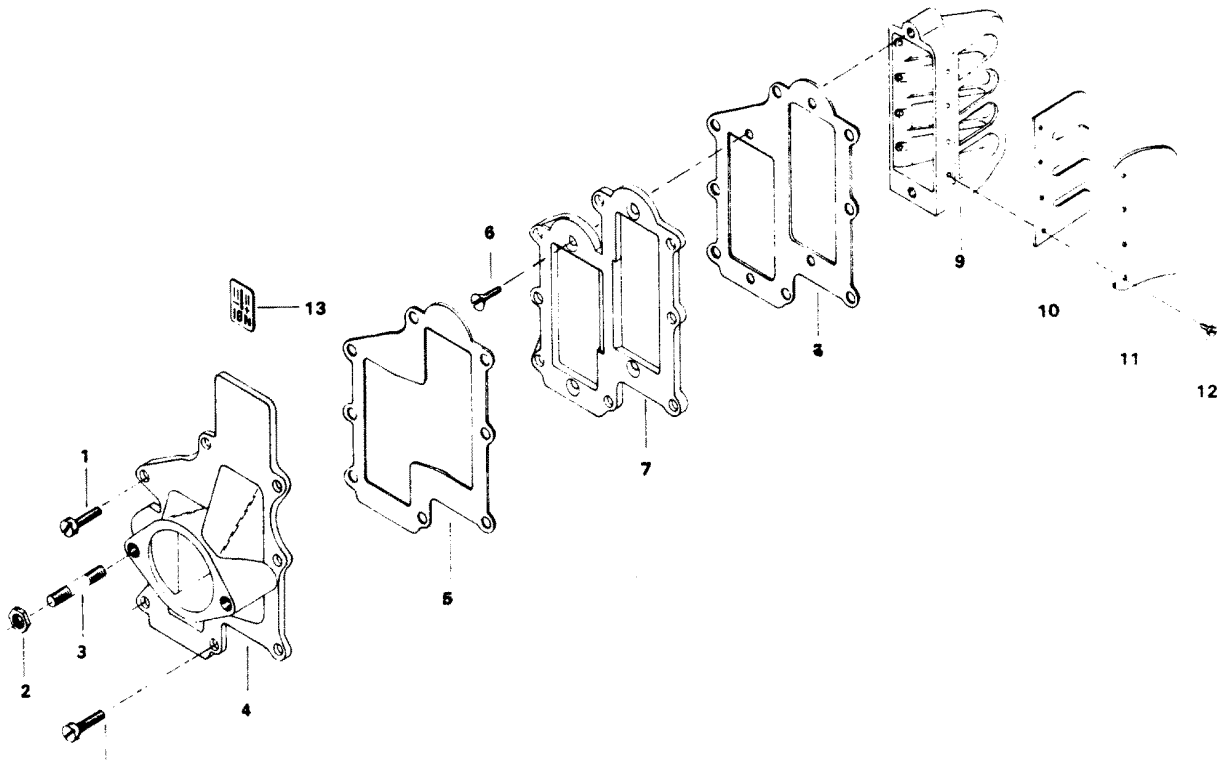
CRANKSHAFT AND PISTON GROUP



CRANKSHAFT AND PISTON GROUP

REF. NO.	PART NO.	SYM.	QTY.	DESCRIPTION
1	F40146-1		2	CRANKSHAFT SEAL
2	1441		4	PAN HD SCREW, 1/4 - 20 X 7/8
3	466144		1	CRANKSHAFT BEARING CAGE W/ILLUS. 1
4	F366277		1	BEARING CAGE GASKET
5	435018		1	CRANKSHAFT W/ILLUS. 18
6	FK85228-1		2	BEARING CAGE W/ROLLERS (16 PER SET)
7	366016-4		2	CONNECTING ROD W/CAP AND ILLUS. 17
8	F335217-1		2	BEARING
9	F40017-2		2	PISTON PIN
10	F366215		4	SPACER
11	F428096		4	RETAINER, PISTON PIN
12	F428015-1		2	PISTON
-	F428015-1		2	PISTON .010 OVERSIZE
-	F428015-1		2	PISTON .030 OVERSIZE
13	435260		1	PISTON RING SET (4 PER SET)
-	435260		1	PISTON RINGS (4 PER SET) .010 OVERSIZE
-	435260		1	PISTON RINGS (4 PER SET) .030 OVERSIZE
14	F40410		1	SNAP RING
15	FA40655		1	CRANKSHAFT CENTER MAIN BEARING RACE W/ILLUS. 14
16	F90014		1	CRANKSHAFT LOWER MAIN BEARING
17	F85634-2		4	CONNECTING ROD SCREW
18	F366013		1	CRANKSHAFT THRUST BEARING UPPER
19	F8060		4	EXTERNAL TOOTH LOCKWASHER

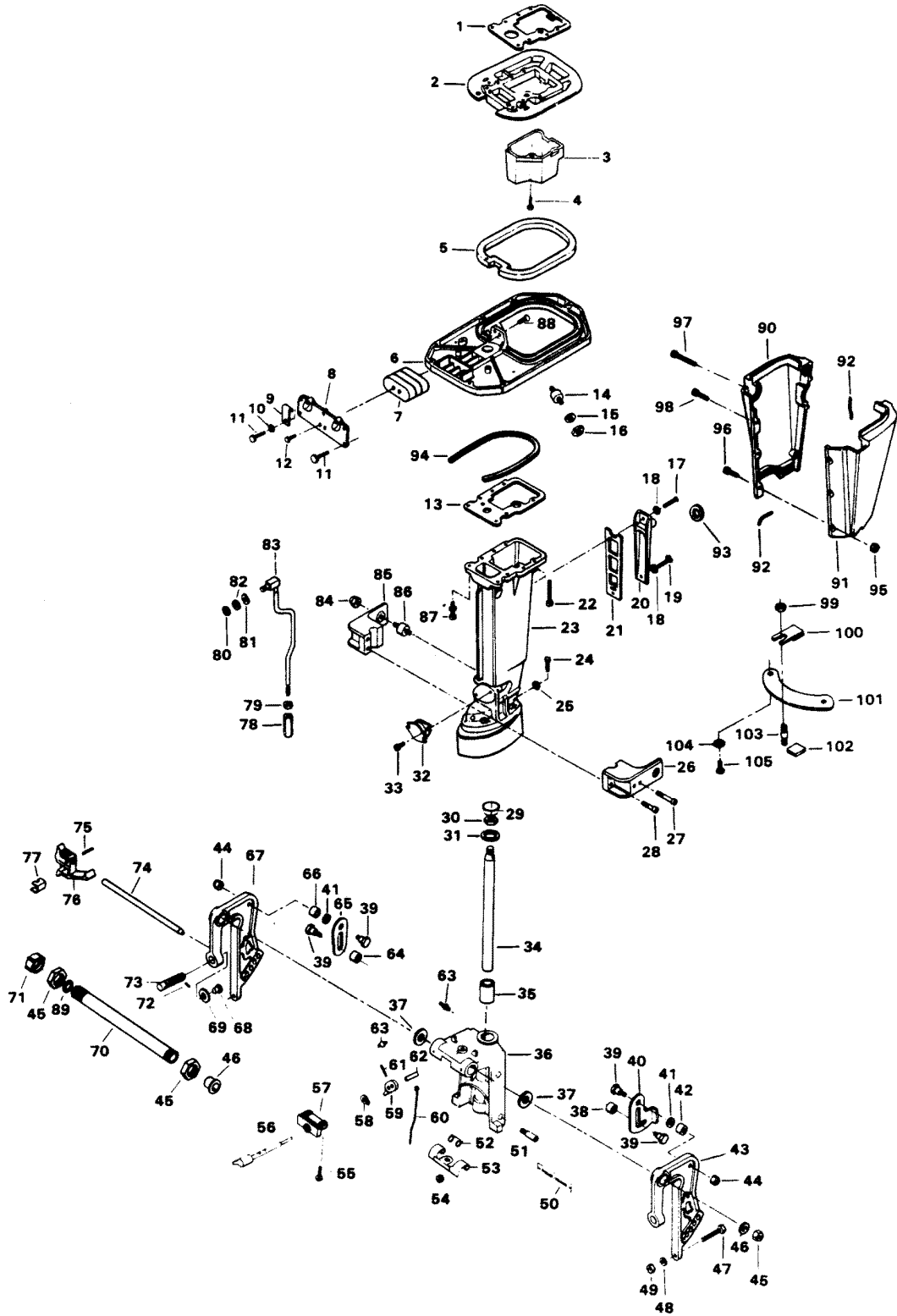
REED PLATE



REED PLATE

REF. NO.	PART NO.	SYM.	QTY.	DESCRIPTION
1	F2008		8	HEX HD SCREW, 1/4 - 20 X 7/8
2	1515		2	HEX NUT, 5/16 - 18
3	F40209		2	CARBURETOR STUD
4	F433167		1	CARBURETOR ADAPTER FLANGE W/ILLUS. 3
5	F433168		1	CARBURETOR ADAPTER GASKET
6	F1141		4	FLAT HD SCREW, 10 - 24 X 1/2
7	F433404		1	DEFLECTOR PLATE
8	F433406		1	DEFLECTOR PLATE GASKET
9	433158		2	REED PLATE W/ILLUS. 10, 11 AND 12
10	F335160		4	REED
11	F88161-3		4	REED STOP
12	F1755		16	ROUND HD SCREW W/LOCKWASHER, 6 - 32 X 1/4
13	F433387-1		1	DECAL, TIMING W/LITERATURE

MOTOR LEG

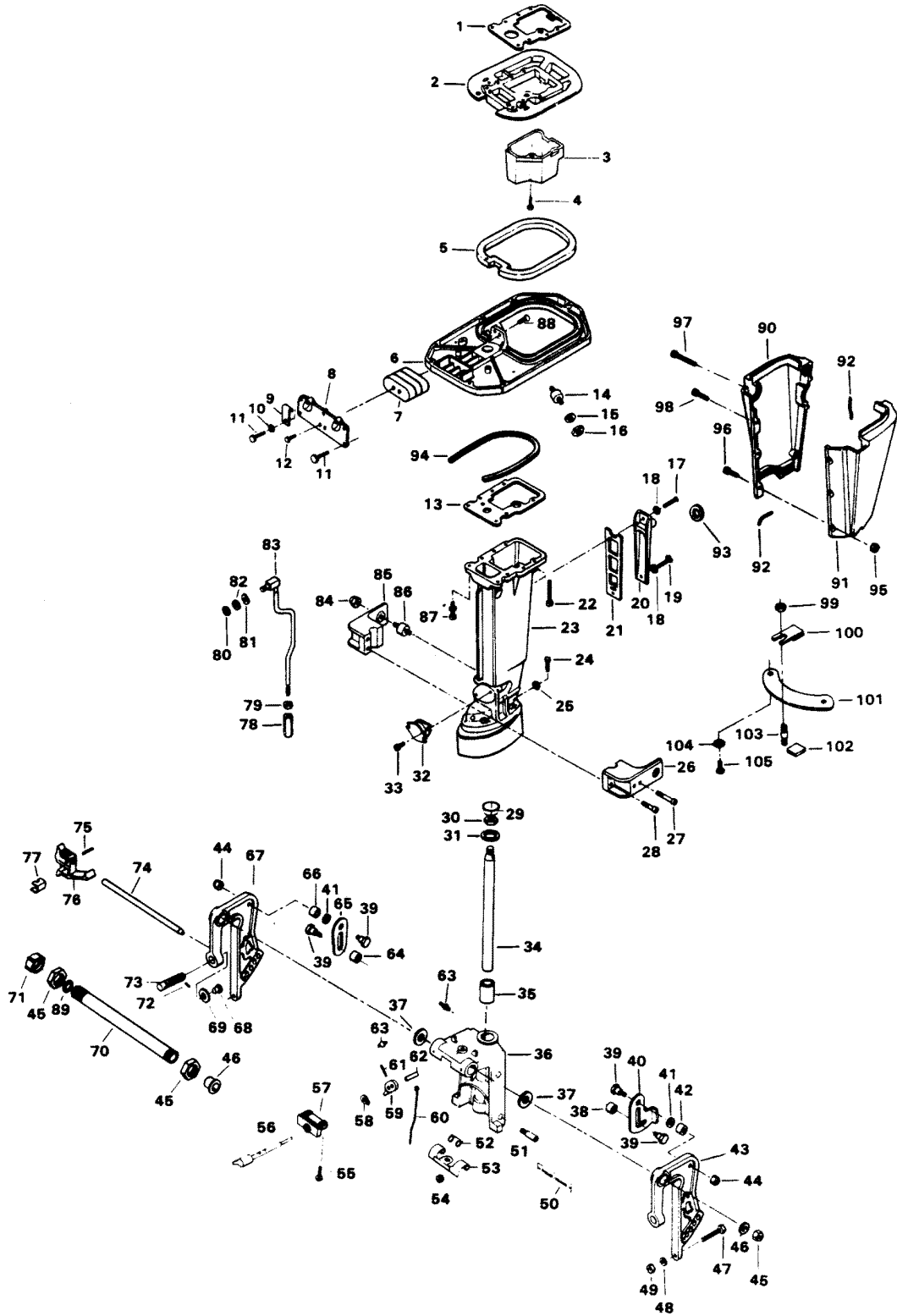


MOTOR LEG

REF. NO.	PART NO.	SYM.	QTY.	DESCRIPTION
1	F307279-2		1	CYLINDER EXHAUST GASKET UPPER
2	F433680		1	SPACER PLATE
3	F307660-1		1	LEG EXHAUST TUBE
4	F1851		3	FILL HD M. SCREW W/LOCKWASHER, 10 - 24 X 1/2
5	F307989-1		1	SEAL, KINGPIN PLATE W/LITERATURE
6	F307940		1	KINGPIN PLATE
7	F203965		1	SHOCK MOUNT UPPER
8	F433946		1	SHOCK MOUNT UPPER COVER (507H2C, 507B2C, 507H3D, 507B3D)
-	F485946		1	SHOCK MOUNT UPPER COVER (503H3A, 503B3A)
9	F286772-1		1	CLAMP
10	F8025		1	PLAIN WASHER
11	F1922		5	HEX CAP SCREW, 1/4 - 20 X 5/8
12	F1211		2	HEX HD SCREW W/LOCKWASHER, 1/4 - 28 X 5/8
13	F40279-1		1	CYLINDER EXHAUST GASKET LOWER
14	F307962		2	SHOCK MOUNT - SIDE - UPPER
15	F8038		2	PLAIN WASHER
16	F1346		2	HEX NUT, 3/8 - 16
17	F1849		1	HEX HD SCREW, S.S., 1/4 - 20 X 1-3/8
18	F8083		2	SPRING LOCKWASHER
19	F1199		1	HEX HD SCREW, 1/4 - 20 X 1
20	613832		1	MOTOR LEG EXHAUST COVER W/ILLUS. 17 & 19 (507H2C, 507B2C)
-	89832-2		1	MOTOR LEG EXHAUST COVER W/ILLUS. 17 & 19 (507H3D, 507B3D)
21	F40833-4		1	MOTOR LEG EXHAUST COVER GASKET
22	F1905		1	FILL HD SCREW, 1/4 - 20 X 3-7/16
23	F435133-1		1	MOTOR LEG
24	F1929		4	HEX HD CAP SCREW, S.S., 3/8 - 16 X 1-1/8
25	F8065		4	SPRING LOCKWASHER
26	F433973		1	SHOCK MOUNT LOWER COVER - PORT
27	F1635		2	HEX SOCKET HD CAP SCREW, S.S., 3/8 - 16 X 3-1/2
28	F1636		2	HEX SOCKET HD CAP SCREW, S.S., 3/8 - 16 X 1-1/4
29	F1880		1	PLASTIC PLUG
30	F84280		1	KINGPIN NUT
31	F89011		1	SWIVEL BRACKET WASHER
32	183346-4		1	SHOCK MOUNT LOWER
33	F1129		4	FILL HD SCREW, S.S., 5/16 - 18 X 1/2
34	433019		1	KINGPIN W/ILLUS. 29
35	F191169-1		2	SWIVEL BRACKET BEARING
36	613072		1	SWIVEL BRACKET W/ILLUS. 35 & 63
37	F522286		2	STERN BRACKET FRICTION WASHER
38	F269929		1	SPACER, TILT STOP
39	F366350		4	TILT STOP PIVOT

CONTINUED ON NEXT PAGE ➡

MOTOR LEG

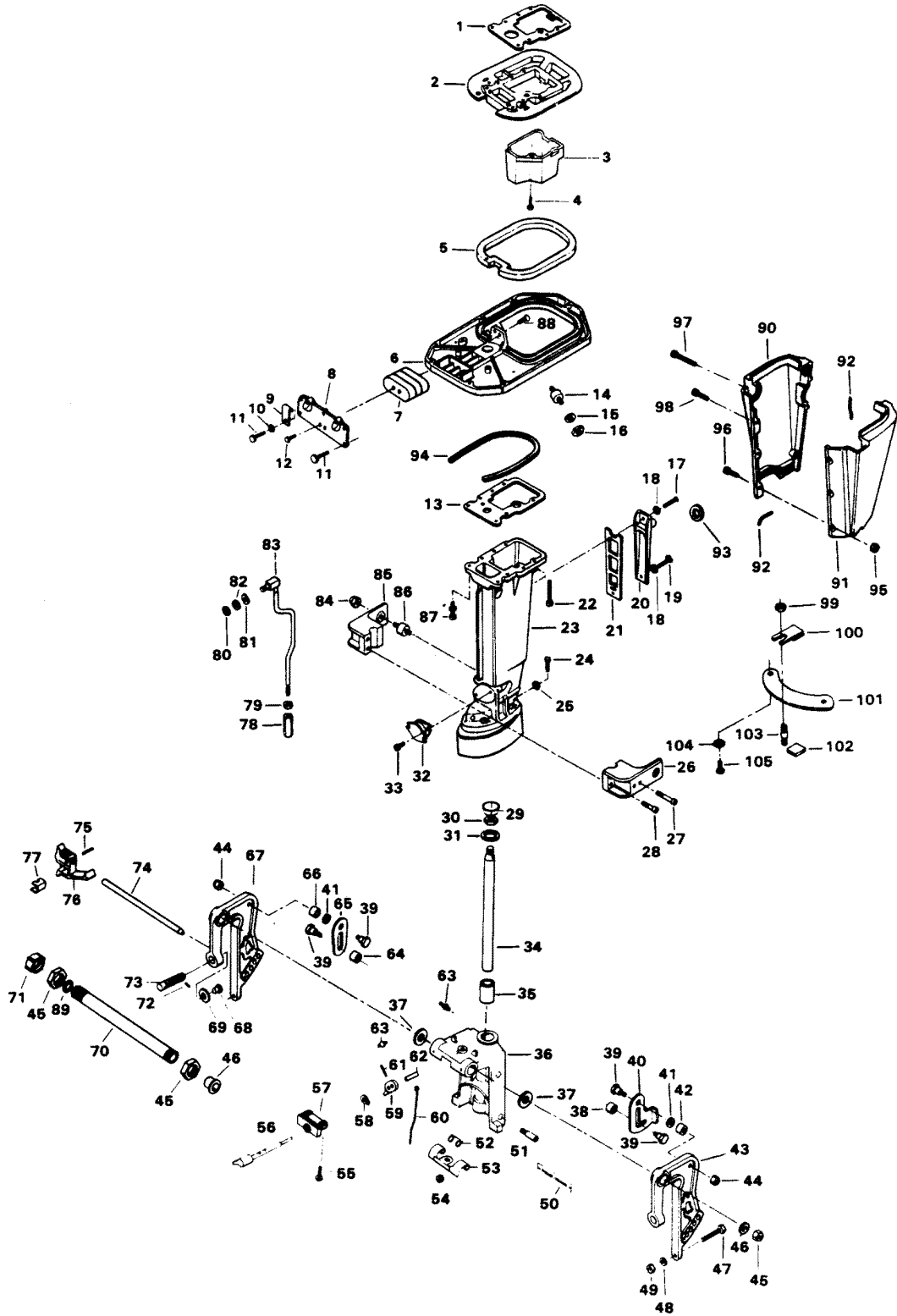


MOTOR LEG

REF. NO.	PART NO.	SYM.	QTY.	DESCRIPTION
40	F366426		1	TILT STOP - PORT
41	F1666		2	BOWED SPRING WASHER
42	F269929		1	SPACER, TILT STOP
43	F522532		1	STERN BRACKET - PORT
44	7007		4	NUT
45	F1600		2	LOCK NUT, PIVOT TUBE
46	9052		1	PLASTIC PLUG, PIVOT TUBE
47	F1593		2	HEX HD SCREW, S.S., 3/8 - 16 X 3
48	F1904		2	PLAIN WASHER
49	F1346		2	HEX NUT, S.S., 3/8 - 16
50	F544390-1		1	DECAL, TILT LOCK
51	F366886		2	PIN
52	F366300		2	REVERSE LOCK SPRING
53	F366349		1	REVERSE LOCK
54	F1669		1	STOP NUT
55	F1733		2	PAN HD SCREW, 10 - 24 X 9/16
56	F366827		1	HANDLE AND SHAFT
57	F522884		1	BEARING, REVERSE LOCK SHAFT
58	F522741		1	RING, RETAINING-REV. LOCK SHAFT
59	F366364		1	ARM, REVERSE LOCK
60	F366510-1		1	LINK, REVERSE LOCK
61	F1836		1	SPRING PIN
62	F483884		1	BEARING, REVERSE LOCK SHAFT REAR
63	F213274		3	GREASE FITTING
64	F269929		1	SPACER, TILT STOP
65	F366433		1	TILT STOP, STARBOARD
66	F269929		1	SPACER, TILT STOP
67	F522032		1	STERN BRACKET - STARBOARD
68	F353480		2	STUD
69	F24074		2	CLAMP SCREW FOOT
70	F522125-1		1	TUBE, PIVOT STEERING
71	9018		1	PLASTIC CAP, PIVOT TUBE
72	8538		2	SPRING PIN
73	F474073-1		2	CLAMP SCREW
74	F433113		1	STERN BRACKET LOCK BAR WILLUS. 75, 76 & 77
75	F1744		1	SPRING PIN
76	F433114		1	HANDLE, LOCK BAR
77	F286461		1	SPRING LOCK BAR HANDLE
78	F141704		1	GEAR SHIFT ROD COUPLING
79	F1349		1	HEX NUT, S.S., 5/16 - 18
80	F185764		1	RETAINING RING
81	F8049		1	BOWED SPRING WASHER
82	F1987		1	PLAIN WASHER

CONTINUED ON NEXT PAGE ➡

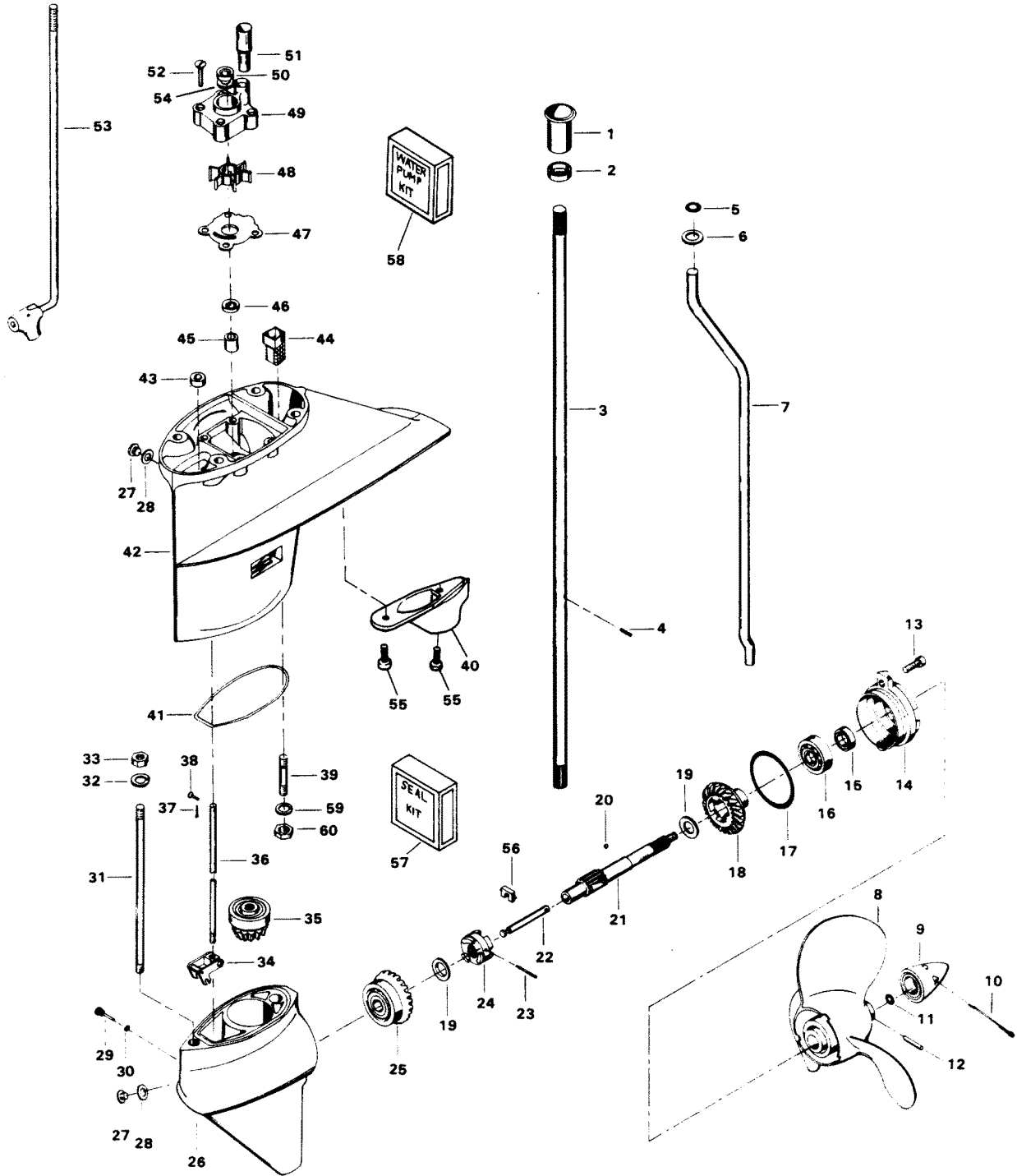
MOTOR LEG



MOTOR LEG

REF. NO.	PART NO.	SYM.	QTY.	DESCRIPTION
83	F307615		1	GEAR SHIFT ROD UPPER (507H2C, 507B2C, 507H3D, 507B3D)
-	F328615		1	GEAR SHIFT ROD UPPER (503H3A, 503B3A)
84	F1326		2	ACORN NUT, S.S., 5/16 - 18
85	F433972		1	SHOCK MOUNT LOWER COVER - STARBOARD
86	F215962		2	SHOCK MOUNT SIDE LOWER
87	F1947		8	FLANGED 12 POINT SCREW, 5/16 - 18 X 2
88	F1160		2	FLAT HD SCREW, 1/4 - 28 X 5/8
89	F316599		1	SEAL, PIVOT TUBE
90	435135		1	COVER, LEG ST'BD W/ILLUS. 92 (507H3C, 507B3C, 503H3A, 503B3A)
91	435145		1	COVER, LEG PORT W/ILLUS. 92 (507H3C, 507B3C, 503H3A, 503B3A)
92	F435323		3	PACKING, LEG COVER LOWER (507H3C, 507B3C, 503H3A, 503B3A)
93	F89504		1	GROMMET, MOTOR LEG EXHAUST COVER (507H3D, 507B3D)
94	F89025		1	PAD, DAMPENING - LEG COVER (507H3D, 507B3D)
95	1473		6	HEX M. SC. NUT #10 - 24 (507H3D, 507B3D)
96	F1733		3	PAN HD. M. SC., #10 - 24 X 9/16 (507H3D, 507B3D, 503H3A, 503B3A)
97	1767		1	FILL HD. M. SC. #10 - 24 X 3 (507H3D, 507B3D, 503H3A, 503B3A)
98	F1768		2	FILL HD. M. SC. #10 - 24 X 1-3/8 (507H3D, 507B3D, 503H3A, 503B3A)
99	F1832		1	HEX LOCK NUT, 1/4 - 20 (503H3A, 503B3A)
100	40742		1	FRICTION SHOE ADJ. ARM W/ILLUS. 102 (503H3A, 503B3A)
101	F40775		1	FRICTION SHOE PLATE (503H3A, 503B3A)
102	F901631-1		1	FRICTION SHOE (503H3A, 503B3A)
103	210-1		1	STUD (503H3A, 503B3A)
104	F8083		0	2 LOCKWASHER (503H3A, 503B3A)
105	F1689		2	HEX HD. SCREW, 1/4 - 20 X 1/2 (503H3A, 503B3A)

GEAR HOUSING

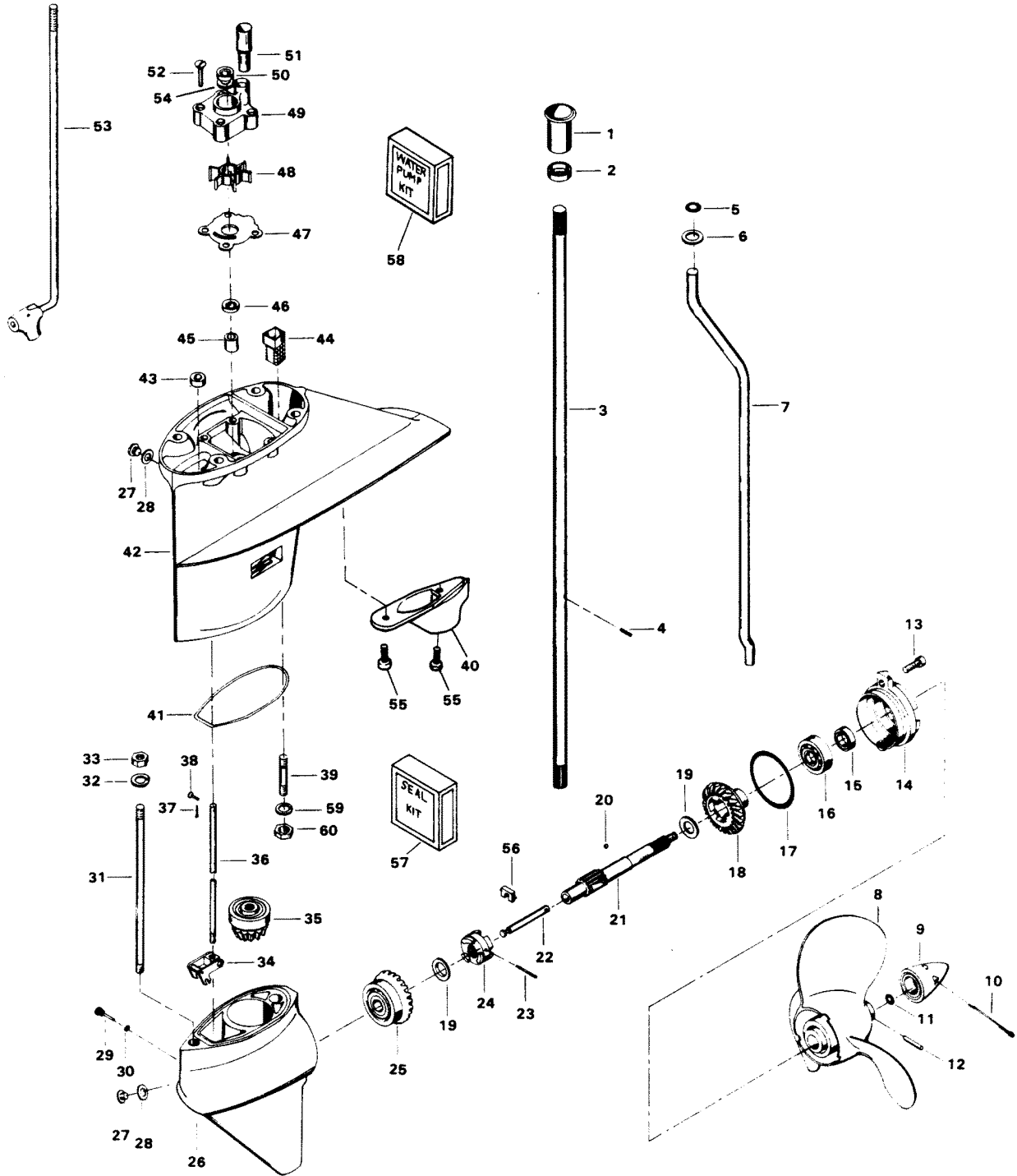


GEAR HOUSING

REF. NO.	PART NO.	SYM.	QTY.	DESCRIPTION
1	F338129-1		1	SEAL, DRIVESHAFT SPLINE
2	F338271		1	RETAINER
3	FA89128-1		1	DRIVESHAFT WILLUS. 2
4	F901563		1	DRIVE PIN, WATER PUMP IMPELLER
5	F40342		1	SEAL
6	F8042		1	PLAIN WASHER
7	F435244		1	INLET WATER LINE
8	293		1	PROPELLER (ACCESSORY ITEM)
9	FA94094-2		1	PROPELLER NUT WILLUS. 9 AND 10
10	F1027		1	COTTER PIN, S.S., 1/8 - 1/2
11	F40342		1	SEAL, PROPELLER NUT
12	FK247		1	PROPELLER PIN, PACK OF 6 WILLUS. 10
13	1263		2	HEX SOCKET HD CAP SCREW, S.S., 5/16 - 18 X 9/16
14	366298		1	PROPELLER SHAFT BEARING CAGE INCLUDES ITEMS 15, 16 AND 17
15	F141118		1	SEAL, PROPELLER SHAFT
16	F366058		1	BALL BEARING, PROPELLER SHAFT
17	F141305		1	SEAL, PROPELLER SHAFT BEARING CAGE
18	485662		1	BEVEL GEAR REAR W/BEARING
19	F40717		2	THRUST WASHER, BEVEL GEAR
20	F366727		1	BALL, PROPELLER SHAFT
21	F287098-2		1	PROPELLER SHAFT ASSEMBLY
22	F90871-3		1	GEAR SHIFT ARM PIN
23	F2097		1	SPRING PIN
24	F99521-1		1	CLUTCH
25	485023		1	BEVEL GEAR FRONT W/BEARING
26	486054		1	GEAR HOUSING LOWER W/THRUST BEARING CUP AND ILLUS. 27, 28, 29 AND 30
-	486054		1	GEAR HOUSING COMPLETE INCLUDES ALL ITEMS MARKED WITH AN ASTERISK (*)
27	F50109		2	PLUG, GEAR HOUSING
28	F8077		2	WASHER, GEAR HOUSING PLUG
29	F498891		1	GEAR SHIFT ARM PIVOT PIN
30	F498618		1	SEAL, O-RING
31	F97008-1		1	STUD, LONG
32	F8065		1	LOCKWASHER
33	F1346		1	HEX NUT, S.S., 3/8 - 16
34	FA435621		1	GEAR SHIFT ARM ASSEMBLY
35	2A474266		1	BEVEL PINION W/BEARING
36	F435705		1	GEAR SHIFT ROD LOWER
37	F1015		1	COTTER PIN
38	F85372		1	PIN, GEAR SHIFT ROD LOWER
39	F40008		1	STUD, SHORT
40	F435116		1	EXHAUST, SNOOT W/LITERATURE

CONTINUED ON NEXT PAGE ➡

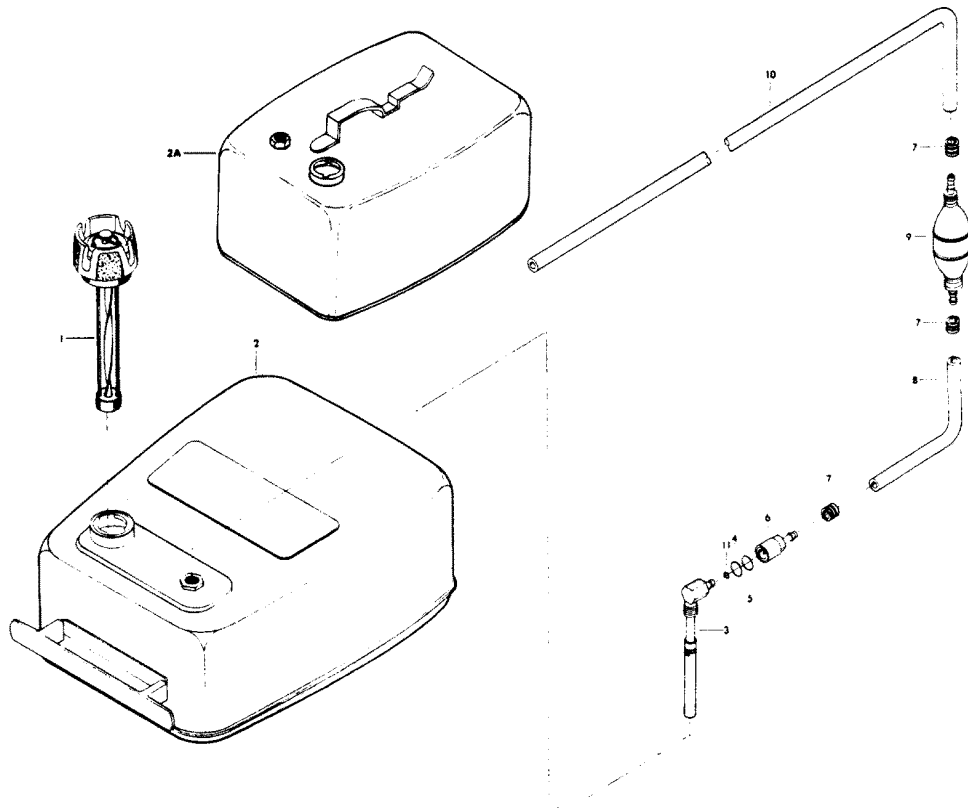
GEAR HOUSING



GEAR HOUSING

REF. NO.	PART NO.	SYM.	QTY.	DESCRIPTION
41	F435555		1	SEAL, GEAR HOUSING
42	545554		1	GEAR HOUSING UPPER W/ILLUS. 27, 28, 39, 40, 43, 44, 45, 46 AND 55
43	F338618-1		1	SEAL, SHIFT ROD LOWER
44	F435077		1	SCREEN, WATER INLET
45	F435057		1	BEARING, DRIVESHAFT UPPER
46	F40307-2		1	SEAL, DRIVESHAFT
47	F435562		1	WATER PUMP BACK PLATE
48	F433065-2		1	WATER PUMP IMPELLER
49	FA463060		1	WATER PUMP BODY W/ILLUS. 50, 51 AND 54
50	F349307		1	DRIVESHAFT SEAL - WATER PUMP
51	F485914		1	SEAL, INLET WATER LINE, LOWER W/LITERATURE
52	F2030		4	HEX HD SCREW, S.S., 1/4 - 20 X 1-1/4
53	FA435616		1	GEAR SHIFT ROD INTERMEDIATE
54	485388		1	DISC, WATER PUMP
55	F2008		2	HEX HD M. S., 1/4 - 20 X 7/8
56	F90619-1		1	YOKE
57	F1074		1	GEAR HOUSING SEAL KIT. INCLUDES ALL ITEMS MARKED WITH A DOUBLE ASTERISK (**)
58	FK1073		1	WATER PUMP KIT. INCLUDES ITEMS MARKED WITH A STAR (*)
*	F2030		4	SCREW 1/4 - 20 X 1-1/4
	F433065-2		1	IMPELLER
	F435562		1	BACK PLATE, WATER PUMP
	F901563		1	DRIVE PIN
	463060		1	WATER PUMP BODY
59	2014		1	PLAIN WASHER
60	7004		1	ELASTIC STOP NUT 3/8 - 16

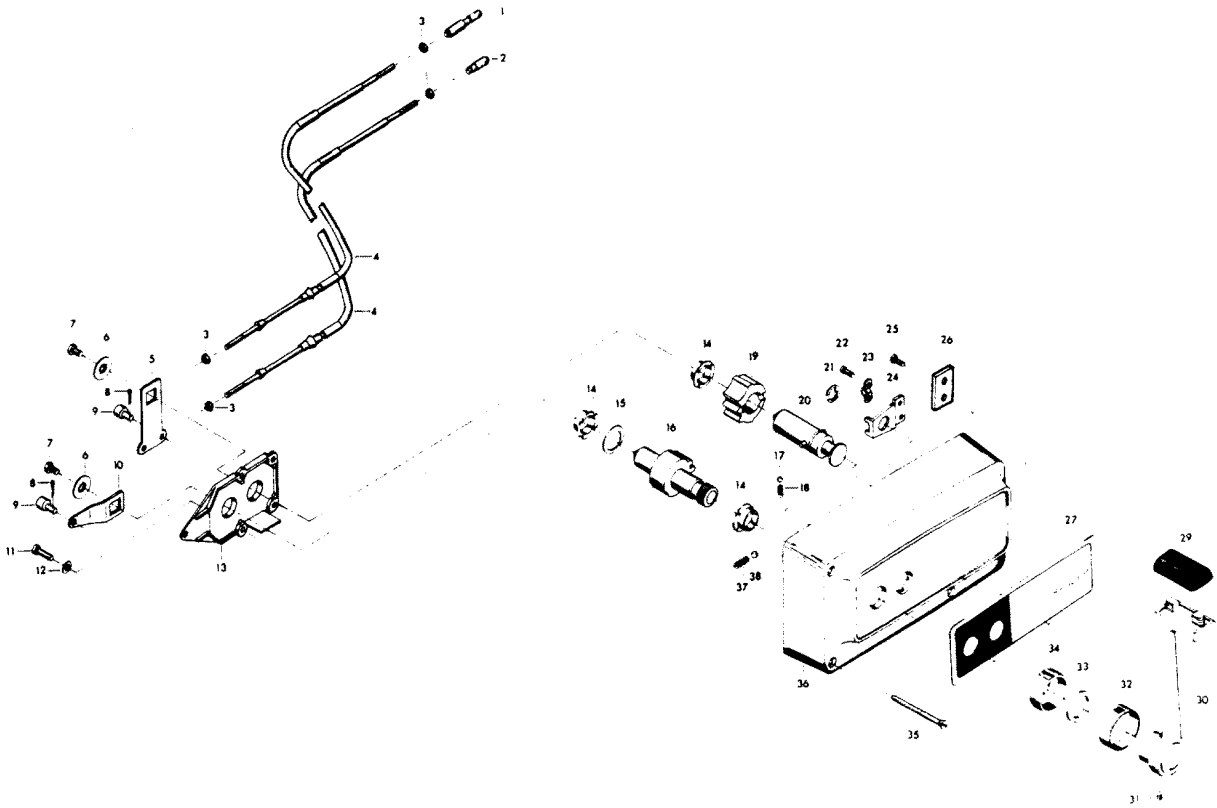
FUEL TANK AND LINE



FUEL TANK AND LINE

REF. NO.	PART NO.	SYM.	QTY.	DESCRIPTION
1	F409251-1		1	GAUGE CAP (CANADA ONLY)
1A	F213251		1	GAUGE CAP (USA ONLY)
2	026		1	FUEL TANK (ACCESSORY ITEM) - CANADA
2A	F76034-2		1	FUEL TANK - USA
3	F485755-1		1	FUEL TANK ADAPTER
4	F17816		1	SEAL, FUEL LINE COUPLER (LARGE)
5	F17815		1	SEAL, FUEL LINE COUPLER (SMALL)
6	F197787-3		1	FUEL LINE COUPLER
7	F298788		3	FERRULE
8	F84754-1		1	FUEL LINE SHORT W/ILLUS. 7
9	F387766-1		1	PRIME BULB
10	F197752-1		1	FUEL LINE, LONG W/CLAMP AND ILLUS. 7
11	F17817		1	SEAL, FUEL TANK ADAPTER
-	409752		1	FUEL LINE - COMPLETE INCLUDES ITEMS MARKED WITH AN ASTERISK (*)
-	409398		1	DECAL, TOTE TANK - CANADA (NOT SHOWN)
-	F224394-3		1	DECAL, FUEL MIXTURE - U.S.A. (NOT SHOWN)

REMOTE CONTROL

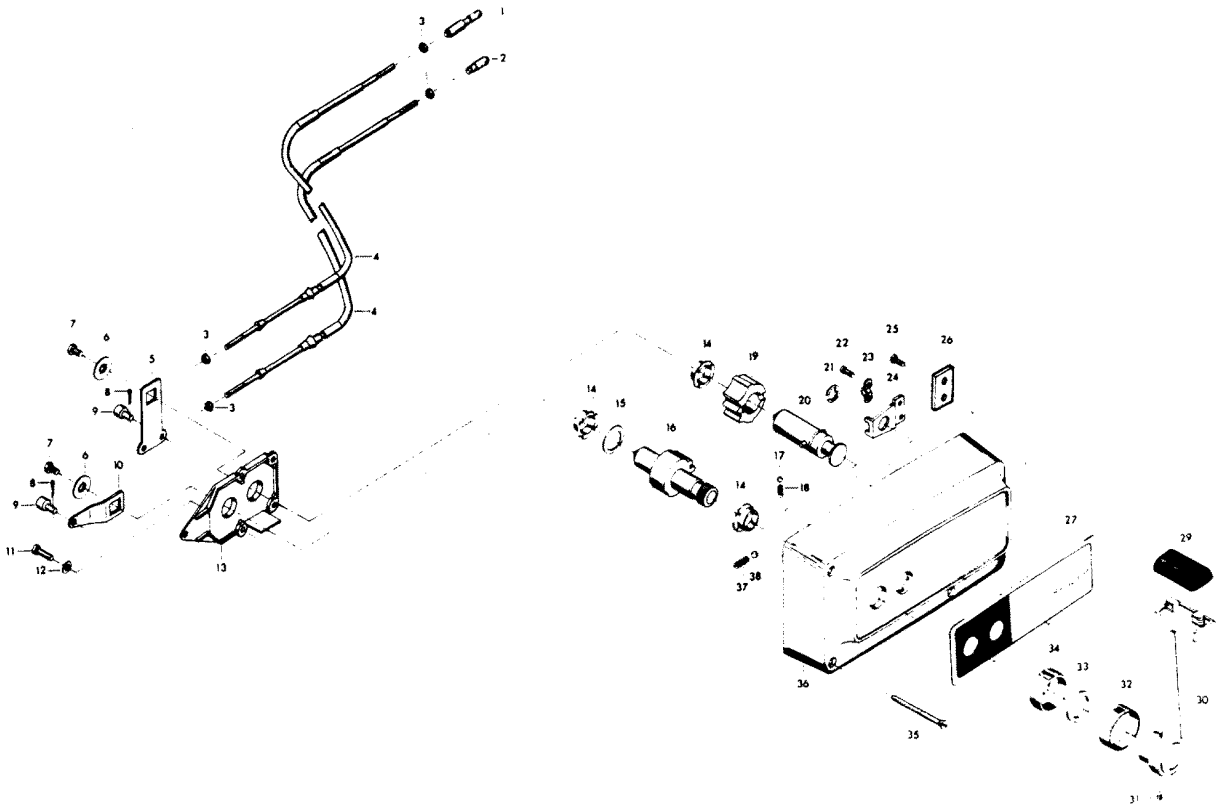


REMOTE CONTROL

REF. NO.	PART NO.	SYM.	QTY.	DESCRIPTION
1	F58976-1		1	CONNECTOR, THROTTLE CABLE
2	F58685-2		1	CONNECTOR, SHIFT CABLE
3	F1513		4	HEX NUT
4	195		1	REMOTE CONTROL CABLE (SPECIFY LENGTH) ACCESSORY ITEM (2 PER SET)
5	F17019		1	CLUTCH ARM
6	F17036		2	INTERNAL TOOTH LOCKWASHER
7	F17155		2	HEX BOLT, 1/4 - 28 X 1/2
8	F17149		2	COTTER PIN
9	17016		2	CABLE TERMINAL
10	F17014		1	THROTTLE ARM
11	F17013		2	FILL HD SCREW, 1/4 - 20 X 1/2
12	F8061		2	INTERNAL TOOTH LOCKWASHER
13	F17012		1	RETAINING PLATE
14	F17009		3	BEARING
15	F17011		1	BOWED WASHER
16	F17010-1		1	THROTTLE GEAR
17	F17111		1	DETENT BALL
18	17006		1	DETENT SPRING
19	17021		1	CLUTCH GEAR
20	F17100		1	CLUTCH SHAFT
21	F17092		1	SNAP RING
22	F17071		2	FILL HD SCREW, 10 - 24 X 5/16
23	F154317		1	CABLE CLAMP
24	17026		1	SWIVEL
25	F17141		2	ROUND HD SCREW, 10 - 24 X 3/8
26	F17153		1	RETAINER PLATE
27	F580892		1	DECAL, STARBOARD
-	F581892		1	DECAL, PORT
29	F17116		1	KNOB
30	F17115-1		1	HANDLE
31	F17030-1		1	SET SCREW
32	17114-1		1	INDICATOR
33	F17105		1	FELT WASHER
34	F17106		1	COLLAR
35	F17154		3	WOOD SCREW
36	F17099		1	HOUSING

CONTINUED ON NEXT PAGE ➡

REMOTE CONTROL



REMOTE CONTROL

REF. NO.	PART NO.	SYM.	QTY.	DESCRIPTION
37	F17157		1	DETENT SPRING
38	F17082-1		1	DETENT BALL
-	F1280		2	PAN HD SCREW, 8 - 32 X 1/4 (TERMINAL BOARD) (NOT SHOWN)
-	3876		1	LITERATURE (NOT SHOWN) INSTALLATION INSTRUCTIONS FOR 5H130
-	17156		1	BAG ASSEMBLY (NOT SHOWN) INCLUDES ALL ITEMS MARKED WITH AN ASTERISK (*)

SPECIAL TOOLS - TUNE-UP

REF. NO.	PART NO.	SYM.	QTY.	DESCRIPTION
-	T8948-1		0	PULLER TO REMOVE FLYWHEEL
-	T2910		0	KNOCK-OFF NUT TO REMOVE FLYWHEEL (ALTERNATE TO PULLER)
-	TA2937-1		0	TIMING TOOL TO ADJUST IGNITION TIMING (STATIC)
-	T8930-1		0	FEELER GAUGE TO ADJUST BREAKER POINTS
-	T8978		0	TIMING LIGHT TO ADJUST IGNITION TIMING (DYNAMIC)

SPECIAL TOOLS - POWER HEAD

REF. NO.	PART NO.	SYM.	QTY.	DESCRIPTION
-	T2998		0	TORQUE WRENCH (0-100 LBS./FT.) TO PROPERLY SECURE FASTENERS
-	T2999		0	TORQUE WRENCH (0-600 LBS./IN.) TO PROPERLY SECURE FASTENERS
-	T2991		0	CARBON BRUSH TO REMOVE CARBON FROM INSIDE POWERHEAD
-	T8900		0	HOSE CLAMP PLIERS TO REMOVE AND INSTALL FUEL HOSE CLAMPS
-	T3510		0	SEAL INSTALLER TO INSTALL UPPER CRANKSHAFT BEARING CAGE SEAL
-	T3512		0	SEAL SLEEVE TO INSTALL UPPER CRANKSHAFT BEARING CAGE SEAL
-	T1749		0	RETAINING RING PLIERS TO REMOVE AND INSTALL PISTON PIN RETAINING RINGS
-	T2953		0	SOCKET TO TORQUE CONNECTING ROD SCREWS
-	T2990		0	PISTON PIN REMOVER TO REMOVE AND INSTALL PISTON PIN IN PISTON
-	T8926		0	RING EXPANDER TO INSTALL RINGS ON PISTONS
-	T2996		0	RING COMPRESSOR TO INSTALL PISTONS IN CYLINDERS

SPECIAL TOOLS - LOWER UNIT

REF. NO.	PART NO.	SYM.	QTY.	DESCRIPTION
-	T8948-1		0	PULLER TO REMOVE PROPELLER SHAFT BEARING CAGE FROM LOWER GEAR HOUSING
-	T8919		0	SPRING PIN PUNCH TO REMOVE CLUTCH SPRING PIN
-	T8907		0	DRIVER HANDLE TO INSTALL BEARING CUP IN LOWER GEAR HOUSING
-	T8945		0	RETAINER PUNCH TO INSTALL RETAINER ON DRIVESHAFT SPLINE BOOT
-	T8918		0	BUSHING GUIDE SET TO REMOVE AND INSTALL BEARING CUP IN LOWER GEAR HOUSING
-	T8921		0	FORWARD BEARING CUP REMOVER TO REMOVE FORWARD BEARING CUP FROM LOWER GEAR HOUSING
-	T8904		0	FORWARD BEARING CUP INSTALLER TO INSTALL FORWARD BEARING CUP IN LOWER GEAR HOUSING
-	T3431		0	SEAL INSTALLER TO INSTALL DRIVESHAFT AND PROP SHAFT SEAL IN LOWER UNIT
-	T8957		0	SEAL INSTALLER TO INSTALL SHIFT ROD SEAL
-	T8962		0	BEARING INSTALLER TO INSTALL DRIVESHAFT BEARING IN GEAR HOUSING UPPER
-	T8964		0	BEARING REMOVER TO REMOVE DRIVESHAFT BEARING FROM GEAR HOUSING UPPER
-	T3513		0	SEAL PROTECTOR TO PROTECT PROP SHAFT SEAL DURING INSTALLATION

SPECIAL TOOLS - TEST EQUIPMENT

REF. NO.	PART NO.	SYM.	QTY.	DESCRIPTION
-	T2951		0	CIRCUIT TRACER TO TROUBLESHOOT 12 VOLT CIRCUITS
-	T2938-1		0	TEST LIGHT TO CHECK CONTINUITY
-	T2955A		0	TEST WHEEL TO TEST MOTOR IN TEST TANK
-	T8950		0	LEAKAGE TESTER TO TEST LOWER UNIT FOR LEAKAGE

SPECIAL TOOLS - LUBRICANTS AND SEALANTS

REF. NO.	PART NO.	SYM.	QTY.	DESCRIPTION
-	T2961		0	LUBRICANT - RYKON GREASE #2EP
-	T2987-1		0	LUBRICANT - ANTI-SEIZE
-	T8969		0	LUBRICANT - 7 OZ. L PSI LUBRICANT
-	T8983		0	SEALANT - RTV
-	T8936-1		0	SEALANT - 2 CC LOCTITE RETAINING COMPOUND #75
-	T2962-1		0	SEALANT - 50 CC LOCTITE H, NON-HARDENING GRADE
-	T2963-2		0	SEALANT - 2 OZ. LOCTITE D, HARDENING GRADE
-	T8935		0	SEALANT PRIMER - 6 OZ.

SPECIAL TOOLS - ACCESSORIES

REF. NO.	PART NO.	SYM.	QTY.	DESCRIPTION
-	5H081		0	BATTERY CABLE LONGER LENGTH - 15 FEET
-	71H25		0	CHARGE INDICATOR LAMP GLOWS GREEN WHEN ALTERNATOR IS CHARGING BATTERY.
-	5H019		0	ANTI-CORROSION KIT ELECTRICAL UNIT USED TO HELP PREVENT CORROSION.
-	5H025		0	ANTI-CORROSION SACRIFICIAL ANODE USED TO HELP PREVENT CORROSION.
-	5H021		0	BATTERY EXTENSION CABLE USED TO EXTEND BATTERY CABLE 6 1/2 FEET.
-	71H26		0	BATTERY TERMINAL KIT FOR POSITIVE AND NEGATIVE BATTERY POSTS.
-	5H020		0	CARRYING HANDLE PERMITS EASIER TRANSPORTATION OF ENGINE TO AND FROM BOAT (2 MAN).
-	5H177		0	FLUSHING ADAPTER PERMITS FRESH WATER FLUSHING OF WATER PASSAGES WITH STANDARD GARDEN HOSE.
-	5H158		0	FUEL GAUGE MONITORS FUEL SUPPLY.
-	5H028		0	SENDING UNIT FOR USE WITH ABOVE FUEL GAUGE.
-	5H156		0	TEMPERATURE GAUGE MONITORS ENGINE TEMPERATURE. DO NOT USE TEMPERATURE GAUGE AND HEAT LAMP IN THE SAME INSTALLATION.
-	5H055		0	WATER PUMP KIT HEAVY DUTY WATER PUMP RECOMMENDED FOR CONTINUED OPERATION IN SANDY OR SALT WATER.
-	5H134		0	BOAT WHITE LACQUER ENGINE TOUCH-UP PAINT IN 12 3/4 OZ. SPRAY BOMBS (6 CANS PER CASE).
-	5H147		0	POWER TRIM ADJUST ENGINE TRIM AND TILTS ENGINE.
-	5H160		0	POWER TRIM INDICATOR INDICATES TRIM ANGLE.
-	5H084		0	TRAILERING TILT LOCK SECURES ENGINE IN TILTED POSITION FOR TRAILERING.
-	5H120		0	REMOTE CONTROL BACK PLATE PROTECTS CONTROL MECHANISM FROM PADDED MOUNTING SURFACES IN BOAT.
-	5H026		0	FUEL TANK, 6 GALLON, STEEL AUXILIARY TANK.
-	5H029		0	FUEL TANK ANCHOR SECURES 5H026 TO DECK.
-	5H040		0	FUEL TANK, 12 GALLON, STEEL AUXILIARY TANK.
-	5H143		0	POWER TILT TWELVE VOLT UNIT TILTS ENGINE FOR BEACHING, ETC.
-	479		0	HEAT LAMP KIT WARNS OF ENGINE OVERHEATING.
-	5H073		0	OVERHEAT BUZZER KIT WARNS OF ENGINE OVERHEATING.
-	5H077		0	IGNITION KEY SWITCH FOR ELECTRIC START MODELS, SHORT BARREL.
-	5H078		0	IGNITION KEY SWITCH FOR ELECTRIC START MODELS, LONG BARREL.
-	F195/___		0	REMOTE CONTROL CABLES CONNECTS REMOTE CONTROL BOX TO THROTTLE AND GEAR SHIFT ON MOTOR. AVAILABLE IN 6 THROUGH 40 FOOT LENGTHS.
-	5H130		0	REMOTE CONTROL SURFACE MOUNT (SINGLE LEVER) PERMITS REMOTE CONTROL OF THROTTLE AND GEAR SHIFT FROM STARBOARD SIDE OF BOAT.

CONTINUED ON NEXT PAGE ➡

SPECIAL TOOLS - ACCESSORIES

REF. NO.	PART NO.	SYM.	QTY.	DESCRIPTION
-	5H131		0	PORT SIDE DECAL KIT CONVERTS 5H130 CONTROL BOX TO PORT SIDE MOUNTING.
-	590		0	REMOTE CONTROL FLUSH MOUNT (SINGLE LEVER) PERMITS REMOTE CONTROL OF THROTTLE AND GEAR SHIFT. MAY BE MOUNTED ON PORT OR STARBOARD SIDE OF BOAT.
-	5H159		0	HOURLMETER MONITORS ENGINE RUNNING TIME.
-	5H132		0	REMOTE CONTROL HANDLE TRIM SWITCH PROVIDES CONVENIENT OPERATION OF POWER TRIM.
-	5H154		0	SPEEDOMETER FLUSH MOUNT (10-50MPH)
-	5H141		0	STEERING LINK KIT FOR USE WITH PIVOT TUBE STEERING.
-	563		0	TERMINAL BLOCK KIT DOUBLE ROW 10 SECTION FOR ACCESSORY WIRING.
-	5H075		0	WIRING HARNESS (24") FOR REMOTE INSTALLATION OF IGNITION SWITCH.
-	F137		0	REMOTE STEERING BRACKET ADAPTS MOTOR TO CABLE TYPE REMOTE STEERING.
-	165		0	REMOTE STEERING BRACKET ADAPTS MOTOR TO CABLE TYPE REMOTE STEERING.
-	5H023		0	REMOTE STEERING BRACKET ADAPTS MOTOR TO MECHANICAL TYPE REMOTE STEERING.
-	166		0	DUAL ENGINE TIE BAR PERMITS DUAL ENGINE INSTALLATION.
-	5H153		0	TACHOMETER MONITORS ENGINE RPM TO PROVIDE CHECK OF ENGINE PERFORMANCE.
-	5H157		0	VOLTMETER INDICATES BATTERY CONDITION.
-	5H070		0	REMOTE ELECTRIC CABLE 21 FEET
-	762		0	REMOTE ELECTRIC CABLE 25 FEET
-	596		0	CHRYSLER OUTBOARD OIL SEE BLOCK COMMENT 1.
-	597		0	CHRYSLER OUTBOARD GEAR LUBE SEE BLOCK COMMENT 2.
-	5H059		0	CHRYSLER OUTBOARD MULTI-PURPOSE GREASE LUBRICATES BEARINGS AND OTHER MOVING PARTS. AVAILABLE IN 8 OZ. TUBES AND 12 TUBE CASES.
-	5H060		0	CHRYSLER OUTBOARD GREASE GUN USED WITH CHRYSLER OUTBOARD MULTI-PURPOSE GREASE TUBES FOR PRESSURE FITTINGS.
-	5H076		0	SWITCH EXTENSION CABLE (5') FOR REMOTE INSTALLATION OF IGNITION SWITCH.
-	5H030		0	SWITCH KIT - RUNNING LIGHTS DASH MOUNT TOGGLE FOR ANCHOR AND RUNNING LIGHTS.
-	5H031		0	SWITCH KIT - SPOT LIGHT DASH MOUNT TOGGLE FOR SPOT OR SEARCH LIGHTS.
-	5H032		0	SWITCH KIT - WIPER DASH MOUNT TOGGLE FOR ELECTRIC WIPER.
-	5H034		0	SWITCH KIT - BILGE PUMP DASH MOUNT TOGGLE FOR ELECTRIC BILGE PUMP.
-	5H035		0	SWITCH KIT - HORN DASH MOUNT TOGGLE FOR HORN - MOMENTARY ON.

CONTINUED ON NEXT PAGE ➡

SPECIAL TOOLS - ACCESSORIES

REF. NO.	PART NO.	SYM.	QTY.	DESCRIPTION
-	5H036		0	SWITCH KIT - TACHOMETER TRANSFER DASH MOUNT TOGGLE FOR ONE TACHOMETER ON DUAL ENGINE INSTALLATION.
-	5H037		0	SWITCH KIT - LIGHTER DASH MOUNT LIGHTER, COMPLETE.
-	5H038		0	SWITCH KIT - IGNITION DASH MOUNT PLATE FOR 5H077 AND 5H078 KEY SWITCH (NOT INCLUDED).
-	5H039		0	SWITCH KIT - INSTRUMENTS DASH MOUNT TOGGLE FOR INSTRUMENT LIGHTS.
-	FOB3861		0	OWNER'S GUIDE
-	FOB3871		0	SERVICE MANUAL

PARTS INDEX

Part Number	Description	Pg.	Ref. No.	Part Number	Description	Pg.	Ref. No.
010165	INLET SEAT GASKET	19	18	1263	HEX SOCKET HD CAP		
010280	CHOKE SHUTTER				SCREW, S.S., 5/16 - 18 X		
	RETAINING SCREW AND				9/16	39	13
	LOCKWASHER	19	15	1286	PAN HD SCREW, 4 - 40 X		
010790	INLET NEEDLE, SEAT AND				3/16	25	45
	GASKET	19	19	1441	PAN HD SCREW, 1/4 - 20 X		
010883	CHOKE RELIEF VALVE				7/8	29	2
	SPRING	19	17	1446	SLOTTED PAN HD SCREW,		
013194	MAIN FUEL JET .080 - OPT. -				1/4 - 20 X 1	23	42
	3750 - 6250 FT.	19	-	1473	HEX M. SC. NUT #10 - 24		
013552	FUEL BOWL	19	24		(507H3D, 507B3D)	37	95
013945	FUEL BOWL RETAINING			1473	HEX NUT, 10 - 24	23	24
	SCREW	19	25	1475	FILL HD SCREW, 10 X 24 X		
013946	IDLE MIXTURE SCREW	19	11		1/2	3	8
014109	MAIN FUEL JET .082 - OPT. -			15000	SEAL, O-RING	15	16
	1250 - 3750 FT.	19	-	15037	HEAD ASSEMBLY,		
014292	THROTTLE SHAFT RETURN				COMMUTATOR END	15	26
	SPRING	19	30	15094	THRU BOLT PACKAGE (SET		
014302	MAIN FUEL JET .084 - STD.	19	29		OF 2 BOLTS)	15	25
014306	MAIN FUEL JET .078 - OPT. -			1514	HEX NUT, 1/4 - 20	15	15
	6280 - 8250 FT.	19	-	1515	HEX NUT, 5/16 - 18	3	21
015724	CHOKE SHUTTER	19	16	1515	HEX NUT, 5/16 - 18	7	85
015725	CHOKE RELIEF VALVE	19	13	1515	HEX NUT, 5/16 - 18	23	4
015728	THROTTLE SHAFT AND			1515	HEX NUT, 5/16 - 18	31	2
	LEVER	19	32	1532	HEX HD SCREW, 1/4 - 20 X 1	3	24
016340	THROTTLE SHUTTER	19	37	1532	HEX HD SCREW, 1/4 - 20 X 1	5	25
016383	CHOKE SHAFT AND LEVER	19	2	1532	HEX HD SCREW, 1/4 - 20 X 1	13	46
016385	CHOKE SHAFT RETURN			1556	FILL HD SCREW		
	SPRING	19	14		W/LOCKWASHER, 10 - 24		
017355	MAIN NOZZLE	19	28		X 3/8	23	32
02510	FUEL BOWL RETAINING			165	REMOTE STEERING		
	SCREW GASKET	19	23		BRACKET	54	-
026	FUEL TANK (ACCESSORY			166	DUAL ENGINE TIE BAR	54	-
	ITEM) - CANADA	43	2	17006	DETENT SPRING	45	18
038	IGNITION SWITCH			17016	CABLE TERMINAL	45	9
	MOUNTING KIT			17021	CLUTCH GEAR	45	19
	(ACCESSORY ITEM)	11	22	17026	SWIVEL	45	24
03804	THROTTLE SHAFT			1704	INTERNAL TOOTH		
	POSITION RETAINING				LOCKWASHER	13	67
	SCREW WASHER	21	41	17114-1	INDICATOR	45	32
04326	BODY CHANNEL WELCH			17156	BAG ASSEMBLY (NOT		
	PLUG	19	39		SHOWN)	47	-
06393	THROTTLE SHAFT			1767	FILL HD. M. SC. #10 - 24 X 3	37	97
	POSITION RETAINING			183346-4	SHOCK MOUNT LOWER	33	32
	SCREW	21	43	1860	SLOTTED BINDING HD		
06396	THROTTLE SHAFT				SCREW, 6 - 32 X 1/4	17	8
	POSITION RETAINING			1864	HEX CAP SCREW, 1/4 - 20 X		
	SCREW LOCKWASHER	21	42		3/4	3	10
078	IGNITION SWITCH			1864	HEX CAP SCREW, 1/4 - 20 X		
	(ACCESSORY ITEM)	11	21		3/4	5	23
08942	THROTTLE SHUTTER			1864	HEX CAP SCREW, 1/4 - 20 X		
	RETAINING SCREW AND				3/4	5	29
	LOCKWASHER	19	36	1864	HEX CAP SCREW, 1/4 - 20 X		
1052	FILL HD SCREW, 1/4 - 20 X 1	25	69		3/4	25	62
1110	SLOTTED FILL HD SCREW,			1864	HEX HD SCREW, 1/4 - 20 X		
	1/4 - 20 X 5/8	17	2		3/4	5	24
1136	FLAT HD SCREW, 1/4 - 20 X			1864	HEX HD SCREW, 1/4 - 20 X		
	1	23	39		3/4	23	9
1238	FILL HD SCREW, 1/4 - 20 X			195	REMOTE CONTROL CABLE		
	3/4	13	41		(SPECIFY LENGTH)	45	4

PARTS INDEX

Part Number	Description	Pg.	Ref. No.	Part Number	Description	Pg.	Ref. No.
1971	HEX HD SCREW, 1/4 - 20 X 2-1/8	27	85	434876	SHIFT ARM	23	-
1974	FILL HD SCREW, 10 - 24 X 5/8	7	78	435018	CRANKSHAFT	29	5
1974	SLOTTED PAN HD SCREW, 10 - 24 X 5/8	11	5	435135	COVER, LEG ST'BD	37	90
1995	FILL HD SCREW, 10 - 24 X 1/16	27	80	435145	COVER, LEG PORT	37	91
1995	FILL HD SCREW, 10 - 24 X 1-1/16	27	80	435260	PISTON RING SET (4 PER SET)	29	13
2014	PLAIN WASHER	27	75	435260	PISTON RINGS (4 PER SET) .010 OVERSIZE	29	-
2014	PLAIN WASHER	41	59	435260	PISTON RINGS (4 PER SET) .030 OVERSIZE	29	-
2016	FILL HD SCREW, 8 - 32 X 7/8	11	28	438431	FUEL PUMP BODY	17	11
201955	STARTER MOTOR - COMPLETE (NOT SHOWN)	15	-	456137	STEERING HANDLE GRIP	7	50
2066	PAN HD SELF - TAPPING SCREW, 10 - 7/16	5	12	458480	ENGINE COVER RETAINER	3	7
2066	PAN HD SELF-TAPPING SCREW	3	4	458480	ENGINE COVER RETAINER	5	8
2071	HEX CAP SCREW, 5/16 - 18 X 1-3/8	13	63	463060	WATER PUMP BODY	41	*
213314-1	ELBOW ASSEMBLY	27	92	463614-1	GEAR SHIFT ROD	7	74
27232	EMERGENCY STARTER ROPE (NOT SHOWN) WITH HANDLE	11	-	465010	CYLINDER	25	53
293	PROPELLER (ACCESSORY ITEM)	39	8	465010	SHORT BLOCK	25	-
2A474266	BEVEL PINION W/BEARING	39	35	466144	CRANKSHAFT BEARING CAGE	29	3
307779	BAFFLE, AIR INTAKE	3	25	479	HEAT LAMP KIT	53	-
307779	BAFFLE, AIR INTAKE ASSEMBLY	5	26	479390	DECAL, STARTER - CANADA (NOT SHOWN)	15	-
310518-1	CYLINDER HEAD W/PLUGS	25	67	485023	BEVEL GEAR FRONT W/BEARING	39	25
328763	COVER LATCH HANDLE W/SHAFT	3	16	485388	DISC, WATER PUMP	41	54
328763	LATCH SHAFT W/HANDLE	7	57	485662	BEVEL GEAR REAR W/BEARING	39	18
366016-4	CONNECTING ROD	29	7	486054	GEAR HOUSING COMPLETE	39	-
366298	PROPELLER SHAFT BEARING CAGE	39	14	486054	GEAR HOUSING LOWER	39	26
366778	ENGINE COVER RETAINER FORWARD	3	26	486712-1	ENGINE COVER	3	1
366778	ENGINE COVER RETAINER, FORWARD	5	7	486712-1	ENGINE COVER	5	1
368700	IGNITION KEY - NO LETTER OR STAMPED A	11	19	510497	TERMINAL BLOCK	11	3
368700	IGNITION KEY - STAMPED B	11	-	545554	GEAR HOUSING UPPER	41	42
368700	IGNITION KEY - STAMPED C	11	-	563	TERMINAL BLOCK KIT	54	-
368700	IGNITION KEY - STAMPED D	11	-	590	REMOTE CONTROL FLUSH MOUNT (SINGLE LEVER)	54	-
368700	IGNITION KEY - STAMPED E	11	-	596	CHRYSLER OUTBOARD OIL GEAR LUBE	54	-
380227-1	SPARK PLUG (UL-4-J)	25	68	597	CHRYSLER OUTBOARD ANTI-CORROSION KIT	53	-
3876	LITERATURE (NOT SHOWN) INSTALLATION INSTRUCTIONS FOR 5H130	47	-	5H019	CARRYING HANDLE	53	-
40742	FRICITION SHOE ADJ. ARM	37	100	5H020	BATTERY EXTENSION CABLE	53	-
409398	DECAL, TOTE TANK - CANADA (NOT SHOWN)	43	-	5H021	REMOTE STEERING BRACKET	54	-
409752	FUEL LINE - COMPLETE	43	-	5H023	ANTI-CORROSION SACRIFICIAL ANODE	53	-
411222	TRANSFER PORT COVER	25	55	5H025	FUEL TANK, 6 GALLON, STEEL	53	-
433019	KINGPIN	33	34	5H026	SENDING UNIT	53	-
433158	REED PLATE	31	9	5H028	FUEL TANK ANCHOR	53	-
				5H029	SWITCH KIT - RUNNING LIGHTS	54	-
				5H030	SWITCH KIT - SPOT LIGHT	54	-
				5H031	SWITCH KIT - WIPER	54	-
				5H032	SWITCH KIT - BILGE PUMP	54	-
				5H034	SWITCH KIT - HORN	54	-
				5H035	SWITCH KIT - TACHOMETER TRANSFER	55	-
				5H036			

PARTS INDEX

Part Number	Description	Pg.	Ref. No.	Part Number	Description	Pg.	Ref. No.
5H037	SWITCH KIT - LIGHTER	55	-	613072	SWIVEL BRACKET	33	36
5H038	SWITCH KIT - IGNITION	55	-	613386	DECAL, NUMERAL	5	15
5H039	SWITCH KIT - INSTRUMENTS	55	-	613386	DECAL, NUMERAL 50	3	28
5H040	FUEL TANK, 12 GALLON, STEEL	53	-	613712	ENGINE COVER COMPLETE.	3	-
5H055	WATER PUMP KIT	53	-	613832	MOTOR LEG EXHAUST COVER	33	20
5H059	CHRYSLER OUTBOARD MULTI-PURPOSE GREASE	54	-	7004	ELASTIC STOP NUT 3/8 - 16	41	60
5H060	CHRYSLER OUTBOARD GREASE GUN	54	-	7004	STOP NUT, 7/16 - 20	23	37
5H070	REMOTE ELECTRIC CABLE	54	-	7006	HEX NUT, 5/16 - 18	5	17
5H073	OVERHEAT BUZZER KIT	53	-	7007	NUT	35	44
5H075	WIRING HARNESS (24")	54	-	7011	HEX NUT, 10 - 24	3	6
5H076	SWITCH EXTENSION CABLE (5')	54	-	7011	HEX NUT, 10 - 24	5	9
5H077	IGNITION KEY SWITCH	53	-	71H25	CHARGE INDICATOR LAMP	53	-
5H078	IGNITION KEY SWITCH	53	-	71H26	BATTERY TERMINAL KIT	53	-
5H081	BATTERY CABLE	53	-	762	REMOTE ELECTRIC CABLE	54	-
5H084	TRAILERING TILT LOCK	53	-	8538	SPRING PIN	5	38
5H120	REMOTE CONTROL BACK PLATE	53	-	8538	SPRING PIN	5	40
5H130	REMOTE CONTROL SURFACE MOUNT (SINGLE LEVER)	53	-	8538	SPRING PIN	35	72
5H131	PORT SIDE DECAL KIT	54	-	8540	SPRING PIN	7	79
5H132	REMOTE CONTROL HANDLE TRIM SWITCH	54	-	8545	SPRING PIN	27	93
5H134	BOAT WHITE LACQUER	53	-	8548	SPRING PIN	7	51
5H141	STEERING LINK KIT	54	-	85610	BEARING	7	65
5H143	POWER TILT	53	-	85610	BEARING	23	35
5H147	POWER TRIM	53	-	89832-2	MOTOR LEG EXHAUST COVER	33	-
5H153	TACHOMETER	54	-	9018	PLASTIC CAP, PIVOT TUBE	35	71
5H154	SPEEDOMETER	54	-	901839	STEERING HANDLE FRICTION SCREW W/SPRING AND BUTTON	7	53
5H156	TEMPERATURE GAUGE	53	-	9052	PLASTIC PLUG, PIVOT TUBE	35	46
5H157	VOLTMETER	54	-	93920	CYLINDER DRAIN REED STOP	25	47
5H158	FUEL GAUGE	53	-	94914	SLEEVE (503H3A, 503B3A)	13	56
5H159	HOURMETER	54	-	F10000	GASKET SET.	19	26
5H160	POWER TRIM INDICATOR	53	-	F10057	REPAIR PARTS KIT.	19	21
5H177	FLUSHING ADAPTER	53	-	F1014	COTTER PIN	19	7
604892	DECAL, ENGINE COVER FRONT	3	29	F1015	COTTER PIN	39	37
604892	DECAL, ENGINE COVER FRONT	5	5	F1017	COTTER PIN	7	69
605396	DECAL, ENGINE COVER ST'BD	3	9	F1027	COTTER PIN, S.S., 1/8 - 1/2	39	10
605397	DECAL, ENGINE COVER PORT	3	-	F1059	FILL HD SCREW, 6 - 32 X 1/4	19	5
606396	DECAL, ENGINE COVER - STARBOARD	5	-	F1074	GEAR HOUSING SEAL KIT.	41	57
606396	DECAL, ENGINE COVER ST'BD	3	-	F1075	TUNE-UP KIT	11	6
606397	DECAL, ENGINE COVER - PORT	5	14	F1108	FILL HD SCREW W/SPRING LOCKWASHER, 1/4 - 20 X 3/4	17	12
606397	DECAL, ENGINE COVER PORT	3	-	F1129	FILL HD SCREW, S.S., 5/16 - 18 X 1/2	33	33
606528	DECAL, ENGINE COVER REAR	3	30	F1134	FILL HD SCREW, 8 - 32 X 1- 1/8	23	19
606528	DECAL, ENGINE COVER REAR	9	90	F1141	FLAT HD SCREW, 10 - 24 X 1/2	31	6
				F1160	FLAT HD SCREW, 1/4 - 28 X 5/8	37	88
				F1164	FLAT HD SCREW, 5/16 - 18 X 1 - 1/8	11	29
				F1199	HEX HD SCREW, 1/4 - 20 X 1	33	19
				F12090	BREAKER CONTACT SCREW	13	53

PARTS INDEX

Part Number	Description	Pg.	Ref. No.	Part Number	Description	Pg.	Ref. No.
F12139-1	CONDENSER	13	52	F1513	HEX NUT, 10 - 32	23	16
F12167	SCREW	13	64	F1513	HEX NUT, 10 - 32 (507H2C, 507B2C, 507H3D, 507B3D)	25	63
F12170	CONDENSER MOUNT SCREW W/LOCKWASHER	13	54	F15162	HEX LOCK NUT, 1/4 - 20 ...	15	21
F12172	TERMINAL COMPLETE	13	60	F1525	WELCH PLUG, CYLINDER HEAD (NOT SHOWN)	27	96
F12174-1	PRIMARY INTERLEAD GROUP	13	50	F1526	WELCH PLUG, CYLINDER HEAD (NOT SHOWN)	27	95
F12189	CONDENSER MOUNT SCREW	13	51	F154317	CABLE CLAMP	45	23
F12227	CAM WIPER - FELT	13	47	F1544	HEX HD CAP SCREW, 3/8 - 16 X 2-1/4	27	74
F12329-2	BREAKER POINT SET	13	49	F1593	HEX HD SCREW, S.S., 3/8 - 16 X 3	35	47
F12338	GROUND WIRE	13	57	F1600	LOCK NUT, PIVOT TUBE ...	35	45
F12344	BREAKER PLATE	13	48	F1615	HEX NUT, 5/16 - 24	13	38
F1277	SLOTTED OVAL HD SET SCREW 1/4 - 28 X 3/8 ...	5	41	F1635	HEX SOCKET HD CAP SCREW, S.S., 3/8 - 16 X 3- 1/2	33	27
F1280	PAN HD SCREW, 8 - 32 X 1/4	11	20	F1636	HEX SOCKET HD CAP SCREW, S.S., 3/8 - 16 X 1- 1/4	33	28
F1280	PAN HD SCREW, 8 - 32 X 1/4 (TERMINAL BOARD) (NOT SHOWN)	47	-	F1645	RD-HD SELF-TAPPING SCREW, 6 - 32 X 1/4	13	68
F1326	ACORN NUT, S.S., 5/16 - 18	37	84	F1646	HEX SOCKET HD CAP SCREW, 3/8 - 16 X 2-1/4 .	23	7
F1341	HEX NUT	25	70	F1647	HEX NUT, 8 - 32	11	14
F1346	HEX NUT, 3/8 - 16	33	16	F1666	BOWED SPRING WASHER .	35	41
F1346	HEX NUT, S.S., 3/8 - 16	35	49	F1669	STOP NUT	35	54
F1346	HEX NUT, S.S., 3/8 - 16	39	33	F1689	HEX HD. SCREW, 1/4 - 20 X 1/2 (503H3A, 503B3A) ...	37	105
F1349	HEX NUT, S.S., 5/16 - 18 ...	35	79	F17009	BEARING	45	14
F137	REMOTE STEERING BRACKET	54	-	F17010-1	THROTTLE GEAR	45	16
F141118	SEAL, PROPELLER SHAFT .	39	15	F17011	BOWED WASHER	45	15
F141275	FITTING, THERMOSTAT ...	27	84	F17012	RETAINING PLATE	45	13
F141305	SEAL, PROPELLER SHAFT BEARING CAGE	39	17	F17013	FILL HD SCREW, 1/4 - 20 X 1/2	45	11
F141704	GEAR SHIFT ROD COUPLING	35	78	F17014	THROTTLE ARM	45	10
F15021-1	HEAD ASSEMBLY, DRIVE END	15	27	F17019	CLUTCH ARM	45	5
F15034	SPRING SET	15	24	F17030-1	SET SCREW	45	31
F15038-1	BRUSH PLATE AND HOLDER	15	23	F17036	INTERNAL TOOTH LOCKWASHER	45	6
F15042	BRUSH SET	15	22	F17071	FILL HD SCREW, 10 - 24 X 5/16	45	22
F15043	FRAME AND FIELD ASSEMBLY.	15	19	F17082-1	DETENT BALL	47	38
F15044	ARMATURE	15	17	F17092	SNAP RING	45	21
F15073	THRUST WASHER PACKAGE	15	18	F17099	HOUSING	45	36
F15084	SCREW SHAFT	15	8	F17100	CLUTCH SHAFT	45	20
F15087	NUT	15	2	F17105	FELT WASHER	45	33
F15088	SPRING	15	4	F17106	COLLAR	45	34
F15091	WASHER	15	9	F17111	DETENT BALL	45	17
F15104	CUP, CUSHION THRUST ...	15	12	F17115-1	HANDLE	45	30
F15105	CUP	15	10	F17116	KNOB	45	29
F15106	CUSHION	15	11	F17141	ROUND HD SCREW, 10 - 24 X 3/8	45	25
F15109	STOP	15	3	F17149	COTTER PIN	45	8
F15113	BENDIX DRIVE.	15	1	F17153	RETAINER PLATE	45	26
F15114	PINION	15	7	F17154	WOOD SCREW	45	35
F15115	CUP, PINION	15	5	F17155	HEX BOLT, 1/4 - 28 X 1/2 ..	45	7
F15116	SLEEVE	15	6	F17157	DETENT SPRING	47	37
F1513	HEX NUT	45	3	F1727	PLASTIC RIVET	23	30
F1513	HEX NUT, 10 - 32	7	70				
F1513	HEX NUT, 10 - 32	11	31				
F1513	HEX NUT, 10 - 32	23	12				

PARTS INDEX

Part Number	Description	Pg.	Ref. No.	Part Number	Description	Pg.	Ref. No.
F1733	PAN HD SCREW, 10 - 24 X 9/16	3	15	F1922	HEX CAP SCREW, 1/4 - 20 X 5/8	33	11
F1733	PAN HD SCREW, 10 - 24 X 9/16	7	55	F1922	HEX HD SCREW, 1/4 - 20 X 5/8	17	3
F1733	PAN HD SCREW, 10 - 24 X 9/16	7	76	F1922	HEX HD SCREW, 1/4 - 20 X 5/8	27	86
F1733	PAN HD SCREW, 10 - 24 X 9/16	11	32	F1929	HEX HD CAP SCREW, S.S., 3/8 - 16 X 1-1/8	33	24
F1733	PAN HD SCREW, 10 - 24 X 9/16	35	55	F1934	FLAT HD SLOTTED SCREW, 6 X 1/2	11	23
F1733	PAN HD. M. SC., #10 - 24 X 9/16	37	96	F1947	FLANGED 12 POINT SCREW, 5/16 - 18 X 2	37	87
F1738	HEX NUT, 3/8 - 24	5	28	F195/_	REMOTE CONTROL CABLES	53	-
F1744	SPRING PIN	35	75	F1955	PLAIN WASHER	5	44
F1755	ROUND HD SCREW W/LOCKWASHER, 6 - 32 X 1/4	31	12	F1958	PAN HD SCREW, 6 X 7/16 ..	13	61
F1768	FILL HD. M. SC. #10 - 24 X 1- 3/8	37	98	F1969	FILL HD SCREW, 1/4 - 20 X 3/4	23	31
F177330	FUEL PUMP VALVE	17	9	F1975	LOCKWASHER	11	4
F177917	STARTER RELAY	13	37	F197752-1	FUEL LINE, LONG	43	10
F17815	SEAL, FUEL LINE COUPLER (SMALL)	43	5	F197787-3	FUEL LINE COUPLER	43	6
F17816	SEAL, FUEL LINE COUPLER (LARGE)	43	4	F1979	FILL HD SCREW, 10 - 24 X 1/2	5	6
F17817	SEAL, FUEL TANK ADAPTER	43	11	F1987	PLAIN WASHER	3	19
F18160-2	REED, CYLINDER DRAIN ..	25	48	F1987	PLAIN WASHER	9	89
F1832	HEX LOCK NUT, 1/4 - 20 (503H3A, 503B3A)	37	99	F1987	PLAIN WASHER	35	82
F183300	SPRING	3	20	F1997	STOP NUT, 8 - 32	19	31
F183300	SPRING	9	88	F1997	STOP NUT, 8 - 32	27	94
F1836	SPRING PIN	7	62	F2008	HEX HD M. S., 1/4 - 20 X 7/8	41	55
F1836	SPRING PIN	35	61	F2008	HEX HD SCREW W/LOCKWASHER, 1/4 - 20 X 7/8	7	63
F184033-1	SWIVEL, CHOKE ROD	19	4	F2008	HEX HD SCREW, 1/4 - 20 X 7/8	31	1
F184579	SEAL, CHOKE ARM SWIVEL	19	3	F201529-1	CYLINDER HEAD GASKET ..	25	66
F1849	HEX HD SCREW, S.S., 1/4 - 20 X 1-3/8	33	17	F201529-1	GASKET, CYLINDER HEAD ..	25	*
F1851	FILL HD M. SCREW W/LOCKWASHER, 10 - 24 X 1/2	33	4	F2025	PAN HD SCREW, 10 X 3/8 ..	5	11
F1854	HEX HD SCREW, 1/4 - 20 X 5/8	13	44	F2025	PAN HD SCREW, 10 X 5/8 ..	3	3
F1854	HEX SLOT HD SCREW, 1/4 - 20 X 5/8	23	6	F2030	HEX HD SCREW, S.S., 1/4 - 20 X 1-1/4	41	52
F1857	HEX CAP SCREW, 5/16 - 18 X 5/8	25	61	F2030	SCREW 1/4 - 20 X 1-1/4	41	*
F185764	RETAINING RING	35	80	F203097-5	FLYWHEEL	13	71
F1879	HEX SOCKET HD CAP SCREW, 3/8 - 16 X 1-5/8 ..	23	8	F203276	COIL BOOT	11	16
F1880	PLASTIC PLUG	33	29	F2033	GROOVE PIN	19	10
F1904	PLAIN WASHER	35	48	F203673	TERMINAL CLIP	11	17
F1905	FILL HD SCREW, 1/4 - 20 X 3-7/16	33	22	F203965	SHOCK MOUNT UPPER ...	33	7
F1910	ELASTIC STOP NUT, 1/4 - 20	23	17	F2097	SPRING PIN	39	23
F191169-1	SWIVEL BRACKET BEARING	33	35	F213251	GAUGE CAP (USA ONLY) ..	43	1A
F191993-1	BRACKET, CHOKE CABLE (NOT SHOWN)	7	-	F213274	GREASE FITTING	5	35
F1920	HEX NUT, 5/8 - 18	13	72	F213274	GREASE FITTING	35	63
F1922	HEX CAP SCREW, 1/4 - 20 X 5/8	11	18	F215962	SHOCK MOUNT SIDE LOWER	37	86
				F224394-3	DECAL, FUEL MIXTURE - U.S.A. (NOT SHOWN) ...	43	-
				F235227-1	SPARK PLUG (RL-4-J) - CANADA	25	-
				F24074	CLAMP SCREW FOOT	35	69
				F267371-1	CONNECTOR STUD BRACKET	25	60
				F268002-2	CAM	13	45
				F269052	SHIFT ARM BEARING	23	36

PARTS INDEX

Part Number	Description	Pg.	Ref. No.	Part Number	Description	Pg.	Ref. No.
F269122-1	CRANKCASE PARTING LINE			F328621	ARM, GEAR SHIFT LEVER	7	68
	SEAL	25	71	F328692	PIVOT TUBE	5	37
F269122-1	CRANKCASE PARTING LINE			F328703-1	STEERING HANDLE		
	SEAL	27	*		ADAPTER	5	34
F269141-1	BALL JOINT W/BEARING	7	73	F328819	SWIVEL SHIFT DETENT	5	19
F269141-1	BALL JOINT W/BEARING	23	15	F328884	DETENT, SHIFT ARM	5	21
F269319	THROTTLE CAM BEARING	23	11	F333316	THROTTLE ROLLER SHAFT	19	34
F269445-1	SPARK CONTROL LINK	23	25	F335160	REED	31	10
F269929	SPACER, TILT STOP	33	38	F335217-1	BEARING	29	8
F269929	SPACER, TILT STOP	35	42	F338079	STEERING HANDLE	7	47
F269929	SPACER, TILT STOP	35	64	F338129-1	SEAL, DRIVESHAFT SPLINE	39	1
F269929	SPACER, TILT STOP	35	66	F338271	RETAINER	39	2
F286461	SPRING LOCK BAR HANDLE	35	77	F338618-1	SEAL, SHIFT ROD LOWER	41	43
F286547	CHOKE KNOB	7	60	F338815	STEERING HANDLE GEAR	5	39
F286772-1	CLAMP	33	9	F338815	STEERING HANDLE GEAR	5	43
F286894-3	STEERING HANDLE			F338877	MAGNETO CONTROL SHAFT	5	36
	INDICATOR	7	49	F345427-1	BRACKET, STARTER		
F287098-2	PROPELLER SHAFT				MOUNTING	23	1
	ASSEMBLY	39	21	F345683	WIRE - GROUND	11	10
F289664	WIRE STATOR GROUND	13	58	F349307	DRIVESHAFT SEAL - WATER		
F289924-1	CHOKE SOLENOID	13	42		PUMP	41	50
F298788	FERRULE	43	7	F353480	STUD	35	68
F307038	SUPPORT PLATE	3	13	F366013	CRANKSHAFT THRUST		
F307211	STUD	23	2		BEARING UPPER	29	18
F307279-2	CYLINDER EXHAUST			F366058	BALL BEARING, PROPELLER		
	GASKET UPPER	33	1		SHAFT	39	16
F307279-2	GASKET, CYLINDER			F366215	SPACER	29	10
	EXHAUST - UPPER	27	*	F366277	BEARING CAGE GASKET	29	4
F307317-1	CLIP, TERMINAL BLOCK -			F366277	GASKET, BEARING CAGE	27	*
	GROUND	11	11	F366300	REVERSE LOCK SPRING	35	52
F307615	GEAR SHIFT ROD UPPER			F366349	REVERSE LOCK	35	53
	(507H2C, 507B2C, 507H3D,			F366350	TILT STOP PIVOT	33	39
	507B3D)	37	83	F366364	ARM, REVERSE LOCK	35	59
F307660-1	LEG EXHAUST TUBE	33	3	F366426	TILT STOP - PORT	35	40
F307664-1	COIL WIRE	11	15	F366433	TILT STOP, STARBOARD	35	65
F307683	WIRE, CIRCUIT BREAKER	11	1	F366510-1	LINK, REVERSE LOCK	35	60
F307689-1	STEERING HANDLE			F366727	BALL, PROPELLER SHAFT	39	20
	CONTROL SHAFT			F366813	BEARING	7	77
	BEARING	5	42	F366827	HANDLE AND SHAFT	35	56
F307809-1	MAGNETO CONTROL ROD	7	84	F366886	PIN	35	51
F307818	BEARING, LATCH SHAFT	3	17	F367300	SPRING SHIFT DETENT	5	18
F307818	BEARING, LATCH SHAFT	7	56	F369450	RECTIFIER	11	12
F307860	INTAKE SILENCER	5	27	F380475	COIL	11	30
F307860	INTAKE SILENCER (507H2C,			F380501	COIL MOUNT	13	55
	507B2C, 507H3D, 507B3D)	3	27	F380513	COIL CLAMP	11	27
F307908	STARTER LEAD	15	20	F381896-4	BATTERY CABLE	11	24
F307940	KINGPIN PLATE	33	6	F387766-1	PRIME BULB	43	9
F307942-1	BUMPER	23	20	F391926-1	CHOKE SOLENOID		
F307962	SHOCK MOUNT - SIDE -				PLUNGER	19	9
	UPPER	33	14	F3A433757	CYLINDER DRAIN REED		
F307989-1	SEAL, KINGPIN PLATE	33	5		PLATE	25	49
F311744-2	WIRING HARNESS	11	2	F40008	STUD, SHORT	39	39
F311996	GASKET, CYLINDER HEAD			F40017-2	PISTON PIN	29	9
	COVER	27	*	F40146-1	CRANKSHAFT SEAL	29	1
F316599	SEAL, PIVOT TUBE	37	89	F40151-1	EXHAUST PORT PLATE	27	89
F328109	PLUG	23	21	F40154-3	EXHAUST PORT PLATE		
F328189-1	BUSHING, GEAR SHIFT ROD	7	75		GASKET	27	88
F328438	MAGNETO CONTROL ARM	7	80	F40154-3	GASKET, EXHAUST PORT		
F328615	GEAR SHIFT ROD UPPER				PLATE	25	*
	(503H3A, 503B3A)	37	-	F40209	CARBURETOR STUD	31	3

PARTS INDEX

Part Number	Description	Pg.	Ref. No.	Part Number	Description	Pg.	Ref. No.
F40223	GASKET, TRANSFER PORT COVER	25	*	F433689	TOWERSHAFT BEARING	23	28
F40223	TRANSFER PORT COVER GASKET	25	54	F433758	HOSE W/VALVE	27	91
F40279-1	CYLINDER EXHAUST GASKET LOWER	33	13	F433946	SHOCK MOUNT UPPER COVER (507H2C, 507B2C, 507H3D, 507B3D)	33	8
F40279-1	GASKET, CYLINDER EXHAUST - LOWER	27	*	F433972	SHOCK MOUNT LOWER COVER - STARBOARD	37	85
F40307-2	SEAL, DRIVESHAFT	41	46	F433973	SHOCK MOUNT LOWER COVER - PORT	33	26
F40342	SEAL	39	5	F434061-3	CARBURETOR - COMPLETE (WB16D)	19	38
F40342	SEAL, PROPELLER NUT	39	11	F434754	FUEL LINE, PUMP TO CARBURETOR	17	17
F40410	SNAP RING	29	14	F434758	FUEL PUMP IMPULSE HOSE	17	6
F404801	ELBOW	25	64	F434767	BUSHING	7	58
F405020	SWIVEL	23	34	F435057	BEARING, DRIVESHAFT UPPER	41	45
F405457	PIVOT SCREW	23	33	F435077	SCREEN, WATER INLET	41	44
F40717	THRUST WASHER, BEVEL GEAR	39	19	F435116	EXHAUST, SNOUT	39	40
F40775	FRICITION SHOE PLATE (503H3A, 503B3A)	37	101	F435133-1	MOTOR LEG	33	23
F40816-1	STEERING HANDLE CONTROL SHAFT THRUST BEARING	5	45	F435244	INLET WATER LINE	39	7
F40833-1	GASKET, IDLE RELIEF COVER	25	*	F435323	PACKING, LEG COVER LOWER (507H3C, 507B3C, 503H3A, 503B3A)	37	92
F40833-4	MOTOR LEG EXHAUST COVER GASKET	33	21	F435555	SEAL, GEAR HOUSING	41	41
F40906-1	FLANGE GASKET	19	35	F435562	BACK PLATE, WATER PUMP	41	*
F40906-1	GASKET, CARBURETOR	25	*	F435562	WATER PUMP BACK PLATE	41	47
F409251-1	GAUGE CAP (CANADA ONLY)	43	1	F435705	GEAR SHIFT ROD LOWER	39	36
F428015-1	PISTON	29	12	F438165	SCREW, FUEL BOWL	17	19
F428015-1	PISTON .010 OVERSIZE	29	-	F438398	DECAL, WIRING	11	26
F428015-1	PISTON .030 OVERSIZE	29	-	F438500	FUEL SEDIMENT BOWL	17	18
F428096	RETAINER, PISTON PIN	29	11	F438617	FUEL SEDIMENT BOWL GASKET	17	15
F433065-2	IMPELLER	41	*	F438653	FUEL PUMP SCREEN	17	16
F433065-2	WATER PUMP IMPELLER	41	48	F438747	FUEL PUMP DIAPHRAGM	17	7
F433113	STERN BRACKET LOCK BAR	35	74	F438760	FUEL PUMP GASKET	17	4
F433114	HANDLE, LOCK BAR	35	76	F438801	ELBOW	17	13
F433152	EXHAUST PORT COVER	27	87	F439746	FUEL PUMP COVER	17	1
F433167	CARBURETOR ADAPTER FLANGE	31	4	F452925	CHOKE SOLENOID ROD	19	8
F433168	CARBURETOR ADAPTER GASKET	31	5	F458677	INSERT, CHOKE KNOB	7	61
F433168	GASKET, CARBURETOR ADAPTER	27	*	F458695	SLEEVE, STEERING HANDLE	7	52
F433192	THROTTLE CAM	23	14	F458774	BRACKET RETAINER -REAR	3	11
F433209-1	STUD, THROTTLE CAM	23	10	F458774	BRACKET, RETAINER REAR	5	22
F433254	HOSE	25	65	F461400	GEAR SHIFT INDICATOR	7	81
F433387-1	DECAL, TIMING	31	13	F463269-1	TILT HANDLE	3	2
F433404	DEFLECTOR PLATE	31	7	F463269-1	TILT HANDLE	5	10
F433406	DEFLECTOR PLATE GASKET	31	8	F463314	ELBOW	27	90
F433406	GASKET, DEFLECTOR PLATE	27	*	F463864	RETAINER, TILT HANDLE	3	5
F433503	CHOKE CABLE	7	59	F463864	RETAINER, TILT HANDLE	5	13
F433612	BRACKET, SHIFT ROD	7	66	F466095	STATOR	13	59
F433675	STARTER MOUNTING BRACKET - LOWER	23	5	F466479	BREAKER PLATE SHOE	13	62
F433680	SPACER PLATE	33	2	F467841	COIL WIRE - CANADA	11	-
F433688	SHAFT, STEERING HANDLE	5	46	F474073-1	CLAMP SCREW	35	73
				F483884	BEARING, REVERSE LOCK SHAFT REAR	35	62
				F485005	INTERLOCK LEVER ARM	7	71
				F485755-1	FUEL TANK ADAPTER	43	3
				F485914	SEAL, INLET WATER LINE, LOWER	41	51

PARTS INDEX

Part Number	Description	Pg.	Ref. No.	Part Number	Description	Pg.	Ref. No.
F485946	SHOCK MOUNT UPPER COVER (503H3A, 503B3A)	33	-	F8060	LOCKWASHER	15	14
F498618	SEAL, O-RING	39	30	F8061	INTERNAL TOOTH LOCKWASHER	45	12
F498891	GEAR SHIFT ARM PIVOT PIN	39	29	F8065	LOCKWASHER	39	32
F50109	PLUG, GEAR HOUSING	39	27	F8065	SPRING LOCKWASHER	33	25
F510374	DECAL, CIRCUIT BREAKER	11	35	F8077	WASHER, GEAR HOUSING PLUG	39	28
F510460	CIRCUIT BREAKER	11	34	F8083	2	37	104
F522032	STERN BRACKET - STARBOARD	35	67	F8083	SPRING LOCKWASHER	11	9
F522125-1	TUBE, PIVOT STEERING	35	70	F8083	SPRING LOCKWASHER	27	73
F522286	STERN BRACKET FRICTION WASHER	33	37	F8083	SPRING LOCKWASHER	27	97
F522532	STERN BRACKET - PORT	35	43	F8083	SPRING LOCKWASHER	33	18
F522741	RING, RETAINING-REV. LOCK SHAFT	35	58	F8088	PLAIN WASHER	13	66
F522884	BEARING, REVERSE LOCK SHAFT	35	57	F8088	PLAIN WASHER	19	6
F53795-1	DAMPENER	7	48	F8094	PLAIN WASHER	13	40
F544390-1	DECAL, TILT LOCK	35	50	F8096	SPRING LOCKWASHER	3	22
F545189	BUSHING, CABLE ENTRY	3	18	F8096	SPRING LOCKWASHER	7	86
F549189	BUSHING ELECTRIC CABLE ENTRY	3	14	F8096	SPRING LOCKWASHER	13	39
F549189	BUSHING, ELEC. CABLE ENTRY	7	54	F8096	SPRING LOCKWASHER	23	3
F580892	DECAL, STARBOARD	45	27	F84026	SPARK CONTROL SWIVEL	23	22
F581892	DECAL, PORT	45	-	F84035-2	SPARK CONTROL BEARING, R.H.	23	26
F58685-2	CONNECTOR, SHIFT CABLE	45	2	F84036	SPARK CONTROL BEARING, L.H.	23	23
F58685-2	ROD END CONNECTOR, MAGNETO CONTROL	7	83	F84280	KINGPIN NUT	33	30
F58976-1	CONNECTOR, THROTTLE CABLE	45	1	F84314-2	ELBOW	17	5
F606712	ENGINE COVER COMPLETE	5	-	F84314-2	ELBOW, FUEL LINE	25	57
F606712	ENGINE COVER COMPLETE.	3	-	F84314-2	ELBOW, FUEL LINE CARBURETOR	19	1
F609853	DECAL, WARNING	13	73	F84449	NEUTRAL INTERLOCK SWITCH	13	65
F613038	SUPPORT PLATE	5	30	F84754-1	FUEL LINE SHORT	43	8
F613777	LATCH CAM	7	87	F84792	FUEL PUMP VALVE GASKET	17	10
F71H26	BATTERY TERMINAL KIT (ACCESSORY ITEM)	11	25	F85372	PIN, GEAR SHIFT ROD LOWER	39	38
F76034-2	FUEL TANK - USA	43	2A	F85502	THROTTLE LINK	23	18
F8003	PLAIN WASHER	25	46	F8559	DOWEL PIN	25	52
F8011	PLAIN WASHER	11	33	F85634-2	CONNECTING ROD SCREW	29	17
F8025	PLAIN WASHER	33	10	F85756	SUPPORT PLATE PACKING	3	12
F8028	PLAIN WASHER	7	64	F85756	SUPPORT PLATE PACKING	5	16
F8028	PLAIN WASHER	15	13	F85843-1	ELECTRIC CONTROL CABLE	11	7
F8032	PLAIN WASHER	7	67	F88161-3	REED STOP	31	11
F8038	PLAIN WASHER	33	15	F89011	SWIVEL BRACKET WASHER	33	31
F8042	PLAIN WASHER	39	6	F89025	PAD, DAMPENING - LEG COVER (507H3D, 507B3D)	37	94
F8049	BOWED SPRING WASHER	35	81	F89504	GROMMET, MOTOR LEG EXHAUST COVER (507H3D, 507B3D)	37	93
F8056	SPRING LOCKWASHER	11	13	F89777-1	LATCH CAM	3	23
F8058	INTERNAL TOOTH LOCKWASHER	7	72	F90014	CRANKSHAFT LOWER MAIN BEARING	29	16
F8058	INTERNAL TOOTH LOCKWASHER	23	13	F901563	DRIVE PIN	41	*
F8058	INTERNAL TOOTH LOCKWASHER	25	59	F901563	DRIVE PIN, WATER PUMP IMPELLER	39	4
F8060	EXTERNAL TOOTH LOCKWASHER	29	19	F901631-1	FRICTION SHOE (503H3A, 503B3A)	37	102
F8060	INTERNAL TOOTH LOCKWASHER	5	20	F90619-1	YOKE	41	56
				F90871-3	GEAR SHIFT ARM PIN	39	22
				F91446-1	CIRCUIT BREAKER BRACKET	11	36

PARTS INDEX

Part Number	Description	Pg.	Ref. No.	Part Number	Description	Pg.	Ref. No.
F92446	CLAMP	13	70	T2938-1	TEST LIGHT	51	-
F92498	KEY	13	43	T2951	CIRCUIT TRACER	51	-
F92759	ROLLER	19	33	T2953	SOCKET	49	-
F93472-1	CYLINDER DRAIN COVER			T2955A	TEST WHEEL	51	-
	GASKET	25	44	T2961	LUBRICANT - RYKON		
F93472-1	GASKET, CYLINDER DRAIN COVER	25	*	T2962-1	GREASE #2EP	52	-
F93748-1	CYLINDER DRAIN REED				SEALANT - 50 CC LOCTITE H, NON-HARDENING		
	PLATE GASKET	25	51		GRADE	52	-
F93748-1	GASKET, CYLINDER DRAIN REED PLATE	25	*	T2963-2	SEALANT - 2 OZ. LOCTITE D, HARDENING GRADE	52	-
F93811	SCREEN CYLINDER DRAIN REED PLATE	25	50	T2987-1	LUBRICANT - ANTI-SEIZE	52	-
F97008-1	STUD, LONG	39	31	T2990	PISTON PIN REMOVER	49	-
F97066-1	THERMOSTAT COVER	27	79	T2991	CARBON BRUSH	49	-
F97067	GASKET, THERMOSTAT COVER	25	*	T2996	RING COMPRESSOR	49	-
F97067	THERMOSTAT COVER			T2998	TORQUE WRENCH (0-100 LBS./FT.)	49	-
	GASKET	27	78	T2999	TORQUE WRENCH (0-600 LBS./IN.)	49	-
F97068-1	THERMOSTAT	27	77	T3431	SEAL INSTALLER	50	-
F97247	WATER TUBE, THERMOSTAT	27	83	T3510	SEAL INSTALLER	49	-
F97275	FITTING, THERMOSTAT	27	81	T3512	SEAL SLEEVE	49	-
F97504	GROMMET, THERMOSTAT	27	76	T3513	SEAL PROTECTOR	50	-
F97772	CLAMP	27	82	T8900	HOSE CLAMP PLIERS	49	-
F97772	FUEL LINE CLAMPS	17	14	T8904	FORWARD BEARING CUP INSTALLER	50	-
F98273	ROD END CONNECTOR			T8907	DRIVER HANDLE	50	-
	STUD	7	82	T8918	BUSHING GUIDE SET	50	-
F98273	ROD END CONNECTOR			T8919	SPRING PIN PUNCH	50	-
	STUD	25	58	T8921	FORWARD BEARING CUP REMOVER	50	-
F99521-1	CLUTCH	39	24	T8926	RING EXPANDER	49	-
FA40655	CRANKSHAFT CENTER MAIN BEARING RACE	29	15	T8930-1	FEELER GAUGE	48	-
FA433471	CYLINDER DRAIN COVER W/FITTING	25	43	T8935	SEALANT PRIMER - 6 OZ.	52	-
FA433876	SHIFT ARM	23	38	T8936-1	SEALANT - 2 CC LOCTITE RETAINING COMPOUND #75	52	-
FA435616	GEAR SHIFT ROD INTERMEDIATE	41	53	T8945	RETAINER PUNCH	50	-
FA435621	GEAR SHIFT ARM ASSEMBLY	39	34	T8948-1	PULLER	48	-
FA463060	WATER PUMP BODY	41	49	T8948-1	PULLER	50	-
FA89128-1	DRIVESHAFT	39	3	T8950	LEAKAGE TESTER	51	-
FA94094-2	PROPELLER NUT	39	9	T8957	SEAL INSTALLER	50	-
FK1073	WATER PUMP KIT.	41	58	T8962	BEARING INSTALLER	50	-
FK1123	SPARKIE KIT	11	8	T8964	BEARING REMOVER	50	-
FK247	PROPELLER PIN, PACK OF 6	39	12	T8969	LUBRICANT - 7 OZ. L PSI LUBRICANT	52	-
FK433838	TOWERSHAFT	23	29	T8978	TIMING LIGHT	48	-
FK85228-1	BEARING CAGE W/ROLLERS (16 PER SET)	29	6	T8983	SEALANT - RTV	52	-
FOB3861	OWNER'S GUIDE	55	-	TA2937-1	TIMING TOOL	48	-
FOB3871	SERVICE MANUAL	55	-	210-1	STUD (503H3A, 503B3A)	37	103
O10588	BODY CHANNEL CUP PLUG	21	40	1007-1	GASKET SET.	25	72
O11103	IDLE MIXTURE SCREW SPRING	19	12				
O13554	FLOAT	19	27				
O13944	FLOAT LEVER PIN	19	20				
O15623	FUEL BOWL GASKET	19	22				
T1749	RETAINING RING PLIERS	49	-				
T2910	KNOCK-OFF NUT	48	-				