



# PARTS CATALOG

## 9.9 H.P.

### SERIAL NUMBER

9.9 (1983) .....	92B3K
9.9 (1983) .....	92H3K
9.9 (1984) .....	.92C4L
9.9 (1984) .....	.92H4L

# TABLE OF CONTENTS:

ACCESSORIES .....	36
ENGINE COVER AND SUPPORT PLATE .....	2
FUEL SYSTEM .....	10
FUEL TANK AND LINE .....	28
GEAR HOUSING .....	24
MAGNETO .....	6
MOTOR LEG .....	18
PARTS INDEX .....	38
POWER HEAD .....	14
SPECIAL TOOLS - LOWER UNIT .....	33
SPECIAL TOOLS - LUBRICANTS AND SEALANTS .....	35
SPECIAL TOOLS - MANUAL STARTER .....	31
SPECIAL TOOLS - POWER HEAD .....	32
SPECIAL TOOLS - TEST EQUIPMENT .....	34
SPECIAL TOOLS - TUNE-UP .....	30
STARTER .....	8

**NOTE:** Indented description indicate that these parts are included in preceding assembly.

**AR** = As Required

**NSS** = Not Sold Separate

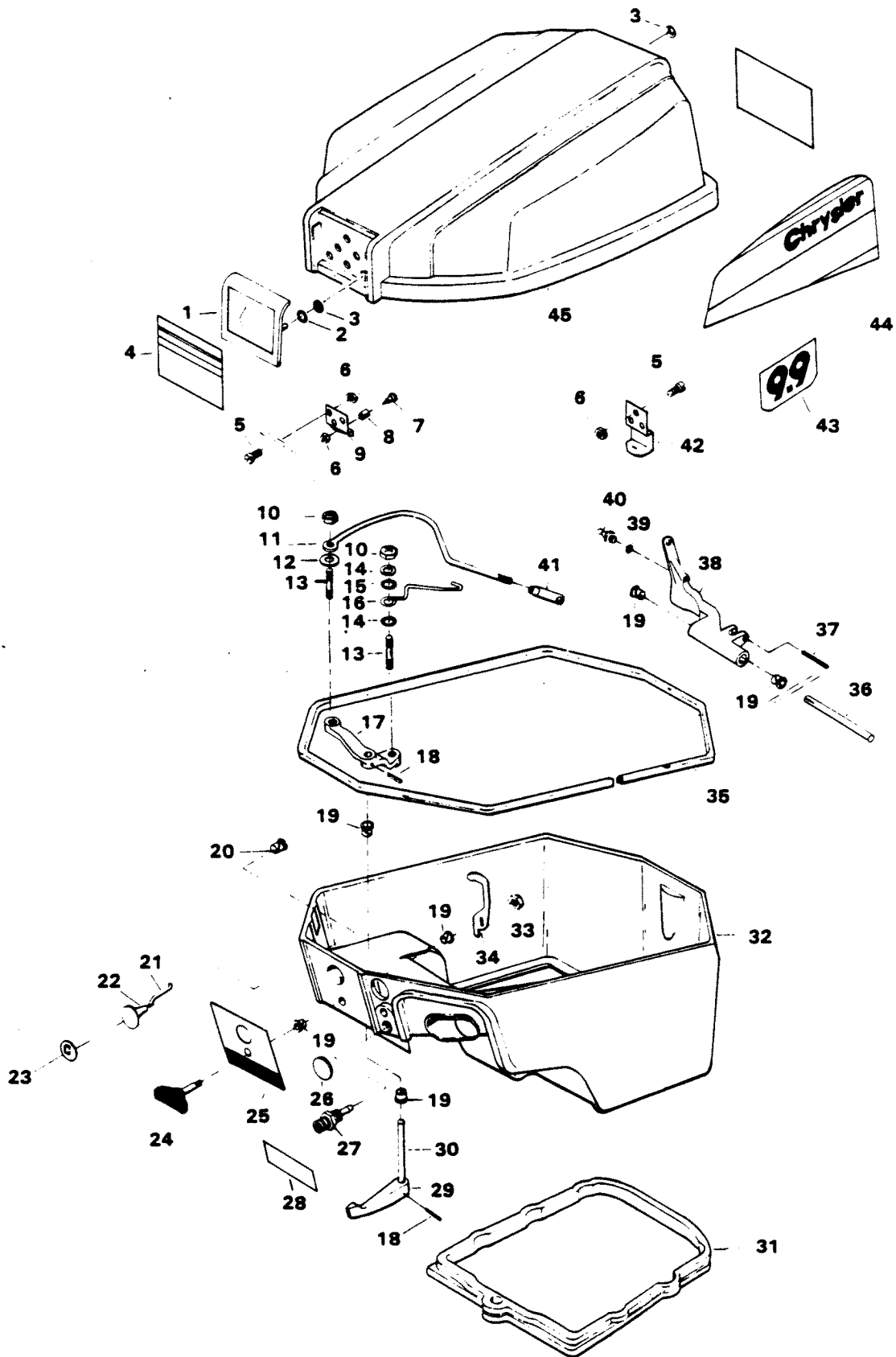
**OPT** = Optional

**NS** = Not Shown

**THESE PARTS BOOKS/FICHE CARD ARE COPYRIGHTED AND MAY NOT BE DISTRIBUTED OR REPRODUCED IN ANY OTHER FORMAT BY ANYONE OTHER THAN MERCURY MARINE WITHOUT THE PRIOR WRITTEN CONSENT OF MERCURY MARINE.**

THIS PAGE INTENTIONALLY LEFT BLANK

# ENGINE COVER AND SUPPORT PLATE



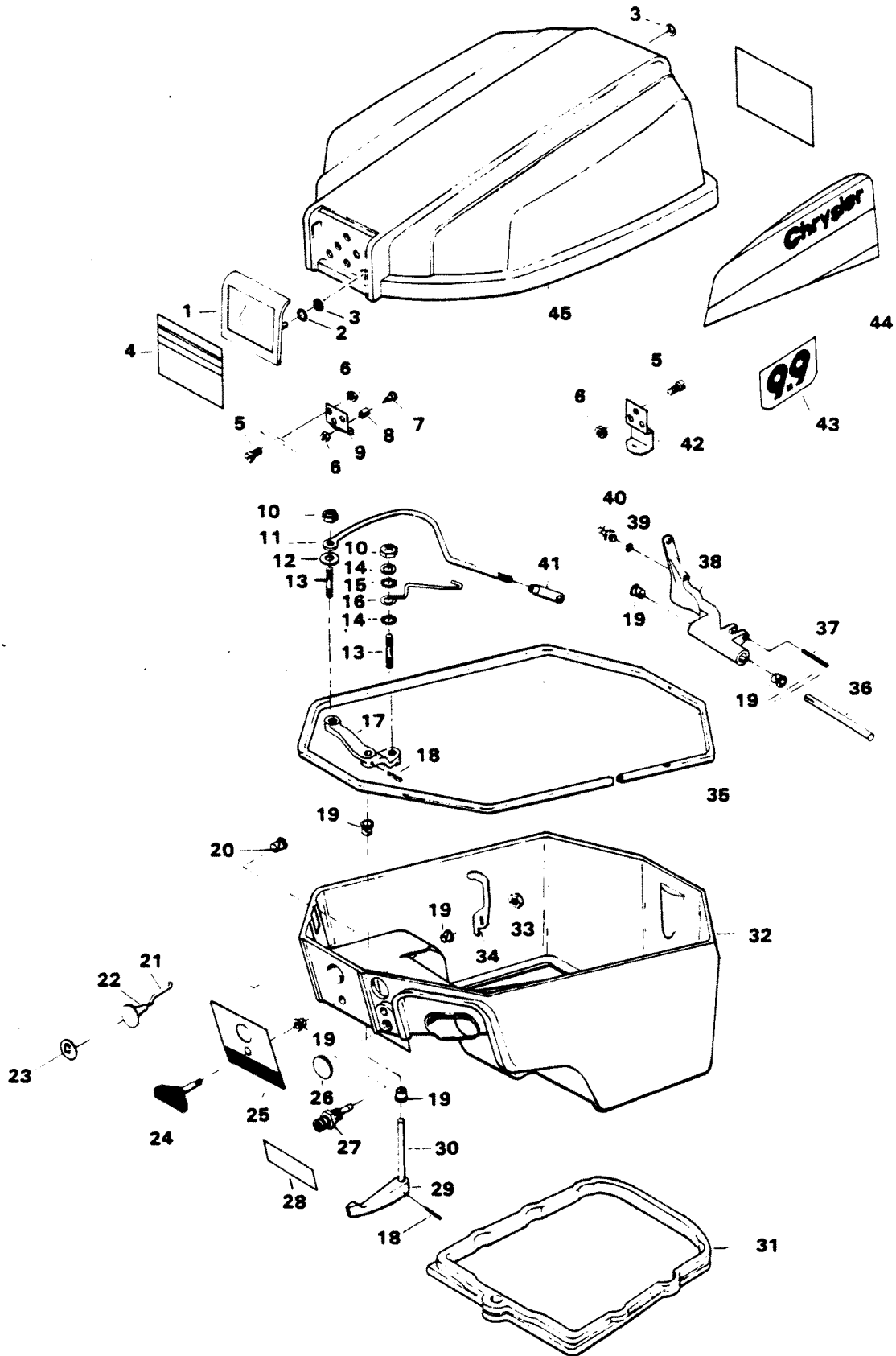
OB3842

# ENGINE COVER AND SUPPORT PLATE

REF. NO.	PART NO.	SYM.	QTY.	DESCRIPTION
1	F610711		1	PLATE, ENGINE COVER
2	F85735-1		3	SEAL
3	F1753		3	FASTENER
4	FA617892		1	DECAL, ENGINE COVER, FRONT <b>W/LITERATURE</b>
5	F1979		6	SCREW PAN HD, 10 - 24 X 1/2
6	F7011		7	ELASTIC STOP NUT, 10 - 24
7	F269316		1	ROLLER SHAFT
8	F92759		1	ROLLER
9	817758A1		1	BRACKET, COVER LATCH <b>W/ILLUS. 6, 7 AND 8 ORIGINAL FORCE P/N A 286774-1</b>
10	F1804		2	STOP NUT, 10 - 32
11	F286611-1		1	ROD, GEAR SHIFT
12	F8048		1	BOWED SPRING WASHER
13	F286134		2	STUD, GEAR SHIFT LEVER
14	F8011		1	PLAIN WASHER
15	F184579		2	SEAL
16	F492263		1	LINK, STARTER INTERLOCK
17	F492619		1	LEVER, GEAR SHIFT SHAFT
18	F8540		2	SPRING PIN
19	F307818		6	BEARING
20	F197319		1	BEARING, CHOKE ROD
21	F617503		1	ROD, CHOKE KNOB
22	F286547		1	KNOB, CHOKE
23	F458677		1	INSERT, CHOKE KNOB
24	FA286469		1	KNOB, COVER LATCH
25	817757A4		1	PLATE, FRONT SUPPORT <b>W/LITERATURE ORIGINAL FORCE P/N A 286711-3</b>
26	F343226-1		2	PLUG
27	F197767-1		1	BUSHING, FUEL LINE
28	FC516400		1	DECAL, SHIFT - CANADA
29	F286614		1	HANDLE, GEAR SHIFT
30	F492417		1	SHAFT, GEAR SHIFT HANDLE
31	F286989-2		1	SEAL, SUPPORT PLATE
32	FA492038		1	PLATE, SUPPORT W/PLUGS
33	F7006		1	STOP NUT, 5/16 - 18
34	F286777		1	CAM, COVER LATCH
35	F392756		1	PACKING, SUPPORT PLATE
36	F286871		1	PIN, GEAR SHIFT LEVER
37	F8542		1	SPRING PIN
38	F286876		1	LEVER, GEAR SHIFT
39	F8058		1	INTERNAL TOOTH LOCKWASHER
40	F98273		1	STUD, GEAR SHIFT ROD CONNECTOR
41	F286685		1	CONNECTOR, GEAR SHIFT ROD
42	FA610480		1	RETAINER, ENGINE COVER <b>INCLUDES ILLUS. 5 AND 6.</b>

CONTINUED ON NEXT PAGE ➡

# ENGINE COVER AND SUPPORT PLATE

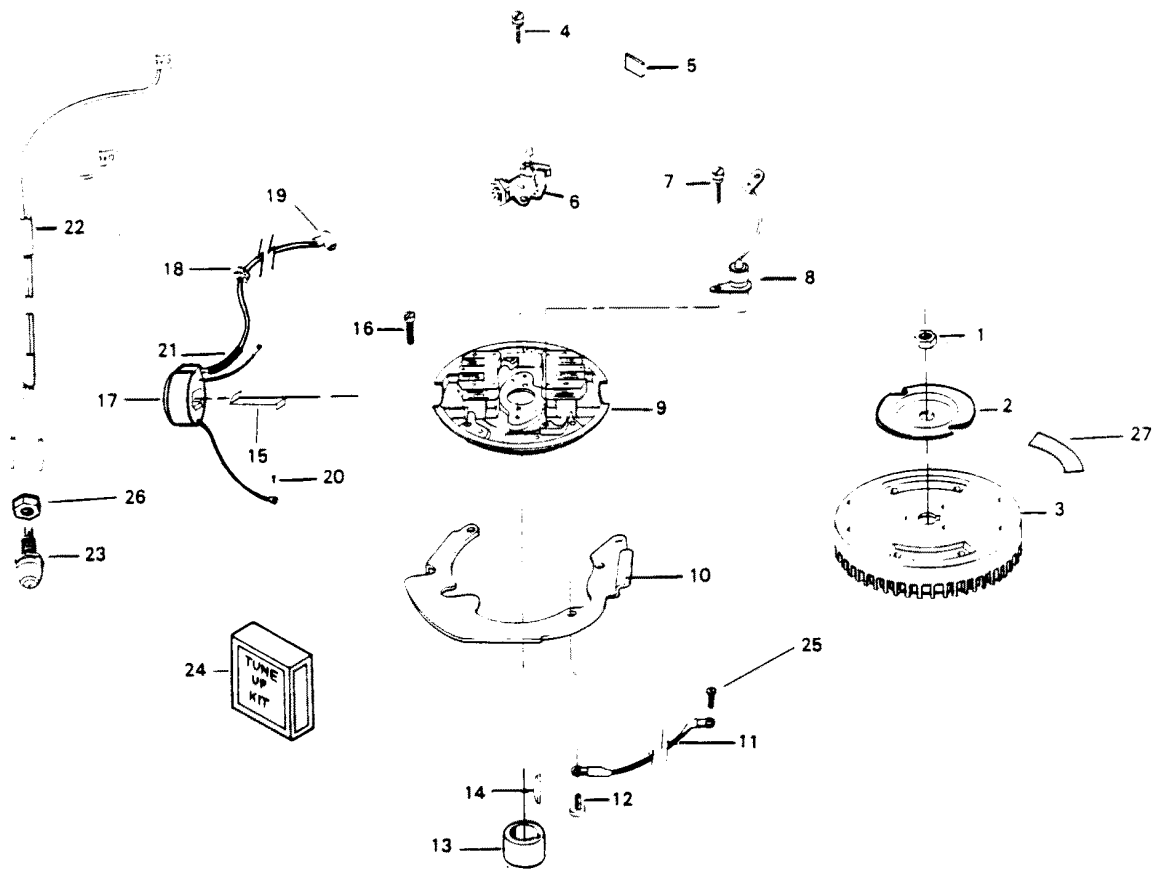


OB3842

## ENGINE COVER AND SUPPORT PLATE

REF. NO.	PART NO.	SYM.	QTY.	DESCRIPTION
43	FA617386		2	DECAL, NUMERAL W/LITERATURE
44	FA617396		1	DECAL, "CHRYSLER" STARBOARD W/LITERATURE
-	<b>FA617397</b>		<b>1</b>	<b>DECAL, "CHRYSLER" PORT W/LITERATURE</b>
45	100-FS666712T		1	COVER, ENGINE W/ILLUS. 5, 6, 7, 8, 9 AND 42 ORIGINAL FORCE P/N S 541712-1
-	<b>F2C617712</b>		<b>1</b>	<b>COVER, ENGINE COMPLETE. INCLUDES ITEMS MARKED WITH AN ASTERISK (*).</b>
46	FA621528		1	DECAL, ENGINE COVER REAR

# MAGNETO

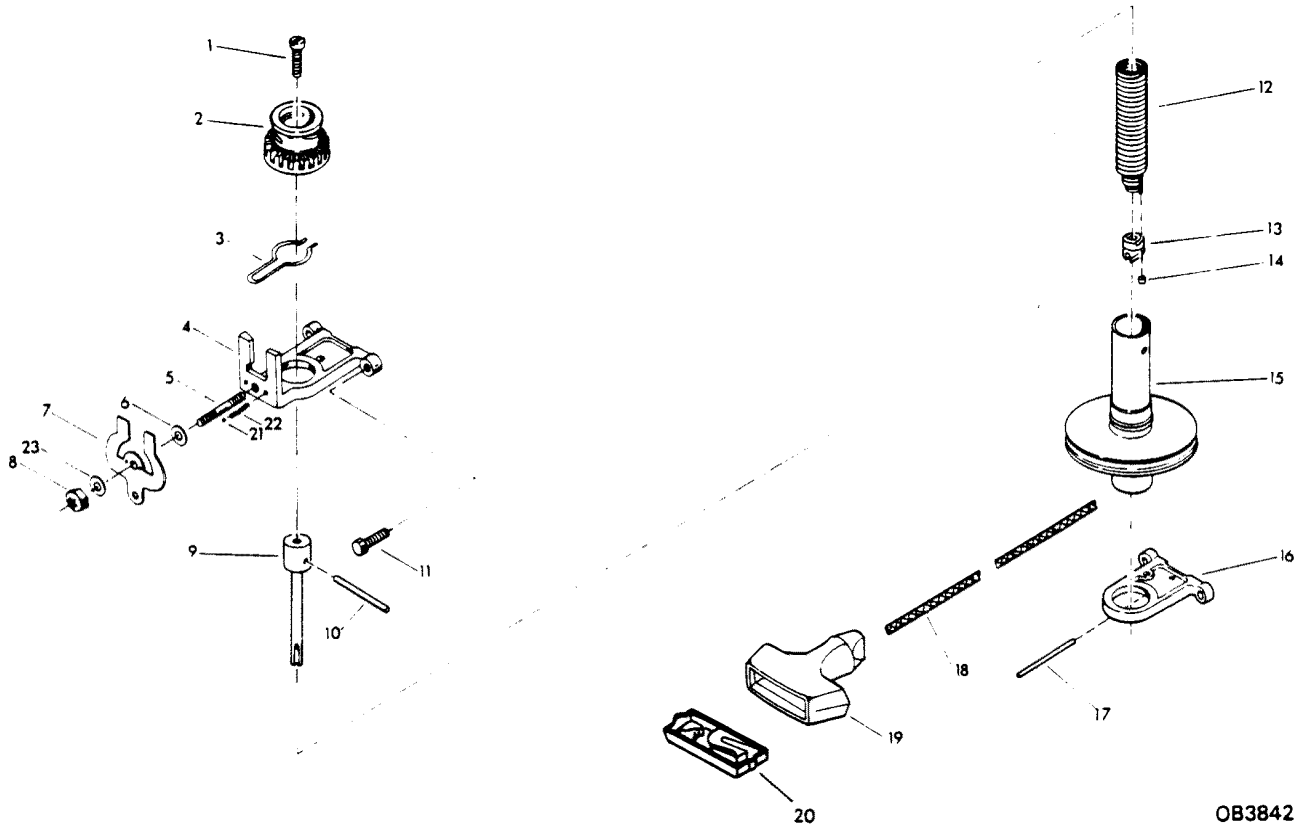




# MAGNETO

REF. NO.	PART NO.	SYM.	QTY.	DESCRIPTION
1	F1809		1	HEX NUT, 1/2 - 20
2	F901456-1		1	EMERGENCY STARTER COLLAR
3	F302097		1	FLYWHEEL
4	F12170		4	CONTACT SCREW W/LOCKWASHER
5	F12360		1	CAM WIPER FELT
6	F12153-1		2	BREAKER POINT SET
7	F12083		2	CONDENSER SCREW W/LOCKWASHER
8	F12181-1		2	CONDENSER
9	F12343		1	STATOR PLATE W/LAMINATIONS
10	F617192		1	THROTTLE CAM PLATE
11	F289664		1	WIRE, STATOR GROUND
12	F1075		4	FILL HD SCREW, 10 - 24 X 1/2
13	F217002		1	MAGNETO BREAKER CAM
14	F458498		1	MAGNETO KEY
15	F12146		2	COIL WEDGE SPRING
16	F1090		4	FILL HD SCREW W/LOCKWASHER, 10 - 24 X 9/16
17	FA12370		2	COIL W/LEAD WIRE AND WEDGE SPRING
18	F12088		4	GROMMET
19	FK1123		2	SPARKIE W/SPRING
20	F12114		2	COIL GROUND TERMINAL SCREW
21	F12141		1	HIGH TENSION LEAD SLEEVE
22	F12186-1		1	PRIMARY TERMINAL WIRE
23	FK436449		1	SHORTING SWITCH
-	<b>F12091</b>		<b>1</b>	<b>LEAD WIRE MARKER TOP (NOT SHOWN)</b>
24	FK1066		1	TUNE UP KIT. <b>INCLUDES ALL ITEMS MARKED WITH AN ATERISK(*)</b>
25	F1091		1	SLOTTED FILL HD M.SC. 10-32 X 1/4
26	F436280		1	NUT, SHORTING SWITCH
27	F609853		1	DECAL, WARNING SHIFT CONTROL

# STARTER



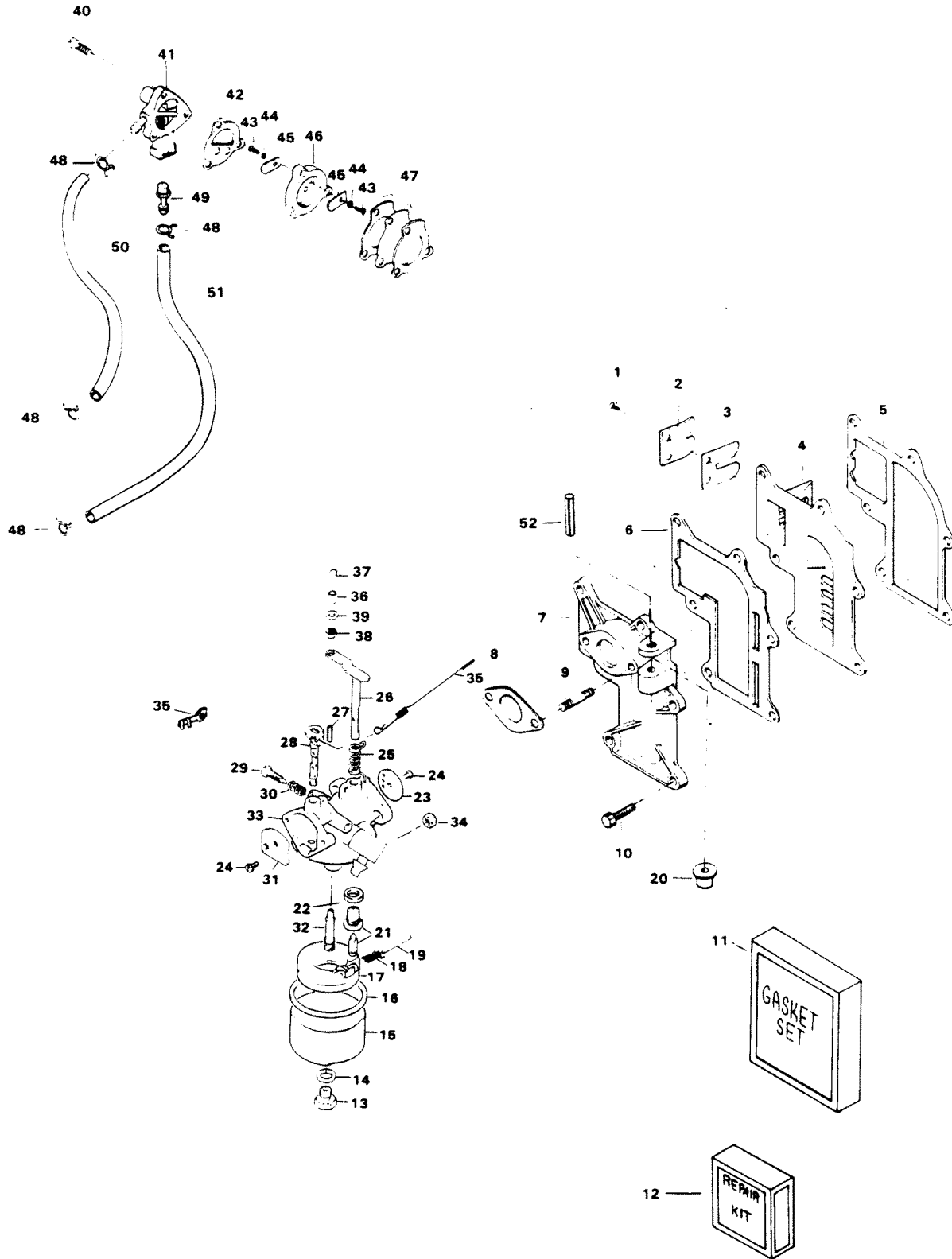
5

OB3842

# STARTER

REF. NO.	PART NO.	SYM.	QTY.	DESCRIPTION
1	F1089		1	FILL HD SCREW, 10 - 24 X 9/16
2	F487674		1	GEAR, STARTER PINION
3	F487424-1		1	STARTER PINION SPRING
4	F487427-1		1	BRACKET, STARTER UPPER
5	F286134		1	STUD
6	F8011		1	PLAIN WASHER
7	F487781-3		1	STARTER INTERLOCK
8	F1804		1	STOP NUT
9	F286710		1	ARBOR, STARTER SPRING
10	F40425		1	STARTER PINION PIN
11	F1864		4	HEX HD SCREW, 1/4 - 20 X 3/4
12	FA286970		1	STARTER REWIND SPRING <b>W/ILLUS. 13 AND 14</b>
13	F286737-1		1	RETAINER, STARTER REWIND SPRING
14	F286930		1	END, STARTER SPRING
15	F2A459239		1	STARTER SPOOL W/SHAFT
16	FK317427		1	BRACKET, STARTER LOWER <b>W/ILLUS. 17</b>
17	F1875		1	SPRING PIN, STARTER BRACKET
18	F409232		1	STARTER ROPE
19	F286132		1	HANDLE, STARTER ROPE
20	817938A1		1	RETAINER <b>W/LITERATURE ORIGINAL FORCE P/N K 286817-1</b>
21	F487727		2	BALL, INTERLOCK DETENT
22	F487895		2	SPRING, INTERLOCK DENTENT

# FUEL SYSTEM



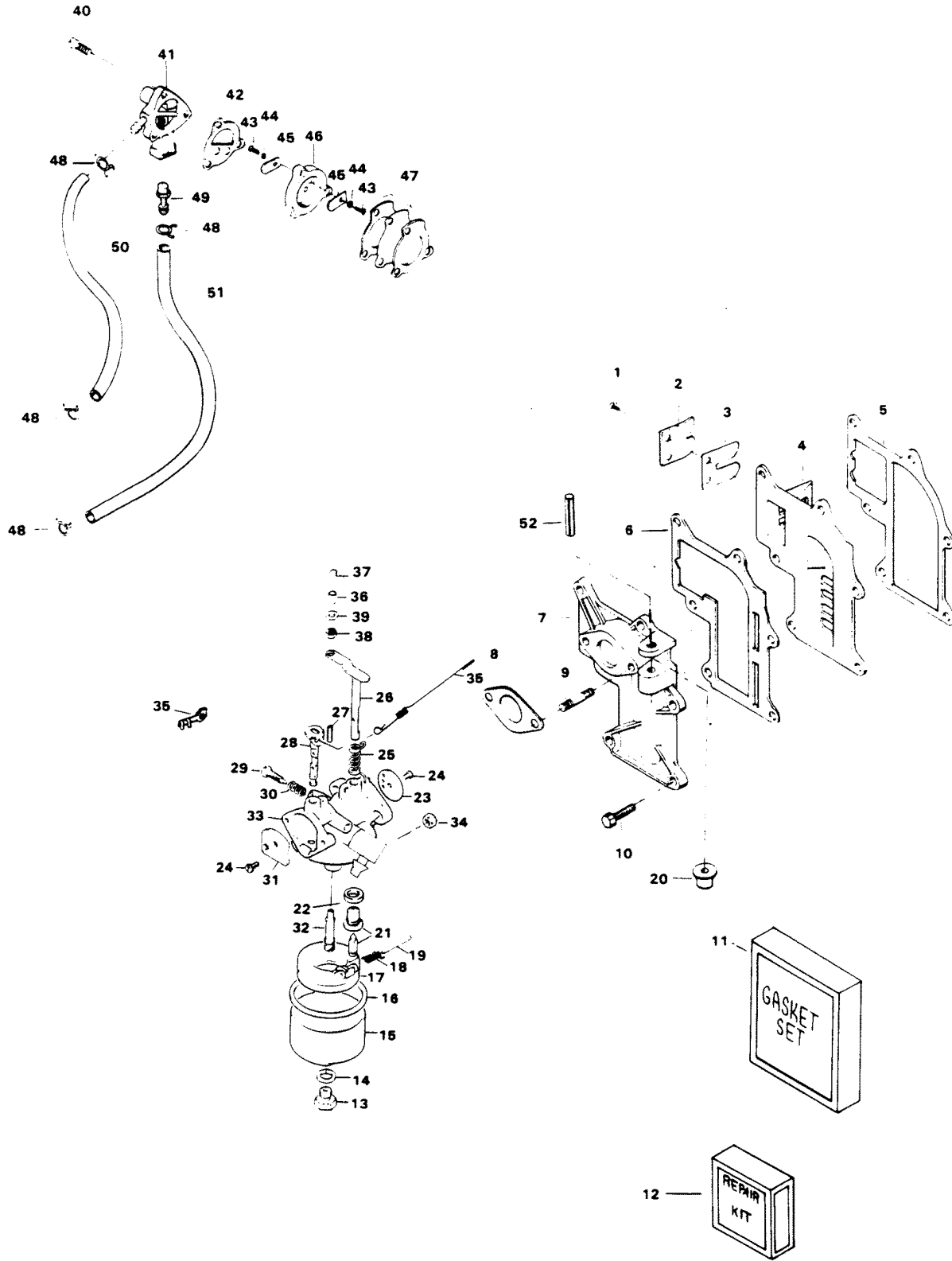
OB3842

# FUEL SYSTEM

REF. NO.	PART NO.	SYM.	QTY.	DESCRIPTION
1	F1755		8	RD HD SCREW W/LOCKWASHER, 6 - 32 X 5/16
2	F424161		4	REED STOP
3	F31160-1		4	REED
4	FA424158		1	REED PLATE <b>W/ILLUS. 1, 2 AND 3</b>
5	F286159-1		1	GASKET, REED PLATE
6	F424168-1		1	GASKET, MANIFOLD
7	F2A424167		1	MANIFOLD <b>W/ILLUS. 9</b>
8	F18906		1	GASKET, CARBURETOR
9	F2788004		2	STUD, CARBURETOR
10	F2008		4	HEX HD SCREW, 1/4 - 20 X 7/8
11	F10069		1	GASKET SET
12	FK10114		1	REPAIR KIT
13	F10125		1	JET ASSY., MAIN FUEL (.046)
14	F10090		1	GASKET, BOWL RETAINER
15	F10058		1	BOWL, FUEL
16	F10068		1	GASKET, BOWL
17	F10063		1	FLOAT ASSY.
18	F10084		1	SPRING, FLOAT SUPPORT
19	F10064		1	SHAFT, FLOAT
20	F487435		1	PULLEY, STARTER ROPE
21	F10101		1	KIT, VALVE SEAT ASSEMBLY
-	<b>F10115</b>		<b>1</b>	<b>KIT, PLUG (NOT SHOWN)</b>
22	F10066		1	GASKET, VALVE SEAT
23	F10060		1	VALVE, THROTTLE
24	F10071		2	SCREW, CHOKE AND THROTTLE VALVE
25	F10075		1	SPRING, THROTTLE RETURN
26	F10110		1	SHAFT ASSY., THROTTLE
27	F10072		1	SPRING, CHOKE STOP
28	F10111		1	SHAFT ASSY., CHOKE
29	F10077		1	NEEDLE, IDLE
30	F10073		1	SPRING, IDLE NEEDLE
31	F10112		1	VALVE, CHOKE
32	F10088		1	NOZZLE
33	F617061		1	CARBURETOR COMPLETE (LMB-228)
34	F1490		2	HEX NUT, 1/4 - 20
35	F341384		1	RETAINER, CHOKE ROD
36	F92759		1	ROLLER, THROTTLE CAM
37	F333316		1	SHAFT, THROTTLE CAM ROLLER
38	F1997		1	LOCK NUT, 8 - 32
39	F2042		1	PLAIN WASHER (THROTTLE ROLLER SHAFT)
40	F1069		3	FILL HD SCREW, 10 - 24 X 1 - 1/16
41	F901746-2		1	FUEL PUMP COVER
42	F24748-2		1	GASKET, FUEL PUMP

CONTINUED ON NEXT PAGE ➡

# FUEL SYSTEM

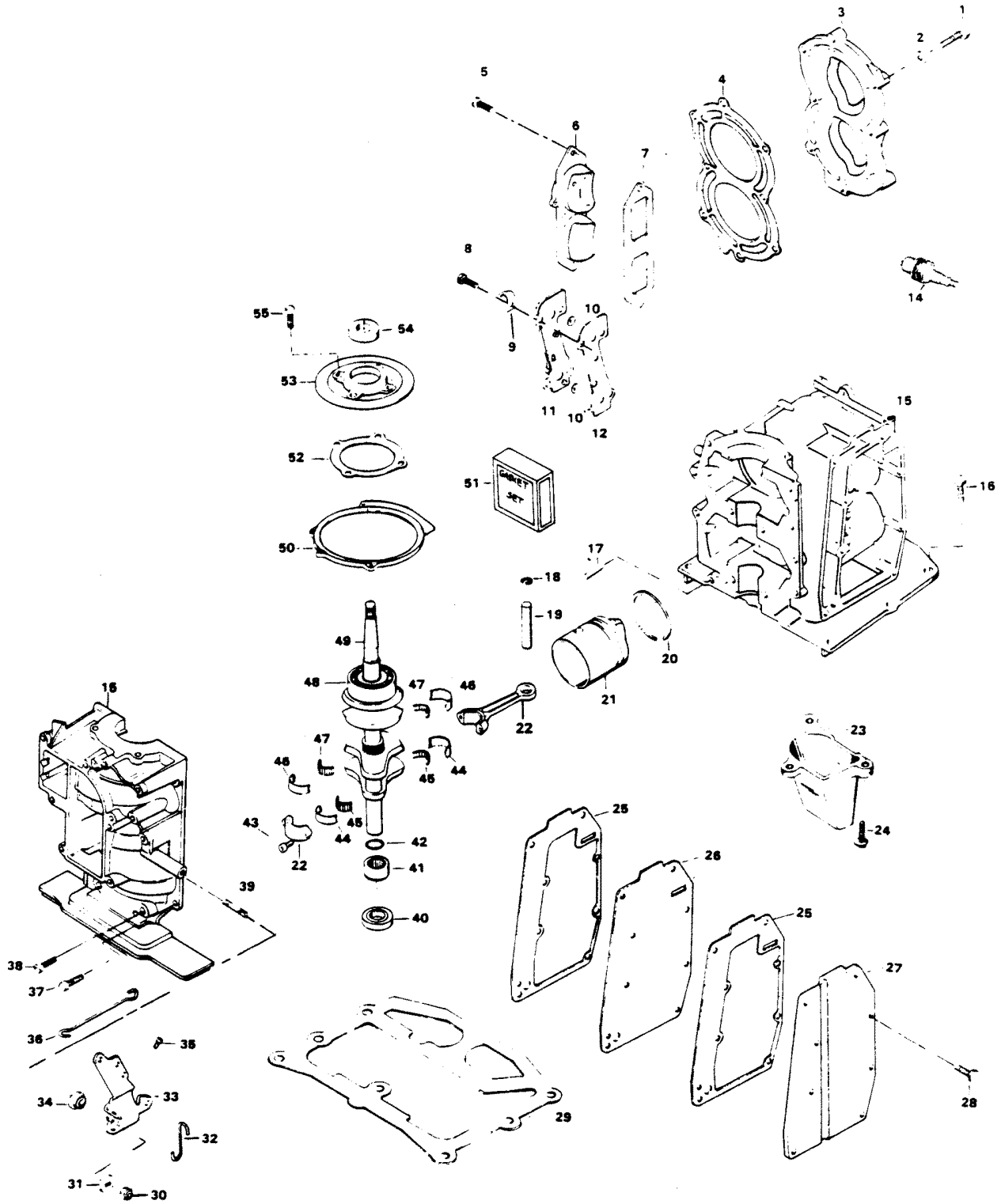


OB3842

# FUEL SYSTEM

REF. NO.	PART NO.	SYM.	QTY.	DESCRIPTION
43	F1286		2	PAN HD SCREW, 4 - 40 X 3/16
44	F8003		2	PLAIN WASHER
45	F18160-2		2	REED FUEL PUMP
46	F2A24757		1	FUEL PUMP REED PLATE <b>W/ILLUS. 4, 5 AND 6</b>
47	27-818043A1		1	FUEL PUMP DIAPHRAGM W/GASKETS
48	F2706772		4	HOSE CLAMP
49	F901811		1	FUEL PUMP FILTER
50	FA901754		1	FUEL LINE <b>W/ILLUS. 48 (FUEL PUMP TO CARBURETOR)</b>
51	F40253-1		1	FUEL LINE (FUEL PUMP TO BUSHING)
52	F1876		1	SPRING PIN

# POWER HEAD



OB3842

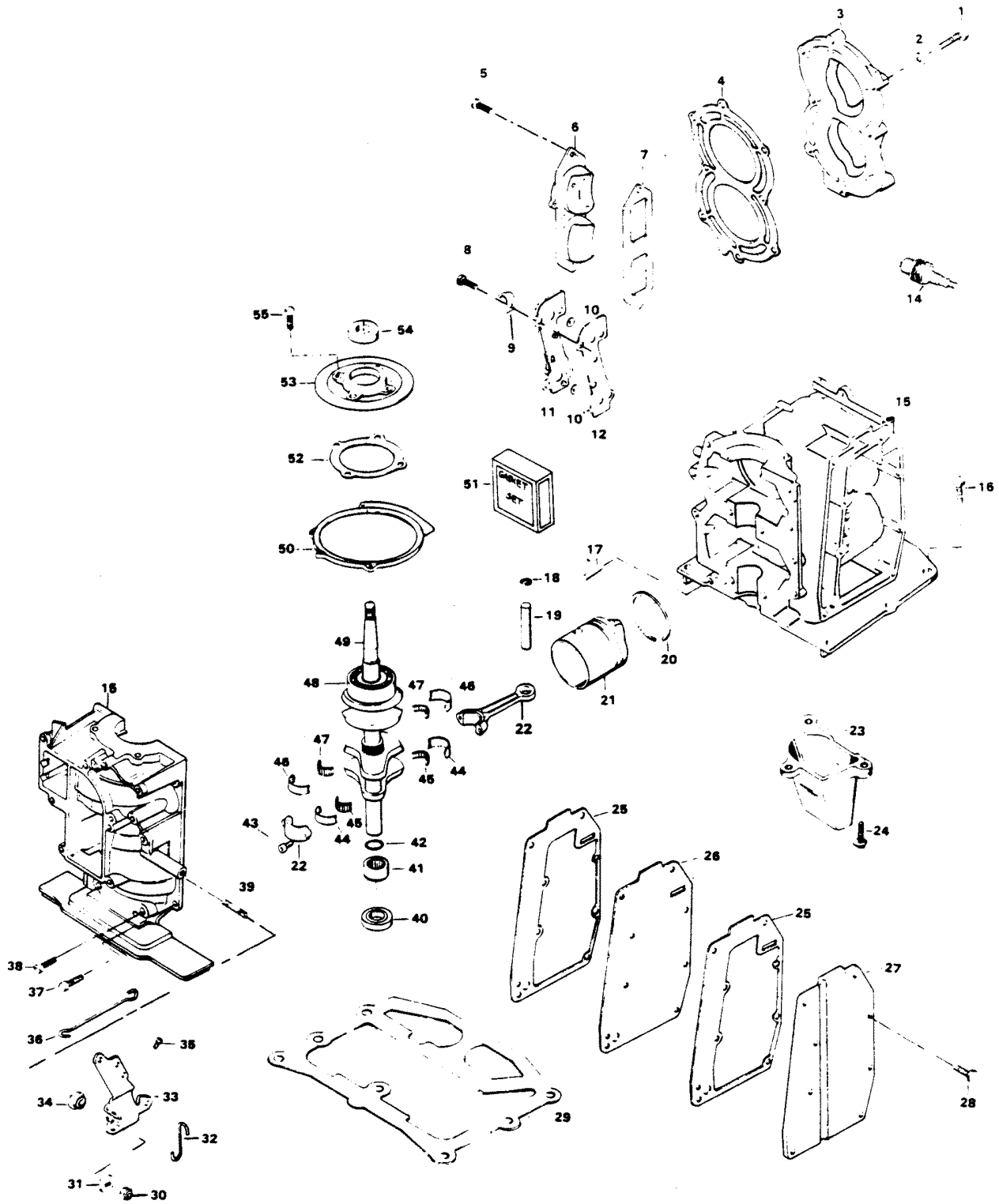


# POWER HEAD

REF. NO.	PART NO.	SYM.	QTY.	DESCRIPTION
1	F901938-1		8	SCREW, CYLINDER HEAD
2	F8025		8	PLAIN WASHER
3	F492518		1	HEAD, CYLINDER
4	F286529-3		1	GASKET, CYLINDER HEAD
5	F1922		3	HEX CAP SCREW, 1/4 - 20 X 5/8
6	F286222		1	COVER, TRANSFER PORT
7	F286223		1	GASKET, TRANSFER PORT COVER
8	F1922		4	HEX HD SCREW, 1/4 - 20 X 5/8
9	F286772-1		1	HOSE CLAMP.
10	F429811		2	SCREEN
11	FA429471		1	COVER, CYLINDER DRAIN <b>W/CHECK VALVES AND ILLUS. 10</b>
12	F429472		1	GASKET, CYLINDER DRAIN COVER
14	33-82370M		2	PLUG, SPARK, CHAMPION (L82)
-	<b>C235227</b>		<b>2</b>	<b>PLUG, SPARK, CHAMPION (RL82), FOR CANADA</b>
15	800-817801A2		1	CYLINDER W/CRANKCASE COVER <b>W/ILLUS. 11, 12, 13, 37, 38, 39 AND LITERATURE ORIGINAL FORCE P/N A 442010-2</b>
-	<b>F1823</b>		<b>6</b>	<b>HEX CAP SCREW, 5/16 - 18 X 1</b>
17	F8559		2	DOWEL PIN
18	F31410		4	RETAINING RING, PISTON PIN
19	F174017		2	PIN, PISTON
20	FA174260		2	PISTON RING SET (2 PER SET)
21	F286015-3		2	PISTONS
22	F2A286016		2	ROD, CONNECTING <b>W/CAP AND ILLUS. 43</b>
23	F487660-1		1	EXHAUST TUBE
24	F2040		3	HEX WASHER HD M. SCREW, 1/4 - 20 X 5/8
25	F286154		2	GASKET, EXHAUST COVER
26	F286151		1	PLATE, EXHAUST
27	F286152		1	COVER, EXHAUST
28	F2008		8	HEX HD SCREW, 1/4 - 20 X 7/8
29	F286279-2		1	GASKET, CYLINDER MOUNTING
30	F1803		1	STOP NUT, 5/16 - 24
31	F286282		1	WASHER
32	F286445		1	LINK, MAGNETO SHAFT
33	817971A3		1	LEVER, MAGNETO CONTROL
34	F183813		1	BEARING, MAGNETO CONTROL LEVER
35	F1820		1	FILL HD SCREW, 1/4 - 20 X 1 3/8
36	F286509		1	LINK, THROTTLE CAM
37	F1107		8	FILL HD SCREW, 1/4 - 20 X 3/4
38	F1335		4	FILL HD SCREW, 5/16 - 18 X 1 1/4
39	F286440		1	STUD, MAGNETO CONTROL LEVER
40	F141118		1	SEAL, CRANKSHAFT LOWER
41	F343014		1	BEARING, CRANKSHAFT LOWER MAIN
42	F461342		1	SEAL, DRIVESHAFT SPLINE

CONTINUED ON NEXT PAGE ➡

# POWER HEAD

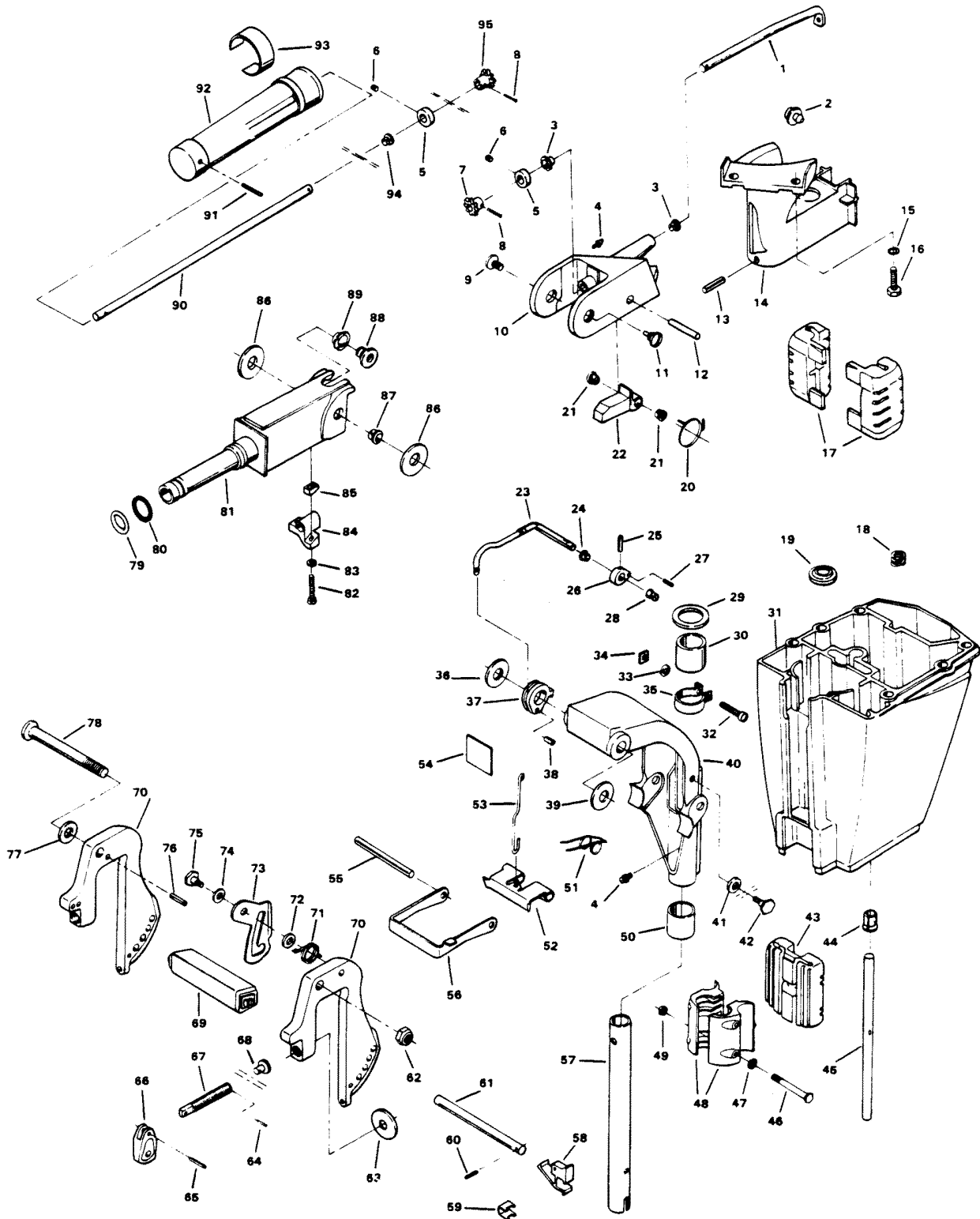


OB3842

# POWER HEAD

REF. NO.	PART NO.	SYM.	QTY.	DESCRIPTION
43	F286634-1		4	SCREW, CONNECTING ROD
44	817755A1		2	LINER, CONNECTING ROD (2 PER SET)
45	FA517228		2	ROLLER SET, CONNECTING ROD (26 PER SET)
46	FA286155		1	MAIN BEARING LINER SET (2 PER SET) <b>W/LITERATURE</b>
47	F286571		1	ROLLER SET, MAIN BEARING (26 PER SET)
48	F286028		1	BEARING, CRANKSHAFT UPPER MAIN
49	400-818047A3		1	CRANKSHAFT <b>W/ILLUS. 48 ORIGINAL FORCE P/N 2A 286018-3</b>
50	F73082		1	RING, MAGNETO STATOR
51	FG1005-2		1	GASKET SET <b>INCLUDES ITEMS LISTED BELOW:</b>
-	<b>F18906</b>		<b>1</b>	<b>GASKET, CARBURETOR</b>
-	<b>F286154</b>		<b>2</b>	<b>GASKET, EXHAUST</b>
-	<b>F286159-1</b>		<b>1</b>	<b>GASKET, REED PLATE</b>
-	<b>F286223</b>		<b>1</b>	<b>GASKET, TRANSFER PORT</b>
-	<b>F286277</b>		<b>1</b>	<b>GASKET, CRANKSHAFT BEARING CAGE</b>
-	<b>F286279-2</b>		<b>1</b>	<b>GASKET CYLINDER MOUNTING</b>
-	<b>F286529-3</b>		<b>1</b>	<b>GASKET, CYLINDER HEAD</b>
-	<b>F424168-1</b>		<b>1</b>	<b>GASKET, MANIFOLD</b>
-	<b>F429472</b>		<b>1</b>	<b>GASKET, CYLINDER DRAIN COVER</b>
52	F286277		1	GASKET, CRANKSHAFT BEARING CAGE
53	1100-817753A1		1	CAGE, CRANKSHAFT BEARING W/SEAL
54	F346146		1	SEAL, CRANKSHAFT UPPER
55	F1111		4	FILL HD SCREW, 1/4 - 20 X 7/8

# MOTOR LEG



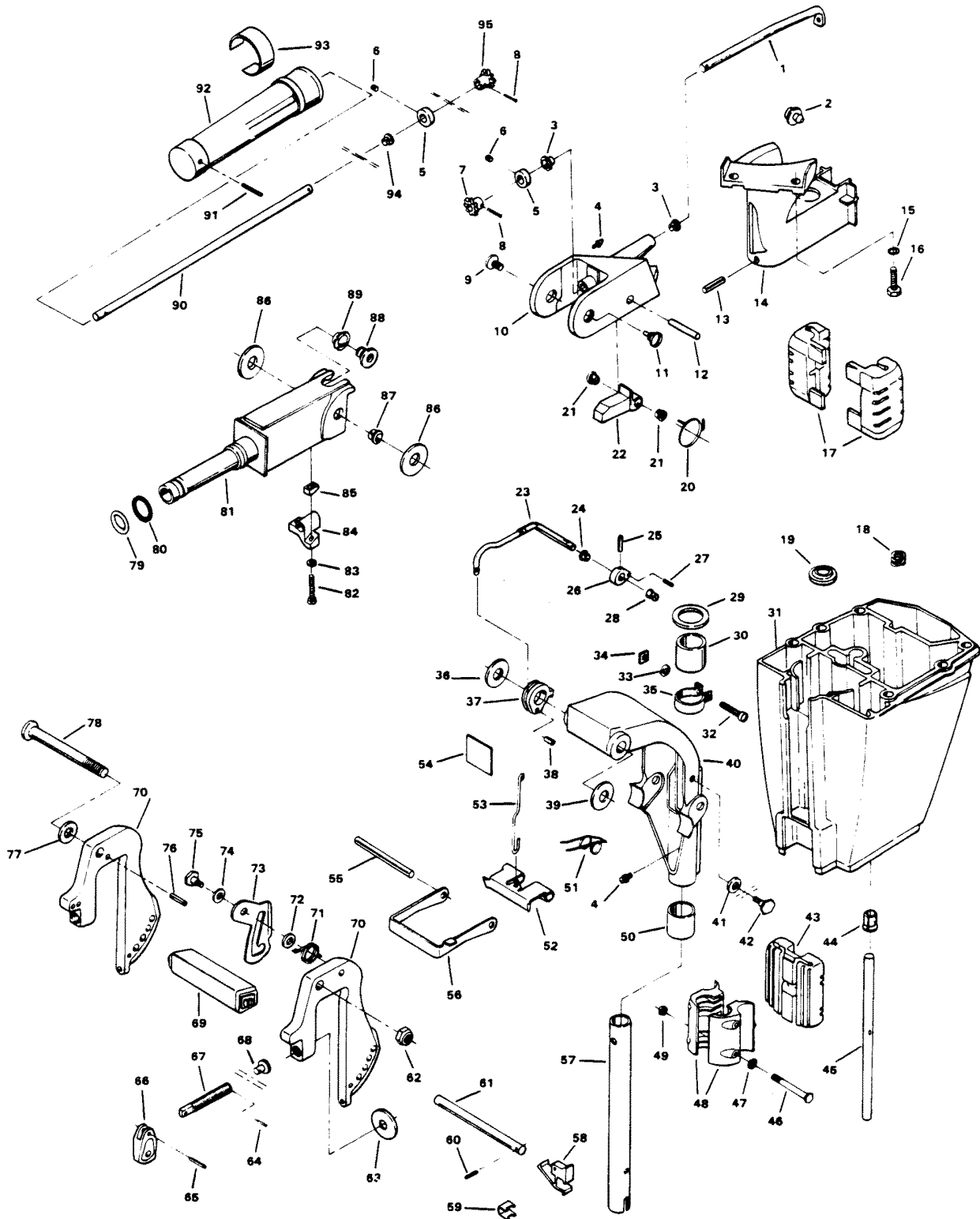
OB3842

# MOTOR LEG

REF. NO.	PART NO.	SYM.	QTY.	DESCRIPTION
1	F431838		1	MAGNETO CONTROL SHAFT
2	F286539		1	BUMPER
3	F307818		2	BEARING
4	F213274		3	GREASE FITTING
5	FA343178		2	RETAINER <b>W/ILLUS. 6</b>
6	F1859		2	HEX SOCKET HEADLESS SET SCREW
7	43-818009--1		1	GEAR, MAGNETO CONTROL SHAFT
8	F1978		2	SPRING PIN
9	F1799		1	TRUSS HD SCREW, 5/16 - 18 X 5/8
10	817751A3		1	STEERING HANDLE BRACKET <b>W/ILLUS. 4 ORIGINAL FORCE P/N A 286078-2</b>
11	F286080		1	SCREW, STEERING HANDLE PIVOT
12	F1807		1	GROOVE PIN
13	F1805		1	SPRING PIN
14	FA286582		1	STEERING ARM <b>W/ILLUS. 2 AND 13</b>
15	F8060		2	EXTERNAL TOOTH LOCKWASHER
16	F1922		2	HEX CAP SCREW, 1/4 - 20 X 5/8
17	F286347		2	SHOCK MOUNT UPPER
18	F286414		1	SPRING, LEG WATER BRACKET
19	F901307-2		1	SEAL, DRIVESHAFT
20	F286868		1	SPRING, STEERING HANDLE STOP
21	F197813		2	BEARING, STEERING HANDLE STOP
22	F286490		1	STEERING HANDLE STOP
23	FA387742		1	LEVER, REVERSE LOCK INTERMEDIATE
24	F536813		1	BEARING, REVERSE LOCK INTERMEDIATE LEVER
25	F8538		1	SPRING PIN
26	F286364		1	LEVER, REVERSE LOCK
27	F1794		1	SPRING PIN
28	F197813		1	BEARING
29	F286011		1	WASHER, SWIVEL BRACKET
30	F286169		1	BEARING, SWIVEL BRACKET
31	F2A477133		1	MOTOR LEG <b>W/ITEMS 19, 44 &amp; 45</b>
32	F1820		1	FILL HD SCREW, 1/4 - 20 X 1 3/8
33	F1907		1	WASHER
34	F1608		1	SQUARE NUT, 1/4 - 20
35	F286573-1		1	CLAMP, STEERING FRICTION
36	F525286		1	WASHER
37	F286827		1	REVERSE LOCK RELEASE LEVER
38	F1794		1	SPRING PIN
39	F286286-1		1	WASHER, STERN BRACKET
40	1400-817750A4		1	SWIVEL BRACKET <b>W/ILLUS. 4 &amp; 30 ORIGINAL FORCE P/N A 286072-2</b>
41	F286451		1	SPACER, TILT LOCK
42	F286422-1		1	TILT LOCK PIVOT

CONTINUED ON NEXT PAGE ➡

# MOTOR LEG



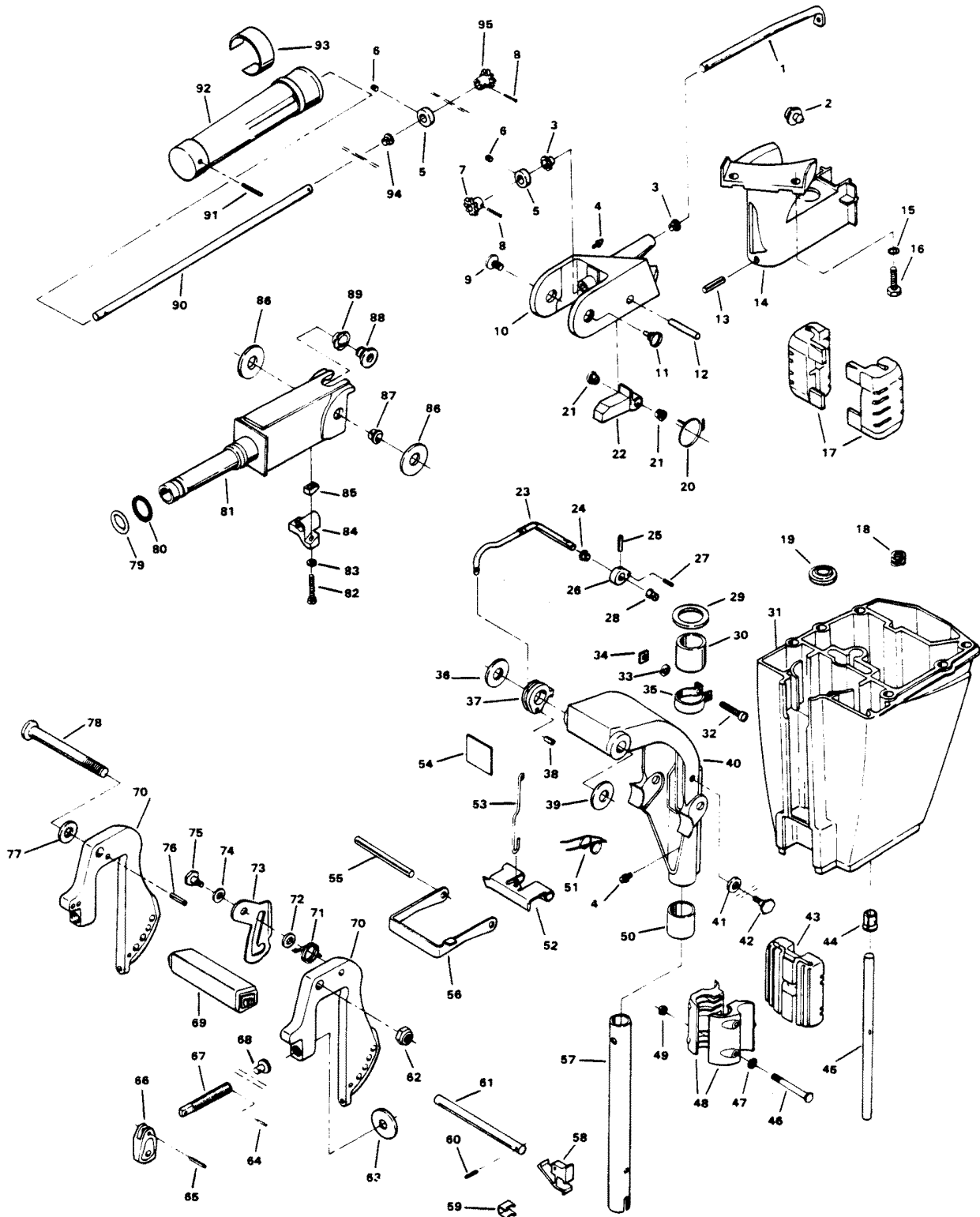
OB3842

# MOTOR LEG

REF. NO.	PART NO.	SYM.	QTY.	DESCRIPTION
43	F286346		1	SHOCK MOUNT LOWER
44	F286914		1	SLEEVE WATER LINE
45	F286244		1	WATER LINE
46	FA1844		2	HEX BOLT, 1/4 - 20 X 2 3/8 <b>W/ILLUS. 47</b>
47	F8083		2	SPRING LOCKWASHER
48	F286956		2	BRACKET, SHOCK MOUNT LOWER
49	F1341		2	HEX NUT, 1/4 - 20
50	F286169		1	BEARING, SWIVEL BRACKET
51	F286300		1	SPRING, REVERSE LOCK
52	F286349		1	REVERSE LOCK
53	FA341510		1	LINK, REVERSE LOCK LEVER <b>W/LITERATURE</b>
54	F286585-1		1	DECAL, TILT RELEASE
-	<b>37-F286585-2</b>		<b>1</b>	<b>DECAL, TILT RELEASE - CANADA</b>
55	F1806		1	GROOVE PIN
56	F286433		1	BRACKET SHALLOW WATER DRIVE
57	F286019		1	KING PIN
58	F286114		1	LOCK BAR HANDLE
59	F286461		1	SPRING, LOCK BAR HANDLE
60	F8540		1	SPRING PIN
61	FA617113		1	LOCK BAR <b>W/ILLUS. 58, 59 AND 60</b>
62	F7026		1	STOP NUT, 3/8 - 16
63	F24074		2	CLAMP SCREW FOOT
64	F8537		2	SPRING PIN
65	F8554		2	SPRING PIN
66	F424075		2	HANDLE, CLAMP SCREW
67	817761A2		2	CLAMP SCREW <b>W/ILLUS. 63, 64 AND 68 ORIGINAL FORCE P/N A 298073-2</b>
68	F66480		2	STUD CLAMP SCREW
69	F286647		1	CARRYING HANDLE
70	FS567532		2	STERN BRACKET PORT <b>W/ILLUS. 67</b>
71	F286544-1		1	SPRING, TILT STOP
72	F286451		1	SPACER, TILT LOCK
73	F429541		1	TILT LOCK
74	F1666		1	BOWED SPRING WASHER
75	F286422-1		1	TILT LOCK PIVOT
76	F8538		1	SPRING PIN
77	F2014		1	PLAIN WASHER
78	F617037		1	STERN BRACKET PIVOT BOLT
79	F215795		1	SEAL, STEERING HANDLE GRIP DAMPENER (SMALL)
80	F53795-1		1	SEAL, STEERING HANDLE GRIP DAMPENER (LARGE)
81	F286079-1		1	STEERING HANDLE
82	F1829		2	FILL HD SCREW, 10 - 24 X 7/8
83	F8058		2	INTERNAL TOOTH LOCKWASHER

CONTINUED ON NEXT PAGE ➡

# MOTOR LEG



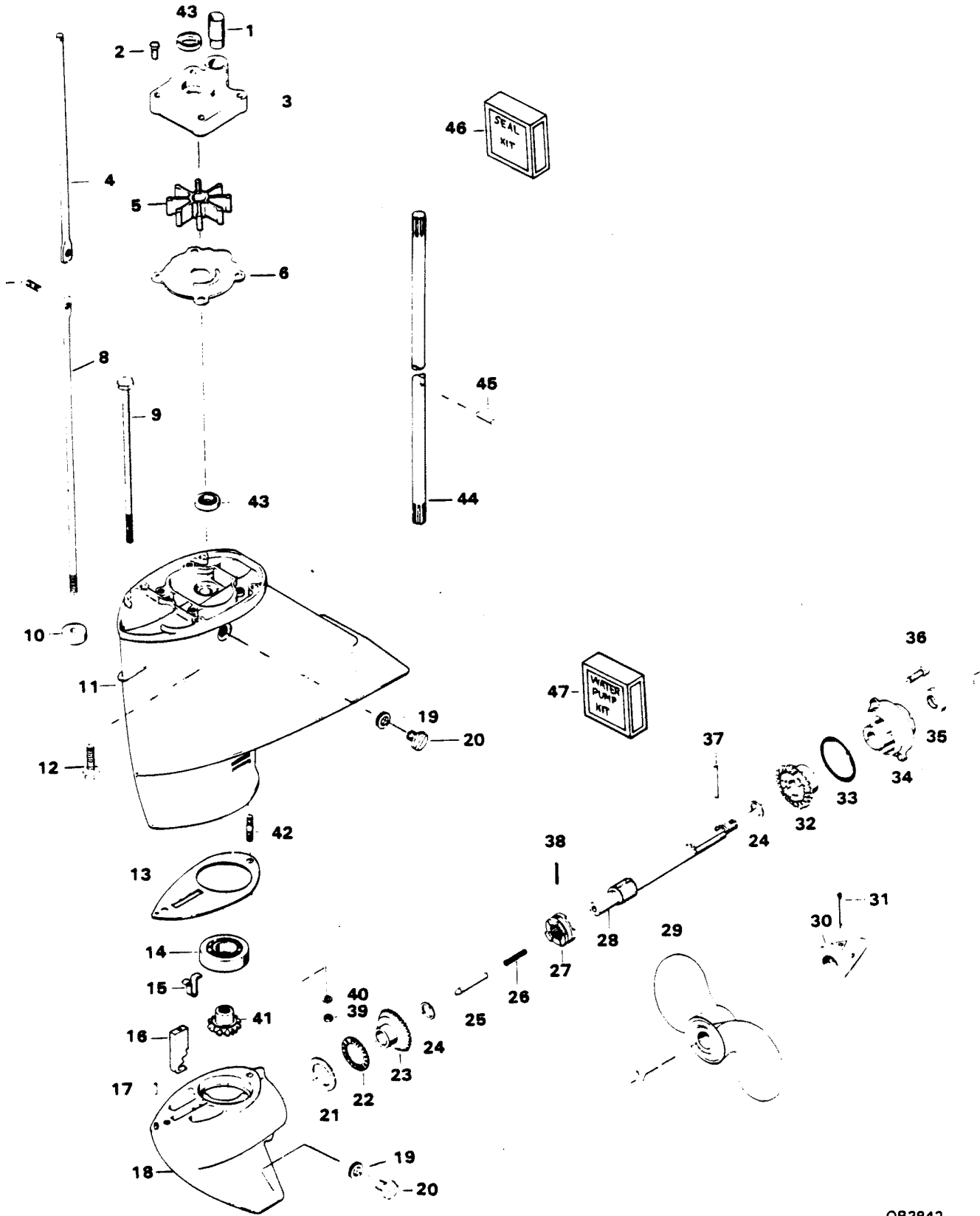
OB3842



# MOTOR LEG

REF. NO.	PART NO.	SYM.	QTY.	DESCRIPTION
84	F487816		1	BEARING, STEERING HANDLE
85	F341693		1	WEDGE, STEERING HANDLE
86	F286220		2	WASHER, STEERING HANDLE
87	F197813		1	BEARING
88	F286224		1	INSERT, STEERING HANDLE PIVOT
89	F286818		1	BEARING
90	F429688		1	SHAFT, STEERING HANDLE
91	F8548		1	SPRING PIN
92	F429137		1	GRIP, STEERING HANDLE
93	F286894-3		1	STEERING HANDLE INDICATOR
-	<b>37-F286894-3</b>		<b>1</b>	<b>STEERING HANDLE INDICATOR - CANADA</b>
94	F85610		1	BEARING
95	43-818009--1		1	GEAR, STEERING HANDLE SHAFT

# GEAR HOUSING



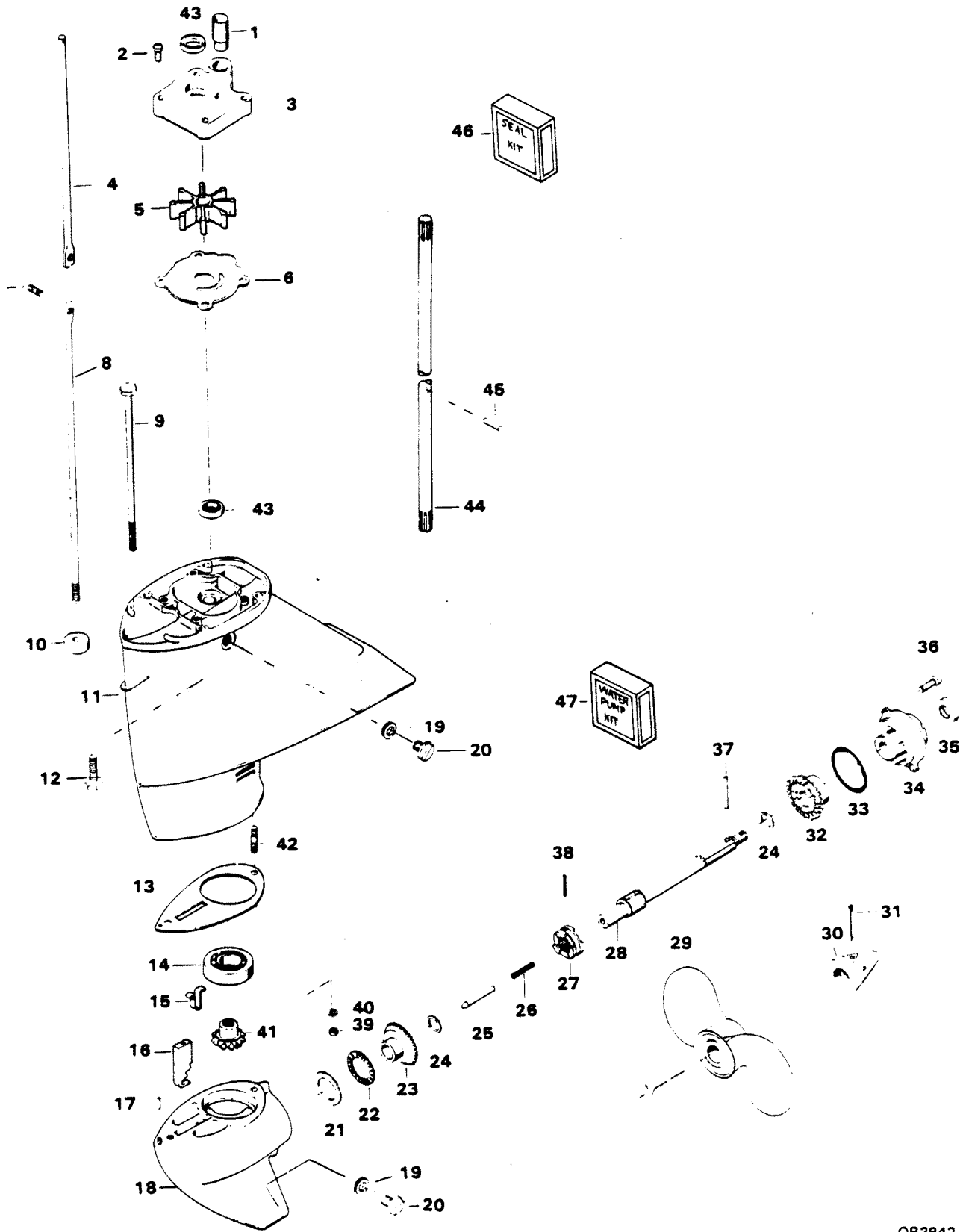
083842

# GEAR HOUSING

REF. NO.	PART NO.	SYM.	QTY.	DESCRIPTION
1	FA510914		1	SEAL, INLET WATER LINE <b>W/LITERATURE</b>
2	F2030		4	HEX HD SCREW, 1/4 - 20 X 1 1/4
3	FA504060		1	WATER PUMP BODY <b>W/ILLUS. 43</b>
4	F286615		1	GEAR SHIFT ROD UPPER
5	F436065-2		1	WATER PUMP IMPELLER
6	F341562		1	WATER PUMP BACK PLATE
7	F1976		1	SOCKET HD SCREW W/LOCKWASHER, 10 - 24 X 1/2
8	F286705		1	GEAR SHIFT ROD LOWER, FOR STANDARD SHAFT MODELS
9	F1800		1	HEX BOLT, 1/4 - 20 X 7
10	F338618-1		1	SEAL, GEAR SHIFT ROD LOWER
11	1600-824916A1		1	GEAR HOUSING UPPER <b>W/BEARING AND ITEMS 10, 19, 20, 42 AND 43 ORIGINAL FORCE P/N A 456554-1</b>
12	F430732		4	HEX HD SCREW, 5/16 - 18 X 1-1/4
13	F286555		1	GASKET, GEAR HOUSING
14	F127910-2		1	BALL BEARING
15	F286895		1	SPRING, CAM DETENT
16	F286721		1	CLUTCH, SHIFT CAM
17	F8553		1	SPRING PIN
18	FA286054		1	GEAR HOUSING LOWER <b>W/ILLUS. 17, 19 AND 20</b>
-	<b>FC456054</b>		1	<b>LOWER GEAR HOUSING COMPLETE (NOT SHOWN) INCLUDES ALL ITEMS MARKED WITH AN ASTERISK (*)</b>
19	F8077		2	NYLTITE WASHER
20	F50109		2	GEAR HOUSING PLUG
21	F286903		1	RACE, PROPELLER SHAFT BEARING
22	F286901		1	BEARING, RADIAL, PROPELLER SHAFT
23	FA456023		1	BEVEL GEAR FRONT W/BEARING
24	F456717		2	THRUST WASHER
25	F286728		1	CLUTCH SHIFT PIN
26	F409719		1	CLUTCH SPRING
27	FA456521		1	CLUTCH <b>W/LITERATURE</b>
28	F456098		1	PROPELLER SHAFT
29	FP286		1	PROPELLER (ACCESSORY ITEM)
30	11-817752A1		1	PROPELLER NUT <b>W/ILLUS. 31 ORIGINAL FORCE P/N A 286094-1</b>
31	F1846		1	COTTER PIN
32	FA456662		1	BEVEL GEAR REAR W/BEARING
33	F455305		1	SEAL, PROP SHAFT BEARING CAGE
34	31-817756A2		1	PROPELLER SHAFT BEARING CAGE <b>W/BEARING AND ITEMS 33 AND 35 ORIGINAL FORCE P/N A 286298-1</b>
35	F346118		1	SEAL, PROPELLER SHAFT
36	F1493		2	FILL HD SCREW, 1/4 - 20 X 9/16
37	FA324101		1	PROPELLER PIN, PACK OF 3 <b>W/ILLUS. 31</b>
38	F8564		1	SPRING PIN
39	F1490		1	HEX NUT, 1/4 - 20

CONTINUED ON NEXT PAGE ➡

# GEAR HOUSING

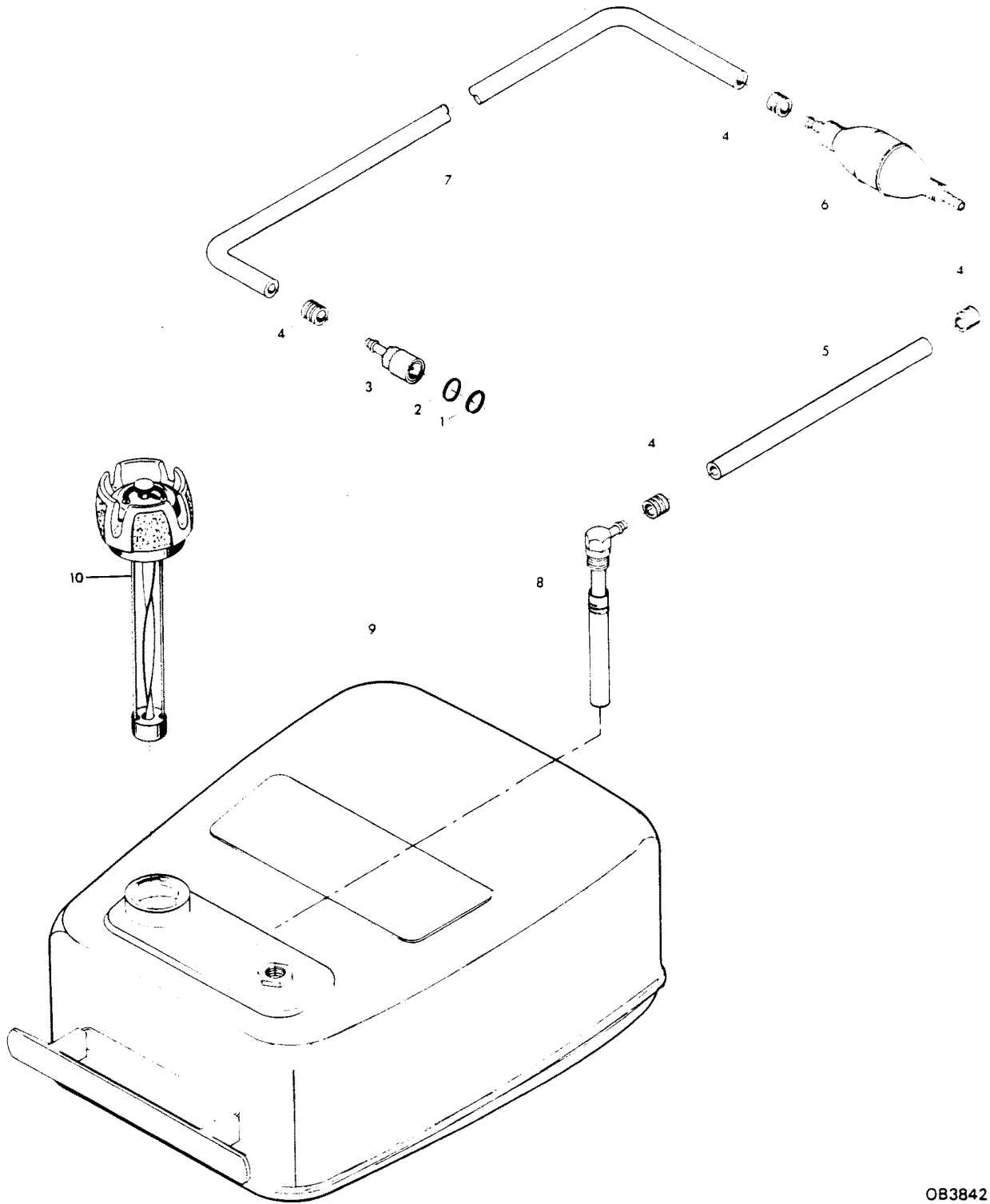


083842

# GEAR HOUSING

REF. NO.	PART NO.	SYM.	QTY.	DESCRIPTION
40	F8083		1	SPRING LOCKWASHER
41	FA286266		1	GEAR, BEVEL PINION <b>W/ITEM 14</b>
42	F286008		1	STUD, GEAR HOUSING REAR
43	F901307-2		2	SEAL, DRIVESHAFT AND WATER PUMP
44	F343128		1	DRIVESHAFT FOR STANDARD SHAFT MODELS
45	F901563		1	WATER PUMP IMPELLER DRIVE PIN
46	FK1065		1	GEAR HOUSING SEAL KIT <b>INCLUDES ALL ITEMS MARKED WITH A DOUBLE ASTERISK (**)</b>
47	FK1031-1		1	WATER PUMP KIT
-	<b>F2030</b>		<b>4</b>	<b>SCREW, 1/4 - 20 X 1 - 1/4</b>
-	<b>F341562</b>		<b>1</b>	<b>BACK PLATE, WATER PUMP</b>
-	<b>F436065-2</b>		<b>1</b>	<b>IMPELLER</b>
-	<b>FA510914</b>		<b>1</b>	<b>SEAL, WATERLINE</b>
-	<b>F901563</b>		<b>1</b>	<b>DRIVE PIN, WATER PUMP</b>
-	<b>FA504060</b>		<b>1</b>	<b>BODY, WATER PUMP</b>

# FUEL TANK AND LINE



OB3842

## FUEL TANK AND LINE

REF. NO.	PART NO.	SYM.	QTY.	DESCRIPTION
1	F17816		1	SEAL, FUEL LINE COUPLER
2	F17815		1	SEAL, FUEL LINE COUPLER
3	F197787-3		1	FUEL LINE COUPLER
4	F298788		4	FERRULE
5	FA84754-1		1	FUEL LINE, SHORT W/ILLUS. 4
6	89396A38		1	PRIME BULB W/LITERATURE ORIGINAL FORCE P/N S <b>387766-1</b>
7	32-817738A1		1	FUEL LINE, LONG W/CLAMP AND ILLUS. 4 ORIGINAL FORCE <b>P/N A 197752-1</b>
8	F487755		1	FUEL TANK ADAPTER
9	F5H026		1	FUEL TANK (ACCESSORY ITEM)
10	F409251-1		1	GAUGE CAP
-	<b>FS409752</b>		1	<b>FUEL LINE COMPLETE (NOT SHOWN). INCLUDES ALL ITEMS MARKED WITH AN ASTERISK (*)</b>
-	<b>FC409398</b>		1	<b>DECAL TOTE TANK - CANADA (NOT SHOWN)</b>

## SPECIAL TOOLS - TUNE-UP

REF. NO.	PART NO.	SYM.	QTY.	DESCRIPTION
-	FT2989		0	FLYWHEEL WEDGE TO REMOVE FLYWHEEL.
-	FT2909		0	KNOCK-OFF NUT TO REMOVE FLYWHEEL.
-	FT8930-1		0	FEELER GAUGE TO ADJUST BREAKER POINTS.



## SPECIAL TOOLS - MANUAL STARTER

REF. NO.	PART NO.	SYM.	QTY.	DESCRIPTION
-	FT2985		0	STARTER REWIND KEY TO REWIND STARTER SPRING.

## SPECIAL TOOLS - POWER HEAD

REF. NO.	PART NO.	SYM.	QTY.	DESCRIPTION
-	FT2998		0	TORQUE WRENCH (0 - 100 LBS./FT.) TO PROPERLY SECURE FASTENERS.
-	FT2999		0	TORQUE WRENCH (0 - 600 LBS./IN.) TO PROPERLY SECURE FASTENERS.
-	FT2991		0	CARBON BRUSH TO REMOVE CARBON FROM INSIDE OF POWER HEAD.
-	FT8900		0	HOSE CLAMP PLIERS TO REMOVE AND INSTALL FUEL HOSE CLAMPS.
-	FT11202		0	SEAL INSTALLER TO INSTALL CRANKSHAFT SEALS.
-	FT3012		0	SEAL INSTALLER TO INSTALL UPPER CRANKSHAFT BEARING CAGE SEAL.
-	FT2908		0	SEAL SLEEVE TO INSTALL UPPER CRANKSHAFT BEARING CAGE SEAL.
-	FT8929		0	ADAPTER AND HEX BIT TO TORQUE CONNECTING ROD SCREWS.
-	FT1749		0	SNAP RING PLIERS TO REMOVE AND INSTALL PISTON PIN RETAINING RINGS.
-	FT2997		0	RING COMPRESSOR TO INSTALL PISTONS.
-	FT8926		0	RING EXPANDER TO INSTALL PISTON RINGS.
-	FT8993		0	TORQUE WRENCH ADAPTER TO TORQUE LOWER CYLINDER HEAD BOLTS.

## SPECIAL TOOLS - LOWER UNIT

REF. NO.	PART NO.	SYM.	QTY.	DESCRIPTION
-	FT8948-1		0	PULLER TO REMOVE PROPELLER SHAFT BEARING CAGE.
-	FT8957		0	SEAL INSTALLER TO INSTALL SHIFT ROD SEAL.
-	FT2907		0	SEAL INSTALLER TO INSTALL DRIVESHAFT SEAL IN GEAR HOUSING UPPER, PROPELLER SHAFT SEAL AND WATER PUMP SEAL.

## SPECIAL TOOLS - TEST EQUIPMENT

REF. NO.	PART NO.	SYM.	QTY.	DESCRIPTION
-	FT2938-1		0	BATTERY POWERED TEST LIGHT TO TEST FOR CONTINUITY IN WIRES.
-	FT8342		0	TEST WHEEL TO TEST MOTOR IN TEST TANK.
-	FT8950		0	LEAKAGE TESTER TO TEST GEAR HOUSING SEALS FOR LEAKS.
-	FT8996		0	IGNITION TESTER TO TEST TRIGGER OUTPUT.
-	FT8953		0	C-D TESTER TO TEST STATOR OUTPUT AND SECONDARY VOLTAGE.
-	FT2951		0	CIRCUIT TRACER TO TEST 12 VOLT CIRCUITS FOR CONTINUITY.

## SPECIAL TOOLS - LUBRICANTS AND SEALANTS

REF. NO.	PART NO.	SYM.	QTY.	DESCRIPTION
-	FT2961		0	LUBRICANT - RYKON GREASE #2EP
-	FT2987-1		0	LUBRICANT - ANTI-SEIZE
-	FT8969		0	LUBRICANT - 7 OZ. 2 LSI LUBRICANT
-	FT8983		0	SEALANT - RTV
-	FT8936-1		0	SEALANT - 2 CC LOCTITE RETAINING COMPOUND #75
-	FT2962-1		0	SEALANT - 50 CC LOCTITE H, NON-HARDENING GRADE
-	FT2963-2		0	SEALANT - 2 OZ. LOCTITE D, HARDENING GRADE
-	FT8935		0	SEALANT PRIMER - 6 OZ

# ACCESSORIES

REF. NO.	PART NO.	SYM.	QTY.	DESCRIPTION
-	FK1019-1		0	5" LONG LEG CONVERSION KIT CONVERTS 15" STANDARD SHAFT MODEL TO 20" LONG SHAFT MODEL.
-	F5H057		0	15" LONG LEG CONVERSION KIT CONVERTS 15" STANDARD SHAFT OR 20" LONG SHAFT MODEL TO 30" LONG SHAFT MODEL.
-	F71H26		0	BATTERY TERMINAL KIT FITS STANDARD POSITIVE AND NEGATIVE BATTERY POSTS.
-	F5H062		0	WATER PUMP KIT HEAVY DUTY WATER PUMP RECOMMENDED FOR CONTINUED OPERATION IN SANDY OR SALT WATER.
-	F5H021		0	BATTERY EXTENSION CABLE - 6-1/2 FT. ADAPTS TO ENGINE'S BATTERY CABLE.
-	F5H088		0	REMOTE CONTROL CONVERSION KIT PERMITS REMOTE CONTROL OF THROTTLE AND GEAR SHIFT FROM FRONT OF BOAT.
-	F5H025		0	ANTI-CORROSION ANODE PROTECTS ENGINE FROM ELECTROLYSIS CORROSION - MOUNTS ON CAVITATION PLATE.
-	F5H090		0	REMOTE ELECTRIC START KIT PROVIDES REMOTE ELECTRIC START AND CHOKE.
-	F5H081		0	BATTERY CABLE - 15 FT. PROVIDES DISCONNECT PLUG AT ENGINE.
-	F5H130		0	SNYCHRO-DRIVE CONTROL BOX (SINGLE LEVER) PERMITS REMOTE CONTROL OF THROTTLE AND GEAR SHIFT FROM STARBOARD SIDE OF BOAT.
-	F5H131		0	PORT SIDE DECAL KIT CONVERTS 5H130 CONTROL BOX TO PORT SIDE MOUNTING.
-	F866		0	DUO-DRIVE CONTROL BOX (TWIN LEVER) PERMITS REMOTE CONTROL OF THROTTLE AND GEAR SHIFT. MAY BE MOUNTED ON PORT OR STARBOARD SIDE OF BOAT.
-	F137		0	STEERING CONNECTOR WIRE FORM WITH LATCH.
-	167		0	IGNITION CUT-OFF KIT PERMITS STOPPING OF ENGINE FROM OPERATOR'S SEAT.
-	F195/___		0	REMOTE CONTROL CABLES CONNECTS REMOTE CONTROL BOX TO THROTTLE AND GEAR SHIFT ON MOTOR. AVAILABLE IN 6 THROUGH 40 FOOT LENGTHS.
-	F5H040		0	STEEL, 12 GALLON FUEL TANK AUXILIARY TANK.
-	F5H027		0	STEEL, 6 GALLON FUEL TANK AUXILIARY TANK.
-	F5H029		0	FUEL TANK ANCHOR SECURES TOTE TANK TO BOAT FLOOR.
-	F476		0	FUEL LINE ADAPTION KIT ADAPTS MODEL 5H027 TANK FOR DISCONNECT AT TANK.
-	F5H054		0	REMOTE STEERING BRACKET MOUNTS IN PLACE OF STEERING HANDLE.

CONTINUED ON NEXT PAGE ➡

# ACCESSORIES

REF. NO.	PART NO.	SYM.	QTY.	DESCRIPTION
-	F5H134		0	BOAT WHITE LACQUER ENGINE TOUCH-UP PAINT IN 12 3/4 OZ. SPRAY BOMBS (6 CANS PER CASE).
-	F596		0	CHRYSLER OUTBOARD OIL SEE BLOCK COMMENT 1.
-	F597		0	CHRYSLER OUTBOARD GEAR LUBE SEE BLOCK COMMENT 2.
-	F5H059		0	CHRYSLER OUTBOARD MULTI-PURPOSE GREASE LUBRICATES BEARINGS AND OTHER MOVING PARTS. AVAILABLE IN 8 OZ. TUBES AND 12 TUBE CASES.
-	F5H060		0	CHRYSLER OUTBOARD GREASE GUN

# PARTS INDEX

Part Number	Description	Pg.	Ref. No.	Part Number	Description	Pg.	Ref. No.
167	IGNITION CUT-OFF KIT . . . .	36	-	F12141	HIGH TENSION LEAD SLEEVE . . . . .	7	21
817751A3	STEERING HANDLE BRACKET . . . . .	19	10	F12146	COIL WEDGE SPRING . . . .	7	15
817755A1	LINER, CONNECTING ROD (2 PER SET) . . . . .	17	44	F12153-1	BREAKER POINT SET . . . .	7	6
817757A4	PLATE, FRONT SUPPORT . . .	3	25	F12170	CONTACT SCREW W/LOCKWASHER . . . . .	7	4
817758A1	BRACKET, COVER LATCH . . .	3	9	F12181-1	CONDENSER . . . . .	7	8
817761A2	CLAMP SCREW . . . . .	21	67	F12186-1	PRIMARY TERMINAL WIRE . .	7	22
817938A1	RETAINER . . . . .	9	20	F12343	STATOR PLATE W/LAMINATIONS . . . . .	7	9
817971A3	LEVER, MAGNETO CONTROL . . . . .	15	33	F12360	CAM WIPER FELT . . . . .	7	5
89396A38	PRIME BULB . . . . .	29	6	F127910-2	BALL BEARING . . . . .	25	14
C235227	PLUG, SPARK, CHAMPION (RL82), FOR CANADA . . .	15	-	F1286	PAN HD SCREW, 4 - 40 X 3/16 . . . . .	13	43
F10058	BOWL, FUEL . . . . .	11	15	F1335	FILL HD SCREW, 5/16 - 18 X 1 1/4 . . . . .	15	38
F10060	VALVE, THROTTLE . . . . .	11	23	F1341	HEX NUT, 1/4 - 20 . . . . .	21	49
F10063	FLOAT ASSY. . . . .	11	17	F137	STEERING CONNECTOR . . .	36	-
F10064	SHAFT, FLOAT . . . . .	11	19	F141118	SEAL, CRANKSHAFT LOWER . . . . .	15	40
F10066	GASKET, VALVE SEAT . . . .	11	22	F1490	HEX NUT, 1/4 - 20 . . . . .	11	34
F10068	GASKET, BOWL . . . . .	11	16	F1490	HEX NUT, 1/4 - 20 . . . . .	25	39
F10069	GASKET SET . . . . .	11	11	F1493	FILL HD SCREW, 1/4 - 20 X 9/16 . . . . .	25	36
F10071	SCREW, CHOKE AND THROTTLE VALVE . . . . .	11	24	F1608	SQUARE NUT, 1/4 - 20 . . . .	19	34
F10072	SPRING, CHOKE STOP . . . .	11	27	F1666	BOWED SPRING WASHER . . .	21	74
F10073	SPRING, IDLE NEEDLE . . . .	11	30	F174017	PIN, PISTON . . . . .	15	19
F10075	SPRING, THROTTLE RETURN . . . . .	11	25	F1753	FASTENER . . . . .	3	3
F10077	NEEDLE, IDLE . . . . .	11	29	F1755	RD HD SCREW W/LOCKWASHER, 6 - 32 X 5/16 . . . . .	11	1
F10084	SPRING, FLOAT SUPPORT . . .	11	18	F17815	SEAL, FUEL LINE COUPLER	29	2
F10088	NOZZLE . . . . .	11	32	F17816	SEAL, FUEL LINE COUPLER	29	1
F10090	GASKET, BOWL RETAINER	11	14	F1794	SPRING PIN . . . . .	19	27
F10101	KIT, VALVE SEAT ASSEMBLY . . . . .	11	21	F1794	SPRING PIN . . . . .	19	38
F10110	SHAFT ASSY., THROTTLE . . .	11	26	F1799	TRUSS HD SCREW, 5/16 - 18 X 5/8 . . . . .	19	9
F10111	SHAFT ASSY., CHOKE . . . .	11	28	F1800	HEX BOLT, 1/4 - 20 X 7 . . . .	25	9
F10112	VALVE, CHOKE . . . . .	11	31	F1803	STOP NUT, 5/16 - 24 . . . . .	15	30
F10115	KIT, PLUG (NOT SHOWN) . . .	11	-	F1804	STOP NUT . . . . .	9	8
F10125	JET ASSY., MAIN FUEL (.046) . . . . .	11	13	F1804	STOP NUT, 10 - 32 . . . . .	3	10
F1069	FILL HD SCREW, 10 - 24 X 1 - 1/16 . . . . .	11	40	F1805	SPRING PIN . . . . .	19	13
F1075	FILL HD SCREW, 10 - 24 X 1/2 . . . . .	7	12	F1806	GROOVE PIN . . . . .	21	55
F1089	FILL HD SCREW, 10 - 24 X 9/16 . . . . .	9	1	F1807	GROOVE PIN . . . . .	19	12
F1090	FILL HD SCREW W/LOCKWASHER, 10 - 24 X 9/16 . . . . .	7	16	F1809	HEX NUT, 1/2 - 20 . . . . .	7	1
F1091	SLOTTED FILL HD M.SC. 10-32 X 1/4 . . . . .	7	25	F18160-2	REED FUEL PUMP . . . . .	13	45
F1107	FILL HD SCREW, 1/4 - 20 X 3/4 . . . . .	15	37	F1820	FILL HD SCREW, 1/4 - 20 X 1 3/8 . . . . .	15	35
F1111	FILL HD SCREW, 1/4 - 20 X 7/8 . . . . .	17	55	F1820	FILL HD SCREW, 1/4 - 20 X 1 3/8 . . . . .	19	32
F12083	CONDENSER SCREW W/LOCKWASHER . . . . .	7	7	F1823	HEX CAP SCREW, 5/16 - 18 X 1 . . . . .	15	-
F12088	GROMMET . . . . .	7	18	F1829	FILL HD SCREW, 10 - 24 X 7/8 . . . . .	21	82
F12091	LEAD WIRE MARKER TOP (NOT SHOWN) . . . . .	7	-	F183813	BEARING, MAGNETO CONTROL LEVER . . . . .	15	34
				F184579	SEAL . . . . .	3	15
				F1846	COTTER PIN . . . . .	25	31
				F1859	HEX SOCKET HEADLESS SET SCREW . . . . .	19	6



# PARTS INDEX

Part Number	Description	Pg.	Ref. No.	Part Number	Description	Pg.	Ref. No.
F1864	HEX HD SCREW, 1/4 - 20 X 3/4	9	11	F286114	LOCK BAR HANDLE	21	58
F1875	SPRING PIN, STARTER BRACKET	9	17	F286132	HANDLE, STARTER ROPE	9	19
F1876	SPRING PIN	13	52	F286134	STUD	9	5
F18906	GASKET, CARBURETOR	11	8	F286134	STUD, GEAR SHIFT LEVER	3	13
F18906	GASKET, CARBURETOR	17	-	F286151	PLATE, EXHAUST	15	26
F1907	WASHER	19	33	F286152	COVER, EXHAUST	15	27
F1922	HEX CAP SCREW, 1/4 - 20 X 5/8	15	5	F286154	GASKET, EXHAUST	17	-
F1922	HEX CAP SCREW, 1/4 - 20 X 5/8	19	16	F286154	GASKET, EXHAUST COVER	15	25
F1922	HEX HD SCREW, 1/4 - 20 X 5/8	15	8	F286159-1	GASKET, REED PLATE	11	5
F195/	REMOTE CONTROL CABLES	36	-	F286159-1	GASKET, REED PLATE	17	-
F197319	BEARING, CHOKE ROD	3	20	F286169	BEARING, SWIVEL BRACKET	19	30
F1976	SOCKET HD SCREW W/LOCKWASHER, 10 - 24 X 1/2	25	7	F286169	BEARING, SWIVEL BRACKET	21	50
F197767-1	BUSHING, FUEL LINE	3	27	F286220	WASHER, STEERING HANDLE	23	86
F197787-3	FUEL LINE COUPLER	29	3	F286222	COVER, TRANSFER PORT	15	6
F1978	SPRING PIN	19	8	F286223	GASKET, TRANSFER PORT	17	-
F197813	BEARING	19	28	F286223	GASKET, TRANSFER PORT COVER	15	7
F197813	BEARING	23	87	F286224	INSERT, STEERING HANDLE PIVOT	23	88
F197813	BEARING, STEERING HANDLE STOP	19	21	F286244	WATER LINE	21	45
F1979	SCREW PAN HD, 10 - 24 X 1/2	3	5	F286277	GASKET, CRANKSHAFT BEARING CAGE	17	-
F1997	LOCK NUT, 8 - 32	11	38	F286277	GASKET, CRANKSHAFT BEARING CAGE	17	52
F2008	HEX HD SCREW, 1/4 - 20 X 7/8	11	10	F286279-2	GASKET CYLINDER MOUNTING	17	-
F2008	HEX HD SCREW, 1/4 - 20 X 7/8	15	28	F286279-2	GASKET, CYLINDER MOUNTING	15	29
F2014	PLAIN WASHER	21	77	F286282	WASHER	15	31
F2030	HEX HD SCREW, 1/4 - 20 X 1 1/4	25	2	F286286-1	WASHER, STERN BRACKET	19	39
F2030	SCREW, 1/4 - 20 X 1 - 1/4	27	-	F286300	SPRING, REVERSE LOCK	21	51
F2040	HEX WASHER HD M. SCREW, 1/4 - 20 X 5/8	15	24	F286346	SHOCK MOUNT LOWER	21	43
F2042	PLAIN WASHER (THROTTLE ROLLER SHAFT)	11	39	F286347	SHOCK MOUNT UPPER	19	17
F213274	GREASE FITTING	19	4	F286349	REVERSE LOCK	21	52
F215795	SEAL, STEERING HANDLE GRIP DAMPENER (SMALL)	21	79	F286364	LEVER, REVERSE LOCK	19	26
F217002	MAGNETO BREAKER CAM	7	13	F286414	SPRING, LEG WATER BRACKET	19	18
F24074	CLAMP SCREW FOOT	21	63	F286422-1	TILT LOCK PIVOT	19	42
F24748-2	GASKET, FUEL PUMP	11	42	F286422-1	TILT LOCK PIVOT	21	75
F269316	ROLLER SHAFT	3	7	F286433	BRACKET SHALLOW WATER DRIVE	21	56
F2706772	HOSE CLAMP	13	48	F286440	STUD, MAGNETO CONTROL LEVER	15	39
F2788004	STUD, CARBURETOR	11	9	F286445	LINK, MAGNETO SHAFT	15	32
F286008	STUD, GEAR HOUSING REAR	27	42	F286451	SPACER, TILT LOCK	19	41
F286011	WASHER, SWIVEL BRACKET	19	29	F286451	SPACER, TILT LOCK	21	72
F286015-3	PISTONS	15	21	F286461	SPRING, LOCK BAR HANDLE	21	59
F286019	KING PIN	21	57	F286490	STEERING HANDLE STOP	19	22
F286028	BEARING, CRANKSHAFT UPPER MAIN	17	48	F286509	LINK, THROTTLE CAM	15	36
F286079-1	STEERING HANDLE	21	81	F286529-3	GASKET, CYLINDER HEAD	15	4
F286080	SCREW, STEERING HANDLE PIVOT	19	11	F286529-3	GASKET, CYLINDER HEAD	17	-
				F286539	BUMPER	19	2
				F286544-1	SPRING, TILT STOP	21	71
				F286547	KNOB, CHOKE	3	22
				F286555	GASKET, GEAR HOUSING	25	13

# PARTS INDEX

Part Number	Description	Pg.	Ref. No.	Part Number	Description	Pg.	Ref. No.
F286573-1	CLAMP, STEERING FRICTION	19	35	F341562	WATER PUMP BACK PLATE	25	6
F286585-1	DECAL, TILT RELEASE	21	54	F341693	WEDGE, STEERING HANDLE	23	85
F286611-1	ROD, GEAR SHIFT	3	11	F343014	BEARING, CRANKSHAFT LOWER MAIN	15	41
F286614	HANDLE, GEAR SHIFT	3	29	F343128	DRIVESHAFT FOR STANDARD SHAFT MODELS	27	44
F286615	GEAR SHIFT ROD UPPER	25	4	F343226-1	PLUG	3	26
F286634-1	SCREW, CONNECTING ROD	17	43	F346118	SEAL, PROPELLER SHAFT	25	35
F286647	CARRYING HANDLE	21	69	F346146	SEAL, CRANKSHAFT UPPER	17	54
F286685	CONNECTOR, GEAR SHIFT ROD	3	41	F392756	PACKING, SUPPORT PLATE	3	35
F286705	GEAR SHIFT ROD LOWER, FOR STANDARD SHAFT MODELS	25	8	F40253-1	FUEL LINE (FUEL PUMP TO BUSHING)	13	51
F286710	ARBOR, STARTER SPRING	9	9	F40425	STARTER PINION PIN	9	10
F286721	CLUTCH, SHIFT CAM	25	16	F409232	STARTER ROPE	9	18
F286728	CLUTCH SHIFT PIN	25	25	F409251-1	GAUGE CAP	29	10
F286737-1	RETAINER, STARTER REWIND SPRING	9	13	F409719	CLUTCH SPRING	25	26
F286772-1	HOSE CLAMP	15	9	F424075	HANDLE, CLAMP SCREW	21	66
F286777	CAM, COVER LATCH	3	34	F424161	REED STOP	11	2
F286818	BEARING	23	89	F424168-1	GASKET, MANIFOLD	11	6
F286827	REVERSE LOCK RELEASE LEVER	19	37	F424168-1	GASKET, MANIFOLD	17	-
F286868	SPRING, STEERING HANDLE STOP	19	20	F429137	GRIP, STEERING HANDLE	23	92
F286871	PIN, GEAR SHIFT LEVER	3	36	F429472	GASKET, CYLINDER DRAIN COVER	15	12
F286876	LEVER, GEAR SHIFT	3	38	F429472	GASKET, CYLINDER DRAIN COVER	17	-
F286894-3	STEERING HANDLE INDICATOR	23	93	F429541	TILT LOCK	21	73
F286895	SPRING, CAM DETENT	25	15	F429688	SHAFT, STEERING HANDLE	23	90
F286901	BEARING, RADIAL, PROPELLER SHAFT	25	22	F429811	SCREEN	15	10
F286903	RACE, PROPELLER SHAFT BEARING	25	21	F430732	HEX HD SCREW, 5/16 - 18 X 1-1/4	25	12
F286914	SLEEVE WATER LINE	21	44	F431838	MAGNETO CONTROL SHAFT	19	1
F286930	END, STARTER SPRING	9	14	F436065-2	IMPELLER	27	-
F286956	BRACKET, SHOCK MOUNT LOWER	21	48	F436065-2	WATER PUMP IMPELLER	25	5
F286989-2	SEAL, SUPPORT PLATE	3	31	F436280	NUT, SHORTING SWITCH	7	26
F289664	WIRE, STATOR GROUND	7	11	F455305	SEAL, PROP SHAFT BEARING CAGE	25	33
F298788	FERRULE	29	4	F456098	PROPELLER SHAFT	25	28
F2A24757	FUEL PUMP REED PLATE	13	46	F456717	THRUST WASHER	25	24
F2A286016	ROD, CONNECTING	15	22	F458498	MAGNETO KEY	7	14
F2A424167	MANIFOLD	11	7	F458677	INSERT, CHOKE KNOB	3	23
F2A459239	STARTER SPOOL W/SHAFT	9	15	F461342	SEAL, DRIVESHAFT SPLINE	15	42
F2A477133	MOTOR LEG	19	31	F476	FUEL LINE ADAPTION KIT	36	-
F2C617712	COVER, ENGINE COMPLETE	5	-	F487424-1	STARTER PINION SPRING	9	3
F302097	FLYWHEEL	7	3	F487427-1	BRACKET, STARTER UPPER	9	4
F307818	BEARING	3	19	F487435	PULLEY, STARTER ROPE	11	20
F307818	BEARING	19	3	F487660-1	EXHAUST TUBE	15	23
F31160-1	REED	11	3	F487674	GEAR, STARTER PINION	9	2
F31410	RETAINING RING, PISTON PIN	15	18	F487727	BALL, INTERLOCK DETENT	9	21
F333316	SHAFT, THROTTLE CAM ROLLER	11	37	F487755	FUEL TANK ADAPTER	29	8
F338618-1	SEAL, GEAR SHIFT ROD LOWER	25	10	F487781-3	STARTER INTERLOCK	9	7
F341384	RETAINER, CHOKE ROD	11	35	F487816	BEARING, STEERING HANDLE	23	84
F341562	BACK PLATE, WATER PUMP	27	-	F487895	SPRING, INTERLOCK DENTENT	9	22
				F492263	LINK, STARTER INTERLOCK	3	16
				F492417	SHAFT, GEAR SHIFT HANDLE	3	30
				F492518	HEAD, CYLINDER	15	3
				F492619	LEVER, GEAR SHIFT SHAFT	3	17

# PARTS INDEX

Part Number	Description	Pg.	Ref. No.	Part Number	Description	Pg.	Ref. No.
F50109	GEAR HOUSING PLUG . . . .	25	20	F8058	INTERNAL TOOTH LOCKWASHER . . . . .	21	83
F525286	WASHER . . . . .	19	36	F8060	EXTERNAL TOOTH LOCKWASHER . . . . .	19	15
F536813	BEARING, REVERSE LOCK INTERMEDIATE LEVER . .	19	24	F8077	NYLTITE WASHER . . . . .	25	19
F53795-1	SEAL, STEERING HANDLE GRIP DAMPENER (LARGE) . . . . .	21	80	F8083	SPRING LOCKWASHER . . . . .	21	47
F596	CHRYSLER OUTBOARD OIL	37	-	F8083	SPRING LOCKWASHER . . . . .	27	40
F597	CHRYSLER OUTBOARD GEAR LUBE . . . . .	37	-	F8537	SPRING PIN . . . . .	21	64
F5H021	BATTERY EXTENSION CABLE - 6-1/2 FT. . . . .	36	-	F8538	SPRING PIN . . . . .	19	25
F5H025	ANTI-CORROSION ANODE .	36	-	F8538	SPRING PIN . . . . .	21	76
F5H026	FUEL TANK (ACCESSORY ITEM) . . . . .	29	9	F8540	SPRING PIN . . . . .	3	18
F5H027	STEEL, 6 GALLON FUEL TANK . . . . .	36	-	F8540	SPRING PIN . . . . .	21	60
F5H029	FUEL TANK ANCHOR . . . . .	36	-	F8542	SPRING PIN . . . . .	3	37
F5H040	STEEL, 12 GALLON FUEL TANK . . . . .	36	-	F8548	SPRING PIN . . . . .	23	91
F5H054	REMOTE STEERING BRACKET . . . . .	36	-	F8553	SPRING PIN . . . . .	25	17
F5H057	15" LONG LEG CONVERSION KIT . . . . .	36	-	F8554	SPRING PIN . . . . .	21	65
F5H059	CHRYSLER OUTBOARD MULTI-PURPOSE GREASE	37	-	F8559	DOWEL PIN . . . . .	15	17
F5H060	CHRYSLER OUTBOARD GREASE GUN . . . . .	37	-	F85610	BEARING . . . . .	23	94
F5H062	WATER PUMP KIT . . . . .	36	-	F8564	SPRING PIN . . . . .	25	38
F5H081	BATTERY CABLE - 15 FT. . .	36	-	F85735-1	SEAL . . . . .	3	2
F5H088	REMOTE CONTROL CONVERSION KIT . . . . .	36	-	F866	DUO-DRIVE CONTROL BOX (TWIN LEVER) . . . . .	36	-
F5H090	REMOTE ELECTRIC START KIT . . . . .	36	-	F901307-2	SEAL, DRIVESHAFT . . . . .	19	19
F5H130	SNYCHRO-DRIVE CONTROL BOX (SINGLE LEVER) . . .	36	-	F901307-2	SEAL, DRIVESHAFT AND WATER PUMP . . . . .	27	43
F5H131	PORT SIDE DECAL KIT . . . .	36	-	F901456-1	EMERGENCY STARTER COLLAR . . . . .	7	2
F5H134	BOAT WHITE LACQUER . . . .	37	-	F901563	DRIVE PIN, WATER PUMP .	27	-
F609853	DECAL, WARNING SHIFT CONTROL . . . . .	7	27	F901563	WATER PUMP IMPELLER DRIVE PIN . . . . .	27	45
F610711	PLATE, ENGINE COVER . . . .	3	1	F901746-2	FUEL PUMP COVER . . . . .	11	41
F617037	STERN BRACKET PIVOT BOLT . . . . .	21	78	F901811	FUEL PUMP FILTER . . . . .	13	49
F617061	CARBURETOR COMPLETE (LMB-228) . . . . .	11	33	F901938-1	SCREW, CYLINDER HEAD .	15	1
F617192	THROTTLE CAM PLATE . . . .	7	10	F92759	ROLLER . . . . .	3	8
F617503	ROD, CHOKE KNOB . . . . .	3	21	F92759	ROLLER, THROTTLE CAM .	11	36
F66480	STUD CLAMP SCREW . . . . .	21	68	F98273	STUD, GEAR SHIFT ROD CONNECTOR . . . . .	3	40
F7006	STOP NUT, 5/16 - 18 . . . . .	3	33	FA12370	COIL W/LEAD WIRE AND WEDGE SPRING . . . . .	7	17
F7011	ELASTIC STOP NUT, 10 - 24	3	6	FA174260	PISTON RING SET (2 PER SET) . . . . .	15	20
F7026	STOP NUT, 3/8 - 16 . . . . .	21	62	FA1844	HEX BOLT, 1/4 - 20 X 2 3/8 .	21	46
F71H26	BATTERY TERMINAL KIT . . .	36	-	FA286054	GEAR HOUSING LOWER . . .	25	18
F73082	RING, MAGNETO STATOR . .	17	50	FA286155	MAIN BEARING LINER SET (2 PER SET) . . . . .	17	46
F8003	PLAIN WASHER . . . . .	13	44	FA286266	GEAR, BEVEL PINION . . . .	27	41
F8011	PLAIN WASHER . . . . .	3	14	FA286469	KNOB, COVER LATCH . . . .	3	24
F8011	PLAIN WASHER . . . . .	9	6	FA286582	STEERING ARM . . . . .	19	14
F8025	PLAIN WASHER . . . . .	15	2	FA286970	STARTER REWIND SPRING	9	12
F8048	BOWED SPRING WASHER . .	3	12	FA324101	PROPELLER PIN, PACK OF 3 . . . . .	25	37
F8058	INTERNAL TOOTH LOCKWASHER . . . . .	3	39	FA341510	LINK, REVERSE LOCK LEVER . . . . .	21	53
				FA343178	RETAINER . . . . .	19	5
				FA387742	LEVER, REVERSE LOCK INTERMEDIATE . . . . .	19	23
				FA424158	REED PLATE . . . . .	11	4
				FA429471	COVER, CYLINDER DRAIN .	15	11
				FA456023	BEVEL GEAR FRONT W/BEARING . . . . .	25	23

# PARTS INDEX

Part Number	Description	Pg.	Ref. No.	Part Number	Description	Pg.	Ref. No.
FA456521	CLUTCH	25	27	FT2989	FLYWHEEL WEDGE	30	-
FA456662	BEVEL GEAR REAR W/BEARING	25	32	FT2991	CARBON BRUSH	32	-
FA492038	PLATE, SUPPORT W/PLUGS	3	32	FT2997	RING COMPRESSOR	32	-
FA504060	BODY, WATER PUMP	27	-	FT2998	TORQUE WRENCH (0 - 100 LBS./FT.)	32	-
FA504060	WATER PUMP BODY	25	3	FT2999	TORQUE WRENCH (0 - 600 LBS./IN.)	32	-
FA510914	SEAL, INLET WATER LINE	25	1	FT3012	SEAL INSTALLER	32	-
FA510914	SEAL, WATERLINE	27	-	FT8342	TEST WHEEL	34	-
FA517228	ROLLER SET, CONNECTING ROD (26 PER SET)	17	45	FT8900	HOSE CLAMP PLIERS	32	-
FA610480	RETAINER, ENGINE COVER	3	42	FT8926	RING EXPANDER	32	-
FA617113	LOCK BAR	21	61	FT8929	ADAPTER AND HEX BIT	32	-
FA617386	DECAL, NUMERAL	5	43	FT8930-1	FEELER GAUGE	30	-
FA617396	DECAL, "CHRYSLER" STARBOARD	5	44	FT8935	SEALANT PRIMER - 6 OZ	35	-
FA617397	DECAL, "CHRYSLER" PORT	5	-	FT8936-1	SEALANT - 2 CC LOCTITE RETAINING COMPOUND #75	35	-
FA617892	DECAL, ENGINE COVER, FRONT	3	4	FT8948-1	PULLER	33	-
FA621528	DECAL, ENGINE COVER REAR	5	46	FT8950	LEAKAGE TESTER	34	-
FA84754-1	FUEL LINE, SHORT	29	5	FT8953	C-D TESTER	34	-
FA901754	FUEL LINE	13	50	FT8957	SEAL INSTALLER	33	-
FC409398	DECAL TOTE TANK - CANADA (NOT SHOWN)	29	-	FT8969	LUBRICANT - 7 OZ. 2 LSI LUBRICANT	35	-
FC456054	LOWER GEAR HOUSING COMPLETE (NOT SHOWN)	25	-	FT8983	SEALANT - RTV	35	-
FC516400	DECAL, SHIFT - CANADA	3	28	FT8993	TORQUE WRENCH ADAPTER	32	-
FG1005-2	GASKET SET	17	51	FT8996	IGNITION TESTER	34	-
FK10114	REPAIR KIT	11	12	11-817752A1	PROPELLER NUT	25	30
FK1019-1	5" LONG LEG CONVERSION KIT POSE GREASE	36	-	27-818043A1	FUEL PUMP DIAPHRAGM W/GASKETS	13	47
FK1031-1	WATER PUMP KIT	27	47	31-817756A2	PROPELLER SHAFT BEARING CAGE	25	34
FK1065	GEAR HOUSING SEAL KIT	27	46	32-817738A1	FUEL LINE, LONG	29	7
FK1066	TUNE UP KIT.	7	24	33-82370M	PLUG, SPARK, CHAMPION (L82)	15	14
FK1123	SPARKIE W/SPRING	7	19	37-F286585-2	DECAL, TILT RELEASE - CANADA	21	-
FK317427	BRACKET, STARTER LOWER	9	16	37-F286894-3	STEERING HANDLE INDICATOR - CANADA	23	-
FK436449	SHORTING SWITCH	7	23	43-818009--1	GEAR, MAGNETO CONTROL SHAFT	19	7
FP286	PROPELLER (ACCESSORY ITEM)	25	29	43-818009--1	GEAR, STEERING HANDLE SHAFT	23	95
FS409752	FUEL LINE COMPLETE (NOT SHOWN).	29	-	100-FS666712T	COVER, ENGINE	5	45
FS567532	STERN BRACKET PORT	21	70	400-818047A3	CRANKSHAFT	17	49
FT11202	SEAL INSTALLER	32	-	800-817801A2	CYLINDER W/CRANKCASE COVER	15	15
FT1749	SNAP RING PLIERS	32	-	1100-817753A1	CAGE, CRANKSHAFT BEARING W/SEAL	17	53
FT2907	SEAL INSTALLER	33	-	1400-817750A4	SWIVEL BRACKET	19	40
FT2908	SEAL SLEEVE	32	-	1600-824916A1	GEAR HOUSING UPPER	25	11
FT2909	KNOCK-OFF NUT	30	-				
FT2938-1	BATTERY POWERED TEST LIGHT	34	-				
FT2951	CIRCUIT TRACER	34	-				
FT2961	LUBRICANT - RYKON GREASE #2EP	35	-				
FT2962-1	SEALANT - 50 CC LOCTITE H, NON-HARDENING GRADE	35	-				
FT2963-2	SEALANT - 2 OZ. LOCTITE D, HARDENING GRADE	35	-				
FT2985	STARTER REWIND KEY	31	-				
FT2987-1	LUBRICANT - ANTI-SEIZE	35	-				