



# PARTS CATALOG

## 9.9 HP. SAILOR

### SERIAL NUMBER

9.9 (1984) .....	91C4D
9.9 (1984) .....	91H4D
9.9 (1984) .....	95C4K
9.9 (1984) .....	.95H4

# TABLE OF CONTENTS:

ACCESSORIES .....	41
ELECTRIC STARTER .....	8
ELECTRICAL COMPONENTS .....	10
ENGINE COVER AND SUPPORT PLATE .....	2
FUEL PUMP .....	6
FUEL SYSTEM .....	14
FUEL TANK AND LINE .....	32
GEAR HOUSING .....	28
MOTOR LEG .....	22
PARTS INDEX .....	42
POWER HEAD .....	18
REMOTE CONTROL .....	34
SPECIAL TOOLS - LOWER UNIT .....	38
SPECIAL TOOLS - LUBRICANTS AND SEALANTS .....	40
SPECIAL TOOLS - POWER HEAD .....	37
SPECIAL TOOLS - TEST EQUIPMENT .....	39
SPECIAL TOOLS - TUNE-UP .....	36

**NOTE:** Indented description indicate that these parts are included in preceding assembly.

**AR** = As Required

**NSS** = Not Sold Separate

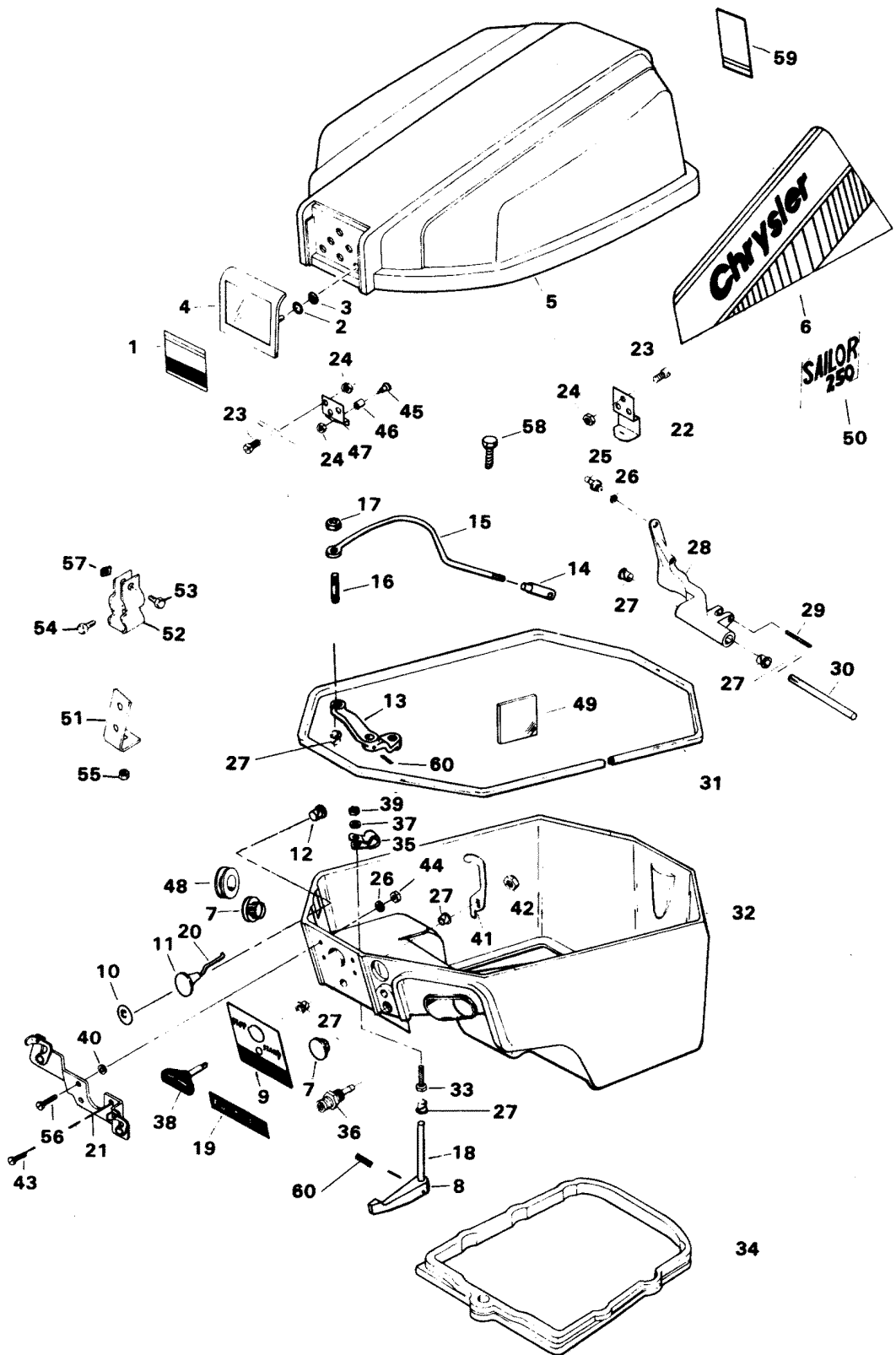
**OPT** = Optional

**NS** = Not Shown

**THESE PARTS BOOKS/FICHE CARD ARE COPYRIGHTED AND MAY NOT BE DISTRIBUTED OR REPRODUCED IN ANY OTHER FORMAT BY ANYONE OTHER THAN MERCURY MARINE WITHOUT THE PRIOR WRITTEN CONSENT OF MERCURY MARINE.**

THIS PAGE INTENTIONALLY LEFT BLANK

# ENGINE COVER AND SUPPORT PLATE



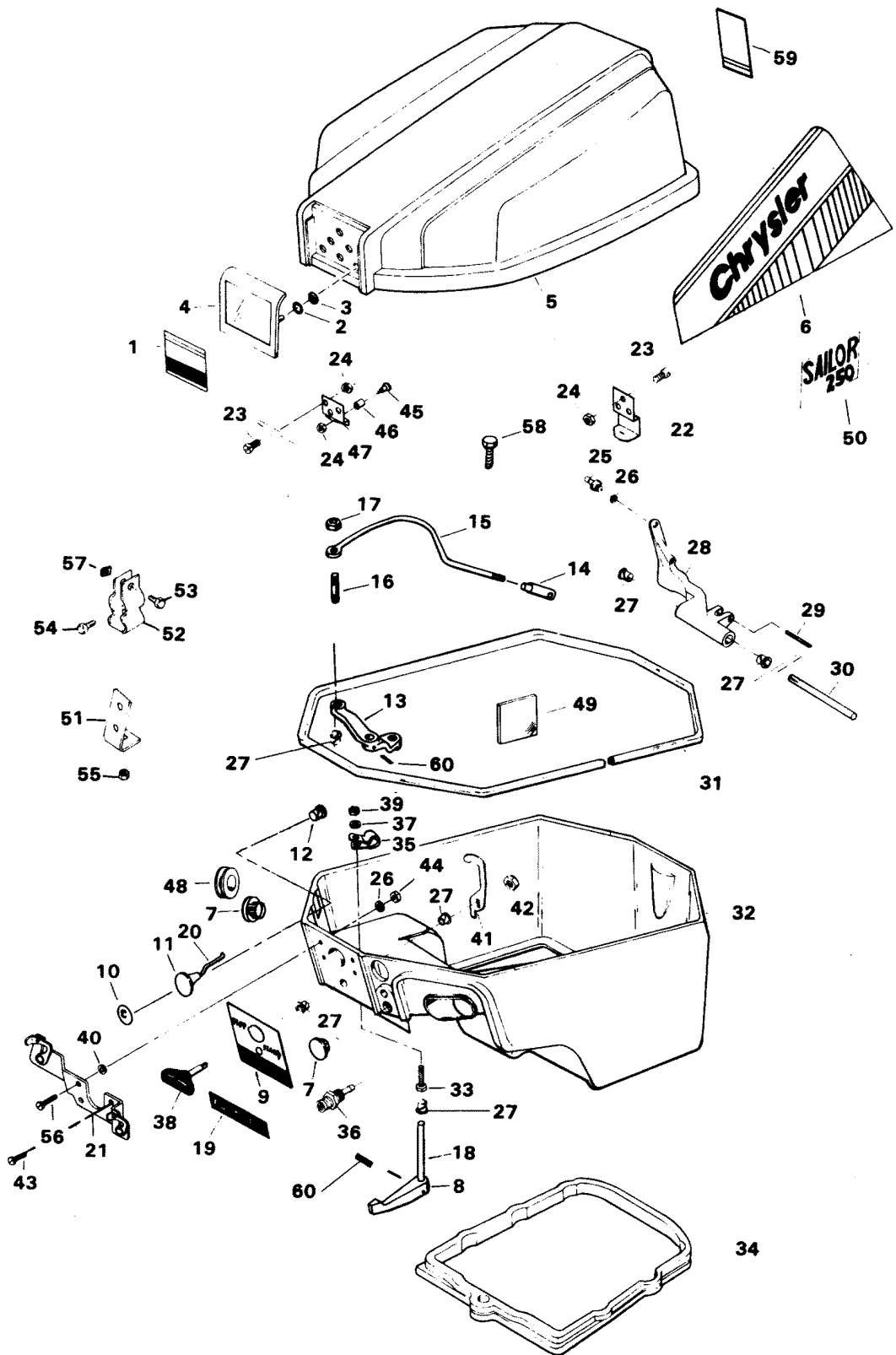
OB3929

# ENGINE COVER AND SUPPORT PLATE

REF. NO.	PART NO.	SYM.	QTY.	DESCRIPTION
1	FA617892		1	DECAL, ENGINE COVER, FRONT W/LITERATURE
2	F85735-1		3	SEAL
3	F1753		3	FASTENER
4	F610711		1	PLATE, ENGINE COVER
5	100-FS666712T		1	COVER, ENGINE W/ILLUS. 22, 23, 24, 46, 47 AND 48 ORIGINAL FORCE P/N S 541712-1
-	<b>F2C618712</b>		1	<b>COVER, ENGINE COMPLETE. INCLUDES ITEMS MARKED WITH AN ASTERISK (*) ORDER NUMERAL SEPARATE</b>
6	FA618397		1	DECAL, "CHRYSLER", PORT W/LITERATURE
-	<b>FA618396</b>		1	<b>DECAL, "CHRYSLER", STARBOARD W/LITERATURE</b>
7	F343226-1		2	PLUG
8	F286614		1	HANDLE, GEAR SHIFT
9	FA510711		1	PLATE, FRONT - USA W/LITERATURE
-	<b>FAC510711</b>		1	<b>PLATE, FRONT - CANADA</b>
10	F458677		1	INSERT, CHOKE KNOB
11	F286547		1	KNOB, CHOKE
12	F197319		1	BEARING, CHOKE ROD
13	F492619		1	LEVER, GEAR SHIFT SHAFT
14	F286685		1	CONNECTOR, GEAR SHIFT ROD
15	F286611-1		1	ROD, GEAR SHIFT
16	F286134		1	STUD, GEAR SHIFT LEVER
17	F1804		1	NUT, STOP, 10 - 24
18	F492417		1	SHAFT, GEAR SHIFT HANDLE
19	FC517400		1	DECAL, SHIFT
20	F617503		1	ROD, CHOKE
21	FA343612		1	BRACKET, REMOTE CONTROL W/CLIP (95H4K-95C4K)
22	FA610480		1	RETAINER, ENGINE COVER. <b>INCLUDES ILLUS. 23 AND 24.</b>
23	F1979		6	SCREW PAN HD., 10 - 24 X 1/2
24	F7011		7	NUT, ELASTIC STOP, 10 - 24
25	F98273		1	STUD, GEAR SHIFT ROD CONNECTOR
26	F8058		5	LOCKWASHER, INTERNAL TOOTH
27	F307818		6	BEARING
28	F286876		1	LEVER, GEAR SHIFT
29	F8542		1	SPRING PIN
30	F286871		1	PIN, GEAR SHIFT LEVER
31	F392756		1	PACKING, SUPPORT PLATE
32	F540038		1	PLATE, SUPPORT (95H4K, 95C4K)
-	<b>FA510038</b>		1	<b>PLATE, SUPPORT W/ILLUS. 7 (91H4D, 91C4D)</b>
33	F1971		1	HEX CAP SC. 1/4 - 20 X 2-1/8 (95H4K, 95C4K)
34	F286989-2		1	SEAL, SUPPORT PLATE
35	F404446		1	CLAMP, CABLE (95H4K, 95C4K)
36	F197767-1		1	BUSHING, FUEL LINE
37	F2012		1	PLAIN WASHER (95H4K, 95C4K)
38	FA286469		1	KNOB, COVER LATCH

CONTINUED ON NEXT PAGE ➡

# ENGINE COVER AND SUPPORT PLATE

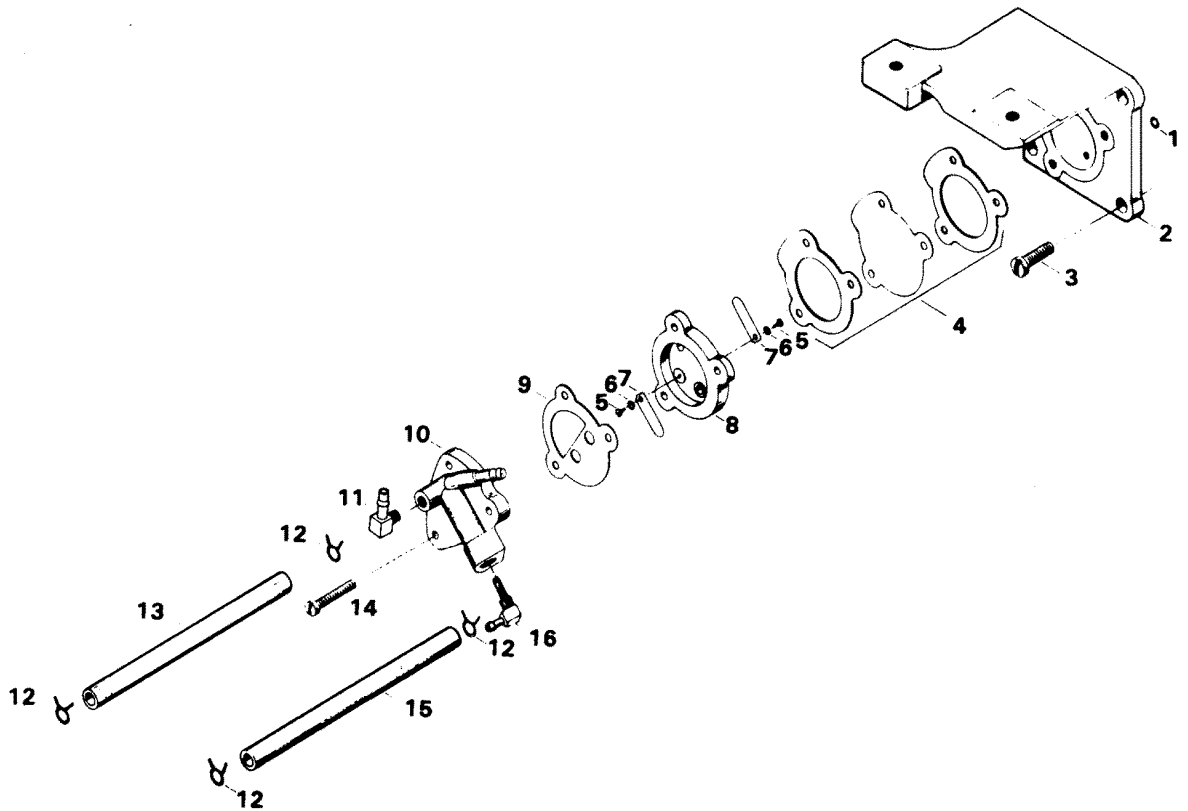


OB3929

## ENGINE COVER AND SUPPORT PLATE

REF. NO.	PART NO.	SYM.	QTY.	DESCRIPTION
39	F1341		1	HEX NUT 1/4 - 20 (95H4K, 95C4K)
40	F8011		4	PLAIN WASHER (95H4K, 95C4K)
41	F286777		1	CAM, COVER LATCH
42	F7006		1	NUT, STOP, 5/16 - 18
43	F1733		2	PAN HD M.S. 10 - 24 X 9/16 (95H4K, 95C4K)
44	F1473		4	HEX NUT 10 - 24 (95H4K, 95C4K)
45	F269316		1	SHAFT, ROLLER
46	F92759		1	ROLLER
47	817758A1		1	BRACKET, COVER LATCH. <b>INCLUDES ILLUS. 23, 24, 45 AND 46 ORIGINAL FORCE P/N A 286774-1</b>
48	F94840		1	GROMMET, BATTERY CABLE
49	F510661		1	PAD, STARTER MOTOR
50	FA540392		1	DECAL, SAILOR PORT <b>W/LITERATURE</b>
-	<b>FA540391</b>		<b>1</b>	<b>DECAL, SAILOR STARBOARD W/LITERATURE</b>
51	F617958		1	BRACKET, CHOKE SOLENOID (95H4K, 95C4K)
52	F617317		1	CLAMP, CHOKE SOLENOID (95H4K, 95C4K)
53	F1493		1	PAN HD M. SC. 1/4 - 20 X 5/8 (95H4K, 95C4K)
54	F1437		1	PAN HD M. SC. 1/4 - 20 X 1/2 (CLAMP TO BRACKET) <b>(95H4K, 95C4 K)</b>
55	F7023		1	CONE LOCK NUT, 1/4 - 20 (CLAMP TO BRACKET) (95H4K, 95C4K)
56	F1648		2	SLOTTED PAN HD M. SC. 10 - 24 X 3/4 (95H4K, 95C4K)
57	F1608		1	SQUARE NUT 1/4 - 20 (95H4K, 95C4K)
58	F2040		1	TAPTITE HEX WASHER HD M. SC. 1/4 - 20 X 5/8 <b>(GROUND WIRE TO SUPPORT PLATE)</b>
59	FA621528		1	DECAL, ENGINE COVER REAR <b>W/LITERATURE</b>
60	F8540		2	SPRING PIN

# FUEL PUMP

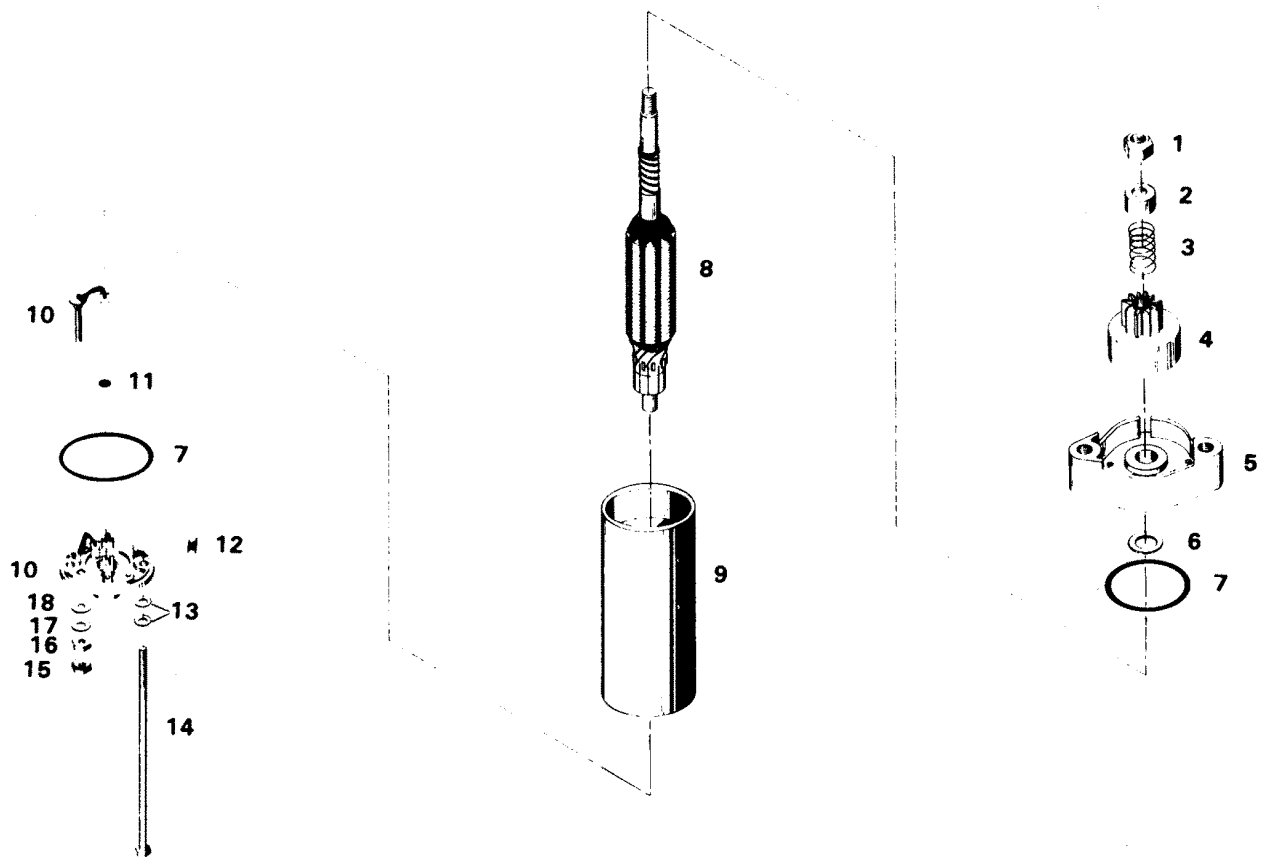




# FUEL PUMP

REF. NO.	PART NO.	SYM.	QTY.	DESCRIPTION
1	F455118		1	SEAL, FUEL PUMP BRACKET
2	F510427		1	BRACKET, STARTER SUPPORT
3	F1577		4	FILL HD SCREW, 1/4 20 X 3/4
4	27-818043A1		1	FUEL PUMP DIAPHRAGM W/GASKETS
5	F1286		2	PAN HD SCREW, 4 - 40 X 3/16
6	F8003		2	PLAIN WASHER
7	F18160-2		2	REED, FUEL PUMP
8	F2A24757		1	FUEL PUMP REED PLATE <b>W/ILLUS. 5, 6 AND 7</b>
9	F24748-2		1	GASKET, FUEL PUMP
10	F510746		1	FUEL PUMP COVER
11	22-818103--1		1	FITTING, FUEL PUMP
12	F2706772		4	HOSE CLAMP
13	FA901753		1	HOSE, FUEL PUMP TO CARBURETOR <b>W/ILLUS. 12</b>
14	F1069		3	FILL HD SCREW, 10 - 24 X 1 1/16
15	F2752253		1	HOSE, FUEL PUMP TO BUSHING
16	F510811		1	FILTER, FUEL PUMP

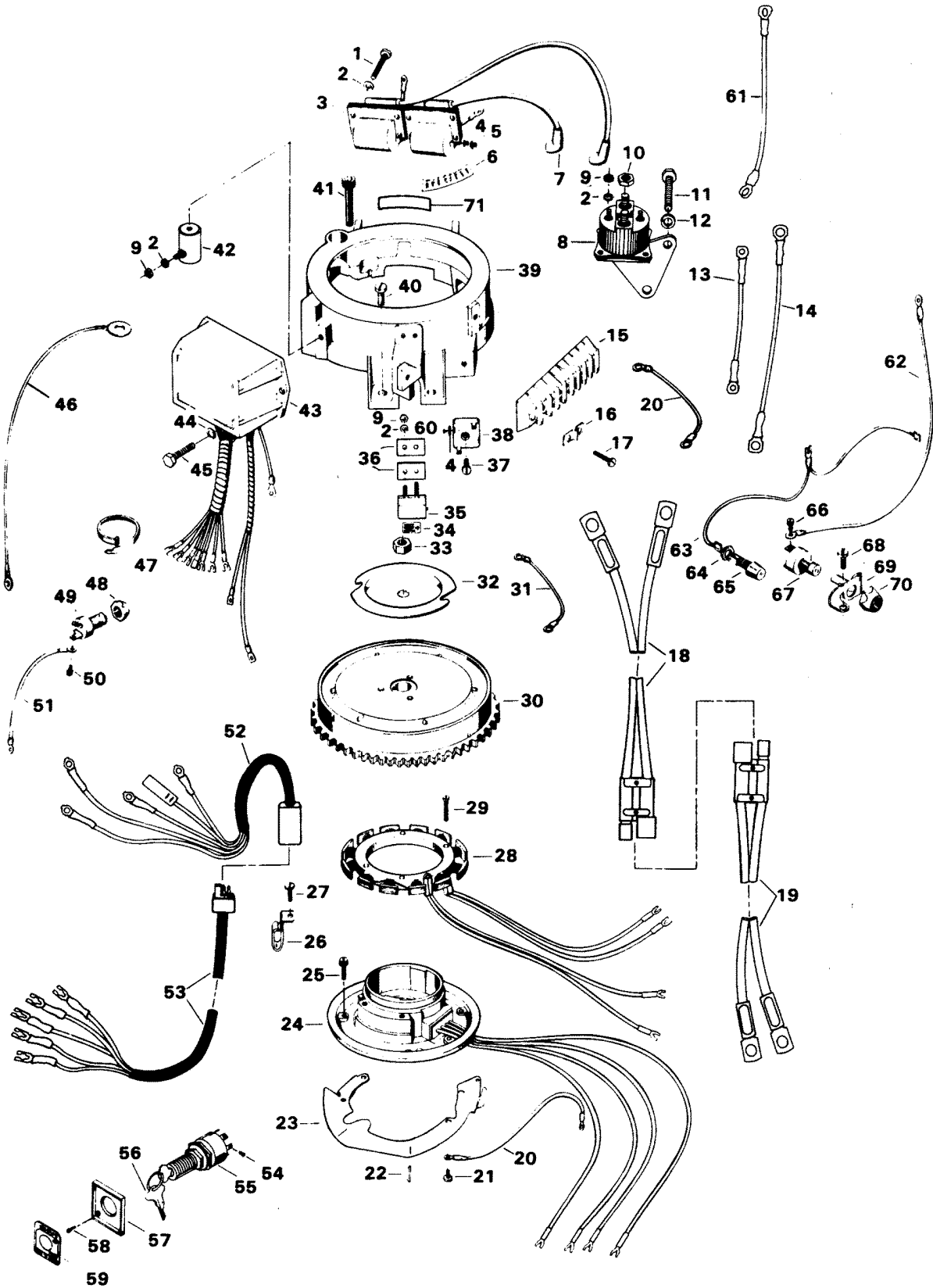
# ELECTRIC STARTER



# ELECTRIC STARTER

REF. NO.	PART NO.	SYM.	QTY.	DESCRIPTION
1	F1892		1	STOP NUT
2	F15141		1	PINION STOP
3	F15140		1	SPRING
4	F15139		1	PINION ASSEMBLY
5	F15135		1	CAP ASSEMBLY, DRIVE END
6	F15137		1	WASHER
7	F15145		2	GASKET
8	F15134		1	ARMATURE
9	F15136		1	HOUSING ASSEMBLY
10	F15127		1	CAP ASSEMBLY, COMMUTATOR END. <b>INCLUDES ALL ITEMS 15, 16, 17 AND 18</b>
11	F15143		1	DISC
12	F15138		2	SPRING, BRUSH
13	F15146		4	WASHER
14	F15144		2	SCREW, THRU BOLT
15	F15129		1	NUT W/LOCKWASHER
16	F15130		1	NUT
17	F15133		1	WASHER
18	F15132		1	WASHER, FIBER
-	<b>F510955</b>		<b>1</b>	<b>STARTER MOTOR - COMPLETE. INCLUDES ALL ITEMS MARKED WITH AN ASTERISK (*)</b>
-	<b>FC520390</b>		<b>1</b>	<b>DECAL, STARTER - CANADA (NOT SHOWN)</b>

# ELECTRICAL COMPONENTS

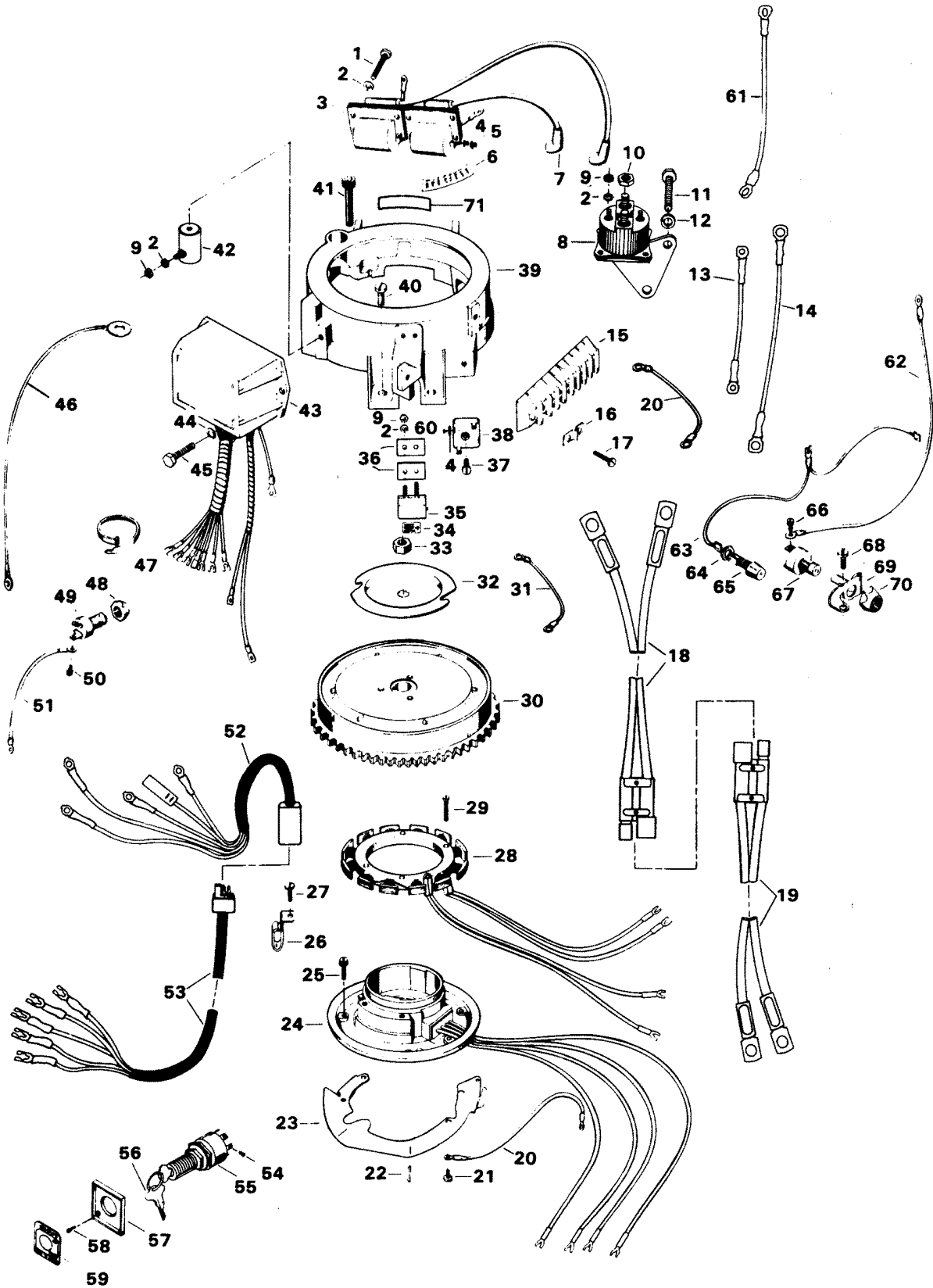


# ELECTRICAL COMPONENTS

REF. NO.	PART NO.	SYM.	QTY.	DESCRIPTION
1	F1829		8	FILL HD M. SCREW, 10 - 24 X 7/8
2	F1975		15	SPRING LOCKWASHER
3	F510475		2	IGNITION COIL
4	F1704		6	INTERNAL TOOTH LOCKWASHER
5	F1337		2	HEX NUT, 6 - 32
6	FC510398		1	DECAL, WIRING
7	FK1123		2	SPARKIE W/SPRING
8	F517917		1	RELAY STARTER (95H4K, 95C4K)
9	F1513		5	HEX NUT, 10 - 32
10	F1515		2	HEX NUT 5/16 - 18 (95H4K, 95C4K)
11	F2050		2	HEX CAP SC. 1/4 - 20 X 1-1/2 (95H4K, 95C4K)
12	F8096		2	SPRING LOCKWASHER (95H4K, 95C4K)
13	F540683		1	WIRE STARTER TO STARTER RELAY (95H4K, 95C4K)
14	F321908		1	WIRE, GROUND STARTER RELAY (95H4K, 95C4K)
15	FA510497		1	TERMINAL BLOCK <b>WILLUS. 16 &amp; 17</b>
16	F307317-1		1	CLIP, TERMINAL BLOCK GROUND
17	F1648		2	PAN HD SCREW, 10 - 24 X 3/4
18	F510896		1	BATTERY CABLE (91H4D, 91C4D)
-	<b>F540896</b>		<b>1</b>	<b>CABLE, BATTERY (95H4K, 95C4K)</b>
19	F539896		1	CABLE, BATTERY EXTENSION (95H4K, 95C4K)
20	F404908		1	GROUND WIRE (91H4D, 91C4D USES STATOR TO CRANKCASE ONLY)
-	<b>F404908</b>		<b>2</b>	<b>GROUND WIRE (95H4K, 95C4K)</b>
21	F1075		4	FILL HD SCREW, 10 - 24 X 1/2
22	F458498		1	KEY, FLYWHEEL
23	F617192		1	THROTTLE CAM
24	F510029		1	STATOR, TRIGGER
25	F1090		4	FILL HD SCREW W/SPRING LOCKWASHER, 10 - 24 X 9/16
26	F510446		1	CLAMP, BATTERY CABLE
27	F1437		1	FILL HD SCREW, 1/4 - 20 X 1/2
28	F510095		1	STATOR, ALTERNATOR
29	F1087		4	FILL HD SCREW, 10 - 24 X 7/8
30	FA510097		1	FLYWHEEL W/DECAL
31	F510683		1	WIRE, RECTIFIER - CIRCUIT BREAKER
32	F901456-1		1	EMERGENCY STARTER COLLAR
33	F1809		1	HEX NUT
34	F510374-1		1	DECAL, CIRCUIT BREAKER
35	F510460		1	CIRCUIT BREAKER
36	F510595		2	INSULATOR, CIRCUIT BREAKER
37	F1303		1	SLOTTED PAN HD M. SCREW, 8/32 X 3/4
38	FA617450		1	RECTIFIER
39	817840A1		1	STARTER SUPPORT W/DECAL
40	F1577		4	FILL HD SCREW, 1/4 - 20 X 3/4

CONTINUED ON NEXT PAGE ➡

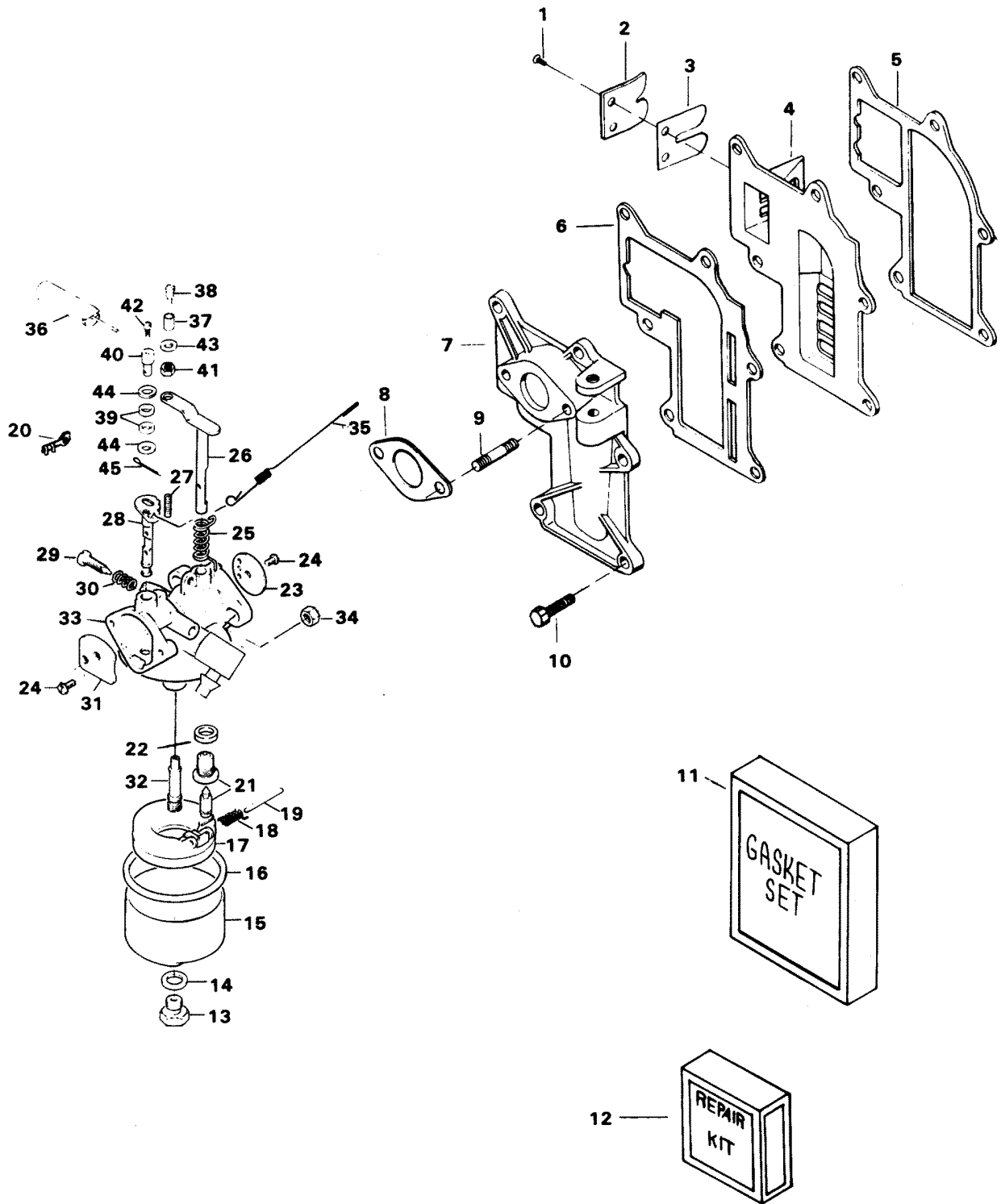
# ELECTRICAL COMPONENTS



# ELECTRICAL COMPONENTS

REF. NO.	PART NO.	SYM.	QTY.	DESCRIPTION
41	F1646		2	HEX SOCKET HD CAP SCREW, 3/8 - 16 X 2 1/4
42	F517924		1	CHOKE SOLENOID (95H4K, 95C4K)
43	F510301		1	C-D MODULE
44	F8083		1	SPRING LOCKWASHER
45	F2008		2	HEX CAP SCREW, 1/4N - 20 X 7/8
46	F517683		1	WIRE, STARTER INT. SW. TO STARTER RELAY (95H4K, 95C4K)
47	F1845		5	TY-RAP
48	F510669		1	NUT, INTERLOCK SWITCH
49	F510449		1	NEUTRAL INTERLOCK SWITCH
50	F1556		2	FILL HD M. SCREW W/SPRING LOCKWASHER, 10 - 24 X 3/8
51	F493683		1	WIRE, CIRCUIT BREAKER TO STARTER INTERLOCK SWITCH
52	F540843		1	CABLE, ELECTRIC REMOTE (95H4K, 95C4K)
53	F539843		1	CABLE ELECTRIC REMOTE EXTENSION (95H4K, 95C4K)
54	F1280		5	PAN HD SCREW, 8 - 32 X 1/4 (95H4K, 95C4K)
55	F5H078		1	IGNITION SWITCH ACCESSORY ITEM <b>W/ILLUS. 54 (95H4K, 95C4K) &amp; 56</b>
56	FA368700		1	IGNITION - NO LETTER OR STAMPED A (95H4K, 95C4K)
-	<b>FB368700</b>		<b>1</b>	<b>IGNITION KEY STAMPED B (95H4K, 95C4K)</b>
-	<b>FC368700</b>		<b>1</b>	<b>IGNITION KEY STAMPED C (95H4K, 95C4K)</b>
-	<b>FD368700</b>		<b>1</b>	<b>IGNITION KEY STAMPED D (95H4K, 95C4K)</b>
-	<b>FE368700</b>		<b>1</b>	<b>IGNITION KEY STAMPED E (95H4K, 95C4K)</b>
57	F411420		1	RETAINER, SWITCH PLATE (95H4K, 95C4K)
58	F1934		4	FLAT HD SLOTTED SCREW (95H4K, 95C4K)
59	F412181-1		1	PLATE, IGNITION U.S.A. (95H4K, 95C4K)
-	<b>817892--1</b>		<b>1</b>	<b>PLATE, IGNITION CANADA (95H4K, 95C4K)</b>
60	F1645		4	RD HD THREAD CUTTING SCREW, 6 - 32 X 1/4
61	F540908		1	WIRE, GROUND RECTIFIER TO TERM. & LOCK (95H4K, 95C4K)
62	F510841		2	WIRE, STARTER INTERLOCK SWITCH
63	F510908		1	WIRE, GROUND
64	F436280		1	NUT, SHORTING SWITCH
65	FK436449		1	SHORTING SWITCH <b>W/ILLUS. 64</b>
66	F1556		2	FILL HD M. SCREW W/SPRING LOCKWASHER, 10 - 24 X 3/8
67	F510918		1	STARTER SWITCH
68	F1437		2	FILL HD SCREW, 1/4 - 20 X 1/2
69	F510540		1	BRACKET, STARTER SWITCH
70	F510669		1	NUT, STARTER SWITCH
71	FA609853		1	DECAL, WARNING <b>W/LITERATURE</b>

# FUEL SYSTEM



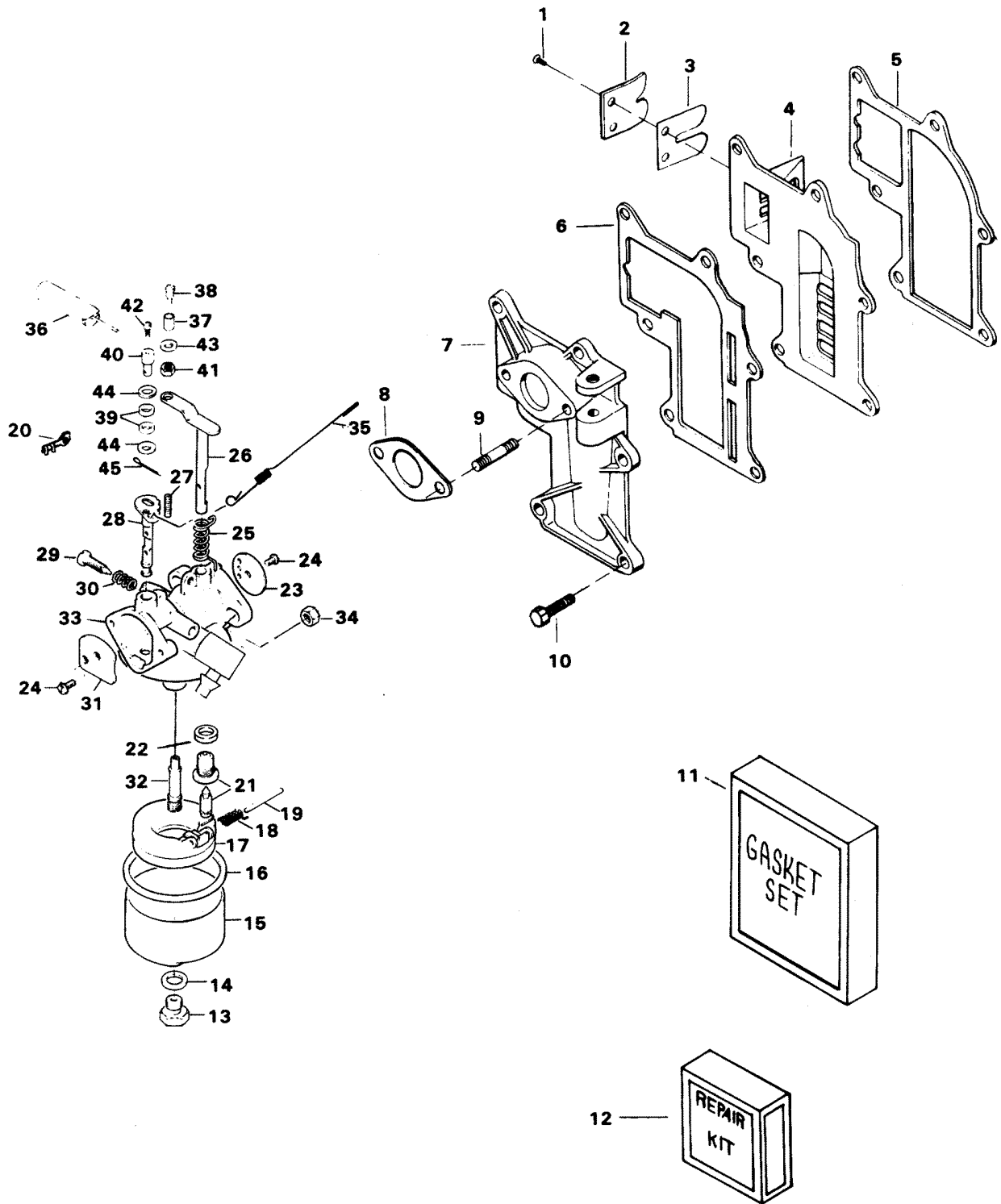


# FUEL SYSTEM

REF. NO.	PART NO.	SYM.	QTY.	DESCRIPTION
1	F1755		8	RD HD SCREW W/LOCKWASHER, 6 - 32 X 5/16
2	F424161		4	REED STOP
3	F31160-1		4	REED
4	FA424158		1	REED PLATE <b>W/ILLUS. 1, 2 AND 3</b>
5	F286159-1		1	GASKET, REED PLATE
6	F424168-1		1	GASKET, MANIFOLD
7	F2A424167		1	MANIFOLD <b>W/ILLUS. 9</b>
8	F18906		1	GASKET, CARBURETOR
9	F2788004		2	STUD, CARBURETOR
10	F2008		4	HEX HD SCREW, 1/4 - 20 X 7/8
11	FK10069		1	GASKET SET
12	FK10114		1	REPAIR KIT
13	F10113		1	JET ASSY., MAIN FUEL (.049)
14	F10090		1	GASKET, BOWL RETAINER
15	F10058		1	BOWL, FUEL
16	F10068		1	GASKET, BOWL
17	F10063		1	FLOAT ASSY.
18	F10084		1	SPRING, FLOAT SUPPORT
19	F10064		1	SHAFT, FLOAT
20	F341384		1	RETAINER, CHOKE ROD
21	F10101		1	KIT, VALVE SEAT ASSEMBLY
-	<b>F10115</b>		<b>1</b>	<b>KIT, PLUG (NOT SHOWN)</b>
22	F10066		1	GASKET, VALVE SEAT
23	F10060		1	VALVE, THROTTLE
24	F10071		2	SCREW, CHOKE AND THROTTLE VALVE
25	F10075		1	SPRING, THROTTLE RETURN
26	F10110		1	SHAFT ASSY., THROTTLE
27	F10072		1	SPRING, CHOKE STOP
28	F10111		1	SHAFT ASSY., CHOKE
29	F10077		1	NEEDLE, IDLE
30	F10073		1	SPRING, IDLE NEEDLE
31	F10112		1	VALVE, CHOKE
32	F10088		1	NOZZLE
33	F617061-1		1	CARBURETOR COMPLETE (LMB-228A)
34	F1490		2	HEX NUT, 1/4 - 20
35	F517846		1	SPRING, REMOTE CHOKE (95H4K, 95C4K)
36	FA617925		1	ROD AND PLUNGER, CHOKE SOLENOID (95H4K, 95C4K)
37	F92759		1	ROLLER, THROTTLE CAM
38	F333316		1	SHAFT, THROTTLE CAM ROLLER
39	F184579		2	SEAL, CHOKE ARM SWIVEL (95H4K, 95C4K)
40	F184033-1		1	SWIVEL, CHOKE ARM (95H4K, 95C4K)

CONTINUED ON NEXT PAGE ➡

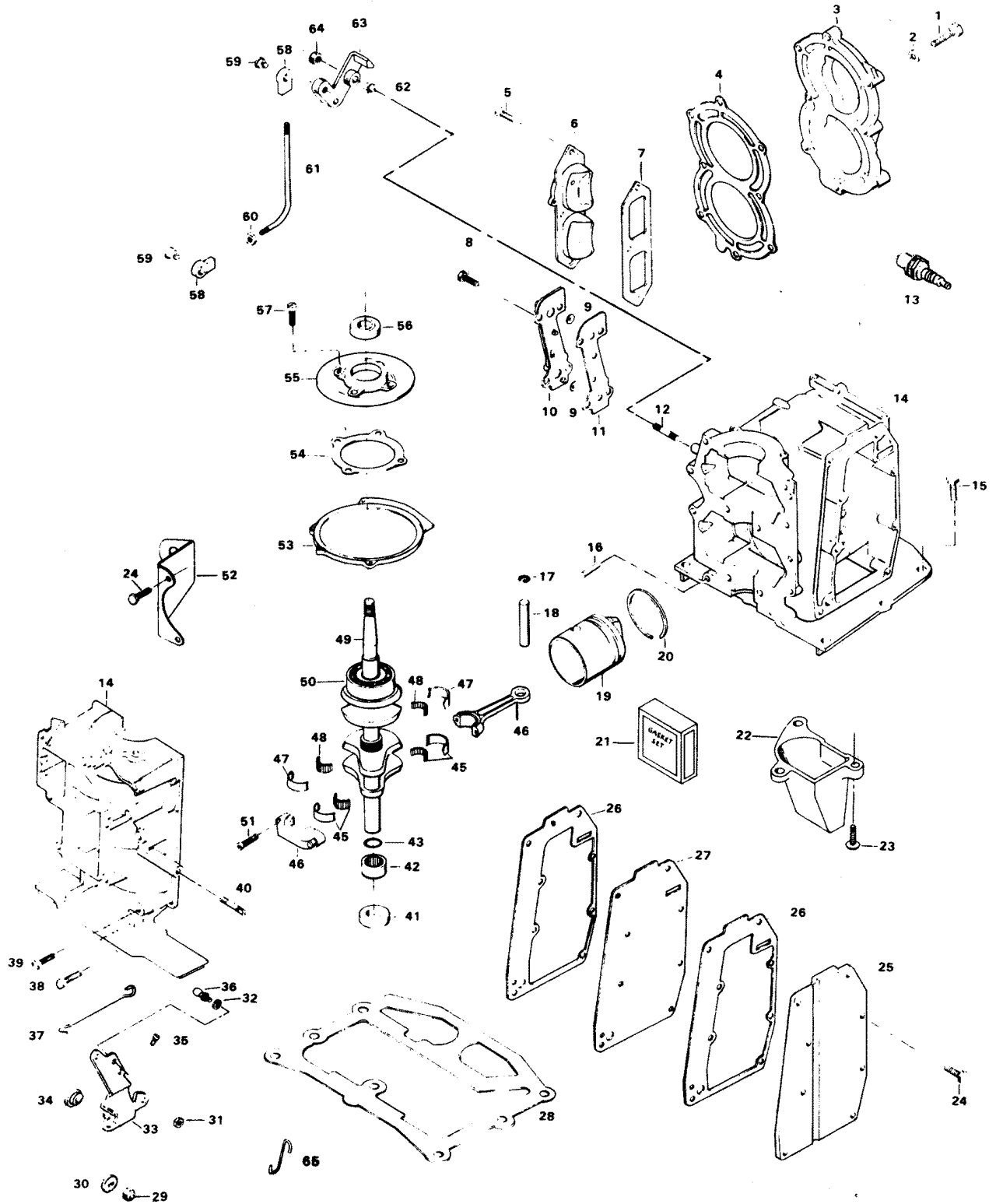
# FUEL SYSTEM



# FUEL SYSTEM

REF. NO.	PART NO.	SYM.	QTY.	DESCRIPTION
41	F1997		1	LOCK NUT, 8 - 32
42	F1059		1	FILL HD M. SC., 6 - 32 X 1/4 (95H4K, 95C4K)
43	F2042		1	PLAIN WASHER (THROTTLE ROLLER SHAFT)
44	F8088		2	PLAIN WASHER (CHOKE ARM SWIVEL) (95H4K, 95C4K)
45	F1014		1	COTTER PIN (CHOKE ARM SWIVEL TO CARB) (95H4K, 95C4K)

# POWER HEAD

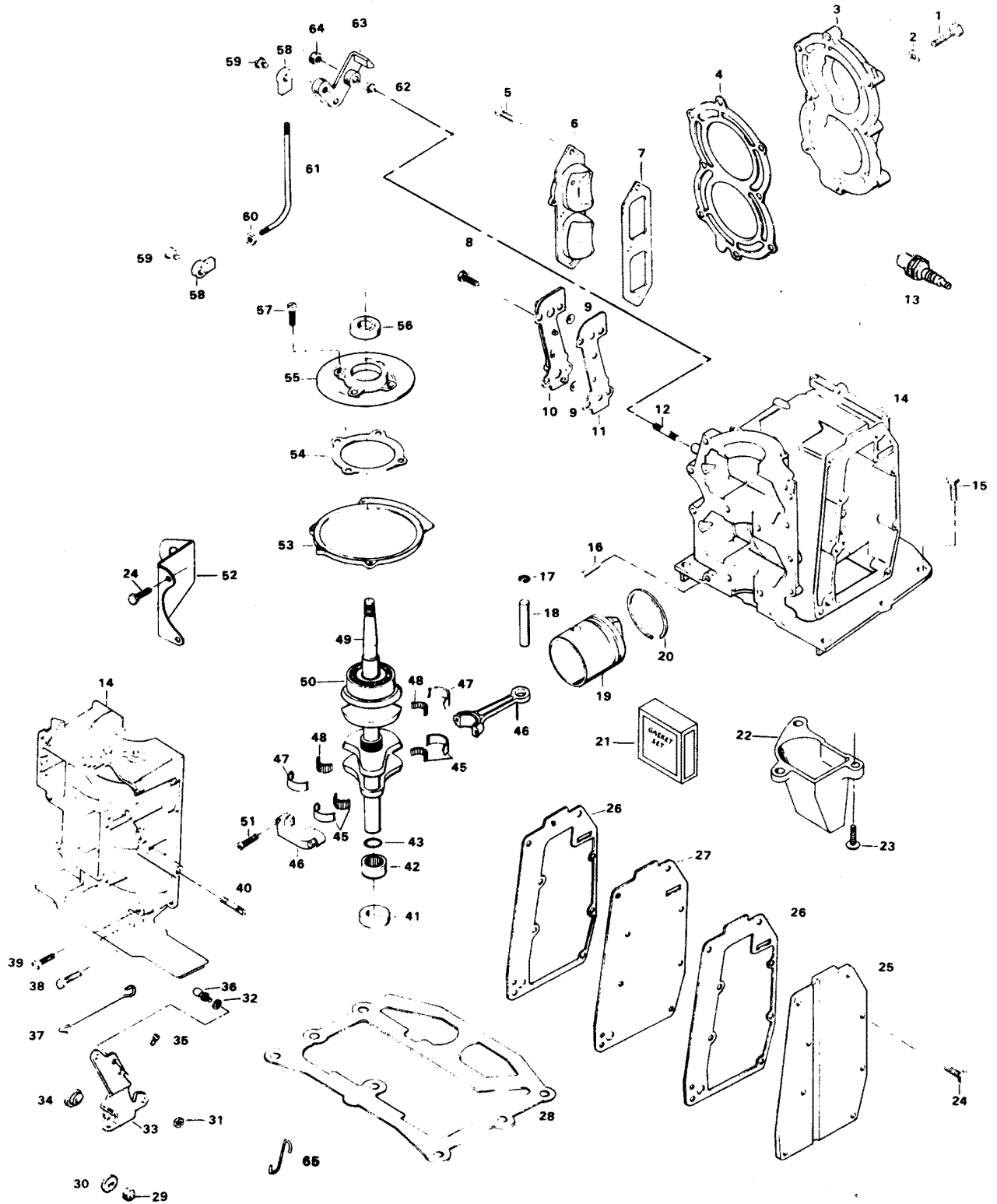


# POWER HEAD

REF. NO.	PART NO.	SYM.	QTY.	DESCRIPTION
1	F901938-1		6	SCREW, CYLINDER HEAD
2	F8025		6	PLAIN WASHER (95H4K, 95C4K)
-	<b>F8025</b>		<b>8</b>	<b>PLAIN WASHER (91H4D, 91C4D)</b>
3	F492518		1	HEAD, CYLINDER
4	F286529-3		1	GASKET, CYLINDER HEAD
5	F510165		3	SCREW
6	F510222		1	COVER, TRANSFER PORT
7	F286223		1	GASKET, TRANSFER PORT COVER
8	F1922		4	HEX HD SCREW, 1/4 - 20 X 5/8
-	<b>F1859</b>		<b>1</b>	<b>HEX SOCKET HEADLESS SET SCREW, 1/4 - 28 X 3/16 (TRANSFER PORT COVER)</b>
9	F429811		2	SCREEN
10	FA429471		1	COVER, CYLINDER DRAIN W/CHECK VALVES AND ILLUS. 9
11	F429472		1	GASKET, CYLINDER DRAIN COVER
12	F28004		1	STUD, INTERLOCK LEVER
13	33-82370M		2	PLUG, SPARK, L 82
14	FA510010		1	CYLINDER W/CRANKCASE COVER, ILLUS. 12, 16, 38, 39 AND 40
-	<b>800-817904A1</b>		<b>1</b>	<b>SHORT BLOCK (NOT SHOWN). INCLUDES ALL ITEMS MARKED WITH AN ASTERISK (*) ORIGINAL FORCE P/N C 510010-1</b>
15	F1823		6	HEX CAP SCREW, 5/16 - 18 X 1
16	F8559		2	DOWEL PIN
17	F31410		4	RETAINING RING, PISTON PIN
18	F174017		2	PIN, PISTON
19	F286015-3		2	PISTON
20	FA174260		2	PISTON RING SET (2 PER SET)
21	FG1005-2		1	GASKET SET. INCLUDES ITEMS MARKED WITH A STAR (*)
-	<b>F18906</b>		<b>1</b>	<b>CARBURETOR GASKET</b>
-	<b>F286154</b>		<b>2</b>	<b>GASKET EXHAUST COVER</b>
-	<b>F286159-1</b>		<b>1</b>	<b>GASKET, REED PLATE</b>
-	<b>F286223</b>		<b>1</b>	<b>GASKET, TRANSFER PORT COVER</b>
-	<b>F286277</b>		<b>1</b>	<b>GASKET, CRANKSHAFT BEARING CAGE</b>
-	<b>F286279-2</b>		<b>1</b>	<b>GASKET, CYLINDER MOUNTING</b>
-	<b>F286529-3</b>		<b>1</b>	<b>GASKET, CYLINDER HEAD</b>
-	<b>F424168-1</b>		<b>1</b>	<b>GASKET, MANIFOLD</b>
-	<b>F429472</b>		<b>1</b>	<b>GASKET, CYLINDER DRAIN COVER</b>
-	<b>F286472</b>		<b>1</b>	<b>GASKET, CYLINDER DRAIN COVER</b>
22	F487660-1		1	EXHAUST TUBE
23	F2040		3	TAPTITE HEX WASHER HD SCREW, 1/4 - 20 X 5/8
24	F2008		10	HEX HD SCREW, 1/4 - 20 X 7/8
25	F286152		1	COVER, EXHAUST
26	F286154		2	GASKET, EXHAUST COVER
27	F286151		1	PLATE, EXHAUST

CONTINUED ON NEXT PAGE ➡

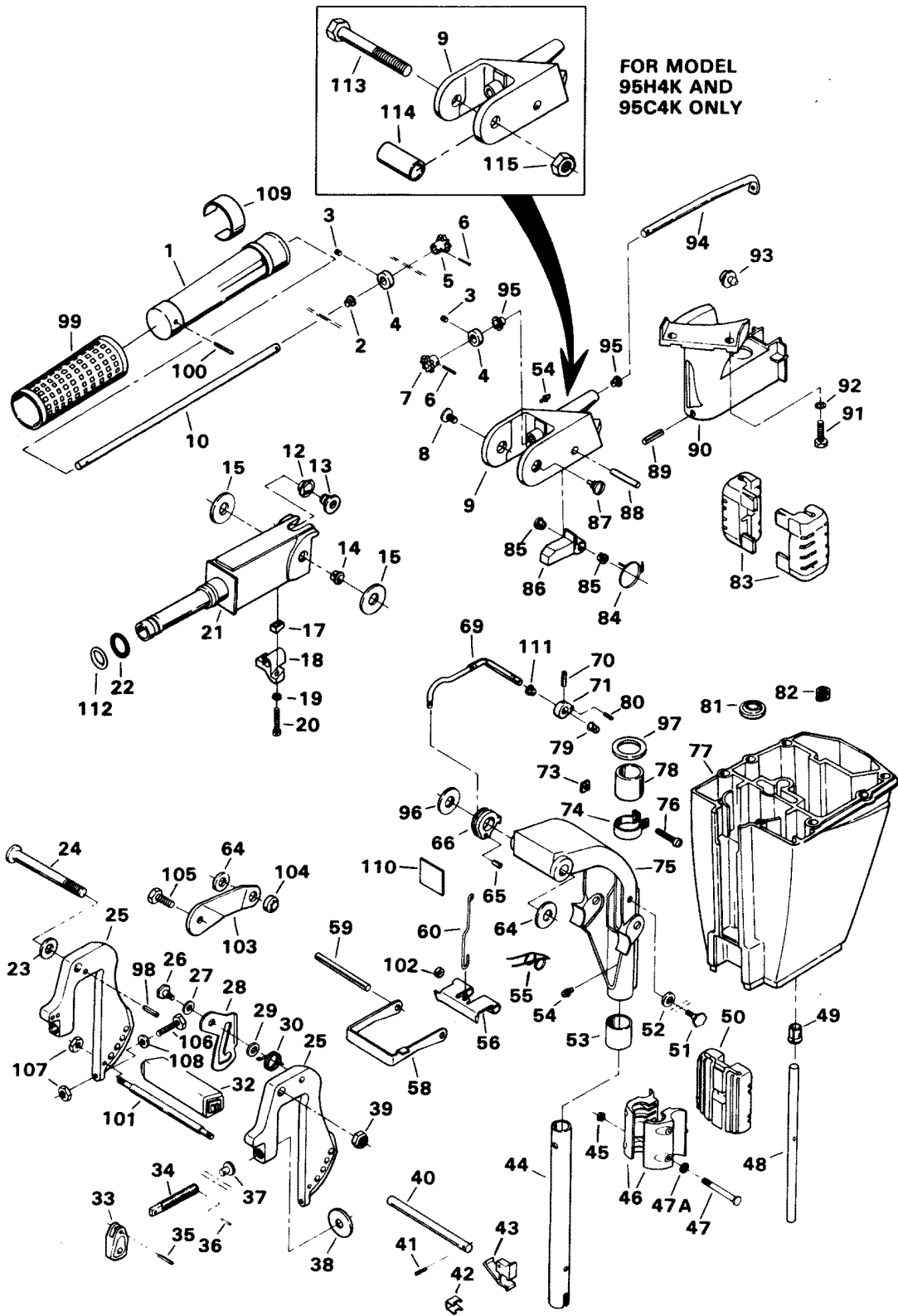
# POWER HEAD



# POWER HEAD

REF. NO.	PART NO.	SYM.	QTY.	DESCRIPTION
28	F286279-2		1	GASKET, CYLINDER MOUNTING
29	F1803		1	STOP NUT, 5/16 - 24
30	F286282		1	WASHER
31	F1513		1	HEX NUT 10 - 32 (95H4K, 95C4K)
32	F8058		2	INTERNAL TOOTH LOCK WASHER
33	817971A3		1	LEVER, MAGNETO CONTROL ASSEMBLY
34	F183813		1	BEARING, MAGNETO CONTROL LEVER
35	F1820		1	FILL HD SCREW, 1/4 - 20 X 1-3/8
36	F98273		1	STUD, REMOTE THROTTLE CONNECTOR (95H4K, 95C4K)
37	F286509		1	LINK, THROTTLE CAM
38	F1107		8	FILL HD SCREW, 1/4 - 20 X 3/4
39	F1335		4	FILL HD SCREW, 5/16 - 18 X 1-1/4
40	F286440		1	STUD, MAGNETO CONTROL LEVER
41	F141118		1	SEAL, CRANKSHAFT LOWER
42	F343014		1	BEARING, CRANKSHAFT LOWER MAIN
43	F461342		1	SEAL, DRIVESHAFT SPLINE
45	FA567241		2	CRANKPIN ROLLER BEARING CAGE
46	FA36016-4		2	ROD, CONNECTING <b>W/ILLUS. 51</b>
47	FA286155		1	MAIN BEARING LINER SET (2 PER SET)
48	F286571		1	ROLLER SET, MAIN BEARING (26 PER SET)
49	400-818047A3		1	CRANKSHAFT <b>W/ILLUS. 50 ORIGINAL FORCE P/N 2A 286018-3</b>
50	F286028		1	BEARING, CRANKSHAFT UPPER MAIN
51	F36634		4	SCREW, CONNECTING ROD
52	F510551-1		1	BRACKET, INTERLOCK SWITCH
53	F73082		1	RING, MAGNETO STATOR
54	F286277		1	GASKET, CRANKSHAFT BEARING CAGE
55	1100-817753A1		1	CAGE, CRANKSHAFT BEARING <b>W/ILLUS. 56 ORIGINAL FORCE P/N A 286144-1</b>
56	F346146		1	SEAL, CRANKSHAFT UPPER
57	F1111		4	FILL HD SCREW, 1/4 - 20 X 7/8
58	F84035-2		2	BEARING, INTERLOCK ROD
59	F84026		2	SWIVEL, INTERLOCK ROD BEARING
60	F1339		1	HEX NUT, 10 - 24
61	F510531		1	ROD, INTERLOCK
62	F197813		1	BEARING, INTERLOCK LEVER
63	F517977-1		1	LEVER, INTERLOCK
64	F7008		1	STOP NUT, 1/4 - 20
65	F286445		1	LINK, MAGNETO SHAFT (91H4D, 91C4D)

# MOTOR LEG



0B3929

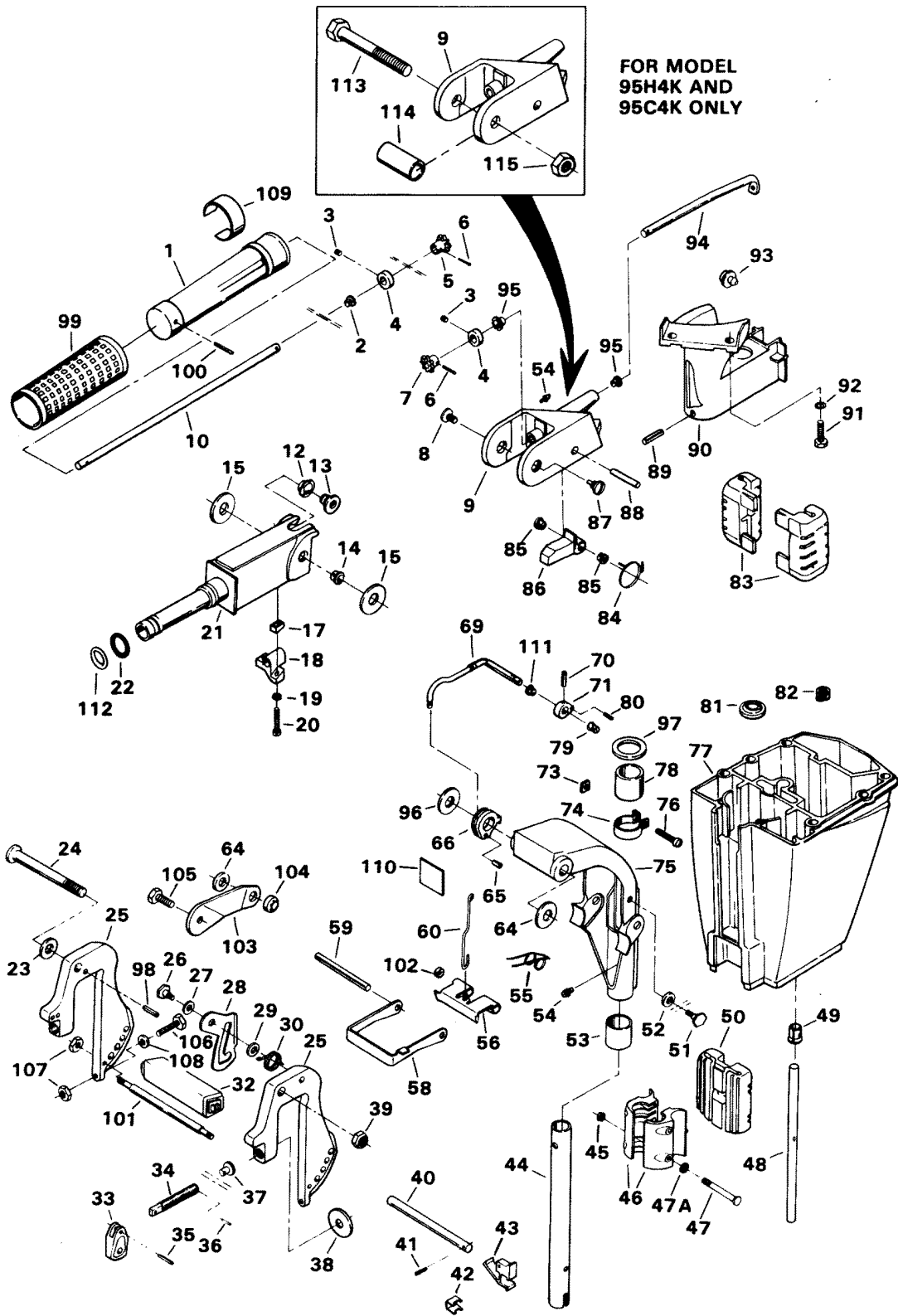


# MOTOR LEG

REF. NO.	PART NO.	SYM.	QTY.	DESCRIPTION
1	FA456137		1	GRIP, STEERING HANDLE <b>W/ILLUS. 99 (91H4D, 91C4D)</b>
2	F85610		1	BEARING (91H4D, 91C4D)
3	F1859		2	HEX SOCKET HEADLESS SET SCREW (91H4D, 91C4D)
4	FA343178		2	RETAINER <b>W/ILLUS. 3 (91H4D, 91C4D)</b>
5	43-818009--1		1	GEAR, STEERING HANDLE SHAFT (91H4D, 91C4D)
6	F1978		2	SPRING PIN (91H4D, 91C4D)
7	43-818009--1		1	GEAR, MAGNETO CONTROL SHAFT (91H4D, 91C4D)
8	F1799		1	TRUSS HD SCREW, 5/16 - 18 X 5/8 (91H4D, 91C4D)
9	817751A3		1	STEERING HANDLE BRACKET <b>W/ILLUS. 54 ORIGINAL FORCE P/N A 286078-2</b>
10	F429688		1	SHAFT, STEERING HANDLE (91H4D, 91C4D)
12	F286818		1	BEARING (91H4D, 91C4D)
13	F286224		1	INSERT, STEERING HANDLE PIVOT (91H4D, 91C4D)
14	F197813		1	BEARING (91H4D, 91C4D)
15	F286220		2	WASHER, STEERING HANDLE (91H4D, 91C4D)
17	F341693		1	WEDGE, STEERING HANDLE (91H4D, 91C4D)
18	F487816		1	BEARING, STEERING HANDLE (91H4D, 91C4D)
19	F8058		2	INTERNAL TOOTH LOCKWASHER (91H4D, 91C4D)
20	F1829		2	FILL HD SCREW, 10 - 24 X 7/8 (91H4D, 91C4D)
21	F286079-1		1	STEERING HANDLE (91H4D, 91C4D)
22	F53795-1		1	SEAL, STEERING HANDLE GRIP DAMPENER (91H4D, 91C4D)
23	F2014		1	PLAIN WASHER
24	F286037		1	STERN BRACKET PIVOT BOLT
25	FK567532		2	STERN BRACKET <b>W/ILLUS. 34, 106, 107, 108</b>
26	F286422-1		1	TILT LOCK PIVOT
27	F1666		1	BOWED SPRING WASHER
28	F429541		1	TILT LOCK
29	F286451		1	SPACER, TILT LOCK
30	F286544-1		1	SPRING, TILT STOP
32	F286647		1	CARRYING HANDLE
33	F424075		2	HANDLE, CLAMP SCREW
34	817761A2		2	CLAMP SCREW <b>W/ILLUS. 35, 37 AND 38 ORIGINAL FORCE P/N A 298073-2</b>
35	F8554		2	SPRING PIN
36	F8537		2	SPRING PIN
37	F66480		2	STUD CLAMP SCREW
38	F24074		2	CLAMP SCREW FOOT
39	F7026		1	STOP NUT, 3/8 - 16
40	FA617113		1	LOCK BAR <b>W/ILLUS. 41, 42 AND 43</b>
41	F8540		1	SPRING PIN
42	F286461		1	SPRING, LOCK BAR HANDLE
43	F286114		1	LOCK BAR HANDLE
44	F286019		1	KING PIN
45	F1341		2	HEX NUT, 1/4 - 20

CONTINUED ON NEXT PAGE ➡

# MOTOR LEG



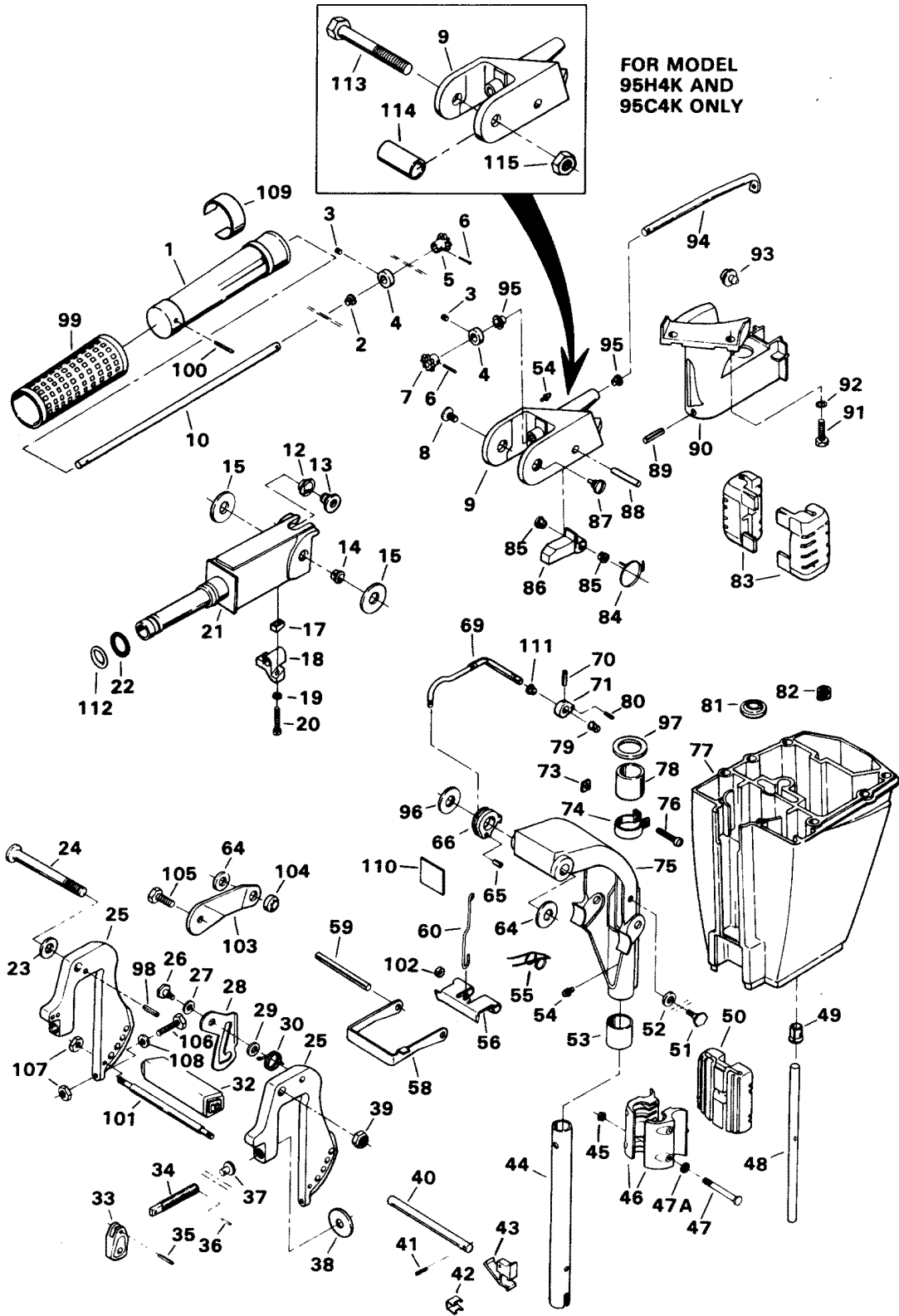
OB3929

# MOTOR LEG

REF. NO.	PART NO.	SYM.	QTY.	DESCRIPTION
46	F286956		2	BRACKET, SHOCK MOUNT LOWER
47	FA1844		2	HEX BOLT, 1/4 - 20 X 2-3/8 <b>W/ILLUS. 47A</b>
47A	F8083		2	SPRING LOCKWASHER
48	F286244		1	WATER LINE
49	F286914		1	SLEEVE WATER LINE
50	F286346		1	SHOCK MOUNT LOWER
51	F286422-1		1	TILT LOCK PIVOT
52	F286451		1	SPACER, TILT LOCK
53	F286169		1	BEARING, SWIVEL BRACKET
54	F213274		3	GREASE FITTING (91H4D, 91C4D USES 1 ONLY)
55	F286300		1	SPRING, REVERSE LOCK
56	F516349		1	REVERSE LOCK
58	F286433		1	BRACKET SHALLOW WATER DRIVE
59	F1806		1	GROOVE PIN
60	FA341510		1	LINK, REVERSE LOCK LEVER <b>W/LITERATURE</b>
64	F286286-1		2	WASHER, STERN BRACKET
65	F1794		1	SPRING PIN
66	F286827		1	REVERSE LOCK RELEASE LEVER
69	FA387742		1	LEVER, REVERSE LOCK INTERMEDIATE ASSEMBLY
70	F8538		1	SPRING PIN
71	F286364		1	LEVER, REVERSE LOCK
73	F1608		1	SQUARE NUT, 1/4 - 20
74	F286573-1		1	CLAMP, STEERING HANDLE
75	1400-817750A4		1	SWIVEL BRACKET <b>W/ILLUS. 54 ORIGINAL FORCE P/N A 286072-2</b>
76	F1820		1	FILL HD SCREW, 1/4 - 20 X 1-3/8
77	F2A477133		1	MOTOR LEG <b>W/ITEMS 48, 49 &amp; 81</b>
78	F286169		1	BEARING, SWIVEL BRACKET
79	F197813		1	BEARING
80	F1794		1	SPRING PIN
81	F901307-2		1	SEAL, WATER LINE UPPER
82	F286414		1	SPRING, LEG WATER BRACKET
83	F517347		2	SHOCK MOUNT UPPER
84	F286868		1	SPRING, STEERING HANDLE STOP (91H4D, 91C4D)
85	F197813		2	BEARING, STEERING HANDLE STOP (91H4D, 91C4D)
86	F286490		1	STEERING HANDLE STOP (91H4D, 91C4D)
87	F286080		1	SCREW, STEERING HANDLE PIVOT (91H4D, 91C4D)
88	F1807		1	GROOVE PIN (91H4D, 91C4D)
89	F1805		1	SPRING PIN
90	FA286582		1	STEERING ARM <b>W/ILLUS. 89 &amp; 93</b>
91	F1922		2	HEX WASHER HD M SC., 1/4 - 20 X 5/8
92	F8060		2	EXTERNAL TOOTH LOCKWASHER
93	F286539		1	BUMPER

CONTINUED ON NEXT PAGE ➡

# MOTOR LEG

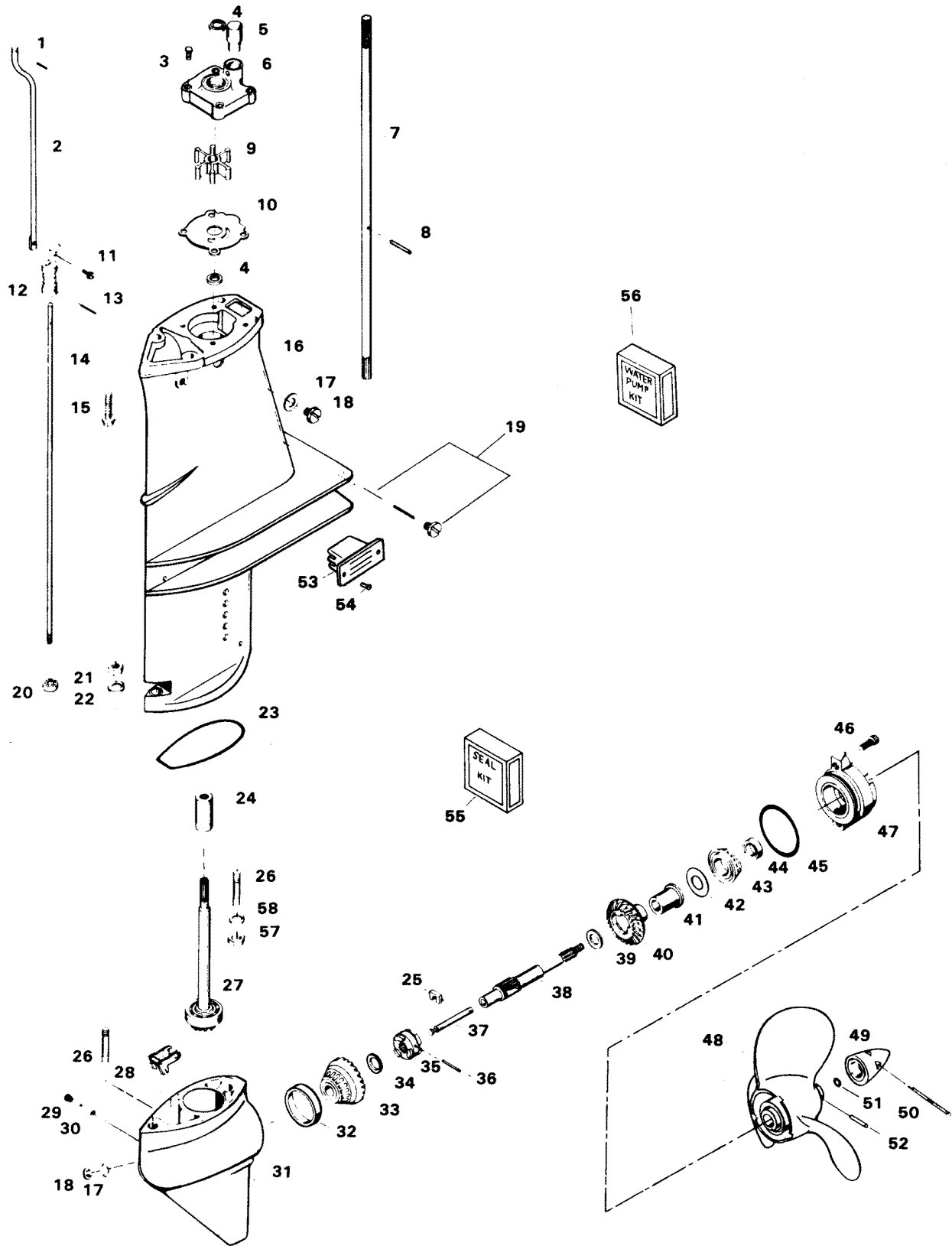


OB3929

# MOTOR LEG

REF. NO.	PART NO.	SYM.	QTY.	DESCRIPTION
94	F431838		1	MAGNETO CONTROL SHAFT (91H4D, 91C4D)
95	F307818		2	BEARING
96	F525286		1	WASHER
97	F286011		1	WASHER, SWIVEL BRACKET
98	F8538		1	SPRING PIN
99	F458695		1	SLEEVE (91H4D, 91C4D)
100	F8548		1	SPRING PIN (91H4D, 91C4D)
101	F517273		1	TIE BAR
102	F516677		2	SPACER, REVERSE LOCK
103	F517078		1	BRACKET, LOCK STEERING (95H4K, 95C4K)
104	F516697		1	NUT, STEERING LOCK BRACKET
105	F516552		1	SCREW, STEERING LOCK BRACKET (91H4D, 91C4D)
106	F1887		2	HEX SLOTTED HD SCREW, 1/4 - 20 X 3-3/16
107	F7024		4	LOCK NUT
108	F2012		2	PLAIN WASHER
109	37-F286894-3		1	SPEED CONTROL INDICATOR (91H4D, 91C4D)
110	F286585-1		1	DECAL, TILT RELEASE
111	F536813		1	BEARING, REVERSE LOCK INTERMEDIATE LEVER
112	F215795		1	STEERING HANDLE DAMPNER (91H4D, 91C4D)
113	F517552		1	SCREW, STEERING HANDLE BRACKET (95H4K, 95C4K)
114	F516451		1	SPACER, STEERING HANDLE BRACKET (95H4K, 95C4K)
115	F7025		1	LOCK NUT, 3/8 - 16

# GEAR HOUSING

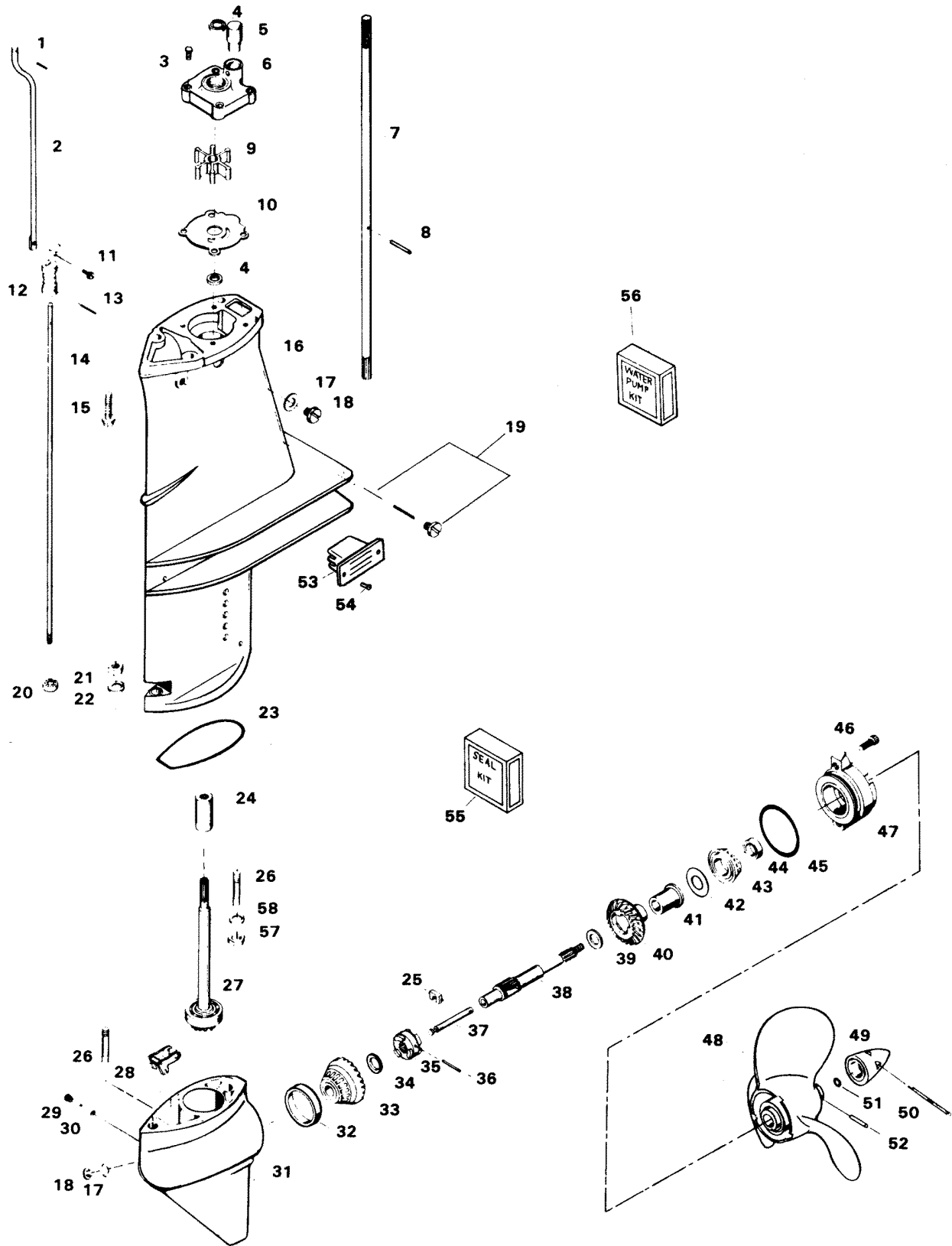


# GEAR HOUSING

REF. NO.	PART NO.	SYM.	QTY.	DESCRIPTION
1	F8540		1	SPRING PIN (SEE PAGE 2, ILLUS. 60)
2	F286615		1	GEAR SHIFT ROD, UPPER
3	F2030		4	HEX HD SCREW, 1/4 - 20 X 1 1/4
4	F901307-2		2	SEAL
5	FA510914		1	SEAL, INLET WATER LINE W/LITERATURE
6	FA504060		1	WATER PUMP BODY WILLUS. 4 & 5
7	F343128		1	DRIVESHAFT
8	F901563		1	WATER PUMP IMPELLER DRIVE PIN
9	F436065-2		1	WATER PUMP IMPELLER
10	F341562		1	WATER PUMP BACK PLATE
11	F1976		1	SOCKET HD SCREW W/WASHER, 10 - 24 X 1/2
12	F516704-1		1	COUPLING SHIFT ROD
13	F8540		1	SPRING PIN
14	F516705		1	GEAR SHIFT ROD, LOWER
15	F430732		4	HEX HD SCREW, 5/16 - 18 X 1 1/4
16	1600-817844A3		1	GEAR HOUSING UPPER W/ 4, 17, 18, 20, 53 AND BEARING
17	F8077		2	NYLTITE WASHER
18	F50109		2	GEAR HOUSING PLUG
19	FA487885		1	RETAINER, DETENT SPRING ASSEMBLY
20	F338618-1		1	SEAL, SHIFT ROD LOWER
21	F1346		1	HEX NUT, S.S., 3/8 - 16
22	F8065		1	LOCKWASHER
23	F435555		1	SEAL, GEAR HOUSING, LOWER
24	F517125		1	COUPLING, DRIVESHAFT
25	F90619-1		1	YOKE
26	F40008		2	STUD
27	F2A516266		1	PINION SHAFT W/BEARING
28	817796A2		1	GEAR SHIFT ARM
29	F498891		1	GEAR SHIFT ARM PIN
30	F498618		1	SEAL "O" RING
31	FA516054		1	GEAR HOUSING LOWER WILLUS. 17, 18 AND 32
-	<b>FC516054</b>		<b>1</b>	<b>GEAR HOUSING - COMPLETE (NOT SHOWN. INCLUDES ALL ITEMS MARKED WITH AN ASTERISK (*))</b>
32	F458250		1	BEARING CUP
33	F2A516023		1	BEVEL GEAR FORWARD W/BEARING
34	F2087		A/R	SPACER, BEVEL GEAR FRONT .056
-	<b>F2055</b>		<b>A/R</b>	<b>SPACER, BEVEL GEAR FRONT .059</b>
-	<b>F2056</b>		<b>A/R</b>	<b>SPACER, BEVEL GEAR FRONT .062</b>
-	<b>F2057</b>		<b>A/R</b>	<b>SPACER, BEVEL GEAR FRONT .065</b>
-	<b>F2058</b>		<b>A/R</b>	<b>SPACER, BEVEL GEAR FRONT .068</b>
-	<b>F2059</b>		<b>A/R</b>	<b>SPACER, BEVEL GEAR FRONT .071</b>
-	<b>F2060</b>		<b>A/R</b>	<b>SPACER, BEVEL GEAR FRONT .074</b>
-	<b>F2061</b>		<b>A/R</b>	<b>SPACER, BEVEL GEAR FRONT .077</b>

CONTINUED ON NEXT PAGE ➡

# GEAR HOUSING

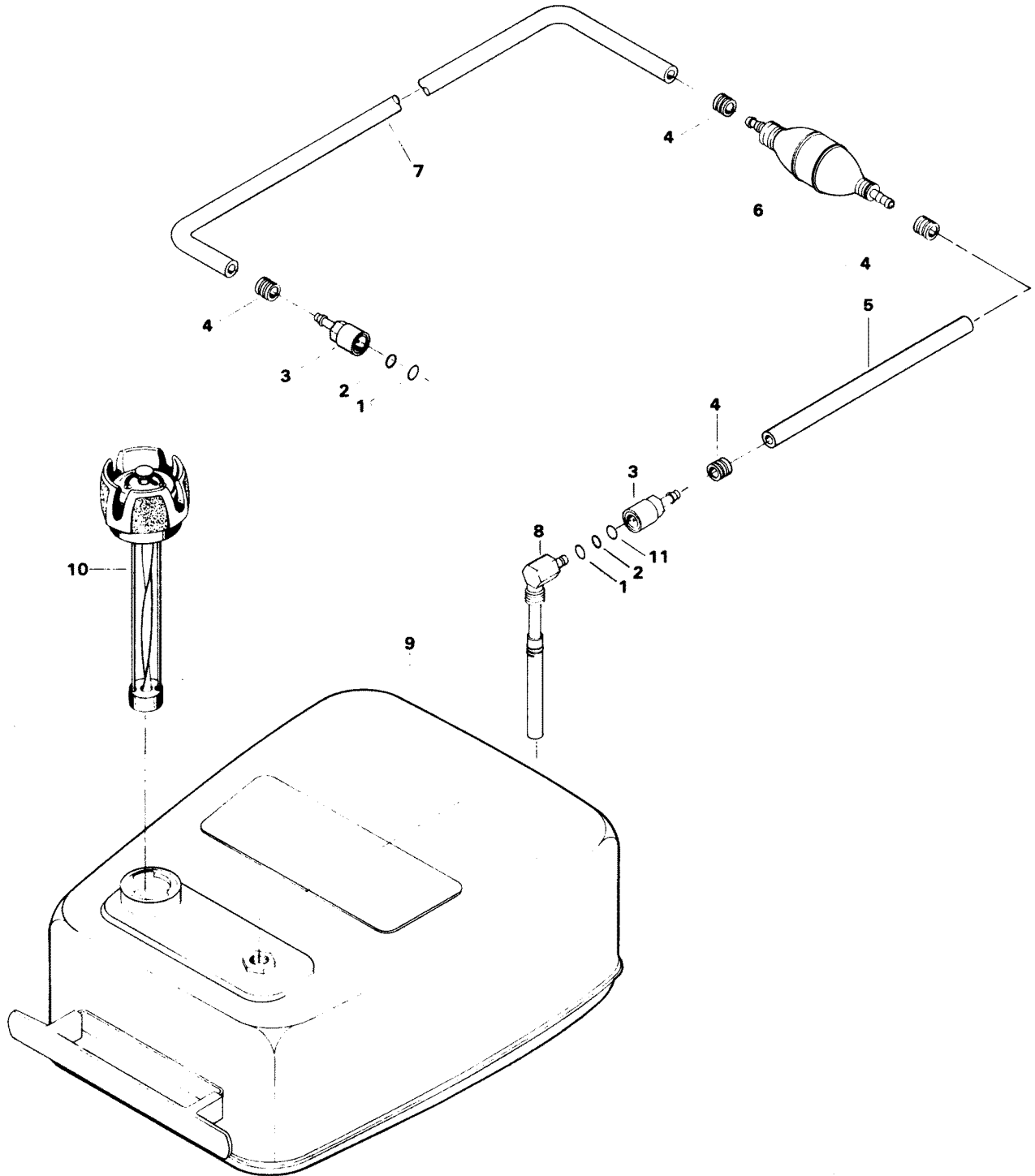




# GEAR HOUSING

REF. NO.	PART NO.	SYM.	QTY.	DESCRIPTION
-	<b>F2062</b>		<b>A/R</b>	<b>SPACER, BEVEL GEAR FRONT .080</b>
-	<b>F2063</b>		<b>A/R</b>	<b>SPACER, BEVEL GEAR FRONT .083</b>
-	<b>F2064</b>		<b>A/R</b>	<b>SPACER, BEVEL GEAR FRONT .086</b>
35	F99521-1		1	CLUTCH
36	F2097		1	SPRING PIN, CLUTCH
37	F90871-3		1	GEAR SHIFT ARM PIN
38	FA474098		1	PROPELLER SHAFT
39	F40717		1	THRUST WASHER BEVEL GEAR
40	F516662		1	GEAR, BEVEL, REAR
41	F474143		1	BEARING, BEVEL GEAR REAR
42	F2052		A/R	SHIM PROPELLER SHAFT BEARING .005 (SILVER)
-	<b>F2053</b>		<b>A/R</b>	<b>SHIM PROPELLER SHAFT BEARING .006 (RED)</b>
-	<b>F2054</b>		<b>A/R</b>	<b>SHIM PROPELLER SHAFT BEARING .008 (BLACK)</b>
43	F474225		1	BEARING, PROPELLER SHAFT REVERSE THRUST
44	F141118		1	SEAL, PROPELLER SHAFT
45	F141305		1	SEAL, PROPELLER SHAFT BEARING CAGE
46	F1994		2	HEX SOCKET HD CAP SCREW, 5/16 - 18 X 1
47	F2A474298		1	PROPELLER SHAFT BEARING CAGE <b>W/ILLUS. 44 AND BEARING CUP</b>
48	FP278		1	PROPELLER (ACCESSORY ITEM)
49	FA94094-2		1	PROPELLER NUT <b>W/ILLUS. 50 AND 51</b>
50	F1027		1	COTTER PIN
51	F40342		1	SEAL, PROPELLER NUT
52	FK247		1	PROPELLER PIN (PACK OF 6) <b>W/ILLUS. 50</b>
53	FA516485		1	ANTICORROSION ANODE <b>W/LITERATURE</b>
54	F1733		2	PAN HD SCREW, 10 - 24 X 9/16
55	FK1064		1	GEAR HOUSING SEAL KIT. <b>INCLUDES ALL ITEMS MARKED WITH A DOUBLE ASTERISK (**)</b> AND LITERATURE
56	FK1031-1		1	WATER PUMP KIT. <b>INCLUDES ALL ITEMS MARKED WITH A STAR (*)</b>
-	<b>F2030</b>		<b>4</b>	<b>SCREW</b>
-	<b>F341562</b>		<b>1</b>	<b>PLATE, WATER PUMP BACK</b>
-	<b>F436065-2</b>		<b>1</b>	<b>IMPELLER</b>
-	<b>F901563</b>		<b>1</b>	<b>DRIVE PIN</b>
-	<b>FA504060</b>		<b>1</b>	<b>BODY, WATER PUMP</b>
57	F7004		1	NUT, STOP, 3/8 - 16
58	F2014		1	PLAIN WASHER

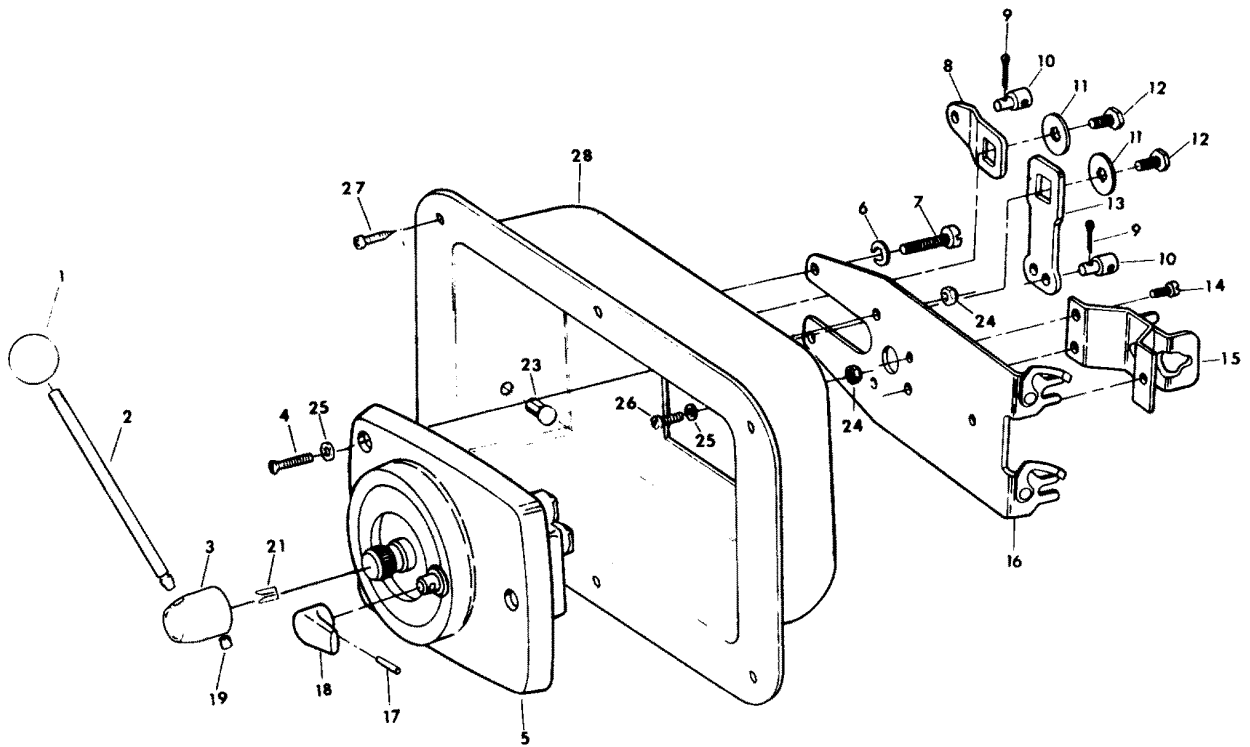
# FUEL TANK AND LINE



## FUEL TANK AND LINE

REF. NO.	PART NO.	SYM.	QTY.	DESCRIPTION
1	F17816		2	SEAL, FUEL LINE COUPLER
2	F17815		2	SEAL, FUEL LINE COUPLER
3	F197787-3		2	FUEL LINE COUPLER
4	F298788		2	FERRULE
5	FA84754-1		1	FUEL LINE SHORT <b>W/ILLUS. 4</b>
6	89396A38		1	PRIME BULB
7	32-817738A1		1	FUEL LINE, LONG <b>W/CLAMP AND ILLUS. 4 ORIGINAL FORCE P/N A 197752 - 1</b>
8	F485755-1		1	FUEL TANK ADAPTER
9	F5H026		1	FUEL TANK (ACCESSORY ITEM)
10	F409251-1		1	GAUGE CAP
11	F17817		1	SEAL
-	<b>FS409752</b>		<b>1</b>	<b>FUEL LINE COMPLETE. (NOT SHOWN) W/ITEMS 1, 2, 3, 4, 5, 6 AND 7</b>
-	<b>FC409398</b>		<b>1</b>	<b>DECAL, TOTE TANK - CANADA (NOT SHOWN)</b>

# REMOTE CONTROL



# REMOTE CONTROL

REF. NO.	PART NO.	SYM.	QTY.	DESCRIPTION
1	F17081		1	KNOB (BLACK)
2	F17150		1	LEVER
3	F17151		1	HUB
4	F1653		3	RAISED COUNTERSUNK PHILLIPS HEAD
5	F17035		1	GEAR ASSEMBLY
6	F8061		4	INTERNAL TOOTH LOCKWASHER
7	F1504		4	FILL HD SCREW, 1/4 - 20 X 1 - 1/4
8	F17014		1	THROTTLE ARM
9	F17149		2	COTTER PIN
10	F17016		2	CABLE TERMINAL
11	F17036		2	INTERNAL TOOTH LOCKWASHER
12	F17155		2	HEX HD BOLT, 1/4 - 28 X 1/2
13	F17019		1	CLUTCH ARM
14	F1091		3	FILL HD SCREW, 10 - 32 X 5/16
15	F17037		1	ANCHOR BRACKET ASSY
16	F17038		1	HANGER PLATE
17	F1744		1	GROOVE PIN, 1/8 X 3/4
18	F17039		1	CLUTCH KNOB
19	F17030-1		1	SET SCREW 5/16 - 18 X 5/16
21	F17152		1	SPRING CLIP
23	F9066		1	PLUG
24	F7009		4	STOP NUT 10 - 24
25	F8011		1	<b>4 PLAIN WASHER</b>
26	F1979		1	PAN HD SCREW 10 - 24 X 1/2
27	F1741		6	WOOD SCREW #8 X 3/4
28	F565181		1	PANEL, CONTROL MOUNTING

## SPECIAL TOOLS - TUNE-UP

REF. NO.	PART NO.	SYM.	QTY.	DESCRIPTION
-	FT2909		0	KNOCK-OFF NUT TO REMOVE FLYWHEEL
-	FT2989		0	FLYWHEEL WEDGE TO REMOVE FLYWHEEL

## SPECIAL TOOLS - POWER HEAD

REF. NO.	PART NO.	SYM.	QTY.	DESCRIPTION
-	FT2908		0	SEAL SLEEVE TO INSTALL UPPER CRANKSHAFT BEARING CAGE SEAL
-	FT8929		0	ADAPTER AND HEX BIT TO TORQUE CONNECTING ROD SCREWS
-	FT8949		0	SEAL INSTALLER TO INSTALL LOWER CRANKSHAFT SEAL
-	FT2997		0	RING COMPRESSOR TO INSTALL PISTONS
-	FT8926		0	RING EXPANDER TO INSTALL RINGS ON PISTONS
-	FT3012		0	SEAL INSTALLER TO REMOVE AND INSTALL CRANKSHAFT BEARING CAGE SEAL
-	FT2998		0	TORQUE WRENCH (0-100 LBS/FT) TO PROPERLY TORQUE FASTENERS
-	FT2999		0	TORQUE WRENCH (0-600 LBS/IN) TO PROPERLY TORQUE FASTENERS
-	FT8993		0	TORQUE WRENCH ADAPTER TO PROPERLY TORQUE LOWER CYL. HD. BOLTS
-	FT2991		0	CARBON BRUSH TO REMOVE CARBON FROM INSIDE POWERHEAD
-	FT8900		0	HOSE CLAMP PLIERS TO REMOVE AND INSTALL FUEL HOSE CLAMPS
-	FT1749		0	SNAP RING PLIER TO REMOVE AND INSTALL PISTON PIN RETAINING RINGS

## SPECIAL TOOLS - LOWER UNIT

REF. NO.	PART NO.	SYM.	QTY.	DESCRIPTION
-	FT8904		0	FORWARD CUP INSTALLER TO INSTALL FORWARD BEARING CUP
-	FT8907		0	DRIVER HANDLE TO INSTALL FORWARD BEARING CUP
-	FT8921		0	CUP REMOVER TO REMOVE FORWARD BEARING CUP
-	FT8918		0	BEARING GUIDE SET TO REMOVE FORWARD BEARING CUP
-	FT3431		0	SEAL INSTALLER TO INSTALL PROPELLER SHAFT SEAL
-	FT8919		0	SPRING PIN PUNCH TO REMOVE CLUTCH PIN
-	FT2907		0	SEAL INSTALLER TO INSTALL DRIVESHAFT SEAL - WATER PUMP AND GEAR HOUSING
-	FT8948-1		0	PULLER TO REMOVE PROPELLER SHAFT BEARING CAGE
-	FT8985		0	SEAL INSTALLER TO INSTALL PROPELLER SHAFT SEAL
-	FT8957		0	SEAL INSTALLER TO INSTALL SHIFT ROD SEAL
-	FT8920		0	BEARING INSTALLER TO INSTALL PROPELLER SHAFT BEARING
-	FT8924-1		0	CHECKING GAUGE TO SHIM LOWER UNIT
-	FT8982		0	SHIM ADAPTER TO USE WITH CHECKING GAUGE (T8924-1)
-	FT8995		0	SHIM SPACER TO USE WITH CHECKING GAUGE (T8924-1)
-	FT8901		0	INDICATOR HOLDER TO USE WITH CHECKING GAUGE T8924-1
-	FT8902		0	DIAL INDICATOR TO USE WITH CHECKING GAUGE T8924-1



## SPECIAL TOOLS - TEST EQUIPMENT

REF. NO.	PART NO.	SYM.	QTY.	DESCRIPTION
-	FT2955A		0	TEST WHEEL TO TEST MOTOR IN TEST TANK
-	FT8950		0	LEAKAGE TESTER TO TEST LOWER UNIT SEAL FOR LEAKS
-	FT8996		0	IGNITION TESTER TO TEST TRIGGER OUTPUT
-	FT8953		0	C-D TESTER TO TEST STATOR OUTPUT AND SECONDARY VOLTAGE
-	FT2951		0	CIRCUIT TRACER TO TROUBLESHOOTER 12 VOLT CIRCUITS
-	FT2938-1		0	TEST LIGHT TO MAKE CONTINUITY TESTS

## SPECIAL TOOLS - LUBRICANTS AND SEALANTS

REF. NO.	PART NO.	SYM.	QTY.	DESCRIPTION
-	FT2961		0	LUBRICANT - RYKON GREASE #2EP
-	FT2987-1		0	LUBRICANT - ANTI-SEIZE
-	FT8969		0	LUBRICANT - 7 OZ. LPSI LUBRICANT
-	FT8983		0	SEALANT RTV
-	FT8936-1		0	SEALANT - 2 CC LOCTITE RETAINING COMPOUND #75
-	FT2962-2		0	SEALANT - 50 CC LOCTITE H, NON-HARDENING GRADE
-	FT2963-2		0	SEALANT - 2 OZ. LOCTITE D, HARDENING GRADE
-	FT8935		0	SEALANT PRIMER - 6 OZ.

# ACCESSORIES

REF. NO.	PART NO.	SYM.	QTY.	DESCRIPTION
-	F5H013		0	FLUSHING ADAPTER PERMITS FRESH WATER FLUSHING OF WATER PASSAGES WITH STANDARD GARDEN HOSE.
-	F5H062		0	WATER PUMP KIT HEAVY DUTY WATER PUMP RECOMMENDED FOR CONTINUED OPERATION IN SANDY OR SALT WATER.
-	F5H088		0	REMOTE CONTROL CONVERSION KIT PERMITS REMOTE CONTROL OF THROTTLE AND GEAR SHIFT FROM FRONT OF BOAT.
-	F5H130		0	SYNCHRO-DRIVE CONTROL BOX (SINGLE LEVER) PERMITS REMOTE CONTROL OF THROTTLE AND GEAR SHIFT FROM STARBOARD SIDE OF BOAT.
-	F5H142		0	SAILBOAT REMOTE CONTROL PROVIDE RECESSED PANEL INSTALLATION.
-	F5H131		0	PORT SIDE DECAL KIT CONVERTS 5H130 CONTROL BOX TO PORT SIDE MOUNTING.
-	F195/___		0	REMOTE CONTROL CABLES CONNECTS REMOTE CONTROL BOX TO THROTTLE AND GEAR SHIFT ON MOTOR. AVAILABLE IN 6 THROUGH 40 FOOT LENGTHS.
-	F5H026		0	STEEL, 6 GALLON FUEL TANK AUXILLIARY TANK.
-	F5H040		0	STEEL, 12 GALLON FUEL TANK W/HOSE AUXILLIARY TANK.
-	F5H090		0	REMOTE START KIT PERMITS STARTING OF ENGINE FROM FRONT OF BOAT.
-	F5H134		0	BOAT WHITE LACQUER ENGINE TOUCH-UP PAINT IN 12 3/4 OZ. SPRAY BOMBS (12 CANS PER CASE).
-	F5H029		0	FUEL TANK ANCHOR RETAINS TOTE TANK ON BOAT FLOOR.
-	F596		0	CHRYSLER OUTBOARD OIL SEE BLOCK COMMENT 1.
-	F597		0	CHRYSLER OUTBOARD GEAR LUBE SEE BLOCK COMMENT 2.
-	F5H059		0	CHRYSLER OUTBOARD MULTI-PURPOSE GREASE LUBRICATES BEARINGS AND OTHER MOVING PARTS. AVAILABLE IN 8 OZ. TUBES AN 12 TUBE CASES.
-	F5H060		0	CHRYSLER OUTBOARD GREASE GUN USED WITH CHRYSLER OUTBOARD MULTI-PURPOSE GREASE TUBES FOR PRESSURE FITTINGS.
-	F5H021		0	BATTERY EXTENSION CABLE - 6-1/2 FT. EXTENDS LENGTH OF BATTERY CABLE.
-	F71H26		0	BATTERY TERMINAL KIT

# PARTS INDEX

Part Number	Description	Pg.	Ref. No.	Part Number	Description	Pg.	Ref. No.
817751A3	STEERING HANDLE BRACKET	23	9	F1303	SLOTTED PAN HD M. SCREW, 8/32 X 3/4	11	37
817758A1	BRACKET, COVER LATCH.	5	47	F1335	FILL HD SCREW, 5/16 - 18 X 1-1/4	21	39
817761A2	CLAMP SCREW	23	34	F1337	HEX NUT, 6 - 32	11	5
817796A2	GEAR SHIFT ARM	29	28	F1339	HEX NUT, 10 - 24	21	60
817840A1	STARTER SUPPORT W/DECAL	11	39	F1341	HEX NUT 1/4 - 20 (95H4K, 95C4K)	5	39
817892--1	PLATE, IGNITION CANADA (95H4K, 95C4K)	13	-	F1341	HEX NUT, 1/4 - 20	23	45
817971A3	LEVER, MAGNETO CONTROL ASSEMBLY	21	33	F1346	HEX NUT, S.S., 3/8 - 16	29	21
89396A38	PRIME BULB	33	6	F141118	SEAL, CRANKSHAFT LOWER	21	41
F10058	BOWL, FUEL	15	15	F141118	SEAL, PROPELLER SHAFT	31	44
F10060	VALVE, THROTTLE	15	23	F141305	SEAL, PROPELLER SHAFT BEARING CAGE	31	45
F10063	FLOAT ASSY.	15	17	F1437	FILL HD SCREW, 1/4 - 20 X 1/2	11	27
F10064	SHAFT, FLOAT	15	19	F1437	FILL HD SCREW, 1/4 - 20 X 1/2	13	68
F10066	GASKET, VALVE SEAT	15	22	F1437	PAN HD M. SC. 1/4 - 20 X 1/2 (CLAMP TO BRACKET)	5	54
F10068	GASKET, BOWL	15	16	F1473	HEX NUT 10 - 24 (95H4K, 95C4K)	5	44
F10071	SCREW, CHOKE AND THROTTLE VALVE	15	24	F1490	HEX NUT, 1/4 - 20	15	34
F10072	SPRING, CHOKE STOP	15	27	F1493	PAN HD M. SC. 1/4 - 20 X 5/8 (95H4K, 95C4K)	5	53
F10073	SPRING, IDLE NEEDLE	15	30	F1504	FILL HD SCREW, 1/4 - 20 X 1 - 1/4	35	7
F10075	SPRING, THROTTLE RETURN	15	25	F15127	CAP ASSEMBLY, COMMUTATOR END.	9	10
F10077	NEEDLE, IDLE	15	29	F15129	NUT W/LOCKWASHER	9	15
F10084	SPRING, FLOAT SUPPORT	15	18	F1513	HEX NUT 10 - 32 (95H4K, 95C4K)	21	31
F10088	NOZZLE	15	32	F1513	HEX NUT, 10 - 32	11	9
F10090	GASKET, BOWL RETAINER	15	14	F15130	NUT	9	16
F10101	KIT, VALVE SEAT ASSEMBLY	15	21	F15132	WASHER, FIBER	9	18
F10110	SHAFT ASSY., THROTTLE	15	26	F15133	WASHER	9	17
F10111	SHAFT ASSY., CHOKE	15	28	F15134	ARMATURE	9	8
F10112	VALVE, CHOKE	15	31	F15135	CAP ASSEMBLY, DRIVE END	9	5
F10113	JET ASSY., MAIN FUEL (.049)	15	13	F15136	HOUSING ASSEMBLY	9	9
F10115	KIT, PLUG (NOT SHOWN)	15	-	F15137	WASHER	9	6
F1014	COTTER PIN (CHOKE ARM SWIVEL TO CARB) (95H4K, 95C4K)	17	45	F15138	SPRING, BRUSH	9	12
F1027	COTTER PIN	31	50	F15139	PINION ASSEMBLY	9	4
F1059	FILL HD M. SC., 6 - 32 X 1/4 (95H4K, 95C4K)	17	42	F15140	SPRING	9	3
F1069	FILL HD SCREW, 10 - 24 X 1 1/16	7	14	F15141	PINION STOP	9	2
F1075	FILL HD SCREW, 10 - 24 X 1/2	11	21	F15143	DISC	9	11
F1087	FILL HD SCREW, 10 - 24 X 7/8	11	29	F15144	SCREW, THRU BOLT	9	14
F1090	FILL HD SCREW W/SPRING LOCKWASHER, 10 - 24 X 9/16	11	25	F15145	GASKET	9	7
F1091	FILL HD SCREW, 10 - 32 X 5/16	35	14	F15146	WASHER	9	13
F1107	FILL HD SCREW, 1/4 - 20 X 3/4	21	38	F1515	HEX NUT 5/16 - 18 (95H4K, 95C4K)	11	10
F1111	FILL HD SCREW, 1/4 - 20 X 7/8	21	57	F1556	FILL HD M. SCREW W/SPRING LOCKWASHER, 10 - 24 X 3/8	13	50
F1280	PAN HD SCREW, 8 - 32 X 1/4 (95H4K, 95C4K)	13	54	F1556	FILL HD M. SCREW W/SPRING LOCKWASHER, 10 - 24 X 3/8	13	66
				F1577	FILL HD SCREW, 1/4 - 20 X 3/4	11	40

# PARTS INDEX

Part Number	Description	Pg.	Ref. No.	Part Number	Description	Pg.	Ref. No.
F1608	SQUARE NUT 1/4 - 20 (95H4K, 95C4K)	5	57	F1820	FILL HD SCREW, 1/4 - 20 X 1-3/8	25	76
F1608	SQUARE NUT, 1/4 - 20	25	73	F1823	HEX CAP SCREW, 5/16 - 18 X 1	19	15
F1645	RD HD THREAD CUTTING SCREW, 6 - 32 X 1/4	13	60	F1829	FILL HD M. SCREW, 10 - 24 X 7/8	11	1
F1646	HEX SOCKET HD CAP SCREW, 3/8 - 16 X 2 1/4	13	41	F1829	FILL HD SCREW, 10 - 24 X 7/8 (91H4D, 91C4D)	23	20
F1648	PAN HD SCREW, 10 - 24 X 3/4	11	17	F183813	BEARING, MAGNETO CONTROL LEVER	21	34
F1648	SLOTTED PAN HD M. SC. 10 - 24 X 3/4 (95H4K, 95C4K)	5	56	F184033-1	SWIVEL, CHOKE ARM (95H4K, 95C4K)	15	40
F1653	RAISED COUNTERSUNK PHILLIPS HEAD	35	4	F1845	TY-RAP	13	47
F1666	BOWED SPRING WASHER	23	27	F184579	SEAL, CHOKE ARM SWIVEL (95H4K, 95C4K)	15	39
F17014	THROTTLE ARM	35	8	F1859	HEX SOCKET HEADLESS SET SCREW (91H4D, 91C4D)	23	3
F17016	CABLE TERMINAL	35	10	F1859	HEX SOCKET HEADLESS SET SCREW,	19	-
F17019	CLUTCH ARM	35	13	F1887	HEX SLOTTED HD SCREW, 1/4 - 20 X 3-3/16	27	106
F17030-1	SET SCREW 5/16 - 18 X 5/16	35	19	F18906	CARBURETOR GASKET	19	-
F17035	GEAR ASSEMBLY	35	5	F18906	GASKET, CARBURETOR	15	8
F17036	INTERNAL TOOTH LOCKWASHER	35	11	F1892	STOP NUT	9	1
F17037	ANCHOR BRACKET ASSY	35	15	F1922	HEX HD SCREW, 1/4 - 20 X 5/8	19	8
F17038	HANGER PLATE	35	16	F1922	HEX WASHER HD M SC., 1/4 - 20 X 5/8	25	91
F17039	CLUTCH KNOB	35	18	F1934	FLAT HD SLOTTED SCREW (95H4K, 95C4K)	13	58
F1704	INTERNAL TOOTH LOCKWASHER	11	4	F195/_	REMOTE CONTROL CABLES	41	-
F17081	KNOB (BLACK)	35	1	F1971	HEX CAP SC. 1/4 - 20 X 2-1/8 (95H4K, 95C4K)	3	33
F17149	COTTER PIN	35	9	F197319	BEARING, CHOKE ROD	3	12
F17150	LEVER	35	2	F1975	SPRING LOCKWASHER	11	2
F17151	HUB	35	3	F1976	SOCKET HD SCREW W/WASHER, 10 - 24 X 1/2	29	11
F17152	SPRING CLIP	35	21	F197767-1	BUSHING, FUEL LINE	3	36
F17155	HEX HD BOLT, 1/4 - 28 X 1/2	35	12	F197787-3	FUEL LINE COUPLER	33	3
F1733	PAN HD M.S. 10 - 24 X 9/16 (95H4K, 95C4K)	5	43	F1978	SPRING PIN (91H4D, 91C4D)	23	6
F1733	PAN HD SCREW, 10 - 24 X 9/16	31	54	F197813	BEARING	25	79
F174017	PIN, PISTON	19	18	F197813	BEARING (91H4D, 91C4D)	23	14
F1741	WOOD SCREW #8 X 3/4	35	27	F197813	BEARING, INTERLOCK LEVER	21	62
F1744	GROOVE PIN, 1/8 X 3/4	35	17	F197813	BEARING, STEERING HANDLE STOP (91H4D, 91C4D)	25	85
F1753	FASTENER	3	3	F1979	PAN HD SCREW 10 - 24 X 1/2	35	26
F1755	RD HD SCREW W/LOCKWASHER, 6 - 32 X 5/16	15	1	F1979	SCREW PAN HD., 10 - 24 X 1/2	3	23
F17815	SEAL, FUEL LINE COUPLER	33	2	F1994	HEX SOCKET HD CAP SCREW, 5/16 - 18 X 1	31	46
F17816	SEAL, FUEL LINE COUPLER	33	1	F1997	LOCK NUT, 8 - 32	17	41
F17817	SEAL	33	11	F2008	HEX CAP SCREW, 1/4N - 20 X 7/8	13	45
F1794	SPRING PIN	25	65	F2008	HEX HD SCREW, 1/4 - 20 X 7/8	15	10
F1794	SPRING PIN	25	80				
F1799	TRUSS HD SCREW, 5/16 - 18 X 5/8 (91H4D, 91C4D)	23	8				
F1803	STOP NUT, 5/16 - 24	21	29				
F1804	NUT, STOP, 10 - 24	3	17				
F1805	SPRING PIN	25	89				
F1806	GROOVE PIN	25	59				
F1807	GROOVE PIN (91H4D, 91C4D)	25	88				
F1809	HEX NUT	11	33				
F18160-2	REED, FUEL PUMP	7	7				
F1820	FILL HD SCREW, 1/4 - 20 X 1-3/8	21	35				

# PARTS INDEX

Part Number	Description	Pg.	Ref. No.	Part Number	Description	Pg.	Ref. No.
F2012	PLAIN WASHER	27	108	F286019	KING PIN	23	44
F2012	PLAIN WASHER (95H4K, 95C4K)	3	37	F286028	BEARING, CRANKSHAFT UPPER MAIN	21	50
F2014	PLAIN WASHER	23	23	F286037	STERN BRACKET PIVOT BOLT	23	24
F2014	PLAIN WASHER	31	58	F286079-1	STEERING HANDLE (91H4D, 91C4D)	23	21
F2030	HEX HD SCREW, 1/4 - 20 X 1 1/4	29	3	F286080	SCREW, STEERING HANDLE PIVOT (91H4D, 91C4D)	25	87
F2030	SCREW	31	-	F286114	LOCK BAR HANDLE	23	43
F2040	TAPTITE HEX WASHER HD M. SC. 1/4 - 20 X 5/8	5	58	F286134	STUD, GEAR SHIFT LEVER	3	16
F2040	TAPTITE HEX WASHER HD SCREW, 1/4 - 20 X 5/8	19	23	F286151	PLATE, EXHAUST	19	27
F2042	PLAIN WASHER (THROTTLE ROLLER SHAFT)	17	43	F286152	COVER, EXHAUST	19	25
F2050	HEX CAP SC. 1/4 - 20 X 1-1/2 (95H4K, 95C4K)	11	11	F286154	GASKET EXHAUST COVER	19	-
F2052	SHIM PROPELLER SHAFT BEARING .005 (SILVER)	31	42	F286154	GASKET, EXHAUST COVER	19	26
F2053	SHIM PROPELLER SHAFT BEARING .006 (RED)	31	-	F286159-1	GASKET, REED PLATE	15	5
F2054	SHIM PROPELLER SHAFT BEARING .008 (BLACK)	31	-	F286159-1	GASKET, REED PLATE	19	-
F2055	SPACER, BEVEL GEAR FRONT .059	29	-	F286169	BEARING, SWIVEL BRACKET	25	53
F2056	SPACER, BEVEL GEAR FRONT .062	29	-	F286169	BEARING, SWIVEL BRACKET	25	78
F2057	SPACER, BEVEL GEAR FRONT .065	29	-	F286220	WASHER, STEERING HANDLE (91H4D, 91C4D)	23	15
F2058	SPACER, BEVEL GEAR FRONT .068	29	-	F286223	GASKET, TRANSFER PORT COVER	19	-
F2059	SPACER, BEVEL GEAR FRONT .071	29	-	F286223	GASKET, TRANSFER PORT COVER	19	7
F2060	SPACER, BEVEL GEAR FRONT .074	29	-	F286224	INSERT, STEERING HANDLE PIVOT (91H4D, 91C4D)	23	13
F2061	SPACER, BEVEL GEAR FRONT .077	29	-	F286244	WATER LINE	25	48
F2062	SPACER, BEVEL GEAR FRONT .080	31	-	F286277	GASKET, CRANKSHAFT BEARING CAGE	19	-
F2063	SPACER, BEVEL GEAR FRONT .083	31	-	F286277	GASKET, CRANKSHAFT BEARING CAGE	21	54
F2064	SPACER, BEVEL GEAR FRONT .086	31	-	F286279-2	GASKET, CYLINDER MOUNTING	19	-
F2087	SPACER, BEVEL GEAR FRONT .056	29	34	F286279-2	GASKET, CYLINDER MOUNTING	21	28
F2097	SPRING PIN, CLUTCH	31	36	F286282	WASHER	21	30
F213274	GREASE FITTING (91H4D, 91C4D USES 1 ONLY)	25	54	F286286-1	WASHER, STERN BRACKET	25	64
F215795	STEERING HANDLE DAMPNER (91H4D, 91C4D)	27	112	F286300	SPRING, REVERSE LOCK	25	55
F24074	CLAMP SCREW FOOT	23	38	F286346	SHOCK MOUNT LOWER	25	50
F24748-2	GASKET, FUEL PUMP	7	9	F286364	LEVER, REVERSE LOCK	25	71
F269316	SHAFT, ROLLER	5	45	F286414	SPRING, LEG WATER BRACKET	25	82
F2706772	HOSE CLAMP	7	12	F286422-1	TILT LOCK PIVOT	23	26
F2752253	HOSE, FUEL PUMP TO BUSHING	7	15	F286422-1	TILT LOCK PIVOT	25	51
F2788004	STUD, CARBURETOR	15	9	F286433	BRACKET SHALLOW WATER DRIVE	25	58
F28004	STUD, INTERLOCK LEVER	19	12	F286440	STUD, MAGNETO CONTROL LEVER	21	40
F286011	WASHER, SWIVEL BRACKET	27	97	F286445	LINK, MAGNETO SHAFT (91H4D, 91C4D)	21	65
F286015-3	PISTON	19	19	F286451	SPACER, TILT LOCK	23	29
				F286451	SPACER, TILT LOCK	25	52
				F286461	SPRING, LOCK BAR HANDLE	23	42
				F286472	GASKET, CYLINDER DRAIN COVER	19	-

# PARTS INDEX

Part Number	Description	Pg.	Ref. No.	Part Number	Description	Pg.	Ref. No.
F286509	LINK, THROTTLE CAM . . . .	21	37	F343226-1	PLUG . . . . .	3	7
F286529-3	GASKET, CYLINDER HEAD .	19	-	F346146	SEAL, CRANKSHAFT UPPER	21	56
F286529-3	GASKET, CYLINDER HEAD .	19	4	F36634	SCREW, CONNECTING ROD	21	51
F286539	BUMPER . . . . .	25	93	F392756	PACKING, SUPPORT PLATE	3	31
F286544-1	SPRING, TILT STOP . . . . .	23	30	F40008	STUD . . . . .	29	26
F286547	KNOB, CHOKE . . . . .	3	11	F40342	SEAL, PROPELLER NUT . . .	31	51
F286571	ROLLER SET, MAIN BEARING (26 PER SET) . .	21	48	F404446	CLAMP, CABLE (95H4K, 95C4K) . . . . .	3	35
F286573-1	CLAMP, STEERING HANDLE	25	74	F404908	GROUND WIRE (91H4D, 91C4D USES STATOR TO CRANKCASE ONLY) . . . .	11	20
F286585-1	DECAL, TILT RELEASE . . . .	27	110	F404908	GROUND WIRE (95H4K, 95C4K) . . . . .	11	-
F286611-1	ROD, GEAR SHIFT . . . . .	3	15	F40717	THRUST WASHER BEVEL GEAR . . . . .	31	39
F286614	HANDLE, GEAR SHIFT . . . .	3	8	F409251-1	GAUGE CAP . . . . .	33	10
F286615	GEAR SHIFT ROD, UPPER .	29	2	F411420	RETAINER, SWITCH PLATE (95H4K, 95C4K) . . . . .	13	57
F286647	CARRYING HANDLE . . . . .	23	32	F412181-1	PLATE, IGNITION U.S.A. (95H4K, 95C4K) . . . . .	13	59
F286685	CONNECTOR, GEAR SHIFT ROD . . . . .	3	14	F424075	HANDLE, CLAMP SCREW . .	23	33
F286777	CAM, COVER LATCH . . . . .	5	41	F424161	REED STOP . . . . .	15	2
F286818	BEARING (91H4D, 91C4D) . .	23	12	F424168-1	GASKET, MANIFOLD . . . . .	15	6
F286827	REVERSE LOCK RELEASE LEVER . . . . .	25	66	F424168-1	GASKET, MANIFOLD . . . . .	19	-
F286868	SPRING, STEERING HANDLE STOP (91H4D, 91C4D) . . . . .	25	84	F429472	GASKET, CYLINDER DRAIN COVER . . . . .	19	-
F286871	PIN, GEAR SHIFT LEVER . .	3	30	F429472	GASKET, CYLINDER DRAIN COVER . . . . .	19	11
F286876	LEVER, GEAR SHIFT . . . . .	3	28	F429541	TILT LOCK . . . . .	23	28
F286914	SLEEVE WATER LINE . . . . .	25	49	F429688	SHAFT, STEERING HANDLE (91H4D, 91C4D) . . . . .	23	10
F286956	BRACKET, SHOCK MOUNT LOWER . . . . .	25	46	F429811	SCREEN . . . . .	19	9
F286989-2	SEAL, SUPPORT PLATE . . .	3	34	F430732	HEX HD SCREW, 5/16 - 18 X 1 1/4 . . . . .	29	15
F298788	FERRULE . . . . .	33	4	F431838	MAGNETO CONTROL SHAFT (91H4D, 91C4D) . . . . .	27	94
F2A24757	FUEL PUMP REED PLATE . .	7	8	F435555	SEAL, GEAR HOUSING, LOWER . . . . .	29	23
F2A424167	MANIFOLD . . . . .	15	7	F436065-2	IMPELLER . . . . .	31	-
F2A474298	PROPELLER SHAFT BEARING CAGE . . . . .	31	47	F436065-2	WATER PUMP IMPELLER . .	29	9
F2A477133	MOTOR LEG . . . . .	25	77	F436280	NUT, SHORTING SWITCH . .	13	64
F2A516023	BEVEL GEAR FORWARD W/BEARING . . . . .	29	33	F455118	SEAL, FUEL PUMP BRACKET . . . . .	7	1
F2A516266	PINION SHAFT W/BEARING	29	27	F458250	BEARING CUP . . . . .	29	32
F2C618712	COVER, ENGINE COMPLETE. . . . .	3	-	F458498	KEY, FLYWHEEL . . . . .	11	22
F307317-1	CLIP, TERMINAL BLOCK GROUND . . . . .	11	16	F458677	INSERT, CHOKE KNOB . . . .	3	10
F307818	BEARING . . . . .	3	27	F458695	SLEEVE (91H4D, 91C4D) . . .	27	99
F307818	BEARING . . . . .	27	95	F461342	SEAL, DRIVESHAFT SPLINE	21	43
F31160-1	REED . . . . .	15	3	F474143	BEARING, BEVEL GEAR REAR . . . . .	31	41
F31410	RETAINING RING, PISTON PIN . . . . .	19	17	F474225	BEARING, PROPELLER SHAFT REVERSE THRUST	31	43
F321908	WIRE, GROUND STARTER RELAY (95H4K, 95C4K) . .	11	14	F485755-1	FUEL TANK ADAPTER . . . .	33	8
F333316	SHAFT, THROTTLE CAM ROLLER . . . . .	15	38	F487660-1	EXHAUST TUBE . . . . .	19	22
F338618-1	SEAL, SHIFT ROD LOWER .	29	20	F487816	BEARING, STEERING HANDLE (91H4D, 91C4D)	23	18
F341384	RETAINER, CHOKE ROD . . .	15	20	F492417	SHAFT, GEAR SHIFT HANDLE . . . . .	3	18
F341562	PLATE, WATER PUMP BACK	31	-	F492518	HEAD, CYLINDER . . . . .	19	3
F341562	WATER PUMP BACK PLATE	29	10	F492619	LEVER, GEAR SHIFT SHAFT	3	13
F341693	WEDGE, STEERING HANDLE (91H4D, 91C4D) . . . . .	23	17				
F343014	BEARING, CRANKSHAFT LOWER MAIN . . . . .	21	42				
F343128	DRIVESHAFT . . . . .	29	7				

# PARTS INDEX

Part Number	Description	Pg.	Ref. No.	Part Number	Description	Pg.	Ref. No.
F493683	WIRE, CIRCUIT BREAKER TO STARTER INTERLOCK SWITCH	13	51	F517683	WIRE, STARTER INT. SW. TO STARTER RELAY (95H4K, 95C4K)	13	46
F498618	SEAL "O" RING	29	30	F517846	SPRING, REMOTE CHOKE (95H4K, 95C4K)	15	35
F498891	GEAR SHIFT ARM PIN	29	29	F517917	RELAY STARTER (95H4K, 95C4K)	11	8
F50109	GEAR HOUSING PLUG	29	18	F517924	CHOKE SOLENOID (95H4K, 95C4K)	13	42
F510029	STATOR, TRIGGER	11	24	F517977-1	LEVER, INTERLOCK	21	63
F510095	STATOR, ALTERNATOR	11	28	F525286	WASHER	27	96
F510165	SCREW	19	5	F536813	BEARING, REVERSE LOCK INTERMEDIATE LEVER	27	111
F510222	COVER, TRANSFER PORT	19	6	F53795-1	SEAL, STEERING HANDLE GRIP DAMPENER (91H4D, 91C4D)	23	22
F510301	C-D MODULE	13	43	F539843	CABLE ELECTRIC REMOTE EXTENSION (95H4K, 95C4K)	13	53
F510374-1	DECAL, CIRCUIT BREAKER	11	34	F539896	CABLE, BATTERY EXTENSION (95H4K, 95C4K)	11	19
F510427	BRACKET, STARTER SUPPORT	7	2	F540038	PLATE, SUPPORT (95H4K, 95C4K)	3	32
F510446	CLAMP, BATTERY CABLE	11	26	F540683	WIRE STARTER TO STARTER RELAY (95H4K, 95C4K)	11	13
F510449	NEUTRAL INTERLOCK SWITCH	13	49	F540843	CABLE, ELECTRIC REMOTE (95H4K, 95C4K)	13	52
F510460	CIRCUIT BREAKER	11	35	F540896	CABLE, BATTERY (95H4K, 95C4K)	11	-
F510475	IGNITION COIL	11	3	F540908	WIRE, GROUND RECTIFIER TO TERM. & LOCK (95H4K, 95C4K)	13	61
F510531	ROD, INTERLOCK	21	61	F565181	PANEL, CONTROL MOUNTING	35	28
F510540	BRACKET, STARTER SWITCH	13	69	F596	CHRYSLER OUTBOARD OIL	41	-
F510551-1	BRACKET, INTERLOCK SWITCH	21	52	F597	CHRYSLER OUTBOARD GEAR LUBE	41	-
F510595	INSULATOR, CIRCUIT BREAKER	11	36	F5H013	FLUSHING ADAPTER	41	-
F510661	PAD, STARTER MOTOR	5	49	F5H021	BATTERY EXTENSION CABLE - 6-1/2 FT.	41	-
F510669	NUT, INTERLOCK SWITCH	13	48	F5H026	FUEL TANK (ACCESSORY ITEM)	33	9
F510669	NUT, STARTER SWITCH	13	70	F5H026	STEEL, 6 GALLON FUEL TANK	41	-
F510683	WIRE, RECTIFIER - CIRCUIT BREAKER	11	31	F5H029	FUEL TANK ANCHOR	41	-
F510746	FUEL PUMP COVER	7	10	F5H040	STEEL, 12 GALLON FUEL TANK W/HOSE	41	-
F510811	FILTER, FUEL PUMP	7	16	F5H059	CHRYSLER OUTBOARD MULTI-PURPOSE GREASE	41	-
F510841	WIRE, STARTER INTERLOCK SWITCH	13	62	F5H060	CHRYSLER OUTBOARD GREASE GUN	41	-
F510896	BATTERY CABLE (91H4D, 91C4D)	11	18	F5H062	WATER PUMP KIT	41	-
F510908	WIRE, GROUND	13	63	F5H078	IGNITION SWITCH ACCESSORY ITEM	13	55
F510918	STARTER SWITCH	13	67	F5H088	REMOTE CONTROL CONVERSION KIT	41	-
F510955	STARTER MOTOR - COMPLETE.	9	-	F5H090	REMOTE START KIT	41	-
F516349	REVERSE LOCK	25	56				
F516451	SPACER, STEERING HANDLE BRACKET (95H4K, 95C4K)	27	114				
F516552	SCREW, STEERING LOCK BRACKET (91H4D, 91C4D)	27	105				
F516662	GEAR, BEVEL, REAR	31	40				
F516677	SPACER, REVERSE LOCK	27	102				
F516697	NUT, STEERING LOCK BRACKET	27	104				
F516704-1	COUPLING SHIFT ROD	29	12				
F516705	GEAR SHIFT ROD, LOWER	29	14				
F517078	BRACKET, LOCK STEERING (95H4K, 95C4K)	27	103				
F517125	COUPLING, DRIVESHAFT	29	24				
F517273	TIE BAR	27	101				
F517347	SHOCK MOUNT UPPER	25	83				
F517552	SCREW, STEERING HANDLE BRACKET (95H4K, 95C4K)	27	113				



# PARTS INDEX

Part Number	Description	Pg.	Ref. No.	Part Number	Description	Pg.	Ref. No.
F5H131	PORT SIDE DECAL KIT . . . . .	41	-	F8538	SPRING PIN . . . . .	25	70
F5H134	BOAT WHITE LACQUER . . . . .	41	-	F8538	SPRING PIN . . . . .	27	98
F5H142	SAILBOAT REMOTE CONTROL . . . . .	41	-	F8540	SPRING PIN . . . . .	5	60
F610711	PLATE, ENGINE COVER . . . . .	3	4	F8540	SPRING PIN . . . . .	23	41
F617061-1	CARBURETOR COMPLETE (LMB-228A) . . . . .	15	33	F8540	SPRING PIN . . . . .	29	1
F617192	THROTTLE CAM . . . . .	11	23	F8540	SPRING PIN . . . . .	29	13
F617317	CLAMP, CHOKE SOLENOID (95H4K, 95C4K) . . . . .	5	52	F8542	SPRING PIN . . . . .	3	29
F617503	ROD, CHOKE . . . . .	3	20	F8548	SPRING PIN (91H4D, 91C4D) . . . . .	27	100
F617958	BRACKET, CHOKE SOLENOID (95H4K, 95C4K) . . . . .	5	51	F8554	SPRING PIN . . . . .	23	35
F66480	STUD CLAMP SCREW . . . . .	23	37	F8559	DOWEL PIN . . . . .	19	16
F7004	NUT, STOP, 3/8 - 16 . . . . .	31	57	F85610	BEARING (91H4D, 91C4D) . . . . .	23	2
F7006	NUT, STOP, 5/16 - 18 . . . . .	5	42	F85735-1	SEAL . . . . .	3	2
F7008	STOP NUT, 1/4 - 20 . . . . .	21	64	F901307-2	SEAL . . . . .	29	4
F7009	STOP NUT 10 - 24 . . . . .	35	24	F901307-2	SEAL, WATER LINE UPPER . . . . .	25	81
F7011	NUT, ELASTIC STOP, 10 - 24 . . . . .	3	24	F901456-1	EMERGENCY STARTER COLLAR . . . . .	11	32
F7023	CONE LOCK NUT, 1/4 - 20 (CLAMP TO BRACKET) (95H4K, 95C4K) . . . . .	5	55	F901563	DRIVE PIN . . . . .	31	-
F7024	LOCK NUT . . . . .	27	107	F901563	WATER PUMP IMPELLER DRIVE PIN . . . . .	29	8
F7025	LOCK NUT, 3/8 - 16 . . . . .	27	115	F901938-1	SCREW, CYLINDER HEAD . . . . .	19	1
F7026	STOP NUT, 3/8 - 16 . . . . .	23	39	F90619-1	YOKE . . . . .	29	25
F71H26	BATTERY TERMINAL KIT . . . . .	41	-	F9066	PLUG . . . . .	35	23
F73082	RING, MAGNETO STATOR . . . . .	21	53	F90871-3	GEAR SHIFT ARM PIN . . . . .	31	37
F8003	PLAIN WASHER . . . . .	7	6	F92759	ROLLER . . . . .	5	46
F8011	4 . . . . .	35	25	F92759	ROLLER, THROTTLE CAM . . . . .	15	37
F8011	PLAIN WASHER (95H4K, 95C4K) . . . . .	5	40	F94840	GROMMET, BATTERY CABLE . . . . .	5	48
F8025	PLAIN WASHER (91H4D, 91C4D) . . . . .	19	-	F98273	STUD, GEAR SHIFT ROD CONNECTOR . . . . .	3	25
F8025	PLAIN WASHER (95H4K, 95C4K) . . . . .	19	2	F98273	STUD, REMOTE THROTTLE CONNECTOR (95H4K, 95C4K) . . . . .	21	36
F8058	INTERNAL TOOTH LOCK WASHER . . . . .	21	32	F99521-1	CLUTCH . . . . .	31	35
F8058	INTERNAL TOOTH LOCKWASHER (91H4D, 91C4D) . . . . .	23	19	FA174260	PISTON RING SET (2 PER SET) . . . . .	19	20
F8058	LOCKWASHER, INTERNAL TOOTH . . . . .	3	26	FA1844	HEX BOLT, 1/4 - 20 X 2-3/8 . . . . .	25	47
F8060	EXTERNAL TOOTH LOCKWASHER . . . . .	25	92	FA286155	MAIN BEARING LINER SET (2 PER SET) . . . . .	21	47
F8061	INTERNAL TOOTH LOCKWASHER . . . . .	35	6	FA286469	KNOB, COVER LATCH . . . . .	3	38
F8065	LOCKWASHER . . . . .	29	22	FA286582	STEERING ARM . . . . .	25	90
F8077	NYLTITE WASHER . . . . .	29	17	FA341510	LINK, REVERSE LOCK LEVER . . . . .	25	60
F8083	SPRING LOCKWASHER . . . . .	13	44	FA343178	RETAINER . . . . .	23	4
F8083	SPRING LOCKWASHER . . . . .	25	47A	FA343612	BRACKET, REMOTE CONTROL W/CLIP (95H4K-95C4K) . . . . .	3	21
F8088	PLAIN WASHER (CHOKE ARM SWIVEL) (95H4K, 95C4K) . . . . .	17	44	FA36016-4	ROD, CONNECTING . . . . .	21	46
F8096	SPRING LOCKWASHER (95H4K, 95C4K) . . . . .	11	12	FA368700	IGNITION - NO LETTER OR STAMPED A (95H4K, 95C4K) . . . . .	13	56
F84026	SWIVEL, INTERLOCK ROD BEARING . . . . .	21	59	FA387742	LEVER, REVERSE LOCK INTERMEDIATE ASSEMBLY . . . . .	25	69
F84035-2	BEARING, INTERLOCK ROD . . . . .	21	58	FA424158	REED PLATE . . . . .	15	4
F8537	SPRING PIN . . . . .	23	36	FA429471	COVER, CYLINDER DRAIN . . . . .	19	10
				FA456137	GRIP, STEERING HANDLE . . . . .	23	1
				FA474098	PROPELLER SHAFT . . . . .	31	38
				FA487885	RETAINER, DETENT SPRING ASSEMBLY . . . . .	29	19
				FA504060	BODY, WATER PUMP . . . . .	31	-

# PARTS INDEX

Part Number	Description	Pg.	Ref. No.	Part Number	Description	Pg.	Ref. No.
FA504060	WATER PUMP BODY	29	6	FS409752	FUEL LINE COMPLETE. (NOT SHOWN)	33	-
FA510010	CYLINDER	19	14	FT1749	SNAP RING PLIER	37	-
FA510038	PLATE, SUPPORT	3	-	FT2907	SEAL INSTALLER	38	-
FA510097	FLYWHEEL W/DECAL	11	30	FT2908	SEAL SLEEVE	37	-
FA510497	TERMINAL BLOCK	11	15	FT2909	KNOCK-OFF NUT	36	-
FA510711	PLATE, FRONT - USA	3	9	FT2938-1	TEST LIGHT	39	-
FA510914	SEAL, INLET WATER LINE	29	5	FT2951	CIRCUIT TRACER	39	-
FA516054	GEAR HOUSING LOWER	29	31	FT2955A	TEST WHEEL	39	-
FA516485	ANTICORROSION ANODE	31	53	FT2961	LUBRICANT - RYKON GREASE #2EP	40	-
FA540391	DECAL, SAILOR STARBOARD	5	-	FT2962-2	SEALANT - 50 CC LOCTITE H, NON-HARDENING GRADE	40	-
FA540392	DECAL, SAILOR PORT	5	50	FT2963-2	SEALANT - 2 OZ. LOCTITE D, HARDENING GRADE	40	-
FA567241	CRANKPIN ROLLER BEARING CAGE	21	45	FT2987-1	LUBRICANT - ANTI-SEIZE	40	-
FA609853	DECAL, WARNING	13	71	FT2989	FLYWHEEL WEDGE	36	-
FA610480	RETAINER, ENGINE COVER.	3	22	FT2991	CARBON BRUSH	37	-
FA617113	LOCK BAR	23	40	FT2997	RING COMPRESSOR	37	-
FA617450	RECTIFIER	11	38	FT2998	TORQUE WRENCH (0-100 LBS/FT)	37	-
FA617892	DECAL, ENGINE COVER, FRONT	3	1	FT2999	TORQUE WRENCH (0-600 LBS/IN)	37	-
FA617925	ROD AND PLUNGER, CHOKE SOLENOID (95H4K, 95C4K)	15	36	FT3012	SEAL INSTALLER	37	-
FA618396	DECAL, "CHRYSLER", STARBOARD	3	-	FT3431	SEAL INSTALLER	38	-
FA618397	DECAL, "CHRYSLER", PORT	3	6	FT8900	HOSE CLAMP PLIERS	37	-
FA621528	DECAL, ENGINE COVER REAR	5	59	FT8901	INDICATOR HOLDER	38	-
FA84754-1	FUEL LINE SHORT	33	5	FT8902	DIAL INDICATOR	38	-
FA901753	HOSE, FUEL PUMP TO CARBURETOR	7	13	FT8904	FORWARD CUP INSTALLER	38	-
FA94094-2	PROPELLER NUT	31	49	FT8907	DRIVER HANDLE	38	-
FAC510711	PLATE, FRONT - CANADA	3	-	FT8918	BEARING GUIDE SET	38	-
FB368700	IGNITION KEY STAMPED B (95H4K, 95C4K)	13	-	FT8919	SPRING PIN PUNCH	38	-
FC368700	IGNITION KEY STAMPED C (95H4K, 95C4K)	13	-	FT8920	BEARING INSTALLER	38	-
FC409398	DECAL, TOTE TANK - CANADA (NOT SHOWN)	33	-	FT8921	CUP REMOVER	38	-
FC510398	DECAL, WIRING	11	6	FT8924-1	CHECKING GAUGE	38	-
FC516054	GEAR HOUSING - COMPLETE (NOT SHOWN)	29	-	FT8926	RING EXPANDER	37	-
FC517400	DECAL, SHIFT	3	19	FT8929	ADAPTER AND HEX BIT	37	-
FC520390	DECAL, STARTER - CANADA (NOT SHOWN)	9	-	FT8935	SEALANT PRIMER - 6 OZ.	40	-
FD368700	IGNITION KEY STAMPED D (95H4K, 95C4K)	13	-	FT8936-1	SEALANT - 2 CC LOCTITE RETAINING COMPOUND #75	40	-
FE368700	IGNITION KEY STAMPED E (95H4K, 95C4K)	13	-	FT8948-1	PULLER	38	-
FG1005-2	GASKET SET.	19	21	FT8949	SEAL INSTALLER	37	-
FK10069	GASKET SET	15	11	FT8950	LEAKAGE TESTER	39	-
FK10114	REPAIR KIT	15	12	FT8953	C-D TESTER	39	-
FK1031-1	WATER PUMP KIT.	31	56	FT8957	SEAL INSTALLER	38	-
FK1064	GEAR HOUSING SEAL KIT.	31	55	FT8969	LUBRICANT - 7 OZ. LPSI LUBRICANT	40	-
FK1123	SPARKIE W/SPRING	11	7	FT8982	SHIM ADAPTER	38	-
FK247	PROPELLER PIN (PACK OF 6)	31	52	FT8983	SEALANT RTV	40	-
FK436449	SHORTING SWITCH	13	65	FT8985	SEAL INSTALLER	38	-
FK567532	STERN BRACKET	23	25	FT8993	TORQUE WRENCH ADAPTER	37	-
				22-818103--1	SHIM SPACER	38	-
				27-818043A1	IGNITION TESTER	39	-
				32-817738A1	FITTING, FUEL PUMP	7	11
					FUEL PUMP DIAPHRAGM W/GASKETS	7	4
					FUEL LINE, LONG	33	7

# PARTS INDEX

Part Number	Description	Pg.	Ref. No.	Part Number	Description	Pg.	Ref. No.
33-82370M	PLUG, SPARK, L 82 . . . . .	19	13				
37-F286894-3	SPEED CONTROL INDICATOR (91H4D, 91C4D) . . . . .	27	109				
43-818009--1	GEAR, MAGNETO CONTROL SHAFT (91H4D, 91C4D) ..	23	7				
43-818009--1	GEAR, STEERING HANDLE SHAFT (91H4D, 91C4D) ..	23	5				
100-FS666712T	COVER, ENGINE . . . . .	3	5				
400-818047A3	CRANKSHAFT . . . . .	21	49				
800-817904A1	SHORT BLOCK (NOT SHOWN). . . . .	19	-				
1100-817753A1	CAGE, CRANKSHAFT BEARING . . . . .	21	55				
1400-817750A4	SWIVEL BRACKET . . . . .	25	75				
1600-817844A3	GEAR HOUSING UPPER W/ 4, 17, 18, 20, 53 AND BEARING . . . . .	29	16				