



PARTS CATALOG

15 H.P. OUTBOARD MOTOR

SERIAL NUMBER

15 H.P. (1987)225.587151

TABLE OF CONTENTS:

ENGINE COVER AND SUPPORT PLATE	2
FUEL SYSTEM	10
FUEL TANK AND LINE	28
GEAR HOUSING	24
MAGNETO	6
MOTOR LEG	18
PARTS INDEX	32
POWER HEAD	14
SPECIAL TOOLS	30
STARTER	8

NOTE: *Indented description indicate that these parts are included in preceeding assembly.*

AR = As Required

NSS = Not Sold Separate

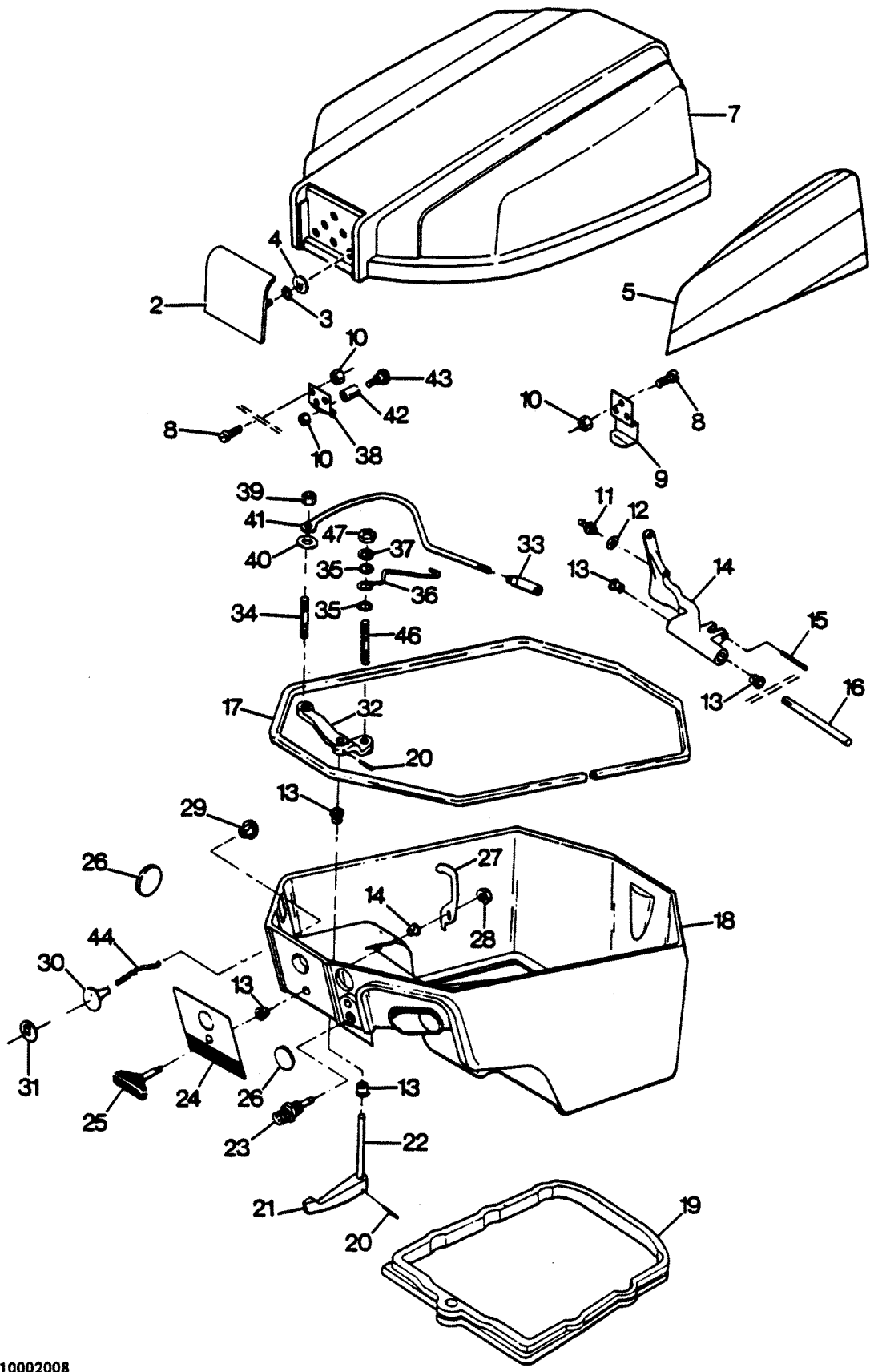
OPT = Optional

NS = Not Shown

THESE PARTS BOOKS/FICHE CARD ARE COPYRIGHTED AND MAY NOT BE DISTRIBUTED OR REPRODUCED IN ANY OTHER FORMAT BY ANYONE OTHER THAN MERCURY MARINE WITHOUT THE PRIOR WRITTEN CONSENT OF MERCURY MARINE.

THIS PAGE INTENTIONALLY LEFT BLANK

ENGINE COVER AND SUPPORT PLATE



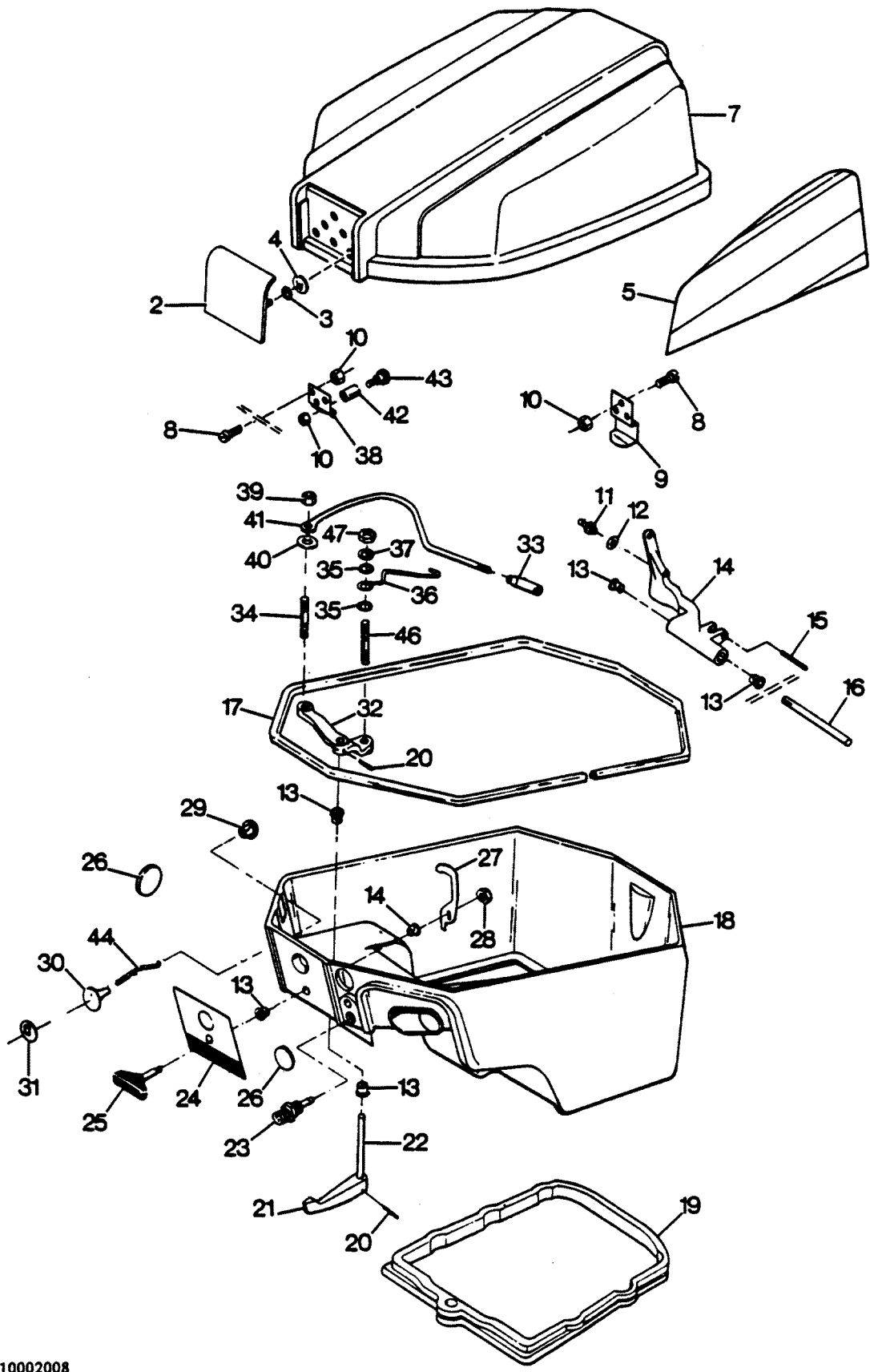
0810002008

ENGINE COVER AND SUPPORT PLATE

REF. NO.	PART NO.	SYM.	QTY.	DESCRIPTION
2	610711		1	PLATE, ENGINE COVER
3	85735-1		3	SEAL
4	1753		3	FASTENER
5	676397		1	DECAL, ENGINE COVERPORT W/ LITERATURE
-	676396		1	DECAL, ENGINE COVERSTARBOARD W/LITERATURE
7	S541712-1		1	COVER, ENGINE W/ILLUS 9 AND 38
-	2C676712		1	COVER, ENGINE COMPLETE. INCLUDES ALL ITEMS MARKED WITH AN ASTERISK (*).
8	1475		6	FILL HD SCREW,10 - 24 X 1/2
9	A610480		1	RETAINER, ENGINE COVER W/LILUS. 8 AND 10.
10	7011		7	ELASTIC STOP NUT,10 - 24
11	98273		1	STUD, GEARSHIFT ROD CONNECTOR
12	8058		1	INTERNAL TOOTH LOCKWASHER
13	307818		6	BEARING
14	286876		1	LEVER, GEAR SHIFT
15	8542		1	SPRING PIN
16	286871		1	PIN, GEAR SHIFT LEVER
17	392756		1	PACKING, SUPPORT PLATE
18	A492038		1	PLATE, SUPPORT W/LILUS. 26 AND 48
19	286989-2		1	SEAL, SUPPORT PLATE
20	8540		2	SPRING PIN
21	286614		1	HANDLE, GEAR SHIFT
22	492417		1	SHAFT, GEAR SHIFT HANDLE
23	197767-1		1	BUSHING, FUEL LLNE
24	A286711		1	PLATE, FRONT W/LITERATURE
25	A286469		1	KNOB, COVER LATCH W/SHAFT
26	343226-1		2	PLUG
27	286777		1	CAM, COVER LATCH
28	7006		1	STOP NUT, 5/16 - 18
29	197319		1	BEARING, CHOKE ROD
30	286547		1	KNOB, CHOKE
31	458677		1	INSERT, CHOKE KNOB
32	492619		1	LEVER, GEAR SHIFT SHAFT
33	286685		1	CONNECTOR, GEAR SHIFT ROD
34	286134		1	STUD, GEAR SHIFT LEVER
35	184579		2	SEAL
36	492263		1	LINK STARTER INTERLOCK
37	8011		1	PLAIN WASHER
38	A286774		1	BRACKET, COVER LATCH W/LILUS. 8,10 AND 42
39	1804		1	STOP NUT,10 - 32
40	8048		1	BOWED SPRING WASHER
41	286611-1		1	ROD, GEAR SHIFT
42	927S9		1	ROLLER

CONTINUED ON NEXT PAGE ➡

ENGINE COVER AND SUPPORT PLATE



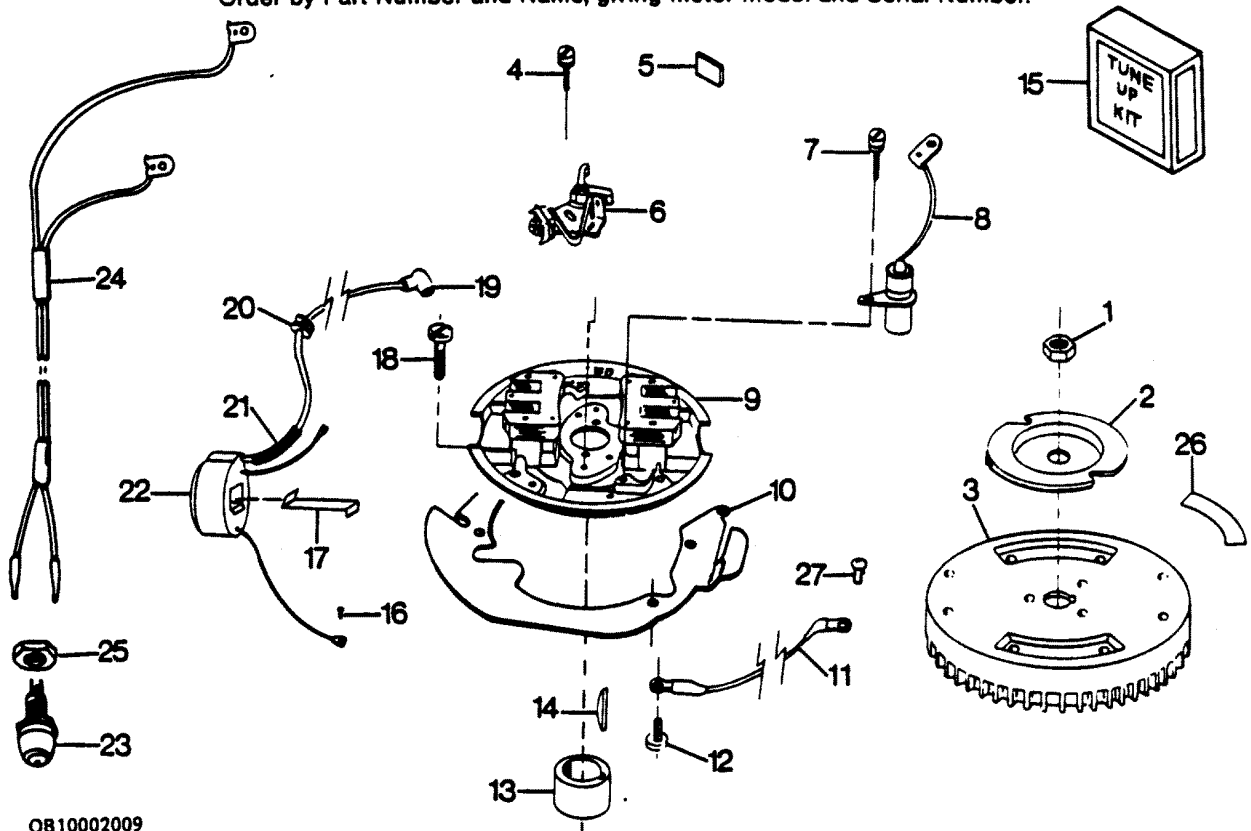
OB10002008

ENGINE COVER AND SUPPORT PLATE

REF. NO.	PART NO.	SYM.	QTY.	DESCRIPTION
43	333316		1	ROLLER SHAFT
44	617503		1	ROD, CHOKE
46	286134		1	STUD, STARTER INTERLOCK LLNK
47	1804		1	STOP, NUT 10-32
48	1819		1	EYELET, SUPPORT PLATE (NOT SHOWN}

MAGNETO

Order by Part Number and Name, giving Motor Model and Serial Number.

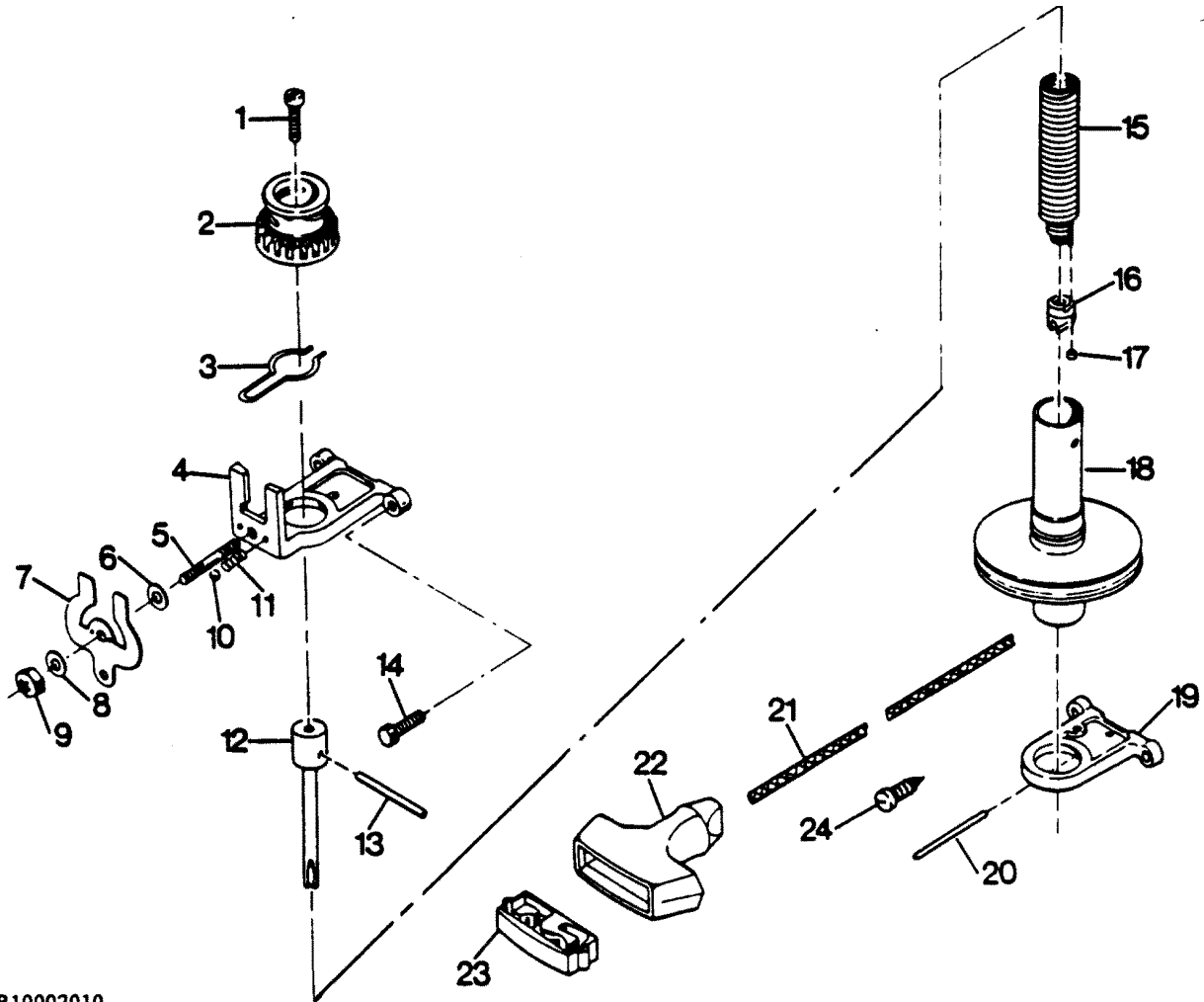


0810002009

MAGNETO

REF. NO.	PART NO.	SYM.	QTY.	DESCRIPTION
1	1809		1	HEX NUT,1/2 - 20
2	901456-1		1	EMERGENCY STARTER COLLAR
3	A302097		1	FLYWHEEL W/ILLUS. 26
4	12170		4	CONTACT SCREW W/LOCKWASHER
5	12360		1	CAM WIPER FELT
6	12153--1		2	BREAKER POINT SET
7	12170		2	CONDENSER SCREW W/LOCKWASHER
8	12181--1		2	CONDENSER
9	12343		1	STATOR PLATE W/LAMINATIONS
10	617192		1	THROTTLE CAM PLATE
11	289664		1	WIRE, STATORGROUND
12	1075		4	FLIL HD SCREW,10 - 24 X 1/2
13	217002		1	MASNETO BREAKER CAM
14	458498		1	MAGNETO KEY
15	K1066		1	TUNE UP KIT - INCLUDES ALL ITEMS MARKED WITH AN ASTERISK (*).
16	12114		2	COLL GROUND TERMINAL SCREW
17	12146		2	COIL WEDGE SPRING
18	1090		4	FLIL HD SCREW W/LOCKWASHER,10 - 24 X 9/16
19	K1123		2	SPARKLE W/SPRING
20	12088		2	GROMMET
21	12141		1	HIGH TENSION LEAD SLEEVE
22	A12370		2	COIL W/LEAD WIRE AND WEDGE SPRING
23	K436449		1	SHORTING SWITCH W/ILLUA 25
-	12091		1	LEAD WIRE MARKER TOP (NOT SHOWN)
24	12186-1		1	PRIMARY TERMINAL WIRE
25	436280		1	NUT, SHORTING SWITCH
26	A609853		1	DECAL, WARNING, SHIFT CONTROL W/LITERATURE
27	1091		1	SLOTTED FILL HD. M. SCREW,10 - 32 X 1/4

STARTER



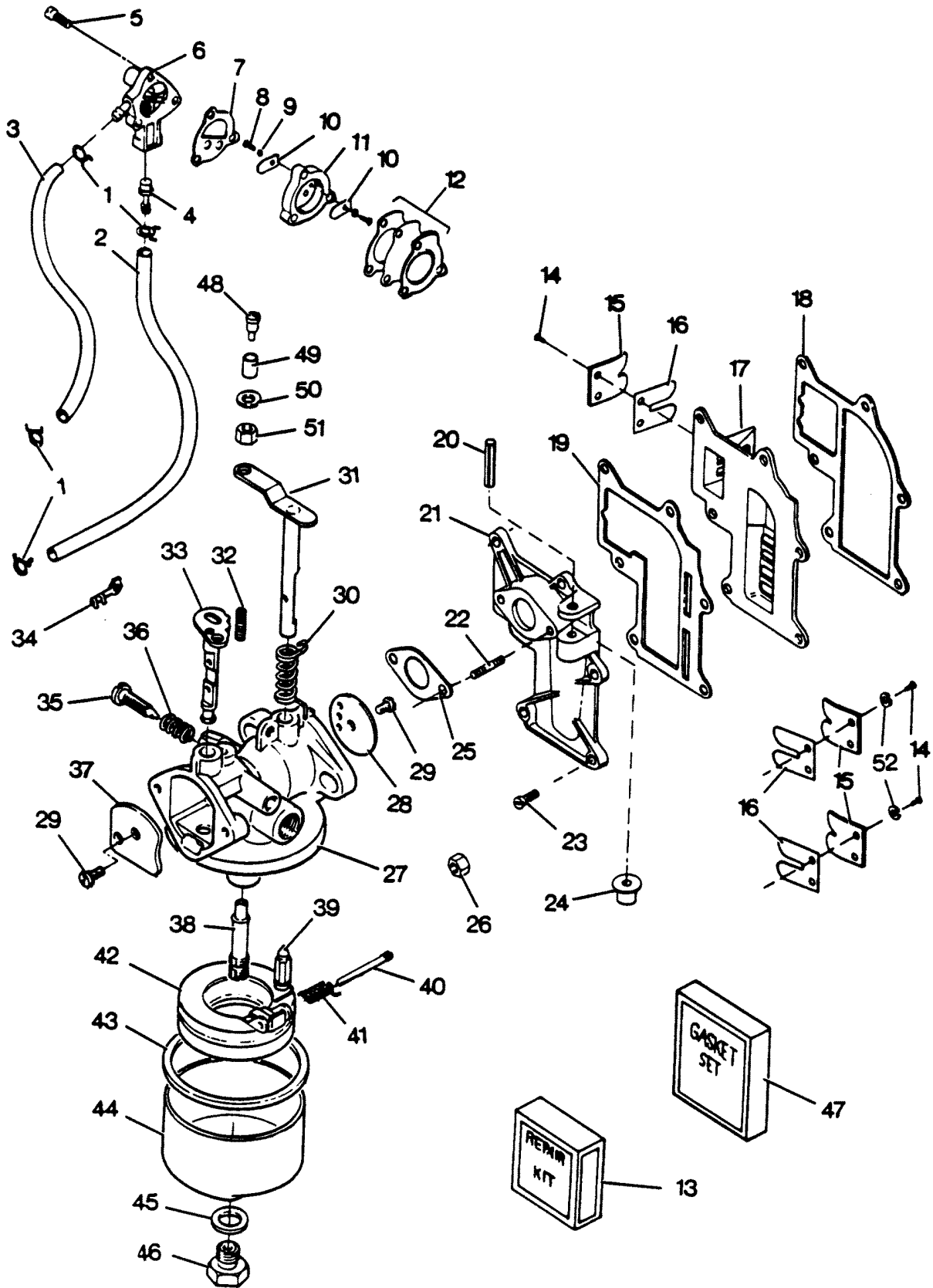
OB10002010

Page 15

STARTER

REF. NO.	PART NO.	SYM.	QTY.	DESCRIPTION
1	1089		1	FILL HD SCREW,10 - 24 X 9/16
2	617674		1	GEAR, STARTER PINLON
3	487424-1		1	STARTER, PINION SPRING
4	487427-1		1	BRACKET, STARTER UPPER
5	286134		1	STUD
6	8011		1	PLAIN WASHER
7	487781-3		1	STARTER INTERLOCK
8	2042		1	PLAIN WASHER
9	1804		1	STOP NUT
10	487727		2	BALL, INTERLOCK DETENT
11	487895		2	SPRING, INTERLOCK DETENT
12	286710		1	ARBOR,STARTER SPRING
13	40425		1	STARTER PINION SPRING
14	1864		4	HEX HD SCREW,1/4 - 20 X 3/4
15	A286970		1	STARTER REWIND SPRING W/ILLUS.16 AND 17
16	286737-1		1	RETAINER, STARTER REWIND SPRINS
17	286930		1	END, STARTER SPRINSI
18	2A459239		1	STARTER SPOOL W/SHAFT W/LITERATURE
19	K317427		1	BRACKET, STARTER LOWER W/ILLUS. 20 AND LITERATURE
20	1875		1	SPRING PIN, STARTER BRACKET
21	409232-1		1	STARTER ROPE
22	286132		1	HANDLE, STARTER ROPE
23	K286817		1	RETAINER, STARTER ROPE W/LITERATURE
24	1500		1	HD SHEET METAL SCREW

FUEL SYSTEM

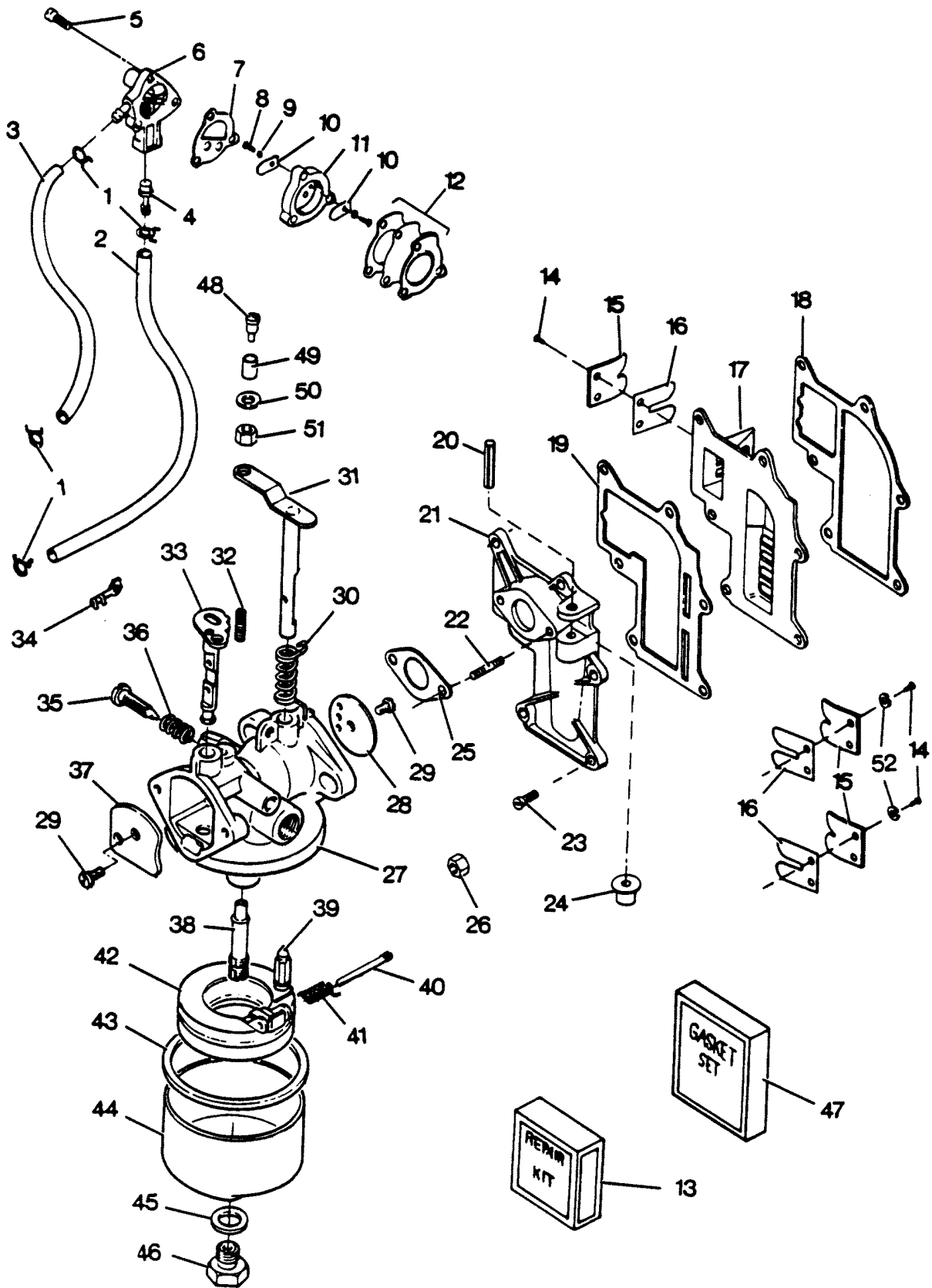


FUEL SYSTEM

REF. NO.	PART NO.	SYM.	QTY.	DESCRIPTION
1	2706772		4	HOSE CLAMP
2	40253-1		1	FUEL LINE
3	A901754		1	FUEL LINE W/ILLUS 1
4	901811		1	FUEL PUMP FILTER
5	1069		3	FILL HD SCREW,10 - 24 X 1-1/18
8	901746-2		1	FUEL PUMP COVER
7	24748-2		1	GASKET,FUEL PUMP
8	1286		2	PAN HD SCREW, 4 - 40 X 3/18
9	8003		2	PLALN WASHER
10	18160-3		2	REED FUEL PUMP
11	2A24757		1	FUEL PUMP READ PLATE W/ILLUS 8, 9 AND 10
12	2A24747		1	FUEL PUMP DLAPHRAGM W/GASKETS
13	K10123		1	REPALR PARTS KIT. INCLUDES ALL ITEMS MARKED WLTH AN ASTERLSK (*).
14	1755		8	RD HD SCREW W/LOCKWASHER, 6 - 32 X 5/16
15	424161		4	REED STOP
16	31160-1		4	REED
17	A424158		1	REED PLATEW/ ILLUS 14,15 AND 18
18	288159-1		1	GASKET, REED PLATE
19	424168-1		1	GASKET, MANIFOLD
20	1876		1	SPRING PIN
21	2A424167		1	MANIFOLD W/ILLUS 20, 22 AND 24
22	2788004		2	STUD, CARBURETOR
23	2008		6	HEX HD SCREW,1/4 - 20 X 7/8
24	487435		1	PULLEY, STARTER ROPE
25	18906		1	CARBURETOR GASKET
26	1490		2	HEX NUT,1/4 - 20
27	618061-1		1	CARBURETOR COMPLETE (LM8229A)
28	10121		1	VALVE, THROTTLE
29	10071		2	SCREW, CHOKE AND THROTTLE VALVES
30	10075		1	SPRING, THROTTLE RETURN
31	10110		1	SHAFT ASSEMBLY, THROTTLE
32	10072		1	SPRING, CHOKE STOP
33	10111		1	SHAFT ASSEMBLY, CHOKE
34	341384		1	RETALNER, CHOKE ROD
35	10077		1	NEEDLE, IDLE
36	10073		1	SPRLNG, IDLE NEEDLE
37	10122		1	VALVE, CHOKE
38	10088		1	NOZZLE
39	10120		1	KLT, VALVE SEAT
40	10064		1	SHAFT, FLOAT ASSEMBLY
41	10073		1	SPRING, FLOAT SUPPORT
42	10063		1	FLOAT ASSEMBLY W/ILLUS 40

CONTINUED ON NEXT PAGE ➡

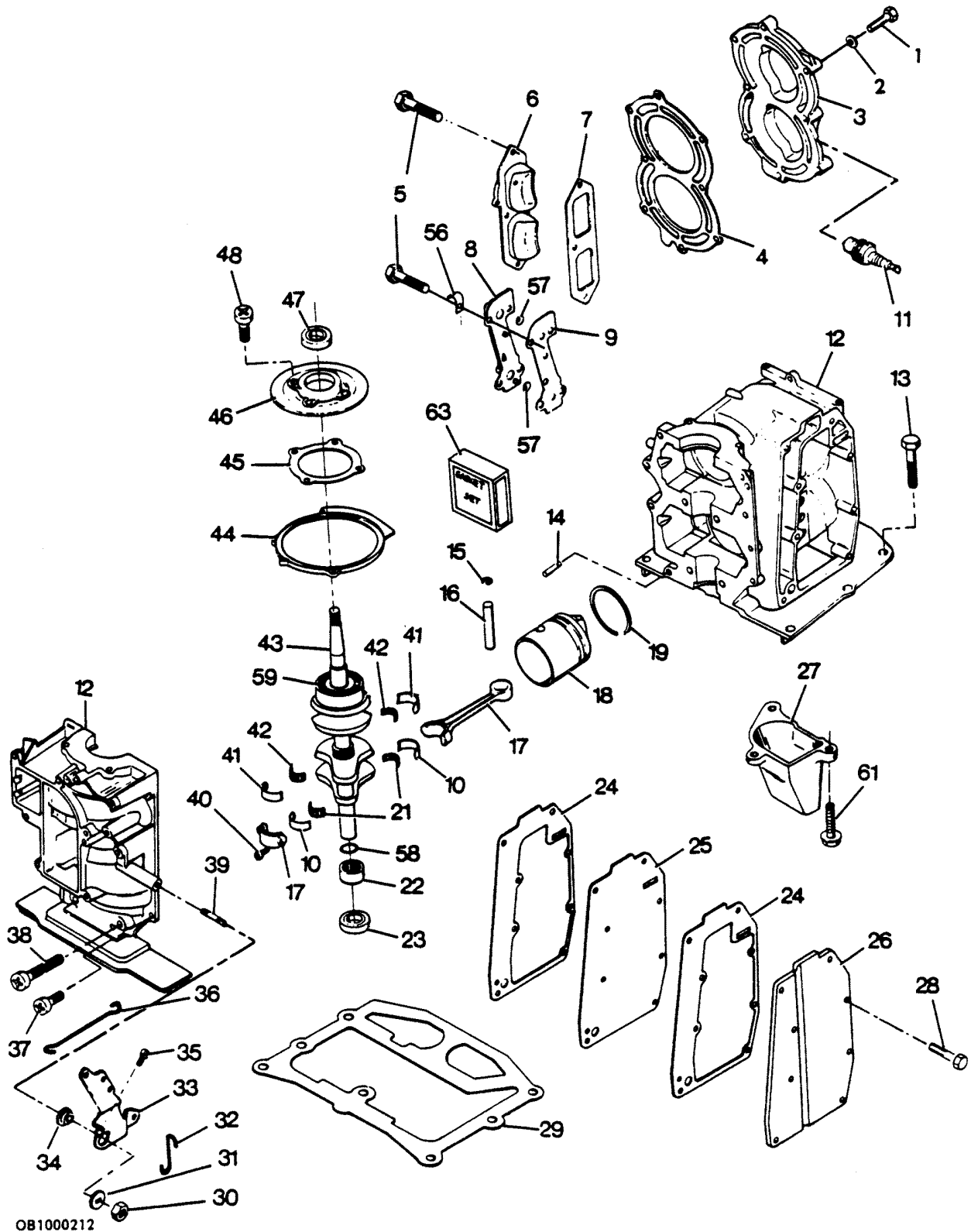
FUEL SYSTEM



FUEL SYSTEM

REF. NO.	PART NO.	SYM.	QTY.	DESCRIPTION
43	10068		1	GASKET, BODY TO BOWL
44	10058		1	BOWL, FUEL
45	10090		1	GASKET, BOWL RETALNER
46	10126		1	MAIN FUEL JET (.0625) SEA LEVEL - 2500 FT.
-	10223		1	MAIN FUEL JET (.060) 2500 - 5000 FT.
-	10224		1	MAIN FUEL JET (.058) 5000 - 7500 FT.
-	10225		1	MAIN FUEL JET (.056) 7500 - 10,000 FT.
47	K10124		1	GASKET KIT,CARBURETOR. INCLUDES ALL ITEMS MARKED WITH A DOUBLE ASTERISK(*).
-	10116		1	PLUG KIT (NOT SHOWN)
48	333316		1	SHAFT, THROTTLE CAM ROLLER
49	92759		1	ROLLER, THROTTLE CAM
50	2042		1	PLAIN WASHER
51	1997		1	LOCK NUT, 8 - 32
52	1704		2	LOCKWASHER, #6 S.S.

POWER HEAD



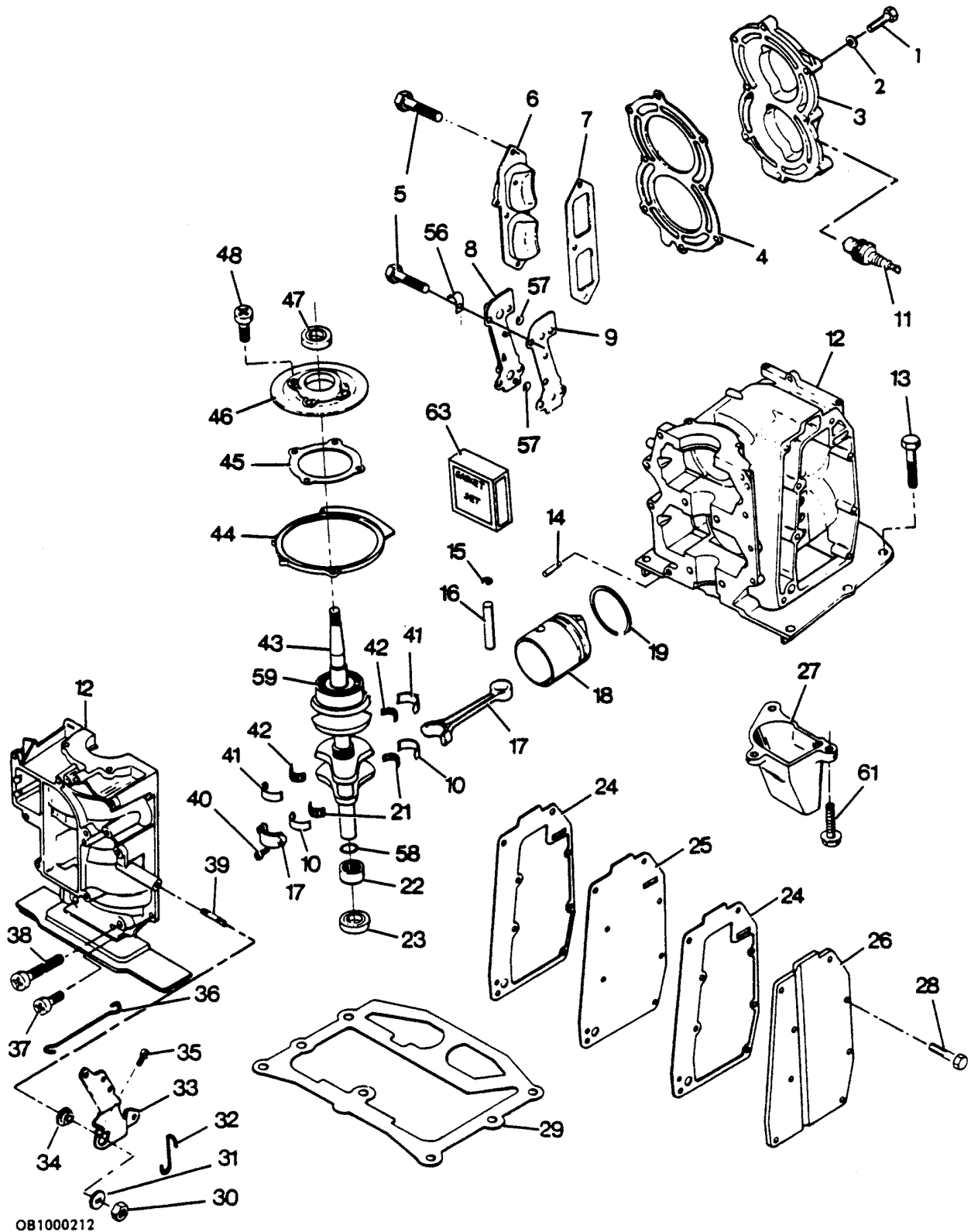
OB1000212

POWER HEAD

REF. NO.	PART NO.	SYM.	QTY.	DESCRIPTION
1	901938-1		8	SCREW, CYLINDER HEAD
2	8025		8	PLAIN WASHER
3	286518		1	HEAD, CYLINDER
4	286529-3		1	GASKET,CYLINDER HEAD
5	1922		7	HEX HD SCREW,1/4 - 20 X 5/8
6	286222		1	COVER, TRANSTER PORT
7	286223		1	GASKET, TRANSFER PORT COVER.
8	A429471		1	COVER, CYLINDER DRAIN W/CHECK VALVES AND ILLUS. 57
9	429472		1	GASKET, CYLINDER DRALN COVER
10	A286229		2	LINER, CONNECTING ROD (2 PER SET)
11	S174227		2	PLUG, SPARK, L-82
12	A473010		1	CYLINDER W/CRANKCASE COVER, DOWEL PINS, SCREWS AND STUDS
-	C472010		1	SHORT BLOCK (NOT SHOWN). LNCLUDES ALL ITEMS MARKED WITH AN ASTERLSK (*).
13	1823		6	HEX CAP SCREW, 5/16 - 18 X 1
14	8559		2	DOWEL PIN
15	31410		4	RETAINING RING, PISTON PIN
16	174017		2	PLN, PISTON
17	2A286016		2	ROD, CONNECTING W/CAP AND SCREWS
18	472015-2		2	PISTONS
19	A472260		1	PISTON RING SET (4 PER SET)
21	A517228		2	ROLLER, CRANKPIN
22	343014		1	BEARLNG, CRANKSHAFT LOWER MAIN
23	141118		1	SEAL, CRANKSHAFT LOWER
24	286154		2	GASKET, EXHAUST COVER
25	286151		1	PLATE, EXHAUST
26	286152		1	COVER, EXHAUST
27	487660-1		1	EXHAUST TUBE
28	2008		8	HEX HD SCREW,1/4 - 20 X 7/8
29	286279-2		1	GASKET, CYLINDER MOUNTING
30	1803		1	STOP NUT, 5/16 - 24
31	286282		1	WASHER
32	618445		1	LINK, MAGNETO SHAFT
33	A618081		1	LEVER, MAGNETO CONTROL
34	183813		1	BEARING, MAGNETO CONTROL LEVER
35	2126		1	SLOTTED FILL HD M. SC 1/4 - 28 X 2
36	286509		1	LINK, THROTTLE CAM
37	1107		8	FILL HD SCREW,1/4 - 20 X 3/4
38	1335		4	FILL HD SCREW, 5/16
39	286440		1	STUD, MAGNETO CONTROL LEVER
40	286634-1		4	SCREW, CONNECTING ROD
41	A286155		1	MAIN BEARING LLNER SET (2 PER SET)
42	286571		1	ROLLERSET, MAIN BEARING (26 PER SET)

CONTINUED ON NEXT PAGE ➡

POWER HEAD

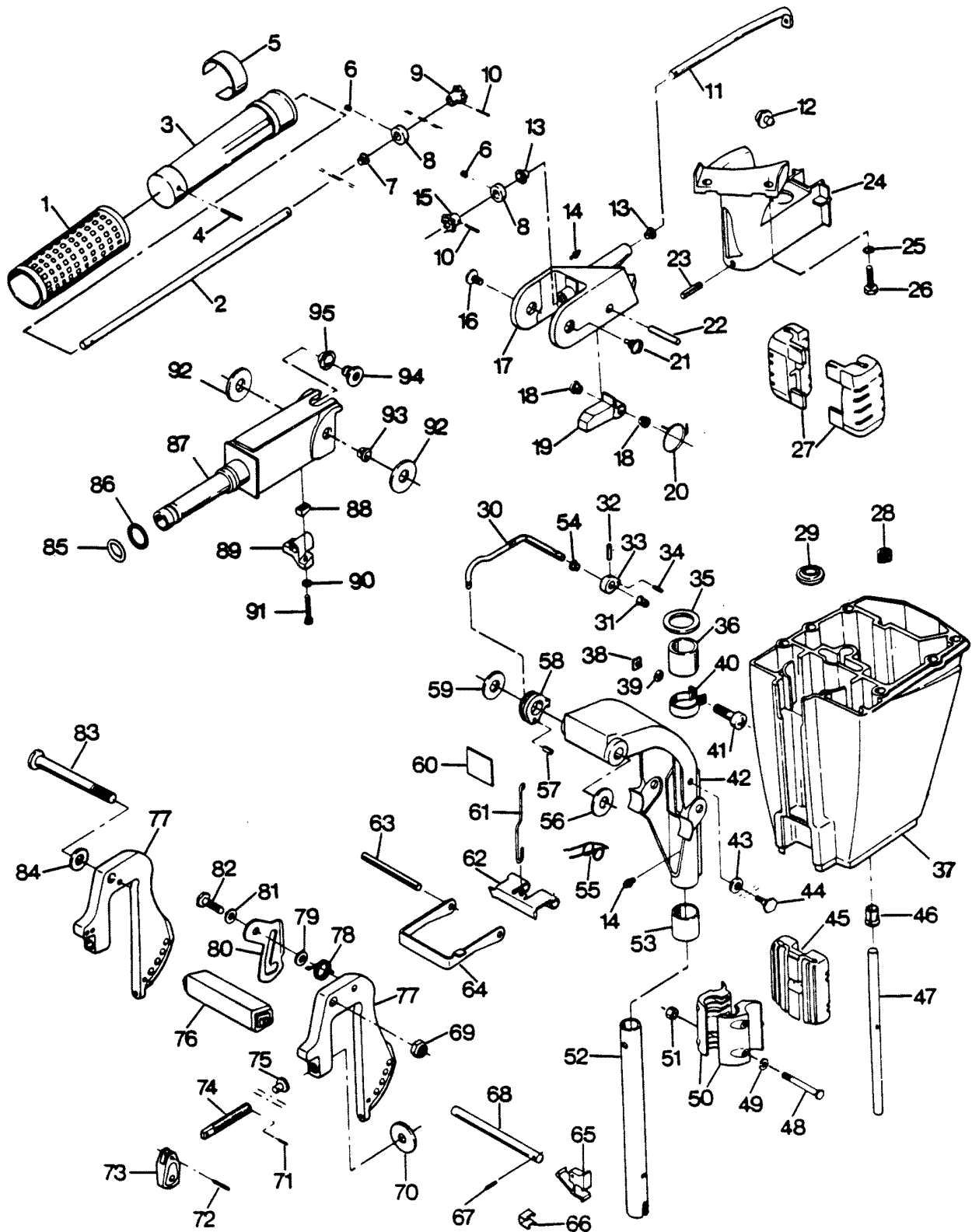


OB1000212

POWER HEAD

REF. NO.	PART NO.	SYM.	QTY.	DESCRIPTION
43	2A472018		1	CRANKSHAFT W/LILUS. 59
44	73082		1	RING, MAGNETOSTATOR
45	286277		1	GASKET, CRANKSHAFT BEARING CAGE
46	A286144		1	CAGE, CRANKSHAFT BEARING W/ILLUS. 47
47	346146		1	SEAL, CRANKSHAFT UPPER
48	1111		4	FILL HD SCREW,1/4
56	286772-1		1	HOSE CLAMP
57	429811		2	SCREEN
58	461342		1	SEAL, DRIVESHAFT SPLINE
59	286028		1	BEARING, CRANKSHAFT UPPER MAIN
61	2040		3	HEX WASHER HD M. SCREW,1/4 - 20 X 5/8
63	G2		1	GASKET SET - INCLUDES ITEMS LISTED BELOW.
	18906		1	GASKET, CARBURETOR (ITEM 25, PG.6)
-	286154		2	GASKET, EXHAUST (ITEM 24)
-	286159-1		1	GASKET, REED PLATE (ITEM 18, PG. 6)
-	286223		1	GASKET, TRANSFER PORT (ITEM 7)
-	286277		1	GASKET, CRANKSHAFT BEARING CAGE (ITEM 45)
-	286279-2		1	GASKET, CYLINDER MOUNTING (ITEM 29)
-	286529-3		1	GASKET, CYLINDER HEAD (ITEM 4)
-	424168-1		1	GASKET, MANIFOLD (ITEM 19, PG. 6)
-	429472		1	GASKET, CYLINDER DRAIN COVER (ITEM 9)

MOTOR LEG

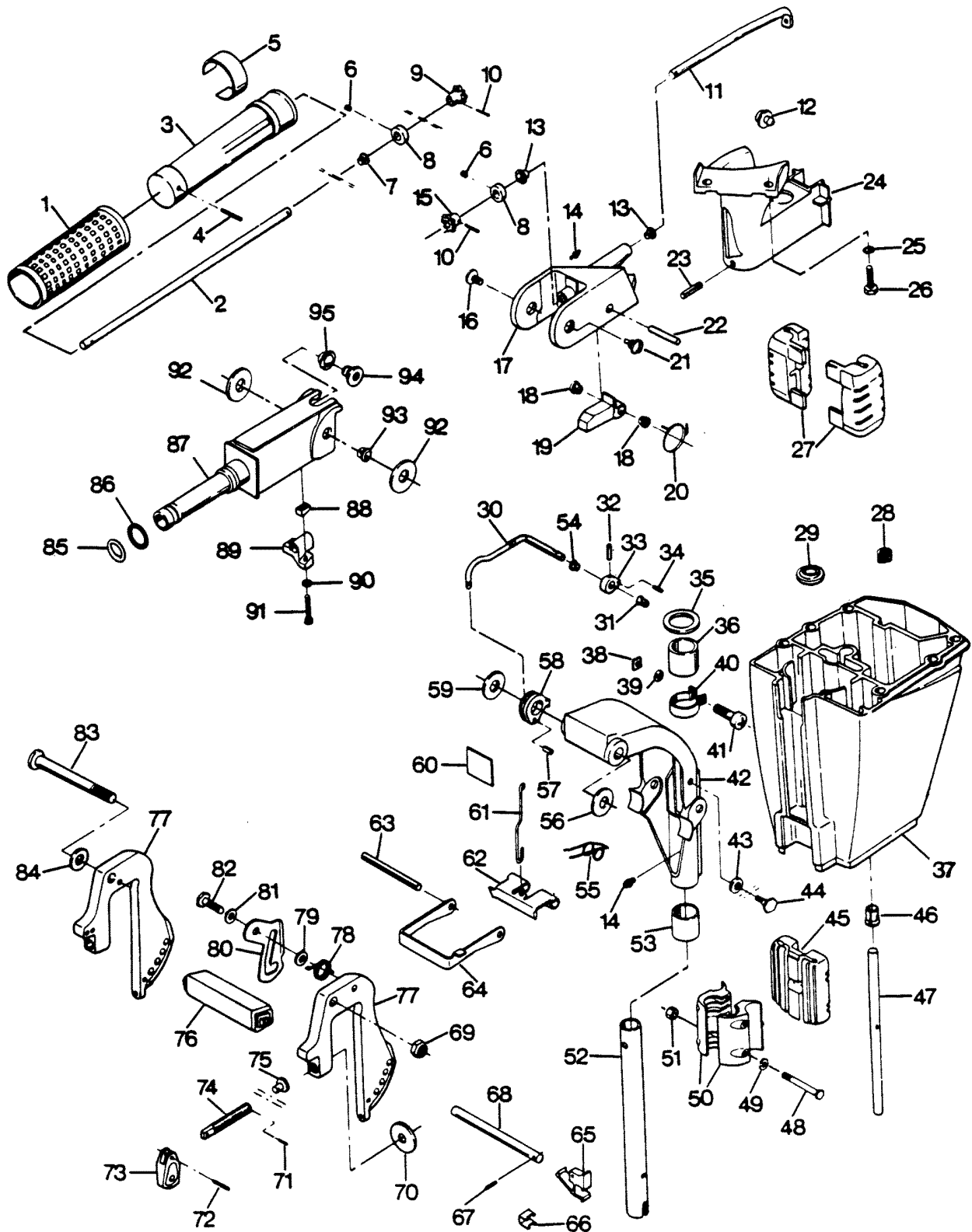


MOTOR LEG

REF. NO.	PART NO.	SYM.	QTY.	DESCRIPTION
1	458695		1	SLEEVE
2	429688		1	SHAFT,STEERING HANDLE
3	A456137		1	GRIP, STEERING HANDLE W/ILLUS.1
4	8548		1	SPRING PIN
5	C618894		1	STEERING HANDLE INDICATOR
6	1859		2	HEX SOCKET HEADLESS SET SCREW
7	85610		1	BEARING
8	A343178		2	RETAINER W/ILLUA 6
9	S487815		1	GEAR, STEERING HANDLE SHAFT
10	1978		2	SPRLNG PIN
11	431838		1	MAGNETO CONTROL SHAFT
12	286539		1	BUMPER
13	307818		2	BEARING
14	213274		4	GREASE TITTING
15	S487815		1	GEAR, MAGNETO CONTROL SHAFT
16	1799		1	TRUSS HD SCREW, 5/16 - 18 X 5/8
17	A286078		1	STEERING HANDLE BRACKET W/ILLUS.14
18	197813		2	BEARLNG, STEERING HANDLE STOP
19	286490		1	STEERING HANDLE STOP
20	286868		1	SPRING, STEERING HANDLE STOP
21	286080		1	SCREW, STEERING HANDLE PIVOT
22	1807		1	GROOVE PIN
23	1805		1	SPRING PIN
24	A286582		1	STEERING ARM W/LILUS.12 AND 23
25	8060		2	EXTERNAL TOOTH LOCKWASHER
26	1922		2	HEX CAP SCREW,1/4 - 20
27	286347		2	SHOCK MOUNT, UPPER
28	286414		1	SPRING, LEG WATER BRACKET
29	901307-2		1	SEAL, MOTOR LEG
30	A387742		1	LEVER, REVERSE LOCK, INTERMEDIATE ASSY.
31	197813		1	BEARLNG
32	8538		1	SPRING PIN
33	286364		1	LEVER, REVERSE LOCK
34	1794		1	SPRLNG PIN
35	286011		1	WASHER, SWIVEL BRACKET
36	286169		1	BEARLNG, SWIVEL BRACKET
37	2A477133		1	MOTOR LEG W/ITEMS 29, 46 AND 47
38	1608		1	SQUARE NUT,1/4 - 20
39	1907		1	WASHER
40	286573-1		1	CLAMP, STEERING FRICFFON
41	1820		1	FILL HD SCREW, LT4 20 X 1-3/8
42	A286072		1	SWIVEL BRACKET W/ILLUS.14 AND 53
43	286451		1	SPACER, TILT LOCK

CONTINUED ON NEXT PAGE ➡

MOTOR LEG

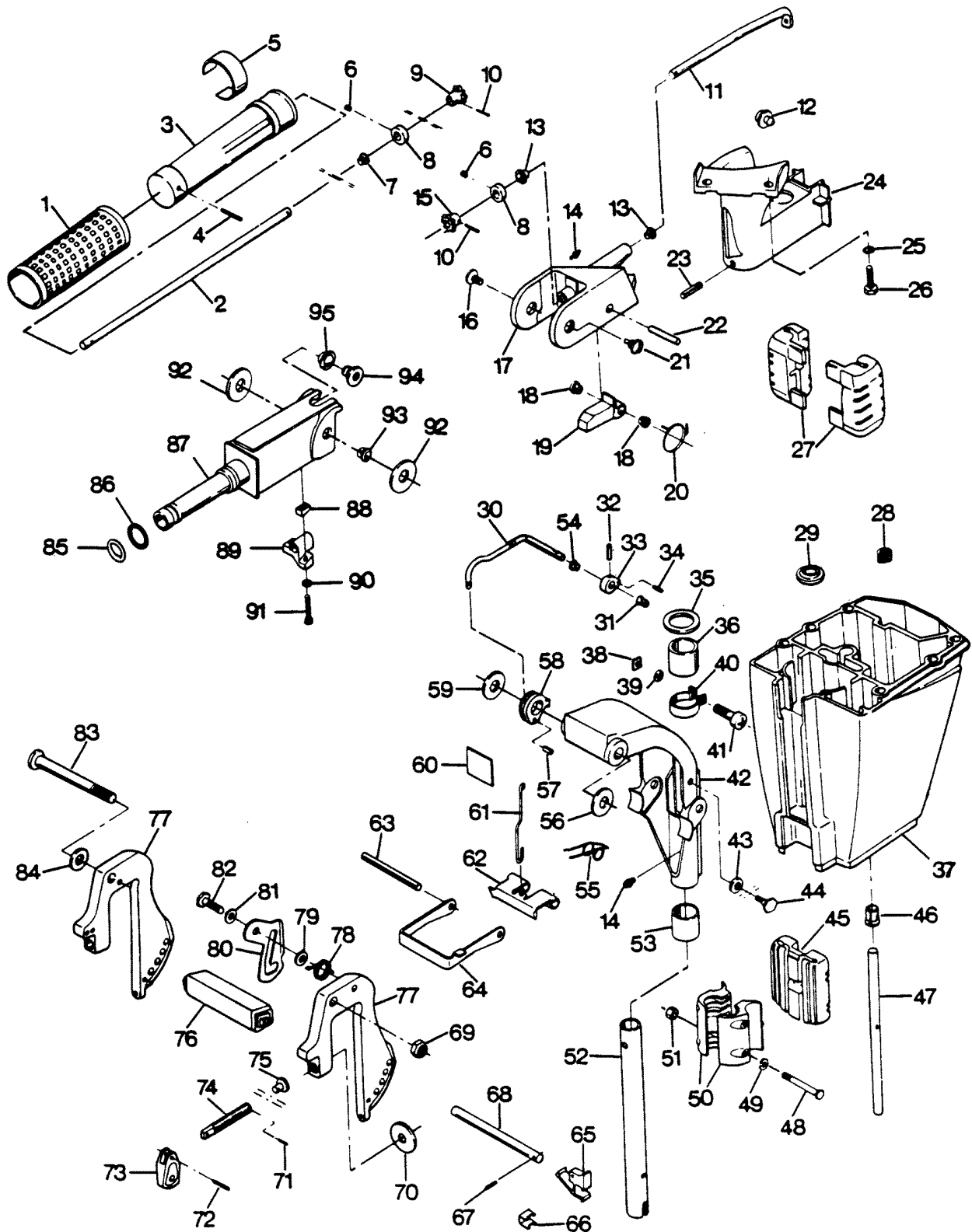


MOTOR LEG

REF. NO.	PART NO.	SYM.	QTY.	DESCRIPTION
44	286422-1		1	TILT LOCK PIVOT
45	286346		1	SHOCK MOUNT LOWER
46	286914		1	SLEEVE WATER LINE
47	286244		1	WATERLINE
48	A1844		2	HEX BOLT,1/4 - 20 X 2-3/8 W/LILUS. 49
49	8083		2	SPRLNG LOCKWASHER
50	286956		2	BRACKET, SHOCK MOUNT LOWER
51	1341		2	HEX NUT,1/4 - 20
52	286019		1	KINGPIN
53	286169		1	BEARING, SWIVEL BRACKET
54	536813		1	BEARING, REVERSE LOCK INTERMEDIATE LEVER
55	286300		1	SPRING, REVERSE LOCK
56	286286-1		1	WASHER, STERN BRACKET
57	1794		1	SPRING PIN
58	286827		1	REVERSE LOCK RELEASE LEVER
59	525286		1	WASHER
60	286585-2		1	DECAL, TILT RELEASE
61	A341510		1	LINK, REVERSE LOCK LEVER W/LITERATURE
62	286349		1	REVERSE LOCK
63	1806		1	GROOVE PIN
64	286433		1	BRACKET SHALLOW WATER DRIVE
65	286114		1	LOCK BAR HANDLE
66	286461		1	SPRING, LOCK BAR HANDLE
67	8540		1	SPRING PIN
68	A617113		1	LOCK BAR W/ILLUA 65, 66 AND 67
69	7026		1	STOP NUT, 3/8 - 16
70	24074		2	CLAMP SCREWFOOT
71	8537		2	SPRING PIN
72	8554		2	SPRING PIN
73	424075		2	HANDLE, CLAMPSCREW
74	A298073		2	CLAMP SCREW W/ILLUS 70, 71 AND 75
75	66480		2	STUD CLAMP SCREW
76	286647		1	CARRYING HANDLE
77	S617532		2	STERN BRACKET PORT W/ILLUA 74
78	286544-1		1	SPRING, TILT STOP
79	286451		1	SPACER,TILT LOCK
80	429541		1	TILT LOCK
81	1666		1	BOWED SPRING WASHER
82	286422-1		1	TILT LOCK PIVOT
83	617037		1	STERN BRACKET PIVOT BOLT
84	2014		1	PLAIN WASHER
85	215795		1	SEAL
86	53795-1		1	SEAL, STEERING HANDLE GRIP DAMPENER(LARGE)

CONTINUED ON NEXT PAGE ➡

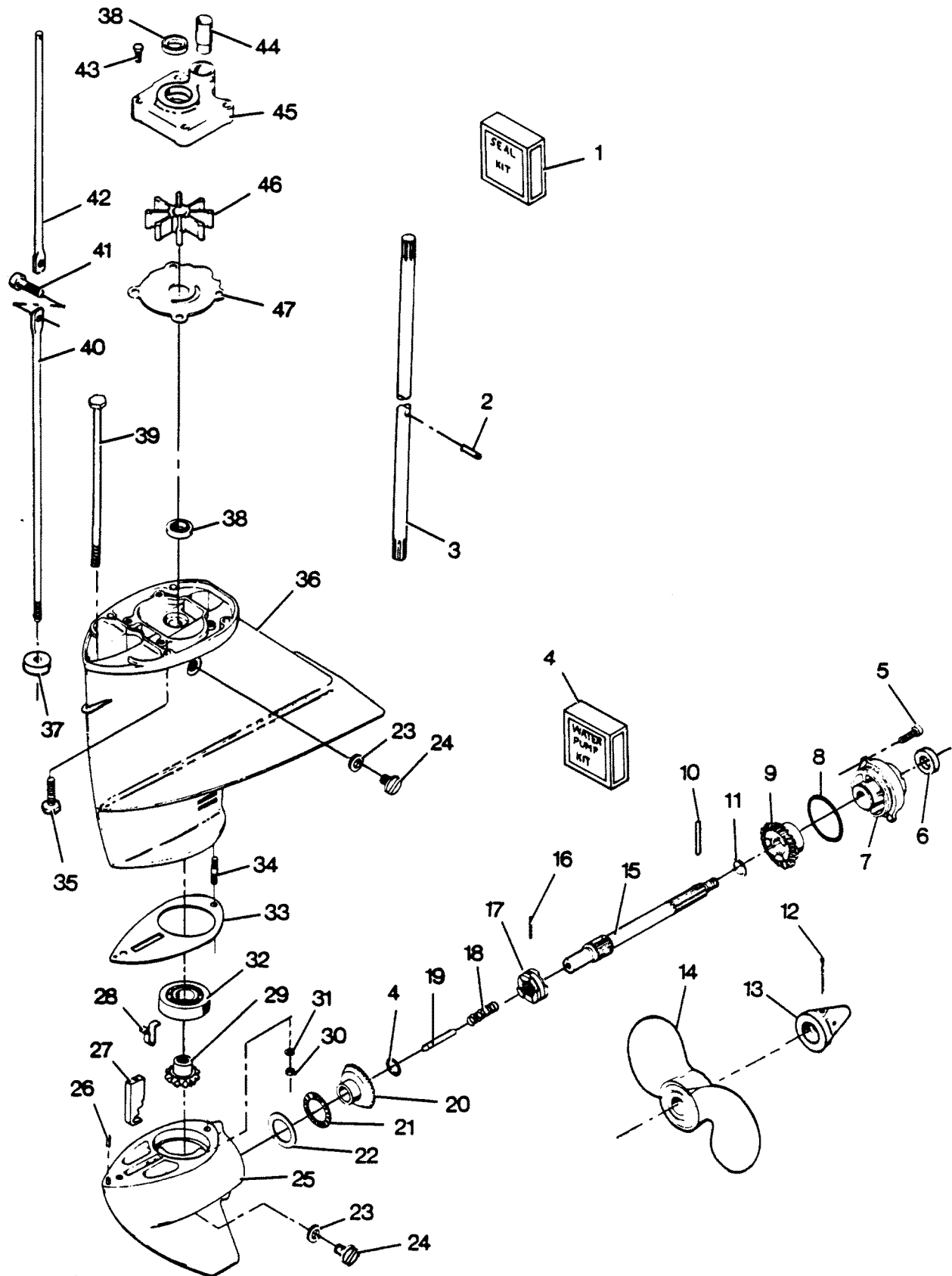
MOTOR LEG



MOTOR LEG

REF. NO.	PART NO.	SYM.	QTY.	DESCRIPTION
87	286079-1		1	STEERING HANDLE
88	341693		1	WEDGE, STEERING HANDLE
89	487816		1	BEARING, STEERING HANDLE
90	8058		2	INTERNAL TOOTH LOCKWASHER
91	1829		2	FILL HD SCREW,10 - 24 X 7/8
92	286220		2	WASHER, STEERING HANDLE
93	197813		1	BEARING
94	286224		1	INSERT, STEERING HANDLE PIVOT
95	286818		1	BEARLNG

GEAR HOUSING



0810002014

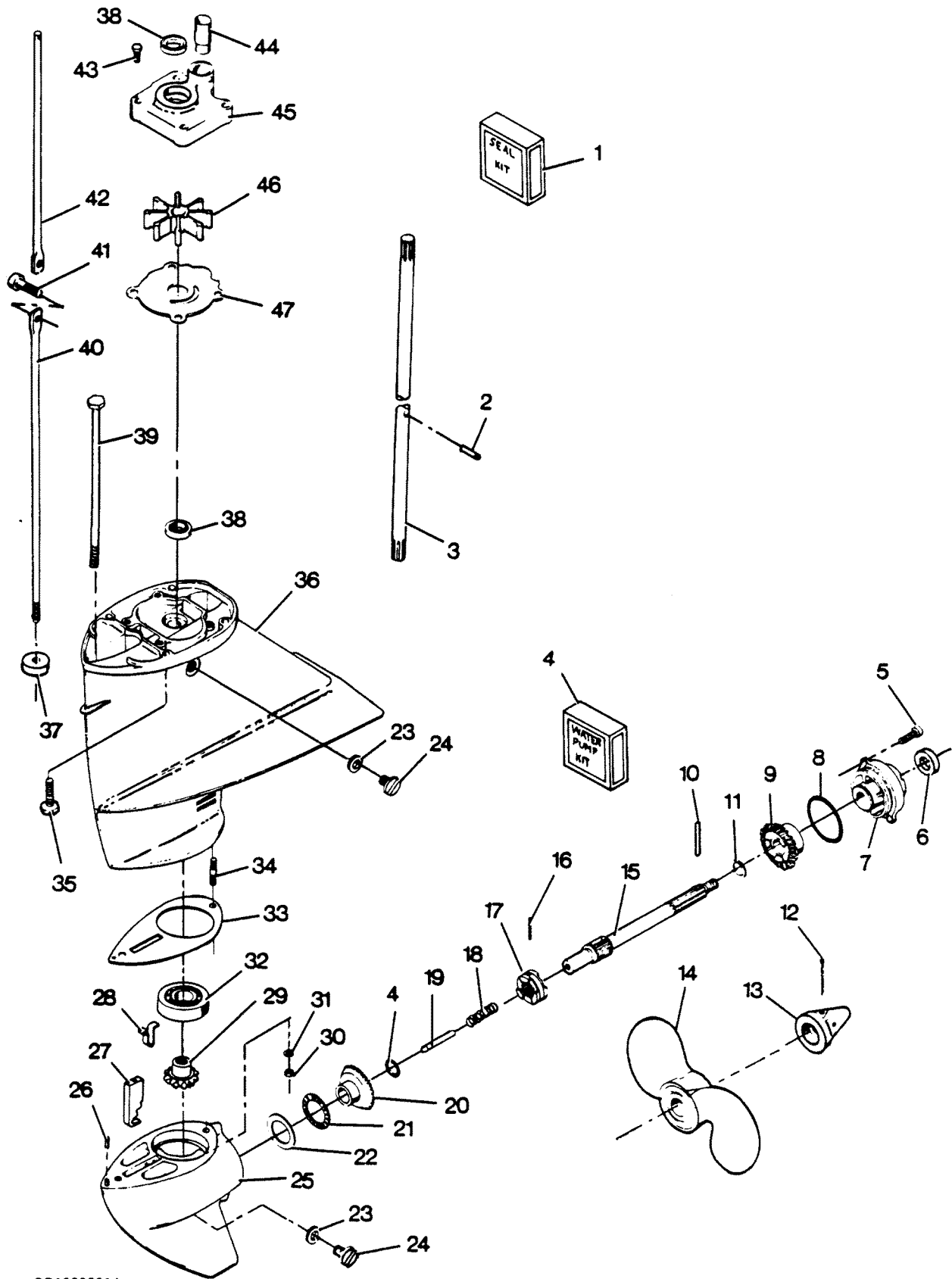
Page 27

GEAR HOUSING

REF. NO.	PART NO.	SYM.	QTY.	DESCRIPTION
1	K1065		1	GEAR HOUSING SEAL KIT - INCLUDES ALL ITEMS MARKED WITH A DOUBLE ASTERISK (**)
2	901563		1	WATER PUMP IMPELLER DRIVE PIN
3	343128		1	DRIVESHAFT
4	K1		1	WATER PUMP KIT. INCLUDES ITEMS LISTED BELOW.
-	20304		0	SCREW, 1/4 - 20 X 1-1/4 (ITEM 43)
-	341562		1	PLATE, WATER PUMP BACK (ITEM 47)
-	436065-2		1	IMPELLER (ITEM 46)
-	901563		1	PIN, WATER PUMP IMPELLER DRIVE (ITEM 2)
-	A504060		1	BODY, WATER PUMP W/ILLUS. 44 (ITEM 45)
5	1493		2	FILL HD SCREW, 1/4 - 20 X 5/8
6	346118		1	**SEAL, PROPELLER SHAFT
7	A286298		1	PROPELLER SHAFT BEARING CAGE W/BEARING AND ITEMS 6 & 8
8	455305		1	**SEAL, PROP SHAFT BEARING CAGE
9	A456662		1	BEVEL GEAR REAR W/BEARING
10	A324101		1	PROPELLER PIN, PACK OF 3 W/ILLUS.12
11	456717		2	THRUST WASHER
12	1846		1	COTTER PIN
13	A286094		1	PROPELLER NUT W/ILLUS.12
14	P6430		1	PROPELLER
15	456098		1	PROPELLER SHAFT
16	8564		1	SPRING PIN
17	A456521		1	CLUTCH W/LITERATURE
18	409719		1	CLUTCH SPRING
19	286728		1	CLUTCH SHIFT PIN
20	A456023		1	BEVEL GEAR FRONT W/BEARING
21	286901		1	BEARING, RADIAL, PROPELLER SHAFT
22	286903		1	RACE, PROPELLERSHAFT BEARING
23	8077		2	NYLUTE WASHER
24	50109		2	GEAR HOUSING PLUG
25	A286054		1	GEAR HOUSING LOWER W/PROP SHAFT BEARING, ILLUS. 23, 24 AND 26
-	C456054		1	LOWER GEAR HOUSING KIT (NOT SHOWN). INCLUDES ALL ITEMS MARKED WITH AN ASTERISK (
26	8553		1	SPRING PIN
27	286721		1	CLUTCH, SHIFT CAM
28	286895		1	SPRING CAM DETENT
29	A286266		1	GEAR, BEVEL PINION W/ITEM 32
30	1490		1	HEX NUT, 1/4 - 20
31	8083		1	SPRING LOCKWASHER
32	127910-2		1	BALL BEARING
33	286555		1	GASKET, GEAR HOUSING
34	286008		1	STUD, GEAR HOUSING REAR

CONTINUED ON NEXT PAGE ➡

GEAR HOUSING



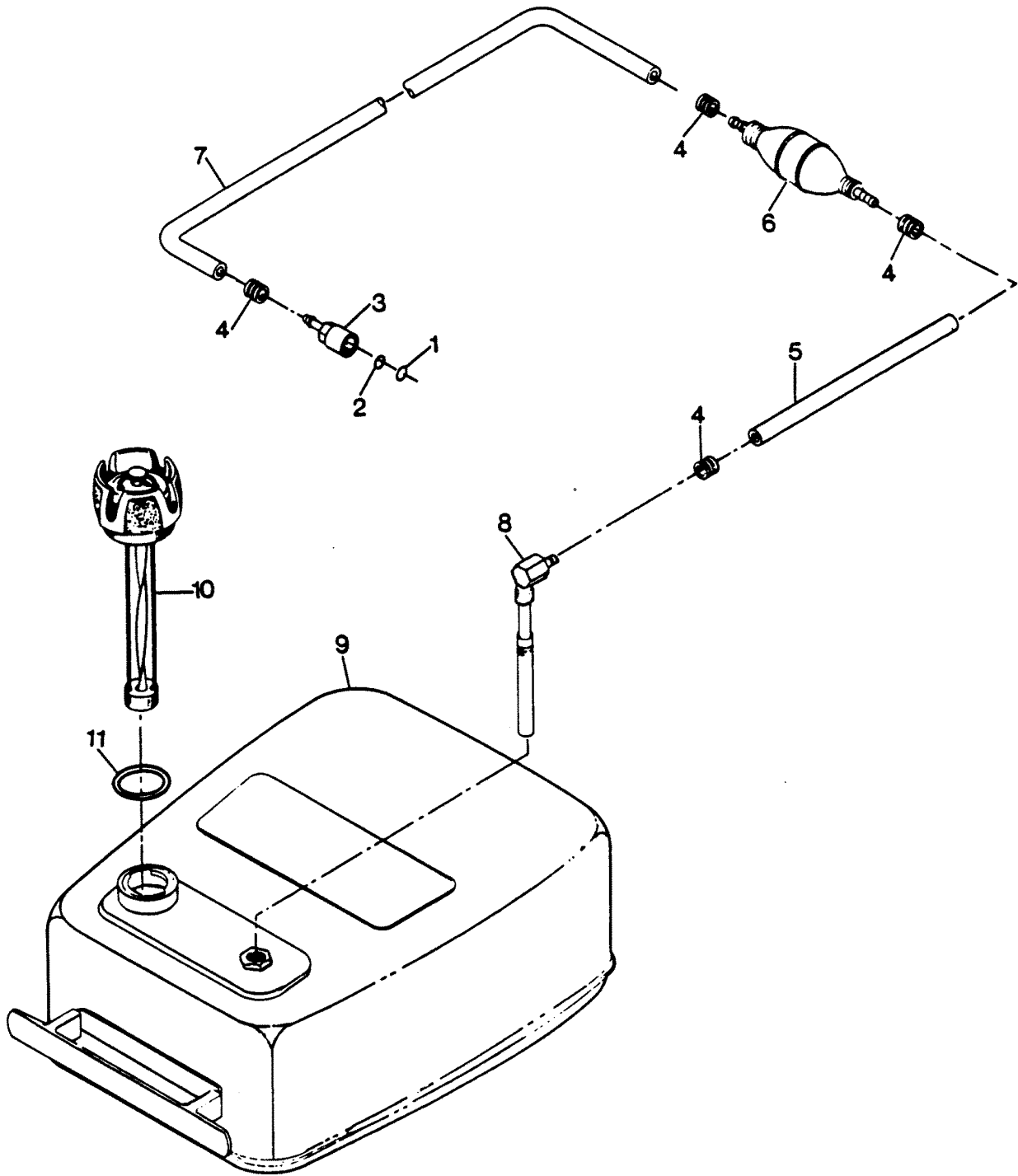
0810002014

Page 27

GEAR HOUSING

REF. NO.	PART NO.	SYM.	QTY.	DESCRIPTION
35	430732		4	HEX HD SCREW,1/4 - 20 X 1
36	A456554		1	GEAR HOUSING UPPER W/BEARING AND ITEMS 23, 24, 34, 37 AND 38
37	338618-1		1	SEAL, GEAR SHIFT ROD LOWER
38	901307-2		2	SEAL, DRIVESHAFT AND WATER PUMP
39	1800		1	HEX BOLT,1/4 - 20 X 7
+40	286705-1		1	GEARSHIFT ROD LOWER
41	1976		1	SOCKET HD SCREW W/LOCKWASHER,10 - 24 X 1/2
42	286615		1	GEAR SHIFT ROD UPPER
43	2030		4	HEX HD SCREW,1/4 - 20 X 1-1/4
44	A510914		1	SEAL, INLET WATER LINE W/LITERATURE
45	A504060		1	WATER PUMP BODY W/ILLUS. 38
46	436065-2		1	WATERPUMP IMPELLER
47	341562		1	WATER PUMP BACK PLATE

FUEL TANK AND LINE



FUEL TANK AND LINE

REF. NO.	PART NO.	SYM.	QTY.	DESCRIPTION
1	17816		1	SEAK FUEL LINE COUPLER
2	17815		1	SEAL, FUEL LINE COUPLER
3	197787-3		1	FUEL LINE COUPLER
4	298788		4	FERRULE
5	A1		1	FUEL LINE, SHORT W/ILLUA 4
6	S387766-1		1	PRIME BULB
7	A197752		1	FUEL LINE, LONG W/CLAMPS AND ILLUS 4
8	487755		1	FUEL TANK ADAPTOR
9	5H027-1		1	FUEL TANK W/ILLUS 8 AND 10 AND COMPLETE FUEL LINE
10	409251-1		1	GAUGE CAP
-	S409752		1	FUEL LINE COMPLETE(NOT SHOWN). INCLUDES ALL ITEMS MARKEDWITH AN ASTERISK(*).
-	310398		1	DECAL, TOTE TANK - USA (NOT SHOWN)
11	17818		1	GASKET

SPECIAL TOOLS

REF. NO.	PART NO.	SYM.	QTY.	DESCRIPTION
-	T2989		0	FLYWHEEL WEDGETO REMOVE FLYWHEEL. TUNE UP
-	T2909		0	KNOCK-OFF NUTTO REMOVE FLYWHEEL. TUNE UP
-	T1		0	FEELER GAUGETO ADJUST BREAKER POINTS TUNE UP
-	T2985		0	STARTER REWIND KEYTO REWIND STARTER SPRING. MANUAL STARTER
-	T2998		0	TORQUE WRENCH (0 - 100 IBA/FT.)TO PROPERLY SECURE FASTENERA POWER HEAD
-	T2999		0	TORQUE WRENCH (0 - 600 IBA/IN.)TO PROPERLY SECURE FASTENERS. POWER HEAD
-	T2991		0	CARBON BRUSHTO REMOVE CARBON FROM INSIDE OF POWER HEAD POWER HEAD
-	T8900		0	HOSE CLAMP PLIERSTO REMOVE AND INSTALL FUEL HOSE CLAMPA POWER HEAD
-	T11202		0	SEAL INSTALLERTO INSTALL CRANKSHAFT SEALA POWER HEAD
-	T3012		0	SEAL INSTALLERTO INSTALL UPPER CRANKSHAFT BEARING CAGE SEAL. POWER HEAD
-	T2908		0	SEAL SLEEVE TO INSTALL UPPER CRANKSHAFT BEARING CAGE SEAL POWER HEAD
-	T8929		0	ADAPTER AND HEX BITTO TORQUE CONNECTING ROD SCREWA POWER HEAD
-	T1749		0	SNAP RING PLIERSTO REMOVE AND INSTALL PISTON PIN RETAINING RINGS. POWER HEAD
-	T2997		0	RING COMPRESSORTO INSTALL PISTONS. POWER HEAD
-	T8926		0	RING EXPANDERTO INSTALL PISTON RINGS POWER HEAD
-	T8993		0	TORQUE WRENCHTO TORQUE LOWER CYLINDER HEAD BOLTS ADAPTER. POWER HEAD
-	T1		0	PULLERTO REMOVE PROPELLER SHAFT BEARING CAGE. LOWER UNIT
-	T8957		0	SEAL INSTALLERTO INSTALL SHIFT ROD SEAL. LOWER UNIT
-	T2907		0	SEAL INSTALLERTO INSTALL DRIVESHAFL SEAL IN GEAR HOUSING UPPER PROPELLER SHAFT LOWER UNIT
-	T1		0	BATTERY POWERED TEST LIGHTTO TEST FOR CONTINUITY IN WIREA TEST EQUIPMENT
-	T8952		0	TEST PROPTO TEST MOTOR IN TEST TANK. TEST EQUIPMENT
-	T8950		0	LEAKAGE TESTERTO TEST GEAR HOUSING SEALS FOR LEAKS. TEST EQUIPMENT
-	T2951		0	CIRCUIT TRACERTO TEST 12 VOLT CIRCUITS FOR CONTINUITY. TEST EQUIPMENT
-	T29B1		0	LUBRICANT - RYKON GREASE #2EP LUBRICANTS AND SEALANTS
-	T1		0	LUBRICANT - ANTL-SEIZE LUBRICANTS AND SEALANTS
-	T8969		0	LUBRICANT - 7 OZ # 1 LPS-1 LUBRICANTS AND SEALANTS

CONTINUED ON NEXT PAGE ➡

SPECIAL TOOLS

REF. NO.	PART NO.	SYM.	QTY.	DESCRIPTION
-	T8983		0	SEALANT - R1V LUBRICANTS AND SEALANTS
-	T1		0	SEALANT - 2 CC LOCTITE RETAINING COMPOUND #75 LUBRICANTS AND SEALANTS
-	T2		0	SEALANT - 50 CC LOCTITE H NON-HARDENING GRADE LUBRICANTS AND SEALANTS
-	T2		0	SEALANT - 2 OZ LOCTITE D HARDENING GRADE LUBRICANTS AND SEALANTS
-	T8935		0	SEALANT PRIMER - 6 OZ

PARTS INDEX

Part Number	Description	Pg.	Ref. No.	Part Number	Description	Pg.	Ref. No.
10058	BOWL, FUEL	13	44	12360	CAM WIPER FELT	7	5
10063	FLOAT ASSEMBLY W/ILLUS 40	11	42	127910-2	BALL BEARING	25	32
10064	SHAFT, FLOAT ASSEMBLY	11	40	1286	PAN HD SCREW, 4 - 40 X 3/18	11	8
10068	GASKET, BODY TO BOWL	13	43	1335	FILL HD SCREW, 5/16	15	38
10071	SCREW, CHOKE AND THROTTLE VALVES	11	29	1341	HEX NUT, 1/4 - 20	21	51
10072	SPRING, CHOKE STOP	11	32	141118	SEAL, CRANKSHAFT LOWER	15	23
10073	SPRING, FLOAT SUPPORT	11	41	1475	FILL HD SCREW, 10 - 24 X 1/2	3	8
10073	SPRNG, IDLE NEEDLE	11	36	1490	HEX NUT, 1/4 - 20	11	26
10075	SPRING, THROTTLE RETURN	11	30	1490	HEX NUT, 1/4 - 20	25	30
10077	NEEDLE, IDLE	11	35	1493	FILL HD SCREW, 1/4 - 20 X 5/8	25	5
10088	NOZZLE	11	38	1500	HD SHEET METAL SCREW	9	24
10090	GASKET, BOWL RETALNER	13	45	1608	SQUARE NUT, 1/4 - 20	19	38
10110	SHAFT ASSEMBLY, THROTTLE	11	31	1666	BOWED SPRING WASHER	21	81
10111	SHAFT ASSEMBLY, CHOKE	11	33	1704	LOCKWASHER, #6 S.S.	13	52
10116	PLUG KIT (NOT SHOWN)	13	-	174017	PLN, PISTON	15	16
10120	KLT, VALVE SEAT	11	39	1753	FASTENER	3	4
10121	VALVE, THROTTLE	11	28	1755	RD HD SCREW W/LOCKWASHER, 6 - 32 X 5/16	11	14
10122	VALVE, CHOKE	11	37	17815	SEAL, FUEL LINE COUPLER	29	2
10126	MAIN FUEL JET (.0625) SEA LEVEL - 2500 FT.	13	46	17816	SEAK FUEL LINE COUPLER	29	1
10223	MALN TUEL JET (.060) 2500 - 5000 FT.	13	-	17818	GASKET	29	11
10224	MAIN FUEL JET (.058) 5000 - 7500 FT.	13	-	1794	SPRING PIN	21	57
10225	MAIN FUEL JET (.056) 7500 - 10,000 FT.	13	-	1794	SPRLNG PIN	19	34
1069	FILL HD SCREW, 10 - 24 X 1- 1/18	11	5	1799	TRUSS HD SCREW, 5/16 - 18 X 5/8	19	16
1075	FLIL HD SCREW, 10 - 24 X 1/2	7	12	1800	HEX BOLT, 1/4 - 20 X 7	27	39
1089	FILL HD SCREW, 10 - 24 X 9/16	9	1	1803	STOP NUT, 5/16 - 24	15	30
1090	FLIL HD SCREW W/LOCKWASHER, 10 - 24 X 9/16	7	18	1804	STOP NUT	9	9
1091	SLOTTED FILL HD. M. SCREW, 10 - 32 X 1/4	7	27	1804	STOP NUT, 10 - 32	3	39
1107	FILL HD SCREW, 1/4 - 20 X 3/4	15	37	1804	STOP, NUT 10-32	5	47
1111	FILL HD SCREW, 1/4	17	48	1805	SPRING PIN	19	23
12088	GROMMET	7	20	1806	GROOVE PIN	21	63
12091	LEAD WIRE MARKER TOP (NOT SHOWN)	7	-	1807	GROOVE PIN	19	22
12114	COLL GROUND TERMINAL SCREW	7	16	1809	HEX NUT, 1/2 - 20	7	1
12141	HIGH TENSION LEAD SLEEVE	7	21	18160-3	REED FUEL PUMP	11	10
12146	COIL WEDGE SPRING	7	17	1819	EYELET, SUPPORT PLATE (NOT SHOWN)	5	48
12153--1	BREAKER POINT SET	7	6	1820	FILL HD SCREW, LT4 20 X 1- 3/8	19	41
12170	CONDENSER SCREW W/LOCKWASHER	7	7	1823	HEX CAP SCREW, 5/16 - 18 X 1	15	13
12170	CONTACT SCREW W/LOCKWASHER	7	4	1829	FILL HD SCREW, 10 - 24 X 7/8	23	91
12181--1	CONDENSER	7	8	183813	BEARING, MAGNETO CONTROL LEVER	15	34
12186-1	PRIMARY TERMINAL WIRE	7	24	184579	SEAL	3	35
				1846	COTTER PIN	25	12
				1859	HEX SOCKET HEADLESS SET SCREW	19	6
				1864	HEX HD SCREW, 1/4 - 20 X 3/4	9	14
				1875	SPRING PIN, STARTER BRACKET	9	20
				1876	SPRING PIN	11	20
				18906	CARBURETOR GASKET	11	25

PARTS INDEX

Part Number	Description	Pg.	Ref. No.	Part Number	Description	Pg.	Ref. No.
18906	GASKET, CARBURETOR (ITEM 25, PG.6)	17	63	286159-1	GASKET, REED PLATE (ITEM 18, PG. 6)	17	-
1907	WASHER	19	39	286169	BEARING, SWIVEL BRACKET	21	53
1922	HEX CAP SCREW,1/4 - 20 . .	19	26	286169	BEARLNG, SWIVEL BRACKET	19	36
1922	HEX HD SCREW,1/4 - 20 X 5/8	15	5	286220	WASHER, STEERING HANDLE	23	92
197319	BEARING, CHOKE ROD . . .	3	29	286222	COVER, TRANSTER PORT .	15	6
1976	SOCKET HD SCREW W/LOCKWASHER,10 - 24 X 1/2	27	41	286223	GASKET, TRANSFER PORT COVER.	15	7
197767-1	BUSHING, FUEL LLNE	3	23	286223	GASKET, TRANSTER PORT (ITEM 7)	17	-
197787-3	FUEL LINE COUPLER	29	3	286224	INSERT, STEERING HANDLE PIVOT	23	94
1978	SPRLNG PIN	19	10	286244	WATERLINE	21	47
197813	BEARING	23	93	286277	GASKET, CRANKSHAFT BEARING CAGE	17	45
197813	BEARLNG	19	31	286277	GASKET, CRANKSHAFT BEARING CAGE (ITEM 45)	17	-
197813	BEARLNG, STEERING HANDLE STOP	19	18	286279-2	GASKET, CYLINDER MOUNTING	15	29
1997	LOCK NUT, 8 - 32	13	51	286279-2	GASKET, CYLINDER MOUNTING (ITEM 29) . . .	17	-
2008	HEX HD SCREW,1/4 - 20 X 7/8	11	23	286282	WASHER	15	31
2008	HEX HD SCREW,1/4 - 20 X 7/8	15	28	286286-1	WASHER, STERN BRACKET	21	56
2014	PLAIN WASHER	21	84	286300	SPRING, REVERSE LOCK . .	21	55
2030	HEX HD SCREW,1/4 - 20 X 1- 1/4	27	43	286346	SHOCK MOUNT LOWER . . .	21	45
20304	SCREW,1/4 - 20 X 1-1/4 (ITEM 43)	25	-	286347	SHOCK MOUNT, UPPER . . .	19	27
2040	HEX WASHER HD M. SCREW,1/4 - 20 X 5/8 . . .	17	61	286349	REVERSE LOCK	21	62
2042	PLAIN WASHER	9	8	286364	LEVER, REVERSE LOCK . . .	19	33
2042	PLALN WASHER	13	50	286414	SPRING, LEG WATER BRACKET	19	28
2126	SLOTTED FILL HD M. SC 1/4 - 28 X 2	15	35	286422-1	TILT LOCK PIVOT	21	44
213274	GREASE TITTING	19	14	286422-1	TILT LOCK PIVOT	21	82
215795	SEAL	21	85	286433	BRACKET SHALLOW WATER DRIVE	21	64
217002	MASNETO BREAKER CAM .	7	13	286440	STUD, MAGNETO CONTROL LEVER	15	39
24074	CLAMP SCREWFOOT	21	70	286451	SPACER, TILT LOCK	19	43
24748-2	GASKET,FUEL PUMP	11	7	286451	SPACER,TILT LOCK	21	79
2706772	HOSE CLAMP	11	1	286461	SPRING, LOCK BAR HANDLE	21	66
2788004	STUD, CARBURETOR	11	22	286490	STEERING HANDLE STOP .	19	19
286008	STUD, GEAR HOUSING REAR	25	34	286509	LINK, THROTTLE CAM	15	36
286011	WASHER, SWIVEL BRACKET	19	35	286518	HEAD, CYLINDER	15	3
286019	KINGPIN	21	52	286529-3	GASKET, CYLINDER HEAD (ITEM 4)	17	-
286028	BEARING, CRANKSHAFT UPPER MAIN	17	59	286529-3	GASKET,CYLINDER HEAD .	15	4
286079-1	STEERING HANDLE	23	87	286539	BUMPER	19	12
286080	SCREW, STEERING HANDLE PIVOT	19	21	286544-1	SPRING, TILT STOP	21	78
286114	LOCK BAR HANDLE	21	65	286547	KNOB, CHOKE	3	30
286132	HANDLE, STARTER ROPE .	9	22	286555	GASKET, GEAR HOUSING .	25	33
286134	STUD	9	5	286571	ROLLERSET, MAIN BEARING (26 PER SET)	15	42
286134	STUD, GEAR SHIFT LEVER	3	34	286573-1	CLAMP, STEERING FRICFFON	19	40
286134	STUD, STARTER INTERLOCK LLNK	5	46	286585-2	DECAL, TILT RELEASE	21	60
286151	PLATE, EXHAUST	15	25	286611-1	ROD, GEAR SHIFT	3	41
286152	COVER, EXHAUST	15	26	286614	HANDLE, GEAR SHIFT	3	21
286154	GASKET, EXHAUST (ITEM 24)	17	-				
286154	GASKET, EXHAUST COVER	15	24				

PARTS INDEX

Part Number	Description	Pg.	Ref. No.	Part Number	Description	Pg.	Ref. No.
286615	GEAR SHIFT ROD UPPER . .	27	42	338618-1	SEAL, GEAR SHIFT ROD		
286634-1	SCREW, CONNECTING ROD	15	40		LOWER	27	37
286647	CARRYING HANDLE	21	76	341384	RETALNER, CHOKE ROD . .	11	34
286685	CONNECTOR, GEAR SHIFT			341562	PLATE, WATER PUMP BACK		
	ROD	3	33		(ITEM 47)	25	-
286705-1	GEARSHIFT ROD LOWER . .	27	+40	341562	WATER PUMP BACK PLATE	27	47
286710	ARBOR, STARTER SPRING .	9	12	341693	WEDGE, STEERING HANDLE	23	88
286721	CLUTCH, SHIFT CAM	25	27	343014	BEARLNG, CRANKSHAFT		
286728	CLUTCH SHIFT PIN	25	19		LOWER MAIN	15	22
286737-1	RETAINER, STARTER			343128	DRIVESHAFT	25	3
	REWIND SPRINS	9	16	343226-1	PLUG	3	26
286772-1	HOSE CLAMP	17	56	346118	**SEAL, PROPELLER SHAFT	25	6
286777	CAM, COVER LATCH	3	27	346146	SEAL, CRANKSHAFT UPPER	17	47
286818	BEARLNG	23	95	392756	PACKING, SUPPORT PLATE	3	17
286827	REVERSE LOCK RELEASE			40253-1	FUEL LINE	11	2
	LEVER	21	58	40425	STARTER PINION SPRING .	9	13
286868	SPRING, STEERING			409232-1	STARTER ROPE	9	21
	HANDLE STOP	19	20	409251-1	GAUGE CAP	29	10
286871	PIN, GEAR SHIFT LEVER . .	3	16	409719	CLUTCH SPRING	25	18
286876	LEVER, GEAR SHIFT	3	14	424075	HANDLE, CLAMPSCREW . .	21	73
286895	SPRING CAM DETENT	25	28	424161	REED STOP	11	15
286901	BEARING, RADIAL,			424168-1	GASKET, MANIFOLD	11	19
	PROPELLER SHAFT	25	21	424168-1	GASKET, MANIFOLD (ITEM		
286903	RACE, PROPELLERSHAFT				19, PG. 6)	17	-
	BEARING	25	22	429472	GASKET, CYLINDER DRAIN		
286914	SLEEVE WATER LINE	21	46		COVER (ITEM 9)	17	-
286930	END, STARTER SPRINSI . . .	9	17	429472	GASKET, CYLINDER DRALN		
286956	BRACKET, SHOCK MOUNT				COVER	15	9
	LOWER	21	50	429541	TILT LOCK	21	80
286989-2	SEAL, SUPPORT PLATE	3	19	429688	SHAFT, STEERING HANDLE	19	2
288159-1	GASKET, REED PLATE	11	18	429811	SCREEN	17	57
289664	WIRE, STATORGROUND	7	11	430732	HEX HD SCREW, 1/4 - 20 X 1	27	35
298788	FERRULE	29	4	431838	MAGNETO CONTROL SHAFT	19	11
2A24747	FUEL PUMP DLAPHRAGM			436065-2	IMPELLER (ITEM 46)	25	-
	W/GASKETS	11	12	436065-2	WATERPUMP IMPELLER . .	27	46
2A24757	FUEL PUMP READ PLATE			436280	NUT, SHORTING SWITCH . .	7	25
	W/ILLUS 8, 9 AND 10	11	11	455305	**SEAL, PROP SHAFT		
2A286016	ROD, CONNECTING W/CAP				BEARING CAGE	25	8
	AND SCREWS	15	17	456098	PROPELLER SHAFT	25	15
2A424167	MANIFOLD W/ILLUS 20, 22			456717	THRUST WASHER	25	11
	AND 24	11	21	458498	MAGNETO KEY	7	14
2A459239	STARTER SPOOL W/SHAFT			458677	INSERT, CHOKE KNOB	3	31
	W/LITERATURE	9	18	458695	SLEEVE	19	1
2A472018	CRANKSHAFT W/LILUS. 59 .	17	43	461342	SEAL, DRIVESHAFT SPLINE	17	58
2A477133	MOTOR LEG W/ITEMS 29, 46			472015-2	PISTONS	15	18
	AND 47	19	37	487424-1	STARTER, PINION SPRING .	9	3
2C676712	COVER, ENGINE			487427-1	BRACKET, STARTER UPPER	9	4
	COMPLETE. INCLUDES			487435	PULLEY, STARTER ROPE . .	11	24
	ALL ITEMS MARKED WITH			487660-1	EXHAUST TUBE	15	27
	AN ASTERISK (*).	3	-	487727	BALL, INTERLOCK DETENT	9	10
307818	BEARING	3	13	487755	FUEL TANK ADAPTOR	29	8
307818	BEARING	19	13	487781-3	STARTER INTERLOCK	9	7
310398	DECAL, TOTE TANK - USA			487816	BEARING, STEERING		
	(NOT SHOWN)	29	-		HANDLE	23	89
31160-1	REED	11	16	487895	SPRING, INTERLOCK		
31410	RETAINING RING, PISTON				DETENT	9	11
	PIN	15	15	492263	LINK STARTER INTERLOCK	3	36
333316	ROLLER SHAFT	5	43	492417	SHAFT, GEAR SHIFT		
333316	SHAFT, THROTTLE CAM				HANDLE	3	22
	ROLLER	13	48	492619	LEVER, GEAR SHIFT SHAFT	3	32

PARTS INDEX

Part Number	Description	Pg.	Ref. No.	Part Number	Description	Pg.	Ref. No.
50109	GEAR HOUSING PLUG	25	24	901563	PIN, WATER PUMP		
525286	WASHER	21	59		IMPELLER DRIVE (ITEM 2)	25	-
536813	BEARING, REVERSE LOCK			901563	WATER PUMP IMPELLER		
	INTERMEDIATE LEVER . .	21	54		DRIVE PIN	25	2
53795-1	SEAL, STEERING HANDLE			901746-2	FUEL PUMP COVER	11	8
	GRIP DAMPENER(LARGE)	21	86	901811	FUEL PUMP FILTER	11	4
5H027-1	FUEL TANK W/ILLUS 8 AND			901938-1	SCREW, CYLINDER HEAD .	15	1
	10 AND COMPLETE FUEL			92759	ROLLER, THROTTLE CAM .	13	49
	LINE	29	9	927S9	ROLLER	3	42
610711	PLATE, ENGINE COVER . . .	3	2	98273	STUD, GEARSHIFT ROD		
617037	STERN BRACKET PIVOT				CONNECTOR	3	11
	BOLT	21	83	A1	FUEL LINE, SHORT W/ILLUA		
617192	THROTTLE CAM PLATE . . .	7	10		4	29	5
617503	ROD, CHOKE	5	44	A12370	COIL W/LEAD WIRE AND		
617674	GEAR, STARTER PINLON . .	9	2		WEDGE SPRINS	7	22
618061-1	CARBURETOR COMPLETE			A1844	HEX BOLT,1/4 - 20 X 2-3/8		
	(LM8229A)	11	27		W/LILUS. 49	21	48
618445	LINK, MAGNETO SHAFT . . .	15	32	A197752	FUEL LINE, LONG		
66480	STUD CLAMP SCREW	21	75		W/CLAMPS AND ILLUS 4 .	29	7
676396	DECAL, ENGINE			A286054	GEAR HOUSING LOWER		
	COVERSTARBOARD				W/PROP SHAFT BEARING,		
	W/LITERATURE	3	-		ILLUS. 23, 24 AND 26 . . .	25	25
676397	DECAL, ENGINE			A286072	SWIVEL BRACKET		
	COVERPORT W/				W/ILLUS.14 AND 53	19	42
	LITERATURE	3	5	A286078	STEERING HANDLE		
7006	STOP NUT, 5/16 - 18	3	28		BRACKET W/ILLUS.14 . . .	19	17
7011	ELASTIC STOP NUT,10 - 24	3	10	A286094	PROPELLER NUT		
7026	STOP NUT, 3/8 - 16	21	69		W/ILLUS.12	25	13
73082	RING, MAGNETOSTATOR . .	17	44	A286144	CAGE, CRANKSHAFT		
8003	PLAIN WASHER	11	9		BEARING W/ILLUS. 47 . . .	17	46
8011	PLAIN WASHER	3	37	A286155	MAIN BEARING LLNER SET		
8011	PLAIN WASHER	9	6		(2 PER SET)	15	41
8025	PLAIN WASHER	15	2	A286229	LINER, CONNECTING ROD		
8048	BOWED SPRING WASHER . .	3	40		(2 PER SET)	15	10
8058	INTERNAL TOOTH			A286266	GEAR, BEVEL PINION		
	LOCKWASHER	3	12		W/ITEM 32	25	29
8058	INTERNAL TOOTH			A286298	PROPELLER SHAFT		
	LOCKWASHER	23	90		BEARING CAGE		
8060	EXTERNAL TOOTH				W/BEARING AND ITEMS 6		
	LOCKWASHER	19	25		& 8	25	7
8077	NYLUTE WASHER	25	23	A286469	KNOB, COVER LATCH		
8083	SPRING LOCKWASHER . . .	25	31		W/SHAFT	3	25
8083	SPRLNG LOCKWASHER . . .	21	49	A286582	STEERING ARM W/LILUS.12		
8537	SPRING PIN	21	71		AND 23	19	24
8538	SPRING PIN	19	32	A286711	PLATE, FRONT		
8540	SPRING PIN	3	20		W/LITERATURE	3	24
8540	SPRING PIN	21	67	A286774	BRACKET, COVER LATCH		
8542	SPRING PIN	3	15		W/LILUS. 8,10 AND 42 . . .	3	38
8548	SPRING PIN	19	4	A286970	STARTER REWIND SPRING		
8553	SPRING PIN	25	26		W/ILLUS.16 AND 17	9	15
8554	SPRING PIN	21	72	A298073	CLAMP SCREW W/ILLUS 70,		
8559	DOWEL PIN	15	14		71 AND 75	21	74
85610	BEARING	19	7	A302097	FLYWHEEL W/ILLUS. 26 . . .	7	3
8564	SPRING PIN	25	16	A324101	PROPELLER PIN, PACK OT		
85735-1	SEAL	3	3		3 W/ILLUS.12	25	10
901307-2	SEAL, DRIVESHAFT AND			A341510	LINK, REVERSE LOCK		
	WATER PUMP	27	38		LEVER W/LITERATURE . .	21	61
901307-2	SEAL, MOTOR LEG	19	29	A343178	RETAINER W/ILLUA 6	19	8
901456-1	EMERGENCY STARTER			A387742	LEVER, REVERSE LOCK,		
	COLLAR	7	2		INTERMEDIATE ASSY. . .	19	30

PARTS INDEX

Part Number	Description	Pg.	Ref. No.	Part Number	Description	Pg.	Ref. No.
A424158	REED PLATEW/ ILLUS 14,15 AND 18	11	17	K1065	GEAR HOUSING SEAL KIT - INCLUDES ALL ITEMS MARKED WITH A DOUBLE ASTERISK (**)	25	1
A429471	COVER, CYLINDER DRAIN W/CHECK VALVES AND ILLUS. 57	15	8	K1066	TUNE UP KIT - INCLUDES ALL ITEMS MARKED WITH AN ASTERISK (*).	7	15
A456023	BEVEL GEAR FRONT W/BEARING	25	20	K1123	SPARKLE W/SPRIN9	7	19
A456137	GRIP, STEERING HANDLE W/ILLUS.1	19	3	K286817	RETAINER, STARTER ROPE W/LITERATURE	9	23
A456521	CLUTCH W/LITERATURE	25	17	K317427	BRACKET, STARTER LOWER W/ILLUS. 20 AND LITERATURE	9	19
A456554	GEAR HOUSING UPPER W/BEARING AND ITEMS 23, 24, 34, 37 AND 38	27	36	K436449	SHORTINS SWITCH W/ILLUA 25	7	23
A456662	BEVEL GEAR REAR W/BEARING	25	9	P6430	PROPELLER	25	14
A472260	PISTON RING SET (4 PER SET)	15	19	S174227	PLUG, SPARK, L-82	15	11
A473010	CYLINDER W/CRANKCASE COVER, DOWEL PINS, SCREWS AND STUDS	15	12	S387766-1	PRIME BULB	29	6
A492038	PLATE, SUPPORT W/LILUS. 26 AND 48	3	18	S409752	FUEL LINE COMPLETE(NOT SHOWN). INCLUDES ALL ITEMS MARKEDWITH AN ASTERISK(*).	29	-
A504060	BODY, WATER PUMP W/ILLUS. 44 (ITEM 45)	25	-	S487815	GEAR, MAGNETO CONTROL SHAFT	19	15
A504060	WATER PUMP BODY W/ILLUS. 38	27	45	S487815	GEAR, STEERING HANDLE SHAFT	19	9
A510914	SEAL, INLET WATER LINE W/LITERATURE	27	44	S541712-1	COVER, ENGINE W/ILLUS 9 AND 38	3	7
A517228	ROLLER, CRANKPIN	15	21	S617532	STERN BRACKET PORT W/ILLUA 74	21	77
A609853	DECAL, WARNING, SHIFT CONTROL W/LITERATURE	7	26	T1	BATTERY POWERED TEST LIGHT	30	-
A610480	RETAINER, ENGINE COVER W/LILUS. 8 AND 10.	3	9	T1	FEELER GAUGE	30	-
A617113	LOCK BAR W/ILLUA 65, 66 AND 67	21	68	T1	LUBRICANT - ANTL-SEIZE	30	-
A618081	LEVER, MAGNETO CONTROL	15	33	T1	PULLER	30	-
A901754	FUEL LINE W/ILLUS 1	11	3	T1	SEALANT - 2 CC LOCTITE RETAINING COMPOUND #75	31	-
C456054	LOWER GEAR HOUSING KIT (NOT SHOWN). INCLUDES ALL ITEMS MARKED WITH AN ASTERISK (25	-	T11202	SEAL INSTALLER	30	-
C472010	SHORT BLOCK (NOT SHOWN). LNCLUDES ALL ITEMS MARKED WITH AN ASTERLSK (*).	15	-	T1749	SNAP RING PLIERS	30	-
C618894	STEERING HANDLE INDICATOR	19	5	T2	SEALANT - 2 OZ LOCTITE D HARDENING GRADE	31	-
G2	GASKET SET - INCLUDES ITEMS LISTED BELOW.	17	63	T2	SEALANT - 50 CC LOCTITE H NON-HARDENING GRADE	31	-
K1	WATER PUMP KIT. INCLUDES ITEMS LLSTED BELOW.	25	4	T2907	SEAL INSTALLER	30	-
K10123	REPALR PARTS KIT. INCLUDES ALL ITEMS MARKED WLTH AN ASTERLSK (*).	11	13	T2908	SEAL SLEEVE	30	-
				T2909	KNOCK-OFF NUT	30	-
				T2951	CIRCUIT TRACER	30	-
				T2985	STARTER REWIND KEY	30	-
				T2989	FLYWHEEL WEDGE	30	-
				T2991	CARBON BRUSH	30	-
				T2997	RING COMPRESSOR	30	-
				T2998	TORQUE WRENCH (0 - 100 IBA/FT.)	30	-
				T2999	TORQUE WRENCH (0 - 600 IBA/IN.)	30	-
				T29B1	LUBRICANT - RYKON GREASE #2EP	30	-
				T3012	SEAL INSTALLER	30	-

PARTS INDEX

Part Number	Description	Pg.	Ref. No.	Part Number	Description	Pg.	Ref. No.
T8900	HOSE CLAMP PLIERS	30	-				
T8926	RING EXPANDER	30	-				
T8929	ADAPTER AND HEX BIT	30	-				
T8935	SEALANT PRIMER - 6 OZ	31	-				
T8950	LEAKAGE TESTER	30	-				
T8952	TEST PROP	30	-				
T8957	SEAL INSTALLER	30	-				
T8969	LUBRICANT - 7 OZ # 1 LPS-1	30	-				
T8983	SEALANT - R1V	31	-				
T8993	TORQUE WRENCH	30	-				