



PARTS CATALOG

SEARS 15 H.P.

SERIAL NUMBER

15 H.P. (1990) 225.581503

TABLE OF CONTENTS:

CARBURETOR 15 HP	8
CRANKSHAFT AND PISTON	14
CYLINDER	16
ENGINE COVER AND SUPPORT PLATE	2
FUEL INTAKE AND RECIRCULATION SYSTEM	6
FUEL TANK AND LINE	30
GEAR HOUSING	26
IGNITION SYSTEM	10
MOTOR LEG AND SWIVEL BRACKET	18
PARTS INDEX	32
SHIFT LINKAGE	4
STARTER	12
STERN BRACKETS	24
TILLER HANDLE AND THROTTLE LINKAGE	20

NOTE: *Indented description indicate that these parts are included in preceeding assembly.*

AR = As Required

NSS = Not Sold Separate

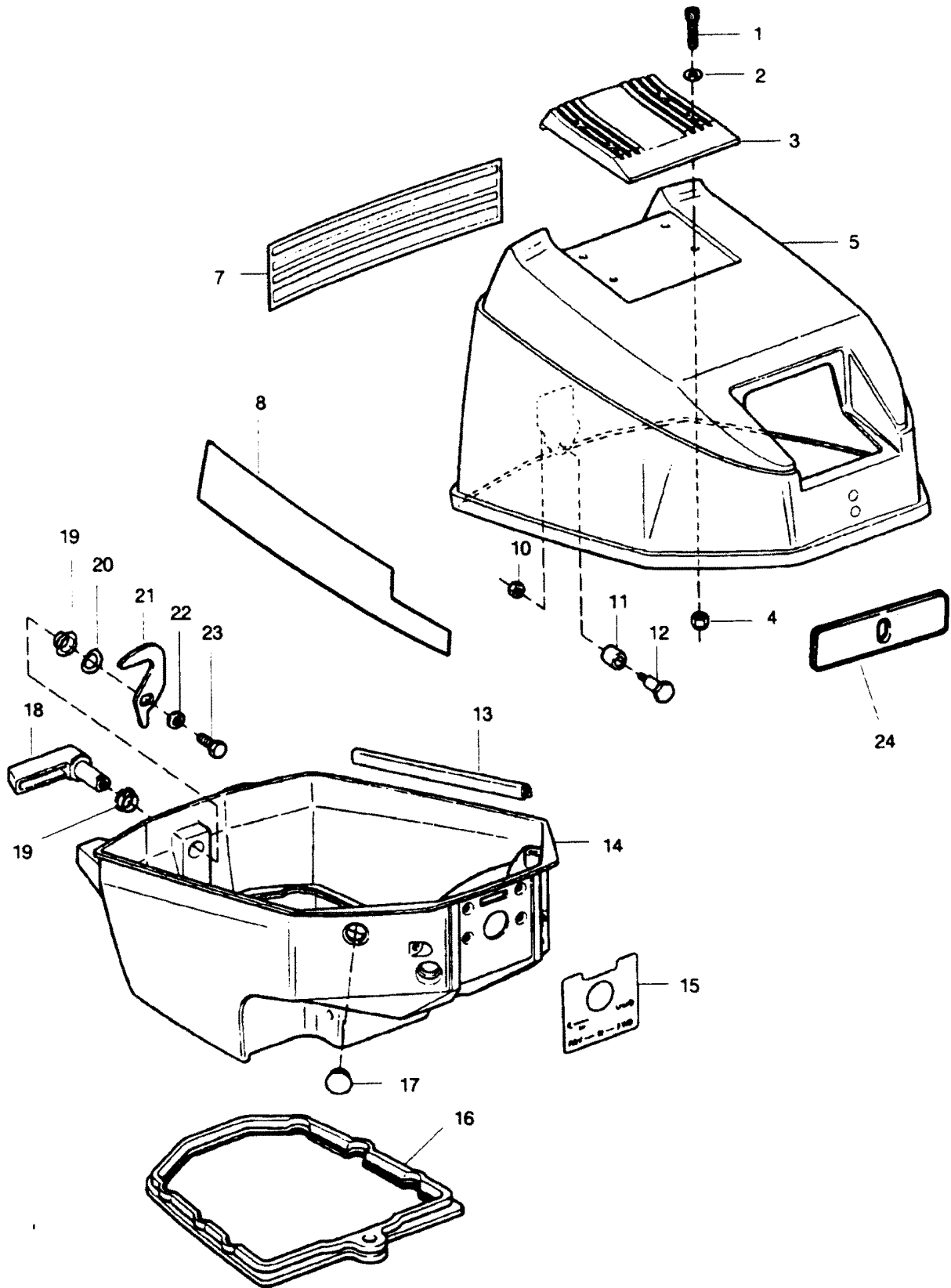
OPT = Optional

NS = Not Shown

THESE PARTS BOOKS/FICHE CARD ARE COPYRIGHTED AND MAY NOT BE DISTRIBUTED OR REPRODUCED IN ANY OTHER FORMAT BY ANYONE OTHER THAN MERCURY MARINE WITHOUT THE PRIOR WRITTEN CONSENT OF MERCURY MARINE.

THIS PAGE INTENTIONALLY LEFT BLANK

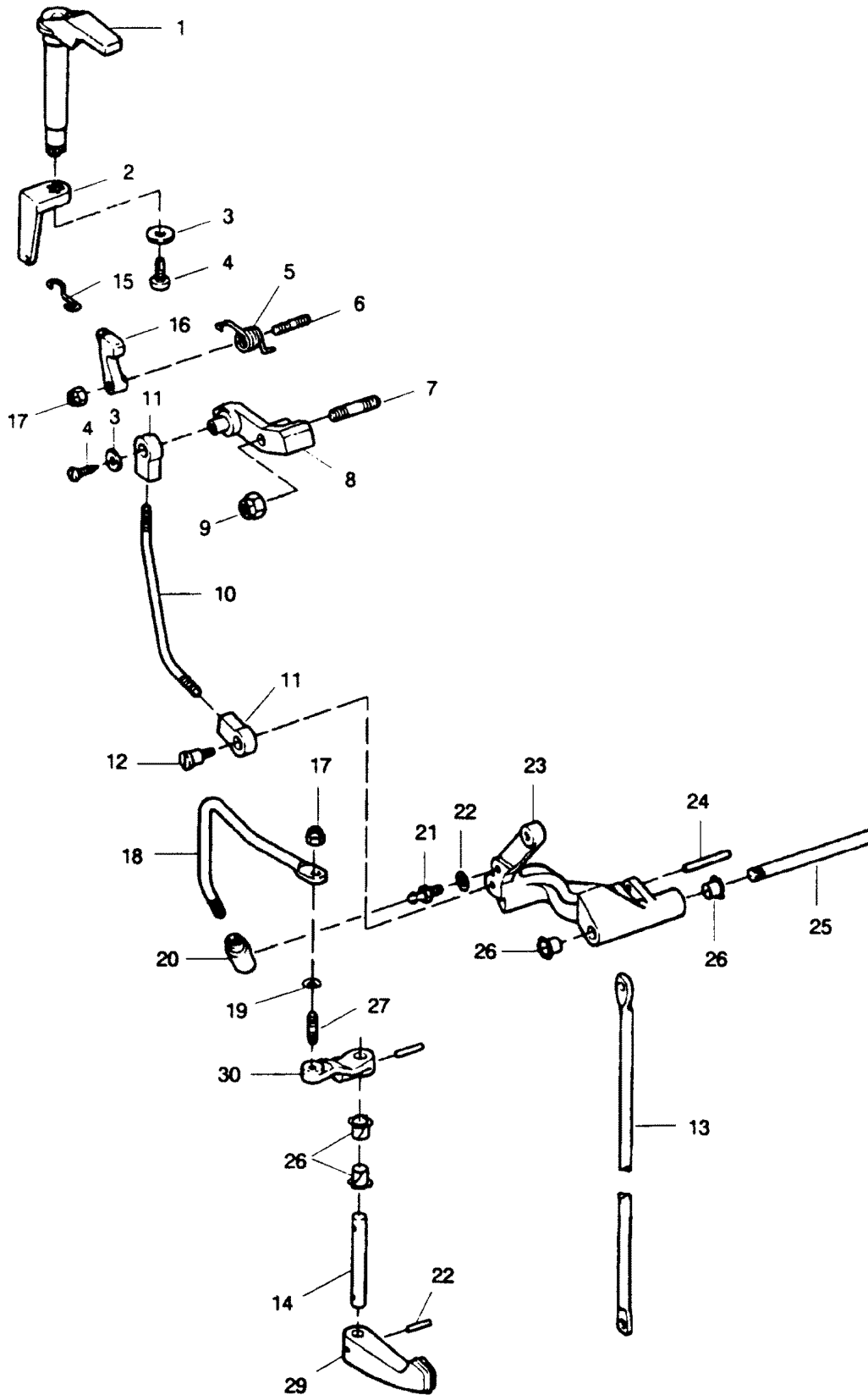
ENGINE COVER AND SUPPORT PLATE



ENGINE COVER AND SUPPORT PLATE

REF. NO.	PART NO.	SYM.	QTY.	DESCRIPTION
1	F2211		4	HEX HEAD CAP SCREW, 10 - 24 X 5/8 S.S.
2	F2042		4	WASHER
3	F682269		1	HANDLE, TILT
4	F7009		4	LOCKNUT, 10 - 24 S.S.
5	FS681712		1	COVER, BASIC (UNPAINTED)
-	F2C710712		0	COVER, COMPLETE (PAINTED W/DECALS - 15 HP)
7	F710528		1	DECAL, REAR
8	F710396		1	DECAL, STARBOARD - 15 HP
-	F710397		1	DECAL, PORT - 15 HP
10	F1832		1	LOCKNUT, 1/4 - 20 S.S.
11	F681759		1	ROLLER, LATCH
12	F681026		1	SCREW, LATCH ROLLER
13	F392756		1	PACKING
14	FA681038		1	SUPPORT PLATE W/PLUGS
15	F681711-1		1	PLATE, FRONT
16	F715989		1	SEAL, SUPPORT PLATE
17	F681226		2	PLUG
18	FA681469		1	HANDLE, COVER LATCH
19	F307818		2	BEARING
20	F8048		1	BOWED WASHER
21	F481777		1	CAM, LATCH
22	F8083		1	SPRING LOCKWASHER
23	F1854		1	HEX HEAD CAP SCREW, 1/4 - 20 X 5/8
24	F681390		1	DECAL, START PROCEDURE

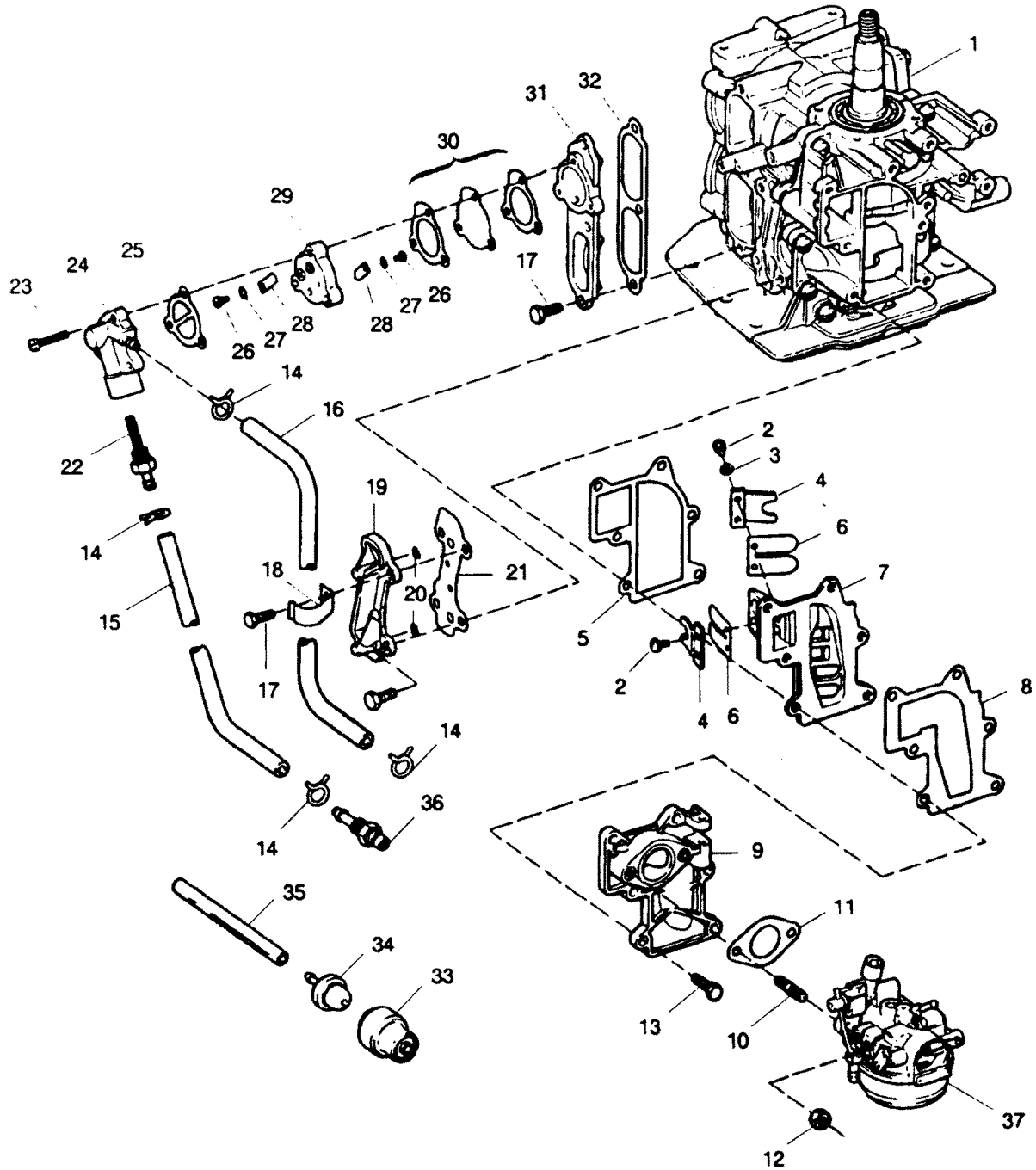
SHIFT LINKAGE



SHIFT LINKAGE

REF. NO.	PART NO.	SYM.	QTY.	DESCRIPTION
1	F681490		1	STOP, STARTER INTERLOCK
2	F681003-1		1	ARM, STARTER INTERLOCK
3	F8143		1	WASHER, PLAIN #10
4	F2209		1	PAN HEAD SELF TAPPING SCREW 10 - 16
5	F681424		1	SPRING, INTERLOCK
6	F681134		1	STUD
7	F681008		1	STUD
8	F681997-1		1	LEVER, NEUTRAL SPEED INTERLOCK
9	F1832		1	LOCKNUT 1/4 - 20
10	F681531		1	ROD, INTERLOCK
11	F84035-2		2	BEARING, CONTROL ROD
12	F84026		1	SCREW, SHOULDER
13	F286615		1	ROD, GEARSHIFT UPPER
14	F715417		1	SHAFT, GEARSHIFT HANDLE
15	F681263-1		1	LINK, INTERLOCK
16	F681742		1	LEVER, INTERMEDIATE INTERLOCK
17	F1804		2	STOP NUT, 10 - 32
18	F286611-2		1	ROD, GEARSHIFT
19	F8048		1	BOWED SPRING WASHER
20	F286685		1	CONNECTOR, GEARSHIFT ROD
21	F98273		1	STUD, GEARSHIFT ROD CONNECTOR
22	F8058		1	INTERNAL TOOTH LOCKWASHER
23	F286876		1	LEVER, GEARSHIFT
24	F8542		1	SPRING PIN
25	F286871		1	PIN, GEARSHIFT LEVER
26	F307818		4	BEARING
27	F286134		1	STUD, GEARSHIFT LEVER
28	F8540		2	SPRING PIN
29	F715614		1	HANDLE, GEARSHIFT
30	F715619		1	LEVER, SHIFT HANDLE SHAFT

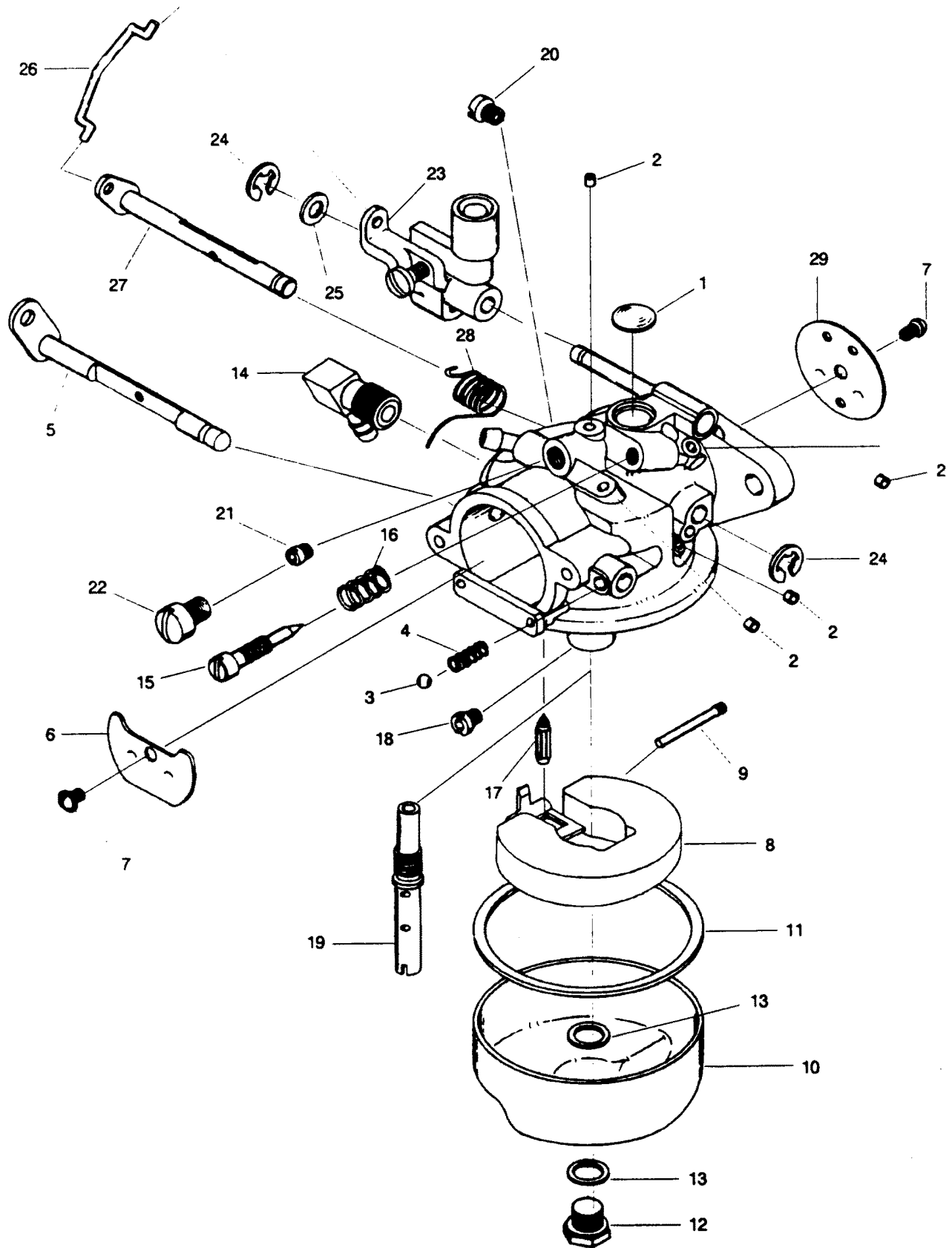
FUEL INTAKE AND RECIRCULATION SYSTEM



FUEL INTAKE AND RECIRCULATION SYSTEM

REF. NO.	PART NO.	SYM.	QTY.	DESCRIPTION
1	FC710010		1	SHORT BLOCK
2	F1755		8	ROUND HEAD SCREW W/LOCKWASHER, 6 - 32 X 5/16
3	F1704		2	LOCKWASHER, #6 S.S
4	F715161		4	REED STOP, 15 HP
5	F286159-1		1	GASKET, REED PLATE
6	F31160-2		4	REED
7	FA715158		1	REED PLATE W/REEDS AND REED STOPS - 15 HP
8	F715168		1	GASKET, MANIFOLD
9	FA715167		1	MANIFOLD W/STUDS
10	F2788004		2	STUD, CARBURETOR
11	F715906		1	GASKET, CARBURETOR
12	F1490		2	HEX NUT, 1/4 - 20
13	F2008		6	HEX HEAD SCREW, 1/4 - 20 X 7/8
14	F2706772		4	HOSE CLAMP
15	F40253-1		1	FUEL LINE (SUPPORT PLATE TO FUEL PUMP)
16	F681754		1	FUEL LINE (FUEL PUMP TO CARBURETOR)
17	F1922		7	HEX HEAD SCREW, 1/4 - 20 X 5/8
18	F286772-1		1	CLAMP
19	FA429471		1	COVER, CYLINDER DRAIN WITH CHECK VALVES AND SCREENS
20	F429811		2	SCREEN
21	F429472		1	GASKET, CYLINDER DRAIN COVER
22	F901811		1	FILTER, FUEL
23	F1069		3	HEAD SCREW, 10 - 24 X 1-1/16
24	F901746-2		1	COVER, FUEL PUMP
25	F24748-2		1	GASKET, FUEL PUMP
26	F1286		2	PAN HEAD SCREW, 4 - 40 X 3/16
27	F8003		2	PLAIN WASHER
28	F18160-3		2	REED, FUEL PUMP
29	F2A24757		1	PLATE, FUEL PUMP W/REEDS
30	27-818043A1		1	FUEL PUMP DIAPHRAGM W/GASKETS
31	F286222		1	COVER, TRANSFER PORT
32	F286223		1	GASKET, TRANSFER PORT COVER
33	F681954		1	COVER, PRIME BULB
34	F681046		1	BULB, PRIME
35	F681243		1	HOSE (PRIME BULB TO CARBURETOR)
36	F197767-2		1	BUSHING (FUEL LINE)
37	F715061		1	CARBURETOR (F01A)

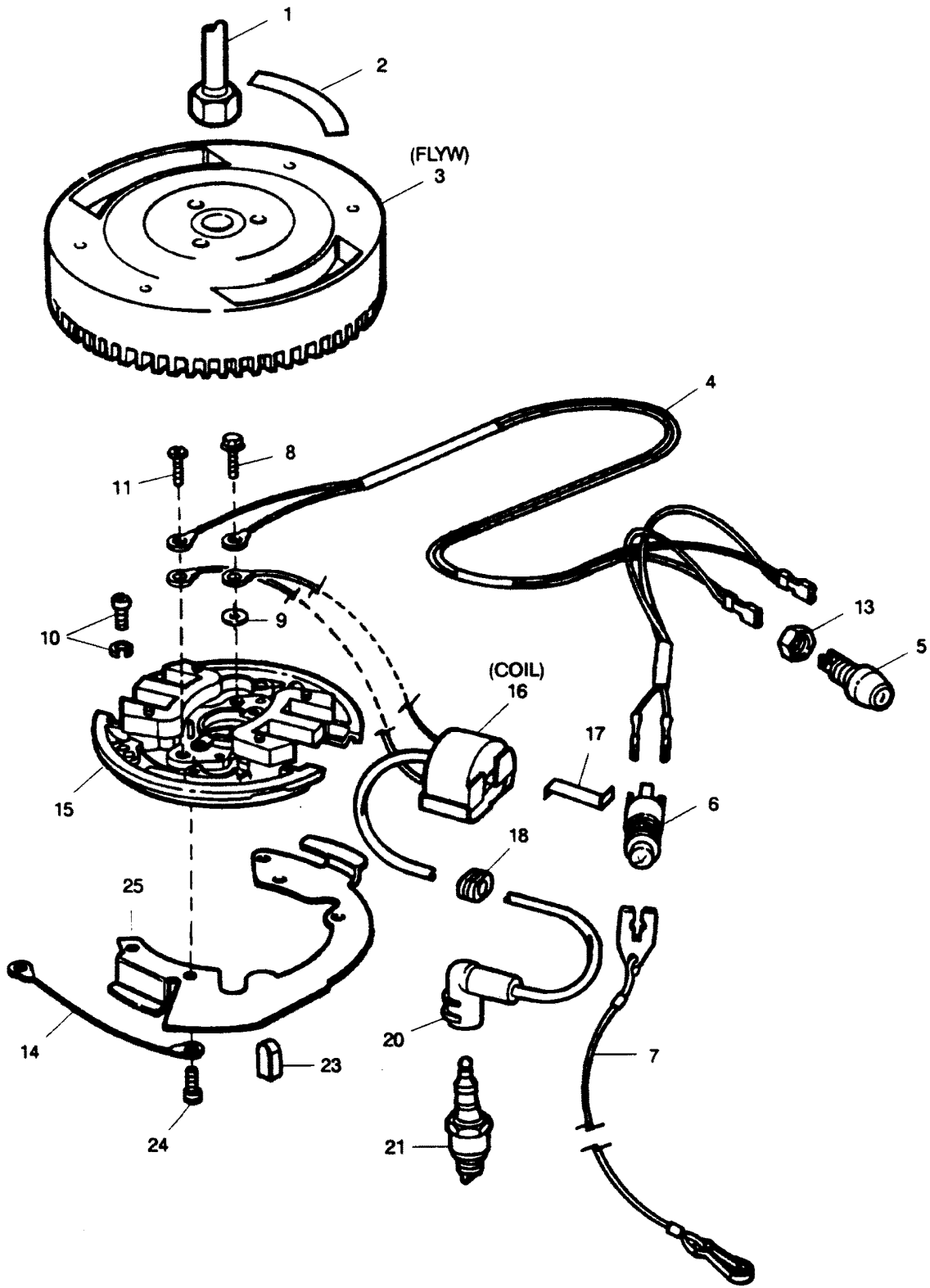
CARBURETOR 15 HP



CARBURETOR 15 HP

REF. NO.	PART NO.	SYM.	QTY.	DESCRIPTION
1	FO16128		1	PLUG
2	FO10588		4	PLUG
3	FO4784		1	BALL
4	FO8805		1	SPRING
5	F10343		1	SHAFT, CHOKE
6	F10344		1	SHUTTER, CHOKE
7	F10345		2	SCREW
8	F10346		1	FLOAT
9	FO13944		1	PIN
10	FO15366		1	BOWL
11	FO15623		1	GASKET
12	FO13945		1	SCREW
13	FO2510		2	GASKET
14	F10347		1	ELBOW
15	F10268		1	SCREW, IDLE MIXTURE
16	FO11103		1	SPRING
17	F10265		1	NEEDLE, INLET
18	F10214		1	JET, MAIN FUEL (.070) SEA LEVEL - 2500 FT.
-	F10215		1	JET, MAIN FUEL (.068) 2500-5000 FT.
-	F10226		1	JET, MAIN FUEL (.066) 5000-7500 FT.
-	F10148		1	JET, MAIN FUEL (.064) 7500-10000 FT.
19	FO15722		1	NOZZLE, MAIN
20	F10348		1	JET, IDLE (.050)
21	F10273		1	JET, PART THROTTLE (.047)
22	F10275		1	SCREW
23	F10290		1	LINKAGE ASSEMBLE, THROTTLE
24	F10241		2	CLIP
25	F10242		1	WASHER
26	F10338		1	LINK, THROTTLE
27	F10349		1	SHAFT, THROTTLE
28	F10350		1	SPRING
29	F10351		1	SHUTTER, THROTTLE
-	FK10352		1	GASKET SET (NOT SHOWN)
-	FK10353		1	REPAIR KIT (NOT SHOWN)
-	F715061		1	CARBURETOR COMPLETE

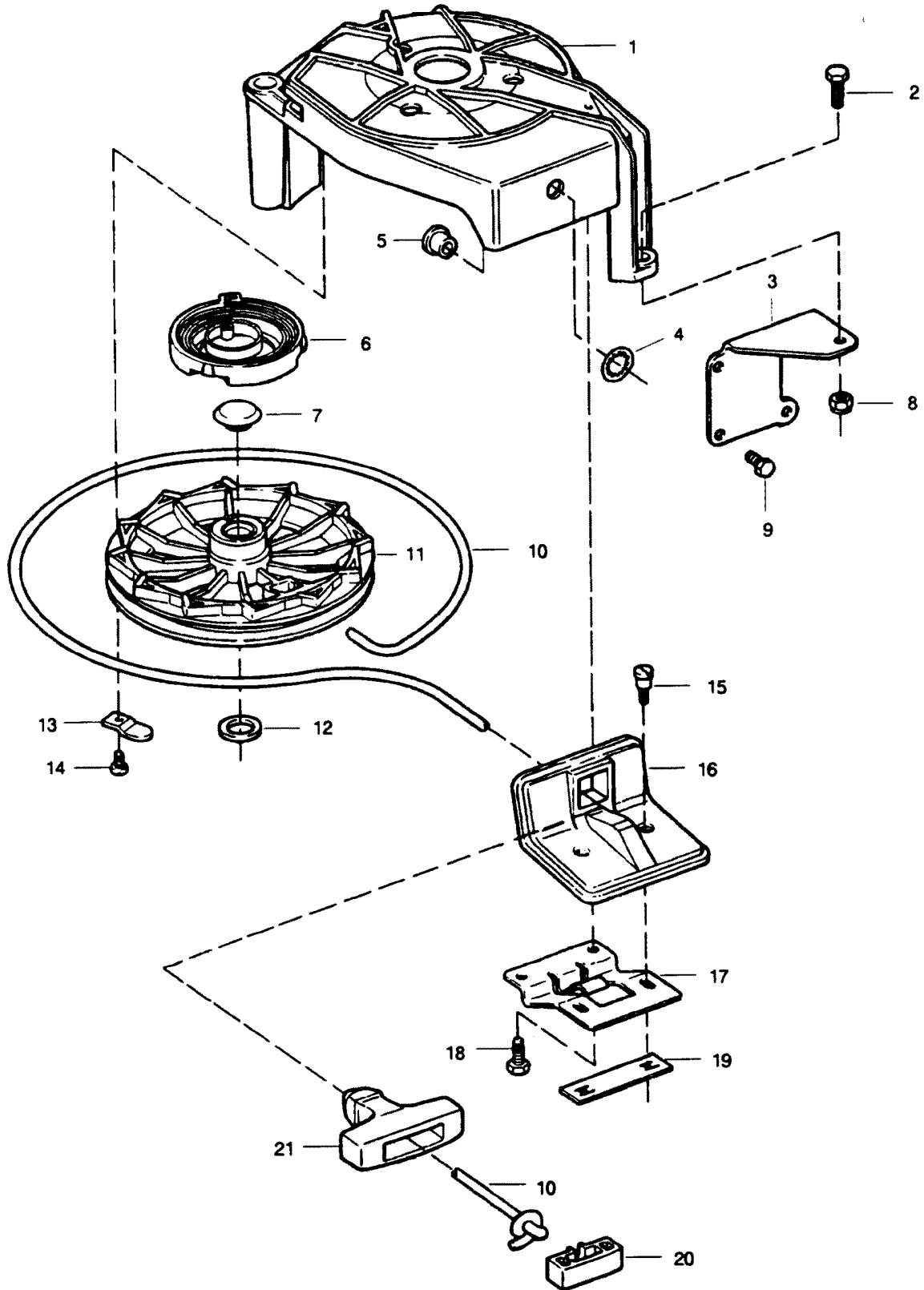
IGNITION SYSTEM



IGNITION SYSTEM

REF. NO.	PART NO.	SYM.	QTY.	DESCRIPTION
1	F681091		1	NUT, FLYWHEEL
2	FA609853		1	DECAL, SHIFT WARNING
3	FA714097		1	FLYWHEEL W/DECAL
4	F12376		1	WIRE, MAGNETO SHORTING
5	87-817952A1		1	SWITCH, STOP W/NUT
6	F681602		1	SWITCH, EMERGENCY STOP
7	F702329		1	LANYARD
8	F12380		1	SCREW (PLASTIC)
9	F12381		1	WASHER (PLASTIC)
10	F1090		4	SCREW W/LOCKWASHER, 10 - 24 X 9/16
11	F12382		1	SCREW
13	F436280		1	NUT, SHORTING SWITCH
14	F289664		1	WIRE, STATOR GROUND
15	F12377		1	STATOR, PLATE W/LAMINATIONS
16	F712475		2	COIL
17	F12378		2	SPRING, COIL WEDGE
18	F12088		2	GROMMET
20	FK1123		2	SPARKIE W/SPRING
21	FS690227		2	SPARK PLUG (CHAMPION L-78C)
23	F458498-1		1	KEY, MAGNETO
24	F1090		4	SCREW, 10 - 24 X 1/2
25	F715192		1	PLATE, THROTTLE CAM

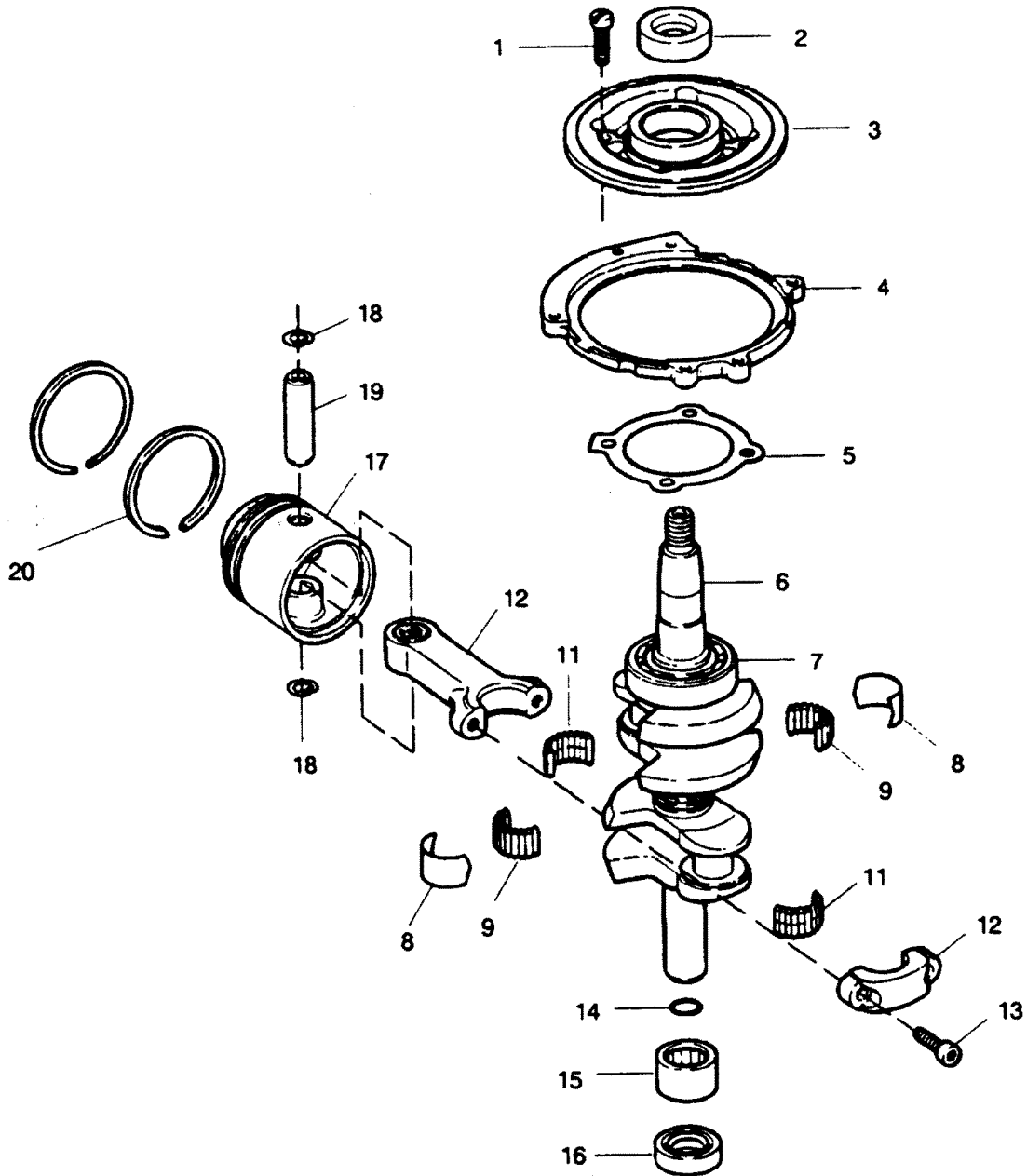
STARTER



STARTER

REF. NO.	PART NO.	SYM.	QTY.	DESCRIPTION
1	F681408		1	HOUSING
2	F1864		3	SCREW, HEX HEAD 1/4 - 20 X 3/4 S.S.
3	F681427-2		1	BRACKET
4	F681741		1	RING, RETAINING
5	F681428		1	INSERT, STARTER HOUSING ROPE
6	F681970		1	SPRING, STARTER REWIND
7	F681971		1	PLUG
8	F1832		1	LOCKNUT, 1/4 - 20
9	F1090		3	SCREW, FILL. HEAD 10 - 24 X 9/16
10	F681232		1	ROPE
11	FA681239		1	STARTER PULLEY ASSEMBLY W/PLUG AND SEAL
12	F681579		1	SEAL
13	F681592		3	RETAINER, STARTER PULLEY
14	F2209		3	SCREW, PAN HEAD 10 - 16 X 1/2 S.S.
15	F84026		2	SCREW, SHOULDER
16	FA681630		1	SUPPORT, HANDLE
17	F681090		1	PLATE, HANDLE SUPPORT
18	F2210		2	SCREW, PAN HEAD 1/4 - 14 X 1/2 S.S.
19	F681874		1	FASTENER, HANDLE SUPPORT PLATE
20	F681817		1	RETAINER, STARTER ROPE
21	F681132		1	HANDLE, STARTER ROPE

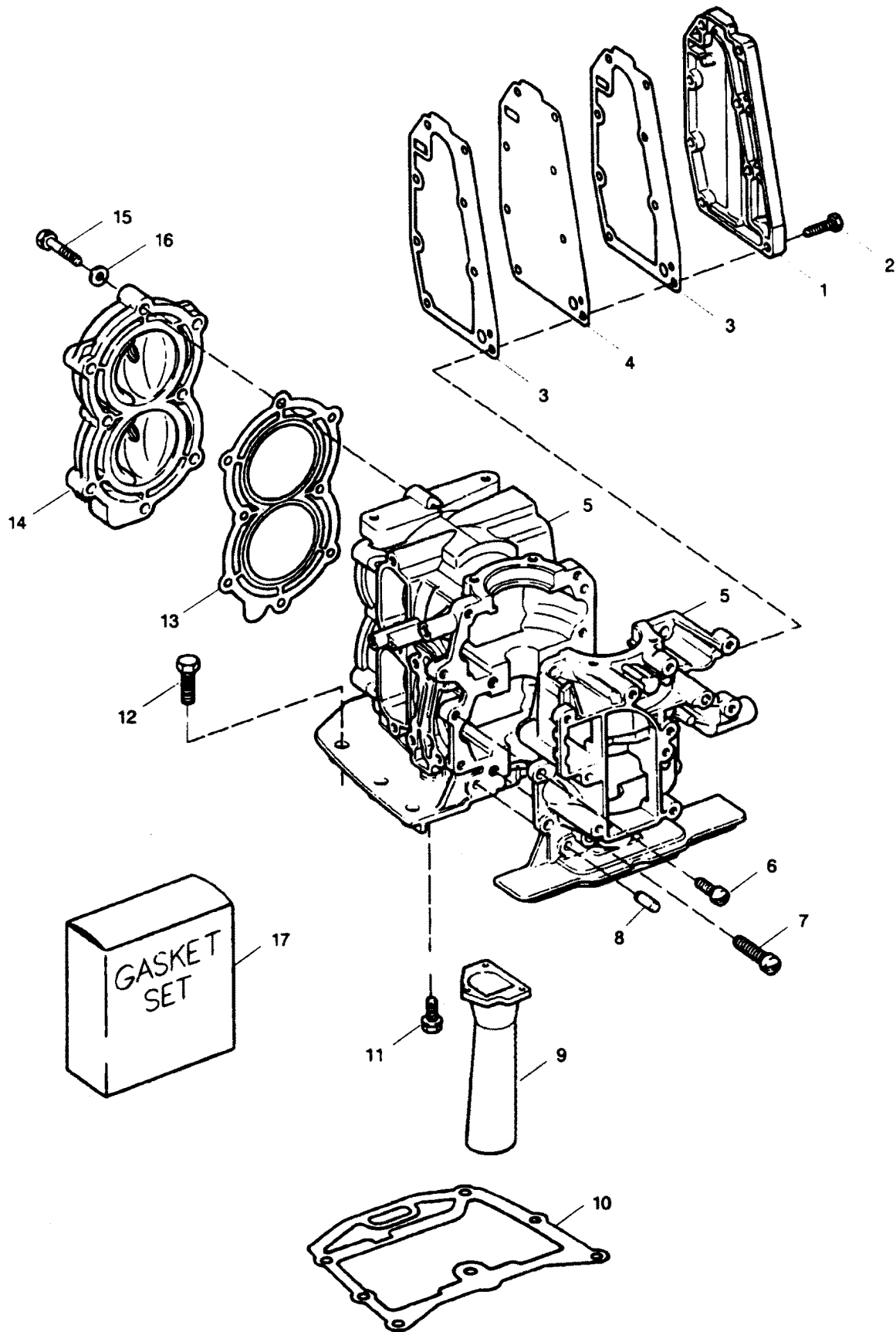
CRANKSHAFT AND PISTON



CRANKSHAFT AND PISTON

REF. NO.	PART NO.	SYM.	QTY.	DESCRIPTION
1	F1111		4	HEAD SCREW, 1/4 - 20 X 7/8
2	F346146		1	SEAL, CRANKSHAFT UPPER
3	1100-817753A1		1	CAGE, CRANKSHAFT W/SEAL
4	F73082		1	RING, MAGNETO STATOR
5	F286277		1	GASKET, CRANKSHAFT BEARING CAGE
6	F2A681018		1	CRANKSHAFT W/UPPER MAIN BEARING
7	F286028		1	BEARING, CRANKSHAFT UPPER
8	FA286155		1	CENTER MAIN BEARING LINER SET (2 PER SET)
9	F286571		1	CENTER MAIN BEARING ROLLER SET (26 PER SET)
11	FA712228		2	CONNECTING ROD ROLLER SET (2 PER SET)
12	FA715016		2	ROD, CONNECTING W/CAP AND SCREWS
13	F175634		4	SCREW, CONNECTING ROD
14	F461342		1	SEAL, DRIVESHAFT SPLINE
15	F343014		1	BEARING, CRANKSHAFT LOWER MAIN
16	F141118		1	SEAL, CRANKSHAFT LOWER
17	F710015		2	PISTON
18	F31410		4	RETAINING RING, PISTON PIN
19	F174017		2	PIN, PISTON
20	FA472260		1	RING SET, PISTON (4 PER SET)

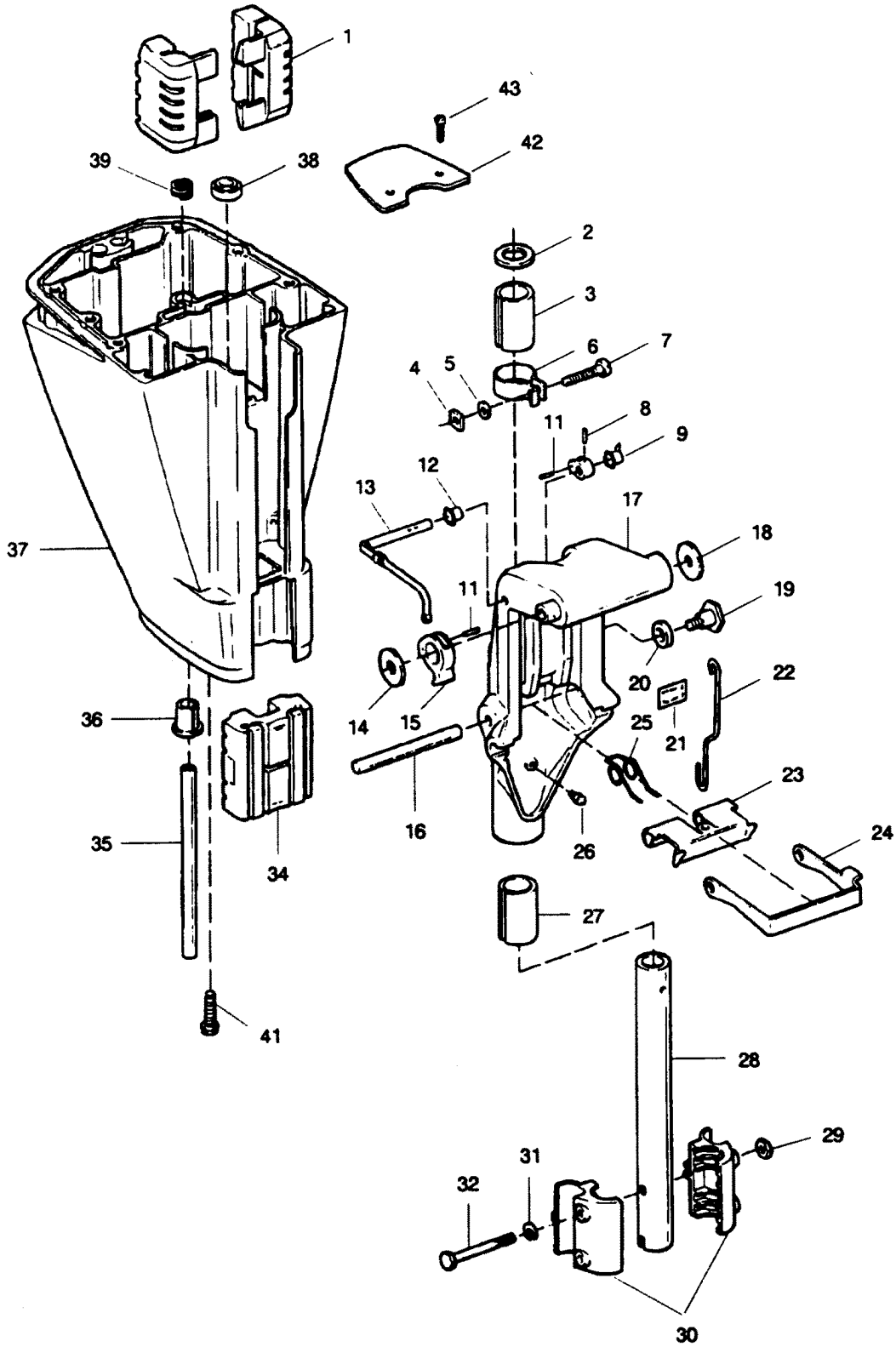
CYLINDER



CYLINDER

REF. NO.	PART NO.	SYM.	QTY.	DESCRIPTION
1	F715152		1	COVER, EXHAUST
2	F2008		8	HEX HEAD SCREW, 1/4 - 20 X 7/8
3	F715154		2	GASKET, EXHAUST COVER
4	F715151		1	PLATE, EXHAUST
5	FA709010		1	CYLINDER
-	FC710010		1	SHORT BLOCK (CYLINDER WITH CRANKSHAFT, PISTONS AND RODS INSTALLED)
6	F1107		8	HEAD SCREW, 1/4 - 20 X 3/4
7	F1335		4	HEAD SCREW, 5/16 - 18 X 1-1/4
8	F8559		2	DOWEL PIN
9	F715660		1	EXHAUST TUBE
10	F715279		1	GASKET, CYLINDER MOUNT
11	F1705		3	HEX HEAD MACHINE SCREW, 1/4 - 20 X 3/4 S.S.
12	F1823		6	HEX HEAD CAP SCREW, 5/16 - 18 X 1
13	F286529-3		1	GASKET, CYLINDER HEAD
14	F286518		1	HEAD, CYLINDER
15	F901938-1		8	SCREW, CYLINDER HEAD
16	F8025		8	PLAIN WASHER
17	FG1035		1	GASKET SET (INCLUDES ALL GASKETS REQUIRED TO REBUILD POWER HEAD)

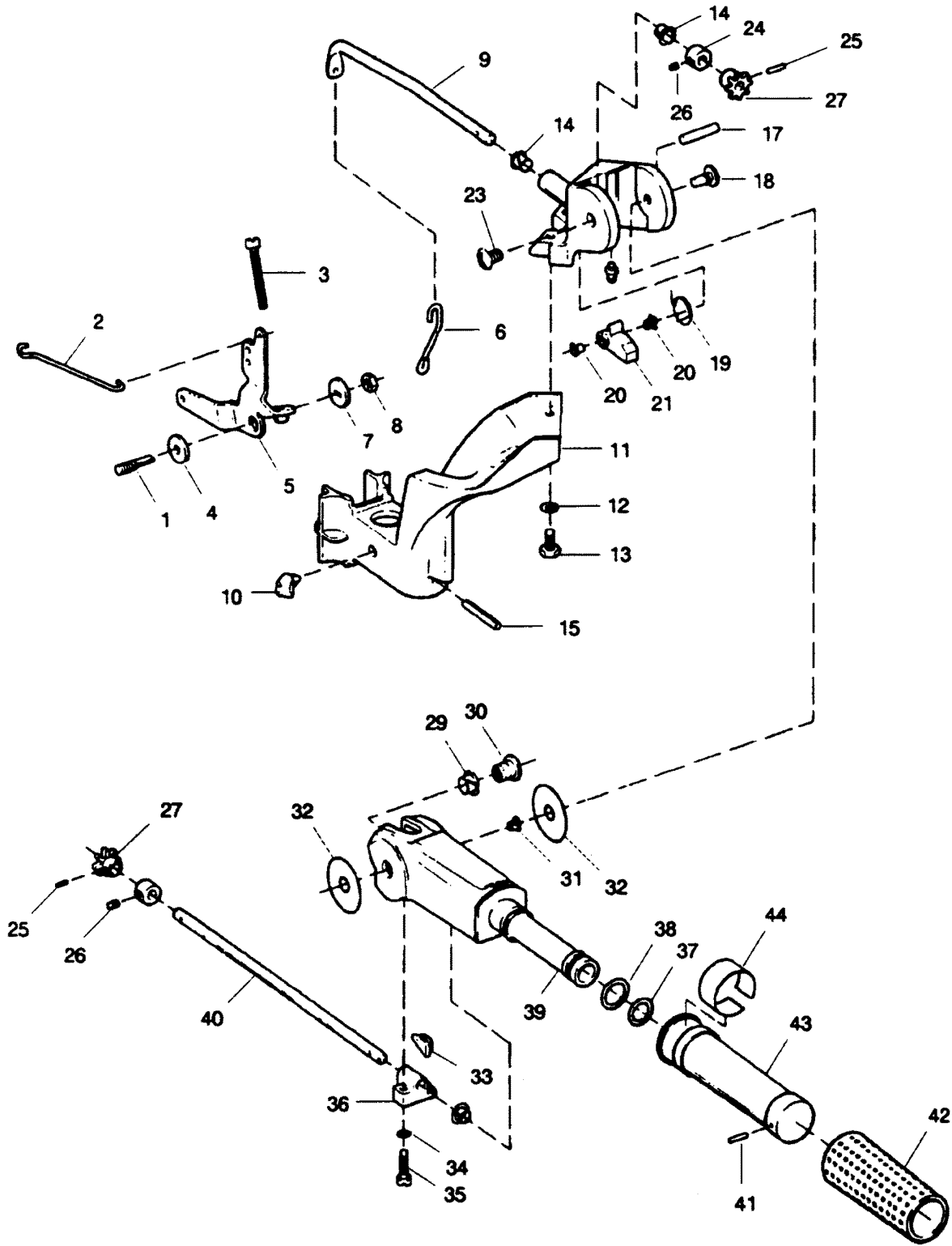
MOTOR LEG AND SWIVEL BRACKET



MOTOR LEG AND SWIVEL BRACKET

REF. NO.	PART NO.	SYM.	QTY.	DESCRIPTION
1	F286347		2	MOUNT, UPPER SHOCK
2	F286011		1	WASHER, SWIVEL BRACKET
3	F286169		1	BEARING, SWIVEL BRACKET
4	F1608		1	SQUARE NUT, 1/4 - 20
5	F1907		1	WASHER
6	F286573-1		1	CLAMP, STEERING FRICTION
7	F1820		1	HEAD SCREW, 1/4 - 20 X 1-3/8
8	F8538		2	SPRING PIN
9	F197813		1	BEARING
10	F286364		1	LEVER, REVERSE LOCK
11	F1794		1	SPRING PIN
12	F536813		1	BEARING
13	FA387742		1	LEVER, REVERSE LOCK INTERMEDIATE
14	F525286		1	WASHER
15	F286827		1	LEVER, REVERSE LOCK
16	F1806		1	GROOVE PIN
17	1400-817750A4		1	BRACKET, SWIVEL W/GREASE FITTING AND LOWER BEARING
18	F286286-1		1	WASHER
19	F286422-1		1	PIVOT, TILT LOCK
20	F286451		1	SPACER, TILT LOCK
21	F688585		1	DECAL, TILT LOCK
22	FA341510		1	LINK, REVERSE LOCK
23	F286349		1	REVERSE LOCK
24	F286433		1	BRACKET, REVERSE LOCK
25	F286300		1	SPRING, REVERSE LOCK
26	F213274		4	FITTING, GREASE
27	F286169		1	BEARING, LOWER SWIVEL BRACKET
28	F286019		1	KINGPIN
29	F1341		2	HEX NUT, 1/4 - 20
30	F286956		2	BRACKET, SHOCK MOUNT LOWER
31	F8083		2	SPRING LOCKWASHER
32	FA1844		2	HEX BOLT W/LOCKWASHER, 1/4 - 20 X 2-3/8 S.S.
34	F286346		1	MOUNT, LOWER SHOCK
35	F286244		1	LINE, WATER
36	F286914		1	SLEEVE, WATER LINE
37	F681133		1	LEG, MOTOR
38	F901307-2		1	SEAL, MOTOR LEG
39	F286414		1	SPRING, LEG WATER BRACKET
41	F430732		4	SCREW, S.S
42	F715404		1	PLATE, LEG TUNER
43	F2417		2	SCREW, 1/4 - 20 X 3/8

TILLER HANDLE AND THROTTLE LINKAGE

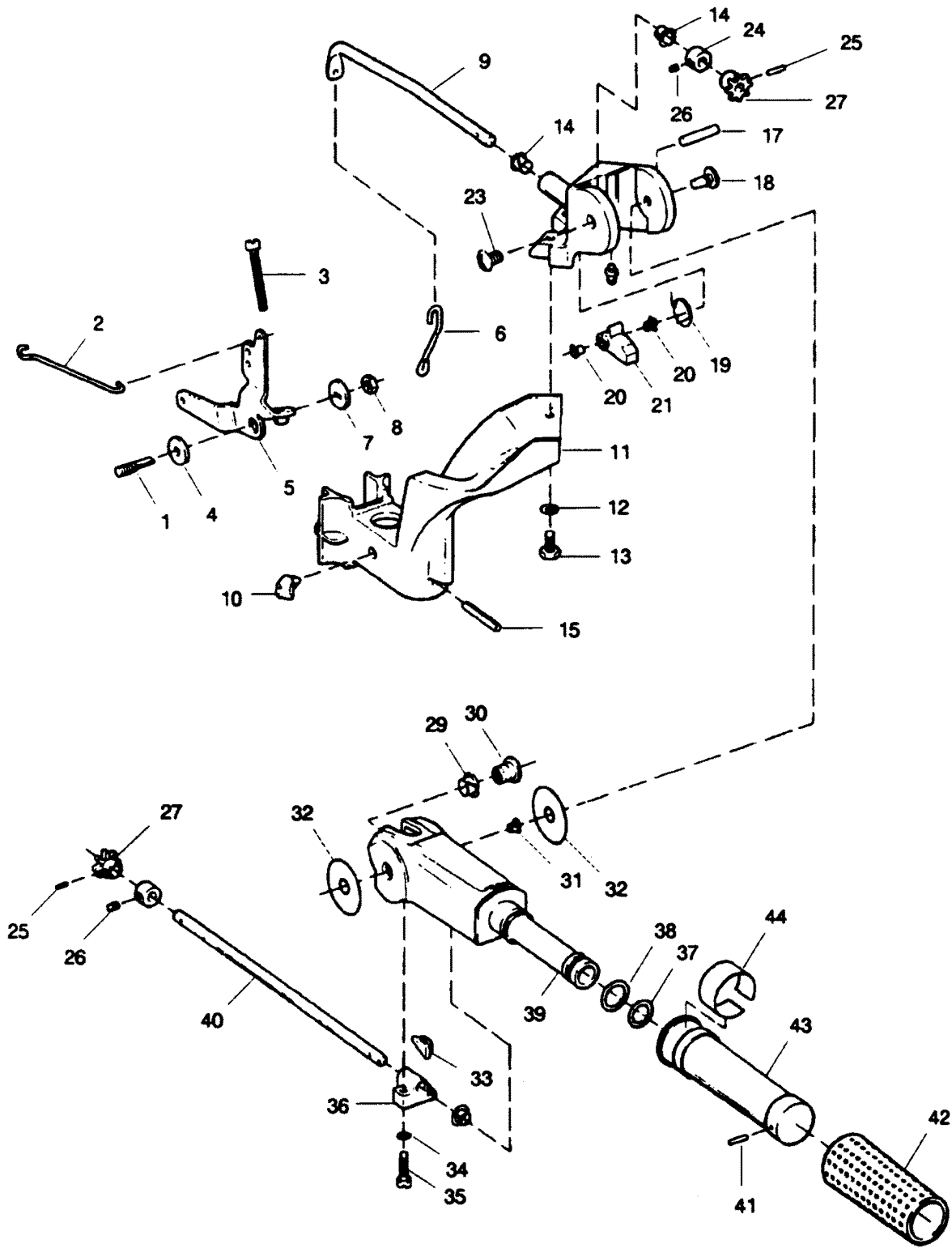


TILLER HANDLE AND THROTTLE LINKAGE

REF. NO.	PART NO.	SYM.	QTY.	DESCRIPTION
1	F286440		1	STUD, MAGNETO CONTROL LEVER
2	F286509		1	LINK, THROTTLE CAM
3	F2126		1	SLOTTED FILL. HEAD SCREW, 1/4 - 28 X 2
4	F183813		1	BEARING, MAGNETO CONTROL LEVER
5	FA715081		1	LEVER, MAGNETO CONTROL
6	F618445		1	LINK, MAGNETO SHAFT
7	F286282		1	WASHER
8	F1803		1	STOP NUT, 5/16 - 24
9	F431838		1	SHAFT, MAGNETO CONTROL
10	F286539		1	BUMPER
11	FA286582		1	ARM, STEERING W/BUMPER AND SPRING PIN
12	F8060		2	EXTERNAL TOOTH LOCKWASHER
13	F1922		2	HEX CAP SCREW, 1/4 - 20
14	F307818		2	BEARING
15	F1805		1	SPRING PIN
16	F213274		1	FITTING, GREASE
17	F1807		1	GROOVE PIN
18	F286080		1	SCREW, STEERING HANDLE PIVOT
19	F286868		1	SPRING, STEERING HANDLE STOP
20	F197813		2	BEARING, STEERING HANDLE STOP
21	F286490		1	STOP, STEERING HANDLE
22	817751A3		1	BRACKET, STEERING HANDLE W/GREASE FITTING
23	F1799		1	TRUSS HEAD SCREW, 5/16 - 18 X 5/8
24	FA343178		2	RETAINER W/SET SCREW
25	F1978		2	SPRING PIN
26	F1859		2	HEX HEADLESS SOCKET SET SCREW
27	43-818009--1		2	GEAR, MAGNETO CONTROL SHAFT
28	F85610		1	BEARING
29	F286818		1	BEARING
30	F286224-1		1	INSERT, STEERING HANDLE PIVOT
31	F197813		1	BEARING
32	F286220		2	WASHER, STEERING HANDLE
33	F341693		1	WEDGE, STEERING HANDLE
34	F8058		2	INTERNAL TOOTH LOCKWASHER
35	F1829		2	HEAD SCREW, 10 - 24 X 7/8
36	F487816		1	BEARING, STEERING HANDLE
37	F215795		1	SEAL (SMALL)
38	F53795-1		1	SEAL (LARGE)
39	F717079-1		1	HANDLE, STEERING

CONTINUED ON NEXT PAGE ➡

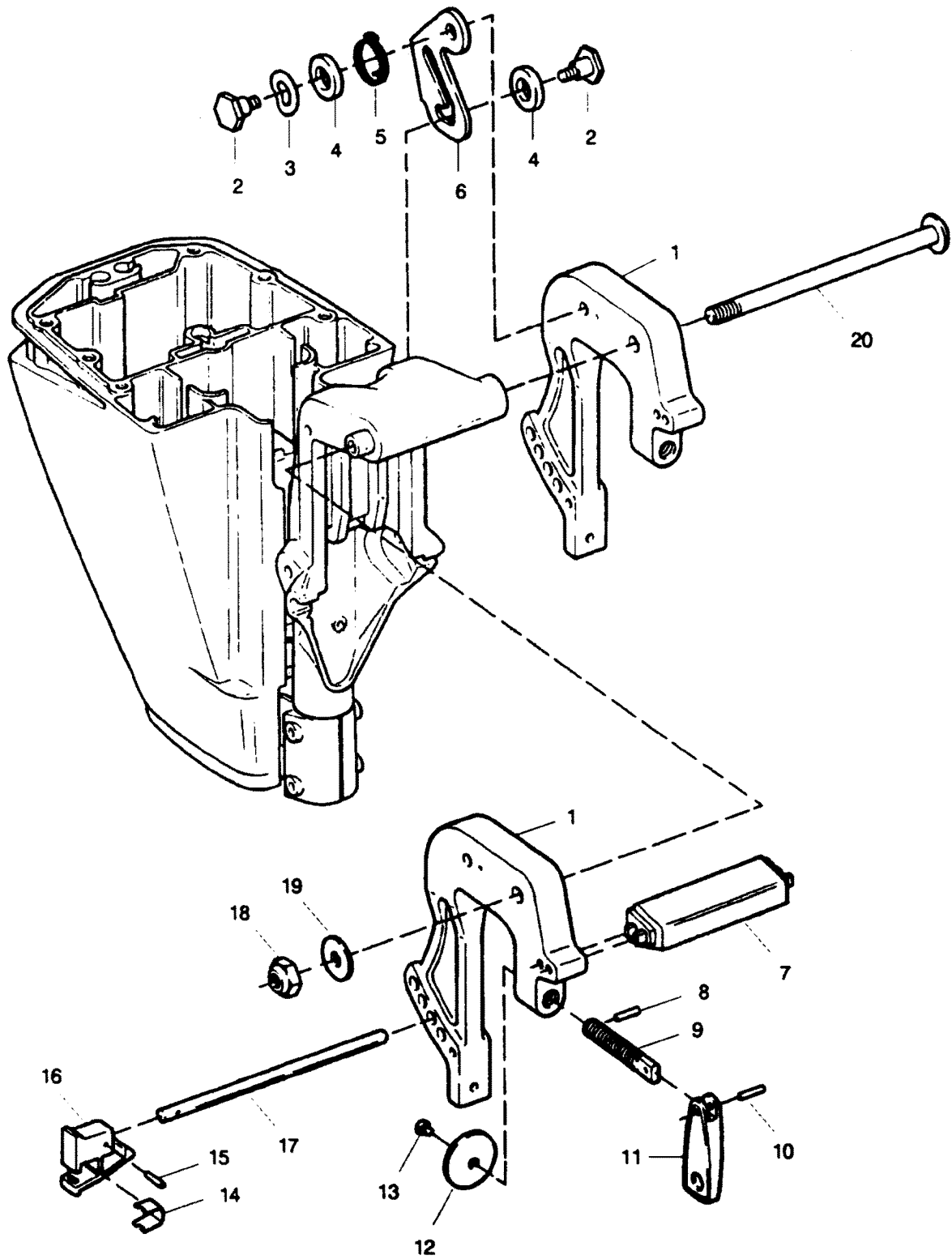
TILLER HANDLE AND THROTTLE LINKAGE



TILLER HANDLE AND THROTTLE LINKAGE

REF. NO.	PART NO.	SYM.	QTY.	DESCRIPTION
40	F429688		1	SHAFT, STEERING HANDLE
41	F8548		1	SPRING PIN
42	F458695		1	SLEEVE
43	FA456137		1	GRIP, STEERING HANDLE W/SLEEVE
44	F709894		1	INDICATOR, STEERING HANDLE

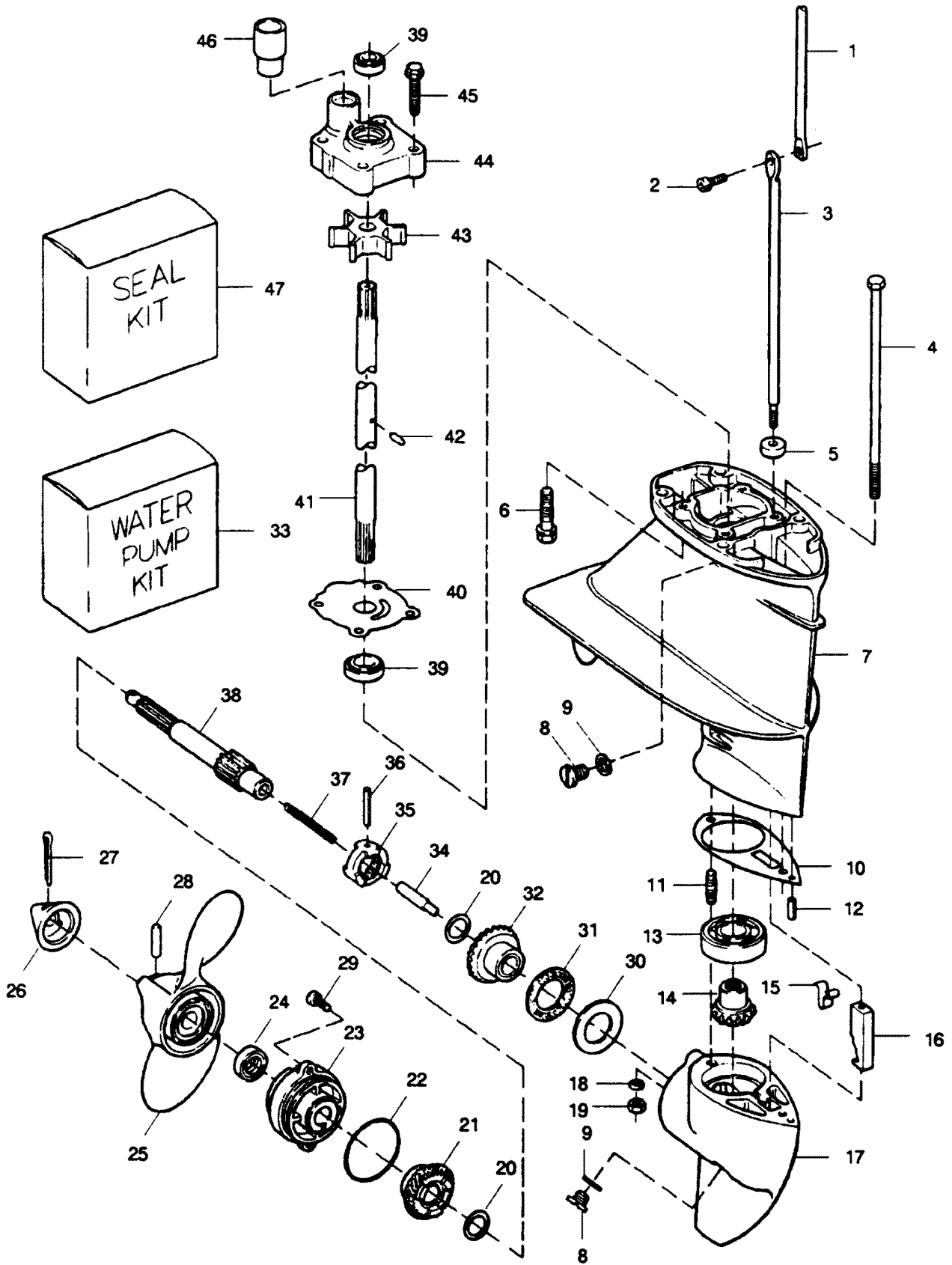
STERN BRACKETS



STERN BRACKETS

REF. NO.	PART NO.	SYM.	QTY.	DESCRIPTION
1	FS617532		2	STERN BRACKET W/CLAMP SCREW
2	F286422-1		2	PIVOT
3	F1666		1	BOWED SPRING WASHER
4	F286451		2	SPACER
5	F286544-1		1	SPRING, TILT STOP
6	F429541		1	LOCK, TILT
7	F286647		1	HANDLE, CARRYING
8	F8537		2	SPRING PIN
9	817761A2		2	CLAMP SCREW W/HANDLE AND FOOT
10	F8554		2	SPRING PIN
11	F424075		2	HANDLE, CLAMP SCREW
12	F24074		2	FOOT, CLAMP SCREW
13	F66480		2	STUD, CLAMP SCREW
14	F286461		1	SPRING, LOCK BAR HANDLE
15	F8540		1	SPRING PIN
16	F286114		1	HANDLE, LOCK BAR
17	FA617113		1	LOCK BAR W/HANDLE
18	F7026		1	STOP NUT, 3/8 - 16
19	F2014		1	WASHER

GEAR HOUSING

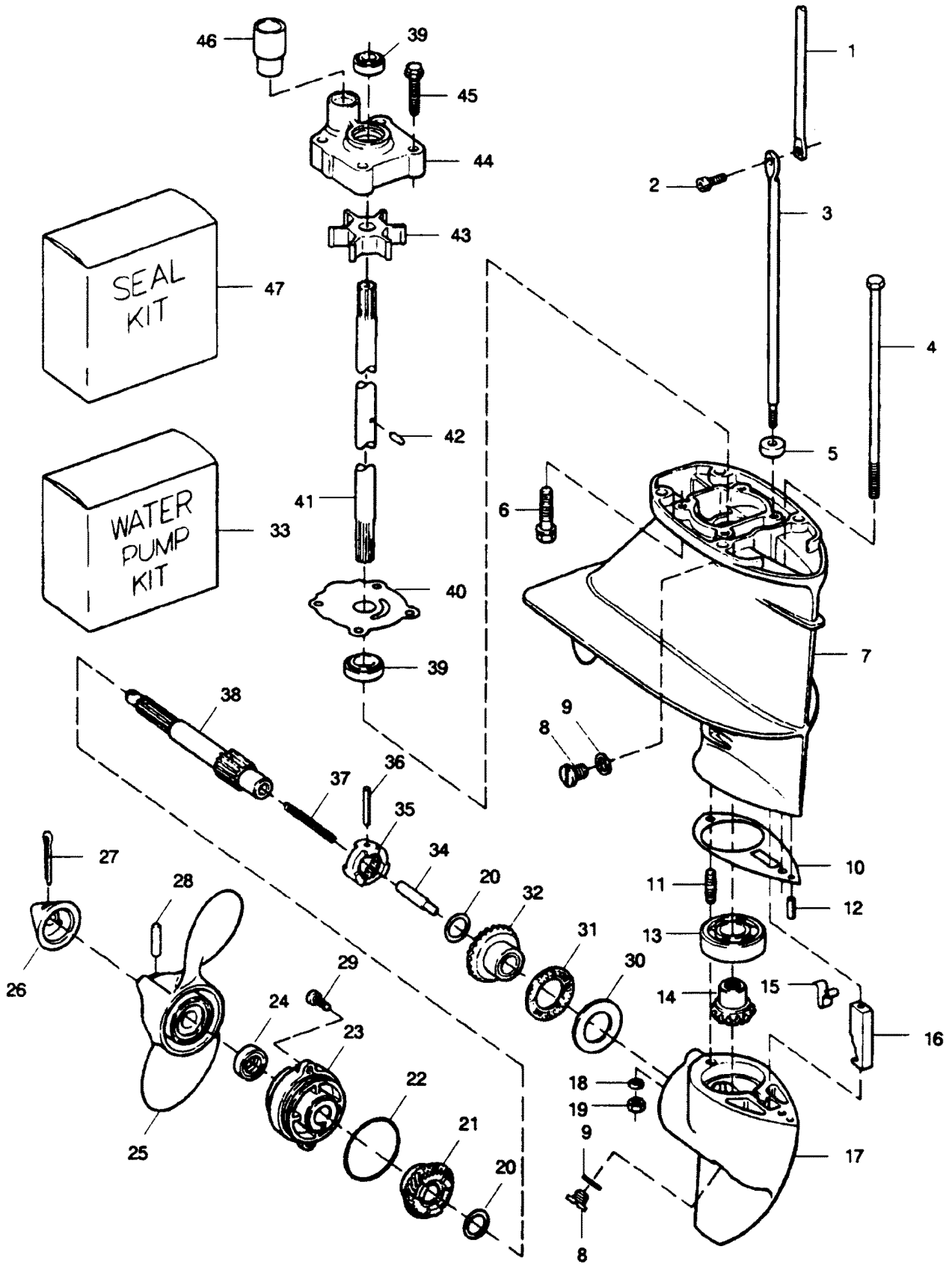


GEAR HOUSING

REF. NO.	PART NO.	SYM.	QTY.	DESCRIPTION
1	F286615		1	GEAR SHIFT ROD, UPPER
2	F1976		1	SOCKET HEAD CAP SCREW W/LOCKWASHER, 10 - 24 X 1/2
3	F286705-1		1	GEAR SHIFT ROD, LOWER (15 INCH TRANSOM MODELS)
4	F1800		1	HEX BOLT, 1/4 - 20 X 7
5	F338618-1		1	SEAL, SHIFT ROD LOWER
6	F430732		4	HEX HEAD SCREW, 1/4 - 20 X 1
7	FA715554		1	GEAR HOUSING UPPER W/BEARING, PLUGS AND SEALS
8	F50109		2	PLUG, GEAR HOUSING
9	F8077		2	NYLTITE WASHER
10	F286555		1	GASKET, GEAR HOUSING
11	F286008		1	STUD, REAR
12	F8553		1	SPRING PIN
13	F127910-2		1	BALL BEARING
14	FA286266		1	GEAR, BEVEL PINION W/BALL BEARING
15	F286895		1	SPRING, CAM DETENT
16	F286721		1	CAM, SHIFT
17	1600-817749A2		1	GEAR HOUSING LOWER W/PROP SHAFT BEARING AND PLUG
-	1600-819483A2		1	GEAR HOUSING KIT (INCLUDES ALL ITEMS REQUIRED TO BUILD COMPLETE LOWER GEAR HOUSING) ORIGINAL FORCE P/N C456054-1
18	F8083		1	SPRING LOCKWASHER
19	F1490		1	HEX NUT, 1/4 - 20
20	F456717		2	THRUST WASHER
21	FA456662		1	GEAR, BEVEL REAR W/BEARING
22	F455305		1	SEAL, PROP SHAFT BEARING CAGE
23	31-817756A2		1	CAGE, PROP SHAFT BEARING W/BEARING END SEALS
24	F346118		1	SEAL, PROP SHAFT
25	FP715		1	PROPELLER, 8-3/8 X 6, ALUMINUM, 3 BLADE
26	11-817752A1		1	PROPELLER NUT W/COTTER PIN
27	F1846		1	COTTER PIN
28	FA324101		1	PROPELLER PIN, PACK OF 3 W/COTTER PIN
29	F1493		2	HEAD SCREW, 1/4 - 20 X 5/8
30	F286903		1	RACE, PROPELLER SHAFT BEARING
31	F286901		1	BEARING, PROPELLER SHAFT
32	FA456023		1	GEAR, FRONT BEVEL W/BEARING
33	FK1031-1		1	WATER PUMP KIT
34	F286728		1	SHIFT PIN
35	FA456521		1	CLUTCH
36	F8564		1	SPRING PIN
37	F409719		1	SPRING, CLUTCH
38	F456098		1	PROPELLER SHAFT
39	F901307-2		2	SEAL, DRIVESHAFT
40	F341562		1	WATER PUMP BACKPLATE
41	F343128		1	DRIVESHAFT (15 INCH TRANSOM MODELS)

CONTINUED ON NEXT PAGE ➡

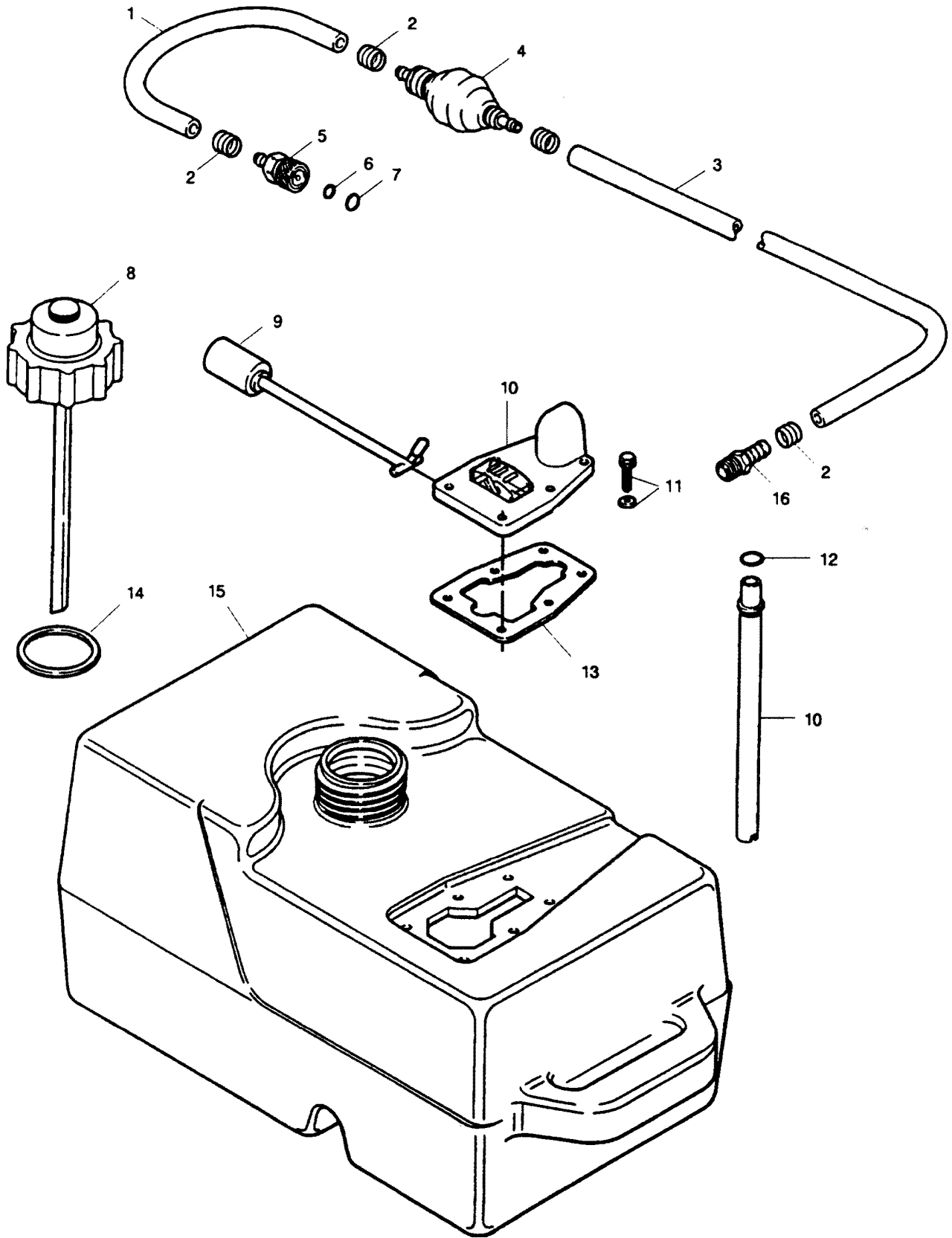
GEAR HOUSING



GEAR HOUSING

REF. NO.	PART NO.	SYM.	QTY.	DESCRIPTION
42	F901563		1	PIN, IMPELLER DRIVE
43	F436065-2		1	IMPELLER, WATER PUMP
44	FA504060		1	WATER PUMP BODY W/DRIVESHAFT SEAL
45	F2030		4	HEX HEAD SCREW, 1/4 - 20 X 1-1/4 S.S.
46	FA510914		1	SEAL, WATER LINE
47	FK1065		1	SEAL KIT

FUEL TANK AND LINE



FUEL TANK AND LINE

REF. NO.	PART NO.	SYM.	QTY.	DESCRIPTION
1	FA84754-1		1	HOSE
2	F298788		4	FERRULE
3	32-817738A1		1	HOSE
4	89396A38		1	BULB, PRIME
5	F197787-3		1	COUPLER
6	F17815		1	SEAL
7	F17816		1	SEAL
8	F17821		1	CAP, FUEL TANK
9	F17826		1	FLOAT
10	F17828		1	GAUGE ASSEMBLY
11	F17824		6	SCREW
12	F17827		1	SEAL
13	F17823		1	GASKET
14	F17822		1	GASKET
15	F5H214		1	FUEL TANK W/LINE (6 GALLON)
16	F702801		1	FITTING, FUEL
-	F703398		2	DECAL, FUEL MIX (NOT SHOWN)

PARTS INDEX

Part Number	Description	Pg.	Ref. No.	Part Number	Description	Pg.	Ref. No.
817751A3	BRACKET, STEERING HANDLE W/GREASE FITTING	21	22	F1608	SQUARE NUT, 1/4 - 20	19	4
817761A2	CLAMP SCREW W/HANDLE AND FOOT	25	9	F1666	BOWED SPRING WASHER	25	3
89396A38	BULB, PRIME	31	4	F1704	LOCKWASHER, #6 S.S.	7	3
F10148	JET, MAIN FUEL (.064) 7500-10000 FT.	9	-	F1705	HEX HEAD MACHINE SCREW, 1/4 - 20 X 3/4 S.S.	17	11
F10214	JET, MAIN FUEL (.070) SEA LEVEL - 2500 FT.	9	18	F174017	PIN, PISTON	15	19
F10215	JET, MAIN FUEL (.068) 2500-5000 FT.	9	-	F1755	ROUND HEAD SCREW W/LOCKWASHER, 6 - 32 X 5/16	7	2
F10226	JET, MAIN FUEL (.066) 5000-7500 FT.	9	-	F175634	SCREW, CONNECTING ROD	15	13
F10241	CLIP	9	24	F17815	SEAL	31	6
F10242	WASHER	9	25	F17816	SEAL	31	7
F10265	NEEDLE, INLET	9	17	F17821	CAP, FUEL TANK	31	8
F10268	SCREW, IDLE MIXTURE	9	15	F17822	GASKET	31	14
F10273	JET, PART THROTTLE (.047)	9	21	F17823	GASKET	31	13
F10275	SCREW	9	22	F17824	SCREW	31	11
F10290	LINKAGE ASSEMBLE, THROTTLE	9	23	F17826	FLOAT	31	9
F10338	LINK, THROTTLE	9	26	F17827	SEAL	31	12
F10343	SHAFT, CHOKE	9	5	F17828	GAUGE ASSEMBLY	31	10
F10344	SHUTTER, CHOKE	9	6	F1794	SPRING PIN	19	11
F10345	SCREW	9	7	F1799	TRUSS HEAD SCREW, 5/16 - 18 X 5/8	21	23
F10346	FLOAT	9	8	F1800	HEX BOLT, 1/4 - 20 X 7	27	4
F10347	ELBOW	9	14	F1803	STOP NUT, 5/16 - 24	21	8
F10348	JET, IDLE (.050)	9	20	F1804	STOP NUT, 10 - 32	5	17
F10349	SHAFT, THROTTLE	9	27	F1805	SPRING PIN	21	15
F10350	SPRING	9	28	F1806	GROOVE PIN	19	16
F10351	SHUTTER, THROTTLE	9	29	F1807	GROOVE PIN	21	17
F1069	HEAD SCREW, 10 - 24 X 1-1/16	7	23	F1807-3	REED, FUEL PUMP	7	28
F1090	SCREW W/LOCKWASHER, 10 - 24 X 9/16	11	10	F1820	HEAD SCREW, 1/4 - 20 X 1-3/8	19	7
F1090	SCREW, 10 - 24 X 1/2	11	24	F1823	HEX HEAD CAP SCREW, 5/16 - 18 X 1	17	12
F1090	SCREW, FILL. HEAD 10 - 24 X 9/16	13	9	F1829	HEAD SCREW, 10 - 24 X 7/8	21	35
F1107	HEAD SCREW, 1/4 - 20 X 3/4	17	6	F1832	LOCKNUT 1/4 - 20	5	9
F1111	HEAD SCREW, 1/4 - 20 X 7/8	15	1	F1832	LOCKNUT, 1/4 - 20	13	8
F12088	GROMMET	11	18	F1832	LOCKNUT, 1/4 - 20 S.S.	3	10
F12376	WIRE, MAGNETO SHORTING	11	4	F183813	BEARING, MAGNETO CONTROL LEVER	21	4
F12377	STATOR, PLATE W/LAMINATIONS	11	15	F1846	COTTER PIN	27	27
F12378	SPRING, COIL WEDGE	11	17	F1854	HEX HEAD CAP SCREW, 1/4 - 20 X 5/8	3	23
F12380	SCREW (PLASTIC)	11	8	F1859	HEX HEADLESS SOCKET SET SCREW	21	26
F12381	WASHER (PLASTIC)	11	9	F1864	SCREW, HEX HEAD 1/4 - 20 X 3/4 S.S.	13	2
F12382	SCREW	11	11	F1907	WASHER	19	5
F127910-2	BALL BEARING	27	13	F1922	HEX CAP SCREW, 1/4 - 20	21	13
F1286	PAN HEAD SCREW, 4 - 40 X 3/16	7	26	F1922	HEX HEAD SCREW, 1/4 - 20 X 5/8	7	17
F1335	HEAD SCREW, 5/16 - 18 X 1-1/4	17	7	F1976	SOCKET HEAD CAP SCREW W/LOCKWASHER, 10 - 24 X 1/2	27	2
F1341	HEX NUT, 1/4 - 20	19	29	F197767-2	BUSHING (FUEL LINE)	7	36
F141118	SEAL, CRANKSHAFT LOWER	15	16	F197787-3	COUPLER	31	5
F1490	HEX NUT, 1/4 - 20	7	12	F1978	SPRING PIN	21	25
F1490	HEX NUT, 1/4 - 20	27	19	F197813	BEARING	19	9
F1493	HEAD SCREW, 1/4 - 20 X 5/8	27	29	F197813	BEARING	21	31
				F197813	BEARING, STEERING HANDLE STOP	21	20

PARTS INDEX

Part Number	Description	Pg.	Ref. No.	Part Number	Description	Pg.	Ref. No.
F2008	HEX HEAD SCREW, 1/4 - 20 X 7/8	7	13	F286422-1	PIVOT, TILT LOCK	19	19
F2008	HEX HEAD SCREW, 1/4 - 20 X 7/8	17	2	F286433	BRACKET, REVERSE LOCK	19	24
F2014	WASHER	25	19	F286440	STUD, MAGNETO CONTROL LEVER	21	1
F2030	HEX HEAD SCREW, 1/4 - 20 X 1-1/4 S.S.	29	45	F286451	SPACER	25	4
F2042	WASHER	3	2	F286451	SPACER, TILT LOCK	19	20
F2126	SLOTTED FILL. HEAD SCREW, 1/4 - 28 X 2	21	3	F286461	SPRING, LOCK BAR HANDLE	25	14
F213274	FITTING, GREASE	19	26	F286490	STOP, STEERING HANDLE	21	21
F213274	FITTING, GREASE	21	16	F286509	LINK, THROTTLE CAM	21	2
F215795	SEAL (SMALL)	21	37	F286518	HEAD, CYLINDER	17	14
F2209	PAN HEAD SELF TAPPING SCREW 10 - 16	5	4	F286529-3	GASKET, CYLINDER HEAD	17	13
F2209	SCREW, PAN HEAD 10 - 16 X 1/2 S.S.	13	14	F286539	BUMPER	21	10
F2210	SCREW, PAN HEAD 1/4 - 14 X 1/2 S.S.	13	18	F286544-1	SPRING, TILT STOP	25	5
F2211	HEX HEAD CAP SCREW, 10 - 24 X 5/8 S.S.	3	1	F286555	GASKET, GEAR HOUSING	27	10
F24074	FOOT, CLAMP SCREW	25	12	F286571	CENTER MAIN BEARING ROLLER SET (26 PER SET)	15	9
F2417	SCREW, 1/4 - 20 X 3/8	19	43	F286573-1	CLAMP, STEERING FRICTION	19	6
F24748-2	GASKET, FUEL PUMP	7	25	F286611-2	ROD, GEARSHIFT	5	18
F2706772	HOSE CLAMP	7	14	F286615	GEAR SHIFT ROD, UPPER	27	1
F2788004	STUD, CARBURETOR	7	10	F286615	ROD, GEARSHIFT UPPER	5	13
F286008	STUD, REAR	27	11	F286647	HANDLE, CARRYING	25	7
F286011	WASHER, SWIVEL BRACKET	19	2	F286685	CONNECTOR, GEARSHIFT ROD	5	20
F286019	KINGPIN	19	28	F286705-1	GEAR SHIFT ROD, LOWER (15 INCH TRANSOM MODELS)	27	3
F286028	BEARING, CRANKSHAFT UPPER	15	7	F286721	CAM, SHIFT	27	16
F286080	SCREW, STEERING HANDLE PIVOT	21	18	F286728	SHIFT PIN	27	34
F286114	HANDLE, LOCK BAR	25	16	F286772-1	CLAMP	7	18
F286134	STUD, GEARSHIFT LEVER	5	27	F286818	BEARING	21	29
F286159-1	GASKET, REED PLATE	7	5	F286827	LEVER, REVERSE LOCK	19	15
F286169	BEARING, LOWER SWIVEL BRACKET	19	27	F286868	SPRING, STEERING HANDLE STOP	21	19
F286169	BEARING, SWIVEL BRACKET	19	3	F286871	PIN, GEARSHIFT LEVER	5	25
F286220	WASHER, STEERING HANDLE	21	32	F286876	LEVER, GEARSHIFT	5	23
F286222	COVER, TRANSFER PORT	7	31	F286895	SPRING, CAM DETENT	27	15
F286223	GASKET, TRANSFER PORT COVER	7	32	F286901	BEARING, PROPELLER SHAFT	27	31
F286224-1	INSERT, STEERING HANDLE PIVOT	21	30	F286903	RACE, PROPELLER SHAFT BEARING	27	30
F286244	LINE, WATER	19	35	F286914	SLEEVE, WATER LINE	19	36
F286277	GASKET, CRANKSHAFT BEARING CAGE	15	5	F286956	BRACKET, SHOCK MOUNT LOWER	19	30
F286282	WASHER	21	7	F289664	WIRE, STATOR GROUND	11	14
F286286-1	WASHER	19	18	F298788	FERRULE	31	2
F286300	SPRING, REVERSE LOCK	19	25	F2A24757	PLATE, FUEL PUMP W/REEDS	7	29
F286346	MOUNT, LOWER SHOCK	19	34	F2A681018	CRANKSHAFT W/UPPER MAIN BEARING	15	6
F286347	MOUNT, UPPER SHOCK	19	1	F2C710712	COVER, COMPLETE (PAINTED W/DECALS - 15 HP)	3	-
F286349	REVERSE LOCK	19	23	F307818	BEARING	3	19
F286364	LEVER, REVERSE LOCK	19	10	F307818	BEARING	5	26
F286414	SPRING, LEG WATER BRACKET	19	39	F307818	BEARING	21	14
F286422-1	PIVOT	25	2	F31160-2	REED	7	6

PARTS INDEX

Part Number	Description	Pg.	Ref. No.	Part Number	Description	Pg.	Ref. No.
F338618-1	SEAL, SHIFT ROD LOWER	27	5	F681408	HOUSING	13	1
F341562	WATER PUMP BACKPLATE	27	40	F681424	SPRING, INTERLOCK	5	5
F341693	WEDGE, STEERING HANDLE	21	33	F681427-2	BRACKET	13	3
F343014	BEARING, CRANKSHAFT LOWER MAIN	15	15	F681428	INSERT, STARTER HOUSING ROPE	13	5
F343128	DRIVESHAFT (15 INCH TRANSOM MODELS)	27	41	F681490	STOP, STARTER INTERLOCK	5	1
F346118	SEAL, PROP SHAFT	27	24	F681531	ROD, INTERLOCK	5	10
F346146	SEAL, CRANKSHAFT UPPER	15	2	F681579	SEAL	13	12
F392756	PACKING	3	13	F681592	RETAINER, STARTER PULLEY	13	13
F40253-1	FUEL LINE (SUPPORT PLATE TO FUEL PUMP)	7	15	F681602	SWITCH, EMERGENCY STOP	11	6
F409719	SPRING, CLUTCH	27	37	F681711-1	PLATE, FRONT	3	15
F424075	HANDLE, CLAMP SCREW	25	11	F681741	RING, RETAINING	13	4
F429472	GASKET, CYLINDER DRAIN COVER	7	21	F681742	LEVER, INTERMEDIATE INTERLOCK	5	16
F429541	LOCK, TILT	25	6	F681754	FUEL LINE (FUEL PUMP TO CARBURETOR)	7	16
F429688	SHAFT, STEERING HANDLE	23	40	F681759	ROLLER, LATCH	3	11
F429811	SCREEN	7	20	F681817	RETAINER, STARTER ROPE	13	20
F430732	HEX HEAD SCREW, 1/4 - 20 X 1	27	6	F681874	FASTENER, HANDLE SUPPORT PLATE	13	19
F430732	SCREW, S.S	19	41	F681954	COVER, PRIME BULB	7	33
F431838	SHAFT, MAGNETO CONTROL	21	9	F681970	SPRING, STARTER REWIND	13	6
F436065-2	IMPELLER, WATER PUMP	29	43	F681971	PLUG	13	7
F436280	NUT, SHORTING SWITCH	11	13	F681997-1	LEVER, NEUTRAL SPEED INTERLOCK	5	8
F455305	SEAL, PROP SHAFT BEARING CAGE	27	22	F682269	HANDLE, TILT	3	3
F456098	PROPELLER SHAFT	27	38	F688585	DECAL, TILT LOCK	19	21
F456717	THRUST WASHER	27	20	F7009	LOCKNUT, 10 - 24 S.S.	3	4
F458498-1	KEY, MAGNETO	11	23	F702329	LANYARD	11	7
F458695	SLEEVE	23	42	F7026	STOP NUT, 3/8 - 16	25	18
F461342	SEAL, DRIVESHAFT SPLINE	15	14	F702801	FITTING, FUEL	31	16
F481777	CAM, LATCH	3	21	F703398	DECAL, FUEL MIX (NOT SHOWN)	31	-
F487816	BEARING, STEERING HANDLE	21	36	F709894	INDICATOR, STEERING HANDLE	23	44
F50109	PLUG, GEAR HOUSING	27	8	F710015	PISTON	15	17
F525286	WASHER	19	14	F710396	DECAL, STARBOARD - 15 HP	3	8
F536813	BEARING	19	12	F710397	DECAL, PORT - 15 HP	3	-
F53795-1	SEAL (LARGE)	21	38	F710528	DECAL, REAR	3	7
F5H214	FUEL TANK W/LINE (6 GALLON)	31	15	F712475	COIL	11	16
F618445	LINK, MAGNETO SHAFT	21	6	F715061	CARBURETOR (F01A)	7	37
F66480	STUD, CLAMP SCREW	25	13	F715061	CARBURETOR COMPLETE	9	-
F681003-1	ARM, STARTER INTERLOCK	5	2	F715151	PLATE, EXHAUST	17	4
F681008	STUD	5	7	F715152	COVER, EXHAUST	17	1
F681026	SCREW, LATCH ROLLER	3	12	F715154	GASKET, EXHAUST COVER	17	3
F681046	BULB, PRIME	7	34	F715161	REED STOP, 15 HP	7	4
F681090	PLATE, HANDLE SUPPORT	13	17	F715168	GASKET, MANIFOLD	7	8
F681091	NUT, FLYWHEEL	11	1	F715192	PLATE, THROTTLE CAM	11	25
F681132	HANDLE, STARTER ROPE	13	21	F715279	GASKET, CYLINDER MOUNT	17	10
F681133	LEG, MOTOR	19	37	F715404	PLATE, LEG TUNER	19	42
F681134	STUD	5	6	F715417	SHAFT, GEARSHIFT HANDLE	5	14
F681226	PLUG	3	17	F715614	HANDLE, GEARSHIFT	5	29
F681232	ROPE	13	10	F715619	LEVER, SHIFT HANDLE SHAFT	5	30
F681243	HOSE (PRIME BULB TO CARBURETOR)	7	35	F715660	EXHAUST TUBE	17	9
F681263-1	LINK, INTERLOCK	5	15				
F681390	DECAL, START PROCEDURE	3	24				

PARTS INDEX

Part Number	Description	Pg.	Ref. No.	Part Number	Description	Pg.	Ref. No.
F715906	GASKET, CARBURETOR ...	7	11	FA456137	GRIP, STEERING HANDLE		
F715989	SEAL, SUPPORT PLATE ...	3	16		W/SLEEVE	23	43
F717079-1	HANDLE, STEERING	21	39	FA456521	CLUTCH	27	35
F73082	RING, MAGNETO STATOR .	15	4	FA456662	GEAR, BEVEL REAR		
F8003	PLAIN WASHER	7	27		W/BEARING	27	21
F8025	PLAIN WASHER	17	16	FA472260	RING SET, PISTON (4 PER		
F8048	BOWED SPRING WASHER .	5	19		SET)	15	20
F8048	BOWED WASHER	3	20	FA504060	WATER PUMP BODY		
F8058	INTERNAL TOOTH				W/DRIVESHAFT SEAL ...	29	44
	LOCKWASHER	5	22	FA510914	SEAL, WATER LINE	29	46
F8058	INTERNAL TOOTH			FA609853	DECAL, SHIFT WARNING ..	11	2
	LOCKWASHER	21	34	FA617113	LOCK BAR W/HANDLE	25	17
F8060	EXTERNAL TOOTH			FA681038	SUPPORT PLATE W/PLUGS	3	14
	LOCKWASHER	21	12	FA681239	STARTER PULLEY		
F8077	NYLTITE WASHER	27	9		ASSEMBLY W/PLUG AND		
F8083	SPRING LOCKWASHER ...	3	22		SEAL	13	11
F8083	SPRING LOCKWASHER ...	19	31	FA681469	HANDLE, COVER LATCH ..	3	18
F8083	SPRING LOCKWASHER ...	27	18	FA681630	SUPPORT, HANDLE	13	16
F8143	WASHER, PLAIN #10	5	3	FA709010	CYLINDER	17	5
F84026	SCREW, SHOULDER	5	12	FA712228	CONNECTING ROD ROLLER		
F84026	SCREW, SHOULDER	13	15		SET (2 PER SET)	15	11
F84035-2	BEARING, CONTROL ROD .	5	11	FA714097	FLYWHEEL W/DECAL	11	3
F8537	SPRING PIN	25	8	FA715016	ROD, CONNECTING W/CAP		
F8538	SPRING PIN	19	8		AND SCREWS	15	12
F8540	SPRING PIN	5	28	FA715081	LEVER, MAGNETO		
F8540	SPRING PIN	25	15		CONTROL	21	5
F8542	SPRING PIN	5	24	FA715158	REED PLATE W/REEDS AND		
F8548	SPRING PIN	23	41		REED STOPS - 15 HP ...	7	7
F8553	SPRING PIN	27	12	FA715167	MANIFOLD W/STUDS	7	9
F8554	SPRING PIN	25	10	FA715554	GEAR HOUSING UPPER		
F8559	DOWEL PIN	17	8		W/BEARING, PLUGS AND		
F85610	BEARING	21	28		SEALS	27	7
F8564	SPRING PIN	27	36	FA84754-1	HOSE	31	1
F901307-2	SEAL, DRIVESHAFT	27	39	FC710010	SHORT BLOCK	7	1
F901307-2	SEAL, MOTOR LEG	19	38	FC710010	SHORT BLOCK	17	-
F901563	PIN, IMPELLER DRIVE	29	42	FG1035	GASKET SET	17	17
F901746-2	COVER, FUEL PUMP	7	24	FK1031-1	WATER PUMP KIT	27	33
F901811	FILTER, FUEL	7	22	FK10352	GASKET SET (NOT SHOWN)	9	-
F901938-1	SCREW, CYLINDER HEAD .	17	15	FK10353	REPAIR KIT (NOT SHOWN) .	9	-
F98273	STUD, GEARSHIFT ROD			FK1065	SEAL KIT	29	47
	CONNECTOR	5	21	FK1123	SPARKIE W/SPRING	11	20
FA1844	HEX BOLT			FO10588	PLUG	9	2
	W/LOCKWASHER, 1/4 - 20			FO11103	SPRING	9	16
	X 2-3/8 S.S.	19	32	FO13944	PIN	9	9
FA286155	CENTER MAIN BEARING			FO13945	SCREW	9	12
	LINER SET (2 PER SET) .	15	8	FO15366	BOWL	9	10
FA286266	GEAR, BEVEL PINION			FO15623	GASKET	9	11
	W/BALL BEARING	27	14	FO15722	NOZZLE, MAIN	9	19
FA286582	ARM, STEERING W/BUMPER			FO16128	PLUG	9	1
	AND SPRING PIN	21	11	FO2510	GASKET	9	13
FA324101	PROPELLER PIN, PACK OF			FO4784	BALL	9	3
	3 W/COTTER PIN	27	28	FO8805	SPRING	9	4
FA341510	LINK, REVERSE LOCK	19	22	FP715	PROPELLER, 8-3/8 X 6,		
FA343178	RETAINER W/SET SCREW .	21	24		ALUMINUM, 3 BLADE ...	27	25
FA387742	LEVER, REVERSE LOCK			FS617532	STERN BRACKET W/CLAMP		
	INTERMEDIATE	19	13		SCREW	25	1
FA429471	COVER, CYLINDER DRAIN			FS681712	COVER, BASIC		
	WITH CHECK VALVES				(UNPAINTED)	3	5
	AND SCREENS	7	19	FS690227	SPARK PLUG (CHAMPION L-		
					78C)	11	21

PARTS INDEX

Part Number	Description	Pg.	Ref. No.	Part Number	Description	Pg.	Ref. No.
11-817752A1	PROPELLER NUT W/COTTER PIN	27	26				
27-818043A1	FUEL PUMP DIAPHRAGM W/GASKETS	7	30				
31-817756A2	CAGE, PROP SHAFT BEARING W/BEARING END SEALS	27	23				
32-817738A1	HOSE	31	3				
43-818009--1	GEAR, MAGNETO CONTROL SHAFT	21	27				
87-817952A1	SWITCH, STOP W/NUT	11	5				
1100-817753A1	CAGE, CRANKSHAFT W/SEAL	15	3				
1400-817750A4	BRACKET, SWIVEL W/GREASE FITTING AND LOWER BEARING	19	17				
1600-817749A2	GEAR HOUSING LOWER W/PROP SHAFT BEARING AND PLUG	27	17				
1600-819483A2	GEAR HOUSING KIT	27	-				