



PARTS CATALOG

85 H.P.

SERIAL NUMBER

85 (1982)	858H2F
85 (1983)	856B2K
85 (1983)	856H2K
85 (1983)	858B2F
85 (1984)	858C4H
85 (1984)	858H4H

TABLE OF CONTENTS:

CARBURETOR 856H2K 856B2K	20
CARBURETOR 858H2F 858B2F 858H3G	26
CRANKSHAFT AND PISTON	40
DISTRIBUTOR 856H2K 856B2K 858H2F 858B2F	16
ELECTRICAL COMPONENTS 856H2K 856B2K 858H2F 858B2F	6
ELECTRICAL COMPONENTS 858H3G	10
ENGINE COVER AND SUPPORT PLATE	2
FUEL TANK AND LINE	54
GEAR HOUSING	48
MOTOR LEG	42
PARTS INDEX	72
POWER TRIM UNIT 858H2F 858B2F 858H3G	60
POWERHEAD	32
REMOTE CONTROL 858H2F 858B2F 858H3G	56
SPECIAL TOOLS - ACCESSORIES	69
SPECIAL TOOLS - GEAR HOUSING	66
SPECIAL TOOLS - LUBRICANTS AND SEALANTS	68
SPECIAL TOOLS - POWER HEAD	65
SPECIAL TOOLS - TEST EQUIPMENT	67
SPECIAL TOOLS - TUNE-UP	64
STARTER	14

NOTE: Indented description indicate that these parts are included in preceding assembly.

AR = As Required

NSS = Not Sold Separate

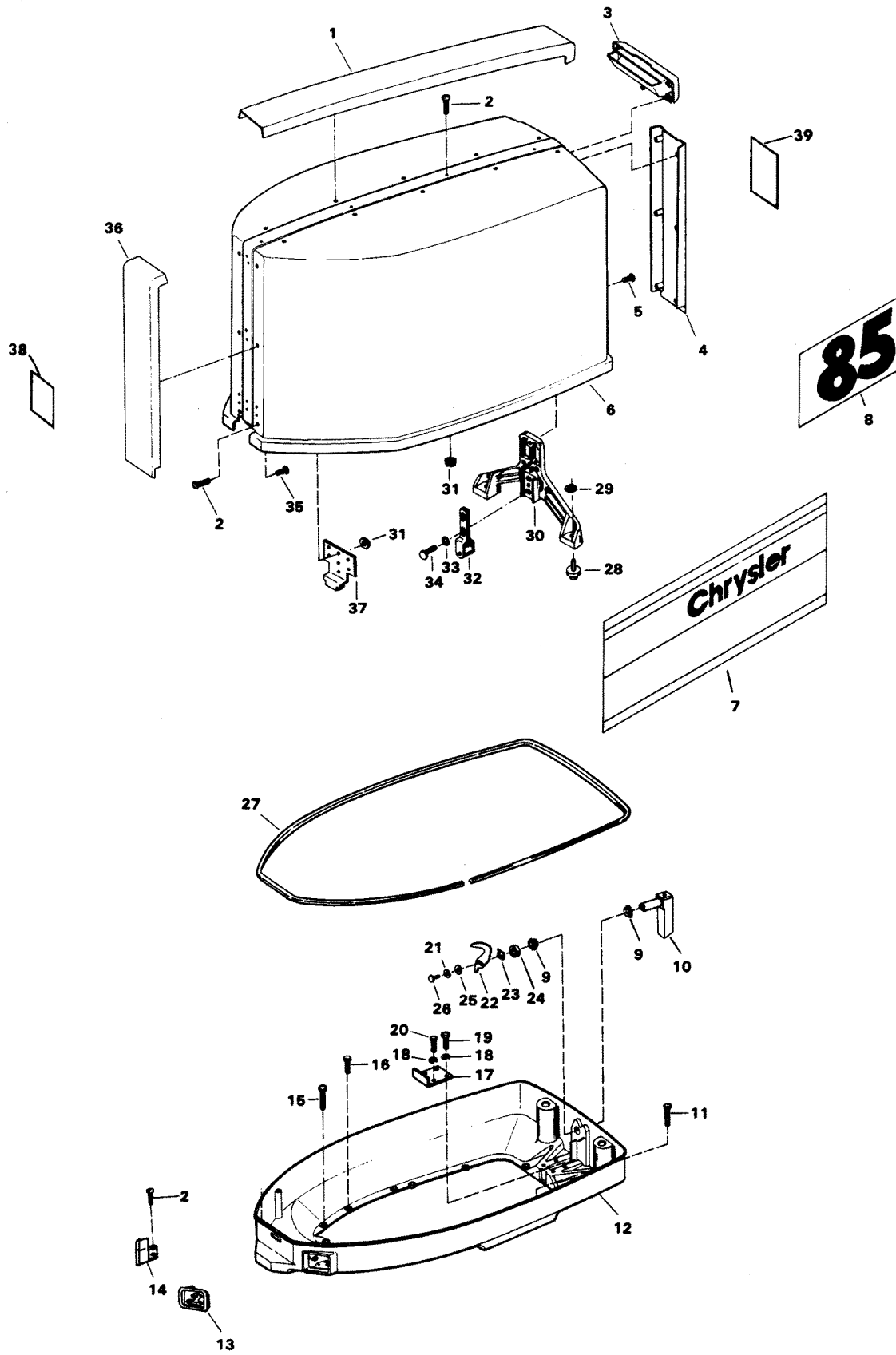
OPT = Optional

NS = Not Shown

THESE PARTS BOOKS/FICHE CARD ARE COPYRIGHTED AND MAY NOT BE DISTRIBUTED OR REPRODUCED IN ANY OTHER FORMAT BY ANYONE OTHER THAN MERCURY MARINE WITHOUT THE PRIOR WRITTEN CONSENT OF MERCURY MARINE.

THIS PAGE INTENTIONALLY LEFT BLANK

ENGINE COVER AND SUPPORT PLATE



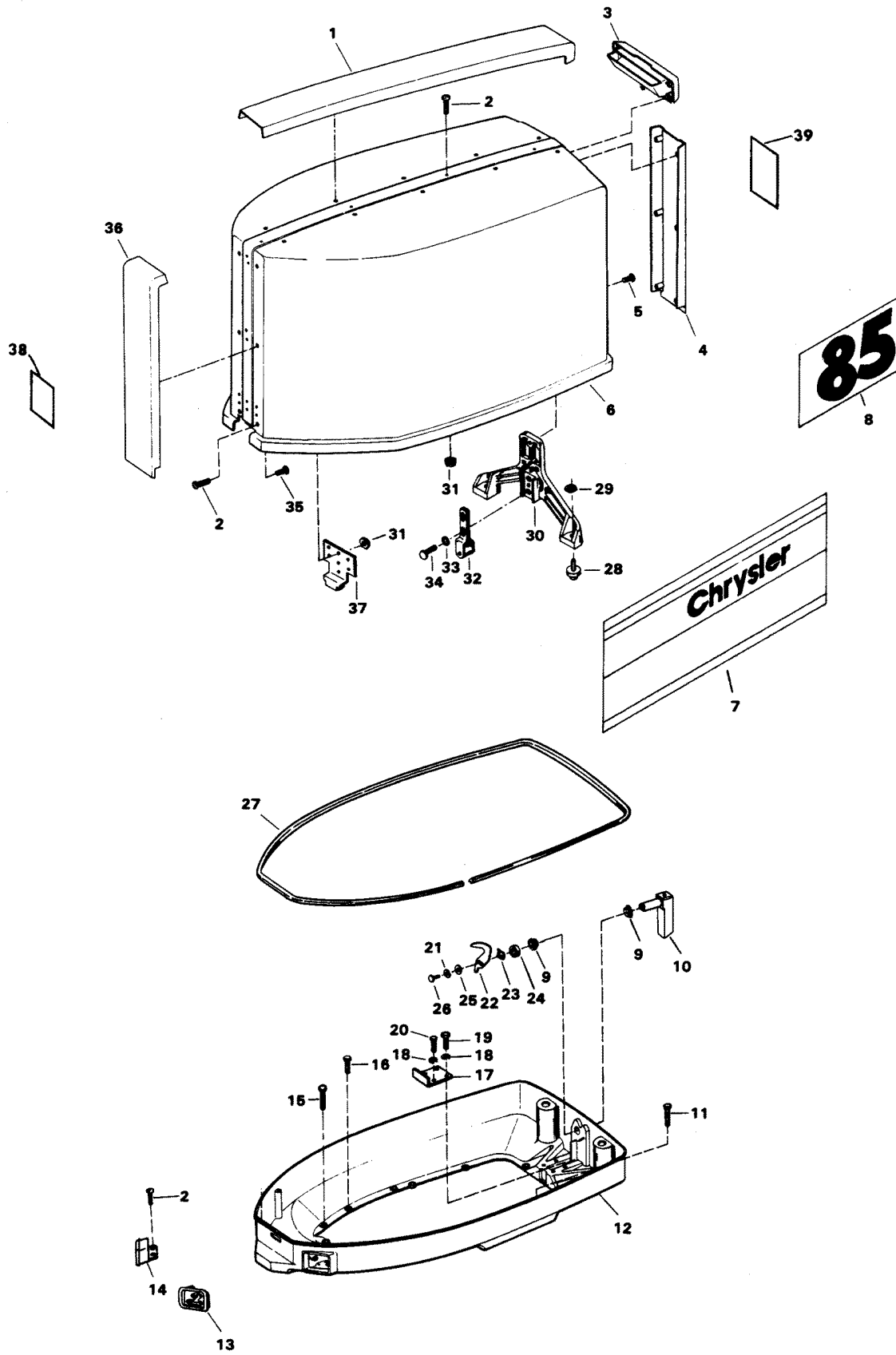
OB 3851

ENGINE COVER AND SUPPORT PLATE

REF. NO.	PART NO.	SYM.	QTY.	DESCRIPTION
1	FA480179		1	TRIM, TOP W/LITERATURE
2	F1733		10	PAN HD SCREW, 10 - 24 X 9/16
3	FA480269		1	TILT HANDLE W/LITERATURE
4	FA548180		1	TRIM, REAR W/LITERATURE
5	F1730		3	PAN HD SCREW, W/SPRING LOCKWASHER, 1/4 - 20 X 5/8
-	F548984		1	BLANKET, SILENCER TOP (NOT SHOWN)
-	F548985		2	BLANKET, SILENCER SIDE (NOT SHOWN)
6	FA549944		1	ENGINE COVER W/ILLUS. 2, 31, & 37
-	F3C611944		1	ENGINE COVER COMPLETE INCLUDES ALL ITEMS MARKED WITH AN ASTERISK (*). ORDER NUMERAL SEPARATE (856H2K, 856B2K, 858H2F, 858B2F)
-	F3C616944		1	ENGINE COVER COMPLETE INCLUDES ALL ITEMS MARKED WITH AN ASTERISK (*). ORDER NUMERAL SEPARATE (858H3G)
7	A611397		1	DECAL, PORT W/LITERATURE (856H2K, 856B2K, 858H2F, 858B2F)
-	FA616397		1	DECAL, PORT W/LITERATURE (858H3G)
-	A611396		1	DECAL, STARBOARD W/LITERATURE (856H2K, 856B2K, 858H2F, 858B2F)
-	FA616396		1	DECAL, STARBOARD W/LITERATURE (858H3G)
8	FA583386		2	DECAL, NUMERAL W/LITERATURE
9	F480818		2	BEARING, LATCH SHAFT
10	FA481469		1	ENGINE COVER LATCH HANDLE W/SHAFT
11	F1864		6	HEX CAP SCREW, 1/4 - 20 X 3/4
12	F480038-2		1	SUPPORT PLATE
13	F549189		1	BUSHING, ELECTRIC CABLE
14	F545189		1	BUSHING, CABLE ENTRY
15	F1708		2	HEX HD CAP SCREW, 1/4 - 20 X 1-3/8
16	F1922		5	HEX SLOT HD SCREW, 1/4 - 20 X 5/8
17	F335654-1		1	DEFLECTION STOP
18	F8096		4	SPRING LOCKWASHER
19	F1857		2	HEX CAP SCREW, 5/16 - 18 X 5/8
20	F1858		2	HEX CAP SCREW, 5/16 - 18 X 1
21	F8083		1	SPRING LOCKWASHER
22	F481777		1	CAM, LATCH SHAFT
23	F2047		1	WAVE SPRING WASHER
24	F481382-1		1	SPACER, LATCH SHAFT
25	F8094		1	PLAIN WASHER
26	F1854		1	HEX CAP SCREW, 1/4 - 20 X 5/8
27	F321756		1	PACKING
28	F481434		2	GUIDE, ENGINE COVER
29	F2088		2	FASTENER
30	F481774		1	BRACKET, ENGINE COVER LATCH
31	F1473		7	HEX NUT, 10 - 24
32	FA481743		1	BRACKET, ROLLER LATCH W/ROLLER

CONTINUED ON NEXT PAGE ➡

ENGINE COVER AND SUPPORT PLATE

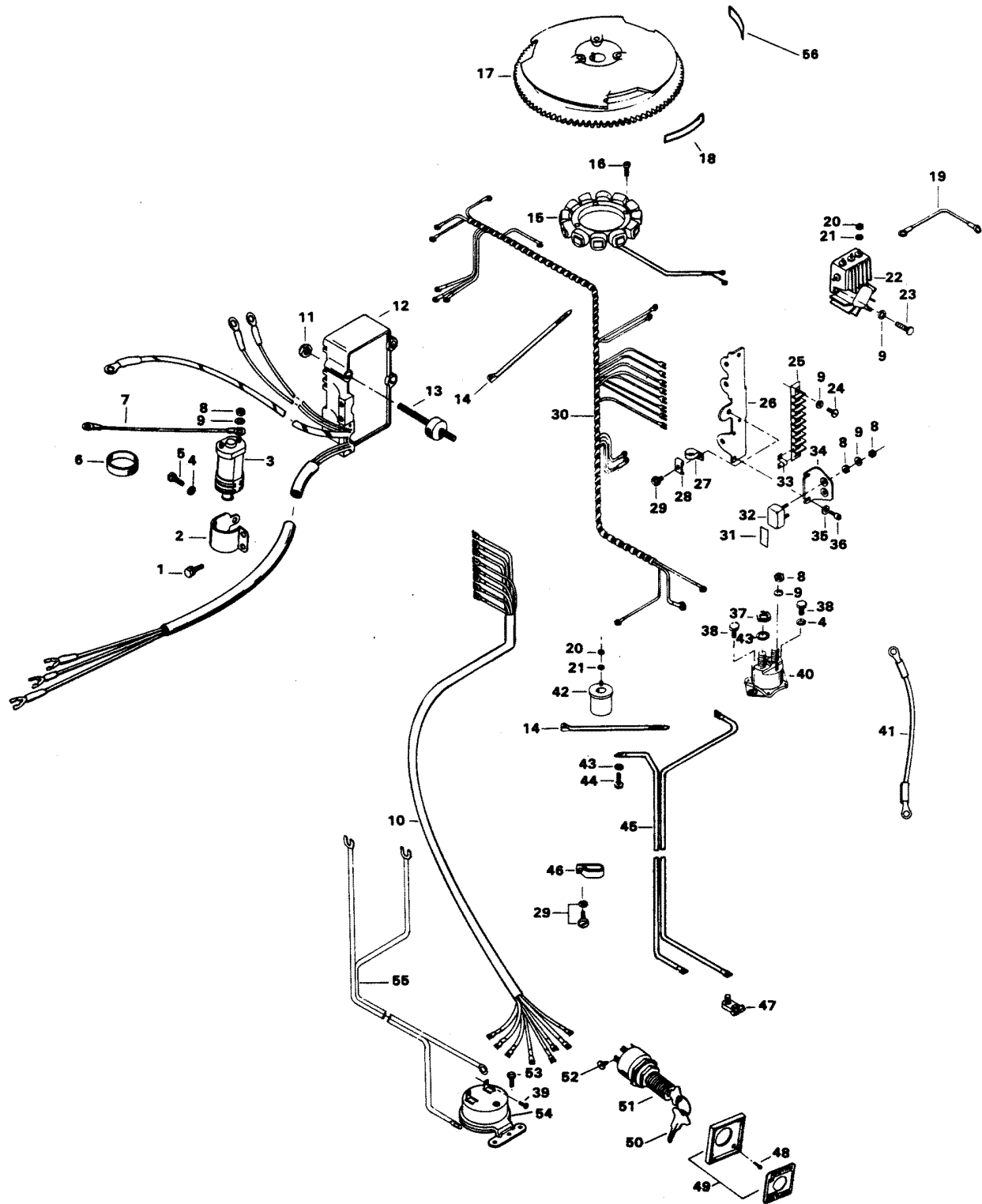


OB 3851

ENGINE COVER AND SUPPORT PLATE

REF. NO.	PART NO.	SYM.	QTY.	DESCRIPTION
33	F8096		2	SPRING LOCKWASHER
34	F1857		2	HEX CAP SCREW, 5/16 - 18 X 5/8
35	F2066		26	PAN HD TAPPING SCREW, 10 X 7/16
36	FA548888		1	TRIM, FRONT W/LITERATURE
37	F333480-1		1	RETAINER, ENGINE COVER
38	FA606892		1	DECAL, ENGINE COVER FRONT (858H3G)
39	FA606528		1	DECAL, ENGINE COVER REAR (858H3G)

ELECTRICAL COMPONENTS 856H2K 856B2K 858H2F 858B2F



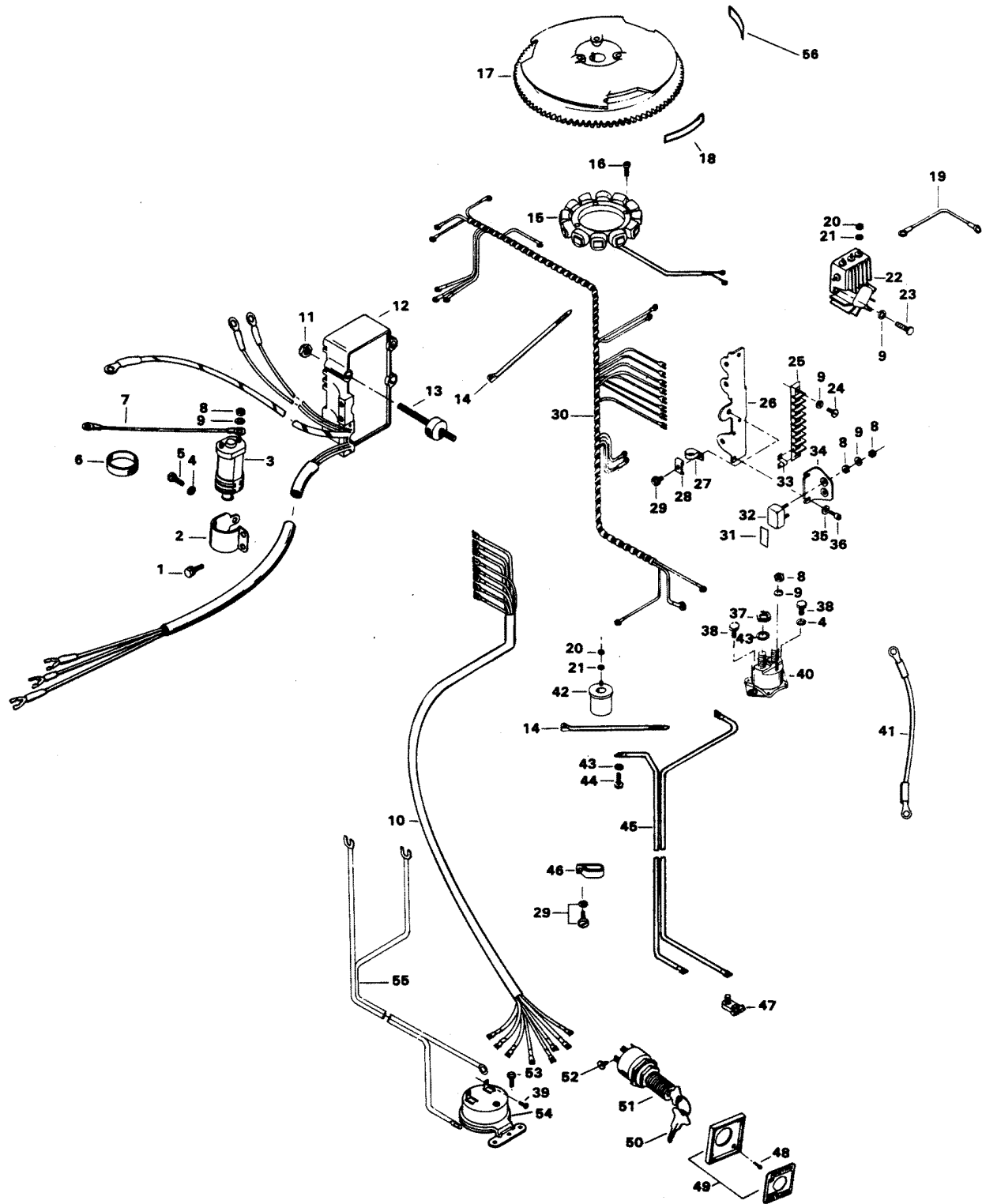
OB 3851

ELECTRICAL COMPONENTS 856H2K 856B2K 858H2F 858B2F

REF. NO.	PART NO.	SYM.	QTY.	DESCRIPTION
1	F1851		2	FILL HD SCREW W/LOCKWASHER, 10 - 24 X 1/2
2	F404513		1	COIL CLAMP
3	F345475-1		1	COIL
4	F8083		2	SPRING LOCKWASHER
5	F1689		1	HEX HD CAP SCREW, 1/4 - 20 X 1/2
6	F391983		2	BAND, RETAINING
7	F85664		1	GROUND WIRE
8	F1513		8	HEX NUT
9	F1975		10	SPRING LOCKWASHER
10	F85843-1		1	REMOTE ELECTRIC CABLE, 18 FEET
11	F1892		3	STOP NUT
12	300-817855A1		1	UNIT W/ILLUS. (ON PAGE 10 - 12, 13 AND 14) AND LITERATURE ORIGINAL FORCE P/N A 523301-1
13	F523962		3	SHOCK MOUNT, C.D. UNIT
14	F1877		2	TY-RAP
15	F85095-2		1	STATOR
17	FA404097		1	FLYWHEEL W/ILLUS. 56
18	F474387		1	TIMING DECAL
19	F345683		1	WIRE, REGULATOR-RECTIFIER GROUND
20	F1647		5	HEX NUT, 8 - 32
21	F8056		5	SPRING LOCKWASHER
22	F404470-1		1	REGULATOR-RECTIFIER
23	F2107		3	FILL HD SCREW, 10 - 24 X 5/8
24	F1648		2	PAN HD SCREW, 10 - 24 X 3/4
25	FA510497		1	TERMINAL BLOCK W/ILLUS. 24 & 33
26	FA438493		1	TERMINAL BLOCK BRACKET WITH ITEMS 28, 29 AND LITERATURE
27	F289446-1		1	CLAMP
28	F438668		1	RETAINER, CABLE CLAMP
29	F1734		2	FILL HD SCREW W/LOCKWASHER, 1/4 - 20 X 1/2
30	F438744-1		1	WIRING HARNESS
31	F510374		1	DECAL, CIRCUIT BREAKER
-	FC510374		1	DECAL, CIRCUIT BREAKER (CANADA ONLY)
32	F510460		1	CIRCUIT BREAKER
33	F307317-1		1	CLIP, TERMINAL BLOCK
34	F91446-1		1	CIRCUIT BREAKER BRACKET
35	F8011		2	PLAIN WASHER
36	F1760		2	PAN HD SCREW, 10 - 24 X 3/8
37	F1515		2	HEX NUT, 5/16 - 18
38	F1705		2	HEX CAP SCREW, 1/4 - 20 X 3/4
39	F1645		2	RD HD SCREW, 6 - 32 X 1/4
40	F460917		1	STARTER RELAY
41	F319908		1	GROUND WIRE

CONTINUED ON NEXT PAGE ➡

ELECTRICAL COMPONENTS 856H2K 856B2K 858H2F 858B2F

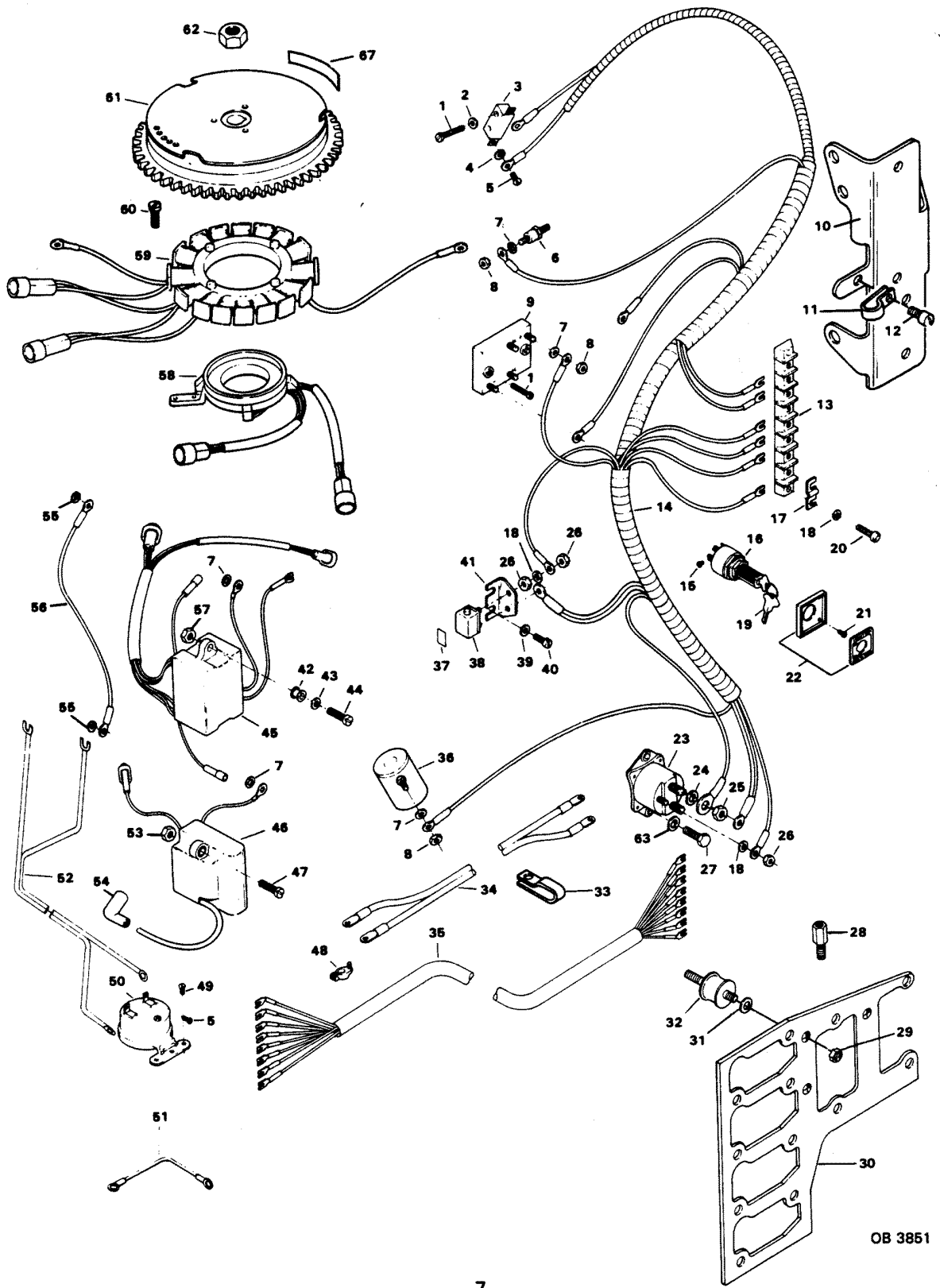


OB 3851

ELECTRICAL COMPONENTS 856H2K 856B2K 858H2F 858B2F

REF. NO.	PART NO.	SYM.	QTY.	DESCRIPTION
42	F85924		1	CHOKE SOLENOID
43	F8096		3	SPRING LOCKWASHER
44	F2000		1	HEX CAP SCREW, 5/16 - 18 X 3/4
45	F381896-4		1	BATTERY CABLE
46	F407446		1	CLAMP
47	F71H26		1	BATTERY TERMINAL KIT (ACCESSORY ITEM)
48	F1934		4	FLAT HD SLOTTED SCREW, 6 X 1/2
49	F5H038		1	IGNITION SWITCH MOUNTING KIT (ACCESSORY ITEM)
-	817892--1		1	PLATE, IGNITION SWITCH, CANADA (NOT SHOWN)
50	FA368700		1	IGNITION KEY - NO LETTER OR STAMPED A
-	FB368700		1	IGNITION KEY - STAMPED B
-	FC368700		1	IGNITION KEY - STAMPED C
-	FD368700		1	IGNITION KEY - STAMPED D
-	FE368700		1	IGNITION KEY - STAMPED E
51	F5H078		1	IGNITION SWITCH (LONG BARREL) W/KEYS AND SCREWS (ACCESSORY ITEM)
52	F1280		5	PAN HD SCREW, 8 - 32 X 1/4
53	F1741		2	PAN HD SCREW, 8 X 3/4
54	F5H043		1	OVERHEAT BUZZER (ACCESSORY ITEM)
55	F404841		1	CABLE, HEAT INDICATOR
56	FA609853		1	DECAL, WARNING W/LITERATURE

ELECTRICAL COMPONENTS 858H3G



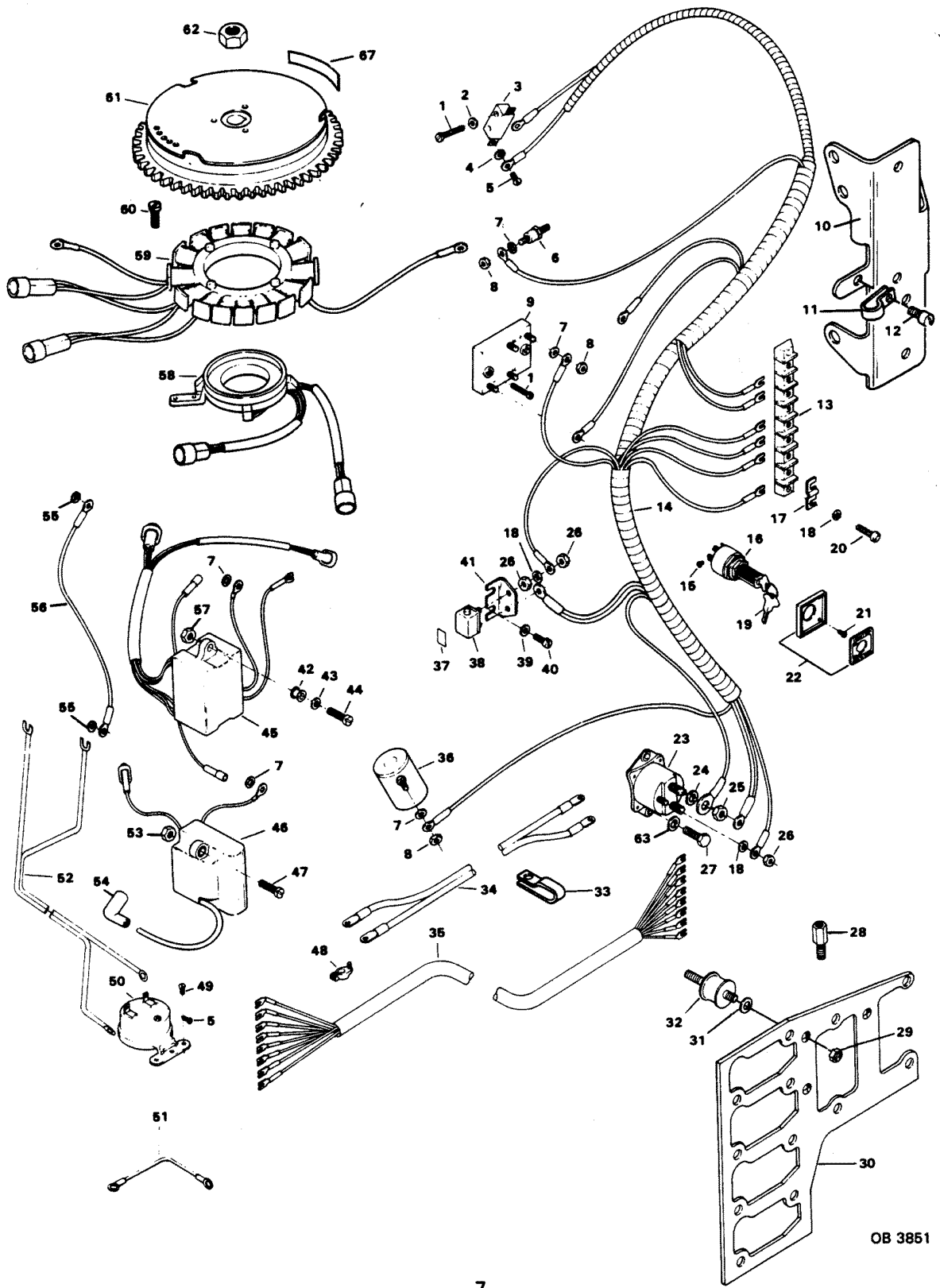
OB 3851

ELECTRICAL COMPONENTS 858H3G

REF. NO.	PART NO.	SYM.	QTY.	DESCRIPTION
1	F2016		4	SLOTTED FILL HD SCREW, 6 - 32 X 7/8
2	F8088		2	PLAIN WASHER
3	F84449		1	NEUTRAL INTERLOCK SWITCH
4	F1704		2	INTERNAL TOOTH LOCKWASHER
5	F1645		4	RD HD SCREW, 6 - 32 X 1/4
6	87-817778A1		1	THERMOSWITCH
7	F8056		6	SPRING LOCKWASHER
8	F1647		6	HEX NUT, 8 - 32
9	F369450		1	RECTIFIER
10	FA438493		1	BRACKET, TERMINAL BLOCK W/ILLUS. 12 & 66
11	F289446-1		1	CLAMP, REMOTE ELEC. CABLE TO BRACKET
12	F1734		2	FILL HD. SCREW, 1/4 - 20 X 1/2
13	FA510497		1	TERMINAL BLOCK W/ILLUS. 17 & 20
14	F615744		1	WIRING HARNESS
15	F1280		5	SLOTTED PAN HD SCREW, 8 - 32 X 1/4
16	F5H078		1	SWITCH, IGNITION (ACCESSORY ITEM) LONG BARREL W/KEY AND SCREWS
17	F307317-1		2	CLIP, TERMINAL BLOCK GROUND
18	F1975		6	LOCKWASHER
19	FA368700		-	KEY IGNITION - NO LETTER OR STAMPED A
-	FB368700		-	KEY IGNITION - STAMPED B
-	FC368700		-	KEY IGNITION - STAMPED C
-	FD368700		-	KEY IGNITION - STAMPED D
-	FE368700		-	KEY IGNITION - STAMPED E
-	FA27232		1	EMERGENCY STARTER ROPE (NOT SHOWN)
20	F1648		2	PAN HD SCREW, 10 - 24 X 3/4
21	F1934		4	FLAT HD SCREW, 6 X 1/2
22	F5H038		1	IGNITION SWITCH MOUNTING KIT (ACCESSORY ITEM)
-	817892--1		1	PLATE, IGNITION SWITCH, CANADA (NOT SHOWN)
23	F460917		1	STARTER RELAY
24	F8096		2	SPRING LOCKWASHER
25	F1515		2	HEX NUT, S.S., 5/16 - 18
26	F1513		2	HEX NUT, 10 - 32
27	F1705		2	HEX CAP SCREW, 1/4 - 20 X 3/4
28	F8090		3	PLAIN WASHER
29	F1515		3	HEX NUT, 5/16 - 18
30	F616358		1	BRACKET (C.D. - COIL)
31	F8124		6	PLAIN WASHER
32	F215962		3	MOUNT (SHOCK - C.D. UNIT)
33	F407446		1	CLAMP
34	F381896-4		1	BATTERY CABLE
35	F85843-1		1	ELECTRIC CONTROL CABLE, 18 FEET
36	F85924		1	CHOKE SOLENOID

CONTINUED ON NEXT PAGE ➡

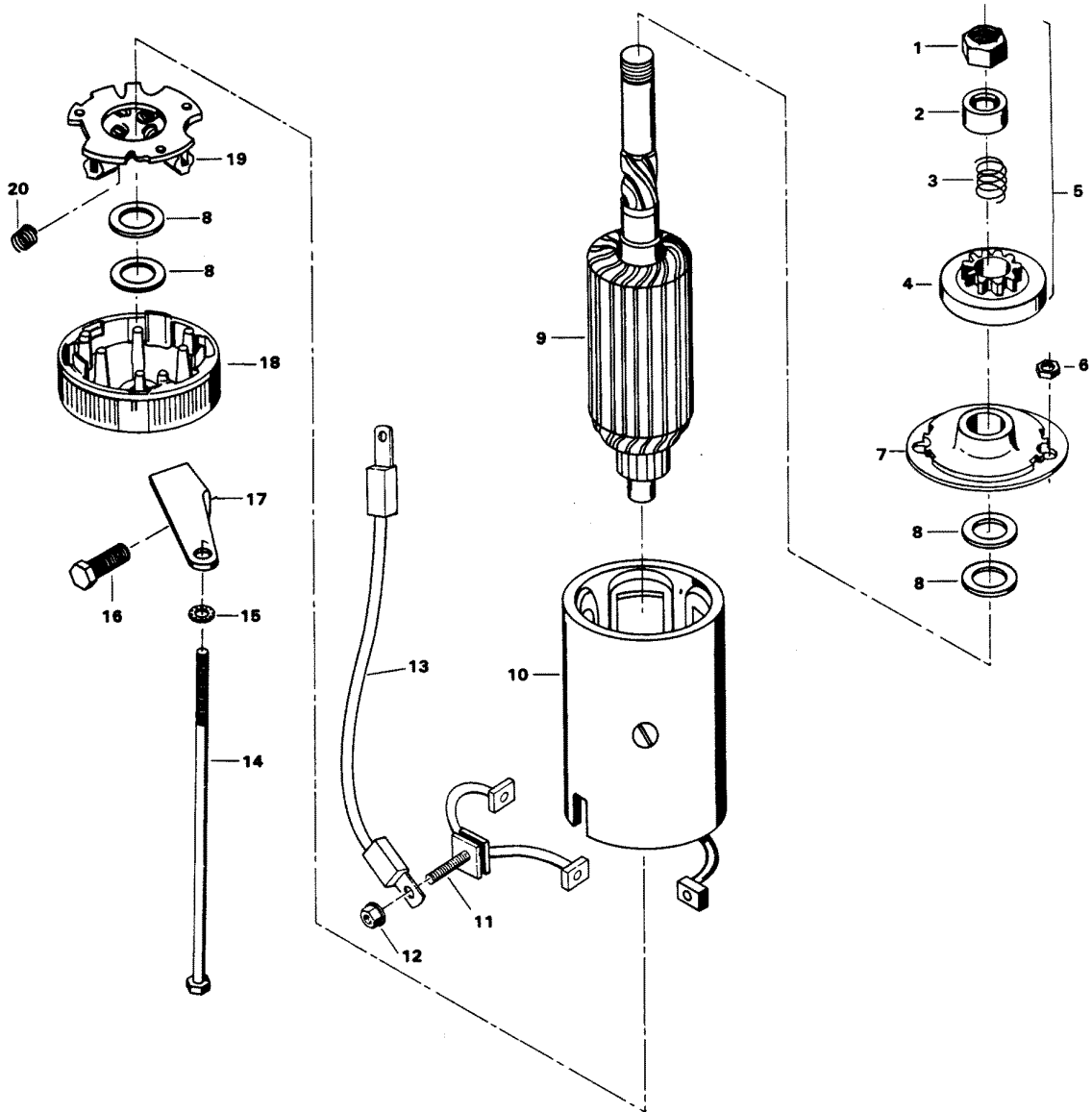
ELECTRICAL COMPONENTS 858H3G



ELECTRICAL COMPONENTS 858H3G

REF. NO.	PART NO.	SYM.	QTY.	DESCRIPTION
37	F510374		1	DECAL, CIRCUIT BREAKER
-	FC510374		1	DECAL, CIRCUIT BREAKER (CANADA)
38	F510460		1	CIRCUIT BREAKER
39	F8011		2	PLAIN WASHER
40	F1760		2	SLOTTED PAN HD SCREW, 10 - 24 X 3/8
41	F91446-1		1	CIRCUIT BREAKER BRACKET
42	F475504		4	BUSHING
43	F8028		4	PLAIN WASHER
44	F2008		4	HEX HD. M. SC., 1/4 - 20 X 7/8
45	F475301-1		2	MODULE
46	F615475		3	IGNITION COIL
47	F1038		6	SLOTTED PAN HD. SCREW 1/4 - 20 X 3/4
48	F71H26		2	BATTERY TERMINAL KIT (ACCESSORY ITEM)
49	F1741		2	PAN HD SCREW, 8 X 3/4
50	F5H043		1	BUZZER, HEAT INDICATOR, (ACCESSORY ITEM)
51	F345683		1	WIRE, GROUND (RECTIFIER TO STARTER BOLT)
52	F404841		1	CABLE, HEAD INDICATOR
53	F1341		6	NUT, 1/4 - 20
54	FK1123		3	SPARKIE KIT
55	F2106		2	LOCKWASHER
56	F319908		1	WIRE, GROUND (C.D. - COIL BRACKET)
57	F1832		4	NUT, LOCK 1/4 - 20
58	F616029		2	TRIGGER ASSY.
59	FA615095		1	ALTERNATOR STATOR
60	F1550		4	SLOTTED PAN HD. SCREW #12 - 24 X 1
61	FA615097		1	FLYWHEEL W/ILLUS. 67
62	F1968		1	HEX NUT, 3/4 - 16
63	F8083		1	SPRING LOCKWASHER
64	F1877		1	TY-RAP (NOT SHOWN)
65	F616843		1	CABLE (STATOR TO C.D.)
66	F438668		1	RETAINER
67	FA609853		1	DECAL, WARNING W/LITERATURE

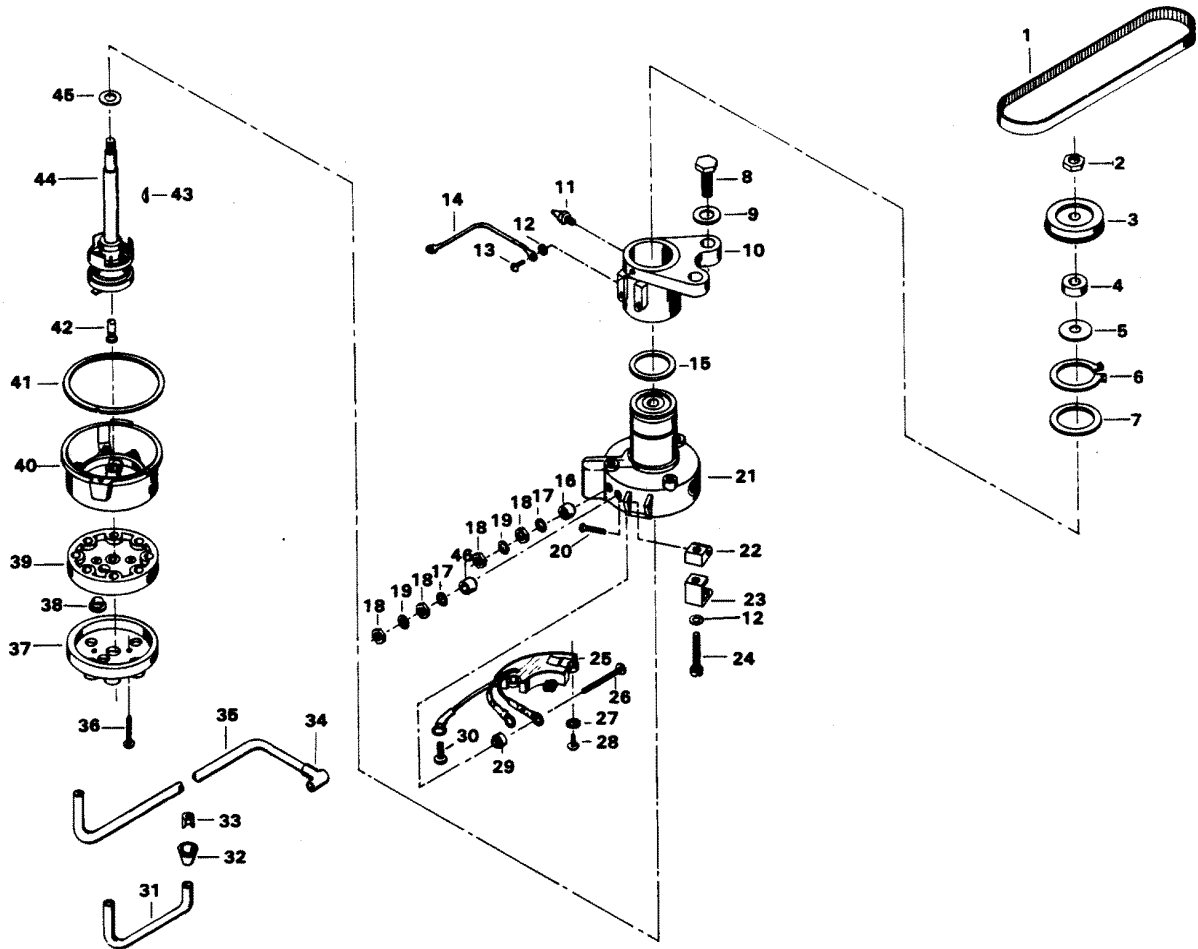
STARTER



STARTER

REF. NO.	PART NO.	SYM.	QTY.	DESCRIPTION
1	F15111		1	NUT, STOP RETAINING
2	F15112		1	STOP, PINION
3	F15080		1	SPRING
4	F15110		1	CLUTCH ASSEMBLY
5	F15100		1	BENDIX
-	F480955		1	STARTER - COMPLETE. INCLUDES ALL ITEMS MARKED WITH AN ASTERISK (*)
6	F1641		2	LOCK NUT, 1/4 - 28
7	F15167		1	HEAD ASSEMBLY DRIVE END
8	F15126		1	THRUST WASHER PACKAGE
9	F15099		1	ARMATURE
10	15169		1	FRAME AND FIELD ASSEMBLY
11	F15165		1	BRUSH TERMINAL SET
12	F15162		1	HEX LOCK NUT, 1/4 - 20 W/LOCKWASHER
13	F85908		1	STARTER LEAD WIRE
14	F15168		1	THRU BOLT PACKAGE
15	F8028		2	PLAIN WASHER
16	F1922		1	HEX HD SCREW, 1/4 - 20 X 5/8
17	F511675		1	STARTER BRACKET, LOWER
18	F15125		1	HEAD ASSEMBLY, COMMUTATOR END
19	F15057		1	BRUSH PLATE AND HOLDER
20	F15034		1	SPRING SET

DISTRIBUTOR 856H2K 856B2K 858H2F 858B2F

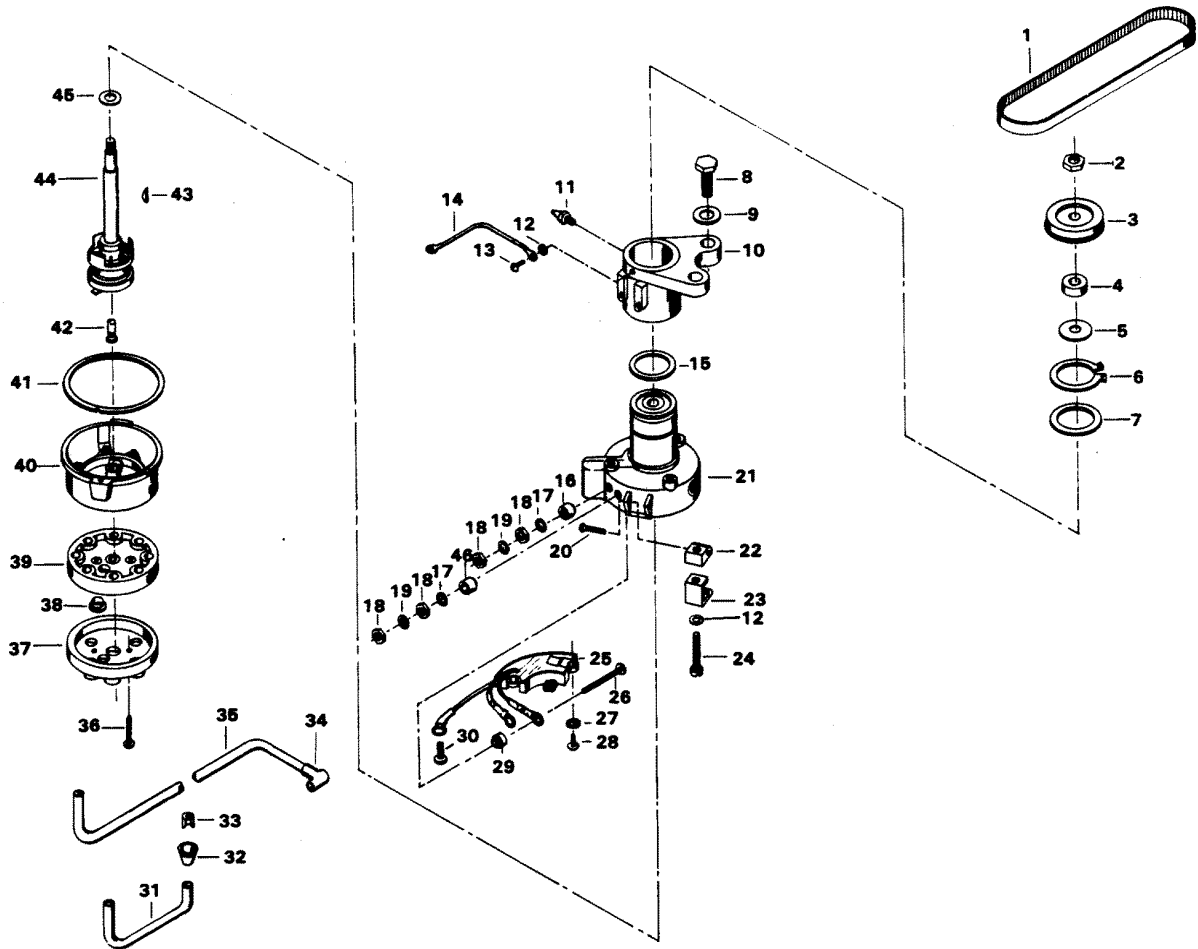


DISTRIBUTOR 856H2K 856B2K 858H2F 858B2F

REF. NO.	PART NO.	SYM.	QTY.	DESCRIPTION
1	F85311		1	DISTRIBUTOR BELT
2	F7013		1	STOP NUT
3	817786A1		1	DISTRIBUTOR PULLEY W/STOP NUT, WASHER AND LITERATURE
4	F14025		1	SPACER
5	F14028		1	THRUST WASHER
6	F85173		1	RETAINING RING
7	F14029		1	THRUST WASHER
8	F1612		2	HEX CAP SCREW, 3/8 - 16 X 1-1/4
9	F1778		2	PLAIN WASHER
10	FA321574		1	DISTRIBUTOR BRACKET W/ILLUS. 11, 12 AND 13
11	F213274		1	GREASE FITTING
12	F1975		2	SPRING LOCKWASHER
13	F1760		2	PAN HD SCREW, 10 - 24 X 3/8
14	F85664		1	DISTRIBUTOR GROUND
15	F1759		2	SHIM, DISTRIBUTOR (QTY. AS REQUIRED)
16	F14017		1	TERMINAL INSULATOR (OUTSIDE)
17	F14041		2	EXTERNAL TOOTH LOCKWASHER
18	F1647		4	HEX NUT, 8 - 32
19	F8056		2	LOCKWASHER
20	F14015		2	CAP CLIP RIVET
21	F14042		1	DISTRIBUTOR HOUSING W/BEARINGS
22	F14036		2	SWIVEL
23	F14037		2	CAP CLIPS
24	F14038		2	CAP CLIP SCREWS
25	FA14048-2		1	PREAMPLIFIER W/ILLUS. 27 AND 28
26	F14046		2	TERMINAL SCREW
27	F8056		2	LOCKWASHER
28	F14045		2	SCREW
29	F14047		2	TERMINAL INSULATOR (INSIDE)
30	F14056		1	SCREW
-	817822A1		1	DISTRIBUTOR - COMPLETE. INCLUDES ALL ITEMS MARKED WITH AN ASTERISK (*) ORIGINAL FORCE P/N A 480309-1
31	84-817775A1		1	COIL WIRE W/ILLUS. 32 AND 33 - USA ORIGINAL FORCE P/N A 321905-1
-	F438905		1	COIL WIRE - CANADA MODEL ONLY
32	F203276		1	BOOT
33	F203673		1	TERMINAL CLIP
34	FK1123		3	SPARKIE
35	F321841-3		3	LEAD WIRE
-	F438841-1		3	LEAD WIRE - CANADA MODEL ONLY
36	F14007		2	CAP SCREW
37	F14011-1		1	CAP COVER
38	F14040		2	VENT

CONTINUED ON NEXT PAGE ➡

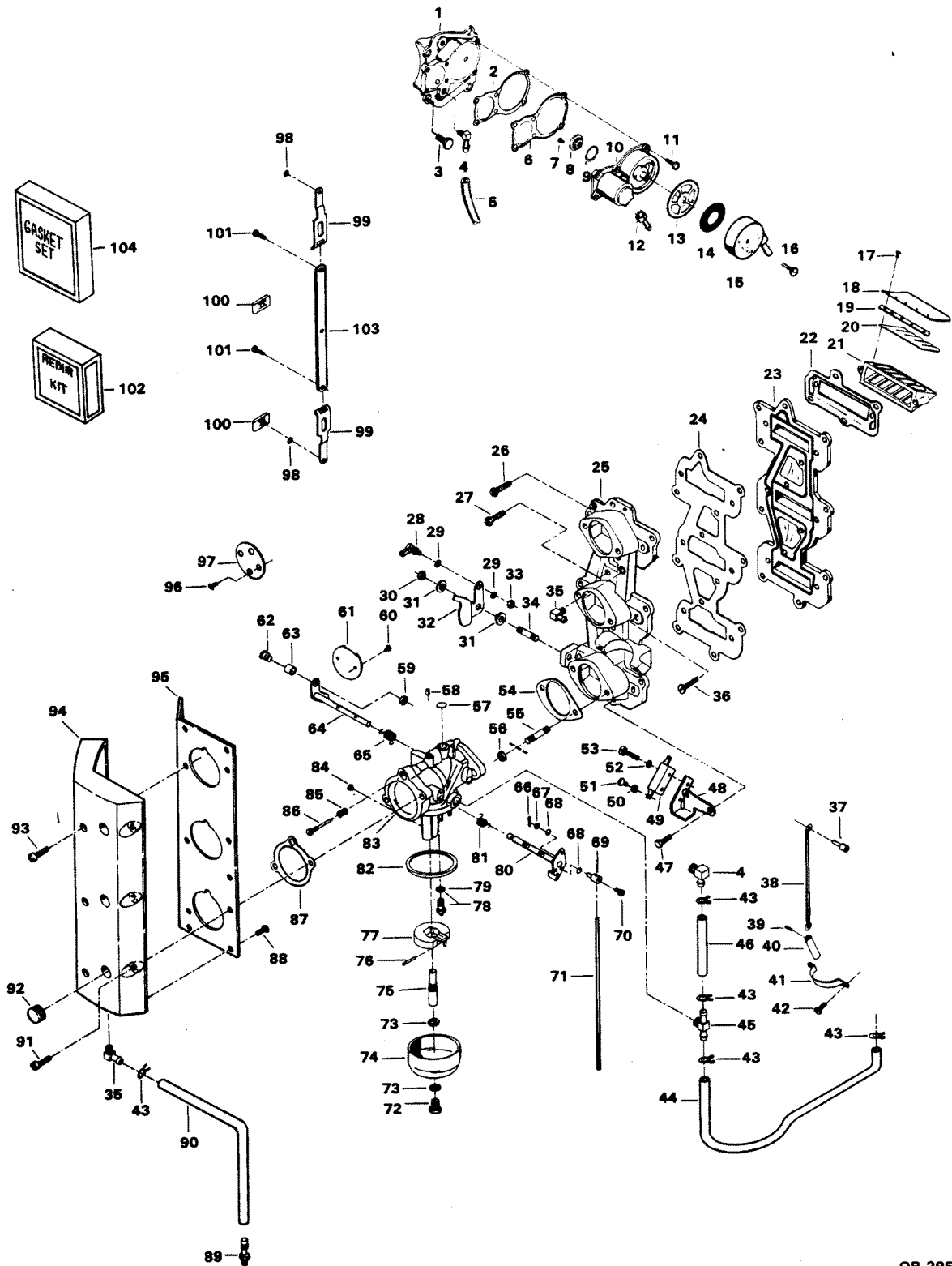
DISTRIBUTOR 856H2K 856B2K 858H2F 858B2F



DISTRIBUTOR 856H2K 856B2K 858H2F 858B2F

REF. NO.	PART NO.	SYM.	QTY.	DESCRIPTION
39	F14020-1		1	CAP SEAL
40	F14006-2		1	CAP BASE
41	F14030		1	CAP GASKET
42	F14012-1		1	BRUSH
43	F1692		1	WOODRUFF KEY
44	F14043		1	DISTRIBUTOR SHAFT
45	F14024		1	SPACER
46	F14049		1	TERMINAL INSULATOR (OUTSIDE)

CARBURETOR 856H2K 856B2K



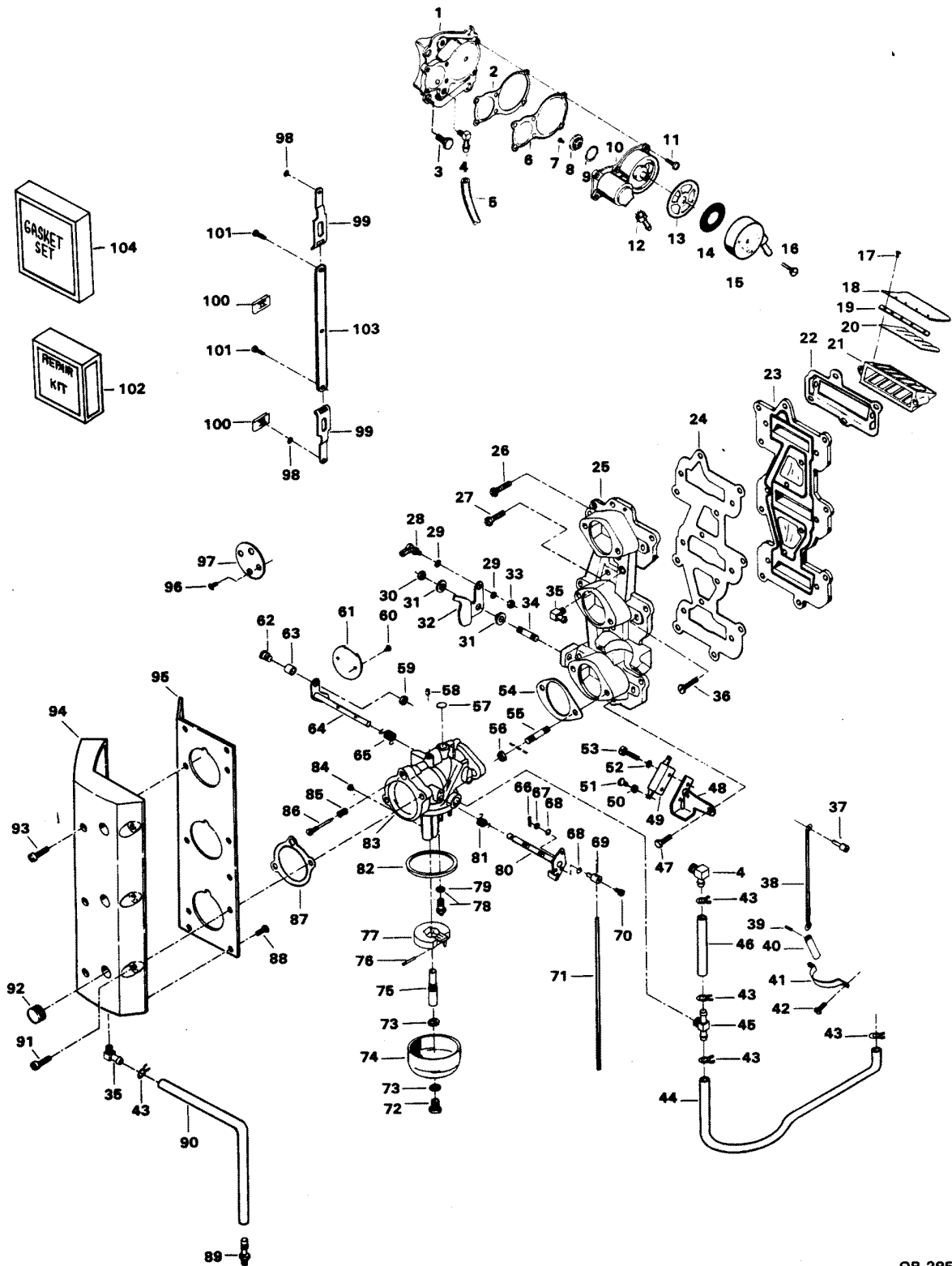
OB 3851

CARBURETOR 856H2K 856B2K

REF. NO.	PART NO.	SYM.	QTY.	DESCRIPTION
1	FA439746		1	FUEL PUMP COVER W/PLUG AND LITERATURE
2	F438760		1	FUEL PUMP GASKET
3	F1922		4	HEX CAP SCREW, 1/4 - 20 X 5/8
4	F84314-2		1	ELBOW
5	F89758		1	FUEL PUMP AIR HOSE, TOP
6	F438747		1	FUEL PUMP DIAPHRAGM
7	F1860		2	SLOTTED BINDING HD SCREW, 6 - 32 X 1/4
8	F177330		3	FUEL PUMP VALVE
9	F84792		1	GASKET, FUEL PUMP VALVE
10	FA438431		1	FUEL PUMP BODY W/ILLUS. 7, 8 AND 9
11	F1108		6	FILL HD SCREW W/LOCKWASHER, 1/4 - 20 X 3/4
12	F438801		1	FITTING
13	F438617		1	FUEL SEDIMENT BOWL GASKET
14	F438653		1	FUEL SEDIMENT BOWL SCREEN
15	F438500		1	FUEL SEDIMENT BOWL
16	F438165		1	SCREW, FUEL PUMP BOWL
17	F1755		30	RD HD SCREW W/LOCKWASHER, 6 - 32 X 5/16
18	F85161-1		6	REED STOP
19	F523451		6	SPACER, REED STOP
20	F530160		6	REED (5 PETAL)
21	F3A523158		3	REED PLATE W/ILLUS. 17, 18, 19 AND 20
22	F85168		3	GASKET REED PLATE ADAPTER
23	F85162		1	REED PLATE ADAPTER
24	F85159		1	GASKET, INTAKE MANIFOLD
25	817959A3		1	INTAKE MANIFOLD W/ILLUS. 36 AND LITERATURE ORIGINAL FORCE P/N K 480167-1
26	F2008		7	HEX HD SCREW, 1/4 - 20 X 7/8
27	F1699		2	HEX HD SCREW, 1/4 - 20 X 1-1/8
28	817747--1		1	BALL JOINT W/STUD
29	F8058		2	INTERNAL TOOTH LOCKWASHER
30	F1910		1	STOP NUT, 1/4 - 20
31	F269319		2	BEARING
32	F85192-1		1	THROTTLE CAM
33	F1513		1	HEX NUT, 10 - 32
34	F433209-1		1	STUD
35	22-818103--1		2	ELBOW
36	F2050		6	HEX HD SCREW, 1/4 - 20 X 1-1/2
37	F85033		1	CHOKE ROD SWIVEL
38	F85925		1	CHOKE ROD
39	F2033		1	GROOVE PIN
40	F391926-1		1	CHOKE SOLENOID PLUNGER
41	F85317-2		1	CLAMP
42	F1236		2	HEX HD SCREW, 1/4 - 20 X 1/2

CONTINUED ON NEXT PAGE ➡

CARBURETOR 856H2K 856B2K



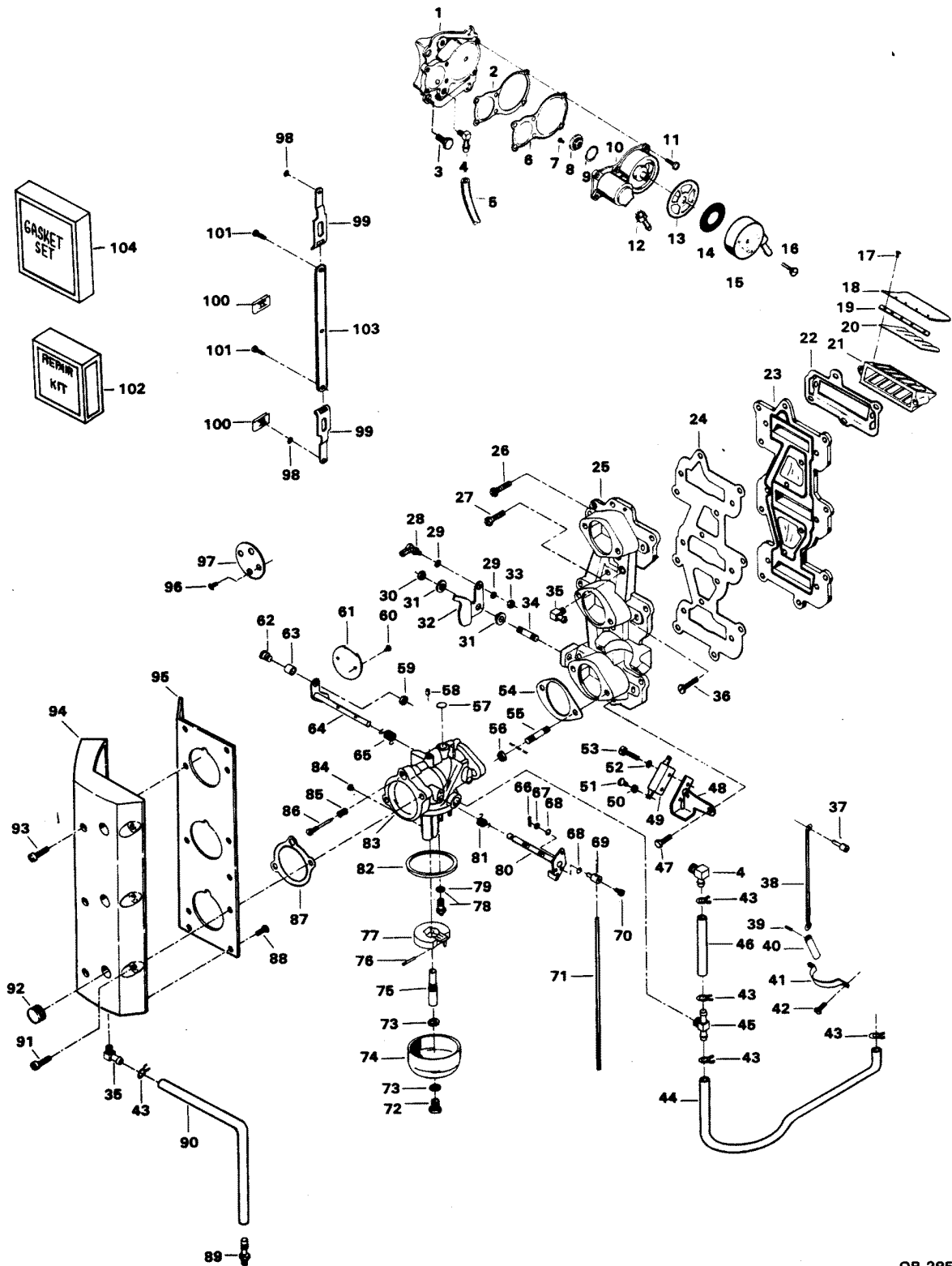
OB 3851

CARBURETOR 856H2K 856B2K

REF. NO.	PART NO.	SYM.	QTY.	DESCRIPTION
43	F97772		6	HOSE CLAMP
44	F438754		1	FUEL LINE
45	F85314-1		2	FUEL FITTING
46	F85253-1		2	FUEL LINE
47	F1532		3	HEX HD SCREW, 1/4 - 20 X 1
48	F480551-1		1	BRACKET INTERLOCK SWITCH
49	F84449		1	INTERLOCK SWITCH
50	F1704		2	INTERNAL TOOTH LOCKWASHER
51	F1645		2	RD HD SCREW, 6 - 32 X 1/4
52	F8088		2	PLAIN WASHER
53	F2016		2	FILL HD SCREW, 6 - 32 X 7/8
54	F85906		3	CARBURETOR GASKET
55	F40209		6	CARBURETOR STUD
56	F1515		6	HEX NUT, 5/16 - 18
57	FO4326		1	BODY CHANNEL WELCH PLUG
58	FO10588		1	BODY CHANNEL CUP PLUG
59	F1997		1	STOP NUT, 8 - 32
60	FO8942		2	THROTTLE SHUTTER SCREW AND LOCKWASHER
61	FO16851		1	THROTTLE SHUTTER
62	F333316		1	THROTTLE ROLLER SHAFT
63	F92759		1	THROTTLE ROLLER
64	FO15230		1	THROTTLE SHAFT AND LEVER
65	FO16008		1	THROTTLE SHAFT RETURN SPRING
66	F1014		3	COTTER PIN
67	F8088		3	PLAIN WASHER
68	F184579		6	SEAL, CHOKE ARM SWIVEL
69	F184033-1		2	CHOKE ARM SWIVEL
70	F1059		3	FILL HD SCREWS, S.S., 6 - 32 X 1/4
71	F85509-1		1	CHOKE LINK
72	FO13945		1	FUEL BOWL RETAINING SCREW
73	FO2510		2	GASKET, FUEL BOWL RETAINING SCREW
74	FO13552		1	FUEL BOWL
75	FO15217		1	MAIN NOZZLE
76	FO13944		1	FLOAT LEVER PIN
77	FO13554		1	FLOAT
78	FO10790		1	INLET NEEDLE, SEAT AND GASKET
79	FO10165		1	INLET SEAT GASKET
80	FO16850		1	CHOKE SHAFT AND LEVER
81	FO16397		1	CHOKE SHAFT RETURN SPRING
82	FO15623		1	FUEL BOWL GASKET
83	F481061-2		1	CARBURETOR COMPLETE (WB 21C)
84	FO15026		1	MAIN FUEL JET (.072) STD. SEA LEVEL - 1500 FT.
-	FO13430		-	MAIN FUEL JET (.070) OPT. 1500 FT. - 3000 FT.

CONTINUED ON NEXT PAGE ➡

CARBURETOR 856H2K 856B2K

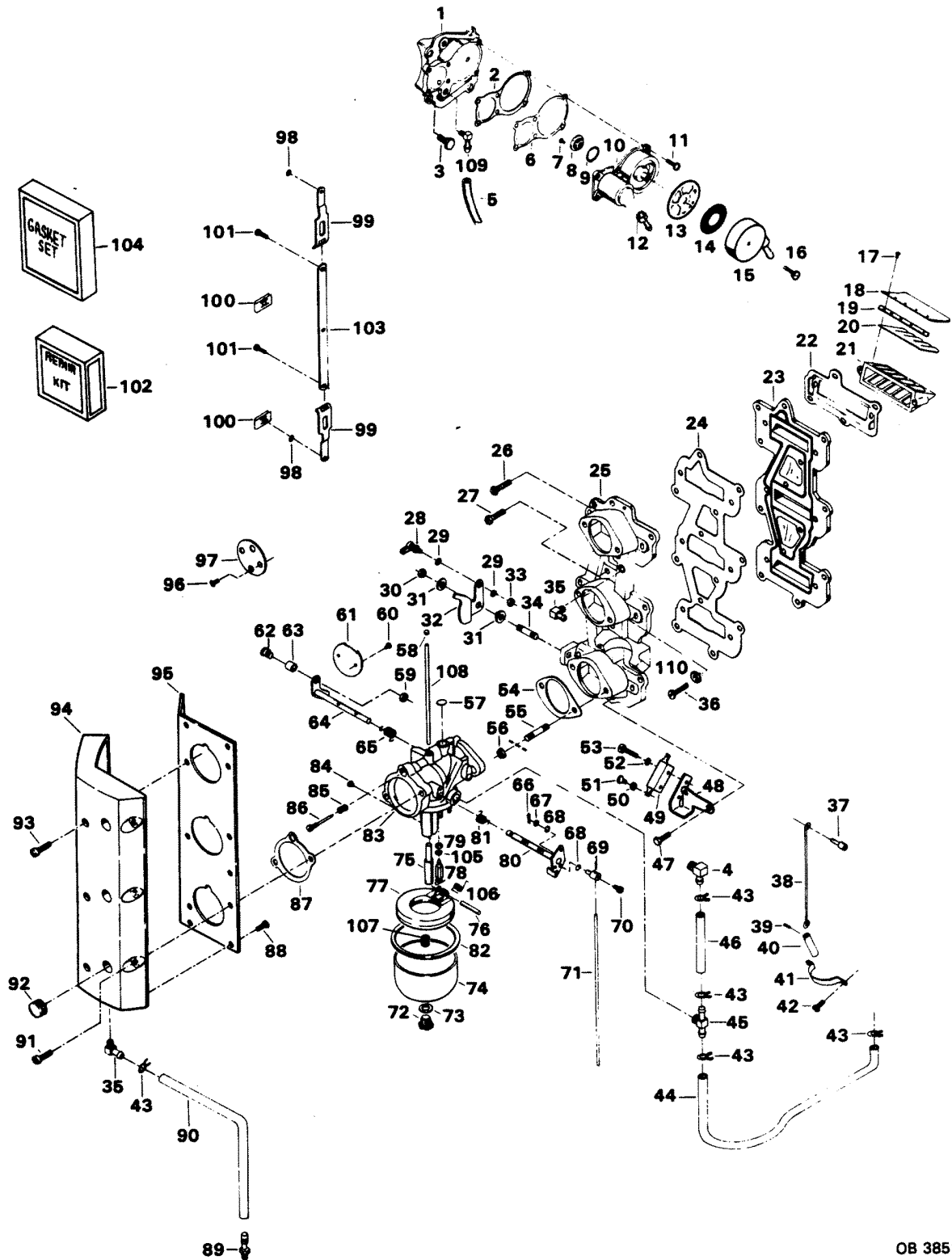


OB 3851

CARBURETOR 856H2K 856B2K

REF. NO.	PART NO.	SYM.	QTY.	DESCRIPTION
-	FO13967		-	MAIN FUEL JET (.068) OPT. 3000 FT. - 4500 FT.
-	FO14188		-	MAIN FUEL JET (.066) OPT. 4500 FT. - 6000 FT.
-	FO14108		-	MAIN FUEL JET (.064) OPT. 6000 FT. & UP.
85	FO11103		1	IDLE SCREW SPRING
86	FO13946		1	IDLE SCREW
87	F481836		3	INTAKE GASKET
88	F1760		6	PAN HD SCREW, 10 - 24 X 3/8
89	22-817789A1		1	DRAIN FITTING W/METERING CUP
90	F63754		1	HOSE INTAKE DRAIN
91	F1504		3	FILL HD SCREW, 1/4 - 20 X 1-1/4
92	F53504		3	GROMMET
93	F1072		3	FILL HD SCREW, 1/4 - 20 X 1-3/4
94	F481860-1		1	CARBURETOR, INTAKE
95	F481567		1	CARBURETOR INTAKE ADAPTER
96	FO8942		2	SHUTTER SCREW W/LOCKWASHER
97	FO13555		1	CHOKE SHUTTER
98	F90807		3	RETAINING RING
99	FA85193		2	TIE BAR END W/SWIVEL
100	F1693		2	TIE BAR RETAINER
101	F1064		2	FILL HD SCREWS, S.S., 8 - 32 X 3/8
102	FK10102		1	REPAIR PARTS KIT. INCLUDES ALL ITEMS MARKED WITH AN ASTERISK (*) .
103	FA85511		1	THROTTLE TIE BAR W/SWIVEL
104	FK10000		1	GASKET SET. INCLUDES ALL ITEMS MARKED WITH A DOUBLE ASTERISK (**)
-	F8026		1	PLAIN WASHER (UNDER 2ND FROM BOTTOM CENTER MANIFOLD TO CRANKCASE COVER SCREW). (NOT SHOWN).

CARBURETOR 858H2F 858B2F 858H3G



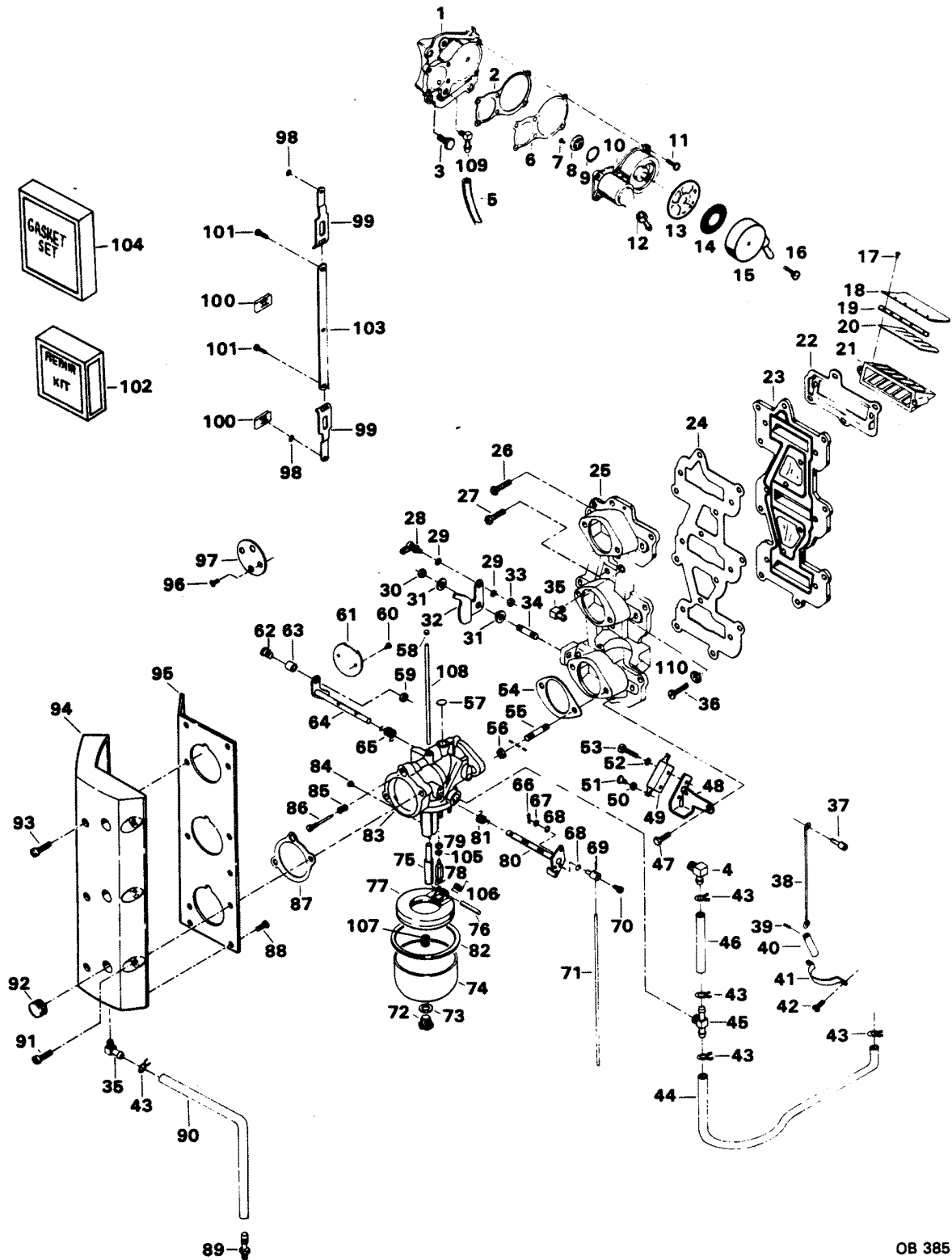
OB 3851

CARBURETOR 858H2F 858B2F 858H3G

REF. NO.	PART NO.	SYM.	QTY.	DESCRIPTION
1	FA439746		1	FUEL PUMP COVER W/PLUG AND LITERATURE
2	F438760		1	FUEL PUMP GASKET
3	F1922		3	HEX CAP SCREW, 1/4 - 20 X 5/8
4	F10156		2	ELBOW
5	F89758		1	FUEL PUMP AIR HOSE, TOP
6	F438747		1	FUEL PUMP DIAPHRAGM
7	F1860		2	SLOTTED BINDING HD SCREW, 6 - 32 X 1/4
8	F177330		3	FUEL PUMP VALVE
9	F84792		1	GASKET, FUEL PUMP VALVE
10	FA438431		1	FUEL PUMP BODY W/ILLUS. 7, 8 AND 9
11	F1108		6	FILL HD SCREW W/LOCKWASHER, 1/4 - 20 X 3/4
12	F438801		1	FITTING
13	F438617		1	FUEL SEDIMENT BOWL GASKET
14	F438653		1	FUEL SEDIMENT BOWL SCREEN
15	F438500		1	FUEL SEDIMENT BOWL
16	F438165		1	SCREW, FUEL PUMP BOWL
17	F1755		30	RD HD SCREW W/LOCKWASHER, 6 - 32 X 5/16
18	F85161-1		6	REED STOP
19	F523451		6	SPACER, REED STOP
20	F530160		6	REED (5 PETAL)
21	F3A523158		3	REED PLATE W/ILLUS. 17, 18, 19 AND 20
22	F85168-1		3	GASKET REED PLATE ADAPTER
23	F85162		1	REED PLATE ADAPTER
24	F85159-1		1	GASKET, INTAKE MANIFOLD
25	817959A3		1	INTAKE MANIFOLD W/ILLUS. 36 AND LITERATURE ORIGINAL FORCE P/N K 480167-2
26	F2008		2	HEX HD SCREW, 1/4 - 20 X 7/8
27	F1699		2	HEX HD SCREW, 1/4 - 20 X 1-1/8
28	817747--1		1	BALL JOINT W/STUD
29	F8058		2	INTERNAL TOOTH LOCKWASHER
30	F1910		1	STOP NUT, 1/4 - 20
31	F269319		2	BEARING
32	F85192-1		1	THROTTLE CAM
33	F1513		1	HEX NUT, 10 - 32
34	F433209-1		1	STUD
35	22-818103--1		2	ELBOW
36	F2050		6	HEX HD SCREW, 1/4 - 20 X 1-1/2
37	F85033		1	CHOKE ROD SWIVEL
38	F85925		1	CHOKE ROD
39	F2033		1	GROOVE PIN
40	F391926-1		1	CHOKE SOLENOID PLUNGER
41	F85317-2		1	CLAMP
42	F1236		2	HEX HD SCREW, 1/4 - 20 X 1/2

CONTINUED ON NEXT PAGE ➡

CARBURETOR 858H2F 858B2F 858H3G



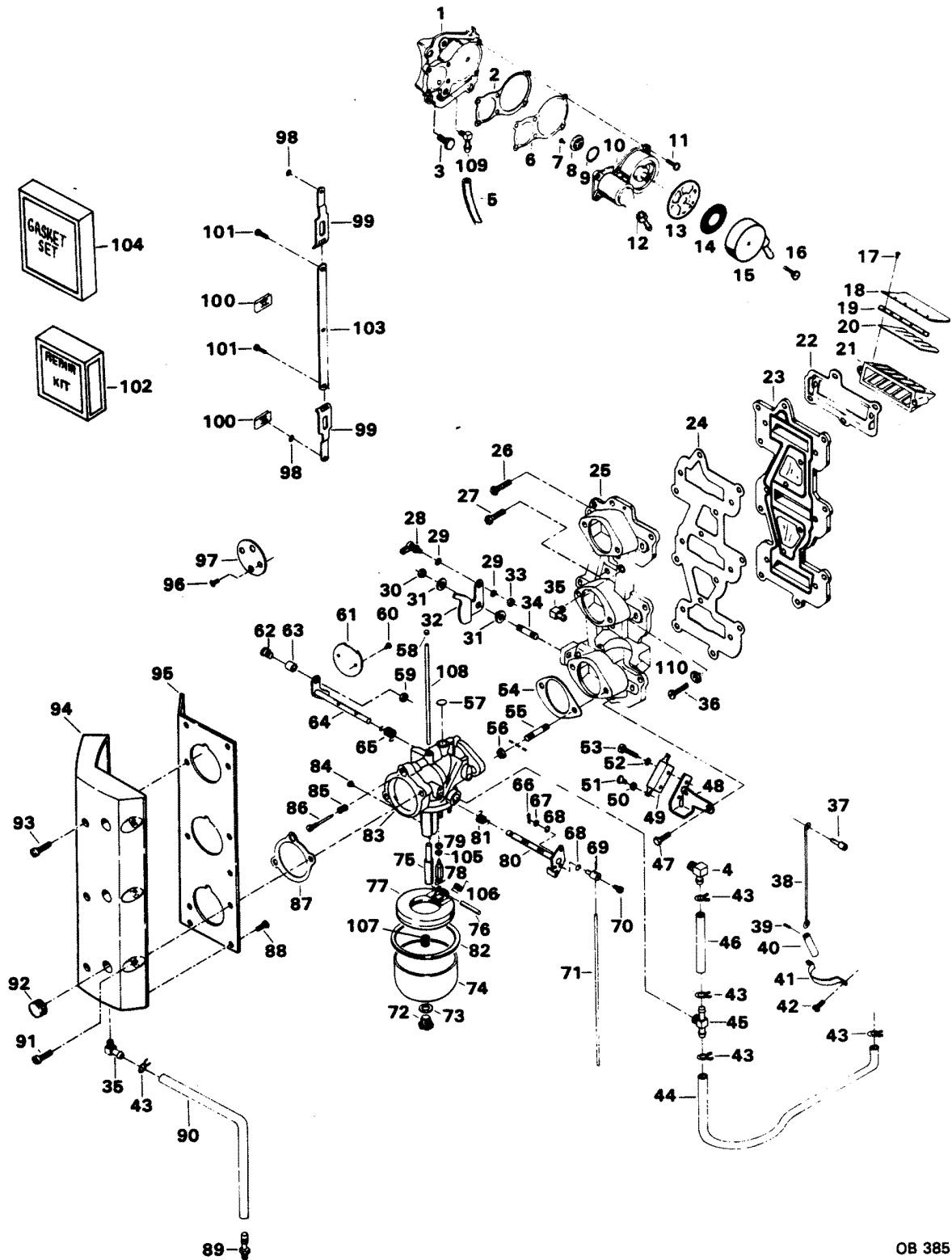
OB 3851

CARBURETOR 858H2F 858B2F 858H3G

REF. NO.	PART NO.	SYM.	QTY.	DESCRIPTION
43	F97772		6	HOSE CLAMP
44	F438754		1	FUEL LINE
45	F10164		2	FUEL FITTING
46	F85253-1		2	FUEL LINE
47	F1532		3	HEX HD SCREW, 1/4 - 20 X 1
48	F480551-1		1	BRACKET INTERLOCK SWITCH
49	F84449		1	INTERLOCK SWITCH
50	F1704		2	INTERNAL TOOTH LOCKWASHER
51	F1645		2	RD HD SCREW, 6 - 32 X 1/4
52	F8088		2	PLAIN WASHER
53	F2016		2	FILL HD SCREW, 6 - 32 X 7/8
54	F85906		3	CARBURETOR GASKET
55	F40209		6	CARBURETOR STUD
56	F1515		6	HEX NUT, 5/16 - 18
57	F10153		1	BODY CHANNEL WELCH PLUG
58	F10152		1	BODY CHANNEL CUP PLUG
59	F1997		1	STOP NUT, 8 - 32
60	F10155		2	THROTTLE SHUTTER SCREW AND LOCKWASHER
61	F10169		1	THROTTLE SHUTTER
62	F333316		1	THROTTLE ROLLER SHAFT
63	F92759		1	THROTTLE ROLLER
64	F10168		1	THROTTLE SHAFT AND LEVER
65	F10172		1	THROTTLE SHAFT RETURN SPRING
66	F1014		3	COTTER PIN
67	F8088		3	PLAIN WASHER
68	F184579		6	SEAL, CHOKE ARM SWIVEL
69	F184033-1		2	CHOKE ARM SWIVEL
70	F1059		3	FILL HD SCREWS, S.S., 6 - 32 X 1/4
71	F85509-1		1	CHOKE LINK
72	F10173		1	JET ASSY./MAIN FUEL (.074)
73	F10090		1	GASKET, FUEL BOWL RETAINING SCREW
74	F10127		1	FUEL BOWL
75	F10137		1	MAIN NOZZLE
76	F10136		1	FLOAT LEVER PIN
77	F10135		1	FLOAT
78	F10170		1	VALVE ASSY./INLET
79	F10171		1	SEAT VALVE
80	F10159		1	CHOKE SHAFT AND LEVER
81	F10143		1	CHOKE SHAFT RETURN SPRING
82	F10138		1	FUEL BOWL GASKET
83	F581061		1	CARBURETOR COMPLETE (TOP) WE 4-1
-	F582061		2	CARBURETOR COMPLETE (MIDDLE & BOTTOM) WE 4-2
84	F10175		1	JET

CONTINUED ON NEXT PAGE ➡

CARBURETOR 858H2F 858B2F 858H3G

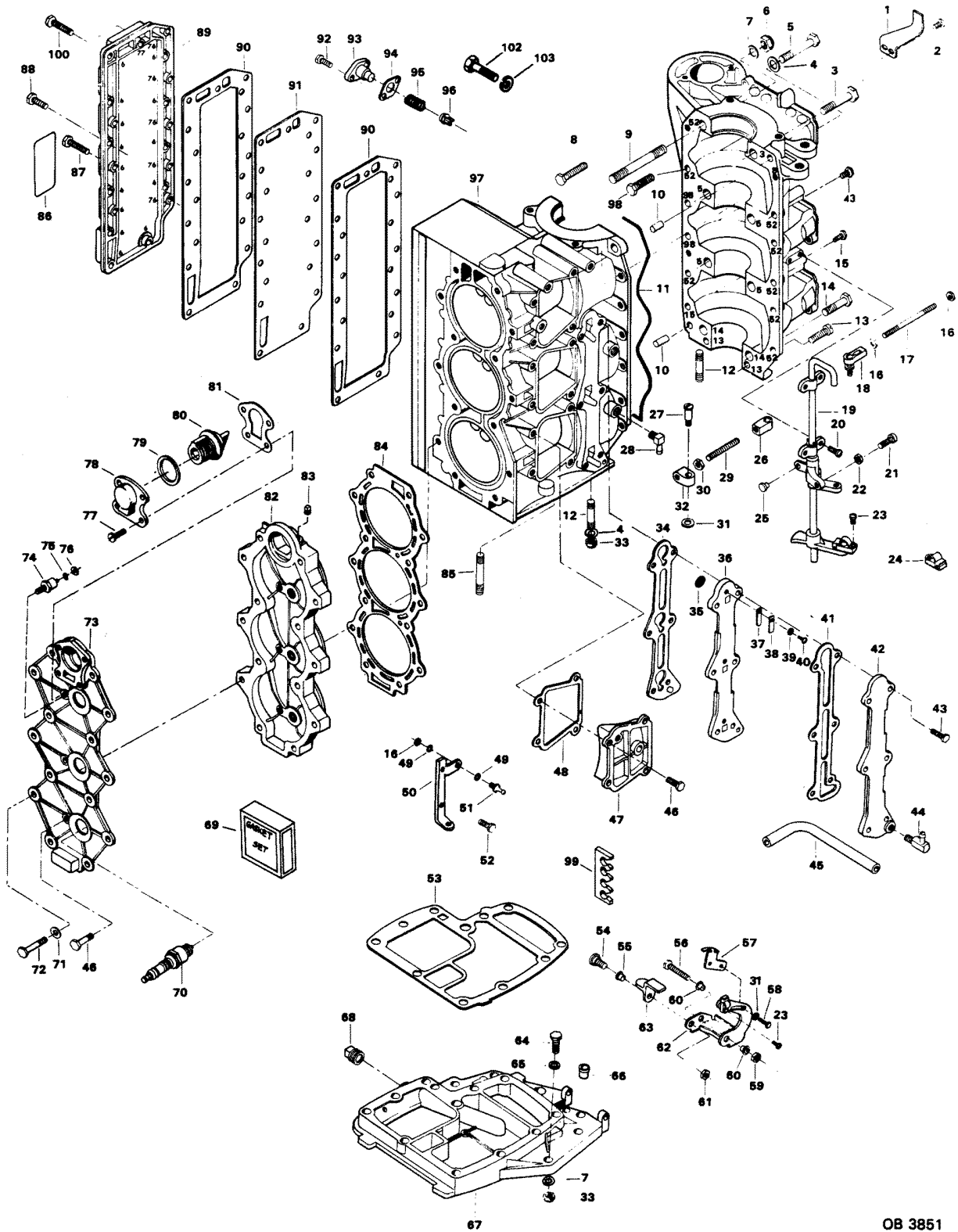


OB 3851

CARBURETOR 858H2F 858B2F 858H3G

REF. NO.	PART NO.	SYM.	QTY.	DESCRIPTION
85	F10141		1	IDLE SCREW SPRING
86	F10146		1	IDLE SCREW
87	F481836		3	INTAKE GASKET
88	F1760		6	PAN HD SCREW, 10 - 24 X 3/8
89	22-817789A1		1	DRAIN FITTING W/METERING CUP
90	F63754		1	HOSE INTAKE DRAIN
91	F1504		3	FILL HD SCREW, 1/4 - 20 X 1-1/4
92	F53504		3	GROMMET
93	F1072		3	FILL HD SCREW, 1/4 - 20 X 1-3/4
94	F481860-1		1	CARBURETOR, INTAKE
95	F481567		1	CARBURETOR INTAKE ADAPTER
96	F10140		2	SHUTTER SCREW W/LOCKWASHER
97	F10161		1	CHOKE SHUTTER
98	F90807		3	RETAINING RING
99	FA85193		2	TIE BAR END W/SWIVEL
100	F1693		2	TIE BAR RETAINER
101	F1064		2	FILL HD SCREWS, S.S., 8 - 32 X 3/8
102	FK10177		1	REPAIR PARTS KIT. INCLUDES ALL ITEMS MARKED WITH AN ASTERISK (*).
103	FA85511		1	THROTTLE TIE BAR W/SWIVEL
104	FK10178		1	GASKET SET. INCLUDES ALL ITEMS MARKED WITH A DOUBLE ASTERISK (**)
-	F8026		1	PLAIN WASHER (UNDER 2ND FROM BOTTOM CENTER MANIFOLD TO CRANKCASE COVER SCREW). (NOT SHOWN).
105	F10167		1	RING, RETAINING
106	F10142		1	SPRING, FLOAT SUPPORT
107	F10145		1	SPRING, COMPRESSION
108	F10176		1	TUBE, IDLE
109	F84314-2		1	ELBOW
110	F8026		0	1 PLAIN WASHER

POWERHEAD



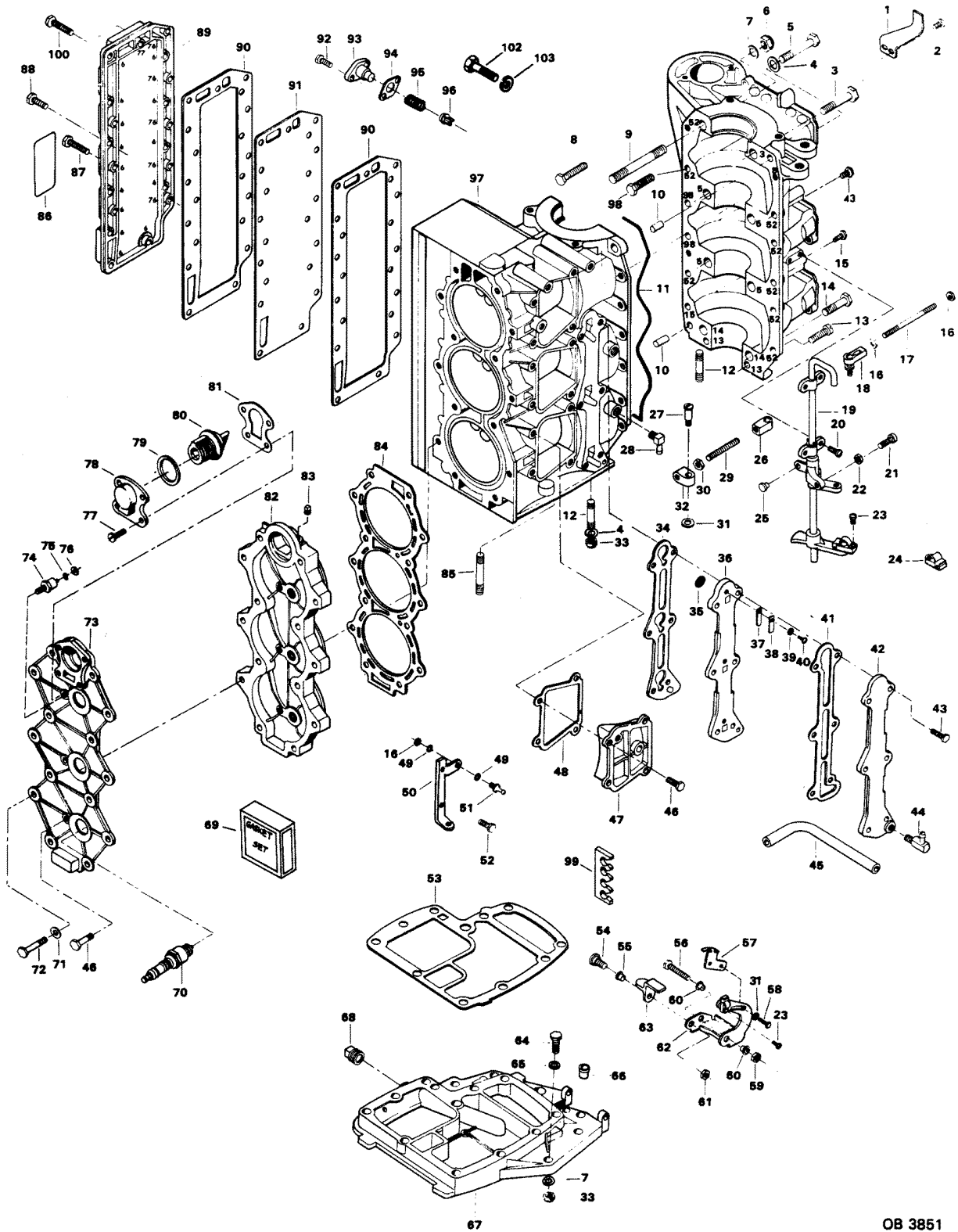
OB 3851

POWERHEAD

REF. NO.	PART NO.	SYM.	QTY.	DESCRIPTION
1	FA480894		1	TIMING POINTER W/ITEM 18 FROM PAGE 4 AND LITERATURE (856H2K, 856B2K, 858H2F, 858B2F)
2	F1760		2	PAN HD SCREW, 10 - 24 X 3/8 (856H2K, 856B2K, 858H2F, 858B2F)
3	F1009		1	HEX BOLT, 3/8 - 16 X 2-3/4
4	F8038		4	PLAIN WASHER
5	F1873		4	HEX BOLT, 3/8 - 16 X 3
6	F1346		1	HEX NUT, 3/8 - 16
7	F8095		14	PLAIN WASHER
8	F1864		1	HEX HD SCREW, 1/4 - 20 X 3/4
9	F85210		1	STUD
10	F8563		2	DOWEL PIN
11	F85122		1	PARTING LINE SEAL
12	F85859		4	STUD, FORWARD
13	F1099		2	FILL HD SCREW, 1/4 - 20 X 1-1/4
14	F1872		2	HEX BOLT, 3/8 - 16 X 1-3/4
15	F1199		1	HEX CAP SCREW, 1/4 - 20 X 1
16	F1513		4	HEX NUT, 10 - 32
17	F85502		1	THROTTLE LINK
18	817747--1		1	BALL JOINT W/STUD
19	FA85838-5		1	TOWERSHAFT W/ILLUS. 18, 21, 22, 24 & 25 (856H2K, 856B2K, 858H2F, 858B2F)
-	FA616838		1	TOWERSHAFT W/ILLUS. 18, 21, 22, & 25 (858H3G)
20	F1475		4	FILL HD SCREW, 10 - 24 X 1/2
21	F1504		1	FILL HD SCREW, 1/4 - 20 X 1-1/4
22	F1341		1	HEX NUT, 1/4 - 20
23	F1556		2	FILL HD SCREW W/LOCKWASHER, 10 - 24 X 3/8
24	FK405020		2	SWIVEL W/PIVOT SCREW AND NUT
25	F1727		1	PLASTIC RIVET
26	F85036		1	TOWERSHAFT CONTROL ROD END (856H2K, 856B2K, 858H2F, 858B2F)
-	F499036		1	TOWERSHAFT CONTROL ROD END (858H3G)
27	F85026		1	SWIVEL (856H2K, 856B2K, 858H2F, 858B2F)
-	F499026		1	SWIVEL, SPARK CONTROL (858H3G)
28	F84314-2		1	ELBOW
29	F85445		1	DISTRIBUTOR CONTROL ROD
30	F2015		1	HEX NUT, 1/4 - 28
31	F2042		3	PLAIN WASHER
32	F85035		1	DISTRIBUTOR CONTROL ROD END (856H2K, 856B2K, 858H2F, 858B2F)
-	F499035		1	TRIGGER CONTROL ROD END (858H3G)
33	F7004		10	STOP NUT, 3/18 - 16
34	F85748-2		1	GASKET, CYLINDER DRAIN REED PLATE
35	F93811		3	SCREEN

CONTINUED ON NEXT PAGE ➡

POWERHEAD



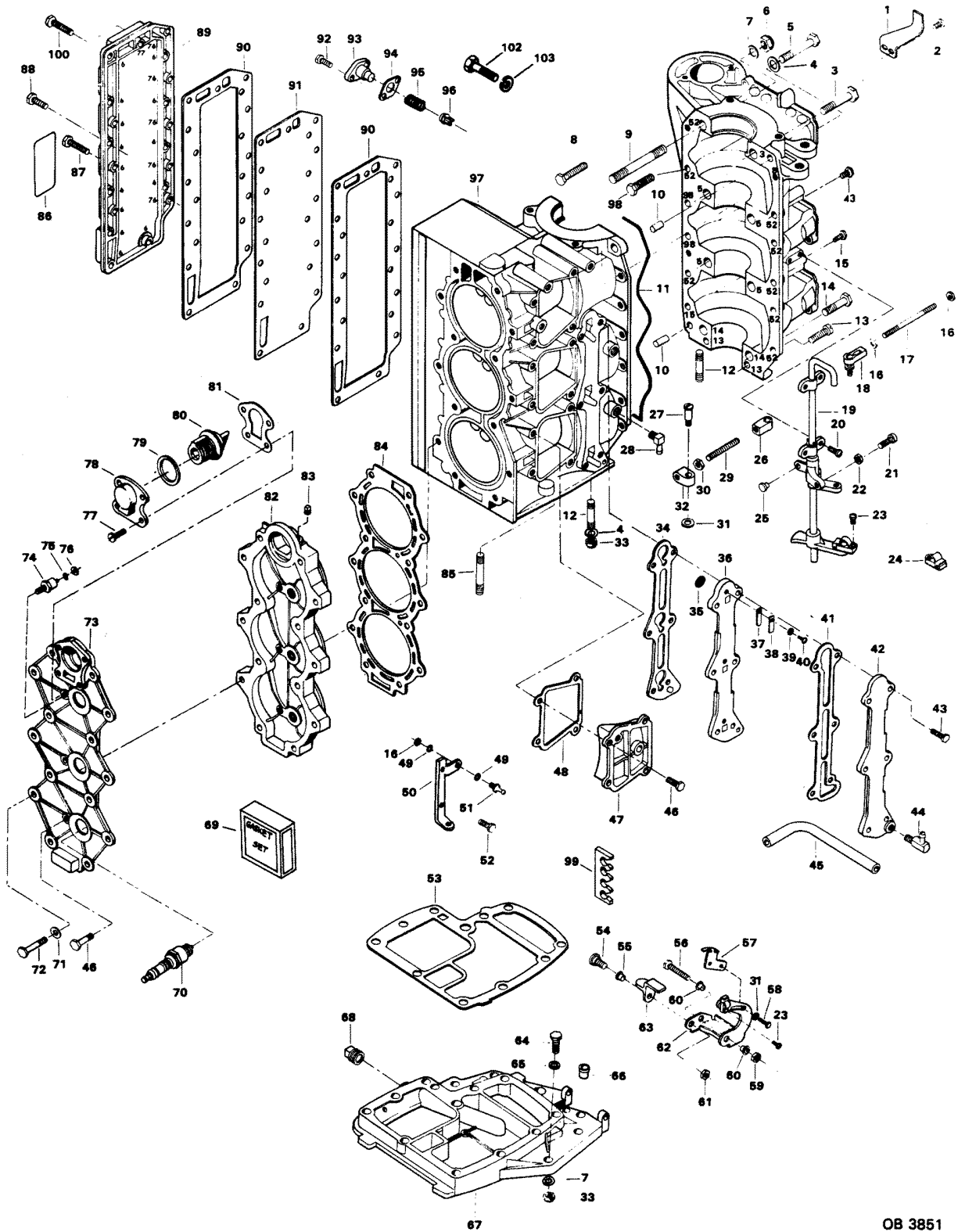
OB 3851

POWERHEAD

REF. NO.	PART NO.	SYM.	QTY.	DESCRIPTION
36	F2A404757		1	CYLINDER DRAIN REED PLATE W/ILLUS. 35, 37, 38, 39, 40 AND METERING CUP
37	F18160-2		3	REED
38	F93920		3	REED STOP
39	F8003		3	PLAIN WASHER
40	F1286		3	PAN HD SCREW, 4 - 40 X 3/16
41	F85472-2		1	GASKET, CYLINDER DRAIN COVER
42	817787A1		1	CYLINDER DRAIN COVER W/PLUG AND LITERATURE ORIGINAL FORCE P/N A 404471-1
43	F1532		6	HEX HD SCREW, 1/4 - 20 X 1
44	F404801		1	FITTING
45	F433253		1	HOSE
46	F1922		8	HEX HD SCREW, 1/4 - 20 X 5/8
47	FA411222		2	TRANSFER PORT COVER W/PLUGS AND LITERATURE
48	F40223		3	GASKET, TRANSFER PORT COVER
49	F8058		4	INTERNAL TOOTH LOCKWASHER
50	FS85872-1		1	BRACKET
51	F98273		2	ROD END CONNECTOR STUD
52	F1864		10	HEX HD SCREW, 1/4 - 20 X 3/4
53	F85279-2		1	CYLINDER EXHAUST GASKET, UPPER
54	F369887		1	SHOULDER SCREW
55	F369610		1	BEARING
56	F1885		1	HEX BOLT, 5/16 - 18 X 4-1/4
57	F480107-1		1	CAM, STARTER INTERLOCK
58	F2089		2	SLOTTED PAN HD MACHINE SCREW, 10 - 24 X 5/16
59	F2108		1	STOP NUT, 5/16 - 18
60	F85610		2	BEARING
61	F1832		1	STOP NUT, 1/4 - 20
62	FA480876		1	GEAR SHIFT ARM W/ILLUS. 24, 54, 55, 56, 61 AND 63
63	F369977-1		1	INTERLOCK ARM
64	F1869		6	HEX BOLT, 3/8 - 16 X 1-1/4
65	F1703		6	SPRING LOCKWASHER
66	F40689-1		1	BEARING, TOWERSHAFT
67	817788A3		1	SPACER PLATE W/ILLUS. 68 ORIGINAL FORCE P/N A 404680-1
68	F2090		1	PLUG
69	FG1020		1	GASKET SET (INCLUDES ITEMS MARKED WITH A STAR (*) (858H2F, 858B2F, 856B2F, 856H2K, 856B2K))
-	F40223		3	TRANSFER PORT COVER GASKET
-	F84278		1	CRANKSHAFT BRG. SEAL CAGE SEAL
-	F84504		1	THERMOSTAT GROMMET
-	F85122		1	CRANKCASE SEAL
-	F85154-1		2	EXHAUST PORT PLATE GASKET
-	F85159		1	MANIFOLD GASKET

CONTINUED ON NEXT PAGE ➡

POWERHEAD



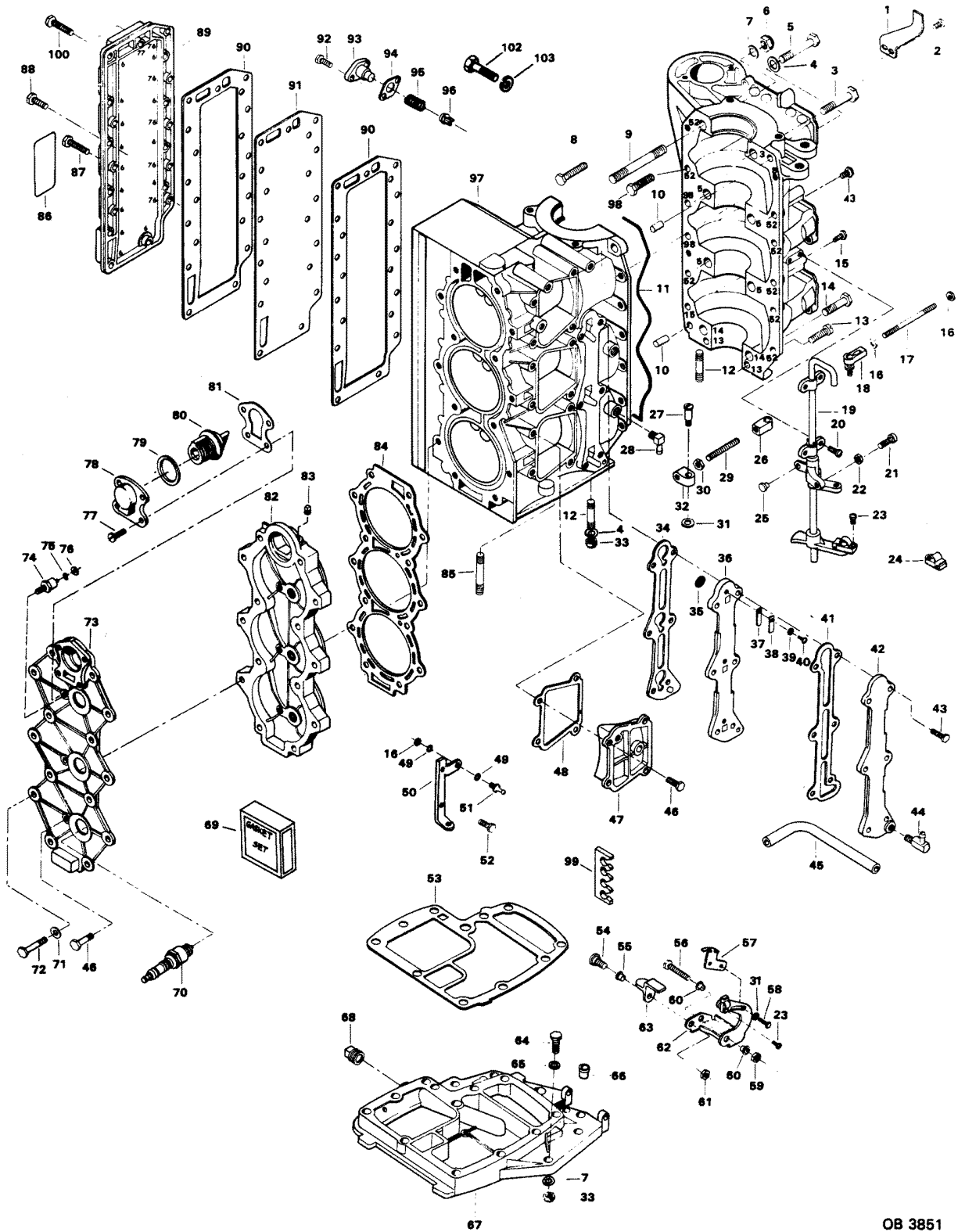
OB 3851

POWERHEAD

REF. NO.	PART NO.	SYM.	QTY.	DESCRIPTION
-	F85168		3	CARBURETOR ADAPTER FLANGE GASKET
-	F85279-2		1	CYLINDER, EXHAUST - UPPER GASKET
-	F85472-2		1	CYLINDER DRAIN COVER GASKET
-	F85748-2		1	CYLINDER DRAIN REED PLATE GASKET
-	F85762		1	BY-PASS VALVE GASKET
-	F85906		3	CARBURETOR GASKET
-	F369529-1		1	CYLINDER HEAD GASKET
-	F476067		1	THERMOSTAT COVER GASKET
-	F481836		3	INTAKE GASKET
-	FG1020-1		1	GASKET SET (INCLUDES ITEMS MARKED WITH A DOUBLE STAR (**)) (858H3G)
-	F40223		3	TRANSFER PORT COVER GASKET
-	F84278		1	CRANKSHAFT BRG. SEAL CAGE SEAL
-	F84504		1	THERMOSTAT GROMMET
-	F85122		1	CRANKCASE SEAL
-	F85154-1		2	EXHAUST PORT PLATE GASKET
-	F85159-1		1	MANIFOLD GASKET
-	F85168-1		3	CARBURETOR ADAPTER FLANGE GASKET
-	F85279-2		1	CYLINDER, EXHAUST - UPPER GASKET
-	F85472-2		1	CYLINDER DRAIN COVER GASKET
-	F85748-2		1	CYLINDER DRAIN REED PLATE GASKET
-	F85762		1	BY-PASS VALVE GASKET
-	F85906		3	CARBURETOR GASKET
-	F369529-1		1	CYLINDER HEAD GASKET
-	F476067		1	THERMOSTAT COVER GASKET
-	F481836		3	INTAKE GASKET
70	33-97180		3	SPARK PLUG (CHAMPION L-20-V) USA (856H2K, 858H2F)
-	FC522227		3	SPARK PLUG (CHAMPION QUL-77V) CANADA (856B2K, 858B2F)
-	33-818007--1		3	SPARK PLUG (CHAMPION UL18V) U.S.A. (858H3G)
71	F1987		14	PLAIN WASHER
72	F1883		14	HEX BOLT, 5/16 - 18 X 2-3/8
73	F499995		1	CYLINDER HEAD COVER
74	87-817778A1		1	THERMOSWITCH W/ILLUS. 75 AND 76 ORIGINAL FORCE P/N A 335449-1
75	F8056		1	SPRING LOCKWASHER
76	F1647		1	HEX NUT, 10 - 32
77	F1110		4	FILL HD SCREW, 1/4 - 20 X 5/8
78	F476066-1		1	COVER, THERMOSTAT
79	F84504		1	GROMMET
80	F528068		1	THERMOSTAT
81	F476067		1	GASKET, THERMOSTAT COVER
82	F480518		1	CYLINDER HEAD
83	F19109		1	PLUG

CONTINUED ON NEXT PAGE ➡

POWERHEAD

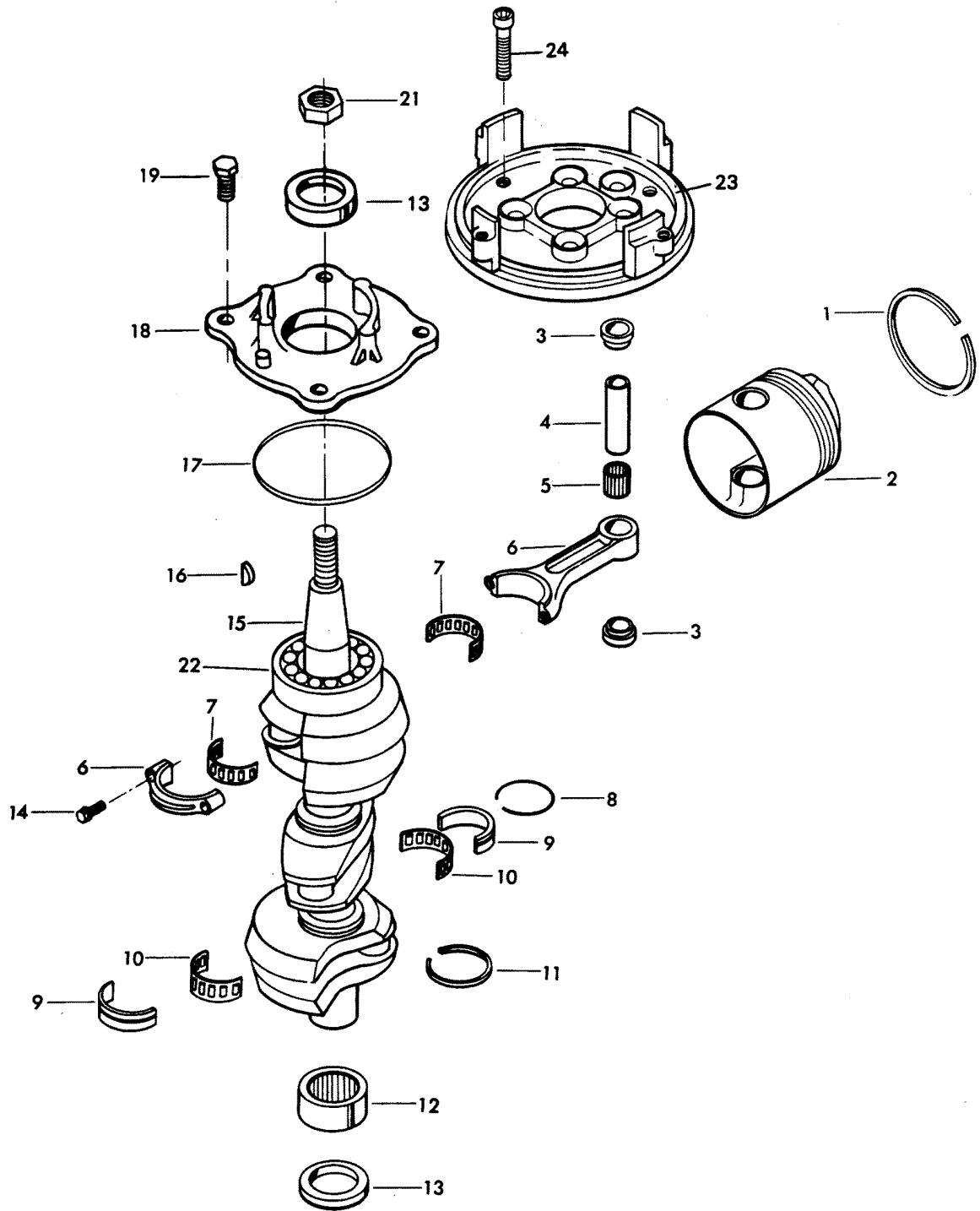


OB 3851

POWERHEAD

REF. NO.	PART NO.	SYM.	QTY.	DESCRIPTION
84	F369529-1		1	CYLINDER HEAD GASKET
85	F85211		6	STUD, REAR
86	F438398-1		1	DECAL, WIRING - (856H2K, 856B2K, 858H2F, 858B2F)
-	F499398		1	DECAL, WIRING - (858H3G)
87	F1916		5	HEX HD SCREW, 1/4 - 20 X 1-1/8
88	F2008		14	HEX BOLT, 1/4 - 20 X 7/8
89	F85152-4		1	EXHAUST PORT COVER
90	F85154-1		2	GASKET, EXHAUST PORT PLATE
91	F85151-1		1	EXHAUST PORT PLATE
92	F1950		2	HEX HD SCREW, 10 - 24 X 5/8
93	F438066		1	BY-PASS VALVE COVER
94	F85762		1	GASKET, BY-PASS VALVE
95	F404268		1	SPRING, BY-PASS VALVE
96	F85916-1		1	BY-PASS VALVE
97	800-817823A7		1	CYLINDER W/CRANKCASE COVER, ILLUS. 3, 5, 6, 9, 11, 12, 14, 65, 85 AND LITERATURE (856H2K, 856B2K, 858H2F, 858B2F) ORIGINAL FORCE P/N A 481010-4
-	800-817901A9		1	SHORT BLOCK (NOT SHOWN). INCLUDES ALL ITEMS MARKED WITH AN ASTERISK (*). ALSO REFER TO CRANKSHAFT AND PISTON PAGES. (856H2K, 856B2K, 858H2F, 858B2F) ORIGINAL FORCE P/N C 481010-4
-	FA581010		1	CYLINDER W/CRANKCASE COVER, ILLUS 3, 5, 6, 9, 11, 12, 13, 14, 65, 85. (858H3G)
-	FC581010		1	SHORT BLOCK (NOT SHOWN) INCLUDES ALL ITEMS MARKED WITH AN ASTERISK (*). ALSO REFER TO CRANKSHAFT AND PISTON PAGES. (858H3G)
98	F2008		2	HEX CAP SCREW, 1/4 - 20 X 7/8
99	F523834		1	CLIP, SPARK PLUG WIRE (856H2K, 856B2K, 858H2F, 858B2F)
100	F1708		1	HEX HD SCREW, 1/4 - 20 X 1-3/8
101	F7009		1	LOCK NUT, 10 - 24
102	F2000		1	HEX CAP SCREW, 5/16 - 18 X 3/4
103	F8096		1	SPRING LOCKWASHER

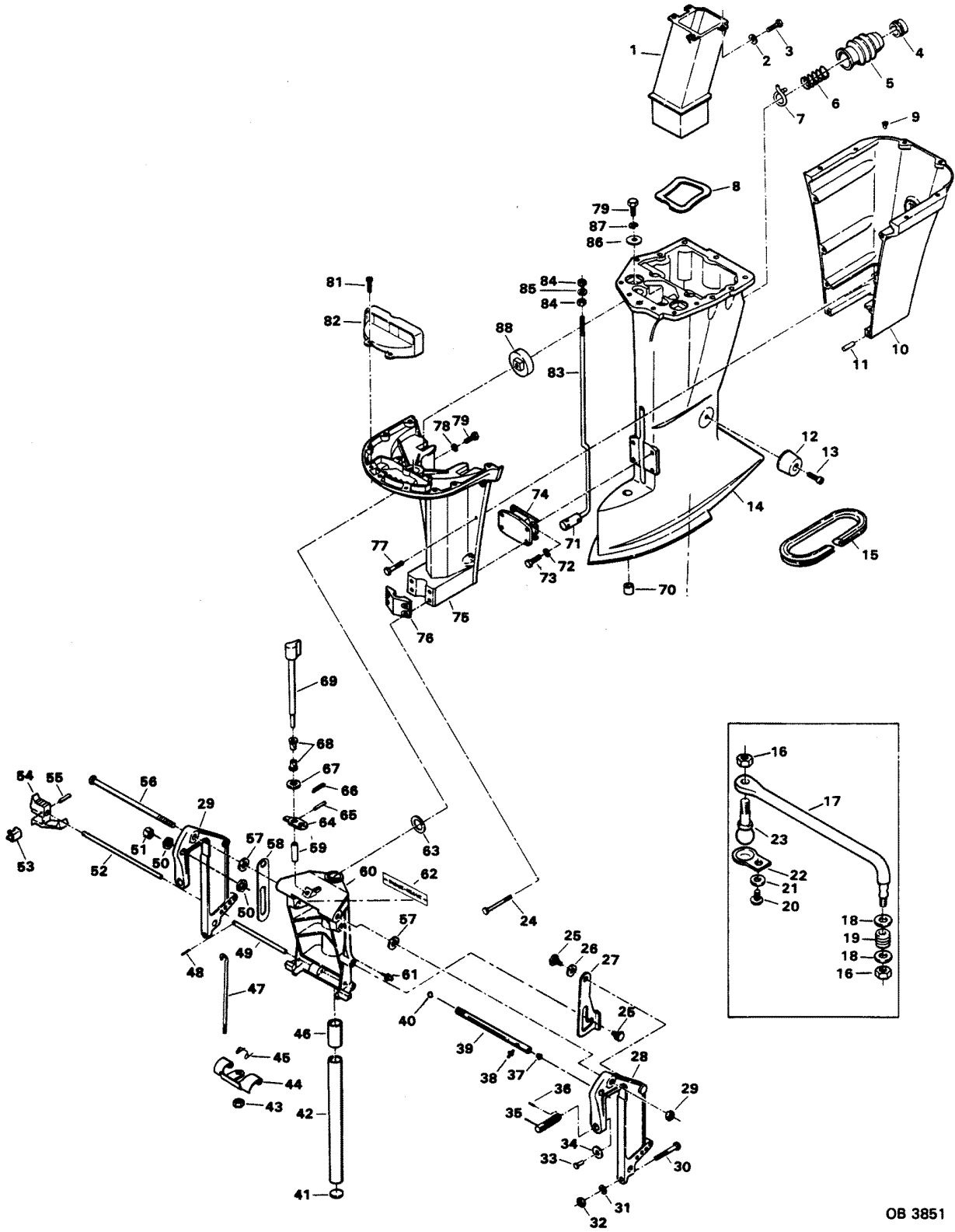
CRANKSHAFT AND PISTON



CRANKSHAFT AND PISTON

REF. NO.	PART NO.	SYM.	QTY.	DESCRIPTION
1	FA335260		3	PISTON RING SET (3 PER SET)
-	FSA335260		3	PISTON RINGS .010 OVERSIZE (3 PER SET)
-	39-818110A1		3	PISTON RINGS .030 OVERSIZE (3 PER SET)
2	700-F372015-3		3	PISTON
-	700-817988A2		3	PISTON .010 OVERSIZE
-	700-818111A2		3	PISTON .030 OVERSIZE
3	F335215		6	SPACER, PISTON PIN (2 PER PISTON)
4	F85017		3	PISTON PIN
5	F335217-1		3	BEARING PISTON PIN (26 PER SET)
6	600-818052A4		3	CONNECTING ROD W/CAP AND ILLUS. 14 ORIGINAL FORCE P/N S 366016-4
7	FK85228-1		3	BEARING CAGE W/ROLLER
8	F85410		2	SNAP RING
9	FA85655-1		2	CRANKSHAFT MAIN BEARING RACE W/ILLUS. 8
10	F85571		2	BEARING CAGE W/ROLLER
11	F316579		2	SEAL, CRANKCASE
12	FA523014		1	CRANKSHAFT LOWER MAIN BEARING W/ILLUS. 13
13	F523146		2	SEAL, CRANKSHAFT LOWER
14	F85634-2		6	CONNECTING ROD SCREW
15	FA85018-2		1	CRANKSHAFT W/ILLUS. 11 AND 22
16	F85498		1	FLYWHEEL KEY
17	F84278		1	SEAL, CRANKSHAFT BEARING CAGE (856H2K, 856B2K, 858H2F, 858B2F)
18	31-817785A2		1	CRANKSHAFT BEARING CAGE W/ILLUS. 20 (856H2K, 856B2K, 858H2F, 858B2F) ORIGINAL FORCE P/N A 373144-2
19	F1867		4	HEX CAP SCREW, 3/8 - 16 X 1 (856H2K, 856B2K, 858H2F, 858B2F)
21	F1968		1	FLYWHEEL NUT
22	F284659-2		1	CRANKSHAFT THRUST BEARING, UPPER
-	F2067		1	PLASTISOL CAP (NOT SHOWN) FOR EXPOSED THREADS OF CRANKSHAFT
23	F2A615144		1	CRANKSHAFT BEARING CAGE W/ILLUS. 20 (858H3G)
24	F2081		5	HEX SO. HD CAP SC., 1/4 - 20 X 3/4 (858H3G)

MOTOR LEG



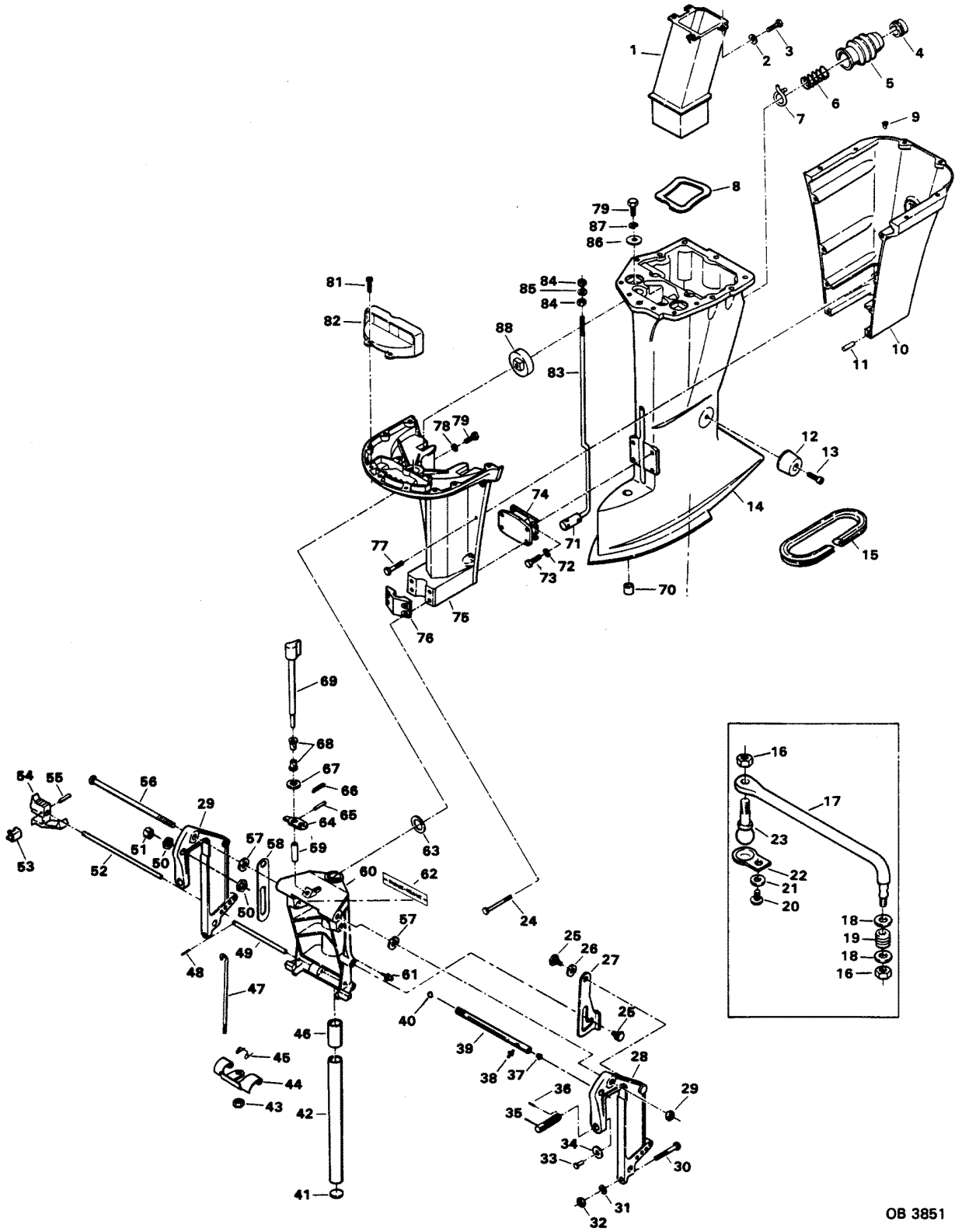
OB 3851

MOTOR LEG

REF. NO.	PART NO.	SYM.	QTY.	DESCRIPTION
1	F85660-1		4	EXHAUST TUBE
2	F8083		4	SPRING LOCKWASHER
3	F1705		4	HEX SLOT HD SCREW, 1/4 - 20 X 3/4
4	F85258		1	INSERT
5	F85130		1	BOOT, IDLE EXHAUST
6	F85380		1	SPRING
7	F85772		1	CLAMP
8	F439736		1	SEAL EXHAUST TUBE
9	F1729		2	PLUG
10	F178145-3		1	MOTOR LEG COVER, REAR
11	F1664		2	SPRING PIN
12	F438962		2	SHOCK MOUNT SLIDE
13	F1263		2	HEX SOCKET HD CAP SCREW, 5/16 - 18 X 9/16
14	F523133-2		1	MOTOR LEG
15	F178323		1	SEAL, MOTOR LEG
16	F2093		2	STOP NUT, 3/8 - 24
17	F523881-2		1	STEERING LINK
18	F8038		2	PLAIN WASHER
19	F523300-1		1	SPRING
-	OB26036		1	INSTALLATION INSTRUCTIONS (FOR 5H094 STEERING LINK KIT)
20	F1280		1	PAN HD SCREW, 8 - 32-1/4
21	F8080		1	SPRING LOCKWASHER
22	F523930		1	RETAINER
23	F523273		1	STEERING BALL STUD
24	F1696		4	HEX BOLT, 5/16 - 18 X 1-3/4
25	F85350-1		4	TILT STOP PIVOT (856H2K, 856B2K)
26	F1666		2	BOWED SPRING WASHER (856H2K, 856B2K)
27	F85541-1		1	TILT LOCK (856H2K, 856B2K)
28	1400-817958A6		2	STERN BRACKET
29	F7012		1	LOCK NUT, 1/2 - 20
30	F1593		2	HEX HD SCREW, 3/8 - 16 X 3
31	F1904		2	PLAIN WASHER
32	F1346		2	HEX NUT, 3/8 - 16
33	F353480		2	STUD
34	F84074		2	CLAMP SCREW FOOT
35	F474073-1		2	CLAMP SCREW
36	F8538		2	SPRING PIN
37	F9052		1	PLUG
38	F523274		1	GREASE FITTING
39	F511125-2		1	TUBE, STEERING SUPPORT
40	F316599		1	SEAL, STEERING SUPPORT TUBE
41	F1528		1	WELCH PLUG

CONTINUED ON NEXT PAGE ➡

MOTOR LEG

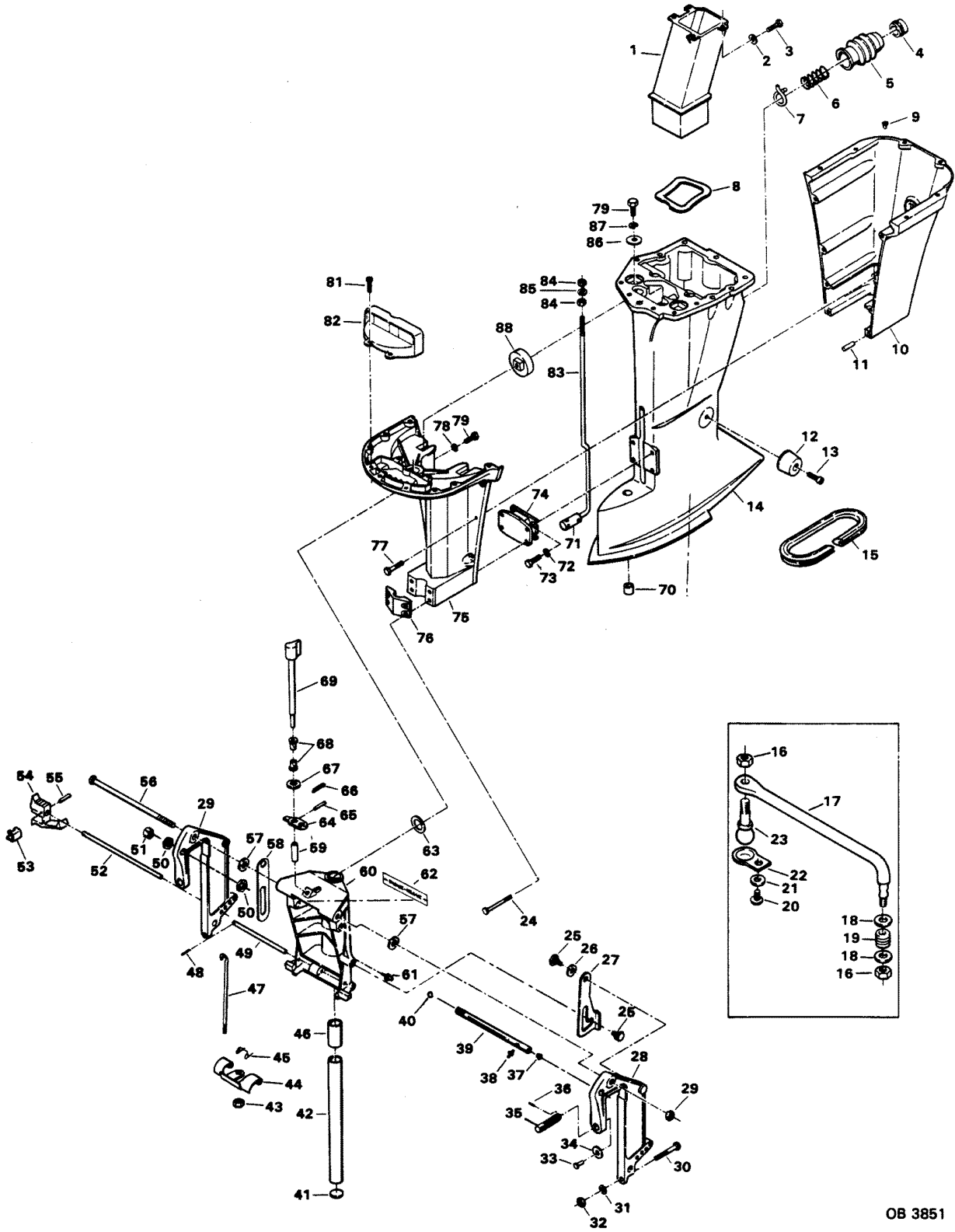


MOTOR LEG

REF. NO.	PART NO.	SYM.	QTY.	DESCRIPTION
42	FA85019		1	KINGPIN W/ILLUS. 41
43	F1669		1	LOCK NUT (856H2K, 856B2K)
44	F369349		1	REVERSE LOCK (856H2K, 856B2K)
45	F85300		1	REVERSE LOCK SPRING (856H2K, 856B2K)
46	F438169		2	BEARING
47	F369510		1	LINK (856H2K, 856B2K)
48	F1744		1	SPRING PIN (856H2K, 856B2K)
49	F177350		1	REVERSE LOCK PIN (856H2K, 856B2K)
50	F523280		2	NUT, STEERING SUPPORT TUBE
51	F9018		1	CAP
52	FA438113		1	STERN BRACKET LOCK BAR W/HANDLE (856H2K, 856B2K) W/ILLUS. 43, 44 AND 45
53	F286461		1	SPRING LOCK BAR HANDLE (856H2K, 856B2K)
54	F433114		1	HANDLE, LOCK BAR (856H2K, 856B2K)
55	F1744		1	SPRING PIN (856H2K, 856B2K)
56	F85037-1		1	STERN BRACKET PIVOT BOLT
57	F84286-1		4	FRICTION WASHER
58	F85426		1	TILT STOP (856H2K, 856B2K)
59	F483884		1	BEARING (856H2K, 856B2K)
60	817783A5		1	SWIVEL BRACKET W/ILLUS. 46 AND 61 ORIGINAL FORCE P/N A 369072-2
61	F213274		3	GREASE FITTING
62	F529390-1		1	DECAL, REVERSE LOCK (856H2K, 856B2K)
63	F84011		1	WASHER
64	F369364		1	REVERSE LOCK ARM (856H2K, 856B2K)
65	F1836		1	SPRING PIN (856H2K, 856B2K)
66	F1014		1	COTTER PIN (856H2K, 856B2K)
67	F8094		1	PLAIN WASHER (856H2K, 856B2K)
68	F197813		2	BEARING (856H2K, 856B2K)
69	F369827		1	HANDLE AND SHAFT (856H2K, 856B2K)
70	F338618-1		1	COUPLER, GEARSHIFT ROD
71	F85704		1	COUPLER, GEARSHIFT ROD UPPER
72	F8096		4	SPRING LOCKWASHER
73	F1822		4	HEX BOLT, 5/16 - 18 X 7/8
74	F438346		1	SHOCK MOUNT, LOWER
75	FA85135-4		1	LEG COVER, FRONT W/ILLUS. 77
76	F85606		1	KINGPIN CAP
77	F2030		6	HEX HD SCREW, 1/4 - 20 X 1-1/4
78	F1703		2	SPRING LOCKWASHER
79	F1871		4	HEX HD SCREW, 3/8 - 16 X 3/4
81	F1912		4	HEX HD SCREW, 10 - 24 X 1/2
82	F85779-1		1	BAFFLE, AIR INTAKE
83	F85615		1	GEAR SHIFT ROD, UPPER
84	F2108		2	LOCK NUT, 5/16 - 18

CONTINUED ON NEXT PAGE ➡

MOTOR LEG

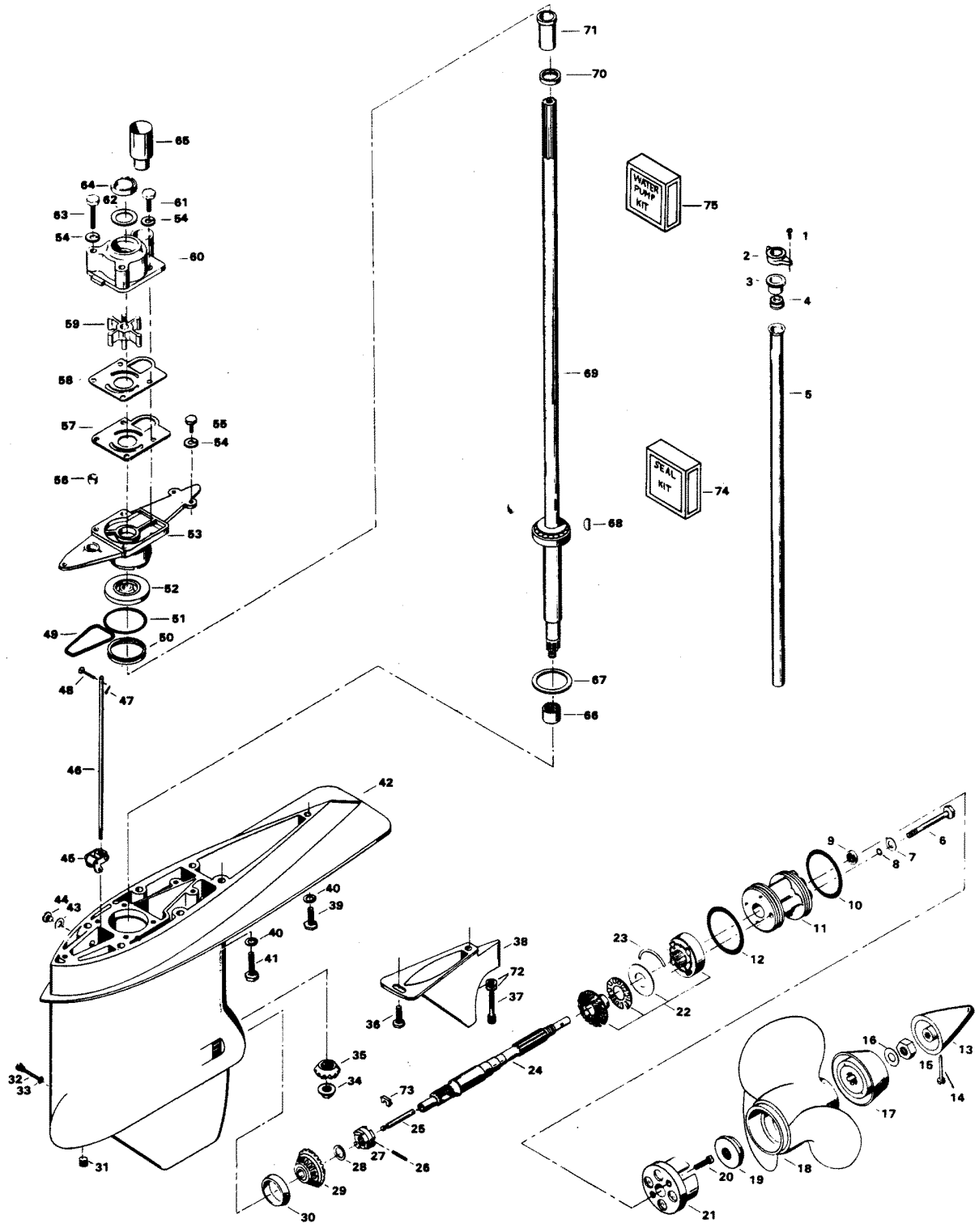


OB 3851

MOTOR LEG

REF. NO.	PART NO.	SYM.	QTY.	DESCRIPTION
85	F1987		1	PLAIN WASHER
86	FA85355-1		2	WASHER SHOCK MOUNT UPPER W/ILLUS. 87
87	F2014		2	PLAIN WASHER
88	F85965		2	SHOCK MOUNT, UPPER

GEAR HOUSING



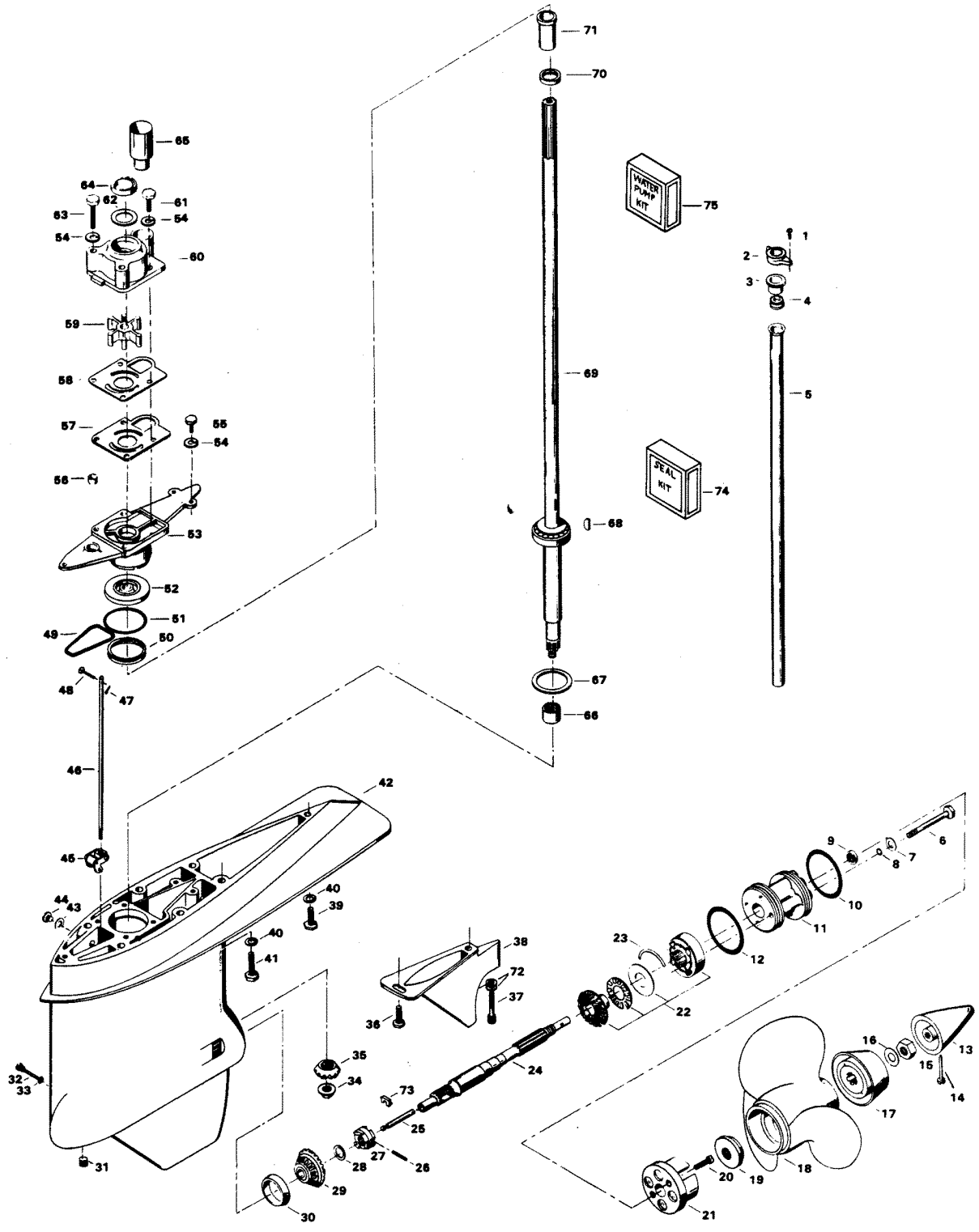
OB 3851

GEAR HOUSING

REF. NO.	PART NO.	SYM.	QTY.	DESCRIPTION
1	F1705		2	HEX CAP SCREW, 1/4 - 20 X 3/4
2	F85117		1	BRACKET, WATER LINE
3	F84342		1	SEAL, INLET WATER LINE UPPER
4	F523899		1	GROMMET, WATER LINE
5	F523244		1	INLET WATER LINE
6	F1885		4	HEX CAP SCREW, 5/16 - 18 X 4-1/4
7	F1907		4	PLAIN WASHER
8	F50342-1		4	SEAL, BEARING CAGE BOLTS
9	F506118		1	SEAL, PROPELLER SHAFT
10	F24278		1	SEAL, O-RING PROPELLER SHAFT SPOOL
11	F2A523239		1	SPOOL, PROPELLER SHAFT BEARING W/SEAL AND ILLUS. 9
12	F84305		1	SEAL, PROPELLER SHAFT BEARING SPOOL
13	F523094-2		1	PROPELLER NUT
14	F498891		1	PIN, PROPELLER NUT RETAINING
15	F1788		1	STOP NUT
16	F1866		1	PLAIN WASHER
17	F5H119		1	WASHER, PROPELLER SPLINE (ACCESSORY ITEM)
18	FPS524		1	PROPELLER (ACCESSORY ITEM)
19	F523099-1		1	SPACER, PROPELLER
20	F1577		2	FILL HD SCREW, 1/4 - 20 X 3/4
21	FA523485		1	ANTI-CORROSION ANODE W/LITERATURE
22	F2A498662		1	BEVEL GEAR REAR W/BEARING CAGE, SPACER AND BEARING
23	F523411		2	RETAINING RING
24	FA523098		1	PROPELLER SHAFT
25	F84871-1		1	PIN, GEAR SHIFT
26	F1713		1	SPRING PIN
27	F84521-2		1	CLUTCH
28	F1936		A/R	SPACER, BEVEL GEAR FRONT .059
-	F1937		A/R	SPACER, BEVEL GEAR FRONT .062
-	F1938		A/R	SPACER, BEVEL GEAR FRONT .065
-	F1939		A/R	SPACER, BEVEL GEAR FRONT .068
-	F1940		A/R	SPACER, BEVEL GEAR FRONT .071
-	F1941		A/R	SPACER, BEVEL GEAR FRONT .074
-	F1942		A/R	SPACER, BEVEL GEAR FRONT .077
-	F2113		A/R	SPACER, BEVEL GEAR FRONT .080
-	F2114		A/R	SPACER, BEVEL GEAR FRONT .083
-	F2115		A/R	SPACER, BEVEL GEAR FRONT .086
-	F2116		A/R	SPACER, BEVEL GEAR FRONT .089
-	F2121		A/R	SPACER, BEVEL GEAR FRONT .057
-	F2122		A/R	SPACER, BEVEL GEAR FRONT .054
29	43-818062A3		1	BEVEL GEAR FRONT W/BEARING
30	F523813		1	BEARING CUP

CONTINUED ON NEXT PAGE ➡

GEAR HOUSING



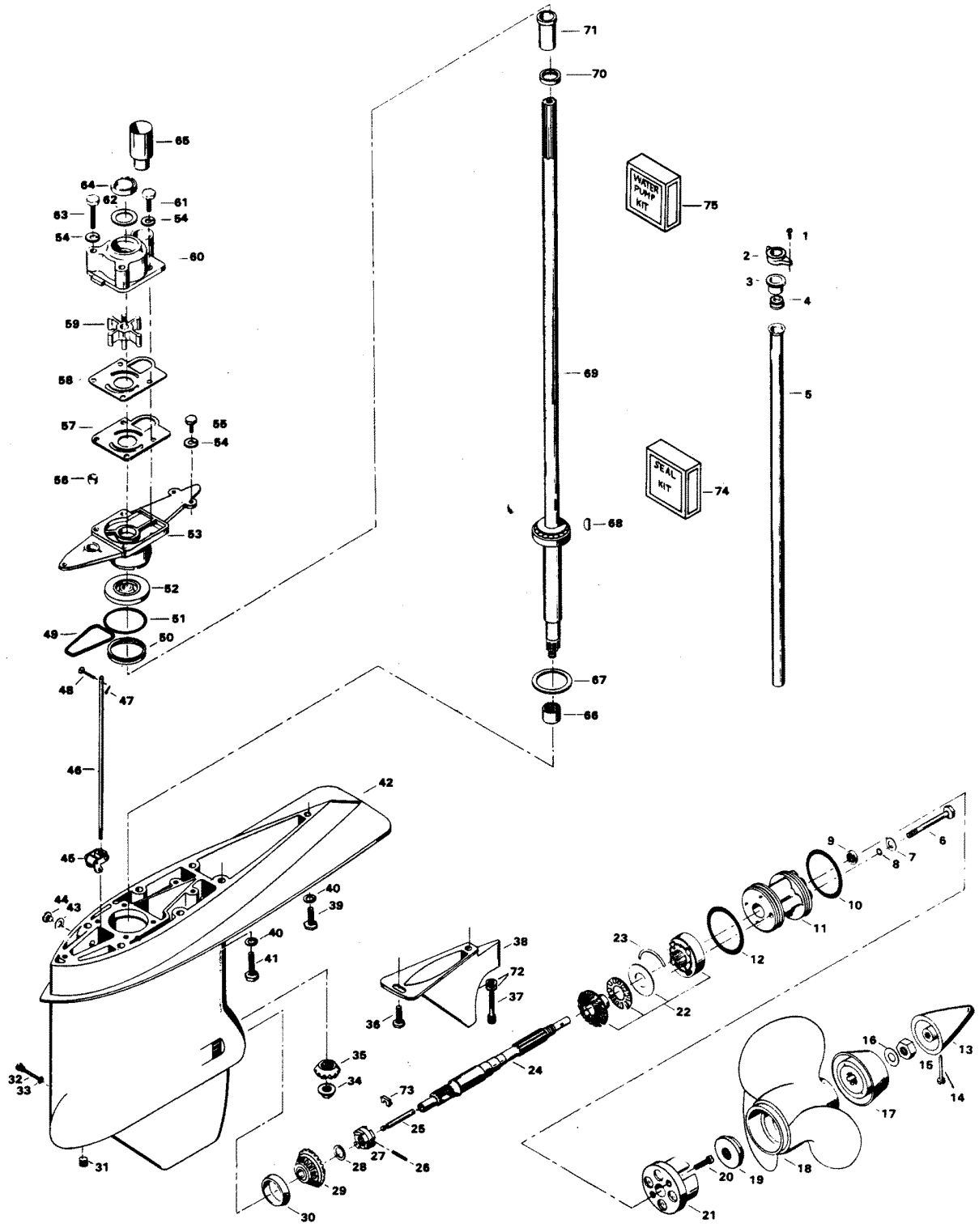
OB 3851

GEAR HOUSING

REF. NO.	PART NO.	SYM.	QTY.	DESCRIPTION
31	F19109		1	PLUG, GEAR HOUSING
32	F498891		1	PIN, GEAR SHIFT ARM
33	F498618		1	SEAL
34	F523188		1	NUT, BEVEL PINION RETAINING
35	43-817830A2		1	BEVEL PINION GEAR W/ILLUS. 50 AND SHIMS ORIGINAL FORCE P/N A 498266-2
36	F438930		1	RETAINER, SNOUT
37	F1994		1	HEX SOCKET HD CAP SCREW, 5/16 - 18 X 1
38	F523116-1		1	EXHAUST SNOUT
39	F1858		1	HEX CAP SCREW, 5/16 - 18 X 1
40	F8096		7	SPRING LOCKWASHER
41	F1491		6	HEX CAP SCREW, 5/16 - 18 X 3-1/4
42	FA523054		1	GEAR HOUSING W/DRIVESHAFT BEARING LOWER, ILLUS. 30, 31, 43 AND 44
-	1600-819196A3		1	GEAR HOUSING COMPLETE INCLUDES ALL ITEMS MARKED WITH AN ASTERISK (*). ORIGINAL FORCE P/N C 550054-1
43	F8077		3	WASHER, GEAR HOUSING PLUG
44	F50109		3	PLUG, GEAR HOUSING
45	FA84621-1		1	COUPLING, GEAR SHIFT ARM W/BUSHING
46	F523705		1	GEAR SHIFT ROD, LOWER
47	F1015		1	COTTER PIN
48	F85372		1	PIN, GEAR SHIFT ROD, LOWER
49	F523555		1	SEAL, O-RING - GEAR HOUSING COVER
50	F523961		1	CRUSH RING
51	F74305		1	SEAL, DRIVESHAFT BEARING CAGE
52	F506118		1	SEAL, DRIVESHAFT
53	F2A550706		1	GEAR HOUSING COVER W/ILLUS. 9 AND 56
54	F8083		7	SPRING LOCKWASHER
55	F2008		3	HEX CAP SCREW, 1/4 - 20 X 7/8
56	F338618-1		1	SEAL, GEAR SHIFT ROD
57	F523031		1	GASKET, WATER PUMP
58	F523562		1	WATER PUMP BACK PLATE
59	F523065-1		1	WATER PUMP IMPELLER
60	46-817853A1		1	WATER PUMP BODY W/ILLUS. 62, 64 AND 65 ORIGINAL FORCE P/N A 523060-1
61	F1990		2	HEX CAP SCREW, 1/4 - 20 X 1-5/8
62	F480388		1	DISC, WATER PUMP LOCATING
63	F1425		2	HEX CAP SCREW, 1/4 - 20 X 2-5/8
64	F351307		1	SEAL, WATER PUMP
65	FA523735		1	SEAL, INLET WATER LINE LOWER W/LITERATURE
66	F523057		1	BEARING, DRIVESHAFT LOWER
67	F9106		A/R	SHIM, DRIVESHAFT BEARING UPPER .033 - BRASS
-	F9095		A/R	SHIM, DRIVESHAFT BEARING UPPER .005 - SILVER
-	F9097		A/R	SHIM, DRIVESHAFT BEARING UPPER .010 - BLACK

CONTINUED ON NEXT PAGE ➡

GEAR HOUSING

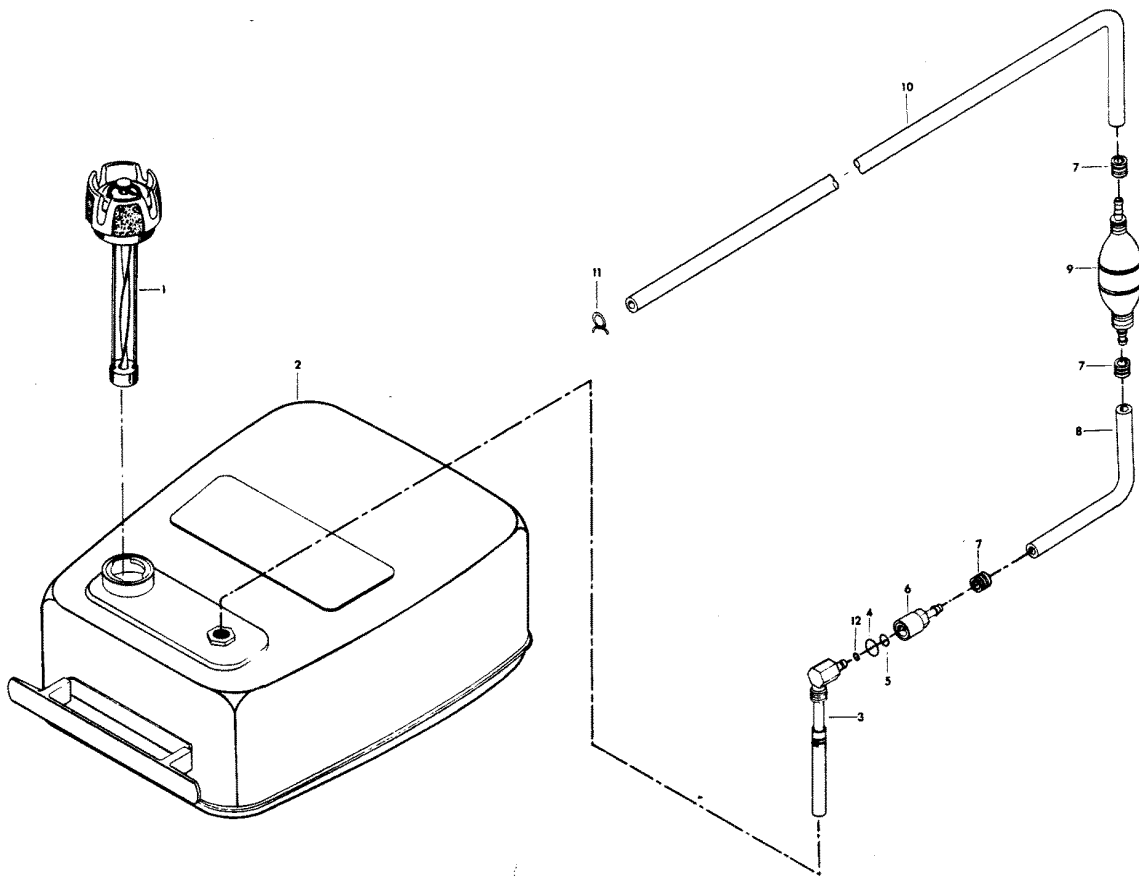


OB 3851

GEAR HOUSING

REF. NO.	PART NO.	SYM.	QTY.	DESCRIPTION
68	F523498		1	DRIVE KEY, WATER PUMP
69	FK616128		1	DRIVESHAFT W/BEARING, ILLUS. 50, 67 AND LITERATURE
70	F438271		1	RETAINER, CRANKSHAFT SPLINE SEAL
71	F438129		1	SEAL, DRIVESHAFT SPLINE
72	F1856		2	PLAIN WASHER
73	F90619-1		1	YOKE
74	FK1063-2		1	SEAL KIT (INCLUDES ITEMS MARKED WITH A STAR (*))
-	F50342-1		4	BEARING CAGE BOLT SEAL
-	F506118		1	PROPELLER SHAFT SEAL
-	F24278		1	PROPELLER SHAFT SPOOL SEAL
-	F84305		1	PROPELLER SHAFT SPOOL SEAL
-	F498618		1	GEAR SHIFT ARM PIN SEAL
-	F8077		3	WASHER
-	F523555		1	GEAR HOUSING COVER SEAL
-	F74305		1	GEAR HOUSING COVER SEAL
-	F84307-1		1	DRIVE SHAFT SEAL
-	F338618-1		1	GEAR SHIFT ROD SEAL
75	FK1069		1	WATER PUMP KIT (INCLUDES ITEMS MARKED WITH A STAR (*))
-	F1425		2	HEX CAP SCREW, 1/4 - 20 X 5/8
-	F1990		2	HEX CAP SCREW
-	F8083		4	SPRING LOCKWASHER
-	F523031		1	GASKET, WATER PUMP
-	F523065-1		1	IMPELLER
-	F523498		1	KEY
-	F523562		1	PLATE, WATER PUMP
-	46-817853A1		1	WATER PUMP

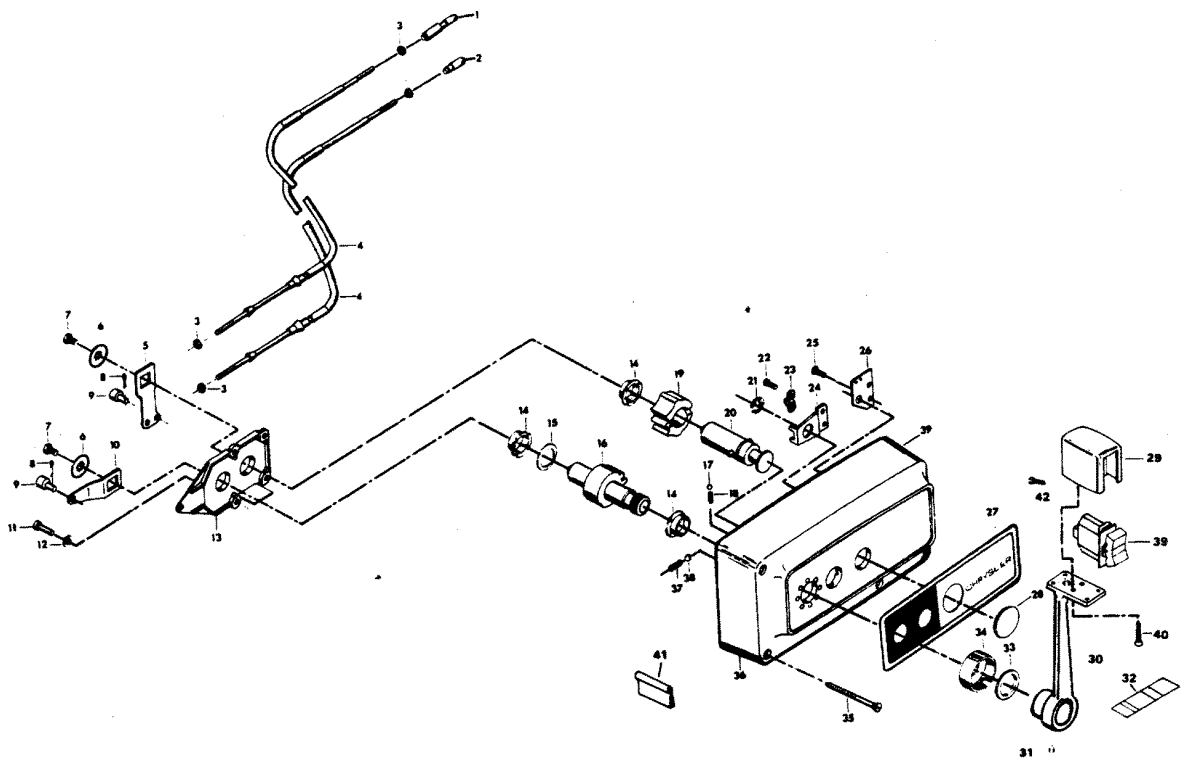
FUEL TANK AND LINE



FUEL TANK AND LINE

REF. NO.	PART NO.	SYM.	QTY.	DESCRIPTION
1	F409251-1		1	GAUGE CAP
2	F5H026		1	FUEL TANK (ACCESSORY ITEM)
3	F485755-1		1	FUEL TANK ADAPTER
4	F17816		1	SEAL, FUEL LINE COUPLER (LARGE)
5	F17815		1	SEAL, FUEL LINE COUPLER (SMALL)
6	F197787-3		1	FUEL LINE COUPLER
7	F298788		3	FERRULE
8	FA84754-1		1	FUEL LINE SHORT W/ILLUS. 7
9	89396A38		1	PRIME BULB W/LITERATURE ORIGINAL FORCE P/N S 387766-1
10	32-817738A1		1	FUEL LINE LONG W/ILLUS. 7 AND 11 ORIGINAL FORCE P/N A 197752-1
11	F97772		1	FUEL LINE CLAMP
12	F17817		1	SEAL, FUEL TANK ADAPTER
-	FS409752		1	FUEL LINE COMPLETE INCLUDES ALL ITEMS MARKED WITH AN ASTERISK (*)
-	FC409398		1	DECAL, TOTE TANK - CANADA (NOT SHOWN)

REMOTE CONTROL 858H2F 858B2F 858H3G

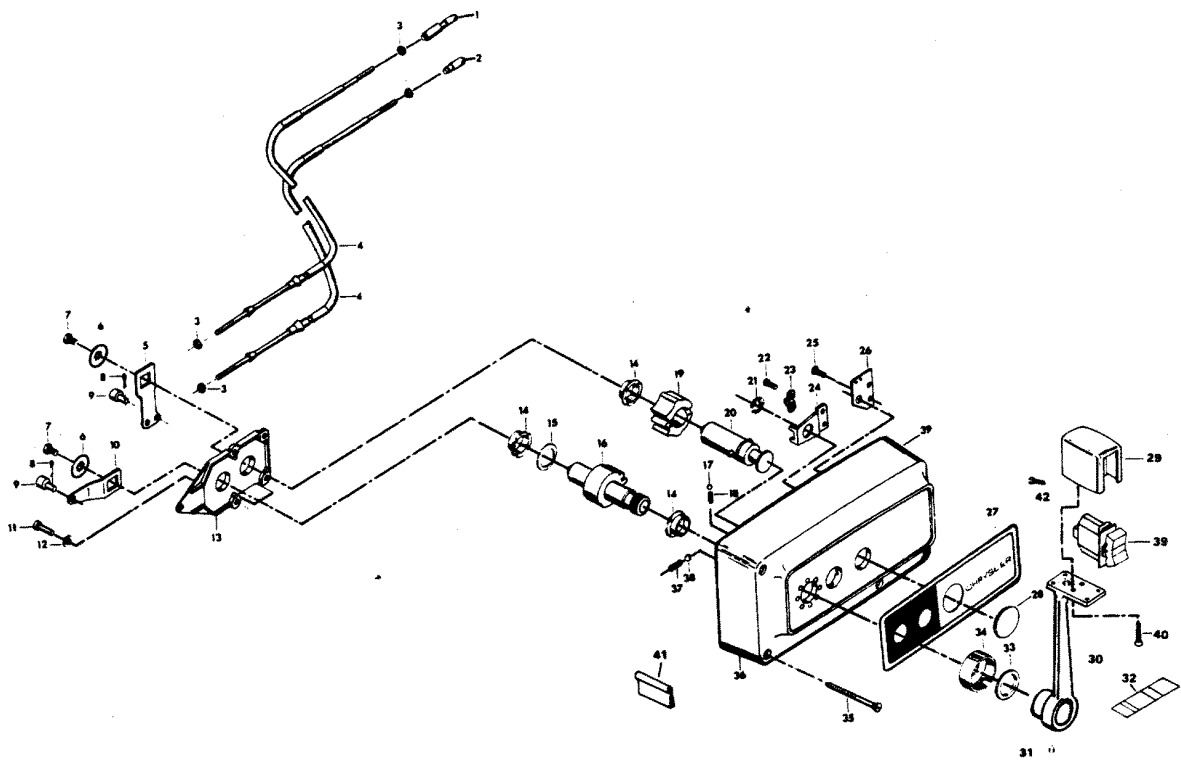


REMOTE CONTROL 858H2F 858B2F 858H3G

REF. NO.	PART NO.	SYM.	QTY.	DESCRIPTION
1	FA58976-1		1	CONNECTOR, THROTTLE CABLE
2	F58685-2		1	CONNECTOR, SHIFT CABLE
3	F1513		4	HEX NUT
4	F195/___		1	REMOTE CONTROL CABLE (SPECIFY LENGTH) ACCESSORY ITEM (2 PER SET)
5	F17019		1	CLUTCH ARM
6	F17036		2	INTERNAL TOOTH LOCKWASHER
7	F1715		2	HEX BOLT, 1/4 - 28 X 9/16
8	F17149		2	COTTER PIN
9	F17016		2	CABLE TERMINAL
10	F17014		1	THROTTLE ARM
11	F17013		2	FILL HD SCREW, 1/4 - 20 X 1/2
12	F8061		2	INTERNAL TOOTH LOCKWASHER
13	F17012		1	RETAINING PLATE
14	F17009		3	BEARING
15	F17011		1	BOWED WASHER
16	F17010-1		1	THROTTLE GEAR
17	F17111		1	DETENT BALL
18	F17006		1	DETENT SPRING
19	F17021		1	CLUTCH GEAR
20	F17100		1	CLUTCH SHAFT
21	F17092		1	SNAP RING
22	F17071		2	FILL HD SCREW, 10 - 24 X 5/16
23	F154317		1	CABLE CLAMP
24	F17026		1	SWIVEL
25	F1557		2	FLAT HD SCREW, 10 - 24 X 3/8
26	F17112		1	JUNCTION BOARD, STARBOARD
-	F17113		1	JUNCTION BOARD, PORT
27	F17148		1	DECAL, STARBOARD
-	F531892		1	DECAL, PORT
28	F17031-1		1	SNAP CAP
29	F448543		1	KNOB
30	F448611-1		1	LEVER, REMOTE CONTROL
31	F17030-1		1	SET SCREW
32	F449894		1	INDICATOR - STARBOARD
-	F448894		1	INDICATOR - PORT
33	F17105		1	FELT WASHER
34	F17106		1	COLLAR
35	F17146		3	WOOD SCREW
36	F17099		1	HOUSING
37	F17068		1	DETENT SPRING
38	F17082-1		1	DETENT BALL
39	F455449		1	SWITCH, TRIM

CONTINUED ON NEXT PAGE ➡

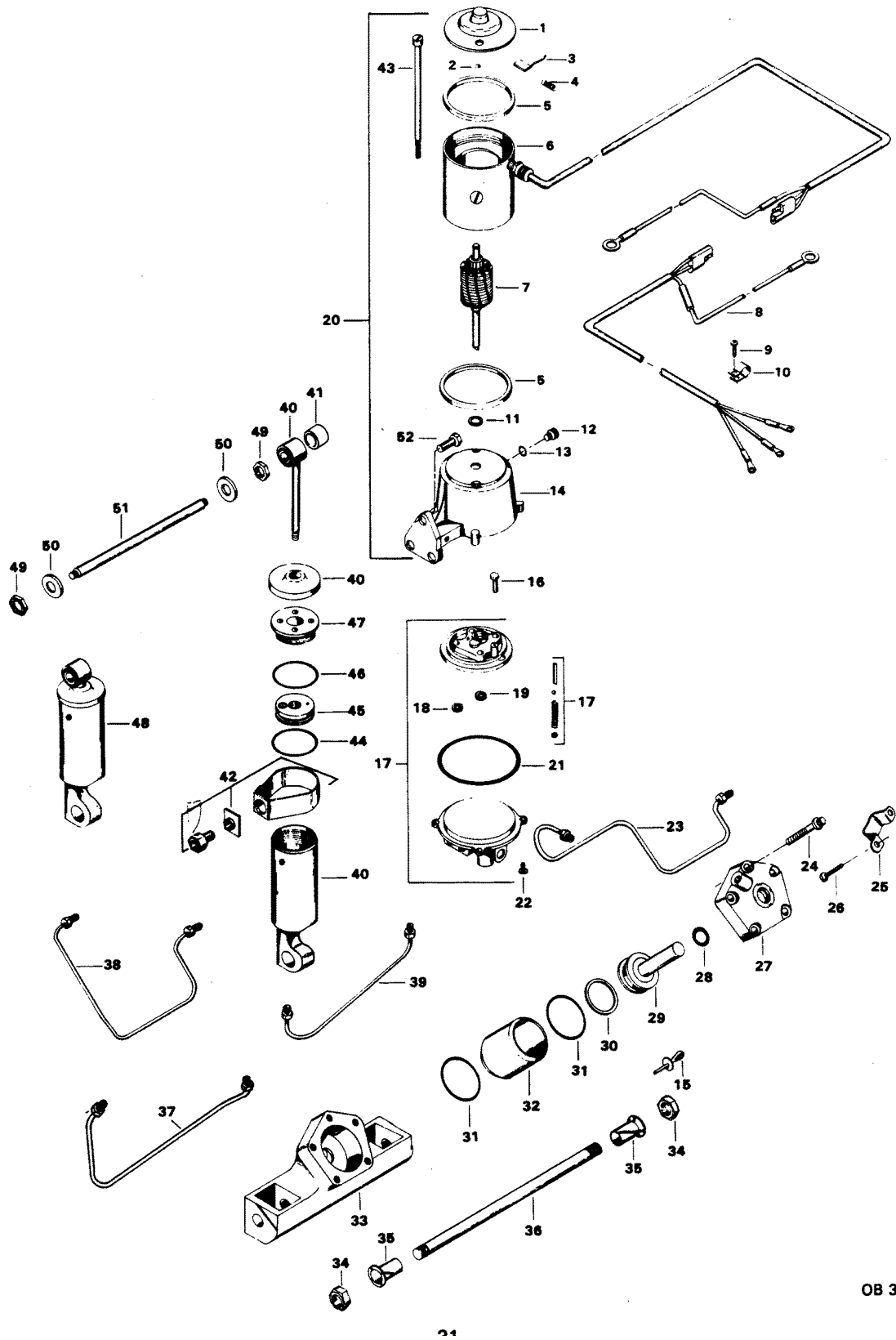
REMOTE CONTROL 858H2F 858B2F 858H3G



REMOTE CONTROL 858H2F 858B2F 858H3G

REF. NO.	PART NO.	SYM.	QTY.	DESCRIPTION
40	F1461		2	SCREW #6 X 7/8
41	F448446		1	CLAMP, TRIM SWITCH CABLE
-	F1280		2	PAN HD SCREW, 8 - 32 X 1/4 (TERMINAL BOARD) NOT SHOWN
-	OB3062		1	LITERATURE (NOT SHOWN) INSTALLATION INSTRUCTIONS FOR REMOTE CONTROL
-	F17103		1	BAG ASSEMBLY (NOT SHOWN) INCLUDES ITEMS MARKED WITH AN ASTERISK (*).
42	F1280		3	PAN HD SCREW, 8 - 32 X 1/4

POWER TRIM UNIT 858H2F 858B2F 858H3G



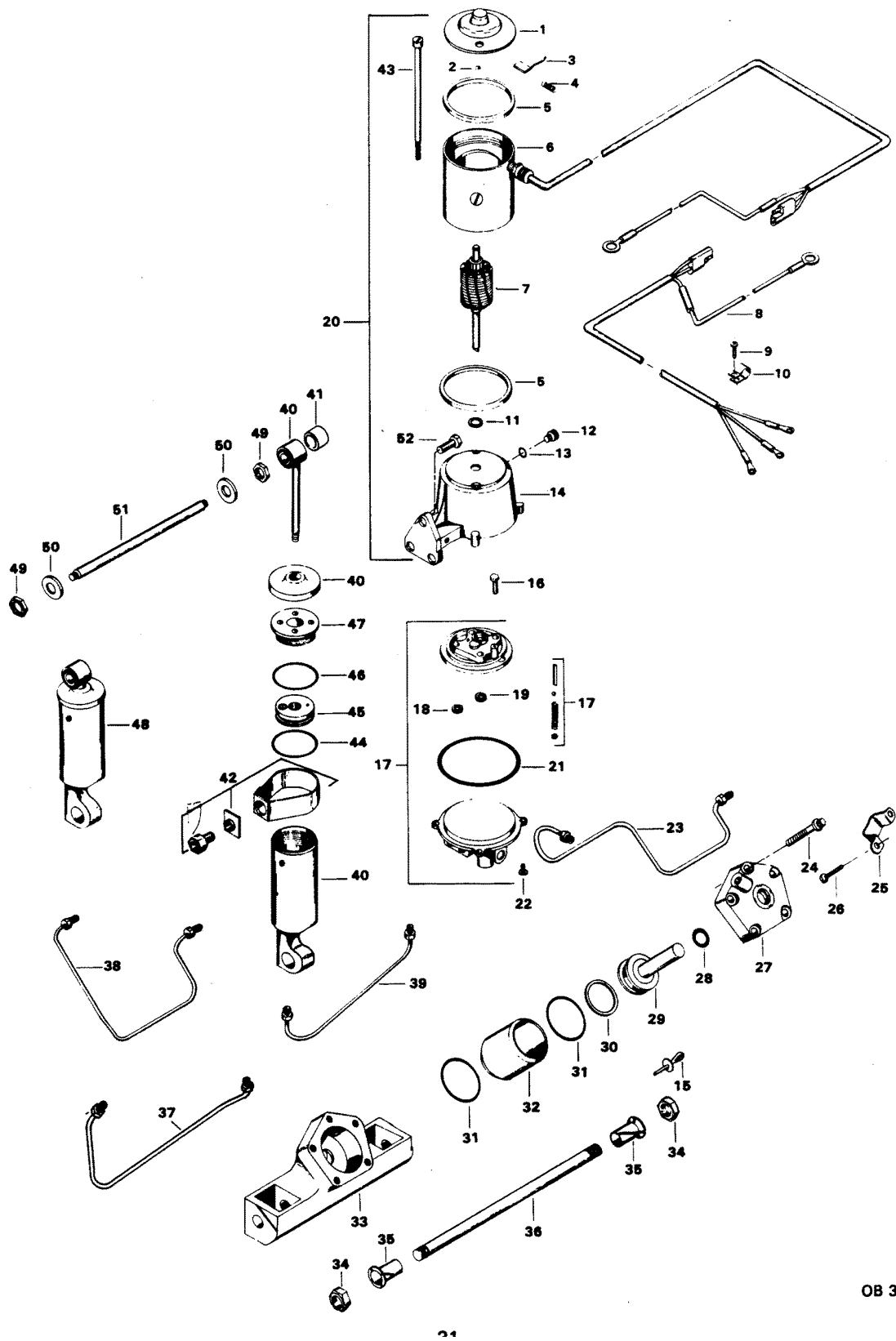
OB 3851

POWER TRIM UNIT 858H2F 858B2F 858H3G

REF. NO.	PART NO.	SYM.	QTY.	DESCRIPTION
1	F17543		1	HEAD ASSEMBLY, COMMUTATOR END
2	F17539		1	BALL
3	F17504		1	BRUSH SET
4	F17500		1	SPRING SET
5	F17557		2	GASKET
6	F17556		1	FIELD AND FRAME ASSEMBLY
7	F17555		1	ARMATURE
8	F500843		1	CABLE
9	F1741		2	THREAD FORMING SCREW, 8 X 3/4
10	F178446		2	CLAMP
11	F17508		A/R	THRUST WASHER
12	F17518		1	FILTER CAP
13	F17510		1	O-RING
14	F17505		1	RESERVOIR AND BRACKET W/SEAL
15	F1966		1	PLUG, SWIVEL BRACKET
16	F1203		1	HEX CAP SCREW, 1/4 - 20 X 7/8
17	F17564		1	VALVE BODY AND PUMP
18	F17566		1	IDLE GEAR
19	F17565		1	DRIVE GEAR
20	F17563		1	MOTOR AND RESERVOIR
21	F17522		1	O-RING
22	F1310		4	ROUND HD SCREW, 10 - 24 X 5/8
23	F449254		1	HYDRAULIC LINE, TRIM CYLINDER, UPPER
24	F1959		5	FERRY HD CAP SCREW, 1/4 - 20 X 1-3/4, STAINLESS STEEL
25	F449354		1	THRUST BRACKET
26	F1734		2	FILL HD MOUNTING SCREW AND LOCKWASHER, 1/4 - 20 X 1/2
27	FA449149		1	COVER W/SEALS AND RETAINER
28	F449342		1	SEAL, PISTON SHAFT
29	FA449015		1	PISTON
30	F449278		1	PISTON SEAL
31	F40278		2	SEAL, CYLINDER
32	F449010		1	CYLINDER
33	F449545-2		1	CYLINDER HOUSING
34	F1963		2	ELASTIC STOP NUT, 5/8 - 18
35	F178362		2	BEARING
36	F449632		1	SHAFT
37	F449253-1		1	HYDRAULIC LINE, TRIM CYLINDER, LOWER
38	F449754-1		1	HYDRAULIC LINE, LIFT CYLINDER, LOWER
39	F449758		1	HYDRAULIC LINE, LIFT CYLINDER, UPPER
40	FA17559		1	LIFT CYLINDER COMPLETE W/ILLUS. 41
41	F178344		2	BUSHING, SHOCK ABSORBER UPPER
42	F17577		1	ADAPTER FITTING PACKAGE

CONTINUED ON NEXT PAGE ➡

POWER TRIM UNIT 858H2F 858B2F 858H3G



OB 3851

POWER TRIM UNIT 858H2F 858B2F 858H3G

REF. NO.	PART NO.	SYM.	QTY.	DESCRIPTION
43	F17558		1	THRU-BOLT PACKAGE
-	F1877		2	TY-RAP (NOT SHOWN)
44	FA17561-1		1	O-RING
45	F17562-1		1	PISTON ASSEMBLY
46	F17528		1	O-RING
47	F17560		1	HEAD ASSEMBLY
48	FA178962		1	SHOCK ABSORBER WILLUS. 41
49	F1931		2	STOP NUT, 1/2 - 20, STAINLESS STEEL
50	F1960		2	PLAIN WASHER
51	F449889		1	SHAFT, UPPER
52	F1822		3	HEX CAP SCREW, 5/16 - 18 X 7/8, STAINLESS STEEL

SPECIAL TOOLS - TUNE-UP

REF. NO.	PART NO.	SYM.	QTY.	DESCRIPTION
-	FTA2937-1		0	TIMING TOOL TO ADJUST TIMING POINTER.
-	FT8978		0	TIMING LIGHT FOR ADJUSTING IGNITION TIMING.
-	FT8948-1		0	PULLER TO REMOVE FLYWHEEL.

SPECIAL TOOLS - POWER HEAD

REF. NO.	PART NO.	SYM.	QTY.	DESCRIPTION
-	FT2998		0	TORQUE WRENCH (0 - 100 LBS./FT.) TO TORQUE FLYWHEEL NUT.
-	FT2999		0	TORQUE WRENCH (0 - 600 LBS./FT.) TO TORQUE ALL FASTENERS.
-	FT2991		0	CARBON BRUSH TO REMOVE CARBON DEPOSITS FROM POWER HEAD.
-	FT8914		0	SEAL REMOVER TO REMOVE UPPER CRANKSHAFT BEARING CAGE SEAL.
-	FT8903		0	SEAL INSTALLER TO INSTALL UPPER CRANKSHAFT BEARING CAGE SEAL.
-	FT8907		0	DRIVER HANDLE USED WITH T 8903.
-	FT8925		0	SEAL INSTALLER TO INSTALL LOWER CRANKSHAFT SEAL.
-	FT2953		0	SOCKET TO TORQUE CONNECTING ROD SCREWS.
-	FT2990		0	PISTON PIN TOOL TO REMOVE AND INSTALL PISTON PINS.
-	FT2996		0	RING COMPRESSOR TO INSTALL PISTONS IN CYLINDER.
-	FT8926		0	RING EXPANDER TO INSTALL PISTON RINGS.
-	FT1082		0	SNAP RING PLIER TO REMOVE AND INSTALL DISTRIBUTOR RETAINING RING.
-	FT8933		0	LIFTING HOOK TO LIFT ENGINE.
-	FT8900		0	HOSE CLAMP PLIERS TO REMOVE FUEL LINE CLAMP.

SPECIAL TOOLS - GEAR HOUSING

REF. NO.	PART NO.	SYM.	QTY.	DESCRIPTION
-	FT8948-1		0	PULLER TO REMOVE PROPELLER SHAFT SPOOL FROM GEAR HOUSING.
-	FT11209		0	BEARING GUIDE SET TO REMOVE/INSTALL FORWARD BEARING CUP.
-	FT8918		0	BEARING GUIDE SET TO BE USED WITH T 11209 BEARING GUIDE SET.
-	FT11207		0	BEARING CUP REMOVER TO REMOVE FORWARD BEARING CUP IN GEAR HOUSING.
-	FT11205		0	BEARING INSTALLER/REMOVER TO REMOVE AND INSTALL LOWER DRIVESHAFT BEARING.
-	FT11204		0	BEARING CUP INSTALLER TO INSTALL FORWARD BEARING CUP IN GEAR HOUSING.
-	FT8930-1		0	FEELER GAUGE SET TO USE IN SHIMMING LOWER UNIT.
-	FT8957		0	SEAL INSTALLER TO INSTALL SHIFT ROD SEAL.
-	FT8985		0	SEAL INSTALLER TO INSTALL PROPELLER SHAFT SEAL IN SPOOL.
-	FT8925		0	SEAL INSTALLER TO INSTALL DRIVESHAFT SEAL IN GEAR HOUSING COVER.
-	FT3012		0	SEAL INSTALLER TO INSTALL DRIVESHAFT SEAL IN WATER PUMP.
-	FT8997		0	SHIM TOOL TO SHIM LOWER UNIT.
-	FT8901		0	INDICATOR HOLDER USED IN CONJUNCTION WITH T 8997.
-	FT8902		0	DIAL INDICATOR USED IN CONJUNCTION WITH T 8997.
-	FT8907		0	DRIVER HANDLE USED WITH T 11204, T 11205, T 11209.
-	FT8919		0	SPRING PIN PUNCH TO REMOVE CLUTCH SPRING PIN.
-	FT7848		0	TORQUE ADAPTER TO HOLD DRIVESHAFT SPLINE WHILE TORQUING.

SPECIAL TOOLS - TEST EQUIPMENT

REF. NO.	PART NO.	SYM.	QTY.	DESCRIPTION
-	FT2951		0	CIRCUIT TRACER TO TROUBLESHOOT ELECTRICAL SYSTEM.
-	FTK8999		0	TEST WHEEL TO TEST MOTOR IN TEST TANK. ORIGINAL FORCE P/N TA 8999
-	FT8950		0	LEAKAGE TESTER TO TEST LOWER UNIT SEALS FOR LEAKAGE.
-	FT8953		0	IGNITION TESTER TO TEST OUTPUT OF C-D UNIT.
-	FT2938-1		0	CONTINUITY TESTER TO TEST CIRCUITS FOR CONTINUITY.

SPECIAL TOOLS - LUBRICANTS AND SEALANTS

REF. NO.	PART NO.	SYM.	QTY.	DESCRIPTION
-	FT2961		0	LUBRICANT - RYKON GREASE #2EP
-	FT2987-1		0	LUBRICANT - ANTI-SEIZE
-	FT8969		0	LUBRICANT - 7 OZ. L PSI LUBRICANT
-	FT8955		0	SEALANT - 5 OZ. EC-750 INDUSTRIAL SEALANT
-	FT8983		0	SEALANT - 3 OZ. RTV SEALANT FROM IN PLACE GASKETS
-	FT8936-1		0	SEALANT - 2 CC LOCTITE RETAINING COMPOUND #75
-	FT2962-1		0	SEALANT - 50 CC LOCTITE H. NON-HARDENING GRADE
-	FT2963-2		0	SEALANT - 2 OZ. LOCTITE D. HARDENING GRADE
-	FT8935		0	SEALANT PRIMER - 6 OZ.

SPECIAL TOOLS - ACCESSORIES

REF. NO.	PART NO.	SYM.	QTY.	DESCRIPTION
-	F5H173		0	FLUSHING ADAPTER PERMITS FRESH WATER FLUSHING OF WATER PASSAGES WITH STANDARD GARDEN HOSE.
-	F5H130		0	REMOTE CONTROL - SURFACE MOUNT PERMITS REMOTE CONTROL OF THROTTLE AND GEAR SHIFT FROM STARBOARD SIDE OF BOAT.
-	F5H120		0	REMOTE CONTROL BACK PLATE TO PREVENT INTERFERENCE WITH PADDED SIDE OF BOAT.
-	F5H131		0	PORT SIDE DECAL KIT CONVERTS 5H130 CONTROL BOX TO PORT SIDE MOUNTING.
-	F590		0	REMOTE CONTROL - FLUSH MOUNT FLUSH MOUNT CONTROL UNIT PERMITS REMOTE CONTROL OF THROTTLE AND GEAR SHIFT. MAY BE MOUNTED ON PORT OR STARBOARD SIDE OF BOAT.
-	865		0	REMOTE CONTROL - SURFACE MOUNT PERMITS REMOTE CONTROL OF THROTTLE AND GEAR SHIFT ON TWIN ENGINE INSTALLATIONS. MAY BE MOUNTED ON PORT OR STARBOARD SIDE OF BOAT.
-	F5H079		0	SINGLE REMOTE CONTROL BOX PERMITS REMOTE CONTROL OF THROTTLE AND GEAR SHIFT. CONSOLE MOUNTED.
-	F5H080		0	TWIN REMOTE CONTROL BOX PERMITS REMOTE CONTROL OF THROTTLE AND GEAR SHIFT - TWO ENGINES. CONSOLE MOUNTED.
-	F195/___		0	REMOTE CONTROL CABLES CONNECTS REMOTE CONTROL BOX TO THROTTLE AND GEAR SHIFT ON ENGINE. AVAILABLE IN 6 THROUGH 40 FOOT LENGTHS.
-	F5H132		0	REMOTE CONTROL HANDLE TRIM SWITCH HAS POWER TRIM CONTROL SWITCH IN HANDLE. REPLACES STANDARD CONTROL LEVER ON 5H130 CONTROL BOX.
-	F5H108		0	STEERING CONNECTOR CLEVIS TYPE FOR BOAT MOUNTED STEERING AND NONTHEADED CABLE END.
-	F5H094		0	STEERING LINK KIT CONNECTS STEERING CABLE TO ENGINE WHEN USING ENGINE MOUNTED STEERING SYSTEM.
-	F5H018		0	DUAL STEERING CONNECTOR PERMITS DUAL ENGINE INSTALLATIONS.
-	F5H026		0	STEEL, 6 GALLON FUEL TANK (LOW PROFILE) AUXILIARY TANK.
-	F5H029		0	TANK ANCHOR SECURES 5H026 TO BOAT.
-	F5H040		0	STEEL, 12 GALLON FUEL TANK AUXILIARY TANK.
-	F5H019		0	ANTI-CORROSION KIT ELECTRICAL KIT FOR MOUNTING ON BOAT (12V) TO REDUCE CORROSION.
-	F5H025		0	ANTI-CORROSION SACRIFICIAL ANODE KIT USED TO REDUCE CORROSION.
-	F5H043		0	OVERHEAT BUZZER SOUNDS WARNING BUZZER IF ENGINE OVERHEATS.
-	F5H161		0	POWER TRIM INDICATOR INDICATES ENGINE TRIM ANGLE.
-	F5H134		0	BOAT WHITE LACQUER ENGINE TOUCH-UP PAINT IN 12 3/4 OZ. SPRAY BOMBS (6 CANS PER CASE).
-	F5H044		0	TILT STOP KIT LIMITS TILTING ANGLE.

CONTINUED ON NEXT PAGE ➡

SPECIAL TOOLS - ACCESSORIES

REF. NO.	PART NO.	SYM.	QTY.	DESCRIPTION
-	F5H068		0	RFI SUPPRESSION KIT PROVIDES RADIO NOISE SUPPRESSION.
-	F5H151		0	SHOCK ABSORBER KIT TO PROVIDE SHOCK PROTECTION WHEN HITTING UNDERWATER OBJECT.
-	F5H081		0	BATTERY CABLE LONGER LENGTH - 15 FEET.
-	F5H157		0	VOLTMETER - FLUSH MOUNT INDICATES BATTERY CONDITION.
-	F5H021		0	EXTENSION CABLE FOR LENGTHENING BATTERY CABLE 6 1/2 FEET.
-	F71H26		0	BATTERY TERMINAL KIT FOR POSITIVE AND NEGATIVE BATTERY POSTS.
-	71H25		0	CHARGE INDICATOR LAMP GLOWS GREEN WHEN ALTERNATOR IS RECHARGING BATTERY.
-	F5H037		0	CIGAR LIGHTER FOR USE AS CONVENIENCE OUTLET.
-	5H158		0	FUEL GAUGE FLUSH MOUNT MONITORS FUEL SUPPLY.
-	5H145		0	HYDRAULIC TILT HYDRAULIC UNIT TO RAISE AND LOWER THE LOWER UNIT WHEN BEACHING OR TRAILERING BOAT.
-	479		0	HEAT LAMP KIT GLOWS RED IF ENGINE OVERHEATS. DO NOT USE HEAT LAMP AND TEMPERATURE GAUGE IN SAME INSTALLATION.
-	F5H119		0	PROPELLER SPACER (FLARED) REDUCES PROPELLER VENTILATION ON SOME HULLS.
-	F5H159		0	HOURLMETER RECORDS ENGINE RUNNING TIME.
-	F5H077		0	IGNITION KEY SWITCH SHORT BARREL WITH KEYS.
-	F5H078		0	IGNITION KEY SWITCH LONG BARREL WITH KEYS.
-	F762		0	REMOTE ELECTRIC CABLE 25 FOOT CABLE FOR LARGE BOATS.
-	F5H070		0	REMOTE ELECTRIC CABLE 21 FOOT CABLE FOR LARGE BOATS.
-	F5H028		0	SENDING UNIT FOR USE WITH 5H008 FUEL GAUGE & 5H040 12 GAL. FUEL TANK.
-	F5H156		0	TEMPERATURE GAUGE FLUSH MOUNT MONITORS ENGINE TEMPERATURE. DO NOT USE TEMPERATURE GAUGE AND HEAT LAMP IN SAME INSTALLATION.
-	F5H153		0	TACHOMETER FLUSH MOUNT MONITORS ENGINE R.P.M. TO PROVIDE CHECK OF ENGINE PERFORMANCE.
-	F5H149		0	POWER TRIM ADJUSTS ENGINE TRIM AND TILTS ENGINE.
-	F5H155		0	SPEEDOMETER FLUSH MOUNT MONITORS BOAT SPEED (10 - 65 M.P.H.).
-	F5H154		0	SPEEDOMETER FLUSH MOUNT MONITORS BOAT SPEED (10 - 50 M.P.H.).
-	F5H115		0	TRAILERING TILT LOCK SECURES ENGINE IN HALF TILT POSITION FOR TRAILERING.
-	F5H076		0	SWITCH EXTENSION CABLE - 5 FT. ALLOWS INSTALLATION OF IGNITION SWITCH IN 5H130 CONTROL BOX WITH 563 TERMINAL BLOCK.
-	F5H030		0	SWITCH KIT - RUNNING LIGHTS DASH MOUNTED TOGGLE SWITCH.

CONTINUED ON NEXT PAGE ➡

SPECIAL TOOLS - ACCESSORIES

REF. NO.	PART NO.	SYM.	QTY.	DESCRIPTION
-	F5H031		0	SWITCH KIT - SPOT LIGHT DASH MOUNTED TOGGLE SWITCH.
-	F5H032		0	SWITCH KIT - WIPER DASH MOUNTED TOGGLE SWITCH.
-	F5H034		0	SWITCH KIT - BILGE PUMP DASH MOUNTED TOGGLE SWITCH.
-	F5H035		0	SWITCH KIT - HORN DASH MOUNTED TOGGLE SWITCH. (MOMENTARY).
-	F5H036		0	SWITCH KIT - TACHOMETER TRANSFER DASH MOUNTED TOGGLE SWITCH FOR ONE TACHOMETER ON DUAL ENGINE INSTALLATION.
-	F5H038		0	SWITCH KIT - IGNITION SWITCH TO MOUNT IGNITION SWITCH ON DASH.
-	F5H039		0	SWITCH KIT - INSTRUMENT LIGHT DASH MOUNTED TOGGLE SWITCH.
-	F563		0	TERMINAL BLOCK KIT DOUBLE ROW 10 SECTION TO SIMPLIFY ACCESSORY INSTALLATION.
-	F5H075		0	WIRING HARNESS - IGNITION SWITCH (24") USE WITH 563 TERMINAL BLOCK.
-	F596		0	CHRYSLER OUTBOARD OIL SEE NOTE 1
-	F597		0	CHRYSLER OUTBOARD GEAR LUBE SEE NOTE 2
-	F5H059		0	CHRYSLER OUTBOARD MULTI-PURPOSE GREASE LUBRICATES BEARINGS AND OTHER MOVING PARTS. AVAILABLE IN 8 OZ. TUBES AND 12 TUBE CASES.
-	F5H060		0	CHRYSLER OUTBOARD GREASE GUN

PARTS INDEX

Part Number	Description	Pg.	Ref. No.	Part Number	Description	Pg.	Ref. No.
15169	FRAME AND FIELD ASSEMBLY	15	10	F10168	THROTTLE SHAFT AND LEVER	29	64
479	HEAT LAMP KIT	70	-	F10169	THROTTLE SHUTTER	29	61
5H145	HYDRAULIC TILT	70	-	F10170	VALVE ASSY./INLET	29	78
5H158	FUEL GAUGE FLUSH MOUNT	70	-	F10171	SEAT VALVE	29	79
71H25	CHARGE INDICATOR LAMP	70	-	F10172	THROTTLE SHAFT RETURN SPRING	29	65
817747--1	BALL JOINT W/STUD	21	28	F10173	JET ASSY./MAIN FUEL (.074)	29	72
817747--1	BALL JOINT W/STUD	27	28	F10175	JET	29	84
817747--1	BALL JOINT W/STUD	33	18	F10176	TUBE, IDLE	31	108
817783A5	SWIVEL BRACKET	45	60	F1038	SLOTTED PAN HD. SCREW 1/4 - 20 X 3/4	13	47
817786A1	DISTRIBUTOR PULLEY W/STOP NUT, WASHER AND LITERATURE	17	3	F1059	FILL HD SCREWS, S.S., 6 - 32 X 1/4	23	70
817787A1	CYLINDER DRAIN COVER	35	42	F1059	FILL HD SCREWS, S.S., 6 - 32 X 1/4	29	70
817788A3	SPACER PLATE	35	67	F1064	FILL HD SCREWS, S.S., 8 - 32 X 3/8	25	101
817822A1	DISTRIBUTOR - COMPLETE.	17	-	F1064	FILL HD SCREWS, S.S., 8 - 32 X 3/8	31	101
817892--1	PLATE, IGNITION SWITCH, CANADA (NOT SHOWN)	9	-	F1072	FILL HD SCREW, 1/4 - 20 X 1-3/4	25	93
817892--1	PLATE, IGNITION SWITCH, CANADA (NOT SHOWN)	11	-	F1072	FILL HD SCREW, 1/4 - 20 X 1-3/4	31	93
817959A3	INTAKE MANIFOLD	21	25	F1099	FILL HD SCREW, 1/4 - 20 X 1-1/4	33	13
817959A3	INTAKE MANIFOLD	27	25	F1108	FILL HD SCREW W/LOCKWASHER, 1/4 - 20 X 3/4	21	11
865	REMOTE CONTROL - SURFACE MOUNT	69	-	F1108	FILL HD SCREW W/LOCKWASHER, 1/4 - 20 X 3/4	27	11
89396A38	PRIME BULB	55	9	F1110	FILL HD SCREW, 1/4 - 20 X 5/8	37	77
A611396	DECAL, STARBOARD	3	-	F1199	HEX CAP SCREW, 1/4 - 20 X 1	33	15
A611397	DECAL, PORT	3	7	F1203	HEX CAP SCREW, 1/4 - 20 X 7/8	61	16
F1009	HEX BOLT, 3/8 - 16 X 2-3/4	33	3	F1236	HEX HD SCREW, 1/4 - 20 X 1/2	21	42
F10090	GASKET, FUEL BOWL RETAINING SCREW	29	73	F1236	HEX HD SCREW, 1/4 - 20 X 1/2	27	42
F10127	FUEL BOWL	29	74	F1263	HEX SOCKET HD CAP SCREW, 5/16 - 18 X 9/16	43	13
F10135	FLOAT	29	77	F1280	PAN HD SCREW, 8 - 32 X 1/4	9	52
F10136	FLOAT LEVER PIN	29	76	F1280	PAN HD SCREW, 8 - 32 X 1/4	59	42
F10137	MAIN NOZZLE	29	75	F1280	PAN HD SCREW, 8 - 32 X 1/4 (TERMINAL BOARD) NOT SHOWN	59	-
F10138	FUEL BOWL GASKET	29	82	F1280	PAN HD SCREW, 8 - 32-1/4	43	20
F1014	COTTER PIN	23	66	F1286	SLOTTED PAN HD SCREW, 8 - 32 X 1/4	11	15
F1014	COTTER PIN	29	66	F1286	PAN HD SCREW, 4 - 40 X 3/16	35	40
F1014	COTTER PIN (856H2K, 856B2K)	45	66	F1310	ROUND HD SCREW, 10 - 24 X 5/8	61	22
F10140	SHUTTER SCREW W/LOCKWASHER	31	96	F1341	HEX NUT, 1/4 - 20	33	22
F10141	IDLE SCREW SPRING	31	85	F1341	NUT, 1/4 - 20	13	53
F10142	SPRING, FLOAT SUPPORT	31	106	F1346	HEX NUT, 3/8 - 16	33	6
F10143	CHOKE SHAFT RETURN SPRING	29	81	F1346	HEX NUT, 3/8 - 16	43	32
F10145	SPRING, COMPRESSION	31	107				
F10146	IDLE SCREW	31	86				
F1015	COTTER PIN	51	47				
F10152	BODY CHANNEL CUP PLUG	29	58				
F10153	BODY CHANNEL WELCH PLUG	29	57				
F10155	THROTTLE SHUTTER SCREW AND LOCKWASHER	29	60				
F10156	ELBOW	27	4				
F10159	CHOKE SHAFT AND LEVER	29	80				
F10161	CHOKE SHUTTER	31	97				
F10164	FUEL FITTING	29	45				
F10167	RING, RETAINING	31	105				

PARTS INDEX

Part Number	Description	Pg.	Ref. No.	Part Number	Description	Pg.	Ref. No.
F14006-2	CAP BASE	19	40	F1513	HEX NUT, 10 - 32	11	26
F14007	CAP SCREW	17	36	F1513	HEX NUT, 10 - 32	21	33
F14011-1	CAP COVER	17	37	F1513	HEX NUT, 10 - 32	27	33
F14012-1	BRUSH	19	42	F1513	HEX NUT, 10 - 32	33	16
F14015	CAP CLIP RIVET	17	20	F1515	HEX NUT, 5/16 - 18	7	37
F14017	TERMINAL INSULATOR (OUTSIDE)	17	16	F1515	HEX NUT, 5/16 - 18	11	29
F14020-1	CAP SEAL	19	39	F1515	HEX NUT, 5/16 - 18	23	56
F14024	SPACER	19	45	F1515	HEX NUT, 5/16 - 18	29	56
F14025	SPACER	17	4	F15162	HEX LOCK NUT, 1/4 - 20 W/LOCKWASHER	15	12
F14028	THRUST WASHER	17	5	F15165	BRUSH TERMINAL SET	15	11
F14029	THRUST WASHER	17	7	F15167	HEAD ASSEMBLY DRIVE END	15	7
F14030	CAP GASKET	19	41	F15168	THRU BOLT PACKAGE	15	14
F14036	SWIVEL	17	22	F1528	WELCH PLUG	43	41
F14037	CAP CLIPS	17	23	F1532	HEX HD SCREW, 1/4 - 20 X 1	23	47
F14038	CAP CLIP SCREWS	17	24	F1532	HEX HD SCREW, 1/4 - 20 X 1	29	47
F14040	VENT	17	38	F1532	HEX HD SCREW, 1/4 - 20 X 1	35	43
F14041	EXTERNAL TOOTH LOCKWASHER	17	17	F154317	CABLE CLAMP	57	23
F14042	DISTRIBUTOR HOUSING W/BEARINGS	17	21	F1550	SLOTTED PAN HD. SCREW #12 - 24 X 1	13	60
F14043	DISTRIBUTOR SHAFT	19	44	F1556	FILL HD SCREW W/LOCKWASHER, 10 - 24 X 3/8	33	23
F14045	SCREW	17	28	F1557	FLAT HD SCREW, 10 - 24 X 3/8	57	25
F14046	TERMINAL SCREW	17	26	F1577	FILL HD SCREW, 1/4 - 20 X 3/4	49	20
F14047	TERMINAL INSULATOR (INSIDE)	17	29	F1593	HEX HD SCREW, 3/8 - 16 X 3	43	30
F14049	TERMINAL INSULATOR (OUTSIDE)	19	46	F1612	HEX CAP SCREW, 3/8 - 16 X 1-1/4	17	8
F14056	SCREW	17	30	F1641	LOCK NUT, 1/4 - 28	15	6
F1425	HEX CAP SCREW, 1/4 - 20 X 2-5/8	51	63	F1645	RD HD SCREW, 6 - 32 X 1/4	7	39
F1425	HEX CAP SCREW, 1/4 - 20 X 5/8	53	-	F1645	RD HD SCREW, 6 - 32 X 1/4	11	5
F1461	SCREW #6 X 7/8	59	40	F1645	RD HD SCREW, 6 - 32 X 1/4	23	51
F1473	HEX NUT, 10 - 24	3	31	F1645	RD HD SCREW, 6 - 32 X 1/4	29	51
F1475	FILL HD SCREW, 10 - 24 X 1/2	33	20	F1647	HEX NUT, 10 - 32	37	76
F1491	HEX CAP SCREW, 5/16 - 18 X 3-1/4	51	41	F1647	HEX NUT, 8 - 32	7	20
F15034	SPRING SET	15	20	F1647	HEX NUT, 8 - 32	11	8
F1504	FILL HD SCREW, 1/4 - 20 X 1-1/4	25	91	F1647	HEX NUT, 8 - 32	17	18
F1504	FILL HD SCREW, 1/4 - 20 X 1-1/4	31	91	F1648	PAN HD SCREW, 10 - 24 X 3/4	7	24
F1504	FILL HD SCREW, 1/4 - 20 X 1-1/4	33	21	F1648	PAN HD SCREW, 10 - 24 X 3/4	11	20
F15057	BRUSH PLATE AND HOLDER	15	19	F1664	SPRING PIN	43	11
F15080	SPRING	15	3	F1666	BOWED SPRING WASHER (856H2K, 856B2K)	43	26
F15099	ARMATURE	15	9	F1669	LOCK NUT (856H2K, 856B2K)	45	43
F15100	BENDIX	15	5	F1689	HEX HD CAP SCREW, 1/4 - 20 X 1/2	7	5
F15110	CLUTCH ASSEMBLY	15	4	F1692	WOODRUFF KEY	19	43
F15111	NUT, STOP RETAINING	15	1	F1693	TIE BAR RETAINER	25	100
F15112	STOP, PINION	15	2	F1693	TIE BAR RETAINER	31	100
F15125	HEAD ASSEMBLY, COMMUTATOR END	15	18	F1696	HEX BOLT, 5/16 - 18 X 1-3/4	43	24
F15126	THRUST WASHER PACKAGE	15	8	F1699	HEX HD SCREW, 1/4 - 20 X 1-1/8	21	27
F1513	HEX NUT	7	8	F1699	HEX HD SCREW, 1/4 - 20 X 1-1/8	27	27
F1513	HEX NUT	57	3	F17006	DETENT SPRING	57	18

PARTS INDEX

Part Number	Description	Pg.	Ref. No.	Part Number	Description	Pg.	Ref. No.
F17009	BEARING	57	14	F1733	PAN HD SCREW, 10 - 24 X 9/16	3	2
F17010-1	THROTTLE GEAR	57	16	F1734	FILL HD MOUNTING SCREW AND LOCKWASHER, 1/4 - 20 X 1/2	61	26
F17011	BOWED WASHER	57	15	F1734	FILL HD SCREW W/LOCKWASHER, 1/4 - 20 X 1/2	7	29
F17012	RETAINING PLATE	57	13	F1734	FILL HD. SCREW, 1/4 - 20 X 1/2	11	12
F17013	FILL HD SCREW, 1/4 - 20 X 1/2	57	11	F1741	PAN HD SCREW, 8 X 3/4	9	53
F17014	THROTTLE ARM	57	10	F1741	PAN HD SCREW, 8 X 3/4	13	49
F17016	CABLE TERMINAL	57	9	F1741	THREAD FORMING SCREW, 8 X 3/4	61	9
F17019	CLUTCH ARM	57	5	F1744	SPRING PIN (856H2K, 856B2K)	45	48
F17021	CLUTCH GEAR	57	19	F1744	SPRING PIN (856H2K, 856B2K)	45	55
F17026	SWIVEL	57	24	F17500	SPRING SET	61	4
F1703	SPRING LOCKWASHER	35	65	F17504	BRUSH SET	61	3
F1703	SPRING LOCKWASHER	45	78	F17505	RESERVOIR AND BRACKET W/SEAL	61	14
F17030-1	SET SCREW	57	31	F17508	THRUST WASHER	61	11
F17031-1	SNAP CAP	57	28	F17510	O-RING	61	13
F17036	INTERNAL TOOTH LOCKWASHER	57	6	F17518	FILTER CAP	61	12
F1704	INTERNAL TOOTH LOCKWASHER	11	4	F17522	O-RING	61	21
F1704	INTERNAL TOOTH LOCKWASHER	23	50	F17528	O-RING	63	46
F1704	INTERNAL TOOTH LOCKWASHER	29	50	F17539	BALL	61	2
F1705	HEX CAP SCREW, 1/4 - 20 X 3/4	7	38	F17543	HEAD ASSEMBLY, COMMUTATOR END	61	1
F1705	HEX CAP SCREW, 1/4 - 20 X 3/4	11	27	F1755	RD HD SCREW W/LOCKWASHER, 6 - 32 X 5/16	21	17
F1705	HEX CAP SCREW, 1/4 - 20 X 3/4	49	1	F1755	RD HD SCREW W/LOCKWASHER, 6 - 32 X 5/16	27	17
F1705	HEX SLOT HD SCREW, 1/4 - 20 X 3/4	43	3	F17555	ARMATURE	61	7
F17068	DETENT SPRING	57	37	F17556	FIELD AND FRAME ASSEMBLY	61	6
F17071	FILL HD SCREW, 10 - 24 X 5/16	57	22	F17557	GASKET	61	5
F1708	HEX HD CAP SCREW, 1/4 - 20 X 1-3/8	3	15	F17558	THRU-BOLT PACKAGE	63	43
F1708	HEX HD SCREW, 1/4 - 20 X 1-3/8	39	100	F17560	HEAD ASSEMBLY	63	47
F17082-1	DETENT BALL	57	38	F17562-1	PISTON ASSEMBLY	63	45
F17092	SNAP RING	57	21	F17563	MOTOR AND RESERVOIR	61	20
F17099	HOUSING	57	36	F17564	VALVE BODY AND PUMP	61	17
F17100	CLUTCH SHAFT	57	20	F17565	DRIVE GEAR	61	19
F17103	BAG ASSEMBLY (NOT SHOWN)	59	-	F17566	IDLE GEAR	61	18
F17105	FELT WASHER	57	33	F17577	ADAPTER FITTING PACKAGE	61	42
F17106	COLLAR	57	34	F1759	SHIM, DISTRIBUTOR (QTY. AS REQUIRED)	17	15
F17111	DETENT BALL	57	17	F1760	PAN HD SCREW, 10 - 24 X 3/8	7	36
F17112	JUNCTION BOARD, STARBOARD	57	26	F1760	PAN HD SCREW, 10 - 24 X 3/8	17	13
F17113	JUNCTION BOARD, PORT	57	-	F1760	PAN HD SCREW, 10 - 24 X 3/8	25	88
F1713	SPRING PIN	49	26	F1760	PAN HD SCREW, 10 - 24 X 3/8	31	88
F17146	WOOD SCREW	57	35				
F17148	DECAL, STARBOARD	57	27				
F17149	COTTER PIN	57	8				
F1715	HEX BOLT, 1/4 - 28 X 9/16	57	7				
F1727	PLASTIC RIVET	33	25				
F1729	PLUG	43	9				
F1730	PAN HD SCREW, W/SPRING LOCKWASHER, 1/4 - 20 X 5/8	3	5				

PARTS INDEX

Part Number	Description	Pg.	Ref. No.	Part Number	Description	Pg.	Ref. No.
F1760	SLOTTED PAN HD SCREW, 10 - 24 X 3/8	13	40	F1871	HEX HD SCREW, 3/8 - 16 X 3/4	45	79
F177330	FUEL PUMP VALVE	21	8	F1872	HEX BOLT, 3/8 - 16 X 1-3/4	33	14
F177330	FUEL PUMP VALVE	27	8	F1873	HEX BOLT, 3/8 - 16 X 3	33	5
F177350	REVERSE LOCK PIN (856H2K, 856B2K)	45	49	F1877	TY-RAP	7	14
F1778	PLAIN WASHER	17	9	F1877	TY-RAP (NOT SHOWN)	13	64
F178145-3	MOTOR LEG COVER, REAR	43	10	F1877	TY-RAP (NOT SHOWN)	63	-
F17815	SEAL, FUEL LINE COUPLER (SMALL)	55	5	F1883	HEX BOLT, 5/16 - 18 X 2-3/8	37	72
F17816	SEAL, FUEL LINE COUPLER (LARGE)	55	4	F1885	HEX BOLT, 5/16 - 18 X 4-1/4	35	56
F17817	SEAL, FUEL TANK ADAPTER	55	12	F1885	HEX CAP SCREW, 5/16 - 18 X 4-1/4	49	6
F178323	SEAL, MOTOR LEG	43	15	F1892	STOP NUT	7	11
F178344	BUSHING, SHOCK ABSORBER UPPER	61	41	F1904	PLAIN WASHER	43	31
F178362	BEARING	61	35	F1907	PLAIN WASHER	49	7
F178446	CLAMP	61	10	F1910	STOP NUT, 1/4 - 20	21	30
F1788	STOP NUT	49	15	F1910	STOP NUT, 1/4 - 20	27	30
F18160-2	REED	35	37	F19109	PLUG	37	83
F1822	HEX BOLT, 5/16 - 18 X 7/8	45	73	F19109	PLUG, GEAR HOUSING	51	31
F1822	HEX CAP SCREW, 5/16 - 18 X 7/8, STAINLESS STEEL	63	52	F1912	HEX HD SCREW, 10 - 24 X 1/2	45	81
F1832	NUT, LOCK 1/4 - 20	13	57	F1916	HEX HD SCREW, 1/4 - 20 X 1-1/8	39	87
F1832	STOP NUT, 1/4 - 20	35	61	F1922	HEX CAP SCREW, 1/4 - 20 X 5/8	21	3
F1836	SPRING PIN (856H2K, 856B2K)	45	65	F1922	HEX CAP SCREW, 1/4 - 20 X 5/8	27	3
F184033-1	CHOKE ARM SWIVEL	23	69	F1922	HEX HD SCREW, 1/4 - 20 X 5/8	15	16
F184033-1	CHOKE ARM SWIVEL	29	69	F1922	HEX HD SCREW, 1/4 - 20 X 5/8	35	46
F184579	SEAL, CHOKE ARM SWIVEL	23	68	F1922	HEX SLOT HD SCREW, 1/4 - 20 X 5/8	3	16
F184579	SEAL, CHOKE ARM SWIVEL	29	68	F1931	STOP NUT, 1/2 - 20, STAINLESS STEEL	63	49
F1851	FILL HD SCREW W/LOCKWASHER, 10 - 24 X 1/2	7	1	F1934	FLAT HD SCREW, 6 X 1/2	11	21
F1854	HEX CAP SCREW, 1/4 - 20 X 5/8	3	26	F1934	FLAT HD SLOTTED SCREW, 6 X 1/2	9	48
F1856	PLAIN WASHER	53	72	F1936	SPACER, BEVEL GEAR FRONT .059	49	28
F1857	HEX CAP SCREW, 5/16 - 18 X 5/8	3	19	F1937	SPACER, BEVEL GEAR FRONT .062	49	-
F1857	HEX CAP SCREW, 5/16 - 18 X 5/8	5	34	F1938	SPACER, BEVEL GEAR FRONT .065	49	-
F1858	HEX CAP SCREW, 5/16 - 18 X 1	3	20	F1939	SPACER, BEVEL GEAR FRONT .068	49	-
F1858	HEX CAP SCREW, 5/16 - 18 X 1	51	39	F1940	SPACER, BEVEL GEAR FRONT .071	49	-
F1860	SLOTTED BINDING HD SCREW, 6 - 32 X 1/4	21	7	F1941	SPACER, BEVEL GEAR FRONT .074	49	-
F1860	SLOTTED BINDING HD SCREW, 6 - 32 X 1/4	27	7	F1942	SPACER, BEVEL GEAR FRONT .077	49	-
F1864	HEX CAP SCREW, 1/4 - 20 X 3/4	3	11	F195/_	REMOTE CONTROL CABLE (SPECIFY LENGTH)	57	4
F1864	HEX HD SCREW, 1/4 - 20 X 3/4	33	8	F195/_	REMOTE CONTROL CABLES	69	-
F1864	HEX HD SCREW, 1/4 - 20 X 3/4	35	52	F1950	HEX HD SCREW, 10 - 24 X 5/8	39	92
F1866	PLAIN WASHER	49	16	F1959	FERRY HD CAP SCREW, 1/4 - 20 X 1-3/4, STAINLESS STEEL	61	24
F1867	HEX CAP SCREW, 3/8 - 16 X 1 (856H2K, 856B2K, 858H2F, 858B2F)	41	19	F1960	PLAIN WASHER	63	50
F1869	HEX BOLT, 3/8 - 16 X 1-1/4	35	64				

PARTS INDEX

Part Number	Description	Pg.	Ref. No.	Part Number	Description	Pg.	Ref. No.
F1963	ELASTIC STOP NUT, 5/8 - 18	61	34	F2089	SLOTTED PAN HD MACHINE SCREW, 10 - 24 X 5/16	35	58
F1966	PLUG, SWIVEL BRACKET	61	15	F2090	PLUG	35	68
F1968	FLYWHEEL NUT	41	21	F2093	STOP NUT, 3/8 - 24	43	16
F1968	HEX NUT, 3/4 - 16	13	62	F2106	LOCKWASHER	13	55
F1975	LOCKWASHER	11	18	F2107	FILL HD SCREW, 10 - 24 X 5/8	7	23
F1975	SPRING LOCKWASHER	7	9	F2108	LOCK NUT, 5/16 - 18	45	84
F1975	SPRING LOCKWASHER	17	12	F2108	STOP NUT, 5/16 - 18	35	59
F197787-3	FUEL LINE COUPLER	55	6	F2113	SPACER, BEVEL GEAR FRONT .080	49	-
F197813	BEARING (856H2K, 856B2K)	45	68	F2114	SPACER, BEVEL GEAR FRONT .083	49	-
F1987	PLAIN WASHER	37	71	F2115	SPACER, BEVEL GEAR FRONT .086	49	-
F1987	PLAIN WASHER	47	85	F2116	SPACER, BEVEL GEAR FRONT .089	49	-
F1990	HEX CAP SCREW	53	-	F2121	SPACER, BEVEL GEAR FRONT .057	49	-
F1990	HEX CAP SCREW, 1/4 - 20 X 1-5/8	51	61	F2122	SPACER, BEVEL GEAR FRONT .054	49	-
F1994	HEX SOCKET HD CAP SCREW, 5/16 - 18 X 1	51	37	F213274	GREASE FITTING	17	11
F1997	STOP NUT, 8 - 32	23	59	F213274	GREASE FITTING	45	61
F1997	STOP NUT, 8 - 32	29	59	F215962	MOUNT (SHOCK - C.D. UNIT)	11	32
F2000	HEX CAP SCREW, 5/16 - 18 X 3/4	9	44	F24278	PROPELLER SHAFT SPOOL SEAL	53	-
F2000	HEX CAP SCREW, 5/16 - 18 X 3/4	39	102	F24278	SEAL, O-RING PROPELLER SHAFT SPOOL	49	10
F2008	HEX BOLT, 1/4 - 20 X 7/8	39	88	F269319	BEARING	21	31
F2008	HEX CAP SCREW, 1/4 - 20 X 7/8	39	98	F269319	BEARING	27	31
F2008	HEX CAP SCREW, 1/4 - 20 X 7/8	51	55	F284659-2	CRANKSHAFT THRUST BEARING, UPPER	41	22
F2008	HEX HD SCREW, 1/4 - 20 X 7/8	21	26	F286461	SPRING LOCK BAR HANDLE (856H2K, 856B2K)	45	53
F2008	HEX HD SCREW, 1/4 - 20 X 7/8	27	26	F289446-1	CLAMP	7	27
F2008	HEX HD. M. SC., 1/4 - 20 X 7/8	13	44	F289446-1	CLAMP, REMOTE ELEC. CABLE TO BRACKET	11	11
F2014	PLAIN WASHER	47	87	F298788	FERRULE	55	7
F2015	HEX NUT, 1/4 - 28	33	30	F2A404757	CYLINDER DRAIN REED PLATE	35	36
F2016	FILL HD SCREW, 6 - 32 X 7/8	23	53	F2A498662	BEVEL GEAR REAR W/BEARING CAGE, SPACER AND BEARING	49	22
F2016	FILL HD SCREW, 6 - 32 X 7/8	29	53	F2A523239	SPOOL, PROPELLER SHAFT BEARING	49	11
F2016	SLOTTED FILL HD SCREW, 6 - 32 X 7/8	11	1	F2A550706	GEAR HOUSING COVER	51	53
F2030	HEX HD SCREW, 1/4 - 20 X 1-1/4	45	77	F2A615144	CRANKSHAFT BEARING CAGE	41	23
F203276	BOOT	17	32	F307317-1	CLIP, TERMINAL BLOCK	7	33
F2033	GROOVE PIN	21	39	F307317-1	CLIP, TERMINAL BLOCK GROUND	11	17
F2033	GROOVE PIN	27	39	F316579	SEAL, CRANKCASE	41	11
F203673	TERMINAL CLIP	17	33	F316599	SEAL, STEERING SUPPORT TUBE	43	40
F2042	PLAIN WASHER	33	31	F319908	GROUND WIRE	7	41
F2047	WAVE SPRING WASHER	3	23	F319908	WIRE, GROUND (C.D. - COIL BRACKET)	13	56
F2050	HEX HD SCREW, 1/4 - 20 X 1-1/2	21	36	F321756	PACKING	3	27
F2050	HEX HD SCREW, 1/4 - 20 X 1-1/2	27	36	F321841-3	LEAD WIRE	17	35
F2066	PAN HD TAPPING SCREW, 10 X 7/16	5	35	F333316	THROTTLE ROLLER SHAFT	23	62
F2067	PLASTISOL CAP (NOT SHOWN) FOR EXPOSED THREADS OF CRANKSHAFT	41	-				
F2081	HEX SO. HD CAP SC., 1/4 - 20 X 3/4 (858H3G)	41	24				
F2088	FASTENER	3	29				

PARTS INDEX

Part Number	Description	Pg.	Ref. No.	Part Number	Description	Pg.	Ref. No.
F333316	THROTTLE ROLLER SHAFT	29	62	F409251-1	GAUGE CAP	55	1
F333480-1	RETAINER, ENGINE COVER	5	37	F433114	HANDLE, LOCK BAR (856H2K, 856B2K)	45	54
F335215	SPACER, PISTON PIN (2 PER PISTON)	41	3	F433209-1	STUD	21	34
F335217-1	BEARING PISTON PIN (26 PER SET)	41	5	F433209-1	STUD	27	34
F335654-1	DEFLECTION STOP	3	17	F433253	HOSE	35	45
F338618-1	COUPLER, GEARSHIFT ROD	45	70	F438066	BY-PASS VALVE COVER	39	93
F338618-1	GEAR SHIFT ROD SEAL	53	-	F438129	SEAL, DRIVESHAFT SPLINE	53	71
F338618-1	SEAL, GEAR SHIFT ROD	51	56	F438165	SCREW, FUEL PUMP BOWL	21	16
F345475-1	COIL	7	3	F438165	SCREW, FUEL PUMP BOWL	27	16
F345683	WIRE, GROUND (RECTIFIER TO STARTER BOLT)	13	51	F438169	BEARING	45	46
F345683	WIRE, REGULATOR- RECTIFIER GROUND	7	19	F438271	RETAINER, CRANKSHAFT SPLINE SEAL	53	70
F351307	SEAL, WATER PUMP	51	64	F438346	SHOCK MOUNT, LOWER	45	74
F353480	STUD	43	33	F438398-1	DECAL, WIRING - (856H2K, 856B2K, 858H2F, 858B2F)	39	86
F369349	REVERSE LOCK (856H2K, 856B2K)	45	44	F438500	FUEL SEDIMENT BOWL	21	15
F369364	REVERSE LOCK ARM (856H2K, 856B2K)	45	64	F438500	FUEL SEDIMENT BOWL	27	15
F369450	RECTIFIER	11	9	F438617	FUEL SEDIMENT BOWL GASKET	21	13
F369510	LINK (856H2K, 856B2K)	45	47	F438617	FUEL SEDIMENT BOWL GASKET	27	13
F369529-1	CYLINDER HEAD GASKET	37	-	F438653	FUEL SEDIMENT BOWL SCREEN	21	14
F369529-1	CYLINDER HEAD GASKET	37	-	F438653	FUEL SEDIMENT BOWL SCREEN	27	14
F369529-1	CYLINDER HEAD GASKET	39	84	F438668	RETAINER	13	66
F369610	BEARING	35	55	F438668	RETAINER, CABLE CLAMP	7	28
F369827	HANDLE AND SHAFT (856H2K, 856B2K)	45	69	F438744-1	WIRING HARNESS	7	30
F369887	SHOULDER SCREW	35	54	F438747	FUEL PUMP DIAPHRAGM	21	6
F369977-1	INTERLOCK ARM	35	63	F438747	FUEL PUMP DIAPHRAGM	27	6
F381896-4	BATTERY CABLE	9	45	F438754	FUEL LINE	23	44
F381896-4	BATTERY CABLE	11	34	F438754	FUEL LINE	29	44
F391926-1	CHOKE SOLENOID PLUNGER	21	40	F438760	FUEL PUMP GASKET	21	2
F391926-1	CHOKE SOLENOID PLUNGER	27	40	F438760	FUEL PUMP GASKET	27	2
F391983	BAND, RETAINING	7	6	F438801	FITTING	21	12
F3A523158	REED PLATE	21	21	F438801	FITTING	27	12
F3A523158	REED PLATE	27	21	F438841-1	LEAD WIRE - CANADA MODEL ONLY	17	-
F3C611944	ENGINE COVER COMPLETE	3	-	F438905	COIL WIRE - CANADA MODEL ONLY	17	-
F3C616944	ENGINE COVER COMPLETE	3	-	F438930	RETAINER, SNOUT	51	36
F40209	CARBURETOR STUD	23	55	F438962	SHOCK MOUNT SLIDE	43	12
F40209	CARBURETOR STUD	29	55	F439736	SEAL EXHAUST TUBE	43	8
F40223	GASKET, TRANSFER PORT COVER	35	48	F448446	CLAMP, TRIM SWITCH CABLE	59	41
F40223	TRANSFER PORT COVER GASKET	35	-	F448543	KNOB	57	29
F40223	TRANSFER PORT COVER GASKET	37	-	F448611-1	LEVER, REMOTE CONTROL	57	30
F40278	SEAL, CYLINDER	61	31	F448894	INDICATOR - PORT	57	-
F404268	SPRING, BY-PASS VALVE	39	95	F449010	CYLINDER	61	32
F404470-1	REGULATOR-RECTIFIER	7	22	F449253-1	HYDRAULIC LINE, TRIM CYLINDER, LOWER	61	37
F404513	COIL CLAMP	7	2	F449254	HYDRAULIC LINE, TRIM CYLINDER, UPPER	61	23
F404801	FITTING	35	44	F449278	PISTON SEAL	61	30
F404841	CABLE, HEAD INDICATOR	13	52	F449342	SEAL, PISTON SHAFT	61	28
F404841	CABLE, HEAT INDICATOR	9	55	F449354	THRUST BRACKET	61	25
F40689-1	BEARING, TOWERSHAFT	35	66	F449545-2	CYLINDER HOUSING	61	33
F407446	CLAMP	9	46	F449632	SHAFT	61	36
F407446	CLAMP	11	33				

PARTS INDEX

Part Number	Description	Pg.	Ref. No.	Part Number	Description	Pg.	Ref. No.
F449758	HYDRAULIC LINE, LIFT CYLINDER, UPPER	61	39	F499995	CYLINDER HEAD COVER	37	73
F449889	SHAFT, UPPER	63	51	F500843	CABLE	61	8
F449894	INDICATOR - STARBOARD	57	32	F50109	PLUG, GEAR HOUSING	51	44
F455449	SWITCH, TRIM	57	39	F50342-1	BEARING CAGE BOLT SEAL	53	-
F460917	STARTER RELAY	7	40	F50342-1	SEAL, BEARING CAGE BOLTS	49	8
F460917	STARTER RELAY	11	23	F506118	PROPELLER SHAFT SEAL	53	-
F474073-1	CLAMP SCREW	43	35	F506118	SEAL, DRIVESHAFT	51	52
F474387	TIMING DECAL	7	18	F506118	SEAL, PROPELLER SHAFT	49	9
F475301-1	MODULE	13	45	F510374	DECAL, CIRCUIT BREAKER	7	31
F475504	BUSHING	13	42	F510374	DECAL, CIRCUIT BREAKER	13	37
F476066-1	COVER, THERMOSTAT	37	78	F510460	CIRCUIT BREAKER	7	32
F476067	GASKET, THERMOSTAT COVER	37	81	F510460	CIRCUIT BREAKER	13	38
F476067	THERMOSTAT COVER GASKET	37	-	F511125-2	TUBE, STEERING SUPPORT	43	39
F476067	THERMOSTAT COVER GASKET	37	-	F511675	STARTER BRACKET, LOWER	15	17
F480038-2	SUPPORT PLATE	3	12	F523031	GASKET, WATER PUMP	51	57
F480107-1	CAM, STARTER INTERLOCK	35	57	F523031	GASKET, WATER PUMP	53	-
F480388	DISC, WATER PUMP LOCATING	51	62	F523057	BEARING, DRIVESHAFT LOWER	51	66
F480518	CYLINDER HEAD	37	82	F523065-1	IMPELLER	53	-
F480551-1	BRACKET INTERLOCK SWITCH	23	48	F523065-1	WATER PUMP IMPELLER	51	59
F480551-1	BRACKET INTERLOCK SWITCH	29	48	F523094-2	PROPELLER NUT	49	13
F480818	BEARING, LATCH SHAFT	3	9	F523099-1	SPACER, PROPELLER	49	19
F480955	STARTER - COMPLETE	15	-	F523116-1	EXHAUST SNOUT	51	38
F481061-2	CARBURETOR COMPLETE (WB 21C)	23	83	F523133-2	MOTOR LEG	43	14
F481382-1	SPACER, LATCH SHAFT	3	24	F523146	SEAL, CRANKSHAFT LOWER	41	13
F481434	GUIDE, ENGINE COVER	3	28	F523188	NUT, BEVEL PINION RETAINING	51	34
F481567	CARBURETOR INTAKE ADAPTER	25	95	F523244	INLET WATER LINE	49	5
F481567	CARBURETOR INTAKE ADAPTER	31	95	F523273	STEERING BALL STUD	43	23
F481774	BRACKET, ENGINE COVER LATCH	3	30	F523274	GREASE FITTING	43	38
F481777	CAM, LATCH SHAFT	3	22	F523280	NUT, STEERING SUPPORT TUBE	45	50
F481836	INTAKE GASKET	25	87	F523300-1	SPRING	43	19
F481836	INTAKE GASKET	31	87	F523411	RETAINING RING	49	23
F481836	INTAKE GASKET	37	-	F523451	SPACER, REED STOP	21	19
F481836	INTAKE GASKET	37	-	F523451	SPACER, REED STOP	27	19
F481860-1	CARBURETOR, INTAKE	25	94	F523498	DRIVE KEY, WATER PUMP	53	68
F481860-1	CARBURETOR, INTAKE	31	94	F523498	KEY	53	-
F483884	BEARING (856H2K, 856B2K)	45	59	F523555	GEAR HOUSING COVER SEAL	53	-
F485755-1	FUEL TANK ADAPTER	55	3	F523555	SEAL, O-RING - GEAR HOUSING COVER	51	49
F498618	GEAR SHIFT ARM PIN SEAL	53	-	F523562	PLATE, WATER PUMP	53	-
F498618	SEAL	51	33	F523562	WATER PUMP BACK PLATE	51	58
F498891	PIN, GEAR SHIFT ARM	51	32	F523705	GEAR SHIFT ROD, LOWER	51	46
F498891	PIN, PROPELLER NUT RETAINING	49	14	F523813	BEARING CUP	49	30
F499026	SWIVEL, SPARK CONTROL (858H3G)	33	-	F523834	CLIP, SPARK PLUG WIRE (856H2K, 856B2K, 858H2F, 858B2F)	39	99
F499035	TRIGGER CONTROL ROD END (858H3G)	33	-	F523881-2	STEERING LINK	43	17
F499036	TOWERSHAFT CONTROL ROD END (858H3G)	33	-	F523899	GROMMET, WATER LINE	49	4
F499398	DECAL, WIRING - (858H3G)	39	-	F523930	RETAINER	43	22
				F523961	CRUSH RING	51	50
				F523962	SHOCK MOUNT, C.D. UNIT	7	13
				F528068	THERMOSTAT	37	80
				F529390-1	DECAL, REVERSE LOCK (856H2K, 856B2K)	45	62

PARTS INDEX

Part Number	Description	Pg.	Ref. No.	Part Number	Description	Pg.	Ref. No.
F530160	REED (5 PETAL)	21	20	F5H044	TILT STOP KIT	69	-
F530160	REED (5 PETAL)	27	20	F5H059	CHRYSLER OUTBOARD MULTI-PURPOSE GREASE	71	-
F531892	DECAL, PORT	57	-	F5H060	CHRYSLER OUTBOARD GREASE GUN	71	-
F53504	GROMMET	25	92	F5H068	RFI SUPPRESSION KIT	70	-
F53504	GROMMET	31	92	F5H070	REMOTE ELECTRIC CABLE	70	-
F545189	BUSHING, CABLE ENTRY	3	14	F5H075	WIRING HARNESS - IGNITION SWITCH (24")	71	-
F548984	BLANKET, SILENCER TOP (NOT SHOWN)	3	-	F5H076	SWITCH EXTENSION CABLE - 5 FT.	70	-
F548985	BLANKET, SILENCER SIDE (NOT SHOWN)	3	-	F5H077	IGNITION KEY SWITCH	70	-
F549189	BUSHING, ELECTRIC CABLE	3	13	F5H078	IGNITION KEY SWITCH	70	-
F563	TERMINAL BLOCK KIT	71	-	F5H078	IGNITION SWITCH (LONG BARREL) W/KEYS AND SCREWS	9	51
F581061	CARBURETOR COMPLETE (TOP) WE 4-1	29	83	F5H078	SWITCH, IGNITION (ACCESSORY ITEM)	11	16
F582061	CARBURETOR COMPLETE (MIDDLE & BOTTOM) WE 4-2	29	-	F5H079	SINGLE REMOTE CONTROL BOX	69	-
F58685-2	CONNECTOR, SHIFT CABLE	57	2	F5H080	TWIN REMOTE CONTROL BOX	69	-
F590	REMOTE CONTROL - FLUSH MOUNT	69	-	F5H081	BATTERY CABLE	70	-
F596	CHRYSLER OUTBOARD OIL	71	-	F5H094	STEERING LINK KIT	69	-
F597	CHRYSLER OUTBOARD GEAR LUBE	71	-	F5H108	STEERING CONNECTOR	69	-
F5H018	DUAL STEERING CONNECTOR	69	-	F5H115	TRAILERING TILT LOCK	70	-
F5H019	ANTI-CORROSION KIT	69	-	F5H119	PROPELLER SPACER (FLARED)	70	-
F5H021	EXTENSION CABLE	70	-	F5H119	WASHER, PROPELLER SPLINE (ACCESSORY ITEM)	49	17
F5H025	ANTI-CORROSION SACRIFICIAL ANODE	69	-	F5H120	REMOTE CONTROL BACK PLATE	69	-
F5H026	FUEL TANK (ACCESSORY ITEM)	55	2	F5H130	REMOTE CONTROL - SURFACE MOUNT	69	-
F5H026	STEEL, 6 GALLON FUEL TANK (LOW PROFILE)	69	-	F5H131	PORT SIDE DECAL KIT	69	-
F5H028	SENDING UNIT	70	-	F5H132	REMOTE CONTROL HANDLE TRIM SWITCH	69	-
F5H029	TANK ANCHOR	69	-	F5H134	BOAT WHITE LACQUER	69	-
F5H030	SWITCH KIT - RUNNING LIGHTS	70	-	F5H149	POWER TRIM	70	-
F5H031	SWITCH KIT - SPOT LIGHT	71	-	F5H151	SHOCK ABSORBER KIT	70	-
F5H032	SWITCH KIT - WIPER	71	-	F5H153	TACHOMETER FLUSH MOUNT	70	-
F5H034	SWITCH KIT - BILGE PUMP	71	-	F5H154	SPEEDOMETER FLUSH MOUNT	70	-
F5H035	SWITCH KIT - HORN	71	-	F5H155	SPEEDOMETER FLUSH MOUNT	70	-
F5H036	SWITCH KIT - TACHOMETER TRANSFER	71	-	F5H156	TEMPERATURE GAUGE FLUSH MOUNT	70	-
F5H037	CIGAR LIGHTER	70	-	F5H157	VOLTMETER - FLUSH MOUNT	70	-
F5H038	IGNITION SWITCH MOUNTING KIT (ACCESSORY ITEM)	9	49	F5H159	HOURLY METER	70	-
F5H038	IGNITION SWITCH MOUNTING KIT (ACCESSORY ITEM)	11	22	F5H161	POWER TRIM INDICATOR	69	-
F5H038	SWITCH KIT - IGNITION SWITCH	71	-	F5H173	FLUSHING ADAPTER	69	-
F5H039	SWITCH KIT - INSTRUMENT LIGHT	71	-	F615475	IGNITION COIL	13	46
F5H040	STEEL, 12 GALLON FUEL TANK	69	-	F615744	WIRING HARNESS	11	14
F5H043	BUZZER, HEAT INDICATOR, (ACCESSORY ITEM)	13	50	F616029	TRIGGER ASSY.	13	58
F5H043	OVERHEAT BUZZER	69	-	F616358	BRACKET (C.D. - COIL)	11	30
				F616843	CABLE (STATOR TO C.D.)	13	65
				F63754	HOSE INTAKE DRAIN	25	90

PARTS INDEX

Part Number	Description	Pg.	Ref. No.	Part Number	Description	Pg.	Ref. No.
F63754	HOSE INTAKE DRAIN	31	90	F8096	SPRING LOCKWASHER	9	43
F7004	STOP NUT, 3/18 - 16	33	33	F8096	SPRING LOCKWASHER	11	24
F7009	LOCK NUT, 10 - 24	39	101	F8096	SPRING LOCKWASHER	39	103
F7012	LOCK NUT, 1/2 - 20	43	29	F8096	SPRING LOCKWASHER	45	72
F7013	STOP NUT	17	2	F8096	SPRING LOCKWASHER	51	40
F71H26	BATTERY TERMINAL KIT	70	-	F8124	PLAIN WASHER	11	31
F71H26	BATTERY TERMINAL KIT (ACCESSORY ITEM)	9	47	F84011	WASHER	45	63
F71H26	BATTERY TERMINAL KIT (ACCESSORY ITEM)	13	48	F84074	CLAMP SCREW FOOT	43	34
F74305	GEAR HOUSING COVER SEAL	53	-	F84278	CRANKSHAFT BRG. SEAL CAGE SEAL	35	-
F74305	SEAL, DRIVESHAFT BEARING CAGE	51	51	F84278	CRANKSHAFT BRG. SEAL CAGE SEAL	37	-
F762	REMOTE ELECTRIC CABLE	70	-	F84278	SEAL, CRANKSHAFT BEARING CAGE	41	17
F8003	PLAIN WASHER	35	39	F84286-1	FRICTION WASHER	45	57
F8011	PLAIN WASHER	7	35	F84305	PROPELLER SHAFT SPOOL SEAL	53	-
F8011	PLAIN WASHER	13	39	F84305	SEAL, PROPELLER SHAFT BEARING SPOOL	49	12
F8026	1	31	110	F84307-1	DRIVE SHAFT SEAL	53	-
F8026	PLAIN WASHER	25	-	F84314-2	ELBOW	21	4
F8026	PLAIN WASHER	31	-	F84314-2	ELBOW	31	109
F8028	PLAIN WASHER	13	43	F84314-2	ELBOW	33	28
F8028	PLAIN WASHER	15	15	F84342	SEAL, INLET WATER LINE UPPER	49	3
F8038	PLAIN WASHER	33	4	F84449	INTERLOCK SWITCH	23	49
F8038	PLAIN WASHER	43	18	F84449	INTERLOCK SWITCH	29	49
F8056	LOCKWASHER	17	19	F84449	NEUTRAL INTERLOCK SWITCH	11	3
F8056	LOCKWASHER	17	27	F84504	GROMMET	37	79
F8056	SPRING LOCKWASHER	7	21	F84504	THERMOSTAT GROMMET	35	-
F8056	SPRING LOCKWASHER	11	7	F84504	THERMOSTAT GROMMET	37	-
F8056	SPRING LOCKWASHER	37	75	F84521-2	CLUTCH	49	27
F8058	INTERNAL TOOTH LOCKWASHER	21	29	F84792	GASKET, FUEL PUMP VALVE	21	9
F8058	INTERNAL TOOTH LOCKWASHER	27	29	F84792	GASKET, FUEL PUMP VALVE	27	9
F8058	INTERNAL TOOTH LOCKWASHER	35	49	F84871-1	PIN, GEAR SHIFT	49	25
F8061	INTERNAL TOOTH LOCKWASHER	57	12	F85017	PISTON PIN	41	4
F8077	WASHER	53	-	F85026	SWIVEL (856H2K, 856B2K, 858H2F, 858B2F)	33	27
F8077	WASHER, GEAR HOUSING PLUG	51	43	F85033	CHOKE ROD SWIVEL	21	37
F8080	SPRING LOCKWASHER	43	21	F85033	CHOKE ROD SWIVEL	27	37
F8083	SPRING LOCKWASHER	3	21	F85035	DISTRIBUTOR CONTROL ROD END (856H2K, 856B2K, 858H2F, 858B2F)	33	32
F8083	SPRING LOCKWASHER	7	4	F85036	TOWERSHAFT CONTROL ROD END (856H2K, 856B2K, 858H2F, 858B2F)	33	26
F8083	SPRING LOCKWASHER	13	63	F85037-1	STERN BRACKET PIVOT BOLT	45	56
F8083	SPRING LOCKWASHER	43	2	F85095-2	STATOR	7	15
F8083	SPRING LOCKWASHER	51	54	F85117	BRACKET, WATER LINE	49	2
F8083	SPRING LOCKWASHER	53	-	F85122	CRANKCASE SEAL	35	-
F8088	PLAIN WASHER	11	2	F85122	CRANKCASE SEAL	37	-
F8088	PLAIN WASHER	23	52	F85122	PARTING LINE SEAL	33	11
F8088	PLAIN WASHER	23	67	F85130	BOOT, IDLE EXHAUST	43	5
F8088	PLAIN WASHER	29	52	F85151-1	EXHAUST PORT PLATE	39	91
F8088	PLAIN WASHER	29	67	F85152-4	EXHAUST PORT COVER	39	89
F8090	PLAIN WASHER	11	28				
F8094	PLAIN WASHER	3	25				
F8094	PLAIN WASHER (856H2K, 856B2K)	45	67				
F8095	PLAIN WASHER	33	7				
F8096	SPRING LOCKWASHER	3	18				
F8096	SPRING LOCKWASHER	5	33				

PARTS INDEX

Part Number	Description	Pg.	Ref. No.	Part Number	Description	Pg.	Ref. No.
F85154-1	EXHAUST PORT PLATE			F85541-1	TILT LOCK (856H2K, 856B2K)	43	27
	GASKET	37	-	F85571	BEARING CAGE W/ROLLER	41	10
F85154-1	GASKET, EXHAUST PORT			F85606	KINGPIN CAP	45	76
	PLATE	39	90	F85610	BEARING	35	60
F85159	GASKET, INTAKE MANIFOLD	21	24	F85615	GEAR SHIFT ROD, UPPER	45	83
F85159	MANIFOLD GASKET	35	-	F8563	DOWEL PIN	33	10
F85159-1	GASKET, INTAKE MANIFOLD	27	24	F85634-2	CONNECTING ROD SCREW	41	14
F85159-1	MANIFOLD GASKET	37	-	F85660-1	EXHAUST TUBE	43	1
F85161-1	REED STOP	21	18	F85664	DISTRIBUTOR GROUND ...	17	14
F85161-1	REED STOP	27	18	F85664	GROUND WIRE	7	7
F85162	REED PLATE ADAPTER ...	21	23	F85704	COUPLER, GEARSHIFT ROD		
F85162	REED PLATE ADAPTER ...	27	23		UPPER	45	71
F85168	CARBURETOR ADAPTER			F85748-2	CYLINDER DRAIN REED		
	FLANGE GASKET	37	-		PLATE GASKET	37	-
F85168	GASKET REED PLATE			F85748-2	CYLINDER DRAIN REED		
	ADAPTER	21	22		PLATE GASKET	37	-
F85168-1	CARBURETOR ADAPTER			F85748-2	GASKET, CYLINDER DRAIN		
	FLANGE GASKET	37	-		REED PLATE	33	34
F85168-1	GASKET REED PLATE			F85762	BY-PASS VALVE GASKET ..	37	-
	ADAPTER	27	22	F85762	BY-PASS VALVE GASKET ..	37	-
F85173	RETAINING RING	17	6	F85762	GASKET, BY-PASS VALVE	39	94
F85192-1	THROTTLE CAM	21	32	F85772	CLAMP	43	7
F85192-1	THROTTLE CAM	27	32	F85779-1	BAFFLE, AIR INTAKE	45	82
F85210	STUD	33	9	F85843-1	ELECTRIC CONTROL		
F85211	STUD, REAR	39	85		CABLE, 18 FEET	11	35
F85253-1	FUEL LINE	23	46	F85843-1	REMOTE ELECTRIC CABLE,		
F85253-1	FUEL LINE	29	46		18 FEET	7	10
F85258	INSERT	43	4	F85859	STUD, FORWARD	33	12
F85279-2	CYLINDER EXHAUST			F85906	CARBURETOR GASKET ...	23	54
	GASKET, UPPER	35	53	F85906	CARBURETOR GASKET ...	29	54
F85279-2	CYLINDER, EXHAUST -			F85906	CARBURETOR GASKET ...	37	-
	UPPER GASKET	37	-	F85906	CARBURETOR GASKET ...	37	-
F85279-2	CYLINDER, EXHAUST -			F85908	STARTER LEAD WIRE	15	13
	UPPER GASKET	37	-	F85916-1	BY-PASS VALVE	39	96
F85300	REVERSE LOCK SPRING			F85924	CHOKE SOLENOID	9	42
	(856H2K, 856B2K)	45	45	F85924	CHOKE SOLENOID	11	36
F85311	DISTRIBUTOR BELT	17	1	F85925	CHOKE ROD	21	38
F85314-1	FUEL FITTING	23	45	F85925	CHOKE ROD	27	38
F85317-2	CLAMP	21	41	F85965	SHOCK MOUNT, UPPER ...	47	88
F85317-2	CLAMP	27	41	F89758	FUEL PUMP AIR HOSE, TOP	21	5
F85350-1	TILT STOP PIVOT (856H2K,			F89758	FUEL PUMP AIR HOSE, TOP	27	5
	856B2K)	43	25	F9018	CAP	45	51
F85372	PIN, GEAR SHIFT ROD,			F9052	PLUG	43	37
	LOWER	51	48	F90619-1	YOKE	53	73
F8538	SPRING PIN	43	36	F90807	RETAINING RING	25	98
F85380	SPRING	43	6	F90807	RETAINING RING	31	98
F85410	SNAP RING	41	8	F9095	SHIM, DRIVESHAFT		
F85426	TILT STOP (856H2K, 856B2K)	45	58		BEARING UPPER .005 -		
F85445	DISTRIBUTOR CONTROL				SILVER	51	-
	ROD	33	29	F9097	SHIM, DRIVESHAFT		
F85472-2	CYLINDER DRAIN COVER				BEARING UPPER .010 -		
	GASKET	37	-		BLACK	51	-
F85472-2	CYLINDER DRAIN COVER			F9106	SHIM, DRIVESHAFT		
	GASKET	37	-		BEARING UPPER .033 -		
F85472-2	GASKET, CYLINDER DRAIN				BRASS	51	67
	COVER	35	41	F91446-1	CIRCUIT BREAKER		
F85498	FLYWHEEL KEY	41	16		BRACKET	7	34
F85502	THROTTLE LINK	33	17	F91446-1	CIRCUIT BREAKER		
F85509-1	CHOKE LINK	23	71		BRACKET	13	41
F85509-1	CHOKE LINK	29	71	F92759	THROTTLE ROLLER	23	63

PARTS INDEX

Part Number	Description	Pg.	Ref. No.	Part Number	Description	Pg.	Ref. No.
F92759	THROTTLE ROLLER	29	63	FA581010	CYLINDER	39	-
F93811	SCREEN	33	35	FA583386	DECAL, NUMERAL	3	8
F93920	REED STOP	35	38	FA58976-1	CONNECTOR, THROTTLE CABLE	57	1
F97772	FUEL LINE CLAMP	55	11	FA606528	DECAL, ENGINE COVER REAR (858H3G)	5	39
F97772	HOSE CLAMP	23	43	FA606892	DECAL, ENGINE COVER FRONT (858H3G)	5	38
F97772	HOSE CLAMP	29	43	FA609853	DECAL, WARNING	9	56
F98273	ROD END CONNECTOR STUD	35	51	FA609853	DECAL, WARNING	13	67
FA14048-2	PREAMPLIFIER	17	25	FA615095	ALTERNATOR STATOR	13	59
FA17559	LIFT CYLINDER COMPLETE	61	40	FA615097	FLYWHEEL	13	61
FA17561-1	O-RING	63	44	FA616396	DECAL, STARBOARD	3	-
FA178962	SHOCK ABSORBER	63	48	FA616397	DECAL, PORT	3	-
FA27232	EMERGENCY STARTER ROPE (NOT SHOWN)	11	-	FA616838	TOWERSHAFT	33	-
FA321574	DISTRIBUTOR BRACKET	17	10	FA84621-1	COUPLING, GEAR SHIFT ARM W/BUSHING	51	45
FA335260	PISTON RING SET (3 PER SET)	41	1	FA84754-1	FUEL LINE SHORT	55	8
FA368700	IGNITION KEY - NO LETTER OR STAMPED A	9	50	FA85018-2	CRANKSHAFT	41	15
FA368700	KEY IGNITION - NO LETTER OR STAMPED A	11	19	FA85019	KINGPIN	45	42
FA404097	FLYWHEEL	7	17	FA85135-4	LEG COVER, FRONT	45	75
FA411222	TRANSFER PORT COVER	35	47	FA85193	TIE BAR END W/SWIVEL	25	99
FA438113	STERN BRACKET LOCK BAR W/HANDLE (856H2K, 856B2K)	45	52	FA85193	TIE BAR END W/SWIVEL	31	99
FA438431	FUEL PUMP BODY	21	10	FA85355-1	WASHER SHOCK MOUNT UPPER	47	86
FA438431	FUEL PUMP BODY	27	10	FA85511	THROTTLE TIE BAR W/SWIVEL	25	103
FA438493	BRACKET, TERMINAL BLOCK	11	10	FA85511	THROTTLE TIE BAR W/SWIVEL	31	103
FA438493	TERMINAL BLOCK BRACKET	7	26	FA85655-1	CRANKSHAFT MAIN BEARING RACE	41	9
FA439746	FUEL PUMP COVER W/PLUG AND LITERATURE	21	1	FA85838-5	TOWERSHAFT	33	19
FA439746	FUEL PUMP COVER W/PLUG AND LITERATURE	27	1	FB368700	IGNITION KEY - STAMPED B	9	-
FA449015	PISTON	61	29	FB368700	KEY IGNITION - STAMPED B	11	-
FA449149	COVER W/SEALS AND RETAINER	61	27	FC368700	IGNITION KEY - STAMPED C	9	-
FA480179	TRIM, TOP	3	1	FC368700	KEY IGNITION - STAMPED C	11	-
FA480269	TILT HANDLE	3	3	FC409398	DECAL, TOTE TANK - CANADA (NOT SHOWN)	55	-
FA480876	GEAR SHIFT ARM	35	62	FC510374	DECAL, CIRCUIT BREAKER (CANADA ONLY)	7	-
FA480894	TIMING POINTER	33	1	FC510374	DECAL, CIRCUIT BREAKER (CANADA)	13	-
FA481469	ENGINE COVER LATCH HANDLE W/SHAFT	3	10	FC522227	SPARK PLUG (CHAMPION QUL-77V) CANADA (856B2K, 858B2F)	37	-
FA481743	BRACKET, ROLLER LATCH W/ROLLER	3	32	FC581010	SHORT BLOCK (NOT SHOWN)	39	-
FA510497	TERMINAL BLOCK	7	25	FD368700	IGNITION KEY - STAMPED D	9	-
FA510497	TERMINAL BLOCK	11	13	FD368700	KEY IGNITION - STAMPED D	11	-
FA523014	CRANKSHAFT LOWER MAIN BEARING	41	12	FE368700	IGNITION KEY - STAMPED E	9	-
FA523054	GEAR HOUSING	51	42	FE368700	KEY IGNITION - STAMPED E	11	-
FA523098	PROPELLER SHAFT	49	24	FG1020	GASKET SET	35	69
FA523485	ANTI-CORROSION ANODE	49	21	FG1020-1	GASKET SET	37	-
FA523735	SEAL, INLET WATER LINE LOWER	51	65	FK10000	GASKET SET.	25	104
FA548180	TRIM, REAR	3	4	FK10102	REPAIR PARTS KIT.	25	102
FA548888	TRIM, FRONT	5	36	FK10177	REPAIR PARTS KIT.	31	102
FA549944	ENGINE COVER	3	6	FK10178	GASKET SET.	31	104
				FK1063-2	SEAL KIT	53	74
				FK1069	WATER PUMP KIT	53	75
				FK1123	SPARKIE	17	34

PARTS INDEX

Part Number	Description	Pg.	Ref. No.	Part Number	Description	Pg.	Ref. No.
FK1123	SPARKIE KIT	13	54	FT2953	SOCKET	65	-
FK405020	SWIVEL W/PIVOT SCREW AND NUT	33	24	FT2961	LUBRICANT - RYKON GREASE #2EP	68	-
FK616128	DRIVESHAFT	53	69	FT2962-1	SEALANT - 50 CC LOCTITE H. NON-HARDENING GRADE	68	-
FK85228-1	BEARING CAGE W/ROLLER	41	7	FT2963-2	SEALANT - 2 OZ. LOCTITE D. HARDENING GRADE ..	68	-
FO10165	INLET SEAT GASKET	23	79	FT2987-1	LUBRICANT - ANTI-SEIZE ..	68	-
FO10588	BODY CHANNEL CUP PLUG	23	58	FT2990	PISTON PIN TOOL	65	-
FO10790	INLET NEEDLE, SEAT AND GASKET	23	78	FT2991	CARBON BRUSH	65	-
FO11103	IDLE SCREW SPRING	25	85	FT2996	RING COMPRESSOR	65	-
FO13430	MAIN FUEL JET (.070) OPT. 1500 FT. - 3000 FT.	23	-	FT2998	TORQUE WRENCH (0 - 100 LBS./FT.)	65	-
FO13552	FUEL BOWL	23	74	FT2999	TORQUE WRENCH (0 - 600 LBS./FT.)	65	-
FO13554	FLOAT	23	77	FT3012	SEAL INSTALLER	66	-
FO13555	CHOKE SHUTTER	25	97	FT7848	TORQUE ADAPTER	66	-
FO13944	FLOAT LEVER PIN	23	76	FT8900	HOSE CLAMP PLIERS	65	-
FO13945	FUEL BOWL RETAINING SCREW	23	72	FT8901	INDICATOR HOLDER	66	-
FO13946	IDLE SCREW	25	86	FT8902	DIAL INDICATOR	66	-
FO13967	MAIN FUEL JET (.068) OPT. 3000 FT. - 4500 FT.	25	-	FT8903	SEAL INSTALLER	65	-
FO14108	MAIN FUEL JET (.064) OPT. 6000 FT. & UP.	25	-	FT8907	DRIVER HANDLE	65	-
FO14188	MAIN FUEL JET (.066) OPT. 4500 FT. - 6000 FT.	25	-	FT8907	DRIVER HANDLE	66	-
FO15026	MAIN FUEL JET (.072) STD. SEA LEVEL - 1500 FT. ...	23	84	FT8914	SEAL REMOVER	65	-
FO15217	MAIN NOZZLE	23	75	FT8918	BEARING GUIDE SET	66	-
FO15230	THROTTLE SHAFT AND LEVER	23	64	FT8919	SPRING PIN PUNCH	66	-
FO15623	FUEL BOWL GASKET	23	82	FT8925	SEAL INSTALLER	65	-
FO16008	THROTTLE SHAFT RETURN SPRING	23	65	FT8925	SEAL INSTALLER	66	-
FO16397	CHOKE SHAFT RETURN SPRING	23	81	FT8926	RING EXPANDER	65	-
FO16850	CHOKE SHAFT AND LEVER	23	80	FT8930-1	FEELER GAUGE SET	66	-
FO16851	THROTTLE SHUTTER	23	61	FT8933	LIFTING HOOK	65	-
FO2510	GASKET, FUEL BOWL RETAINING SCREW	23	73	FT8935	SEALANT PRIMER - 6 OZ. ..	68	-
FO4326	BODY CHANNEL WELCH PLUG	23	57	FT8936-1	SEALANT - 2 CC LOCTITE RETAINING COMPOUND #75	68	-
FO8942	SHUTTER SCREW W/LOCKWASHER	25	96	FT8948-1	PULLER	64	-
FO8942	THROTTLE SHUTTER SCREW AND LOCKWASHER	23	60	FT8948-1	PULLER	66	-
FPS524	PROPELLER (ACCESSORY ITEM)	49	18	FT8950	LEAKAGE TESTER	67	-
FS409752	FUEL LINE COMPLETE	55	-	FT8953	IGNITION TESTER	67	-
FS85872-1	BRACKET	35	50	FT8955	SEALANT - 5 OZ. EC-750 INDUSTRIAL SEALANT ..	68	-
FSA335260	PISTON RINGS .010 OVERSIZE (3 PER SET) ..	41	-	FT8957	SEAL INSTALLER	66	-
FT1082	SNAP RING PLIER	65	-	FT8969	LUBRICANT - 7 OZ. L PSI LUBRICANT	68	-
FT11204	BEARING CUP INSTALLER ..	66	-	FT8978	TIMING LIGHT	64	-
FT11205	BEARING INSTALLER/REMOVER ..	66	-	FT8983	SEALANT - 3 OZ. RTV SEALANT FROM IN PLACE GASKETS	68	-
FT11207	BEARING CUP REMOVER ..	66	-	FT8985	SEAL INSTALLER	66	-
FT11209	BEARING GUIDE SET	66	-	FT8997	SHIM TOOL	66	-
FT2938-1	CONTINUITY TESTER	67	-	FTA2937-1	TIMING TOOL	64	-
FT2951	CIRCUIT TRACER	67	-	FTK8999	TEST WHEEL	67	-
				OB26036	INSTALLATION INSTRUCTIONS (FOR 5H094 STEERING LINK KIT)	43	-
				OB3062	LITERATURE (NOT SHOWN)	59	-
				22-817789A1	DRAIN FITTING W/METERING CUP	25	89

PARTS INDEX

Part Number	Description	Pg.	Ref. No.	Part Number	Description	Pg.	Ref. No.
22-817789A1	DRAIN FITTING						
	W/METERING CUP	31	89				
22-818103--1	ELBOW	21	35				
22-818103--1	ELBOW	27	35				
31-817785A2	CRANKSHAFT BEARING						
	CAGE	41	18				
32-817738A1	FUEL LINE LONG	55	10				
33-818007--1	SPARK PLUG (CHAMPION						
	UL18V) U.S.A. (858H3G) .	37	-				
33-97180	SPARK PLUG (CHAMPION L-						
	20-V) USA (856H2K,						
	858H2F)	37	70				
39-818110A1	PISTON RINGS .030						
	OVERSIZE (3 PER SET) . .	41	-				
43-817830A2	BEVEL PINION GEAR	51	35				
43-818062A3	BEVEL GEAR FRONT						
	W/BEARING	49	29				
46-817853A1	WATER PUMP	53	-				
46-817853A1	WATER PUMP BODY	51	60				
84-817775A1	COIL WIRE	17	31				
87-817778A1	THERMOSWITCH	11	6				
87-817778A1	THERMOSWITCH	37	74				
300-817855A1	UNIT	7	12				
600-818052A4	CONNECTING ROD	41	6				
700-817988A2	PISTON .010 OVERSIZE . . .	41	-				
700-818111A2	PISTON .030 OVERSIZE . . .	41	-				
700-F372015-3	PISTON	41	2				
800-817823A7	CYLINDER	39	97				
800-817901A9	SHORT BLOCK (NOT						
	SHOWN).	39	-				
1400-817958A6	STERN BRACKET	43	28				
1600-819196A3	GEAR HOUSING COMPLETE	51	-				