



PARTS CATALOG

FORCE 1988 50 H.P. "A" MODELS

SERIAL NUMBER

50 H.P. (1988)507Y8A

TABLE OF CONTENTS:

ACCESSORIES	45
ALTERNATOR AND ELECTRICAL COMPONENTS	4
CARBURETOR	10
CRANKSHAFT AND PISTON	18
CYLINDER BLOCK, HEAD AND EXHAUST CHEST COVER	14
ELECTRIC STARTER	6
ENGINE COVER AND SUPPORT PLATE	2
FUEL PUMP	8
FUEL TANK AND LINE	36
GEAR HOUSING	32
MOTOR LEG	26
PARTS INDEX	47
RECIRCULATION SYSTEM AND STARTER BRACKETS	20
REED PLATE AND ADAPTER FLANGE	24
REMOTE CONTROL	38
SHIFT AND THROTTLE LINKAGE	22
SPECIAL TOOLS - LOWER UNIT	42
SPECIAL TOOLS - LUBRICANTS AND SEALANTS	44
SPECIAL TOOLS - POWER HEAD	41
SPECIAL TOOLS - TEST EQUIPMENT	43
SPECIAL TOOLS - TUNE-UP	40

NOTE: Indented description indicate that these parts are included in preceding assembly.

AR = As Required

NSS = Not Sold Separate

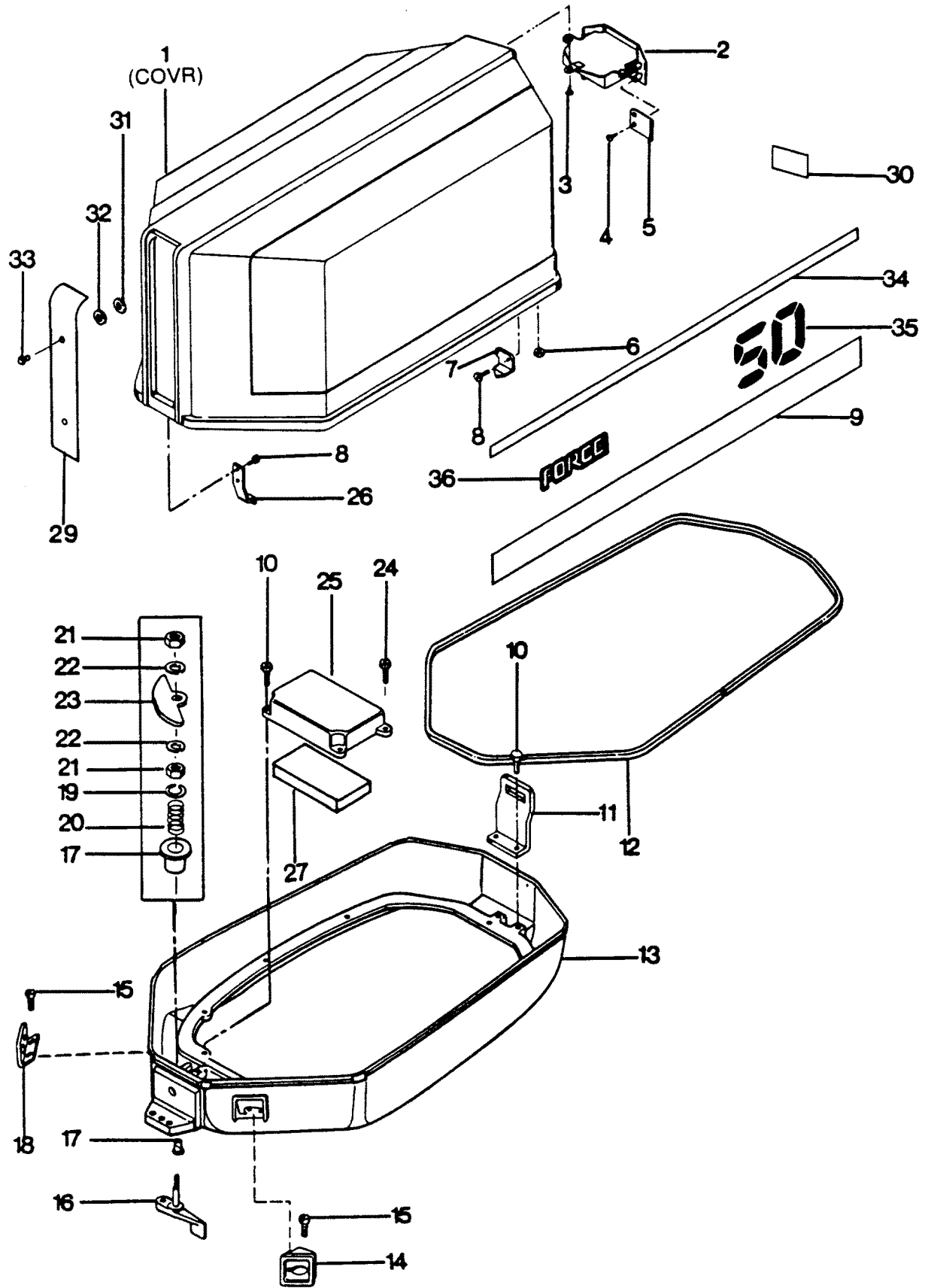
OPT = Optional

NS = Not Shown

THESE PARTS BOOKS/FICHE CARD ARE COPYRIGHTED AND MAY NOT BE DISTRIBUTED OR REPRODUCED IN ANY OTHER FORMAT BY ANYONE OTHER THAN MERCURY MARINE WITHOUT THE PRIOR WRITTEN CONSENT OF MERCURY MARINE.

THIS PAGE INTENTIONALLY LEFT BLANK

ENGINE COVER AND SUPPORT PLATE



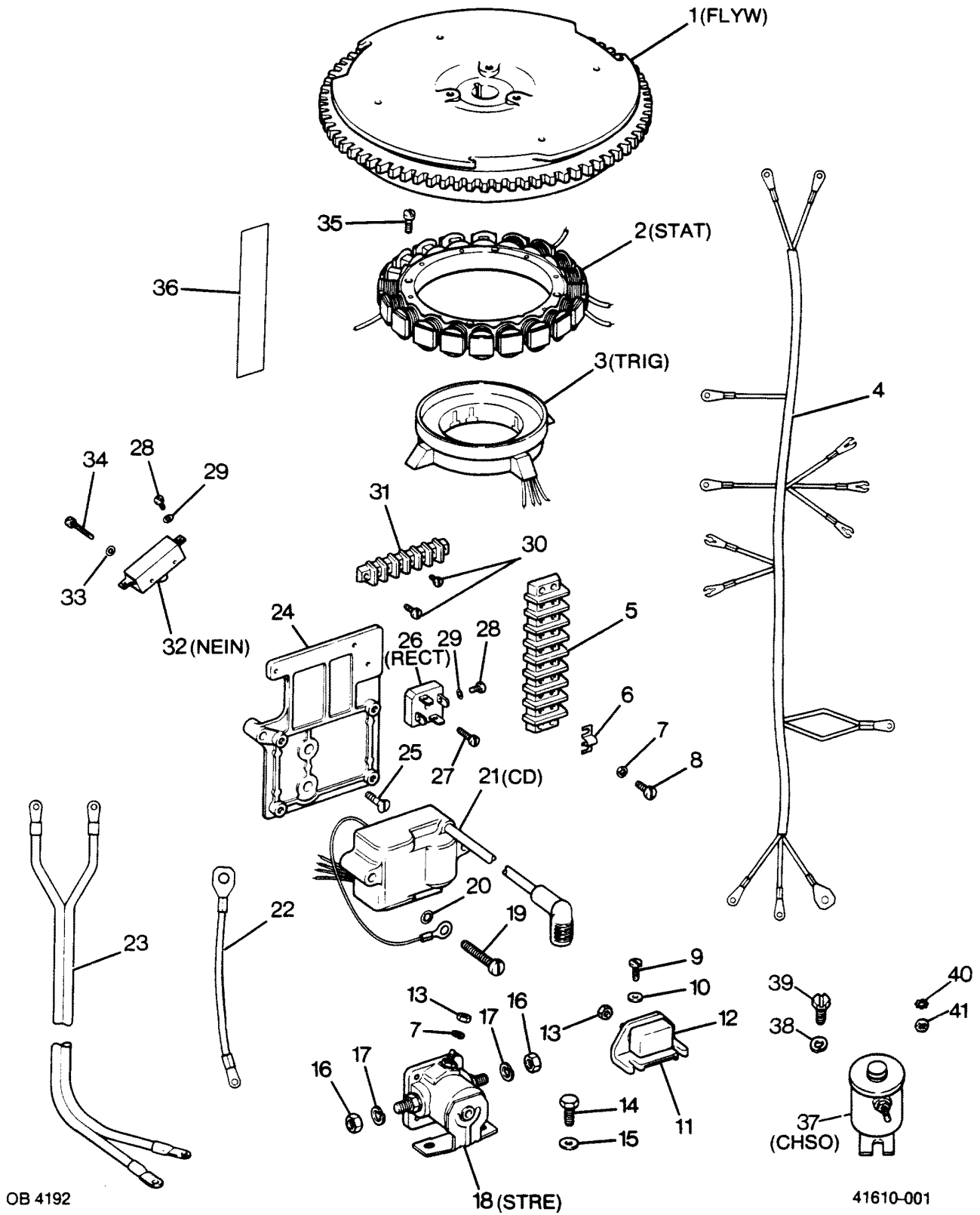
1B 4192

OB1000209

ENGINE COVER AND SUPPORT PLATE

REF. NO.	PART NO.	SYM.	QTY.	DESCRIPTION
1	FS662712		1	ENGINE COVER W/ILLUS. 6, 7, 1 AND 26
-	F4C662712		1	ENGINE COVER COMPLETE INCLUDES ALL ITEMS MARKED WITH AN ASTERISK (*)
2	817814A1		1	TILT HANDLE W/LITERATURE ORIGINAL FORCE P/N A 463269-1
3	F2025		1	PAN HD SCREW, 10 X 5/8
4	F2066		4	PAN HD SELF-TAPPING SCREW
5	F463864		2	RETAINER, TILT HANDLE
6	F7011		4	HEX NUT, 10 - 24
7	FA458480		1	ENGINE COVER RETAINER W/ILLUS. 6 AND 8
8	F1475		4	FILL HD SCREW, 10 X 24 X 1/2
9	F1684397		2	DECAL, ENGINE COVER BOTTOM STRIPE
10	F1864		12	HEX CAP SCREW, 1/4 - 20 X 3/4
11	F458774		1	BRACKET RETAINER - REAR
12	F85756		1	SUPPORT PLATE PACKING
13	F307038		1	SUPPORT PLATE
14	F549189		1	BUSHING, ELECTRIC CABLE ENTRY
15	F1733		3	PAN HD SCREW, 10 - 24 X 9/16
16	FA328763		1	COVER LATCH HANDLE W/SHAFT
17	F307818		2	BEARING, LATCH SHAFT
18	F660189		1	BUSHING, CABLE ENTRY
19	F1987		1	PLAIN WASHER
20	F183300		1	SPRING
21	F1515		2	HEX NUT, 5/16 - 18
22	F8096		2	SPRING LOCKWASHER
23	F89777-1		1	LATCH CAM
24	F1532		2	HEX HD SCREW, 1/4 - 20 X 1
25	FA307779		1	BAFFLE, AIR INTAKE W/ILLUS. 27
26	FA366778		1	ENGINE COVER RETAINER FORWARD W/ILLUS. 6 AND 8
27	F307860		1	INTAKE SILENCER
29	FK606711		1	PLATE, FRONT W/ILLUS. 31, 32, 33
-	F465985		2	BLANKET, SILENCER - SIDE (NOT SHOWN)
-	F311984-1		1	BLANKET SILENCER - TOP (NOT SHOWN)
-	F474992		1	BLANKET SILENCER - FRONT (NOT SHOWN)
30	F665387		1	DECAL, "US MARINE"
31	F1753		2	FASTENER, TRIM (INSIDE OF COVER)
32	F85735-1		2	SEAL, TRIM (INSIDE OF COVER)
33	F2165		2	RIVET, TRIM
34	F684915		2	DECAL, ENGINE COVER TOP STRIPE
35	F662386		2	DECAL, "50"
36	F663366		2	MEDALLION, "FORCE"

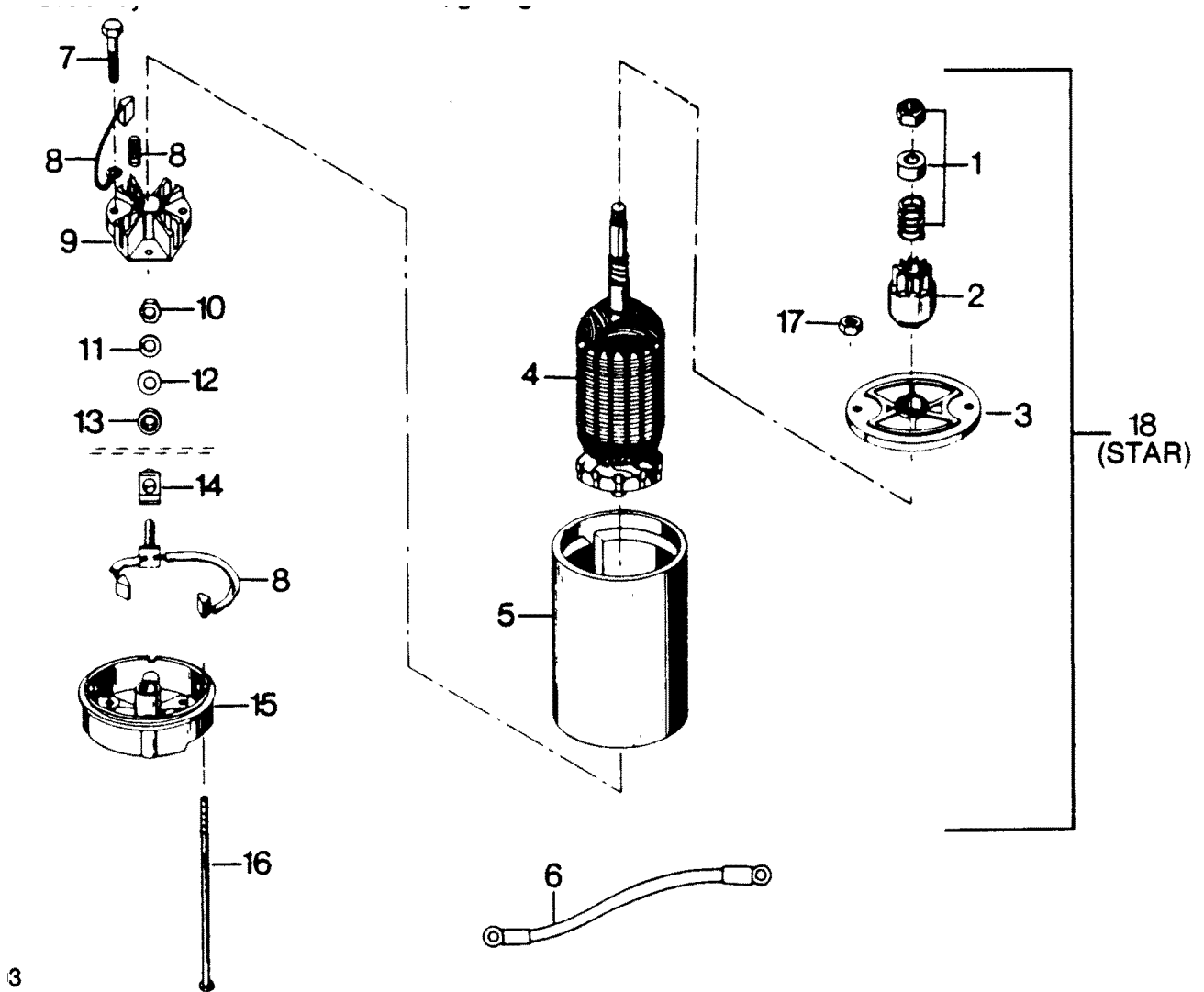
ALTERNATOR AND ELECTRICAL COMPONENTS



ALTERNATOR AND ELECTRICAL COMPONENTS

REF. NO.	PART NO.	SYM.	QTY.	DESCRIPTION
1	FA658097		1	FLYWHEEL
2	F658095		1	STATOR ASSEMBLY
3	F658029		1	TRIGGER ASSEMBLY
4	F658744		1	ENGINE WIRE HARNESS
5	FA616497		1	TERMINAL BLOCK
6	F307317		1	TERMINAL JUMPER CLIP
7	F1975		2	LOCKWASHER, #10
8	F1974		2	SCREW, #10 - 24 X 5/8
9	F1733		2	SCREW, #10 - 24 X 9/16
10	F8011		2	FLATWASHER
11	F91446-1		1	BRACKET
12	F510640		1	CIRCUIT BREAKER
13	F1513		3	NUT, #10 - 32
14	F1238		1	SCREW, 1/4 - 20 X 3/4
15	F8094		1	FLATWASHER
16	F1615		2	NUT, 5/16 - 24 HEX
17	F8096		2	LOCKWASHER, 5/16
18	F177917		1	STARTER RELAY
19	F525064		4	SCREW, 1/4 X 1 - 3/4 PN. HD.
20	F2106		4	WASHER, INTERNAL STAR
21	F658475		2	C-D, COIL ASSEMBLY
22	F307683		1	WIRE, CIRCUIT BREAKER
23	F629896		1	CABLE, BATTERY
24	F658501		1	BRACKET, C-D MOUNTING
25	F1823		2	SCREW, 5/16 - 18 X 1 HEX
26	F650450		1	RECTIFIER
27	F1303		1	SCREW, #8 - 32 X 3/4 SL. PA.
28	F1645		6	SCREW, #6 - 32 X 1/4 SL. RD. HD.
29	F1704		6	WASHER, #6 INT. TOOTH, LOCK
30	F1552		2	SCREW, #8 - 32 X 1/4 SL. PA.
31	F658497		1	BLOCK TERMINAL
32	F84449		1	SWITCH, NEUTRAL INTERLOCK
33	F8088		2	FLATWASHER
34	F2016		2	SCREW, #6 - 32 X 7/8
35	F2200		4	SCREW, #12 - 24 X 1 HEX HD.
36	37-817910--1		1	DECAL, ADHESIVE BACK
37	89-817760A2		1	CHOKE SOLENOID
38	F8083		2	SPRING LOCKWASHER
39	F1854		2	HEX HD. SCREW, 1/4 - 20 X 5/8
40	F1647		1	HEX NUT, 8 - 32
41	F8056		1	SPRING LOCKWASHER

ELECTRIC STARTER

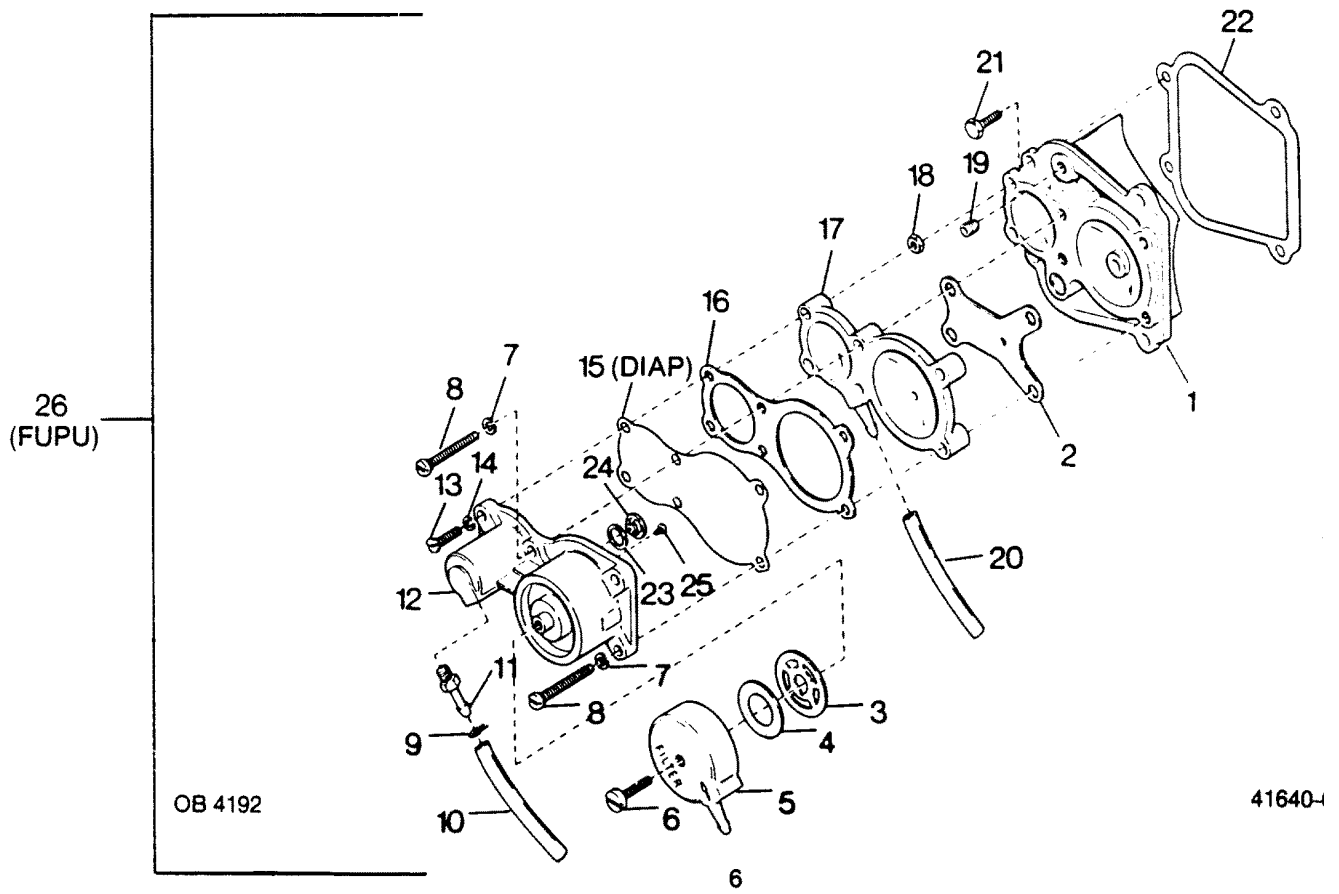


3

ELECTRIC STARTER

REF. NO.	PART NO.	SYM.	QTY.	DESCRIPTION
1	F15181		1	DRIVE KIT
2	F15182		1	DRIVE OPINION
3	F15154		1	CAP, DRIVE END
4	F15183		1	ARMATURE
6	F85908-1		1	WIRE STARTER
7	F15158		2	SCREW, BRUSH HOLDER
8	F15164		1	BRUSH KIT
9	F15157		1	HOLDER, BRUSH
10	F15162		1	NUT
11	F15152		1	LOCKWASHER
12	F15161		1	PLAIN WASHER
13	F15160		1	INSULATOR WASHER
14	F15159		1	INSULATOR
15	F15179		1	CAP COMMUTATOR END W/BRUSHER AND BRUSH HOLDER
16	F15184		2	THRU BOLT
17	F7008		2	STOP NUT
18	F575955		1	STARTER MOTOR COMPLETE

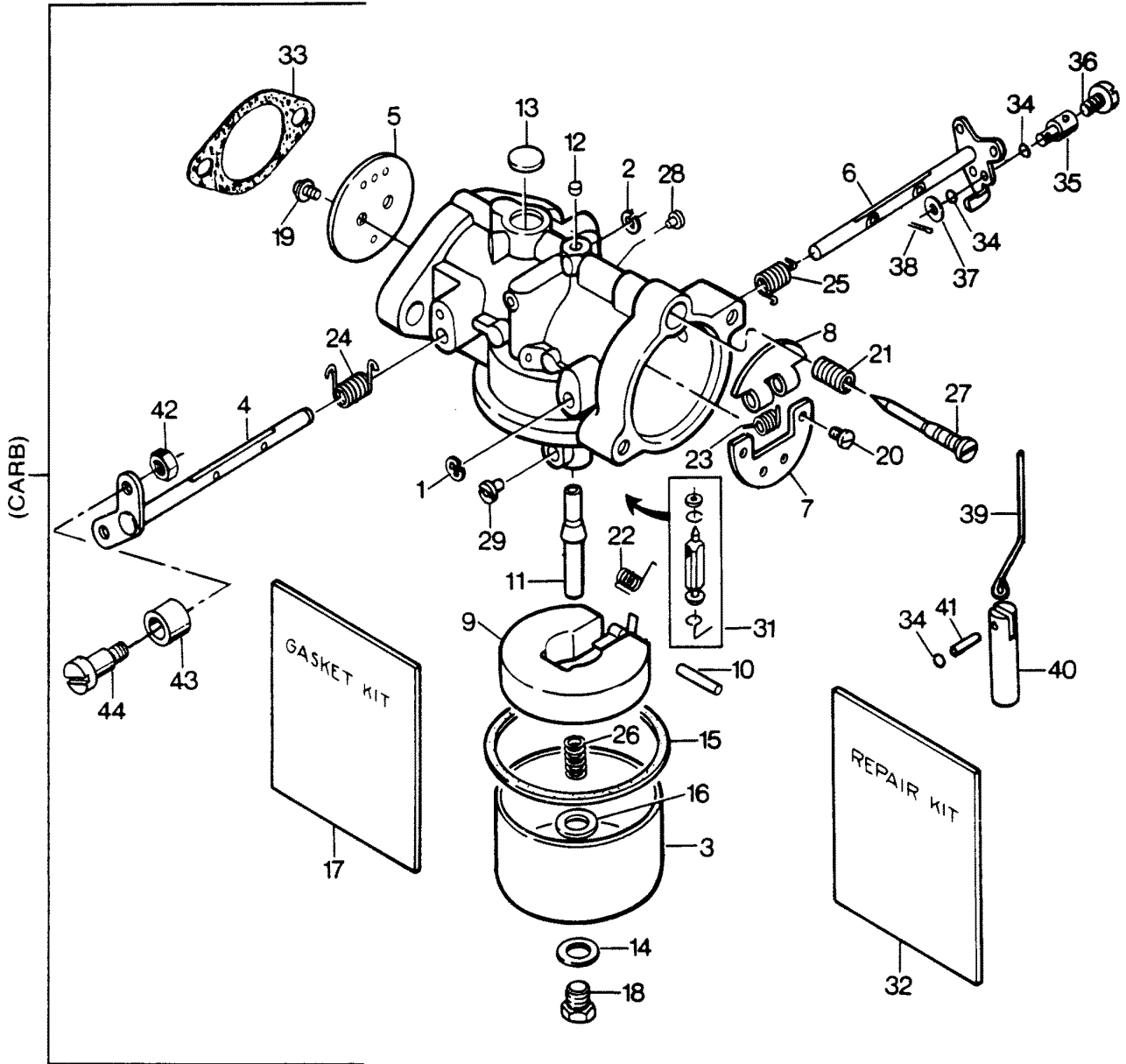
FUEL PUMP



FUEL PUMP

REF. NO.	PART NO.	SYM.	QTY.	DESCRIPTION
1	FA658746		1	COVER, FUEL PUMP
2	F658803		1	GASKET, SPACER PLATE
3	F438617		1	GASKET, FUEL SEDIMENT BOWL
4	F438653		1	SCREEN, FUEL PUMP
5	F438500		1	BOWL, FUEL SEDIMENT
6	F438165		1	SCREW, FUEL SEDIMENT BOWL
7	F8083		4	LOCKWASHER
8	F1504		4	SLOTTED FILL, SCREW 1/4 - 20 X 1/14/ S.S.
9	F97772		2	CLAMP, FUEL LINE
10	F434754		1	FUEL LINE, PUMP TO CARBURETOR
11	F438801		1	ELBOW
12	FA438431		1	BODY, FUEL PUMP W/ILLUS.
13	F1648		2	SCREW, 10 - 24 X 3/4 PAN HD SCREW
14	F1975		2	LOCKWASHER
15	F438747		1	DIAPHRAGM, FUEL PUMP
16	F438760		1	GASKET, FUEL PUMP
17	F658836		1	SPACER, FUEL PUMP
18	F1473		2	NUT, 10 - 24 S.S.
19	F1789		1	PIPE PLUG-1/16-27
20	F658758		1	HOSE, IMPULSE
21	F1540		3	HEX HD SCREW, 1/4 - 20 X 5/8 GR.5
22	F40223		1	GASKET, TRANSFER PORT COVER
23	F84792		1	GASKET, FUEL PUMP COVER
24	F177330		3	VALVE, FUEL PUMP
25	F1860		2	SLOTTED BINDING HEAD SCREW, 6 - 32 X 1/4
26	FC658746		1	FUEL PUMP COMPLETE INCLUDES ITEMS 1, 2, 7, 8 & 11 THRU 20

CARBURETOR

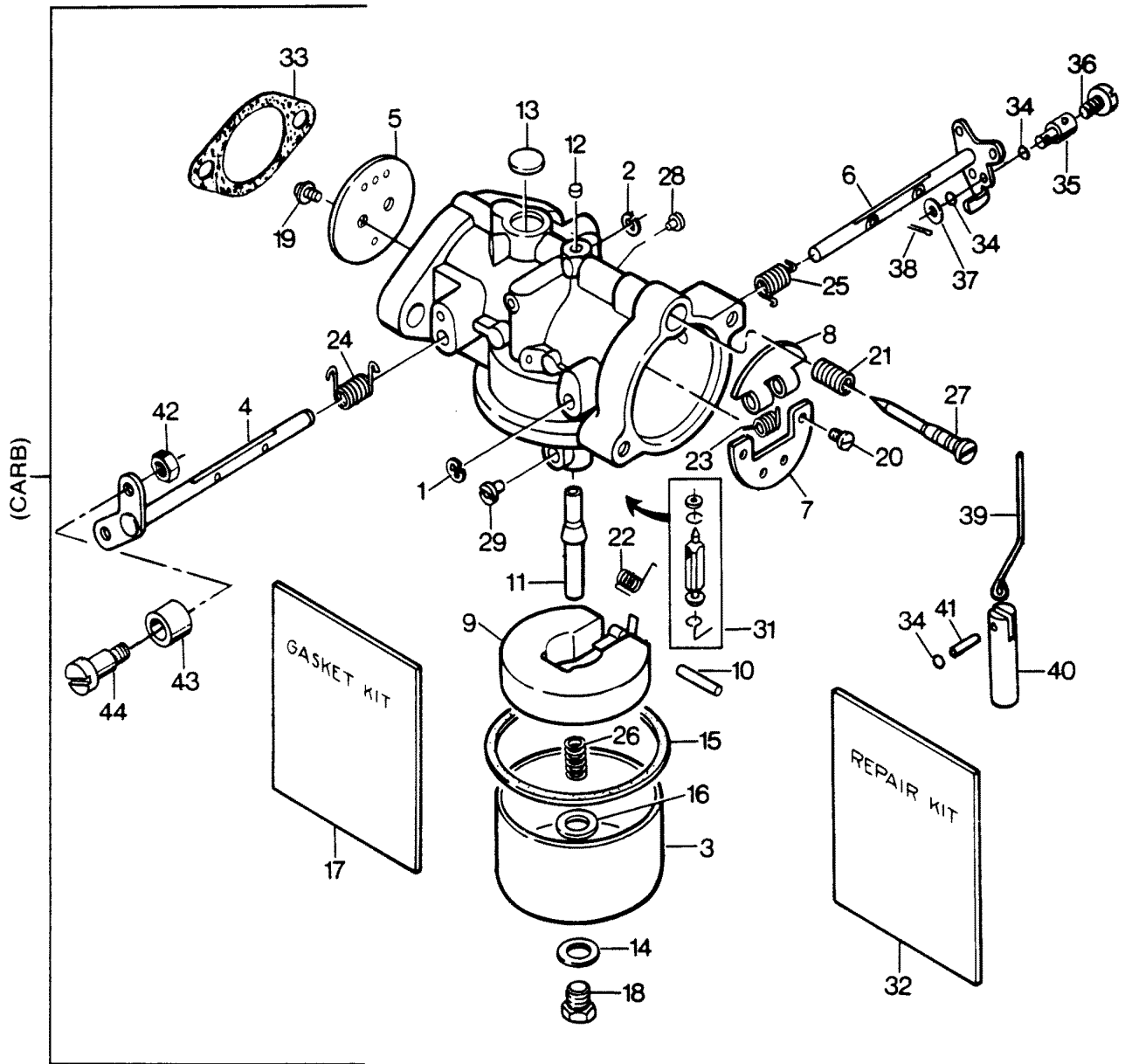


CARBURETOR

REF. NO.	PART NO.	SYM.	QTY.	DESCRIPTION
-	F628061-1		1	CARBURETOR ASSEMBLY (WE-17)
1	F10218		1	RING
2	FO16620		1	SHAFT RETAINER RING
3	F10127		1	FUEL BOWL
4	F10193		1	THROTTLE SHAFT ASSEMBLY
5	F10207		1	THROTTLE VALVE
6	F10159		1	CHOKE SHAFT ASSEMBLY
7	F10128		1	CHOKE VALVE
8	F10129		1	CHOKE RELIEVING VALVE
9	F10135		1	FLOAT ASSEMBLY
10	F10208		1	PIN, FLOAT ASSEMBLY
11	F10137		1	NOZZLE
12	F10152		4	CUP PLUG
13	F10153		1	WELCH PLUG
14	F10067		1	BOWL RETAINER GASKET
15	FO15623		1	BOWL RING GASKET
16	F10206		1	BOWL RETAINER GASKET
17	FK10209		1	GASKET KIT. INCLUDES ALL ITEMS MARKED WITH A DOUBLE ASTERISK (**)
18	F10205		1	BOWL RETAINER SCREW
19	F10155		2	VALVE SCREW
20	F10140		2	VALVE SCREW
21	F10141		1	IDDLE NEEDLE SPRING
22	F10142		1	FLOAT SUPPORT SPRING
23	F10130		1	CHOKE VALVE SPRING
24	F10192		1	THROTTLE RETURN SPRING
25	F10191		1	CHOKE RETURN SPRING
26	F10204		1	NOZZLE SPRING
27	FO14166		1	NEEDLE, IDLE
28	F10197		1	JET (.046)
29	F10229		1	MAIN FUEL JET (.084)
-	F10230		-	JET SIZE (.082) 2500-5000 FT.
-	F10203		-	JET SIZE (.080) 5000-7500 FT.
-	F10210		-	JET SIZE (.078) 750-10,000 FT.
31	FK10120-1		1	FLOAT KIT, VALVE AND SEAT
32	FK10202-1		1	REPAIR KIT. INCLUDES ALL ITEMS MARKED WITH A SINGLE ASTERISK (*)
33	F40906-1		1	CARBURETOR GASKET
34	F184579		3	SEAL, CHOKE ARM SWIVEL
35	F184033-1		1	SWIVEL, CHOKE ROD
36	F1059		1	FILL HD SCREW 6 - 32 X 1/4
37	F8088		2	PLAIN WASHER
38	F1014		1	COTTER PIN
39	F452925		1	CHOKE SOLEONOID ROD

CONTINUED ON NEXT PAGE ➡

CARBURETOR

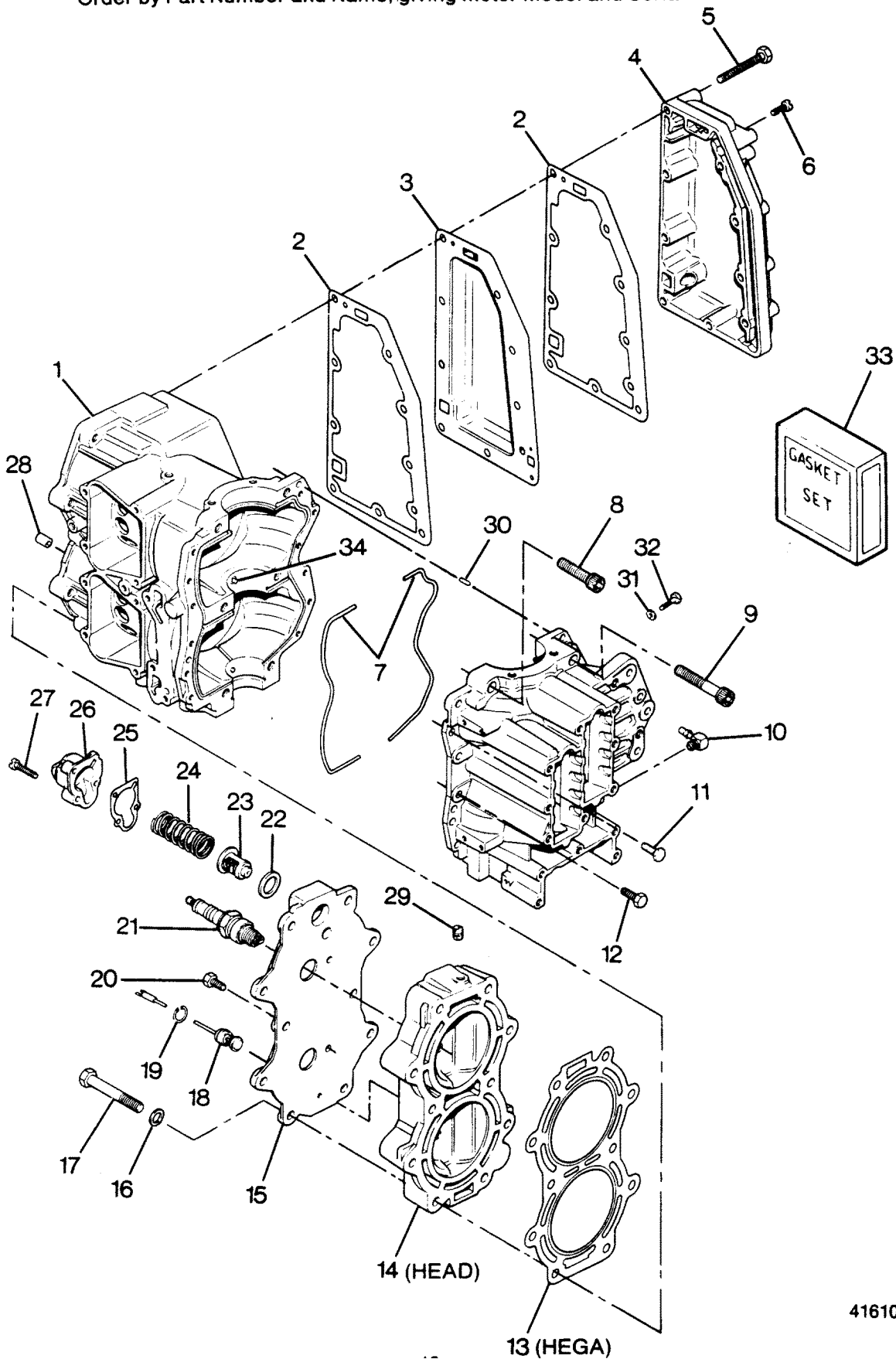


CARBURETOR

REF. NO.	PART NO.	SYM.	QTY.	DESCRIPTION
40	F391926-1		1	CHOKE SOLENOID PLUNGER
41	F2033		1	GROVE PIN
42	F1997		1	STOP NUT 8-32
43	F92759		1	ROLLER
44	F333316		1	THROTTLE ROLLER SHAFT

CYLINDER BLOCK, HEAD AND EXHAUST CHEST COVER

Order by Part Number and Name giving most important dimensions



4192

41610-002

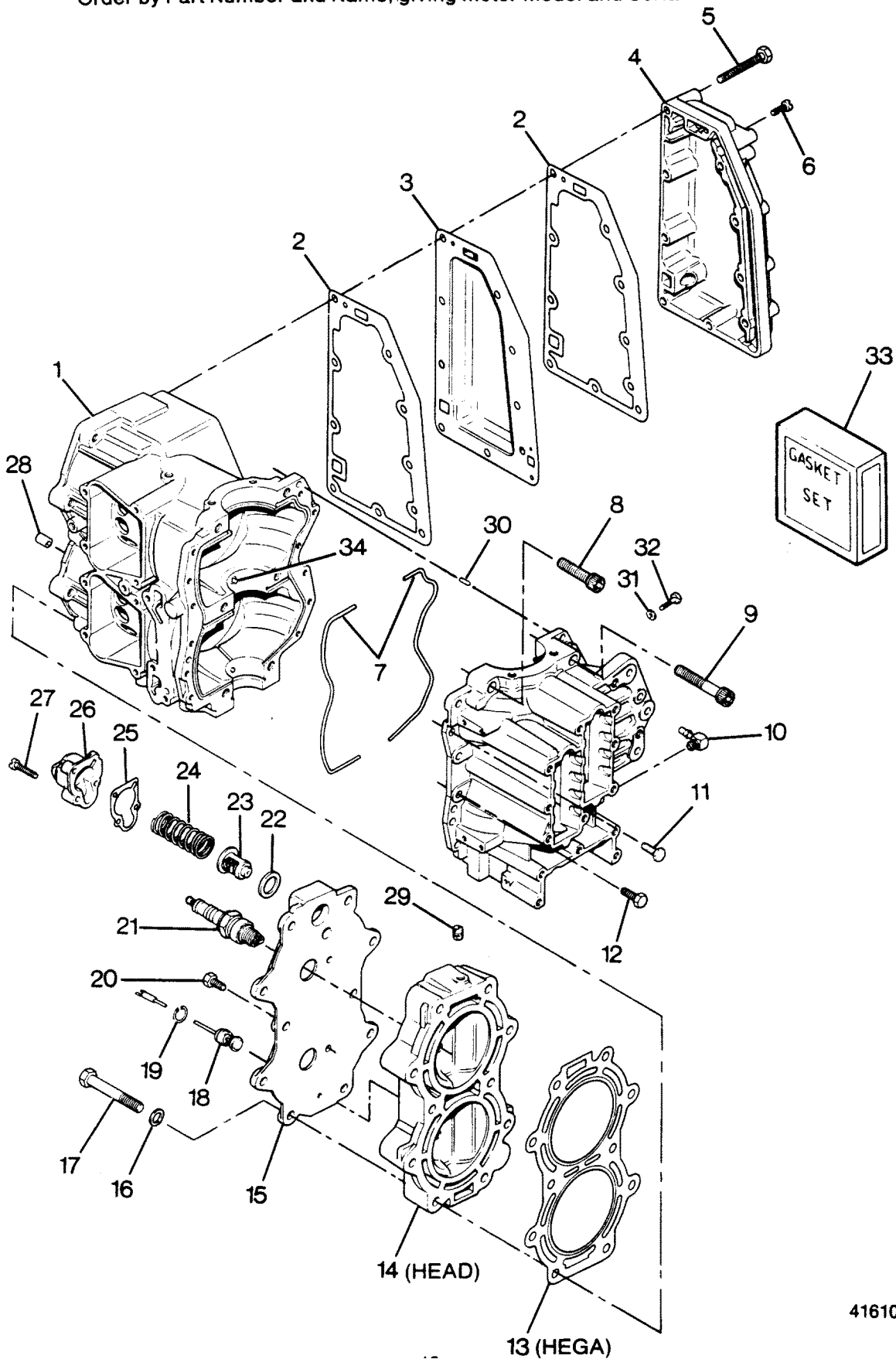
CYLINDER BLOCK, HEAD AND EXHAUST CHEST COVER

REF. NO.	PART NO.	SYM.	QTY.	DESCRIPTION
1	FA658010		1	CYLINDER W/CRANKCASE COVER AND DEFLECTOR PLATE
-	FC658010		1	SHORT BLOCK. INCLUDES ALL ITEMS MARKED WITH AN (*). ALSO REFER TO CRANKSHAFT PAGE.
2	F40154-4		2	GASKET, EXHAUST PORT PLATE
3	F40151-2		1	PLATE, EXHAUST PORT
4	F658152		1	COVER, EXHAUST PORT
5	F1971		9	SCREW, EXHAUST PORT 1/4 - 20 X 1/8 HEX HD.
6	F1974		2	SCREW, TERMINAL BLOCK MTG., #10 - 24 X 5/8 SL PAN HD.
7	F184122-1		1	SEAL, CRANKCASE PARTING LINE
8	F1879		5	SCREW, CRANKCASE COVER TO CYLNDR 3/8 - 16 X 1 5/8 HEX SOC HD
9	F1646		1	SCREW, CRANKCASE COVER TO CYLINDER 3/8 - 16 X 2 1/4 H SOC
10	F463314		1	ELBOW, CHECK VALVE
11	F1922		3	SCREW, CRANKCASE TO CYLINDER, SMALL HD. 1/4 - 20 X 5/8
12	F1864		9	SCREW, CRANKCASE TO CYLINDER, LARGE HD. 1/4 - 20 X 3/4
13	F658529		1	GASKET, CYLINDER HEAD
14	F658518		1	HEAD, CYLINDER
15	F658995		1	COVER, CYLINDER HEAD
16	F8039		10	WASHER CYLINDER HEAD BOLTS
17	F2091		10	SCREW, CYLINDER HEAD AND COVER TO CYLINDER
18	F658449		1	THERMOSWITCH W/WIRE
19	F658208		1	RETAINING RING
20	F1502		2	SCREW, CYLINDER HEAD TO CYLINDER HEAD
21	33-82370M		2	SPARK PLUG, L-82-C
22	F658504		1	WASHER, THERMOSTAT
23	F97068-2		1	THERMOSTAT
24	F658268		1	SPRING, THERMOSTAT
25	F97067		1	GASKET, THERMOSTAT COVER
26	F658066		1	COVER, THERMOSTAT
27	F1995		3	SCREW, THERMOSTAT COVER TO CYLINDER HEAD #10 - 24 X 1
28	F658418		1	TUBE, COOLING SYSTEM
29	F19109		1	PLUG
30	F8559		2	PIN, DOWEL
31	F8096		1	LOCKWASHER, SPRING
32	F1857		1	SCREW, HEX CAP, 5/16 - 18 X 5/8
33	FG1024		1	GASKET, SET. INCLUDES ITEMS MARKED W/(*):
-	F40154-4		2	GASKET, EXHAUST PORT PLATE
-	F40223		2	GASKET, TRANSFER PORT COVER
-	F40833-4		1	GASKET, IDLE RELIEF COVER
-	F40906-1		1	GASKET, CARBURETOR
-	F93472-1		1	GASKET, CYLINDER DRAIN COVER

CONTINUED ON NEXT PAGE ➡

CYLINDER BLOCK, HEAD AND EXHAUST CHEST COVER

Order by Part Number and Name giving most important dimensions



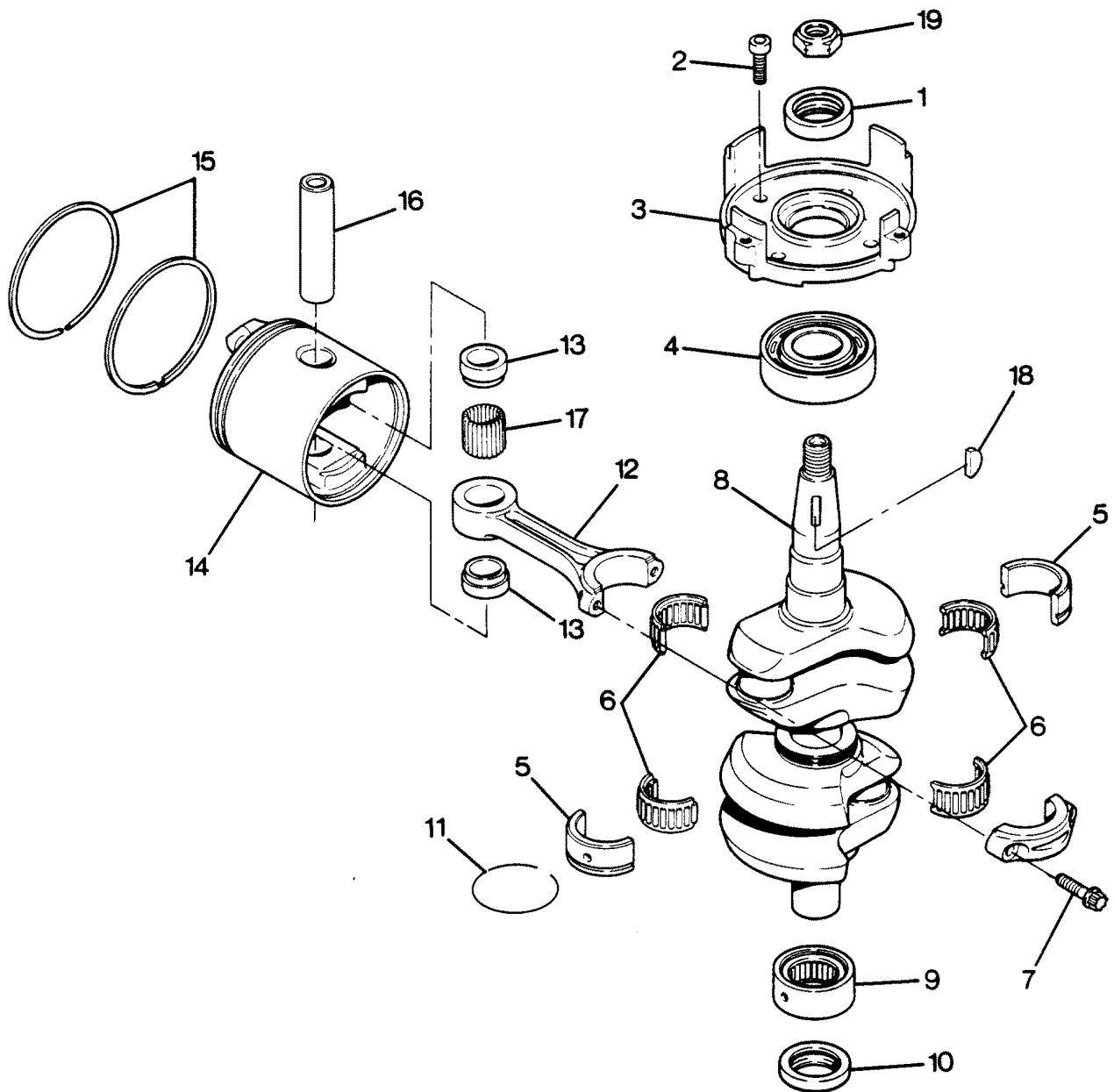
4192

41610-002

CYLINDER BLOCK, HEAD AND EXHAUST CHEST COVER

REF. NO.	PART NO.	SYM.	QTY.	DESCRIPTION
-	F93748-1		1	GASKET, CYLINDER DRAIN REED PLATE
-	F97067		1	GASKET, THERMOSTAT COVER
-	F658529		1	GASKET, CYLINDER HEAD
-	F184122-1		1	SEAL, CRANKCASE PARTING LINE
-	F307279-2		1	GASKET, CYLINDER EXHAUST-UPPER
-	F40279-1		1	GASKET, CYLINDER EXHAUST-LOWER
-	F366277		1	GASKET, BEARING CAGE
-	F433168		1	GASKET, CARBURETOR ADAPTER
-	F433406		1	GASKET, DEFLECTOR PLATE
34	F40909		1	PIN, LOCATING

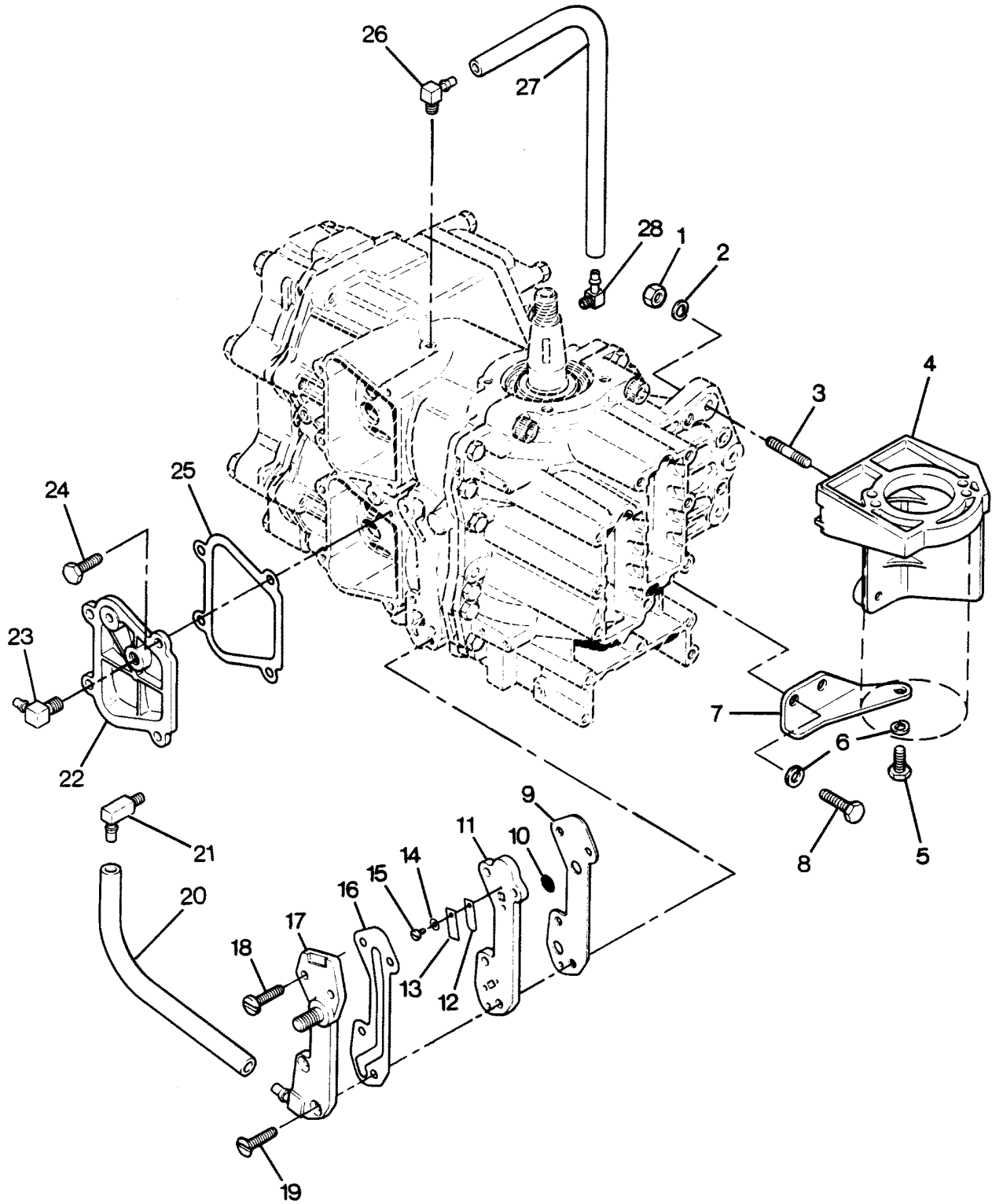
CRANKSHAFT AND PISTON



CRANKSHAFT AND PISTON

REF. NO.	PART NO.	SYM.	QTY.	DESCRIPTION
1	F474146		1	SEAL CRANKSHAFT, UPPER
2	F2081		4	SCREW, BEARING CAGE TO CYLINDER, 1/4 - 20 X 7/8 PAN HD
3	F2A658144		1	CAGE, CRANKSHAFT BEARING W/ILLUS. 1
4	F658013		1	BEARING, CRANKSHAFT, UPPER MAIN
5	FA40655		1	RACE, CRANKSHAFT CENTER MAIN BEARING W/ILLUS. 11
6	FK85228-1		3	CAGE, BEARING WITH ROLLERS (16 PER SET)
7	F85634-2		4	SCREW, CONNECTING ROD
8	FA658018		1	CRANKSHAFT W/ILLUS. 4
9	F90014		1	BEARING, CRANKSHAFT, LOWER MAIN
10	F40146-2		1	SEAL, CRANKSHAFT LOWER
11	F40410		1	SNAP RING
12	600-818052A4		2	ROD, CONNECTING W/ILLUS. 7 ORIGINAL FORCE P/N 2A 335016-3
13	F335215		4	SPACER, PISTON PIN
14	F658015		2	PISTON (STANDARD)
-	FSA658015		2	PISTON (.010 OVER)
-	700-818130A1		2	PISTON (.030 OVER)
15	FA658260		2	RING SET (STANDARD) 2 RINGS PER SET
-	FSA658260		2	RING SET (.010 OVER) 2 RINGS PER SET
-	39-818131A1		2	RING SET (.030 OVER) 2 RINGS PER SET
16	F658017		2	PIN, PISTON
17	F335217-1		1	BEARING, PISTON PIN
18	F85498-1		1	FLYWHEEL KEY
19	F1968		1	FLYWHEEL NUT, 3/4 - 16

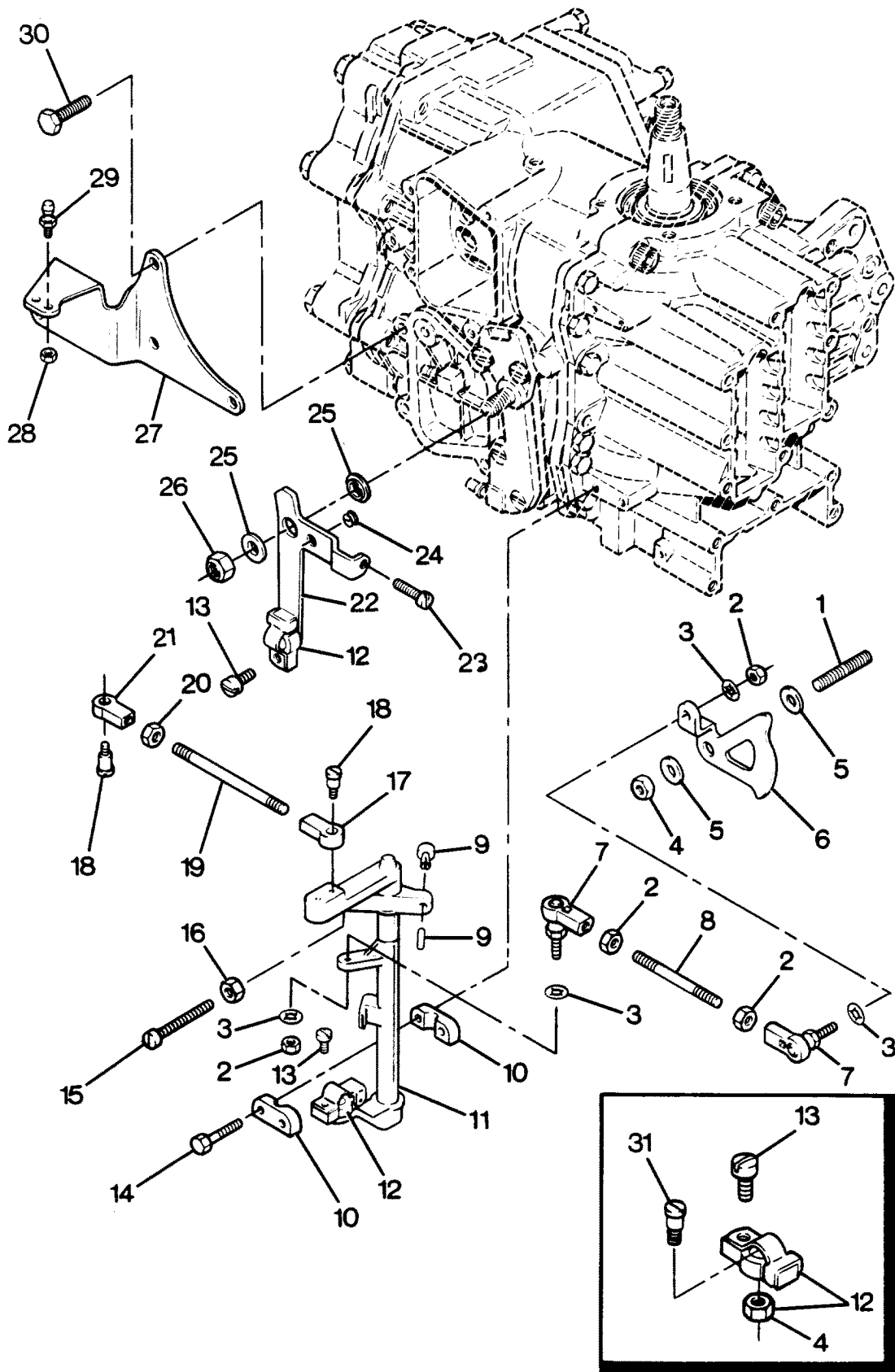
RECIRCULATION SYSTEM AND STARTER BRACKETS



RECIRCULATION SYSTEM AND STARTER BRACKETS

REF. NO.	PART NO.	SYM.	QTY.	DESCRIPTION
1	F1515		3	NUT, HEX 5/16 - 18
2	F8096		3	LOCKWASHER, SPRING
3	F307211		3	STUD
4	F345427-1		1	BRACKET, STARTER MOUNTING
5	F1854		1	SCREW, HEX SLOT HD. 1/4 - 20 X 5/8
6	F8083		3	LOCKWASHER, SPRING
7	F575675		1	BRACKET, STARTER MOUNTING, LOWER
8	F1854		2	SCREW, 1/4 - 20 X 5/8
9	F93748-1		1	GASKET, CYLINDER DRAIN REED PLATE
10	F93811		2	SCREEN, CYLINDER DRAIN REED PLATE
11	F3A433757		1	REED PLATE, CYLINDER DRAIN W/ILLUS. 15, 14, 13, 12-10
12	F18160-3		2	REED, CYLINDER DRAIN
13	F93920		2	REED STOP, CYLINDER DRAIN
14	F8003		2	WASHER, PLAIN
15	F1286		2	SCREW, PAN HD., 4 - 40 X 3/16
16	F93472-1		1	GASKET, CYLINDER DRAIN COVER
17	FA433471		1	COVER CYLINDER DRAIN W/FITTING
18	F1446		2	SCREW, SLOTTED PAN HD., 1/4 - 20 X 1
19	F1136		2	SCREW, FLAT HD., 1/4 - 20 X 1
20	F433254		1	HOSE
21	F404801		1	ELBOW
22	FA411222		1	COVER, TRANSFER PORT W/LITERATURE
23	F84314-2		1	ELBOW, FUEL LINE
24	F1922		5	SCREW, HEX HD., 1/4 - 20 X 5/8
25	F40223		2	GASKET, TRANSFER PORT COVER
26	F84314-2		1	ELBOW, FUEL
27	F433758		1	HOSE, LOWER MAIN BEARING TO ELBOW
28	F463314		1	ELBOW W/CHECK VALVE

SHIFT AND THROTTLE LINKAGE



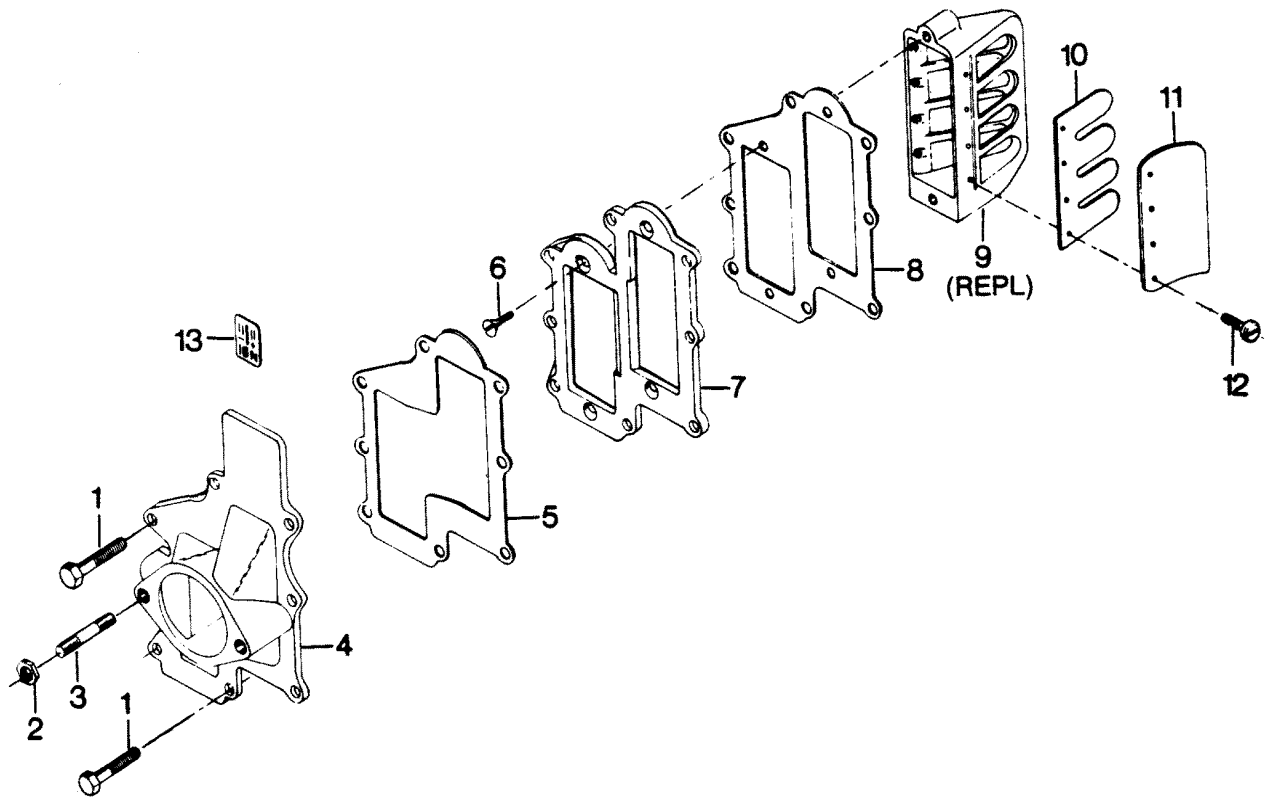
4192

41E

SHIFT AND THROTTLE LINKAGE

REF. NO.	PART NO.	SYM.	QTY.	DESCRIPTION
1	F433209-1		1	STUD, THROTTLE CAM
2	F1513		4	NUT, HEX 10 - 32
3	F8058		4	WASHER, TOOTH, EXTERNAL
4	F7008		1	NUT, ELASTIC, STOP, 1/4 - 20
5	F269319		2	BEARING, THROTTLE CAM
6	F433192		1	CAM, THROTTLE
7	817747--1		2	BEARING W/BALL JOINT
8	F85502		1	LINK, THROTTLE
9	F1727		1	RIVET, PLASTIC
10	F433689		4	BEARING, TOWERSHAFT
11	FK433838		1	TOWERHSAFT W/ILLUS. 12, 15, 16
12	FK405020		1	SWIVEL W/ILLUS. 31, 4
13	F1556		2	SCREW, FILL HD. W/LOCKWASHER, 10 - 24 X 3/8
14	F1995		4	SCREW, FILL HD., 10 - 24 X 1
15	F1052		1	SCREW, FILL HD., 1/4 - 20 X 1
16	F1341		1	NUT, HEX
17	F84036		1	BEARING, SPARK CONTROL, L.H.
18	F84026		2	SWIVEL, SPARK CONTROL
19	F658445		1	LINK, SPARK CONTROL
20	F1473		1	NUT, HEX 10 - 24
21	F84035-2		1	BEARING, SPARK CONTROL. R.H.
22	817793A1		1	SHIFT ARM W/ILLUS. 12, 24 ORIGINAL FORCE P/N A 433876-1
23	F2207		1	SCREW, FILL HD., 1/4 - 20 X 1/2
24	F85610		1	BEARING
25	F269052		2	BEARING, SHIFT ARM
26	F7004		1	NUT STOP, 7/16 - 20
27	817746A1		1	BRACKET, CONNECTOR STUD W/LITERATURE ORIGINAL FORCE P/N A 267371-1
28	F1804		2	NUT, STOP 10 - 32
29	F98273		2	STUD, ROD END CONNECTOR
30	F1864		3	SCREW, HEX CAP, 1/4 - 20 X 3/4
31	F405457		1	SCREW, PIVOT

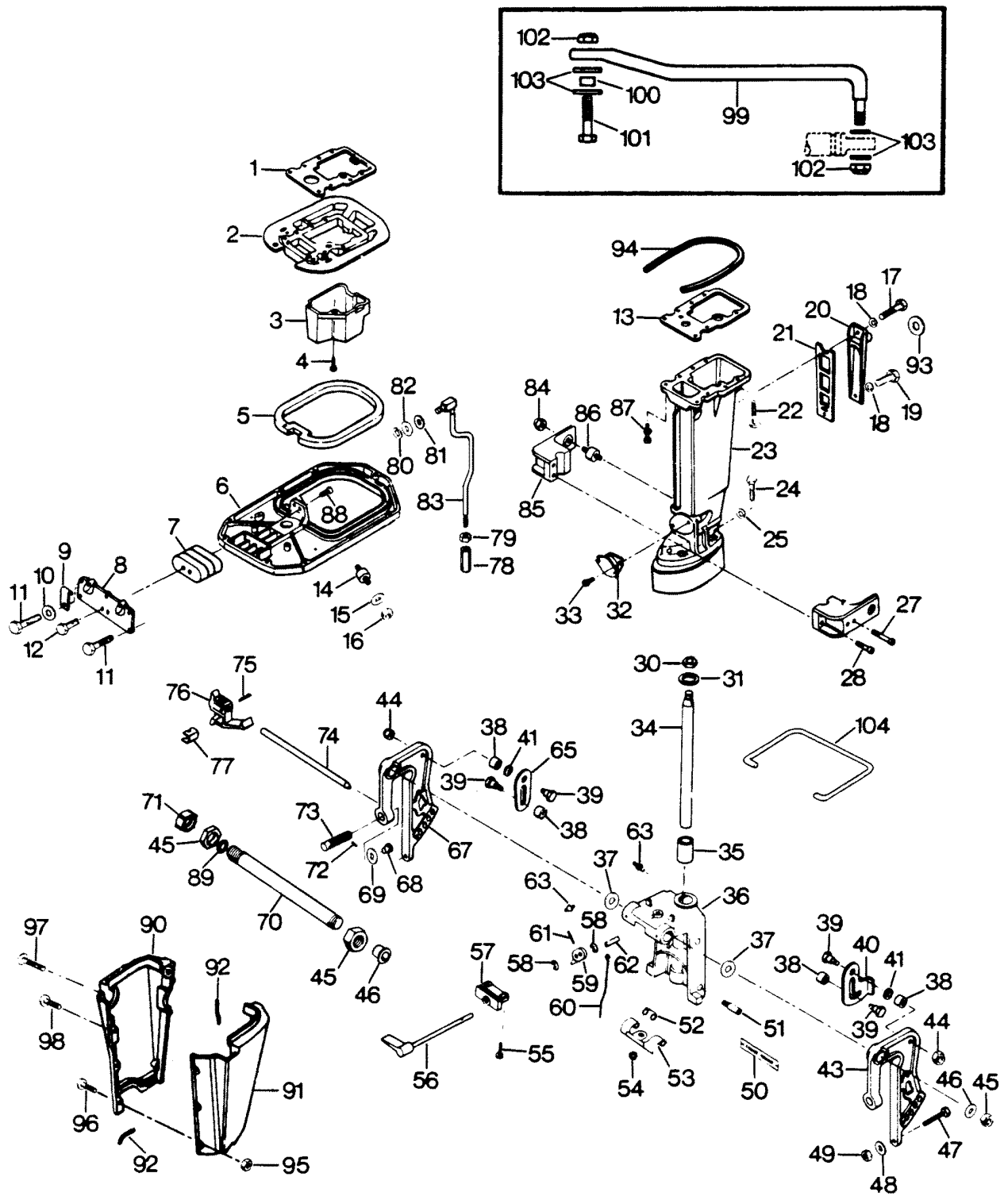
REED PLATE AND ADAPTER FLANGE



REED PLATE AND ADAPTER FLANGE

REF. NO.	PART NO.	SYM.	QTY.	DESCRIPTION
1	F2008		8	HEX HD SCREW, 1/4 - 20 X 7/8
2	F1515		2	HEX NUT, 5/16 - 18
3	F40209		2	CARBURETOR STUD
4	FA433167		1	CARBURETOR ADAPTER FLANGE W/ILLUS. 3
5	F433168		1	CARBURETOR ADAPTER GASKET
6	F1141		4	FLAT HD SCREW, 10 - 24 X 1/2
7	F433404		1	DEFLECTOR PLATE
8	F433406		1	DEFLECTOR PLATE GASKET
9	FA658158		2	REED PLATE W/ILLUS. 10, 11 AND 12
10	F316160		4	REED
11	F88161-4		4	REED STOP
12	F1755		16	ROUND HD SCREW W/LOCKWASHER, 6 - 32 X 1/4
13	37-817792A1		1	DECAL, TIMING W/LITERATURE ORIGINAL FORCE P/N A 433387-1

MOTOR LEG

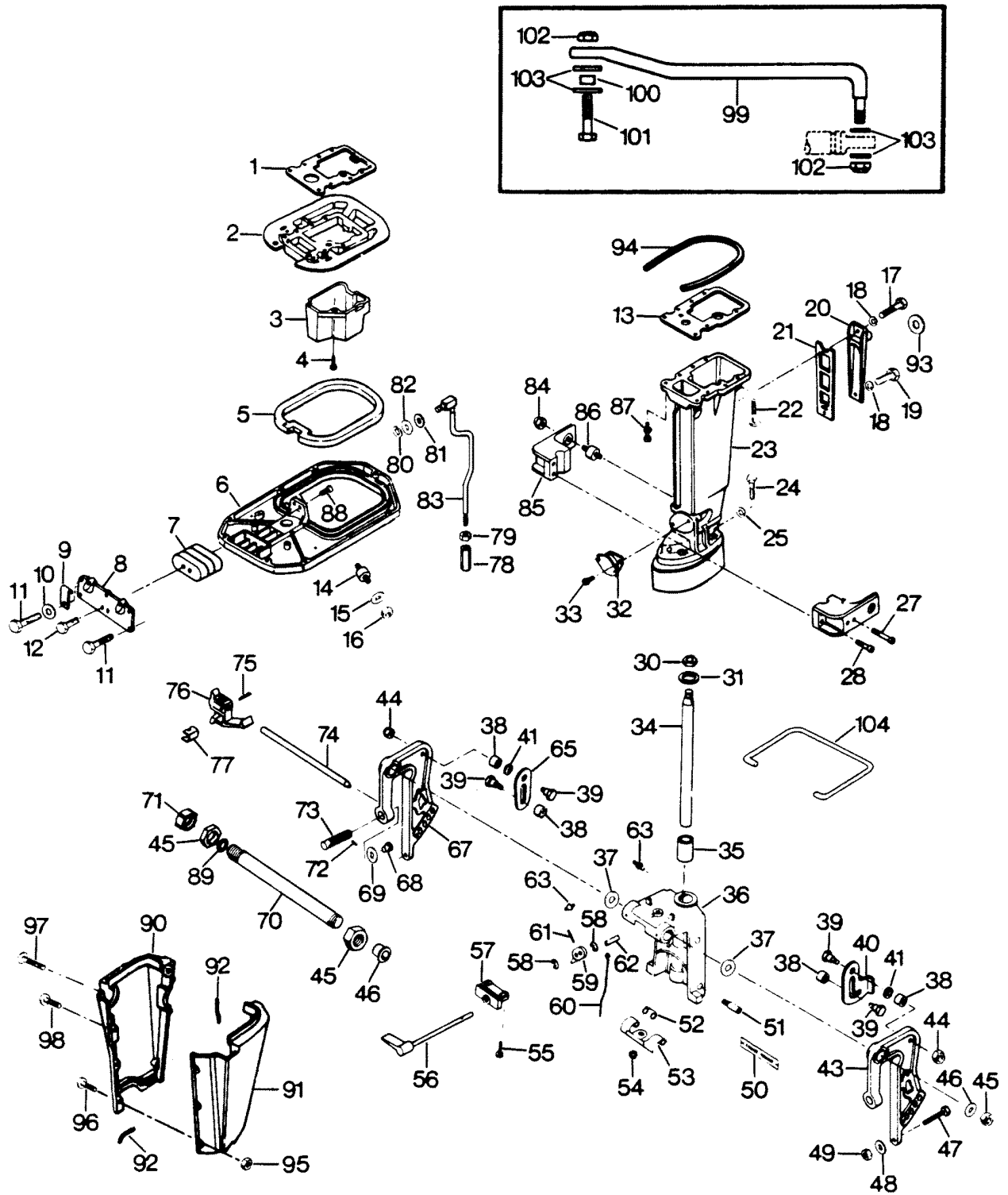


MOTOR LEG

REF. NO.	PART NO.	SYM.	QTY.	DESCRIPTION
1	F307279-2		1	CYLINDER EXHAUST GASKET UPPER
2	F658680		1	SPACER PLATE
3	F307660-1		1	LEG EXHAUST TUBE
4	F1851		3	FILL HD M. SCREW W/LOCKWASHER, 10 - 24 X 1/2
5	26-817766A1		1	SEAL, KINGPIN PLATE W/LITERATURE ORIGINAL FORCE P/N A 307989-1
6	FS307940		1	KINGPIN PLATE
7	F203965		1	SHOCK MOUNT UPPER
8	F433946		1	SHOCK MOUNT UPPER COVER
9	F286772-1		1	CLAMP
10	F8025		1	PLAIN WASHER
11	F1922		5	HEX CAP SCREW, 1/4 - 20 X 5/8
12	F1211		2	HEX HD SCREW W/LOCKWASHER, 1/4 - 28 X 5/8
13	F40279-1		1	CYLINDER EXHAUST GASKET-LOWER
14	F307962		2	SHOCK MOUNT-SIDE-UPPER
15	F8038		2	PLAIN WASHER
16	F1346		2	HEX NUT, 3/8-16
17	F1849		1	HEX HD SCREW. S.S., 1/4 - 20 X 1 - 3/8
18	F8083		2	SPRING LOCKWASHER
19	F1199		1	HEX HD. SCREW, 1/4 - 20 X 1
20	FA89832-2		1	MOTOR LEG EXHAUST COVER W/ILLUS. 17 & 19
21	F40833-4		1	MOTOR LEG EXHAUST COVER GASKET
22	F1905		1	FILL HD SCREW, 1/4 - 20 X 3-7/16
23	F453133-3		1	MOTOR LEG
24	F1929		4	HEX HD CAP SCREW, S.S., 3/8 - 16 X 1-1/8
25	F8065		4	SPRING LOCKWASHER
26	F433973		1	SHOCK MOUNT LOWER COVER - PORT
27	F1635		2	HEX SOCKET HD CAP SCREW, S.S., 3/8 - 16 X 3-1/2
28	F1636		2	HEX SOCKET HD CAP SCREW, S.S., 3/8 - 16 X 1-1/4
30	F84280		1	KINGPIN NUT
31	F89011		1	SWIVEL BRACKET WASHER
32	F183346-1		1	SHOCK MOUNT LOWER
33	F1129		4	FILL HD SCREW, S.S., 5/16 - 18 X 1/2
34	819331A2		1	KINGPIN
35	F191169-1		2	SWIVEL BRACKET BEARING
36	FA613072		1	SWIVEL BRACKET W/ILLUS. 35 & 63
37	F522286		2	STERN BRACKET FRICTION WASHER
38	F269929		4	SPACER, TILT STOP
39	F366350-1		4	TILT STOOP PIVOT
40	F366426		1	TILT STOP - PORT
41	F1666		2	BOWED SPRING WASHER
43	F522532-1		1	STERN BRACKET - PORT
44	F7007		4	NUT

CONTINUED ON NEXT PAGE ➡

MOTOR LEG

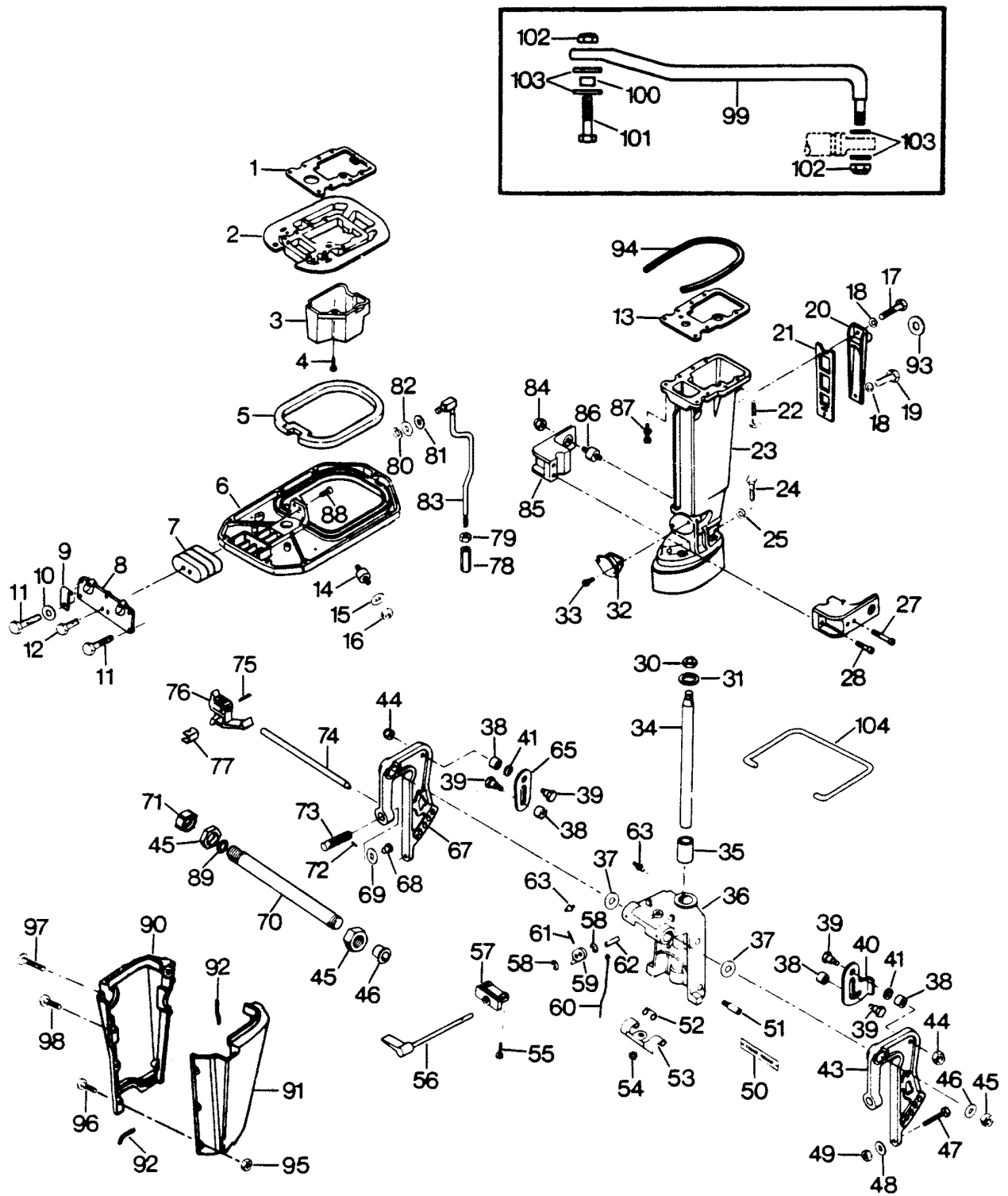


MOTOR LEG

REF. NO.	PART NO.	SYM.	QTY.	DESCRIPTION
45	F1600		2	LOCK NUT, PIVOT TUBE
46	F9052		2	PLASTIC PLUG, PIVOT TUBE
47	F1593		2	HEX HD SCREW, S.S., 3/8 - 16 X 3
48	F1904		2	PLAIN WASHER
49	F1346		2	HEX NUT, S.S., 3/8 - 16
50	F544390-1		1	DECAL, TILT LOCK
51	F366886		2	PIN
52	F366300		2	REVERSE LOCK SPRING
53	F366349		1	REVERSE LOCK
54	F1669		1	STOP NUT
55	F1733		2	PAN HD SCREW, 10 - 24 X 9/16
56	817944A2		1	HANDLE AND SHAFT W/ILLUS. 58, 62 AND LITERATURE ORIGINAL FORCE P/N K 366827-1
57	F522884		1	BEARING, REVERSE LOCK SHAFT
58	F2088		2	FASTENER
59	F366364		1	ARM, REVERSE LOCK
60	F366510-1		1	LINK, REVERSE LOCK
61	F1836		1	SPRING PIN
62	F197813		1	BEARING, REVERSE LOCK SHAFT REAR
63	F213274		3	GREASE FITTING
65	F366433		1	TILT STOP, STARBOARD
67	F522032		1	STERN BRACKET - STARBOARD
68	F353480		2	STUD
69	F24074		2	CLAMP SCREW FOOT
70	F522125-1		1	TUBE, PIVOT STEERING
71	F9018		1	PLASTIC CAP, PIVOT TUBE
72	F8538		2	SPRING PIN
73	F474073-1		2	CLAMP SCREW
74	FA433113		1	STERN BRACKET BAR W/ILLUS. 75, 76 & 77
75	F1744		1	SPRING PIN
76	F433114		1	HANDLE, LOCK BAR
77	F286461		1	SPRING LOCK BAR HANDLE
78	F141704		1	GEAR SHIFT ROD COUPLING
79	F1349		1	HEX NUT, S.S., 5/16 - 18
80	F185764		1	RETAINING RING
81	F8049		1	BOWED SPRING WASHER
82	F1987		1	PLAIN WASHER
83	F307615-1		1	GEAR SHIFT ROD UPPER
84	F1326		2	ACORN NUT, S.S., 5/16 - 18
85	F433972		1	SHOCK MOUNT LOWER COVER - STARBOARD
86	F215962		2	SHOCK MOUNT SIDE LOWER
87	F1947		8	FLANGED 12 POINT SCREW, 5/16 - 18 X 2
88	F1160		2	FLAT HD SCREW, 1/4 - 28 X 5/8

CONTINUED ON NEXT PAGE ➡

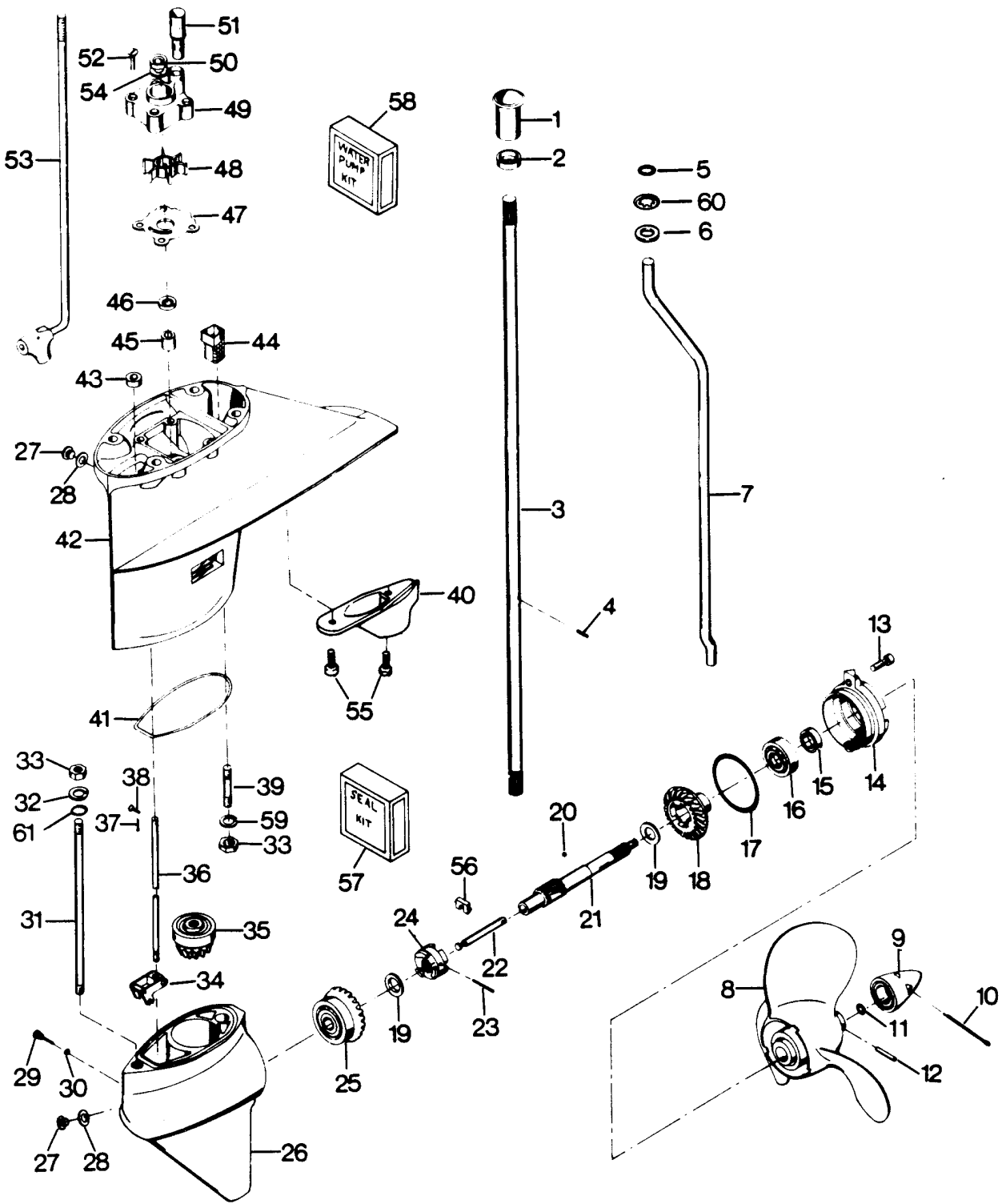
MOTOR LEG



MOTOR LEG

REF. NO.	PART NO.	SYM.	QTY.	DESCRIPTION
89	F316599		1	SEAL, PIVOT TUBE
90	FA435135		1	COVER, LEG STARBOARD W/ILLUS. 92
91	FA435145		1	COVER, LEG PORT W/ILLUS. 92
92	F435323		3	PACKING, LEG COVER LOWER
93	F89504		1	GROMMET, MOTOR LEG EXHAUST COVER
94	F89025		1	PAD, DAMPENING - LEG COVER
95	F1473		6	HEX M. SC. NUT #10 - 24
96	F1733		3	PAN HD. M. SC., #10 - 24 X 9/16
97	F1767		1	FILL HD. M. SC., #10 - 24 X 3
98	F1768		2	FILL HD. M. SC., #10 - 24 X 1-3/8
99	F5H141		1	LINK, STEERING W/ILLUS. 100, 101, 102, 103
100	F522359		1	SPACER, STEERING LINK
101	F2073		1	HEX CAP SCREW 3/8 - 24 X 1-5/8
102	F2093		2	STOP NUT
103	F8083		4	PLAIN WASHER
104	F5H084		1	TRAILERING TILT LOCK

GEAR HOUSING

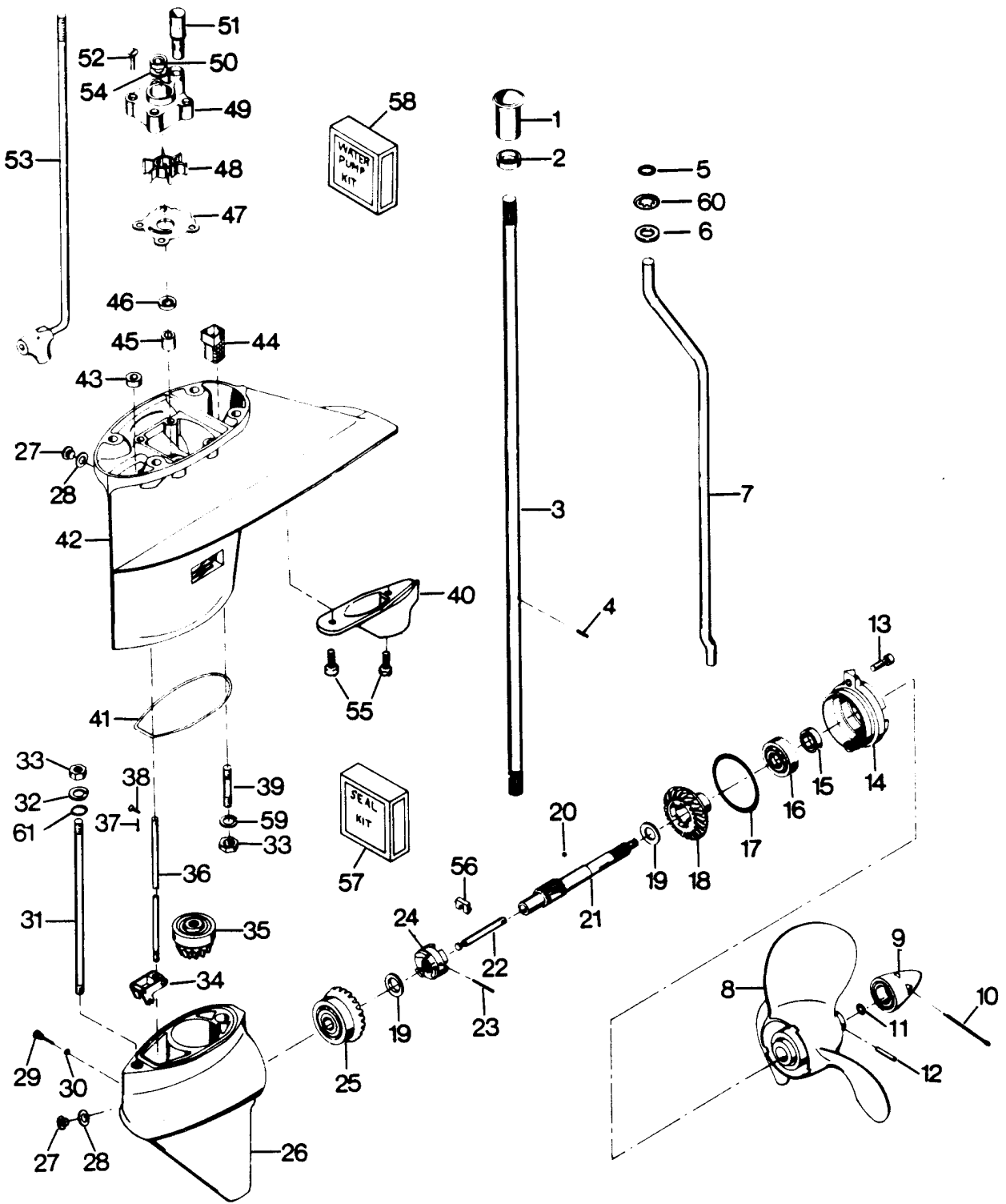


GEAR HOUSING

REF. NO.	PART NO.	SYM.	QTY.	DESCRIPTION
1	F338129-1		1	SEAL, DRIVESHAFT SPLINE
2	F338271		1	RETAINER
3	FA89128-1		1	DRIVESHAFT WILLUS. 2
4	F901563		1	DRIVE PIN, WATER PUMP IMPELLER
5	F40342		1	SEAL
6	F8042		1	PLAIN WASHER
7	F435244		1	INLET WATER LINE
8	FP287		1	PROPELLER (10-3/8 X 11-1/2 X 3 ALUM)
9	FA94094-2		1	PROPELLER NUT WILLUS. 10 AND 11
10	F1027		1	COTTER PIN. S.S., 1/8 - 1/2
11	F40342		1	SEAL, PROPELLER NUT
12	FK247		1	PROPELLER PIN, PACK OF 6 WILLUS. 10
13	F1263		2	HEX SOCKET HD CAP SCREW, S.S., 5/16 - 18 X 9/16
14	31-817731A5		1	PROPELLER SHAFT BEARING CAGE. INCLUDES ITEMS 15, 16 AND 17. ORIGINAL FORCE P/N 2A 366298-1
15	F141118		1	SEAL, PROPELLER SHAFT
16	F366058		1	BALL BEARING, PROPELLER SHAFT
17	F141305		1	SEAL, PROPELLER SHAFT BEARING CAGE
18	FA485662		1	BEVEL GEAR REAR W/BEARING
19	F40717		2	THRUST WASHER, BEVEL GEAR
20	F366727		1	BALL, PROPELLER SHAFT
21	44-819500A3		1	PROPELLER SHAFT ASSEMBLY
22	F90871-3		1	GEAR SHIFT ARM PIN
23	F2097		1	SPRING PIN
24	F99521-1		1	CLUTCH
25	43-817824A2		1	BEVEL GEAR FRONT W/BEARING AND CUP
26	FA486054		1	GEAR HOUSING LOWER W/THRUST BEARING CUP AND ILLUS. 27, 28, 29 AND 30
-	FC486054		1	GEAR HOUSING KIT. INCLUDES ALL ITEMS MARKED WITH AN ASTERISK (*)
27	F50109		2	PLUG, GEAR HOUSING
28	F8077		2	WASHER, GEAR HOUSING PLUG
29	F498891		1	GEAR SHIFT ARM PIVOT PIN
30	F498619		1	SEAL, O-RING
31	F97008-1		1	STUD, LONG
32	F2014		1	WASHER, PLAIN
33	F1346		2	HEX NUT, S.S., 3/8 - 16
34	817796A2		1	GEAR SHIFT ARM ASSEMBLY
35	F2A474266		1	BEVEL PINION W/BEARING
36	F435705		1	GEAR SHIFT ROD LOWER
37	F1015		1	COTTER PIN
38	F85372		1	PIN, GEAR SHIFT ROD LOWER
39	F40008		1	STUD, SHORT
40	FA435116		1	EXHAUST, SNOOT W/LITERATURE

CONTINUED ON NEXT PAGE ➡

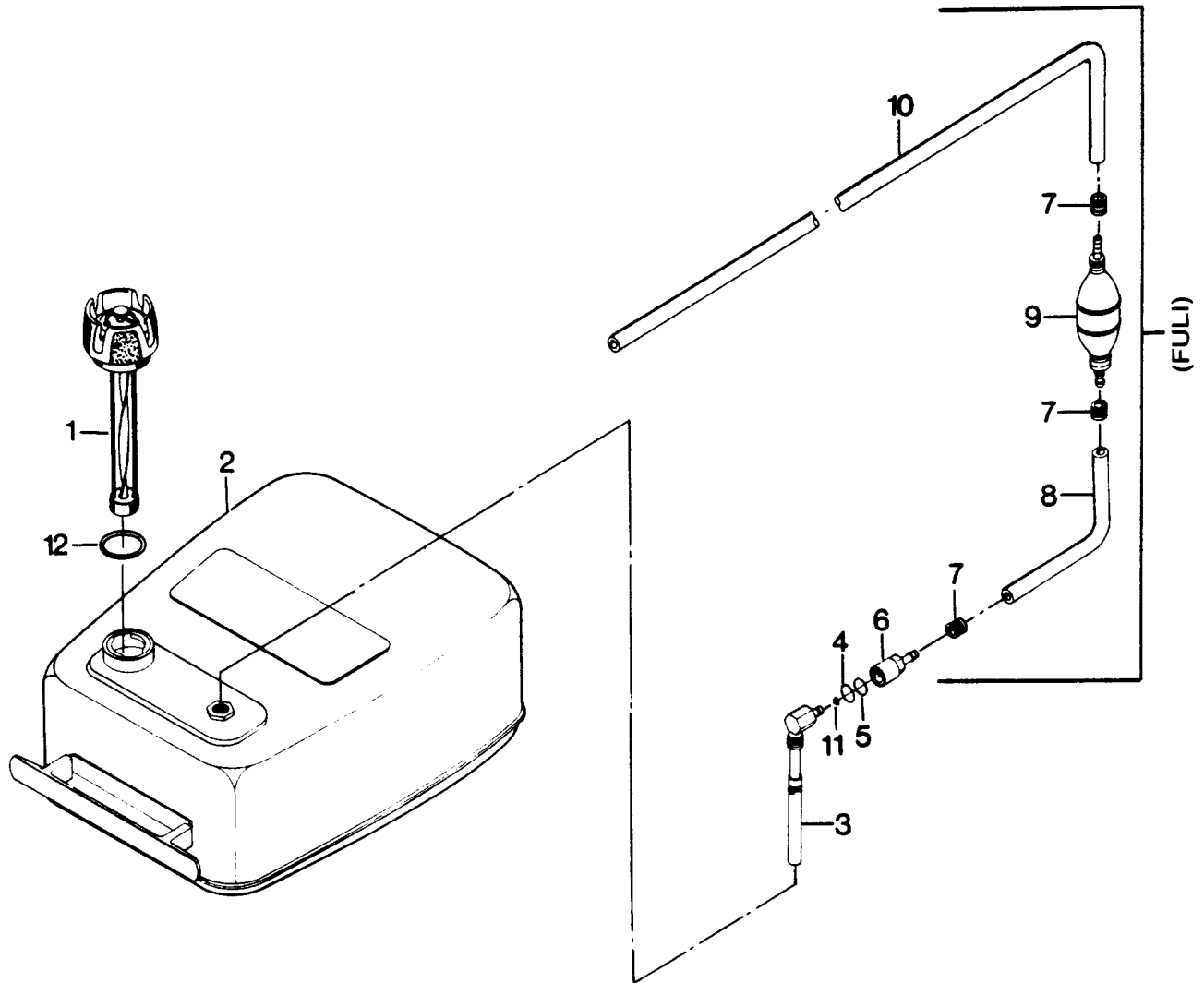
GEAR HOUSING



GEAR HOUSING

REF. NO.	PART NO.	SYM.	QTY.	DESCRIPTION
41	F435555		1	SEAL, GEAR HOUSING
42	FA545554		1	GEAR HOUSING UPPER W/ILLUS. 27, 28, 39, 40, 43, 44, 45, 46 AND 55
43	F338618-1		1	SEAL, SHIFT ROD LOWER
44	F435077		1	SCREEN, WATER INLET
45	F435057		1	BEARING, DRIVESHAFT UPPER
46	F40307-2		1	SEAL, DRIVESHAFT UPPER
47	F435562		1	WATER PUMP BACK PLATE
48	F433065-2		1	WATER PUMP IMPELLER
49	FA463060		1	WATER PUMP BODY W/ILLUS. 50, 51 AND 54
50	F349307		1	DRIVESHAFT SEAL - WATER PUMP
51	FA485914		1	SEAL, INLET WATER LINE, LOWER W/LITERATURE
52	F2030		4	HEX HD SCREW. S.S., 1/4 - 20 X 1-1/4
53	FA435616		1	GEAR SHIFT ROD INTERMEDIATE
54	485388		1	DISC, WATER PUMP
55	F2008		2	HEX HD M.S., 1/4 - 20 X 7/8
56	F90619-2		1	YOKE
57	FK1074		1	GEAR HOUSING SEAL KIT. INCLUDES ALL ITEMS MARKED WITH A DOUBLE ASTERISK (**).
58	FK1073		1	WATER PUMP KIT. INCLUDES ITEMS MARKED WITH A STAR (*).
-	F2030		4	SCREW 1/4 - 20 X 1 - 1/4
-	F433065-2		1	IMPELLER
-	F435562		1	BACK PLATE, WATER PUMP
-	F901563		1	DRIVE PIN
-	FA463060		1	WATER PUMP BODY W/ILLUS. 50, 51 AND 52
59	F8065		1	LOCKWASHER
60	F658208		1	RETAINER
61	F24342		1	SEAL

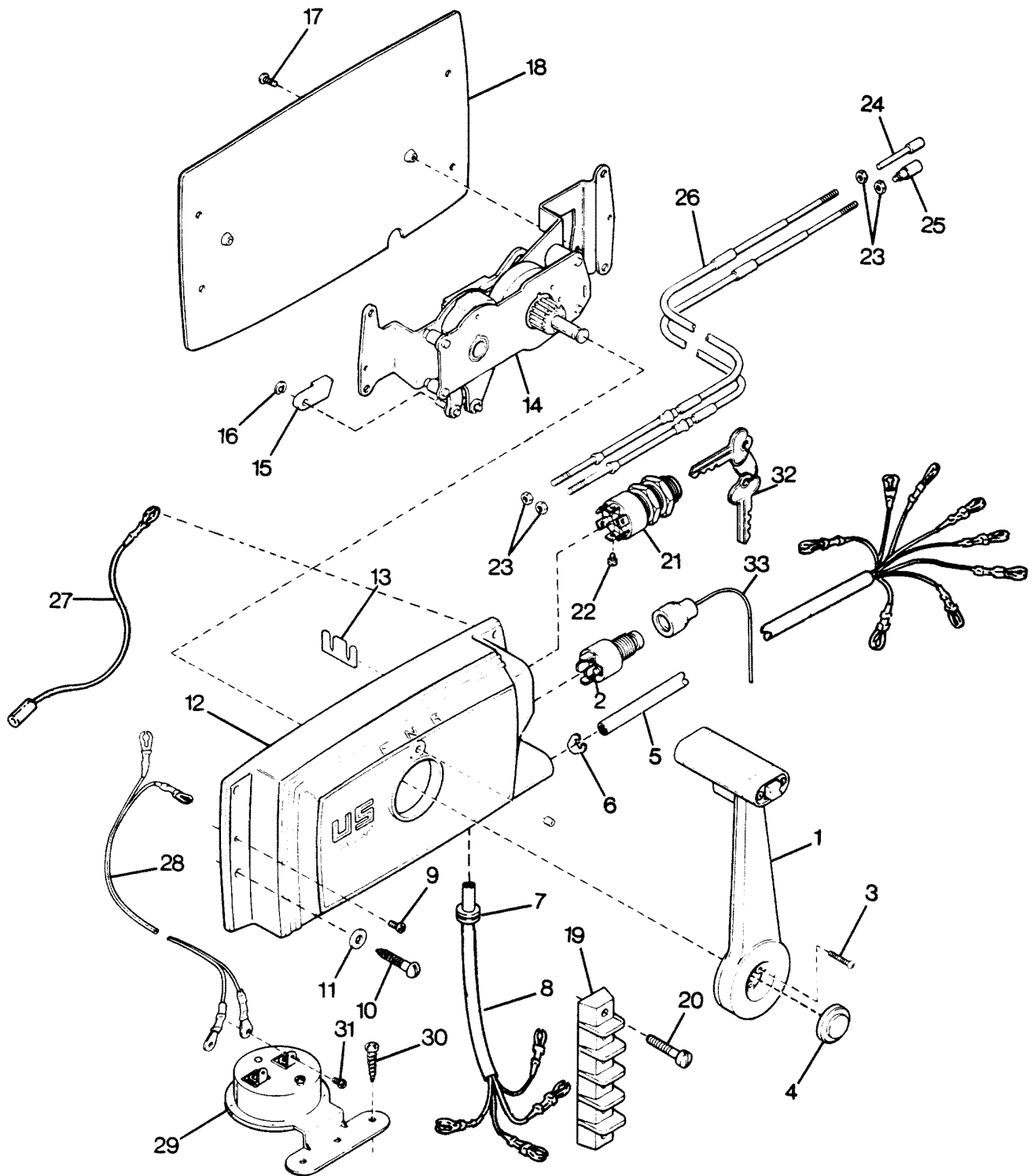
FUEL TANK AND LINE



FUEL TANK AND LINE

REF. NO.	PART NO.	SYM.	QTY.	DESCRIPTION
1	F409251-1		1	FUEL CAP (CANADA ONLY)
-	F213251		1	FUEL CAP (USA ONLY) (NOT SHOWN)
2	F5H026-1		1	FUEL TANK (ACCESSORY ITEM) - WILLUS. 1 AND 3 (FORCE MODELS)
3	F485755-1		1	FUEL TANK ADAPTER
4	F17816		1	SEAL, FUEL LINE COUPLER (LARGE)
5	F17815		1	SEAL, FUEL LINE COUPLER (SMALL)
6	F197787-3		1	FUEL LINE COUPLER
7	F298788		3	FERRULE
8	FA85754-1		1	FUEL LINE SHORT W/ILLUS. 7
9	89396A38		1	PRIME BULB
10	32-817738A1		1	FUEL LINE, LONG W/CLAMP AND ILLUS 7 ORIGINAL FORCE P/N A 197752-1
11	F17817		1	SEAL, FUEL TANK ADAPTER USED WITH 485755-1 ADAPTER
-	FS409752		1	FUEL LINE - COMPLETE INCLUDES ITEMS MARKED WITH AN ASTERISK (*)
-	FC311398		1	DECAL, TOTE TANK - CANADA (NOT SHOWN)
-	F224394-3		1	DECAL, FUEL MIXTURE - U.S.A. (NOT SHOWN)
12	F17818		1	GASKET
-	F310398		1	DECAL, WARNING (NOT SHOWN)

REMOTE CONTROL



REMOTE CONTROL

REF. NO.	PART NO.	SYM.	QTY.	DESCRIPTION
1	F668611		1	LEVER
2	F660602		1	SWITCH, EMERGENCY KILL
3	F660165		4	SCREW, LEVER TO ACTUATOR
4	F660332		1	PLUG, WARM-UP BUTTON
5	F660843		1	CABLE, 15-1/2' REMOTE ELECT.
6	F660446		1	CLAMP, REMOTE ELECT. CABLE
7	F660504		1	GROMMET, REMOTE ACCESSORY CABLE
8	F660353		1	CABLE, 5' REMOTE ELECT.
9	F660480		2	SCREW, COVER TO ACTUATOR
10	F660732		4	SCREW, CONTROL MOUNTING
11	F660595		4	WASHER, CONTROL MTG. SCREW
12	F660995		1	COVER, ASSEMBLY - REMOTE CONTROL
13	F660642		1	RETAINER, REMOTE CABLE
14	F660327		1	ACTUATOR, ASSEMBLY - REMOTE CONTROL
15	F660141		2	CONNECTOR CABLE - REMOTE CONTROL
16	F660411		2	RING, RETAINING
17	F660751		2	SCREW, PLATE TO ACTUATOR
18	F660911		1	PLATE, REMOTE CONTROL
19	F660497		1	BLOCK, TERMINAL
20	F1741		2	SCREW, TERMINAL BLOCK
21	F5H077		1	SWITCH, ACCESSORY ITEM W/ITEMS 22 AND 32
22	F1280		6	SCREW, IGN. SWITCH WIRE TERMINAL
23	F1513		4	STOP NUTS, CABLE END
24	FA58976-1		1	CONNECTOR, THROTTLE
25	F58685-2		1	CONNECTOR, SHIFT
26	F195/_		1	REMOTE CONTROL CABLE, SPECIFY LENGTH - X
27	F660664		1	WIRE, IGN. SWITCH TO ACC. TERMINAL BLOCK
28	F404841		1	CABLE, OVERHEAT BUZZER
29	F5H073		1	BUZZER, OVERHEAT, ACCESSORY ITEM
30	F1741		2	SCREW, PAN HD., 8-3/4
31	F1645		8	SCREW, RD. HD., SELF-TAPPING, 6-32 X 1/4
32	817782--1		1	IGNITION KEY - NO LETTER OR STAMPED A
-	817883--1		1	IGNITION KEY - STAMPED B
-	817891--1		1	IGNITION KEY - STAMPED C
-	817928--1		1	IGNITION KEY - STAMPED D
-	817929--1		1	IGNITION KEY - STAMPED E
33	F660329		1	LANYARD, KILL SWITCH

SPECIAL TOOLS - TUNE-UP

REF. NO.	PART NO.	SYM.	QTY.	DESCRIPTION
-	FT8948-1		0	PULLER TO REMOVE FLYWHEEL.
-	FT8978		0	TIMING LIGHT TO ADJUST IGNITION TIMING (DYNAMIC).

SPECIAL TOOLS - POWER HEAD

REF. NO.	PART NO.	SYM.	QTY.	DESCRIPTION
-	FT2998		0	TORQUE WRENCH (0-100 LBS./FT.) TO PROPERLY SECURE FASTENERS.
-	FT2999		0	TORQUE WRENCH (0-600 LBS./IN.) TO PROPERLY SECURE FASTENERS.
-	FT2991		0	CARBON BRUSH TO REMOVE CARBON FROM INSIDE POWER HEAD.
-	FT8900		0	HOSE CLAMP PLIERS TO REMOVE AND INSTALL FUEL HOSE CLAMPS.
-	FT3510		0	SEAL INSTALLER TO INSTALL UPPER CRANKSHAFT BEARING CAGE SEAL.
-	FT3512		0	SEAL SLEEVE TO INSTALL UPPER CRANKSHAFT BEARING CAGE SEAL.
-	FT1749		0	RETAINING RING PLIERS TO REMOVE AND INSTALL PISTON PIN RETAINING RINGS.
-	FT2953		0	SOCKET TO TORQUE CONNECTING ROD SCREWS.
-	FT2990		0	PISTON PIN REMOVER TO REMOVE AND INSTALL PISTON PIN IN PISTON.
-	FT8926		0	RING EXPANDER TO INSTALL RINGS ON PISTONS.
-	FT2996		0	RING COMPRESSOR TO INSTALL PISTONS IN CYLINDERS.
-	FT8933		0	LIFTING EYE TO LIFT ENGINE.

SPECIAL TOOLS - LOWER UNIT

REF. NO.	PART NO.	SYM.	QTY.	DESCRIPTION
-	FT8948-1		0	PULLER TO REMOVE PROPELLER SHAFT BEARING CAGE FROM LOWER GEAR HOUSING.
-	FT8919		0	SPRING PIN PUNCH TO REMOVE CLUTCH SPRING PIN.
-	FT8907		0	DRIVER HANDLE TO INSTALL BEARING CUP IN LOWER GEAR HOUSING.
-	FT8945		0	RETAINER PUNCH TO INSTALL RETAINER ON DRIVESHAFT SPLINE BOOT.
-	FT8918		0	BUSHING GUIDE SET TO REMOVE AND INSTALL BEARING CUP IN LOWER GEAR HOUSING.
-	FT8921		0	FORWARD BEARING CUP REMOVER TO REMOVE FORWARD BEARING CUP FROM LOWER GEAR HOUSING.
-	FT8904		0	FORWARD BEARING CUP INSTALLER TO INSTALL FORWARD BEARING CUP IN LOWER GEAR HOUSING.
-	FT3431		0	SEAL INSTALLER TO INSTALL DRIVESHAFT AND PROP SHAFT SEAL IN LOWER UNIT.
-	FT8957		0	SEAL INSTALLER TO INSTALL SHIFT ROD SEAL.
-	FT8962		0	BEARING INSTALLER TO INSTALL DRIVESHAFT BEARING IN GEAR HOUSING UPPER.
-	FT8964		0	BEARING REMOVER TO REMOVE DRIVESHAFT BEARING FROM GEAR HOUSING UPPER.

SPECIAL TOOLS - TEST EQUIPMENT

REF. NO.	PART NO.	SYM.	QTY.	DESCRIPTION
-	FT2951		0	CIRCUIT TRACER TO TROUBLESHOOT 12 VOLT CIRCUITS.
-	FT2938-1		0	TEST LIGHT TO CHECK CONTINUITY.
-	FT2955A		0	TEST WHEEL TO TEST MOTOR IN TEST TANK.
-	FT8950		0	LEAKAGE TESTER TO TEST LOWER UNIT FOR LEAKAGE.
-	FTA11259		0	MULTIMETER TO TEST ELECTRICAL COMPONENTS.
-	FT11260		0	SPARK TESTER TO TEST IGNITION SYSTEM.

SPECIAL TOOLS - LUBRICANTS AND SEALANTS

REF. NO.	PART NO.	SYM.	QTY.	DESCRIPTION
-	FT2961		0	LUBRICANT - RYKON GREASE #2EP
-	FT2987-1		0	LUBRICANT - ANTI-SEIZE
-	FT8969		0	LUBRICANT - 7 OZ. LPS-1
-	FT8983		0	SEALANT - RTV
-	FT8936-1		0	SEALANT - 2 CC LOCTITE RETAINING COMPOUND # 75
-	FT2962-2		0	SEALANT - 50 CC LOCTITE H, NON-HARDENING GRADE
-	FT2963-2		0	SEALANT - 2 OZ. LOCTITE #271
-	FT8935		0	SEALANT PRIMER - 6 OZ. LOC QUIC T

ACCESSORIES

REF. NO.	PART NO.	SYM.	QTY.	DESCRIPTION
-	F5H081		0	BATTERY CABLE - 15 FEET REMOTE MOUNTED BATTERY.
-	F5H025		0	ANTI-CORROSION SACRIFICIAL ANODE USED TO HELP PREVENT CORROSION.
-	F5H021		0	BATTERY EXTENSION CABLE USED TO EXTEND BATTERY CABLE 6-1/2 FEET.
-	F5H041		0	BATTERY TERMINAL KIT FOR NEGATIVE AND POSITIVE BATTERY POSTS.
-	F5H020		0	CARRYING HANDLE PERMITS EASIER TRANSPORTATION OF ENGINE TO AND FROM BOAT (2 MAN).
-	F5H177		0	FLUSHING ADAPTER PERMITS FRESH WATER FLUSHING OF WATER PASSAGES WITH STANDARD GARDEN HOSE.
-	5H158		0	FUEL GAUGE MONITORS FUEL SUPPLY.
-	F5H028		0	SENDING UNIT FOR USE WITH 5H158 FUEL GAUGE.
-	F5H156		0	TEMPERATURE GAUGE MONITORS ENGINE TEMPERATURE. DO NOT USE TEMPERATURE GAUGE AND HEAT LAMP IN THE SAME INSTALLATION.
-	F5H055		0	WATER PUMP KIT HEAVY DUTY WATER PUMP RECOMMENDED FOR CONTINUED OPERATION IN SANDY OR SALT WATER.
-	F5H191		0	FORCE BLUE ENAMEL ENGINE TOUCH-UP PAINT IN 13 OZ. AVERAGE SPRAY BOMB (6 CANS PER CASE).
-	F5H192		0	FORCE BLUE ENAMEL ENGINE TOUCH-UP PAINT IN 1/2 OZ. BOTTLE WITH BRUSH IN CAP (12 BOTTLES PER BOX).
-	F5H147-1		0	POWER TRIM ADJUSTS ENGINE TRIM AND TILTS ENGINE.
-	F5H160		0	POWER TRIM INDICATOR INDICATES TRIM ANGLE.
-	F5H084		0	TRAILERING TILT LOCK SECURES ENGINE IN TILTED POSITION FOR TRAILERING.
-	F5H026-1		0	FUEL TANK, 6 GALLON, STEEL AUXILIARY TANK.
-	F5H029		0	FUEL TANK ANCHOR SECURES 5H026-1 TO DECK.
-	F5H143		0	POWER TILT TWELVE VOLT UNIT TILTS ENGINE FOR BEACHING, ETC.
-	F5H073		0	OVERHEAT BUZZER KIT WARNS OF ENGINE OVERHEATING.
-	F5H077		0	IGNITION KEY SWITCH FOR ELECTRIC START MODELS, SHORT BARREL.
-	F5H078		0	IGNITION KEY SWITCH FOR ELECTRIC START MODELS, LONG BARREL.
-	F195/___		0	REMOTE CONTROL CABLES CONNECTS REMOTE CONTROL BOX TO THROTTLE AND GEAR SHIFT ON MOTOR. AVAILABLE IN 6 THROUGH 26 FOOT LENGTHS (SPECIFY LENGTH).
-	F5H199		0	REMOTE CONTROL SURFACE MOUNT (SINGLE LEVER) PERMITS REMOTE CONTROL OF THROTTLE AND GEAR SHIFT FROM STARBOARD SIDE OF BOAT.
-	F5H159		0	HOURMETER MONITORS ENGINE RUNNING TIME.
-	F5H154		0	SPEEDOMETER FLUSH MOUNT (10 - 50 MPH).
-	F5H141		0	STEERING LINK KIT FOR USE WITH PIVOT TUBE STEERING.
-	F563		0	TERMINAL BLOCK KIT DOUBLE ROW 10 SECTION FOR ACCESSORY WIRING.

CONTINUED ON NEXT PAGE ➡

ACCESSORIES

REF. NO.	PART NO.	SYM.	QTY.	DESCRIPTION
-	F5H075		0	WIRING HARNESS (24") FOR REMOTE INSTALLATION OF IGNITION SWITCH.
-	F137		0	REMOTE STEERING BRACKET ADAPTS MOTOR TO CABLE TYPE REMOTE STEERING.
-	F165		0	REMOTE STEERING BRACKET ADAPTS TO CABLE TYPE REMOTE STEERING.
-	F5H194		0	CLEAR ENAMEL ENGINE TOUCH-UP PAINT IN 13 OZ. AVERAGE SPRAY BOMB (6 CANS PER CASE).
-	F5H023		0	REMOTE STEERING BRACKET ADAPTS MOTOR TO MECHANICAL TYPE REMOTE STEERING.
-	F166		0	DUAL ENGINE TIE BAR PERMITS DUAL ENGINE INSTALLATION.
-	F5H167-1		0	TACHOMETER MONITORS ENGINE RPM TO PROVIDE CHECK OF ENGINE PERFORMANCE.
-	F5H157		0	VOLTMETER INDICATES BATTERY CONDITION.
-	F5H070		0	REMOTE ELECTRIC CABLE 21 FEET.
-	F762		0	REMOTE ELECTRIC CABLE 25 FEET.
-	F596-		0	US MARINE OUTBOARD OIL SEE NOTE 1
-	597-		0	US MARINE OUTBOARD GEAR LUBE SEE NOTE 2
-	F5H076		0	SWITCH EXTENSION CABLE (5') FOR REMOTE INSTALLATION OF IGNITION SWITCH.
-	F5H030		0	SWITCH KIT - RUNNING LIGHTS DASH MOUNT TOGGLE FOR ANCHOR AND RUNNING LIGHTS.
-	F5H031		0	SWITCH KIT - SPOT LIGHT DASH MOUNT TOGGLE FOR SPOT OR SEARCH LIGHTS.
-	F5H032		0	SWITCH KIT - WIPER DASH MOUNT TOGGLE FOR ELECTRIC WIPER.
-	F5H034		0	SWITCH KIT - BILGE PUMP DASH MOUNT TOGGLE FOR ELECTRIC BILGE PUMP.
-	F5H035		0	SWITCH KIT - HORN DASH MOUNT TOGGLE FOR HORN - MOMENTARY ON.
-	F5H036		0	SWITCH KIT - TACHOMETER TRANSFER DASH MOUNT TOGGLE FOR ONE TACHOMETER ON DUAL ENGINE INSTALLATION.
-	F5H037		0	SWITCH KIT - LIGHTER DASH MOUNT LIGHTER, COMPLETE.
-	F5H038		0	SWITCH KIT - IGNITION DASH MOUNT PLATE FOR 5H077 AND 5H078 KEY SWITCH (NOT INCLUDED).
-	F5H039		0	SWITCH KIT - INSTRUMENTS

PARTS INDEX

Part Number	Description	Pg.	Ref. No.	Part Number	Description	Pg.	Ref. No.
485388	DISC, WATER PUMP	35	54	F1141	FLAT HD SCREW, 10 - 24 X		
5H158	FUEL GAUGE	45	-		1/2	25	6
817746A1	BRACKET, CONNECTOR			F1160	FLAT HD SCREW, 1/4 - 28 X		
	STUD	23	27		5/8	29	88
817747--1	BEARING W/BALL JOINT	23	7	F1199	HEX HD. SCREW, 1/4 - 20 X		
817782--1	IGNITION KEY - NO LETTER				1	27	19
	OR STAMPED A	39	32	F1211	HEX HD SCREW		
817793A1	SHIFT ARM	23	22		W/LOCKWASHER, 1/4 - 28		
817796A2	GEAR SHIFT ARM				X 5/8	27	12
	ASSEMBLY	33	34	F1238	SCREW, 1/4 - 20 X 3/4	5	14
817814A1	TILT HANDLE	3	2	F1263	HEX SOCKET HD CAP		
817883--1	IGNITION KEY - STAMPED B	39	-		SCREW, S.S., 5/16 - 18 X		
817891--1	IGNITION KEY - STAMPED C	39	-		9/16	33	13
817928--1	IGNITION KEY - STAMPED D	39	-	F1280	SCREW, IGN. SWITCH WIRE		
817929--1	IGNITION KEY - STAMPED E	39	-		TERMINAL	39	22
817944A2	HANDLE AND SHAFT	29	56	F1286	SCREW, PAN HD., 4 - 40 X		
819331A2	KINGPIN	27	34		3/16	21	15
89396A38	PRIME BULB	37	9	F1303	SCREW, #8 - 32 X 3/4 SL.		
F10067	BOWL RETAINER GASKET	11	14		PA.	5	27
F10127	FUEL BOWL	11	3	F1326	ACORN NUT, S.S., 5/16 - 18	29	84
F10128	CHOKE VALVE	11	7	F1341	NUT, HEX	23	16
F10129	CHOKE RELIEVING VALVE	11	8	F1346	HEX NUT, 3/8-16	27	16
F10130	CHOKE VALVE SPRING	11	23	F1346	HEX NUT, S.S., 3/8 - 16	29	49
F10135	FLOAT ASSEMBLY	11	9	F1346	HEX NUT, S.S., 3/8 - 16	33	33
F10137	NOZZLE	11	11	F1349	HEX NUT, S.S., 5/16 - 18	29	79
F1014	COTTER PIN	11	38	F137	REMOTE STEERING		
F10140	VALVE SCREW	11	20		BRACKET	46	-
F10141	IDDLE NEEDLE SPRING	11	21	F141118	SEAL, PROPELLER SHAFT	33	15
F10142	FLOAT SUPPORT SPRING	11	22	F141305	SEAL, PROPELLER SHAFT		
F1015	COTTER PIN	33	37		BEARING CAGE	33	17
F10152	CUP PLUG	11	12	F141704	GEAR SHIFT ROD		
F10153	WELCH PLUG	11	13		COUPLING	29	78
F10155	VALVE SCREW	11	19	F1446	SCREW, SLOTTED PAN HD.,		
F10159	CHOKE SHAFT ASSEMBLY	11	6		1/4 - 20 X 1	21	18
F10191	CHOKE RETURN SPRING	11	25	F1473	HEX M. SC. NUT #10 - 24	31	95
F10192	THROTTLE RETURN			F1473	NUT, 10 - 24 S.S.	9	18
	SPRING	11	24	F1473	NUT, HEX 10 - 24	23	20
F10193	THROTTLE SHAFT			F1475	FILL HD SCREW, 10 X 24 X		
	ASSEMBLY	11	4		1/2	3	8
F10197	JET (.046)	11	28	F1502	SCREW, CYLINDER HEAD		
F10203	JET SIZE (.080) 5000-7500				TO CYLINDER HEAD	15	20
	FT.	11	-	F1504	SLOTTED FILL, SCREW 1/4 -		
F10204	NOZZLE SPRING	11	26		20 X 1/14/ S.S.	9	8
F10205	BOWL RETAINER SCREW	11	18	F1513	NUT, #10 - 32	5	13
F10206	BOWL RETAINER GASKET	11	16	F1513	NUT, HEX 10 - 32	23	2
F10207	THROTTLE VALVE	11	5	F1513	STOP NUTS, CABLE END	39	23
F10208	PIN, FLOAT ASSEMBLY	11	10	F1515	HEX NUT, 5/16 - 18	3	21
F10210	JET SIZE (.078) 750-10,000			F1515	HEX NUT, 5/16 - 18	25	2
	FT.	11	-	F1515	NUT, HEX 5/16 - 18	21	1
F10218	RING	11	1	F15152	LOCKWASHER	7	11
F10229	MAIN FUEL JET (.084)	11	29	F15154	CAP, DRIVE END	7	3
F10230	JET SIZE (.082) 2500-5000			F15157	HOLDER, BRUSH	7	9
	FT.	11	-	F15158	SCREW, BRUSH HOLDER	7	7
F1027	COTTER PIN. S.S., 1/8 - 1/2	33	10	F15159	INSULATOR	7	14
F1052	SCREW, FILL HD., 1/4 - 20 X			F15160	INSULATOR WASHER	7	13
	1	23	15	F15161	PLAIN WASHER	7	12
F1059	FILL HD SCREW 6 - 32 X 1/4	11	36	F15162	NUT	7	10
F1129	FILL HD SCREW, S.S., 5/16 -			F15164	BRUSH KIT	7	8
	18 X 1/2	27	33				

PARTS INDEX

Part Number	Description	Pg.	Ref. No.	Part Number	Description	Pg.	Ref. No.
F15181	DRIVE KIT	7	1	F177330	VALVE, FUEL PUMP	9	24
F15182	DRIVE OPINION	7	2	F177917	STARTER RELAY	5	18
F15183	ARMATURE	7	4	F17815	SEAL, FUEL LINE COUPLER (SMALL)	37	5
F15184	THRU BOLT	7	16	F17816	SEAL, FUEL LINE COUPLER (LARGE)	37	4
F1532	HEX HD SCREW, 1/4 - 20 X 1	3	24	F17817	SEAL, FUEL TANK ADAPTER USED WITH 485755-1 ADAPTER	37	11
F1540	HEX HD SCREW, 1/4 - 20 X 5/8 GR.5	9	21	F17818	GASKET	37	12
F1552	SCREW, #8 - 32 X 1/4 SL. PA.	5	30	F1789	PIPE PLUG-1/16-27	9	19
F1556	SCREW, FILL HD. W/LOCKWASHER, 10 - 24 X 3/8	23	13	F1804	NUT, STOP 10 - 32	23	28
F1593	HEX HD SCREW, S.S., 3/8 - 16 X 3	29	47	F18160-3	REED, CYLINDER DRAIN	21	12
F1600	LOCK NUT, PIVOT TUBE	29	45	F1823	SCREW, 5/16 - 18 X 1 HEX	5	25
F1615	NUT, 5/16 - 24 HEX	5	16	F183300	SPRING	3	20
F1635	HEX SOCKET HD CAP SCREW, S.S., 3/8 - 16 X 3-1/2	27	27	F183346-1	SHOCK MOUNT LOWER	27	32
F1636	HEX SOCKET HD CAP SCREW, S.S., 3/8 - 16 X 1-1/4	27	28	F1836	SPRING PIN	29	61
F1645	SCREW, #6 - 32 X 1/4 SL. RD. HD.	5	28	F184033-1	SWIVEL, CHOKE ROD	11	35
F1645	SCREW, RD. HD., SELF-TAPPING, 6-32 X 1/4	39	31	F184122-1	SEAL, CRANKASE PARTING LINE	15	7
F1646	SCREW, CRANKCASE COVER TO CYLINDER 3/8 - 16 X 2 1/4 H SOC	15	9	F184122-1	SEAL, CRANKCASE PARTING LINE	17	-
F1647	HEX NUT, 8 - 32	5	40	F184579	SEAL, CHOKE ARM SWIVEL	11	34
F1648	SCREW, 10 - 24 X 3/4 PAN HD SCREW	9	13	F1849	HEX HD SCREW. S.S., 1/4 - 20 X 1 - 3/8	27	17
F165	REMOTE STEERING BRACKET	46	-	F1851	FILL HD M. SCREW W/LOCKWASHER, 10 - 24 X 1/2	27	4
F166	DUAL ENGINE TIE BAR	46	-	F1854	HEX HD. SCREW, 1/4 - 20 X 5/8	5	39
F1666	BOWED SPRING WASHER	27	41	F1854	SCREW, 1/4 - 20 X 5/8	21	8
F1669	STOP NUT	29	54	F1854	SCREW, HEX SLOT HD. 1/4 - 20 X 5/8	21	5
F1684397	DECAL, ENGINE COVER BOTTOM STRIPE	3	9	F1857	SCREW, HEX CAP, 5/16 - 18 X 5/8	15	32
F1704	WASHER, #6 INT. TOOTH, LOCK	5	29	F185764	RETAINING RING	29	80
F1727	RIVET, PLASTIC	23	9	F1860	SLOTTED BINDING HEAD SCREW, 6 - 32 X 1/4	9	25
F1733	PAN HD SCREW, 10 - 24 X 9/16	3	15	F1864	HEX CAP SCREW, 1/4 - 20 X 3/4	3	10
F1733	PAN HD SCREW, 10 - 24 X 9/16	29	55	F1864	SCREW, CRANKCASE TO CYLINDER, LARGE HD. 1/4 - 20 X 3/4	15	12
F1733	PAN HD. M. SC., #10 - 24 X 9/16	31	96	F1864	SCREW, HEX CAP, 1/4 - 20 X 3/4	23	30
F1733	SCREW, #10 - 24 X 9/16	5	9	F1879	SCREW, CRANKCASE COVER TO CYLNDNR 3/8 - 16 X 1 5/8 HEX SOC HD	15	8
F1741	SCREW, PAN HD., 8-3/4	39	30	F1904	PLAIN WASHER	29	48
F1741	SCREW, TERMINAL BLOCK	39	20	F1905	FILL HD SCREW, 1/4 - 20 X 3-7/16	27	22
F1744	SPRING PIN	29	75	F19109	PLUG	15	29
F1753	FASTENER, TRIM (INSIDE OF COVER)	3	31	F191169-1	SWIVEL BRACKET BEARING	27	35
F1755	ROUND HD SCREW W/LOCKWASHER, 6 - 32 X 1/4	25	12	F1922	HEX CAP SCREW, 1/4 - 20 X 5/8	27	11
F1767	FILL HD. M. SC., #10 - 24 X 3	31	97	F1922	SCREW, CRANKCASE TO CYLINDER, SMALL HD. 1/4 - 20 X 5/8	15	11
F1768	FILL HD. M. SC., #10 - 24 X 1-3/8	31	98	F1922	SCREW, HEX HD., 1/4 - 20 X 5/8	21	24

PARTS INDEX

Part Number	Description	Pg.	Ref. No.	Part Number	Description	Pg.	Ref. No.
F1929	HEX HD CAP SCREW, S.S., 3/8 - 16 X 1-1/8	27	24	F2207	SCREW, FILL HD., 1/4 - 20 X 1/2	23	23
F1947	FLANGED 12 POINT SCREW, 5/16 - 18 X 2	29	87	F224394-3	DECAL, FUEL MIXTURE - U.S.A. (NOT SHOWN)	37	-
F195/___	REMOTE CONTROL CABLE, SPECIFY LENGTH - X	39	26	F24074	CLAMP SCREW FOOT	29	69
F195/___	REMOTE CONTROL CABLES	45	-	F24342	SEAL	35	61
F1968	FLYWHEEL NUT, 3/4 - 16	19	19	F269052	BEARING, SHIFT ARM	23	25
F1971	SCREW, EXHAUST PORT 1/4 - 20 X 1/8 HEX HD.	15	5	F269319	BEARING, THROTTLE CAM	23	5
F1974	SCREW, #10 - 24 X 5/8	5	8	F269929	SPACER, TILT STOP	27	38
F1974	SCREW, TERMINAL BLOCK MTG., #10 - 24 X 5/8 SL PAN HD.	15	6	F286461	SPRING LOCK BAR HANDLE	29	77
F1975	LOCKWASHER	9	14	F286772-1	CLAMP	27	9
F1975	LOCKWASHER, #10	5	7	F298788	FERRULE	37	7
F197787-3	FUEL LINE COUPLER	37	6	F2A474266	BEVEL PINION W/BEARING	33	35
F197813	BEARING, REVERSE LOCK SHAFT REAR	29	62	F2A658144	CAGE, CRANKSHAFT BEARING	19	3
F1987	PLAIN WASHER	3	19	F307038	SUPPORT PLATE	3	13
F1987	PLAIN WASHER	29	82	F307211	STUD	21	3
F1995	SCREW, FILL HD., 10 - 24 X 1	23	14	F307279-2	CYLINDER EXHAUST GASKET UPPER	27	1
F1995	SCREW, THERMOSTAT COVER TO CYLINDER HEAD #10 - 24 X 1	15	27	F307279-2	GASKET, CYLINDER EXHAUST-UPPER	17	-
F1997	STOP NUT 8-32	13	42	F307317	TERMINAL JUMPER CLIP	5	6
F2008	HEX HD M.S., 1/4 - 20 X 7/8	35	55	F307615-1	GEAR SHIFT ROD UPPER	29	83
F2008	HEX HD SCREW, 1/4 - 20 X 7/8	25	1	F307660-1	LEG EXHAUST TUBE	27	3
F2014	WASHER, PLAIN	33	32	F307683	WIRE, CIRCUIT BREAKER	5	22
F2016	SCREW, #6 - 32 X 7/8	5	34	F307818	BEARING, LATCH SHAFT	3	17
F2025	PAN HD SCREW, 10 X 5/8	3	3	F307860	INTAKE SILENCER	3	27
F2030	HEX HD SCREW. S.S., 1/4 - 20 X 1-1/4	35	52	F307962	SHOCK MOUNT-SIDE- UPPER	27	14
F2030	SCREW 1/4 - 20 X 1 - 1/4	35	-	F310398	DECAL, WARNING (NOT SHOWN)	37	-
F2033	GROVE PIN	13	41	F311984-1	BLANKET SILENCER - TOP (NOT SHOWN)	3	-
F203965	SHOCK MOUNT UPPER	27	7	F316160	REED	25	10
F2066	PAN HD SELF-TAPPING SCREW	3	4	F316599	SEAL, PIVOT TUBE	31	89
F2073	HEX CAP SCREW 3/8 - 24 X 1-5/8	31	101	F333316	THROTTLE ROLLER SHAFT	13	44
F2081	SCREW, BEARING CAGE TO CYLINDER, 1/4 - 20 X 7/8 PAN HD	19	2	F335215	SPACER, PISTON PIN	19	13
F2088	FASTENER	29	58	F335217-1	BEARING, PISTON PIN	19	17
F2091	SCREW, CYLINDER HEAD AND COVER TO CYLINDER	15	17	F338129-1	SEAL, DRIVESHAFT SPLINE	33	1
F2093	STOP NUT	31	102	F338271	RETAINER	33	2
F2097	SPRING PIN	33	23	F338618-1	SEAL, SHIFT ROD LOWER	35	43
F2106	WASHER, INTERNAL STAR	5	20	F345427-1	BRACKET, STARTER MOUNTING	21	4
F213251	FUEL CAP (USA ONLY) (NOT SHOWN)	37	-	F349307	DRIVESHAFT SEAL - WATER PUMP	35	50
F213274	GREASE FITTING	29	63	F353480	STUD	29	68
F215962	SHOCK MOUNT SIDE LOWER	29	86	F366058	BALL BEARING, PROPELLER SHAFT	33	16
F2165	RIVET, TRIM	3	33	F366277	GASKET, BEARING CAGE	17	-
F2200	SCREW, #12 - 24 X 1 HEX HD.	5	35	F366300	REVERSE LOCK SPRING	29	52
				F366349	REVERSE LOCK	29	53
				F366350-1	TILT STOOP PIVOT	27	39
				F366364	ARM, REVERSE LOCK	29	59
				F366426	TILT STOP - PORT	27	40
				F366433	TILT STOP, STARBOARD	29	65
				F366510-1	LINK, REVERSE LOCK	29	60
				F366727	BALL, PROPELLER SHAFT	33	20
				F366886	PIN	29	51
				F391926-1	CHOKE SOLENOID PLUNGER	13	40

PARTS INDEX

Part Number	Description	Pg.	Ref. No.	Part Number	Description	Pg.	Ref. No.
F3A433757	REED PLATE, CYLINDER DRAIN	21	11	F433973	SHOCK MOUNT LOWER COVER - PORT	27	26
F40008	STUD, SHORT	33	39	F434754	FUEL LINE, PUMP TO CARBURETOR	9	10
F40146-2	SEAL, CRANKSHAFT LOWER	19	10	F435057	BEARING, DRIVESHAFT UPPER	35	45
F40151-2	PLATE, EXHAUST PORT	15	3	F435077	SCREEN, WATER INLET	35	44
F40154-4	GASKET, EXHAUST PORT PLATE	15	-	F435244	INLET WATER LINE	33	7
F40154-4	GASKET, EXHAUST PORT PLATE	15	2	F435323	PACKING, LEG COVER LOWER	31	92
F40209	CARBURETOR STUD	25	3	F435555	SEAL, GEAR HOUSING	35	41
F40223	GASKET, TRANSFER PORT COVER	9	22	F435562	BACK PLATE, WATER PUMP	35	-
F40223	GASKET, TRANSFER PORT COVER	15	-	F435562	WATER PUMP BACK PLATE	35	47
F40223	GASKET, TRANSFER PORT COVER	21	25	F435705	GEAR SHIFT ROD LOWER	33	36
F40279-1	CYLINDER EXHAUST GASKET-LOWER	27	13	F438165	SCREW, FUEL SEDIMENT BOWL	9	6
F40279-1	GASKET, CYLINDER EXHAUST-LOWER	17	-	F438500	BOWL, FUEL SEDIMENT	9	5
F40307-2	SEAL, DRIVESHAFT UPPER	35	46	F438617	GASKET, FUEL SEDIMENT BOWL	9	3
F40342	SEAL	33	5	F438653	SCREEN, FUEL PUMP	9	4
F40342	SEAL, PROPELLER NUT	33	11	F438747	DIAPHRAGM, FUEL PUMP	9	15
F40410	SNAP RING	19	11	F438760	GASKET, FUEL PUMP	9	16
F404801	ELBOW	21	21	F438801	ELBOW	9	11
F404841	CABLE, OVERHEAT BUZZER	39	28	F452925	CHOKE SOLENOID ROD	11	39
F405457	SCREW, PIVOT	23	31	F453133-3	MOTOR LEG	27	23
F40717	THRUST WASHER, BEVEL GEAR	33	19	F458774	BRACKET RETAINER - REAR	3	11
F40833-4	GASKET, IDLE RELIEF COVER	15	-	F463314	ELBOW W/CHECK VALVE	21	28
F40833-4	MOTOR LEG EXHAUST COVER GASKET	27	21	F463314	ELBOW, CHECK VALVE	15	10
F40906-1	CARBURETOR GASKET	11	33	F463864	RETAINER, TILT HANDLE	3	5
F40906-1	GASKET, CARBURETOR	15	-	F465985	BLANKET, SILENCER - SIDE (NOT SHOWN)	3	-
F40909	PIN, LOCATING	17	34	F474073-1	CLAMP SCREW	29	73
F409251-1	FUEL CAP (CANADA ONLY)	37	1	F474146	SEAL CRANKSHAFT, UPPER	19	1
F433065-2	IMPELLER	35	-	F474992	BLANKET SILENCER - FRONT (NOT SHOWN)	3	-
F433065-2	WATER PUMP IMPELLER	35	48	F485755-1	FUEL TANK ADAPTER	37	3
F433114	HANDLE, LOCK BAR	29	76	F498619	SEAL, O-RING	33	30
F433168	CARBURETOR ADAPTER GASKET	25	5	F498891	GEAR SHIFT ARM PIVOT PIN	33	29
F433168	GASKET, CARBURETOR ADAPTER	17	-	F4C662712	ENGINE COVER COMPLETE	3	-
F433192	CAM, THROTTLE	23	6	F50109	PLUG, GEAR HOUSING	33	27
F433209-1	STUD, THROTTLE CAM	23	1	F510640	CIRCUIT BREAKER	5	12
F433254	HOSE	21	20	F522032	STERN BRACKET - STARBOARD	29	67
F433404	DEFLECTOR PLATE	25	7	F522125-1	TUBE, PIVOT STEERING	29	70
F433406	DEFLECTOR PLATE GASKET	25	8	F522286	STERN BRACKET FRICTION WASHER	27	37
F433406	GASKET, DEFLECTOR PLATE	17	-	F522359	SPACER, STEERING LINK	31	100
F433689	BEARING, TOWERSHAFT	23	10	F522532-1	STERN BRACKET - PORT	27	43
F433758	HOSE, LOWER MAIN BEARING TO ELBOW	21	27	F522884	BEARING, REVERSE LOCK SHAFT	29	57
F433946	SHOCK MOUNT UPPER COVER	27	8	F525064	SCREW, 1/4 X 1 - 3/4 PN. HD.	5	19
F433972	SHOCK MOUNT LOWER COVER - STARBOARD	29	85	F544390-1	DECAL, TILT LOCK	29	50
				F549189	BUSHING, ELECTRIC CABLE ENTRY	3	14
				F563	TERMINAL BLOCK KIT	45	-
				F575675	BRACKET, STARTER MOUNTING, LOWER	21	7

PARTS INDEX

Part Number	Description	Pg.	Ref. No.	Part Number	Description	Pg.	Ref. No.
F58685-2	CONNECTOR, SHIFT	39	25	F629896	CABLE, BATTERY	5	23
F5H020	CARRYING HANDLE	45	-	F650450	RECTIFIER	5	26
F5H021	BATTERY EXTENSION			F658013	BEARING, CRANKSHAFT,		
	CABLE	45	-		UPPER MAIN	19	4
F5H023	REMOTE STEERING			F658015	PISTON (STANDARD)	19	14
	BRACKET	46	-	F658017	PIN, PISTON	19	16
F5H025	ANTI-CORROSION			F658029	TRIGGER ASSEMBLY	5	3
	SACRIFICIAL ANODE	45	-	F658066	COVER, THERMOSTAT	15	26
F5H026-1	FUEL TANK (ACCESSORY			F658095	STATOR ASSEMBLY	5	2
	ITEM) -	37	2	F658152	COVER, EXHAUST PORT	15	4
F5H026-1	FUEL TANK, 6 GALLON,			F658208	RETAINER	35	60
	STEEL	45	-	F658208	RETAINING RING	15	19
F5H028	SENDING UNIT	45	-	F658268	SPRING, THERMOSTAT	15	24
F5H029	FUEL TANK ANCHOR	45	-	F658418	TUBE, COOLING SYSTEM	15	28
F5H030	SWITCH KIT - RUNNING			F658445	LINK, SPARK CONTROL	23	19
	LIGHTS	46	-	F658449	THERMOSWITCH W/WIRE	15	18
F5H031	SWITCH KIT - SPOT LIGHT	46	-	F658475	C-D, COIL ASSEMBLY	5	21
F5H032	SWITCH KIT - WIPER	46	-	F658497	BLOCK TERMINAL	5	31
F5H034	SWITCH KIT - BILGE PUMP	46	-	F658501	BRACKET, C-D MOUNTING	5	24
F5H035	SWITCH KIT - HORN	46	-	F658504	WASHER, THERMOSTAT	15	22
F5H036	SWITCH KIT - TACHOMETER			F658518	HEAD, CYLINDER	15	14
	TRANSFER	46	-	F658529	GASKET, CYLINDER HEAD	15	13
F5H037	SWITCH KIT - LIGHTER	46	-	F658529	GASKET, CYLINDER HEAD	17	-
F5H038	SWITCH KIT - IGNITION	46	-	F658680	SPACER PLATE	27	2
F5H039	SWITCH KIT -			F658744	ENGINE WIRE HARNESS	5	4
	INSTRUMENTS	46	-	F658758	HOSE, IMPULSE	9	20
F5H041	BATTERY TERMINAL KIT	45	-	F658803	GASKET, SPACER PLATE	9	2
F5H055	WATER PUMP KIT	45	-	F658836	SPACER, FUEL PUMP	9	17
F5H070	REMOTE ELECTRIC CABLE	46	-	F658995	COVER, CYLINDER HEAD	15	15
F5H073	BUZZER, OVERHEAT,			F660141	CONNECTOR CABLE -		
	ACCESSORY ITEM	39	29		REMOTE CONTROL	39	15
F5H073	OVERHEAT BUZZER KIT	45	-	F660165	SCREW, LEVER TO		
	WIRING HARNESS (24")	46	-		ACTUATOR	39	3
F5H076	SWITCH EXTENSION CABLE			F660189	BUSHING, CABLE ENTRY	3	18
	(5')	46	-	F660327	ACTUATOR, ASSEMBLY -		
	REMOTE CONTROL	39	14		REMOTE CONTROL	39	14
F5H077	IGNITION KEY SWITCH	45	-	F660329	LANYARD, KILL SWITCH	39	33
F5H077	SWITCH, ACCESSORY ITEM	39	21	F660332	PLUG, WARM-UP BUTTON	39	4
F5H078	IGNITION KEY SWITCH	45	-	F660353	CABLE, 5' REMOTE ELECT.	39	8
F5H081	BATTERY CABLE - 15 FEET	45	-	F660411	RING, RETAINING	39	16
F5H084	TRAILERING TILT LOCK	31	104	F660446	CLAMP, REMOTE ELECT.		
F5H084	TRAILERING TILT LOCK	45	-		CABLE	39	6
F5H141	LINK, STEERING	31	99	F660480	SCREW, COVER TO		
F5H141	STEERING LINK KIT	45	-		ACTUATOR	39	9
F5H143	POWER TILT	45	-	F660497	BLOCK, TERMINAL	39	19
F5H147-1	POWER TRIM	45	-	F660504	GROMMET, REMOTE		
	ACCESSORY CABLE	39	7	F660595	WASHER, CONTROL MTG.		
F5H154	SPEEDOMETER	45	-		SCREW	39	11
F5H156	TEMPERATURE GAUGE	45	-	F660602	SWITCH, EMERGENCY KILL	39	2
F5H157	VOLTMETER	46	-	F660642	RETAINER, REMOTE CABLE	39	13
F5H159	HOURMETER	45	-	F660664	WIRE, IGN. SWITCH TO		
F5H160	POWER TRIM INDICATOR	45	-		ACC. TERMINAL BLOCK	39	27
F5H167-1	TACHOMETER	46	-	F660732	SCREW, CONTROL		
F5H177	FLUSHING ADAPTER	45	-		MOUNTING	39	10
F5H191	FORCE BLUE ENAMEL	45	-	F660751	SCREW, PLATE TO		
F5H192	FORCE BLUE ENAMEL	45	-		ACTUATOR	39	17
F5H194	CLEAR ENAMEL	46	-	F660843	CABLE, 15-1/2' REMOTE		
F5H199	REMOTE CONTROL				ELECT.	39	5
	SURFACE MOUNT			F660911	PLATE, REMOTE CONTROL	39	18
	(SINGLE LEVER)	45	-				
F628061-1	CARBURETOR ASSEMBLY						
	(WE-17)	11	-				

PARTS INDEX

Part Number	Description	Pg.	Ref. No.	Part Number	Description	Pg.	Ref. No.
F660995	COVER, ASSEMBLY - REMOTE CONTROL	39	12	F85610	BEARING	23	24
F662386	DECAL, "50"	3	35	F85634-2	SCREW, CONNECTING ROD	19	7
F663366	MEDALLION, "FORCE"	3	36	F85735-1	SEAL, TRIM (INSIDE OF COVER)	3	32
F665387	DECAL, "US MARINE"	3	30	F85756	SUPPORT PLATE PACKING	3	12
F668611	LEVER	39	1	F85908-1	WIRE STARTER	7	6
F684915	DECAL, ENGINE COVER TOP STRIPE	3	34	F88161-4	REED STOP	25	11
F7004	NUT STOP, 7/16 - 20	23	26	F89011	SWIVEL BRACKET WASHER	27	31
F7007	NUT	27	44	F89025	PAD, DAMPENING - LEG COVER	31	94
F7008	NUT, ELASTIC, STOP, 1/4 - 20	23	4	F89504	GROMMET, MOTOR LEG EXHAUST COVER	31	93
F7008	STOP NUT	7	17	F89777-1	LATCH CAM	3	23
F7011	HEX NUT, 10 - 24	3	6	F90014	BEARING, CRANKSHAFT, LOWER MAIN	19	9
F762	REMOTE ELECTRIC CABLE	46	-	F901563	DRIVE PIN	35	-
F8003	WASHER, PLAIN	21	14	F901563	DRIVE PIN, WATER PUMP IMPELLER	33	4
F8011	FLATWASHER	5	10	F9018	PLASTIC CAP, PIVOT TUBE	29	71
F8025	PLAIN WASHER	27	10	F9052	PLASTIC PLUG, PIVOT TUBE	29	46
F8038	PLAIN WASHER	27	15	F90619-2	YOKE	35	56
F8039	WASHER CYLINDER HEAD BOLTS	15	16	F90871-3	GEAR SHIFT ARM PIN	33	22
F8042	PLAIN WASHER	33	6	F91446-1	BRACKET	5	11
F8049	BOWED SPRING WASHER	29	81	F92759	ROLLER	13	43
F8056	SPRING LOCKWASHER	5	41	F93472-1	GASKET, CYLINDER DRAIN COVER	15	-
F8058	WASHER, TOOTH, EXTERNAL	23	3	F93472-1	GASKET, CYLINDER DRAIN COVER	21	16
F8065	LOCKWASHER	35	59	F93748-1	GASKET, CYLINDER DRAIN REED PLATE	17	-
F8065	SPRING LOCKWASHER	27	25	F93748-1	GASKET, CYLINDER DRAIN REED PLATE	21	9
F8077	WASHER, GEAR HOUSING PLUG	33	28	F93811	SCREEN, CYLINDER DRAIN REED PLATE	21	10
F8083	LOCKWASHER	9	7	F93920	REED STOP, CYLINDER DRAIN	21	13
F8083	LOCKWASHER, SPRING	21	6	F97008-1	STUD, LONG	33	31
F8083	PLAIN WASHER	31	103	F97067	GASKET, THERMOSTAT COVER	15	25
F8083	SPRING LOCKWASHER	5	38	F97067	GASKET, THERMOSTAT COVER	17	-
F8083	SPRING LOCKWASHER	27	18	F97068-2	THERMOSTAT	15	23
F8088	FLATWASHER	5	33	F97772	CLAMP, FUEL LINE	9	9
F8088	PLAIN WASHER	11	37	F98273	STUD, ROD END CONNECTOR	23	29
F8094	FLATWASHER	5	15	F99521-1	CLUTCH	33	24
F8096	LOCKWASHER, 5/16	5	17	FA307779	BAFFLE, AIR INTAKE	3	25
F8096	LOCKWASHER, SPRING	15	31	FA328763	COVER LATCH HANDLE W/SHAFT	3	16
F8096	LOCKWASHER, SPRING	21	2	FA366778	ENGINE COVER RETAINER FORWARD	3	26
F8096	LOCKWASHER, SPRING	3	22	FA40655	RACE, CRANKSHAFT CENTER MAIN BEARING	19	5
F84026	SWIVEL, SPARK CONTROL	23	18	FA411222	COVER, TRANSFER PORT	21	22
F84035-2	BEARING, SPARK CONTROL. R.H.	23	21	FA433113	STERN BRACKET BAR	29	74
F84036	BEARING, SPARK CONTROL, L.H.	23	17	FA433167	CARBURETOR ADAPTER FLANGE	25	4
F84280	KINGPIN NUT	27	30	FA433471	COVER CYLINDER DRAIN W/FITTING	21	17
F84314-2	ELBOW, FUEL	21	26	FA435116	EXHAUST, SNOUT	33	40
F84314-2	ELBOW, FUEL LINE	21	23				
F84449	SWITCH, NEUTRAL INTERLOCK	5	32				
F84792	GASKET, FUEL PUMP COVER	9	23				
F85372	PIN, GEAR SHIFT ROD LOWER	33	38				
F8538	SPRING PIN	29	72				
F85498-1	FLYWHEEL KEY	19	18				
F85502	LINK, THROTTLE	23	8				
F8559	PIN, DOWEL	15	30				

PARTS INDEX

Part Number	Description	Pg.	Ref. No.	Part Number	Description	Pg.	Ref. No.
FA435135	COVER, LEG STARBOARD	31	90	FT11260	SPARK TESTER	43	-
FA435145	COVER, LEG PORT	31	91	FT1749	RETAINING RING PLIERS	41	-
FA435616	GEAR SHIFT ROD			FT2938-1	TEST LIGHT	43	-
	INTERMEDIATE	35	53	FT2951	CIRCUIT TRACER	43	-
FA438431	BODY, FUEL PUMP	9	12	FT2953	SOCKET	41	-
FA458480	ENGINE COVER RETAINER	3	7	FT2955A	TEST WHEEL	43	-
FA463060	WATER PUMP BODY	35	-	FT2961	LUBRICANT - RYKON		
FA463060	WATER PUMP BODY	35	49		GREASE #2EP	44	-
FA485662	BEVEL GEAR REAR			FT2962-2	SEALANT - 50 CC LOCTITE		
	W/BEARING	33	18		H, NON-HARDENING		
FA485914	SEAL, INLET WATER LINE,				GRADE	44	-
	LOWER	35	51	FT2963-2	SEALANT - 2 OZ. LOCTITE		
FA486054	GEAR HOUSING LOWER	33	26		#271	44	-
FA545554	GEAR HOUSING UPPER	35	42	FT2987-1	LUBRICANT - ANTI-SEIZE	44	-
FA58976-1	CONNECTOR, THROTTLE	39	24	FT2990	PISTON PIN REMOVER	41	-
FA613072	SWIVEL BRACKET	27	36	FT2991	CARBON BRUSH	41	-
FA616497	TERMINAL BLOCK	5	5	FT2996	RING COMPRESSOR	41	-
FA658010	CYLINDER W/CRANKASE			FT2998	TORQUE WRENCH (0-100		
	COVER AND DEFLECTOR				LBS./FT.)	41	-
	PLATE	15	1	FT2999	TORQUE WRENCH (0-600		
FA658018	CRANKSHAFT	19	8		LBS./IN.)	41	-
FA658097	FLYWHEEL	5	1	FT3431	SEAL INSTALLER	42	-
FA658158	REED PLATE	25	9	FT3510	SEAL INSTALLER	41	-
FA658260	RING SET (STANDARD) 2			FT3512	SEAL SLEEVE	41	-
	RINGS PER SET	19	15	FT8900	HOSE CLAMP PLIERS	41	-
FA658746	COVER, FUEL PUMP	9	1	FT8904	FORWARD BEARING CUP		
FA85754-1	FUEL LINE SHORT	37	8		INSTALLER	42	-
FA89128-1	DRIVESHAFT	33	3	FT8907	DRIVER HANDLE	42	-
FA89832-2	MOTOR LEG EXHAUST			FT8918	BUSHING GUIDE SET	42	-
	COVER	27	20	FT8919	SPRING PIN PUNCH	42	-
FA94094-2	PROPELLER NUT	33	9	FT8921	FORWARD BEARING CUP		
FC311398	DECAL, TOTE TANK -				REMOVER	42	-
	CANADA (NOT SHOWN)	37	-	FT8926	RING EXPANDER	41	-
FC486054	GEAR HOUSING KIT.	33	-	FT8933	LIFTING EYE	41	-
FC658010	SHORT BLOCK.	15	-	FT8935	SEALANT PRIMER - 6 OZ.		
FC658746	FUEL PUMP COMPLETE	9	26		LOC QUIC T	44	-
FG1024	GASKET, SET.	15	33	FT8936-1	SEALANT - 2 CC LOCTITE		
FK10120-1	FLOAT KIT, VALVE AND				RETAINING COMPOUND #		
	SEAT	11	31		75	44	-
FK10202-1	REPAIR KIT.	11	32	FT8945	RETAINER PUNCH	42	-
FK10209	GASKET KIT.	11	17	FT8948-1	PULLER	40	-
FK1073	WATER PUMP KIT.	35	58	FT8948-1	PULLER	42	-
FK1074	GEAR HOUSING SEAL KIT.	35	57	FT8950	LEAKAGE TESTER	43	-
FK247	PROPELLER PIN, PACK OF			FT8957	SEAL INSTALLER	42	-
	6	33	12	FT8962	BEARING INSTALLER	42	-
FK405020	SWIVEL	23	12	FT8964	BEARING REMOVER	42	-
FK433838	TOWERSHAFT	23	11	FT8969	LUBRICANT - 7 OZ. LPS-1	44	-
FK606711	PLATE, FRONT	3	29	FT8978	TIMING LIGHT	40	-
FK85228-1	CAGE, BEARING WITH			FT8983	SEALANT - RTV	44	-
	ROLLERS (16 PER SET)	19	6	FTA11259	MULTIMETER	43	-
FO14166	NEEDLE, IDLE	11	27	26-817766A1	SEAL, KINGPIN PLATE	27	5
FO15623	BOWL RING GASKET	11	15	31-817731A5	PROPELLER SHAFT		
FO16620	SHAFT RETAINER RING	11	2		BEARING CAGE.	33	14
FP287	PROPELLER (10-3/8 X 11-1/2				FUEL LINE, LONG	37	10
	X 3 ALUM)	33	8	32-817738A1	SPARK PLUG, L-82-C	15	21
FS307940	KINGPIN PLATE	27	6	33-82370M	DECAL, TIMING	25	13
FS409752	FUEL LINE - COMPLETE	37	-	37-817792A1	DECAL, ADHESIVE BACK	5	36
FS662712	ENGINE COVER	3	1	37-817910--1	RING SET (.030 OVER) 2		
FSA658015	PISTON (.010 OVER)	19	-	39-818131A1	RINGS PER SET	19	-

PARTS INDEX

Part Number	Description	Pg.	Ref. No.	Part Number	Description	Pg.	Ref. No.
44-819500A3	PROPELLER SHAFT ASSEMBLY	33	21				
89-817760A2	CHOKE SOLENOID	5	37				
597-	US MARINE OUTBOARD GEAR LUBE	46	-				
600-818052A4	ROD, CONNECTING	19	12				
700-818130A1	PISTON (.030 OVER)	19	-				
F596-	US MARINE OUTBOARD OIL	46	-				